

Easy Drain®

Linear shower drains





Welcome to the world of ESS

ESS stands for Easy Sanitary Solutions, and is at the same time the best and most appropriate statement describing our products. Simple, practical and advantageous for installation specialists and end-users, in the very best quality with an attractive and modern design. As a family owned company we have been designing, developing and producing sanitary solutions since 1928.

Exceptional Quality

All products are subject to extensive testing and evaluation, to ensure a long lasting life in your bathroom.

Exclusive design

ESS has a passion for design. Therefore, we design all our products ourselves, with love for details. This way we give all our products the exclusive Dutch design, which we are so proud of. ESS products are renowned worldwide for their exquisite design and have been awarded several international design and innovation awards.

Innovative products

Innovation is the soul of the company. ESS is constantly changing the world of sanitary with new ideas and solutions that add more comfort and ease of installation to the bathroom. Out-of-the-box thinking and intensive market contact enables ESS to innovate. Thanks to this innovation power customers all over the world know how to find ESS.

Our story is one of a passion for change,

of reimagining our world and creating something new. It begins in 1928. In the small village of Losser in the Netherlands, when our family owned company began designing, selling and producing bathroom solutions.

1928
Keizer Sanitair



1972

2002

In this year the **two brothers**, currently overseeing ESS, found the solution that would change bathrooms worldwide.

They invented the **Easy Drain** linear shower drain.

Easy Drain - Shower drains



2009

Trainingcenter

Container - Storage solutions



2013

Corporate office
The Netherlands

Easy Seal
- Bathroom Sealing

Easy Board
- Shower Board

2014

Experience & Design
center



2017
Expansion
Germany



CERTIFICATION



cUPC

Easy Drain shower drains are certified according to the Uniform Plumbing Code and provide safe and sanitary plumbing systems using the latest technologies and innovations. The UPC is compatible with all model building codes. Uniform Plumbing Code also includes Sam (EasySeal). ANSI A118.10-2014, which is a component standard of the ANSI A108, A118, A136 Specifications for the Installation of Ceramic Tile (Material & Installation Standards)



Code of Massachusetts Regulations

The Code of Massachusetts Regulations (CMR) is the collection of regulations promulgated by various agencies of the Commonwealth of Massachusetts. Regulations which have been approved by an authorized agency according to a procedure established by the legislature have the force of law. This allows the state legislature to delegate the details of certain types of lawmaking to executive agencies.



ISO 9001

Quality is our first priority, which will always be continued in the future. To get this quality we only use the best rated materials and the newest and most innovative production processes. This is why Easy Drain do not have to make any concessions to the quality philosophy. Several times a year we test our quality internal to our own high standard which are the highest in the branch.

In 2016 Easy Drain was certificated with the ISO-9001 certificate by the independent Pan European standardization institute KIWA.



CEU Approved

A continuing education unit (CEU) is a measure used in continuing education programs to assist the professional to maintain his or her license in their profession. Continuing education or professional development is required in many fields, including teachers, insurance professionals, interior designers/interior architects, lighting designers, architects, engineers, emergency management professionals, school administrators, educators, nurses, mental health professionals, psychologists and social workers. The continuing education unit is described as ten hours of participation in an education program.

ICONS

Easy Drain®



Suitable for wall installation



Suitable for floor installation

Easy Board®



Height adjustable grate



Wheelchair accessible

Easy Seal®



Wall-to-wall installation



One-sided installation



Wall installation



UPC certified



Tile Adjustable Frame



Water Protection System



Custom length shower drain/ shower board

Container®



Variable installation depth



Suitable for drywall



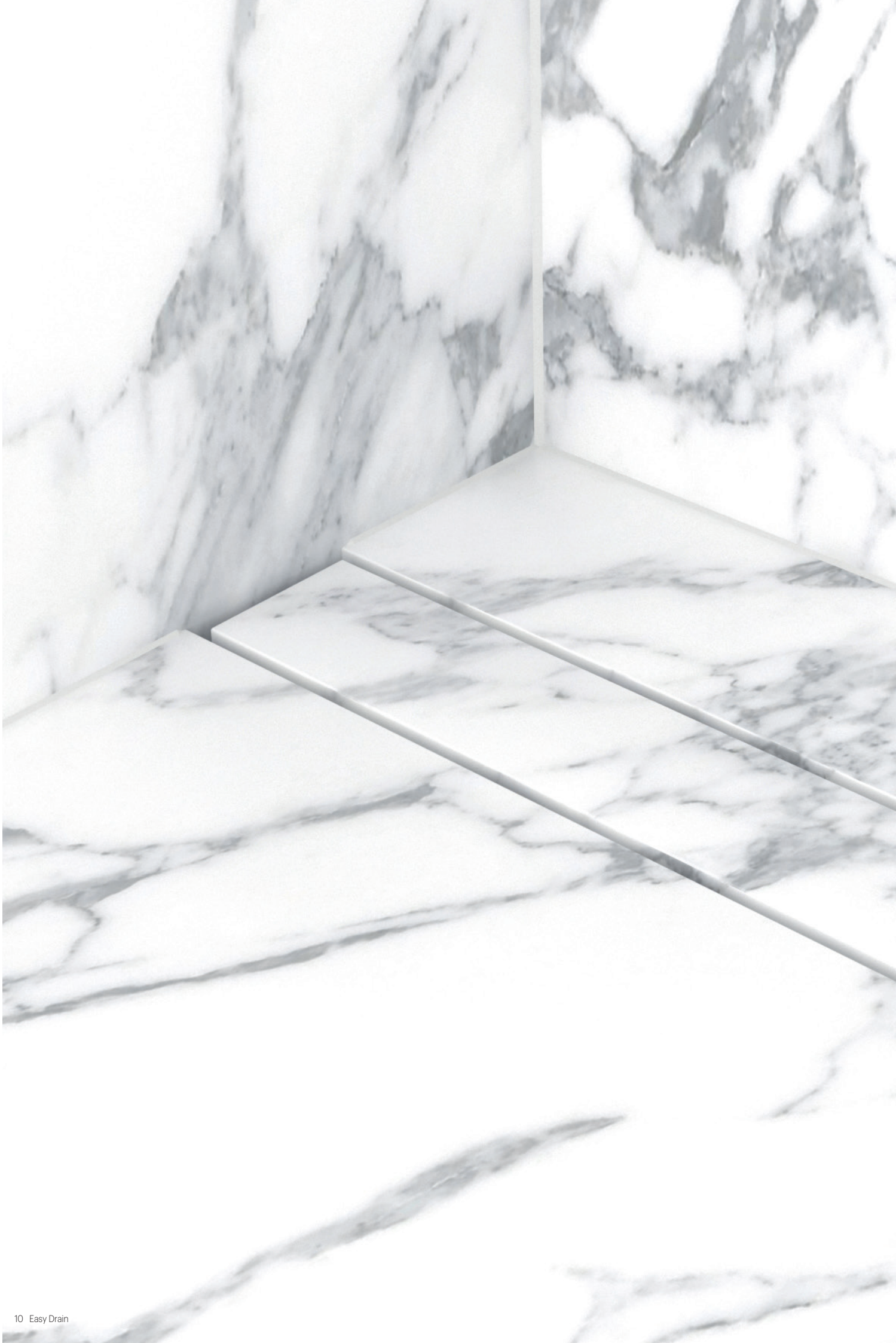
Suitable for solid wall



Model with door



High quality stainless steel





Easy Drain[®]

by ess

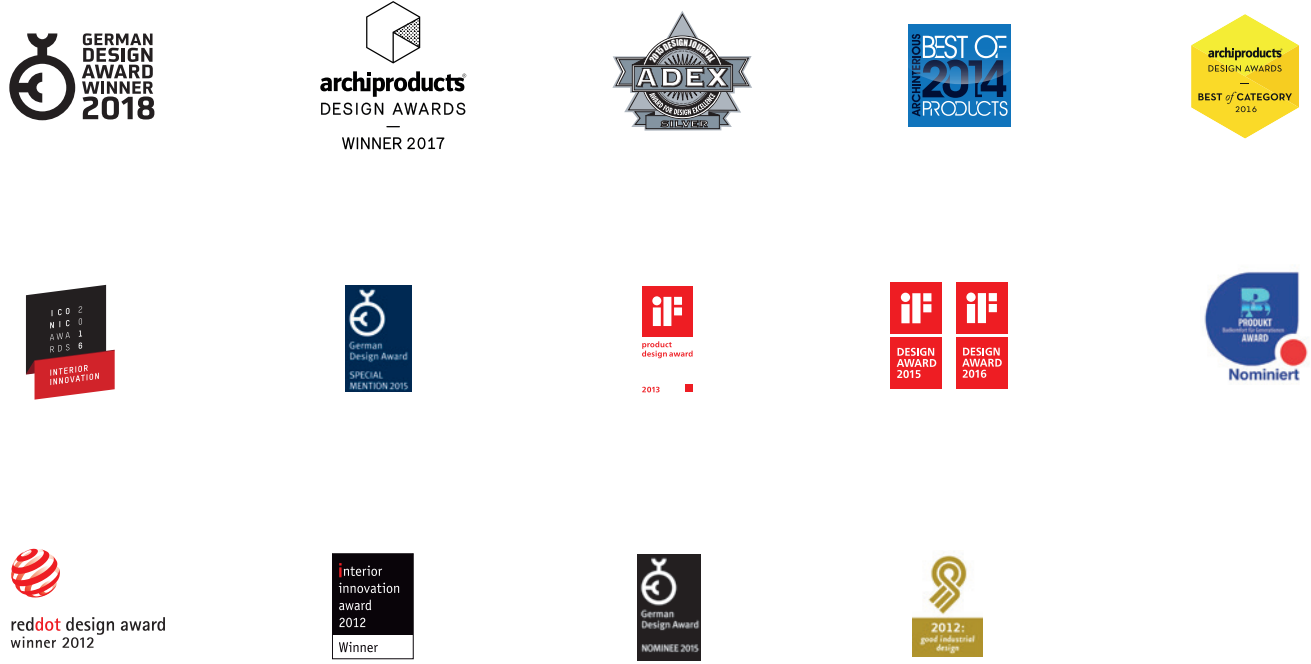
EASY DRAIN

Think free. Shower free

We believe in a barrier-free world; a place with no restrictions. Our Easy Drain linear shower drain is the culmination of that dream. From now, you can enjoy maximum freedom in designing your bathroom; whether it involves a renovation or a new build. The Easy Drain series offer grates with a unique design, which are perfect for small and large-sized shower floors with various finishes. Our shower drains are supplied as a complete set and have just a few parts, allowing quick and easy installation. With our WPS-system, we offer a guaranteed safe and 100% watertight system, in combination with any of our Easy Drains. As a result, leakage from faulty installation due to unfavourable conditions is eliminated.

AWARDS

We never stopped developing our products, therefore every detail has been made perfect. Our bathroom solutions are leading on the market of exclusive design, innovation and durability. Therefore, we have obtained numerous internationally renowned design- and innovation awards. These awards are the ultimate rewards for our work and show exactly how dedicated we are.

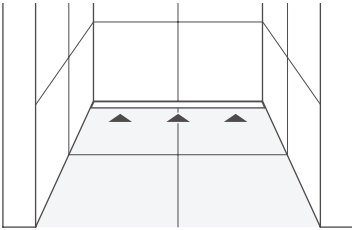


INSTALLATION



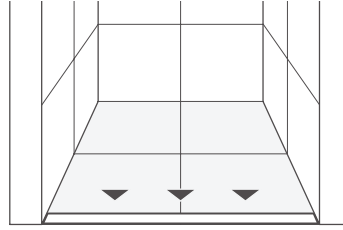
Wall installation

Installation against the wall and between the two side walls. This type of installation requires a one-sided slope and offers high drainage capacity thanks to the wall installation.



Entrance installation

Installation at the entrance of the shower between the two walls. This type of installation requires a one-sided slope.

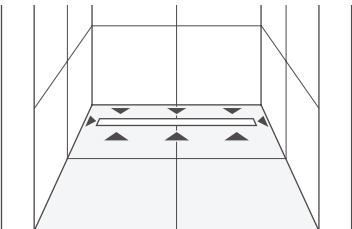


ADA compliant



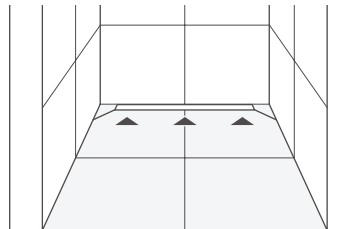
Free in the floor

Installation with floor tiles on all four sides of the shower drain. This type of installation requires a four-sided slope.



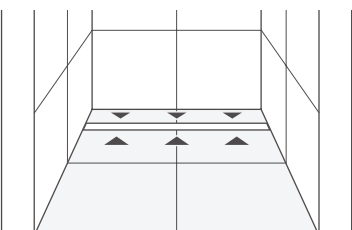
One-sided installation

Installation against the wall with tiles on the other three sides. This type of installation requires a three-sided slope and offers high drainage capacity thanks to the wall installation.



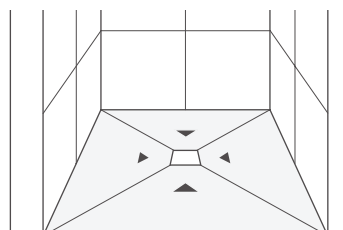
Wall to wall installation

Installation between the walls, with floor tiles on either side of the shower drain. This type of installation requires a two-sided slope.



Free in the floor

Installation with floor tiles on all four sides of the shower drain. This type of installation requires a four-sided slope.



WPS: WATER PROTECTION SYSTEM

Guaranteed watertight with 10-year warranty

The innovative Water Protection System (WPS) provides an easy-to-install and safe-to-assemble seal system for linear shower- and floor drains. This WPS-system consists of a flexible waterproofing membrane which is connected to the linear drain's stainless steel flanges or the floor drain's special cuff. This way, leaking as a result of faulty installation due to unfavourable conditions is eliminated.

Perfect waterproof connection

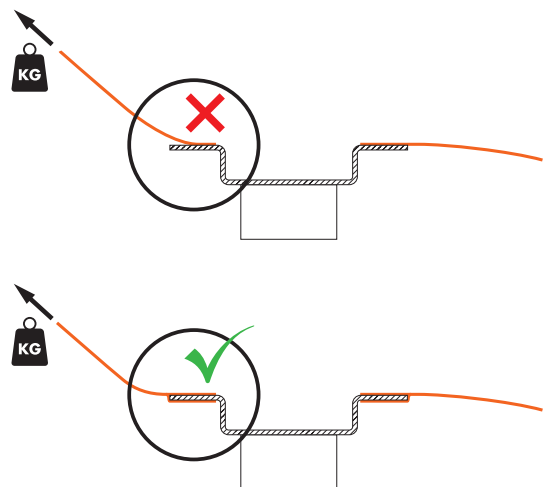
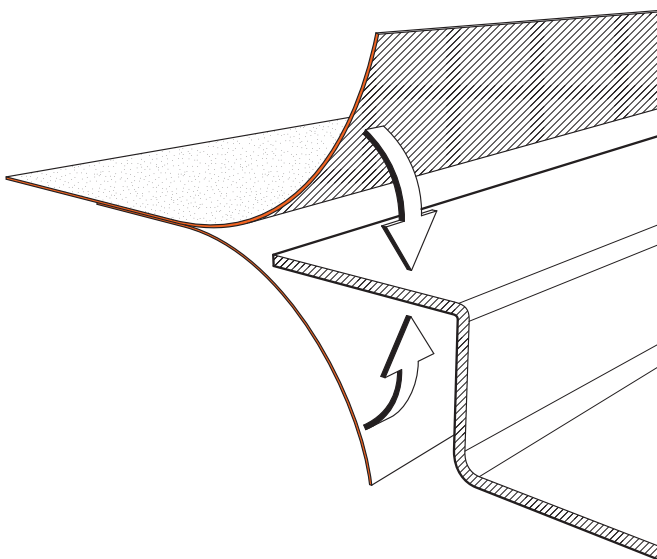
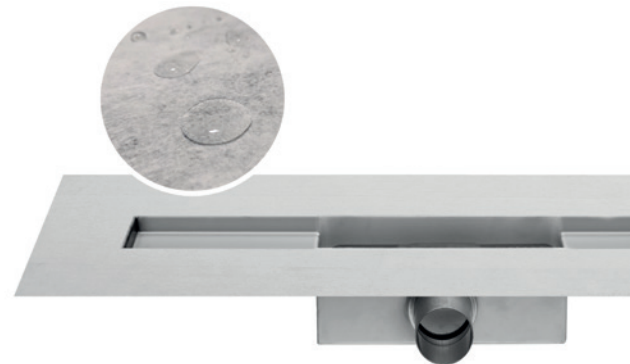
WPS forms the perfect waterproof connection between a drain and its surrounding floor when using a rapid-drying flexible sealing compound. Unique to this system is that the waterproofing system is pre-assembled in a controlled manufacturing environment, therefore preventing assembling mistakes or adhesive problems caused by working on a construction site.

Preferred by professionals worldwide

Easy Drain's WPS-system is developed with over more than 14 years of experience in the sanitary industry and is preferred by professional installers and tilers worldwide. This shows once again, that the easy and safe solutions of ESS are a milestone in shower drainage design and development.

USP'S:

- > Guaranteed a 100% watertight installation
- > 10-year warranty with our water protection system.
- > Factory assembled membrane
- > Tear resistant
- > Pre-assembled
- > Can be installed on Hotmop (after the Hotmop is cooling down).

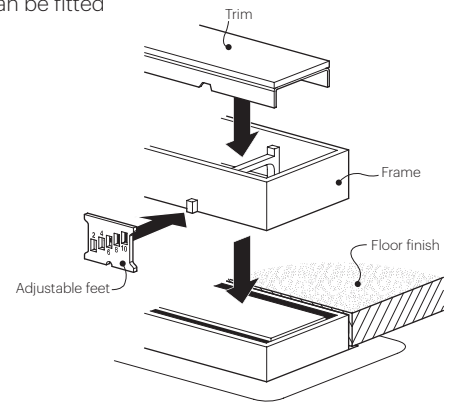


TAF: TILE ADJUSTABLE FRAME

The innovative TAF (Tile Adjustable Frame) is fully adjustable at the time of tiling. TAF creates a finished edge, and ensures a perfect fit with any thickness of floor material. The frame can be fitted with multiple length end spacers for a perfect fit against the wall.

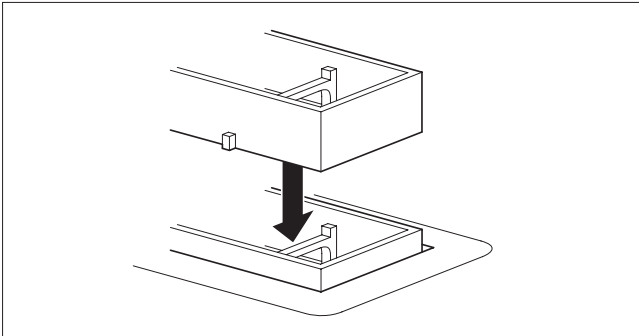
USP'S

- > Easy leveling to tile thickness
- > Available sizes up to 78" (2000 mm)
- > Saves time
- > Perfect finish
- > Secondary drainage

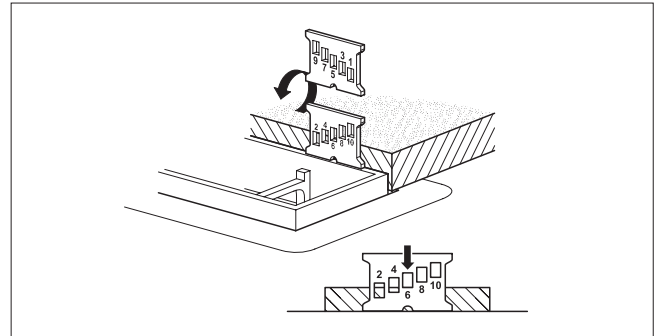


INSTALLATION

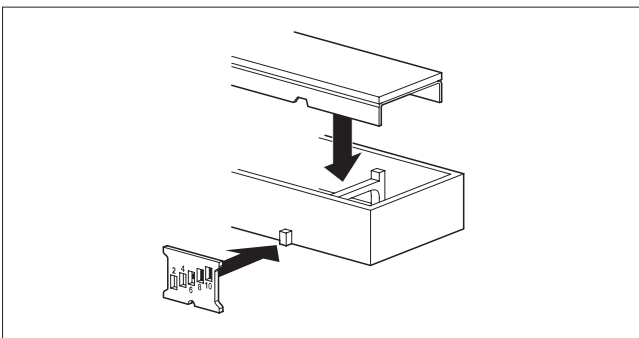
1 Place



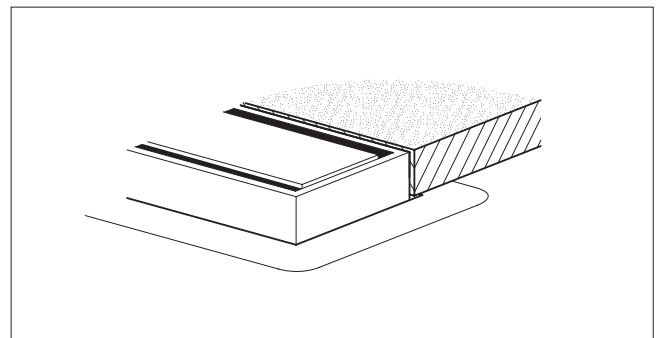
2 Measure



3 Adjust



4 Match



OPTIONS

<p>TAF Low Thin flooring</p> <p>$\frac{1}{8} - \frac{1}{2}$</p> <p>3 - 13mm Glassmosaic - concrete</p>	<p>TAF Standard</p> <p>$\frac{1}{4} - \frac{3}{4}$</p> <p>7 - 18 mm Glassmosaic - concrete</p>	<p>TAF High Natural stone</p> <p>$\frac{11}{16} - 1\frac{1}{8}$</p> <p>17 - 28 mm Natural floor</p>

TAF: SECONDARY WATER DRAINAGE

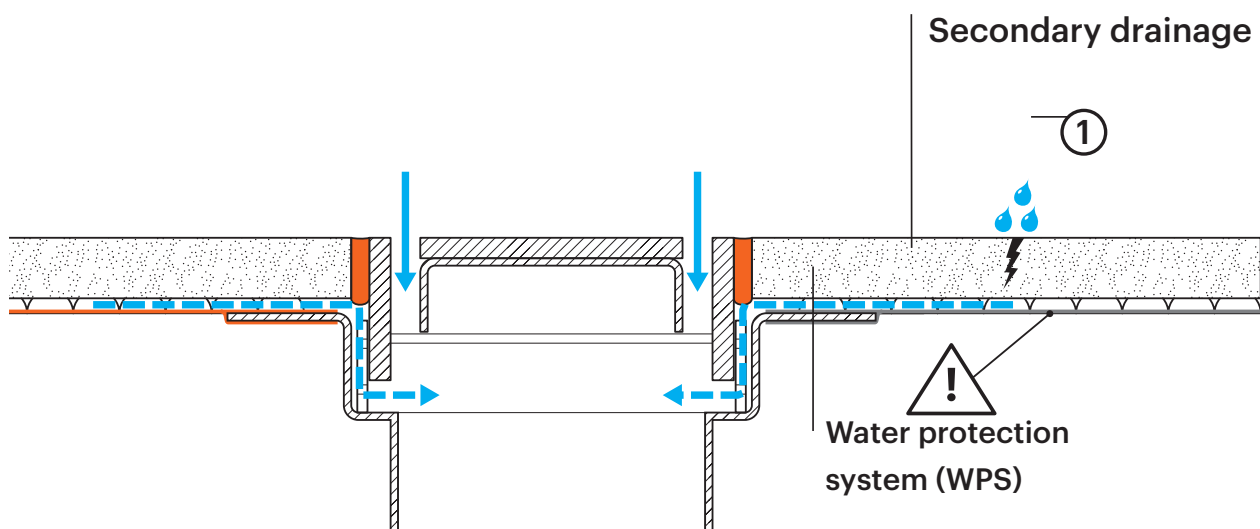
Guaranteed watertight

With the patented TAF-system (Tile Adjustable Frame) we offer a unique option to apply secondary water drainage in a installation.

① This way, any water that penetrates through a broken sealant joint, a broken tile or through cracks in the tiles, can easily flow back into the shower drain. Secondary drainage only applies when the entire wet area is sealed with a certified waterproofing membrane. We recommend using our Easy seal system.

USP'S

- > Any water leaking under the tiles can flow back into the shower drain
- > Tile Adjustable Frame for easy leveling to tile thickness
- > Water Protection System for a 100% watertight installation



SAM: REVOLUTIONARY WATERPROOFING SYSTEM

SAM is a revolutionary seal system based on elastic foam technology. The self adhesive waterproofing membrane can be glued directly to wall and floor surfaces without using additional liquid sealing material. The top side is fleece-coated with an anti-bacterially film and offers an ideal base surface for every type of tile glue.

Most moisture related damages result from an improper installation of liquid sealed sealing membranes, wall-to-floor transfers, and drainage systems. The patented self adhesive waterproofing membrane (SAM) avoids moisture damage by using fleece free impact bonding. The non-woven zones interrupt the capillary movement of moisture and ensure a 100% water tightness. The system is developed with over more than a decade of experience in the sanitary industry and is preferred by professional installers and tilers worldwide. The following primed base surfaces can be sealed with Easy Seal SAM:

- > Concrete
- > Dry screed
- > Plasterboard
- > Cement screeds
- > Existing ceramics (tiles)
- > Wood

USP'S:

- > Time-saving installation (no drying time)
- > Surface immediately tileable
- > Suitable for all types of building chemicals
- > No more liquid sealing necessary
- > Water protection system (WPS) - 100% watertight. 10-year warranty
- > Antibacterial fleece coating to prevent mold formation
- > High material elasticity prevents cracking
- > Acoustic decoupling between finished surface and building construction
- > Instantly high adhesive force (20 ton / ft²)
- > Can be installed on Hotmop (after the Hotmop is cooling down).



Uniform Plumbing Code includes Sam (EasySeal). ANSI A118.10-2014, which is a component standard of the ANSI A108, A118, A136 Specifications for the Installation of Ceramic Tile (Material & Installation Standards). **See EasySeal for more information**

CONTAINER

Space-saving opportunities

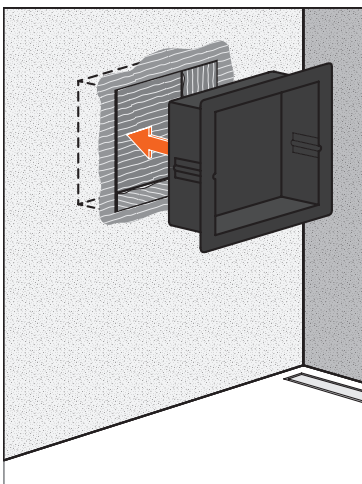
With our Container Series storage solutions, you can conveniently hide away all your bathroom and toilet items. The series has been specifically developed for use in wet areas and offers a 100% watertight installation. Because of their perfect and sleek design, Container Series products will fit harmoniously into any bathroom.

Our storage solutions are available in various dimensions and colour finishes. Installation is easy thanks to the built-in part for wall fixing. All the products are suitable for drywall and solid wall installation and offer uncomplicated sealing and tiling. Find out what our Container Series can do for your bathroom.

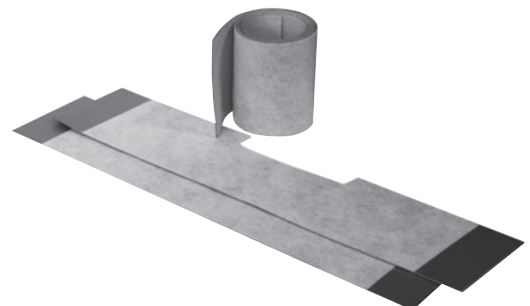
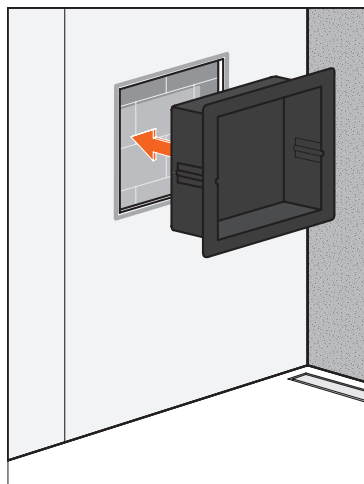
Benefits

- > Quality - High-quality stainless steel
- > Installation - Easy to install with uncomplicated sealing and tiling
- > Waterproof - Specifically developed for application in wet area
- > Design - Various finishes

Drywall



Solid wall





ORGANIC
Aloe Vera & Argan
500ML (16.9 FL OZ)

ORGANIC
Aloe Vera & Argan
500ML (16.9 FL OZ)

ANTAEUS
EAU DE TOILETTE
HANEL
PARIS
100 ML (3.4 FL OZ)





DOT & SQUARE

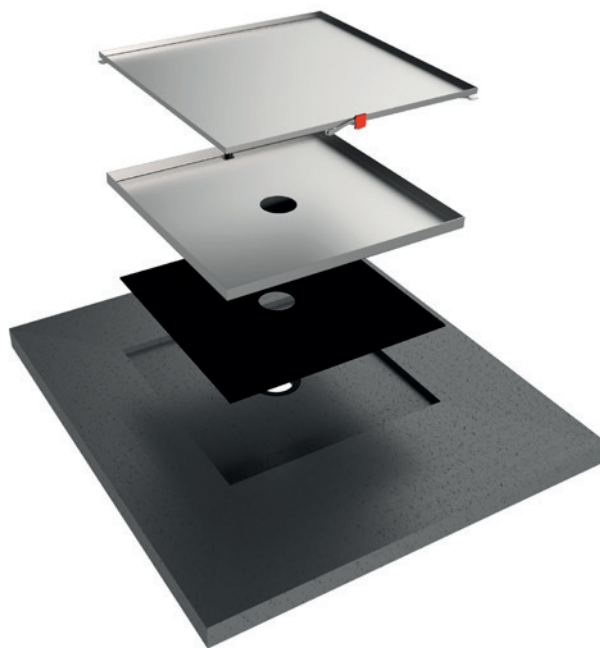
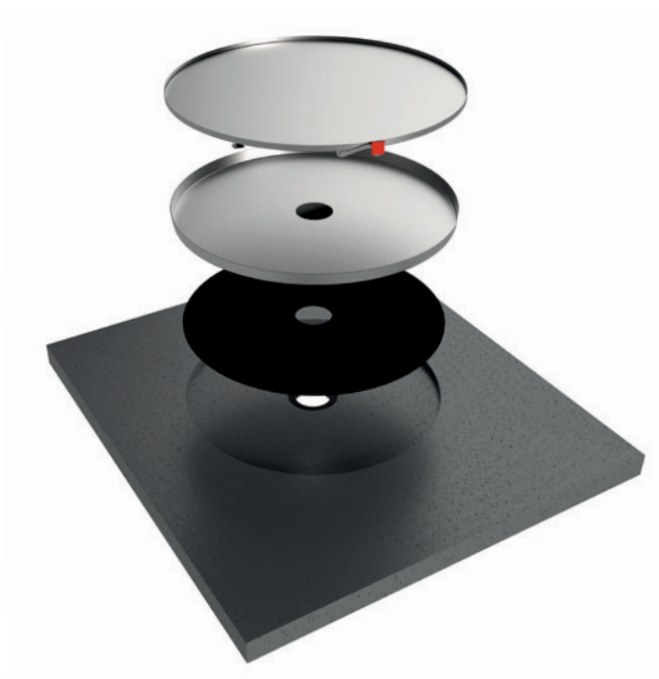
Creative freedom

These extraordinary, award-winning shower drains from Easy Drain are characterized by their unique shape and size. Dot & Square drains offer endless possibilities, both technical and in terms of design. The grate has an insert that is suitable for any type of material, to help you create the bathroom of your dreams.



DOT & SQUARE

COMPLETE SET



Specifications



Montage

Tile trim depth	0,47"
Available dimension	Ø 25 7/8" (Ø 676 mm) 23 5/8" x 23 5/8" (615 x 615 mm)
Tile thickness	1/2" - 3/4" (9 - 18 mm)

General

- > Any type of trim material possible
- > Custom length shower board
- > Installation friendly
- > Suitable for renovation projects
- > Haircatcher included.



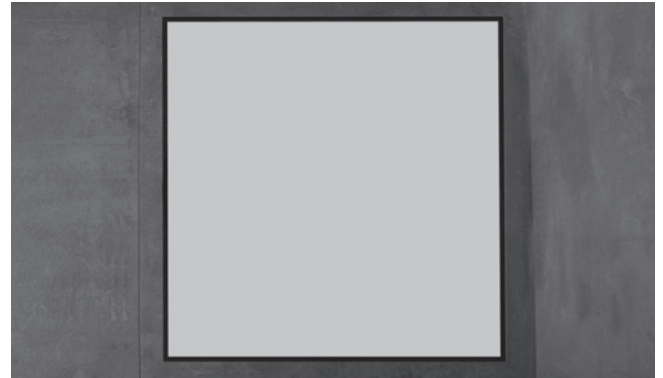
Waterproofing: SAM - Seal System

DOT

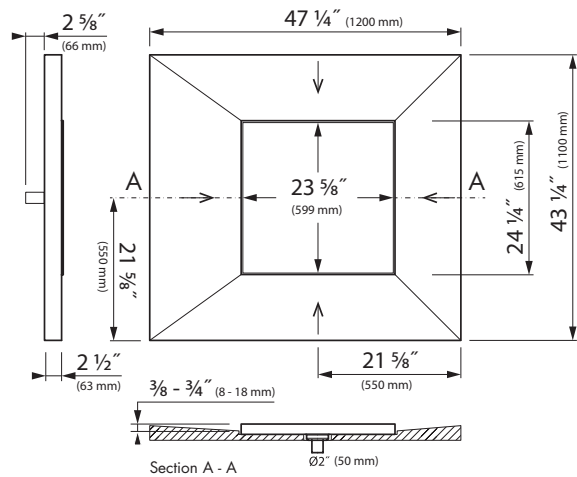
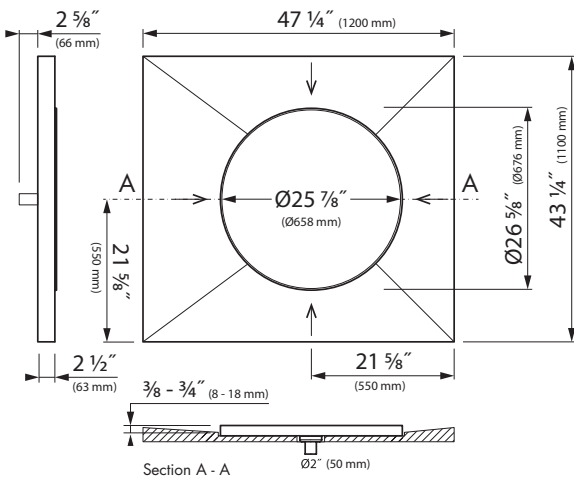


Complete set Article code
Dot EDDOT4-RD

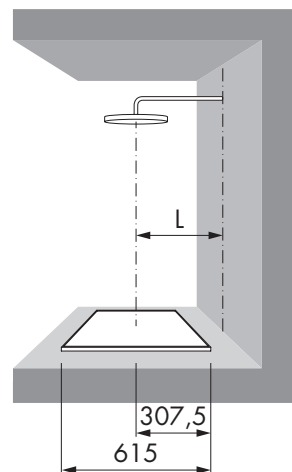
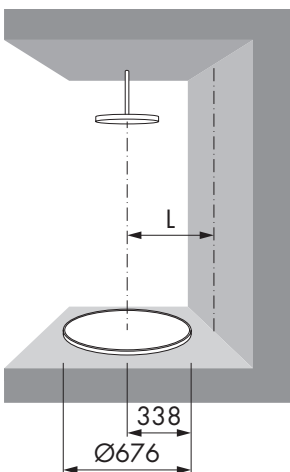
SQUARE



Complete set Article code
Square EDDOT4-SQ



Installation options







M-LINE

Hidden and sleek wall drainage

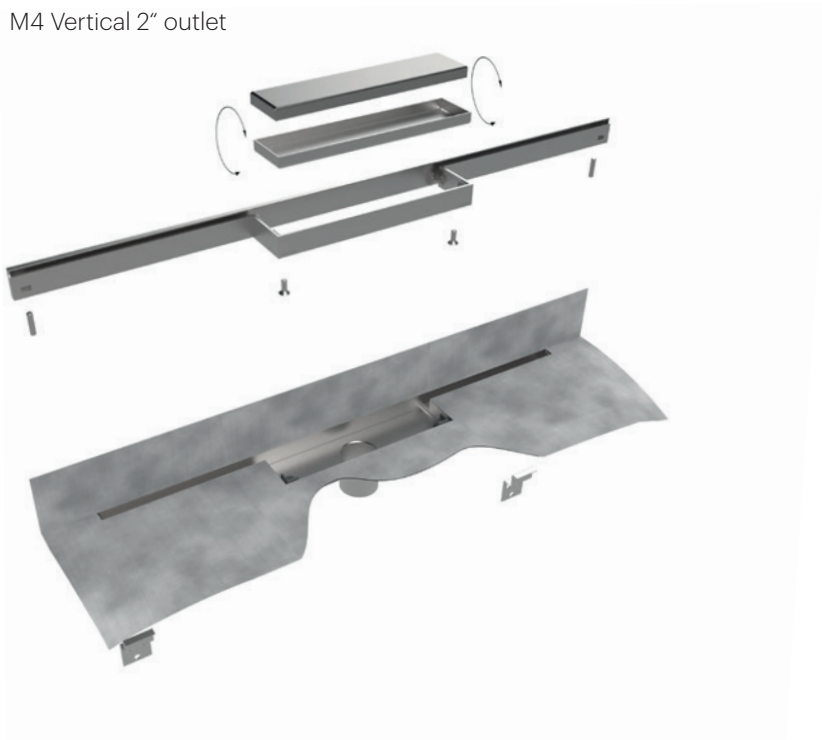
Easy Drain M-line combines a low installation depth with innovative drainage technology. This invisible and stylish against-wall drain, featuring the TAF system (Tile Adjustable Frame), enables easy installation and secondary drainage in your shower, while the pre-assembled sealing membrane (Water Protection System) ensures a completely watertight installation thanks to the flexible wall connection.

M-LINE

COMPLETE SET

M-LINE

M4 Vertical 2" outlet



Specifications



Montage

Tile thickness	¼" - 1" (5-25 mm)
Length:	27⅝" - 47¼" (700-1200 mm)

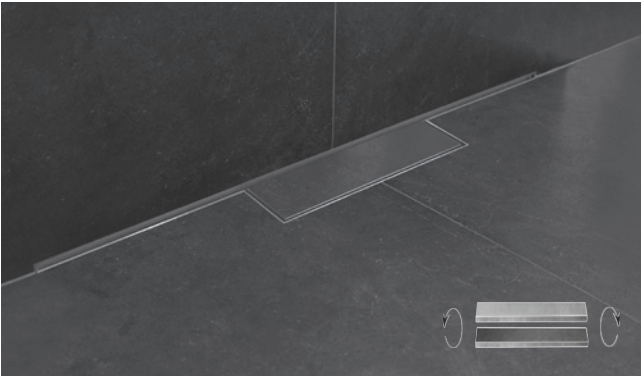
General

- > Suitable for new construction and renovation projects
- > Tile Adjustable Frame (TAF) - easy levelling to tile thickness
- > Water protection system (WPS) - 100% watertight
- > 10-year warranty on leakage
- > Reversible trim (tile or zero brushed)
- > Haircatcher included



Waterproofing: SAM - Seal System

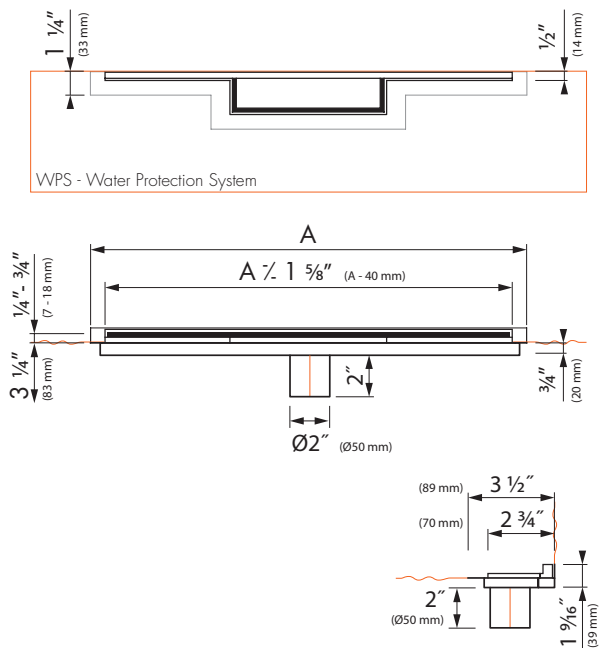
M-LINE

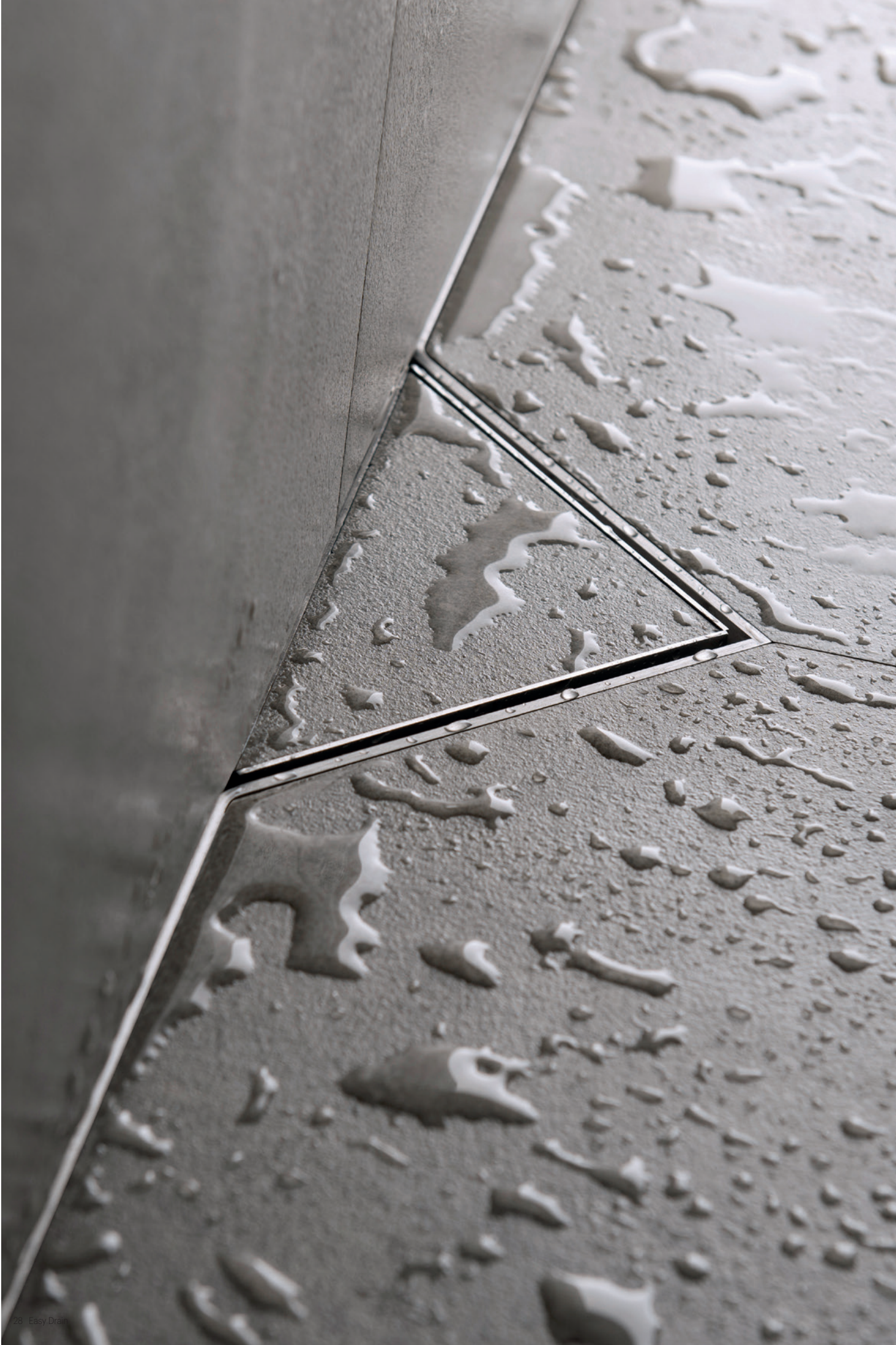


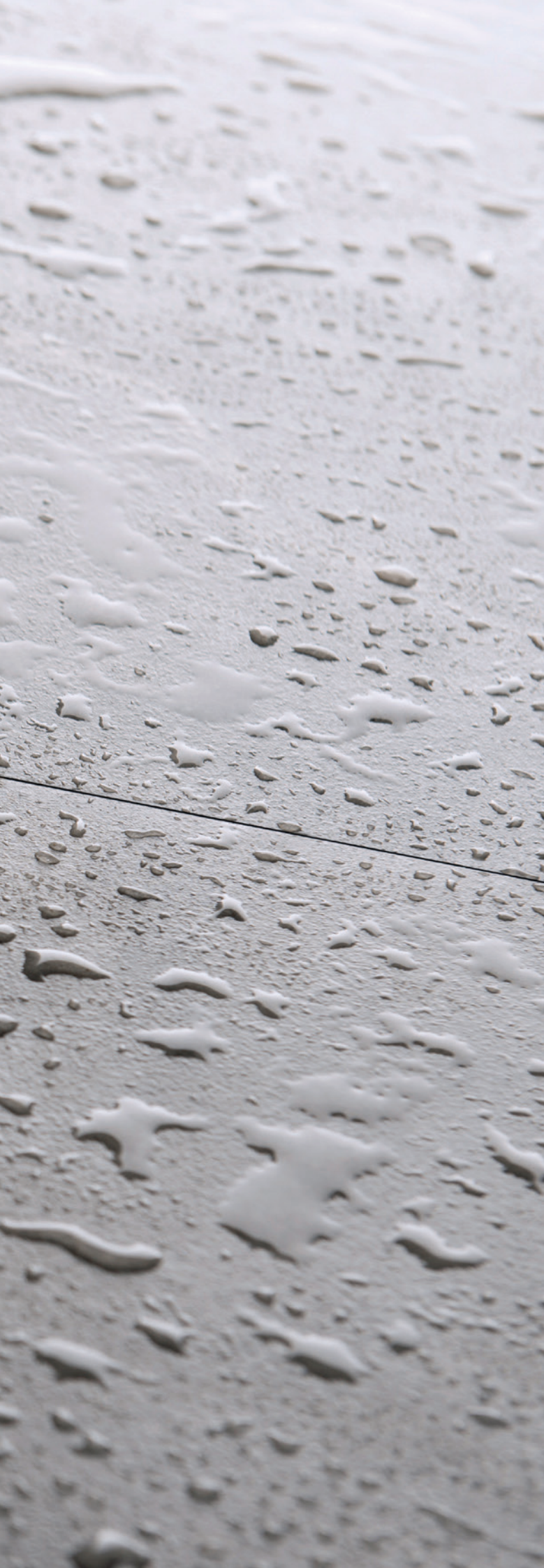
M4	Length	Article code
	27 ⁵ / ₈ " (700 mm)	M-Line4-700
	31 ¹ / ₂ " (800 mm)	M-Line4-800
	35 ¹ / ₄ " (900 mm)	M-Line4-900
	39 ³ / ₈ " (1000 mm)	M-Line4-1000
	47 ¹ / ₄ " (1200 mm)	M-Line4-1200

Technical drawing

M4 Vertical 2" outlet







S-LINE

Invisible and stylish

S-line is the almost invisible and stylish against-wall drainage system from Easy Drain, and features our patented TAF (Tile Adjustable Frame) and (WPS) Water Protection System. The TAF system has been specially developed to enable secondary drainage, while the pre-assembled sealing membrane ensures a completely watertight installation. S-line has a flexible wall connection for perfect installation.

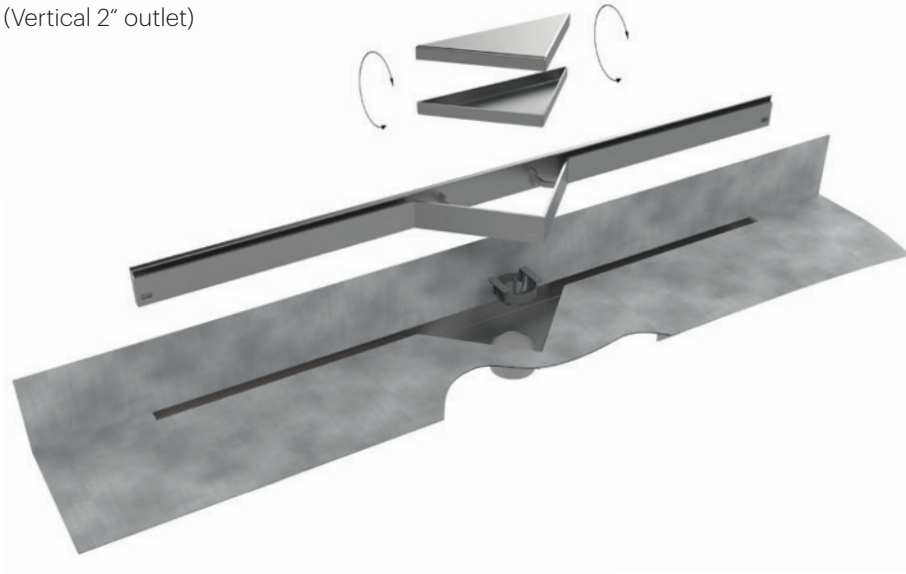


S-LINE

COMPLETE SET

S-LINE

(Vertical 2" outlet)



Specifications



Montage

Tile thickness	$\frac{1}{4}'' - \frac{3}{4}''$ (7-18 mm)
For natural stone: Increased TAF frame	$\frac{5}{8}'' - \frac{1}{8}''$ (17-28 mm)
Length:	$27\frac{5}{8}'' - 47\frac{1}{4}''$ (700-1200 mm)

General

- > Tile Adjustable Frame (TAF) - easy levelling to tile thickness
- > Water protection system (WPS) - 100% watertight
- > 10-year warranty on leakage
- > Reversible trim (tile or zero brushed)
- > S-line High - solution for natural stone floor
- > Haircatcher included



Waterproofing: SAM - Seal System

S-LINE



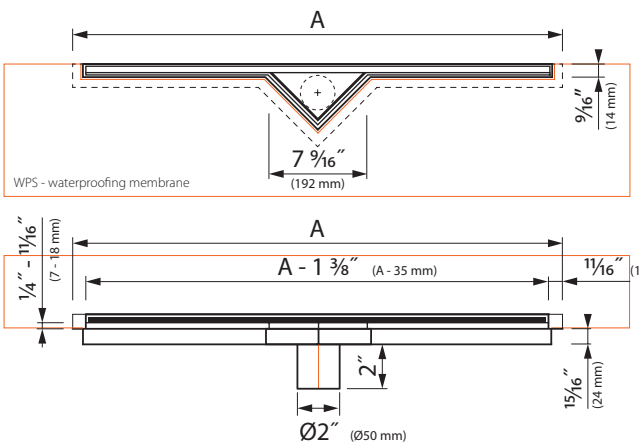
Length	Article code
27 5/8" (700 mm)	S-LINE4-700
31 1/2" (800 mm)	S-LINE4-800
35 1/4" (900 mm)	S-LINE4-900
39 3/8" (1000 mm)	S-LINE4-1000
47 1/4" (1200 mm)	S-LINE4-1200

S-LINE HIGH

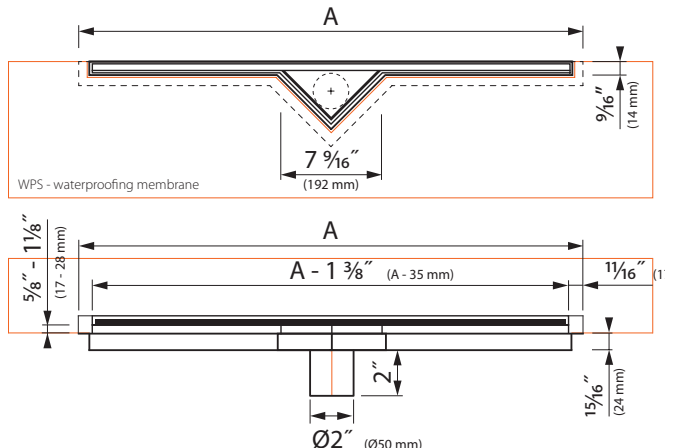


Length	Article code
27 5/8" (700 mm)	S-LINE4-700 HIGH
31 1/2" (800 mm)	S-LINE4-800 HIGH
35 1/4" (900 mm)	S-LINE4-900 HIGH
39 3/8" (1000 mm)	S-LINE4-1000 HIGH
47 1/4" (1200 mm)	S-LINE4-1200 HIGH

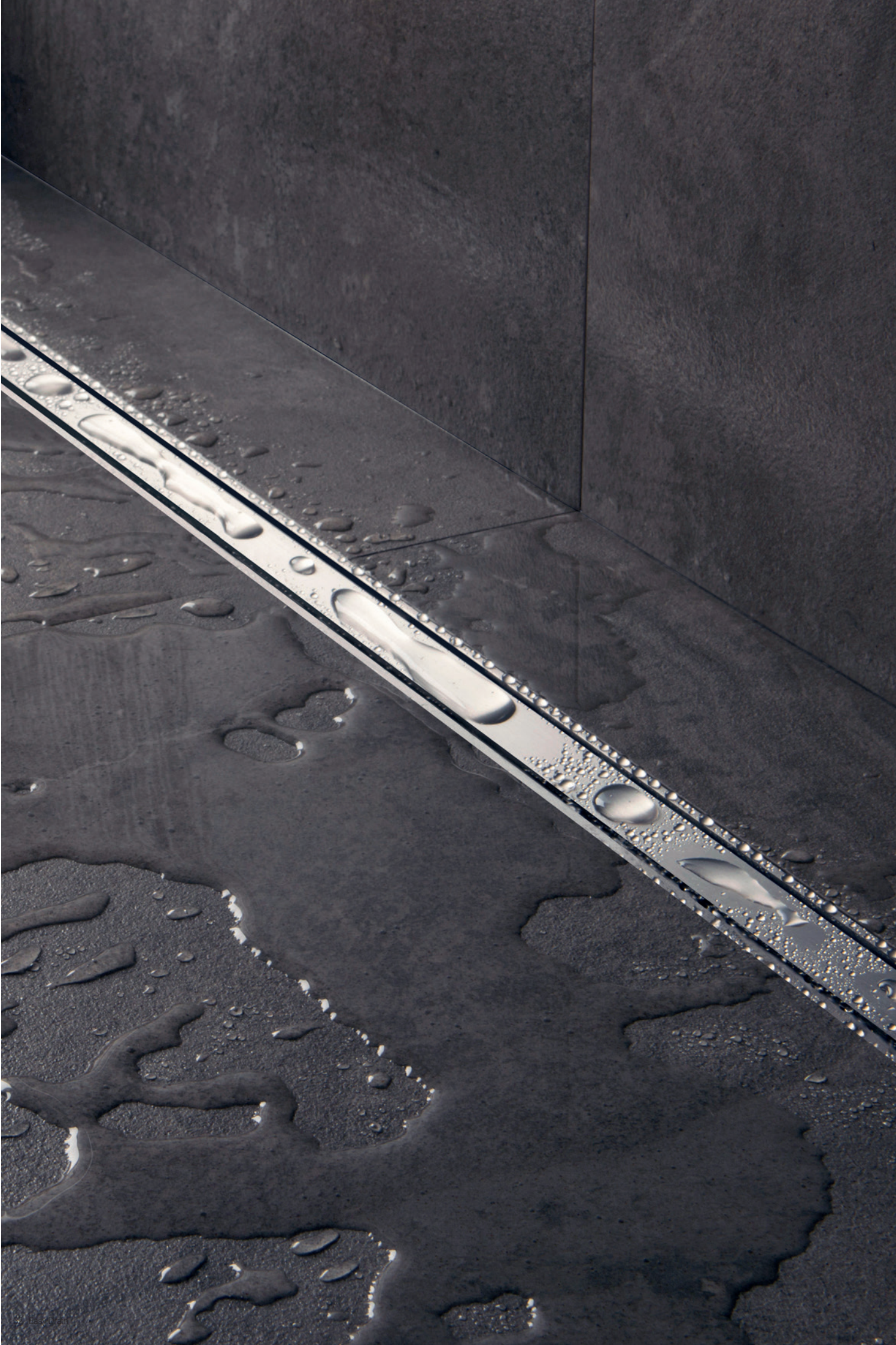
Technical drawing



A= Length



A= Length





XS

XS

Small, smaller... Xs

As the inventor and manufacturer of the successful Easy Drain, we are proud to present the unique Easy Drain Xs series. The Xs series combines state of the art technology with a super-slim design. What is, revolutionary is that through our patented TAF and WPS systems, we guarantee easy installation and a 100% waterproof result.



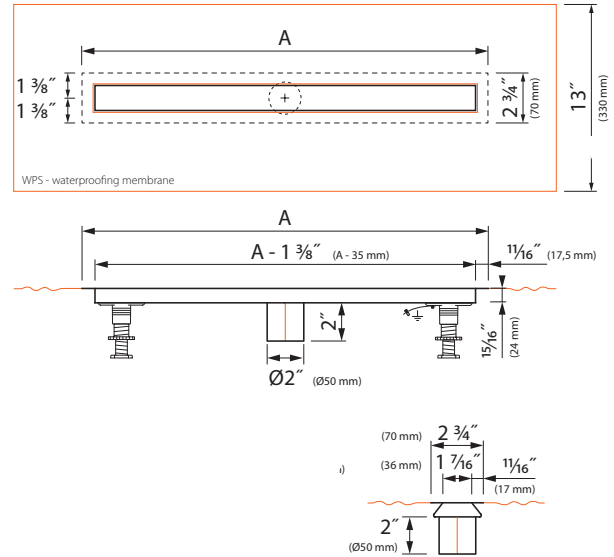
reddot design award
winner 2012



(Vertical 2" outlet)



Technical drawing



Specifications



Montage

Tile thickness: 1/4" - 1" (5-25 mm)
 Length: 27 9/16" - 78 3/4" (700-2000 mm)

Installation options



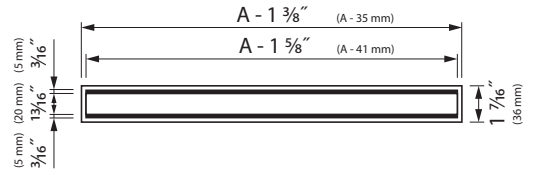
General

- > Suitable for new construction and renovation projects
- > Tile Adjustable Frame (TAF) - easy levelling to tile thickness
- > Water protection system (WPS) - 100% watertight
- > 10-year warranty on leakage



Waterproofing: SAM - Seal System

XS Z-1



XS

Zero+ Brushed stainless steel | Frame brushed stainless steel

	Length	Trim	+ Rough	
19 ³ / ₄ "	500 mm	XS-Z1M-M-500	+ XS4-ROH-500	
23 ⁵ / ₈ "	600 mm	XS-Z1M-M-600	+ XS4-ROH-600	
27 ⁵ / ₈ "	700 mm	XS-Z1M-M-700	+ XS4-ROH-700	
31 ¹ / ₂ "	800 mm	XS-Z1M-M-800	+ XS4-ROH-800	
35 ¹ / ₄ "	900 mm	XS-Z1M-M-900	+ XS4-ROH-900	
39 ³ / ₈ "	1000 mm	XS-Z1M-M-1000	+ XS4-ROH-1000	
43 ³ / ₈ "	1100 mm	XS-Z1M-M-1100	+ XS4-ROH-1100	
47 ¹ / ₄ "	1200 mm	XS-Z1M-M-1200	+ XS4-ROH-1200	

Zero+ Brushed stainless steel | Frame chrome-plated stainless steel

	Length	Trim	+ Rough	
19 ³ / ₄ "	500 mm	XS-Z1P-M-500	+ XS4-ROH-500	
23 ⁵ / ₈ "	600 mm	XS-Z1P-M-600	+ XS4-ROH-600	
27 ⁵ / ₈ "	700 mm	XS-Z1P-M-700	+ XS4-ROH-700	
31 ¹ / ₂ "	800 mm	XS-Z1P-M-800	+ XS4-ROH-800	
35 ¹ / ₄ "	900 mm	XS-Z1P-M-900	+ XS4-ROH-900	
39 ³ / ₈ "	1000 mm	XS-Z1P-M-1000	+ XS4-ROH-1000	
43 ³ / ₈ "	1100 mm	XS-Z1P-M-1100	+ XS4-ROH-1100	
47 ¹ / ₄ "	1200 mm	XS-Z1P-M-1200	+ XS4-ROH-1200	

Zero+ Chrome-plated stainless steel | Frame brushed stainless steel

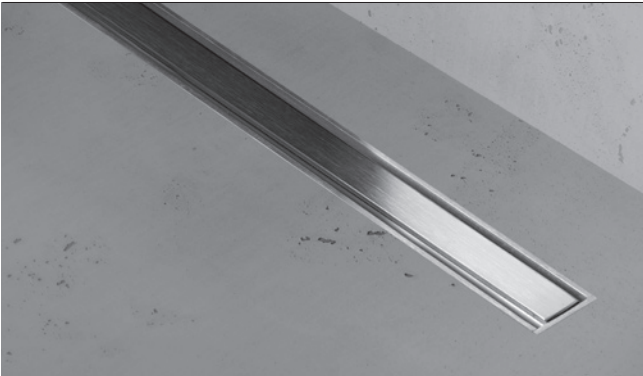
	Length	Trim	+ Rough	
19 ³ / ₄ "	500 mm	XS-Z1M-P-500	+ XS4-ROH-500	
23 ⁵ / ₈ "	600 mm	XS-Z1M-P-600	+ XS4-ROH-600	
27 ⁵ / ₈ "	700 mm	XS-Z1M-P-700	+ XS4-ROH-700	
31 ¹ / ₂ "	800 mm	XS-Z1M-P-800	+ XS4-ROH-800	
35 ¹ / ₄ "	900 mm	XS-Z1M-P-900	+ XS4-ROH-900	
39 ³ / ₈ "	1000 mm	XS-Z1M-P-1000	+ XS4-ROH-1000	
43 ³ / ₈ "	1100 mm	XS-Z1M-P-1100	+ XS4-ROH-1100	
47 ¹ / ₄ "	1200 mm	XS-Z1M-P-1200	+ XS4-ROH-1200	

Zero+ Chrome-plated stainless steel | Frame chrome-plated stainless steel

	Length	Trim	+ Rough	
19 ³ / ₄ "	500 mm	XS-Z1P-P-500	+ XS4-ROH-500	
23 ⁵ / ₈ "	600 mm	XS-Z1P-P-600	+ XS4-ROH-600	
27 ⁵ / ₈ "	700 mm	XS-Z1P-P-700	+ XS4-ROH-700	
31 ¹ / ₂ "	800 mm	XS-Z1P-P-800	+ XS4-ROH-800	
35 ¹ / ₄ "	900 mm	XS-Z1P-P-900	+ XS4-ROH-900	
39 ³ / ₈ "	1000 mm	XS-Z1P-P-1000	+ XS4-ROH-1000	
43 ³ / ₈ "	1100 mm	XS-Z1P-P-1100	+ XS4-ROH-1100	
47 ¹ / ₄ "	1200 mm	XS-Z1P-P-1200	+ XS4-ROH-1200	

XS LONG LENGTH

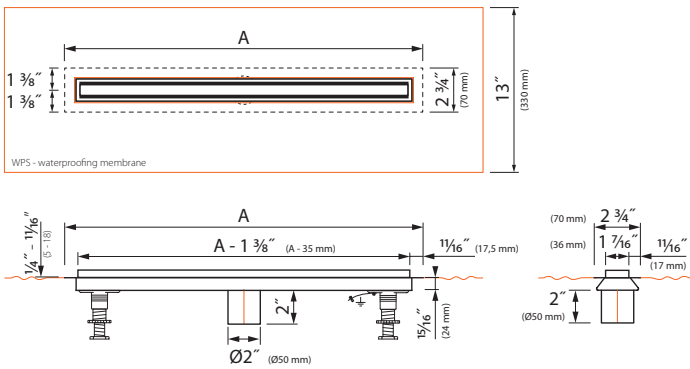
XS



Length Article code

51 $\frac{1}{8}$ "	1300 mm	XS4-TAF-1300-Z1-M
55 $\frac{1}{8}$ "	1400 mm	XS4-TAF-1400-Z1-M
59 $\frac{1}{8}$ "	1500 mm	XS4-TAF-1500-Z1-M
63	1600 mm	XS4-TAF-1600-Z1-M
66 $\frac{7}{8}$ "	1700 mm	XS4-TAF-1700-Z1-M
70 $\frac{7}{8}$ "	1800 mm	XS4-TAF-1800-Z1-M
74 $\frac{4}{5}$ "	1900 mm	XS4-TAF-1900-Z1-M
78 $\frac{3}{4}$ "	2000 mm	XS4-TAF-2000-Z1-M

Technical drawing



XS Z-1 SPECIAL FINISHES

Gold



Cyprum



Oil rubbed bronze



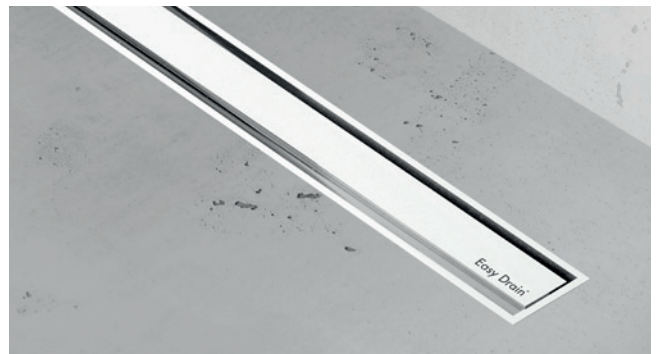
Black



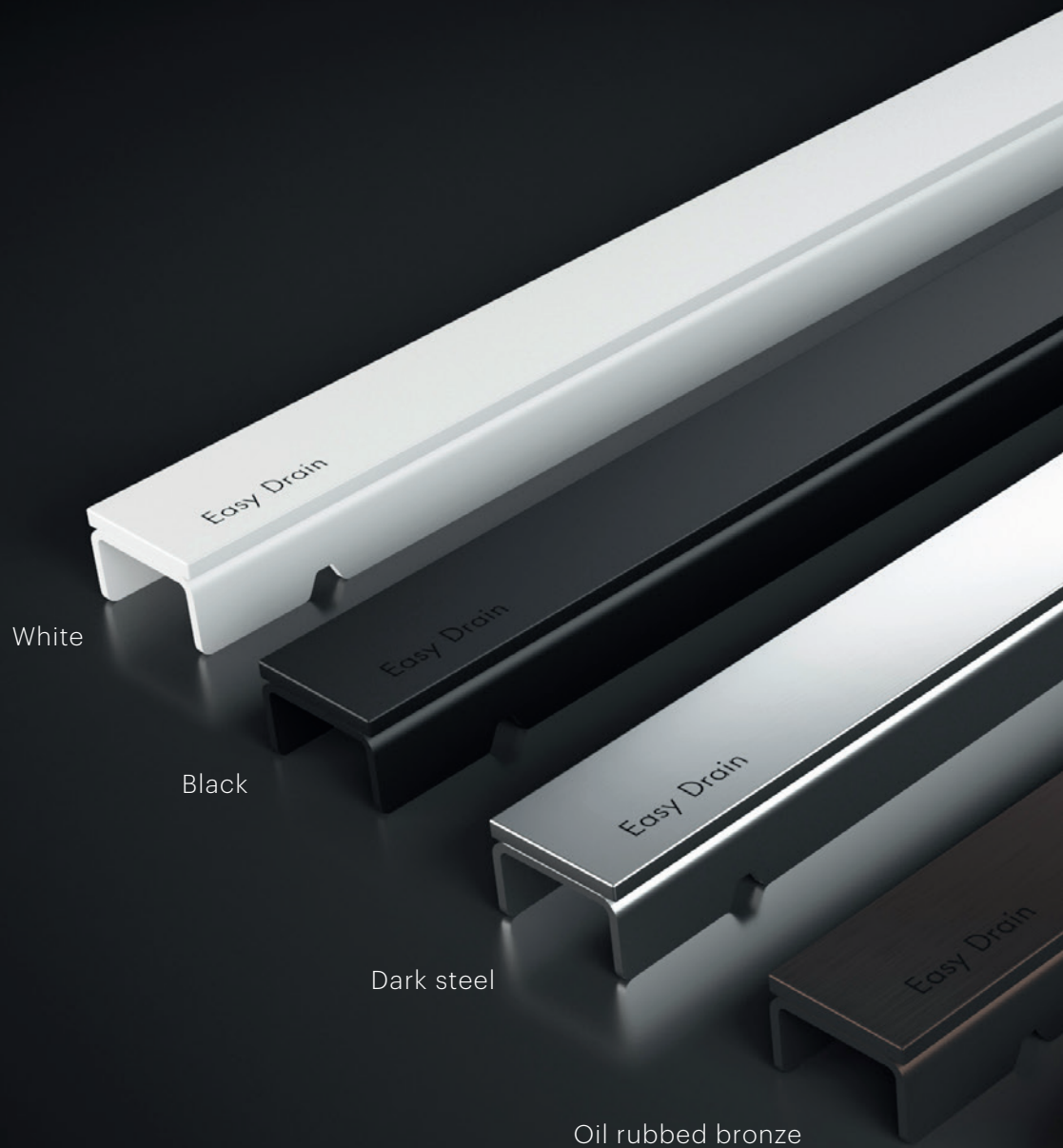
Dark steel



White

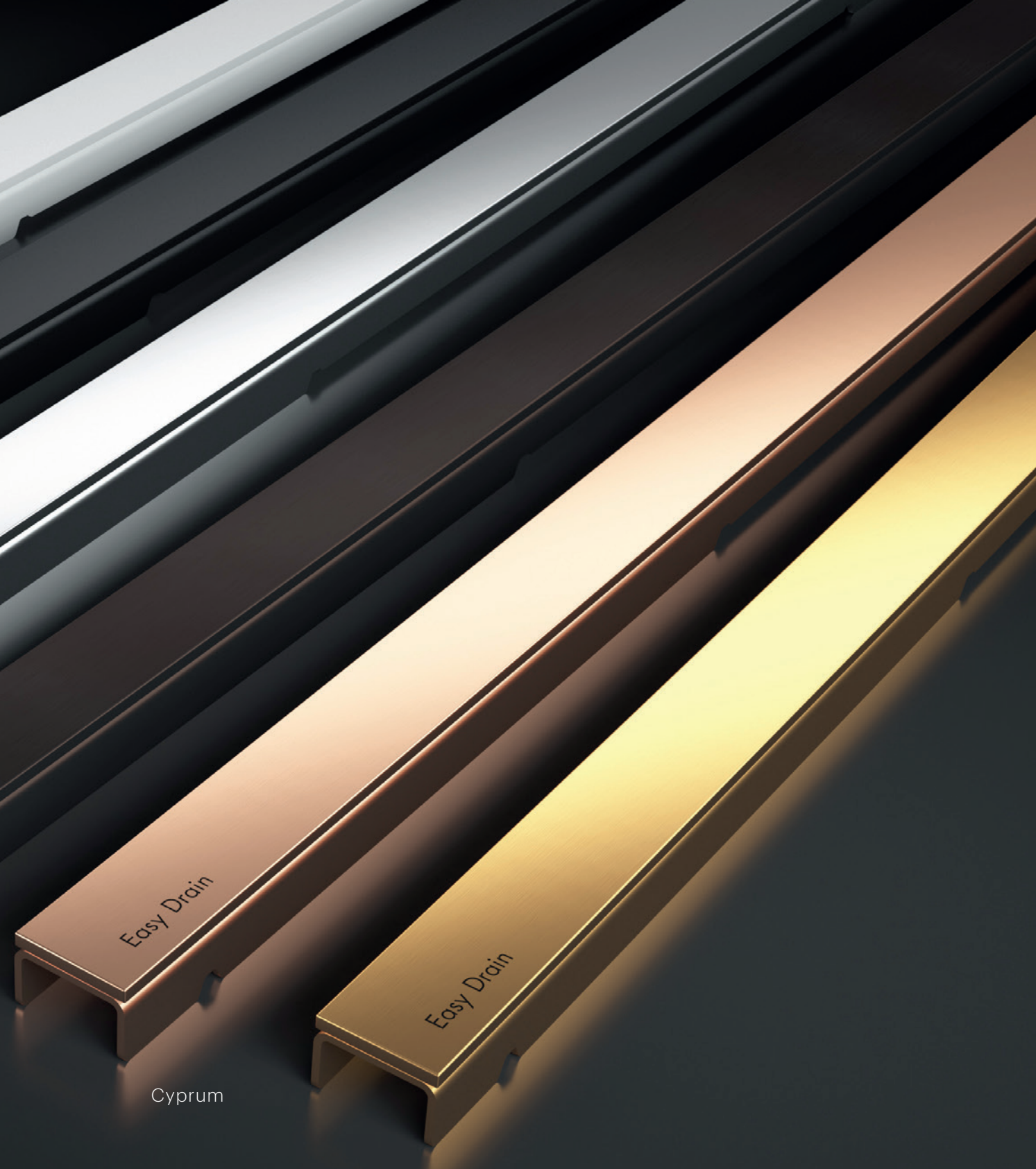


Prices for the above special finishes on request.



Special Finishes

A creative and attractive solution for shower drains. Our Xs and Modulo models are now available in special finishes. Personalize your showering experience with colored and timeless accents. This color selection excellently displays the design core values of Easy Drain for a contemporary style and timeless elegance. They go hand in hand with the latest design and interior trends.



Easy Drain

Easy Drain

Cyprum

Gold





MODULO TAF

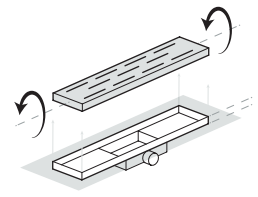
Elegant stainless steel frame

The Easy Drain Modulo TAF linear shower drain is the perfect solution for all your bathroom wishes. The subtle stainless steel frame provides an elegant look, and fits seamlessly into your bathroom floor. Furthermore, the revolutionary TAF technology and Water Protection System (WPS) guarantee easy installation and a waterproof finish. Barrier-free showering starts with Easy Drain. Choose from the extensive range of grates and give your bathroom a unique appearance.





MODULO



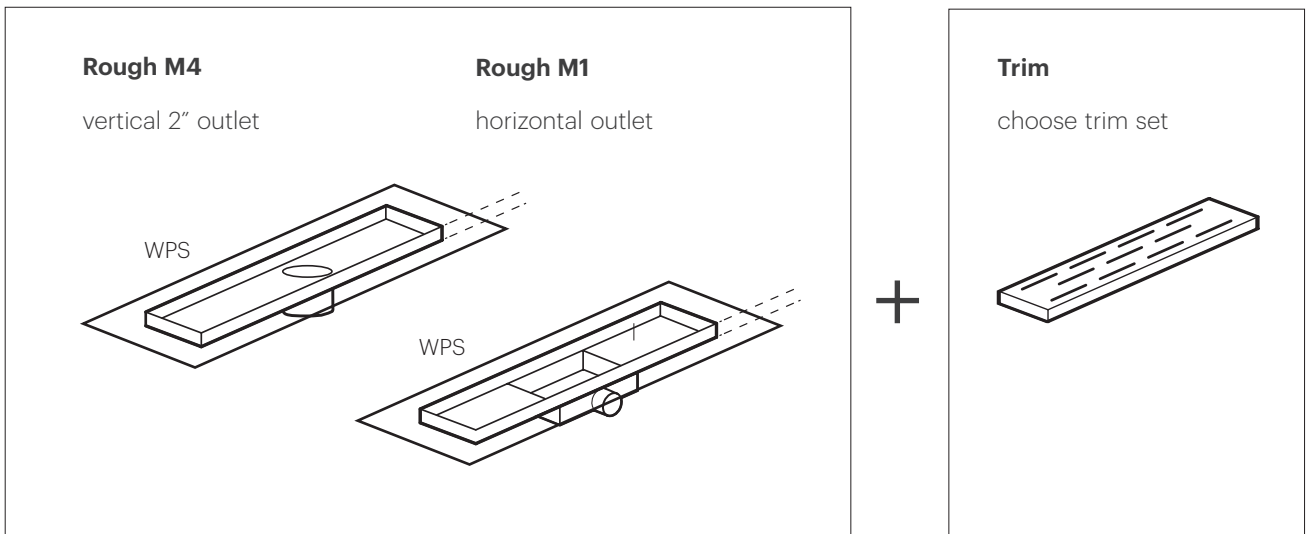
Step 1. Choose rough

Choose the type of rough that suits your project best. This depends on whether you need a horizontal (M1) or vertical (M4 - 2 inch) outlet. All roughs include the Patented WPS (Water Protection System), adjustable feet and hair catcher.

Step 2. Choose Trim

Choose the type of trim that suits your bathroom design best. Please order your trim set prior to the tile installation. All trim sets include the trim, patented Tile Adjustable Frame (TAF) and a trim removal tool.

Both parts are displayed according to length. Make sure to order rough and trim set.



Roughs

- M1 - Horizontal outlet
- M4 - Vertical outlet 2"

Trim sets

- Modulo TAF
- Modulo TAF for thin floors
- Modulo TAF Natural stone
- Modulo Design
- Modulo Stone

Tile thickness

- 1/4" - 3/4" (7 - 18 mm)
- 1/8" - 1/2" (3 - 13 mm)
- 3/8" - 1 1/8" (17 - 28 mm)
- 1/4" - 3/4" (7 - 18 mm)
- Any thickness

MODULO TAF

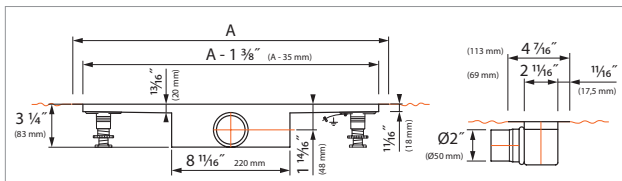
M1 Horizontal outlet



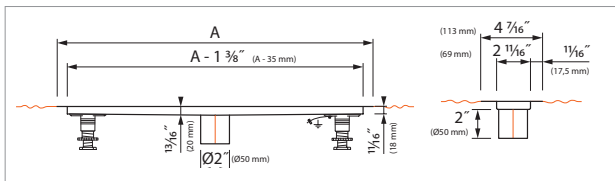
M4 Vertical 2" outlet



Technical drawing



Technical drawing



Specifications



Montage

Tile thickness	¼" - ¾" (7 - 18 mm)
Length:	31½" - 78¾" (800-2000mm)

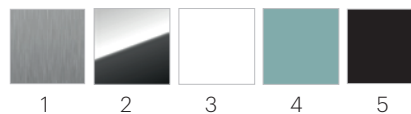
Installation options



General

- > More than 9 different design sets
- > Suitable for new construction and renovation projects
- > Tile Adjustable Frame (TAF) - easy levelling to tile thickness
- > Water protection system (WPS) - 100% watertight
- > 10-year warranty on leakage
- > Haircatcher included

Available finishes



- 1 - Brushed stainless steel
- 2 - Chrome-plated stainless steel
- 3 - White glass
- 4 - Green glass
- 5 - Black glass



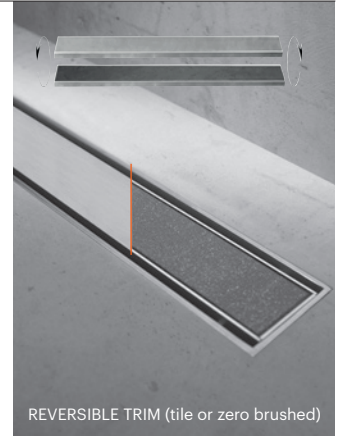
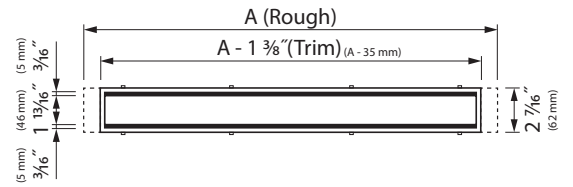
Waterproofing: SAM - Seal System

MODULO TAF

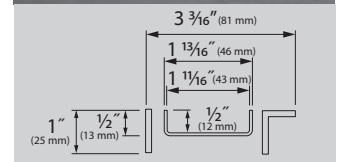
ZERO / TILE

M4	Length	Trim	+ Rough	= Total Price
19	3/8"	500 mm	MLZT 500 \$ 273,00 + EDM4-500 \$ 488,00 =	\$ 761,00
23	5/8"	600 mm	MLZT 600 \$ 294,00 + EDM4-600 \$ 494,00 =	\$ 788,00
27	5/8"	700 mm	MLZT 700 \$ 310,00 + EDM4-700 \$ 499,00 =	\$ 809,00
31	1/2"	800 mm	MLZT 800 \$ 326,00 + EDM4-800 \$ 504,00 =	\$ 830,00
35	1/4"	900 mm	MLZT 900 \$ 336,00 + EDM4-900 \$ 515,00 =	\$ 851,00
39	3/8"	1000 mm	MLZT 1000 \$ 341,00 + EDM4-1000 \$ 525,00 =	\$ 866,00
43	3/8"	1100 mm	MLZT 1100 \$ 362,00 + EDM4-1100 \$ 541,00 =	\$ 903,00
47	1/4"	1200 mm	MLZT 1200 \$ 373,00 + EDM4-1200 \$ 551,00 =	\$ 924,00
51	1/4"	1300 mm	MLZT 1300 \$ 444,00 + EDM4-1300 \$ 582,00 =	\$ 1.026,00
55	1/8"	1400 mm	MLZT 1400 \$ 482,00 + EDM4-1400 \$ 613,00 =	\$ 1.095,00
59	1/4"	1500 mm	MLZT 1500 \$ 520,00 + EDM4-1500 \$ 641,00 =	\$ 1.161,00
63	7/8"	1600 mm	MLZT 1600 \$ 553,00 + EDM4-1600 \$ 670,00 =	\$ 1.223,00
66	7/8"	1700 mm	MLZT 1700 \$ 589,00 + EDM4-1700 \$ 685,00 =	\$ 1.274,00
71	1800 mm	MLZT 1800 \$ 620,00 + EDM4-1800 \$ 698,00 =	\$ 1.318,00	
75	1900 mm	MLZT 1900 \$ 651,00 + EDM4-1900 \$ 723,00 =	\$ 1.374,00	
78	3/4"	2000 mm	MLZT 2000 \$ 682,00 + EDM4-2000 \$ 748,00 =	\$ 1.430,00

M1	Length	Trim	+ Rough	= Total Price
19	3/8"	500 mm	MLZT 500 \$ 273,00 + EDM1-500-4 \$ 525,00 =	\$ 798,00
23	5/8"	600 mm	MLZT 600 \$ 294,00 + EDM1-600-4 \$ 530,00 =	\$ 824,00
27	5/8"	700 mm	MLZT 700 \$ 310,00 + EDM1-700-4 \$ 536,00 =	\$ 846,00
31	1/2"	800 mm	MLZT 800 \$ 326,00 + EDM1-800-4 \$ 541,00 =	\$ 867,00
35	1/4"	900 mm	MLZT 900 \$ 336,00 + EDM1-900-4 \$ 551,00 =	\$ 887,00
39	3/8"	1000 mm	MLZT 1000 \$ 341,00 + EDM1-1000-4 \$ 562,00 =	\$ 903,00
43	3/8"	1100 mm	MLZT 1100 \$ 362,00 + EDM1-1100-4 \$ 578,00 =	\$ 940,00
47	1/4"	1200 mm	MLZT 1200 \$ 373,00 + EDM1-1200-4 \$ 588,00 =	\$ 961,00
51	1/4"	1300 mm	MLZT 1300 \$ 444,00 + EDM1-1500-4 \$ 662,00 =	\$ 1.182,00
55	1/8"	1400 mm	MLZT 1400 \$ 482,00 + EDM1-1800-4 \$ 725,00 =	\$ 1.345,00



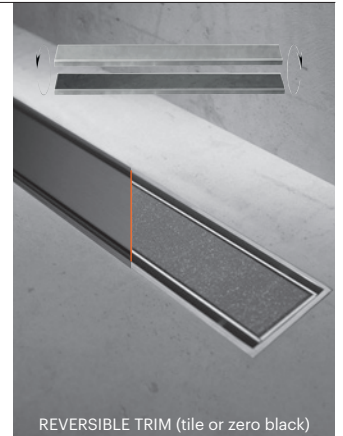
REVERSIBLE TRIM (tile or zero brushed)



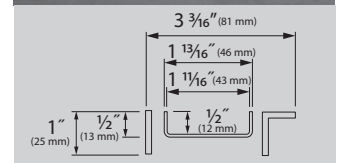
ZERO BLACK / TILE

M4	Length	Trim	+ Rough	= Total Price
19	3/4"	500 mm	MLZT 500W-B \$ 535,00 + EDM4-500 \$ 488,00 =	\$ 1,023.00
23	5/8"	600 mm	MLZT 600W-B \$ 563,10 + EDM4-600 \$ 494,00 =	\$ 1,057.10
27	5/8"	700 mm	MLZT 700W-B \$ 585,60 + EDM4-700 \$ 499,00 =	\$ 1,084.10
31	1/2"	800 mm	MLZT 800W-B \$ 608,10 + EDM4-800 \$ 504,00 =	\$ 1,112.10
35	1/4"	900 mm	MLZT 900W-B \$ 623,30 + EDM4-900 \$ 515,00 =	\$ 1,138.30
39	3/8"	1000 mm	MLZT 1000W-B \$ 634,80 + EDM4-1000 \$ 525,00 =	\$ 1,159.80
43	3/8"	1100 mm	MLZT 1100W-B \$ 662,30 + EDM4-1100 \$ 541,00 =	\$ 1,203.30
47	1/4"	1200 mm	MLZT 1200W-B \$ 679,80 + EDM4-1200 \$ 551,00 =	\$ 1,230.90
51	1/4"	1300 mm	MLZT 1300W-B \$ 757,30 + EDM4-1300 \$ 582,00 =	\$ 1,339.30
55	1/8"	1400 mm	MLZT 1400W-B \$ 801,80 + EDM4-1400 \$ 613,00 =	\$ 1,414.80
59	1/4"	1500 mm	MLZT 1500W-B \$ 846,30 + EDM4-1500 \$ 641,00 =	\$ 1,487.30
63	7/8"	1600 mm	MLZT 1600W-B \$ 885,80 + EDM4-1600 \$ 670,00 =	\$ 1,555.80
66	7/8"	1700 mm	MLZT 1700W-B \$ 928,30 + EDM4-1700 \$ 685,00 =	\$ 1,613.30
71	1800 mm	MLZT 1800W-B \$ 965,80 + EDM4-1800 \$ 698,00 =	\$ 1,663.80	
75	1900 mm	MLZT 1900W-B \$ 1.003,30 + EDM4-1900 \$ 723,00 =	\$ 1,726.30	
78	3/4"	2000 mm	MLZT 2000W-B \$ 1.042,10 + EDM4-2000 \$ 748,00 =	\$ 1,790.10

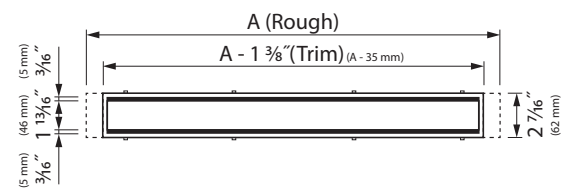
M1	Length	Trim	+ Rough	= Total Price
19	3/8"	500 mm	MLZT 500W-B \$ 535,00 + EDM1-500-4 \$ 525,00 =	\$ 1,060.00
23	5/8"	600 mm	MLZT 600W-B \$ 563,10 + EDM1-600-4 \$ 530,00 =	\$ 1,093.10
27	5/8"	700 mm	MLZT 700W-B \$ 585,60 + EDM1-700-4 \$ 536,00 =	\$ 1,121.60
31	1/2"	800 mm	MLZT 800W-B \$ 608,10 + EDM1-800-4 \$ 541,00 =	\$ 1,149.10
35	1/4"	900 mm	MLZT 900W-B \$ 623,30 + EDM1-900-4 \$ 551,00 =	\$ 1,174.30
39	3/8"	1000 mm	MLZT 1000W-B \$ 634,80 + EDM1-1000-4 \$ 562,00 =	\$ 1,196.80
43	3/8"	1100 mm	MLZT 1100W-B \$ 662,30 + EDM1-1100-4 \$ 578,00 =	\$ 1,240.30
47	1/4"	1200 mm	MLZT 1200W-B \$ 679,80 + EDM1-1200-4 \$ 588,00 =	\$ 1,267.80
51	1/4"	1300 mm	MLZT 1300W-B \$ 757,30 + EDM1-1500-4 \$ 662,00 =	\$ 1,419.30
55	1/8"	1400 mm	MLZT 1400W-B \$ 801,80 + EDM1-1800-4 \$ 725,00 =	\$ 1,526.80



REVERSIBLE TRIM (tile or zero black)



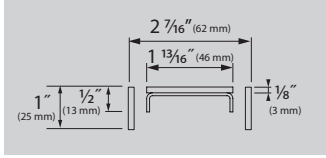
MODULO TAF



ZERO+ BRUSHED STAINLESS STEEL

M4	Length	Trim	+ Rough	= Total Price
19	3/8"	500 mm	MLZ+M 500	\$ 488.00 + EDM4-500 = \$ 976.00
23	5/8"	600 mm	MLZ+M 600	\$ 520.00 + EDM4-600 = \$ 1,014.00
27	5/8"	700 mm	MLZ+M 700	\$ 557.00 + EDM4-700 = \$ 1,056.00
31	1/2"	800 mm	MLZ+M 800	\$ 593.00 + EDM4-800 = \$ 1,097.00
35	1/4"	900 mm	MLZ+M 900	\$ 625.00 + EDM4-900 = \$ 1,140.00
39	3/8"	1000 mm	MLZ+M 1000	\$ 662.00 + EDM4-1000 = \$ 1,187.00
43	3/8"	1100 mm	MLZ+M 1100	\$ 698.00 + EDM4-1100 = \$ 1,239.00
47	1/4"	1200 mm	MLZ+M 1200	\$ 730.00 + EDM4-1200 = \$ 1,281.00

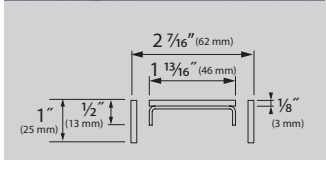
M1	Length	Trim	+ Rough	= Total Price
19	3/8"	500 mm	MLZ+M 500	\$ 488.00 + EDM1-500-4 = \$ 1,013.00
23	5/8"	600 mm	MLZ+M 600	\$ 520.00 + EDM1-600-4 = \$ 1,050.00
27	5/8"	700 mm	MLZ+M 700	\$ 557.00 + EDM1-700-4 = \$ 1,093.00
31	1/2"	800 mm	MLZ+M 800	\$ 593.00 + EDM1-800-4 = \$ 1,134.00
35	1/4"	900 mm	MLZ+M 900	\$ 625.00 + EDM1-900-4 = \$ 1,176.00
39	3/8"	1000 mm	MLZ+M 1000	\$ 662.00 + EDM1-1000-4 = \$ 1,224.00
43	3/8"	1100 mm	MLZ+M 1100	\$ 698.00 + EDM1-1100-4 = \$ 1,276.00
47	1/4"	1200 mm	MLZ+M 1200	\$ 730.00 + EDM1-1200-4 = \$ 1,318.00



ZERO+ CHROME-PLATED STAINLESS STEEL

M4	Length	Trim	+ Rough	= Total Price
19	3/8"	500 mm	MLZ+P 500	\$ 751.00 + EDM4-500 = \$ 1,239.00
23	5/8"	600 mm	MLZ+P 600	\$ 782.00 + EDM4-600 = \$ 1,276.00
27	5/8"	700 mm	MLZ+P 700	\$ 819.00 + EDM4-700 = \$ 1,318.00
31	1/2"	800 mm	MLZ+P 800	\$ 856.00 + EDM4-800 = \$ 1,360.00
35	1/4"	900 mm	MLZ+P 900	\$ 887.00 + EDM4-900 = \$ 1,402.00
39	3/8"	1000 mm	MLZ+P 1000	\$ 919.00 + EDM4-1000 = \$ 1,444.00
43	3/8"	1100 mm	MLZ+P 1100	\$ 956.00 + EDM4-1100 = \$ 1,497.00
47	1/4"	1200 mm	MLZ+P 1200	\$ 987.00 + EDM4-1200 = \$ 1,538.00

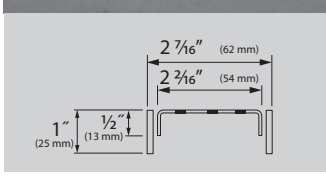
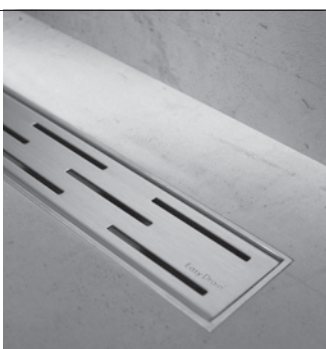
M1	Length	Trim	+ Rough	= Total Price
19	3/8"	500 mm	MLZ+P 500	\$ 751.00 + EDM1-500-4 = \$ 1,276.00
23	5/8"	600 mm	MLZ+P 600	\$ 782.00 + EDM1-600-4 = \$ 1,312.00
27	5/8"	700 mm	MLZ+P 700	\$ 819.00 + EDM1-700-4 = \$ 1,355.00
31	1/2"	800 mm	MLZ+P 800	\$ 856.00 + EDM1-800-4 = \$ 1,397.00
35	1/4"	900 mm	MLZ+P 900	\$ 887.00 + EDM1-900-4 = \$ 1,438.00
39	3/8"	1000 mm	MLZ+P 1000	\$ 919.00 + EDM1-1000-4 = \$ 1,481.00
43	3/8"	1100 mm	MLZ+P 1100	\$ 956.00 + EDM1-1100-4 = \$ 1,534.00
47	1/4"	1200 mm	MLZ+P 1200	\$ 987.00 + EDM1-1200-4 = \$ 1,575.00



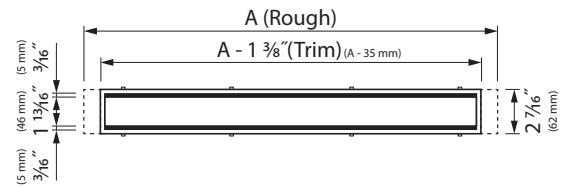
CLASSIC

M4	Length	Trim	+ Rough	= Total Price
19	3/8"	500 mm	MLC 500	\$ 263.00 + EDM4-500 = \$ 751.00
23	5/8"	600 mm	MLC 600	\$ 273.00 + EDM4-600 = \$ 767.00
27	5/8"	700 mm	MLC 700	\$ 289.00 + EDM4-700 = \$ 788.00
31	1/2"	800 mm	MLC 800	\$ 299.00 + EDM4-800 = \$ 803.00
35	1/4"	900 mm	MLC 900	\$ 310.00 + EDM4-900 = \$ 825.00
39	3/8"	1000 mm	MLC 1000	\$ 320.00 + EDM4-1000 = \$ 845.00
43	3/8"	1100 mm	MLC 1100	\$ 336.00 + EDM4-1100 = \$ 877.00
47	1/4"	1200 mm	MLC 1200	\$ 347.00 + EDM4-1200 = \$ 898.00

M1	Length	Trim	+ Rough	= Total Price
19	3/8"	500 mm	MLC 500	\$ 263.00 + EDM1-500-4 = \$ 788.00
23	5/8"	600 mm	MLC 600	\$ 273.00 + EDM1-600-4 = \$ 803.00
27	5/8"	700 mm	MLC 700	\$ 289.00 + EDM1-700-4 = \$ 825.00
31	1/2"	800 mm	MLC 800	\$ 299.00 + EDM1-800-4 = \$ 840.00
35	1/4"	900 mm	MLC 900	\$ 310.00 + EDM1-900-4 = \$ 861.00
39	3/8"	1000 mm	MLC 1000	\$ 320.00 + EDM1-1000-4 = \$ 882.00
43	3/8"	1100 mm	MLC 1100	\$ 336.00 + EDM1-1100-4 = \$ 914.00
47	1/4"	1200 mm	MLC 1200	\$ 347.00 + EDM1-1200-4 = \$ 935.00



MODULO TAF



MODULO TAF

BOARDWALK

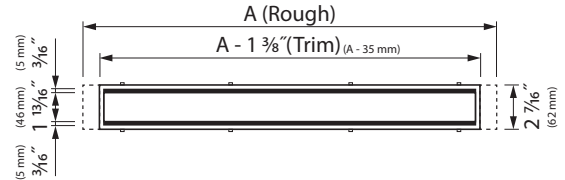
M4	Length	Trim	+ Rough	= Total Price	Brushed stainless steel
19	3/8" 500 mm	MLBW 500	\$ 572.00 + EDM4-500	\$ 488.00 = \$1,060.00	
23	5/8" 600 mm	MLBW 600	\$ 604.00 + EDM4-600	\$ 494.00 = \$1,098.00	
27	5/8" 700 mm	MLBW 700	\$ 641.00 + EDM4-700	\$ 499.00 = \$1,140.00	
31	1/2" 800 mm	MLBW 800	\$ 677.00 + EDM4-800	\$ 504.00 = \$1,181.00	
35	1/4" 900 mm	MLBW 900	\$ 719.00 + EDM4-900	\$ 515.00 = \$1,234.00	
39	3/8" 1000 mm	MLBW 1000	\$ 809.00 + EDM4-1000	\$ 525.00 = \$1,334.00	
43	3/8" 1100 mm	MLBW 1100	\$ 861.00 + EDM4-1100	\$ 541.00 = \$1,402.00	
47	1/4" 1200 mm	MLBW 1200	\$ 898.00 + EDM4-1200	\$ 551.00 = \$1,449.00	
59	1/4" 1500 mm	MLBW 1500	\$ 1,145.00 + EDM4-1500	\$ 641.00 = \$1,786.00	
70	7/8" 1800 mm	MLBW 1800	\$ 1,281.00 + EDM4-1800	\$ 698.00 = \$1,979.00	

M1	Length	Trim	+ Rough	= Total Price	
19	3/8" 500 mm	MLBW 500	\$ 572.00 + EDM1-500-4	\$ 525.00 = \$1,097.00	
23	5/8" 600 mm	MLBW 600	\$ 604.00 + EDM1-600-4	\$ 530.00 = \$1,134.00	
27	5/8" 700 mm	MLBW 700	\$ 641.00 + EDM1-700-4	\$ 536.00 = \$1,177.00	
31	1/2" 800 mm	MLBW 800	\$ 677.00 + EDM1-800-4	\$ 541.00 = \$1,218.00	
35	1/4" 900 mm	MLBW 900	\$ 719.00 + EDM1-900-4	\$ 551.00 = \$1,270.00	
39	3/8" 1000 mm	MLBW 1000	\$ 809.00 + EDM1-1000-4	\$ 562.00 = \$1,371.00	
43	3/8" 1100 mm	MLBW 1100	\$ 861.00 + EDM1-1100-4	\$ 578.00 = \$1,439.00	
47	1/4" 1200 mm	MLBW 1200	\$ 898.00 + EDM1-1200-4	\$ 588.00 = \$1,486.00	
59	1/4" 1500 mm	MLBW 1500	\$ 1,145.00 + EDM1-1500-4	\$ 662.00 = \$1,807.00	
70	7/8" 1800 mm	MLBW 1800	\$ 1,281.00 + EDM1-1800-4	\$ 725.00 = \$2,006.00	

M4	Length	Trim	+ Rough	= Total Price	Chrome-plated stainless steel
19	3/8" 500 mm	MLBW-P 500	\$ 830.00 + EDM4-500	\$ 488.00 = \$1,318.00	
23	5/8" 600 mm	MLBW-P 600	\$ 866.00 + EDM4-600	\$ 494.00 = \$1,360.00	
27	5/8" 700 mm	MLBW-P 700	\$ 903.00 + EDM4-700	\$ 499.00 = \$1,402.00	
31	1/2" 800 mm	MLBW-P 800	\$ 940.00 + EDM4-800	\$ 504.00 = \$1,444.00	
35	1/4" 900 mm	MLBW-P 900	\$ 982.00 + EDM4-900	\$ 515.00 = \$1,497.00	
39	3/8" 1000 mm	MLBW-P 1000	\$ 1,071.00 + EDM4-1000	\$ 525.00 = \$1,596.00	
43	3/8" 1100 mm	MLBW-P 1100	\$ 1,118.00 + EDM4-1100	\$ 541.00 = \$1,659.00	
47	1/4" 1200 mm	MLBW-P 1200	\$ 1,160.00 + EDM4-1200	\$ 551.00 = \$1,711.00	
59	1/4" 1500 mm	MLBW-P 1500	\$ 1,349.00 + EDM4-1500	\$ 641.00 = \$1,990.00	
70	7/8" 1800 mm	MLBW-P 1800	\$ 1,538.00 + EDM4-1800	\$ 698.00 = \$2,236.00	

M1	Length	Trim	+ Rough	= Total Price	
19	3/8" 500 mm	MLBW-P 500	\$ 830.00 + EDM1-500-4	\$ 525.00 = \$1,355.00	
23	5/8" 600 mm	MLBW-P 600	\$ 866.00 + EDM1-600-4	\$ 530.00 = \$1,396.00	
27	5/8" 700 mm	MLBW-P 700	\$ 903.00 + EDM1-700-4	\$ 536.00 = \$1,439.00	
31	1/2" 800 mm	MLBW-P 800	\$ 940.00 + EDM1-800-4	\$ 541.00 = \$1,481.00	
35	1/4" 900 mm	MLBW-P 900	\$ 982.00 + EDM1-900-4	\$ 551.00 = \$1,533.00	
39	3/8" 1000 mm	MLBW-P 1000	\$ 1,071.00 + EDM1-1000-4	\$ 562.00 = \$1,633.00	
43	3/8" 1100 mm	MLBW-P 1100	\$ 1,118.00 + EDM1-1100-4	\$ 578.00 = \$1,696.00	
47	1/4" 1200 mm	MLBW-P 1200	\$ 1,160.00 + EDM1-1200-4	\$ 588.00 = \$1,748.00	
59	1/4" 1500 mm	MLBW-P 1500	\$ 1,349.00 + EDM1-1500-4	\$ 662.00 = \$2,011.00	
70	7/8" 1800 mm	MLBW-P 1800	\$ 1,538.00 + EDM1-1800-4	\$ 725.00 = \$2,263.00	

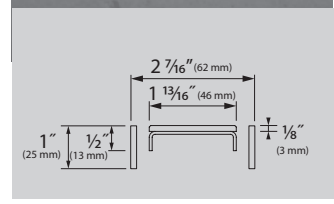
MODULO TAF



BLACK GLASS

M4	Length	Trim	+ Rough	= Total Price
19	3/8" 500 mm	MLGS 500	\$ 656.00 + EDM4-500	\$ 488.00 = \$1,144.00
23	5/8" 600 mm	MLGS 600	\$ 709.00 + EDM4-600	\$ 494.00 = \$1,203.00
27	5/8" 700 mm	MLGS 700	\$ 767.00 + EDM4-700	\$ 499.00 = \$1,266.00
31	1/2" 800 mm	MLGS 800	\$ 830.00 + EDM4-800	\$ 504.00 = \$1,334.00
35	1/4" 900 mm	MLGS 900	\$ 887.00 + EDM4-900	\$ 515.00 = \$1,402.00
39	3/8" 1000 mm	MLGS 1000	\$ 945.00 + EDM4-1000	\$ 525.00 = \$1,470.00
43	3/8" 1100 mm	MLGS 1100	\$1,050.00 + EDM4-1100	\$ 541.00 = \$1,591.00
47	1/4" 1200 mm	MLGS 1200	\$1,066.00 + EDM4-1200	\$ 551.00 = \$1,617.00

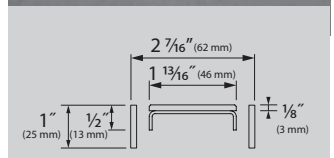
M1	Length	Trim	+ Rough	= Total Price
19	3/8" 500 mm	MLGS 500	\$ 656.00 + EDM1-500-4	\$ 525.00 = \$1,181.00
23	5/8" 600 mm	MLGS 600	\$ 709.00 + EDM1-600-4	\$ 530.00 = \$1,239.00
27	5/8" 700 mm	MLGS 700	\$ 767.00 + EDM1-700-4	\$ 536.00 = \$1,303.00
31	1/2" 800 mm	MLGS 800	\$ 830.00 + EDM1-800-4	\$ 541.00 = \$1,371.00
35	1/4" 900 mm	MLGS 900	\$ 887.00 + EDM1-900-4	\$ 551.00 = \$1,438.00
39	3/8" 1000 mm	MLGS 1000	\$ 945.00 + EDM1-1000-4	\$ 562.00 = \$1,507.00
43	3/8" 1100 mm	MLGS 1100	\$1,050.00 + EDM1-1100-4	\$ 578.00 = \$1,628.00
47	1/4" 1200 mm	MLGS 1200	\$1,066.00 + EDM1-1200-4	\$ 588.00 = \$1,654.00



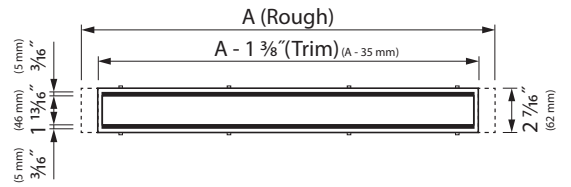
WHITE GLASS

M4	Length	Trim	+ Rough	= Total Price
19	3/8" 500 mm	MLGW 500	\$ 656.00 + EDM4-500	\$ 488.00 = \$1,144.00
23	5/8" 600 mm	MLGW 600	\$ 709.00 + EDM4-600	\$ 494.00 = \$1,203.00
27	5/8" 700 mm	MLGW 700	\$ 767.00 + EDM4-700	\$ 499.00 = \$1,266.00
31	1/2" 800 mm	MLGW 800	\$ 830.00 + EDM4-800	\$ 504.00 = \$1,334.00
35	1/4" 900 mm	MLGW 900	\$ 887.00 + EDM4-900	\$ 515.00 = \$1,402.00
39	3/8" 1000 mm	MLGW 1000	\$ 945.00 + EDM4-1000	\$ 525.00 = \$1,470.00
43	3/8" 1100 mm	MLGW 1100	\$1,050.00 + EDM4-1100	\$ 541.00 = \$1,591.00
47	1/4" 1200 mm	MLGW 1200	\$1,066.00 + EDM4-1200	\$ 551.00 = \$1,617.00

M1	Length	Trim	+ Rough	= Total Price
19	3/8" 500 mm	MLGW 500	\$ 656.00 + EDM1-500-4	\$ 525.00 = \$1,181.00
23	5/8" 600 mm	MLGW 600	\$ 709.00 + EDM1-600-4	\$ 530.00 = \$1,239.00
27	5/8" 700 mm	MLGW 700	\$ 767.00 + EDM1-700-4	\$ 536.00 = \$1,303.00
31	1/2" 800 mm	MLGW 800	\$ 830.00 + EDM1-800-4	\$ 541.00 = \$1,371.00
35	1/4" 900 mm	MLGW 900	\$ 887.00 + EDM1-900-4	\$ 551.00 = \$1,438.00
39	3/8" 1000 mm	MLGW 1000	\$ 945.00 + EDM1-1000-4	\$ 562.00 = \$1,507.00
43	3/8" 1100 mm	MLGW 1100	\$1,050.00 + EDM1-1100-4	\$ 578.00 = \$1,628.00
47	1/4" 1200 mm	MLGW 1200	\$1,066.00 + EDM1-1200-4	\$ 588.00 = \$1,654.00



MODULO TAF

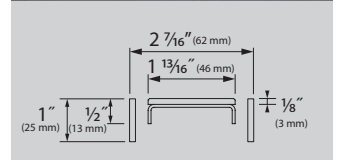


MODULO TAF

GREEN GLASS

M4	Length	Trim	+ Rough	= Total Price
19	3/8" 500 mm	MLGG 500	\$ 656.00 + EDM4-500	\$ 488.00 = \$1,144.00
23	5/8" 600 mm	MLGG 600	\$ 709.00 + EDM4-600	\$ 494.00 = \$1,203.00
27	5/8" 700 mm	MLGG 700	\$ 767.00 + EDM4-700	\$ 499.00 = \$1,266.00
31	1/2" 800 mm	MLGG 800	\$ 830.00 + EDM4-800	\$ 504.00 = \$1,334.00
35	1/4" 900 mm	MLGG 900	\$ 887.00 + EDM4-900	\$ 515.00 = \$1,402.00
39	3/8" 1000 mm	MLGG 1000	\$ 945.00 + EDM4-1000	\$ 525.00 = \$1,470.00
43	3/8" 1100 mm	MLGG 1100	\$1,050.00 + EDM4-1100	\$ 541.00 = \$1,591.00
47	1/4" 1200 mm	MLGG 1200	\$1,066.00 + EDM4-1200	\$ 551.00 = \$1,617.00

M1	Length	Trim	+ Rough	= Total Price
19	3/8" 500 mm	MLGG 500	\$ 656.00 + EDM1-500-4	\$ 525.00 = \$1,181.00
23	5/8" 600 mm	MLGG 600	\$ 709.00 + EDM1-600-4	\$ 530.00 = \$1,239.00
27	5/8" 700 mm	MLGG 700	\$ 767.00 + EDM1-700-4	\$ 536.00 = \$1,303.00
31	1/2" 800 mm	MLGG 800	\$ 830.00 + EDM1-800-4	\$ 541.00 = \$1,371.00
35	1/4" 900 mm	MLGG 900	\$ 887.00 + EDM1-900-4	\$ 551.00 = \$1,438.00
39	3/8" 1000 mm	MLGG 1000	\$ 945.00 + EDM1-1000-4	\$ 562.00 = \$1,507.00
43	3/8" 1100 mm	MLGG 1100	\$1,050.00 + EDM1-1100-4	\$ 578.00 = \$1,628.00
47	1/4" 1200 mm	MLGG 1200	\$1,066.00 + EDM1-1200-4	\$ 588.00 = \$1,654.00







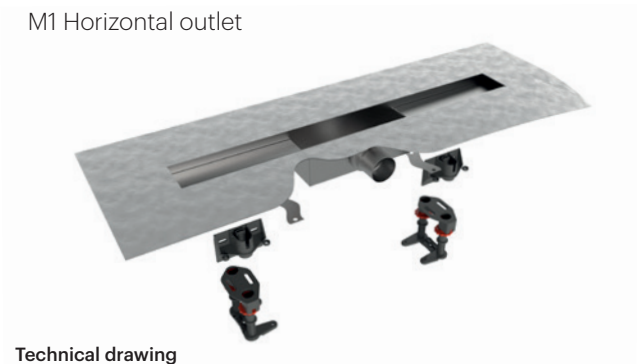
MODULO TAF LOW

The solution for thin flooring

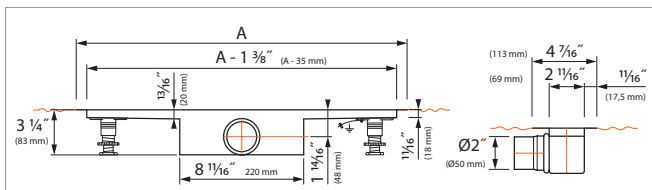
Easy Drain Modulo TAF Low offers complete freedom in designing your bathroom. This extra low frame is specially developed for application of thin flooring between 1/8 " and 1/2" (3-13 mm) like glass mosaic, extra thin tiles, vinyl and concrete look. Easy Drain Modulo TAF Low comes with various trim options and offers the same unique technical characteristics as all Easy Drain Modulo TAF shower drains.

MODULO TAF LOW

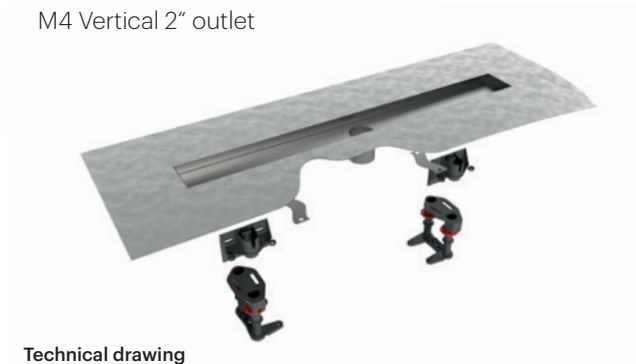
M1 Horizontal outlet



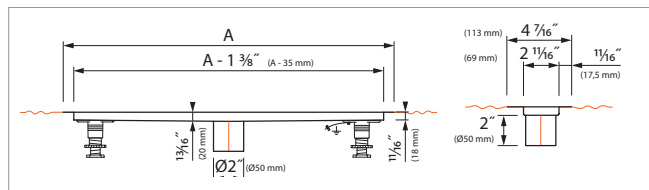
Technical drawing



M4 Vertical 2" outlet



Technical drawing



Specifications



Montage

Tile thickness $1/8$ " and $1/2$ " (3-13 mm).
 Length: $19 3/8$ " - $47 1/4$ " (500- 1200 mm)

Installation options



General

- > **TAF** Low was especially developed for application of thin flooring: Glass mosaic & Vinyl flooring
- > Suitable for floor thickness: $1/8$ " and $1/2$ " (3-13 mm)
- > Tile Adjustable Frame - easy levelling to tile thickness
- > Water protection system (WPS) - 100% watertight
- > 10-year warranty on leakage
- > Haircatcher included

Available finishes



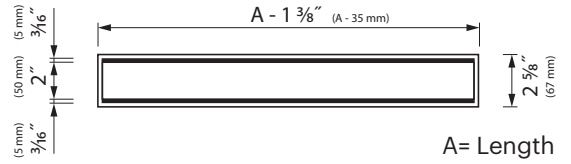
1 2

- 1 - Brushed stainless steel
- 2 - Chrome-plated stainless steel



Waterproofing: SAM - Seal System

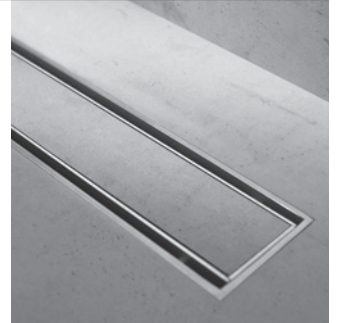
MODULO TAF LOW



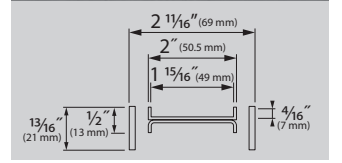
MODULO TAF LOW

FLOORING FROM 1/8" (3 MM)

M4	Length	Trim	+ Rough	= Total Price
19	3/8" 500 mm	MTAFLAAG 500-T	\$ 331.00 + EDM4-500	\$ 488.00 = \$ 819.00
23	5/8" 600 mm	MTAFLAAG 600-T	\$ 336.00 + EDM4-600	\$ 494.00 = \$ 830.00
27	5/8" 700 mm	MTAFLAAG 700-T	\$ 352.00 + EDM4-700	\$ 499.00 = \$ 851.00
31	1/2" 800 mm	MTAFLAAG 800-T	\$ 357.00 + EDM4-800	\$ 504.00 = \$ 861.00
35	1/4" 900 mm	MTAFLAAG 900-T	\$ 383.00 + EDM4-900	\$ 515.00 = \$ 898.00
39	3/8" 1000 mm	MTAFLAAG 1000-T	\$ 404.00 + EDM4-1000	\$ 525.00 = \$ 929.00
43	3/8" 1100 mm	MTAFLAAG 1100-T	\$ 415.00 + EDM4-1100	\$ 541.00 = \$ 956.00
47	1/4" 1200 mm	MTAFLAAG 1200-T	\$ 431.00 + EDM4-1200	\$ 551.00 = \$ 982.00



M1	Length	Trim	+ Rough	= Total Price
19	3/8" 500 mm	MTAFLAAG 500-T	\$ 331.00 + EDM1-500-4	\$ 525.00 = \$ 856.00
23	5/8" 600 mm	MTAFLAAG 600-T	\$ 336.00 + EDM1-600-4	\$ 530.00 = \$ 866.00
27	5/8" 700 mm	MTAFLAAG 700-T	\$ 352.00 + EDM1-700-4	\$ 536.00 = \$ 888.00
31	1/2" 800 mm	MTAFLAAG 800-T	\$ 357.00 + EDM1-800-4	\$ 541.00 = \$ 898.00
35	1/4" 900 mm	MTAFLAAG 900-T	\$ 383.00 + EDM1-900-4	\$ 551.00 = \$ 934.00
39	3/8" 1000 mm	MTAFLAAG 1000-T	\$ 404.00 + EDM1-1000-4	\$ 562.00 = \$ 966.00
43	3/8" 1100 mm	MTAFLAAG 1100-T	\$ 415.00 + EDM1-1100-4	\$ 578.00 = \$ 993.00
47	1/4" 1200 mm	MTAFLAAG 1200-T	\$ 431.00 + EDM1-1200-4	\$ 588.00 = \$1,019.00

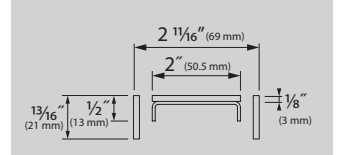


ZERO+ BRUSHED STAINLESS STEEL

M4	Length	Trim	+ Rough	= Total Price
19	3/8" 500 mm	MTAFLAAG 500-Z+	\$ 315.00 + EDM4-500	\$ 488.00 = \$ 803.00
23	5/8" 600 mm	MTAFLAAG 600-Z+	\$ 326.00 + EDM4-600	\$ 494.00 = \$ 820.00
27	5/8" 700 mm	MTAFLAAG 700-Z+	\$ 341.00 + EDM4-700	\$ 499.00 = \$ 840.00
31	1/2" 800 mm	MTAFLAAG 800-Z+	\$ 347.00 + EDM4-800	\$ 504.00 = \$ 851.00
35	1/4" 900 mm	MTAFLAAG 900-Z+	\$ 373.00 + EDM4-900	\$ 515.00 = \$ 888.00
39	3/8" 1000 mm	MTAFLAAG 1000-Z+	\$ 394.00 + EDM4-1000	\$ 525.00 = \$ 919.00
43	3/8" 1100 mm	MTAFLAAG 1100-Z+	\$ 399.00 + EDM4-1100	\$ 541.00 = \$ 940.00
47	1/4" 1200 mm	MTAFLAAG 1200-Z+	\$ 420.00 + EDM4-1200	\$ 551.00 = \$ 971.00



M1	Length	Trim	+ Rough	= Total Price
19	3/8" 500 mm	MTAFLAAG 500-Z+	\$ 315.00 + EDM1-500-4	\$ 525.00 = \$ 840.00
23	5/8" 600 mm	MTAFLAAG 600-Z+	\$ 326.00 + EDM1-600-4	\$ 530.00 = \$ 856.00
27	5/8" 700 mm	MTAFLAAG 700-Z+	\$ 341.00 + EDM1-700-4	\$ 536.00 = \$ 877.00
31	1/2" 800 mm	MTAFLAAG 800-Z+	\$ 347.00 + EDM1-800-4	\$ 541.00 = \$ 888.00
35	1/4" 900 mm	MTAFLAAG 900-Z+	\$ 373.00 + EDM1-900-4	\$ 551.00 = \$ 924.00
39	3/8" 1000 mm	MTAFLAAG 1000-Z+	\$ 394.00 + EDM1-1000-4	\$ 562.00 = \$ 956.00
43	3/8" 1100 mm	MTAFLAAG 1100-Z+	\$ 399.00 + EDM1-1100-4	\$ 578.00 = \$ 977.00
47	1/4" 1200 mm	MTAFLAAG 1200-Z+	\$ 420.00 + EDM1-1200-4	\$ 588.00 = \$1,008.00







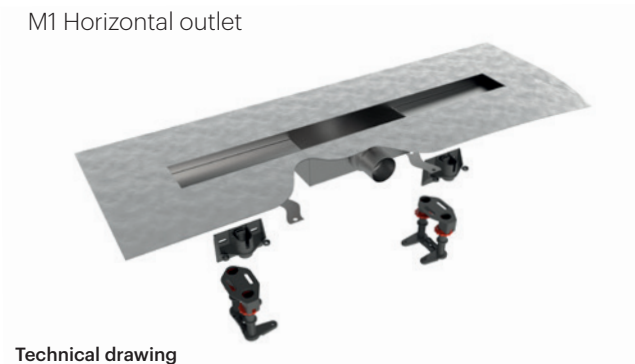
MODULO TAF HIGH

Perfect for natural
stone flooring

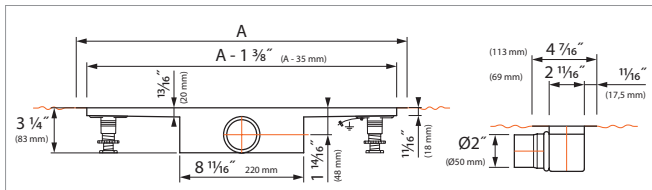
Easy Drain's Modulo TAF High linear shower drain creates complete freedom in designing any bathroom. The heightened frame has been specifically developed for applications using natural stone for your bathroom floor.

MODULO TAF HIGH

M1 Horizontal outlet



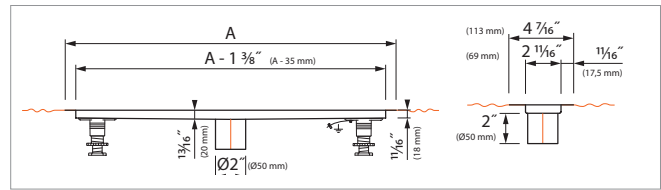
Technical drawing



M4 Vertical 2" outlet



Technical drawing



Specifications



Montage

Tile thickness $1\frac{1}{16}''$ and $1\frac{1}{8}''$ (17-28 mm).
 Length: $19\frac{3}{8}''$ - $47\frac{1}{4}''$ (500-1200 mm)

Installation options



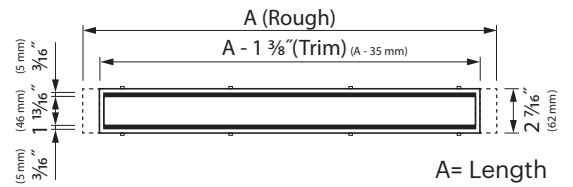
General

- > TAF High: especially for dimension stone.
- > Suitable for floor thickness: $1\frac{1}{16}''$ - $1\frac{1}{8}''$ (17-28 mm)
- > Tile Adjustable Frame - easy levelling to tile thickness
- > Water protection system (WPS) - 100% watertight
- > 10-year warranty on leakage
- > Haircatcher included



Waterproofing: SAM - Seal System

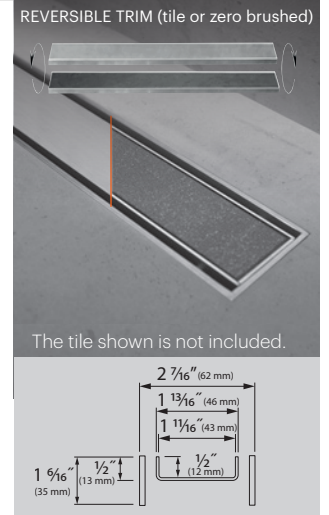
MODULO TAF HIGH



ZERO/TILE

M4	Length	Trim	+ Rough	= Total Price
19	3/8" 500 mm	MTAFHOOG 500-ZT	\$ 368.00 + EDM4-500	\$ 488.00 = \$ 856.00
23	5/8" 600 mm	MTAFHOOG 600-ZT	\$ 383.00 + EDM4-600	\$ 494.00 = \$ 877.00
27	5/8" 700 mm	MTAFHOOG 700-ZT	\$ 399.00 + EDM4-700	\$ 499.00 = \$ 898.00
31	1/2" 800 mm	MTAFHOOG 800-ZT	\$ 410.00 + EDM4-800	\$ 504.00 = \$ 914.00
35	1/4" 900 mm	MTAFHOOG 900-ZT	\$ 415.00 + EDM4-900	\$ 515.00 = \$ 930.00
39	3/8" 1000 mm	MTAFHOOG 1000-ZT	\$ 420.00 + EDM4-1000	\$ 525.00 = \$ 945.00
43	3/8" 1100 mm	MTAFHOOG 1100-ZT	\$ 436.00 + EDM4-1100	\$ 541.00 = \$ 977.00
47	1/4" 1200 mm	MTAFHOOG 1200-ZT	\$ 446.00 + EDM4-1200	\$ 551.00 = \$ 997.00

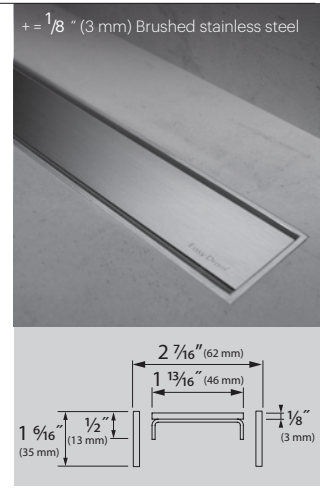
M1	Length	Trim	+ Rough	= Total Price
19	3/8" 500 mm	MTAFHOOG 500-ZT	\$ 368.00 + EDM1-500-4	\$ 525.00 = \$ 893.00
23	5/8" 600 mm	MTAFHOOG 600-ZT	\$ 383.00 + EDM1-600-4	\$ 530.00 = \$ 913.00
27	5/8" 700 mm	MTAFHOOG 700-ZT	\$ 399.00 + EDM1-700-4	\$ 536.00 = \$ 935.00
31	1/2" 800 mm	MTAFHOOG 800-ZT	\$ 410.00 + EDM1-800-4	\$ 541.00 = \$ 951.00
35	1/4" 900 mm	MTAFHOOG 900-ZT	\$ 415.00 + EDM1-900-4	\$ 551.00 = \$ 966.00
39	3/8" 1000 mm	MTAFHOOG 1000-ZT	\$ 420.00 + EDM1-1000-4	\$ 562.00 = \$ 982.00
43	3/8" 1100 mm	MTAFHOOG 1100-ZT	\$ 436.00 + EDM1-1100-4	\$ 578.00 = \$ 1,014.00
47	1/4" 1200 mm	MTAFHOOG 1200-ZT	\$ 446.00 + EDM1-1200-4	\$ 588.00 = \$ 1,034.00



ZERO+ BRUSHED STAINLESS STEEL

M4	Length	Trim	+ Rough	= Total Price
19	3/8" 500 mm	MTAFHOOG 500-Z+M	\$ 583.00 + EDM4-500	\$ 488.00 = \$ 1,071.00
23	5/8" 600 mm	MTAFHOOG 600-Z+M	\$ 609.00 + EDM4-600	\$ 494.00 = \$ 1,103.00
27	5/8" 700 mm	MTAFHOOG 700-Z+M	\$ 646.00 + EDM4-700	\$ 499.00 = \$ 1,145.00
31	1/2" 800 mm	MTAFHOOG 800-Z+M	\$ 677.00 + EDM4-800	\$ 504.00 = \$ 1,181.00
35	1/4" 900 mm	MTAFHOOG 900-Z+M	\$ 709.00 + EDM4-900	\$ 515.00 = \$ 1,224.00
39	3/8" 1000 mm	MTAFHOOG 1000-Z+M	\$ 740.00 + EDM4-1000	\$ 525.00 = \$ 1,265.00
43	3/8" 1100 mm	MTAFHOOG 1100-Z+M	\$ 772.00 + EDM4-1100	\$ 541.00 = \$ 1,313.00
47	1/4" 1200 mm	MTAFHOOG 1200-Z+M	\$ 803.00 + EDM4-1200	\$ 551.00 = \$ 1,354.00

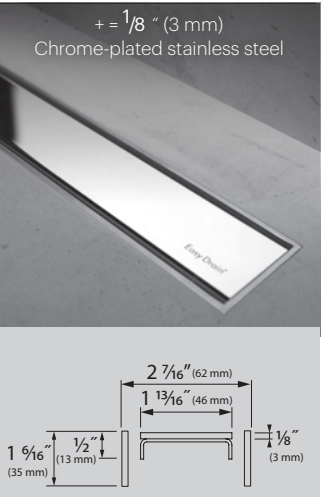
M1	Length	Trim	+ Rough	= Total Price
19	3/8" 500 mm	MTAFHOOG 500-Z+M	\$ 583.00 + EDM1-500-4	\$ 525.00 = \$ 1,108.00
23	5/8" 600 mm	MTAFHOOG 600-Z+M	\$ 609.00 + EDM1-600-4	\$ 530.00 = \$ 1,139.00
27	5/8" 700 mm	MTAFHOOG 700-Z+M	\$ 646.00 + EDM1-700-4	\$ 536.00 = \$ 1,182.00
31	1/2" 800 mm	MTAFHOOG 800-Z+M	\$ 677.00 + EDM1-800-4	\$ 541.00 = \$ 1,218.00
35	1/4" 900 mm	MTAFHOOG 900-Z+M	\$ 709.00 + EDM1-900-4	\$ 551.00 = \$ 1,260.00
39	3/8" 1000 mm	MTAFHOOG 1000-Z+M	\$ 740.00 + EDM1-1000-4	\$ 562.00 = \$ 1,302.00
43	3/8" 1100 mm	MTAFHOOG 1100-Z+M	\$ 772.00 + EDM1-1100-4	\$ 578.00 = \$ 1,350.00
47	1/4" 1200 mm	MTAFHOOG 1200-Z+M	\$ 803.00 + EDM1-1200-4	\$ 588.00 = \$ 1,391.00



ZERO+ CHROME-PLATED STAINLESS STEEL

M4	Length	Trim	+ Rough	= Total Price
19	3/8" 500 mm	MTAFHOOG 500-Z+P	\$ 924.00 + EDM4-500	\$ 488.00 = \$ 1,412.00
23	5/8" 600 mm	MTAFHOOG 600-Z+P	\$ 950.00 + EDM4-600	\$ 494.00 = \$ 1,444.00
27	5/8" 700 mm	MTAFHOOG 700-Z+P	\$ 982.00 + EDM4-700	\$ 499.00 = \$ 1,481.00
31	1/2" 800 mm	MTAFHOOG 800-Z+P	\$ 1,013.00 + EDM4-800	\$ 504.00 = \$ 1,517.00
35	1/4" 900 mm	MTAFHOOG 900-Z+P	\$ 1,045.00 + EDM4-900	\$ 515.00 = \$ 1,560.00
39	3/8" 1000 mm	MTAFHOOG 1000-Z+P	\$ 1,071.00 + EDM4-1000	\$ 525.00 = \$ 1,596.00
43	3/8" 1100 mm	MTAFHOOG 1100-Z+P	\$ 1,097.00 + EDM4-1100	\$ 541.00 = \$ 1,638.00
47	1/4" 1200 mm	MTAFHOOG 1200-Z+P	\$ 1,155.00 + EDM4-1200	\$ 551.00 = \$ 1,706.00

M1	Length	Trim	+ Rough	= Total Price
19	3/8" 500 mm	MTAFHOOG 500-Z+P	\$ 924.00 + EDM1-500-4	\$ 525.00 = \$ 1,449.00
23	5/8" 600 mm	MTAFHOOG 600-Z+P	\$ 950.00 + EDM1-600-4	\$ 530.00 = \$ 1,480.00
27	5/8" 700 mm	MTAFHOOG 700-Z+P	\$ 982.00 + EDM1-700-4	\$ 536.00 = \$ 1,518.00
31	1/2" 800 mm	MTAFHOOG 800-Z+P	\$ 1,013.00 + EDM1-800-4	\$ 541.00 = \$ 1,554.00
35	1/4" 900 mm	MTAFHOOG 900-Z+P	\$ 1,045.00 + EDM1-900-4	\$ 551.00 = \$ 1,596.00
39	3/8" 1000 mm	MTAFHOOG 1000-Z+P	\$ 1,071.00 + EDM1-1000-4	\$ 562.00 = \$ 1,633.00
43	3/8" 1100 mm	MTAFHOOG 1100-Z+P	\$ 1,097.00 + EDM1-1100-4	\$ 578.00 = \$ 1,675.00
47	1/4" 1200 mm	MTAFHOOG 1200-Z+P	\$ 1,155.00 + EDM1-1200-4	\$ 588.00 = \$ 1,743.00







MODULO TAF WALL

Elegant stainless steel frame

Easy Drain Modulo TAF Wall fits seamlessly between any wall and in any floor. The height-adjustable grates blend perfectly into your bathroom floor, while the subtle stainless finish gives a beautiful look to the attachment to the floor and the wall. Furthermore, the TAF system and WPS make sure that all water is drained, which guarantees watertightness.

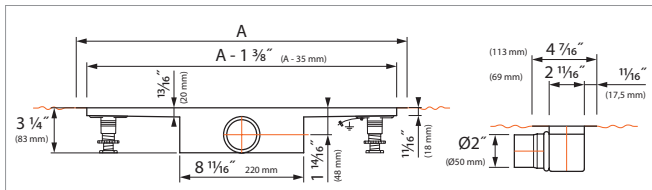


MODULO TAF WALL

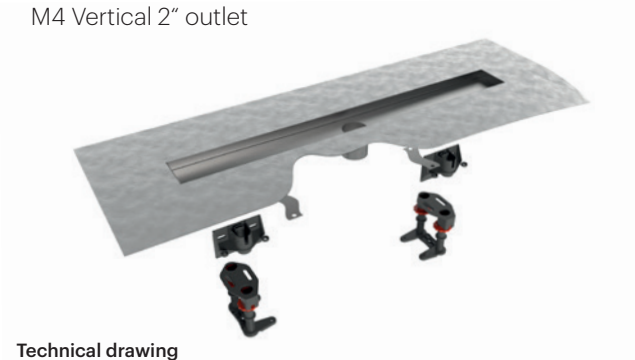
M1 Horizontal outlet



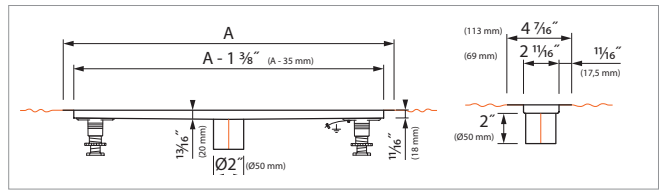
Technical drawing



M4 Vertical 2" outlet



Technical drawing



Specifications



Montage

Tile thickness $\frac{1}{16}$ " and $\frac{1}{8}$ " (17-28 mm).
 Length: $19\frac{3}{8}$ " 500mm - $70\frac{7}{8}$ " 2000 mm

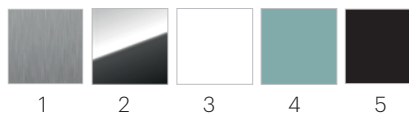
Installation options



General

- > More than 9 different design sets
- > Suitable for new construction and renovation projects
- > Tile Adjustable Frame - easy leveling to tile thickness
- > Water protection system (WPS) - 100% watertight
- > 10-year warranty on leakage
- > Haircatcher included

Available finishes

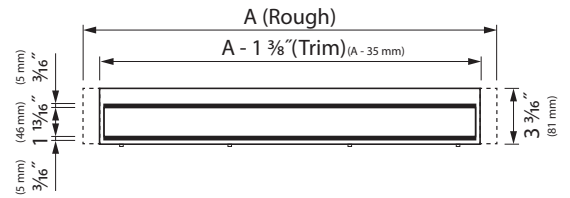


- 1 - Brushed stainless steel
- 2 - Chrome-plated stainless steel
- 3 - White glass
- 4 - Green glass
- 5 - Black glass



Waterproofing: SAM - Seal System

MODULO TAF WALL

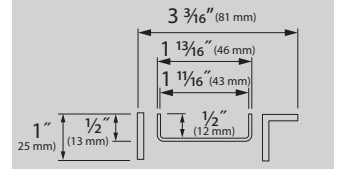


ZERO / TILE

M4	Length	Trim	+ Rough	= Total Price
19	3/8"	500 mm	MLWZT 500 \$ 273,00 + EDM4-500 \$ 488,00 =	\$ 761,00
23	5/8"	600 mm	MLWZT 600 \$ 294,00 + EDM4-600 \$ 494,00 =	\$ 788,00
27	5/8"	700 mm	MLWZT 700 \$ 310,00 + EDM4-700 \$ 499,00 =	\$ 809,00
31	1/2"	800 mm	MLWZT 800 \$ 326,00 + EDM4-800 \$ 504,00 =	\$ 830,00
35	1/4"	900 mm	MLWZT 900 \$ 336,00 + EDM4-900 \$ 515,00 =	\$ 851,00
39	3/8"	1000 mm	MLWZT 1000 \$ 341,00 + EDM4-1000 \$ 525,00 =	\$ 866,00
43	3/8"	1100 mm	MLWZT 1100 \$ 362,00 + EDM4-1100 \$ 541,00 =	\$ 903,00
47	1/4"	1200 mm	MLWZT 1200 \$ 373,00 + EDM4-1200 \$ 551,00 =	\$ 924,00
51	1/4"	1300 mm	MLWZT 1300 \$ 444,00 + EDM4-1300 \$ 582,00 =	\$ 1.026,00
55	1/8"	1400 mm	MLWZT 1400 \$ 482,00 + EDM4-1400 \$ 613,00 =	\$ 1.095,00
59	1/4"	1500 mm	MLWZT 1500 \$ 520,00 + EDM4-1500 \$ 641,00 =	\$ 1.161,00
63	1/4"	1600 mm	MLWZT 1600 \$ 553,00 + EDM4-1600 \$ 670,00 =	\$ 1.223,00
66	7/8"	1700 mm	MLWZT 1700 \$ 589,00 + EDM4-1700 \$ 685,00 =	\$ 1.274,00
71	1/4"	1800 mm	MLWZT 1800 \$ 620,00 + EDM4-1800 \$ 698,00 =	\$ 1.318,00
75	1/4"	1900 mm	MLWZT 1900 \$ 651,00 + EDM4-1900 \$ 723,00 =	\$ 1.374,00
78	3/4"	2000 mm	MLWZT 2000 \$ 682,00 + EDM4-2000 \$ 748,00 =	\$ 1.430,00



M1	Length	Trim	+ Rough	= Total Price
19	3/8"	500 mm	MLWZT 500 \$ 273,00 + EDM1-500-4 \$ 525,00 =	\$ 798,00
23	5/8"	600 mm	MLWZT 600 \$ 294,00 + EDM1-600-4 \$ 530,00 =	\$ 824,00
27	5/8"	700 mm	MLWZT 700 \$ 310,00 + EDM1-700-4 \$ 536,00 =	\$ 846,00
31	1/2"	800 mm	MLWZT 800 \$ 326,00 + EDM1-800-4 \$ 541,00 =	\$ 867,00
35	1/4"	900 mm	MLWZT 900 \$ 336,00 + EDM1-900-4 \$ 551,00 =	\$ 887,00
39	3/8"	1000 mm	MLWZT 1000 \$ 341,00 + EDM1-1000-4 \$ 562,00 =	\$ 903,00
43	3/8"	1100 mm	MLWZT 1100 \$ 362,00 + EDM1-1100-4 \$ 578,00 =	\$ 940,00
47	1/4"	1200 mm	MLWZT 1200 \$ 373,00 + EDM1-1200-4 \$ 588,00 =	\$ 961,00
51	1/4"	1300 mm	MLWZT 1300 \$ 444,00 + EDM1-1500-4 \$ 662,00 =	\$ 1.182,00
55	1/8"	1400 mm	MLWZT 1400 \$ 482,00 + EDM1-1800-4 \$ 725,00 =	\$ 1.345,00

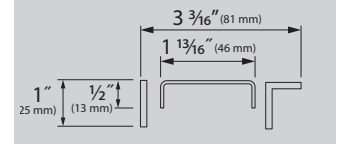


ZERO BLACK / TILE

M4	Length	Trim	+ Rough	= Total Price
19	3/4"	500 mm	MLZT 500W-B \$ 535,00 + EDM4-500 \$ 488,00 =	\$ 1,023.00
23	5/8"	600 mm	MLZT 600W-B \$ 563,10 + EDM4-600 \$ 494,00 =	\$ 1,057.10
27	5/8"	700 mm	MLZT 700W-B \$ 585,60 + EDM4-700 \$ 499,00 =	\$ 1,084.10
31	1/2"	800 mm	MLZT 800W-B \$ 608,10 + EDM4-800 \$ 504,00 =	\$ 1,112.10
35	1/4"	900 mm	MLZT 900W-B \$ 623,30 + EDM4-900 \$ 515,00 =	\$ 1,138.30
39	3/8"	1000 mm	MLZT 1000W-B \$ 634,80 + EDM4-1000 \$ 525,00 =	\$ 1,159.80
43	3/8"	1100 mm	MLZT 1100W-B \$ 662,30 + EDM4-1100 \$ 541,00 =	\$ 1,203.30
47	1/4"	1200 mm	MLZT 1200W-B \$ 679,80 + EDM4-1200 \$ 551,00 =	\$ 1,230.90
51	1/4"	1300 mm	MLZT 1300W-B \$ 757,30 + EDM4-1300 \$ 582,00 =	\$ 1,339.30
55	1/8"	1400 mm	MLZT 1400W-B \$ 801,80 + EDM4-1400 \$ 613,00 =	\$ 1,414.80
59	1/4"	1500 mm	MLZT 1500W-B \$ 846,30 + EDM4-1500 \$ 641,00 =	\$ 1,487.30
63	7/8"	1600 mm	MLZT 1600W-B \$ 885,80 + EDM4-1600 \$ 670,00 =	\$ 1,555.80
66	7/8"	1700 mm	MLZT 1700W-B \$ 928,30 + EDM4-1700 \$ 685,00 =	\$ 1,613.30
71	1/4"	1800 mm	MLZT 1800W-B \$ 965,80 + EDM4-1800 \$ 698,00 =	\$ 1,663.80
75	1/4"	1900 mm	MLZT 1900W-B \$ 1.003,30 + EDM4-1900 \$ 723,00 =	\$ 1,726.30
78	3/4"	2000 mm	MLZT 2000W-B \$ 1.042,10 + EDM4-2000 \$ 748,00 =	\$ 1,790.10



M1	Length	Trim	+ Rough	= Total Price
19	3/8"	500 mm	MLZT 500W-B \$ 535,00 + EDM1-500-4 \$ 525,00 =	\$ 1,060.00
23	5/8"	600 mm	MLZT 600W-B \$ 563,10 + EDM1-600-4 \$ 530,00 =	\$ 1,093.10
27	5/8"	700 mm	MLZT 700W-B \$ 585,60 + EDM1-700-4 \$ 536,00 =	\$ 1,121.60
31	1/2"	800 mm	MLZT 800W-B \$ 608,10 + EDM1-800-4 \$ 541,00 =	\$ 1,149.10
35	1/4"	900 mm	MLZT 900W-B \$ 623,30 + EDM1-900-4 \$ 551,00 =	\$ 1,174.30
39	3/8"	1000 mm	MLZT 1000W-B \$ 634,80 + EDM1-1000-4 \$ 562,00 =	\$ 1,196.80
43	3/8"	1100 mm	MLZT 1100W-B \$ 662,30 + EDM1-1100-4 \$ 578,00 =	\$ 1,240.30
47	1/4"	1200 mm	MLZT 1200W-B \$ 679,80 + EDM1-1200-4 \$ 588,00 =	\$ 1,267.80
51	1/4"	1300 mm	MLZT 1300W-B \$ 757,30 + EDM1-1500-4 \$ 662,00 =	\$ 1,419.30
55	1/8"	1400 mm	MLZT 1400W-B \$ 801,80 + EDM1-1800-4 \$ 725,00 =	\$ 1,526.80



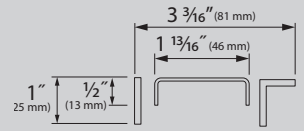
MODULO TAF WALL



ZERO+ BRUSHED STAINLESS STEEL

M4	Length	Trim	+ Rough	= Total Price
19	3/8" 500 mm	MLWZ+M 500	\$ 488.00 + EDM4-500	\$ 488.00 = \$ 976.00
23	5/8" 600 mm	MLWZ+M 600	\$ 520.00 + EDM4-600	\$ 494.00 = \$ 1,014.00
27	5/8" 700 mm	MLWZ+M 700	\$ 557.00 + EDM4-700	\$ 499.00 = \$ 1,056.00
31	1/2" 800 mm	MLWZ+M 800	\$ 593.00 + EDM4-800	\$ 504.00 = \$ 1,097.00
35	1/4" 900 mm	MLWZ+M 900	\$ 625.00 + EDM4-900	\$ 515.00 = \$ 1,140.00
39	3/8" 1000 mm	MLWZ+M 1000	\$ 662.00 + EDM4-1000	\$ 525.00 = \$ 1,187.00
43	3/8" 1100 mm	MLWZ+M 1100	\$ 698.00 + EDM4-1100	\$ 541.00 = \$ 1,239.00
47	1/4" 1200 mm	MLWZ+M 1200	\$ 730.00 + EDM4-1200	\$ 551.00 = \$ 1,281.00

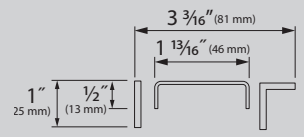
M1	Length	Trim	+ Rough	= Total Price
19	3/8" 500 mm	MLWZ+M 500	\$ 488.00 + EDM1-500-4	\$ 525.00 = \$ 1,013.00
23	5/8" 600 mm	MLWZ+M 600	\$ 520.00 + EDM1-600-4	\$ 530.00 = \$ 1,050.00
27	5/8" 700 mm	MLWZ+M 700	\$ 557.00 + EDM1-700-4	\$ 536.00 = \$ 1,093.00
31	1/2" 800 mm	MLWZ+M 800	\$ 593.00 + EDM1-800-4	\$ 541.00 = \$ 1,134.00
35	1/4" 900 mm	MLWZ+M 900	\$ 625.00 + EDM1-900-4	\$ 551.00 = \$ 1,176.00
39	3/8" 1000 mm	MLWZ+M 1000	\$ 662.00 + EDM1-1000-4	\$ 562.00 = \$ 1,224.00
43	3/8" 1100 mm	MLWZ+M 1100	\$ 698.00 + EDM1-1100-4	\$ 578.00 = \$ 1,276.00
47	1/4" 1200 mm	MLWZ+M 1200	\$ 730.00 + EDM1-1200-4	\$ 588.00 = \$ 1,318.00



ZERO+ CHROME-PLATED STAINLESS STEEL

M4	Length	Trim	+ Rough	= Total Price
19	3/8" 500 mm	MLWZ+P 500	\$ 751.00 + EDM4-500	\$ 488.00 = \$ 1,239.00
23	5/8" 600 mm	MLWZ+P 600	\$ 782.00 + EDM4-600	\$ 494.00 = \$ 1,276.00
27	5/8" 700 mm	MLWZ+P 700	\$ 819.00 + EDM4-700	\$ 499.00 = \$ 1,318.00
31	1/2" 800 mm	MLWZ+P 800	\$ 856.00 + EDM4-800	\$ 504.00 = \$ 1,360.00
35	1/4" 900 mm	MLWZ+P 900	\$ 887.00 + EDM4-900	\$ 515.00 = \$ 1,402.00
39	3/8" 1000 mm	MLWZ+P 1000	\$ 919.00 + EDM4-1000	\$ 525.00 = \$ 1,444.00
43	3/8" 1100 mm	MLWZ+P 1100	\$ 956.00 + EDM4-1100	\$ 541.00 = \$ 1,497.00
47	1/4" 1200 mm	MLWZ+P 1200	\$ 987.00 + EDM4-1200	\$ 551.00 = \$ 1,538.00

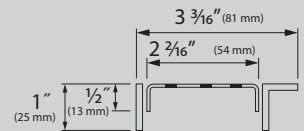
M1	Length	Trim	+ Rough	= Total Price
19	3/8" 500 mm	MLWZ+P 500	\$ 751.00 + EDM1-500-4	\$ 525.00 = \$ 1,276.00
23	5/8" 600 mm	MLWZ+P 600	\$ 782.00 + EDM1-600-4	\$ 530.00 = \$ 1,312.00
27	5/8" 700 mm	MLWZ+P 700	\$ 819.00 + EDM1-700-4	\$ 536.00 = \$ 1,355.00
31	1/2" 800 mm	MLWZ+P 800	\$ 856.00 + EDM1-800-4	\$ 541.00 = \$ 1,397.00
35	1/4" 900 mm	MLWZ+P 900	\$ 887.00 + EDM1-900-4	\$ 551.00 = \$ 1,438.00
39	3/8" 1000 mm	MLWZ+P 1000	\$ 919.00 + EDM1-1000-4	\$ 562.00 = \$ 1,481.00
43	3/8" 1100 mm	MLWZ+P 1100	\$ 956.00 + EDM1-1100-4	\$ 578.00 = \$ 1,534.00
47	1/4" 1200 mm	MLWZ+P 1200	\$ 987.00 + EDM1-1200-4	\$ 588.00 = \$ 1,575.00



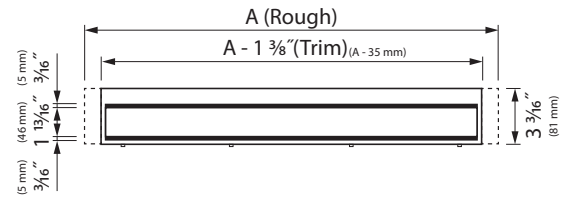
CLASSIC

M4	Length	Trim	+ Rough	= Total Price
19	3/8" 500 mm	MLWC 500	\$ 263.00 + EDM4-500	\$ 488.00 = \$ 751.00
23	5/8" 600 mm	MLWC 600	\$ 273.00 + EDM4-600	\$ 494.00 = \$ 767.00
27	5/8" 700 mm	MLWC 700	\$ 289.00 + EDM4-700	\$ 499.00 = \$ 788.00
31	1/2" 800 mm	MLWC 800	\$ 299.00 + EDM4-800	\$ 504.00 = \$ 803.00
35	1/4" 900 mm	MLWC 900	\$ 310.00 + EDM4-900	\$ 515.00 = \$ 825.00
39	3/8" 1000 mm	MLWC 1000	\$ 320.00 + EDM4-1000	\$ 525.00 = \$ 845.00
43	3/8" 1100 mm	MLWC 1100	\$ 336.00 + EDM4-1100	\$ 541.00 = \$ 877.00
47	1/4" 1200 mm	MLWC 1200	\$ 347.00 + EDM4-1200	\$ 551.00 = \$ 898.00

M1	Length	Trim	+ Rough	= Total Price
19	3/8" 500 mm	MLWC 500	\$ 263.00 + EDM1-500-4	\$ 525.00 = \$ 788.00
23	5/8" 600 mm	MLWC 600	\$ 273.00 + EDM1-600-4	\$ 530.00 = \$ 803.00
27	5/8" 700 mm	MLWC 700	\$ 289.00 + EDM1-700-4	\$ 536.00 = \$ 825.00
31	1/2" 800 mm	MLWC 800	\$ 299.00 + EDM1-800-4	\$ 541.00 = \$ 840.00
35	1/4" 900 mm	MLWC 900	\$ 310.00 + EDM1-900-4	\$ 551.00 = \$ 861.00
39	3/8" 1000 mm	MLWC 1000	\$ 320.00 + EDM1-1000-4	\$ 562.00 = \$ 882.00
43	3/8" 1100 mm	MLWC 1100	\$ 336.00 + EDM1-1100-4	\$ 578.00 = \$ 914.00
47	1/4" 1200 mm	MLWC 1200	\$ 347.00 + EDM1-1200-4	\$ 588.00 = \$ 935.00



MODULO TAF WALL

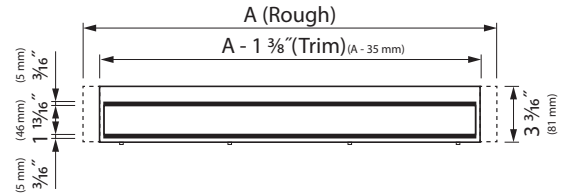


MODULO TAF WALL

BOARDWALK

M4		Length	Trim	+ Rough	= Total Price	Trim + frame brushed stainless steel
19	3/8"	500 mm	MLWBW 500	\$ 572.00 + EDM4- 500	\$ 488.00 = \$1,060.00	
23	5/8"	600 mm	MLWBW 600	\$ 604.00 + EDM4- 600	\$ 494.00 = \$1,098.00	
27	5/8"	700 mm	MLWBW 700	\$ 641.00 + EDM4- 700	\$ 499.00 = \$1,140.00	
31	1/2"	800 mm	MLWBW 800	\$ 677.00 + EDM4- 800	\$ 504.00 = \$1,181.00	
35	1/4"	900 mm	MLWBW 900	\$ 719.00 + EDM4- 900	\$ 515.00 = \$1,234.00	
39	3/8"	1000 mm	MLWBW 1000	\$ 809.00 + EDM4-1000	\$ 525.00 = \$1,334.00	
43	3/8"	1100 mm	MLWBW 1100	\$ 861.00 + EDM4-1100	\$ 541.00 = \$1,402.00	
47	1/4"	1200 mm	MLWBW 1200	\$ 898.00 + EDM4-1200	\$ 551.00 = \$1,449.00	
59	1/4"	1500 mm	MLWBW 1500	\$1,145.00 + EDM4-1500	\$ 641.00 = \$1,786.00	
70	7/8"	1800 mm	MLWBW 1800	\$1,281.00 + EDM4-1800	\$ 698.00 = \$1,979.00	
M1		Length	Trim	+ Rough	= Total Price	
19	3/8"	500 mm	MLWBW 500	\$ 572.00 + EDM1-500-4	\$ 525.00 = \$1,097.00	
23	5/8"	600 mm	MLWBW 600	\$ 604.00 + EDM1-600-4	\$ 530.00 = \$1,134.00	
27	5/8"	700 mm	MLWBW 700	\$ 641.00 + EDM1-700-4	\$ 536.00 = \$1,177.00	
31	1/2"	800 mm	MLWBW 800	\$ 677.00 + EDM1-800-4	\$ 541.00 = \$1,218.00	
35	1/4"	900 mm	MLWBW 900	\$ 719.00 + EDM1-900-4	\$ 551.00 = \$1,270.00	
39	3/8"	1000 mm	MLWBW 1000	\$ 809.00 + EDM1-1000-4	\$ 562.00 = \$1,371.00	
43	3/8"	1100 mm	MLWBW 1100	\$ 861.00 + EDM1-1100-4	\$ 578.00 = \$1,439.00	
47	1/4"	1200 mm	MLWBW 1200	\$ 898.00 + EDM1-1200-4	\$ 588.00 = \$1,486.00	
59	1/4"	1500 mm	MLWBW 1500	\$1,145.00 + EDM1-1500-4	\$ 662.00 = \$1,807.00	
70	7/8"	1800 mm	MLWBW 1800	\$1,281.00 + EDM1-1800-4	\$ 725.00 = \$2,006.00	
M4		Length	Trim	+ Rough	= Total Price	
19	3/8"	500 mm	MLWBW-P 500	\$ 830.00 + EDM4- 500	\$ 488.00 = \$1,318.00	
23	5/8"	600 mm	MLWBW-P 600	\$ 866.00 + EDM4- 600	\$ 494.00 = \$1,360.00	
27	5/8"	700 mm	MLWBW-P 700	\$ 903.00 + EDM4- 700	\$ 499.00 = \$1,402.00	
31	1/2"	800 mm	MLWBW-P 800	\$ 940.00 + EDM4- 800	\$ 504.00 = \$1,444.00	
35	1/4"	900 mm	MLWBW-P 900	\$ 982.00 + EDM4- 900	\$ 515.00 = \$1,497.00	
39	3/8"	1000 mm	MLWBW-P 1000	\$1,071.00 + EDM4-1000	\$ 525.00 = \$1,596.00	
43	3/8"	1100 mm	MLWBW-P 1100	\$1,118.00 + EDM4-1100	\$ 541.00 = \$1,659.00	
47	1/4"	1200 mm	MLWBW-P 1200	\$1,160.00 + EDM4-1200	\$ 551.00 = \$1,711.00	
59	1/4"	1500 mm	MLWBW-P 1500	\$1,349.00 + EDM4-1500	\$ 641.00 = \$1,990.00	
70	7/8"	1800 mm	MLWBW-P 1800	\$1,538.00 + EDM4-1800	\$ 698.00 = \$2,236.00	
M1		Length	Trim	+ Rough	= Total Price	
19	3/8"	500 mm	MLWBW-P 500	\$ 830.00 + EDM1-500-4	\$ 525.00 = \$1,355.00	
23	5/8"	600 mm	MLWBW-P 600	\$ 866.00 + EDM1-600-4	\$ 530.00 = \$1,396.00	
27	5/8"	700 mm	MLWBW-P 700	\$ 903.00 + EDM1-700-4	\$ 536.00 = \$1,439.00	
31	1/2"	800 mm	MLWBW-P 800	\$ 940.00 + EDM1-800-4	\$ 541.00 = \$1,481.00	
35	1/4"	900 mm	MLWBW-P 900	\$ 982.00 + EDM1-900-4	\$ 551.00 = \$1,533.00	
39	3/8"	1000 mm	MLWBW-P 1000	\$1,071.00 + EDM1-1000-4	\$ 562.00 = \$1,633.00	
43	3/8"	1100 mm	MLWBW-P 1100	\$1,118.00 + EDM1-1100-4	\$ 578.00 = \$1,696.00	
47	1/4"	1200 mm	MLWBW-P 1200	\$1,160.00 + EDM1-1200-4	\$ 588.00 = \$1,748.00	
59	1/4"	1500 mm	MLWBW-P 1500	\$1,349.00 + EDM1-1500-4	\$ 662.00 = \$2,011.00	
70	7/8"	1800 mm	MLWBW-P 1800	\$1,538.00 + EDM1-1800-4	\$ 725.00 = \$2,263.00	

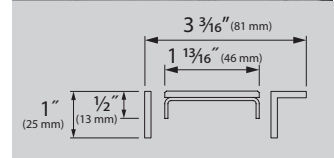
MODULO TAF WALL



BLACK GLASS

M4	Length	Trim	+ Rough	= Total Price
19	3/8" 500 mm	MLWGS 500	\$ 656.00 + EDM4-500	\$ 488.00 = \$1,144.00
23	5/8" 600 mm	MLWGS 600	\$ 709.00 + EDM4-600	\$ 494.00 = \$1,203.00
27	5/8" 700 mm	MLWGS 700	\$ 772.00 + EDM4-700	\$ 499.00 = \$1,271.00
31	1/2" 800 mm	MLWGS 800	\$ 830.00 + EDM4-800	\$ 504.00 = \$1,334.00
35	1/4" 900 mm	MLWGS 900	\$ 887.00 + EDM4-900	\$ 515.00 = \$1,402.00
39	3/8" 1000 mm	MLWGS 1000	\$ 945.00 + EDM4-1000	\$ 525.00 = \$1,470.00
43	3/8" 1100 mm	MLWGS 1100	\$1,050.00 + EDM4-1100	\$ 541.00 = \$1,591.00
47	1/4" 1200 mm	MLWGS 1200	\$1,066.00 + EDM4-1200	\$ 551.00 = \$1,617.00

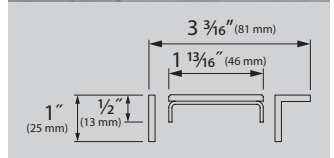
M1	Length	Trim	+ Rough	= Total Price
19	3/8" 500 mm	MLWGS 500	\$ 656.00 + EDM1-500-4	\$ 525.00 = \$1,181.00
23	5/8" 600 mm	MLWGS 600	\$ 709.00 + EDM1-600-4	\$ 530.00 = \$1,239.00
27	5/8" 700 mm	MLWGS 700	\$ 772.00 + EDM1-700-4	\$ 536.00 = \$1,308.00
31	1/2" 800 mm	MLWGS 800	\$ 830.00 + EDM1-800-4	\$ 541.00 = \$1,371.00
35	1/4" 900 mm	MLWGS 900	\$ 887.00 + EDM1-900-4	\$ 551.00 = \$1,438.00
39	3/8" 1000 mm	MLWGS 1000	\$ 945.00 + EDM1-1000-4	\$ 562.00 = \$1,507.00
43	3/8" 1100 mm	MLWGS 1100	\$1,050.00 + EDM1-1100-4	\$ 578.00 = \$1,628.00
47	1/4" 1200 mm	MLWGS 1200	\$1,066.00 + EDM1-1200-4	\$ 588.00 = \$1,654.00



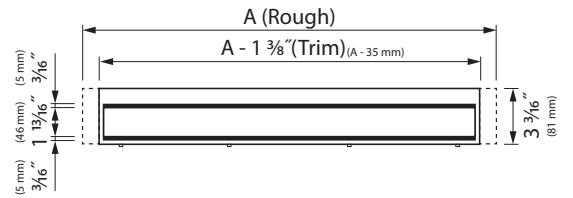
WHITE GLASS

M4	Length	Trim	+ Rough	= Total Price
19	3/8" 500 mm	MLWGW 500	\$ 656.00 + EDM4-500	\$ 488.00 = \$1,144.00
23	5/8" 600 mm	MLWGW 600	\$ 709.00 + EDM4-600	\$ 494.00 = \$1,203.00
27	5/8" 700 mm	MLWGW 700	\$ 772.00 + EDM4-700	\$ 499.00 = \$1,271.00
31	1/2" 800 mm	MLWGW 800	\$ 830.00 + EDM4-800	\$ 504.00 = \$1,334.00
35	1/4" 900 mm	MLWGW 900	\$ 887.00 + EDM4-900	\$ 515.00 = \$1,402.00
39	3/8" 1000 mm	MLWGW 1000	\$ 945.00 + EDM4-1000	\$ 525.00 = \$1,470.00
43	3/8" 1100 mm	MLWGW 1100	\$1,050.00 + EDM4-1100	\$ 541.00 = \$1,591.00
47	1/4" 1200 mm	MLWGW 1200	\$1,066.00 + EDM4-1200	\$ 551.00 = \$1,617.00

M1	Length	Trim	+ Rough	= Total Price
19	3/8" 500 mm	MLWGW 500	\$ 656.00 + EDM1-500-4	\$ 525.00 = \$1,181.00
23	5/8" 600 mm	MLWGW 600	\$ 709.00 + EDM1-600-4	\$ 530.00 = \$1,239.00
27	5/8" 700 mm	MLWGW 700	\$ 772.00 + EDM1-700-4	\$ 536.00 = \$1,308.00
31	1/2" 800 mm	MLWGW 800	\$ 830.00 + EDM1-800-4	\$ 541.00 = \$1,371.00
35	1/4" 900 mm	MLWGW 900	\$ 887.00 + EDM1-900-4	\$ 551.00 = \$1,438.00
39	3/8" 1000 mm	MLWGW 1000	\$ 945.00 + EDM1-1000-4	\$ 562.00 = \$1,507.00
43	3/8" 1100 mm	MLWGW 1100	\$1,050.00 + EDM1-1100-4	\$ 578.00 = \$1,628.00
47	1/4" 1200 mm	MLWGW 1200	\$1,066.00 + EDM1-1200-4	\$ 588.00 = \$1,654.00



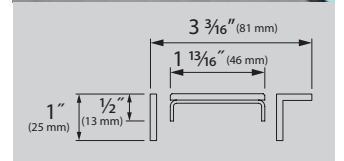
MODULO TAF WALL



GREEN GLASS

M4	Length	Trim	+ Rough	= Total Price
19	3/8" 500 mm	MLWGG 500	\$ 656.00 + EDM4-500	\$ 488.00 = \$ 1,144.00
23	5/8" 600 mm	MLWGG 600	\$ 709.00 + EDM4-600	\$ 494.00 = \$ 1,203.00
27	5/8" 700 mm	MLWGG 700	\$ 772.00 + EDM4-700	\$ 499.00 = \$ 1,271.00
31	1/2" 800 mm	MLWGG 800	\$ 830.00 + EDM4-800	\$ 504.00 = \$ 1,334.00
35	1/4" 900 mm	MLWGG 900	\$ 887.00 + EDM4-900	\$ 515.00 = \$ 1,402.00
39	3/8" 1000 mm	MLWGG 1000	\$ 945.00 + EDM4-1000	\$ 525.00 = \$ 1,470.00
43	3/8" 1100 mm	MLWGG 1100	\$ 1,050.00 + EDM4-1100	\$ 541.00 = \$ 1,591.00
47	1/4" 1200 mm	MLWGG 1200	\$ 1,066.00 + EDM4-1200	\$ 551.00 = \$ 1,617.00

M1	Length	Trim	+ Rough	= Total Price
19	3/8" 500 mm	MLWGG 500	\$ 656.00 + EDM1-500-4	\$ 525.00 = \$ 1,181.00
23	5/8" 600 mm	MLWGG 600	\$ 709.00 + EDM1-600-4	\$ 530.00 = \$ 1,239.00
27	5/8" 700 mm	MLWGG 700	\$ 772.00 + EDM1-700-4	\$ 536.00 = \$ 1,308.00
31	1/2" 800 mm	MLWGG 800	\$ 830.00 + EDM1-800-4	\$ 541.00 = \$ 1,371.00
35	1/4" 900 mm	MLWGG 900	\$ 887.00 + EDM1-900-4	\$ 551.00 = \$ 1,438.00
39	3/8" 1000 mm	MLWGG 1000	\$ 945.00 + EDM1-1000-4	\$ 562.00 = \$ 1,507.00
43	3/8" 1100 mm	MLWGG 1100	\$ 1,050.00 + EDM1-1100-4	\$ 578.00 = \$ 1,628.00
47	1/4" 1200 mm	MLWGG 1200	\$ 1,066.00 + EDM1-1200-4	\$ 588.00 = \$ 1,654.00





White

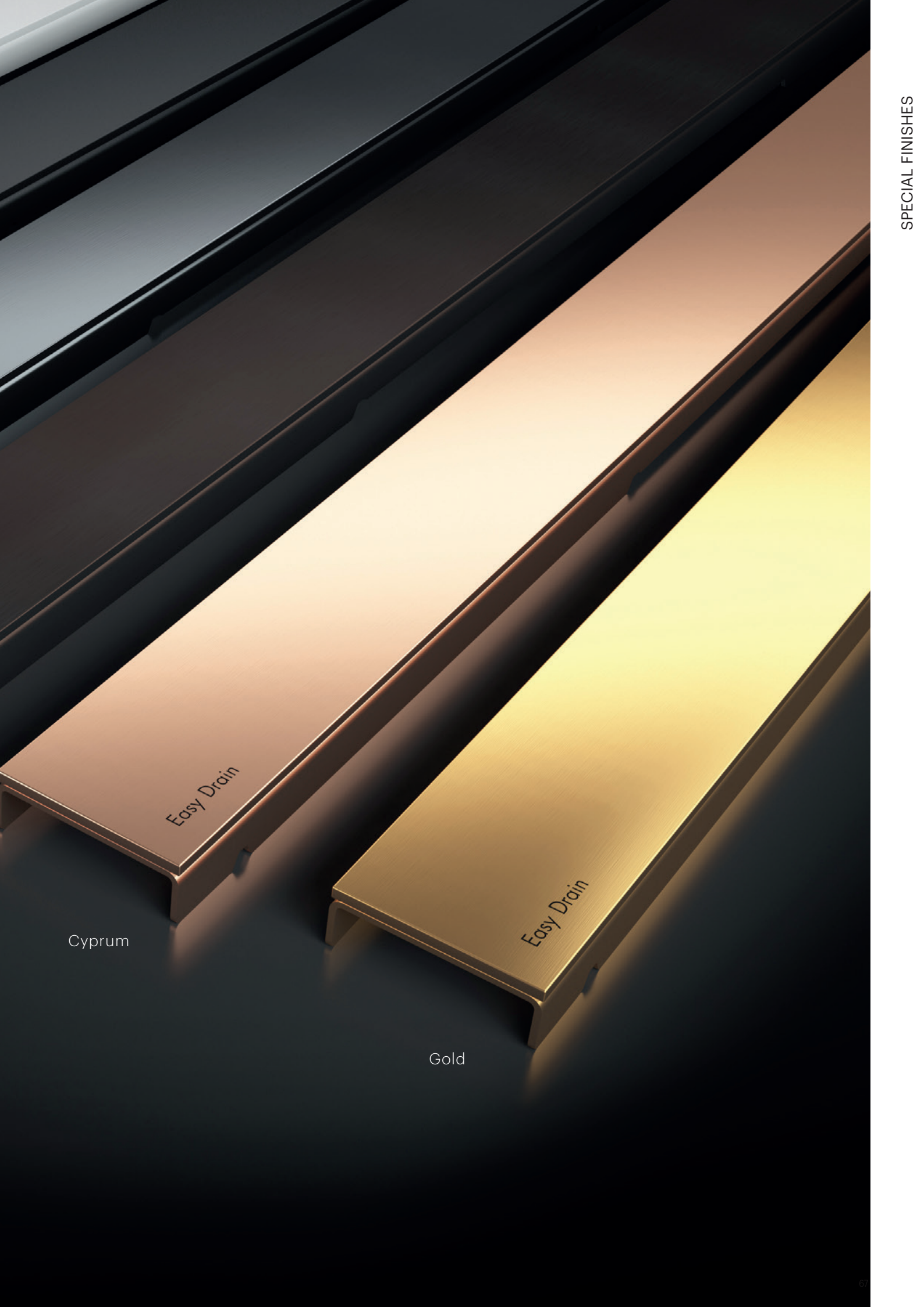
Black

Dark steel

Oil rubbed bronze

Special Finishes

A creative and attractive solution for shower drains. Our Xs and Modulo models are now available in special finishes. Personalize your showering experience with colored and timeless accents. The special finishes excellently displays the design core values of Easy Drain for a contemporary style and timeless elegance. They go hand in hand with the latest design and interior trends.



Easy Drain

Easy Drain

Cyprum

Gold

MODULO TAF

Gold



Cyprum



Oil rubbed bronze



Black



Dark steel



White



Prices for the above special finishes on request.

Easy Drain

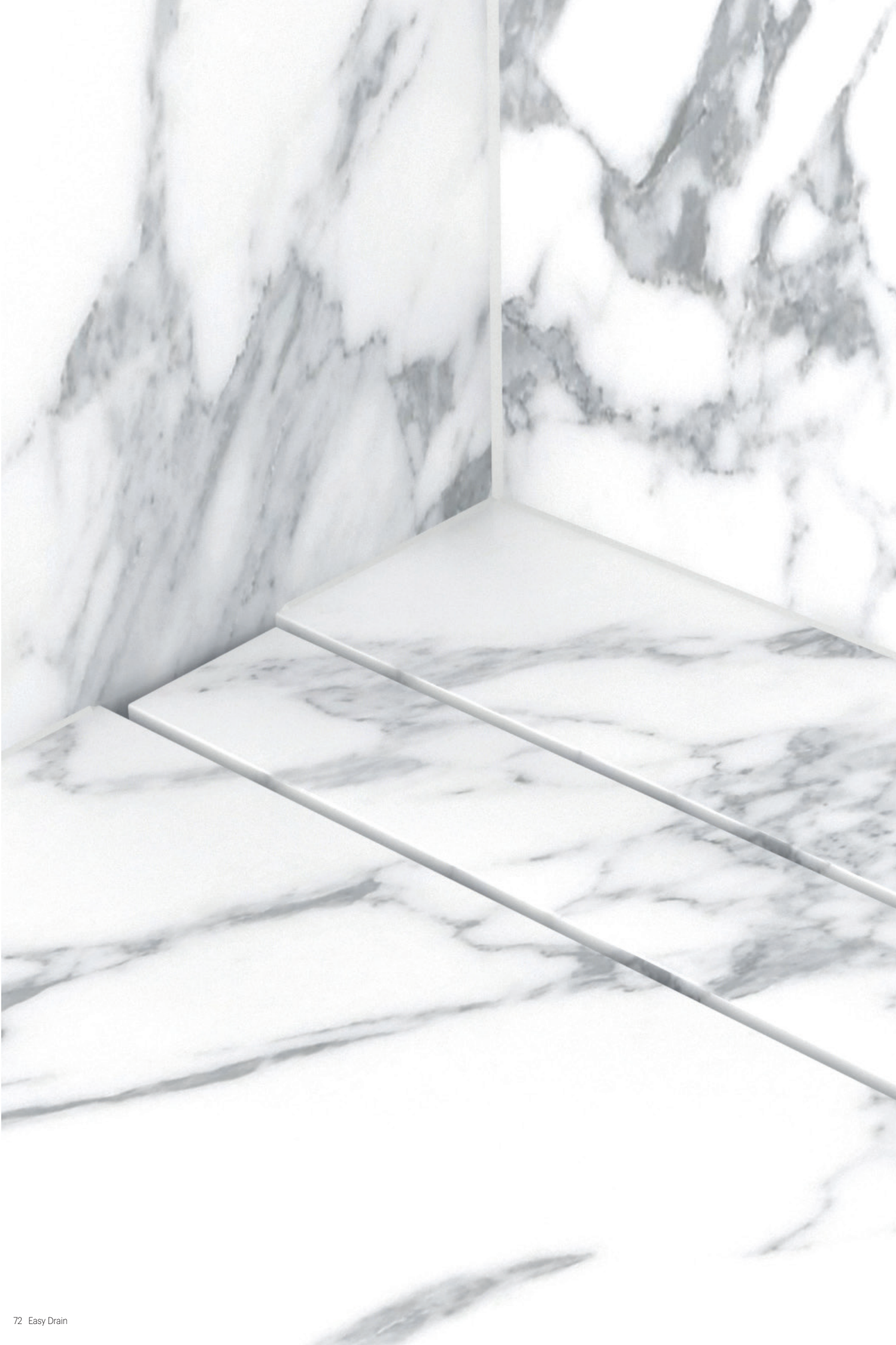




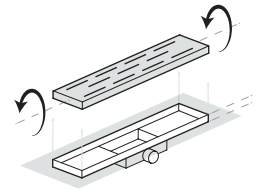
MODULO STONE

For any type of natural stone

Easy Drain Modulo Stone is a unique frameless shower drain with a tileable grate that has been developed for natural stone floors, such as marble, of any thickness. The frameless design makes it completely invisible, and it fits harmoniously into any natural stone bathroom floor.



MODULO STONE



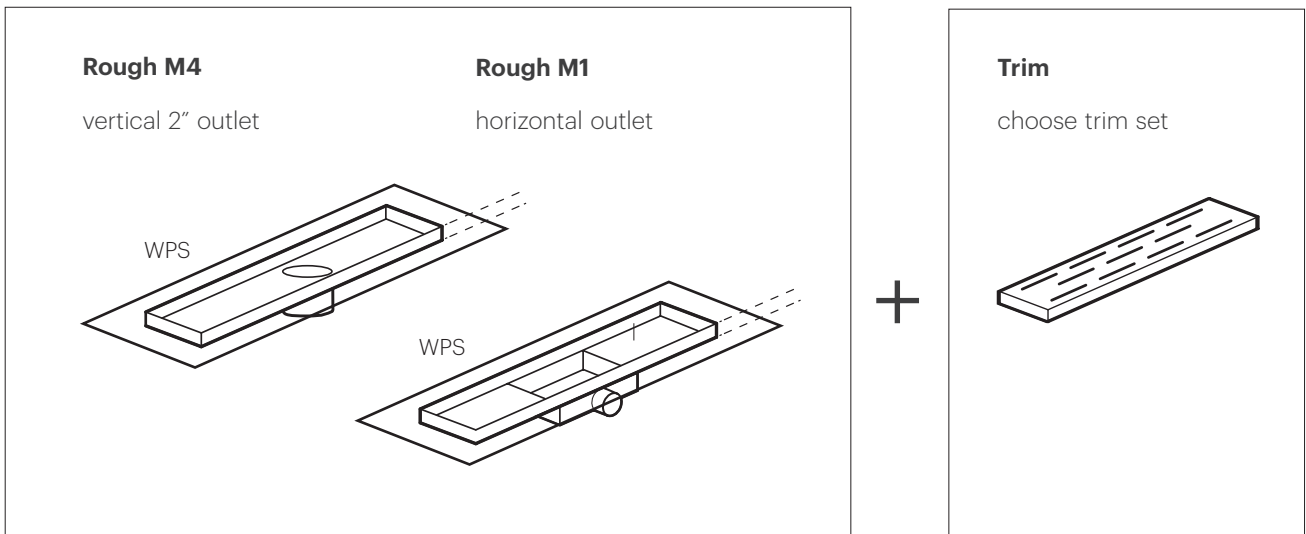
Step 1. Choose Rough

Choose the type of rough that suits your project best. This depends on whether you need a horizontal (M1) or vertical (M4 - 2 inch) outlet. All roughs include the Patented WPS (Water Protection System), adjustable feet and hair catcher.

Step 2. Choose Trim

Choose the type of trim that suits your bathroom design best. Please order your trim set prior to the tile installation. All trim sets include the trim and a trim removal tool.

Both parts are displayed according to length. Make sure to order rough and trim set.



Roughs

- M1 – Horizontal outlet
- M4 – Vertical 2" outlet

Trim sets

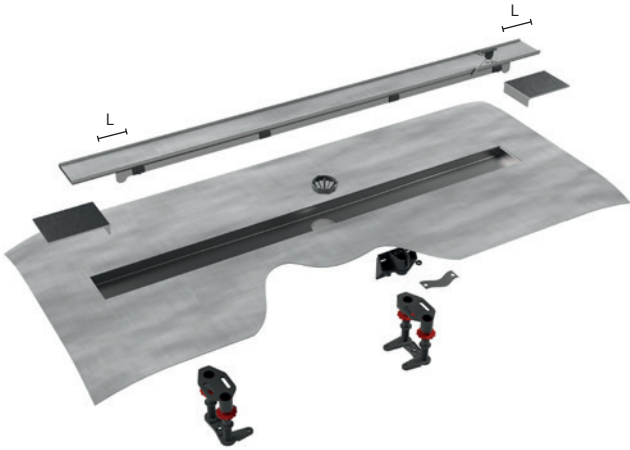
Modulo Stone

Tile thickness

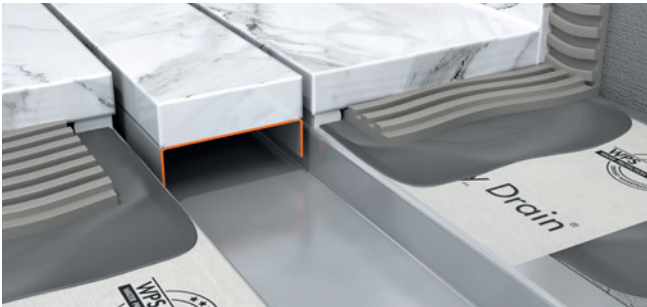
Any thickness

MODULO STONE FLEX

M4 Horizontal outlet



* Length = 2" / 50 mm custom length



Specifications



Montage

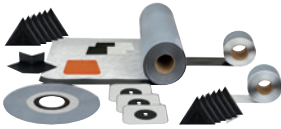
Length: $19 \frac{3}{4}'' - 78 \frac{3}{4}''$ (500-2000mm)
custom length

Installation options



General

- > Suitable for any thickness of natural stone, color -body, tile and marble
- > Frameless design
- > Water protection system (WPS) - 100% watertight
- > 10-year warranty on leakage
- > Haircatcher included.



Waterproofing: SAM - Seal System

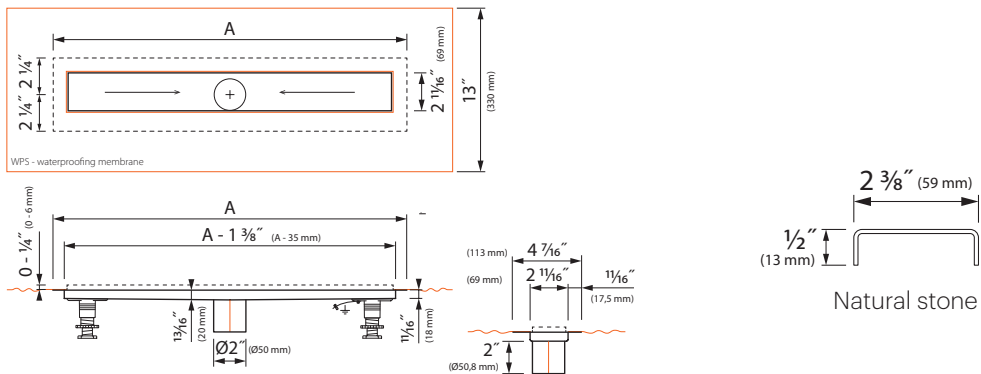
MODULO STONE FLEX

M4

Length (adjustable)	Trim		Rough (fixed)
19 3/4" - 23 3/4"	500 - 600 mm	MB-NAT-500-FL	EDM4-500
23 5/8" - 27 5/8"	600 - 700 mm	MB-NAT-600-FL	EDM4-600
27 5/8" - 31 1/2"	700 - 800 mm	MB-NAT-700-FL	EDM4-700
31 1/2" - 35 1/2"	800 - 900 mm	MB-NAT-800-FL	EDM4-800
35 1/4" - 39 1/4"	900 - 1000 mm	MB-NAT-900-FL	EDM4-900
39 3/8" - 43 3/8"	1000 - 1100 mm	MB-NAT-1000-FL	EDM4-1000
43 3/8" - 47 3/8"	1100 - 1200 mm	MB-NAT-1100-FL	EDM4-1100
47 1/4" - 51 1/4"	1200 - 1300 mm	MB-NAT-1200-FL	EDM4-1200
51 1/4" - 55 1/4"	1300 - 1400 mm	MB-NAT-1300-FL	EDM4-1300
55 1/8" - 59 1/8"	1400 - 1500 mm	MB-NAT-1400-FL	EDM4-1400
59 1/8" - 63 1/8"	1500 - 1600 mm	MB-NAT-1500-FL	EDM4-1500
62 7/8" - 66 7/8"	1600 - 1700 mm	MB-NAT-1600-FL	EDM4-1600
66 7/8" - 70 7/8"	1700 - 1800 mm	MB-NAT-1700-FL	EDM4-1700
70 7/8" - 74 7/8"	1800 - 1900 mm	MB-NAT-1800-FL	EDM4-1800
74 3/4" - 78 3/4"	1900 - 2000 mm	MB-NAT-1900-FL	EDM4-1900
78 3/4" - 82 3/4"	2000 - 2100 mm	MB-NAT-2000-FL	EDM4-2000

Technical drawing

M4

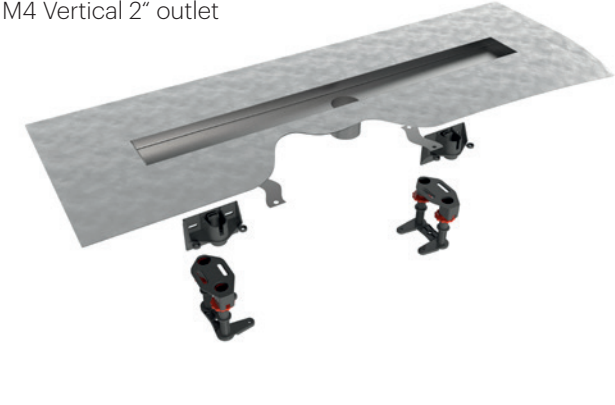


MODULO STONE

M1 Horizontal outlet



M4 Vertical 2" outlet



Specifications



Montage

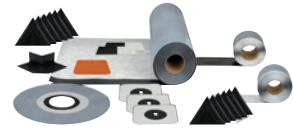
Length: 19 1/8" - 59 1/8" (500-1500mm)

Installation options



General

- > Suitable for any thickness of natural stone, color body porcelain tile and marble
- > Frameless design
- > Water protection system (WPS) - 100% watertight
- > 10-year warranty on leakage
- > Haircatcher included.



Waterproofing: SAM - Seal System

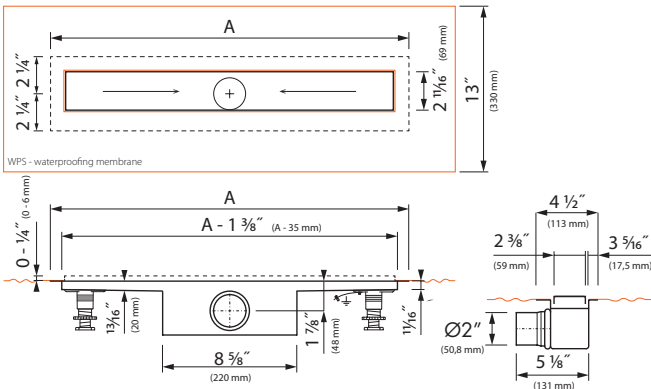
MODULO STONE

M4	Length	Trim	+ Rough
	19 11/16" (500 mm)	MB-NAT-500	EDM4- 500
	23 5/8" (600 mm)	MB-NAT-600	EDM4- 600
	27 9/16" (700 mm)	MB-NAT-700	EDM4- 700
	31 1/2" (800 mm)	MB-NAT-800	EDM4- 800
	35 7/16" (900 mm)	MB-NAT-900	EDM4- 900
	39 3/8" (1000 mm)	MB-NAT-1000	EDM4-1000
	43 5/16" (1100 mm)	MB-NAT- 1100	EDM4-1100
	47 1/4" (1200 mm)	MB-NAT-1200	EDM4-1200
	59 1/16" (1500 mm)	MB-NAT-1500	EDM4-1500

M1	Length	Trim	+ Rough
	19 11/16" (500 mm)	MB-NAT-500	EDM1-500-4
	23 5/8" (600 mm)	MB-NAT-600	EDM1-600-4
	27 9/16" (700 mm)	MB-NAT-700	EDM1-700-4
	31 1/2" (800 mm)	MB-NAT-800	EDM1-800-4
	35 7/16" (900 mm)	MB-NAT-900	EDM1-900-4
	39 3/8" (1000 mm)	MB-NAT-1000	EDM1-1000-4
	43 5/16" (1100 mm)	MB-NAT- 1100	EDM1-1100-4
	47 1/4" (1200 mm)	MB-NAT-1200	EDM1-1200-4
	59 1/16" (1500 mm)	MB-NAT-1500	EDM1-1500-4

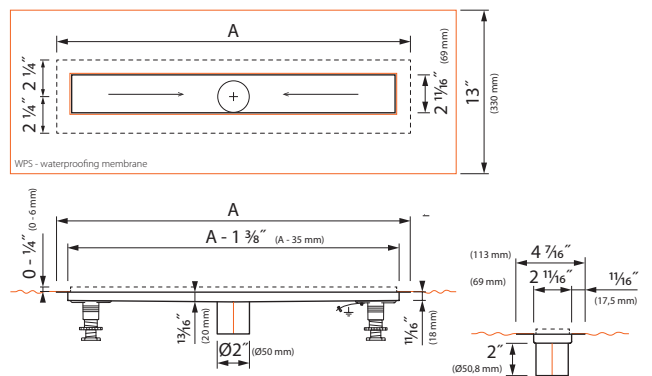
Technical drawing

M1



A= Length

M4







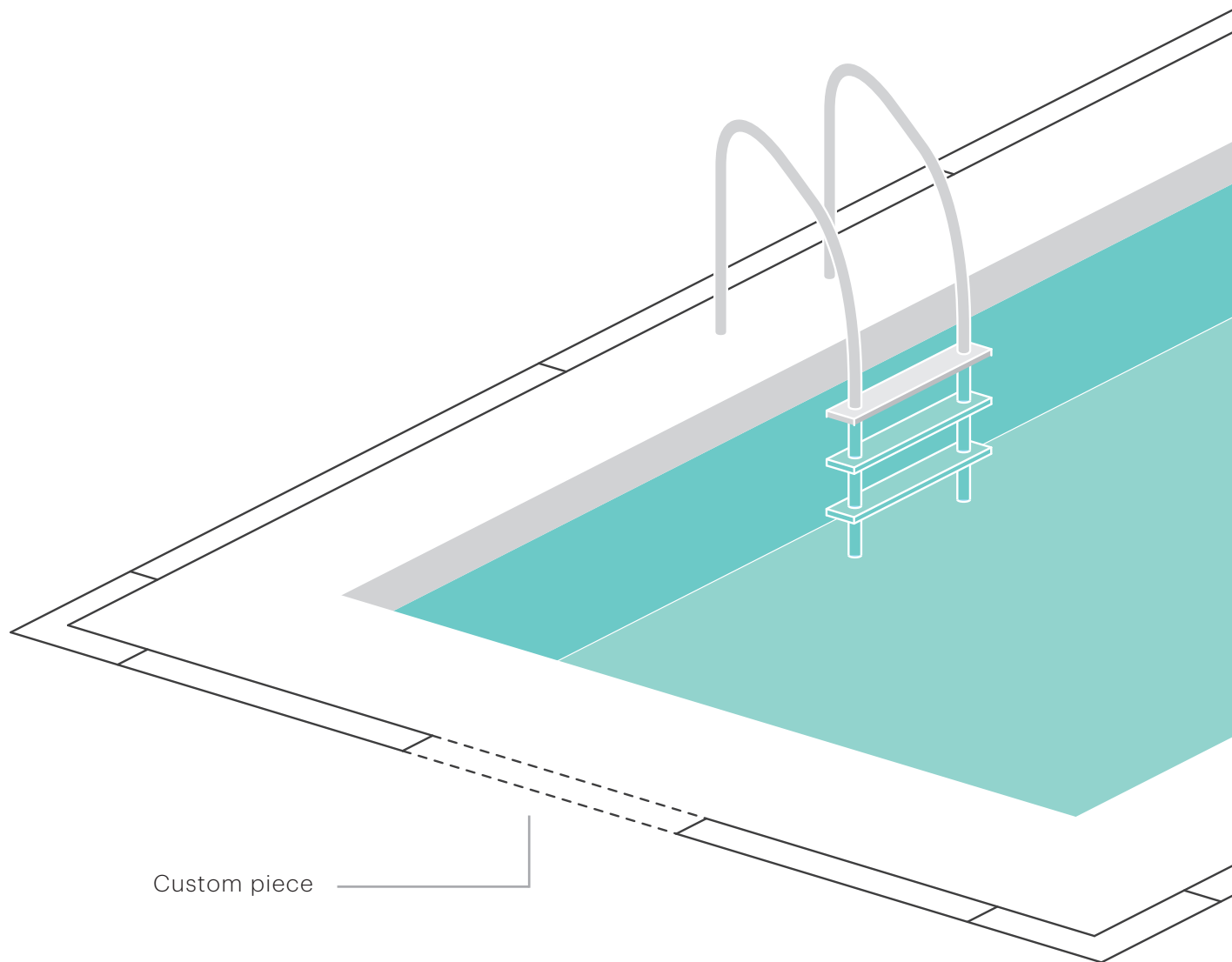
POOL LINE

The ideal drainage solutions for pools and spas

Easy Sanitary Solutions has more than 20 years of experience in residential water drainage. In addition to our Easy Drain shower drains, a special drain is developed for pools and spas. This drain has integrated waterproofing and is suitable for both indoor and outdoor use.

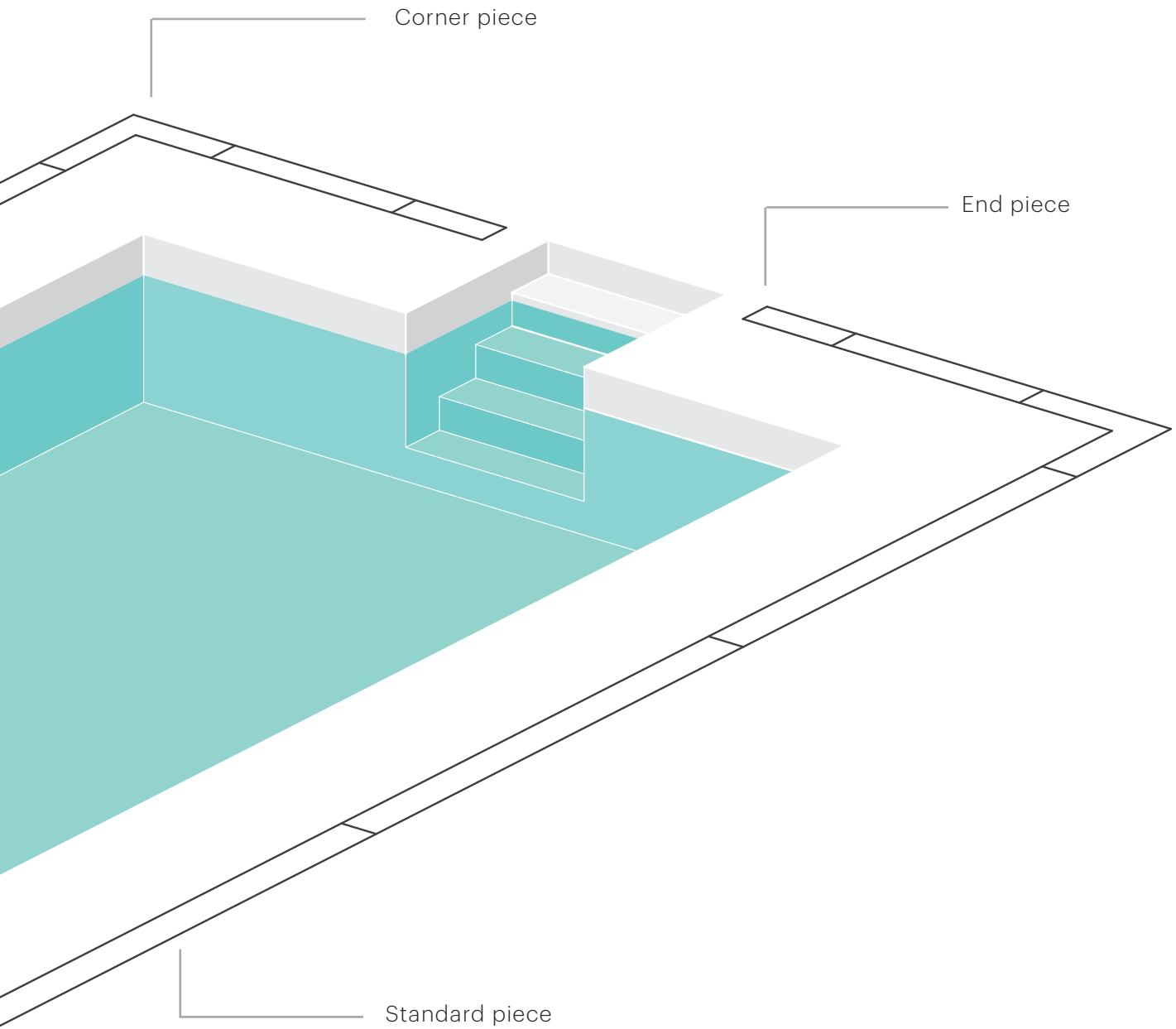
POOL LINE

The ideal drainage solutions for pools and spas



COMPLETE SYSTEM

The linear pool drain system contains several drain pieces which can be easily connected to each other, to form the entire pool drain. Inspired by the popular Modulo TAF series, the pool drain contains a height adjustable frame, waterproofing membrane and tileable grate. Because of its predefined, customizable length parts, the pool line is easy to install around any type of rectangular pool.



10-YEARS WARRANTY

The Water Protection System (WPS) provides an easy-to-install and safe-to assemble seal system for shower drains. This WPS-system consists of a flexible waterproofing membrane which is connected to the drain's stainless steel flanges or the floor drain's special cuff. ESS offers a 10-year warranty on leakage for drains with the Water Protection System.



Easy Sanitary Solutions

Trendsetting bathroom solutions

DEALER



Global

Nijverheidsstraat 60
7575 BK Oldenzaal
The Netherlands
Tel. +31 541 200 800
Fax +31 541 200 899
info@esspost.com

easydrain.com

Germany

Warschauerstraße 1
48455 Bad Bentheim
Deutschland
Tel. +49 59 24 29 91 568
Fax +49 59 24 29 91 537
verkauf@esspost.com

easydrain.de

Northern America

561 Acorn Street, Unit M
Deer Park, NY 11729
United States
Tel. +1 (347) 293 0887
Fax +1 (929) 489 8977
sales-usa@esspost.com

easydrainusa.com



E60.06.03.13.66



ESS PRODUCTS ARE PATENTED AND REGISTERED TRADEMARKS MADE BY ESS
Technical amendments and printing errors reserved.
Warranty: easydrainusa.com/warranty © 2019