

# 8 Parts and Diagrams

## Overview

This chapter discusses the following:

- How To Use the Parts Lists and Diagrams
- Accessories and Supplies
- Illustrations and Parts Lists

## How To Use the Parts Lists and Diagrams

The figures in this chapter illustrate the major subassemblies in the printer and their component parts. A table accompanies each exploded view diagram. Each table lists the item number for the replaceable part, the associated part number for the item, the quantity, and a description of the part.

---

**CAUTION**

---

While looking for an electrical part number, pay careful attention to the voltage listed in the description column to ensure that the part number selected is for the correct model of the printer.

### Ordering Parts

All standard part numbers listed are stocked and may be ordered from HP's Support Materials Organization (SMO), or Support Materials Europe (SME).

Hewlett-Packard Co.  
Support Materials Organization  
8050 Foothills Blvd.  
Roseville, CA 95678  
Parts Direct Ordering: (800) 227-8164 (U.S. Only)

Hewlett-Packard Co.  
Support Materials, Europe  
Wolf-Hirth Strasse 33  
D-7030  
Boblingen, Germany  
(49 7031) 14-2253

### Ordering Consumables

Consumables and accessories such as those listed in Table 8-1 can be ordered from Hewlett-Packard.

The phone numbers are:

U.S.: (800) 538-8787  
Canada: 1-800-387-3154  
(Toronto) 516-671-8383  
United Kingdom: 0734-441212  
Germany: 0130-3322

Contact your local HP Parts Coordinator for other phone numbers.

---

**Note**

---

Parts that have no item number or part number listed are not field replacement parts and cannot be ordered.

## Accessories and Supplies

The following items are available through your local authorized HP dealer. To find a dealer near you, call the HP Customer Information Center (800) 752-0900.

### Note

See page 2-4 for documentation product numbers.

**Table 8-1. Accessories and Supplies**

Description	Part No.	Exchange No.	Product No.
500-Sheet Paper Feeder and Tray			C4124A
Envelope Feeder		C4122-69001	C4122A
Duplexer		C4123-69001	C4123A
Standard 500-Sheet Tray			C3122A
250-sheet Universal Replacement Tray	C4126-67901		C4126A
500-sheet Universal Replacement Tray	C4125-67901		C4125A
HP Multi-Purpose Paper			HPM1120
HP LaserJet Paper			HPJ1124
Toner Cartridge (6,000 pages)			C4127A
Toner Cartridge (10,000 pages)			C4127X
EDO DIMM			
4 MB	C4135-67901		C4135A
8 MB	C4136-67901		C4136A
16 MB	C4137-67901		C4137A
SDRAM DIMM			
4 MB	C4140-67901		C4140A
8 MB	C4141-67901		C4141A
16 MB	C4142-67901		C4142A
32 MB	C4143-67901		C4143A
64 MB			C3913A
Flash DIMM			
2 MB			C4286A
4 MB			C4287A

**Table 8-1. Accessories and Supplies (continued)**

Description	Part No.	Exchange No.	Product No.
Font DIMM (8 MB Asian MROM)			
Traditional Chinese			C4292A
Simplified Chinese			C4293A
Euro			
FIR Receiver (4050 only)	C4103-67901		C4103A
Hard Disk			C2985A
Parallel Cables			
2 Meter IEEE-1284 cable			C2950A
3 Meter IEEE-1284 cable			C2951A
Serial Cables			
9-9 pin serial cable (male/female)			C2932A
9-25 pin serial cable (male/female)			C2933A
Serial Adapter			
25-9 pin adapter (male/female)			C2809A
Macintosh Computer Serial Cable			92215S
Macintosh Network Cable Kit			92215N
Enhanced I/O Cards			
Ethernet RJ-45 only			J3110A
Ethernet RJ-45 and BNC, Local Talk	J3111-61003		J3111A
Token Ring RJ-45 and DB-9			J3112A
10/100Base-TX networks			J3113A
Maintenance Kit*			
110V	C4118-67902	C4118-69001	
220V	C4118-67903	C4118-69002	
Assy: Dust Cover, 1 x 500	C4232-60101		C4232A
Assy: Dust Cover, 2 x 250	C4233-60101		C4233A
Assy: Dust Cover, opt 500	C4234-60101		C4234A

\* The maintenance kits can be ordered from Support Materials Organization (U.S.) or Support Materials Europe. See page 8-2 for ordering information.

## Common Screws and Replacement Cables

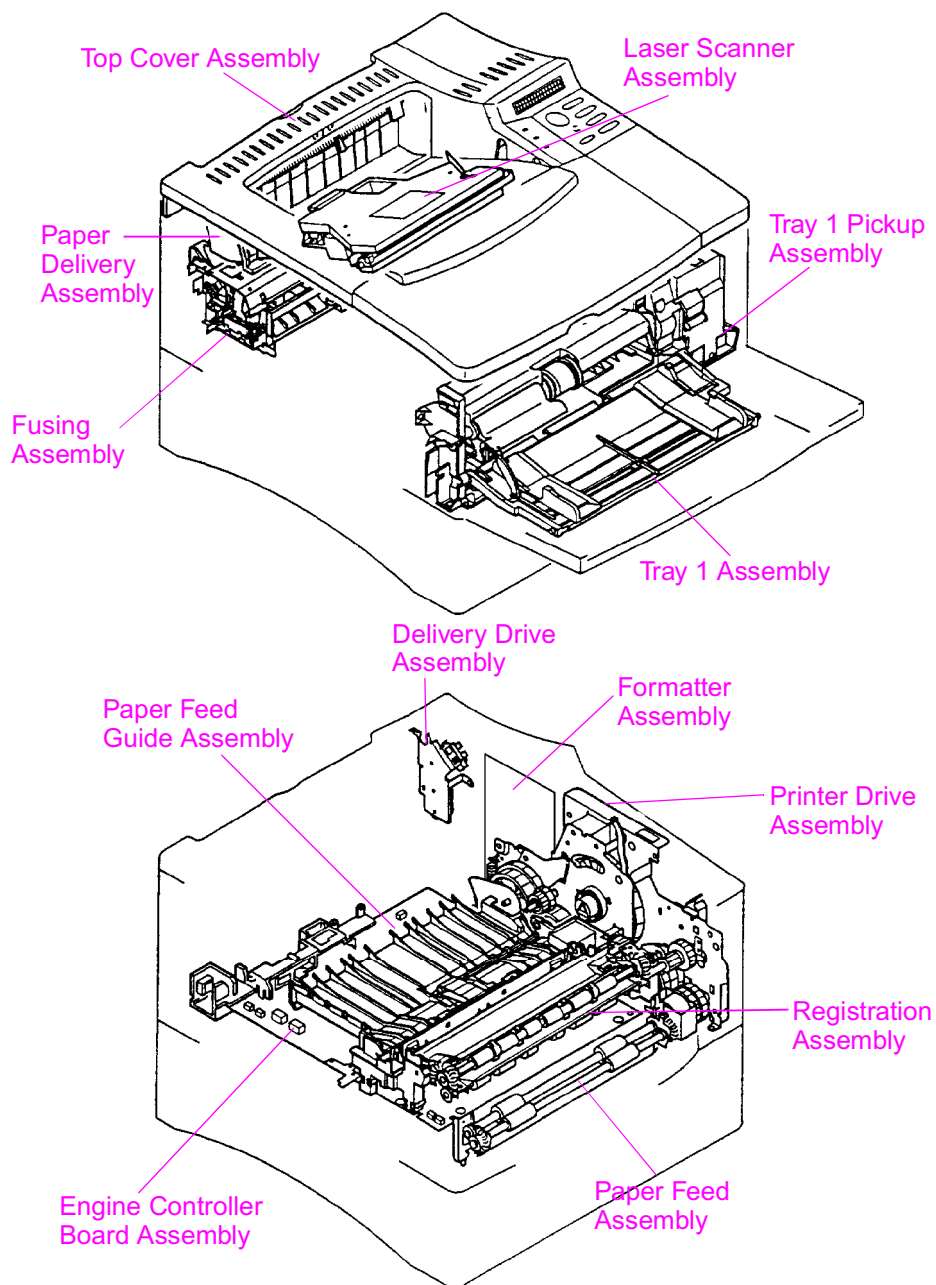
**Table 8-2. Screws Used in the Printer**

<b>Description</b>	<b>Part No.</b>
Screw, M4x10, self-tapping (black)	XA9-0870-000CN
Screw, M3x4, washer head	XA9-0434-000CN
Screw, M3x6, with star washer	FA9-1449-000CN
Screw, M3x6, washer head	XA9-0267-000CN
Screw, M4x12, self-tapping	XA9-0773-000CN
Screw, M4x116, long, module	RB1-8703-000CN
Screw, M4x10, self-tapping (silver)	XA9-0606-000CN
Screw, M4, captive, Fuser	RB1-8819-000CN
Screw, M3x16, Feed Modules	XA9-0917-000CN

**Table 8-3. Replaceable Cables**

<b>Description</b>	<b>Part No.</b>	<b>Table No.</b>	<b>Item No.</b>
Cable and Power Receptacle	RG5-3696-000CN	Table 8-7 on page 8-15	15
Cable, Tray 1 Sensor	RG5-3700-000CN	Table 8-7 on page 8-15	14
Cable, Laser Scanner, and Output Bin Sensor	RG5-3876-000CN	Table 8-8 on page 8-17	20
Cable, Paper Feed/Tray 1 Pickup Solenoid	RG5-3703-000CN	Table 8-7 on page 8-15	8
Cable, Envelope Feeder Connect	RG5-3704-000CN	Table 8-7 on page 8-15	11
Cable, Top Cover Switch	RG5-3705-000CN	Table 8-7 on page 8-15	10
Cable, Feed/Registration Sensors	RG5-3706-000CN	Table 8-8 on page 8-17	7
Cable, Formatter/Control Panel	RG5-3708-000CN	Table 8-7 on page 8-15	2
Cable, Main Motor	RG5-3709-000CN	Table 8-7 on page 8-15	5
Cable, Feeder Module	RG5-3710-000CN	Table 8-8 on page 8-17	8

## Illustrations and Parts Lists

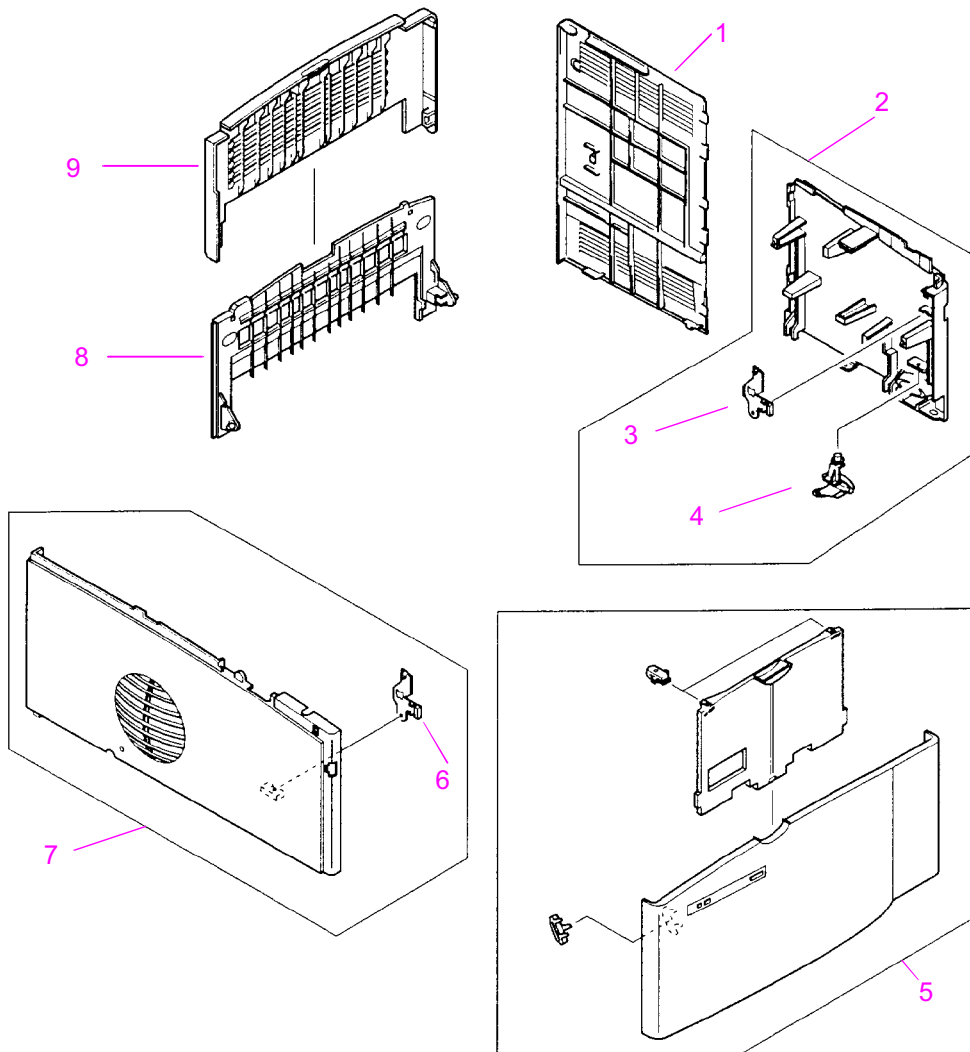


**Figure 8-1** Assembly Location Diagram



**Table 8-4. Assemblies (Listed Alphabetically) and Their Part Numbers**

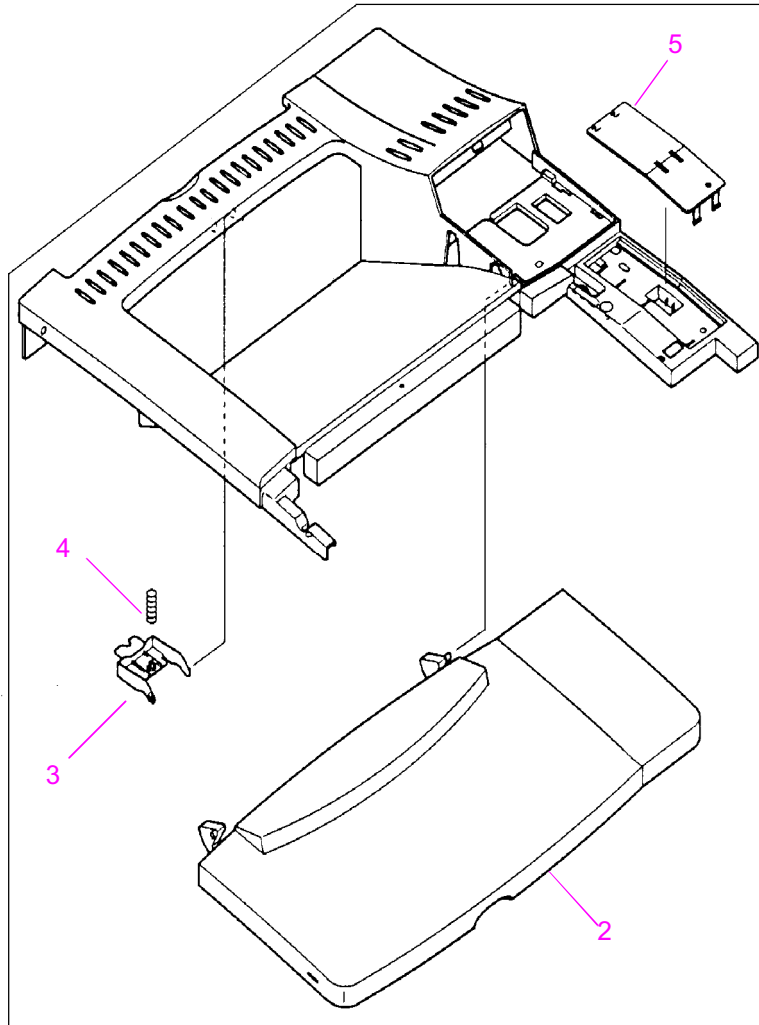
<b>Description</b>	<b>Part No.</b>	<b>Exchange No.</b>	<b>Exploded View in Figure</b>
Delivery Drive Assembly	RG5-3721-000CN		Figure 8-8 on page 8-24
EIO Cover	5021-0349		
Engine Controller Board	RG5-3693-000CN (110V) RG5-3694-000CN (220V)	C4118-69006 (110V) C4118-69007 (220V)	Figure 8-7 on page 8-22
Formatter	C4251-69001 (4050 only)	C4118-69008 (4000 only)	
Fuser	RG5-2661-000CN (110V) RG5-2662-000CN (220V)	C4118-69003 (110V) C4118-69004 (220V)	Figure 8-16 on page 8-34 and Figure 8-17 on page 8-35
Laser Scanner Assembly	RG5-2641-000CN	C4118-69005	Figure 8-5 on page 8-16
Tray 1 Assembly	RG5-2656-000CN		Figure 8-11 on page 8-28
Tray 1 Pickup Assembly	RG5-2655-100CN		Figure 8-10 on page 8-26
Paper Delivery	RG5-2648-000CN		Figure 8-15 on page 8-32
Paper Feed	RG5-2651-000CN		Figure 8-12 on page 8-29
Paper Feed Guide	RG5-2643-000CN		Figure 8-14 on page 8-31
Registration	RG5-2652-070CN		Figure 8-13 on page 8-30
Top Cover	RG5-2663-000CN		Figure 8-3 on page 8-12



**Figure 8-2** External Covers and Panels

**Table 8-5. External Covers and Panels**

<b>Item No.</b>	<b>Part No.</b>	<b>Quantity</b>	<b>Description</b>
1	RB1-8858-000CN	1	Panel, Formatter Cover
2	RG5-2664-000CN	1	Cover Assembly, Right Front
3	RB1-8860-000CN	1	Clip, Right Side Panel
4	RB1-8849-000CN	1	Power Switch Button
5	RG5-2667-000CN	1	Tray 1 Door Assembly
6	RB1-8848-000CN	1	Clip, Left Side Panel
7	RG5-2665-000CN	1	Cover Assembly, Left
8	RB1-8843-000CN	1	Tray, Rear
9	RB1-8844-000CN	1	Tray, Rear Extension



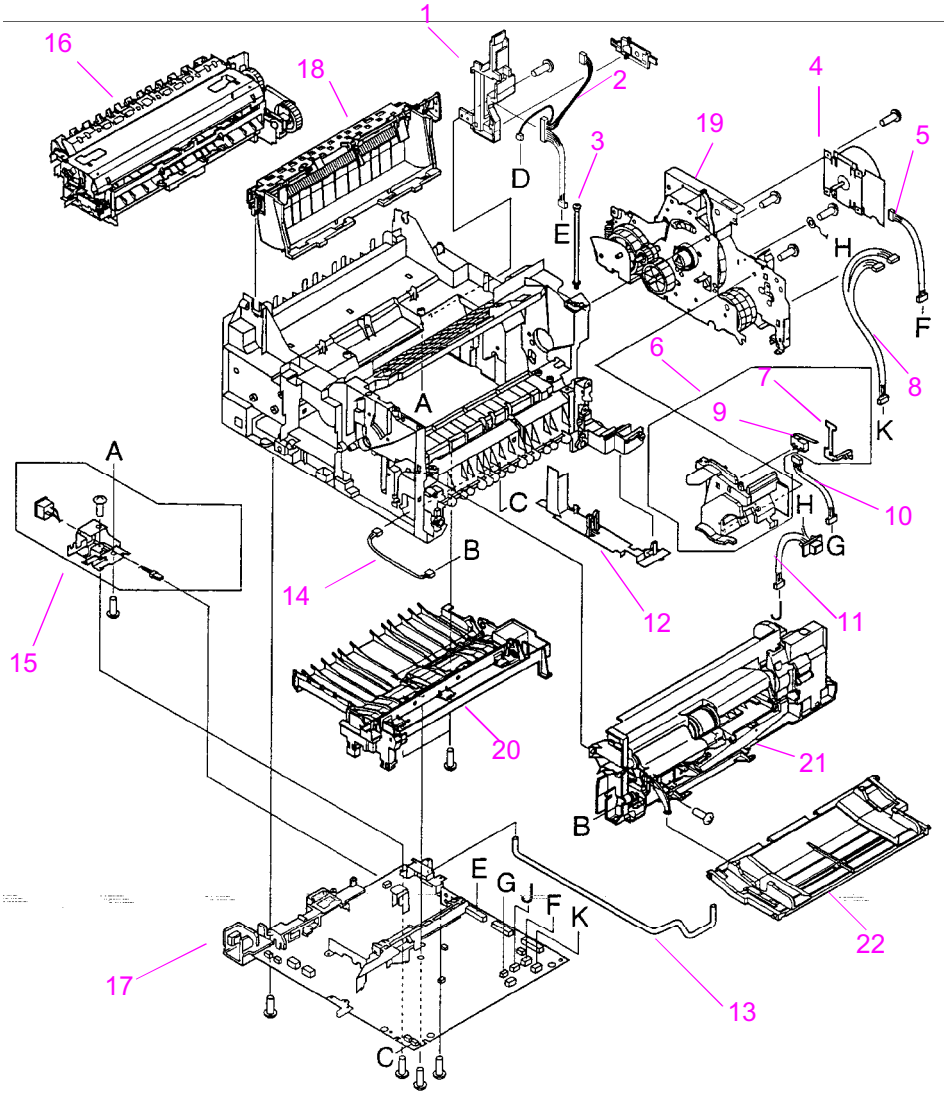
**Figure 8-3** Top Cover Assembly

---

**Table 8-6. Top Cover Assembly**

---

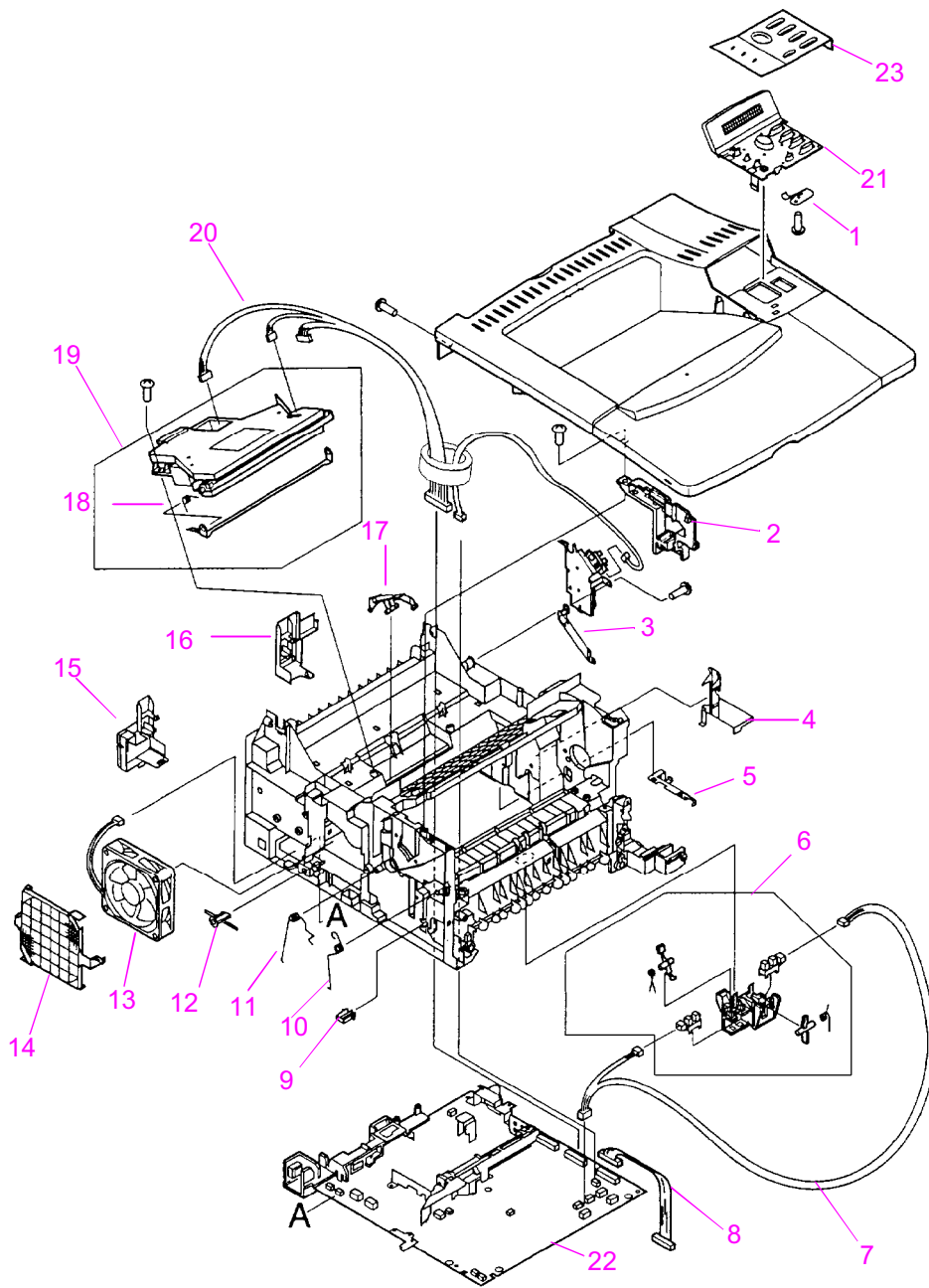
<b>Item No.</b>	<b>Part No.</b>	<b>Quantity</b>	<b>Description</b>
1	RG5-2663-000CN	1	Top Cover Assembly
2	RB1-8841-000CN	1	Panel, Toner Cartridge access
3	RB1-8846-000CN	1	Latch, Rear Tray
4	RB1-8847-000CN	1	Spring, Rear Tray Latch
5	RB1-8710-000CN		Plate Cover



**Figure 8-4** Internal Components (1 of 3)

**Table 8-7. Internal Components (1 of 3)**

<b>Item No.</b>	<b>Part No.</b>	<b>Quantity</b>	<b>Description</b>
1	RB1-8862-000CN	1	Guide, Formatter/CP Cable
2	RG5-3708-000CN	1	Cable Formatter/Control Panel
3	RB1-8703-000CN	2	Screw, Module Attachment
4	RH7-1331-000CN	1	Main Motor Assembly
5	RG5-3709-000CN	1	Cable, Main Motor
6	RG5-2645-000CN	1	Support, Top Cover, Right
7	RB1-8694-000CN	1	Strap, Interlock Support Ground
8	RG5-3703-000CN	1	Cable, Paper Feed/Tray 1 Pickup Solenoid
9	WC4-5139-000CN	1	Switch, Top Cover Interlock access
10	RG5-3705-000CN	1	Cable, Top Cover Switch
11	RG5-3704-000CN	1	Cable, Envelope Feeder Connect
12	RB1-8704-000CN	1	Guide, Bottom Cable
13	RB1-8851-000CN	1	Power Switch Activator
14	RG5-3700-000CN	1	Cable, Tray 1 Sensor
15	RG5-3696-000CN	1	AC, Power Receptacle
16	C4118-69003 C4118-69004	1	Fusing Assembly (110V) Fusing Assembly (220V)
17	C4118-69006 C4118-69007	1	Engine Controller Board (110V) Engine Controller Board (220V)
18	RG5-2648-000CN	1	Delivery Assembly
19	RG5-2653-000CN	1	Printer Drive Assembly
20	RG5-2643-000CN	1	Paper Feed Guide Assembly
21	RG5-2655-100CN	1	Tray 1 Pickup Assembly
22	RG5-2656-000CN	1	Tray 1 Assembly



**Figure 8-5** Internal Components (2 of 3)



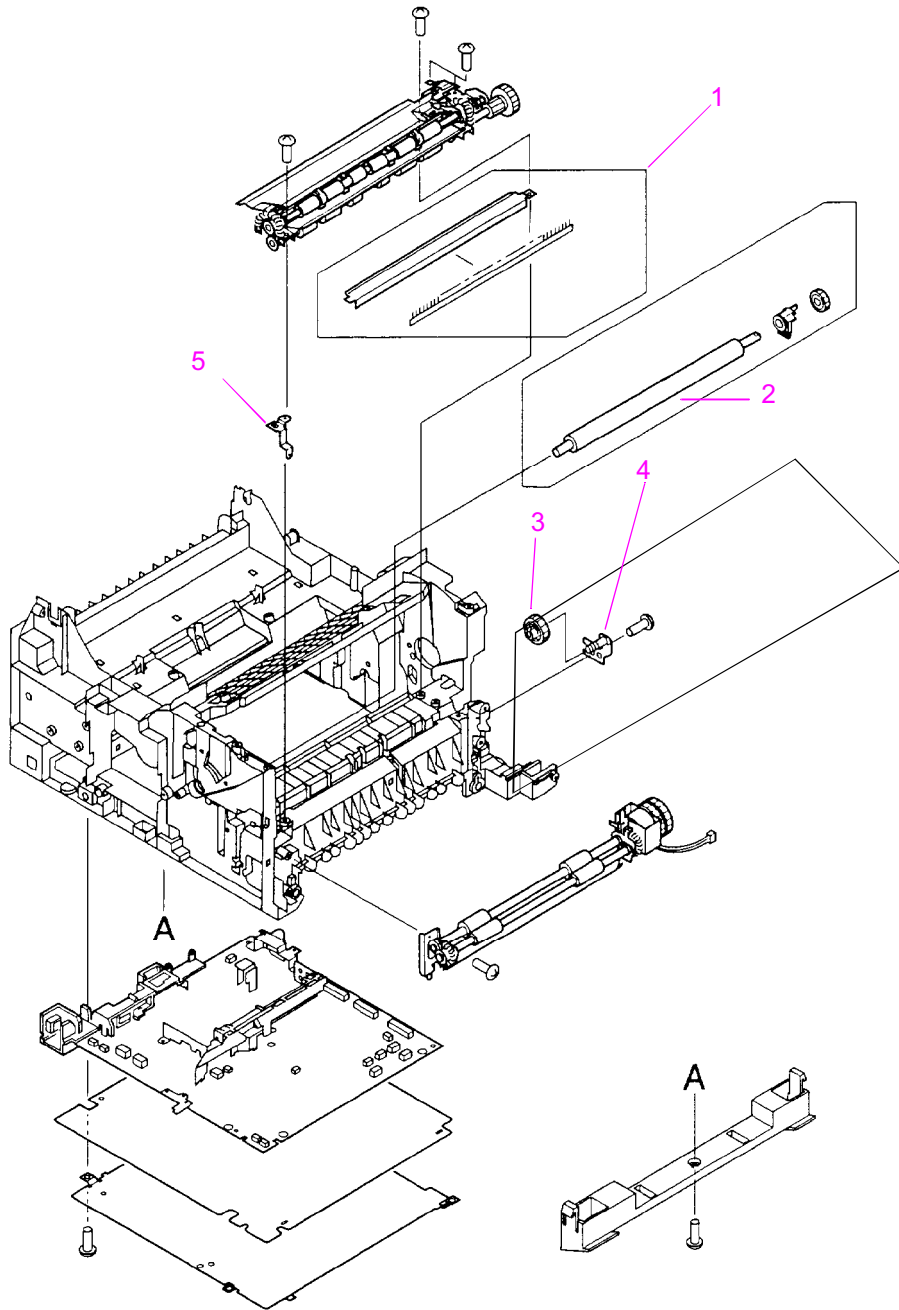
**Table 8-8. Internal Components (2 of 3)**

Item No.	Part No.	Quantity	Description
1	RB2-2405-000CN	1	Plate, Control Panel Ground
2	RB1-8671-000CN	1	Support, Top Cover, Left
3	RB1-8827-000CN	1	Leaf Spring
4	RB1-8689-000CN	1	Cable Holder
5	RB1-8708-000CN	1	Plate, Gear Plate Ground
6	RG5-2642-000CN	1	Registration/Feed Sensor Assembly
7	RG5-3706-000CN	1	Cable, Feed/Registration Sensors
8	RG5-3710-000CN	1	Cable, Feeder Module
9	RB1-8690-000CN	1	Retainer, Toner Sensing Spring
10	RB1-8695-000CN	1	Spring, Toner Sensing
11	RB1-8693-000CN	1	Spring, Toner Cartridge Drum Ground
12	RB1-8688-000CN	1	Button, Engine Test
13	RH7-1335-000CN	1	Fan, Main Cooling
14	RB1-8706-000CN	1	Fan Cover
15	RB2-2400-000CN	1	Panel, Left Duplex access
16	RB2-2401-000CN	1	Panel, Right Duplex access
17	RB1-8700-000CN	1	Laser Shutter Arm
18	RB1-8702-000CN	1	Spring, Shutter
19	RG5-2641-000CN/ C4118-69005	1	Laser Scanner Assembly
20	RG5-3876-000CN	1	Cable, Laser Scanner and Output Bin Sensor
21	RG5-2666-000CN	1	Control Panel
22	C4118-69006	1	Engine Controller Board (110V)
	C4118-69007	1	Engine Controller Board (220V)

**Table 8-8. Internal Components (2 of 3) (continued)**

<b>Item No.</b>	<b>Part No.</b>	<b>Quantity</b>	<b>Description</b>
23	C4118-40002	1	LJ4000 Overlay (English)
	C4118-40007	1	LJ4000 Overlay (French)
	C4118-40020	1	LJ4000 Overlay (German)
	C4118-40008	1	LJ4000 Overlay (Italian)
	C4118-40009	1	LJ4000 Overlay (Portugal)
	C4118-40010	1	LJ4000 Overlay (Norway)
	C4118-40011	1	LJ4000 Overlay (Hungarian)
	C4118-40012	1	LJ4000 Overlay (Swedish)
	C4118-40013	1	LJ4000 Overlay (Polish)
	C4118-40015	1	LJ4000 Overlay (Czech)
	C4118-40017	1	LJ4000 Overlay (Korean)
	C4118-40018	1	LJ4000 Overlay (Chinese, Simplified)
	C4118-40019	1	LJ4000 Overlay (Chinese, Traditional)
	C4118-40021	1	LJ4000 Overlay (Spanish)
	C4118-40022	1	LJ4000 Overlay (Danish)
	C4118-40023	1	LJ4000 Overlay (Dutch)
	C4118-40025	1	LJ4000 Overlay (Finland)
	C4118-40026	1	LJ4000 Overlay (Turkish)
	C4118-40029	1	LJ4000 Overlay (Japanese)
	C4118-40014	1	LJ4000 Overlay (Russian)
	C4118-40024	1	LJ4000 Overlay (Greek)
	C4118-40027	1	LJ4000 Overlay (Hebrew)
	C4118-40028	1	LJ4000 Overlay (Arabic)
	C4118-40030	1	LJ4000 Overlay (Thai)
	C4251-40001	1	LJ4050 Overlay (English)
	C4251-40002	1	LJ4050 Overlay (French)
	C4251-40014	1	LJ4050 Overlay (German)
	C4251-40003	1	LJ4050 Overlay (Italian)
	C4251-40004	1	LJ4050 Overlay (Portugal)
	C4251-40005	1	LJ4050 Overlay (Norway)
	C4251-40006	1	LJ4050 Overlay (Hungarian)
	C4251-40007	1	LJ4050 Overlay (Swedish)
	C4251-40008	1	LJ4050 Overlay (Polish)
	C4251-40010	1	LJ4050 Overlay (Czech)
	C4251-40011	1	LJ4050 Overlay (Korean)
	C4251-40012	1	LJ4050 Overlay (Chinese, Simplified)
	C4251-40013	1	LJ4050 Overlay (Chinese, Traditional)
	C4251-40015	1	LJ4050 Overlay (Spanish)
	C4251-40016	1	LJ4050 Overlay (Danish)
	C4251-40017	1	LJ4050 Overlay (Dutch)
	C4251-40019	1	LJ4050 Overlay (Finland)
	C4251-40020	1	LJ4050 Overlay (Turkish)
	C4251-40023	1	LJ4050 Overlay (Japanese)
	C4251-40009	1	LJ4050 Overlay (Russian)
	C4251-40018	1	LJ4050 Overlay (Greek)
	C4251-40021	1	LJ4050 Overlay (Hebrew)
C4251-40022	1	LJ4050 Overlay (Arabic)	
C4251-40024	1	LJ4050 Overlay (Thai)	

**Notes:**



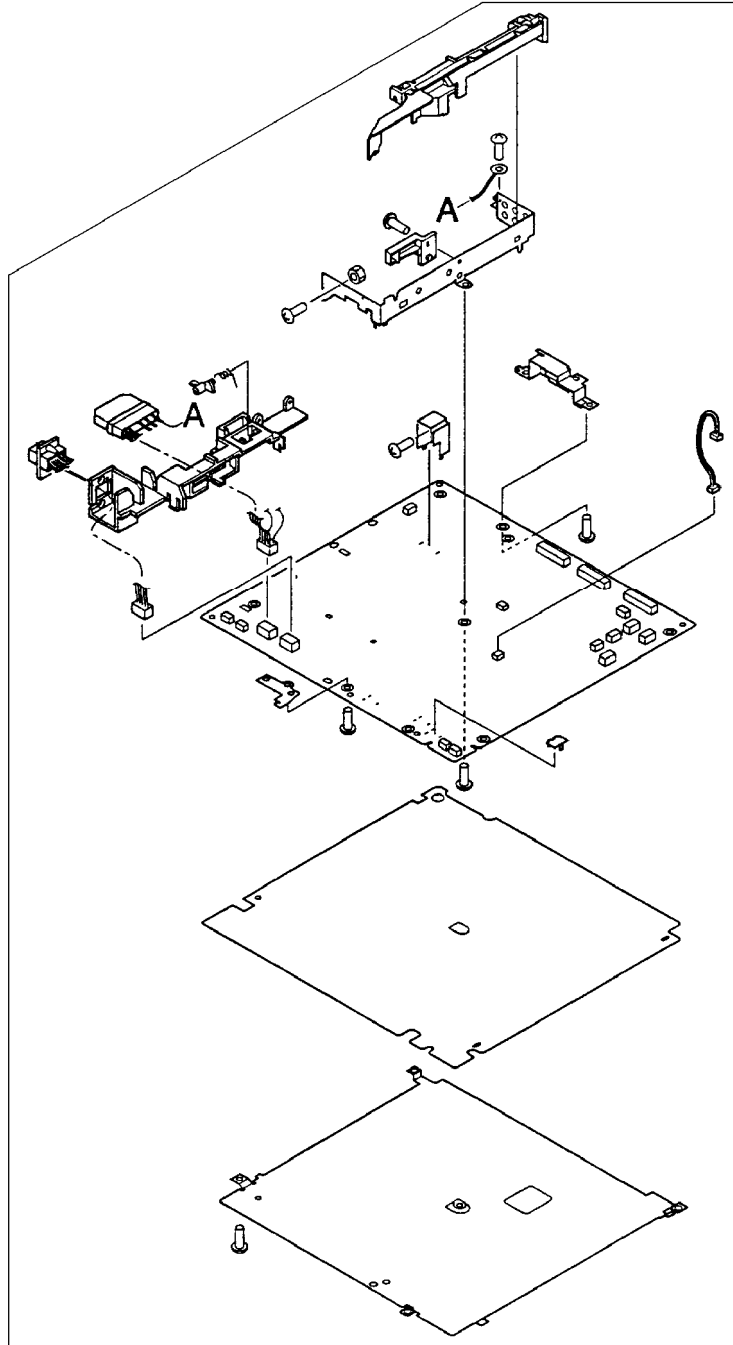
**Figure 8-6** Internal Components (3 of 3)

---

**Table 8-9. Internal Components (3 of 3)**

---

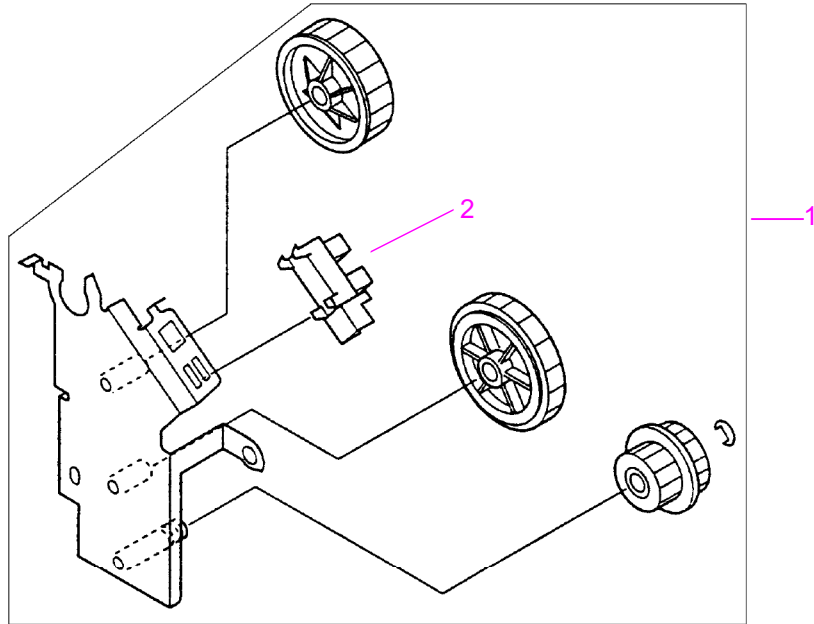
<b>Item No.</b>	<b>Part No.</b>	<b>Quantity</b>	<b>Description</b>
1	RF5-1867-000CN	1	Pre-Transfer Ground Plate Assembly
2	RG5-4283-000CN	1	Transfer Roller Assembly
3	RS5-0911-000CN	1	Gear, Coupler
4	RF5-2496-000CN	1	Plate, Gear
5	RB1-8747-000CN	1	Plate, Registration Ground



**Figure 8-7** Engine Controller Board Assembly

**Table 8-10. Engine Controller Board Assembly**

<b>Item No.</b>	<b>Part No.</b>	<b>Exchange No.</b>	<b>Quantity</b>	<b>Description</b>
1	RG5-3693-000CN	C4118-69006	1	Engine Controller Board (110V)
1	RG5-3694-000CN	C4118-69007	1	Engine Controller Board (220V)

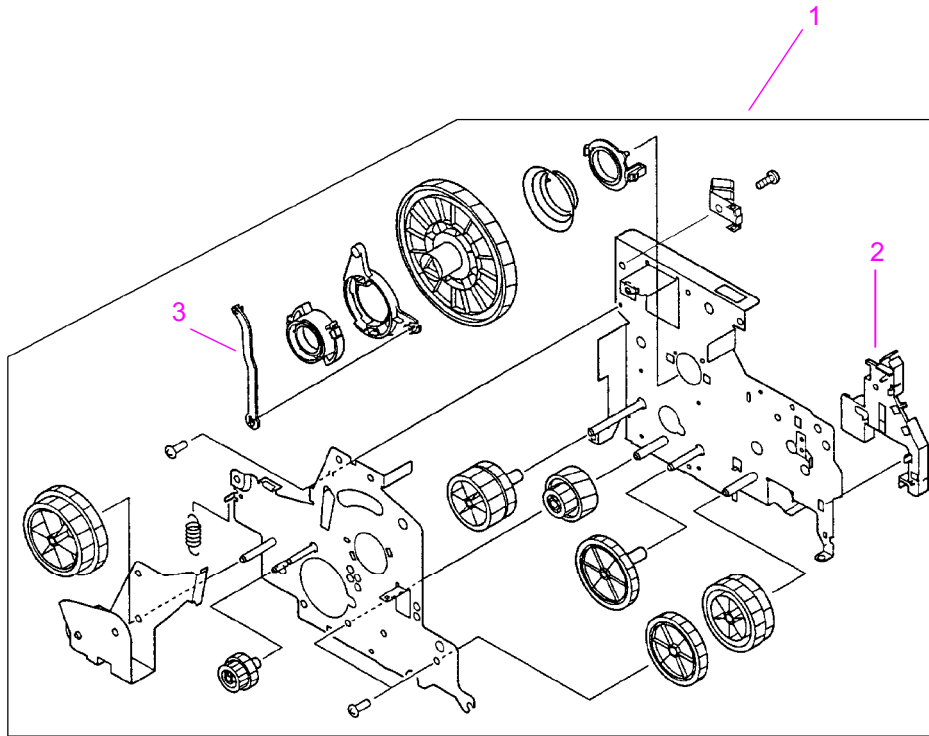


**Figure 8-8** Delivery Drive Assembly

**Table 8-11. Delivery Drive Assembly**

Item No.	Part No.	Quantity	Description
1	RG5-3721-000CN	1	Delivery Drive Assembly
2	WG8-5362-000CN	1	Sensor, Optical

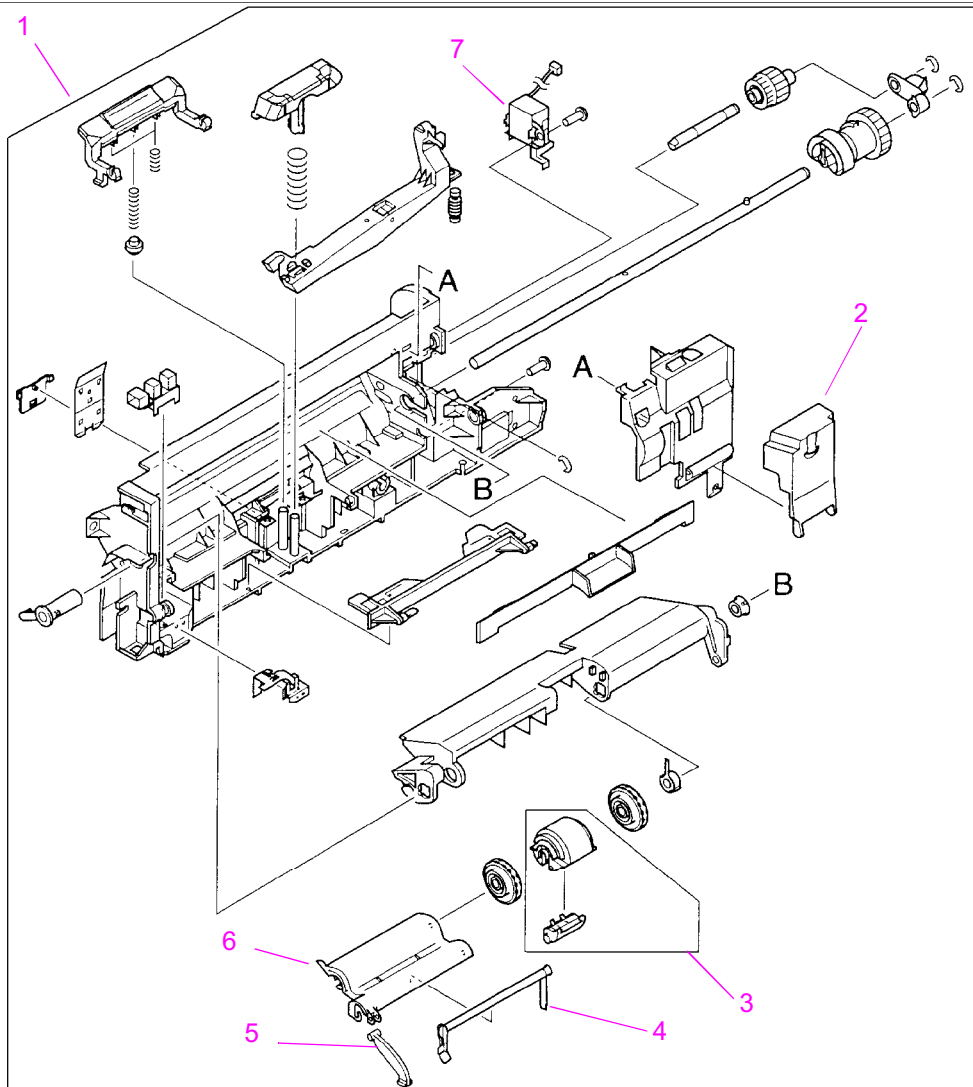




**Figure 8-9** Printer Drive Assembly

**Table 8-12. Printer Drive Assembly**

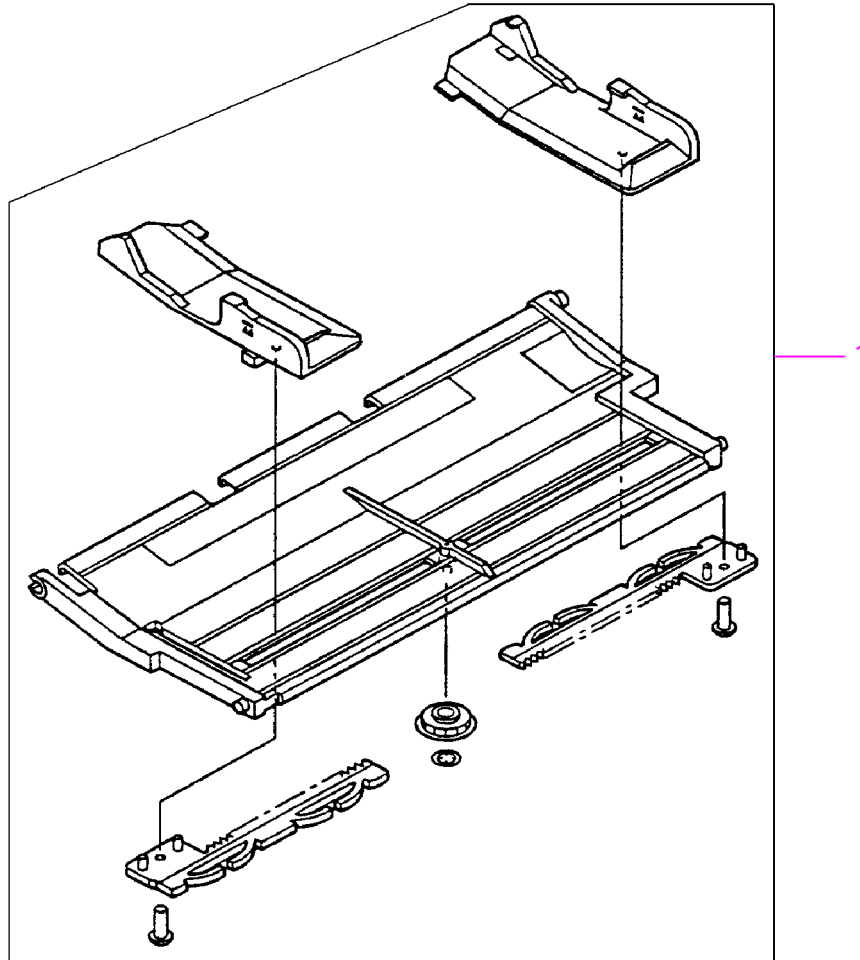
Item No.	Part No.	Quantity	Description
1	RG5-2653-000CN	1	Printer Drive Assembly
2	RB1-8757-000CN	1	Guide, Cable, Gear Assembly Plate
3	RB1-8756-000CN	1	Rod, Toner Drive



**Figure 8-10** Tray 1 Pickup Assembly

**Table 8-13. Tray 1 Pickup Assembly**

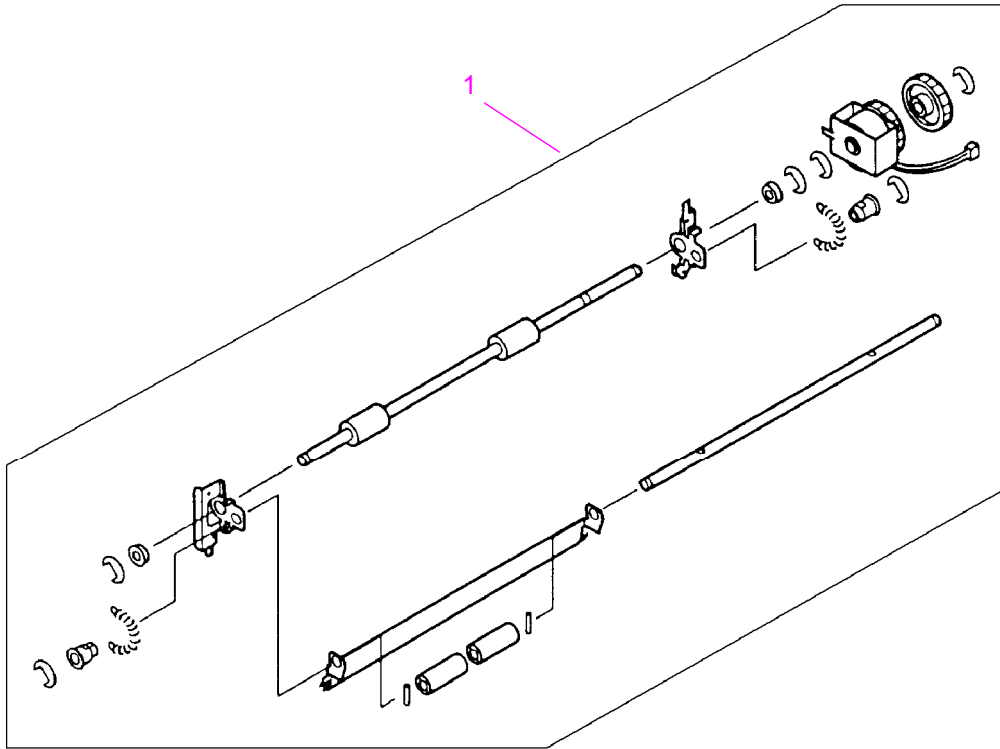
<b>Item No.</b>	<b>Part No.</b>	<b>Quantity</b>	<b>Description</b>
1	RG5-2655-100CN	1	Tray 1 Pickup Assembly
2	RB2-2386-000CN	1	Cover Envelope Feeder Drive
3	RG5-3718-000CN	1	Tray 1 Pickup Roller Assembly
4	RB1-8787-000CN	1	Arm, Tray 1 Paper Sensing
5	RB2-2387-000CN	1	Arm, Tray 1 Retaining
6	RB1-8788-000CN	1	Cover, Tray 1 Sensor Arm
7	RH7-5172-000CN	1	Solenoid, Tray 1 Drive



**Figure 8-11** Tray 1 Assembly

**Table 8-14. Tray 1 Assembly**

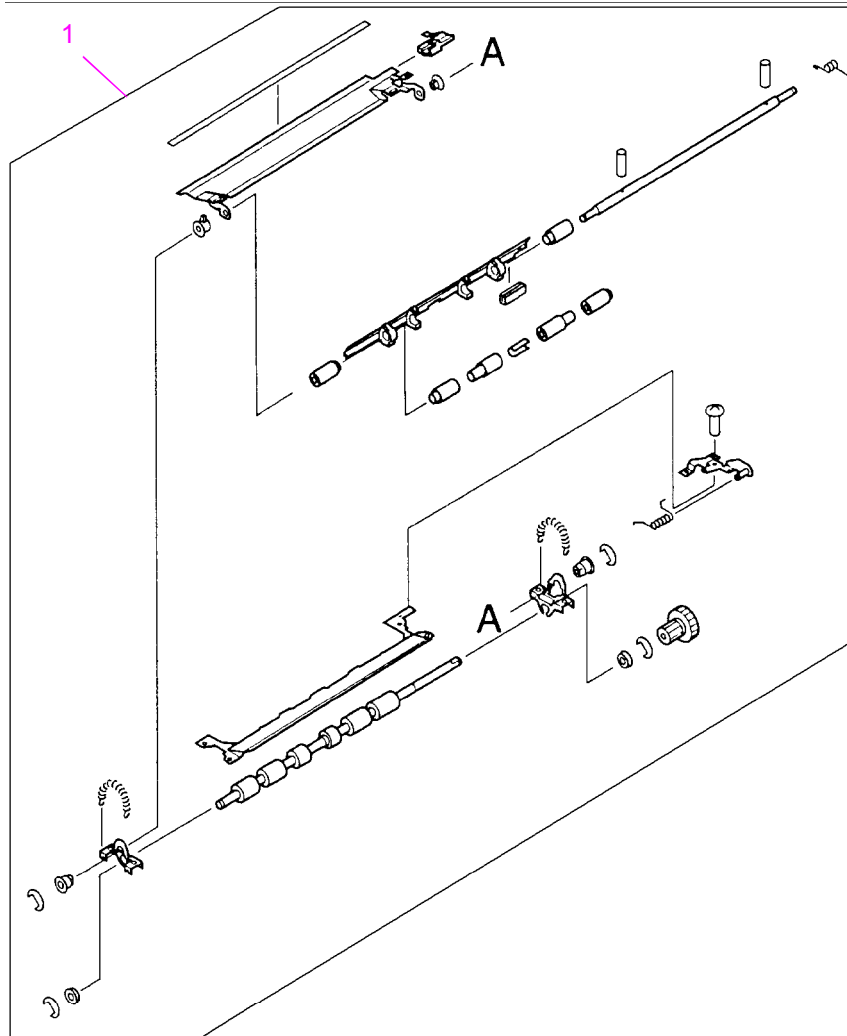
Item No.	Part No.	Quantity	Description
1	RG5-2656-000CN	1	Tray 1 Assembly



**Figure 8-12** Paper Feed Assembly

**Table 8-15. Paper Feed Assembly**

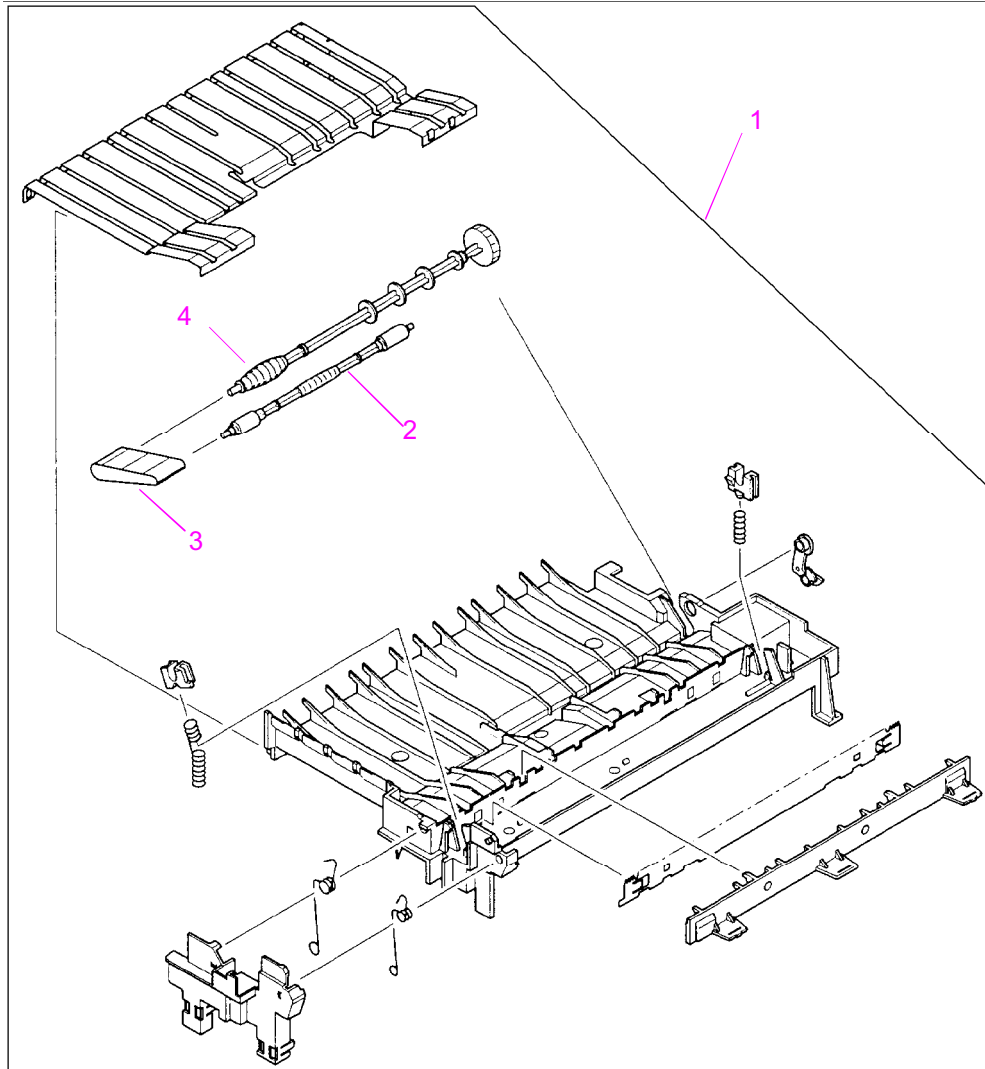
Item No.	Part No.	Quantity	Description
1	RG5-2651-000CN	1	Paper Feed Assembly



**Figure 8-13** Registration Assembly

**Table 8-16. Registration Assembly**

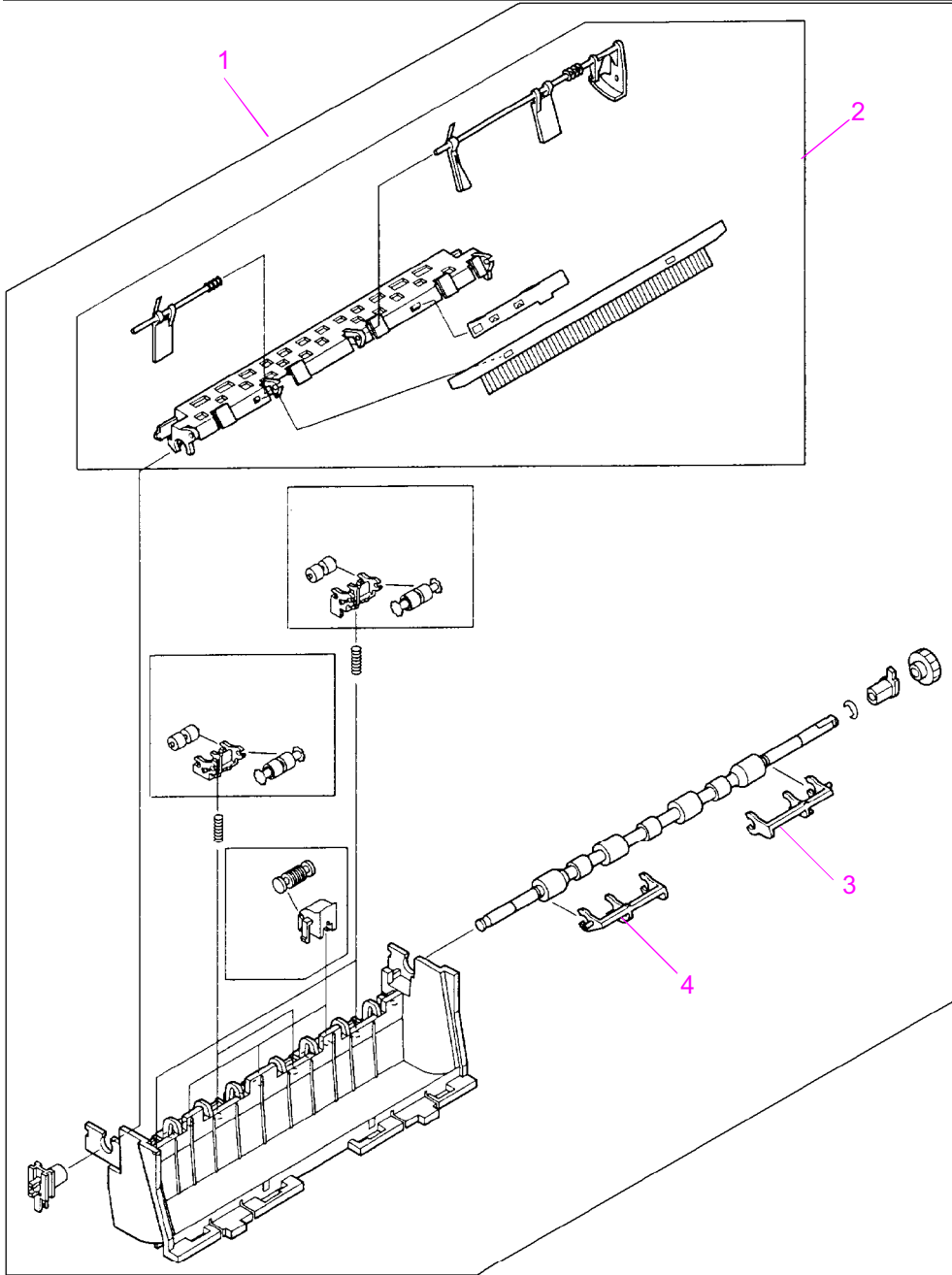
Item No.	Part No.	Quantity	Description
1	RG5-2652-070CN	1	Registration Assembly



**Figure 8-14** Paper Feed Guide Assembly

**Table 8-17. Paper Feed Guide Assembly**

Item No.	Part No.	Quantity	Description
1	RG5-2643-000CN	1	Paper Feed Guide Assembly
2	RF5-2495-000CN	1	Shaft, Belt Idler Assembly
3	RB1-8668-000CN	1	Belt, Feed Guide
4	RB1-8674-000CN	1	Shaft, Belt Drive



**Figure 8-15** Delivery Assembly

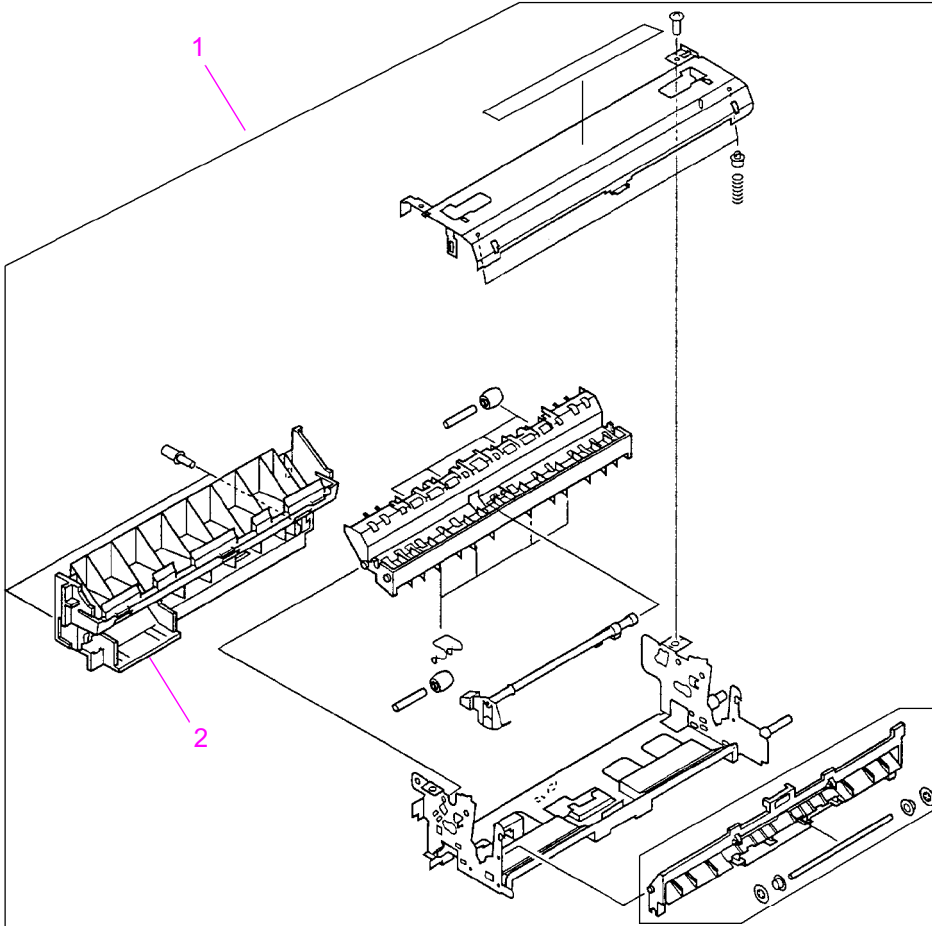


---

**Table 8-18. Delivery Assembly**

---

<b>Item No.</b>	<b>Part No.</b>	<b>Quantity</b>	<b>Description</b>
1	RG5-2648-000CN	1	Delivery Assembly
2	RG5-2650-000CN	1	Delivery Sensor Arm Assembly
3	RB2-2408-000CN	1	Arm, Output Kicker, Right
4	RB2-2409-000CN	1	Arm, Output Kicker, Left



**Figure 8-16** Fuser Assembly (1 of 2)

**Table 8-19. Fuser Assembly (1 of 2)**

Item No.	Part No.	Exchange No.	Quantity	Description
1	RG5-2661-000CN	C4118-69003	1	Fuser (110 V)
	RG5-2662-000CN	C4118-69004	1	Fuser (220 V)
2	RB1-8805-000CN		1	Panel, Fuser Cover

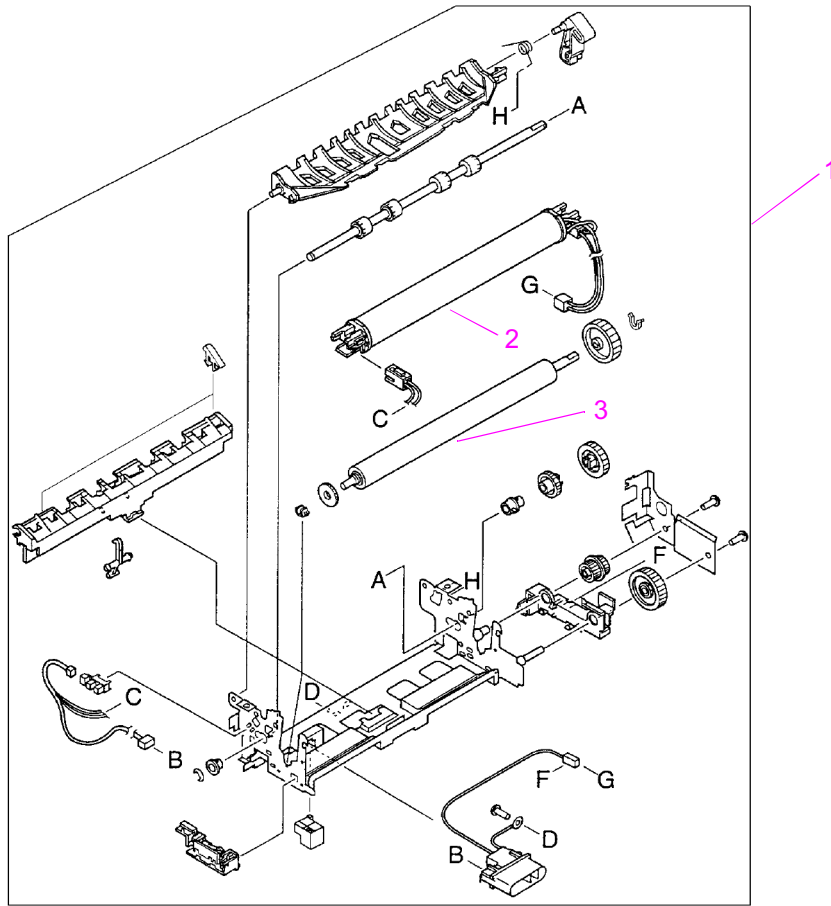
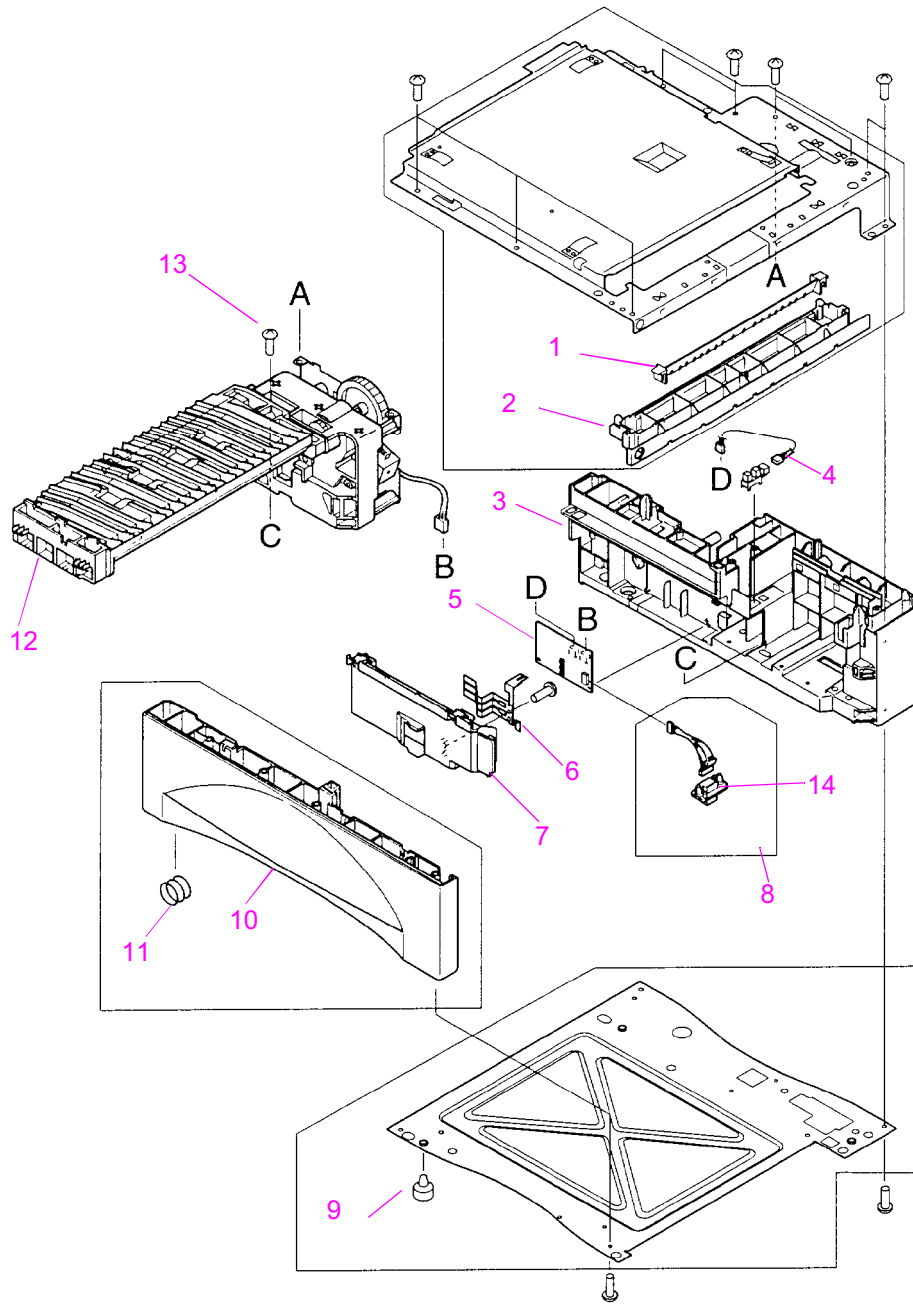


Figure 8-17 Fuser Assembly (2 of 2)

Table 8-20. Fuser Assembly (2 of 2)

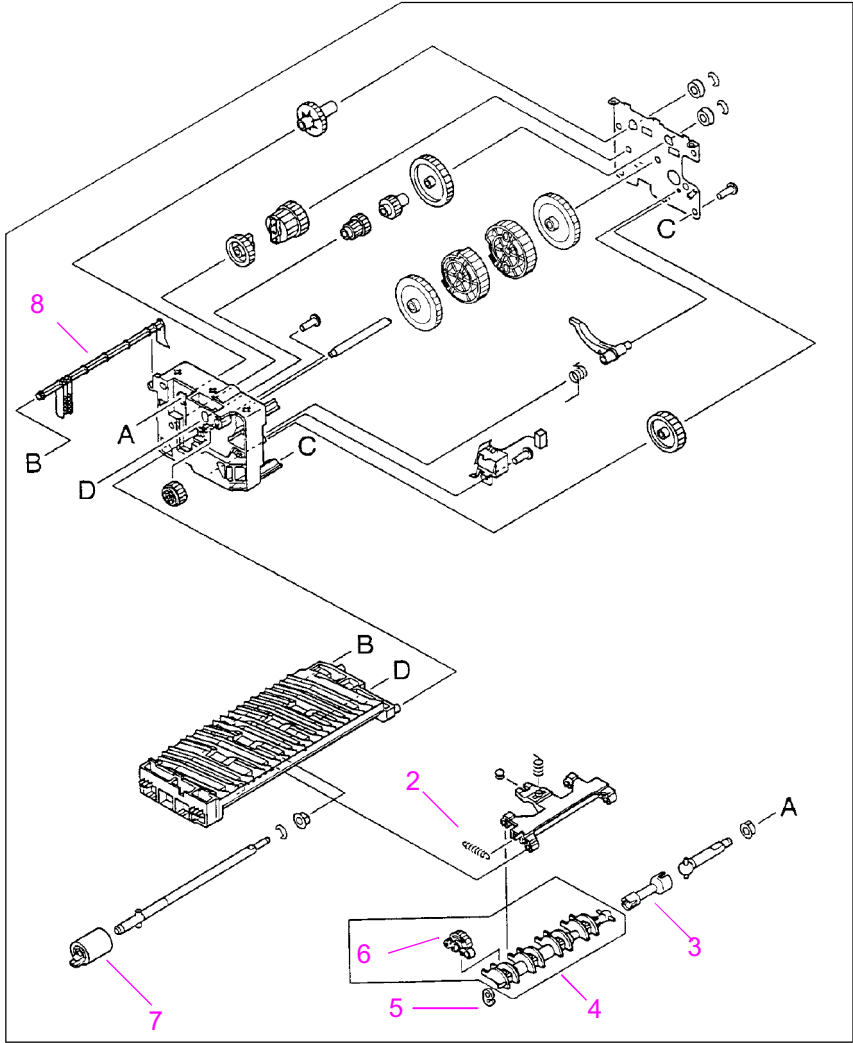
Item No.	Part No.	Exchange No.	Quantity	Description
1	RG5-2661-000CN	C4118-60003	1	Fuser (110V)
	RG5-2662-000CN	C4118-60004	1	Fuser (220V)
2	RG5-4269-000CN		1	Fuser Film Assembly (110V)
	RG5-4291-000CN			Fuser Film Assembly (220V)
3	RB1-8794-000CN		1	Roller, Fuser Pressure



**Figure 8-18** Internal Components of 500-Sheet Feeder

**Table 8-21. Internal Components of 500-sheet Feeder**

<b>Item No.</b>	<b>Part No.</b>	<b>Quantity</b>	<b>Description</b>
1	RB1-8890-000CN	1	Guide, Paper
2	RB1-8873-000CN	1	Support, Paper Guide
3	RG5-2668-000CN	1	Cover Feeder Right Assembly
4	RG5-3711-000CN	1	Cable, Sensor
5	RG5-2673-000CN	1	Feeder Controller PCA
6	RB1-8887-000CN	1	Lever, Tray Sensing
7	RB1-8886-000CN	1	Cover, Feeder PCA
8	RG5-3712-000CN	1	Connector, Lower Tray (with cable)
9	RB1-8107-000CN	4	Foot
10	RG5-2669-000CN	1	Cover, Feeder, Left
11	RS5-2652-000CN	1	Spring, Tray Lock
12	RG5-2672-000CN	1	Paper Pickup Drive Assembly (500-sheet)
13	XA9-0917-000CN	1	Screw, M3x16, Feed Modules
14	VS1-6176-000CN	1	Connector (250- and 500-sheet Feeder)



**Figure 8-19** Paper Pickup Drive Assembly

**Table 8-22. Paper Pickup Drive Assembly**

<b>Item No.</b>	<b>Part No.</b>	<b>Quantity</b>	<b>Description</b>
1	RG5-2672-000CN	1	Paper Pickup Drive Assembly (500-sheet)
2	RS5-2632-000CN	1	Spring, Pickup
3	RB1-8877-000CN	1	Coupler, Pickup
4	RF5-2484-000CN	1	Pickup Roller Assembly
5	RB1-2190-000CN	1	Clip, Pickup Spring
6	RB1-8865-000CN	4	Roller, Pickup
7	RF5-2490-000CN	1	Feed, Roller
8	RB1-8879-000CN	1	Arm, Tray Sensing

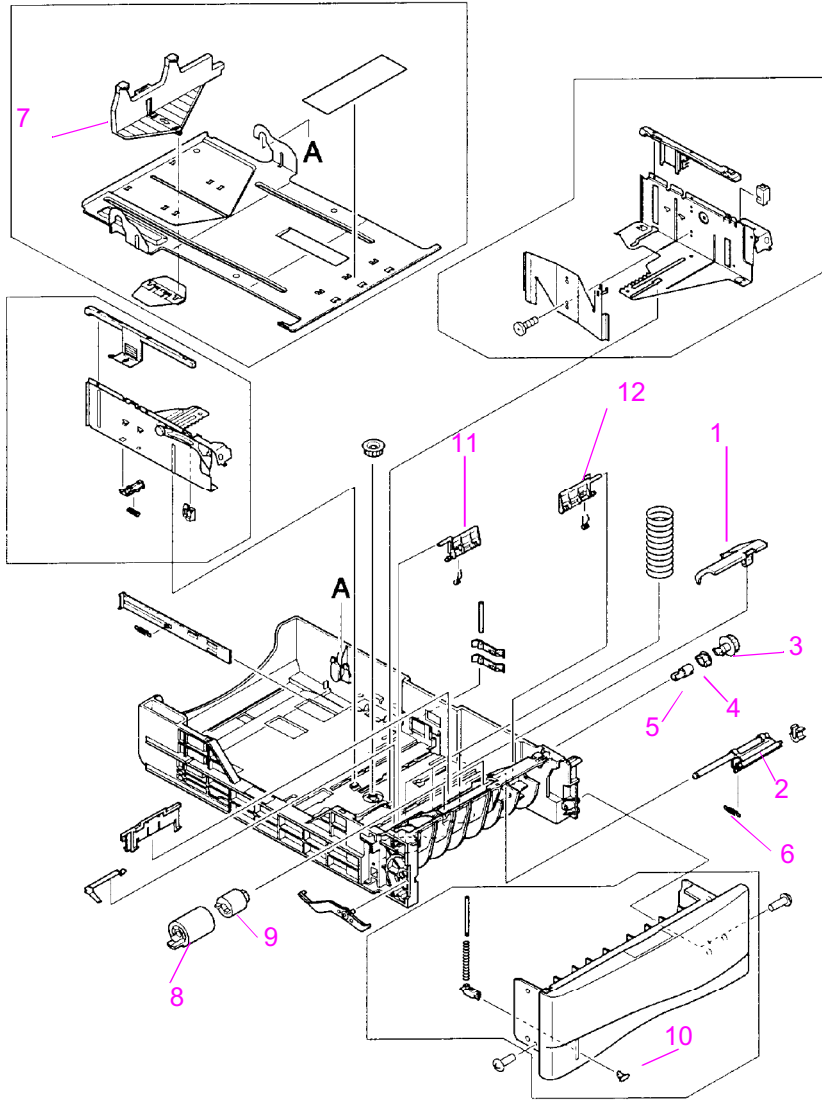
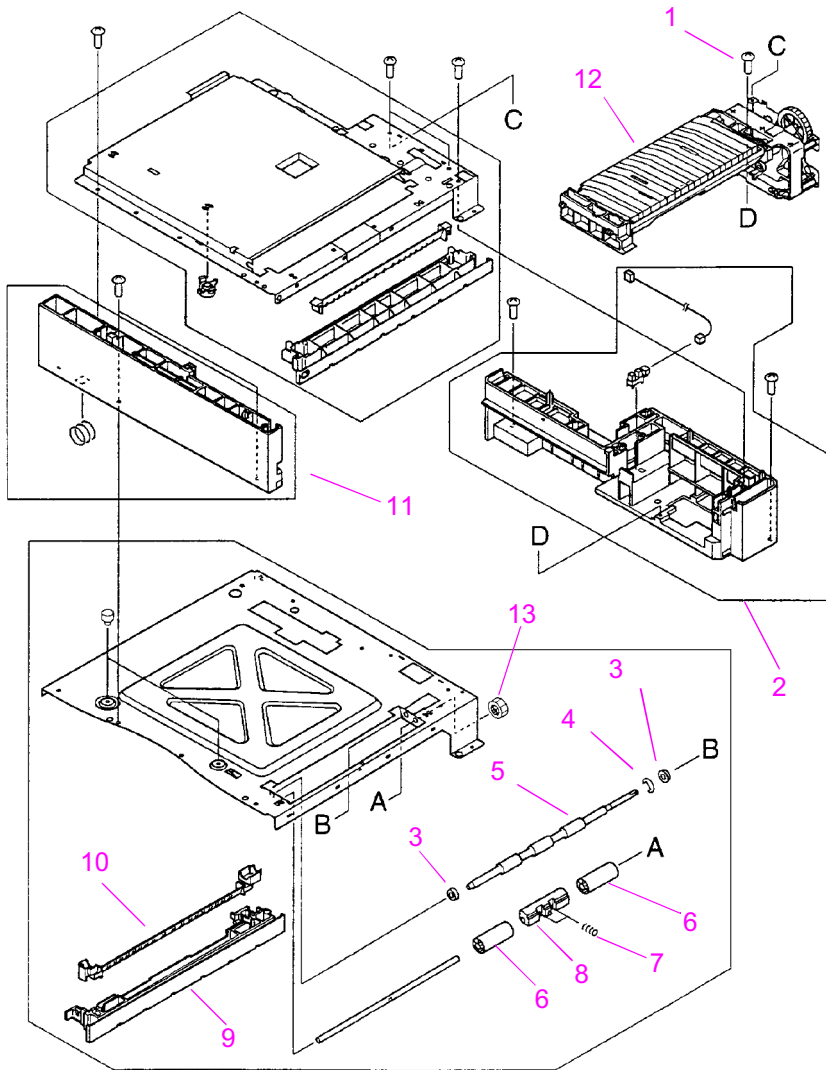


Figure 8-20 500-sheet Tray



**Table 8-23. 500-sheet Tray**

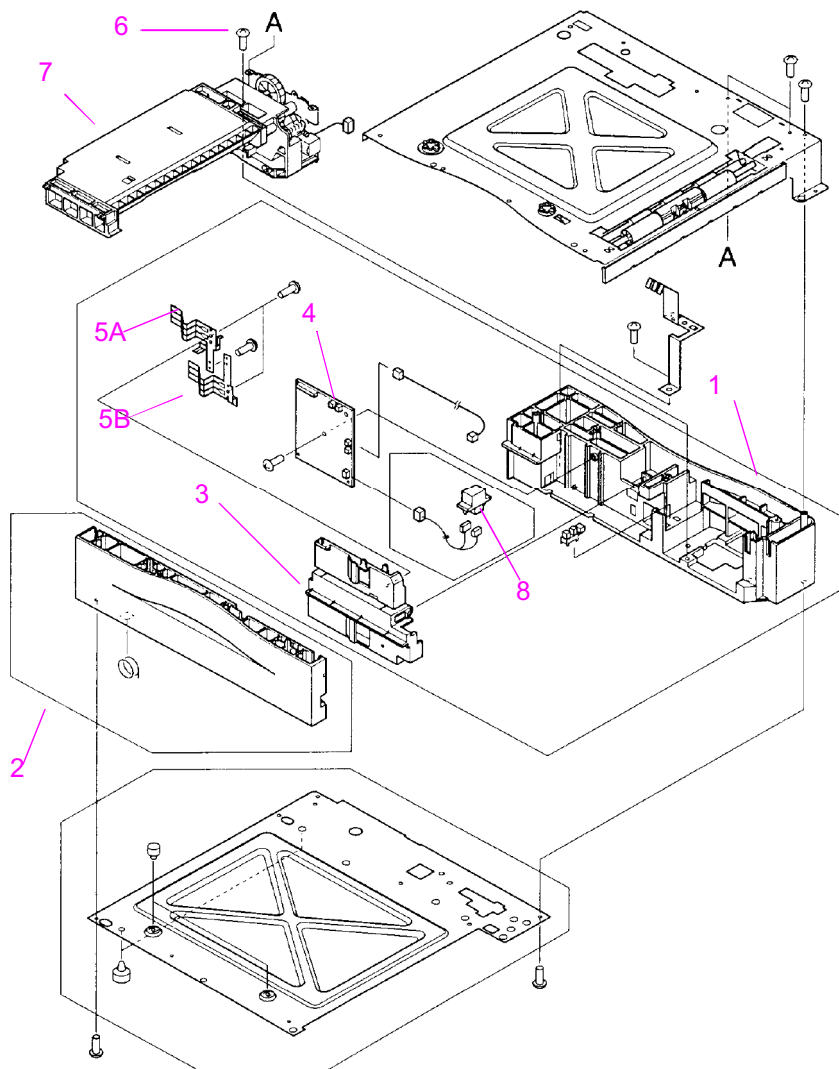
<b>Item No.</b>	<b>Part No.</b>	<b>Quantity</b>	<b>Description</b>
1	RB1-8947-000CN	1	Panel, Roller Access
2	RF5-2489-000CN	1	Mounting Assembly Separation Roller
3	RB1-8948-000CN	1	Gear, Separation Roller Drive
4	RB1-8946-000CN	1	Bushing, Separation Roller
5	RB1-8945-000CN	1	Coupler, Separation Roller
6	RS5-2622-000CN	1	Spring, Separation Roller Tension
7	RF5-2670-000CN	1	Paper Stop, 500-sheet Tray
8	RF5-2490-000CN	1	Roller
9	RB1-8974-000CN	1	Clutch, Separation Roller
10	RB1-9009-000CN	1	Paper Level Indicator
11	RB1-8961-000CN	1	Left Arm Lifter
12	RB1-8962-000CN	1	Right Arm Lifter



**Figure 8-21** Internal Components of 250-sheet Module (1 of 2)

**Table 8-24. Internal Components of 250-sheet Module (1 of 2)**

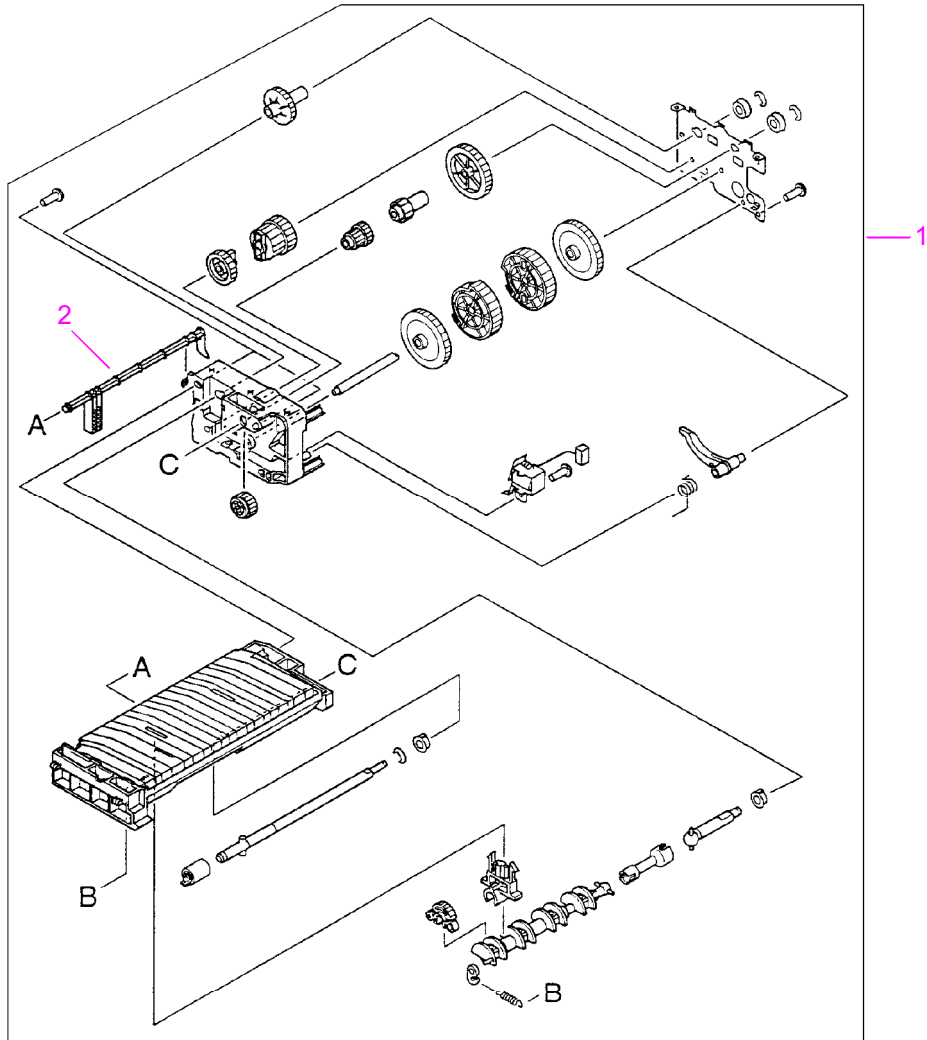
<b>Item No.</b>	<b>Part No.</b>	<b>Quantity</b>	<b>Description</b>
1	XA9-0870-000CN	1	Screw, M4x10, Feed Modules
2	RG5-2677-000CN	1	Cover Assembly, Feeder, Upper Right
3	RS5-1309-000CN	2	Bearing, Transport Roller
4	XD9-0135-000CN	1	E-Clip
5	RB1-8923-000CN	1	Roller, Transport
6	RB1-8922-000CN	2	Roller, Transport Pressure
7	RS5-2653-000CN	1	Spring, Transport Roller
8	RB1-8926-000CN	1	Mount, Transport Pressure
9	RB1-8913-000CN	1	Support, Paper Guide Lower
10	RB1-8914-000CN	1	Guide, Paper, Lower
11	RG5-2678-000CN	1	Cover Assembly, Feeder, Left Upper
12	RG5-2683-000CN	1	Paper Pickup Drive Assembly, Upper (250-sheet)
13	RS5-0946-000CN	1	Gear, Transport Roller



**Figure 8-22** Internal Components of 250-sheet Feeder (2 of 2)

**Table 8-25. Internal Components of 250-sheet Feeder (2 of 2)**

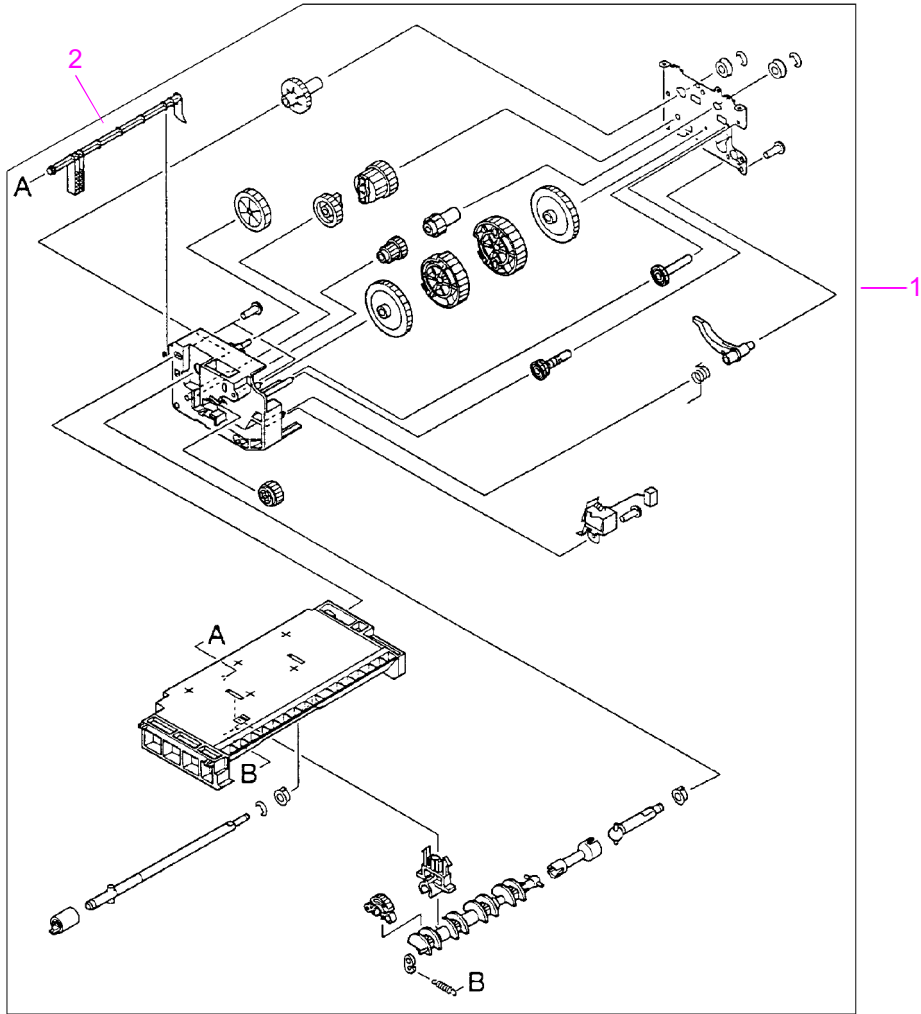
<b>Item No.</b>	<b>Part No.</b>	<b>Quantity</b>	<b>Description</b>
1	RG5-2679-000CN	1	Cover Assembly, Feeder, Right Lower
2	RG5-2680-000CN	1	Cover Assembly, Feeder, Left Lower
3	RB1-8907-000CN	1	Cover, Feeder PCA
4	RG5-2685-000CN	1	Feeder, Control PCA
5A	RB1-9033-000CN	1	Levers, Tray Sensing Upper
5B	RB1-9034-000CN	1	Levers, Tray Sensing Lower
6	XA9-0917-000CN	1	Screw, M3x16, Feed Modules
7	RG5-2684-000CN	1	Paper Pickup Drive Assembly, Lower (250-sheet)
8	VS1-6176-000CN	1	Connector (250- and 500-sheet Feeder)



**Figure 8-23** Upper Paper Pickup Drive Assembly

**Table 8-26. Upper Paper Pickup Drive Assembly**

Item No.	Part No.	Quantity	Description
1	RG5-2683-000CN	1	Upper Paper Pickup Drive Assembly (250-sheet)
2	RB1-8910-000CN	1	Arm, Tray Sensing



**Figure 8-24** Lower Paper Pickup Drive Assembly

**Table 8-27. Lower Paper Pickup Drive Assembly**

Item No.	Part No.	Quantity	Description
1	RG5-2684-000CN	1	Lower Paper Pickup Drive Assembly (250-sheet)
2	RB1-8910-000CN	1	Arm, Tray Sensing

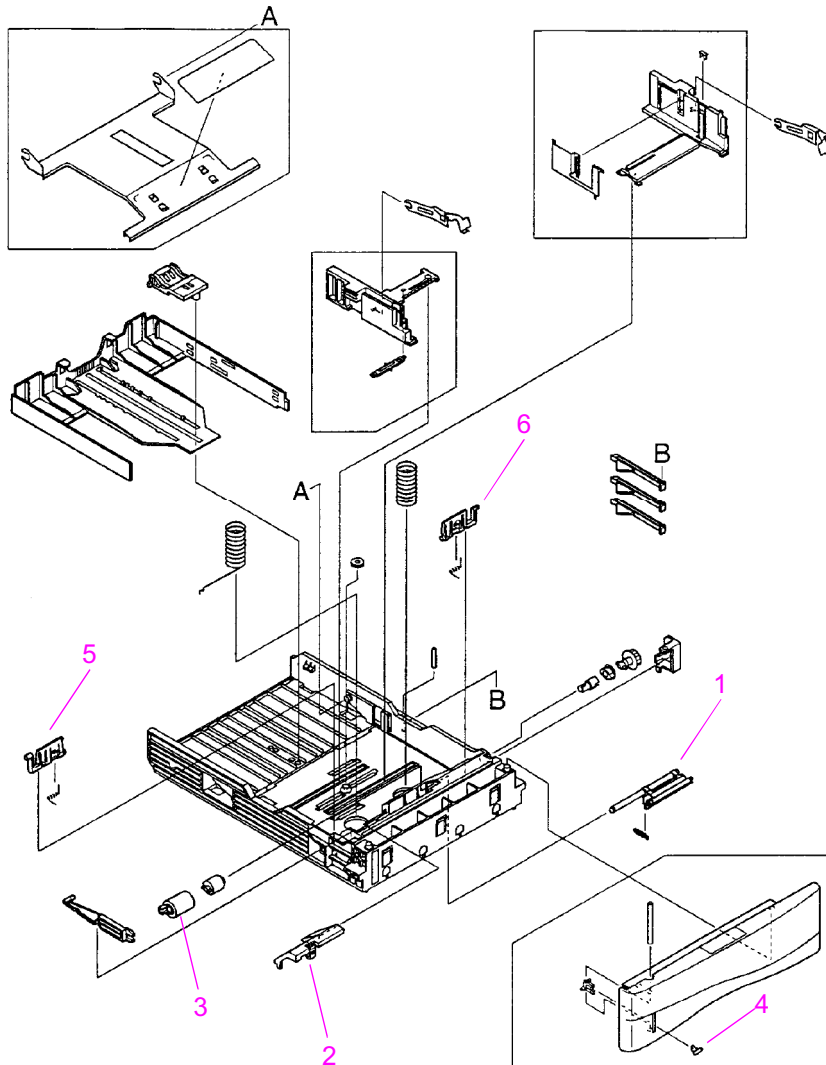


Figure 8-25 250-sheet Tray

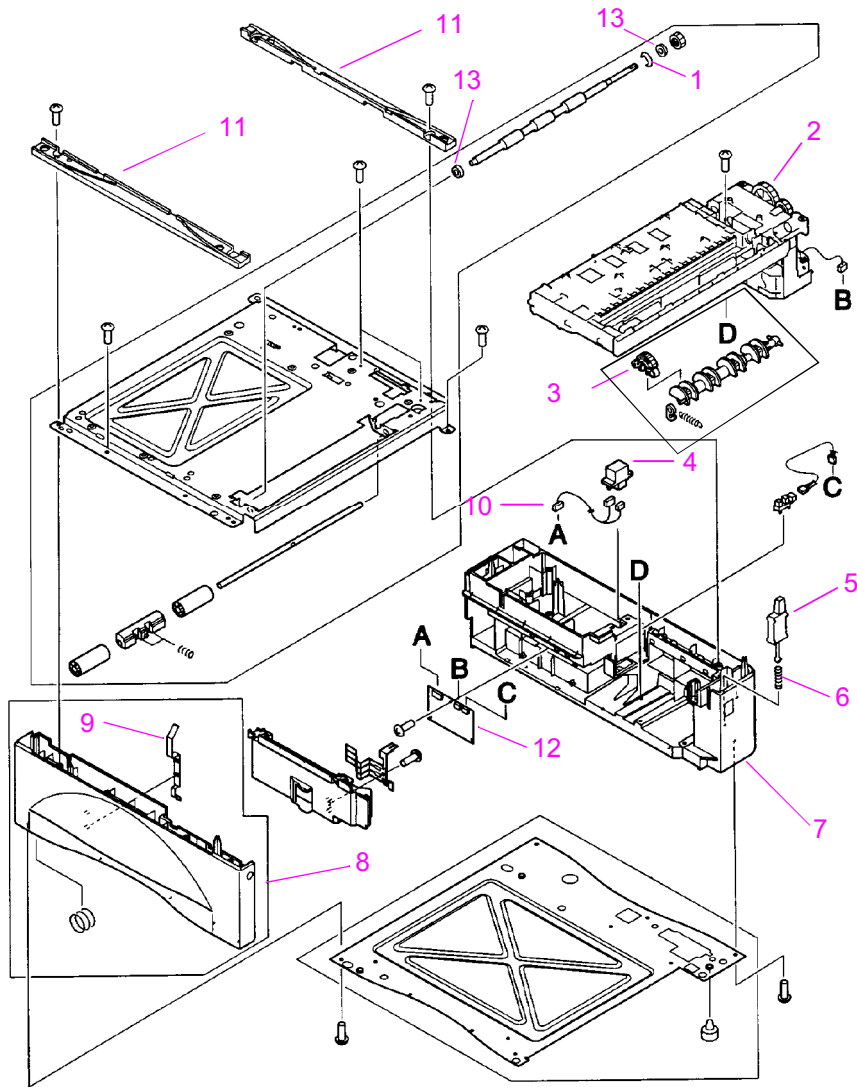


---

**Table 8-28. 250-sheet Tray**

---

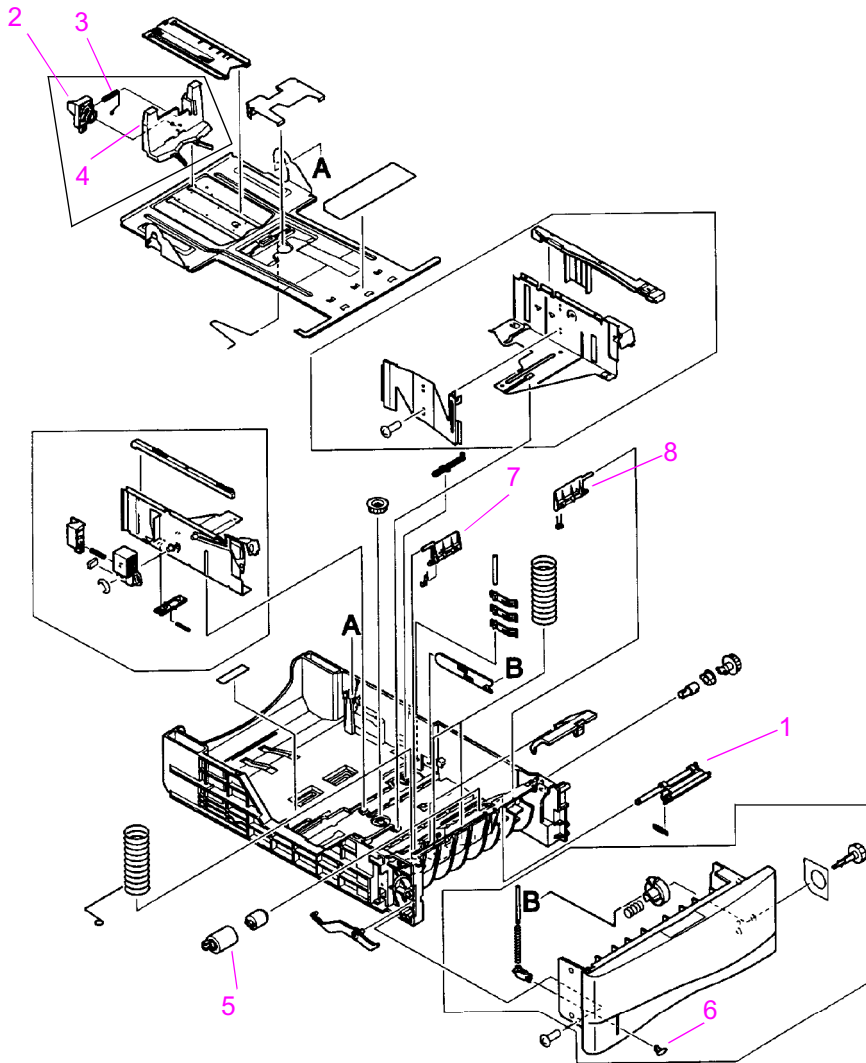
<b>Item No.</b>	<b>Part No.</b>	<b>Quantity</b>	<b>Description</b>
1	RF5-2505-000CN	1 each	Mounting Assembly Separation Roller
2	RB1-9001-000CN	1 each	Panel Roller Access
3	RF5-2490-000CN	1 each	Roller
4	RB1-9009-000CN	1 each	Paper Level Indicator
5	RB1-9012-010CN	1 each	Left Arm Lifter
6	RB1-9013-010CN	1 each	Right Arm Lifter



**Figure 8-26** Internal Components of Optional 500-sheet Universal Tray Assembly

**Table 8-29. Internal Components of Optional 500-sheet Universal Tray Assembly**

<b>Item No.</b>	<b>Part No.</b>	<b>Quantity</b>	<b>Description</b>
1	XD2-1100-502CN	1	Ring, E
2	RG5-2690-000CN	1	Paper Pickup Drive Assembly, Optional (500-sheet)
3	RB1-8865-000CN	4	Roller
4	VS1-6174-000CN	1	Connector
5	RB1-8928-000CN	1	Tray Identifier Plunger
6	RS5-2967-000CN	1	Spring, Compression
7	RB1-8915-000CN	1	Frame, Right
8	RG5-2688-000CN	1	Left Frame Assembly
9	RB1-8927-000CN	1	Spring, Leaf
10	RG5-3822-000CN	1	Paper Feeder Cable
11	RB1-8924-000CN	2	Guide, Lower Tray
12	RG5-3821-000CN	1	Lower Tray Logic PCA
13	RS5-1179-000CN	2	Bearing, Transport Roller



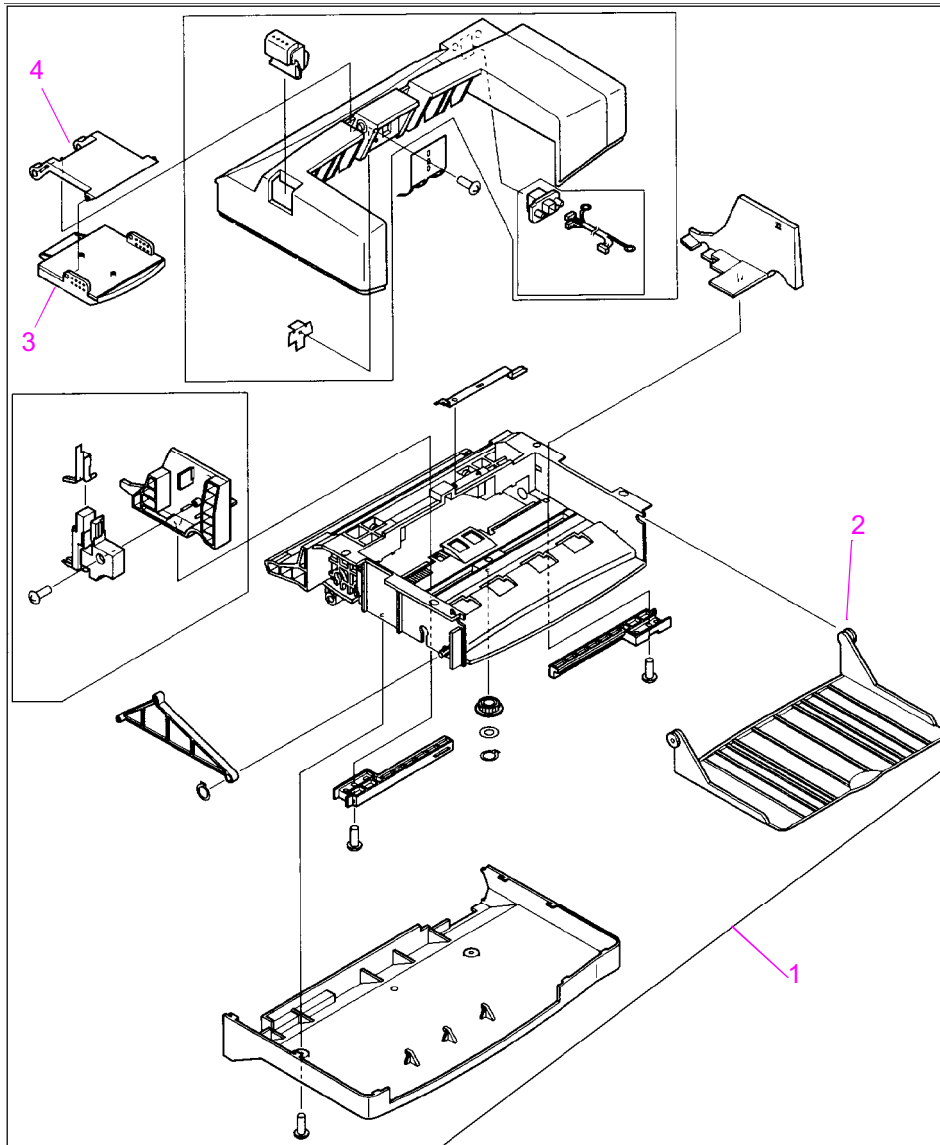
**Figure 8-27** Optional 500-sheet Universal Tray Assembly

---

**Table 8-30. Optional 500-sheet Universal Tray Assembly**

---

<b>Item No.</b>	<b>Part No.</b>	<b>Quantity</b>	<b>Description</b>
1	RF5-2489-000CN	1	Separation Roller Mounting Assembly
2	RB1-9374-000CN	1	Stopper
3	RS5-2981-000CN	1	Spring
4	RB1-9371-000CN	1	Plate
5	RF5-2490-000CN	1	Feed Roller
6	RB1-9009-000CN	1	Paper Level Indicator
7	RB1-8961-000CN	1	Left Arm Lifter
8	RB1-8962-000CN	1	Right Arm Lifter



**Figure 8-28** Envelope Feeder

---

**Table 8-31. Envelope Feeder**

---

<b>Item No.</b>	<b>Part No.</b>	<b>Exchange No.</b>	<b>Quantity</b>	<b>Description</b>
1	C4122A	C4122-69001	1	Envelope Feeder
2	RB1-9088-000CN		1	Tray, Envelope Feeder
3	RF5-2511-000CN		1	Weight, Envelope
4	RB1-9095-000N		1	Mount, Envelope Weight

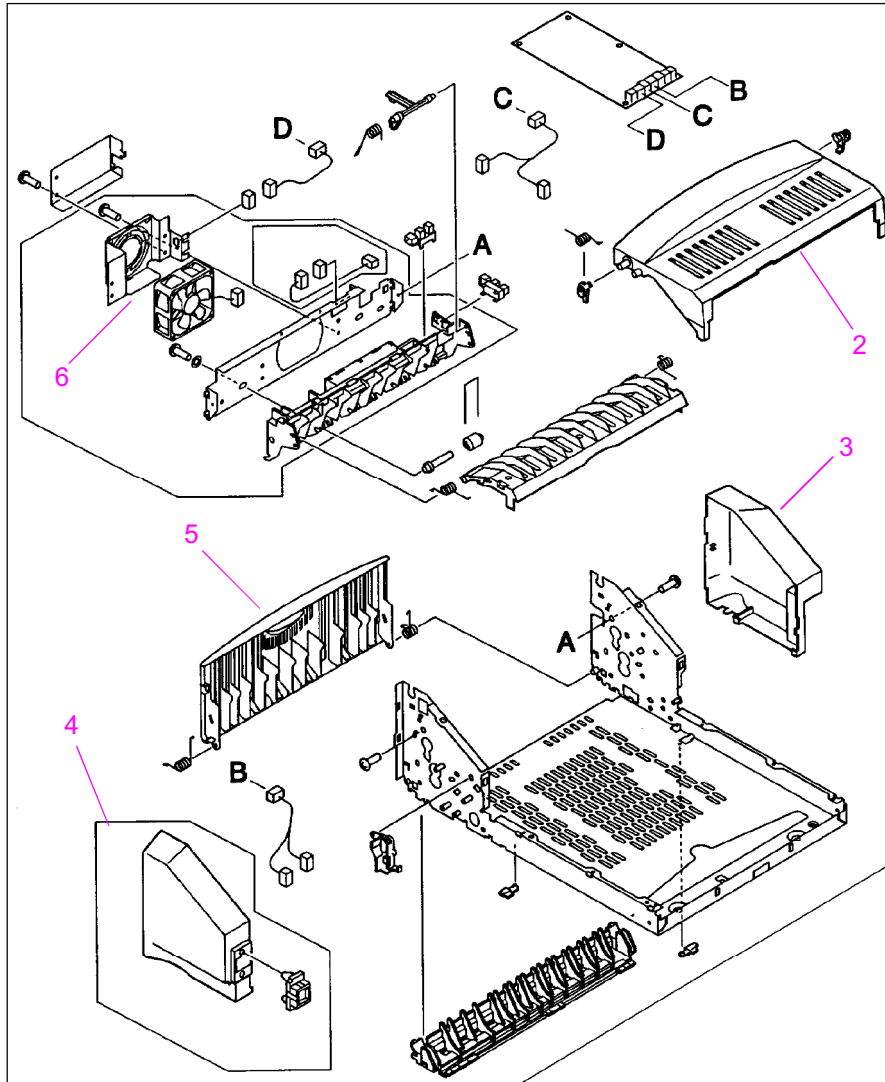


Figure 8-29 Internal Components of Duplexer



**Table 8-32. Internal Components of Duplexer**

<b>Item No.</b>	<b>Part No.</b>	<b>Exchange No.</b>	<b>Quantity</b>	<b>Description</b>
1	C4123A	C4123-69001	1	Duplexer
2	RB1-9044-000CN		1	Cover, Top
3	RB1-9047-000CN		1	Cover, Right Duplexer
4	RF5-1876-000CN		1	Cover, Left with Connector
5	RB1-9045-000CN		1	Panel, Rear
6	RH7-1361-000CN		1	Fan

## Alphabetical Parts List

**Table 8-33. Alphabetical Parts List**

<b>Description</b>	<b>Part Number</b>	<b>Table Number and Page</b>
250-sheet Universal Replacement Tray	C4126A	Table 8-1 on page 8-4
500-sheet Paper Feeder and Tray	C4124A	Table 8-1 on page 8-4
500-sheet Universal Replacement Tray	C4125A	Table 8-1 on page 8-4
AC, Power Receptacle	RG5-3696-000CN	Table 8-7 on page 8-15
Arm, Output Kicker, Left	RB2-2409-000CN	Table 8-18 on page 8-33
Arm, Output Kicker, Right	RB2-2408-000CN	Table 8-18 on page 8-33
Arm, Tray 1 Paper Sensing	RB1-8787-000CN	Table 8-13 on page 8-27
Arm, Tray 1 Tray Retaining	RB2-2387-000CN	Table 8-13 on page 8-27
Arm, Tray Sensing	RB1-8910-000CN	Table 8-26 on page 8-46
Arm, Tray Sensing	RB1-8879-000CN	Table 8-22 on page 8-39
Bearing, Transport Roller	RS5-1179-000CN	Table 8-29 on page 8-51
Bearing, Transport Roller	RS5-1309-000CN	Table 8-24 on page 8-43
Belt, Feed Guide	RB1-8668-000CN	Table 8-17 on page 8-31
Bushing, Separation Roller	RB1-8946-000CN	Table 8-23 on page 8-41
Button, Engine Test	RB1-8688-000CN	Table 8-8 on page 8-17
Cable Formatter/Control Panel	RG5-3708-000CN	Table 8-7 on page 8-15
Cable Holder	RB1-8689-000CN	Table 8-8 on page 8-17
Cable, Envelope Feeder Connect	RG5-3704-000CN	Table 8-7 on page 8-15
Cable, Feed/Registration Sensors	RG5-3706-000CN	Table 8-8 on page 8-17
Cable, Feeder Module	RG5-3710-000CN	Table 8-8 on page 8-17
Cable Formatter Control Panel	RG5-3708-000CN	Table 8-7 on page 8-15
Cable, Laser Scanner and Output Bin Sensor	RG5-3876-000CN	Table 8-8 on page 8-17
Cable, Main Motor	RG5-3709-000CN	Table 8-7 on page 8-15

**Table 8-33. Alphabetical Parts List (continued)**

<b>Description</b>	<b>Part Number</b>	<b>Table Number and Page</b>
Cable, Paper Feed/Tray 1 Pickup Solenoid	RG5-3703-000CN	Table 8-7 on page 8-15
Cable, Sensor	RG5-3711-000CN	Table 8-21 on page 8-37
Cable, Top Cover Switch	RG5-3705-000CN	Table 8-7 on page 8-15
Cable, Tray 1 Sensor	RG5-3700-000CN	Table 8-7 on page 8-15
Clip, Left Side Panel	RB1-8848-000CN	Table 8-5 on page 8-11
Clip, Pickup Spring	RB1-2190-000CN	Table 8-22 on page 8-39
Clip, Right Side Panel	RB1-8860-000CN	Table 8-5 on page 8-11
Clutch, Separation Roller	RB1-8974-000CN	Table 8-23 on page 8-41
Connector	VS1-6174-000CN	Table 8-29 on page 8-51
Connector (250- and 500-sheet Feeder)	VS1-6176-000CN	Table 8-21 on page 8-37 and Table 8-25 on page 8-45
Connector, Lower Tray (with Cable)	RG5-3712-000CN	Table 8-21 on page 8-37
Control Panel	RG5-2666-000CN	Table 8-8 on page 8-17
Coupler, Pickup	RB1-8877-000CN	Table 8-22 on page 8-39
Coupler, Separation Roller	RB1-8945-000CN	Table 8-23 on page 8-41
Cover Assembly, Feeder, Left Lower	RG5-2680-000CN	Table 8-25 on page 8-45
Cover Assembly, Feeder, Left Upper	RG5-2678-000CN	Table 8-24 on page 8-43
Cover Assembly, Feeder, Right Lower	RG5-2679-000CN	Table 8-25 on page 8-45
Cover Assembly, Feeder, Upper Right	RG5-2677-000CN	Table 8-24 on page 8-43
Cover Assembly, Left	RG5-2665-000CN	Table 8-5 on page 8-11
Cover Assembly, Right Front	RG5-2664-000CN	Table 8-5 on page 8-11
Cover Envelope Feeder Drive	RB2-2386-000CN	Table 8-13 on page 8-27
Cover, Feeder PCA, 250-sheet Tray	RB1-8907-000CN	Table 8-25 on page 8-45
Cover, Feeder PCA, 500-sheet Tray	RB1-8886-000CN	Table 8-21 on page 8-37
Cover, Feeder, Left	RG5-2669-000CN	Table 8-21 on page 8-37

**Table 8-33. Alphabetical Parts List (continued)**

<b>Description</b>	<b>Part Number</b>	<b>Table Number and Page</b>
Cover Feeder Right Assembly	RG5-2668-000CN	Table 8-21 on page 8-37
Cover, Left with Connector	RF5-1876-000CN	Table 8-32 on page 8-57
Cover, Right Duplexer	RB1-9047-000CN	Table 8-32 on page 8-57
Cover, Top	RB1-9044-000CN	Table 8-32 on page 8-57
Cover, Tray 1 Sensor Arm	RB1-8788-000CN	Table 8-13 on page 8-27
Delivery Assembly	RG5-2648-000CN	Table 8-7 on page 8-15 and Table 8-18 on page 8-33
Delivery Drive Assembly	RG5-3721-000CN	Table 8-11 on page 8-24
Delivery Sensor Arm Assembly	RG5-2650-000CN	Table 8-18 on page 8-33
Duplex Printing Accessory (Duplexer)	C4123A	Table 8-32 on page 8-57
E-Clip	XD9-0135-000CN	Table 8-24 on page 8-43
EDO DIMM 4 MB 8 MB 16 MB	C4135-67901 C4136-67901 C4137-67901	Table 8-1 on page 8-4
Engine Controller Board	RG5-3693-000CN (110V) RG5-3694-000CN (220V)	Table 8-10 on page 8-23
Enhanced I/O Cards Ethernet RJ-45 only Ethernet RJ-45 and BNC, Local Talk Token Ring RJ-45 and DB-9 10/100Base-TX networks	J3111-61003	Table 8-1 on page 8-4
Envelope Feeder	C4122A	Table 8-31 on page 8-55
Fan, Duplexer	RH7-1361-000CN	Table 8-32 on page 8-57
Fan Cover	RB1-8706-000CN	Table 8-8 on page 8-17
Fan, Main Cooling	RH7-1335-000CN	Table 8-8 on page 8-17
Feed Roller	RF5-2490-000CN	Table 8-30 on page 8-53
Feeder Controller PCA	RG5-2673-000CN	Table 8-21 on page 8-37
Feeder, Control PCA	RG5-2685-000CN	Table 8-25 on page 8-45
Flash DIMM 2 MB 4 MB	C4286A C4287A	Table 8-1 on page 8-4

**Table 8-33. Alphabetical Parts List (continued)**

<b>Description</b>	<b>Part Number</b>	<b>Table Number and Page</b>
Font DIMM (8 MB Asian MROM)		Table 8-1 on page 8-4
Traditional Chinese	C4292A	
Simplified Chinese	C4293A	
Euro	C4210A	
Foot	RB1-8107-000CN	Table 8-21 on page 8-37
Formatter	C4118-69008 (LJ 4000) C4251-69001 (LJ 4050)	Table 8-4 on page 8-9
Frame, Right	RB1-8915-000CN	Table 8-29 on page 8-51
Fuser	C4118-69003 (110V) C4118-69004 (220V)	Table 8-19 on page 8-34 and Table 8-20 on page 8-35
Fuser Film Assembly (110V)	RG5-4269-000CN (110V)	Table 8-20 on page 8-35
Fuser Film Assembly (220V)	RG5-4291-000CN (220V)	
Gear, Coupler	RS5-0911-000CN	Table 8-9 on page 8-21
Gear, Separation Roller Drive	RB1-8948-000CN	Table 8-23 on page 8-41
Gear, Transport Roller	RS5-0946-000CN	Table 8-24 on page 8-43
Guide, Bottom Cable	RB1-8704-000CN	Table 8-7 on page 8-15
Guide, Cable, Gear Assembly Plate	RB1-8757-000CN	Table 8-12 on page 8-25
Guide, Formatter/CP Cable	RB1-8862-000CN	Table 8-7 on page 8-15
Guide, Lower Tray	RB1-8924-000CN	Table 8-29 on page 8-51
Guide, Paper	RB1-8890-000CN	Table 8-21 on page 8-37
Guide, Paper, Lower	RB1-8914-000CN	Table 8-24 on page 8-43
Hard Disk	C2985A	Table 8-1 on page 8-4
HP LaserJet Paper	HPJ1124	Table 8-1 on page 8-4
HP Multi-purpose Paper	HPM1120	Table 8-1 on page 8-4
Laser Shutter Arm	RB1-8700-000CN	Table 8-8 on page 8-17
Laser Scanner Assembly	RG5-2641-000CN/ C4118-69005	Table 8-4 on page 8-9
Latch, Rear Tray	RB1-8846-000CN	Table 8-6 on page 8-13
Left Frame Assembly	RG5-2688-000CN	Table 8-29 on page 8-51
Leaf Spring	RB1-8827-000CN	Table 8-8 on page 8-17
Levers, Tray Sensing	RB1-8887-000CN	Table 8-21 on page 8-37

**Table 8-33. Alphabetical Parts List (continued)**

<b>Description</b>	<b>Part Number</b>	<b>Table Number and Page</b>
Levers, Tray Sensing Lower	RB1-9034-000CN	Table 8-25 on page 8-45
Levers, Tray Sensing Upper	RB1-9033-000CN	Table 8-25 on page 8-45
Lower Paper Pickup Drive Assembly (250-sheet)	RG5-2684-000CN	Table 8-27 on page 8-47
Lower Tray Logic PCA	RG5-3821-000CN	Table 8-29 on page 8-51
Macintosh Computer Serial Cable	92215S	Table 8-1 on page 8-4
Macintosh Network Cable Kit	92215N	Table 8-1 on page 8-4
Main Motor Assembly	RH7-1331-000CN	Table 8-7 on page 8-15
Maintenance Kit 110V 220V	C4118-67902 C4118-67903	Table 8-1 on page 8-4
Mount, Envelope Weight	RB1-9095-000CN	Table 8-31 on page 8-55
Mount, Transport Pressure	RB1-8926-000CN	Table 8-24 on page 8-43
Mounting Assembly Separation Roller, 250-sheet Tray	RF5-2505-000CN	Table 8-28 on page 8-49
Mounting Assembly Separation Roller, 500-sheet Tray	RF5-2489-000CN	Table 8-23 on page 8-41
Overlay (English)	C4118-40002 (LJ 4000) RBI-8861-000CN (LJ 4000) C4251-40001 (LJ 4050)	Table 8-8 on page 8-17
Panel Roller Access	RB1-9001-000CN	Table 8-28 on page 8-49
Panel, Formatter Cover	RB1-8858-000CN	Table 8-5 on page 8-11
Panel, Fuser Cover	RB1-8805-000CN	Table 8-19 on page 8-34
Panel, Left Duplex Access	RB2-2400-000CN	Table 8-8 on page 8-17
Panel, Rear	RB1-9045-000CN	Table 8-32 on page 8-57
Panel, Right Duplex Access	RB2-2401-000CN	Table 8-8 on page 8-17
Panel, Roller Access	RB1-8947-000CN	Table 8-23 on page 8-41
Panel, Toner Cartridge Access	RB1-8841-000CN	Table 8-6 on page 8-13
Paper Delivery	RG5-2648-000CN	Table 8-18 on page 8-33
Paper Feed Assembly	RG5-2651-000CN	Table 8-15 on page 8-29
Paper Feed Guide Assembly	RG5-2643-000CN	Table 8-17 on page 8-31

**8-62 Parts and Diagrams**

**Table 8-33. Alphabetical Parts List (continued)**

<b>Description</b>	<b>Part Number</b>	<b>Table Number and Page</b>
Paper Feeder Cable	RG5-3822-000CN	Table 8-29 on page 8-51
Paper Pickup Drive Assembly, Optional 500-sheet Tray	RG5-2690-000CN	Table 8-29 on page 8-51
Paper Pickup Drive Assembly (500-sheet)	RG5-2672-000CN	Table 8-22 on page 8-39
Paper Stop, 500-sheet Tray	RF5-2670-000CN	Table 8-23 on page 8-41
Parallel Cables 2 Meter IEEE-1284 cable 3 Meter IEEE-1284 cable	C2950A C2951A	Table 8-1 on page 8-4
Pickup Roller Assembly	RF5-2484-000CN	Table 8-22 on page 8-39
Plate	RB1-9371-000CN	Table 8-30 on page 8-53
Plate Cover	RB1-8710-000CN	Table 8-6 on page 8-13
Plate, Control Panel Ground	RB2-2405-000CN	Table 8-8 on page 8-17
Plate, Gear	RF5-2496-000CN	Table 8-9 on page 8-21
Plate, Gear Plate Ground	RB1-8708-000CN	Table 8-8 on page 8-17
Plate, Registration Ground	RB1-8747-000CN	Table 8-9 on page 8-21
Power Receptacle	RG5-3696-000CN	Table 8-7 on page 8-15
Power Switch Activator	RB1-8851-000CN	Table 8-7 on page 8-15
Power Switch Button	RB1-8849-000CN	Table 8-5 on page 8-11
Pre-transfer Ground Plate Assembly	RF5-1867-000CN	Table 8-9 on page 8-21
Printer Drive Assembly	RG5-2653-000CN	Table 8-12 on page 8-25
Registration Assembly	RG5-2652-070CN	Table 8-16 on page 8-30
Registration/Feed Sensor Assembly	RG5-2642-000CN	Table 8-8 on page 8-17
Retainer, Toner Sensing Spring	RB1-8690-000CN	Table 8-8 on page 8-17
Ring, E	XD2-1100-502CN	Table 8-29 on page 8-51
Rod, Toner Drive	RB1-8756-000CN	Table 8-12 on page 8-25
Roller, 250-sheet Tray	RF5-2490-000CN	Table 8-28 on page 8-49
Roller, Fuser Pressure	RB1-8794-000CN	Table 8-20 on page 8-35
Roller, Pickup, 500-sheet Tray	RB1-8865-000CN	Table 8-22 on page 8-39
Roller, Transport	RB1-8923-000CN	Table 8-24 on page 8-43

**Table 8-33. Alphabetical Parts List (continued)**

<b>Description</b>	<b>Part Number</b>	<b>Table Number and Page</b>
Roller, Transport Pressure	RB1-8922-000CN	Table 8-24 on page 8-43
Screw, M3x16, Feed Modules	XA9-0917-000CN	Table 8-21 on page 8-37, Table 8-24 on page 8-43, and Table 8-25 on page 8-45
Screw, M3x4, washer head	XA9-0434-000CN	Table 8-2 on page 8-6
Screw, M3x6, washer head	XA9-0267-000CN	Table 8-2 on page 8-6
Screw, M3x6, with star washer	FA9-1449-000CN	Table 8-2 on page 8-6
Screw, M4, Captive, Fuser	RB1-8819-000CN	Table 8-2 on page 8-6
Screw, M4x10, self-tapping (black)	XA9-0870-000CN	Table 8-2 on page 8-6
Screw, M4x10, self-tapping (silver)	XA9-0606-000CN	Table 8-2 on page 8-6
Screw, M4x116, long, module	RB1-8703-000CN	Table 8-2 on page 8-6
Screw, M4x12, self-tapping	XA9-0773-000CN	Table 8-2 on page 8-6
Screw, Module Attachment	RB1-8703-000CN	Table 8-7 on page 8-15
SDRAM DIMM 4 MB 8 MB 16 MB 32 MB	C4140-67901 C4141-67901 C4142-67901 C4143-67901	Table 8-1 on page 8-4
Sensor, Optical	WG8-5362-000CN	Table 8-11 on page 8-24
Separation Roller Mounting Assembly	RF5-2489-000CN	Table 8-30 on page 8-53
Serial Adapter 25-9 Pin Adapter (male/female)	C2809A	Table 8-1 on page 8-4
Serial cables 9-9 pin serial cable (male/female) 9-25 pin serial cable (male/female)	C2932A C2933A	Table 8-1 on page 8-4
Shaft, Belt Drive	RB1-8674-000CN	Table 8-17 on page 8-31
Shaft, Belt Idler Assembly	RF5-2495-000CN	Table 8-17 on page 8-31
Solenoid, Tray 1 Drive	RH7-5172-000CN	Table 8-13 on page 8-27
Spring	RS5-2981-000CN	Table 8-30 on page 8-53
Spring, Compression	RS5-2967-000CN	Table 8-29 on page 8-51

**8-64 Parts and Diagrams**



**Table 8-33. Alphabetical Parts List (continued)**

<b>Description</b>	<b>Part Number</b>	<b>Table Number and Page</b>
Spring, Leaf	RB1-8927-000CN	Table 8-29 on page 8-51
Spring, Pickup	RS5-2632-000CN	Table 8-22 on page 8-39
Spring, Rear Tray Latch	RB1-8847-000CN	Table 8-6 on page 8-13
Spring, Separation Roller Tension	RS5-2622-000CN	Table 8-23 on page 8-41
Spring, Shutter	RB1-8702-000CN	Table 8-8 on page 8-17
Spring, Toner Cartridge Drum Ground	RB1-8693-000CN	Table 8-8 on page 8-17
Spring, Toner Sensing	RB1-8695-000CN	Table 8-8 on page 8-17
Spring, Transport Roller	RS5-2653-000CN	Table 8-24 on page 8-43
Spring, Tray Lock	RS5-2652-000CN	Table 8-21 on page 8-37
Standard 500-sheet Tray	C3122A	Table 8-1 on page 8-4
Stopper	RB1-9374-000CN	Table 8-30 on page 8-53
Strap, Interlock Support Ground	RB1-8694-000CN	Table 8-7 on page 8-15
Support, Paper Guide	RB1-8873-000CN	Table 8-21 on page 8-37
Support, Paper Guide Lower	RB1-8913-000CN	Table 8-24 on page 8-43
Support, Top Cover, Left	RB1-8671-000CN	Table 8-8 on page 8-17
Support, Top Cover, Right	RG5-2645-000CN	Table 8-7 on page 8-15
Switch, Top Cover Access	WC4-5139-000CN	Table 8-7 on page 8-15
Toner Cartridge (10,000 Pages)	C4127X	Table 8-1 on page 8-4
Toner Cartridge (6,000 Pages)	C4127A	Table 8-1 on page 8-4
Top Cover Assembly	RG5-2663-000CN	Figure 8-3 on page 8-12
Transfer Roller Assembly	RG5-4283-000CN	Table 8-9 on page 8-21
Tray 1 Assembly	RG5-2656-100CN	Table 8-14 on page 8-28
Tray 1 Door Assembly	RG5-2667-000CN	Table 8-5 on page 8-11
Tray 1 Pickup Assembly	RG5-2655-100CN	Table 8-13 on page 8-27
Tray 1 Pickup Roller Assembly	RG5-3718-000CN	Table 8-13 on page 8-27
Tray Identifier Plunger	RB1-8928-000CN	Table 8-29 on page 8-51
Tray, Envelope Feeder	RB1-9088-000CN	Table 8-31 on page 8-55
Tray, Rear	RB1-8843-000CN	Table 8-5 on page 8-11

---

**Table 8-33. Alphabetical Parts List (continued)**

---

<b>Description</b>	<b>Part Number</b>	<b>Table Number and Page</b>
Tray, Rear Extension	RB1-8844-000CN	Table 8-5 on page 8-11
Upper Paper Pickup Drive Assembly (250-sheet)	RG5-2683-000CN	Table 8-26 on page 8-46
Weight, Envelope	RF5-2511-000CN	Table 8-31 on page 8-55

## Numerical Parts List

**Table 8-34. Numerical Parts List**

<b>Part Number</b>	<b>Description</b>	<b>Table Number and Page</b>
92215N	Macintosh Network Cable Kit	Table 8-1 on page 8-4
92215S	Macintosh Computer Serial Cable	Table 8-1 on page 8-4
C2809A	Serial adapter 25-9 Pin Adapter (male/female)	Table 8-1 on page 8-4
C2932A	Serial cables 9-9 pin serial cable (male/female)	Table 8-1 on page 8-4
C2933A	9-25 pin serial cable (male/female)	
C2950A C2951A	Parallel cables 2 Meter IEEE-1284 cable 3 Meter IEEE-1284 cable	Table 8-1 on page 8-4
C2985A	Hard Disk	Table 8-1 on page 8-4
C3122A	Standard 500-sheet Tray	Table 8-1 on page 8-4
C4103A	HP Fast InfraRed Receiver (LJ 4050 only)	
C4118-40002 RBI-8861-000CN	Overlay (English)	Table 8-8 on page 8-17
C4118-67902 C4118-67903	Maintenance Kit 110V 220V	Table 8-1 on page 8-4
C4118-69003 (110V) C4118-69004 (220V)	Fuser	Table 8-19 on page 8-34 and Table 8-20 on page 8-35
C4118-69008	Formatter (LJ 4000 only)	Table 8-4 on page 8-9
C4122A	Envelope Feeder	
C4123A	Duplexer	Table 8-32 on page 8-57
C4124A	500-sheet Paper Feeder and Tray	Table 8-1 on page 8-4
C4125A	500-sheet Universal Replacement Tray	Table 8-1 on page 8-4
C4126A	250-sheet Universal Replacement Tray	Table 8-1 on page 8-4

**Table 8-34. Numerical Parts List (continued)**

<b>Part Number</b>	<b>Description</b>	<b>Table Number and Page</b>
C4127A	Toner Cartridge (6,000 Pages)	Table 8-1 on page 8-4
C4127X	Toner Cartridge (10,000 pages)	Table 8-1 on page 8-4
C4135-67901 C4136-67901 C4137-67901	EDO DIMM 4 MB 8 MB 16 MB	Table 8-1 on page 8-4
C4140-67901 C4141-67901 C4142-67901 C4143-67901	SDRAM DIMM 4 MB 8 MB 16 MB 32 MB	Table 8-1 on page 8-4
C4251-69001	Formatter (LJ 4050 only)	Table 8-4 on page 8-9
C4286A C4287A	Flash DIMM 2 MB 4 MB	Table 8-1 on page 8-4
C4292A C4293A	Font DIMM (8 MB Asian MROM) Traditional Chinese Simplified Chinese	Table 8-1 on page 8-4
FA9-1449-000CN	Screw, M3x6, with star washer	Table 8-2 on page 8-6
HPJ1124	HP LaserJet Paper	Table 8-1 on page 8-4
HPM1120	HP Multi-Purpose Paper	Table 8-1 on page 8-4
J3111-61003	Enhanced I/O Cards Ethernet RJ-45 only Ethernet RJ-45 and BNC, Local Talk Token Ring RJ-45 and DB-9 10/100Base-TX networks	Table 8-1 on page 8-4
RB1-2190-000CN	Clip, Pickup Spring	Table 8-22 on page 8-39
RB1-8107-000CN	Foot	Table 8-21 on page 8-37
RB1-8668-000CN	Belt, Feed Guide	Table 8-17 on page 8-31
RB1-8671-000CN	Support, Top Cover, Left	Table 8-8 on page 8-17
RB1-8674-000CN	Shaft, Belt Drive	Table 8-17 on page 8-31
RB1-8688-000CN	Button, Engine Test	Table 8-8 on page 8-17
RB1-8689-000CN	Cable Holder	Table 8-8 on page 8-17

**Table 8-34. Numerical Parts List (continued)**

<b>Part Number</b>	<b>Description</b>	<b>Table Number and Page</b>
RB1-8690-000CN	Retainer, Toner Sensing Spring	Table 8-8 on page 8-17
RB1-8693-000CN	Spring, Toner Cartridge Drum Ground	Table 8-8 on page 8-17
RB1-8694-000CN	Strap, Interlock Support Ground	Table 8-7 on page 8-15
RB1-8695-000CN	Spring, Toner Sensing	Table 8-8 on page 8-17
RB1-8700-000CN	Laser Shutter Arm	Table 8-8 on page 8-17
RB1-8702-000CN	Spring, Shutter	Table 8-8 on page 8-17
RB1-8703-000CN	Screw, M4x116, Long, Module	Table 8-2 on page 8-6
RB1-8704-000CN	Guide, Bottom Cable	Table 8-7 on page 8-15
RB1-8706-000CN	Fan Cover	Table 8-8 on page 8-17
RB1-8708-000CN	Plate, Gear Plate Ground	Table 8-8 on page 8-17
RB1-8710-000CN	Plate Cover	Table 8-6 on page 8-13
RB1-8747-000CN	Plate, Registration Ground	Table 8-9 on page 8-21
RB1-8756-000CN	Rod, Toner Drive	Table 8-12 on page 8-25
RB1-8757-000CN	Guide, Cable, Gear Assembly Plate	Table 8-12 on page 8-25
RB1-8787-000CN	Arm, Tray 1 Paper Sensing	Table 8-13 on page 8-27
RB1-8788-000CN	Cover, Tray 1 Sensor Arm	Table 8-13 on page 8-27
RB1-8794-000CN	Roller, Fuser Pressure	Table 8-20 on page 8-35
RB1-8805-000CN	Panel, Fuser Cover	Table 8-19 on page 8-34
RB1-8819-000CN	Screw, M4, Captive, Fuser	Table 8-2 on page 8-6
RB1-8827-000CN	Leaf Spring	
RB1-8841-000CN	Panel, Toner Cartridge Access	Table 8-6 on page 8-13
RB1-8843-000CN	Tray, Rear	Table 8-5 on page 8-11
RB1-8844-000CN	Tray, Rear Extension	Table 8-5 on page 8-11
RB1-8846-000CN	Latch, Rear Tray	Table 8-6 on page 8-13
RB1-8847-000CN	Spring, Rear Tray Latch	Table 8-6 on page 8-13
RB1-8848-000CN	Clip, Left Side Panel	Table 8-5 on page 8-11
RB1-8849-000CN	Power Switch Button	Table 8-5 on page 8-11
RB1-8851-000CN	Power Switch Activator	Table 8-7 on page 8-15

**Table 8-34. Numerical Parts List (continued)**

<b>Part Number</b>	<b>Description</b>	<b>Table Number and Page</b>
RB1-8858-000CN	Panel, Formatter Cover	Table 8-5 on page 8-11
RB1-8860-000CN	Clip, Right Side Panel	Table 8-5 on page 8-11
RB1-8862-000CN	Guide, Formatter/cp Cable	Table 8-7 on page 8-15
RB1-8865-000CN	Roller, Pickup	Table 8-22 on page 8-39
RB1-8873-000CN	Support, Paper Guide	Table 8-21 on page 8-37
RB1-8877-000CN	Coupler, Pickup	Table 8-22 on page 8-39
RB1-8879-000CN	Arm, Tray Sensing	Table 8-22 on page 8-39
RB1-8886-000CN	Cover, Feeder PCA, 500-sheet Tray	Table 8-21 on page 8-37
RB1-8887-000CN	Levers, Tray Sensing	Table 8-21 on page 8-37
RB1-8890-000CN	Guide, Paper	Table 8-21 on page 8-37
RB1-8907-000CN	Cover, Feeder PCA, 250-sheet Tray	Table 8-25 on page 8-45
RB1-8910-000CN	Arm, Tray Sensing	Table 8-26 on page 8-46
RB1-8913-000CN	Support, Paper Guide Lower	Table 8-24 on page 8-43
RB1-8914-000CN	Guide, Paper, Lower	Table 8-24 on page 8-43
RB1-8915-000CN	Frame, Right	Table 8-29 on page 8-51
RB1-8922-000CN	Roller, Transport Pressure	Table 8-24 on page 8-43
RB1-8923-000CN	Roller, Transport	Table 8-24 on page 8-43
RB1-8924-000CN	Guide, Lower Tray	Table 8-29 on page 8-51
RB1-8926-000CN	Mount, Transport Pressure	Table 8-24 on page 8-43
RB1-8927-000CN	Spring, Leaf	Table 8-29 on page 8-51
RB1-8928-000CN	Tray Identifier Plunger	Table 8-29 on page 8-51
RB1-8945-000CN	Coupler, Separation Roller	Table 8-23 on page 8-41
RB1-8946-000CN	Bushing, Separation Roller	Table 8-23 on page 8-41
RB1-8947-000CN	Panel, Roller Access	Table 8-23 on page 8-41
RB1-8948-000CN	Gear, Separation Roller Drive	Table 8-23 on page 8-41
RB1-8974-000CN	Clutch, Separation Roller	Table 8-23 on page 8-41
RB1-9001-000CN	Panel Roller Access	Table 8-28 on page 8-49
RB1-9033-000CN	Levers, Tray Sensing Upper	Table 8-25 on page 8-45
RB1-9034-000CN	Levers, Tray Sensing Lower	Table 8-25 on page 8-45

**8-70 Parts and Diagrams**

**Table 8-34. Numerical Parts List (continued)**

<b>Part Number</b>	<b>Description</b>	<b>Table Number and Page</b>
RB1-9044-000CN	Cover, Top	Table 8-32 on page 8-57
RB1-9045-000CN	Panel, Rear	Table 8-32 on page 8-57
RB1-9047-000CN	Cover, Right Duplexer	Table 8-32 on page 8-57
RB1-9088-000CN	Tray, Envelope Feeder	Table 8-31 on page 8-55
RB1-9095-000CN	Mount, Envelope Weight	Table 8-31 on page 8-55
RB1-9371-000CN	Plate	Table 8-30 on page 8-53
RB1-9374-000CN	Stopper	Table 8-30 on page 8-53
RB2-2386-000CN	Cover Envelope Feeder Drive	Table 8-13 on page 8-27
RB2-2387-000CN	Arm, Tray 1 Tray Retaining	Table 8-13 on page 8-27
RB2-2400-000CN	Panel, Left Duplex Access	Table 8-8 on page 8-17
RB2-2401-000CN	Panel, Right Duplex Access	Table 8-8 on page 8-17
RB2-2405-000CN	Plate, Control Panel Ground	Table 8-8 on page 8-17
RB2-2408-000CN	Arm, Output Kicker, Right	Table 8-18 on page 8-33
RB2-2409-000CN	Arm, Output Kicker, Left	Table 8-18 on page 8-33
RF5-1867-000CN	Pre-transfer Ground Plate Assembly	Table 8-9 on page 8-21
RF5-1876-000CN	Cover, Left With Connector	Table 8-32 on page 8-57
RF5-2484-000CN	Pickup Roller Assembly	Table 8-22 on page 8-39
RF5-2489-000CN	Separation Roller Mounting Assembly	Table 8-30 on page 8-53
RF5-2490-000CN	Feed Roller	Table 8-30 on page 8-53
RF5-2495-000CN	Shaft, Belt Idler Assembly	Table 8-17 on page 8-31
RF5-2496-000CN	Plate, Gear	Table 8-9 on page 8-21
RF5-2505-000CN	Mounting Assembly Separation Roller, 250-sheet Tray	Table 8-28 on page 8-49
RF5-2511-000CN	Weight, Envelope	Table 8-31 on page 8-55
RF5-2670-000CN	Paper Stop, 500-sheet Tray	Table 8-23 on page 8-41
RG5-2641-000CN/ C4118-69005	Laser Scanner Assembly	Table 8-4 on page 8-9
RG5-2642-000CN	Registration/Feed Sensor Assembly	Table 8-8 on page 8-17
RG5-2643-000CN	Paper Feed Guide Assembly	Figure 8-14 on page 8-31

**Table 8-34. Numerical Parts List (continued)**

<b>Part Number</b>	<b>Description</b>	<b>Table Number and Page</b>
RG5-2645-000CN	Support, Top Cover, Right	Table 8-7 on page 8-15
RG5-2648-000CN	Delivery Assembly	Table 8-7 on page 8-15 and Table 8-18 on page 8-33
RG5-2650-000CN	Delivery Sensor Arm Assembly	Table 8-18 on page 8-33
RG5-2651-000CN	Paper Feed Assembly	Table 8-12 on page 8-25
RG5-2652-070CN	Registration Assembly	Table 8-16 on page 8-30
RG5-2653-000CN	Printer Drive Assembly	Table 8-12 on page 8-25
RG5-2655-000CN	Tray 1 Pickup Assembly	Figure 8-10 on page 8-26
RG5-2656-100CN	Tray 1 Assembly	Table 8-14 on page 8-28
RG5-2661-000CN RG5-2662-000CN	Fuser (110V) Fuser (220V)	Table 8-19 on page 8-34
RG5-2663-000CN	Top Cover Assembly	Table 8-6 on page 8-13
RG5-2664-000CN	Cover Assembly, Right Front	Table 8-5 on page 8-11
RG5-2665-000CN	Cover Assembly, Left	Table 8-5 on page 8-11
RG5-2666-000CN	Control Panel	Table 8-8 on page 8-17
RG5-2667-000CN	Tray 1 Door Assembly	Table 8-5 on page 8-11
RG5-2668-000CN	Cover Feeder Right Assembly	Table 8-21 on page 8-37
RG5-2669-000CN	Cover, Feeder, Left	Table 8-21 on page 8-37
RG5-2672-000CN	Paper Pickup Drive Assembly (500-sheet)	Table 8-22 on page 8-39
RG5-2673-000CN	Feeder Controller PCA	Table 8-21 on page 8-37
RG5-2677-000CN	Cover Assembly, Feeder, Upper Right	Table 8-24 on page 8-43
RG5-2678-000CN	Cover Assembly, Feeder, Left Upper	Table 8-24 on page 8-43
RG5-2679-000CN	Cover Assembly, Feeder, Right Lower	Table 8-25 on page 8-45
RG5-2680-000CN	Cover Assembly, Feeder, Left Lower	Table 8-25 on page 8-45
RG5-2683-000CN	Upper Paper Pickup Drive Assembly (250-sheet)	Table 8-26 on page 8-46
RG5-2684-000CN	Lower Paper Pickup Drive Assembly (250-sheet)	Table 8-27 on page 8-47

**8-72 Parts and Diagrams**



**Table 8-34. Numerical Parts List (continued)**

<b>Part Number</b>	<b>Description</b>	<b>Table Number and Page</b>
RG5-2685-000CN	Feeder, Control PCA	Table 8-25 on page 8-45
RG5-2688-000CN	Left Frame Assembly	Table 8-29 on page 8-51
RG5-2690-000CN	Paper Pickup Drive Assembly, Optional 500-sheet Tray	Table 8-29 on page 8-51
RG5-3693-000CN (110V) RG5-3694-000CN (220V)	Engine Controller Board	Table 8-10 on page 8-23
RG5-3696-000CN	AC, Power Receptacle	Table 8-7 on page 8-15
RG5-3700-000CN	Cable, Tray 1 Sensor	Table 8-7 on page 8-15
RG5-3703-000CN	Cable, Paper Feed Tray 1 Pickup Solenoid	Table 8-7 on page 8-15
RG5-3704-000CN	Cable, Envelope Feeder Connect	Table 8-7 on page 8-15
RG5-3705-000CN	Cable, Top Cover Switch	Table 8-7 on page 8-15
RG5-3706-000CN	Cable, Feed/Registration Sensors	Table 8-8 on page 8-17
RG5-3708-000CN	Cable, Formatter/Control Panel	Table 8-7 on page 8-15
RG5-3709-000CN	Cable, Main Motor	Table 8-7 on page 8-15
RG5-3710-000CN	Cable, Feeder Module	Table 8-8 on page 8-17
RG5-3711-000CN	Cable, Sensor	Table 8-21 on page 8-37
RG5-3712-000CN	Connector, Lower Tray (With Cable)	Table 8-21 on page 8-37
RG5-3718-000CN	Tray 1 Pickup Roller Assembly	Table 8-13 on page 8-27
RG5-3721-000CN	Delivery Drive Assembly	Table 8-11 on page 8-24
RG5-3821-000CN	Lower Tray Logic PCA	Table 8-29 on page 8-51
RG5-3822-000CN	Paper Feeder Cable	Table 8-29 on page 8-51
RG5-3876-000CN	Cable, Laser Scanner & Output Bin Sensor	Table 8-8 on page 8-17
RG5-4269-000CN	Fuser Film Assembly (110V)	Table 8-20 on page 8-35
RG5-4283-000CN	Transfer Roller Assembly	Table 8-9 on page 8-21
RG5-4291-000CN	Fuser Film Assembly (220V)	Table 8-20 on page 8-35
RH7-1331-000CN	Main Motor Assembly	Table 8-7 on page 8-15
RH7-1335-000CN	Fan, Main Cooling	Table 8-8 on page 8-17

**Table 8-34. Numerical Parts List (continued)**

<b>Part Number</b>	<b>Description</b>	<b>Table Number and Page</b>
RH7-5172-000CN	Solenoid, Tray 1 Drive	Table 8-13 on page 8-27
RS5-0911-000CN	Gear, Coupler	Table 8-9 on page 8-21
RS5-0946-000CN	Gear, Transport Roller	Table 8-24 on page 8-43
RS5-1179-000CN	Bearing, Transport Roller	Table 8-29 on page 8-51
RS5-1309-000CN	Bearing, Transport Roller	Table 8-24 on page 8-43
RS5-2622-000CN	Spring, Separation Roller Tension	Table 8-23 on page 8-41
RS5-2632-000CN	Spring, Pickup	Table 8-22 on page 8-39
RS5-2652-000CN	Spring, Tray Lock	Table 8-21 on page 8-37
RS5-2653-000CN	Spring, Transport Roller	Table 8-24 on page 8-43
RS5-2967-000CN	Spring, Compression	Table 8-29 on page 8-51
RS5-2981-000CN	Spring	Table 8-30 on page 8-53
VS1-6174-000CN	Connector	Table 8-29 on page 8-51
VS1-6176-000CN	Connector (250- and 500-sheet Feeder)	Table 8-21 on page 8-37 and Table 8-25 on page 8-45
WC4-5139-000CN	Switch, Top Cover Access	Table 8-7 on page 8-15
WG8-5362-000CN	Sensor, Optical	Table 8-11 on page 8-24
XA9-0267-000CN	Screw, M3x6, washer head	Table 8-2 on page 8-6
XA9-0434-000CN	Screw, M3x4, washer head	Table 8-2 on page 8-6
XA9-0606-000CN	Screw, M4x10, self-tapping (silver)	Table 8-2 on page 8-6
XA9-0773-000CN	Screw, M4x12, self-tapping	Table 8-2 on page 8-6
XA9-0870-000CN	Screw, M4x10, self-tapping (black)	Table 8-2 on page 8-6
XA9-0917-000CN	Screw, M3x16, Feed Modules	Table 8-21 on page 8-37, Table 8-24 on page 8-43, and Table 8-25 on page 8-45
XD2-1100-502CN	Ring, E	Table 8-29 on page 8-51
XD9-0135-000CN	E-Clip	Table 8-24 on page 8-43