



*Ecosys FS-1800/FS-3800
Laser Printers*

PARTS LIST

V. 1.01, Second Edition, Published in February 2001

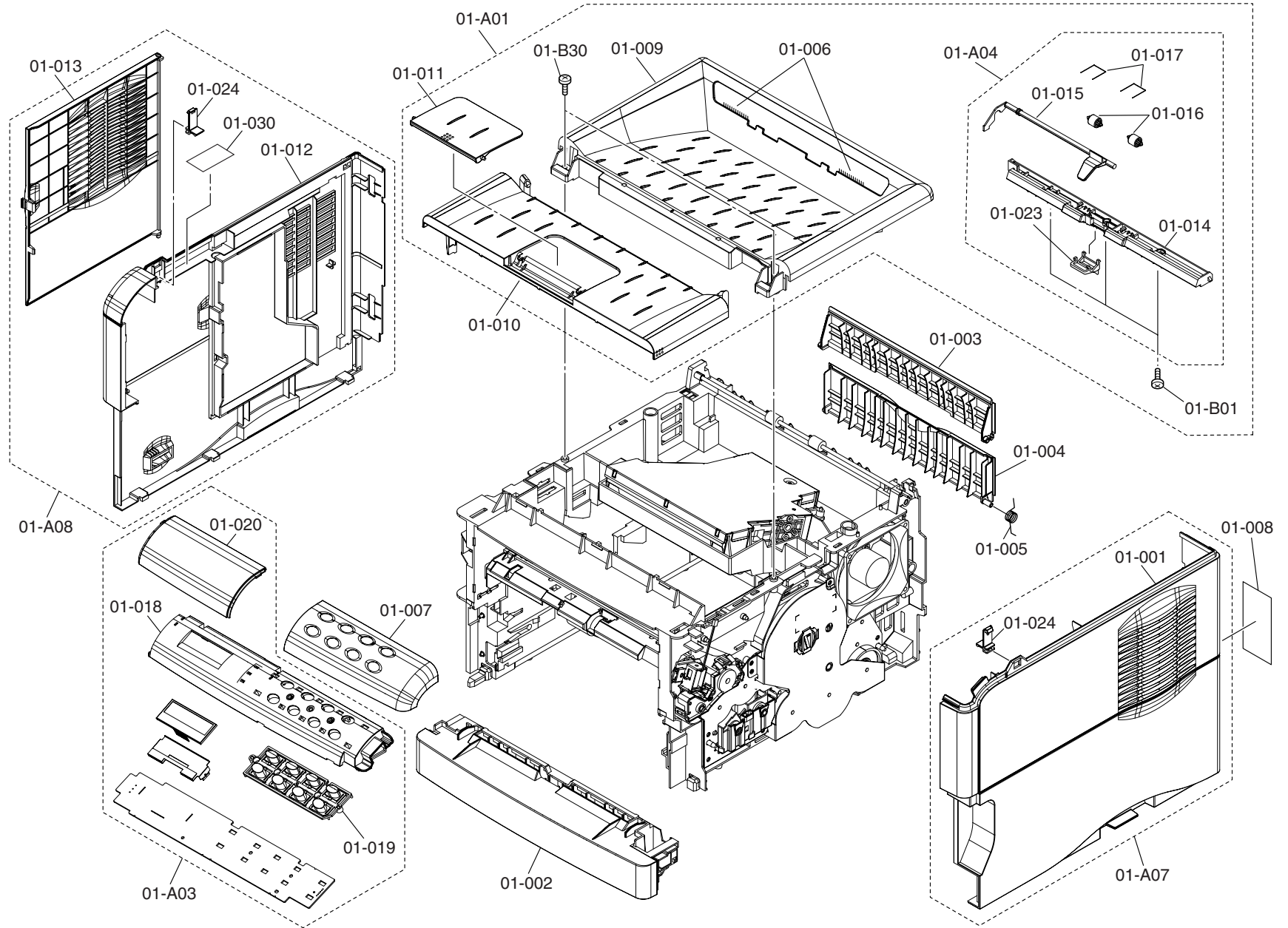
Contents

- 1 > Enclosure > page 4
- 2 > Upper Frame > page 6
- 3 > Drive Unit > page 9
- 4 > Controller Box > page 11
- 5 > Paper Feed Unit > page 13
- 6 > Fuser Unit > page 16
- 7 > Drum Unit > page 19
- 8 > Developer Unit > page 21
- 9 > Frame MP Assembly > page 23
- 10 > Paper Cassette > page 25
- 11 > Tray MP Assembly > page 27
- 12 > Miscellaneous > page 29

Ordering Information

1. ISP refers to Initially-supplied part; SP refers to Service part.
2. The Ref. No's correspond to those numbers in the exploded diagram.
3. Availability of ISP (Initially-Supplied Parts) varies depending on the destination of the product. For details, refer to the ISP List supplied separately by Kyocera.
4. Those parts bearing numbers in the diagram but not listed in the parts list are not suppliable as a general supply part.

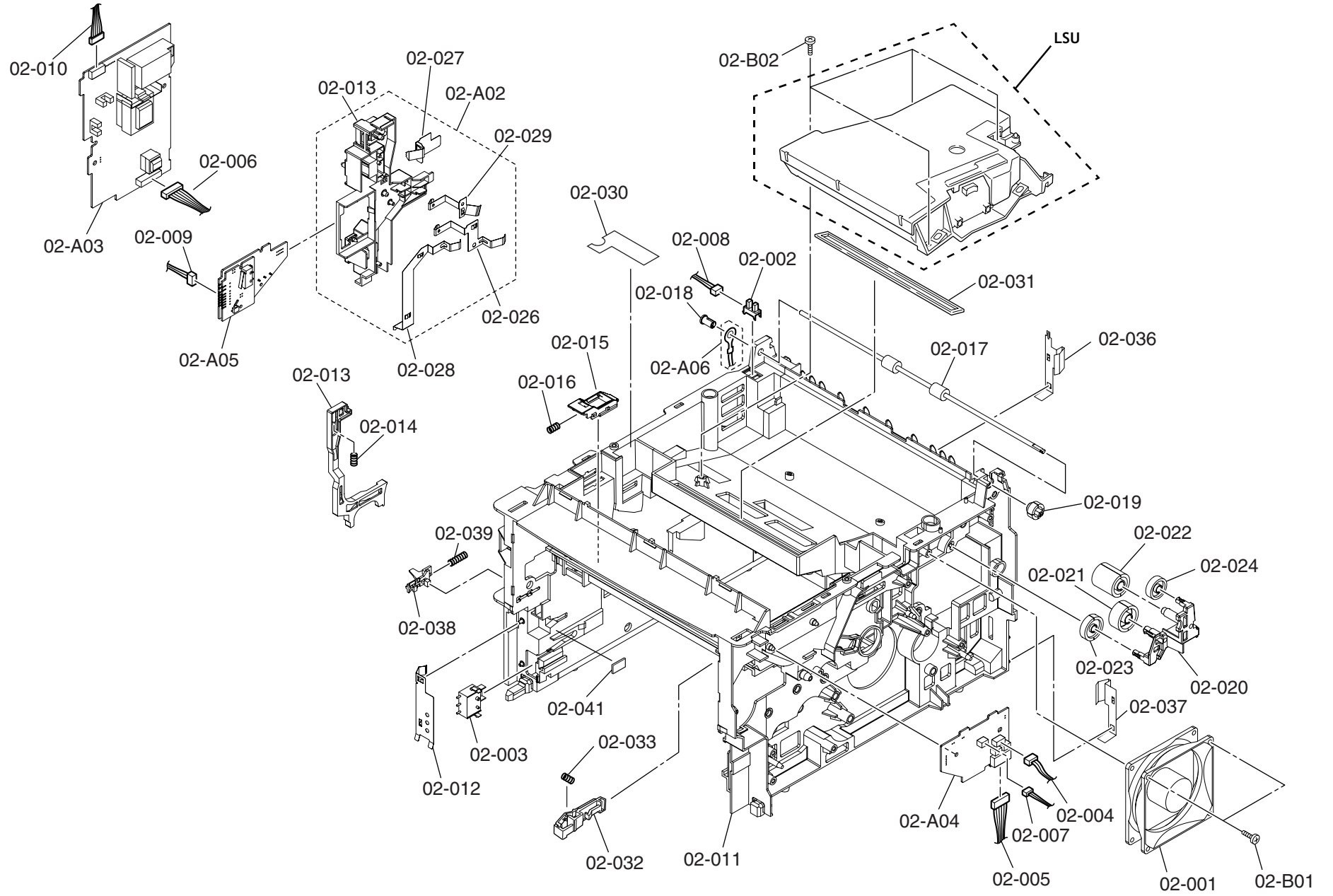
1 Enclosure



List 1 - Enclosure

Ref. No.	Part Code	Part Name	Description	Applicable Model	ISP	SP	120V	230V	SB No.
01-A01	5AAVCOVER245	COVER TOP ASSY			X	X	1	1	
01-A03	5AAYA37E++11	KEY BOARD ASSY			X	X	1	1	
01-A04	5AAMA37E++01	FD ASSY			-	-	1	1	
01-A05	5AAYA37E++52	PAD COVER R ASSY			-	X	1	1	
01-A08	5AAYA37E++54	COVER LEFT SHEET ASY			-	X	1	1	
01-002	5MVB866CH022	COVER FRONT			X	X	1	1	
01-003	5MVB862CH003	COVER FD			X	X	1	1	
01-004	5MVB862CH002	COVER REAR			X	X	1	1	
01-005	5MMW611LD003	SPRING COVER			-	-	1	1	
01-006	5MVS711XF003	DISCHARGER FD			-	-	2	2	
01-007	5MVS751SH001	PANEL ENGLISH	Excl. KMFR/KMIT		X	X	1	1	
01-007	5MVS751SH003	PANEL ITALIAN	KMIT only		X	X	-	1	
01-007	5MVS751SH002	PANEL FRENCH	KMFR only		X	X	-	1	
01-009	5MVB886CH010	COVER TOP			-	-	1	1	
01-010	5MVB874CH003	LID TOP			-	-	1	1	
01-011	5MVB662SH024	STOPPER FD			-	-	1	1	
01-013	5MVB873CH004	COVER SIDE			-	-	1	1	
01-014	5MVX852CH002	FRAME FD			-	-	1	1	
01-015	5MVX732CB003	ACTUATOR FD			-	X	1	1	
01-016	5MVM273DB006	ROLLER PINCH			-	X	2	2	
01-017	5MMW251LD046	SPRING PINCH			-	-	2	2	
01-023	5MVX332DB014	GUIDE STOCK			-	X	1	1	
01-030	5MVS631KF011	SHEET CONNECTOR			-	-	1	1	

2 Upper Frame

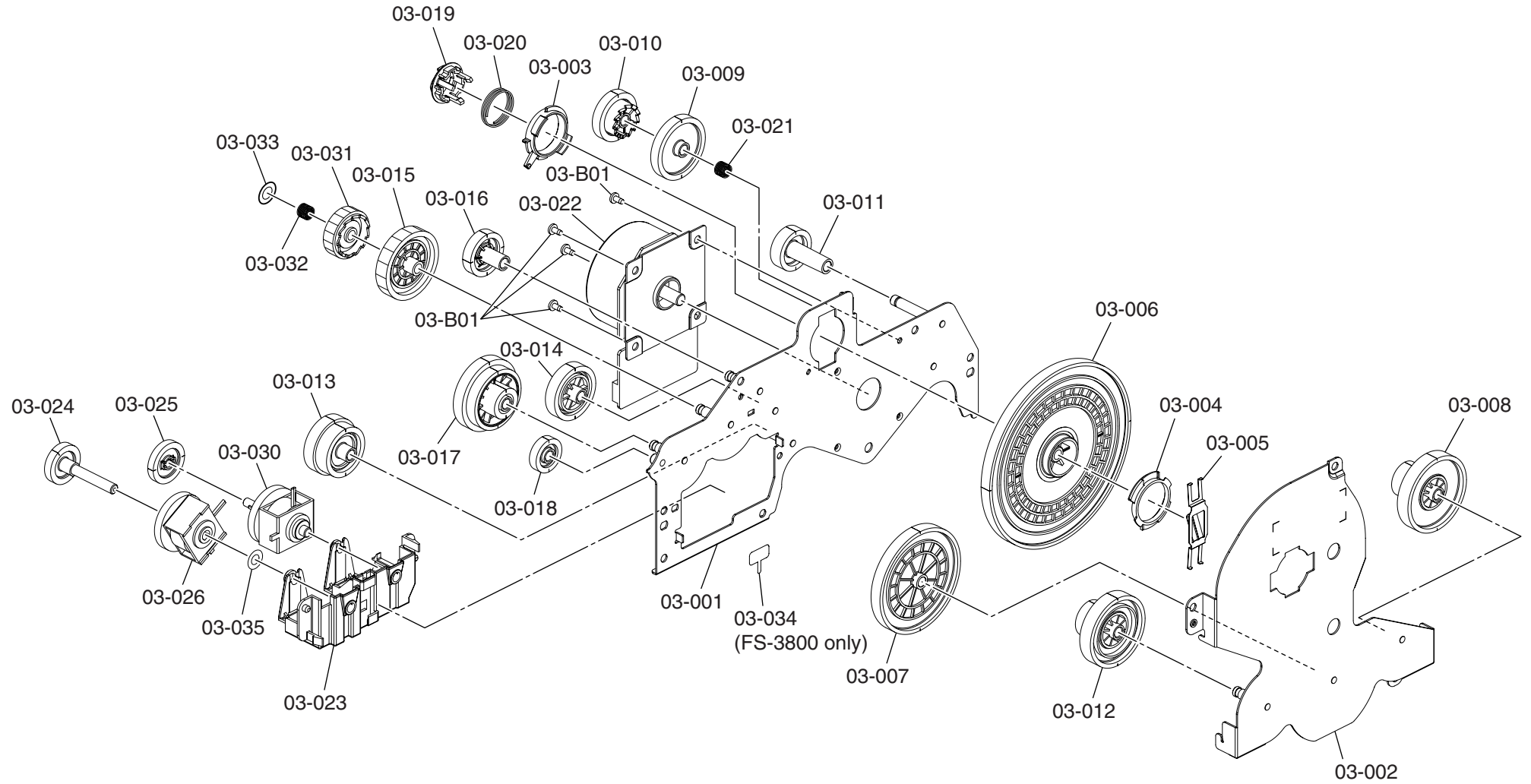


List 2 - Upper Frame Unit

Ref. No.	Part Code	Part Name	Description	Applicable Model	ISP	SP	120V	230V	SB No.
LSU	5PLPXY5APKX	LK-62	SCANNER UNIT	FS-1800/N	X	X	1	1	
LSU	5PLPXZ4APKX	LK-63	SCANNER UNIT	FS-3800/N	X	X	1	1	
02-A02	5AAVCOVER247	COVER HV SUB ASSY			X	X	1	1	
02-A03	5AAXTR047VDA	TRANS ASSY		FS-1800/N	X	X	1	1	
02-A03	5AAXTR047VDB	TRANS ASSY		FS-3800/N	X	X	1	1	
02-A04	5AAPRIFC1027AH	P.W.BOARD ASSY	ENGRLY KP-817		X	X	1	1	
02-A05	5AAPRSSC1025AH	P.W.BOARD ASSY	SENSOR KP-754		X	X	1	1	
02-001	5EZNF2402503+02	FAN MOTOR		FS-1800/N	X	X	1	1	
02-001	5EZNF2403501+02	FAN MOTOR		FS-3800/N	X	X	1	1	
02-002	5ENXGP1A73A**01	PT.SENSOR GP1A73AZ			X	X	1	1	
02-003	5ESP03090001+01	CASSETTE SW			X	X	1	1	
02-004	5AACCNRF9GEA	CONN.CORD ASSY			-	-	1	1	
02-005	5AACCNRG3GEA	CONN.CORD ASSY			-	-	1	1	
02-006	5AACCNRG5GEA	CONN.CORD ASSY			-	-	1	1	
02-007	5AACCNRH0GEA	CONN.CORD ASSY			-	-	1	1	
02-008	5AACCNRK8GEA	CONN.CORD ASSY			-	-	1	1	
02-009	5AACCNRG6GEA	CONN.CORD ASSY			-	-	1	1	
02-010	5AACCNRH1GEA	CONN.CORD ASSY			-	-	1	1	
02-011	5MVB888XB001	FRAME BASE			-	-	1	1	
02-013	5MVX762SB013	PAD INTER LOCK			-	-	1	1	
02-014	5MMW451LD001	SPRING INTER LOCK			-	-	1	1	
02-015	5MVX632DH001	LEVER LOCK DLP			-	-	1	1	
02-016	5MMW261LX005	SPRING LOCK DLP			-	-	1	1	
02-017	5MMT874SN008	ROLLER FD			X	X	1	1	
02-018	5MVM266DN006	BUSH FD			X	X	1	1	
02-019	5MVG127DN076	GEAR ROLL FD Z18			X	X	1	1	
02-020	5MVX655SB001	BRACKET FD GEAR A		FS-1800/N	X	X	1	1	
02-020	5MVX655SB002	BRACKET FD GEAR B		FS-3800/N	X	X	1	1	
02-021	5MVG138DN049	GEAR FD Z33			X	X	1	1	
02-022	5MVG138DN047	GEAR FD Z28			X	X	1	1	
02-023	5MVG138DN048	GEAR FD Z29		FS-1800/N	X	X	1	1	
02-023	5MVG137DN038	GEAR FD Z23		FS-3800/N	X	X	1	1	
02-024	5MVG137DN014	GEAR IDLE Z25			X	X	1	1	
02-026	5MMX631LD005	PLATE CONTACT TC			-	-	1	1	
02-027	5MMX521LD006	PLATE CONTACT MCH			-	-	1	1	
02-028	5MMX662LD006	PLATE CONTACT EARTH			-	-	1	1	
02-029	5MMX543LD005	PLATE CONTACT BIAS			-	-	1	1	
02-030	5MVS642KF011	SEAL BASE A			-	-	1	1	

Ref. No.	Part Code	Part Name	Description	Applicable Model	ISP	SP	120V	230V	SB No.
02-031	5MVS727RF006	SEAL BASE B			-	-	1	1	
02-032	5MVX522DB006	LOCK COVER M/P			-	X	1	1	
02-033	5MMW261LD051	SP LOCK COVER M/P			-	-	1	1	
02-036	5MMX431LD015	PLATE EARTH SO L			-	-	1	1	
02-037	5MMX431LD016	PLATE EARTH SO R			-	-	1	1	
02-038	5MVX322DB023	LEVER EF			-	X	1	1	
02-039	5MMW222LD002	SPRING LEVER EF			-	-	1	1	
02-041	5MVS315KF003	SPACER FRAME			-	-	1	1	

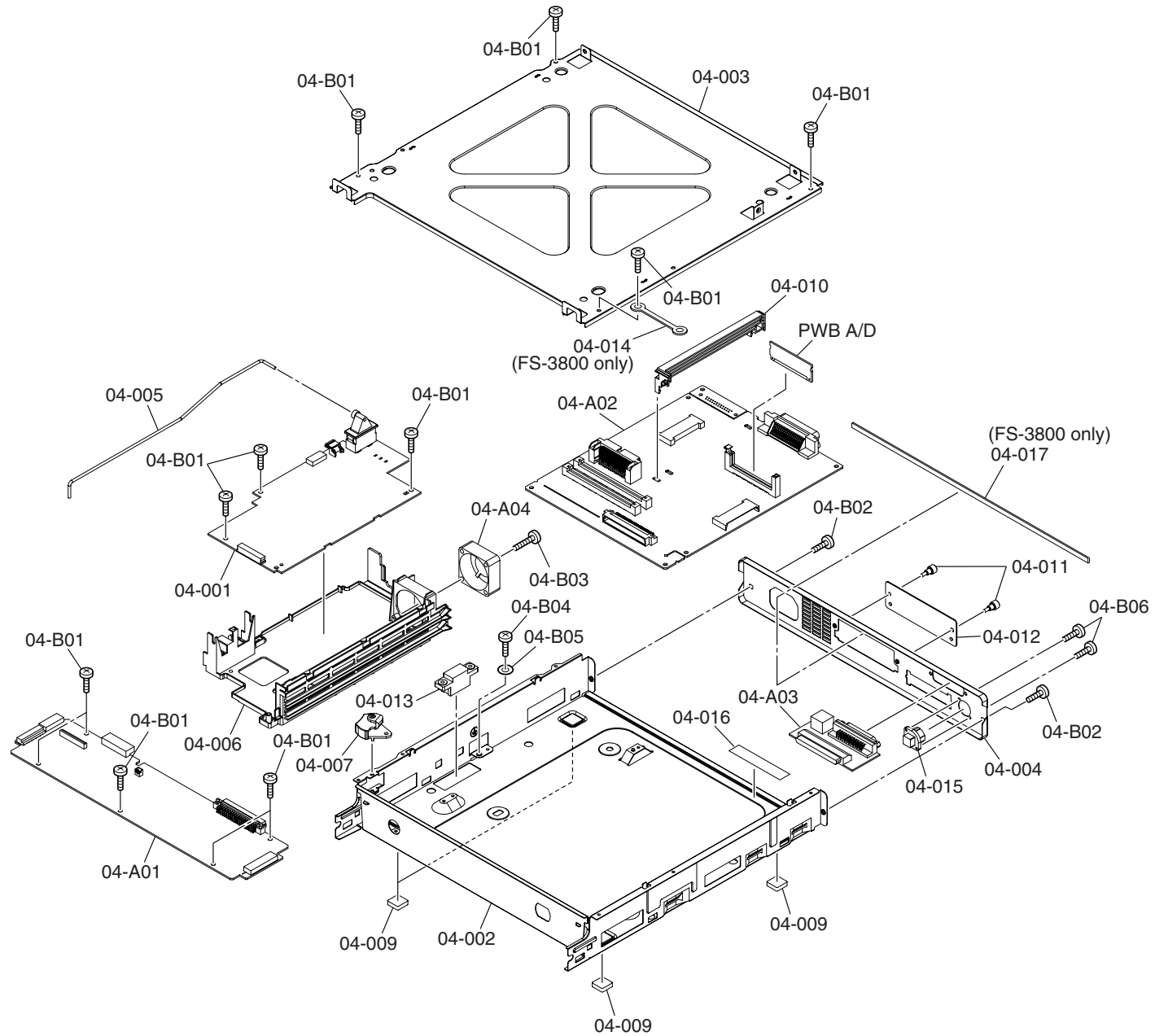
3 Drive Unit



List 3 - Drive Unit

Ref. No.	Part Code	Part Name	Description	Applicable Model	ISP	SP	120V	230V	SB No.
	5PLPX6APKX	DR-60 DRIVE UNIT		FS-1800/N	X	X	1	1	
	5PLPXZ5APKX	DR-61 DRIVE UNIT		FS-3800/N	X	X	1	1	
03-001	5MMX875SD005	PLATE DRIVE A			-	-	1	1	
03-002	5MMX774SD001	PLATE DRIVE B			-	-	1	1	
03-003	5MVM188XB002	BUSH GEAR DR A			-	X	1	1	
03-004	5MVM188XN017	BUSH GEAR DR B			-	X	1	1	
03-005	5MMX621LD011	PLATE EARTH DR			-	-	1	1	
03-006	5MVG189DN001	GEAR Z222H			-	X	1	1	
03-007	5MVG179DN003	GEAR Z126H			-	X	1	1	
03-008	5MVG169DN034	GEAR Z91H-Z24H			-	X	1	1	
03-009	5MVG158DN040	GEAR FREE Z45H			-	X	1	1	
03-010	5MVG148DN057	GEAR FREE Z36S			-	X	1	1	
03-011	5MVG138BN001	GEAR Z30S			-	X	1	1	
03-012	5MVG169DN035	GEAR Z85H-Z25H			-	X	1	1	
03-013	5MVG158DN041	GEAR Z36H-Z42S			-	X	1	1	
03-014	5MVG148DN058	GEAR Z39H			-	X	1	1	
03-015	5MVG159DN013	GEAR Z50H-Z34H			-	X	1	1	
03-016	5MVG148DN059	GEAR Z31H			-	X	1	1	
03-017	5MVG169DN036	GEAR Z54S-Z44H-Z22S			-	X	1	1	
03-018	5MVG137DN033	GEAR Z23S			-	X	1	1	
03-019	5MVM788DN001	JOINT DRIVE			-	X	1	1	
03-020	5MMW381LD003	SPRING JOINT DR			-	-	1	1	
03-021	5MMW261LD041	SPRING FREE DR			-	-	1	1	
03-022	5AAXMT055GEA	MOTOR MAIN		FS-1800/N	-	X	1	1	
03-022	5AAXMT048GEA	MOTOR MAIN		FS-3800/N	-	X	1	1	
03-023	5MVB655DN001	HOLDER CLUTCH DRIVE			-	X	1	1	
03-024	5MVG038XN001	GEAR CL F Z21S			-	X	1	1	
03-025	5MVG138DN044	GEAR CL R Z22S			-	X	1	1	
03-026	5EYYAFAAM02++03	CLUTCH FEED			-	X	1	1	
03-030	5EYYALAAK01++05	CLUTCH REGIST			-	X	1	1	
03-031	5MVG148DN087	GEAR FREE Z34H			-	X	1	1	
03-032	5MMW371LD005	SPRING REVERSE DR			-	-	1	1	
03-033	5MBWL52D55NN	POLY CUT WASHER			-	X	1	1	
03-034	5MMX321SM001	CORD KEEP		FS-3800/N	-	-	1	1	
03-035	5MBWK62C02NN	POLY SLIDER			-	X	1	1	

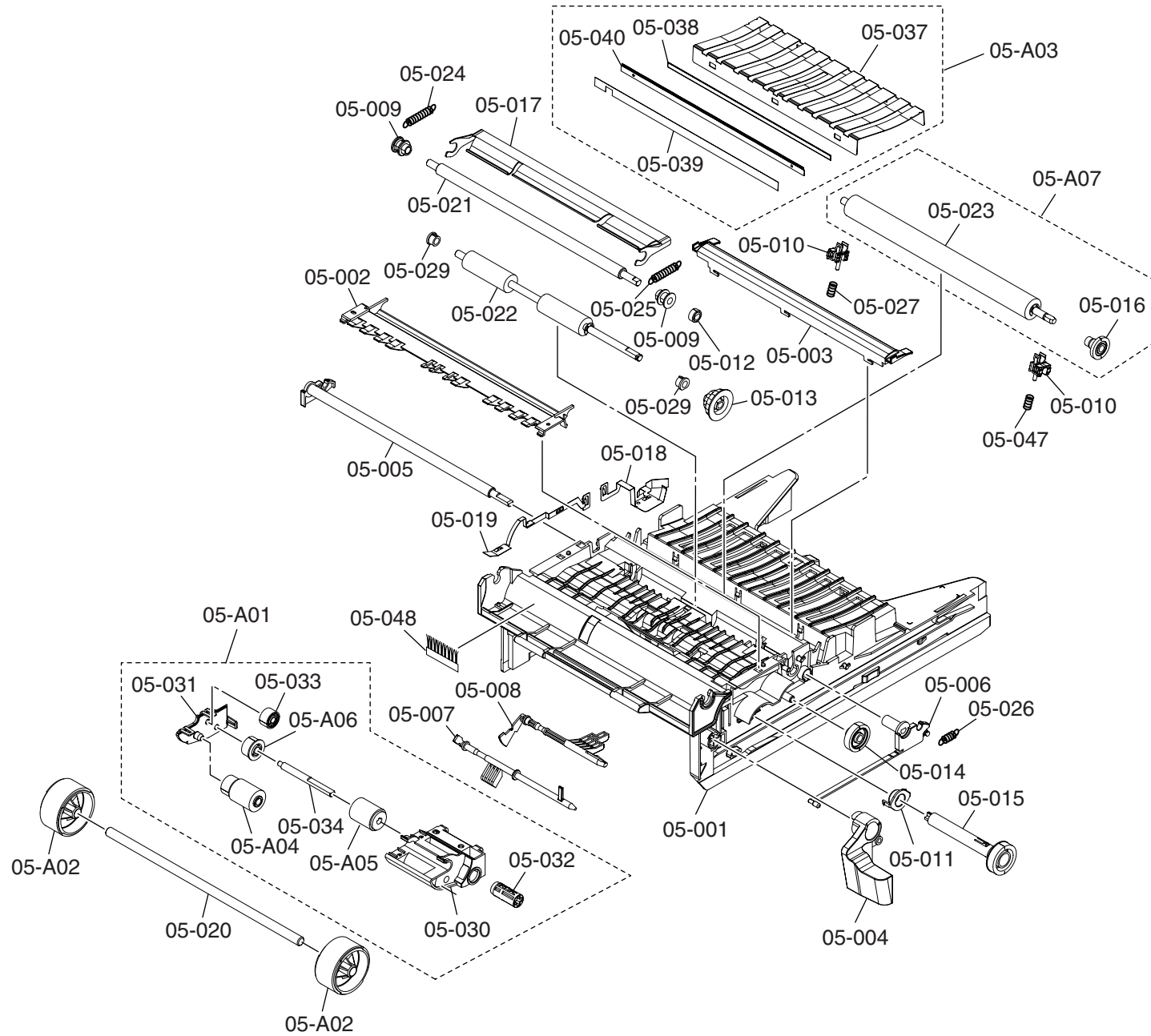
4 Controller Box



List 4 - Controller Box

Ref. No.	Part Code	Part Name	Description	Applicable Model	ISP	SP	120V	230V	SB No.
04-A01	5AAPRCZC2009AH	P.W.BOARD ASSY	ENGINE KP-864	FS-1800/N Incl.Taiwan	X	X	-	1	
04-A01	5AAPRCZC2009BH	P.W.BOARD ASSY	ENGINE KP-864	FS-1800/N Excl.Taiwan/Brazil	X	X	1	-	
04-A01	5AAPRCZC2009EH	P.W.BOARD ASSY	ENGINE KP-864	FS-1800/N Brazil only	X	X	1	-	
04-A01	5AAPRCZC2009CH	P.W.BOARD ASSY	ENGINE KP-864	FS-3800/N Incl.Taiwan	X	X	-	1	SB-01010
04-A01	5AAPRCZC2009MH	P.W.BOARD ASSY	ENGINE KP-864	FS-3800/N Incl.Taiwan	X	X	-	1	SB-01010
04-A01	5AAPRCZC2009DH	P.W.BOARD ASSY	ENGINE KP-864	FS-3800/N Excl.Taiwan/Brazil	X	X	1	-	SB-01010
04-A01	5AAPRCZC2009LH	P.W.BOARD ASSY	ENGINE KP-864	FS-3800/N Excl.Taiwan/Brazil	X	X	1	-	SB-01010
04-A01	5AAPRCZC2009FH	P.W.BOARD ASSY	ENGINE KP-864	FS-3800/N Brazil only	X	X	1	-	SB-01010
04-A01	5AAPRCZC2009NH	P.W.BOARD ASSY	ENGINE KP-864	FS-3800/N Brazil only	X	X	1	-	SB-01010
04-A02	5AAPRLGG4037AH	P.W.BOARD ASSY	MAIN KP-777	FS-1800	X	X	1	1	
04-A02	5AAPRLGG4038AH	P.W.BOARD ASSY	MAIN KP-858	FS-3800	X	X	1	1	
04-A02	5AAPRLGG4037BH	P.W.BOARD ASSY	MAIN KP-777	FS-1800N	X	X	1	1	
04-A02	5AAPRLGG4038BH	P.W.BOARD ASSY	MAIN KP-858	FS-3800N	X	X	1	1	
04-A03	5AAPRIFG4015AH	P.W.BOARD ASSY	SERIAL KP-859		-	X	1	1	
04-A04	5AAYA37E++41	FAN MOTOR KIT			X	X	1	1	
PWBA/D	5AAPRMEG4022MH	P.W.BOARD ASSY	DIMM KP-710	FS-1800/N	X	X	1	1	
PWBA/D	5AAPRMEG2011EQ	P.W.BOARD ASSY	DIMM KP-854	FS-1800/N	-	-	1	1	SB-01042
PWBA/D	5AAPRMEG4021KQ	P.W.BOARD ASSY	DIMM KP-689	FS-3800/N	X	X	1	1	
PWBA/D	5AAPRMEG2011FQ	P.W.BOARD ASSY	DIMM KP-854	FS-3800/N	-	-	1	1	SB-01042
04-001	5AAEZA38E++1	SWITCHING REGULATOR		Excl. "N"Model	X	X	-	1	
04-001	5AAEZA38U++1	SWITCHING REGULATOR			X	X	1	-	
04-001	5AAEZA38E++2	SWITCHING REGULATOR		"N"Model only	X	X	-	1	
04-002	5MMB886SD013	BOX CONTROLLER			-	-	1	1	
04-003	5MMB881SD001	LID CONTROLLER			-	-	1	1	
04-004	5MMB851SD005	PANEL REAR			-	-	1	1	
04-005	5MMX833LD001	ROD SW POWER			-	-	1	1	
04-006	5MVX875SB005	COVER PWB POWER			-	-	1	1	
04-007	5MVX433SH002	LEVER SW			-	X	1	1	
04-009	5MVX221RB014	FOOT			-	X	1	1	
04-010	5MVX732SL003	RAIL OPTION			-	-	1	1	
04-011	5MMT263SN012	SCREW OP			-	X	1	1	
04-012	5MMS636SD009	PLATE OPTION			-	-	1	1	
04-013	5AACCNRF8GEA	CONN.CORD ASSY			-	X	1	1	
04-014	5AACCN5D1GEA	CONN.CORD ASSY		FS-3800/N	-	-	1	1	
04-015	5AACCNRH5GEA	CONN.CORD ASSY			-	-	1	1	
04-016	5MVS622KF008	SHEET CONTROLLER			-	-	1	1	
04-017	5MVQ811RX014	EMI GASKET		FS-3800/N	-	-	1	1	

5 Paper Feed Unit

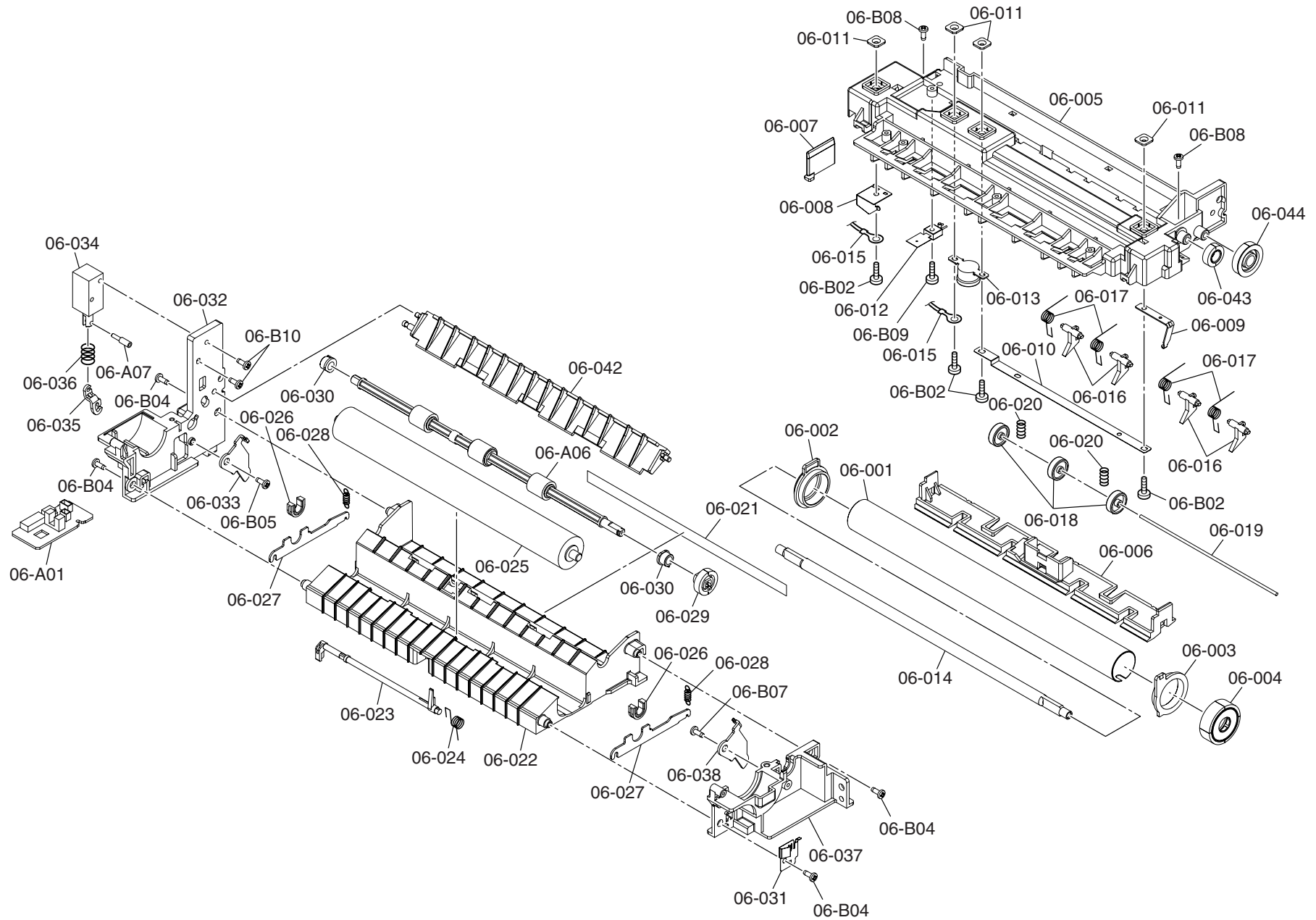


List 5 - Paper Feed Unit

Ref. No.	Part Code	Part Name	Description	Applicable Model	ISP	SP	120V	230V	SB No.
	5PLPX7APKX	FE-60	FEED TRANS UNIT	FS-1800/N	X	X	1	1	
	5PLPXAMAPKX	FE-61	FEED TRANS UNIT	FS-3800/N	X	X	1	1	SB-01010
	5PLPXDZAPKX	FE-62	FEED TRANS UNIT	FS-3800/N	X	X	1	1	SB-01010
05-A01	5AAYA37E++35	HOLDER	FEED ASSY		X	X	1	1	
05-A02	5AAVROLL+049	ROLLER	GUIDE ASSY		X	X	2	2	
05-A03	5AAYA37E++36	DISCHARGER	ASSY		-	-	1	1	
05-A04	5AAVROLL+047	ROLLER	FEED ASSY		-	X	1	1	
05-A05	5AAVROLL+048	ROLLER	PICKUP ASSY		-	X	1	1	
05-A06	5AAVGEAR+037	GEAR	PICKUP ASSY		-	X	1	1	
05-A07	5AAYA37E++46	ROLLER	TRANSFER ASSY	FS-1800/N	X	X	1	1	
05-A07	5AAYA38E++24	ROLLER	TRANSFER ASSY	FS-3800/N	X	X	1	1	SB-01010
05-A07	5AAYA38E++27	ROLLER	TRANSFER ASSY	FS-3800/N	X	X	1	1	SB-01010
05-001	5MVB886SB009	BASE	FEED		-	-	1	1	
05-002	5MVX862SB005	GUIDE	PAPER		-	-	1	1	
05-003	5MVX832BB001	PAPER	CHUTE		X	X	1	1	
05-004	5MVX666SH005	LEVER	LOCK		-	X	1	1	
05-005	5MVX843CB004	SHAFT	RELEASE		-	-	1	1	
05-006	5MVX733DN001	SHAFT	LOCK R		-	-	1	1	
05-007	5MVX742SB008	SENSOR	DOC		-	X	1	1	
05-008	5MVX663SB013	ACTUATOR	PAPER		-	X	1	1	
05-009	5MVM221DB002	BUSH	REGIST		-	X	2	2	
05-010	5MVX322DB019	BUSH	TRANSFER		-	X	2	2	
05-011	5MVM222XN001	BUSH	FEED		-	X	1	1	
05-012	5MVG126DN015	GEAR	REGIST Z19S		-	X	1	1	
05-013	5MVG148DN060	GEAR	REG Z22S-Z32S		-	X	1	1	
05-014	5MVG138DN045	GEAR	IDLE Z23S		-	X	1	1	
05-015	5MVG038DN001	GEAR	JOINT Z26S		-	X	1	1	
05-017	5MMX852LD003	PLATE	GUIDE CHUTE		-	-	1	1	
05-018	5MMX633LD001	PLATE	EARTH TC		-	-	1	1	
05-019	5MMX742LD002	PLATE	EARTH MP		-	-	1	1	
05-020	5MMT860SN002	SHAFT	ROLL GUIDE		-	-	1	1	
05-021	5MMT866SN032	ROLLER	REGIST UP		-	-	1	1	
05-022	5MMT876SN076	ROLLER	REGIST LOW		X	X	1	1	
05-024	5MMW341LD007	SPRING	REGIST L		-	-	1	1	
05-025	5MMW341LD008	SPRING	REGIST R		-	-	1	1	
05-026	5MMW251SD002	SPRING	LOCK R		-	-	1	1	
05-027	5MMW241SX004	SPRING	TRANS L		-	-	1	1	
05-029	5MVM176DN019	BUSH	POM A		-	X	2	2	
05-030	5MVX664SH004	BRACKET	FEED		-	-	1	1	

Ref. No.	Part Code	Part Name	Description	Applicable Model	ISP	SP	120V	230V	SB No.
05-031	5MVX642DH001	COVER BKT FEED			-	-	1	1	
05-032	5MVX376DN001	HOLDER RELEASE			-	X	1	1	
05-033	5MVG137DN036	GEAR FEED IDLE Z29S			-	-	1	1	
05-034	5MMT664SN002	SHAFT PICKUP			-	-	1	1	
05-047	5MMW241LX004	SPRING TRANS R			-	-	1	1	
05-048	5MVS711XF003	DISCHARGER FD			-	-	1	1	

6 Fuser Unit

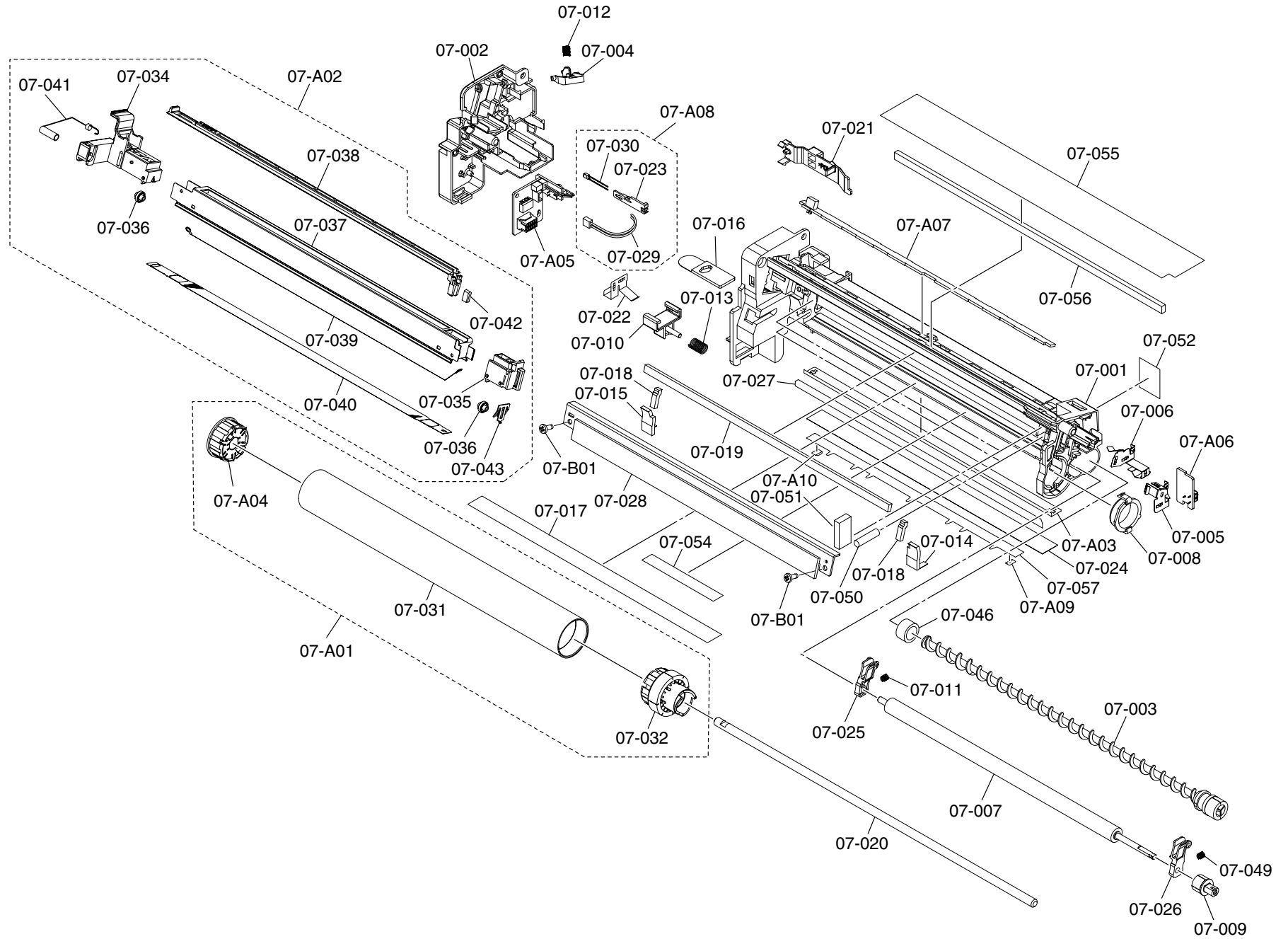


List 6 - Fuser Unit

Ref. No.	Part Code	Part Name	Description	Applicable Model	ISP	SP	120V	230V	SB No.
	5PLPX3APKX	FK-60(E) FUSER UNIT		FS-1800/N	X	X	-	1	
	5PLPX4APKX	FK-60(U) FUSER UNIT		FS-1800/N	X	X	1	-	
	5PLPXZ2APKX	FK-61(E) FUSER UNIT		FS-3800/N	X	X	-	1	
	5PLPXZ3APKX	FK-61(U) FUSER UNIT		FS-3800/N	X	X	1	-	
06-A01	5AAPRIFC1026AH	P.W.BOARD ASSY			-	X	1	1	
06-A06	5AAVROLL+046	ROLLER EXIT ASSY			-	X	1	1	
06-A07	5AAVSHAFT001	PIN ASSY			-	-	1	1	
06-001	5MMT888AX017	ROLLER HEAT		FS-1800/N	-	X	1	1	
06-001	5MMT888AX020	ROLLER HEAT		FS-3800/N	-	X	1	1	
06-002	5MVX441XN001	BUSH HEAT L		FS-1800/N	-	X	1	1	
06-002	5MVX541XN001	BUSH HEAT L		FS-3800/N	-	X	1	1	
06-003	5MVX441XN002	BUSH HEAT R		FS-1800/N	-	X	1	1	
06-003	5MVX541XN002	BUSH HEAT R		FS-3800/N	-	X	1	1	
06-004	5MVG148XN010	GEAR HEAT Z36		FS-1800/N	-	X	1	1	
06-004	5MVG158XN004	GEAR HEAT Z46		FS-3800/N	-	X	1	1	
06-005	5MVB875KB002	FRAME FUSER UP		FS-1800/N	-	X	1	1	
06-005	5MVB875KB003	FRAME FUSER UP		FS-3800/N	-	X	1	1	
06-006	5MVX833KB002	GUIDE EXIT UP		FS-1800/N	-	-	1	1	
06-006	5MVX833KB003	GUIDE EXIT UP		FS-3800/N	-	-	1	1	
06-007	5MVS331KB002	SUPPORT LAMP			-	-	1	1	
06-008	5MML232CD002	HOLDER LAMP L			-	-	1	1	
06-009	5MML143CD002	HOLDER LAMP R		FS-1800/N	-	-	1	1	
06-009	5MML143CD003	HOLDER LAMP R		FS-3800/N	-	-	1	1	
06-010	5MMS711LD002	PLATE CORD			-	-	1	1	
06-011	5MMS111SL001	NUT FUSER			-	-	4	4	
06-012	5AAXTM015GEA	THERMISTOR ASSY			X	X	1	1	
06-013	5EYFFQ17001++01	THERMOSTAT 250V170C		FS-1800/N	X	X	1	1	
06-013	5EYFFQ17501Q*01	THERMOSTAT 250V175C		FS-3800/N	X	X	1	1	
06-014	5EZPB2413320301	HEATER LAMP			X	X	-	1	
06-014	5EZPB1216720301	HEATER LAMP			X	X	1	-	
06-015	5AACNRH2GGEA	CONN.CORD ASSY		FS-1800/N	-	-	-	1	
06-015	5AACNRH3GGEA	CONN.CORD ASSY		FS-3800/N	-	-	1	-	
06-016	5MVX222XN002	SEPARATOR			-	X	4	4	
06-017	5MMW261LD015	SPRING SEPARATOR			-	-	4	4	
06-018	5MVM176DB018	PULLEY EXIT			-	X	3	3	
06-019	5MMT722SZ001	SHAFT EXIT			-	-	1	1	
06-020	5MMW261LD033	SPRING PULLEY A			-	-	2	2	
06-022	5MVX874KB002	FRAME FUSER LOW			-	-	1	1	
06-023	5MVX731CB003	ACTUATOR FUSER			-	-	1	1	

Ref. No.	Part Code	Part Name	Description	Applicable Model	ISP	SP	120V	230V	SB No.
06-024	5MMW261LD017	SPRING ACTUATOR			-	-	1	1	
06-025	5MMT886SN028	ROLLER PRESS			-	X	1	1	
06-026	5MVM166XN001	BUSHING PRESS			-	X	2	2	
06-027	5MMS621SL001	PLATE PRESS			-	-	2	2	
06-028	5MMW261SX010	SPRING PRESS			-	-	2	2	
06-029	5MVG137DN034	GEAR EXIT Z21			-	X	1	1	
06-030	5MVM176DN016	BUSH A			-	X	2	2	
06-031	5MMX221LD027	PLATE EARTH FU			-	-	1	1	
06-032	5MVX775KB001	FRAME FUSER L			-	-	1	1	
06-033	5MMX431SL001	PLATE RELEASE L			-	-	1	1	
06-034	5EZA2401020307	SOLENOID TDS-KN07A			X	X	1	1	
06-035	5MVX311DB009	ACTUATOR SOL			-	-	1	1	
06-036	5MMW261LJ032	SPRING SOL			-	-	1	1	
06-037	5MVX755KB001	FRAME FUSER R			-	-	1	1	
06-038	5MMX431SL002	PLATE RELEASE R			-	-	1	1	
06-042	5MVX832SB012	GUIDE CHANGE			-	-	1	1	
06-043	5MVG127DN047	GEAR IDLE Z18			-	X	1	1	
06-044	5MVG138DN037	GEAR IDLE Z28			-	X	1	1	
06-B10	5MMT143SZ014	STUD SCREW M3			-	-	2	2	

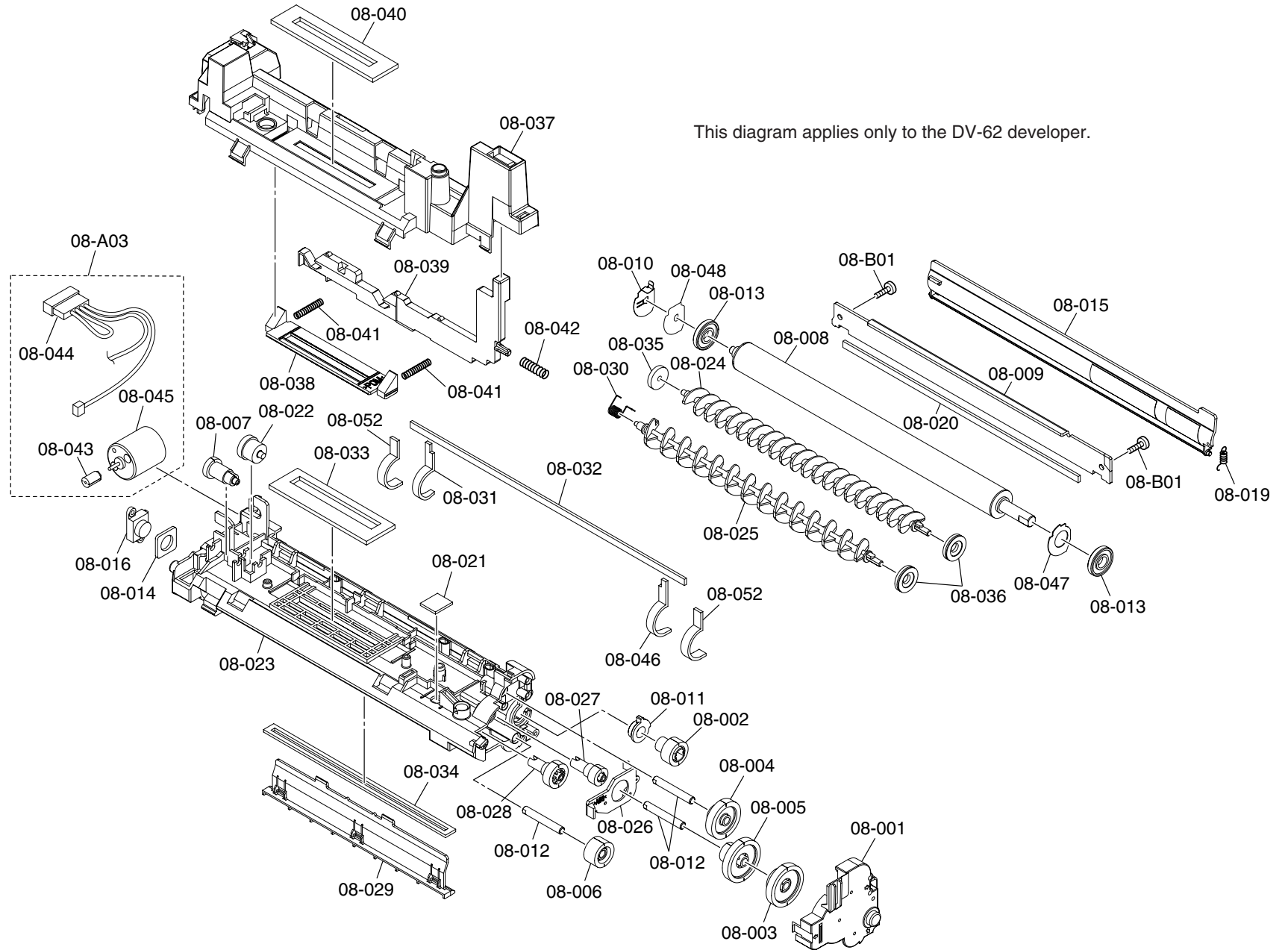
7 Drum Unit



List 7 - Drum Unit

Ref. No.	Part Code	Part Name	Description	Applicable Model	ISP	SP	120V	230V	SB No.
	5PLPXY2APKX	DK-60 DRUM UNIT		FS-1800/N Excl.Taiwan	X	X	1	1	
	5PLPXFLA0LE	DK-60 DRUM UNIT		FS-1800/N Taiwan only	X	X	1	-	
	5PLPXZ8APKX	DK-61 DRUM UNIT		FS-3800/N Excl.Taiwan	X	X	1	1	
	5PLPXFPA0LE	DK-61 DRUM UNIT		FS-3800/N Taiwan only	X	X	1	-	
	5PLPXZ1APKX	MC-60 MCH ASSY			X	X	1	1	
07-A07	5AAPRELC1002AH	P.W.BOARD ASSY	ERASER KP-752		-	X	1	1	
07-A08	5AAYA37E++53	LED ASSY			-	X	1	1	
07-A09	5AAYA91J++15	SHEET SEPARATOR ASSY		Taiwan only	-	X	1	-	SB-01102
07-A10	5AAYA91J++16	PLATE SEPA R ASSY		Taiwan only	-	X	1	-	SB-01102
07-002	5MVB662CB002	COVER DRUM LEFT			-	-	1	1	
07-004	5MVX322DN004	LOCK MCH			-	-	1	1	
07-005	5MMX332LD011	PLATE ZENNER			-	-	1	1	
07-006	5MMX332LD012	PLATE EARTH ZENNER			-	-	1	1	
07-008	5MVM288XN002	BUSH DRUM RIGHT			-	X	1	1	
07-010	5MVX332DB020	SHUTTER WASTE			-	-	1	1	
07-012	5MMW141LD019	SPRING LOCK			-	-	1	1	
07-013	5MMW361LD017	SPRING SHUTTER			-	-	1	1	
07-020	5MMT865SN011	SHAFT DRUM			-	-	1	1	
07-021	5MVX622DH001	LOCK DRUM			-	-	1	1	
07-022	5MMX432LD007	PLATE EARTH LEFT			-	-	1	1	
07-028	5AAVBLADE036	BLADE ASSY			-	X	1	1	
07-055	5MVS841KB002	SHEET DRUM UP			-	-	1	1	
07-056	5MVS819RF006	SEAL SPACER DRUM			-	-	1	1	
07-057	5MVS721KN009	SHEET GUIDE DRUM		Taiwan only	-	X	1	-	

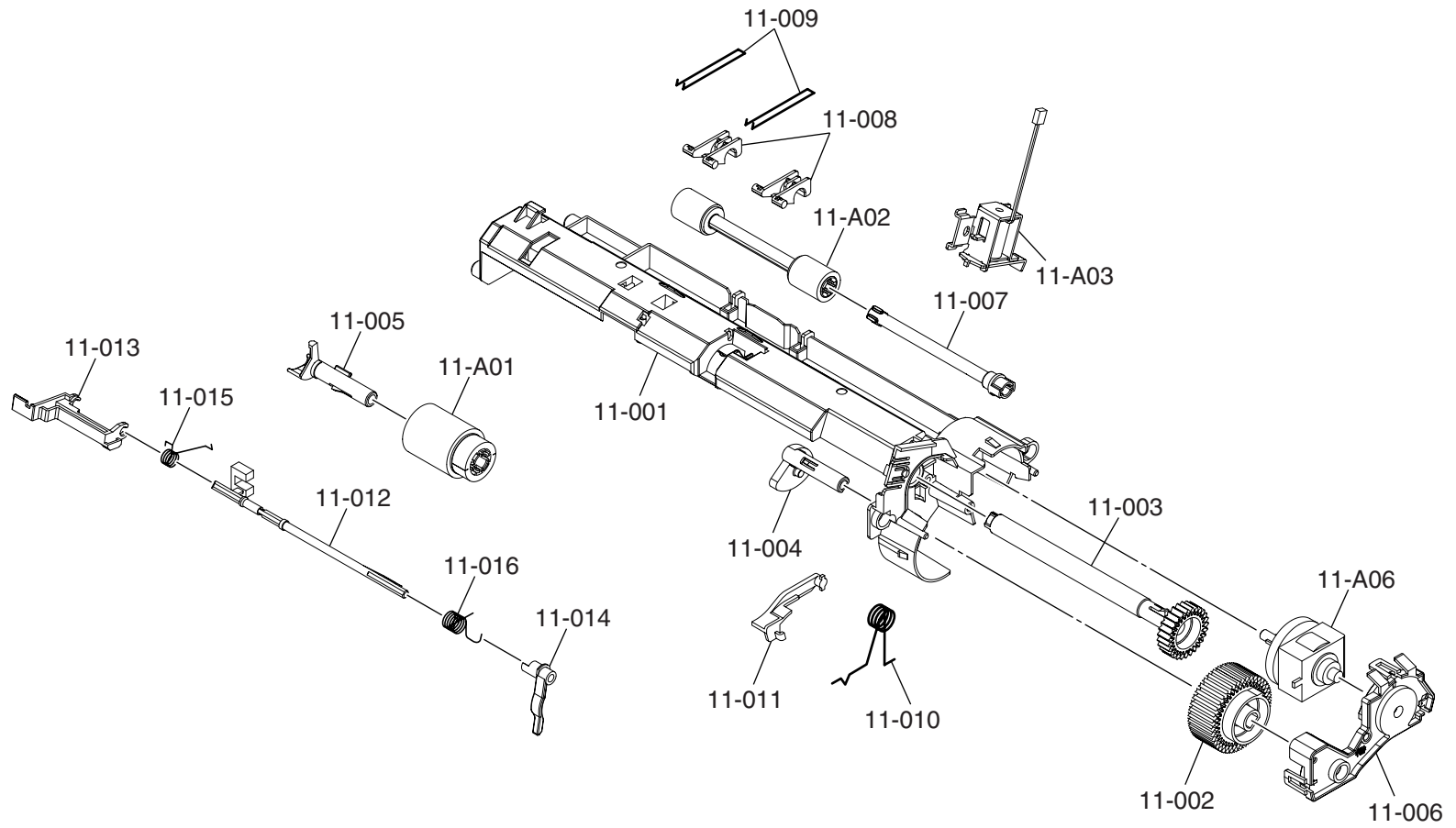
8 Developer Unit



List 8 - Developer Unit

Ref. No.	Part Code	Part Name	Description	Applicable Model	ISP	SP	120V	230V	SB No.
	5PLPXCVPKX	DV-62 DEVELOPER UNIT			X	X	1	1	
08-A03	5AAYA37E++49	TONER MOTOR ASSY	DV-62		-	X	1	1	
08-001	5MVB663SB054	COVER DLP R	DV-62		-	-	1	1	
08-002	5MVG127DN072	GEAR MAG Z19H	DV-62		-	X	1	1	
08-003	5MVG148DN061	GEAR DLP Z15S-Z34H	DV-62		-	X	1	1	
08-004	5MVG138DN046	GEAR DLP Z14S-Z25S	DV-62		-	X	1	1	
08-005	5MVG148DN062	GEAR DLP Z15S-Z36S	DV-62		-	X	1	1	
08-006	5MVG127DN075	GEAR DLP Z20H	DV-62		-	X	1	1	
08-007	5MVG137DN037	GEAR TN MOTOR A	DV-62		-	-	1	1	
08-012	5MVT455XN001	PIN DLP	DV-62		-	X	3	3	
08-014	5MVS228MX001	SEAL TN SENSOR	DV-62		-	-	1	1	
08-015	5MVX842SB009	COVER MAG	DV-62		-	-	1	1	
08-016	5ENXTSP15A10+02	TONER SENSOR	DV-62		-	X	1	1	
08-019	5MMW141LJ007	SPRING COVER SLV	DV-62		-	-	1	1	
08-022	5MVG137DB056	GEAR IDLE Z30-Z15	DV-62		-	-	1	1	
08-037	5MVB866SB023	COVER DLP	DV-62		-	-	1	1	
08-038	5MVX732DB002	SHUTTER DLP	DV-62		-	-	1	1	
08-039	5MVX761DG001	LEVER DLP	DV-62		-	X	1	1	
08-040	5MVS638MF002	SEAL DLP SHUTTER A	DV-62		-	-	1	1	
08-041	5MMW355LD002	SPRING SHUTTER	DV-62		-	-	2	2	
08-042	5MMW466SD001	SPRING LEVER	DV-62		-	-	1	1	

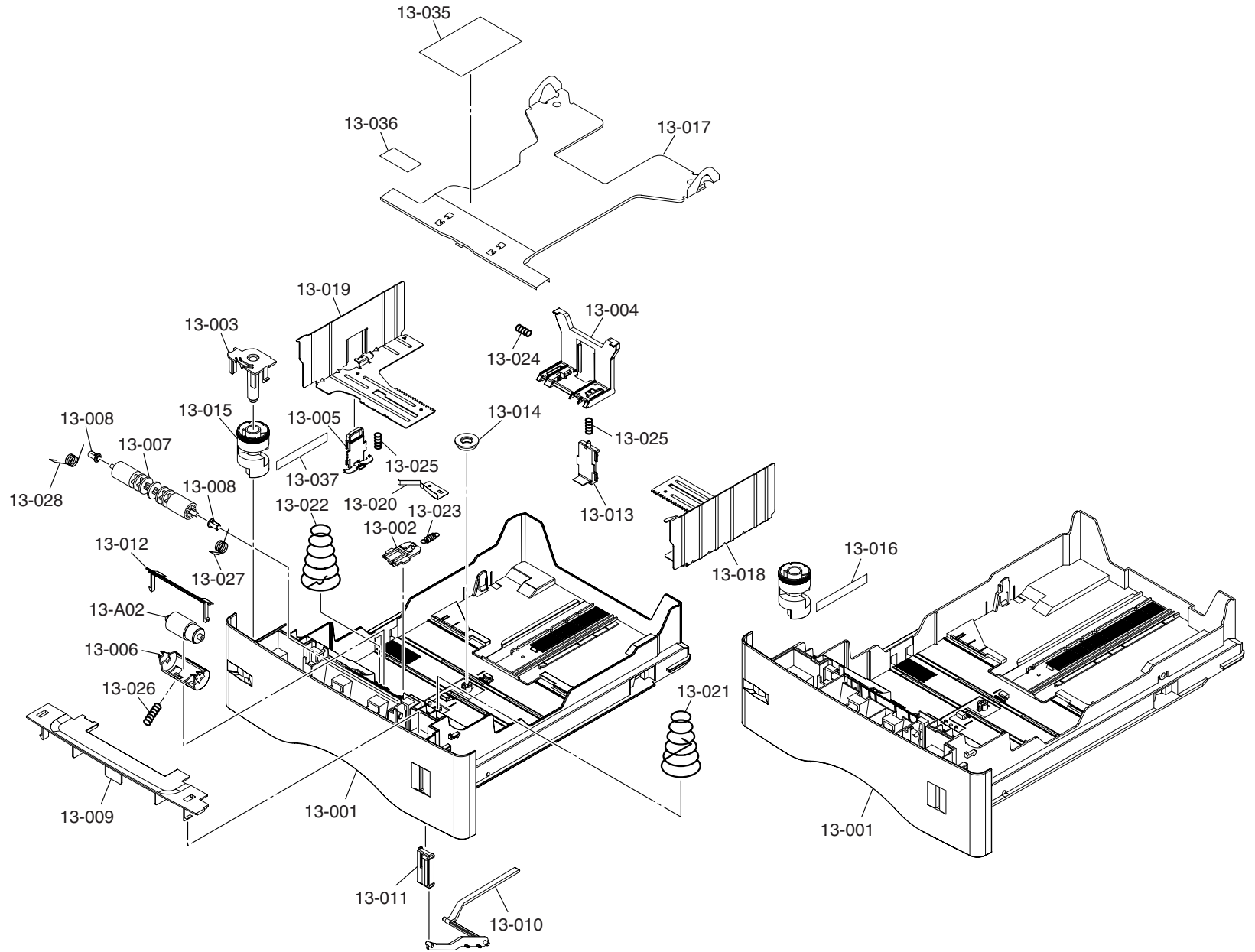
9 Frame MP Assembly



List 9 - Frame MP Assembly

Ref. No.	Part Code	Part Name	Description	Applicable Model	ISP	SP	120V	230V	SB No.
	5AAYA37E++03	FRAME M/P ASSY			X	X	1	1	
11-A01	5AAVROLL+051	ROLLER M/P ASSY			X	X	1	1	
11-A02	5AAVROLL+050	ROLL MID M/P ASSY			X	X	1	1	
11-A03	5EZSA2401310101	SOLENOID M/P ASSY			X	X	1	1	
11-A06	5EYYALAAK01++04	CLUTCH MID			X	X	1	1	
11-001	5MVX866CH001	FRAME M/P			-	-	1	1	
11-002	5MVG148DN063	GEAR M/P Z40			-	-	1	1	
11-003	5MVG133DN008	GEAR M/P Z27			-	X	1	1	
11-004	5MVX433DN002	CAM M/P			-	X	1	1	
11-005	5MVX422DN007	HOLDER FEED M/P			-	X	1	1	
11-006	5MVX662DN003	HOLDER CLUTCH M/P			-	-	1	1	
11-007	5MVT676CB003	SHAFT MID B			-	-	1	1	
11-008	5MVX321DN014	BUSH MID M/P			-	X	2	2	
11-009	5MMW601SD001	SPRING MID M/P			-	-	2	2	
11-010	5MMW161LD043	SPRING CAM M/P			-	-	1	1	
11-011	5MVX522DN004	LEVER CAM			-	X	1	1	
11-012	5MVT754SB001	ACTUATOR M/P A			-	-	1	1	
11-013	5MVX621SB010	ACTUATOR M/P B			-	-	1	1	
11-014	5MVX421SB021	ACTUATOR M/P C			-	X	1	1	
11-015	5MMW161SD010	SP ACTUATOR M/P B			-	-	1	1	
11-016	5MMW161SD009	SP ACTUATOR M/P C			-	-	1	1	

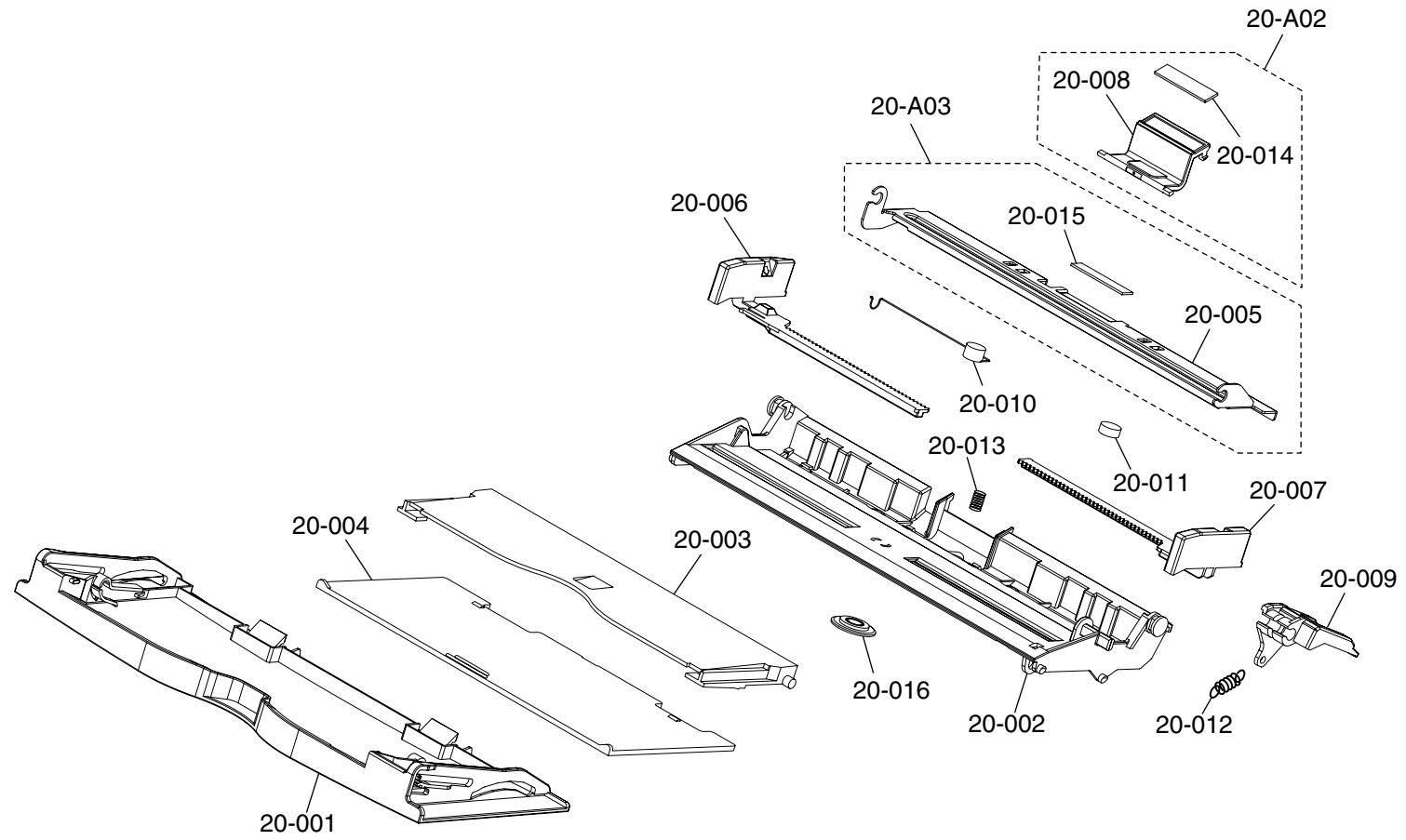
10 Paper Cassette



List 10 - Paper Cassette

Ref. No.	Part Code	Part Name	Description	Applicable Model	ISP	SP	120V	230V	SB No.
	5PLPX8APKX	PC-60A4 CASSETTE ASSY			X	X	-	1	
	5PLPXZ6APKX	PC-60LTR CASSETTE ASSY		Excl.Taiwan/Brazil	X	X	1	-	
	5PLPXDYAZTN	PC-60LG(A4) CASSETTE ASSY		Brazil only	X	X	1	-	
	5PLPXZ7APKX	PC-60LG(A4) CASSETTE ASSY			X	X	-	1	
	5PLPXCUPAKX	PC-60LG(LTR) CASSETTE ASSY		Excl.Taiwan/Brazil	X	X	1	-	
	5PLPXDRAKX	PC-60A4 CASSETTE ASSY		Taiwan only	X	X	1	-	
	5PLPXDAPKX	PC-60LG(A4) CASSETTE ASSY		Taiwan only	X	X	1	-	
13-A02	5AAVROLL+052	RETARD ROLL ASSY			-	X	1	1	
13-001	5MVB887SH027	BASE CASSETTE A4		PC-60	-	-	1	1	
13-001	5MVB987SH018	BASE CASSETTE LGL		PC-60LG	-	-	1	1	
13-002	5MVX432DN005	LOCK BOTTOM			-	X	1	1	
13-003	5MVX543DH002	HOLDER DIAL			-	-	1	1	
13-004	5MVX664DN001	END FENCE			-	-	1	1	
13-005	5MVX642DG001	LOCK LEVER SIDE			-	-	1	1	
13-006	5MVX644DN001	HOLDER RETARD			-	-	1	1	
13-007	5MVT774DN001	ROLLER FEED			-	X	1	1	
13-008	5MVM164DN007	BUSH4			-	X	2	2	
13-009	5MVX853SH003	COVER ROLLER			-	-	1	1	
13-010	5MVX764DN001	LEVER INDICATOR			-	X	1	1	
13-011	5MVX422SD002	INDICATER PAPER			-	-	1	1	
13-012	5MVX632SH005	GUIDE RETARD			-	-	1	1	
13-013	5MVX642DG002	LOCK LEVER END			-	-	1	1	
13-014	5MVG127DB046	GEAR CASSETTE			-	-	1	1	
13-015	5MVM586SH001	DIAL CASSETTE			-	-	1	1	
13-016	5MVVL171WN03	LABEL SIZE LGL		PC-60LG	-	-	1	1	
13-017	5MMX883SD004	PLATE BOTTOM			-	-	1	1	
13-018	5MML877SN001	PLATE SIDE R			-	-	1	1	
13-019	5MML877SN002	PLATE SIDE L			-	-	1	1	
13-020	5MMX653LD004	EARTH PLATE			-	-	1	1	
13-021	5MMW682LD004	SPRING BOTTOM		Excl.Taiwan	-	-	1	1	
13-021	5MMW682LD006	SPRING BOTTOM		Taiwan only	-	-	1	-	
13-022	5MMW682LD005	SPRING BOTTOM EARTH		Excl.Taiwan	-	-	1	1	
13-022	5MMW682LD007	SPRING BOTTOM EARTH		Taiwan only	-	-	1	-	
13-023	5MMW251LD048	SP STOPPER BOTTOM			-	-	1	1	
13-024	5MMW151SD003	SPRING END			-	-	1	1	
13-025	5MMW166LD010	SPRING LOCK GUIDE			-	-	2	2	
13-026	5MMW151LD004	SPRING RETARD			-	-	1	1	
13-027	5MMW161LD044	SPRING FEED R			-	-	1	1	
13-028	5MMW161LD045	SPRING FEED L			-	-	1	1	

11 Tray MP Assembly



List 11 - Tray MP Assembly

Ref. No.	Part Code	Part Name	Description	Applicable Model	ISP	SP	120V	230V	SB No.
20-A01	5PLPXCHAPKX	TRAY M/P ASSY		FS-1800	X	X	-	1	
20-A01	5PLPXCJAAK1	TRAY M/P ASSY		FS-1800	X	X	1	-	
20-A01	5PLPXCMAKX	TRAY M/P ASSY		FS-3800	X	X	-	1	
20-A01	5PLPXCNAAK1	TRAY M/P ASSY		FS-3800	X	X	1	-	
20-A01	5PLPXCCKAPKX	TRAY M/P ASSY		FS-1800N	X	X	-	1	
20-A01	5PLPXCCLAAK1	TRAY M/P ASSY		FS-1800N	X	X	1	-	
20-A01	5PLPXCPCAPKX	TRAY M/P ASSY		FS-3800N	X	X	-	1	
20-A01	5PLPXCQAAK1	TRAY M/P ASSY		FS-3800N	X	X	1	-	
20-A02	5AAVCASET248	SEPARATOR M/P ASSY			-	X	1	1	
20-A03	5AAVCASET249	BOTTOM MALTI PAD ASY			-	X	1	1	
20-001	5MVB873SH028	COVER M/P		FS-1800	-	X	-	1	
20-001	5MVB873SH030	COVER M/P		FS-1800	-	X	1	-	
20-001	5MVB873SH031	COVER M/P		FS-3800	-	X	-	1	
20-001	5MVB873SH032	COVER M/P		FS-3800	-	X	1	-	
20-001	5MVB873SH033	COVER M/P		FS-1800N	-	X	-	1	
20-001	5MVB873SH034	COVER M/P		FS-1800N	-	X	1	-	
20-001	5MVB873SH035	COVER M/P		FS-3800N	-	X	-	1	
20-001	5MVB873SH036	COVER M/P		FS-3800N	-	X	1	-	
20-002	5MVB864SH009	BASE M/P			-	X	1	1	
20-003	5MVB862SH016	TRAY M/P MID			-	X	1	1	
20-004	5MVS768SH007	TRAY M/P TOP			-	-	1	1	
20-006	5MVL673DH001	GUIDE M/P L			-	-	1	1	
20-007	5MVL673DH002	GUIDE M/P R			-	-	1	1	
20-009	5MVX533DN002	BRACKET BOTTOM			-	-	1	1	
20-010	5MMW461SD003	SP BOTTOM M/P L			-	-	1	1	
20-011	5MMW461SD004	SP BOTTOM M/P R			-	-	1	1	
20-012	5MMW261SM001	SPRING LOCK M/P			-	-	1	1	
20-013	5MMW261LD039	SPRING SEPARATOR			-	-	1	1	
20-016	5MVG127DH001	GEAR MANUAL			-	-	1	1	

12. Miscellaneous

Miscellaneous

Ref. No.	Part Code	Part Name	Description	Applicable Model	ISP	SP	120V	230V	SB No.
P-001	5AAKA37E++02	PACKING ASSY		FS-1800	-	X	-	1	
P-001	5AAKA37U++01	PACKING ASSY		FS-1800	-	X	1	-	
P-001	5AAKA38E++01	PACKING ASSY		FS-3800	-	X	-	1	
P-001	5AAKA38U++01	PACKING ASSY		FS-3800	-	X	1	-	
P-001	5AAKA37NE+02	PACKING ASSY		FS-1800N	-	X	-	1	
P-001	5AAKA37NU+02	PACKING ASSY		FS-1800N	-	X	1	-	
P-001	5AAKA38NE+01	PACKING ASSY		FS-3800N	-	X	-	1	
P-001	5AAKA38NU+01	PACKING ASSY		FS-3800N	-	X	1	-	
P-002	5KKS37E++01	OUTER CARTON		FS-1800	X	-	-	1	
P-002	5KKS37U++01	OUTER CARTON		FS-1800	X	-	1	-	
P-002	5KKS38E++01	OUTER CARTON		FS-3800	X	-	-	1	
P-002	5KKS38U++01	OUTER CARTON		FS-3800	X	-	1	-	
P-002	5KKS37NE+01	OUTER CARTON		FS-1800N	X	-	-	1	
P-002	5KKS37NU+01	OUTER CARTON		FS-1800N	X	-	1	-	
P-002	5KKS38NE+01	OUTER CARTON		FS-3800N	X	-	-	1	
P-002	5KKS38NU+01	OUTER CARTON		FS-3800N	X	-	1	-	
	5PLPX9APKX	TB-60 BOTTLE ASSY			X	X	1	1	