

EIKI

Model No. EIP-HDT30

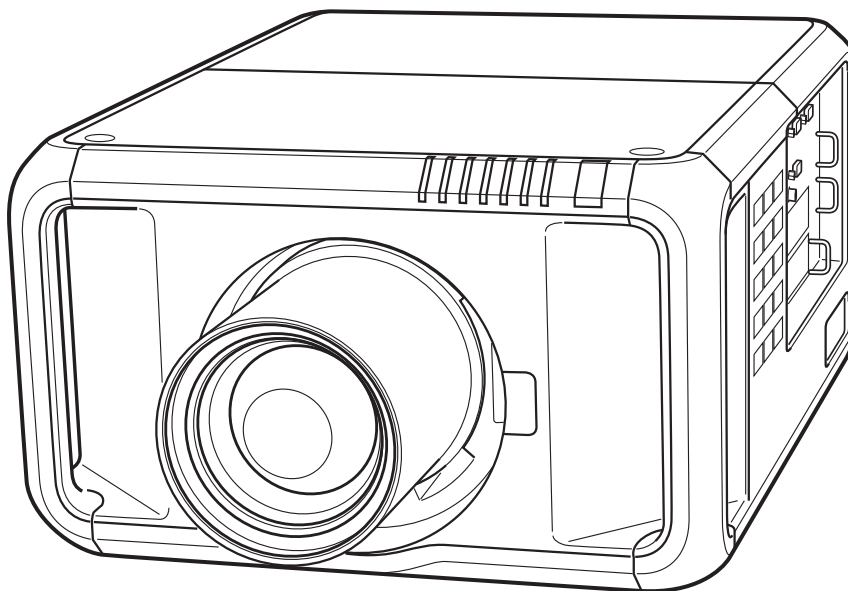
U.S.A., Canada,
Europe, H.K

SERVICE MANUAL

Multimedia Projector

ORIGINAL VERSION

Chassis No. KE2-HDT3000



* Projection lens is optional.

Give complete "Chassis No." for parts order or servicing, it is shown on the rating sheet on the cabinet on the projector.

FOREWORD

For your convenience, all service parts, identified in this manual are available through Eiki's normal distribution channels.

In addition to service part number, the generic descriptions have been given, where possible, to allow your service technicians to substitute equivalent components which might be available from other sources.

All orders for service parts will be honored. However, in instances where generic components are considered to be available from several common sources, as would be the case with an industry standard fuse, resistor, or semiconductor, it may be more economical and expeditious to purchase the part locally.

PRODUCT CODE

1 122 533 21 (KE2BL)

1 122 535 21 (LE2BL)

1 122 535 26 (LE2GL)

REFERENCE NO. SM5111277-00


Contents

SERVICE MANUAL	1	Power supply lines	130
Contents	2	Fan Control System.....	131
Safety Instructions.....	3	Temperature Abnormality.....	132
Safety Precautions	3	Power Lens and Shutter System and Abnormality.....	133
Product Safety Notice	3	Lamp Abnormality	134
Service Personnel Warning.....	3	Power failure detection system	135
Specifications	4	Error information table.....	135
Circuit Protections	5	Power failure detection tree.....	136
Fuse.....	5	Error History Log	137
Thermal switches (SW903, SW904)	5	Diagnosis of Power Failure with RS-232C port.....	138
Mechanical sensor switches (SW902, SW1891).....	6	Diagnosis procedure	138
Temperature sensors, wind sensors	7	Indicators and Projector Condition.....	139
Power failure and fan lock detection	8	Serial Control.....	142
Maintenance.....	9	Serial Control Interface	142
Filter Instructions.....	9	Control Port Functions.....	144
Replacing the Filter Cartridge	10	IC Block Diagrams.....	148
Resetting the Filter Counter	11	Parts Location Diagrams.....	156
Resetting the Scroll Counter	11	Mechanical Parts List	162
Lamp Management	12	Electrical Parts List.....	164
Lamp Replacement	13	Diagrams & Drawings.....	A1
Optional Color Wheel Installation.....	15	Parts description and reading in schematic diagram ..	A2
Cleaning the Optical Parts	16	Schematic Diagrams	A3
Security Function Notice	17	Printed Wiring Board Diagrams.....	A15
Lens Mounting and Removing.....	18	Pin description of diode, transistor and IC	A23
Mechanical Disassembly.....	21	Note on Soldering.....	A24
Mechanical disassembly flow chart.....	21		
Mechanical disassembly	22		
Adjustments.....	37		
Adjustments after Parts Replacement.....	37		
Service Adjustment Menu Operation	38		
Optical Adjustments	39		
Before Adjustment.....	39		
Mirror adjustment	40		
Electrical Adjustment.....	41		
Circuit Adjustments	41		
Test Points and Locations	45		
Service Adjustment Data Table.....	46		
Chassis Description	122		
Chassis over view.....	122		
Boards Connection.....	123		
Troubleshooting.....	124		
No Picture.....	124		
No Power.....	126		

Safety Instructions

Safety Precautions

WARNING:

The chassis of this projector is isolated (COLD) from AC line by using the converter transformer. Primary side of the converter and lamp power supply unit circuit is connected to the AC line and it is hot, which hot circuit is identified with the line () in the schematic diagram. For continued product safety and protection of personnel injury, servicing should be made with qualified personnel.

The following precautions must be observed.

1: An isolation transformer should be connected in the power line between the projector and the AC line before any service is performed on the projector.

2: Comply with all caution and safety-related notes provided on the cabinet back, cabinet bottom, inside the cabinet or on the chassis.

3: When replacing a chassis in the cabinet, always be certain that all the protective devices are installed properly, such as, control knobs, adjust-


ment covers or shields, barriers, etc.

DO NOT OPERATE THIS PROJECTOR WITHOUT THE PROTECTIVE SHIELD IN POSITION AND PROPERLY SECURED.

4: Before replacing the cabinet cover, thoroughly inspect the inside of the cabinet to see that no stray parts or tools have been left inside.

Before returning any projector to the customer, the service personnel must be sure it is completely safe to operate without danger of electric shock.

Product Safety Notice

Product safety should be considered when a component replacement is made in any area of the projector. Components indicated by mark  in the parts list and the schematic diagram designate components in which safety can be of special significance. It is, therefore, particularly recommended that the replacement of these parts must be made by exactly the same parts.

Service Personnel Warning

Eye damage may result from directly viewing the light produced by the Lamp used in this equipment. Always turn off Lamp before opening cover. The Ultraviolet radiation eye protection required during this servicing. Never turn the power on without the lamp to avoid electric-shock or damage of the devices since the stabilizer generates high voltages (15kV - 25kV) at its starts. Since the lamp is very high temperature during units operation replacement of the lamp should be done at least 45 minutes after the power has been turned off, to allow the lamp cool-off.

Specifications

Mechanical Information

Projector Type	Multi-media Projector
Dimensions (W x H x D)	15.75" x 9.55" x 20.61" (400.0 mm x 242.5 mm x 523.5 mm)
Net Weight	43.21lbs (19.6 kg)
Feet Adjustment	0° to 5°

DLP Chip

Projection System	0.95" Single DLP chip, High brightness color wheel x 2
Number of Pixels	2,073,600 pixels (1,920 x 1,080 dots)

Signal Compatibility

Color System	PAL, SECAM, NTSC, NTSC4.43, PAL-M, and PAL-N
High Definition TV Signal	480i, 480p, 575i, 575p, 720p, 1035i, 1080p, and 1080i
Input Scanning Frequency	H-sync. 15 kHz–120 kHz, V-sync. 48 Hz–120 Hz

Optical Information

Projection Lamp	330 W UHP lamp x 2
-----------------	--------------------

Interface

Input 1	DVI-D Terminal (Digital), Mini D-Sub 15-pin Terminal (Analog), HDMI (v.1.3 with Deep Color)
Input 2	BNC Type x 5 (VIDEO/Y/G, B/Pb/Cb, R/Pr/Cr, H/HV and V), S-Video
Input 3	Vacant
Input 4	Vacant
Monitor Output	Mini D-sub 15 pin
Other Jacks	Serial port in (D-sub 9), Serial port out (D-sub 9), USB port, LAN port (RJ45) and Wired Remote Jack

Power

Voltage and Power Consumption	AC 100–120 V (10.0A Max. Ampere), 50/60 Hz (The U.S.A and Canada) AC 100-240 V (10.0-5.0A Max. Ampere), 50/60 Hz (For other countries)
-------------------------------	-------------------------------------------------------------------------------------------------------------------------------------------

Operating Environment

Operating Temperature	41°F–104°F (5°C–40°C)
Storage Temperature	14°F–140°F (-10°C–60°C)

Remote Control

Battery	AA or LR6 Type x 2
Operating Range	16.4' (5 m/±30°)
Dimensions	1.79" (W) x 1.03" (H) x 6.24" (D) (45.5 mm x 26.2 mm x 158.5 mm)
Net Weight	4.1 oz (117 g) (including batteries)

Accessories

Owner's Manual (CD-ROM)	Quick Reference Guide	AC Power Cord
Remote Control and Batteries	VGA Cable	PIN Code Label
Fixing bracket for power cord	Rich color reproduction color wheel x 2	Cable tie x 3
Real Color Manager Pro (CD-ROM)		

- The specifications are subject to change without notice.



This symbol on the nameplate means the product is Listed by Underwriters Laboratories Inc. It is designed and manufactured to meet rigid U.L. safety standards against risk of fire, casualty and electrical hazards.

Circuit Protections

This projector provides the following circuit protections to operate in safety. If the abnormality occurs inside the projector, it will automatically turn off by operating one of the following protection circuits.

Fuse

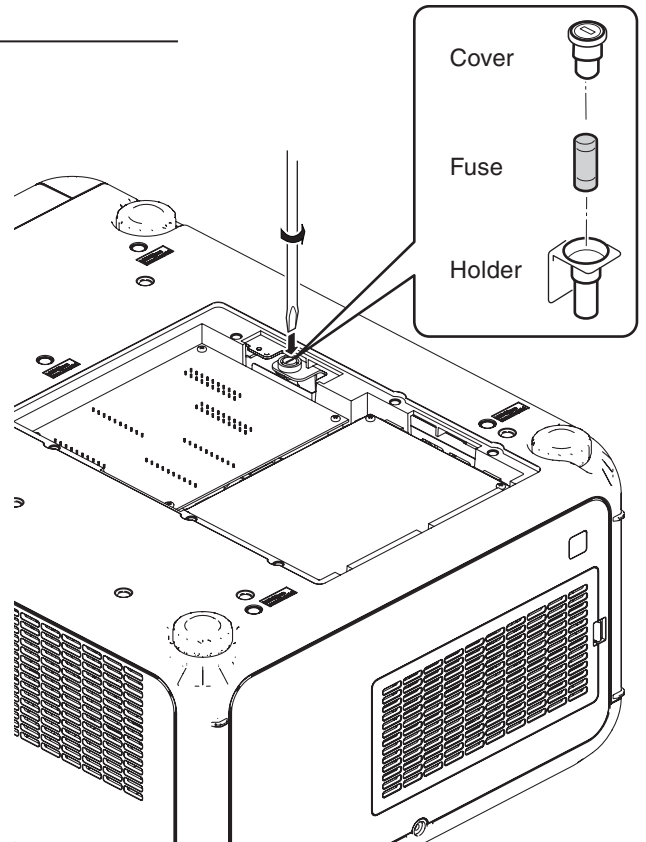
A fuse is located at bottom of the projector. When the POWER/LAMP indicators are not lighting, the fuse may be opened. Check the fuse as following steps.
The fuse should be used with the following type;

Fuse Part No. : 323 028 4202
TYPE 15.0A 400V FUSE
SOC CORP. SHV14 15A N4

How to replace the fuse

1. Turn the projector upside down and remove the bottom cover.
2. Remove the cover and fuse from fuse holder.

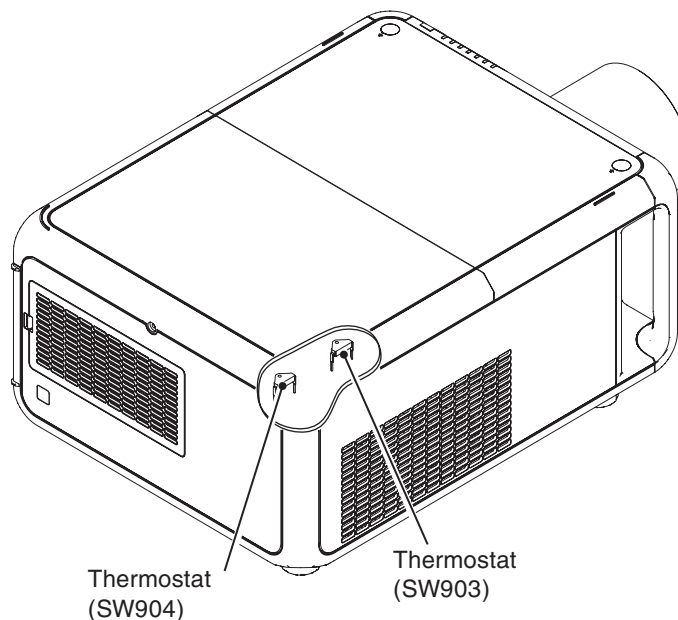
To install the fuse, take reversed step in the above.



Thermal switches (SW903, SW904)

There are the thermal switches (SW903 and SW904) inside of the projector to detect the internal temperature rising abnormally. When the internal temperature reaches near 80°C, the thermal switch opens to cut off the error detection signal supplied to the system control part and then the projector will set in the power failure mode.

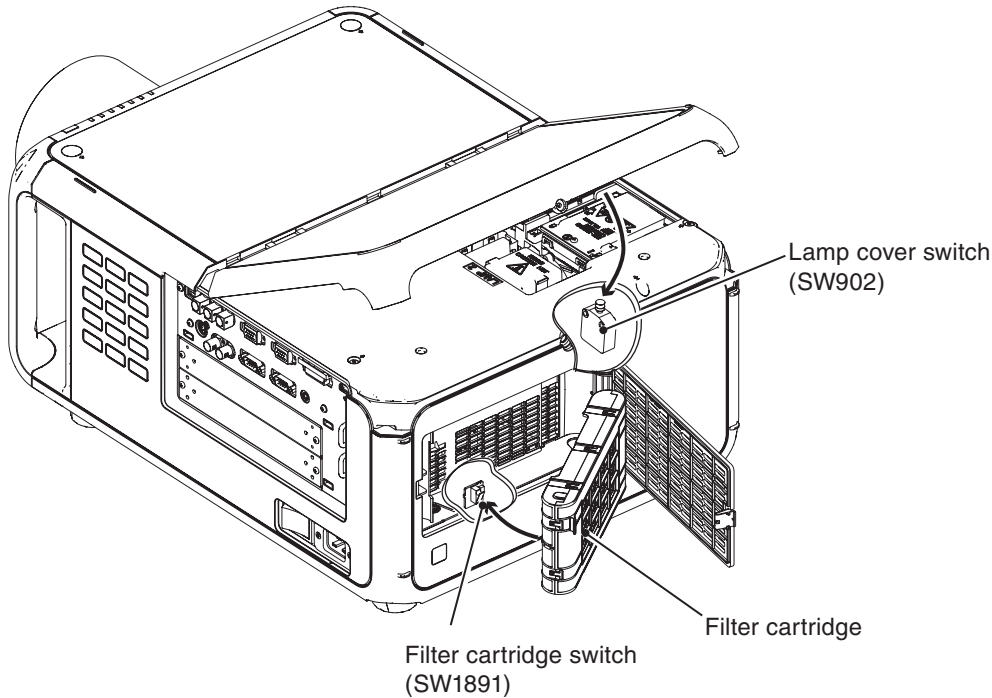
The thermal switch will automatically return to normal condition when the internal temperature becomes normal.



Mechanical sensor switches (SW902, SW1891)

This projector provides 2 mechanical sensor switches, the one is for filter cartridge switch (SW1891) and the other one is for lamp cover switch (SW902). The filter cartridge switch detects whether the filter cartridge is installed correctly.

The lamp cover switch detects whether the lamp cover is closed securely. If lamp cover is opened or not closed completely, the drive signal to the lamp circuit is cut off. After opening the lamp cover for replacing the lamp ass'y, place the lamp cover correctly otherwise the projector cannot turn on.

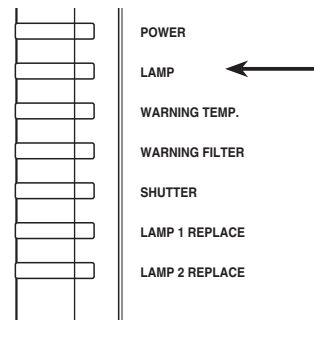


The projector is shut down; and the LAMP indicator is lighting and other indicators are blinking.

When the projector detects an abnormal condition (SW902, SW903, SW904 - opens), it will be automatically shut down to protect the inside of the projector and the LAMP indicator lights on and other indicators blink. In this case, unplug the AC power cord and check that the filter cartridge and lamp cover are installed securely, and the plug it, and turn on the projector once again to verify operation. If the projector cannot be turned on and these indicators are still lighting and blinking, unplug the AC power cord. See the troubleshooting chapter.

The projector is turned on without installing the filter cartridge, and then the filter cartridge is installed while the projector is on. The projector detects an abnormal condition (SW1891 -closes), then it will also be automatically shut down.

Indicators



LAMP indicator lights on and other indicators blink.



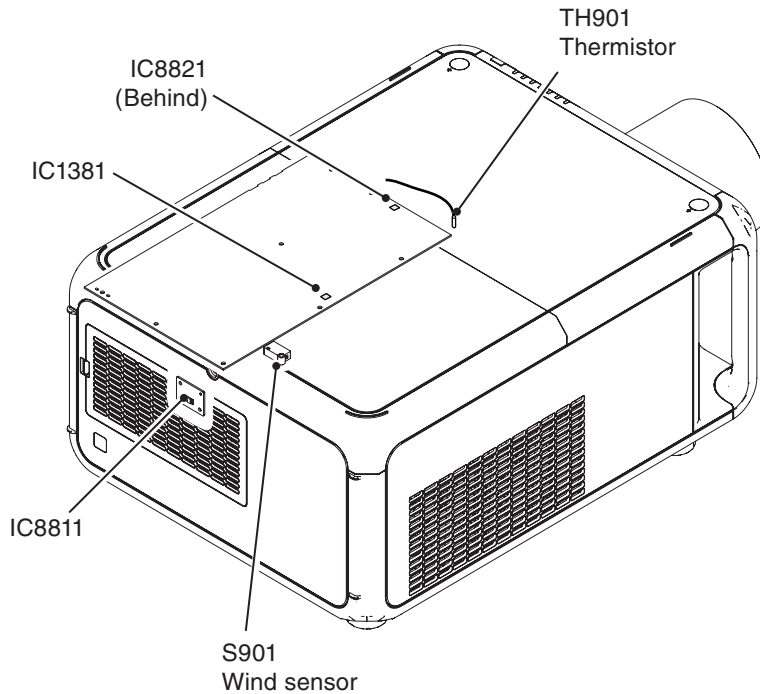
CAUTION

DO NOT LEAVE THE PROJECTOR WITH THE AC POWER CORD CONNECTED UNDER AN ABNORMAL CONDITION. IT MAY RESULT IN FIRE OR ELECTRIC SHOCK.

Temperature sensors, wind sensors

The projector provides 3 temperature sensor ICs, 2 sensors on the Main board and 1 sensor on the Sensor board, 1 thermistor on the peltier device and 1 wind sensor on the intake duct. The sensor ICs monitor surrounding temperature of the optical parts, and surrounding temperature of the intake duct, and the wind sensor monitors airflow passed through the air filter in the intake duct.

- Temperature sensor (IC8821) is on the main board for monitoring the surrounding temperature of DMD module.
- Temperature sensor (IC1381) is on the main board for monitoring the surrounding temperature of optical unit.
- Temperature sensor (IC8811) is on the sensor board for monitoring the surrounding temperature of the intake duct.
- Thermistor sensor (TH901) is on the peltier device for monitoring the temperature.
- Wind sensor (S901) on the filter box.



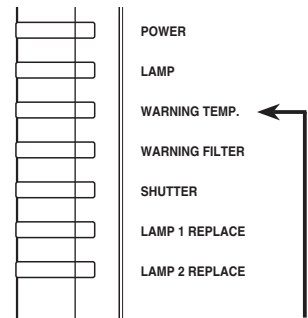
The projector is shut down and the WARNING TEMP. indicator is blinking red.

When the temperature inside the projector reaches a certain level, the projector will be automatically shut down to protect the inside of the projector. The LAMP indicator turns red brighter and the WARNING TEMP indicator blinks while the projector is being cooled down. When the projector has cooled down enough (to its normal operating temperature), it can be turned on again by pressing the ON/STAND-BY button.

✓Note:

- The WARNING TEMP. indicator continues to blink even after the temperature inside the projector returns to normal. When the projector is turned on again, the WARNING TEMP. indicator stops blinking.

Indicators



**WARNING TEMP.
blinking red**

Power failure and fan lock detection

The projector provides the detection circuits of the power failure and the fan lock. When the detection circuit detects an error at the power supply line or at the fan operation circuit, the projector will turn into the standby mode to protect the other circuits defective.

The projector is shut down; and the LAMP indicator is lighting and other indicators are blinking.

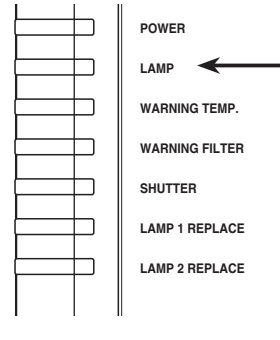
When the projector detects an abnormal condition (Power supply lines failure or fans failure), it will be automatically shut down to protect the inside of the projector and the LAMP indicator lights on and other indicators blink. In this case, unplug the AC power cord and plug it, and then turn on the projector once again to verify operation. If the projector cannot be turned on and these indicators are still lighting and blinking, unplug the AC power cord. See the troubleshooting chapter.



CAUTION

DO NOT LEAVE THE PROJECTOR WITH THE AC POWER CORD CONNECTED UNDER AN ABNORMAL CONDITION. IT MAY RESULT IN FIRE OR ELECTRIC SHOCK.

Indicators



LAMP indicator lights on and other indicators blink.

Maintenance

Filter Instructions

Filter prevents dust from accumulating on the optical elements inside the projector. Should the filter becomes clogged with dust particles, it will reduce cooling fans' effectiveness and may result in internal heat buildup and adversely affect the life of the projector. This projector has an electrically operated filter which helps you to replace the filter easily. The projector monitors the condition of the filter at all time and replaces a filter with a new one automatically when it detects the clogging.

If the projector reaches a time set in the timer setting, a Filter replacement icon (Fig.1) appears on the screen and the WARNING FILTER indicator on the top panel lights up. When you see this icon, replace the filter as soon as possible. If the filter is out of scroll and the projector reaches a time set in the timer setting, Fig. 2 appears on the screen, indicating that the filter cartridge replacement is necessary.

When the filter scroll is counted down to 1, the Last scroll icon (Fig.3) appears on the screen, indicating that there is one scroll left in the filter cartridge.

If the projector detects that the filter is clogged and no scroll is left in the filter cartridge, a Filter cartridge replacement icon (Fig. 4) appears on the screen and the WARNING FILTER indicator on the top panel lights up. When you see this icon, replace the filter cartridge and reset the Filter counter and the Scroll counter.

When the filter is being scrolled by the remote control or the Filter control function in the setting menu, a Filter replacement icon and "Please wait..." message (Fig.5) appear on the screen and the WARNING FILTER indicator blinks slow (approx. 2 seconds ON, 2 seconds OFF).

The WARNING FILTER indicator blinks fast when the projector detects an abnormal condition, the filter cartridge is not installed properly, or the filter scroll is not working properly.



Fig.1 Filter replacement icon



Fig.2



Fig.3 Last scroll icon



Fig.4 Filter cartridge replacement icon



Please wait . . .

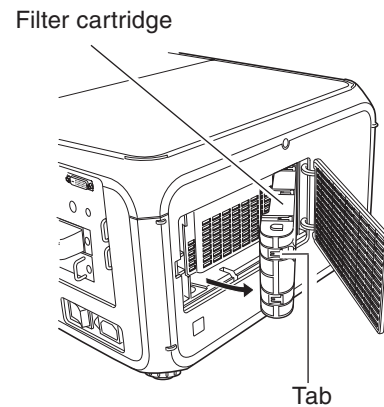
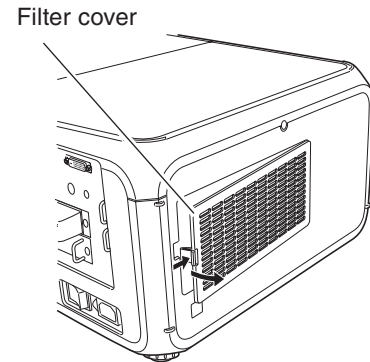
Fig.5 Filter replacement icon and "Please wait..." message.

✓Note:

- Fig.1, Fig.2, Fig.3 or Fig. 4 will not appear when the Display function is set to "Off", or during "Freeze".
- The filter cannot be rewind.
- The filter can be scrolled 9 times since the filter cartridge has 10 scrolls.
- The filter cartridge is disposable. Do not clean and reuse the filter cartridge.
- Do not expose the filter cartridge to water or liquid, or it may cause a breakdown.
- Replace the filter cartridge after all the scroll is used up. If you replace the filter cartridge when there are some scrolls left in the filter cartridge, the filter counter and the scroll counter do not recognize the correct number of remaining scrolls and the reset function cannot work properly. It may cause a breakdown.
- The used part of the filter can be seen on the edge of the Filter cartridge after scrolling the filter, but there is no problem for the use of the projector.
- Do not use the filter cartridge with other projector. The filter counter and the scroll counter do not recognize the correct number of remaining scrolls of the used filter cartridge and the reset function cannot work properly. It may cause a breakdown.
- Make sure that the projection lamps are turned off when you are replacing the filter cartridge. If you replace the filter cartridge when the projection lamps are turned on, the projector will be shut down automatically for safety purposes.
- Do not forget to reset the filter counter and the scroll counter in the setting menu after replacing the filter cartridge. If you forget to reset the filter counter and the scroll counter, the projector cannot recognize the correct number of remaining scrolls and it may cause a breakdown.
- When the projector is kept used for 3 minutes without getting the filter cartridge replaced after the Fig.4 appears on the screen, the projector is turned off automatically to prevent the damage of optical components.

Replacing the Filter Cartridge

- 1** Turn off the projector, press the Main On/Off Switch to Off and unplug the AC power cord from the AC outlet.
- 2** First, clean up the dust on the projector and around the air vents.
- 3** Open the filter cover. (See the right figure.)
- 4** Pull out the filter cartridge. When taking out the filter cartridge, put your finger on the filter cartridge's tab and then pull.
- 5** Put the new one back into the position and close the filter cover. Make sure that the filter cartridge is properly and fully inserted.
- 6** Connect the AC power cord to the projector and turn on the projector.
- 7** Reset the filter counter and the scroll counter.



CAUTION

- Do not put anything into the air vents. Doing so may result in malfunction of the projector.
- In the event of installation/replacement of the filter cartridge, turn off the projector, press the Main On/Off Switch to Off and unplug the AC power cord from the AC outlet.

RECOMMENDATION

We recommend avoiding dusty/smoky environments when operating the projector. Usage in these environments may cause a poor image quality.

When using the projector under dusty or smoky conditions, dust may accumulate on a lens, or optical elements inside the projector. Such condition may degrade the quality of the projected image. When the symptoms above are noticed, contact your authorized dealer or service station for proper cleaning.

ORDER REPLACEMENT FILTER CARTRIDGE

Service Parts No. : 610 350 7811

Resetting the Filter Counter

Be sure to reset the Filter counter after replacing the filter cartridge.

- 1** Press the MENU button to display the On-Screen Menu. Use the Point ◀▶ buttons to move the red frame pointer to the Setting Menu icon.
- 2** Use the Point ▲▼ buttons to move the red frame pointer to Filter counter and then press the SELECT button. A dialog box appears showing the Used time option and the Scrolls remaining option. Use the Point ▲▼ buttons to select Used time.
- 3** Used time shows the total accumulated time of the filter use, a timer setting option, and the Reset option. Select Reset and the “Filter counter Reset?” appears. Select [Yes] to continue.
- 4** Another confirmation dialog box appears, select [Yes] to reset the Filter counter.

Filter counter

The screenshot shows the 'Filter counter' menu with 'XGA 1' selected. The 'Used time' option is highlighted with a red frame. Below it is the 'Scrolls remaining' option.

Select “Used time” and the dialogue box below appears.

The 'Used time' dialog box shows '100 Hour(s)' and '1000 H' with a 'Reset' button.

Select Reset and the “Filter counter Reset?” appears.

The 'Filter counter Reset ?' dialog box has 'Yes' and 'No' buttons.

Select [Yes], then another confirmation box appears.

The 'OK?' dialog box has 'Yes' and 'No' buttons.

Select [Yes] again to reset the Filter counter.

Resetting the Scroll Counter

Be sure to reset the Scroll counter after replacing the filter cartridge.

- 1** Press the MENU button to display the On-Screen Menu. Use the Point ◀▶ buttons to move the red frame pointer to the Setting Menu icon.
- 2** Use the Point ▲▼ buttons to move the red frame pointer to Filter counter and then press the SELECT button. A dialog box appears showing the Used time option and the Scrolls remaining option. Use the Point ▲▼ buttons to select Scroll(s) remaining.
- 3** Scroll(s) remaining shows the number of the remaining scrolls and the Reset option. Select Reset and the “Scroll counter Reset?” appears. Select [Yes] to continue.
- 4** Another confirmation dialog box appears, select [Yes] to reset the Scroll counter.

Scroll counter

The screenshot shows the 'Filter counter' menu with 'XGA 1' selected. The 'Scrolls remaining' option is highlighted with a red frame.

Select “Scrolls remaining” and the dialogue box below appears.

The 'Scrolls remaining' dialog box shows '9 Scroll(s)' and a 'Reset' button.

Select Reset and the “Scroll counter Reset?” appears.

The 'Scroll counter Reset ?' dialog box has 'Yes' and 'No' buttons.

Select [Yes], then another confirmation box appears.

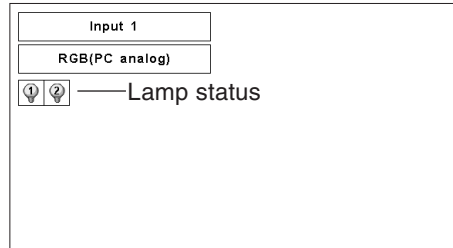
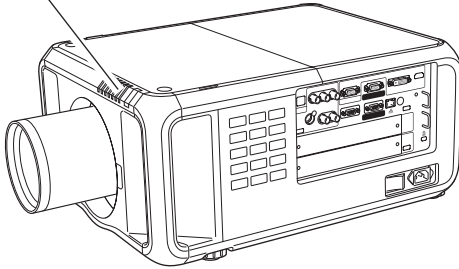
The 'OK?' dialog box has 'Yes' and 'No' buttons.

Select [Yes] again to reset the Scroll counter.

Lamp Management

This Projector is equipped with 2 Projection Lamps to ensure brighter image and those lamps are controlled by the Lamp Management Function. The Lamp Management Function detects the status of lamps and shows the status on screen or on the LAMP 1/2 REPLACE indicators. This function also automatically controls the Lamp Mode when any of lamps is out for the end of life or malfunctions.

LAMP 1/2 REPLACE INDICATORS



Lamp 1/2 Replace Indicators

The LAMP 1/2 REPLACE indicators light orange when any of Projection Lamps is nearing its end, and flash when any of them becomes out. Check the number of lamp on the Lamp Status Display or the LAMP 1/2 REPLACE indicators and replace the lamp.

Lamp Status Display

The Lamp Status Display appears on screen when the projector is turned on or the input position (input 1, input 2, Input 3 or input 4) is switched. This shows the status of each lamp as; ON, OFF, NEAR END, or OUT. Refer to the following for each status.



LAMP STATUS DISPLAY

Yellow Lamp ----- Projection Lamp lights normally.

Dim Lamp ----- Projection Lamp is turned off.

Red Lamp ----- Projection Lamp is nearing its end. When the image becomes darker or the color becomes unnatural, replace lamp. (LAMP 1/2 REPLACE indicator lights orange.)

X Mark on Lamp ----- (LAMP 1/2 REPLACE indicator flashes orange.) Projection lamp is defective or fails to be turned on. Restart the projector on, and make sure lamp is on. If this mark still appears, replace lamp corresponding with number marked X.

Lamp Mode Changeover

The Lamp Management Function automatically changes the lighting lamp (Lamp Mode) by detecting the status of lamp. When either of the 2 lamps is out, the projector operates with 1 lamp. The Lamp Mode can be switched to 2 lamps or 1 lamp manually. Refer to the SETTING section on page 51.

2 LAMP MODE



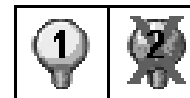
1 LAMP MODE



When Lamp 1 is burnt out.



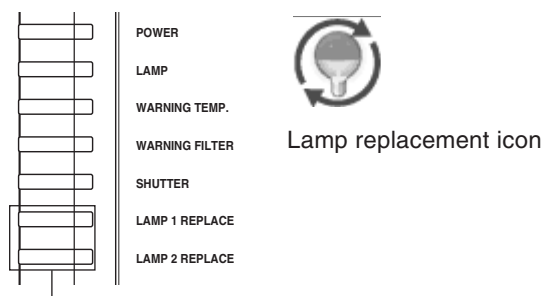
When Lamp 2 is burnt out.



Lamp Replacement

When the projection lamp of the projector reaches its end of life, the Lamp replacement icon appears on the screen and LAMP 1/2 REPLACE indicator lights orange. Replace the lamp with a new one promptly. The timing when the LAMP 1/2 REPLACE indicators should light is depending on the lamp mode.

Indicators



LAMP 1 / 2 REPLACE indicators

✓Note:

- The Lamp replacement icon will not appear when the Display function is set to “Off”, or during “Freeze”.

Follow these steps to replace the lamp.

- 1 Check the number of lamp to be replaced on the Lamp Status Display.
- 2 Turn off the projector, press the Main On/Off Switch to Off and unplug the AC power cord from the AC outlet. Let the projector cool for at least 45 minutes.
- 3 Loosen a screw on the Lamp Cover. Slide and open the Lamp Cover until it makes a clicking sound. (See the right figure.)
- 4 Loosen two screws and pull out the Lamp to be replaced by grasping handle.
- 5 Replace the Lamp with a new one and tighten two screws. Make sure the Lamp is set properly.
- 6 Put the Lamp Cover back and tighten a screw.



WARNING:

TURN OFF THE UV LAMP BEFORE OPENING THE LAMP COVER.



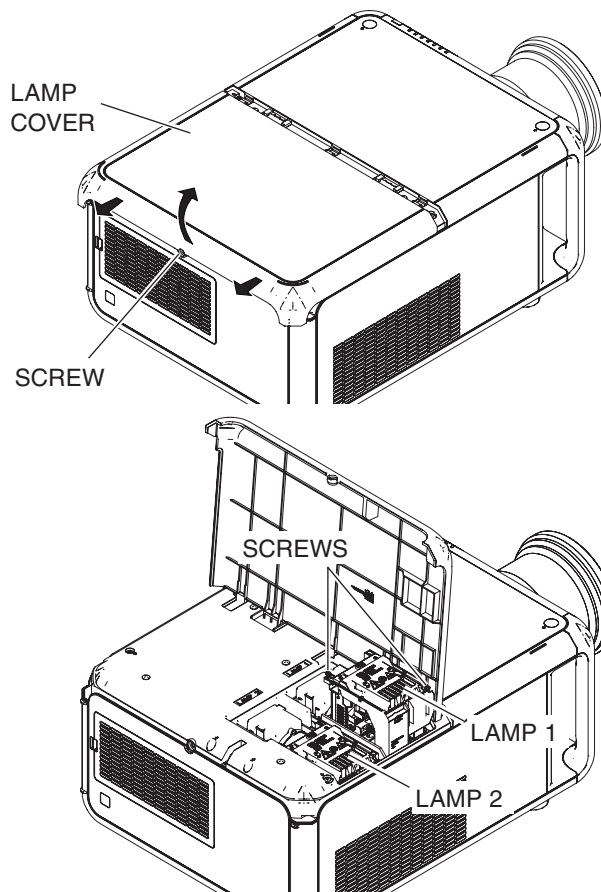
Allow the projector to cool, for at least 45 minutes before you open Lamp Cover. The inside of the projector can become very hot.



CAUTION

For continued safety, replace with a lamp assembly of the same type.

Do not drop the lamp assembly or touch a glass bulb! The glass can shatter and may cause injury.



Make sure which number of lamp needs to be replaced on Lamp Status Display. Figure shows case of replacing LAMP 1.

ORDER REPLACEMENT LAMP

Replacement Lamp Type No. : POA-LMP145
 Service Parts No. : 610 350 6814

NOTES ON LAMP REPLACEMENT

To maintain quality of picture (better balance of color and brightness in entire screen), we recommend replacing both 2 lamps at a time.

Checking the projector used time and lamp used time

The LAMP REPLACE indicator will light yellow when the total lamp used time (Corresponding value) reaches 3,000. The total lamp used time is calculated by using the below expression.

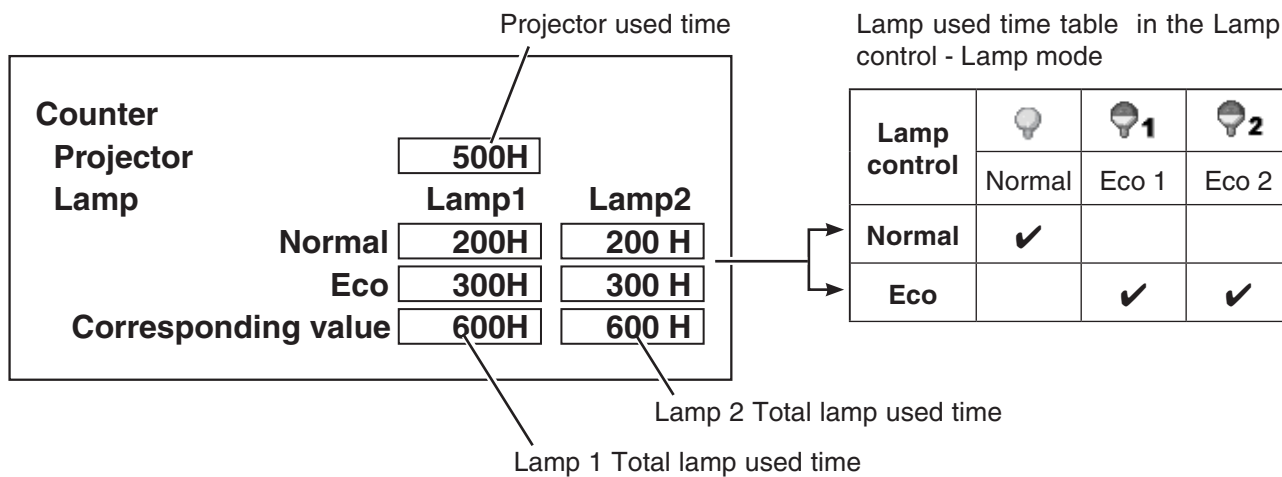
$$\text{Total lamp used time (Corresponding value)} = T_{eco} + (T_{normal} \times 1.5)$$

T_{eco} : used time in the Eco1 and Eco2 mode

T_{normal} : used time in the Normal mode and Auto mode

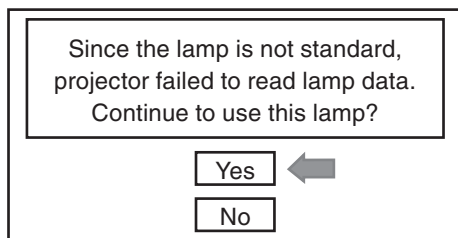
You can check the lamp used time following to the below procedure.

- 1 Press and hold the **ON/STAND-BY** button on the projector or remote control for more than 20 seconds.
- 2 The projector used time and lamp used time will be displayed on the screen briefly as follows.



Warning Message on the non-standard lamp used

If the non-standard lamp is used, the warning and confirmation messages will appear on the screen every startup. Some of the functions are limited when the non-standard lamp is used in spite of the warning.



Optional Color Wheel Installation

The projector comes with the high brightness color wheels installed. Additional rich color reproduction color wheels are supplied. To replace the color wheels, refer to the following steps.

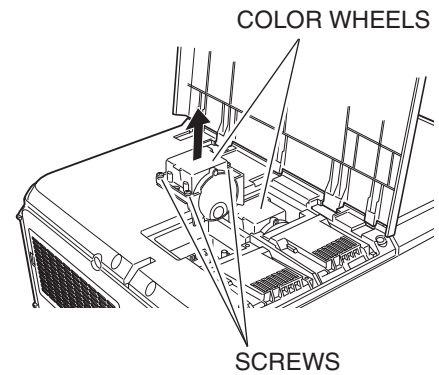
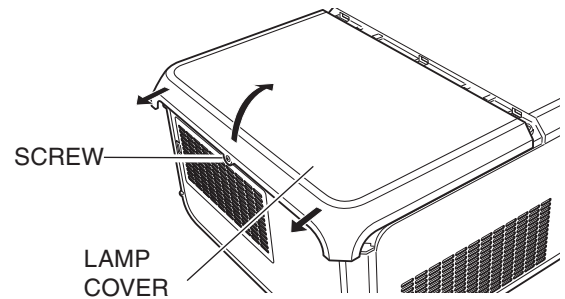
- 1** Turn off the projector, press the Main On/Off Switch to Off and unplug the AC power cord from the AC outlet. Let the projector cool for at least 45 minutes.
- 2** Loosen a screw on the Lamp Cover. Slide and open the Lamp Cover until it makes a clicking sound. (See the right figure.)
- 3** Loosen three screws and pull out the color wheel to be replaced by grasping handle.
- 4** Replace the color wheel with a new one and tighten three screws. Make sure the color wheels are set properly.
- 5** Put the Lamp Cover back and tighten a screw.

✓**Note:**

- Wait until the lamp house and the color wheel cool off.
- Make sure to install the same type of two color wheels at the same time. When different types of color wheels are installed, 'Non-matching color wheels!' message appears on the screen.



Allow the projector to cool, for at least 45 minutes before you open Lamp Cover. The inside of the projector can become very hot.



Cleaning the Optical Parts

After long periods of use, dust and other particles will accumulate on the optical parts, DMD module, mirror, color wheel, lens etc., causing the picture to darken or color to blur. If this occurs, clean the inside of optical unit. Remove dust and other particles using air spray. If dirt cannot be removed by air spray, disassemble and clean the optical unit. Before taking the cleaning, turn off the projector and allow the projector to cool for more than 45 minutes.

Cleaning with air spray

Remove the cabinet top following to “Mechanical Disassembly”. Clean up the optical parts, color wheel, lens by using the air spray from the cabinet top opening.

Caution:

The optical components may have a crack or spot when you use the air spray directly to the optical components while they are in the state of hot. Use a commercial (inert gas) air spray designed for cleaning camera and computer equipment. Use a resin-based nozzle only. Be very careful not to damage optical parts with the nozzle tip. Never use any kind of cleanser on the unit. Also, never use abrasive materials on the unit as this may cause irreparable damage.

Disassembly Cleaning

Disassembly cleaning method should only be performed when the unit is considerable dirty and cannot be sufficiently cleaned by air spraying alone.

Be sure to readjust the optical system after performing disassembly cleaning.

Remove the mechanical parts following to “Mechanical Disassembly”. Clean the optical parts with a soft cloth. Clean extremely dirty areas using a cloth moistened with alcohol.

Caution

The surface of the optical components consists of multiple dielectric layers with varying degrees of refraction. Never use organic solvents (thinner, etc.) or any kind of cleanser on these components.

Cleaning the Color Wheel

- The color wheel is made of thin glass. Be very careful when handling the color wheel.
- In case of fingerprints, etc. on the surface, gently wipe with a Cleaning Cloth for optical parts that contains a small amount of non-abrasive camera lens cleaner to clean the surface.
- Do not use detergents as this could cause peeling of the color filter.

Cleaning the DMD / Prism

- The Prism and DMD surface are glasses and can be cleaned. However, avoid scratches as these can have a direct influence on the image.
 1. Use a commercial (inert gas) air spray designed for cleaning camera and computer equipment to clean the surface. If this does not remove, take next step.
 2. Gently wipe the surface with a Cleaning Cloth for optical parts in one direction. Always use a new section of the Cleaning Cloth. Using the same section of the Cloth has the potential of dragging particles and or adding contaminant to the glass surface which may scratch the glass.
- Do not use absolute alcohol or other substances that could leave streaks after drying.

Cleaning the Reflecting Mirror

- Be careful not to touch the reflecting mirror. Touching it directly with the hands may cause reducing the burnishing.
- Do not clean other than with air.

Security Function Notice

This projector provides security functions such as "Key lock", "PIN code lock" and "Logo PIN code lock". When the projector has set these security function on, you are required to enter correct PIN code to use the projector. If you do not know the correct PIN code to the projector, the projector can no longer be operated or started. In this case, you must reset those function first according to the resetting procedure described below and then check up on the projector.

Function	Description
Key lock	Locks operation of the side control or the remote control. If the Key lock is enabled with side control lock, the projector can no longer be started. <i>Initial setting: Key lock function is disabled</i>
PIN code lock	Prevents the projector from being operated by an unauthorized person. <i>Initial code: "1234"</i>
Logo PIN code lock	Prevents an unauthorized person for changing the start-up logo on the screen. <i>Initial code: "4321"</i>

Resetting procedure

- 1 Turn off the projector with the Main switch.
- 2 Press and hold the **SELECT** button on the projector and then turn on the projector with the Mains switch. Keep pressing the **SELECT** button for more than 10 seconds.
This is complete the resetting of the security function. The PIN code lock and Logo PIN code lock are reset as the initial PIN code at the factory and the Key lock function is disabled.

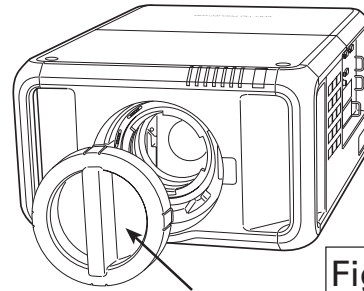
Please refer to the owner's manual for further information of the security functions.

Lens Mounting and Removing

■ Installing or Removing the Optional Lens

1 Remove the Lens hole cover

Keep the lens hole cover in safe for later use.
Use the lens hole cover to the projector during transportation.



LENS HOLE COVER

Fig-1

2 Mount the Lens

1. Remove the protective caps (front and back) on the lens.
2. Insert the lens into the Lens Bracket so that the red marks on the lens and Lens Bracket can match.
3. Slowly turn the lens clockwise until it clicks. Make sure that the lens is fully inserted to the projector.

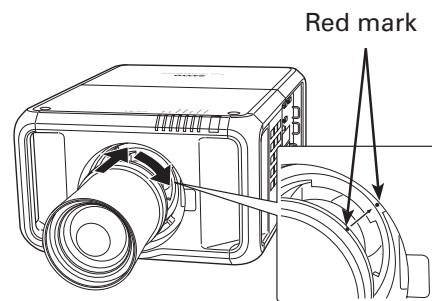
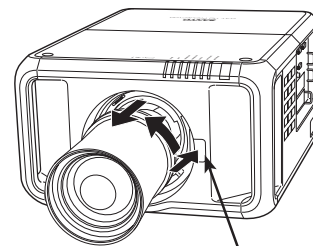


Fig-2

3 Remove the Lens

1. Press and hold the LENS SHIFT button for more than 5 seconds to shift the lens to the center position.
2. Turn off the projector, wait until the cooling fans stop, and then turn off the Main On/Off switch or unplug the AC power cord.
3. Push the Lens release button and turn the lens counter-clockwise and then take it out.



LENS RELEASE BUTTON

Fig-3

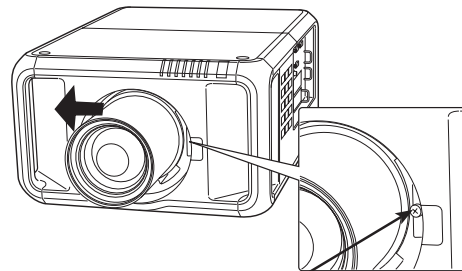
NOTE: Be careful not to drop the lens.

About the lens antitheft screw

To prevent removal of the installed lens, move the lens to the leftmost position with the Lens Shift function, and then loosen an antitheft screw on the right side of the lens until it will no longer be loosened.

Doing so makes the Lens release button unworkable and the lens will not be removed from the projector.

When you replace the lens, tighten the antitheft screw.



LENS ANTITHEFT SCREW

■ Focus Correction

When the lens is attached to the projector and images are being projected onto the screen, the peripheral focus may be out of focus in some localized areas. If this happens, adjust the three focus adjustment screws on the lens mount to adjust the focus balance of the screen.

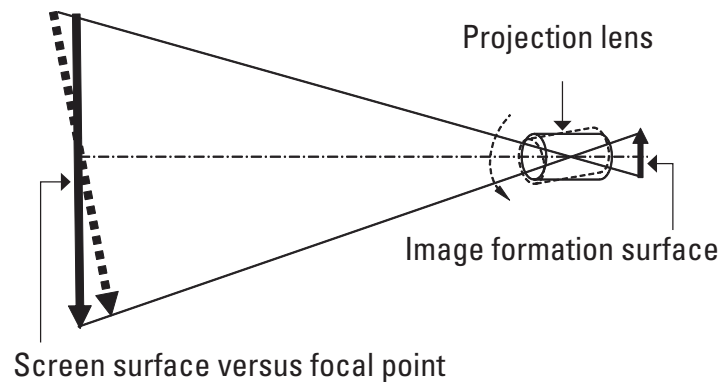
About the focus balance

Relationship between lens orientation and screen focus

If the projection lens is tilted with respect to the plane of the screen, uneven focus will result. For example, when the front side of the lens (screen side) is tilted downward as shown in the figure below (direction of the dotted arrow), the upper part of the screen will be tilted backward and the lower part of the screen will be tilted forward.

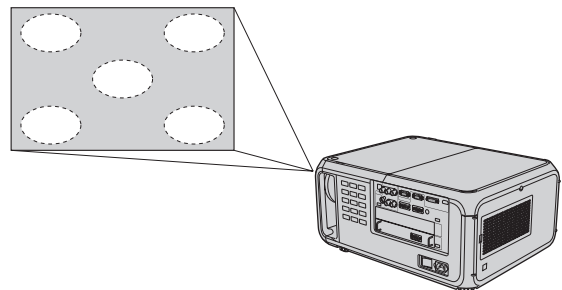
Three focus adjustment screws on the lens mount may be used to compensate for uneven screen focus.

Please adjust the focus balance of the screen by turning the focus adjustment screws.



Adjustment preparations

1. Set up the projector and project images on the screen.
2. Press and hold the LENS SHIFT button for more than 5 seconds to shift the lens to the center position.
3. Adjust the focus to make the center area sharpest, by using the focus adjustment of the projector.
4. When the peripheral focus is out of focus in some localized areas, follow the procedure on the next page and adjust the focus balance on the screen.



Adjustment procedure

1. Loosen the focus locking screws (Black) of the adjustment point.
2. Turn the focus adjustment screws (Silver) to adjust the focus balance.
3. When adjustment is complete, tighten the locking screws (Black).

Three adjustment screws can work on the following focus balances respectively.

Point A

Adjust the focus balances of left and right side of the screen.

Turning the screw counter-clockwise

- Move the optimal focus of right side of the screen backward.

Turning the screw clockwise

- Move the optimal focus of right side of the screen forward.

Point B

Adjust the focus balances of top left and bottom right of the screen.

Turning the screw counter-clockwise

- Move the optimal focus of bottom right of the screen backward.

Turning the screw clockwise

- Move the optimal focus of bottom right of the screen forward.

Point C

Adjust the focus balances of top right and bottom left of the screen.

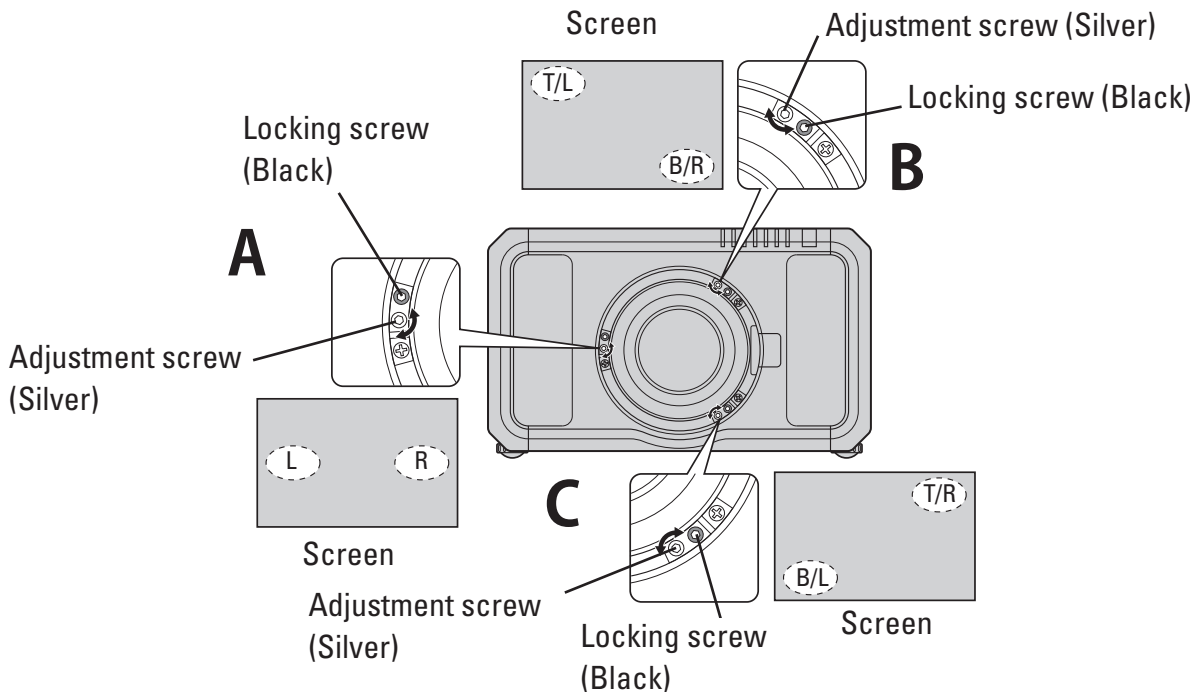
Turning the screw counter-clockwise

- Move the optimal focus of top right of the screen backward.

Turning the screw clockwise

- Move the optimal focus of top right of the screen forward.

NOTE; Please use either a hexagon screwdriver or hexagon wrench (3 mm) for adjustment screws and locking screws.



Mechanical Disassembly


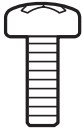
Mechanical disassembly flow chart

Mechanical disassembly should be made by following procedures chart. Following steps show the basic procedures, therefore unnecessary step may be ignored.

Caution:

The parts and screws should be placed exactly the same position as the original otherwise it may cause loss of performance and product safety.

The wiring method of the leads and ferrite cores should be returned exactly the same state as the original, otherwise it may cause lose of performance and product safety.

Screws Expression (Type Diameter x Length) mm	
T type	M Type
	

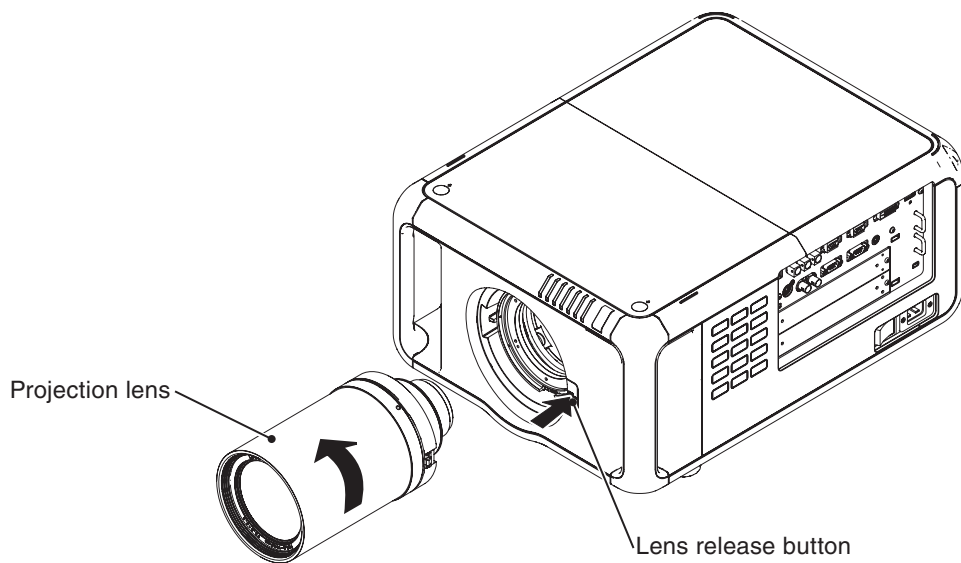
- 1 Projection lens removal**
- 2 Cabinet top removal**
- 3 Main and Control boards removal**
- 4 AV, Mother and LED light boards removal**
- 5 Lamps and Color wheels removal**
- 6 Optical base assy and Power(DC) board removal**
 - 6-1 Optical base assy disassembly**
- 7 Cabinet front assy removal**
- 8 Lens holder and Optical unit assy removal**
 - 8-1 Shutter assy removal**
 - 8-2 Formatter board assy removal**
 - 8-3 Dynamic black unit removal**
 - 8-4 Optical unit disassembly-1**
 - 8-5 Optical unit disassembly-2**
- 9 Optical lamp cover assy removal**
- 10 Ballast assy and Filter duct assy removal**
 - 10-1 Ballast assy disassembly**
 - 10-2 Filter duct assy disassembly**
- 11 R/C2 and AC box assy removal**
- 12 Lamp duct box assy removal**
- 13 Power(AC) and PFC board removal**

Mechanical disassembly

1 Projection lens removal

1 Press and hold the lens release button and turn the projection lens anti-clockwise and then pull out the projection lens.

* See item "Lens Mounting and Removing" for further information.

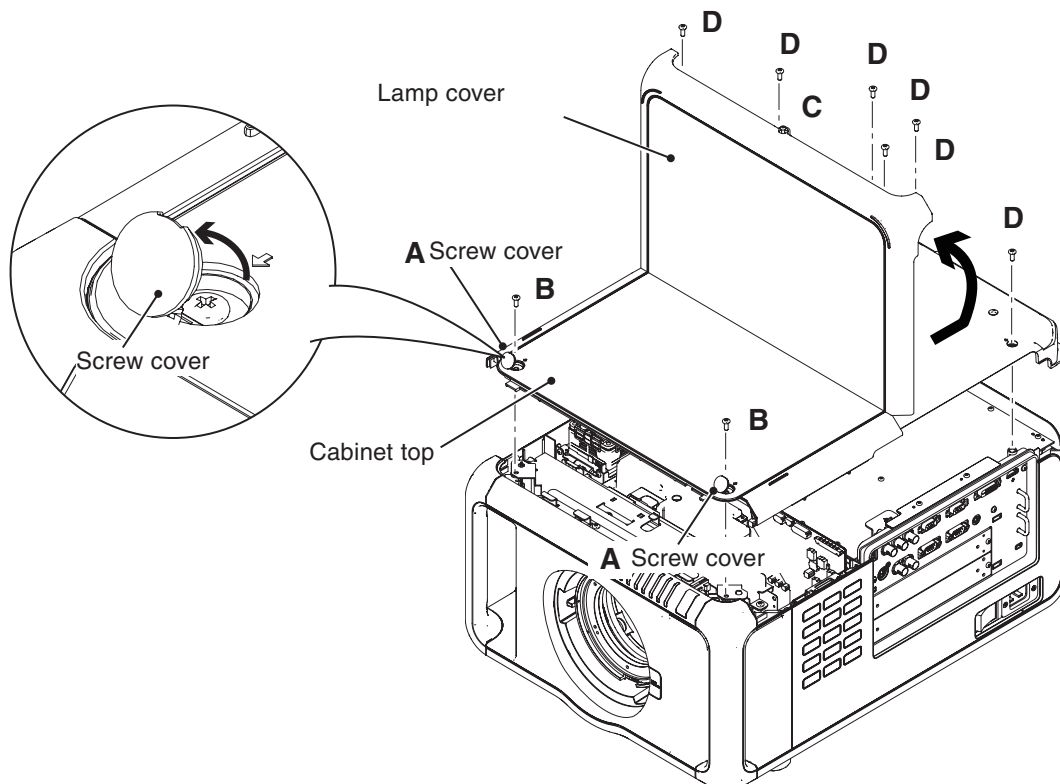


2 Cabinet top removal

1 Open 2 screw covers-A and remove 2 screws-B (M4x8).

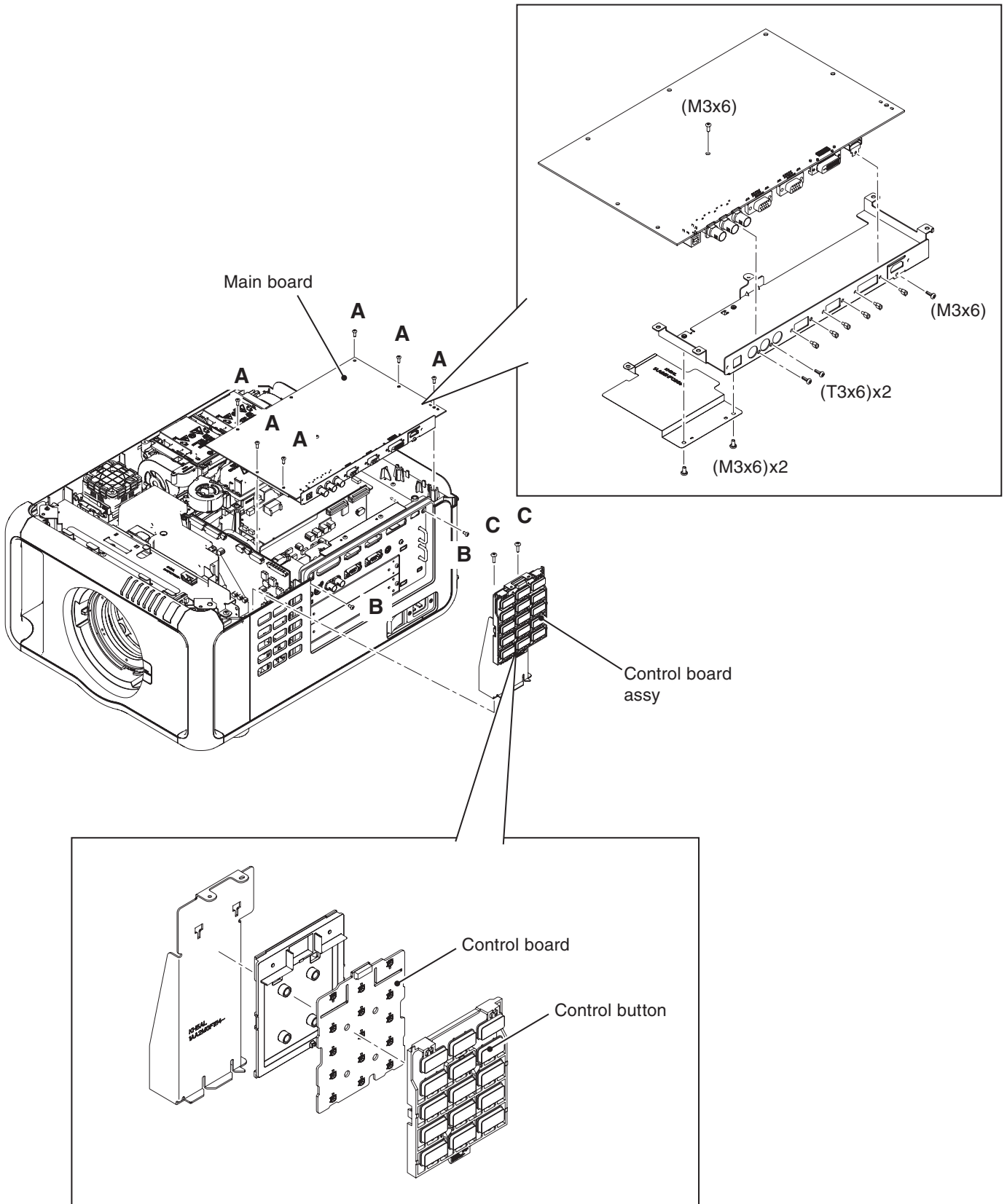
2 Loosen 1 screw-C and turn the lamp cover.

3 Remove 6 screws-D (M4x8) and remove the cabinet top.



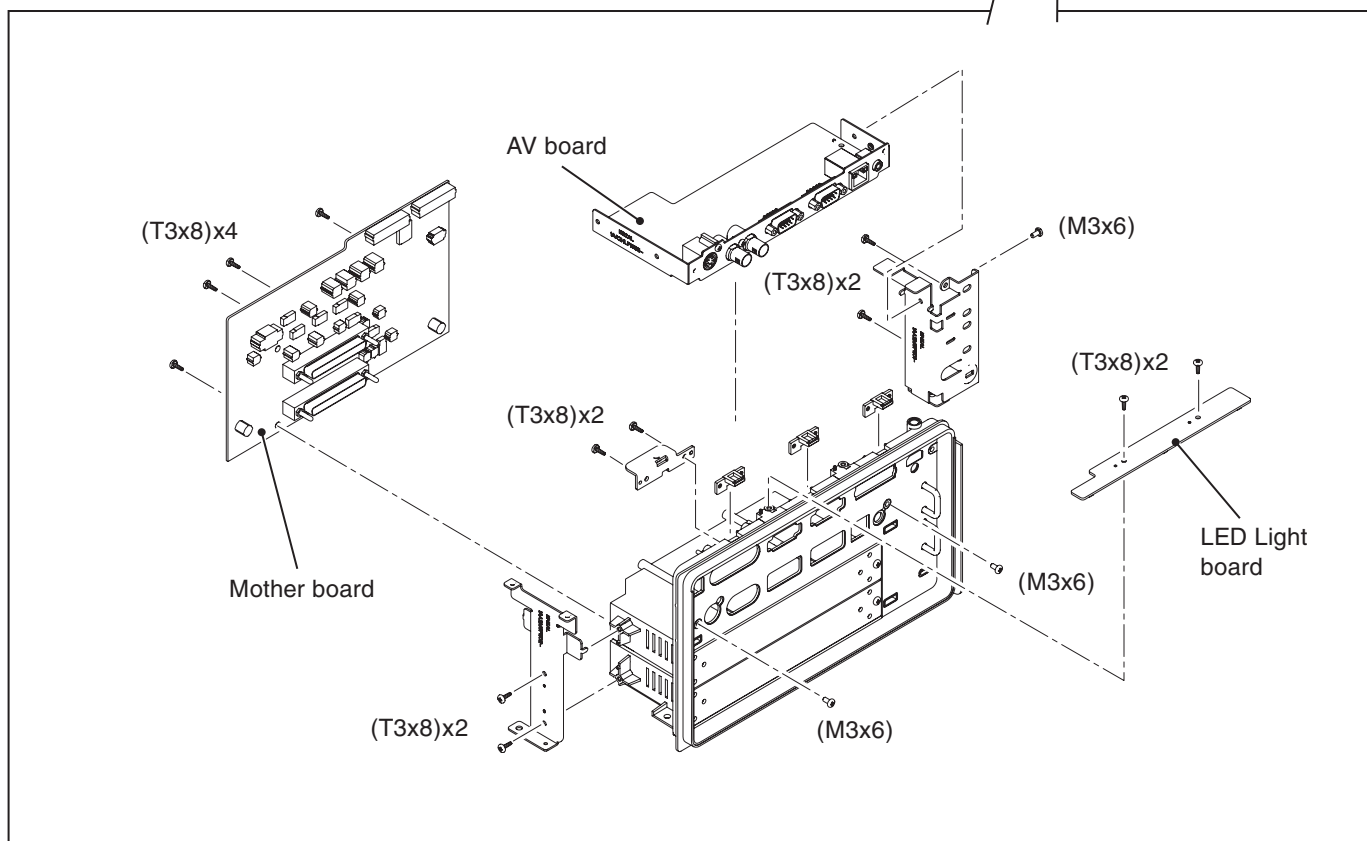
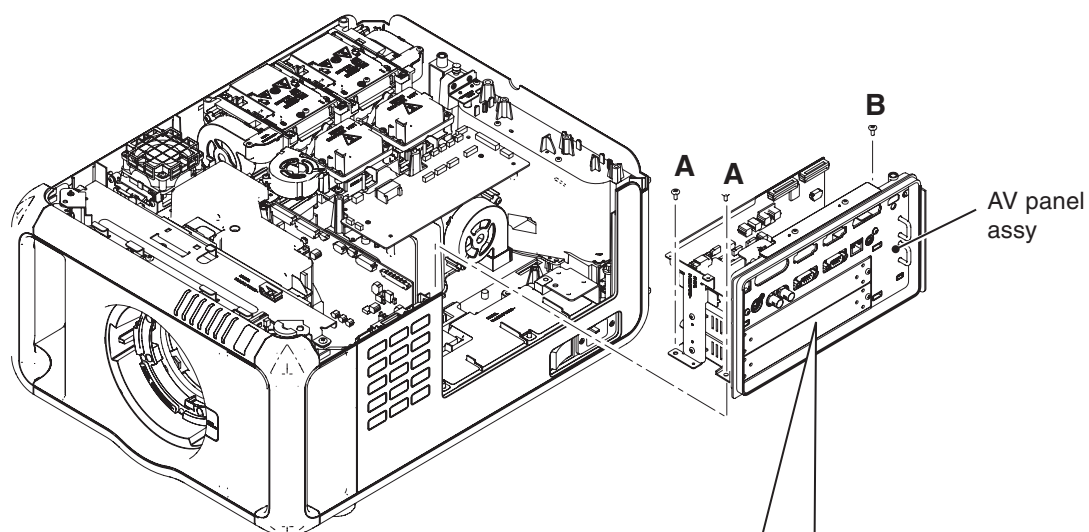
3 Main and Control boards removal

- 1 Remove 6 screws-A (M3x6) on the Main board and 2 screws-B (M3x6) on the AV panel and then remove the Main board.
- 2 Remove 2 screws-C (T4x10) and pull up the Control board assy.



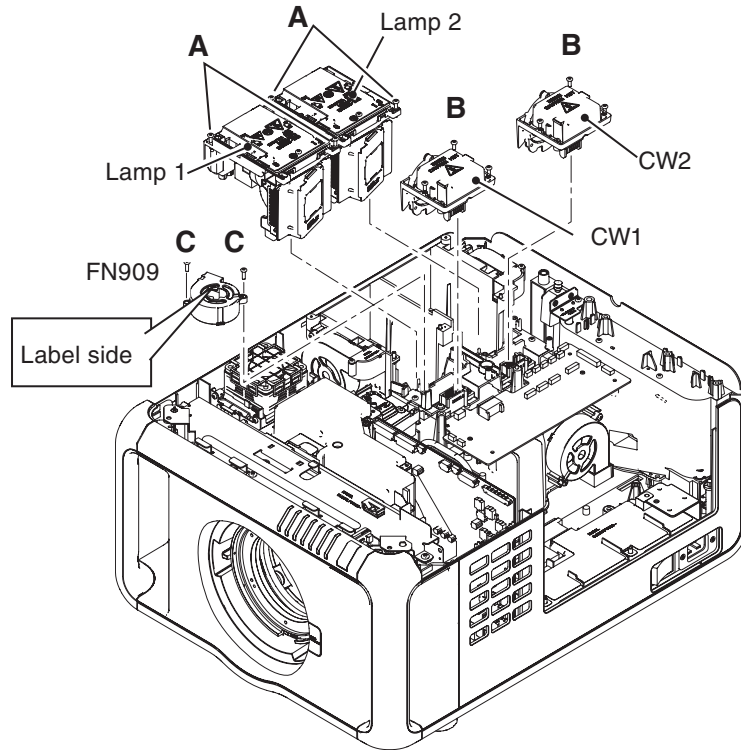
4 AV, Mother and LED light boards removal

1 Remove 2 screws-A (T4x10) and 1 screw-B (M4x8) and take the AV panel assy upward off.



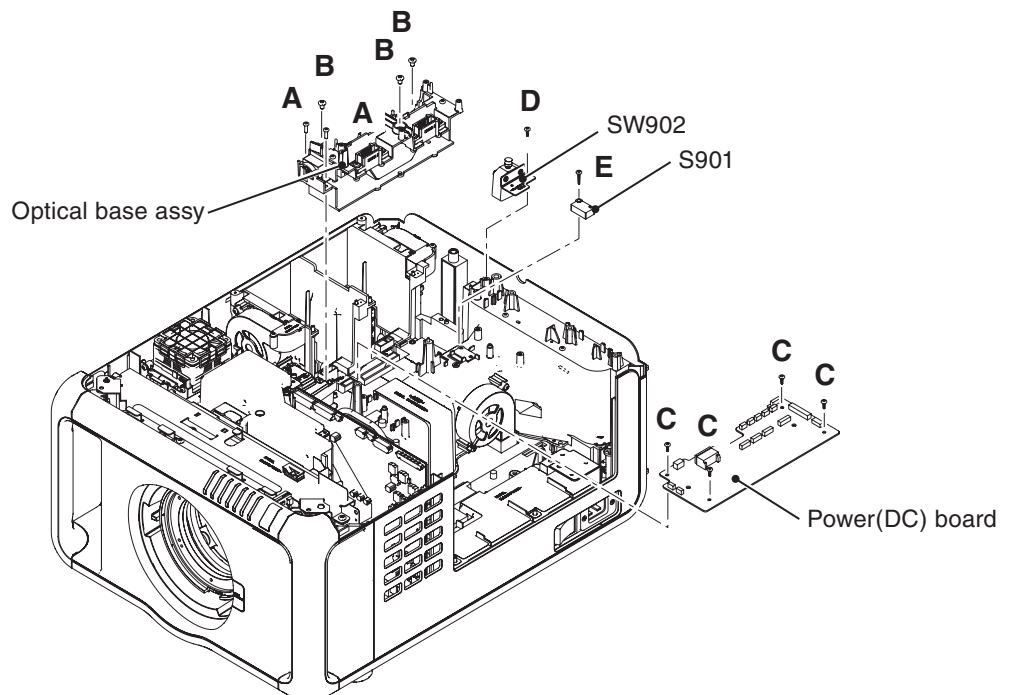
5 Lamps and Color wheels removal

- 1 Loosen 2 screws-A on each lamp and pull out the lamps.
- 2 Loosen 3 screws-B on each color wheel unit and then take the color wheel unit off.
- 3 Remove 2 screws-C (M3x12) and take the fan (FN909) off.



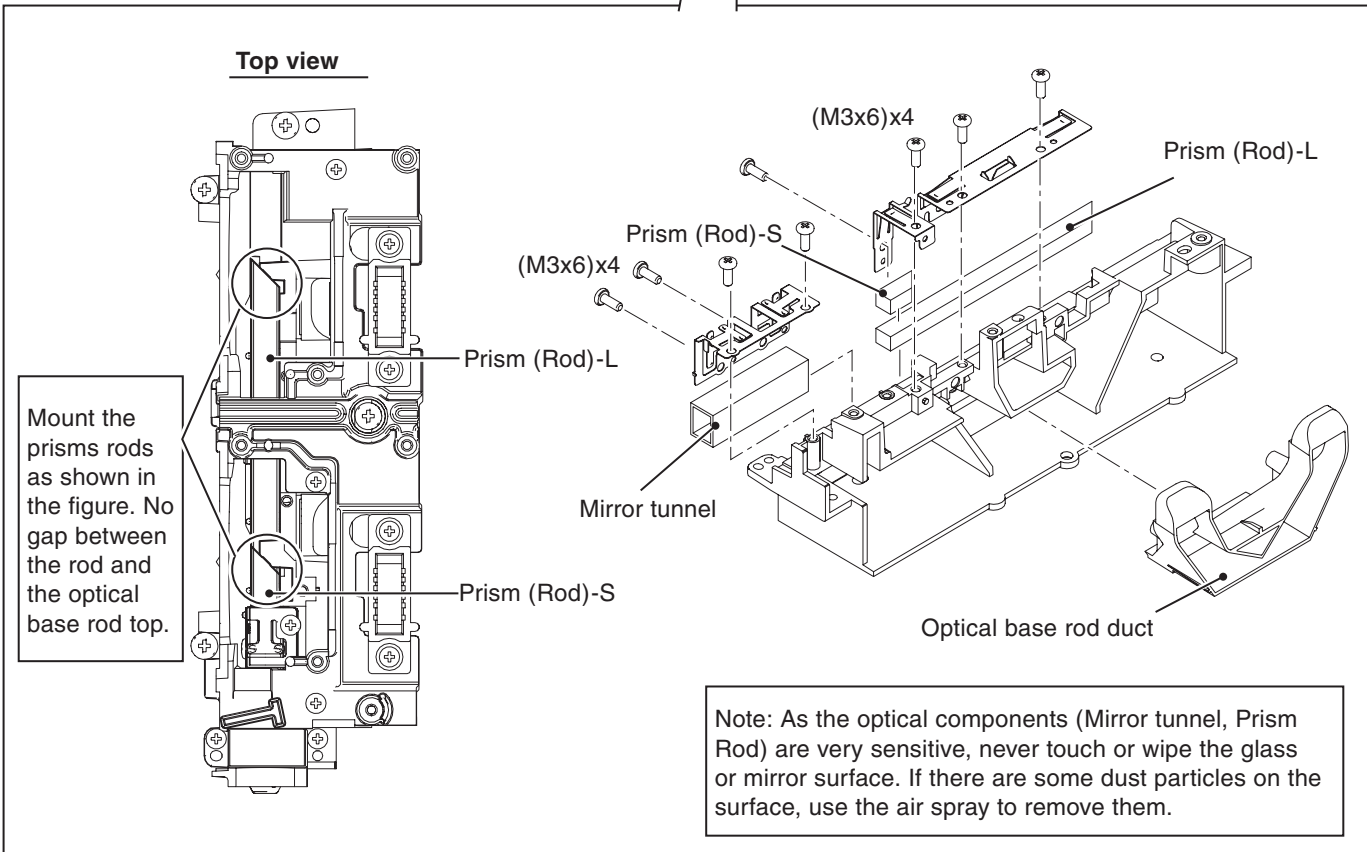
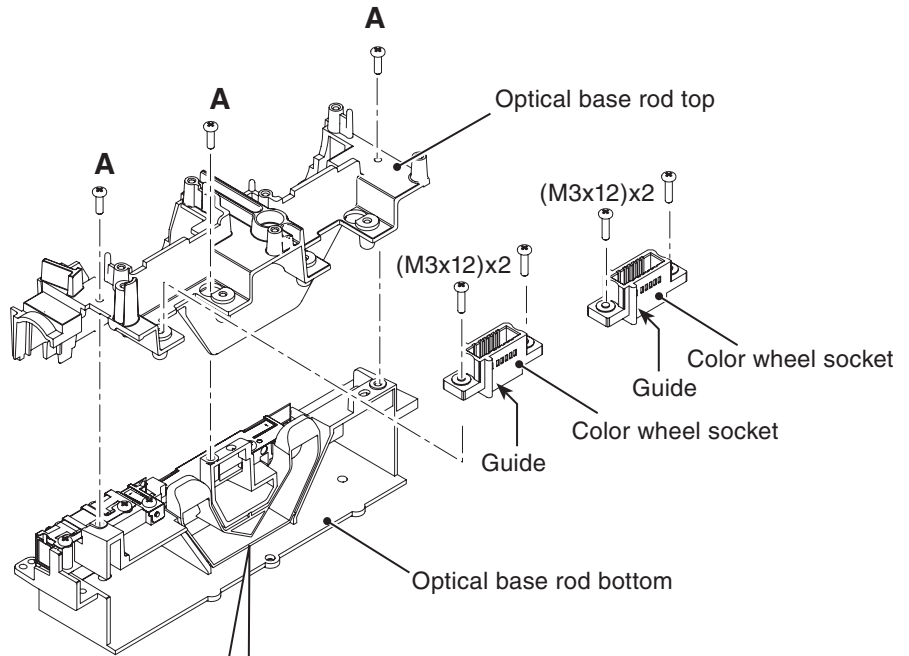
6 Optical base assy and Power(DC) board removal

- 1 Remove 2 screws-A (M3x6) and 3 screws-B (T4x10) and the take the Optical base assy off.
- 2 Remove 4 screws-C (T3x8) and remove the Power(DC) board.
- 3 Remove 1 screws-D (T3x8) and remove the Lamp cover switch (SW902).
- 4 Remove 1 screws-E (T3x14) and remove the Wind sensor (S901).



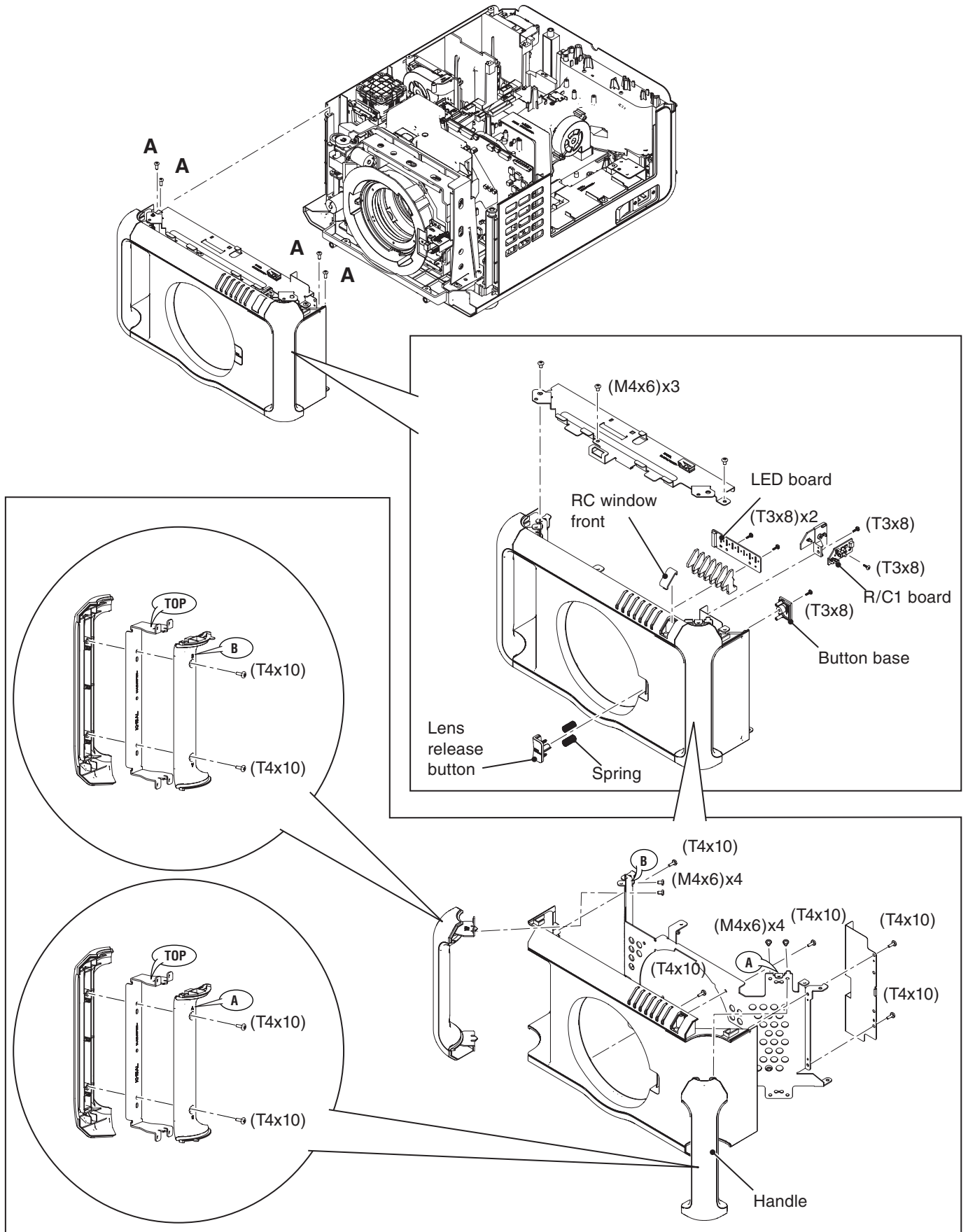
6-1 Optical base assy disassembly

1 Remove 3 screws-A (M3x10) and take the Optical base rod top off.



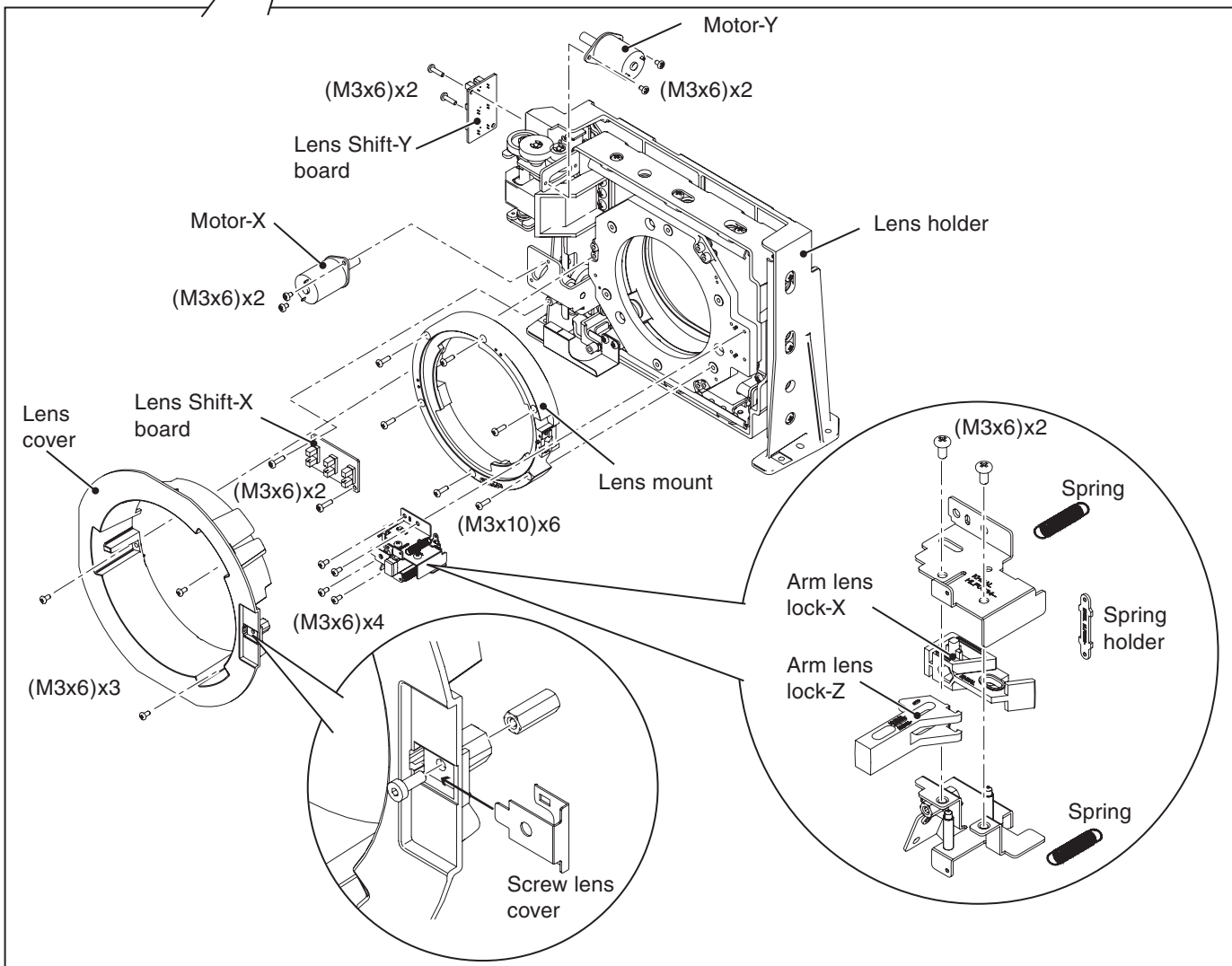
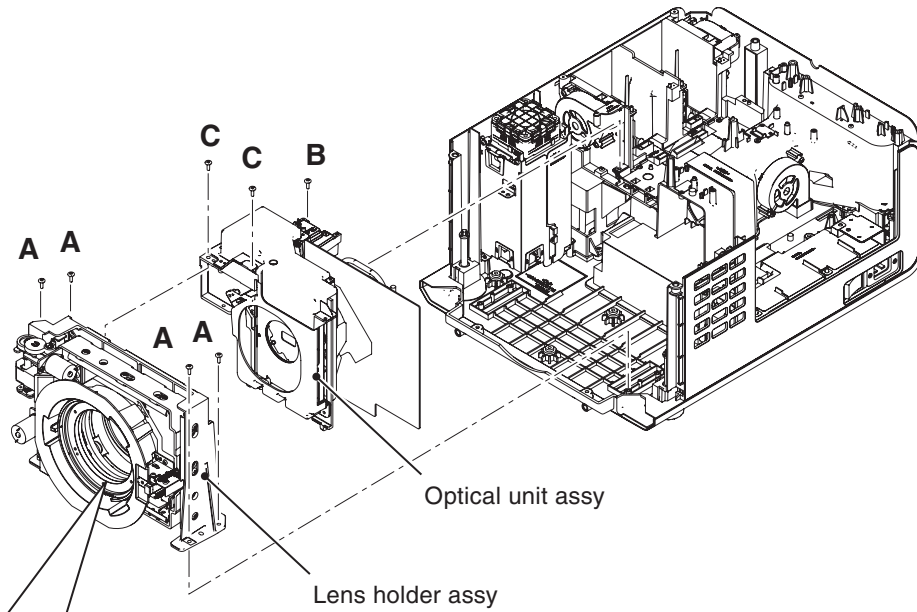
7 Cabinet front assy removal

1 Remove 4 screws-A (M4x8) and take the Cabinet front assy off.



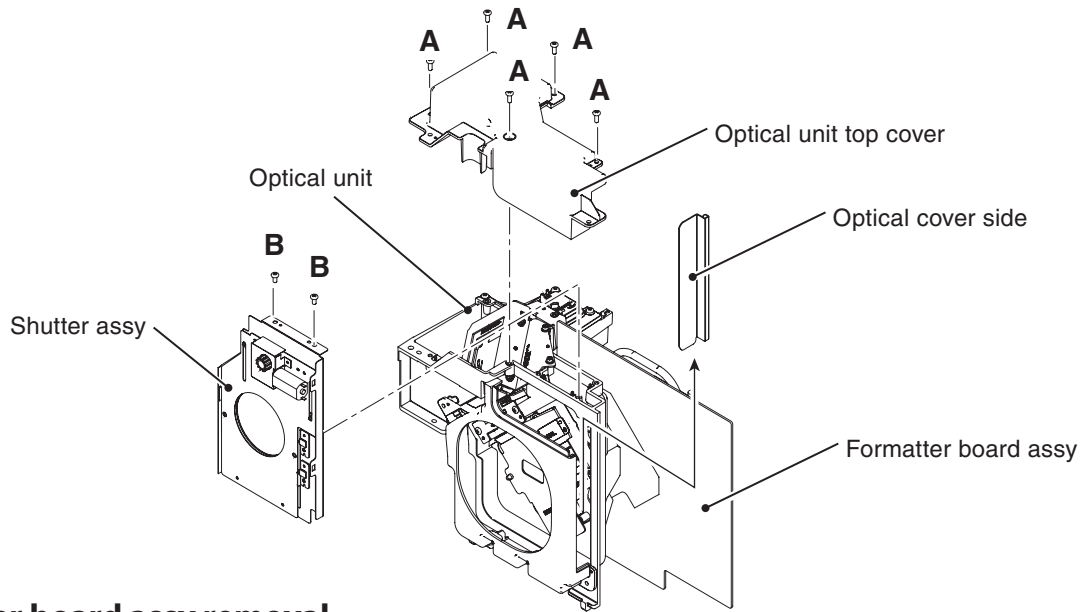
8 Lens holder and Optical unit assy removal

- 1 Remove 4 screws-A (T4x10) and 1 screw-B (T4x10) and take the Lens holder assy and Optical unit assy off.
- 2 Remove 2 screws-C (M4x8) and take the optical unit assy from the Lens holder assy.



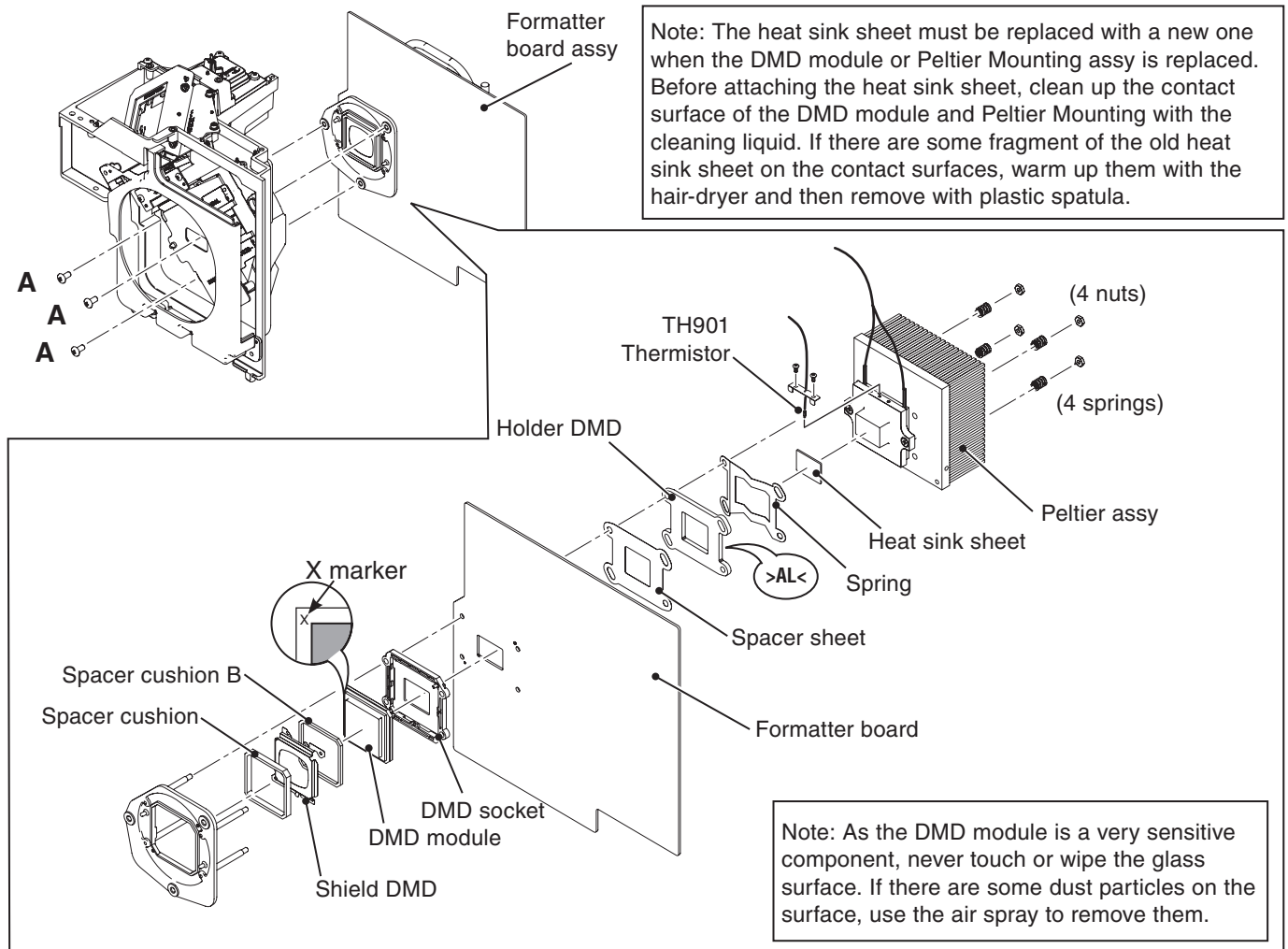
8-1 Shutter assy removal

- 1 Remove 5 screws-A (M3x6) and take the Optical unit top cover off.
- 2 Pull out the optical cover side.
- 3 Remove 2 screws-B (M3x6) and take the Shutter assy off.



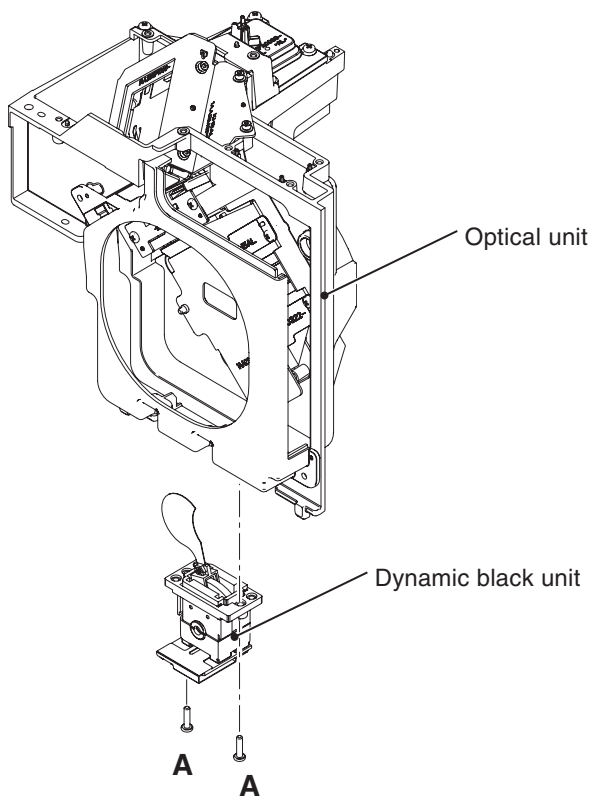
8-2 Formatter board assy removal

- 1 Remove 3 screws-A (M4x8) and take the Formatter board assy from the Optical unit.



8-3 Dynamic black unit removal

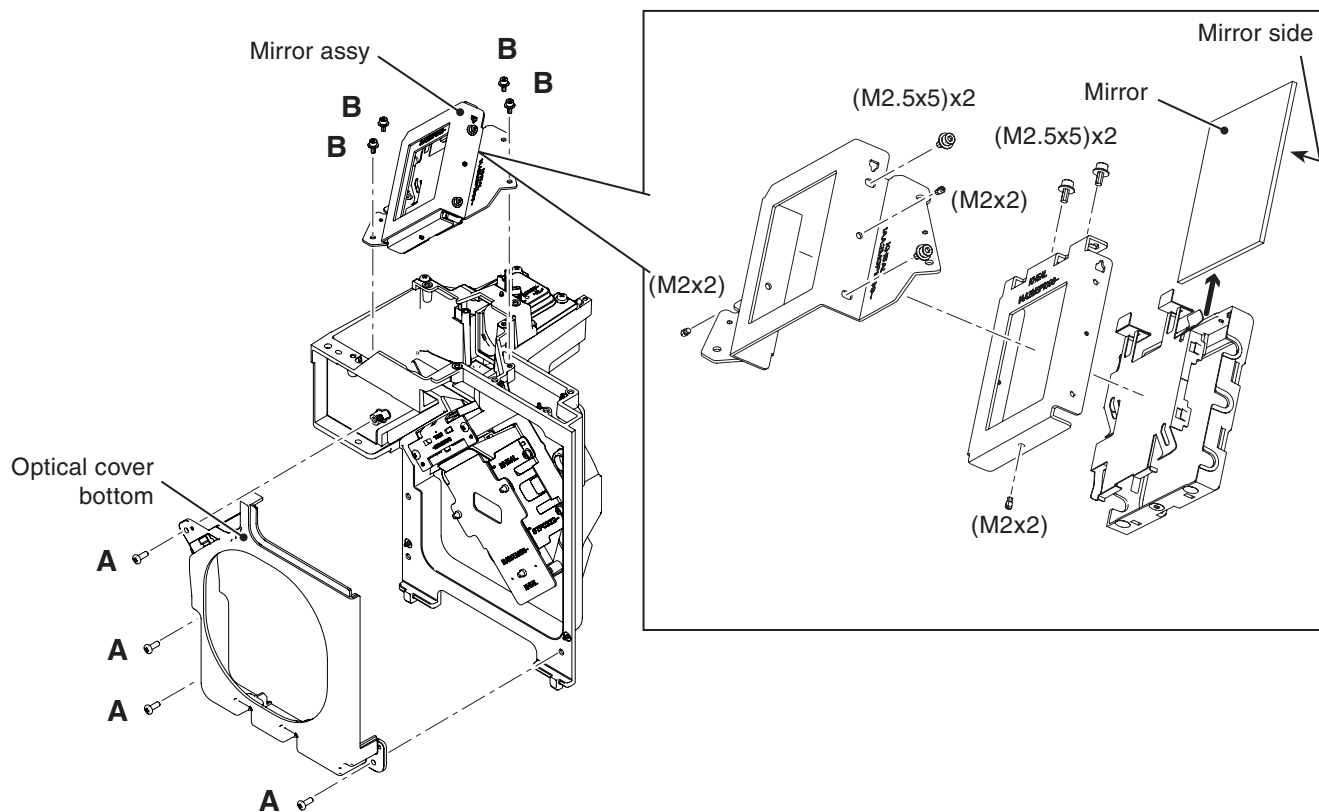
1 Remove 2 screws-A (M3x12) and take the Dynamic black unit off.



8-4 Optical unit disassembly-1

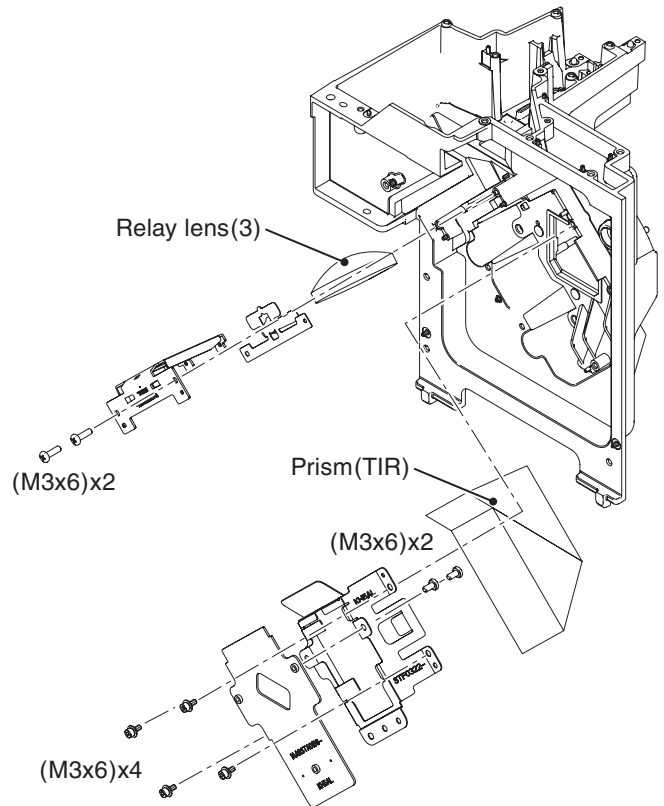
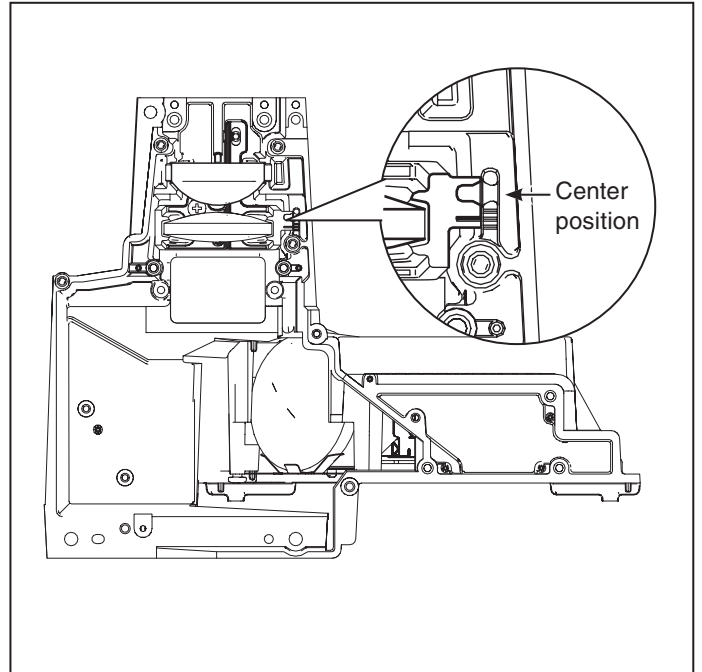
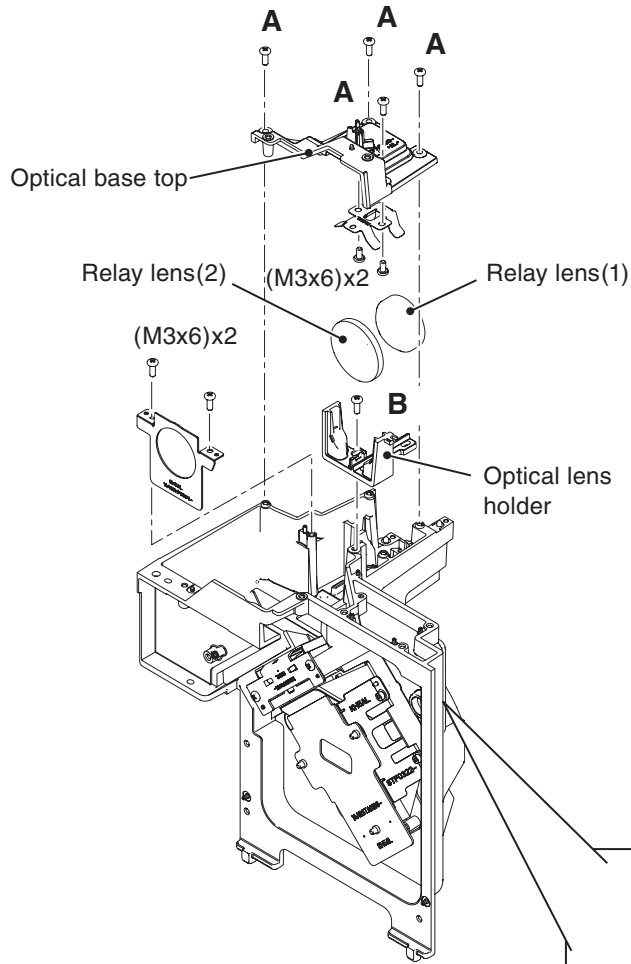
1 Remove 4 screws-A (M3x6) and take the Optical cover bottom off.

2 Remove 4 screws-B (M2.5x5) and take the Mirror assy off.



8-5 Optical unit disassembly-2

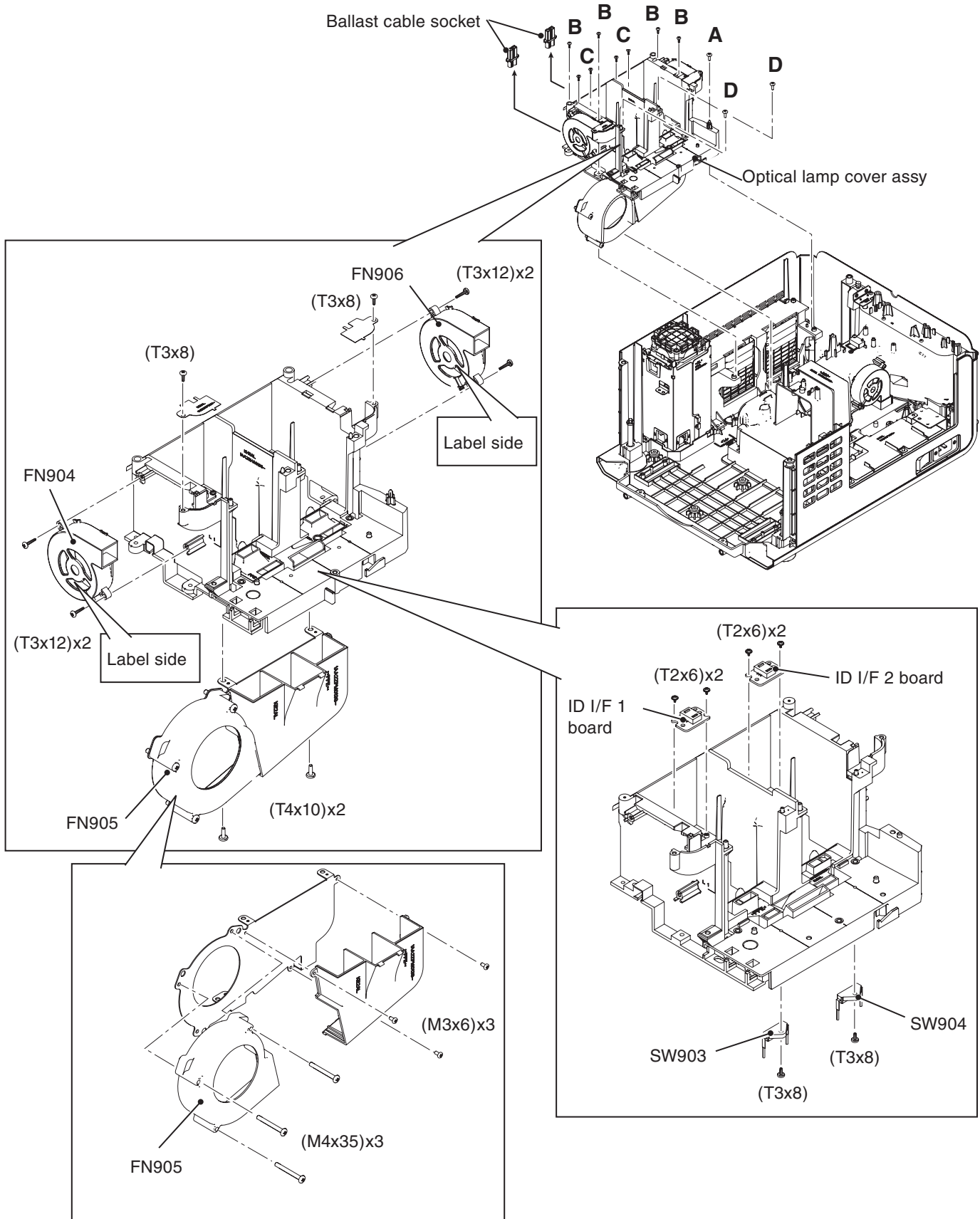
- 1 Remove 4 screws-A (M3x6) and take the Optical base top off.
- 2 Remove 1 screw-B(M3x8) and take the Optical lens holder off.



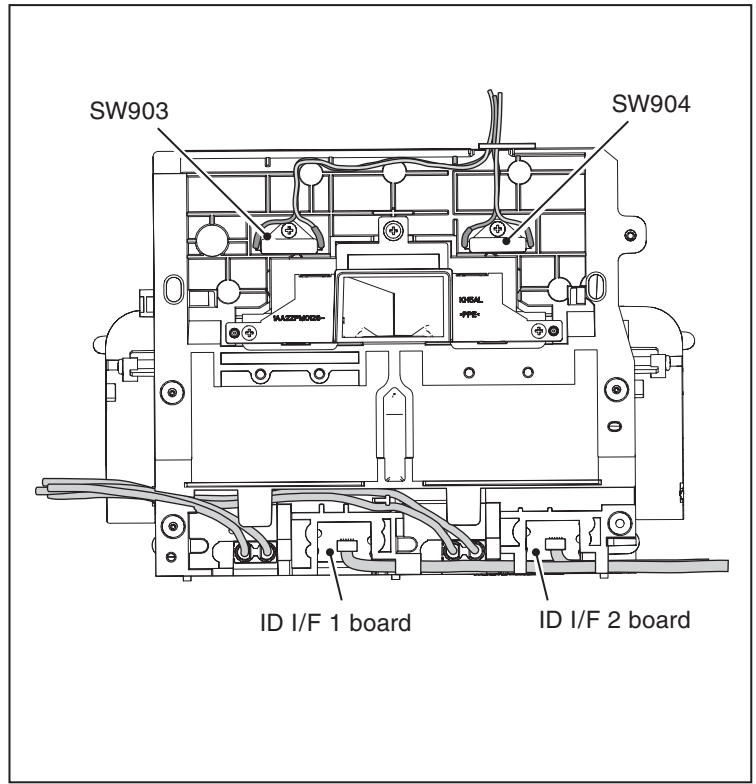
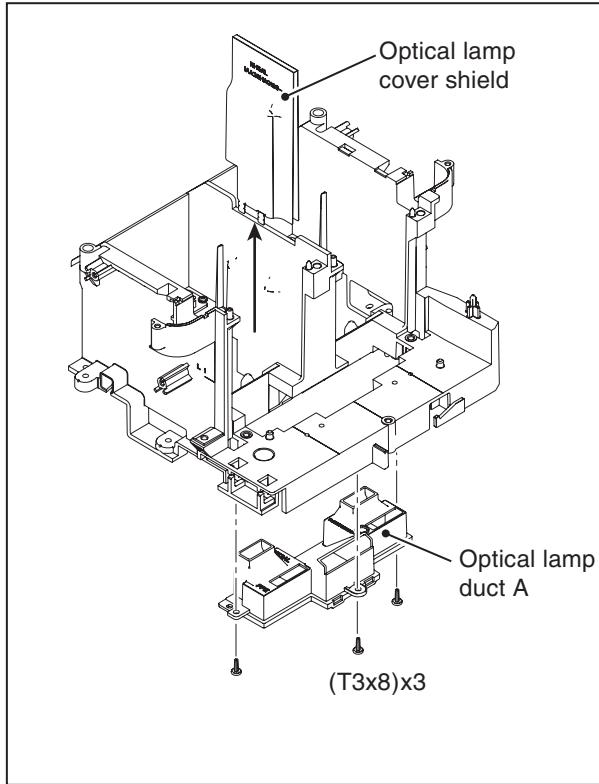
Note:
As the prism(TIR) is a very sensitive component, never touch or wipe the surface of prism(TIR). If there are some dust particles on the prism(TIR) surface, use the air spray to remove them.

9 Optical lamp cover assy removal

1 Remove 1 screw-A (T4x10) and 4 screws-B (T3x8). Remove 2 screws-C (T3x8) on each ballast cable socket, remove 2 screws-D (T4x10) and then take the Optical lamp cover assy off.

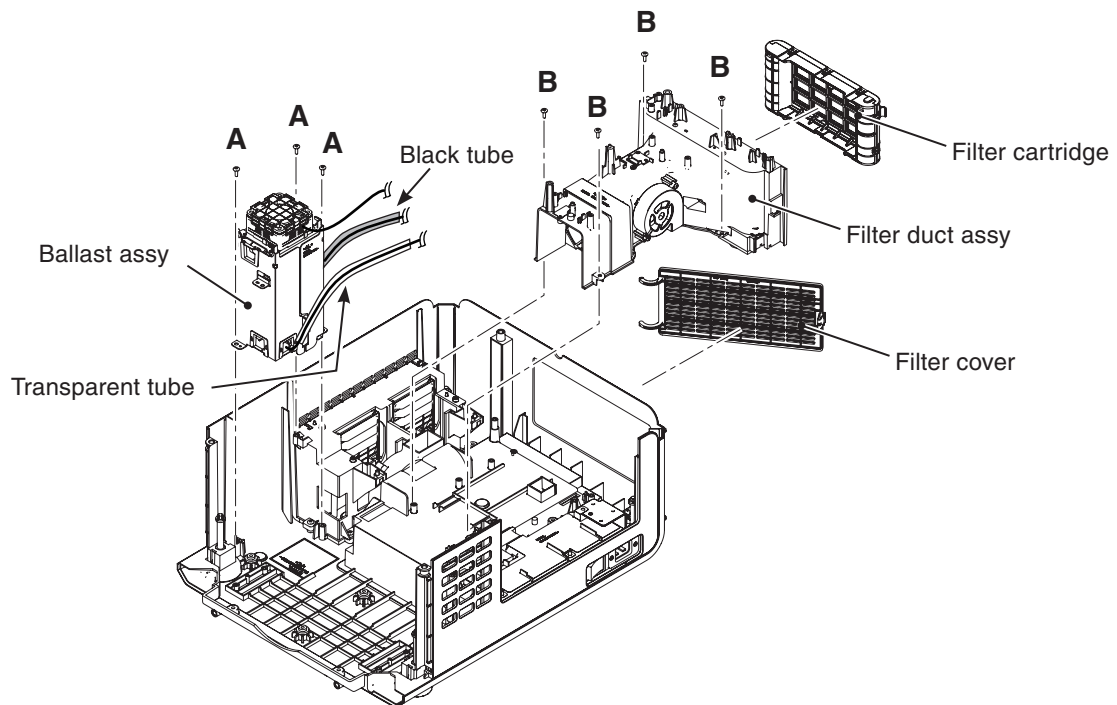


Wiring on optical lamp cover (Bottom side)

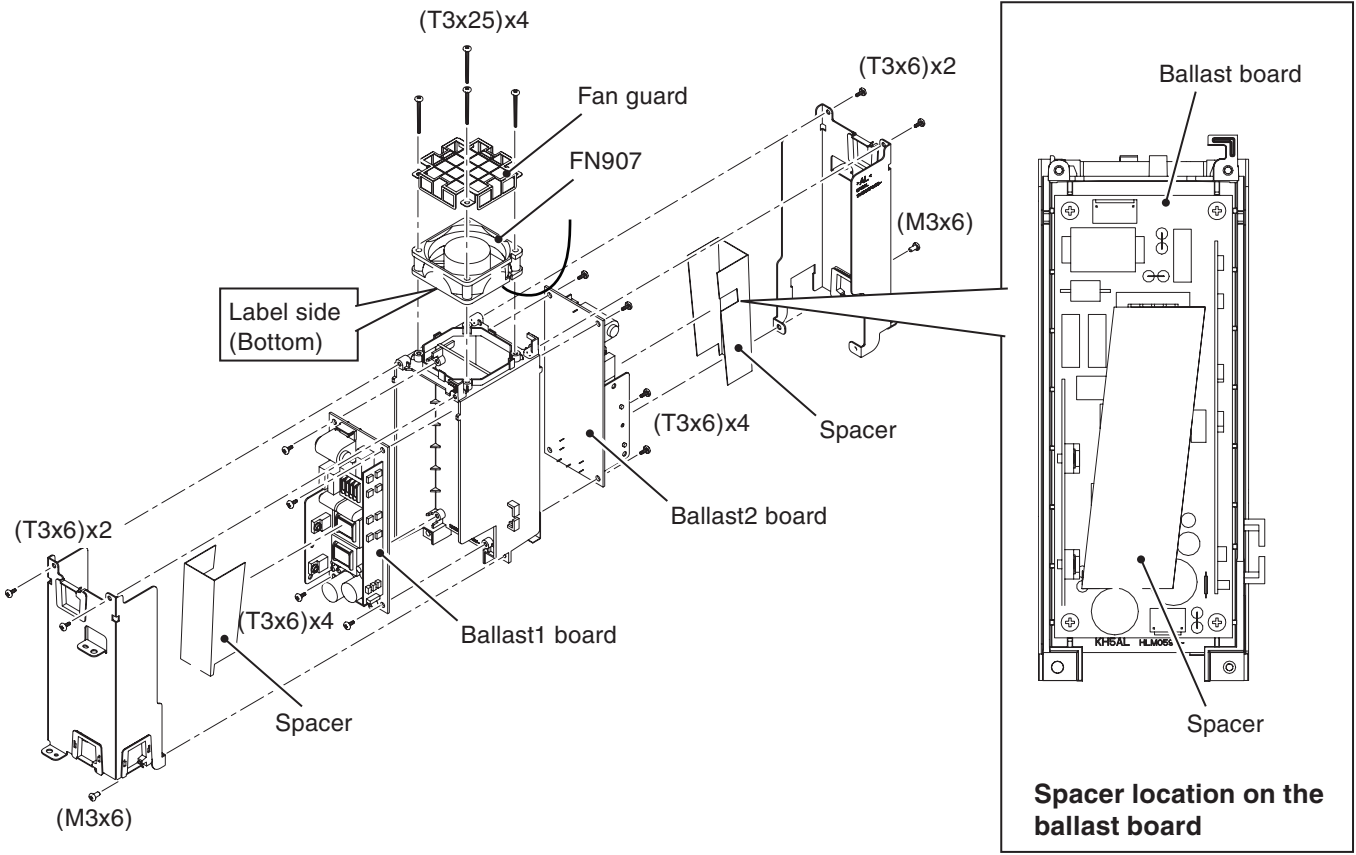


10 Ballast assy and Filter duct assy removal

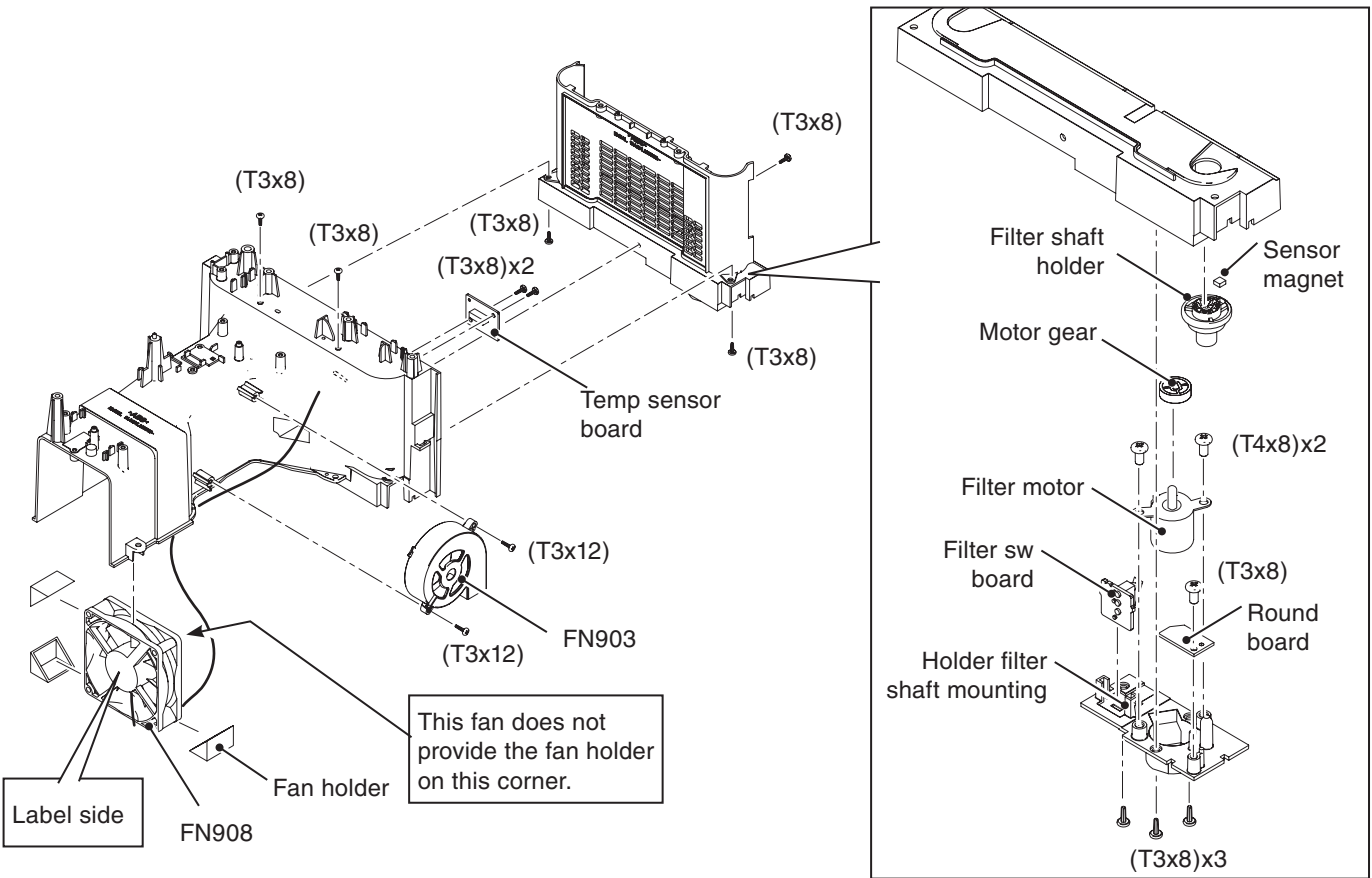
- 1 Remove 3 screws-A (T4x10) and take the ballast assy off.
- 2 Remove the filter cover and filter cartridge.
- 3 Remove 4 screws-B (T4x10) and take the Filter duct assy off.



10-1 Ballast assy disassembly

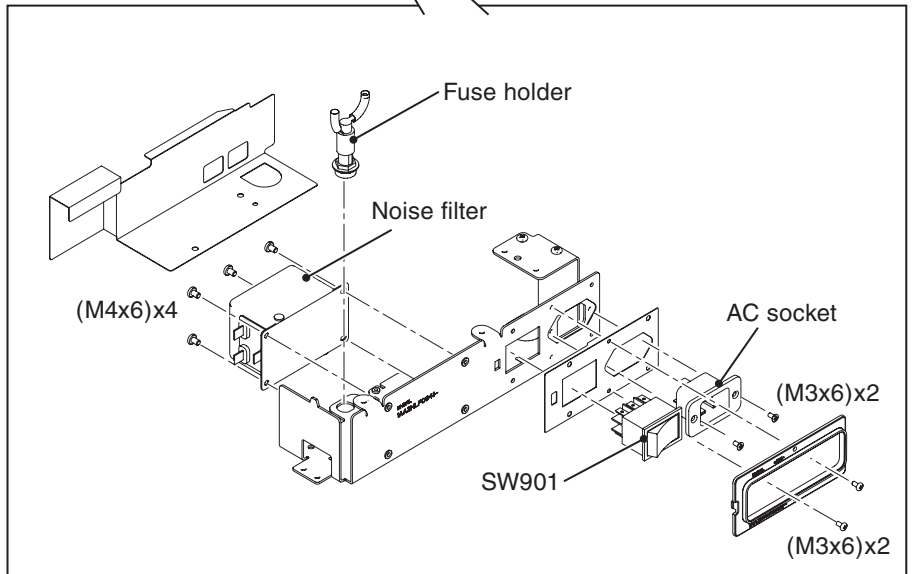
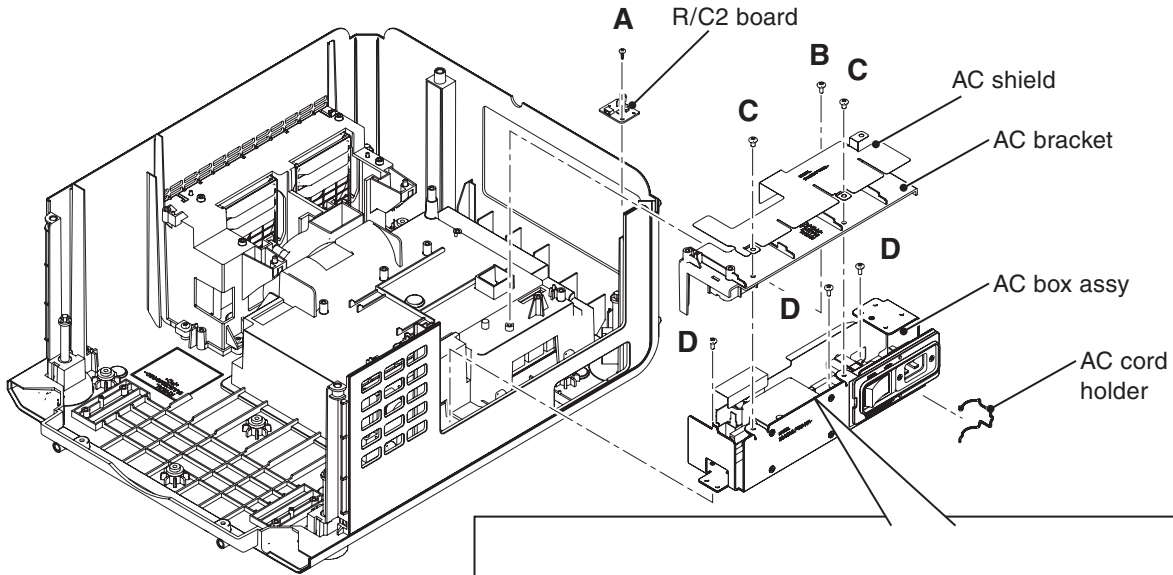


10-2 Filter duct assy disassembly

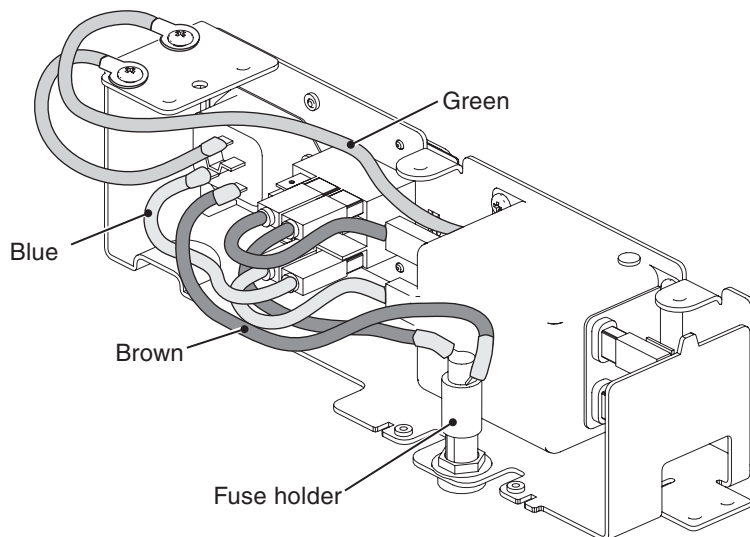


11 R/C2 board and AC box assy removal

- 1 Remove 1 screw-A (T3x8) and take the R/C2 board off.
- 2 Remove 1 screw-B (T4x8) and 2 screws-C (M4x6) take the AC bracket and AC shield off.
- 3 Remove 3 screws-D (T4x8) and take the AC box assy off.

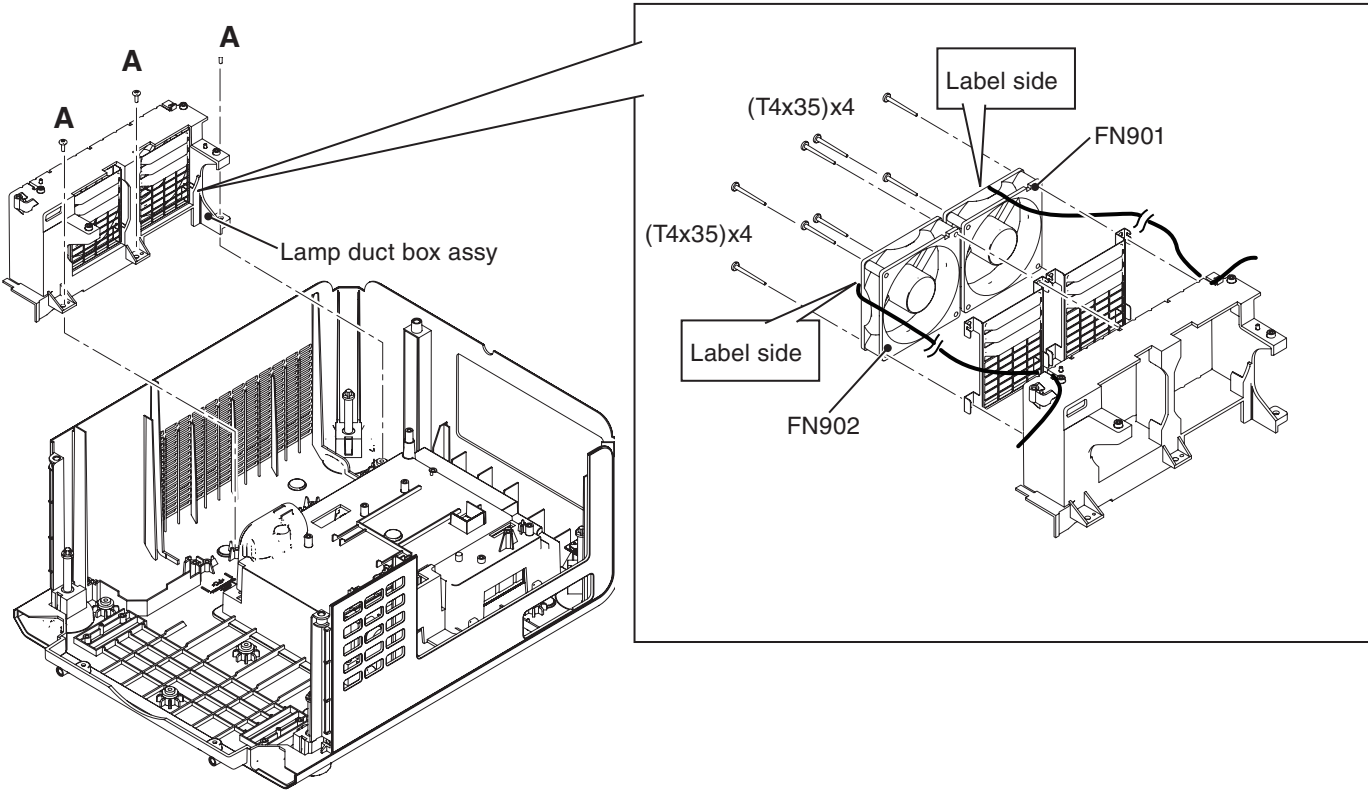


Wiring in AC box



12 Lamp duct box Assy removal

1 Remove 3 screws-A (T4x10) and take the lamp duct box Assy off.



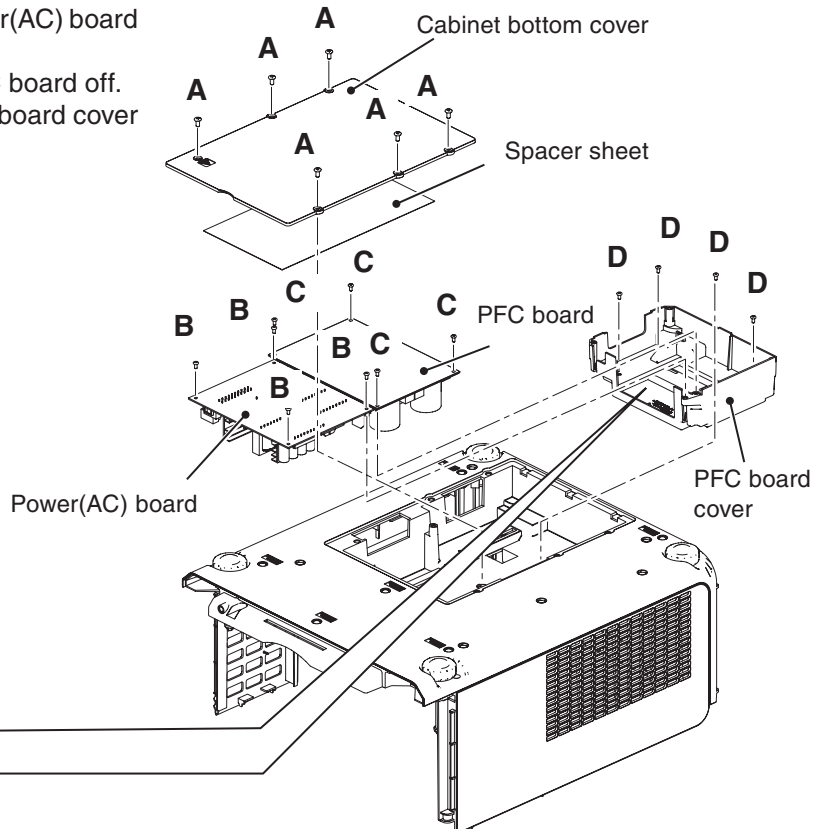
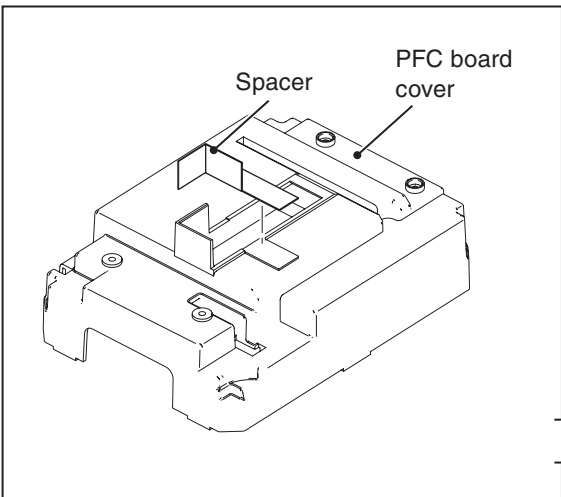
13 Power(AC) and PFC board removal

1 Remove 6 screws-A (M4x8) and take the Cabinet bottom cover off.

2 Remove 4 screws-B (M3x6) and take the Power(AC) board off.

3 Remove 4 screws-C (M3x6) and take the PFC board off.

4 Remove 4 screws-D (T3x8) and take the PFC board cover off.



Adjustments

Adjustments after Parts Replacement

● : Adjustment necessary ○ : Check necessary

		Disassembly / Replaced Parts				
		Mirror / Light tunnel	Main board	Power (DC) board	PFC board	Fans / Sensor (S901)
Adjustments	Mirror adjustment	●				
	Output voltage adjustment *				○	
	Fan driving voltage adjustment		●	●		●
	Auto-calibration (PC) adjustment *		○			
	Auto-calibration (Slot) adjustment *		○			
	Auto-calibration (Component) adjustment *		○			
	Auto-calibration (Video) adjustment *		○			
	Wind sensor calibration		●	●		●
	Lens shift centering setting		●			
	Serial No. Setting **see below		●			

* Adjustments item indicated with * are carried out at spare parts shipment in the factory, therefore they are not required when the main board is replaced with new one.

Note on Main Board Replacement

Take the following setting when the main board is replaced.

Serial No. Setting

Each projector has an unique serial no. controlled in the factory. There are 2 ways to check this serial no. The one is printed on the rating label on the cabinet, the other one is displayed on the "Information" on the on-screen menu. The serial no. displayed on the on-screen menu is stored in the memory IC on the main board. When replacing the main board or memory IC, you need to write the serial no. referring to the serial no. printed on the rating label with the serial no. setting tool. For further details, refer to the operation manual of the serial no. setting tool [SST LITE v1.00].

Those software are included in the service CD-ROM listed below;

PROJECTOR SERVICE TOOL CD-ROM v4.20

SERVICE CODE: 610 343 5596

Disabling the Wind Sensor Function

When the Main Board is replaced with new one, the projector detects the clogged filter and rolls up the filter until it ends because the wind sensor setting value in the memory IC on the new board is not setup correctly. To avoid this operation, disable the wind sensor function temporarily following to the procedure below.

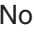



1. Enter the service mode, select Group No. "240" and Item No. "2". Change Data value from "1" to "0". Now the function of wind sensor is disabled.
2. After completing the "Fan driving voltage adjustment", set up to enable the function of the wind sensor. (Group No. "240", Item No. "2", Data value is set to "1")
3. Execute the adjustment "Filter calibration".

Service Adjustment Menu Operation

To enter the service mode

To enter the “Service Mode”, press and hold the **MENU** and **SELECT** button for more than 3 seconds, or press and hold the **MENU** button for more than 20 seconds.. The service menu appears on the screen as follows.

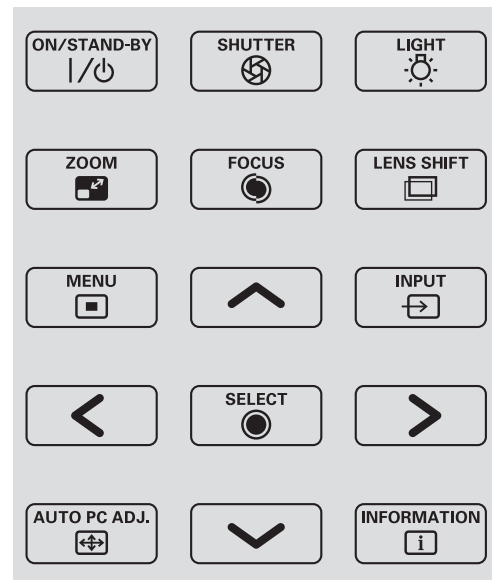
To adjust service data

Select the adjustment Group No. by pressing the **MENU** button (increase) or **SELECT** button (decrease), and select the adjustment Item No. by pressing the pointer  or  button, and change the Data value by pressing the  or  button. Refer to the “Service Adjustment Data Table” for further description of adjustment Group No., Item No. and Data value.

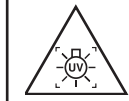
To exit the service mode

To exit the service mode, press the **ON/STAND-BY** button.

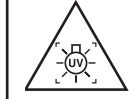
Service Mode			
Input	Input 1		Group No.
Image	Standard		Item No.
Group	No.	Data	Data value
0	0	32	
Ver.	1.00		Firmware Version No.



Optical Adjustments



WARNING : USE UV RADIATION EYE AND SKIN PROTECTION DURING SERVICING.

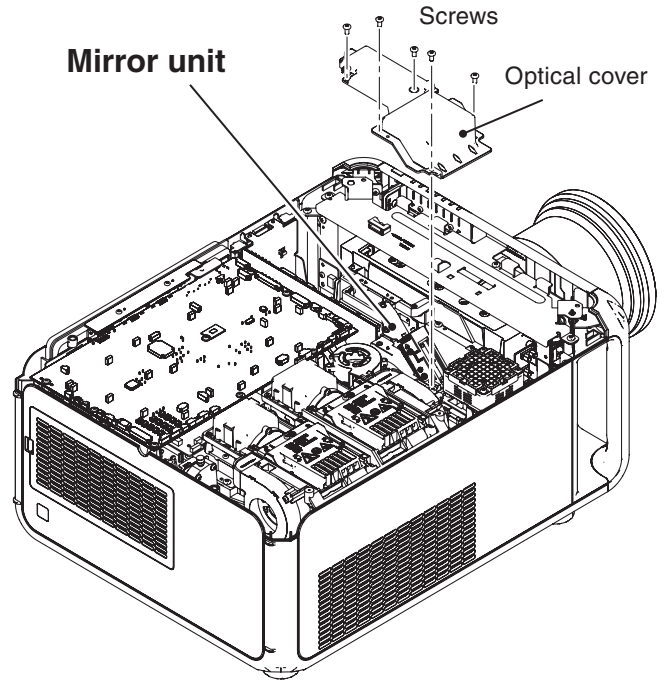


CAUTION:
To prevent suffer of UV radiation, those adjustments must be completed within 25 minutes.

Before Adjustment

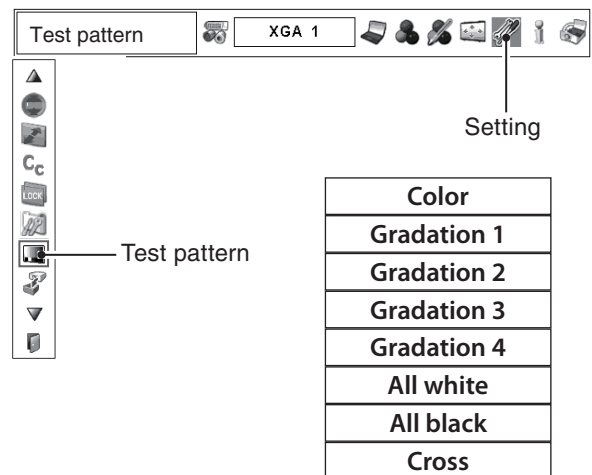
Put on the projector in the darkest room. Each adjustment requires hex wrenches and slot screwdrivers.

- 1 Set the motorized lens shift to the center position (horizontal and vertical) by pressing the LENS SHIFT button for more than 5 seconds. The lens moves to the center position automatically.
- 2 When adjusting optical components adjustments, using Standard Zoom Lens is recommended.
- 3 Set "Dynamic black" function to "Off".
- 4 Remove 5 screws and remove the optical cover.



To select the internal test pattern

- 1 Press the MENU button.
- 2 Select the "Test Pattern" from the "Setting" menu.
- 3 Press the SELECT button. The test pattern menu appears on the screen.
- 4 Select a pattern name and press SELECT button. To cancel the test pattern, press any of the buttons.

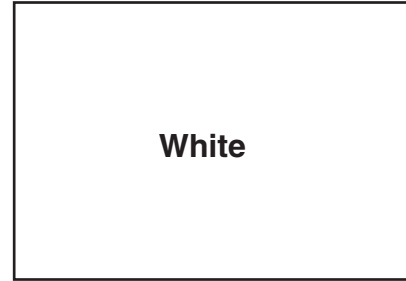


CAUTION:

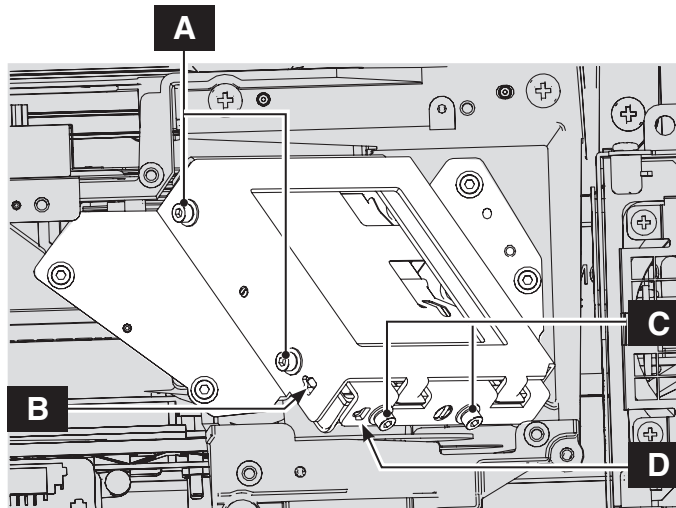
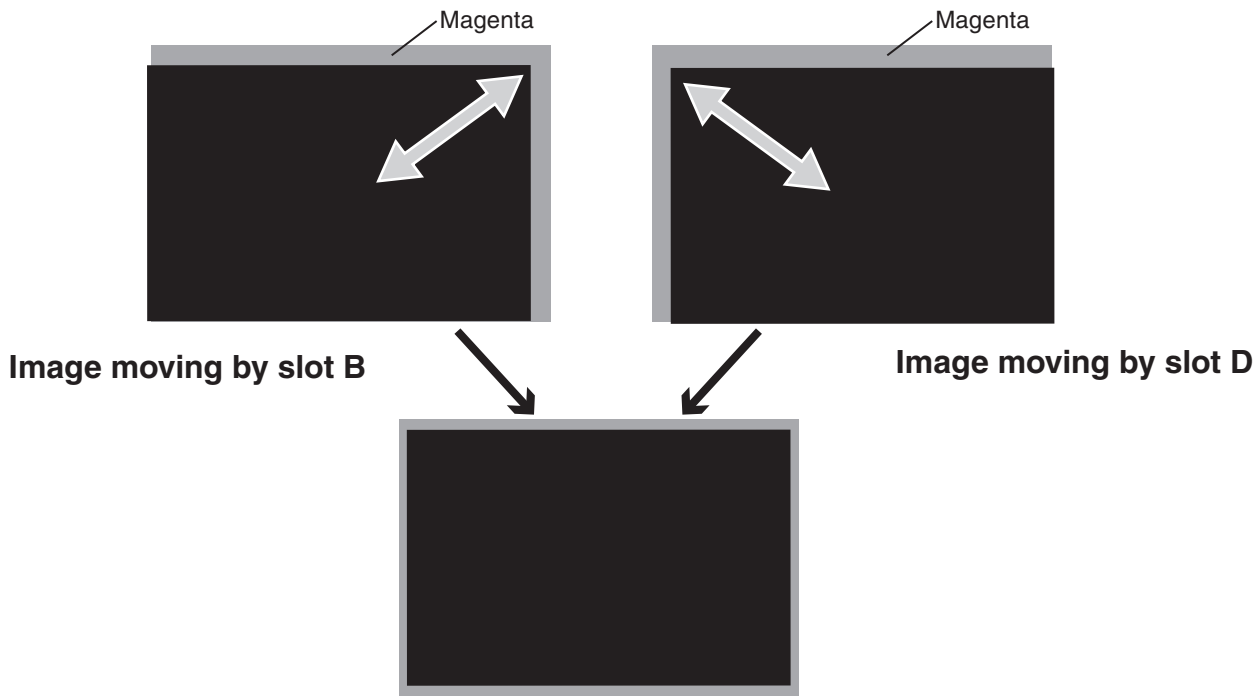
When adjusting the optical components, do not insert any materials into the optical block for blocking the light. Or the optical block may be damaged by overheating or scratching the parts.

Mirror adjustment

- 1 Loosen 4 screws-**A** and **C** on the mirror unit.
- 2 Enter the service mode. Select Group "**152**", No. "**0**" and set data value to "**3**". The magenta color will appear on the edges of the screen. Exit service mode.
- 3 Select the internal test pattern signal "All black" from the projector's menu "Menu -> Setting -> Test pattern".
- 4 Move the mirror so that the magenta color appeared on screen edges becomes the same width.
- Insert a slot driver into the slot **B** or slot **D** and turn it to move the image as shown in the figure below.
- 5 Enter the service mode. Select Group "**152**", No. "**0**" and set data value to "**0**". Check that the magenta color on the edges of the screen will disappear . Exit service mode.
- 6 Select the internal test pattern signal "All white" from the projector's menu "Menu -> Setting -> Test pattern". Check there is no color shading on the screen edges.
- 7 Tighten screws **A** and **C** to fix the mirror unit gently.



(Target screen image)



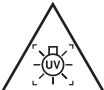
Electrical Adjustment

Circuit Adjustments

CAUTION: The each circuit has been made by the fine adjustment at factory. Do not attempt to adjust the following adjustments except requiring the readjustments in servicing otherwise it may cause loss of performance and product safety. Before taking these adjustments, turn the projector for more than 10 minutes to stabilize the operation.



WARNING : USE UV RADIATION EYE AND SKIN PROTECTION DURING SERVICING.



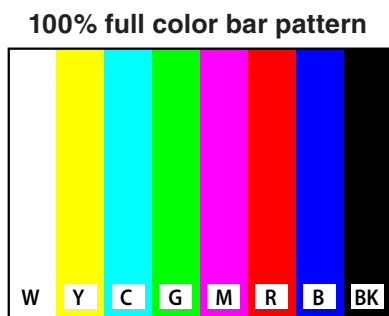
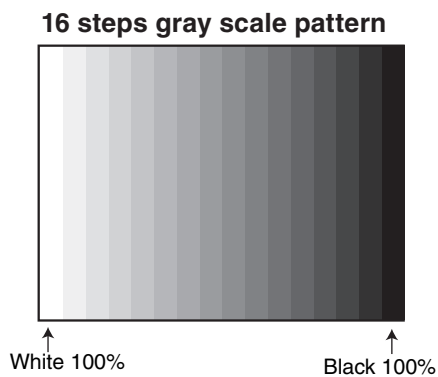
CAUTION:
To prevent suffer of UV radiation, those adjustments must be completed within 25 minutes.

[Adjustment Condition]

- Input signal
 - Computer signal 0.7Vp-p/75Ω terminated (XGA)
 - Video signal 1.0Vp-p/75Ω terminated (PAL/NTSC)
 - Component Video signal 0.7Vp-p/75Ω terminated (480i)
- Image mode..... “Standard”
- Lamp mode..... “2-Lamps”
- Lamp control..... “Normal”
- Brilliant color “Off”
- Auto picture control..... “Off”
- Color management “Off”
- Dynamic black “Off”

Note:
* Please refer to “Service Adjustment Menu Operation” for entering the service mode and adjusting the service data.

● Test Pattern



1 Output Voltage adjustment

Equipment	Digital voltmeter
Lamp mode	2-Lamps
Input AC Voltage	230V

Connect a digital voltmeter to test points and adjust the volumes to be specified voltage as follow;

Test Points	Volume	Voltage
K16B1 (+) K16B2 (-)	VR1601	390Vdc
K16C1 (+) K16C2 (-)	VR1651	390Vdc

Caution:
Be sure to connect the lamp when taking this adjustment.

This adjustment is not required even if the PFC board is replaced because this adjustment is carried out before parts shipment.

2 Fan driving voltage adjustment

Equipment	Digital voltmeter
Lamp mode	2 Lamps
Lamp control	Eco1

1. Enter the service mode.
2. Change data values of each test point to adjust the fan driving voltage.

Group	No.	Fan	Connection	Adjustment value
250	- 1	Fan_1	K66S-1	13.8 +0 -0.1Vdc
250	- 0	Fan_1	K66S-1	5.0 +0.1 -0Vdc
250	- 3	Fan_2	K66S-2	13.8 +0 -0.1Vdc
250	- 2	Fan_2	K66S-2	4.0 +0.1 -0Vdc
250	- 5	Fan_3	K66S-3	13.8 +0 -0.1Vdc
250	- 4	Fan_3	K66S-3	6.0 +0.1 -0Vdc
250	- 7	Fan_4	K66S-4	13.8 +0 -0.1Vdc
250	- 6	Fan_4	K66S-4	6.5 +0.1 -0Vdc
250	- 9	Fan_5	K66S-5	13.8 +0 -0.1Vdc
250	- 8	Fan_5	K66S-5	5.0 +0.1 -0Vdc

Note :

Group Fan_1: FN905
 Group Fan_2: FN904, FN906
 Group Fan_3: FN903, FN907, FN909
 Group Fan_4: FN901, FN902
 Group Fan_5: FN908

3 Auto calibration (PC)

Input mode	Input 1 [RGB (PC Analog)]
Input signal	16-step gray scale computer signal

1. Enter the service mode.
2. Select Group "260", No. "100" and set data value to "1".
3. Select Group "260", No. "0" and set data value "0" to "1".
The projector begins auto-calibration and then "OK" will appear on the screen.
4. Select Group "260", No. "100" and set data value to "3".
5. Select Group "260", No. "0" and set data value "0" to "1".
The projector begins auto-calibration and then "OK" will appear on the screen.
6. Select Group "260", No. "100" and set data value to "0".

4 Auto calibration (Slot)

Input mode	Input 3 [RGB (PC Analog)]
Input signal	16-step gray scale computer signal
Slot board	Analog RGB input board equipped

1. Enter the service mode.
2. Select Group "260", No. "100" and set data value to "2".
3. Select Group "260", No. "0" and set data value "0" to "1".
The projector begins auto-calibration and then "OK" will appear on the screen.
4. Select Group "260", No. "100" and set data value to "0".

5 Auto calibration (Component)

Input mode	Input 2 [Y,Pb/Cb,Pr/Cr]
Input signal	100% color bar signal (480i)

1. Enter the service mode.
2. Select Group "260", No. "100" and set data value to "4".
3. Select Group "260", No. "0" and set data value "0" to "1".
The projector begins auto-calibration and then "OK" will appear on the screen.
4. Select Group "260", No. "100" and set data value to "5".
5. Select Group "260", No. "0" and set data value "0" to "1".
The projector begins auto-calibration and then "OK" will appear on the screen.
6. Select Group "260", No. "100" and set data value to "0".

6 Auto calibration (Video)

Input mode	Input 2 [Video]
Input signal	16-step gray scale composite video signal

1. Enter the service mode.
2. Select Group "260", No. "100" and set data value to "6".
3. Select Group "260", No. "0" and set data value "0" to "1".
The projector begins auto-calibration and then "OK" will appear on the screen.
4. Select Group "260", No. "100" and set data value to "0".

Adjustments item no. [3] to [6] are carried out at the spare parts shipment in the factory, therefore they are not required when the main board is replaced with new one.

PC, Video, Component Manual adjustment

When the PC, Video or Component Auto Calibration fails, take the following manual adjustment instead of auto calibration.

[1] Manual adjustment (PC)

Input mode Input 1 [RGB(PC Analog)]
 Input signal 16-step gray scale computer signal

1. Select Group "260", No. "100" and set data value to "1".
2. Adjust the data values listed in the table below as the 100% white part on the screen becomes the most noisy (darkest).

Group	No.	Adjustment
10	- 3	ADC-Green Gain
10	- 4	ADC-Red Gain
10	- 5	ADC-Blue Gain

3. Select Group "260", No. "100" and set data value to "3".
4. Adjust the data values listed in the table below as the 100% white part on the screen becomes the most noisy (darkest).

Group	No.	Adjustment
0	- 3	ADC-Green Gain
0	- 4	ADC-Red Gain
0	- 5	ADC-Blue Gain

5. Select Group "260", No. "100" and set data value to "0".

[2] Manual adjustment (Slot)

Input mode Input 3 [RGB(PC Analog)]
 Input signal 16-step gray scale computer signal
 Slot board Analog RGB input board equipped

1. Select Group "260", No. "100" and set data value to "2".
2. Adjust the data values listed in the table below as the 100% white part on the screen becomes the most noisy (darkest).

Group	No.	Adjustment
10	- 3	ADC-Green Gain
10	- 4	ADC-Red Gain
10	- 5	ADC-Blue Gain

3. Select Group "260", No. "100" and set data value to "0".

[3] Manual adjustment (Component)

Input mode Input 2 [Y,Pb/Cb,Pr/Cr]
 Input signal 100% color bar signal (480i)

1. Select Group "260", No. "100" and set data value to "4".
2. Adjust the data values listed in the table below as the 100% white part on the screen becomes the most noisy (darkest).

Group	No.	Adjustment
10	- 3	Y Gain

3. Select Group "260", No. "100" and set data value to "5".
4. Adjust the data values listed in the table below as the 100% white part on the screen becomes the most noisy (darkest).

Group	No.	Adjustment
0	- 3	Y Gain

5. Select Group "260", No. "100" and set data value to "0".

[4] Manual adjustment (Video)

Input mode Input 2 [Video]
 Input signal 16-step gray scale composite video signal

1. Select Group "260", No. "100" and set data value to "6".
2. Adjust the data values listed in the table below as the 100% white part on the screen becomes the most noisy (darkest).
3. Select Group "260", No. "100" and set data value to "0".

Group	No.	Adjustment
20	- 0	Y Level

Image example of manual adjustment for [PC / Slot / Video]

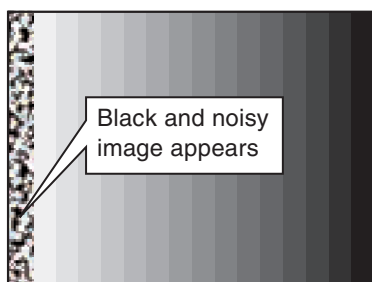
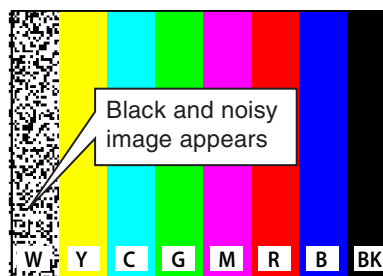


Image example of manual adjustment for [Component]



6 Wind sensor calibration

1. Enter the service mode, select Group No. “**240**” and Item No. “**0**” .
2. To start the adjustment, change Data value from “**0**” to “**1**”. After the auto-calibration completed, "OK" will appear on the screen.

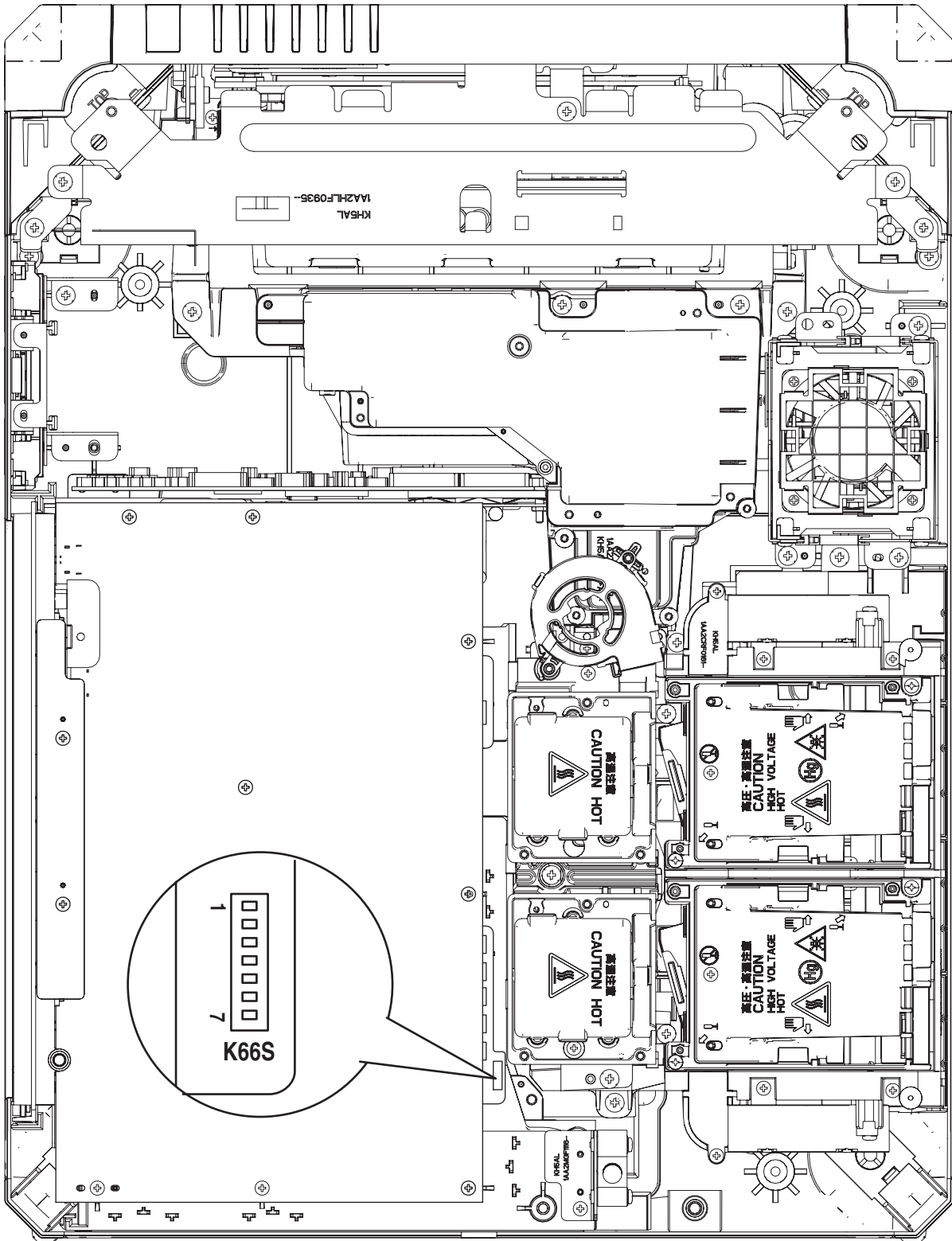
IMPORTANT

Before taking this adjustment, you need to replace the air filter with new one or scroll up the filter sheet and make sure the cabinet top, filter cover and filter cartridge are securely installed.

7 Lens shift centering setting

1. Set the motorized lens shift to the center position (horizontal and vertical) by using the LENS SHIFT Up/Down, Left/Right buttons.
2. Enter the service mode, select Group No. “**200**” and Item No. “**15**” .
3. Change Data value from “**0**” to “**10**”. The centering position of the lens shift is memorized.
4. To check the lens shift operation correctly, move the lens to your desired position with LENS SHIFT buttons. Then press the LENS SHIFT button for more than 5 seconds. The lens moves to the memorized center position automatically.

Test Points and Locations



Service Adjustment Data Table

These initial values are the reference data written from the CPU ROM to memory IC when replaced new memory IC. The adjustment items indicated with “*” are required to readjust following to the “Electrical adjustments”. Other items should be used with the initial data value.

Grp / No.	Item	Function	Range	Initial	Note
0	AD Converter (PW392)				
3	ADC G-GAIN *	RGB (OnBoard/Slot) / YCbCr (OnBoard/Slot) / SCART	0 - 1023	265/210/229	
4	ADC R-GAIN *	RGB (OnBoard/Slot) / YCbCr (OnBoard/Slot) / SCART	0 - 1023	265/235/232	
5	ADC B-GAIN *	RGB (OnBoard/Slot) / YCbCr (OnBoard/Slot) / SCART	0 - 1023	255/225/233	
10	SOGTH	RGB / COMPONENT / SCART	0 - 15	2 / 4 / 4	
11	SOGHYSDIS	RGB / COMPONENT / SCART	0 - 1	1 / 1 / 0	
12	HS1TH	H Sync1 Threshold RGB / COMPONENT / SCART	0 - 15	4 / 4 / 4	
13	HS0TH	H Sync0 Threshold RGB / COMPONENT / SCART	0 - 15	4 / 4 / 4	
10	AD Converter (ISL51002/ISL98001)				
3	ADC G-GAIN *	RGB (OnBoard) / RGB (Slot) / YCbCr (OnBoard/Slot)	0 - 1023	290/290/170	
4	ADC R-GAIN *	RGB (OnBoard) / RGB (Slot) / YCbCr (OnBoard/Slot)	0 - 1023	290/290/140	
5	ADC B-GAIN *	RGB (OnBoard) / RGB (Slot) / YCbCr (OnBoard/Slot)	0 - 1023	290/290/140	
20	Video Decoder				
0	Y Level *		0 - 1023	153	
1	C Level		0 - 1023	410	
10	XCXL Parameter	XCXL Level	0 - 4	2	
11	Sync Amp Low	Minimum sync amplitude threshold for HLOCK 1 to 0 transition	0 - 9999	1792	
12	Sync Amp High	Minimum sync amplitude threshold for HLOCK 0 to 1 transition	0 - 9999	4096	
13	Luma Setup Enable	7.5IRE Mode (NTSC only)	0 - 1	0	
14	Anti-Alias Filter	Anti-Alias Filter	0 - 7	4	
15	Anti-Alias Downsample	Anti-Alias Downsample	0 - 3	0	
16	Anti-Alias High Frequency	Anti-Alias High Frequency	0 - 3	3	
20	Comb 3D Cross-Luma Top/Bottom Amplitude	for PAL/SECAM only	0 - 3	3	
35	DVI Equalizer (DS16E5110)				
0	CH0 Boost Data	Boost Setting Value	0 - 7	1	
1	CH1 Boost Data	Boost Setting Value	0 - 7	1	
2	CH2 Boost Data	Boost Setting Value	0 - 7	1	
40	General				
0	IP Mode	Set at IP OFF 0: Not used IP Block 1: Used IP Block and IP OFF	0 - 1	1	
1	3:2 PullDown Mode	bit0: Global Motion bit1: Video Motion	1 - 3	1	
2	Detect Film Mode Enable	0: 2:3pull down & 2:2pull down 1: 2:3pull down 2: 2:2pull down	0 - 2	0	
3	NR Enable for Analog YUV	0: Noise Reduction detected with Y and UV motion 1: Noise Reduction detected with Y motion	0 - 1	1	
4	NR Enable for Digital YUV		0 - 1	0	
41	Deinterlacer setting Progressive Mode1, Film Parameter				
0	Motion Adaptive Weight Value	<KDEINT>	0 - 255	30/30/30	
1	Angle Interpolation Level	0: Conservative <====> 4: Aggressive	0 - 5	4/4/4	
2	CUE Low Pass Filter Enable	<CUELPFEN>	0 - 255	0/0/0	
42	Deinterlacer setting Progressive Mode2 Parameter				
0	Motion Adaptive Weight Value	<KDEINT>	0 - 255	0/0/0	
1	Angle Interpolation Level	0: Conservative <====> 4: Aggressive	0 - 5	2/2/2	
2	CUE Low Pass Filter Enable	<CUELPFEN>	0 - 255	0/0/0	
47	Noise Reduction (time) NR L1 Parameter				
0	Noise Pixel Range	<NSRANGEY> / <NSRANGEUV>	0 - 2	1	
1	Noise Region 0	<NSREGIONY0> / <NSREGIONUV0>	0 - 1023	12	
2	Noise Region 1	<NSREGIONY1> / <NSREGIONUV1>	0 - 1023	24	
3	Noise Region 2	<NSREGIONY2> / <NSREGIONUV2>	0 - 1023	40	
4	Noise Gain Level	<NSFILTERY**> / <NSFILTERUV**>	0 - 255	100	
49	Noise Reduction (time) NR L2 Parameter				
0	Noise Pixel Range	<NSRANGEY> / <NSRANGEUV>	0 - 2	1	
1	Noise Region 0	<NSREGIONY0> / <NSREGIONUV0>	0 - 1023	12	
2	Noise Region 1	<NSREGIONY1> / <NSREGIONUV1>	0 - 1023	24	

Electrical Adjustment

Grp / No.	Item	Function	Range	Initial	Note
3	Noise Region 2	<NSREGIONY2> / <NSREGIONUV2>	0 - 1023	40	
4	Noise Gain Level	<NSFILTERY**> / <NSFILTERUV**>	0 - 255	100	
50 2:2pull down setting					
0	22Film Mode Sensitivity	Film Detection Sensitivity <FILMSTVT22>	1 - 5	4	
1	22Film Mode Threshold Low	<FILMTHRD22A>	0 - 1023	80	
2	22Film Mode Threshold High	<FILMTHRD22B>	0 - 1023	120	
3	Video Motion Window Start X	<VOFSTARX>	0 - 255	10	
4	Video Motion Window Stop X	<VOFSTOPX>	0 - 255	10	
5	Video Motion Window Start Y	<VOFSTARY>	0 - 255	10	
6	Video Motion Window Stop Y	<VOFSTOPY>	0 - 255	10	
51 2:3pull down setting					
0	Global Motion Sensitivity	Film Detection Sensitivity <FILMSTVT23>	1 - 5	4	
1	Video Motion Sensitivity	Film Detection Sensitivity <VOFSTVT>	1 - 5	4	
2	Video Motion Threshold Low	<VOFTHRDA>	0 - 1023	120	
3	Video Motion Threshold High	<VOFTHRDB>	0 - 1023	180	
4	Global Motion 23Film Threshold	<FILMTHRD23>	0 - 1023	100	
5	Global Motion Window Start X	<GMDSTARX>	0 - 255	10	
6	Global Motion Window Stop X	<GMDSTOPX>	0 - 255	10	
7	Global Motion Window Start Y	<GMDSTARY>	0 - 255	10	
8	Global Motion Window Stop Y	<GMDSTOPY>	0 - 255	10	
55 LTI / CTI					
0	Video Enhancement Enable	VEHEN	0 - 1	1	
1	DLTI Gain	DLTIGAIN	0 - 15	3	
2	DLTI Frequency	DLTIFREQ	0 - 3	2	
3	Bypass Anti-Alias Filter	DTIBYPASSAAL	0 - 1	0	
4	Lower DCTI Frequency	LOWERDCTIFREQ	0 - 1	1	Effect only Composite, S-video
5	DCTI Gain	DCTIGAIN	0 - 15	4	
6	DCTI Frequency	DCTIFREQ	0 - 3	0	
7	Color Shift Limit	COLORSHIFTLMT	0 - 3	3	
60 Sub Image					
0	Center Contrast		0 - 1023	590/590/590/500/500/554/554/500/500/554/500	
1	Center Brightness		0 - 1023	512/512/512/512/512/495/495/512/512/495/512	
2	Center Color		0 - 1023	[Color Wheel] 512/512/512/512/512/512/512/512/512/512 [Bright Wheel] 600/600/600/512/600/512/600/512/600/512	
3	Center Tint		0 - 180	90/90/90/90/90/90/90/90/90/90/90	
4	Fixed Sharpness(Up Scaling)		0-37	8/8/8/12/8/12/8/12/8/8/8	
5	Fixed Sharpness(Down Scaling)		0-37	8/8/8/8/8/8/8/8/8/8	
6	Center Sharpness(No FPGA)	Group	0-37	16/16/16/16/16/16/16/16/16/16/16	
7	Center WB Red	Composite / S-Video / Component / Digital / D-RGB-Video / AnalogRGB / RGB-Video / HDCP-PC / HDCP-AV / SCART / PJ-Net	0 - 1023	512/512/512/512/512/512/512/512/512/512	
8	Center WB Green	Value = (Menu Value - Menu Center) x Alpha / 10 + Center (Effective Range)	0 - 1023	512/512/512/512/512/512/512/512/512/512	
9	Center WB Blue	Contrast [Max] 1023 [Min] 0 Brightness [Max] 1023 [Min] 0	0 - 1023	512/512/512/512/512/512/512/512/512/512	
10	Center BB Red	Color [Max] 1023 [Min] 0 Tint [Max] 180 [Min] 0	0 - 1023	512/512/512/512/512/512/512/512/512/512	
11	Center BB Green	Sharpness [Max] 57 [Min] 0 (Dummy) WB R/G/B [Max] 1023 [Min] 0 BB R/G/B [Max] 1023 [Min] 0	0 - 1023	512/512/512/512/512/512/512/512/512/512	
12	Center BB Blue		0 - 1023	512/512/512/512/512/512/512/512/512/512	
13	Alpha Contrast	Fixed Sharpness Up/Down [Max] 37 [Min] 0	0 - 1000	60/60/60/60/60/60/60/60/60/60/60	
14	Alpha Brightness		0 - 1000	90/90/90/90/90/90/90/90/90/90/90	
15	Alpha Color		0 - 1000	140/140/140/140/140/140/140/140/140/140/140	
16	Alpha Tint		0 - 1000	10/10/10/10/10/10/10/10/10/10/10	
17	Alpha Sharpness		0 - 1000	10/10/10/10/10/10/10/10/10/10/10	
18	Alpha WB Red		0 - 1000	40/40/40/40/40/40/40/40/40/40/40	
19	Alpha WB Green		0 - 1000	40/40/40/40/40/40/40/40/40/40/40	
20	Alpha WB Blue		0 - 1000	40/40/40/40/40/40/40/40/40/40/40	
21	Alpha BB Red		0 - 1000	20/20/20/20/20/20/20/20/20/20/20	
22	Alpha BB Green		0 - 1000	20/20/20/20/20/20/20/20/20/20/20	
23	Alpha BB Blue		0 - 1000	20/20/20/20/20/20/20/20/20/20/20	

Electrical Adjustment

Grp / No.	Item	Function	Range	Initial	Note
80	FPGA_NIOS				
0	Demo On/Off	Demo Mode On/Off (1:ON,0:Off)	0 - 1	0	
1	Demo Mode	Demo Mode Swith (0:Demo0,1:Demo1...)	0 - 7	0	
2	Area Big Chg		0 - 4095	67	
3	Area Small Chg		0 - 4095	67	
4	Area Chg Sens		0 - 4095	150	
5	UV_DLT		0 - 31	3	
6	UV_GAIN		0 - 2047	1030	
7	UV_SFT		0 - 32767	6180	
8	Y Range	Brightness (Y) Range	0 - 31	8	
9	Hue Range	Hue Range	0 - 30	15	
10	Gain Range	Gain Range (1/100)	0 - 50	30	
11	GM_Min Slope	Gamma Min. Slope (1/10)	0 - 10	3	
12	GM_Max Slope	Gamma Max Slope (1/10)	10 - 30	18	
13	GM_Converge	Gamma Converge Point	1 - 5	3	
14	Same Hue	Same Hue Range on Color Correction	1 - 10	3	
15	Cur_UV Norm	Min. UV Norm on Color Correction	0 - 255	5	
16	Cur_Min Y	Min. Brightness on Color Correction	0 - 255	0	
17	Cur_Max Y	Max Brightness on Color Correction	0 - 255	255	
18	Same_Y	Same Brightness Range on Color Correction	0 - 63	24	
19	Conv_Y	Converge Brightness Range on Color Correction	0 - 127	64	
20	WB_Limit 0	WB Correction Limit Point 0 [Black]	0 - 255	4	
21	WB_Limit 1	WB Correction Limit Point 1	0 - 255	4	
22	WB_Limit 2	WB Correction Limit Point 2	0 - 255	6	
23	WB_Limit 3	WB Correction Limit Point 3	0 - 255	7	
24	WB_Limit 4	WB Correction Limit Point 4	0 - 255	9	
25	WB_Limit 8	WB Correction Limit Point 8 [White]	0 - 255	16	
26	WB_Limit In	WB Correction Limit In (WB_Limit In < WB_Limit Out)	0 - 255	8	
27	WB_Limit Out	WB Correction Limit Out (WB_Limit In < WB_Limit Out)	0 - 255	16	
28	BKMOD	0:Blending Mode (NORMAL) 4 Video Overlap Disable 1:Blending Mode (BLANKING) 4 Video Overlap Disable 2:Blending Mode (NORMAL) 4 Video Overlap Enable 3:Blending Mode (BLANKING) 4 Video Overlap Enable	0 - 3	2	
29	BLD_I_SIZE_H	Blending : Inner Frame Width H	0 - 255	10	
30	BLD_I_SIZE_V	Blending : Inner Frame Width V	0 - 255	10	
31	BLD_CURVE	Blending : CURVE	0 - 255	0	
32	RGB_GAIN_4SEG_BCON_DYNAMIC	Blending : RGB_GAIN (4SEG,BC ON,Dynamic)	0 - 511	256	
33	RGB_GAIN_4SEG_BCON_STANDARD	Blending : RGB_GAIN (4SEG,BC ON,Standard)	0 - 511	256	
34	RGB_GAIN_4SEG_BCON_CINEMA	Blending : RGB_GAIN (4SEG,BC ON,Cinema)	0 - 511	256	
35	RGB_GAIN_4SEG_BCON_REAL	Blending : RGB_GAIN (4SEG,BC ON,Real)	0 - 511	256	
36	RGB_GAIN_4SEG_BCON_DICOM	Blending : RGB_GAIN (4SEG,BC ON,Dicom)	0 - 511	256	
37	RGB_GAIN_4SEG_BCOFF_DYNAMIC	Blending : RGB_GAIN (4SEG,BC OFF,Dynamic)	0 - 511	256	
38	RGB_GAIN_4SEG_BCOFF_STANDARD	Blending : RGB_GAIN (4SEG,BC OFF,Standard)	0 - 511	256	
39	RGB_GAIN_4SEG_BCOFF_CINEMA	Blending : RGB_GAIN (4SEG,BC OFF,Cinema)	0 - 511	256	
40	RGB_GAIN_4SEG_BCOFF_REAL	Blending : RGB_GAIN (4SEG,BC OFF,Real)	0 - 511	256	
41	RGB_GAIN_4SEG_BCOFF_DICOM	Blending : RGB_GAIN (4SEG,BC OFF,Dicom)	0 - 511	256	
42	RGB_GAIN_6SEG_BCON_DYNAMIC	Blending : RGB_GAIN (6SEG,BC ON,Dynamic)	0 - 511	256	
43	RGB_GAIN_6SEG_BCON_STANDARD	Blending : RGB_GAIN (6SEG,BC ON,Standard)	0 - 511	256	
44	RGB_GAIN_6SEG_BCON_CINEMA	Blending : RGB_GAIN (6SEG,BC ON,Cinema)	0 - 511	256	
45	RGB_GAIN_6SEG_BCON_REAL	Blending : RGB_GAIN (6SEG,BC ON,Real)	0 - 511	256	
46	RGB_GAIN_6SEG_BCON_DICOM	Blending : RGB_GAIN (6SEG,BC ON,Dicom)	0 - 511	256	
47	RGB_GAIN_6SEG_BCOFF_DYNAMIC	Blending : RGB_GAIN (6SEG,BC OFF,Dynamic)	0 - 511	256	
48	RGB_GAIN_6SEG_BCOFF_STANDARD	Blending : RGB_GAIN (6SEG,BC OFF,Standard)	0 - 511	256	
49	RGB_GAIN_6SEG_BCOFF_CINEMA	Blending : RGB_GAIN (6SEG,BC OFF,Cinema)	0 - 511	256	
50	RGB_GAIN_6SEG_BCOFF_REAL	Blending : RGB_GAIN (6SEG,BC OFF,Real)	0 - 511	256	
51	RGB_GAIN_6SEG_BCOFF_DICOM	Blending : RGB_GAIN (6SEG,BC OFF,Dicom)	0 - 511	256	
81	FPGA_MOTHER				
1	PC-Dot Clock Rate	Slot - Digital Dot Clock Rate for PC	900 - 1100	1002	
2	AV-Dot Clock Rate	Slot - Digital Dot Clock Rate for AV	900 - 1100	1002	
82	FPGA_MOTHER (Slot,Card)				
0	SIG_DLY_AJY (EXT. SLOT1)	EXT. SLOT1 Clock Phase [DVI-Dsub]	0 - 7	5	
1	SIG_DLY_AJY (EXT. SLOT1)	EXT. SLOT1 Clock Phase [HDCP-DVI]	0 - 7	5	
2	SIG_DLY_AJY (EXT. SLOT1)	EXT. SLOT1 Clock Phase [Dual-SDI]	0 - 7	5	
3	SIG_DLY_AJY (EXT. SLOT1)	EXT. SLOT1 Clock Phase [AMIMON]	0 - 7	5	
4	SIG_DLY_AJY (EXT. SLOT1)	EXT. SLOT1 Clock Phase [Warp & Blending]	0 - 7	5	
5	SIG_DLY_AJY (EXT. SLOT1)	EXT. SLOT1 Clock Phase (Reserved)	0 - 7	0	
6	SIG_DLY_AJY (EXT. SLOT1)	EXT. SLOT1 Clock Phase (Reserved)	0 - 7	0	
7	SIG_DLY_AJY (EXT. SLOT1)	EXT. SLOT1 Clock Phase (Reserved)	0 - 7	0	
8	SIG_DLY_AJY (EXT. SLOT1)	EXT. SLOT1 Clock Phase (Reserved)	0 - 7	0	

Electrical Adjustment

Grp / No.	Item	Function	Range	Initial	Note
9	SIG_DLY_AJY (EXT. SLOT1)	EXT. SLOT1 Clock Phase (Reserved)	0 - 7	0	
10	SIG_DLY_AJY (EXT. SLOT2)	EXT. SLOT2 Clock Phase [DVI-Dsub]	0 - 7	5	
11	SIG_DLY_AJY (EXT. SLOT2)	EXT. SLOT2 Clock Phase [HDCP-DVI]	0 - 7	5	
12	SIG_DLY_AJY (EXT. SLOT2)	EXT. SLOT2 Clock Phase [Dual-SDI]	0 - 7	5	
13	SIG_DLY_AJY (EXT. SLOT2)	EXT. SLOT2 Clock Phase [AMIMON]	0 - 7	5	
14	SIG_DLY_AJY (EXT. SLOT2)	EXT. SLOT2 Clock Phase [Warp & Blending]	0 - 7	5	
15	SIG_DLY_AJY (EXT. SLOT2)	EXT. SLOT2 Clock Phase (Reserved)	0 - 7	0	
16	SIG_DLY_AJY (EXT. SLOT2)	EXT. SLOT2 Clock Phase (Reserved)	0 - 7	0	
17	SIG_DLY_AJY (EXT. SLOT2)	EXT. SLOT2 Clock Phase (Reserved)	0 - 7	0	
18	SIG_DLY_AJY (EXT. SLOT2)	EXT. SLOT2 Clock Phase (Reserved)	0 - 7	0	
19	SIG_DLY_AJY (EXT. SLOT2)	EXT. SLOT2 Clock Phase (Reserved)	0 - 7	0	
83	FPGA_SW				
26	LVDS_AJY_TIM		0 - 7	5	
27	LVDS_AJY_PHASE		0 - 255	106	
150	DDP Option				
0	Test Pattern	0:Normal 1:Test Pattern	0 - 1	0	
151	Color Wheel				
0	Index Delay (Master)		0 - 360	-	
1	Index Delay (Slave)		0 - 360	-	
2	ID Check SW	0: Disable 1: Enable	0 - 1	1	
10	Index Offset Setting	Offset Value to Slave	0 - 100	42	
152	Dynamic Black				
0	Dynamic Black Forced OFF	0:Link to Memu 1:Reserved 2:Reserved 3:Fixed 4:Forced OPEN (Aperture Pos : 0) 5:Forced Max Close (Aperture Pos : 255)	0 - 5	0	
1	Aperture Position		1 - 255	1	
2	Aperture Speed		0 - 255	128	
3	[HIGH (DB Strong)]Aperture Min Pos not Dynamic	Effective only "Links to Menu" (Min---Open) Image(not Dynamic)	1 - 255	108	
4	[HIGH (DB Strong)]Aperture Max Pos not Dynamic	Effective only "Links to Menu" (Max---Close) Image(not Dynamic)	1 - 255	254	
5	[HIGH (DB Strong)]Aperture Min Pos Dynamic	Effective only "Links to Menu" (Min---Open) Image(Dynamic)	1 - 255	108	
6	[HIGH (DB Strong)]Aperture Max Pos Dynamic	Effective only "Links to Menu" (Max---Close) Image(Dynamic)	1 - 255	254	
7	[LOW (DB Weak)]Aperture Min Pos not Dynamic	Effective only "Links to Menu" (Min---Open) Image(not Dynamic)	1 - 255	108	
8	[LOW (DB Weak)]Aperture Max Pos not Dynamic	Effective only "Links to Menu" (Min---Close) Image(not Dynamic)	1 - 255	165	
9	[LOW (DB Weak)]Aperture Min Pos Dynamic	Effective only "Links to Menu" (Min---Open) Image(Dynamic)	1 - 255	108	
10	[LOW (DB Weak)]Aperture Max Pos Dynamic	Effective only "Links to Menu" (Max---Close) Image(Dynamic)	1 - 255	165	
11	[OFF] Aperture OFF Pos not Dynamic	Effective only "Links to Menu" DB OFF	1 - 255	108	
12	[OFF] Aperture OFF Pos Dynamic	Effective only "Links to Menu" DB OFF	1 - 255	108	
13	Border Control	0:Disable,1:Enable	0 - 1	0	
14	Border Pixel Weight	0:0%,1:25%	0 - 3	1	
15	Border Config Left		0 - 2047	0	
16	Border Config Right		0 - 2047	1919	
17	Border Config Top		0 - 2047	0	
18	Border Config Bottom		0 - 2047	1079	
19	Dynamic Black Strength		0 - 3	2	
155	CCA				
0	CCA Disable	0:Enable,1:Disable	0 - 1	0	
156	Color Matching - Measured Data				
0	Measured Red - X	Adjust the measured data of Color Matching Function	0 - 1000	637/637/668/667	
1	Measured Red - Y	Indicated data differs depending on the wheel and image mode.	0 - 1000	351/350/319/320	
2	Measured Red - Luma	0: Bright Wheel - Image=Standard/Real/Cinema	0 - 32767	848/418/853/951	
10	Measured Green - X	1: Bright Wheel - Image= Dynamic	0 - 1000	349/353/315/312	
11	Measured Green - Y	2: Color Wheel - Image=Standard/Real/Cinema	0 - 1000	582/579/647/649	
12	Measured Green - Luma	3: Color Wheel - Image=Dynamic	0 - 32767	3833/2199/2901/3453	
20	Measured Blue - X		0 - 1000	147/147/146/147	
21	Measured Blue - Y	After changing the value and then execute the item no. 100.	0 - 1000	72/72/68/67	

Electrical Adjustment

Grp / No.	Item	Function	Range	Initial	Note
22	Measured Blue - Luma		0 - 32767	405/184/323/347	
30	Measured Cyan - X		0 - 1000	0/0/0/0	
31	Measured Cyan - Y		0 - 1000	0/0/0/0	
32	Measured Cyan - Luma		0 - 32767	0/0/0/0	
40	Measured Magenta - X		0 - 1000	0/0/0/0	
41	Measured Magenta - Y		0 - 1000	0/0/0/0	
42	Measured Magenta - Luma		0 - 32767	0/0/0/0	
50	Measured Yellow - X		0 - 1000	0/0/0/0	
51	Measured Yellow - Y		0 - 1000	0/0/0/0	
52	Measured Yellow - Luma		0 - 32767	0/0/0/0	
60	Measured Half White - X		0 - 1000	310/315/0/0	
61	Measured Half White - Y		0 - 1000	335/336/0/0	
62	Measured Half White - Luma		0 - 32767	3953/2948/0/0	
70	Measured Full White - X		0 - 1000	315/320/307/307	
71	Measured Full White - Y		0 - 1000	343/350/336/340	
72	Measured Full White - Luma		0 - 32767	11860/7462/10160/11420	
100	Measured Data Update	Execute the update when the value is set to 10.	0 - 10	-	
160	VIDI				
0	Brightness (Wheel)-Dynamic	Brightness Wheel (Brightness)	0 - 10	4	
1	Brightness (Wheel)-Not Dynamic	Brightness Wheel (Color)	0 - 10	2	
2	Color (Wheel)-Dynamic	Brightness Wheel (Brightness)	0 - 10	5	
3	Color (Wheel)-Not Dynamic	Brightness Wheel (Color)	0 - 10	3	
161	Lamp Sync				
0	Brightness (Wheel)-x2 Mode		0 - 65535	1130	
1	Brightness (Wheel)-x3 Mode		0 - 65535	900	
2	Color (Wheel)-x2 Mode		0 - 65535	429	
3	Color (Wheel)-x3 Mode		0 - 65535	352	
200	Option				
0	Logo Display Prohibition	0:Menu 1:Forced	0 - 1	0	
1	RS232C Baud rate	0: 19200bps 1: 9600bps	0 - 1	0	
4	CABLE SW	Long Cable 0: Disable 1: Enable	0 - 1	0	
5	PW Debug Command Enable	0: Disable (Serial Command Enable) 1: Enable (PW Debug Mode)	0 - 1	0	
6	Device Refresh Disable	0: Enable 1: Disable	0 - 1	0	
11	HDCP EDID Data Setting	0: DVI EDID Data, 1: HDCP EDID Data	0 - 1	1	
15	Lens Shift Centering Setting *	Reset Centering position when the value is set to 10.	0 - 10	0	
21	Lamp Warning Time (NORMAL)		1-16	4	
22	Lamp Warning Time (ECO)		1-16	6	
23	Lamp Warning Time (HIGH)		1-16	4	
24	Projector Time REset Times		0 - 255	0	
50	Lamp Replacement Display	1:On 0:Off	0 - 1	1	
51	Filter Warning Display	1:On 0:Off	0 - 1	1	
53	Filter Counter Reset Times	Read only	0 - 255	0	
54	Factory Default Executed Times	Read only	0 - 255	0	
55	Motor Stop	Motor Operation 0: Enable 1: Disable	0 - 1	0	
56	Menu Position (X)	X Offset	0 - 1024	0	
57	Menu Position (Y)	Y Offset	0 - 1024	0	
58	Lamp Go Out	Lamp goes out	0 - 1	0	
59	LENS LOCK Warning Display	0: Enable 1: Disable	0 - 1	0	
62	Color Wheel Warning	0: Enable 1: Disable	0 - 1	0	
65	Peltier PWM Enable	Peltier Drive PWM 0: Auto, 1: Manual, 2: Disable	0 - 2	0	
66	Peltier PWM High Term		0 - 600	600	
67	Peltier PWM Low Term		0 - 600	600	
70	ADC Device Select for Analog PC	0 = ISL51002, 1 = PW392 AFE	0 - 1	0	
71	ADC Device Select for Component	0 = ISL51002, 1 = PW392 AFE	0 - 1	0	
72	Component/RGB Auto Switch	0: Disable 1: Enable	0 - 1	1	
80	Destination	Language Set at Shipping 0:English 1:Japanese	0 - 1	0	
100	Disable Auto Picture Control	0: Normal operation 1: Auto Picture Control Off	0-1	Initial: 1 Shipping 0	
140	Offset Add Setting Status	0: Not use Offset Add, 1: Use Offset Add (Read only)	-	0	
141	Offset Add Setting Change	Change the Offset Add Setting when the value is set to 10.	0 - 10	0	
142	Offset Value	Offset Add Value at Shutdwn Temp(Read only)	-	0	
143	Offset Add Execute Times	(Read only)	0 - 255	0	
144	Offset Add Cancel Times	(Read only)	0 - 255	0	
201	Option (Signal)				
0	FrameLock Option	Frame Lock Setting 1: Normal(PC) 0: OFF	0 - 1	1	

Electrical Adjustment

Grp / No.	Item	Function	Range	Initial	Note
1	Dither Enable	0: Disable 1: Enable	0 - 1	1	
2	VSBEG		0 - 15	2	
3	Field Sense Invert Enable	0: Disable 1: Enable	0 - 1	0	
204 Simulation mode					
0	PW392C Enable	0: Off, 1: On	0 - 1	0	
1	PW610 Enable	0: Off, 1: On	0 - 1	0	
205 Spread Spectrum					
0	Enable		0 - 1	1	
1	Spread Rate		0 - 300	100	
2	Spread Frequency		0 - 500	150	
210 Lamp Control					
0	Dimmer SW	0:Auto 1:Manual	0 - 1	0	
1	Manual Control	Lamp Power Manual Control (DIMMER_CTRL_LEVEL 0(Dark)-15(Bright))	0 - 15	0	
2	DIMMER_CTRL_LEVEL1	Y Level1 Data for Dimmer	0 - 255	7	
3	DIMMER_CTRL_LEVEL2	Y Level2 Data for Dimmer	0 - 255	14	
4	DIMMER_CTRL_LEVEL3	Y Level3 Data for Dimmer	0 - 255	21	
5	DIMMER_CTRL_LEVEL4	Y Level4 Data for Dimmer	0 - 255	28	
6	DIMMER_CTRL_LEVEL5	Y Level5 Data for Dimmer	0 - 255	35	
7	DIMMER_CTRL_LEVEL6	Y Level6 Data for Dimmer	0 - 255	42	
8	DIMMER_CTRL_LEVEL7	Y Level7 Data for Dimmer	0 - 255	49	
9	DIMMER_CTRL_LEVEL8	Y Level8 Data for Dimmer	0 - 255	56	
10	DIMMER_CTRL_LEVEL9	Y Level9 Data for Dimmer	0 - 255	63	
11	DIMMER_CTRL_LEVEL10	Y Level10 Data for Dimmer	0 - 255	70	
12	DIMMER_CTRL_LEVEL11	Y Level11 Data for Dimmer	0 - 255	77	
13	DIMMER_CTRL_LEVEL12	Y Level12 Data for Dimmer	0 - 255	84	
14	DIMMER_CTRL_LEVEL13	Y Level13 Data for Dimmer	0 - 255	91	
15	DIMMER_CTRL_LEVEL14	Y Level14 Data for Dimmer	0 - 255	98	
16	DIMMER_CTRL_LEVEL15	Y Level15 Data for Dimmer	0 - 255	105	
17	DIMMER_AVERAGE_POINT	Y Average Point	1 - 16	4	
18	DIMMER_AVERAGE_DATA	Y Average Data (Read only)	-	-	
19	DIMMER_LEVEL_AUTO	Current Y Level (Read only)	-	-	
20	DIMMER_LEVEL_NORMAL	Dim Level at Normal	0 - 15	15	
21	DIMMER_LEVEL_ECO	Dim Level at Eco	0 - 15	0	
23	VOLTAGE_LEVEL	Lamp Voltage (Read only)	-	-	
24	DIMMER_LEVEL_HIGH	Dim Level at High	0 - 15	15	
220 Projector Error Log					
0	Warning_Log_1	Latest Error log	0 - 32767	0	
:	:	:	:	:	
49	Warning_Log_50	50th Error log	0 - 32767	0	
50	Warning_Log Reset	Log is cleared when the value is set to 10.	0 ~ 10	0	
235 Shutter					
0	PRE_MOTION	Shutter Warm - up Operation (0: Yes, 1: No)	0 - 1	Initial: 1 / Shipping: 0	
1	CMP_TRM	Chattering Detecting Term	0 - 32767	7000	
2	OUT_DLY_TRM	Output Term	0 - 32767	15000	
3	CMP_CHK_CNT	Count of Information Sync	0 - 15	5	
4	OPEN_DLY	Open Output Delay	0 - 63	30	
5	CLOSE_DLY	Close Output Delay	0 - 63	30	
6	Position Check Time	Position Check Time	1 - 255	20	
7	Stop Mode	Shutter Operation in Stop Mode 0:Free, 1:Brake	0 - 1	1	
8	Enable Close Cmd	Shutter Close Command 0:Disable, 1:Enable	0 - 1	1	
10	Sutter Management Upper Time		180 - 999	480	
236 Lamp Mode Switch					
0	2 Lamp Mode		0 - 99	0	
1	Lamp1 Mode		0 - 99	0	
2	Lamp2 Mode		0 - 99	0	
240 Flow Calibration					
0	Flow Calibration Exe *	Flow Sensor Offset Calibration Start calibration when the value is set to 1.	0 - 1	0	

Electrical Adjustment

Grp / No.	Item	Function	Range	Initial	Note
		Log of Calibration Error (Read only)			
		255: Not Calibration			
		0: No Error			
1	Flow Calibration Error Log	10: 1st Calibration Not Stable Airflow 11: 1st Calibration Out of Range 20: 2nd Not Stable Airflow 21: 2nd Out of Range 100: 10th Calibration Not Stable Airflow 101: 10th Calibration Out of Range	-	255	
2	Clog Check Enable	Filter Clogged Detection by Flow Sensor (0: Disable, 1: Enable)	0 - 1	Initial: 0 / Shipping: 1	
4	Time Limit Auto Scroll Enable	Auto Scroll 0: Disable, 1: Enable	0 - 1	1	
5	Clog Auto Cooling Enable	Auto Cooling at Clog 0: Disable, 1: Enable	0 - 1	1	
6	Scroll Fail Auto Cooling Enable	Auto Cooling at Scroll Error 0: Disable, 1: Enable	0 - 1	1	
7	Time Force Scroll Enable	Forced Scroll at Filter Time 0: Disable, 1: Enable	0 - 1	0	
241	Flow Ideal Data	(Value will be set after calibration)			
0	Flow Ideal Data 1	Flow Sensor Theory Value No.1 Corresponding to Fan Volt No.1	0 - 1023	365	
1	Flow Ideal Data 2	Flow Sensor Theory Value No.2 Corresponding to Fan Volt No.2	0 - 1023	480	
2	Flow Ideal Data 3	Flow Sensor Theory Value No.3 Corresponding to Fan Volt No.3	0 - 1023	529	
3	Flow Ideal Data 4	Flow Sensor Theory Value No.4 Corresponding to Fan Volt No.4	0 - 1023	573	
4	Flow Ideal Data 5	Flow Sensor Theory Value No.5 Corresponding to Fan Volt No.5	0 - 1023	609	
5	Flow Ideal Data 6	Flow Sensor Theory Value No.6 Corresponding to Fan Volt No.6	0 - 1023	1023	
6	Flow Ideal Data 7	Flow Sensor Theory Value No.7 Corresponding to Fan Volt No.7	0 - 1023	1023	
7	Flow Ideal Data 8	Flow Sensor Theory Value No.8 Corresponding to Fan Volt No.8	0 - 1023	1023	
242	Flow Calib. Fan Volt	(Not Memorized)			
0	Flow Calib Fan Volt 1	Flow Sensor Calibration Fan Volt No.1 [V x10]	0 - 255	65	
1	Flow Calib Fan Volt 2	Flow Sensor Calibration Fan Volt No.2 [V x10]	0 - 255	95	
2	Flow Calib Fan Volt 3	Flow Sensor Calibration Fan Volt No.3 [V x10]	0 - 255	110	
3	Flow Calib Fan Volt 4	Flow Sensor Calibration Fan Volt No.4 [V x10]	0 - 255	125	
4	Flow Calib Fan Volt 5	Flow Sensor Calibration Fan Volt No.5 [V x10]	0 - 255	138	
5	Flow Calib Fan Volt 6	Flow Sensor Calibration Fan Volt No.6 [V x10]	0 - 255	255	
6	Flow Calib Fan Volt 7	Flow Sensor Calibration Fan Volt No.7 [V x10]	0 - 255	255	
7	Flow Calib Fan Volt 8	Flow Sensor Calibration Fan Volt No.8 [V x10]	0 - 255	255	
243	Flow Calib Effective Difference	(Not Memorized)			
0	Flow Calib Effective Diff 1	Flow Sensor Calibration Range Diff No.1 [ADC]	0 - 1023	250	
1	Flow Calib Effective Diff 2	Flow Sensor Calibration Range Diff No.2 [ADC]	0 - 1023	250	
2	Flow Calib Effective Diff 3	Flow Sensor Calibration Range Diff No.3 [ADC]	0 - 1023	250	
3	Flow Calib Effective Diff 4	Flow Sensor Calibration Range Diff No.4 [ADC]	0 - 1023	250	
4	Flow Calib Effective Diff 5	Flow Sensor Calibration Range Diff No.5 [ADC]	0 - 1023	250	
5	Flow Calib Effective Diff 6	Flow Sensor Calibration Range Diff No.6 [ADC]	0 - 1023	1023	
6	Flow Calib Effective Diff 7	Flow Sensor Calibration Range Diff No.7 [ADC]	0 - 1023	1023	
7	Flow Calib Effective Diff 8	Flow Sensor Calibration Range Diff No.8 [ADC]	0 - 1023	1023	
244	Flow Clog Threshold	(Not Memorized)			
0	Flow Clog Threshold 1	Flow Sensor Clogged Threshold No.1[ADC]	0 - 1023	48	
1	Flow Clog Threshold 2	Flow Sensor Clogged Threshold No.2[ADC]	0 - 1023	56	
2	Flow Clog Threshold 3	Flow Sensor Clogged Threshold No.3[ADC]	0 - 1023	70	
3	Flow Clog Threshold 4	Flow Sensor Clogged Threshold No.4[ADC]	0 - 1023	65	
4	Flow Clog Threshold 5	Flow Sensor Clogged Threshold No.5[ADC]	0 - 1023	62	
5	Flow Clog Threshold 6	Flow Sensor Clogged Threshold No.6[ADC]	0 - 1023	1023	
6	Flow Clog Threshold 7	Flow Sensor Clogged Threshold No.7[ADC]	0 - 1023	1023	
7	Flow Clog Threshold 8	Flow Sensor Clogged Threshold No.8[ADC]	0 - 1023	1023	
245	Filter Roll				
0	Take Up Bend	Remove Filter Flexure Starts when the Value is set to 1.	0 - 1	0	
1	Take Up Times	Remaining Times of Filter Scroll (Read only)	-	-	
2	Take Up Time Reset	Filter Scroll Times Reset Resets Remaining Scroll Times when the Value is set to 10.	0 - 10	0	
3	Scroll Counter Reset Time	Scroll Counter Reset Times (Read only)	0 - 255	-	
4	Scroll Information Cartridge No		0 - 2	0	
246	Flow Clog Monitor	(Read only)			
0	Real Flow Data	Real Flow Data [ADC] (Read only)	0 - 1023	-	
1	Ideal Flow Data	Theory Flow Data (Read only)	0 - 1023	-	
2	Flow Difference Data	Flow Difference Data [ADC] (Read only)	-1023 - 1023	-	
3	Clog Detect Flow Difference Data	Difference Data to judge the Filter Clogged [ADC] (Read only)	0 - 1023	-	
4	Warn Detect Flow Difference Data	Difference Data to judge the Filter Clogged Warning [ADC] (Read only)	0 - 1023	-	
5	Press Add Data	Add Data by Air Pressure (Read only)	0 - 1023	-	
6	Filter Scroll Timer	Timer for Filter Scroll [hour] (Read only)	0 - 32767	-	

Electrical Adjustment

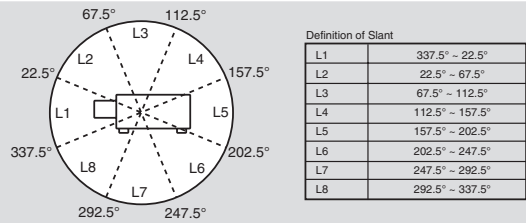
Grp / No.	Item	Function	Range	Initial	Note
247	Filter Scroll Time	(Read only)			
0	Filter 1st Cartridge Scroll Time 1		0 - 32767	9999	
1	Filter 1st Cartridge Scroll Time 2		0 - 32767	9999	
2	Filter 1st Cartridge Scroll Time 3		0 - 32767	9999	
3	Filter 1st Cartridge Scroll Time 4		0 - 32767	9999	
4	Filter 1st Cartridge Scroll Time 5		0 - 32767	9999	
5	Filter 1st Cartridge Scroll Time 6	1st Filter Cartridge Used time at N times Scrolling [hour] (N:1-10)	0 - 32767	9999	
6	Filter 1st Cartridge Scroll Time 7		0 - 32767	9999	
7	Filter 1st Cartridge Scroll Time 8		0 - 32767	9999	
8	Filter 1st Cartridge Scroll Time 9		0 - 32767	9999	
9	Filter 1st Cartridge Scroll Time 10		0 - 32767	9999	
10	Filter 2nd Cartridge Scroll Time 1		0 - 32767	9999	
11	Filter 2nd Cartridge Scroll Time 2		0 - 32767	9999	
12	Filter 2nd Cartridge Scroll Time 3		0 - 32767	9999	
13	Filter 2nd Cartridge Scroll Time 4		0 - 32767	9999	
14	Filter 2nd Cartridge Scroll Time 5		0 - 32767	9999	
15	Filter 2nd Cartridge Scroll Time 6	2nd Filter Cartridge Used time at N times Scrolling [hour] (N:1-10)	0 - 32767	9999	
16	Filter 2nd Cartridge Scroll Time 7		0 - 32767	9999	
17	Filter 2nd Cartridge Scroll Time 8		0 - 32767	9999	
18	Filter 2nd Cartridge Scroll Time 9		0 - 32767	9999	
19	Filter 2nd Cartridge Scroll Time 10		0 - 32767	9999	
20	Filter 3rd Cartridge Scroll Time 1		0 - 32767	9999	
21	Filter 3rd Cartridge Scroll Time 2		0 - 32767	9999	
22	Filter 3rd Cartridge Scroll Time 3		0 - 32767	9999	
23	Filter 3rd Cartridge Scroll Time 4		0 - 32767	9999	
24	Filter 3rd Cartridge Scroll Time 5		0 - 32767	9999	
25	Filter 3rd Cartridge Scroll Time 6	3rd Filter Cartridge Used time at N times Scrolling [hour] (N:1-10)	0 - 32767	9999	
26	Filter 3rd Cartridge Scroll Time 7		0 - 32767	9999	
27	Filter 3rd Cartridge Scroll Time 8		0 - 32767	9999	
28	Filter 3rd Cartridge Scroll Time 9		0 - 32767	9999	
29	Filter 3rd Cartridge Scroll Time 10		0 - 32767	9999	
248	Filter Scroll Factor	(Read only)			
0	Filter 1st Cartridge Scroll Factor 1		0 - 255	255	
1	Filter 1st Cartridge Scroll Factor 2		0 - 255	255	
2	Filter 1st Cartridge Scroll Factor 3		0 - 255	255	
3	Filter 1st Cartridge Scroll Factor 4	1st Filter Cartridge Scrolling Factor at N times Scrolling (N:1-10)	0 - 255	255	
4	Filter 1st Cartridge Scroll Factor 5	0: Manual Scrolling with OSD Menu	0 - 255	255	
5	Filter 1st Cartridge Scroll Factor 6	1: Auto Scrolling detecting by Filter Clogged	0 - 255	255	
6	Filter 1st Cartridge Scroll Factor 7	2: Auto Scrolling detecting by specified maximum used time per a sheet	0 - 255	255	
7	Filter 1st Cartridge Scroll Factor 8		0 - 255	255	
8	Filter 1st Cartridge Scroll Factor 9		0 - 255	255	
9	Filter 1st Cartridge Scroll Factor 10		0 - 255	255	
10	Filter 2nd Cartridge Scroll Factor 1		0 - 255	255	
11	Filter 2nd Cartridge Scroll Factor 2		0 - 255	255	
12	Filter 2nd Cartridge Scroll Factor 3		0 - 255	255	
13	Filter 2nd Cartridge Scroll Factor 4	2nd Filter Cartridge Scrolling Factor at N times Scrolling (N:1-10)	0 - 255	255	
14	Filter 2nd Cartridge Scroll Factor 5	0: Manual Scrolling with OSD Menu	0 - 255	255	
15	Filter 2nd Cartridge Scroll Factor 6	1: Auto Scrolling detecting by Filter Clogged	0 - 255	255	
16	Filter 2nd Cartridge Scroll Factor 7	2: Auto Scrolling detecting by specified maximum used time per a sheet	0 - 255	255	
17	Filter 2nd Cartridge Scroll Factor 8		0 - 255	255	
18	Filter 2nd Cartridge Scroll Factor 9		0 - 255	255	
19	Filter 2nd Cartridge Scroll Factor 10		0 - 255	255	
20	Filter 3rd Cartridge Scroll Factor 1		0 - 255	255	
21	Filter 3rd Cartridge Scroll Factor 2		0 - 255	255	
22	Filter 3rd Cartridge Scroll Factor 3		0 - 255	255	
23	Filter 3rd Cartridge Scroll Factor 4	3rd Filter Cartridge Scrolling Factor at N times Scrolling (N:1-10)	0 - 255	255	
24	Filter 3rd Cartridge Scroll Factor 5	0: Manual Scrolling with OSD Menu	0 - 255	255	
25	Filter 3rd Cartridge Scroll Factor 6	1: Auto Scrolling detecting by Filter Clogged	0 - 255	255	
26	Filter 3rd Cartridge Scroll Factor 7	2: Auto Scrolling detecting by specified maximum used time per a sheet	0 - 255	255	
27	Filter 3rd Cartridge Scroll Factor 8		0 - 255	255	
28	Filter 3rd Cartridge Scroll Factor 9		0 - 255	255	
29	Filter 3rd Cartridge Scroll Factor 10		0 - 255	255	
249	Pressure Sensor				
0	Pressure Monitor	Atmosphere (Not compensated) ADC (Read only)	-	-	
1	Pressure Monitor	Atmosphere(Compensated) ADC (Read only)	-	-	
2	Press Offset	Offset	-1023 - 1023	0	
3	Press Calib Effective Diff	Effective Differential Value ADC	0 - 1023	1023	

Electrical Adjustment

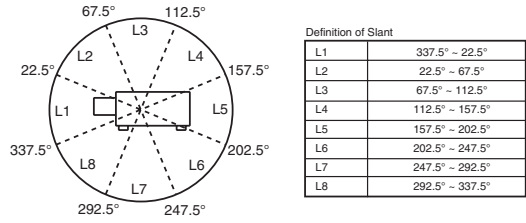
Grp / No.	Item	Function	Range	Initial	Note
4	Press Sensor Calibration Log	Calibration Log 0: Normal 10: Out of Range Mini 20: Out of Range Max 99: Calibration Not Executed	-	99	

250	Fan Voltage Adjustment *				
0	Fan A Min Adjust (DAC)		0-255	65	
1	Fan A Max Adjust (DAC)		0-255	220	
2	Fan B/C Min Adjust (DAC)		0-255	55	
3	Fan B/C Max Adjust (DAC)		0-255	215	
4	Fan D/E Min Adjust (DAC)	DAC Output for Fan Voltage adj.	0-255	85	
5	Fan D/E Max Adjust (DAC)	Adjust Tolerance between DAC and Fan Volt. *Lamp Mode: Eco	0-255	220	
6	Fan F/G Min Adjust (DAC)		0-255	95	
7	Fan F/G Max Adjust (DAC)		0-255	220	
8	Fan H Min Adjust (DAC)		0-255	65	
9	Fan H Max Adjust (DAC)		0-255	220	

252	Fan Option				
1	Safety Switch	Safety Application use	0-8	0	
2	Fan Manual Switch	Fan Manual SW (0: Auto 1: Manual)	0-1	0	
3	Fan A Manual Voltage		0-255	100	
4	Fan B/C Manual Voltage		0-255	100	
5	Fan D/E Manual Voltage	Manual Adjustment Mode (0.1V) *Effective only when Manual SW is 1.	0-255	100	
6	Fan F/G Manual Voltage		0-255	100	
7	Fan H Manual Voltage		0-255	100	
10	Angle Data A	Angle Data A (Read only)	-	-	
11	Angle Data B	Angle Data B (Read only)	-	-	
12	Press Data	Press Data (Read only)	-	-	



253	Fan Temp Error Setting	(Memorized)		L1	L2	L3	L4	L5	L6	L7	L8
5	Temp A Warning (Normal)	Temp A (Room) to judge the Temp Error at Normal	30-100	45	45	45	45	45	45	45	45
6	Temp B Warning (Normal)	Temp B (Optical) to judge the Temp Error at Normal	30-100	75	75	75	75	75	75	75	75
7	Temp C Warning (Normal)	Temp C (DMD) to judge the Temp Error at Normal	30-100	70	70	70	70	70	70	70	70
8	Temp B-A Warning (Normal)	Temp B - A (Filter Clogged) to judge the Temp Error at Normal	0-100	45	45	45	45	45	45	45	45
9	Temp C-A Warning (Normal)	Temp C - A (Filter Clogged) to judge the Temp Error at Normal	0-100	40	40	40	40	40	40	40	40
10	Temp A Warning (Eco)	Temp A (Room) to judge the Temp Error at Eco	30-100	45	45	45	45	45	45	45	45
11	Temp B Warning (Eco)	Temp B (Optical) to judge the Temp Error at Eco	30-100	75	75	75	75	75	75	75	75
12	Temp C Warning (Eco)	Temp C (DMD) to judge the Temp Error at Eco	30-100	70	70	70	70	70	70	70	70
13	Temp B-A Warning (Eco)	Temp B - A (Filter Clogged) to judge the Temp Error at Eco	0-100	45	45	45	45	45	45	45	45
14	Temp C-A Warning (Eco)	Temp C - A (Filter Clogged) to judge the Temp Error at Eco	0-100	40	40	40	40	40	40	40	40
15	Temp A Warning Offset (Temp)		0-100						13		
16	Temp B Warning Offset (Temp)		0-100						13		
17	Temp C Warning Offset (Temp)	Temp Warning Offset (Temp)	0-100						13		
18	Temp B-A Warning Offset (Temp)		0-100						13		
19	Temp C-A Warning Offset (Temp)		0-100						13		
20	Temp A Warning Offset (Time)		0-40						3		
21	Temp B Warning Offset (Time)		0-40						3		
22	Temp C Warning Offset (Time)	Time Warning Offset (Time)	0-40						3		
23	Temp B-A Warning Offset (Time)		0-40						3		
24	Temp C-A Warning Offset (Time)		0-40						3		



Electrical Adjustment

Grp / No.	Item	Function	Range	Initial								Note	
				L1	L2	L3	L4	L5	L6	L7	L8		
254	Fan Control Range Setting	(Temp/Spinning)											
16	Normal Fan Control Min Temp	Temp Sensor Control Start/End Temp at Normal	20-100	27	27	27	27	27	27	27	27	27	27
17	Normal Fan Control Max Temp		20-100	37	37	37	37	37	37	37	37	37	37
18	Normal Fan A Min	Fan Voltage Set at Normal (Min/Max) (V)	0000-9990	63	63	75	75	75	75	75	75	63	
19	Normal Fan A Max		0000-9990	80	80	80	80	80	80	80	80	80	
20	Normal Fan B/C Min		0000-9990	50	70	80	80	80	80	80	80	70	
21	Normal Fan B/C Max		0000-9990	50	70	80	80	80	80	80	80	70	
22	Normal Fan D/E Min		0000-9990	72	72	72	72	72	72	72	72	72	
23	Normal Fan D/E Max		0000-9990	138	138	138	138	138	138	138	138	138	
24	Normal Fan F/G Min		0000-9990	88	88	88	103	103	103	88	88	88	
25	Normal FanF/G Max		0000-9990	138	138	138	138	138	138	138	138	138	
26	Normal Fan H Min		0000-9990	75	75	75	75	75	75	75	75	75	
27	Normal FanH Max		0000-9990	138	138	138	138	138	138	138	138	138	
32	Eco1 Fan Control Min Temp		Temp Sensor Control Start/End Temp at Eco1	20-100	27	27	27	27	27	27	27	27	27
33	Eco1 Fan Control Max Temp			20-100	37	37	37	37	37	37	37	37	37
34	Eco1 Fan A Min		Fan Voltage Set at Eco1 (Min/Max) (V)	0000-9990	50	50	59	59	59	59	59	59	50
35	Eco1 Fan A Max			0000-9990	55	55	59	59	59	59	59	59	55
36	Eco1 Fan B/C Min	0000-9990		40	60	70	70	70	70	70	70	60	
37	Eco1 Fan B/C Max	0000-9990		40	60	70	70	70	70	70	70	60	
38	Eco1 Fan D/E Min	0000-9990		58	58	58	58	58	58	58	58	58	
39	Eco1 Fan D/E Max	0000-9990		125	125	125	125	125	125	125	125	125	
40	Eco1 Fan F/G Min	0000-9990		78	78	78	78	78	78	78	78	78	
41	Eco1 Fan F/G Max	0000-9990		125	125	125	125	125	125	125	125	125	
42	Eco1 Fan H Min	0000-9990		65	65	65	65	65	65	65	65	65	
43	Eco1 Fan H Max	0000-9990		120	120	120	120	120	120	120	120	120	
48	Eco2 Fan Control Min Temp	Temp Sensor Control Start/End Temp at Eco2		20-100	27	27	27	27	27	27	27	27	27
49	Eco2 Fan Control Max Temp			20-100	37	37	37	37	37	37	37	37	37
50	Eco2 Fan A Min	Fan Voltage Set at Eco2 (Min/Max) (V)		0000-9990	50	50	59	59	59	59	59	59	50
51	Eco2 Fan A Max			0000-9990	55	55	59	59	59	59	59	59	55
52	Eco2 Fan B/C Min		0000-9990	40	60	70	70	70	70	70	70	60	
53	Eco2 Fan B/C Max		0000-9990	40	60	70	70	70	70	70	70	60	
54	Eco2 Fan D/E Min		0000-9990	70	70	70	70	70	70	70	70	70	
55	Eco2 Fan D/E Max		0000-9990	130	130	130	130	130	130	130	130	130	
56	Eco2 Fan F/G Min		0000-9990	85	85	85	85	85	85	85	85	85	
57	Eco2 Fan F/G Max		0000-9990	130	130	130	130	130	130	130	130	130	
58	Eco2 Fan H Min		0000-9990	75	75	75	75	75	75	75	75	75	
59	Eco2 Fan H Max		0000-9990	130	130	130	130	130	130	130	130	130	
255	Fan Start/Cooling Setting												
0	Fan A Initial Volt		Fan Start Voltage (0.1V)	0-255					70				
1	Fan B/C Initial Volt			0-255					70				
2	Fan D/E Initial Volt			0-255					70				
3	FanF/G Initial Volt	0-255						70					
4	FanH Initial Volt	0-255						70					
8	Cooling Time	Cooling Time Setting (x30 sec.) 1: 30 3: 90 15: 450	1-15					3					
10	Temp Error Cooling Time	Cooling Time Setting When the Temp Error occurs (x30 sec.) 1: 30 3: 90 15: 450	1-15					3					
11	OnStart Cooling Start Threshold		0-100					50					
12	After shutdown cooling	Cooling Operation after Shut Down (0: No, 1: Yes)	0-1					1					
256	Fan Lamp Voltage Lower Setting												
0	Lamp Voltage	Current Voltage (V)	0 - 255					-					
1	Lamp Volt Threshold		30 - 90					30					
2	Fan1 Speed Gain		0 - 1500					0					
259	Fan Air Pressure Setting												
0	Press Source Range Low	Pressure Sensor Control Range Setting (AD)	0-1024					645					
1	Press Source Range High		0-1024					325					
2	Press Fan Add Range High	Pressure Sensor Fan Control Add. Voltage (x0.1)	0 - 2000					0					
3	Press Fan Add Range Low		0 - 2000					65					
4	Temp C-A Upward High		Fan Voltage Add Upward (Sensor A-D) High	0 - 1000					25				
5	Temp C-A Upward Low	Fan Voltage Add Upward (Sensor A-D) Low	0 - 1000					23					
6	Temp C-A Downward High	Fan Voltage Add Downward (Sensor A-D) High	0 - 1000					22					
7	Temp C-A Downward Low	Fan Voltage Add Downward (Sensor A-D) Low	0 - 1000					21					
260	Auto Calibration (Common)												
0	Execute Calibration *	Execute Calibration when the Value is changed to 1. (For PC White 100%)	0 - 1					0					
1	Loop Count	Max Times of Calibration	1 - 30					8					

Electrical Adjustment

Grp / No.	Item	Function	Range	Initial	Note
2	Auto Status	Calibration Log (Read only) 0: Calibration End Correctly 1: On Adjusting 9: Calibration Error	0 / 1 / 9	0	
3	AutoWait	Waiting time	1 - 20	3	
4	CHECK - Tolerance	Tolerance of Offset	1 - 255	4	
5	Time out wait	Wait Time until Time out [sec.]	1 - 255	20	
100	Route Switch *	0: Menu 1: Input1 - RGB Analog (OnBoard - Ext.ADC) 2: Input3 - RGB Analog (Slot - Ext.ADC) 3: Input1 - RGB Analog (OnBoard - Int.ADC) 4: Input2 - YCbCr (OnBoard - Ext.ADC) 5: Input2 - YCbCr (OnBoard - Int.ADC) 6: Input2 - Video (OnBoard - Int.VDD)	0 - 6	0	
261	Auto Calibration (RGB)	PW392-AFE MDL <10bits>			
0	OFFSET AREA H START	Black Level Acq. Area H Start	0 - 1000	975	
1	OFFSET AREA V START	Black Level Acq. Area V Start	0 - 1000	500	
2	GAIN AREA H START	White Level Acq. Area H Start	0 - 1000	25	
3	GAIN AREA V START	White Level Acq. Area V Start	0 - 1000	500	
4	Image AREA H WIDTH	Black/White Level Area Width	0 - 4095	13	
5	Image AREA V HEIGHT	Black/White Level Area Height	0 - 4095	9	
6	OFFSET Target	Black Level Adj target	0 - 1023	20	
7	OFFSET Tolerance	Black Level Adj tolerance	1 - 1023	1	
8	GAIN Target	White Level Adj target	0 - 1023	940	
9	GAIN Tolerance	White Level Adj tolerance	1 - 1023	1	
10	Image Level Tolerance	Acq. Image Level Adj Tolerance	1 - 255	4	
262	Auto Calibration (CVBS/SVIDEO)	PW392-AFE MDL <10bits>			
0	Y Image Area Start X	Y Image Area H Start	0 - 1000	10	
1	Y Image Area Start Y	Y Image Area V Start	0 - 1000	200	
6	Image Area H WIDTH	Image Level Acq. Width	0 - 4095	8	
7	Image Area V HEIGHT	Image Level Acq. Height	0 - 4095	9	
8	Y Target Level	Y Level Adj target	0 - 1023	808	
11	Gain Tolerance	Level Adj Tolerance	1 - 255	1	
12	Image Level Tolerance	Acq. Image Level Adj Tolerance	1 - 255	4	
264	Auto Calibration (YCbCr)	PW392-AFE MDL <10bits>			
0	Y-OFFSET AREA H START	Y - Offset Acq Area H Start	0 - 1000	925	
1	Y-OFFSET AREA V START	Y - Offset Acq Area V Start	0 - 1000	500	
2	CB - OFFSET AREA H START	CB - Offset Acq. Area H Start	0 - 1000	925	
3	CB - OFFSET AREA V START	CB - Offset Acq. Area V Start	0 - 1000	500	
4	CR - OFFSET AREA H START	CR - Offset Acq. Area H Start	0 - 1000	925	
5	CR - OFFSET AREA V START	CR - Offset Acq. Area V Start	0 - 1000	500	
6	Y - GAIN AREA H START	Y	0 - 1000	50	
7	Y - GAIN AREA V START		0 - 1000	500	
8	CB - GAIN AREA H START		0 - 1000	800	
9	CB - GAIN AREA V START		0 - 1000	500	
10	CR - GAIN AREA H START		0 - 1000	700	
11	CR - GAIN AREA V START		0 - 1000	500	
12	Image AREA H WIDTH	YCBCR Level Acq. Width	0 - 4095	13	
13	Image AREA V HEIGHT	YCBCR Level Acq. Height	0 - 4095	9	
14	Y - OFFSET TARGET		0 - 1023	4	
15	CB OFFSET TARGET		0 - 1023	512	
16	CR OFFSET TARGET		0 - 1023	512	
17	Y - GAIN TARGET		0 - 1023	808	
18	CB - GAIN TARGET		0 - 1023	892	
19	CR - GAIN TARGET		0 - 1023	892	
20	OFFSET Tolerance	OFFSET Adj Tolerance	1 - 255	1	
21	GAIN Tolerance	GAIN Adj Tolerance	1 - 255	1	
22	Image Level Tolerance	Acq. Image Level Adj Tolerance	1 - 255	4	
280	Auto PC Adjust				
0	AutoPCAdjustEnable	Auto PC Operation with the un-supported signal in. 0: Enable 1: Disable	0 - 1	0	
1	Frequency Step	TotalDot Search Step	0-3	1	
2	Frequency Threshold	TotalDot Match	0 - 10	5	
3	Fine Phase	Phase after Total Dot Adj. 0: Fine Phase Execute 1: Fine Phase Not Execute	0 - 1	1	
4	BLKDET	Black Level Detect Area	0 - 7	1	
5	PHASEMSK	Phase Detect Filter 0: All Bits Enable, 1: Lower 1 bit Disable, 2: Lower 2 bit Disable, 3: Lower 3 bits Disable	0 - 3	0	

Electrical Adjustment

Grp / No.	Item	Function	Range	Initial	Note
300	Closed Caption				
2	Multi Window Caption	Closed Caption On/Off at PIP mode	0 - 1	1	
500	SCART(480i)	[ON-Board (DVI-Dsub-HDMI)]			
0	Total Dots		0 - 4095	858	
1	Disp Dots		0 - 4095	674	
2	H Back Porch		0 - 4095	138	
3	V Back Porch		0 - 4095	42	
4	Disp Line		0 - 4095	458	
5	Clamp Position		0 - 4095	80	
6	Clamp Width		0 - 4095	20	
8	VSBEQ		0 - 15	1	
9	Filed Enable		0 - 1	1	
10	FLDBEQ		0 - 15	1	
11	FLDEND		0 - 15	9	
12	PHASE		0 - 63	16	
22	(Sub) H Back Porch		0 - 4095	140	
23	(Sub) V Back Porch		0 - 4095	42	
25	(Sub) Clamp Position		0 - 4095	0	
26	(Sub) Clamp Width		0 - 4095	0	
28	(Sub) VSBEQ		0 - 15	1	
29	(Sub) Filed Enable		0 - 1	0	
30	(Sub) FLDBEQ		0 - 15	4	
31	(Sub) FLDEND		0 - 15	10	
32	(Sub) PHASE		0 - 63	16	
501	SCART (575i)	[ON-Board (DVI-Dsub-HDMI)]			
0	Total Dots		0 - 4095	868	
1	Disp Dots		0 - 4095	670	
2	H Back Porch		0 - 4095	152	
3	V Back Porch		0 - 4095	62	
4	Disp Line		0 - 4095	534	
5	Clamp Position		0 - 4095	90	
6	Clamp Width		0 - 4095	20	
8	VSBEQ		0 - 15	1	
9	Filed Enable		0 - 1	1	
10	FLDBEQ		0 - 15	1	
11	FLDEND		0 - 15	9	
12	PHASE		0 - 63	16	
22	(Sub) H Back Porch		0 - 4095	156	
23	(Sub) V Back Porch		0 - 4095	62	
25	(Sub) Clamp Position		0 - 4095	0	
26	(Sub) Clamp Width		0 - 4095	0	
28	(Sub) VSBEQ		0 - 15	1	
29	(Sub) Filed Enable		0 - 1	0	
30	(Sub) FLDBEQ		0 - 15	4	
31	(Sub) FLDEND		0 - 15	10	
32	(Sub) PHASE		0 - 63	16	
510	RGB Video (480i)	[ON-Board (DVI-Dsub-HDMI)]			
0	Total Dots		0 - 4095	858	
1	Disp Dots		0 - 4095	712	
2	H Back Porch		0 - 4095	138	
3	V Back Porch		0 - 4095	40	
4	Disp Line		0 - 4095	486	
5	Clamp Position		0 - 4095	1	
6	Clamp Width		0 - 4095	31	
8	VSBEQ		0 - 15	1	
9	Filed Enable		0 - 1	1	
10	FLDBEQ		0 - 15	1	
11	FLDEND		0 - 15	10	
12	PHASE		0 - 63	16	

Electrical Adjustment

Grp / No.	Item	Function	Range	Initial	Note
22	(Sub) H Back Porch		0 - 4095	146	
23	(Sub) V Back Porch		0 - 4095	40	
25	(Sub) Clamp Position		0 - 4095	91	
26	(Sub) Clamp Width		0 - 4095	20	
28	(Sub) VSBEG		0 - 15	1	
29	(Sub) Filed Enable		0 - 1	1	
30	(Sub) FLDBEG		0 - 15	3	
31	(Sub) FLDEND		0 - 15	10	
32	(Sub) PHASE		0 - 63	16	
511	RGB Video (575i)	[ON-Board (DVI-Dsub-HDMI)]			
0	Total Dots		0 - 4095	868	
1	Disp Dots		0 - 4095	706	
2	H Back Porch		0 - 4095	154	
3	V Back Porch		0 - 4095	44	
4	Disp Line		0 - 4095	576	
5	Clamp Position		0 - 4095	1	
6	Clamp Width		0 - 4095	31	
8	VSBEG		0 - 15	1	
9	Filed Enable		0 - 1	1	
10	FLDBEG		0 - 15	1	
11	FLDEND		0 - 15	10	
12	PHASE		0 - 63	16	
22	(Sub) H Back Porch		0 - 4095	160	
23	(Sub) V Back Porch		0 - 4095	44	
25	(Sub) Clamp Position		0 - 4095	99	
26	(Sub) Clamp Width		0 - 4095	20	
28	(Sub) VSBEG		0 - 15	1	
29	(Sub) Filed Enable		0 - 1	1	
30	(Sub) FLDBEG		0 - 15	3	
31	(Sub) FLDEND		0 - 15	10	
32	(Sub) PHASE		0 - 63	16	
512	RGB Video (480P)	[ON-Board (DVI-Dsub-HDMI)]			
0	Total Dots		0 - 4095	858	
1	Disp Dots		0 - 4095	712	
2	H Back Porch		0 - 4095	118	
3	V Back Porch		0 - 4095	42	
4	Disp Line		0 - 4095	484	
5	Clamp Position		0 - 4095	1	
6	Clamp Width		0 - 4095	31	
8	VSBEG		0 - 15	2	
9	Filed Enable		0 - 1	0	
10	FLDBEG		0 - 15	0	
11	FLDEND		0 - 15	0	
12	PHASE		0 - 63	16	
22	(Sub) H Back Porch		0 - 4095	126	
23	(Sub) V Back Porch		0 - 4095	42	
25	(Sub) Clamp Position		0 - 4095	86	
26	(Sub) Clamp Width		0 - 4095	20	
28	(Sub) VSBEG		0 - 15	2	
29	(Sub) Filed Enable		0 - 1	0	
30	(Sub) FLDBEG		0 - 15	0	
31	(Sub) FLDEND		0 - 15	0	
32	(Sub) PHASE		0 - 63	16	
513	RGB Video (575P)	[ON-Board (DVI-Dsub-HDMI)]			
0	Total Dots		0 - 4095	868	
1	Disp Dots		0 - 4095	706	
2	H Back Porch		0 - 4095	134	
3	V Back Porch		0 - 4095	50	
4	Disp Line		0 - 4095	576	

Electrical Adjustment

Grp / No.	Item	Function	Range	Initial	Note
5	Clamp Position		0 - 4095	1	
6	Clamp Width		0 - 4095	31	
8	VSBEQ		0 - 15	2	
9	Filed Enable		0 - 1	0	
10	FLDBEQ		0 - 15	0	
11	FLDEND		0 - 15	0	
12	PHASE		0 - 63	16	
22	(Sub) H Back Porch		0 - 4095	140	
23	(Sub) V Back Porch		0 - 4095	50	
25	(Sub) Clamp Position		0 - 4095	98	
26	(Sub) Clamp Width		0 - 4095	20	
28	(Sub) VSBEQ		0 - 15	2	
29	(Sub) Filed Enable		0 - 1	0	
30	(Sub) FLDBEQ		0 - 15	0	
31	(Sub) FLDEND		0 - 15	0	
32	(Sub) PHASE		0 - 63	16	
514	RGB Video (720P-60)	[ON-Board (DVI-Dsub-HDMI)]			
0	Total Dots		0 - 4095	1650	
1	Disp Dots		0 - 4095	1280	
2	H Back Porch		0 - 4095	288	
3	V Back Porch		0 - 4095	26	
4	Disp Line		0 - 4095	720	
5	Clamp Position		0 - 4095	110	
6	Clamp Width		0 - 4095	31	
8	VSBEQ		0 - 15	2	
9	Filed Enable		0 - 1	0	
10	FLDBEQ		0 - 15	0	
11	FLDEND		0 - 15	0	
12	PHASE		0 - 63	16	
22	(Sub) H Back Porch		0 - 4095	298	
23	(Sub) V Back Porch		0 - 4095	26	
25	(Sub) Clamp Position		0 - 4095	188	
26	(Sub) Clamp Width		0 - 4095	20	
28	(Sub) VSBEQ		0 - 15	2	
29	(Sub) Filed Enable		0 - 1	0	
30	(Sub) FLDBEQ		0 - 15	0	
31	(Sub) FLDEND		0 - 15	0	
32	(Sub) PHASE		0 - 63	16	
515	RGB Video (720P-50)	[ON-Board (DVI-Dsub-HDMI)]			
0	Total Dots		0 - 4095	1980	
1	Disp Dots		0 - 4095	1280	
2	H Back Porch		0 - 4095	286	
3	V Back Porch		0 - 4095	26	
4	Disp Line		0 - 4095	720	
5	Clamp Position		0 - 4095	110	
6	Clamp Width		0 - 4095	31	
8	VSBEQ		0 - 15	2	
9	Filed Enable		0 - 1	0	
10	FLDBEQ		0 - 15	0	
11	FLDEND		0 - 15	0	
12	PHASE		0 - 63	16	
22	(Sub) H Back Porch		0 - 4095	296	
23	(Sub) V Back Porch		0 - 4095	26	
25	(Sub) Clamp Position		0 - 4095	188	
26	(Sub) Clamp Width		0 - 4095	20	
28	(Sub) VSBEQ		0 - 15	2	
29	(Sub) Filed Enable		0 - 1	0	
30	(Sub) FLDBEQ		0 - 15	0	
31	(Sub) FLDEND		0 - 15	0	

Electrical Adjustment

Grp / No.	Item	Function	Range	Initial	Note
32	(Sub) PHASE		0 - 63	16	
516	RGB Video (1080i-60)	[ON-Board (DVI-Dsub-HDMI)]			
0	Total Dots		0 - 4095	2200	
1	Disp Dots		0 - 4095	1920	
2	H Back Porch		0 - 4095	224	
3	V Back Porch		0 - 4095	40	
4	Disp Line		0 - 4095	1080	
5	Clamp Position		0 - 4095	80	
6	Clamp Width		0 - 4095	31	
8	VSBEQ		0 - 15	1	
9	Filed Enable		0 - 1	1	
10	FLDBEQ		0 - 15	1	
11	FLDEND		0 - 15	10	
12	PHASE		0 - 63	16	
22	(Sub) H Back Porch		0 - 4095	234	
23	(Sub) V Back Porch		0 - 4095	40	
25	(Sub) Clamp Position		0 - 4095	172	
26	(Sub) Clamp Width		0 - 4095	20	
28	(Sub) VSBEQ		0 - 15	1	
29	(Sub) Filed Enable		0 - 1	1	
30	(Sub) FLDBEQ		0 - 15	4	
31	(Sub) FLDEND		0 - 15	11	
32	(Sub) PHASE		0 - 63	16	
517	RGB Video (1080i-50)	[ON-Board (DVI-Dsub-HDMI)]			
0	Total Dots		0 - 4095	2640	
1	Disp Dots		0 - 4095	1920	
2	H Back Porch		0 - 4095	224	
3	V Back Porch		0 - 4095	40	
4	Disp Line		0 - 4095	1080	
5	Clamp Position		0 - 4095	80	
6	Clamp Width		0 - 4095	31	
8	VSBEQ		0 - 15	1	
9	Filed Enable		0 - 1	1	
10	FLDBEQ		0 - 15	1	
11	FLDEND		0 - 15	10	
12	PHASE		0 - 63	16	
22	(Sub) H Back Porch		0 - 4095	234	
23	(Sub) V Back Porch		0 - 4095	40	
25	(Sub) Clamp Position		0 - 4095	172	
26	(Sub) Clamp Width		0 - 4095	20	
28	(Sub) VSBEQ		0 - 15	1	
29	(Sub) Filed Enable		0 - 1	1	
30	(Sub) FLDBEQ		0 - 15	4	
31	(Sub) FLDEND		0 - 15	11	
32	(Sub) PHASE		0 - 63	16	
518	RGB Video (1035i)	[ON-Board (DVI-Dsub-HDMI)]			
0	Total Dots		0 - 4095	2200	
1	Disp Dots		0 - 4095	1920	
2	H Back Porch		0 - 4095	224	
3	V Back Porch		0 - 4095	78	
4	Disp Line		0 - 4095	1034	
5	Clamp Position		0 - 4095	80	
6	Clamp Width		0 - 4095	31	
8	VSBEQ		0 - 15	1	
9	Filed Enable		0 - 1	1	
10	FLDBEQ		0 - 15	1	
11	FLDEND		0 - 15	10	
12	PHASE		0 - 63	16	
22	(Sub) H Back Porch		0 - 4095	234	
23	(Sub) V Back Porch		0 - 4095	78	

Electrical Adjustment

Grp / No.	Item	Function	Range	Initial	Note
25	(Sub) Clamp Position		0 - 4095	172	
26	(Sub) Clamp Width		0 - 4095	20	
28	(Sub) VSBEG		0 - 15	1	
29	(Sub) Filed Enable		0 - 1	1	
30	(Sub) FLDBEG		0 - 15	4	
31	(Sub) FLDEND		0 - 15	11	
32	(Sub) PHASE		0 - 63	16	
519	RGB Video (1080P-60)	[ON-Board (DVI-Dsub-HDMI)]			
0	Total Dots		0 - 4095	2200	
1	Disp Dots		0 - 4095	1920	
2	H Back Porch		0 - 4095	216	
3	V Back Porch		0 - 4095	42	
4	Disp Line		0 - 4095	1080	
5	Clamp Position		0 - 4095	80	
6	Clamp Width		0 - 4095	31	
8	VSBEG		0 - 15	2	
9	Filed Enable		0 - 1	0	
10	FLDBEG		0 - 15	0	
11	FLDEND		0 - 15	0	
12	PHASE		0 - 63	16	
22	(Sub) H Back Porch		0 - 4095	114	
23	(Sub) V Back Porch		0 - 4095	42	
25	(Sub) Clamp Position		0 - 4095	83	
26	(Sub) Clamp Width		0 - 4095	5	
28	(Sub) VSBEG		0 - 15	2	
29	(Sub) Filed Enable		0 - 1	0	
30	(Sub) FLDBEG		0 - 15	0	
31	(Sub) FLDEND		0 - 15	0	
32	(Sub) PHASE		0 - 63	16	
520	RGB Video (1080P-50)	[ON-Board (DVI-Dsub-HDMI)]			
0	Total Dots		0 - 4095	2640	
1	Disp Dots		0 - 4095	1920	
2	H Back Porch		0 - 4095	216	
3	V Back Porch		0 - 4095	42	
4	Disp Line		0 - 4095	1080	
5	Clamp Position		0 - 4095	80	
6	Clamp Width		0 - 4095	31	
8	VSBEG		0 - 15	2	
9	Filed Enable		0 - 1	0	
10	FLDBEG		0 - 15	0	
11	FLDEND		0 - 15	0	
12	PHASE		0 - 63	16	
22	(Sub) H Back Porch		0 - 4095	114	
23	(Sub) V Back Porch		0 - 4095	42	
25	(Sub) Clamp Position		0 - 4095	83	
26	(Sub) Clamp Width		0 - 4095	5	
28	(Sub) VSBEG		0 - 15	2	
29	(Sub) Filed Enable		0 - 1	0	
30	(Sub) FLDBEG		0 - 15	0	
31	(Sub) FLDEND		0 - 15	0	
32	(Sub) PHASE		0 - 63	16	
521	RGB Video (1080P-30)	[ON-Board (DVI-Dsub-HDMI)]			
0	Total Dots		0 - 4095	2200	
1	Disp Dots		0 - 4095	1920	
2	H Back Porch		0 - 4095	224	
3	V Back Porch		0 - 4095	42	
4	Disp Line		0 - 4095	1080	
5	Clamp Position		0 - 4095	80	
6	Clamp Width		0 - 4095	31	

Electrical Adjustment

Grp / No.	Item	Function	Range	Initial	Note
8	VSBEQ		0 - 15	2	
9	Filed Enable		0 - 1	0	
10	FLDBEQ		0 - 15	0	
11	FLDEND		0 - 15	0	
12	PHASE		0 - 63	16	
22	(Sub) H Back Porch		0 - 4095	116	
23	(Sub) V Back Porch		0 - 4095	42	
25	(Sub) Clamp Position		0 - 4095	65	
26	(Sub) Clamp Width		0 - 4095	16	
28	(Sub) VSBEQ		0 - 15	2	
29	(Sub) Filed Enable		0 - 1	0	
30	(Sub) FLDBEQ		0 - 15	0	
31	(Sub) FLDEND		0 - 15	0	
32	(Sub) PHASE		0 - 63	16	
522	RGB Video (1080P-25)	[ON-Board (DVI-Dsub-HDMI)]			
0	Total Dots		0 - 4095	2640	
1	Disp Dots		0 - 4095	1920	
2	H Back Porch		0 - 4095	224	
3	V Back Porch		0 - 4095	42	
4	Disp Line		0 - 4095	1080	
5	Clamp Position		0 - 4095	80	
6	Clamp Width		0 - 4095	31	
8	VSBEQ		0 - 15	2	
9	Filed Enable		0 - 1	0	
10	FLDBEQ		0 - 15	0	
11	FLDEND		0 - 15	0	
12	PHASE		0 - 63	16	
22	(Sub) H Back Porch		0 - 4095	116	
23	(Sub) V Back Porch		0 - 4095	42	
25	(Sub) Clamp Position		0 - 4095	65	
26	(Sub) Clamp Width		0 - 4095	16	
28	(Sub) VSBEQ		0 - 15	2	
29	(Sub) Filed Enable		0 - 1	0	
30	(Sub) FLDBEQ		0 - 15	0	
31	(Sub) FLDEND		0 - 15	0	
32	(Sub) PHASE		0 - 63	16	
523	RGB Video (1080P-24)	[ON-Board (DVI-Dsub-HDMI)]			
0	Total Dots		0 - 4095	2750	
1	Disp Dots		0 - 4095	1920	
2	H Back Porch		0 - 4095	224	
3	V Back Porch		0 - 4095	42	
4	Disp Line		0 - 4095	1080	
5	Clamp Position		0 - 4095	80	
6	Clamp Width		0 - 4095	31	
8	VSBEQ		0 - 15	2	
9	Filed Enable		0 - 1	0	
10	FLDBEQ		0 - 15	0	
11	FLDEND		0 - 15	0	
12	PHASE		0 - 63	16	
22	(Sub) H Back Porch		0 - 4095	116	
23	(Sub) V Back Porch		0 - 4095	42	
25	(Sub) Clamp Position		0 - 4095	65	
26	(Sub) Clamp Width		0 - 4095	16	
28	(Sub) VSBEQ		0 - 15	2	
29	(Sub) Filed Enable		0 - 1	0	
30	(Sub) FLDBEQ		0 - 15	0	
31	(Sub) FLDEND		0 - 15	0	
32	(Sub) PHASE		0 - 63	16	

Electrical Adjustment

Grp / No.	Item	Function	Range	Initial	Note
524	RGB Video (1080-30psf)	[ON-Board (DVI-Dsub-HDMI)]			
0	Total Dots		0 - 4095	2200	
1	Disp Dots		0 - 4095	1920	
2	H Back Porch		0 - 4095	224	
3	V Back Porch		0 - 4095	40	
4	Disp Line		0 - 4095	1080	
5	Clamp Position		0 - 4095	80	
6	Clamp Width		0 - 4095	31	
8	VSBEQ		0 - 15	1	
9	Filed Enable		0 - 1	1	
10	FLDBEQ		0 - 15	1	
11	FLDEND		0 - 15	10	
12	PHASE		0 - 63	16	
22	(Sub) H Back Porch		0 - 4095	234	
23	(Sub) V Back Porch		0 - 4095	40	
25	(Sub) Clamp Position		0 - 4095	155	
26	(Sub) Clamp Width		0 - 4095	20	
28	(Sub) VSBEQ		0 - 15	1	
29	(Sub) Filed Enable		0 - 1	1	
30	(Sub) FLDBEQ		0 - 15	4	
31	(Sub) FLDEND		0 - 15	11	
32	(Sub) PHASE		0 - 63	16	
525	RGB Video (1080-25psf)	[ON-Board (DVI-Dsub-HDMI)]			
0	Total Dots		0 - 4095	2640	
1	Disp Dots		0 - 4095	1920	
2	H Back Porch		0 - 4095	224	
3	V Back Porch		0 - 4095	40	
4	Disp Line		0 - 4095	1080	
5	Clamp Position		0 - 4095	80	
6	Clamp Width		0 - 4095	31	
8	VSBEQ		0 - 15	1	
9	Filed Enable		0 - 1	1	
10	FLDBEQ		0 - 15	1	
11	FLDEND		0 - 15	10	
12	PHASE		0 - 63	16	
22	(Sub) H Back Porch		0 - 4095	234	
23	(Sub) V Back Porch		0 - 4095	40	
25	(Sub) Clamp Position		0 - 4095	155	
26	(Sub) Clamp Width		0 - 4095	20	
28	(Sub) VSBEQ		0 - 15	1	
29	(Sub) Filed Enable		0 - 1	1	
30	(Sub) FLDBEQ		0 - 15	4	
31	(Sub) FLDEND		0 - 15	11	
32	(Sub) PHASE		0 - 63	16	
526	RGB Video (1080-24psf)	[ON-Board (DVI-Dsub-HDMI)]			
0	Total Dots		0 - 4095	2750	
1	Disp Dots		0 - 4095	1920	
2	H Back Porch		0 - 4095	224	
3	V Back Porch		0 - 4095	40	
4	Disp Line		0 - 4095	1080	
5	Clamp Position		0 - 4095	80	
6	Clamp Width		0 - 4095	31	
8	VSBEQ		0 - 15	1	
9	Filed Enable		0 - 1	1	
10	FLDBEQ		0 - 15	1	
11	FLDEND		0 - 15	10	
12	PHASE		0 - 63	16	
22	(Sub) H Back Porch		0 - 4095	234	
23	(Sub) V Back Porch		0 - 4095	40	
25	(Sub) Clamp Position		0 - 4095	110	

Electrical Adjustment

Grp / No.	Item	Function	Range	Initial	Note
26	(Sub) Clamp Width		0 - 4095	20	
28	(Sub) VSBEG		0 - 15	1	
29	(Sub) Filed Enable		0 - 1	1	
30	(Sub) FLDBEG		0 - 15	4	
31	(Sub) FLDEND		0 - 15	11	
32	(Sub) PHASE		0 - 63	16	
530	Composite / Svideo (NTSC)	[ON-Board (5BNC-Video)]			
0	Total Dots		0 - 4095	0	
1	Disp Dots		0 - 4095	670	
2	H Back Porch		0 - 4095	26	
3	V Back Porch		0 - 4095	18	
4	Disp Line		0 - 4095	456	
5	Clamp Position		0 - 4095	1	
6	Clamp Width		0 - 4095	31	
8	VSBEG		0 - 15	2	
9	Filed Enable		0 - 1	0	
10	FLDBEG		0 - 15	0	
11	FLDEND		0 - 15	0	
12	PHASE		0 - 63	16	
22	(Sub) H Back Porch		0 - 4095	26	
23	(Sub) V Back Porch		0 - 4095	18	
25	(Sub) Clamp Position		0 - 4095	1	
26	(Sub) Clamp Width		0 - 4095	20	
28	(Sub) VSBEG		0 - 15	1	
29	(Sub) Filed Enable		0 - 1	1	
30	(Sub) FLDBEG		0 - 15	4	
31	(Sub) FLDEND		0 - 15	10	
32	(Sub) PHASE		0 - 63	16	
531	Composite / Svideo (PAL)	[ON-Board (5BNC-Video)]			
0	Total Dots		0 - 4095	0	
1	Disp Dots		0 - 4095	658	
2	H Back Porch		0 - 4095	32	
3	V Back Porch		0 - 4095	22	
4	Disp Line		0 - 4095	538	
5	Clamp Position		0 - 4095	1	
6	Clamp Width		0 - 4095	31	
8	VSBEG		0 - 15	2	
9	Filed Enable		0 - 1	0	
10	FLDBEG		0 - 15	0	
11	FLDEND		0 - 15	0	
12	PHASE		0 - 63	16	
22	(Sub) H Back Porch		0 - 4095	34	
23	(Sub) V Back Porch		0 - 4095	22	
25	(Sub) Clamp Position		0 - 4095	1	
26	(Sub) Clamp Width		0 - 4095	20	
28	(Sub) VSBEG		0 - 15	1	
29	(Sub) Filed Enable		0 - 1	1	
30	(Sub) FLDBEG		0 - 15	4	
31	(Sub) FLDEND		0 - 15	10	
32	(Sub) PHASE		0 - 63	16	
540	YCbCr (480i)	[ON-Board (5BNC-Video)]			
0	Total Dots		0 - 4095	858	
1	Disp Dots		0 - 4095	676	
2	H Back Porch		0 - 4095	136	
3	V Back Porch		0 - 4095	48	
4	Disp Line		0 - 4095	456	
5	Clamp Position		0 - 4095	1	
6	Clamp Width		0 - 4095	31	
8	VSBEG		0 - 15	1	
9	Filed Enable		0 - 1	1	

Electrical Adjustment

Grp / No.	Item	Function	Range	Initial	Note
10	FLDBEG		0 - 15	0	
11	FLDEND		0 - 15	6	
12	PHASE		0 - 63	16	
22	(Sub) H Back Porch		0 - 4095	142	
23	(Sub) V Back Porch		0 - 4095	44	
25	(Sub) Clamp Position		0 - 4095	82	
26	(Sub) Clamp Width		0 - 4095	20	
28	(Sub) VSBEG		0 - 15	1	
29	(Sub) Filed Enable		0 - 1	1	
30	(Sub) FLDBEG		0 - 15	5	
31	(Sub) FLDEND		0 - 15	11	
32	(Sub) PHASE		0 - 63	16	
541	YCbCr (575i)	[ON-Board (5BNC-Video)]			
0	Total Dots		0 - 4095	868	
1	Disp Dots		0 - 4095	668	
2	H Back Porch		0 - 4095	152	
3	V Back Porch		0 - 4095	62	
4	Disp Line		0 - 4095	540	
5	Clamp Position		0 - 4095	1	
6	Clamp Width		0 - 4095	31	
8	VSBEG		0 - 15	1	
9	Filed Enable		0 - 1	1	
10	FLDBEG		0 - 15	0	
11	FLDEND		0 - 15	6	
12	PHASE		0 - 63	16	
22	(Sub) H Back Porch		0 - 4095	158	
23	(Sub) V Back Porch		0 - 4095	60	
25	(Sub) Clamp Position		0 - 4095	98	
26	(Sub) Clamp Width		0 - 4095	20	
28	(Sub) VSBEG		0 - 15	1	
29	(Sub) Filed Enable		0 - 1	1	
30	(Sub) FLDBEG		0 - 15	5	
31	(Sub) FLDEND		0 - 15	11	
32	(Sub) PHASE		0 - 63	16	
542	YCbCr (480P)	[ON-Board (5BNC-Video)]			
0	Total Dots		0 - 4095	858	
1	Disp Dots		0 - 4095	684	
2	H Back Porch		0 - 4095	130	
3	V Back Porch		0 - 4095	46	
4	Disp Line		0 - 4095	460	
5	Clamp Position		0 - 4095	1	
6	Clamp Width		0 - 4095	31	
8	VSBEG		0 - 15	2	
9	Filed Enable		0 - 1	0	
10	FLDBEG		0 - 15	0	
11	FLDEND		0 - 15	0	
12	PHASE		0 - 63	16	
22	(Sub) H Back Porch		0 - 4095	138	
23	(Sub) V Back Porch		0 - 4095	46	
25	(Sub) Clamp Position		0 - 4095	89	
26	(Sub) Clamp Width		0 - 4095	20	
28	(Sub) VSBEG		0 - 15	2	
29	(Sub) Filed Enable		0 - 1	0	
30	(Sub) FLDBEG		0 - 15	0	
31	(Sub) FLDEND		0 - 15	0	
32	(Sub) PHASE		0 - 63	16	
543	YCbCr (575P)	[ON-Board (5BNC-Video)]			
0	Total Dots		0 - 4095	868	

Electrical Adjustment

Grp / No.	Item	Function	Range	Initial	Note
1	Disp Dots		0 - 4095	696	
2	H Back Porch		0 - 4095	136	
3	V Back Porch		0 - 4095	56	
4	Disp Line		0 - 4095	550	
5	Clamp Position		0 - 4095	1	
6	Clamp Width		0 - 4095	31	
8	VSBEQ		0 - 15	2	
9	Filed Enable		0 - 1	0	
10	FLDBEQ		0 - 15	0	
11	FLDEND		0 - 15	0	
12	PHASE		0 - 63	16	
22	(Sub) H Back Porch		0 - 4095	146	
23	(Sub) V Back Porch		0 - 4095	56	
25	(Sub) Clamp Position		0 - 4095	101	
26	(Sub) Clamp Width		0 - 4095	20	
28	(Sub) VSBEQ		0 - 15	2	
29	(Sub) Filed Enable		0 - 1	0	
30	(Sub) FLDBEQ		0 - 15	0	
31	(Sub) FLDEND		0 - 15	0	
32	(Sub) PHASE		0 - 63	16	
544	YCbCr (720P-60)	[ON-Board (5BNC-Video)]			
0	Total Dots		0 - 4095	1650	
1	Disp Dots		0 - 4095	1250	
2	H Back Porch		0 - 4095	300	
3	V Back Porch		0 - 4095	34	
4	Disp Line		0 - 4095	700	
5	Clamp Position		0 - 4095	110	
6	Clamp Width		0 - 4095	31	
8	VSBEQ		0 - 15	2	
9	Filed Enable		0 - 1	0	
10	FLDBEQ		0 - 15	0	
11	FLDEND		0 - 15	0	
12	PHASE		0 - 63	16	
22	(Sub) H Back Porch		0 - 4095	312	
23	(Sub) V Back Porch		0 - 4095	34	
25	(Sub) Clamp Position		0 - 4095	187	
26	(Sub) Clamp Width		0 - 4095	20	
28	(Sub) VSBEQ		0 - 15	2	
29	(Sub) Filed Enable		0 - 1	0	
30	(Sub) FLDBEQ		0 - 15	0	
31	(Sub) FLDEND		0 - 15	0	
32	(Sub) PHASE		0 - 63	16	
545	YCbCr (720P-50)	[ON-Board (5BNC-Video)]			
0	Total Dots		0 - 4095	1980	
1	Disp Dots		0 - 4095	1250	
2	H Back Porch		0 - 4095	298	
3	V Back Porch		0 - 4095	34	
4	Disp Line		0 - 4095	700	
5	Clamp Position		0 - 4095	110	
6	Clamp Width		0 - 4095	31	
8	VSBEQ		0 - 15	2	
9	Filed Enable		0 - 1	0	
10	FLDBEQ		0 - 15	0	
11	FLDEND		0 - 15	0	
12	PHASE		0 - 63	16	
22	(Sub) H Back Porch		0 - 4095	312	
23	(Sub) V Back Porch		0 - 4095	34	
25	(Sub) Clamp Position		0 - 4095	183	
26	(Sub) Clamp Width		0 - 4095	20	

Electrical Adjustment

Grp / No.	Item	Function	Range	Initial	Note
28	(Sub) VSBEG		0 - 15	2	
29	(Sub) Filed Enable		0 - 1	0	
30	(Sub) FLDBEG		0 - 15	0	
31	(Sub) FLDEND		0 - 15	0	
32	(Sub) PHASE		0 - 63	16	
546	YCbCr (1080i-60)	[ON-Board (5BNC-Video)]			
0	Total Dots		0 - 4095	2200	
1	Disp Dots		0 - 4095	1872	
2	H Back Porch		0 - 4095	244	
3	V Back Porch		0 - 4095	54	
4	Disp Line		0 - 4095	1050	
5	Clamp Position		0 - 4095	80	
6	Clamp Width		0 - 4095	31	
8	VSBEG		0 - 15	1	
9	Filed Enable		0 - 1	1	
10	FLDBEG		0 - 15	3	
11	FLDEND		0 - 15	9	
12	PHASE		0 - 63	16	
22	(Sub) H Back Porch		0 - 4095	256	
23	(Sub) V Back Porch		0 - 4095	52	
25	(Sub) Clamp Position		0 - 4095	168	
26	(Sub) Clamp Width		0 - 4095	20	
28	(Sub) VSBEG		0 - 15	1	
29	(Sub) Filed Enable		0 - 1	1	
30	(Sub) FLDBEG		0 - 15	5	
31	(Sub) FLDEND		0 - 15	11	
32	(Sub) PHASE		0 - 63	16	
547	YCbCr (1080i-50)	[ON-Board (5BNC-Video)]			
0	Total Dots		0 - 4095	2640	
1	Disp Dots		0 - 4095	1872	
2	H Back Porch		0 - 4095	244	
3	V Back Porch		0 - 4095	54	
4	Disp Line		0 - 4095	1050	
5	Clamp Position		0 - 4095	80	
6	Clamp Width		0 - 4095	31	
8	VSBEG		0 - 15	1	
9	Filed Enable		0 - 1	1	
10	FLDBEG		0 - 15	3	
11	FLDEND		0 - 15	9	
12	PHASE		0 - 63	16	
22	(Sub) H Back Porch		0 - 4095	256	
23	(Sub) V Back Porch		0 - 4095	52	
25	(Sub) Clamp Position		0 - 4095	168	
26	(Sub) Clamp Width		0 - 4095	20	
28	(Sub) VSBEG		0 - 15	1	
29	(Sub) Filed Enable		0 - 1	1	
30	(Sub) FLDBEG		0 - 15	5	
31	(Sub) FLDEND		0 - 15	11	
32	(Sub) PHASE		0 - 63	16	
548	YCbCr (1035i)	[ON-Board (5BNC-Video)]			
0	Total Dots		0 - 4095	2200	
1	Disp Dots		0 - 4095	1872	
2	H Back Porch		0 - 4095	244	
3	V Back Porch		0 - 4095	90	
4	Disp Line		0 - 4095	1012	
5	Clamp Position		0 - 4095	80	
6	Clamp Width		0 - 4095	31	
8	VSBEG		0 - 15	1	
9	Filed Enable		0 - 1	1	
10	FLDBEG		0 - 15	3	
11	FLDEND		0 - 15	9	

Electrical Adjustment

Grp / No.	Item	Function	Range	Initial	Note
12	PHASE		0 - 63	16	
22	(Sub) H Back Porch		0 - 4095	256	
23	(Sub) V Back Porch		0 - 4095	88	
25	(Sub) Clamp Position		0 - 4095	168	
26	(Sub) Clamp Width		0 - 4095	20	
28	(Sub) VSBEQ		0 - 15	1	
29	(Sub) Filed Enable		0 - 1	1	
30	(Sub) FLDBEQ		0 - 15	5	
31	(Sub) FLDEND		0 - 15	11	
32	(Sub) PHASE		0 - 63	16	
549	YCbCr (1080P-60)	[ON-Board (5BNC-Video)]			
0	Total Dots		0 - 4095	2200	
1	Disp Dots		0 - 4095	1872	
2	H Back Porch		0 - 4095	236	
3	V Back Porch		0 - 4095	54	
4	Disp Line		0 - 4095	1052	
5	Clamp Position		0 - 4095	80	
6	Clamp Width		0 - 4095	31	
8	VSBEQ		0 - 15	2	
9	Filed Enable		0 - 1	0	
10	FLDBEQ		0 - 15	0	
11	FLDEND		0 - 15	0	
12	PHASE		0 - 63	16	
22	(Sub) H Back Porch		0 - 4095	128	
23	(Sub) V Back Porch		0 - 4095	54	
25	(Sub) Clamp Position		0 - 4095	87	
26	(Sub) Clamp Width		0 - 4095	20	
28	(Sub) VSBEQ		0 - 15	2	
29	(Sub) Filed Enable		0 - 1	0	
30	(Sub) FLDBEQ		0 - 15	0	
31	(Sub) FLDEND		0 - 15	0	
32	(Sub) PHASE		0 - 63	16	
550	YCbCr (1080P-50)	[ON-Board (5BNC-Video)]			
0	Total Dots		0 - 4095	2640	
1	Disp Dots		0 - 4095	1872	
2	H Back Porch		0 - 4095	236	
3	V Back Porch		0 - 4095	54	
4	Disp Line		0 - 4095	1052	
5	Clamp Position		0 - 4095	80	
6	Clamp Width		0 - 4095	31	
8	VSBEQ		0 - 15	2	
9	Filed Enable		0 - 1	0	
10	FLDBEQ		0 - 15	0	
11	FLDEND		0 - 15	0	
12	PHASE		0 - 63	16	
22	(Sub) H Back Porch		0 - 4095	128	
23	(Sub) V Back Porch		0 - 4095	54	
25	(Sub) Clamp Position		0 - 4095	87	
26	(Sub) Clamp Width		0 - 4095	20	
28	(Sub) VSBEQ		0 - 15	2	
29	(Sub) Filed Enable		0 - 1	0	
30	(Sub) FLDBEQ		0 - 15	0	
31	(Sub) FLDEND		0 - 15	0	
32	(Sub) PHASE		0 - 63	16	
551	YCbCr (1080P-30)	[ON-Board (5BNC-Video)]			
0	Total Dots		0 - 4095	2200	
1	Disp Dots		0 - 4095	1872	
2	H Back Porch		0 - 4095	244	

Electrical Adjustment

Grp / No.	Item	Function	Range	Initial	Note
3	V Back Porch		0 - 4095	54	
4	Disp Line		0 - 4095	1052	
5	Clamp Position	* Not used	0 - 4095	80	
6	Clamp Width	* Not used	0 - 4095	31	
8	VSBEg		0 - 15	2	
9	Filed Enable		0 - 1	0	
10	FLDBEG		0 - 15	0	
11	FLDEND		0 - 15	0	
12	PHASE		0 - 63	16	
22	(Sub) H Back Porch		0 - 4095	128	
23	(Sub) V Back Porch		0 - 4095	54	
25	(Sub) Clamp Position		0 - 4095	87	
26	(Sub) Clamp Width		0 - 4095	20	
28	(Sub) VSBEg		0 - 15	2	
29	(Sub) Filed Enable		0 - 1	0	
30	(Sub) FLDBEG		0 - 15	0	
31	(Sub) FLDEND		0 - 15	0	
32	(Sub) PHASE		0 - 63	16	
552	YCbCr (1080P-25)	[ON-Board (5BNC-Video)]			
0	Total Dots		0 - 4095	2640	
1	Disp Dots		0 - 4095	1872	
2	H Back Porch		0 - 4095	244	
3	V Back Porch		0 - 4095	54	
4	Disp Line		0 - 4095	1052	
5	Clamp Position		0 - 4095	80	
6	Clamp Width		0 - 4095	31	
8	VSBEg		0 - 15	2	
9	Filed Enable		0 - 1	0	
10	FLDBEG		0 - 15	0	
11	FLDEND		0 - 15	0	
12	PHASE		0 - 63	16	
22	(Sub) H Back Porch		0 - 4095	128	
23	(Sub) V Back Porch		0 - 4095	54	
25	(Sub) Clamp Position		0 - 4095	78	
26	(Sub) Clamp Width		0 - 4095	20	
28	(Sub) VSBEg		0 - 15	2	
29	(Sub) Filed Enable		0 - 1	0	
30	(Sub) FLDBEG		0 - 15	0	
31	(Sub) FLDEND		0 - 15	0	
32	(Sub) PHASE		0 - 63	16	
553	YCbCr (1080P-24)	[ON-Board (5BNC-Video)]			
0	Total Dots		0 - 4095	2750	
1	Disp Dots		0 - 4095	1872	
2	H Back Porch		0 - 4095	244	
3	V Back Porch		0 - 4095	54	
4	Disp Line		0 - 4095	1052	
5	Clamp Position		0 - 4095	80	
6	Clamp Width		0 - 4095	31	
8	VSBEg		0 - 15	2	
9	Filed Enable		0 - 1	0	
10	FLDBEG		0 - 15	0	
11	FLDEND		0 - 15	0	
12	PHASE		0 - 63	16	
22	(Sub) H Back Porch		0 - 4095	128	
23	(Sub) V Back Porch		0 - 4095	54	
25	(Sub) Clamp Position		0 - 4095	77	
26	(Sub) Clamp Width		0 - 4095	20	
28	(Sub) VSBEg		0 - 15	2	
29	(Sub) Filed Enable		0 - 1	0	

Electrical Adjustment

Grp / No.	Item	Function	Range	Initial	Note
30	(Sub) FLDBEG		0 - 15	0	
31	(Sub) FLDEND		0 - 15	0	
32	(Sub) PHASE		0 - 63	16	
560	RGB Video (480i)	[ON-Board (5BNC-Video)]			
0	Total Dots		0 - 4095	858	
1	Disp Dots		0 - 4095	712	
2	H Back Porch		0 - 4095	138	
3	V Back Porch		0 - 4095	40	
4	Disp Line		0 - 4095	486	
5	Clamp Position		0 - 4095	1	
6	Clamp Width		0 - 4095	31	
8	VSBEQ		0 - 15	1	
9	Filed Enable		0 - 1	1	
10	FLDBEG		0 - 15	1	
11	FLDEND		0 - 15	10	
12	PHASE		0 - 63	16	
22	(Sub) H Back Porch		0 - 4095	146	
23	(Sub) V Back Porch		0 - 4095	40	
25	(Sub) Clamp Position		0 - 4095	90	
26	(Sub) Clamp Width		0 - 4095	20	
28	(Sub) VSBEQ		0 - 15	1	
29	(Sub) Filed Enable		0 - 1	1	
30	(Sub) FLDBEG		0 - 15	3	
31	(Sub) FLDEND		0 - 15	10	
32	(Sub) PHASE		0 - 63	16	
561	RGB Video (575i)	[ON-Board (5BNC-Video)]			
0	Total Dots		0 - 4095	868	
1	Disp Dots		0 - 4095	706	
2	H Back Porch		0 - 4095	154	
3	V Back Porch		0 - 4095	44	
4	Disp Line		0 - 4095	576	
5	Clamp Position		0 - 4095	1	
6	Clamp Width		0 - 4095	31	
8	VSBEQ		0 - 15	1	
9	Filed Enable		0 - 1	1	
10	FLDBEG		0 - 15	1	
11	FLDEND		0 - 15	10	
12	PHASE		0 - 63	16	
22	(Sub) H Back Porch		0 - 4095	160	
23	(Sub) V Back Porch		0 - 4095	44	
25	(Sub) Clamp Position		0 - 4095	99	
26	(Sub) Clamp Width		0 - 4095	20	
28	(Sub) VSBEQ		0 - 15	1	
29	(Sub) Filed Enable		0 - 1	1	
30	(Sub) FLDBEG		0 - 15	3	
31	(Sub) FLDEND		0 - 15	10	
32	(Sub) PHASE		0 - 63	16	
562	RGB Video (480P)	[ON-Board (5BNC-Video)]			
0	Total Dots		0 - 4095	858	
1	Disp Dots		0 - 4095	712	
2	H Back Porch		0 - 4095	118	
3	V Back Porch		0 - 4095	42	
4	Disp Line		0 - 4095	484	
5	Clamp Position		0 - 4095	1	
6	Clamp Width		0 - 4095	31	
8	VSBEQ		0 - 15	2	
9	Filed Enable		0 - 1	0	
10	FLDBEG		0 - 15	0	
11	FLDEND		0 - 15	0	
12	PHASE		0 - 63	16	

Electrical Adjustment

Grp / No.	Item	Function	Range	Initial	Note
22	(Sub) H Back Porch		0 - 4095	126	
23	(Sub) V Back Porch		0 - 4095	42	
25	(Sub) Clamp Position		0 - 4095	86	
26	(Sub) Clamp Width		0 - 4095	20	
28	(Sub) VSBEG		0 - 15	2	
29	(Sub) Filed Enable		0 - 1	0	
30	(Sub) FLDBEG		0 - 15	0	
31	(Sub) FLDEND		0 - 15	0	
32	(Sub) PHASE		0 - 63	16	
563	RGB Video (575P)	[ON-Board (5BNC-Video)]			
0	Total Dots		0 - 4095	868	
1	Disp Dots		0 - 4095	706	
2	H Back Porch		0 - 4095	134	
3	V Back Porch		0 - 4095	50	
4	Disp Line		0 - 4095	576	
5	Clamp Position		0 - 4095	1	
6	Clamp Width		0 - 4095	31	
8	VSBEG		0 - 15	2	
9	Filed Enable		0 - 1	0	
10	FLDBEG		0 - 15	0	
11	FLDEND		0 - 15	0	
12	PHASE		0 - 63	16	
22	(Sub) H Back Porch		0 - 4095	140	
23	(Sub) V Back Porch		0 - 4095	50	
25	(Sub) Clamp Position		0 - 4095	98	
26	(Sub) Clamp Width		0 - 4095	20	
28	(Sub) VSBEG		0 - 15	2	
29	(Sub) Filed Enable		0 - 1	0	
30	(Sub) FLDBEG		0 - 15	0	
31	(Sub) FLDEND		0 - 15	0	
32	(Sub) PHASE		0 - 63	16	
564	RGB Video (720P-60)	[ON-Board (5BNC-Video)]			
0	Total Dots		0 - 4095	1650	
1	Disp Dots		0 - 4095	1280	
2	H Back Porch		0 - 4095	288	
3	V Back Porch		0 - 4095	26	
4	Disp Line		0 - 4095	720	
5	Clamp Position		0 - 4095	110	
6	Clamp Width		0 - 4095	31	
8	VSBEG		0 - 15	2	
9	Filed Enable		0 - 1	0	
10	FLDBEG		0 - 15	0	
11	FLDEND		0 - 15	0	
12	PHASE		0 - 63	16	
22	(Sub) H Back Porch		0 - 4095	298	
23	(Sub) V Back Porch		0 - 4095	26	
25	(Sub) Clamp Position		0 - 4095	188	
26	(Sub) Clamp Width		0 - 4095	20	
28	(Sub) VSBEG		0 - 15	2	
29	(Sub) Filed Enable		0 - 1	0	
30	(Sub) FLDBEG		0 - 15	0	
31	(Sub) FLDEND		0 - 15	0	
32	(Sub) PHASE		0 - 63	16	
565	RGB Video (720P-50)	[ON-Board (5BNC-Video)]			
0	Total Dots		0 - 4095	1980	
1	Disp Dots		0 - 4095	1280	
2	H Back Porch		0 - 4095	286	
3	V Back Porch		0 - 4095	26	
4	Disp Line		0 - 4095	720	

Electrical Adjustment

Grp / No.	Item	Function	Range	Initial	Note
5	Clamp Position		0 - 4095	110	
6	Clamp Width		0 - 4095	31	
8	VSBEQ		0 - 15	2	
9	Filed Enable		0 - 1	0	
10	FLDBEQ		0 - 15	0	
11	FLDEND		0 - 15	0	
12	PHASE		0 - 63	16	
22	(Sub) H Back Porch		0 - 4095	296	
23	(Sub) V Back Porch		0 - 4095	26	
25	(Sub) Clamp Position		0 - 4095	188	
26	(Sub) Clamp Width		0 - 4095	20	
28	(Sub) VSBEQ		0 - 15	2	
29	(Sub) Filed Enable		0 - 1	0	
30	(Sub) FLDBEQ		0 - 15	0	
31	(Sub) FLDEND		0 - 15	0	
32	(Sub) PHASE		0 - 63	16	
566	RGB Video (1080i-60)	[ON-Board (5BNC-Video)]			
0	Total Dots		0 - 4095	2200	
1	Disp Dots		0 - 4095	1920	
2	H Back Porch		0 - 4095	224	
3	V Back Porch		0 - 4095	40	
4	Disp Line		0 - 4095	1080	
5	Clamp Position		0 - 4095	80	
6	Clamp Width		0 - 4095	31	
8	VSBEQ		0 - 15	1	
9	Filed Enable		0 - 1	1	
10	FLDBEQ		0 - 15	1	
11	FLDEND		0 - 15	10	
12	PHASE		0 - 63	16	
22	(Sub) H Back Porch		0 - 4095	234	
23	(Sub) V Back Porch		0 - 4095	40	
25	(Sub) Clamp Position		0 - 4095	172	
26	(Sub) Clamp Width		0 - 4095	20	
28	(Sub) VSBEQ		0 - 15	1	
29	(Sub) Filed Enable		0 - 1	1	
30	(Sub) FLDBEQ		0 - 15	4	
31	(Sub) FLDEND		0 - 15	11	
32	(Sub) PHASE		0 - 63	16	
567	RGB Video (1080i-50)	[ON-Board (5BNC-Video)]			
0	Total Dots		0 - 4095	2640	
1	Disp Dots		0 - 4095	1920	
2	H Back Porch		0 - 4095	224	
3	V Back Porch		0 - 4095	40	
4	Disp Line		0 - 4095	1080	
5	Clamp Position		0 - 4095	80	
6	Clamp Width		0 - 4095	31	
8	VSBEQ		0 - 15	1	
9	Filed Enable		0 - 1	1	
10	FLDBEQ		0 - 15	1	
11	FLDEND		0 - 15	10	
12	PHASE		0 - 63	16	
22	(Sub) H Back Porch		0 - 4095	234	
23	(Sub) V Back Porch		0 - 4095	40	
25	(Sub) Clamp Position		0 - 4095	172	
26	(Sub) Clamp Width		0 - 4095	20	
28	(Sub) VSBEQ		0 - 15	1	
29	(Sub) Filed Enable		0 - 1	1	
30	(Sub) FLDBEQ		0 - 15	4	
31	(Sub) FLDEND		0 - 15	11	

Electrical Adjustment

Grp / No.	Item	Function	Range	Initial	Note
32	(Sub) PHASE		0 - 63	16	
568	RGB Video (1035i)	[ON-Board (5BNC-Video)]			
0	Total Dots		0 - 4095	2200	
1	Disp Dots		0 - 4095	1920	
2	H Back Porch		0 - 4095	224	
3	V Back Porch		0 - 4095	78	
4	Disp Line		0 - 4095	1034	
5	Clamp Position		0 - 4095	80	
6	Clamp Width		0 - 4095	31	
8	VSBEQ		0 - 15	1	
9	Filed Enable		0 - 1	1	
10	FLDBEQ		0 - 15	1	
11	FLDEND		0 - 15	10	
12	PHASE		0 - 63	16	
22	(Sub) H Back Porch		0 - 4095	234	
23	(Sub) V Back Porch		0 - 4095	78	
25	(Sub) Clamp Position		0 - 4095	169	
26	(Sub) Clamp Width		0 - 4095	20	
28	(Sub) VSBEQ		0 - 15	1	
29	(Sub) Filed Enable		0 - 1	1	
30	(Sub) FLDBEQ		0 - 15	4	
31	(Sub) FLDEND		0 - 15	11	
32	(Sub) PHASE		0 - 63	16	
569	RGB Video (1080P-60)	[ON-Board (5BNC-Video)]			
0	Total Dots		0 - 4095	2200	
1	Disp Dots		0 - 4095	1920	
2	H Back Porch		0 - 4095	216	
3	V Back Porch		0 - 4095	42	
4	Disp Line		0 - 4095	1080	
5	Clamp Position		0 - 4095	80	
6	Clamp Width		0 - 4095	31	
8	VSBEQ		0 - 15	2	
9	Filed Enable		0 - 1	0	
10	FLDBEQ		0 - 15	0	
11	FLDEND		0 - 15	0	
12	PHASE		0 - 63	16	
22	(Sub) H Back Porch		0 - 4095	114	
23	(Sub) V Back Porch		0 - 4095	42	
25	(Sub) Clamp Position		0 - 4095	88	
26	(Sub) Clamp Width		0 - 4095	20	
28	(Sub) VSBEQ		0 - 15	2	
29	(Sub) Filed Enable		0 - 1	0	
30	(Sub) FLDBEQ		0 - 15	0	
31	(Sub) FLDEND		0 - 15	0	
32	(Sub) PHASE		0 - 63	16	
570	RGB Video (1080P-50)	[ON-Board (5BNC-Video)]			
0	Total Dots		0 - 4095	2640	
1	Disp Dots		0 - 4095	1920	
2	H Back Porch		0 - 4095	216	
3	V Back Porch		0 - 4095	42	
4	Disp Line		0 - 4095	1080	
5	Clamp Position		0 - 4095	80	
6	Clamp Width		0 - 4095	31	
8	VSBEQ		0 - 15	2	
9	Filed Enable		0 - 1	0	
10	FLDBEQ		0 - 15	0	
11	FLDEND		0 - 15	0	
12	PHASE		0 - 63	16	
22	(Sub) H Back Porch		0 - 4095	114	
23	(Sub) V Back Porch		0 - 4095	42	

Electrical Adjustment

Grp / No.	Item	Function	Range	Initial	Note
25	(Sub) Clamp Position		0 - 4095	88	
26	(Sub) Clamp Width		0 - 4095	20	
28	(Sub) VSBEQ		0 - 15	2	
29	(Sub) Filed Enable		0 - 1	0	
30	(Sub) FLDBEQ		0 - 15	0	
31	(Sub) FLDEND		0 - 15	0	
32	(Sub) PHASE		0 - 63	16	
571	RGB Video (1080P-30)	[ON-Board (5BNC-Video)]			
0	Total Dots		0 - 4095	2200	
1	Disp Dots		0 - 4095	1920	
2	H Back Porch		0 - 4095	224	
3	V Back Porch		0 - 4095	42	
4	Disp Line		0 - 4095	1080	
5	Clamp Position		0 - 4095	80	
6	Clamp Width		0 - 4095	31	
8	VSBEQ		0 - 15	2	
9	Filed Enable		0 - 1	0	
10	FLDBEQ		0 - 15	0	
11	FLDEND		0 - 15	0	
12	PHASE		0 - 63	16	
22	(Sub) H Back Porch		0 - 4095	116	
23	(Sub) V Back Porch		0 - 4095	42	
25	(Sub) Clamp Position		0 - 4095	88	
26	(Sub) Clamp Width		0 - 4095	20	
28	(Sub) VSBEQ		0 - 15	2	
29	(Sub) Filed Enable		0 - 1	0	
30	(Sub) FLDBEQ		0 - 15	0	
31	(Sub) FLDEND		0 - 15	0	
32	(Sub) PHASE		0 - 63	16	
572	RGB Video (1080P-25)	[ON-Board (5BNC-Video)]			
0	Total Dots		0 - 4095	2640	
1	Disp Dots		0 - 4095	1920	
2	H Back Porch		0 - 4095	224	
3	V Back Porch		0 - 4095	42	
4	Disp Line		0 - 4095	1080	
5	Clamp Position		0 - 4095	80	
6	Clamp Width		0 - 4095	31	
8	VSBEQ		0 - 15	2	
9	Filed Enable		0 - 1	0	
10	FLDBEQ		0 - 15	0	
11	FLDEND		0 - 15	0	
12	PHASE		0 - 63	16	
22	(Sub) H Back Porch		0 - 4095	116	
23	(Sub) V Back Porch		0 - 4095	42	
25	(Sub) Clamp Position		0 - 4095	88	
26	(Sub) Clamp Width		0 - 4095	20	
28	(Sub) VSBEQ		0 - 15	2	
29	(Sub) Filed Enable		0 - 1	0	
30	(Sub) FLDBEQ		0 - 15	0	
31	(Sub) FLDEND		0 - 15	0	
32	(Sub) PHASE		0 - 63	16	
573	RGB Video (1080P-24)	[ON-Board (5BNC-Video)]			
0	Total Dots		0 - 4095	2750	
1	Disp Dots		0 - 4095	1920	
2	H Back Porch		0 - 4095	224	
3	V Back Porch		0 - 4095	40	
4	Disp Line		0 - 4095	1080	
5	Clamp Position		0 - 4095	80	
6	Clamp Width		0 - 4095	31	

Electrical Adjustment

Grp / No.	Item	Function	Range	Initial	Note
8	VSBEQ		0 - 15	2	
9	Filed Enable		0 - 1	0	
10	FLDBEQ		0 - 15	0	
11	FLDEND		0 - 15	0	
12	PHASE		0 - 63	16	
22	(Sub) H Back Porch		0 - 4095	116	
23	(Sub) V Back Porch		0 - 4095	42	
25	(Sub) Clamp Position		0 - 4095	88	
26	(Sub) Clamp Width		0 - 4095	20	
28	(Sub) VSBEQ		0 - 15	2	
29	(Sub) Filed Enable		0 - 1	0	
30	(Sub) FLDBEQ		0 - 15	0	
31	(Sub) FLDEND		0 - 15	0	
32	(Sub) PHASE		0 - 63	16	
574	RGB Video (1080-30psf)	[ON-Board (5BNC-Video)]			
0	Total Dots		0 - 4095	2200	
1	Disp Dots		0 - 4095	1920	
2	H Back Porch		0 - 4095	224	
3	V Back Porch		0 - 4095	40	
4	Disp Line		0 - 4095	1080	
5	Clamp Position		0 - 4095	80	
6	Clamp Width		0 - 4095	31	
8	VSBEQ		0 - 15	1	
9	Filed Enable		0 - 1	1	
10	FLDBEQ		0 - 15	1	
11	FLDEND		0 - 15	10	
12	PHASE		0 - 63	16	
22	(Sub) H Back Porch		0 - 4095	234	
23	(Sub) V Back Porch		0 - 4095	40	
25	(Sub) Clamp Position		0 - 4095	172	
26	(Sub) Clamp Width		0 - 4095	20	
28	(Sub) VSBEQ		0 - 15	1	
29	(Sub) Filed Enable		0 - 1	1	
30	(Sub) FLDBEQ		0 - 15	4	
31	(Sub) FLDEND		0 - 15	11	
32	(Sub) PHASE		0 - 63	16	
575	RGB Video (1080-25psf)	[ON-Board (5BNC-Video)]			
0	Total Dots		0 - 4095	2640	
1	Disp Dots		0 - 4095	1920	
2	H Back Porch		0 - 4095	224	
3	V Back Porch		0 - 4095	40	
4	Disp Line		0 - 4095	1080	
5	Clamp Position		0 - 4095	80	
6	Clamp Width		0 - 4095	31	
8	VSBEQ		0 - 15	1	
9	Filed Enable		0 - 1	1	
10	FLDBEQ		0 - 15	1	
11	FLDEND		0 - 15	10	
12	PHASE		0 - 63	16	
22	(Sub) H Back Porch		0 - 4095	234	
23	(Sub) V Back Porch		0 - 4095	40	
25	(Sub) Clamp Position		0 - 4095	172	
26	(Sub) Clamp Width		0 - 4095	20	
28	(Sub) VSBEQ		0 - 15	1	
29	(Sub) Filed Enable		0 - 1	1	
30	(Sub) FLDBEQ		0 - 15	4	
31	(Sub) FLDEND		0 - 15	11	
32	(Sub) PHASE		0 - 63	16	

Electrical Adjustment

Grp / No.	Item	Function	Range	Initial	Note
576	RGB Video (1080-24psf)	[ON-Board (5BNC-Video)]			
0	Total Dots		0 - 4095	2750	
1	Disp Dots		0 - 4095	1920	
2	H Back Porch		0 - 4095	224	
3	V Back Porch		0 - 4095	40	
4	Disp Line		0 - 4095	1080	
5	Clamp Position		0 - 4095	80	
6	Clamp Width		0 - 4095	31	
8	VSBEQ		0 - 15	1	
9	Filed Enable		0 - 1	1	
10	FLDBEQ		0 - 15	1	
11	FLDEND		0 - 15	10	
12	PHASE		0 - 63	16	
22	(Sub) H Back Porch		0 - 4095	234	
23	(Sub) V Back Porch		0 - 4095	40	
25	(Sub) Clamp Position		0 - 4095	171	
26	(Sub) Clamp Width		0 - 4095	20	
28	(Sub) VSBEQ		0 - 15	1	
29	(Sub) Filed Enable		0 - 1	1	
30	(Sub) FLDBEQ		0 - 15	4	
31	(Sub) FLDEND		0 - 15	11	
32	(Sub) PHASE		0 - 63	16	
580	Digital (480i)	[ON-Board /Slot Common]			
7	OverScan	Over Scan Rate (0 - 25.5% : 0.1% Step)	0 - 255	0	
8	VSBEQ		0 - 15	2	
581	Digital (575i)	[ON-Board /Slot Common]			
7	OverScan	Over Scan Rate (0 - 25.5% : 0.1% Step)	0 - 255	0	
8	VSBEQ		0 - 15	2	
582	Digital (480P)	[ON-Board /Slot Common]			
7	OverScan	Over Scan Rate (0 - 25.5% : 0.1% Step)	0 - 255	0	
8	VSBEQ		0 - 15	2	
583	Digital (575P)	[ON-Board /Slot Common]			
7	OverScan	Over Scan Rate (0 - 25.5% : 0.1% Step)	0 - 255	0	
8	VSBEQ		0 - 15	2	
584	Digital (720P-60)	[ON-Board /Slot Common]			
7	OverScan	Over Scan Rate (0 - 25.5% : 0.1% Step)	0 - 255	0	
8	VSBEQ		0 - 15	2	
585	Digital (720P-50)	[ON-Board /Slot Common]			
7	OverScan	Over Scan Rate (0 - 25.5% : 0.1% Step)	0 - 255	0	
8	VSBEQ		0 - 15	2	
586	Digital (1080i-60)	[ON-Board /Slot Common]			
7	OverScan	Over Scan Rate (0 - 25.5% : 0.1% Step)	0 - 255	0	
8	VSBEQ		0 - 15	2	
587	Digital (1080i-50)	[ON-Board /Slot Common]			
7	OverScan	Over Scan Rate (0 - 25.5% : 0.1% Step)	0 - 255	0	
8	VSBEQ		0 - 15	2	
588	Digital (1035i)	[ON-Board /Slot Common]			
7	OverScan	Over Scan Rate (0 - 25.5% : 0.1% Step)	0 - 255	0	
8	VSBEQ		0 - 15	2	
589	Digital (1080P-60)	[ON-Board /Slot Common]			
7	OverScan	Over Scan Rate (0 - 25.5% : 0.1% Step)	0 - 255	0	
8	VSBEQ		0 - 15	2	
590	Digital (1080P-50)	[ON-Board /Slot Common]			
7	OverScan	Over Scan Rate (0 - 25.5% : 0.1% Step)	0 - 255	0	
8	VSBEQ		0 - 15	2	

Electrical Adjustment

Grp / No.	Item	Function	Range	Initial	Note
591	Digital (1080P-30)	[ON-Board /Slot Common]			
7	OverScan	Over Scan Rate (0 - 25.5% : 0.1% Step)	0 - 255	0	
8	VSBEg		0 - 15	2	
592	Digital (1080P-25)	[ON-Board /Slot Common]			
7	OverScan	Over Scan Rate (0 - 25.5% : 0.1% Step)	0 - 255	0	
8	VSBEg		0 - 15	2	
593	Digital (1080P-24)	[ON-Board /Slot Common]			
7	OverScan	Over Scan Rate (0 - 25.5% : 0.1% Step)	0 - 255	0	
8	VSBEg		0 - 15	2	
594	Digital (1080-30psf)	[ON-Board /Slot Common]			
7	OverScan	Over Scan Rate (0 - 25.5% : 0.1% Step)	0 - 255	0	
8	VSBEg		0 - 15	2	
595	Digital (1080-25psf)	[ON-Board /Slot Common]			
7	OverScan	Over Scan Rate (0 - 25.5% : 0.1% Step)	0 - 255	0	
8	VSBEg		0 - 15	2	
596	Digital (1080-24psf)	[ON-Board /Slot Common]			
7	OverScan	Over Scan Rate (0 - 25.5% : 0.1% Step)	0 - 255	0	
8	VSBEg		0 - 15	2	
600	SCART (480i)	[DVI-Dsub Card]			
0	Total Dots		0 - 4095	858	
1	Disp Dots		0 - 4095	674	
2	H Back Porch		0 - 4095	130	
3	V Back Porch		0 - 4095	48	
4	Disp Line		0 - 4095	456	
5	Clamp Position		0 - 4095	1	
6	Clamp Width		0 - 4095	20	
8	VSBEg		0 - 15	1	
9	Filed Enable		0 - 1	1	
10	FLDBEG		0 - 15	0	
11	FLDEND		0 - 15	9	
12	PHASE		0 - 63	16	
22	(Sub) H Back Porch		0 - 4095	140	
23	(Sub) V Back Porch		0 - 4095	42	
25	(Sub) Clamp Position		0 - 4095	0	
26	(Sub) Clamp Width		0 - 4095	0	
28	(Sub) VSBEg		0 - 15	1	
29	(Sub) Filed Enable		0 - 1	0	
30	(Sub) FLDBEG		0 - 15	4	
31	(Sub) FLDEND		0 - 15	10	
32	(Sub) PHASE		0 - 63	16	
601	SCART (575i)	[DVI-Dsub Card]			
0	Total Dots		0 - 4095	868	
1	Disp Dots		0 - 4095	670	
2	H Back Porch		0 - 4095	146	
3	V Back Porch		0 - 4095	62	
4	Disp Line		0 - 4095	540	
5	Clamp Position		0 - 4095	1	
6	Clamp Width		0 - 4095	20	
8	VSBEg		0 - 15	1	
9	Filed Enable		0 - 1	1	
10	FLDBEG		0 - 15	0	
11	FLDEND		0 - 15	9	
12	PHASE		0 - 63	16	
22	(Sub) H Back Porch		0 - 4095	156	
23	(Sub) V Back Porch		0 - 4095	62	
25	(Sub) Clamp Position		0 - 4095	0	
26	(Sub) Clamp Width		0 - 4095	0	

Electrical Adjustment

Grp / No.	Item	Function	Range	Initial	Note
28	(Sub) VSBEG		0 - 15	1	
29	(Sub) Filed Enable		0 - 1	0	
30	(Sub) FLDBEG		0 - 15	4	
31	(Sub) FLDEND		0 - 15	10	
32	(Sub) PHASE		0 - 63	16	
610	RGB Video (480i)	[DVI-Dsub Card]			
0	Total Dots		0 - 4095	858	
1	Disp Dots		0 - 4095	712	
2	H Back Porch		0 - 4095	124	
3	V Back Porch		0 - 4095	40	
4	Disp Line		0 - 4095	486	
5	Clamp Position		0 - 4095	1	
6	Clamp Width		0 - 4095	31	
8	VSBEG		0 - 15	1	
9	Filed Enable		0 - 1	1	
10	FLDBEG		0 - 15	1	
11	FLDEND		0 - 15	10	
12	PHASE		0 - 63	16	
22	(Sub) H Back Porch		0 - 4095	130	
23	(Sub) V Back Porch		0 - 4095	40	
25	(Sub) Clamp Position		0 - 4095	86	
26	(Sub) Clamp Width		0 - 4095	20	
28	(Sub) VSBEG		0 - 15	1	
29	(Sub) Filed Enable		0 - 1	1	
30	(Sub) FLDBEG		0 - 15	3	
31	(Sub) FLDEND		0 - 15	10	
32	(Sub) PHASE		0 - 63	16	
611	RGB Video (575i)	[DVI-Dsub Card]			
0	Total Dots		0 - 4095	868	
1	Disp Dots		0 - 4095	706	
2	H Back Porch		0 - 4095	138	
3	V Back Porch		0 - 4095	44	
4	Disp Line		0 - 4095	576	
5	Clamp Position		0 - 4095	1	
6	Clamp Width		0 - 4095	31	
8	VSBEG		0 - 15	1	
9	Filed Enable		0 - 1	1	
10	FLDBEG		0 - 15	1	
11	FLDEND		0 - 15	10	
12	PHASE		0 - 63	16	
22	(Sub) H Back Porch		0 - 4095	146	
23	(Sub) V Back Porch		0 - 4095	44	
25	(Sub) Clamp Position		0 - 4095	94	
26	(Sub) Clamp Width		0 - 4095	20	
28	(Sub) VSBEG		0 - 15	1	
29	(Sub) Filed Enable		0 - 1	1	
30	(Sub) FLDBEG		0 - 15	3	
31	(Sub) FLDEND		0 - 15	10	
32	(Sub) PHASE		0 - 63	16	
612	RGB Video (480P)	[DVI-Dsub Card]			
0	Total Dots		0 - 4095	858	
1	Disp Dots		0 - 4095	712	
2	H Back Porch		0 - 4095	114	
3	V Back Porch		0 - 4095	42	
4	Disp Line		0 - 4095	484	
5	Clamp Position		0 - 4095	1	
6	Clamp Width		0 - 4095	31	
8	VSBEG		0 - 15	2	
9	Filed Enable		0 - 1	0	
10	FLDBEG		0 - 15	0	
11	FLDEND		0 - 15	0	

Electrical Adjustment

Grp / No.	Item	Function	Range	Initial	Note
12	PHASE		0 - 63	16	
22	(Sub) H Back Porch		0 - 4095	122	
23	(Sub) V Back Porch		0 - 4095	42	
25	(Sub) Clamp Position		0 - 4095	89	
26	(Sub) Clamp Width		0 - 4095	20	
28	(Sub) VSBEG		0 - 15	2	
29	(Sub) Filed Enable		0 - 1	0	
30	(Sub) FLDBEG		0 - 15	0	
31	(Sub) FLDEND		0 - 15	0	
32	(Sub) PHASE		0 - 63	16	
613	RGB Video (575P)	[DVI-Dsub Card]			
0	Total Dots		0 - 4095	868	
1	Disp Dots		0 - 4095	706	
2	H Back Porch		0 - 4095	130	
3	V Back Porch		0 - 4095	50	
4	Disp Line		0 - 4095	576	
5	Clamp Position		0 - 4095	1	
6	Clamp Width		0 - 4095	31	
8	VSBEG		0 - 15	2	
9	Filed Enable		0 - 1	0	
10	FLDBEG		0 - 15	0	
11	FLDEND		0 - 15	0	
12	PHASE		0 - 63	16	
22	(Sub) H Back Porch		0 - 4095	138	
23	(Sub) V Back Porch		0 - 4095	50	
25	(Sub) Clamp Position		0 - 4095	97	
26	(Sub) Clamp Width		0 - 4095	20	
28	(Sub) VSBEG		0 - 15	2	
29	(Sub) Filed Enable		0 - 1	0	
30	(Sub) FLDBEG		0 - 15	0	
31	(Sub) FLDEND		0 - 15	0	
32	(Sub) PHASE		0 - 63	16	
614	RGB Video (720P-60)	[DVI-Dsub Card]			
0	Total Dots		0 - 4095	1650	
1	Disp Dots		0 - 4095	1280	
2	H Back Porch		0 - 4095	278	
3	V Back Porch		0 - 4095	26	
4	Disp Line		0 - 4095	720	
5	Clamp Position		0 - 4095	110	
6	Clamp Width		0 - 4095	31	
8	VSBEG		0 - 15	2	
9	Filed Enable		0 - 1	0	
10	FLDBEG		0 - 15	0	
11	FLDEND		0 - 15	0	
12	PHASE		0 - 63	16	
22	(Sub) H Back Porch		0 - 4095	292	
23	(Sub) V Back Porch		0 - 4095	26	
25	(Sub) Clamp Position		0 - 4095	188	
26	(Sub) Clamp Width		0 - 4095	20	
28	(Sub) VSBEG		0 - 15	2	
29	(Sub) Filed Enable		0 - 1	0	
30	(Sub) FLDBEG		0 - 15	0	
31	(Sub) FLDEND		0 - 15	0	
32	(Sub) PHASE		0 - 63	16	
615	RGB Video (720P-50)	[DVI-Dsub Card]			
0	Total Dots		0 - 4095	1980	
1	Disp Dots		0 - 4095	1280	
2	H Back Porch		0 - 4095	276	

Electrical Adjustment

Grp / No.	Item	Function	Range	Initial	Note
3	V Back Porch		0 - 4095	26	
4	Disp Line		0 - 4095	720	
5	Clamp Position		0 - 4095	110	
6	Clamp Width		0 - 4095	31	
8	VSBEQ		0 - 15	2	
9	Filed Enable		0 - 1	0	
10	FLDBEQ		0 - 15	0	
11	FLDEND		0 - 15	0	
12	PHASE		0 - 63	16	
22	(Sub) H Back Porch		0 - 4095	290	
23	(Sub) V Back Porch		0 - 4095	26	
25	(Sub) Clamp Position		0 - 4095	188	
26	(Sub) Clamp Width		0 - 4095	20	
28	(Sub) VSBEQ		0 - 15	2	
29	(Sub) Filed Enable		0 - 1	0	
30	(Sub) FLDBEQ		0 - 15	0	
31	(Sub) FLDEND		0 - 15	0	
32	(Sub) PHASE		0 - 63	16	
616	RGB Video (1080i-60)	[DVI-Dsub Card]			
0	Total Dots		0 - 4095	2200	
1	Disp Dots		0 - 4095	1920	
2	H Back Porch		0 - 4095	216	
3	V Back Porch		0 - 4095	40	
4	Disp Line		0 - 4095	1080	
5	Clamp Position		0 - 4095	70	
6	Clamp Width		0 - 4095	31	
8	VSBEQ		0 - 15	1	
9	Filed Enable		0 - 1	1	
10	FLDBEQ		0 - 15	1	
11	FLDEND		0 - 15	10	
12	PHASE		0 - 63	16	
22	(Sub) H Back Porch		0 - 4095	228	
23	(Sub) V Back Porch		0 - 4095	40	
25	(Sub) Clamp Position		0 - 4095	164	
26	(Sub) Clamp Width		0 - 4095	20	
28	(Sub) VSBEQ		0 - 15	1	
29	(Sub) Filed Enable		0 - 1	1	
30	(Sub) FLDBEQ		0 - 15	1	
31	(Sub) FLDEND		0 - 15	10	
32	(Sub) PHASE		0 - 63	16	
617	RGB Video (1080i-50)	[DVI-Dsub Card]			
0	Total Dots		0 - 4095	2640	
1	Disp Dots		0 - 4095	1920	
2	H Back Porch		0 - 4095	216	
3	V Back Porch		0 - 4095	40	
4	Disp Line		0 - 4095	1080	
5	Clamp Position		0 - 4095	70	
6	Clamp Width		0 - 4095	31	
8	VSBEQ		0 - 15	1	
9	Filed Enable		0 - 1	1	
10	FLDBEQ		0 - 15	1	
11	FLDEND		0 - 15	10	
12	PHASE		0 - 63	16	
22	(Sub) H Back Porch		0 - 4095	228	
23	(Sub) V Back Porch		0 - 4095	40	
25	(Sub) Clamp Position		0 - 4095	164	
26	(Sub) Clamp Width		0 - 4095	20	
28	(Sub) VSBEQ		0 - 15	1	
29	(Sub) Filed Enable		0 - 1	1	

Electrical Adjustment

Grp / No.	Item	Function	Range	Initial	Note
30	(Sub) FLDBEG		0 - 15	1	
31	(Sub) FLDEND		0 - 15	10	
32	(Sub) PHASE		0 - 63	16	
618	RGB Video (1035i)	[DVI-Dsub Card]			
0	Total Dots		0 - 4095	2200	
1	Disp Dots		0 - 4095	1920	
2	H Back Porch		0 - 4095	216	
3	V Back Porch		0 - 4095	78	
4	Disp Line		0 - 4095	1034	
5	Clamp Position		0 - 4095	70	
6	Clamp Width		0 - 4095	31	
8	VSBEQ		0 - 15	1	
9	Filed Enable		0 - 1	1	
10	FLDBEG		0 - 15	1	
11	FLDEND		0 - 15	10	
12	PHASE		0 - 63	16	
22	(Sub) H Back Porch		0 - 4095	228	
23	(Sub) V Back Porch		0 - 4095	78	
25	(Sub) Clamp Position		0 - 4095	164	
26	(Sub) Clamp Width		0 - 4095	20	
28	(Sub) VSBEQ		0 - 15	1	
29	(Sub) Filed Enable		0 - 1	1	
30	(Sub) FLDBEG		0 - 15	1	
31	(Sub) FLDEND		0 - 15	10	
32	(Sub) PHASE		0 - 63	16	
619	RGB Video (1080P-60)	[DVI-Dsub Card]			
0	Total Dots		0 - 4095	2200	
1	Disp Dots		0 - 4095	1920	
2	H Back Porch		0 - 4095	196	
3	V Back Porch		0 - 4095	42	
4	Disp Line		0 - 4095	1080	
5	Clamp Position		0 - 4095	60	
6	Clamp Width		0 - 4095	31	
8	VSBEQ		0 - 15	2	
9	Filed Enable		0 - 1	0	
10	FLDBEG		0 - 15	0	
11	FLDEND		0 - 15	0	
12	PHASE		0 - 63	16	
22	(Sub) H Back Porch		0 - 4095	108	
23	(Sub) V Back Porch		0 - 4095	42	
25	(Sub) Clamp Position		0 - 4095	75	
26	(Sub) Clamp Width		0 - 4095	5	
28	(Sub) VSBEQ		0 - 15	2	
29	(Sub) Filed Enable		0 - 1	0	
30	(Sub) FLDBEG		0 - 15	0	
31	(Sub) FLDEND		0 - 15	0	
32	(Sub) PHASE		0 - 63	16	
620	RGB Video (1080P-50)	[DVI-Dsub Card]			
0	Total Dots		0 - 4095	2640	
1	Disp Dots		0 - 4095	1920	
2	H Back Porch		0 - 4095	196	
3	V Back Porch		0 - 4095	42	
4	Disp Line		0 - 4095	1080	
5	Clamp Position		0 - 4095	60	
6	Clamp Width		0 - 4095	31	
8	VSBEQ		0 - 15	2	
9	Filed Enable		0 - 1	0	
10	FLDBEG		0 - 15	0	
11	FLDEND		0 - 15	0	
12	PHASE		0 - 63	16	

Electrical Adjustment

Grp / No.	Item	Function	Range	Initial	Note
22	(Sub) H Back Porch		0 - 4095	108	
23	(Sub) V Back Porch		0 - 4095	42	
25	(Sub) Clamp Position		0 - 4095	75	
26	(Sub) Clamp Width		0 - 4095	5	
28	(Sub) VSBEG		0 - 15	2	
29	(Sub) Filed Enable		0 - 1	0	
30	(Sub) FLDBEG		0 - 15	0	
31	(Sub) FLDEND		0 - 15	0	
32	(Sub) PHASE		0 - 63	16	
621	RGB Video (1080P-30)	[DVI-Dsub Card]			
0	Total Dots		0 - 4095	2200	
1	Disp Dots		0 - 4095	1920	
2	H Back Porch		0 - 4095	216	
3	V Back Porch		0 - 4095	42	
4	Disp Line		0 - 4095	1080	
5	Clamp Position		0 - 4095	70	
6	Clamp Width		0 - 4095	31	
8	VSBEG		0 - 15	2	
9	Filed Enable		0 - 1	0	
10	FLDBEG		0 - 15	0	
11	FLDEND		0 - 15	0	
12	PHASE		0 - 63	16	
22	(Sub) H Back Porch		0 - 4095	114	
23	(Sub) V Back Porch		0 - 4095	42	
25	(Sub) Clamp Position		0 - 4095	55	
26	(Sub) Clamp Width		0 - 4095	16	
28	(Sub) VSBEG		0 - 15	2	
29	(Sub) Filed Enable		0 - 1	0	
30	(Sub) FLDBEG		0 - 15	0	
31	(Sub) FLDEND		0 - 15	0	
32	(Sub) PHASE		0 - 63	16	
622	RGB Video (1080P-25)	[DVI-Dsub Card]			
0	Total Dots		0 - 4095	2640	
1	Disp Dots		0 - 4095	1920	
2	H Back Porch		0 - 4095	216	
3	V Back Porch		0 - 4095	42	
4	Disp Line		0 - 4095	1080	
5	Clamp Position		0 - 4095	70	
6	Clamp Width		0 - 4095	31	
8	VSBEG		0 - 15	2	
9	Filed Enable		0 - 1	0	
10	FLDBEG		0 - 15	0	
11	FLDEND		0 - 15	0	
12	PHASE		0 - 63	16	
22	(Sub) H Back Porch		0 - 4095	114	
23	(Sub) V Back Porch		0 - 4095	42	
25	(Sub) Clamp Position		0 - 4095	55	
26	(Sub) Clamp Width		0 - 4095	16	
28	(Sub) VSBEG		0 - 15	2	
29	(Sub) Filed Enable		0 - 1	0	
30	(Sub) FLDBEG		0 - 15	0	
31	(Sub) FLDEND		0 - 15	0	
32	(Sub) PHASE		0 - 63	16	
623	RGB Video (1080P-24)	[DVI-Dsub Card]			
0	Total Dots		0 - 4095	2750	
1	Disp Dots		0 - 4095	1920	
2	H Back Porch		0 - 4095	216	
3	V Back Porch		0 - 4095	42	
4	Disp Line		0 - 4095	1080	

Electrical Adjustment

Grp / No.	Item	Function	Range	Initial	Note
5	Clamp Position		0 - 4095	70	
6	Clamp Width		0 - 4095	31	
8	VSBEQ		0 - 15	2	
9	Filed Enable		0 - 1	0	
10	FLDBEQ		0 - 15	0	
11	FLDEND		0 - 15	0	
12	PHASE		0 - 63	16	
22	(Sub) H Back Porch		0 - 4095	114	
23	(Sub) V Back Porch		0 - 4095	42	
25	(Sub) Clamp Position		0 - 4095	55	
26	(Sub) Clamp Width		0 - 4095	16	
28	(Sub) VSBEQ		0 - 15	2	
29	(Sub) Filed Enable		0 - 1	0	
30	(Sub) FLDBEQ		0 - 15	0	
31	(Sub) FLDEND		0 - 15	0	
32	(Sub) PHASE		0 - 63	16	
624	RGB Video (1080-30psf)	[DVI-Dsub Card]			
0	Total Dots		0 - 4095	2200	
1	Disp Dots		0 - 4095	1920	
2	H Back Porch		0 - 4095	216	
3	V Back Porch		0 - 4095	40	
4	Disp Line		0 - 4095	1080	
5	Clamp Position		0 - 4095	70	
6	Clamp Width		0 - 4095	31	
8	VSBEQ		0 - 15	1	
9	Filed Enable		0 - 1	1	
10	FLDBEQ		0 - 15	1	
11	FLDEND		0 - 15	10	
12	PHASE		0 - 63	16	
22	(Sub) H Back Porch		0 - 4095	228	
23	(Sub) V Back Porch		0 - 4095	40	
25	(Sub) Clamp Position		0 - 4095	180	
26	(Sub) Clamp Width		0 - 4095	20	
28	(Sub) VSBEQ		0 - 15	1	
29	(Sub) Filed Enable		0 - 1	1	
30	(Sub) FLDBEQ		0 - 15	1	
31	(Sub) FLDEND		0 - 15	10	
32	(Sub) PHASE		0 - 63	16	
625	RGB Video (1080-25psf)	[DVI-Dsub Card]			
0	Total Dots		0 - 4095	2640	
1	Disp Dots		0 - 4095	1920	
2	H Back Porch		0 - 4095	216	
3	V Back Porch		0 - 4095	40	
4	Disp Line		0 - 4095	1080	
5	Clamp Position		0 - 4095	70	
6	Clamp Width		0 - 4095	31	
8	VSBEQ		0 - 15	1	
9	Filed Enable		0 - 1	1	
10	FLDBEQ		0 - 15	1	
11	FLDEND		0 - 15	10	
12	PHASE		0 - 63	16	
22	(Sub) H Back Porch		0 - 4095	228	
23	(Sub) V Back Porch		0 - 4095	40	
25	(Sub) Clamp Position		0 - 4095	180	
26	(Sub) Clamp Width		0 - 4095	20	
28	(Sub) VSBEQ		0 - 15	1	
29	(Sub) Filed Enable		0 - 1	1	
30	(Sub) FLDBEQ		0 - 15	1	
31	(Sub) FLDEND		0 - 15	10	

Electrical Adjustment

Grp / No.	Item	Function	Range	Initial	Note
32	(Sub) PHASE		0 - 63	16	
626	RGB Video (1080-24psf)	[DVI-Dsub Card]			
0	Total Dots		0 - 4095	2750	
1	Disp Dots		0 - 4095	1920	
2	H Back Porch		0 - 4095	216	
3	V Back Porch		0 - 4095	40	
4	Disp Line		0 - 4095	1080	
5	Clamp Position		0 - 4095	70	
6	Clamp Width		0 - 4095	31	
8	VSBEQ		0 - 15	1	
9	Filed Enable		0 - 1	1	
10	FLDBEQ		0 - 15	1	
11	FLDEND		0 - 15	10	
12	PHASE		0 - 63	16	
22	(Sub) H Back Porch		0 - 4095	228	
23	(Sub) V Back Porch		0 - 4095	40	
25	(Sub) Clamp Position		0 - 4095	95	
26	(Sub) Clamp Width		0 - 4095	20	
28	(Sub) VSBEQ		0 - 15	1	
29	(Sub) Filed Enable		0 - 1	1	
30	(Sub) FLDBEQ		0 - 15	1	
31	(Sub) FLDEND		0 - 15	10	
32	(Sub) PHASE		0 - 63	16	
630	Composite /Svideo (NTSC)	[5BNC - Video Card]			
0	Total Dots		0 - 4095	858	
1	Disp Dots		0 - 4095	670	
2	H Back Porch		0 - 4095	128	
3	V Back Porch		0 - 4095	48	
4	Disp Line		0 - 4095	456	
5	Clamp Position		0 - 4095	1	
6	Clamp Width		0 - 4095	31	
8	VSBEQ		0 - 15	1	
9	Filed Enable		0 - 1	1	
10	FLDBEQ		0 - 15	0	
11	FLDEND		0 - 15	6	
12	PHASE		0 - 63	16	
22	(Sub) H Back Porch		0 - 4095	134	
23	(Sub) V Back Porch		0 - 4095	48	
25	(Sub) Clamp Position		0 - 4095	45	
26	(Sub) Clamp Width		0 - 4095	20	
28	(Sub) VSBEQ		0 - 15	1	
29	(Sub) Filed Enable		0 - 1	1	
30	(Sub) FLDBEQ		0 - 15	0	
31	(Sub) FLDEND		0 - 15	6	
32	(Sub) PHASE		0 - 63	16	
631	Composite /Svideo (PAL)	[5BNC - Video Card]			
0	Total Dots		0 - 4095	868	
1	Disp Dots		0 - 4095	662	
2	H Back Porch		0 - 4095	144	
3	V Back Porch		0 - 4095	64	
4	Disp Line		0 - 4095	538	
5	Clamp Position		0 - 4095	1	
6	Clamp Width		0 - 4095	31	
8	VSBEQ		0 - 15	1	
9	Filed Enable		0 - 1	1	
10	FLDBEQ		0 - 15	0	
11	FLDEND		0 - 15	6	
12	PHASE		0 - 63	16	
22	(Sub) H Back Porch		0 - 4095	150	
23	(Sub) V Back Porch		0 - 4095	64	

Electrical Adjustment

Grp / No.	Item	Function	Range	Initial	Note
25	(Sub) Clamp Position		0 - 4095	55	
26	(Sub) Clamp Width		0 - 4095	20	
28	(Sub) VSBEG		0 - 15	1	
29	(Sub) Filed Enable		0 - 1	1	
30	(Sub) FLDBEG		0 - 15	0	
31	(Sub) FLDEND		0 - 15	6	
32	(Sub) PHASE		0 - 63	16	
640	YCbCr (480i)	[5BNC - Video Card]			
0	Total Dots		0 - 4095	858	
1	Disp Dots		0 - 4095	676	
2	H Back Porch		0 - 4095	136	
3	V Back Porch		0 - 4095	48	
4	Disp Line		0 - 4095	456	
5	Clamp Position		0 - 4095	1	
6	Clamp Width		0 - 4095	31	
8	VSBEG		0 - 15	1	
9	Filed Enable		0 - 1	1	
10	FLDBEG		0 - 15	0	
11	FLDEND		0 - 15	6	
12	PHASE		0 - 63	16	
22	(Sub) H Back Porch		0 - 4095	142	
23	(Sub) V Back Porch		0 - 4095	48	
25	(Sub) Clamp Position		0 - 4095	87	
26	(Sub) Clamp Width		0 - 4095	20	
28	(Sub) VSBEG		0 - 15	1	
29	(Sub) Filed Enable		0 - 1	1	
30	(Sub) FLDBEG		0 - 15	0	
31	(Sub) FLDEND		0 - 15	6	
32	(Sub) PHASE		0 - 63	16	
641	YCbCr (575i)	[5BNC - Video Card]			
0	Total Dots		0 - 4095	868	
1	Disp Dots		0 - 4095	668	
2	H Back Porch		0 - 4095	152	
3	V Back Porch		0 - 4095	62	
4	Disp Line		0 - 4095	540	
5	Clamp Position		0 - 4095	1	
6	Clamp Width		0 - 4095	31	
8	VSBEG		0 - 15	1	
9	Filed Enable		0 - 1	1	
10	FLDBEG		0 - 15	0	
11	FLDEND		0 - 15	6	
12	PHASE		0 - 63	16	
22	(Sub) H Back Porch		0 - 4095	158	
23	(Sub) V Back Porch		0 - 4095	62	
25	(Sub) Clamp Position		0 - 4095	94	
26	(Sub) Clamp Width		0 - 4095	20	
28	(Sub) VSBEG		0 - 15	1	
29	(Sub) Filed Enable		0 - 1	1	
30	(Sub) FLDBEG		0 - 15	0	
31	(Sub) FLDEND		0 - 15	6	
32	(Sub) PHASE		0 - 63	16	
642	YCbCr (480P)	[5BNC - Video Card]			
0	Total Dots		0 - 4095	858	
1	Disp Dots		0 - 4095	684	
2	H Back Porch		0 - 4095	130	
3	V Back Porch		0 - 4095	46	
4	Disp Line		0 - 4095	460	
5	Clamp Position		0 - 4095	1	
6	Clamp Width		0 - 4095	31	

Electrical Adjustment

Grp / No.	Item	Function	Range	Initial	Note
8	VSBEQ		0 - 15	2	
9	Filed Enable		0 - 1	0	
10	FLDBEQ		0 - 15	0	
11	FLDEND		0 - 15	0	
12	PHASE		0 - 63	16	
22	(Sub) H Back Porch		0 - 4095	136	
23	(Sub) V Back Porch		0 - 4095	46	
25	(Sub) Clamp Position		0 - 4095	94	
26	(Sub) Clamp Width		0 - 4095	20	
28	(Sub) VSBEQ		0 - 15	2	
29	(Sub) Filed Enable		0 - 1	0	
30	(Sub) FLDBEQ		0 - 15	0	
31	(Sub) FLDEND		0 - 15	0	
32	(Sub) PHASE		0 - 63	16	
643	YCbCr (575P)	[5BNC - Video Card]			
0	Total Dots		0 - 4095	868	
1	Disp Dots		0 - 4095	696	
2	H Back Porch		0 - 4095	136	
3	V Back Porch		0 - 4095	56	
4	Disp Line		0 - 4095	550	
5	Clamp Position		0 - 4095	1	
6	Clamp Width		0 - 4095	31	
8	VSBEQ		0 - 15	2	
9	Filed Enable		0 - 1	0	
10	FLDBEQ		0 - 15	0	
11	FLDEND		0 - 15	0	
12	PHASE		0 - 63	16	
22	(Sub) H Back Porch		0 - 4095	144	
23	(Sub) V Back Porch		0 - 4095	56	
25	(Sub) Clamp Position		0 - 4095	100	
26	(Sub) Clamp Width		0 - 4095	20	
28	(Sub) VSBEQ		0 - 15	2	
29	(Sub) Filed Enable		0 - 1	0	
30	(Sub) FLDBEQ		0 - 15	0	
31	(Sub) FLDEND		0 - 15	0	
32	(Sub) PHASE		0 - 63	16	
644	YCbCr (720P-60)	[5BNC - Video Card]			
0	Total Dots		0 - 4095	1650	
1	Disp Dots		0 - 4095	1250	
2	H Back Porch		0 - 4095	300	
3	V Back Porch		0 - 4095	34	
4	Disp Line		0 - 4095	700	
5	Clamp Position		0 - 4095	110	
6	Clamp Width		0 - 4095	31	
8	VSBEQ		0 - 15	2	
9	Filed Enable		0 - 1	0	
10	FLDBEQ		0 - 15	0	
11	FLDEND		0 - 15	0	
12	PHASE		0 - 63	16	
22	(Sub) H Back Porch		0 - 4095	306	
23	(Sub) V Back Porch		0 - 4095	34	
25	(Sub) Clamp Position		0 - 4095	185	
26	(Sub) Clamp Width		0 - 4095	20	
28	(Sub) VSBEQ		0 - 15	2	
29	(Sub) Filed Enable		0 - 1	0	
30	(Sub) FLDBEQ		0 - 15	0	
31	(Sub) FLDEND		0 - 15	0	
32	(Sub) PHASE		0 - 63	16	

Electrical Adjustment

Grp / No.	Item	Function	Range	Initial	Note
645	YCbCr (720P-50)	[5BNC - Video Card]			
0	Total Dots		0 - 4095	1980	
1	Disp Dots		0 - 4095	1250	
2	H Back Porch		0 - 4095	298	
3	V Back Porch		0 - 4095	34	
4	Disp Line		0 - 4095	700	
5	Clamp Position		0 - 4095	110	
6	Clamp Width		0 - 4095	31	
8	VSBEg		0 - 15	2	
9	Filed Enable		0 - 1	0	
10	FLDBEG		0 - 15	0	
11	FLDEND		0 - 15	0	
12	PHASE		0 - 63	16	
22	(Sub) H Back Porch		0 - 4095	310	
23	(Sub) V Back Porch		0 - 4095	34	
25	(Sub) Clamp Position		0 - 4095	185	
26	(Sub) Clamp Width		0 - 4095	20	
28	(Sub) VSBEg		0 - 15	2	
29	(Sub) Filed Enable		0 - 1	0	
30	(Sub) FLDBEG		0 - 15	0	
31	(Sub) FLDEND		0 - 15	0	
32	(Sub) PHASE		0 - 63	16	
646	YCbCr (1080i-60)	[5BNC - Video Card]			
0	Total Dots		0 - 4095	2200	
1	Disp Dots		0 - 4095	1872	
2	H Back Porch		0 - 4095	244	
3	V Back Porch		0 - 4095	54	
4	Disp Line		0 - 4095	1050	
5	Clamp Position		0 - 4095	80	
6	Clamp Width		0 - 4095	31	
8	VSBEg		0 - 15	1	
9	Filed Enable		0 - 1	1	
10	FLDBEG		0 - 15	0	
11	FLDEND		0 - 15	6	
12	PHASE		0 - 63	16	
22	(Sub) H Back Porch		0 - 4095	252	
23	(Sub) V Back Porch		0 - 4095	54	
25	(Sub) Clamp Position		0 - 4095	164	
26	(Sub) Clamp Width		0 - 4095	20	
28	(Sub) VSBEg		0 - 15	1	
29	(Sub) Filed Enable		0 - 1	1	
30	(Sub) FLDBEG		0 - 15	1	
31	(Sub) FLDEND		0 - 15	10	
32	(Sub) PHASE		0 - 63	16	
647	YCbCr (1080i-50)	[5BNC - Video Card]			
0	Total Dots		0 - 4095	2640	
1	Disp Dots		0 - 4095	1872	
2	H Back Porch		0 - 4095	244	
3	V Back Porch		0 - 4095	54	
4	Disp Line		0 - 4095	1050	
5	Clamp Position		0 - 4095	80	
6	Clamp Width		0 - 4095	31	
8	VSBEg		0 - 15	1	
9	Filed Enable		0 - 1	1	
10	FLDBEG		0 - 15	0	
11	FLDEND		0 - 15	6	
12	PHASE		0 - 63	16	
22	(Sub) H Back Porch		0 - 4095	252	
23	(Sub) V Back Porch		0 - 4095	54	
25	(Sub) Clamp Position		0 - 4095	164	

Electrical Adjustment

Grp / No.	Item	Function	Range	Initial	Note
26	(Sub) Clamp Width		0 - 4095	20	
28	(Sub) VSBEG		0 - 15	1	
29	(Sub) Filed Enable		0 - 1	1	
30	(Sub) FLDBEG		0 - 15	1	
31	(Sub) FLDEND		0 - 15	10	
32	(Sub) PHASE		0 - 63	16	
648	YCbCr (1035i)	[5BNC - Video Card]			
0	Total Dots		0 - 4095	2200	
1	Disp Dots		0 - 4095	1872	
2	H Back Porch		0 - 4095	244	
3	V Back Porch		0 - 4095	90	
4	Disp Line		0 - 4095	1012	
5	Clamp Position		0 - 4095	80	
6	Clamp Width		0 - 4095	31	
8	VSBEG		0 - 15	1	
9	Filed Enable		0 - 1	1	
10	FLDBEG		0 - 15	0	
11	FLDEND		0 - 15	6	
12	PHASE		0 - 63	16	
22	(Sub) H Back Porch		0 - 4095	252	
23	(Sub) V Back Porch		0 - 4095	90	
25	(Sub) Clamp Position		0 - 4095	164	
26	(Sub) Clamp Width		0 - 4095	20	
28	(Sub) VSBEG		0 - 15	1	
29	(Sub) Filed Enable		0 - 1	1	
30	(Sub) FLDBEG		0 - 15	1	
31	(Sub) FLDEND		0 - 15	10	
32	(Sub) PHASE		0 - 63	16	
649	YCbCr (1080P-60)	[5BNC - Video Card]			
0	Total Dots		0 - 4095	2200	
1	Disp Dots		0 - 4095	1872	
2	H Back Porch		0 - 4095	236	
3	V Back Porch		0 - 4095	54	
4	Disp Line		0 - 4095	1050	
5	Clamp Position		0 - 4095	80	
6	Clamp Width		0 - 4095	31	
8	VSBEG		0 - 15	2	
9	Filed Enable		0 - 1	0	
10	FLDBEG		0 - 15	0	
11	FLDEND		0 - 15	0	
12	PHASE		0 - 63	16	
22	(Sub) H Back Porch		0 - 4095	122	
23	(Sub) V Back Porch		0 - 4095	54	
25	(Sub) Clamp Position		0 - 4095	82	
26	(Sub) Clamp Width		0 - 4095	20	
28	(Sub) VSBEG		0 - 15	2	
29	(Sub) Filed Enable		0 - 1	0	
30	(Sub) FLDBEG		0 - 15	0	
31	(Sub) FLDEND		0 - 15	0	
32	(Sub) PHASE		0 - 63	16	
650	YCbCr (1080P-50)	[5BNC - Video Card]			
0	Total Dots		0 - 4095	2640	
1	Disp Dots		0 - 4095	1872	
2	H Back Porch		0 - 4095	236	
3	V Back Porch		0 - 4095	54	
4	Disp Line		0 - 4095	1052	
5	Clamp Position		0 - 4095	80	
6	Clamp Width		0 - 4095	31	
8	VSBEG		0 - 15	2	
9	Filed Enable		0 - 1	0	

Electrical Adjustment

Grp / No.	Item	Function	Range	Initial	Note
10	FLDBEG		0 - 15	0	
11	FLDEND		0 - 15	0	
12	PHASE		0 - 63	16	
22	(Sub) H Back Porch		0 - 4095	122	
23	(Sub) V Back Porch		0 - 4095	54	
25	(Sub) Clamp Position		0 - 4095	82	
26	(Sub) Clamp Width		0 - 4095	20	
28	(Sub) VSBEG		0 - 15	2	
29	(Sub) Filed Enable		0 - 1	0	
30	(Sub) FLDBEG		0 - 15	0	
31	(Sub) FLDEND		0 - 15	0	
32	(Sub) PHASE		0 - 63	16	
651	YCbCr (1080P-30)	[5BNC - Video Card]			
0	Total Dots		0 - 4095	2200	
1	Disp Dots		0 - 4095	1872	
2	H Back Porch		0 - 4095	244	
3	V Back Porch		0 - 4095	54	
4	Disp Line		0 - 4095	1052	
5	Clamp Position		0 - 4095	80	
6	Clamp Width		0 - 4095	31	
8	VSBEG		0 - 15	2	
9	Filed Enable		0 - 1	0	
10	FLDBEG		0 - 15	0	
11	FLDEND		0 - 15	0	
12	PHASE		0 - 63	16	
22	(Sub) H Back Porch		0 - 4095	126	
23	(Sub) V Back Porch		0 - 4095	54	
25	(Sub) Clamp Position		0 - 4095	77	
26	(Sub) Clamp Width		0 - 4095	20	
28	(Sub) VSBEG		0 - 15	2	
29	(Sub) Filed Enable		0 - 1	0	
30	(Sub) FLDBEG		0 - 15	0	
31	(Sub) FLDEND		0 - 15	0	
32	(Sub) PHASE		0 - 63	16	
652	YCbCr (1080P-25)	[5BNC - Video Card]			
0	Total Dots		0 - 4095	2640	
1	Disp Dots		0 - 4095	1872	
2	H Back Porch		0 - 4095	244	
3	V Back Porch		0 - 4095	54	
4	Disp Line		0 - 4095	1052	
5	Clamp Position		0 - 4095	80	
6	Clamp Width		0 - 4095	31	
8	VSBEG		0 - 15	2	
9	Filed Enable		0 - 1	0	
10	FLDBEG		0 - 15	0	
11	FLDEND		0 - 15	0	
12	PHASE		0 - 63	16	
22	(Sub) H Back Porch		0 - 4095	126	
23	(Sub) V Back Porch		0 - 4095	54	
25	(Sub) Clamp Position		0 - 4095	77	
26	(Sub) Clamp Width		0 - 4095	20	
28	(Sub) VSBEG		0 - 15	2	
29	(Sub) Filed Enable		0 - 1	0	
30	(Sub) FLDBEG		0 - 15	0	
31	(Sub) FLDEND		0 - 15	0	
32	(Sub) PHASE		0 - 63	16	
653	YCbCr (1080P-24)	[5BNC - Video Card]			
0	Total Dots		0 - 4095	2750	

Electrical Adjustment

Grp / No.	Item	Function	Range	Initial	Note
1	Disp Dots		0 - 4095	1872	
2	H Back Porch		0 - 4095	244	
3	V Back Porch		0 - 4095	54	
4	Disp Line		0 - 4095	1052	
5	Clamp Position		0 - 4095	80	
6	Clamp Width		0 - 4095	31	
8	VSBEQ		0 - 15	2	
9	Filed Enable		0 - 1	0	
10	FLDBEQ		0 - 15	0	
11	FLDEND		0 - 15	0	
12	PHASE		0 - 63	16	
22	(Sub) H Back Porch		0 - 4095	126	
23	(Sub) V Back Porch		0 - 4095	54	
25	(Sub) Clamp Position		0 - 4095	77	
26	(Sub) Clamp Width		0 - 4095	20	
28	(Sub) VSBEQ		0 - 15	2	
29	(Sub) Filed Enable		0 - 1	0	
30	(Sub) FLDBEQ		0 - 15	0	
31	(Sub) FLDEND		0 - 15	0	
32	(Sub) PHASE		0 - 63	16	
660	RGB Video (480i)	[5BNC - Video Card]			
0	Total Dots		0 - 4095	858	
1	Disp Dots		0 - 4095	712	
2	H Back Porch		0 - 4095	138	
3	V Back Porch		0 - 4095	40	
4	Disp Line		0 - 4095	486	
5	Clamp Position		0 - 4095	1	
6	Clamp Width		0 - 4095	31	
8	VSBEQ		0 - 15	1	
9	Filed Enable		0 - 1	1	
10	FLDBEQ		0 - 15	1	
11	FLDEND		0 - 15	10	
12	PHASE		0 - 63	16	
22	(Sub) H Back Porch		0 - 4095	144	
23	(Sub) V Back Porch		0 - 4095	40	
25	(Sub) Clamp Position		0 - 4095	91	
26	(Sub) Clamp Width		0 - 4095	20	
28	(Sub) VSBEQ		0 - 15	1	
29	(Sub) Filed Enable		0 - 1	1	
30	(Sub) FLDBEQ		0 - 15	0	
31	(Sub) FLDEND		0 - 15	9	
32	(Sub) PHASE		0 - 63	16	
661	RGB Video (575i)	[5BNC - Video Card]			
0	Total Dots		0 - 4095	868	
1	Disp Dots		0 - 4095	706	
2	H Back Porch		0 - 4095	152	
3	V Back Porch		0 - 4095	44	
4	Disp Line		0 - 4095	576	
5	Clamp Position		0 - 4095	1	
6	Clamp Width		0 - 4095	31	
8	VSBEQ		0 - 15	1	
9	Filed Enable		0 - 1	1	
10	FLDBEQ		0 - 15	1	
11	FLDEND		0 - 15	10	
12	PHASE		0 - 63	16	
22	(Sub) H Back Porch		0 - 4095	160	
23	(Sub) V Back Porch		0 - 4095	44	
25	(Sub) Clamp Position		0 - 4095	99	
26	(Sub) Clamp Width		0 - 4095	20	

Electrical Adjustment

Grp / No.	Item	Function	Range	Initial	Note
28	(Sub) VSBEG		0 - 15	1	
29	(Sub) Filed Enable		0 - 1	1	
30	(Sub) FLDBEG		0 - 15	0	
31	(Sub) FLDEND		0 - 15	9	
32	(Sub) PHASE		0 - 63	16	
662	RGB Video (480P)	[5BNC - Video Card]			
0	Total Dots		0 - 4095	858	
1	Disp Dots		0 - 4095	712	
2	H Back Porch		0 - 4095	114	
3	V Back Porch		0 - 4095	42	
4	Disp Line		0 - 4095	484	
5	Clamp Position		0 - 4095	1	
6	Clamp Width		0 - 4095	31	
8	VSBEG		0 - 15	2	
9	Filed Enable		0 - 1	0	
10	FLDBEG		0 - 15	0	
11	FLDEND		0 - 15	0	
12	PHASE		0 - 63	16	
22	(Sub) H Back Porch		0 - 4095	122	
23	(Sub) V Back Porch		0 - 4095	42	
25	(Sub) Clamp Position		0 - 4095	94	
26	(Sub) Clamp Width		0 - 4095	20	
28	(Sub) VSBEG		0 - 15	2	
29	(Sub) Filed Enable		0 - 1	0	
30	(Sub) FLDBEG		0 - 15	0	
31	(Sub) FLDEND		0 - 15	0	
32	(Sub) PHASE		0 - 63	16	
663	RGB Video (575P)	[5BNC - Video Card]			
0	Total Dots		0 - 4095	868	
1	Disp Dots		0 - 4095	706	
2	H Back Porch		0 - 4095	130	
3	V Back Porch		0 - 4095	50	
4	Disp Line		0 - 4095	576	
5	Clamp Position		0 - 4095	1	
6	Clamp Width		0 - 4095	31	
8	VSBEG		0 - 15	2	
9	Filed Enable		0 - 1	0	
10	FLDBEG		0 - 15	0	
11	FLDEND		0 - 15	0	
12	PHASE		0 - 63	16	
22	(Sub) H Back Porch		0 - 4095	138	
23	(Sub) V Back Porch		0 - 4095	50	
25	(Sub) Clamp Position		0 - 4095	98	
26	(Sub) Clamp Width		0 - 4095	20	
28	(Sub) VSBEG		0 - 15	2	
29	(Sub) Filed Enable		0 - 1	0	
30	(Sub) FLDBEG		0 - 15	0	
31	(Sub) FLDEND		0 - 15	0	
32	(Sub) PHASE		0 - 63	16	
664	RGB Video (720P-60)	[5BNC - Video Card]			
0	Total Dots		0 - 4095	1650	
1	Disp Dots		0 - 4095	1280	
2	H Back Porch		0 - 4095	280	
3	V Back Porch		0 - 4095	26	
4	Disp Line		0 - 4095	720	
5	Clamp Position		0 - 4095	110	
6	Clamp Width		0 - 4095	31	
8	VSBEG		0 - 15	2	
9	Filed Enable		0 - 1	0	
10	FLDBEG		0 - 15	0	
11	FLDEND		0 - 15	0	

Electrical Adjustment

Grp / No.	Item	Function	Range	Initial	Note
12	PHASE		0 - 63	16	
22	(Sub) H Back Porch		0 - 4095	292	
23	(Sub) V Back Porch		0 - 4095	26	
25	(Sub) Clamp Position		0 - 4095	188	
26	(Sub) Clamp Width		0 - 4095	20	
28	(Sub) VSBEG		0 - 15	2	
29	(Sub) Filed Enable		0 - 1	0	
30	(Sub) FLDBEG		0 - 15	0	
31	(Sub) FLDEND		0 - 15	0	
32	(Sub) PHASE		0 - 63	16	
665	RGB Video (720P-50)	[5BNC - Video Card]			
0	Total Dots		0 - 4095	1980	
1	Disp Dots		0 - 4095	1280	
2	H Back Porch		0 - 4095	278	
3	V Back Porch		0 - 4095	26	
4	Disp Line		0 - 4095	720	
5	Clamp Position		0 - 4095	110	
6	Clamp Width		0 - 4095	31	
8	VSBEG		0 - 15	2	
9	Filed Enable		0 - 1	0	
10	FLDBEG		0 - 15	0	
11	FLDEND		0 - 15	0	
12	PHASE		0 - 63	16	
22	(Sub) H Back Porch		0 - 4095	290	
23	(Sub) V Back Porch		0 - 4095	26	
25	(Sub) Clamp Position		0 - 4095	188	
26	(Sub) Clamp Width		0 - 4095	20	
28	(Sub) VSBEG		0 - 15	2	
29	(Sub) Filed Enable		0 - 1	0	
30	(Sub) FLDBEG		0 - 15	0	
31	(Sub) FLDEND		0 - 15	0	
32	(Sub) PHASE		0 - 63	16	
666	RGB Video (1080i-60)	[5BNC - Video Card]			
0	Total Dots		0 - 4095	2200	
1	Disp Dots		0 - 4095	1920	
2	H Back Porch		0 - 4095	216	
3	V Back Porch		0 - 4095	40	
4	Disp Line		0 - 4095	1080	
5	Clamp Position		0 - 4095	70	
6	Clamp Width		0 - 4095	31	
8	VSBEG		0 - 15	1	
9	Filed Enable		0 - 1	1	
10	FLDBEG		0 - 15	1	
11	FLDEND		0 - 15	10	
12	PHASE		0 - 63	16	
22	(Sub) H Back Porch		0 - 4095	230	
23	(Sub) V Back Porch		0 - 4095	40	
25	(Sub) Clamp Position		0 - 4095	164	
26	(Sub) Clamp Width		0 - 4095	20	
28	(Sub) VSBEG		0 - 15	1	
29	(Sub) Filed Enable		0 - 1	1	
30	(Sub) FLDBEG		0 - 15	4	
31	(Sub) FLDEND		0 - 15	11	
32	(Sub) PHASE		0 - 63	16	
667	RGB Video (1080i-50)	[5BNC - Video Card]			
0	Total Dots		0 - 4095	2640	
1	Disp Dots		0 - 4095	1920	
2	H Back Porch		0 - 4095	216	

Electrical Adjustment

Grp / No.	Item	Function	Range	Initial	Note
3	V Back Porch		0 - 4095	40	
4	Disp Line		0 - 4095	1080	
5	Clamp Position		0 - 4095	70	
6	Clamp Width		0 - 4095	31	
8	VSBEQ		0 - 15	1	
9	Filed Enable		0 - 1	1	
10	FLDBEQ		0 - 15	1	
11	FLDEND		0 - 15	10	
12	PHASE		0 - 63	16	
22	(Sub) H Back Porch		0 - 4095	230	
23	(Sub) V Back Porch		0 - 4095	40	
25	(Sub) Clamp Position		0 - 4095	164	
26	(Sub) Clamp Width		0 - 4095	20	
28	(Sub) VSBEQ		0 - 15	1	
29	(Sub) Filed Enable		0 - 1	1	
30	(Sub) FLDBEQ		0 - 15	4	
31	(Sub) FLDEND		0 - 15	11	
32	(Sub) PHASE		0 - 63	16	
668	RGB Video (1035i)	[5BNC - Video Card]			
0	Total Dots		0 - 4095	2200	
1	Disp Dots		0 - 4095	1920	
2	H Back Porch		0 - 4095	216	
3	V Back Porch		0 - 4095	78	
4	Disp Line		0 - 4095	1034	
5	Clamp Position		0 - 4095	70	
6	Clamp Width		0 - 4095	31	
8	VSBEQ		0 - 15	1	
9	Filed Enable		0 - 1	1	
10	FLDBEQ		0 - 15	1	
11	FLDEND		0 - 15	10	
12	PHASE		0 - 63	16	
22	(Sub) H Back Porch		0 - 4095	230	
23	(Sub) V Back Porch		0 - 4095	78	
25	(Sub) Clamp Position		0 - 4095	164	
26	(Sub) Clamp Width		0 - 4095	20	
28	(Sub) VSBEQ		0 - 15	1	
29	(Sub) Filed Enable		0 - 1	1	
30	(Sub) FLDBEQ		0 - 15	4	
31	(Sub) FLDEND		0 - 15	11	
32	(Sub) PHASE		0 - 63	16	
669	RGB Video (1080P-60)	[5BNC - Video Card]			
0	Total Dots		0 - 4095	2200	
1	Disp Dots		0 - 4095	1920	
2	H Back Porch		0 - 4095	196	
3	V Back Porch		0 - 4095	42	
4	Disp Line		0 - 4095	1080	
5	Clamp Position		0 - 4095	60	
6	Clamp Width		0 - 4095	31	
8	VSBEQ		0 - 15	2	
9	Filed Enable		0 - 1	0	
10	FLDBEQ		0 - 15	0	
11	FLDEND		0 - 15	0	
12	PHASE		0 - 63	16	
22	(Sub) H Back Porch		0 - 4095	108	
23	(Sub) V Back Porch		0 - 4095	42	
25	(Sub) Clamp Position		0 - 4095	81	
26	(Sub) Clamp Width		0 - 4095	20	
28	(Sub) VSBEQ		0 - 15	2	
29	(Sub) Filed Enable		0 - 1	0	

Electrical Adjustment

Grp / No.	Item	Function	Range	Initial	Note
30	(Sub) FLDBEG		0 - 15	0	
31	(Sub) FLDEND		0 - 15	0	
32	(Sub) PHASE		0 - 63	16	
670	RGB Video (1080P-50)	[5BNC - Video Card]			
0	Total Dots		0 - 4095	2640	
1	Disp Dots		0 - 4095	1920	
2	H Back Porch		0 - 4095	196	
3	V Back Porch		0 - 4095	42	
4	Disp Line		0 - 4095	1080	
5	Clamp Position		0 - 4095	60	
6	Clamp Width		0 - 4095	31	
8	VSBEQ		0 - 15	2	
9	Filed Enable		0 - 1	0	
10	FLDBEG		0 - 15	0	
11	FLDEND		0 - 15	0	
12	PHASE		0 - 63	16	
22	(Sub) H Back Porch		0 - 4095	108	
23	(Sub) V Back Porch		0 - 4095	42	
25	(Sub) Clamp Position		0 - 4095	81	
26	(Sub) Clamp Width		0 - 4095	20	
28	(Sub) VSBEQ		0 - 15	2	
29	(Sub) Filed Enable		0 - 1	0	
30	(Sub) FLDBEG		0 - 15	0	
31	(Sub) FLDEND		0 - 15	0	
32	(Sub) PHASE		0 - 63	16	
671	RGB Video (1080P-30)	[5BNC - Video Card]			
0	Total Dots		0 - 4095	2200	
1	Disp Dots		0 - 4095	1920	
2	H Back Porch		0 - 4095	216	
3	V Back Porch		0 - 4095	42	
4	Disp Line		0 - 4095	1080	
5	Clamp Position		0 - 4095	70	
6	Clamp Width		0 - 4095	31	
8	VSBEQ		0 - 15	2	
9	Filed Enable		0 - 1	0	
10	FLDBEG		0 - 15	0	
11	FLDEND		0 - 15	0	
12	PHASE		0 - 63	16	
22	(Sub) H Back Porch		0 - 4095	114	
23	(Sub) V Back Porch		0 - 4095	42	
25	(Sub) Clamp Position		0 - 4095	83	
26	(Sub) Clamp Width		0 - 4095	20	
28	(Sub) VSBEQ		0 - 15	2	
29	(Sub) Filed Enable		0 - 1	0	
30	(Sub) FLDBEG		0 - 15	0	
31	(Sub) FLDEND		0 - 15	0	
32	(Sub) PHASE		0 - 63	16	
672	RGB Video (1080P-25)	[5BNC - Video Card]			
0	Total Dots		0 - 4095	2640	
1	Disp Dots		0 - 4095	1920	
2	H Back Porch		0 - 4095	216	
3	V Back Porch		0 - 4095	42	
4	Disp Line		0 - 4095	1080	
5	Clamp Position		0 - 4095	70	
6	Clamp Width		0 - 4095	31	
8	VSBEQ		0 - 15	2	
9	Filed Enable		0 - 1	0	
10	FLDBEG		0 - 15	0	
11	FLDEND		0 - 15	0	
12	PHASE		0 - 63	16	

Electrical Adjustment

Grp / No.	Item	Function	Range	Initial	Note
22	(Sub) H Back Porch		0 - 4095	114	
23	(Sub) V Back Porch		0 - 4095	42	
25	(Sub) Clamp Position		0 - 4095	83	
26	(Sub) Clamp Width		0 - 4095	20	
28	(Sub) VSBEG		0 - 15	2	
29	(Sub) Filed Enable		0 - 1	0	
30	(Sub) FLDBEG		0 - 15	0	
31	(Sub) FLDEND		0 - 15	0	
32	(Sub) PHASE		0 - 63	16	
673	RGB Video (1080P-24)	[5BNC - Video Card]			
0	Total Dots		0 - 4095	2750	
1	Disp Dots		0 - 4095	1920	
2	H Back Porch		0 - 4095	216	
3	V Back Porch		0 - 4095	42	
4	Disp Line		0 - 4095	1080	
5	Clamp Position		0 - 4095	70	
6	Clamp Width		0 - 4095	31	
8	VSBEG		0 - 15	2	
9	Filed Enable		0 - 1	0	
10	FLDBEG		0 - 15	0	
11	FLDEND		0 - 15	0	
12	PHASE		0 - 63	16	
22	(Sub) H Back Porch		0 - 4095	114	
23	(Sub) V Back Porch		0 - 4095	42	
25	(Sub) Clamp Position		0 - 4095	83	
26	(Sub) Clamp Width		0 - 4095	20	
28	(Sub) VSBEG		0 - 15	2	
29	(Sub) Filed Enable		0 - 1	0	
30	(Sub) FLDBEG		0 - 15	0	
31	(Sub) FLDEND		0 - 15	0	
32	(Sub) PHASE		0 - 63	16	
674	RGB Video (1080-30psf)	[5BNC - Video Card]			
0	Total Dots		0 - 4095	2200	
1	Disp Dots		0 - 4095	1920	
2	H Back Porch		0 - 4095	216	
3	V Back Porch		0 - 4095	40	
4	Disp Line		0 - 4095	1080	
5	Clamp Position		0 - 4095	70	
6	Clamp Width		0 - 4095	31	
8	VSBEG		0 - 15	1	
9	Filed Enable		0 - 1	1	
10	FLDBEG		0 - 15	1	
11	FLDEND		0 - 15	10	
12	PHASE		0 - 63	16	
22	(Sub) H Back Porch		0 - 4095	230	
23	(Sub) V Back Porch		0 - 4095	40	
25	(Sub) Clamp Position		0 - 4095	164	
26	(Sub) Clamp Width		0 - 4095	20	
28	(Sub) VSBEG		0 - 15	1	
29	(Sub) Filed Enable		0 - 1	1	
30	(Sub) FLDBEG		0 - 15	4	
31	(Sub) FLDEND		0 - 15	11	
32	(Sub) PHASE		0 - 63	16	
675	RGB Video (1080-25psf)	[5BNC - Video Card]			
0	Total Dots		0 - 4095	2640	
1	Disp Dots		0 - 4095	1920	
2	H Back Porch		0 - 4095	216	
3	V Back Porch		0 - 4095	40	
4	Disp Line		0 - 4095	1080	
5	Clamp Position		0 - 4095	70	

Electrical Adjustment

Grp / No.	Item	Function	Range	Initial	Note
6	Clamp Width		0 - 4095	31	
8	VSBEQ		0 - 15	1	
9	Filed Enable		0 - 1	1	
10	FLDBEQ		0 - 15	1	
11	FLDEND		0 - 15	10	
12	PHASE		0 - 63	16	
22	(Sub) H Back Porch		0 - 4095	230	
23	(Sub) V Back Porch		0 - 4095	40	
25	(Sub) Clamp Position		0 - 4095	164	
26	(Sub) Clamp Width		0 - 4095	20	
28	(Sub) VSBEQ		0 - 15	1	
29	(Sub) Filed Enable		0 - 1	1	
30	(Sub) FLDBEQ		0 - 15	4	
31	(Sub) FLDEND		0 - 15	11	
32	(Sub) PHASE		0 - 63	16	
676	RGB Video (1080-24psf)	[5BNC - Video Card]			
0	Total Dots		0 - 4095	2750	
1	Disp Dots		0 - 4095	1920	
2	H Back Porch		0 - 4095	216	
3	V Back Porch		0 - 4095	40	
4	Disp Line		0 - 4095	1080	
5	Clamp Position		0 - 4095	70	
6	Clamp Width		0 - 4095	31	
8	VSBEQ		0 - 15	1	
9	Filed Enable		0 - 1	1	
10	FLDBEQ		0 - 15	1	
11	FLDEND		0 - 15	10	
12	PHASE		0 - 63	16	
22	(Sub) H Back Porch		0 - 4095	230	
23	(Sub) V Back Porch		0 - 4095	40	
25	(Sub) Clamp Position		0 - 4095	164	
26	(Sub) Clamp Width		0 - 4095	20	
28	(Sub) VSBEQ		0 - 15	1	
29	(Sub) Filed Enable		0 - 1	1	
30	(Sub) FLDBEQ		0 - 15	4	
31	(Sub) FLDEND		0 - 15	11	
32	(Sub) PHASE		0 - 63	16	
700	SCART (480i)	[DVI - HDCP Card]			
0	Total Dots		0 - 4095	858	
1	Disp Dots		0 - 4095	674	
2	H Back Porch		0 - 4095	130	
3	V Back Porch		0 - 4095	48	
4	Disp Line		0 - 4095	456	
5	Clamp Position		0 - 4095	1	
6	Clamp Width		0 - 4095	20	
8	VSBEQ		0 - 15	1	
9	Filed Enable		0 - 1	1	
10	FLDBEQ		0 - 15	0	
11	FLDEND		0 - 15	9	
12	PHASE		0 - 63	16	
22	(Sub) H Back Porch		0 - 4095	152	
23	(Sub) V Back Porch		0 - 4095	42	
25	(Sub) Clamp Position		0 - 4095	0	
26	(Sub) Clamp Width		0 - 4095	20	
28	(Sub) VSBEQ		0 - 15	1	
29	(Sub) Filed Enable		0 - 1	1	
30	(Sub) FLDBEQ		0 - 15	4	
31	(Sub) FLDEND		0 - 15	10	
32	(Sub) PHASE		0 - 63	16	

Electrical Adjustment

Grp / No.	Item	Function	Range	Initial	Note
701	SCART (575i)	[DVI - HDCP Card]			
0	Total Dots		0 - 4095	868	
1	Disp Dots		0 - 4095	670	
2	H Back Porch		0 - 4095	146	
3	V Back Porch		0 - 4095	62	
4	Disp Line		0 - 4095	540	
5	Clamp Position		0 - 4095	1	
6	Clamp Width		0 - 4095	20	
8	VSBEQ		0 - 15	1	
9	Filed Enable		0 - 1	1	
10	FLDBEQ		0 - 15	0	
11	FLDEND		0 - 15	9	
12	PHASE		0 - 63	16	
22	(Sub) H Back Porch		0 - 4095	176	
23	(Sub) V Back Porch		0 - 4095	62	
25	(Sub) Clamp Position		0 - 4095	0	
26	(Sub) Clamp Width		0 - 4095	20	
28	(Sub) VSBEQ		0 - 15	1	
29	(Sub) Filed Enable		0 - 1	1	
30	(Sub) FLDBEQ		0 - 15	4	
31	(Sub) FLDEND		0 - 15	10	
32	(Sub) PHASE		0 - 63	16	
710	RGB Video (480i)	[DVI - HDCP Card]			
0	Total Dots		0 - 4095	858	
1	Disp Dots		0 - 4095	712	
2	H Back Porch		0 - 4095	122	
3	V Back Porch		0 - 4095	40	
4	Disp Line		0 - 4095	486	
5	Clamp Position		0 - 4095	1	
6	Clamp Width		0 - 4095	31	
8	VSBEQ		0 - 15	1	
9	Filed Enable		0 - 1	1	
10	FLDBEQ		0 - 15	1	
11	FLDEND		0 - 15	10	
12	PHASE		0 - 63	16	
22	(Sub) H Back Porch		0 - 4095	128	
23	(Sub) V Back Porch		0 - 4095	40	
25	(Sub) Clamp Position		0 - 4095	88	
26	(Sub) Clamp Width		0 - 4095	20	
28	(Sub) VSBEQ		0 - 15	1	
29	(Sub) Filed Enable		0 - 1	1	
30	(Sub) FLDBEQ		0 - 15	3	
31	(Sub) FLDEND		0 - 15	10	
32	(Sub) PHASE		0 - 63	16	
711	RGB Video (575i)	[DVI - HDCP Card]			
0	Total Dots		0 - 4095	868	
1	Disp Dots		0 - 4095	706	
2	H Back Porch		0 - 4095	138	
3	V Back Porch		0 - 4095	44	
4	Disp Line		0 - 4095	576	
5	Clamp Position		0 - 4095	1	
6	Clamp Width		0 - 4095	31	
8	VSBEQ		0 - 15	1	
9	Filed Enable		0 - 1	1	
10	FLDBEQ		0 - 15	1	
11	FLDEND		0 - 15	10	
12	PHASE		0 - 63	16	
22	(Sub) H Back Porch		0 - 4095	144	
23	(Sub) V Back Porch		0 - 4095	44	

Electrical Adjustment

Grp / No.	Item	Function	Range	Initial	Note
25	(Sub) Clamp Position		0 - 4095	96	
26	(Sub) Clamp Width		0 - 4095	20	
28	(Sub) VSBEG		0 - 15	1	
29	(Sub) Filed Enable		0 - 1	1	
30	(Sub) FLDBEG		0 - 15	3	
31	(Sub) FLDEND		0 - 15	10	
32	(Sub) PHASE		0 - 63	16	
712	RGB Video (480P)	[DVI - HDCP Card]			
0	Total Dots		0 - 4095	858	
1	Disp Dots		0 - 4095	712	
2	H Back Porch		0 - 4095	114	
3	V Back Porch		0 - 4095	42	
4	Disp Line		0 - 4095	484	
5	Clamp Position		0 - 4095	1	
6	Clamp Width		0 - 4095	31	
8	VSBEG		0 - 15	2	
9	Filed Enable		0 - 1	0	
10	FLDBEG		0 - 15	0	
11	FLDEND		0 - 15	0	
12	PHASE		0 - 63	16	
22	(Sub) H Back Porch		0 - 4095	122	
23	(Sub) V Back Porch		0 - 4095	42	
25	(Sub) Clamp Position		0 - 4095	89	
26	(Sub) Clamp Width		0 - 4095	20	
28	(Sub) VSBEG		0 - 15	2	
29	(Sub) Filed Enable		0 - 1	0	
30	(Sub) FLDBEG		0 - 15	0	
31	(Sub) FLDEND		0 - 15	0	
32	(Sub) PHASE		0 - 63	16	
713	RGB Video (575P)	[DVI - HDCP Card]			
0	Total Dots		0 - 4095	868	
1	Disp Dots		0 - 4095	706	
2	H Back Porch		0 - 4095	130	
3	V Back Porch		0 - 4095	50	
4	Disp Line		0 - 4095	576	
5	Clamp Position		0 - 4095	1	
6	Clamp Width		0 - 4095	31	
8	VSBEG		0 - 15	2	
9	Filed Enable		0 - 1	0	
10	FLDBEG		0 - 15	0	
11	FLDEND		0 - 15	0	
12	PHASE		0 - 63	16	
22	(Sub) H Back Porch		0 - 4095	138	
23	(Sub) V Back Porch		0 - 4095	50	
25	(Sub) Clamp Position		0 - 4095	98	
26	(Sub) Clamp Width		0 - 4095	20	
28	(Sub) VSBEG		0 - 15	2	
29	(Sub) Filed Enable		0 - 1	0	
30	(Sub) FLDBEG		0 - 15	0	
31	(Sub) FLDEND		0 - 15	0	
32	(Sub) PHASE		0 - 63	16	
714	RGB Video (720P-60)	[DVI - HDCP Card]			
0	Total Dots		0 - 4095	1650	
1	Disp Dots		0 - 4095	1280	
2	H Back Porch		0 - 4095	278	
3	V Back Porch		0 - 4095	26	
4	Disp Line		0 - 4095	720	
5	Clamp Position		0 - 4095	110	
6	Clamp Width		0 - 4095	31	
8	VSBEG		0 - 15	2	

Electrical Adjustment

Grp / No.	Item	Function	Range	Initial	Note
9	Filed Enable		0 - 1	0	
10	FLDBEG		0 - 15	0	
11	FLDEND		0 - 15	0	
12	PHASE		0 - 63	16	
22	(Sub) H Back Porch		0 - 4095	292	
23	(Sub) V Back Porch		0 - 4095	26	
25	(Sub) Clamp Position		0 - 4095	185	
26	(Sub) Clamp Width		0 - 4095	20	
28	(Sub) VSBEG		0 - 15	2	
29	(Sub) Filed Enable		0 - 1	0	
30	(Sub) FLDBEG		0 - 15	0	
31	(Sub) FLDEND		0 - 15	0	
32	(Sub) PHASE		0 - 63	16	
715	RGB Video (720P-50)	[DVI - HDCP Card]			
0	Total Dots		0 - 4095	1980	
1	Disp Dots		0 - 4095	1280	
2	H Back Porch		0 - 4095	276	
3	V Back Porch		0 - 4095	26	
4	Disp Line		0 - 4095	720	
5	Clamp Position		0 - 4095	110	
6	Clamp Width		0 - 4095	31	
8	VSBEG		0 - 15	2	
9	Filed Enable		0 - 1	0	
10	FLDBEG		0 - 15	0	
11	FLDEND		0 - 15	0	
12	PHASE		0 - 63	16	
22	(Sub) H Back Porch		0 - 4095	290	
23	(Sub) V Back Porch		0 - 4095	26	
25	(Sub) Clamp Position		0 - 4095	185	
26	(Sub) Clamp Width		0 - 4095	20	
28	(Sub) VSBEG		0 - 15	2	
29	(Sub) Filed Enable		0 - 1	0	
30	(Sub) FLDBEG		0 - 15	0	
31	(Sub) FLDEND		0 - 15	0	
32	(Sub) PHASE		0 - 63	16	
716	RGB Video (1080i-60)	[DVI - HDCP Card]			
0	Total Dots		0 - 4095	2200	
1	Disp Dots		0 - 4095	1920	
2	H Back Porch		0 - 4095	214	
3	V Back Porch		0 - 4095	40	
4	Disp Line		0 - 4095	1080	
5	Clamp Position		0 - 4095	70	
6	Clamp Width		0 - 4095	31	
8	VSBEG		0 - 15	1	
9	Filed Enable		0 - 1	0	
10	FLDBEG		0 - 15	1	
11	FLDEND		0 - 15	10	
12	PHASE		0 - 63	16	
22	(Sub) H Back Porch		0 - 4095	228	
23	(Sub) V Back Porch		0 - 4095	40	
25	(Sub) Clamp Position		0 - 4095	164	
26	(Sub) Clamp Width		0 - 4095	20	
28	(Sub) VSBEG		0 - 15	1	
29	(Sub) Filed Enable		0 - 1	1	
30	(Sub) FLDBEG		0 - 15	4	
31	(Sub) FLDEND		0 - 15	11	
32	(Sub) PHASE		0 - 63	16	
717	RGB Video (1080i-50)	[DVI - HDCP Card]			

Electrical Adjustment

Grp / No.	Item	Function	Range	Initial	Note
0	Total Dots		0 - 4095	2640	
1	Disp Dots		0 - 4095	1920	
2	H Back Porch		0 - 4095	214	
3	V Back Porch		0 - 4095	40	
4	Disp Line		0 - 4095	1080	
5	Clamp Position		0 - 4095	70	
6	Clamp Width		0 - 4095	31	
8	VSBEQ		0 - 15	1	
9	Filed Enable		0 - 1	1	
10	FLDBEQ		0 - 15	1	
11	FLDEND		0 - 15	10	
12	PHASE		0 - 63	16	
22	(Sub) H Back Porch		0 - 4095	228	
23	(Sub) V Back Porch		0 - 4095	40	
25	(Sub) Clamp Position		0 - 4095	164	
26	(Sub) Clamp Width		0 - 4095	20	
28	(Sub) VSBEQ		0 - 15	1	
29	(Sub) Filed Enable		0 - 1	1	
30	(Sub) FLDBEQ		0 - 15	4	
31	(Sub) FLDEND		0 - 15	11	
32	(Sub) PHASE		0 - 63	16	
718	RGB Video (1035i)	[DVI - HDCP Card]			
0	Total Dots		0 - 4095	2200	
1	Disp Dots		0 - 4095	1920	
2	H Back Porch		0 - 4095	214	
3	V Back Porch		0 - 4095	78	
4	Disp Line		0 - 4095	1034	
5	Clamp Position		0 - 4095	70	
6	Clamp Width		0 - 4095	31	
8	VSBEQ		0 - 15	1	
9	Filed Enable		0 - 1	1	
10	FLDBEQ		0 - 15	1	
11	FLDEND		0 - 15	10	
12	PHASE		0 - 63	16	
22	(Sub) H Back Porch		0 - 4095	228	
23	(Sub) V Back Porch		0 - 4095	78	
25	(Sub) Clamp Position		0 - 4095	164	
26	(Sub) Clamp Width		0 - 4095	20	
28	(Sub) VSBEQ		0 - 15	1	
29	(Sub) Filed Enable		0 - 1	1	
30	(Sub) FLDBEQ		0 - 15	4	
31	(Sub) FLDEND		0 - 15	11	
32	(Sub) PHASE		0 - 63	16	
719	RGB Video (1080P-60)	[DVI - HDCP Card]			
0	Total Dots		0 - 4095	2200	
1	Disp Dots		0 - 4095	1920	
2	H Back Porch		0 - 4095	194	
3	V Back Porch		0 - 4095	42	
4	Disp Line		0 - 4095	1080	
5	Clamp Position		0 - 4095	60	
6	Clamp Width		0 - 4095	31	
8	VSBEQ		0 - 15	2	
9	Filed Enable		0 - 1	0	
10	FLDBEQ		0 - 15	0	
11	FLDEND		0 - 15	0	
12	PHASE		0 - 63	16	
22	(Sub) H Back Porch		0 - 4095	108	
23	(Sub) V Back Porch		0 - 4095	42	
25	(Sub) Clamp Position		0 - 4095	75	
26	(Sub) Clamp Width		0 - 4095	5	

Electrical Adjustment

Grp / No.	Item	Function	Range	Initial	Note
28	(Sub) VSBEG		0 - 15	2	
29	(Sub) Filed Enable		0 - 1	0	
30	(Sub) FLDBEG		0 - 15	0	
31	(Sub) FLDEND		0 - 15	0	
32	(Sub) PHASE		0 - 63	16	
720	RGB Video (1080P-50)	[DVI - HDCP Card]			
0	Total Dots		0 - 4095	2640	
1	Disp Dots		0 - 4095	1920	
2	H Back Porch		0 - 4095	194	
3	V Back Porch		0 - 4095	42	
4	Disp Line		0 - 4095	1080	
5	Clamp Position		0 - 4095	60	
6	Clamp Width		0 - 4095	31	
8	VSBEG		0 - 15	2	
9	Filed Enable		0 - 1	0	
10	FLDBEG		0 - 15	0	
11	FLDEND		0 - 15	0	
12	PHASE		0 - 63	16	
22	(Sub) H Back Porch		0 - 4095	108	
23	(Sub) V Back Porch		0 - 4095	42	
25	(Sub) Clamp Position		0 - 4095	75	
26	(Sub) Clamp Width		0 - 4095	5	
28	(Sub) VSBEG		0 - 15	2	
29	(Sub) Filed Enable		0 - 1	0	
30	(Sub) FLDBEG		0 - 15	0	
31	(Sub) FLDEND		0 - 15	0	
32	(Sub) PHASE		0 - 63	16	
721	RGB Video (1080P-30)	[DVI - HDCP Card]			
0	Total Dots		0 - 4095	2200	
1	Disp Dots		0 - 4095	1920	
2	H Back Porch		0 - 4095	214	
3	V Back Porch		0 - 4095	42	
4	Disp Line		0 - 4095	1080	
5	Clamp Position		0 - 4095	70	
6	Clamp Width		0 - 4095	31	
8	VSBEG		0 - 15	2	
9	Filed Enable		0 - 1	0	
10	FLDBEG		0 - 15	0	
11	FLDEND		0 - 15	0	
12	PHASE		0 - 63	16	
22	(Sub) H Back Porch		0 - 4095	112	
23	(Sub) V Back Porch		0 - 4095	42	
25	(Sub) Clamp Position		0 - 4095	55	
26	(Sub) Clamp Width		0 - 4095	16	
28	(Sub) VSBEG		0 - 15	2	
29	(Sub) Filed Enable		0 - 1	0	
30	(Sub) FLDBEG		0 - 15	0	
31	(Sub) FLDEND		0 - 15	0	
32	(Sub) PHASE		0 - 63	16	
722	RGB Video (1080P-25)	[DVI - HDCP Card]			
0	Total Dots		0 - 4095	2640	
1	Disp Dots		0 - 4095	1920	
2	H Back Porch		0 - 4095	214	
3	V Back Porch		0 - 4095	42	
4	Disp Line		0 - 4095	1080	
5	Clamp Position		0 - 4095	70	
6	Clamp Width		0 - 4095	31	
8	VSBEG		0 - 15	2	
9	Filed Enable		0 - 1	0	
10	FLDBEG		0 - 15	0	

Electrical Adjustment

Grp / No.	Item	Function	Range	Initial	Note
11	FLDEND		0 - 15	0	
12	PHASE		0 - 63	16	
22	(Sub) H Back Porch		0 - 4095	112	
23	(Sub) V Back Porch		0 - 4095	42	
25	(Sub) Clamp Position		0 - 4095	55	
26	(Sub) Clamp Width		0 - 4095	16	
28	(Sub) VSBEG		0 - 15	2	
29	(Sub) Filed Enable		0 - 1	0	
30	(Sub) FLDBEG		0 - 15	0	
31	(Sub) FLDEND		0 - 15	0	
32	(Sub) PHASE		0 - 63	16	
723	RGB Video (1080P-24)	[DVI - HDCP Card]			
0	Total Dots		0 - 4095	2750	
1	Disp Dots		0 - 4095	1920	
2	H Back Porch		0 - 4095	214	
3	V Back Porch		0 - 4095	42	
4	Disp Line		0 - 4095	1080	
5	Clamp Position		0 - 4095	70	
6	Clamp Width		0 - 4095	31	
8	VSBEG		0 - 15	2	
9	Filed Enable		0 - 1	0	
10	FLDBEG		0 - 15	0	
11	FLDEND		0 - 15	0	
12	PHASE		0 - 63	16	
22	(Sub) H Back Porch		0 - 4095	112	
23	(Sub) V Back Porch		0 - 4095	42	
25	(Sub) Clamp Position		0 - 4095	55	
26	(Sub) Clamp Width		0 - 4095	16	
28	(Sub) VSBEG		0 - 15	2	
29	(Sub) Filed Enable		0 - 1	0	
30	(Sub) FLDBEG		0 - 15	0	
31	(Sub) FLDEND		0 - 15	0	
32	(Sub) PHASE		0 - 63	16	
724	RGB Video (1080-30psf)	[DVI - HDCP Card]			
0	Total Dots		0 - 4095	2200	
1	Disp Dots		0 - 4095	1920	
2	H Back Porch		0 - 4095	214	
3	V Back Porch		0 - 4095	40	
4	Disp Line		0 - 4095	1080	
5	Clamp Position		0 - 4095	70	
6	Clamp Width		0 - 4095	31	
8	VSBEG		0 - 15	1	
9	Filed Enable		0 - 1	1	
10	FLDBEG		0 - 15	1	
11	FLDEND		0 - 15	10	
12	PHASE		0 - 63	16	
22	(Sub) H Back Porch		0 - 4095	228	
23	(Sub) V Back Porch		0 - 4095	40	
25	(Sub) Clamp Position		0 - 4095	180	
26	(Sub) Clamp Width		0 - 4095	20	
28	(Sub) VSBEG		0 - 15	1	
29	(Sub) Filed Enable		0 - 1	1	
30	(Sub) FLDBEG		0 - 15	4	
31	(Sub) FLDEND		0 - 15	11	
32	(Sub) PHASE		0 - 63	16	
725	RGB Video (1080-25psf)	[DVI - HDCP Card]			
0	Total Dots		0 - 4095	2640	
1	Disp Dots		0 - 4095	1920	

Electrical Adjustment

Grp / No.	Item	Function	Range	Initial	Note
2	H Back Porch		0 - 4095	214	
3	V Back Porch		0 - 4095	40	
4	Disp Line		0 - 4095	1080	
5	Clamp Position		0 - 4095	70	
6	Clamp Width		0 - 4095	31	
8	VSBEQ		0 - 15	1	
9	Filed Enable		0 - 1	1	
10	FLDBEQ		0 - 15	1	
11	FLDEND		0 - 15	10	
12	PHASE		0 - 63	16	
22	(Sub) H Back Porch		0 - 4095	228	
23	(Sub) V Back Porch		0 - 4095	40	
25	(Sub) Clamp Position		0 - 4095	180	
26	(Sub) Clamp Width		0 - 4095	20	
28	(Sub) VSBEQ		0 - 15	1	
29	(Sub) Filed Enable		0 - 1	1	
30	(Sub) FLDBEQ		0 - 15	4	
31	(Sub) FLDEND		0 - 15	11	
32	(Sub) PHASE		0 - 63	16	
726	RGB Video (1080-24psf)	[DVI - HDCP Card]			
0	Total Dots		0 - 4095	2750	
1	Disp Dots		0 - 4095	1920	
2	H Back Porch		0 - 4095	214	
3	V Back Porch		0 - 4095	40	
4	Disp Line		0 - 4095	1080	
5	Clamp Position		0 - 4095	70	
6	Clamp Width		0 - 4095	31	
8	VSBEQ		0 - 15	1	
9	Filed Enable		0 - 1	1	
10	FLDBEQ		0 - 15	0	
11	FLDEND		0 - 15	10	
12	PHASE		0 - 63	16	
22	(Sub) H Back Porch		0 - 4095	228	
23	(Sub) V Back Porch		0 - 4095	40	
25	(Sub) Clamp Position		0 - 4095	95	
26	(Sub) Clamp Width		0 - 4095	20	
28	(Sub) VSBEQ		0 - 15	1	
29	(Sub) Filed Enable		0 - 1	1	
30	(Sub) FLDBEQ		0 - 15	4	
31	(Sub) FLDEND		0 - 15	11	
32	(Sub) PHASE		0 - 63	16	
730	YCbCr (480i)	[5BNC Card]			
0	Total Dots		0 - 4095	858	
1	Disp Dots		0 - 4095	676	
2	H Back Porch		0 - 4095	136	
3	V Back Porch		0 - 4095	48	
4	Disp Line		0 - 4095	456	
5	Clamp Position		0 - 4095	1	
6	Clamp Width		0 - 4095	31	
8	VSBEQ		0 - 15	1	
9	Filed Enable		0 - 1	1	
10	FLDBEQ		0 - 15	0	
11	FLDEND		0 - 15	6	
12	PHASE		0 - 63	16	
22	(Sub) H Back Porch		0 - 4095	138	
23	(Sub) V Back Porch		0 - 4095	48	
25	(Sub) Clamp Position		0 - 4095	84	
26	(Sub) Clamp Width		0 - 4095	20	
28	(Sub) VSBEQ		0 - 15	1	

Electrical Adjustment

Grp / No.	Item	Function	Range	Initial	Note
29	(Sub) Filed Enable		0 - 1	1	
30	(Sub) FLDBEG		0 - 15	0	
31	(Sub) FLDEND		0 - 15	5	
32	(Sub) PHASE		0 - 63	16	
731	YCbCr (575i)	[5BNC Card]			
0	Total Dots		0 - 4095	868	
1	Disp Dots		0 - 4095	668	
2	H Back Porch		0 - 4095	152	
3	V Back Porch		0 - 4095	62	
4	Disp Line		0 - 4095	540	
5	Clamp Position		0 - 4095	1	
6	Clamp Width		0 - 4095	31	
8	VSBEQ		0 - 15	1	
9	Filed Enable		0 - 1	1	
10	FLDBEG		0 - 15	0	
11	FLDEND		0 - 15	6	
12	PHASE		0 - 63	16	
22	(Sub) H Back Porch		0 - 4095	156	
23	(Sub) V Back Porch		0 - 4095	62	
25	(Sub) Clamp Position		0 - 4095	95	
26	(Sub) Clamp Width		0 - 4095	20	
28	(Sub) VSBEQ		0 - 15	1	
29	(Sub) Filed Enable		0 - 1	1	
30	(Sub) FLDBEG		0 - 15	0	
31	(Sub) FLDEND		0 - 15	5	
32	(Sub) PHASE		0 - 63	16	
732	YCbCr (480P)	[5BNC Card]			
0	Total Dots		0 - 4095	858	
1	Disp Dots		0 - 4095	684	
2	H Back Porch		0 - 4095	130	
3	V Back Porch		0 - 4095	46	
4	Disp Line		0 - 4095	460	
5	Clamp Position		0 - 4095	1	
6	Clamp Width		0 - 4095	31	
8	VSBEQ		0 - 15	2	
9	Filed Enable		0 - 1	0	
10	FLDBEG		0 - 15	0	
11	FLDEND		0 - 15	0	
12	PHASE		0 - 63	16	
22	(Sub) H Back Porch		0 - 4095	136	
23	(Sub) V Back Porch		0 - 4095	46	
25	(Sub) Clamp Position		0 - 4095	90	
26	(Sub) Clamp Width		0 - 4095	20	
28	(Sub) VSBEQ		0 - 15	2	
29	(Sub) Filed Enable		0 - 1	0	
30	(Sub) FLDBEG		0 - 15	0	
31	(Sub) FLDEND		0 - 15	0	
32	(Sub) PHASE		0 - 63	16	
733	YCbCr (575P)	[5BNC Card]			
0	Total Dots		0 - 4095	868	
1	Disp Dots		0 - 4095	696	
2	H Back Porch		0 - 4095	136	
3	V Back Porch		0 - 4095	56	
4	Disp Line		0 - 4095	550	
5	Clamp Position		0 - 4095	1	
6	Clamp Width		0 - 4095	31	
8	VSBEQ		0 - 15	2	
9	Filed Enable		0 - 1	0	
10	FLDBEG		0 - 15	0	
11	FLDEND		0 - 15	0	
12	PHASE		0 - 63	16	

Electrical Adjustment

Grp / No.	Item	Function	Range	Initial	Note
22	(Sub) H Back Porch		0 - 4095	134	
23	(Sub) V Back Porch		0 - 4095	56	
25	(Sub) Clamp Position		0 - 4095	98	
26	(Sub) Clamp Width		0 - 4095	20	
28	(Sub) VSBEQ		0 - 15	2	
29	(Sub) Filed Enable		0 - 1	0	
30	(Sub) FLDBEQ		0 - 15	0	
31	(Sub) FLDEND		0 - 15	0	
32	(Sub) PHASE		0 - 63	16	
734	YCbCr (720P-60)	[5BNC Card]			
0	Total Dots		0 - 4095	1650	
1	Disp Dots		0 - 4095	1250	
2	H Back Porch		0 - 4095	300	
3	V Back Porch		0 - 4095	34	
4	Disp Line		0 - 4095	700	
5	Clamp Position		0 - 4095	110	
6	Clamp Width		0 - 4095	31	
8	VSBEQ		0 - 15	2	
9	Filed Enable		0 - 1	0	
10	FLDBEQ		0 - 15	0	
11	FLDEND		0 - 15	0	
12	PHASE		0 - 63	16	
22	(Sub) H Back Porch		0 - 4095	280	
23	(Sub) V Back Porch		0 - 4095	34	
25	(Sub) Clamp Position		0 - 4095	164	
26	(Sub) Clamp Width		0 - 4095	20	
28	(Sub) VSBEQ		0 - 15	2	
29	(Sub) Filed Enable		0 - 1	0	
30	(Sub) FLDBEQ		0 - 15	0	
31	(Sub) FLDEND		0 - 15	0	
32	(Sub) PHASE		0 - 63	16	
735	YCbCr (720P-50)	[5BNC Card]			
0	Total Dots		0 - 4095	1980	
1	Disp Dots		0 - 4095	1250	
2	H Back Porch		0 - 4095	298	
3	V Back Porch		0 - 4095	34	
4	Disp Line		0 - 4095	700	
5	Clamp Position		0 - 4095	110	
6	Clamp Width		0 - 4095	31	
8	VSBEQ		0 - 15	2	
9	Filed Enable		0 - 1	0	
10	FLDBEQ		0 - 15	0	
11	FLDEND		0 - 15	0	
12	PHASE		0 - 63	16	
22	(Sub) H Back Porch		0 - 4095	310	
23	(Sub) V Back Porch		0 - 4095	34	
25	(Sub) Clamp Position		0 - 4095	164	
26	(Sub) Clamp Width		0 - 4095	20	
28	(Sub) VSBEQ		0 - 15	2	
29	(Sub) Filed Enable		0 - 1	0	
30	(Sub) FLDBEQ		0 - 15	0	
31	(Sub) FLDEND		0 - 15	0	
32	(Sub) PHASE		0 - 63	16	
736	YCbCr (1080i-60)	[5BNC Card]			
0	Total Dots		0 - 4095	2200	
1	Disp Dots		0 - 4095	1872	
2	H Back Porch		0 - 4095	244	
3	V Back Porch		0 - 4095	54	

Electrical Adjustment

Grp / No.	Item	Function	Range	Initial	Note
4	Disp Line		0 - 4095	1050	
5	Clamp Position		0 - 4095	80	
6	Clamp Width		0 - 4095	31	
8	VSBEQ		0 - 15	1	
9	Filed Enable		0 - 1	1	
10	FLDBEQ		0 - 15	0	
11	FLDEND		0 - 15	6	
12	PHASE		0 - 63	16	
22	(Sub) H Back Porch		0 - 4095	224	
23	(Sub) V Back Porch		0 - 4095	54	
25	(Sub) Clamp Position		0 - 4095	140	
26	(Sub) Clamp Width		0 - 4095	20	
28	(Sub) VSBEQ		0 - 15	1	
29	(Sub) Filed Enable		0 - 1	1	
30	(Sub) FLDBEQ		0 - 15	4	
31	(Sub) FLDEND		0 - 15	10	
32	(Sub) PHASE		0 - 63	16	
737	YCbCr (1080i-50)	[5BNC Card]			
0	Total Dots		0 - 4095	2640	
1	Disp Dots		0 - 4095	1872	
2	H Back Porch		0 - 4095	244	
3	V Back Porch		0 - 4095	54	
4	Disp Line		0 - 4095	1050	
5	Clamp Position		0 - 4095	80	
6	Clamp Width		0 - 4095	31	
8	VSBEQ		0 - 15	1	
9	Filed Enable		0 - 1	1	
10	FLDBEQ		0 - 15	0	
11	FLDEND		0 - 15	6	
12	PHASE		0 - 63	16	
22	(Sub) H Back Porch		0 - 4095	224	
23	(Sub) V Back Porch		0 - 4095	54	
25	(Sub) Clamp Position		0 - 4095	140	
26	(Sub) Clamp Width		0 - 4095	20	
28	(Sub) VSBEQ		0 - 15	1	
29	(Sub) Filed Enable		0 - 1	1	
30	(Sub) FLDBEQ		0 - 15	4	
31	(Sub) FLDEND		0 - 15	10	
32	(Sub) PHASE		0 - 63	16	
738	YCbCr (1035i)	[5BNC Card]			
0	Total Dots		0 - 4095	2200	
1	Disp Dots		0 - 4095	1872	
2	H Back Porch		0 - 4095	244	
3	V Back Porch		0 - 4095	90	
4	Disp Line		0 - 4095	1012	
5	Clamp Position		0 - 4095	80	
6	Clamp Width		0 - 4095	31	
8	VSBEQ		0 - 15	1	
9	Filed Enable		0 - 1	1	
10	FLDBEQ		0 - 15	0	
11	FLDEND		0 - 15	6	
12	PHASE		0 - 63	16	
22	(Sub) H Back Porch		0 - 4095	224	
23	(Sub) V Back Porch		0 - 4095	90	
25	(Sub) Clamp Position		0 - 4095	140	
26	(Sub) Clamp Width		0 - 4095	20	
28	(Sub) VSBEQ		0 - 15	1	
29	(Sub) Filed Enable		0 - 1	1	
30	(Sub) FLDBEQ		0 - 15	4	

Electrical Adjustment

Grp / No.	Item	Function	Range	Initial	Note
31	(Sub) FLDEND		0 - 15	10	
32	(Sub) PHASE		0 - 63	16	
739	YCbCr (1080P-60)	[5BNC Card]			
0	Total Dots		0 - 4095	2200	
1	Disp Dots		0 - 4095	1872	
2	H Back Porch		0 - 4095	314	
3	V Back Porch		0 - 4095	54	
4	Disp Line		0 - 4095	1050	
5	Clamp Position		0 - 4095	80	
6	Clamp Width		0 - 4095	31	
8	VSBEQ		0 - 15	2	
9	Filed Enable		0 - 1	0	
10	FLDBEQ		0 - 15	0	
11	FLDEND		0 - 15	0	
12	PHASE		0 - 63	16	
22	(Sub) H Back Porch		0 - 4095	314	
23	(Sub) V Back Porch		0 - 4095	54	
25	(Sub) Clamp Position		0 - 4095	1	
26	(Sub) Clamp Width		0 - 4095	20	
28	(Sub) VSBEQ		0 - 15	2	
29	(Sub) Filed Enable		0 - 1	0	
30	(Sub) FLDBEQ		0 - 15	0	
31	(Sub) FLDEND		0 - 15	0	
32	(Sub) PHASE		0 - 63	16	
740	YCbCr (1080P-50)	[5BNC Card]			
0	Total Dots		0 - 4095	2640	
1	Disp Dots		0 - 4095	1872	
2	H Back Porch		0 - 4095	250	
3	V Back Porch		0 - 4095	54	
4	Disp Line		0 - 4095	1052	
5	Clamp Position		0 - 4095	80	
6	Clamp Width		0 - 4095	31	
8	VSBEQ		0 - 15	2	
9	Filed Enable		0 - 1	0	
10	FLDBEQ		0 - 15	0	
11	FLDEND		0 - 15	0	
12	PHASE		0 - 63	16	
22	(Sub) H Back Porch		0 - 4095	250	
23	(Sub) V Back Porch		0 - 4095	54	
25	(Sub) Clamp Position		0 - 4095	1	
26	(Sub) Clamp Width		0 - 4095	20	
28	(Sub) VSBEQ		0 - 15	2	
29	(Sub) Filed Enable		0 - 1	0	
30	(Sub) FLDBEQ		0 - 15	0	
31	(Sub) FLDEND		0 - 15	0	
32	(Sub) PHASE		0 - 63	16	
741	YCbCr (1080P-30)	[5BNC Card]			
0	Total Dots		0 - 4095	2200	
1	Disp Dots		0 - 4095	1872	
2	H Back Porch		0 - 4095	242	
3	V Back Porch		0 - 4095	54	
4	Disp Line		0 - 4095	1052	
5	Clamp Position		0 - 4095	80	
6	Clamp Width		0 - 4095	31	
8	VSBEQ		0 - 15	2	
9	Filed Enable		0 - 1	0	
10	FLDBEQ		0 - 15	0	
11	FLDEND		0 - 15	0	
12	PHASE		0 - 63	16	
22	(Sub) H Back Porch		0 - 4095	242	

Electrical Adjustment

Grp / No.	Item	Function	Range	Initial	Note
23	(Sub) V Back Porch		0 - 4095	54	
25	(Sub) Clamp Position		0 - 4095	1	
26	(Sub) Clamp Width		0 - 4095	20	
28	(Sub) VSBEQ		0 - 15	2	
29	(Sub) Filed Enable		0 - 1	0	
30	(Sub) FLDBEQ		0 - 15	0	
31	(Sub) FLDEND		0 - 15	0	
32	(Sub) PHASE		0 - 63	16	
742	YCbCr (1080P-25)	[5BNC Card]			
0	Total Dots		0 - 4095	2640	
1	Disp Dots		0 - 4095	1872	
2	H Back Porch		0 - 4095	242	
3	V Back Porch		0 - 4095	54	
4	Disp Line		0 - 4095	1052	
5	Clamp Position		0 - 4095	80	
6	Clamp Width		0 - 4095	31	
8	VSBEQ		0 - 15	2	
9	Filed Enable		0 - 1	0	
10	FLDBEQ		0 - 15	0	
11	FLDEND		0 - 15	0	
12	PHASE		0 - 63	16	
22	(Sub) H Back Porch		0 - 4095	242	
23	(Sub) V Back Porch		0 - 4095	54	
25	(Sub) Clamp Position		0 - 4095	1	
26	(Sub) Clamp Width		0 - 4095	20	
28	(Sub) VSBEQ		0 - 15	2	
29	(Sub) Filed Enable		0 - 1	0	
30	(Sub) FLDBEQ		0 - 15	0	
31	(Sub) FLDEND		0 - 15	0	
32	(Sub) PHASE		0 - 63	16	
743	YCbCr (1080P-24)	[5BNC Card]			
0	Total Dots		0 - 4095	2750	
1	Disp Dots		0 - 4095	1872	
2	H Back Porch		0 - 4095	220	
3	V Back Porch		0 - 4095	54	
4	Disp Line		0 - 4095	1052	
5	Clamp Position		0 - 4095	80	
6	Clamp Width		0 - 4095	31	
8	VSBEQ		0 - 15	2	
9	Filed Enable		0 - 1	0	
10	FLDBEQ		0 - 15	0	
11	FLDEND		0 - 15	0	
12	PHASE		0 - 63	16	
22	(Sub) H Back Porch		0 - 4095	220	
23	(Sub) V Back Porch		0 - 4095	54	
25	(Sub) Clamp Position		0 - 4095	1	
26	(Sub) Clamp Width		0 - 4095	20	
28	(Sub) VSBEQ		0 - 15	2	
29	(Sub) Filed Enable		0 - 1	0	
30	(Sub) FLDBEQ		0 - 15	0	
31	(Sub) FLDEND		0 - 15	0	
32	(Sub) PHASE		0 - 63	16	
750	RGB Video (480i)	[5BNC Card]			
0	Total Dots		0 - 4095	858	
1	Disp Dots		0 - 4095	712	
2	H Back Porch		0 - 4095	134	
3	V Back Porch		0 - 4095	40	
4	Disp Line		0 - 4095	486	
5	Clamp Position		0 - 4095	1	

Electrical Adjustment

Grp / No.	Item	Function	Range	Initial	Note
6	Clamp Width		0 - 4095	31	
8	VSBEQ		0 - 15	1	
9	Filed Enable		0 - 1	1	
10	FLDBEQ		0 - 15	0	
11	FLDEND		0 - 15	9	
12	PHASE		0 - 63	16	
22	(Sub) H Back Porch		0 - 4095	140	
23	(Sub) V Back Porch		0 - 4095	40	
25	(Sub) Clamp Position		0 - 4095	89	
26	(Sub) Clamp Width		0 - 4095	20	
28	(Sub) VSBEQ		0 - 15	1	
29	(Sub) Filed Enable		0 - 1	1	
30	(Sub) FLDBEQ		0 - 15	0	
31	(Sub) FLDEND		0 - 15	10	
32	(Sub) PHASE		0 - 63	16	
751	RGB Video (575i)	[5BNC Card]			
0	Total Dots		0 - 4095	868	
1	Disp Dots		0 - 4095	706	
2	H Back Porch		0 - 4095	148	
3	V Back Porch		0 - 4095	44	
4	Disp Line		0 - 4095	576	
5	Clamp Position		0 - 4095	1	
6	Clamp Width		0 - 4095	31	
8	VSBEQ		0 - 15	1	
9	Filed Enable		0 - 1	1	
10	FLDBEQ		0 - 15	0	
11	FLDEND		0 - 15	9	
12	PHASE		0 - 63	16	
22	(Sub) H Back Porch		0 - 4095	154	
23	(Sub) V Back Porch		0 - 4095	44	
25	(Sub) Clamp Position		0 - 4095	99	
26	(Sub) Clamp Width		0 - 4095	20	
28	(Sub) VSBEQ		0 - 15	1	
29	(Sub) Filed Enable		0 - 1	1	
30	(Sub) FLDBEQ		0 - 15	0	
31	(Sub) FLDEND		0 - 15	10	
32	(Sub) PHASE		0 - 63	16	
752	RGB Video (480P)	[5BNC Card]			
0	Total Dots		0 - 4095	858	
1	Disp Dots		0 - 4095	712	
2	H Back Porch		0 - 4095	104	
3	V Back Porch		0 - 4095	42	
4	Disp Line		0 - 4095	484	
5	Clamp Position		0 - 4095	1	
6	Clamp Width		0 - 4095	31	
8	VSBEQ		0 - 15	2	
9	Filed Enable		0 - 1	0	
10	FLDBEQ		0 - 15	0	
11	FLDEND		0 - 15	0	
12	PHASE		0 - 63	16	
22	(Sub) H Back Porch		0 - 4095	114	
23	(Sub) V Back Porch		0 - 4095	42	
25	(Sub) Clamp Position		0 - 4095	84	
26	(Sub) Clamp Width		0 - 4095	20	
28	(Sub) VSBEQ		0 - 15	2	
29	(Sub) Filed Enable		0 - 1	0	
30	(Sub) FLDBEQ		0 - 15	0	
31	(Sub) FLDEND		0 - 15	0	
32	(Sub) PHASE		0 - 63	16	

Electrical Adjustment

Grp / No.	Item	Function	Range	Initial	Note
753	RGB Video (575P)	[5BNC Card]			
0	Total Dots		0 - 4095	868	
1	Disp Dots		0 - 4095	706	
2	H Back Porch		0 - 4095	120	
3	V Back Porch		0 - 4095	50	
4	Disp Line		0 - 4095	576	
5	Clamp Position		0 - 4095	1	
6	Clamp Width		0 - 4095	31	
8	VSBEQ		0 - 15	2	
9	Filed Enable		0 - 1	0	
10	FLDBEQ		0 - 15	0	
11	FLDEND		0 - 15	0	
12	PHASE		0 - 63	16	
22	(Sub) H Back Porch		0 - 4095	128	
23	(Sub) V Back Porch		0 - 4095	50	
25	(Sub) Clamp Position		0 - 4095	90	
26	(Sub) Clamp Width		0 - 4095	20	
28	(Sub) VSBEQ		0 - 15	2	
29	(Sub) Filed Enable		0 - 1	0	
30	(Sub) FLDBEQ		0 - 15	0	
31	(Sub) FLDEND		0 - 15	0	
32	(Sub) PHASE		0 - 63	16	
754	RGB Video (720P-60)	[5BNC Card]			
0	Total Dots		0 - 4095	1650	
1	Disp Dots		0 - 4095	1280	
2	H Back Porch		0 - 4095	250	
3	V Back Porch		0 - 4095	26	
4	Disp Line		0 - 4095	720	
5	Clamp Position		0 - 4095	110	
6	Clamp Width		0 - 4095	31	
8	VSBEQ		0 - 15	2	
9	Filed Enable		0 - 1	0	
10	FLDBEQ		0 - 15	0	
11	FLDEND		0 - 15	0	
12	PHASE		0 - 63	16	
22	(Sub) H Back Porch		0 - 4095	264	
23	(Sub) V Back Porch		0 - 4095	26	
25	(Sub) Clamp Position		0 - 4095	168	
26	(Sub) Clamp Width		0 - 4095	20	
28	(Sub) VSBEQ		0 - 15	2	
29	(Sub) Filed Enable		0 - 1	0	
30	(Sub) FLDBEQ		0 - 15	0	
31	(Sub) FLDEND		0 - 15	0	
32	(Sub) PHASE		0 - 63	16	
755	RGB Video (720P-50)	[5BNC Card]			
0	Total Dots		0 - 4095	1980	
1	Disp Dots		0 - 4095	1280	
2	H Back Porch		0 - 4095	248	
3	V Back Porch		0 - 4095	26	
4	Disp Line		0 - 4095	720	
5	Clamp Position		0 - 4095	110	
6	Clamp Width		0 - 4095	31	
8	VSBEQ		0 - 15	2	
9	Filed Enable		0 - 1	0	
10	FLDBEQ		0 - 15	0	
11	FLDEND		0 - 15	0	
12	PHASE		0 - 63	16	
22	(Sub) H Back Porch		0 - 4095	262	
23	(Sub) V Back Porch		0 - 4095	26	

Electrical Adjustment

Grp / No.	Item	Function	Range	Initial	Note
25	(Sub) Clamp Position		0 - 4095	168	
26	(Sub) Clamp Width		0 - 4095	20	
28	(Sub) VSBEG		0 - 15	2	
29	(Sub) Filed Enable		0 - 1	0	
30	(Sub) FLDBEG		0 - 15	0	
31	(Sub) FLDEND		0 - 15	0	
32	(Sub) PHASE		0 - 63	16	
756	RGB Video (1080i-60)	[5BNC Card]			
0	Total Dots		0 - 4095	2200	
1	Disp Dots		0 - 4095	1920	
2	H Back Porch		0 - 4095	188	
3	V Back Porch		0 - 4095	40	
4	Disp Line		0 - 4095	1080	
5	Clamp Position		0 - 4095	45	
6	Clamp Width		0 - 4095	31	
8	VSBEG		0 - 15	1	
9	Filed Enable		0 - 1	1	
10	FLDBEG		0 - 15	1	
11	FLDEND		0 - 15	10	
12	PHASE		0 - 63	16	
22	(Sub) H Back Porch		0 - 4095	202	
23	(Sub) V Back Porch		0 - 4095	40	
25	(Sub) Clamp Position		0 - 4095	139	
26	(Sub) Clamp Width		0 - 4095	20	
28	(Sub) VSBEG		0 - 15	1	
29	(Sub) Filed Enable		0 - 1	1	
30	(Sub) FLDBEG		0 - 15	4	
31	(Sub) FLDEND		0 - 15	11	
32	(Sub) PHASE		0 - 63	16	
757	RGB Video (1080i-50)	[5BNC Card]			
0	Total Dots		0 - 4095	2640	
1	Disp Dots		0 - 4095	1920	
2	H Back Porch		0 - 4095	188	
3	V Back Porch		0 - 4095	40	
4	Disp Line		0 - 4095	1080	
5	Clamp Position		0 - 4095	45	
6	Clamp Width		0 - 4095	31	
8	VSBEG		0 - 15	1	
9	Filed Enable		0 - 1	1	
10	FLDBEG		0 - 15	1	
11	FLDEND		0 - 15	10	
12	PHASE		0 - 63	16	
22	(Sub) H Back Porch		0 - 4095	202	
23	(Sub) V Back Porch		0 - 4095	40	
25	(Sub) Clamp Position		0 - 4095	139	
26	(Sub) Clamp Width		0 - 4095	20	
28	(Sub) VSBEG		0 - 15	1	
29	(Sub) Filed Enable		0 - 1	1	
30	(Sub) FLDBEG		0 - 15	4	
31	(Sub) FLDEND		0 - 15	11	
32	(Sub) PHASE		0 - 63	16	
758	RGB Video (1035i)	[5BNC Card]			
0	Total Dots		0 - 4095	2200	
1	Disp Dots		0 - 4095	1920	
2	H Back Porch		0 - 4095	188	
3	V Back Porch		0 - 4095	78	
4	Disp Line		0 - 4095	1034	
5	Clamp Position		0 - 4095	45	
6	Clamp Width		0 - 4095	31	
8	VSBEG		0 - 15	1	

Electrical Adjustment

Grp / No.	Item	Function	Range	Initial	Note
9	Filed Enable		0 - 1	1	
10	FLDBEG		0 - 15	1	
11	FLDEND		0 - 15	10	
12	PHASE		0 - 63	16	
22	(Sub) H Back Porch		0 - 4095	202	
23	(Sub) V Back Porch		0 - 4095	78	
25	(Sub) Clamp Position		0 - 4095	138	
26	(Sub) Clamp Width		0 - 4095	20	
28	(Sub) VSBEG		0 - 15	1	
29	(Sub) Filed Enable		0 - 1	1	
30	(Sub) FLDBEG		0 - 15	4	
31	(Sub) FLDEND		0 - 15	11	
32	(Sub) PHASE		0 - 63	16	
759	RGB Video (1080P-60)	[5BNC Card]			
0	Total Dots		0 - 4095	2200	
1	Disp Dots		0 - 4095	1920	
2	H Back Porch		0 - 4095	142	
3	V Back Porch		0 - 4095	42	
4	Disp Line		0 - 4095	1080	
5	Clamp Position		0 - 4095	10	
6	Clamp Width		0 - 4095	31	
8	VSBEG		0 - 15	2	
9	Filed Enable		0 - 1	0	
10	FLDBEG		0 - 15	0	
11	FLDEND		0 - 15	0	
12	PHASE		0 - 63	16	
22	(Sub) H Back Porch		0 - 4095	82	
23	(Sub) V Back Porch		0 - 4095	42	
25	(Sub) Clamp Position		0 - 4095	55	
26	(Sub) Clamp Width		0 - 4095	20	
28	(Sub) VSBEG		0 - 15	2	
29	(Sub) Filed Enable		0 - 1	0	
30	(Sub) FLDBEG		0 - 15	0	
31	(Sub) FLDEND		0 - 15	0	
32	(Sub) PHASE		0 - 63	16	
760	RGB Video (1080P-60)	[5BNC Card]			
0	Total Dots		0 - 4095	2640	
1	Disp Dots		0 - 4095	1920	
2	H Back Porch		0 - 4095	142	
3	V Back Porch		0 - 4095	42	
4	Disp Line		0 - 4095	1080	
5	Clamp Position		0 - 4095	10	
6	Clamp Width		0 - 4095	31	
8	VSBEG		0 - 15	2	
9	Filed Enable		0 - 1	0	
10	FLDBEG		0 - 15	0	
11	FLDEND		0 - 15	0	
12	PHASE		0 - 63	16	
22	(Sub) H Back Porch		0 - 4095	82	
23	(Sub) V Back Porch		0 - 4095	42	
25	(Sub) Clamp Position		0 - 4095	55	
26	(Sub) Clamp Width		0 - 4095	20	
28	(Sub) VSBEG		0 - 15	2	
29	(Sub) Filed Enable		0 - 1	0	
30	(Sub) FLDBEG		0 - 15	0	
31	(Sub) FLDEND		0 - 15	0	
32	(Sub) PHASE		0 - 63	16	
761	RGB Video (1080P-30)	[5BNC Card]			

Electrical Adjustment

Grp / No.	Item	Function	Range	Initial	Note
0	Total Dots		0 - 4095	2200	
1	Disp Dots		0 - 4095	1920	
2	H Back Porch		0 - 4095	188	
3	V Back Porch		0 - 4095	42	
4	Disp Line		0 - 4095	1080	
5	Clamp Position		0 - 4095	45	
6	Clamp Width		0 - 4095	31	
8	VSBEQ		0 - 15	2	
9	Filed Enable		0 - 1	0	
10	FLDBEQ		0 - 15	0	
11	FLDEND		0 - 15	0	
12	PHASE		0 - 63	16	
22	(Sub) H Back Porch		0 - 4095	100	
23	(Sub) V Back Porch		0 - 4095	42	
25	(Sub) Clamp Position		0 - 4095	71	
26	(Sub) Clamp Width		0 - 4095	20	
28	(Sub) VSBEQ		0 - 15	2	
29	(Sub) Filed Enable		0 - 1	0	
30	(Sub) FLDBEQ		0 - 15	0	
31	(Sub) FLDEND		0 - 15	0	
32	(Sub) PHASE		0 - 63	16	
762	RGB Video (1080P-25)	[5BNC Card]			
0	Total Dots		0 - 4095	2640	
1	Disp Dots		0 - 4095	1920	
2	H Back Porch		0 - 4095	188	
3	V Back Porch		0 - 4095	42	
4	Disp Line		0 - 4095	1080	
5	Clamp Position		0 - 4095	45	
6	Clamp Width		0 - 4095	31	
8	VSBEQ		0 - 15	2	
9	Filed Enable		0 - 1	0	
10	FLDBEQ		0 - 15	0	
11	FLDEND		0 - 15	0	
12	PHASE		0 - 63	16	
22	(Sub) H Back Porch		0 - 4095	100	
23	(Sub) V Back Porch		0 - 4095	42	
25	(Sub) Clamp Position		0 - 4095	71	
26	(Sub) Clamp Width		0 - 4095	20	
28	(Sub) VSBEQ		0 - 15	2	
29	(Sub) Filed Enable		0 - 1	0	
30	(Sub) FLDBEQ		0 - 15	0	
31	(Sub) FLDEND		0 - 15	0	
32	(Sub) PHASE		0 - 63	16	
763	RGB Video (1080P-24)	[5BNC Card]			
0	Total Dots		0 - 4095	2750	
1	Disp Dots		0 - 4095	1920	
2	H Back Porch		0 - 4095	188	
3	V Back Porch		0 - 4095	42	
4	Disp Line		0 - 4095	1080	
5	Clamp Position		0 - 4095	45	
6	Clamp Width		0 - 4095	31	
8	VSBEQ		0 - 15	2	
9	Filed Enable		0 - 1	0	
10	FLDBEQ		0 - 15	0	
11	FLDEND		0 - 15	0	
12	PHASE		0 - 63	16	
22	(Sub) H Back Porch		0 - 4095	100	
23	(Sub) V Back Porch		0 - 4095	42	
25	(Sub) Clamp Position		0 - 4095	71	
26	(Sub) Clamp Width		0 - 4095	20	

Electrical Adjustment

Grp / No.	Item	Function	Range	Initial	Note
28	(Sub) VSBEG		0 - 15	2	
29	(Sub) Filed Enable		0 - 1	0	
30	(Sub) FLDBEG		0 - 15	0	
31	(Sub) FLDEND		0 - 15	0	
32	(Sub) PHASE		0 - 63	16	
764	RGB Video (1080-30psf)	[5BNC Card]			
0	Total Dots		0 - 4095	2200	
1	Disp Dots		0 - 4095	1920	
2	H Back Porch		0 - 4095	188	
3	V Back Porch		0 - 4095	40	
4	Disp Line		0 - 4095	1080	
5	Clamp Position	* Not used	0 - 4095	45	
6	Clamp Width	* Not used	0 - 4095	31	
8	VSBEG		0 - 15	1	
9	Filed Enable		0 - 1	1	
10	FLDBEG		0 - 15	1	
11	FLDEND		0 - 15	10	
12	PHASE		0 - 63	16	
22	(Sub) H Back Porch		0 - 4095	202	
23	(Sub) V Back Porch		0 - 4095	40	
25	(Sub) Clamp Position		0 - 4095	139	
26	(Sub) Clamp Width		0 - 4095	20	
28	(Sub) VSBEG		0 - 15	1	
29	(Sub) Filed Enable		0 - 1	1	
30	(Sub) FLDBEG		0 - 15	4	
31	(Sub) FLDEND		0 - 15	11	
32	(Sub) PHASE		0 - 63	16	
765	RGB Video (1080-25psf)	[5BNC Card]			
0	Total Dots		0 - 4095	2640	
1	Disp Dots		0 - 4095	1920	
2	H Back Porch		0 - 4095	188	
3	V Back Porch		0 - 4095	40	
4	Disp Line		0 - 4095	1080	
5	Clamp Position		0 - 4095	45	
6	Clamp Width		0 - 4095	31	
8	VSBEG		0 - 15	1	
9	Filed Enable		0 - 1	1	
10	FLDBEG		0 - 15	1	
11	FLDEND		0 - 15	10	
12	PHASE		0 - 63	16	
22	(Sub) H Back Porch		0 - 4095	202	
23	(Sub) V Back Porch		0 - 4095	40	
25	(Sub) Clamp Position		0 - 4095	139	
26	(Sub) Clamp Width		0 - 4095	20	
28	(Sub) VSBEG		0 - 15	1	
29	(Sub) Filed Enable		0 - 1	1	
30	(Sub) FLDBEG		0 - 15	4	
31	(Sub) FLDEND		0 - 15	11	
32	(Sub) PHASE		0 - 63	16	
766	RGB Video (1080-24psf)	[5BNC Card]			
0	Total Dots		0 - 4095	2750	
1	Disp Dots		0 - 4095	1920	
2	H Back Porch		0 - 4095	188	
3	V Back Porch		0 - 4095	40	
4	Disp Line		0 - 4095	1080	
5	Clamp Position		0 - 4095	45	
6	Clamp Width		0 - 4095	31	
8	VSBEG		0 - 15	1	
9	Filed Enable		0 - 1	1	
10	FLDBEG		0 - 15	1	

Electrical Adjustment

Grp / No.	Item	Function	Range	Initial	Note
11	FLDEND		0 - 15	10	
12	PHASE		0 - 63	16	
22	(Sub) H Back Porch		0 - 4095	202	
23	(Sub) V Back Porch		0 - 4095	40	
25	(Sub) Clamp Position		0 - 4095	139	
26	(Sub) Clamp Width		0 - 4095	20	
28	(Sub) VSBEG		0 - 15	1	
29	(Sub) Filed Enable		0 - 1	1	
30	(Sub) FLDBEG		0 - 15	4	
31	(Sub) FLDEND		0 - 15	11	
32	(Sub) PHASE		0 - 63	16	
770	RGB Video (480i)	[D-Sub15 Card]			
0	Total Dots		0 - 4095	858	
1	Disp Dots		0 - 4095	712	
2	H Back Porch		0 - 4095	122	
3	V Back Porch		0 - 4095	40	
4	Disp Line		0 - 4095	486	
5	Clamp Position		0 - 4095	1	
6	Clamp Width		0 - 4095	31	
8	VSBEG		0 - 15	1	
9	Filed Enable		0 - 1	1	
10	FLDBEG		0 - 15	1	
11	FLDEND		0 - 15	10	
12	PHASE		0 - 63	16	
22	(Sub) H Back Porch		0 - 4095	128	
23	(Sub) V Back Porch		0 - 4095	40	
25	(Sub) Clamp Position		0 - 4095	92	
26	(Sub) Clamp Width		0 - 4095	20	
28	(Sub) VSBEG		0 - 15	1	
29	(Sub) Filed Enable		0 - 1	1	
30	(Sub) FLDBEG		0 - 15	3	
31	(Sub) FLDEND		0 - 15	10	
32	(Sub) PHASE		0 - 63	16	
771	RGB Video (575i)	[D-Sub15 Card]			
0	Total Dots		0 - 4095	868	
1	Disp Dots		0 - 4095	706	
2	H Back Porch		0 - 4095	138	
3	V Back Porch		0 - 4095	44	
4	Disp Line		0 - 4095	576	
5	Clamp Position		0 - 4095	1	
6	Clamp Width		0 - 4095	31	
8	VSBEG		0 - 15	1	
9	Filed Enable		0 - 1	1	
10	FLDBEG		0 - 15	1	
11	FLDEND		0 - 15	10	
12	PHASE		0 - 63	16	
22	(Sub) H Back Porch		0 - 4095	144	
23	(Sub) V Back Porch		0 - 4095	44	
25	(Sub) Clamp Position		0 - 4095	100	
26	(Sub) Clamp Width		0 - 4095	20	
28	(Sub) VSBEG		0 - 15	1	
29	(Sub) Filed Enable		0 - 1	1	
30	(Sub) FLDBEG		0 - 15	3	
31	(Sub) FLDEND		0 - 15	10	
32	(Sub) PHASE		0 - 63	16	
772	RGB Video (480P)	[D-Sub15 Card]			
0	Total Dots		0 - 4095	858	
1	Disp Dots		0 - 4095	712	
2	H Back Porch		0 - 4095	114	
3	V Back Porch		0 - 4095	42	
4	Disp Line		0 - 4095	484	

Electrical Adjustment

Grp / No.	Item	Function	Range	Initial	Note
5	Clamp Position		0 - 4095	1	
6	Clamp Width		0 - 4095	31	
8	VSBEQ		0 - 15	2	
9	Filed Enable		0 - 1	0	
10	FLDBEQ		0 - 15	0	
11	FLDEND		0 - 15	0	
12	PHASE		0 - 63	16	
22	(Sub) H Back Porch		0 - 4095	122	
23	(Sub) V Back Porch		0 - 4095	42	
25	(Sub) Clamp Position		0 - 4095	85	
26	(Sub) Clamp Width		0 - 4095	20	
28	(Sub) VSBEQ		0 - 15	2	
29	(Sub) Filed Enable		0 - 1	0	
30	(Sub) FLDBEQ		0 - 15	0	
31	(Sub) FLDEND		0 - 15	0	
32	(Sub) PHASE		0 - 63	16	
773	RGB Video (575P)	[D-Sub15 Card]			
0	Total Dots		0 - 4095	868	
1	Disp Dots		0 - 4095	706	
2	H Back Porch		0 - 4095	128	
3	V Back Porch		0 - 4095	50	
4	Disp Line		0 - 4095	576	
5	Clamp Position		0 - 4095	1	
6	Clamp Width		0 - 4095	31	
8	VSBEQ		0 - 15	2	
9	Filed Enable		0 - 1	0	
10	FLDBEQ		0 - 15	0	
11	FLDEND		0 - 15	0	
12	PHASE		0 - 63	16	
22	(Sub) H Back Porch		0 - 4095	136	
23	(Sub) V Back Porch		0 - 4095	50	
25	(Sub) Clamp Position		0 - 4095	98	
26	(Sub) Clamp Width		0 - 4095	20	
28	(Sub) VSBEQ		0 - 15	2	
29	(Sub) Filed Enable		0 - 1	0	
30	(Sub) FLDBEQ		0 - 15	0	
31	(Sub) FLDEND		0 - 15	0	
32	(Sub) PHASE		0 - 63	16	
774	RGB Video (720P-60)	[D-Sub15 Card]			
0	Total Dots		0 - 4095	1650	
1	Disp Dots		0 - 4095	1280	
2	H Back Porch		0 - 4095	276	
3	V Back Porch		0 - 4095	26	
4	Disp Line		0 - 4095	720	
5	Clamp Position		0 - 4095	110	
6	Clamp Width		0 - 4095	31	
8	VSBEQ		0 - 15	2	
9	Filed Enable		0 - 1	0	
10	FLDBEQ		0 - 15	0	
11	FLDEND		0 - 15	0	
12	PHASE		0 - 63	16	
22	(Sub) H Back Porch		0 - 4095	290	
23	(Sub) V Back Porch		0 - 4095	26	
25	(Sub) Clamp Position		0 - 4095	183	
26	(Sub) Clamp Width		0 - 4095	20	
28	(Sub) VSBEQ		0 - 15	2	
29	(Sub) Filed Enable		0 - 1	0	
30	(Sub) FLDBEQ		0 - 15	0	
31	(Sub) FLDEND		0 - 15	0	
32	(Sub) PHASE		0 - 63	16	
775	RGB Video (720P-50)	[D-Sub15 Card]			
0	Total Dots		0 - 4095	1980	
1	Disp Dots		0 - 4095	1280	
2	H Back Porch		0 - 4095	274	
3	V Back Porch		0 - 4095	26	
4	Disp Line		0 - 4095	720	
5	Clamp Position		0 - 4095	110	

Electrical Adjustment

Grp / No.	Item	Function	Range	Initial	Note
6	Clamp Width		0 - 4095	31	
8	VSBEQ		0 - 15	2	
9	Filed Enable		0 - 1	0	
10	FLDBEQ		0 - 15	0	
11	FLDEND		0 - 15	0	
12	PHASE		0 - 63	16	
22	(Sub) H Back Porch		0 - 4095	288	
23	(Sub) V Back Porch		0 - 4095	26	
25	(Sub) Clamp Position		0 - 4095	184	
26	(Sub) Clamp Width		0 - 4095	20	
28	(Sub) VSBEQ		0 - 15	2	
29	(Sub) Filed Enable		0 - 1	0	
30	(Sub) FLDBEQ		0 - 15	0	
31	(Sub) FLDEND		0 - 15	0	
32	(Sub) PHASE		0 - 63	16	
776	RGB Video (1080i-60)	[D-Sub15 Card]			
0	Total Dots		0 - 4095	2200	
1	Disp Dots		0 - 4095	1920	
2	H Back Porch		0 - 4095	214	
3	V Back Porch		0 - 4095	40	
4	Disp Line		0 - 4095	1080	
5	Clamp Position		0 - 4095	70	
6	Clamp Width		0 - 4095	31	
8	VSBEQ		0 - 15	1	
9	Filed Enable		0 - 1	1	
10	FLDBEQ		0 - 15	1	
11	FLDEND		0 - 15	10	
12	PHASE		0 - 63	16	
22	(Sub) H Back Porch		0 - 4095	226	
23	(Sub) V Back Porch		0 - 4095	40	
25	(Sub) Clamp Position		0 - 4095	164	
26	(Sub) Clamp Width		0 - 4095	20	
28	(Sub) VSBEQ		0 - 15	1	
29	(Sub) Filed Enable		0 - 1	1	
30	(Sub) FLDBEQ		0 - 15	1	
31	(Sub) FLDEND		0 - 15	10	
32	(Sub) PHASE		0 - 63	16	
777	RGB Video (1080i-50)	[D-Sub15 Card]			
0	Total Dots		0 - 4095	2640	
1	Disp Dots		0 - 4095	1920	
2	H Back Porch		0 - 4095	214	
3	V Back Porch		0 - 4095	40	
4	Disp Line		0 - 4095	1080	
5	Clamp Position		0 - 4095	70	
6	Clamp Width		0 - 4095	31	
8	VSBEQ		0 - 15	1	
9	Filed Enable		0 - 1	1	
10	FLDBEQ		0 - 15	1	
11	FLDEND		0 - 15	10	
12	PHASE		0 - 63	16	
22	(Sub) H Back Porch		0 - 4095	226	
23	(Sub) V Back Porch		0 - 4095	40	
25	(Sub) Clamp Position		0 - 4095	164	
26	(Sub) Clamp Width		0 - 4095	20	
28	(Sub) VSBEQ		0 - 15	1	
29	(Sub) Filed Enable		0 - 1	1	
30	(Sub) FLDBEQ		0 - 15	1	
31	(Sub) FLDEND		0 - 15	10	
32	(Sub) PHASE		0 - 63	16	
778	RGB Video (1035i)	[D-Sub15 Card]			
0	Total Dots		0 - 4095	2200	
1	Disp Dots		0 - 4095	1920	
2	H Back Porch		0 - 4095	214	
3	V Back Porch		0 - 4095	78	
4	Disp Line		0 - 4095	1034	
5	Clamp Position		0 - 4095	70	
6	Clamp Width		0 - 4095	31	

Electrical Adjustment

Grp / No.	Item	Function	Range	Initial	Note
8	VSBEQ		0 - 15	1	
9	Filed Enable		0 - 1	1	
10	FLDBEQ		0 - 15	1	
11	FLDEND		0 - 15	10	
12	PHASE		0 - 63	16	
22	(Sub) H Back Porch		0 - 4095	226	
23	(Sub) V Back Porch		0 - 4095	78	
25	(Sub) Clamp Position		0 - 4095	164	
26	(Sub) Clamp Width		0 - 4095	20	
28	(Sub) VSBEQ		0 - 15	1	
29	(Sub) Filed Enable		0 - 1	1	
30	(Sub) FLDBEQ		0 - 15	1	
31	(Sub) FLDEND		0 - 15	10	
32	(Sub) PHASE		0 - 63	16	
779	RGB Video (1080P-60)	[D-Sub15 Card]			
0	Total Dots		0 - 4095	2200	
1	Disp Dots		0 - 4095	1920	
2	H Back Porch		0 - 4095	192	
3	V Back Porch		0 - 4095	42	
4	Disp Line		0 - 4095	1080	
5	Clamp Position		0 - 4095	60	
6	Clamp Width		0 - 4095	31	
8	VSBEQ		0 - 15	2	
9	Filed Enable		0 - 1	0	
10	FLDBEQ		0 - 15	0	
11	FLDEND		0 - 15	0	
12	PHASE		0 - 63	16	
22	(Sub) H Back Porch		0 - 4095	106	
23	(Sub) V Back Porch		0 - 4095	42	
25	(Sub) Clamp Position		0 - 4095	75	
26	(Sub) Clamp Width		0 - 4095	5	
28	(Sub) VSBEQ		0 - 15	2	
29	(Sub) Filed Enable		0 - 1	0	
30	(Sub) FLDBEQ		0 - 15	0	
31	(Sub) FLDEND		0 - 15	0	
32	(Sub) PHASE		0 - 63	16	
780	RGB Video (1080P-50)	[D-Sub15 Card]			
0	Total Dots		0 - 4095	2640	
1	Disp Dots		0 - 4095	1920	
2	H Back Porch		0 - 4095	192	
3	V Back Porch		0 - 4095	42	
4	Disp Line		0 - 4095	1080	
5	Clamp Position		0 - 4095	60	
6	Clamp Width		0 - 4095	31	
8	VSBEQ		0 - 15	2	
9	Filed Enable		0 - 1	0	
10	FLDBEQ		0 - 15	0	
11	FLDEND		0 - 15	0	
12	PHASE		0 - 63	16	
22	(Sub) H Back Porch		0 - 4095	106	
23	(Sub) V Back Porch		0 - 4095	42	
25	(Sub) Clamp Position		0 - 4095	75	
26	(Sub) Clamp Width		0 - 4095	5	
28	(Sub) VSBEQ		0 - 15	2	
29	(Sub) Filed Enable		0 - 1	0	
30	(Sub) FLDBEQ		0 - 15	0	
31	(Sub) FLDEND		0 - 15	0	
32	(Sub) PHASE		0 - 63	16	
781	RGB Video (1080P-30)	[D-Sub15 Card]			
0	Total Dots		0 - 4095	2200	
1	Disp Dots		0 - 4095	1920	
2	H Back Porch		0 - 4095	214	
3	V Back Porch		0 - 4095	42	
4	Disp Line		0 - 4095	1080	
5	Clamp Position		0 - 4095	70	
6	Clamp Width		0 - 4095	31	
8	VSBEQ		0 - 15	2	

Electrical Adjustment

Grp / No.	Item	Function	Range	Initial	Note
9	Filed Enable		0 - 1	0	
10	FLDBEG		0 - 15	0	
11	FLDEND		0 - 15	0	
12	PHASE		0 - 63	16	
22	(Sub) H Back Porch		0 - 4095	112	
23	(Sub) V Back Porch		0 - 4095	42	
25	(Sub) Clamp Position		0 - 4095	55	
26	(Sub) Clamp Width		0 - 4095	16	
28	(Sub) VSBEG		0 - 15	2	
29	(Sub) Filed Enable		0 - 1	0	
30	(Sub) FLDBEG		0 - 15	0	
31	(Sub) FLDEND		0 - 15	0	
32	(Sub) PHASE		0 - 63	16	
782	RGB Video (1080P-25)	[D-Sub15 Card]			
0	Total Dots		0 - 4095	2640	
1	Disp Dots		0 - 4095	1920	
2	H Back Porch		0 - 4095	214	
3	V Back Porch		0 - 4095	42	
4	Disp Line		0 - 4095	1080	
5	Clamp Position		0 - 4095	70	
6	Clamp Width		0 - 4095	31	
8	VSBEG		0 - 15	2	
9	Filed Enable		0 - 1	0	
10	FLDBEG		0 - 15	0	
11	FLDEND		0 - 15	0	
12	PHASE		0 - 63	16	
22	(Sub) H Back Porch		0 - 4095	112	
23	(Sub) V Back Porch		0 - 4095	42	
25	(Sub) Clamp Position		0 - 4095	55	
26	(Sub) Clamp Width		0 - 4095	16	
28	(Sub) VSBEG		0 - 15	2	
29	(Sub) Filed Enable		0 - 1	0	
30	(Sub) FLDBEG		0 - 15	0	
31	(Sub) FLDEND		0 - 15	0	
32	(Sub) PHASE		0 - 63	16	
783	RGB Video (1080P-24)	[D-Sub15 Card]			
0	Total Dots		0 - 4095	2750	
1	Disp Dots		0 - 4095	1920	
2	H Back Porch		0 - 4095	214	
3	V Back Porch		0 - 4095	42	
4	Disp Line		0 - 4095	1080	
5	Clamp Position		0 - 4095	70	
6	Clamp Width		0 - 4095	31	
8	VSBEG		0 - 15	2	
9	Filed Enable		0 - 1	0	
10	FLDBEG		0 - 15	0	
11	FLDEND		0 - 15	0	
12	PHASE		0 - 63	16	
22	(Sub) H Back Porch		0 - 4095	112	
23	(Sub) V Back Porch		0 - 4095	42	
25	(Sub) Clamp Position		0 - 4095	55	
26	(Sub) Clamp Width		0 - 4095	16	
28	(Sub) VSBEG		0 - 15	2	
29	(Sub) Filed Enable		0 - 1	0	
30	(Sub) FLDBEG		0 - 15	0	
31	(Sub) FLDEND		0 - 15	0	
32	(Sub) PHASE		0 - 63	16	
784	RGB Video (1080-30psf)	[D-Sub15 Card]			
0	Total Dots		0 - 4095	2200	
1	Disp Dots		0 - 4095	1920	
2	H Back Porch		0 - 4095	214	
3	V Back Porch		0 - 4095	40	
4	Disp Line		0 - 4095	1080	
5	Clamp Position		0 - 4095	70	
6	Clamp Width		0 - 4095	31	
8	VSBEG		0 - 15	1	
9	Filed Enable		0 - 1	1	

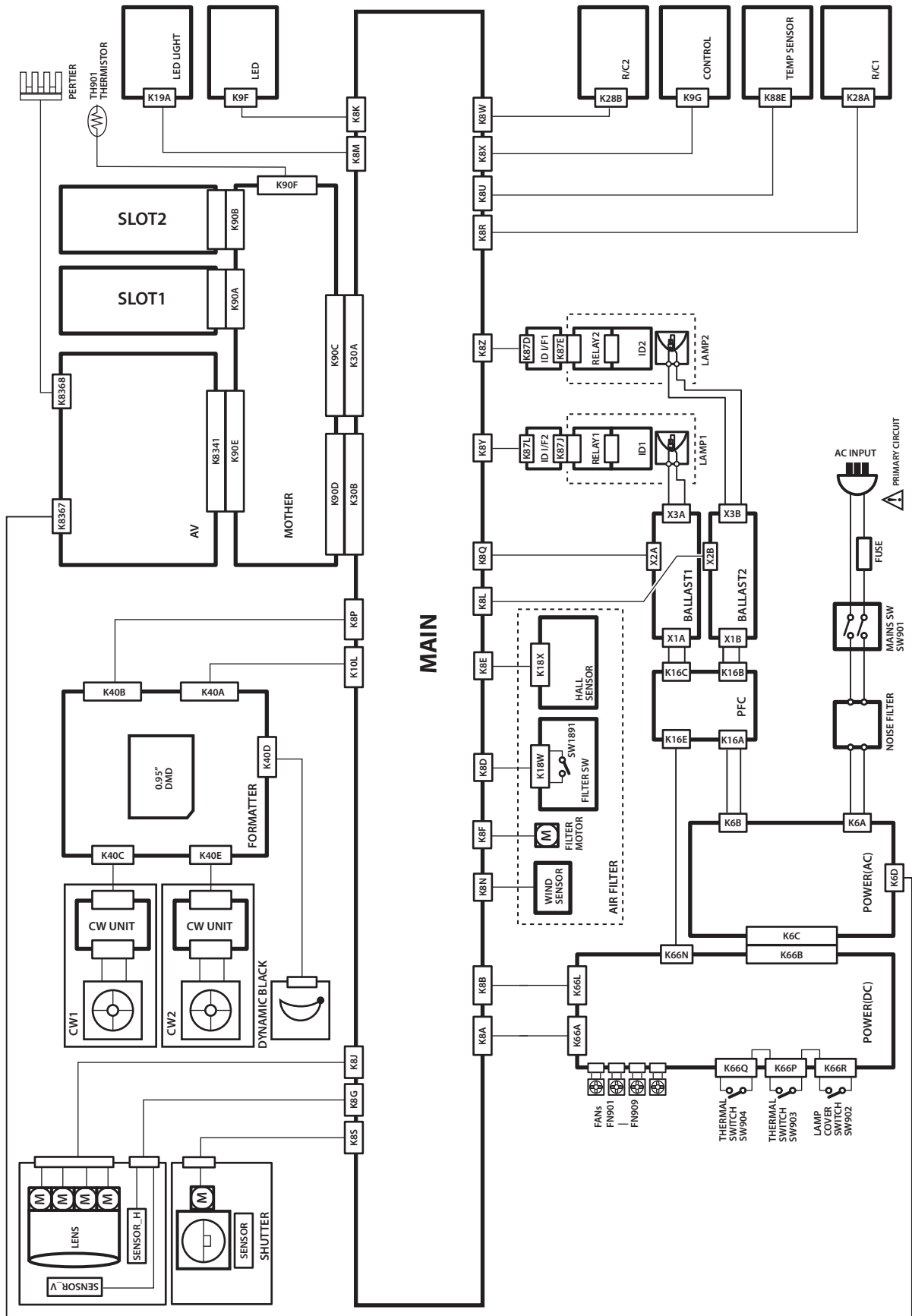
Electrical Adjustment

Grp / No.	Item	Function	Range	Initial	Note
10	FLDBEG		0 - 15	1	
11	FLDEND		0 - 15	10	
12	PHASE		0 - 63	16	
22	(Sub) H Back Porch		0 - 4095	226	
23	(Sub) V Back Porch		0 - 4095	40	
25	(Sub) Clamp Position		0 - 4095	180	
26	(Sub) Clamp Width		0 - 4095	20	
28	(Sub) VSBEG		0 - 15	1	
29	(Sub) Filed Enable		0 - 1	1	
30	(Sub) FLDBEG		0 - 15	1	
31	(Sub) FLDEND		0 - 15	10	
32	(Sub) PHASE		0 - 63	16	
785	RGB Video (1080-25psf)	[D-Sub15 Card]			
0	Total Dots		0 - 4095	2640	
1	Disp Dots		0 - 4095	1920	
2	H Back Porch		0 - 4095	214	
3	V Back Porch		0 - 4095	40	
4	Disp Line		0 - 4095	1080	
5	Clamp Position		0 - 4095	70	
6	Clamp Width		0 - 4095	31	
8	VSBEG		0 - 15	1	
9	Filed Enable		0 - 1	1	
10	FLDBEG		0 - 15	1	
11	FLDEND		0 - 15	10	
12	PHASE		0 - 63	16	
22	(Sub) H Back Porch		0 - 4095	226	
23	(Sub) V Back Porch		0 - 4095	40	
25	(Sub) Clamp Position		0 - 4095	180	
26	(Sub) Clamp Width		0 - 4095	20	
28	(Sub) VSBEG		0 - 15	1	
29	(Sub) Filed Enable		0 - 1	1	
30	(Sub) FLDBEG		0 - 15	1	
31	(Sub) FLDEND		0 - 15	10	
32	(Sub) PHASE		0 - 63	16	
786	RGB Video (1080-24psf)	[D-Sub15 Card]			
0	Total Dots		0 - 4095	2750	
1	Disp Dots		0 - 4095	1920	
2	H Back Porch		0 - 4095	214	
3	V Back Porch		0 - 4095	40	
4	Disp Line		0 - 4095	1080	
5	Clamp Position		0 - 4095	70	
6	Clamp Width		0 - 4095	31	
8	VSBEG		0 - 15	1	
9	Filed Enable		0 - 1	1	
10	FLDBEG		0 - 15	1	
11	FLDEND		0 - 15	10	
12	PHASE		0 - 63	16	
22	(Sub) H Back Porch		0 - 4095	226	
23	(Sub) V Back Porch		0 - 4095	40	
25	(Sub) Clamp Position		0 - 4095	95	
26	(Sub) Clamp Width		0 - 4095	20	
28	(Sub) VSBEG		0 - 15	1	
29	(Sub) Filed Enable		0 - 1	1	
30	(Sub) FLDBEG		0 - 15	1	
31	(Sub) FLDEND		0 - 15	10	
32	(Sub) PHASE		0 - 63	16	
2000	CXD3815 Option Board	*Effective only for Equipped Optional Board			
2	CVBS Y Level	CVBS/Y Input Gain Adj.	0 - 255	210	
3	CVBS C Level	C Input Gain Adj.	0 - 255	140	
4	Sub Hue	Tint Adj.	0 - 63	32	
5	HS Slice Level	H Sync Slice Level	0 - 15	4	
6	HS Slice Offset	Offset from H Sync Slice Level	0 - 15	5	
7	VS Slice Level	V Sync Slice Level	0 - 15	6	
8	VS Slice Offset	Offset from V Sync Slice Level	0 - 15	6	
9	Sampling Phase	A/D Clock Phase	0 - 63	0	
10	Pre Shoot Level	Sub-Sharpness	0 - 15	8	
11	Over Shoot Level	Sub-Sharpness	0 - 15	8	

Electrical Adjustment

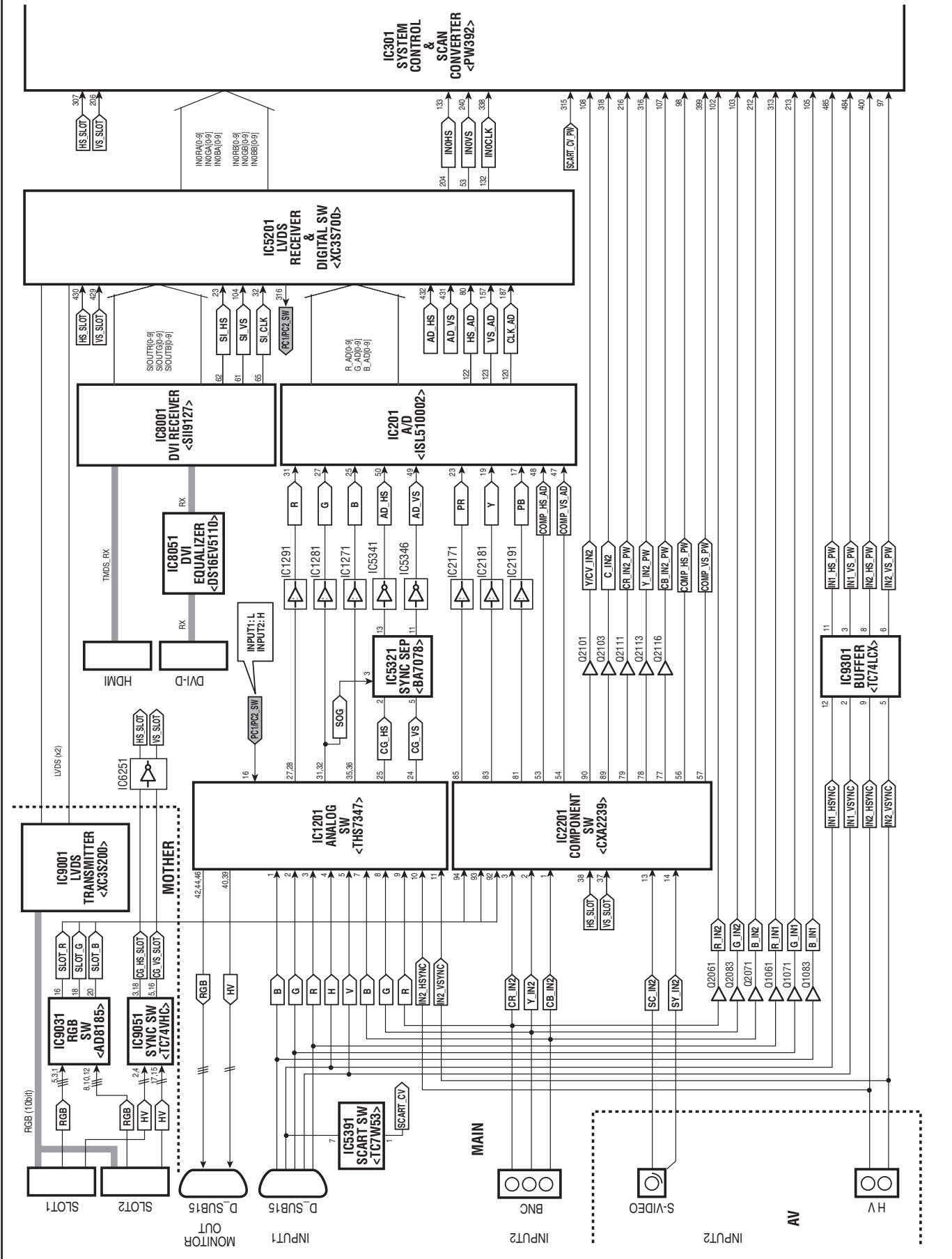
Grp / No.	Item	Function	Range	Initial	Note
12	Y Filter	Y Input Filter Band	0 - 7	5	
13	C Filter	C Input Filter Band	0 - 7	5	
14	NTSC/PAL Detect	NTSC/PAL Detect Threshold 0 : 64H/1V - PAL Det.strong 1 : 96H/1V 2 : 128H/1V 3 : 160H/1V - PAL Det.weak *System - Effective only in Auto	0 - 3	1	
2001	CXA2239 Option Board	*Effective only for Equipped Optional Board			
0	OUT 1 GR	C/CR/R_OUT1 Output Gain (COMPONENT)	0 - 15	7	
0	OUT 1 GG	CV/Y/G_OUT1 Output Gain (COMPONENT)	0 - 15	7	
0	OUT 1 GB	C/CB/B_OUT1 Output Gain (COMPONENT)	0 - 15	7	
5000	Dual-SDI Read Register [Read Only]	*Effective only for Equipped Optional Board			
0	VD STD	Specified Monitor Signal 00 : 720p/60 10 : 1080p/60 1080psf/30 11 : 1080p/30 12 : 1080i/50 1080psf/25 13 : 1080p/25 16 : 1080p/24 17 : 1080psf/24 21 : 1035i/60 22 : 480i/60 24 : 575i/50 255 : No SIGNAL	-	-	
1	Version	Version Info.	-	-	
2	Rersion	Rersion Info.	-	-	
9000	HD-Wireless [Read Only]	*Effective only for Equipped Optional Board			
0	MAC HW Version		0 - 65535	-	
1	MAC SW Version [Device revision Byte1]		0 - 255	-	
2	MAC SW Version [Device revision Byte2]		0 - 255	-	
3	MAC SW Version [Device revision Byte3]		0 - 255	-	
4	Destination	DIP SW 0 : Not used, 1 : USA 2 : EU, 3 : Not used 4 : UK, 5-7 : Not used 8 : JPN, 9-15 : Not used	0 - 15	-	

Boards Connection



Troubleshooting

No Picture



No Power

Are the LAMP indicator (red) and POWER indicator (green) light?

If the LAMP and POWER indicators are not light, check the primary circuit and SS6V of standby power supply circuit.

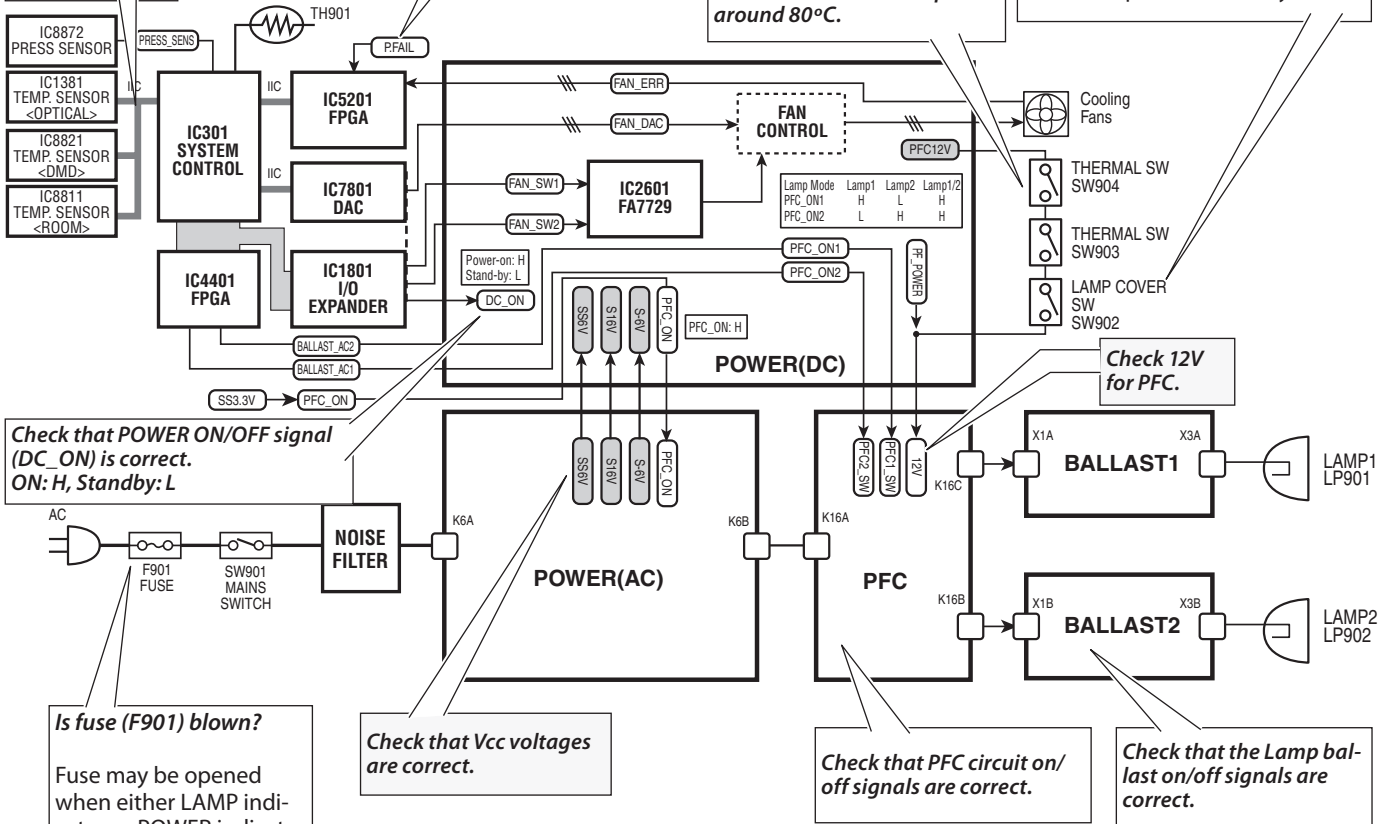
Check that IIC Bus signals are correct.

Check that POWER FAIL signals are correct.
L : Abnormality

Check the temperature switches.
Thermal switches will open at around 80°C.

Is the lamp cover attached correctly?

When the lamp cover is removed or not attached correctly, the projector cannot be turned on. Check the lamp cover and the lamp cover switch (SW902). SW902—open: Abnormality



Check that POWER ON/OFF signal (DC_ON) is correct.
ON: H, Standby: L

Check 12V for PFC.

Is fuse (F901) blown?

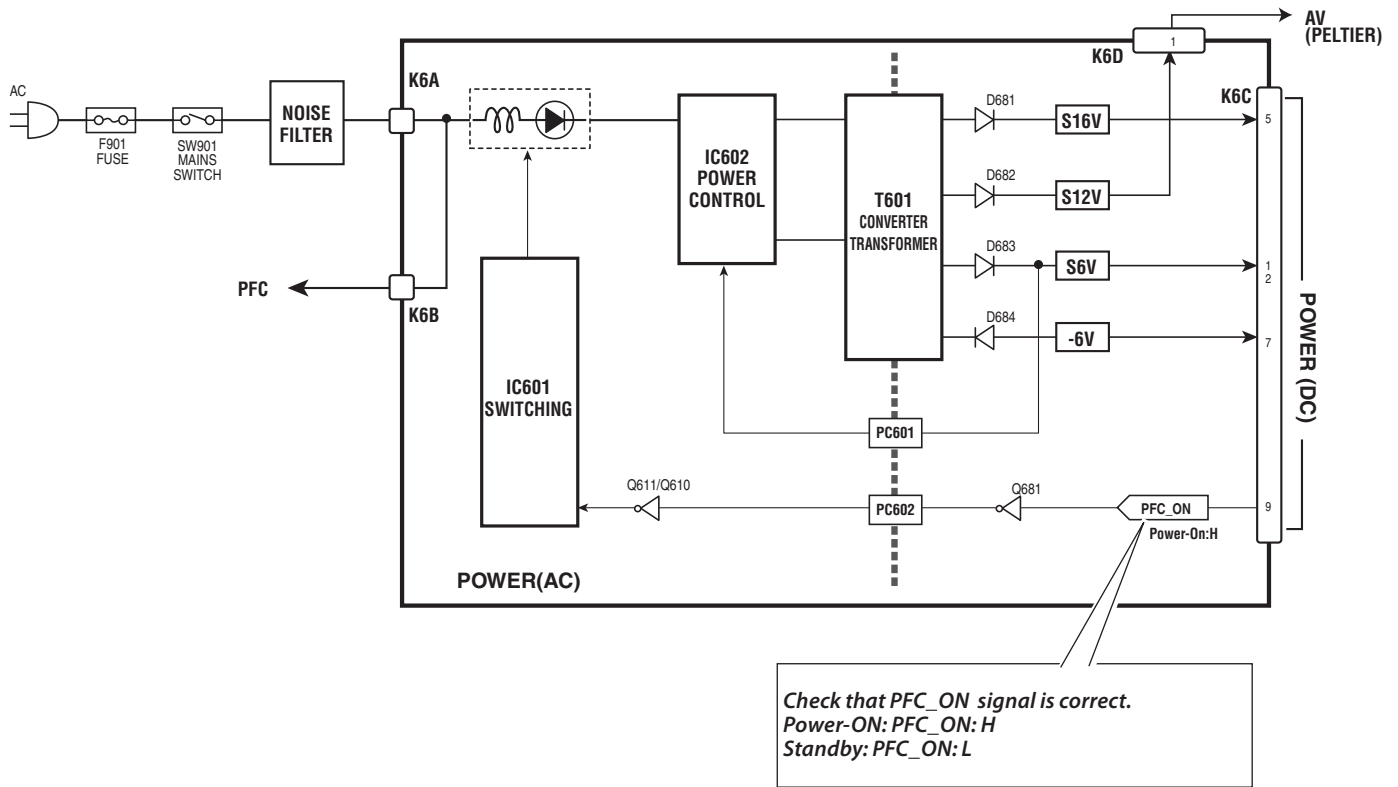
Fuse may be opened when either LAMP indicator or POWER indicator does not light. Check the fuse. For safety, replace it with a new fuse of the same type

Check that Vcc voltages are correct.

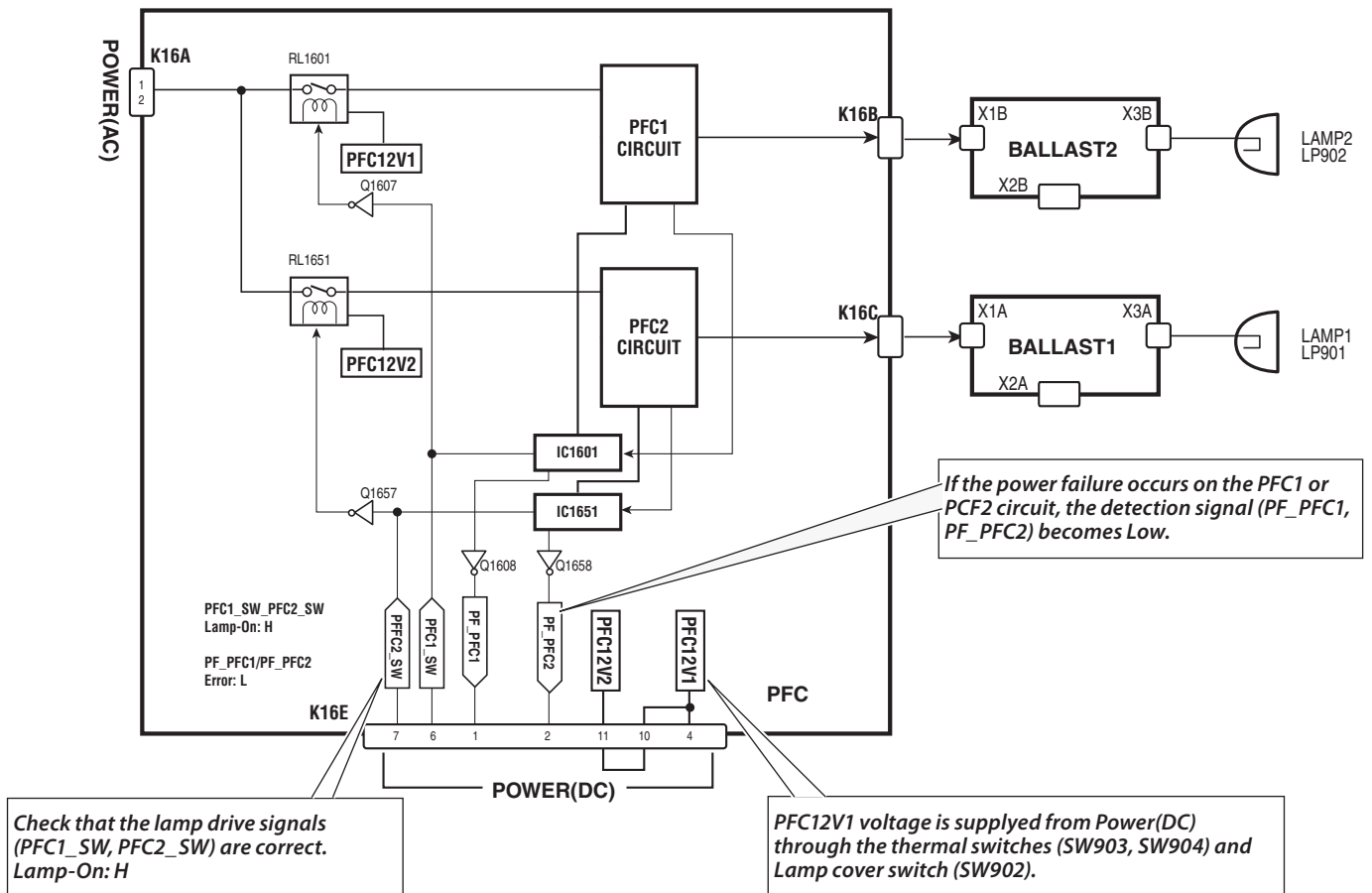
Check that PFC circuit on/off signals are correct.

Check that the Lamp ballast on/off signals are correct.

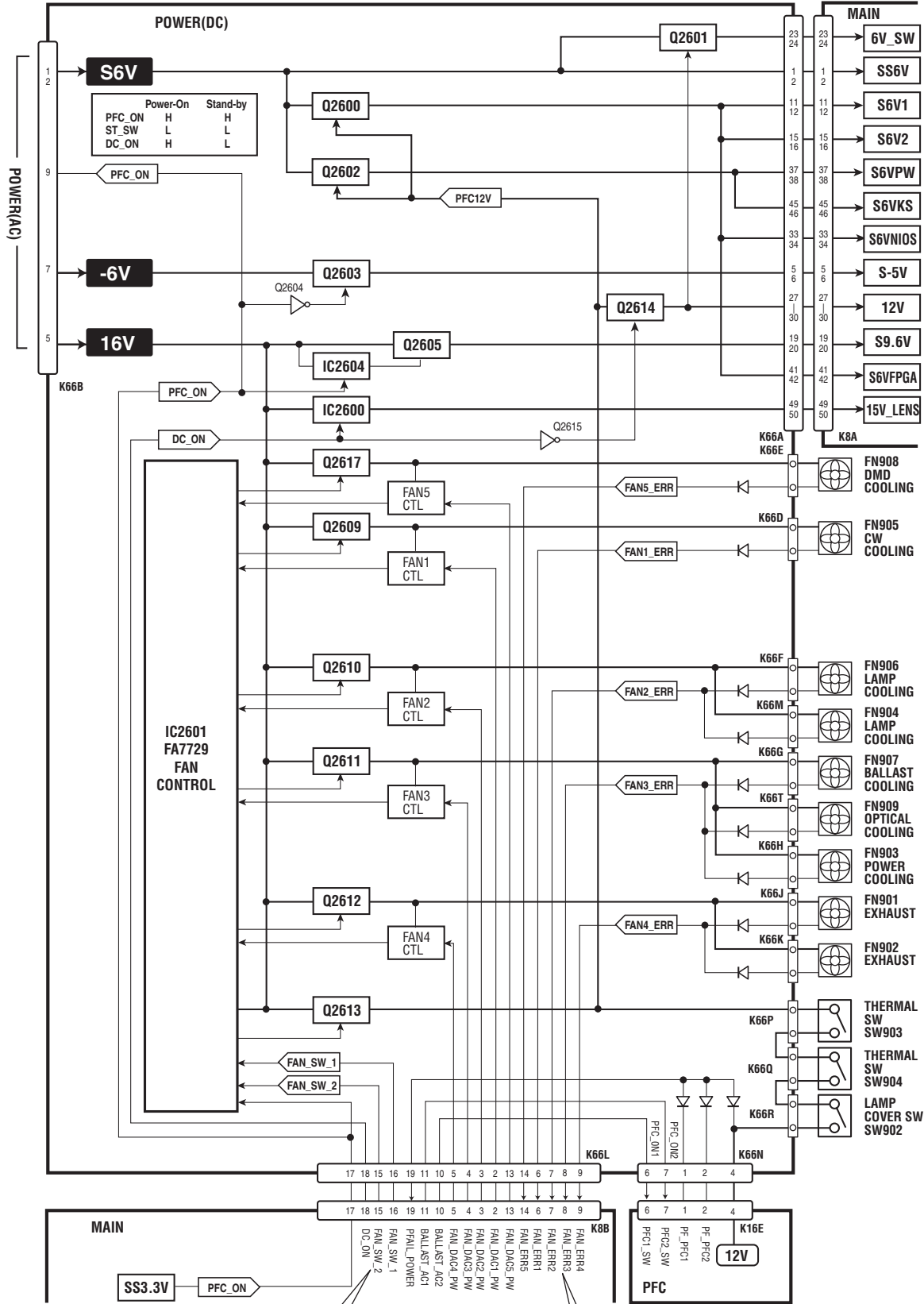
Power (AC)



Power (PFC)



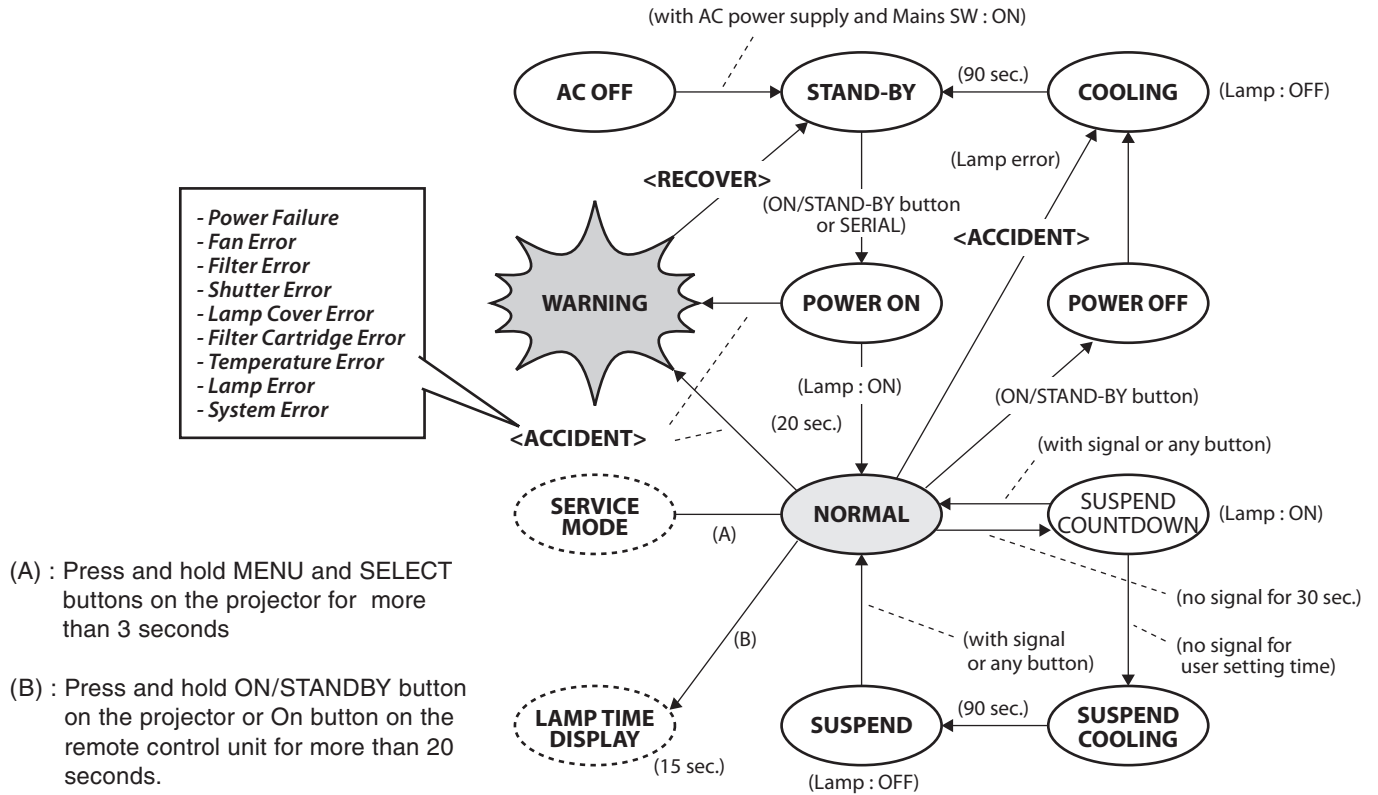
Power (DC)



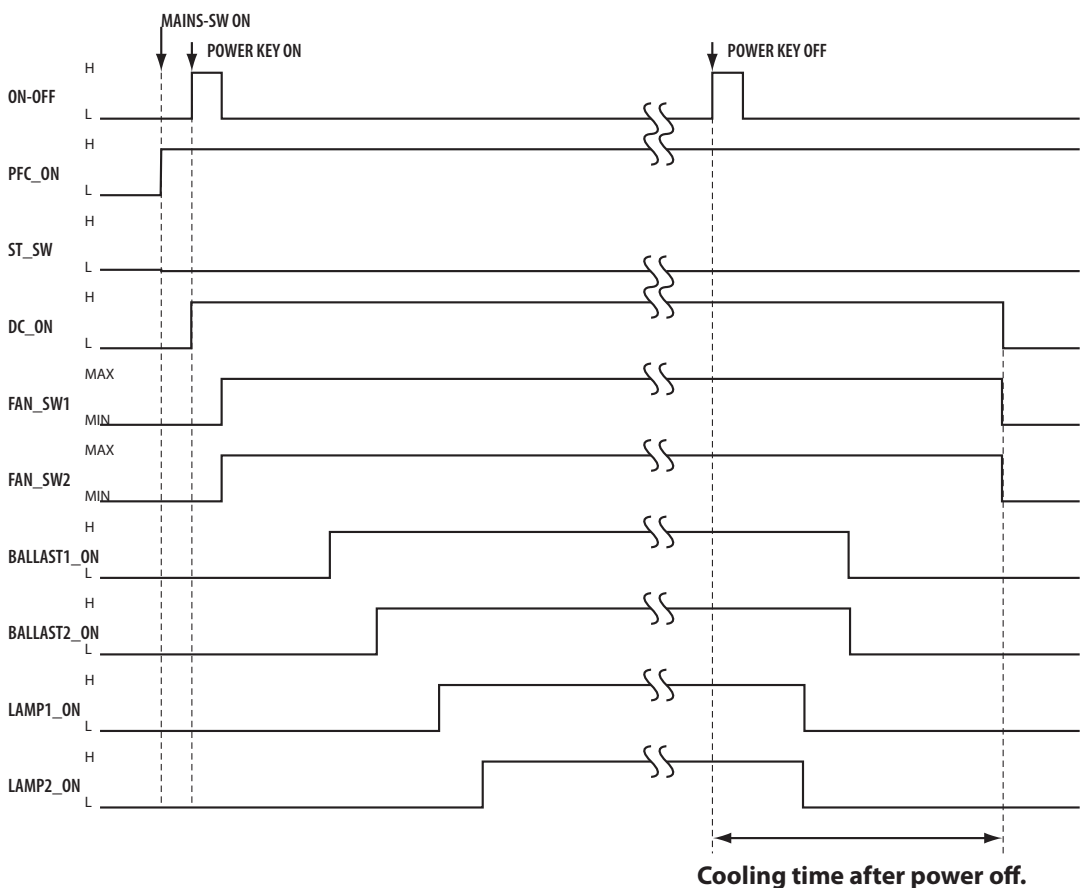
Check that the power control signal (DC_ON) is correct. Power-On: H, Standby: L

If the Fan error occurs, the error detection signal (FAN_ERR) becomes Low.

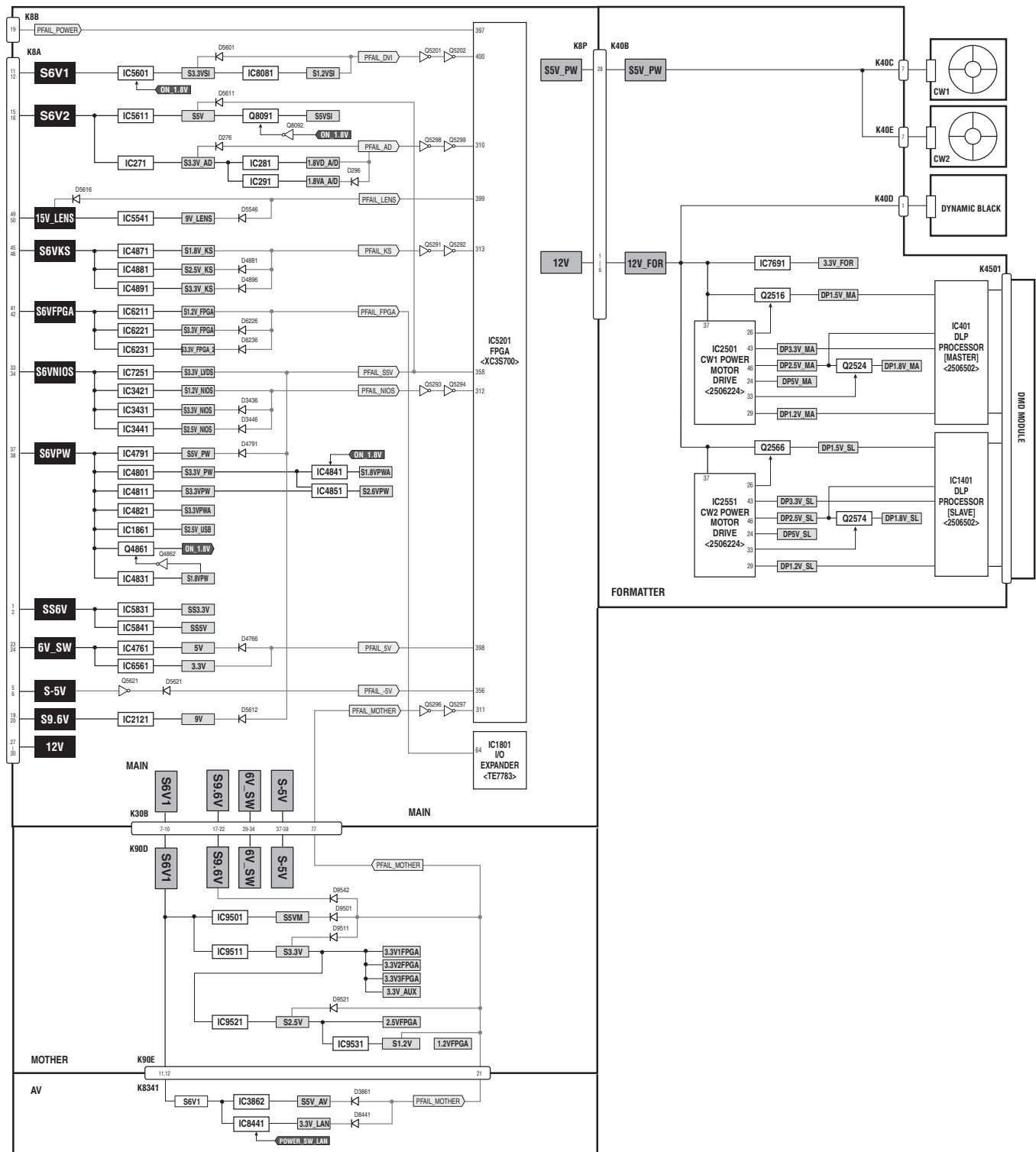
● Flow chart of projector condition



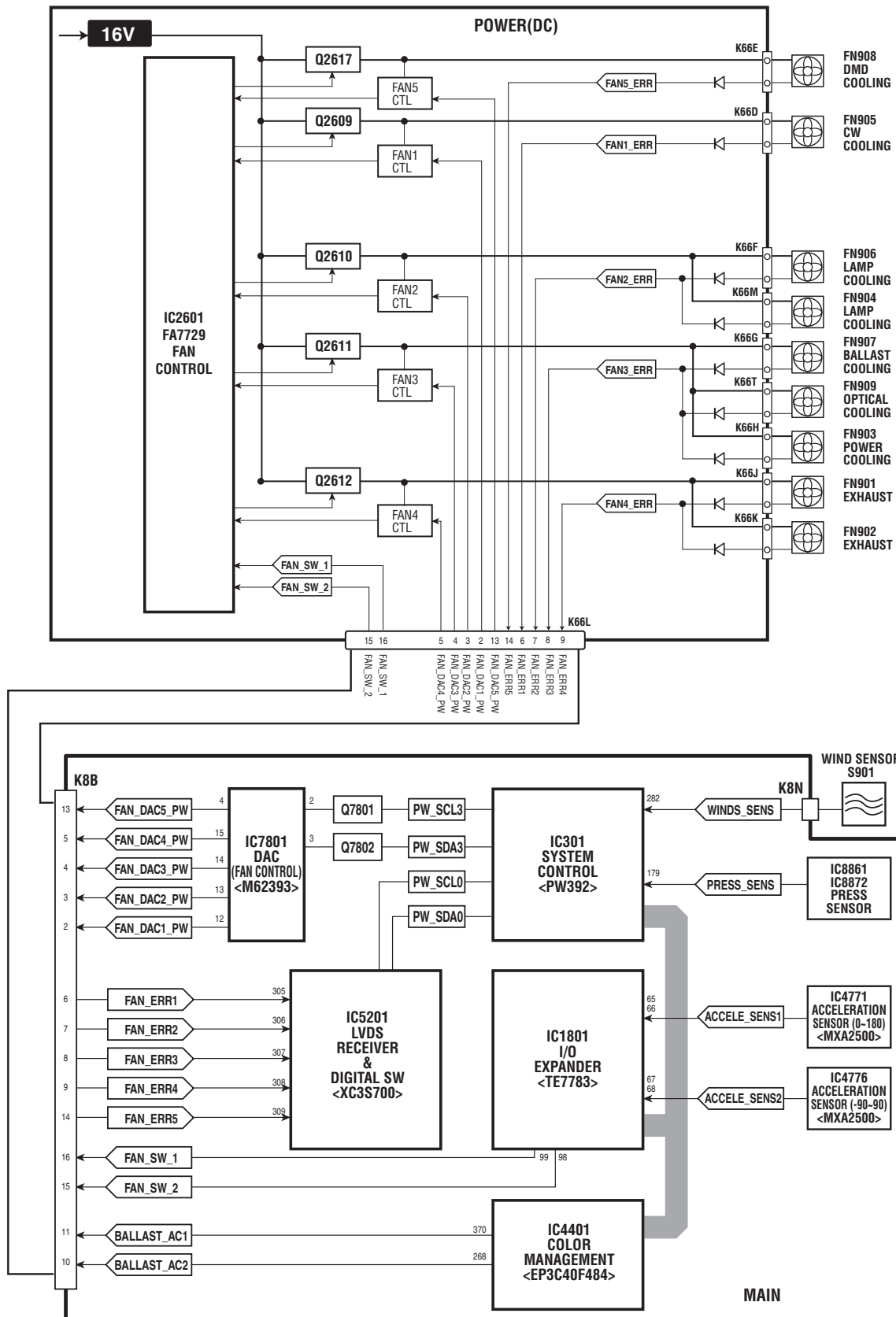
Timing chart of drive signals



Power supply lines



Fan Control System



Temperature Abnormality

Temperature monitor operation

The temperature monitor system is provided to prevent damage of optical components inside a projector from overheat. Three protection systems are provided. Each system operation as follows :

The temperature monitor -1:

● To control the air-flow of the cooling fans.

The CPU checks the temperature and atmospheric pressure inside a projector. It checks a temperature using temperature sensors IC8821 and IC1381, and it checks an atmospheric pressure using pressure sensor IC8872. The CPU judges data from sensors and controls the air flow of the cooling fans so the temperature inside the projector is maintained to normal temperature.

● To shut down the projector urgently.

The CPU checks temperature of DMD module periphery (IC8821), optical parts periphery (IC1381) and intake air (IC8811). If each part temperature reaches abnormal temperature, the CPU will turn off the pro-

jector, and will blink WARNING TEMP. indicator at intervals of 0.5 seconds. Cooling fans operate until temperature returns to normal. Indicator will stop blink when the projector turns on after the temperature returns to normal.

The temperature monitor -2 :

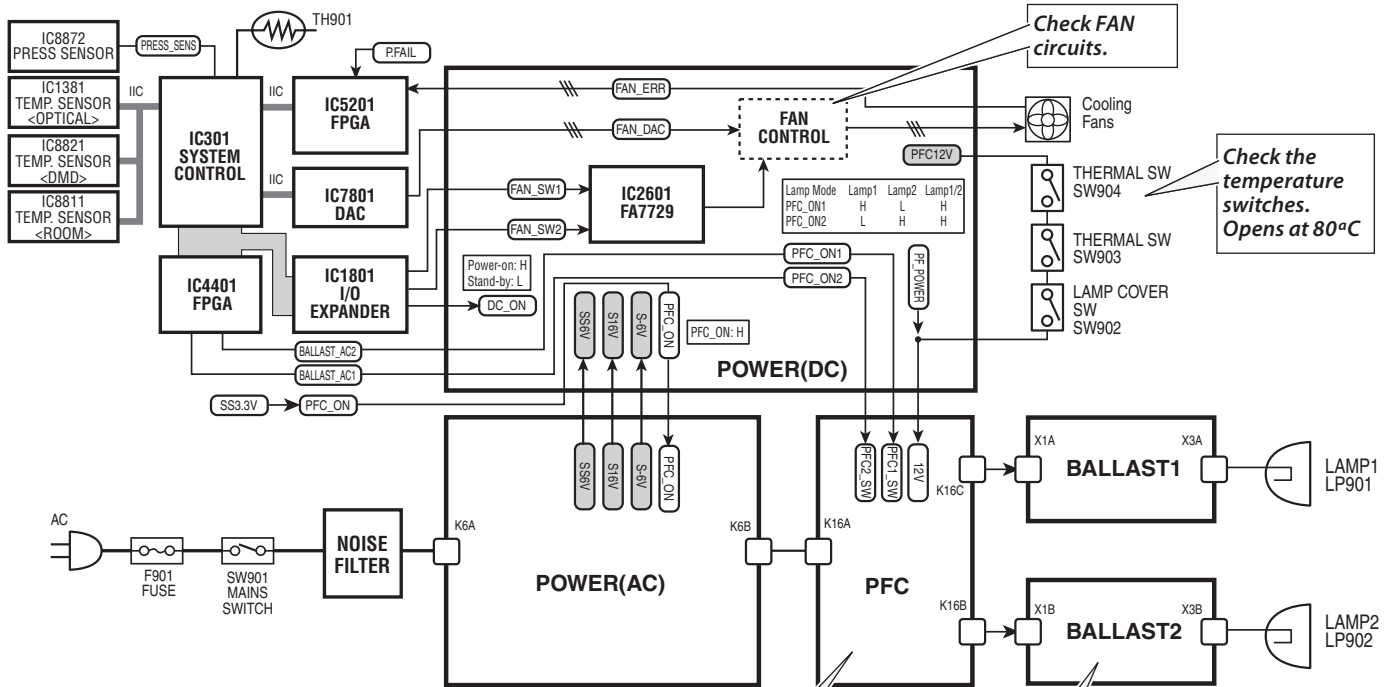
● Temperature check of lamps :

Temperature switches (SW903, SW904) are placed near the lamps. Temperature switches will operate, if temperature reaches 80°C. When temperature switches become open, they cut off PFC12V line, the power failure "PF_POWER" signal become Low, and then the CPU will shut down the projector, and the LAMP indicator is lighting and other indicators are blinking.

The temperature monitor -3 :

● Temperature check of Peltier device :

Peltier device is provided to cool down the DMD module. If the temperature of the Peltier device reaches 50°C, the projector will shut down as the power error.



Check FAN circuits.

Check the temperature switches. Opens at 80°C

NOTE : SENSORS OPERATION

- The sensor's operation is as follows:
- IC8872 : Pressure sensor for FAN control
- IC1381 : Inside air temperature monitor (Optical)
- IC8821 : Inside air temperature monitor (DMD)
- IC8811 : Inside air temperature monitor (Room)
- TH901 : Peltier device temperature monitor

The temperature switch is operated?

If the temperature around FET reaches 105 degrees, a PFC circuit will be shut down.

The temperature switch is operated?

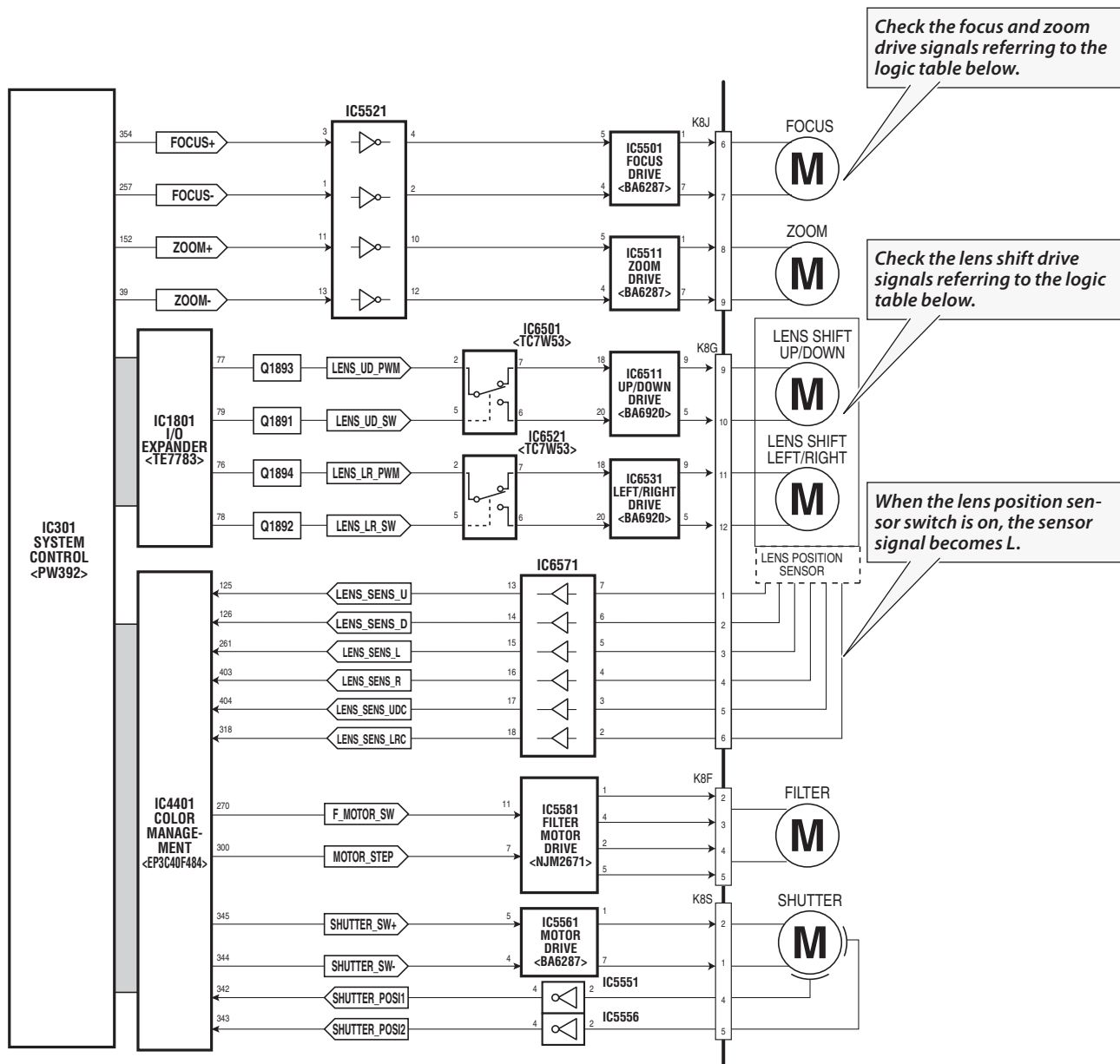
When the temperature around a lamp driver becomes abnormally high, the lamp ballast will be shut down and a lamp error signal changes from L to H.

LED indicators

When the internal temp error, the WARNING TEMP. indicator will be blinking. When the temperature rises abnormally around the lamps 1 or 2, the LAMP indicator is lighting and other indicators are blinking.

Temperature sensors location can be seen on "protections"(page-7).

Power Lens and Shutter System and Abnormality



- Focus motor drive

MODE/PIN	IC5501			
	4 (FIN)	5 (RIN)	1 (OUT1)	7 (OUT2)
Forward	H	L	H	L
Reverse	L	H	L	H
BRAKE	H	H	L	L

- Zoom motor drive

MODE/PIN	IC5511			
	4 (FIN)	5 (RIN)	1 (OUT1)	7 (OUT2)
Forward	H	L	H	L
Reverse	L	H	L	H
BRAKE	H	H	L	L

- Lens shift motor drive (Up/Down)

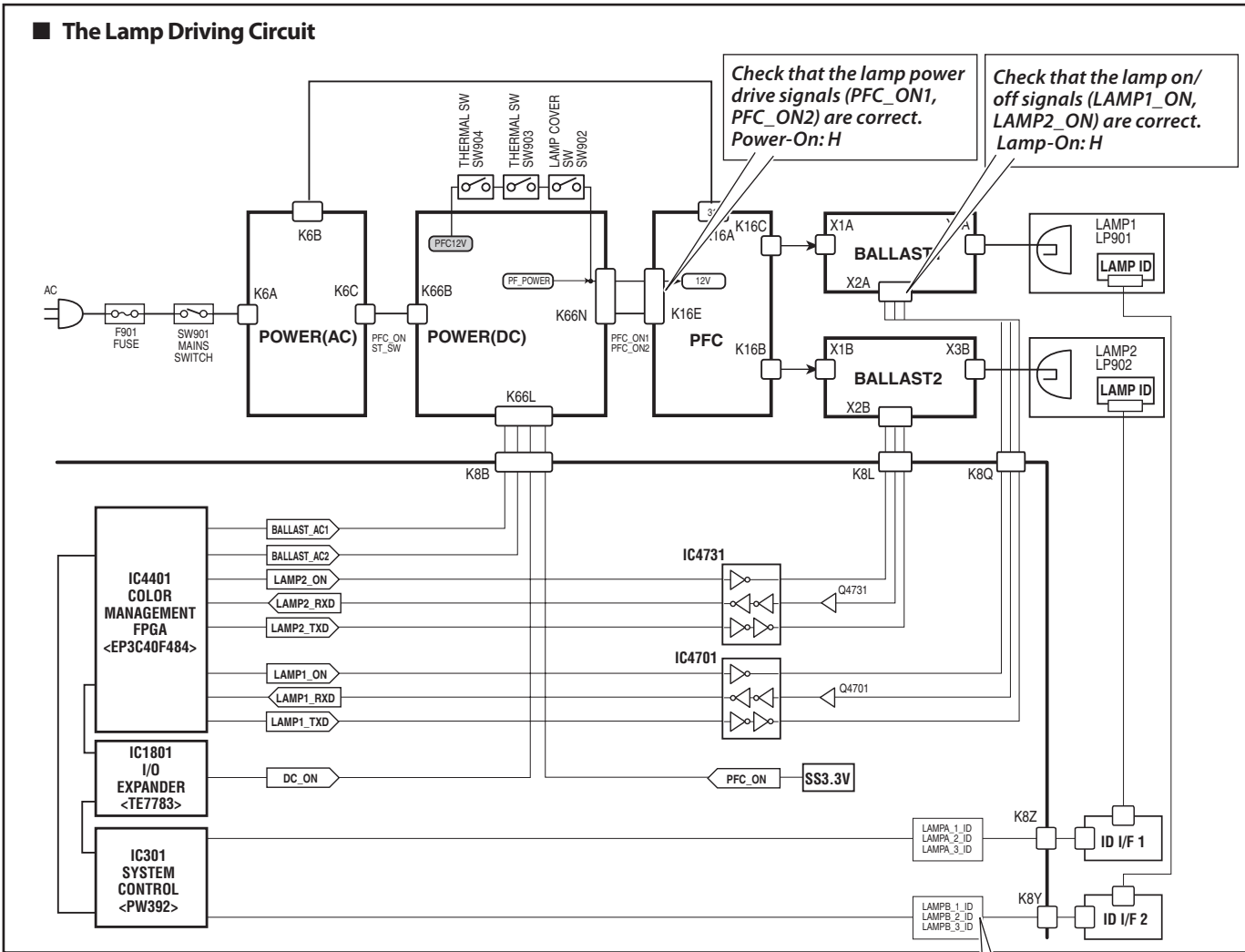
MODE/PIN	IC6501				IC6511	
	2 (INH)	5 (A)	6 (RIN)	7 (FIN)	9 (OUT1)	5 (OUT2)
UP	L	H	L	H	H	L
DOWN	L	L	H	L	L	H
BRAKE	H	ANY	H	H	L	L

- Lens shift motor drive (Left/Right)

MODE/PIN	IC6521				IC6531	
	2 (INH)	5 (A)	6 (RIN)	7 (FIN)	9 (OUT1)	5 (OUT2)
LEFT	L	H	L	H	H	L
RIGHT	L	L	H	L	L	H
BRAKE	H	ANY	H	H	L	L

Lamp Abnormality

■ The Lamp Driving Circuit



NOTE :

- At first, the high-voltage pulse (about 8KVp-p) is generated between the lamp electrodes to generate glow discharge. Then dielectric breakdown occurs, finally glow discharge comes to arc discharge.
- After projector turned on, 30 seconds are required until the light output stabilizes.
- After the projector is turned off, the cooling fans operate for 90 seconds to cool down the lamp and reduce gas pressure inside the lamp.

If the Lamp ID board is not mounted securely, the warning message will appear on the screen and some functions may be disabled.

NOTE :

■ **Lamp Cover Switch**

Make sure that the lamp cover is mounted correctly. If not or the lamp cover removed, the lamp does not light for safety.

Check the boss of the lamp cover and the lamp cover switch (SW902).

SW902 – open : Abnormality

■ **Thermal Switches**

When the internal temperature near the lamps reaches near 80°C, the temperature switches open and 12V is not supplied to PFC board, also the Power fail signal "PF_POWER" becomes "Low".

SW903 - SW904 – open : Abnormality

■ **POWER (green) LED indicates lamp monitor operation**

LED off: Lamp is being cooled.

LED on: Lamp is being lit or already cooled down.

CPU : ---- Lamp monitor operation ----

- The CPU performs an input check by the lamp monitor pin (LAMP_RX).
- When the "H" signal continues 1 second or more continuously, the CPU judges the state to be abnormal.
- When it has detected abnormal condition, the CPU turns off a projector compulsorily. And the CPU sets up the cooling time for 90 seconds.
- The projector cannot be turned on during a cooling time.

Power failure detection system

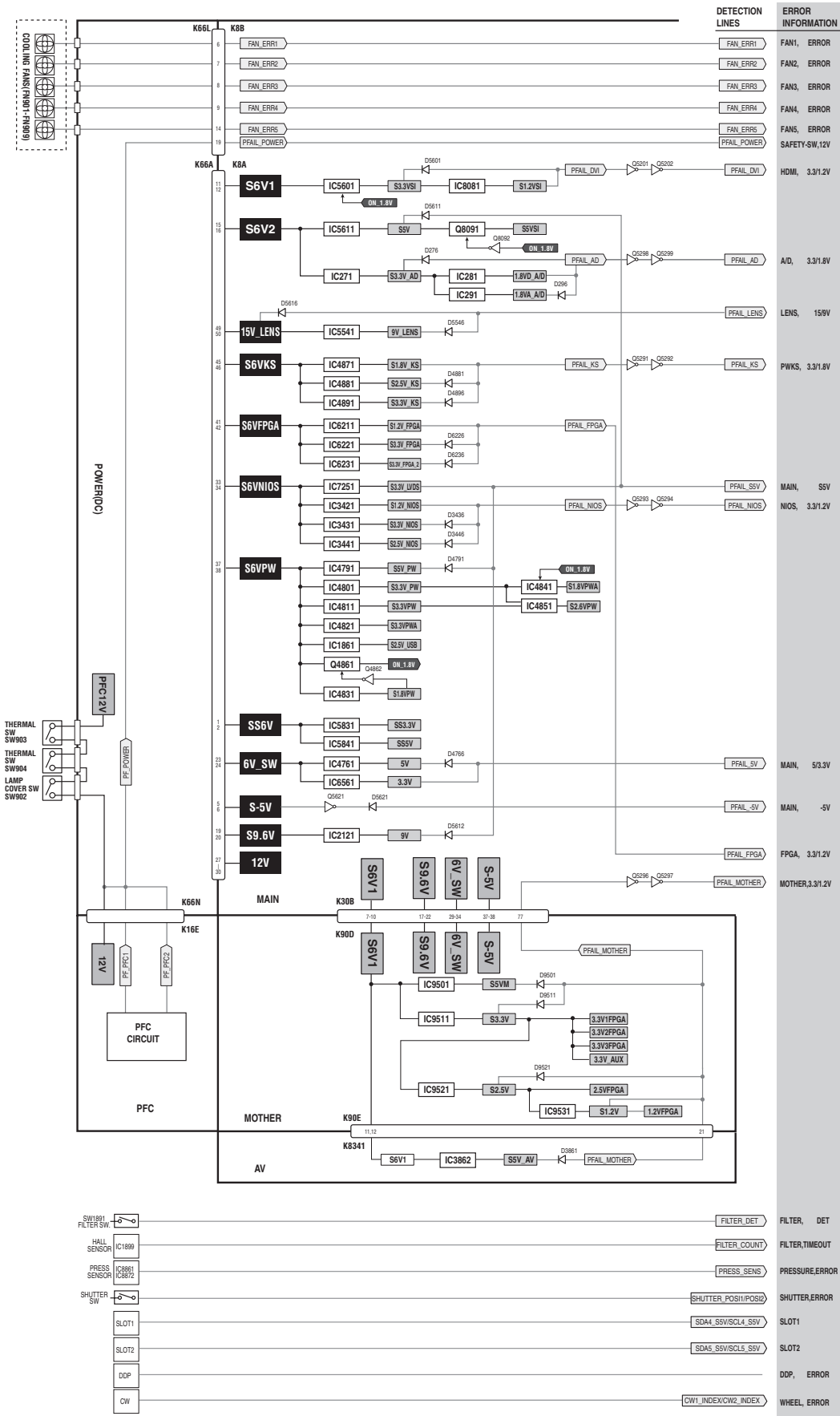
Detection of Power failure

Projector provides a protection circuit to prevent the secondary failure when the power failure, fans failure or temperature failure occurs on the projector. The power failure detection lines "PFAIL_S5V", "FAN_ERR1", etc. are connected to the power supply lines and fans. When the failure occurs, IC301<SYSTEM CONTROL> receives an error information through the ICs<IC5201, IC1801, etc.> and then the operation of power and ballast will be stop by the control signals, "DC_ON", "BALLAST_AC1", "BALLAST_AC2".

Error information table

IC	Pin	Signal Name	Connection Lines	Error Information	Failure Area
IC5201	400	PFAIL_DVI	S1.2VSI, S3.3VSI	HDMI, 3.3/1.2V	S6V1, S1.2VSI, S3.3VSI on Main
	356	PFAIL_-5V	S-5V	MAIN, -5V	S-5V line on Main
	358	PFAIL_S5V	S5V, S3.3V_LVDS, S5V_PW, S9V	MAIN, S5V	S6VNIOS, S6V2, S9.6V, S5V, S3.3V_LVDS, S5V_PW, S9V, S6VPW lines on Main
	399	PFAIL_LENS	15V_LENS, 9V_LENS	LENS, 15/9V	15V_LENS, 9V LENS lines on Main
	398	PFAIL_5V	5V. 3.3V	MAIN, 5/3.3V	6V_SW, 5V, 3.3V lines on Main
	397	PFAIL_POWER	Power(DC), PFC	SAFETY-SW, 12V	12V on Power(DC), SW902, SW903, SW904, PFC board
	310	PFAIL_AD	3.3V_AD, 1.8VD_A/D, 1.8VA_A/D	A/D, 3.3/1.8V	S6V2, S3.3V_AD, 1.8V_AD, 1.8VA_AD, lines on Main
	311	PFAIL_MOTHER	S5VMI, S3.3V, S2.5V, S1.2V, S9.6V, S5V_AV, 3.3V_LAN	MOTHER, 3.3/1.2V	S6V1, S5VMI, S3.3V, S2.5V, S1.2V on Mother or AV
	312	PFAIL_NIOS	S3.3V_NIOS, S2,5V_NIOS, S1.2V_NIOS	NIOS, 3.3/1.2V	S6VNIOS, S3.3V_NIOS, S2.5V_NIOS, S1.2V_NIOS lines on Main
313	PFAIL_KS	S3.3V_KS, S2.5V_KS, S1.8V_KS	PWKS, 3.3/1.8V	S6VKS, S3.3V_KS, S2.5V_KS, S1.8V_KS lines on Main	
IC1801	64	PFAIL_FPGA	S3.3V_FPGA, S3.3V_FPGA_2, S1.2V_FPGA	FPGA, 3.3/1.2V	S3.3V_FPGA, S3.3V_FPGA_2, S1.2V_FPGA, 6VFPGA lines on Main
IC5201	305	FAN_ERR1	FN905 FAN LOCK	FAN1, ERROR	Fan lock on FN905, cooling for CW
	306	FAN_ERR2	FN904, FN906 FAN LOCK	FAN2, ERROR	Fan lock on FN904, FN906, cooling for lamps
	307	FAN_ERR3	FN903, FN907, FN909 FAN LOCK	FAN3, ERROR	Fan lock on FN903, FN907, FN909, cooling for power, ballast, optical
	308	FAN_ERR4	FN901, FN902 FAN LOCK	FAN4, ERROR	Fan lock on FN901, FN902, exhaust fans
	309	FAN_ERR5	FN908 FAN LOCK	FAN5, ERROR	Fan lock on FN908, cooling for DMD
IC4401	205	FILTER_DET	SW1891	FILTER, DET	Filter Cartridge Detection, SW1891
	198	FILTER_COUNT	FILTER_COUNT	FILTER, TIME OUT	Filter Motor Error
	307	LAMPCONTROL	LAMP_CONT (Formatter) LAMPCONTROL (Main)	DDP, ERROR	Formatter board
	342 343	SHUTTER_POSI1 SHUTTER_POSI2	SHUTTER_POSI1 SHUTTER_POSI2	SHUTTER,ERROR	Shutter unit
IC301	68	THERM	TH901	PELTIER, ERROR	TH901 on Peltier Device
	179	PRESS_SENS	PRESS_SENS	PRESSURE,ERROR	Pressure Sensor, IC8872
	250/33	PW_SDA4/PW_SCL4	PW_SDA4/PW_SCL4	SLOT1, ERROR	SLOT 1
	32/115	PW_SDA5/PW_SCL5	PW_SDA5/PW_SCL5	SLOT2, ERROR	SLOT 2
IC401 IC1401	157 280	CW1_INDEX CW2_INDEX	CW1_INDEX CW2_INDEX	WHEEL, ERROR	Color Wheel, Formatter

Power failure detection tree



Error History Log

This projector provides the error history log function. To check the logs, you need to enter the service mode and select Group No. "220" and Item No. "0" to "49". The error code is displayed on the Data column. The description of the error code is listed on the table below.

* How to enter the service mode and select the group, item and data value, see "Service Adjustment Menu Operation".

Group No.	Item No.	Data (Error Code)
220	0	* <- Latest Error
	1	*
	2	*
	3	*
	:	:
	:	:
	49	*

Error	Error Code	Error Information (See Power Failure Detection Tree)	Error Code	Error Information (See Power Failure Detection Tree)
Normal	0	-		
Power Failure	1000	HDMI, 3.3/1.2V	1016	FILTER, DET
	1001	MAIN, -5V	1017	MOTOR, TIME OUT
	1002	MAIN, S5V	1018	PRESSURE, ERROR
	1003	LENS, 15/9V	1019	SHUTTER, ERROR
	1004	MAIN, 5/3.3V	1020	SLOT1
	1005	SAFETY-SW, 12V	1021	SLOT2
	1006	A/D, 3.3/1.8V	1022	DDP, ERROR
	1007	MOTHER, 3.3/1.2V	1023	WHEEL, ERROR
	1008	NIOS, 3.3/1.2V	1024	PELTIER, ERROR
	1009	PWKS, 3.3/1.8V		
	1010	FAN1, ERROR		
	1011	FAN2, ERROR		
	1012	FAN3, ERROR		
	1013	FAN4, ERROR		
	1014	FAN5, ERROR		
1015	FPGA, 3.3/1.2V			
Temperature Error	2000	Sensor A detected abnormal temperature (IC8811) (Room)		
	2001	Sensor A failed temp. measurement (IC8811)		
	2100	Sensor B detected abnormal temperature (IC1381) (Optical)		
	2101	Sensor B failed temp. measurement (IC1381)		
	2102	Sensors B-A temperature error		
	2200	Sensor C detected abnormal temperature (IC8821) (DMD)		
	2201	Sensor C failed temp. measurement (IC8821)		
	2202	Sensors C-A temperature error		
2301	Sensor D failed temp. measurement (TH901) (Peltier device)			
Lamp Error	3000	Lamp1 fails on		
	3001	Lamp1 goes out		
	3002	Communication Error on Lamp1		
	3100	Lamp2 fails on		
	3101	Lamp2 goes out		
	3102	Communication Error on Lamp2		
System Error	4000	FPGASW, CONFIG		
	4001	FPGAFINE, CONFIG		
Filter Error	5000	Filter clogged		

How to reset the Error History Log

1. Enter the Service Mode, and select Group No. "220" and Item No. "50".
2. The history log will be reset when the Data Value is set to "10". The value automatically returns to "0".

* How to enter the service mode and select the group, item and data value, see "Service Adjustment Menu Operation".

Diagnosis of Power Failure with RS-232C port

This projector provides a function to get the error information of the projector by using the RS-232C serial port for the power failure diagnosis.

The further error information of the power failure and fan failure can be found out by using this function.

Diagnosis procedure

- 1 Connect a RS-232C serial cross cable to SERIAL PORT IN on the projector and serial port on the PC.
- 2 Launch a communication software provided with PC and setup the communication condition as follows;

Baud rate	: 9600 / 19200 bps
Parity check	: none
Stop bit	: 1
Flow control	: none
Data bit	: 8

- 3 Turn on the projector. Check that the LED shows a power failure. (All the LEDs except LAMP LED are blinking)

- 4 Type a diagnosis command of the power failure "CR ALLPFAIL" and press a "ENTER" key within 1 second on the command window of the software.

The error information will be listed on the window as the right.

Check the status column. If "NG" is listed, the power failure occurs on its signal line (Power Line Name). In case of the right table, this error information means that the power failure occurs on the S5V power supply on Main board. Check if the parts connected to S5V power supply line are defective.

Error Information
(Signal Name)

CR ALLPFAIL			
000	HDMI,	3.3/1.2V	OK
000	MAIN,	-5V	OK
000	MAIN,	S5V	NG
000	LENS,	15/9V	OK
000	MAIN,	5/3,3V	OK
000	SAFETY-SW,	12V	OK
000	A/D,	3.3/1.8V	OK
.....

Status
Error

Also the error information may be listed multiple as the below;

In the above case, 2 kinds of causes are considered. One is the power failure occurs on the multiple places at the same time, other is a power failure affects multiple power supply lines even if the failure occurs on the single place.

In the first case, Check if the parts connected to the multiple power supply lines are defective. In the later case, determine a failure point referring to the power supply flow chart on previous page. Basically, if the power failure occurs on the upper side of power supply, the power failure is also detected on lower side of power supply frequently. If the failure occurs on the lower side of power supply, it is lightly affected to the upper side of the power supply. In the above case, because the failure occurs on the S5V power supply on the main board, the failure is also detected on the 3.3/1.8V power supply at A/D section on the main board.

CR ALLPFAIL			
000	HDMI,	3.3/1.2V	OK
000	MAIN,	-5V	OK
000	MAIN,	S5V	NG
000	LENS,	15/9V	OK
000	MAIN,	5/3,3V	OK
000	SAFETY-SW,	12V	OK
000	A/D,	3.3/1.8V	NG
.....

Error

* See "Power Failure Detection Tree" for further description of the Error Information.

Indicators and Projector Condition

Check the indicators for the projector condition.

The projector is operating normally.

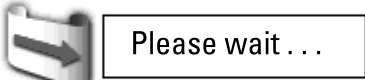
Indicators						Projector Condition
POWER green	LAMP red	WARNING TEMP. red	WARNING FILTER orange	SHUTTER blue	LAMP 1/2 REP. orange	
●	●	●	●	●	●	The projector is off. (The main On/Off switch is OFF position or the AC power cord is unplugged.)
○	○	●	*	*	*	The projector is in stand-by mode. Press the ON/STAND-BY button to turn on the projector.
○	●	●	*	*	*	The projector is operating normally. (The Shutter is open)
○	●	●	*	○	*	The projector is operating normally. (The Shutter is closed)
●	○	●	*	*	*	The projector is preparing for stand-by or the projection lamp is being cooled down. The projector cannot be turned on until cooling is completed and the READY indicator lights green.
●	●	●	*	●	*	The projection lamp is being cooled down in the Power management mode.
○ [⚡]	●	●	*	●	*	The projector is in the Power management mode.
●	●	●	*	○ [⚡]	*	The projection lamp is being cooled down in the Shutter management mode.
○	●	●	*	○ [⚡]	*	The projector is in the Shutter management mode. Press the ON/STAND-BY button to turn on the projector.
○	●	●	○ [⚡]	*	*	The filter is scrolled using the FILTER button on the remote control or the Filter control function in the setting menu. When the filter is being scrolled, the Filter replacement icon and "Please wait..." message (Fig. 1) appear on the screen.
						

Fig.1 Filter replacement icon and "Please wait..."

○ ●●● on

● ●●● dim

● ●●● off

○[⚡] ●●● blinking at the normal rate (approx. 1 second ON, 1 second OFF)

○[⚡] ●●● blinking fast (approx. 0.5 seconds ON, 0.5 seconds OFF)

○[⚡] ●●● blinking slow (approx. 2 seconds ON, 2 seconds OFF)

* ●●● Differs according to conditions.

The projector is detecting abnormal condition.

Indicators						Projector Condition
POWER green	LAMP red	WARNING TEMP. red	WARNING FILTER orange	SHUTTER blue	LAMP 1/2 REP. orange	
○	●		*	*	*	The temperature inside the projector is elevated close to the abnormally high level.
●	○		*	*	*	The temperature inside the projector is abnormally high. The projector cannot be turned on. When the projector is cooled down enough and the temperature returns to normal, the POWER indicator lights green and the projector can be turned on. (The WARNING TEMP. indicator keeps blinking.) Check and replace the filter.
○	○		*	*	*	The projector has been cooled down enough and the temperature returns to normal. When turning on the projector, the WARNING TEMP. indicator stops blinking. Check and replace the filter.
●	○	●	*	*		The lamp cannot light up. (The projector is preparing for stand-by or the projection lamp is being cooled down. The projector cannot be turned on until cooling is completed.)
○	○	●	*	*		The lamp cannot light up. (The lamp has been cooled down enough and the projector is in stand-by mode and ready to be turned on with the ON/STAND-BY button.)
○	●	*	*	*		When either of the 2 lamps is out, the projector operates with 1 lamp.
*	*	*	*	*	○	The lamp has been used overtime. Replace the lamp immediately and then reset the lamp counter. The indicator will be turned off after resetting the counter.




WARNING FILTER

When the filter detects clogging, reaches a time set in the timer setting or runs out of the filter scroll, the WARNING FILTER indicator lights orange. When this indicator lights orange, replace the filter or the filter cartridge with a new one promptly. Reset the Filter counter and Scroll counter after replacing the filter cartridge.

LAMP REPLACE 1 and 2

When the LAMP 1 REPLACE indicator and the LAMP 2 REPLACE indicator light orange, replace the projection lamps with new ones promptly.

The projector is detecting abnormal condition.

Indicators						Projector Condition
POWER green	LAMP red	WARNING TEMP. red	WARNING FILTER orange	SHUTTER blue	LAMP 1/2 REP. orange	
○	*	●	○	*	*	<p>If the Filter counter reached a time set in the timer setting, a Filter replacement icon (Fig.2) appears on the screen and the WARNING FILTER indicator on the top panel lights up. Replace the filter as soon as possible. If the filter is out of scroll and the projector reaches a time set in the timer setting, Fig. 3 appears on the screen and the WARNING FILTER indicator lights up. Replace the filter cartridge as soon as possible.</p> <p>If the filter is clogged and no scroll is left in the filter cartridge, a Filter cartridge replacement icon (Fig.4) appears on the screen and the WARNING FILTER indicator lights up. Replace the filter cartridge as soon as possible.</p> <p>✓Note: •Fig.2, Fig.3 and Fig.4 icon will not appear when the Display function is set to “Off”, or during “Freeze”.</p>
 Fig.2 Filter replacement icon						
 Fig.3						
 Fig.4 Filter cartridge replacement icon						
○	●	●	⊗	*	*	The projector detects an abnormal condition during filter scroll.
*	○	●	⊗	*	*	The projector is being cooled down after detecting an abnormal condition during filter scroll.
○	○	●	⊗	*	*	The projector has been cooled down enough and is in the stand-by mode after detecting an abnormal condition during filter scroll.
○	*	*	○	*	*	The filter cartridge is removed while the projector is on.
<p>The projector is turned on without installing the filter cartridge, and the the filter cartridge is installed while the projector is on.</p> <p>The projector detects an abnormal condition and cannot be turned on. Unplug the AC power cord and plug it again to turn on the projector. If the projector is turned off again, unplug the AC power cord and contact the dealer or the service center. Do not leave the projector on. It may cause an electric shock or a fire hazard.</p>						
⊗	○	⊗	⊗	⊗	⊗	
*	*	*	*	⊗	*	The shutter is out of control.
●	○	●	●	⊗	*	The shutter is out of control. (The projector is in the cooling mode.)
○	○	●	*	⊗	*	The shutter is out of control. (The projector is in the stand-by mode.)

Serial Control

Serial Control Interface

This projector provides a function to control and monitor the projector's operations by using the RS-232C serial port.

Operation

- 1 Connect a RS-232C serial cross cable to SERIAL PORT IN on the projector and serial port on the PC.
- 2 Launch a communication software provided with PC and setup the communication condition as follows:
- 3 Type the command for controlling the projector and then enter the "Enter" key.
Example
When you want to change the input to INPUT 2, Type 'C' '0' '6' 'Enter'.

Baud rate	: 9600 / 19200 bps
Parity check	: none
Stop bit	: 1
Flow control	: none
Data bit	: 8

Note:

- The default of the baud rate is set to 19200 bps. If an error occurs in the communication, change the serial port and the communication speed (baud rate).
- Enter with ASCII 64-byte capital characters and one-byte characters.

Functional Execution Command

Format

The command is sent from PC to the projector with the format below;

'C' [Command] 'CR'

Command: two characters (refer to the command table below.

- The projector decodes the command and returns the 'ACK' with the format below;

'ACK' 'CR'

- When the projector cannot decode the command, it returns with format below.

'?' 'CR'

Command	Function
C00	Turn the projector ON
C01	Turn the projector OFF (immediately OFF)
C05	Select Input 1
C06	Select Input 2
C07	Select Input 3
C08	Select Input 4
C0D	Video mute ON
C0E	Video mute OFF
C0F	Screen Normal Size
C10	Screen Full Size
C1C	Menu ON
C1D	Menu OFF
C3A	Pointer RIGHT

Command	Function
C3B	Pointer LEFT
C3C	Pointer UP
C3D	Pointer DOWN
C3F	Enter
C46	Zoom DOWN
C47	Zoom UP
C4A	Focus DOWN
C4B	Focus UP
C5D	Lens shift UP
C5E	Lens shift DOWN
C5F	Lens shift LEFT
C60	Lens shift RIGHT
C89	Auto PC Adj.
C8E	Keystone UP
C8F	Keystone DOWN
C90	Keystone RIGHT
C91	Keystone LEFT

Status Read Command

Format

The command is sent from PC to the projector with the format below;

'CR' [Command] 'CR'

Command: one character (refer to the command table below).

The projector decodes the command and returns the 'Character string' with the format below;

Command	Function	Projector Return	Projector status
CR0	Status Read	00	Power On
		80	Stand-by mode
		40	Countdown
		20	Cooling down
		10	Power Malfunction
		28	Cooling down at the temperature anomaly
		02	Unable to receive the RC232C command.
		24	Cooling down at Power Management mode
		04	Power Management mode after Cooling down
		21	Cooling down after the projector is turned off when the lamps are out.
		81	Stand-by mode after Cooling down when the lamps are out.
		88	Stand-by mode after Cooling down at the temperature anomaly.
		2C	Cooling down when the projector is turned off by the shutter management function.
		8C	Stand-by mode after Cooling down by the shutter management function.
CR6	Temperature Read	S1 S2 S3 S4	S1 = Temperature at Sensor 1 (TempA)(°C) S2 = Temperature at Sensor 2 (TempB)(°C) S3 = Temperature at Sensor 3 (TempC)(°C) S4 = Temperature at Sensor 4 (TempD)(°C) (ex.) S1 = 12.3°C, S2 = 23.4°C, S3 = 34.5°C, S4 = 40.5°C --> The projector displays "12.3 23.4 34.5 40.5" (For each sensor, two digit and the tenth place numbers are displayed with a space between each temperature.)
		?	Communication failure

The tables on this page and previous page show the typical command lists for controlling the projector. Please consult your local dealer for further information of other commands.

Control Port Functions

IC	Pin Name	Pin No.	Signal Name	Function	I/O	Operation
IC301						
	A18	18	PW_AHS	H Sync Input	I	
	A20	20	ID_PWR_SW	S5V_ID Power Drive	O	active : H
	B18	133	IN0HS	H Sync Input	I	
	B19	134	NCONFIG	FPGA Configuration	O	active : H
	B20	135	XSTDBYEN	TE7783	O	
	C18	240	IN0VS	V Sync Input	I	
	C28	250	PW_SDA4	IIC Control	I/O	
	C29	145	PW_SCL5	IIC Control	O	
	C30	32	PW_SDA5	IIC Control	I/O	
	D17	338	INOCLK	Clock Input	I	
	D28	251	PW_SDA3	IIC Control	I/O	
	D29	146	PW_SCL3	IIC Control	O	
	D30	33	PW_SCL4	IIC Control	O	
	E2	222	PW_RESETB	PW Reset	I	
	E29	147	KS_RST	Pw610 Reset	O	active:L
	E30	34	KS_INT	Pw610 Initial	O	
	F26	439	DSUB_DDC_SW	DSUB DDC Switch	O	active:H
	F28	253	DDP_RESET	DDP Reset	O	
	F29	148	CW_SW	CW Switch	O	
	G29	149	DVI_DDC_SW	Switch for EDID Write		EEPROM-DVI_D:L EEPROM-PW392:H
	G30	36	HDCP_IIC_SW	Switch for HDCP Auth.	O	active : L
	H26	441	LAMPA_1	Lamp ID	I/O	H
	H30	37	SCLSDA_SW	IIC Bus Switch	O	
	J26	442	LAMPA_2	Lamp ID	I/O	H
	J27	353	LAMPA_3	Lamp IC	I/O	H
	J28	256	LAMPB_1	Lamp ID	I/O	H
	J29	151	LAMPB_2	Lamp ID	I/O	H
	J30	38	LAMPB_3	Lamp ID	I/O	H
	K1	108	Y/CV_IN2	Y/CV Input 2	I	
	K3	318	C_IN2	C Input 2	I	
	K26	443	PELTIER_PWM	Peltier Control	O	
	K27	354	FOCUS +	Focus Control Pulse Output	O	
	K28	257	FOCUS -	Focus Control Pulse Output	O	
	K29	152	ZOOM +	Zoom Control Pulse Output	O	
	K30	39	ZOOM -	Zoom Control Pulse Output	O	
	L1	107	CB_IN2_PW	CB Input 2	I	
	L2	216	CR_IN2_PW	CR Input 2	I	
	L26	444	PW_SDA0	IIC Control	I/O	
	L27	355	PW_SCL0	IIC Control	O	
	L28	258	SDA	IIC Control	I/O	
	L29	153	SCL	IIC Control	O	
	L30	40	PW_PWM	CLK	O	
	M3	316	Y_IN2_PW	Y Input 2	I	
	M26	445	LAN_PW_UART	Serial Control Rxd	I	
	M27	356	PW_LAN_UART	Serial Control Txd	O	
	M29	154	PW_SDA1	IIC Control	I/O	
	M30	41	PW_SCL1	IIC Control	O	
	N1	105	B_IN1	B Input 1	I	
	N3	315	SCART_CV_PW	Scart Video Input	I	
	P1	104	G_IN1	G Input 1	I	
	P2	213	G_IN1	G Input 1	I	
	R1	103	G_IN2	G Input 2	I	
	R2	212	B_IN2	B Input 2	I	
	R3	313	R_IN1	R Input 1	I	
	T1	102	R_IN2	R Input 2	I	
	T2	211	G_IN2	G Input 2	I	
	U1	101	SLOT_G_PW	G Input Slot	I	

Control Port Functions

IC	Pin Name	Pin No.	Signal Name	Function	I/O	Operation
	U2	210	SLOT_G_PW	G Input Slot	I	
	U3	311	SLOT_B_PW	B Input Slot	I	
	V2	209	SLOT_R_PW	R Input Slot	I	
	Y1	98	COMP_HS_PW	H Sync Input	I	
	AA1	97	COMP_VS_PW	V Sync Input	I	
	AA2	206	VS_SLOT	V Sync Input Slot	I	
	AA3	307	HS_SLOT	H Sync Input Slot	I	
	AA4	400	IN2_HS_PW	H Sync Input 2	I	
	AA5	485	IN1_HS_PW	V Sync Input 1	I	
	AB4	399	COMP_VS_PW	V Sync Input	I	
	AB5	484	IN1_VS_PW	V Sync Input 2	I	
	AG11	387	R/C_SLOT	Remote Control Input Slot	I	
	AG12	386	RXD_PW	Rxd	I	
	AG17	381	PW_DCLK	Clock Output	O	
	AG18	380	PW_DHS	H Sync Output	O	
	AH11	292	R/C_PW	Remote Control Input	I	
	AH12	291	TXD_PW	Txd	O	
	AH18	295	PW_DVS	V Sync Output	O	
	AH21	282	WIND_SENS	Wind Sensor Input	I	
	AH22	281	KEY3	Key Control Input 3	I	
	AJ20	180	OPTION2	Option 2	I	
	AJ21	179	PRESS_SENS	Pressure Sensor Input	I	
	AJ22	178	KEY2	Key Control Input 2	I	
	AK20	69	OPTION1	Option 1	I	
	AK21	68	THERM	Thermistor Input	I	
	AK22	67	KEY1	Key Control Input 1	I	
IC1801						
	P1	2	POWER_LED	LED Control	O	active:H
	P2	3	FILTER_LED	LED Control	O	active:H
	P3	4	TEMP_LED	LED Control	O	active:H
	P4	5	READY_LED	LED Control	O	active:H
	P5	6	SHUTTER_LED	LED Control	O	active:H
	P6	7	LAMP_REP1_LED	LED Control	O	active:H
	P7	8	LAMP_REP2_LED	LED Control	O	active:H
	P8	9	LIGHT_ALL_LED	LED Control	O	active:H
	P11	91	SCLK_FRT	FPGA Configuration	O	active:H
	P12	92	SDAT_FRT	FPGA Configuration	O	active:H
	P13	93	DONE_FRT	FPGA Configuration	I	H
	P14	94	INT_FRT	FPGA Configuration	I	H
	P15	97	DC_ON	Power On/Off	O	active:H
	P16	98	FAN_SW_2	IO for Fan Control	O	active:H
	P17	99	FAN_SW_1	IO for Fan Control	O	active:H
	P18	100	LIGHT_POW_LED	LED Control	O	active:H
	P21	48	R/C_CTRL2	Switch for RC Input	O	FRONT&TOP:H, TOP&BACK:L, FRONT&BACK:L, FRONT:H, TOP:H, BACK:L, ALL:L
	P22	49	PROG_B_FRT	FPGA Configuration	O	H
	P23	50	DDP_SCL	IIC for Formatter	I/O	
	P24	51	DDP_SDA	IIC for Formatter	I/O	
	P25	52	R/C_CTRL1	Switch for RC Input	O	FRONT&TOP:L, TOP&BACK:H, FRONT&BACK:L, FRONT:L, TOP:H, BACK:H, ALL:L
	P26	53	R/C_CTRL0	Switch for RC Input	O	FRONT&TOP:L, TOP&BACK:L, FRONT&BACK:H, FRONT:H, TOP:L, BACK:H, ALL:L
	P27	54	USBB_VBUS	USB	O	H: Connected, L: Disconnected
	P28	55	USBB_D+	USB	I/O	
	P31	72	TX_SLOT	UART for Slot	I/O	
	P32	73	RX_SLOT	UART for Slot	I/O	
	P33	74	XM_TXD	UART for Slot	I/O	
	P34	75	-	Not used	-	

Control Port Functions

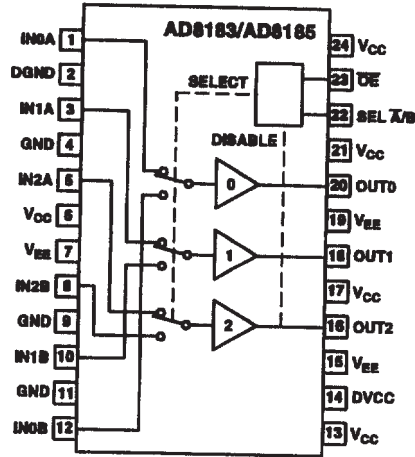
IC	Pin Name	Pin No.	Signal Name	Function	I/O	Operation
	P35	76	LENS_LR_PWM	Lens Shift Control Pulse Output	O	
	P36	77	LENS_UD_PWM	Lens Shift Control Pulse Output	O	
	P37	P37	LENS_LR_SW	Switch for Lens Shift L/R	O	Left:H, Right:L
	P38	P38	LENS_UD_SW	Switch for Lens Shift U/D	O	Up :H, Down:L
IC5201						
	H18	305	FAN_ERR1	Power Failure Detection	I	H: Error
	J18	305	FAN_ERR2	Power Failure Detection	I	H: Error
	K18	307	FAN_ERR3	Power Failure Detection	I	H: Error
	L18	308	FAN_ERR4	Power Failure Detection	I	H: Error
	M18	309	FAN_ERR5	Power Failure Detection	I	H: Error
	N18	310	PFAIL_AD	Power Failure Detection	I	L: Error
	P18	311	PFAIL_MOTHER	Power Failure Detection	I	L: Error
	R18	312	PFAIL_NIOS	Power Failure Detection	I	L: Error
	T18	313	PFAIL_KS	Power Failure Detection	I	L: Error
	K17	356	PFAIL_-5V	Power Failure Detection	I	L: Error
	M17	358	PFAIL_S5V	Power Failure Detection	I	L: Error
	K16	397	PFAIL_POWER	Power Failure Detection	I	L: Error
	L16	398	PFAIL_5V	Power Failure Detection	I	L: Error
	M16	399	PFAIL_LENS	Power Failure Detection	I	L: Error
	N16	400	PFAIL_DVI	Power Failure Detection	I	L: Error
	P16	401	-	Not used	-	
	R16	402	-	Not used	-	
	T16	403	-	Not used	-	
	N17	359	-	Not used	-	
	P15	434	-	Not used	-	
	R15	435	SISCDT	HDMI Signal Detection	I	H: Signal, L: No Signal
	T15	404	HDMI1DCT	Not used	O	
	U15	365	HDMI2DCT	Not used	O	
	H16	395	W_R/C_SW	Wired RC Detection	I	H: Normal, L: Error
	J16	396	S_SW	Not used	I	
	N15	433	IN0_VDET	Not used	I	
	U11	369	CS_CTL	DVI Equalizer	O	active:H
	U12	368	SIRST	HDMI Reset	O	active:L
	V14	319	R2HPDOUT_FPGA	Not used	O	
	V15	318	R1HPDOUT_FPGA	Not used	O	
	V16	317	FP_EXP_CON	Long Cable	O	active:H
	V17	316	PC1/PC2_SW	PC1/PC2 Switch	O	H:PC2 L:PC1
	T17	362	SCART_SW	SCART Switch	O	H:SCART L: Other
IC4401						
	AA19	125	LENS_SENSE_U	Lens Shift Up End Detection	I	H: Top End, L: Other
	AA18	126	LENS_SENSE_D	Lens Shift Down End Detection	I	H: Bottom End, L: Other
	T16	403	LENS_SENSE_R	Lens Shift Right End Detection	I	H: Right End, L: Other
	W17	261	LENS_SENSE_L	Lens Shift Left End Detection	I	H: Left End, L: Other
	T15	404	LENS_SENSE_UDC	Lens Shift V Center Detection	I	H: Oner, L: Center
	V15	318	LENS_SENSE_LRC	Lens Shift H Center Detection	I	H: Other, L: Center
	Y17	198	FILTER_COUNT	Filter Counter Detection	I	H: Other, L: Count
	W8	270	F_MOTOR_SW	FilterMotor Enable	O	H: Stop, L: Operate
	Y10	205	FILTER_DET	Filter Detection	I	H: Mounted, L: Unmounted
	K18	306	LAMPCONTROL	Lamp Control Detection	I	Lamp On: Pulse 50:50, L: Lamp Off
	M19	252	LENS_DET	Lens Detection	I	H: Detected L: Not Detected
	W20	194	THERM_DETECT	Thermistor Detection	I	H: Detected L: Not Detected
	U20	192	-	Not used	-	
	P20	189	-	Not used	-	
	N19	253	-	Not used	-	
	N18	310	-	Not used	-	
	T18	313	-	Not used	-	

Control Port Functions

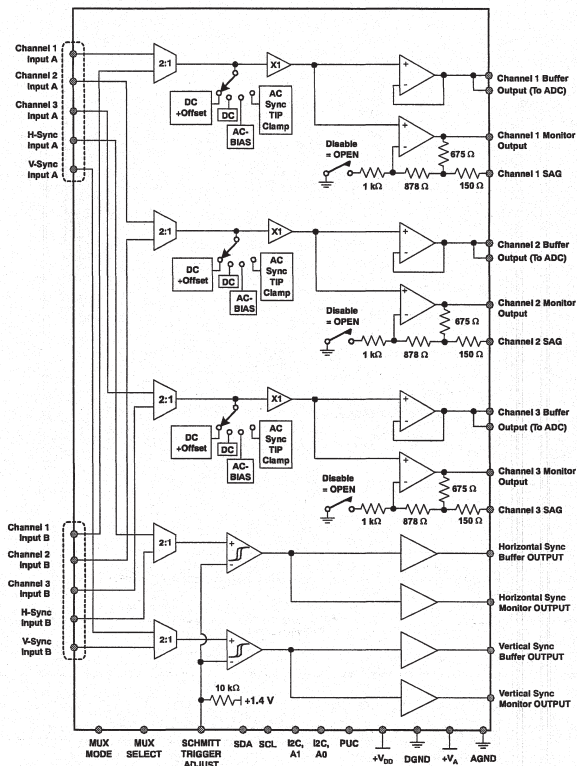
IC	Pin Name	Pin No.	Signal Name	Function	I/O	Operation
	T17	362	-	Not used	-	
	R17	361	-	Not used	-	
	R16	402	-	Not used	-	
	U21	119	-	Not used	-	
	V21	120	-	Not used	-	
	W10	268	BALLAST_AC2	Ballast Power On/Off	O	H: On, L: Off
	U10	370	BALLAST_AC1	Ballast Power On/Off	O	H: On, L: Off
	V14	319	-	Not used	-	
	U14	366	BOOT_HOLD	Writing Mode for Formatter Board	O	H: Normal, L: Write mode
	U11	369	M_ASIC_READY	DDP ASIC Startup Check	I	H: ASIC Not Start L: ASIC Start
	U12	368	SCL_NIOS	Not used	I/O	
	V13	320	SDA_NIOS	Not used	I/O	
	V10	323	-	Not used	-	
	V11	322	-	Not used	-	
	U9	371	WP_CW1	CW ID Write Protect Mode Switch	O	H: Released L: Protected
	V9	324	WP_CW2	CW ID Write Protect Mode Switch	O	H: Released L: Protected
	V8	325	LAMP_STAT	Lamp Status	O	H: Other, L: On
	V12	321	INT	Not used	-	
	W7	271	PJ_MTR	Not used	-	
	V5	328	LENS_TEST	Lens ID Write Protect	O	H: Released L: Protected

IC Block Diagrams

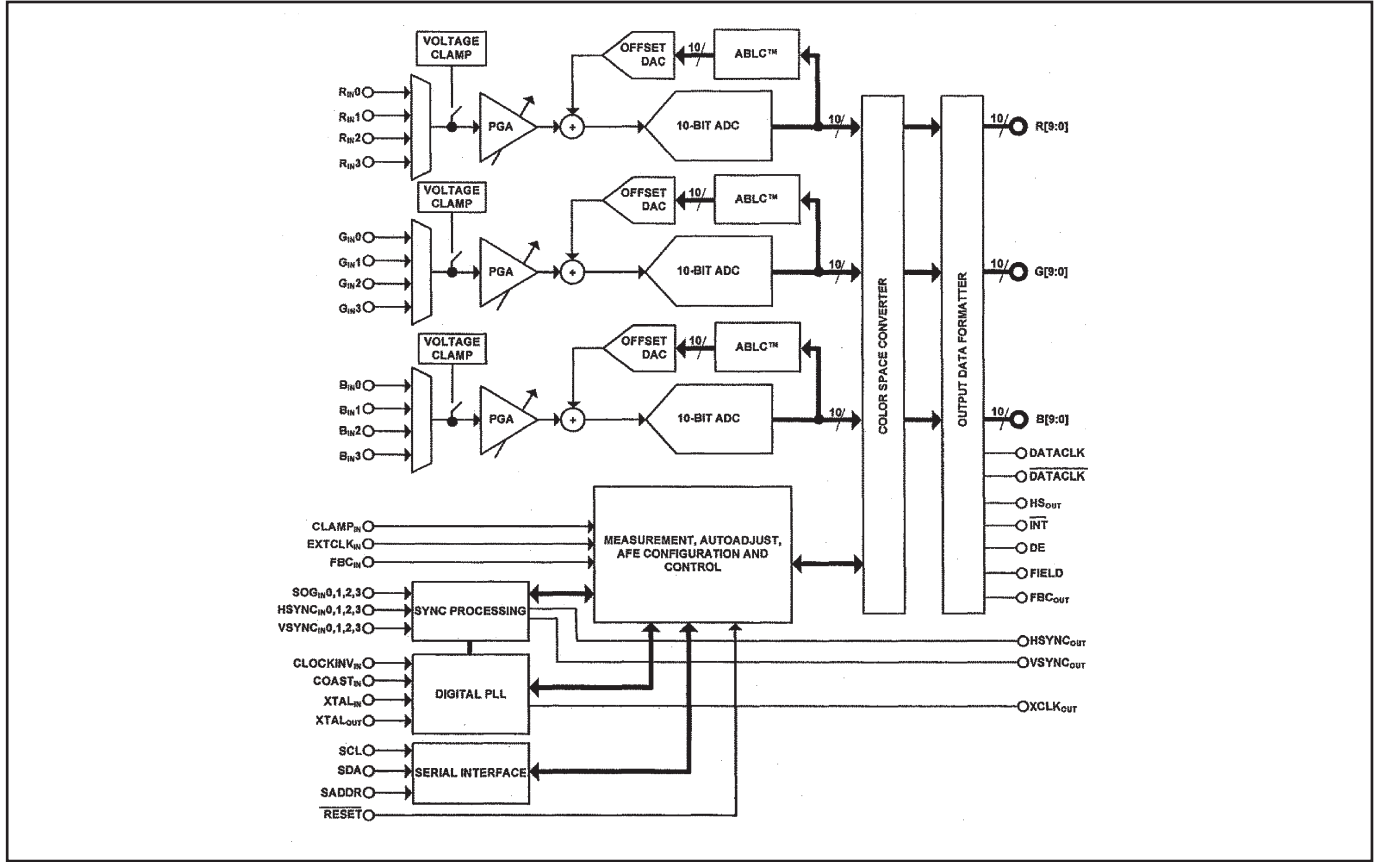
● AD8185ARUZ <Slot RGB-SW, IC9031>



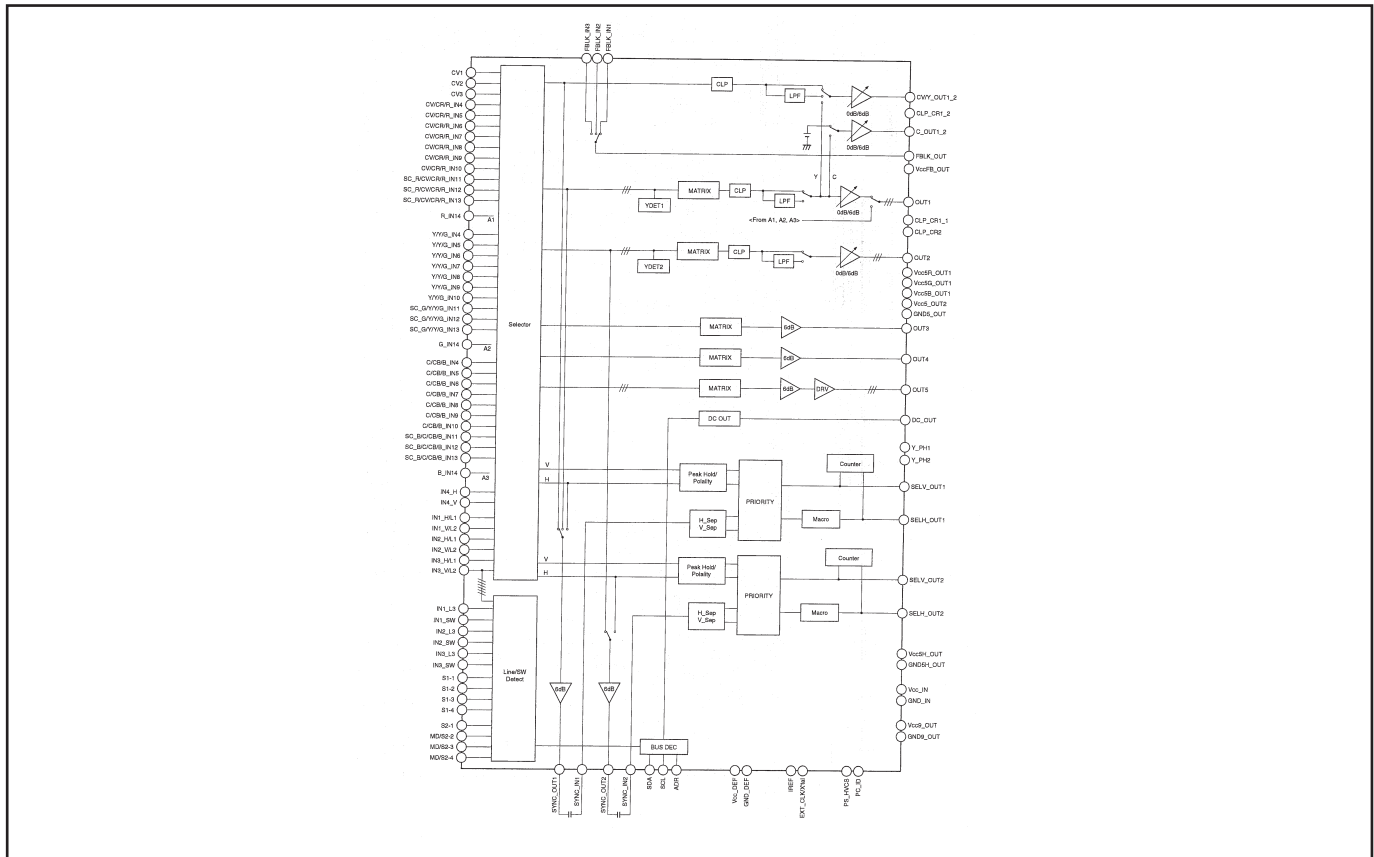
● THS7347IPHR <Analog SW, IC1201>



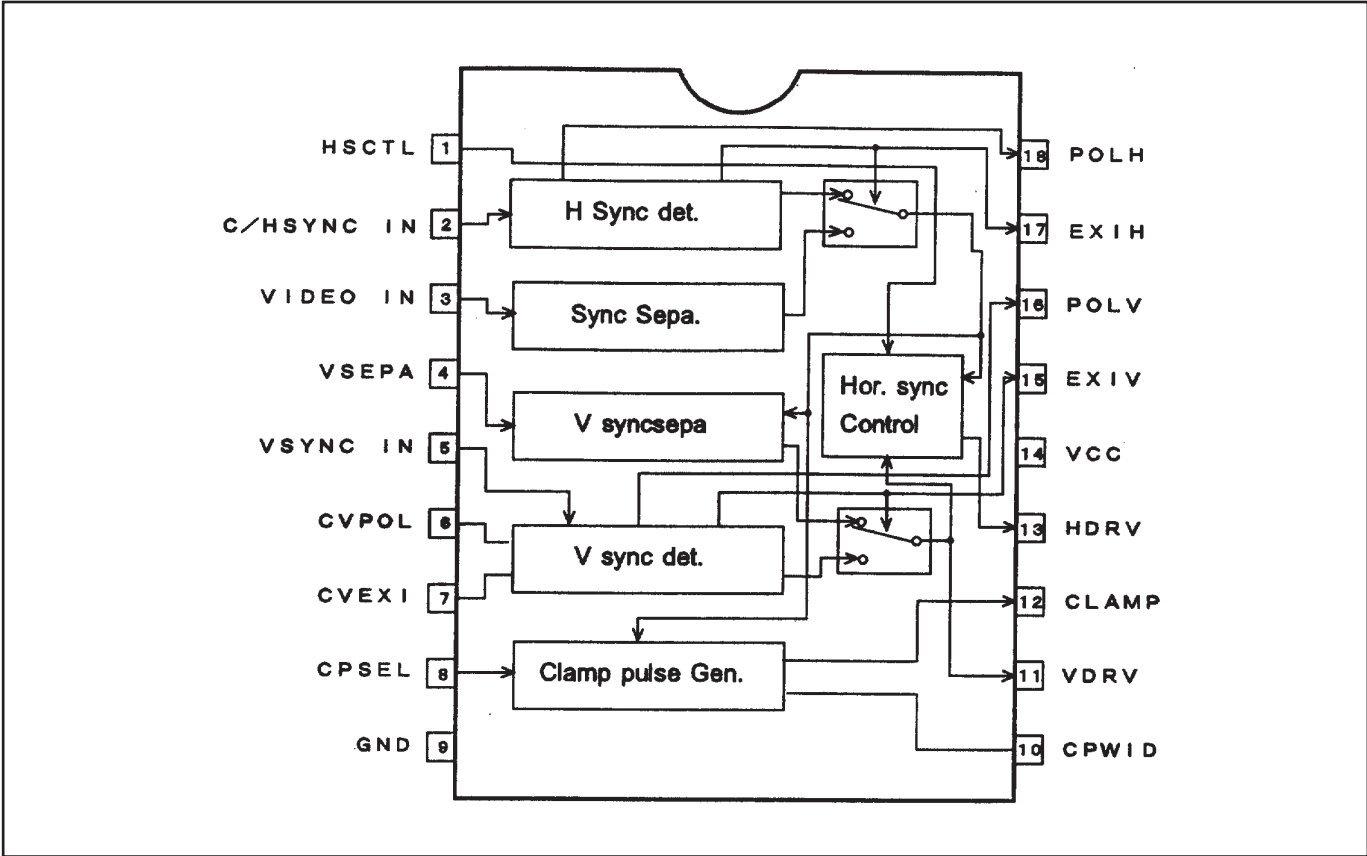
● ISL51002CQZ <A/D, IC201>



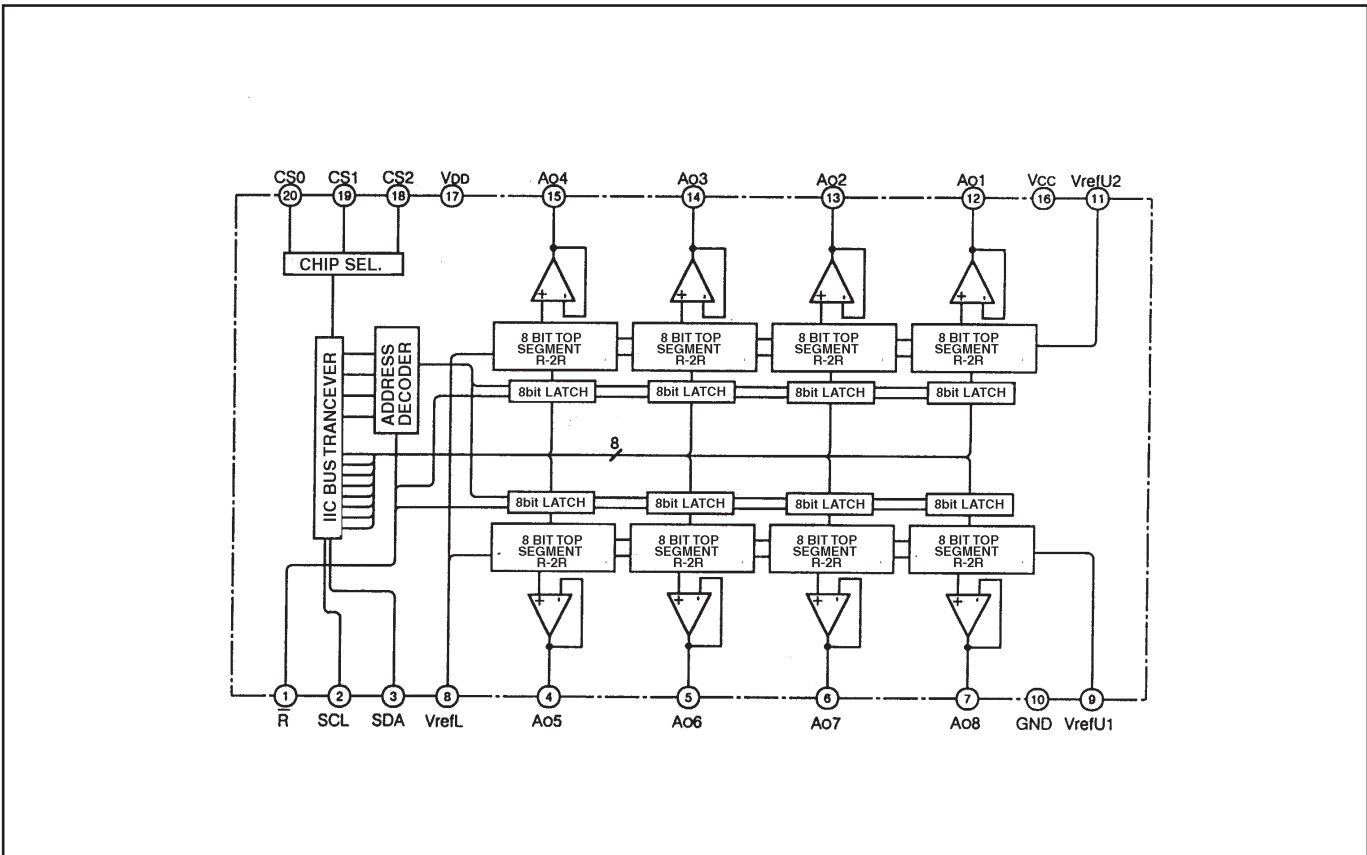
● CXA2239AR <Component SW, IC2201>



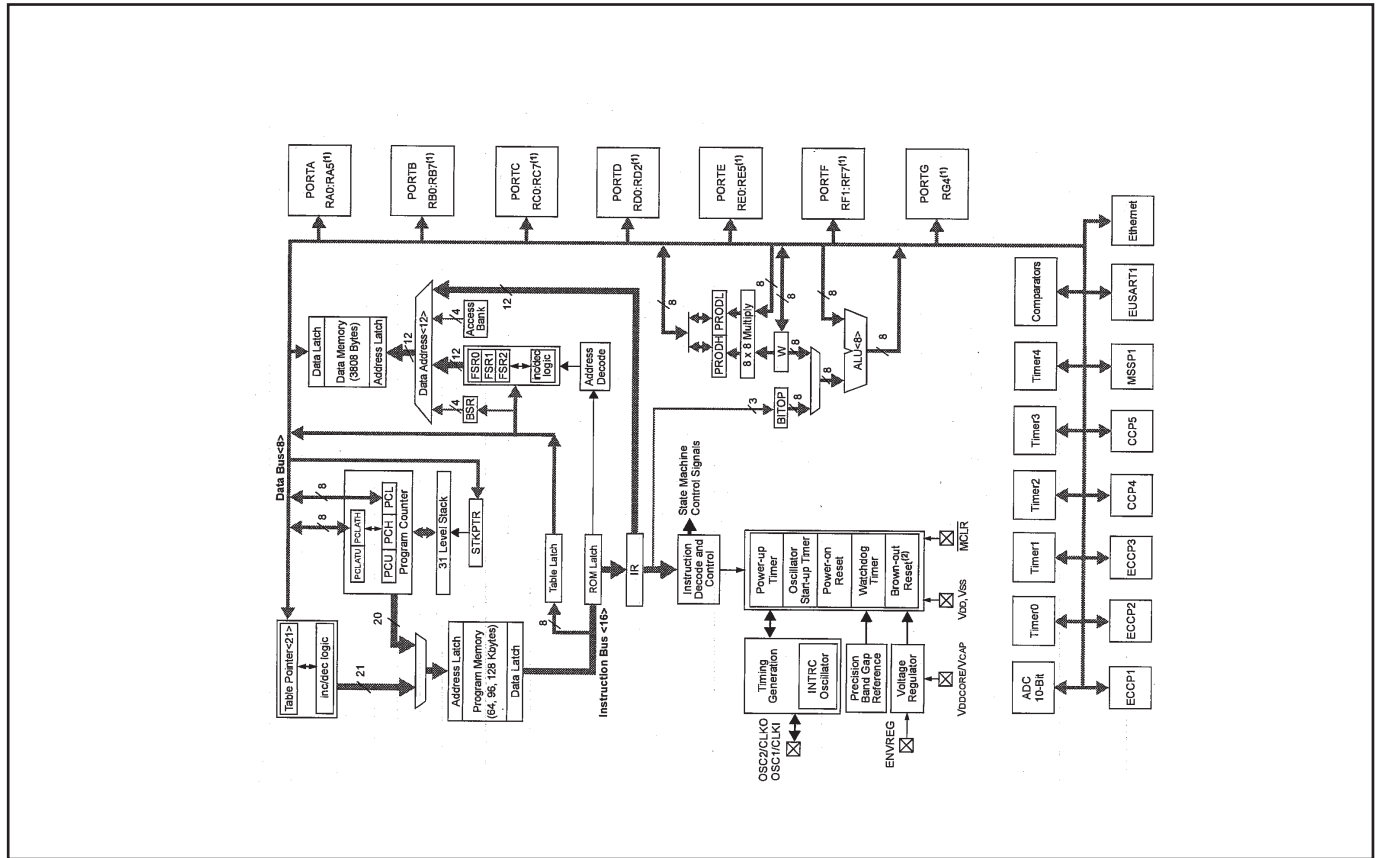
● BA7078AF <Sync-Sep., IC5321>



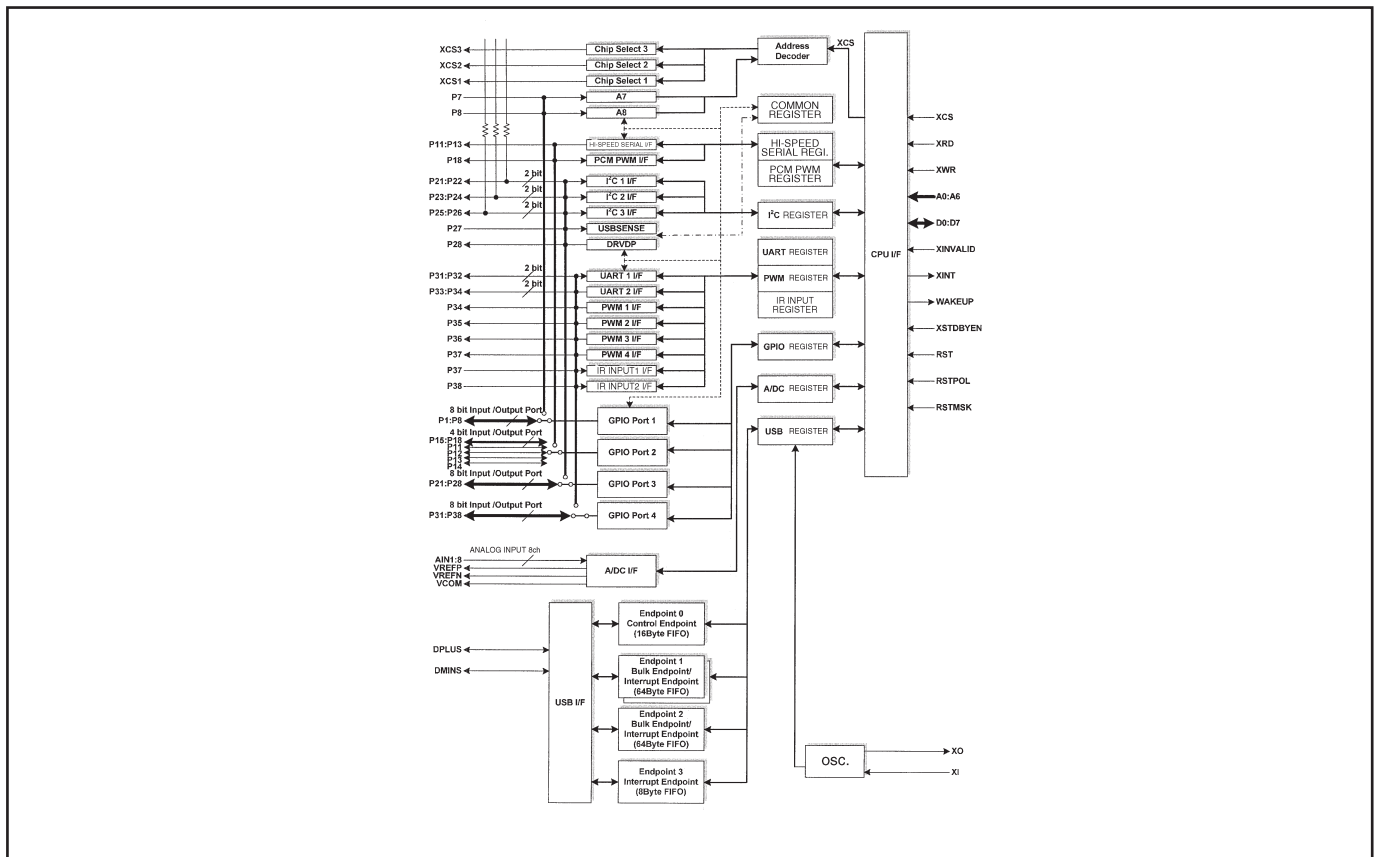
● M62393FP <DAC, IC7801>



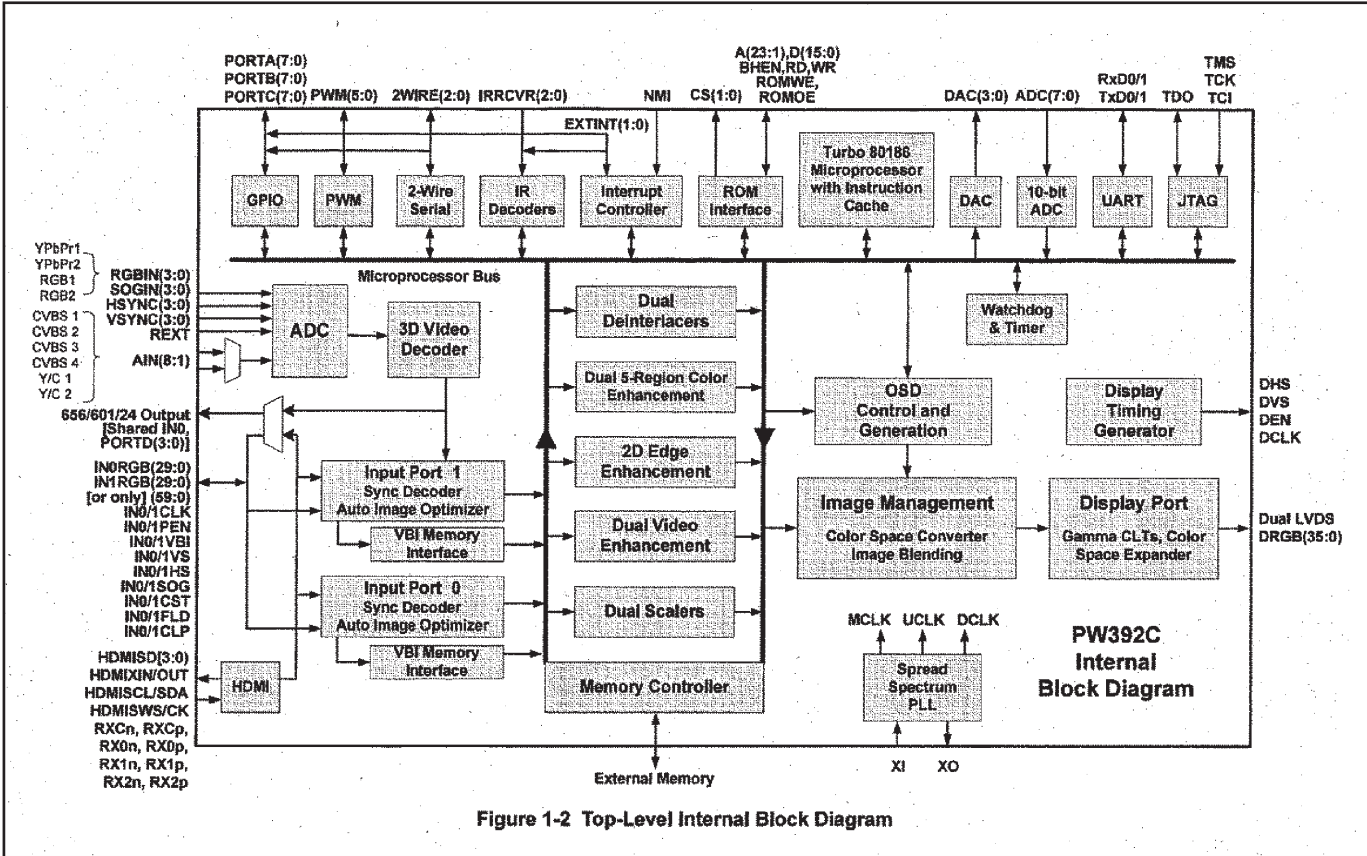
● PIC18F67 <Network, IC8301>



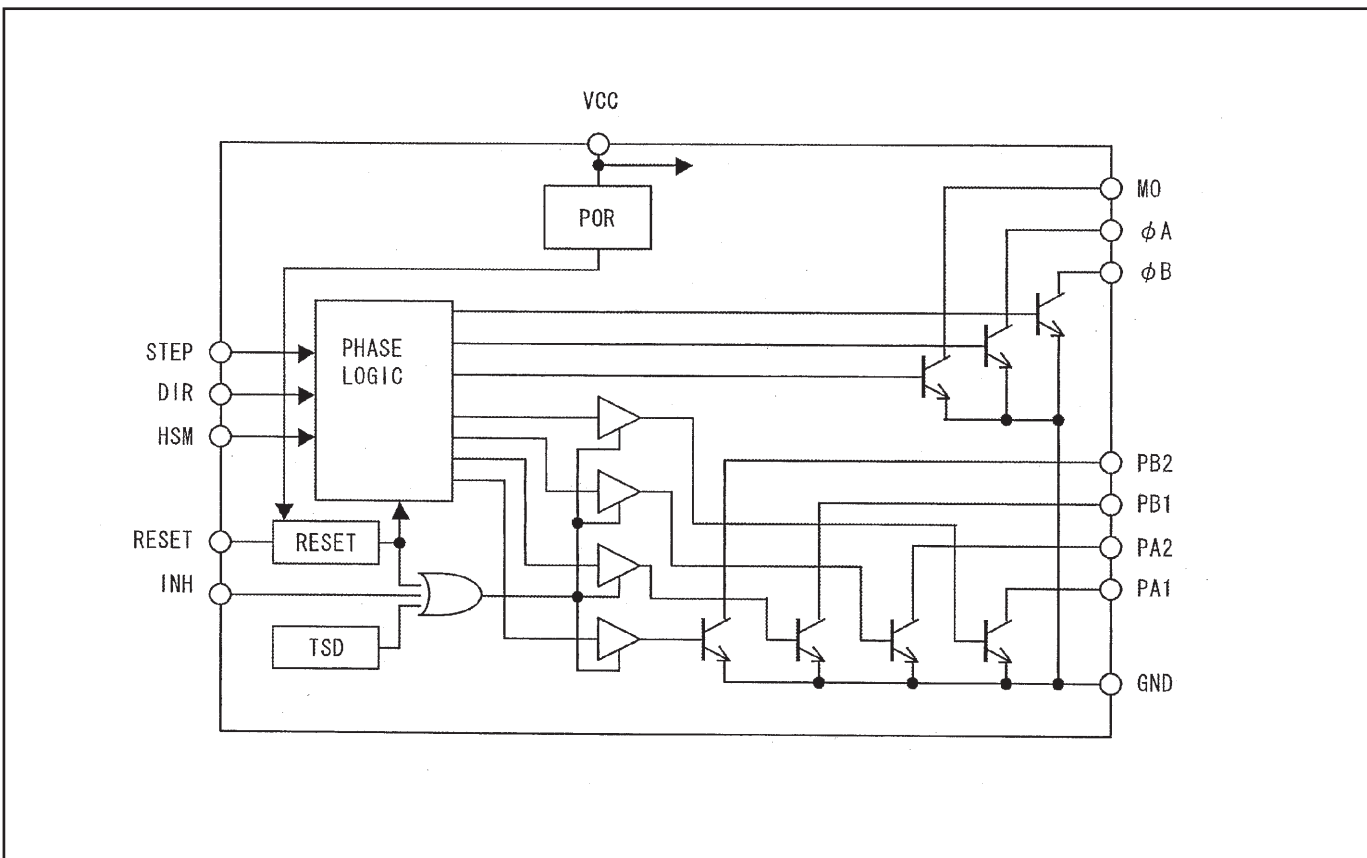
● TE7783APF <I/O Expander, IC1801>



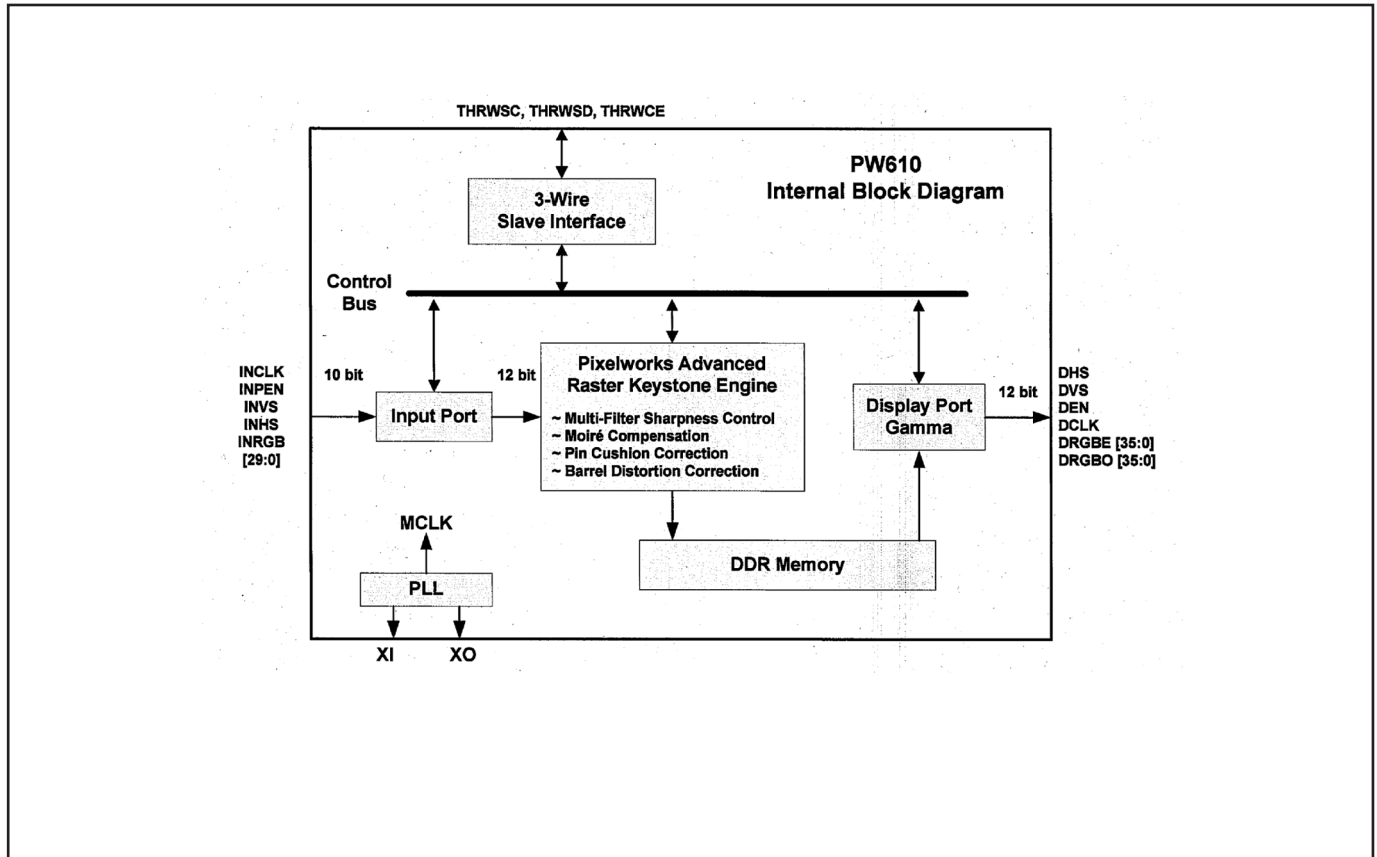
● PW392 <Scaler, IC301>



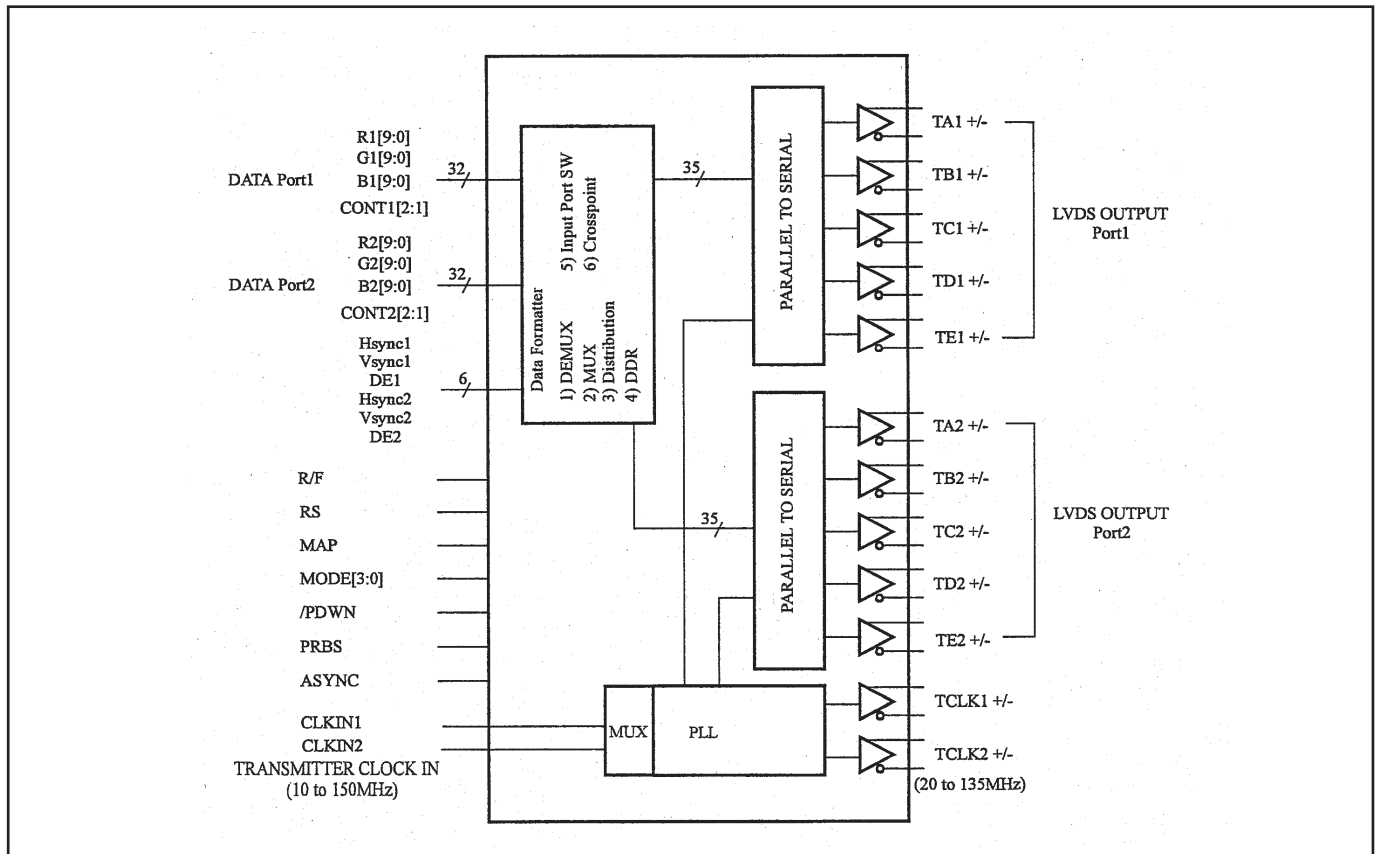
● NJM2671 <Motor Drive, IC5581>



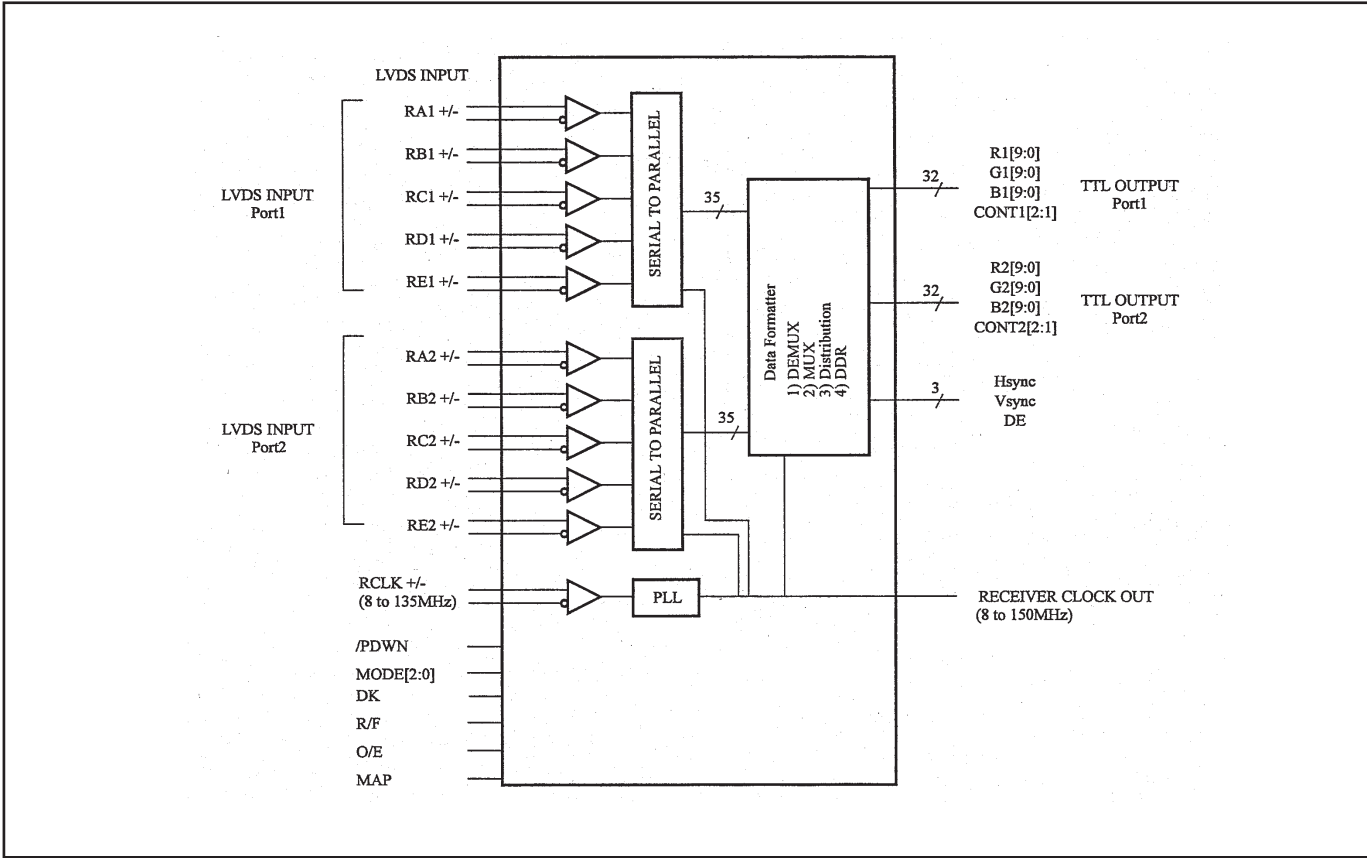
● PW610 <Keystone, IC2301>



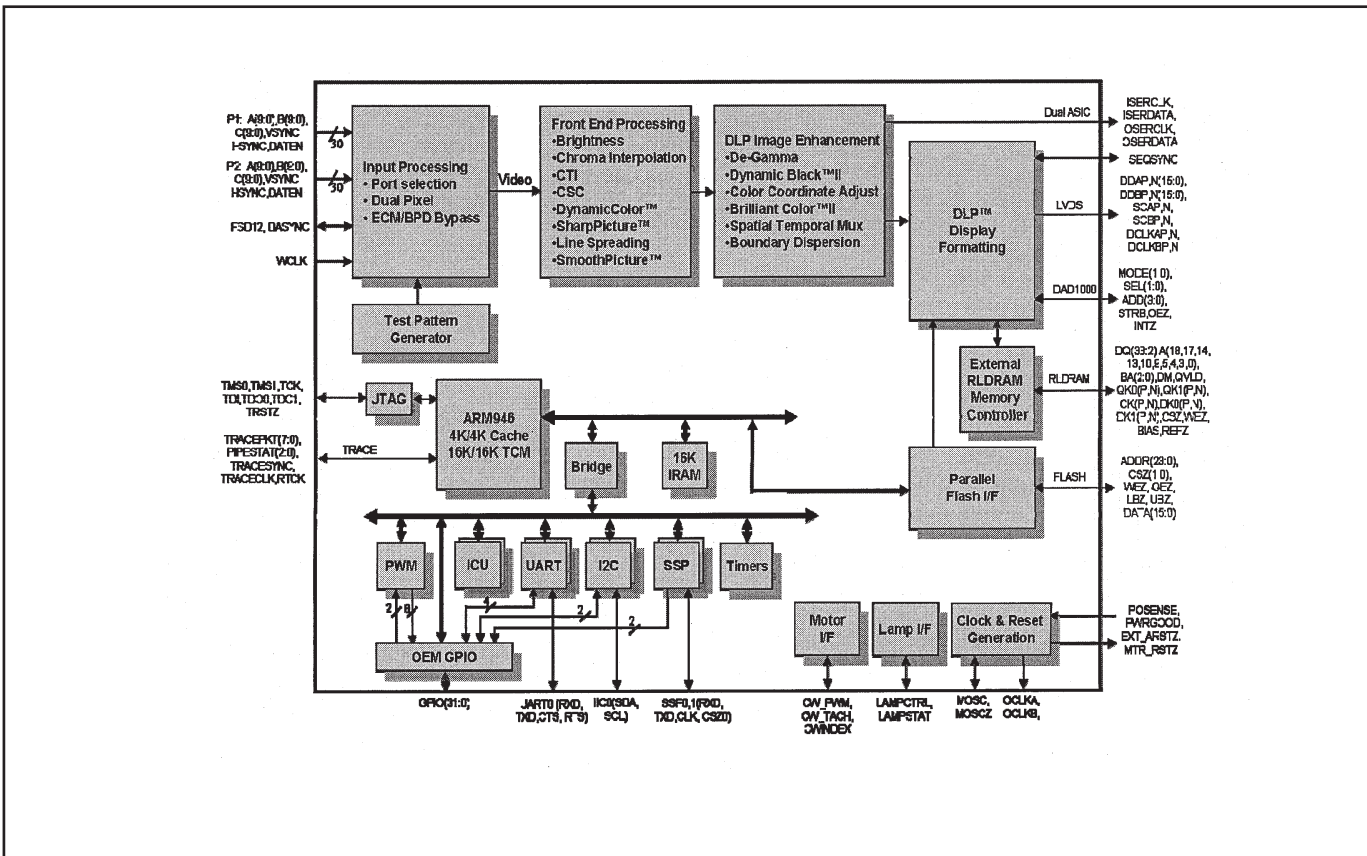
● THC63LVD1023B <LVDS Transmitter, IC7201>



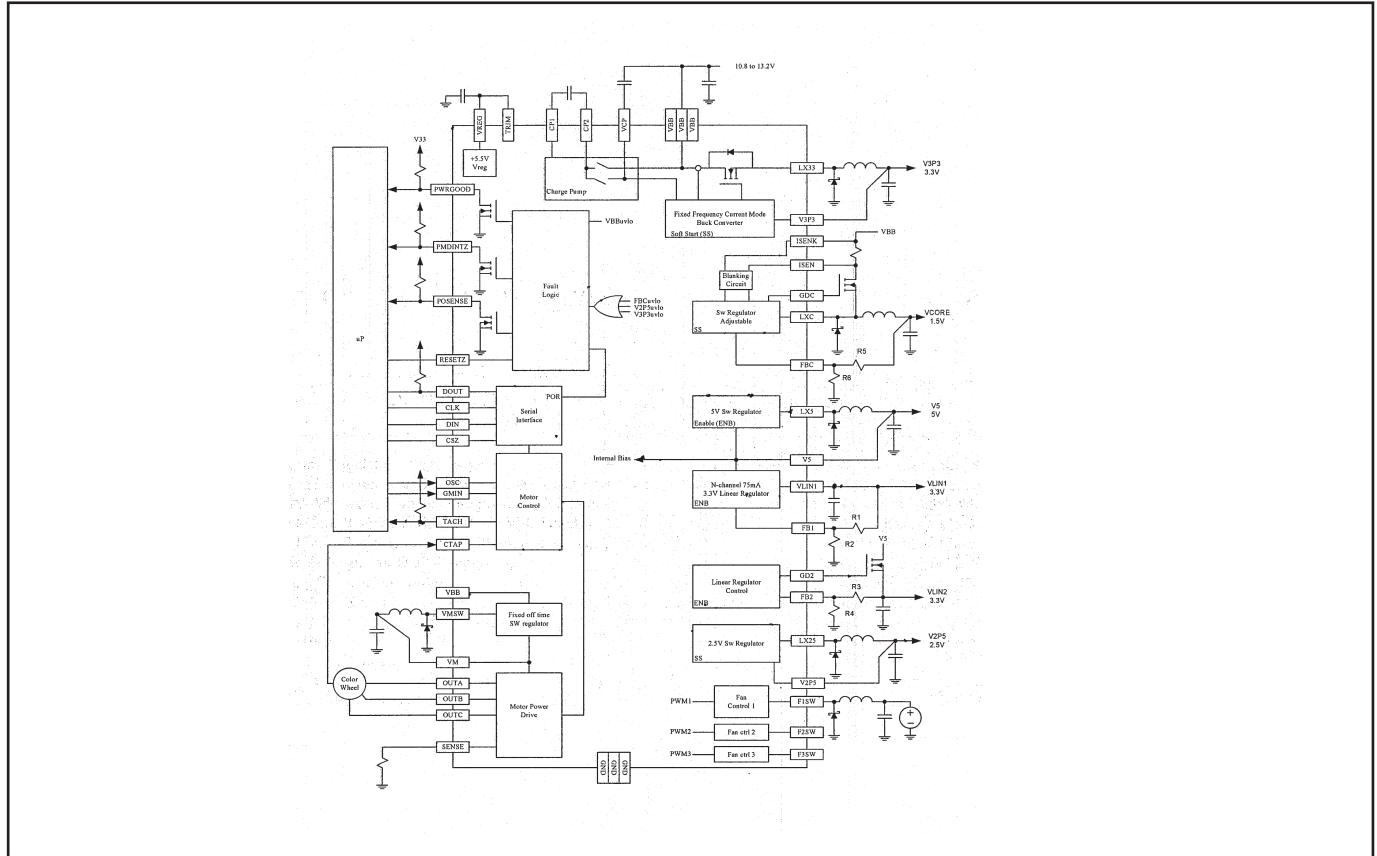
● **THC63LVD1024 <LVDS Receiver, IC7601>**



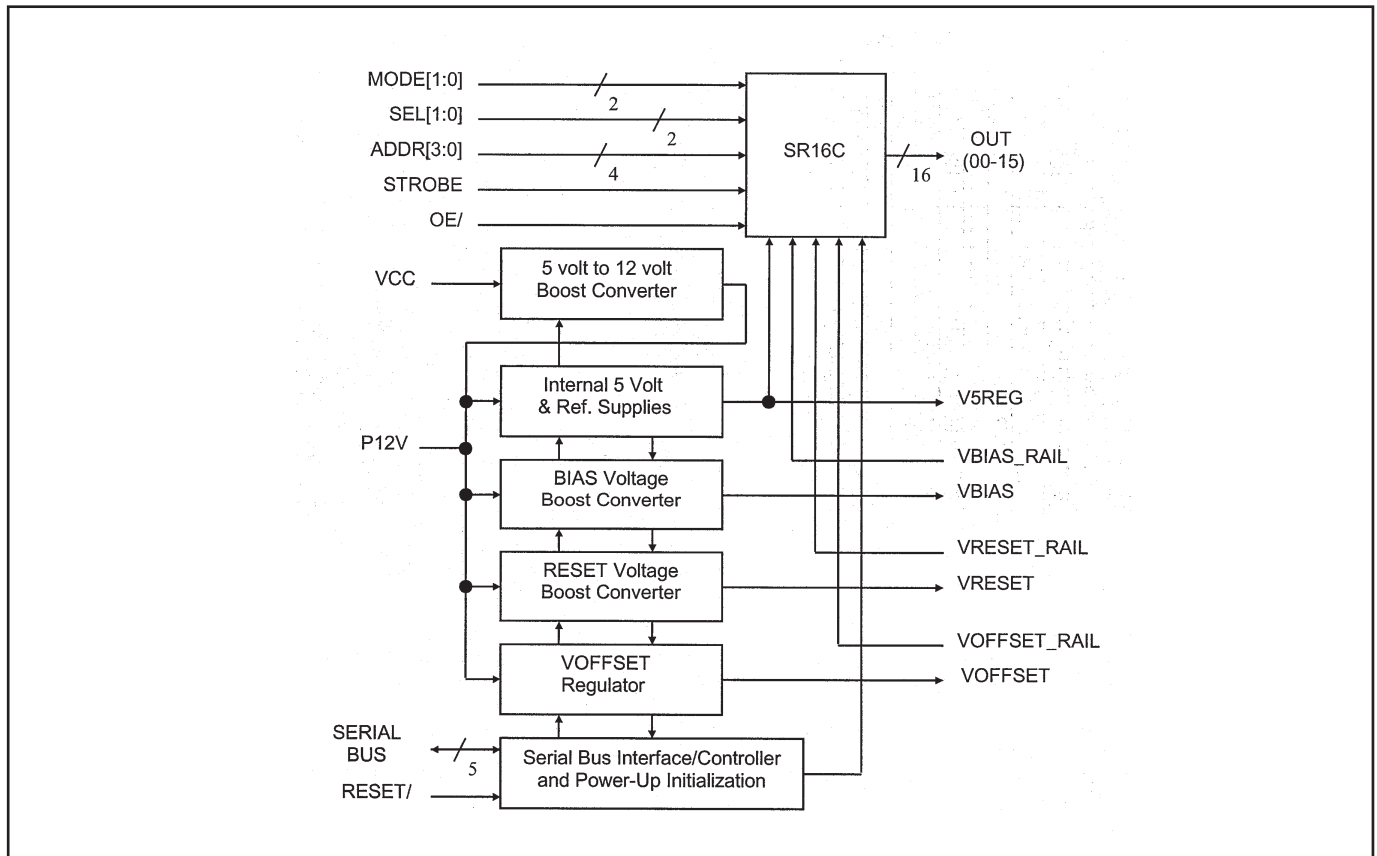
● **2506502 <DLP Data Processor, IC401,IC1401>**



● 2506224 <Power&Motor Drive, IC2501,IC2551>

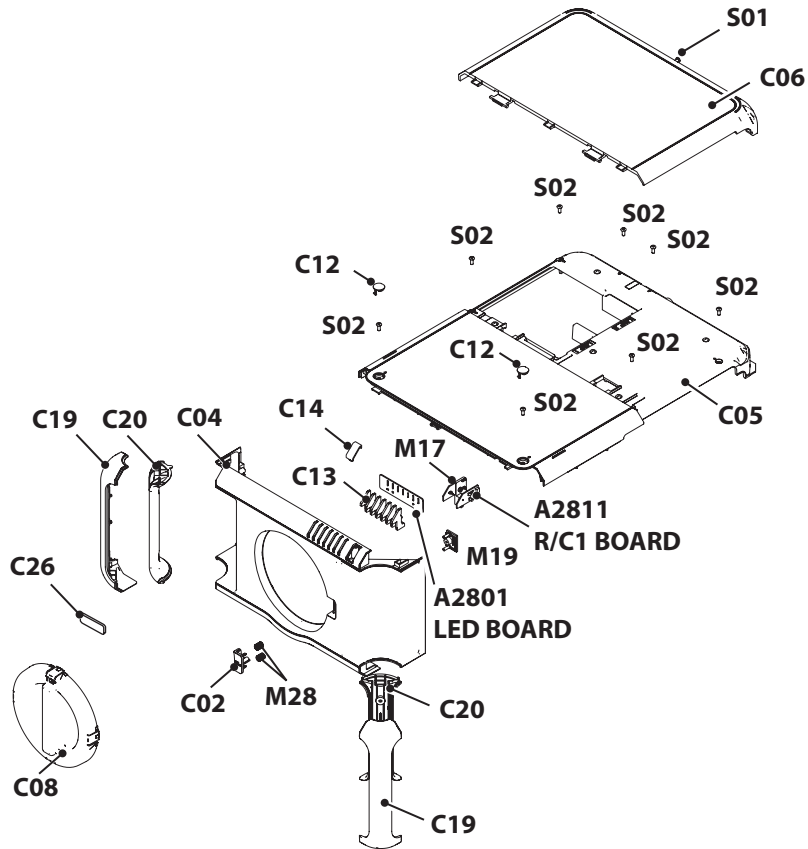


● 2503253 <DMD Driver, IC3501,IC3531>

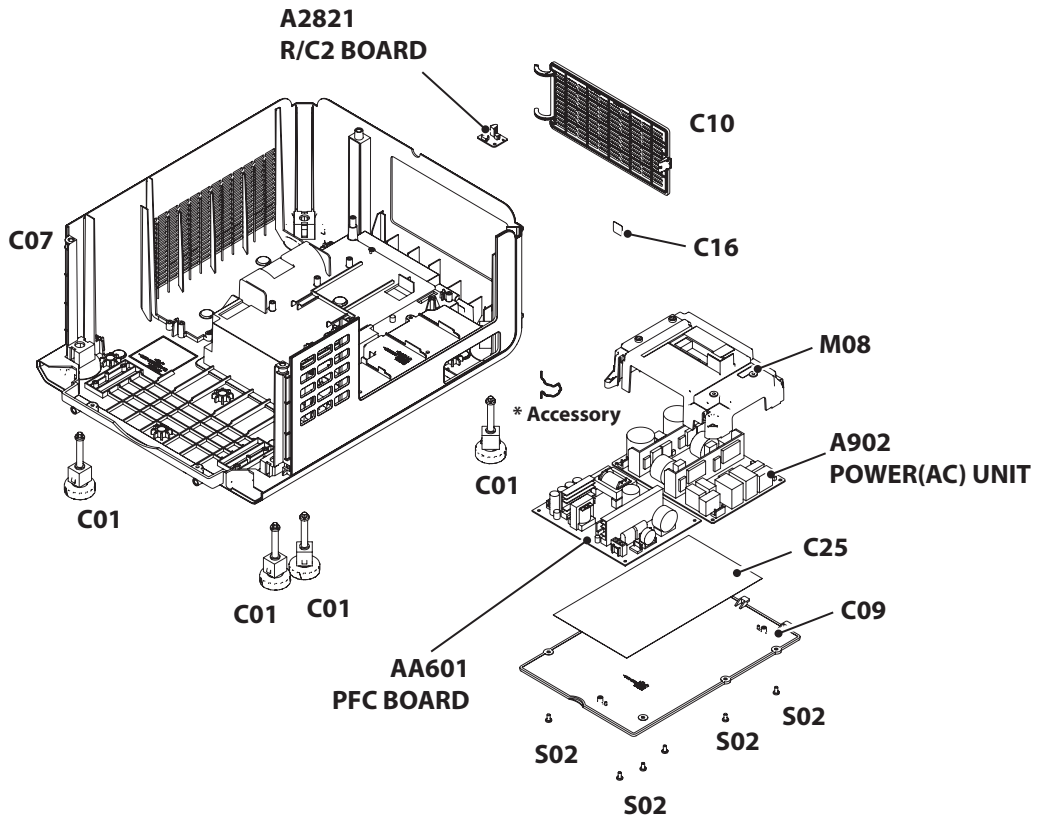


Parts Location Diagrams

Cabinet front and top assembly

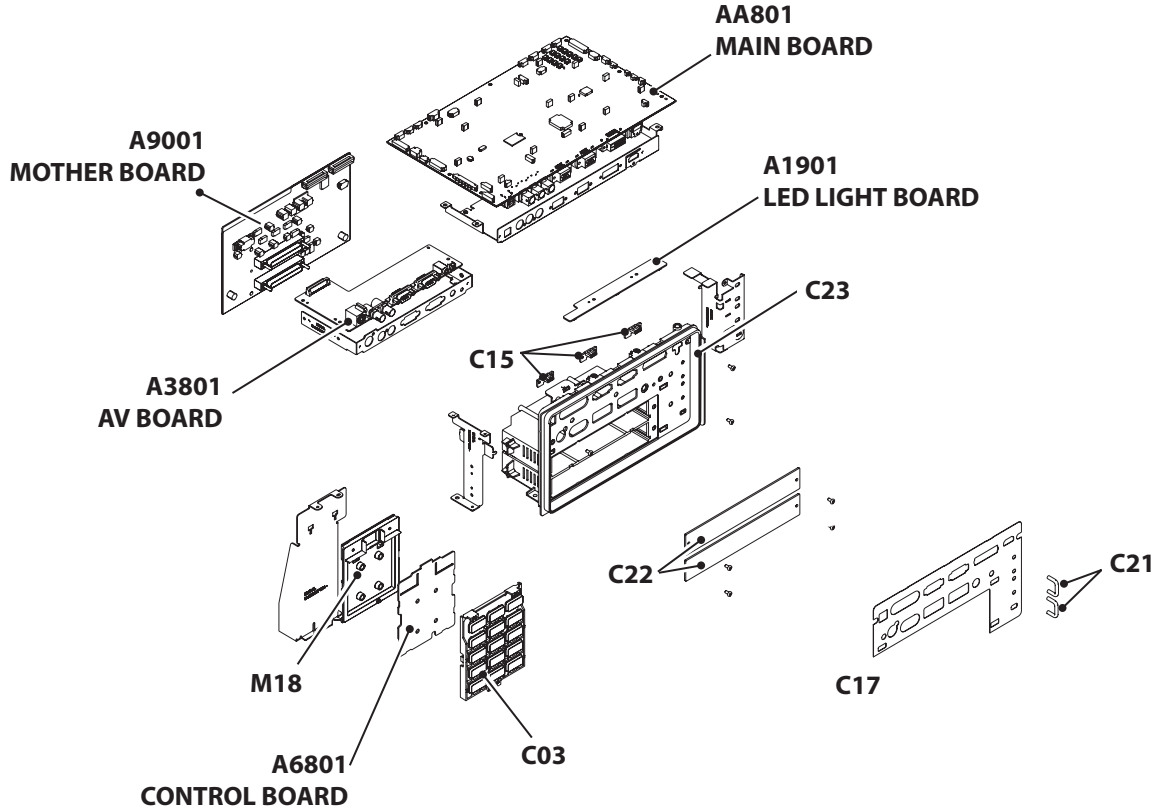


Cabinet bottom assembly

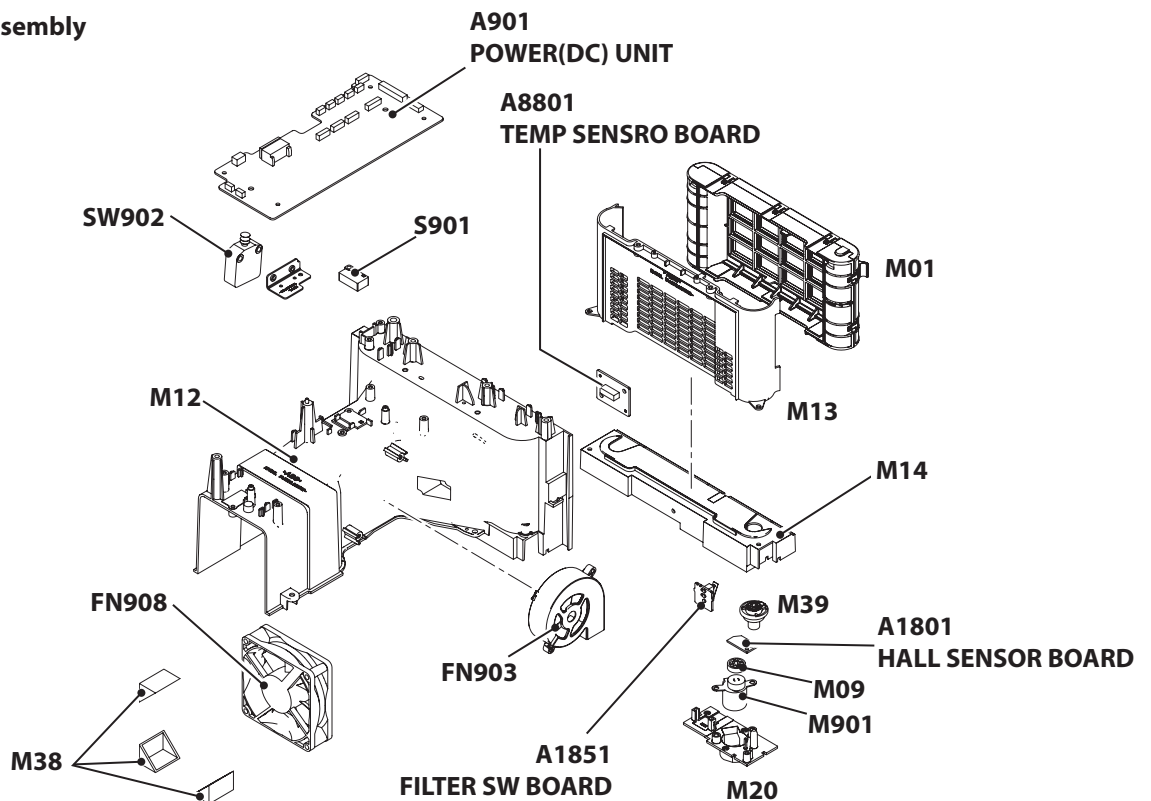


Parts Location Diagrams

A/V panel assembly

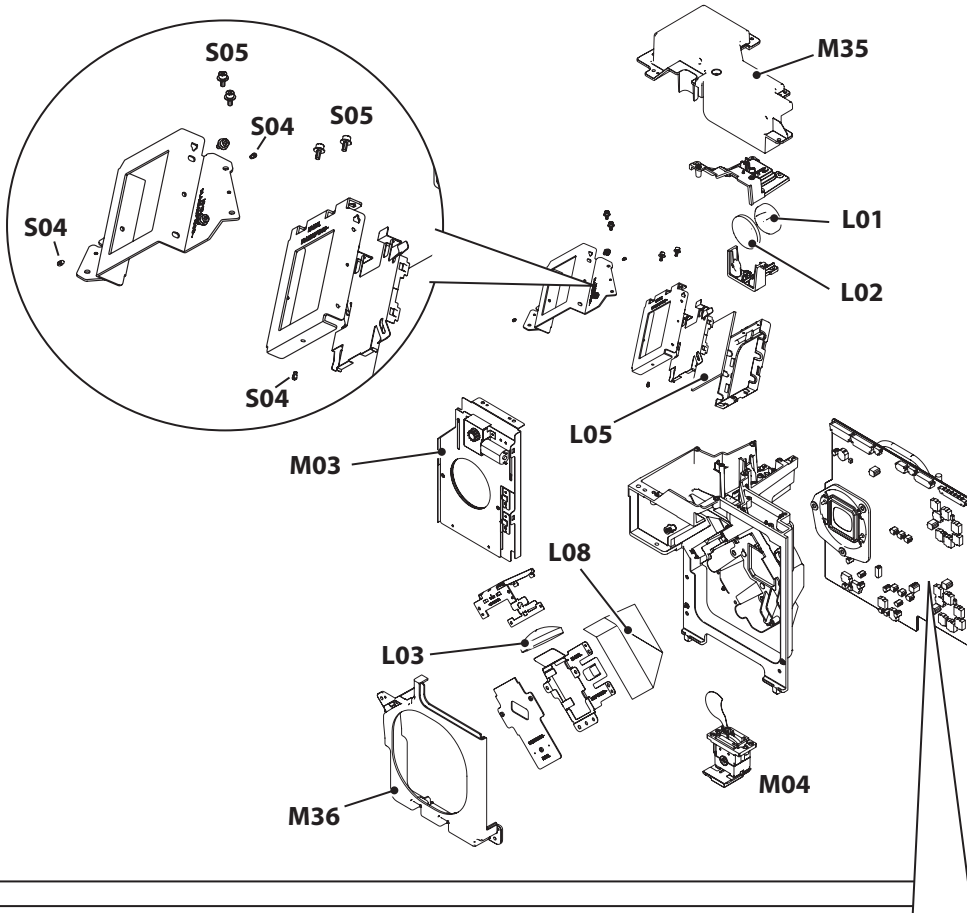


Filter and duct assembly

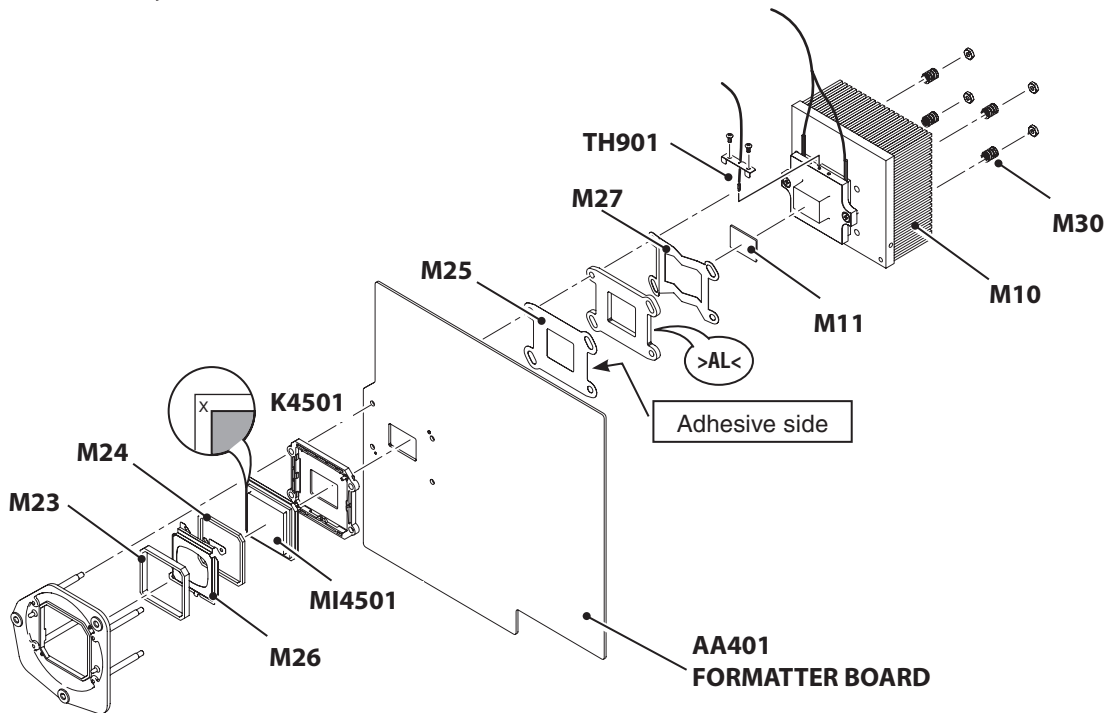


Parts Location Diagrams

Optical and formatter assembly

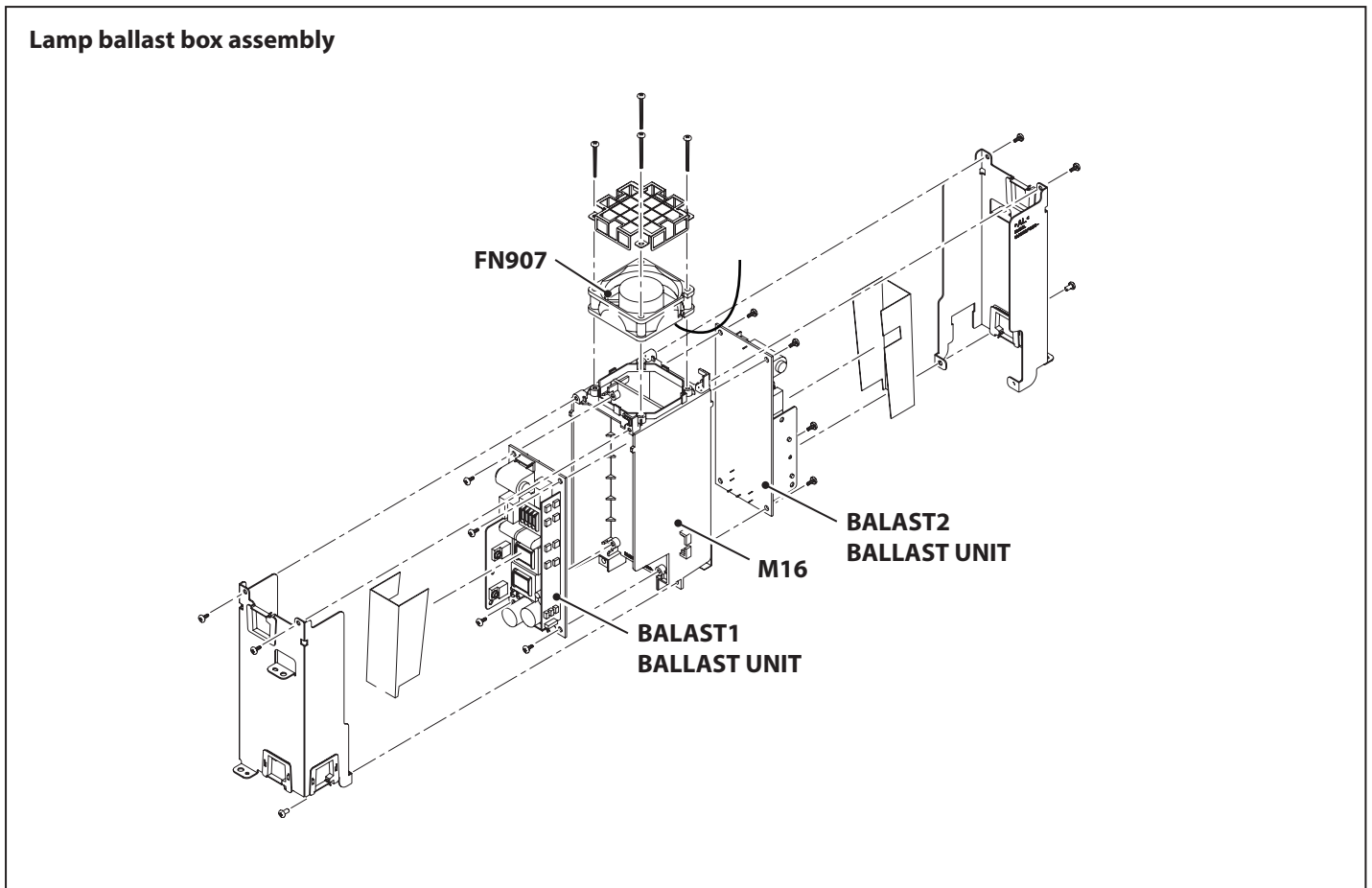
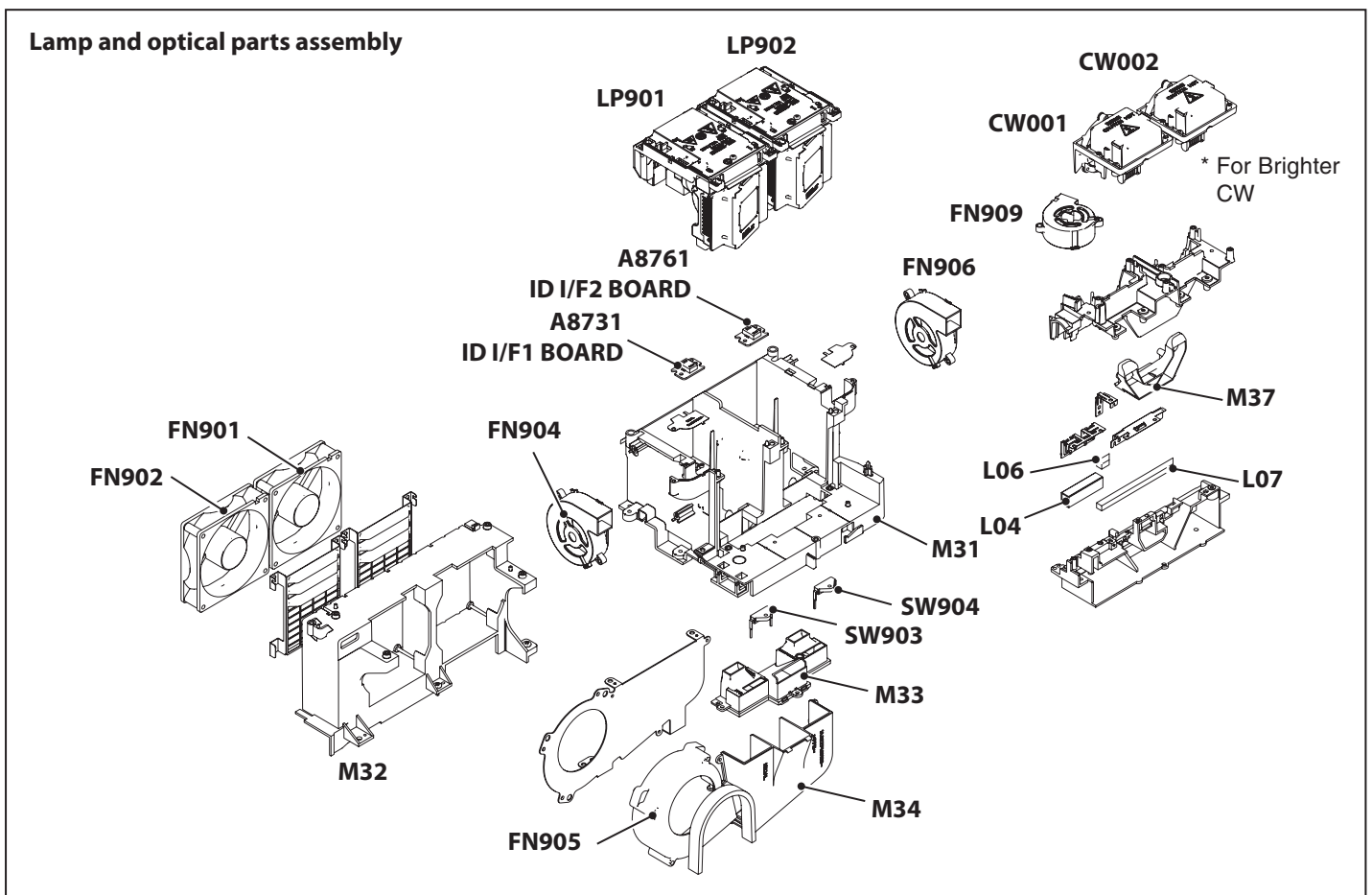


Formatter and DMD assembly



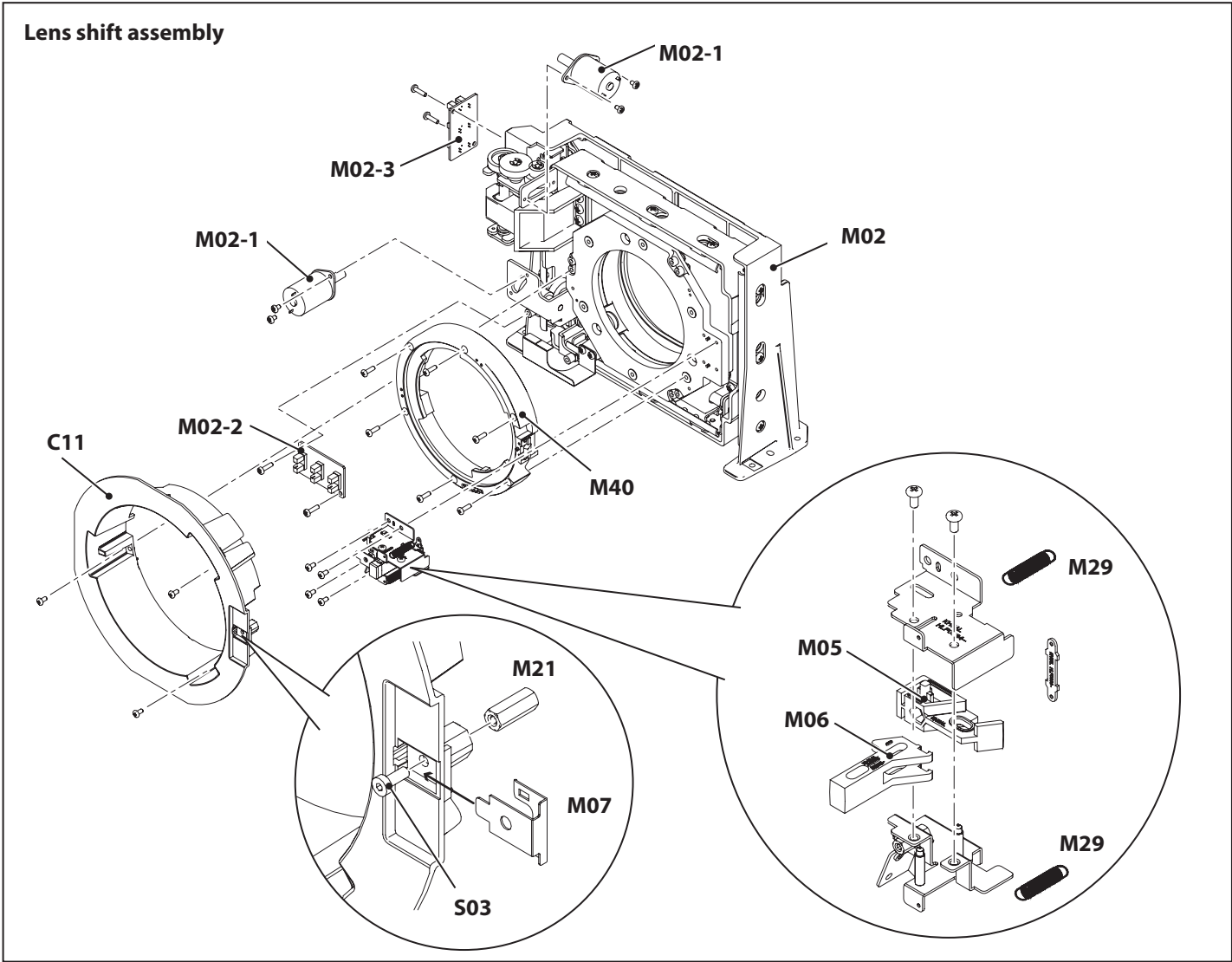
* Key No. M11 must be replaced with new one when MI4501 (DMD module) or M10 (Peltier & Heatsink Assy) is removed.

Parts Location Diagrams

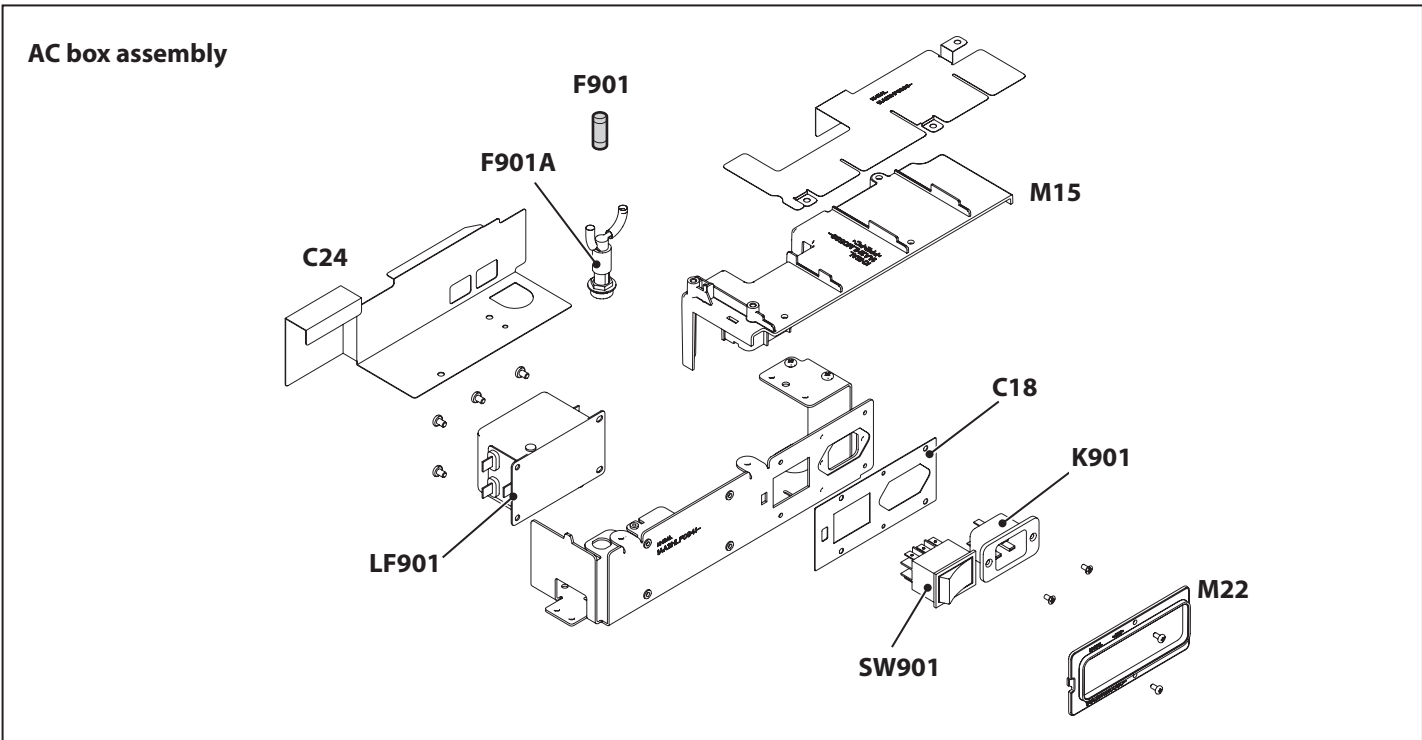


Parts Location Diagrams

Lens shift assembly



AC box assembly



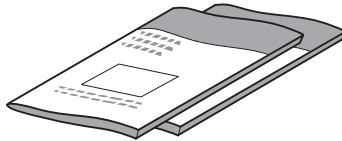
Parts Location Diagrams

● Accessories (see accessories parts list)

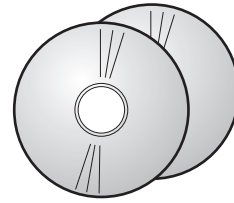
REMOTE CONTROL



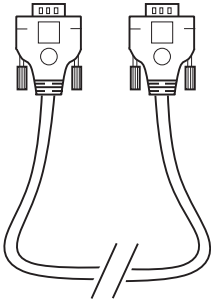
MANUALS



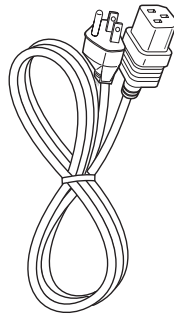
CD-ROMs



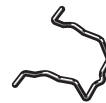
VGA CABLE



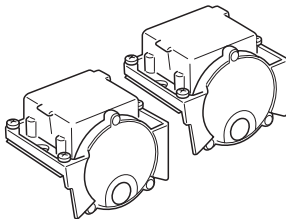
AC CORD



AC CORD HOLDER



COLOR WHEELS (CW01, CW02)
For Color



Mechanical Parts List

Note: Parts order must contain Chassis No., Part No., and Descriptions.

Key No.	Part No.	Description	Key No.	Part No.	Description
PACKING MATERIALS			C19	610 343 9570	HANDLE A-KT5BL
	610 350 7194	CARTON CASE-KE2BL	C20	610 343 9587	HANDLE B-KT5BL
	610 344 8701	SPACER-KT5AL	C21	910 283 5855	KNOB-MJ6A
	610 343 9105	CUSHION BTM-KH5AL	C22	610 345 4160	PANEL COMP A-KH5AL
	610 343 9099	CUSHION TOP-KH5AL	C23	610 351 1030	PNL AV-KE2BL
	645 099 7266	POLY BAG-1100X0850*NC*R8P	C24	610 344 8459	SPACER AC SHEET US-KH5AL
ACCESSORIES			C25	610 346 2325	SPACER COVER BTM-KH5AL
COLOR WHEEL (COLOR)			C26	610 344 3959	BADGE EIKI-KT5BL
CW1	610 350 7156	COMPL HOLD CW COLOR-KE2AL	CHASSIS PARTS		
CW2	610 350 7156	COMPL HOLD CW COLOR-KE2AL	M01	610 350 7811	ASSY,BOX FILTER-KE2AL
OWNERS MANUAL			M02	610 342 6785	ASSY,HOLDER LNS B-KH5AL
	610 350 9914	CD-ROM,OWNERS MANUAL-KE2BL	M02-1	945 042 7344	ASSY,MOTOR(ML6A)
	610 350 9716	SETUP INST MANUAL-KE2BL	M02-2	645 099 7716	UNIT,LENS,SHIFT-X,KH5AL
	910 319 5347	COLOR MANAGE INST-B-MM7A	M02-3	645 099 7723	UNIT,LENS,SHIFT-Y,KH5AL
	610 352 9882	CD-ROM(PJ NW MANAGER)	M03	610 342 9335	COMPL,MOUNTING SHUTTER-KH5AL
REMOTE CONTROL			M04	610 342 9342	COMPL,MOUNTING DB-KH5AL
	645 102 4626	ASSY,REMOCON MXAA(SYANAI)	M05	610 343 6357	ARM LNS LOCK X-KH5AL
	610 342 0400	RC-BATTERY LID-CXZL	M06	610 343 6364	ARM LNS LOCK Z-KH5AL
AC CORD HOLDER			M07	610 344 4062	COVER SCREW LNS-KH5AL
US	610 342 7744	HOLDER AC CODE US-KH5AL	M08	610 352 8366	COVER PFC PWB-KE2AL
EU/H.K	610 342 7751	HOLDER AC CODE EU-LH5AL	M09	610 334 3549	GEAR MOTOR-KC3A
AC CORD			M10	610 350 7316	COMPL,MOUNTING PELT-KE2AL
US	945 069 2902	CORD,POWER-3.0MK,US	M11*	610 344 3874	HEAT SINK SHEET DMD-KH5AL
EU	945 066 7160	CORD,POWER-3.0MK,EU	M12	610 343 0669	HOLDER FILTER DUCT-KH5AL
H.K	945 066 7153	CORD,POWER-3.138MK,UK	M13	610 343 0676	HOLDER FILTER-KH5AL
MISCELLANEOUS			M14	610 350 6913	HOLDER FILTER BASE-KE2AL
	945 072 1121	CD-ROM (R.C. MANAGER)	M15	610 343 6333	HOLDER AC BRKT-KH5AL
	945 069 2155	CABLE,FXAF	M16	610 343 6326	HOLDER BALLAST-KH5AL
	945 073 4855	CABLE,INTERFACE VGA	M17	610 343 6371	HOLDER RC FRONT-KH5AL
	645 093 1642	CABLE,INTERFACE VGA	M18	610 343 6388	HOLDER CONTROL-KH5AL
	652 002 9552	CABLE,INTERFACE VGA	M19	610 343 6791	KNOB LNS KH5AL
MECHANICAL PARTS			M20	610 334 4300	MTG HLD SHAFT FIL-KC3A
CABINET PARTS			M21	610 344 4284	SPACER NUT-KH5AL
C01	610 335 5092	COMPL,STAND LEG-KC3BL	M22	610 344 0354	SPACER AC BRKT-KH5AL
C02	610 343 9600	BUTTON LNS-KT5BL	M23	610 343 9075	SPACER CUSHION DMD-KH5AL
C03	610 343 9617	BUTTON CONTROL-KT5BL	M24	610 346 5173	SPACER CUSHION DMD B-KH5AL
C04	610 343 9525	CABINET FRONT-KT5BL	M25	610 343 9204	SPACER KAPTON SHEET KH5AL
C05	610 351 1207	CABINET TOP-KE2BL	M26	610 343 7804	SHIELD DMD-KH5AL
C06	610 351 1221	CABINET TOP COVER-KE2BL	M27	610 343 9020	SPRING SPACER DMD-KH5AL
C07	610 351 1245	CABINET BOTTOM-KE2BL	M28	610 343 9037	SPRING BUTTON LNS-KH5AL
C08	610 342 7799	COVER NON LNS-KH5AL	M29	610 343 9044	SPRING LNS LOCK-KH5AL
C09	610 351 1023	COVER BOTTOM-KE2BL	M30	610 346 1045	SPRING DMD-KH5AL
C10	610 343 9563	COVER FILTER-KT5BL	M31	610 350 6883	OPTICAL LMP COVER-KE2AL
C11	610 343 6807	COVER LNS-KH5AL	M32	610 350 6876	OPTICAL LMP DUCT BOX-KE2AL
C12	610 343 9082	COVER SCREW CAB TOP-KH5AL	M33	610 350 6906	OPTICAL LMP DUCT A-KE2AL
C13	610 343 6272	DEC INLAY LED-KH5AL	M34	610 350 6890	OPTICAL LMP DUCT B-KE2AL
C14	610 343 6289	DEC INLAY RC FRONT-KH5AL	M35	610 343 8436	OPTICAL COVER TOP-KH5AL
C15	610 343 6296	DEC INLAY LED AV PNL-KH5AL	M36	610 343 8443	OPTICAL COVER BTM-KH5AL
C16	610 342 5665	DEC SHEET RC REAR-KH7AL	M37	610 345 6881	OPTICAL BASE ROD DUCT-KH5AL
C17	610 351 4833	DEC AV SHEET-KE2AL	M38	645 099 6955	HOLDER,FAN
C18	610 344 0484	DEC AC SHEET-KH5AL	M39	610 336 9921	COMP,HOLDER SHAFT FILTER-KC3A
			M40	610 350 9860	ASSY,MTG LNS-KH5AL
			* Key No. M11 (HEATSINK SHEET) must be replaced with new one when DMD module or M10 (Peltier Assy) is removed.		
			SCREWS		
			S01	312 069 6702	SPECIAL SCREW(BLACK)
			S02	411 190 4301	SCR BIN 4X8
			S03	411 189 6507	BOLT HEX-SCT+SW+W 2.5X5
			S04	312 069 3909	SPECIAL SCREW V
			S05	411 189 9706	SCR PAN+FLG 3X8

Mechanical Parts List

Key No.	Part No.	Description	Key No.	Part No.	Description
OPTICAL PARTS					
L01	645 099 4449	LENS,RELAY(1)			
L02	645 099 4456	LENS,RELAY(2)			
L03	645 099 4463	LENS,RELAY(3)			
L04	645 099 4470	MIRROR,TUNNEL			
L05	645 099 4487	MIRROR,FOLDING			
L06	645 099 4500	PRISM(ROD)-S			
L07	645 099 4517	PRISM(ROD)-L			
L08	645 099 4524	PRISM(TIR)			
SERVICE TOOLS					
	610 343 5596	CD-ROM,PJ SVC TOOL V420			

Electrical Parts List

Product safety should be considered when a component replacement is made in any area of a projector. Components indicated by a Δ mark in this parts list and the circuit diagram show components whose value have special significance to product safety. It is particularly recommended that only parts specified on the following parts list be used for components replacement pointed out by the mark.

● Read Description in the parts list

Read description in the Capacitor and Resistor as follows:

CAPACITOR	CERAMIC	100P	K	50V	
					Rated Voltage
					Tolerance Symbols:
					Less than 10pF
					A : Not specified B : ±0.1pF C : ±0.25pF
					D : ±0.5pF E : +0 -1pF F : ±1PF
					G : ±2pF H : +0.1 -0pF L : +0 -0.1pF
					R : ±0.25 -0pF S : +0-0.25pF
					More than 10pF
					A : Not specified B : ±0.1% C : ±0.25%
					D : ±0.5% F : ±1% G : ±2%
					H : ±3% J : ±5% K : ±10%
					L : ±15% M : ±20% N : ±30%
					P : +100-0% Q : +30-10% T : +50-10%
					U : +75-10% V : +20-10% W : +100-10%
					X : +40-20% Y : +150-10% Z : +80-20%

Rated value: P=pico farad, U=micro farad

Material:

CERAMIC..... Ceramic
 MT-PAPER..... Metallized Paper
 POLYESTER..... Polyester
 MT-POLYEST..... Metallized Polyester
 POLYPRO..... Polypropylene
 MT-POLYPRO..... Metallized Polypropylene
 COMPO FILM..... Composite film
 MT-COMPO..... Metallized Composite
 STYRENE..... Styrene
 TA-SOLID..... Tantalum Oxide Solid Electrolytic
 AL-SOLID..... Aluminium Solid Electrolytic
 ELECT..... Aluminum Foil Electrolytic
 NP-ELECT..... Non-polarised Electrolytic
 OS-SOLID..... Aluminium Solid with Organic Semiconductive Electrolytic
 POS-SOLID..... Polymerized Organic Semiconductive
 DL-ELECT..... Double Layered Electrolytic
 PPS-FILM..... Polyphenylene Sulfide Film
 MT-PPS-FILM..... Metalized Polyphenylene Sulfide Film
 MT-PEN-FILM..... Metalized Polyethylenephthalate Film
 CAPACITOR..... Other

RESISTOR	CARBON	4.7K	J	A	1/4W	
						Rated Wattage
						Performance Symbols:
						A: General B: Non flammable Z: Low noise
						Other: Temperature coefficient
						T: ±10ppm/°C U: ±25ppm/°C C: ±50ppm/°C
						D: ±100ppm/°C E: ±200ppm/°C F: ±250ppm/°C
						G: ±350ppm/°C H: ±1000ppm/°C±10% W: ±1200ppm/°C±10%
						Y: ±1400ppm/°C±10% J: ±2000ppm/°C±10% K: ±2400ppm/°C±10%
						L: ±2700ppm/°C±10% M: ±3000ppm/°C±10% N: ±3300ppm/°C±10%
						P: ±3600ppm/°C±10% Q: ±3900ppm/°C±10% R: ±4200ppm/°C±10%
						S: ±4300ppm/°C±10% V: ±4500ppm/°C±10% X: ±8000ppm/°C±10%
						Tolerance Symbols:
						A: ±0.05% B: ±0.1% C: ±0.25% D: ±0.5%
						F: ±1% G: ±2% J: ±5% K: ±10%
						M: ±20% P: +5-15% Z: 0 ohm
						Rated value, ohms:
						K: 1,000, M: 1,000,000

Material:

CARBON..... Carbon
 MT-FILM..... Metal Film
 OXIDE-MT..... Oxide Metal Film
 SOLID..... Composition
 MT-GLAZE..... Metal Glaze
 WIRE WOUND... Wire Wound
 CERAMIC RES.. Ceramic
 FUSIBLE RES.... Fusible
 RESISTOR Other

Electrical Parts List

Key No.	Part No.	Description	Key No.	Part No.	Description
ASSEMBLED BOARDS			W7C3	610 342 6525	CABLE,BALLAST KH5AL
△ A6801	610 342 3418	ASSY,PWB,CONTROL KH5AL	W7C4	610 342 6525	CABLE,BALLAST KH5AL
△ A2801	610 342 3425	ASSY,PWB,LED KH5AL	Z10L&40A	610 343 8474	51P LVDS CORD
△ A2811	610 342 3432	ASSY,PWB,R/C1 KH5AL	Z40C&CW	610 343 8498	CORD 12P CW DR12-2S-12
△ A2821	610 342 3449	ASSY,PWB,R/C2 KH5AL	Z40E&CW	610 343 8481	CORD 12P CW DR12-2S-13
△ A1901	610 342 3487	ASSY,PWB,LED LIGHT KH5AL	A6801 610 342 3418 ASSY,PWB,CONTROL KH5AL		
△ AA401	610 350 9907	ASSY,PWB,FORMATTER KE2AL	TRANSISTOR		
△ AA801	610 353 7146	ASSY,PWB,MAIN KE2BL	Q1951	305 014 4512	TR 2SC2412K T146 R
△ A9001	610 349 9802	ASSY,PWB,MOTHER KE2AL		305 014 4611	TR 2SC2412K T146 S
△ A3801	610 349 9796	ASSY,PWB,AV KE2AL		305 015 8727	TR 2SC2812-L6-TB
△ A8731	610 349 9840	ASSY,PWB,ID I/F1 KE2AL		305 015 8925	TR 2SC2812-L7-TB
△ A8761	610 349 9857	ASSY,PWB,ID I/F2 KE2AL		305 163 1615	TR 2SC2812N-L6-TBO
△ A1801	610 349 9871	ASSY,PWB,HALL SENSOR KE2AL		305 173 9816	TR 2SC3928A1R
△ A1851	610 349 9888	ASSY,PWB,FILTER SW KE2AL	Q1956	305 173 9915	TR 2SC3928A1S
△ A8801	610 349 9895	ASSY,PWB,TEMP. SENSOR KE2AL		305 014 4512	TR 2SC2412K T146 R
△ AA601	610 350 1673	ASSY,PWB,PFC KL8A		305 014 4611	TR 2SC2412K T146 S
OUT OF CIRCUIT BOARD				305 015 8727	TR 2SC2812-L6-TB
△ LF901	945 054 3228	UNIT,NOISE FILTER		305 015 8925	TR 2SC2812-L7-TB
△ LP901	610 350 6814	COMPL,OPT LMP-KE2AL		305 163 1615	TR 2SC2812N-L6-TBO
△ LP902	610 350 6814	COMPL,OPT LMP-KE2AL		305 173 9816	TR 2SC3928A1R
△ A901	645 098 7656	UNIT,POWER(DC)		305 173 9915	TR 2SC3928A1S
△ A902	645 103 2188	UNIT,POWER(AC)	Q1961	305 014 4512	TR 2SC2412K T146 R
△ BALAST1	645 103 3925	UNIT,BALLAST		305 014 4611	TR 2SC2412K T146 S
△ BALAST2	645 103 3925	UNIT,BALLAST		305 015 8727	TR 2SC2812-L6-TB
CW001	610 350 7125	COMPL HOLD CW BRIGHT-KE2AL		305 015 8925	TR 2SC2812-L7-TB
CW002	610 350 7125	COMPL HOLD CW BRIGHT-KE2AL	Q1966	305 163 1615	TR 2SC2812N-L6-TBO
△ F901	323 028 4202	FUSE 300V 15A		305 173 9816	TR 2SC3928A1R
△ F901A	645 089 9355	HOLDER,FUSE		305 173 9915	TR 2SC3928A1S
△ FN901	645 099 5002	MOTOR,FAN DC 3.0W	Q1971	305 014 4512	TR 2SC2412K T146 R
△ FN902	645 099 4999	MOTOR,FAN DC 3.0W		305 014 4611	TR 2SC2412K T146 S
△ FN903	645 099 5040	MOTOR,BLW DC 3.0W		305 015 8727	TR 2SC2812-L6-TB
△ FN904	645 099 5057	MOTOR,BLW DC 3.0W		305 015 8925	TR 2SC2812-L7-TB
△ FN905	645 099 4982	MOTOR,BLW DC 10.8W		305 163 1615	TR 2SC2812N-L6-TBO
△ FN906	645 099 5033	MOTOR,BLW DC 3.0W		305 173 9816	TR 2SC3928A1R
△ FN907	645 099 8843	MOTOR,FAN DC 1.68W		305 173 9915	TR 2SC3928A1S
△ FN908	645 099 6580	MOTOR,FAN DC 3.4W	Q2951	305 014 4512	TR 2SC2412K T146 R
△ FN909	645 099 5217	MOTOR,BLW DC 1.92W		305 014 4611	TR 2SC2412K T146 S
K10A1	312 067 3604	SPECIAL SCREW		305 015 8727	TR 2SC2812-L6-TB
K10A2	312 067 3604	SPECIAL SCREW		305 015 8925	TR 2SC2812-L7-TB
K10B1	312 067 3604	SPECIAL SCREW		305 163 1615	TR 2SC2812N-L6-TBO
K10B2	312 067 3604	SPECIAL SCREW		305 173 9816	TR 2SC3928A1R
K10C1	312 067 3604	SPECIAL SCREW		305 173 9915	TR 2SC3928A1S
K10C2	312 067 3604	SPECIAL SCREW	Q2956	305 014 4512	TR 2SC2412K T146 R
K21B1	312 067 3604	SPECIAL SCREW		305 014 4611	TR 2SC2412K T146 S
K21B2	312 067 3604	SPECIAL SCREW		305 015 8727	TR 2SC2812-L6-TB
K21C1	312 067 3604	SPECIAL SCREW		305 015 8925	TR 2SC2812-L7-TB
K21C2	312 067 3604	SPECIAL SCREW		305 163 1615	TR 2SC2812N-L6-TBO
K4501	645 099 3480	SOCKET,INTERPOSER 335P		305 173 9816	TR 2SC3928A1R
△ K901	945 040 7599	SOCKET,INLET AC 3P		305 173 9915	TR 2SC3928A1S
MI4501	610 346 1953	SERVICE DMD -KH5AL	Q2961	305 014 4512	TR 2SC2412K T146 R
M901	645 093 2571	MOTOR,DC 12V		305 014 4611	TR 2SC2412K T146 S
S901	645 093 2533	UNIT,WIND VELOCITY SENSOR		305 015 8727	TR 2SC2812-L6-TB
	645 103 4106	UNIT,WIND VELOCITY SENSOR		305 015 8925	TR 2SC2812-L7-TB
△ SW901	645 102 6781	SWITCH,POWER 4P-2TX2		305 163 1615	TR 2SC2812N-L6-TBO
SW902	945 076 8164	SWITCH,PUSH 1P-2TX1		305 173 9816	TR 2SC3928A1R
△ SW903	645 099 9116	SWITCH,REED		305 173 9915	TR 2SC3928A1S
△ SW904	645 099 9116	SWITCH,REED	Q2966	305 014 4512	TR 2SC2412K T146 R
TH901	945 079 7768	SWITCH,THERMAL,THERMISTOR			

Electrical Parts List

Key No.	Part No.	Description	Key No.	Part No.	Description			
	305 014 4611	TR 2SC2412K T146 S	C6821	303 298 9612	CERAMIC	0.1U K	16V	
	305 015 8727	TR 2SC2812-L6-TB	RESISTOR					
	305 015 8925	TR 2SC2812-L7-TB	R1951	301 255 6612	MT-GLAZE	300 JA	1/10W	
	305 163 1615	TR 2SC2812N-L6-TB0	R1952	301 255 6612	MT-GLAZE	300 JA	1/10W	
	305 173 9816	TR 2SC3928A1R	R1953	301 326 1713	MT-GLAZE	10K DA	1/10W	
	305 173 9915	TR 2SC3928A1S	R1956	301 255 6612	MT-GLAZE	300 JA	1/10W	
Q2971	305 014 4512	TR 2SC2412K T146 R	R1957	301 255 6612	MT-GLAZE	300 JA	1/10W	
	305 014 4611	TR 2SC2412K T146 S	R1958	301 326 1713	MT-GLAZE	10K DA	1/10W	
	305 015 8727	TR 2SC2812-L6-TB	R1961	301 255 6612	MT-GLAZE	300 JA	1/10W	
	305 015 8925	TR 2SC2812-L7-TB	R1962	301 255 6612	MT-GLAZE	300 JA	1/10W	
	305 163 1615	TR 2SC2812N-L6-TB0	R1963	301 326 1713	MT-GLAZE	10K DA	1/10W	
	305 173 9816	TR 2SC3928A1R	R1966	301 255 6612	MT-GLAZE	300 JA	1/10W	
	305 173 9915	TR 2SC3928A1S	R1967	301 255 6612	MT-GLAZE	300 JA	1/10W	
Q2976	305 014 4512	TR 2SC2412K T146 R	R1968	301 326 1713	MT-GLAZE	10K DA	1/10W	
	305 014 4611	TR 2SC2412K T146 S	R1971	301 255 6612	MT-GLAZE	300 JA	1/10W	
	305 015 8727	TR 2SC2812-L6-TB	R1972	301 255 6612	MT-GLAZE	300 JA	1/10W	
	305 015 8925	TR 2SC2812-L7-TB	R1973	301 326 1713	MT-GLAZE	10K DA	1/10W	
	305 163 1615	TR 2SC2812N-L6-TB0	R1976	301 256 3818	MT-GLAZE	1.5K JA	1/10W	
	305 173 9816	TR 2SC3928A1R	R2886	301 255 6612	MT-GLAZE	300 JA	1/10W	
	305 173 9915	TR 2SC3928A1S	R2887	301 255 6612	MT-GLAZE	300 JA	1/10W	
Q2981	305 014 4512	TR 2SC2412K T146 R	R2888	301 326 1713	MT-GLAZE	10K DA	1/10W	
	305 014 4611	TR 2SC2412K T146 S	R2951	301 255 6612	MT-GLAZE	300 JA	1/10W	
	305 015 8727	TR 2SC2812-L6-TB	R2952	301 255 6612	MT-GLAZE	300 JA	1/10W	
	305 015 8925	TR 2SC2812-L7-TB	R2953	301 326 1713	MT-GLAZE	10K DA	1/10W	
	305 163 1615	TR 2SC2812N-L6-TB0	R2956	301 255 6612	MT-GLAZE	300 JA	1/10W	
	305 173 9816	TR 2SC3928A1R	R2957	301 255 6612	MT-GLAZE	300 JA	1/10W	
	305 173 9915	TR 2SC3928A1S	R2958	301 326 1713	MT-GLAZE	10K DA	1/10W	
Q2986	305 014 4512	TR 2SC2412K T146 R	R2961	301 255 6612	MT-GLAZE	300 JA	1/10W	
	305 014 4611	TR 2SC2412K T146 S	R2962	301 255 6612	MT-GLAZE	300 JA	1/10W	
	305 015 8727	TR 2SC2812-L6-TB	R2963	301 326 1713	MT-GLAZE	10K DA	1/10W	
	305 015 8925	TR 2SC2812-L7-TB	R2966	301 255 6612	MT-GLAZE	300 JA	1/10W	
	305 163 1615	TR 2SC2812N-L6-TB0	R2967	301 255 6612	MT-GLAZE	300 JA	1/10W	
	305 173 9816	TR 2SC3928A1R	R2968	301 326 1713	MT-GLAZE	10K DA	1/10W	
	305 173 9915	TR 2SC3928A1S	R2971	301 255 6612	MT-GLAZE	300 JA	1/10W	
Q2991	305 014 4512	TR 2SC2412K T146 R	R2972	301 255 6612	MT-GLAZE	300 JA	1/10W	
	305 014 4611	TR 2SC2412K T146 S	R2973	301 326 1713	MT-GLAZE	10K DA	1/10W	
	305 015 8727	TR 2SC2812-L6-TB	R2976	301 255 6612	MT-GLAZE	300 JA	1/10W	
	305 015 8925	TR 2SC2812-L7-TB	R2977	301 255 6612	MT-GLAZE	300 JA	1/10W	
	305 163 1615	TR 2SC2812N-L6-TB0	R2978	301 326 1713	MT-GLAZE	10K DA	1/10W	
	305 173 9816	TR 2SC3928A1R	R2981	301 255 6612	MT-GLAZE	300 JA	1/10W	
	305 173 9915	TR 2SC3928A1S	R2982	301 255 6612	MT-GLAZE	300 JA	1/10W	
Q2996	305 014 4512	TR 2SC2412K T146 R	R2983	301 326 1713	MT-GLAZE	10K DA	1/10W	
	305 014 4611	TR 2SC2412K T146 S	R2991	301 255 6612	MT-GLAZE	300 JA	1/10W	
	305 015 8727	TR 2SC2812-L6-TB	R2992	301 255 6612	MT-GLAZE	300 JA	1/10W	
	305 015 8925	TR 2SC2812-L7-TB	R2993	301 326 1713	MT-GLAZE	10K DA	1/10W	
	305 163 1615	TR 2SC2812N-L6-TB0	R2996	301 255 6612	MT-GLAZE	300 JA	1/10W	
	305 173 9816	TR 2SC3928A1R	R2997	301 255 6612	MT-GLAZE	300 JA	1/10W	
	305 173 9915	TR 2SC3928A1S	R2998	301 326 1713	MT-GLAZE	10K DA	1/10W	
CAPACITOR			R6801	301 265 1812	MT-GLAZE	47K FA	1/10W	
C1951	303 298 9612	CERAMIC	R6802	301 264 4814	MT-GLAZE	18K FA	1/10W	
C1956	303 298 9612	CERAMIC	R6803	301 265 5711	MT-GLAZE	8.2K FA	1/10W	
C1961	303 298 9612	CERAMIC	R6804	301 265 3113	MT-GLAZE	5.6K FA	1/10W	
C1966	303 298 9612	CERAMIC	R6806	301 264 9314	MT-GLAZE	3.3K FA	1/10W	
C1971	303 298 9612	CERAMIC	R6807	301 326 1713	MT-GLAZE	10K DA	1/10W	
C2951	303 298 9612	CERAMIC	R6811	301 265 1812	MT-GLAZE	47K FA	1/10W	
C2956	303 298 9612	CERAMIC	R6812	301 264 4814	MT-GLAZE	18K FA	1/10W	
C2961	303 298 9612	CERAMIC	R6813	301 265 5711	MT-GLAZE	8.2K FA	1/10W	
C2966	303 298 9612	CERAMIC	R6814	301 265 3113	MT-GLAZE	5.6K FA	1/10W	
C2971	303 298 9612	CERAMIC	R6816	301 264 9314	MT-GLAZE	3.3K FA	1/10W	
C2976	303 298 9612	CERAMIC	R6817	301 326 1713	MT-GLAZE	10K DA	1/10W	
C2981	303 298 9612	CERAMIC	R6821	301 265 1812	MT-GLAZE	47K FA	1/10W	
C2986	303 298 9612	CERAMIC	R6822	301 264 4814	MT-GLAZE	18K FA	1/10W	
C2991	303 298 9612	CERAMIC	R6823	301 265 5711	MT-GLAZE	8.2K FA	1/10W	
C2996	303 298 9612	CERAMIC	R6824	301 265 3113	MT-GLAZE	5.6K FA	1/10W	
C6801	303 298 9612	CERAMIC	R6826	301 264 9314	MT-GLAZE	3.3K FA	1/10W	
C6811	303 298 9612	CERAMIC	R6827	301 326 1713	MT-GLAZE	10K DA	1/10W	

Electrical Parts List

Key No.	Part No.	Description	Key No.	Part No.	Description
Q2566	305 200 9314	TR 2SK3492-TL-E	C1433	303 276 1317	CERAMIC 1000P K 50V
Q2574	305 200 9314	TR 2SK3492-TL-E	C1434	303 438 0219	CERAMIC 0.1U K 16V
Q7651	305 211 1918	TR RJU002N06		303 409 3426	CERAMIC 0.1U K 16V
Q7652	305 211 1918	TR RJU002N06	C1435	303 276 1317	CERAMIC 1000P K 50V
INTEGRATED CIRCUIT			C1436	303 438 0219	CERAMIC 0.1U K 16V
IC1401	410 678 9906	IC 2506502-0003B		303 409 3426	CERAMIC 0.1U K 16V
IC1491	410 678 9807	IC TPS51100DGQR	C1437	303 438 0219	CERAMIC 0.1U K 16V
IC1591	410 710 9208	IC M29DW323DB70N6E-1254		303 409 3426	CERAMIC 0.1U K 16V
IC1592	309 642 8713	IC TC7SA32FU(TE85L,F)	C1438	303 438 0219	CERAMIC 0.1U K 16V
IC1596	410 710 9109	IC M29DW323DB70N6E-1255		303 409 3426	CERAMIC 0.1U K 16V
IC1597	309 642 8713	IC TC7SA32FU(TE85L,F)	C1439	303 276 1317	CERAMIC 1000P K 50V
IC2501	410 678 9708	IC 2506224-0004	C1441	303 438 0219	CERAMIC 0.1U K 16V
IC2551	410 678 9708	IC 2506224-0004		303 409 3426	CERAMIC 0.1U K 16V
IC3501	410 678 9609	IC 2503253-0004	C1442	303 276 1317	CERAMIC 1000P K 50V
IC3531	410 678 9609	IC 2503253-0004	C1443	303 438 0219	CERAMIC 0.1U K 16V
IC401	410 678 9906	IC 2506502-0003B		303 409 3426	CERAMIC 0.1U K 16V
IC4776	309 644 3310	IC MXA2500EL	C1444	303 276 1317	CERAMIC 1000P K 50V
IC491	410 678 9807	IC TPS51100DGQR	C1445	303 438 0219	CERAMIC 0.1U K 16V
IC591	410 710 9208	IC M29DW323DB70N6E-1254		303 409 3426	CERAMIC 0.1U K 16V
IC592	309 642 8713	IC TC7SA32FU(TE85L,F)	C1446	303 276 1317	CERAMIC 1000P K 50V
IC596	410 710 9109	IC M29DW323DB70N6E-1255	C1447	303 438 0219	CERAMIC 0.1U K 16V
IC597	309 642 8713	IC TC7SA32FU(TE85L,F)		303 409 3426	CERAMIC 0.1U K 16V
IC7661	310 614 6207	IC TC7SZ14FU(TE85L,F)	C1448	303 276 1317	CERAMIC 1000P K 50V
IC7662	410 677 2205	IC TC7PA05FU(TE85L,F)	C1449	303 438 0219	CERAMIC 0.1U K 16V
IC7681	410 677 2205	IC TC7PA05FU(TE85L,F)		303 409 3426	CERAMIC 0.1U K 16V
IC7691	409 685 9415	IC MP2307DN	C1451	303 276 1317	CERAMIC 1000P K 50V
IC7701	410 676 9908	IC IC5650GI-44LFT	C1452	303 438 0219	CERAMIC 0.1U K 16V
IC7721	409 695 6817	IC UPC393GR-9LG-E1-A		303 409 3426	CERAMIC 0.1U K 16V
IC7731	309 368 5812	IC TC7SH08FU(TE85L)	C1453	303 276 1317	CERAMIC 1000P K 50V
IC7746	309 644 5215	IC 74LVC1G04GW-125	C1454	303 438 0219	CERAMIC 0.1U K 16V
	309 330 2511	IC TC7SH04FU-(TE85L)		303 409 3426	CERAMIC 0.1U K 16V
			C1455	303 276 1317	CERAMIC 1000P K 50V
CAPACITOR			C1456	303 438 0219	CERAMIC 0.1U K 16V
C1401	303 439 8412	CERAMIC 2.2U M 6.3V		303 409 3426	CERAMIC 0.1U K 16V
C1402	303 276 1317	CERAMIC 1000P K 50V	C1457	303 276 1317	CERAMIC 1000P K 50V
C1403	303 276 1317	CERAMIC 1000P K 50V	C1458	303 438 0219	CERAMIC 0.1U K 16V
C1404	303 439 8412	CERAMIC 2.2U M 6.3V		303 409 3426	CERAMIC 0.1U K 16V
C1405	303 276 1317	CERAMIC 1000P K 50V	C1459	303 276 1317	CERAMIC 1000P K 50V
C1406	303 439 8412	CERAMIC 2.2U M 6.3V	C1461	303 438 0219	CERAMIC 0.1U K 16V
C1407	303 276 1317	CERAMIC 1000P K 50V		303 409 3426	CERAMIC 0.1U K 16V
C1408	303 439 8412	CERAMIC 2.2U M 6.3V	C1462	303 276 1317	CERAMIC 1000P K 50V
C1409	303 276 1317	CERAMIC 1000P K 50V	C1463	303 438 0219	CERAMIC 0.1U K 16V
C1411	303 439 8412	CERAMIC 2.2U M 6.3V		303 409 3426	CERAMIC 0.1U K 16V
C1412	303 276 1317	CERAMIC 1000P K 50V	C1464	303 276 1317	CERAMIC 1000P K 50V
C1413	303 439 8412	CERAMIC 2.2U M 6.3V	C1465	303 438 0219	CERAMIC 0.1U K 16V
C1414	303 276 1317	CERAMIC 1000P K 50V		303 409 3426	CERAMIC 0.1U K 16V
C1415	303 439 8412	CERAMIC 2.2U M 6.3V	C1466	303 276 1317	CERAMIC 1000P K 50V
C1416	303 276 1317	CERAMIC 1000P K 50V	C1467	303 438 0219	CERAMIC 0.1U K 16V
C1417	303 439 8412	CERAMIC 2.2U M 6.3V		303 409 3426	CERAMIC 0.1U K 16V
C1418	303 276 1317	CERAMIC 1000P K 50V	C1468	303 438 0219	CERAMIC 0.1U K 16V
C1419	303 439 8412	CERAMIC 2.2U M 6.3V		303 409 3426	CERAMIC 0.1U K 16V
C1421	303 439 8412	CERAMIC 2.2U M 6.3V	C1469	303 276 1317	CERAMIC 1000P K 50V
C1422	303 276 1317	CERAMIC 1000P K 50V	C1471	303 438 0219	CERAMIC 0.1U K 16V
C1423	303 438 0219	CERAMIC 0.1U K 16V		303 409 3426	CERAMIC 0.1U K 16V
	303 409 3426	CERAMIC 0.1U K 16V	C1472	303 276 1317	CERAMIC 1000P K 50V
C1424	303 276 1317	CERAMIC 1000P K 50V	C1473	303 438 0219	CERAMIC 0.1U K 16V
C1425	303 438 0219	CERAMIC 0.1U K 16V		303 409 3426	CERAMIC 0.1U K 16V
	303 409 3426	CERAMIC 0.1U K 16V	C1474	303 276 1317	CERAMIC 1000P K 50V
C1426	303 276 1317	CERAMIC 1000P K 50V	C1475	303 438 0219	CERAMIC 0.1U K 16V
C1427	303 438 0219	CERAMIC 0.1U K 16V		303 409 3426	CERAMIC 0.1U K 16V
	303 409 3426	CERAMIC 0.1U K 16V	C1476	303 438 0219	CERAMIC 0.1U K 16V
C1428	303 276 1317	CERAMIC 1000P K 50V		303 409 3426	CERAMIC 0.1U K 16V
C1429	303 438 0219	CERAMIC 0.1U K 16V	C1477	303 438 0219	CERAMIC 0.1U K 16V
	303 409 3426	CERAMIC 0.1U K 16V		303 409 3426	CERAMIC 0.1U K 16V
C1431	303 276 1317	CERAMIC 1000P K 50V	C1478	303 438 0219	CERAMIC 0.1U K 16V
C1432	303 438 0219	CERAMIC 0.1U K 16V		303 409 3426	CERAMIC 0.1U K 16V
	303 409 3426	CERAMIC 0.1U K 16V	C1479	303 438 0219	CERAMIC 0.1U K 16V

Electrical Parts List

Key No.	Part No.	Description	Key No.	Part No.	Description
	303 409 3426	CERAMIC 0.1U K 16V		303 409 3426	CERAMIC 0.1U K 16V
C1480	303 438 0219	CERAMIC 0.1U K 16V	C1528	303 438 0219	CERAMIC 0.1U K 16V
	303 409 3426	CERAMIC 0.1U K 16V		303 409 3426	CERAMIC 0.1U K 16V
C1481	303 438 0219	CERAMIC 0.1U K 16V	C1529	303 438 0219	CERAMIC 0.1U K 16V
	303 409 3426	CERAMIC 0.1U K 16V		303 409 3426	CERAMIC 0.1U K 16V
C1482	303 438 0219	CERAMIC 0.1U K 16V	C1531	303 438 0219	CERAMIC 0.1U K 16V
	303 409 3426	CERAMIC 0.1U K 16V		303 409 3426	CERAMIC 0.1U K 16V
C1483	303 438 0219	CERAMIC 0.1U K 16V	C1532	303 438 0219	CERAMIC 0.1U K 16V
	303 409 3426	CERAMIC 0.1U K 16V		303 409 3426	CERAMIC 0.1U K 16V
C1484	303 438 0219	CERAMIC 0.1U K 16V	C1533	303 438 0219	CERAMIC 0.1U K 16V
	303 409 3426	CERAMIC 0.1U K 16V		303 409 3426	CERAMIC 0.1U K 16V
C1485	303 276 1317	CERAMIC 1000P K 50V	C1534	303 438 0219	CERAMIC 0.1U K 16V
C1486	303 438 0219	CERAMIC 0.1U K 16V		303 409 3426	CERAMIC 0.1U K 16V
	303 409 3426	CERAMIC 0.1U K 16V	C1536	303 276 1317	CERAMIC 1000P K 50V
C1487	303 438 0219	CERAMIC 0.1U K 16V	C1537	303 438 0219	CERAMIC 0.1U K 16V
	303 409 3426	CERAMIC 0.1U K 16V		303 409 3426	CERAMIC 0.1U K 16V
C1488	303 438 0219	CERAMIC 0.1U K 16V	C1538	303 438 0219	CERAMIC 0.1U K 16V
	303 409 3426	CERAMIC 0.1U K 16V		303 409 3426	CERAMIC 0.1U K 16V
C1489	303 276 1317	CERAMIC 1000P K 50V	C1539	303 276 1317	CERAMIC 1000P K 50V
C1491	303 358 3215	CERAMIC 10U K 6.3V	C1541	303 438 0219	CERAMIC 0.1U K 16V
	303 368 7319	CERAMIC 10U K 6.3V		303 409 3426	CERAMIC 0.1U K 16V
C1492	303 358 3215	CERAMIC 10U K 6.3V	C1542	303 438 0219	CERAMIC 0.1U K 16V
	303 368 7319	CERAMIC 10U K 6.3V		303 409 3426	CERAMIC 0.1U K 16V
C1493	303 358 3215	CERAMIC 10U K 6.3V	C1543	303 438 0219	CERAMIC 0.1U K 16V
	303 368 7319	CERAMIC 10U K 6.3V		303 409 3426	CERAMIC 0.1U K 16V
C1494	303 438 0219	CERAMIC 0.1U K 16V	C1544	303 276 1317	CERAMIC 1000P K 50V
	303 409 3426	CERAMIC 0.1U K 16V	C1545	303 438 0219	CERAMIC 0.1U K 16V
C1495	303 394 5815	CERAMIC 4.7U K 16V		303 409 3426	CERAMIC 0.1U K 16V
C1501	303 438 0219	CERAMIC 0.1U K 16V	C1546	303 438 0219	CERAMIC 0.1U K 16V
	303 409 3426	CERAMIC 0.1U K 16V		303 409 3426	CERAMIC 0.1U K 16V
C1502	303 394 1312	ELECT 100U M 6.3V	C1547	303 276 1317	CERAMIC 1000P K 50V
	303 427 9315	ELECT 100U M 6.3V	C1548	303 438 0219	CERAMIC 0.1U K 16V
C1503	303 276 1317	CERAMIC 1000P K 50V		303 409 3426	CERAMIC 0.1U K 16V
C1504	303 438 0219	CERAMIC 0.1U K 16V	C1549	303 438 0219	CERAMIC 0.1U K 16V
	303 409 3426	CERAMIC 0.1U K 16V		303 409 3426	CERAMIC 0.1U K 16V
C1506	303 438 0219	CERAMIC 0.1U K 16V	C1551	303 438 0219	CERAMIC 0.1U K 16V
	303 409 3426	CERAMIC 0.1U K 16V		303 409 3426	CERAMIC 0.1U K 16V
C1507	303 276 1317	CERAMIC 1000P K 50V	C1552	303 394 1312	ELECT 100U M 6.3V
C1508	303 438 0219	CERAMIC 0.1U K 16V		303 427 9315	ELECT 100U M 6.3V
	303 409 3426	CERAMIC 0.1U K 16V	C1553	303 438 0219	CERAMIC 0.1U K 16V
C1509	303 438 0219	CERAMIC 0.1U K 16V		303 409 3426	CERAMIC 0.1U K 16V
	303 409 3426	CERAMIC 0.1U K 16V	C1554	303 438 0219	CERAMIC 0.1U K 16V
C1511	303 438 0219	CERAMIC 0.1U K 16V		303 409 3426	CERAMIC 0.1U K 16V
	303 409 3426	CERAMIC 0.1U K 16V	C1556	303 438 0219	CERAMIC 0.1U K 16V
C1512	303 276 1317	CERAMIC 1000P K 50V		303 409 3426	CERAMIC 0.1U K 16V
C1513	303 438 0219	CERAMIC 0.1U K 16V	C1557	303 276 1317	CERAMIC 1000P K 50V
	303 409 3426	CERAMIC 0.1U K 16V	C1558	303 438 0219	CERAMIC 0.1U K 16V
C1514	303 438 0219	CERAMIC 0.1U K 16V		303 409 3426	CERAMIC 0.1U K 16V
	303 409 3426	CERAMIC 0.1U K 16V	C1559	303 276 1317	CERAMIC 1000P K 50V
C1515	303 276 1317	CERAMIC 1000P K 50V	C1561	303 438 0219	CERAMIC 0.1U K 16V
C1516	303 438 0219	CERAMIC 0.1U K 16V		303 409 3426	CERAMIC 0.1U K 16V
	303 409 3426	CERAMIC 0.1U K 16V	C1562	303 438 0219	CERAMIC 0.1U K 16V
C1517	303 438 0219	CERAMIC 0.1U K 16V		303 409 3426	CERAMIC 0.1U K 16V
	303 409 3426	CERAMIC 0.1U K 16V	C1563	303 438 0219	CERAMIC 0.1U K 16V
C1518	303 438 0219	CERAMIC 0.1U K 16V		303 409 3426	CERAMIC 0.1U K 16V
	303 409 3426	CERAMIC 0.1U K 16V	C1564	303 276 1317	CERAMIC 1000P K 50V
C1519	303 438 0219	CERAMIC 0.1U K 16V	C1565	303 438 0219	CERAMIC 0.1U K 16V
	303 409 3426	CERAMIC 0.1U K 16V		303 409 3426	CERAMIC 0.1U K 16V
C1521	303 438 0219	CERAMIC 0.1U K 16V	C1566	303 438 0219	CERAMIC 0.1U K 16V
	303 409 3426	CERAMIC 0.1U K 16V		303 409 3426	CERAMIC 0.1U K 16V
C1522	303 394 1312	ELECT 100U M 6.3V	C1567	303 276 1317	CERAMIC 1000P K 50V
	303 427 9315	ELECT 100U M 6.3V	C1568	303 438 0219	CERAMIC 0.1U K 16V
C1523	303 276 1317	CERAMIC 1000P K 50V		303 409 3426	CERAMIC 0.1U K 16V
C1524	303 438 0219	CERAMIC 0.1U K 16V	C1569	303 276 1317	CERAMIC 1000P K 50V
	303 409 3426	CERAMIC 0.1U K 16V	C1571	303 438 0219	CERAMIC 0.1U K 16V
C1526	303 276 1317	CERAMIC 1000P K 50V		303 409 3426	CERAMIC 0.1U K 16V
C1527	303 438 0219	CERAMIC 0.1U K 16V	C1572	303 276 1317	CERAMIC 1000P K 50V

Electrical Parts List

Key No.	Part No.	Description	Key No.	Part No.	Description
C1573	303 438 0219	CERAMIC 0.1U K 16V	C2536	303 376 6212	CERAMIC 0.22U K 10V
	303 409 3426	CERAMIC 0.1U K 16V	C2537	303 376 6212	CERAMIC 0.22U K 10V
C1574	303 276 1317	CERAMIC 1000P K 50V	C2539	303 438 0219	CERAMIC 0.1U K 16V
C1575	303 438 0219	CERAMIC 0.1U K 16V		303 409 3426	CERAMIC 0.1U K 16V
	303 409 3426	CERAMIC 0.1U K 16V	C2543	303 438 0219	CERAMIC 0.1U K 16V
C1576	303 276 1317	CERAMIC 1000P K 50V		303 409 3426	CERAMIC 0.1U K 16V
C1577	303 438 0219	CERAMIC 0.1U K 16V	C2544	303 276 1317	CERAMIC 1000P K 50V
	303 409 3426	CERAMIC 0.1U K 16V	C2551	303 376 3112	ELECT 100U M 25V
C1578	303 438 0219	CERAMIC 0.1U K 16V		303 444 0111	ELECT 100U M 25V
	303 409 3426	CERAMIC 0.1U K 16V	C2552	303 437 4614	CERAMIC 10U K 25V
C1579	303 276 1317	CERAMIC 1000P K 50V	C2553	303 437 4614	CERAMIC 10U K 25V
C1581	303 276 1317	CERAMIC 1000P K 50V	C2554	303 401 5715	CERAMIC 0.33U K 16V
C1582	303 438 0219	CERAMIC 0.1U K 16V	C2556	303 401 5715	CERAMIC 0.33U K 16V
	303 409 3426	CERAMIC 0.1U K 16V	C2557	303 401 5715	CERAMIC 0.33U K 16V
C1583	303 438 0219	CERAMIC 0.1U K 16V	C2558	303 401 5715	CERAMIC 0.33U K 16V
	303 409 3426	CERAMIC 0.1U K 16V	C2561	303 392 5015	CERAMIC 22U M 6.3V
C1584	303 276 1317	CERAMIC 1000P K 50V		303 443 9214	CERAMIC 22U M 6.3V
C1585	303 438 0219	CERAMIC 0.1U K 16V	C2562	303 392 5015	CERAMIC 22U M 6.3V
	303 409 3426	CERAMIC 0.1U K 16V		303 443 9214	CERAMIC 22U M 6.3V
C1586	303 438 0219	CERAMIC 0.1U K 16V	C2563	303 392 5015	CERAMIC 22U M 6.3V
	303 409 3426	CERAMIC 0.1U K 16V		303 443 9214	CERAMIC 22U M 6.3V
C1587	303 438 0219	CERAMIC 0.1U K 16V	C2566	303 392 5015	CERAMIC 22U M 6.3V
	303 409 3426	CERAMIC 0.1U K 16V		303 443 9214	CERAMIC 22U M 6.3V
C1588	303 276 1317	CERAMIC 1000P K 50V	C2571	303 392 5015	CERAMIC 22U M 6.3V
C1589	303 438 0219	CERAMIC 0.1U K 16V		303 443 9214	CERAMIC 22U M 6.3V
	303 409 3426	CERAMIC 0.1U K 16V	C2574	303 392 5015	CERAMIC 22U M 6.3V
C1591	303 438 0219	CERAMIC 0.1U K 16V		303 443 9214	CERAMIC 22U M 6.3V
	303 409 3426	CERAMIC 0.1U K 16V	C2581	303 392 5015	CERAMIC 22U M 6.3V
C1592	303 438 0219	CERAMIC 0.1U K 16V		303 443 9214	CERAMIC 22U M 6.3V
	303 409 3426	CERAMIC 0.1U K 16V	C2582	303 276 1317	CERAMIC 1000P K 50V
C1593	303 438 0219	CERAMIC 0.1U K 16V	C2583	303 276 1317	CERAMIC 1000P K 50V
	303 409 3426	CERAMIC 0.1U K 16V	C2584	303 276 1317	CERAMIC 1000P K 50V
C1594	303 276 1317	CERAMIC 1000P K 50V	C2586	303 376 6212	CERAMIC 0.22U K 10V
C1595	303 276 1317	CERAMIC 1000P K 50V	C2587	303 376 6212	CERAMIC 0.22U K 10V
C1596	303 438 0219	CERAMIC 0.1U K 16V	C2589	303 438 0219	CERAMIC 0.1U K 16V
	303 409 3426	CERAMIC 0.1U K 16V		303 409 3426	CERAMIC 0.1U K 16V
C1597	303 438 0219	CERAMIC 0.1U K 16V	C2593	303 438 0219	CERAMIC 0.1U K 16V
	303 409 3426	CERAMIC 0.1U K 16V		303 409 3426	CERAMIC 0.1U K 16V
C1598	303 438 0219	CERAMIC 0.1U K 16V	C2594	303 276 1317	CERAMIC 1000P K 50V
	303 409 3426	CERAMIC 0.1U K 16V	C2701	303 276 1317	CERAMIC 1000P K 50V
C1599	303 438 0219	CERAMIC 0.1U K 16V	C2702	303 438 0219	CERAMIC 0.1U K 16V
	303 409 3426	CERAMIC 0.1U K 16V		303 409 3426	CERAMIC 0.1U K 16V
C2501	303 376 3112	ELECT 100U M 25V	C2703	303 438 0219	CERAMIC 0.1U K 16V
	303 444 0111	ELECT 100U M 25V		303 409 3426	CERAMIC 0.1U K 16V
C2502	303 437 4614	CERAMIC 10U K 25V	C2704	303 276 1317	CERAMIC 1000P K 50V
C2503	303 437 4614	CERAMIC 10U K 25V	C2705	303 276 1317	CERAMIC 1000P K 50V
C2504	303 401 5715	CERAMIC 0.33U K 16V	C2706	303 438 0219	CERAMIC 0.1U K 16V
C2506	303 401 5715	CERAMIC 0.33U K 16V		303 409 3426	CERAMIC 0.1U K 16V
C2507	303 401 5715	CERAMIC 0.33U K 16V	C2707	303 276 1317	CERAMIC 1000P K 50V
C2508	303 401 5715	CERAMIC 0.33U K 16V	C2708	303 438 0219	CERAMIC 0.1U K 16V
C2511	303 392 5015	CERAMIC 22U M 6.3V		303 409 3426	CERAMIC 0.1U K 16V
	303 443 9214	CERAMIC 22U M 6.3V	C2709	303 276 1317	CERAMIC 1000P K 50V
C2512	303 392 5015	CERAMIC 22U M 6.3V	C2711	303 438 0219	CERAMIC 0.1U K 16V
	303 443 9214	CERAMIC 22U M 6.3V		303 409 3426	CERAMIC 0.1U K 16V
C2513	303 392 5015	CERAMIC 22U M 6.3V	C2712	303 276 1317	CERAMIC 1000P K 50V
	303 443 9214	CERAMIC 22U M 6.3V	C2713	303 438 0219	CERAMIC 0.1U K 16V
C2516	303 392 5015	CERAMIC 22U M 6.3V		303 409 3426	CERAMIC 0.1U K 16V
	303 443 9214	CERAMIC 22U M 6.3V	C2714	303 276 1317	CERAMIC 1000P K 50V
C2521	303 392 5015	CERAMIC 22U M 6.3V	C2715	303 438 0219	CERAMIC 0.1U K 16V
	303 443 9214	CERAMIC 22U M 6.3V		303 409 3426	CERAMIC 0.1U K 16V
C2524	303 392 5015	CERAMIC 22U M 6.3V	C2716	303 276 1317	CERAMIC 1000P K 50V
	303 443 9214	CERAMIC 22U M 6.3V	C2717	303 438 0219	CERAMIC 0.1U K 16V
C2531	303 392 5015	CERAMIC 22U M 6.3V		303 409 3426	CERAMIC 0.1U K 16V
	303 443 9214	CERAMIC 22U M 6.3V	C2718	303 276 1317	CERAMIC 1000P K 50V
C2532	303 276 1317	CERAMIC 1000P K 50V	C2719	303 438 0219	CERAMIC 0.1U K 16V
C2533	303 276 1317	CERAMIC 1000P K 50V		303 409 3426	CERAMIC 0.1U K 16V
C2534	303 276 1317	CERAMIC 1000P K 50V	C2721	303 276 1317	CERAMIC 1000P K 50V

Electrical Parts List

Key No.	Part No.	Description	Key No.	Part No.	Description
C2722	303 438 0219	CERAMIC 0.1U K 16V	C2762	303 276 1317	CERAMIC 1000P K 50V
	303 409 3426	CERAMIC 0.1U K 16V	C2763	303 438 0219	CERAMIC 0.1U K 16V
C2723	303 276 1317	CERAMIC 1000P K 50V		303 409 3426	CERAMIC 0.1U K 16V
C2724	303 438 0219	CERAMIC 0.1U K 16V	C2764	303 438 0219	CERAMIC 0.1U K 16V
	303 409 3426	CERAMIC 0.1U K 16V		303 409 3426	CERAMIC 0.1U K 16V
C2725	303 276 1317	CERAMIC 1000P K 50V	C2765	303 438 0219	CERAMIC 0.1U K 16V
C2726	303 438 0219	CERAMIC 0.1U K 16V		303 409 3426	CERAMIC 0.1U K 16V
	303 409 3426	CERAMIC 0.1U K 16V	C2766	303 438 0219	CERAMIC 0.1U K 16V
C2727	303 276 1317	CERAMIC 1000P K 50V		303 409 3426	CERAMIC 0.1U K 16V
C2728	303 438 0219	CERAMIC 0.1U K 16V	C2767	303 438 0219	CERAMIC 0.1U K 16V
	303 409 3426	CERAMIC 0.1U K 16V		303 409 3426	CERAMIC 0.1U K 16V
C2729	303 276 1317	CERAMIC 1000P K 50V	C2768	303 438 0219	CERAMIC 0.1U K 16V
C2731	303 438 0219	CERAMIC 0.1U K 16V		303 409 3426	CERAMIC 0.1U K 16V
	303 409 3426	CERAMIC 0.1U K 16V	C2769	303 438 0219	CERAMIC 0.1U K 16V
C2732	303 276 1317	CERAMIC 1000P K 50V		303 409 3426	CERAMIC 0.1U K 16V
C2733	303 438 0219	CERAMIC 0.1U K 16V	C2770	303 438 0219	CERAMIC 0.1U K 16V
	303 409 3426	CERAMIC 0.1U K 16V		303 409 3426	CERAMIC 0.1U K 16V
C2734	303 276 1317	CERAMIC 1000P K 50V	C2771	303 438 0219	CERAMIC 0.1U K 16V
C2735	303 438 0219	CERAMIC 0.1U K 16V		303 409 3426	CERAMIC 0.1U K 16V
	303 409 3426	CERAMIC 0.1U K 16V	C2772	303 276 1317	CERAMIC 1000P K 50V
C2736	303 438 0219	CERAMIC 0.1U K 16V	C2773	303 438 0219	CERAMIC 0.1U K 16V
	303 409 3426	CERAMIC 0.1U K 16V		303 409 3426	CERAMIC 0.1U K 16V
C2737	303 438 0219	CERAMIC 0.1U K 16V	C2774	303 276 1317	CERAMIC 1000P K 50V
	303 409 3426	CERAMIC 0.1U K 16V	C2775	303 438 0219	CERAMIC 0.1U K 16V
C2738	303 438 0219	CERAMIC 0.1U K 16V		303 409 3426	CERAMIC 0.1U K 16V
	303 409 3426	CERAMIC 0.1U K 16V	C2776	303 438 0219	CERAMIC 0.1U K 16V
C2739	303 438 0219	CERAMIC 0.1U K 16V		303 409 3426	CERAMIC 0.1U K 16V
	303 409 3426	CERAMIC 0.1U K 16V	C2777	303 438 0219	CERAMIC 0.1U K 16V
C2740	303 276 1317	CERAMIC 1000P K 50V		303 409 3426	CERAMIC 0.1U K 16V
C2741	303 276 1317	CERAMIC 1000P K 50V	C2780	303 276 1317	CERAMIC 1000P K 50V
C2742	303 438 0219	CERAMIC 0.1U K 16V	C2781	303 398 2117	ELECT 330U M 6.3V
	303 409 3426	CERAMIC 0.1U K 16V		403 468 6318	ELECT 330U M 6.3V
C2743	303 438 0219	CERAMIC 0.1U K 16V	C2782	303 438 0219	CERAMIC 0.1U K 16V
	303 409 3426	CERAMIC 0.1U K 16V		303 409 3426	CERAMIC 0.1U K 16V
C2744	303 438 0219	CERAMIC 0.1U K 16V	C2783	303 438 0219	CERAMIC 0.1U K 16V
	303 409 3426	CERAMIC 0.1U K 16V		303 409 3426	CERAMIC 0.1U K 16V
C2745	303 276 1317	CERAMIC 1000P K 50V	C2784	303 276 1317	CERAMIC 1000P K 50V
C2746	303 438 0219	CERAMIC 0.1U K 16V	C2785	303 438 0219	CERAMIC 0.1U K 16V
	303 409 3426	CERAMIC 0.1U K 16V		303 409 3426	CERAMIC 0.1U K 16V
C2747	303 276 1317	CERAMIC 1000P K 50V	C2786	303 276 1317	CERAMIC 1000P K 50V
C2748	303 438 0219	CERAMIC 0.1U K 16V	C2787	303 438 0219	CERAMIC 0.1U K 16V
	303 409 3426	CERAMIC 0.1U K 16V		303 409 3426	CERAMIC 0.1U K 16V
C2749	303 438 0219	CERAMIC 0.1U K 16V	C2788	303 438 0219	CERAMIC 0.1U K 16V
	303 409 3426	CERAMIC 0.1U K 16V		303 409 3426	CERAMIC 0.1U K 16V
C2750	303 438 0219	CERAMIC 0.1U K 16V	C2789	303 276 1317	CERAMIC 1000P K 50V
	303 409 3426	CERAMIC 0.1U K 16V	C2790	303 438 0219	CERAMIC 0.1U K 16V
C2751	303 438 0219	CERAMIC 0.1U K 16V		303 409 3426	CERAMIC 0.1U K 16V
	303 409 3426	CERAMIC 0.1U K 16V	C2791	303 438 0219	CERAMIC 0.1U K 16V
C2752	303 438 0219	CERAMIC 0.1U K 16V		303 409 3426	CERAMIC 0.1U K 16V
	303 409 3426	CERAMIC 0.1U K 16V	C2792	303 276 1317	CERAMIC 1000P K 50V
C2753	303 438 0219	CERAMIC 0.1U K 16V	C2793	303 438 0219	CERAMIC 0.1U K 16V
	303 409 3426	CERAMIC 0.1U K 16V		303 409 3426	CERAMIC 0.1U K 16V
C2754	303 438 0219	CERAMIC 0.1U K 16V	C2794	303 438 0219	CERAMIC 0.1U K 16V
	303 409 3426	CERAMIC 0.1U K 16V		303 409 3426	CERAMIC 0.1U K 16V
C2755	303 438 0219	CERAMIC 0.1U K 16V	C2795	303 438 0219	CERAMIC 0.1U K 16V
	303 409 3426	CERAMIC 0.1U K 16V		303 409 3426	CERAMIC 0.1U K 16V
C2756	303 438 0219	CERAMIC 0.1U K 16V	C2796	303 276 1317	CERAMIC 1000P K 50V
	303 409 3426	CERAMIC 0.1U K 16V	C2797	303 438 0219	CERAMIC 0.1U K 16V
C2757	303 276 1317	CERAMIC 1000P K 50V		303 409 3426	CERAMIC 0.1U K 16V
C2758	303 438 0219	CERAMIC 0.1U K 16V	C2799	303 276 1317	CERAMIC 1000P K 50V
	303 409 3426	CERAMIC 0.1U K 16V	C3501	303 401 3810	ELECT 10U M 25V
C2759	303 438 0219	CERAMIC 0.1U K 16V	C3502	303 438 0219	CERAMIC 0.1U K 16V
	303 409 3426	CERAMIC 0.1U K 16V		303 409 3426	CERAMIC 0.1U K 16V
C2760	303 438 0219	CERAMIC 0.1U K 16V	C3503	303 438 0219	CERAMIC 0.1U K 16V
	303 409 3426	CERAMIC 0.1U K 16V		303 409 3426	CERAMIC 0.1U K 16V
C2761	303 438 0219	CERAMIC 0.1U K 16V	C3504	403 455 1012	CERAMIC 1U K 10V
	303 409 3426	CERAMIC 0.1U K 16V		303 433 1112	CERAMIC 1U K 10V

Electrical Parts List

Key No.	Part No.	Description	Key No.	Part No.	Description
C3505	303 438 0219	CERAMIC		303 409 3426	CERAMIC
	303 409 3426	CERAMIC		303 276 1317	CERAMIC
C3506	303 294 6110	CERAMIC	C3716	303 438 0219	CERAMIC
C3507	303 294 6110	CERAMIC	C3717	303 409 3426	CERAMIC
C3508	303 401 5616	ELECT	C3718	303 276 1317	CERAMIC
C3511	303 438 0219	CERAMIC	C3719	303 438 0219	CERAMIC
	303 409 3426	CERAMIC		303 409 3426	CERAMIC
C3512	303 367 0410	CERAMIC	C3721	303 276 1317	CERAMIC
C3513	303 367 0410	CERAMIC	C3722	303 438 0219	CERAMIC
C3514	303 367 0410	CERAMIC		303 409 3426	CERAMIC
C3515	303 401 5616	ELECT	C3723	303 276 1317	CERAMIC
C3516	303 367 0410	CERAMIC	C3724	303 438 0219	CERAMIC
C3517	303 367 0410	CERAMIC		303 409 3426	CERAMIC
C3518	303 401 3810	ELECT	C3725	303 276 1317	CERAMIC
C3521	303 401 5616	ELECT	C3726	303 438 0219	CERAMIC
C3522	303 367 0410	CERAMIC		303 409 3426	CERAMIC
C3523	303 367 0410	CERAMIC	C3727	303 276 1317	CERAMIC
C3524	303 438 0219	CERAMIC	C3728	303 438 0219	CERAMIC
	303 409 3426	CERAMIC		303 409 3426	CERAMIC
C3525	303 367 0410	CERAMIC	C3729	303 276 1317	CERAMIC
C3531	303 401 3810	ELECT	C3731	303 438 0219	CERAMIC
C3532	303 438 0219	CERAMIC		303 409 3426	CERAMIC
	303 409 3426	CERAMIC	C3732	303 276 1317	CERAMIC
C3533	303 438 0219	CERAMIC	C3733	303 438 0219	CERAMIC
	303 409 3426	CERAMIC		303 409 3426	CERAMIC
C3534	403 455 1012	CERAMIC	C3734	303 276 1317	CERAMIC
	303 433 1112	CERAMIC	C3735	303 438 0219	CERAMIC
C3535	303 438 0219	CERAMIC		303 409 3426	CERAMIC
	303 409 3426	CERAMIC	C3736	303 438 0219	CERAMIC
C3536	303 294 6110	CERAMIC		303 409 3426	CERAMIC
C3537	303 294 6110	CERAMIC	C3737	303 438 0219	CERAMIC
C3538	303 401 5616	ELECT		303 409 3426	CERAMIC
C3541	303 438 0219	CERAMIC	C3738	303 438 0219	CERAMIC
	303 409 3426	CERAMIC		303 409 3426	CERAMIC
C3542	303 367 0410	CERAMIC	C3739	303 438 0219	CERAMIC
C3543	303 367 0410	CERAMIC		303 409 3426	CERAMIC
C3544	303 367 0410	CERAMIC	C3740	303 276 1317	CERAMIC
C3545	303 401 5616	ELECT	C3741	303 276 1317	CERAMIC
C3546	303 367 0410	CERAMIC	C3742	303 438 0219	CERAMIC
C3547	303 367 0410	CERAMIC		303 409 3426	CERAMIC
C3548	303 401 3810	ELECT	C3743	303 438 0219	CERAMIC
C3551	303 401 5616	ELECT		303 409 3426	CERAMIC
C3552	303 367 0410	CERAMIC	C3744	303 438 0219	CERAMIC
C3553	303 367 0410	CERAMIC		303 409 3426	CERAMIC
C3554	303 438 0219	CERAMIC	C3745	303 276 1317	CERAMIC
	303 409 3426	CERAMIC	C3746	303 438 0219	CERAMIC
C3555	303 367 0410	CERAMIC		303 409 3426	CERAMIC
C3701	303 276 1317	CERAMIC	C3747	303 276 1317	CERAMIC
C3702	303 438 0219	CERAMIC	C3748	303 438 0219	CERAMIC
	303 409 3426	CERAMIC		303 409 3426	CERAMIC
C3703	303 438 0219	CERAMIC	C3749	303 438 0219	CERAMIC
	303 409 3426	CERAMIC		303 409 3426	CERAMIC
C3704	303 276 1317	CERAMIC	C3750	303 438 0219	CERAMIC
C3705	303 276 1317	CERAMIC		303 409 3426	CERAMIC
C3706	303 438 0219	CERAMIC	C3751	303 438 0219	CERAMIC
	303 409 3426	CERAMIC		303 409 3426	CERAMIC
C3707	303 276 1317	CERAMIC	C3752	303 438 0219	CERAMIC
C3708	303 438 0219	CERAMIC		303 409 3426	CERAMIC
	303 409 3426	CERAMIC	C3753	303 438 0219	CERAMIC
C3709	303 276 1317	CERAMIC		303 409 3426	CERAMIC
C3711	303 438 0219	CERAMIC	C3754	303 438 0219	CERAMIC
	303 409 3426	CERAMIC		303 409 3426	CERAMIC
C3712	303 276 1317	CERAMIC	C3755	303 438 0219	CERAMIC
C3713	303 438 0219	CERAMIC		303 409 3426	CERAMIC
	303 409 3426	CERAMIC	C3756	303 438 0219	CERAMIC
C3714	303 276 1317	CERAMIC		303 409 3426	CERAMIC
C3715	303 438 0219	CERAMIC	C3757	303 276 1317	CERAMIC

Electrical Parts List

Key No.	Part No.	Description	Key No.	Part No.	Description
C3758	303 438 0219	CERAMIC 0.1U K 16V	C3799	303 276 1317	CERAMIC 1000P K 50V
	303 409 3426	CERAMIC 0.1U K 16V	C401	303 439 8412	CERAMIC 2.2U M 6.3V
C3759	303 438 0219	CERAMIC 0.1U K 16V	C402	303 276 1317	CERAMIC 1000P K 50V
	303 409 3426	CERAMIC 0.1U K 16V	C403	303 276 1317	CERAMIC 1000P K 50V
C3760	303 438 0219	CERAMIC 0.1U K 16V	C404	303 439 8412	CERAMIC 2.2U M 6.3V
	303 409 3426	CERAMIC 0.1U K 16V	C405	303 276 1317	CERAMIC 1000P K 50V
C3761	303 438 0219	CERAMIC 0.1U K 16V	C406	303 439 8412	CERAMIC 2.2U M 6.3V
	303 409 3426	CERAMIC 0.1U K 16V	C407	303 276 1317	CERAMIC 1000P K 50V
C3762	303 276 1317	CERAMIC 1000P K 50V	C408	303 439 8412	CERAMIC 2.2U M 6.3V
C3763	303 438 0219	CERAMIC 0.1U K 16V	C409	303 276 1317	CERAMIC 1000P K 50V
	303 409 3426	CERAMIC 0.1U K 16V	C411	303 439 8412	CERAMIC 2.2U M 6.3V
C3764	303 438 0219	CERAMIC 0.1U K 16V	C412	303 276 1317	CERAMIC 1000P K 50V
	303 409 3426	CERAMIC 0.1U K 16V	C413	303 439 8412	CERAMIC 2.2U M 6.3V
C3765	303 438 0219	CERAMIC 0.1U K 16V	C414	303 276 1317	CERAMIC 1000P K 50V
	303 409 3426	CERAMIC 0.1U K 16V	C415	303 439 8412	CERAMIC 2.2U M 6.3V
C3766	303 438 0219	CERAMIC 0.1U K 16V	C416	303 276 1317	CERAMIC 1000P K 50V
	303 409 3426	CERAMIC 0.1U K 16V	C417	303 439 8412	CERAMIC 2.2U M 6.3V
C3767	303 438 0219	CERAMIC 0.1U K 16V	C418	303 276 1317	CERAMIC 1000P K 50V
	303 409 3426	CERAMIC 0.1U K 16V	C419	303 439 8412	CERAMIC 2.2U M 6.3V
C3768	303 438 0219	CERAMIC 0.1U K 16V	C421	303 439 8412	CERAMIC 2.2U M 6.3V
	303 409 3426	CERAMIC 0.1U K 16V	C422	303 276 1317	CERAMIC 1000P K 50V
C3769	303 438 0219	CERAMIC 0.1U K 16V	C423	303 438 0219	CERAMIC 0.1U K 16V
	303 409 3426	CERAMIC 0.1U K 16V		303 409 3426	CERAMIC 0.1U K 16V
C3770	303 438 0219	CERAMIC 0.1U K 16V	C424	303 276 1317	CERAMIC 1000P K 50V
	303 409 3426	CERAMIC 0.1U K 16V	C425	303 438 0219	CERAMIC 0.1U K 16V
C3771	303 438 0219	CERAMIC 0.1U K 16V		303 409 3426	CERAMIC 0.1U K 16V
	303 409 3426	CERAMIC 0.1U K 16V	C426	303 276 1317	CERAMIC 1000P K 50V
C3772	303 276 1317	CERAMIC 1000P K 50V	C427	303 438 0219	CERAMIC 0.1U K 16V
C3773	303 438 0219	CERAMIC 0.1U K 16V		303 409 3426	CERAMIC 0.1U K 16V
	303 409 3426	CERAMIC 0.1U K 16V	C428	303 276 1317	CERAMIC 1000P K 50V
C3774	303 276 1317	CERAMIC 1000P K 50V	C429	303 438 0219	CERAMIC 0.1U K 16V
C3775	303 438 0219	CERAMIC 0.1U K 16V		303 409 3426	CERAMIC 0.1U K 16V
	303 409 3426	CERAMIC 0.1U K 16V	C431	303 276 1317	CERAMIC 1000P K 50V
C3776	303 438 0219	CERAMIC 0.1U K 16V	C432	303 438 0219	CERAMIC 0.1U K 16V
	303 409 3426	CERAMIC 0.1U K 16V		303 409 3426	CERAMIC 0.1U K 16V
C3777	303 438 0219	CERAMIC 0.1U K 16V	C433	303 276 1317	CERAMIC 1000P K 50V
	303 409 3426	CERAMIC 0.1U K 16V	C434	303 438 0219	CERAMIC 0.1U K 16V
C3780	303 276 1317	CERAMIC 1000P K 50V		303 409 3426	CERAMIC 0.1U K 16V
C3781	303 398 2117	ELECT 330U M 6.3V	C435	303 276 1317	CERAMIC 1000P K 50V
	403 468 6318	ELECT 330U M 6.3V	C436	303 438 0219	CERAMIC 0.1U K 16V
C3782	303 438 0219	CERAMIC 0.1U K 16V		303 409 3426	CERAMIC 0.1U K 16V
	303 409 3426	CERAMIC 0.1U K 16V	C437	303 438 0219	CERAMIC 0.1U K 16V
C3783	303 438 0219	CERAMIC 0.1U K 16V		303 409 3426	CERAMIC 0.1U K 16V
	303 409 3426	CERAMIC 0.1U K 16V	C438	303 438 0219	CERAMIC 0.1U K 16V
C3784	303 276 1317	CERAMIC 1000P K 50V		303 409 3426	CERAMIC 0.1U K 16V
C3785	303 438 0219	CERAMIC 0.1U K 16V	C439	303 276 1317	CERAMIC 1000P K 50V
	303 409 3426	CERAMIC 0.1U K 16V	C441	303 438 0219	CERAMIC 0.1U K 16V
C3786	303 276 1317	CERAMIC 1000P K 50V		303 409 3426	CERAMIC 0.1U K 16V
C3787	303 438 0219	CERAMIC 0.1U K 16V	C442	303 276 1317	CERAMIC 1000P K 50V
	303 409 3426	CERAMIC 0.1U K 16V	C443	303 438 0219	CERAMIC 0.1U K 16V
C3788	303 438 0219	CERAMIC 0.1U K 16V		303 409 3426	CERAMIC 0.1U K 16V
	303 409 3426	CERAMIC 0.1U K 16V	C444	303 276 1317	CERAMIC 1000P K 50V
C3789	303 276 1317	CERAMIC 1000P K 50V	C445	303 438 0219	CERAMIC 0.1U K 16V
C3790	303 438 0219	CERAMIC 0.1U K 16V		303 409 3426	CERAMIC 0.1U K 16V
	303 409 3426	CERAMIC 0.1U K 16V	C446	303 276 1317	CERAMIC 1000P K 50V
C3791	303 438 0219	CERAMIC 0.1U K 16V	C447	303 438 0219	CERAMIC 0.1U K 16V
	303 409 3426	CERAMIC 0.1U K 16V		303 409 3426	CERAMIC 0.1U K 16V
C3792	303 276 1317	CERAMIC 1000P K 50V	C448	303 276 1317	CERAMIC 1000P K 50V
C3793	303 438 0219	CERAMIC 0.1U K 16V	C449	303 438 0219	CERAMIC 0.1U K 16V
	303 409 3426	CERAMIC 0.1U K 16V		303 409 3426	CERAMIC 0.1U K 16V
C3794	303 438 0219	CERAMIC 0.1U K 16V	C4501	303 438 0219	CERAMIC 0.1U K 16V
	303 409 3426	CERAMIC 0.1U K 16V		303 409 3426	CERAMIC 0.1U K 16V
C3795	303 438 0219	CERAMIC 0.1U K 16V	C4502	303 391 5511	ELECT 10U M 16V
	303 409 3426	CERAMIC 0.1U K 16V	C4503	303 438 0219	CERAMIC 0.1U K 16V
C3796	303 276 1317	CERAMIC 1000P K 50V		303 409 3426	CERAMIC 0.1U K 16V
C3797	303 438 0219	CERAMIC 0.1U K 16V	C4504	303 438 0219	CERAMIC 0.1U K 16V
	303 409 3426	CERAMIC 0.1U K 16V		303 409 3426	CERAMIC 0.1U K 16V

Electrical Parts List

Key No.	Part No.	Description	Key No.	Part No.	Description
C4574	303 438 0219	CERAMIC 0.1U K 16V	C492	303 358 3215	CERAMIC 10U K 6.3V
	303 409 3426	CERAMIC 0.1U K 16V		303 368 7319	CERAMIC 10U K 6.3V
C4575	303 438 0219	CERAMIC 0.1U K 16V	C493	303 358 3215	CERAMIC 10U K 6.3V
	303 409 3426	CERAMIC 0.1U K 16V		303 368 7319	CERAMIC 10U K 6.3V
C4576	303 438 0219	CERAMIC 0.1U K 16V	C494	303 438 0219	CERAMIC 0.1U K 16V
	303 409 3426	CERAMIC 0.1U K 16V		303 409 3426	CERAMIC 0.1U K 16V
C458	303 438 0219	CERAMIC 0.1U K 16V	C495	303 394 5815	CERAMIC 4.7U K 16V
	303 409 3426	CERAMIC 0.1U K 16V	C501	303 438 0219	CERAMIC 0.1U K 16V
C4581	303 294 6110	CERAMIC 100P J 50V		303 409 3426	CERAMIC 0.1U K 16V
C4582	303 294 6110	CERAMIC 100P J 50V	C502	303 394 1312	ELECT 100U M 6.3V
C459	303 276 1317	CERAMIC 1000P K 50V		303 427 9315	ELECT 100U M 6.3V
C461	303 438 0219	CERAMIC 0.1U K 16V	C503	303 276 1317	CERAMIC 1000P K 50V
	303 409 3426	CERAMIC 0.1U K 16V	C504	303 438 0219	CERAMIC 0.1U K 16V
C462	303 276 1317	CERAMIC 1000P K 50V		303 409 3426	CERAMIC 0.1U K 16V
C463	303 438 0219	CERAMIC 0.1U K 16V	C506	303 438 0219	CERAMIC 0.1U K 16V
	303 409 3426	CERAMIC 0.1U K 16V		303 409 3426	CERAMIC 0.1U K 16V
C464	303 276 1317	CERAMIC 1000P K 50V	C507	303 276 1317	CERAMIC 1000P K 50V
C465	303 438 0219	CERAMIC 0.1U K 16V	C508	303 438 0219	CERAMIC 0.1U K 16V
	303 409 3426	CERAMIC 0.1U K 16V		303 409 3426	CERAMIC 0.1U K 16V
C466	303 276 1317	CERAMIC 1000P K 50V	C509	303 438 0219	CERAMIC 0.1U K 16V
C467	303 438 0219	CERAMIC 0.1U K 16V		303 409 3426	CERAMIC 0.1U K 16V
	303 409 3426	CERAMIC 0.1U K 16V	C511	303 438 0219	CERAMIC 0.1U K 16V
C468	303 438 0219	CERAMIC 0.1U K 16V		303 409 3426	CERAMIC 0.1U K 16V
	303 409 3426	CERAMIC 0.1U K 16V	C512	303 276 1317	CERAMIC 1000P K 50V
C469	303 276 1317	CERAMIC 1000P K 50V	C513	303 438 0219	CERAMIC 0.1U K 16V
C471	303 438 0219	CERAMIC 0.1U K 16V		303 409 3426	CERAMIC 0.1U K 16V
	303 409 3426	CERAMIC 0.1U K 16V	C514	303 438 0219	CERAMIC 0.1U K 16V
C472	303 276 1317	CERAMIC 1000P K 50V		303 409 3426	CERAMIC 0.1U K 16V
C473	303 438 0219	CERAMIC 0.1U K 16V	C515	303 276 1317	CERAMIC 1000P K 50V
	303 409 3426	CERAMIC 0.1U K 16V	C516	303 438 0219	CERAMIC 0.1U K 16V
C474	303 276 1317	CERAMIC 1000P K 50V		303 409 3426	CERAMIC 0.1U K 16V
C475	303 438 0219	CERAMIC 0.1U K 16V	C517	303 438 0219	CERAMIC 0.1U K 16V
	303 409 3426	CERAMIC 0.1U K 16V		303 409 3426	CERAMIC 0.1U K 16V
C476	303 438 0219	CERAMIC 0.1U K 16V	C518	303 438 0219	CERAMIC 0.1U K 16V
	303 409 3426	CERAMIC 0.1U K 16V		303 409 3426	CERAMIC 0.1U K 16V
C477	303 438 0219	CERAMIC 0.1U K 16V	C519	303 438 0219	CERAMIC 0.1U K 16V
	303 409 3426	CERAMIC 0.1U K 16V		303 409 3426	CERAMIC 0.1U K 16V
C4776	303 438 0219	CERAMIC 0.1U K 16V	C521	303 438 0219	CERAMIC 0.1U K 16V
	303 409 3426	CERAMIC 0.1U K 16V		303 409 3426	CERAMIC 0.1U K 16V
C4777	303 438 0219	CERAMIC 0.1U K 16V	C522	303 394 1312	ELECT 100U M 6.3V
	303 409 3426	CERAMIC 0.1U K 16V		303 427 9315	ELECT 100U M 6.3V
C4778	303 376 6311	CERAMIC 0.47U K 10V	C523	303 276 1317	CERAMIC 1000P K 50V
C4779	303 376 6311	CERAMIC 0.47U K 10V	C524	303 438 0219	CERAMIC 0.1U K 16V
C478	303 438 0219	CERAMIC 0.1U K 16V		303 409 3426	CERAMIC 0.1U K 16V
	303 409 3426	CERAMIC 0.1U K 16V	C526	303 276 1317	CERAMIC 1000P K 50V
C479	303 438 0219	CERAMIC 0.1U K 16V	C527	303 438 0219	CERAMIC 0.1U K 16V
	303 409 3426	CERAMIC 0.1U K 16V		303 409 3426	CERAMIC 0.1U K 16V
C480	303 438 0219	CERAMIC 0.1U K 16V	C528	303 438 0219	CERAMIC 0.1U K 16V
	303 409 3426	CERAMIC 0.1U K 16V		303 409 3426	CERAMIC 0.1U K 16V
C481	303 438 0219	CERAMIC 0.1U K 16V	C529	303 438 0219	CERAMIC 0.1U K 16V
	303 409 3426	CERAMIC 0.1U K 16V		303 409 3426	CERAMIC 0.1U K 16V
C482	303 438 0219	CERAMIC 0.1U K 16V	C531	303 438 0219	CERAMIC 0.1U K 16V
	303 409 3426	CERAMIC 0.1U K 16V		303 409 3426	CERAMIC 0.1U K 16V
C483	303 438 0219	CERAMIC 0.1U K 16V	C532	303 438 0219	CERAMIC 0.1U K 16V
	303 409 3426	CERAMIC 0.1U K 16V		303 409 3426	CERAMIC 0.1U K 16V
C484	303 438 0219	CERAMIC 0.1U K 16V	C533	303 438 0219	CERAMIC 0.1U K 16V
	303 409 3426	CERAMIC 0.1U K 16V		303 409 3426	CERAMIC 0.1U K 16V
C485	303 276 1317	CERAMIC 1000P K 50V	C534	303 438 0219	CERAMIC 0.1U K 16V
C486	303 438 0219	CERAMIC 0.1U K 16V		303 409 3426	CERAMIC 0.1U K 16V
	303 409 3426	CERAMIC 0.1U K 16V	C536	303 276 1317	CERAMIC 1000P K 50V
C487	303 438 0219	CERAMIC 0.1U K 16V	C537	303 438 0219	CERAMIC 0.1U K 16V
	303 409 3426	CERAMIC 0.1U K 16V		303 409 3426	CERAMIC 0.1U K 16V
C488	303 276 1317	CERAMIC 1000P K 50V	C538	303 438 0219	CERAMIC 0.1U K 16V
C489	303 438 0219	CERAMIC 0.1U K 16V		303 409 3426	CERAMIC 0.1U K 16V
	303 409 3426	CERAMIC 0.1U K 16V	C539	303 276 1317	CERAMIC 1000P K 50V
C491	303 358 3215	CERAMIC 10U K 6.3V	C541	303 438 0219	CERAMIC 0.1U K 16V
	303 368 7319	CERAMIC 10U K 6.3V		303 409 3426	CERAMIC 0.1U K 16V

Electrical Parts List

Key No.	Part No.	Description	Key No.	Part No.	Description
C542	303 438 0219	CERAMIC 0.1U K 16V	C587	303 438 0219	CERAMIC 0.1U K 16V
	303 409 3426	CERAMIC 0.1U K 16V		303 409 3426	CERAMIC 0.1U K 16V
C543	303 438 0219	CERAMIC 0.1U K 16V	C588	303 276 1317	CERAMIC 1000P K 50V
	303 409 3426	CERAMIC 0.1U K 16V	C589	303 438 0219	CERAMIC 0.1U K 16V
C544	303 276 1317	CERAMIC 1000P K 50V		303 409 3426	CERAMIC 0.1U K 16V
C545	303 438 0219	CERAMIC 0.1U K 16V	C591	303 438 0219	CERAMIC 0.1U K 16V
	303 409 3426	CERAMIC 0.1U K 16V		303 409 3426	CERAMIC 0.1U K 16V
C546	303 438 0219	CERAMIC 0.1U K 16V	C592	303 438 0219	CERAMIC 0.1U K 16V
	303 409 3426	CERAMIC 0.1U K 16V		303 409 3426	CERAMIC 0.1U K 16V
C547	303 276 1317	CERAMIC 1000P K 50V	C593	303 438 0219	CERAMIC 0.1U K 16V
C548	303 438 0219	CERAMIC 0.1U K 16V		303 409 3426	CERAMIC 0.1U K 16V
	303 409 3426	CERAMIC 0.1U K 16V	C594	303 276 1317	CERAMIC 1000P K 50V
C549	303 438 0219	CERAMIC 0.1U K 16V	C595	303 276 1317	CERAMIC 1000P K 50V
	303 409 3426	CERAMIC 0.1U K 16V	C596	303 438 0219	CERAMIC 0.1U K 16V
C551	303 438 0219	CERAMIC 0.1U K 16V		303 409 3426	CERAMIC 0.1U K 16V
	303 409 3426	CERAMIC 0.1U K 16V	C597	303 438 0219	CERAMIC 0.1U K 16V
C552	303 394 1312	ELECT 100U M 6.3V		303 409 3426	CERAMIC 0.1U K 16V
	303 427 9315	ELECT 100U M 6.3V	C598	303 438 0219	CERAMIC 0.1U K 16V
C553	303 438 0219	CERAMIC 0.1U K 16V		303 409 3426	CERAMIC 0.1U K 16V
	303 409 3426	CERAMIC 0.1U K 16V	C599	303 438 0219	CERAMIC 0.1U K 16V
C554	303 438 0219	CERAMIC 0.1U K 16V		303 409 3426	CERAMIC 0.1U K 16V
	303 409 3426	CERAMIC 0.1U K 16V	C7601	303 438 0219	CERAMIC 0.1U K 16V
C556	303 438 0219	CERAMIC 0.1U K 16V		303 409 3426	CERAMIC 0.1U K 16V
	303 409 3426	CERAMIC 0.1U K 16V	C7602	303 438 0219	CERAMIC 0.1U K 16V
C557	303 276 1317	CERAMIC 1000P K 50V		303 409 3426	CERAMIC 0.1U K 16V
C558	303 438 0219	CERAMIC 0.1U K 16V	C7603	303 438 0219	CERAMIC 0.1U K 16V
	303 409 3426	CERAMIC 0.1U K 16V		303 409 3426	CERAMIC 0.1U K 16V
C559	303 276 1317	CERAMIC 1000P K 50V	C7604	303 438 0219	CERAMIC 0.1U K 16V
C561	303 438 0219	CERAMIC 0.1U K 16V		303 409 3426	CERAMIC 0.1U K 16V
	303 409 3426	CERAMIC 0.1U K 16V	C7605	303 438 0219	CERAMIC 0.1U K 16V
C562	303 438 0219	CERAMIC 0.1U K 16V		303 409 3426	CERAMIC 0.1U K 16V
	303 409 3426	CERAMIC 0.1U K 16V	C7606	303 407 1018	CERAMIC 4.7U K 6.3V
C563	303 438 0219	CERAMIC 0.1U K 16V		303 383 5215	CERAMIC 4.7U K 6.3V
	303 409 3426	CERAMIC 0.1U K 16V	C7607	303 438 0219	CERAMIC 0.1U K 16V
C564	303 276 1317	CERAMIC 1000P K 50V		303 409 3426	CERAMIC 0.1U K 16V
C565	303 438 0219	CERAMIC 0.1U K 16V	C7608	303 438 0219	CERAMIC 0.1U K 16V
	303 409 3426	CERAMIC 0.1U K 16V		303 409 3426	CERAMIC 0.1U K 16V
C566	303 438 0219	CERAMIC 0.1U K 16V	C7609	303 438 0219	CERAMIC 0.1U K 16V
	303 409 3426	CERAMIC 0.1U K 16V		303 409 3426	CERAMIC 0.1U K 16V
C567	303 276 1317	CERAMIC 1000P K 50V	C7611	303 398 2117	ELECT 330U M 6.3V
C568	303 438 0219	CERAMIC 0.1U K 16V		403 468 6318	ELECT 330U M 6.3V
	303 409 3426	CERAMIC 0.1U K 16V	C7612	303 438 0219	CERAMIC 0.1U K 16V
C569	303 276 1317	CERAMIC 1000P K 50V		303 409 3426	CERAMIC 0.1U K 16V
C571	303 438 0219	CERAMIC 0.1U K 16V	C7613	303 438 0219	CERAMIC 0.1U K 16V
	303 409 3426	CERAMIC 0.1U K 16V		303 409 3426	CERAMIC 0.1U K 16V
C572	303 276 1317	CERAMIC 1000P K 50V	C7614	303 438 0219	CERAMIC 0.1U K 16V
C573	303 438 0219	CERAMIC 0.1U K 16V		303 409 3426	CERAMIC 0.1U K 16V
	303 409 3426	CERAMIC 0.1U K 16V	C7615	303 438 0219	CERAMIC 0.1U K 16V
C574	303 276 1317	CERAMIC 1000P K 50V		303 409 3426	CERAMIC 0.1U K 16V
C575	303 438 0219	CERAMIC 0.1U K 16V	C7616	303 438 0219	CERAMIC 0.1U K 16V
	303 409 3426	CERAMIC 0.1U K 16V		303 409 3426	CERAMIC 0.1U K 16V
C576	303 276 1317	CERAMIC 1000P K 50V	C7617	303 438 0219	CERAMIC 0.1U K 16V
C577	303 438 0219	CERAMIC 0.1U K 16V		303 409 3426	CERAMIC 0.1U K 16V
	303 409 3426	CERAMIC 0.1U K 16V	C7618	303 438 0219	CERAMIC 0.1U K 16V
C578	303 438 0219	CERAMIC 0.1U K 16V		303 409 3426	CERAMIC 0.1U K 16V
	303 409 3426	CERAMIC 0.1U K 16V	C7619	303 438 0219	CERAMIC 0.1U K 16V
C579	303 276 1317	CERAMIC 1000P K 50V		303 409 3426	CERAMIC 0.1U K 16V
C581	303 276 1317	CERAMIC 1000P K 50V	C7621	303 438 0219	CERAMIC 0.1U K 16V
C582	303 438 0219	CERAMIC 0.1U K 16V		303 409 3426	CERAMIC 0.1U K 16V
	303 409 3426	CERAMIC 0.1U K 16V	C7622	303 407 1018	CERAMIC 4.7U K 6.3V
C583	303 438 0219	CERAMIC 0.1U K 16V		303 383 5215	CERAMIC 4.7U K 6.3V
	303 409 3426	CERAMIC 0.1U K 16V	C7661	303 438 0219	CERAMIC 0.1U K 16V
C584	303 276 1317	CERAMIC 1000P K 50V		303 409 3426	CERAMIC 0.1U K 16V
C585	303 438 0219	CERAMIC 0.1U K 16V	C7663	303 438 0219	CERAMIC 0.1U K 16V
	303 409 3426	CERAMIC 0.1U K 16V		303 409 3426	CERAMIC 0.1U K 16V
C586	303 438 0219	CERAMIC 0.1U K 16V	C7691	403 455 1616	CERAMIC 10U K 16V
	303 409 3426	CERAMIC 0.1U K 16V	C7692	403 455 1616	CERAMIC 10U K 16V

Electrical Parts List

Key No.	Part No.	Description	Key No.	Part No.	Description
C7693	303 438 0219	CERAMIC 0.1U K 16V	R1538	301 294 2712	MT-GLAZE 150 FA 1/16W
	303 409 3426	CERAMIC 0.1U K 16V	R1539	301 294 2712	MT-GLAZE 150 FA 1/16W
C7696	303 369 0527	CERAMIC 0.01U K 25V	R1591	301 225 0312	MT-GLAZE 33 JA 1/16W
C7698	303 438 0219	CERAMIC 0.1U K 16V	R1594	301 225 0312	MT-GLAZE 33 JA 1/16W
	303 409 3426	CERAMIC 0.1U K 16V	R1596	301 225 0312	MT-GLAZE 33 JA 1/16W
C7699	303 450 7012	CERAMIC 47U K 10V	R1597	301 225 0312	MT-GLAZE 33 JA 1/16W
C7701	303 276 1911	CERAMIC 22P J 50V	R2511	301 190 1413	MT-GLAZE 0.000 ZA 1/2W
C7702	303 276 1911	CERAMIC 22P J 50V	R2512	301 190 1413	MT-GLAZE 0.000 ZA 1/2W
C7703	303 438 0219	CERAMIC 0.1U K 16V	R2513	301 190 1413	MT-GLAZE 0.000 ZA 1/2W
	303 409 3426	CERAMIC 0.1U K 16V	R2516	301 190 1413	MT-GLAZE 0.000 ZA 1/2W
C7704	303 441 9810	CERAMIC 0.01U K 50V	R2517	301 308 9713	MT-GLAZE 2.4K DA 1/16W
C7706	303 441 9810	CERAMIC 0.01U K 50V	R2518	301 299 4810	MT-GLAZE 2.7K FA 1/16W
C7707	303 441 9810	CERAMIC 0.01U K 50V	R2519	301 290 1511	MT-GLAZE 0.1 JE 1/2W
C7708	303 438 0219	CERAMIC 0.1U K 16V	R2521	301 190 1413	MT-GLAZE 0.000 ZA 1/2W
	303 409 3426	CERAMIC 0.1U K 16V	R2522	301 224 9316	MT-GLAZE 1K JA 1/16W
C7709	303 438 0219	CERAMIC 0.1U K 16V	R2523	401 345 6215	MT-GLAZE 2K DA 1/16W
	303 409 3426	CERAMIC 0.1U K 16V	R2524	301 190 1413	MT-GLAZE 0.000 ZA 1/2W
C7721	303 438 0219	CERAMIC 0.1U K 16V	R2525	301 308 9713	MT-GLAZE 2.4K DA 1/16W
	303 409 3426	CERAMIC 0.1U K 16V	R2526	401 345 6215	MT-GLAZE 2K DA 1/16W
C7722	303 276 1317	CERAMIC 1000P K 50V	R2529	401 345 6215	MT-GLAZE 2K DA 1/16W
C7723	303 276 1317	CERAMIC 1000P K 50V	R2532	301 294 2712	MT-GLAZE 150 FA 1/16W
C7731	303 438 0219	CERAMIC 0.1U K 16V	R2534	301 294 2712	MT-GLAZE 150 FA 1/16W
	303 409 3426	CERAMIC 0.1U K 16V	R2536	301 294 2712	MT-GLAZE 150 FA 1/16W
C7747	303 438 0219	CERAMIC 0.1U K 16V	R2538	301 100 5111	MT-GLAZE 1 JA 1/8W
	303 409 3426	CERAMIC 0.1U K 16V	R2539	301 100 5111	MT-GLAZE 1 JA 1/8W
RESISTOR			R2561	301 190 1413	MT-GLAZE 0.000 ZA 1/2W
R1408	301 225 0213	MT-GLAZE 3.3K JA 1/16W	R2562	301 190 1413	MT-GLAZE 0.000 ZA 1/2W
R1409	401 345 6017	MT-GLAZE 220 DA 1/16W	R2563	301 190 1413	MT-GLAZE 0.000 ZA 1/2W
R1411	301 225 0312	MT-GLAZE 33 JA 1/16W	R2566	301 190 1413	MT-GLAZE 0.000 ZA 1/2W
R1412	301 225 0312	MT-GLAZE 33 JA 1/16W	R2567	301 308 9713	MT-GLAZE 2.4K DA 1/16W
R1413	301 225 0312	MT-GLAZE 33 JA 1/16W	R2568	301 299 4810	MT-GLAZE 2.7K FA 1/16W
R1415	301 225 0312	MT-GLAZE 33 JA 1/16W	R2569	301 290 1511	MT-GLAZE 0.1 JE 1/2W
R1417	301 224 9316	MT-GLAZE 1K JA 1/16W	R2571	301 190 1413	MT-GLAZE 0.000 ZA 1/2W
R1418	301 225 0213	MT-GLAZE 3.3K JA 1/16W	R2572	301 224 9316	MT-GLAZE 1K JA 1/16W
R1419	301 224 9316	MT-GLAZE 1K JA 1/16W	R2573	401 345 6215	MT-GLAZE 2K DA 1/16W
R1426	301 224 9712	MT-GLAZE 22 JA 1/16W	R2574	301 190 1413	MT-GLAZE 0.000 ZA 1/2W
R1427	301 224 9712	MT-GLAZE 22 JA 1/16W	R2575	301 308 9713	MT-GLAZE 2.4K DA 1/16W
R1436	301 224 9316	MT-GLAZE 1K JA 1/16W	R2576	401 345 6215	MT-GLAZE 2K DA 1/16W
R1438	301 224 9316	MT-GLAZE 1K JA 1/16W	R2579	401 345 6215	MT-GLAZE 2K DA 1/16W
R1452	301 226 1516	MT-GLAZE 0.000 ZA 1/16W	R2582	301 294 2712	MT-GLAZE 150 FA 1/16W
R1491	301 224 9019	MT-GLAZE 10K JA 1/16W	R2584	301 294 2712	MT-GLAZE 150 FA 1/16W
R1501	301 272 7814	MT-GLAZE 100 FA 1/16W	R2586	301 294 2712	MT-GLAZE 150 FA 1/16W
R1502	301 272 7814	MT-GLAZE 100 FA 1/16W	R2588	301 100 5111	MT-GLAZE 1 JA 1/8W
R1503	301 272 7814	MT-GLAZE 100 FA 1/16W	R2589	301 100 5111	MT-GLAZE 1 JA 1/8W
R1506	301 224 9316	MT-GLAZE 1K JA 1/16W	R3501	301 150 5918	MT-GLAZE 10K JA 1/10W
R1507	301 224 9316	MT-GLAZE 1K JA 1/16W	R3502	301 224 9019	MT-GLAZE 10K JA 1/16W
R1508	301 224 9316	MT-GLAZE 1K JA 1/16W	R3503	301 226 1516	MT-GLAZE 0.000 ZA 1/16W
R1509	301 224 9316	MT-GLAZE 1K JA 1/16W	R3504	301 226 1516	MT-GLAZE 0.000 ZA 1/16W
R1511	301 224 9316	MT-GLAZE 1K JA 1/16W	R3505	301 150 5918	MT-GLAZE 10K JA 1/10W
R1512	301 224 9316	MT-GLAZE 1K JA 1/16W	R3531	301 150 5918	MT-GLAZE 10K JA 1/10W
R1513	301 294 2712	MT-GLAZE 150 FA 1/16W	R3532	301 224 9019	MT-GLAZE 10K JA 1/16W
R1514	401 345 6017	MT-GLAZE 220 DA 1/16W	R3533	301 226 1516	MT-GLAZE 0.000 ZA 1/16W
R1521	301 294 2712	MT-GLAZE 150 FA 1/16W	R3534	301 226 1516	MT-GLAZE 0.000 ZA 1/16W
R1522	301 294 2712	MT-GLAZE 150 FA 1/16W	R3535	301 150 5918	MT-GLAZE 10K JA 1/10W
R1523	301 294 2712	MT-GLAZE 150 FA 1/16W	R406	301 224 9019	MT-GLAZE 10K JA 1/16W
R1524	301 294 2712	MT-GLAZE 150 FA 1/16W	R407	301 294 2811	MT-GLAZE 2.2K FA 1/16W
R1526	301 294 2712	MT-GLAZE 150 FA 1/16W	R408	301 225 0213	MT-GLAZE 3.3K JA 1/16W
R1527	301 294 2712	MT-GLAZE 150 FA 1/16W	R409	401 345 6017	MT-GLAZE 220 DA 1/16W
R1528	301 294 2712	MT-GLAZE 150 FA 1/16W	R411	301 225 0312	MT-GLAZE 33 JA 1/16W
R1529	301 294 2712	MT-GLAZE 150 FA 1/16W	R412	301 225 0312	MT-GLAZE 33 JA 1/16W
R1531	301 294 2712	MT-GLAZE 150 FA 1/16W	R413	301 225 0312	MT-GLAZE 33 JA 1/16W
R1532	301 294 2712	MT-GLAZE 150 FA 1/16W	R414	301 225 0312	MT-GLAZE 33 JA 1/16W
R1533	301 294 2712	MT-GLAZE 150 FA 1/16W	R415	301 224 9316	MT-GLAZE 1K JA 1/16W
R1534	301 294 2712	MT-GLAZE 150 FA 1/16W	R416	301 224 9316	MT-GLAZE 1K JA 1/16W
R1536	301 294 2712	MT-GLAZE 150 FA 1/16W	R417	301 224 9316	MT-GLAZE 1K JA 1/16W
R1537	301 294 2712	MT-GLAZE 150 FA 1/16W	R418	301 225 0213	MT-GLAZE 3.3K JA 1/16W
			R419	301 224 9316	MT-GLAZE 1K JA 1/16W

Electrical Parts List

Key No.	Part No.	Description	Key No.	Part No.	Description
R421	301 224 9316	MT-GLAZE 1K JA 1/16W	R7612	301 272 7814	MT-GLAZE 100 FA 1/16W
R422	301 224 9316	MT-GLAZE 1K JA 1/16W	R7613	301 225 8110	MT-GLAZE 10 JA 1/16W
R423	301 224 9316	MT-GLAZE 1K JA 1/16W	R7614	301 037 5017	MT-GLAZE 0.000 ZA 1/10W
R424	301 224 9316	MT-GLAZE 1K JA 1/16W	R7616	301 225 8110	MT-GLAZE 10 JA 1/16W
R426	301 224 9712	MT-GLAZE 22 JA 1/16W	R7617	301 225 8110	MT-GLAZE 10 JA 1/16W
R427	301 224 9712	MT-GLAZE 22 JA 1/16W	R7618	301 225 8110	MT-GLAZE 10 JA 1/16W
R429	301 225 0213	MT-GLAZE 3.3K JA 1/16W	R7621	301 225 8110	MT-GLAZE 10 JA 1/16W
R431	301 224 9316	MT-GLAZE 1K JA 1/16W	R7622	301 225 8110	MT-GLAZE 10 JA 1/16W
R432	301 224 9316	MT-GLAZE 1K JA 1/16W	R7623	301 225 8110	MT-GLAZE 10 JA 1/16W
R433	301 225 0213	MT-GLAZE 3.3K JA 1/16W	R7624	301 225 8110	MT-GLAZE 10 JA 1/16W
R434	301 225 0213	MT-GLAZE 3.3K JA 1/16W	R7626	301 225 8110	MT-GLAZE 10 JA 1/16W
R436	301 224 9316	MT-GLAZE 1K JA 1/16W	R7627	301 225 8110	MT-GLAZE 10 JA 1/16W
R437	301 224 9316	MT-GLAZE 1K JA 1/16W	R7628	301 225 8110	MT-GLAZE 10 JA 1/16W
R441	301 225 0213	MT-GLAZE 3.3K JA 1/16W	R7629	301 225 8110	MT-GLAZE 10 JA 1/16W
R442	301 225 0213	MT-GLAZE 3.3K JA 1/16W	R7631	301 225 8110	MT-GLAZE 10 JA 1/16W
R443	301 224 9316	MT-GLAZE 1K JA 1/16W	R7632	301 225 8110	MT-GLAZE 10 JA 1/16W
R444	301 225 0213	MT-GLAZE 3.3K JA 1/16W	R7633	301 225 8110	MT-GLAZE 10 JA 1/16W
R4501	301 224 9316	MT-GLAZE 1K JA 1/16W	R7634	301 225 8110	MT-GLAZE 10 JA 1/16W
R453	301 226 1516	MT-GLAZE 0.000 ZA 1/16W	R7636	301 224 9316	MT-GLAZE 1K JA 1/16W
R454	301 226 1516	MT-GLAZE 0.000 ZA 1/16W	R7637	301 224 9316	MT-GLAZE 1K JA 1/16W
R455	301 303 4010	MT-GLAZE 1.2K DA 1/16W	R7638	301 224 9019	MT-GLAZE 10K JA 1/16W
R4776	301 298 5511	MT-GLAZE 8.2K FA 1/16W	R7642	301 224 9316	MT-GLAZE 1K JA 1/16W
R4777	301 298 5511	MT-GLAZE 8.2K FA 1/16W	R7643	301 226 1516	MT-GLAZE 0.000 ZA 1/16W
R4779	301 225 0015	MT-GLAZE 270 JA 1/16W	R7646	301 226 1516	MT-GLAZE 0.000 ZA 1/16W
R491	301 224 9019	MT-GLAZE 10K JA 1/16W	R7648	301 226 1516	MT-GLAZE 0.000 ZA 1/16W
R501	301 272 7814	MT-GLAZE 100 FA 1/16W	R7651	301 225 8110	MT-GLAZE 10 JA 1/16W
R502	301 272 7814	MT-GLAZE 100 FA 1/16W	R7652	301 225 8110	MT-GLAZE 10 JA 1/16W
R503	301 272 7814	MT-GLAZE 100 FA 1/16W	R7656	301 225 1210	MT-GLAZE 4.7K JA 1/16W
R506	301 224 9316	MT-GLAZE 1K JA 1/16W	R7657	301 225 1210	MT-GLAZE 4.7K JA 1/16W
R507	301 224 9316	MT-GLAZE 1K JA 1/16W	R7658	301 226 1516	MT-GLAZE 0.000 ZA 1/16W
R508	301 224 9316	MT-GLAZE 1K JA 1/16W	R7659	301 226 1516	MT-GLAZE 0.000 ZA 1/16W
R509	301 224 9316	MT-GLAZE 1K JA 1/16W	R7661	301 225 0213	MT-GLAZE 3.3K JA 1/16W
R511	301 224 9316	MT-GLAZE 1K JA 1/16W	R7662	301 225 0213	MT-GLAZE 3.3K JA 1/16W
R512	301 224 9316	MT-GLAZE 1K JA 1/16W	R7663	301 225 0213	MT-GLAZE 3.3K JA 1/16W
R513	301 294 2712	MT-GLAZE 150 FA 1/16W	R7664	301 226 1516	MT-GLAZE 0.000 ZA 1/16W
R514	401 345 6017	MT-GLAZE 220 DA 1/16W	R7665	301 226 1516	MT-GLAZE 0.000 ZA 1/16W
R521	301 294 2712	MT-GLAZE 150 FA 1/16W	R7666	301 226 1516	MT-GLAZE 0.000 ZA 1/16W
R522	301 294 2712	MT-GLAZE 150 FA 1/16W	R7667	301 226 1516	MT-GLAZE 0.000 ZA 1/16W
R523	301 294 2712	MT-GLAZE 150 FA 1/16W	R7668	301 226 1516	MT-GLAZE 0.000 ZA 1/16W
R524	301 294 2712	MT-GLAZE 150 FA 1/16W	R7669	301 226 1516	MT-GLAZE 0.000 ZA 1/16W
R526	301 294 2712	MT-GLAZE 150 FA 1/16W	R7671	301 226 1516	MT-GLAZE 0.000 ZA 1/16W
R527	301 294 2712	MT-GLAZE 150 FA 1/16W	R7672	301 226 1516	MT-GLAZE 0.000 ZA 1/16W
R528	301 294 2712	MT-GLAZE 150 FA 1/16W	R7673	301 226 1516	MT-GLAZE 0.000 ZA 1/16W
R529	301 294 2712	MT-GLAZE 150 FA 1/16W	R7674	301 226 1516	MT-GLAZE 0.000 ZA 1/16W
R531	301 294 2712	MT-GLAZE 150 FA 1/16W	R7675	301 226 1516	MT-GLAZE 0.000 ZA 1/16W
R532	301 294 2712	MT-GLAZE 150 FA 1/16W	R7676	301 226 1516	MT-GLAZE 0.000 ZA 1/16W
R533	301 294 2712	MT-GLAZE 150 FA 1/16W	R7677	301 226 1516	MT-GLAZE 0.000 ZA 1/16W
R534	301 294 2712	MT-GLAZE 150 FA 1/16W	R7678	301 226 1516	MT-GLAZE 0.000 ZA 1/16W
R536	301 294 2712	MT-GLAZE 150 FA 1/16W	R7679	301 226 1516	MT-GLAZE 0.000 ZA 1/16W
R537	301 294 2712	MT-GLAZE 150 FA 1/16W	R7681	301 226 1516	MT-GLAZE 0.000 ZA 1/16W
R538	301 294 2712	MT-GLAZE 150 FA 1/16W	R7682	301 224 9316	MT-GLAZE 1K JA 1/16W
R539	301 294 2712	MT-GLAZE 150 FA 1/16W	R7683	301 224 9316	MT-GLAZE 1K JA 1/16W
R591	301 224 9316	MT-GLAZE 1K JA 1/16W	R7684	301 224 9316	MT-GLAZE 1K JA 1/16W
R592	301 224 9316	MT-GLAZE 1K JA 1/16W	R7687	301 226 1516	MT-GLAZE 0.000 ZA 1/16W
R594	301 224 9316	MT-GLAZE 1K JA 1/16W	R7691	301 150 6014	MT-GLAZE 0.000 ZA 1/10W
R596	301 224 9316	MT-GLAZE 1K JA 1/16W	R7692	301 150 6014	MT-GLAZE 0.000 ZA 1/10W
R597	301 224 9316	MT-GLAZE 1K JA 1/16W	R7693	301 224 8913	MT-GLAZE 100K JA 1/16W
R7601	301 272 7814	MT-GLAZE 100 FA 1/16W	R7694	301 225 2118	MT-GLAZE 12K JA 1/16W
R7602	301 272 7814	MT-GLAZE 100 FA 1/16W	R7696	401 344 9415	MT-GLAZE 18K DA 1/16W
R7603	301 272 7814	MT-GLAZE 100 FA 1/16W	R7697	301 298 5511	MT-GLAZE 8.2K FA 1/16W
R7604	301 272 7814	MT-GLAZE 100 FA 1/16W	R7698	401 344 1914	MT-GLAZE 10K DA 1/16W
R7605	301 272 7814	MT-GLAZE 100 FA 1/16W	R7702	401 345 6017	MT-GLAZE 220 DA 1/16W
R7606	301 272 7814	MT-GLAZE 100 FA 1/16W	R7703	301 224 9019	MT-GLAZE 10K JA 1/16W
R7607	301 272 7814	MT-GLAZE 100 FA 1/16W	R7704	301 226 1516	MT-GLAZE 0.000 ZA 1/16W
R7608	301 272 7814	MT-GLAZE 100 FA 1/16W	R7706	301 224 9019	MT-GLAZE 10K JA 1/16W
R7609	301 272 7814	MT-GLAZE 100 FA 1/16W	R7707	301 226 1516	MT-GLAZE 0.000 ZA 1/16W
R7611	301 272 7814	MT-GLAZE 100 FA 1/16W	R7708	301 224 9019	MT-GLAZE 10K JA 1/16W

Electrical Parts List

Key No.	Part No.	Description	Key No.	Part No.	Description
R7709	301 226 1516	MT-GLAZE 0.000 ZA 1/16W	L2544	945 041 1954	INDUCTOR,100 OHM
R7711	301 224 9415	MT-GLAZE 1M JA 1/16W	L2545	945 086 6648	IMPEDANCE,220 OHM P
R7712	301 226 1516	MT-GLAZE 0.000 ZA 1/16W	L2561	645 099 4920	INDUCTOR,10U M
R7713	301 224 9712	MT-GLAZE 22 JA 1/16W	L2562	645 099 4944	INDUCTOR,33U M
R7714	301 224 9712	MT-GLAZE 22 JA 1/16W	L2563	645 099 4937	INDUCTOR,15U M
R7721	301 224 9217	MT-GLAZE 15K JA 1/16W	L2566	645 099 4951	INDUCTOR,3.8U N
R7722	301 224 9019	MT-GLAZE 10K JA 1/16W	L2581	645 099 4944	INDUCTOR,33U M
R7724	301 224 8913	MT-GLAZE 100K JA 1/16W	L2591	945 041 1954	INDUCTOR,100 OHM
R7726	301 224 9217	MT-GLAZE 15K JA 1/16W	L2592	945 041 1954	INDUCTOR,100 OHM
R7727	301 224 9019	MT-GLAZE 10K JA 1/16W	L2593	945 041 1954	INDUCTOR,100 OHM
R7729	301 224 8913	MT-GLAZE 100K JA 1/16W	L2594	945 041 1954	INDUCTOR,100 OHM
R7731	301 225 8110	MT-GLAZE 10 JA 1/16W	L2595	945 086 6648	IMPEDANCE,220 OHM P
R7732	301 226 1516	MT-GLAZE 0.000 ZA 1/16W	L2701	945 036 3895	INDUCTOR,220 OHM
R7733	301 226 1516	MT-GLAZE 0.000 ZA 1/16W	L2781	945 036 3895	INDUCTOR,220 OHM
R7734	301 224 9019	MT-GLAZE 10K JA 1/16W	L3501	945 086 6648	IMPEDANCE,220 OHM P
R7737	301 224 9019	MT-GLAZE 10K JA 1/16W	L3506	945 086 6648	IMPEDANCE,220 OHM P
R7738	301 224 9019	MT-GLAZE 10K JA 1/16W	L3508	301 035 4111	MT-GLAZE 0.000 ZA 1/8W
R7739	301 224 9019	MT-GLAZE 10K JA 1/16W	L3514	645 099 4913	INDUCTOR,22U M
R7741	301 224 9019	MT-GLAZE 10K JA 1/16W	L3517	645 099 4913	INDUCTOR,22U M
R7746	301 225 8110	MT-GLAZE 10 JA 1/16W	L3531	945 086 6648	IMPEDANCE,220 OHM P
R7747	301 225 8110	MT-GLAZE 10 JA 1/16W	L3536	945 086 6648	IMPEDANCE,220 OHM P
RB7601	645 049 0668	R-NETWORK 10X4 1/32W	L3538	301 035 4111	MT-GLAZE 0.000 ZA 1/8W
	945 049 0683	R-NETWORK 10X4 1/16W	L3544	645 099 4913	INDUCTOR,22U M
RB7602	645 049 0668	R-NETWORK 10X4 1/32W	L3547	645 099 4913	INDUCTOR,22U M
	945 049 0683	R-NETWORK 10X4 1/16W	L3701	945 086 6648	IMPEDANCE,220 OHM P
RB7603	645 049 0668	R-NETWORK 10X4 1/32W	L3781	945 086 6648	IMPEDANCE,220 OHM P
	945 049 0683	R-NETWORK 10X4 1/16W	L401	945 036 3895	INDUCTOR,220 OHM
RB7604	645 049 0668	R-NETWORK 10X4 1/32W	L436	945 036 3895	INDUCTOR,220 OHM
	945 049 0683	R-NETWORK 10X4 1/16W	L4501	945 036 3895	INDUCTOR,220 OHM
RB7605	645 049 0668	R-NETWORK 10X4 1/32W	L4581	945 086 6648	IMPEDANCE,220 OHM P
	945 049 0683	R-NETWORK 10X4 1/16W	L471	945 036 3895	INDUCTOR,220 OHM
RB7606	645 049 0668	R-NETWORK 10X4 1/32W	L476	945 086 6037	IMPEDANCE,330 OHM P
	945 049 0683	R-NETWORK 10X4 1/16W	L477	945 086 6037	IMPEDANCE,330 OHM P
RB7607	645 049 0668	R-NETWORK 10X4 1/32W	L478	945 086 6037	IMPEDANCE,330 OHM P
	945 049 0683	R-NETWORK 10X4 1/16W	L481	945 086 6037	IMPEDANCE,330 OHM P
RB7608	645 049 0668	R-NETWORK 10X4 1/32W	L482	945 086 6037	IMPEDANCE,330 OHM P
	945 049 0683	R-NETWORK 10X4 1/16W	L483	945 086 6037	IMPEDANCE,330 OHM P
RB7609	645 049 0668	R-NETWORK 10X4 1/32W	L501	945 036 3895	INDUCTOR,220 OHM
	945 049 0683	R-NETWORK 10X4 1/16W	L521	945 036 3895	INDUCTOR,220 OHM
RB7611	645 049 0668	R-NETWORK 10X4 1/32W	L551	945 036 3895	INDUCTOR,220 OHM
	945 049 0683	R-NETWORK 10X4 1/16W	L7601	945 070 3660	INDUCTOR,90 OHM
RB7612	645 049 0668	R-NETWORK 10X4 1/32W	L7602	945 070 3660	INDUCTOR,90 OHM
	945 049 0683	R-NETWORK 10X4 1/16W	L7603	945 070 3660	INDUCTOR,90 OHM
RB7613	645 049 0668	R-NETWORK 10X4 1/32W	L7604	945 070 3660	INDUCTOR,90 OHM
	945 049 0683	R-NETWORK 10X4 1/16W	L7605	945 070 3660	INDUCTOR,90 OHM
			L7606	945 070 3660	INDUCTOR,90 OHM
			L7607	945 070 3660	INDUCTOR,90 OHM
			L7608	945 070 3660	INDUCTOR,90 OHM
			L7609	945 070 3660	INDUCTOR,90 OHM
			L7611	945 070 3660	INDUCTOR,90 OHM
			L7612	945 070 3660	INDUCTOR,90 OHM
			L7613	945 086 5368	IMPEDANCE,220 OHM P
			L7614	945 002 5281	INDUCTOR,15U M
			L7615	945 086 5368	IMPEDANCE,220 OHM P
			L7696	945 075 1388	INDUCTOR,10U M
			L7701	945 086 6037	IMPEDANCE,330 OHM P
			L7706	945 086 6037	IMPEDANCE,330 OHM P
COIL			DIODE		
L1401	945 086 6648	IMPEDANCE,220 OHM P	D2511	307 210 3313	DIODE RB161L-40-TE25
L1436	945 086 6648	IMPEDANCE,220 OHM P	D2512	307 250 0716	DIODE RB060M-30-TR
L1471	945 086 6648	IMPEDANCE,220 OHM P	D2513	307 210 3313	DIODE RB161L-40-TE25
L1476	945 086 6037	IMPEDANCE,330 OHM P	D2516	307 201 2724	DIODE RB051L-40-TE25
L1477	945 086 6037	IMPEDANCE,330 OHM P	D2521	307 205 2819	DIODE RB520S-30-TE61
L1478	945 086 6037	IMPEDANCE,330 OHM P	D2531	307 249 2714	DIODE RB050LA-40-TR
L1481	945 086 6037	IMPEDANCE,330 OHM P	D2541	307 205 2819	DIODE RB520S-30-TE61
L1482	945 086 6037	IMPEDANCE,330 OHM P	D2542	307 205 2819	DIODE RB520S-30-TE61
L1483	945 086 6037	IMPEDANCE,330 OHM P			
L1501	945 086 6648	IMPEDANCE,220 OHM P			
L1521	945 086 6648	IMPEDANCE,220 OHM P			
L1551	945 086 6648	IMPEDANCE,220 OHM P			
L2511	645 099 4920	INDUCTOR,10U M			
L2512	645 099 4944	INDUCTOR,33U M			
L2513	645 099 4937	INDUCTOR,15U M			
L2516	645 099 4951	INDUCTOR,3.8U N			
L2531	645 099 4944	INDUCTOR,33U M			
L2541	945 041 1954	INDUCTOR,100 OHM			
L2542	945 041 1954	INDUCTOR,100 OHM			
L2543	945 041 1954	INDUCTOR,100 OHM			

Electrical Parts List

Key No.	Part No.	Description	Key No.	Part No.	Description
D2543	307 205 2819	DIODE RB520S-30-TE61		305 015 8727	TR 2SC2812-L6-TB
D2544	307 205 2819	DIODE RB520S-30-TE61		305 015 8925	TR 2SC2812-L7-TB
D2546	307 205 2819	DIODE RB520S-30-TE61		305 163 1615	TR 2SC2812N-L6-TB0
D2547	307 205 2819	DIODE RB520S-30-TE61		305 173 9816	TR 2SC3928A1R
D2548	307 205 2819	DIODE RB520S-30-TE61		305 173 9915	TR 2SC3928A1S
D2549	307 205 2819	DIODE RB520S-30-TE61	Q1221	305 014 4512	TR 2SC2412K T146 R
D2561	307 210 3313	DIODE RB161L-40-TE25		305 014 4611	TR 2SC2412K T146 S
D2562	307 250 0716	DIODE RB060M-30-TR		305 015 8727	TR 2SC2812-L6-TB
D2563	307 210 3313	DIODE RB161L-40-TE25		305 015 8925	TR 2SC2812-L7-TB
D2566	307 201 2724	DIODE RB051L-40-TE25		305 163 1615	TR 2SC2812N-L6-TB0
D2581	307 249 2714	DIODE RB050LA-40-TR		305 173 9816	TR 2SC3928A1R
D2591	307 205 2819	DIODE RB520S-30-TE61		305 173 9915	TR 2SC3928A1S
D2592	307 205 2819	DIODE RB520S-30-TE61	Q1224	305 014 4512	TR 2SC2412K T146 R
D2593	307 205 2819	DIODE RB520S-30-TE61		305 014 4611	TR 2SC2412K T146 S
D2594	307 205 2819	DIODE RB520S-30-TE61		305 015 8727	TR 2SC2812-L6-TB
D2596	307 205 2819	DIODE RB520S-30-TE61		305 015 8925	TR 2SC2812-L7-TB
D2597	307 205 2819	DIODE RB520S-30-TE61		305 163 1615	TR 2SC2812N-L6-TB0
D2598	307 205 2819	DIODE RB520S-30-TE61		305 173 9816	TR 2SC3928A1R
D2599	307 205 2819	DIODE RB520S-30-TE61		305 173 9915	TR 2SC3928A1S
D3508	407 266 1414	ZENER DIODE TDZTR10	Q1227	305 014 4512	TR 2SC2412K T146 R
D3514	407 251 2825	DIODE CMS14-TE12L		305 014 4611	TR 2SC2412K T146 S
D3517	407 251 2825	DIODE CMS14-TE12L		305 015 8727	TR 2SC2812-L6-TB
D3538	407 266 1414	ZENER DIODE TDZTR10		305 015 8925	TR 2SC2812-L7-TB
D3544	407 251 2825	DIODE CMS14-TE12L		305 163 1615	TR 2SC2812N-L6-TB0
D3547	407 251 2825	DIODE CMS14-TE12L		305 173 9816	TR 2SC3928A1R
				305 173 9915	TR 2SC3928A1S
MISCELLANEOUS			Q1361	305 211 1918	TR RJU002N06
K40A	645 094 0859	SOCKET,LVDS 51P	Q1363	305 211 1918	TR RJU002N06
X7701	645 098 7137	OSC,CRYSTAL 25.000MHZ	Q1366	305 211 1918	TR RJU002N06
			Q1368	305 211 1918	TR RJU002N06
			Q1891	305 211 1918	TR RJU002N06
			Q1892	305 211 1918	TR RJU002N06
			Q1893	305 211 1918	TR RJU002N06
			Q1894	305 211 1918	TR RJU002N06
			Q2061	305 014 4512	TR 2SC2412K T146 R
				305 014 4611	TR 2SC2412K T146 S
				305 015 8727	TR 2SC2812-L6-TB
				305 015 8925	TR 2SC2812-L7-TB
				305 163 1615	TR 2SC2812N-L6-TB0
				305 173 9816	TR 2SC3928A1R
				305 173 9915	TR 2SC3928A1S
			Q2071	305 014 4512	TR 2SC2412K T146 R
				305 014 4611	TR 2SC2412K T146 S
				305 015 8727	TR 2SC2812-L6-TB
				305 015 8925	TR 2SC2812-L7-TB
				305 163 1615	TR 2SC2812N-L6-TB0
				305 173 9816	TR 2SC3928A1R
				305 173 9915	TR 2SC3928A1S
			Q2083	305 014 4512	TR 2SC2412K T146 R
				305 014 4611	TR 2SC2412K T146 S
				305 015 8727	TR 2SC2812-L6-TB
				305 015 8925	TR 2SC2812-L7-TB
				305 163 1615	TR 2SC2812N-L6-TB0
				305 173 9816	TR 2SC3928A1R
				305 173 9915	TR 2SC3928A1S
			Q2101	305 134 5928	TR 2SA1037AK-T146-R
				305 147 2218	TR 2SA1037AK-S-T146
				305 173 9618	TR 2SA1235A1E
				305 173 9717	TR 2SA1235A1F
				405 220 3115	TR ISA1235AC1E
				405 220 3016	TR ISA1235AC1F
			Q2103	305 134 5928	TR 2SA1037AK-T146-R
				305 147 2218	TR 2SA1037AK-S-T146
				305 173 9618	TR 2SA1235A1E
				305 173 9717	TR 2SA1235A1F
				405 220 3115	TR ISA1235AC1E
				405 220 3016	TR ISA1235AC1F
AA801 610 353 7146 ASSY,PWB,MAIN KE2BL					
TRANSISTOR					
Q1001	305 217 8614	TR RN1105 TE85L			
Q1003	305 217 8614	TR RN1105 TE85L			
Q1021	305 217 8614	TR RN1105 TE85L			
Q1061	305 014 4512	TR 2SC2412K T146 R			
	305 014 4611	TR 2SC2412K T146 S			
	305 015 8727	TR 2SC2812-L6-TB			
	305 015 8925	TR 2SC2812-L7-TB			
	305 163 1615	TR 2SC2812N-L6-TB0			
	305 173 9816	TR 2SC3928A1R			
	305 173 9915	TR 2SC3928A1S			
Q1071	305 014 4512	TR 2SC2412K T146 R			
	305 014 4611	TR 2SC2412K T146 S			
	305 015 8727	TR 2SC2812-L6-TB			
	305 015 8925	TR 2SC2812-L7-TB			
	305 163 1615	TR 2SC2812N-L6-TB0			
	305 173 9816	TR 2SC3928A1R			
	305 173 9915	TR 2SC3928A1S			
Q1083	305 014 4512	TR 2SC2412K T146 R			
	305 014 4611	TR 2SC2412K T146 S			
	305 015 8727	TR 2SC2812-L6-TB			
	305 015 8925	TR 2SC2812-L7-TB			
	305 163 1615	TR 2SC2812N-L6-TB0			
	305 173 9816	TR 2SC3928A1R			
	305 173 9915	TR 2SC3928A1S			
Q1091	305 217 5019	TR RN1117 TE85L			
Q1215	305 134 5928	TR 2SA1037AK-T146-R			
	305 147 2218	TR 2SA1037AK-S-T146			
	305 173 9618	TR 2SA1235A1E			
	305 173 9717	TR 2SA1235A1F			
	405 220 3115	TR ISA1235AC1E			
	405 220 3016	TR ISA1235AC1F			
Q1218	305 014 4512	TR 2SC2412K T146 R			
	305 014 4611	TR 2SC2412K T146 S			

Electrical Parts List

Key No.	Part No.	Description	Key No.	Part No.	Description
Q2111	305 134 5928	TR 2SA1037AK-T146-R		305 173 9717	TR 2SA1235A1F
	305 147 2218	TR 2SA1037AK-S-T146		405 220 3115	TR ISA1235AC1E
	305 173 9618	TR 2SA1235A1E		405 220 3016	TR ISA1235AC1F
	305 173 9717	TR 2SA1235A1F	Q4726	305 014 4512	TR 2SC2412K T146 R
	405 220 3115	TR ISA1235AC1E		305 014 4611	TR 2SC2412K T146 S
	405 220 3016	TR ISA1235AC1F		305 015 8727	TR 2SC2812-L6-TB
Q2113	305 134 5928	TR 2SA1037AK-T146-R		305 015 8925	TR 2SC2812-L7-TB
	305 147 2218	TR 2SA1037AK-S-T146		305 163 1615	TR 2SC2812N-L6-TB0
	305 173 9618	TR 2SA1235A1E		305 173 9816	TR 2SC3928A1R
	305 173 9717	TR 2SA1235A1F		305 173 9915	TR 2SC3928A1S
	405 220 3115	TR ISA1235AC1E	Q4727	305 134 5928	TR 2SA1037AK-T146-R
	405 220 3016	TR ISA1235AC1F		305 147 2218	TR 2SA1037AK-S-T146
Q2116	305 134 5928	TR 2SA1037AK-T146-R		305 173 9618	TR 2SA1235A1E
	305 147 2218	TR 2SA1037AK-S-T146		305 173 9717	TR 2SA1235A1F
	305 173 9618	TR 2SA1235A1E		405 220 3115	TR ISA1235AC1E
	305 173 9717	TR 2SA1235A1F		405 220 3016	TR ISA1235AC1F
	405 220 3115	TR ISA1235AC1E	Q4731	305 134 5928	TR 2SA1037AK-T146-R
	405 220 3016	TR ISA1235AC1F		305 147 2218	TR 2SA1037AK-S-T146
Q2801	305 014 4512	TR 2SC2412K T146 R		305 173 9618	TR 2SA1235A1E
	305 014 4611	TR 2SC2412K T146 S		305 173 9717	TR 2SA1235A1F
	305 015 8727	TR 2SC2812-L6-TB		405 220 3115	TR ISA1235AC1E
	305 015 8925	TR 2SC2812-L7-TB		405 220 3016	TR ISA1235AC1F
	305 163 1615	TR 2SC2812N-L6-TB0	Q4742	305 211 1918	TR RJU002N06
	305 173 9816	TR 2SC3928A1R	Q4743	305 211 1918	TR RJU002N06
	305 173 9915	TR 2SC3928A1S	Q4744	305 211 1918	TR RJU002N06
Q2802	305 014 4512	TR 2SC2412K T146 R	Q4861	305 002 8327	TR 2SA1203-Y-TE12L
	305 014 4611	TR 2SC2412K T146 S	Q4862	305 217 4913	TR RN1111 TE85L
	305 015 8727	TR 2SC2812-L6-TB	Q5201	305 014 4512	TR 2SC2412K T146 R
	305 015 8925	TR 2SC2812-L7-TB		305 014 4611	TR 2SC2412K T146 S
	305 163 1615	TR 2SC2812N-L6-TB0		305 015 8727	TR 2SC2812-L6-TB
	305 173 9816	TR 2SC3928A1R		305 015 8925	TR 2SC2812-L7-TB
	305 173 9915	TR 2SC3928A1S		305 163 1615	TR 2SC2812N-L6-TB0
Q2811	305 014 4512	TR 2SC2412K T146 R		305 173 9816	TR 2SC3928A1R
	305 014 4611	TR 2SC2412K T146 S	Q5202	305 014 4512	TR 2SC2412K T146 R
	305 015 8727	TR 2SC2812-L6-TB		305 014 4611	TR 2SC2412K T146 S
	305 015 8925	TR 2SC2812-L7-TB		305 015 8727	TR 2SC2812-L6-TB
	305 163 1615	TR 2SC2812N-L6-TB0		305 015 8925	TR 2SC2812-L7-TB
	305 173 9816	TR 2SC3928A1R		305 163 1615	TR 2SC2812N-L6-TB0
	305 173 9915	TR 2SC3928A1S		305 173 9816	TR 2SC3928A1R
Q2812	305 014 4512	TR 2SC2412K T146 R		305 173 9915	TR 2SC3928A1S
	305 014 4611	TR 2SC2412K T146 S	Q5291	305 014 4512	TR 2SC2412K T146 R
	305 015 8727	TR 2SC2812-L6-TB		305 014 4611	TR 2SC2412K T146 S
	305 015 8925	TR 2SC2812-L7-TB		305 015 8727	TR 2SC2812-L6-TB
	305 163 1615	TR 2SC2812N-L6-TB0		305 015 8925	TR 2SC2812-L7-TB
	305 173 9816	TR 2SC3928A1R		305 163 1615	TR 2SC2812N-L6-TB0
	305 173 9915	TR 2SC3928A1S		305 173 9816	TR 2SC3928A1R
Q3461	305 211 1918	TR RJU002N06		305 173 9915	TR 2SC3928A1S
Q3462	305 211 1918	TR RJU002N06	Q5292	305 014 4512	TR 2SC2412K T146 R
Q4701	305 134 5928	TR 2SA1037AK-T146-R		305 014 4611	TR 2SC2412K T146 S
	305 147 2218	TR 2SA1037AK-S-T146		305 015 8727	TR 2SC2812-L6-TB
	305 173 9618	TR 2SA1235A1E		305 015 8925	TR 2SC2812-L7-TB
	305 173 9717	TR 2SA1235A1F		305 163 1615	TR 2SC2812N-L6-TB0
	405 220 3115	TR ISA1235AC1E		305 173 9816	TR 2SC3928A1R
	405 220 3016	TR ISA1235AC1F		305 173 9915	TR 2SC3928A1S
Q4712	305 211 1918	TR RJU002N06	Q5293	305 014 4512	TR 2SC2412K T146 R
Q4713	305 211 1918	TR RJU002N06		305 014 4611	TR 2SC2412K T146 S
Q4714	305 211 1918	TR RJU002N06		305 015 8727	TR 2SC2812-L6-TB
Q4721	305 014 4512	TR 2SC2412K T146 R		305 015 8925	TR 2SC2812-L7-TB
	305 014 4611	TR 2SC2412K T146 S		305 163 1615	TR 2SC2812N-L6-TB0
	305 015 8727	TR 2SC2812-L6-TB		305 173 9816	TR 2SC3928A1R
	305 015 8925	TR 2SC2812-L7-TB		305 173 9915	TR 2SC3928A1S
	305 163 1615	TR 2SC2812N-L6-TB0	Q5294	305 014 4512	TR 2SC2412K T146 R
	305 173 9816	TR 2SC3928A1R		305 014 4611	TR 2SC2412K T146 S
	305 173 9915	TR 2SC3928A1S		305 015 8727	TR 2SC2812-L6-TB
Q4722	305 134 5928	TR 2SA1037AK-T146-R		305 015 8925	TR 2SC2812-L7-TB
	305 147 2218	TR 2SA1037AK-S-T146		305 163 1615	TR 2SC2812N-L6-TB0
	305 173 9618	TR 2SA1235A1E			

Electrical Parts List

Key No.	Part No.	Description	Key No.	Part No.	Description
Q5296	305 173 9816	TR 2SC3928A1R	Q5367	305 163 1615	TR 2SC2812N-L6-TB0
	305 173 9915	TR 2SC3928A1S		305 173 9816	TR 2SC3928A1R
	305 014 4512	TR 2SC2412K T146 R		305 173 9915	TR 2SC3928A1S
	305 014 4611	TR 2SC2412K T146 S		305 134 5928	TR 2SA1037AK-T146-R
	305 015 8727	TR 2SC2812-L6-TB		305 147 2218	TR 2SA1037AK-S-T146
	305 015 8925	TR 2SC2812-L7-TB		305 173 9618	TR 2SA1235A1E
Q5297	305 163 1615	TR 2SC2812N-L6-TB0	305 173 9717	TR 2SA1235A1F	
	305 173 9816	TR 2SC3928A1R	405 220 3115	TR ISA1235AC1E	
	305 173 9915	TR 2SC3928A1S	405 220 3016	TR ISA1235AC1F	
	305 014 4512	TR 2SC2412K T146 R	Q5368	305 134 5928	TR 2SA1037AK-T146-R
	305 014 4611	TR 2SC2412K T146 S	305 147 2218	TR 2SA1037AK-S-T146	
	305 015 8727	TR 2SC2812-L6-TB	305 173 9618	TR 2SA1235A1E	
Q5298	305 015 8925	TR 2SC2812-L7-TB	305 173 9717	TR 2SA1235A1F	
	305 163 1615	TR 2SC2812N-L6-TB0	405 220 3115	TR ISA1235AC1E	
	305 173 9816	TR 2SC3928A1R	405 220 3016	TR ISA1235AC1F	
	305 173 9915	TR 2SC3928A1S	Q5371	305 014 4512	TR 2SC2412K T146 R
	305 014 4512	TR 2SC2412K T146 R	305 014 4611	TR 2SC2412K T146 S	
	305 014 4611	TR 2SC2412K T146 S	305 015 8727	TR 2SC2812-L6-TB	
Q5299	305 015 8727	TR 2SC2812-L6-TB	305 015 8925	TR 2SC2812-L7-TB	
	305 015 8925	TR 2SC2812-L7-TB	305 163 1615	TR 2SC2812N-L6-TB0	
	305 163 1615	TR 2SC2812N-L6-TB0	305 173 9816	TR 2SC3928A1R	
	305 173 9816	TR 2SC3928A1R	305 173 9915	TR 2SC3928A1S	
	305 173 9915	TR 2SC3928A1S	Q5376	305 134 5928	TR 2SA1037AK-T146-R
	305 014 4512	TR 2SC2412K T146 R	305 147 2218	TR 2SA1037AK-S-T146	
Q5307	305 014 4611	TR 2SC2412K T146 S	305 173 9618	TR 2SA1235A1E	
	305 015 8727	TR 2SC2812-L6-TB	305 173 9717	TR 2SA1235A1F	
	305 015 8925	TR 2SC2812-L7-TB	405 220 3115	TR ISA1235AC1E	
	305 163 1615	TR 2SC2812N-L6-TB0	405 220 3016	TR ISA1235AC1F	
	305 173 9816	TR 2SC3928A1R	Q5391	305 217 5019	TR RN1117 TE85L
	305 173 9915	TR 2SC3928A1S	Q5396	305 014 4512	TR 2SC2412K T146 R
Q5311	305 014 4512	TR 2SC2412K T146 R	305 014 4611	TR 2SC2412K T146 S	
	305 014 4611	TR 2SC2412K T146 S	305 015 8727	TR 2SC2812-L6-TB	
	305 015 8727	TR 2SC2812-L6-TB	305 015 8925	TR 2SC2812-L7-TB	
	305 015 8925	TR 2SC2812-L7-TB	305 163 1615	TR 2SC2812N-L6-TB0	
	305 163 1615	TR 2SC2812N-L6-TB0	305 173 9816	TR 2SC3928A1R	
	305 173 9816	TR 2SC3928A1R	305 173 9915	TR 2SC3928A1S	
Q5312	305 173 9915	TR 2SC3928A1S	Q5397	305 134 5928	TR 2SA1037AK-T146-R
	305 134 5928	TR 2SA1037AK-T146-R	305 147 2218	TR 2SA1037AK-S-T146	
	305 147 2218	TR 2SA1037AK-S-T146	305 173 9618	TR 2SA1235A1E	
	305 173 9618	TR 2SA1235A1E	305 173 9717	TR 2SA1235A1F	
	305 173 9717	TR 2SA1235A1F	405 220 3115	TR ISA1235AC1E	
	405 220 3115	TR ISA1235AC1E	405 220 3016	TR ISA1235AC1F	
Q5313	405 220 3016	TR ISA1235AC1F	Q5501	305 014 4512	TR 2SC2412K T146 R
	305 134 5928	TR 2SA1037AK-T146-R	305 014 4611	TR 2SC2412K T146 S	
	305 147 2218	TR 2SA1037AK-S-T146	305 015 8727	TR 2SC2812-L6-TB	
	305 173 9618	TR 2SA1235A1E	305 015 8925	TR 2SC2812-L7-TB	
	305 173 9717	TR 2SA1235A1F	305 163 1615	TR 2SC2812N-L6-TB0	
	405 220 3115	TR ISA1235AC1E	305 173 9816	TR 2SC3928A1R	
Q5361	405 220 3016	TR ISA1235AC1F	305 173 9915	TR 2SC3928A1S	
	305 014 4512	TR 2SC2412K T146 R	Q5511	305 014 4512	TR 2SC2412K T146 R
	305 014 4611	TR 2SC2412K T146 S	305 014 4611	TR 2SC2412K T146 S	
	305 015 8727	TR 2SC2812-L6-TB	305 015 8727	TR 2SC2812-L6-TB	
	305 015 8925	TR 2SC2812-L7-TB	305 015 8925	TR 2SC2812-L7-TB	
	305 163 1615	TR 2SC2812N-L6-TB0	305 163 1615	TR 2SC2812N-L6-TB0	
Q5366	305 173 9816	TR 2SC3928A1R	305 173 9816	TR 2SC3928A1R	
	305 173 9915	TR 2SC3928A1S	305 173 9915	TR 2SC3928A1S	
	305 014 4512	TR 2SC2412K T146 R	Q5561	305 014 4512	TR 2SC2412K T146 R
	305 014 4611	TR 2SC2412K T146 S	305 014 4611	TR 2SC2412K T146 S	
	305 015 8727	TR 2SC2812-L6-TB	305 015 8727	TR 2SC2812-L6-TB	
	305 015 8925	TR 2SC2812-L7-TB	305 015 8925	TR 2SC2812-L7-TB	
Q5366	305 163 1615	TR 2SC2812N-L6-TB0	305 163 1615	TR 2SC2812N-L6-TB0	
	305 173 9816	TR 2SC3928A1R	305 173 9816	TR 2SC3928A1R	
	305 173 9915	TR 2SC3928A1S	305 173 9915	TR 2SC3928A1S	
	305 014 4512	TR 2SC2412K T146 R	Q5621	305 014 4512	TR 2SC2412K T146 R
	305 014 4611	TR 2SC2412K T146 S	305 014 4611	TR 2SC2412K T146 S	
	305 015 8727	TR 2SC2812-L6-TB	305 015 8727	TR 2SC2812-L6-TB	
	305 015 8925	TR 2SC2812-L7-TB	305 015 8925	TR 2SC2812-L7-TB	

Electrical Parts List

Key No.	Part No.	Description	Key No.	Part No.	Description
	305 163 1615	TR 2SC2812N-L6-TB0	IC301	409 686 5317	IC PW392C-30L
	305 173 9816	TR 2SC3928A1R	IC3401	410 694 8006	IC A3V64S40ETP-G6
	305 173 9915	TR 2SC3928A1S	IC3416	309 439 8919	IC TC7WH125FU
Q6291	305 211 1918	TR RJU002N06	IC3417	309 439 8919	IC TC7WH125FU
Q6292	305 211 1918	TR RJU002N06	IC3421	409 685 9415	IC MP2307DN
Q6296	305 211 1918	TR RJU002N06	IC3431	409 701 2918	IC R1173H001B
Q6297	305 211 1918	TR RJU002N06	IC3441	409 701 2918	IC R1173H001B
Q6511	305 014 4512	TR 2SC2412K T146 R	IC3461	309 672 9018	IC PCA9544APW
	305 014 4611	TR 2SC2412K T146 S	IC4402	310 596 0002	IC 74LVC1G125GW,125
	305 015 8727	TR 2SC2812-L6-TB	IC4701	309 464 1411	IC TC74ACT14FT
	305 015 8925	TR 2SC2812-L7-TB	IC4721	309 462 2420	IC TC7SZ08FU-(TE85L)
	305 163 1615	TR 2SC2812N-L6-TB0	IC4731	309 464 1411	IC TC74ACT14FT
	305 173 9816	TR 2SC3928A1R	IC4761	409 701 2918	IC R1173H001B
	305 173 9915	TR 2SC3928A1S	IC4771	309 644 3310	IC MXA2500EL
Q6531	305 014 4512	TR 2SC2412K T146 R	IC4791	409 701 2918	IC R1173H001B
	305 014 4611	TR 2SC2412K T146 S	IC4801	409 685 9415	IC MP2307DN
	305 015 8727	TR 2SC2812-L6-TB	IC4811	409 701 2918	IC R1173H001B
	305 015 8925	TR 2SC2812-L7-TB	IC4821	409 701 2918	IC R1173H001B
	305 163 1615	TR 2SC2812N-L6-TB0	IC4831	409 685 9415	IC MP2307DN
	305 173 9816	TR 2SC3928A1R	IC4841	409 701 2918	IC R1173H001B
	305 173 9915	TR 2SC3928A1S	IC4851	409 699 6516	IC TA48S00AF
Q7801	305 211 1918	TR RJU002N06	IC4871	409 685 9415	IC MP2307DN
Q7802	305 211 1918	TR RJU002N06	IC4881	409 699 6516	IC TA48S00AF
Q8076	305 014 4512	TR 2SC2412K T146 R	IC4891	409 701 2918	IC R1173H001B
	305 014 4611	TR 2SC2412K T146 S	IC5301	309 461 7317	IC AD8057ARTZ-REEL7
	305 015 8727	TR 2SC2812-L6-TB	IC5321	309 484 2016	IC BA7078AF-E2
	305 015 8925	TR 2SC2812-L7-TB	IC5341	309 462 2311	IC TC7SZ04FU-TE852
	305 163 1615	TR 2SC2812N-L6-TB0	IC5346	309 462 2311	IC TC7SZ04FU-TE852
	305 173 9816	TR 2SC3928A1R	IC5391	309 400 7118	IC TC7W53FU-(TE12L)
	305 173 9915	TR 2SC3928A1S	IC5501	309 362 1127	IC BA6287F
Q8091	305 134 5928	TR 2SA1037AK-T146-R	IC5511	309 362 1127	IC BA6287F
	305 147 2218	TR 2SA1037AK-S-T146	IC5541	409 685 9415	IC MP2307DN
	305 173 9618	TR 2SA1235A1E	IC5551	309 394 9310	IC TC7SH14FU-(TE85L)
	305 173 9717	TR 2SA1235A1F	IC5556	309 394 9310	IC TC7SH14FU-(TE85L)
	405 220 3115	TR ISA1235AC1E	IC5561	309 362 1127	IC BA6287F
	405 220 3016	TR ISA1235AC1F	IC5581	409 684 3919	IC NJM2671E2(TE1)
Q8092	305 217 5019	TR RN1117 TE85L	IC5601	409 699 6516	IC TA48S00AF
Q8105	305 217 5019	TR RN1117 TE85L	IC5611	409 701 2918	IC R1173H001B
			IC5808	309 644 5215	IC 74LVC1G04GW-125
				309 330 2511	IC TC7SH04FU-(TE85L)
INTEGRATED CIRCUIT			IC5831	409 701 2918	IC R1173H001B
IC1091	310 517 6809	IC TC74LVX4053FT	IC5841	409 701 2918	IC R1173H001B
IC1096	309 462 0327	IC 24LC21AT/SN	IC6211	409 685 9415	IC MP2307DN
IC1271	309 461 7317	IC AD8057ARTZ-REEL7	IC6221	409 701 2918	IC R1173H001B
IC1281	309 461 7317	IC AD8057ARTZ-REEL7	IC6231	409 701 2918	IC R1173H001B
IC1291	309 461 7317	IC AD8057ARTZ-REEL7	IC6251	310 337 0506	IC TC74LXC14FT
IC1301	410 721 1604	IC M29W128GL70N6E-1249-B	IC6271	309 400 9112	IC TC7SET08FU-(TE85L)
IC1311	410 643 4400	IC EDD2516AETA-5B-E	IC6272	309 368 5812	IC TC7SH08FU(TE85L)
IC1331	410 643 4400	IC EDD2516AETA-5B-E	IC6274	309 368 5812	IC TC7SH08FU(TE85L)
IC1341	310 616 3402	IC PST413A300NR	IC6288	309 400 9112	IC TC7SET08FU-(TE85L)
IC1371	309 439 8919	IC TC7WH125FU	IC6289	309 368 5812	IC TC7SH08FU(TE85L)
IC1391	410 677 2304	IC 24LC128T-I/SN	IC6501	309 400 7118	IC TC7W53FU-(TE12L)
IC1396	309 439 8919	IC TC7WH125FU	IC6511	309 537 6213	IC BA6920FP-YE2
IC1801	309 671 7817	IC TE7783APF	IC6521	309 400 7118	IC TC7W53FU-(TE12L)
	309 633 6117	IC TE7783PF	IC6531	309 537 6213	IC BA6920FP-YE2
IC1861	409 701 2918	IC R1173H001B	IC6561	409 701 2918	IC R1173H001B
IC1871	309 439 8919	IC TC7WH125FU	IC6571	310 362 6504	IC TC74LCX541FT
IC1876	309 439 8919	IC TC7WH125FU	IC7211	309 439 8919	IC TC7WH125FU
IC2121	309 461 7822	IC PQ20WZ11	IC7251	409 699 6516	IC TA48S00AF
IC2171	309 461 7317	IC AD8057ARTZ-REEL7	IC7801	309 458 3414	IC M62393FP
IC2181	309 461 7317	IC AD8057ARTZ-REEL7	IC8001	409 698 5510	IC SII9127ACTU
IC2191	309 461 7317	IC AD8057ARTZ-REEL7	IC8081	409 699 6615	IC BD7820FP
IC2301	409 700 7112	IC PW610-30GX	IC8101	309 558 7213	IC 24C02CT-I/SNG
IC271	409 699 6516	IC TA48S00AF	IC8106	309 400 7118	IC TC7W53FU-(TE12L)
IC2801	309 359 1113	IC TC7W240FU-TE12L	IC8108	309 400 7118	IC TC7W53FU-(TE12L)
IC281	409 701 2918	IC R1173H001B	IC8861	309 246 9710	IC LA6358NM-TE-L-E
IC2811	309 359 1113	IC TC7W240FU-TE12L	IC9301	310 348 7402	IC TC74LCX125FT(EL)
IC291	409 701 2918	IC R1173H001B			

Electrical Parts List

Key No.	Part No.	Description	Key No.	Part No.	Description
CAPACITOR			C1252	303 438 0219	CERAMIC 0.1U K 16V
C1028	303 438 0219	CERAMIC 0.1U K 16V		303 409 3426	CERAMIC 0.1U K 16V
	303 409 3426	CERAMIC 0.1U K 16V	C1253	303 358 3215	CERAMIC 10U K 6.3V
C1061	303 358 3215	CERAMIC 10U K 6.3V		303 368 7319	CERAMIC 10U K 6.3V
	303 368 7319	CERAMIC 10U K 6.3V	C1254	303 438 0219	CERAMIC 0.1U K 16V
C1062	303 438 0219	CERAMIC 0.1U K 16V		303 409 3426	CERAMIC 0.1U K 16V
	303 409 3426	CERAMIC 0.1U K 16V	C1271	303 445 0318	CERAMIC 8P G 50V
C1071	303 358 3215	CERAMIC 10U K 6.3V	C1272	303 438 0219	CERAMIC 0.1U K 16V
	303 368 7319	CERAMIC 10U K 6.3V		303 409 3426	CERAMIC 0.1U K 16V
C1072	303 438 0219	CERAMIC 0.1U K 16V	C1273	303 279 6210	CERAMIC 10P J 50V
	303 409 3426	CERAMIC 0.1U K 16V	C1279	303 438 0219	CERAMIC 0.1U K 16V
C1081	303 358 3215	CERAMIC 10U K 6.3V		303 409 3426	CERAMIC 0.1U K 16V
	303 368 7319	CERAMIC 10U K 6.3V	C1281	303 445 0318	CERAMIC 8P G 50V
C1082	303 438 0219	CERAMIC 0.1U K 16V	C1282	303 438 0219	CERAMIC 0.1U K 16V
	303 409 3426	CERAMIC 0.1U K 16V		303 409 3426	CERAMIC 0.1U K 16V
C1091	303 394 1312	ELECT 100U M 6.3V	C1283	303 279 6210	CERAMIC 10P J 50V
	303 427 9315	ELECT 100U M 6.3V	C1289	303 438 0219	CERAMIC 0.1U K 16V
C1092	303 358 3215	CERAMIC 10U K 6.3V		303 409 3426	CERAMIC 0.1U K 16V
	303 368 7319	CERAMIC 10U K 6.3V	C1291	303 445 0318	CERAMIC 8P G 50V
C1093	303 438 0219	CERAMIC 0.1U K 16V	C1292	303 438 0219	CERAMIC 0.1U K 16V
	303 409 3426	CERAMIC 0.1U K 16V		303 409 3426	CERAMIC 0.1U K 16V
C1096	303 438 0219	CERAMIC 0.1U K 16V	C1293	303 279 6210	CERAMIC 10P J 50V
	303 409 3426	CERAMIC 0.1U K 16V	C1299	303 438 0219	CERAMIC 0.1U K 16V
C1201	303 358 3215	CERAMIC 10U K 6.3V		303 409 3426	CERAMIC 0.1U K 16V
	303 368 7319	CERAMIC 10U K 6.3V	C1301	303 438 0219	CERAMIC 0.1U K 16V
C1202	303 438 0219	CERAMIC 0.1U K 16V		303 409 3426	CERAMIC 0.1U K 16V
	303 409 3426	CERAMIC 0.1U K 16V	C1304	303 439 8412	CERAMIC 2.2U M 6.3V
C1203	303 276 1317	CERAMIC 1000P K 50V	C1311	303 438 0219	CERAMIC 0.1U K 16V
C1204	403 455 1012	CERAMIC 1U K 10V		303 409 3426	CERAMIC 0.1U K 16V
	303 433 1112	CERAMIC 1U K 10V	C1312	303 438 0219	CERAMIC 0.1U K 16V
C1205	303 375 7418	OS-SOLID 330U M 10V		303 409 3426	CERAMIC 0.1U K 16V
C1206	303 358 3215	CERAMIC 10U K 6.3V	C1313	303 438 0219	CERAMIC 0.1U K 16V
	303 368 7319	CERAMIC 10U K 6.3V		303 409 3426	CERAMIC 0.1U K 16V
C1207	403 455 1012	CERAMIC 1U K 10V	C1314	303 438 0219	CERAMIC 0.1U K 16V
	303 433 1112	CERAMIC 1U K 10V		303 409 3426	CERAMIC 0.1U K 16V
C1208	303 438 0219	CERAMIC 0.1U K 16V	C1316	303 438 0219	CERAMIC 0.1U K 16V
	303 409 3426	CERAMIC 0.1U K 16V		303 409 3426	CERAMIC 0.1U K 16V
C1209	303 438 0219	CERAMIC 0.1U K 16V	C1317	303 438 0219	CERAMIC 0.1U K 16V
	303 409 3426	CERAMIC 0.1U K 16V		303 409 3426	CERAMIC 0.1U K 16V
C1211	403 455 1012	CERAMIC 1U K 10V	C1318	303 438 0219	CERAMIC 0.1U K 16V
	303 433 1112	CERAMIC 1U K 10V		303 409 3426	CERAMIC 0.1U K 16V
C1212	403 455 1012	CERAMIC 1U K 10V	C1319	303 438 0219	CERAMIC 0.1U K 16V
	303 433 1112	CERAMIC 1U K 10V		303 409 3426	CERAMIC 0.1U K 16V
C1213	403 455 1012	CERAMIC 1U K 10V	C1321	303 358 3215	CERAMIC 10U K 6.3V
	303 433 1112	CERAMIC 1U K 10V		303 368 7319	CERAMIC 10U K 6.3V
C1216	403 455 1012	CERAMIC 1U K 10V	C1322	303 438 0219	CERAMIC 0.1U K 16V
	303 433 1112	CERAMIC 1U K 10V		303 409 3426	CERAMIC 0.1U K 16V
C1217	403 455 1012	CERAMIC 1U K 10V	C1323	303 438 0219	CERAMIC 0.1U K 16V
	303 433 1112	CERAMIC 1U K 10V		303 409 3426	CERAMIC 0.1U K 16V
C1218	403 455 1012	CERAMIC 1U K 10V	C1324	303 438 0219	CERAMIC 0.1U K 16V
	303 433 1112	CERAMIC 1U K 10V		303 409 3426	CERAMIC 0.1U K 16V
C1221	303 305 4715	CERAMIC 330P J 50V	C1326	303 438 0219	CERAMIC 0.1U K 16V
C1224	303 305 4715	CERAMIC 330P J 50V		303 409 3426	CERAMIC 0.1U K 16V
C1227	303 305 4715	CERAMIC 330P J 50V	C1327	303 438 0219	CERAMIC 0.1U K 16V
C1231	303 382 0716	ELECT 470U M 10V		303 409 3426	CERAMIC 0.1U K 16V
	403 458 4515	ELECT 470U M 10V	C1328	303 438 0219	CERAMIC 0.1U K 16V
C1232	303 438 0219	CERAMIC 0.1U K 16V		303 409 3426	CERAMIC 0.1U K 16V
	303 409 3426	CERAMIC 0.1U K 16V	C1331	303 438 0219	CERAMIC 0.1U K 16V
C1233	303 382 0716	ELECT 470U M 10V		303 409 3426	CERAMIC 0.1U K 16V
	403 458 4515	ELECT 470U M 10V	C1332	303 438 0219	CERAMIC 0.1U K 16V
C1234	303 438 0219	CERAMIC 0.1U K 16V		303 409 3426	CERAMIC 0.1U K 16V
	303 409 3426	CERAMIC 0.1U K 16V	C1333	303 438 0219	CERAMIC 0.1U K 16V
C1236	303 382 0716	ELECT 470U M 10V		303 409 3426	CERAMIC 0.1U K 16V
	403 458 4515	ELECT 470U M 10V	C1334	303 438 0219	CERAMIC 0.1U K 16V
C1237	303 438 0219	CERAMIC 0.1U K 16V		303 409 3426	CERAMIC 0.1U K 16V
	303 409 3426	CERAMIC 0.1U K 16V	C1336	303 438 0219	CERAMIC 0.1U K 16V
C1251	303 427 8417	ELECT 100U M 16V		303 409 3426	CERAMIC 0.1U K 16V

Electrical Parts List

Key No.	Part No.	Description	Key No.	Part No.	Description
C1337	303 438 0219	CERAMIC 0.1U K 16V	C203	303 438 0219	CERAMIC 0.1U K 16V
	303 409 3426	CERAMIC 0.1U K 16V		303 409 3426	CERAMIC 0.1U K 16V
C1338	303 438 0219	CERAMIC 0.1U K 16V	C206	303 358 3215	CERAMIC 10U K 6.3V
	303 409 3426	CERAMIC 0.1U K 16V		303 368 7319	CERAMIC 10U K 6.3V
C1339	303 438 0219	CERAMIC 0.1U K 16V	C2061	303 358 3215	CERAMIC 10U K 6.3V
	303 409 3426	CERAMIC 0.1U K 16V		303 368 7319	CERAMIC 10U K 6.3V
C1341	303 438 0219	CERAMIC 0.1U K 16V	C2062	303 438 0219	CERAMIC 0.1U K 16V
	303 409 3426	CERAMIC 0.1U K 16V		303 409 3426	CERAMIC 0.1U K 16V
C1342	303 441 9810	CERAMIC 0.01U K 50V	C207	303 438 0219	CERAMIC 0.1U K 16V
C1343	303 276 1317	CERAMIC 1000P K 50V		303 409 3426	CERAMIC 0.1U K 16V
C1351	303 276 1911	CERAMIC 22P J 50V	C2071	303 358 3215	CERAMIC 10U K 6.3V
C1352	303 309 2519	CERAMIC 27P J 50V		303 368 7319	CERAMIC 10U K 6.3V
C1371	303 438 0219	CERAMIC 0.1U K 16V	C2072	303 438 0219	CERAMIC 0.1U K 16V
	303 409 3426	CERAMIC 0.1U K 16V		303 409 3426	CERAMIC 0.1U K 16V
C1381	303 276 3113	CERAMIC 33P J 50V	C208	303 438 0219	CERAMIC 0.1U K 16V
C1382	303 276 3113	CERAMIC 33P J 50V		303 409 3426	CERAMIC 0.1U K 16V
C1383	303 438 0219	CERAMIC 0.1U K 16V	C2081	303 358 3215	CERAMIC 10U K 6.3V
	303 409 3426	CERAMIC 0.1U K 16V		303 368 7319	CERAMIC 10U K 6.3V
C1391	303 438 0219	CERAMIC 0.1U K 16V	C2082	303 438 0219	CERAMIC 0.1U K 16V
	303 409 3426	CERAMIC 0.1U K 16V		303 409 3426	CERAMIC 0.1U K 16V
C1397	303 438 0219	CERAMIC 0.1U K 16V	C209	303 438 0219	CERAMIC 0.1U K 16V
	303 409 3426	CERAMIC 0.1U K 16V		303 409 3426	CERAMIC 0.1U K 16V
C1801	303 276 2819	CERAMIC 18P J 50V	C211	303 438 0219	CERAMIC 0.1U K 16V
C1802	303 276 2819	CERAMIC 18P J 50V		303 409 3426	CERAMIC 0.1U K 16V
C1807	303 438 0219	CERAMIC 0.1U K 16V	C212	303 438 0219	CERAMIC 0.1U K 16V
	303 409 3426	CERAMIC 0.1U K 16V		303 409 3426	CERAMIC 0.1U K 16V
C1808	303 438 0219	CERAMIC 0.1U K 16V	C2121	303 397 6512	ELECT 47U M 16V
	303 409 3426	CERAMIC 0.1U K 16V	C2122	303 438 0219	CERAMIC 0.1U K 16V
C1809	303 438 0219	CERAMIC 0.1U K 16V		303 409 3426	CERAMIC 0.1U K 16V
	303 409 3426	CERAMIC 0.1U K 16V	C2123	303 397 6512	ELECT 47U M 16V
C1812	303 438 0219	CERAMIC 0.1U K 16V	C213	303 438 0219	CERAMIC 0.1U K 16V
	303 409 3426	CERAMIC 0.1U K 16V		303 409 3426	CERAMIC 0.1U K 16V
C1813	303 438 0219	CERAMIC 0.1U K 16V	C214	303 438 0219	CERAMIC 0.1U K 16V
	303 409 3426	CERAMIC 0.1U K 16V		303 409 3426	CERAMIC 0.1U K 16V
C1814	303 438 0219	CERAMIC 0.1U K 16V	C2151	303 427 8417	ELECT 100U M 16V
	303 409 3426	CERAMIC 0.1U K 16V	C2152	303 438 0219	CERAMIC 0.1U K 16V
C1816	303 438 0219	CERAMIC 0.1U K 16V		303 409 3426	CERAMIC 0.1U K 16V
	303 409 3426	CERAMIC 0.1U K 16V	C2153	303 358 3215	CERAMIC 10U K 6.3V
C1817	303 438 0219	CERAMIC 0.1U K 16V		303 368 7319	CERAMIC 10U K 6.3V
	303 409 3426	CERAMIC 0.1U K 16V	C2154	303 438 0219	CERAMIC 0.1U K 16V
C1818	303 438 0219	CERAMIC 0.1U K 16V		303 409 3426	CERAMIC 0.1U K 16V
	303 409 3426	CERAMIC 0.1U K 16V	C216	303 358 3215	CERAMIC 10U K 6.3V
C1819	303 438 0219	CERAMIC 0.1U K 16V		303 368 7319	CERAMIC 10U K 6.3V
	303 409 3426	CERAMIC 0.1U K 16V	C217	303 438 0219	CERAMIC 0.1U K 16V
C1821	303 438 0219	CERAMIC 0.1U K 16V		303 409 3426	CERAMIC 0.1U K 16V
	303 409 3426	CERAMIC 0.1U K 16V	C2171	303 445 0318	CERAMIC 8P G 50V
C1822	303 438 0219	CERAMIC 0.1U K 16V	C2172	303 438 0219	CERAMIC 0.1U K 16V
	303 409 3426	CERAMIC 0.1U K 16V		303 409 3426	CERAMIC 0.1U K 16V
C1823	303 438 0219	CERAMIC 0.1U K 16V	C2173	303 279 6210	CERAMIC 10P J 50V
	303 409 3426	CERAMIC 0.1U K 16V	C2179	303 438 0219	CERAMIC 0.1U K 16V
C1824	303 438 0219	CERAMIC 0.1U K 16V		303 409 3426	CERAMIC 0.1U K 16V
	303 409 3426	CERAMIC 0.1U K 16V	C218	303 438 0219	CERAMIC 0.1U K 16V
C1826	303 438 0219	CERAMIC 0.1U K 16V		303 409 3426	CERAMIC 0.1U K 16V
	303 409 3426	CERAMIC 0.1U K 16V	C2181	303 445 0318	CERAMIC 8P G 50V
C1861	303 394 5815	CERAMIC 4.7U K 16V	C2182	303 438 0219	CERAMIC 0.1U K 16V
C1862	303 438 0219	CERAMIC 0.1U K 16V		303 409 3426	CERAMIC 0.1U K 16V
	303 409 3426	CERAMIC 0.1U K 16V	C2183	303 279 6210	CERAMIC 10P J 50V
C1863	303 358 3215	CERAMIC 10U K 6.3V	C2189	303 438 0219	CERAMIC 0.1U K 16V
	303 368 7319	CERAMIC 10U K 6.3V		303 409 3426	CERAMIC 0.1U K 16V
C1871	303 438 0219	CERAMIC 0.1U K 16V	C219	303 438 0219	CERAMIC 0.1U K 16V
	303 409 3426	CERAMIC 0.1U K 16V		303 409 3426	CERAMIC 0.1U K 16V
C1876	303 438 0219	CERAMIC 0.1U K 16V	C2191	303 445 0318	CERAMIC 8P G 50V
	303 409 3426	CERAMIC 0.1U K 16V	C2192	303 438 0219	CERAMIC 0.1U K 16V
C1891	303 438 0219	CERAMIC 0.1U K 16V		303 409 3426	CERAMIC 0.1U K 16V
	303 409 3426	CERAMIC 0.1U K 16V	C2193	303 279 6210	CERAMIC 10P J 50V
C201	303 276 1911	CERAMIC 22P J 50V	C2199	303 438 0219	CERAMIC 0.1U K 16V
C202	303 276 1911	CERAMIC 22P J 50V		303 409 3426	CERAMIC 0.1U K 16V

Electrical Parts List

Key No.	Part No.	Description	Key No.	Part No.	Description
C2201	303 305 8515	CERAMIC 15P J 50V	C2267	303 439 8412	CERAMIC 2.2U M 6.3V
C2202	303 358 3215	CERAMIC 10U K 6.3V	C2268	303 439 8412	CERAMIC 2.2U M 6.3V
	303 368 7319	CERAMIC 10U K 6.3V	C227	303 438 0219	CERAMIC 0.1U K 16V
C2203	303 438 0219	CERAMIC 0.1U K 16V		303 409 3426	CERAMIC 0.1U K 16V
	303 409 3426	CERAMIC 0.1U K 16V	C2271	403 455 1012	CERAMIC 1U K 10V
C2204	303 438 0219	CERAMIC 0.1U K 16V		303 433 1112	CERAMIC 1U K 10V
	303 409 3426	CERAMIC 0.1U K 16V	C2272	403 455 1012	CERAMIC 1U K 10V
C2205	303 375 7418	OS-SOLID 330U M 10V		303 433 1112	CERAMIC 1U K 10V
C2206	303 438 0219	CERAMIC 0.1U K 16V	C2273	403 455 1012	CERAMIC 1U K 10V
	303 409 3426	CERAMIC 0.1U K 16V		303 433 1112	CERAMIC 1U K 10V
C2207	303 438 0219	CERAMIC 0.1U K 16V	C2274	303 439 8412	CERAMIC 2.2U M 6.3V
	303 409 3426	CERAMIC 0.1U K 16V	C2276	303 439 8412	CERAMIC 2.2U M 6.3V
C2208	303 438 0219	CERAMIC 0.1U K 16V	C2277	303 439 8412	CERAMIC 2.2U M 6.3V
	303 409 3426	CERAMIC 0.1U K 16V	C2278	303 439 8412	CERAMIC 2.2U M 6.3V
C2209	303 438 0219	CERAMIC 0.1U K 16V	C2279	303 439 8412	CERAMIC 2.2U M 6.3V
	303 409 3426	CERAMIC 0.1U K 16V	C228	303 438 0219	CERAMIC 0.1U K 16V
C221	303 438 0219	CERAMIC 0.1U K 16V		303 409 3426	CERAMIC 0.1U K 16V
	303 409 3426	CERAMIC 0.1U K 16V	C2281	303 439 8412	CERAMIC 2.2U M 6.3V
C2211	303 438 0219	CERAMIC 0.1U K 16V	C2282	303 439 8412	CERAMIC 2.2U M 6.3V
	303 409 3426	CERAMIC 0.1U K 16V	C2283	303 439 8412	CERAMIC 2.2U M 6.3V
C2212	303 438 0219	CERAMIC 0.1U K 16V	C2284	303 439 8412	CERAMIC 2.2U M 6.3V
	303 409 3426	CERAMIC 0.1U K 16V	C2286	303 439 8412	CERAMIC 2.2U M 6.3V
C2214	303 438 0219	CERAMIC 0.1U K 16V	C2287	303 439 8412	CERAMIC 2.2U M 6.3V
	303 409 3426	CERAMIC 0.1U K 16V	C229	303 438 0219	CERAMIC 0.1U K 16V
C222	303 438 0219	CERAMIC 0.1U K 16V		303 409 3426	CERAMIC 0.1U K 16V
	303 409 3426	CERAMIC 0.1U K 16V	C2291	303 439 8412	CERAMIC 2.2U M 6.3V
C2221	303 439 8412	CERAMIC 2.2U M 6.3V	C2292	303 439 8412	CERAMIC 2.2U M 6.3V
C2222	303 439 8412	CERAMIC 2.2U M 6.3V	C2293	303 439 8412	CERAMIC 2.2U M 6.3V
C2223	303 439 8412	CERAMIC 2.2U M 6.3V	C2294	303 439 8412	CERAMIC 2.2U M 6.3V
C2224	303 439 8412	CERAMIC 2.2U M 6.3V	C2301	303 309 2519	CERAMIC 27P J 50V
C2226	303 439 8412	CERAMIC 2.2U M 6.3V	C2302	303 276 3113	CERAMIC 33P J 50V
C2227	303 439 8412	CERAMIC 2.2U M 6.3V	C2303	303 358 3215	CERAMIC 10U K 6.3V
C2229	303 439 8412	CERAMIC 2.2U M 6.3V		303 368 7319	CERAMIC 10U K 6.3V
C2231	303 439 8412	CERAMIC 2.2U M 6.3V	C2304	303 438 0219	CERAMIC 0.1U K 16V
C2232	303 439 8412	CERAMIC 2.2U M 6.3V		303 409 3426	CERAMIC 0.1U K 16V
C2233	303 439 8412	CERAMIC 2.2U M 6.3V	C2306	303 438 0219	CERAMIC 0.1U K 16V
C2234	303 439 8412	CERAMIC 2.2U M 6.3V		303 409 3426	CERAMIC 0.1U K 16V
C2236	303 439 8412	CERAMIC 2.2U M 6.3V	C2307	303 438 0219	CERAMIC 0.1U K 16V
C2237	303 439 8412	CERAMIC 2.2U M 6.3V		303 409 3426	CERAMIC 0.1U K 16V
C2238	303 439 8412	CERAMIC 2.2U M 6.3V	C2308	303 438 0219	CERAMIC 0.1U K 16V
C2239	303 439 8412	CERAMIC 2.2U M 6.3V		303 409 3426	CERAMIC 0.1U K 16V
C2241	303 439 8412	CERAMIC 2.2U M 6.3V	C2309	303 438 0219	CERAMIC 0.1U K 16V
C2242	303 439 8412	CERAMIC 2.2U M 6.3V		303 409 3426	CERAMIC 0.1U K 16V
C2243	303 439 8412	CERAMIC 2.2U M 6.3V	C231	303 438 0219	CERAMIC 0.1U K 16V
C2244	303 424 7017	CERAMIC 0.047U K 25V		303 409 3426	CERAMIC 0.1U K 16V
C2246	303 424 7017	CERAMIC 0.047U K 25V	C2311	303 438 0219	CERAMIC 0.1U K 16V
C2247	303 424 7017	CERAMIC 0.047U K 25V		303 409 3426	CERAMIC 0.1U K 16V
C2248	303 424 7017	CERAMIC 0.047U K 25V	C2312	303 438 0219	CERAMIC 0.1U K 16V
C2249	303 424 7017	CERAMIC 0.047U K 25V		303 409 3426	CERAMIC 0.1U K 16V
C2251	303 424 7017	CERAMIC 0.047U K 25V	C2313	303 438 0219	CERAMIC 0.1U K 16V
C2252	303 424 7017	CERAMIC 0.047U K 25V		303 409 3426	CERAMIC 0.1U K 16V
C2253	303 424 7017	CERAMIC 0.047U K 25V	C2314	303 438 0219	CERAMIC 0.1U K 16V
C2254	303 441 9810	CERAMIC 0.01U K 50V		303 409 3426	CERAMIC 0.1U K 16V
C2256	303 441 9810	CERAMIC 0.01U K 50V	C2316	303 438 0219	CERAMIC 0.1U K 16V
C2257	403 455 1012	CERAMIC 1U K 10V		303 409 3426	CERAMIC 0.1U K 16V
	303 433 1112	CERAMIC 1U K 10V	C2317	303 438 0219	CERAMIC 0.1U K 16V
C2258	303 441 9810	CERAMIC 0.01U K 50V		303 409 3426	CERAMIC 0.1U K 16V
C2259	303 441 9810	CERAMIC 0.01U K 50V	C2318	303 438 0219	CERAMIC 0.1U K 16V
C226	303 358 3215	CERAMIC 10U K 6.3V		303 409 3426	CERAMIC 0.1U K 16V
	303 368 7319	CERAMIC 10U K 6.3V	C2319	303 438 0219	CERAMIC 0.1U K 16V
C2261	403 455 1012	CERAMIC 1U K 10V		303 409 3426	CERAMIC 0.1U K 16V
	303 433 1112	CERAMIC 1U K 10V	C232	303 438 0219	CERAMIC 0.1U K 16V
C2262	303 438 0219	CERAMIC 0.1U K 16V		303 409 3426	CERAMIC 0.1U K 16V
	303 409 3426	CERAMIC 0.1U K 16V	C2321	303 358 3215	CERAMIC 10U K 6.3V
C2263	303 438 0219	CERAMIC 0.1U K 16V		303 368 7319	CERAMIC 10U K 6.3V
	303 409 3426	CERAMIC 0.1U K 16V	C2322	303 438 0219	CERAMIC 0.1U K 16V
C2266	303 439 8412	CERAMIC 2.2U M 6.3V		303 409 3426	CERAMIC 0.1U K 16V

Electrical Parts List

Key No.	Part No.	Description	Key No.	Part No.	Description
	303 409 3426	CERAMIC 0.1U K 16V		303 409 3426	CERAMIC 0.1U K 16V
C263	303 441 9810	CERAMIC 0.01U K 50V	C309	303 438 0219	CERAMIC 0.1U K 16V
C264	303 438 0219	CERAMIC 0.1U K 16V		303 409 3426	CERAMIC 0.1U K 16V
	303 409 3426	CERAMIC 0.1U K 16V	C311	303 438 0219	CERAMIC 0.1U K 16V
C266	303 438 0219	CERAMIC 0.1U K 16V		303 409 3426	CERAMIC 0.1U K 16V
	303 409 3426	CERAMIC 0.1U K 16V	C312	303 438 0219	CERAMIC 0.1U K 16V
C267	303 438 0219	CERAMIC 0.1U K 16V		303 409 3426	CERAMIC 0.1U K 16V
	303 409 3426	CERAMIC 0.1U K 16V	C313	303 438 0219	CERAMIC 0.1U K 16V
C268	303 441 9810	CERAMIC 0.01U K 50V		303 409 3426	CERAMIC 0.1U K 16V
C269	303 438 0219	CERAMIC 0.1U K 16V	C316	303 438 0219	CERAMIC 0.1U K 16V
	303 409 3426	CERAMIC 0.1U K 16V		303 409 3426	CERAMIC 0.1U K 16V
C271	403 455 1012	CERAMIC 1U K 10V	C317	303 438 0219	CERAMIC 0.1U K 16V
	303 433 1112	CERAMIC 1U K 10V		303 409 3426	CERAMIC 0.1U K 16V
C272	303 438 0219	CERAMIC 0.1U K 16V	C318	303 438 0219	CERAMIC 0.1U K 16V
	303 409 3426	CERAMIC 0.1U K 16V		303 409 3426	CERAMIC 0.1U K 16V
C273	303 358 3215	CERAMIC 10U K 6.3V	C319	303 438 0219	CERAMIC 0.1U K 16V
	303 368 7319	CERAMIC 10U K 6.3V		303 409 3426	CERAMIC 0.1U K 16V
C2801	303 438 0219	CERAMIC 0.1U K 16V	C321	303 438 0219	CERAMIC 0.1U K 16V
	303 409 3426	CERAMIC 0.1U K 16V		303 409 3426	CERAMIC 0.1U K 16V
C281	303 407 1018	CERAMIC 4.7U K 6.3V	C322	303 438 0219	CERAMIC 0.1U K 16V
	303 383 5215	CERAMIC 4.7U K 6.3V		303 409 3426	CERAMIC 0.1U K 16V
C2811	303 438 0219	CERAMIC 0.1U K 16V	C323	303 438 0219	CERAMIC 0.1U K 16V
	303 409 3426	CERAMIC 0.1U K 16V		303 409 3426	CERAMIC 0.1U K 16V
C282	303 438 0219	CERAMIC 0.1U K 16V	C327	403 455 1012	CERAMIC 1U K 10V
	303 409 3426	CERAMIC 0.1U K 16V		303 433 1112	CERAMIC 1U K 10V
C2829	403 456 4210	CERAMIC 470P J 50V	C328	403 455 1012	CERAMIC 1U K 10V
C283	303 358 3215	CERAMIC 10U K 6.3V		303 433 1112	CERAMIC 1U K 10V
	303 368 7319	CERAMIC 10U K 6.3V	C331	303 438 0219	CERAMIC 0.1U K 16V
C2831	403 456 4210	CERAMIC 470P J 50V		303 409 3426	CERAMIC 0.1U K 16V
C2836	403 456 4210	CERAMIC 470P J 50V	C332	303 438 0219	CERAMIC 0.1U K 16V
C2841	303 155 2114	CERAMIC 1500P K 50V		303 409 3426	CERAMIC 0.1U K 16V
C2842	303 155 2114	CERAMIC 1500P K 50V	C333	303 438 0219	CERAMIC 0.1U K 16V
C2843	303 155 2114	CERAMIC 1500P K 50V		303 409 3426	CERAMIC 0.1U K 16V
C2844	303 155 2114	CERAMIC 1500P K 50V	C334	303 438 0219	CERAMIC 0.1U K 16V
C2846	303 155 2114	CERAMIC 1500P K 50V		303 409 3426	CERAMIC 0.1U K 16V
C2847	303 155 2114	CERAMIC 1500P K 50V	C336	303 438 0219	CERAMIC 0.1U K 16V
C2848	303 155 2114	CERAMIC 1500P K 50V		303 409 3426	CERAMIC 0.1U K 16V
C2849	303 155 2114	CERAMIC 1500P K 50V	C337	303 438 0219	CERAMIC 0.1U K 16V
C2851	303 155 2114	CERAMIC 1500P K 50V		303 409 3426	CERAMIC 0.1U K 16V
C2852	303 155 2114	CERAMIC 1500P K 50V	C338	303 438 0219	CERAMIC 0.1U K 16V
C2853	303 155 2114	CERAMIC 1500P K 50V		303 409 3426	CERAMIC 0.1U K 16V
C2854	303 155 2114	CERAMIC 1500P K 50V	C339	303 438 0219	CERAMIC 0.1U K 16V
C2856	303 155 2114	CERAMIC 1500P K 50V		303 409 3426	CERAMIC 0.1U K 16V
C2857	303 155 2114	CERAMIC 1500P K 50V	C3401	303 438 0219	CERAMIC 0.1U K 16V
C2858	303 155 2114	CERAMIC 1500P K 50V		303 409 3426	CERAMIC 0.1U K 16V
C2859	303 155 2114	CERAMIC 1500P K 50V	C3402	303 438 0219	CERAMIC 0.1U K 16V
C291	303 407 1018	CERAMIC 4.7U K 6.3V		303 409 3426	CERAMIC 0.1U K 16V
	303 383 5215	CERAMIC 4.7U K 6.3V	C3403	303 438 0219	CERAMIC 0.1U K 16V
C292	303 438 0219	CERAMIC 0.1U K 16V		303 409 3426	CERAMIC 0.1U K 16V
	303 409 3426	CERAMIC 0.1U K 16V	C3404	303 438 0219	CERAMIC 0.1U K 16V
C293	303 358 3215	CERAMIC 10U K 6.3V		303 409 3426	CERAMIC 0.1U K 16V
	303 368 7319	CERAMIC 10U K 6.3V	C3406	303 438 0219	CERAMIC 0.1U K 16V
C301	303 438 0219	CERAMIC 0.1U K 16V		303 409 3426	CERAMIC 0.1U K 16V
	303 409 3426	CERAMIC 0.1U K 16V	C3407	303 438 0219	CERAMIC 0.1U K 16V
C302	303 438 0219	CERAMIC 0.1U K 16V		303 409 3426	CERAMIC 0.1U K 16V
	303 409 3426	CERAMIC 0.1U K 16V	C3408	303 438 0219	CERAMIC 0.1U K 16V
C303	403 455 1012	CERAMIC 1U K 10V		303 409 3426	CERAMIC 0.1U K 16V
	303 433 1112	CERAMIC 1U K 10V	C3409	303 358 3215	CERAMIC 10U K 6.3V
C304	303 438 0219	CERAMIC 0.1U K 16V		303 368 7319	CERAMIC 10U K 6.3V
	303 409 3426	CERAMIC 0.1U K 16V	C341	303 438 0219	CERAMIC 0.1U K 16V
C305	403 455 1012	CERAMIC 1U K 10V		303 409 3426	CERAMIC 0.1U K 16V
	303 433 1112	CERAMIC 1U K 10V	C3416	303 438 0219	CERAMIC 0.1U K 16V
C306	303 438 0219	CERAMIC 0.1U K 16V		303 409 3426	CERAMIC 0.1U K 16V
	303 409 3426	CERAMIC 0.1U K 16V	C3417	303 438 0219	CERAMIC 0.1U K 16V
C307	403 455 1012	CERAMIC 1U K 10V		303 409 3426	CERAMIC 0.1U K 16V
	303 433 1112	CERAMIC 1U K 10V	C342	303 438 0219	CERAMIC 0.1U K 16V
C308	303 438 0219	CERAMIC 0.1U K 16V		303 409 3426	CERAMIC 0.1U K 16V

Electrical Parts List

Key No.	Part No.	Description	Key No.	Part No.	Description
C3421	403 455 1616	CERAMIC 10U K 16V		303 409 3426	CERAMIC 0.1U K 16V
C3422	403 455 1616	CERAMIC 10U K 16V	C351	303 438 0219	CERAMIC 0.1U K 16V
C3424	303 438 0219	CERAMIC 0.1U K 16V		303 409 3426	CERAMIC 0.1U K 16V
	303 409 3426	CERAMIC 0.1U K 16V	C352	303 438 0219	CERAMIC 0.1U K 16V
C3426	303 441 9810	CERAMIC 0.01U K 50V		303 409 3426	CERAMIC 0.1U K 16V
C3428	303 438 0219	CERAMIC 0.1U K 16V	C353	303 438 0219	CERAMIC 0.1U K 16V
	303 409 3426	CERAMIC 0.1U K 16V		303 409 3426	CERAMIC 0.1U K 16V
C3429	303 450 7012	CERAMIC 47U K 10V	C354	403 455 1012	CERAMIC 1U K 10V
C343	403 455 1012	CERAMIC 1U K 10V		303 433 1112	CERAMIC 1U K 10V
	303 433 1112	CERAMIC 1U K 10V	C356	303 438 0219	CERAMIC 0.1U K 16V
C3431	303 394 5815	CERAMIC 4.7U K 16V		303 409 3426	CERAMIC 0.1U K 16V
C3432	303 438 0219	CERAMIC 0.1U K 16V	C357	303 438 0219	CERAMIC 0.1U K 16V
	303 409 3426	CERAMIC 0.1U K 16V		303 409 3426	CERAMIC 0.1U K 16V
C3436	303 358 3215	CERAMIC 10U K 6.3V	C358	303 438 0219	CERAMIC 0.1U K 16V
	303 368 7319	CERAMIC 10U K 6.3V		303 409 3426	CERAMIC 0.1U K 16V
C3437	303 394 1312	ELECT 100U M 6.3V	C359	303 438 0219	CERAMIC 0.1U K 16V
	303 427 9315	ELECT 100U M 6.3V		303 409 3426	CERAMIC 0.1U K 16V
C3438	303 438 0219	CERAMIC 0.1U K 16V	C361	403 455 1012	CERAMIC 1U K 10V
	303 409 3426	CERAMIC 0.1U K 16V		303 433 1112	CERAMIC 1U K 10V
C344	403 455 1012	CERAMIC 1U K 10V	C362	303 438 0219	CERAMIC 0.1U K 16V
	303 433 1112	CERAMIC 1U K 10V		303 409 3426	CERAMIC 0.1U K 16V
C3441	303 394 5815	CERAMIC 4.7U K 16V	C363	403 455 1012	CERAMIC 1U K 10V
C3442	303 438 0219	CERAMIC 0.1U K 16V		303 433 1112	CERAMIC 1U K 10V
	303 409 3426	CERAMIC 0.1U K 16V	C364	303 438 0219	CERAMIC 0.1U K 16V
C3446	303 358 3215	CERAMIC 10U K 6.3V		303 409 3426	CERAMIC 0.1U K 16V
	303 368 7319	CERAMIC 10U K 6.3V	C366	403 455 1012	CERAMIC 1U K 10V
C3447	303 394 1312	ELECT 100U M 6.3V		303 433 1112	CERAMIC 1U K 10V
	303 427 9315	ELECT 100U M 6.3V	C367	303 438 0219	CERAMIC 0.1U K 16V
C3448	303 438 0219	CERAMIC 0.1U K 16V		303 409 3426	CERAMIC 0.1U K 16V
	303 409 3426	CERAMIC 0.1U K 16V	C368	403 455 1012	CERAMIC 1U K 10V
C3451	303 438 0219	CERAMIC 0.1U K 16V		303 433 1112	CERAMIC 1U K 10V
	303 409 3426	CERAMIC 0.1U K 16V	C369	303 438 0219	CERAMIC 0.1U K 16V
C3453	303 438 0219	CERAMIC 0.1U K 16V		303 409 3426	CERAMIC 0.1U K 16V
	303 409 3426	CERAMIC 0.1U K 16V	C371	303 438 0219	CERAMIC 0.1U K 16V
C3454	303 438 0219	CERAMIC 0.1U K 16V		303 409 3426	CERAMIC 0.1U K 16V
	303 409 3426	CERAMIC 0.1U K 16V	C372	303 438 0219	CERAMIC 0.1U K 16V
C3456	303 438 0219	CERAMIC 0.1U K 16V		303 409 3426	CERAMIC 0.1U K 16V
	303 409 3426	CERAMIC 0.1U K 16V	C373	403 455 1012	CERAMIC 1U K 10V
C3457	303 438 0219	CERAMIC 0.1U K 16V		303 433 1112	CERAMIC 1U K 10V
	303 409 3426	CERAMIC 0.1U K 16V	C374	303 438 0219	CERAMIC 0.1U K 16V
C3459	303 438 0219	CERAMIC 0.1U K 16V		303 409 3426	CERAMIC 0.1U K 16V
	303 409 3426	CERAMIC 0.1U K 16V	C375	303 438 0219	CERAMIC 0.1U K 16V
C346	303 438 0219	CERAMIC 0.1U K 16V		303 409 3426	CERAMIC 0.1U K 16V
	303 409 3426	CERAMIC 0.1U K 16V	C376	303 438 0219	CERAMIC 0.1U K 16V
C3462	303 438 0219	CERAMIC 0.1U K 16V		303 409 3426	CERAMIC 0.1U K 16V
	303 409 3426	CERAMIC 0.1U K 16V	C377	403 455 1012	CERAMIC 1U K 10V
C3464	303 438 0219	CERAMIC 0.1U K 16V		303 433 1112	CERAMIC 1U K 10V
	303 409 3426	CERAMIC 0.1U K 16V	C378	303 438 0219	CERAMIC 0.1U K 16V
C3466	303 438 0219	CERAMIC 0.1U K 16V		303 409 3426	CERAMIC 0.1U K 16V
	303 409 3426	CERAMIC 0.1U K 16V	C379	303 438 0219	CERAMIC 0.1U K 16V
C3469	303 438 0219	CERAMIC 0.1U K 16V		303 409 3426	CERAMIC 0.1U K 16V
	303 409 3426	CERAMIC 0.1U K 16V	C381	403 455 1012	CERAMIC 1U K 10V
C347	303 438 0219	CERAMIC 0.1U K 16V		303 433 1112	CERAMIC 1U K 10V
	303 409 3426	CERAMIC 0.1U K 16V	C382	303 438 0219	CERAMIC 0.1U K 16V
C3471	303 438 0219	CERAMIC 0.1U K 16V		303 409 3426	CERAMIC 0.1U K 16V
	303 409 3426	CERAMIC 0.1U K 16V	C383	303 438 0219	CERAMIC 0.1U K 16V
C3472	303 438 0219	CERAMIC 0.1U K 16V		303 409 3426	CERAMIC 0.1U K 16V
	303 409 3426	CERAMIC 0.1U K 16V	C384	303 438 0219	CERAMIC 0.1U K 16V
C3479	303 438 0219	CERAMIC 0.1U K 16V		303 409 3426	CERAMIC 0.1U K 16V
	303 409 3426	CERAMIC 0.1U K 16V	C385	303 438 0219	CERAMIC 0.1U K 16V
C348	303 438 0219	CERAMIC 0.1U K 16V		303 409 3426	CERAMIC 0.1U K 16V
	303 409 3426	CERAMIC 0.1U K 16V	C386	403 455 1012	CERAMIC 1U K 10V
C3486	303 438 0219	CERAMIC 0.1U K 16V		303 433 1112	CERAMIC 1U K 10V
	303 409 3426	CERAMIC 0.1U K 16V	C387	303 438 0219	CERAMIC 0.1U K 16V
C3487	303 438 0219	CERAMIC 0.1U K 16V		303 409 3426	CERAMIC 0.1U K 16V
	303 409 3426	CERAMIC 0.1U K 16V	C388	303 438 0219	CERAMIC 0.1U K 16V
C349	303 438 0219	CERAMIC 0.1U K 16V		303 409 3426	CERAMIC 0.1U K 16V

Electrical Parts List

Key No.	Part No.	Description	Key No.	Part No.	Description
C4498	303 438 0219	CERAMIC 0.1U K 16V		303 427 9315	ELECT 100U M 6.3V
	303 409 3426	CERAMIC 0.1U K 16V	C4827	303 438 0219	CERAMIC 0.1U K 16V
C4701	303 438 0219	CERAMIC 0.1U K 16V		303 409 3426	CERAMIC 0.1U K 16V
	303 409 3426	CERAMIC 0.1U K 16V	C4831	403 455 1616	CERAMIC 10U K 16V
C4713	303 438 0219	CERAMIC 0.1U K 16V	C4832	403 455 1616	CERAMIC 10U K 16V
	303 409 3426	CERAMIC 0.1U K 16V	C4833	303 372 7510	CERAMIC 2.2U K 6.3V
C4721	303 438 0219	CERAMIC 0.1U K 16V	C4834	303 441 9810	CERAMIC 0.01U K 50V
	303 409 3426	CERAMIC 0.1U K 16V	C4836	303 438 0219	CERAMIC 0.1U K 16V
C4722	403 455 1012	CERAMIC 1U K 10V		303 409 3426	CERAMIC 0.1U K 16V
	303 433 1112	CERAMIC 1U K 10V	C4838	303 438 0219	CERAMIC 0.1U K 16V
C4726	403 455 1012	CERAMIC 1U K 10V		303 409 3426	CERAMIC 0.1U K 16V
	303 433 1112	CERAMIC 1U K 10V	C4839	303 450 7012	CERAMIC 47U K 10V
C4728	303 438 0219	CERAMIC 0.1U K 16V	C4840	303 341 3918	POS-SOLID 100U M 6.3V
	303 409 3426	CERAMIC 0.1U K 16V	C4841	303 394 5815	CERAMIC 4.7U K 16V
C4729	303 438 0219	CERAMIC 0.1U K 16V	C4842	303 438 0219	CERAMIC 0.1U K 16V
	303 409 3426	CERAMIC 0.1U K 16V		303 409 3426	CERAMIC 0.1U K 16V
C4731	303 438 0219	CERAMIC 0.1U K 16V	C4843	303 358 3215	CERAMIC 10U K 6.3V
	303 409 3426	CERAMIC 0.1U K 16V		303 368 7319	CERAMIC 10U K 6.3V
C4743	303 438 0219	CERAMIC 0.1U K 16V	C4846	303 394 1312	ELECT 100U M 6.3V
	303 409 3426	CERAMIC 0.1U K 16V		303 427 9315	ELECT 100U M 6.3V
C4761	303 394 5815	CERAMIC 4.7U K 16V	C4847	303 438 0219	CERAMIC 0.1U K 16V
C4762	303 438 0219	CERAMIC 0.1U K 16V		303 409 3426	CERAMIC 0.1U K 16V
	303 409 3426	CERAMIC 0.1U K 16V	C4851	403 455 1012	CERAMIC 1U K 10V
C4766	303 358 3215	CERAMIC 10U K 6.3V		303 433 1112	CERAMIC 1U K 10V
	303 368 7319	CERAMIC 10U K 6.3V	C4853	303 358 3215	CERAMIC 10U K 6.3V
C4767	303 394 1312	ELECT 100U M 6.3V		303 368 7319	CERAMIC 10U K 6.3V
	303 427 9315	ELECT 100U M 6.3V	C4856	303 341 3918	POS-SOLID 100U M 6.3V
C4768	303 438 0219	CERAMIC 0.1U K 16V	C4861	303 438 0219	CERAMIC 0.1U K 16V
	303 409 3426	CERAMIC 0.1U K 16V		303 409 3426	CERAMIC 0.1U K 16V
C4771	303 438 0219	CERAMIC 0.1U K 16V	C4871	403 455 1616	CERAMIC 10U K 16V
	303 409 3426	CERAMIC 0.1U K 16V	C4872	403 455 1616	CERAMIC 10U K 16V
C4772	303 438 0219	CERAMIC 0.1U K 16V	C4873	303 438 0219	CERAMIC 0.1U K 16V
	303 409 3426	CERAMIC 0.1U K 16V		303 409 3426	CERAMIC 0.1U K 16V
C4773	303 376 6311	CERAMIC 0.47U K 10V	C4874	303 438 0219	CERAMIC 0.1U K 16V
C4774	303 376 6311	CERAMIC 0.47U K 10V		303 409 3426	CERAMIC 0.1U K 16V
C4791	303 394 5815	CERAMIC 4.7U K 16V	C4875	303 441 9810	CERAMIC 0.01U K 50V
C4792	303 438 0219	CERAMIC 0.1U K 16V	C4877	303 438 0219	CERAMIC 0.1U K 16V
	303 409 3426	CERAMIC 0.1U K 16V		303 409 3426	CERAMIC 0.1U K 16V
C4796	303 358 3215	CERAMIC 10U K 6.3V	C4878	303 450 7012	CERAMIC 47U K 10V
	303 368 7319	CERAMIC 10U K 6.3V	C4881	403 455 1012	CERAMIC 1U K 10V
C4797	303 394 1312	ELECT 100U M 6.3V		303 433 1112	CERAMIC 1U K 10V
	303 427 9315	ELECT 100U M 6.3V	C4882	403 455 1012	CERAMIC 1U K 10V
C4798	303 438 0219	CERAMIC 0.1U K 16V		303 433 1112	CERAMIC 1U K 10V
	303 409 3426	CERAMIC 0.1U K 16V	C4883	303 358 3215	CERAMIC 10U K 6.3V
C4801	403 455 1616	CERAMIC 10U K 16V		303 368 7319	CERAMIC 10U K 6.3V
C4802	403 455 1616	CERAMIC 10U K 16V	C4891	303 394 5815	CERAMIC 4.7U K 16V
C4804	303 441 9810	CERAMIC 0.01U K 50V	C4892	303 438 0219	CERAMIC 0.1U K 16V
C4806	303 438 0219	CERAMIC 0.1U K 16V		303 409 3426	CERAMIC 0.1U K 16V
	303 409 3426	CERAMIC 0.1U K 16V	C4896	303 358 3215	CERAMIC 10U K 6.3V
C4808	303 438 0219	CERAMIC 0.1U K 16V		303 368 7319	CERAMIC 10U K 6.3V
	303 409 3426	CERAMIC 0.1U K 16V	C5201	303 438 0219	CERAMIC 0.1U K 16V
C4809	303 450 7012	CERAMIC 47U K 10V		303 409 3426	CERAMIC 0.1U K 16V
C4811	303 394 5815	CERAMIC 4.7U K 16V	C5202	303 438 0219	CERAMIC 0.1U K 16V
C4812	303 438 0219	CERAMIC 0.1U K 16V		303 409 3426	CERAMIC 0.1U K 16V
	303 409 3426	CERAMIC 0.1U K 16V	C5203	303 438 0219	CERAMIC 0.1U K 16V
C4813	303 358 3215	CERAMIC 10U K 6.3V		303 409 3426	CERAMIC 0.1U K 16V
	303 368 7319	CERAMIC 10U K 6.3V	C5204	303 438 0219	CERAMIC 0.1U K 16V
C4816	303 394 1312	ELECT 100U M 6.3V		303 409 3426	CERAMIC 0.1U K 16V
	303 427 9315	ELECT 100U M 6.3V	C5206	303 438 0219	CERAMIC 0.1U K 16V
C4817	303 438 0219	CERAMIC 0.1U K 16V		303 409 3426	CERAMIC 0.1U K 16V
	303 409 3426	CERAMIC 0.1U K 16V	C5207	303 438 0219	CERAMIC 0.1U K 16V
C4821	303 394 5815	CERAMIC 4.7U K 16V		303 409 3426	CERAMIC 0.1U K 16V
C4822	303 438 0219	CERAMIC 0.1U K 16V	C5208	303 438 0219	CERAMIC 0.1U K 16V
	303 409 3426	CERAMIC 0.1U K 16V		303 409 3426	CERAMIC 0.1U K 16V
C4823	303 358 3215	CERAMIC 10U K 6.3V	C5209	303 438 0219	CERAMIC 0.1U K 16V
	303 368 7319	CERAMIC 10U K 6.3V		303 409 3426	CERAMIC 0.1U K 16V
C4826	303 394 1312	ELECT 100U M 6.3V	C5211	303 438 0219	CERAMIC 0.1U K 16V

Electrical Parts List

Key No.	Part No.	Description	Key No.	Part No.	Description
	303 409 3426	CERAMIC 0.1U K 16V	C5253	303 438 0219	CERAMIC 0.1U K 16V
C5212	303 438 0219	CERAMIC 0.1U K 16V		303 409 3426	CERAMIC 0.1U K 16V
	303 409 3426	CERAMIC 0.1U K 16V	C5254	303 438 0219	CERAMIC 0.1U K 16V
C5213	303 438 0219	CERAMIC 0.1U K 16V		303 409 3426	CERAMIC 0.1U K 16V
	303 409 3426	CERAMIC 0.1U K 16V	C5255	303 438 0219	CERAMIC 0.1U K 16V
C5214	303 438 0219	CERAMIC 0.1U K 16V		303 409 3426	CERAMIC 0.1U K 16V
	303 409 3426	CERAMIC 0.1U K 16V	C5256	303 438 0219	CERAMIC 0.1U K 16V
C5216	303 438 0219	CERAMIC 0.1U K 16V		303 409 3426	CERAMIC 0.1U K 16V
	303 409 3426	CERAMIC 0.1U K 16V	C5257	303 438 0219	CERAMIC 0.1U K 16V
C5217	303 438 0219	CERAMIC 0.1U K 16V		303 409 3426	CERAMIC 0.1U K 16V
	303 409 3426	CERAMIC 0.1U K 16V	C5258	303 438 0219	CERAMIC 0.1U K 16V
C5218	303 438 0219	CERAMIC 0.1U K 16V		303 409 3426	CERAMIC 0.1U K 16V
	303 409 3426	CERAMIC 0.1U K 16V	C5259	303 438 0219	CERAMIC 0.1U K 16V
C5219	303 438 0219	CERAMIC 0.1U K 16V		303 409 3426	CERAMIC 0.1U K 16V
	303 409 3426	CERAMIC 0.1U K 16V	C5301	303 439 8412	CERAMIC 2.2U M 6.3V
C5221	303 438 0219	CERAMIC 0.1U K 16V	C5302	303 314 5314	CERAMIC 5P C 50V
	303 409 3426	CERAMIC 0.1U K 16V	C5303	303 438 0219	CERAMIC 0.1U K 16V
C5222	303 438 0219	CERAMIC 0.1U K 16V		303 409 3426	CERAMIC 0.1U K 16V
	303 409 3426	CERAMIC 0.1U K 16V	C5304	303 438 0219	CERAMIC 0.1U K 16V
C5223	303 438 0219	CERAMIC 0.1U K 16V		303 409 3426	CERAMIC 0.1U K 16V
	303 409 3426	CERAMIC 0.1U K 16V	C5306	303 438 0219	CERAMIC 0.1U K 16V
C5224	303 438 0219	CERAMIC 0.1U K 16V		303 409 3426	CERAMIC 0.1U K 16V
	303 409 3426	CERAMIC 0.1U K 16V	C5307	403 455 1012	CERAMIC 1U K 10V
C5226	303 438 0219	CERAMIC 0.1U K 16V		303 433 1112	CERAMIC 1U K 10V
	303 409 3426	CERAMIC 0.1U K 16V	C5308	303 438 0219	CERAMIC 0.1U K 16V
C5227	303 438 0219	CERAMIC 0.1U K 16V		303 409 3426	CERAMIC 0.1U K 16V
	303 409 3426	CERAMIC 0.1U K 16V	C5313	303 438 0219	CERAMIC 0.1U K 16V
C5228	303 438 0219	CERAMIC 0.1U K 16V		303 409 3426	CERAMIC 0.1U K 16V
	303 409 3426	CERAMIC 0.1U K 16V	C5321	303 358 3215	CERAMIC 10U K 6.3V
C5229	303 438 0219	CERAMIC 0.1U K 16V		303 368 7319	CERAMIC 10U K 6.3V
	303 409 3426	CERAMIC 0.1U K 16V	C5322	303 438 0219	CERAMIC 0.1U K 16V
C5231	303 438 0219	CERAMIC 0.1U K 16V		303 409 3426	CERAMIC 0.1U K 16V
	303 409 3426	CERAMIC 0.1U K 16V	C5323	303 438 0219	CERAMIC 0.1U K 16V
C5232	303 438 0219	CERAMIC 0.1U K 16V		303 409 3426	CERAMIC 0.1U K 16V
	303 409 3426	CERAMIC 0.1U K 16V	C5324	303 294 6110	CERAMIC 100P J 50V
C5233	303 438 0219	CERAMIC 0.1U K 16V	C5326	303 449 3018	CERAMIC 0.68U K 10V
	303 409 3426	CERAMIC 0.1U K 16V	C5327	303 439 8412	CERAMIC 2.2U M 6.3V
C5234	303 438 0219	CERAMIC 0.1U K 16V	C5328	403 455 1012	CERAMIC 1U K 10V
	303 409 3426	CERAMIC 0.1U K 16V		303 433 1112	CERAMIC 1U K 10V
C5236	303 438 0219	CERAMIC 0.1U K 16V	C5331	303 439 8412	CERAMIC 2.2U M 6.3V
	303 409 3426	CERAMIC 0.1U K 16V	C5332	303 376 6311	CERAMIC 0.47U K 10V
C5237	303 438 0219	CERAMIC 0.1U K 16V	C5333	303 376 6311	CERAMIC 0.47U K 10V
	303 409 3426	CERAMIC 0.1U K 16V	C5341	303 358 3215	CERAMIC 10U K 6.3V
C5238	303 438 0219	CERAMIC 0.1U K 16V		303 368 7319	CERAMIC 10U K 6.3V
	303 409 3426	CERAMIC 0.1U K 16V	C5342	303 438 0219	CERAMIC 0.1U K 16V
C5239	303 438 0219	CERAMIC 0.1U K 16V		303 409 3426	CERAMIC 0.1U K 16V
	303 409 3426	CERAMIC 0.1U K 16V	C5346	303 438 0219	CERAMIC 0.1U K 16V
C5241	303 438 0219	CERAMIC 0.1U K 16V		303 409 3426	CERAMIC 0.1U K 16V
	303 409 3426	CERAMIC 0.1U K 16V	C5361	303 439 8412	CERAMIC 2.2U M 6.3V
C5242	303 438 0219	CERAMIC 0.1U K 16V	C5366	403 455 1012	CERAMIC 1U K 10V
	303 409 3426	CERAMIC 0.1U K 16V		303 433 1112	CERAMIC 1U K 10V
C5243	303 438 0219	CERAMIC 0.1U K 16V	C5367	403 455 1012	CERAMIC 1U K 10V
	303 409 3426	CERAMIC 0.1U K 16V		303 433 1112	CERAMIC 1U K 10V
C5244	303 438 0219	CERAMIC 0.1U K 16V	C5371	303 309 2519	CERAMIC 27P J 50V
	303 409 3426	CERAMIC 0.1U K 16V	C5372	303 320 0419	CERAMIC 68P J 50V
C5246	303 438 0219	CERAMIC 0.1U K 16V	C5373	303 294 6110	CERAMIC 100P J 50V
	303 409 3426	CERAMIC 0.1U K 16V	C5391	303 438 0219	CERAMIC 0.1U K 16V
C5247	303 438 0219	CERAMIC 0.1U K 16V		303 409 3426	CERAMIC 0.1U K 16V
	303 409 3426	CERAMIC 0.1U K 16V	C5392	303 438 0219	CERAMIC 0.1U K 16V
C5248	303 438 0219	CERAMIC 0.1U K 16V		303 409 3426	CERAMIC 0.1U K 16V
	303 409 3426	CERAMIC 0.1U K 16V	C5501	303 396 9613	CERAMIC 1U K 25V
C5249	303 438 0219	CERAMIC 0.1U K 16V		303 397 7618	CERAMIC 1U K 25V
	303 409 3426	CERAMIC 0.1U K 16V	C5502	303 396 9613	CERAMIC 1U K 25V
C5251	303 438 0219	CERAMIC 0.1U K 16V		303 397 7618	CERAMIC 1U K 25V
	303 409 3426	CERAMIC 0.1U K 16V	C5506	303 438 0219	CERAMIC 0.1U K 16V
C5252	303 438 0219	CERAMIC 0.1U K 16V		303 409 3426	CERAMIC 0.1U K 16V
	303 409 3426	CERAMIC 0.1U K 16V	C5511	303 396 9613	CERAMIC 1U K 25V

Electrical Parts List

Key No.	Part No.	Description	Key No.	Part No.	Description
	303 397 7618	CERAMIC 1U K 25V		303 409 3426	CERAMIC 0.1U K 16V
C5512	303 396 9613	CERAMIC 1U K 25V	C5621	303 441 9810	CERAMIC 0.01U K 50V
	303 397 7618	CERAMIC 1U K 25V	C5648	303 401 4312	ELECT 47U M 25V
C5516	303 438 0219	CERAMIC 0.1U K 16V		303 419 5219	ELECT 47.0UM 25V
	303 409 3426	CERAMIC 0.1U K 16V		403 458 6618	ELECT 47U M 25V
C5521	303 438 0219	CERAMIC 0.1U K 16V	C5808	303 438 0219	CERAMIC 0.1U K 16V
	303 409 3426	CERAMIC 0.1U K 16V		303 409 3426	CERAMIC 0.1U K 16V
C5531	303 438 0219	CERAMIC 0.1U K 16V	C5831	303 394 5815	CERAMIC 4.7U K 16V
	303 409 3426	CERAMIC 0.1U K 16V	C5832	303 438 0219	CERAMIC 0.1U K 16V
C5532	303 438 0219	CERAMIC 0.1U K 16V		303 409 3426	CERAMIC 0.1U K 16V
	303 409 3426	CERAMIC 0.1U K 16V	C5836	303 358 3215	CERAMIC 10U K 6.3V
C5533	303 438 0219	CERAMIC 0.1U K 16V		303 368 7319	CERAMIC 10U K 6.3V
	303 409 3426	CERAMIC 0.1U K 16V	C5837	303 394 1312	ELECT 100U M 6.3V
C5534	303 438 0219	CERAMIC 0.1U K 16V		303 427 9315	ELECT 100U M 6.3V
	303 409 3426	CERAMIC 0.1U K 16V	C5838	303 438 0219	CERAMIC 0.1U K 16V
C5536	303 438 0219	CERAMIC 0.1U K 16V		303 409 3426	CERAMIC 0.1U K 16V
	303 409 3426	CERAMIC 0.1U K 16V	C5841	303 394 5815	CERAMIC 4.7U K 16V
C5541	403 455 1616	CERAMIC 10U K 16V	C5842	303 438 0219	CERAMIC 0.1U K 16V
C5542	403 455 1616	CERAMIC 10U K 16V		303 409 3426	CERAMIC 0.1U K 16V
C5545	303 441 9810	CERAMIC 0.01U K 50V	C5846	303 358 3215	CERAMIC 10U K 6.3V
C5546	303 438 0219	CERAMIC 0.1U K 16V		303 368 7319	CERAMIC 10U K 6.3V
	303 409 3426	CERAMIC 0.1U K 16V	C5847	303 394 1312	ELECT 100U M 6.3V
C5548	303 438 0219	CERAMIC 0.1U K 16V		303 427 9315	ELECT 100U M 6.3V
	303 409 3426	CERAMIC 0.1U K 16V	C5848	303 438 0219	CERAMIC 0.1U K 16V
C5549	303 450 7012	CERAMIC 47U K 10V		303 409 3426	CERAMIC 0.1U K 16V
C5551	303 438 0219	CERAMIC 0.1U K 16V	C6201	303 438 0219	CERAMIC 0.1U K 16V
	303 409 3426	CERAMIC 0.1U K 16V		303 409 3426	CERAMIC 0.1U K 16V
C5552	303 438 0219	CERAMIC 0.1U K 16V	C6211	403 455 1616	CERAMIC 10U K 16V
	303 409 3426	CERAMIC 0.1U K 16V	C6212	403 455 1616	CERAMIC 10U K 16V
C5561	303 438 0219	CERAMIC 0.1U K 16V	C6215	303 438 0219	CERAMIC 0.1U K 16V
	303 409 3426	CERAMIC 0.1U K 16V		303 409 3426	CERAMIC 0.1U K 16V
C5562	303 441 9810	CERAMIC 0.01U K 50V	C6216	303 441 9810	CERAMIC 0.01U K 50V
C5566	303 396 9613	CERAMIC 1U K 25V	C6218	303 438 0219	CERAMIC 0.1U K 16V
	303 397 7618	CERAMIC 1U K 25V		303 409 3426	CERAMIC 0.1U K 16V
C5567	403 455 1012	CERAMIC 1U K 10V	C6219	303 450 7012	CERAMIC 47U K 10V
	303 433 1112	CERAMIC 1U K 10V	C6221	303 394 5815	CERAMIC 4.7U K 16V
C5581	403 455 1616	CERAMIC 10U K 16V	C6222	303 438 0219	CERAMIC 0.1U K 16V
C5591	303 438 0219	CERAMIC 0.1U K 16V		303 409 3426	CERAMIC 0.1U K 16V
	303 409 3426	CERAMIC 0.1U K 16V	C6226	303 358 3215	CERAMIC 10U K 6.3V
C5592	303 438 0219	CERAMIC 0.1U K 16V		303 368 7319	CERAMIC 10U K 6.3V
	303 409 3426	CERAMIC 0.1U K 16V	C6227	303 394 1312	ELECT 100U M 6.3V
C5593	303 438 0219	CERAMIC 0.1U K 16V		303 427 9315	ELECT 100U M 6.3V
	303 409 3426	CERAMIC 0.1U K 16V	C6228	303 438 0219	CERAMIC 0.1U K 16V
C5594	303 438 0219	CERAMIC 0.1U K 16V		303 409 3426	CERAMIC 0.1U K 16V
	303 409 3426	CERAMIC 0.1U K 16V	C6231	303 394 5815	CERAMIC 4.7U K 16V
C5596	303 438 0219	CERAMIC 0.1U K 16V	C6232	303 438 0219	CERAMIC 0.1U K 16V
	303 409 3426	CERAMIC 0.1U K 16V		303 409 3426	CERAMIC 0.1U K 16V
C5597	303 438 0219	CERAMIC 0.1U K 16V	C6236	303 358 3215	CERAMIC 10U K 6.3V
	303 409 3426	CERAMIC 0.1U K 16V		303 368 7319	CERAMIC 10U K 6.3V
C5601	403 455 1012	CERAMIC 1U K 10V	C6237	303 394 1312	ELECT 100U M 6.3V
	303 433 1112	CERAMIC 1U K 10V		303 427 9315	ELECT 100U M 6.3V
C5602	403 455 1012	CERAMIC 1U K 10V	C6238	303 438 0219	CERAMIC 0.1U K 16V
	303 433 1112	CERAMIC 1U K 10V		303 409 3426	CERAMIC 0.1U K 16V
C5603	303 358 3215	CERAMIC 10U K 6.3V	C6241	303 341 3918	POS-SOLID 100U M 6.3V
	303 368 7319	CERAMIC 10U K 6.3V	C6242	303 341 3918	POS-SOLID 100U M 6.3V
C5606	303 358 3215	CERAMIC 10U K 6.3V	C6243	303 341 3918	POS-SOLID 100U M 6.3V
	303 368 7319	CERAMIC 10U K 6.3V	C6251	303 438 0219	CERAMIC 0.1U K 16V
C5607	303 438 0219	CERAMIC 0.1U K 16V		303 409 3426	CERAMIC 0.1U K 16V
	303 409 3426	CERAMIC 0.1U K 16V	C6271	303 438 0219	CERAMIC 0.1U K 16V
C5611	303 394 5815	CERAMIC 4.7U K 16V		303 409 3426	CERAMIC 0.1U K 16V
C5612	303 438 0219	CERAMIC 0.1U K 16V	C6272	303 438 0219	CERAMIC 0.1U K 16V
	303 409 3426	CERAMIC 0.1U K 16V		303 409 3426	CERAMIC 0.1U K 16V
C5613	303 358 3215	CERAMIC 10U K 6.3V	C6274	303 438 0219	CERAMIC 0.1U K 16V
	303 368 7319	CERAMIC 10U K 6.3V		303 409 3426	CERAMIC 0.1U K 16V
C5616	303 394 1312	ELECT 100U M 6.3V	C6288	303 438 0219	CERAMIC 0.1U K 16V
	303 427 9315	ELECT 100U M 6.3V		303 409 3426	CERAMIC 0.1U K 16V
C5617	303 438 0219	CERAMIC 0.1U K 16V	C6289	303 438 0219	CERAMIC 0.1U K 16V

Electrical Parts List

Key No.	Part No.	Description	Key No.	Part No.	Description
	303 409 3426	CERAMIC 0.1U K 16V		303 383 5215	CERAMIC 4.7U K 6.3V
C6501	303 438 0219	CERAMIC 0.1U K 16V	C7221	303 438 0219	CERAMIC 0.1U K 16V
	303 409 3426	CERAMIC 0.1U K 16V		303 409 3426	CERAMIC 0.1U K 16V
C6511	303 396 9613	CERAMIC 1U K 25V	C7222	303 438 0219	CERAMIC 0.1U K 16V
	303 397 7618	CERAMIC 1U K 25V		303 409 3426	CERAMIC 0.1U K 16V
C6512	303 396 9613	CERAMIC 1U K 25V	C7223	303 438 0219	CERAMIC 0.1U K 16V
	303 397 7618	CERAMIC 1U K 25V		303 409 3426	CERAMIC 0.1U K 16V
C6516	303 438 0219	CERAMIC 0.1U K 16V	C7224	303 438 0219	CERAMIC 0.1U K 16V
	303 409 3426	CERAMIC 0.1U K 16V		303 409 3426	CERAMIC 0.1U K 16V
C6521	303 438 0219	CERAMIC 0.1U K 16V	C7226	303 438 0219	CERAMIC 0.1U K 16V
	303 409 3426	CERAMIC 0.1U K 16V		303 409 3426	CERAMIC 0.1U K 16V
C6531	303 396 9613	CERAMIC 1U K 25V	C7251	403 455 1012	CERAMIC 1U K 10V
	303 397 7618	CERAMIC 1U K 25V		303 433 1112	CERAMIC 1U K 10V
C6532	303 396 9613	CERAMIC 1U K 25V	C7256	303 358 3215	CERAMIC 10U K 6.3V
	303 397 7618	CERAMIC 1U K 25V		303 368 7319	CERAMIC 10U K 6.3V
C6536	303 438 0219	CERAMIC 0.1U K 16V	C7257	303 358 3215	CERAMIC 10U K 6.3V
	303 409 3426	CERAMIC 0.1U K 16V		303 368 7319	CERAMIC 10U K 6.3V
C6541	303 438 0219	CERAMIC 0.1U K 16V	C7801	303 438 0219	CERAMIC 0.1U K 16V
	303 409 3426	CERAMIC 0.1U K 16V		303 409 3426	CERAMIC 0.1U K 16V
C6542	303 438 0219	CERAMIC 0.1U K 16V	C7802	303 438 0219	CERAMIC 0.1U K 16V
	303 409 3426	CERAMIC 0.1U K 16V		303 409 3426	CERAMIC 0.1U K 16V
C6543	303 438 0219	CERAMIC 0.1U K 16V	C8001	303 305 8515	CERAMIC 15P J 50V
	303 409 3426	CERAMIC 0.1U K 16V	C8002	303 276 2918	CERAMIC 12P J 50V
C6544	303 438 0219	CERAMIC 0.1U K 16V	C8006	303 358 3215	CERAMIC 10U K 6.3V
	303 409 3426	CERAMIC 0.1U K 16V		303 368 7319	CERAMIC 10U K 6.3V
C6551	303 441 9810	CERAMIC 0.01U K 50V	C8007	303 438 0219	CERAMIC 0.1U K 16V
C6552	303 441 9810	CERAMIC 0.01U K 50V		303 409 3426	CERAMIC 0.1U K 16V
C6553	303 441 9810	CERAMIC 0.01U K 50V	C8008	303 438 0219	CERAMIC 0.1U K 16V
C6554	303 441 9810	CERAMIC 0.01U K 50V		303 409 3426	CERAMIC 0.1U K 16V
C6556	303 441 9810	CERAMIC 0.01U K 50V	C8009	303 438 0219	CERAMIC 0.1U K 16V
C6557	303 441 9810	CERAMIC 0.01U K 50V		303 409 3426	CERAMIC 0.1U K 16V
C6558	303 407 1018	CERAMIC 4.7U K 6.3V	C8011	303 358 3215	CERAMIC 10U K 6.3V
	303 383 5215	CERAMIC 4.7U K 6.3V		303 368 7319	CERAMIC 10U K 6.3V
C6561	303 394 5815	CERAMIC 4.7U K 16V	C8012	303 438 0219	CERAMIC 0.1U K 16V
C6562	303 438 0219	CERAMIC 0.1U K 16V		303 409 3426	CERAMIC 0.1U K 16V
	303 409 3426	CERAMIC 0.1U K 16V	C8013	303 358 3215	CERAMIC 10U K 6.3V
C6566	303 358 3215	CERAMIC 10U K 6.3V		303 368 7319	CERAMIC 10U K 6.3V
	303 368 7319	CERAMIC 10U K 6.3V	C8014	303 438 0219	CERAMIC 0.1U K 16V
C6567	303 394 1312	ELECT 100U M 6.3V		303 409 3426	CERAMIC 0.1U K 16V
	303 427 9315	ELECT 100U M 6.3V	C8016	303 358 3215	CERAMIC 10U K 6.3V
C6568	303 438 0219	CERAMIC 0.1U K 16V		303 368 7319	CERAMIC 10U K 6.3V
	303 409 3426	CERAMIC 0.1U K 16V	C8017	303 438 0219	CERAMIC 0.1U K 16V
C6571	303 438 0219	CERAMIC 0.1U K 16V		303 409 3426	CERAMIC 0.1U K 16V
	303 409 3426	CERAMIC 0.1U K 16V	C8018	303 438 0219	CERAMIC 0.1U K 16V
C7201	303 358 3215	CERAMIC 10U K 6.3V		303 409 3426	CERAMIC 0.1U K 16V
	303 368 7319	CERAMIC 10U K 6.3V	C8021	303 358 3215	CERAMIC 10U K 6.3V
C7202	303 438 0219	CERAMIC 0.1U K 16V		303 368 7319	CERAMIC 10U K 6.3V
	303 409 3426	CERAMIC 0.1U K 16V	C8022	303 438 0219	CERAMIC 0.1U K 16V
C7203	303 438 0219	CERAMIC 0.1U K 16V		303 409 3426	CERAMIC 0.1U K 16V
	303 409 3426	CERAMIC 0.1U K 16V	C8023	303 358 3215	CERAMIC 10U K 6.3V
C7206	303 438 0219	CERAMIC 0.1U K 16V		303 368 7319	CERAMIC 10U K 6.3V
	303 409 3426	CERAMIC 0.1U K 16V	C8024	303 438 0219	CERAMIC 0.1U K 16V
C7207	303 438 0219	CERAMIC 0.1U K 16V		303 409 3426	CERAMIC 0.1U K 16V
	303 409 3426	CERAMIC 0.1U K 16V	C8026	303 438 0219	CERAMIC 0.1U K 16V
C7208	303 438 0219	CERAMIC 0.1U K 16V		303 409 3426	CERAMIC 0.1U K 16V
	303 409 3426	CERAMIC 0.1U K 16V	C8027	303 438 0219	CERAMIC 0.1U K 16V
C7209	303 438 0219	CERAMIC 0.1U K 16V		303 409 3426	CERAMIC 0.1U K 16V
	303 409 3426	CERAMIC 0.1U K 16V	C8029	303 438 0219	CERAMIC 0.1U K 16V
C7211	303 438 0219	CERAMIC 0.1U K 16V		303 409 3426	CERAMIC 0.1U K 16V
	303 409 3426	CERAMIC 0.1U K 16V	C8031	303 438 0219	CERAMIC 0.1U K 16V
C7212	303 438 0219	CERAMIC 0.1U K 16V		303 409 3426	CERAMIC 0.1U K 16V
	303 409 3426	CERAMIC 0.1U K 16V	C8032	303 438 0219	CERAMIC 0.1U K 16V
C7213	303 438 0219	CERAMIC 0.1U K 16V		303 409 3426	CERAMIC 0.1U K 16V
	303 409 3426	CERAMIC 0.1U K 16V	C8033	303 438 0219	CERAMIC 0.1U K 16V
C7216	303 407 1018	CERAMIC 4.7U K 6.3V		303 409 3426	CERAMIC 0.1U K 16V
	303 383 5215	CERAMIC 4.7U K 6.3V	C8034	303 438 0219	CERAMIC 0.1U K 16V
C7217	303 407 1018	CERAMIC 4.7U K 6.3V		303 409 3426	CERAMIC 0.1U K 16V

Electrical Parts List

Key No.	Part No.	Description	Key No.	Part No.	Description
C8036	303 358 3215	CERAMIC 10U K 6.3V	C9312	303 424 7017	CERAMIC 0.047U K 25V
	303 368 7319	CERAMIC 10U K 6.3V	C9313	303 438 0219	CERAMIC 0.1U K 16V
C8037	303 438 0219	CERAMIC 0.1U K 16V		303 409 3426	CERAMIC 0.1U K 16V
	303 409 3426	CERAMIC 0.1U K 16V	C9314	303 424 7017	CERAMIC 0.047U K 25V
C8038	303 438 0219	CERAMIC 0.1U K 16V	C9316	303 424 7017	CERAMIC 0.047U K 25V
	303 409 3426	CERAMIC 0.1U K 16V	C9317	303 424 7017	CERAMIC 0.047U K 25V
C8039	303 438 0219	CERAMIC 0.1U K 16V	C9318	303 438 0219	CERAMIC 0.1U K 16V
	303 409 3426	CERAMIC 0.1U K 16V		303 409 3426	CERAMIC 0.1U K 16V
C8041	303 438 0219	CERAMIC 0.1U K 16V	C9319	303 424 7017	CERAMIC 0.047U K 25V
	303 409 3426	CERAMIC 0.1U K 16V	C9321	303 424 7017	CERAMIC 0.047U K 25V
C8042	303 438 0219	CERAMIC 0.1U K 16V	C9322	303 424 7017	CERAMIC 0.047U K 25V
	303 409 3426	CERAMIC 0.1U K 16V	C9323	303 438 0219	CERAMIC 0.1U K 16V
C8043	303 358 3215	CERAMIC 10U K 6.3V		303 409 3426	CERAMIC 0.1U K 16V
	303 368 7319	CERAMIC 10U K 6.3V	C9324	303 424 7017	CERAMIC 0.047U K 25V
C8044	303 358 3215	CERAMIC 10U K 6.3V	C9326	303 424 7017	CERAMIC 0.047U K 25V
	303 368 7319	CERAMIC 10U K 6.3V	C9327	303 424 7017	CERAMIC 0.047U K 25V
C8051	303 358 3215	CERAMIC 10U K 6.3V	C9328	303 438 0219	CERAMIC 0.1U K 16V
	303 368 7319	CERAMIC 10U K 6.3V		303 409 3426	CERAMIC 0.1U K 16V
C8052	303 438 0219	CERAMIC 0.1U K 16V	C9329	303 424 7017	CERAMIC 0.047U K 25V
	303 409 3426	CERAMIC 0.1U K 16V	C9331	303 438 0219	CERAMIC 0.1U K 16V
C8053	303 438 0219	CERAMIC 0.1U K 16V		303 409 3426	CERAMIC 0.1U K 16V
	303 409 3426	CERAMIC 0.1U K 16V	C9341	403 455 1012	CERAMIC 1U K 10V
C8054	303 438 0219	CERAMIC 0.1U K 16V		303 433 1112	CERAMIC 1U K 10V
	303 409 3426	CERAMIC 0.1U K 16V	C9342	303 438 0219	CERAMIC 0.1U K 16V
C8056	303 438 0219	CERAMIC 0.1U K 16V		303 409 3426	CERAMIC 0.1U K 16V
	303 409 3426	CERAMIC 0.1U K 16V	C9343	303 438 0219	CERAMIC 0.1U K 16V
C8057	303 438 0219	CERAMIC 0.1U K 16V		303 409 3426	CERAMIC 0.1U K 16V
	303 409 3426	CERAMIC 0.1U K 16V	C9344	303 438 0219	CERAMIC 0.1U K 16V
C8058	303 438 0219	CERAMIC 0.1U K 16V		303 409 3426	CERAMIC 0.1U K 16V
	303 409 3426	CERAMIC 0.1U K 16V	C9346	303 438 0219	CERAMIC 0.1U K 16V
C8059	303 438 0219	CERAMIC 0.1U K 16V		303 409 3426	CERAMIC 0.1U K 16V
	303 409 3426	CERAMIC 0.1U K 16V			
C8081	403 455 1012	CERAMIC 1U K 10V	RESISTOR		
	303 433 1112	CERAMIC 1U K 10V	R1001	401 333 0525	MT-GLAZE 1.2 JA 1/16W
C8082	303 438 0219	CERAMIC 0.1U K 16V	R1002	401 333 0525	MT-GLAZE 1.2 JA 1/16W
	303 409 3426	CERAMIC 0.1U K 16V	R1003	401 333 0525	MT-GLAZE 1.2 JA 1/16W
C8086	303 358 3215	CERAMIC 10U K 6.3V	R1004	401 333 0525	MT-GLAZE 1.2 JA 1/16W
	303 368 7319	CERAMIC 10U K 6.3V	R1006	401 333 0525	MT-GLAZE 1.2 JA 1/16W
C8101	303 438 0219	CERAMIC 0.1U K 16V	R1007	401 333 0525	MT-GLAZE 1.2 JA 1/16W
	303 409 3426	CERAMIC 0.1U K 16V	R1008	401 333 0525	MT-GLAZE 1.2 JA 1/16W
C8106	303 438 0219	CERAMIC 0.1U K 16V	R1009	401 333 0525	MT-GLAZE 1.2 JA 1/16W
	303 409 3426	CERAMIC 0.1U K 16V	R1010	301 299 4810	MT-GLAZE 2.7K FA 1/16W
C8108	303 438 0219	CERAMIC 0.1U K 16V	R1011	301 226 1516	MT-GLAZE 0.000 ZA 1/16W
	303 409 3426	CERAMIC 0.1U K 16V	R1012	301 226 1516	MT-GLAZE 0.000 ZA 1/16W
C8111	303 438 0219	CERAMIC 0.1U K 16V	R1013	301 226 1516	MT-GLAZE 0.000 ZA 1/16W
	303 409 3426	CERAMIC 0.1U K 16V	R1014	301 226 1516	MT-GLAZE 0.000 ZA 1/16W
C8161	303 358 3215	CERAMIC 10U K 6.3V	R1016	301 226 1516	MT-GLAZE 0.000 ZA 1/16W
	303 368 7319	CERAMIC 10U K 6.3V	R1017	301 226 1516	MT-GLAZE 0.000 ZA 1/16W
C8162	303 394 1312	ELECT 100U M 6.3V	R1018	301 226 1516	MT-GLAZE 0.000 ZA 1/16W
	303 427 9315	ELECT 100U M 6.3V	R1019	301 226 1516	MT-GLAZE 0.000 ZA 1/16W
C8821	303 438 0219	CERAMIC 0.1U K 16V	R1020	301 294 3115	MT-GLAZE 1K FA 1/16W
	303 409 3426	CERAMIC 0.1U K 16V	R1021	301 294 3115	MT-GLAZE 1K FA 1/16W
C8841	303 276 1317	CERAMIC 1000P K 50V	R1026	301 226 1516	MT-GLAZE 0.000 ZA 1/16W
C8881	303 441 9810	CERAMIC 0.01U K 50V	R1027	301 226 1516	MT-GLAZE 0.000 ZA 1/16W
C8884	303 276 1317	CERAMIC 1000P K 50V	R1028	301 238 4512	MT-GLAZE 47 JA 1/3W
C8885	303 441 9810	CERAMIC 0.01U K 50V	R1029	301 225 1418	MT-GLAZE 47K JA 1/16W
C8886	303 441 9810	CERAMIC 0.01U K 50V	R1030	301 225 1418	MT-GLAZE 47K JA 1/16W
C8887	303 441 9810	CERAMIC 0.01U K 50V	R1031	301 294 2712	MT-GLAZE 150 FA 1/16W
C9301	303 424 7017	CERAMIC 0.047U K 25V	R1032	301 294 2712	MT-GLAZE 150 FA 1/16W
C9302	303 424 7017	CERAMIC 0.047U K 25V	R1033	301 294 2712	MT-GLAZE 150 FA 1/16W
C9303	303 424 7017	CERAMIC 0.047U K 25V	R1034	301 294 2712	MT-GLAZE 150 FA 1/16W
C9304	303 424 7017	CERAMIC 0.047U K 25V	R1036	301 294 2712	MT-GLAZE 150 FA 1/16W
C9306	303 424 7017	CERAMIC 0.047U K 25V	R1037	301 294 2712	MT-GLAZE 150 FA 1/16W
C9307	303 424 7017	CERAMIC 0.047U K 25V	R1038	301 226 1516	MT-GLAZE 0.000 ZA 1/16W
C9308	303 424 7017	CERAMIC 0.047U K 25V	R1040	301 294 2613	MT-GLAZE 4.7K FA 1/16W
C9309	303 424 7017	CERAMIC 0.047U K 25V	R1043	301 224 8814	MT-GLAZE 100 JA 1/16W
C9311	303 424 7017	CERAMIC 0.047U K 25V	R1044	301 226 1516	MT-GLAZE 0.000 ZA 1/16W

Electrical Parts List

Key No.	Part No.	Description	Key No.	Part No.	Description
R1051	301 226 1516	MT-GLAZE 0.000 ZA 1/16W	R1302	301 225 0213	MT-GLAZE 3.3K JA 1/16W
R1052	301 226 1516	MT-GLAZE 0.000 ZA 1/16W	R1303	301 224 9019	MT-GLAZE 10K JA 1/16W
R1061	301 225 1418	MT-GLAZE 47K JA 1/16W	R1304	301 225 8110	MT-GLAZE 10 JA 1/16W
R1062	301 225 0718	MT-GLAZE 56K JA 1/16W	R1306	301 224 9019	MT-GLAZE 10K JA 1/16W
R1063	301 225 1319	MT-GLAZE 470 JA 1/16W	R1307	301 224 9019	MT-GLAZE 10K JA 1/16W
R1064	301 224 9316	MT-GLAZE 1K JA 1/16W	R1308	301 294 4419	MT-GLAZE 1.8K FA 1/16W
R1066	301 224 8814	MT-GLAZE 100 JA 1/16W	R1311	301 303 4010	MT-GLAZE 1.2K DA 1/16W
R1071	301 225 1418	MT-GLAZE 47K JA 1/16W	R1312	301 303 4010	MT-GLAZE 1.2K DA 1/16W
R1072	301 225 0718	MT-GLAZE 56K JA 1/16W	R1313	301 224 9712	MT-GLAZE 22 JA 1/16W
R1073	301 225 1319	MT-GLAZE 470 JA 1/16W	R1314	301 224 9712	MT-GLAZE 22 JA 1/16W
R1074	301 224 9316	MT-GLAZE 1K JA 1/16W	R1315	301 224 9712	MT-GLAZE 22 JA 1/16W
R1076	301 224 8814	MT-GLAZE 100 JA 1/16W	R1316	301 224 9712	MT-GLAZE 22 JA 1/16W
R1081	301 225 1418	MT-GLAZE 47K JA 1/16W	R1317	301 226 1516	MT-GLAZE 0.000 ZA 1/16W
R1082	301 225 0718	MT-GLAZE 56K JA 1/16W	R1318	301 226 1516	MT-GLAZE 0.000 ZA 1/16W
R1083	301 225 1319	MT-GLAZE 470 JA 1/16W	R1319	301 226 1516	MT-GLAZE 0.000 ZA 1/16W
R1084	301 224 9316	MT-GLAZE 1K JA 1/16W	R1320	301 226 1516	MT-GLAZE 0.000 ZA 1/16W
R1086	301 224 8814	MT-GLAZE 100 JA 1/16W	R1321	301 338 1015	MT-GLAZE 49.9 DA 1/16W
R1091	301 224 9019	MT-GLAZE 10K JA 1/16W	R1322	301 338 1015	MT-GLAZE 49.9 DA 1/16W
R1092	301 224 9019	MT-GLAZE 10K JA 1/16W	R1323	301 225 0213	MT-GLAZE 3.3K JA 1/16W
R1093	301 226 1516	MT-GLAZE 0.000 ZA 1/16W	R1325	301 224 9712	MT-GLAZE 22 JA 1/16W
R1096	301 225 1210	MT-GLAZE 4.7K JA 1/16W	R1327	301 224 9019	MT-GLAZE 10K JA 1/16W
R1097	301 225 1210	MT-GLAZE 4.7K JA 1/16W	R1329	301 224 9316	MT-GLAZE 1K JA 1/16W
R1098	301 226 1516	MT-GLAZE 0.000 ZA 1/16W	R1331	301 224 9316	MT-GLAZE 1K JA 1/16W
R1099	301 226 1516	MT-GLAZE 0.000 ZA 1/16W	R1333	301 224 9316	MT-GLAZE 1K JA 1/16W
R1204	301 224 9019	MT-GLAZE 10K JA 1/16W	R1338	301 225 0213	MT-GLAZE 3.3K JA 1/16W
R1206	301 224 9019	MT-GLAZE 10K JA 1/16W	R1341	301 226 1516	MT-GLAZE 0.000 ZA 1/16W
R1207	301 224 9019	MT-GLAZE 10K JA 1/16W	R1342	301 224 9316	MT-GLAZE 1K JA 1/16W
R1208	301 225 8110	MT-GLAZE 10 JA 1/16W	R1343	301 225 8110	MT-GLAZE 10 JA 1/16W
R1209	301 224 9019	MT-GLAZE 10K JA 1/16W	R1344	301 225 8110	MT-GLAZE 10 JA 1/16W
R1211	301 225 8110	MT-GLAZE 10 JA 1/16W	R1345	301 224 9019	MT-GLAZE 10K JA 1/16W
R1212	301 225 8110	MT-GLAZE 10 JA 1/16W	R1346	301 224 9316	MT-GLAZE 1K JA 1/16W
R1213	301 225 8110	MT-GLAZE 10 JA 1/16W	R1351	301 224 9415	MT-GLAZE 1M JA 1/16W
R1214	301 225 8110	MT-GLAZE 10 JA 1/16W	R1352	301 226 1516	MT-GLAZE 0.000 ZA 1/16W
R1215	301 224 9316	MT-GLAZE 1K JA 1/16W	R1353	301 224 9019	MT-GLAZE 10K JA 1/16W
R1216	301 224 9316	MT-GLAZE 1K JA 1/16W	R1354	301 224 9019	MT-GLAZE 10K JA 1/16W
R1217	301 225 8110	MT-GLAZE 10 JA 1/16W	R1356	301 224 9019	MT-GLAZE 10K JA 1/16W
R1218	301 224 9316	MT-GLAZE 1K JA 1/16W	R1357	301 224 9019	MT-GLAZE 10K JA 1/16W
R1219	301 224 9019	MT-GLAZE 10K JA 1/16W	R1358	301 224 9019	MT-GLAZE 10K JA 1/16W
R1221	301 224 9712	MT-GLAZE 22 JA 1/16W	R1359	301 224 9019	MT-GLAZE 10K JA 1/16W
R1223	301 224 9019	MT-GLAZE 10K JA 1/16W	R1361	301 225 1210	MT-GLAZE 4.7K JA 1/16W
R1224	301 224 9712	MT-GLAZE 22 JA 1/16W	R1362	301 225 0213	MT-GLAZE 3.3K JA 1/16W
R1226	301 224 9019	MT-GLAZE 10K JA 1/16W	R1363	301 225 1210	MT-GLAZE 4.7K JA 1/16W
R1227	301 224 9712	MT-GLAZE 22 JA 1/16W	R1364	301 225 0213	MT-GLAZE 3.3K JA 1/16W
R1229	301 224 9019	MT-GLAZE 10K JA 1/16W	R1366	301 224 9019	MT-GLAZE 10K JA 1/16W
R1231	301 265 4912	MT-GLAZE 75 FA 1/10W	R1367	301 225 0213	MT-GLAZE 3.3K JA 1/16W
R1232	301 265 4912	MT-GLAZE 75 FA 1/10W	R1368	301 224 9019	MT-GLAZE 10K JA 1/16W
R1233	301 265 4912	MT-GLAZE 75 FA 1/10W	R1369	301 225 0213	MT-GLAZE 3.3K JA 1/16W
R1234	301 225 8110	MT-GLAZE 10 JA 1/16W	R1371	301 226 1516	MT-GLAZE 0.000 ZA 1/16W
R1235	301 225 8110	MT-GLAZE 10 JA 1/16W	R1372	301 226 1516	MT-GLAZE 0.000 ZA 1/16W
R1236	301 150 6014	MT-GLAZE 0.000 ZA 1/10W	R1376	301 225 8110	MT-GLAZE 10 JA 1/16W
R1237	301 150 6014	MT-GLAZE 0.000 ZA 1/10W	R1377	301 225 8110	MT-GLAZE 10 JA 1/16W
R1271	301 224 8814	MT-GLAZE 100 JA 1/16W	R1378	301 225 8110	MT-GLAZE 10 JA 1/16W
R1273	301 224 8814	MT-GLAZE 100 JA 1/16W	R1379	301 225 8110	MT-GLAZE 10 JA 1/16W
R1276	301 226 1516	MT-GLAZE 0.000 ZA 1/16W	R1382	301 226 1516	MT-GLAZE 0.000 ZA 1/16W
R1278	301 225 0312	MT-GLAZE 33 JA 1/16W	R1383	301 224 9019	MT-GLAZE 10K JA 1/16W
R1279	301 226 1516	MT-GLAZE 0.000 ZA 1/16W	R1385	301 224 9019	MT-GLAZE 10K JA 1/16W
R1281	301 224 8814	MT-GLAZE 100 JA 1/16W	R1389	301 272 7814	MT-GLAZE 100 FA 1/16W
R1283	301 224 8814	MT-GLAZE 100 JA 1/16W	R1390	301 272 7814	MT-GLAZE 100 FA 1/16W
R1286	301 226 1516	MT-GLAZE 0.000 ZA 1/16W	R1391	301 225 0213	MT-GLAZE 3.3K JA 1/16W
R1288	301 225 0312	MT-GLAZE 33 JA 1/16W	R1392	301 225 0213	MT-GLAZE 3.3K JA 1/16W
R1289	301 226 1516	MT-GLAZE 0.000 ZA 1/16W	R1393	301 226 1516	MT-GLAZE 0.000 ZA 1/16W
R1291	301 224 8814	MT-GLAZE 100 JA 1/16W	R1394	301 226 1516	MT-GLAZE 0.000 ZA 1/16W
R1293	301 224 8814	MT-GLAZE 100 JA 1/16W	R1396	301 226 1516	MT-GLAZE 0.000 ZA 1/16W
R1296	301 226 1516	MT-GLAZE 0.000 ZA 1/16W	R1397	301 226 1516	MT-GLAZE 0.000 ZA 1/16W
R1298	301 225 0312	MT-GLAZE 33 JA 1/16W	R1801	301 224 9415	MT-GLAZE 1M JA 1/16W
R1299	301 226 1516	MT-GLAZE 0.000 ZA 1/16W	R1802	301 237 2915	MT-GLAZE 51 JA 1/16W
R1301	301 226 1516	MT-GLAZE 0.000 ZA 1/16W	R1803	301 226 1516	MT-GLAZE 0.000 ZA 1/16W

Electrical Parts List

Key No.	Part No.	Description	Key No.	Part No.	Description
R1804	301 225 0213	MT-GLAZE 3.3K JA 1/16W	R2031	301 294 2712	MT-GLAZE 150 FA 1/16W
R1806	301 226 1516	MT-GLAZE 0.000 ZA 1/16W	R2032	301 294 2712	MT-GLAZE 150 FA 1/16W
R1807	301 224 9019	MT-GLAZE 10K JA 1/16W	R2036	301 294 2712	MT-GLAZE 150 FA 1/16W
R1808	301 225 0213	MT-GLAZE 3.3K JA 1/16W	R2037	301 294 2712	MT-GLAZE 150 FA 1/16W
R1809	301 226 1516	MT-GLAZE 0.000 ZA 1/16W	R2038	301 294 2712	MT-GLAZE 150 FA 1/16W
R1811	301 224 9019	MT-GLAZE 10K JA 1/16W	R2039	301 294 2712	MT-GLAZE 150 FA 1/16W
R1812	301 225 0213	MT-GLAZE 3.3K JA 1/16W	R2061	301 225 1418	MT-GLAZE 47K JA 1/16W
R1813	301 226 1516	MT-GLAZE 0.000 ZA 1/16W	R2062	301 225 0718	MT-GLAZE 56K JA 1/16W
R1814	301 226 1516	MT-GLAZE 0.000 ZA 1/16W	R2063	301 225 1319	MT-GLAZE 470 JA 1/16W
R1815	301 226 1516	MT-GLAZE 0.000 ZA 1/16W	R2064	301 224 9316	MT-GLAZE 1K JA 1/16W
R1816	301 226 1516	MT-GLAZE 0.000 ZA 1/16W	R2066	301 224 8814	MT-GLAZE 100 JA 1/16W
R1817	301 226 1516	MT-GLAZE 0.000 ZA 1/16W	R2067	301 224 8814	MT-GLAZE 100 JA 1/16W
R1818	301 226 1516	MT-GLAZE 0.000 ZA 1/16W	R2071	301 225 1418	MT-GLAZE 47K JA 1/16W
R1819	301 226 1516	MT-GLAZE 0.000 ZA 1/16W	R2072	301 225 0718	MT-GLAZE 56K JA 1/16W
R1821	301 224 9019	MT-GLAZE 10K JA 1/16W	R2073	301 225 1319	MT-GLAZE 470 JA 1/16W
R1822	301 294 3313	MT-GLAZE 15K FA 1/16W	R2074	301 224 9316	MT-GLAZE 1K JA 1/16W
R1823	301 225 3818	MT-GLAZE 1.5K JA 1/16W	R2076	301 224 8814	MT-GLAZE 100 JA 1/16W
R1824	301 224 9019	MT-GLAZE 10K JA 1/16W	R2077	301 224 8814	MT-GLAZE 100 JA 1/16W
R1825	301 226 1516	MT-GLAZE 0.000 ZA 1/16W	R2081	301 225 1418	MT-GLAZE 47K JA 1/16W
R1826	301 224 9019	MT-GLAZE 10K JA 1/16W	R2082	301 225 0718	MT-GLAZE 56K JA 1/16W
R1827	301 226 1516	MT-GLAZE 0.000 ZA 1/16W	R2083	301 225 1319	MT-GLAZE 470 JA 1/16W
R1828	301 224 9019	MT-GLAZE 10K JA 1/16W	R2084	301 224 9316	MT-GLAZE 1K JA 1/16W
R1829	301 224 9019	MT-GLAZE 10K JA 1/16W	R2086	301 224 8814	MT-GLAZE 100 JA 1/16W
R1831	301 226 1516	MT-GLAZE 0.000 ZA 1/16W	R2087	301 224 8814	MT-GLAZE 100 JA 1/16W
R1832	301 226 1516	MT-GLAZE 0.000 ZA 1/16W	R2101	301 225 8110	MT-GLAZE 10 JA 1/16W
R1833	301 226 1516	MT-GLAZE 0.000 ZA 1/16W	R2102	301 224 9316	MT-GLAZE 1K JA 1/16W
R1834	301 226 1516	MT-GLAZE 0.000 ZA 1/16W	R2103	301 225 8110	MT-GLAZE 10 JA 1/16W
R1836	301 225 8110	MT-GLAZE 10 JA 1/16W	R2104	301 224 9316	MT-GLAZE 1K JA 1/16W
R1837	301 225 8110	MT-GLAZE 10 JA 1/16W	R211	301 225 8110	MT-GLAZE 10 JA 1/16W
R1838	301 225 8110	MT-GLAZE 10 JA 1/16W	R2111	301 225 8110	MT-GLAZE 10 JA 1/16W
R1839	301 225 8110	MT-GLAZE 10 JA 1/16W	R2112	301 224 9316	MT-GLAZE 1K JA 1/16W
R1841	301 225 8110	MT-GLAZE 10 JA 1/16W	R2113	301 225 8110	MT-GLAZE 10 JA 1/16W
R1842	301 225 8110	MT-GLAZE 10 JA 1/16W	R2114	301 224 9316	MT-GLAZE 1K JA 1/16W
R1843	301 225 8110	MT-GLAZE 10 JA 1/16W	R2116	301 225 8110	MT-GLAZE 10 JA 1/16W
R1844	301 225 8110	MT-GLAZE 10 JA 1/16W	R2117	301 224 9316	MT-GLAZE 1K JA 1/16W
R1845	301 226 1516	MT-GLAZE 0.000 ZA 1/16W	R212	301 225 8110	MT-GLAZE 10 JA 1/16W
R1846	301 225 1210	MT-GLAZE 4.7K JA 1/16W	R2121	301 226 1516	MT-GLAZE 0.000 ZA 1/16W
R1847	301 225 1210	MT-GLAZE 4.7K JA 1/16W	R2122	301 294 2613	MT-GLAZE 4.7K FA 1/16W
R1851	301 225 8110	MT-GLAZE 10 JA 1/16W	R2123	301 294 2712	MT-GLAZE 150 FA 1/16W
R1852	301 225 8110	MT-GLAZE 10 JA 1/16W	R2124	401 345 6215	MT-GLAZE 2K DA 1/16W
R1853	301 225 8110	MT-GLAZE 10 JA 1/16W	R213	301 225 8110	MT-GLAZE 10 JA 1/16W
R1854	301 225 8110	MT-GLAZE 10 JA 1/16W	R214	301 225 8110	MT-GLAZE 10 JA 1/16W
R1856	301 225 8110	MT-GLAZE 10 JA 1/16W	R217	301 225 1418	MT-GLAZE 47K JA 1/16W
R1857	301 226 1516	MT-GLAZE 0.000 ZA 1/16W	R2171	301 224 8814	MT-GLAZE 100 JA 1/16W
R1858	301 226 1516	MT-GLAZE 0.000 ZA 1/16W	R2173	301 224 8814	MT-GLAZE 100 JA 1/16W
R1859	301 226 1516	MT-GLAZE 0.000 ZA 1/16W	R2176	301 226 1516	MT-GLAZE 0.000 ZA 1/16W
R1862	301 224 9019	MT-GLAZE 10K JA 1/16W	R2178	301 225 0312	MT-GLAZE 33 JA 1/16W
R1866	301 294 3313	MT-GLAZE 15K FA 1/16W	R2179	301 226 1516	MT-GLAZE 0.000 ZA 1/16W
R1867	301 272 7814	MT-GLAZE 100 FA 1/16W	R218	301 225 1210	MT-GLAZE 4.7K JA 1/16W
R1868	301 294 3016	MT-GLAZE 10K FA 1/16W	R2181	301 224 8814	MT-GLAZE 100 JA 1/16W
R1871	301 226 1516	MT-GLAZE 0.000 ZA 1/16W	R2183	301 224 8814	MT-GLAZE 100 JA 1/16W
R1872	301 226 1516	MT-GLAZE 0.000 ZA 1/16W	R2186	301 226 1516	MT-GLAZE 0.000 ZA 1/16W
R1873	301 226 1516	MT-GLAZE 0.000 ZA 1/16W	R2188	301 225 0312	MT-GLAZE 33 JA 1/16W
R1874	301 226 1516	MT-GLAZE 0.000 ZA 1/16W	R2189	301 226 1516	MT-GLAZE 0.000 ZA 1/16W
R1876	301 226 1516	MT-GLAZE 0.000 ZA 1/16W	R2191	301 224 8814	MT-GLAZE 100 JA 1/16W
R1877	301 226 1516	MT-GLAZE 0.000 ZA 1/16W	R2193	301 224 8814	MT-GLAZE 100 JA 1/16W
R1878	301 226 1516	MT-GLAZE 0.000 ZA 1/16W	R2196	301 226 1516	MT-GLAZE 0.000 ZA 1/16W
R1879	301 226 1516	MT-GLAZE 0.000 ZA 1/16W	R2198	301 225 0312	MT-GLAZE 33 JA 1/16W
R1891	301 225 0213	MT-GLAZE 3.3K JA 1/16W	R2199	301 226 1516	MT-GLAZE 0.000 ZA 1/16W
R1892	301 225 0213	MT-GLAZE 3.3K JA 1/16W	R221	301 226 1516	MT-GLAZE 0.000 ZA 1/16W
R1893	301 225 0213	MT-GLAZE 3.3K JA 1/16W	R2211	301 224 9019	MT-GLAZE 10K JA 1/16W
R1894	301 225 0213	MT-GLAZE 3.3K JA 1/16W	R2212	301 294 3016	MT-GLAZE 10K FA 1/16W
R1896	301 224 9019	MT-GLAZE 10K JA 1/16W	R2213	301 226 1516	MT-GLAZE 0.000 ZA 1/16W
R1897	301 224 9019	MT-GLAZE 10K JA 1/16W	R2214	301 226 1516	MT-GLAZE 0.000 ZA 1/16W
R1898	301 224 9019	MT-GLAZE 10K JA 1/16W	R2216	301 226 1516	MT-GLAZE 0.000 ZA 1/16W
R1899	301 224 9019	MT-GLAZE 10K JA 1/16W	R2217	301 226 1516	MT-GLAZE 0.000 ZA 1/16W
R202	301 226 1516	MT-GLAZE 0.000 ZA 1/16W	R2218	301 226 1516	MT-GLAZE 0.000 ZA 1/16W

Electrical Parts List

Key No.	Part No.	Description	Key No.	Part No.	Description
R2219	301 226 1516	MT-GLAZE 0.000 ZA 1/16W	R2354	301 225 8110	MT-GLAZE 10 JA 1/16W
R222	301 226 1516	MT-GLAZE 0.000 ZA 1/16W	R2356	301 225 1814	MT-GLAZE 47 JA 1/16W
R2221	301 225 8110	MT-GLAZE 10 JA 1/16W	R2357	301 225 1814	MT-GLAZE 47 JA 1/16W
R2222	301 225 8110	MT-GLAZE 10 JA 1/16W	R2358	301 225 1814	MT-GLAZE 47 JA 1/16W
R2223	301 226 1516	MT-GLAZE 0.000 ZA 1/16W	R2359	301 225 1814	MT-GLAZE 47 JA 1/16W
R2233	301 226 1516	MT-GLAZE 0.000 ZA 1/16W	R236	301 226 1516	MT-GLAZE 0.000 ZA 1/16W
R2234	301 226 1516	MT-GLAZE 0.000 ZA 1/16W	R237	301 226 1516	MT-GLAZE 0.000 ZA 1/16W
R2237	301 226 1516	MT-GLAZE 0.000 ZA 1/16W	R2391	301 294 3115	MT-GLAZE 1K FA 1/16W
R2238	301 226 1516	MT-GLAZE 0.000 ZA 1/16W	R2392	301 294 3115	MT-GLAZE 1K FA 1/16W
R2239	301 226 1516	MT-GLAZE 0.000 ZA 1/16W	R263	301 225 1319	MT-GLAZE 470 JA 1/16W
R224	301 226 1516	MT-GLAZE 0.000 ZA 1/16W	R268	301 225 1319	MT-GLAZE 470 JA 1/16W
R2243	301 226 1516	MT-GLAZE 0.000 ZA 1/16W	R272	301 224 9019	MT-GLAZE 10K JA 1/16W
R2252	301 224 8814	MT-GLAZE 100 JA 1/16W	R276	301 336 8818	MT-GLAZE 6.8K FA 1/16W
R2253	301 224 8814	MT-GLAZE 100 JA 1/16W	R277	301 294 3115	MT-GLAZE 1K FA 1/16W
R2256	301 225 1814	MT-GLAZE 47 JA 1/16W	R278	301 294 2613	MT-GLAZE 4.7K FA 1/16W
R2257	301 225 1814	MT-GLAZE 47 JA 1/16W	R2801	301 226 1516	MT-GLAZE 0.000 ZA 1/16W
R2258	301 225 1814	MT-GLAZE 47 JA 1/16W	R2802	301 226 1516	MT-GLAZE 0.000 ZA 1/16W
R226	301 225 8110	MT-GLAZE 10 JA 1/16W	R2803	301 224 9019	MT-GLAZE 10K JA 1/16W
R2262	301 225 0817	MT-GLAZE 68K JA 1/16W	R2804	301 224 9019	MT-GLAZE 10K JA 1/16W
R2263	301 225 0817	MT-GLAZE 68K JA 1/16W	R2808	301 224 9316	MT-GLAZE 1K JA 1/16W
R2266	301 338 0919	MT-GLAZE 75 DA 1/16W	R2809	301 224 9019	MT-GLAZE 10K JA 1/16W
R2267	301 338 0919	MT-GLAZE 75 DA 1/16W	R2811	301 226 1516	MT-GLAZE 0.000 ZA 1/16W
R2268	301 338 0919	MT-GLAZE 75 DA 1/16W	R2812	301 226 1516	MT-GLAZE 0.000 ZA 1/16W
R227	301 225 8110	MT-GLAZE 10 JA 1/16W	R2813	301 224 9019	MT-GLAZE 10K JA 1/16W
R2271	301 225 0411	MT-GLAZE 330K JA 1/16W	R2815	301 224 8913	MT-GLAZE 100K JA 1/16W
R2272	301 225 0411	MT-GLAZE 330K JA 1/16W	R2816	301 224 9316	MT-GLAZE 1K JA 1/16W
R2273	301 225 0411	MT-GLAZE 330K JA 1/16W	R2817	301 224 9019	MT-GLAZE 10K JA 1/16W
R228	301 225 1814	MT-GLAZE 47 JA 1/16W	R2818	301 224 9316	MT-GLAZE 1K JA 1/16W
R229	301 225 1814	MT-GLAZE 47 JA 1/16W	R2819	301 224 9019	MT-GLAZE 10K JA 1/16W
R2291	301 225 1814	MT-GLAZE 47 JA 1/16W	R282	301 224 9019	MT-GLAZE 10K JA 1/16W
R2292	301 225 1814	MT-GLAZE 47 JA 1/16W	R2821	301 224 9316	MT-GLAZE 1K JA 1/16W
R2293	301 225 1814	MT-GLAZE 47 JA 1/16W	R2822	301 224 9019	MT-GLAZE 10K JA 1/16W
R2294	301 225 1814	MT-GLAZE 47 JA 1/16W	R2825	301 236 7119	MT-GLAZE 620 JA 1/16W
R2301	301 224 9415	MT-GLAZE 1M JA 1/16W	R2826	301 260 4115	MT-GLAZE 75 JA 1/3W
R2302	301 303 4010	MT-GLAZE 1.2K DA 1/16W	R2828	301 260 4115	MT-GLAZE 75 JA 1/3W
R2303	301 224 8814	MT-GLAZE 100 JA 1/16W	R2836	301 260 4115	MT-GLAZE 75 JA 1/3W
R2304	401 345 6215	MT-GLAZE 2K DA 1/16W	R2837	301 260 4115	MT-GLAZE 75 JA 1/3W
R2306	301 298 5511	MT-GLAZE 8.2K FA 1/16W	R2841	301 225 8110	MT-GLAZE 10 JA 1/16W
R2307	301 224 9019	MT-GLAZE 10K JA 1/16W	R2842	301 225 8110	MT-GLAZE 10 JA 1/16W
R2308	301 224 9019	MT-GLAZE 10K JA 1/16W	R2843	301 225 8110	MT-GLAZE 10 JA 1/16W
R2309	301 224 9019	MT-GLAZE 10K JA 1/16W	R2844	301 225 8110	MT-GLAZE 10 JA 1/16W
R231	301 226 1516	MT-GLAZE 0.000 ZA 1/16W	R2845	301 225 8110	MT-GLAZE 10 JA 1/16W
R2311	301 224 9019	MT-GLAZE 10K JA 1/16W	R2846	301 225 8110	MT-GLAZE 10 JA 1/16W
R2312	301 224 9019	MT-GLAZE 10K JA 1/16W	R2847	301 225 8110	MT-GLAZE 10 JA 1/16W
R2313	301 224 9019	MT-GLAZE 10K JA 1/16W	R2848	301 225 8110	MT-GLAZE 10 JA 1/16W
R2314	301 224 9019	MT-GLAZE 10K JA 1/16W	R2849	301 225 8110	MT-GLAZE 10 JA 1/16W
R2316	301 224 9019	MT-GLAZE 10K JA 1/16W	R2851	301 228 4515	MT-GLAZE 2.2 JA 1/16W
R2317	301 224 9019	MT-GLAZE 10K JA 1/16W	R2852	301 228 4515	MT-GLAZE 2.2 JA 1/16W
R2318	301 224 9019	MT-GLAZE 10K JA 1/16W	R2857	301 225 8110	MT-GLAZE 10 JA 1/16W
R2319	301 224 9019	MT-GLAZE 10K JA 1/16W	R2858	301 225 8110	MT-GLAZE 10 JA 1/16W
R232	301 226 1516	MT-GLAZE 0.000 ZA 1/16W	R2859	301 225 8110	MT-GLAZE 10 JA 1/16W
R2321	301 224 9019	MT-GLAZE 10K JA 1/16W	R286	301 299 5114	MT-GLAZE 6.2K FA 1/16W
R2322	301 224 9019	MT-GLAZE 10K JA 1/16W	R2861	301 228 4515	MT-GLAZE 2.2 JA 1/16W
R2323	301 224 9019	MT-GLAZE 10K JA 1/16W	R2862	301 228 4515	MT-GLAZE 2.2 JA 1/16W
R2324	301 224 9019	MT-GLAZE 10K JA 1/16W	R2863	301 264 0311	MT-GLAZE 1 JA 1/10W
R2326	301 226 1516	MT-GLAZE 0.000 ZA 1/16W	R2864	301 264 0311	MT-GLAZE 1 JA 1/10W
R2327	301 226 1516	MT-GLAZE 0.000 ZA 1/16W	R287	301 294 4419	MT-GLAZE 1.8K FA 1/16W
R2328	301 226 1516	MT-GLAZE 0.000 ZA 1/16W	R2871	301 228 4515	MT-GLAZE 2.2 JA 1/16W
R2331	301 226 1516	MT-GLAZE 0.000 ZA 1/16W	R2872	301 226 1516	MT-GLAZE 0.000 ZA 1/16W
R2333	301 224 8814	MT-GLAZE 100 JA 1/16W	R288	301 294 3016	MT-GLAZE 10K FA 1/16W
R2336	301 224 8814	MT-GLAZE 100 JA 1/16W	R289	301 224 9316	MT-GLAZE 1K JA 1/16W
R234	301 226 1516	MT-GLAZE 0.000 ZA 1/16W	R292	301 224 9019	MT-GLAZE 10K JA 1/16W
R2341	301 224 9712	MT-GLAZE 22 JA 1/16W	R296	301 299 5114	MT-GLAZE 6.2K FA 1/16W
R2342	301 224 9712	MT-GLAZE 22 JA 1/16W	R297	301 294 4419	MT-GLAZE 1.8K FA 1/16W
R2351	301 224 9019	MT-GLAZE 10K JA 1/16W	R298	301 294 3016	MT-GLAZE 10K FA 1/16W
R2352	301 224 9019	MT-GLAZE 10K JA 1/16W	R311	301 338 0919	MT-GLAZE 75 DA 1/16W
R2353	301 226 1516	MT-GLAZE 0.000 ZA 1/16W	R312	301 338 0919	MT-GLAZE 75 DA 1/16W

Electrical Parts List

Key No.	Part No.	Description	Key No.	Part No.	Description
R313	301 338 0919	MT-GLAZE 75 DA 1/16W	R3461	301 225 8110	MT-GLAZE 10 JA 1/16W
R314	401 342 7314	MT-GLAZE 23.2K FA 1/16W	R3462	301 225 8110	MT-GLAZE 10 JA 1/16W
R316	301 224 9019	MT-GLAZE 10K JA 1/16W	R3463	301 225 8110	MT-GLAZE 10 JA 1/16W
R317	301 224 9019	MT-GLAZE 10K JA 1/16W	R3464	301 225 8110	MT-GLAZE 10 JA 1/16W
R318	301 298 5511	MT-GLAZE 8.2K FA 1/16W	R3466	301 225 8110	MT-GLAZE 10 JA 1/16W
R319	301 224 9019	MT-GLAZE 10K JA 1/16W	R3467	301 225 8110	MT-GLAZE 10 JA 1/16W
R321	301 225 8110	MT-GLAZE 10 JA 1/16W	R3468	301 225 8110	MT-GLAZE 10 JA 1/16W
R322	301 225 8110	MT-GLAZE 10 JA 1/16W	R3469	301 225 8110	MT-GLAZE 10 JA 1/16W
R323	301 225 1814	MT-GLAZE 47 JA 1/16W	R347	401 344 9415	MT-GLAZE 18K DA 1/16W
R324	301 224 9019	MT-GLAZE 10K JA 1/16W	R3471	301 225 8110	MT-GLAZE 10 JA 1/16W
R326	301 225 1814	MT-GLAZE 47 JA 1/16W	R3472	301 225 8110	MT-GLAZE 10 JA 1/16W
R327	301 225 1814	MT-GLAZE 47 JA 1/16W	R3473	301 225 8110	MT-GLAZE 10 JA 1/16W
R328	301 225 1814	MT-GLAZE 47 JA 1/16W	R3474	301 225 8110	MT-GLAZE 10 JA 1/16W
R329	301 225 1814	MT-GLAZE 47 JA 1/16W	R3476	301 225 8110	MT-GLAZE 10 JA 1/16W
R331	301 224 9712	MT-GLAZE 22 JA 1/16W	R3477	301 225 8110	MT-GLAZE 10 JA 1/16W
R332	301 224 9712	MT-GLAZE 22 JA 1/16W	R3478	301 225 8110	MT-GLAZE 10 JA 1/16W
R333	301 224 9712	MT-GLAZE 22 JA 1/16W	R3479	301 225 8110	MT-GLAZE 10 JA 1/16W
R334	301 224 9712	MT-GLAZE 22 JA 1/16W	R348	301 225 8110	MT-GLAZE 10 JA 1/16W
R336	301 224 9712	MT-GLAZE 22 JA 1/16W	R3481	301 224 8814	MT-GLAZE 100 JA 1/16W
R337	301 224 9712	MT-GLAZE 22 JA 1/16W	R3482	301 224 9316	MT-GLAZE 1K JA 1/16W
R338	301 225 8110	MT-GLAZE 10 JA 1/16W	R3483	301 225 8110	MT-GLAZE 10 JA 1/16W
R339	301 225 8110	MT-GLAZE 10 JA 1/16W	R3484	301 224 8814	MT-GLAZE 100 JA 1/16W
R3401	301 224 9316	MT-GLAZE 1K JA 1/16W	R3486	301 224 8814	MT-GLAZE 100 JA 1/16W
R3402	301 224 9019	MT-GLAZE 10K JA 1/16W	R3487	301 226 1516	MT-GLAZE 0.000 ZA 1/16W
R3403	301 224 9019	MT-GLAZE 10K JA 1/16W	R3488	301 224 9316	MT-GLAZE 1K JA 1/16W
R3404	301 224 9019	MT-GLAZE 10K JA 1/16W	R3489	301 224 9316	MT-GLAZE 1K JA 1/16W
R3406	301 224 9019	MT-GLAZE 10K JA 1/16W	R349	301 225 8110	MT-GLAZE 10 JA 1/16W
R3407	301 224 9316	MT-GLAZE 1K JA 1/16W	R3491	301 224 9316	MT-GLAZE 1K JA 1/16W
R3409	301 226 1516	MT-GLAZE 0.000 ZA 1/16W	R3492	301 224 9316	MT-GLAZE 1K JA 1/16W
R341	301 224 9316	MT-GLAZE 1K JA 1/16W	R3493	301 224 9316	MT-GLAZE 1K JA 1/16W
R3413	301 226 1516	MT-GLAZE 0.000 ZA 1/16W	R3494	301 224 9316	MT-GLAZE 1K JA 1/16W
R3414	301 224 9316	MT-GLAZE 1K JA 1/16W	R3495	301 294 2910	MT-GLAZE 560 FA 1/16W
R3415	301 224 9712	MT-GLAZE 22 JA 1/16W	R3496	301 224 9316	MT-GLAZE 1K JA 1/16W
R3416	301 224 9712	MT-GLAZE 22 JA 1/16W	R3497	301 299 4810	MT-GLAZE 2.7K FA 1/16W
R3417	301 224 9019	MT-GLAZE 10K JA 1/16W	R3498	301 224 9316	MT-GLAZE 1K JA 1/16W
R3418	301 224 9712	MT-GLAZE 22 JA 1/16W	R3499	301 224 9316	MT-GLAZE 1K JA 1/16W
R3419	301 224 9019	MT-GLAZE 10K JA 1/16W	R351	301 226 1516	MT-GLAZE 0.000 ZA 1/16W
R342	301 224 9316	MT-GLAZE 1K JA 1/16W	R352	301 226 1516	MT-GLAZE 0.000 ZA 1/16W
R3423	301 224 8913	MT-GLAZE 100K JA 1/16W	R353	301 224 9316	MT-GLAZE 1K JA 1/16W
R3424	301 225 2118	MT-GLAZE 12K JA 1/16W	R354	301 226 1516	MT-GLAZE 0.000 ZA 1/16W
R3426	301 301 3817	MT-GLAZE 820 FA 1/16W	R355	301 226 1516	MT-GLAZE 0.000 ZA 1/16W
R3427	301 294 2811	MT-GLAZE 2.2K FA 1/16W	R356	301 225 8110	MT-GLAZE 10 JA 1/16W
R3428	301 294 3016	MT-GLAZE 10K FA 1/16W	R357	301 224 9316	MT-GLAZE 1K JA 1/16W
R3429	301 225 1319	MT-GLAZE 470 JA 1/16W	R358	301 224 9316	MT-GLAZE 1K JA 1/16W
R343	301 224 9316	MT-GLAZE 1K JA 1/16W	R359	301 226 1516	MT-GLAZE 0.000 ZA 1/16W
R3432	301 224 9019	MT-GLAZE 10K JA 1/16W	R361	301 224 9019	MT-GLAZE 10K JA 1/16W
R3436	301 287 2227	MT-GLAZE 22K FA 1/16W	R362	301 224 9019	MT-GLAZE 10K JA 1/16W
R3437	301 294 3115	MT-GLAZE 1K FA 1/16W	R363	301 224 9019	MT-GLAZE 10K JA 1/16W
R3438	301 294 3016	MT-GLAZE 10K FA 1/16W	R364	301 224 9019	MT-GLAZE 10K JA 1/16W
R3439	301 225 0213	MT-GLAZE 3.3K JA 1/16W	R366	301 224 9019	MT-GLAZE 10K JA 1/16W
R344	301 224 9316	MT-GLAZE 1K JA 1/16W	R371	301 224 9316	MT-GLAZE 1K JA 1/16W
R3442	301 224 9019	MT-GLAZE 10K JA 1/16W	R372	301 224 9316	MT-GLAZE 1K JA 1/16W
R3443	301 224 9019	MT-GLAZE 10K JA 1/16W	R373	301 224 9316	MT-GLAZE 1K JA 1/16W
R3444	301 224 9019	MT-GLAZE 10K JA 1/16W	R374	301 224 9019	MT-GLAZE 10K JA 1/16W
R3446	301 294 3313	MT-GLAZE 15K FA 1/16W	R376	301 226 1516	MT-GLAZE 0.000 ZA 1/16W
R3447	301 272 7814	MT-GLAZE 100 FA 1/16W	R377	301 226 1516	MT-GLAZE 0.000 ZA 1/16W
R3448	301 294 3016	MT-GLAZE 10K FA 1/16W	R378	301 226 1516	MT-GLAZE 0.000 ZA 1/16W
R3449	301 225 0213	MT-GLAZE 3.3K JA 1/16W	R379	301 226 1516	MT-GLAZE 0.000 ZA 1/16W
R3451	301 225 8110	MT-GLAZE 10 JA 1/16W	R381	301 225 8110	MT-GLAZE 10 JA 1/16W
R3452	301 225 8110	MT-GLAZE 10 JA 1/16W	R382	301 226 1516	MT-GLAZE 0.000 ZA 1/16W
R3453	301 225 8110	MT-GLAZE 10 JA 1/16W	R385	301 226 1516	MT-GLAZE 0.000 ZA 1/16W
R3454	301 225 8110	MT-GLAZE 10 JA 1/16W	R386	301 225 8110	MT-GLAZE 10 JA 1/16W
R3456	301 225 8110	MT-GLAZE 10 JA 1/16W	R388	301 224 9019	MT-GLAZE 10K JA 1/16W
R3457	301 225 8110	MT-GLAZE 10 JA 1/16W	R4001	301 150 6014	MT-GLAZE 0.000 ZA 1/10W
R3458	301 225 8110	MT-GLAZE 10 JA 1/16W	R4002	301 150 6014	MT-GLAZE 0.000 ZA 1/10W
R3459	301 225 8110	MT-GLAZE 10 JA 1/16W	R4003	301 150 6014	MT-GLAZE 0.000 ZA 1/10W
R346	301 224 9019	MT-GLAZE 10K JA 1/16W	R4004	301 265 4912	MT-GLAZE 75 FA 1/10W

Electrical Parts List

Key No.	Part No.	Description	Key No.	Part No.	Description
R4006	301 265 4912	MT-GLAZE 75 FA 1/10W	R4477	301 226 1516	MT-GLAZE 0.000 ZA 1/16W
R4401	301 224 9712	MT-GLAZE 22 JA 1/16W	R4478	301 226 1516	MT-GLAZE 0.000 ZA 1/16W
R4402	301 224 9712	MT-GLAZE 22 JA 1/16W	R4479	645 092 3616	IMPEDANCE,22 OHM P
R4403	301 224 9712	MT-GLAZE 22 JA 1/16W	R4481	301 226 1516	MT-GLAZE 0.000 ZA 1/16W
R4404	301 224 9712	MT-GLAZE 22 JA 1/16W	R4482	301 224 9712	MT-GLAZE 22 JA 1/16W
R4406	301 224 9712	MT-GLAZE 22 JA 1/16W	R4483	301 224 9712	MT-GLAZE 22 JA 1/16W
R4407	301 224 9712	MT-GLAZE 22 JA 1/16W	R4484	301 224 9316	MT-GLAZE 1K JA 1/16W
R4408	301 225 0213	MT-GLAZE 3.3K JA 1/16W	R4485	301 224 9316	MT-GLAZE 1K JA 1/16W
R4409	301 224 9019	MT-GLAZE 10K JA 1/16W	R4486	301 224 9316	MT-GLAZE 1K JA 1/16W
R4411	301 225 8110	MT-GLAZE 10 JA 1/16W	R4487	301 224 9316	MT-GLAZE 1K JA 1/16W
R4412	301 225 8110	MT-GLAZE 10 JA 1/16W	R4488	301 224 9316	MT-GLAZE 1K JA 1/16W
R4413	301 224 9316	MT-GLAZE 1K JA 1/16W	R4489	301 224 9316	MT-GLAZE 1K JA 1/16W
R4414	301 224 9316	MT-GLAZE 1K JA 1/16W	R4491	301 224 9316	MT-GLAZE 1K JA 1/16W
R4415	301 226 1516	MT-GLAZE 0.000 ZA 1/16W	R4492	301 224 9316	MT-GLAZE 1K JA 1/16W
R4416	301 225 8110	MT-GLAZE 10 JA 1/16W	R4493	301 224 9316	MT-GLAZE 1K JA 1/16W
R4417	301 225 8110	MT-GLAZE 10 JA 1/16W	R4494	301 224 9316	MT-GLAZE 1K JA 1/16W
R4418	301 225 8110	MT-GLAZE 10 JA 1/16W	R4495	301 225 8110	MT-GLAZE 10 JA 1/16W
R4419	301 225 8110	MT-GLAZE 10 JA 1/16W	R4496	301 224 9316	MT-GLAZE 1K JA 1/16W
R4421	301 225 8110	MT-GLAZE 10 JA 1/16W	R4497	301 224 9316	MT-GLAZE 1K JA 1/16W
R4422	301 225 8110	MT-GLAZE 10 JA 1/16W	R4498	301 224 9316	MT-GLAZE 1K JA 1/16W
R4423	301 225 8110	MT-GLAZE 10 JA 1/16W	R4499	301 224 9316	MT-GLAZE 1K JA 1/16W
R4424	301 225 8110	MT-GLAZE 10 JA 1/16W	R4703	301 226 1516	MT-GLAZE 0.000 ZA 1/16W
R4425	301 226 1516	MT-GLAZE 0.000 ZA 1/16W	R4704	301 294 2811	MT-GLAZE 2.2K FA 1/16W
R4426	301 225 0312	MT-GLAZE 33 JA 1/16W	R4705	301 224 9316	MT-GLAZE 1K JA 1/16W
R4427	301 224 9019	MT-GLAZE 10K JA 1/16W	R4706	301 261 1014	MT-GLAZE 2.4K JA 1/16W
R4428	301 225 0213	MT-GLAZE 3.3K JA 1/16W	R4708	301 226 1516	MT-GLAZE 0.000 ZA 1/16W
R4429	301 225 8110	MT-GLAZE 10 JA 1/16W	R4709	301 225 8011	MT-GLAZE 330 JA 1/16W
R4431	301 225 8110	MT-GLAZE 10 JA 1/16W	R4711	301 224 8814	MT-GLAZE 100 JA 1/16W
R4432	301 225 8110	MT-GLAZE 10 JA 1/16W	R4712	301 225 0213	MT-GLAZE 3.3K JA 1/16W
R4433	301 226 1516	MT-GLAZE 0.000 ZA 1/16W	R4713	301 225 0213	MT-GLAZE 3.3K JA 1/16W
R4434	301 226 1516	MT-GLAZE 0.000 ZA 1/16W	R4714	301 225 0213	MT-GLAZE 3.3K JA 1/16W
R4435	301 225 0213	MT-GLAZE 3.3K JA 1/16W	R4715	301 226 1516	MT-GLAZE 0.000 ZA 1/16W
R4436	301 226 1516	MT-GLAZE 0.000 ZA 1/16W	R4716	301 225 8011	MT-GLAZE 330 JA 1/16W
R4437	301 226 1516	MT-GLAZE 0.000 ZA 1/16W	R4717	301 225 8110	MT-GLAZE 10 JA 1/16W
R4438	301 226 1516	MT-GLAZE 0.000 ZA 1/16W	R4718	301 224 9019	MT-GLAZE 10K JA 1/16W
R4439	301 226 1516	MT-GLAZE 0.000 ZA 1/16W	R4720	301 225 3818	MT-GLAZE 1.5K JA 1/16W
R4441	301 226 1516	MT-GLAZE 0.000 ZA 1/16W	R4721	301 226 1516	MT-GLAZE 0.000 ZA 1/16W
R4442	301 226 1516	MT-GLAZE 0.000 ZA 1/16W	R4722	301 226 1516	MT-GLAZE 0.000 ZA 1/16W
R4443	301 225 8110	MT-GLAZE 10 JA 1/16W	R4723	301 224 9316	MT-GLAZE 1K JA 1/16W
R4444	301 225 8110	MT-GLAZE 10 JA 1/16W	R4724	301 224 9019	MT-GLAZE 10K JA 1/16W
R4445	301 224 9316	MT-GLAZE 1K JA 1/16W	R4725	301 225 1210	MT-GLAZE 4.7K JA 1/16W
R4446	301 225 8110	MT-GLAZE 10 JA 1/16W	R4726	301 224 9316	MT-GLAZE 1K JA 1/16W
R4447	301 225 8110	MT-GLAZE 10 JA 1/16W	R4727	301 224 9019	MT-GLAZE 10K JA 1/16W
R4448	301 225 8110	MT-GLAZE 10 JA 1/16W	R4728	301 225 1210	MT-GLAZE 4.7K JA 1/16W
R4449	301 225 8110	MT-GLAZE 10 JA 1/16W	R4729	301 225 3818	MT-GLAZE 1.5K JA 1/16W
R4451	301 224 9712	MT-GLAZE 22 JA 1/16W	R4733	301 226 1516	MT-GLAZE 0.000 ZA 1/16W
R4452	301 224 9712	MT-GLAZE 22 JA 1/16W	R4734	301 294 2811	MT-GLAZE 2.2K FA 1/16W
R4453	301 224 9712	MT-GLAZE 22 JA 1/16W	R4735	301 224 9316	MT-GLAZE 1K JA 1/16W
R4454	301 224 9712	MT-GLAZE 22 JA 1/16W	R4736	301 261 1014	MT-GLAZE 2.4K JA 1/16W
R4455	301 224 9316	MT-GLAZE 1K JA 1/16W	R4738	301 226 1516	MT-GLAZE 0.000 ZA 1/16W
R4456	301 224 9712	MT-GLAZE 22 JA 1/16W	R4739	301 225 8011	MT-GLAZE 330 JA 1/16W
R4457	301 224 9712	MT-GLAZE 22 JA 1/16W	R4741	301 224 8814	MT-GLAZE 100 JA 1/16W
R4458	301 225 8110	MT-GLAZE 10 JA 1/16W	R4742	301 225 0213	MT-GLAZE 3.3K JA 1/16W
R4459	301 225 8110	MT-GLAZE 10 JA 1/16W	R4743	301 225 0213	MT-GLAZE 3.3K JA 1/16W
R4460	301 226 1516	MT-GLAZE 0.000 ZA 1/16W	R4744	301 225 0213	MT-GLAZE 3.3K JA 1/16W
R4461	301 225 8110	MT-GLAZE 10 JA 1/16W	R4745	301 226 1516	MT-GLAZE 0.000 ZA 1/16W
R4462	301 225 8110	MT-GLAZE 10 JA 1/16W	R4746	301 225 8011	MT-GLAZE 330 JA 1/16W
R4465	301 226 1516	MT-GLAZE 0.000 ZA 1/16W	R4747	301 225 8110	MT-GLAZE 10 JA 1/16W
R4466	301 225 8110	MT-GLAZE 10 JA 1/16W	R4748	301 224 9019	MT-GLAZE 10K JA 1/16W
R4467	301 225 8110	MT-GLAZE 10 JA 1/16W	R4754	301 226 1516	MT-GLAZE 0.000 ZA 1/16W
R4468	301 224 9316	MT-GLAZE 1K JA 1/16W	R4755	301 226 1516	MT-GLAZE 0.000 ZA 1/16W
R4469	301 224 9712	MT-GLAZE 22 JA 1/16W	R4756	301 226 1516	MT-GLAZE 0.000 ZA 1/16W
R4471	301 224 9712	MT-GLAZE 22 JA 1/16W	R4757	301 226 1516	MT-GLAZE 0.000 ZA 1/16W
R4472	301 224 9712	MT-GLAZE 22 JA 1/16W	R4758	301 226 1516	MT-GLAZE 0.000 ZA 1/16W
R4473	301 226 1516	MT-GLAZE 0.000 ZA 1/16W	R4759	301 226 1516	MT-GLAZE 0.000 ZA 1/16W
R4474	301 226 1516	MT-GLAZE 0.000 ZA 1/16W	R4762	301 224 9019	MT-GLAZE 10K JA 1/16W
R4476	301 226 1516	MT-GLAZE 0.000 ZA 1/16W	R4766	301 302 7824	MT-GLAZE 30K DA 1/16W

Electrical Parts List

Key No.	Part No.	Description	Key No.	Part No.	Description
R4767	301 294 3016	MT-GLAZE 10K FA 1/16W	R5210	301 224 9316	MT-GLAZE 1K JA 1/16W
R4768	301 294 3016	MT-GLAZE 10K FA 1/16W	R5211	301 224 9316	MT-GLAZE 1K JA 1/16W
R4771	301 298 5511	MT-GLAZE 8.2K FA 1/16W	R5212	301 226 1516	MT-GLAZE 0.000 ZA 1/16W
R4772	301 298 5511	MT-GLAZE 8.2K FA 1/16W	R5213	301 226 1516	MT-GLAZE 0.000 ZA 1/16W
R4774	301 225 0015	MT-GLAZE 270 JA 1/16W	R5214	301 226 1516	MT-GLAZE 0.000 ZA 1/16W
R4776	301 224 9019	MT-GLAZE 10K JA 1/16W	R5215	301 224 9316	MT-GLAZE 1K JA 1/16W
R4777	301 224 9019	MT-GLAZE 10K JA 1/16W	R5216	301 226 1516	MT-GLAZE 0.000 ZA 1/16W
R4778	301 224 9019	MT-GLAZE 10K JA 1/16W	R5217	301 226 1516	MT-GLAZE 0.000 ZA 1/16W
R4782	301 224 9019	MT-GLAZE 10K JA 1/16W	R5218	301 226 1516	MT-GLAZE 0.000 ZA 1/16W
R4783	301 224 9019	MT-GLAZE 10K JA 1/16W	R5219	301 226 1516	MT-GLAZE 0.000 ZA 1/16W
R4784	301 224 9019	MT-GLAZE 10K JA 1/16W	R5220	301 224 9316	MT-GLAZE 1K JA 1/16W
R4792	301 224 9019	MT-GLAZE 10K JA 1/16W	R5221	301 226 1516	MT-GLAZE 0.000 ZA 1/16W
R4796	301 302 7824	MT-GLAZE 30K DA 1/16W	R5222	301 224 9316	MT-GLAZE 1K JA 1/16W
R4797	301 294 3016	MT-GLAZE 10K FA 1/16W	R5223	301 226 1516	MT-GLAZE 0.000 ZA 1/16W
R4798	301 294 3016	MT-GLAZE 10K FA 1/16W	R5224	301 226 1516	MT-GLAZE 0.000 ZA 1/16W
R4803	301 224 8913	MT-GLAZE 100K JA 1/16W	R5225	301 224 9316	MT-GLAZE 1K JA 1/16W
R4804	301 225 2118	MT-GLAZE 12K JA 1/16W	R5226	301 226 1516	MT-GLAZE 0.000 ZA 1/16W
R4806	301 337 8411	MT-GLAZE 20K DA 1/16W	R5227	301 226 1516	MT-GLAZE 0.000 ZA 1/16W
R4807	301 299 2410	MT-GLAZE 5.6K FA 1/16W	R5228	301 226 1516	MT-GLAZE 0.000 ZA 1/16W
R4808	301 294 3016	MT-GLAZE 10K FA 1/16W	R5229	301 226 1516	MT-GLAZE 0.000 ZA 1/16W
R4812	301 224 9019	MT-GLAZE 10K JA 1/16W	R5230	301 225 0213	MT-GLAZE 3.3K JA 1/16W
R4816	301 287 2227	MT-GLAZE 22K FA 1/16W	R5231	301 226 1516	MT-GLAZE 0.000 ZA 1/16W
R4817	301 294 3115	MT-GLAZE 1K FA 1/16W	R5232	301 226 1516	MT-GLAZE 0.000 ZA 1/16W
R4818	301 294 3016	MT-GLAZE 10K FA 1/16W	R5233	301 226 1516	MT-GLAZE 0.000 ZA 1/16W
R4822	301 224 9019	MT-GLAZE 10K JA 1/16W	R5234	301 226 1516	MT-GLAZE 0.000 ZA 1/16W
R4826	301 287 2227	MT-GLAZE 22K FA 1/16W	R5236	301 224 9316	MT-GLAZE 1K JA 1/16W
R4827	301 294 3115	MT-GLAZE 1K FA 1/16W	R5237	301 225 8110	MT-GLAZE 10 JA 1/16W
R4828	301 294 3016	MT-GLAZE 10K FA 1/16W	R5238	301 225 8110	MT-GLAZE 10 JA 1/16W
R4833	301 294 3313	MT-GLAZE 15K FA 1/16W	R5239	301 225 8110	MT-GLAZE 10 JA 1/16W
R4834	301 225 2118	MT-GLAZE 12K JA 1/16W	R5240	301 272 7814	MT-GLAZE 100 FA 1/16W
R4836	301 299 2410	MT-GLAZE 5.6K FA 1/16W	R5241	301 225 0916	MT-GLAZE 82K JA 1/16W
R4837	301 301 8119	MT-GLAZE 3.9K FA 1/16W	R5242	301 272 7814	MT-GLAZE 100 FA 1/16W
R4838	301 294 3016	MT-GLAZE 10K FA 1/16W	R5243	301 272 7814	MT-GLAZE 100 FA 1/16W
R4842	301 224 9019	MT-GLAZE 10K JA 1/16W	R5244	301 272 7814	MT-GLAZE 100 FA 1/16W
R4846	301 299 5114	MT-GLAZE 6.2K FA 1/16W	R5245	301 294 3917	MT-GLAZE 56 FA 1/16W
R4847	301 294 4419	MT-GLAZE 1.8K FA 1/16W	R5246	301 272 7814	MT-GLAZE 100 FA 1/16W
R4848	301 294 3016	MT-GLAZE 10K FA 1/16W	R5247	301 272 7814	MT-GLAZE 100 FA 1/16W
R4852	301 226 1516	MT-GLAZE 0.000 ZA 1/16W	R5248	301 272 7814	MT-GLAZE 100 FA 1/16W
R4856	301 298 6518	MT-GLAZE 3.3K FA 1/16W	R5249	301 272 7814	MT-GLAZE 100 FA 1/16W
R4857	301 294 4419	MT-GLAZE 1.8K FA 1/16W	R5250	301 272 7814	MT-GLAZE 100 FA 1/16W
R4858	301 294 2613	MT-GLAZE 4.7K FA 1/16W	R5251	301 272 7814	MT-GLAZE 100 FA 1/16W
R4861	301 224 9019	MT-GLAZE 10K JA 1/16W	R5252	301 272 7814	MT-GLAZE 100 FA 1/16W
R4862	301 224 9019	MT-GLAZE 10K JA 1/16W	R5253	301 272 7814	MT-GLAZE 100 FA 1/16W
R4863	301 225 1210	MT-GLAZE 4.7K JA 1/16W	R5254	301 272 7814	MT-GLAZE 100 FA 1/16W
R4873	301 224 8913	MT-GLAZE 100K JA 1/16W	R5255	301 272 7814	MT-GLAZE 100 FA 1/16W
R4874	301 225 2118	MT-GLAZE 12K JA 1/16W	R5256	301 224 9712	MT-GLAZE 22 JA 1/16W
R4876	301 301 8119	MT-GLAZE 3.9K FA 1/16W	R5257	301 224 9712	MT-GLAZE 22 JA 1/16W
R4877	301 299 2410	MT-GLAZE 5.6K FA 1/16W	R5258	301 224 9712	MT-GLAZE 22 JA 1/16W
R4878	301 294 3016	MT-GLAZE 10K FA 1/16W	R5259	301 224 9712	MT-GLAZE 22 JA 1/16W
R4879	301 224 9316	MT-GLAZE 1K JA 1/16W	R5260	301 225 0213	MT-GLAZE 3.3K JA 1/16W
R4881	301 225 1418	MT-GLAZE 47K JA 1/16W	R5261	301 224 9712	MT-GLAZE 22 JA 1/16W
R4886	301 294 2613	MT-GLAZE 4.7K FA 1/16W	R5262	301 224 9712	MT-GLAZE 22 JA 1/16W
R4887	301 272 7814	MT-GLAZE 100 FA 1/16W	R5263	301 224 9712	MT-GLAZE 22 JA 1/16W
R4888	301 294 2613	MT-GLAZE 4.7K FA 1/16W	R5264	301 224 9712	MT-GLAZE 22 JA 1/16W
R4892	301 224 9019	MT-GLAZE 10K JA 1/16W	R5265	301 225 0312	MT-GLAZE 33 JA 1/16W
R4896	301 287 2227	MT-GLAZE 22K FA 1/16W	R5266	301 224 9712	MT-GLAZE 22 JA 1/16W
R4897	301 294 3115	MT-GLAZE 1K FA 1/16W	R5267	301 224 9712	MT-GLAZE 22 JA 1/16W
R4898	301 294 3016	MT-GLAZE 10K FA 1/16W	R5268	301 224 9712	MT-GLAZE 22 JA 1/16W
R5201	301 225 8110	MT-GLAZE 10 JA 1/16W	R5269	301 224 9712	MT-GLAZE 22 JA 1/16W
R5202	301 225 8110	MT-GLAZE 10 JA 1/16W	R5270	301 225 0213	MT-GLAZE 3.3K JA 1/16W
R5203	301 224 9019	MT-GLAZE 10K JA 1/16W	R5271	301 224 9019	MT-GLAZE 10K JA 1/16W
R5204	301 225 1210	MT-GLAZE 4.7K JA 1/16W	R5272	301 224 9019	MT-GLAZE 10K JA 1/16W
R5205	301 224 9316	MT-GLAZE 1K JA 1/16W	R5273	301 224 9019	MT-GLAZE 10K JA 1/16W
R5206	301 226 1516	MT-GLAZE 0.000 ZA 1/16W	R5274	301 226 1516	MT-GLAZE 0.000 ZA 1/16W
R5207	301 225 1418	MT-GLAZE 47K JA 1/16W	R5275	301 226 1516	MT-GLAZE 0.000 ZA 1/16W
R5208	301 225 1418	MT-GLAZE 47K JA 1/16W	R5276	301 226 1516	MT-GLAZE 0.000 ZA 1/16W
R5209	301 225 1418	MT-GLAZE 47K JA 1/16W	R5277	301 224 9316	MT-GLAZE 1K JA 1/16W

Electrical Parts List

Key No.	Part No.	Description	Key No.	Part No.	Description
R5278	301 224 9316	MT-GLAZE 1K JA 1/16W	R5512	301 226 1516	MT-GLAZE 0.000 ZA 1/16W
R5279	301 224 9316	MT-GLAZE 1K JA 1/16W	R5513	301 301 8218	MT-GLAZE 680 FA 1/16W
R5280	301 225 0213	MT-GLAZE 3.3K JA 1/16W	R5514	301 225 3818	MT-GLAZE 1.5K JA 1/16W
R5281	301 225 0718	MT-GLAZE 56K JA 1/16W	R5516	301 224 9316	MT-GLAZE 1K JA 1/16W
R5282	301 225 8110	MT-GLAZE 10 JA 1/16W	R5518	301 224 9316	MT-GLAZE 1K JA 1/16W
R5283	301 225 8110	MT-GLAZE 10 JA 1/16W	R5522	301 226 1516	MT-GLAZE 0.000 ZA 1/16W
R5284	301 225 8110	MT-GLAZE 10 JA 1/16W	R5523	301 226 1516	MT-GLAZE 0.000 ZA 1/16W
R5285	301 226 1516	MT-GLAZE 0.000 ZA 1/16W	R5526	301 225 8110	MT-GLAZE 10 JA 1/16W
R5286	301 225 8110	MT-GLAZE 10 JA 1/16W	R5527	301 225 8110	MT-GLAZE 10 JA 1/16W
R5287	301 225 8110	MT-GLAZE 10 JA 1/16W	R5528	301 225 8110	MT-GLAZE 10 JA 1/16W
R5288	301 224 9316	MT-GLAZE 1K JA 1/16W	R5529	301 225 8110	MT-GLAZE 10 JA 1/16W
R5290	301 299 4810	MT-GLAZE 2.7K FA 1/16W	R5531	301 226 1516	MT-GLAZE 0.000 ZA 1/16W
R5291	301 224 9316	MT-GLAZE 1K JA 1/16W	R5532	301 226 1516	MT-GLAZE 0.000 ZA 1/16W
R5292	301 224 9019	MT-GLAZE 10K JA 1/16W	R5533	301 226 1516	MT-GLAZE 0.000 ZA 1/16W
R5293	301 224 9316	MT-GLAZE 1K JA 1/16W	R5534	301 226 1516	MT-GLAZE 0.000 ZA 1/16W
R5294	301 224 9019	MT-GLAZE 10K JA 1/16W	R5536	301 226 1516	MT-GLAZE 0.000 ZA 1/16W
R5296	301 224 9316	MT-GLAZE 1K JA 1/16W	R5537	301 228 4515	MT-GLAZE 2.2 JA 1/16W
R5297	301 224 9019	MT-GLAZE 10K JA 1/16W	R5538	301 228 4515	MT-GLAZE 2.2 JA 1/16W
R5298	301 224 9316	MT-GLAZE 1K JA 1/16W	R5543	301 224 8913	MT-GLAZE 100K JA 1/16W
R5299	301 224 9019	MT-GLAZE 10K JA 1/16W	R5544	301 225 2118	MT-GLAZE 12K JA 1/16W
R5301	301 224 9415	MT-GLAZE 1M JA 1/16W	R5546	301 225 0916	MT-GLAZE 82K JA 1/16W
R5302	301 224 9019	MT-GLAZE 10K JA 1/16W	R5547	301 299 4810	MT-GLAZE 2.7K FA 1/16W
R5303	301 224 9019	MT-GLAZE 10K JA 1/16W	R5548	301 294 3016	MT-GLAZE 10K FA 1/16W
R5304	301 225 1616	MT-GLAZE 390 JA 1/16W	R5551	301 224 9019	MT-GLAZE 10K JA 1/16W
R5306	301 224 8913	MT-GLAZE 100K JA 1/16W	R5552	301 224 8913	MT-GLAZE 100K JA 1/16W
R5307	301 224 9316	MT-GLAZE 1K JA 1/16W	R5554	301 224 8814	MT-GLAZE 100 JA 1/16W
R5308	301 224 9316	MT-GLAZE 1K JA 1/16W	R5556	301 224 9019	MT-GLAZE 10K JA 1/16W
R5311	301 224 9316	MT-GLAZE 1K JA 1/16W	R5557	301 224 8913	MT-GLAZE 100K JA 1/16W
R5312	301 224 9316	MT-GLAZE 1K JA 1/16W	R5559	301 224 8814	MT-GLAZE 100 JA 1/16W
R5313	301 224 9316	MT-GLAZE 1K JA 1/16W	R5561	301 225 4617	MT-GLAZE 1.2 JA 1W
R5314	301 224 8814	MT-GLAZE 100 JA 1/16W	R5562	301 226 1516	MT-GLAZE 0.000 ZA 1/16W
R5321	301 224 8814	MT-GLAZE 100 JA 1/16W	R5563	301 224 9316	MT-GLAZE 1K JA 1/16W
R5322	301 224 9316	MT-GLAZE 1K JA 1/16W	R5564	301 225 1210	MT-GLAZE 4.7K JA 1/16W
R5323	301 224 8814	MT-GLAZE 100 JA 1/16W	R5566	301 224 9316	MT-GLAZE 1K JA 1/16W
R5324	301 294 2811	MT-GLAZE 2.2K FA 1/16W	R5567	301 225 1210	MT-GLAZE 4.7K JA 1/16W
R5326	301 224 8814	MT-GLAZE 100 JA 1/16W	R5568	301 036 9917	MT-GLAZE 560 JA 1/8W
R5327	301 224 8814	MT-GLAZE 100 JA 1/16W	R5571	301 226 1516	MT-GLAZE 0.000 ZA 1/16W
R5328	301 301 8119	MT-GLAZE 3.9K FA 1/16W	R5572	301 226 1516	MT-GLAZE 0.000 ZA 1/16W
R5329	301 224 9415	MT-GLAZE 1M JA 1/16W	R5581	301 224 8814	MT-GLAZE 100 JA 1/16W
R5331	301 226 1516	MT-GLAZE 0.000 ZA 1/16W	R5583	301 224 9019	MT-GLAZE 10K JA 1/16W
R5332	301 226 1516	MT-GLAZE 0.000 ZA 1/16W	R5584	301 224 9019	MT-GLAZE 10K JA 1/16W
R5333	301 226 1516	MT-GLAZE 0.000 ZA 1/16W	R5585	301 226 1516	MT-GLAZE 0.000 ZA 1/16W
R5341	301 225 0312	MT-GLAZE 33 JA 1/16W	R5586	301 226 1516	MT-GLAZE 0.000 ZA 1/16W
R5346	301 225 0312	MT-GLAZE 33 JA 1/16W	R5587	301 226 1516	MT-GLAZE 0.000 ZA 1/16W
R5361	301 225 1814	MT-GLAZE 47 JA 1/16W	R5588	301 226 1516	MT-GLAZE 0.000 ZA 1/16W
R5362	301 225 3818	MT-GLAZE 1.5K JA 1/16W	R5589	301 226 1516	MT-GLAZE 0.000 ZA 1/16W
R5363	301 240 9710	MT-GLAZE 820K JA 1/16W	R5591	301 226 1516	MT-GLAZE 0.000 ZA 1/16W
R5366	301 224 9316	MT-GLAZE 1K JA 1/16W	R5592	301 226 1516	MT-GLAZE 0.000 ZA 1/16W
R5367	301 224 9316	MT-GLAZE 1K JA 1/16W	R5593	301 226 1516	MT-GLAZE 0.000 ZA 1/16W
R5368	301 224 9019	MT-GLAZE 10K JA 1/16W	R5595	301 226 1516	MT-GLAZE 0.000 ZA 1/16W
R5369	301 224 9316	MT-GLAZE 1K JA 1/16W	R5596	301 226 1516	MT-GLAZE 0.000 ZA 1/16W
R5371	301 224 9316	MT-GLAZE 1K JA 1/16W	R5597	301 226 1516	MT-GLAZE 0.000 ZA 1/16W
R5372	301 294 2910	MT-GLAZE 560 FA 1/16W	R5598	301 224 8913	MT-GLAZE 100K JA 1/16W
R5373	301 225 0718	MT-GLAZE 56K JA 1/16W	R5599	301 226 1516	MT-GLAZE 0.000 ZA 1/16W
R5376	301 224 9316	MT-GLAZE 1K JA 1/16W	R5602	301 225 0510	MT-GLAZE 33K JA 1/16W
R5377	301 226 1516	MT-GLAZE 0.000 ZA 1/16W	R5606	301 336 8818	MT-GLAZE 6.8K FA 1/16W
R5391	301 225 8110	MT-GLAZE 10 JA 1/16W	R5607	301 294 3115	MT-GLAZE 1K FA 1/16W
R5393	301 224 9019	MT-GLAZE 10K JA 1/16W	R5608	301 294 2613	MT-GLAZE 4.7K FA 1/16W
R5396	301 225 0817	MT-GLAZE 68K JA 1/16W	R5612	301 224 9019	MT-GLAZE 10K JA 1/16W
R5397	301 226 1516	MT-GLAZE 0.000 ZA 1/16W	R5616	301 302 7824	MT-GLAZE 30K DA 1/16W
R5398	301 225 1210	MT-GLAZE 4.7K JA 1/16W	R5617	301 294 3016	MT-GLAZE 10K FA 1/16W
R5399	301 225 1210	MT-GLAZE 4.7K JA 1/16W	R5618	301 294 3016	MT-GLAZE 10K FA 1/16W
R5502	301 226 1516	MT-GLAZE 0.000 ZA 1/16W	R5621	301 224 9019	MT-GLAZE 10K JA 1/16W
R5503	301 301 8218	MT-GLAZE 680 FA 1/16W	R5622	301 224 9019	MT-GLAZE 10K JA 1/16W
R5504	301 225 3818	MT-GLAZE 1.5K JA 1/16W	R5623	301 287 2227	MT-GLAZE 22K FA 1/16W
R5506	301 224 9316	MT-GLAZE 1K JA 1/16W	R5624	301 287 2227	MT-GLAZE 22K FA 1/16W
R5508	301 224 9316	MT-GLAZE 1K JA 1/16W	R5631	301 224 9019	MT-GLAZE 10K JA 1/16W

Electrical Parts List

Key No.	Part No.	Description	Key No.	Part No.	Description
R5632	301 225 2118	MT-GLAZE 12K JA 1/16W	R6273	301 224 9316	MT-GLAZE 1K JA 1/16W
R5633	301 224 9019	MT-GLAZE 10K JA 1/16W	R6274	301 226 1516	MT-GLAZE 0.000 ZA 1/16W
R5808	301 226 1516	MT-GLAZE 0.000 ZA 1/16W	R6275	301 226 1516	MT-GLAZE 0.000 ZA 1/16W
R5809	301 294 2712	MT-GLAZE 150 FA 1/16W	R6276	301 225 8110	MT-GLAZE 10 JA 1/16W
R5832	301 224 9019	MT-GLAZE 10K JA 1/16W	R6277	301 225 8110	MT-GLAZE 10 JA 1/16W
R5836	301 287 2227	MT-GLAZE 22K FA 1/16W	R6278	301 225 8110	MT-GLAZE 10 JA 1/16W
R5837	301 294 3115	MT-GLAZE 1K FA 1/16W	R6279	301 225 8110	MT-GLAZE 10 JA 1/16W
R5838	301 294 3016	MT-GLAZE 10K FA 1/16W	R6281	301 225 8110	MT-GLAZE 10 JA 1/16W
R5842	301 224 9019	MT-GLAZE 10K JA 1/16W	R6282	301 225 8110	MT-GLAZE 10 JA 1/16W
R5846	301 302 7824	MT-GLAZE 30K DA 1/16W	R6283	301 225 8110	MT-GLAZE 10 JA 1/16W
R5847	301 294 3016	MT-GLAZE 10K FA 1/16W	R6284	301 225 8110	MT-GLAZE 10 JA 1/16W
R5848	301 294 3016	MT-GLAZE 10K FA 1/16W	R6285	301 224 9316	MT-GLAZE 1K JA 1/16W
R6201	301 225 0312	MT-GLAZE 33 JA 1/16W	R6286	301 225 8110	MT-GLAZE 10 JA 1/16W
R6204	301 225 8110	MT-GLAZE 10 JA 1/16W	R6287	301 225 8110	MT-GLAZE 10 JA 1/16W
R6205	301 225 8110	MT-GLAZE 10 JA 1/16W	R6288	301 225 8110	MT-GLAZE 10 JA 1/16W
R6206	301 225 8110	MT-GLAZE 10 JA 1/16W	R6289	301 225 8110	MT-GLAZE 10 JA 1/16W
R6207	301 225 8110	MT-GLAZE 10 JA 1/16W	R6291	301 225 0213	MT-GLAZE 3.3K JA 1/16W
R6208	301 225 8110	MT-GLAZE 10 JA 1/16W	R6292	301 225 0213	MT-GLAZE 3.3K JA 1/16W
R6209	301 225 8110	MT-GLAZE 10 JA 1/16W	R6293	301 225 1210	MT-GLAZE 4.7K JA 1/16W
R6210	301 225 8110	MT-GLAZE 10 JA 1/16W	R6294	301 225 1210	MT-GLAZE 4.7K JA 1/16W
R6211	301 150 6014	MT-GLAZE 0.000 ZA 1/10W	R6296	301 225 0213	MT-GLAZE 3.3K JA 1/16W
R6212	301 150 6014	MT-GLAZE 0.000 ZA 1/10W	R6297	301 225 0213	MT-GLAZE 3.3K JA 1/16W
R6213	301 224 8913	MT-GLAZE 100K JA 1/16W	R6298	301 225 1210	MT-GLAZE 4.7K JA 1/16W
R6214	301 225 2118	MT-GLAZE 12K JA 1/16W	R6299	301 225 1210	MT-GLAZE 4.7K JA 1/16W
R6216	301 301 3817	MT-GLAZE 820 FA 1/16W	R6501	301 225 8110	MT-GLAZE 10 JA 1/16W
R6217	301 294 2811	MT-GLAZE 2.2K FA 1/16W	R6502	301 225 8110	MT-GLAZE 10 JA 1/16W
R6218	301 294 3016	MT-GLAZE 10K FA 1/16W	R6503	301 225 0213	MT-GLAZE 3.3K JA 1/16W
R6219	301 224 9316	MT-GLAZE 1K JA 1/16W	R6504	301 225 0213	MT-GLAZE 3.3K JA 1/16W
R6221	301 150 6014	MT-GLAZE 0.000 ZA 1/10W	R6506	301 224 9316	MT-GLAZE 1K JA 1/16W
R6222	301 224 9019	MT-GLAZE 10K JA 1/16W	R6508	301 224 9316	MT-GLAZE 1K JA 1/16W
R6226	301 287 2227	MT-GLAZE 22K FA 1/16W	R6511	301 102 7410	MT-GLAZE 10 JA 1W
R6227	301 294 3115	MT-GLAZE 1K FA 1/16W	R6512	301 102 7410	MT-GLAZE 10 JA 1W
R6228	301 294 3016	MT-GLAZE 10K FA 1/16W	R6513	301 226 1516	MT-GLAZE 0.000 ZA 1/16W
R6231	301 150 6014	MT-GLAZE 0.000 ZA 1/10W	R6514	301 224 9316	MT-GLAZE 1K JA 1/16W
R6232	301 224 9019	MT-GLAZE 10K JA 1/16W	R6518	301 294 2910	MT-GLAZE 560 FA 1/16W
R6236	301 287 2227	MT-GLAZE 22K FA 1/16W	R6521	301 225 8110	MT-GLAZE 10 JA 1/16W
R6237	301 294 3115	MT-GLAZE 1K FA 1/16W	R6522	301 225 8110	MT-GLAZE 10 JA 1/16W
R6238	301 294 3016	MT-GLAZE 10K FA 1/16W	R6523	301 225 0213	MT-GLAZE 3.3K JA 1/16W
R6241	301 225 1210	MT-GLAZE 4.7K JA 1/16W	R6524	301 225 0213	MT-GLAZE 3.3K JA 1/16W
R6242	301 225 1210	MT-GLAZE 4.7K JA 1/16W	R6526	301 224 9316	MT-GLAZE 1K JA 1/16W
R6243	301 225 1210	MT-GLAZE 4.7K JA 1/16W	R6528	301 224 9316	MT-GLAZE 1K JA 1/16W
R6244	301 225 1210	MT-GLAZE 4.7K JA 1/16W	R6531	301 102 7410	MT-GLAZE 10 JA 1W
R6246	301 225 8110	MT-GLAZE 10 JA 1/16W	R6532	301 102 7410	MT-GLAZE 10 JA 1W
R6247	301 225 8110	MT-GLAZE 10 JA 1/16W	R6533	301 226 1516	MT-GLAZE 0.000 ZA 1/16W
R6248	301 225 8110	MT-GLAZE 10 JA 1/16W	R6534	301 224 9316	MT-GLAZE 1K JA 1/16W
R6249	301 225 8110	MT-GLAZE 10 JA 1/16W	R6538	301 294 2910	MT-GLAZE 560 FA 1/16W
R6251	301 225 8110	MT-GLAZE 10 JA 1/16W	R6541	301 226 1516	MT-GLAZE 0.000 ZA 1/16W
R6252	301 225 8110	MT-GLAZE 10 JA 1/16W	R6542	301 226 1516	MT-GLAZE 0.000 ZA 1/16W
R6253	301 225 8110	MT-GLAZE 10 JA 1/16W	R6543	301 226 1516	MT-GLAZE 0.000 ZA 1/16W
R6254	301 225 8110	MT-GLAZE 10 JA 1/16W	R6544	301 226 1516	MT-GLAZE 0.000 ZA 1/16W
R6255	301 225 8110	MT-GLAZE 10 JA 1/16W	R6562	301 224 9019	MT-GLAZE 10K JA 1/16W
R6256	301 225 8110	MT-GLAZE 10 JA 1/16W	R6566	301 287 2227	MT-GLAZE 22K FA 1/16W
R6257	301 225 8110	MT-GLAZE 10 JA 1/16W	R6567	301 294 3115	MT-GLAZE 1K FA 1/16W
R6258	301 225 8110	MT-GLAZE 10 JA 1/16W	R6568	301 294 3016	MT-GLAZE 10K FA 1/16W
R6259	301 225 8110	MT-GLAZE 10 JA 1/16W	R6569	301 224 9019	MT-GLAZE 10K JA 1/16W
R6261	301 225 8110	MT-GLAZE 10 JA 1/16W	R7202	301 224 9316	MT-GLAZE 1K JA 1/16W
R6262	301 225 8110	MT-GLAZE 10 JA 1/16W	R7204	301 224 9316	MT-GLAZE 1K JA 1/16W
R6263	301 225 8110	MT-GLAZE 10 JA 1/16W	R7206	301 225 8110	MT-GLAZE 10 JA 1/16W
R6264	301 225 8110	MT-GLAZE 10 JA 1/16W	R7207	301 225 8110	MT-GLAZE 10 JA 1/16W
R6265	301 226 1516	MT-GLAZE 0.000 ZA 1/16W	R7208	301 225 8110	MT-GLAZE 10 JA 1/16W
R6266	301 225 8110	MT-GLAZE 10 JA 1/16W	R7211	301 226 1516	MT-GLAZE 0.000 ZA 1/16W
R6267	301 225 8110	MT-GLAZE 10 JA 1/16W	R7212	301 226 1516	MT-GLAZE 0.000 ZA 1/16W
R6268	301 225 8110	MT-GLAZE 10 JA 1/16W	R7232	301 226 1516	MT-GLAZE 0.000 ZA 1/16W
R6269	301 225 8110	MT-GLAZE 10 JA 1/16W	R7233	301 226 1516	MT-GLAZE 0.000 ZA 1/16W
R6270	301 225 8110	MT-GLAZE 10 JA 1/16W	R7234	301 226 1516	MT-GLAZE 0.000 ZA 1/16W
R6271	301 226 1516	MT-GLAZE 0.000 ZA 1/16W	R7235	301 226 1516	MT-GLAZE 0.000 ZA 1/16W
R6272	301 226 1516	MT-GLAZE 0.000 ZA 1/16W	R7236	301 224 9316	MT-GLAZE 1K JA 1/16W

Electrical Parts List

Key No.	Part No.	Description	Key No.	Part No.	Description
R7248	301 226 1516	MT-GLAZE 0.000 ZA 1/16W	R8073	301 225 0213	MT-GLAZE 3.3K JA 1/16W
R7249	301 226 1516	MT-GLAZE 0.000 ZA 1/16W	R8074	301 225 0213	MT-GLAZE 3.3K JA 1/16W
R7252	301 224 9019	MT-GLAZE 10K JA 1/16W	R8077	301 224 9019	MT-GLAZE 10K JA 1/16W
R7253	301 224 9019	MT-GLAZE 10K JA 1/16W	R8078	301 294 2811	MT-GLAZE 2.2K FA 1/16W
R7254	301 226 1516	MT-GLAZE 0.000 ZA 1/16W	R8079	301 225 8011	MT-GLAZE 330 JA 1/16W
R7255	301 226 1516	MT-GLAZE 0.000 ZA 1/16W	R8082	301 226 1516	MT-GLAZE 0.000 ZA 1/16W
R7256	301 336 8818	MT-GLAZE 6.8K FA 1/16W	R8083	301 225 1319	MT-GLAZE 470 JA 1/16W
R7257	301 294 3115	MT-GLAZE 1K FA 1/16W	R8086	301 298 5818	MT-GLAZE 9.1K FA 1/16W
R7258	301 294 2613	MT-GLAZE 4.7K FA 1/16W	R8087	301 298 5511	MT-GLAZE 8.2K FA 1/16W
R7261	301 226 1516	MT-GLAZE 0.000 ZA 1/16W	R8088	301 294 3511	MT-GLAZE 27K FA 1/16W
R7262	301 226 1516	MT-GLAZE 0.000 ZA 1/16W	R8091	301 224 9019	MT-GLAZE 10K JA 1/16W
R7801	301 225 8110	MT-GLAZE 10 JA 1/16W	R8092	301 224 9019	MT-GLAZE 10K JA 1/16W
R7802	301 225 8110	MT-GLAZE 10 JA 1/16W	R8101	301 294 3214	MT-GLAZE 47K FA 1/16W
R7803	301 226 1516	MT-GLAZE 0.000 ZA 1/16W	R8102	301 294 3214	MT-GLAZE 47K FA 1/16W
R7804	301 226 1516	MT-GLAZE 0.000 ZA 1/16W	R8103	301 226 1516	MT-GLAZE 0.000 ZA 1/16W
R7805	301 225 1210	MT-GLAZE 4.7K JA 1/16W	R8104	301 226 1516	MT-GLAZE 0.000 ZA 1/16W
R7806	301 226 1516	MT-GLAZE 0.000 ZA 1/16W	R8105	301 224 9019	MT-GLAZE 10K JA 1/16W
R7807	301 226 1516	MT-GLAZE 0.000 ZA 1/16W	R8106	301 226 1516	MT-GLAZE 0.000 ZA 1/16W
R7808	301 226 1516	MT-GLAZE 0.000 ZA 1/16W	R8107	301 226 1516	MT-GLAZE 0.000 ZA 1/16W
R7809	301 225 1210	MT-GLAZE 4.7K JA 1/16W	R8108	301 226 1516	MT-GLAZE 0.000 ZA 1/16W
R7811	301 224 9316	MT-GLAZE 1K JA 1/16W	R8109	301 226 1516	MT-GLAZE 0.000 ZA 1/16W
R7812	301 224 9316	MT-GLAZE 1K JA 1/16W	R8111	301 224 9019	MT-GLAZE 10K JA 1/16W
R7821	301 224 9316	MT-GLAZE 1K JA 1/16W	R8112	301 226 1516	MT-GLAZE 0.000 ZA 1/16W
R7822	301 224 9316	MT-GLAZE 1K JA 1/16W	R8121	301 226 1516	MT-GLAZE 0.000 ZA 1/16W
R7823	301 224 9316	MT-GLAZE 1K JA 1/16W	R8122	301 226 1516	MT-GLAZE 0.000 ZA 1/16W
R7824	301 224 9316	MT-GLAZE 1K JA 1/16W	R8806	301 228 4515	MT-GLAZE 2.2 JA 1/16W
R7825	301 226 1516	MT-GLAZE 0.000 ZA 1/16W	R8807	301 228 4515	MT-GLAZE 2.2 JA 1/16W
R8001	301 226 1516	MT-GLAZE 0.000 ZA 1/16W	R8808	301 225 8110	MT-GLAZE 10 JA 1/16W
R8002	301 224 9415	MT-GLAZE 1M JA 1/16W	R8809	301 225 8110	MT-GLAZE 10 JA 1/16W
R8006	301 225 1210	MT-GLAZE 4.7K JA 1/16W	R8821	301 224 9019	MT-GLAZE 10K JA 1/16W
R8007	301 225 0312	MT-GLAZE 33 JA 1/16W	R8827	301 272 7814	MT-GLAZE 100 FA 1/16W
R8008	301 225 1210	MT-GLAZE 4.7K JA 1/16W	R8828	301 272 7814	MT-GLAZE 100 FA 1/16W
R8011	301 264 5316	MT-GLAZE 2.2 JA 1/10W	R8841	401 351 6018	MT-GLAZE 220K DA 1/16W
R8013	301 264 5316	MT-GLAZE 2.2 JA 1/10W	R8842	301 225 1210	MT-GLAZE 4.7K JA 1/16W
R8014	301 225 1210	MT-GLAZE 4.7K JA 1/16W	R8881	301 298 5818	MT-GLAZE 9.1K FA 1/16W
R8016	301 226 1516	MT-GLAZE 0.000 ZA 1/16W	R8882	301 294 2910	MT-GLAZE 560 FA 1/16W
R8018	301 225 1210	MT-GLAZE 4.7K JA 1/16W	R8883	301 303 4010	MT-GLAZE 1.2K DA 1/16W
R8021	301 264 5316	MT-GLAZE 2.2 JA 1/10W	R8884	301 304 3616	MT-GLAZE 1K DA 1/16W
R8022	301 225 1210	MT-GLAZE 4.7K JA 1/16W	R8885	301 258 1812	MT-GLAZE 1M FA 1/10W
R8034	301 225 8110	MT-GLAZE 10 JA 1/16W	R8886	301 258 1812	MT-GLAZE 1M FA 1/10W
R8037	301 225 8110	MT-GLAZE 10 JA 1/16W	R8887	301 258 1812	MT-GLAZE 1M FA 1/10W
R8038	301 225 0312	MT-GLAZE 33 JA 1/16W	R8888	301 258 1812	MT-GLAZE 1M FA 1/10W
R8039	301 225 0312	MT-GLAZE 33 JA 1/16W	R8889	301 258 1812	MT-GLAZE 1M FA 1/10W
R8041	301 225 0312	MT-GLAZE 33 JA 1/16W	R8890	301 258 1812	MT-GLAZE 1M FA 1/10W
R8042	301 225 0312	MT-GLAZE 33 JA 1/16W	R8891	301 294 3214	MT-GLAZE 47K FA 1/16W
R8043	301 225 0312	MT-GLAZE 33 JA 1/16W	R8892	301 294 2613	MT-GLAZE 4.7K FA 1/16W
R8044	301 225 0312	MT-GLAZE 33 JA 1/16W	R8893	301 294 3214	MT-GLAZE 47K FA 1/16W
R8046	301 225 0312	MT-GLAZE 33 JA 1/16W	R8894	301 294 2613	MT-GLAZE 4.7K FA 1/16W
R8047	301 225 0312	MT-GLAZE 33 JA 1/16W	R8895	301 226 1516	MT-GLAZE 0.000 ZA 1/16W
R8048	301 225 0312	MT-GLAZE 33 JA 1/16W	R8896	301 264 2018	MT-GLAZE 100K FA 1/10W
R8049	301 225 8813	MT-GLAZE 39 JA 1/16W	R8897	301 264 2018	MT-GLAZE 100K FA 1/10W
R8051	301 225 0213	MT-GLAZE 3.3K JA 1/16W	R8898	301 264 2018	MT-GLAZE 100K FA 1/10W
R8052	301 225 8110	MT-GLAZE 10 JA 1/16W	R8899	301 264 2018	MT-GLAZE 100K FA 1/10W
R8053	301 225 8110	MT-GLAZE 10 JA 1/16W	R9301	301 226 1516	MT-GLAZE 0.000 ZA 1/16W
R8054	301 226 1516	MT-GLAZE 0.000 ZA 1/16W	R9302	301 226 1516	MT-GLAZE 0.000 ZA 1/16W
R8055	301 225 8110	MT-GLAZE 10 JA 1/16W	R9306	301 226 1516	MT-GLAZE 0.000 ZA 1/16W
R8057	301 226 1516	MT-GLAZE 0.000 ZA 1/16W	R9311	301 226 1516	MT-GLAZE 0.000 ZA 1/16W
R8058	301 225 0213	MT-GLAZE 3.3K JA 1/16W	R9312	301 226 1516	MT-GLAZE 0.000 ZA 1/16W
R8061	301 226 1516	MT-GLAZE 0.000 ZA 1/16W	R9314	301 226 1516	MT-GLAZE 0.000 ZA 1/16W
R8062	301 226 1516	MT-GLAZE 0.000 ZA 1/16W	R9331	301 226 1516	MT-GLAZE 0.000 ZA 1/16W
R8063	301 226 1516	MT-GLAZE 0.000 ZA 1/16W	R9332	301 226 1516	MT-GLAZE 0.000 ZA 1/16W
R8064	301 226 1516	MT-GLAZE 0.000 ZA 1/16W	R9333	301 226 1516	MT-GLAZE 0.000 ZA 1/16W
R8066	301 226 1516	MT-GLAZE 0.000 ZA 1/16W	R9334	301 226 1516	MT-GLAZE 0.000 ZA 1/16W
R8067	301 226 1516	MT-GLAZE 0.000 ZA 1/16W	R9336	301 226 1516	MT-GLAZE 0.000 ZA 1/16W
R8068	301 226 1516	MT-GLAZE 0.000 ZA 1/16W	R9337	301 226 1516	MT-GLAZE 0.000 ZA 1/16W
R8069	301 226 1516	MT-GLAZE 0.000 ZA 1/16W	R9338	301 226 1516	MT-GLAZE 0.000 ZA 1/16W
R8071	301 226 1516	MT-GLAZE 0.000 ZA 1/16W	R9339	301 226 1516	MT-GLAZE 0.000 ZA 1/16W

Electrical Parts List

Key No.	Part No.	Description	Key No.	Part No.	Description
RB4434	945 034 5051	R-NETWORK 22X4 1/32W		945 028 0710	R-NETWORK 10KX4 1/16W
	945 037 0824	R-NETWORK 22X4 1/16W	RB5292	945 036 0979	R-NETWORK 10KX4 1/32W
RB4436	945 034 5051	R-NETWORK 22X4 1/32W		945 028 0710	R-NETWORK 10KX4 1/16W
	945 037 0824	R-NETWORK 22X4 1/16W	RB6571	945 036 0993	R-NETWORK 4.7KX4 1/32W
RB4437	945 034 5051	R-NETWORK 22X4 1/32W		945 033 1443	R-NETWORK 4.7KX4 1/16W
	945 037 0824	R-NETWORK 22X4 1/16W	RB6572	945 036 0993	R-NETWORK 4.7KX4 1/32W
RB4438	945 034 5051	R-NETWORK 22X4 1/32W		945 033 1443	R-NETWORK 4.7KX4 1/16W
	945 037 0824	R-NETWORK 22X4 1/16W	RB7201	945 029 5790	R-NETWORK 1KX4 1/32W
RB4439	945 034 5051	R-NETWORK 22X4 1/32W		945 028 0703	R-NETWORK 1KX4 1/16W
	945 037 0824	R-NETWORK 22X4 1/16W	RB7202	945 029 5790	R-NETWORK 1KX4 1/32W
RB4441	945 034 5051	R-NETWORK 22X4 1/32W		945 028 0703	R-NETWORK 1KX4 1/16W
	945 037 0824	R-NETWORK 22X4 1/16W	RB7203	945 029 5790	R-NETWORK 1KX4 1/32W
RB4442	945 034 5051	R-NETWORK 22X4 1/32W		945 028 0703	R-NETWORK 1KX4 1/16W
	945 037 0824	R-NETWORK 22X4 1/16W	RB8038	645 049 0675	R-NETWORK 33X4 1/32W
RB4451	945 034 5051	R-NETWORK 22X4 1/32W		945 049 0690	R-NETWORK 33X4 1/16W
	945 037 0824	R-NETWORK 22X4 1/16W	RB8039	645 049 0675	R-NETWORK 33X4 1/32W
RB4452	945 034 5051	R-NETWORK 22X4 1/32W		945 049 0690	R-NETWORK 33X4 1/16W
	945 037 0824	R-NETWORK 22X4 1/16W	RB8041	645 049 0675	R-NETWORK 33X4 1/32W
RB4453	945 034 5051	R-NETWORK 22X4 1/32W		945 049 0690	R-NETWORK 33X4 1/16W
	945 037 0824	R-NETWORK 22X4 1/16W	RB8042	645 049 0675	R-NETWORK 33X4 1/32W
RB4454	945 034 5051	R-NETWORK 22X4 1/32W		945 049 0690	R-NETWORK 33X4 1/16W
	945 037 0824	R-NETWORK 22X4 1/16W	RB8043	645 049 0675	R-NETWORK 33X4 1/32W
RB4456	945 034 5051	R-NETWORK 22X4 1/32W		945 049 0690	R-NETWORK 33X4 1/16W
	945 037 0824	R-NETWORK 22X4 1/16W	RB8044	645 049 0675	R-NETWORK 33X4 1/32W
RB4457	945 034 5051	R-NETWORK 22X4 1/32W		945 049 0690	R-NETWORK 33X4 1/16W
	945 037 0824	R-NETWORK 22X4 1/16W			
RB4471	945 036 0986	R-NETWORK 47X4 1/32W	COIL		
	945 037 0831	R-NETWORK 47X4 1/16W	L1001	945 070 3660	INDUCTOR,90 OHM
RB4472	945 036 0986	R-NETWORK 47X4 1/32W	L1002	945 070 3660	INDUCTOR,90 OHM
	945 037 0831	R-NETWORK 47X4 1/16W	L1003	945 070 3660	INDUCTOR,90 OHM
RB4473	945 036 0986	R-NETWORK 47X4 1/32W	L1004	945 070 3660	INDUCTOR,90 OHM
	945 037 0831	R-NETWORK 47X4 1/16W	L1011	945 070 3660	INDUCTOR,90 OHM
RB4474	945 036 0986	R-NETWORK 47X4 1/32W	L1012	945 070 3660	INDUCTOR,90 OHM
	945 037 0831	R-NETWORK 47X4 1/16W	L1013	945 070 3660	INDUCTOR,90 OHM
RB4476	945 034 5051	R-NETWORK 22X4 1/32W	L1014	945 070 3660	INDUCTOR,90 OHM
	945 037 0824	R-NETWORK 22X4 1/16W	L1031	945 086 7577	FILTER,EMI 400MHZ
RB4477	945 034 5051	R-NETWORK 22X4 1/32W	L1033	945 086 7577	FILTER,EMI 400MHZ
	945 037 0824	R-NETWORK 22X4 1/16W	L1036	945 086 7577	FILTER,EMI 400MHZ
RB4478	945 034 5051	R-NETWORK 22X4 1/32W	L1038	945 086 6037	IMPEDANCE,330 OHM P
	945 037 0824	R-NETWORK 22X4 1/16W	L1041	945 086 7560	FILTER,EMI 200MHZ
RB5201	945 036 0979	R-NETWORK 10KX4 1/32W	L1042	945 086 7560	FILTER,EMI 200MHZ
	945 028 0710	R-NETWORK 10KX4 1/16W	L1091	945 086 6037	IMPEDANCE,330 OHM P
RB5256	945 034 5051	R-NETWORK 22X4 1/32W	L2031	945 086 7577	FILTER,EMI 400MHZ
	945 037 0824	R-NETWORK 22X4 1/16W	L2036	945 086 7577	FILTER,EMI 400MHZ
RB5257	945 034 5051	R-NETWORK 22X4 1/32W	L2038	945 086 7577	FILTER,EMI 400MHZ
	945 037 0824	R-NETWORK 22X4 1/16W	L2301	645 101 1466	IMPEDANCE,180 OHM P
RB5258	945 034 5051	R-NETWORK 22X4 1/32W	L2302	645 101 1466	IMPEDANCE,180 OHM P
	945 037 0824	R-NETWORK 22X4 1/16W	L2303	645 048 5770	IMPEDANCE,33 OHM P
RB5259	945 034 5051	R-NETWORK 22X4 1/32W	L2304	645 101 1466	IMPEDANCE,180 OHM P
	945 037 0824	R-NETWORK 22X4 1/16W	L2305	645 101 1466	IMPEDANCE,180 OHM P
RB5261	945 034 5051	R-NETWORK 22X4 1/32W	L2306	645 101 1466	IMPEDANCE,180 OHM P
	945 037 0824	R-NETWORK 22X4 1/16W	L2307	645 101 1466	IMPEDANCE,180 OHM P
RB5262	945 034 5051	R-NETWORK 22X4 1/32W	L2308	645 101 1466	IMPEDANCE,180 OHM P
	945 037 0824	R-NETWORK 22X4 1/16W	L2309	645 101 1466	IMPEDANCE,180 OHM P
RB5263	945 034 5051	R-NETWORK 22X4 1/32W	L2311	645 101 1466	IMPEDANCE,180 OHM P
	945 037 0824	R-NETWORK 22X4 1/16W	L2312	645 101 1466	IMPEDANCE,180 OHM P
RB5264	945 034 5051	R-NETWORK 22X4 1/32W	L2313	645 101 1466	IMPEDANCE,180 OHM P
	945 037 0824	R-NETWORK 22X4 1/16W	L2314	645 101 1466	IMPEDANCE,180 OHM P
RB5266	945 034 5051	R-NETWORK 22X4 1/32W	L2315	645 101 1466	IMPEDANCE,180 OHM P
	945 037 0824	R-NETWORK 22X4 1/16W	L2316	645 101 1466	IMPEDANCE,180 OHM P
RB5267	945 034 5051	R-NETWORK 22X4 1/32W	L2317	645 101 1466	IMPEDANCE,180 OHM P
	945 037 0824	R-NETWORK 22X4 1/16W	L2318	645 101 1466	IMPEDANCE,180 OHM P
RB5268	945 034 5051	R-NETWORK 22X4 1/32W	L2319	645 101 1466	IMPEDANCE,180 OHM P
	945 037 0824	R-NETWORK 22X4 1/16W	L2321	645 048 5770	IMPEDANCE,33 OHM P
RB5269	945 034 5051	R-NETWORK 22X4 1/32W	L2333	645 101 1466	IMPEDANCE,180 OHM P
	945 037 0824	R-NETWORK 22X4 1/16W	L2341	645 048 5770	IMPEDANCE,33 OHM P
RB5291	945 036 0979	R-NETWORK 10KX4 1/32W	L2351	645 048 5770	IMPEDANCE,33 OHM P

Electrical Parts List

Key No.	Part No.	Description	Key No.	Part No.	Description
L2357	301 226 1516	MT-GLAZE 0.000 ZA 1/16W	D4716	307 254 2914	ZENER DIODE 02DZ6.8Y(TPH3
L2361	645 048 5770	IMPEDANCE,33 OHM P		307 209 4512	ZD UDZS-TE-176.8B
L2362	645 048 5770	IMPEDANCE,33 OHM P	D4741	307 254 2914	ZENER DIODE 02DZ6.8Y(TPH3
L2386	645 053 2177	IMPEDANCE,600 OHM P		307 209 4512	ZD UDZS-TE-176.8B
L2387	645 053 2177	IMPEDANCE,600 OHM P	D4746	307 254 2914	ZENER DIODE 02DZ6.8Y(TPH3
L2388	645 053 2177	IMPEDANCE,600 OHM P		307 209 4512	ZD UDZS-TE-176.8B
L276	301 035 4111	MT-GLAZE 0.000 ZA 1/8W	D4766	307 163 0414	DIODE 1SS352-(TPH3)
L311	645 053 2177	IMPEDANCE,600 OHM P	D4791	307 163 0414	DIODE 1SS352-(TPH3)
L312	645 053 2177	IMPEDANCE,600 OHM P	D4881	307 163 0414	DIODE 1SS352-(TPH3)
L316	645 053 2177	IMPEDANCE,600 OHM P	D4896	307 163 0414	DIODE 1SS352-(TPH3)
L318	645 053 2177	IMPEDANCE,600 OHM P	D5201	307 222 5916	ZENER DIODEUDZS3.6B-TE-17
L321	645 053 2177	IMPEDANCE,600 OHM P	D5202	307 222 5916	ZENER DIODEUDZS3.6B-TE-17
L326	645 053 2177	IMPEDANCE,600 OHM P	D5203	307 222 5916	ZENER DIODEUDZS3.6B-TE-17
L3411	301 226 1516	MT-GLAZE 0.000 ZA 1/16W	D5204	307 222 5916	ZENER DIODEUDZS3.6B-TE-17
L3426	945 075 1388	INDUCTOR,10U M	D5205	307 222 5916	ZENER DIODEUDZS3.6B-TE-17
L361	645 053 2177	IMPEDANCE,600 OHM P	D5501	307 163 0414	DIODE 1SS352-(TPH3)
L363	645 053 2177	IMPEDANCE,600 OHM P	D5502	307 163 0414	DIODE 1SS352-(TPH3)
L366	645 053 2177	IMPEDANCE,600 OHM P	D5511	307 163 0414	DIODE 1SS352-(TPH3)
L368	645 053 2177	IMPEDANCE,600 OHM P	D5512	307 163 0414	DIODE 1SS352-(TPH3)
L371	645 053 2177	IMPEDANCE,600 OHM P	D5546	307 163 0414	DIODE 1SS352-(TPH3)
L372	645 053 2177	IMPEDANCE,600 OHM P	D5563	307 223 1115	ZENER DIODE 02DZ6.2Y(TPH3
L4001	945 086 7577	FILTER,EMI 400MHZ		307 209 1214	ZD UDZS-TE-176.2B
L4002	945 086 7577	FILTER,EMI 400MHZ	D5581	307 190 4119	DIODE SFPL-52V
L4003	945 086 7577	FILTER,EMI 400MHZ	D5582	307 190 4119	DIODE SFPL-52V
L4004	945 086 7560	FILTER,EMI 200MHZ	D5583	307 190 4119	DIODE SFPL-52V
L4006	945 086 7560	FILTER,EMI 200MHZ	D5584	307 190 4119	DIODE SFPL-52V
L4451	645 053 2177	IMPEDANCE,600 OHM P	D5601	307 163 0414	DIODE 1SS352-(TPH3)
L4453	645 053 2177	IMPEDANCE,600 OHM P	D5611	307 163 0414	DIODE 1SS352-(TPH3)
L4456	645 053 2177	IMPEDANCE,600 OHM P	D5612	307 163 0414	DIODE 1SS352-(TPH3)
L4458	645 053 2177	IMPEDANCE,600 OHM P	D5616	307 163 0414	DIODE 1SS352-(TPH3)
L4801	945 075 1388	INDUCTOR,10U M	D5621	307 163 0414	DIODE 1SS352-(TPH3)
L4831	945 075 1388	INDUCTOR,10U M	D5622	307 163 0414	DIODE 1SS352-(TPH3)
L4856	645 048 5770	IMPEDANCE,33 OHM P	D6226	307 163 0414	DIODE 1SS352-(TPH3)
L4871	945 075 1388	INDUCTOR,10U M	D6236	307 163 0414	DIODE 1SS352-(TPH3)
L5371	945 032 8344	INDUCTOR,39U J	D6516	307 163 0414	DIODE 1SS352-(TPH3)
L5546	945 075 1388	INDUCTOR,10U M	D6517	307 163 0414	DIODE 1SS352-(TPH3)
L6201	945 086 6037	IMPEDANCE,330 OHM P	D6536	307 163 0414	DIODE 1SS352-(TPH3)
L6202	945 086 6037	IMPEDANCE,330 OHM P	D6537	307 163 0414	DIODE 1SS352-(TPH3)
L6203	945 086 6037	IMPEDANCE,330 OHM P	D8076	307 228 1011	LED SML-310MT-M-T86
L6204	945 086 6037	IMPEDANCE,330 OHM P	D8161	307 205 5216	DIODE RB521S-30-TE61
L6206	945 086 6037	IMPEDANCE,330 OHM P	D8162	307 205 5216	DIODE RB521S-30-TE61
L6207	645 048 5770	IMPEDANCE,33 OHM P	D8163	307 223 1115	ZENER DIODE 02DZ6.2Y(TPH3
L6211	945 075 1388	INDUCTOR,10U M		307 209 1214	ZD UDZS-TE-176.2B
L8021	301 150 6014	MT-GLAZE 0.000 ZA 1/10W			
L8161	945 086 6037	IMPEDANCE,330 OHM P	MISCELLANEOUS		
L9301	945 050 8449	IMPEDANCE,1000 OHM P	K10A	652 003 2194	SOCKET,HDMI 19P
L9302	645 053 2177	IMPEDANCE,600 OHM P	K10B	645 101 8632	SOCKET,DVI 24P
L9801	945 086 6037	IMPEDANCE,330 OHM P	K10C	952 001 8601	SOCKET,D-SUB 15P
L9802	945 070 3660	INDUCTOR,90 OHM	K10L	645 094 0859	SOCKET,LVDS 51P
DIODE			K20A	645 098 7748	SOCKET,BNC 3P
D1001	307 254 4116	ZENER DIODE RSB6.8CS T2R	K38C	645 095 2647	SOCKET,USB 4P
D1002	307 254 4116	ZENER DIODE RSB6.8CS T2R	K40A	952 001 8571	SOCKET,D-SUB 15P
D1021	307 254 4116	ZENER DIODE RSB6.8CS T2R	SC1001	945 076 3503	SURGE-ABSORBER
D1022	307 254 4116	ZENER DIODE RSB6.8CS T2R	SC1002	945 076 3503	SURGE-ABSORBER
D1091	307 205 5216	DIODE RB521S-30-TE61	SC1021	945 076 3503	SURGE-ABSORBER
D1092	307 205 5216	DIODE RB521S-30-TE61	SC1022	945 076 3503	SURGE-ABSORBER
D1093	307 223 1115	ZENER DIODE 02DZ6.2Y(TPH3	SC1031	945 076 3503	SURGE-ABSORBER
	307 209 1214	ZD UDZS-TE-176.2B	SC1032	945 076 3503	SURGE-ABSORBER
D1201	307 205 5216	DIODE RB521S-30-TE61	SC1033	945 076 3503	SURGE-ABSORBER
D1205	307 205 5216	DIODE RB521S-30-TE61	SC1034	945 076 3503	SURGE-ABSORBER
D276	307 163 0414	DIODE 1SS352-(TPH3)	SC1036	945 076 3503	SURGE-ABSORBER
D296	307 163 0414	DIODE 1SS352-(TPH3)	SC1037	945 076 3503	SURGE-ABSORBER
D3436	307 163 0414	DIODE 1SS352-(TPH3)	SC1038	945 076 3503	SURGE-ABSORBER
D3446	307 163 0414	DIODE 1SS352-(TPH3)	SC1039	945 076 3503	SURGE-ABSORBER
D4711	307 254 2914	ZENER DIODE 02DZ6.8Y(TPH3	SC2031	945 076 3503	SURGE-ABSORBER
	307 209 4512	ZD UDZS-TE-176.8B	SC2036	945 076 3503	SURGE-ABSORBER
			SC2038	945 076 3503	SURGE-ABSORBER

Electrical Parts List

Key No.	Part No.	Description	Key No.	Part No.	Description
SC9801	945 076 3503	SURGE-ABSORBER		303 409 3426	CERAMIC 0.1U K 16V
SC9802	945 076 3503	SURGE-ABSORBER	C9021	303 438 0219	CERAMIC 0.1U K 16V
SC9803	945 076 3503	SURGE-ABSORBER		303 409 3426	CERAMIC 0.1U K 16V
X1351	945 088 7179	OSC,CRYSTAL 27.0MHZ	C9022	303 438 0219	CERAMIC 0.1U K 16V
X1801	645 092 8857	OSC,CRYSTAL 48MHZ		303 409 3426	CERAMIC 0.1U K 16V
X201	945 076 2407	OSC,CRYSTAL 25.000MHZ	C9023	303 438 0219	CERAMIC 0.1U K 16V
X2201	945 041 3842	OSC,CRYSTAL 4MHZ		303 409 3426	CERAMIC 0.1U K 16V
X2301	945 088 7179	OSC,CRYSTAL 27.0MHZ	C9024	303 438 0219	CERAMIC 0.1U K 16V
X6201	945 076 5194	OSC,CRYSTAL 79.991883MHZ		303 409 3426	CERAMIC 0.1U K 16V
X8001	945 088 7179	OSC,CRYSTAL 27.0MHZ	C9025	303 438 0219	CERAMIC 0.1U K 16V
				303 409 3426	CERAMIC 0.1U K 16V
			C9026	303 438 0219	CERAMIC 0.1U K 16V
				303 409 3426	CERAMIC 0.1U K 16V
			C9027	303 438 0219	CERAMIC 0.1U K 16V
				303 409 3426	CERAMIC 0.1U K 16V
			C9028	303 438 0219	CERAMIC 0.1U K 16V
				303 409 3426	CERAMIC 0.1U K 16V
			C9029	303 438 0219	CERAMIC 0.1U K 16V
				303 409 3426	CERAMIC 0.1U K 16V
			C9031	303 397 6512	ELECT 47U M 16V
			C9032	303 438 0219	CERAMIC 0.1U K 16V
				303 409 3426	CERAMIC 0.1U K 16V
			C9033	303 438 0219	CERAMIC 0.1U K 16V
				303 409 3426	CERAMIC 0.1U K 16V
			C9034	303 438 0219	CERAMIC 0.1U K 16V
				303 409 3426	CERAMIC 0.1U K 16V
			C9035	303 450 7012	CERAMIC 47U K 10V
			C9036	303 438 0219	CERAMIC 0.1U K 16V
				303 409 3426	CERAMIC 0.1U K 16V
			C9037	303 438 0219	CERAMIC 0.1U K 16V
				303 409 3426	CERAMIC 0.1U K 16V
			C9038	303 438 0219	CERAMIC 0.1U K 16V
				303 409 3426	CERAMIC 0.1U K 16V
			C9041	303 397 6512	ELECT 47U M 16V
			C9042	303 438 0219	CERAMIC 0.1U K 16V
				303 409 3426	CERAMIC 0.1U K 16V
			C9043	303 438 0219	CERAMIC 0.1U K 16V
				303 409 3426	CERAMIC 0.1U K 16V
			C9044	303 438 0219	CERAMIC 0.1U K 16V
				303 409 3426	CERAMIC 0.1U K 16V
			C9051	303 438 0219	CERAMIC 0.1U K 16V
				303 409 3426	CERAMIC 0.1U K 16V
			C9052	303 438 0219	CERAMIC 0.1U K 16V
				303 409 3426	CERAMIC 0.1U K 16V
			C9091	303 381 9918	ELECT 470U M 16V
				403 458 5017	ELECT 470U M 16V
			C9092	303 381 9918	ELECT 470U M 16V
				403 458 5017	ELECT 470U M 16V
			C9093	303 381 9918	ELECT 470U M 16V
				403 458 5017	ELECT 470U M 16V
			C9094	303 381 9918	ELECT 470U M 16V
				403 458 5017	ELECT 470U M 16V
			C9151	303 438 0219	CERAMIC 0.1U K 16V
				303 409 3426	CERAMIC 0.1U K 16V
			C9152	303 438 0219	CERAMIC 0.1U K 16V
				303 409 3426	CERAMIC 0.1U K 16V
			C9153	303 441 9919	CERAMIC 6800P K 50V
			C9154	303 276 3113	CERAMIC 33P J 50V
			C9156	303 438 0219	CERAMIC 0.1U K 16V
				303 409 3426	CERAMIC 0.1U K 16V
			C9157	303 438 0219	CERAMIC 0.1U K 16V
				303 409 3426	CERAMIC 0.1U K 16V
			C9158	303 438 0219	CERAMIC 0.1U K 16V
				303 409 3426	CERAMIC 0.1U K 16V
			C9159	303 438 0219	CERAMIC 0.1U K 16V
				303 409 3426	CERAMIC 0.1U K 16V
			C9171	303 438 0219	CERAMIC 0.1U K 16V

A9001 610 349 9802 ASSY,PWB,MOTHER KE2AL**INTEGRATED CIRCUIT**

IC9031	309 462 6012	IC AD8185ARUZ-REEL7
IC9051	310 456 7905	IC TC74VHC244FT
IC9052	309 489 5012	IC TC74VCX04FT
IC9151	309 444 8713	IC ICS1523MLFT
IC9152	309 439 8919	IC TC7WH125FU
IC9171	310 362 6504	IC TC74LXC541FT
IC9501	409 701 2918	IC R1173H001B
IC9511	409 699 6516	IC TA48S00AF
IC9521	409 701 2918	IC R1173H001B
IC9531	409 701 2918	IC R1173H001B
IC9541	309 553 4712	IC PQ070XZ02ZP
IC9551	309 461 7822	IC PQ20WZ11
IC9561	309 553 4712	IC PQ070XZ02ZP
IC9571	309 461 7822	IC PQ20WZ11

CAPACITOR

C8841	403 456 4210	CERAMIC	470P J	50V
C9001	303 438 0219	CERAMIC	0.1U K	16V
	303 409 3426	CERAMIC	0.1U K	16V
C9002	303 438 0219	CERAMIC	0.1U K	16V
	303 409 3426	CERAMIC	0.1U K	16V
C9003	303 438 0219	CERAMIC	0.1U K	16V
	303 409 3426	CERAMIC	0.1U K	16V
C9004	303 438 0219	CERAMIC	0.1U K	16V
	303 409 3426	CERAMIC	0.1U K	16V
C9005	303 438 0219	CERAMIC	0.1U K	16V
	303 409 3426	CERAMIC	0.1U K	16V
C9006	303 438 0219	CERAMIC	0.1U K	16V
	303 409 3426	CERAMIC	0.1U K	16V
C9007	303 438 0219	CERAMIC	0.1U K	16V
	303 409 3426	CERAMIC	0.1U K	16V
C9008	303 438 0219	CERAMIC	0.1U K	16V
	303 409 3426	CERAMIC	0.1U K	16V
C9009	303 438 0219	CERAMIC	0.1U K	16V
	303 409 3426	CERAMIC	0.1U K	16V
C9011	303 438 0219	CERAMIC	0.1U K	16V
	303 409 3426	CERAMIC	0.1U K	16V
C9012	303 438 0219	CERAMIC	0.1U K	16V
	303 409 3426	CERAMIC	0.1U K	16V
C9013	303 438 0219	CERAMIC	0.1U K	16V
	303 409 3426	CERAMIC	0.1U K	16V
C9014	303 438 0219	CERAMIC	0.1U K	16V
	303 409 3426	CERAMIC	0.1U K	16V
C9015	303 438 0219	CERAMIC	0.1U K	16V
	303 409 3426	CERAMIC	0.1U K	16V
C9016	303 438 0219	CERAMIC	0.1U K	16V
	303 409 3426	CERAMIC	0.1U K	16V
C9017	303 438 0219	CERAMIC	0.1U K	16V
	303 409 3426	CERAMIC	0.1U K	16V
C9018	303 438 0219	CERAMIC	0.1U K	16V
	303 409 3426	CERAMIC	0.1U K	16V
C9019	303 438 0219	CERAMIC	0.1U K	16V

Electrical Parts List

Key No.	Part No.	Description	Key No.	Part No.	Description
	303 409 3426	CERAMIC		0.1U K	16V
C9191	303 438 0219	CERAMIC		0.1U K	16V
	303 409 3426	CERAMIC		0.1U K	16V
C9501	303 394 5815	CERAMIC		4.7U K	16V
C9506	303 358 3215	CERAMIC		10U K	6.3V
	303 368 7319	CERAMIC		10U K	6.3V
C9511	403 455 1012	CERAMIC		1U K	10V
	303 433 1112	CERAMIC		1U K	10V
C9516	303 358 3215	CERAMIC		10U K	6.3V
	303 368 7319	CERAMIC		10U K	6.3V
C9521	303 383 5215	CERAMIC		4.7U K	6.3V
C9526	303 358 3215	CERAMIC		10U K	6.3V
	303 368 7319	CERAMIC		10U K	6.3V
C9531	303 383 5215	CERAMIC		4.7U K	6.3V
C9536	303 358 3215	CERAMIC		10U K	6.3V
	303 368 7319	CERAMIC		10U K	6.3V
C9541	403 455 1012	CERAMIC		1U K	10V
	303 433 1112	CERAMIC		1U K	10V
C9547	303 381 5316	ELECT		100U M	16V
	303 427 8417	ELECT		100U M	16V
C9551	303 397 6512	ELECT		47U M	16V
C9552	303 438 0219	CERAMIC		0.1U K	16V
	303 409 3426	CERAMIC		0.1U K	16V
C9553	303 397 6512	ELECT		47U M	16V
C9561	403 455 1012	CERAMIC		1U K	10V
	303 433 1112	CERAMIC		1U K	10V
C9567	303 381 5316	ELECT		100U M	16V
	303 427 8417	ELECT		100U M	16V
C9571	303 397 6512	ELECT		47U M	16V
C9572	303 438 0219	CERAMIC		0.1U K	16V
	303 409 3426	CERAMIC		0.1U K	16V
C9573	303 397 6512	ELECT		47U M	16V
RESISTOR					
R9001	301 224 9712	MT-GLAZE		22 JA	1/16W
R9002	301 225 1210	MT-GLAZE		4.7K JA	1/16W
R9004	301 224 9712	MT-GLAZE		22 JA	1/16W
R9005	301 225 1210	MT-GLAZE		4.7K JA	1/16W
R9007	301 225 8110	MT-GLAZE		10 JA	1/16W
R9008	301 225 8110	MT-GLAZE		10 JA	1/16W
R9009	301 225 8110	MT-GLAZE		10 JA	1/16W
R9011	301 225 8110	MT-GLAZE		10 JA	1/16W
R9012	301 225 8110	MT-GLAZE		10 JA	1/16W
R9013	301 225 8110	MT-GLAZE		10 JA	1/16W
R9014	301 225 8110	MT-GLAZE		10 JA	1/16W
R9016	301 225 8110	MT-GLAZE		10 JA	1/16W
R9017	301 225 8110	MT-GLAZE		10 JA	1/16W
R9018	301 225 8110	MT-GLAZE		10 JA	1/16W
R9019	301 225 8110	MT-GLAZE		10 JA	1/16W
R9021	301 225 8110	MT-GLAZE		10 JA	1/16W
R9022	301 225 8110	MT-GLAZE		10 JA	1/16W
R9023	301 225 8110	MT-GLAZE		10 JA	1/16W
R9024	301 225 8110	MT-GLAZE		10 JA	1/16W
R9026	301 225 8813	MT-GLAZE		39 JA	1/16W
R9031	301 225 8813	MT-GLAZE		39 JA	1/16W
R9032	301 265 4912	MT-GLAZE		75 FA	1/10W
R9033	301 225 8813	MT-GLAZE		39 JA	1/16W
R9034	301 265 4912	MT-GLAZE		75 FA	1/10W
R9035	301 225 8813	MT-GLAZE		39 JA	1/16W
R9036	301 265 4912	MT-GLAZE		75 FA	1/10W
R9038	301 294 2811	MT-GLAZE		2.2K FA	1/16W
R9039	301 294 2811	MT-GLAZE		2.2K FA	1/16W
R9041	301 225 8813	MT-GLAZE		39 JA	1/16W
R9042	301 265 4912	MT-GLAZE		75 FA	1/10W
R9043	301 225 8813	MT-GLAZE		39 JA	1/16W
R9044	301 265 4912	MT-GLAZE		75 FA	1/10W
R9045	301 225 8813	MT-GLAZE		39 JA	1/16W
R9046	301 265 4912	MT-GLAZE		75 FA	1/10W
R9047	301 265 4912	MT-GLAZE		75 FA	1/10W
R9048	301 265 4912	MT-GLAZE		75 FA	1/10W
R9049	301 265 4912	MT-GLAZE		75 FA	1/10W
R9051	301 224 8814	MT-GLAZE		100 JA	1/16W
R9052	301 224 8814	MT-GLAZE		100 JA	1/16W
R9053	301 224 8814	MT-GLAZE		100 JA	1/16W
R9054	301 224 8814	MT-GLAZE		100 JA	1/16W
R9056	301 224 8814	MT-GLAZE		100 JA	1/16W
R9057	301 224 8814	MT-GLAZE		100 JA	1/16W
R9058	301 224 8814	MT-GLAZE		100 JA	1/16W
R9059	301 224 8814	MT-GLAZE		100 JA	1/16W
R9061	301 224 8814	MT-GLAZE		100 JA	1/16W
R9062	301 224 8814	MT-GLAZE		100 JA	1/16W
R9073	301 224 9316	MT-GLAZE		1K JA	1/16W
R9074	301 225 8110	MT-GLAZE		10 JA	1/16W
R9075	301 224 9316	MT-GLAZE		1K JA	1/16W
R9076	301 224 9316	MT-GLAZE		1K JA	1/16W
R9077	301 224 9316	MT-GLAZE		1K JA	1/16W
R9078	301 224 9316	MT-GLAZE		1K JA	1/16W
R9079	301 225 8110	MT-GLAZE		10 JA	1/16W
R9081	301 225 8110	MT-GLAZE		10 JA	1/16W
R9082	301 225 8110	MT-GLAZE		10 JA	1/16W
R9083	301 225 8110	MT-GLAZE		10 JA	1/16W
R9084	301 225 8110	MT-GLAZE		10 JA	1/16W
R9086	301 225 8110	MT-GLAZE		10 JA	1/16W
R9087	301 225 8110	MT-GLAZE		10 JA	1/16W
R9088	301 225 8110	MT-GLAZE		10 JA	1/16W
R9089	301 225 8110	MT-GLAZE		10 JA	1/16W
R9091	301 225 8110	MT-GLAZE		10 JA	1/16W
R9092	301 225 8110	MT-GLAZE		10 JA	1/16W
R9093	301 225 8110	MT-GLAZE		10 JA	1/16W
R9094	301 225 8110	MT-GLAZE		10 JA	1/16W
R9096	301 225 8110	MT-GLAZE		10 JA	1/16W
R9097	301 225 8110	MT-GLAZE		10 JA	1/16W
R9098	301 225 8110	MT-GLAZE		10 JA	1/16W
R9099	301 225 8110	MT-GLAZE		10 JA	1/16W
R9101	301 224 9316	MT-GLAZE		1K JA	1/16W
R9102	301 224 9316	MT-GLAZE		1K JA	1/16W
R9103	301 224 9316	MT-GLAZE		1K JA	1/16W
R9104	301 224 9316	MT-GLAZE		1K JA	1/16W
R9106	301 224 9316	MT-GLAZE		1K JA	1/16W
R9107	301 224 9316	MT-GLAZE		1K JA	1/16W
R9108	301 224 9316	MT-GLAZE		1K JA	1/16W
R9109	301 224 9316	MT-GLAZE		1K JA	1/16W
R9111	301 224 9316	MT-GLAZE		1K JA	1/16W
R9112	301 224 9316	MT-GLAZE		1K JA	1/16W
R9114	301 226 1516	MT-GLAZE		0.000 ZA	1/16W
R9121	301 224 9712	MT-GLAZE		22 JA	1/16W
R9123	301 225 1210	MT-GLAZE		4.7K JA	1/16W
R9127	301 225 1210	MT-GLAZE		4.7K JA	1/16W
R9128	301 225 8011	MT-GLAZE		330 JA	1/16W
R9131	301 224 9712	MT-GLAZE		22 JA	1/16W
R9132	301 224 9712	MT-GLAZE		22 JA	1/16W
R9133	301 224 9712	MT-GLAZE		22 JA	1/16W
R9134	301 224 9712	MT-GLAZE		22 JA	1/16W
R9136	301 225 8110	MT-GLAZE		10 JA	1/16W
R9137	301 225 8110	MT-GLAZE		10 JA	1/16W
R9138	301 226 1516	MT-GLAZE		0.000 ZA	1/16W
R9139	301 224 8814	MT-GLAZE		100 JA	1/16W
R9151	301 225 8110	MT-GLAZE		10 JA	1/16W
R9152	301 225 8110	MT-GLAZE		10 JA	1/16W
R9153	301 224 8814	MT-GLAZE		100 JA	1/16W
R9154	301 224 9019	MT-GLAZE		10K JA	1/16W
R9155	301 224 9316	MT-GLAZE		1K JA	1/16W
R9156	301 224 9019	MT-GLAZE		10K JA	1/16W
R9157	301 336 8818	MT-GLAZE		6.8K FA	1/16W

Electrical Parts List

Key No.	Part No.	Description	Key No.	Part No.	Description
R9158	301 225 8110	MT-GLAZE 10 JA 1/16W	R9908	301 225 8110	MT-GLAZE 10 JA 1/16W
R9159	301 226 1516	MT-GLAZE 0.000 ZA 1/16W	R9911	301 225 8110	MT-GLAZE 10 JA 1/16W
R9161	301 294 2811	MT-GLAZE 2.2K FA 1/16W	R9912	301 225 8110	MT-GLAZE 10 JA 1/16W
R9162	301 224 9019	MT-GLAZE 10K JA 1/16W	R9913	301 225 8110	MT-GLAZE 10 JA 1/16W
R9163	301 224 9316	MT-GLAZE 1K JA 1/16W	R9914	301 225 8110	MT-GLAZE 10 JA 1/16W
R9171	301 224 8814	MT-GLAZE 100 JA 1/16W	RB9011	645 049 0668	R-NETWORK 10X4 1/32W
R9172	301 224 8814	MT-GLAZE 100 JA 1/16W		945 049 0683	R-NETWORK 10X4 1/16W
R9173	301 224 8814	MT-GLAZE 100 JA 1/16W	RB9012	645 049 0668	R-NETWORK 10X4 1/32W
R9174	301 224 8814	MT-GLAZE 100 JA 1/16W		945 049 0683	R-NETWORK 10X4 1/16W
R9176	301 224 8814	MT-GLAZE 100 JA 1/16W	RB9013	645 049 0668	R-NETWORK 10X4 1/32W
R9177	301 224 8814	MT-GLAZE 100 JA 1/16W		945 049 0683	R-NETWORK 10X4 1/16W
R9178	301 224 8814	MT-GLAZE 100 JA 1/16W	RB9014	645 049 0668	R-NETWORK 10X4 1/32W
R9179	301 224 8814	MT-GLAZE 100 JA 1/16W		945 049 0683	R-NETWORK 10X4 1/16W
R9181	301 224 8814	MT-GLAZE 100 JA 1/16W	RB9016	645 049 0668	R-NETWORK 10X4 1/32W
R9182	301 224 8814	MT-GLAZE 100 JA 1/16W		945 049 0683	R-NETWORK 10X4 1/16W
R9191	301 226 5415	MT-GLAZE 56 JA 1/16W	RB9017	645 049 0668	R-NETWORK 10X4 1/32W
R9192	301 226 5415	MT-GLAZE 56 JA 1/16W		945 049 0683	R-NETWORK 10X4 1/16W
R9193	301 226 5415	MT-GLAZE 56 JA 1/16W	RB9018	645 049 0668	R-NETWORK 10X4 1/32W
R9194	301 226 5415	MT-GLAZE 56 JA 1/16W		945 049 0683	R-NETWORK 10X4 1/16W
R9196	301 225 1210	MT-GLAZE 4.7K JA 1/16W	RB9019	645 049 0668	R-NETWORK 10X4 1/32W
R9197	301 225 1210	MT-GLAZE 4.7K JA 1/16W		945 049 0683	R-NETWORK 10X4 1/16W
R9198	301 225 1210	MT-GLAZE 4.7K JA 1/16W	RB9021	645 049 0668	R-NETWORK 10X4 1/32W
R9199	301 225 1210	MT-GLAZE 4.7K JA 1/16W		945 049 0683	R-NETWORK 10X4 1/16W
R9502	301 224 9019	MT-GLAZE 10K JA 1/16W	RB9022	645 049 0668	R-NETWORK 10X4 1/32W
R9506	301 298 5412	MT-GLAZE 39K FA 1/16W		945 049 0683	R-NETWORK 10X4 1/16W
R9507	301 301 8010	MT-GLAZE 1.5K FA 1/16W	RB9023	645 049 0668	R-NETWORK 10X4 1/32W
R9508	301 294 3016	MT-GLAZE 10K FA 1/16W		945 049 0683	R-NETWORK 10X4 1/16W
R9512	301 224 9019	MT-GLAZE 10K JA 1/16W	RB9024	645 049 0668	R-NETWORK 10X4 1/32W
R9516	301 336 8818	MT-GLAZE 6.8K FA 1/16W		945 049 0683	R-NETWORK 10X4 1/16W
R9517	301 294 3115	MT-GLAZE 1K FA 1/16W	RB9171	945 029 5790	R-NETWORK 1KX4 1/32W
R9518	301 294 2613	MT-GLAZE 4.7K FA 1/16W		945 028 0703	R-NETWORK 1KX4 1/16W
R9522	301 224 9019	MT-GLAZE 10K JA 1/16W	RB9172	945 029 5790	R-NETWORK 1KX4 1/32W
R9526	301 294 3313	MT-GLAZE 15K FA 1/16W		945 028 0703	R-NETWORK 1KX4 1/16W
R9527	301 272 7814	MT-GLAZE 100 FA 1/16W			
R9528	301 294 3016	MT-GLAZE 10K FA 1/16W	COIL		
R9532	301 224 9019	MT-GLAZE 10K JA 1/16W	L9001	945 086 6037	IMPEDANCE,330 OHM P
R9534	301 225 1319	MT-GLAZE 470 JA 1/16W	L9002	945 086 6037	IMPEDANCE,330 OHM P
R9536	301 301 3718	MT-GLAZE 2K FA 1/16W	L9003	945 086 6037	IMPEDANCE,330 OHM P
R9537	301 226 1516	MT-GLAZE 0.000 ZA 1/16W	L9004	945 086 6037	IMPEDANCE,330 OHM P
R9538	301 294 3016	MT-GLAZE 10K FA 1/16W	L9006	945 086 6037	IMPEDANCE,330 OHM P
R9542	301 224 9019	MT-GLAZE 10K JA 1/16W	L9007	945 086 6037	IMPEDANCE,330 OHM P
R9546	301 284 3326	MT-GLAZE 3K FA 1/16W	L9031	945 086 6037	IMPEDANCE,330 OHM P
R9547	301 225 1814	MT-GLAZE 47 JA 1/16W	L9032	945 086 6037	IMPEDANCE,330 OHM P
R9548	301 294 3115	MT-GLAZE 1K FA 1/16W	L9091	301 035 4111	MT-GLAZE 0.000 ZA 1/8W
R9551	301 226 1516	MT-GLAZE 0.000 ZA 1/16W	L9092	301 035 4111	MT-GLAZE 0.000 ZA 1/8W
R9552	301 294 2613	MT-GLAZE 4.7K FA 1/16W	L9093	301 035 4111	MT-GLAZE 0.000 ZA 1/8W
R9553	301 294 2712	MT-GLAZE 150 FA 1/16W	L9094	301 035 4111	MT-GLAZE 0.000 ZA 1/8W
R9554	301 301 3718	MT-GLAZE 2K FA 1/16W			
R9562	301 224 9019	MT-GLAZE 10K JA 1/16W	DIODE		
R9566	301 284 3326	MT-GLAZE 3K FA 1/16W	D8841	307 223 0910	ZENER DIODE 02DZ4.7Y(TPH3)
R9567	301 225 1814	MT-GLAZE 47 JA 1/16W		307 224 6515	ZD UDZS4.7B-TE-17
R9568	301 294 3115	MT-GLAZE 1K FA 1/16W	D9091	307 223 0514	ZENER DIODE 02DZ12Y(TPH3)
R9571	301 226 1516	MT-GLAZE 0.000 ZA 1/16W		307 221 7119	ZENER DIODE UDZS-TE-1712B
R9572	301 294 2613	MT-GLAZE 4.7K FA 1/16W	D9092	307 223 0514	ZENER DIODE 02DZ12Y(TPH3)
R9573	301 294 2712	MT-GLAZE 150 FA 1/16W		307 221 7119	ZENER DIODE UDZS-TE-1712B
R9574	301 301 3718	MT-GLAZE 2K FA 1/16W	D9093	307 223 0514	ZENER DIODE 02DZ12Y(TPH3)
R9591	301 224 9019	MT-GLAZE 10K JA 1/16W		307 221 7119	ZENER DIODE UDZS-TE-1712B
R9592	301 224 9019	MT-GLAZE 10K JA 1/16W	D9094	307 223 0514	ZENER DIODE 02DZ12Y(TPH3)
R9593	301 224 9019	MT-GLAZE 10K JA 1/16W		307 221 7119	ZENER DIODE UDZS-TE-1712B
R9594	301 224 9019	MT-GLAZE 10K JA 1/16W	D9501	307 163 0414	DIODE 1SS352-(TPH3)
R9595	301 224 9019	MT-GLAZE 10K JA 1/16W	D9511	307 163 0414	DIODE 1SS352-(TPH3)
R9901	301 225 8110	MT-GLAZE 10 JA 1/16W	D9521	307 163 0414	DIODE 1SS352-(TPH3)
R9902	301 225 8110	MT-GLAZE 10 JA 1/16W	D9541	307 201 2724	DIODE RB051L-40-TE25
R9903	301 225 8110	MT-GLAZE 10 JA 1/16W	D9542	307 163 0414	DIODE 1SS352-(TPH3)
R9904	301 225 8110	MT-GLAZE 10 JA 1/16W	D9561	307 201 2724	DIODE RB051L-40-TE25
R9906	301 225 8110	MT-GLAZE 10 JA 1/16W			
R9907	301 225 8110	MT-GLAZE 10 JA 1/16W	MISCELLANEOUS		
			X9001	945 076 5194	OSC,CRYSTAL 79.991883MHZ

Electrical Parts List

Key No.	Part No.	Description	Key No.	Part No.	Description
A3801 610 349 9796 ASSY,PWB,AV KE2AL			C8316	303 279 2915	CERAMIC 6P D 50V
TRANSISTOR			C8317	303 438 0219	CERAMIC 0.1U K 16V
Q8381	305 211 1918	TR RJU002N06		303 409 3426	CERAMIC 0.1U K 16V
Q8382	305 211 1918	TR RJU002N06	C8318	303 294 6110	CERAMIC 100P J 50V
Q9701	305 209 5713	TR F5S162-TL-E	C8319	303 294 6110	CERAMIC 100P J 50V
Q9702	305 014 4512	TR 25C2412K T146 R	C8321	303 438 0219	CERAMIC 0.1U K 16V
	305 014 4611	TR 25C2412K T146 S		303 409 3426	CERAMIC 0.1U K 16V
	305 015 8727	TR 25C2812-L6-TB	C8322	303 438 0219	CERAMIC 0.1U K 16V
	305 015 8925	TR 25C2812-L7-TB		303 409 3426	CERAMIC 0.1U K 16V
	305 163 1615	TR 25C2812N-L6-TB0	C8323	303 438 0219	CERAMIC 0.1U K 16V
	305 173 9816	TR 25C3928A1R		303 409 3426	CERAMIC 0.1U K 16V
	305 173 9915	TR 25C3928A1S	C8326	303 398 2117	ELECT 330U M 6.3V
INTEGRATED CIRCUIT				403 468 6318	ELECT 330U M 6.3V
IC3001	309 334 0137	IC TC7W125FU	C8327	303 398 2117	ELECT 330U M 6.3V
IC3851	309 652 0714	IC HIN202EIBNZ-T		403 468 6318	ELECT 330U M 6.3V
IC3861	309 400 9112	IC TC7SET08FU-(TE85L)	C8351	303 438 0219	CERAMIC 0.1U K 16V
IC3862	409 701 2918	IC R1173H001B		303 409 3426	CERAMIC 0.1U K 16V
IC8381	309 404 6325	IC M62320FP-DF5J	C8352	303 438 0219	CERAMIC 0.1U K 16V
IC8421	310 456 7905	IC TC74VHC244FT		303 409 3426	CERAMIC 0.1U K 16V
IC8441	409 699 6516	IC TA48S00AF	C8366	303 438 0219	CERAMIC 0.1U K 16V
IC9701	309 368 5812	IC TC75H08FU(TE85L)		303 409 3426	CERAMIC 0.1U K 16V
CAPACITOR			C8381	303 438 0219	CERAMIC 0.1U K 16V
C2018	303 438 0219	CERAMIC 0.1U K 16V		303 409 3426	CERAMIC 0.1U K 16V
	303 409 3426	CERAMIC 0.1U K 16V	C8421	303 438 0219	CERAMIC 0.1U K 16V
C3001	303 438 0219	CERAMIC 0.1U K 16V		303 409 3426	CERAMIC 0.1U K 16V
	303 409 3426	CERAMIC 0.1U K 16V	C8441	403 455 1012	CERAMIC 1U K 10V
C3801	303 438 0219	CERAMIC 0.1U K 16V		303 433 1112	CERAMIC 1U K 10V
	303 409 3426	CERAMIC 0.1U K 16V	C8443	303 358 3215	CERAMIC 10U K 6.3V
C3851	403 455 1012	CERAMIC 1U K 10V		303 368 7319	CERAMIC 10U K 6.3V
	303 433 1112	CERAMIC 1U K 10V	C8444	303 358 3215	CERAMIC 10U K 6.3V
C3852	403 455 1012	CERAMIC 1U K 10V		303 368 7319	CERAMIC 10U K 6.3V
	303 433 1112	CERAMIC 1U K 10V	C8446	303 438 0219	CERAMIC 0.1U K 16V
C3853	403 455 1012	CERAMIC 1U K 10V		303 409 3426	CERAMIC 0.1U K 16V
	303 433 1112	CERAMIC 1U K 10V	C9703	303 438 0219	CERAMIC 0.1U K 16V
C3854	403 455 1012	CERAMIC 1U K 10V		303 409 3426	CERAMIC 0.1U K 16V
	303 433 1112	CERAMIC 1U K 10V	RESISTOR		
C3857	403 455 1012	CERAMIC 1U K 10V	R2013	301 258 2611	MT-GLAZE 150 FA 1/10W
	303 433 1112	CERAMIC 1U K 10V	R2014	301 258 2611	MT-GLAZE 150 FA 1/10W
C3858	403 455 1012	CERAMIC 1U K 10V	R2016	301 258 2611	MT-GLAZE 150 FA 1/10W
	303 433 1112	CERAMIC 1U K 10V	R2017	301 258 2611	MT-GLAZE 150 FA 1/10W
C3862	303 358 3215	CERAMIC 10U K 6.3V	R2018	301 224 8814	MT-GLAZE 100 JA 1/16W
	303 368 7319	CERAMIC 10U K 6.3V	R3801	301 224 8814	MT-GLAZE 100 JA 1/16W
C3864	303 394 5815	CERAMIC 4.7U K 16V	R3802	301 227 5612	MT-GLAZE 8.2K JA 1/16W
C8301	303 438 0219	CERAMIC 0.1U K 16V	R3803	301 224 9019	MT-GLAZE 10K JA 1/16W
	303 409 3426	CERAMIC 0.1U K 16V	R3804	301 224 9019	MT-GLAZE 10K JA 1/16W
C8302	303 438 0219	CERAMIC 0.1U K 16V	R3806	301 225 8011	MT-GLAZE 330 JA 1/16W
	303 409 3426	CERAMIC 0.1U K 16V	R3851	301 224 8814	MT-GLAZE 100 JA 1/16W
C8303	303 438 0219	CERAMIC 0.1U K 16V	R3852	301 224 8814	MT-GLAZE 100 JA 1/16W
	303 409 3426	CERAMIC 0.1U K 16V	R3853	301 224 8814	MT-GLAZE 100 JA 1/16W
C8304	303 438 0219	CERAMIC 0.1U K 16V	R3854	301 226 1516	MT-GLAZE 0.000 ZA 1/16W
	303 409 3426	CERAMIC 0.1U K 16V	R3856	301 224 8814	MT-GLAZE 100 JA 1/16W
C8306	303 438 0219	CERAMIC 0.1U K 16V	R3857	301 224 8814	MT-GLAZE 100 JA 1/16W
	303 409 3426	CERAMIC 0.1U K 16V	R3858	301 226 1516	MT-GLAZE 0.000 ZA 1/16W
C8307	303 438 0219	CERAMIC 0.1U K 16V	R3862	301 298 5412	MT-GLAZE 39K FA 1/16W
	303 409 3426	CERAMIC 0.1U K 16V	R3863	301 301 8010	MT-GLAZE 1.5K FA 1/16W
C8308	303 438 0219	CERAMIC 0.1U K 16V	R3864	301 294 3016	MT-GLAZE 10K FA 1/16W
	303 409 3426	CERAMIC 0.1U K 16V	R3867	301 224 9019	MT-GLAZE 10K JA 1/16W
C8312	303 438 0219	CERAMIC 0.1U K 16V	R8302	301 226 1516	MT-GLAZE 0.000 ZA 1/16W
	303 409 3426	CERAMIC 0.1U K 16V	R8303	301 224 9019	MT-GLAZE 10K JA 1/16W
C8313	303 438 0219	CERAMIC 0.1U K 16V	R8304	301 226 1516	MT-GLAZE 0.000 ZA 1/16W
	303 409 3426	CERAMIC 0.1U K 16V	R8306	301 224 9316	MT-GLAZE 1K JA 1/16W
C8314	303 279 2915	CERAMIC 6P D 50V	R8307	301 224 9316	MT-GLAZE 1K JA 1/16W
			R8308	301 225 1210	MT-GLAZE 4.7K JA 1/16W
			R8309	301 226 1516	MT-GLAZE 0.000 ZA 1/16W
			R8311	301 224 9019	MT-GLAZE 10K JA 1/16W
			R8312	301 224 9019	MT-GLAZE 10K JA 1/16W

Electrical Parts List

Key No.	Part No.	Description	Key No.	Part No.	Description
R8313	301 226 1516	MT-GLAZE	0.000 ZA	1/16W	
R8314	301 226 1516	MT-GLAZE	0.000 ZA	1/16W	
R8316	301 224 8913	MT-GLAZE	100K JA	1/16W	
R8318	301 224 9415	MT-GLAZE	1M JA	1/16W	
R8321	301 294 2811	MT-GLAZE	2.2K FA	1/16W	
R8334	301 224 9019	MT-GLAZE	10K JA	1/16W	
R8337	301 225 8011	MT-GLAZE	330 JA	1/16W	
R8338	301 225 8110	MT-GLAZE	10 JA	1/16W	
R8339	301 225 8110	MT-GLAZE	10 JA	1/16W	
R8341	301 225 8110	MT-GLAZE	10 JA	1/16W	
R8342	301 225 8110	MT-GLAZE	10 JA	1/16W	
R8343	301 225 8110	MT-GLAZE	10 JA	1/16W	
R8344	301 225 8110	MT-GLAZE	10 JA	1/16W	
R8346	301 225 8110	MT-GLAZE	10 JA	1/16W	
R8347	301 225 8110	MT-GLAZE	10 JA	1/16W	
R8348	301 225 8110	MT-GLAZE	10 JA	1/16W	
R8349	301 225 8110	MT-GLAZE	10 JA	1/16W	
R8351	301 341 0616	MT-GLAZE	49.9 FA	1/16W	
R8352	301 341 0616	MT-GLAZE	49.9 FA	1/16W	
R8353	301 341 0616	MT-GLAZE	49.9 FA	1/16W	
R8354	301 341 0616	MT-GLAZE	49.9 FA	1/16W	
R8357	301 226 1516	MT-GLAZE	0.000 ZA	1/16W	
R8358	301 226 1516	MT-GLAZE	0.000 ZA	1/16W	
R8359	301 226 1516	MT-GLAZE	0.000 ZA	1/16W	
R8361	301 226 1516	MT-GLAZE	0.000 ZA	1/16W	
R8362	301 224 9712	MT-GLAZE	22 JA	1/16W	
R8363	301 225 7915	MT-GLAZE	220 JA	1/16W	
R8364	301 225 7915	MT-GLAZE	220 JA	1/16W	
R8366	301 226 1516	MT-GLAZE	0.000 ZA	1/16W	
R8367	301 226 1516	MT-GLAZE	0.000 ZA	1/16W	
R8368	301 226 1516	MT-GLAZE	0.000 ZA	1/16W	
R8369	301 225 8110	MT-GLAZE	10 JA	1/16W	
R8381	301 226 1516	MT-GLAZE	0.000 ZA	1/16W	
R8382	301 226 1516	MT-GLAZE	0.000 ZA	1/16W	
R8383	301 225 1210	MT-GLAZE	4.7K JA	1/16W	
R8384	301 225 1210	MT-GLAZE	4.7K JA	1/16W	
R8386	301 225 8110	MT-GLAZE	10 JA	1/16W	
R8387	301 225 8110	MT-GLAZE	10 JA	1/16W	
R8398	301 225 1210	MT-GLAZE	4.7K JA	1/16W	
R8399	301 225 1210	MT-GLAZE	4.7K JA	1/16W	
R8409	301 225 1210	MT-GLAZE	4.7K JA	1/16W	
R8441	301 225 1418	MT-GLAZE	47K JA	1/16W	
R8443	301 224 9019	MT-GLAZE	10K JA	1/16W	
R8444	301 336 8818	MT-GLAZE	6.8K FA	1/16W	
R8446	301 294 3115	MT-GLAZE	1K FA	1/16W	
R8447	301 294 2613	MT-GLAZE	4.7K FA	1/16W	
R9701	301 225 0213	MT-GLAZE	3.3K JA	1/16W	
R9702	301 224 9316	MT-GLAZE	1K JA	1/16W	
R9705	301 225 7915	MT-GLAZE	220 JA	1/16W	
R9706	301 224 8814	MT-GLAZE	100 JA	1/16W	
R9707	301 224 8814	MT-GLAZE	100 JA	1/16W	
COIL					
L2013	945 086 7461	FILTER,EMI 100MHZ			
L2016	945 086 7461	FILTER,EMI 100MHZ			
L2018	945 086 7461	FILTER,EMI 100MHZ			
L2019	945 086 6037	IMPEDANCE,330 OHM P			
L3001	945 086 7560	FILTER,EMI 200MHZ			
L3002	945 086 7560	FILTER,EMI 200MHZ			
L3801	945 014 2650	FILTER,EMI 10MHZ			
L3802	945 014 2650	FILTER,EMI 10MHZ			
L3851	945 014 2650	FILTER,EMI 10MHZ			
L3852	945 014 2650	FILTER,EMI 10MHZ			
L8351	945 050 2973	IMPEDANCE,600 OHM P			
DIODE					
D2018	307 223 0514	ZENER DIODE 02DZ12Y(TPH3)			
	307 221 7119	ZENER DIODE UDZS-TE-1712B			
D3801	307 223 1115	ZENER DIODE 02DZ6.2Y(TPH3)			
	307 209 1214	ZD UDZS-TE-176.2B			
D3861	307 163 0414	DIODE 1SS352-(TPH3)			
D8331	307 228 1011	LED SML-310MT-M-T86			
D8441	307 163 0414	DIODE 1SS352-(TPH3)			
MISCELLANEOUS					
IC3801	407 265 7813	PC TLP781F(D4-GB-TP7)			
K20A	945 040 9968	SOCKET,DIN 4P			
K21B	945 053 4936	PLUG,D-SUB 9P			
K21C	945 053 4936	PLUG,D-SUB 9P			
K21D	645 098 7731	SOCKET,BNC 2P			
K38D	945 006 4792	JACK,PHONE D3.6			
K8351	645 093 6760	TRANS,PULSE			
SC2013	945 076 3503	SURGE-ABSORBER			
SC2016	945 076 3503	SURGE-ABSORBER			
SC3001	945 076 3503	SURGE-ABSORBER			
SC3002	945 076 3503	SURGE-ABSORBER			
SC3801	945 076 3503	SURGE-ABSORBER			
SC3802	945 076 3503	SURGE-ABSORBER			
SC3803	945 076 3503	SURGE-ABSORBER			
SC3851	945 076 3503	SURGE-ABSORBER			
SC3852	945 076 3503	SURGE-ABSORBER			
SC3853	945 076 3503	SURGE-ABSORBER			
SC3854	945 076 3503	SURGE-ABSORBER			
X8302	945 083 7556	OSC,CRYSTAL 25.0MHZ			
A8731 610 349 9840 ASSY,PWB,ID I/F1 KE2AL					
A8761 610 349 9857 ASSY,PWB,ID I/F2 KE2AL					
A1801 610 349 9871 ASSY,PWB,HALL SENSOR KE2AL					
CAPACITOR					
C1801	303 438 0219	CERAMIC	0.1U K	16V	
	303 409 3426	CERAMIC	0.1U K	16V	
A1851 610 349 9888 ASSY,PWB,FILTER SW KE2AL					
MISCELLANEOUS					
SW1891	945 063 5176	SWITCH,PUSH 2P-2TX3			
A8801 610 349 9895 ASSY,PWB,TEMP. SENSOR KE2AL					
CAPACITOR					
C8811	303 438 0219	CERAMIC	0.1U K	16V	
	303 409 3426	CERAMIC	0.1U K	16V	
C8812	303 391 5511	ELECT	10U M	16V	
RESISTOR					
R8813	301 224 9019	MT-GLAZE	10K JA	1/16W	
R8817	301 224 8814	MT-GLAZE	100 JA	1/16W	
R8818	301 224 8814	MT-GLAZE	100 JA	1/16W	
AA601 610 350 1673 ASSY,PWB,PFC KL8A					
TRANSISTOR					
Q1601	405 218 6002	TR 2SK3934 LBS1			

Electrical Parts List

Key No.	Part No.	Description	Key No.	Part No.	Description
C1619	303 367 0410	CERAMIC 0.1U K 50V	R1627	301 255 9514	MT-GLAZE 220K JA 1/10W
C1620	303 157 6615	CERAMIC 470P K 50V	R1628	301 256 1418	MT-GLAZE 330K JA 1/10W
C1621	303 157 3317	CERAMIC 68P J 50V	R1629	301 150 6014	MT-GLAZE 0.000 ZA 1/10W
C1622	303 367 0410	CERAMIC 0.1U K 50V	R1631	301 150 5918	MT-GLAZE 10K JA 1/10W
C1623	303 367 0410	CERAMIC 0.1U K 50V	R1632	301 150 6410	MT-GLAZE 4.3K JA 1/10W
C1624	303 367 0410	CERAMIC 0.1U K 50V	R1633	301 162 3810	MT-GLAZE 470K JA 1/10W
C1625	303 420 8503	ELECT 100U M 35V	R1634	301 264 7716	MT-GLAZE 270K FA 1/10W
C1626	303 367 0410	CERAMIC 0.1U K 50V	R1635	301 255 6513	MT-GLAZE 100 JA 1/10W
C1627	303 367 0410	CERAMIC 0.1U K 50V	R1636	301 256 6918	MT-GLAZE 680 JA 1/10W
C1628	303 410 6413	ELECT 1000U M 6.3V	R1637	301 264 2810	MT-GLAZE 1.2K FA 1/10W
C1630	303 367 0410	CERAMIC 0.1U K 50V	R1638	301 152 3219	MT-GLAZE 330 JA 1/10W
C1631	303 367 0410	CERAMIC 0.1U K 50V	R1639	301 162 2714	MT-GLAZE 180 JA 1/10W
C1653	303 222 1316	CERAMIC 1000P K 1K	R1640	301 256 6611	MT-GLAZE 68K JA 1/10W
C1654	303 222 1316	CERAMIC 1000P K 1K	R1641	301 230 8013	MT-GLAZE 1K JA 1/3W
C1656	303 420 8503	ELECT 100U M 35V	R1642	301 150 6212	MT-GLAZE 1K JA 1/10W
C1657	303 420 8503	ELECT 100U M 35V	R1643	301 162 3711	MT-GLAZE 4.7K JA 1/10W
C1658	303 371 8518	MT-POLYEST 1U K 400V	R1644	301 150 6212	MT-GLAZE 1K JA 1/10W
	303 427 2019	MT-POLYEST 1U K 400V	R1645	301 150 5918	MT-GLAZE 10K JA 1/10W
C1659	303 420 8503	ELECT 100U M 35V	R1646	301 150 5918	MT-GLAZE 10K JA 1/10W
C1660	303 367 0410	CERAMIC 0.1U K 50V	R1648	301 230 8013	MT-GLAZE 1K JA 1/3W
C1661	304 088 2605	ELECT 390U M 450V	R1653	301 242 3914	MT-GLAZE 240K JA 1/2W
	304 093 9606	ELECT 390U M 450V	R1654	301 242 3914	MT-GLAZE 240K JA 1/2W
C1663	303 215 2917	CERAMIC 0.022U K 25V	R1655	302 080 8809	MT-GLAZE 680 KA 1W
C1664	303 157 6417	CERAMIC 330P K 50V	R1656	301 230 4619	MT-GLAZE 560 JA 1W
C1665	303 367 0410	CERAMIC 0.1U K 50V	R1657	302 079 4706	RESISTER 0.1JA 5W
C1666	303 215 2214	CERAMIC 0.01U K 50V	R1658	302 079 4706	RESISTER 0.1JA 5W
C1667	303 367 0410	CERAMIC 0.1U K 50V	R1659	301 260 0414	MT-GLAZE 82K JA 1W
C1668	303 394 5815	CERAMIC 4.7U K 16V	R1660	301 260 0414	MT-GLAZE 82K JA 1W
C1669	303 367 0410	CERAMIC 0.1U K 50V	R1661	301 260 0414	MT-GLAZE 82K JA 1W
C1670	303 157 6615	CERAMIC 470P K 50V	R1662	301 260 0414	MT-GLAZE 82K JA 1W
C1671	303 157 3317	CERAMIC 68P J 50V	R1663	301 260 0414	MT-GLAZE 82K JA 1W
C1672	303 367 0410	CERAMIC 0.1U K 50V	R1664	301 260 0414	MT-GLAZE 82K JA 1W
C1673	303 367 0410	CERAMIC 0.1U K 50V	R1665	301 259 9015	MT-GLAZE 150K FA 1/2W
C1674	303 367 0410	CERAMIC 0.1U K 50V	R1666	301 259 9015	MT-GLAZE 150K FA 1/2W
C1675	303 420 8503	ELECT 100U M 35V	R1667	301 259 9015	MT-GLAZE 150K FA 1/2W
C1676	303 367 0410	CERAMIC 0.1U K 50V	R1668	301 259 9015	MT-GLAZE 150K FA 1/2W
C1677	303 367 0410	CERAMIC 0.1U K 50V	R1669	301 255 6513	MT-GLAZE 100 JA 1/10W
C1678	303 410 6413	ELECT 1000U M 6.3V	R1670	301 255 6513	MT-GLAZE 100 JA 1/10W
C1680	303 367 0410	CERAMIC 0.1U K 50V	R1671	301 265 0914	MT-GLAZE 4.7 JA 1/10W
C1681	303 367 0410	CERAMIC 0.1U K 50V	R1672	301 265 0914	MT-GLAZE 4.7 JA 1/10W
			R1674	301 255 8715	MT-GLAZE 22 JA 1/10W
			R1675	301 264 9918	MT-GLAZE 36K FA 1/10W
			R1676	301 150 6014	MT-GLAZE 0.000 ZA 1/10W
			R1677	301 255 9514	MT-GLAZE 220K JA 1/10W
			R1678	301 256 1418	MT-GLAZE 330K JA 1/10W
			R1679	301 150 6014	MT-GLAZE 0.000 ZA 1/10W
			R1681	301 150 5918	MT-GLAZE 10K JA 1/10W
			R1682	301 150 6410	MT-GLAZE 4.3K JA 1/10W
			R1683	301 162 3810	MT-GLAZE 470K JA 1/10W
			R1684	301 264 7716	MT-GLAZE 270K FA 1/10W
			R1685	301 255 6513	MT-GLAZE 100 JA 1/10W
			R1686	301 256 6918	MT-GLAZE 680 JA 1/10W
			R1687	301 264 2810	MT-GLAZE 1.2K FA 1/10W
			R1688	301 152 3219	MT-GLAZE 330 JA 1/10W
			R1689	301 162 2714	MT-GLAZE 180 JA 1/10W
			R1690	301 256 6611	MT-GLAZE 68K JA 1/10W
			R1691	301 230 8013	MT-GLAZE 1K JA 1/3W
			R1692	301 150 6212	MT-GLAZE 1K JA 1/10W
			R1693	301 162 3711	MT-GLAZE 4.7K JA 1/10W
			R1694	301 150 6212	MT-GLAZE 1K JA 1/10W
			R1695	301 150 5918	MT-GLAZE 10K JA 1/10W
			R1696	301 150 5918	MT-GLAZE 10K JA 1/10W
			R1698	301 230 8013	MT-GLAZE 1K JA 1/3W
			R2601	301 162 3018	MT-GLAZE 22K JA 1/10W
			R2602	301 162 3018	MT-GLAZE 22K JA 1/10W
			R2603	301 162 3018	MT-GLAZE 22K JA 1/10W
			R2604	301 162 3018	MT-GLAZE 22K JA 1/10W
RESISTOR					
△ R1601	301 236 6518	MT-GLAZE 220K JA 1/2W			
△ R1602	301 236 6518	MT-GLAZE 220K JA 1/2W			
R1603	301 242 3914	MT-GLAZE 240K JA 1/2W			
R1604	301 242 3914	MT-GLAZE 240K JA 1/2W			
R1605	302 080 8809	MT-GLAZE 680 KA 1W			
R1606	301 230 4619	MT-GLAZE 560 JA 1W			
R1607	302 079 4706	RESISTER 0.1JA 5W			
R1608	302 079 4706	RESISTER 0.1JA 5W			
R1609	301 260 0414	MT-GLAZE 82K JA 1W			
R1610	301 260 0414	MT-GLAZE 82K JA 1W			
R1611	301 260 0414	MT-GLAZE 82K JA 1W			
R1612	301 260 0414	MT-GLAZE 82K JA 1W			
R1613	301 260 0414	MT-GLAZE 82K JA 1W			
R1614	301 260 0414	MT-GLAZE 82K JA 1W			
R1615	301 259 9015	MT-GLAZE 150K FA 1/2W			
R1616	301 259 9015	MT-GLAZE 150K FA 1/2W			
R1617	301 259 9015	MT-GLAZE 150K FA 1/2W			
R1618	301 259 9015	MT-GLAZE 150K FA 1/2W			
R1619	301 255 6513	MT-GLAZE 100 JA 1/10W			
R1620	301 255 6513	MT-GLAZE 100 JA 1/10W			
R1621	301 265 0914	MT-GLAZE 4.7 JA 1/10W			
R1622	301 265 0914	MT-GLAZE 4.7 JA 1/10W			
R1624	301 255 8715	MT-GLAZE 22 JA 1/10W			
R1625	301 264 9918	MT-GLAZE 36K FA 1/10W			
R1626	301 150 6014	MT-GLAZE 0.000 ZA 1/10W			

Electrical Parts List

Key No.	Part No.	Description	Key No.	Part No.	Description
R2605	301 162 3018	MT-GLAZE 22K JA 1/10W	D1662	307 163 0414	DIODE 1SS352-(TPH3)
R2606	301 256 6314	MT-GLAZE 47K JA 1/10W		307 149 0810	DIODE 1SS355-TE-17
R2607	301 150 6014	MT-GLAZE 0.000 ZA 1/10W	D1663	307 163 0414	DIODE 1SS352-(TPH3)
R2609	301 150 6014	MT-GLAZE 0.000 ZA 1/10W		307 149 0810	DIODE 1SS355-TE-17
R2611	301 162 3018	MT-GLAZE 22K JA 1/10W	D1664	307 163 0414	DIODE 1SS352-(TPH3)
R2621	301 162 3018	MT-GLAZE 22K JA 1/10W		307 149 0810	DIODE 1SS355-TE-17
R2622	301 162 3018	MT-GLAZE 22K JA 1/10W	D1665	307 247 8827	DIODE RF101L2S
R2623	301 162 3018	MT-GLAZE 22K JA 1/10W	D1666	307 223 0514	ZENER DIODE 02DZ12Y(TPH3)
R2624	301 162 3018	MT-GLAZE 22K JA 1/10W	DB1601	408 069 8904	DIODE RBV-1506 LF035-40
R2625	301 162 3018	MT-GLAZE 22K JA 1/10W	DB1651	408 069 8904	DIODE RBV-1506 LF035-40
R2626	301 256 6314	MT-GLAZE 47K JA 1/10W	DS1601	307 219 0808	THYRISTOR TF861S
R2627	301 150 6014	MT-GLAZE 0.000 ZA 1/10W	DS1651	307 219 0808	THYRISTOR TF861S
R2629	301 150 6014	MT-GLAZE 0.000 ZA 1/10W			
R2631	301 162 3018	MT-GLAZE 22K JA 1/10W			
△ RL1601	645 102 9911	RELAY	MISCELLANEOUS		
△ RL1651	645 102 9911	RELAY	△ PC1601	407 270 6313	PC TLP624(TP4,F)
			△ PC1651	407 270 6313	PC TLP624(TP4,F)
VARIABLE RESISTOR			PTH1601	408 070 3103	THERMISTOR NTPAD8R0LDNB0
VR1601	645 103 7824	VR,SEMI,1K S	PTH1602	308 061 3900	TH PRF18BC471QB1RB
VR1651	645 103 7824	VR,SEMI,1K S	PTH1651	408 070 3103	THERMISTOR NTPAD8R0LDNB0
			PTH1652	308 061 3900	TH PRF18BC471QB1RB
COIL					
△ L1601	645 103 0436	LINE FILTER			
△ L1602	645 103 0436	LINE FILTER			
△ L1603	645 102 9928	LINE FILTER			
△ L1604	645 102 9928	LINE FILTER			
L1605	645 103 0429	INDUCTOR,700U			
L1655	645 103 0429	INDUCTOR,700U			
DIODE					
D1601	307 253 7405	DIODE FMXA-1106S			
D1602	307 247 8827	DIODE RF101L2S			
D1603	307 247 8827	DIODE RF101L2S			
D1604	307 247 8827	DIODE RF101L2S			
D1605	307 223 0811	ZENER DIODE 02DZ22Y(TPH3)			
D1606	307 164 4015	DIODE RB160L-40-TE25			
	307 149 6327	DIODE SFPB-54V			
D1607	307 164 4015	DIODE RB160L-40-TE25			
	307 149 6327	DIODE SFPB-54V			
D1609	307 163 0414	DIODE 1SS352-(TPH3)			
	307 149 0810	DIODE 1SS355-TE-17			
D1610	307 163 0414	DIODE 1SS352-(TPH3)			
	307 149 0810	DIODE 1SS355-TE-17			
D1611	307 163 0414	DIODE 1SS352-(TPH3)			
	307 149 0810	DIODE 1SS355-TE-17			
D1612	307 163 0414	DIODE 1SS352-(TPH3)			
	307 149 0810	DIODE 1SS355-TE-17			
D1613	307 163 0414	DIODE 1SS352-(TPH3)			
	307 149 0810	DIODE 1SS355-TE-17			
D1614	307 163 0414	DIODE 1SS352-(TPH3)			
	307 149 0810	DIODE 1SS355-TE-17			
D1615	307 247 8827	DIODE RF101L2S			
D1616	307 223 0514	ZENER DIODE 02DZ12Y(TPH3)			
D1651	307 253 7405	DIODE FMXA-1106S			
D1652	307 247 8827	DIODE RF101L2S			
D1653	307 247 8827	DIODE RF101L2S			
D1654	307 247 8827	DIODE RF101L2S			
D1655	307 223 0811	ZENER DIODE 02DZ22Y(TPH3)			
D1656	307 164 4015	DIODE RB160L-40-TE25			
	307 149 6327	DIODE SFPB-54V			
D1657	307 164 4015	DIODE RB160L-40-TE25			
	307 149 6327	DIODE SFPB-54V			
D1659	307 163 0414	DIODE 1SS352-(TPH3)			
	307 149 0810	DIODE 1SS355-TE-17			
D1660	307 163 0414	DIODE 1SS352-(TPH3)			
	307 149 0810	DIODE 1SS355-TE-17			
D1661	307 163 0414	DIODE 1SS352-(TPH3)			
	307 149 0810	DIODE 1SS355-TE-17			

Electrical Parts List

Key No.	Part No.	Description	Key No.	Part No.	Description

EIKI

A-key to better communications