



For EK-XLC Predator units | 1st revision, July 15th 2016

EK-XLC Predator 240/360 Push-Pull Addon

INSTALLATION MANUAL

All disclosures, notices and warranty conditions are being written on the EKWB website. Please read terms of use.

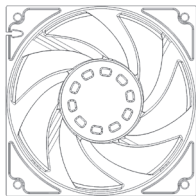
This product is intended for installation only by expert users. Please consult with a qualified technician for installation. Improper installation may result in damage to your equipment. EK Water Blocks assumes no liability whatsoever, expressed or implied, for the use of these products, nor their installation. The following instructions are subject to change without notice. Please visit our web site at www.ekwb.com for updates. Before installation of this product please read important notice, disclosure and warranty conditions printed on the back of the box.

Before you start using this product please follow these basic guidelines:

1. Please carefully read the manual through before beginning with the installation process!
2. Please remove your Predator unit from the computer to assure safest mounting process in order to prevent any possible damages to your hardware.
3. Please use only the enclosed screws. Using inappropriate screws may result in radiator puncture leading to leakage of the cooling fluid.

CONTENTS OF THE PACKAGE

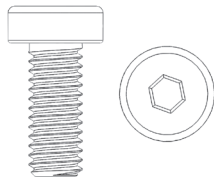
Vardar F4-120ER fan
2/3 pcs



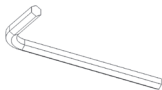
M4x6 DIN7984
8/12 pcs



M4X10 DIN7984
3/4 pcs



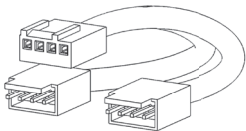
2,5 mm Allen key
1 pcs



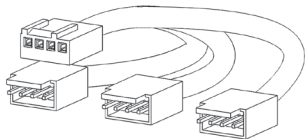
Cable tie
3/4 pcs

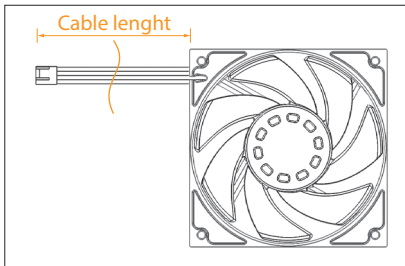


Y 2-fan splitter adapter
1 pcs

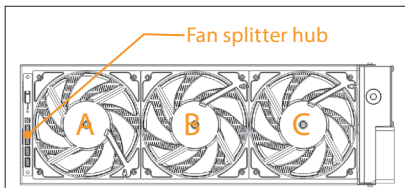


Y 3-fan splitter adapter
1 pcs (only at 360 mm version)





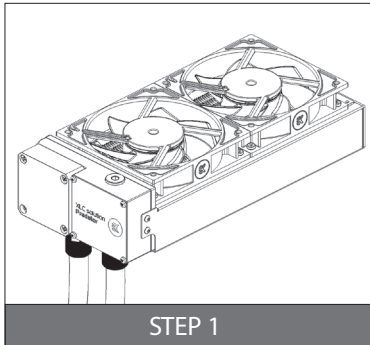
The fans come with different cable leads length. This is because every fan is intended for specific position on the Predator unit. The longer the cable, the further away from the fan splitter hub is fan meant to be installed.



Cable lengths for different EK-XLC Predator versions:

- A. 170mm (Predator 240 & 360)
- B. 300mm (Predator 240 & 360)
- C. 420mm (Predator 360)

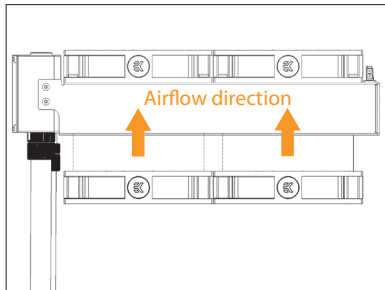
PREPARING YOUR PREDATOR UNIT



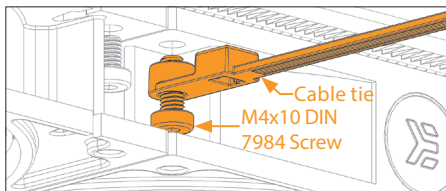
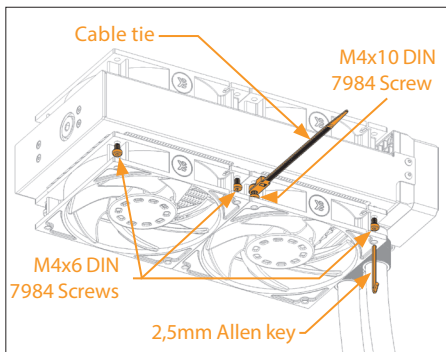
STEP 1:

It is recommended to remove the Predator unit out of the chassis. You can leave the water block installed but must be careful not to pull/bend the tubing. That may result to leakage and damaged hardware. You can also unplug all the electrical connections from the predator unit in order to install the fans comfortably.

INSTALLING ADDITIONAL FANS



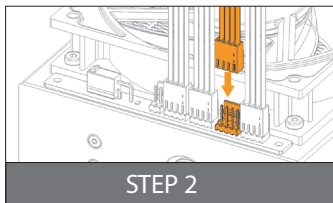
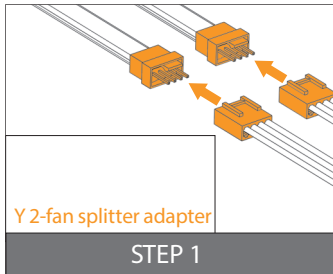
The additional two (With EK-XLC Predator 240) or three (With EK-XLC Predator 360) fans should be installed on the bottom side of the Predator unit. Do NOT install the additional fans on top of the stock ones. That may lead to malfunctioning of the fans. The orientation of the fans is crucial in order to achieve the best performance of the radiator. Install the fans so that they push the air through the radiator. For orientation you can also look at the orientation of the EK logo. It must be rotated in same direction at both, upper and lower set of fans. Make sure to face the cable routing holes on the fan case to same side as the already installed ones.



In order to secure the fans to the Predator chassis you should use four (4) M4x6 DIN 7984 screws with the enclosed Allen key for each fan unit. If you want to secure the cables to the Predator unit you should use a cable tie along with longer – M4x10 DIN7984 screws instead. (See the detailed picture below). There is no need to use a cable tie on every screw mounting position.

For better understanding you can look at the cable management at already installed fans.

ELECTRICAL CONNECTIONS



In order to connect the fans you should take the enclosed fan splitter adapters. Please follow the instructions below, depending on the variant of EK-XLC Predator

EK-XLC PREDATOR 240

STEP 1:

Connect the 2 female 4-pin headers from the fans with the male ones from the Y 2-fan splitter as shown on the picture.

STEP 2:

Connect the Female 4-pin connector header from the Y fan splitter adapter with the male one on the fan splitter hub located on the backside of EK-XLC Predator unit. The electrical connection is now complete.

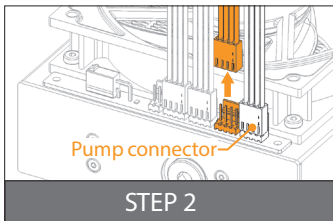
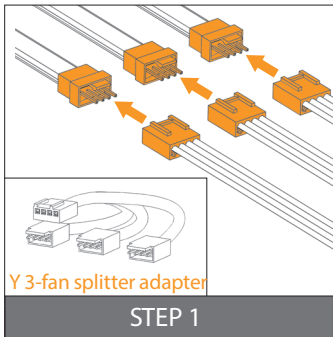
EK-XLC PREDATOR 360

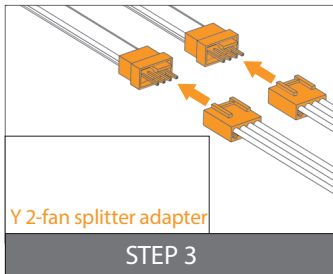
STEP 1:

Connect the 3 female 4-pin headers from the fans with the male ones from the Y 3-fan splitter as shown on the picture.

STEP 2:

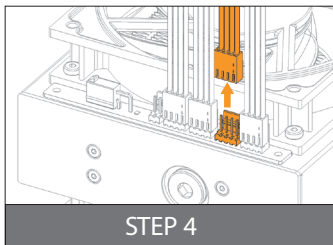
Disconnect one fan from the fan splitter hub located on the backside of EK-XLC Predator unit. There are 3 4-pin connectors powering the 3 fans and one powering the pump. You can only disconnect the fans and leave the connector on the far right (pump) connected.





STEP 3:

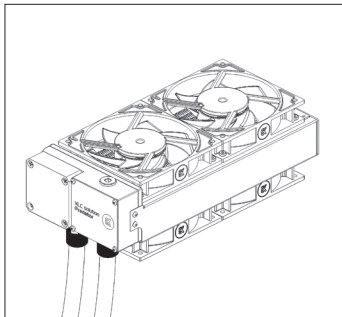
Prepare the Y 2-fan splitter adapter, female 4-pin connector, which you have disconnected in previous step, and the female header from Y 3-fan splitter adapter. Connect the 2 female headers with the 2 male headers on the Y 2-fan splitter adapter.



STEP 4:

Take the female 4-pin connector from the Y 2-fan splitter adapter and connect it to the 4-pin male connector located on the fan splitter hub on the Predator unit. The electrical connection is now complete.

FINALIZING INSTALLATION



You can now reinstall the upgraded Predator unit back into the computer chassis according to the original EK-XLC Predator installation manual (see QR code below).



If you tend to have any questions please contact our support for assistance:
<http://support.ekwb.com/>

EKWB d.o.o.
Pod lipami 18
1218 Komenda
Slovenia - EU