

*Thinking of you*

 **Electrolux**

USER MANUAL

EFC60001

EFC90001



**We were thinking of you**  
when we made this product

EN

RECOMMENDATIONS AND SUGGESTIONS	5
CHARACTERISTICS	6
INSTALLATION	8
USE	11
MAINTENANCE	12

EN

## **Welcome to the world of Electrolux**

Thank you for choosing a first class product from Electrolux, which hopefully will provide you with lots of pleasure in the future. The Electrolux ambition is to offer a wide variety of quality products that make your life more comfortable. You find some examples on the cover in this manual. Please take a few minutes to study this manual so that you can take advantage of the benefits of your new machine. We promise that it will provide a superior User Experience delivering Ease-of-Mind. Good luck!

# RECOMMENDATIONS AND SUGGESTIONS

## Installation

- The manufacturer will not be held liable for any damages resulting from incorrect or improper installation.
- The minimum safety distance between the cooker top and the extractor hood is 650 mm.
- Check that the mains voltage corresponds to that indicated on the rating plate fixed to the inside of the hood.
- For Class I appliances, check that the domestic power supply guarantees adequate earthing.

Connect the extractor to the exhaust flue through a pipe of minimum diameter 120 mm. The route of the flue must be as short as possible.

- Do not connect the extractor hood to exhaust ducts carrying combustion fumes (boilers, fireplaces, etc.).
- If the extractor is used in conjunction with non-electrical appliances (e.g. gas burning appliances), a sufficient degree of aeration must be guaranteed in the room in order to prevent the backflow of exhaust gas. The kitchen must have an opening communicating directly with the open air in order to guarantee the entry of clean air.

## Use


- The extractor hood has been designed exclusively for domestic use to eliminate kitchen smells.
- Never use the hood for purposes other than for which it has been designed.
- Never leave high naked flames under the hood when it is in operation.

- Adjust the flame intensity to direct it onto the bottom of the pan only, making sure that it does not engulf the sides.
- Deep fat fryers must be continuously monitored during use: overheated oil can burst into flames.
- Do not flambè under the range hood; risk of fire
- The hood should not be used by children or persons not instructed in its correct use.

## Maintenance

- Switch off or unplug the appliance from the mains supply before carrying out any maintenance work.
- Clean and/or replace the Filters after the specified time period.
- Clean the hood using a damp cloth and a neutral liquid detergent.

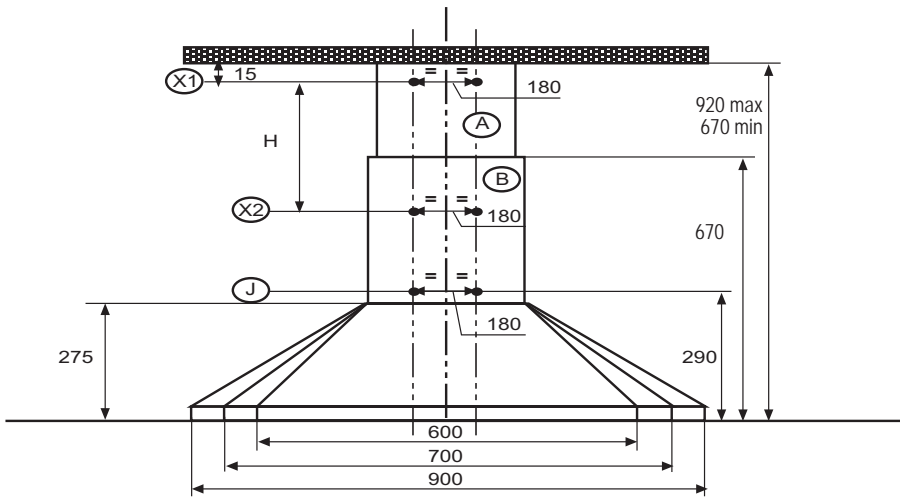


The symbol  on the product or on its packaging indicates that this product may not be treated as household waste. Instead it shall be handed over to the applicable collection point for the recycling of electrical and electronic equipment. By ensuring this product is disposed of correctly, you will help prevent potential negative consequences for the environment and human health, which could otherwise be caused by inappropriate waste handling of this product. For more detailed information about recycling of this product, please contact your local city office, your household waste disposal service or the shop where you purchased the product.

# CHARACTERISTICS

## Dimensions

EN



## Components

### Ref. Q.ty Product Components

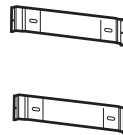
F	1	Adapting ring $\varnothing$ 120-125 mm
G	1	Reducer Flange $\varnothing$ 150-120 mm
H	1	Air Outlet Connection

### Ref. Q.ty Installation Components

C	2	Upper Chimney Section Fixing Brackets
---	---	---------------------------------------

### Q.ty Documentation

1	Instruction Manual
---	--------------------



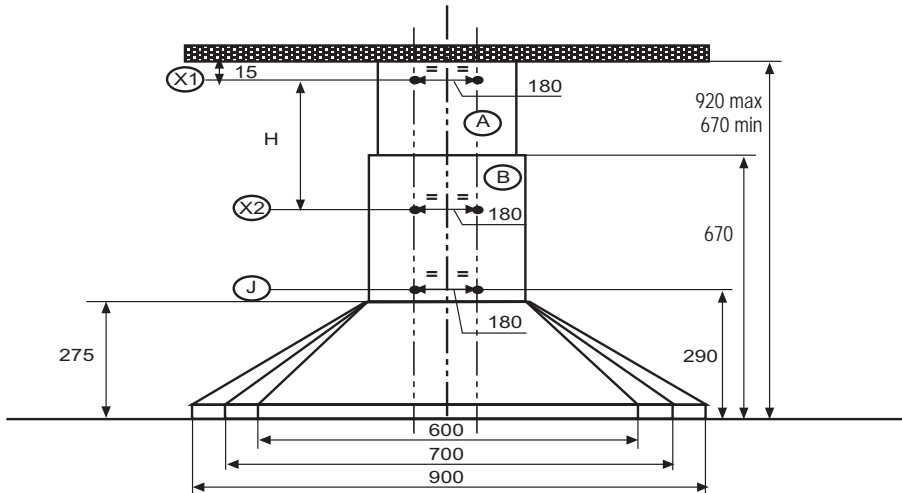
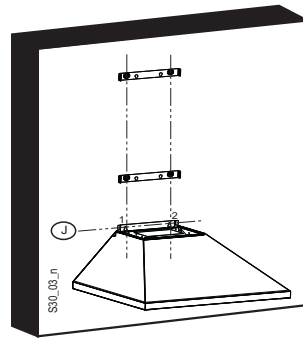
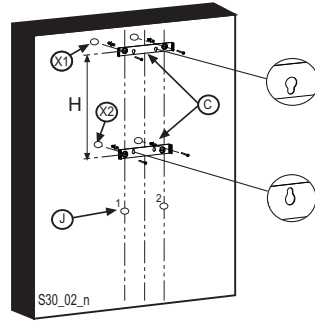
C

# INSTALLATION

EN

The cooker hood must be installed centrally over a cooking appliance. The minimum distance between the cooking surface and the metal grease filters on the underside of the hood must be at least 650mm.

- To install the hood proceed as follows:
- 1) Drill six 8mm diameter holes at **X1-X2-J** and insert the plastic rawl plugs supplied as illustrated ensuring the brackets are fitted as shown in the blow up.
  - 2) Secure the two brackets **C** to the wall inserting two of the screws supplied through the two holes on line **X1-X2** as illustrated .
  - 3) Slide the canopy down the wall to locate the key hole over the washer then secure the canopy to the wall by inserting two of the screws supplied through the two outer holes in the rim of the canopy **J1** and **J2** as illustrated

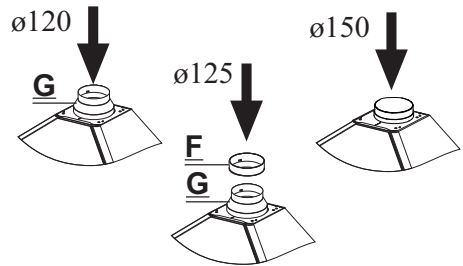


## Connections

### Ducted Version Air Exhaust system

When installing the ducted version, connect the hood to the chimney using either a flexible or rigid pipe  $\varnothing$  150 or 125 mm, the choice of which is left to the installer.

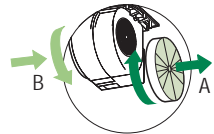
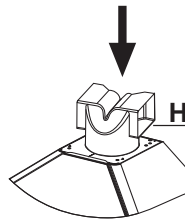
- To install a  $\varnothing$  125 mm air exhaust connection, insert the reducer flange **G** on the hood body air outlet and the adapting ring  $\varnothing$ 120-125 **F** on the reducer flange.
- Fix the pipe in position using sufficient pipe clamps (not supplied).
- Remove any activated charcoal filters.



EN

### Connection in Recycling Version

- When the hood is fitted in the recirculation mode the Air Outlet Connection **H** should be fitted as illustrated .
- Fit the (optional) charcoal filters by repeating the following operation on each side of the motor housing. Place the two key hole slots in the filter and turn the filter clockwise to lock the filter in position.



**WARNING:** It is a possible fire hazard if the metal grease filters are not cleaned and the charcoal filters replaced regularly.

### Connection to the Mains

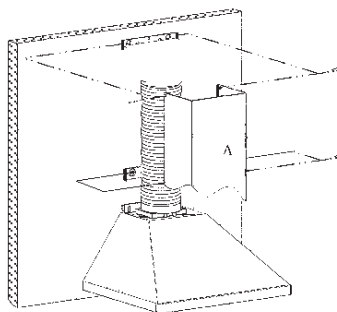
**WARNING: Double insulated do not earth**

- Before connecting to the mains supply ensure the mains voltage corresponds to the voltage on the rating plate inside the hood.
- This appliance is fitted with a 2 core mains cable and must be permanently connected to the electricity supply via a double-pole switch having 3mm minimum contact gap on each pole.

## Chimney assembly

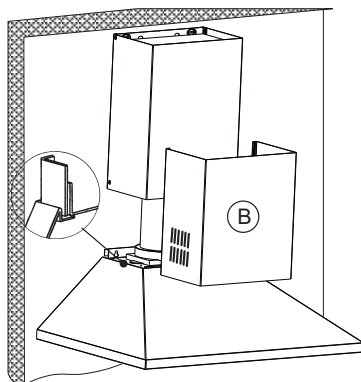
### Upper Chimney

- To fit the upper chimney **A**, place the top edge of the chimney over the bracket **C** as illustrated and secure the chimney using two of the 2.9mm self tapping screws provided.
- The distance **H** in the height between the fixing holes **X1** and **X2** is determined by the height of the upper chimney **A**.



### Lower Chimney

- To fit the lower chimney **B**, apply slight force to the two rear edges to increase the width of the aperture, then sleeve the chimney **B** over the chimney **A** as illustrated.



## USE

The cooker hood functions are controlled by a series of slider or push button switches mounted on the front of the hood and control the worktop lighting and fan motor speeds. This cooker hood will not remove steam.

### 1) SLIDER SWITCHES

- A switch controls the worktop lighting - ON/OFF.
- A switch controls the fan speeds - OFF/ON-1-2-3.
- The red neon lamp illuminates when the motor is switched ON .

### 2) SPEED SETTINGS

- 1/Low should be selected when simmering or when using only one pan.
- 2/Medium should be selected for cooking when using up to four pans.
- 3/High should be selected when frying or cooking food with a strong odour.



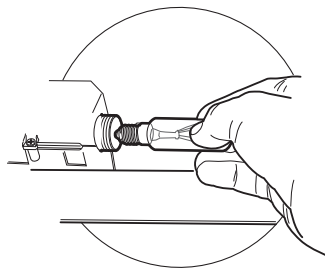
# MAINTENANCE

**N.B.** Before carrying out any kind of maintenance, cleaning or replacing lamps, disconnect the hood from the mains supply.

## Lighting

### 40 W incandescent light

- Remove the metal grease filters.
- Unscrew the bulbs and replace them with new ones having the same characteristics.
- Replace the metal grease filters.



## Filters

- The metal grease filter should be cleaned every two months or more frequently if the hood is used consistently and can be cleaned in a dishwasher or by hand using a mild detergent or liquid soap. When replacing, ensure that they are dry.
- The charcoal filter cannot be washed and should be replaced at least every 2 months or more frequently if the hood is used consistently.

## Cleaning

When cleaning the hood, it is recommended to use a damp cloth and mild liquid household cleaner. Never use abrasive cleaning materials.

**ATTENTION:** The manufacturer declines all responsibility for any damage or injury caused as a result of not following the instructions for installation, for maintenance and replacement times of filters indicated (in order to avoid a possible risk of fire when the filters are saturated with grease).





[www.electrolux.com](http://www.electrolux.com)

