

Service
Service
Service



Service Manual

Horizontal Frequency
30-60 KHz

Table of Contents

Description	Page	Description	Page
Table of Contents.....	1	5.2.Power Board.....	12
Revision List.....	2	6.Schematic.....	13
Important Safety Notice.....	3	6.1.Main Board.....	13
1.Monitor Specification.....	4	6.2.Power Board.....	17
2.LCD Monitor Description.....	5	6.3.Key Board.....	19
3.Operation Instruction.....	6	7.PCB Layout.....	20
3.1.General Instructions.....	6	7.1.Main Board.....	20
3.2.Control Button.....	6	7.2.Power Board.....	22
4.Input/Output Specification.....	8	7.3.Key Board.....	25
4.1.Input Signal Connector.....	8	8.Maintainability.....	26
4.2.Factory Preset Display Modes.....	9	8.1.Equipments and Tools Requirement.....	26
4.3.Panel Specification.....	9	8.2.Trouble Shooting.....	27
5.Block Diagram.....	11	9.White-Balance, Luminance Adjustment.....	31
5.1.Main Board.....	11	10.Monitor Exploded View.....	33
		11.BOM List.....	34

SAFETY NOTICE

ANY PERSON ATTEMPTING TO SERVICE THIS CHASSIS MUST FAMILIARIZE HIMSELF WITH THE CHASSIS AND BE AWARE OF THE NECESSARY SAFETY PRECAUTIONS TO BE USED WHEN SERVICING ELECTRONIC EQUIPMENT CONTAINING HIGH VOLTAGES.

CAUTION: USE A SEPARATE ISOLATION TRANSFORMER FOR THIS UNIT WHEN SERVICING

Revision List

Version	Release Date	Revision History	TPV Model Name
A00	Jun.-08-2012	Initial release	T8C2R92LDBA1NNE
A01	Sep.-14-2012	Add new models	T8C2R929DBA1NNE
			T8C2R92ADBA1NNE
			T8C2R92BDBA1NNE
			T8C2R92BDBA3NNE
			T8C2R92BDBA7NNE
			T8C2R92HDBA1NNE
			T8C2R92QDBE6NNE
			T8C2R92VDBA1NNE
			T8CWR92BDBA1NNE
			T8CWR92BDBA3NNE
			T8CWR92BDBA7NNE
			T8CWR92LDBA1NNE
			T8CWR92QDBE6NNE
			T8CWR92VDBA1NNE

Important Safety Notice

Proper service and repair is important to the safe, reliable operation of all AOC Company Equipment. The service procedures recommended by AOC and described in this service manual are effective methods of performing service operations. Some of these service operations require the use of tools specially designed for the purpose. The special tools should be used when and as recommended.

It is important to note that this manual contains various CAUTIONS and NOTICES which should be carefully read in order to minimize the risk of personal injury to service personnel. The possibility exists that improper service methods may damage the equipment. It is also important to understand that these CAUTIONS and NOTICES ARE NOT EXHAUSTIVE. AOC could not possibly know, evaluate and advise the service trade of all conceivable ways in which service might be done or of the possible hazardous consequences of each way. Consequently, AOC has not undertaken any such broad evaluation. Accordingly, a servicer who uses a service procedure or tool which is not recommended by AOC must first satisfy himself thoroughly that neither his safety nor the safe operation of the equipment will be jeopardized by the service method selected.

Hereafter throughout this manual, AOC Company will be referred to as AOC.

WARNING

Use of substitute replacement parts, which do not have the same, specified safety characteristics may create shock, fire, or other hazards.

Under no circumstances should the original design be modified or altered without written permission from AOC. AOC assumes no liability, express or implied, arising out of any unauthorized modification of design. Servicer assumes all liability.

FOR PRODUCTS CONTAINING LASER:

DANGER-Invisible laser radiation when open AVOID DIRECT EXPOSURE TO BEAM.

CAUTION-Use of controls or adjustments or performance of procedures other than those specified herein may result in hazardous radiation exposure.

CAUTION -The use of optical instruments with this product will increase eye hazard.

TO ENSURE THE CONTINUED RELIABILITY OF THIS PRODUCT, USE ONLY ORIGINAL MANUFACTURER'S REPLACEMENT PARTS, WHICH ARE LISTED WITH THEIR PART NUMBERS IN THE PARTS LIST SECTION OF THIS SERVICE MANUAL.

Take care during handling the LCD module with backlight unit

- Must mount the module using mounting holes arranged in four corners.
- Do not press on the panel, edge of the frame strongly or electric shock as this will result in damage to the screen.
- Do not scratch or press on the panel with any sharp objects, such as pencil or pen as this may result in damage to the panel.
- Protect the module from the ESD as it may damage the electronic circuit (C-MOS).
- Make certain that treatment person's body is grounded through wristband.
- Do not leave the module in high temperature and in areas of high humidity for a long time.
- Avoid contact with water as it may a short circuit within the module.
- If the surface of panel becomes dirty, please wipe it off with a soft material. (Cleaning with a dirty or rough cloth may damage the panel.)

1. Monitor Specifications

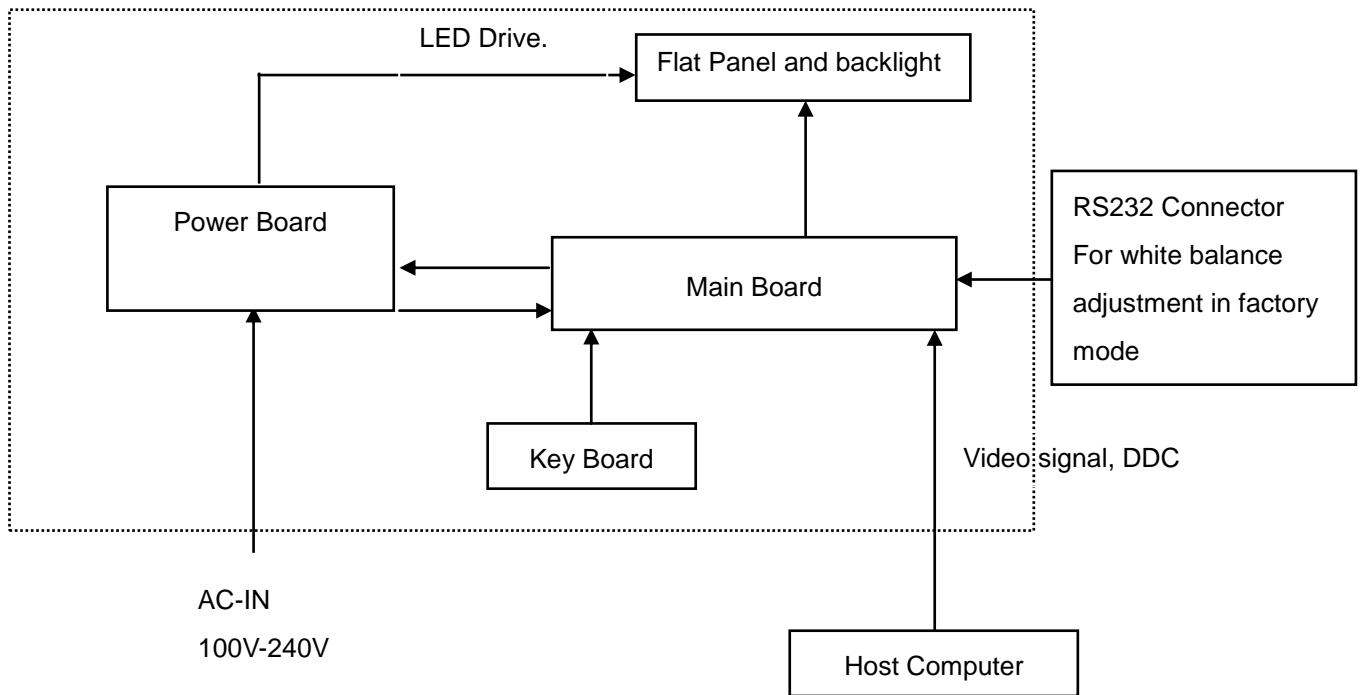
Product Name		E966S _{WN}	E966S _N	E2066S _N
Active screen size		18.5"	19"	20"
Viewable Image Size(diagonal)		47.0cm	48.1cm	50.8cm
Pixel pitch		0.30mm	0.2835mm	0.2768mm
scan range	Horizontal	30-60kHz	30-83kHz	30-83kHz
	Vertical	50-76Hz	50-76Hz	50-76Hz
Dot Clock		85.5MHz	88.75MHz	108MHz
Optimal preset resolution		1366x768@60Hz	1440x900@60Hz	1600x900@60Hz
Display Color		16.7M	16.7M	16.7M
Input Connector	Input Video Signal	R/G/B Analog Interface		
Power Source		100-240V~, 50/60Hz, 1.5A		
Plug & Play		VESA DDC2B/CI		
Environmental Temperature/Humidity		Operating: 0°C to 40°C, Non-Operating: -25°C to 55°C		
		Operating: 10% - 85% (non-condensing) Non-Operating: 5% - 93% (non-condensing)		

2. LCD Monitor Description

The LCD monitor will contain a main board, a power board, a key board which house the flat panel control logic, brightness control logic and DDC.

The power part will provide AC to DC Inverter voltage to drive the backlight of panel and the main board chips each voltage.

Monitor Block Diagram



3. Operating Instructions

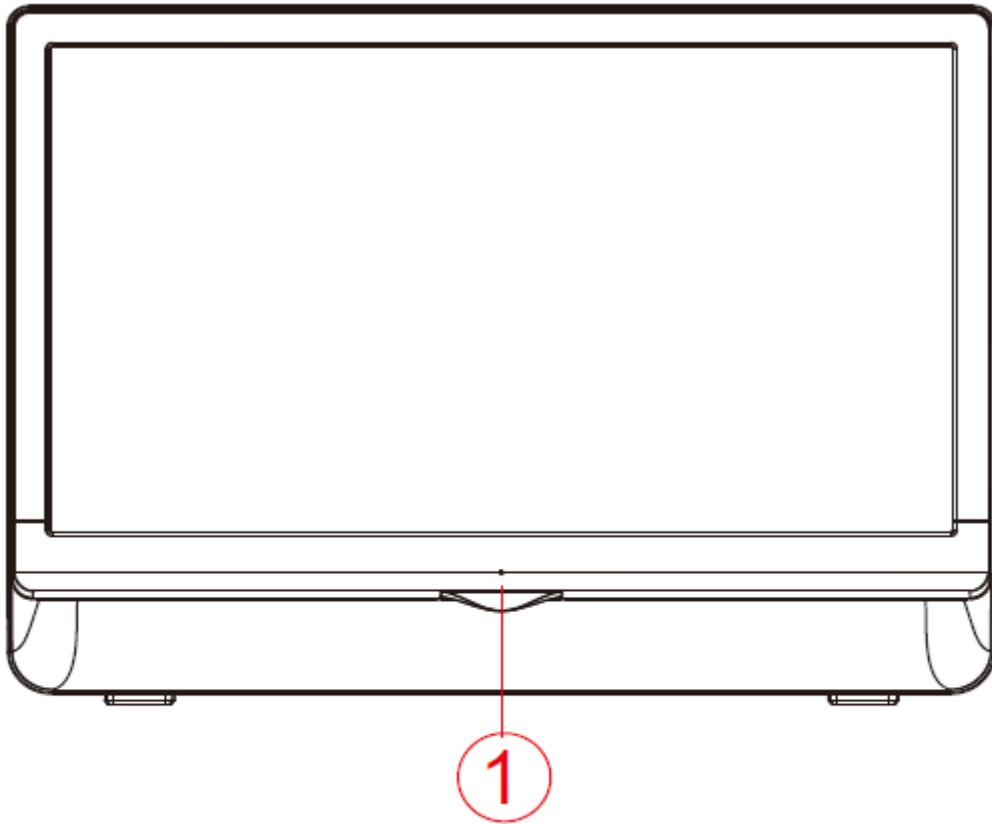
3.1 General Instructions

This monitor only has one external control function button; press the Power/Auto Configuration button to turn the monitor on or off.

If you need to adjust other functions, please visit the official AOC website (www.aoc.com) to download and install AOC's exclusive i-Menu application software, and then perform related function adjustments to get the screen you require.

- Connect the power cord properly.
- Connect the signal cable onto the PC's graphics card.
- Push the button to start the monitor, and the power indicator will light up..

3.2 Control Buttons



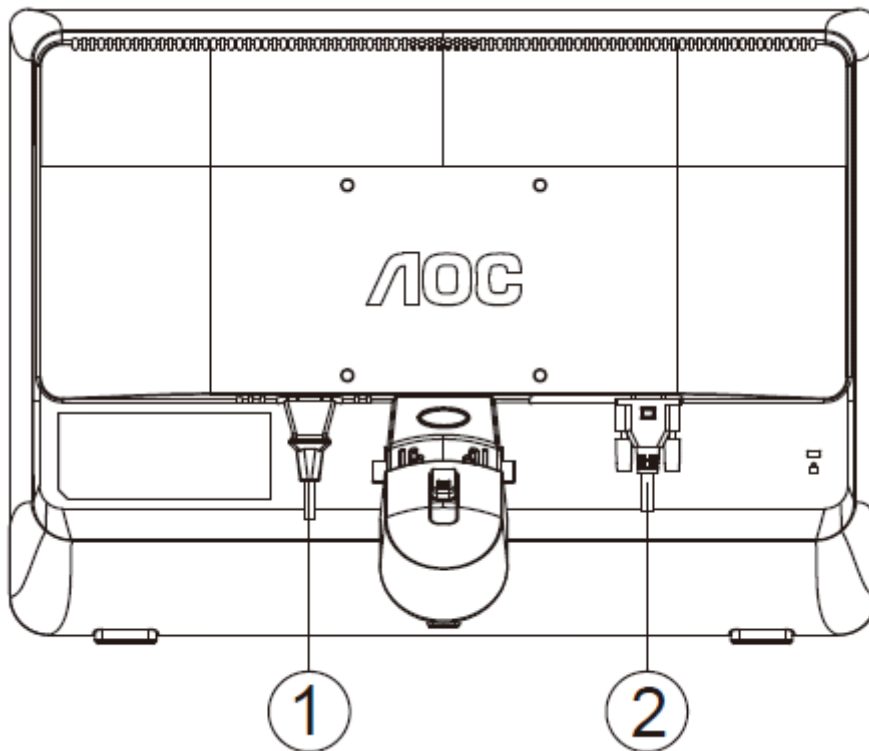
1. Power/ Auto Configuration

- Power/ Auto Configuration:
- When Power on, press Power/ Auto Configuration button to do auto configure .
- When Power off, press Power/ Auto Configuration button to turn on the monitor .
- When Power on, press Power/ Auto Configuration button continuously about 2 seconds to turn off the monitor .
- LED Indicator: Green—Full Power Mode. Flickering Green—Active-off Mode.

NOTE:

Power/ Auto Configuration

- Do not place the monitor close to heat sources such as heaters, ventilation ducts or places exposed to direct sunlight. Do not place it at dusty places or places that make the machine shake or impact either.
- Keep the original package box and packing materials; if you need to transport your monitor again, they will come in handy.
- For maximum protection, please pack the monitor the way it was packed when shipped out of the factory.



1.Power

2.Analog (DB-15 VGA cable)

To protect equipment, always turn off the PC and LCD monitor before connecting.

1 Connect the power cable to the AC port on the back of the monitor.

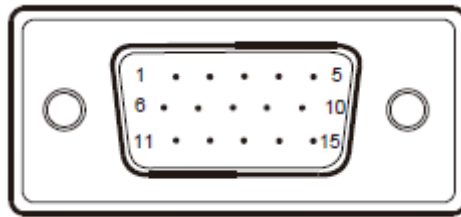
2 Connect one end of the 15-pin D-Sub cable to the back of the monitor and connect the other end to the computer's D-Sub port.

3 Turn on your monitor and computer

4. Input/Output Specification

4.1 Input Signal Connector

Pin Assignments



15-Pin Side of the Signal Cable

Pin Number	Function	Pin Number	Function	Pin Number	Function	Pin Number	Function
1.	Video-Red	5.	Detect Cable	9.	+5V	13.	H-sync
2.	Video-Green	6.	GND-R	10.	Ground	14.	V-sync
3.	Video-Blue	7.	GND-G	11.	Ground	15.	DDC-Serial clock
4.	Ground	8.	GND-B	12.	DDC-Serial data		

4.2 Factory Preset Display Modes

Standard	Resolution	H. Frequency (kHz)	V. Frequency (Hz)	Active screen size		
				18.5"	19"	20"
VGA	640 × 480@60Hz	31.469	59.940	√	√	√
	640 × 480@67Hz	35.000	66.667	√	√	√
	640 × 480@72Hz	37.861	72.809	√	√	√
	640 × 480@75Hz	37.500	75.000	√	√	√
DOS MODE	720 × 400@70Hz	31.469	70.087	√	√	√
SVGA	800 × 600@56Hz	35.156	56.250	√	√	√
	800 × 600@60Hz	37.879	60.317	√	√	√
	800 × 600@72Hz	48.077	72.188	√	√	√
	800 × 600@75Hz	46.875	75.000	√	√	√
MAC MODE	832 × 624@75Hz	49.725	74.551	√	√	√
XGA	1024× 768@60Hz	48.363	60.004	√	√	√
	1024× 768@70Hz	56.476	70.069	√	√	√
	1024× 768@75Hz	60.023	75.029	√	√	√
WXGA	1280 × 720@60Hz	45.000	60.000	√	√	√
SXGA	1280×1024@60Hz	63.981	60.020		√	√
	1280×1024@75Hz	79.976	75.025		√	√

WXGA	1360× 768 @60Hz	47.712	60.015	√		
	1366× 768 @60Hz	47.712	59.790	√		
WXGA+	1440× 900@60Hz	55.935	59.876		√	
WSXGA	1600×900@60Hz	60.000	59.950			√

4.3 Panel Specification

4.3.1 General Features

M185BGE-L22 is a 18.5" TFT Liquid Crystal Display module with WLED Backlight unit and 30 pins 1ch-LVDS interface. This module supports 1366 x 768 HD mode and can display up to 16.7M colors. The converter module for Backlight is not built in.

4.3.2 Display Characteristics

Item	Specification	Unit
Screen Size	18.51" real diagonal	
Driver Element	a-si TFT active matrix -	-
Pixel Number	1366 x R.G.B. x 768 pixel	Pixel
Pixel Pitch	0.3 (H) x 0.3 (V) mm	Mm
Pixel Arrangement	RGB vertical stripe -	-
Display Colors	16.7M color	Color
Transmissive Mode	Normally white	-
Surface Treatment	AG type, 3H hard coating, Haze 25%-	-
Luminance, White	200 Cd/m ²	Cd/m ²
Color Gamut	72% of NTSC(Typ.)	-
TCO	-----	-
Power Consumption	Total (19.35)W(Max.)@cell 3.3 W (Max.), BL (13)W (Max.)	-

4.3.3 Electrical Characteristics

V_{cc} = 5.0 V, T_a = 25 ± 2.°C, Frame rate=75Hz

Parameter	Symbol	Value			Unit
		Min.	Typ.	Max.	
Power Supply Voltage	V _{cc}	4.5	5	5.5	V
Ripple Voltage	V _{rp}	-	-	300	mV
Rush Current	I _{rush}		1.5	2	A
Power Supply Current—White			0.3	0.4	A
Power Supply Current--Black			0.45	0.6	A
Power Supply Current--Vertical Stripe			0.5	0.65	A
Power Consumption	PLCD		2.5	3.6	Watt
LVDS differential input voltage	VID	100	-	600	mV
LVDS common input voltage	VIC	1.0	1.2	1.4	V
Logic High Input Voltage	VIH			0.1	V
Logic Low Input Voltage	VIL	0.1			V

BACKLIGHT UNIT

T_a = 25 ± 2.°C

Parameter	Symbol	Value			Unit
		Min	Typ.	Max.	
Light Bar Input Voltage	V _{LED}	29.3	35.2	41	V _{DC}
Light Bar Input Current	I _{LE}		240	252	mA _{DC}
Power Consumption	P _{LED}		8.4		W
LED Lif Time	L _{BL}	30000			Hrs
IFP LED Peak forward current	I _{LED}			400	mA _{DC}

4.3.4 Optical Characteristics

T_a = 25±2 °C

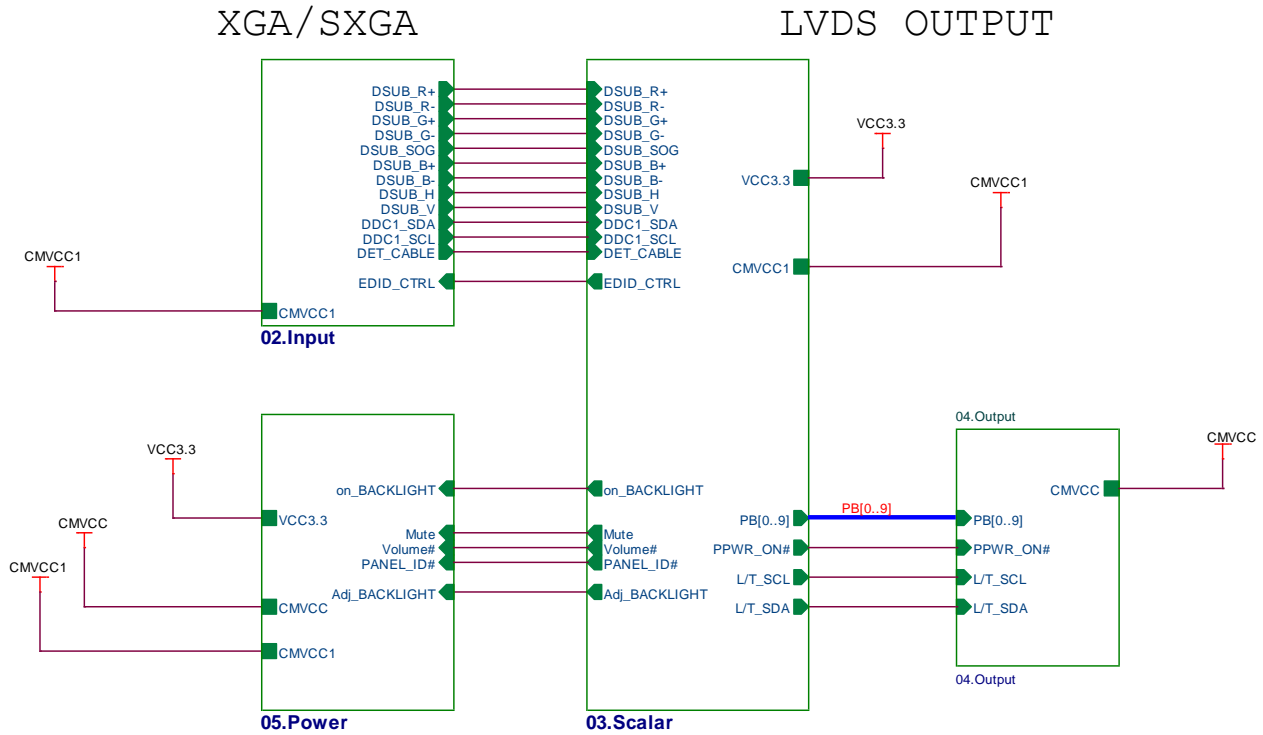
Item		Symbol	Condition	Min.	Typ.	Max.	Unit
Color Chromaticity (CIE 1931)	Red	R _x	$\theta_x=0^\circ, \theta_y=0^\circ$ R=G=B=255 Grayscale	Typ - 0.03	Typ + 0.03		
		R _y					
	Green	G _x					
		G _y					
	Blue	B _x					
		B _y					
	White	W _x					
		W _y					
Center Luminance of White (Center of Screen)		L _c		150	200	---	cd/m ²
Contrast Ratio		CR		500	700	---	-
Response Time		T _R	$\theta_x=0^\circ, \theta_y=0^\circ$	---	1.5	2.5	ms
		T _F					
White Variation		δW	$\theta_x=0^\circ, \theta_y=0^\circ$	75		--	-
Viewing Angle	Horizontal	$\theta_{x-} + \theta_{x+}$	CR ≥ 10 BM-5A	80	90	---	Deg.
	Vertical	$\theta_{y-} + \theta_{y+}$					
	Horizontal	$\theta_{x-} + \theta_{x+}$	CR ≥ 5 BM-5A	100	110	---	
	Vertical	$\theta_{y-} + \theta_{y+}$					

5. Block Diagram

5.1 Main Board

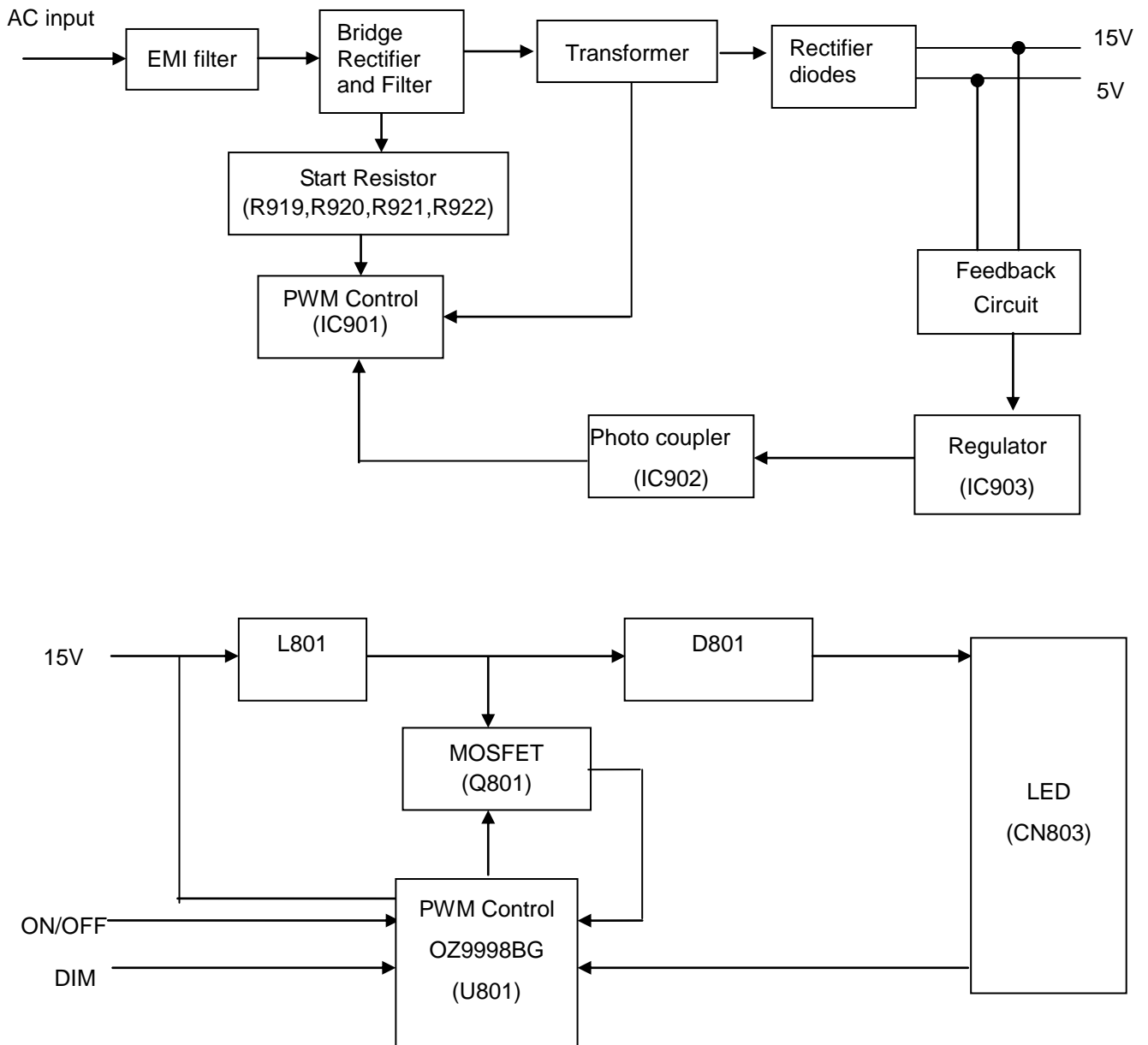
715G4488M01001004C

RTD2270CLW-CG SCHEMATIC



TPV (Top Victory Electronics Co., Ltd.)	OEM MODEL	AOC 66S ID(1A) - 18.5" only	Size	A	
丝瓜网膜	715G4488-M0A-001-0040_120106	TPV MODEL	AOC 66S ID(1A) - 18.5" only	Rev	A
Key Component	01_Top	PCB NAME	715G4488-M0A-001-0040	称爹	<称爹>
Date	Wednesday, January 11, 2012	Sheet	3 of 7		

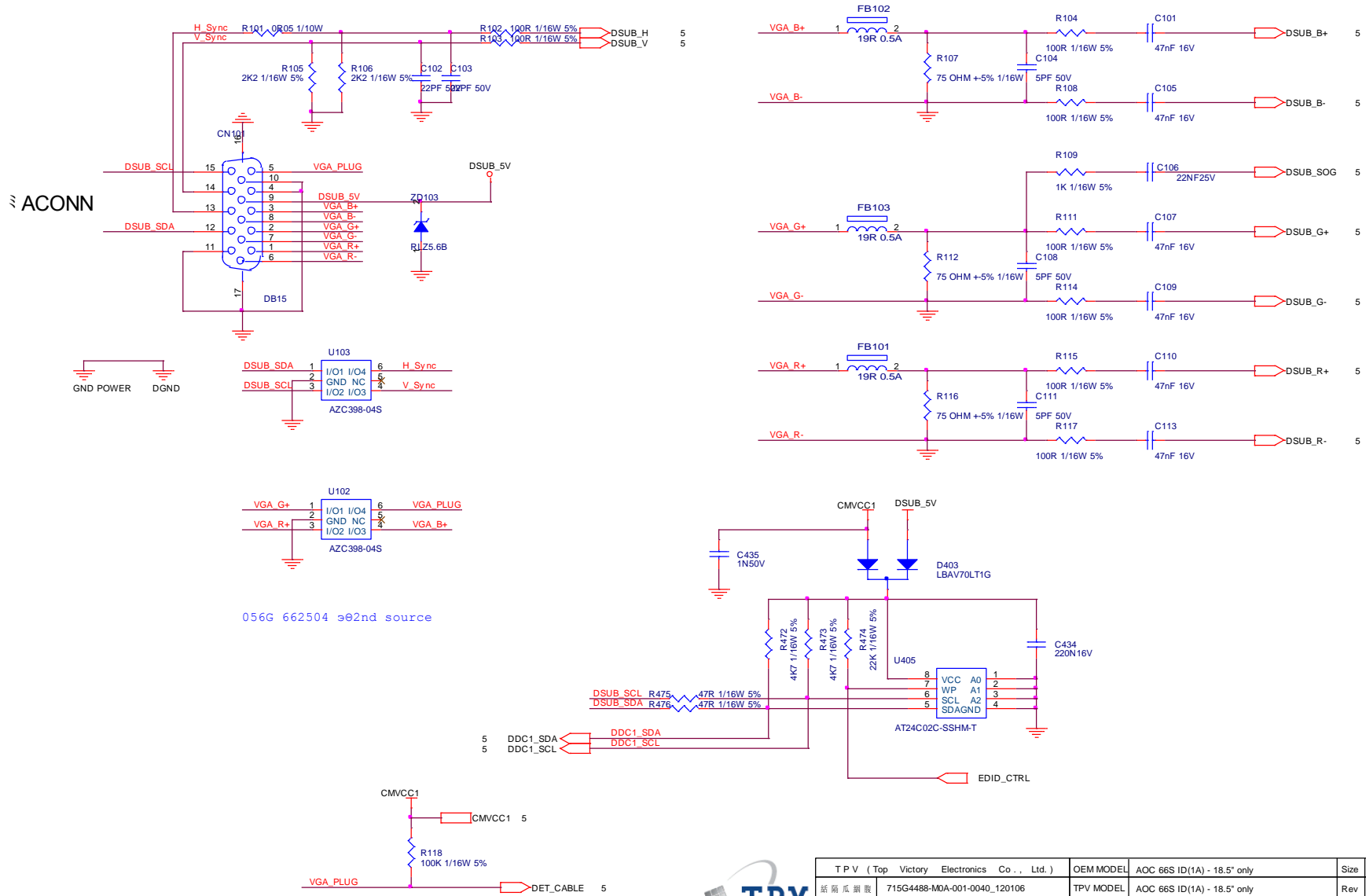
5.2 Power Board



6. Schematic

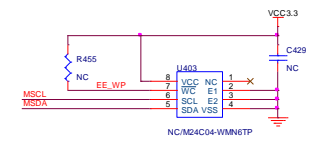
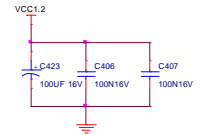
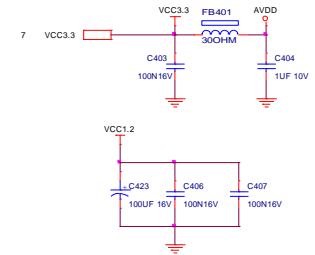
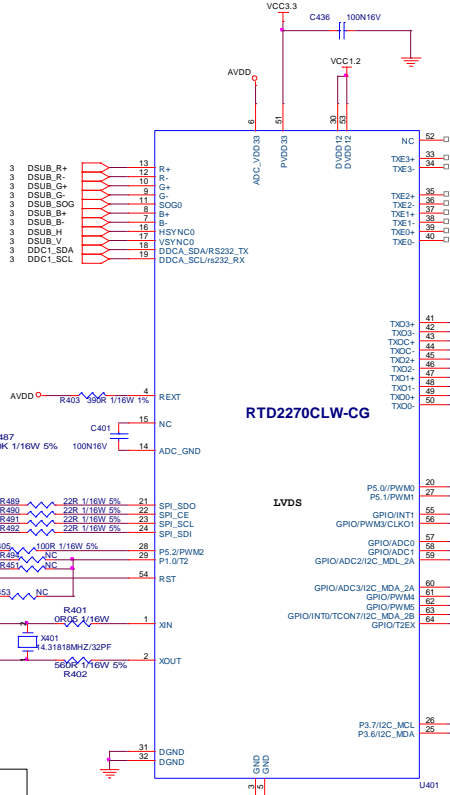
6.1 Main Board

715G4488M01001004C

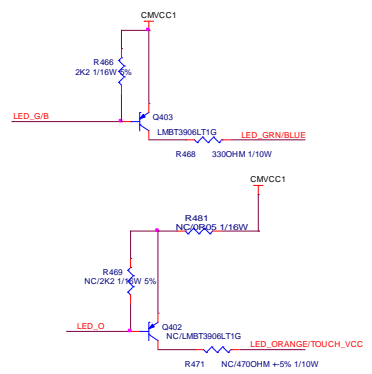
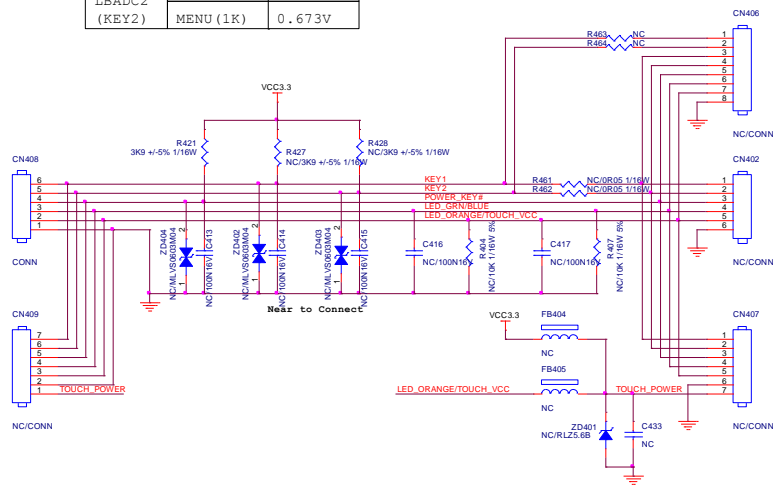


TPV (Top Victory Electronics Co., Ltd.)	OEM MODEL	AOC 66S ID(1A) - 18.5" only	Size	B
隔離編號 715G4488-M0A-001-0040_120106	TPV MODEL	AOC 66S ID(1A) - 18.5" only	Rev	A
Key Component 02_Input	PCB NAME	715G4488-M0A-001-0040	稱號	<稱號>
Date Wednesday, January 11, 2012	Sheet	4 of 7		

If product spec is <0.3W, need to check flash VCC current.



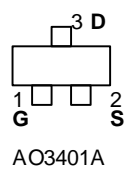
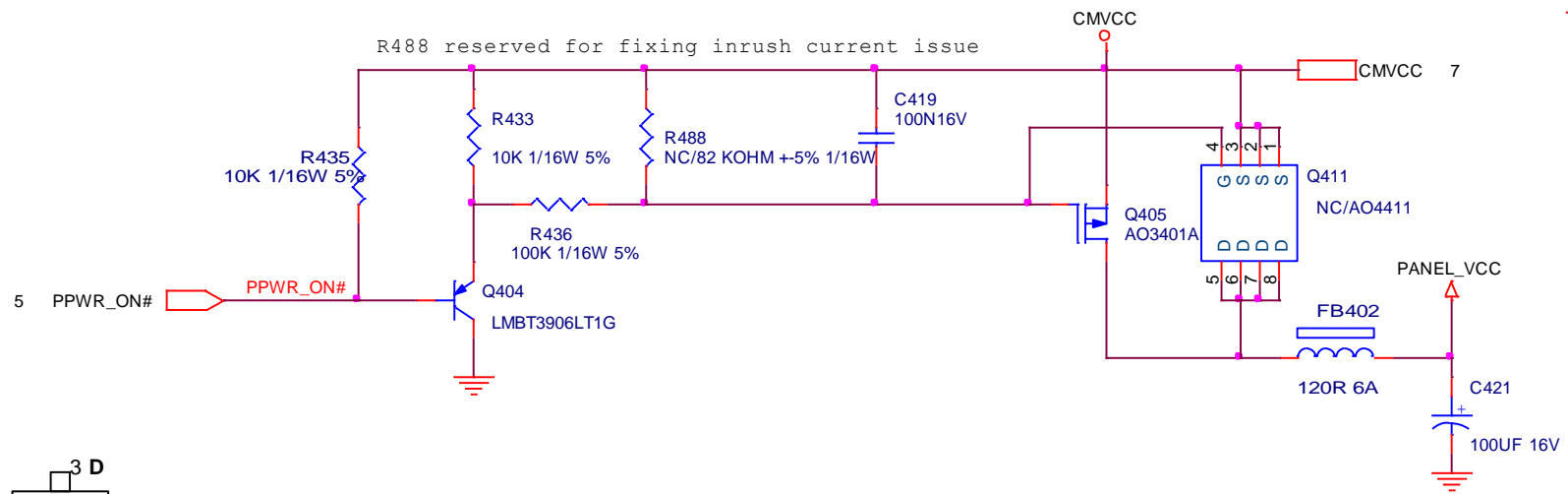
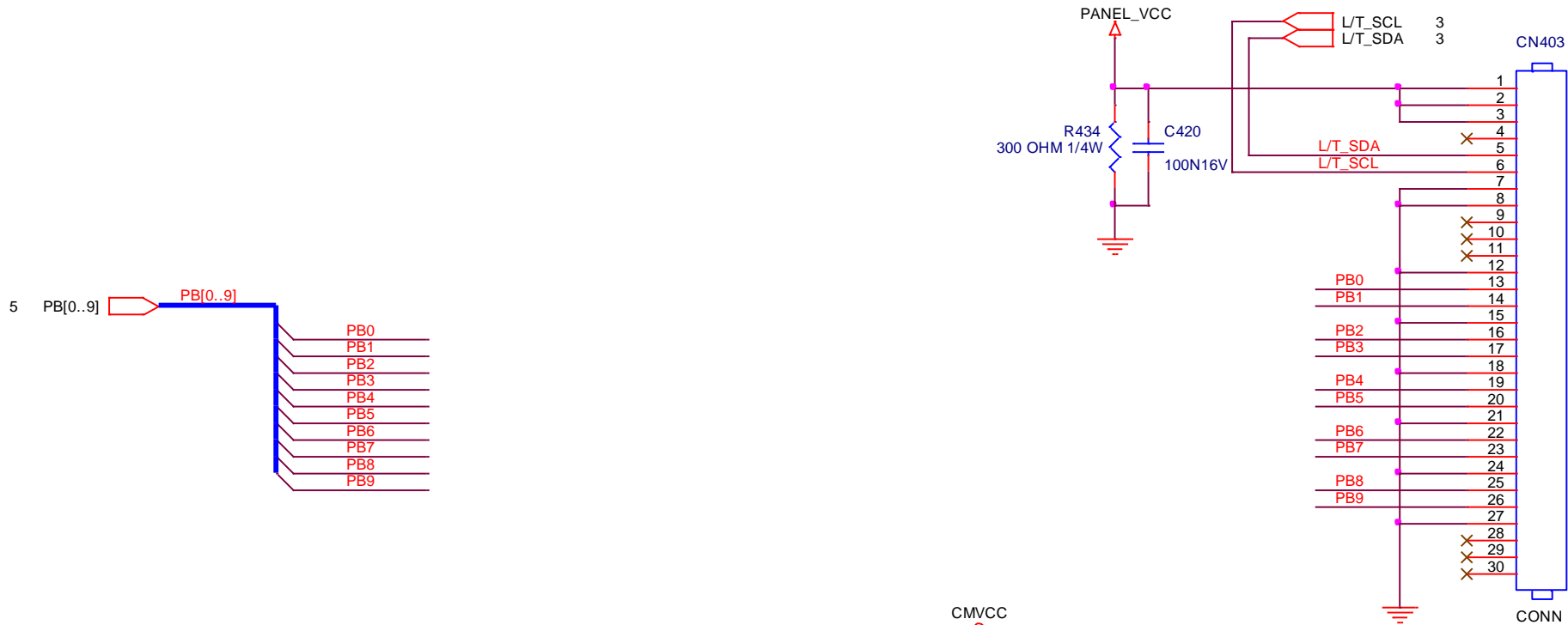
LBADC1 (KEY1)	AUTO (2K)	1.118V
	UP (0)	0V
LBADC2 (KEY2)	DOWN (2K)	1.118V
	MENU (1K)	0.673V



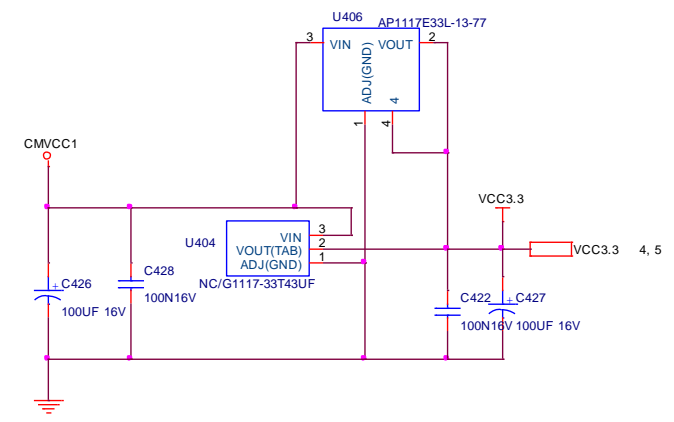
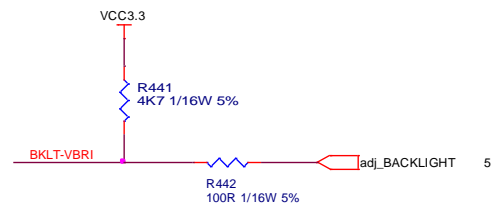
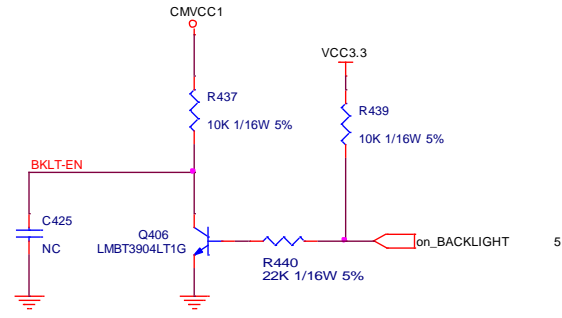
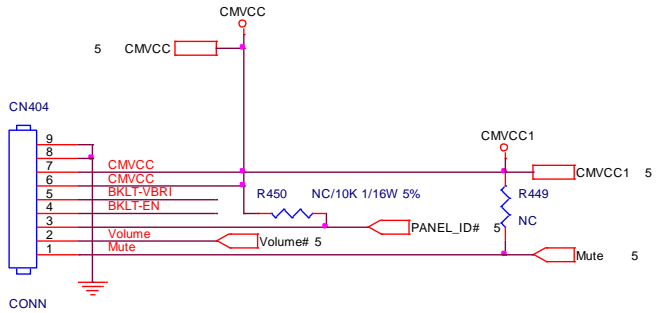
When use touch Key,GPIO_P07 as to control touch key VCC



TPV (Top Victory Electronics Co., Ltd.)	OEM MODEL	ACC 66S ID(1A) - 18.5" only	Size	C
冠捷电子	TPV MODEL	ACC 66S ID(1A) - 18.5" only	Rev	A
Key Component	03.Scalar	715G4488-MA-001-0040	PCB NAME	715G4488-MA-001-0040
Date	Thursday, February 23, 2012	Sheet	5 of 7	第 5 页 <共 7 页>



TPV (Top Victory Electronics Co., Ltd.)	OEM MODEL	AOC 66S ID(1A) - 18.5" only	Size	A
結構瓜網腹	715G4488-M0A-001-0040_120106	TPV MODEL	AOC 66S ID(1A) - 18.5" only	Rev
Key Component	04.Output	PCB NAME	715G4488-M0A-001-0040	稱爹
Date	Tuesday, January 17, 2012	Sheet	6 of 7	<稱爹>

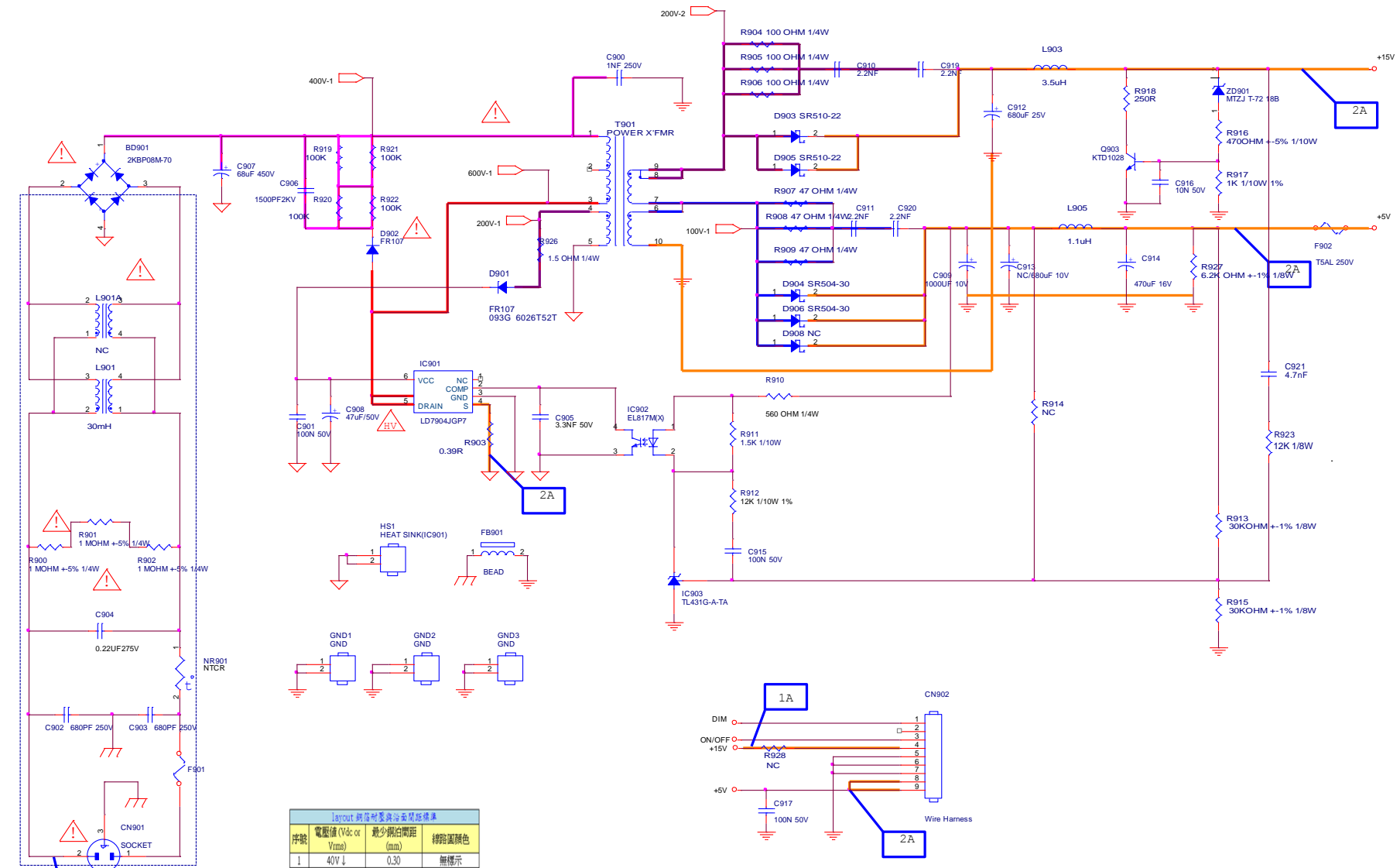


U404 can use package 223 or 252.



TPV (Top Victory Electronics Co., Ltd.)	OEM MODEL	AOC 66S ID(1A) - 18.5" only	Size	B	
经南瓜网膜	715G4488-M0A-001-0040_120106	TPV MODEL	AOC 66S ID(1A) - 18.5" only	Rev	A
Key Component	05.Power	PCB NAME	715G4488-M0A-001-0040	称	<称>
Date	Thursday, January 12, 2012	Sheet	7 of 7		

6.2 Power Board 715G4452P02002001M



MNT 標購 2.5mm / TV 標購 3mm
BRIDGE 珠 L/N Trace 3.0mm

layout 銅箔厚度與箔面間距標準

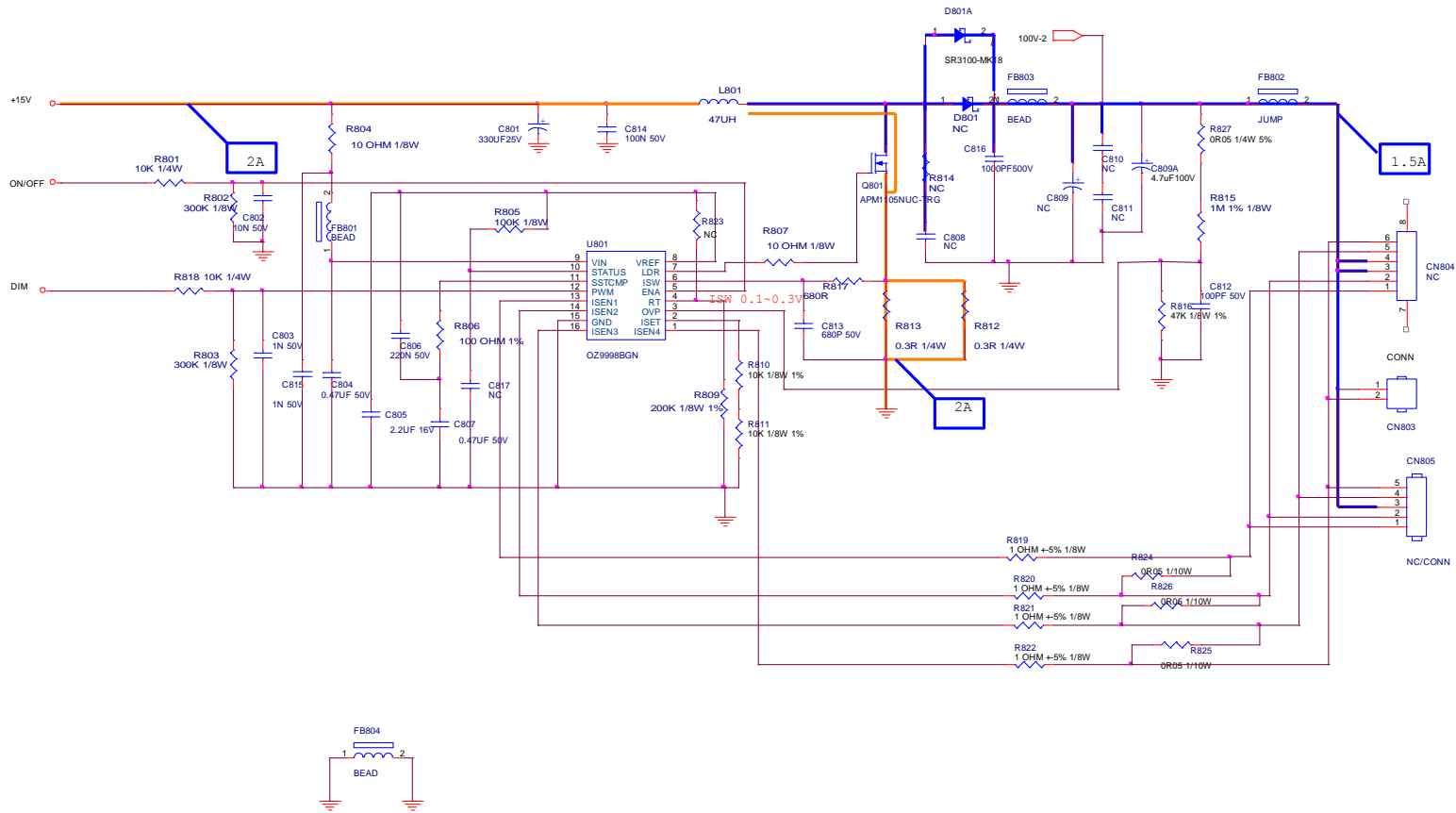
序號	電壓值 (Vdc or Vrms)	最少銅箔間距 (mm)	線路圖顏色
1	40V-1	0.30	無標示
2	40V-100V	0.75	藍色
3	100V-200V	1.5	紫色
4	200V-400V	2.0	綠色
5	400V-600V	3.0	紅色
6	600V-1000V	5.0	黑色

Layout trace 電流與 trace 寬度, 1A=最少 1mm 以上寬度 銅厚: 1(Oz)

序號	電流值 (Idc or Irms)	最少銅寬 (mm)	線路圖顏色
1			線路圖上標示



TPV (Top Victory Electronics Co., Ltd.)	OEM MODEL	AOC 66TH	Size	Custom
原廠瓜爾期	G4452-P02-002-0010-1-120528	TPV MODEL	PLPCC9341MH1D1	Rev
Key Component	02.POWER	PCB NAME	715G4452-P02-002-0010	Rev
Date	Friday, June 08, 2012	Sheet	2 of 3	ODM MODEL



Layout銅箔耐壓蝕蝕面厚標準

序號	電壓值 (Vdc or Vrms)	最少銅箔間距 (mm)	線路圖顏色
1	40V ↓	0.30	無標示
2	40V-100V	0.75	藍色
3	100V-200V	1.5	紫色
4	200V-400V	2.0	粉紅色
5	400V-600V	3.0	紅色
6	600V-1000V	5.0	黑色

Layout trace 電流與 trace 寬度, 1A=最少 1mm 以上寬度 銅厚:1(Oz)

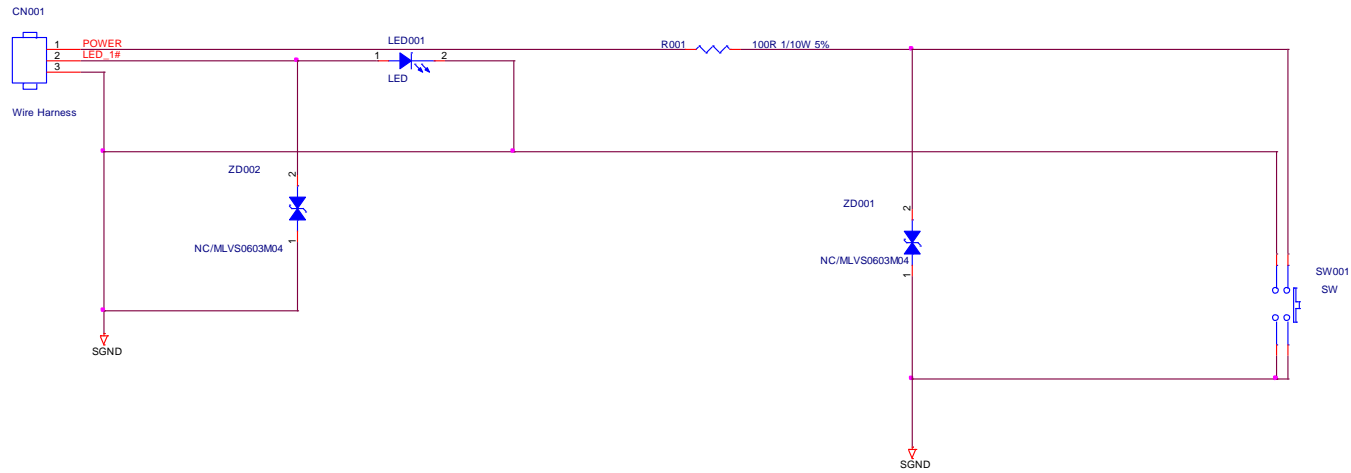
序號	電流值 (dc or lms)	最少銅寬 (mm)	線路圖顏色
1			線路圖上標示



T.P.V (Top Victory Electronics Co., Ltd.)		OEM MODEL	AOC 66TH	Size	Custom
結構圖圖號	G4452-P02-002-0010-1-120528	TPV MODEL	PLPCC93411MHD1	Rev	1
Key Component	03_CONVERTER	PCB NAME	715G4452-P02-002-0010	料號	ODM MODEL
Date	Friday, June 08, 2012	Sheet	3 of 3		

6.3 Key Board

715G5578K01000001S

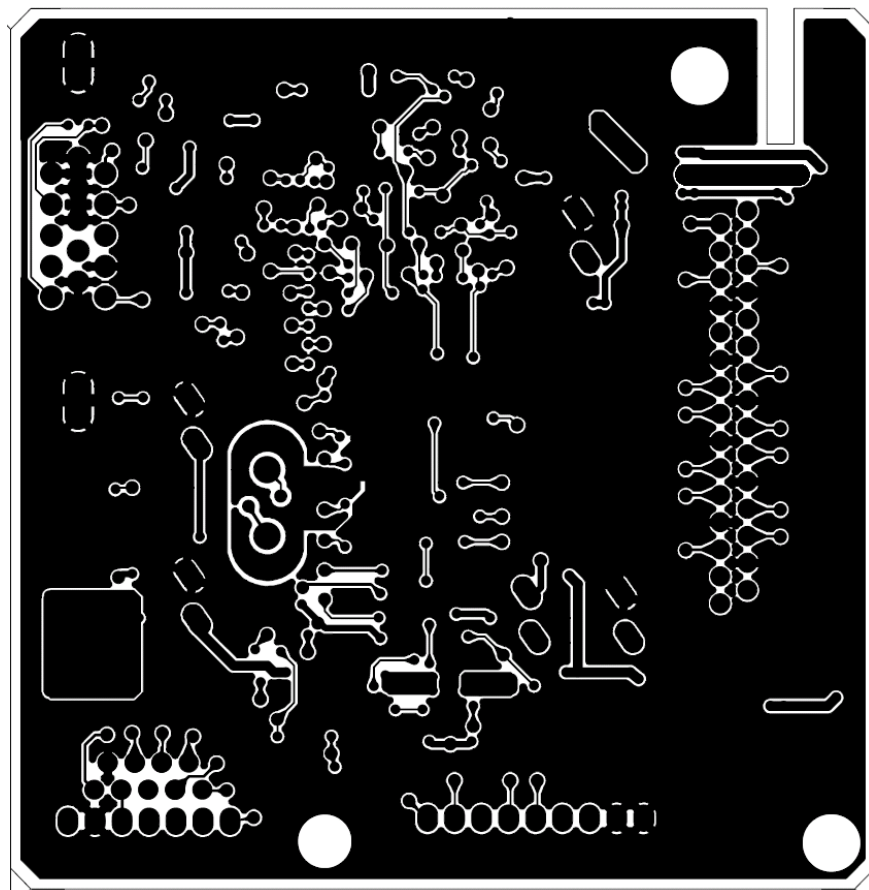
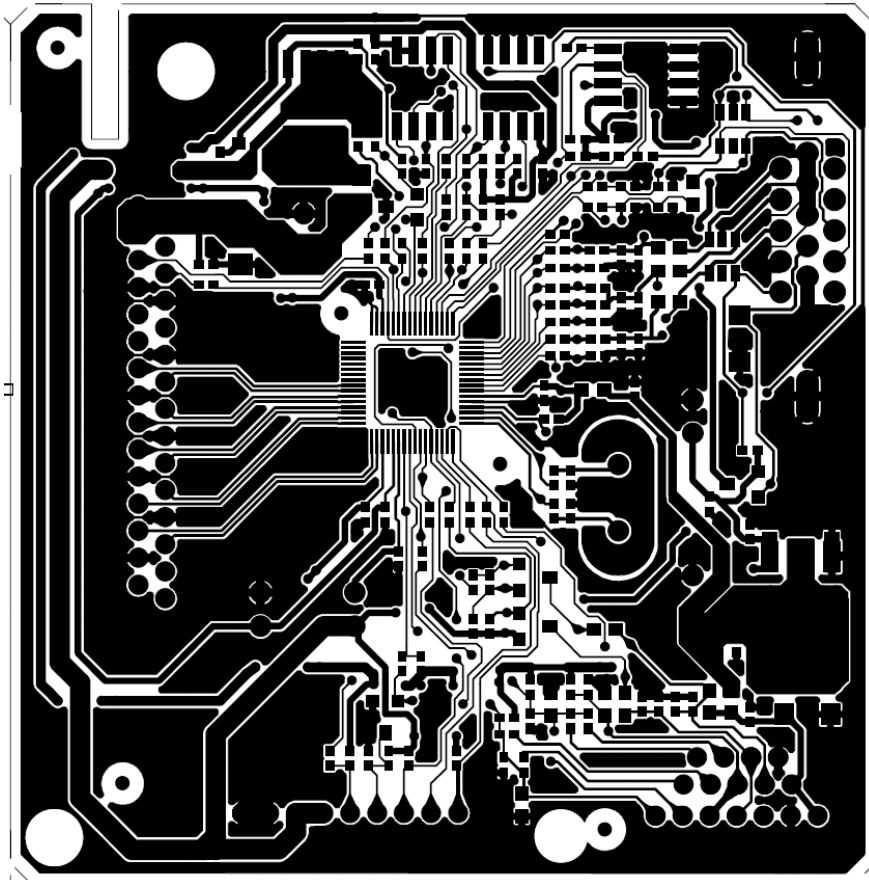


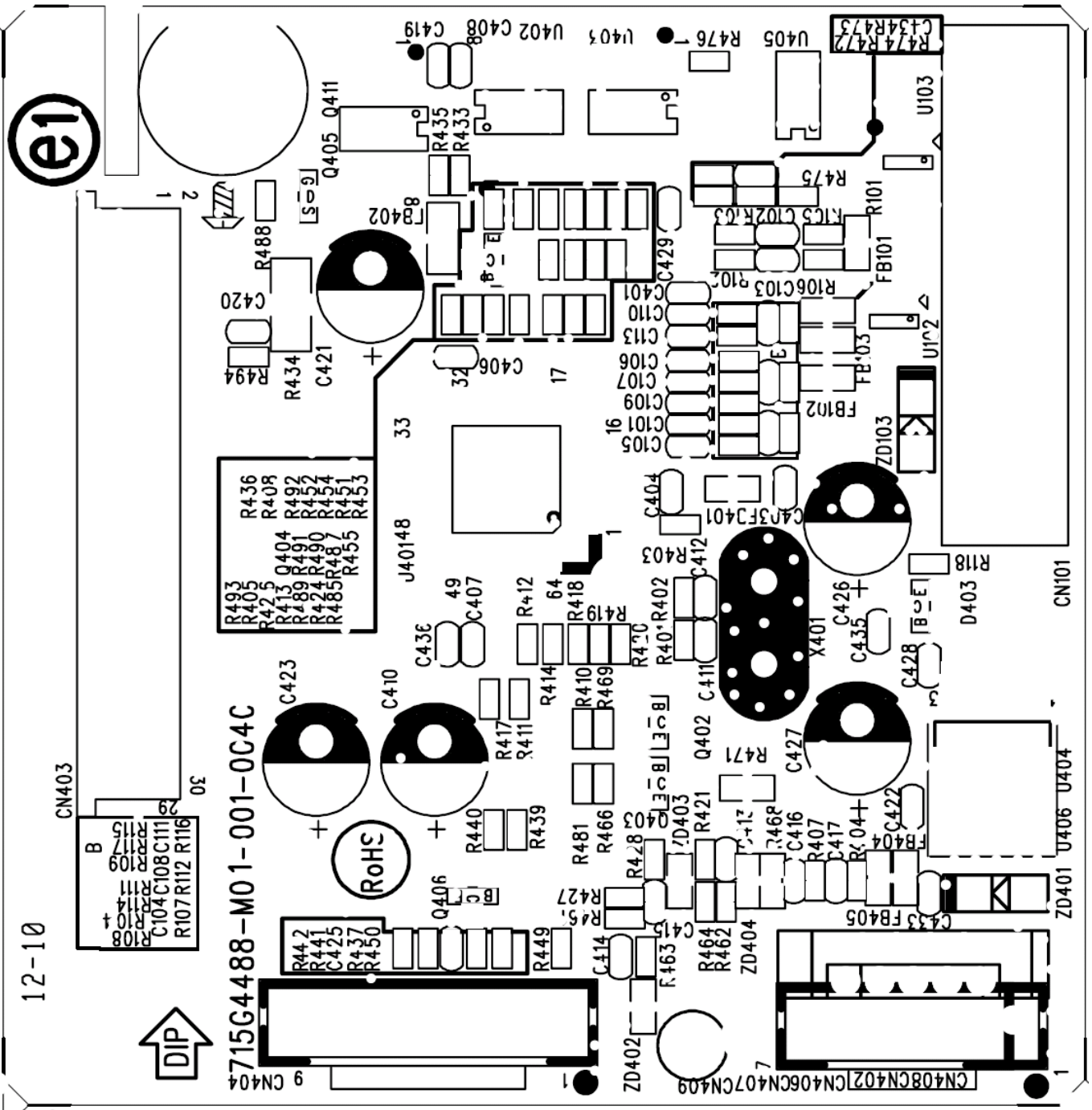
TPV (Top Victory Electronics Co., Ltd.)	OEM MODEL	AOC E966SWN	Size	B	
話 術 成 果 報 告	RDGXXX-K0A-000-0040	TPV MODEL	AOC E966SWN	Rev	B
Key Component	2.0.key	PCB NAME	715GXXX-K0A	称 号	<称 号>
Date	Thursday, February 09, 2012	Sheet	2 of 2		

7. PCB Layout

7.1 Main Board

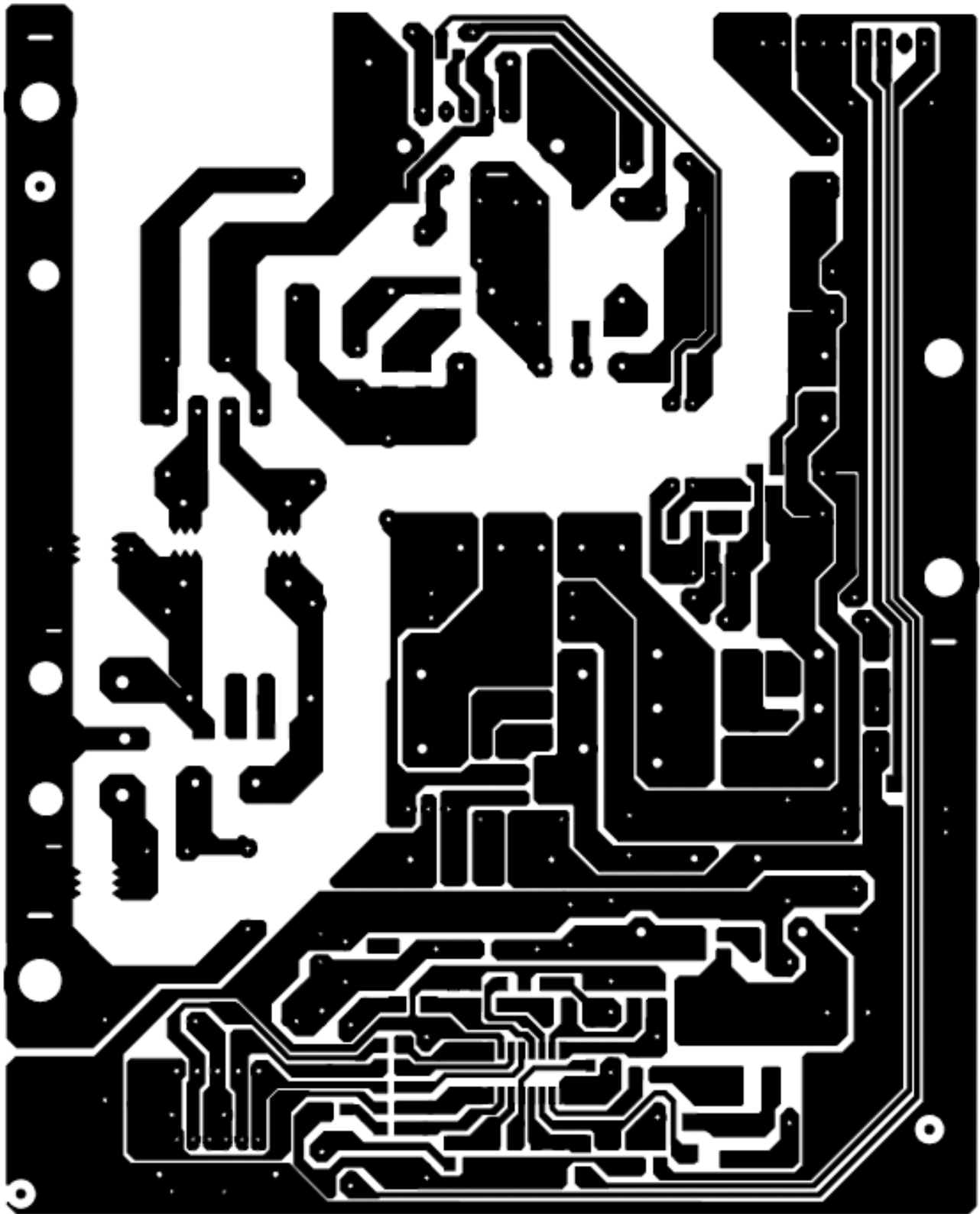
715G4488M01001004C



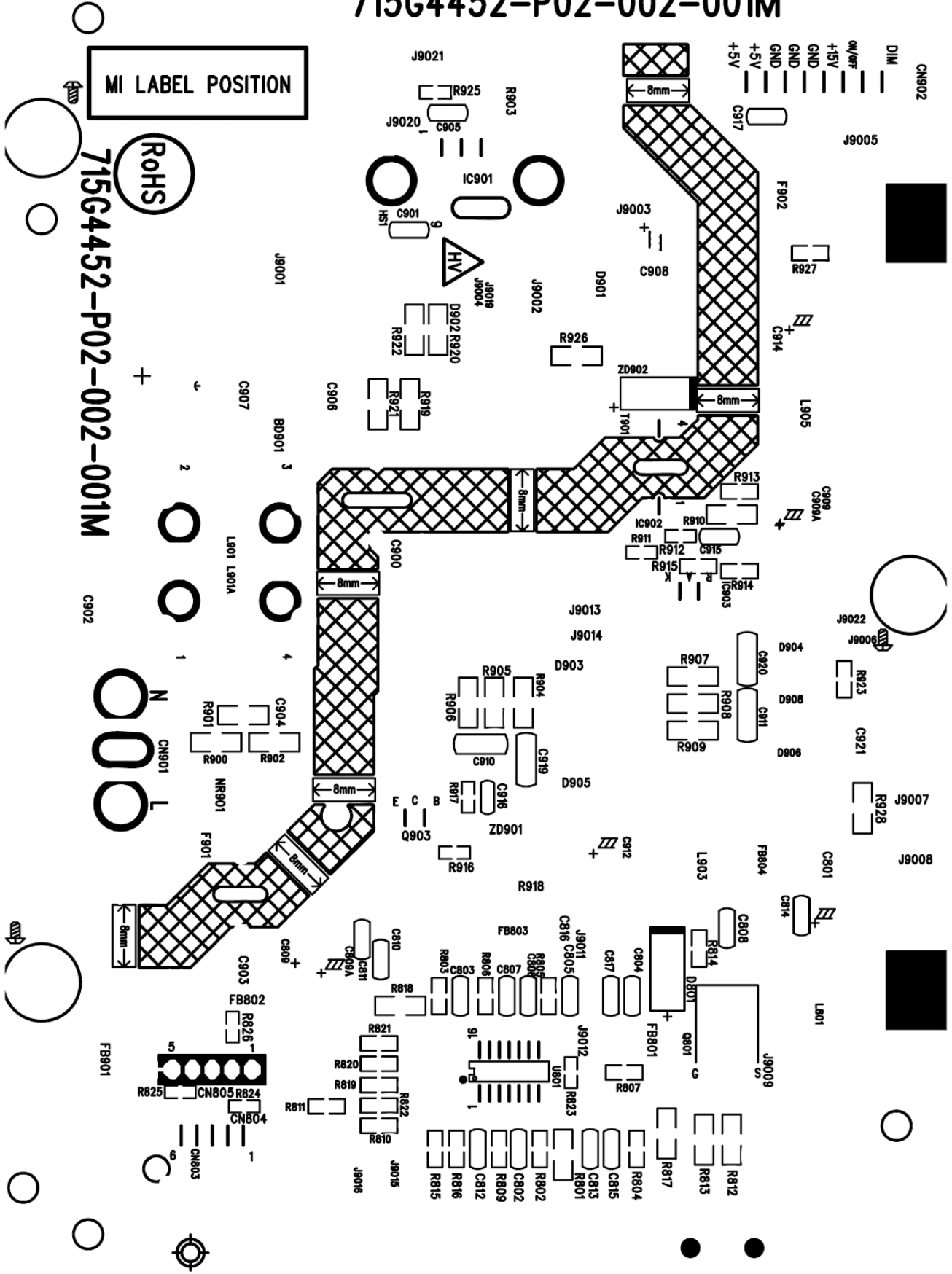


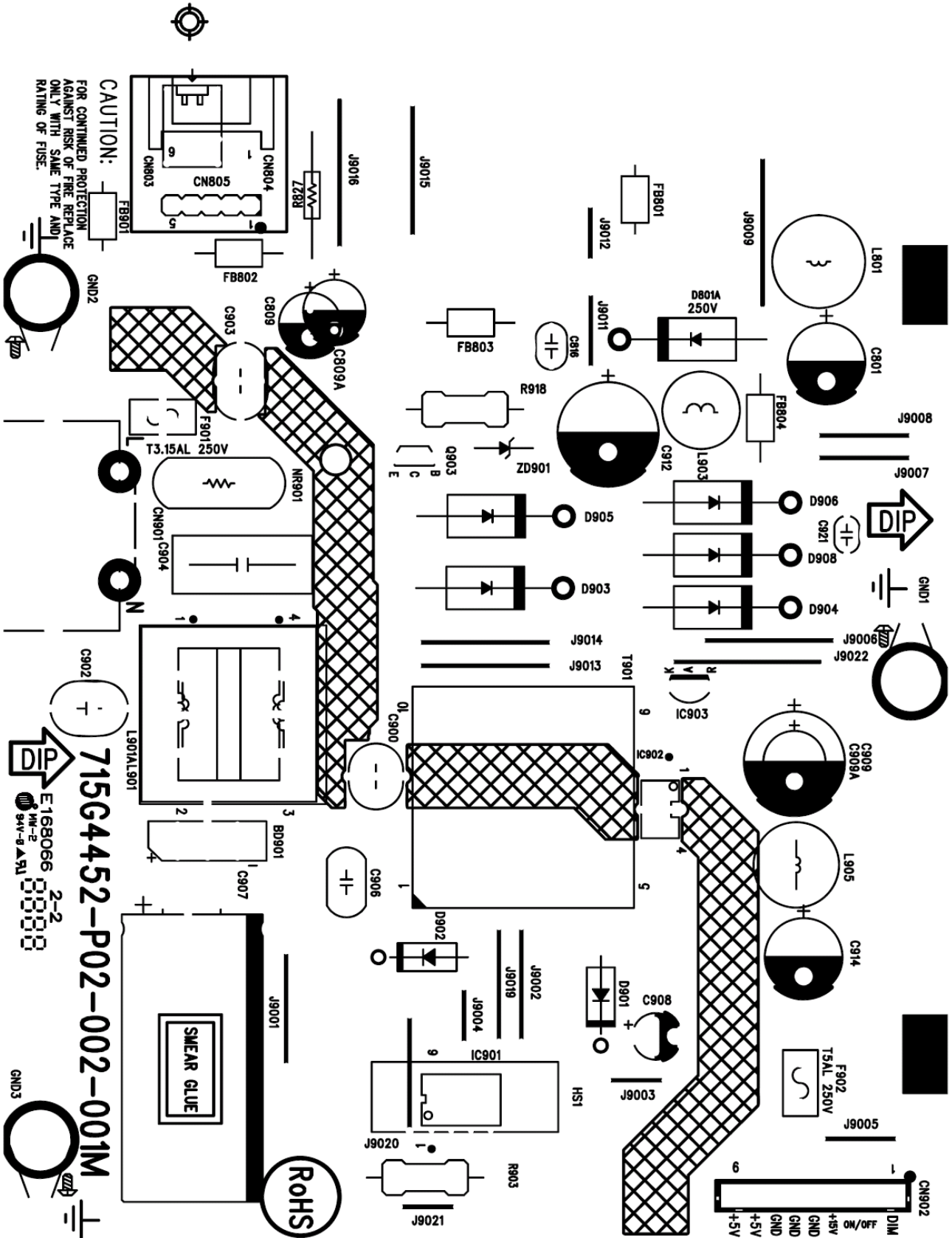
7.2 Power Board

715G4452P02002001M



715G4452-P02-002-001M





CAUTION:
 FOR CONTINUED PROTECTION
 AGAINST RISK OF FIRE REPLACE
 ONLY WITH SAME TYPE AND
 RATING OF FUSE.

715G4452-P02-002-001M

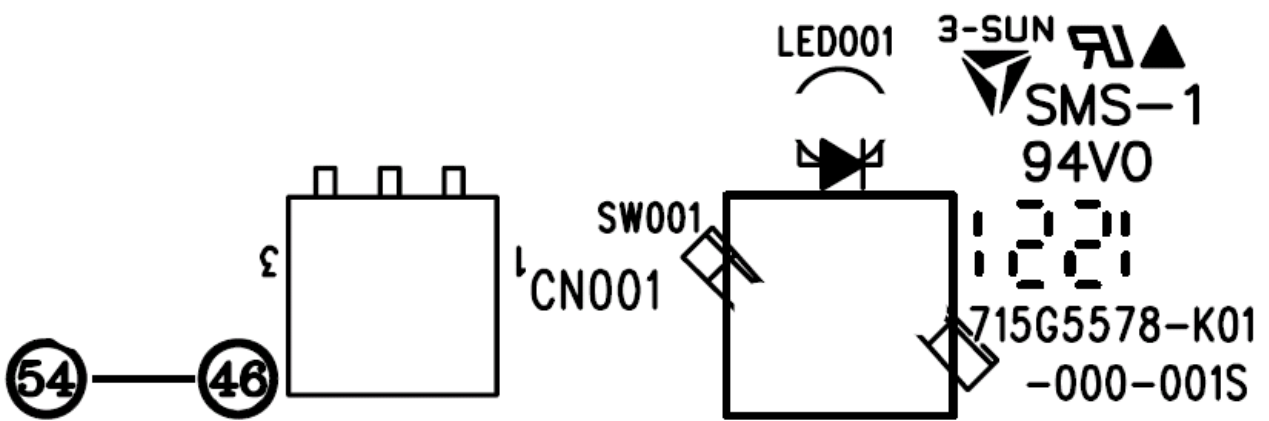
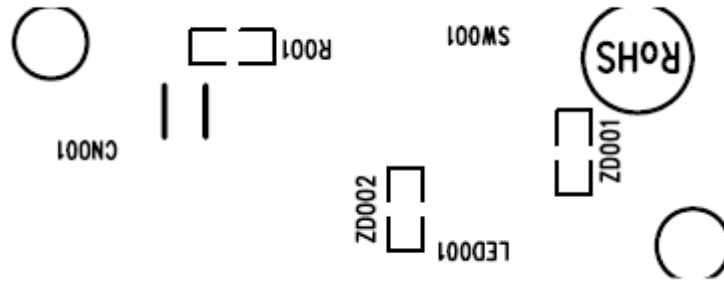
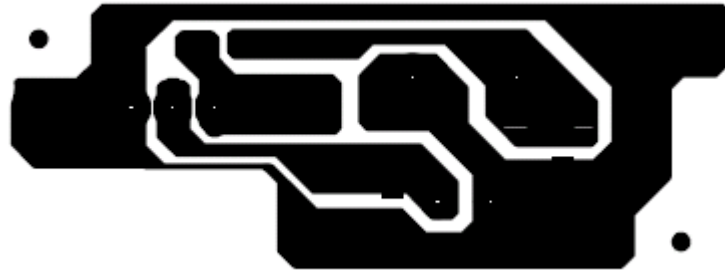
E168066 2-2
 94V-0 RL

RoHS
 DIP

715G4452-P02-002-001M

7.3 Key Board

715G5578K01000001S



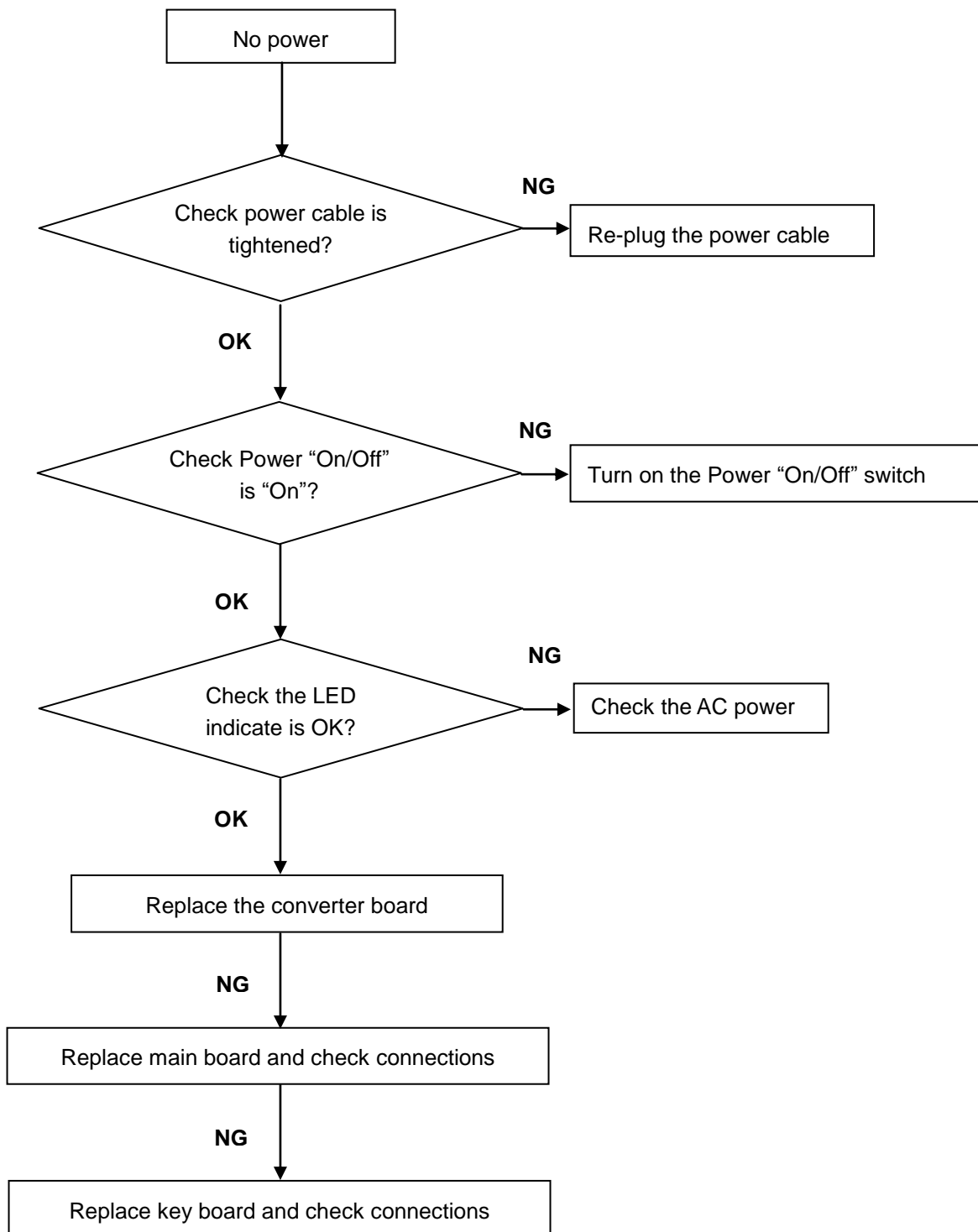
8. Maintainability

8.1 Equipments and Tools Requirement

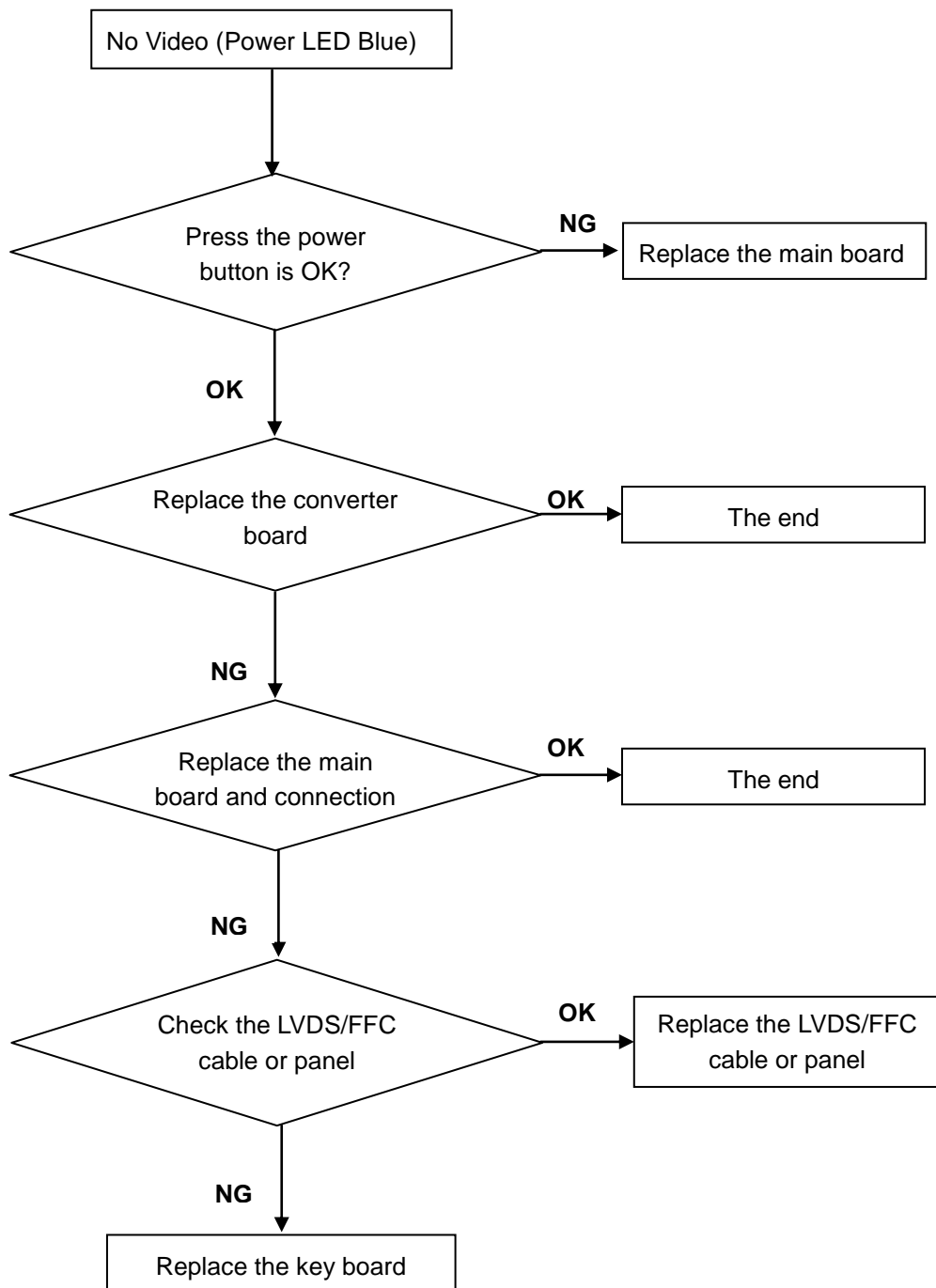
1. Voltmeter.
2. Oscilloscope.
3. Pattern Generator.
4. DDC Tool with an IBM Compatible Computer.
5. Alignment Tool.
6. LCD Color Analyzer.
7. Service Manual.
8. User Manual.

8.2 Trouble Shooting

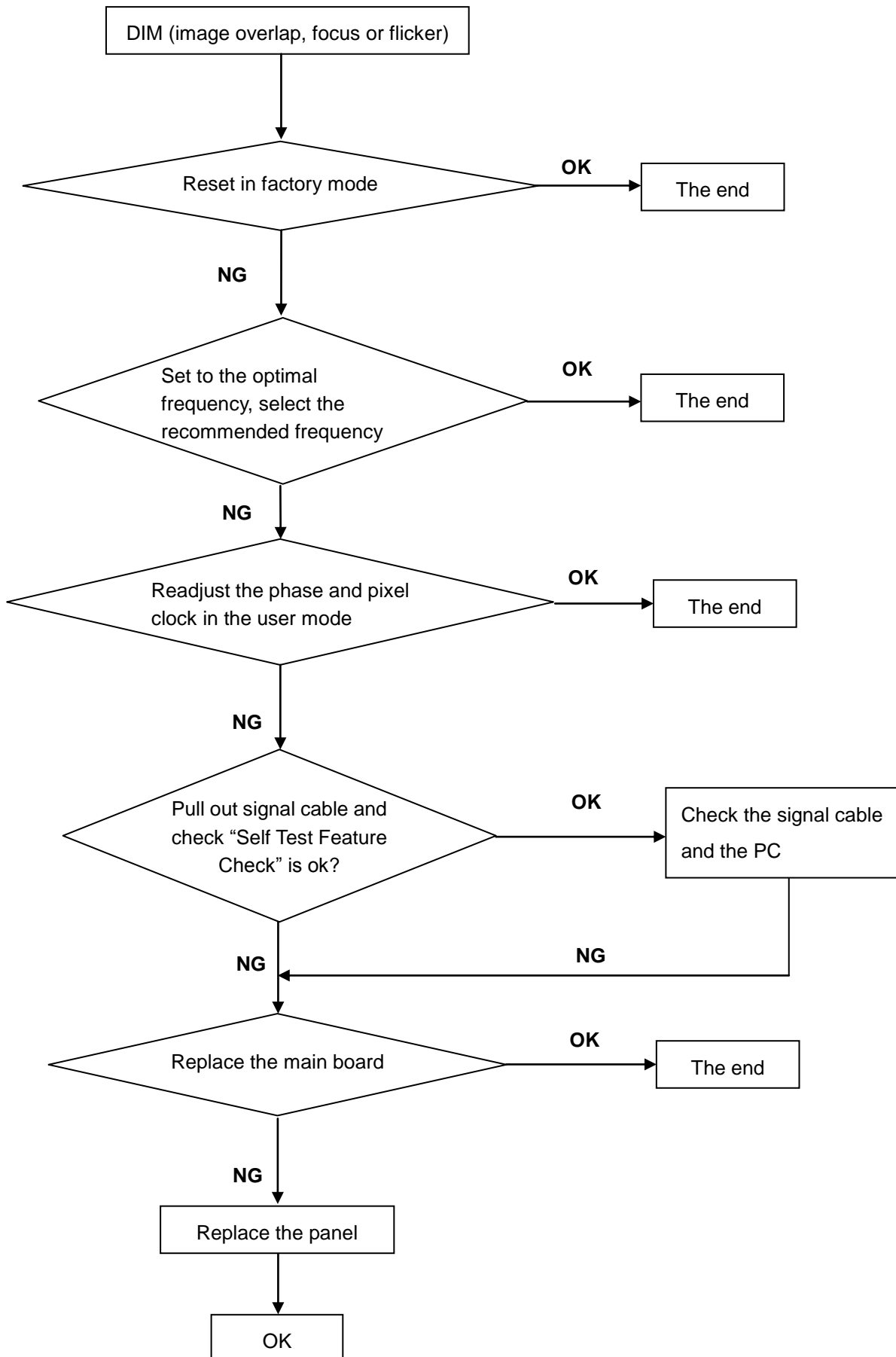
1. No Power



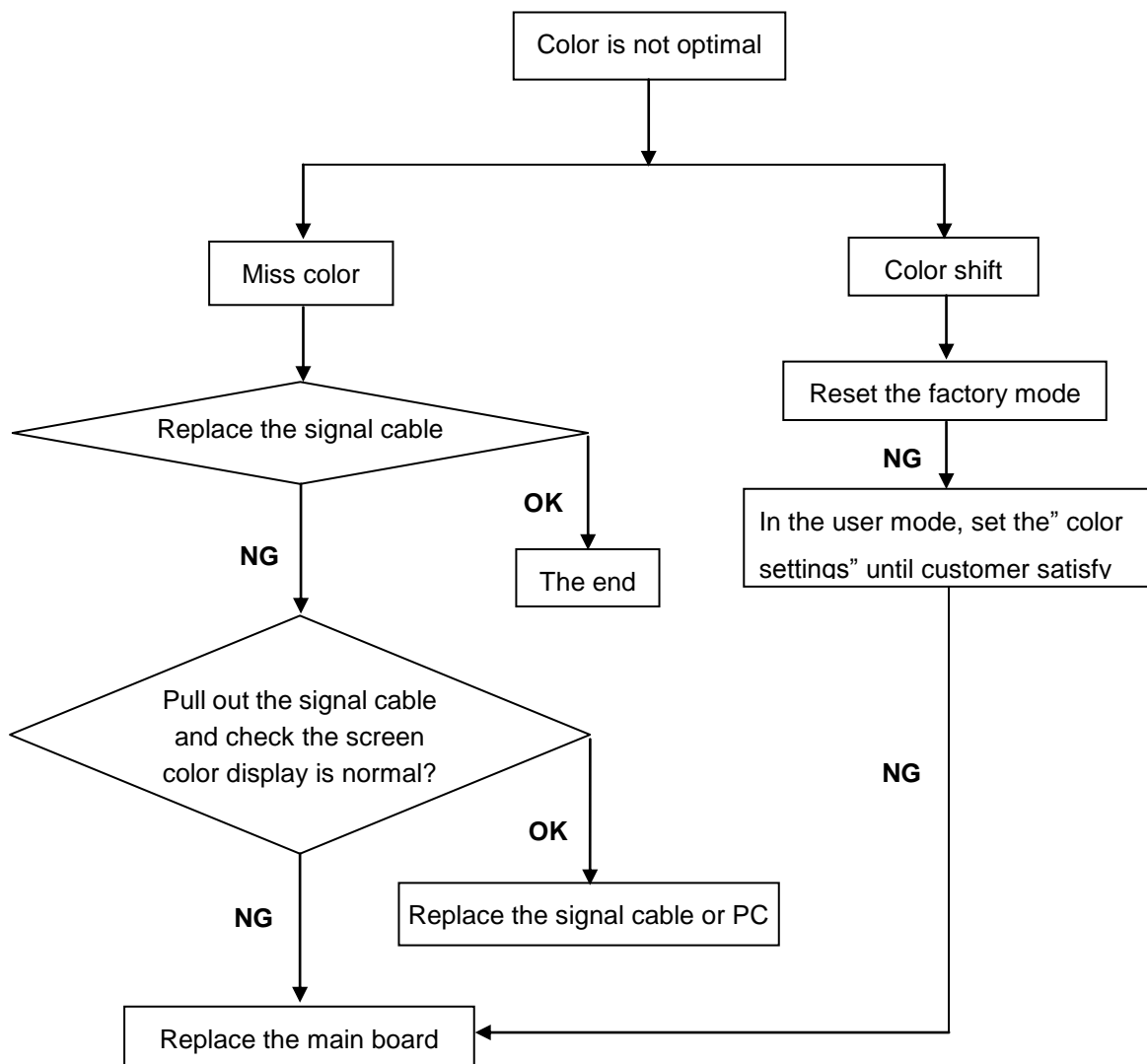
2. No Video (Power LED Blue)



3. DIM



4. Color is not optimal



9. White- Balance, Luminance Adjustment

Approximately 30 minutes should be allowed for warm up before proceeding white balance adjustment.

How to setting MEM channel you can reference to chroma 7120 user guide or simpl use “SC” key and “NEXT” Key to modify xyY value and use “ID” key to modify the TEXT description Following is the procedure to do white-balance adjust .

2. Setting the color temp. you want

A. MEM.CHANNEL 3 Warm (6500K):

Warm color temp. parameter is $x = 313 \pm 30$, $y = 329 \pm 30$

B. MEM.CHANNEL 4 Normal (7300K):

Normal color temp. parameter is $x = 301 \pm 30$, $y = 317 \pm 30$




C. MEM.CHANNEL 9 Cool (9300K):

Cool color temp. parameter is $x = 283 \pm 30$, $y = 297 \pm 30$

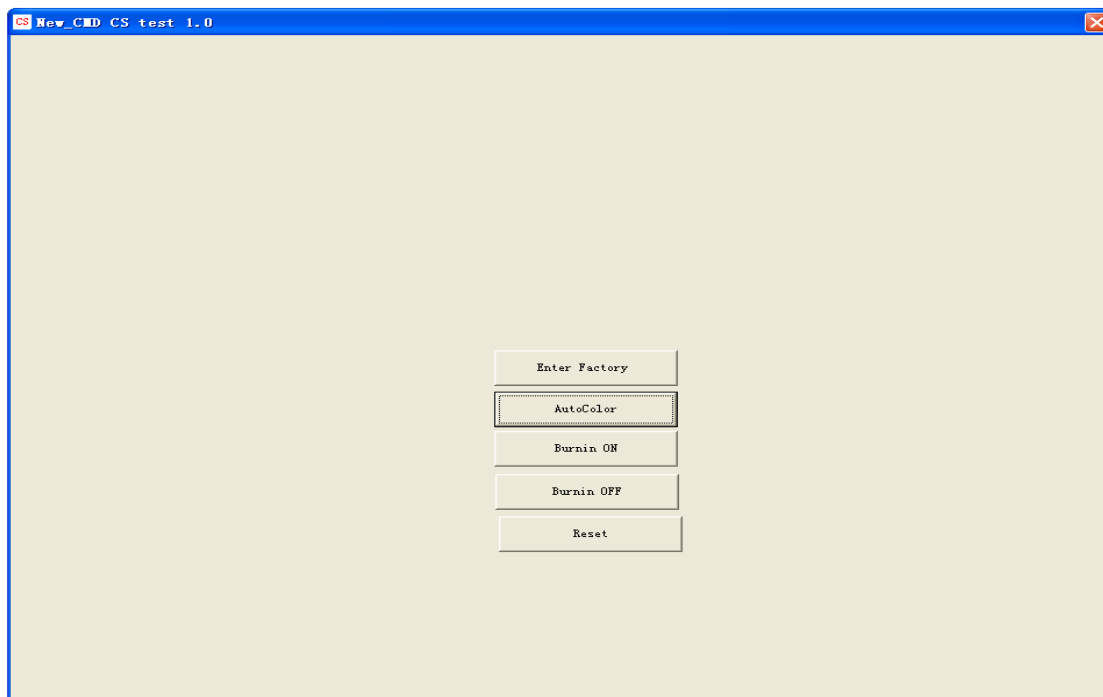
D. MEM.CHANNEL 10 (sRGB color):

sRGB color temp. parameter is $x = 313 \pm 30$, $y = 329 \pm 30$

3. Enter into the factory mode

USE the tool  , double-click the icon   and choose "Enter

Factory" You will enter into the factory mode



4. Gain adjustment:

Move cursor to “-F-” and press MENU key

A. Adjust Warm (6500K) color-temperature

1. Switch the chroma-7120 to **RGB-Mode** (with press "MODE" button)
2. Switch the MEM.channel to Channel 3 (with up or down arrow on chroma 7120)
3. The LCD-indicator on chroma 7120 will show $x = 313 \pm 30$, $y = 329 \pm 30$
4. Adjust the RED on factory window until chroma 7120 indicator reached the value $R=100$
5. Adjust the GREEN on factory window until chroma 7120 indicator reached the value $G=100$
6. Adjust the BLUE on factory window until chroma 7120 indicator reached the value $B=100$
7. Repeat above procedure (item 4, 5, 6) until chroma 7120 RGB value meet the tolerance $=100 \pm 2$

B. Adjust Normal (7300K) color-temperature

1. Switch the chroma-7120 to **RGB-Mode** (with press "MODE" button)
2. Switch the MEM.channel to Channel 4 (with up or down arrow on chroma 7120)
3. The LCD-indicator on chroma 7120 will show $x = 301 \pm 30$, $y = 317 \pm 30$
4. Adjust the RED on factory window until chroma 7120 indicator reached the value $R=100$
5. Adjust the GREEN on factory window until chroma 7120 indicator reached the value $G=100$
6. Adjust the BLUE on factory window until chroma 7120 indicator reached the value $B=100$
7. Repeat above procedure (item 4, 5, 6) until chroma 7120 RGB value meet the tolerance $=100 \pm 2$

C. Adjust Cool (9300K) color-temperature

1. Switch the Chroma-7120 to **RGB-Mode** (with press "MODE" button)
2. Switch the MEM. Channel to Channel 9 (with up or down arrow on chroma 7120)
3. The LCD-indicator on chroma 7120 will show $x = 283 \pm 30$, $y = 297 \pm 30$
4. Adjust the RED on factory window until chroma 7120 indicator reached the value $R=100$
5. Adjust the GREEN on factory window until chroma 7120 indicator reached the value $G=100$
6. Adjust the BLUE on factory window until chroma 7120 indicator reached the value $B=100$
7. Repeat above procedure (item 4, 5, 6) until chroma 7120 RGB value meet the tolerance $=100 \pm 2$

D. Adjust sRGB color-temperature

1. Switch the chroma-7120 to **RGB-Mode** (with press "MODE" button)
2. Switch the MEM.channel to Channel 10 (with up or down arrow on chroma 7120)
3. The LCD-indicator on chroma 7120 will show $x = 313 \pm 30$, $y = 329 \pm 30$
4. Adjust the RED on factory window until chroma 7120 indicator reached the value $R=100$
5. Adjust the GREEN on factory window until chroma 7120 indicator reached the value $G=100$
6. Adjust the BLUE on factory window until chroma 7120 indicator reached the value $B=100$
7. Repeat above procedure (item 4, 5, 6) until chroma 7120 RGB value meet the tolerance $=100 \pm 2$

E. Turn the Power-button off to quit from factory mode.

10. Monitor Exploded View

E966SWN

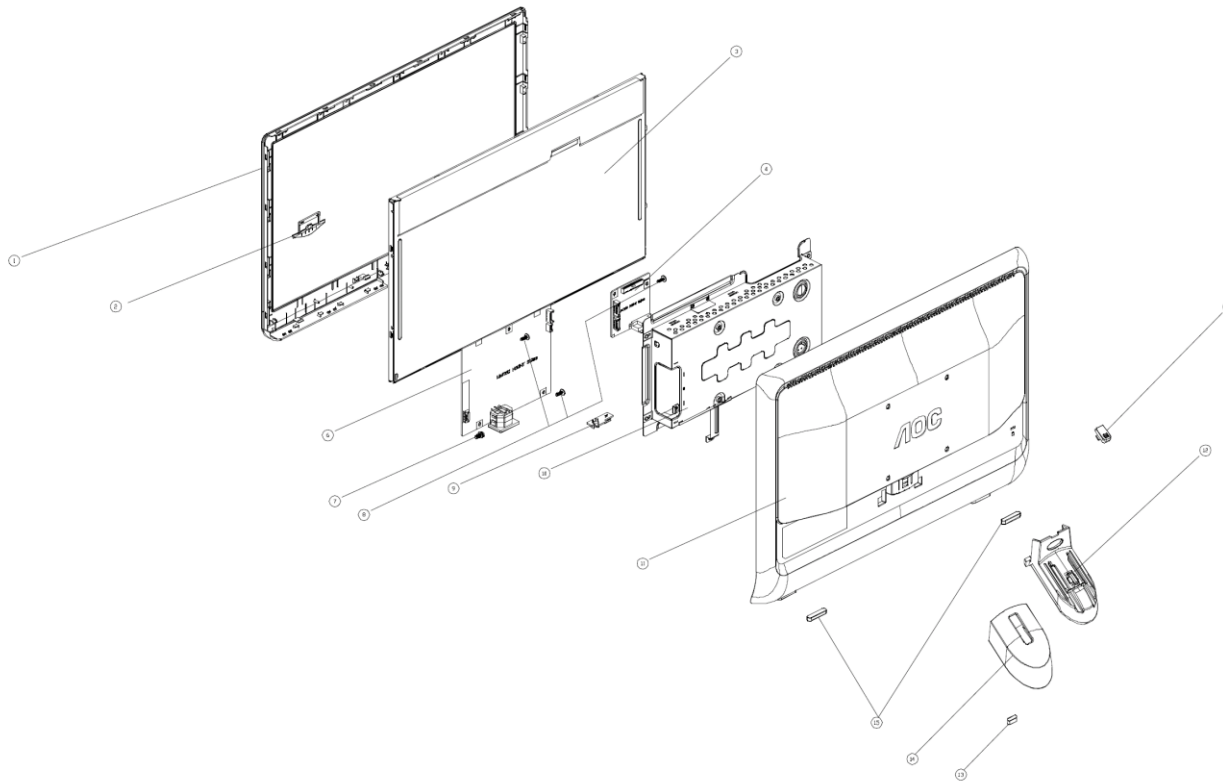
PANEL: BOE:HM185WX1-400



ID CODE: L185W-V66A-S1

BEZEL CODE: DB

Customer: ADC



ITEM	PART NO.	Part Name	Q'ty
01	Q3467559-1101A	BEZEL_VS1	1
02	Q3300541-1101A	POWER_KEY	1
03	X	LCD PANEL	1
04	X	MAIN BOARD	1
05	Q3300542-1101A	RELEASE BUTTON	1
06	X	POWER BOARD	1
07	M1G1740-B-120	SCREW	1
08	D161030-6-120	SCREW	3
09	X	KEY_BOARD	1
10	H150073-101-101	MAINFRAME	1
11	Q3467560-1101A	REAR_COVER	1
12	Q3467561-1101A	STAND	1
13	TBB	CUSHION	1
14	Q3467562-1101A	BASE	1
15	TBB	CUSHION	2
16			
17			
18			
19			
20			
21			
22			
23			
24			
25			
26			
27			
28			
29	H44G8029-101-00J	EPS	1
30	H44G8029-201-00J	EPS	1

11. BOM List

Note: The parts information listed below are for reference only, and are subject to change without notice. Please go to <http://cs.tpv.com.cn/hello1.asp> for the latest information.

T8C2R92LDBA1NNE

Location	Part No.	Description	Remark
	040G 58162435A	MANUAL P/N LABEL	
	052G 2191 A	PAPER TAPE	
ECN403	095G179J30P584	FFC CABLE 30PIN 145MM P1.0MM	
	0D1G1030 6120	screw	
	0M1G1740 8120	SCREW FOR STD/MF 42-D020715/42-D000649()	
E08902	389G0722HAADBBD	D-SUB CABLE 1200	
E08901	389G412A12NIS3	AC POWER CORD 1200 for Australia	
E750	750GBV185BG311N000	LCD TPM185B1-BGEL03 C2A FQ TPV	
E750	750GBV185BG316N000	LCD TPM185B1-BGEL03 C2A WH TPV	2nd source
	H15G0073201101	MAINFRAME	
	H40G 001624 1A	CARTON LABEL BARCODE 1	
	H40G 45762413B	P/N LABEL FOR BASE	
	H40G018N61594B	RATING LABEL E966SW PRC/AP	
	H40G058361513D	LABEL WIN7 EPA EPEAT	
	H41G18M161503A	MANUAL 66th English	
	H44G6601001EPE	CUSHION	
	H44G80291010DJ	CUSHION	
	H44G80292010DJ	CUSHION	
	H44G802961501A00HX	ARTWORK CARTON E966Sw	
	H45G 87 18 23	EPE COVER	
	KEPCCHA4	KEY BOARD	
0	PLPCC9501UHD1	ADAPTER BOARD	
	Q33G0541AED 1L0100	KEY_POWER	
	Q33G0542ABJ01L0100	KEY	
	Q34G7559AEDA3B0101	BEZEL	
	Q34G7560AED04B0130	REAR_COVER	
	Q34G7561ABJ 1B0130	STAND	
	Q34G7562AED01B0130	BASE	
	Q41G78D161528A	AOC AP WARRANTY CARD	
	Q45G8801M08A0100BX	MANUAL PE BAG	
	Q50G 4 10	TIE (Y1900221)	
M05202	Q52G100204500A00JY	AL FOIL	
M05201	Q52G100204500A00JY	AL FOIL	
M05203	Q52G100204500A00JY	AL FOIL	
	Q52G1301024A0100YY	BIG CARTON TAPE FOR AOC 60MM	

	Q52G6019 14	TAPE	
	756GHCCB0A60100000	MAIN BOARD-CBPCCT6A1H1	
SMTCC-U402	100GARM8007W11	MCU ASSY-056G2233 11	
CN408	033G3802 6B Y	CONN 6PIN 2.0	
CN404	033G3802 9B Y	CONNECTOR 9P 2.0	
CN403	033G801930F CH L	FFC CONN 1.0mm 30P R/A 34mm 6mm	
CN101	088G 35315F CH	D-SUB CONN WITH SCREW 15P	
X401	093G 22 53CEC	CRYSTAL S-F-14.31818M-32-3030-2085-30	
	H40G 45762429A	LABEL	
LED001	081G 2 3 1P	LED GPG2603T/R006-35A GUANGPU	
CN001	395G820H03TW01	HARNESS 3P(SANW)-6P 200	
GND1	009G6005 1	GND TERMINAL	
GND2	009G6005 1	GND TERMINAL	
CN803	033G8021 2E L	INVERT CONN 3.5mm 2P	
IC902	056G 139 9	IC EL817M(X) photocoupler DIP-4	
IC901	056G 379205	AC/DC LD7904JGP7 DIP-6	
NR901	061G 58100 X1	NTCR 10 20% 3.6W	
C904	063G107K224 UM	X2 CAP 0.22uF K 275VAC	
C907	067G 43Z68015L	EC 68uF M 450V RGT 18*31.5mm	
L901	073G 174 65 H2	LINE FILTER 30mH MIN	
L903	073G 253 91 L	CHOKE COIL 3.5UH 10% CC-015367HF,VOC,HF	
L905	073G 253191 H	IND CHOKE 1.1uH DADON	
L801	073G 253242 CP	CHOKE COIL 47UH 10% 2.5A L040462-6	
T901	080GL19P 39 CP	X'FMR 950UH 10% 20UH EFD25 T020543-6	
CN901	087G 501 32 DL	AC SOCKET DIP 3PIN+2PIN GROUND	
BD901	093G 50460519	BRIDGE KBP206G X0 2A 800V KBP 80A	
D903	093G 60335	DIODE SR515 5A/150V DO-201AD	
D904	093G 60519	DIODE SR560-MK23 5A/60V DO-27 SECOS	
CN902	095G 825 9DM02	HARNESS 9P-9P(2008) 100mm	
D801A	393G0060A0300S	SCHOTTKY SR3100-MK18 3A 100V DO-201AD	
	709G4452 HM001	COMSUMPTIVE ASSY	
	H40G 45762429A	LABEL	
C427	067G305M1013CB	EC 100UF 20% 16V 6.3*7	
C423	067G305M1013CB	EC 100UF 20% 16V 6.3*7	
C421	067G305M1013CB	EC 100UF 20% 16V 6.3*7	
C426	067G305M1013CB	EC 100UF 20% 16V 6.3*7	
R001	061G0603101 JT	RST CHIP 100R 1/10W 5% TZAI YUAN	
	055G 23524	WELDING FLUX WITHOUT PB	
	Q51G 6 4509	GLUE_RTV	
	Q55G 100625	TIN STICK_LOW ARGENTUM	

U801	056G 700 11	LED DRIVER OZ9998BGN-A1-0-TR SOP-16	
Q801	057G 763141	MOSFET APM1105NUC-TRG 16A 100V TO-252-3	
R824	061G0603000 JF	RST CHIPR MAX 0R05 1/10W FENGHUA	
R826	061G0603000 JF	RST CHIPR MAX 0R05 1/10W FENGHUA	
R825	061G0603000 JF	RST CHIPR MAX 0R05 1/10W FENGHUA	
R925	061G0603100 JF	RST CHIPR 10 OHM 5% 1/10W FENGHUA	
R917	061G06031001FT	RST CHIP 1K 1/10W 1%	
R912	061G06031202FT	RST CHIP 12K 1/10W 1%	
R911	061G0603152 JF	RST CHIPR 1.5KOHM +-5% 1/10W FENGHUA	
R916	061G0603471 JT	RST CHIPR 470OHM +-5% 1/10W TZAI YUAN	
R807	061G0805100 JF	RST CHIPR 10 OHM +-5% 1/8W FENGHUA	
R804	061G0805100 JF	RST CHIPR 10 OHM +-5% 1/8W FENGHUA	
R811	061G08051002FT	RST CHIP 10K 1/8W 1%	
R810	061G08051002FT	RST CHIP 10K 1/8W 1%	
R815	061G08051004FT	RST CHIP R 1 MOHM +-1% 1/8W	
R806	061G0805101 JF	RST 0805 100R 5% 1/8W	
R805	061G0805104 JY	RST CHIPR 100KOHM 1/8W YAGEO	
R821	061G0805109 JF	RST CHIPR 1 OHM +- 5% 1/8W FENGHUA	
R820	061G0805109 JF	RST CHIPR 1 OHM +- 5% 1/8W FENGHUA	
R819	061G0805109 JF	RST CHIPR 1 OHM +- 5% 1/8W FENGHUA	
R822	061G0805109 JF	RST CHIPR 1 OHM +- 5% 1/8W FENGHUA	
R923	061G0805123 JF	RST CHIPR 12KOHM +-5% 1/8W FENGHUA	
R809	061G08052003FT	RST CHIP 200K 1/8W 1%	
R913	061G08053002FF	RST CHIPR 30KOHM +-1% 1/8W FENGHUA	
R915	061G08053002FF	RST CHIPR 30KOHM +-1% 1/8W FENGHUA	
R802	061G0805304 JF	RST CHIPR 300KOHM +-5% 1/8W FENGHUA	
R803	061G0805304 JF	RST CHIPR 300KOHM +-5% 1/8W FENGHUA	
R816	061G08053902FT	RST CHIP 39K 1/8W 1%	
R927	061G0805622 JT	RST CHIPR 6K2 +-5% 1/8W TZAI YUAN	
R905	061G1206101 JT	RST CHIPR 100 OHM +-5% 1/4W TZAI YUAN	
R904	061G1206101 JT	RST CHIPR 100 OHM +-5% 1/4W TZAI YUAN	
R906	061G1206101 JT	RST CHIPR 100 OHM +-5% 1/4W TZAI YUAN	
R801	061G1206103 JF	RST CHIPR 10KOHM +-5% 1/4W FENGHUA	
R818	061G1206103 JF	RST CHIPR 10KOHM +-5% 1/4W FENGHUA	
R922	061G1206104 JT	RST CHIPR 100KOHM +-5% 1/4W TZAI YUAN	
R919	061G1206104 JT	RST CHIPR 100KOHM +-5% 1/4W TZAI YUAN	
R921	061G1206104 JT	RST CHIPR 100KOHM +-5% 1/4W TZAI YUAN	
R920	061G1206104 JT	RST CHIPR 100KOHM +-5% 1/4W TZAI YUAN	
R901	061G1206105 JF	RST CHIPR 1 MOHM +-5% 1/4W FENGHUA	

R900	061G1206105 JF		RST CHIPR 1 MOHM +-5% 1/4W FENGHUA	
R902	061G1206105 JF		RST CHIPR 1 MOHM +-5% 1/4W FENGHUA	
R926	061G1206159 JT		RST CHIP R 1.5ohm 1/4W +/-5%	
R813	061G1206308 JT		RST 1206 0.3R 5% 1/4W	
R812	061G1206308 JT		RST 1206 0.3R 5% 1/4W	
R909	061G1206470 JT		RST CHIPR 47 OHM +-5% 1/4W TZAI YUAN	
R907	061G1206470 JT		RST CHIPR 47 OHM +-5% 1/4W TZAI YUAN	
R908	061G1206470 JT		RST CHIPR 47 OHM +-5% 1/4W TZAI YUAN	
R910	061G1206561 JT		RST CHIPR 560 OHM +-5% 1/4W TZAI YUAN	
R817	061G1206681 JF		RST 1206 680R 5% 1/4W FENGHUA	
C916	065G060310332K	Y	CAP CHIP 0603 10N 50V X7R +/-10%	
C812	065G080510131J	F	CAP CHIP 0805 100PF J 50V NPO	
C803	065G080510232K	Y	CAP CHIP 0805 1N 50V X7R +/-10%	
C815	065G080510232K	Y	CAP CHIP 0805 1N 50V X7R +/-10%	
C802	065G080510332K	Y	CAP CHIP 0805 10N 50V X7R +/-10%	
C814	065G080510432K	3	CAP CHIP 0805 100N 50V X7R +/-10%	
C917	065G080510432K	Y	CAP CHIP 0805 100N 50V X7R +/-10%	
C915	065G080510432K	Y	CAP CHIP 0805 100N 50V X7R +/-10%	
C901	065G080510432K	Y	CAP CHIP 0805 100N 50V X7R +/-10%	
C806	065G080522432K	Y	CAP CHIP 0805 220N 50V X7R +/-10%	
C805	065G080522512K	3	CAP CHIP 0805 2U2 16V X7R +/-10%	
C905	065G080533232K	A	CAP 0805 3.3NF 10% 50V X7R	
C807	065G080547432K	3	CAP 0805 470NF 10% 50V X7R	
C804	065G080547432K	T	CAP CHIP 0805 0.47UF K 50V X7R	
C813	065G080568131J	Y	CAP CHIP 0805 680P 50V NP0 +/-5%	
C911	065G120622272K	Y	CER 1206 2N2 500V X7R 10%	
C910	065G120622272K	Y	CER 1206 2N2 500V X7R 10%	
C919	065G120622272K	Y	CER 1206 2N2 500V X7R 10%	
C920	065G120622272K	Y	CER 1206 2N2 500V X7R 10%	
ZD902	093G 39S 38	T	PTZ 9.1B	
	709G4452 HS001		COMSUMPTIVE ASSY	
SW001	077G603S AI HJ		TACT SWITCH AI 2PIN SEALED	
E715	715G5578K01000001S		KEY PCB FR1 SS 41*14*1.6mm	
FB802	095G 90 23		JUMP WIRE - -	
	709G4452 HA001		COMSUMPTIVE ASSY	
E715	715G4452P02002001M		PWR PCB FR1 CTI>600 SS 152*122*1.6MM	
J9003	095G 90 23		JUMP WIRE - -	
J9004	095G 90 23		JUMP WIRE - -	
C801	367G215X3314AT		EC 330UF 20% 25V - 10*12	
F902	084G 56 5 C		FUSE 5A 250V MST 5A 250V	

J9014	095G 90 23	JUMP WIRE - -	
J9022	095G 90 23	JUMP WIRE - -	
J9002	095G 90 23	JUMP WIRE - -	
Q903	057G 530503 T	2SD1207T	
C908	367G215X4707AT	EC 47uF 20% 50V - 6.3*11mm	
D902	093G 6026T52T	CTIFIER DIODE FR107	
J9009	095G 90 23	JUMP WIRE - -	
R827	095G 90 23	JUMP WIRE - -	
ZD901	093G 39A0852T	GDZJ18B	
C816	065G517K102 2T6921	CAP CER 1000PF K 500V Y5P	
J9016	095G 90 23	JUMP WIRE - -	
J9020	095G 90 23	JUMP WIRE - -	
J9007	095G 90 23	JUMP WIRE - -	
J9006	095G 90 23	JUMP WIRE - -	
C921	065G500K4722HT	CAP CER 4.7NF 10% 50V X7R	
J9019	095G 90 23	JUMP WIRE - -	
D901	093G 6026T52T	CTIFIER DIODE FR107	
J9021	095G 90 23	JUMP WIRE - -	
R918	061G152M25152T SY	RST MOF 250R 5% 2W	
C914	367G415X4713AT	EC 470uf 20% 16V ERS1CM471G13B50TM 10X13	
IC903	056G 563355	Shunt Regu TL431G-A-TA TO-92 42V 150mA	
J9012	095G 90 23	JUMP WIRE - -	
C906	065G 2K152 2T6921	CAP CER 1500pF K 2KV Y5P	
FB801	071G 55 29	FERRITE BEAD	
C903	365G306K6812WR	CAP Y1 680PF 10% 250V Y5P	
J9015	095G 90 23	JUMP WIRE - -	
C809A	067G 4154799LT	EC 4.7UF 20% 100V 8*11.5	
J9005	095G 90 23	JUMP WIRE - -	
FB804	071G 55 29	FERRITE BEAD	
R903	061G152M39852T SY	RST MOF 0.39R 5% 2W	
J9011	095G 90 23	JUMP WIRE - -	
	006G 31500	EYELET	
C912	367G215S6814AT	EC 680UF 20% 25V - 12.5*16	
C900	065G306M10233R	CAP Y1 1NF 20% 250V Y5U	
F901	084G 56 3 C	FUSE 3.15A 250V MST 3.15A 250V	
J9008	095G 90 23	JUMP WIRE - -	
J9013	095G 90 23	JUMP WIRE - -	
C902	365G306K6812WR	CAP Y1 680PF 10% 250V Y5P	
FB803	071G 55 29	FERRITE BEAD	
C909	367G415X1024AT	EC 1000UF 20% 25V 12.5X20	

FB901	071G 55 29	FERRITE BEAD	
J9001	095G 90 23	JUMP WIRE - -	
U406	056G 585 4A	LDO AP1117E33G-13 1A 3.3V SOT-223	
U102	056G 662 52	ESD PROTECT AZC398-04S.R7G SOT23-6	
U103	056G 662 52	ESD PROTECT AZC398-04S.R7G SOT23-6	
U405	056G1133 34 1	EEPROM M24C02-RMN6TP 2Kb SO-8	
U402	056G2233 11	FLASH Pm25LD020C-SCE 2M SIOC-8	
Q404	057G 417517	Tra LMBT3906LT1G -200mA/-40V SOT-23 LRC	
Q403	057G 417517	Tra LMBT3906LT1G -200mA/-40V SOT-23 LRC	
Q406	057G 417518	TRA LMBT3904LT1G 200mA/40V SOT-23 LRC	
Q405	057G 763940	MOSFET AO3401A SOT-23	
R401	061G0402000 JT	RST CHIPR MAX0R05 1/16W TZAI YUAN	
R485	061G0402101 JT	RST CHIP 100R 1/16W 5% TZAI YUAN	
R111	061G0402101 JT	RST CHIP 100R 1/16W 5% TZAI YUAN	
R442	061G0402101 JT	RST CHIP 100R 1/16W 5% TZAI YUAN	
R104	061G0402101 JT	RST CHIP 100R 1/16W 5% TZAI YUAN	
R115	061G0402101 JT	RST CHIP 100R 1/16W 5% TZAI YUAN	
R117	061G0402101 JT	RST CHIP 100R 1/16W 5% TZAI YUAN	
R114	061G0402101 JT	RST CHIP 100R 1/16W 5% TZAI YUAN	
R108	061G0402101 JT	RST CHIP 100R 1/16W 5% TZAI YUAN	
R102	061G0402101 JT	RST CHIP 100R 1/16W 5% TZAI YUAN	
R413	061G0402101 JT	RST CHIP 100R 1/16W 5% TZAI YUAN	
R405	061G0402101 JT	RST CHIP 100R 1/16W 5% TZAI YUAN	
R103	061G0402101 JT	RST CHIP 100R 1/16W 5% TZAI YUAN	
R109	061G0402102 JT	RST CHIP 1K 1/16W 5% TZAI YUAN	
R420	061G0402102 JT	RST CHIP 1K 1/16W 5% TZAI YUAN	
R437	061G0402103 JT	RST CHIP 10K 1/16W 5% TZAI YUAN	
R408	061G0402103 JT	RST CHIP 10K 1/16W 5% TZAI YUAN	
R435	061G0402103 JT	RST CHIP 10K 1/16W 5% TZAI YUAN	
R487	061G0402103 JT	RST CHIP 10K 1/16W 5% TZAI YUAN	
R433	061G0402103 JT	RST CHIP 10K 1/16W 5% TZAI YUAN	
R439	061G0402103 JT	RST CHIP 10K 1/16W 5% TZAI YUAN	
R414	061G0402103 JT	RST CHIP 10K 1/16W 5% TZAI YUAN	
R436	061G0402104 JT	RST CHIP 100K 1/16W 5% TZAI YUAN	
R118	061G0402104 JT	RST CHIP 100K 1/16W 5% TZAI YUAN	
R491	061G0402220 JT	RST CHIP 22R 1/16W 5% TZAI YUAN	
R490	061G0402220 JT	RST CHIP 22R 1/16W 5% TZAI YUAN	
R489	061G0402220 JT	RST CHIP 22R 1/16W 5% TZAI YUAN	
R492	061G0402220 JT	RST CHIP 22R 1/16W 5% TZAI YUAN	
R466	061G0402222 JT	RST CHIP 2K2 1/16W 5% TZAI YUAN	

R105	061G0402222 JT		RST CHIP 2K2 1/16W 5% TZAI YUAN	
R106	061G0402222 JT		RST CHIP 2K2 1/16W 5% TZAI YUAN	
R474	061G0402223 JT		RST CHIP 22K 1/16W 5% TZAI YUAN	
R440	061G0402223 JT		RST CHIP 22K 1/16W 5% TZAI YUAN	
R403	061G04023900FT		RST CHIP 390R 1/16W 1%	
R421	061G0402392 JT		RST CHIP R 3K9 +/-5% 1/16W TZAI YUAN	
R475	061G0402470 JT		RST CHIP 47R 1/16W 5% TZAI YUAN	
R476	061G0402470 JT		RST CHIP 47R 1/16W 5% TZAI YUAN	
R472	061G0402472 JT		RST CHIP 4K7 1/16W 5% TZAI YUAN	
R441	061G0402472 JT		RST CHIP 4K7 1/16W 5% TZAI YUAN	
R473	061G0402472 JT		RST CHIP 4K7 1/16W 5% TZAI YUAN	
R402	061G0402561 JT		RST 0402 560R 5% 1/16W	
R107	061G0402750 JT		RST 0402 75R 5% 1/16W	
R116	061G0402750 JT		RST 0402 75R 5% 1/16W	
R112	061G0402750 JT		RST 0402 75R 5% 1/16W	
R101	061G0603000 JT		RST CHIP MAX 0R05 1/10W TZAI YUAN	
R468	061G0603331 JT		RST 0603 330R 5% 1/10W	
R434	061G1206301 JT		RST CHIPR 300 OHM +/-5% 1/4W TZAI YUAN	
C435	065G040210232K Y		CAP CHIP 0402 1N 50V X7R +/-10%	
C403	065G040210412K A		CAP CHIP 0402 100nF K 16V X7R	
C406	065G040210412K A		CAP CHIP 0402 100nF K 16V X7R	
C420	065G040210412K A		CAP CHIP 0402 100nF K 16V X7R	
C419	065G040210412K A		CAP CHIP 0402 100nF K 16V X7R	
C428	065G040210412K A		CAP CHIP 0402 100nF K 16V X7R	
C422	065G040210412K A		CAP CHIP 0402 100nF K 16V X7R	
C407	065G040210412K A		CAP CHIP 0402 100nF K 16V X7R	
C401	065G040210412K A		CAP CHIP 0402 100nF K 16V X7R	
C436	065G040210412K A		CAP CHIP 0402 100nF K 16V X7R	
C404	065G0402105A5K A		CAP CHIP 0402 1UF K 10V X5R	
C411	065G040220031J Y		CAP 0402 20PF 5% 50V NP0	
C412	065G040220031J Y		CAP 0402 20PF 5% 50V NP0	
C103	065G040222031J A		CAP 0402 22PF J 50V NPO	
C102	065G040222031J A		CAP 0402 22PF J 50V NPO	
C106	065G040222322K T		CAP MLCC 0402 22nF K 25V X7R	
C408	065G040222415K A		CAP 0402 220NF 10% 16V X7R	
C434	065G040222415K A		CAP 0402 220NF 10% 16V X7R	
C110	065G040247312K A		CAP 0402 47NF 10% 16V X7R	
C105	065G040247312K A		CAP 0402 47NF 10% 16V X7R	
C109	065G040247312K A		CAP 0402 47NF 10% 16V X7R	
C101	065G040247312K A		CAP 0402 47NF 10% 16V X7R	

C107	065G040247312K A	CAP 0402 47NF 10% 16V X7R	
C113	065G040247312K A	CAP 0402 47NF 10% 16V X7R	
C104	065G040250931C A	CAP 0402 5PF 0.25pF 50V NP0	
C111	065G040250931C A	CAP 0402 5PF 0.25pF 50V NP0	
C108	065G040250931C A	CAP 0402 5PF 0.25pF 50V NP0	
FB402	071G 56K121 M	CHIP BEAD 120OHM 6A MGLB2012-120T-LF	
FB401	071G 59B300 M	CHIP BEAD 0603 30ohm 25% 1000mA	
FB103	071G 59K190 TA	CHIP BEAD 0603 19R 25% FCB1608KF-190T05	
FB102	071G 59K190 TA	CHIP BEAD 0603 19R 25% FCB1608KF-190T05	
FB101	071G 59K190 TA	CHIP BEAD 0603 19R 25% FCB1608KF-190T05	
D403	093G 64 42 L	DIODE LBAV70LT1G SOT-23 LRC	
ZD103	093G 39GA01 T	RLZ5.6B	
U401	356G0562A98	SCALER RTD2270CLW-CG LQFP-64	
E715	715G4488M01001004C	MAIN PCB FR4 DS 65X64X1.6MM	