

Contract Reference Number: 3610-04  
Collective (Parent) Number: 4400002495  
SRM/SAP Contract Number:4400002504  
Change Number: One (1)  
Change Effective Date: September 22, 2008

**COMMONWEALTH OF PENNSYLVANIA  
DEPARTMENT OF GENERAL SERVICES  
HARRISBURG**

**For:** All using Agencies of the Commonwealth  
**Subject:** Offset Printing & Binding Equipment, Supplies and Maintenance  
**Contract Period:** Beginning May 7, 2008 and Ending June 30, 2011  
**Commodity Specialist Name:** Toniann D. Noss – [tnoss@state.pa.us](mailto:tnoss@state.pa.us) or 717-783-2090

**CHANGE SUMMARY:** The contact information for Eastman Kodak has changed to the following:

**Account Contact:**

Debra Benson  
email: [debra.payne@kodak.com](mailto:debra.payne@kodak.com)  
cell: 205-335-7309

NOTE: Debra should not be contacted to place orders for consumables, equipment only.

**TO PLACE A CONSUMABLE/SUPPLY ORDER:**

NexPress or Digimaster Supplies = 800-913-6796  
CTP Supplies = 800-677-9943

ALL OTHER TERMS AND CONDITIONS OF THIS AGREEMENT NOT CHANGED BY THIS CHANGE NOTICE REMAIN AS ORIGINALLY WRITTEN.

Collective Number: Parent #4400002495 (3610-04)  
 SRM/SAP Contract Number:4400002508  
 Change Number: Two (2)  
 Change Effective Date: February 9, 2009

**COMMONWEALTH OF PENNSYLVANIA  
 DEPARTMENT OF GENERAL SERVICES  
 HARRISBURG**

**For:** All using Agencies of the Commonwealth  
**Subject:** Offset Printing & Binding Equipment, Supplies and Maintenance - PRESSTK  
**Contract Period:** Beginning July 20, 2008 and Ending June 30, 2011  
**Commodity Specialist Name:** Toniann D. Noss – 717-783-2090 or [tnoss@state.pa.us](mailto:tnoss@state.pa.us)

**CHANGE SUMMARY:** The following equipment changes have been made to the Presstek line:

CATEGORY	PRODUCT CODE NUMBER	DESCRIPTION	LIST	COMMENT
PLATESETTERS	VECTORTX52	VECTORTX52 PLATEMAKER	39,500.00	DELETE
PLATESETTERS	VECTORFL52	VECTORFL52	46,000.00	NEW
PLATESETTERS	DIM225NA	DIMENSION 225 CTP SYSTEM	55,125.00	DELETE
PLATESETTERS	DIM800NA	DIMENSION 800 CTP SYSTEM	72,000.00	DELETE
PLATESETTERS	DIMPRO800NA	DIMENSION PRO 800 FOR NA	99,408.00	NEW
TWO-TOWER PRESSES	9985	9985 TWO-COLOR OFFSET PRESS	56,192.00	DELETE
TWO-TOWER PRESSES	9995C	TWO-COLOR OFFSET PRESS W/CRESTLINE	76,500.00	NEW

ALL OTHER TERMS AND CONDITIONS OF THIS AGREEMENT NOT CHANGED BY THIS CHANGE NOTICE REMAIN AS ORIGINALLY WRITTEN.

Collective Number: 4400002495  
SRM/SAP Contract Number: See Below  
Change Number: 3  
Change Effective Date: 04/02/09

**COMMONWEALTH OF PENNSYLVANIA  
DEPARTMENT OF GENERAL SERVICES  
HARRISBURG**

**For:** All using Agencies of the Commonwealth  
**Subject:** Offset Printing & Binding Equipment, Supplies and Maintenance  
**Contract Period:** Beginning 05/07/08 and Ending 06/30/2011

**Commodity Specialist Name:** Wanda Bowers – [wbowers@state.pa.us](mailto:wbowers@state.pa.us) or 717-346-3840

**CHANGE SUMMARY:\** The Commodity Specialist managing this contract has changed. Please contact Wanda Bowers concerning this contract.

ALL OTHER TERMS AND CONDITIONS OF THIS AGREEMENT NOT CHANGED BY THIS CHANGE NOTICE REMAIN AS ORIGINALLY WRITTEN.

Collective Number: 4400002495  
SRM/SAP Contract Number:4400002508  
Change Number: 4  
Change Effective Date: 05/07/09

**COMMONWEALTH OF PENNSYLVANIA  
DEPARTMENT OF GENERAL SERVICES  
HARRISBURG**

**For:** All using Agencies of the Commonwealth  
**Subject:** Offset Printing & Binding Equipment, Supplies and Maintenance  
**Contract Period:** Beginning May 7, 2008 and Ending June 30,  
2011

**Commodity Specialist Name:** Wanda Bowers – [wbowers@state.pa.us](mailto:wbowers@state.pa.us) or 717-346-3840

**CHANGE SUMMARY:\** New Supplies Price List for Presstek (4400002508) will be effective May 7, 2009. The updated supply lists are for the following:

**AB Dick - 30% off list price**  
**BBA-Fiberweb – 20% off list price**  
**Bestcolor – 20% off list price**  
**Multigraphics Product – 35% off list price**  
**Itek Product – 33% off the list price**  
**Chemgon – 25% off the list price**  
**Burnishine -25% off list price**  
**Toyo Product – 12% off list price**  
**Spinks, Inc. – 20% off list price**  
**Varn Products – 30% off list price**  
**Baseline – 28% off list price**  
**Nikken – 28% off list price**  
**Presstek – 15% off list price**

ALL OTHER TERMS AND CONDITIONS OF THIS AGREEMENT NOT CHANGED BY THIS CHANGE NOTICE REMAIN AS ORIGINALLY WRITTEN.



**ABDICK BRAND PRODUCTS**

**ABDICK 30% OFF LIST PRICE**

**PRESS BLANKETS & PACKING SHEETS**

Part Number	Description	Stock Description	Stock	List
4-4193	25- 20.2X16.73X.008 PPR PK SHT 52DI	PK	Stock	\$ 30.91
4-4192	25- 20.2X16.73X.010 PPR PK SHT 52DI	PK	Stock	\$ 31.69
4-4525BR	4BCP- 19-3/16X12-5/8 BUFF QP25/9910	EA	Stock	\$ 64.36
4-4526BR	4BCP- 19-3/16X12-5/8 CAST QP25/9910	EA	Stock	\$ 56.18
4-4704-S	2 PIECE QC BLKT 2 FCS SMOOTH ABD360	BX	Stock	\$ 69.30
4-4110-S	2- QC 19-1/8X12-3/4 FACR SMOOTH 9800	PK	Stock	\$ 68.56
4-4704	3 PCS- QC 1BK/2FCS SC ABD360	BX	Stock	\$ 95.84
4-4110	SET- 3PQC 1 BACKER/2 FACES 9800	PK	Stock	\$ 110.27
4-4126	10-5/8X19-1/8 3PCV BLKT ABD9800 SER	EA	Stock	\$ 30.34
4-4127	14-1/2X9-7/8 PCV .075 ABD8400	EA	Non-Stock	\$ 39.45
83-7-106871	19-1/2X13 5PCP BLKT RY3302	EA	Stock	\$ 67.30
4-2200	2- 12-5/8X19-5/16 3PCP BLKT 9800	PK	Stock	\$ 57.27
4-3260	3PCV 10-5/8X18-1/2 360 ECON	EA	Stock	\$ 26.91
4-4117	3PCV 10-5/8X18-1/2 ABD 360	EA	Stock	\$ 29.40
4-3250	3PCV 10X15-1/8 350 ECONOMY BLUE	EA	Stock	\$ 21.27
4-3275	3PCV 12-5/8X18-1/2 375 ECON	EA	Stock	\$ 31.58
4-3200	3PCV 12-5/8X19-3/16 9800	EA	Stock	\$ 32.65
4-3285	3PCV 18-11/16X22-5/8 9880 ECO	EA	Stock	\$ 55.23
4-4131	3PCV 19-1/4X22-3/4 9880	EA	Stock	\$ 57.12
4-4260	3PCP 10-5/8X18-1/2 PNCH 360 QUAL	EA	Stock	\$ 29.40
4-4250	3PCP 10X15-1/8 350 SLOTTED QUAL	EA	Stock	\$ 25.04
4-4275	3PCP 12-5/8X18-1/2 375 QUAL	EA	Stock	\$ 34.47
4-4200	3PCP 12-5/8X19-3/16 9800 QUAL	EA	Stock	\$ 35.66
4-4285	3PCP 18-11/16X22-5/8 9880 QUL	EA	Stock	\$ 60.53
4-4280	3PCP 19-1/4X22-3/4 9880 QUAL	EA	Stock	\$ 62.60
4-5200	12-5/8X19-5/16 BLKT PCV 9800 PREM	EA	Stock	\$ 45.39
4-5260	18-1/2X10-5/8 3PCV 360 PREM	EA	Stock	\$ 38.74
4-5280	19-1/4X22-3/4 3PCV BLKT 9880 PREM	EA	Stock	\$ 78.95

**ABDICK BRAND PRODUCTS**

**ABDICK 30% OFF LIST PRICE**

**PRESS BLANKETS & PACKING SHEETS**

Part Number	Description	Stock Description	Stock	List
4-4144	BLKT BCV 2+2 11-7/8X18-1/2 ABD	EA	Stock	\$ 71.07
43207	1- PACKER FOR BLKT 43206 (PAPER)	EA	Stock	\$ 4.40
43211-P	2- 11.25X19 5PCP BLKT.100 960/960CDP	PK	Stock	\$ 152.42
43211XL-P	2- 11.25X19.5 .100 CP BLKT 960XL/	PK	Stock	\$ 166.81
43189-P	2- 12.2X19.13X.075 BCP Q/R BLKT PFA	PK	Stock	\$ 193.65
43202-P	2- 12X19 5PCP BLKT .100 975/975CPD	PK	Stock	\$ 158.55
43206-P	2- 12X19.2 .065 BCV BLKT 975PFA	PK	Stock	\$ 151.87
43452-P	2- 12X19.5 5PCP .100 BLKT 975CPD/	PK	Stock	\$ 169.74
43298-P	2- 13.5X19.2 .075 BCV Q/R BLKT	PK	Stock	\$ 179.09
43457-P	2- 13.5X19.5 .065 PCV BLKT 985/985C	PK	Stock	\$ 128.65
58575-P	2- 13.5X19.5 .078 PCV BLK 9920/9985	PK	Stock	\$ 146.64
43456-P	2- 13x19.5 PCP .100 985/985CPD/3985	PK	Stock	\$ 179.61
58576-P	2- PACKER CLOTH 3985/9985/9920	PK	Stock	\$ 70.78
43461-P	2- PACKER FOR BLKT 43298(5340242673)	PK	Stock	\$ 67.39
43458	PACKER TO USE WITH BLKT 43457	EA	Stock	\$ 42.16
4-5262	13X19-1/4 GRAY 4SCV C3000 BLKT	EA	Stock	\$ 64.31
4-4262	13X19-1/4 GREEN C3000 CP BLKT	EA	Stock	\$ 69.71
4-4295	BLKT 4PSCP 13X19-1/2 4 POWERPRO34	EA	Stock	\$ 67.56
4-4179	25- 10ML CENTURY 3000 POLY PACK SHT	PK	Stock	\$ 188.31
4-4174	25- 3ML CENTURY 3000 POLY PACK SHT	PK	Stock	\$ 95.52
4-4175	25- 4ML CENTURY 3000 POLY PACK SHT	PK	Stock	\$ 103.31
4-4176	25- 5ML CENTURY 3000 POLY PACK SHT	PK	Stock	\$ 114.71
4-4177	25- 7.5ML CENTURY 3000 POLY PACK SHT	PK	Stock	\$ 154.67
4-4128	9880 PKSH .003" 22.63"x17.125" 10/PK	PK	Stock	\$ 9.52
4-4129	9880 PKSH .004" 22.63"x17.125" 10/PK	PK	Stock	\$ 8.67
4-4130	9880 PKSH .005" 22.63"x17.125" 10/PK	PK	Stock	\$ 10.59
4-3511	POLY PKG SHEETS .0010"/10mil (5/PK)	PK	Stock	\$ 26.81
4-3503	POLY PKG SHEETS .003"/3mil (5/PK)	PK	Stock	\$ 13.83
4-3504	POLY PKG SHEETS .004"/4mil (5/PK)	PK	Stock	\$ 11.01
4-3505	POLY PKG SHEETS .005"/5mil (5/PK)	PK	Stock	\$ 13.10
4-3507	POLY PKG SHEETS .0070"/7mil (5/PK)	PK	Stock	\$ 33.29
83-8-108702	5BCP 12-1/4X19-1/4 W/B 3200/975PFA	EA	Stock	\$ 91.96
83-5-108705	5BCP 13-5/8X19-3/8 BLKT W/B 3302	EA	Stock	\$ 62.45

**ABDICK BRAND PRODUCTS****ABDICK 30% OFF LIST PRICE****PRESS BLANKETS & PACKING SHEETS**

Part Number	Description	Stock Description	Stock	List
83-6-108746	5BCP 13X19-1/2 BLK 2HL9995/4995/3302	EA	Stock	\$ 78.43
83-0-108700	5PCP 11-1/4X19 BLKT PNCH RY2800/960	EA	Stock	\$ 54.97
83-9-108701	5PCP 12X19-1/2 BLKT PNCH10H 3200/975	EA	Stock	\$ 59.79
83-6-108704	5PCP 13X19-1/2 BLKT PNCH 3200MCD/975	EA	Stock	\$ 64.66
83-7-108703	5PCP 13X19-1/2 BLKT PNCH 3302/3985/3	EA	Stock	\$ 64.61
4-3540	19-1/2X13 QR 4 CP VHB 3500 POWPRO 34	EA	Stock	\$ 69.80
4-4121	EA- 18-1/2X11 CV BLKT M360 OVERSIZE	EA	Stock	\$ 43.79

**CLEANING SUPPLIES**

83-5-108408	150- CLEAN FREE CLOTHS POP UPS 12X17	CS	Stock	\$ 36.76
4-4945	2RLS/400- CLEAN FREE CLOTHS 12X16	CS	Stock	\$ 115.85
83-1-107529	375- CLEAN FREE + CLOTHS 13X17	CS	Stock	\$ 92.48
4-4940	375- CLEAN FREE DISPO CLOTHS 13X13	CS	Stock	\$ 62.52
83-2-107528	RL/400- CLEAN FREE + CLOTHS 12X17	CS	Stock	\$ 79.77
83-7-105238	RL/100- COTTON LITHO PADS 4X8	RL	Stock	\$ 7.79
4-4946	RL/100- MAXI WIPES 8X8	RL	Stock	\$ 8.74
4-4931-CS	20PK- COTTON PADS 4X4 100/PK	CS	Stock	\$ 104.04
4-4931-4	4PK- COTTON PADS 4X4 100/PK	CS	Stock	\$ 22.55
4-4932-CS	20PK- PRESS SUPERWIPES 100/PK	CS	Stock	\$ 95.45
4-4944	SHOP TOWEL FLOOR RACK FOR ROLLS	EA	Stock	\$ 27.80
4-4939	HAND CLEANER 1/2 GAL WITH PUMP	BT	Stock	\$ 23.49
4-4938	HAND CLEANER 12OZ	EA	Stock	\$ 7.89
4-4988	PRINTERS GRIT HAND CLEANER 17OZ	BT	Stock	\$ 9.12
4-4962-B	100- CLEAN-SHT 10-3/16X15 PB	PK	Stock	\$ 21.85
4-4961-B	100- CLEAN-SHT 10-3/16X15-1/2 SL	PK	Stock	\$ 22.40
4-1430	100- CLEAN-SHT 11-5/16X19-3/8 2800	PK	Stock	\$ 31.08
4-1431	100- CLEAN-SHT 11-7/8X18-1/32 HAM600	PK	Stock	\$ 30.37
4-1422	100- CLEAN-SHT 11X15-1/2 SL 12/26/27	PK	Stock	\$ 28.40
4-1421	100- CLEAN-SHT 11X15-1/8 PB 1250STD	PK	Stock	\$ 23.60
4-1423	100- CLEAN-SHT 11X18-1/8 PB	PK	Stock	\$ 28.30
36793	100- CLEAN-SHT 11X18-3/4 PB RY IT	PK	Stock	\$ 28.72
4-4960-B	100- CLEAN-SHT 11X18-5/8 PB ABD	PK	Stock	\$ 28.86
4-1412	100- CLEAN-SHT 12-3/4X18-5/8 SE ABD	PK	Stock	\$ 29.61

**ABDICK BRAND PRODUCTS**

**ABDICK 30% OFF LIST PRICE**

**PRESS BLANKETS & PACKING SHEETS**

Part Number	Description	Stock Description	Stock	List
36797	100- CLEANSHT 13-1/2X19-3/8 PB RY IT	PK	Stock	\$ 35.80
36794	100- CLEAN-SHT 13X18-1/2 PB RY IT	PK	Stock	\$ 34.01
4-1427	100- CLEAN-SHT 13X18-1/8 PB	PK	Stock	\$ 33.42
4-1408	100- CLEAN-SHT 13X18-5/8 PB	PK	Stock	\$ 34.34
4-1418	100- CLEAN-SHT 13X19-11/64 SE ABD	PK	Stock	\$ 33.27
4-1407	100- CLEAN-SHT 13X19-3/8 PB	PK	Stock	\$ 35.72
4-1428	100- CLEAN-SHT 17-5/8X16 SE	PK	Stock	\$ 40.00
4-1429	100- CLEANSHT 18-3/16X15 PB 18/19/46	PK	Stock	\$ 38.86
4-1409	100- CLEAN-SHT 19-1/4X22-5/8 SE	PK	Stock	\$ 66.49
4-1410-H	100- CLEAN-SHT HD 13X18-1/8 SE	PK	Stock	\$ 38.90
4-4952-B	200- CLEAN-SHT 11-1/16X17-3/4 SE 360	PK	Stock	\$ 45.27
4-1364	KRESTO 1 PUMP DISP HAND CLNR REFILL	EA	Stock	\$ 25.11
4-1362	KRESTO EF HAND CLEANER 8.45OZ	EA	Stock	\$ 5.67
4-1363	KRESTO KWIK WIPES 130/BUCKET	EA	Stock	\$ 29.70
4-1365	STOKO ONE PUMP DISP.(p/n 00877)	EA	Stock	\$ 10.07
4-1374	STOKOLAN PRINTERS HAND CARE 100ML	EA	Stock	\$ 6.15
4-1372	TRAVABON HAND PROTECTION CREAM 3.3OZ	EA	Stock	\$ 6.02
4-4978	17OZ- INK ROLLER DEGLAZER	BT	Stock	\$ 14.13
4-4997	100- BLUE NITRILE GLOVES LARGE DISPO	BX	Stock	\$ 27.02
4-4997-M	100- BLUE NITRILE GLOVES MED DISPO	BX	Stock	\$ 27.02
4-4997-S	100- BLUE NITRILE GLOVES SMALL DISPO	BX	Stock	\$ 27.02
4-4997-XL	100- BLUE NITRILE GLOVES XL DISPO	BX	Stock	\$ 27.02
4-5992	100- LATEX GLOVES LARGE	BX	Stock	\$ 23.02
4-5992-PF	100- LATEX GLOVES LARGE POWDER FRE	BX	Stock	\$ 24.37
4-5991	100- LATEX GLOVES MED	BX	Stock	\$ 23.02
4-5991-PF	100- LATEX GLOVES MED POWDER FREE	BX	Stock	\$ 24.37
4-5990	100- LATEX GLOVES SMALL	BX	Stock	\$ 23.02
4-5999	100- LATEX GLOVES XL	BX	Stock	\$ 23.02
4-5999-PF	100- LATEX GLOVES XL POWDER FRE	BX	Stock	\$ 24.37
4-4992	100- VINYL GLOVES LARGE	BX	Stock	\$ 23.02
4-4992-PF	100- VINYL GLOVES LARGE POWDER FRE	BX	Stock	\$ 24.37
4-4991	100- VINYL GLOVES MED	BX	Stock	\$ 23.02
4-4991-PF	100- VINYL GLOVES MED POWDER FREE	BX	Stock	\$ 24.37



**ABDICK BRAND PRODUCTS****ABDICK 30% OFF LIST PRICE****PRESS BLANKETS & PACKING SHEETS**

Part Number	Description	Stock Description	Stock	List
4-4990	100- VINYL GLOVES SMALL	BX	Stock	\$ 23.02
4-4990-PF	100- VINYL GLOVES SMALL POWDER FRE	BX	Stock	\$ 24.37
4-4999	100- VINYL GLOVES XL	BX	Stock	\$ 23.02
4-4999-PF	100- VINYL GLOVES XL POWDER FREE	BX	Stock	\$ 24.37
4-4941	100- PHOTEX SCREEN WIPES 9 x 13	BX	Stock	\$ 21.80

**IMAGESETTING FILM SUPPLIES**

83-DP-25620	RL- 20X200 DPM 2508 NEG FILM	RL	Stock	\$ 589.14
670-25475-829	10X250 IMAGE6000-RLD SP829	RL	Non-Stock	\$ 366.65
780-31030-867	12.2X100 IMAGE6000-IR SP867	CG	Stock	\$ 212.27
670-31060-829	12.2X200 IMAGE6000-RLD SP829	RL	Stock	\$ 357.99
670-30530-829	12X100 IMAGE6000-RLD SP829	RL	Stock	\$ 176.09
780-30560-829	12X200 IMAGE6000-IR SP829	RL	Stock	\$ 417.68
670M-30560-829	12X200 IMAGE6000-MRLD SP829	RL	Stock	\$ 406.40
670-30560-829	12X200 IMAGE6000-RLD SP829	RL	Stock	\$ 352.22
670-30575-829	12X250 IMAGE6000-RLD SP829	RL	Stock	\$ 440.26
780-33830-867	13.3X100 IMAGE6000-IR SP867	CG	Stock	\$ 231.44
780-33830-829	13.3X100 IMAGE6000 IR SP829	RL	Stock	\$ 231.44
670-33860-829	13.3X200 IMAGE6000-RLD SP829	RL	Stock	\$ 390.32
670M-33860-829	13.3X200 IMAGE6000 MRLD SP829	RL	Stock	\$ 450.41
780-33860-829	13.3X200 IMAGE6000-IR SP829	RL	Stock	\$ 388.84
780-33875-829	13.3X250 IMAGE6000-IR SP829	RL	Stock	\$ 485.82
670-33875-829	13.3X250 IMAGE6000-RLD SP829	RL	Stock	\$ 487.90
670-38060-390	14.96X200 IMAGE6000-RLD SP390	RL	Stock	\$ 438.82
780-35560-829	14X200 IMAGE6000-IR SP829	RL	Stock	\$ 486.16
670M-35560-829	14X200 IMAGE6000-MRLD SP829	RL	Stock	\$ 473.01
670-35560-829	14X200 IMAGE6000-RLD SP829	RL	Stock	\$ 409.95
670-35575-829	14X250 IMAGE6000-RLD SP829	RL	Stock	\$ 512.44
670-40675-829	16X250 IMAGE6000-RLD SP829	RL	Stock	\$ 586.07
670-46060-829	18.11X200 IMAGE6000-RLD SP829	RL	Stock	\$ 531.20
670M-46060-829	18.11X200 IMAGE6000-MRLD SP829	RL	Non-Stock	\$ 612.92
670-51060-829	20.08X 200 IMAGE6000-RLD SP829	RL	Stock	\$ 588.94
670-53060-829	20.87X200 IMAGE6000-RLD SP829	RL	Stock	\$ 612.04

**ABDICK BRAND PRODUCTS**

**ABDICK 30% OFF LIST PRICE**

**PRESS BLANKETS & PACKING SHEETS**

<b>Part Number</b>	<b>Description</b>	<b>Stock Description</b>	<b>Stock</b>	<b>List</b>
670-66060-390	25.98X200 IMAGE6000-RLD SP390	RL	Stock	\$ 762.16
670-66060-829	25.98X200 IMAGE6000-RLD SP829	RL	Non-Stock	\$ 762.16
670-63560-829	25X200 IMAGE6000-RLD SPEC829	RL	Non-Stock	\$ 733.29
670-74960-390	29.5X200 IMAGE6000-RLD SP390	RL	Non-Stock	\$ 864.96
670-76260-829	30X200 IMAGE6000-RLD SP829	RL	Non-Stock	\$ 879.95
670-76260-989	30X200 IMAGE6000-RLD SP989	RL	Stock	\$ 879.95
670-76260-989R	30X200 IMAGE6000-RLD SP989R	RL	Non-Stock	\$ 879.95
780-30530-867	RL- 12X100 IMAGE6000 IR SP867	CG	Stock	\$ 208.85
780-35530-867	RL- 14X100 IMAGE6000-IR SP867	CG	Non-Stock	\$ 243.66
53955	DPM2000 12X200 DIGITAL RC FILM	EA	Stock	\$ 455.09
78-12100867	CG- 12X100 EKONOFILM-IR SP867	CG	Stock	\$ 194.41
68-133100867	CG- 13.3X100 EKONOFILM-EXRED SP867	CG	Non-Stock	\$ 215.47
78-133100867	CG- 13.3X100 EKONOFILM-IR SP867	CG	Stock	\$ 215.47
68-122100829	RL- 12.2X100 EKONOFILM-EXRED SP829	RL	Non-Stock	\$ 159.68
78-122100829	RL- 12.2X100 EKONOFILM-IR SP829	CG	Stock	\$ 198.14
68-12100829	RL- 12X100 EKONOFILM-EXRED SP829	RL	Stock	\$ 157.11
78-12100829	RL- 12X100 EKONOFILM-IR SP829	RL	Non-Stock	\$ 194.91
68-12200390	RL- 12X200 EKONOFILM-EXRED SP390	RL	Stock	\$ 314.22
68-12200829	RL- 12X200 EKONOFILM-EXRED SP829	RL	Stock	\$ 314.22
68-12250829	RL- 12X250 EKONOFILM-EXRED SP829	RL	Stock	\$ 392.78
68-13360989	RL- 13.3X197 EKONOFILM-EXRED SP989R	RL	Stock	\$ 342.98
68-133200829	RL- 13.3X200 EKONOFILM-EXRED SP829	RL	Stock	\$ 348.28
68-133250829	RL- 13.3X250 EKONOFILM-EXRED SP829	RL	Stock	\$ 435.33
68-14200989R	RL- 14 X 200 EKONOFILM-EXRED 989R	RL	Stock	\$ 366.59
68-14200829	RL- 14X200 EKONOFILM-EXRED SP829	RL	Stock	\$ 366.59
68M-14200829	RL- 14X200 EKONOFILM-MEXRED SP829	RL	Stock	\$ 430.34
68-14250829	RL- 14X250 EKONOFILM-EXRED SP829	RL	Stock	\$ 458.24
68-208760989R	RL- 20.87X197 EKONOFILM-EXRED SP989R	RL	Stock	\$ 538.17
68-225200989	RL- 22-1/2X197 EKONOFILM-EXRED SP989	RL	Stock	\$ 580.18
78-24197989	RL- 24X197 EKONOFILM IR SP989	RL	Stock	\$ 767.93
68-2598200390	RL- 25.98X200 EKONOFILM-EXRED SP390	RL	Stock	\$ 680.82
68-2598200390R	RL- 25.98X200 EKONOFILM-EXRED SP390R	RL	Non-Stock	\$ 680.82
68-2598200829	RL- 25.98X200 EKONOFILM-EXRED SP829	RL	Stock	\$ 680.82

**ABDICK BRAND PRODUCTS****ABDICK 30% OFF LIST PRICE****PRESS BLANKETS & PACKING SHEETS**

Part Number	Description	Stock Description	Stock	List
68-2598200989	RL- 25.98X200 EKONOFILM-EXRED SP989	RL	Stock	\$ 680.12
78-30197989	RL- 30X197 EKONOFILM IR SP989	RL	Stock	\$ 959.90
68-30200829	RL- 30X200 EKONOFILM-EXRED SP829	RL	Stock	\$ 785.57
68-36200829	RL- 36X200 EKONOFILM-EXRED SP829	RL	Stock	\$ 942.42
83-DP-23633	1- MULTISSET+ DPM FILM 13-3/8X200	RL	Stock	\$ 428.34
83-DP-23613	1- MULTISSET+ DPM FILM 13X200	RL	Stock	\$ 416.33
83-DP-23614	1- MULTISSET+ DPM FILM 14X200	RL	Stock	\$ 448.34
83-DP-23612	1- MULTISSET+ DPM FILM 2340 12X200	RL	Stock	\$ 401.61
83-SC-34633	1- MULTISSET+ DPM FLM 13-3/8 X 200	RL	Stock	\$ 428.41
83-DP-23614-M	1- MULTISSET+ MATTE DPM FILM 14/200	RL	Stock	\$ 546.53

**ANALOG FILMS & CHEMISTRY**

55010	9X100 EI 430 HT NEG FILM	CG	Stock	\$ 167.35
55011	12X100 EI 430 HT NEG FILM	CG	Stock	\$ 223.13
55070	4GL- C-FIX CONCEN. FIXER	CS	Stock	\$ 95.87
55060	4x5QT- C-DEV CONCEN. DEVELOPER	CS	Stock	\$ 141.84
55065	5GL- C-DEV CONCEN. DEVELOPER	EA	Stock	\$ 136.16
55075	5GL- C-FIX CONCEN. FIXER	EA	Stock	\$ 88.20
55070-55	C-FIX CONCEN. FIXER 55 GAL	CS	Non-Stock	\$ 725.00
55050	4X5QT- IMAGE SERIES DEV PREMIX	CS	Stock	\$ 69.04
55055	5GL- IMAGE SERIES DEVELOPER PREMIX	EA	Stock	\$ 58.65
26100	4X5QT- BOTTLE PREMIX CP DEVELOPER	CS	Stock	\$ 104.42
26130	5GL- PREMIX CP DEVELOPER	BT	Stock	\$ 84.21
55040	ABD RA DEV PREMIX 5 QT 4/CS	CS	Stock	\$ 69.03
55045	ABD RA DEV PREMIX 5GAL CUBE	CU	Stock	\$ 63.05
13284	3QT- DT PROCESSOR CLEANER	CS	Stock	\$ 39.11

**ABDICK INK & INK SUPPLIES**

3-1010	1LB- ALL PURPOSE OIL BASE BLACK	EA	Stock	\$ 10.14
3-1010-55	55GL- ALL PURPOSE OIL BASE BLACK	DR	Non-Stock	\$ 1,590.60
3-1010-5	5LB- ALL PURPOSE OIL BASE BLACK	EA	Stock	\$ 41.67

**ABDICK BRAND PRODUCTS****ABDICK 30% OFF LIST PRICE****PRESS BLANKETS & PACKING SHEETS**

Part Number	Description	Stock Description	Stock	List
3-1010-C	CTG- ALL PURPOSE OIL BASE BLACK	EA	Stock	\$ 9.60
CAP-5000	1LB- CAPSULINK BLACK LASER SOY	CN	Stock	\$ 22.84
CAP-5000-5	5LB- CAPSULINK BLACK LASER SOY	CN	Stock	\$ 77.37
CAP-6000-5	5LB- CAPSULINK HIGH TACK BLACK	CN	Stock	\$ 64.85
3-3102	1.5LB FAST SET MAGNETIC OIL BASE BLK	CN	Stock	\$ 36.22
3-3101	1.5LB- MAGNETIC OIL BASE BLACK	EA	Stock	\$ 30.79
3-3103-7	7LB- BLACK MAGNETIC INK 1% DRIER	CN	Non-Stock	\$ 137.77
3-3101-7	7LB- MAGNETIC OIL BASE BLACK	EA	Stock	\$ 128.63
3-3101-C	CTG- MAGNETIC OIL BASE BLACK	EA	Stock	\$ 26.58
4-4974	1- 2" BRASS INK KNIFE	EA	Stock	\$ 17.32
4-4975	1- 3" BRASS INK KNIFE- 8" LONG	EA	Stock	\$ 18.37
4-4971	1- A.B.DICK PRINTERS APRON 29"LONG	EA	Stock	\$ 17.26
4-4972	1- INK DISPENSING GUN	EA	Stock	\$ 7.82
4-2000	1- INK MIXING KIT	EA	Stock	\$ 492.75
9-2242	100- PAPER INK WEIGHING DISC	EA	Stock	\$ 13.38
9-2241	12- INK MIXING CANS PLASTIC	BX	Stock	\$ 20.74
9-2235	35- ABD PLASTIC 1LB INK CAN W/ COVER	BX	Stock	\$ 50.66
9-2245	50- 8OZ NATURAL EMPTY INK CAN	BX	Stock	\$ 37.02
9-2246	50- 8OZ WHITE INK CAN LID	BX	Stock	\$ 25.86
4-2005	ABDICK PANTONE COLOR GUIDE SET C&UC	ST	Stock	\$ 103.33
PSI-PB	5LB- ABD PRO-SET INK BLACK	CN	Stock	\$ 31.58
PSI-PC	5LB- ABD PRO-SET INK CYAN	CN	Stock	\$ 44.82
PSI-DB	5LB- ABD PRO-SET INK DENSE BLACK	CN	Stock	\$ 36.78
PSI-PM	5LB- ABD PRO-SET INK MAGENTA	CN	Stock	\$ 43.24
PSI-PY	5LB- ABD PRO-SET INK YELLOW	CN	Stock	\$ 40.82

**ABDICK INKJET PROOFING PAPER**

7-100P-1319-M	100- IJ PROOF PAPER 13X19 MATTE	BX	Stock	\$ 158.50
7-100P-1319-SG	100- IJ PROOF PAPER 13X19 SEMIGLOSS	BX	Stock	\$ 207.12

**ABDICK MEGA ANALOG PLATES**

41710	10X75M MEGA PLT MATL 7MIL PPR	RL	Stock	\$ 167.38
41708	11-1/2X75M MEGA PLT MATL 7MIL PPR	RL	Stock	\$ 192.48

**ABDICK BRAND PRODUCTS****ABDICK 30% OFF LIST PRICE****PRESS BLANKETS & PACKING SHEETS**

<b>Part Number</b>	<b>Description</b>	<b>Stock Description</b>	<b>Stock</b>	<b>List</b>
41721	11-1/4X75M MEGA PLT MATL 7MIL PPR	RL	Stock	\$ 188.31
41711	11X75M MEGA PLT MATL 7MIL PPR	RL	Stock	\$ 184.13
41714	12-1/2X75M MEGA PLT MATL 7MIL PPR	RL	Stock	\$ 209.22
41712	12X75M MEGA PLT MATL 7MIL PPR	RL	Stock	\$ 200.85
41706	13.5x75M MEGA PLT MATL 7MIL PPR	RL	Stock	\$ 225.96
41704	13X75M MEGA PLT MATL 7MIL PPR	RL	Stock	\$ 217.60
41716	15.9X75M MEGA PLT MATL 7MIL PPR	RL	Stock	\$ 266.12
41717	15-1/2X75M MEGA PLT MATL 7MIL PPR	RL	Stock	\$ 259.43
41715	15X75M MEGA PLT MATL 7MIL PPR	RL	Stock	\$ 251.06
41707	18-1/2X75M MEGA PLT MATL 7MIL PPR	RL	Stock	\$ 309.65
41718	18X75M MEGA PLT MATL 7MIL PPR	RL	Stock	\$ 301.28
41728	19-1/4X75M MEGA PLT MAT 7MILL PPR	RL	Stock	\$ 322.20
41720	20X75M MEGA PLT MATL 7MIL PPR	RL	Stock	\$ 334.76
41724	21-5/8X75M MEGA PLT MATL 7MIL PPR	RL	Stock	\$ 361.95
41726	22X75M MEGA PLT MATL 7MIL PPR	RL	Stock	\$ 368.23
41705	5X75M MEGA PLT MATL 7MIL PPR	RL	Stock	\$ 83.70
41713	9-3/8X75M MEGA PLT MATL 7MIL PPR	RL	Stock	\$ 156.92
41709	9X75M MEGA PLT MATL 7MIL PPR	RL	Stock	\$ 150.63
41719	RL- 17-3/8 X 75M MEGA PLT MATL	RL	Stock	\$ 290.83
58320-V3	MEGA PLUS VER3 5MIL 10X246 POLY	RL	Stock	\$ 202.10
58324-V3	MEGA PLUS VER3 5MIL 11-1/4X246 POLY	RL	Stock	\$ 227.38
58321-V3	MEGA PLUS VER3 5MIL 11X246 POLY	RL	Stock	\$ 222.33
58327-V3	MEGA PLUS VER3 5MIL 12-1/2X246 POLY	RL	Stock	\$ 252.65
58322-V3	MEGA PLUS VER3 5MIL 12X246 POLY	RL	Stock	\$ 242.55
58389-V3	MEGA PLUS VER3 5MIL 13X246 POLY	RL	Stock	\$ 262.75
58328-V3	MEGA PLUS VER3 5MIL 14-9/16X246 POLY	RL	Stock	\$ 294.34
58326-V3	MEGA PLUS VER3 5MIL 15.9X246 POLY	RL	Stock	\$ 321.37
58325-V3	MEGA PLUS VER3 5MIL 15X246 POLY	RL	Stock	\$ 303.18
58390-V3	MEGAPLUS VER3 5MIL 13.3"X246'	RL	Stock	\$ 268.83
41310	10X40M MEGA CASSETTE 7MIL PPR	CG	Stock	\$ 127.16
41314	11-1/4X40M MEGA CASSETTE 7MIL PPR	CG	Stock	\$ 143.07
41311	11X40M MEGA CASSETTE 7MIL PPR	CG	Stock	\$ 139.88
41312	12X40M MEGA CASSETTE 7MIL PPR	CG	Stock	\$ 152.60

**ABDICK BRAND PRODUCTS****ABDICK 30% OFF LIST PRICE****PRESS BLANKETS & PACKING SHEETS**

Part Number	Description	Stock Description	Stock	List
41309	9X40M MEGA CASSETTE 7MIL PPR	CG	Stock	\$ 114.44
58310	MEGA PLUS 10X61M 430 5MIL POLY	CG	Stock	\$ 197.50
58314	MEGA PLUS 11-1/4X61M 430 5MIL POLY	CG	Stock	\$ 222.20
58311	MEGA PLUS 11X61M 430 5MIL POLY	CG	Stock	\$ 217.26
58312	MEGA PLUS 12X61M 430 5MIL POLY	CG	Stock	\$ 237.00
41323	MEGA PLUS 11X200 8MIL POLY	RL	Stock	\$ 243.76
41322	MEGA PLUS 10X200 8MIL POLY	RL	Stock	\$ 221.61
41335	MEGA PLUS 11-1/4X61M 8MIL POLY	RL	Stock	\$ 249.30
41329	MEGA PLUS 12.5X61M 8MIL POLY	RL	Stock	\$ 277.00
41336	MEGA PLUS 12X61M 8MIL POLY	RL	Stock	\$ 265.93
41338	MEGA PLUS 13-3/8X200 8MIL POLY	RL	Stock	\$ 296.40
41333	MEGA PLUS 13X200 8MIL POLY	RL	Stock	\$ 288.10
41328	MEGA PLUS 15.9X61M 8MIL POLY	RL	Stock	\$ 352.36
41331	MEGA PLUS 15X61M 8MIL POLY	RL	Stock	\$ 332.40
41319	MEGA PLUS 19-1/4X200 8MIL POLY	RL	Stock	\$ 426.60
41324	MEGA PLUS 22X200 8MIL POLY	RL	Stock	\$ 487.55
38704	BT- SILVER-WET FOUNT ADDITIVE	BT	Stock	\$ 21.68
38766	MEGA ETCH (6 QTS/CS)	CS	Stock	\$ 33.92
38750	MEGA ACTIVATOR (4 GAL/CS)	CS	Stock	\$ 80.52
38745	MEGA ACTIVATOR (5GAL CUBE)	CU	Stock	\$ 93.61
38773	MEGA FOUNTAIN CONC(4 GAL/CS)	CS	Stock	\$ 54.15
38776	MEGA FOUNTAIN CONC.(6 QTS/CS)	CS	Stock	\$ 37.48
38756	MEGA STABILIZER (4 GAL/CS)	CS	Stock	\$ 71.49
38753	MEGA STABILIZER(5 GAL CUBE)	CU	Stock	\$ 81.98
4-9974	SILVER PLATE IMAGE REM. PEN BROAD PT	EA	Stock	\$ 19.50
38778	1GL- MEGA CMS+ FOUNT FOR POLY PLTS	GA	Stock	\$ 48.20

**MEGAPRO DIGITAL SILVER PLATES**

53917	DPM2000 10x200 5MIL MEGAPRO POLY	CG	Stock	\$ 236.07
53902	DPM2000 10x200 7MIL MEGAPRO PPR PLT	CG	Stock	\$ 229.74
53904	DPM2000 11.25x200 7MIL MEGAPRO PPR	CG	Stock	\$ 258.46
53918	DPM2000 11x200 5MIL MEGAPRO POLY	CG	Stock	\$ 259.67
53907	DPM2000 12.5x200 7MIL MEGAPRO PPR	CG	Stock	\$ 287.19

**ABDICK BRAND PRODUCTS**

**ABDICK 30% OFF LIST PRICE**

**PRESS BLANKETS & PACKING SHEETS**

Part Number	Description	Stock Description	Stock	List
53921	DPM2000 12x200 5MIL MEGAPRO POLY	CG	Stock	\$ 283.27
53906	DPM2000 12x200 7MIL MEGAPRO PPR PLT	CG	Stock	\$ 275.69
53936-M	DPM2000 12x200 8MIL MEGAPRO MATTE	CG	Stock	\$ 337.39
53967	DPM2000 13-3/8x200 7MIL MEGAPRO PPR	CG	Stock	\$ 307.28
53969-M	DPM2000 13-3/8X200 8M MEGAPRO MATTE	CG	Stock	\$ 375.89
53923	DPM2000 13x200 5MIL MEGAPRO POLY	CG	Stock	\$ 306.86
53908	DPM2000 13x200 7MIL MEGAPRO PPR PLT	CG	Stock	\$ 298.66
53938-M	DPM2000 13x200 8MIL MEGAPRO MATTE	CG	Stock	\$ 365.51
53939-M	DPM2000 14.56x200 8MIL MEGAPRO MATTE	CG	Stock	\$ 409.34
53941-M	DPM2000 15.5x200 8MIL MEGAPRO MATTE	CG	Stock	\$ 435.78
53960-M	DPM2000 15.75x200 8MIL MEGAPRO MATTE	CG	Stock	\$ 452.64
53942-M	DPM2000 15.9x200 8MIL MEGAPRO MATTE	CG	Stock	\$ 447.03
53910	DPM2000 15x200 7MIL MEGAPRO PPR PLT	CG	Stock	\$ 344.60
53940-M	DPM2000 15X200 8MIL MEGAPRO MATTE	CG	Stock	\$ 421.72
53944-M	DPM2000 16.5x200 8MIL MEGAPRO MATTE	CG	Stock	\$ 463.87
53916	DPM2000 9.375x200 5MIL MEGAPRO POLY	CG	Stock	\$ 221.31
53901	DPM2000 9.375x200 7MIL MEGAPRO PPR	CG	Stock	\$ 215.39
66511	MEGAPRO-LD 5POLY SPEC820 11X200	RL	Stock	\$ 186.13
66512-S	MEGAPRO-LD 5POLY SPEC820 12X100	RL	Stock	\$ 101.54
66512	MEGAPRO-LD 5POLY SPEC820 12X200	RL	Stock	\$ 203.06
66534-S	MEGAPRO-LD 5POLY SPEC820 13.3X100	RL	Stock	\$ 112.53
66534	MEGAPRO-LD 5POLY SPEC820 13.3X200	RL	Stock	\$ 225.06
66516	MEGAPRO-LD 5POLY SPEC820 14X200	RL	Stock	\$ 236.90
66518	MEGAPRO-LD 5POLY SPEC820 18X200	RL	Non-Stock	\$ 304.59
66509	MEGAPRO-LD 5POLY SPEC820 9X200	RL	Non-Stock	\$ 152.29
66710	MEGAPRO-LD 7PPR SPEC28SD 10X200	RL	Non-Stock	\$ 163.40
66711	MEGAPRO-LD 7PPR SPEC28SD 11X200	RL	Non-Stock	\$ 179.74
66712	MEGAPRO-LD 7PPR SPEC28SD 12X200	RL	Stock	\$ 196.08
66734-S	MEGAPRO-LD 7PPR SPEC28SD 13.3X100	RL	Stock	\$ 108.66
66713	MEGAPRO-LD 7PPR SPEC28SD 13X200	RL	Non-Stock	\$ 212.42
66757	MEGAPRO-LD 7PPR SPEC28SD 15.75X200	RL	Non-Stock	\$ 245.10
66759	MEGAPRO-LD 7PPR SPEC28SD 15.9X200	RL	Non-Stock	\$ 259.81
66715	MEGAPRO-LD 7PPR SPEC28SD 15X200	RL	Non-Stock	\$ 245.10

**ABDICK BRAND PRODUCTS**

**ABDICK 30% OFF LIST PRICE**

**PRESS BLANKETS & PACKING SHEETS**

<b>Part Number</b>	<b>Description</b>	<b>Stock Description</b>	<b>Stock</b>	<b>List</b>
66709	MEGAPRO-LD 7PPR SPEC28SD 9X200	RL	Non-Stock	\$ 147.06
66811-M	MEGAPRO-LD 8MATPOLY S820 11X100	RL	Stock	\$ 118.53
66812-M	MEGAPRO-LD 8MATPOLY SP820 12X100	RL	Stock	\$ 129.32
66813-M	MEGAPRO-LD 8MATPOLY SP820 13X100	RL	Stock	\$ 140.09
66823-M	MEGAPRO-LD 8MATPOLY SP820 23.6X100	RL	Stock	\$ 254.33
66834-M	MEGAPRO-LD MATPOLY S820 13.3X100 8M	RL	Stock	\$ 143.34
66857-M	MEGAPRO-LD MATPOLY S820 15.75X100	RL	Stock	\$ 169.20
66859-M	MEGAPRO-LD MATPOLY S820 8M 15.9x100	RL	Stock	\$ 171.35
23832-MRF	DPM2340 MEGAPRO 13.2X200 8M MATTE	RL	Stock	\$ 317.53
23813-MRF	DPM2340 MEGAPRO 13X200 8M MATTE	RL	Stock	\$ 312.71
23510-RF	RL- DPM2340 10X200 5M MEGAPRO POLY	RL	Stock	\$ 201.98
23511-RF	RL- DPM2340 11X200 5M MEGAPRO POLY	RL	Stock	\$ 222.17
23512-RF	RL- DPM2340 12X200 5M MEGAPRO POLY	RL	Stock	\$ 242.37
23533-RF	RL- DPM2340 13.375X200 5M MEGAPRO PO	RL	Stock	\$ 270.15
23833-MRF	RL- DPM2340 13.375X200 8M MATTE POLY	RL	Stock	\$ 321.72
23513-RF	RL- DPM2340 13X200 5M MEGAPRO POLY	RL	Stock	\$ 262.57
23509-RF	RL- DPM2340 9X200 5MIL MEGAPRO POLY	RL	Stock	\$ 181.78
23710-RF	RL- DPM2340 MEGAPRO 10X200 7MIL PPR	RL	Stock	\$ 196.57
23810-MRF	RL- DPM2340 MEGAPRO 10X200 8M MATTE	RL	Stock	\$ 240.56
23811-MRF	RL- DPM2340 MEGAPRO 11X200 8M MATTE	CG	Stock	\$ 264.64
23712-RF	RL- DPM2340 MEGAPRO 12X200 7M PPR	RL	Stock	\$ 235.88
23812-MRF	RL- DPM2340 MEGAPRO 12X200 8M MATTE	RL	Stock	\$ 288.66
23733-RF	RL- DPM2340 MEGAPRO 13.375X200 7M PP	RL	Stock	\$ 262.92
23713-RF	RL- DPM2340 MEGAPRO 13X200 7MIL PPR	RL	Stock	\$ 255.53
23709-RF	RL- DPM2340 MEGAPRO 9X200 7MIL PPR	RL	Stock	\$ 176.91
65512-S	MEGAPRO-IR 5POLY SPEC820 12X100	RL	Stock	\$ 114.06
65512	MEGAPRO-IR 5POLY SPEC820 12X200	RL	Stock	\$ 220.62
65534-S	MEGAPRO-IR 5POLY SPEC820 13.3X100	RL	Stock	\$ 122.27
65534	MEGAPRO-IR 5POLY SPEC820 13.3X200	RL	Stock	\$ 244.52
65559	MEGAPRO-IR 5POLY SPEC820 15.9X200	RL	Non-Stock	\$ 292.33
65710	MEGAPRO-IR 7PPR SPEC28SD 10X200	RL	Non-Stock	\$ 171.42
65711	MEGAPRO-IR 7PPR SPEC28SD 11X200	RL	Non-Stock	\$ 188.57
65712	MEGAPRO-IR 7PPR SPEC28SD 12X200	RL	Non-Stock	\$ 205.70



**ABDICK BRAND PRODUCTS****ABDICK 30% OFF LIST PRICE****PRESS BLANKETS & PACKING SHEETS**

<b>Part Number</b>	<b>Description</b>	<b>Stock Description</b>	<b>Stock</b>	<b>List</b>
65734-S	MEGAPRO-IR 7PPR SPEC28SD 13.3x100	RL	Stock	\$ 114.01
65709	MEGAPRO-IR 7PPR SPEC28SD 9X200	RL	Non-Stock	\$ 154.28
65834	MEGAPRO-IR 8POLY SPEC820 13.3X100	RL	Stock	\$ 156.92
25875-M	DPM2508 15.75X200 8MIL MATTE POLY	RL	Stock	\$ 386.45
25814-M	DPM2508 14.57X200 8MIL MATTE POLY	RL	Stock	\$ 357.48
25815-M	DPM2508 15 X 200 8MIL POLY MATTE	RL	Stock	\$ 368.04
25575	DPM2508 15.75X200 5MIL MEGAPRO POLY	RL	Stock	\$ 318.42
25775	DPM2508 15.75X200 7MIL MEGAPRO PPR	RL	Stock	\$ 288.26
25759	DPM2508 15.9X200 7MIL MEGAPRO PPR	RL	Stock	\$ 291.00
25862-M	DPM2508 16.14X200 8MIL MATTE POLY	RL	Stock	\$ 396.02
25816-M	DPM2508 16.38 X 200 8MIL POLY MATTE	RL	Stock	\$ 401.90
25587	DPM2508 17.87X200 5MIL MEGAPRO POLY	RL	Stock	\$ 361.28
25887-M	DPM2508 17.87X200 8MIL MATTE POLY	RL	Stock	\$ 438.46
25886-M	DPM2508 18.06X200 8MIL MATTE POLY	RL	Stock	\$ 443.12
25519	DPM2508 19.09X200 5MIL MEGAPRO POLY	RL	Stock	\$ 385.96
25719	DPM2508 19.09X200 7MIL MEGAPRO PPR	RL	Stock	\$ 349.39
25819-M	DPM2508 19.09X200 8MIL MATTE POLY	RL	Stock	\$ 468.39
25892-M	DPM2508 19.2 X 200 8MIL POLY MATTE	RL	Stock	\$ 471.09
25538	DPM2508 19.375X200 5MIL MEGAPRO POLY	RL	Stock	\$ 391.71
25738	DPM2508 19.375X200 7MIL MEGAPRO PPR	RL	Stock	\$ 354.60
25838-M	DPM2508 19.375X200 8MIL MATTE POLY	RL	Stock	\$ 475.38
25898-M	DPM2508 19.88X200 8MIL MATTE POLY	RL	Stock	\$ 487.78
25820-M	DPM2508 20 X 200 8MIL POLY MATTE	RL	Stock	\$ 490.73
25520	DPM2508 20X200 5MIL MEGAPRO POLY	RL	Stock	\$ 404.36
SC34832-M	MEGAPRO SC 13.2X200 8MIL MATPOLY	RL	Stock	\$ 317.53
SC34533	MEGAPRO SC 13.375X200 5MIL POLY	RL	Stock	\$ 270.15
SC34733	MEGAPRO SC 13.375X200 7MIL PPR	RL	Stock	\$ 262.80
SC34833-M	MEGAPRO SC 13.375X200 8MIL MATTE	RL	Stock	\$ 321.74
SC34513	MEGAPRO SC 13X200 5MIL POLY	RL	Stock	\$ 262.57
SC34713	MEGAPRO SC 13X200 7MIL PPR	RL	Stock	\$ 255.42
SC34813-M	MEGAPRO SC 13X200 8MIL MATTE POLY	RL	Stock	\$ 312.71

**MEGAPRINT POLYESTER SILVER PLATES**

**ABDICK BRAND PRODUCTS****ABDICK 30% OFF LIST PRICE****PRESS BLANKETS & PACKING SHEETS**

<b>Part Number</b>	<b>Description</b>	<b>Stock Description</b>	<b>Stock</b>	<b>List</b>
702-23510	MEGAPRINT DPM2340 5MIL 10X200	RL	Stock	\$ 230.18
702-23512	MEGAPRINT DPM2340 5MIL 12X200	RL	Stock	\$ 257.80
702-23533	MEGAPRINT DPM2340 5MIL 13-3/8X200	RL	Stock	\$ 287.28
702-23513	MEGAPRINT DPM2340 5MIL 13X200	RL	Stock	\$ 279.21
702-23811	MEGAPRINT DPM2340 8MIL 11X200	RL	Stock	\$ 281.45
702-23812	MEGAPRINT DPM2340 8MIL 12X200	RL	Stock	\$ 307.04
702-23832	MEGAPRINT DPM2340 8MIL 13.2X200	RL	Stock	\$ 337.73
702-23833	MEGAPRINT DPM2340 8MIL 13-3/8X200	RL	Stock	\$ 342.21
702-23813	MEGAPRINT DPM2340 8MIL 13X200	RL	Stock	\$ 332.60
702-25875	MEGAPRINT DPM2508 8MIL 15-3/4X200	RL	Stock	\$ 411.05
702-25819	MEGAPRINT DPM2508 8MIL 19.09X200	RL	Stock	\$ 498.19
702-25820	MEGAPRINT DPM2508 8MIL 20X200	RL	Stock	\$ 521.94
702-34832	MEGAPRINT DPM34 13.2X200 8MIL POLY	RL	Stock	\$ 337.73
702-34533	MEGAPRINT DPM34 13-3/8X200 5MIL POLY	RL	Stock	\$ 287.36
702-34833	MEGAPRINT DPM34 13-3/8X200 8MIL POLY	RL	Stock	\$ 342.21
702-34513	MEGAPRINT DPM34 13X200 5MIL POLY	RL	Stock	\$ 279.27
702-34813	MEGAPRINT DPM34 13X200 8MIL POLY	RL	Stock	\$ 332.60
70223	MEGAPRINT CONC ACTIVATOR 4X5 LTRS	CS	Stock	\$ 126.00
70225	MEGAPRINT CONC STABILIZER 4X5LTR	CS	Stock	\$ 114.76
70212	MEGAPRINT CONV FOUNT SOLN 4X5L	CS	Stock	\$ 71.07
70211	MEGAPRINT INTG FOUNT SOLN 4X5L	CS	Stock	\$ 51.45

**LASER-PRINTER PLATES**

LE-10X15	100- LASER-EDGE PLATES 10X15	BX	Stock	\$ 109.85
LE-10X155	100- LASER-EDGE PLATES 10X15-1/2	BX	Stock	\$ 140.31
LE-1125X185	100- LASER-EDGE PLATES 11-1/4X18-1/2	BX	Stock	\$ 164.74
LE-1175X18	100- LASER-EDGE PLATES 11-3/4X18	BX	Stock	\$ 164.74
LE-1175X185	100- LASER-EDGE PLATES 11-3/4X18-1/2	BX	Stock	\$ 164.74
LE-1175X19375	100- LASER-EDGE PLATES 11-3/4X19-3/8	BX	Stock	\$ 153.06
LE-11X18	100- LASER-EDGE PLATES 11X18	BX	Stock	\$ 144.19
LE-11X185	100- LASER-EDGE PLATES 11X18-1/2	BX	Stock	\$ 147.48
LE-125X19375	100- LASER-EDGE PLATES 12-1/2X19-3/8	BX	Stock	\$ 183.07
LE-125X19875	100- LASER-EDGE PLATES 12-1/2X19-7/8	BX	Stock	\$ 178.48

**ABDICK BRAND PRODUCTS****ABDICK 30% OFF LIST PRICE****PRESS BLANKETS & PACKING SHEETS**

Part Number	Description	Stock Description	Stock	List
LE-12X18	100- LASER-EDGE PLATES 12X18	BX	Stock	\$ 164.74
LE-12X185	100- LASER-EDGE PLATES 12X18-1/2	BX	Stock	\$ 164.74
LE-12X19375	100- LASER-EDGE PLATES 12X19-3/8	BX	Stock	\$ 168.99
LE-12X19875	100- LASER-EDGE PLATES 12X19-7/8	BX	Stock	\$ 178.48
LE-13X19375	100- LASER-EDGE PLATES 13X19-3/8	BX	Stock	\$ 183.07
LE-13X19875	100- LASER-EDGE PLATES 13X19-7/8	BX	Stock	\$ 183.07
LE-8625X15	100- LASER-EDGE PLATES 8-5/8X15	BX	Stock	\$ 86.49
LE-9X12	100- LASER-EDGE PLATES 9X12	BX	Stock	\$ 86.50
PPRS-13-100	100- POLY PLATE REINFORCE STRIPS 13"	PK	Stock	\$ 37.10
LE-DELPEN	LASER-EDGE DELETION PEN	EA	Stock	\$ 18.39
50062	KIMOCLEAN PLATE CLEANER 16OZ.	PT	Stock	\$ 11.07
LEX-200100050	100- LEX 10X15 PLATES	BX	Stock	\$ 86.40
LEX-200100051	100- LEX 10X15-1/2 PLATES	BX	Stock	\$ 88.69
LEX-200100052	100- LEX 11-3/4X18-1/2 PLATES	BX	Stock	\$ 124.38
LEX-200100053	100- LEX 11-3/4X19-3/8 PLATES	BX	Stock	\$ 130.27
LEX-200100058	100- LEX 11X18 PLATES	BX	Stock	\$ 113.30
LEX-200100076	100- LEX 11X18-1/2 PLATES	BX	Stock	\$ 116.45
LEX-200100054	100- LEX 12X18 PLATES	BX	Stock	\$ 123.60
LEX-200100055	100- LEX 12X19-3/8 PLATES	BX	Stock	\$ 133.05
LEX-200100057	100- LEX 12X19-7/8 PLATES	BX	Stock	\$ 136.48
LEX-200100082	100- LEX 13-3/8X19-7/8 PLATES	BX	Stock	\$ 152.11
LEX-200100111	100- LEX 13X18-1/2 PLATES	BX	Stock	\$ 137.62
LEX-200100060	100- LEX 13X19-3/8 PLATES	BX	Stock	\$ 144.13
LEX-200100061	100- LEX 13X19-7/8 PLATES	BX	Stock	\$ 147.85

**ABDICK DIGITAL DSTAT PLATES**

DSTAT-10155-A	D-STAT THERM PLT 10X15 100/BX	BX	Non-Stock	\$ 105.99
DSTAT-10155	D-STAT THERM PLT 10X15.5 100/BX	BX	Stock	\$ 105.99
DSTAT-112518625	D-STAT THERM PLT 11.25X18.625 100/BX	BX	Stock	\$ 181.12
DSTAT-117518125	D-STAT THERM PLT 11.75X18.125 100/BX	BX	Non-Stock	\$ 146.63
DSTAT-11251925	D-STAT THERM PLT 11-1/4X19-1/4 100BX	BX	Stock	\$ 149.10
DSTAT-11185	D-STAT THERM PLT 11X18.5 100/BX	BX	Stock	\$ 139.96
DSTAT-127518116	D-STAT THERM PLT 12.75X18.0625 100/B	BX	Stock	\$ 158.55

**ABDICK BRAND PRODUCTS****ABDICK 30% OFF LIST PRICE****PRESS BLANKETS & PACKING SHEETS**

Part Number	Description	Stock Description	Stock	List
DSTAT-127519375	D-STAT THERM PLT 12.75X19.375 100/BX	BX	Stock	\$ 170.07
DSTAT-1218	D-STAT THERM PLT 12X18 100/BX	BX	Stock	\$ 141.64
DSTAT-12185	D-STAT THERM PLT 12X18-1/2 100/BX	BX	Non-Stock	\$ 145.57
DSTAT-1219375	D-STAT THERM PLT 12X19.375 100/BX	BX	Stock	\$ 159.91
DSTAT-1219875	D-STAT THERM PLT 12X19.875 100/BX	BX	Stock	\$ 164.03
DSTAT-1321909	D-STAT THERM PLT 13.2X19.09 100/BOX	BX	Stock	\$ 173.49
DSTAT-13371987	D-STAT THERM PLT 13.375X19.875 100	BX	Stock	\$ 182.84
DSTAT-1319375	D-STAT THERM PLT 13X19.375 100/BX 5M	BX	Stock	\$ 173.40
DSTAT-1319875	D-STAT THERM PLT 13X19.875 100/BX	BX	Stock	\$ 177.88
DSTAT-9841456	D-STAT THERM PLT 9.84X14.56 100/BX	BX	Stock	\$ 98.55
DSTAT-RIB	D-STAT THERMAL RIBBONS 10/BX	BX	Stock	\$ 94.69

**ABDICK MASKING MATERIALS**

4-4927	100- 11-1/16X19-1/4 RULED MASK PAPER	PK	Stock	\$ 43.23
43493	100- 13-1/2X19-1/2 RULED GLD MASK	PK	Stock	\$ 40.85
4-4923	100- 13-1/2X19-1/4 RULED MASK PAPER	PK	Stock	\$ 54.18
4-4930	100- 13-1/2X19-3/8 4MIL ANTISTAT	PK	Stock	\$ 40.75
4-4920	100- 13-1/2X20 RULED GLD MASK PPR	PK	Stock	\$ 54.18
43492	100- 13X19 RULED GLD MASK PPR	PK	Stock	\$ 58.19
4-4929	100- 20x23 RULED GLD MASK PPR	PK	Stock	\$ 90.34
4-4907	100- ORANGE RULED MASK 13-1/2X19-3/8	PK	Stock	\$ 85.97
4-4908	100-ORANGE UNRLD MASK 13-1/2x19-3/8	PK	Stock	\$ 94.58

**ABDICK MATTE BLUE ANALOG SUBTRACTIVE METAL PLATES & CHEMISTRY**

57534	100- MATTE BLUE 10-5/8X15-1/2 PB 5M	BX	Stock	\$ 192.18
57533	100- MATTE BLUE 10X15 PB 5MIL	BX	Stock	\$ 175.05
57549	100- MATTE BLUE 10X15-1/2 SL 5MIL	BX	Stock	\$ 180.88
57525	100- MATTE BLUE 10X16 SC 5MIL	BX	Stock	\$ 186.69
57513	100- MATTE BLUE 11-1/2X18-1/2 PB 5M	BX	Stock	\$ 248.25
57537	100- MATTE BLUE 11-1/4X18-1/2 PB 5M	BX	Stock	\$ 242.86
57538	100- MATTE BLUE 11-3/4X18 PB 5MIL	BX	Stock	\$ 246.80

**ABDICK BRAND PRODUCTS**

**ABDICK 30% OFF LIST PRICE**

**PRESS BLANKETS & PACKING SHEETS**

Part Number	Description	Stock Description	Stock	List
57507	100- MATTE BLUE 11-7/8X19-3/8 PB 5ML	BX	Stock	\$ 268.47
57535	100- MATTE BLUE 11X18 PB 5MIL	BX	Stock	\$ 231.04
57516	100- MATTE BLUE 11X18-1/16 PB 5MIL	CR	Stock	\$ 231.85
57536	100- MATTE BLUE 11X18-1/2 PB 5MIL	BX	Stock	\$ 237.48
57540	100- MATTE BLUE 12-3/4X18-1/16 PB 5M	BX	Stock	\$ 268.74
57541	100- MATTE BLUE 12-3/4X18-1/2 PB 5M	BX	Stock	\$ 275.25
57510	100- MATTE BLUE 12-3/4X19-3/8 SC 6ML	BX	Stock	\$ 278.33
57539	100- MATTE BLUE 12X18 PB 5MIL	BX	Stock	\$ 252.04
57526	100- MATTE BLUE 13-3/4X17-1/2 SC 5ML	BX	Non-Stock	\$ 280.78
57544	100- MATTE BLUE 13X18-1/2 PB 5MIL	BX	Stock	\$ 280.64
57528	100- MATTE BLUE 14-9/16X17-3/4 SC 5M	BX	Stock	\$ 301.63
57547	100- MATTE BLUE 15-1/16X18 PB 5MIL	BX	Stock	\$ 315.06
57548	100- MATTE BLUE 15-1/2X18-3/8 PB 5M	BX	Stock	\$ 332.35
57518	100- MATTE BLUE 9-3/8X13-3/8 SC 5MIL	BX	Stock	\$ 146.32
57509	50- MATTE BLUE 11-1/2X19-3/8 PB 5MIL	BX	Stock	\$ 130.01
57501	50- MATTE BLUE 11-1/4X19-3/8 PB 5MIL	BX	Stock	\$ 127.18
57597	50- MATTE BLUE 12X19-3/8 PB 5MIL	BX	Stock	\$ 135.66
57527	50- MATTE BLUE 13-3/16X19-3/32 SC 5M	BX	Stock	\$ 146.92
57545	50- MATTE BLUE 13X19-3/8 PB 5MIL	BX	Stock	\$ 141.90
57551	50- MATTE BLUE 15-1/2X20-1/2 SL 5MIL	BX	Stock	\$ 185.39
57552	50- MATTE BLUE 15-15/16X19 SL 5MIL	BX	Stock	\$ 176.68
57529	50- MATTE BLUE 15-3/4X20-1/8 SC 5M	BX	Stock	\$ 184.95
57530	50- MATTE BLUE 16X17-1/2 SC 5MIL	BX	Stock	\$ 163.37
57532	50- MATTE BLUE 19-1/4X22-7/8 SC 5MIL	BX	Stock	\$ 256.92
4-8014	QT- IT PRESENSITIZED PLT CLEAN	QT	Stock	\$ 18.48
4-4936	16- METAL PLATE DEV PADS NO HANDLE	PK	Stock	\$ 24.45
4-1315	GL- IT METAL GUM ARABIC 7DEGREE BAUM	GA	Stock	\$ 29.89
4-1320	GL- IT METAL GUM ARABIC 7DEGREE BAUM	GA	Stock	\$ 35.09
4-1314	QT- IT METAL GUM ARABIC 7DEGREE BAUM	QT	Stock	\$ 9.41
4-9970	1- ABDICK METAL IMAGE REMOVER PEN	EA	Stock	\$ 14.61

**ABDICK EXTREME AQUA 1 SINGLE SIDED PLATES**

83-XA1-108410	100- 10X15 PB XAP-1 PB 6MIL	BX	Stock	\$ 117.90
---------------	-----------------------------	----	-------	-----------

**ABDICK BRAND PRODUCTS****ABDICK 30% OFF LIST PRICE****PRESS BLANKETS & PACKING SHEETS**

<b>Part Number</b>	<b>Description</b>	<b>Stock Description</b>	<b>Stock</b>	<b>List</b>
83-XA1-108411	100- 10X15-1/2 SL XAP-1 6MIL	BX	Stock	\$ 121.84
83-XA1-108462	100- 10X16 SC XAP-1 6MIL	BX	Stock	\$ 135.88
83-XA1-108418	100- 11-1/2X18-1/2 PB XAP-1 6MIL	BX	Non-Stock	\$ 180.68
83-XA1-108417	100- 11-1/4X18-1/2 PB XAP-1 6MIL	BX	Stock	\$ 163.59
83-XA1-108608	100- 11-1/4X19-3/8 PB XAP-1 6MIL	BX	Stock	\$ 171.34
83-XA1-108419	100- 11-3/4X18 PB XAP-1 6MIL	BX	Stock	\$ 166.25
83-XA1-108733	100- 11-3/4X18 PB XAP-1 LR 6MIL	BX	Stock	\$ 166.25
83-XA1-108687	100- 11-3/4X18-5/8 PB XAP-1 6MIL	BX	Non-Stock	\$ 185.86
83-XA1-108690	100- 11-3/4X19-3/8 SC XAP-1 6MIL	BX	Non-Stock	\$ 193.34
83-XA1-108455	100- 11-7/8X19-3/8 PB XAP-1 6MIL	BX	Stock	\$ 195.40
83-XA1-108413	100- 11X18 PB XAP-1 6MIL	BX	Stock	\$ 155.64
83-XA1-108414	100- 11X18-1/16 PB XAP-1 6MIL	BX	Stock	\$ 156.18
83-XA1-108415	100- 11X18-1/2 PB XAP-1 6MIL	BX	Stock	\$ 159.95
83-XA1-108643	100- 11X18-5/8 PB XAP-1 6MIL	BX	Non-Stock	\$ 173.99
83-XA1-108759	100- 12-1/16X17-3/8 SC XAP-1 6MIL	BX	Non-Stock	\$ 164.76
83-XA1-108766	100- 12-1/8X17-3/8 XAP-1 6MIL	BX	Non-Stock	\$ 179.11
83-XA1-108424	100- 12-3/4X18-1/16 PB XAP-1 6MIL	BX	Stock	\$ 181.03
83-XA1-108468	100- 12-3/4X18-1/2 PB XAP-1 6MIL	BX	Stock	\$ 200.32
83-XA1-108425	100- 12-3/4X19-3/8 PB XAP-1 6MIL	BX	Stock	\$ 209.79
83-XA1-108647	100- 12-3/4X19-3/8 SC XAP-1 6MIL	BX	Non-Stock	\$ 209.79
83-XA1-108420	100- 12X18 PB XAP-1 6MIL	BX	Non-Stock	\$ 183.44
83-XA1-108748	100- 13-3/16 X 18-1/2 XAP-1 6MIL	BX	Non-Stock	\$ 207.20
83-XA1-108431	100- 13-3/16X19-3/32 SC XAP-1 6MIL	BX	Stock	\$ 197.92
83-XA1-108645	100- 13-3/8X18-13/64 6MIL SC	BX	Non-Stock	\$ 206.77
83-XA1-108591	100- 13-3/8X18-7/32 SC XAP-1 6MIL	BX	Stock	\$ 191.53
83-XA1-108432	100- 13-3/8X19-7/8 SC XAP-1 6MIL	BX	Stock	\$ 208.96
83-XA1-108751	100- 13-5/8 X 19-3/8 XAP-1 PB 6MIL	BX	Non-Stock	\$ 224.20
83-XA1-108426	100- 13X18-5/8 PB XAP-1 6MIL	BX	Non-Stock	\$ 205.62
83-XA1-108735	100- 13X19-11/64 SC XAP-1 6MIL	BX	Stock	\$ 211.66
83-XA1-108427	100- 13X19-3/16 SC XAP-1 6MIL	BX	Non-Stock	\$ 211.84
83-XA1-108428	100- 13X19-3/8 PB XAP-1 6MIL	BX	Stock	\$ 197.98
83-XA1-108752	100- 14-9/16 X 17-3/4 XAP-1 SC 6MIL	BX	Non-Stock	\$ 219.52
83-XA1-108433	100- 15-1/2X18-3/8 PB XAP-1 6MIL	BX	Stock	\$ 241.88

**ABDICK BRAND PRODUCTS**

**ABDICK 30% OFF LIST PRICE**

**PRESS BLANKETS & PACKING SHEETS**

<b>Part Number</b>	<b>Description</b>	<b>Stock Description</b>	<b>Stock</b>	<b>List</b>
83-XA1-108435	100- 15-1/2X20-1/2 SL XAP-1 6MIL	BX	Non-Stock	\$ 269.85
83-XA1-108484	100- 15-15/16X19 SC XAP-1 6MIL	BX	Non-Stock	\$ 257.17
83-XA1-108457	100- 15-3/4X18-1/2 SC XAP-1 6MIL	BX	Stock	\$ 247.46
83-XA1-108436	100- 15-3/4X20-1/16 SC XAP-1 6MIL	BX	Stock	\$ 248.37
83-XA1-108430	100- 15-3/4X20-1/8 SC XAP-1 6MIL	BX	Stock	\$ 249.15
83-XA1-108459	100- 16-3/8X20-1/2 SC XAP-1 6MIL	BX	Non-Stock	\$ 285.09
83-XA1-108679	100- 16X17-1/2 SC XAP-1 6MIL	BX	Non-Stock	\$ 237.79
83-XA1-108685	100- 18-1/16X20-11/16 SC XAP-1 6MIL	BX	Non-Stock	\$ 317.35
83-XA1-108438	100- 18X15-1/16 PB XAP-1 6MIL	BX	Stock	\$ 213.13
83-XA1-108452	100- 19-1/4X22-7/8 SC XAP-1 6MIL	BX	Stock	\$ 373.97
83-XA1-108662	100- 23-13/64X17-3/8 SC XAP-1 6MIL	BX	Non-Stock	\$ 358.77
83-XA1-108592	100- 9-9/16X13-3/8 SC XAP-1 6MIL	BX	Stock	\$ 100.53
83-XA1-108713	40- 30-5/8X40-1/2 SC XAP-1 12MIL	BX	Non-Stock	\$ 485.49
83-XA1-108755	50- 21-5/8 X 25-5/8 SC XAP-1 12MIL	BX	Non-Stock	\$ 251.12
83-XA1-108761	50- 21-5/8X25-5/8 SC XAP-1 8MIL	BX	Stock	\$ 228.40
83-XA1-108745	50- 23-13/16X29-1/8 SC XAP-1 8MIL	BX	Non-Stock	\$ 308.74
83-XA1-108721	50- 23-5/8X28-3/4 XAP-1 8MIL	BX	Non-Stock	\$ 302.36
83-XA1-108725	50- 23-7/8X26-1/2 XAP-1 SC 8MIL	BX	Non-Stock	\$ 281.64
83-XA1-108753	50- 24-1/4X28-1/2 SC XAP-1 8MIL	BX	Non-Stock	\$ 307.66
83-XA1-108476	50- 26-3/4X31 SC XAP-1 8MIL	BX	Non-Stock	\$ 369.15
83-XA1-108727	50- 28-1/8x35-1/4 XAP-1 SC 8MIL	BX	Non-Stock	\$ 441.33
83-XA1-108637	50- 28-1/8X38-1/2 SC XAP-1 8MIL	BX	Non-Stock	\$ 482.02
83-XA1-108706	60- 11-11/16X15-1/2 SC XAP-1 8MIL	BX	Non-Stock	\$ 96.73
83-XA1-108423	60- 12-1/4X19-7/16 SC XAP-1 8MIL	BX	Stock	\$ 117.78
83-XA1-108627	60- 13-3/8X19-7/8 SC XAP-1 8MIL	BX	Stock	\$ 131.48
83-XA1-108757	60- 15-3/4 X 20-7/8 XAP-1 12MIL	BX	Stock	\$ 193.04
83-XA1-108734	60- 15-3/4X18-1/2 SC XAP-1 LR 8MIL	BX	Stock	\$ 155.58
83-XA1-108437	60- 15-3/4X20-1/8 SC XAP-1 8MIL	BX	Stock	\$ 156.78
83-XA1-108715	60- 17-3/8X15-13/64 SC XAP-1 8MIL	BX	Stock	\$ 144.09
83-XA1-108714	60- 18-1/16 x 20-11/16 SC XAP-1 8MIL	BX	Stock	\$ 184.82
83-XA1-108726	60- 18-1/2X22-19/32 SC XAP-1 8MIL	BX	Stock	\$ 223.18
83-XA1-108707	60- 18-1/2X22-9/16 SC XAP-1 8MIL	BX	Non-Stock	\$ 222.87
83-XA1-108712	60- 19-3/4X23 XAP-1 8MIL SC	BX	Non-Stock	\$ 242.54

**ABDICK BRAND PRODUCTS****ABDICK 30% OFF LIST PRICE****PRESS BLANKETS & PACKING SHEETS**

Part Number	Description	Stock Description	Stock	List
83-XA1-108478	60- 20-3/4X25-1/4 SC XAP-1 8MIL	BX	Non-Stock	\$ 279.75
83-XA1-108739	60- 20X22-13/16 SC XAP-1 8MIL	BX	Stock	\$ 243.62
83-XA1-108661	60- 23-13/64X17-3/8 SC XAP-1 8MIL	BX	Non-Stock	\$ 215.26
83-XA1-108535	60- 9-1/2X12-1/4 SC XAP-1 8MIL	BX	Stock	\$ 57.56

**ABDICK PRESS CHEMICALS**

4-1001	pH ADJUSTMENT KIT	KI	Stock	\$ 75.15
4-1014	QT- BLUE ETCH SOLUTION	QT	Stock	\$ 14.68
4-1015	GL- BLUE ETCH SOLUTION	GA	Stock	\$ 35.31
4-1015-CD	55GL- ETCH DOUBLE CONCENTRATE	DR	Stock	\$ 973.42
4-1067-1	GL- E-STAT CONVERSION SOLUTION	GA	Stock	\$ 37.37
4-1067-55	55GL- (90228)CONV. SOL.	EA	Stock	\$ 1,281.89
4-1080	GL- DUAL PURPOSE E-STAT SOLUTION	GA	Stock	\$ 41.94
4-1080-5	5GL- DUAL PURPOSE E-STAT SOLUTION	CU	Stock	\$ 172.96
4-1080-55	55GL- DUAL PURPOSE E-STAT SOLUTION	DR	Stock	\$ 876.22
4-1100	100- COLORPHAST 0-6 PH TEST STRIPS	PK	Stock	\$ 22.17
4-1101	RL- PH TEST STRIPS ROLL	RL	Stock	\$ 9.40
4-1114	QT- LIGHT BLUE FTN CONCENTRATE	QT	Stock	\$ 15.46
4-1115	GL- LIGHT BLUE FTN CONCENTRATE	GA	Stock	\$ 40.10
4-1115-55	55GL- FTN CONCENTRATE (BLUE)	DR	Stock	\$ 1,412.21
4-1125	GL- YELLOW FTN CONCENTRATE	GA	Stock	\$ 43.86
4-1125-55	55GL- 4-1125 PKD YELLOW FTN CONC.	DR	Stock	\$ 1,792.00
4-1125-CD	55GL- FTN DOUBLE CONCENTRATE YELLOW	DR	Stock	\$ 2,591.94
4-1165	GL- FTN CONCENTRATE	GA	Stock	\$ 23.84
4-1165-55	55GL- FTN CONCENTRATE	DR	Stock	\$ 897.18
4-1172	GL- ISOPROPYL ALCOHOL	CT	Stock	\$ 19.32
4-1175	4GL- ISOPROPYL ALCOHOL	CT	Stock	\$ 65.01
4-1175-5	5GL- ISOPROPYL ALCOHOL	PA	Stock	\$ 72.78
4-1175-55	55GL- ALCOHOL	DR	Stock	\$ 629.70
4-1177	GL- ISOPROPYL ALCOHOL SUBSTITUTE	GA	Stock	\$ 19.09
4-1177-5	5GL- ISOPROPYL ALCOHOL SUBSTITUTE	EA	Stock	\$ 81.91
4-1185	GL- PROFORMANCE FTN CONCENTRATE	GA	Stock	\$ 39.38
4-1195	GL- UNIVERSAL FTN CONCENTRATE	GA	Stock	\$ 33.05



**ABDICK BRAND PRODUCTS**

**ABDICK 30% OFF LIST PRICE**

**PRESS BLANKETS & PACKING SHEETS**

<b>Part Number</b>	<b>Description</b>	<b>Stock Description</b>	<b>Stock</b>	<b>List</b>
4-1200	GL- SAFETY ZONE BLKT WASH	GA	Stock	\$ 20.53
4-1200-5	5GL- SAFETY ZONE BLKT WASH	EA	Stock	\$ 81.28
4-1200-55	55GL- SAFETY ZONE BLKT WASH	DR	Stock	\$ 587.01
4-1235	GL- AUTOMATIC BLANKET WASH	GA	Stock	\$ 19.69
4-1236	GL- SUREDOT WATERMISC BLKT WASH	GL	Stock	\$ 14.86
4-1237	5GL- AUTOMATIC BLANKET WASH	EA	Stock	\$ 70.48
4-1238	2X2.5GL- SUREDOT BLKT WM WASH	CS	Stock	\$ 69.76
4-1238-55	55GL- SUREDOT BLKT WM WASH	DR	Stock	\$ 613.86
4-1239	55GL- AUTOMATIC BLANKET WASH	DR	Stock	\$ 807.78
4-1248	5GL- SUREDOT BLKT WM WASH CONC	CN	Stock	\$ 86.27
4-1249	QT- SUREDOT METER WATER ROLL CLNR	QT	Stock	\$ 8.44
4-1249-55	55GL- SUREDOT METER WATERROLL CLR	DR	Stock	\$ 1,518.41
4-1275	GL- SUREDOT ALCOHOL REPLACEMENT	GA	Stock	\$ 24.72
4-1276	GL- SUREDOT FTN CONCENTRATE	GA	Stock	\$ 20.75
4-4305	BLKT WASH PUMP FOR 5GAL (METAL)	EA	Stock	\$ 60.97
4-4314-L	TPH BLANKET & ROLLER WASH	CS	Stock	\$ 67.61
4-4315	GL- BLKT WASH AND ROLLER CLEANER	GA	Stock	\$ 20.15
4-4317	5GL- BLKT WASH AND ROLLER CLEAN	EA	Stock	\$ 74.00
4-4319	55GL- BLKT WASH AND ROLLER CLEAN	DR	Stock	\$ 736.26
4-4347	5GL- UNIVERSAL BLKT WASH	EA	Stock	\$ 60.92
4-4347-55	55GL- UNIVERSAL BLKT WASH	DR	Stock	\$ 495.33
4-6000	3OZ- ABDICK ORIGINAL BLANKET FIX	EA	Stock	\$ 11.36
4-8010	GL-ABD PD+ DI PLATE CLEANER	GA	Stock	\$ 82.75
4-8010-QT	QT-ABD PD+ DI PLATE CLEANER	QT	Stock	\$ 23.71
4-H2O	GL- DEIONIZED PRESS WATER	GL	Stock	\$ 8.99
4-H2O-5	5GL- DEIONIZED PRESS WATER	CU	Stock	\$ 28.63
4-H2O-55	55GL- DEIONIZED PRESS WATER	DR	Stock	\$ 197.18
36400	5GL- ITEK BLKT WASH SOLUTION	EA	Stock	\$ 71.51
38419	GL- EXTRA STRENGTH CONV SOLUTON	GA	Stock	\$ 33.00
38421	6QT/CS- PREMIUM E-STAT PLATE ETCH	CS	Stock	\$ 67.92
59730	GL- LASER CLEAN FTN CONCENTRATE	GA	Stock	\$ 54.00
4-1264	11OZ- SILICONE SPRAY AEROSOL	CN	Stock	\$ 10.59
4-1262	13OZ- ANTI-STATIC SPRAY AEROSOL	CN	Stock	\$ 10.58

**ABDICK BRAND PRODUCTS****ABDICK 30% OFF LIST PRICE****PRESS BLANKETS & PACKING SHEETS**

Part Number	Description	Stock Description	Stock	List
4-1260	13OZ- PLATE-TAC SPRAY ADHESIVE	CN	Stock	\$ 11.62
4-1265	14OZ- INK ANTI-SKIN SPRAY AEROSOL	CN	Stock	\$ 8.67
4-1266	19.5OZ- GLASS CLEANER AEROSOL	CN	Stock	\$ 6.72
SR-1010-5	5GL- SOLEX 2 COLOR WASH	CN	Stock	\$ 85.15
SR-1007-5	5GL- SOLEX 121	CN	Stock	\$ 85.90
SR-1008-5	5GL- SOLEX BLKT WM WASH	CN	Stock	\$ 81.48
SR-1004	GL- SOLEX WATER ROLLER CLEANER	GA	Stock	\$ 18.38
SR-1005	4GL- SOLEX RENEWAL	CS	Stock	\$ 93.04
SR-1020	4GL- SOLEXOLITE DEGLAZER	CS	Stock	\$ 102.85
SR-1020-55	55GL- SOLEXOLITE DEGLAZER	DR	Non-Stock	\$ 1,110.49
SR-1013-5	5GL- SOLEX RAPID DRY WASH	CN	Stock	\$ 71.92
SR-1005-5	5GL- SOLEX RENEWAL	CN	Stock	\$ 118.83
SR-1020-5	5GL- SOLEXOLITE DEGLAZER	PA	Stock	\$ 108.28
SR-1020-1	GL- SOLEXOLITE DEGLAZER	GL	Stock	\$ 28.92
SR-1009-55	55GL- SOLEX 1 COLOR WASH	DR	Non-Stock	\$ 772.61
SR-1010-55	55GL- SOLEX 2 COLOR WASH	DR	Non-Stock	\$ 672.45
SR-1007-55	55GL- SOLEX 121	DR	Non-Stock	\$ 703.33
SR-1008-55	55GL- SOLEX BLKT WM WASH	DR	Non-Stock	\$ 680.28
SR-1001-55	55GL- SOLEX CHOICE GREEN FNT CONC	DR	Non-Stock	\$ 1,004.53
SR-1013-55	55GL- SOLEX RAPID DRY WASH	DR	Non-Stock	\$ 542.48
SR-1009-5	5GL- SOLEX 1 COLOR WASH	CN	Stock	\$ 91.62
SR-1001	GL- SOLEX CHOICE GREEN FTN CONCEN	GA	Stock	\$ 23.51
SR-1002	GL- SOLEX PROXY ALCOHOL SUB	GA	Stock	\$ 22.87

**ABDICK ELECTROSTATIC PLATES**

4-3795	6PT- LASER PLATE TONER	CS	Stock	\$ 170.99
38414	6QT- ITEK TONER	CS	Stock	\$ 155.58
4-3792	6QT- TONER SOL CONCENTRATE	CS	Stock	\$ 155.58
4-9972	E-STAT IMAGE REMOVER PEN	EA	Stock	\$ 13.50

**ABDICK BRAND PRODUCTS****ABDICK 30% OFF LIST PRICE****PRESS BLANKETS & PACKING SHEETS**

<b>Part Number</b>	<b>Description</b>	<b>Stock Description</b>	<b>Stock</b>	<b>List</b>
<b>ABDICK PADDING COMPOUND/FINISHING CHEMISTRY</b>				
4-6712	GA-UNIVERSAL FANAPART U/W NCR&MEA	GL	Stock	\$ 65.74
4-6702	QT-UNIVERSAL FANAPART U/W NCR&MEAD	QT	Stock	\$ 29.10
4-6710	GL- PADDING COMPOUND SPEC MIX *MIN4	GL	Non-Stock	\$ 32.28
4-6717	GL- RED PRECISION PADDING COMPOUND	GL	Stock	\$ 32.28
4-6718	GL- RED PREMIUM QUICK PADDING COMPOU	GL	Stock	\$ 33.19
4-6719	GL- SPEC MIX COLOR PADDING COMP MIN4	GL	Non-Stock	\$ 39.39
4-6716	GL- WHITE PRECISION PADDING COMPOUND	GL	Stock	\$ 32.28
4-6713	GL- WHITE PREMIUM QUICK PADDING COMP	GL	Stock	\$ 33.19
4-6701	QT- CUSTOM PREMIUM PADCOM 16 MIN	QT	Non-Stock	\$ 13.99
4-6707	QT- RED PRECISION PADDING COMPOUND	QT	Stock	\$ 12.31
4-6708	QT- RED PREMIUM QUICK PADDING COMPOU	QT	Stock	\$ 13.99
4-6702-IM	QT- UNIVERSAL FANAPART FOR IMATION	QT	Stock	\$ 29.10
4-6706	QT- WHITE PRECISION PADDING COMPOUND	QT	Stock	\$ 12.31
4-6703	QT- WHITE PREMIUM QUICK PADDING COMP	QT	Stock	\$ 13.99

BASELINE

28% OFF LIST PRICE

2009 · RETAIL PRICE LIST

**BASE  
LINE<sup>®</sup>**

**NONWOVEN PRODUCTS: PADS/WIPES/CLOTHS/CHEESECLOTH**  
**Product Selector and Confidential Dealer Price List**

2009

BASELINE 28% OFF LIST PRICE

<i>Product number</i>	<i>Description</i>	<i>Size (in)</i>	<i>Units per Package</i>	<i>Packages per Case</i>	<i>Weight per Case</i>	<i>List price</i>
<b>Cotton Litho Pads and Wipes</b>						
These 100% cotton pads and wipes are strong and highly absorbent so they won't break down in water or solvents. They are also soft, contain no chemicals and leave very low lint, so they won't scratch the most delicate materials. Available in 4x4 or 8x8 sizes, these pads and wipes are convenient for camera rooms, stripping areas, platemaking, and small press operations.						
562211BL	Cotton Litho Pads	4 x 4	100/pkg	20	12	\$105.18
562211BL-B-500	500 Bulk Cotton Litho Pads*	4 x 4	500/case	N/A	2	\$23.66
562211BL-B	Bulk Cotton Litho Pads*	4 x 4	1000/case	N/A	6	\$59.11
562207BLN	Cotton Litho Wipes	8 x 8	100/roll	8	10	\$72.22

\* Bulk package consists of loose 4x4 cotton pads in a case. There are no inner packs.  
 • This item is packed 6 to the master case. Please place orders in multiples of 6.

**Base-Line Blue Shop Cloths**

These synthetic shop cloths are strong in both directions and will not rip or tear. They are soft, highly absorbent, extremely low-linting, and contain no contaminants. These multi-purpose products are excellent for pre-press, pressroom, and countless other industrial cleaning applications.

560029BL	Blue Shop Cloths	13 x 13	25/pkg	15	9	\$57.96
----------	------------------	---------	--------	----	---	---------

**Screen and Scanner Wipes**

These non-scratch, synthetic wipes are ultra-soft, completely lint-free, and anti-static, making them perfect for cleaning computer screens, scanner beds and drums, light tables, contact screens, photo film, optics, and safety or prescription eyewear.

560128BL	Screen Wipes	7 x 13	25/pkg	12	5	\$49.30
----------	--------------	--------	--------	----	---	---------

**Cotton Cheesecloth - Grade 50**

This 4-ply, 100% cotton cheesecloth is soft, absorbent, non-abrasive, and durable. Cheesecloth is excellent for gumming and buffing plates, as well as countless other graphic arts applications.

589922BL	Cotton Cheesecloth	30 x 33.5	120/roll	8	58	\$693.85
589922BL-4R	Cotton Cheesecloth	30 x 33.5	120/roll	4	29	\$346.93

# CLEANUP SHEETS

2009

## Product Selector and Confidential Dealer Price List

BASELINE 28% OFF LIST PRICE

Press Type and Mfg.	Style	Sheet Size In Inches	Sheets per Case	Product Number	Weight per Case	List price per unit
<b>A.B. Dick</b>						
350, 320	PINBAR	10 3/16 x 15	100	1015-PB	5.6	\$31.22
350, 320	SLOTTED	10 3/16 X 15 1/2	100	1015-SL	5.4	\$31.22
360,367, 8805/10/15/20	PINBAR	11 X 18 5/8	100	ABD-360-PB	7.6	\$38.86
375	PINBAR	13 X 18 3/4	100	ABD-375-PB	9.5	\$46.74
385, 9880/90	STR EDGE	19 3/8 X 22 7/8	100	MGD-22-1/2-SE	16.9	\$89.47
9800/10/20/40/50/70, 9865, 9910/70	PINBAR	13 X 19 3/8	100	ABD-9800-PB	9.4	\$46.74
<b>AM/Multigraphics</b>						
1250, 2550	PINBAR	10 3/16 x 15	100	1015-PB	5.6	\$31.22
1250, 2550	SLOTTED	10 3/16 X 15 1/2	100	1015-SL	5.4	\$31.22
1250 Wide	PINBAR	11X 15 1/8	100	M-1250-WIDE-PB	6.5	\$39.80
1250 Wide	SLOTTED	11 1/8 X 15 5/8	100	M-1250-WIDE-SL	6.3	\$39.80
1250LW, 1250W, 2650, 2850	PINBAR	11 X 18 1/8	100	1118-PB	7.5	\$39.63
1218	PINBAR	12 1/2 X 18 1/2	100	M-1218-PB	8.7	\$46.74
1360, 1450, 1650	PINBAR	13 X 18 1/16	100	M-1360-PB	9	\$46.74
1850/60/70, 1960, 4610/20	PINBAR	18 1/8 X 15 1/16	100	M-1850-PB	10.6	\$56.06
8585	STR EDGE	17 5/8 X 16	100	D-233-SE	10.8	\$53.34
<b>A.T.F.</b>						
15-115	PINBAR	10 3/16 x 15	100	1015-PB	5.6	\$31.22
15-115	SLOTTED	10 3/16 X 15 1/2	100	1015-SL	5.4	\$31.22
17-117	PINBAR	11 X 18 1/8	100	1118-PB	7.5	\$39.63
2000, X Series, 2117, 2217, SuperChief	PINBAR	13 X 18 1/16	100	M-1360-PB	9	\$46.74
<b>Davidson</b>						
221, 500, 501, 560	STR EDGE	10 3/16 X 16	100	D-221-SE	6.5	\$31.21
233, 700, 701, 702	STR EDGE	17 5/8 X 16	100	D-233-SE	10.8	\$53.34
<b>Hamada</b>						
500, 550	SLOTTED	10 7/8 X 15 3/4	100	H-500-SL	6.3	\$39.80
500, 550	PINBAR	11 X 15 1/2	100	H-500-PB	6.5	\$39.80
600, 660, 665	PINBAR	12 X 18 1/32	100	H-600-PB	8.1	\$46.74
601, 602, Duetto, 611, 612, 661, 622	PINBAR	12 X 18 3/16	100	H-601-PB	8.3	\$46.74
661ECD	PINBAR	13 X 19 3/8	100	ABD-9800-PB	9.4	\$46.74
700, 770, E47S	SLOTTED	15-1/2X18-1/2	100	H-700-SL	10.3	\$53.34
700, 770, 775, E47S,	PINBAR	15 1/2 X 18 1/2	100	H-700-PB	11	\$53.34
800	SLOTTED	15 7/8 X 20 1/2	100	H-800-SL	11.3	\$70.26
800 (18 Hole) 880, 885	SLOTTED	15 1/2 X 20 1/2	100	H-800-18-SL	12.1	\$70.26
<b>Imperial</b>						
2200, 3200	PINBAR	13 1/2 X 18 5/8	100	TOKO-4700-CD-PB	9.0	\$54.03
4200	PINBAR	13 X 19 3/8	100	ABD-9800-PB	9.4	\$46.74

# CLEANUP SHEETS

2009

## Product Selector and Confidential Dealer Price List

BASELINE 28% OFF LIST PRICE

<i>Press Type and Mfg.</i>	<i>Style</i>	<i>Sheet Size In Inches</i>	<i>Sheets per Case</i>	<i>Product Number</i>	<i>Weight per Case</i>	<i>List price per unit</i>
<b>Itek</b>						
950	SLOTTED	10 5/8 X 15 1/2	100	KR-2700-SL	6.1	\$39.80
950	PINBAR	11 1/2 X 18 5/8	100	KR-2800-PB	8	\$39.80
975	PINBAR	13 X 18 9/16	100	KR-3200-18-PB	8.9	\$46.74
975, 975-XL	PINBAR	13 X 19 3/8	100	ABD-9800-PB	9.4	\$46.74
985-18 5/8	PINBAR	13 1/2 X 18 5/8	100	KR-3200MCD18PB	9.8	\$52.15
985-19-3/8	PINBAR	13 1/2 X 19 3/8	100	KR-3200MCD19PB	9.8	\$52.15
<b>Miehle - M.G.D.</b>						
MGD-22 1/2	STR EDGE	19 3/8 X 22 7/8	100	MGD-22-1/2-SE	16.9	\$69.47
<b>Rotaprint</b>						
R40 SERIES	PINBAR	10 3/16 x 15	100	1015-PB	5.6	\$31.22
R40 SERIES	SLOTTED	10 3/16 X 15 1/2	100	1015-SL	5.4	\$31.22
<b>Ryobi</b>						
2700	SLOTTED	10 5/8 X 15 1/2	100	KR-2700-SL	6.1	\$39.80
2800	PINBAR	11 1/2 X 18 5/8	100	KR-2800-PB	8	\$39.80
2800-CD-XL	PINBAR	11 1/2 X 19 3/8	100	KR-2800-CDXLPB	8.6	\$46.74
3200-18 5/8	PINBAR	13 X 18 9/16	100	KR-3200-18-PB	8.9	\$46.74
3200-19 3/8	PINBAR	13 X 19 3/8	100	ABD-9800-PB	9.4	\$46.74
3200 PFA (lightweight)	STR EDGE	12 3/4 X 18 1/2	200	KR-3200-PFALWSE	10	\$41.86
3200 MCD-18 5/8	PINBAR	13 1/2 X 18 5/8	100	KR-3200MCD18PB	9.8	\$52.15
3200 MCD-19 3/8	PINBAR	13 1/2 X 19 3/8	100	KR-3200MCD19PB	9.8	\$52.15
3302/M	STR EDGE	13 1/4 X 19 5/32	100	KR-3302-SE	9.4	\$52.15
480D, 500N	SLOTTED	19 X 16 1/16	100	KR-480D-SL	12.1	\$52.15
<b>Toko</b>						
4700-CD	PINBAR	13 1/2 X 18 5/8	100	TOKO-4700-CD-PB	9.0	\$54.03
4750	PINBAR	13 X 19 3/8	100	ABD-9800-PB	9.4	\$46.74

# JOMAC DAMPENING COVERS

2009

## Product Selector and Confidential Dealer Price List

BASELINE 28% OFF LIST PRICE

Product number	Jomac	To Fit a Roller Diameter of		Roll Length		Cut Cover Factor*	List Price per Roll
	Style Number	Inches	Millimeters	Yards	Meters		
<b>A-TEX®</b> COTTON DAMPENING COVERS							
These seamless, looped cotton covers for the water form and ductor rollers feature 100% bleached cotton construction, which provide high absorbency and long life. A-TEX is available in pre-cut covers and rolled material in boxes of 25 yard (22.8 meter) rolls. All ATEX cut covers have drawstrings at both ends and are packed with clear plastic sheets for easier application.							
ATEX-LL15-25YD	LL-15	Under 3/4	Under 19	25YD	22.8 m	0.1262	\$205.31
ATEX-LL25-25YD	LL-25	3/4 - 1 1/8	19 - 29	25YD	22.8 m	0.1767	\$205.31
ATEX-LL50-25YD	LL-50	1 1/4 - 1 1/2	32 - 38	25YD	22.8 m	0.1767	\$205.31
ATEX-LL75-25YD	LL-75	1 3/4 - 2	45 - 51	25YD	22.8 m	0.2019	\$217.38
ATEX-LL100-25YD	LL-100	2 1/8 - 2 3/8	54 - 60	25YD	22.8 m	0.2019	\$229.45
ATEX-LL150-25YD	LL-150	2 1/2 - 2 9/16	64 - 65	25YD	22.8 m	0.2019	\$245.57
ATEX-LL175-25YD	LL-175	2 5/8 - 2 11/16	67 - 68	25YD	22.8 m	0.2113	\$245.57
ATEX-LL200-25YD	LL-200	2 3/4 - 3 1/16	70 - 78	25YD	22.8 m	0.2271	\$273.73
ATEX-3-25YD	3	3 - 3 1/2	76 - 89	25YD	22.8 m	0.2436	\$297.89
ATEX-35-25YD	35	3 3/4 - 4	95 - 102	25YD	22.8 m	0.2525	\$318.04
ATEX-6-25YD	6	5 1/2 - 6 1/4	140 - 159	25YD	22.8 m	0.2814	\$410.62

Available by special order for OD 4" - 10". Call for prices and information.

\*To determine the price of A-TEX cut cover with drawstrings at both ends, use one of the calculations that suits: →

→ Face Length of the Roller (inches)	→ Cut Length of your cover (inches)
x Cut Cover Factor* (above)	x Cut Cover Factor* (above)
x 1.25	x 1.1
+ 7.04	+ 7.04
= Base Price of one cut cover	= Base Price of one cut cover

For orders between \$1500 and 3499.99 take 7% discount, for orders over \$3500 take 14% discount off Base Price calcu  
To calculate suggested list price, multiply Base Price with 1.43.

### Bild-Up

COTTON DAMPENING COVERS

These seamless, light-weight, tightly knit cotton covers are highly absorbent and durable, and are used to enlarge the roller diameter. Bild-Up works great on water pickup and pan rollers of newspaper presses. Bild-Up rolled material comes in boxes of 25 yard (22.8 meter) rolls.

BILD-1020-25YD	1020	2 1/8 - 2 3/8	54 - 60	25YD	22.8 m	N/A	\$148.96
BILD-1025-25YD	1025	2 1/2 - 2 3/4	64 - 70	25YD	22.8 m	N/A	\$148.96
BILD-1030-25YD	1030	2 7/8 - 3	73 - 76	25YD	22.8 m	N/A	\$152.96
BILD-1035-25YD	1035	3 1/8 - 3 1/4	79 - 83	25YD	22.8 m	N/A	\$152.96

### J-Knit

COTTON DAMPENING COVERS

These seamless, cotton covers are ideal for fast color changes on sheetfed or web presses. They simply slip over the existing cover and are removed at the end of the run. J-Knit is available in pre-cut covers with drawstrings at both ends and rolled material in boxes of 25 yard (22.8 meter) rolls.

JK-4000L-25YD	4000L	3 1/2 - 4 3/4	89 - 121	25YD	22.8 m	0.1620	\$189.22
---------------	-------	---------------	----------	------	--------	--------	----------



# JOMAC DAMPENING COVERS

2009

## Product Selector and Confidential Dealer Price List

BASELINE 28% OFF LIST PRICE

Product number	Jomac	To Fit a Roller Diameter of		Roll Length		Cut Cover Factor*	List Price per Roll
	Style Number	Inches	Millimeters	Yards	Meters		

### News-Knit

### COTTON DAMPENING COVERS

These seamless, medium-weight cotton covers for the water pickup or pan rollers of newspaper presses are highly absorbent and durable. News-Knit also works great as a ductor cover. News-Knit rolled material comes in boxes of 25 yard (22.8 meter) rolls.

NK-20-25YD	NK-20	1 3/4 - 2	44 - 51	25YD	22.8 m	N/A	\$179.16
NK-25-25YD	NK-25	2 1/8 - 2 3/8	54 - 60	25YD	22.8 m	N/A	\$179.16
NK-30-25YD	NK-30	2 1/2 - 2 3/4	64 - 70	25YD	22.8 m	N/A	\$179.16
NK-35-25YD	NK-35	2 7/8 - 3	73 - 76	25YD	22.8 m	N/A	\$179.16
NK-40-25YD	NK-40	3 1/8 - 3 1/4	79 - 83	25YD	22.8 m	N/A	\$185.17
NK-G3125-25YD	G-3125	GOSS URBANITE		25YD	22.8 m	N/A	\$201.28
NK-G3750-25YD	G-3750	GOSS COSMO		25YD	22.8 m	N/A	\$225.44

### J-Lastic

### COTTON DAMPENING COVERS

These seamless, elasticized cotton covers are highly absorbent, and provide an excellent alternative to linen covers for the water pan roller, fountain roller, or intermediate ductor roller. J-Lastic rolled material comes in boxes of 25 yard (22.8 meter) rolls.

JL-2-25YD	J-2	1 7/8 - 2 3/4	48 - 70	25YD	22.8 m	N/A	\$219.44
JL-3-25YD	J-3	3 - 4 1/4	76 - 105	25YD	22.8 m	N/A	\$314.01
JL-4-25YD	J-4	4 1/2 - 5	114 - 127	25YD	22.8 m	N/A	\$330.10

### Uni-Damp®

### COTTON DAMPENING COVERS

These seamless covers for the water form and ductor rollers have a uniformly sheared surface that produces a velour-smooth finish and provides maximum moisture control on small sheetfed presses. Uni-Damp is available in pre-cut covers and rolled material in boxes of 25 yard (22.8 meter) rolls.

UNI-1125-25YD	1125	1 1/8 - 1 1/4	29 - 32	25YD	22.8 m	0.4931	\$383.73
UNI-1150-25YD	1150	1 3/8 - 1 1/2	35 - 38	25YD	22.8 m	0.4931	\$431.69
UNI-1175-25YD	1175	1 9/16 - 1 3/4	40 - 44	25YD	22.8 m	0.5048	\$455.65
UNI-1200-25YD	1200	1 3/4 - 2	44 - 51	25YD	22.8 m	0.5107	\$455.65
UNI-1225-25YD	1225	2 1/16 - 2 1/4	52 - 57	25YD	22.8 m	0.5283	\$484.44
UNI-1250-25YD	1250	2 3/8 - 2 9/16	60 - 65	25YD	22.8 m	0.5635	\$542.01
UNI-1275-25YD	1275	2 5/8 - 2 3/4	67 - 70	25YD	22.8 m	0.5635	\$565.97
UNI-1300-25YD	1300	2 7/8 - 3 1/16	73 - 78	25YD	22.8 m	0.5635	\$589.97
UNI-1325-25YD	1325	3 1/8 - 3 5/16	79 - 84	25YD	22.8 m	0.5635	\$647.53

# JOMAC DAMPENING COVERS

2009

## Product Selector and Confidential Dealer Price List

BASELINE 28% OFF LIST PRICE

Product number	Jomac	To Fit a Roller Diameter of		Roll Length		Cut Cover Factor*	List Price per Roll
	Style Number	Inches	Millimeters	Yards	Meters		

### Greensleeves™

### SYNTHETIC DAMPENING COVERS

These seamless, looped, synthetic covers for the water form and ductor rollers provide shrink-fit installation, less frequent cleaning, and lint-free operation. Rolled material comes in boxes of 10 yard (9.1 m) and 25 yard (22.8 m) rolls. Standard Greensleeves cut covers come without drawstrings.

GS-118-10YD	GS-118	7/8 - 1	22 - 25	10 YD	9.1 m	0.2466	\$202.93
GS-125-10YD	GS-125	1 1/8 - 1 1/4	29 - 32	10 YD	9.1 m	0.2466	\$211.00
GS-150-10YD	GS-150	1 3/8 - 1 1/2	35 - 38	10 YD	9.1 m	0.2817	\$217.38
GS-175-10YD	GS-175	1 5/8 - 1 3/4	41 - 44	10 YD	9.1 m	0.3170	\$231.90
GS-218-10YD	GS-218	1 7/8 - 2 1/8	48 - 54	10 YD	9.1 m	0.3522	\$233.46
GS-250-10YD	GS-250	2 1/4 - 2 1/2	57 - 64	10 YD	9.1 m	0.3874	\$236.67
GS-300-10YD	GS-300	2 5/8 - 3	67 - 76	10 YD	9.1 m	0.3874	\$310.82
GS-350-10YD	GS-350	3 1/8 - 3 1/2	79 - 89	10 YD	9.1 m	0.3874	\$346.21
GS-118-25YD	GS-118	7/8 - 1	22 - 25	25YD	22.8 m	0.2466	\$438.80
GS-125-25YD	GS-125	1 1/8 - 1 1/4	29 - 32	25YD	22.8 m	0.2466	\$442.83
GS-150-25YD	GS-150	1 3/8 - 1 1/2	35 - 38	25YD	22.8 m	0.2817	\$446.81
GS-175-25YD	GS-175	1 5/8 - 1 3/4	41 - 44	25YD	22.8 m	0.3170	\$471.01
GS-218-25YD	GS-218	1 7/8 - 2 1/8	48 - 54	25YD	22.8 m	0.3522	\$519.30
GS-250-25YD	GS-250	2 1/4 - 2 1/2	57 - 64	25YD	22.8 m	0.3874	\$555.54
GS-300-25YD	GS-300	2 5/8 - 3	67 - 76	25YD	22.8 m	0.3874	\$696.44
GS-350-25YD	GS-350	3 1/8 - 3 1/2	79 - 89	25YD	22.8 m	0.3874	\$789.03

\*To determine the price of a Greensleeve cut cover, use one of the calculations that suits: →

→ Face Length of the Roller (inches)	→ Cut Length of your cover (inches)
x Cut Cover Factor* (above)	x Cut Cover Factor* (above)
x 1.25	x 1.1
+ 6.46	+ 6.46
+ Number of drawstrings**	+ Number of drawstrings**
= Base Price of one cut cover	= Base Price of one cut cover

\*\*0 if your cover has no drawstrings, 1 if your cover has one drawstring, 2 if your cover has two drawstrings

For orders between \$1500 and 3499.99 take 7% discount, for orders over \$3500 take 14% discount off Base Price calcu

To calculate suggested list price, multiply Base Price with 1.43.

### Green Synthetic J-Lastic® (JS)

### SYNTHETIC DAMPENING COVERS

These seamless covers for the intermediate pan or ductor rollers provide an excellent alternative to linen covers, and can also replace Jomac Dura-Shrink. JS rolled material comes in boxes of 25 yard (22.8 meter) rolls. Green Synthetic J-Lastic® cut covers come in packages of three with a drawstring on one end of each cover and 3 cable ties.

JS-3040-25YD	JS-3040	3.0 - 4.0	76 - 101	25YD	22.8 m	0.4462	\$432.78
--------------	---------	-----------	----------	------	--------	--------	----------

# JOMAC DAMPENING COVERS

## Product Selector and Confidential Dealer Price List

2009

BASELINE 28% OFF LIST PRICE

Product number	Jomac	To Fit a Roller Diameter of		Roll Length		Cut Cover	List Price per Roll
	Style Number	Inches	Millimeters	Yards	Meters	Factor*	
<b>GSS News Knit® (GNK)</b> SYNTHETIC DAMPENING COVERS							
Developed for the water pick-up rollers of large web offset newspaper presses, this seamless, shrink-fit cover provides consistent absorbency and a long, lint-free life. Boxes of 13.2 yd (12 m) rolls.							
GNK-27-13.2YD	GNK-27	2.750 - 3.125	70 - 79	13.2YD	12 m	N/A	\$223.24

**Watersleeves™** SYNTHETIC DAMPENING COVERS  
Seamless, synthetic, lint-free, shrink-fit, non-patterning, and designed to replace paper sleeves used on the water form, WaterSleeves™ are available in pre-cut covers and rolled material. Cut covers are supplied with drawstrings at both ends and a mounting tube, and are packaged three to a box.

WS-118-1YD	118-130	1.18 - 1.30	30 - 33	1 YD	0.91 m	3.1501	\$50.22
WS-150-1YD	150-168	1.50 - 1.68	38 - 43	1 YD	0.91 m	3.1501	\$50.22
WS-169-1YD	169-192	1.69 - 1.92	43 - 49	1 YD	0.91 m	3.1501	\$50.22
WS-185-1YD	185-211	1.85 - 2.11	47 - 54	1 YD	0.91 m	3.1501	\$50.22
WS-193-1YD	193-219	1.93 - 2.19	49 - 56	1 YD	0.91 m	3.1501	\$50.22
WS-220-1YD	220-251	2.20 - 2.51	56 - 64	1 YD	0.91 m	3.1819	\$52.51
WS-243-1YD	243-263	2.43 - 2.63	62 - 67	1 YD	0.91 m	3.1819	\$52.51
WS-252-1YD	252-290	2.52 - 2.90	64 - 74	1 YD	0.91 m	3.1819	\$52.51
WS-291-1YD	291-335	2.91 - 3.35	74 - 85	1 YD	0.91 m	3.3476	\$54.77
WS-335-1YD	335-362	3.35 - 3.62	85 - 92	1 YD	0.91 m	3.3476	\$54.77
WS-336-1YD	336-394	3.36 - 3.94	85 - 100	1 YD	0.91 m	3.3476	\$54.77

\*To determine the price of WaterSleeves™ cut cover set of three sleeves with drawstrings at both ends and a mounting tube:

- Face Length of your Roller (inches)
- x Cut Cover Factor\* (above)
- + 7.57
- = Base Price of Watersleeve package as described above

**Dura-Shrink** SYNTHETIC DAMPENING COVERS  
Shrink-fit cover made for the intermediate doctor rollers on all Heidelberg K Series presses. Dura-Shrink comes in sets of three sleeves with drawstrings at one end and cable ties to secure the other end.

Product number	Jomac	To Fit a Roller Diameter of		Cut cover Length		List Price per Set
	Style Number	Inches	Millimeters	Inches	Meters	
DURA-K	DURA-K	2 9/16	65	36	0.91 m	\$64.24

## OTHER GRAPHIC ARTS PRODUCTS FOR USE WITH DAMPENING COVERS

### Slip On Tubes

Heavy duty tubes for easier and faster mounting of dampening covers on rollers.

Product number	Tube size/Roller diameter		Dealer Price per Tube	List Price
	Inches	Millimeters		
SLIP-1.5	1 1/2 x 18	38 x 457	\$21.83	\$31.21
SLIP-1.75	1 3/4 x 18	45 x 457	\$22.50	\$32.19
SLIP-2	2 x 18	51 x 457	\$23.85	\$34.11
SLIP-2.25	2 1/4 x 18	57 x 457	\$27.52	\$39.36
SLIP-2.5	2 1/2 x 18	64 x 457	\$28.03	\$40.08
SLIP-2.75	2 3/4 x 24	70 x 610	\$29.47	\$42.14
SLIP-3	3 x 24	76 x 610	\$32.50	\$46.48
SLIP-3.25	3 1/4 x 24	83 x 610	\$33.59	\$48.05
SLIP-3.5	3 1/2 x 24	89 x 610	\$35.17	\$50.29
SLIP-3.75	3 3/4 x 24	95 x 610	\$41.00	\$58.63

### Dampening Cover Che

Product number	List Price per Case
<b>Jomac DCC (Dampening)</b>	
DCC-Gallon	\$131.91
<b>Jomac DPS (Dampening)</b>	
DPS-Quart	\$61.64

# GRAPHIC ARTS PENS

2009

## Product Selector and Confidential Dealer Price List

BASELINE 28% OFF LIST PRICE

<i>Product number</i>	<i>Description</i>	<i>Weight per Package</i>	<i>List price</i>
-----------------------	--------------------	-------------------------------	-------------------

### Opaquing and Solvent Pens

Feature dense opacity and dry fast even in high humidity. They will not stick to glass or flake off due to heat or aging. Our opaquing pens are available in five thicknesses. We also offer brush tip pen for heavier opaquing, and an economical twin-tip opaquer.

OPAQU-3999-B	Black Opaquing Pen - Micro-Fine Tip (.05 mm)	0.05	\$14.51
OPAQU-4001-B	Black Opaquing Pen - Fine Tip (.1 mm)	0.05	\$14.51
OPAQU-4003-B	Black Opaquing Pen - Medium Tip (.3 mm)	0.05	\$14.51
OPAQU-4005-B	Black Opaquing Pen - Medium Tip (.5 mm)	0.05	\$14.51
OPAQU-4030-B	Black Opaquing Pen - Broad Tip (3.0 mm)	0.05	\$14.51
OPAQU-4012-B	Black Opaquing Broad Tip Brush	0.05	\$14.51
OPAQU-4013-R	Red Opaquing Pen - Twin Tip	0.05	\$14.51
SOLVE-4010	Solvent Pen (for removing opaquing liquid)	0.05	\$6.62

### Image Remover Pens

Designed for quick and easy chemical removal of unwanted images. Corrections can be made during plate making or on press. Base-Line Image Removers are specially formulated for different film and plate materials: electrostatic, Silvermaster®, photo imagesetting papers and stats, all negative or positive pre-sensitized plates and film, the CTP and polyester laser plates.

#### Image Remover Pens for Electrostatic Plates

Work with Itek, ABDick®, 3M®, Mitsubishi®, Iwatsu®, or any other dry or wet electrostatic masters. Treated area is non-receptive to ink.

ELECT-7003	Electrostatic Plate - Fine Tip	0.05	\$12.47
ELECT-7004	Electrostatic Plate - Broad Tip	0.05	\$17.81

#### Image Remover Pens for Silvermaster Plates

These pens work with any "black plate" such as Silvermaster or Megalith/Itek®. The treated area is non-receptive to ink.

SILVE-5001	Silver Plate - Fine Tip	0.05	\$10.69
SILVE-5002	Silver Plate - Broad Tip	0.05	\$17.82

#### Image Remover Pens for Positive or Negative Pre-sensitized Plates

These pens work with all types of metal plates, including Kodak®, Enco®, Dupont®, Howson®, Western®, 3M®, and Fujii®. They can also be used on diffusion transfer plates.

PLATE-1001	Metal Plate - Fine Tip	0.05	\$8.21
PLATE-1002	Metal Plate - Broad Tip	0.05	\$13.20

#### CTP Deletion Pen for Metal Plates

This pen works with CTP, long-run, and fast-exposure metal plates that are used on web and sheet fed presses. CTP-1000 pen features a unique 3-tip barrel with fine, medium, and broad tips.

CTP-1000	CTP Deletion Pen - 3 tip	0.05	\$31.83
----------	--------------------------	------	---------

#### Laser Direct™ Deletion Pen for Laser Plates

This pen works with Laser Direct™ polyester laser plates as well as other types of laser plates.

LASER-5501	Laser Direct™ - Chisel Tip	0.05	\$15.63
------------	----------------------------	------	---------

# GRAPHIC ARTS PENS

2009

## Product Selector and Confidential Dealer Price List

BASELINE 28% OFF LIST PRICE

<i>Product number</i>	<i>Description</i>	<i>Weight per Package</i>	<i>List price</i>
-----------------------	--------------------	-------------------------------	-------------------

### Image Addition Pens

Designed to make quick and easy additions to images on the plate. Corrections can be made during plate making process or on press. Our Image Addition pens are specially formulated for different plate materials: electrostatic, Silvermaster®, all negative or positive pre-sensitized plates, and CTP plates.

#### Image Addition Pen for Electrostatic Plates

This pen adds images to all paper masters.

ELECT-7002	Electrostatic Plate - Fine Tip	0.05	\$12.47
------------	--------------------------------	------	---------

#### Image Addition Pen for Silvermaster Plates

This pen adds images to "black plates" such as Silvermaster or Megalith/itek®.

SILVE-5000	Silver Plate - Fine Tip	0.05	\$14.59
------------	-------------------------	------	---------

#### Image Addition Pens for Positive or Negative Pre-sensitized Plates

These pens add images to all types of grained and ungrained aluminum plates, and can be used during plate making or on press.

PLATE-2001	Metal Plate - Fine Tip	0.05	\$11.10
PLATE-2002	Metal Plate - Broad Tip	0.05	\$20.99

#### Long Run Addition Pen for Metal Plates

Adds images to all types of metal plates from analog to CTP. The pen utilizes a two-step process: first, a prep tip is used to prepare the plate surface, then the pen's two additional tips make corrections that last for countless impressions.

CTP-2000	CTP Addition Pen - 3 tip	0.05	\$34.14
----------	--------------------------	------	---------

# CHEMICALS

2009

## Product Selector and Confidential Dealer Price List

BASELINE 28% OFF LIST PRICE

<i>Product number</i>	<i>Description</i>	<i>Units per Case</i>	<i>Sales U/M</i>	<i>Shipping Weight</i>	<i>List Price</i>
-----------------------	--------------------	---------------------------	----------------------	----------------------------	-----------------------

### Film Chemistry

For use with all Rapid Access films.

RAFD5G	Rapid Access Developer	2 X 2.5 Gal	Case	54	\$77.95
RAFD5GRTU	Rapid Acces Developer-Ready to Use	2 X 2.5 Gal	Case	50	\$44.17
RAFIX5G	Rapid Access Fixer	2 X 2.5 Gal	Case	58	\$58.46
RAFIX5GRTU	Rapid Acces Fixer-Ready to Use	2 X 2.5 Gal	Case	53	\$33.25

### Conventional Negative Plate Chemistry

Used to process and finish Base-line, Agfa, Anitec, Anocoil, Kodak Polychrome, IBF, Konica Minolta, and many more OEM plates

DLSDEV5G	DL-Subtractive Developer - 5 Gallon	1	Pail	47	\$96.04
SDEV1G	AI Subtractive Developer - broken case	1	Gallon	10	\$24.15
SDEV4G	AI Subtractive Developer - full case	4	Case	39	\$80.51
SDEV5G	AI AI Subtractive Developer - 5 Gallon	1	Pail	47	\$96.04
SDEV55G	AI Subtractive Developer - 55 Gallon	1	Drum	525	\$746.28
SFIN1G	Subtractive Finisher- broken case	1	Gallon	10.5	#REF!
SFIN4G	Subtractive Finisher - full case	4	Case	41.5	#REF!
SFIN5G	Subtractive Finisher - 5 Gallon	1	Pail	48.5	#REF!
2IN1DEV1G	2 IN 1 Developer/Finisher -broken case	1	Gallon	10	\$26.41
2IN1DEV4G	2 IN 1 Developer/Finisher - full case	4	Case	40	\$88.02
2IN4DEV5G	2 IN 1 Developer/Finisher -5 Gallon	1	Pail	46.5	\$104.54

### Conventional Positive Plate Chemistry

For Developing all positive working Lithographic plates

POSDEV4G	Positive Plate Developer - full case	4	Case	38.5	\$78.95
----------	--------------------------------------	---	------	------	---------

### Newspaper Plate Chemistry

Used to finish and process the Base-Line News80 plate.

NEWS80DEV5G	NEWS 80 Subtractive Developer - 5 Gallon	1	Pail	44.5	\$96.04
NEWS802IN15G	2 IN 1 News 80 Developer/Finisher - 5 Gallon	1	Pail	46	\$104.54

### Violet CtP Plate Chemistry

This negative working developer and replenisher is used to process Base-Line, Agfa N91v, Konica and Kodak photopolymer based printing plates.

UVPD5G	Universal Violet Plate Developer - 5 Gallons	1	Pail	44.5	\$109.35
--------	--	---	------	------	----------

# CHEMICALS

2009

## Product Selector and Confidential Dealer Price List

BASELINE 28% OFF LIST PRICE

<i>Product number</i>	<i>Description</i>	<i>Units per Case</i>	<i>Sales U/M</i>	<i>Shipping Weight</i>	<i>List Price</i>
-----------------------	--------------------	-----------------------	------------------	------------------------	-------------------

### Thermal CtP Plate Chemistry

Used for thermal 830mm lithographic printing plates, including Ipagasa, Base-Line thermal 830, Dotworks Conqueror Plate, Kodak Electra XL and Konika Thermal 830 plate

IPDEV5G	Thermal Plate Developer - 5 Gallons	1	Pail	47.5	\$168.75
PREBAK5G	Prebake Solution - 5 Gallons	1	Pail	47	\$70.20

### Plate Cleaners and Miscellaneous Plate Chemicals

SRDS1Q	Scratch Remover/Desensitizer - broken case	1	Quart	2.5	\$11.88
SRD12Q	Scratch Remover/Desensitizer - full case	12	Case	27.5	\$132.35
NEUT5G	PH Neutralizer - 5 Gallons	1	Pail	47.5	\$101.25
PCR1Q	Plate Cleaner Reconditioner - broken case	1	Quart	2.5	\$12.07
PCR12Q	Plate Cleaner Reconditioner - full case	12	Case	28	\$120.69
PFC1Q	Plate Cleaner Preserver Finisher - broken case	1	Quart	2.5	\$19.52
PFC12Q	Plate Cleaner Preserver Finisher - full case	12	Case	28	\$195.16

### Back Cylinder Ink Preventer

Convenient spray-on coating prevents ink from sticking to your back cylinder and marking your press sheets. Back Cylinder Ink Preventer reduces future ink build-up, and thus offsetting, and costly down time. Sold only in full cases, no air shipments.

BACKC-200415	14 oz. Aerosol Cans - full case	6	Case	7	\$105.88
--------------	---------------------------------	---	------	---	----------

### Fargel®

Ink additive specially formulated to accelerate ink drying time which helps prevent offsetting. Fargel works on any porous paper stock and with oil, rubber, soy, acrylic, laser/thermal, or metallic inks, and in overprint varnish. Fargel will not reduce the ink's open time.

FARGEL-1008	8 oz. Jars - full case	6	Case	4	\$108.49
FARGEL-1008-B	8 oz. Jar - broken case	n/a	Jar	0.7	\$21.69
FARGEL-1016	16 oz. Jars - full case	6	Case	8	\$173.57
FARGEL-1016-B	16 oz. Jar - broken case	n/a	Jar	1.5	\$34.72

### Jomac® DCC - Dampening Cover Cleaner

Gentle but very effective cleaner is specially formulated to remove ink off press from sleeves, rollers (rubber and synthetic), and nitrile gloves. DCC will not break down the fibers of roller covers, causing premature wear. Sold only in full cases.

DCC-GALLON	Gallons - full case	4	Case	40	\$131.91
------------	---------------------	---	------	----	----------

### Jomac® DPS - Dampening Prep Solution

Jomac Dampening Prep Solution can be used on and off press, and enhances the water affinity of dampening covers and rollers in continuous dampening systems. By creating a thin, even application of water to the plate, and reducing ink contamination of dampening rollers, DPS gives you faster, trouble-free start-ups. Sold only in full cases.

DPS-QUART	Quarts - full case	6	Case	14	\$61.64
-----------	--------------------	---	------	----	---------

# CHEMICALS

2009

## Product Selector and Confidential Dealer Price List

BASELINE 28% OFF LIST PRICE

<i>Product number</i>	<i>Description</i>	<i>Units per Case</i>	<i>Sales U/M</i>	<i>Shipping Weight</i>	<i>List Price</i>
-----------------------	--------------------	-----------------------	------------------	------------------------	-------------------

### Laser Direct™ Universal Fountain Solution

Fountain solution formulated for use with polyester laser plates is also compatible with silver-based and metal plates, which makes it an ideal multi-purpose fountain solution. It should always be diluted (32:1, water to solution) when wetting and running laser plates.

LASER-54103	Gallons - full case	4	Case	39	\$164.57
LASER-54103-B	Gallon - broken case	n/a	Gallon	10	\$49.38

### Laser Direct™ Plate Cleaner

This cleaner is specially formulated for polyester laser plates and is uniquely suited for cleaning plate surfaces and removing toner scatter that can cause tinting on press. Using Laser Direct™ Plate Cleaner is an easy, economical, and efficient way to get the best reproduction from dry toner imaged laser plates. Use full-strength with a soft, low-linting cotton pad or sponge.

LASER-520701	Quarts - full case	6	Case	14	\$99.51
LASER-520701-B	Quart - broken case	n/a	Quart	2.5	\$19.91

### Maticlean

This cleaner and conditioner can be used on chrome, rubber, nylon, and ceramic metering rollers in continuous dampening systems. Maticlean quickly removes ink build-up and any other oily matter. Maticlean coats the roller surface with its unique formula to make it more water receptive.

MATIC-222611	Quarts - full case	6	Case	13	\$56.31
MATIC-222611-B	Quart - broken case	n/a	Quart	2.5	\$11.26
MATIC-222613	Gallons - full case	4	Case	33	\$121.76
MATIC-222613-B	Gallon - broken case	n/a	Gallon	9	\$36.53

### RCL - Reactive Cross Linking Fountain Solution

GATF award winning one step fountain solution dramatically decreases the time needed for ink to setup and dry. RCL does not require alcohol or other additives. U.V. and IR dryers increase RCL's effectiveness but are not necessary.

RCL-503	Gallon	n/a	Each	9	\$59.98
RCL-506	5 Gallon	n/a	Each	45	\$299.89

### Total Release Compound (TRC)

Unique ink additive improves the transfer of ink from the printing blanket to the press sheet, which results in more consistent solids with reduced voids, shading, and ghosting. TRC also reduces ink tack without affecting ink body or the ink's open time. TRC can be used with oil, soy, rubber, acrylic, laser/thermal, U.V., or metallic inks and in overprint varnish.

TRC-0014	14 oz. Jars - full case	12	Case	13	\$406.20
TRC-0014-B	14 oz. Jar - broken case	n/a	Jar	1.5	\$36.91
TRC-0006	6 lb Can	n/a	Can	6	\$156.28



## MULTI PURPOSE GLOVES

### Product Selector and Confidential Dealer Price List

BASELINE 28% OFF LIST PRICE

<i>Product number</i>	<i>Size</i>	<i>Gloves per Pack</i>	<i>Shipping Weight</i>	<i>List price per Pack</i>
-----------------------	-------------	------------------------	------------------------	----------------------------

#### **Economy Disposable Vinyl Glove - Clear**

Soft, strong, and lightly powdered, these gloves are ideal for light-duty work and are latex-free to avoid allergic reactions. Sold in cases of 10.

GLOVE-CV100-S	SMALL	100/pack	22	\$11.95
GLOVE-CV100-M	MEDIUM	100/pack	22	\$11.95
GLOVE-CV100-L	LARGE	100/pack	22	\$11.95

#### **Disposable Vinyl Glove - Green**

Loose-fitting, very durable, and lightly powdered, these gloves are slightly heavier than the Economy version and are latex-free to avoid allergic reactions.

GLOVE-V100-M	MEDIUM	100/pack	4	\$22.37
GLOVE-V300-M	MEDIUM	300/pack	11	\$54.44
GLOVE-V100-L	LARGE	100/pack	4	\$22.37
GLOVE-V300-L	LARGE	300/pack	11	\$54.44

#### **Disposable Nitrile Glove - Blue**

Form fitting, strong, and lightly textured, these gloves offer superior protection against chemicals and tearing. Sold in cases of 10.

GLOVE-ND100-S	SMALL	100/pack	19	\$18.06
GLOVE-ND100-M	MEDIUM	100/pack	19	\$18.06
GLOVE-ND100-L	LARGE	100/pack	19	\$18.06

#### **Multi-Use Unsupported Nitrile Glove - Green**

Long-lasting and flexible, these gloves offer a non-slip grip and an extended cuff. They resist punctures, abrasions, and most roller and blanket washes.

GLOVE-315F8	X-SMALL	12 pairs/pack	2	\$42.23
GLOVE-315F9	SMALL	12 pairs/pack	2	\$42.23
GLOVE-315F10	MEDIUM	12 pairs/pack	2	\$42.23
GLOVE-315F11	LARGE	12 pairs/pack	2	\$42.23

# SPLICING TAPE

2009

## Product Selector and Confidential Dealer Price List

BASELINE 28% OFF LIST PRICE

<i>Product number</i>	<i>Description</i>	<i>Tape Thickness</i>	<i>Roll Length</i>	<i>Roll Width</i>	<i>Rolls per Case</i>	<i>List Price per Case</i>
-----------------------	--------------------	-----------------------	--------------------	-------------------	-----------------------	----------------------------

### Transfer Tape Red Adhesive

A 2 mil (50 Micron) unsupported red aggressive acrylic pressure sensitive transfer adhesive with excellent oxidation and ultraviolet light resistance. Designed for both interior and exterior applications. This transfer film has good quick stick and high shear properties, and wets out to metals, high surface energy plastics, most elastomers and treated olefins and coated papers.

T-52-050	Transfer Tape - Red Adhesive	2 mil	60 yd	1/2"	92	\$447.60
T-52-075	Transfer Tape - Red Adhesive	2 mil	60 yd	3/4"	64	\$371.17
T-52-1	Transfer Tape - Red Adhesive	2 mil	60 yd	1"	48	\$368.08
T-52-15	Transfer Tape - Red Adhesive	2 mil	60 yd	1 1/2"	32	\$371.17
T-52-2	Transfer Tape - Red Adhesive	2 mil	60 yd	2"	24	\$372.72

### Transfer Tape - Natural

A 2 mil (50 micron) glass reinforced transfer tape with an aggressive acrylic pressure sensitive transfer adhesive and excellent oxidation and ultraviolet light resistance. Designed for both interior and exterior applications. This transfer film has good quick stick and high shear properties, and wets out to metals, high surface energy plastics, most elastomers and treated olefins and coated and plain papers. Brown release liner allows for easy visibility against white papers.

T-62-050	Transfer Tape - Natural	2 mil	60 yd	1/2"	92	\$423.88
T-62-075	Transfer Tape - Natural	2 mil	60 yd	3/4"	64	\$360.86
T-62-1	Transfer Tape - Natural	2 mil	60 yd	1"	48	\$352.61
T-62-15	Transfer Tape - Natural	2 mil	60 yd	1 1/2"	32	\$353.64
T-62-2	Transfer Tape - Natural	2 mil	60 yd	2"	24	\$354.16

### Double Faced Tape - Red Adhesive

A thin, strong, conformable, non-woven tissue coated on both sides with an extremely aggressive RED high performance acrylic pressure sensitive adhesive system. Other outstanding features are high tack, high adhesion, high shear strength and excellent low and elevated temperature performance.

T-13-050	Double Faced Tape - Red Adhesive	4.3 mil	60 yd	1/2"	92	\$441.66
T-13-075	Double Faced Tape - Red Adhesive	4.3 mil	60 yd	3/4"	64	\$441.28
T-13-1	Double Faced Tape - Red Adhesive	4.3 mil	60 yd	1"	48	\$420.66
T-13-15	Double Faced Tape - Red Adhesive	4.3 mil	60 yd	1 1/2"	32	\$420.95
T-13-2	Double Faced Tape - Red Adhesive	4.3 mil	60 yd	2"	24	\$420.95

### Double Faced Tape - Natural

A thin, strong, conformable tissue coated on both sides with an extremely aggressive high performance acrylic pressure sensitive adhesive system. Other outstanding features are high tack, high adhesion, high shear strength and excellent low and elevated temperature performance.

T-23-050	Double Faced Tape - Natural	4.3 mil	60 yd	1/2"	92	\$420.92
T-23-075	Double Faced Tape - Natural	4.3 mil	60 yd	3/4"	64	\$418.60
T-23-1	Double Faced Tape - Natural	4.3 mil	60 yd	1"	48	\$399.01
T-23-15	Double Faced Tape - Natural	4.3 mil	60 yd	1 1/2"	32	\$399.16
T-23-2	Double Faced Tape - Natural	4.3 mil	60 yd	2"	24	\$399.16

# PROOFING PAPER

## Product Selector and Confidential Dealer Price List

BASELINE 28% OFF LIST PRICE

Product Number	Description	Format	Size	Finish	Weight per Case	List price per unit
----------------	-------------	--------	------	--------	-----------------	---------------------

### All Purpose Proofing Paper

Base-Line All Purpose Proofing Paper is a one side matte-coated paper. It is ideal for your general proofing applications, art reproduction, photo enlargements, posters, presentations and printing of geographic information systems (GIS). This medium is compatible with pigment and dye inks. Drying time is fast and the print is easily laminated with pressure-sensitive or thermal laminates for an extended archival life.

Finish: Matte C1s (coated one side)		Basis Weight: 98 gsm		Whiteness: 114		
Opacity: 92%		Caliper: 4.7 mil		Brightness: 100		
IM1P-2410	Matte C1s Proofing Paper	ROLL	24"X100'	MATTE C1S	5	\$73.01
IM1P-3610	Matte C1s Proofing Paper	ROLL	36"X100'	MATTE C1S	7	\$99.01
IM1P-4210	Matte C1s Proofing Paper	ROLL	42"X100'	MATTE C1S	8	\$130.01

### Premium Proofing Paper

Base-Line Premium Proofing Paper is a heavyweight paper, matte-coated on both sides. This medium is ideal for two-sided printing without bleed through. It can be used for the same applications as the C1s medium and is also compatible with pigment and dye inks. This paper offers fast drying times and can be easily laminated with pressure-sensitive or thermal laminates for an extended archival life.

Finish: Matte C2s (coated two sides)		Basis Weight: 132 gsm		Whiteness: 125		
Opacity: 97%		Caliper: 6.5 mil		Brightness: 99		
IM2P-2410	Matte C2s Proofing Paper	ROLL	24"X100'	MATTE C2S	6	\$79.01
IM2P-3610	Matte C2s Proofing Paper	ROLL	36"X100'	MATTE C2S	9	\$119.01
IM2P-4210	Matte C2s Proofing Paper	ROLL	42"X100'	MATTE C2S	10	\$149.01
IM2P-1319	Matte C2s Proofing Paper	SHEETS	13"X19"	MATTE C2S	5	\$102.01

### Semi-Gloss Resin Coated/Microporous Proofing Paper

Base-Line Soft Gloss Microporous is an instant drying, heavy weight resin coated paper, with soft gloss coating on one side. The back side is antistatic treated to prevent difficulties in handling on the printers. This product was developed for high speed, high production wide format ink-jet printers. It is compatible with dye- or pigment-based inks. It offers instant drying time, vibrant colors and excellent image clarity, even with pigmented inks. The applications for this medium are the same as for the C1s and C2s matte proofing papers.

Finish: Gloss C1s (coated one side)		Basis Weight: 200 gsm		Whiteness: 103		
Opacity: 97%		Caliper: 8 mil		Brightness: 92		
IMMP-2410	Soft Gloss Proofing Paper	ROLL	24"X100'	SEMI GLOSS	9	\$177.02
IMMP-3610	Soft Gloss Proofing Paper	ROLL	36"X100'	SEMI GLOSS	13	\$260.03
IMMP-4210	Soft Gloss Proofing Paper	ROLL	42"X100'	SEMI GLOSS	15	\$325.03

# RULED ORANGE VINYL MASKING SHEETS

## Product Selector and Confidential Dealer Price List

2009

BASELINE 28% OFF LIST PRICE

<i>Press Type and Mfg.</i>	<i>Product Number</i>	<i>Sheet Size In Inches</i>	<i>Sheets per Package</i>	<i>Weight per Package</i>	<i>List price</i>
<b>A.B. Dick</b>					
ABD 360A (11" plate), 369, 8805, 8820	MV5-ABD-360-A	11-1/16 X 18-1/2	100	7	\$79.88
ABD 9800/10/20/40/50/65/70, 9910/70/85	MV5-ABD-9800	13-1/8 X 19-15/16	100	9	\$100.90
<b>AM/Multigraphics</b>					
Mulli 1250-W, LW, 2650, 2850, 2975	MV5-M-1250-W	11-1/16 X 18-3/16	100	7	\$78.52
Mulli 1850/60/70, 1900/60/62, 4610/20	MV5-M-1850	18-1/8 X 15-1/16	100	10	\$109.67
<b>Halm</b>					
Jet	MV5-JP-2	12-1/4 X 9-1/2	100	5	\$64.89
Super Jet	MV5-JP-06	12-1/4 X 19-9/16	100	8	\$118.12
<b>Hamada</b>					
C248/E	MV5-H-C248	15-7/8 X 19-1/16	100	10	\$118.12
600, 660, 665, 665CD	MV5-H-600	11-13/16 X 18-1/8	100	7	\$92.19
<b>Heidelberg</b>					
GTO 46	MV5-GTO-46	18 X 15	100	9	\$109.66
GTO 52	MV5-GTO-52	20-1/4 X 15-7/8	100	12	\$117.63
KORD (25-1/4" image)	MV5-KORD-64	25-3/4 X 21-5/8	100	17	\$187.50
Quickmaster 46	MV5-QM-46	13-3/4 X 19-7/8	100	9	\$115.00
SORK/M.O. series	MV5-SORK	25-3/4 X 21-5/8	100	18	\$187.72
T-Offset	MV5-TOK/TOM	10-5/8 X 15-3/8	100	5.	\$79.29
<b>Imperial</b>					
4200	MV5-ABD-9800	13-1/8 X 19-15/16	100	9	\$100.90
<b>Itek</b>					
975	MV5-KR-3200-13	13 X 19-1/2	100	9	\$100.68
985, 975 CPD	MV5-KR-3200-MCD	13-5/8 X 19-1/2	100	9	\$114.98
3980, 3985	MV5-KR-3302	13-1/4 X 19-1/4	100	9	\$100.68
<b>Ryobi</b>					
2800 CDXL	MV5-KR2800CDXL	11-9/16 X 19-3/8	100	8	\$100.68
3200 (13" wide plate), PFA	MV5-KR-3200-13	13 X 19-1/2	100	9	\$100.68
3200 MCD (13-5/8" wide plate)	MV5-KR-3200-MCD	13-5/8 X 19-1/2	100	9	\$114.98
3300, 3302/M, 3304	MV5-KR-3302	13-1/4 X 19-1/4	100	9	\$100.68
512, 520, 522, 524, 525	MV5-KR-522	20-3/16 X 15-7/8	100	12	\$117.16

# RULED PAPER MASKING SHEETS

## Product Selector and Confidential Dealer Price List

2009

BASELINE 28% OFF LIST PRICE

<i>Press Type and Mfg.</i>	<i>Product Number</i>	<i>Sheet Size In Inches</i>	<i>Sheets per Package</i>	<i>Weight per Package</i>	<i>List price</i>
<b>Combination/Universal</b>					
UNIVERSAL 1015 Fits all 10"x15" to 16" presses: AB Dick 320, 350; ATF-15; Davidson 221, 500; Itek 950; Multi 1250; Rotaprint R-40; Ryobi 2500, 2700	U-1015	10-1/16 X 15-15/16	100	3	\$33.97
UNIVERSAL 1117 Fits all 11"x17" to 18" presses: AB Dick 360; ATF-17; Multi 1250-W	U-1117	11-1/16 X 18-1/2	100	4	\$47.61
UNIVERSAL 1319 Fits all 12-3/4" to 13"x19" presses: AB Dick 375, 9800; ATF Chief XL Series; Gestetner 313, 314; Hamada 661, DU34, RS34, VS34, 234; Imperial 4200; Itek 975; Multi 1360, 1650; Ryobi 3200; Toko 4750	U-1319	13-1/16 X 19-3/4	100	6	\$59.68
UNIVERSAL FORM 29 Fits all 29" to 30" presses: Akiyama; ATF; Aurelia; Harris; Heidelberg; Komori; Man Rolan 202; Miehle; Royal Zenith; Solna, etc.	F-29	31-5/8 X 29	100	18	\$177.83
UNIVERSAL FORM 31/41 Fits all 31" to 41" wide presses (including 23"x35", 24"x36", 25"x38", 26"x40"): Akiyama, Miehle, Harris, Heidelberg, Miller, Royal Zenith, etc.	F-31/41	41-3/4 X 34-1/2	100	30	\$281.41
<b>A.B. Dick</b>					
ABD 350	ABD-350	10-1/16 X 16	100	3	\$33.97
ABD 360 (10-3/4" plate)	ABD-360	10-13/16 X 18-1/2	100	4	\$47.61
ABD-360A (11" plate), 369, 8805, 8820	ABD-360-A	11-1/16 X 18-1/2	100	4	\$47.61
ABD 360L	ABD-360-L	11-1/16 X 19	100	4	\$55.19
ABD 375	ABD-375	13 X 18-5/8	100	5	\$59.68
ABD 385, 9880/90 (22-1/4" image)	MGD-22-A	23 X 19-1/4	100	8	\$99.49
ABD 9800/10/20/40/50/65/70, 9910/70/85	ABD-9800	13-1/8 X 19-15/16	100	5	\$59.68
<b>AM/Multigraphics</b>					
Multi 1250 Pinbar	M-1250-PB	10-1/16 X 15	100	3	\$33.97
Multi 1250	M-1250-R-3	10-1/16 X 15-5/8	100	3	\$33.97
Multi 1250-W, LW, 2650, 2850, 2975	M-1250-W	11-1/16 X 18-3/16	100	4	\$50.00
Multi 1218, 1218E1	M-1218	13 X 19-1/2	100	4	\$59.68
Multi 1330, 1360, 1450, 1650, 1650SE	M-1330	12-7/8 X 18-3/16	100	5	\$59.68
Multi 1850/60/70, 1900/60/62, 4610/20	M-1850	18-1/8 X 15-1/16	100	5	\$64.09
Multi 8585	D-233/700	17-5/8 X 16-1/16	100	5	\$64.09
<b>A.T.F.</b>					
Chief 15, 115	ATF-15	10-1/16 X 15-3/8	100	3	\$32.37
Chief 17, 117, 217	ATF-17	11-1/16 X 18-3/16	100	4	\$47.61
Chief 2000, 2117, 2217, X Series	ATF-2000	13-1/16 X 18-1/8	100	4	\$59.68
Chief 22	WEB-22	22-3/4 X 20	100	8	\$99.49
Chief 24, 124	ATF-24	24-3/4 X 20	100	9	\$99.49
Solna 125, 225, 425	ATF-125	25-1/2 X 20-3/16	100	10	\$108.76
Profiteer	P-25-1	25-1/2 X 21	100	10	\$108.76
<b>Davidson</b>					
221, 241, 251, 500, 501, 560 Fits all Davidson 10"x16" plates (13"&14" image) 1", 3/4", 5/8" plate bends	D-221/500	10-1/16 X 16	100	3	\$33.97
233, 700, 701, 702 (13" & 14" image) 1", 3/4", 5/8" plate bends	D-233/700	17-5/8 X 16-1/16	100	5	\$64.09
600, 601, 650	D-600	17-5/8 X 13-3/4	100	4	\$64.09

# RULED PAPER MASKING SHEETS

## Product Selector and Confidential Dealer Price List

2009

BASELINE 28% OFF LIST PRICE

<i>Press Type and Mfg.</i>	<i>Product Number</i>	<i>Sheet Size In Inches</i>	<i>Sheets per Package</i>	<i>Weight per Package</i>	<i>List price</i>
<b>Didde Graphics</b>					
Apollo	D.G.A.	13-1/2 X 9-7/16	100	3	\$33.97
DG 175 & Webcomb 11" Compupress	DG-175-11	17-3/8 X 12-1/16	100	4	\$59.68
DG 175 & Webcomb 17"	DG-175-17	17-3/8 X 18-3/16	100	5	\$99.49
DG 175 & Webcomb 22"	DG-175-22	17-3/8 X 23-1/4	100	7	\$99.49
DG MCM 24"	MCM-24	20-3/8 X 25-1/4	100	10	\$108.76
Tandemer 8	TAND-8	13-1/2 X 9-9/16	100	3	\$33.97
Tandemer 10	TAND-10-SC	12 X 13-7/16	100	3	\$59.68
Tandemer 17, Apollo 17, Conserver 17, Minicom, MCP	TAND-17	13-1/2 X 18-1/4	100	2	\$68.06
<b>Halm</b>					
Jet	JP-2	12-1/4 X 9-1/2	100	2	\$33.97
Super Jet	JP-06	12-1/4 X 19-9/16	100	4	\$68.06
<b>Hamada</b>					
C248/E	H-C248	15-7/8 X 19-1/16	100	5	\$68.06
C252 series	H-C252	20-15/32 X 15-15/16	100	6	\$68.06
500, 550 series	H-500	10-7/8 X 15-13/16	100	3	\$50.00
600, 660, 665, 665CD	H-600	11-13/16 X 18-1/8	100	4	\$55.19
601, 602, 611, 612, 661, 662, Duetto	H-601/612	12-1/16 X 18-1/8	100	4	\$59.68
700, 770 series, 775, E47S	H-700	18-1/2 X 15-7/8	100	5	\$68.06
800, 880 series	H-800	20-5/8 X 16	100	6	\$68.06
<b>Harris</b>					
17 X 22" LSB, LTG, LTV	HRS-22	23-1/8 X 19-3/4	100	8	\$99.49
125 B/C	HRS-125B/C	25-3/8 X 20-3/4	100	10	\$108.76
<b>Heidelberg</b>					
GTO 46	GTO-46	18 X 15	100	5	\$64.09
GTO 52	GTO-52	20-1/4 X 15-7/8	100	6	\$68.06
KORA	KORA	22-7/8 X 21-1/8	100	9	\$108.76
KORD 62 (24-1/2" image)	KORD-62	24-3/4 X 21-5/8	100	10	\$108.76
KORD (25-1/4" image)	KORD-64	25-3/4 X 21-5/8	100	10	\$108.76
KORS	KORS	28-5/8 X 24-1/4	100	12	\$157.17
Quickmaster 46	QM-46	13-3/4 X 19-7/8	100	6	\$68.06
SORD/SORD-Z	F-31/41	41-3/4 X 34-1/2	100	30	\$281.41
SORK/M.O. series	SORK	25-3/4 X 21-5/8	100	10	\$108.76
SORM	SORM	28-5/8 X 24-1/4	100	12	\$157.17
Speedmaster 52	SM-52	20-7/8 X 18-5/32	100	8	\$99.49
T-Offset	TOK/TOM	10-5/8 X 15-3/8	100	3	\$50.00
<b>Imperial</b>					
2200, 3200	M-1218	13 X 19-1/2	100	4	\$59.68
4200	ABD-9800	13-1/8 X 19-15/16	100	5	\$59.68
<b>itek</b>					
960	KR-290	11-1/2 X 18-1/2	100	4	\$55.19
975	KR-3200-13	13 X 19-1/2	100	4	\$59.68
985, 975 CPD	KR-3200-MCD	13-5/8 X 19-1/2	100	5	\$68.06
3980, 3985	KR-3302	13-1/4 X 19-1/4	100	5	\$59.68

# RULED PAPER MASKING SHEETS

2009

## Product Selector and Confidential Dealer Price List

BASELINE 28% OFF LIST PRICE

<i>Press Type and Mfg.</i>	<i>Product Number</i>	<i>Sheet Size In Inches</i>	<i>Sheets per Package</i>	<i>Weight per Package</i>	<i>List price</i>
<b>Komori</b>					
Sprint Lithrone 26	KSL-26	22-1/8 X 26-15/32	100	10	\$157.17
<b>Miehle</b>					
M.G.D. 22 (22-1/4" image)	MGD-22-A	23 X 19-1/4	100	8	\$99.49
<b>Omni/Adast</b>					
514,515,524,525,526	RZ-20-S	20-9/16 X 16-3/8	100	6	\$71.46
714,715,724,725,745,755,775	RZ-126	25-3/4 X 21	100	10	\$108.76
<b>Rotaprint</b>					
R-40	U-1015	10-1/16 X 15-15/16	100	3	\$33.97
<b>Royal Zenith</b>					
20-S	RZ-20-S	20-9/16 X 16-3/8	100	6	\$71.46
126, 226	RZ-126	25-3/4 X 21	100	10	\$108.76
Hashimoto 26-1	RZH-26-SC	25-5/8 X 22-1/8	100	10	\$108.76
<b>Ryobi</b>					
290, 2800	KR-290	11-1/2 X 18-1/2	100	4	\$55.19
Fils 11", 11-1/4", 11-3/8", 11-1/2" plates					
2800 CDXL	KR-2800-CD-XL	11-9/16 X 19-3/8	100	4	\$59.68
3200 (13" wide plate), PFA	KR-3200-13	13 X 19-1/2	100	4	\$59.68
3200 MCD (13-5/8" wide plate)	KR-3200-MCD	13-5/8 X 19-1/2	100	5	\$68.06
3300, 3302/M, 3304	KR-3302	13-1/4 X 19-1/4	100	5	\$59.68
480, 500, 500N	KR-480	19-1/8 X 16	100	6	\$68.06
512, 520, 522, 524, 525	KR-522	20-3/16 X 15-7/8	100	6	\$68.06
580, 582H	KR-582	23-1/32 X 20	100	9	\$108.76
640K	KR-640K-SC	25-5/8 X 21-5/8	100	10	\$108.76
660, 660H, 662H, 662PFH	KR-662	26-9/16 X 22-1/8	100	11	\$157.17
<b>Sakurai</b>					
Sakurai/Oliver 58, 258	SAK-258	23-1/32 X 20	100	9	\$108.76
<b>Shinohara</b>					
52	S-52-SC	20-3/4 X 16-5/32	100	6	\$99.49
65, Fuji 65	S-65	25 X 21-5/8	100	10	\$108.76
<b>Solna</b>					
125, 225, 425	ATF-125	25-1/2 X 20-3/16	100	10	\$108.76
164, 264, 464	S-164	25-5/8 X 21-5/8	100	10	\$157.17
<b>Toko</b>					
4700	ABD-375	13 X 18-5/8	100	5	\$59.68
4750	TOKO-4750	13-1/8 X 20	100	5	\$59.68

## UNRULED PAPER MASKING SHEETS - GOLDENROD

### Product Selector and Confidential Dealer Price List

BASELINE 28% OFF LIST PRICE

<i>Product Number</i>	<i>Description</i>	<i>Sheet Size In Inches</i>	<i>Sheets per Pkg</i>	<i>Weight per Pkg</i>	<i>List price</i>
1312X20	UNRULED GOLDENROD MASKING	13-1/2 X 20	100	5	\$21.61
1312X20-B	UNRULED GOLDENROD MASKING	13-1/2 X 20	500	28	\$93.96
16X20	UNRULED GOLDENROD MASKING	16 X 20	100	6	\$25.60
16X20-B	UNRULED GOLDENROD MASKING	16 X 20	500	28	\$111.33
1612X21-B	UNRULED GOLDENROD MASKING	16-1/2 X 21	500	30	\$120.59
20X24	UNRULED GOLDENROD MASKING	20 X 24	100	9	\$38.41
20X24-B	UNRULED GOLDENROD MASKING	20 X 24	500	45	\$166.99
22X28	UNRULED GOLDENROD MASKING	22 X 28	100	11	\$49.30
22X28-B	UNRULED GOLDENROD MASKING	22 X 28	500	56	\$214.34
24X36	UNRULED GOLDENROD MASKING	24 X 36	100	18	\$76.76
24X36-B	UNRULED GOLDENROD MASKING	24 X 36	500	80	\$333.73
25X38	UNRULED GOLDENROD MASKING	25 X 38	100	18	\$84.39
25X38-B	UNRULED GOLDENROD MASKING	25 X 38	500	90	\$366.90
30X40	UNRULED GOLDENROD MASKING	30 X 40	100	25	\$106.60
30X40-B	UNRULED GOLDENROD MASKING	30 X 40	500	125	\$463.45
35X45	UNRULED GOLDENROD MASKING	35 X 45	100	27	\$129.59
35X45-B	UNRULED GOLDENROD MASKING	35 X 45	500	135	\$563.42
38X50-B	UNRULED GOLDENROD MASKING	38 X 50	500	210	\$733.81



# UNRULED PAPER MASKING SHEETS - ORANGE

## Product Selector and Confidential Dealer Price List

2009

BASELINE 28% OFF LIST PRICE

<i>Product Number</i>	<i>Description</i>	<i>Sheet Size In Inches</i>	<i>Sheets per Pkg</i>	<i>Weight per Pkg</i>	<i>List price</i>
1312X20-O	UNRULED ORANGE MASKING	13-1/2 X 20	100	5	\$24.85
1312X20-OB	UNRULED ORANGE MASKING	13-1/2 X 20	500	28	\$108.06
16X20-O	UNRULED ORANGE MASKING	16 X 20	100	6	\$29.45
16X20-OB	UNRULED ORANGE MASKING	16 X 20	500	28	\$128.03
20X24-O	UNRULED ORANGE MASKING	20 X 24	100	9	\$44.17
22X28-O	UNRULED ORANGE MASKING	22 X 28	100	11	\$56.69
22X28-OB	UNRULED ORANGE MASKING	22 X 28	500	56	\$246.49
24X36-O	UNRULED ORANGE MASKING	24 X 36	100	18	\$88.27
24X36-OB	UNRULED ORANGE MASKING	24 X 36	500	80	\$383.78
25X38-O	UNRULED ORANGE MASKING	25 X 38	100	18	\$97.04
25X38-OB	UNRULED ORANGE MASKING	25 X 38	500	90	\$421.93
30X40-O	UNRULED ORANGE MASKING	30 X 40	100	25	\$122.58
30X40-OB	UNRULED ORANGE MASKING	30 X 40	500	125	\$532.95

Hyton®  
 Nubtex®  
 Photex®  
 Quack®  
 Vintage Quack®  
 Red-1®  
 Red Runner®  
 Snowtex®  
 Verasorb®  
 Web-Lock®  
 Webri®  
 Washtex®  
 Elixir®



**GRAPHIC ARTS PRODUCTS**  
**Suggested Resale Price List**

EFFECTIVE: MARCH 2, 2009; SUPERSEDES: NOVEMBER 1, 2007

BBA -FIBERWEB 20% OFF LIST PRICE

**REPRODUCTION PRODUCTS**

**WIPES**

DESCRIPTION	ITEM CODE	NOMINAL SIZE	PIECES PER PACKAGE	PACKS PER CASE	PRICE PER UNIT	PRICE PER CASE
Webril Handi-Pads 4 X 4	562211	4" x 4"	100	20	\$5.84	\$116.80
Webril Handi Pads 4 X 4 Handi-Pak	562200	4" x 4"	100	4	\$5.83	\$23.32
Webril Handi-Pad Rack	569931			1	\$28.90	\$28.90
Webril Litho-Pads	562070	4" x 8"	100	20 rolls	\$8.07	\$161.40
Webril Wipes	562207	8" x 8"	100	8 rolls	\$10.03	\$80.24
Webril Wipe Rack	569925			6	\$8.04	\$48.24
Photex VIP Digital Wipes	560186	7" x 13"	25	12	\$7.34	\$88.08
Photex Scanner Wipes	548026	9" x 13"	100	4	\$26.11	\$104.44
Nubtex Style #313	560029	13" x 13"	25	15	\$3.67	\$55.05
Nubtex Style #317	560028	13" x 17"	25	15	\$4.81	\$72.15
Nubtex Style #617	560027	16" x 17"	25	15	\$5.92	\$88.80
Nubtex Style #216R (Rolls)	561980	12.2" x 15.75"	400	2 rolls	\$59.38	\$118.76
Nubtex Pop-Up Box	561539	12" X 17"	150	1	\$37.02	\$37.02
Nubtex/Snowtex Floor Rack	569941			1	\$37.61	\$37.61
Nubtex/Snowtex Wall Rack	569934			1	\$27.95	\$27.95
Snowtex Style QF 80	560080	13" x 13"	25	15	\$4.21	\$63.15
Snowtex Style QF 81	560081	13" x 17"	25	15	\$5.94	\$89.10
Snowtex Style QF 82	560082	16" x 17"	25	15	\$7.05	\$105.75
Snowtex Style PR 96 (Rolls)	561190	12.2" x 17.3"	400	2 rolls	\$70.43	\$140.86
KleanWipes Task Wipers	579835	15" x 16.75"	140	15	\$9.41	\$141.15
KleanWipes AP on a Roll	8411023	12" x 15"	500	1	\$60.21	\$60.21
KleanWipes AP Pop-Up Box	579838	12" X 17"	150	1	\$24.89	\$24.89
Verasorb 48 Absorbent Socks	525000	3" x 48"		24	\$3.67	\$88.08
Verasorb 38 Absorbent Socks	525002	3" x 38"		24	\$3.13	\$75.12
Washtex Flexo Wipes	579939	14" x 17"	500	1	\$69.65	\$69.65
Flextex Plate Pad	569940	4" x 5"	144	1	\$108.71	\$108.71

**VERATEC® CHEESECLOTH**

DESCRIPTION	ITEM CODE	PIECES PER ROLL	YARDS PER CASE	UNITS PER CASE	PRICE PER UNIT	PRICE PER CASE
Economy-Cut #40 8 30"x36" 4 Ply Rolls	589922	120	800	8	\$84.31	\$674.48
Economy-Cut #50 8 30"x36" 4 Ply Rolls	589923	120	800	8	\$94.78	\$758.24
Economy-Cut Rack	569930			1	\$15.04	\$15.04
Handi-Fold #10 10 80-yd x 36" Bolts	589927		800	10	\$46.01	\$460.10
Handi-Fold #40 10 70-yd x 36" Bolts	589928		700	10	\$56.48	\$564.80
Handi-Fold #50 10 70-yd x 36" Bolts	589929		700	10	\$59.63	\$596.30
Crimped Polishing Cloth -10"x24" Piece Rolls	569525	100	800	12	\$33.33	\$399.96

PRICES SUBJECT TO CHANGE WITHOUT NOTICE

**PRESSROOM PRODUCTS**

**WEBRIL® HANDCLEANER**

DESCRIPTION	ITEM CODE		UNITS PER CASE	PRICE PER UNIT	PRICE PER CASE
Webril Waterless with Pumice 1-Gal Bottle	569933		4	\$25.09	\$100.36
Webril Natural Citrus 1-Gal Bottle	569738		4	\$29.74	\$118.96
Webril Natural Citrus with Pumice 4.5-Lb Can	569753		6	\$12.40	\$74.40
Wall Rack for 1-Gal Bottles	569750		1	\$11.93	\$11.93
Dispenser Unit for 4.5-Lb Cans	569903		1	\$108.75	\$108.75
KleanWipes PM Premoistened Hand Wipes	569760		6	\$14.23	\$85.38

**WEB-LOCK® TAPE**

DESCRIPTION	ITEM CODE	WIDTH	LENGTH	ROLLS PER CASE	PRICE PER ROLL	PRICE PER CASE
Web-Lock TN25 1/2" Pink	579613	1/2"	60 yds	92	\$6.66	\$612.72
Web-Lock TN25 3/4" Pink	579614	3/4"	60 yds	64	\$8.30	\$531.20
Web-Lock TN25 1" Pink	579615	1"	60 yds	48	\$10.05	\$482.40
Web-Lock TN25 1-1/2" Pink	579616	1-1/2"	60 yds	32	\$15.07	\$482.24
Web-Lock TN25 2" Pink	579617	2"	60 yds	24	\$20.10	\$482.40
Web-Lock TN26 3/4" Clear	579620	3/4"	60 yds	64	\$8.30	\$531.20
Web-Lock TN26 2" Clear	579630	2"	60 yds	24	\$20.10	\$482.40
Web-Lock DN31 1/2" Red	579611	1/2"	60 yds	92	\$6.66	\$612.72
Web-Lock DN31 3/4" Red	579608	3/4"	60 yds	64	\$8.30	\$531.20
Web-Lock DN31 1" Red	579609	1"	60 yds	48	\$10.49	\$503.52
Web-Lock DN31 1-1/2" Red	579625	1-1/2"	60 yds	32	\$15.73	\$503.36
Web-Lock DN31 2" Red	579610	2"	60 yds	24	\$20.97	\$503.28
Web-Lock DN32 1/2" Clear	579603	1/2"	60 yds	92	\$6.66	\$612.72
Web-Lock DN32 3/4" Clear	579607	3/4"	60 yds	64	\$8.30	\$531.20
Web-Lock DN32 1" Clear	579606	1"	60 yds	48	\$10.49	\$503.52
Web-Lock DN32 1-1/2" Clear	579605	1-1/2"	60 yds	32	\$15.73	\$503.36
Web-Lock DN32 2" Clear	579604	2"	60 yds	24	\$20.97	\$503.28

**HYTON® DUPLICATOR COVERS**

DESCRIPTION	ITEM CODE	ROLLER DIAMETER	ROLLER LENGTH	UNITS PER CASE	PRICE PER SET/COVER	PRICE PER CASE
Hylon VIP Set	569115	VIP + D2	10-1/2" - 11-1/4"	12 Sets	\$22.66	\$271.92
Hylon F2D2 Set	569113	F2 + D2	10-1/2" - 11-1/4"	12 Sets	\$20.62	\$247.44
Hylon VIP Form	569116	1-7/8" - 2-1/4"	10-1/2" - 11-1/4"	12 Covers	\$12.54	\$150.48
Hylon D2 Ductor	569114	7/8" - 1-1/4"	10-1/4" - 11-1/2"	12 Covers	\$9.47	\$113.64
Hylon F2 Form	569112	1-7/8" - 2-1/4"	10-1/2" - 11-1/4"	12 Covers	\$11.40	\$136.80
Hylon F2018 Form	569016	1-7/8" - 2-1/4"	17-7/8" - 19-3/8"	12 Covers	\$17.23	\$206.76
Hylon D2017 Ductor	569017	7/8" - 1-1/4"	17-5/8" - 19-3/8"	12 Covers	\$15.05	\$180.60
Hylon FD2014 (2/PKG) - 2 Ductors or 2 Forms	569118	7/8" - 1-1/4"	13-1/4" - 14-1/4"	12 Pkgs	\$22.79	\$273.48
Hylon F600 Form	569009	1-7/8" - 2-1/4"	12" - 13"	12 Covers	\$13.33	\$159.96
Hylon D600 Ductor	569010	7/8" - 1-1/4"	12-1/2" - 13-1/2"	12 Covers	\$10.62	\$127.44
Hylon F1300 Form	569084	1-7/8" - 2-1/4"	12-3/4" - 13-3/4"	12 Covers	\$13.95	\$167.40
Hylon D1300 Ductor	569085	7/8" - 1-1/4"	12-3/4" - 13-3/4"	12 Covers	\$11.30	\$135.60
Hylon F800 Form	569068	1-7/8" - 2-1/4"	19-3/8" - 20-7/8"	12 Covers	\$22.02	\$264.24
Hylon D800 Ductor	569067	7/8" - 1-1/4"	19-3/8" - 20-7/8"	12 Covers	\$16.73	\$200.76

**HYTON® PRESS SIZE COVERS**

DESCRIPTION/SIZE	ITEM CODE	ROLLER DIAMETER	ROLLER LENGTH	UNITS PER CASE	PRICE PER CASE
Hylon Size #33	569003	1-7/8" - 2-1/2"	5-7/8" - 7-7/8"	25 Yards	\$339.40
Hylon Size #43	569004	2-1/2" - 3-3/8"	7-7/8" - 10-5/8"	25 Yards	\$437.56
Hylon Size #45	569007	Same as 43		25 Yards	\$484.36
Hylon Size #53	569005	3-3/8" - 4"	10-5/8" - 12-1/2"	25 Yards	\$505.86
Hylon Size #55	569042	Same as 53		25 Yards	\$558.02
Hylon Size #63	569006	4" - 5"	12-1/2" - 15-3/4"	25 Yards	\$578.42

**PRESSROOM PRODUCTS (continued)**

**RED-1® SHRINK PRESS SIZE COVERS**

DESCRIPTION	ITEM CODE	ROLLER DIAMETER	ROLLER CIRCUMFERENCE	UNITS PER CASE	PRICE PER CASE
RED-1 Size 50	569238	0.9" - 1.25"	2.8" - 3.9"	10.9 yards	\$223.36
RED-1 Size 75	569252	1.4" - 1.8"	4.3 - 5.6"	10.9 yards	\$234.43
RED-1 Size 100	569086	1-7/8" - 2-1/8"	5-7/8" - 6-5/8"	10 Yards	\$234.43
RED-1 Size 100	569077	1-7/8" - 2-1/8"	5-7/8" - 6-5/8"	25 Yards	\$521.82
RED-1 Size 200	569087	2-1/8" - 2-3/8"	6-5/8" - 7-1/2"	10 Yards	\$254.51
RED-1 Size 200	569078	2-1/8" - 2-3/8"	6-5/8" - 7-1/2"	25 Yards	\$568.62
RED-1 Size 300	569079	2-3/8" - 2-5/8"	7-1/2" - 8-1/4"	25 Yards	\$614.61
RED-1 Size 400	569080	2-5/8" - 3"	8-1/4" - 9-3/8"	25 Yards	\$709.31
RED-1 Size 500	569081	3" - 3-1/2"	9-3/8" - 11"	25 Yards	\$803.05
RED-1 Size 600	569082	3-1/2" - 4-1/8"	11" - 13"	25 Yards	\$915.28
RED-1 Size 700	569083	4-1/8" - 5"	13" - 15-3/4"	25 Yards	\$1,059.77
RED 1 Gravure 700, 102" Long Cover	569411	4-1/8" - 5"	13" - 15-3/4"	8 covers	\$76.02 \$608.16

**RED-1® SHRINK DUPLICATOR COVERS**

DESCRIPTION	ITEM CODE	PRESS MAKE	PRESS MODEL	UNITS PER CASE	PRICE PER SET/COVER	PRICE PER CASE
RED-1 RFD 11 SETS 12/CS (Form & Ductor)	569123	ATF Chief	15, 115, 17, 117, 217, 1014, 1015	12 Sets	\$23.74	\$284.85
		Davidson	241, 251, 301, 400, 500 Series			
		Ditto	215, 217			
		Gestetner	211, 212, 213, 311			
		Hamada	500, 50-Color Head			
		Itek				
		Mullilith	1250, (All), 1260, 1274, 1275, 2560, 2650, 2850, 2875, 4250, 4975			
		Townsend	T-51 for 1250, etc.			
RED-1 RF11 FORMS 12/CS	569119	Same Presses as RFD11 Above		12 Covers	\$15.64	\$187.67
RED-1 RD11 DUCTOR 12/CASE	569121	Same Presses as RFD11 Above		12 Covers	\$11.61	\$139.31
RED-1 RFD 14 SETS 12/CS (Form & Ductor)	569124	ATF Chief	2115, 2217	12 Sets	\$27.76	\$333.06
		Gestetner	313			
		Itek	975, 985, 3985			
		Mullilith	1330, 1360, 1362, 1650, 1652			
		Ryobi	3200, 3302			
RED-1 RF14 FORMS 12/CS	569120	Same Presses as RFD14 Above		12 Covers	\$17.42	\$209.04
RED-1 RD14 DUCTOR 12/CS	569122	Same Presses as RFD14 Above Plus:		12 Covers	\$12.94	\$155.22
		Didde	Apollo, IBM 9370, Tandemer 8-1/2			
		Hamada	500CDA, 600, 50A/60 Color Head, Duetto			
RED-1 RF19 FORMS 12/CS	569090	Davidson	233, 600 Series, 700 Series	12 Covers	\$21.52	\$258.18
		Heidelberg	GTO46			
		Mullilith	1850, 1860, 1870, 1870W, 1960, 1962			
		Rotoprint	R-30/90, 30/95			
		Townsend	T-51 for 1850, etc.			
		Ryobi	500N			
RED-1 RD19 DUCTOR 12/CS	569106	Same Presses as RF-19 Above Plus:		12 Covers	\$15.96	\$191.57
		Hamada	700, 70-Color Head, E47, E47S, C248			
RED-1 RF21 FORMS 12/CS	569091	Davidson	901	12 Covers	\$27.51	\$330.09
		Dominant	515, 519, 524, 525			
		Hamada	800DX/SX, 80DX/SX Color Head, B252			
		Heidelberg	GTO52, (Form & Ductor)			
		Ryobi	530, 560			
		Rotoprint	038, 508, 3850			
RED-1 RD21 DUCTOR 12/CS	569107	Same Presses as RF21 Above Except: No Heidelberg or Ryobi 530/560		12 Covers	\$20.42	\$245.07
RED-1 RM-14 Mid-Size Cover	569125	Didde	Tandemer 17, Convserver, Minicom, Minicom 17	12 Covers	\$15.05	\$180.65
RED-1 RM-18 Mid-Size Cover	569126	Didde	175	12 Covers	\$19.32	\$231.81
RED-1 RM-22 Mid-Size Cover	569127	Ryobi	480 All, 500K, 520, 522, 530, 560	12 Covers	\$23.63	\$283.61
		Hamada	B252			
		Omni	514, 515, 524, 525			
RED-1 RM-27 Mid-Size Cover	569128	Ryobi	560, 640	12 Covers	\$27.92	\$335.09
		Omni	714, 724			
		Hamada	66			
		Dominant	714, 715, 724, 725, 745, 755			
RED-1 RFH-14 FORMS	569129	Hamada	500CDA, 600, 50A/60 Color Head	12 Covers	\$17.42	\$209.04
		Duetto				
		Ryobi	3200, 3302			
RED-1 RFH-19 FORMS	569130	Hamada	700, 70 Color Head, E47, E47S, C248	12 Covers	\$21.49	\$257.87
		Heidelberg	GTO 46 (Form and Ductor)			

**PRESSROOM PRODUCTS (continued)**

**RED RUNNER® DAMPENING SLEEVES**

DESCRIPTION/SIZE	ITEM CODE	OVERSIZED ROLLER DIAMETER RANGE (inches/mm)	MAXIMUM ROLLER LENGTH (inches/cm)	SLEEVES PER CASE	PRICE PER SLEEVE	PRICE PER CASE
Red Runner Size A-19	569232	1.600-1.860 / 40.64-47.24	19 / 48	6	\$30.19	\$181.14
Red Runner Size A-24	569220	1.600-1.860 / 40.64-47.24	24 / 61	6	\$40.90	\$245.40
Red Runner Size B-14	569132	1.860-2.130 / 47.24-54.10	14 / 36	6	\$23.25	\$139.50
Red Runner Size B-20	569133	1.860-2.130 / 47.24-54.10	20 / 51	6	\$30.40	\$182.40
Red Runner Size B-24	569134	1.860-2.130 / 47.24-54.10	24 / 61	6	\$41.32	\$247.92
Red Runner Size B-28	569135	1.860-2.130 / 47.24-54.10	28 / 71	6	\$43.45	\$260.70
Red Runner Size B-32	569136	1.860-2.130 / 47.24-54.10	32 / 81	6	\$48.23	\$289.38
Red Runner Size B-42	569137	1.860-2.130 / 47.24-54.10	42 / 107	6	\$63.16	\$378.96
Red Runner Size C-12	569138	2.130-2.527 / 54.10-64.19	12 / 31	6	\$23.01	\$138.06
Red Runner Size C-19	569139	2.130-2.527 / 54.10-64.19	19 / 48	6	\$30.40	\$182.40
Red Runner Size C-24	569140	2.130-2.527 / 54.10-64.19	24 / 61	6	\$41.32	\$247.92
Red Runner Size C-28	569141	2.130-2.527 / 54.10-64.19	28 / 71	6	\$43.45	\$260.70
Red Runner Size C-32	569142	2.130-2.527 / 54.10-64.19	32 / 81	6	\$48.23	\$289.38
Red Runner Size C-38	569164	2.130-2.527 / 54.10-64.19	38 / 97	6	\$58.76	\$352.56
Red Runner Size C-42	569143	2.130-2.527 / 54.10-64.19	42 / 107	6	\$63.16	\$378.96
Red Runner Size D-32	569144	2.527-2.615 / 64.19-66.42	32 / 81	6	\$48.23	\$289.38
Red Runner Size D-38	569145	2.527-2.615 / 64.19-66.42	38 / 97	6	\$58.76	\$352.56
Red Runner Size D-42	569146	2.527-2.615 / 64.19-66.42	42 / 107	6	\$63.16	\$378.96
Red Runner Size D-56	569147	2.527-2.615 / 64.19-66.42	56 / 142	6	\$69.42	\$416.52
Red Runner Size DD-32	569165	2.615-2.990 / 66.42-75.95	32 / 81	6	\$48.23	\$289.38
Red Runner Size DD-38	569166	2.615-2.990 / 66.42-75.95	38 / 97	6	\$58.76	\$352.56
Red Runner Size DD-42	569167	2.615-2.990 / 66.42-75.95	42 / 107	6	\$63.16	\$378.96
Red Runner Size DD-56	569168	2.615-2.990 / 66.42-75.95	56 / 142	6	\$69.42	\$416.52
Red Runner Size E-28	569148	2.990-3.400 / 75.95-86.36	28 / 71	6	\$43.45	\$260.70
Red Runner Size E-38	569149	2.990-3.400 / 75.95-86.36	38 / 97	6	\$58.76	\$352.56
Red Runner Size E-42	569150	2.990-3.400 / 75.95-86.36	42 / 107	6	\$63.16	\$378.96
Red Runner Size E-48	569151	2.990-3.400 / 75.95-86.36	48 / 122	6	\$69.42	\$416.52
Red Runner Size E-58	569152	2.990-3.400 / 75.95-86.36	58 / 147	6	\$83.25	\$499.50
Red Runner Size E-78	569153	2.990-3.400 / 75.95-86.36	78 / 198	6	\$95.63	\$573.78
Red Runner Size F-40	569156	3.400-3.990 / 86.36-101.35	40 / 102	6	\$64.64	\$387.84
Red Runner Size F-52	569157	3.400-3.990 / 86.36-101.35	52 / 132	6	\$80.21	\$481.26
Red Runner Size F-62	569158	3.400-3.990 / 86.36-101.35	62 / 158	6	\$95.63	\$573.78
Red Runner Size F-79	569159	3.400-3.990 / 86.36-101.35	79 / 201	6	\$121.21	\$727.26
Red Runner Size G-52	569160	3.990-4.490 / 101.35-114.05	52 / 132	6	\$80.21	\$481.26
Red Runner Size G-58	569161	3.990-4.490 / 101.35-114.05	58 / 147	6	\$83.25	\$499.50
Red Runner Size G-66	569162	3.990-4.490 / 101.35-114.05	66 / 168	6	\$101.53	\$609.18
Red Runner Size G-80	569163	3.990-4.490 / 101.35-114.05	80 / 203	6	\$121.21	\$727.26
Red Runner Size H80	569274	4.490-5.200 / 114.05-132.08	80 / 203	6	\$121.21	\$727.26

**RED RUNNER® DAMPENING SLEEVES with Tie Strings**

DESCRIPTION/SIZE	ITEM CODE	OVERSIZED ROLLER DIAMETER RANGE (inches/mm)	MAXIMUM ROLLER LENGTH (inches/cm)	SLEEVES PER CASE	PRICE PER SLEEVE	PRICE PER CASE
Red Runner Size BT-11	569207	1.860-2.130 / 47.24-54.10	12 / 31	6	\$21.97	\$131.82
Red Runner Size BT-13	569208	1.860-2.130 / 47.24-54.10	14 / 36	6	\$23.69	\$142.14
Red Runner Size BT-19	569209	1.860-2.130 / 47.24-54.10	20 / 51	6	\$31.28	\$187.68
Red Runner Size BT-21	569210	1.860-2.130 / 47.24-54.10	22 / 56	6	\$33.83	\$202.98
Red Runner Size BT-26	569211	1.860-2.130 / 47.24-54.10	27 / 69	6	\$40.61	\$243.66
Red Runner Size CT-18	569221	2.130-2.527 / 54.10-64.19	18 / 46	6	\$31.28	\$187.68
Red Runner Size DT-37	569212	2.527-2.615 / 64.19-66.42	37 / 94	6	\$60.89	\$365.34
Red Runner Size DT-42	569237	2.527-2.615 / 64.19-66.42	42 / 107	6	\$65.03	\$390.18

**CLASSIC™ DAMPENING COVERS**

DESCRIPTION/SIZE	ITEM CODE	ROLLER DIAMETER RANGE (inches/mm)	YARDS PER CASE	UNITS PER CASE	PRICE PER CASE
Classic Build Size VB-1030	579516	2-7/8 - 3-0/0 / 73.0 - 76.2	25	1	\$87.33
Classic Loop Size VV-750	579502	1-3/4 - 2-0/0 / 44.5 - 50.1	25	1	\$123.71
Classic News Size VN-30	579510	2-3/8 - 2-3/4 / 60.3 - 69.9	25	1	\$101.91

**QUACK® ANTI-MARKING NETS**

DESCRIPTION/SIZE	ITEM CODE			NETS PER CASE	PRICE PER NET	PRICE PER CASE
QA-11	D561249			5	\$8.54	\$42.70
QB-21	D561250			5	\$16.80	\$84.00
QC-30	D561251			5	\$18.18	\$90.90
QD-42	D561252			5	\$19.16	\$95.80
QE-44	D561253			5	\$19.16	\$95.80
QF-65	D561255			5	\$42.70	\$213.50
QG=78	D561262			5	\$42.70	\$213.50

**VINTAGE QUACK® ANTI-MARKING NETS**

DESCRIPTION/SIZE	ITEM CODE			NETS PER CASE	PRICE PER NET	PRICE PER CASE
VA-17	579641			5	\$9.30	\$46.50
VB-22	579642			5	\$24.23	\$121.15
VC-26	579643			5	\$24.23	\$121.15
VC-30	579644			5	\$24.23	\$121.15
VD-42	579645			5	\$24.23	\$121.15
VE-44	579646			5	\$24.23	\$121.15
VF-60	579647			5	\$48.47	\$242.35
VF-65	579648			5	\$48.47	\$242.35
VG78	579649			5	\$48.47	\$242.35
DESCRIPTION	ITEM CODE	NOMINAL SIZE		ROLLS PER CASE		PRICE PER CASE
VELCRO BLK, 1 ROLL/CASE	569527	25 yd x 1 "		1		\$44.81

**AUTOMATIC BLANKET CLEANING CLOTH PRODUCT - DRY**

**WASHTEX® ABC BLANKET CLEANING FABRIC - Mini Rolls**

PRESS MODEL	ITEM CODE	WIDTH (in)	ROLLS PER CASE	PRICE PER ROLL	PRICE PER CASE
Heidelberg SM52	579921	21.250	25	\$10.60	\$265.00
Heidelberg MO	579922	26.378	25	\$13.34	\$333.50
Komori L26 Japan EC	579924	26.970	25	\$9.68	\$242.00
Komori L28 Japan EC	579926	29.350	25	\$10.16	\$254.00
Komori L28 US flush core	579925	29.350	25	\$10.16	\$254.00
Heidelberg CD74	579937	30.125	25	\$19.04	\$476.00
Heidelberg SM 74	579923	30.125	25	\$11.80	\$295.00
Mitsubishi 3F	579936	41.000	16	\$14.56	\$232.96
MAN Roland 600	620009	41.250	16	\$12.95	\$207.20
Komori L40	579927	41.500	16	\$12.13	\$194.08
Planeta KBA	579930	42.125	16	\$12.13	\$194.08
Heidelberg XL105	579920	42.250	16	\$20.78	\$332.48

**WASHTEX® ABC BLANKET CLEANING FABRIC - 500-m Rolls**

PRESS MODEL	ITEM CODE	WIDTH (in)	LENGTH (yds)	PRICE PER CASE
Washtex Blue 21.25"	579989	21.25	547	\$280.67
Washtex Blue 29.35"	579986	29.35	547	\$434.70
Washtex Blue 30.125"	579990	30.13	547	\$358.71
Washtex Blue 34.25"	579912	34.25	547	\$407.85
Washtex Blue 36.0"	579911	36.00	547	\$533.25
Washtex Blue 38.5"	580013	38.50	547	\$469.13
Washtex Blue 40.5"	579910	40.50	547	\$604.53
Washtex White Ultra (765mm) 30.12"	610017	30.12	547	\$270.00
Washtex White Ultra (980mm) 38.58"	610018	38.58	547	\$371.25
Washtex White Ultra (1050mm) 41.34"	610022	41.34	547	\$384.75
Washtex White Ultra (1054mm) 41.50"	610023	41.50	547	\$384.75
Washtex White Ultra (1070mm) 42.13"	610024	42.13	547	\$384.75
Washtex White Ultra (1090mm) 42.91"	610025	42.91	547	\$438.75
Washtex White Ultra (1300mm) 51.18"	610052	51.18	547	\$598.74
Washtex White Ultra (1440mm) 56.69"	610026	56.69	547	\$492.75
Washtex White Ultra (1460mm) 57.48"	610044	57.48	547	\$519.75

**WASHTEX® XL AUTOMATIC BLANKET CLEANING FABRIC**

PRESS TYPE & MODEL	ITEM CODE	ADDITIONAL DESCRIPTION	WIDTH (in)	LENGTH (yds)	PRICE PER ROLL	PRICE PER CASE
Heidelberg SM 52	580010	plastic core, longer, 25 roll per case	21.25	12.00	\$12.72	\$318.00
Heidelberg MO	580018	plastic core, longer, 25 rolls per case	26.38	11.00	\$14.08	\$352.00
Komori L26	580020	cardboard core, longer, 25 rolls per case	26.97	8.00	\$10.80	\$270.00
Komori L28 EC	580011	cardboard core, longer, 25 rolls per case	29.30	8.00	\$11.54	\$288.50
Komori L28 FC	580016	cardboard core, flush, 25 rolls per case	29.35	9.00	\$11.25	\$281.25
Komori L28 ECPL	580025	special plastic core, longer, 25 rolls per case	29.35	8.00	\$10.00	\$250.00
Heidelberg CD 74	580012Q	plastic core, longer, 16 rolls per case	30.13	22.00	\$21.05	\$336.80
Heidelberg SM 74	580009	plastic core, longer, 25 rolls per case	30.13	15.00	\$15.00	\$375.00
Mitsubishi L750 (chill roll)	580027S	cardboard core, flush, 16 rolls per case	36.875	14.00	\$14.56	\$232.96
Baker Perkins 38	580015S	cardboard core, flush, 16 rolls per case	38.75	14.00	\$14.56	\$232.96
Rotoman N-38	580041	cardboard core, flush, 16 rolls per case	38.75	16.00	\$24.11	\$385.76
Komori L40	580008	cardboard core, flush, 16 rolls per case	41.50	14.00	\$14.00	\$224.00
KBA Planeta	580017	cardboard core, flush, 16 rolls per case	42.13	13.00	\$13.52	\$216.32
Heidelberg 105 XL	580022Q	plastic core, longer, 12 rolls per case	42.25	20.00	\$23.23	\$278.76
Komori L44	580023	cardboard core, flush, 16 rolls per case	45.125	14.00	\$16.94	\$271.04
Timson	580029	cardboard core, flush, 16 rolls per case	49.750	14.00	\$16.94	\$271.04
Mitsubishi GPX (chill roll)	580026S	cardboard core, flush, 16 rolls per case	57.563	14.00	\$16.94	\$271.04

**WASHTEX® I.C. IMPRESSION CYLINDER CLEANING FABRIC**

PRESS MODEL	ITEM	WIDTH (in)	LENGTH (yds)	ROLLS PER CASE	PRICE PER ROLL	PRICE PER CASE
Heidelberg SM 74	581001	30.125	9.00	25	\$22.78	\$569.50
Heidelberg CD 74	581007	30.125	14.00	16	\$31.66	\$506.56
Komori L40	581000	41.500	8.00	16	\$24.86	\$397.76
KBA Rapida 105 Narrow	581009	42.250	10.00	16	\$31.72	\$507.52
KBA Rapida 105	581008	42.875	10.00	16	\$32.16	\$514.56

# AUTOMATIC BLANKET CLEANING CLOTH PRODUCT - PRESATURATED

## ELIXIR® PRE-SATURATED AUTOMATIC BLANKET CLEANING ROLLS

PRESS TYPE	ITEM	ADDITIONAL PRODUCT DESCRIPTION	COMPETITIVE ITEM CODE	ROLLS PER CASE	PRICE PER ROLL	PRICE PER CASE
Drent Goebel VSOP 850	GCD9306	Elixir 33.75, Drent VSOP850 4 RLS	93-0306	4	\$61.50	\$246.00
Goss Colorliner	GCD9001	Elixir 54.813 Colorliner	102326-001	5	\$62.20	\$311.00
Harris M100, M110, M8L (100L)	GCD9006	Elixir 27.375 Harris M100	87970-006	5	\$30.60	\$153.00
Harris M300, Baker Perkins 314	GCD9029	Elixir 36.813 M300	87056-029	5	\$30.20	\$151.00
Harris M300, M600, M700, M850, M1000B; MAN Roland Lithoman 38; Mitsubishi 750 XL, L1100; Toshiba AO8000	GCD9002	Elixir 38.875 HD 600, 700, 850, MIT 750	87970-002	5	\$43.20	\$216.00
Harris M600	GCD9115	Elixir 38.75 1.25 M600	87056-115	5	\$52.20	\$261.00
Harris M600	GCD9807	Elixir 38.813 M600	107642-007W	5	\$30.20	\$151.00
Harris M1000, M1000 B; MAN Roland Rotoman N; Baker Perkins G14; KBA Compacta 418; Beiren 3840 press	GCD9025	Elixir 38.75, M1000 ROTO N, BP G14	87056-025	5	\$32.80	\$164.00
Harris M4000	GCD9056	Elixir 67 M4000	TP-056	5	\$74.20	\$371.00
Heidelberg Web 8	GCD9018	Elixir 20.875 HD Web 8	87056-018	5	\$24.00	\$120.00
KBA Colora	GCD0158A	Elixir 49.75 KBA Colora	93-0158	5	\$52.80	\$264.00
KBA COM	GCD9054	Elixir 64.19 KBA COM	-	5	\$68.00	\$340.00
KBA Commander	GCD9286A	Elixir KBA 67.323	93-0286	5	\$53.60	\$268.00
KBA Compacta 215	GCD9184	Elixir 39.75 KBA COMP 215	93-0184	5	\$39.80	\$199.00
KBA Express Commander	GCD0085A	Elixir KBA 64.17	93-0085	5	\$55.60	\$278.00
KBA Press	GCD9271	Elixir KBA 35.433	93-0271	5	\$41.00	\$205.00
Komori	GCD0113	Elixir 39.37 Komori	93-0113	5	\$36.00	\$180.00
Komori	GCD0123	Elixir 39.375 Komori	93-0123	5	\$40.00	\$200.00
M850	GCD9089	Elixir 40 M850	93-0089	5	\$35.40	\$177.00
M1000 Narrow	GCD9021LA	Elixir 35.813 10.0 YD M1000 N	87056-021	5	\$34.60	\$173.00
M3000, KBA Rapida 142	GCD9090	Elixir 57.50 M3000	87056-090	5	\$47.20	\$236.00
M4000	GCD0129	Elixir 75.8 M4000	93-0129	5	\$131.60	\$658.00
M4000	GCD0135	Elixir 57.875 Sunday 4000 4 RLS	93-0135	4	\$80.50	\$322.00
MAN Roland Colorman M	GCD9142	Elixir 66.5 MAN COLOR M	93-0142	5	\$71.20	\$356.00
MAN Roland Lithoman 38	GCD9023	Elixir 38.75 MAN Litho 38 4 RLS	-	4	\$70.75	\$283.00
MAN Roland Lithoman III	GCD9058L	Elixir 56.75 MIT GPX	93-0164	5	\$65.80	\$329.00
MAN Roland Lithoman IV, KBA618	GCD0003	Elixir 58.25 LITHO IV 4 RLS	93-0003	4	\$80.75	\$323.00
MAN Roland Rotoman S, Rotoman C	GCD9003	Elixir 38.75 ROTO S, C	96665-003	5	\$37.40	\$187.00
Mitsubishi L-750	GCD9825	Elixir 38.75 MIT L-750	107642-025W	5	\$37.40	\$187.00
Mitsubishi L-750	GCD9825B	Elixir B MIT L-750 38.75	107642-025W	5	\$41.60	\$208.00
Sunday M2000	GCD9086	Elixir 38.563 M2000	87056-086	5	\$36.80	\$184.00
Sunday 4000	GCD0807A	Elixir Sunday 4000 78.69	109672-007SW	5	\$96.80	\$484.00
Timson	GCD9077	Elixir 55.25 Timson	87056-077	5	\$48.00	\$240.00
Timson	GCD9097	Elixir 42.375 Timson	87056-097	5	\$36.60	\$183.00



**AUTOMATIC BLANKET CLEANING CLOTH PRODUCT - PRESATURATED (Continued)**

**ELIXIR® PRE-SATURATED AUTOMATIC BLANKET CLEANING ROLLS (continued)**

PRESS TYPE	ITEM	PRODUCT DESCRIPTION	COMPETITIVE ITEM CODE	ROLLS PER CASE	PRICE PER ROLL	PRICE PER CASE
Timson	GCD9136	Elixir Timson 52.75 4 RLS	93-0136	4	\$91.50	\$366.00
Timson	GCD9588	Elixir 49.25 Timson	87056-088	5	\$48.00	\$240.00
Toshiba	GCD9098	Elixir 36.625 Toshiba	87056-098	5	\$35.60	\$178.00
Toshiba AO-RKO	GCD9076	Elixir 55.625 Tosh AO-RKO	87056-076	5	\$45.80	\$229.00

**ELIXIR® SF PRE-SATURATED AUTOMATIC BLANKET CLEANING ROLLS FOR SHEET-FED PRESSES**

PRES TYPE & MODEL	ITEM CODE	WIDTH (in)	LENGTH (yds)	ROLLS PER CASE	PRICE PER ROLL	PRICE PER CASE
Presstek 34DI	582037	13.5	5.5	10	\$23.66	\$236.60
Ryobi 520 series	582011	21.00	8	10	\$21.50	\$215.00
Sakurai 66 series	582004	26.81	9.5	10	\$36.80	\$368.00
Ryobi 680 series	582027	26.93	9	10	\$29.22	\$292.20
Komori L28	582000	29.25	10.5	10	\$33.00	\$330.00
Komori L28	582009M20	29.25	9.5	10	\$30.69	\$306.90
Komori L28 extended pl core	582009	29.25	9.5	10	\$30.70	\$307.00
Mitsubishi 28	582002	29.25	9	10	\$29.50	\$295.00
MAN Roland 200	582014	29.33	11	10	\$34.10	\$341.00
Komori Spica 29	582012	30.47	9.8	10	\$32.30	\$323.00
Ryobi 750	582012	30.47	9.8	10	\$32.30	\$323.00
Sakurai 75	582012	30.47	9.8	10	\$32.30	\$323.00
Mitsubishi 40	582003	40.88	16	5	\$43.60	\$218.00
Mitsubishi-Diamond	582010	41.25	20	5	\$50.20	\$251.00
Komori L40	582001	41.50	16	5	\$44.20	\$221.00
KBA 105	582015L	42.125	20	5	\$44.17	\$220.85
KBA 105	582006	42.13	12.75	5	\$44.80	\$224.00
KBA 105 with 1" core	582015	42.13	12.25	5	\$44.20	\$221.00
Heidelberg 105XL	582021	42.25	20	5	\$76.20	\$381.00
KBA 51& Mitsubishi 52	582007	51.63	12.5	5	\$46.60	\$233.00
Komori L50	582024	52.625	15	5	\$72.60	\$363.00
KBA Planeta Varimat	582016	56.75	17.5	5	\$56.40	\$282.00
KBA Rapida 142	582005	57.50	12	5	\$46.60	\$233.00
KBA 162	582008	65.25	13	5	\$50.60	\$253.00
KBA Rapida 205	582026	82.28	12	5	\$53.20	\$266.00

PRICES SUBJECT TO CHANGE WITHOUT NOTICE



**BEST COLOR PROOFING Price List**

**BestColor 20% off List Price**

<b>Part #</b>	<b>Description</b>	<b>Unit</b>	<b>Stock Status</b>	<b>List Price</b>
EV25013	RL- 13X98 EFI VALIDATION SATIN PAPER	RL	Stock	\$ 99.00
EV25017	RL- 17X98 EFI VALIDATION SATIN PAPER	RL	Stock	\$ 119.00
EV25024	RL- 24X98 EFI VALIDATION SATIN PAPER	RL	Stock	\$ 159.00
EV25036	RL- 36X98 EFI VALIDATION SATIN PAPER	RL	Stock	\$ 219.00
EV25042	RL- 42X98 EFI VALIDATION SATIN PAPER	RL	Stock	\$ 249.00
4207-01	200- BESTCOLOR 5120 MATTE 13X19 PPR	BX	Stock	\$ 108.00
4207-24	BEST PAPER 5120 MATTE 24" X 115'	RL	Non-Stock	\$ 71.00
4224-24	RL- BP PPR SEMI-GLOSS 24"X82' 8180	BX	Non-Stock	\$ 334.00
4233-01	BP PPR SEMIMATT 9150 13X19 100/BX	BX	Stock	\$ 239.00
4233-24	BEST PAPER SEMIMATTE 9150 24" X 100'	BX	Stock	\$ 229.00
4233-36	BP PPR SEMIMATT 9150 36"X 100' ROLL	RL	Stock	\$ 339.00
4234-01	100- BP PPR SEMIMATT 9180 13X19	BX	Stock	\$ 299.00
4234-14	RL- 14-1/8X100 SEMIMATTE BESTCLR9180	RL	Non-Stock	\$ 209.00
4242-01	100- BESTCOLOR 9200 SEMIMAT 13X19	BX	Stock	\$ 274.50
4242-24	RL- BESTCOLOR 9200 SEMIMAT 24X100	BX	Stock	\$ 257.50
4247-24	RL- PREM PROD PPR 2200 GLOSSY 24X100	RL	Non-Stock	\$ 182.00
4250-01	50- BESTCOLOR 4250 PHOTO PPR 13X19	RL	Non-Stock	\$ 125.00
9190-24	RL- BEST PAPER MATTE 9190 24"X100	BX	Non-Stock	\$ 105.00

# BURNISHINE PRODUCTS

BURNISHINE 25% OFF LIST PRICE

## Price List

## Graphic Arts Price List Effective 1/1/2009

### Plate Cleaners - Metal, Aqueous, Photo Direct and Laser

Product Code	Description	Case/ Pack	Wt.	Suggested List per bottle or can
P5	Plate Sav-Ur	12/16 oz.	14 #	\$9.88
P2	Plate Sav-Ur	12/32 oz.	28#	\$14.93
P1	Plate Sav-Ur	4/1 gal.	34#	\$55.60
P4	Plate Sav-Ur	1/30 gal.	240#	
P7	Aqua Blue	12/32 oz.	28#	\$15.57
3600	PlateCare	12/32 oz.	28#	\$14.47
L2	Gold Miracle	12/16 oz.	14 #	\$9.88
L3	Gold Miracle	12/32 oz.	28#	\$14.93
L4	Gold Miracle	4/1 gal.	34#	\$55.60

### Printers Pride Fountain Solutions

Product Code	Description	Case/ Pack	Wt.	Suggested List / gallon
3457	Universal Fountain Solution	4/1 gal.	38#	\$28.38
3459	SM Fountain Solution	4/1 gal.	38#	\$28.38
3464	SM Plus Fountain Solution	4/1 gal.	38#	\$38.69
3476	Ultrafount Fountain Solution	4/1 gal.	38#	\$41.26

### Roller Cleaners by Burnishine

Product Code	Description	Case/ Pack	Wt.	Suggested List per bottle or can
Y3*	Putz Pomade Liquid Flow	6/15 oz.	7#	\$18.98
R1	Putz Pomade Paste	12/15 oz.	14#	\$13.40
Y9	Clear Gel	6/16 oz.	8#	\$16.51

\*Please note new size & bottle packaging

### Printers Pride Chrome Cleaner

Product Code	Description	Case/ Pack	Wt.	Suggested List per bottle or can
3462Q	Chrome Cylinder Cleaner	12/32 oz.	30#	\$15.43

### Additional Products

Product Code	Description	Case/ Pack	Wt.	Suggested List per bottle or can
AC1	Barrier Cream	12/16 oz.	15#	\$18.02
CC5	Flexo Cleaner Concentrate	5 gal.	42#	\$70.70
FC55	Flexo Cleaner Concentrate	55 gal.	550#	\$618.62

Drum pricing available on select products.

**WCM Waste & Compliance Management Inc.**  
**"Making Compliance Convenient, Easy & Inexpensive"**

**WASTEWISE™**  
**Eco-Friendly Onsite Disposal & Recycling Products**  
**"Promoting a Safer, Cleaner World"**  
**Price list 1-1-2009**

<b>PRODUCT</b>	<b>Units Per Case</b>	<b>CHEMGON 25% OFF LIST PRICE</b>	
		<b>Suggested Retail Price Ea/Cs</b>	<b>Weight Per Case</b>
<b>Chemgon® Fixer &amp; Developer Treatment and Disposal System</b>			
50000	1	\$67.30	5
50000 Pallet of 60	1	\$67.30	340

**NOTE: Federal law prohibits improper disposal of hazardous waste down the drain, including fixer & aldehydes. The EPA could impose fines of up to \$22,000 per occurrence. All offices need AMALGON for disposal of Amalgam Contaminated Screens, Filters & Traps.**



**ITEK METAL PLATES AND CHEMISTRY**

**ITEK 33% OFF LIST PRICE**

Part Number	Description	Stock Description	Stock	List
59601	10 X 15-1/2 5.5MIL SL 100/BX	BX	Stock	\$ 186.20
59602	10 X 16 6 MIL SE 100/BX	BX	Non-Stock	\$ 192.21
59600	100- 10X15 5.5 MIL PB	BX	Stock	\$ 180.19
67143	100- 12-3/4x19-3/8 5.5MIL PB 26HL	BX	Stock	\$ 293.81
57189	100- 13X19-11/64 5.5MIL SE	BX	Stock	\$ 299.42
57154	100- 14-9/16 X 17-3/4 5.5MIL SE	BX	Stock	\$ 310.52
59683	100- 15 1/2x18 3/8 6MIL SL GR	BX	Stock	\$ 342.16
57155	100- 15 X 18 PB GRAINED 5.5 MIL	BX	Stock	\$ 324.38
57156	100- 15-1/2 X 18-3/8 5.5MIL PB	BX	Stock	\$ 342.16
57157	100- 15-1/2 X 20-1/2 5.5MIL SL	BX	Stock	\$ 381.72
57162	100- 16 X 17 1/2 6MIL SE	BX	Stock	\$ 336.39
59836	100- 20-1/2 X 15-1/2 40 PB 5.5 MIL	BX	Non-Stock	\$ 380.37
59606	11 X 18-1/2 5.5MIL PB 100/BX	BX	Stock	\$ 244.46
59605	11 X 18-1/8 5.5 MIL PB 100/BX	BX	Stock	\$ 237.85
59606-5/8	11 X 18-5/8 5.5MIL PB 100/BX	BX	Stock	\$ 244.45
59607	11-1/4 X 18-1/2 5.5MIL PB 100/BX	BX	Stock	\$ 250.03
59676	11-1/4 X 19-3/8 5.5MIL PB 100/BX	BX	Stock	\$ 261.84
59608	11-3/4 X 18 5.5MIL PB 100/BX	BX	Stock	\$ 254.08
59651	12-1/16X17-3/8 5.5MIL SE 100/BX	BX	Stock	\$ 251.79
59610	12-3/4 X 18-1/16 5.5MIL PB 100/BX	BX	Stock	\$ 276.67
59611	12-3/4 X 18-1/2 5.5MIL 25 PB 100/BX	BX	Stock	\$ 283.37
59686	12-3/4 X 19-3/8 5.5MIL SE 100/BX	BX	Stock	\$ 296.71
59694	12-3/4 x 19-3/8 5.5MIL PB 25HL100/PK	PK	Stock	\$ 302.42
59691	12-3/4x18-5/8 6MIL PB 25HOLE(100/BX)	BX	Stock	\$ 290.70
59612	13 X 18-1/2 5.5MIL PB 100/BX	BX	Stock	\$ 288.92
59613	13 X 19-3/8 5.5MIL PB 100/BX	BX	Stock	\$ 302.59
57195	13-1/2 X 17-7/8 5.5 MIL SE 100/BX	BX	Non-Stock	\$ 289.89
59614	13-3/16 X 19-3/32 5.5MIL SE 100/BX	BX	Stock	\$ 302.50
69663	13-3/8 X 19-7/8 5.5MIL SE 100/BOX	BX	Stock	\$ 318.99
59811-1	13-3/8x17-7/8 5.5MIL 1S SE 100/BX	BX	Stock	\$ 250.71
59655	13-3/8x18-13/64 5.5MIL SE 100/BX	BX	Stock	\$ 292.48
67110	15-15/16 X 19 5.5MIL SE 100/BOX	BX	Stock	\$ 363.35
67193	15-3/4 X 18-1/2 5.5MIL SE 100/BOX	BX	Stock	\$ 349.66
69688	15-3/4 X 18-3/4 5.5MIL SE 100/BOX	BX	Stock	\$ 425.59
67158	15-3/4 X 18-3/8 5.5MIL SL 100/BOX	BX	Stock	\$ 347.28
59834	15-3/4 X 20-1/16 5.5MIL SE 100/BX	BX	Stock	\$ 379.51
67198	15-3/4 x 20-1/2 5.5MIL SE 100/BOX	BX	Stock	\$ 387.45
67159	15-3/4 X 20-1/8 5.5MIL SE 100/BOX	BX	Stock	\$ 380.35
67163	16 X 19 5.5MIL SE 100/BOX	BX	Non-Stock	\$ 364.80
67164	16-3/8 X 20-1/2 5.5MIL SE 100/BOX	BX	Stock	\$ 402.81
59832	17-3/8x18-3/16 5.5 MIL SE 100/BOX	BX	Stock	\$ 389.60
69820	18-1/16 X 20-11/16 5.5MIL SE 100/BOX	BX	Stock	\$ 520.22

**ITEK METAL PLATES AND CHEMISTRY**

**ITEK 33% OFF LIST PRICE**

<b>Part Number</b>	<b>Description</b>	<b>Stock Description</b>	<b>Stock</b>	<b>List</b>
67167	19-1/4 X 22-7/8 5.5MIL SE 100/BOX	BX	Stock	\$ 528.40
67169	20 X 22-5/8 8MIL SE 100/BOX	BX	Non-Stock	\$ 610.74
69886	30- 25-1/2X36 SC 8MIL	BX	Non-Stock	\$ 371.18
69885	30- 27-1/2X32-1/4 SC 8MIL	BX	Non-Stock	\$ 359.11
69883	30- 27X36-1/4 SE 8MIL	BX	Non-Stock	\$ 395.99
69854	30- IT 22-1/4X28-9/16 SC 8MIL	BX	Stock	\$ 283.51
69627	30- IT 22-7/16X26 SC 8MIL	BX	Stock	\$ 236.20
69669	30- IT 23-13/16X29-1/8 SC 8MIL	BX	Stock	\$ 280.83
69874	30- IT 23-15/16X28-3/4 SC 8MIL	BX	Non-Stock	\$ 278.43
69677	30- IT 23-3/4X27-7/8 SC 8MIL	BX	Stock	\$ 268.06
67177	30- IT 24-1/4X28-1/2 SC 8MIL	BX	Stock	\$ 279.84
69629	30- IT 26-3/4X31 SC 8MIL	BX	Stock	\$ 335.76
69630	30- IT 27X30 SC 8MIL	BX	Stock	\$ 327.98
69631	30- IT 28-1/8X35-1/4 SC 8MIL	BX	Stock	\$ 440.40
69666	60- 15-3/4X20-7/8 SE 8MIL	BX	Non-Stock	\$ 268.14
69660	60- IT 9-15/16x12-1/4 SC 8MIL	BX	Stock	\$ 98.59
69695	60- IT 12-1/4X19-1/2 SC 8MIL	BX	Non-Stock	\$ 193.09
67102	60- IT 12-1/4X19-15/32 SC 8MIL	BX	Stock	\$ 193.13
59653	60- IT 13-3/16X19-3/32 SC 8MIL	BX	Stock	\$ 203.92
69658	60- IT 13-3/8X19-7/8 SC 8MIL	BX	Stock	\$ 215.28
69853	60- IT 15-1/2X20-1/2 SC 8MIL	BX	Non-Stock	\$ 256.86
69625	60- IT 15-3/4X20-1/16 SC 8MIL	BX	Stock	\$ 255.86
69665	60- IT 15-3/4X20-1/8 SC 8MIL	BX	Stock	\$ 256.69
59864-1	60- IT 16-1/8X20-1/16 SC 8MIL	BX	Stock	\$ 218.36
67165-1	60- IT 16-1/8X20-1/4 8MIL SE	BX	Stock	\$ 220.55
69880-1	60- IT 18-1/16X20-11/16 SC 8MIL	BX	Stock	\$ 253.09
69693	60- IT 19-3/4X22-3/4 SC 8MIL	BX	Stock	\$ 371.01
69616	60- IT 19-3/4X23 SC 8MIL	BX	Stock	\$ 367.86
69870	60- IT 19-7/8X22-3/4 SC 8MIL	BX	Stock	\$ 364.82
67171	60- IT 20-1/16X24-5/8 SC 8MIL	BX	Stock	\$ 400.09
69619	60- IT 20-3/4X25-1/4 SC 8MIL	BX	Stock	\$ 424.27
69680	60- IT 20-3/4X25-5/8 SC 8MIL	BX	Stock	\$ 430.60
69620	60- IT 20-7/8X25-19/32 SC 8MIL	BX	Stock	\$ 330.62
67173	60- IT 20-7/8X25-5/8 SC 8MIL	BX	Stock	\$ 433.18
69687	60- IT 20-7/8X26 SC 8MIL	BX	Stock	\$ 439.51
69813	60- IT 20X22-7/8 SC 8MIL	BX	Stock	\$ 370.48
67170	60- IT 20X25-3/8 SC 8MIL	BX	Stock	\$ 410.97
69882	60- IT 21-1/2X25-9/16 SC 8MIL	BX	Stock	\$ 445.07
67174	60- IT 21-1/8X22-3/4 SC 8MIL	BX	Stock	\$ 389.19
69623	60- IT 21-3/8X25-3/8 SC 8MIL	BX	Stock	\$ 439.23
69868	60- IT 21-3/8X25-5/8 SC 8MIL	BX	Non-Stock	\$ 443.60
67175	60- IT 21-5/8X24-5/8 SC 8MIL	BX	Stock	\$ 431.23
67176	60- IT 21-5/8X25-5/8 SC 8MIL	BX	Stock	\$ 448.75
69624	60- IT 21-5/8X26 SC 8MIL	BX	Stock	\$ 455.32
69873	60- IT 21-7/8X26-1/2 SC 8MIL	BX	Non-Stock	\$ 469.07
69622	60- IT 21X25-3/8 SC 8MIL	BX	Non-Stock	\$ 431.54
69626	60- IT 22X26-1/2 SC 8MIL	BX	Stock	\$ 472.13
69872	60- IT 22X26-3/8 SC 8MIL	BX	Stock	\$ 469.91
69888-1	60- PLT 22-15/16X36 8MIL 1-SD	BX	Stock	\$ 557.93

**ITEK METAL PLATES AND CHEMISTRY**

**ITEK 33% OFF LIST PRICE**

<b>Part Number</b>	<b>Description</b>	<b>Stock Description</b>	<b>Stock</b>	<b>List</b>
59664	9-1/2x12-1/4 8MIL SE 60/BOX	BX	Stock	\$ 94.16
59685	9-3/8 x 13-3/8 5.5MIL NOTCH 100/BX	BX	Stock	\$ 150.60
59649	9-3/8X13-3/8 5.5MIL SE 100/BX	BX	Stock	\$ 150.65
69875	30- 30-1/4X40-9/16 SE 12MIL	BX	Non-Stock	\$ 546.85
69877	30- IT 21-1/2X27-3/8 SC 12MIL	BX	Stock	\$ 262.31
69885-1	30- IT 21-3/4X29-5/16 SC 12MIL	BX	Stock	\$ 239.08
59837	30- IT 22-1/2X28-1/2 SC 12MIL	BX	Stock	\$ 285.77
69876	30- IT 23-13/16X29-5/16 SC 2-S 12MIL	BX	Stock	\$ 311.30
67188	30- IT 23-5/8X28-3/4 SC 12MIL	BX	Stock	\$ 302.71
69635	30- IT 24-1/4X28-1/2 SC 12MIL	BX	Stock	\$ 308.02
69637	30- IT 27X30 SC 12MIL	BX	Non-Stock	\$ 361.02
69886-1	30- IT 28-1/8 X 38-1/2 SC 12MIL	BX	Non-Stock	\$ 406.06
69640	30- IT 28-1/8X38-1/2 SC 12MIL	BX	Stock	\$ 482.56
69641	30- IT 28-1/8X39-1/2 SC 12MIL	BX	Stock	\$ 495.14
69642	30- IT 28-3/4X38-1/2 SC 12MIL	BX	Stock	\$ 493.33
69644	30- IT 29-1/2X38-3/4 SC 12MIL	BX	Stock	\$ 509.47
69871	30- IT 30-1/4X39-3/4 SC 12MIL	BX	Stock	\$ 535.90
69887-1	30- IT 30-5/16X40-1/2 SC 12MIL	BX	Stock	\$ 460.37
67181	30- IT 30-5/16X40-9/16 SC 12MIL	BX	Stock	\$ 548.01
69646	30- IT 31X41-1/8 SC 12MIL	BX	Non-Stock	\$ 568.18
69881	60- IT 21-1/2X25-9/16 SC 12MIL	BX	Stock	\$ 489.85
69634	60- IT 21-5/8X25-5/8 SC 12MIL	PK	Non-Stock	\$ 493.90
69884	60- IT 21X25-3/8 SC 12MIL	BX	Non-Stock	\$ 475.34
69652	60- IT 22X26-1/2 SC 12MIL	BX	Stock	\$ 519.66
69889-1	60-IT 20X22-7/8 SE 1SD 12MIL	BX	Stock	\$ 343.44
57186	5GL- IT 2 IN 1 DEVELOPER	CU	Stock	\$ 169.87
57184	GL- IT 2 IN 1 DEVELOPER GAL.	GA	Stock	\$ 38.59
57182	GL- IT DEVELOPER GAL.	GA	Stock	\$ 29.65
59186	5GL- IT 60/120 GRN PLT 2 IN 1 DEV	CU	Stock	\$ 185.22
58186	5GL- IT DEV FOR ITEK60/120 GRAIN PLT	CU	Stock	\$ 188.67
57185	5GL- IT DEVELOPER	CU	Stock	\$ 142.25
57187	5GL- IT FINISHER	CU	Stock	\$ 138.80
57183	GL- ABDICK METAL PLATE FINISHER	GA	Stock	\$ 27.45
59184	GL- IT 60/120 GRN PLT 2 IN 1 DEV	GA	Stock	\$ 42.10
58184	GL- IT DEV FOR ITEK60/120 GRAIN PLT	GA	Stock	\$ 39.86



PRESSTEK ITEM LIST 15% off

DIRECT IMAGE PRESS PLATES

Part Number	Item Description	Stock Unit	List Price
ACP00471	100- PEARLDRIY PLUS PLTS HEID GTO-DI	BX	\$ 950.00
ACP02221	50- ADAST PEARLDRIY PLTS	BX	\$ 720.00
ACP04751	KARAT 74 PEARLDRIY 40/CS	EA	\$ 499.00
AMM07541	PEARLDRIY PLUS QMDI 4 PACK	BX	\$ 1,330.00
AMM09021	XEROX DC400 PEARLDRIY 4/CS	EA	\$ 1,750.00
AMM09051	RYOBI 3404 DI PEARLDRIY PLUS 4/CS	EA	\$ 1,064.00
AMM10051	BX,46KARAT, 4 PACK	BX	\$ 323.43
AMM10551	KPG DI 5034 PEARLDRIY PLUS 4/CS	EA	\$ 1,064.00
AMM11071	RYOBI 3404 DI PROFIRE DM 4/CS	EA	\$ 1,064.00
AMM11091	KARAT46 PROFIRE DM 4/CASE	EA	\$ 1,074.00
AMM11111	KPG DI 5334/5634 PROFIRE DIGTL MEDIA	CR	\$ 1,064.00
AMM11121	1 ROLL KPG DI 5334/5634 PROFIRE DM	RL	\$ 306.00
AMM11321	KIT PD+ 4 PACK W/TOWELS WIPES QMDI	BX	\$ 1,400.00
AMM11541	52DI PROFIRE DIGITAL MEDIA 4RLS	BX	\$ 1,672.00
52DI-SUPKIT	PRESSTEK 52DI SUPPLY START-UP KIT	PL	\$ 5,325.00
AMM11741	34DI PROFILE DIGITAL MEDIA 4RL/CS	EA	\$ 1,064.00
34DI-SUPKIT	##PRESSTEK 34DI SUPPLY START-UP KIT	PL	\$ 4,065.00
ST-1	10-TORAY WTRLS PLT STOP-OUT SOLN/PEN	PK	\$ 49.98

METAL CTP DIGITAL PLATES ANTHEMPRO PLATES

Part Number	Item Description	Stock Unit	List Price
PCG08831	100- ANTHEMPRO 9-3/8X13-3/8 6MIL	BX	\$ 201.15
PCG13511	100- ANTHEMPRO 9-1/2 X 13-3/8 6MIL	BX	\$ 203.83
PCG05911	100- ANTHEMPRO 10X15 6MIL	BX	\$ 240.63
PCG08051	100- ANTHEMPRO 10X15-1/2 6MIL	BX	\$ 248.65
PCG06091	100- ANTHEMPRO 10X15-9/32 6MIL	BX	\$ 245.14
PCG07061	100- ANTHEMPRO 10X16 6MIL	BX	\$ 256.67
PCG11511	100- ANTHEMPRO 10-5/8X14-31/32 6MIL	BX	\$ 255.13
PCG09501	100- ANTHEMPRO 10-5/8X14-9/16 6MIL	BX	\$ 248.21
PCG05891	100- ANTHEMPRO 10-5/8X15-1/2 6MIL	BX	\$ 264.19
PCG08281	100- ANTHEMPRO 10-31/32X18 6MIL	BX	\$ 316.72
PCG06111	100- ANTHEMPRO 10-31/32X18-1/16 6MIL	BX	\$ 317.82
PCG05871	100- ANTHEMPRO 11X18-1/2 6MIL	BX	\$ 326.45
PCG06001	100- ANTHEMPRO 11-1/4X18-1/2 6MIL	BX	\$ 333.87
PCG06101	100- ANTHEMPRO 11-1/4X19-3/8 6MIL	BX	\$ 349.66
PCG12191	100- ANTHEMPRO 11-1/2X19-3/8 6MIL	BX	\$ 357.43
PCG10961	100- ANTHEMPRO 11-3/4X15-1/4 6MIL	BX	\$ 287.45
PCG06221	100- ANTHEMPRO 11-3/4X18 6MIL	BX	\$ 339.28
PCG11671	100- ANTHEMPRO 11-3/4X18-1/16 6MIL	BX	\$ 340.46
PCG11341	100- ANTHEMPRO 11-3/4X18-1/8 6MIL	BX	\$ 341.64
PCG06521	100- ANTHEMPRO 12X19-3/8 6MIL	BX	\$ 372.97
PCG13791	100- ANTHEMPRO 12 X 18-1/4 6MIL	BX	\$ 351.31
PCG13261	100- ANTHEMPRO 12-1/16X17-3/8 6MIL	BX	\$ 339.11
PCG11941	100- ANTHEMPRO 12-3/8X19-7/16 6MIL	BX	\$ 385.86
PCG12311	100- ANTHEMPRO 12-2/5X19-7/8 6MIL	BX	\$ 395.35
PCG12501	100- ANTHEMPRO 12-5/8X14-1/2 6MIL	BX	\$ 293.66
PCG12021	100- ANTHEMPRO 12-3/4X18-1/16 6MIL	BX	\$ 369.43
PCG09171	100- ANTHEMPRO 12-3/4X18-1/2 6MIL	BX	\$ 378.38



## DIRECT IMAGE PRESS PLATES

Part Number	Item Description	Stock Unit	List Price
PCG06861	100- ANTHEMPRO 12-3/4X18-1/8 6MIL	BX	\$ 370.71
PCG08101	100- ANTHEMPRO 12-3/4X18-5/8 6MIL	BX	\$ 380.94
PCG06561	100- ANTHEMPRO 12-3/4X19-3/8 6MIL	BX	\$ 396.28
PCG08671	100- ANTHEMPRO 13X19-3/16 6MIL	BX	\$ 400.14
PCG05881	100- ANTHEMPRO 13X19-3/8 6MIL	BX	\$ 404.05
PCG12071	100- ANTHEMPRO 13X18-1/2 6MIL	BX	\$ 385.80
PCG12651	100- ANTHEMPRO 13X18-1/8 6MIL	BX	\$ 377.98
PCG09941	100- ANTHEMPRO 13-3/16X18-5/8 6MIL	BX	\$ 394.01
PCG05851	100- ANTHEMPRO 13-3/16X19-3/32 6MIL	BX	\$ 403.93
PCG13701	100- ANTHEMPRO 13-3/8X17-15/16 6MIL	BX	\$ 384.86
PCG12331	100- ANTHEMPRO 13-3/8X17-7/8 6MIL	BX	\$ 383.52
PCG06151	100- ANTHEMPRO 13-3/8X18-3/16 6MIL	BX	\$ 390.23
PCG08001	100- ANTHEMPRO 13-3/8X19-7/16 6MIL	BX	\$ 417.05
PCG05741	100- ANTHEMPRO 13-3/8X19-7/8 6MIL	BX	\$ 426.43
PCG06021	100- ANTHEMPRO 13-5/8X17-7/8 6MIL	BX	\$ 390.69
PCG06911	100- ANTHEMPRO 13-5/8X18-5/8 6MIL	BX	\$ 407.08
PCG09701	100- ANTHEMPRO 13-5/8X19-3/8 6MIL	BX	\$ 423.47
PCG05861	100- ANTHEMPRO 14-9/16X17-23/32 6MIL	BX	\$ 413.92
PCG05921	100- ANTHEMPRO 14-9/16X17-3/4 6MIL	BX	\$ 414.65
PCG06141	100- ANTHEMPRO 15X18 6MIL	BX	\$ 433.13
PCG06171	100- ANTHEMPRO 15X20-1/2 6MIL	BX	\$ 493.28
PCG09201	100- ANTHEMPRO 15-5/32X12-27/32 6MIL	BX	\$ 312.27
PCG09191	100- ANTHEMPRO 15-5/32X17-9/32 6MIL	BX	\$ 420.16
PCG13321	100- ANTHEMPRO 15-1/4X17-7/8 6MIL	BX	\$ 437.29
PCG11061	100- ANTHEMPRO 15-1/4X18-3/8 6MIL	BX	\$ 449.52
PCG05421	100- ANTHEMPRO 15-1/2X18-3/8 6MIL	BX	\$ 456.89
PCG05401	100- ANTHEMPRO 15-3/4X18-3/4 6MIL	BX	\$ 473.73
PCG04891	100- ANTHEMPRO 15-3/4X20-1/16 6MIL	BX	\$ 506.89
PCG08241	100- ANTHEMPRO 15-3/4X20-15/32 6MIL	BX	\$ 517.16
PCG05381	100- ANTHEMPRO 15-3/4X20-7/8 6MIL	BX	\$ 527.42
PCG06921	100- ANTHEMPRO 16-1/8X20-1/16 6MIL	BX	\$ 518.96
PCG09761	100- ANTHEMPRO 16-11/32X20-1/2 6MIL	BX	\$ 537.47
PCG12891	100- ANTHEMPRO 16-1/2 X 20-1/2 6MIL	BX	\$ 542.61
PCG12781	100- ANTHEMPRO 17-3/8X12-1/4 6MIL	BX	\$ 341.44
PCG12401	100- ANTHEMPRO 17-3/8X15-7/32 6MIL	BX	\$ 424.18
PCG11541	100- ANTHEMPRO 17-3/8X18-3/16 6MIL	BX	\$ 506.93
PCG12801	100- ANTHEMPRO 17-3/8X18-7/32 6MIL	BX	\$ 507.80
PCG12291	100- ANTHEMPRO 17-23/32X18-5/8 6MIL	BX	\$ 529.39
PCG09471	100- ANTHEMPRO 17-7/8X13-3/8 6MIL	BX	\$ 383.52
PCG04881	100- ANTHEMPRO 18-1/16X20-21/32 6MIL	BX	\$ 598.52
PCG09751	100- ANTHEMPRO 18-1/16X20-7/8 6MIL	BX	\$ 604.86
PCG06601	100- ANTHEMPRO 18-3/16X13-3/8 GL 6M	BX	\$ 390.23
PCG12411	100- ANTHEMPRO 18-13/64X20-3/8 6MIL	BX	\$ 594.97
PCG13361	100- ANTHEMPRO 18-17/64X17-1/2 6MIL	BX	\$ 512.77
PCG11161	100- ANTHEMPRO 19-1/4X22-5/8 6MIL	BX	\$ 698.66
PCG08951	100- ANTHEMPRO 19-7/8X13-3/8 6MIL	BX	\$ 426.43
PCG10801	50- ANTHEMPRO 20X22-5/8 6MIL	BX	\$ 362.94
PCG04941	50- ANTHEMPRO 20-1/16X21-5/8 6MIL	BX	\$ 347.99
PCG04961	50- ANTHEMPRO 21-5/8X25-5/8 6MIL	BX	\$ 444.47
PCG10411	100- ANTHEMPRO 9-11/32X13-3/8 8MIL	BX	\$ 206.55
PCG08091	100- ANTHEMPRO 9-1/2X12-1/4 8MIL	BX	\$ 192.34
PCG11751	100- ANTHEMPRO 9-11/16X12-1/4 8MIL	BX	\$ 196.14
PCG05811	100- ANTHEMPRO 9-7/8X14-9/16 8MIL	BX	\$ 237.68
PCG06201	100- ANTHEMPRO 9-15/16X12-1/4 8MIL	BX	\$ 201.20
PCG06491	100- ANTHEMPRO 10X15-1/8 8MIL	BX	\$ 249.98
PCG09321	100- ANTHEMPRO 10X12-5/8 8MIL	BX	\$ 208.66
PCG13031	100- ANTHEMPRO 10X16 8MIL	BX	\$ 264.44

## DIRECT IMAGE PRESS PLATES

Part Number	Item Description	Stock Unit	List Price
PCG08911	100- ANTHEMPRO 10-1/2X15-1/4 8MIL	BX	\$ 264.65
PCG08861	100- ANTHEMPRO 10-1/2X23-7/32 8MIL	BX	\$ 402.94
PCG11731	100- ANTHEMPRO 10-5/8X12-1/4 8MIL	BX	\$ 215.12
PCG12201	100- ANTHEMPRO 10-31/32X18-5/8 8MIL	BX	\$ 337.65
PCG13451	100- ANTHEMPRO 11-1/4 X 19-3/8 8MIL	BX	\$ 360.25
PCG08431	100- ANTHEMPRO 11-3/4X18 8MIL	BX	\$ 349.56
PCG08871	100- ANTHEMPRO 12X15-5/16 8MIL	BX	\$ 303.70
PCG13541	100- ANTHEMPRO 12X19-3/8 8MIL	BX	\$ 384.27
PCG09531	100- ANTHEMPRO 12-1/16X17-3/8 8MIL	BX	\$ 346.40
PCG13671	100- ANTHEMPRO 12-1/16X18-11/16 8MIL	BX	\$ 372.57
PCG10151	100- ANTHEMPRO 12-13/64X19-1/2 8MIL	BX	\$ 393.30
PCG09731	100- ANTHEMPRO 12-1/4x17-3/8 8MIL	BX	\$ 351.78
PCG08201	100- ANTHEMPRO 12-1/4X19-7/16 8MIL	BX	\$ 393.54
PCG09151	100- ANTHEMPRO 12-1/4X20-9/16 8MIL	BX	\$ 416.32
PCG08841	100- ANTHEMPRO 12-1/2X18-7/32 8MIL	BX	\$ 376.39
PCG09331	100- ANTHEMPRO 12-5/8X15-1/2 8MIL	BX	\$ 323.43
PCG10971	100- ANTHEMPRO 12-27/32X18-1/8 8MIL	BX	\$ 384.76
PCG06181	100- ANTHEMPRO 13X19-3/8 8MIL	BX	\$ 416.29
PCG06211	100- ANTHEMPRO 13-3/16X19-3/32 8MIL	BX	\$ 416.17
PCG08021	100- ANTHEMPRO 13-3/8X18-3/16 8MIL	BX	\$ 402.05
PCG08681	100- ANTHEMPRO 13-3/8X19-7/8 8MIL	BX	\$ 439.35
PCG07071	100- ANTHEMPRO 13-1/2X22-19/32 8MIL	BX	\$ 504.12
PCG06691	100- ANTHEMPRO 14-9/16X17-3/4 8MIL	BX	\$ 427.22
PCG13431	100- ANTHEMPRO 15X18 8MIL	BX	\$ 446.25
PCG08881	100- ANTHEMPRO 15-1/4X17-3/8 8MIL	BX	\$ 437.93
PCG13011	100- ANTHEMPRO 15-1/4X17-7/8 8MIL	BX	\$ 450.54
PCG13601	100- ANTHEMPRO 15-3/8X17-1/2 8MIL	BX	\$ 444.70
PCG05451	100- ANTHEMPRO 15-1/2X18-3/8 8MIL	BX	\$ 470.73
PCG05461	100- ANTHEMPRO 15-3/4X18-3/4 8MIL	BX	\$ 488.09
PCG04911	100- ANTHEMPRO 15-3/4X20-1/16 8MIL	BX	\$ 522.25
PCG05431	100- ANTHEMPRO 15-3/4X20-7/8 8MIL	BX	\$ 543.40
PCG05151	100- ANTHEMPRO 15-3/4X20-9/32 8MIL	BX	\$ 527.95
PCG10641	100- ANTHEMPRO 15-63/64X18-3/16 8MIL	BX	\$ 480.49
PCG05241	100- ANTHEMPRO 16-1/8X20-1/16 8MIL	BX	\$ 534.69
PCG05061	100- ANTHEMPRO 16-1/8X20-9/32 8MIL	BX	\$ 540.52
PCG12371	100- ANTHEMPRO 16-7/16X20-1/2 8MIL	BX	\$ 556.93
PCG09291	100- ANTHEMPRO 17-3/8X18-3/16 8MIL	BX	\$ 522.29
PCG12351	50- ANTHEMPRO 17-3/8X25-13/64 8MIL	BX	\$ 361.88
PCG05091	50- ANTHEMPRO 17-13/32X23-7/32 8MIL	BX	\$ 333.99
PCG08891	100- ANTHEMPRO 17-1/2X18-7/32 8MIL	BX	\$ 526.95
PCG10131	100- ANTHEMPRO 17-7/8X18-3/4 8MIL	BX	\$ 553.94
PCG10221	100- ANTHEMPRO 17-29/32X18-11/32 8MIL	BX	\$ 542.88
PCG04901	100- ANTHEMPRO 18-1/16X20-21/32 8MIL	BX	\$ 616.66
PCG13311	100- ANTHEMPRO 18-1/16X20-9/32 8MIL	BX	\$ 605.46
PCG09721	100- ANTHEMPRO 18-3/16X17-3/8 8MIL	BX	\$ 522.29
PCG10091	50- ANTHEMPRO 18-1/2X22-19/32 8MIL	BX	\$ 345.42
PCG10651	100- ANTHEMPRO 19-3/16X15-1/4 8MIL	BX	\$ 483.62
PCG10301	50- ANTHEMPRO 19-5/16X26-1/2 8MIL	BX	\$ 422.93
PCG10421	100- ANTHEMPRO 12-1/4x19-7/16 8MIL	BX	\$ 393.54
PCG08061	100- ANTHEMPRO 19-11/16X17-29/32 8MIL	BX	\$ 582.65
PCG08581	50- ANTHEMPRO 19-3/4X22-3/4 8MIL	BX	\$ 371.31
PCG05771	50- ANTHEMPRO 19-15/16X22-27/32 8MIL	BX	\$ 376.38
PCG09551	50- ANTHEMPRO 20X22-7/8 8MIL	BX	\$ 378.07
PCG09251	50- ANTHEMPRO 20X25-3/8 8MIL	BX	\$ 419.39
PCG13271	50- ANTHEMPRO 20 X 25-5/16 8MIL	BX	\$ 418.36
PCG13371	50- ANTHEMPRO 20X22-5/8 8MIL	BX	\$ 373.94
PCG05211	50- ANTHEMPRO 20-1/16X22-5/8 8MIL	BX	\$ 375.11

## DIRECT IMAGE PRESS PLATES

Part Number	Item Description	Stock Unit	List Price
PCG11741	100- ANTHEMPRO 20-1/8X12-1/4 8MIL GL	BX	\$ 407.46
PCG12341	50- ANTHEMPRO 20-3/8X24-7/32 8MIL	BX	\$ 407.79
PCG08821	50- ANTHEMPRO 20-25/64X25-3/16 8MIL	BX	\$ 425.80
PCG13081	50- ANTHEMPRO 20-7/16X25-7/8 8MIL	BX	\$ 437.01
PCG09221	50- ANTHEMPRO 20-15/32X24-31/32 8MIL	BX	\$ 422.35
PCG09211	50- ANTHEMPRO 20-15/32X26 8MIL	BX	\$ 439.79
PCG09021	50- ANTHEMPRO 20-3/4X25-5/8 8MIL	BX	\$ 439.41
PCG09261	50- ANTHEMPRO 20-3/4X26 8MIL	BX	\$ 445.84
PCG13411	50- ANTHEMPRO 20-7/8 X 25-7/8 8MIL	BX	\$ 446.37
PCG12941	50- ANTHEMPRO 20-7/8 X 26-3/8 8MIL	BX	\$ 454.99
PCG05521	50- ANTHEMPRO 20-7/8X25-3/4 8MIL	BX	\$ 444.21
PCG08011	50- ANTHEMPRO 20-7/8X25-3/8 8MIL	BX	\$ 437.74
PCG08611	50- ANTHEMPRO 20-7/8X25-5/8 8MIL	BX	\$ 442.05
PCG13281	50- ANTHEMPRO 21 X 25-3/8 8MIL	BX	\$ 440.36
PCG09631	50- ANTHEMPRO 21-9/64X22-3/4 8MIL	BX	\$ 397.45
PCG08031	50- ANTHEMPRO 21-5/16X23-3/4 8MIL	BX	\$ 418.29
PCG08161	50- ANTHEMPRO 21-5/16X29-3/4 8MIL	BX	\$ 523.97
PCG06741	50- ANTHEMPRO 21-11/32X26-15/16 8MIL	BX	\$ 475.13
PCG08251	50- ANTHEMPRO 21-3/8X25-3/8 8MIL	BX	\$ 448.23
PCG13551	50- ANTHEMPRO 21-3/8X25-5/8 8MIL	BX	\$ 452.64
PCG06501	50- ANTHEMPRO 21-1/2X27-9/16 8MIL	BX	\$ 489.71
PCG10451	50- ANTHEMPRO 21-5/8X24-19/32 8MIL	BX	\$ 439.51
PCG04931	50- ANTHEMPRO 21-5/8X25-5/8 8MIL	BX	\$ 457.94
PCG06371	50- ANTHEMPRO 21-5/8X26 8MIL	BX	\$ 464.64
PCG10941	50- ANTHEMPRO 21-5/8X26-3/16 8MIL	BX	\$ 467.99
PCG05511	50- ANTHEMPRO 21-5/8X27-9/16 8MIL	BX	\$ 492.56
PCG05491	50-ANTHEMPRO 21-5/8X26-3/8 8MIL	BX	\$ 471.34
PCG11131	50- ANTHEMPRO 21-3/4X29-5/16 8MIL	BX	\$ 526.86
PCG12701	50- ANTHEMPRO 21-7/8X26-1/4 8MIL	BX	\$ 474.53
PCG05501	50- ANTHEMPRO 22X26-1/2 8MIL	BX	\$ 481.78
PCG10231	50- ANTHEMPRO 22X26 8MIL	BX	\$ 472.69
PCG05631	50- ANTHEMPRO 22-1/16X26-3/8 8MIL	BX	\$ 480.87
PCG05651	50- ANTHEMPRO 22-1/2X29-1/8 8MIL	BX	\$ 541.54
PCG05171	50- ANTHEMPRO 22-5/8X29-1/8 8MIL	BX	\$ 544.55
PCG12481	50- ANTHEMPRO 22-3/4 X 19-7/8 8MIL	BX	\$ 373.66
PCG13441	50- ANTHEMPRO 23-1/8X26-1/4 8MIL	BX	\$ 501.64
PCG12141	50- ANTHEMPRO 23-1/4X20-1/4 8MIL	BX	\$ 389.07
PCG08221	50- ANTHEMPRO 23-3/8X28-1/2 8MIL	BX	\$ 550.53
PCG10181	50- ANTHEMPRO 23-7/16X28-3/4 8MIL	BX	\$ 556.84
PCG13101	50- ANTHEMPRO 23-5/8X29-1/8 8MIL	BX	\$ 568.62
PCG04871	50- ANTHEMPRO 23-5/8X28-3/4 8MIL	BX	\$ 561.30
PCG05041	50- ANTHEMPRO 23-5/8X28-9/16 8MIL	BX	\$ 557.64
PCG08421	50- ANTHEMPRO 23-3/4X27-7/8 8MIL	BX	\$ 547.10
PCG05131	50- ANTHEMPRO 23-13/16X29-1/8 8MIL	BX	\$ 573.13
PCG05051	50- ANTHEMPRO 23-13/16X29-5/16 8MIL	BX	\$ 576.82
PCG05701	10- ANTHEMPRO 24-7/32X29-5/16 8MIL	BX	\$ 117.33
PCG04861	50- ANTHEMPRO 24-7/32X28-1/2 8MIL	BX	\$ 570.40
PCG05591	50- ANTHEMPRO 24-7/32X29-5/16 8MIL	BX	\$ 586.66
PCG13121	50- ANTHEMPRO 24-3/4X18-1/9 GL 8MIL	BX	\$ 370.43
PCG08211	50- ANTHEMPRO 25X29-5/16 8MIL	BX	\$ 605.59
PCG11641	50- ANTHEMPRO 25X30 8MIL	BX	\$ 619.79
PCG12901	50- ANTHEMPRO 25 X 30 8MIL	BX	\$ 619.79
PCG11481	50- ANTHEMPRO 25X30-3/16 8MIL	BX	\$ 623.92
PCG10881	50- ANTHEMPRO 26X30-1/8 8MIL	BX	\$ 647.27
PCG12951	50- ANTHEMPRO 26 X 29-1/2 8 MIL	BX	\$ 633.84
PCG13731	50- ANTHEMPRO 26 X 29-15/16 8MIL	BX	\$ 643.24
PCG12111	50- ANTHEMPRO 26X30-23/32 8MIL	BX	\$ 660.03

## DIRECT IMAGE PRESS PLATES

Part Number	Item Description	Stock Unit	List Price
PCG10671	50- ANTHEMPRO 26-17/64X18-17/64 8MIL	BX	\$ 396.47
PCG12711	50- ANTHEMPRO 26-5/8X29-1/8 8MIL	BX	\$ 640.83
PCG08601	50- ANTHEMPRO 26-3/4X29-7/16 8MIL	BX	\$ 650.74
PCG08401	50- ANTHEMPRO 26-25/32X30-23/32 8MIL	BX	\$ 679.86
PCG09771	50- ANTHEMPRO 26-15/16X29-1/2 8MIL	BX	\$ 656.70
PCG08381	25- ANTHEMPRO 28-1/8X35-1/4 8MIL	BX	\$ 409.64
PCG13561	50- ANTHEMPRO 28-9/16X22-23/64 8MIL	BX	\$ 527.76
PCG13091	25- ANTHEMPRO 28-3/4 X38-1/2 8MIL	BX	\$ 457.35
PCG09481	25- ANTHEMPRO 29-17/32X35-13/64 8MIL	BX	\$ 429.55
PCG09591	25- ANTHEMPRO 31-1/8X40-1/8 8MIL	BX	\$ 516.03
PCG06891	50- ANTHEMPRO 15-3/4X20-1/16 12MIL	BX	\$ 288.56
PCG11271	100- ANTHEMPRO 16-1/8X20-1/16 12MIL	BX	\$ 590.85
PCG06671	50- ANTHEMPRO 16-1/8X20-21/32 12MIL	BX	\$ 304.17
PCG13131	50- ANTHEMPRO 19-5/16X26-1/2 12MIL	BX	\$ 467.36
PCG06471	50- ANTHEMPRO 19-15/16X22-27/32 12MIL	BX	\$ 415.91
PCG13631	50- ANTHEMPRO 19-15/16X22-3/4 12MIL	BX	\$ 414.21
PCG09161	50- ANTHEMPRO 20-1/16X26 12MIL	BX	\$ 476.35
PCG12261	50- ANTHEMPRO 20-1/2X26 12MIL	BX	\$ 486.73
PCG12881	50- ANTHEMPRO 20.5X26 12MIL(520mm)	BX	\$ 486.73
PCG06681	50- ANTHEMPRO 20-7/8X25-5/8 12MIL	BX	\$ 488.49
PCG13621	50- ANTHEMPRO 21-9/64X22-3/4 12MIL	BX	\$ 439.20
PCG11141	50- ANTHEMPRO 21-1/2X27-9/16 12MIL	BX	\$ 541.15
PCG05531	50- ANTHEMPRO 21-5/8X25-5/8 12MIL	BX	\$ 506.04
PCG11311	50- ANTHEMPRO 21-5/8X25-7/8 12MIL	BX	\$ 510.98
PCG10511	50- ANTHEMPRO 21-5/8X26-25/32 12MIL	BX	\$ 528.87
PCG08261	50- ANTHEMPRO 21-5/8X27-9/16 12MIL	BX	\$ 544.30
PCG10771	50- ANTHEMPRO 21-3/4X29-5/16 12MIL	BX	\$ 582.20
PCG10481	50- ANTHEMPRO 21-15/16X29-19/64 12MIL	BX	\$ 586.91
PCG05561	50- ANTHEMPRO 22X26-1/2 12MIL	BX	\$ 532.39
PCG05821	50- ANTHEMPRO 22-1/16X26-3/8 12MIL	BX	\$ 531.39
PCG13761	50- ANTHEMPRO 23X28-1/2 12MIL	BX	\$ 598.60
PCG10901	50- ANTHEMPRO 23-7/32X17-3/8 12MIL	BX	\$ 368.41
PCG13161	50- ANTHEMPRO 23-7/16X28-1/2 12MIL	BX	\$ 609.99
PCG06621	50- ANTHEMPRO 23-5/8X28-15/16 12MIL	BX	\$ 624.30
PCG05581	50- ANTHEMPRO 23-5/8X28-3/4 12MIL	BX	\$ 620.26
PCG04851	50- ANTHEMPRO 23-5/8X28-9/16 12MIL	BX	\$ 616.21
PCG08451	50- ANTHEMPRO 23-5/8X29-1/8 12MIL	BX	\$ 628.35
PCG13421	50- ANTHEMPRO 23-5/8X29-15/16 12MIL	BX	\$ 645.88
PCG06611	50- ANTHEMPRO 23-13/16X28-3/4 12MIL	BX	\$ 625.18
PCG04921	50- ANTHEMPRO 23-13/16X29-1/8 12MIL	BX	\$ 633.34
PCG12811	50- ANTHEMPRO 23-13/16X29-15/16 12MIL	BX	\$ 651.00
PCG05141	50- ANTHEMPRO 23-13/16X29-5/16 12MIL	BX	\$ 637.41
PCG13751	50- ANTHEMPRO 23-13/16X30-1/2 12MIL	BX	\$ 663.24
PCG05541	50- ANTHEMPRO 24 X 29-1/8 12MIL	BX	\$ 638.32
PCG04841	50- ANTHEMPRO 24-7/32X28-1/2 12MIL	BX	\$ 630.32
PCG06541	50- ANTHEMPRO 25X29-19/64 12MIL	BX	\$ 668.49
PCG10241	50- ANTHEMPRO 25X29-21/64 12MIL	BX	\$ 669.56
PCG13481	50- ANTHEMPRO 25 X 29-15/16 12MIL	BX	\$ 683.47
PCG13331	50- ANTHEMPRO 25X29-11/16 12MIL	BX	\$ 677.76
PCG10501	50- ANTHEMPRO 25-5/8X19-3/32 12MIL	BX	\$ 446.81
PCG09441	50- ANTHEMPRO 25-5/8X20-15/32 12MIL	BX	\$ 478.98
PCG10711	50- ANTHEMPRO 25-5/8X21-5/8 12MIL	BX	\$ 506.04
PCG06461	50- ANTHEMPRO 25-7/8X20-5/8 12MIL	BX	\$ 487.35
PCG13591	50- ANTHEMPRO 25-7/8X29-1/8 12MIL	BX	\$ 688.19
PCG07081	50- ANTHEMPRO 26X29-1/8 12MIL	BX	\$ 691.52
PCG06411	50- ANTHEMPRO 26X29-5/16 12MIL	BX	\$ 695.97
PCG10491	50- ANTHEMPRO 26X30-5/16 12MIL	BX	\$ 719.71

## DIRECT IMAGE PRESS PLATES

Part Number	Item Description	Stock Unit	List Price
PCG10721	50- ANTHEMPRO 26-17/64X23-17/64 12ML	BX	\$ 558.04
PCG10731	50- ANTHEMPRO 26-1/2X19 12MIL	BX	\$ 459.79
PCG06551	50- ANTHEMPRO 26-5/8X29-1/8 12MIL	BX	\$ 708.14
PCG06191	50- ANTHEMPRO 27X30 12MIL	BX	\$ 739.69
PCG06441	50- ANTHEMPRO 27-7/8X20-5/8 12MIL	BX	\$ 525.02
PCG09061	25- ANTHEMPRO 28-1/8X35-1/4 12MIL	BX	\$ 452.67
PCG13381	25- ANTHEMPRO 28-1/8X39-1/2 12MIL	BX	\$ 507.25
PCG11761	25- ANTHEMPRO 28-17/64X37-33/64 12MI	BX	\$ 484.18
PCG11711	25- ANTHEMPRO 28-1/2X36-29/64 12MIL	BX	\$ 474.37
PCG09741	25- ANTHEMPRO 28-3/4X38-1/2 12MIL	BX	\$ 505.40
PCG13661	25- ANTHEMPRO 29-1/8X36-7/16 12MIL	BX	\$ 484.56
PCG11771	50- ANTHEMPRO 29-1/8X23-13/16 GL 12M	BX	\$ 633.34
PCG10371	50- ANTHEMPRO 29-1/8X26-5/8 12MIL	BX	\$ 708.14
PCG08321	25- ANTHEMPRO 30-5/16X40-9/16 12MIL	BX	\$ 561.41
PCG09781	25- ANTHEMPRO 30-7/8X40-1/8 12MIL	BX	\$ 565.66
PCG08331	25- ANTHEMPRO 31-1/8X40-9/16 12MIL	BX	\$ 576.46
PCG08361	25- ANTHEMPRO 31-1/8X41-1/8 12MIL	BX	\$ 570.24
PCG08301	25- ANTHEMPRO 31-1/2X40-9/16 12MIL	BX	\$ 583.40
PCG09791	25- ANTHEMPRO 32X40-5/32 12MIL	BX	\$ 586.73
PCG05991	10- ANTHEMPRO 32X44 12MIL	BX	\$ 257.16
PCG13781	25- ANTHEMPRO 35-13/16X26-3/16 12ML	BX	\$ 428.22
PBG05911	1000- ANTHEMPRO 10 X 15 6MIL	PL	\$ 2,052.08
PBG07061	1000- ANTHEMPRO 10X16 6MIL	PL	\$ 2,188.89
PBG05871	1000- ANTHEMPRO 11X18-1/2 6MIL	PL	\$ 2,783.99
PBG06221	1000- ANTHEMPRO 11-3/4X18 6MIL	PL	\$ 2,893.44
PBG11341	1000- ANTHEMPRO 11-3/4X18-1/8 6MIL	PL	\$ 2,913.53
PBG11911	1000- ANTHEMPRO 12-53/64X15-1/4 6MIL	PL	\$ 2,676.31
PBG05881	1000- ANTHEMPRO 13X19-3/8 6MIL	PL	\$ 3,445.79
PBG09941	1000- ANTHEMPRO 13-3/16X18-5/8 6MIL	PL	\$ 3,360.18
PBG10061	1000- ANTHEMPRO 13-3/16X19-3/32 6MI	PL	\$ 3,444.75
PBG05851	1000- ANTHEMPRO 13-3/16X19-3/32 6MIL	PL	\$ 3,444.75
PBG05741-1	1000- ANTHEMPRO 13-3/8X19-7/8 6MIL	PL	\$ 3,636.68
PBG13401	1000- ANTHEMPRO 14-9/16 X 18.7 6MIL	PL	\$ 3,725.47
PBG05861	1000- ANTHEMPRO 14-9/16X17-23/32 6ML	PL	\$ 3,529.98
PBG05921	1000- ANTHEMPRO 14-9/16X17-3/4 6MIL	PL	\$ 3,536.21
PBG11971	1000- ANTHEMPRO 14-3/4X19-11/16 6MIL	PL	\$ 3,972.71
PBG06141	1000- ANTHEMPRO 15 X 18 6MIL	PL	\$ 3,693.75
PBG09191	1000- ANTHEMPRO 15-5/32X17-9/16 6MIL	PL	\$ 3,583.20
PBG05421	1000- ANTHEMPRO 15-1/2X18-3/8 6MIL	PL	\$ 3,896.39
PBG04891-1	1000- ANTHEMPRO 15-3/4X20-1/16 6MIL	PL	\$ 4,322.84
PBG08241-1	1000- ANTHEMPRO 15-3/4X20-15/32 6MIL	PL	\$ 4,410.38
PBG05381-1	1000- ANTHEMPRO 15-3/4X20-7/8 6MIL	PL	\$ 4,497.91
PBG06921-1	1000- ANTHEMPRO 16-1/8X20-1/16 6MIL	PL	\$ 4,425.77
PBG09761	1000- ANTHEMPRO 16-11/32X20-1/2 6MIL	PL	\$ 4,583.63
PBG12891	1000- ANTHEMPRO 16-1/2 X 20-1/2 6MIL	PL	\$ 4,627.45
PBG12301	1000- ANTHEMPRO 17-1/4X19-7/8 6MIL	PL	\$ 4,690.29
PBG12911	1000- ANTHEMPRO 17-3/4X20-3/4 6MIL	PL	\$ 5,038.72
PBG04881-1	1000- ANTHEMPRO 18-1/16X20-21/32 6ML	PL	\$ 5,104.26
PBG09751	1000- ANTHEMPRO 18-1/16X20-7/8 6MIL	PL	\$ 5,158.32
PBG12061	1000- ANTHEMPRO 19-1/4X22-7/8 6MIL	PL	\$ 6,024.15
PBG08781	1000- ANTHEMPRO 19-11/16X19-11/16 6M	PL	\$ 5,302.55
PBG08951	1000- ANTHEMPRO 19-7/8X13-3/8 6MIL	PL	\$ 3,636.68
PBG13071	1000- ANTHEMPRO 20X24-3/5 6MIL	PL	\$ 6,730.83
PBG12861	1000- ANTHEMPRO 20-3/4 X 22-3/4 6MIL	PL	\$ 6,458.08
PBG12871	1000- ANTHEMPRO 20-3/4 X 24-3/4 6ML	PL	\$ 7,025.82
PBG12691	1000- ANTHEMPRO 11X12-1/4 8ML	PL	\$ 1,899.60
PBG13671	1000- ANTHEMPRO 12-1/16X18-11/16 8ML	PL	\$ 3,177.77

## DIRECT IMAGE PRESS PLATES

Part Number	Item Description	Stock Unit	List Price
PBG09151	1000- ANTHEMPRO 12-1/4X20-9/16 8MIL	PL	\$ 3,550.96
PBG10971	1000- ANTHEMPRO 12-27/32X18-1/8 8MIL	PL	\$ 3,281.73
PBG06181	1000- ANTHEMPRO 13X19-3/8 8MIL	PL	\$ 3,550.74
PBG08681	1000- ANTHEMPRO 13-3/8X19-7/8 8MIL	PL	\$ 3,747.44
PBG13241	1000- ANTHEMPRO 14-3/16X17-13/16 8MIL	PL	\$ 3,562.58
PBG06691	1000- ANTHEMPRO 14-9/16X17-3/4 8MIL	PL	\$ 3,643.91
PBG04911-1	1000- ANTHEMPRO 15-3/4X20-1/16 8MIL	PL	\$ 4,454.50
PBG11781	1000- ANTHEMPRO 15-3/4X20-13/32 8MIL	PL	\$ 4,530.83
PBG05061	1000- ANTHEMPRO 16-1/8X20-9/32 8MIL	PL	\$ 4,610.29
PBG05161	1000- ANTHEMPRO 16-11/32X20-1/2 8MIL	PL	\$ 4,723.23
PBG09851	1000- ANTHEMPRO 17-23/32X18-7/16 8MIL	PL	\$ 4,605.41
PBG04901-1	1000- ANTHEMPRO 18-1/16X20-21/32 8MIL	PL	\$ 5,259.72
PBG10421	1000- ANTHEMPRO 19-7/16X12-1/4 8MIL	PL	\$ 3,356.68
PBG05771	1000- ANTHEMPRO 19-15/16X22-27/32 8M	PL	\$ 6,420.54
PBG12961	1000- ANTHEMP 20-15/32X25-7/8 GL 8ML	PL	\$ 7,466.30
PBG08491	1000- ANTHEMPRO 20-5/8X23-27/32 8MIL	PL	\$ 6,932.69
PBG09021	1000- ANTHEMPRO 20-3/4X25-5/8 8MIL	PL	\$ 7,495.76
PBG05521	1000- ANTHEMPRO 20-7/8X25-3/4 8MIL	PL	\$ 7,577.70
PBG08611	1000- ANTHEMPRO 20-7/8X25-5/8 8MIL	PL	\$ 7,540.91
PBG09631	1000- ANTHEMPRO 21-9/64 X 22-3/4 8MI	PL	\$ 6,780.05
PBG06501	1000- ANTHEMPRO 21-1/2X27-9/16 8MIL	PL	\$ 8,353.93
PBG04931	1000- ANTHEMPRO 21-5/8X25-5/8 8MIL	PL	\$ 7,811.84
PBG06371	1000- ANTHEMPRO 21-5/8X26 8MIL	PL	\$ 7,926.16
PBG05491	1000- ANTHEMPRO 21-5/8X26-3/8 8MIL	PL	\$ 8,040.48
PBG05501	1000- ANTHEMPRO 22X26-1/2 8MIL	PL	\$ 8,218.68
PBG05631	1000- ANTHEMPRO 22-1/16X26-3/8 8 MIL	PL	\$ 8,203.15
PBG13101	1000- ANTHEMPRO 23-5/8 X 29-1/8 8MIL	PL	\$ 9,699.99
PBG04871	1000- ANTHEMPRO 23-5/8X28-3/4 8MIL	PL	\$ 9,575.10
PBG05041	1000- ANTHEMPRO 23-5/8X28-9/16 8MIL	PL	\$ 9,512.65
PBG05131	1000- ANTHEMPRO 23-13/16X29-1/8 8MIL	PL	\$ 9,776.97
PBG05051	1000- ANTHEMPRO 23-13/16X29-5/16 8MIL	PL	\$ 9,839.92
PBG04861	1000- ANTHEMPRO 24-7/32X28-1/2 8MIL	PL	\$ 9,730.39
PBG08211	1000- ANTHEMPRO 25X29-5/16 8MIL	PL	\$ 10,330.62
PBG11641	1000- ANTHEMPRO 25X30 8MIL	PL	\$ 10,572.92
PBG12951	1000- ANTHEMPRO 26 X 29-1/2 8MIL	PL	\$ 10,812.57
PBG13731	1000- ANTHEMPRO 26 X 29-15/16 8MIL	PL	\$ 10,972.93
PBG08381	500- ANTHEMPRO 28-1/8X35-1/4 8MIL	PL	\$ 6,988.04
PBG10161	500- ANTHEMPRO 29-17/32X36-5/32 8MIL	PL	\$ 7,526.08
PBG13391	1000-ANTHEMPRO 10-5/8 X 13-3/8 12MIL	PL	\$ 2,210.59
PBG09351	1000- ANTHEMPRO 13-3/8X24-3/4 12MIL	PL	\$ 5,149.38
PBG13721	1000- ANTHEMPRO 13-3/8X24-3/4 12MIL	PL	\$ 5,149.38
PBG09361	1000- ANTHEMPRO 13-3/8X25-23/32 12ML	PL	\$ 5,350.93
PBG09371	1000- ANTHEMPRO 13-3/8X26-3/4 12MIL	PL	\$ 5,565.49
PBG06891-1	1000- ANTHEMPRO 15-3/4X20-1/16 12MIL	PL	\$ 4,915.31
PBG10761	1000- ANTHEMPRO 15-3/4X30-21/32 12ML	PL	\$ 5,060.78
PBG11181	1000- ANTHEMPRO 15-15/16X30-21/32 12	PL	\$ 5,121.03
PBG11271	1000- ANTHEMPRO 16-1/8X20-1/16 12MIL	PL	\$ 5,032.34
PBG06471	1000- ANTHEMPRO 19-15/16X22-27/32 12	PL	\$ 7,084.74
PBG13531	1000- ANTHEMPRO 20-1/16 X 26-3/16 12	PL	\$ 8,172.68
PBG13181	1000- ANTHEMPRO 20-1/16X25-11/16 12M	PL	\$ 8,016.64
PBG09141	1000- ANTHEMPRO 20-3/4X25-1/4 12ML	PL	\$ 8,150.14
PBG06681	1000- ANTHEMPRO 20-7/8X25-5/8 12MIL	PL	\$ 8,321.01
PBG11301	1000- ANTHEMPRO 20-7/8X26 12MIL	PL	\$ 8,442.78
PBG05531	1000- ANTHEMPRO 21-5/8X25-5/8 12MIL	PL	\$ 8,619.97
PBG05551	1000- ANTHEMPRO 21-5/8X26-3/8 12MIL	PL	\$ 8,872.26
PBG08261	1000- ANTHEMPRO 21-5/8X27-9/16 12MIL	PL	\$ 9,271.72
PBG05101	1000- ANTHEMPRO 21-15/16X28-11/32 12	PL	\$ 9,672.30

## DIRECT IMAGE PRESS PLATES

Part Number	Item Description	Stock Unit	List Price
PBG10481	1000- ANTHEMPRO 21-15/16X29-19/64 12	PL	\$ 9,997.56
PBG05561	1000- ANTHEMPRO 22X26-1/2 12MIL	PL	\$ 9,068.89
PBG05821	1000- ANTHEMPRO 22-1/16X26-3/8 12MIL	PL	\$ 9,051.75
PBG13351	1000- ANTHEMPRO 22-1/16X28-1/2 12MIL	PL	\$ 9,781.04
PBG12381	1000- ANTHEMPRO 22-3/16X29-5/16 12MI	PL	\$ 10,116.88
PBG11991	1000- ANTHEMPRO 22-5/8X28-15/16 12ML	PL	\$ 10,184.39
PBG05181	1000- ANTHEMPRO 22-5/8X29-1/8 12MIL	PL	\$ 10,250.38
PBG05581	1000- ANTHEMPRO 23-5/8X28-3/4 12MIL	PL	\$ 10,565.63
PBG04851	1000- ANTHEMPRO 23-5/8X28-9/16 12MIL	PL	\$ 10,496.72
PBG12811	1000- ANTHEMP 23-13/16X29-15/16 12MI	PL	\$ 11,089.35
PBG06611	1000- ANTHEMPRO 23-13/16X28-3/4 12ML	PL	\$ 10,649.48
PBG04921	1000- ANTHEMPRO 23-13/16X29-1/8 12ML	PL	\$ 10,788.39
PBG05141	1000- ANTHEMPRO 23-13/16X29-5/16 12M	PL	\$ 10,857.84
PBG13751	1000- ANTHEMPRO 23-13/16X30-1/2 12ML	PL	\$ 11,297.71
PBG04841	1000- ANTHEMPRO 24-7/32X28-1/2 12MIL	PL	\$ 10,736.98
PBG10241	1000- ANTHEMPRO 25X29-21/64 12MIL	PL	\$ 11,405.38
PBG06541	1000- ANTHEMPRO 25X29-9/32 12MIL	PL	\$ 11,387.15
PBG13481	1000- ANTHEMPRO 25 X 29-15/16 12MIL	PL	\$ 11,642.36
PBG10501	1000- ANTHEMPRO 25-5/8X19-3/32 12MIL	PL	\$ 7,610.98
PBG06411	1000- ANTHEMPRO 26X29-5/16 12MIL	PL	\$ 11,855.28
PBG10491	1000- ANTHEMPRO 26X30-5/16 12MIL	PL	\$ 12,259.72
PBG13681	1000- ANTHEMPRO 26X30-3/16 12MIL	PL	\$ 12,209.17
PBG06551	1000- ANTHEMPRO 26-5/8X29-1/8 12MIL	PL	\$ 12,062.60
PBG11771	1000- ANTHEMP 29-1/8X23-13/16 GL 12M	PL	\$ 10,788.39
PBG10371	1000- ANTHEMPRO 29-1/8X26-5/8 12MIL	PL	\$ 12,062.60
PBG11701	500- ANTHEMPRO 25-5/16 X 32-41/64 12	PL	\$ 6,426.12
PBG09061	500- ANTHEMPRO 28-1/8X35-1/4 12MIL	PL	\$ 7,710.94
PBG13381	500- ANTHEMPRO 28-1/8X39-1/2 12MIL	PL	\$ 8,640.63
PBG13661	500- ANTHEMPRO 29-1/8X36-7/16 12MIL	PL	\$ 8,254.11
PBG08321	500- ANTHEMPRO 30-5/16X40-9/16 12MIL	PL	\$ 9,563.17
PBG08351	500- ANTHEMPRO 30-7/8X40-9/16 12MIL	PL	\$ 9,740.63
PBG09781	500- ANTHEMPRO 30-7/8X41-1/8 12MIL	PL	\$ 9,635.57
PBG08361	500- ANTHEMPRO 31-1/8X40-1/8 12MIL	PL	\$ 9,713.59
PBG08331	500- ANTHEMPRO 31-1/8X40-9/16 12MIL	PL	\$ 9,819.51
PBG08371	500- ANTHEMPRO 31-5/16X40-9/16 12MIL	PL	\$ 9,878.66
PBG08941	500- ANTHEMPRO 31-5/16X41-11/32 12ML	PL	\$ 10,068.93
PBG08301	500- ANTHEMPRO 31-1/2X40-9/16 12MIL	PL	\$ 9,937.81
PBG13021	500- ANTHEMPRO 31-1/2X41-1/7 12MIL	PL	\$ 10,080.00
PBG13651	500- ANTHEMPRO 31-7/8 X40-9/16 12MIL	PL	\$ 10,056.12
PBG09791	500- ANTHEMPRO 32X40-5/32 12MIL	PL	\$ 9,994.44
PBG12741	500- ANTHEMPRO 32-5/16X40-9/16 12MIL	PL	\$ 10,194.14
PBG13691	500- ANTHEMPRO 35-13/16X25-5/8 12MIL	PL	\$ 7,137.63
PBG13781	500- ANTHEMPRO 35-13/16X26-3/16 12ML	PL	\$ 7,294.31

## METAL CTP PLATES FREEDOMPRO THERMAL PLATES for VECTOR 52

Part Number	Item Description	Stock Unit	List Price
FTG80604	100- FREEDOM GR 13X19-11/64 6MIL	BX	\$ 398.80
FTG80605	100- FREEDOM GR 13X19-3/8 6MIL	BX	\$ 403.03
FTG80605-PB	100- FREEDOM GR 13X19-3/8 PB 6MIL	BX	\$ 418.18
FTG80606	100- FREEDOM GR 12-3/4X18-1/16 6MIL	BX	\$ 368.49
FTG80607	100- FREEDOM GR 13-3/16X19-3/32 6ML	BX	\$ 402.90
FTG80608	100- FREEDOM GR 13-3/8X19-7/8 6MIL	BX	\$ 425.34
FTG80609	100- FREEDOM GR 13-3/8X17-7/8 6MIL	BX	\$ 382.52
FTG80611	100- FREEDOM GR 10-5/8X15-5/8 6MIL	BX	\$ 265.64
FTG80612	100- FREEDOM GR 15-1/16X18 6MIL	BX	\$ 433.82
FTG80614	100- FREEDOM GR 11X18 6MIL	BX	\$ 316.82

## DIRECT IMAGE PRESS PLATES

Part Number	Item Description	Stock Unit	List Price
FTG80615	100- FREEDOM GR 11X18-1/16 6MIL	BX	\$ 317.92
FTG80616	100- FREEDOM GR 11X18-1/2 6MIL	BX	\$ 325.61
FTG80627	100- FREEDOM GR 14-9/16X20-1/16 6ML	BX	\$ 467.49
FTG80628	100- FREEDOM GR 15-1/2X20-1/2 6MIL	BX	\$ 508.43
FTG80630	100- FREEDOM GR 15-3/4X20-1/16 6MIL	BX	\$ 505.61
FTG80631	100- FREEDOM GR 15-3/4X20 6MIL	BX	\$ 504.02
FTG80632	100- FREEDOM GR 16-1/5X20-1/16 6MIL	BX	\$ 529.67
FTG80633	100- FREEDOM GR 16-3/16X20-1/16 6MIL	BX	\$ 518.85
FTG80634	100- FREEDOM GR 15-3/4X20-7/16 6ML	BX	\$ 515.83
FTG80635	100- FREEDOM GR 15-3/4X20-3/16 6MIL	BX	\$ 510.57
FTG80636	100- FREEDOM GR 15-3/4X20-7/8 6MIL	BX	\$ 526.07
FTG80638	100- FREEDOM GR 18-1/16X20-5/8 6MIL	BX	\$ 596.10
FTG80640	100- FREEDOM GR 18-1/16X20-21/32 6ML	BX	\$ 597.00
FTG80643	100- FREEDOM GR 16-1/8X20-9/32 6MIL	BX	\$ 523.28
FTG80646	100- FREEDOM GR 14-9/16X17-23/32 6ML	BX	\$ 412.84
FTG80649	50- FREEDOM GR 21-5/8X26 6MIL	BX	\$ 449.79
FTG80805	100- FREEDOM GR 13X19-3/8 8MIL	BX	\$ 416.02
FTG80807	100- FREEDOM GR 13-3/16X19-3/32 8ML	BX	\$ 415.89
FTG80808	100- FREEDOM GR 13-3/8X19-7/8 8MIL	BX	\$ 439.07
FTG80810	100- FREEDOM GR 13X19-11/64 8MIL	BX	\$ 411.66
FTG80822	100- FREEDOM GR 12-3/4X19-3/8 8MIL	BX	\$ 408.03
FTG80828	100- FREEDOM GR 15-1/2X20-1/2 8MIL	BX	\$ 524.82
FTG80830	100- FREEDOM GR 15-3/4X20-1/16 8MIL	BX	\$ 521.91
FTG80831	100- FREEDOM GR 15-3/4X20 8MIL	BX	\$ 520.29
FTG80832	100- FREEDOM GR 16-1/2X20-1/16 8MIL	BX	\$ 547.84
FTG80834	100- FREEDOM GR 15-3/4X20-7/16 8ML	BX	\$ 532.47
FTG80836	100- FREEDOM GR 15-3/4X20-7/8 8MIL	BX	\$ 543.06
FTG80838	100- FREEDOM GR 18-1/16X20-5/8 8MIL	BX	\$ 615.32
FTG80839	100- FREEDOM GR 17-7/8X20-5/8 8MIL	BX	\$ 608.94
FTG80842	50- FREEDOM GR 19-7/8X22-3/4 8MIL	BX	\$ 373.41
FTG80843	100- FREEDOM GR 16-1/8X20-9/32 8MIL	BX	\$ 540.16
FTG80844	100- FREEDOM GR 16-7/64X20-1/16 8MIL	BX	\$ 532.60
FTG80845	100- FREEDOM GR 16-9/16X20-5/64 8MIL	BX	\$ 547.63
FTG80847	100- FREEDOM GR 16-1/8X20-1/8 8MIL	BX	\$ 534.39
FTG80848	50- FREEDOM GR 21-5/8X25-5/8 8MIL	BX	\$ 457.63
FTG80849	50- FREEDOM GR 21-5/8X26 8MIL	BX	\$ 464.32
FTG80850	50- FREEDOM GR 23-5/8X28-3/4 8MIL	BX	\$ 560.93
FTG80851	50- FREEDOM GR 21-1/2X25-9/16 8MIL	BX	\$ 453.88
FTG80852	50- FREEDOM GR 20-1/16X25-3/8 8MIL	BX	\$ 441.39
FTG80858	50- FREEDOM GR 24-1/4X28-1/2 8MIL	BX	\$ 570.77

## METAL CTP PLATES FREEDOMPRO THERMAL PLATES for VECTOR TX52

Part Number	Item Description	Stock Unit	List Price
VTG80604	100- FRDM TX GR 13X19-11/64 6MIL	BX	\$ 398.80
VTG80605	100- FRDM TX GR 13X19-3/8 6MIL	BX	\$ 403.03
VTG80607	100- FRDM TX GR 13-3/16X19-3/32 6ML	BX	\$ 402.90
VTG80608	100- FRDM TX GR 13-3/8X19-7/8 6MIL	BX	\$ 425.34
VTG80609	100- FRDM TX GR 13-3/8X17-7/8 6MIL	BX	\$ 382.52
VTG80627	100- FRDM TX GR 14-9/16X20-1/16 6ML	BX	\$ 467.49
VTG80628	100- FRDM TX GR 15-1/2X20-1/2 6MIL	BX	\$ 508.43
VTG80630	100- FRDM TX GR 15-3/4X20-1/16 6MIL	BX	\$ 505.61
VTG80631	100- FRDM TX GR 15-3/4X20 6MIL	BX	\$ 504.02
VTG80632	100- FRDM TX GR 16-1/2X20-1/16 6MIL	BX	\$ 529.67
VTG80633	100- FRDM TX GR 16-3/16X20-1/16 6MIL	BX	\$ 518.85
VTG80634	100- FRDM TX GR 15-3/4X20-15/32 6ML	BX	\$ 515.83
VTG80635	100- FRDM TX GR 15-3/4X20-3/16 6MIL	BX	\$ 510.57



## DIRECT IMAGE PRESS PLATES

Part Number	Item Description	Stock Unit	List Price
VTG80636	100- FRDM TX GR 15-3/4X20-7/8 6MIL	BX	\$ 526.07
VTG80638	100- FRDM TX GR 18-1/16X20-5/8 6MIL	BX	\$ 596.10
VTG80643	100- FRDM TX GR 16-1/8X20-9/32 6MIL	BX	\$ 523.28
VTG80646	100- FRDM TX GR 14-9/16X17-23/32 6MIL	BX	\$ 412.84
VTG80805	100- FRDM TX GR 13X19-3/8 8MIL	BX	\$ 416.02
VTG80807	100- FRDM TX GR 13-3/16X19-3/32 8MIL	BX	\$ 415.89
VTG80808	100- FRDM TX GR 13-3/8X19-7/8 8MIL	BX	\$ 439.07
VTG80810	100- FRDM TX GR 13X19-11/64 8MIL	BX	\$ 411.66
VTG80828	100- FRDM TX GR 15-1/2X20-1/2 8MIL	BX	\$ 524.82
VTG80830	100- FRDM TX GR 15-3/4X20-1/16 8MIL	BX	\$ 521.91
VTG80831	100- FRDM TX GR 15-3/4X20 8MIL	BX	\$ 520.29
VTG80832	100- FRDM TX GR 16-1/2X20-1/16 8MIL	BX	\$ 547.84
VTG80834	100- FRDM TX GR 15-3/4X20-15/32 8MIL	BX	\$ 532.47
VTG80836	100- FRDM TX GR 15-3/4X20-7/8 8MIL	BX	\$ 543.06
VTG80838	100- FRDM TX GR 18-1/16X20-5/8 8MIL	BX	\$ 615.32
VTG80842	100- FRDM TX GR 16.1X20-1/16 8MIL	BX	\$ 534.26
VTG80843	100- FRDM TX GR 16-1/8X20-9/32 8MIL	BX	\$ 540.16
VTG80845	100- FRDM TX GR 16-9/16X20-5/64 8MIL	BX	\$ 547.63
VTG80847	100- FRDM TX GR 16-1/8X20-1/8 8MIL	BX	\$ 534.39

**METAL CTP PLATES FREEDOMPRO THERMAL PLATES for VECTOR TX52**

VFL80602	100- FRDM VFL 12-3/4X18-1/16 6MIL	BX	\$ 369.43
VFL80604	100- FRDM VFL 13X19-11/64 6MIL	BX	\$ 398.80
VFL80605	100- FRDM VFL 13X19-3/8 6MIL	BX	\$ 403.03
VFL80607	100- FRDM VFL 13-3/16X19-3/32 6ML	BX	\$ 402.90
VFL80608	100- FRDM VFL 13-3/8X19-7/8 6MIL	BX	\$ 425.34
VFL80609	100- FRDM VFL 13-3/8X17-7/8 6MIL	BX	\$ 382.52
VFL80612	100- FRDM VFL 15-1/16x18 6MIL	BX	\$ 434.93
VFL80613	100- FRDM VFL 13-3/8X18-3/16 6MIL	BX	\$ 390.23
VFL80615	100- FRDM VFL 11x18-1/16 6MIL	BX	\$ 318.73
VFL80616	100- FRDM VFL 11X18-1/2 6MIL	BX	\$ 326.45
VFL80627	100- FRDM VFL 14-9/16X20-1/16 6ML	BX	\$ 467.49
VFL80628	100- FRDM VFL 15-1/2X20-1/2 6MIL	BX	\$ 508.43
VFL80630	100- FRDM VFL 15-3/4X20-1/16 6MIL	BX	\$ 505.61
VFL80631	100- FRDM VFL 15-3/4X20 6MIL	BX	\$ 504.02
VFL80633	100- FRDM VFL 16-3/16X20-1/16 6MIL	BX	\$ 518.85
VFL80634	100- FRDM VFL 15-3/4X20-15/32 6ML	BX	\$ 515.83
VFL80635	100- FRDM VFL 15-3/4X20-3/16 6MIL	BX	\$ 510.57
VFL80636	100- FRDM VFL 15-3/4X20-7/8 6MIL	BX	\$ 526.07
VFL80638	100- FRDM VFL 18-1/16X20-5/8 6MIL	BX	\$ 596.10
VFL80639	100- FRDM VFL 11-3/4X18-1/16 6MIL	BX	\$ 388.76
VFL80643	100- FRDM VFL 16-1/8X20-9/32 6MIL	BX	\$ 523.28
VFL80646	100- FRDM VFL 14-9/16X17-23/32 6ML	BX	\$ 412.84
VFL80647	100- FRDM VFL 11-1/4X18-1/2 6MIL	BX	\$ 333.87
VFL80648	100- FRDM VFL 11-1/4X19-3/8 6MIL	BX	\$ 349.66
VFL80805	100- FRDM VFL 13X19-3/8 8MIL	BX	\$ 416.02
VFL80807	100- FRDM VFL 13-3/16X19-3/32 8ML	BX	\$ 415.89
VFL80808	100- FRDM VFL 13-3/8X19-7/8 8MIL	BX	\$ 439.07
VFL80810	100- FRDM VFL 13X19-11/64 8MIL	BX	\$ 411.66
VFL80830	100- FRDM VFL 15-3/4X20-1/16 8MIL	BX	\$ 521.91
VFL80831	100- FRDM VFL 15-3/4X20 8MIL	BX	\$ 520.29
VFL80832	100- FRDM VFL 16-1/2X20-1/16 8MIL	BX	\$ 547.84
VFL80836	100- FRDM VFL 15-3/4X20-7/8 8MIL	BX	\$ 543.06
VFL80838	100- FRDM VFL 18-1/16X20-5/8 8MIL	BX	\$ 615.32
VFL80842	100- FRDM VFL 16.1X20-1/16 8MIL	BX	\$ 534.26
VFL80843	100- FRDM VFL 16-1/8X20-9/32 8MIL	BX	\$ 540.16
VFL80844	100- FDRM VFL SPL 16-3/8X20-1/2 8ML	BX	\$ 554.82

**DIRECT IMAGE PRESS PLATES**

<b>Part Number</b>	<b>Item Description</b>	<b>Stock Unit</b>	<b>List Price</b>
VFL80846	100- FRDM VFL 14-9/16 X 17-23/32 8ML	BX	\$ 426.47

**METAL CTP FOUNTAIN SOLUTION**

<b>Part Number</b>	<b>Item Description</b>	<b>Stock Unit</b>	<b>List Price</b>
RMJ-GAL	GL- PRESSTEK TF-1 THERMOFOUNT SOLN	GL	\$ 36.01
RMJ-5GAL	5GL- PRESSTEK TF-1 THERMOFOUNT SOLN	EA	\$ 162.05

**DIMINSION PLATESETTER AIR MANAGEMENT SYSTEM FILTERS & SUPPLIES**

<b>Part Number</b>	<b>Item Description</b>	<b>Stock Unit</b>	<b>List Price</b>
AYY02221	KIT GREEN MTR 6 BRUSHES #B068	PK	\$ 131.04
AYY02351	HOSE EXT KIT 8 FOOT	EA	\$ 123.19
AYY02581	5K-10K 2" FILTERS #F007 (8/PK)	EA	\$ 134.97
AYY02591	FILTERS 24-F007 2-F016 1-F057 1-F083	KI	\$ 873.94
A082	5K AMS VACUUM FILTER KIT QUATRO	EA	\$ 826.70
MYY03781	REPLCMT FILTER FOR FABTECH	EA	\$ 418.41
P-UF-F2004	8 FT HOSE EXT KIT	EA	\$ 94.48
P UF-F2005S	CHEMICAL FILTER, SILVER	EA	\$ 829.14
P UF-F2006S	PARTICULATE FILTER, SILVER	EA	\$ 888.88

**MULTIGRAPHICS BRAND PRODUCTS PRICE LIST**

**MULTIGRAPHICS 35% OFF LIST PRICE**

**MULTIGRAPHICS BRAND PRESS BLANKETS**

Part Number	Description	Stock Description	Stock	List
83-8-104578	M 3PCP 10-5/8X16-1/16 AM2850	EA	Stock	\$ 23.73
83-6-104836	M 3PCP 10-5/8X18-1/2 ABD360	EA	Stock	\$ 27.34
83-0-104576	M 3PCP 10-5/8X18-7/16 AM1250 L&W	EA	Stock	\$ 27.19
83-2-104574	M 3PCP 10X15-1/16 AM1250	EA	Stock	\$ 20.95
83-5-104282	M 3PCP 11X18-1/2 ABD360W	EA	Stock	\$ 28.17
83-2-107478	M 3PCP 11X18-1/2 PNCH ABD360W	CR	Stock	\$ 26.65
83-5-101437	M 3PCP 12-5/8X18-7/16 AM1360/1650	EA	Stock	\$ 32.32
83-7-105634	M 3PCP 12-5/8X19-3/16 ABD9840	EA	Stock	\$ 33.59
83-3-104573	M 3PCP 17-5/8X16-1/6 AM1850	EA	Stock	\$ 44.13
83-8-104818	M 3PCV 10-5/8X15-1/16 AM1250W	EA	Stock	\$ 22.90
83-7-104819	M 3PCV 10-5/8X18-7/16 AM1250WL	EA	Stock	\$ 28.05
83-9-104817	M 3PCV 10X15-1/16 AM1250	EA	Stock	\$ 21.51
83-4-104820	M 3PCV 12 5/8X18 7/16 AM1650	EA	Stock	\$ 33.31
83-3-104821	M 3PCV 17-5/8X16-1/16 AM1850	EA	Stock	\$ 40.52
83-7-107481	M 3PSCP 10-5/8X18-1/2 ABD360	CR	Stock	\$ 25.68
83-4-107476	M 3PSCP 10-5/8X18-7/16 AM1250W	CR	Stock	\$ 25.68
83-5-107483	M 3PSCP 10X15-1/16 AM1250	CR	Stock	\$ 19.70
83-4-107534	M 3PSCP 11-7/8X19-1/8 HAMADA600	EA	Stock	\$ 44.42
83-1-107636	M 3PSCP 12-11/16 X19-1/4 ABD9870	EA	Stock	\$ 31.93
83-8-107530	M 3PSCP 12-5/8X18-1/2 ABD375	EA	Non-Stock	\$ 30.53
83-6-107474	M 3PSCP 12-5/8X18-7/16 AM1360/1650	CR	Stock	\$ 30.53
83-6-107482	M 3PSCP 12-5/8X19-3/16 ABD9840	CR	Stock	\$ 31.79
83-3-107477	M 3PSCP 12-5/8X19-3/8 ABD9800	CR	Stock	\$ 34.73
83-5-107475	M 3PSCP 17-5/8X16-1/16 AM1850/1880	CR	Stock	\$ 37.06
83-1-104575	M 3SCP 10-5/8X15-1/16 AM1250W	EA	Stock	\$ 22.21
83-0-105268	M 4BCV 20-7/8X19-3/4 EAGLE	EA	Non-Stock	\$ 72.07
83-6-107532	M 4BSCP 20-1/2X17-1/2 GTO52	EA	Stock	\$ 68.29
83-8-105542	M1218EI UNDBLKT 17-3/8X12-7/8 .041	EA	Stock	\$ 41.41
83-9-106762	PPII 3PSCP 10-5/8X18-1/2 ABD360	EA	Stock	\$ 29.97
83-9-106754	PPII 3PSCP 11-7/8X19-1/8 HAM600	EA	Stock	\$ 34.56
83-8-106763	PPII 3PSCP 11X18-1/2 ABD360W	EA	Stock	\$ 30.94

**MULTIGRAPHICS BRAND PRODUCTS PRICE LIST**

**MULTIGRAPHICS 35% OFF LIST PRICE**

**MULTIGRAPHICS BRAND PRESS BLANKETS**

Part Number	Description	Stock Description	Stock	List
83-4-106767	PPII 3PSCP 15-1/16X10 AM1250	EA	Stock	\$ 23.60
83-8-106730	PPII 3PSCP 15-1/16X10-5/8 AM1250W	EA	Stock	\$ 24.43
83-0-106761	PPII 3PSCP 15-3/16X10 ABD350	EA	Stock	\$ 23.18
83-5-106758	PPII 3PSCP 15-3/16X10 ATF15	EA	Stock	\$ 23.18
83-7-106749	PPII 3PSCP 15-5/16X12-5/8 AM1330	EA	Stock	\$ 29.42
83-8-106748	PPII 3PSCP 16-1/16X10-5/8 AM1250STD	EA	Stock	\$ 25.97
83-2-106751	PPII 3PSCP 16-1/16X17-5/8 1860/1862	EA	Stock	\$ 43.17
83-8-106755	PPII 3PSCP 16-1/2X18-3/8 HAM700	EA	Stock	\$ 46.22
83-6-106757	PPII 3PSCP 16-3/16X17-1/4 DAV700	EA	Stock	\$ 42.60
83-1-106729	PPII 3PSCP 16X10-1/4 DAV500	EA	Stock	\$ 24.97
83-1-106752	PPII 3PSCP 17-1/4X16 AM8585	EA	Stock	\$ 42.03
83-7-106764	PPII 3PSCP 18-1/2X12-5/8 PNCH ABD375	EA	Stock	\$ 35.54
83-5-106881	PPII 3PSCP 18-11/16X22-5/8 ABD385	EA	Stock	\$ 64.40
83-4-106759	PPII 3PSCP 18-5/8X11 ATF17	EA	Stock	\$ 31.22
83-3-106768	PPII 3PSCP 18-7/16X10-5/8 1250LW	EA	Stock	\$ 29.84
83-3-106750	PPII 3PSCP 18-7/16X12-5/8 1360/1650	EA	Stock	\$ 35.54
83-2-107635	PPII 3PSCP 19-1/4X12-11/16 ABD9870	EA	Stock	\$ 31.93
83-1-106760	PPII 3PSCP 19-13/16X12-5/8 ATF2217	EA	Stock	\$ 36.90
83-5-106766	PPII 3PSCP 19-3/16X12-5/8 ABD9840	EA	Stock	\$ 36.90
83-4-107633	PPII 3PSCP 19-3/16X13 ABD3000	EA	Stock	\$ 32.62
83-6-106765	PPII 3PSCP 19-3/8X12-5/8 ABD9800	EA	Stock	\$ 37.35
83-0-106746	PPII 4BSCP 19-3/4X20-7/8 EAGLE	EA	Stock	\$ 82.10
83-1-106745	PPII 4PSCP 25-5/8X22-7/16 6400/SOL	EA	Stock	\$ 87.56
83-9-106747	PPII 4PSCP 25-5/8X23-1/16 EAGLE 6400	EA	Stock	\$ 90.07
83-0-107538	PPII 4SSCP 17-1/2X20-1/2 HEID GTO52	EA	Stock	\$ 81.06
83-1-107537	PPII 4SSCP 20-5/8X26-1/2 HEID KORD64	EA	Stock	\$ 123.52
83-5-106634	1- QC BACKER 11-3/8X17-3/4 RYOBI2800	BX	Stock	\$ 37.81
83-6-106633	1- QC FACER 11-3/8X17-3/4 RYOBI 2800	BX	Stock	\$ 38.73
83-4-106635	1- QC FACER 12X19 .035 RY2200/3200	BX	Stock	\$ 43.78
200W-1017-9A	1B/2F- QC 10-15/16X20-1/8 POE 1250	ST	Stock	\$ 134.42
200-1017-2A	1B/2F- QC 10-3/16X14-5/16 SR AM1250	ST	Stock	\$ 106.65
200-1017-4A	1B/2F- QC 10-3/16X16-5/16 SR AM1250	ST	Stock	\$ 96.68
200W-1017-2A	1B/2F- QC 10-3/4X15-5/16 SR AM125	ST	Stock	\$ 94.44

**MULTIGRAPHICS BRAND PRODUCTS PRICE LIST****MULTIGRAPHICS 35% OFF LIST PRICE****MULTIGRAPHICS BRAND PRESS BLANKETS**

Part Number	Description	Stock Description	Stock	List
200W-1017-4A	1B/2F- QC 10-3/4X16-5/16 SR AM1250/2	ST	Stock	\$ 107.62
200W-1017-11A	1B/2F- QC 10-5/8X20-1/8 PB AM2850/28	ST	Stock	\$ 138.51
83-9-104312	1B/2F- QC 11X18-1/2 PNCHD ABD360W2	BX	Stock	\$ 131.85
83-4-101438	1B/2F- QC 12-1/2X13 PNCHD AM1250	ST	Non-Stock	\$ 133.93
83-3-101439	1B/2F- QC 12-3/4X16-3/8 PNCHD AM1650	ST	Stock	\$ 135.25
185-1017-2A	1B/2F- QC 17-3/4X15-3/4 PNCHD AM1860	ST	Stock	\$ 181.12
200-1017-7A	1B/2F- QC 8-3/8X14-1/4 PB AM1250	ST	Stock	\$ 78.70
83-3-106636	1-QC BACKER 11-3/8X18-1/2 .030 RY320	EA	Non-Stock	\$ 39.42
200W-1019-11A	3- QC BACKER 10-1/2X16-3/8 SC AM2850	BX	Stock	\$ 96.68
200W-1019-9A	3- QC BACKER 10-13/16X16-3/8 SC AM12	BX	Stock	\$ 116.72
200W-1019-2A	3- QC BACKER 10-5/8X13-3/16 SR AM12	BX	Stock	\$ 80.28
83-1-105515	3- QC BACKER 12-7/8X16-3/8 AM1250	BX	Stock	\$ 118.53
185-1019-2A	3- QC BACKER 17-5/8X16-1/16 PB M1250	BX	Stock	\$ 157.18
200-1019-7A	3- QC BACKER 8-3/8X14-1/2 SC AM1250	BX	Stock	\$ 102.43
200W-1018-9A	3- QC FACER 10-15/16X20-1/8 POE AM12	ST	Stock	\$ 135.38
200W-1018-2A	3- QC FACER 10-3/4X15-5/16 SR AM1250	ST	Stock	\$ 94.79
200W-1018-11A	3- QC FACER 10-5/8X20-1/8 POE AM2850	ST	Stock	\$ 123.11
83-5-106717	3- QC FACER 12-3/4X19-1/8 ABD9800	ST	Stock	\$ 140.39
83-9-101441	3- QC FACER 12-3/4X20-3/8 1360/1650	ST	Stock	\$ 149.54
83-3-106719	3- QC FACER 12-5/8X18-9/16 ABD375	ST	Non-Stock	\$ 134.90
200-1018-2A	3- QC FACER 13-3/16X14-5/16 SR AM125	ST	Stock	\$ 83.97
185-1018-2A	3- QC FACER 17-3/4X15-3/4 PB AM1860	ST	Stock	\$ 160.92
200-1018-7A	3- QC FACER 8-3/8X14-1/2 PB AM1250	ST	Stock	\$ 69.96
200W-1018-4A	3- QC FCRS 10-3/4X16-5/16 1250/2850	ST	Stock	\$ 95.70

**MULTIGRAPHICS CLEANING SUPPLIES**

83-6-104059	16OZ.- CLEAN N EASY HAND CLEANER B	EA	Stock	\$ 5.08
83-5-200867	48/BX- INKLING TOWELET A	BX	Stock	\$ 10.10
185-7407	CLEAN-UP BLADE 1850	EA	Stock	\$ 8.50
83-3-104060	GL- CLEAN N EASY HAND CLEANER A	GL	Stock	\$ 32.04
13-7-194361	INK CLEAN-UP BLADE 1820 2ND HD	EA	Stock	\$ 40.90
13-2-199456	INK CLEAN-UP BLADE RED 1650	EA	Stock	\$ 34.56

**MULTIGRAPHICS BRAND PRODUCTS PRICE LIST**

**MULTIGRAPHICS 35% OFF LIST PRICE**

**MULTIGRAPHICS BRAND PRESS BLANKETS**

Part Number	Description	Stock Description	Stock	List
<b>MULTIGRAPHICS DIGITAQL IMAGESETTING FILMS</b>				
83-0-108254	RL- 12.2X200 EXT RED SP928	RL	Stock	\$ 409.52
83-9-107430	RL- 12X100 HN LSR FLM SP925	EA	Non-Stock	\$ 201.82
83-3-107543	RL- 12X100 HN RLF SP925	RL	Stock	\$ 201.82
83-5-107426	RL- 12X100 IR LASER DAY SP925	RL	Stock	\$ 239.70
83-1-108253	RL- 12X200 EXT RED SP928	RL	Stock	\$ 402.82
83-7-107077	RL- 12X200 IR FLM DAY SP928	RL	Stock	\$ 479.39
83-7-108224	RL- 12X200 RED MATTE FILM SP928	RL	Stock	\$ 466.75
83-5-107491	RL- 12X250 DAY FILM SP926	RL	Stock	\$ 504.56
83-8-107431	RL- 13.3X100 HN LSR FLM DAY SP925	EA	Non-Stock	\$ 223.68
83-4-107427	RL- 13.3X100 IR LSR DAY SP925	EA	Stock	\$ 265.70
83-6-108225	RL- 13.3X200 EXT RED SP928	RL	Stock	\$ 447.39
83-6-107078	RL- 13.3X200 IR FLM BDK SP928	RL	Stock	\$ 531.34
83-3-107113	RL- 13.3X250 EXT RED FILM SP926	RL	Stock	\$ 559.21
83-3-108244	RL- 13.3X250 INFRA LSR FLM SP926	RL	Stock	\$ 664.33
83-4-108458	RL- 13.98X200 LED FILM SPEC 500	RL	Stock	\$ 521.47
83-4-107492	RL- 14.96X200 HEL NEON LSR FLM SP914	RL	Stock	\$ 503.19
83-5-108218	RL- 14X200 EXT RED SP928	RL	Stock	\$ 469.96
83-0-107389	RL- 14X250 DAY FILM SP926	RL	Stock	\$ 588.71
83-1-107115	RL- 16X250 HN LSR FLM DAY SP926	RL	Stock	\$ 672.74
83-1-108220	RL- 18.11X200 EXT RED 6547 SP928	RL	Stock	\$ 608.86
83-3-108228	RL- 18.11X200 RED MATTE FILM SP928	RL	Stock	\$ 704.40
83-2-108286	RL- 18.1X200 EXT RED SP528	RL	Stock	\$ 607.62
83-6-108258	RL- 20.08X200 EXT RED SP928	RL	Stock	\$ 671.35
83-9-108396	RL- 20.87X200 EXT RED SP928	RL	Stock	\$ 700.60
83-7-108638	RL- 20X200 HN LSR FILM SPEC 914	RL	Stock	\$ 672.74
83-3-108681	RL- 21.6X200 RLD FILM SP303	RL	Stock	\$ 725.08
83-7-108711	RL- 22.52X200 RLD FILM SPEC 914	RL	Stock	\$ 757.56
83-9-108610	RL- 22X200 EX RED FILM SPEC 928	RL	Stock	\$ 738.37
83-5-108259	RL- 25.98X200 EXT RED SP914	RL	Stock	\$ 872.77
83-0-107116	RL- 25.98X250 HN LSR FLM DAY SP926	RL	Stock	\$ 1,093.22

**MULTIGRAPHICS BRAND PRODUCTS PRICE LIST****MULTIGRAPHICS BRAND PRESS BLANKETS**

Part Number	Description
83-8-108603	RL- 25X200 EXT RED FILM SP928
83-7-108737	RL- 28 x 200 IR FILM SPEC303
83-2-108041	RL- 30X200 EXT RED SP928

**MULTIGRAPHICS 35% OFF LIST PRICE**

Stock Description	Stock	List
RL	Stock	\$ 839.23
RL	Stock	\$ 1,118.06
RL	Stock	\$ 1,007.06

**MULTIGRAPHICS ANALOG FILM AND CHEMISTRY**

83-1-104617	100- 10X12 RAPID ACCESS FILM	BX	Stock	\$ 101.50
83-0-104618	100- 11X14 RAPID ACCESS FILM	BX	Stock	\$ 130.24
83-9-104619	100- 12X18 RAPID ACCESS FILM	BX	Stock	\$ 182.68
83-2-108237	100- 14X17 RAPID ACCESS FILM	CR	Stock	\$ 201.30
83-5-104621	100- 20X24 RAPID ACCESS FILM	BX	Stock	\$ 405.96
83-8-104867	100- 8-1/2X11 RAPID ACCESS FILM	BX	Stock	\$ 79.10
83-5-108580	RL- 12X100 RAPID ACCESS FILM EI	RL	Stock	\$ 121.78
83-5-104647	## GL- PRO-GRAPHIC FILM HARDENER	GL	Stock	\$ 17.86

**MULTIGRAPHICS DAMPENING COVERS**

1220-2035-A	2- 1220 2ND COVER DUCTOR	PK	Stock	\$ 10.94
120W-3671-A	2- 1250 MOLLETON A DUCTOR 10-5/8	PK	Stock	\$ 9.42
120W-3671-1A	2- 1250 MOLLETON A DUCTOR 11"	PK	Stock	\$ 10.40
120-3671-A	2- 1250 MOLLETON B DUCTOR 10-1/4	PK	Stock	\$ 9.85
120-3670-A	2- 1250 MOLLETON B FORM	PK	Stock	\$ 19.69
83-1-101035	2- 1330/60/1650 MOLLETON DUCTOR	PK	Stock	\$ 7.48
83-5-101452	2- 1330/60/1650 MOLLETON FORM	PK	Stock	\$ 12.82
185-3726-A	2- 1820/1850 MOLLETON A FORM	PK	Stock	\$ 26.25
185-3720-A	2- 1820/1850 MOLLETON B DUCTOR	PK	Stock	\$ 19.03

**MULTIGRAPHICS INK AND INK SUPPLIES**

**MULTIGRAPHICS BRAND PRODUCTS PRICE LIST**

**MULTIGRAPHICS 35% OFF LIST PRICE**

**MULTIGRAPHICS BRAND PRESS BLANKETS**

Part Number	Description	Stock Description	Stock	List
SOY-0020	1LB- FRSH IMP SOY 002 PROC YELLOW	LB	Stock	\$ 42.70
SOY-0030	1LB- FRSH IMP SOY 003 PROC MAGENTA	LB	Stock	\$ 43.28
SOY-1000	1LB- FRSH IMP SOY PANT NEUTRAL BLK	LB	Stock	\$ 15.32
SOY-6000	1LB- FRSH IMP SOY PANT PURPLE	LB	Non-Stock	\$ 38.73
SOY-7000	1LB- FRSH IMP SOY PANT REFLEX BLUE	LB	Stock	\$ 22.00
SOY-0500	1LB- FRSH IMP SOY PANT TRANS WHT	LB	Stock	\$ 14.90
SOY-2000	1LB- FRSH IMP SOY PANT YELLOW	LB	Stock	\$ 20.01
SOY-109	1LB- FRSH IMP SOY PMS 109 YELLOW	LB	Non-Stock	\$ 33.56
SOY-151	1LB- FRSH IMP SOY PMS 151 ORANGE	LB	Stock	\$ 33.93
SOY-154	1LB- FRSH IMP SOY PMS 154 BROWN	LB	Non-Stock	\$ 33.42
SOY-165	1LB- FRSH IMP SOY PMS 165 ORANGE M10	LB	Non-Stock	\$ 44.40
SOY-181	1LB- FRSH IMP SOY PMS 181 BROWN	LB	Non-Stock	\$ 39.86
SOY-185	1LB- FRSH IMP SOY PMS 185 RED	LB	Stock	\$ 34.76
SOY-199	1LB- FRSH IMP SOY PMS 199 RED	LB	Stock	\$ 33.93
SOY-221	1LB- FRSH IMP SOY PMS 221 MAROON	LB	Stock	\$ 33.42
SOY-273	1LB- FRSH IMP SOY PMS 273 BLUE	LB	Non-Stock	\$ 35.47
SOY-293	1LB- FRSH IMP SOY PMS 293 BLUE	LB	Stock	\$ 35.47
SOY-347	1LB- FRSH IMP SOY PMS 347 GREEN	LB	Stock	\$ 33.56
SOY-361	1LB- FRSH IMP SOY PMS 361 GREEN	LB	Non-Stock	\$ 33.56
SOY-469	1LB- FRSH IMP SOY PMS 469 BROWN	LB	Non-Stock	\$ 34.19
SOY-470	1LB- FRSH IMP SOY PMS 470 BROWN	LB	Non-Stock	\$ 28.95
SOY-0040	1LB- FRSH IMP SOY PROCESS CYAN	LB	Stock	\$ 44.40
SOY-001	1LB- FRSH IMP SOYDENSE BLACK	LB	Stock	\$ 16.32
SOY-8000	1LB- SOY PROCESS BLUE	LB	Stock	\$ 20.01
SOY-10005	5.5LB- FRSH IMP SOY PANT NEUT BLK	CN	Stock	\$ 80.04
SOY-2065	5LB- FRESH IMPRESSIONS PMS 206 RED	CN	Non-Stock	\$ 67.22
SOY-2095	5LB- FRESH IMPRESSIONS PMS 209	CN	Non-Stock	\$ 65.24
SOY-2875	5LB- FRESH IMPRESSIONS PMS 287	CN	Non-Stock	\$ 74.25
SOY-0025	5LB- FRSH IMP SOY 002 PROC YELLOW*M2	CN	Stock	\$ 147.93
SOY-0035	5LB- FRSH IMP SOY 003 PROC MGNTA *M2	CN	Stock	\$ 116.13
SOY-70005	5LB- FRSH IMP SOY PANT RFLX BLU M10#	CN	Non-Stock	\$ 92.23
SOY-95005	5LB- FRSH IMP SOY PANT VIOLET	CN	Non-Stock	\$ 172.68
SOY-20005	5LB- FRSH IMP SOY PANT YELLOW	CN	Stock	\$ 82.46



**MULTIGRAPHICS BRAND PRODUCTS PRICE LIST**

**MULTIGRAPHICS 35% OFF LIST PRICE**

**MULTIGRAPHICS BRAND PRESS BLANKETS**

Part Number	Description	Stock Description	Stock	List
SOY-1855	5LB- FRSH IMP SOY PMS 185 RED	CN	Non-Stock	\$ 156.60
SOY-1995	5LB- FRSH IMP SOY PMS 199 RED *M2	CN	Non-Stock	\$ 160.48
SOY-208-5	5LB- FRSH IMP SOY PMS 208	CN	Non-Stock	\$ 81.88
SOY-2865	5LB- FRSH IMP SOY PMS 286 BLUE *M2	CN	Non-Stock	\$ 127.70
SOY-2935	5LB- FRSH IMP SOY PMS 293 BLUE *M2	CN	Non-Stock	\$ 123.45
SOY-3545	5LB- FRSH IMP SOY PMS 354 GREEN *M2	CN	Non-Stock	\$ 156.79
SOY-3615	5LB- FRSH IMP SOY PMS 361 GREEN *M2	CN	Non-Stock	\$ 116.50
SOY-0045	5LB- FRSH IMP SOY PROCESS CYAN	CN	Stock	\$ 118.44
SOY-50005	5LB- FRSH IMP SOY RHODAMINE	CN	Stock	\$ 148.21
SOY-80005	5LB- SOY PROCESS BLUE	CN	Stock	\$ 82.46
SOY-0115	6LB- FRSH IMP SOY 0115 PROC BLACK*M2	CN	Stock	\$ 118.27
SOY-0015	6LB- FRSH IMP SOY DENSE BLACK	CN	Stock	\$ 76.64
SOY-374-P	1LB- FRSH IMP BLACK SOY E-STAT	LB	Stock	\$ 16.01
PS-274-P	1LB- PREM SYSTEM E-STAT BLACK	LB	Stock	\$ 14.37
CS-174-P	1LB- TCS GENERAL PURPOSE BLACK	LB	Stock	\$ 13.32
SOY-374-5	5LB- FRSH IMP BLACK SOY E-STAT	CN	Stock	\$ 66.00
PS-274-5	5LB- PREM SYSTEM E-STAT BLACK	EA	Stock	\$ 61.31
CS-174-5	5LB- TCS GENERAL PURPOSE BLACK	EA	Stock	\$ 60.90
SOY-374-C	CTG- FRSH IMP BLACK SOY E-STAT	CT	Stock	\$ 15.38
PS-274-C	CTG- PREM SYSTEM E-STAT BLACK	CT	Stock	\$ 13.58
CS-174-C	CTG- TCS GENERAL PURPOSE BLACK	CT	Stock	\$ 12.85
83-7-104058	1.5LB- BLK MICR MAG INK	LB	Stock	\$ 29.52
960-0100	1.5LB- EX LAT 0100 OPAQUE WHITE	CN	Stock	\$ 24.70
990-0100	1.5LB- PRO-GLOSS 0100 OPAQUE WHITE	LB	Stock	\$ 17.74
EARTHPRIDEDB-1	1LB- EARTHPRIDE DENSE BLACK	CN	Non-Stock	\$ 17.39
EARTHPRIDE072-1	1LB- EARTHPRIDE PMS 072	CN	Non-Stock	\$ 25.92
EARTHPRIDE193-1	1LB- EARTHPRIDE PMS 193 RED	LB	Non-Stock	\$ 47.29
EARTHPRIDE194-1	1LB- EARTHPRIDE PMS 194 RED	LB	Non-Stock	\$ 47.29
960-0500	1LB- EX LAT 0500 PANT TRANS WHITE	LB	Stock	\$ 10.02
960-1000	1LB- EX LAT 1000 PANT NEUTRAL BLACK	LB	Stock	\$ 9.82
960-2000	1LB- EX LAT 2000 PANT YELLOW	LB	Stock	\$ 14.13
960-3000	1LB- EX LAT 3000 PANT WARM RED	LB	Stock	\$ 16.14
960-4000	1LB- EX LAT 4000 PANT RUBINE	LB	Stock	\$ 15.59

**MULTIGRAPHICS BRAND PRODUCTS PRICE LIST**

**MULTIGRAPHICS 35% OFF LIST PRICE**

**MULTIGRAPHICS BRAND PRESS BLANKETS**

Part Number	Description	Stock Description	Stock	List
960-5000	1LB- EX LAT 5000 PANT RHODAMINE	LB	Stock	\$ 25.42
960-6000	1LB- EX LAT 6000 PANT PURPLE	LB	Stock	\$ 28.33
960-7000	1LB- EX LAT 7000 PANT REFLEX BLUE	LB	Stock	\$ 16.07
960-8000	1LB- EX LAT 8000 PANT PROCESS BLUE	LB	Stock	\$ 14.13
960-9000	1LB- EX LAT 9000 PANT GREEN	LB	Stock	\$ 20.32
960-9500	1LB- EX LAT 9500 PANT VIOLET	LB	Stock	\$ 24.77
960-001	1LB- EX LAT DENSE BLACK INK	LB	Stock	\$ 10.72
960-021	1LB- EX LAT PANT 021 ORANGE	CN	Stock	\$ 23.81
960-032	1LB- EX LAT PANT 032 RED	LB	Stock	\$ 32.02
960-072	1LB- EX LAT PANT 072 BLUE	LB	Stock	\$ 39.37
960-109	1LB- EX LAT PMS 109 YELLOW	LB	Stock	\$ 14.20
960-151	1LB- EX LAT PMS 151 ORANGE	LB	Stock	\$ 14.47
960-154	1LB- EX LAT PMS 154 BROWN	LB	Stock	\$ 14.06
960-165	1LB- EX LAT PMS 165 ORANGE	LB	Stock	\$ 18.02
960-181	1LB- EX LAT PMS 181 BROWN	LB	Non-Stock	\$ 14.76
960-185	1LB- EX LAT PMS 185 RED	LB	Stock	\$ 15.66
960-199	1LB- EX LAT PMS 199 RED	LB	Stock	\$ 15.17
960-221	1LB- EX LAT PMS 221 MAROON	LB	Stock	\$ 16.14
960-273	1LB- EX LAT PMS 273 PURPLE	LB	Stock	\$ 15.74
960-286	1LB- EX LAT PMS 286 BLUE	LB	Stock	\$ 15.59
960-289	1LB- EX LAT PMS 289 BLUE	LB	Non-Stock	\$ 55.57
960-293	1LB- EX LAT PMS 293 BLUE	LB	Stock	\$ 15.11
960-300	1LB- EX LAT PMS 300 BLUE	LB	Stock	\$ 14.47
960-347	1LB- EX LAT PMS 347 GREEN	LB	Stock	\$ 14.20
960-354	1LB- EX LAT PMS 354 GREEN	LB	Stock	\$ 19.35
960-357	1LB- EX LAT PMS 357 GREEN	LB	Stock	\$ 17.54
960-361	1LB- EX LAT PMS 361 GREEN	LB	Non-Stock	\$ 14.20
960-469	1LB- EX LAT PMS 469 BROWN	LB	Stock	\$ 13.92
960-470	1LB- EX LAT PMS 470 BROWN	LB	Stock	\$ 14.47
960-002	1LB- EXTRA LATITUDE 002 PROC YELLOW	LB	Stock	\$ 13.92
960-003	1LB- EXTRA LATITUDE 003 PROC RED	LB	Stock	\$ 15.87
960-004	1LB- EXTRA LATITUDE 004 PROC BLUE	LB	Stock	\$ 14.41
83-3-104409	1LB- MULTI TACK REDUCER	LB	Stock	\$ 12.31

**MULTIGRAPHICS BRAND PRODUCTS PRICE LIST**

**MULTIGRAPHICS 35% OFF LIST PRICE**

**MULTIGRAPHICS BRAND PRESS BLANKETS**

<b>Part Number</b>	<b>Description</b>	<b>Stock Description</b>	<b>Stock</b>	<b>List</b>
83-3-104607	1LB- MULTIGRAPHICS #0 MED VARNISH	PT	Non-Stock	\$ 11.76
83-4-104606	1LB- MULTIGRAPHICS LIGHT VARNISH	PT	Stock	\$ 11.76
83-2-104608	1LB- MULTIGRAPHICS PASTE DRIER	EA	Stock	\$ 13.02
83-5-105560	1LB- PRO-GLOSS DENSE BLACK	LB	Stock	\$ 10.15
990-021	1LB- PRO-GLOSS PANT 021 ORANGE	CN	Stock	\$ 22.91
990-032	1LB- PRO-GLOSS PANT 032 RED	LB	Stock	\$ 30.60
990-072	1LB- PRO-GLOSS PANT 072 BLUE	LB	Stock	\$ 35.41
990-9000	1LB- PRO-GLOSS PANT GREEN	LB	Stock	\$ 20.75
990-1000	1LB- PRO-GLOSS PANT NEUT BLACK	LB	Stock	\$ 11.13
990-8000	1LB- PRO-GLOSS PANT PROC BLUE	LB	Stock	\$ 16.29
990-6000	1LB- PRO-GLOSS PANT PURPLE	LB	Stock	\$ 24.28
990-7000	1LB- PRO-GLOSS PANT REFLEX BLUE	LB	Stock	\$ 15.94
990-5000	1LB- PRO-GLOSS PANT RHODAMINE	LB	Stock	\$ 25.19
990-4000	1LB- PRO-GLOSS PANT RUBINE	LB	Stock	\$ 15.94
990-9500	1LB- PRO-GLOSS PANT VIOLET	LB	Stock	\$ 26.29
990-3000	1LB- PRO-GLOSS PANT WARM RED	LB	Stock	\$ 18.17
990-2000	1LB- PRO-GLOSS PANT YELLOW	LB	Stock	\$ 17.33
990-0500	1LB- PRO-GLOSS PANT TRANS WHT	LB	Stock	\$ 11.41
990-109	1LB- PRO-GLOSS PMS 109 YELLOW	LB	Stock	\$ 18.02
990-151	1LB- PRO-GLOSS PMS 151 ORANGE	LB	Non-Stock	\$ 18.23
990-154	1LB- PRO-GLOSS PMS 154 BROWN	LB	Non-Stock	\$ 16.42
990-165	1LB- PRO-GLOSS PMS 165 ORANGE	LB	Stock	\$ 18.02
990-181	1LB- PRO-GLOSS PMS 181 BROWN	LB	Non-Stock	\$ 17.33
990-185	1LB- PRO-GLOSS PMS 185 RED	LB	Stock	\$ 17.33
990-199	1LB- PRO-GLOSS PMS 199 RED	LB	Stock	\$ 17.61
990-201	1LB- PRO-GLOSS PMS 201 RED	LB	Non-Stock	\$ 63.50
990-221	1LB- PRO-GLOSS PMS 221 MAROON	LB	Stock	\$ 16.93
990-273	1LB- PRO-GLOSS PMS 273 PURPLE	LB	Stock	\$ 18.99
990-286	1LB- PRO-GLOSS PMS 286 BLUE	LB	Stock	\$ 20.11
990-293	1LB- PRO-GLOSS PMS 293 BLUE	LB	Stock	\$ 19.91
990-300	1LB- PRO-GLOSS PMS 300 BLUE	LB	Stock	\$ 18.37
990-347	1LB- PRO-GLOSS PMS 347 GREEN	LB	Stock	\$ 17.89
990-354	1LB- PRO-GLOSS PMS 354 GREEN	LB	Stock	\$ 21.23

**MULTIGRAPHICS BRAND PRODUCTS PRICE LIST**

**MULTIGRAPHICS 35% OFF LIST PRICE**

**MULTIGRAPHICS BRAND PRESS BLANKETS**

Part Number	Description	Stock Description	Stock	List
990-357	1LB- PRO-GLOSS PMS 357 GREEN	LB	Stock	\$ 19.97
990-361	1LB- PRO-GLOSS PMS 361 GREEN	LB	Non-Stock	\$ 18.30
990-422	1LB- PRO-GLOSS PMS 422 GRAY	LB	Non-Stock	\$ 63.50
990-469	1LB- PRO-GLOSS PMS 469 BROWN	LB	Stock	\$ 17.46
990-470	1LB- PRO-GLOSS PMS 470 BROWN	LB	Stock	\$ 17.95
990-540	1LB- PRO-GLOSS PMS 540 BLUE	LB	Stock	\$ 63.50
83-0-105706	1LB- PRO-GLOSS PROCESS CYAN INK	LB	Stock	\$ 15.94
83-8-108231	1LB- PRO-GLOSS PROCESS RED INK	LB	Stock	\$ 15.94
83-1-105705	1LB- PRO-GLOSS PROCESS RUBINE INK	LB	Stock	\$ 16.14
83-9-105707	1LB- PRO-GLOSS PROCESS YELLOW INK	LB	Stock	\$ 15.45
83-9-104411	1LB- RB900 RUBBER BASE BLACK	LB	Stock	\$ 9.68
960-200030	30LB- EX LAT 2000 PANT YELLOW	EA	Non-Stock	\$ 395.58
960-300030	30LB- EX LAT 3000 PANT WARM RED	EA	Non-Stock	\$ 453.64
960-400030	30LB- EX LAT 4000 PANT RUBINE	EA	Non-Stock	\$ 436.90
960-600030	30LB- EX LAT 6000 PANT PURPLE	EA	Non-Stock	\$ 814.12
960-700030	30LB- EX LAT 7000 PANT REFLEX BLUE	EA	Non-Stock	\$ 451.67
960-800030	30LB- EX LAT 8000 PANT PROCESS BLUE	EA	Non-Stock	\$ 394.59
960-00130	30LB- EX LAT DENSE BLACK INK	EA	Non-Stock	\$ 291.28
83-2-108393	30LB- RB900 RUBBER BASE BLACK	PA	Non-Stock	\$ 225.49
EARTHPRIDE20005	5LB- EARTHPRIDE 2000 PANT YELLOW	CN	Non-Stock	\$ 189.17
EARTHPRIDE185-5	5LB- EARTHPRIDE PMS 185 RED	CN	Non-Stock	\$ 189.17
EARTHPRIDE293-5	5LB- EARTHPRIDE PMS 293 BLUE	CN	Non-Stock	\$ 189.17
EARTHPRIDE340-5	5LB- EARTHPRIDE PMS 340 GREEN	CN	Non-Stock	\$ 189.17
EARTHPRIDE347-5	5LB- EARTHPRIDE PMS 347 GREEN	CN	Non-Stock	\$ 189.17
EARTHPRIDE464-5	5LB- EARTHPRIDE PMS 464 BROWN	CN	Non-Stock	\$ 189.17
EARTHPRIDE465-5	5LB- EARTHPRIDE PMS 465 BROWN	CN	Non-Stock	\$ 189.17
EARTHPRIDE469-5	5LB- EARTHPRIDE PMS 469 BROWN	CN	Non-Stock	\$ 189.17
EARTHPRIDE485-5	5LB- EARTHPRIDE PMS 485 RED	CN	Non-Stock	\$ 164.57
EARTHPRIDE527-5	5LB- EARTHPRIDE PMS 527 PURPLE	CN	Non-Stock	\$ 189.17
EARTHPRIDEPB-5	5LB- EARTHPRIDE PROCESS BLACK	CN	Non-Stock	\$ 83.52
EARTHPRIDEPC-5	5LB- EARTHPRIDE PROCESS CYAN	CN	Non-Stock	\$ 122.68
EARTHPRIDEPR-5	5LB- EARTHPRIDE PROCESS RED	CN	Non-Stock	\$ 119.19
EARTHPRIDEPY-5	5LB- EARTHPRIDE PROCESS YELLOW	CN	Non-Stock	\$ 122.68

**MULTIGRAPHICS BRAND PRODUCTS PRICE LIST****MULTIGRAPHICS 35% OFF LIST PRICE****MULTIGRAPHICS BRAND PRESS BLANKETS**

<b>Part Number</b>	<b>Description</b>	<b>Stock Description</b>	<b>Stock</b>	<b>List</b>
960-05005	5LB- EX LAT 0500 PANT TRANS WHITE	CN	Stock	\$ 48.36
960-10005	5LB- EX LAT 1000 PANT NEUTRAL BLACK	CN	Stock	\$ 47.32
960-20005	5LB- EX LAT 2000 PANT YELLOW	CN	Stock	\$ 69.11
960-30005	5LB- EX LAT 3000 PANT WARM RED	CN	Stock	\$ 79.13
960-40005	5LB- EX LAT 4000 PANT RUBINE	CN	Stock	\$ 76.22
960-50005	5LB- EX LAT 5000 PANT RHODAMINE	CN	Stock	\$ 125.27
960-60005	5LB- EX LAT 6000 PANT PURPLE	CN	Stock	\$ 139.90
960-70005	5LB- EX LAT 7000 PANT REFLEX BLUE	CN	Stock	\$ 78.79
960-80005	5LB- EX LAT 8000 PANT PROCESS BLUE	CN	Stock	\$ 68.90
960-90005	5LB- EX LAT 9000 PANT GREEN	CN	Stock	\$ 99.80
960-95005	5LB- EX LAT 9500 PANT VIOLET	CN	Stock	\$ 122.06
960-0015	5LB- EX LAT DENSE BLACK INK	CN	Stock	\$ 51.08
960-0215	5LB- EX LAT PANT 021 ORANGE	CN	Stock	\$ 113.05
960-0325	5LB- EX LAT PANT 032 RED	CN	Non-Stock	\$ 147.34
960-0725	5LB- EX LAT PANT 072 BLUE	CN	Stock	\$ 184.18
960-1095	5LB- EX LAT PMS 109 YELLOW	CN	Stock	\$ 69.46
960-1545	5LB- EX LAT PMS 154 BROWN	CN	Non-Stock	\$ 68.57
960-1655	5LB- EX LAT PMS 165 ORANGE	CN	Non-Stock	\$ 82.13
960-1815	5LB- EX LAT PMS 181 DK MAROON	CN	Non-Stock	\$ 71.97
960-1855	5LB- EX LAT PMS 185 RED	CN	Stock	\$ 76.69
960-1995	5LB- EX LAT PMS 199 RED	CN	Stock	\$ 74.18
960-2025	5LB- EX LAT PMS 202 DEEP RED	CN	Non-Stock	\$ 108.69
960-2215	5LB- EX LAT PMS 221 MAROON	CN	Stock	\$ 78.92
960-2735	5LB- EX LAT PMS 273 PURPLE	CN	Stock	\$ 77.04
960-2865	5LB- EX LAT PMS 286 BLUE	CN	Stock	\$ 72.64
960-2935	5LB- EX LAT PMS 293 BLUE	CN	Non-Stock	\$ 73.84
960-3005	5LB- EX LAT PMS 300 BLUE	CN	Stock	\$ 70.77
960-3475	5LB- EX LAT PMS 347 GREEN	CN	Stock	\$ 69.25
960-3545	5LB- EX LAT PMS 354 GREEN	CN	Stock	\$ 94.87
960-3575	5LB- EX LAT PMS 357 GREEN	CN	Stock	\$ 86.09
960-3615	5LB- EX LAT PMS 361 GREEN	CN	Non-Stock	\$ 69.25
960-4695	5LB- EX LAT PMS 469 BROWN	CN	Non-Stock	\$ 68.07
960-4705	5LB- EX LAT PMS 470 BROWN	CN	Non-Stock	\$ 70.64

**MULTIGRAPHICS BRAND PRODUCTS PRICE LIST**

**MULTIGRAPHICS 35% OFF LIST PRICE**

**MULTIGRAPHICS BRAND PRESS BLANKETS**

<b>Part Number</b>	<b>Description</b>	<b>Stock Description</b>	<b>Stock</b>	<b>List</b>
960-0025	5LB- EXTRA LATITUDE 002 PROC YELLOW	CN	Stock	\$ 67.92
960-0035	5LB- EXTRA LATITUDE 003 PROC RED	CN	Stock	\$ 77.74
960-0045	5LB- EXTRA LATITUDE 004 PROC BLUE	CN	Stock	\$ 70.30
83-4-105561	5LB- PRO-GLOSS DENSE BLACK	CN	Stock	\$ 49.19
990-0215	5LB- PRO-GLOSS PANT 021 ORANGE	CN	Stock	\$ 108.64
990-0325	5LB- PRO-GLOSS PANT 032 RED	CN	Stock	\$ 140.22
990-0725	5LB- PRO-GLOSS PANT 072 BLUE	CN	Stock	\$ 164.32
990-90005	5LB- PRO-GLOSS PANT GREEN	CN	Stock	\$ 102.02
990-10005	5LB- PRO-GLOSS PANT NEUT BLACK	CN	Stock	\$ 54.01
990-80005	5LB- PRO-GLOSS PANT PROC BLUE	CN	Stock	\$ 79.76
990-60005	5LB- PRO-GLOSS PANT PURPLE	CN	Stock	\$ 119.66
990-70005	5LB- PRO-GLOSS PANT REFLEX BLUE	CN	Stock	\$ 78.09
990-50005	5LB- PRO-GLOSS PANT RHODAMINE	CN	Stock	\$ 124.23
990-40005	5LB- PRO-GLOSS PANT RUBINE	CN	Stock	\$ 78.09
990-05005	5LB- PRO-GLOSS PANT TRANS WHT	CN	Stock	\$ 55.54
990-95005	5LB- PRO-GLOSS PANT VIOLET	CN	Stock	\$ 129.67
990-30005	5LB- PRO-GLOSS PANT WARM RED	CN	Stock	\$ 89.29
990-20005	5LB- PRO-GLOSS PANT YELLOW	CN	Stock	\$ 84.91
990-1095	5LB- PRO-GLOSS PMS 109 YELLOW	CN	Non-Stock	\$ 88.25
990-1515	5LB- PRO-GLOSS PMS 151 ORANGE	CN	Non-Stock	\$ 89.44
990-1545	5LB- PRO-GLOSS PMS 154 BROWN	CN	Non-Stock	\$ 86.59
990-1655	5LB- PRO-GLOSS PMS 165 ORANGE	CN	Stock	\$ 88.25
990-1815	5LB- PRO-GLOSS PMS 181 BROWN	CN	Non-Stock	\$ 84.91
990-1855	5LB- PRO-GLOSS PMS 185 RED	CN	Stock	\$ 85.05
990-1995	5LB- PRO-GLOSS PMS 199 RED	CN	Stock	\$ 86.37
990-2215	5LB- PRO-GLOSS PMS 221 MAROON	CN	Stock	\$ 82.83
990-2865	5LB- PRO-GLOSS PMS 286 BLUE	CN	Stock	\$ 98.83
990-2935	5LB- PRO-GLOSS PMS 293 BLUE	CN	Stock	\$ 84.00
990-3005	5LB- PRO-GLOSS PMS 300 BLUE	CN	Stock	\$ 90.13
990-3475	5LB- PRO-GLOSS PMS 347 GREEN	CN	Stock	\$ 87.41
990-3545	5LB- PRO-GLOSS PMS 354 GREEN	CN	Stock	\$ 99.31
990-3575	5LB- PRO-GLOSS PMS 357 GREEN	CN	Stock	\$ 98.13
990-3615	5LB- PRO-GLOSS PMS 361 GREEN	CN	Non-Stock	\$ 88.95

**MULTIGRAPHICS BRAND PRODUCTS PRICE LIST**

**MULTIGRAPHICS 35% OFF LIST PRICE**

**MULTIGRAPHICS BRAND PRESS BLANKETS**

Part Number	Description	Stock Description	Stock	List
990-4695	5LB- PRO-GLOSS PMS 469 BROWN	CN	Stock	\$ 85.76
990-4705	5LB- PRO-GLOSS PMS 470 BROWN	CN	Non-Stock	\$ 88.11
83-6-105783	5LB- PRO-GLOSS PROCESS CYAN INK	CN	Stock	\$ 78.09
83-7-105782	5LB- PRO-GLOSS PROCESS RED INK	CN	Stock	\$ 79.42
83-8-105781	5LB- PRO-GLOSS PROCESS RUBINE INK	CN	Stock	\$ 78.92
83-5-105784	5LB- PRO-GLOSS PROCESS YELLOW INK	CN	Stock	\$ 75.71
83-8-104412	5LB- RB900 RUBBER BASE BLACK	CN	Stock	\$ 46.71
960-01005	8.1LB- EX LAT 0100 OPAQUE WHITE	CN	Non-Stock	\$ 130.63
990-01005	8.2LB- PRO-GLOSS 0100 OPAQUE WHITE	CN	Non-Stock	\$ 94.37
83-0-104410	CTG- RB900 RUBBER BASE BLACK	CG	Stock	\$ 9.12
13-3-208868	1LB- PROGLOSS SPEC MIX INK 1 LB.	LB	Non-Stock	\$ 40.15
83-1-108337	1LB- PROGLOSS SPEC MIX INK 10+ CANS	LB	Non-Stock	\$ 32.16
13-2-208869	1LB- PROGLOSS SPEC MIX INK 2-9 CANS	LB	Non-Stock	\$ 36.95
83-6-108340	1LB-XTRA LAT SPEC MIX INK 10+ CANS	LB	Non-Stock	\$ 32.16
83-8-108348	1LB-XTRA LAT SPEC MIX INK 2-9CAN	LB	Non-Stock	\$ 36.95
83-3-108343	5LB- PROGLOSS SPEC MIX INK 1 CAN	CN	Non-Stock	\$ 154.22
83-0-108353	5LB- PROGLOSS SPEC MIX INK 11+ CANS	CN	Non-Stock	\$ 115.33
83-1-108345	5LB- PROGLOSS SPEC MIX INK 2-5 CANS	CN	Non-Stock	\$ 146.66
83-6-108357	5LB- PROGLOSS SPEC MIX INK 6-10 CANS	CN	Non-Stock	\$ 129.73
83-4-108342	5LB-XTRA LAT SPEC MIX INK 1 CAN	CN	Non-Stock	\$ 164.60
83-5-108358	5LB-XTRA LAT SPEC MIX INK 10+ CANS	CN	Non-Stock	\$ 115.33
83-2-108344	5LB-XTRA LAT SPEC MIX INK 2-5 CANS	CN	Non-Stock	\$ 144.14
83-8-108355	5LB-XTRA LAT SPEC MIX INK 6-9 CAN	CN	Non-Stock	\$ 129.73
530-0100	1.5LB- MULTICOLOR RB OPAQUE WHITE	CN	Stock	\$ 23.95
530-021	1LB- MULTICOLOR RB PANT 021 ORANGE	LB	Stock	\$ 23.30
530-032	1LB- MULTICOLOR RB PANT 032 RED	LB	Stock	\$ 26.42
530-072	1LB- MULTICOLOR RB PANT 072 BLUE	LB	Stock	\$ 31.41
530-9000	1LB- MULTICOLOR RB PANT GREEN	LB	Stock	\$ 19.91
530-1000	1LB- MULTICOLOR RB PANT NEUT BLACK	LB	Stock	\$ 10.30
530-8000	1LB- MULTICOLOR RB PANT PROC BLUE	LB	Stock	\$ 13.30
530-6000	1LB- MULTICOLOR RB PANT PURPLE	LB	Stock	\$ 27.63
530-7000	1LB- MULTICOLOR RB PANT REFLEX BLUE	LB	Stock	\$ 15.45
530-5000	1LB- MULTICOLOR RB PANT RHODAMINE	LB	Stock	\$ 27.84

**MULTIGRAPHICS BRAND PRODUCTS PRICE LIST**

**MULTIGRAPHICS 35% OFF LIST PRICE**

**MULTIGRAPHICS BRAND PRESS BLANKETS**

Part Number	Description	Stock Description	Stock	List
530-4000	1LB- MULTICOLOR RB PANT RUBINE	LB	Stock	\$ 15.45
530-0500	1LB- MULTICOLOR RB PANT TRANS WHT	LB	Stock	\$ 10.37
530-9500	1LB- MULTICOLOR RB PANT VIOLET	LB	Stock	\$ 23.81
530-3000	1LB- MULTICOLOR RB PANT WARM RED	LB	Stock	\$ 15.11
530-2000	1LB- MULTICOLOR RB PANT YELLOW	LB	Stock	\$ 13.35
530-109	1LB- MULTICOLOR RB PMS 109 YELLOW	LB	Stock	\$ 13.50
530-151	1LB- MULTICOLOR RB PMS 151 ORANGE	LB	Stock	\$ 13.78
530-165	1LB- MULTICOLOR RB PMS 165 ORANGE	LB	Stock	\$ 16.70
530-181	1LB- MULTICOLOR RB PMS 181 MAROON	LB	Stock	\$ 14.13
530-185	1LB- MULTICOLOR RB PMS 185 RED	LB	Stock	\$ 14.83
530-199	1LB- MULTICOLOR RB PMS 199 RED	LB	Stock	\$ 15.04
530-221	1LB- MULTICOLOR RB PMS 221 MAROON	LB	Stock	\$ 15.04
530-273	1LB- MULTICOLOR RB PMS 273 PURPLE	LB	Stock	\$ 15.51
530-286	1LB- MULTICOLOR RB PMS 286 BLUE	LB	Stock	\$ 14.70
530-293	1LB- MULTICOLOR RB PMS 293 BLUE	LB	Stock	\$ 14.47
530-300	1LB- MULTICOLOR RB PMS 300 BLUE	LB	Stock	\$ 13.85
530-347	1LB- MULTICOLOR RB PMS 347 GREEN	LB	Stock	\$ 13.50
530-354	1LB- MULTICOLOR RB PMS 354 GREEN	LB	Stock	\$ 18.65
530-357	1LB- MULTICOLOR RB PMS 357 GREEN	LB	Stock	\$ 16.98
530-361	1LB- MULTICOLOR RB PMS 361 GREEN	LB	Non-Stock	\$ 13.35
530-469	1LB- MULTICOLOR RB PMS 469 BROWN	LB	Stock	\$ 13.30
530-470	1LB- MULTICOLOR RB PMS 470 BROWN	LB	Stock	\$ 13.78
530-01005	5LB- MULTICOLOR RB OPAQUE WHITE	CN	Stock	\$ 121.87
530-0215	5LB- MULTICOLOR RB PANT 021 ORANGE	CN	Non-Stock	\$ 110.50
530-0325	5LB- MULTICOLOR RB PANT 032 RED	CN	Stock	\$ 119.33
530-0725	5LB- MULTICOLOR RB PANT 072 BLUE	CN	Stock	\$ 144.29
530-90005	5LB- MULTICOLOR RB PANT GREEN	CN	Stock	\$ 97.78
530-10005	5LB- MULTICOLOR RB PANT NEUT BLACK	CN	Stock	\$ 49.89
530-80005	5LB- MULTICOLOR RB PANT PROC BLUE	CN	Stock	\$ 64.88
530-60005	5LB- MULTICOLOR RB PANT PURPLE	CN	Stock	\$ 136.48
530-70005	5LB- MULTICOLOR RB PANT REFLEX BLUE	CN	Stock	\$ 75.71
530-50005	5LB- MULTICOLOR RB PANT RHODAMINE	CN	Stock	\$ 137.33
530-40005	5LB- MULTICOLOR RB PANT RUBINE	CN	Stock	\$ 75.71



**MULTIGRAPHICS BRAND PRODUCTS PRICE LIST**

**MULTIGRAPHICS 35% OFF LIST PRICE**

**MULTIGRAPHICS BRAND PRESS BLANKETS**

Part Number	Description	Stock Description	Stock	List
530-05005	5LB- MULTICOLOR RB PANT TRANS WHT	CN	Stock	\$ 50.24
530-95005	5LB- MULTICOLOR RB PANT VIOLET	CN	Stock	\$ 117.27
530-30005	5LB- MULTICOLOR RB PANT WARM RED	CN	Stock	\$ 73.84
530-20005	5LB- MULTICOLOR RB PANT YELLOW	CN	Stock	\$ 64.88
530-1095	5LB- MULTICOLOR RB PMS 109 YELLOW	CN	Non-Stock	\$ 65.01
530-1545	5LB- MULTICOLOR RB PMS 154 BROWN	CN	Non-Stock	\$ 65.01
530-1655	5LB- MULTICOLOR RB PMS 165 ORANGE	CN	Non-Stock	\$ 78.92
530-1855	5LB- MULTICOLOR RB PMS 185 RED	CN	Stock	\$ 72.31
530-1995	5LB- MULTICOLOR RB PMS 199 RED	CN	Stock	\$ 73.51
530-2215	5LB- MULTICOLOR RB PMS 221 MAROON	CN	Stock	\$ 77.26
530-2735	5LB- MULTICOLOR RB PMS 273 PURPLE	CN	Non-Stock	\$ 76.08
530-2865	5LB- MULTICOLOR RB PMS 286 BLUE	CN	Stock	\$ 71.83
530-2935	5LB- MULTICOLOR RB PMS 293 BLUE	CN	Stock	\$ 70.77
530-3005	5LB- MULTICOLOR RB PMS 300 BLUE	CN	Stock	\$ 67.37
530-3475	5LB- MULTICOLOR RB PMS 347 GREEN	CN	Stock	\$ 65.84
530-3545	5LB- MULTICOLOR RB PMS 354 GREEN	CN	Stock	\$ 91.52
530-3575	5LB- MULTICOLOR RB PMS 357 GREEN	CN	Stock	\$ 83.38
530-3615	5LB- MULTICOLOR RB PMS 361 GREEN	CN	Non-Stock	\$ 70.16
530-4695	5LB- MULTICOLOR RB PMS 469 BROWN	CN	Stock	\$ 64.88
530-4705	5LB- MULTICOLOR RB PMS 470 BROWN	CN	Stock	\$ 72.51
13-3-208835	1LB- RUBBR BS SPEC MIX INK 1 LB.	LB	Non-Stock	\$ 40.15
83-0-108338	1LB- RUBBR BS SPEC MIX INK 10+ CANS	LB	Non-Stock	\$ 32.16
13-2-208836	1LB- RUBBR BS SPEC MIX INK 2-9 LBS	LB	Non-Stock	\$ 36.95
83-5-108341	5LB- RUBBER BASE SPEC MIX INK 1 CAN	CN	Non-Stock	\$ 164.60
83-0-108346	5LB- RUBBER BS SPEC MIX INK 2-5 CANS	CN	Non-Stock	\$ 144.14
83-9-108354	5LB- RUBBR BS SPEC MIX INK 11+CANS	CN	Non-Stock	\$ 115.33
83-7-108356	5LB- RUBBR BS SPEC MIX INK 6-10 CANS	CN	Non-Stock	\$ 129.73
990-871	1.4LB- PRO-GLOSS PMS 871 METALLIC	LB	Stock	\$ 43.61
990-872	1.4LB- PRO-GLOSS PMS 872 METALLIC	LB	Stock	\$ 43.61
990-873	1.4LB- PRO-GLOSS PMS 873 METALLIC	LB	Stock	\$ 43.61
990-874	1.4LB- PRO-GLOSS PMS 874 METALLIC	LB	Stock	\$ 43.61
990-875	1.4LB- PRO-GLOSS PMS 875 METALLIC	LB	Non-Stock	\$ 43.61
990-876	1.4LB- PRO-GLOSS PMS 876 METALLIC	LB	Stock	\$ 43.61

**MULTIGRAPHICS BRAND PRODUCTS PRICE LIST****MULTIGRAPHICS BRAND PRESS BLANKETS**

Part Number	Description
990-877	1LB- PRO-GLOSS PMS 877 METALLIC
990-8777	5.2LB- PRO-GLOSS PMS 877 METALLIC
990-8717	7.2LB- PRO-GLOSS PMS 871 METALLIC
990-8727	7.2LB- PRO-GLOSS PMS 872 METALLIC
990-8737	7.2LB- PRO-GLOSS PMS 873 METALLIC
990-8757	7.2LB- PRO-GLOSS PMS 875 METALLIC
990-8767	7.2LB- PRO-GLOSS PMS 876 METALLIC

**MULTIGRAPHICS 35% OFF LIST PRICE**

Stock Description	Stock	List
LB	Stock	\$ 23.12
CN	Non-Stock	\$ 112.96
CN	Non-Stock	\$ 218.26
CN	Non-Stock	\$ 218.26
CN	Non-Stock	\$ 218.26
CN	Non-Stock	\$ 218.26
CN	Non-Stock	\$ 218.26

**MULTIGRAPHICS PROOFING SUPPLIES****MULTIGRAPHICS QUICKSILVER DIGITAL SILVER PLATES**

83-5-108762	RL- 12X250 QSNG 5MIL SPEC 600BD	EA	Stock	\$ 300.82
83-4-108763	RL- 12X250 QSNG 8MIL SPEC 600BD	EA	Stock	\$ 345.38
83-8-108314	RL- 13-5/16X197 QSNG 600BD HN 5MIL	EA	Stock	\$ 262.96
83-3-108749	RL- QS 13.3X279 HN 5MIL 600BD POLY	RL	Stock	\$ 370.60
83-1-108618	RL- QS 13.4X279 HN 8MIL 600BD POLY	RL	Stock	\$ 430.40
83-6-108597	RL- QSNG 10X279 POLY 5MIL 600BD	RL	Stock	\$ 278.48
83-0-108312	RL- QSNG 11X197 HN 5MIL 600BD POLY	EA	Stock	\$ 217.29
83-1-108329	RL- QSNG 12X131 HN 8MIL 600BD POLY	EA	Stock	\$ 180.96
83-9-108313	RL- QSNG 12X197 HN 5MIL 600BD POLY	EA	Stock	\$ 237.02
83-1-108451	RL- QSNG 13-5/16X131 HN 8MIL 600BD	EA	Stock	\$ 201.58
83-7-108331	RL- QSNG 16X131 HN 8MIL 600BD POLY	EA	Non-Stock	\$ 241.31
83-6-108316	RL- QSNG 16X197 600BD HN 5MIL	EA	Stock	\$ 316.03
83-3-108632	RL- QSNG 22-3/4X131 POLY 8MIL 600BD	RL	Stock	\$ 342.00
83-0-108742	RL-QS 13-3/8X131 HN 8 MIL 600BD POLY	RL	Non-Stock	\$ 201.70
83-1-108741	RL-QS 13X131 HN 8MIL 600BD POLY	RL	Non-Stock	\$ 196.04

**MULTIGRAPHICS DIGITAL LASTER MASTERS**

380402500	200- 9X13 LASER E-STAT	CR	Stock	\$ 76.81
-----------	------------------------	----	-------	----------

**MULTIGRAPHICS BRAND PRODUCTS PRICE LIST**

**MULTIGRAPHICS 35% OFF LIST PRICE**

**MULTIGRAPHICS BRAND PRESS BLANKETS**

Part Number	Description	Stock Description	Stock	List
<b>MULTIGRAPHICS ANALOG SILVER PLATES AND CHEMISTRY</b>				
83-4-107724	RL- QSNG 10X250 POLY PLATE 5MIL	BX	Stock	\$ 184.76
83-7-107754	RL- QSNG 10X250 POLY PLATE 8MIL	BX	Stock	\$ 198.75
83-6-108217	RL- QSNG 11-1/2X250 POLY PLATE 5MIL	BX	Stock	\$ 212.45
83-2-107726	RL- QSNG 11-1/4X250 POLY PLATE 5MIL	BX	Stock	\$ 207.83
83-3-107725	RL- QSNG 11X250 POLY PLATE 5MIL	BX	Stock	\$ 203.22
83-6-107755	RL- QSNG 11X250 POLY PLATE 8MIL	BX	Stock	\$ 218.59
83-8-108611	RL- QSNG 12.5X250 POLY PLATE 8MIL	RL	Stock	\$ 248.44
83-7-108612	RL- QSNG 12.8X250 POLY PLATE 8MIL	RL	Stock	\$ 254.40
83-0-107728	RL- QSNG 12-1/2X250 POLY PLATE 5MIL	BX	Stock	\$ 230.93
83-7-107788	RL- QSNG 12X125 POLY PLATE 5MIL	BX	Stock	\$ 110.81
83-1-107727	RL- QSNG 12X250 POLY PLATE 5MIL	BX	Stock	\$ 221.70
83-5-107756	RL- QSNG 12X250 POLY PLATE 8MIL	BX	Stock	\$ 238.51
83-8-108272	RL- QSNG 13.4X250 POLY PLATE 8MIL	BX	Stock	\$ 266.27
83-9-107778	RL- QSNG 13X250 POLY PLATE 5MIL	BX	Stock	\$ 240.17
83-3-108202	RL- QSNG 13X250 POLY PLATE 8MIL	BX	Stock	\$ 258.34
83-3-107758	RL- QSNG 15.9X250 POLY PLATE 8MIL	BX	Stock	\$ 315.99
83-9-107729	RL- QSNG 15X250 POLY PLATE 5MIL	EA	Stock	\$ 277.10
83-4-107757	RL- QSNG 15X250 POLY PLATE 8MIL	BX	Stock	\$ 298.09
83-2-107759	RL- QSNG 19-1/4X250 POLY PLATE 8MIL	EA	Stock	\$ 382.57
83-9-107760	RL- QSNG 21-5/8X250 POLY PLATE 8MIL	BX	Stock	\$ 409.85
83-5-107723	RL- QSNG 9-3/8X250 POLY PLATES 5MIL	BX	Stock	\$ 173.20
83-8-107762	## 4X5LITER QSNG CLEAN ACTIVAT PREMIX	BX	Stock	\$ 71.60
83-6-107763	4X5LITER QSNG STABILIZER PREMIX	BX	Stock	\$ 61.37

**MULTIGRAPHICS BRAND MASKING SHEETS**

83-1-104484	100- 11X18-1/2 GLD MASK SHT ABD360	PK	Stock	\$ 43.23
83-6-105387	100- 12-1/8X19-3/8 GLD MASK SHT 1218	PK	Stock	\$ 54.18
83-4-101453	100- 13-1/4X18-3/4 GLD MASK SHT MULT	PK	Stock	\$ 54.18
83-0-105243	100- 13-3/4X19 4MIL LAY-OUT CLEAR	CR	Non-Stock	\$ 44.06

**MULTIGRAPHICS BRAND PRODUCTS PRICE LIST****MULTIGRAPHICS 35% OFF LIST PRICE****MULTIGRAPHICS BRAND PRESS BLANKETS**

Part Number	Description	Stock Description	Stock	List
83-6-105635	100- 13X19-3/8 GLD MASK SHT ABD9800	PK	Stock	\$ 54.18
5-90006	100- 18-1/4X15-1/4 RULED GLD MASK	PK	Stock	\$ 58.19
83-9-105244	100- 19X16 4MIL LAY-OUT CLEAR	CR	Non-Stock	\$ 55.42
83-3-105240	100- 19X16 5ML OVM 1850,1860,1960	CR	Stock	\$ 59.01
83-2-105704	100- 22-1/2X26-1/2 5ML OVM EAGLE6400	EA	Non-Stock	\$ 113.40
5-90002	250- 11-1/4X18-1/8 GLD MASK SHT 1250	PK	Stock	\$ 118.67
5-90001	500- 10-1/2X15-1/2 GLD MASK SHT 1250	PK	Stock	\$ 143.45

**MULTIGRAPHICS TRITON BRAND ANALOG SUBTRACTIVE METAL PLATES AND CHEMISTRY**

83-3-107295	100- TR 10-5/8X15-1/2 PB MR-2 5MIL	BX	Stock	\$ 210.05
83-4-107294	100- TR 10-5/8X15-1/2 SL MR-2 5MIL	BX	Stock	\$ 210.05
83-6-107292	100- TR 10X15 PB MR-2 5MIL	BX	Stock	\$ 195.03
83-5-107293	100- TR 10X15-1/2 SL MR-2 5MIL	BX	Stock	\$ 195.03
83-8-107720	100- TR 10X15-5/8 PB MR-2 5MIL	BX	Non-Stock	\$ 197.08
83-6-107300	100- TR 10X16 SC MR-2 5MIL	BX	Stock	\$ 202.54
83-2-107304	100- TR 11-1/2X18-1/2 PB MR-2 5MIL	BX	Stock	\$ 270.05
83-4-107302	100- TR 11-1/4X18-1/2 PB MR-2 5MIL	BX	Stock	\$ 270.05
83-0-107306	100- TR 11-3/4X18 PB MR-2 5MIL	BX	Stock	\$ 270.05
83-8-107308	100- TR 11-7/8X18-1/2 PB MR-2 5MIL	BX	Stock	\$ 285.07
83-3-108731	100- TR 11-7/8X19-3/8 PB MR-2 5MIL	BX	Stock	\$ 292.58
83-1-107297	100- TR 11X18 PB MR-2 5MIL	BX	Stock	\$ 255.06
83-0-107298	100- TR 11X18-1/16 PB MR-2 5MIL	BX	Stock	\$ 255.06
83-5-107301	100- TR 11X18-1/2 PB MR-2 5MIL	BX	Stock	\$ 262.55
83-9-107299	100- TR 11X18-5/32 PB MR-2 5MIL	BX	Stock	\$ 255.06
83-1-107313	100- TR 12-1/16X17-3/8 SC MR-2 5MIL	BX	Stock	\$ 270.05
83-7-107317	100- TR 12-3/4X18-1/16 PB MR-2 5MIL	BX	Stock	\$ 292.58
83-6-107318	100- TR 12-3/4X18-1/2 PB MR-2 5MIL	BX	Stock	\$ 300.07
M-SM030B72-A	100- TR 12-3/4X19-3/8 SC MR-2 5MIL	BX	Stock	\$ 315.05
83-9-107315	100- TR 12-3/8X18-1/2 PB MR-2 5MIL	BX	Non-Stock	\$ 292.58
83-3-107311	100- TR 12X18 PB MR-2 5MIL	BX	Stock	\$ 277.56
83-5-107327	100- TR 13-3/8 X18-3/16 SC MR-2 5MIL	BX	Non-Stock	\$ 315.06
83-6-107326	100- TR 13-3/8X17-7/8 SC MR-2 5MIL	BX	Stock	\$ 307.56

**MULTIGRAPHICS BRAND PRODUCTS PRICE LIST**

**MULTIGRAPHICS 35% OFF LIST PRICE**

**MULTIGRAPHICS BRAND PRESS BLANKETS**

Part Number	Description	Stock Description	Stock	List
83-4-107328	100- TR 13-3/8X18-7/32 SC MR-2 5MIL	BX	Non-Stock	\$ 315.06
83-1-107321	100- TR 13X18-1/2 PB MR-2 5MIL	BX	Stock	\$ 307.56
83-8-107332	100- TR 14-9/16X17-3/4 SC MR-2 5MIL	BX	Stock	\$ 330.08
83-4-107336	100- TR 15-1/2X18-3/8 PB MR-2 5MIL	BX	Stock	\$ 367.57
83-2-108542	100- TR 15-3/4X18-3/8 SL MR-2 5MIL	BX	Stock	\$ 370.88
83-4-107351	100- TR 18X15-1/16 PB MR-2 5MIL	BX	Stock	\$ 345.08
83-3-107717	100- TR 18X15-1/16 SC MR-2 5MIL	BX	Non-Stock	\$ 345.08
83-2-108559	100- TR XLR-1 15-3/4X20-1/16 SC 5MIL	CR	Stock	\$ 407.74
M-KH3J3000	25- TR 24-1/4X28-1/2 SC LR-2 12MIL	BX	Stock	\$ 309.66
M-KH39M000	25- TR 25-1/2X36 SC LR-2 12MIL	BX	Stock	\$ 411.32
M-KS5R8000	25- TR 25-3/8X32-1/2 SC LR-2 8MIL	BX	Stock	\$ 369.46
M-KH3PG000	25- TR 26-3/4X31 SC LR-2 12MIL	BX	Stock	\$ 371.48
M-KHZYN000	25- TR 26-3/4X31 SC LR-2 8MIL	BX	Stock	\$ 371.33
M-KH1GQ000	25- TR 26-3/4X36 SC LR-2 8MIL	BX	Stock	\$ 431.41
M-KHZP3000	25- TR 27X26 SC LR-2 8MIL	BX	Stock	\$ 314.55
M-KHZ5Z000	25- TR 27X30 SC LR-2 8MIL	BX	Stock	\$ 362.92
M-KH36F000	25- TR 28-1/8X35-1/4 SC LR-2 12MIL	BX	Stock	\$ 444.17
M-KH1M1000	25- TR 28-1/8X35-1/4 SC LR-2 8MIL	BX	Non-Stock	\$ 444.93
M-KH4F1000	25- TR 28-1/8X38-1/2 SC LR-2 12MIL	BX	Stock	\$ 485.13
M-KH4ME000	25- TR 28-1/8X39-1/2 SC LR-2 12MIL	BX	Stock	\$ 497.74
M-KH4TT000	25- TR 29-1/2X38-3/4 SC LR-2 12MIL	BX	Stock	\$ 512.14
M-KH418000	25- TR 29-1/8X36-7/16 SC LR-2 12MIL	BX	Stock	\$ 475.45
M-KH44F000	25- TR 30-5/16X40-1/2 SC LR-2 12MIL	BX	Non-Stock	\$ 550.01
M-KH5F5000	25- TR 31-1/2X40-9/16 SC LR-2 12MIL	BX	Non-Stock	\$ 572.45
M-KH5AU000	25- TR 31X41-1/8 SC LR-2 12MIL	BX	Stock	\$ 571.18
M-K7SBA000	30- 23-1/16 X35 SC XLR-1 8MIL	BX	Stock	\$ 632.13
M-K3YKJ000	30- TR XLR-1 30-5/16X40-1/2 SC 12MIL	CR	Stock	\$ 633.09
M-K3QKK000	30- TR XLR-1 31-1/2X40-9/16 SC 12MIL	BX	Stock	\$ 658.97
83-9-108768	40- TR XLR-1 31X41-1/8 SC 12MIL	BX	Stock	\$ 876.67
83-8-108736	50- 20-5/16X22-3/4 LR-2 SC 8MIL	BX	Stock	\$ 413.99
M-KHZNY000	50- 23-15/16X28-3/4 SC LR-2 8 MIL	BX	Stock	\$ 877.59
83-1-107305	50- TR 11-1/2X19-3/8 PB MR-2 5MIL	BX	Stock	\$ 142.53
83-3-107303	50- TR 11-1/4X19-3/8 PB MR-2 5MIL	BX	Stock	\$ 138.78

**MULTIGRAPHICS BRAND PRODUCTS PRICE LIST**

**MULTIGRAPHICS 35% OFF LIST PRICE**

**MULTIGRAPHICS BRAND PRESS BLANKETS**

Part Number	Description	Stock Description	Stock	List
83-0-107249	50- TR 12-1/4X19-1/2 SC LR-2 8MIL	BX	Non-Stock	\$ 213.79
M-SM040153	50- TR 12-1/4X19-3/8 PB MR-2 5MIL	BX	Stock	\$ 152.06
83-1-107248	50- TR 12-1/4X19-7/16 SC LR-2 8MIL	BX	Non-Stock	\$ 213.79
83-2-107320	50- TR 12-3/4X19-3/8 PB MR-2 5MIL	BX	Stock	\$ 157.54
83-7-107325	50- TR 13-3/16X19-3/32 SC MR-2 5MIL	BX	Stock	\$ 161.29
83-0-107777	50- TR 13-3/8X19-7/8 SC LR-2 8MIL	BX	Stock	\$ 238.18
83-9-107547	50- TR 13-3/8X19-7/8 SC MR-2 5MIL	BX	Stock	\$ 168.78
83-3-107329	50- TR 13-5/8X19-3/8 PB MR-2 5MIL	BX	Stock	\$ 168.78
83-0-107322	50- TR 13X18-5/8 PB MR-2 5MIL	BX	Stock	\$ 153.78
83-9-107323	50- TR 13X19-3/16 SC MR-2 5MIL	BX	Stock	\$ 161.29
83-8-107324	50- TR 13X19-3/8 PB MR-2 5MIL	BX	Stock	\$ 161.29
M-SM030B7D	50- TR 13X19-3/8 SC MR-2 5MIL	BX	Stock	\$ 161.29
83-1-107719	50- TR 15-1/2x19 SC MR-2 5MIL	CR	Non-Stock	\$ 188.75
83-2-107338	50- TR 15-1/2X20-1/2 SL MR-2 5MIL	BX	Stock	\$ 202.54
83-2-107718	50- TR 15-15/16X19 SL MR-2 5MIL	BX	Stock	\$ 194.07
M-KTEK1000	50- TR 15-3/4X18-1/2 SC LR-2 8MIL	BX	Stock	\$ 261.05
83-7-107341	50- TR 15-3/4X18-1/2 SC MR-2 5MIL	BX	Stock	\$ 187.55
M-KM5W3000	50- TR 15-3/4X18-3/4 SC LR-2 8MIL	BX	Stock	\$ 264.59
83-6-107342	50- TR 15-3/4X18-3/4 SC MR-2 5MIL	BX	Stock	\$ 187.55
83-6-107466	50- TR 15-3/4X19 SL MR-2 5MIL	BX	Non-Stock	\$ 191.30
83-5-107343	50- TR 15-3/4X20-1/16 SC MR-2 5MIL	BX	Stock	\$ 202.54
83-8-108660	50- TR 15-3/4X20-1/4 SC LR-2 8MIL	CR	Stock	\$ 285.78
M-SM030B61	50- TR 15-3/4X20-1/4 SC MR-2 5MIL	BX	Stock	\$ 204.41
83-5-107251	50- TR 15-3/4X20-1/8 SC LR-2 8MIL	BX	Stock	\$ 283.95
83-4-107344	50- TR 15-3/4X20-1/8 SC MR-2 5MIL	BX	Stock	\$ 202.54
83-5-108663	50- TR 15-3/4X20-7/8 SC LR-2 8MIL	BX	Stock	\$ 294.03
83-2-107254	50- TR 16-3/8X20-1/2 SC LR-2 8MIL	BX	Stock	\$ 300.07
83-9-107349	50- TR 16-3/8X20-1/2 SC MR-2 5MIL	BX	Stock	\$ 213.79
M-SM030B32	50- TR 16-5/16X20-1/2 SC MR-2 5MIL	BX	Stock	\$ 214.25
83-3-107253	50- TR 16-5/32X20-3/32 SC LR-2 8MIL	BX	Stock	\$ 290.82
83-0-107348	50- TR 16X17-1/2 SC MR-2 5MIL	BX	Stock	\$ 180.04
83-7-108760	50- TR 16X19 SC MR-2 5MIL	BX	Stock	\$ 195.03
M-KQEPM000	50- TR 18-1/16x20-11/16 SC LR-2 8MIL	BX	Stock	\$ 334.76

**MULTIGRAPHICS BRAND PRODUCTS PRICE LIST**

**MULTIGRAPHICS 35% OFF LIST PRICE**

**MULTIGRAPHICS BRAND PRESS BLANKETS**

Part Number	Description	Stock Description	Stock	List
M-SM030260	50- TR 18-1/16X20-11/16 SC MR-2 5MIL	BX	Stock	\$ 239.45
83-0-107256	50- TR 19-1/4X21-1/2 SC LR-2 8MIL	BX	Stock	\$ 371.33
83-2-107353	50- TR 19-1/4X21-1/2 SC MR-2 5MIL	BX	Stock	\$ 266.30
83-1-107354	50- TR 19-1/4X22-5/8 SC MR-2 5MIL	BX	Stock	\$ 277.56
83-0-107355	50- TR 19-1/4X22-7/8 SC MR-2 5MIL	BX	Stock	\$ 281.30
83-4-107260	50- TR 19-15/16X22-7/16 SC LR-2 8MIL	BX	Non-Stock	\$ 401.34
M-SM230C12	50- TR 19-3/4X22-3/4 SC LR-2 8MIL	BX	Stock	\$ 402.53
83-7-107259	50- TR 19-3/4X23 SC LR-2 8MIL	BX	Stock	\$ 406.94
83-9-107356	50- TR 19-3/4X23 SC MR-2 5MIL	BX	Stock	\$ 292.58
83-1-107263	50- TR 20-1/16X24-5/8 SC LR-2 8MIL	BX	Non-Stock	\$ 442.60
83-0-107264	50- TR 20-3/4X25-1/4 SC LR-2 8MIL	BX	Stock	\$ 468.84
83-8-107266	50- TR 20-7/8X25-19/32 SC LR-2 8MIL	BX	Stock	\$ 480.11
83-9-107265	50- TR 20-7/8X25-3/8 SC LR-2 8MIL	BX	Non-Stock	\$ 474.51
83-7-107267	50- TR 20-7/8X25-5/8 SC LR-2 8MIL	BX	Stock	\$ 480.11
83-3-107261	50- TR 20X22-5/8 SC LR-2 8MIL	BX	Stock	\$ 405.09
83-2-107262	50- TR 20X25-3/8 SC LR-2 8MIL	BX	Stock	\$ 453.84
83-5-107269	50- TR 21-1/8X22-3/4 SC LR-2 8MIL	BX	Stock	\$ 431.34
83-2-107270	50- TR 21-3/8X25-3/8 SC LR-2 8MIL	BX	Stock	\$ 487.61
83-0-107272	50- TR 21-5/8X24-5/8 SC LR-2 8MIL	BX	Stock	\$ 476.36
83-9-107273	50- TR 21-5/8X25-5/8 SC LR-2 8MIL	BX	Stock	\$ 495.11
83-2-107361	50- TR 21-5/8X25-5/8 SC MR-2 5MIL	BX	Stock	\$ 356.31
M-KHYOW000	50- TR 21-5/8X26 SC LR-2 8MIL	BX	Stock	\$ 503.81
M-KH2XT000	50- TR 21-5/8X27-9/16 SC LR-2 12MIL	BX	Stock	\$ 534.05
83-6-107268	50- TR 21X25-3/8 SC LR-2 8MIL	BX	Stock	\$ 476.36
M-KH2VP000	50- TR 22X26-1/2 SC LR-2 12MIL	BX	Stock	\$ 522.40
M-KHYA4000	50- TR 22X26-1/2 SC LR-2 8MIL	BX	Stock	\$ 522.40
M-KH3CQ000	50- TR 23-13/16X29-1/8 SC LR-2 12MIL	BX	Stock	\$ 621.43
M-KH3L7000	50- TR 23-13/16X29-5/16 SC LR-2 12ML	BX	Stock	\$ 625.42
M-KH21Z000	50- TR 23-5/8X28-3/4 SC LR-2 12MIL	BX	Stock	\$ 608.62
83-3-108723	50- TR 23-5/8X28-3/4 SC LR-2 8MIL	BX	Stock	\$ 609.02
M-KHY1N000	50- TR 24-1/4X28-1/2 SC LR-2 8MIL	BX	Stock	\$ 619.27
83-2-107247	50- TR 9-15/16X12-1/4 SC LR-2 8MIL	BX	Non-Stock	\$ 108.77
83-3-107246	50- TR 9-3/8X13-3/8 SC LR-2 8MIL	BX	Stock	\$ 112.53

**MULTIGRAPHICS BRAND PRODUCTS PRICE LIST**

**MULTIGRAPHICS 35% OFF LIST PRICE**

**MULTIGRAPHICS BRAND PRESS BLANKETS**

Part Number	Description	Stock Description	Stock	List
M-K3T2X000	50- TR XLR-1 23-5/8X28-3/4 SC 12MIL	BX	Stock	\$ 700.59
83-1-108543	60- TR XLR-1 12-1/16X17-3/8 SC 8MIL	CR	Stock	\$ 216.17
M-K47KQ000	60- TR XLR-1 12-1/4X19-15/32 BF 8MIL	CR	Stock	\$ 252.36
83-5-108564	60- TR XLR-1 13-1/2X22-19/32 SC 8MIL	CR	Stock	\$ 314.62
83-8-108561	60- TR XLR-1 13-3/16X19-3/32 SC 8MIL	CR	Stock	\$ 259.73
83-1-108550	60- TR XLR-1 13-3/8X18-7/32 SC 8MIL	CR	Stock	\$ 251.36
83-6-108563	60- TR XLR-1 13-3/8X19-7/8 SC 8MIL	CR	Stock	\$ 274.21
83-2-108567	60- TR XLR-1 15-1/2X18-5/8 SC 8MIL	CR	Non-Stock	\$ 297.77
83-1-108568	60- TR XLR-1 15-3/4X18-3/8 SC 8MIL	CR	Stock	\$ 298.52
83-8-108546	60- TR XLR-1 15-3/4X20-1/8 SC 8MIL	CR	Stock	\$ 326.95
83-3-108665	60- TR XLR-1 15-3/4X20-7/8 SC 8MIL	BX	Stock	\$ 338.46
M-K3RQ1000	60- TR XLR-1 16X20-1/8 SC 8MIL	CR	Non-Stock	\$ 332.13
83-5-108572	60- TR XLR-1 17-1/2X23-7/32 SC 8MIL	CR	Stock	\$ 419.10
83-7-108570	60- TR XLR-1 17-3/8X23-7/32 SC 8MIL	CR	Stock	\$ 416.13
83-0-108569	60- TR XLR-1 17X23-7/32 SC 8MIL	CR	Stock	\$ 407.14
83-1-108659	60- TR XLR-1 18-1/16X20-21/32 SC 8ML	CR	Stock	\$ 385.46
83-5-108549	60- TR XLR-1 18-1/8X23-1/8 SC 8MIL	BX	Non-Stock	\$ 432.34
83-0-108551	60- TR XLR-1 19-1/4X21-1/2 SC 8MIL	CR	Non-Stock	\$ 426.86
83-9-108552	60- TR XLR-1 19-3/4X22-3/4 SC 8MIL	CR	Stock	\$ 463.44
83-9-108545	60- TR XLR-1 19-7/16X12-1/4 SC 8MIL	CR	Stock	\$ 245.60
83-8-108553	60- TR XLR-1 20-7/8X25-19/32 SC 8MIL	CR	Stock	\$ 551.09
M-K3SO1000	60- TR XLR-1 21-21/32X26-3/8 SC 8ML	CR	Stock	\$ 589.16
83-6-108555	60- TR XLR-1 21-5/8X25-5/8 SC 8MIL	CR	Stock	\$ 571.58
83-5-108556	60- TR XLR-1 9-1/2X12-1/4 SC 8MIL	CR	Stock	\$ 120.05
83-3-108574	60- TR XLR-1 9-15/16X12-1/4 SC 8MIL	CR	Stock	\$ 125.59
KK9KD000	20L- ENCO FINISHER RC791	EA	Stock	\$ 242.38
83-4-105793	!# PT- TR STARTER, METAL PLATE	PT	Stock	\$ 9.15
KXXBP000	20L- TR 2-STEP DEVELOPER	EA	Stock	\$ 177.45
KX5L3000	20L- TR 2-STEP FINISHER	EA	Stock	\$ 161.98
K1TCZ000	5L- TR 1-STEP DEV/FINISHER	EA	Stock	\$ 72.52
K1A4E000	5L- TR 2-STEP DEVELOPER	EA	Stock	\$ 45.78
83-6-104323	QT- TR FPC FINISH/PRESERVE/CLEAN	EA	Stock	\$ 13.45



**MULTIGRAPHICS BRAND PRODUCTS PRICE LIST****MULTIGRAPHICS 35% OFF LIST PRICE****MULTIGRAPHICS BRAND PRESS BLANKETS**

Part Number	Description	Stock Description	Stock	List
<b>MULTIGRAPHICS IMAGE-WORKS BLUE ANALOG METAL PLATES</b>				
83-6-107235	100- IWB 10X15 PB 5MIL	BX	Stock	\$ 165.02
83-5-107236	100- IWB 10X15-1/2 SL 5MIL 2 SIDED	BX	Stock	\$ 172.54
83-2-108732	100- IWB 11-7/8X19-3/8 PB 5MIL	BX	Stock	\$ 255.06
83-4-107237	100- IWB 11X18 PB 5MIL	BX	Stock	\$ 217.55
83-3-107238	100- IWB 11X18-1/16 PB 5MIL	BX	Stock	\$ 217.55
83-2-107239	100- IWB 11X18-1/2 PB 5MIL	BX	Stock	\$ 225.05
83-8-107241	100- IWB 12-3/4X18-1/16 PB 5MIL	BX	Stock	\$ 255.06
83-5-107244	100- IWB 14-9/16X17-3/4 SC 5MIL	BX	Stock	\$ 285.07
83-4-107245	100- IWB 18X15-1/16 PB 5MIL	BX	Stock	\$ 300.07
83-6-107243	50- IWB 13-3/16X19-3/32 SC 5MIL	BX	Stock	\$ 138.78
83-7-107242	50- IWB 13X19-3/8 PB 5MIL	BX	Stock	\$ 138.78
83-2-105126	6- TR IWB IMAGE ADD PENS	BX	Stock	\$ 54.92
KX5JY000	20L- IWB 2-STEP DEVELOPER	EA	Stock	\$ 166.18

**MULTIGRAPHICS BRAND PRESS CHEMISTRIES**

83-1-104971	!#GL- FORMULA 300 FTN SOL	GL	Stock	\$ 38.26
200-9050-1A	##PT- CLEAN PRINT DESENSIT SOL	PT	Stock	\$ 17.69
83-8-105161	50GL- ECONOMY GRADE E-STAT SOLUTION	EA	Stock	\$ 723.66
83-9-105160	5GL- ECONOMY GRADE E-STAT SOLUTION	CU	Stock	\$ 109.51
83-2-105159	GL- ECONOMY GRADE E-STAT SOLUTION	EA	Stock	\$ 22.65
83-5-101247	GL- E-STAT CONVERSION SOLN B	GL	Stock	\$ 38.18
83-5-104035	GL- E-STAT FTN & CONVERSION SOL II	GL	Stock	\$ 48.25
83-5-104704	GL- FORMULA 200 FTN CONCENTRATE	GL	Stock	\$ 45.73
200-726-4A	GL- KEEPEZE	GL	Stock	\$ 38.92
83-2-104525	GL- MULTI-PURPOSE FNT SOL	GL	Stock	\$ 45.13
200-722-4A	GL- REPELEX A	GL	Stock	\$ 82.74
83-5-101395	PT- CHROME/CYLINDER CLEANER PKD	PT	Stock	\$ 12.54

**MULTIGRAPHICS BRAND PRODUCTS PRICE LIST**

**MULTIGRAPHICS 35% OFF LIST PRICE**

**MULTIGRAPHICS BRAND PRESS BLANKETS**

Part Number	Description	Stock Description	Stock	List
83-9-770055	!#50GL- BLANKROLA	DR	Stock	\$ 695.61
83-4-105454	!#50GL- POWER CLEAN BLKT WASH	EA	Stock	\$ 660.41
83-9-770005	!#5GL- BLANKROLA	EA	Stock	\$ 89.26
83-5-105453	!#5GL- POWER CLEAN BLKT WASH	EA	Stock	\$ 83.24
83-1-770004	!#GL- BLANKROLA	GL	Stock	\$ 28.57
83-6-107144	!#GL- FRESH IMPRESSIONS DEGLAZE	GL	Stock	\$ 92.71
83-6-105452	!#GL- POWER CLEAN BLKT WASH	GL	Stock	\$ 24.81
83-7-107143	!#PT- FRESH IMPRESSIONS DEGLAZE	PT	Stock	\$ 15.71
83-9-105533	##GL- DEGLAZE	GL	Stock	\$ 68.07
83-0-105797	##GL- DG-54 GLAZE REMOVER	GL	Stock	\$ 37.26
83-0-105532	##PT- DEGLAZE	PT	Stock	\$ 28.74
83-3-105612	\$\$QT- DURO-VIS OIL HEAVY	QT	Stock	\$ 18.11
83-2-105803	!#4.5lb - DEGLAZE 149 ROLL DEGLAZER	EA	Stock	\$ 39.45
83-0-105821	!#55GL- WATER MISC BLKT/ROLLER WASH	DR	Stock	\$ 874.45
83-9-105814	!#5GL- LIQUID RUBBER REJUVENATOR	EA	Stock	\$ 122.86
83-1-105820	!#5GL- WATER MISC BLKT/ROLLER WASH	EA	Stock	\$ 95.48
83-8-106870	!#GL- WATER MISC BLKT/ROLLER WASH	GL	Stock	\$ 23.87

**MULTIGRAPHICS BRAND ELECTROSTATIC MASTERS AND CHEMISTRY**

83-3-106875	2- 10X475 2500 LR MASTER	CR	Stock	\$ 358.93
83-7-106880	2- 12-1/2X475 2500 LR MASTER	CR	Stock	\$ 422.02
83-0-106878	2- 12-1/4X475 2500 LR MASTER	CR	Stock	\$ 439.65
83-8-106879	2- 12X475 2500 LR MASTER	CR	Stock	\$ 401.77
83-4-106874	2- 9X475 2500 LR MASTER	CR	Stock	\$ 322.40
83-1-106877	2RLS- 11-1/4X475 2500 LR MASTER	CR	Stock	\$ 403.01
83-2-106876	2RLS- 11X475 2500 LR MASTER	CR	Stock	\$ 398.69
321116314	200- 25T/2600 LR 8-3/4X13 MSTR SC	PK	Stock	\$ 93.32
321115082	200- 25T/2600 SR 10X15 MED RUN	BX	Stock	\$ 81.74
83-4-106460	3/BX- CX-2 DELETION PENS	PK	Stock	\$ 46.14
321118315	500- 25T/2600 LR 12X18-1/32 MSTR SC	CR	Stock	\$ 420.36
321116215	100- E-STAT 12X18.6 (5K) SE	BX	Stock	\$ 108.34
321115715	200- 25T/2600 LR 10X15 E-STAT PINBAR	BX	Stock	\$ 139.73

**MULTIGRAPHICS BRAND PRODUCTS PRICE LIST**

**MULTIGRAPHICS 35% OFF LIST PRICE**

**MULTIGRAPHICS BRAND PRESS BLANKETS**

Part Number	Description	Stock Description	Stock	List
321115815	200- 25T/2600 LR 10X15 E-STAT SE	BX	Stock	\$ 139.73
321114615	200- E-STAT 10X15.6 (5K) SE	BX	Stock	\$ 151.45
83-4-104416	!# 6QT- DISPERSANT	CR	Stock	\$ 50.94
83-0-104824	!# 2500VR DEVELOPER 2LTR 3BTL/CR	CR	Stock	\$ 185.20
83-1-101241	!# 6QT- DEVELOPER	CS	Stock	\$ 149.77
83-3-105059	!# 6QT- DEVELOPER HIGH DENSITY	CS	Stock	\$ 150.74

**MULTIGRAPHICS BRAND POST-PRESS FINISHING SUPPLIES**

83-4-100281-C	1/2 TEFLON COATED DRILL BIT 2.1 CAP	EA	Non-Stock	\$ 28.00
83-4-100273-C	1/4 TEFLON COATED DRILL BIT 2.1 CAP	EA	Stock	\$ 28.00
83-1-101233-C	2.5CAP 1/4 TEFLON COATED BIT	EA	Stock	\$ 29.00
83-9-101235-C	2.5CAP 5/16 TEFLON COATED BIT	EA	Stock	\$ 29.00
83-6-100271-C	3/16 TEFLON DRILL BIT 1.7 CAP	EA	Non-Stock	\$ 28.00
83-9-100278-C	3/8 TEFLON COATED 2.1CAP DRILL BIT	EA	Non-Stock	\$ 30.70
83-1-100276-C	5/16 TEFLON COATED DRILL BIT 2.1 CA	EA	Stock	\$ 28.00
83-4-100281	CHALLENGE STYLE DRILL 1/2X2.1CAP	EA	Stock	\$ 23.10
83-0-101234	CHALLENGE STYLE DRILL 1/2X2.5CAP	EA	Stock	\$ 26.50
83-4-100273	CHALLENGE STYLE DRILL 1/4X2.1CAP	EA	Stock	\$ 23.10
83-1-101233	CHALLENGE STYLE DRILL 1/4X2.5CAP	EA	Stock	\$ 26.50
83-0-100269	CHALLENGE STYLE DRILL 1/8"X 1.15CAP	EA	Stock	\$ 23.10
83-0-100277	CHALLENGE STYLE DRILL 11/32X2.1CAP	EA	Stock	\$ 23.10
83-3-100274	CHALLENGE STYLE DRILL 17/64X2.1CAP	EA	Non-Stock	\$ 23.10
83-6-100271	CHALLENGE STYLE DRILL 3/16X1.7CAP	EA	Stock	\$ 23.10
83-9-100278	CHALLENGE STYLE DRILL 3/8"X2.1CAP	EA	Stock	\$ 23.10
83-2-101232	CHALLENGE STYLE DRILL 3/8X2.5CAP	EA	Stock	\$ 26.50
83-1-100276	CHALLENGE STYLE DRILL 5/16X2.1CAP	EA	Stock	\$ 23.10
83-9-101235	CHALLENGE STYLE DRILL 5/16X2.5CAP	EA	Stock	\$ 26.50
83-7-100270	CHALLENGE STYLE DRILL 5/32X1.3CAP	EA	Stock	\$ 23.10
83-5-100280	CHALLENGE STYLE DRILL 7/16X2.1CAP	EA	Stock	\$ 23.10
83-5-100272	CHALLENGE STYLE DRILL 7/32X1.9CAP	EA	Non-Stock	\$ 23.10
83-2-100275	CHALLENGE STYLE DRILL 9/32X2.1CAP	EA	Stock	\$ 23.10
83-9-100310	DZ- 2.5" DIA SOLID WOOD DRILL BLOCK	DZ	Stock	\$ 31.09

**MULTIGRAPHICS BRAND PRODUCTS PRICE LIST**

**MULTIGRAPHICS BRAND PRESS BLANKETS**

<b>Part Number</b>	<b>Description</b>
83-8-100311	DZ- 3" DIA SOLID WOOD DRILL BLOCK
83-2-100309	DZ-1.5" DIA SOLID WD DRILL BLK 3/4TH
83-2-101232-C	KOG 2.5CAP 3/8 TEFLON CTD DRILL BIT
83-6-100313	PK/24- 1.25X.375X6 WOOD DRILL BLOCK

**MULTIGRAPHICS 35% OFF LIST PRICE**

<b>Stock Description</b>	<b>Stock</b>	<b>List</b>
DZ	Stock	\$ 26.42
DZ	Stock	\$ 11.28
EA	Non-Stock	\$ 29.00
PK	Stock	\$ 24.57



NIKKEN 28% OFF LIST PRICE

Pricing Effective 01-02-2009

Part Number	Description	LIST
82-G	4GL/CS- NIKKEN SILVERPOLY FTN CONC	\$ 161.80
82-G1	1GL- NIKKEN SILVERPOLY FTN CONC	\$ 40.45
59730	GL- LASER CLEAN FTN CONCENTRATE	\$ 54.00
121-G	CS- NIKKEN BLAN WASH	\$ 101.32
45-G	GL- NIKKEN DECALCIFIER	\$ 25.16
71-55D	55GL- NIKKEN PP CLEAN H FTN SOL	\$ 2,194.50
71-G	GL- NIKKEN PP CLEAN H FTN SOL	\$ 45.15
79-55D	55GL- NIKKEN MARK IV FTN SOL	\$ 2,079.00
79-5C	5GL- NIKKEN MARK IV FTN SOL	\$ 210.00
79-G	GL- NIKKEN MARK IV FTN SOL	\$ 45.00
80-55D	55GL- NIKKEN MARK III FTN SOL	\$ 1,908.50
80-5C	5GL- NIKKEN MARK III FTN SOL	\$ 185.00
80-G	GL- NIKKEN MARK III FTN CONCENTRATE	\$ 40.45
81-55D	##55GL- NIKKEN ALCOHOL SUBSTITUTE	\$ 1,328.25
81-5C	##5GL- NIKKEN ALCOHOL SUBSTITUTE	\$ 131.25
81-G	!#GL- NIKKEN ALCOHOL SUBSTITUTE	\$ 29.40
82-55D	55GL- NIKKEN SILVERPOLY FS	\$ 1,908.50
82-5C	5GL- NIKKEN SILVERPOLY FS	\$ 187.50
83-55D	55GL- NIKKEN UV MARK F/S	\$ 2,079.00
84-G-CSE	4GL- NIKKEN MOIST CLEAN EXCEL	\$ 147.00
86-G	GL- NIKKEN SILVERPOLY PLATE CLNR	\$ 40.45
87-Q	QT- NIKKEN CTP PLATE CLNR	\$ 21.00
88-P	PT- NIKKEN DEFOAMER PINT	\$ 16.59
89-10	EA- NIKKEN SPRAY POWDER S-10 2.2LB	\$ 12.60
89-20	EA- NIKKEN SPRAY POWDER S-20 2.2LB	\$ 12.60
98-5C	5GL- NIKKEN ASTRO MARK 20	\$ 183.95
98-G	GL- NIKKEN ASTRO MARK 20	\$ 45.00
85-P	PINT- NIKKEN CHROME ROLLER CLEANER	\$ 10.05
131-2	EA- NIKKEN E-STAT IMAGE DEL PEN MED	\$ 7.90
132-1	EA- NIKKEN SILVER IMAGE DEL PEN MED	\$ 10.60
132-2	EA- NIKKEN SILVER IMAGE DEL PEN LRG	\$ 15.50
133-0	EA- NIKKEN SILVERPOLY DEL PEN SPL	\$ 15.90
134-1	EA- NIKKEN ADDITION PEN XL	\$ 13.25
134-2	EA- NIKKEN ADDITION PEN MED	\$ 8.60
134-4	EA- NIKKEN ADDITION PEN FINE TIP	\$ 8.60
134-5	EA- NIKKEN ADDITION PEN SUPERFINE	\$ 8.60
135-1	EA- NIKKEN MTL PLT DEL PEN TYPE F LG	\$ 8.30
135-11	EA- NIKKEN MTL PLT DEL PEN TYPE K XL	\$ 10.20
135-2	EA- NIKKEN MTL PLT DEL PEN TYPE F MD	\$ 7.10
135-3	12-NIKKN MTL PLT DEL PEN FINE TYPE F	\$ 85.20
135-6	1- NIKKN MTL PLT DEL PEN FINE TYPE K	\$ 7.10
135-7	1- NIKKN MTL PLT DEL PEN LG TYPE K	\$ 8.30
135-8	EA- NIKKEN MTL PLT DEL PEN TYPE K MD	\$ 7.10
137-1	EA- NIKKEN THERMAL PLATE DEL PEN MED	\$ 7.20
137-2	EA- NIKKEN THERMAL PLATE DEL PEN XL	\$ 11.80

144-2	EA- NIKKEN ALKALINE PPR CHECK PEN LG	\$	7.90
145-2	EA- NKKKEN PH TESTER PEN LARGE	\$	11.95
146-1	EA- NIKKEN LASER PLT DEL PEN SPL TIP	\$	9.75
150-1	EA- NIKKEN FILM OPAQUE PEN .05MM BLK	\$	7.00
150-1R	EA- NIKKEN FILM OPAQUE PEN .05MM RED	\$	7.00
150-2	EA- NIKKEN FILM OPAQUE PEN 0.1MM BLK	\$	6.70
150-2R	EA- NIKKEN FILM OPAQUE PEN .1MM RED	\$	6.70
150-3	EA- NIKKEN FILM OPAQUE PEN .3MM BLK	\$	6.70
150-4	EA- NIKKEN FILM OPAQUE PEN FINE BLK	\$	6.70
150-4R	EA- NIKKEN FILM OPAQUE PEN FINE RED	\$	6.70

**SPINKS 20% OFF LIST PRICE**

Sprinks Products Pricing 1-1-2009

<b>Part Number</b>	<b>Description</b>	<b>List Price</b>
5003	SPINKS TRIPLE BEAM WEIGHT SET	\$ 30.00
GEBAT-100	EA- PANTONE COLOR CUE	\$ 380.00
S20540	EA- SPINKS 10" INK SPATULA SEMI FLEX	\$ 42.00
S5001	EA- SPINKS DIGITAL INKSCALE 1500GRAM	\$ 283.00
S5015	DIGITAL INK SCALE (15 LB CAPACITY)	\$ 598.00
V-2000	8LB SPINKS WORK&TURN OP GLS VARNISH	\$ 80.00
701F	5LB- SPINKS FLORIDA BLACK FORMS *M5	\$ 45.00
7045F	30LB- SPINKS ENVIRO BLACK	\$ 270.00
704F	5LB- SPINKS BLACK FORMS INK	\$ 39.00
704F-30	30LB- SPINKS BLACK FORMS INK	\$ 234.00
708F	5LB- SPINKS HURRICANE BLACK FORM INK	\$ 26.00
7117Q	1LB- SPINKS MAGNETIC BLACK	\$ 16.30
9.5	BX/5- SPINKS 5LB METAL EMPTY CAN	\$ 10.00
9M	bx/6- SPINKS 1LB METAL EMPTY CAN	\$ 8.40
9P	BX/6- SPINKS 1LB PLASTIC EMPTY CAN	\$ 8.40
BA125	3OZ- SPINKS BARON'S IMAGE REMOVER	\$ 20.00
C-4	1LB- SPINKS TACK JELLY	\$ 11.00
D-1	1LB- SPINKS POLYSEAL DRIER	\$ 12.00
D-1600	1.5LB- SPINKS DRYING STIMULATOR	\$ 33.00
D-18	1LB- SPINKS TWIN DRY	\$ 15.00
D22	1LB- SPINKS SUPER COBALT DRIER	\$ 16.00
D-4	8OZ- SPINKS LIQUID COBALT FTN ADDITV	\$ 6.00
GQ1076	5.1LB- SPINKS HYDROLUX PROC MAG	\$ 45.39
GQ1171-5	5.2LB- SPINKS QUATRO PROC MAGENTA	\$ 44.20
GQ1176	5LB HYDROLUX STAYOPEN PROCESS MAG.	\$ 46.00
GQ117LS-1	1LB- SPINKS PERMA PROC MAGENTA	\$ 45.30
GQ117LS-5	5.3LB- SPINKS PERMA PROC MAGENTA	\$ 70.49
GQ1198	5.4LB- HYDROLUX PANTONE WARM RED	\$ 103.68
GQ1199	5.5LB- HYDROLUX PANTONE RUBINE RED	\$ 105.60
GQ1200	5.5LB- HYDROLUX PANTONE RHOD RED	\$ 114.95
GQ1212-1	1LB- SPINKS QSET PROC MAGENTA	\$ 8.07
GQ1212-5	5.2LB- SPINKS QSET PROC MAGENTA	\$ 43.16
GQ192-5	5LB- SPINKS HYDROLUX RED	\$ 123.50
GQ2592-5	5LB- HYDROLUX SPEC MIX PMS 2592	\$ 123.50
GQ3012-1	1LB- SPINKS QSET PROC YELLOW	\$ 8.07
GQ3012-5	5LB- SPINKS QSET PROC YELLOW	\$ 41.50
GQ3076	5LB- SPINKS HYDROLUX PROC YELLOW	\$ 45.39
GQ3171-5	5.0LB- SPINKS QUATRO PROC YELLOW	\$ 42.50
GQ3176	5LB HYDROLUX STAYOPEN PROCESS YELLOW	\$ 46.00
GQ317LS-1	1LB- SPINKS PERMA PROC YELLOW	\$ 14.52
GQ317LS-5	5.2LB- SPINKS PERMA PROC YELLOW	\$ 71.24
GQ387	5.1LB- HYDROLUX PANTONE YELLOW	\$ 83.64
GQ4036	5.4LB- HYDROLUX PANTONE GREEN	\$ 112.86
GQ4545-5	5LB- SPINKS HYDROLUX BEIGE	\$ 123.50
GQ5076	5.2LB- SPINKS HYDROLUX PROC CYAN	\$ 47.32
GQ5112-1	1LB- SPINKS QSET PROC CYAN	\$ 8.23

GQ5112-5	5.2LB- SPINKS QSET PROC CYAN	\$	44.20
GQ5171-5	5LB- SPINKS QUATRO PROC CYAN	\$	45.76
GQ5176	5LB HYDROLUX STAYOPEN PROCESS CYAN	\$	47.00
GQ517LS-1	1LB- SPINKS PERMA PROC CYAN	\$	14.22
GQ517LS-5	5.2LB- SPINKS PERMA PROC CYAN	\$	70.20
GQ5210	5.2LB- HYDROLUX PANT REFLEX BLUE	\$	101.40
GQ5212	5.2LB- HYDROLUX PANTONE PROCESS BLUE	\$	101.40
GQ548-5	5LB- SPINKS HYDROLUX DK TEAL	\$	123.50
GQ637	5.4LB- HYDROLUX PANTONE PURPLE	\$	112.86
GQ638	5.4LB- HYDROLUX PANTONE VIOLET	\$	112.86
GQ7012-1	1LB- SPINKS QSET PROC BLACK	\$	7.31
GQ7012-5	5.3LB- SPINKS QSET PROC BLACK	\$	36.57
GQ707	5LB HYDROLUX DENSE BLACK	\$	112.00
GQ7076	5.3LB- SPINKS HYDROLUX PROC BLACK	\$	39.75
GQ7171-5	5.3LB- SPINKS QUATRO PROC BLACK	\$	36.57
GQ7176	5LB HYDROLUX STAYOPEN PROCESS BLACK	\$	38.50
GQ769	5.3LB- HYDROLUX PANTONE BLACK	\$	56.18
GQ887	5LB- HYDROLUX PANTONE TRANS. WHITE	\$	56.00
KE125	1LB- SPINKS KWIK-N-EASY DEGLAZER	\$	11.00
MK-2	1EA- SPINKS MIXING START-UP KIT	\$	540.00
OT-IC2282	5LB- SPINKS IC2282 GOLD871 SPEC. MIX	\$	108.25
PS125F-30	30LB- FORMS INK PMS125	\$	540.00
PS125F-5	5LB- FORMS INK PMS125	\$	90.00
PS1534-1	1LB- SPINKS ACRY PROCESS MAGENTA	\$	13.60
PS1534-5	5LB- SPINKS ACRY PROCESS MAGENTA	\$	68.00
PS187F-5	SPECIAL MIX FORMS BRAND PMS187	\$	88.50
PS3034-1	1LB- SPINKS ACRY PROCESS YELLOW	\$	15.53
PS3034-5	5LB- SPINKS ACRY PROCESS YELLOW	\$	68.00
PS347F-5	5LB- PANTONE 347 GREEN FORMS INK	\$	78.75
PS486-30	30LB- SPINKS PEACH FORMS *SPEC MIX	\$	426.00
PS50F-5	5LB- SPINKS REFLEX BLUE FORMS	\$	38.00
PS5434-1	1LB- SPINKS ACRY PROCESS CYAN	\$	14.30
PS5434-5	5LB- SPINKS ACRY PROCESS CYAN	\$	71.50
S41700	1EA- SPINKS PUTTY KNIFE(1-1/2 BLADE	\$	23.00
S43350	1EA- SPINKS 8" INK SPATULA	\$	49.00
S4444	SPINKS SET OF 4 INK SPATULAS	\$	34.00
S-5	8OZ- SPINKS CONC LIQUID TACK REDUCER	\$	6.00
S6010	2QT- SPINKS BLUE CRYSTAL HAND CLEANER	\$	19.00
SPCMXH-1	1LB- SPINKS HYDROLUX SPEC MIX	\$	45.30
SPCMXH-51	5LB- SPINKS HYDROLUX SPEC MIX	\$	123.50
SS1534-1	1LB- SPINKS ENVIRO PROC MAGENTA	\$	13.60
SS1534-5	5LB- SPINKS ENVIRO PROC MAGENTA	\$	68.00
SS3034-5	5LB- SPINKS ENVIRO PROC YELLOW	\$	69.49
SS5434-1	1LB- SPINKS ENVIRO PROC CYAN	\$	14.30
SS5434-5	5LB- SPINKS ENVIRO PROC CYAN	\$	71.50
TIB101	5.1LB- SPINKS TITAN I PROCESS CYAN	\$	33.66
TIB102	5LB- SPINKS TITAN II PROCESS CYAN	\$	39.52
TIK101	5.3LB- SPINKS TITAN I PROCESS BLACK	\$	28.62
TIK102	5LB- SPINKS TITAN II PROCESS BLACK	\$	29.00
TIR101	5.1LB- SPINKS TITAN I PROC MAGENTA	\$	35.19
TIR102	5.2LB- SPINKS TITAN II PROC MAGENTA	\$	39.00
TI-SPEC550+	5LB- SPINKS TITAN PMS357 *M10	\$	68.94



TIY101	5LB- SPINKS TITAN I PROCESS YELLOW	\$	33.00
TIY102	5LB- SPINKS TITAN II PROCESS YELLOW	\$	37.50
V-1	1LB- SPINKS BINDING VARNISH	\$	10.00
V12	5LB- SPINKS WATERLESS BODY. VARNISH	\$	50.00
V-16	5LB- HYDROLUX GLOSS OVERPRINT VARNIS	\$	50.00
V-17-5	5LB- SPINKS WAXFREE DULL VARNISH	\$	55.00
V-18	1LB- SPINKS NATURAL TACK REDUCER	\$	8.00
V-196	1LB- SPINKS WATER-REPELLENT VARNISH	\$	12.00
V-31	1LB- SPINKS DULL OVERPRINT VARNISH	\$	12.00
V-33	1LB- SPINKS WAXFREE OVERPRINT VARN	\$	10.00
V-487	1LB- SPINKS GLOSS OVERPRINT VARNISH	\$	10.00
TI021	5.3LB- SPINKS TITAN PANT 021 ORNG	\$	60.95
TI185	5.4LB- SPINKS TITAN PMS 185 RED	\$	62.10
TI186	5.5LB- SPINKS TITAN PMS 186 RED	\$	54.73
TI199	5.2LB- SPINKS TITAN PMS 199 RED	\$	59.80
TI201	5.3LB- SPINKS TITAN PMS 201 BURG	\$	60.95
TI208	5.4LB- SPINKS TITAN PMS 208 RED	\$	68.31
TI281	5.4LB- SPINKS TITAN PMS 281 BLUE	\$	100.00
TI286	5.1LB- SPINKS TITAN PMS 286 BLUE	\$	58.65
TI287	5.3LB- SPINKS TITAN PMS 287 BLUE	\$	52.74
TI288	5.1LB- SPINKS TITAN PMS 288 BLUE	\$	58.65
TI293	5.2LB- SPINKS TITAN PMS 293 BLUE	\$	59.80
TI300	5.3LB- SPINKS TITAN PMS 300 BLUE	\$	60.95
TI320	5.5LB- SPINKS TITAN PMS 320 TEAL	\$	63.25
TI321	5.6LB- SPINKS TITAN PMS 321 BLUE	\$	55.72
TI341	5.5LB- SPINKS TITAN PMS 341 GREEN	\$	54.73
TI347	5.3LB- SPINKS TITAN PMS 347 GREEN	\$	60.95
TI348	5.2LB- SPINKS TITAN PMS 348 GREEN	\$	59.80
TI354	5.7LB- SPINKS TITAN PMS 354 GREEN	\$	70.11
TI356	5.4LB- SPINKS TITAN PMS 356 GREEN	\$	62.10
TI485	5.5LB- SPINKS TITAN PMS 485 RED	\$	59.80
TI541	5.4LB- SPINKS TITAN PMS 541 BLUE	\$	53.73
TIB103	5.0LB- SPINKS TITAN PANT RFLX BLUE	\$	50.50
TIB104	5.1LB- SPINKS TITAN PANT PROC BLUE	\$	48.96
TIB105	5.2LB- SPINKS TITAN PANT 072 BLUE	\$	59.80
TIB110	5.1LB- SPINKS TITAN STY OPN PROC CYN	\$	40.80
TIB130	5.0LB- SPINKS STAY OPEN REF BLUE	\$	50.50
TIB-140	5.2LB- TITAN STAY OPEN PROC BLUE	\$	49.92
TIB-289	5LB- TITAN STAY OPEN PMS 289	\$	57.50
TIG100	5.5LB- SPINKS TITAN PANT GREEN	\$	63.25
TIG-130	5.5LB- TITAN STAY OPEN PANT GREEN	\$	63.25
TIK100	5.3LB- SPINKS TITAN DENSE BLACK	\$	30.21
TIK103	5.4LB- SPINKS TITAN PANT NEUT BLACK	\$	32.94
TIK110	5.4LB- SPINKS TITAN STY OPN PROC BLK	\$	30.50
TIK-113	5.3LB- TITAN STAY OPEN M/T DENSE BLK	\$	47.17
TIK-115	5.3LB- TITAN STAY OPEN AP BLACK	\$	35.51
TIK-130	5.4LB- TITAN STAY OPEN PANT BLACK	\$	32.94
TIP100	5.4LB- SPINKS TITAN PANT PURPLE	\$	71.28
TIP-130	5.4LB- TITAN STAY OPEN PANT PURPLE	\$	71.28
TIR103	5.4LB- SPINKS TITAN PANT WARM RED	\$	49.68
TIR104	5.2LB- SPINKS TITAN PANT RUBINE	\$	47.84
TIR105	5.5LB- SPINKS TITAN PANT RHODAMINE	\$	72.60

TIR106	5.4LB- SPINKS TITAN PANT 032 RED	\$	62.10
TIR-110	5.1LB- TITAN STAY OPEN PROC MAG	\$	39.78
TIR-130	5.4LB- TITAN STAY OPEN PANT WARM RED	\$	49.68
TIR-140	5.2LB- TITAN STAY OPEN PANT RUBINE	\$	47.84
TIR-150	5.5LB- TITAN STAY OPEN PANT RHODIMIN	\$	72.60
TIR-210	5LB- TITAN STAY OPEN PANTONE 032 RED	\$	57.50
TI-SPEC1	1LB- SPINKS TITAN SPEC MIX 1 LB	\$	32.10
TI-SPEC124	1LB- SPINKS TITAN SPEC MIX 2-4 LBS.	\$	21.10
TI-SPEC5	5LB- SPINKS TITAN SPEC MIX 1 CAN	\$	88.50
TI-SPEC51020	5LB- SPINKS TITAN SPEC MIX 10-20 CANS	\$	68.94
TI-SPEC524	5LB- SPINKS TITAN SPEC MIX 2-4 CAN	\$	71.00
TI-SPEC559	5LB- SPINKS TITAN SPEC MIX 5-9 CANS	\$	71.00
TIS-SPEC1	1LB- SPINKS TITAN STAYOPEN SPEC MIX	\$	32.10
TIS-SPEC124	1LB- TITAN STAYOPEN SPEC MIX (2-4)	\$	21.10
TIS-SPEC5	5LB - SPINKS TITAN STAYOPEN SPEC MX	\$	88.50
TIV100	5.3LB- SPINKS TITAN PANT VIOLET	\$	69.96
TIV-130	5.3LB- TITAN STAY OPEN PANT VIOLET	\$	69.96
TIW100	4.9LB- SPINKS TITAN PANT TRANS WHT	\$	30.38
TIW101	6.5LB- SPINKS TITAN OPAQUE WHITE	\$	63.70
TIW-130	4.8LB- TITAN STAY OPEN TRANS WHITE	\$	29.76
TIY103	5LB- SPINKS TITAN PANT YELLOW	\$	46.00
TIY105	5.3LB- SPINKS TITAN PANT 012 YELLOW	\$	60.95
TIY-110	5LB- TITAN STAY OPEN PROC YELLOW	\$	39.00
TIY-130	5LB- TITAN STAY OPEN PANT YELLOW	\$	46.00
17-1	1LB- SPINKS ACRY PANT WARM RED	\$	20.40
17-5	5LB- SPINKS ACRY PANT WARM RED	\$	93.00
18-1	1LB- SPINKS ACRY PANT RUBINE RED	\$	20.40
18-5	5LB- SPINKS ACRY PANT RUBINE RED	\$	93.00
185F	30LB- SPINKS ENVIRO RED	\$	378.78
19-1	1LB- SPINKS ACRY PANT RHODAMINE RED	\$	22.20
19-5	5LB- SPINKS ACRY PANT RHODAMINE RED	\$	102.00
33-1	1LB- SPINKS ACRY PANT YELLOW	\$	17.50
33-5	5LB- SPINKS ACRY PANT YELLOW	\$	79.00
43-1	1LB- SPINKS ACRY PANT GREEN	\$	22.20
43-5	5LB- SPINKS ACRY PANT GREEN	\$	102.00
53-1	1LB- SPINKS ACRY PANT REFLEX BLUE	\$	20.70
53-5	5LB- SPINKS ACRY PANT REFLEX BLUE	\$	94.50
58-1	1LB- SPINKS ACRY PROCESS BLUE	\$	20.70
58-5	5LB- SPINKS ACRY PANT PROCESS BLUE	\$	94.50
61-1	1LB- SPINKS ACRY PANT VIOLET	\$	22.20
61-5	5LB- SPINKS ACRY PANT VIOLET	\$	102.00
63-1	1LB- SPINKS ACRY PANT PURPLE	\$	22.20
63-5	5LB- SPINKS ACRY PANT PURPLE	\$	102.00
700-1	1LB- SPINKS ACRYLIC BLACK	\$	10.80
700-5	5LB- SPINKS ACRY BLACK	\$	45.00
73-1	1LB- SPINKS ACRY PANT BLACK	\$	11.80
73-5	5LB- SPINKS ACRY PANT BLACK	\$	50.00
747-1	1LB- SPINKS ACRYLIC EZ FLO BLACK	\$	10.80
747-5	5LB- SPINKS ACRY EZ FLO BLACK	\$	45.00
83-1	1LB- SPINKS ACRY PANT TRANS WHT	\$	12.40
83-5	5LB- SPINKS ACRY PANT TRANS WHT	\$	53.00
84-1	1LB- SPINKS ACRY MIX WHT OPQ	\$	12.40

84-5	5LB- SPINKS ACRY MIX WHT OPQ	\$	53.00
88-1	1LB- SPINKS ACRY MIX WHT SEM OPQ	\$	12.40
88-5	5LB- SPINKS ACRY MIX WHT SEM-OPQ	\$	53.00
GQ502-5	5LB- SPINKS QSET SUBST. REFLEX BLUE	\$	73.30
GQ701-1	1LB- SPINKS QSET INTENSE BLACK	\$	10.50
GQ701-5	5.4LB- SPINKS QSET INTENSE BLACK	\$	42.00
GQ717LS-1	1LB- SPINKS PERMA LASER BLACK	\$	11.00
GQ717LS-5	5.4LB- SPINKS PERMABIND LASER BLACK	\$	52.92
GQ752-5	5.4LB- FAST SET MIDNIGHT BLACK	\$	41.81
GQ759-5	5.3LB- SPINKS HARD DRY BLACK	\$	41.03
GQ771-1	1LB- SPINKS QSET BLACK WAX FREE	\$	42.67
GQ780-1	1LB- SPINKS QSET BLACK	\$	10.50
GQ780-5	5.4LB- SPINKS QSET BLACK	\$	42.00
GQ789-5	5.8LB- SPINKS QSET DYNAMO BLACK	\$	29.00
GQ8216-1	1.9LB- SPINKS QSET WHITE	\$	23.37
GQ8216-5	6.5LB- SPINKS QSET PANT MIXING WHITE	\$	61.50
GQ869LS-1	1LB- SPINKS PERMA PANT MIXING WHITE	\$	8.90
PS012-1	1LB- SPINKS ACRY PANTONE 012 YELLOW	\$	21.50
PS012-5	5LB- SPINKS ACRY PANTONE 012 YELLOW	\$	98.50
PS012SS-1	1LB- SPINKS ENVIRO PMS 012 YELLOW	\$	22.70
PS021-1	1LB- SPINKS ACRY PANT 021 ORANGE	\$	21.50
PS021-5	5LB- SPINKS ACRY PANT 021 ORANGE	\$	98.50
PS021Q-1	1LB- SPINKS QSET PANT 021 ORANGE	\$	21.30
PS021Q-5	5LB- SPINKS QSET PANT 021 ORANGE	\$	95.50
PS021SS-1	1LB- SPINKS ENVIRO PMS 021 ORANGE	\$	22.70
PS032-1	1LB- SPINKS ACRY PANT 032 BIG APPLE	\$	21.50
PS032-5	5LB- SPINKS ACRY PANT 032 BIG APPLE	\$	98.50
PS032Q-1	1LB- SPINKS QSET PANT 032 BIG APPLE	\$	21.30
PS032Q-5	5.4LB- SPINKS QSET PANT 032 BIG APPL	\$	95.50
PS032RB	1LB- SPINKS RB PANT 032 BIG APPLE RD	\$	21.80
PS032RB-5	5LB- SPINKS RB PANT 032 BIG APPLE RD	\$	100.00
PS072-1	1LB- SPINKS ACRY PANT 072 GRT LK BLU	\$	21.50
PS072-5	5LB- SPINKS ACRY PANT 072 GRT LK BLU	\$	98.50
PS072Q-1	1LB- SPINKS QSET PANT 072 GT LK BLU	\$	21.30
PS072Q-5	5.2LB- SPINKS QSET PANT 072 GRT LAKE	\$	99.32
PS072RB	1LB- SPINKS RB PANT 072 GRT LK BLUE	\$	21.80
PS072RB-5	5LB- SPINKS RB PANT 072 GRT LK BLUE	\$	100.00
PS109Q-1	1LB- SPINKS QSET PMS 109 BTTRSCCTCH	\$	22.05
PS10LS-1	1LB- SPINKS PERMA PANT WARM RED	\$	22.70
PS10LS-5	5.4LB- SPINKS PERMA PANT WARM RED	\$	112.86
PS10Q-1	1LB- SPINKS QSET PANT WARM RED	\$	16.10
PS10Q-5	5.6LB- SPINKS QSET PANT WARM RED	\$	68.00
PS123HL-5	5LB- PMS 123 HYDROLUX INK	\$	123.50
PS12LS-1	1LB- SPINKS PERMA PANT RUBINE RED	\$	21.90
PS12LS-5	5.3LB- SPINKS PERMA PANT RUBINE RED	\$	66.78
PS12Q-1	1LB- SPINKS QSET PANT RUBINE RED	\$	16.10
PS12Q-5	5.3LB- SPINKS QSET PANT RUBINE RED	\$	68.00
PS14LS-1	1LB- SPINKS PERMA PANT RHODAMINE	\$	24.30
PS14LS-5	5.2LB- SPINKS PERMA PANT RHODAMINE	\$	122.20
PS14Q-1	1LB- SPINKS QSET PANT RHODAMINE	\$	20.90
PS14Q-5	5.5LB- SPINKS QSET PANT RHODAMINE	\$	92.00
PS165-1	1LB- SPINKS ACRY TANGERINE	\$	25.40

PS185-1	1LB- SPINKS ACRY BRICK RED	\$	19.90
PS185-5	5LB- SPINKS ACRY BRICK RED	\$	90.50
PS185Q-1	1LB- SPINKS QSET BRICK RED	\$	17.50
PS185Q-5	5.4LB- SPINKS QSET BRICK RED	\$	83.16
PS185RB	1LB- SPINKS RB PANT 185 BRICK RED	\$	20.20
PS185RB-5	5LB- SPINKS RB PANT 185 BRICK RED	\$	92.00
PS199-1	1LB- SPINKS ACRY INDIAN RED	\$	19.90
PS199-5	5LB- SPINKS ACRY INDIAN RED	\$	90.50
PS199Q-1	1LB- SPINKS QSET PMS 199 INDIAN RED	\$	17.80
PS199Q-5	5.2LB- SPINKS QSET PMS 199 IN RED	\$	81.12
PS199RB	1LB- SPINKS RB PANT 199 INDIAN RED	\$	20.20
PS199RB-5	5LB- SPINKS RB PANT 199 INDIAN RED	\$	92.00
PS200Q-1	1LB- SPINKS QSET CANDY APPLE RED	\$	24.03
PS201-1	1LB- SPINKS ACRY BURGUNDY	\$	21.00
PS201-5	5LB- SPINKS ACRY BURGUNDY	\$	96.00
PS201Q-1	1LB- SPINKS QSET BURGUNDY	\$	20.50
PS201Q-5	5.3LB- SPINKS QSET BURGUNDY	\$	97.52
PS201RB	1LB- SPINKS RB PANT 201 BURGUNDY	\$	21.30
PS201RB-5	5LB- SPINKS RB PANT 201 BURGUNDY	\$	97.50
PS201SS-1	1LB- SPINKS ENVIRO PMS 201 BURGUNDY	\$	20.30
PS221-1	1LB- SPINKS ACRY BORDEAUX	\$	21.00
PS221-5	5LB- SPINKS ACRY BORDEAUX	\$	96.00
PS221Q-1	1LB- SPINKS QSET PMS 221 BORDEAUX	\$	20.50
PS221Q-5	5.3LB- SPINKS QSET PMS 221 BORDEAUX	\$	97.52
PS221RB	1LB- SPINKS RB PANT 221 BORDEAUX	\$	21.30
PS221RB-5	5LB- SPINKS RB PANT 221 BORDEAUX	\$	97.50
PS235HL-5	5LB- PMS 235 HYDROLUX INK	\$	123.50
PS2756-5	5LB- PMS 2756 HYDROLUX INK	\$	123.50
PS286-1	1LB- SPINKS ACRY PMS 286 LN STAR BLU	\$	21.00
PS286-5	5LB- SPINKS ACRY PMS 286 LN STAR BLU	\$	96.00
PS286Q-1	1LB- SPINKS QSET PMS 286 LN STR BLUE	\$	18.10
PS286Q-5	5.1LB- SPINKS QSET 286 LONE STAR BLU	\$	81.60
PS286RB	1LB- SPINKS RB PANT 286 LONESTARBLUE	\$	21.30
PS286RB-5	5LB- SPINKS RB PANT 286 LONESTARBLUE	\$	97.50
PS286SS-1	1LB- SPINKS ENVIRO PMS286 LONESTRBLU	\$	22.10
PS286SS-5	5LB- SPINKS ENVIRO PMS286 LONESTRBLU	\$	101.50
PS288-1	1LB- SPINKS ACRY ROYAL BLUE	\$	21.00
PS288-5	5LB- SPINKS ACRY ROYAL BLUE	\$	96.00
PS288Q-1	1LB- SPINKS QSET PMS 288 ROYAL BLUE	\$	18.10
PS288Q-5	5.1LB- SPINKS QSET 288 ROYAL BLUE	\$	81.60
PS288RB	1LB- SPINKS RB PANT 288 ROYAL BLUE	\$	21.30
PS288RB-5	5LB- SPINKS RB PANT 288 ROYAL BLUE	\$	97.50
PS288SS-1	1LB- SPINKS ENVIRO PMS 288 ROYL BLUE	\$	20.30
PS293-1	1LB- SPINKS ACRY PMS 293 BG SURF BLU	\$	21.00
PS293-5	5LB- SPINKS ACRY PMS 293 BG SURF BLU	\$	96.00
PS293Q-1	1LB- SPINKS QSET PMS 293 BIG SURF	\$	18.10
PS293Q-5	5.2LB- SPINKS QSET PMS 293 BIG SURF	\$	81.60
PS293RB	1LB- SPINKS RB PANT 293 BIGSURF BLUE	\$	21.30
PS293RB-5	5LB- SPINKS RB PANT 293 BIGSURF BLUE	\$	97.50
PS293SS-1	1LB- SPINKS ENVIRO PMS 293 BIG SURF	\$	20.30
PS294-1	1LB- SPINKS ACRY PMS 294 BLU JEAN	\$	45.30
PS294Q-1	1LB- SPINKS QSET PMS 294 BLUE JEAN	\$	34.25

PS294Q-5	5.3LB- SPINKS QSET PMS 294 BLUE JEAN	\$	94.45
PS300-1	1LB- SPINKS ACRY PMS 300 PERI BLUE	\$	20.70
PS300-5	5LB- SPINKS ACRY PMS 300 PERI BLUE	\$	94.50
PS300Q-1	1LB- SPINKS QSET PMS 300 PERI BLUE	\$	18.10
PS300Q-5	5.3LB- SPINKS QSET PMS 300 PERI BLUE	\$	81.60
PS300RB	1LB- SPINKS RB PANT 300 PERIWNK BLUE	\$	20.90
PS300RB-5	5LB- SPINKS RB PANT 300 PERIWNK BLUE	\$	96.00
PS300SS-1	1LB- SPINKS ENVIRO BLUE	\$	21.80
PS300SS-5	5LB- SPINKS ENVIRO PMS 300 BLUE	\$	100.50
PS30LS-1	1LB- SPINKS PERMA PANT YELLOW	\$	19.60
PS30LS-5	5.2LB- SPINKS PERMA PANT YELLOW	\$	98.80
PS30Q-1	1LB- SPINKS QSET PANT YELLOW	\$	15.90
PS30Q-5	5.1LB- SPINKS QSET PANT YELLOW	\$	67.50
PS320-1	1LB- SPINKS ACRY PMS 320 KY TEAL	\$	20.70
PS320-5	5LB- SPINKS ACRY PMS 320 KY TEAL	\$	94.50
PS320Q-1	1LB- SPINKS QSET PMS 320 KY TEAL	\$	18.10
PS320Q-5	5.5LB- SPINKS QSET PMS 320 KY TEAL	\$	81.60
PS320RB	1LB- SPINKS RB PANT 320 KENTUCKYTEAL	\$	20.90
PS320RB-5	5LB- SPINKS RB PANT 320 KENTUCKYTEAL	\$	96.00
PS320SS-1	1LB- SPINKS ENVIRO PMS 320 TEAL	\$	21.80
PS347-1	1LB- SPINKS ACRY RAIN FRST GRN	\$	19.30
PS347-5	5LB- SPINKS ACRY RAIN FRST GRN	\$	87.50
PS347HL-5	5LB- PMS 347 HYDROLUX INK	\$	123.50
PS347Q-1	1LB- SPINKS QSET PMS 347 RN FRST GRN	\$	18.30
PS347Q-5	5.4LB- SPINKS QSET PMS 347 RN FRST	\$	85.86
PS347RB	1LB- SPINKS RB PANT 347 RAINFRST GRN	\$	19.60
PS347RB-5	5LB- SPINKS RB PANT 347 RAIN FOREST	\$	89.50
PS347SS-1	1LB- SPINKS ENVIRO PMS 347 RNFORST	\$	20.50
PS347SS-5	5LB- SPINKS ENVIRO PMS 347 RNFORST	\$	93.50
PS348-1	1LB- SPINKS ACRY PMS 348 YOSEM GRN	\$	19.30
PS348-5	5LB- SPINKS ACRY PMS 348 YOSEM GRN	\$	87.50
PS348Q-1	1LB- SPINKS QSET 348 YOSEMITE GREEN	\$	18.30
PS348Q-5	5.2LB- SPINKS QSET PMS 348 YOSE GRN	\$	85.86
PS348RB	1LB- SPINKS RB PANT 348 YOSEMITE GRN	\$	19.60
PS348RB-5	5LB- SPINKS RB PANT 348 YOSEMITE GRN	\$	89.50
PS348SS-5	5LB- SPINKS ENVIRO PMS 348 GREEN	\$	93.50
PS354-1	1LB- SPINKS ACRY PMS 354 KEY LIME	\$	20.70
PS354-5	5LB- SPINKS ACRY PMS 354 KEY LIME	\$	94.50
PS354Q-1	1LB- SPINKS QSET 354 KEY LIME	\$	19.70
PS354Q-5	5.4LB- SPINKS QSET PMS 354 KEY LIME	\$	99.75
PS354RB	1LB- SPINKS RB PANT 354 KEY LIME	\$	20.90
PS354RB-5	5LB- SPINKS RB PANT 354 KEY LIME	\$	96.00
PS354SS-1	1LB- SPINKS ENVIRO PMS 354 KEY LIME	\$	21.80
PS354SS-5	5LB- SPINKS ENVIRO PMS 354 KEY LIME	\$	100.50
PS356-1	1LB- SPINKS ACRY PMS 356 PINE GREEN	\$	19.30
PS356-5	5LB- SPINKS ACRY PMS 356 PINE GREEN	\$	87.50
PS356Q-1	1LB- SPINKS QSET PMS 356 PINE GREEN	\$	17.50
PS356Q-5	5.4LB- SPINKS QSET PMS 356 PINE GRN	\$	83.16
PS356RB	1LB- SPINKS RB PANT 356 PINE GREEN	\$	19.60
PS356RB-5	5LB- SPINKS RB PANT 356 PINE GREEN	\$	89.50
PS40LS-1	1LB- SPINKS PERMA PANT GREEN	\$	23.40
PS40LS-5	5.5LB- SPINKS PERMA PANT GREEN	\$	124.85

PS40Q-1	1LB- SPINKS QSET PANT GREEN	\$	18.50
PS40Q-5	5.5LB- SPINKS QSET PANT GREEN	\$	88.55
PS423-1	1LB- SPINKS ACRY PMS 423 FOX GRAY	\$	25.45
PS423Q-1	1LB- SPINKS QSET PMS 423 FOX GRAY	\$	41.55
PS464-5	5LB- SPINKS ACRY SEPIA BROWN	\$	155.75
PS464Q-1	1LB- SPINKS QSET SEPIA BROWN	\$	14.85
PS469-1	1LB- SPINKS ACRY PMS 469 CHOC BROWN	\$	19.30
PS469-5	5LB- SPINKS ACRY 469 CHOCOLATE BROWN	\$	87.50
PS469Q-1	1LB- SPINKS QSET PMS 469 CHOC BRN	\$	16.60
PS469Q-5	5.3LB- SPINKS QSET PMS 469 CHOC BRN	\$	77.91
PS469RB	1LB- SPINKS RB PANT 469 CHOCOLATE BR	\$	19.60
PS469RB-5	5LB- SPINKS RB PANT 469 CHOCOLATE BR	\$	89.50
PS485-1	1LB- SPINKS ACRY RICH RED	\$	19.90
PS485-5	5LB- SPINKS ACRY RICH RED	\$	90.50
PS485Q-1	1LB- SPINKS QSET RICH RED	\$	16.60
PS485Q-5	5.2LB- SPINKS QSET PMS 485 RICH RED	\$	77.91
PS485RB	1LB- SPINKS RB PANT 485 RICH RED	\$	20.20
PS485RB-5	5LB- SPINKS RB PANT 485 RICH RED	\$	92.00
PS502-1	1LB- SPINKS ACRY SUBS REFLEX BLUE	\$	21.10
PS502-5	5LB- SPINKS ACRY SUBS REFLEX BLUE	\$	96.50
PS50LS-1	1LB- SPINKS PERMA PANT REFLEX BLUE	\$	21.90
PS50LS-5	5LB- SPINKS PERMA PANT REFLEX BLUE	\$	105.50
PS50Q-1	1LB- SPINKS QSET PANT REFLEX BLUE	\$	17.10
PS50Q-5	5LB- SPINKS QSET PANT REFLEX BLUE	\$	73.50
PS55LS-1	1LB- SPINKS PERMA PANT PROCESS BLUE	\$	21.90
PS55LS-5	5.2LB- SPINKS PERMA PANT PROC BLUE	\$	109.72
PS55Q-1	1LB- SPINKS QSET PANT PROCESS BLUE	\$	16.30
PS55Q-5	5.1LB- SPINKS QSET PANT PROC BLUE	\$	70.38
PS60LS-1	1LB- SPINKS PERMA PANT PURPLE	\$	24.30
PS60LS-5	5.2LB- SPINKS PERMA PANT PURPLE	\$	122.20
PS60Q-1	1LB- SPINKS QSET PANT PURPLE	\$	20.90
PS60Q-5	5.4LB- SPINKS QSET PANT PURPLE	\$	99.36
PS61LS-1	1LB- SPINKS PERMA PANT VIOLET	\$	24.30
PS61LS-5	5.5LB- SPINKS PERMA PANT VIOLET	\$	129.25
PS61Q-1	1LB- SPINKS QSET PANT VIOLET	\$	20.90
PS61Q-5	5.4LB- SPINKS QSET PANT VIOLET	\$	97.52
PS70LS-1	1LB- SPINKS PERMA PANT BLACK	\$	13.70
PS70LS-5	5.6LB- SPINKS PERMA PANT BLACK	\$	73.36
PS70Q-1	1LB- SPINKS QSET PANT BLACK	\$	11.70
PS70Q-5	5.5LB- SPINKS QSET PANT BLACK	\$	50.22
PS801Q-1	1LB- SPINKS QSET FLUORESCENT BLUE	\$	50.60
PS802Q-1	1LB- SPINKS QSET FLUORESCENT GREEN	\$	50.60
PS802Q-5	5LB- SPINKS QSET FLUORESCENT GREEN	\$	253.00
PS803Q-1	1LB- SPINKS QSET FLUORESCENT YELLOW	\$	50.60
PS803Q-5	5LB- SPINKS QSET FLUORESCENT YELLOW	\$	253.00
PS804Q-1	1LB- SPINKS QSET FLUORESCENT ORANGE	\$	50.60
PS805Q-1	1LB- SPINKS QSET FLUORESCENT RED	\$	50.60
PS805Q-5	5LB- SPINKS QSET FLUORESCENT RED	\$	253.00
PS806Q-1	1LB- SPINKS QSET FLUORESCENT PINK	\$	50.60
PS807Q-1	1LB- SPINKS QSET FLUORESCENT PURPLE	\$	50.60
PS807Q-5	5LB- SPINKS QSET FLUORESCENT PURPLE	\$	253.00
PS80LS-1	1LB- SPINKS PERMA PANT TRANS WHITE	\$	14.00

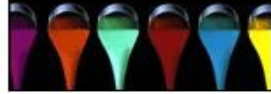
PS80LS-5	5LB- SPINKS PERMA PANT TRANS WHITE	\$	66.50
PS80Q-1	1LB- SPINKS QSET PANT TRANS WHITE	\$	11.80
PS80Q-5	4.9LB- SPINKS QSET PANT TRANS WHITE	\$	46.06
PS811Q-1	1LB- SPINKS QSET FLUORESCENT ORANGE	\$	47.74
PS871QVP-2.7	2.7LB- SPINKS QSET PMS 871 MET GOLD	\$	65.63
PS872QVP-2.7	2.7LB- SPINKS QSET PMS872 METAL GOLD	\$	65.63
PS873QVP-2.7	2.7LB- SPINKS QSET PMS873 METAL GOLD	\$	65.63
PS874QVP-2.5	2.5LB- SPINKS QSET PMS874 METAL GOLD	\$	60.77
PS875QVP-2.5	2.5LB- SPINKS QSET PMS875 METAL GOLD	\$	60.77
PS876QVP-2.5	2.5LB- SPINKS QSET METALLIC GOLD	\$	60.77
PS877QVP-2	2LB- PANTONE 877 SILVER	\$	37.00
QG802-1	1LB- SPINKS QSET COOL GRAY BASE	\$	45.30
RB17	1LB- SPINKS RB PANT WARM RED	\$	20.70
RB17-5	5LB- SPINKS RB PANT WARM RED	\$	94.50
RB18	1LB- SPINKS RB PANT RUBINE RED	\$	20.70
RB18-5	5LB- SPINKS RB PANT RUBINE RED	\$	94.50
RB19	1LB- SPINKS RB PANT RHODAMINE	\$	22.50
RB19-5	5LB- SPINKS RB PANT RHODAMINE	\$	103.50
RB33	1LB- SPINKS RB PANT YELLOW	\$	17.90
RB33-5	5LB- SPINKS RB PANT YELLOW	\$	80.50
RB43	1LB- SPINKS RB PANT GREEN	\$	20.70
RB43-5	5LB- SPINKS RB PANT GREEN	\$	94.50
RB502	1LB- SPINKS RB SUB REFLEX BLUE	\$	21.40
RB502-5	5LB- SPINKS RB SUBSTITUTE REFLEX BLU	\$	98.50
RB53	1LB- SPINKS RB PANT REFLEX BLUE	\$	20.90
RB53-5	5LB- SPINKS RB PANT REFLEX BLUE	\$	96.00
RB58	1LB- SPINKS RB PANT PROCESS BLUE	\$	20.90
RB58-5	5LB- SPINKS RB PANT PROCESS BLUE	\$	96.00
RB61	1LB- SPINKS RB PANT VIOLET	\$	20.70
RB61-5	5LB- SPINKS RB PANT VIOLET	\$	94.50
RB63	1LB- SPINKS RB PANT PURPLE	\$	22.50
RB63-5	5LB- SPINKS RB PANT PURPLE	\$	103.50
RB700	1LB- SPINKS RB BLACK	\$	11.10
RB700-5	5LB- SPINKS RB BLACK	\$	46.50
RB73	1LB- SPINKS RB PANT MIXING BLACK	\$	12.00
RB73-5	5LB- SPINKS RB PANT MIXING BLACK	\$	51.00
RB83	1LB- SPINKS RB PANT TRANS WHITE	\$	12.60
RB83-5	5LB- SPINKS RB PANT TRANS WHITE	\$	54.00
RB84-5	5LB- SPINKS RB OPAQUE MIXING WHITE	\$	54.00
SFSPCMX-357-50	5LB- SPINKS SP MIX FORMS PMS357 *M10	\$	71.00
SPCMXF-131-1020	5LB- SPINKS SP MIX FORMS PMS131 2-4	\$	71.00
SPCMXF-173-1020	5LB- SPINKS SP MIX FORMS PMS173 2-4	\$	71.00
SPCMXF-173-40+	5LB- SPINKS SP MIX FORMS PMS173 8+	\$	86.22
SPCMXF2603-1020	5LB- SPINKS SP MIX FORMS PMS2603 2-4	\$	71.00
SPCMXF-641-1020	5LB- SPINKS SP MIX FORMS PMS641 2-4	\$	71.00
SPCMXF-716-1020	5LB- SPINKS SP MIX FORMS PMS716 2-4	\$	71.00
SS032-1	1LB- SPINKS ENVIRO PANT 032 BIG APPL	\$	22.70
SS032-5	5LB- SPINKS ENVIRO PANT 032 BIG APPL	\$	104.50
SS072-1	1LB- SPINKS ENVIRO PANT 072 GT LK BL	\$	22.70
SS072-5	5LB- SPINKS ENVIRO PANT 072 GT LK BL	\$	104.50
SS17-1	1LB- SPINKS ENVIRO PANT WARM RED	\$	21.60
SS17-5	5LB- SPINKS ENVIRO PANT WARM RED	\$	98.50

SS18-1	1LB- SPINKS ENVIRO PANT RUBINE RED	\$	21.60
SS18-5	5LB- SPINKS ENVIRO PANT RUBINE RED	\$	98.50
SS185-1	1LB- SPINKS ENVIRO BRICK RED	\$	19.20
SS185-5	5LB- SPINKS ENVIRO BRICK RED	\$	96.00
SS19-1	1LB- SPINKS ENVIRO PANT RHODAMINE	\$	21.50
SS19-5	5LB- SPINKS ENVIRO PANT RHODAMINE	\$	107.50
SS199-1	1LB- SPINKS ENVIRO INDIAN RED	\$	19.20
SS199-5	5LB- SPINKS ENVIRO INDIAN RED	\$	96.00
SS201-1	1LB- SPINKS ENVIRO BURGUNDY	\$	22.10
SS201-5	5LB- SPINKS ENVIRO BURGUNDY	\$	101.50
SS221-1	1LB- SPINKS ENVIRO BORDEAUX	\$	22.10
SS221-5	5LB- SPINKS ENVIRO BORDEAUX	\$	101.50
SS286-1	1LB- SPINKS ENVIRO LONE STAR BLUE	\$	22.10
SS286-5	5LB- SPINKS ENVIRO LONE STAR BLUE	\$	101.50
SS288-1	1LB- SPINKS ENVIRO ROYAL BLUE	\$	22.10
SS288-5	5LB- SPINKS ENVIRO ROYAL BLUE	\$	101.50
SS293-1	1LB- SPINKS ENVIRO BIG SURF BLUE	\$	22.10
SS293-5	5LB- SPINKS ENVIRO BIG SURF BLUE	\$	101.50
SS320-1	1LB- SPINKS ENVIRO KENTUCKY TEAL	\$	21.80
SS320-5	5LB- SPINKS ENVIRO KENTUCKY TEAL	\$	100.50
SS33-1	1LB- SPINKS ENVIRO PANT YELLOW	\$	18.70
SS33-5	5LB- SPINKS ENVIRO PANT YELLOW	\$	84.50
SS347-5	5LB- SPINKS ENVIRO RAIN FOREST GRN	\$	93.50
SS348-1	1LB- SPINKS ENVIRO YOSEMITE GREEN	\$	20.50
SS348-5	5LB- SPINKS ENVIRO YOSEMITE GREEN	\$	93.50
SS354-1	1LB- SPINKS ENVIRO KEY LIME	\$	21.80
SS354-5	5LB- SPINKS ENVIRO KEY LIME	\$	100.50
SS356-1	1LB- SPINKS ENVIRO PINE GREEN	\$	20.50
SS356-5	5LB- SPINKS ENVIRO PINE GREEN	\$	93.50
SS43-1	1LB- SPINKS ENVIRO PANT GREEN	\$	23.30
SS43-5	5LB- SPINKS ENVIRO PANT GREEN	\$	107.50
SS469-1	1LB- SPINKS ENVIRO CHOCOLATE BROWN	\$	20.50
SS469-5	5LB- SPINKS ENVIRO CHOCOLATE BROWN	\$	93.50
SS485-1	1LB- SPINKS ENVIRO RICH RED	\$	21.00
SS485-5	5LB- SPINKS ENVIRO RICH RED	\$	96.00
SS53-1	1LB- SPINKS ENVIRO PANT REFLEX BLUE	\$	21.80
SS53-5	5LB- SPINKS ENVIRO PANT REFLEX BLUE	\$	100.50
SS58-1	1LB- SPINKS ENVIRO PANT PROC BLUE	\$	21.80
SS58-5	5LB- SPINKS ENVIRO PANT PROC BLUE	\$	100.50
SS61-1	1LB- SPINKS ENVIRO PANT VIOLET	\$	23.30
SS61-5	5LB- SPINKS ENVIRO PANT VIOLET	\$	107.50
SS63-1	1LB- SPINKS ENVIRO PANT PURPLE	\$	23.30
SS63-5	5LB- SPINKS ENVIRO PANT PURPLE	\$	107.50
SS700-1	1LB- SPINKS ENVIROTECH BLACK	\$	11.90
SS700-5	5LB- SPINKS ENVIROTECH BLACK	\$	50.50
SS73-1	1LB- SPINKS ENVIRO PANT BLACK	\$	13.00
SS73-5	5LB- SPINKS ENVIRO PANT BLACK	\$	56.00
SS83-1	1LB- SPINKS ENVIRO PANT TRANS WHITE	\$	13.50
SS83-5	5LB- SPINKS ENVIRO PANT TRANS WHITE	\$	58.50
SS84-5	5LB- SPINKS ENVIRO PANT MIX WHT OPQ	\$	58.50
V-17	1LB- SPINKS WAXFREE DULL VARNISH	\$	11.00
GQ505-1	INVISIBLE INK	\$	134.85



SPCMX-1	1LB- SPINKS ACRY SPEC MIX 1 LB.	\$	45.30
SPCMX-11020	1LB- SPINKS ACRY SPEC MIX 10+ CANS	\$	25.00
SPCMX-124	1LB- SPINKS ACRY SPEC MIX 2-4 CANS	\$	33.20
SPCMX-159	1LB- SPINKS ACRY SPEC MIX 5+ CANS	\$	28.60
SPCMX-51	5LB- SPINKS ACRY SPECIAL MIX 1 CAN	\$	143.00
SPCMX-524	5LB- SPINKS ACRYLIC SPEC MIX 2-4 CAN	\$	125.00
SPCMXF-517	5LB- SPINKS SPECIAL MIX FORMS 1-7CAN	\$	85.84
SPCMXF-58+	5LB- SPINKS SPECIAL MIX FORMS 8+CANS	\$	86.22
SPCMXM-1	1LB- SPINKS SPEC MIX METALLIC 1 LB	\$	46.40
SPCMXM-124	1LB- SPINK SPEC MIX METALLIC 2-4 CAN	\$	30.80
SPCMXM-51	5LB- SPINKS SPEC MIX METALLIC 5 LB	\$	129.50
SPCMXQ-1	1LB- SPINKS QSET SPEC MIX 1 LB.	\$	45.30
SPCMXQ-11020	1LB- SPINKS QSET SPEC MIX 10+ CANS	\$	20.80
SPCMXQ-124	1LB- SPINKS QSET SPEC MIX 2-4 CANS	\$	29.60
SPCMXQ-159	1LB- SPINKS QSET SPEC MIX 5-9 CANS	\$	24.70
SPCMXQ-51	5LB- SPINKS QSET SPEC MIX 1 CAN	\$	123.50
SPCMXQ-524	5LB- SPINKS QSET SPEC MIX 2-4 CAN	\$	104.00
SPXMXLAS-1	1LB- SPINKS PERMA SPEC MIX 1 LB.	\$	45.30
SPXMXLAS-11020	1LB- SPINKS PERMA SPEC MIX 10+ CANS	\$	25.00
SPXMXLAS-124	1LB- SPINKS PERMA SPEC MIX 2-4 LBS	\$	33.20
SPXMXLAS-159	1LB- SPINKS PERMA SPEC MIX 5-9 LBS	\$	28.60
SPXMXLAS-51	5LB- SPINKS PERMA SPEC MIX 1 CANS	\$	143.00
SPXMXLAS-510+	5LB- SPINKS PERMA SPEC MIX 10 & OVER	\$	125.00
SPXMXLAS-524	5LB- SPINKS PERMA SPEC MIX 2-4 CANS	\$	125.00
SPXMXLAS-559	5LB- SPINKS PERMA SPEC MIX 5-9 CANS	\$	125.00
SSSPCMX-1	1LB- SPINKS ENVIRO SPEC MIX 1 LB	\$	45.30
SSSPCMX-11020	1LB- SPINKS ENVIRO SPEC MIX 10+CAN	\$	25.00
SSSPCMX-124	1LB- SPINKS ENVIRO SPEC MIX 2-4CAN	\$	33.20
SSSPCMX-159	1LB- SPINKS ENVIRO SPEC MIX 5-9CAN	\$	28.60
SSSPCMX-51	5LB- SPINKS ENVIRO SPEC MIX 1 CAN	\$	143.00
SSSPCMX-51020	5LB- SPINKS ENVIRO SPEC MIX 10+ CANS	\$	125.00
SSSPCMX-524	5LB- SPINKS ENVIRO SPEC MIX 2-4 CN	\$	125.00
SSSPCMX-559	5LB- SPINKS ENVIRO SPEC MIX 5-9 CANS	\$	125.00

**TOYO INK**  
Value You Can See



**TOYO INK PRICE LIST**

Part Number	Description
10130344CJ	2.2LB AQUALESS ULTRA BLACK LOWTACK
10130340CJ	2.2LB AQUALESS ULTRA BLACK MEDTACK
10120343CJ	2.2LB AQUALESS ULTRA CYAN LOWTACK
10120339CJ	2.2LB AQUALESS ULTRA CYAN MEDTACK
10110342CJ	2.2LB AQUALESS ULTRA MAGENTA LOWTACK
10110338CJ	2.2LB AQUALESS ULTRA MAGENTA MEDTACK
10100341CJ	2.2LB AQUALESS ULTRA YELLOW LOWTACK
10100337CJ	2.2LB AQUALESS ULTRA YELLOW MEDTACK
233404	1- TOYO AQUALESS INK CAN KEY/OPENER
00140141C5	5.1LB AQUALESS PMS 021 ORANGE
00150132C5	5.1LB AQUALESS PMS RUBINE RED
00140130C5	5.1LB AQUALESS PMS YELLOW
00140140C5	5.2LB AQUALESS PMS 012 YELLOW
00120137C5	5.2LB AQUALESS PMS PROCESS BLUE
00160143C5	5.3LB AQUALESS PMS 072 BLUE
00160138C5	5.3LB AQUALESS PMS GREEN
00160134C5	5.3LB AQUALESS PMS PURPLE
00160135C5	5.3LB AQUALESS PMS VIOLET
00150133C5	5.4LB AQUALESS PMS RHODAMINE RED
00150131C5	5.4LB AQUALESS PMS WARM RED
00170139C5	5.5LB AQUALESS PMS BLACK
041A0632C5491-1	1LB AQUALESS MEDTACK PMS 491
041A0637C585801	1LB AQUALESS MEDTACK PMS 8580
00180595LB	1LB AQUALESS INK TACK REDUCER
041A0634C583811	1LB AQUALESS MEDTACK PMS
041A0632C5116-1	1LB AQUALESS MEDTACK PMS 116
041A0112C5136U1	1LB AQUALESS MEDTACK PMS 136UNCTD

2009

**TOYO INK PRODUCTS 12% OFF LIST PRICE**

Stock Description	Stock	List
CN	Stock	\$ 15.78
CN	Stock	\$ 15.78
CN	Stock	\$ 16.03
CN	Stock	\$ 16.03
CN	Stock	\$ 16.29
CN	Stock	\$ 16.29
CN	Stock	\$ 16.03
CN	Stock	\$ 16.03
EA	Stock	\$ 2.11
CN	Non-Stock	\$ 101.40
CN	Stock	\$ 47.14
CN	Stock	\$ 47.14
CN	Non-Stock	\$ 55.00
CN	Stock	\$ 48.06
CN	Stock	\$ 72.28
CN	Stock	\$ 77.18
CN	Stock	\$ 98.33
CN	Stock	\$ 91.32
CN	Stock	\$ 93.00
CN	Stock	\$ 52.11
CN	Stock	\$ 38.42
CN	Non-Stock	\$ 49.68
LB	Non-Stock	\$ 90.00
BT	Stock	\$ 7.54
CN	Non-Stock	\$ 71.99
LB	Non-Stock	\$ 66.59
CN	Non-Stock	\$ 66.42

**TOYO INK PRICE LIST**

Part Number	Description
041A0635C515451	1LB AQUALESS MEDTACK PMS 1545
041A0632C5-1681	1LB AQUALESS MEDTACK PMS 168
041A0632C5-2281	1LB AQUALESS MEDTACK PMS 228
041A0632C5244-1	1LB AQUALESS MEDTACK PMS 244
041A0632C525771	1LB AQUALESS MEDTACK PMS 2577
041A0632C5281-1	1LB AQUALESS MEDTACK PMS 281
041A0634C534251	1LB AQUALESS MEDTACK PMS 3425
041A0632C5-3471	1LB AQUALESS MEDTACK PMS 347
041A0632C544851	1LB AQUALESS MEDTACK PMS 4485
041A0632C574061	1LB AQUALESS MEDTACK PMS 7406
041A0632C574871	1LB AQUALESS MEDTACK PMS 7487
041A0632C575121	1LB AQUALESS MEDTACK PMS 7512
041A0636C587421	1LB AQUALESS MEDTACK PMS 8742
041A0634C1-877	1LB AQUALESS MEDTACK PMS 877
041A0117C5872LB	1LB AQUALESS MEDTACK PMS GOLD 872
041A0113C5	1LB AQUALESS MEDTACK PMS117
041A0632C5109-1	1LB AQUALESS MEDTAK PMS 109
041A0112C5	1LB AQUALESS PMS 201 RED
001B0154C1	1LB TOYO COMBO DRIER FOR WATERLESS
10100341CJ-287	2.2LB AQUALESS PROCESS YELLOW LOWTAC
AKQ2627C5	4.5LB TOYO BINDER VARNISH
041A0632C5-465	5LB AQUALESS MEDTACK PMS 465
041A0632C5-360L	5LB AQUALESS LOWACK PMS 360
041A0632C5-124L	5LB AQUALESS LOWTACK PMS 124
041A0632C5-157L	5LB AQUALESS LOWTACK PMS 157
041A0632C5-185L	5LB AQUALESS LOWTACK PMS 185
041A0632C5-200L	5LB AQUALESS LOWTACK PMS 200
041A0113C5-200	5LB AQUALESS LOWTACK PMS 200
041A0114C5-232	5LB AQUALESS LOWTACK PMS 232
041A0113C5-237	5LB AQUALESS LOWTACK PMS 237
041A0115C5-2607	5LB AQUALESS LOWTACK PMS 2607
041A0633C52756L	5LB AQUALESS LOWTACK PMS 2756
041A0632C5-281L	5LB AQUALESS LOWTACK PMS 281
041A0632C5-285L	5LB AQUALESS LOWTACK PMS 285

**TOYO INK PRODUCTS 12% OFF LIST PRICE**

Stock Description	Stock	List
CN	Non-Stock	\$ 62.05
CN	Non-Stock	\$ 51.74
CN	Non-Stock	\$ 53.46
CN	Non-Stock	\$ 60.54
CN	Non-Stock	\$ 60.54
LB	Non-Stock	\$ 66.59
CN	Non-Stock	\$ 77.21
CN	Non-Stock	\$ 73.83
CN	Non-Stock	\$ 51.74
CN	Non-Stock	\$ 49.68
CN	Non-Stock	\$ 60.54
CN	Non-Stock	\$ 50.39
LB	Non-Stock	\$ 79.20
CN	Non-Stock	\$ 74.52
CN	Non-Stock	\$ 78.84
CN	Non-Stock	\$ 47.42
CN	Non-Stock	\$ 65.13
CN	Non-Stock	\$ 46.49
CN	Non-Stock	\$ 10.18
CN	Non-Stock	\$ 15.75
CN	Non-Stock	\$ 25.37
CN	Non-Stock	\$ 113.40
CN	Non-Stock	\$ 113.40
CN	Non-Stock	\$ 113.40
CN	Non-Stock	\$ 113.40
CN	Non-Stock	\$ 113.40
CN	Non-Stock	\$ 113.40
CN	Non-Stock	\$ 102.33
CN	Non-Stock	\$ 118.03
CN	Non-Stock	\$ 102.33
CN	Non-Stock	\$ 133.79
CN	Non-Stock	\$ 122.85
CN	Non-Stock	\$ 113.40
CN	Non-Stock	\$ 113.40



**TOYO INK PRICE LIST**

Part Number	Description
041A0632C5-125	5LB AQUALESS MEDTACK PMS 125
041A0632C5-129	5LB AQUALESS MEDTACK PMS 129
041A0113C5-130	5LB AQUALESS MEDTACK PMS 130
041A0632C5-131	5LB AQUALESS MEDTACK PMS 131
041A0632C5-137	5LB AQUALESS MEDTACK PMS 137
041A0632C5-138	5LB AQUALESS MEDTACK PMS 138
041A0632C5-143	5LB AQUALESS MEDTACK PMS 143
041A0632C5-144	5LB AQUALESS MEDTACK PMS 144
041A0632C5-151	5LB AQUALESS MEDTACK PMS 151
041A0632C5-152	5LB AQUALESS MEDTACK PMS 152
041A0632C5-154	5LB AQUALESS MEDTACK PMS 154
041A0113C5-157	5LB AQUALESS MEDTACK PMS 157
041A0632C5-158	5LB AQUALESS MEDTACK PMS 158
041A0632C5-159	5LB AQUALESS MEDTACK PMS 159
041A0632C5-161	5LB AQUALESS MEDTACK PMS 161
041A0632C5-165	5LB AQUALESS MEDTACK PMS 165
041A0112C5-1655	5LB AQUALESS MEDTACK PMS 1655
041A0632C5-166	5LB AQUALESS MEDTACK PMS 166
041A0112C5-1665	5LB AQUALESS MEDTACK PMS 1665
041A0632C5-167	5LB AQUALESS MEDTACK PMS 167
041A0632C5-172	5LB AQUALESS MEDTACK PMS 172
041A0113C5-1767	5LB AQUALESS MEDTACK PMS 1767
041A0632C5-1795	5LB AQUALESS MEDTACK PMS 1795
041A0632C5-1797	5LB AQUALESS MEDTACK PMS 1797
041A0632C5-1807	5LB AQUALESS MEDTACK PMS 1807
041A0632C5-1815	5LB AQUALESS MEDTACK PMS 1815
041A0632C5-185	5LB AQUALESS MEDTACK PMS 185
041A0112C5-186	5LB AQUALESS MEDTACK PMS 186
041A0632C5-194	5LB AQUALESS MEDTACK PMS 194
041A0112C5-1955	5LB AQUALESS MEDTACK PMS 1955
041A0632C5-1955	5LB AQUALESS MEDTACK PMS 1955
041A0111C5-197	5LB AQUALESS MEDTACK PMS 197
041A0632C5-199	5LB AQUALESS MEDTACK PMS 199
041A0632C5-200	5LB AQUALESS MEDTACK PMS 200

**TOYO INK PRODUCTS 12% OFF LIST PRICE**

Stock Description	Stock	List
CN	Non-Stock	\$ 113.40
CN	Non-Stock	\$ 113.40
CN	Non-Stock	\$ 108.00
CN	Non-Stock	\$ 113.40
EA	Non-Stock	\$ 113.40
CN	Non-Stock	\$ 113.40
CN	Non-Stock	\$ 113.40
CN	Non-Stock	\$ 113.40
CN	Non-Stock	\$ 113.40
CN	Non-Stock	\$ 124.74
CN	Non-Stock	\$ 113.40
CN	Non-Stock	\$ 113.40
CN	Non-Stock	\$ 113.40
CN	Non-Stock	\$ 113.40
CN	Non-Stock	\$ 124.74
CN	Non-Stock	\$ 100.25
EA	Non-Stock	\$ 113.40
CN	Non-Stock	\$ 99.19
CN	Non-Stock	\$ 113.40
CN	Non-Stock	\$ 113.40
CN	Non-Stock	\$ 102.33
CN	Non-Stock	\$ 113.40
CN	Non-Stock	\$ 113.40
CN	Non-Stock	\$ 105.00
CN	Non-Stock	\$ 113.40
CN	Non-Stock	\$ 123.39
CN	Non-Stock	\$ 113.40
EA	Non-Stock	\$ 113.40
CN	Non-Stock	\$ 113.40
CN	Non-Stock	\$ 105.00
CN	Non-Stock	\$ 74.36
CN	Non-Stock	\$ 124.74
CN	Non-Stock	\$ 113.40

**TOYO INK PRICE LIST**

<b>Part Number</b>	<b>Description</b>
041A0632C5-201	5LB AQUALESS MEDTACK PMS 201
041A0632C5-207	5LB AQUALESS MEDTACK PMS 207
041A0632C5-208	5LB AQUALESS MEDTACK PMS 208
041A0112C5-209	5LB AQUALESS MEDTACK PMS 209
041A0634C5-216	5LB AQUALESS MEDTACK PMS 216
041A0632C5-222	5LB AQUALESS MEDTACK PMS 222
041A0634C5-226	5LB AQUALESS MEDTACK PMS 226
041A0632C5-228	5LB AQUALESS MEDTACK PMS 228
041A0636C5-233	5LB AQUALESS MEDTACK PMS 233
041A0635C5-2405	5LB AQUALESS MEDTACK PMS 2405
041A0632C5-2573	5LB AQUALESS MEDTACK PMS 2573
041A0632C5-259	5LB AQUALESS MEDTACK PMS 259
041A0635C5-2592	5LB AQUALESS MEDTACK PMS 2592
041A0632C5-2603	5LB AQUALESS MEDTACK PMS 2603
041A0633C5-2603	5LB AQUALESS MEDTACK PMS 2603
041A0632C5-262	5LB AQUALESS MEDTACK PMS 262
041A0633C5-2623	5LB AQUALESS MEDTACK PMS 2623
041A0634C52668U	5LB AQUALESS MEDTACK PMS 2668
041A0632C5-2718	5LB AQUALESS MEDTACK PMS 2718
041A0113C5-2728	5LB AQUALESS MEDTACK PMS 2728
041A0633C5-2746	5LB AQUALESS MEDTACK PMS 2746
041A0634C5-2747	5LB AQUALESS MEDTACK PMS 2747
041A0634C5-2748	5LB AQUALESS MEDTACK PMS 2748
041A0633C5-2756	5LB AQUALESS MEDTACK PMS 2756
041A0632C5-2757	5LB AQUALESS MEDTACK PMS 2757
041A0633C5-2758	5LB AQUALESS MEDTACK PMS 2758
041A0634C5-2765	5LB AQUALESS MEDTACK PMS 2765
041A0633C5-2766	5LB AQUALESS MEDTACK PMS 2766
041A0631C5-278	5LB AQUALESS MEDTACK PMS 278
041A0632C5-279	5LB AQUALESS MEDTACK PMS 279
041A0633C5-280	5LB AQUALESS MEDTACK PMS 280
041A0632C5-281	5LB AQUALESS MEDTACK PMS 281
041A0632C5-282	5LB AQUALESS MEDTACK PMS 282
041A0632C5-285	5LB AQUALESS MEDTACK PMS 285

**TOYO INK PRODUCTS 12% OFF LIST PRICE**

<b>Stock Description</b>	<b>Stock</b>	<b>List</b>
CN	Non-Stock	\$ 113.40
CN	Non-Stock	\$ 113.40
CN	Non-Stock	\$ 113.40
CN	Non-Stock	\$ 113.40
CN	Non-Stock	\$ 141.75
CN	Non-Stock	\$ 113.40
CN	Non-Stock	\$ 141.75
CN	Non-Stock	\$ 113.40
CN	Non-Stock	\$ 179.55
CN	Non-Stock	\$ 160.65
CN	Non-Stock	\$ 113.40
CN	Non-Stock	\$ 113.40
CN	Non-Stock	\$ 160.65
CN	Non-Stock	\$ 122.85
CN	Non-Stock	\$ 122.85
CN	Non-Stock	\$ 113.40
CN	Non-Stock	\$ 122.85
CN	Non-Stock	\$ 135.00
CN	Non-Stock	\$ 113.40
CN	Non-Stock	\$ 78.07
CN	Non-Stock	\$ 122.85
CN	Non-Stock	\$ 141.75
CN	Non-Stock	\$ 131.25
CN	Non-Stock	\$ 122.85
CN	Non-Stock	\$ 131.25
CN	Non-Stock	\$ 122.85
CN	Non-Stock	\$ 99.23
CN	Non-Stock	\$ 113.40
CN	Non-Stock	\$ 122.85
CN	Non-Stock	\$ 113.40
CN	Non-Stock	\$ 113.40
CN	Non-Stock	\$ 124.74

**TOYO INK PRICE LIST**

<b>Part Number</b>	<b>Description</b>
041A0114C5-286M	5LB AQUALESS MEDTACK PMS 286
041A0114C4	5LB AQUALESS MEDTACK PMS 286
041A0632C5-287	5LB AQUALESS MEDTACK PMS 287
041A0632C5-288	5LB AQUALESS MEDTACK PMS 288
041A0632C5-289	5LB AQUALESS MEDTACK PMS 289
041A0632C1-290	5LB AQUALESS MEDTACK PMS 290
041A0631C5-290	5LB AQUALESS MEDTACK PMS 290
041A0632C5-2905	5LB AQUALESS MEDTACK PMS 2905
041A0632C5-2925	5LB AQUALESS MEDTACK PMS 2925
041A0114C5-293	5LB AQUALESS MEDTACK PMS 293
041A0632C5-2935	5LB AQUALESS MEDTACK PMS 2935
041A0013C5-294	5LB AQUALESS MEDTACK PMS 294
041A0113C5-294	5LB AQUALESS MEDTACK PMS 294
041A0632C5-295	5LB AQUALESS MEDTACK PMS 295
041A0632C5-2955	5LB AQUALESS MEDTACK PMS 2955
041A0632C5-296	5LB AQUALESS MEDTACK PMS 296
041A0632C5-2965	5LB AQUALESS MEDTACK PMS 2965
041A0113C5-300	5LB AQUALESS MEDTACK PMS 300
041A0632C5-301	5LB AQUALESS MEDTACK PMS 301
041A0632C5-3015	5LB AQUALESS MEDTACK PMS 3015
041A0632C5-302	5LB AQUALESS MEDTACK PMS 302
041A0631C5-304	5LB AQUALESS MEDTACK PMS 304
041A0631C5-305	5LB AQUALESS MEDTACK PMS 305
041A0634C5-306	5LB AQUALESS MEDTACK PMS 306
041A0113C5-308	5LB AQUALESS MEDTACK PMS 308
041A0632C5-311	5LB AQUALESS MEDTACK PMS 311
041A0113C5-3165	5LB AQUALESS MEDTACK PMS 3165
041A0114C5-3165	5LB AQUALESS MEDTACK PMS 3165
041A0114C5-320	5LB AQUALESS MEDTACK PMS 320
041A0633C5-322	5LB AQUALESS MEDTACK PMS 322
041A0632C5-326	5LB AQUALESS MEDTACK PMS 326
041A0632C5-327	5LB AQUALESS MEDTACK PMS 327
041A0113C5-3298	5LB AQUALESS MEDTACK PMS 3298
041A0114C5-3405	5LB AQUALESS MEDTACK PMS 3405

**TOYO INK PRODUCTS 12% OFF LIST PRICE**

<b>Stock Description</b>	<b>Stock</b>	<b>List</b>
CN	Non-Stock	\$ 124.62
CN	Non-Stock	\$ 135.00
CN	Non-Stock	\$ 113.40
CN	Non-Stock	\$ 113.40
CN	Non-Stock	\$ 113.40
CN	Non-Stock	\$ 110.26
CN	Non-Stock	\$ 91.88
CN	Non-Stock	\$ 113.40
CN	Non-Stock	\$ 113.40
CN	Non-Stock	\$ 123.93
CN	Non-Stock	\$ 113.40
CN	Non-Stock	\$ 78.07
CN	Non-Stock	\$ 117.00
CN	Non-Stock	\$ 113.40
CN	Non-Stock	\$ 113.40
CN	Non-Stock	\$ 113.40
CN	Non-Stock	\$ 108.00
CN	Non-Stock	\$ 113.40
CN	Non-Stock	\$ 113.40
CN	Non-Stock	\$ 99.23
CN	Non-Stock	\$ 99.23
CN	Non-Stock	\$ 124.74
CN	Non-Stock	\$ 117.00
CN	Non-Stock	\$ 113.40
CN	Non-Stock	\$ 115.67
CN	Non-Stock	\$ 121.51
CN	Non-Stock	\$ 135.00
CN	Non-Stock	\$ 113.75
CN	Non-Stock	\$ 113.40
CN	Non-Stock	\$ 113.40
CN	Non-Stock	\$ 117.00
CN	Non-Stock	\$ 141.75

**TOYO INK PRICE LIST**

<b>Part Number</b>	<b>Description</b>
041A0632C5-341	5LB AQUALESS MEDTACK PMS 341
041A0634C5-3415	5LB AQUALESS MEDTACK PMS 3415
041A0634C5-3425	5LB AQUALESS MEDTACK PMS 3425
041A0632C5-343	5LB AQUALESS MEDTACK PMS 343
041A0631C5-345	5LB AQUALESS MEDTACK PMS 345
041A0632C5-346	5LB AQUALESS MEDTACK PMS 346
041A0632C5-349	5LB AQUALESS MEDTACK PMS 349
041A0114C5-354	5LB AQUALESS MEDTACK PMS 354
041A0633C5-355	5LB AQUALESS MEDTACK PMS 355
041A0633C5-356	5LB AQUALESS MEDTACK PMS 356
041A0113C5-356	5LB AQUALESS MEDTACK PMS 356
041A0113C5-360	5LB AQUALESS MEDTACK PMS 360
041A0632C5-367	5LB AQUALESS MEDTACK PMS 367
041A0632C5-369	5LB AQUALESS MEDTACK PMS 369
041A0632C5-378	5LB AQUALESS MEDTACK PMS 378
041A0632C5-383	5LB AQUALESS MEDTACK PMS 383
041A0631C5-406	5LB AQUALESS MEDTACK PMS 406
041A0631C5-422	5LB AQUALESS MEDTACK PMS 422
041A0631C5-423	5LB AQUALESS MEDTACK PMS 423
041A0631C5-425	5LB AQUALESS MEDTACK PMS 425
041A0631C5-426	5LB AQUALESS MEDTACK PMS 426
041A0111C5-429	5LB AQUALESS MEDTACK PMS 429
041A0111C5-430	5LB AQUALESS MEDTACK PMS 430
041A0013C5-430	5LB AQUALESS MEDTACK PMS 430
041A0631C5-431	5LB AQUALESS MEDTACK PMS 431
041A0631C5-432	5LB AQUALESS MEDTACK PMS 432
041A0632C5-449	5LB AQUALESS MEDTACK PMS 449
041A0631C5-4525	5LB AQUALESS MEDTACK PMS 4525
041A0631C5-4535	5LB AQUALESS MEDTACK PMS 4535
041A0632C5-457	5LB AQUALESS MEDTACK PMS 457
041A0632C5-462	5LB AQUALESS MEDTACK PMS 462
041A0632C5-4625	5LB AQUALESS MEDTACK PMS 4625
041A0632C5-463	5LB AQUALESS MEDTACK PMS 463
041A0631C5-468	5LB AQUALESS MEDTACK PMS 468

**TOYO INK PRODUCTS 12% OFF LIST PRICE**

<b>Stock Description</b>	<b>Stock</b>	<b>List</b>
CN	Non-Stock	\$ 113.40
CN	Non-Stock	\$ 141.75
CN	Non-Stock	\$ 148.83
CN	Non-Stock	\$ 113.40
CN	Non-Stock	\$ 91.88
CN	Non-Stock	\$ 113.40
CN	Non-Stock	\$ 113.40
CN	Non-Stock	\$ 141.75
CN	Non-Stock	\$ 135.00
CN	Non-Stock	\$ 122.85
CN	Non-Stock	\$ 115.67
CN	Non-Stock	\$ 113.40
CN	Non-Stock	\$ 113.40
CN	Non-Stock	\$ 113.40
CN	Non-Stock	\$ 113.40
CN	Non-Stock	\$ 99.23
EA	Non-Stock	\$ 99.23
CN	Non-Stock	\$ 99.23
CN	Non-Stock	\$ 99.23
CN	Non-Stock	\$ 99.23
CN	Non-Stock	\$ 87.23
CN	Non-Stock	\$ 86.76
CN	Non-Stock	\$ 99.23
CN	Non-Stock	\$ 99.23
CN	Non-Stock	\$ 99.23
CN	Non-Stock	\$ 113.40
CN	Non-Stock	\$ 99.23
CN	Non-Stock	\$ 91.88
CN	Non-Stock	\$ 113.40
CN	Non-Stock	\$ 113.40
CN	Non-Stock	\$ 113.40
CN	Non-Stock	\$ 113.40
CN	Non-Stock	\$ 99.23



**TOYO INK PRICE LIST**

<b>Part Number</b>	<b>Description</b>
041A0632C5-469	5LB AQUALESS MEDTACK PMS 469
041A0113C5-4695	5LB AQUALESS MEDTACK PMS 4695
041A0632C5-476	5LB AQUALESS MEDTACK PMS 476
041A0632C5-485	5LB AQUALESS MEDTACK PMS 485
041A0635C5-527	5LB AQUALESS MEDTACK PMS 527
041A0632C5-5275	5LB AQUALESS MEDTACK PMS 5275
041A0632C5-540	5LB AQUALESS MEDTACK PMS 540
041A0632C5-5405	5LB AQUALESS MEDTACK PMS 5405
041A0632C5-541	5LB AQUALESS MEDTACK PMS 541
041A0632C5-5415	5LB AQUALESS MEDTACK PMS 5415
041A0632C5-5473	5LB AQUALESS MEDTACK PMS 5473
041A0632C5-548	5LB AQUALESS MEDTACK PMS 548
041A0631C5-5483	5LB AQUALESS MEDTACK PMS 5483
041A0632C5-549	5LB AQUALESS MEDTACK PMS 549
041A0631C5-5497	5LB AQUALESS MEDTACK PMS 5497
041A0632C5-5545	5LB AQUALESS MEDTACK PMS 5545
041A0632C5-5555	5LB AQUALESS MEDTACK PMS 5555
041A0632C5-556	5LB AQUALESS MEDTACK PMS 556
041A0114C5-557	5LB AQUALESS MEDTACK PMS 557
041A0634C5-561	5LB AQUALESS MEDTACK PMS 561
041A0114C5	5LB AQUALESS MEDTACK PMS 569
041A0112C5-5753	5LB AQUALESS MEDTACK PMS 5753
041A0631C5-5777	5LB AQUALESS MEDTACK PMS 5777
041A0631C5-5855	5LB AQUALESS MEDTACK PMS 5855
041A0632C5-613	5LB AQUALESS MEDTACK PMS 613
041A0112C5-617	5LB AQUALESS MEDTACK PMS 617
041A0632C5-619	5LB AQUALESS MEDTACK PMS 619
041A0112C5-625	5LB AQUALESS MEDTACK PMS 625
041A0632C5-640	5LB AQUALESS MEDTACK PMS 640
041A0114C5-647	5LB AQUALESS MEDTACK PMS 647
041A0632C5-648	5LB AQUALESS MEDTACK PMS 648
041A0631C5-652	5LB AQUALESS MEDTACK PMS 652
041A0632C5-653	5LB AQUALESS MEDTACK PMS 653
041A0634C5-654	5LB AQUALESS MEDTACK PMS 654

**TOYO INK PRODUCTS 12% OFF LIST PRICE**

<b>Stock Description</b>	<b>Stock</b>	<b>List</b>
CN	Non-Stock	\$ 113.40
CN	Non-Stock	\$ 102.33
CN	Non-Stock	\$ 113.40
CN	Non-Stock	\$ 113.40
CN	Non-Stock	\$ 160.65
CN	Non-Stock	\$ 113.40
CN	Non-Stock	\$ 113.40
CN	Non-Stock	\$ 124.74
CN	Non-Stock	\$ 113.40
CN	Non-Stock	\$ 113.40
CN	Non-Stock	\$ 113.40
CN	Non-Stock	\$ 99.23
CN	Non-Stock	\$ 113.40
EA	Non-Stock	\$ 99.23
CN	Non-Stock	\$ 113.40
CN	Non-Stock	\$ 113.40
CN	Non-Stock	\$ 105.00
CN	Non-Stock	\$ 124.74
CN	Non-Stock	\$ 141.75
CN	Non-Stock	\$ 135.00
CN	Non-Stock	\$ 87.62
EA	Non-Stock	\$ 99.23
EA	Non-Stock	\$ 99.23
CN	Non-Stock	\$ 83.83
CN	Non-Stock	\$ 99.68
CN	Non-Stock	\$ 113.40
CN	Non-Stock	\$ 99.48
CN	Non-Stock	\$ 113.40
CN	Non-Stock	\$ 124.20
CN	Non-Stock	\$ 113.40
EA	Non-Stock	\$ 99.23
CN	Non-Stock	\$ 118.53
CN	Non-Stock	\$ 141.75

**TOYO INK PRICE LIST**

Part Number	Description
041A0632C-660	5LB AQUALESS MEDTACK PMS 660
041A0632C5-660	5LB AQUALESS MEDTACK PMS 660
041A0112C5-662	5LB AQUALESS MEDTACK PMS 662
041A0113C5-667	5LB AQUALESS MEDTACK PMS 667
041A0633C5-669	5LB AQUALESS MEDTACK PMS 669
041A0631C5-673	5LB AQUALESS MEDTACK PMS 673
041A0113C5-701	5LB AQUALESS MEDTACK PMS 701
041A0634C5-704	5LB AQUALESS MEDTACK PMS 704
041A0115C5-724	5LB AQUALESS MEDTACK PMS 724
041A0632C5-7406	5LB AQUALESS MEDTACK PMS 7406
041A0112C5-7413	5LB AQUALESS MEDTACK PMS 7413
041A0632C5-7428	5LB AQUALESS MEDTACK PMS 7428
041A0632C5-7455	5LB AQUALESS MEDTACK PMS 7455
041A0632C5-7456	5LB AQUALESS MEDTACK PMS 7456
041A0112C5-7458	5LB AQUALESS MEDTACK PMS 7458
041A0632C5-7461	5LB AQUALESS MEDTACK PMS 7461
041A0112C57462U	5LB AQUALESS MEDTACK PMS 7462UNCTD
041A0632C5-7473	5LB AQUALESS MEDTACK PMS 7473
041A0632C5-7494	5LB AQUALESS MEDTACK PMS 7494
041A0632C5-7496	5LB AQUALESS MEDTACK PMS 7496
041A0631C1-7533	5LB AQUALESS MEDTACK PMS 7533
041A0631C5-7533	5LB AQUALESS MEDTACK PMS 7533
041A0631C5-7545	5LB AQUALESS MEDTACK PMS 7545
041A0631C5-7546	5LB AQUALESS MEDTACK PMS 7546
041A0637C5-801	5LB AQUALESS MEDTACK PMS 801 FLUOR
041A0637C5-8021	5LB AQUALESS MEDTACK PMS 8021
041A0637C5-803	5LB AQUALESS MEDTACK PMS 803
041A0637C5-811C	5LB AQUALESS MEDTACK PMS 811C
041A0634C5-8202	5LB AQUALESS MEDTACK PMS 8202
041A0634C5-8380	5LB AQUALESS MEDTACK PMS 8380
041A0634C5-8401	5LB AQUALESS MEDTACK PMS 8401
O41A06114C58402	5LB AQUALESS MEDTACK PMS 8402
041A0635C5-8645	5LB AQUALESS MEDTACK PMS 8645
041A0637C5-8820	5LB AQUALESS MEDTACK PMS 8820

**TOYO INK PRODUCTS 12% OFF LIST PRICE**

Stock Description	Stock	List
CN	Non-Stock	\$ 105.00
CN	Non-Stock	\$ 105.00
CN	Non-Stock	\$ 123.93
CN	Non-Stock	\$ 113.40
CN	Non-Stock	\$ 122.85
CN	Non-Stock	\$ 99.23
CN	Non-Stock	\$ 113.40
CN	Non-Stock	\$ 141.75
CN	Non-Stock	\$ 153.31
CN	Non-Stock	\$ 113.40
CN	Non-Stock	\$ 95.47
CN	Non-Stock	\$ 113.40
EA	Non-Stock	\$ 113.40
CN	Non-Stock	\$ 113.40
CN	Non-Stock	\$ 99.68
CN	Non-Stock	\$ 113.40
CN	Non-Stock	\$ 102.60
CN	Non-Stock	\$ 113.40
CN	Non-Stock	\$ 113.40
CN	Non-Stock	\$ 113.40
CN	Non-Stock	\$ 110.26
CN	Non-Stock	\$ 91.88
CN	Non-Stock	\$ 99.23
CN	Non-Stock	\$ 99.23
CN	Non-Stock	\$ 213.75
CN	Non-Stock	\$ 259.85
CN	Non-Stock	\$ 236.25
CN	Non-Stock	\$ 236.25
CN	Non-Stock	\$ 135.00
CN	Non-Stock	\$ 135.00
CN	Non-Stock	\$ 155.97
EA	Non-Stock	\$ 128.25
CN	Non-Stock	\$ 160.65
CN	Non-Stock	\$ 236.25

**TOYO INK PRICE LIST**

Part Number	Description
041A0638C5-8923	5LB AQUALESS MEDTACK PMS 8923
041A0631C5-CG8	5LB AQUALESS MEDTACK PMS COOL GRAY 8
041A0113C5-CG9	5LB AQUALESS MEDTACK PMS COOL GRAY 9
041A0113C5-CG10	5LB AQUALESS MEDTACK PMS COOL GRAY10
041A0117C5-871	5LB AQUALESS MEDTACK PMS GOLD 871
041A0117C5-872	5LB AQUALESS MEDTACK PMS GOLD 872
041A0117C5-873	5LB AQUALESS MEDTACK PMS GOLD 873
041A0117C5-874	5LB AQUALESS MEDTACK PMS GOLD 874
041A0117C5-876	5LB AQUALESS MEDTACK PMS GOLD 876
TIIL-5711	5LB AQUALESS MEDTACK STONE
TIIL-5876	5LB AQUALESS MEDTACK VOLVO BLUE
041A0112C5-W62	5LB AQUALESS OPAQUE WHITE 62
00190409C5-877	5LB AQUALESS PANTONE SILVER 87
00150142C5	5LB AQUALESS PMS 032 RED
041A0112C5-201	5LB AQUALESS PMS 201 RED
041A0114C5-287	5LB AQUALESS PMS 287 BLUE LOWTACK
041A0112C5-295	5LB AQUALESS PMS 295 LOW TACK
041A0114C5-511	5LB AQUALESS PMS 511 PLUM LOWTACK
041A0112C5-BK6M	5LB AQUALESS PMS BLACK 6 MATTE
00160136C5	5LB AQUALESS PMS REFLEX BLUE
00180375C5	5LB AQUALESS PMS TRANS WHITE
041A0112C5-WG7	5LB AQUALESS PMS WARM GRAY 7
041A0113C5-STCS	5LB AQUALESS SATIN CLEAR SEALER
041A0634C5-TSGK	5LB AQUALESS TSG BLACK
041A0634C5-TSGC	5LB AQUALESS TSG CYAN
041A0634C5-TSGM	5LB AQUALESS TSG MAGENTA
041A0634C5-TSGW	5LB AQUALESS TSG OPAQUE WHITE
041A0634C5-TSGY	5LB AQUALESS TSG YELLOW
00170267C5	5LB AQUALESS ULTRA DENSE BLK MEDTACK
041A0112C5-187	5LB AQUALESS MEDTACK PMS 187
041A0113C5-534	5LB AQUALESS MEDTACK PMS 534
00180557KR	AQL Karat Matte
00180556KR	AQL Karat MCOP Gloss Varnish
00180558KR	AQL KARAT SATIN

**TOYO INK PRODUCTS 12% OFF LIST PRICE**

Stock Description	Stock	List
CN	Non-Stock	\$ 270.00
CN	Non-Stock	\$ 99.23
CN	Non-Stock	\$ 102.33
CN	Non-Stock	\$ 108.00
CN	Non-Stock	\$ 199.41
CN	Non-Stock	\$ 199.41
CN	Non-Stock	\$ 199.41
CN	Non-Stock	\$ 199.41
CN	Non-Stock	\$ 199.41
CN	Non-Stock	\$ 102.33
CN	Non-Stock	\$ 233.95
CN	Non-Stock	\$ 99.48
CN	Stock	\$ 126.75
CN	Stock	\$ 101.43
CN	Stock	\$ 92.53
CN	Non-Stock	\$ 94.74
CN	Non-Stock	\$ 99.48
CN	Non-Stock	\$ 94.74
CN	Non-Stock	\$ 102.60
CN	Stock	\$ 59.51
CN	Stock	\$ 66.15
CN	Non-Stock	\$ 69.40
CN	Non-Stock	\$ 122.85
CN	Non-Stock	\$ 153.36
CN	Non-Stock	\$ 153.36
CN	Non-Stock	\$ 153.36
CN	Non-Stock	\$ 116.64
CN	Non-Stock	\$ 153.36
CN	Non-Stock	\$ 56.70
CN	Non-Stock	\$ 113.40
CN	Non-Stock	\$ 122.31
EA	Stock	\$ 30.99
EA	Stock	\$ 26.29
EA	Stock	\$ 29.94

**TOYO INK PRICE LIST**

Part Number	Description
00130540KR	AQL KARAT TUBE BLACK EXD
00130462H5	AQL KARAT TUBE BLACK M
00120539KR	AQL KARAT TUBE CYAN EXD
00120461H5	AQL KARAT TUBE CYAN M
00130524H5	AQL KARAT TUBE DENSE BLACK M
00100510H5	AQL KARAT TUBE EX YELLOW M
00110538KR	AQL KARAT TUBE MAGENTA EXD
00110460H5	AQL KARAT TUBE MAGENTA M
00110531H5	AQL KARAT TUBE MAGENTA S M
00100459H5	AQL KARAT TUBE SWOP YELLOW M
00100537KR	AQL KARAT TUBE YELLOW EXD
00100463H5	AQL KARAT TUBE YELLOW M
00180264K1	AQUALESS GLOSS MEDIUM 8LB
041A0113C5-TBK	AQUALESS TSP400 BLACK MEDTACK
041A0114C5-TCY	AQUALESS TSP400 CYAN MEDTACK
041A0114C5-TMG	AQUALESS TSP400 MAGENTA MEDTACK
041A0114C5-TYL	AQUALESS TSP400 YELLOW MEDTACK
041A0115C5-TRMG	AQUALESS TSP400RESIST MAG MEDTACK
041A0118C5-TRYL	AQUALESS TSP400RESIST YELLOW MEDTACK
TOYO-30125	TOYO AQL WAXLS MCOP GLS VARNISH 8LB
TOYO-30212	TOYO AQUALESS MATTE OP VARNISH 9.5LB
TOYO-30268	TOYO AQUALESS MCOP GLOSS VARNISH 8LB
00180266K1	TOYO AQUALESS MCOP GLOSS VARNISH 8LB
13BB0014XX	TOYO COLOR FINDER 10,000 5 BOOK SET
03180274K1	TOYO NEW GEL INK REDUCER 8 LBS
TOYO-AT50	TOYO STOP TONING AGENT LITER

**TOYO INK PRODUCTS 12% OFF LIST PRICE**

Stock Description	Stock	List
EA	Non-Stock	\$ 39.72
EA	Stock	\$ 37.85
EA	Non-Stock	\$ 39.93
EA	Stock	\$ 38.01
EA	Stock	\$ 40.60
EA	Stock	\$ 36.34
EA	Non-Stock	\$ 40.35
EA	Stock	\$ 38.40
EA	Stock	\$ 39.58
EA	Stock	\$ 32.35
EA	Non-Stock	\$ 33.97
EA	Stock	\$ 32.35
CN	Non-Stock	\$ 38.33
CN	Non-Stock	\$ 107.45
CN	Non-Stock	\$ 123.93
CN	Non-Stock	\$ 123.93
CN	Non-Stock	\$ 123.93
CN	Non-Stock	\$ 140.48
CN	Non-Stock	\$ 247.87
CN	Stock	\$ 56.08
CN	Stock	\$ 91.64
CN	Stock	\$ 46.35
CN	Non-Stock	\$ 45.45
EA	Non-Stock	\$ 318.60
EA	Non-Stock	\$ 60.48
LT	Stock	\$ 167.72



# VARN PRODUCTS



VARN 30% OFF LIST PRICE

Product Code	Unit of Measure	Units per Package	Product Description	Effective Jan 12, 2009	
				Suggested List Price per Package	Suggested List Price per Unit
17005EA	each	4	FOUNTAINPURE RELIEF VALVE KIT 3 lb. -- 1/2" TUBING	176.28	44.07
17007EA	each	4	FOUNTAINPURE HIGH FLOW FILTER 7007 -- 1" TUBING	869.31	217.33
17500EA	each	1	HAND SPRAYER 9"	4.56	4.56
17541EA	each	10	ACID PH STICKS 3.6-6.1	134.25	13.43
17551EA	each	1	HAND CLEANER DISPENSER 4.5 LB	31.69	31.69
17560EA	each	1	MYRON L COND METER	240.35	240.35
17562EA	each	1	HANNA PH ELECTRIC PEN	75.58	75.58
17564EA	each	1	MYRON M6PH METER W/CASE	978.79	978.79
17570EA	each	1	SOLVENT DRUM PUMP	170.81	170.81
17572EA	each	1	DOSER DI-110	1,272.40	1,272.40
17576EA	each	1	GRAPHIC DOSER KIT	254.49	254.49
17592EA	each	1	PLASTIC DRUM SPIGOT	6.72	6.72
17593EA	each	12	GOOSENECK WASH BOTTLE CS	64.03	5.34
17594EA	each	1	5 GA PAIL PUMP	53.99	53.99
17596EA	each	1	POLY DRUM PUMP	50.12	50.12
17598EA	each	1	DRUM OPENER W-169	16.97	16.97
17600EA	each	6	FOUNTAINPURE FILTER 7600 -- 1/2" TUBING	241.84	40.31
17601EA	each	6	FOUNTAINPURE RELIEF VALVE KIT 1 lb. -- 1/2" TUBING	277.65	46.28
17602EA	each	4	FOUNTAINPURE LSW FILTER 7602 -- 1" TUBING	644.96	161.24
17603EA	each	2	FOUNTAINPURE RELIEF VALVE KIT 3 lb. -- 1" TUBING	89.08	44.54
17635EA	each	1	HYDROBLEND FS	1,842.86	1,842.86
17636EA	each	1	HYDROBLEND WC	1,933.93	1,933.93
17637EA	each	1	HYDROBLEND FS HORIZONTAL MOUNT	1,885.71	1,885.71
17638EA	each	1	HYDROBLEND WC HORIZONTAL MOUNT	1,976.79	1,976.79
17639EA	each	1	HYDROBLEND FS 2-STEP VERTICAL	1,975.15	1,975.15
15340AE	each	12	INK READI CS 12EA	105.14	8.76
15341AE	each	12	ANTI-STATIC CS 12EA	108.20	9.02
15342AE	each	12	SILICONE SPRAY CS 12EA	121.42	10.12
15343AE	each	12	GLASS CLEANER CS 12EA	70.87	5.91
16455CA	pound	44	R-20 4 X 11 LB CTN	137.72	3.13
16455CB	pound	55	R-20 55LB CTN	102.30	1.86
16457CA	pound	44	R-23 4 X 11 LB CTN	137.72	3.13
16457CB	pound	55	R-23 55LB CTN	102.30	1.86
16459CA	pound	44	R-27 4 X 11 LB CTN	137.72	3.13
16459CB	pound	55	R-27 55LB CTN	102.30	1.86
16460CA	pound	44	R-35 4 X 11 LB CTN	137.72	3.13
16460CB	pound	55	R-35 55LB CTN	102.30	1.86
16461CA	pound	44	C-350 4 X 11 LB CTN	149.16	3.39

Product Code	Unit of Measure	Units per Package	Product Description	Effective Jan 12, 2009	
				Suggested List Price per Package	Suggested List Price per Unit
16461CB	pound	55	C-350 55LB CTN	106.15	1.93
16462CA	pound	44	R-50 4 X 11 LB CTN	137.72	3.13
16462CB	pound	55	R-50 55LB CTN	102.30	1.86
16463CA	pound	44	C-230 4 X 11 LB CTN	149.16	3.39
16463CB	pound	55	C-230 55LB CTN	106.15	1.93
16464CA	pound	44	C-270 4 X 11 LB CTN	149.16	3.39
16464CB	pound	55	C-270 55LB CTN	106.15	1.93
16465CA	pound	44	C-500 4 X 11 LB CTN	149.16	3.39
16465CB	pound	55	C-500 55LB CTN	106.15	1.93
16468CB	pound	55	C-550 55LB CTN	106.15	1.93
16469CB	pound	55	C-600 55LB CTN	106.15	1.93
13037DB	gallon	55	ABSOLUTE 6300 ALC SUB 55G DR	1,200.61	21.83
13037GB	gallon	4	ABSOLUTE 6300 ALC SUB 4G CS	120.44	30.11
13037PB	gallon	5	ABSOLUTE 6300 ALC SUB 5G PAIL	144.84	28.97
13045DA	gallon	30	ABSOLUTE 6035 ALC SUB 30G DR	864.16	28.81
13045DB	gallon	55	ABSOLUTE 6035 ALC SUB 55G DR	1,506.36	27.39
13045GB	gallon	4	ABSOLUTE 6035 ALC SUB 4G CS	139.92	34.98
13045PB	gallon	5	ABSOLUTE 6035 ALC SUB 5G PAIL	168.61	33.72
13046DA	gallon	30	ABSOLUTE 6036 ALC SUB 30G DR	864.16	28.81
13046DB	gallon	55	ABSOLUTE 6036 ALC SUB 55G DR	1,506.36	27.39
13046GB	gallon	4	ABSOLUTE 6036 ALC SUB 4G CS	139.92	34.98
13046PB	gallon	5	ABSOLUTE 6036 ALC SUB 5G PAIL	168.61	33.72
13100DB	gallon	55	PAR 55G DR	1,889.44	34.35
13100GB	gallon	4	PAR 4G CS	206.28	51.57
13100PB	gallon	5	PAR 5G PAIL	223.60	44.72
13248DE	gallon	55	JET WET 55G DR	1,497.36	27.22
13248GA	gallon	6	JET WET 6G CS	226.68	37.78
13248PA	gallon	5	JET WET 5G PAIL	180.54	36.11
15237GB	gallon	4	INK-DRYING STIM 4G CS	271.16	67.79
15250DE	gallon	55	NPA 55G DR	1,081.50	19.66
15250GA	gallon	6	NPA 6G CS	165.54	27.59
15250PA	gallon	5	NPA 5G PAIL	126.93	25.39
15280KA	pint	12	SUPER DEFOAMER CS 12 EA	421.56	35.13
17282DE	gallon	55	IPA 55G DR	770.17	14.00
17282GA	gallon	6	IPA 6G CS	193.50	32.25
17282PA	gallon	5	IPA 5G PAIL	108.11	21.62
13002DB	gallon	55	OPTI PRINT 069 55G DRUM	1,964.60	35.72
13002GB	gallon	4	OPTI PRINT 4G CS	211.92	52.94
13002PB	gallon	5	OPTI PRINT 069 5G PAIL	254.55	50.91
13004GB	gallon	4	UNIVERSAL PINK 4G CS	80.79	20.20
13034DB	gallon	55	PANTHEON 606C 55G DR	1,014.35	18.44
13034GB	gallon	4	PANTHEON 606C 4G CS	106.08	26.52
13034PB	gallon	5	PANTHEON 606C 5GPA	119.14	23.83
13034TD	gallon	330	PANTHEON 606C 330G TO	6,086.12	18.44
13042DB	gallon	55	PANTHEON OPTIMA 55G	965.79	17.56
13042GB	gallon	4	PANTHEON OPTIMA 4G	113.49	28.37
13042PB	gallon	5	PANTHEON OPTIMA 5G	120.83	24.17
13042TD	gallon	330	PANTHEON OPTIMA 330G TO	5,794.77	17.56
13047DA	gallon	30	SUPREME 6037 FS CONC 30G DR	699.90	23.33

Product Code	Unit of Measure	Units per Package	Product Description	Effective Jan 12, 2009	
				Suggested List Price per Package	Suggested List Price per Unit
13047DB	gallon	55	SUPREME 6037 FS CONC 55G DR	1,210.39	22.01
13047GB	gallon	4	SUPREME 6037 FS CONC 4G CS	117.72	29.43
13047PB	gallon	5	SUPREME 6037 FS CONC 5G PAIL	141.75	28.35
13048DA	gallon	30	SUPREME 6038 FS CONC 30G DR	699.90	23.33
13048DB	gallon	55	SUPREME 6038 FS CONC 55G DR	1,210.39	22.01
13048GB	gallon	4	SUPREME 6038 FS CONC 4G CS	117.72	29.43
13048PB	gallon	5	SUPREME 6038 FS CONC 5G PAIL	141.75	28.35
13049DB	gallon	55	SUPREME FOUNT 7086 55G DR	965.79	17.56
13049GB	gallon	4	SUPREME FOUNT 7086 4G CS	113.49	28.37
13049PB	gallon	5	SUPREME FOUNT 7086 5G PAIL	120.83	24.17
13049TD	gallon	330	SUPREME FOUNT 7086 330G TOTE	5,794.77	17.56
13111GB	gallon	4	VERSI 4G CS	104.20	26.05
13112DA	gallon	30	TOTAL PLUS AR 30G DR	721.04	24.03
13112DB	gallon	55	TOTAL PLUS AR 55G DR	1,251.16	22.75
13112GB	gallon	4	TOTAL PLUS AR 4G CS	123.61	30.90
13112PB	gallon	5	TOTAL PLUS AR 5G PAIL	152.49	30.50
13135GB	gallon	4	SUPERLENE 4G CS	125.74	31.44
13138DA	gallon	30	TOTAL 30G DR	660.21	22.01
13138DB	gallon	55	TOTAL 55G DR	1,155.24	21.00
13138GB	gallon	4	TOTAL 4G CS	120.07	30.02
13138PB	gallon	5	TOTAL 5G PAIL	142.68	28.54
13144DA	gallon	30	TOTAL CHROME FREE 30G DR	644.19	21.47
13144DB	gallon	55	TOTAL CHROME FREE 55G DR	1,125.26	20.46
13144GB	gallon	4	TOTAL CHROME FREE 4G CS	109.31	27.33
13144PB	gallon	5	TOTAL CHROME FREE 5G PAIL	130.91	26.18
13144QA	quart	12	TOTAL CHROME FREE 12QT CS	147.80	12.32
12001DB	gallon	55	NEWSLINE NEUTRAL 350 55G DR	550.55	10.01
12001PB	gallon	5	NEWSLINE NEUTRAL 350 5G PAIL	71.05	14.21
12002DB	gallon	55	HSF 2218 FS CONC 55G DR	673.20	12.24
12002PB	gallon	5	HSF 2218 FS CONC 5G PA	85.00	17.00
12002TD	gallon	330	HSF 2218 FS CONC 330G TO	4,039.20	12.24
12057DB	gallon	55	MEDIA FOUNT S 55G DR	767.80	13.96
12057PB	gallon	5	MEDIA FOUNT S 5G PAIL	93.35	18.67
12057TD	gallon	330	MEDIA FOUNT S 330 G TOTE	4,606.80	13.96
12058DB	gallon	55	MEDIA FOUNT T 55G DR	767.80	13.96
12058PB	gallon	5	MEDIA FOUNT T 5G PAIL	93.35	18.67
12058TD	gallon	330	MEDIA FOUNT T 330 G TOTE	4,606.80	13.96
12109DA	gallon	30	NEUTRA-WEB 30G DR	317.10	10.57
12109DB	gallon	55	NEUTRA-WEB 55G DR	537.35	9.77
12109PB	gallon	5	NEUTRA-WEB 5G PAIL	70.75	14.15
12109TD	gallon	330	NEUTRA-WEB 330G TO	3,224.10	9.77
12141DA	gallon	30	PREMIER EDITION 30G DR	278.10	9.27
12141DB	gallon	55	PREMIER EDITION 55G DR	469.15	8.53
12141PB	gallon	5	PREMIER EDITION 5G PAIL	65.20	13.04
12141TD	gallon	330	PREMIER EDITION 330 G TOTE	2,814.90	8.53
92040DB	gallon	55	MAJESTA 400 55G DR	779.90	14.18
92040PB	gallon	5	MAJESTA 400 5G PA	93.35	18.67
92040TD	gallon	330	MAJESTA 400 330G TO	4,679.40	14.18
92042DB	gallon	55	MAJESTA 415 55G DRUM	779.90	14.18

Product Code	Unit of Measure	Units per Package	Product Description	Effective Jan 12, 2009	
				Suggested List Price per Package	Suggested List Price per Unit
92042PB	gallon	5	MAJESTA 415 5G PAIL	93.35	18.67
92042TD	gallon	330	MAJESTA 415 330G TOTE	4,679.40	14.18
92045DB	gallon	55	MAJESTA 605 55G DRUM	779.90	14.18
92045PB	gallon	5	MAJESTA 605 5G PAIL	93.35	18.67
92045TD	gallon	330	MAJESTA 605 330G TOTE	4,679.40	14.18
92050DB	gallon	55	MAJESTA 635 55G DR	779.90	14.18
92050PB	gallon	5	MAJESTA 635 5G PAIL	93.35	18.67
92050TD	gallon	330	MAJESTA 635 330G TOTE	4,679.40	14.18
92051DB	gallon	55	FORTUNA 500 55G DR	767.80	13.96
92051PB	gallon	5	FORTUNA 500 5G PA	93.35	18.67
92051TD	gallon	330	FORTUNA 500 330G TOTE	4,606.80	13.96
92053DB	gallon	55	FORTUNA 720 55G DR	550.55	10.01
92053PB	gallon	5	FORTUNA 720 5G PA	71.05	14.21
92053TD	gallon	330	FORTUNA 720 330G TOTE	3,303.30	10.01
92057DB	gallon	55	MAJESTA 645 55G DR	779.90	14.18
92057PB	gallon	5	MAJESTA 645 5G PA	93.35	18.67
92057TD	gallon	330	MAJESTA 645 330G TO	4,679.40	14.18
92080DB	gallon	55	MAJESTA 620-A 55G DRUM	779.90	14.18
92080PB	gallon	5	MAJESTA 620A 5G PAIL	93.35	18.67
92080TD	gallon	330	MAJESTA 620-A 330G TOTE	4,679.40	14.18
92090DB	gallon	55	FORTUNA 718 55G DRUM	550.55	10.01
92090PB	gallon	5	FORTUNA 718 5G PAIL	71.05	14.21
92090TD	gallon	330	FORTUNA 718 330G TOTE	3,303.30	10.01
92095DB	gallon	55	MAJESTA 660A 55G DRUM	767.80	13.96
92095PB	gallon	5	MAJESTA 660A 5G PAIL	93.35	18.67
92095TD	gallon	330	MAJESTA 660A 330G TOTE	4,606.80	13.96
92101DB	gallon	55	MAJESTA 700 55G DRUM	779.90	14.18
92101PB	gallon	5	MAJESTA 700 5G PAIL	93.35	18.67
92101TD	gallon	330	MAJESTA 700 330G TOTE	4,679.40	14.18
92110DB	gallon	55	MAJESTA 705 55G DRUM	779.90	14.18
92110PB	gallon	5	MAJESTA 705 5G PAIL	93.35	18.67
92110TD	gallon	330	MAJESTA 705 330G TOTE	4,679.40	14.18
92123DB	gallon	55	FORTUNA 450 55G DRUM	1,081.85	19.67
92123PB	gallon	5	FORTUNA 450 5G PAIL	137.25	27.45
92123TD	gallon	330	FORTUNA 450 330G TOTE	6,491.10	19.67
92124DB	gallon	55	MAJESTA 706 55G DRUM	779.90	14.18
92124PB	gallon	5	MAJESTA 706 5G PAIL	93.35	18.67
92124TD	gallon	330	MAJESTA 706 330G TOTE	4,679.40	14.18
92129DB	gallon	55	MAJESTA 665 55G DRUM	767.80	13.96
92129PB	gallon	5	MAJESTA 665 5G PAIL	93.35	18.67
92129TD	gallon	330	MAJESTA 665 330G TOTE	4,606.80	13.96
92132DB	gallon	55	MAJESTA 805 55G DRUM	768.35	13.97
92132PB	gallon	5	MAJESTA 805 5G PAIL	93.35	18.67
92132TD	gallon	330	MAJESTA 805 330G TOTE	4,610.10	13.97
92134DB	gallon	55	MAJESTA 800 55G DRUM	768.35	13.97
92134PB	gallon	5	MAJESTA 800 5G PAIL	93.35	18.67
92134TD	gallon	330	MAJESTA 800 330G TOTE	4,610.10	13.97
92135DB	gallon	55	MAJESTA 669 55G DRUM	767.80	13.96
92135PB	gallon	5	MAJESTA 669 5G PAIL	93.35	18.67



Product Code	Unit of Measure	Units per Package	Product Description	Effective Jan 12, 2009	
				Suggested List Price per Package	Suggested List Price per Unit
92135TD	gallon	330	MAJESTA 669 330G TOTE	4,606.80	13.96
92136DB	gallon	55	MAJESTA 606 55G DRUM	767.80	13.96
92136PB	gallon	5	MAJESTA 606 5G PAIL	93.35	18.67
92136TD	gallon	330	MAJESTA 606 330G TOTE	4,606.80	13.96
92137DB	gallon	55	MAJESTA 707 55G DRUM	779.90	14.18
92137PB	gallon	5	MAJESTA 707 5G PAIL	93.35	18.67
92137TD	gallon	330	MAJESTA 707 330G TOTE	4,679.40	14.18
92141DB	gallon	55	FORTUNA 719 55G DRUM	550.55	10.01
92141PB	gallon	5	FORTUNA 719 5G PAIL	71.05	14.21
92141TD	gallon	330	FORTUNA 719 330G TOTE	3,303.30	10.01
92142DB	gallon	55	FORTUNA 507 55G DRUM	767.80	13.96
92142PB	gallon	5	FORTUNA 507 5G PAIL	93.35	18.67
92142TD	gallon	330	FORTUNA 507 330G TOTE	4,606.80	13.96
11023TA	gallon	275	FLEXO WASH CONC 275G TOTE	3,071.75	11.17
11023DC	gallon	55	FLEXO WASH CONC 55G DR	628.10	11.42
10040DE	gallon	55	WASH V-275 55G DR	655.60	11.92
10040TB	gallon	345	WASH V-275 345G TOTE	4,112.40	11.92
11005DC	gallon	55	FLEXPLUS WASH CONC 55G DR	668.25	12.15
10037DE	gallon	55	BLUE RIBBON WASH 55G DR	673.75	12.25
10037TB	gallon	345	BLUE RIBBON WASH 345G TO	4,226.25	12.25
30000DE	gallon	55	RESPONSE@ 4400 55G	677.60	12.32
30000TB	gallon	345	RESPONSE@ 4400 345G TO	4,250.40	12.32
30001DE	gallon	55	RESPONSE@ 4405 55G	677.60	12.32
30001TB	gallon	345	RESPONSE@ 4405 345G TO	4,250.40	12.32
30005DE	gallon	55	RESPONSE@ 4450 55G	677.60	12.32
30005TB	gallon	345	RESPONSE@ 4450 345G TOTE	4,250.40	12.32
30010DE	gallon	55	RESPONSE@ 4485 55G	685.85	12.47
10064DE	gallon	55	WASH V-60 AIII 55G DRUM	697.40	12.68
10064TB	gallon	345	WASH V-60 AIII 345G TO	4,374.60	12.68
30002DE	gallon	55	RESPONSE@ 4410 55G	699.60	12.72
30002TB	gallon	345	RESPONSE@ 4410 345G TO	4,388.40	12.72
10030DE	gallon	55	MET WASH 55G DR	709.50	12.90
10061DE	gallon	55	FILTRATE 60 WASH 55G	723.80	13.16
10061TB	gallon	345	FILTRATE 60 WASH 345G TOTE	4,540.20	13.16
30006DE	gallon	55	RESPONSE@ 4455 55G	726.00	13.20
30006TB	gallon	345	RESPONSE@ 4455 345G TOTE	4,554.00	13.20
10013DE	gallon	55	PRESS CLEAN 55G DR	864.05	15.71
10101DE	gallon	55	FILTRATE 100 WASH 55G DR	864.60	15.72
10101TB	gallon	345	FILTRATE 100 WASH 345G TO	5,423.40	15.72
10009DE	gallon	55	PRONTO 55G DR	889.35	16.17
10078DE	gallon	55	V- 2995 55G DRUM	889.35	16.17
10006DE	gallon	55	VWM 55G DR	910.80	16.56
10006TB	gallon	345	VWM 345G TO	5,713.20	16.56
11023PB	gallon	5	FLEXO WASH CONC 5G PAIL	84.00	16.80
10034DE	gallon	55	VARN ABC WASH 55G DR	932.80	16.96
10032DE	gallon	55	COLOR WASH STEP 2 55G DR	939.95	17.09
10095DE	gallon	55	A 230 55 G DRUM	939.95	17.09
10095TB	gallon	345	A 230 345G TO	5,896.05	17.09
15019DE	gallon	55	METERING ROLLER CLEANER 55G DR	943.49	17.15

Product Code	Unit of Measure	Units per Package	Product Description	Effective Jan 12, 2009	
				Suggested List Price per Package	Suggested List Price per Unit
15019TB	gallon	345	MRC 345G TOTE	5,918.23	17.15
10002DE	gallon	55	CALIFORNIA WASH 55G DR	958.10	17.42
10002TB	gallon	345	CALIFORNIA WASH 345G TOTE	6,009.90	17.42
10017DE	gallon	55	R-7 55G DR	972.95	17.69
10060DE	gallon	55	WASH V-60 55G DR	976.25	17.75
10060TB	gallon	345	WASH V-60 345G TOTE	6,123.75	17.75
10021DE	gallon	55	TYPE WASH 55G DR	983.40	17.88
10027DE	gallon	55	NTT WASH 55G DR	983.40	17.88
10054TB	gallon	345	AIII HYDRO-SOLV 345G TO	6,192.75	17.95
11005PB	gallon	5	FLEXPLUS WASH CONC 5G PA	89.95	17.99
10005DE	gallon	55	V-253 55G DR	994.40	18.08
10005TB	gallon	345	V-253 345G TOTE	6,237.60	18.08
10009DD	gallon	30	PRONTO 30G DR	549.60	18.32
10040PA	gallon	5	WASH V-275 5G PAIL	91.60	18.32
15004DE	gallon	55	LVP MRC 55G DR	1,011.83	18.40
10028DE	gallon	55	POLARSOLV 55G DR	1,019.70	18.54
30000PA	gallon	5	RESPONSE@ 4400 5G	93.60	18.72
30001PA	gallon	5	RESPONSE@4405 5G	93.60	18.72
30005PA	gallon	5	RESPONSE@ 4450 5G	93.60	18.72
10037PA	gallon	5	BLUE RIBBON WASH 5G PAIL	93.80	18.76
10003DE	gallon	55	V-120 55G DR	1,034.55	18.81
10003TB	gallon	345	V-120 345G TO	6,489.45	18.81
30010PA	gallon	5	RESPONSE@ 4485 5G	94.35	18.87
30002PA	gallon	5	RESPONSE@ 4410 5G	95.60	19.12
10031DE	gallon	55	COLOR WASH STEP 1 55G DR	1,056.00	19.20
10064PA	gallon	5	WASH V-60 AIII 5G PAIL	97.70	19.54
30006PA	gallon	5	RESPONSE@ 4455 5G	98.00	19.60
10004DE	gallon	55	HYDRO SOLV 55G DR	1,103.30	20.06
10004TB	gallon	345	HYDRO SOLV 345G TO	6,920.70	20.06
10054DE	gallon	55	AIII HYDRO-SOLV 55G DRUM	1,112.65	20.23
10057DE	gallon	55	VARN UV WASH 580 55G DRUM	1,155.55	21.01
10057TB	gallon	345	VARN UV WASH 580 345G TOTE	7,248.45	21.01
11500DE	gallon	55	V-500 HYBRID UV WASH 55G DRUM	1,155.55	21.01
11005GB	gallon	4	FLEXPLUS WASH CONC 4G CS	84.12	21.03
10040GA	gallon	6	WASH V-275 6G CS	126.72	21.12
10078PA	gallon	5	V-2995 5G PAIL	105.75	21.15
11080DE	gallon	55	VARN SAFETY UV CLR 55G DR	1,183.05	21.51
10101PA	gallon	5	FILTRATE 100 WASH 5G PAIL	110.60	22.12
11018DE	gallon	55	HYBRID WASH 625 55G DR	1,248.50	22.70
10009PA	gallon	5	PRONTO 5G PAIL	128.55	25.71
10013PA	gallon	5	PRESS CLEAN 5G PAIL	128.55	25.71
10064GA	gallon	6	WASH V-60 AIII 6G CS	157.62	26.27
10006PA	gallon	5	VWM 5G PAIL	132.80	26.56
10028PA	gallon	5	POLARSOLV 5G PAIL	134.15	26.83
10032PA	gallon	5	COLOR WASH STEP 2 5G PAIL	134.15	26.83
10034PA	gallon	5	VARN ABC WASH 5G PAIL	134.15	26.83
10054PA	gallon	5	AIII HYDRO-SOLV 5 G PAIL	135.50	27.10
10017PA	gallon	5	R-7 5G PAIL	135.80	27.16
10005PA	gallon	5	V-253 5G PAIL	136.10	27.22

Product Code	Unit of Measure	Units per Package	Product Description	Effective Jan 12, 2009	
				Suggested List Price per Package	Suggested List Price per Unit
10021PA	gallon	5	TYPE WASH 5G PAIL	136.10	27.22
10027PA	gallon	5	NTT WASH 5G PAIL	136.10	27.22
10095PA	gallon	5	A 230 5G PAIL	136.45	27.29
10037GA	gallon	6	BLUE RIBBON WASH 6G CS	164.10	27.35
10060PA	gallon	5	WASH-V-60 5G PAIL	136.75	27.35
10002PA	gallon	5	CALIFORNIA WASH 5G PAIL	138.75	27.75
10003PA	gallon	5	V-120 5G PAIL	141.05	28.21
10006GA	gallon	6	VWM 6G CS	169.68	28.28
10009GA	gallon	6	PRONTO 6G CS	169.68	28.28
11088GC	gallon	5	ECOLO WASH @ STEP B 2 X 2.5G CS	143.05	28.61
10031PA	gallon	5	COLOR WASH STEP 1 5G PAIL	143.35	28.67
10032GA	gallon	6	COLOR WASH STEP 2 6G CS	176.82	29.47
15004PA	gallon	5	LVP MRC 5G PAIL	165.00	33.00
10095GA	gallon	6	A 230 6G CS	178.62	29.77
10004PA	gallon	5	HYDRO SOLV 5G PAIL	149.30	29.86
10057PA	gallon	5	VARN UV WASH 580 5G PAIL	149.30	29.86
11500PA	gallon	5	V-500 HYBRID UV WASH 5G PAIL	149.30	29.86
10021GA	gallon	6	TYPE WASH 6G CS	179.58	29.93
11080PA	gallon	5	VARN SAFETY UV CLR 5G PAIL	152.25	30.45
10002GA	gallon	6	CALIFORNIA WASH 6G CS	182.76	30.46
10027GA	gallon	6	NTT WASH 6G CS	182.76	30.46
10028GA	gallon	6	POLARSOLV 6G CS	182.76	30.46
10003GA	gallon	6	V-120 6G CS	187.08	31.18
10060GA	gallon	6	WASH V-60 6G CS	187.08	31.18
10031GA	gallon	6	COLOR WASH STEP 1 6G CS	189.84	31.64
15019PA	gallon	5	METERING ROLLER CLEANER 5G PAIL	161.00	32.20
10057GA	gallon	6	VARN UV WASH 580 6G CS	193.44	32.24
15019GA	gallon	6	METERING ROLLER CLEANER 6G CS	208.29	34.71
15004GA	gallon	6	LVP MRC 6G CS	211.56	35.26
11087GC	gallon	5	ECOLO WASH @ STEP A 2 X 2.5G CS	193.50	38.70
10008DE	gallon	55	DUPLICATOR WASH 55G DR	1,098.90	19.98
10008GA	gallon	6	DUPLICATOR WASH 6G CS	200.10	33.35
10008PA	gallon	5	DUPLICATOR WASH 5G PAIL	151.55	30.31
10010DE	gallon	55	WEB WASH 55G DR	932.25	16.95
10075DE	gallon	55	WASHSTAR SOLVENT 55G DR	830.50	15.10
10075PA	gallon	5	WASHSTAR SOLVENT 5G PA	110.35	22.07
10100DE	gallon	55	NEWS 100 WASH 55G DR	894.85	16.27
10100PA	gallon	5	NEWS 100 WASH 5G PAIL	113.35	22.67
10100TB	gallon	345	NEWS 100 WASH 345G TO	5,613.15	16.27
11002DE	gallon	55	VERMONT E WASH 55G DR	827.20	15.04
11002PA	gallon	5	VERMONT E WASH 5G PAIL	120.20	24.04
11003DC	gallon	55	MICROKLEEN™ 1102 55G DR	1,357.95	24.69
11003GC	gallon	5	MICROKLEEN™ 1102 5G CS	182.35	36.47
11012DC	gallon	55	BIOCLEAN 55G DR	567.05	10.31
11012PB	gallon	5	BIOCLEAN 5G PAIL	84.85	16.97
11018PA	gallon	5	HYBRID WASH 625 5G PA	165.40	33.08
11025DB	gallon	55	ECOLO WASH @ 100 55G DR	1,086.80	19.76
11025GA	gallon	6	ECOLO WASH @ 100 6G CS	173.10	28.85
11025PB	gallon	5	ECOLO WASH @ 100 5G PAIL	137.55	27.51

Product Code	Unit of Measure	Units per Package	Product Description	Effective Jan 12, 2009	
				Suggested List Price per Package	Suggested List Price per Unit
11025TA	gallon	275	ECOLO WASH @ 100 275G TOTE	5,434.00	19.76
11027DC	gallon	55	ECOLO CLEAN@ QD 55G DR	979.55	17.81
11027GC	gallon	5	ECOLO CLEAN@ QD 2 X 2.5G CS	139.70	27.94
11028DC	gallon	55	ECOLO CLEAN@ 55G DR	884.95	16.09
11028GC	gallon	5	ECOLO CLEAN@ 2 X 2.5G CS	125.15	25.03
11029DC	gallon	55	ECOLO CLEAN@ 35 55G DR	979.55	17.81
11029GC	gallon	5	ECOLO CLEAN@ 35 2 X 2.5G CS	130.80	26.16
11029TB	gallon	345	ECOLO CLEAN@ 35 345G TO	6,144.45	17.81
11030DE	gallon	55	NATURAL WASH 55G DR	1,125.85	20.47
11030GA	gallon	6	NATURAL WASH 6G CS	181.32	30.22
11087DC	gallon	55	ECOLO WASH @ STEP A 55G DR	1,534.50	27.90
11090DC	gallon	55	MICROKLEEN™ 2101 55G DR	1,419.55	25.81
11090GC	gallon	5	MICROKLEEN™ 2101 5G CS	189.50	37.90
11095DC	gallon	55	MICROKLEEN™ 1101 55G DR	1,226.50	22.30
11095GC	gallon	5	MICROKLEEN™ 1101 5G CS	167.15	33.43
11500GA	gallon	6	V-500 HYBRID UV WASH 6G CS	196.14	32.69
11500TB	gallon	345	V-500 HYBRID UV WASH 345G TO	7,403.70	21.46
15002DE	gallon	55	ECOLO WASH PLUS 55G DR	948.20	17.24
15002GA	gallon	6	ECOLO WASH PLUSH 6G CS	166.62	27.77
15002PA	gallon	5	ECOLO WASH PLUS 5G PAIL	116.65	23.33
30003PA	gallon	5	RESPONSE@ 4430 5G	95.85	19.17
30008DE	gallon	55	RESPONSE@ 4800 55G	800.80	14.56
30008PA	gallon	5	RESPONSE@ 4800 5G	104.80	20.96
31001DE	gallon	55	RESPONSE@ 4420 55G	800.80	14.56
31001PA	gallon	5	RESPONSE@ 4420 5G	104.80	20.96
31001TB	gallon	345	RESPONSE@ 4420 345G TO	5,023.20	14.56
31003DC	gallon	55	RESPONSE@ 4435 55G	696.85	12.67
31005DE	gallon	55	RESPONSE@ 4452 55G	800.80	14.56
31005PA	gallon	5	RESPONSE@ 4452 5G	104.15	20.83
31005TB	gallon	345	RESPONSE@ 4452 345G TOTE	5,023.20	14.56
10039DE	gallon	55	ZAP METERING ROLLER CLNR 55G	864.05	15.71
10039GA	gallon	6	ZAP METERING ROLLER CLNR 6G	200.26	33.38
10039PA	gallon	5	ZAP METERING ROLLER CLNR 5G	145.52	29.10
11026DE	gallon	55	ECOLO WASH@ MRC 55G DR	1,796.30	32.66
11026GA	gallon	6	ECOLO WASH@ MRC 6G CS	271.20	45.20
11026PA	gallon	5	ECOLO WASH@ MRC 5G PAIL	219.65	43.93
14003GB	gallon	4	TRIPLE THREAT DEGLAZER 4G	116.19	29.05
14003QA	quart	12	TRIPLE THREAT DEGLAZER 12QT	229.03	19.09
14100DB	gallon	55	CALCIUM ELIMINATOR 55G DR	800.93	14.56
14100GB	gallon	4	CALCIUM ELIMINATOR 4G CS	128.05	32.01
14100QA	quart	12	CALCIUM ELIMINATOR 12QT CS	211.11	17.59
14220DB	gallon	55	REVITOL 55G DR	655.85	11.92
14220GA	gallon	6	REVITOL 6G CS	195.48	32.58
14220QA	quart	12	REVITOL 12QT CS	170.43	14.20
14221DB	gallon	55	SAV-ROL 55G DR	1,329.69	24.18
14221GA	gallon	6	SAV-ROL 6G CS	207.84	34.64
14221PA	gallon	5	SAV-ROL 5G PAIL	164.92	32.98
14255LA	pound	12	TAKE IT OFF 12 X 1 LB CS	176.84	14.74
14255LB	pound	27	TAKE IT OFF 6 X 4.5 LB CS	298.13	11.04

Product Code	Unit of Measure	Units per Package	Product Description	Effective Jan 12, 2009	
				Suggested List Price per Package	Suggested List Price per Unit
14277QA	quart	12	OVERNITE 12 QT CS	185.74	15.48
14295DE	gallon	55	V-1106 55G DR	DELETE	DELETE
14295GA	gallon	6	V-1106 6G CS	DELETE	DELETE
14295PA	gallon	5	V-1106 5G PAIL	DELETE	DELETE
15000QA	quart	12	ECOLO WASH® PC 12QT CS	296.04	24.67
15001QA	quart	12	ECOLO WASH® PC STORE 12QT CS	379.56	31.63
15003DE	gallon	55	PEARL DRY 55G DR	1,697.18	30.86
15003GA	gallon	6	PEARL DRY 6G CS	243.29	40.55
15003PA	gallon	5	PEARL DRY 5G PAIL	181.16	36.23
15003QA	quart	12	PEARL DRY 12QT CS	264.87	22.07
15009DC	gallon	55	RE-CHARGE 55G DRUM	1,240.37	22.55
15009PA	gallon	5	RE-CHARGE 5G PAIL	149.66	29.93
15011DB	gallon	55	PLATE PLUS 55G DR	474.20	8.62
15011GB	gallon	4	PLATE PLUS 4G CS	62.13	15.53
15011QA	quart	12	PLATE PLUS 12QT CS	119.42	9.95
15014QA	quart	12	COMPLETE PLATE CLEANER	159.84	13.32
15015DC	gallon	55	AC CLEANER 77 55G DR	854.89	15.54
15015GB	gallon	4	AC CLEANER 77 4G CS	124.39	31.10
15015PB	gallon	5	AC CLEANER 77 5G PA	127.20	25.44
15015QA	gallon	12	AC CLEANER 77 12QT CS	169.65	14.14
15025DE	gallon	55	VARNTINE 55G DR	1,470.57	26.74
15025GA	gallon	6	VARNTINE 6G CS	214.97	35.83
15025PA	gallon	5	VARNTINE 5G PAIL	170.59	34.12
15029DB	gallon	55	AQUA CONDITIONER 55G DR	629.48	11.45
15029TA	gallon	275	AQUA CONDITIONER 275G TO	3,147.38	11.45
15030DB	gallon	55	BRUSH FLUSH 55G DRUM	1,100.08	20.00
15030GB	gallon	4	BRUSH FLUSH 4G CS	115.28	28.82
15030PB	gallon	5	BRUSH FLUSH 5G PAIL	134.02	26.80
15034DB	gallon	55	GRAPHIC SHOP CLR 045 55G DR	469.41	8.53
15034GB	gallon	4	GRAPHIC SHOP CLR 045 4G CS	72.77	18.19
15034PB	gallon	5	GRAPHIC SHOP CLR 5G 045 PAIL	71.72	14.34
15034QA	gallon	12	GRAPHIC SHOP CLR 045 12QT CS	105.82	8.82
15034TA	gallon	275	GRAPHIC SHOP CLEANER 045 275G	2,347.04	8.53
15200DB	gallon	55	DAMPENING SYSTEM CLEANER 55G	1,266.14	23.02
15200GB	gallon	4	DAMPENING SYSTEM CLEANER 4G CS	120.90	30.23
15200PB	gallon	5	DAMPENING SYSTEM CLEANER 5G	138.76	27.75
15204DE	gallon	55	SPOTLESS 55G DR	957.40	17.41
15204GA	gallon	6	SPOTLESS 6G CS	160.43	26.74
15204PA	gallon	5	SPOTLESS 5G PAIL	121.70	24.34
15205KD	ounce	36	VARN SWELL 3 OZ	147.93	4.11
15222DE	gallon	55	SUPER RUBBER REJUVENATOR 55G	1,954.37	35.53
15222GA	gallon	6	SUPER RUBBER REJUVENATOR 6G CS	283.12	47.19
15222PA	gallon	5	SUPER RUBBER REJUVENATOR 5G	227.43	45.49
15224DE	gallon	55	FILM CLEANER 55G DR	873.47	15.88
15224GA	gallon	6	FILM CLEANER 6G CS	146.17	24.36
15224PA	gallon	5	FILM CLEANER 5G PAIL	110.91	22.18
15225QA	quart	12	SLIP AGENT 6 12QT CS	253.62	21.14
15230GA	gallon	6	COMPOUND 747 6G CS	228.18	38.03
15230QA	quart	12	COMPOUND 747 12QT CS	176.84	14.74

Product Code	Unit of Measure	Units per Package	Product Description	Effective Jan 12, 2009	
				Suggested List Price per Package	Suggested List Price per Unit
15232GB	gallon	4	BLACK MAGIC 4G CS	163.67	40.92
15232QA	quart	12	BLACK MAGIC 12QT CS	173.05	14.42
15235QA	quart	12	TRUE BLUE 12QT CS	294.82	24.57
15266LA	pound	12	BLUE VELVET 12 X 1 LB CS	83.97	7.00
15266LB	pound	27	BLUE VELVET 6 X 4.5 LB CS	141.85	5.25
15267LB	pound	27	ORANGE SCRUB 6 X 4.5 LB CS	141.85	5.25
15274DB	gallon	55	EASI-FOLD CONC 55G DR	818.32	14.88
15274PB	gallon	5	EASI-FOLD CONC 5G PAIL	111.40	22.28
15290KC	ounce	48	PBR 6X8 FO CS	441.06	9.19
15350GA	gallon	6	PREVENT 6G CS	436.41	72.74
15350KA	pint	12	PREVENT 12PT CS	126.75	10.56
17000QA	quart	12	ROLLER LUBE 12QT CS	191.75	15.98
17229DA	gallon	30	100% PURE GUM 30G DR	1,173.28	39.11
17229DB	gallon	55	100% PURE GUM 55G DR	1,966.36	35.75
17229GB	gallon	4	100% PURE GUM 4G CS	179.76	44.94
17229PB	gallon	5	100% PURE GUM 5G PAIL	203.67	40.73
17229QA	quart	12	100% PURE GUM 12QT CS	201.43	16.79
15012DB	gallon	55	AMS ULTRA 55G DR	1,362.90	24.78
15012TA	gallon	275	AMS ULTRA 275G TOTE	6,814.50	24.78
15038DB	gallon	55	APOLLO 880 55G DR	924.00	\$16.80
15038PB	gallon	5	APOLLO 880 5G PB	142.50	\$28.50
15038TA	gallon	275	APOLLO 880 275G TOTE	4,620.00	\$16.80
35010DB	gallon	55	APOLLO 870 55G DR	860.20	\$15.64
35010PB	gallon	5	APOLLO 870 5G PB	116.15	\$23.23
35010TA	gallon	275	APOLLO 870 275G TOTE	4,301.00	\$15.64
95000DB	gallon	55	APOLLO 865 55G DR	1,265.00	\$23.00
95000PB	gallon	5	APOLLO 865 5G PB	142.50	\$28.50
95000TA	gallon	275	APOLLO 865 275G TOTE	6,325.00	\$23.00
95020DB	gallon	55	APOLLO 800 55G DR	1,111.00	20.20
95020PB	gallon	5	APOLLO 800 5G PA	137.25	27.45
95020TA	gallon	275	APOLLO 800 275G TO	5,555.00	20.20
95023DB	gallon	55	APOLLO 850 55G DRUM	1,111.00	20.20
95023TA	gallon	275	APOLLO 850 275G TO	5,555.00	20.20
95024DB	gallon	55	APOLLO 860 55G DR	1,317.25	23.95
95024PB	gallon	5	APOLLO 860 5G PA	147.25	29.45
95024TA	gallon	275	APOLLO 860 275G TO	6,586.25	23.95
95034DB	gallon	55	APOLLO 901 55G DR	959.75	17.45
95034PB	gallon	5	APOLLO 901 5G PA	112.25	22.45
95034TA	gallon	275	APOLLO 901 275G TOTE	4,798.75	17.45
95035DB	gallon	55	APOLLO PLATINUM 55G DRUM	884.95	16.09
95035PB	gallon	5	APOLLO PLATINUM 5G PAIL	118.40	23.68
95035TA	gallon	275	APOLLO PLATINUM 275G TOTE	4,424.75	16.09

Collective Number: 4400002495  
SRM/SAP Contract Number:4400002508  
Change Number: 5  
Change Effective Date: 05/07/09

**COMMONWEALTH OF PENNSYLVANIA  
DEPARTMENT OF GENERAL SERVICES  
HARRISBURG**

**For:** All using Agencies of the Commonwealth  
**Subject:** Offset Printing & Binding Equipment, Supplies and Maintenance  
**Contract Period:** Beginning May 7, 2008 and Ending June 30,  
2011

**Commodity Specialist Name:** Wanda Bowers – [wbowers@state.pa.us](mailto:wbowers@state.pa.us) or 717-346-3840

**CHANGE SUMMARY:\** New Equipment Price List for Presstek (4400002508) will be effective May 7, 2009. Please see the attached equipment list on the website [www.emarketplace.state.pa.us](http://www.emarketplace.state.pa.us) .

ALL OTHER TERMS AND CONDITIONS OF THIS AGREEMENT NOT CHANGED BY THIS CHANGE NOTICE REMAIN AS ORIGINALLY WRITTEN.

**Presstek 2009 Equipment Price list (OFFSET) (Manf. PRESSTEK)**  
**AVAILABLE FOR LEASE AND OUTRIGHT PURCHASE**

Category	Product Code Number	Description	List
DI Press	PRST52NA-P	52 DI Digital Printing Press	529,900.00
DI Press	R 5554 66 201	PDSe Denistometer 52DI	20,000.00
DI Press	PRVS-52DI	GTI Viewing Booth 52DI	2,025.00
DI Press	52DI-SUPKIT	52DI Supply Kit	5,325.00
DI Press	PRST34E	34DI-E Digital Printing Press	286,000.00
DI Press	PRST34X	34DI-X Digital Printing Press	295,500.00
DI Press	AAG02581	34 Plate Saver	9,500.00
DI Press	AAG02541	34 high Grade Powder Spray	12,500.00
DI Press	AAG02531	Feeder Pre-Pile	1,800.00
DI Press	AAG02691	34 paper pile board	750.00
DI Press	AAG02181	PDSe Denistometer 34DI before sn 2562	20,000.00
DI Press	AAG02182	PDSe Denistometer 34DI	20,000.00
DI Press	PRVS-34DI	GTI Viewing Booth 34DI	1,685.00
DI Press	52DI-SUPKIT	52DI Supply Kit	5,325.00
DI Press	34DI-SUPKIT	34DI Supply Kit	4,065.00
DI Press	535446140	Paper Tables	876.90
DI Press	555446140	Delivery table assembly	1,426.00
DI Press	AAG02571	PDS-PROE(SPECTRO)	40,000.00
Platesetters	COM4015NA	Compass 4015	82,308.00
Platesetters	COM4022NA	Compass 4022	99,158.00
Platesetters	COM4038NA	Compass 4038	102,662.00
Platesetters	COM4SCUNA	Compass 4000 Accessories	24,989.00
Platesetters	COM4MCUNA	Compass 4000 Accessories	34,585.00
Platesetters	COM4TIFFINTRONA	Compass 4000 Accessories	6,486.00
Platesetters	COM4TIFFWRKSTNA	Compass 4000 Accessories	9,395.00
Platesetters	COM4CONVYNA	Compass 4000 Accessories	2,482.00
Platesetters	COM4PLATESLDER	Compass 4000 Accessories	843.00
Platesetters	COM4PNCHCNVYRNA	Compass 4000 Accessories	12,502.00
Platesetters	COM4PUNCHNA	Compass 4000 Accessories	2,215.00
Platesetters	COM4STACKERNA	Compass 4000 Accessories	1,425.00
Platesetters	COM8022NA	Compass 8022	160,312.00
Platesetters	COM8030NA	Compass 8030	191,151.00
Platesetters	COM8SCULFTNA	Compass 8000 Accessories	40,902.00
Platesetters	COM8STRCONVNA	Compass 8000 Accessories	3,877.00
Platesetters	COM8MCU3LFTNA	Compass 8000 Accessories	80,800.00
Platesetters	COM8MCU3RTNA	Compass 8000 Accessories	80,800.00
Platesetters	DIMCOMTIFF8UPNA	Compass 8000 Accessories	12,866.00
Platesetters	COM8PUNCHNA	Compass 8000 Accessories	2,215.00
Platesetters	COM8STACKERNA	Compass 8000 Accessories	4,350.00
Platesetters	VECTORFL52	Vector FL52 Platemaker	52,900.00
Platesetters	DIM225NA	Dimension 225 CTP System	55,125.00
Platesetters	DIM425NA	Dimension 425 CTP System	58,000.00
Platesetters	DIM450ALNA	Dimension 450 CTP System	87,572.00
Platesetters	DIMPRO800NA	Dimension PRO 800	99,408.00
Platesetters	DIMCOMTIFF8UPNA	Dimension PRO 800 Tiff Downloader	12,866.00
Platesetters	AAG01452	Anthem Water Wash 650	10,781.00
Platesetters	AAG01792	Anthem Water Wash 850	15,812.00
Platesetters	AAGO2601	Plate Stacker DS400	6,000.00



**Presstek 2009 Equipment Price list (OFFSET) (Manf. PRESSTEK)  
AVAILABLE FOR LEASE AND OUTRIGHT PURCHASE**

Category	Product Code Number	Description	List
Platesetters	WASHSYS50	Excel Anthem Plate Handling System	18,750.00
Platesetters	HIRES	Hi Res Dimension Set-up	5,000.00
Platesetters	AYY02922	UPS Dimension	7,310.42
Platesetters	PTEK-425220-AP2	Combo Punch	3,162.00
Platesetters	D4DICOMPDL	RIP Computer	2,250.00
Platesetters	DPM34SC	DPM34SC	19,250.00
Platesetters	DPM34HSC	DPM34HSC	24,250.00
Platesetters	SUPCST34SC	34SC Supply Cassette	850.00
Platesetters	SUPCST34HSC	34HSC Supply Cassette	850.00
Platesetters	SCANMASTER	Scanmaster	4,250.00
Platesetters	SCANMASTERWC	Scanmaster with computer	5,250.00
Platesetters	35-53-00	ICPlates II Basic plate reader	2,299.00
Platesetters	IVS W/O RIP	IVS Software without RIP	8,300.00
RIPs & RIP Accessories	D8DICOMPDX	RIP Computer Dual	6,000.00
RIPs & RIP Accessories	SP4880K3-KIT	4880	2,114.00
RIPs & RIP Accessories	C4800STAND	4880Stand	399.00
RIPs & RIP Accessories	SP7880K3-KIT	7880	3,154.00
RIPs & RIP Accessories	SP9880K3-KIT	9880	5,244.00
RIPs & RIP Accessories	MPRO	Presstek Momentum Pro Workflow and RIP	10,995.00
RIPs & RIP Accessories	MRIPDPM-TX	Presstek Momentum for DPM/TX RIP	5,995.00
RIPs & RIP Accessories	MRIPDIM-DI	Presstek Momentum for DIM/DI RIP	5,995.00
RIPs & RIP Accessories	MTRAPPRO	Momentum TrapPro	2,000.00
RIPs & RIP Accessories	MPROOFE4880	Epson Proofing Plug in	1,000.00
RIPs & RIP Accessories	MPROOFE7880	Epson Proofing Plug in	1,000.00
RIPs & RIP Accessories	MPROOFE9880	Epson Proofing Plug in	1,250.00
RIPs & RIP Accessories	MSTRIP	2 and 4 up Automated in-RIP imposition	1,000.00
RIPs & RIP Accessories	MCIP	Momentum CIP 3 Plug in	5,000.00
RIPs & RIP Accessories	MPTEK	Dimension and DI	1,000.00
RIPs & RIP Accessories	MTIFF	Momentum TIFF catcher SW	1,000.00
RIPs & RIP Accessories	MFMSCREEN	MOMENTUM FM SCREENING	5,000.00
RIPs & RIP Accessories	ACROPIT-MAC	Acrobat & Pitstop	1,500.00
RIPs & RIP Accessories	ACROPIT-WIN	Acrobat & Pitstop	1,500.00
RIPs & RIP Accessories	MADCLIENT	1 Additional Workflow Client for MPRO	350.00
RIPs & RIP Accessories	MADRIPS	1 Additional RIP support for MPRO	500.00
RIPs & RIP Accessories	655-1001-00B	Xenith 4PDF for Dimension 2xx/4xx Bundle	20,000.00
RIPs & RIP Accessories	655-1003-00B	Xenith 4PDF for 34/52 DI Bundle	20,000.00
RIPs & RIP Accessories	810-0200-0XB	Xenith 4PDF Installation and Support	4,995.00
RIPs & RIP Accessories	810-0200-3XB	Xenith 4PDF Installation and 3 years Support	7,495.00
RIPs & RIP Accessories	654-1001-00B	Xenith Extreme for Dimension 2xx/4xx	30,000.00
RIPs & RIP Accessories	656-1003-00B	Xenith Extreme 4 for DI	25,050.00
RIPs & RIP Accessories	810-0200-0EB	Xenith Extreme Installation and Support	6,895.00
RIPs & RIP Accessories	810-0200-3EB	Xenith Extreme Installation and 3 Years Support	9,895.00
RIPs & RIP Accessories	AYY01421	DI TOOLS	5,000.00
RIPs & RIP Accessories	CPXFM-KIT	ColorProof XF/M	4,990.00
RIPs & RIP Accessories	CPXFXL-KIT	ColorProof XF/XL	5,990.00
RIPs & RIP Accessories	CPXFXXL-KIT	ColorProof XF/XXL	6,490.00
RIPs & RIP Accessories	EOXTRUV	Extreme UV Handheld Spectrophoto	1,495.00
RIPs & RIP Accessories	IVSW/ORIPUPG120	IVS W/O Rip Upgrade From Vers 1.20	1,000.00

**Presstek 2009 Equipment Price list (OFFSET) (Manf. PRESSTEK)**  
**AVAILABLE FOR LEASE AND OUTRIGHT PURCHASE**

Category	Product Code Number	Description	List
RIPs & RIP Accessories	IVSW/ORIPUPG21X	IVS W/O Rip Upgrade From 2.10-2.14	1,000.00
RIPs & RIP Accessories	MRIPUPGDPMTXCD	MRIP Upgrade for DPM & VECTORFL52	1,000.00
RIPs & RIP Accessories	MRIPUPGDPMTX	MRIP Dongle Exchange Upgrade for DPM & VECTORFL52	5,000.00
RIPs & RIP Accessories	MRIPDPMTXCOMPL	MRIP Dongle Exchange w/D4DICOMPDL	7,250.00
RIPs & RIP Accessories	TRAPPROUPG	TrapPro Lite to TrapPro Upgrade	750.00
RIPs & RIP Accessories	MPROUPGCD	Momentum Pro Upgrade	2,000.00
RIPs & RIP Accessories	MRIPUPGDIMDIDC	Momentum Rip Upgrades DIM, Comp & DI from v7.x to 8.x	1,500.00
RIPs & RIP Accessories	MRIPUPGDIMDI	MRIP Dongle Exchange Upgrade for DIM, COMP & DI	5,000.00
RIPs & RIP Accessories	MRIPDIMCOMPL	MRIP Dongle Exchange w/D4DICOMPDL	7,250.00
RIPs & RIP Accessories	MRIPDICOMPX	MRIP Dongle Exchange w/D4DICOMPX	11,000.00
RIPs & RIP Accessories	LA97PR110	PRESSTEK LATITUDE BRONZE BUNDLE	32,975.00
RIPs & RIP Accessories	LA97PR120	PRESSTEK LATITUDE SILVER BUNDLE	44,818.00
RIPs & RIP Accessories	LA97PR130	PRESSTEK LATITUDE GOLD BUNDLE	53,090.00
RIPs & RIP Accessories	LA97PR140	PRESSTEK LATITUDE WORKFLOW ONLY BUNDLE	25,634.00
RIPs & RIP Accessories	LA96AW970	Advanced Prepress Module	8,750.00
RIPs & RIP Accessories	LA96AW976	Versioning Module	6,250.00
RIPs & RIP Accessories	LA96AW134	Additional PitStop License	699.00
RIPs & RIP Accessories	LA96AW437	Instamt PDF 5-Pack	1,125.00
RIPs & RIP Accessories	LA96AW143	External Parameter Control	10,000.00
RIPs & RIP Accessories	LA96AW139	DynaStrip Flow	7,500.00
RIPs & RIP Accessories	LA96AW140	DynaStrip Full	4,495.00
RIPs & RIP Accessories	LA96AW141	Preps GateWay	4,000.00
RIPs & RIP Accessories	LA96AW132	Concentric Screening	12,500.00
RIPs & RIP Accessories	LA96AW129	Paragon Organic FM Screening	9,250.00
RIPs & RIP Accessories	LA96AW513	HP Indigo JLYT Interface	4,000.00
RIPs & RIP Accessories	LA96AW142	CIP3 Output with PressLink	4,000.00
RIPs & RIP Accessories	LA96AW712	Kodak Approval Integration	13,000.00
RIPs & RIP Accessories	LA96AW480	DotSpy Site License	9,750.00
RIPs & RIP Accessories	LA96AW120	DotSpy Upgrade	7,700.00
RIPs & RIP Accessories	LA96AW107	Neo 1 Floating License	4,500.00
RIPs & RIP Accessories	LA97PR110EXS1	Bronze 1 year Extended Support Agreement	2,000.00
RIPs & RIP Accessories	LA97PR120EXS1	Silver 1 year Extended Support Agreement	2,700.00
RIPs & RIP Accessories	LA97PR130EXS1	Gold 1 Year Extended Support Agreement	3,000.00
RIPs & RIP Accessories	LA97PR140EXS1	Workflow Only 1 Year Extended Support Agreement	1,500.00
RIPs & RIP Accessories	LA97PR110EXS2	Bronze 2 additional years Ext Support Agreement	3,750.00
RIPs & RIP Accessories	LA97PR120EXS2	Silver 2 additional years Ext Support Agreement	5,200.00
RIPs & RIP Accessories	LA97PR130EXS2	Gold 2 additional years Ext Support Agreement	6,000.00
RIPs & RIP Accessories	LA97PR140EXS2	Workflow Only 2 additional years Ext Support Agreement	3,000.00
RIPs & RIP Accessories	LA9649942	1 DAY LATITUDE INSTALLATION & TRAINING	1,750.00
RIPs & RIP Accessories	35-53-46	X-Rite Densieye 700 Status	2,393.00
RIPs & RIP Accessories	PS9001	PRESSTEK PATHWAY ASP	10,900.00
RIPs & RIP Accessories	PS9002	Personalization tool designed to let Print Providers create branded applications for their corporate customers.	1,100.00
RIPs & RIP Accessories	PS9003	Enables ordering of multi-element jobs requiring binding, such as books, magazines, and catalogs	1,100.00
RIPs & RIP Accessories	PS10001	75 jobs per month	330.00
RIPs & RIP Accessories	PS10002	125 jobs per month	440.00

**Presstek 2009 Equipment Price list (OFFSET) (Manf. PRESSTEK)  
AVAILABLE FOR LEASE AND OUTRIGHT PURCHASE**

Category	Product Code Number	Description	List
RIPs & RIP Accessories	PS10003	250 jobs per month	600.00
RIPs & RIP Accessories	PS10004	500 jobs per month	745.00
RIPs & RIP Accessories	PS10005	1000 jobs per month	880.00
RIPs & RIP Accessories	PS10006	Unlimited jobs per month	1,650.00
RIPs & RIP Accessories	PS10009	Jobs ordered through templates created for the customer.	2.20
RIPs & RIP Accessories	PS10010	Jobs ordered through uploaded files or the Print Driver.	2.75
RIPs & RIP Accessories	PS10007	Needs to be added to monthly fee when PS9002 (MiWay) is ordered	85.00
RIPs & RIP Accessories	PS10008	Needs to be added to monthly fee when PS9003 (Set) is order	85.00
RIPs & RIP Accessories	PS11001	3 days training at Press-sense training center in San Carlos CA. Price is for 1 student and they are responsible for their own expenses	2,200.00
RIPs & RIP Accessories	PS11002	3 days training at Press-sense training center in San Carlos CA. Price is for up to 3 students. Customers can send up to 3 students at one time or use their seats for future training or re-training within the 12 month period after the first training class. Students are responsible for their own travel expenses.	3,500.00
RIPs & RIP Accessories	PS11003	3 days training at customer site. Customer is responsible for trainers travel expenses.	5,100.00
RIPs & RIP Accessories	PS1001	PathWay software includes 1 branded web site	22,000.00
RIPs & RIP Accessories	PS2001	CRM Management System	15,000.00
RIPs & RIP Accessories	PS2004	Personalization tool designed to let Print Providers create branded applications for their corporate customers.	5,000.00
RIPs & RIP Accessories	PS2007	Enables integration into existing MIS, estimating and procurement products	5,000.00
RIPs & RIP Accessories	PS2008	Enables integration with any direct marketing creation application	5,000.00
RIPs & RIP Accessories	PS2005	Enables ordering of multi-element jobs requiring binding, such as books, magazines, and catalog	5,000.00
RIPs & RIP Accessories	PS2002	Enables sophisticated variable data print templates using rule-based automation of design and content.	21,250.00
RIPs & RIP Accessories	PS2011	Enables online credit card payment, customer is responsible for registering with the online payment service provider	5,000.00
RIPs & RIP Accessories	PS5005	Integration with EFI Hagen. Requires product code PS1004 (Business Links Accessory) in order to function.	7,500.00
RIPs & RIP Accessories	PS6001	Integration with LDAP internet protocol. Requires product code PS1004 (Business Links Accessory) in order to function.	7,500.00
RIPs & RIP Accessories	PS6002	DML Adapters. Requires product code PS1005 (Direct Marketing Links Accessory) in order to function.	7,500.00
RIPs & RIP Accessories	PSSERVE	Customer and software bundle Hardware Spec's: Dual Xeon Processor, 300 GB Hard Drive, 2GB DDR RAM 17" LCD Display; Software Spec's: Windows server 2003OS, MS SQL Server, Mico Office Suite Adobe Acrobat Standard Symantec Ghost	10,000.00
RIPs & RIP Accessories	PS6003	4-days - Application/Print Buyer business development	5,000.00
RIPs & RIP Accessories	PS7002	3 days -- CRM workflow deployment	3,900.00
RIPs & RIP Accessories	PS6009	Remote Setup and Software installation	1,200.00

**Presstek 2009 Equipment Price list (OFFSET) (Manf. PRESSTEK)**  
**AVAILABLE FOR LEASE AND OUTRIGHT PURCHASE**

Category	Product Code Number	Description	List
RIPs & RIP Accessories	PS6005	Additional Deployment Services	1,200.00
RIPs & RIP Accessories	PS3001	PathWay Annual Support & Maintenance	4,750.00
RIPs & RIP Accessories	PS3005	Manager Annual Support & Maintenance	3,000.00
RIPs & RIP Accessories	PS3008	MiWay Annual Support & Maintenance	1,000.00
RIPs & RIP Accessories	PS3011	Business Links Annual Support & Maintenance	1,000.00
RIPs & RIP Accessories	PS3012	Direct Marketing Links Annual Support & Maintenance	1,000.00
RIPs & RIP Accessories	PS3009	Set Annual Support & Maintenance	1,000.00
RIPs & RIP Accessories	PS3006	Advanced VDP with PODs Annual Support & Maintenance	4,250.00
Film Processors	DT-14	14" Deep Tank Film Processor	5,450.00
Film Processors	DT-22	22" Deep Tank Film Processor	6,750.00
Misc Pre-Press	43169	Pin Bar Master Punch - 12.5"	495.00
Misc Pre-Press	43170	Pin Bar Master Punch - 18"	959.00
Misc Pre-Press	ACROPIT-MAC	Acrobat Pro and PitStop Pro - Mac	1,500.00
Four-Tower Presses	4995A-ICS	4995A-ICS Four-Color Offset	199,500.00
Four-Tower Presses	43293XC	4995 Tape Inserter	1,700.00
Four-Tower Presses	1-3895	4995 Infrared/Dry Powder Spray	4,080.00
Four-Tower Presses	49002	No-Mark Anti-Tracking System	625.00
Duplicators	9920	9920 Single-Color Offset	26,500.00
Duplicators	9982CR	9980 Two-Color Offset w/Register Board	47,500.00
Two-Tower Presses	9995A	9995A Two-Color Offset Press	93,500.00
Two-Tower Presses	9995A-ICS	9995A-ICS Two-Color Offset Press	132,500.00
Two-Tower Presses	9995C	9995 Two-Color Offset Press w/crestline	76,500.00
Two-Tower Presses	42005	9995 Multi-size paper pile board	600.00
Two-Tower Presses	42009	9995 Super blue anti-tracking device	990.00
Two-Tower Presses	49001	4995 Video Punch	8,950.00
Two-Tower Presses	42006	9995 Print counter	85.00
Two-Tower Presses	42003	9995 Electronic double sheet detector	975.00
Two-Tower Presses	42004	9995 High precision register punch	6,175.00
Two-Tower Presses	42008	9995 Blanket cleaning devices	2,175.00
Two-Tower Presses	42010	9995 Infrared/Dry Powder Spray	4,080.00
Two-Tower Presses	1-4351	9995 Recirculator/Chiller 110V	2,915.00
Two-Tower Presses	1-4352	9995 Recirculator/Chiller 220V	2,915.00
Two-Tower Presses	43277	9995 Card Guide	230.00
Two-Tower Presses	43281	9995 Oil Pan	200.00
Two-Tower Presses	43293	9985 Tape Inserter	2,500.00
Two-Tower Presses	43293XC	9995C, 9995A Tape Inserter	1,700.00
Two-Tower Presses	5110100104	RP-22 Punch (Manual)	935.00
Two-Tower Presses	43297	9995 Quick Release Blanket Holder	150.00
Two-Tower Presses	42011	Blanket Cleaner Kit for 9995A	2,090.00
Duplicators Accessories	5110100104	RP22 Punch Manual	935.00
Duplicators Accessories	9920-002	9920 Spray Attachment - 115 Volt	1,600.00
Duplicators Accessories	9920-004	9920 Feeder Back Blower	310.00
Duplicators Accessories	9920-005	9920 Back Guide Assembly	25.00
Duplicators Accessories	9920-006	9920 Blanket Cleaner w/o 2nd Head	800.00
Duplicators Accessories	9920-007	9920 Card Guide	195.00
Duplicators Accessories	9920-008	9920 Grand Total Counter	150.00
Duplicators Accessories	9920-009	9920 Oil Pans	85.00

**Presstek 2009 Equipment Price list (OFFSET) (Manf. PRESSTEK)  
AVAILABLE FOR LEASE AND OUTRIGHT PURCHASE**

Category	Product Code Number	Description	List
Duplicators Accessories	9920-010	9920 Static Eliminator	435.00
Duplicators Accessories	9920-011	9920 Tape Inserter	2,095.00
Duplicators Accessories	43253	Powder Mizer Spray Attachment - 110 Volt	1,290.00
Duplicators Accessories	9920-001	9920 Extended Ink System 4 additional rollers	1,245.00
Duplicators Accessories	980NPD	9980 Numbering Perforating Device	9,475.00
Duplicators Accessories	9980-001	9980 Dry Powder Spray Attachment	1,075.00
Duplicators Accessories	9980-003	9980 Airtech Powder Mizer 110V	1,290.00
Duplicators Accessories	9980-004	9980 Static Eliminator	475.00
Duplicators Accessories	9980-005	9980 IR Dryer 220V	4,080.00
Duplicators Accessories	9980-006	9980 Airtech Powder Mizer 220V	1,290.00
Duplicators Accessories	9980-007	9980 Work Organizer	255.00
T-Heads	1-9920-NT	9920 Swing-Away	10,400.00
T-Heads	1-9920-AE	9920 Swing-Away AE	9,600.00
Envelope Feeders	AMC-2000	9810 Envelope Feeder	6,095.00
Envelope Feeders	A-202	Auxillary Feeder Kit	535.00
Envelope Feeders	CD-100	Conveyor Delivery	1,355.00
Envelope Feeders	A-203	Dual-Stream Feed Kit	610.00
Envelope Feeders	MULTI-FLO-DI	Multi-Flo Envelope Feeder	8,950.00
Envelope Feeders	MULTI-FLO-QMDI	Strate-Flo Universale Envelope Feeder	8,450.00
Envelope Feeders	AMC-2000-2	Astro Envelope Feeder for Ryobi 2700/2800/3200	6,310.00
Envelope Feeders	AMC-2000-3	Astro Envelope Feeder for Toko 4700/ Multigraphics 1218	6,310.00
Envelope Feeders	AMC-2000-5	Astro Envelope Feeder for 9985/9995/3985/3995/Ryobi 3320	6,310.00
Envelope Feeders	AMC-2000-18	Astro Envelope Feeder for 9920	6,735.00
Envelope Feeders	T-100/200	Top Loading Envelope Feeder and conveyor	3,995.00
Envelope Feeders	T-100-SF	Top Loading Envelope Feeder and conveyor	6,100.00
Training	WFTRAIN	First day of extra DSE RIP WF Training	1,500.00
Training	WFTRAINX	Each additional day of extra DSE RIP WF Training	1,000.00
Training	CTPTRAIN	First day of extra CTP training	1,500.00
Training	CTPTRAINX	Each additional day of extra CTP training	1,000.00
Training	CPXFTRAIN	3 DAYS OF COLOR PROOF XF SOFTWARE & TRAINING	3,500.00
Training	ADVPROOFTRAIN	2 DAYS OF ADVANCED PROOF TRAINING	2,500.00
Training	RIPTRAIN	3 DAYS RIP INSTALL & TRAINING	3,500.00
Training	DPMTRAIN	1st Day of DSE Training for all DPM Series	1,500.00
Training	DPMTRAINX	DPM Extra Consecutive Day Training	1,000.00
Training	DTSRTRAIN	1st Day of DTSR Training or Profiling	1,500.00
Training	DTSRTRAINX	2nd Day of DTSR Training or Profiling	1,000.00
Training	PRESSTRAIN	1st Day Press Training - Any Product	1,500.00
Training	PRESSTRAINX	Extra Consecutive Day of Press Training	1,000.00
Training	BASIC2TTRAINING	Press Training: Two Tower	3,000.00
Training	4995ATRAIN	4995 5 Day Training in 4-Color Printing	4,000.00
Cutters	BAUMCUT-26	Baumcut 26.4" Paper Cutter	24,695.00
Cutters	BAUMCUT-26-3P	Baumcut 26.4" Paper Cutter 3 Phase	24,095.00
Cutters	BAUMCUT-31	Baumcut 31.5" Paper Cutter	30,995.00
Folders	2020-3-3	Baum 2020 with Right Angle	32,695.00
Folders	714XLTB-2-P	Baum 714XLT Folder-Air Feed Urethane Rolls	6,995.00
Drills	ND5A-M-3	Baum ND5-5 Spindle Drill 3 Ph-Moveable Table	11,940.00
Drills	CMC-1-FM-1	Baum Single Spindle Drill-Manual Floor Model	2,595.00

**Presstek 2009 Equipment Price list (BINDING) (Manf. BAUM)**  
**AVAILABLE FOR LEASE AND OUTRIGHT PURCHASE**

Category	Product Code Number	Description	List
Cutters	BAUMCUT-26	Baumcut 26.4" Paper Cutter	24,695.00
Cutters	BAUMCUT-26-3P	Baumcut 26.4" Paper Cutter 3 Phase	24,095.00
Cutters	BAUMCUT-31	Baumcut 31.5" Paper Cutter	30,995.00
Folders	2020-3-3	Baum 2020 with Right Angle	32,495.00
Folders	714XLTB-2-P	Baum 714XLT Folder-Air Feed Urethane Rolls	6,895.00
Drills	ND5A-M-3	Baum ND5-5 Spindle Drill 3 Ph-Moveable Table	11,840.00
Drills	CMC-1-FM-1	Baum Single Spindle Drill-Manual Floor Model	2,495.00

**Presstek 2009 Equipment Price list (OFFSET) (Manf. EFI)  
AVAILABLE FOR LEASE AND OUTRIGHT PURCHASE**

Category	Product Code Number	Description	List
RIPs & RIP Accessories	CPXFM-KIT	ColorProof M	4,990.00
RIPs & RIP Accessories	CPXFXL-KIT	ColorProof XL	5,990.00
RIPs & RIP Accessories	CPXFXXL-KIT	ColorProof XXL	6,490.00
RIPs & RIP Accessories	EFB3001471-3	ColorProof XL	2,300.00
RIPs & RIP Accessories	EFB300328-3	Printer Option XL For printers 18" to 24"	1,000.00
RIPs & RIP Accessories	EFB300329-3	Printer Option XXL For printers 25" to 60"	1,500.00
RIPs & RIP Accessories	EFB300312-3	Color Manager Option	1,500.00
RIPs & RIP Accessories	EFB300321-3	Dot Creator Option	1,625.00
RIPs & RIP Accessories	EFB300325-3	One Bit Option	4,600.00
RIPs & RIP Accessories	EFB300320-3	Color Verifier	950.00
RIPs & RIP Accessories	D4DICOMPDL	ColorProof XF RIP computer	2,250.00
RIPs & RIP Accessories	EFB300663-3	ColorProof Upgrade from v2.5/v2.6/v3.0 to 3.1	599.00
RIPs & RIP Accessories	EFB3001467-3	ColorProof Upgrade from Best v5 to CPXF 3.1	1,840.00
RIPs & RIP Accessories	C4800STAND	Epson 4880 Printer Stand	399.00
RIPs & RIP Accessories	EPSEPP48B1	1 Yr Preferred Plus Extend Warranty: Epson 4880	279.00
RIPs & RIP Accessories	EPSEPP48B2	2 Yr Preferred Plus Extend Warranty: Epson 4880	479.00
RIPs & RIP Accessories	EPSEPP7898B1	1 Yr Preferred Plus Extend Warranty: Epson 78/9880	725.00
RIPs & RIP Accessories	EPSEPP7898B2	2 Yr Preferred Plus Extend Warranty: Epson 78/9880	1,305.00

Presstek 2009 Equipment Price list (OFFSET) (Manf. EPSON)  
AVAILABLE FOR LEASE AND OUTRIGHT PURCHASE

Category	Product Code Number	Description	List
Proofers	SP4880K3-KIT	Epson 4880UltraChrome	2,114.00
Proofers	C4800STAND	Epson 4880 Printer Stand	399.00
Proofers	SP7880K3-KIT	Epson 7880 UltraChrome	3,154.00
Proofers	SP9880K3-KIT	Epson 9880 UltraChrome	5,244.00



Presstek 2009 Equipment Price list (OFFSET) (Manf. MULTI-FLO)  
AVAILABLE FOR LEASE AND OUTRIGHT PURCHASE

Category	Product Code Number	Description	List
Envelope Feeders	MULTI-FLO-DI	Multi-Flo Envelope Feeder	8,950.00

Presstek 2009 Equipment Price list (BINDING) (Manf. WATKISS)  
AVAILABLE FOR LEASE AND OUTRIGHT PURCHASE

Category	Product Code Number	Description	List
Collators / Bookletmakers	WA062-005	Spinemaster Automatic (Includes Stand)	13,840.54
Collators / Bookletmakers	WA047-028	Standard System #2	47,963.03
Collators / Bookletmakers	WA047-052	Standard System #3	75,311.49

**Presstek 2009 Equipment Price list (OFFSET) (Manf. XITRON)**  
**AVAILABLE FOR LEASE AND OUTRIGHT PURCHASE**

Category	Product Code Number	Description	List
RIPs & RIP Accessories	655-1001-00B	Xenith 4PDF for Dimension 2xx/4xx Bundle	20,000.00
RIPs & RIP Accessories	655-1003-00B	Xenith 4PDF for 34/52 DI Bundle	20,000.00
RIPs & RIP Accessories	810-0200-0XB	Xenith 4PDF Installation and Support	4,995.00
RIPs & RIP Accessories	810-0200-3XB	Xenith 4PDF Installation and 3 years Support	7,495.00
RIPs & RIP Accessories	654-1001-00B	Xenith Extreme for Dimension 2xx/4xx	30,000.00
RIPs & RIP Accessories	656-1003-00B	Xenith Extreme 4 for DI	25,050.00
RIPs & RIP Accessories	810-0200-0EB	Xenith Extreme Installation and Support	6,895.00
RIPs & RIP Accessories	810-0200-3EB	Xenith Extreme Installation and 3 Years Support	9,895.00

Parent Number: 4400002495  
SRM Contract Number: 4400002504  
Change Number: 6  
Change Effective Date: 05/08/09

**COMMONWEALTH OF PENNSYLVANIA  
DEPARTMENT OF GENERAL SERVICES  
HARRISBURG**

**For:** All using Agencies of the Commonwealth  
**Subject:** Offset Printing & Binding Equipment, Supplies and Maintenance  
**Contract Period:** Beginning May 7, 2008 and Ending June 30, 2011  
**Commodity Specialist Name:** Wanda Bowers – [wbowers@state.pa.us](mailto:wbowers@state.pa.us) or 717-346-3840

**CHANGE SUMMARY: Please see below for the name and phone number of the new Eastman Kodak contact person.**

**Angie Malizia**  
585-305-3820 or [angie.malizia@kodak.com](mailto:angie.malizia@kodak.com)

**The agencies should call 800-677-9943 when placing an order and please use customer number 616503. Please fax your approved purchase orders to 800-999-9261.**

ALL OTHER TERMS AND CONDITIONS OF THIS AGREEMENT NOT CHANGED BY THIS CHANGE NOTICE REMAIN AS ORIGINALLY WRITTEN.

Parent Number: 4400002495  
SRM/SAP Contract Number:4400002504  
Change Number: 7  
Change Effective Date: 6/3/09

**COMMONWEALTH OF PENNSYLVANIA  
DEPARTMENT OF GENERAL SERVICES  
HARRISBURG**

**For:** All using Agencies of the Commonwealth  
**Subject:** Offset Printing & Binding Equipment, Supplies and Maintenance  
**Contract Period:** Beginning May 7, 2008 and Ending June 30, 2011  
**Commodity Specialist Name:** Wanda Bowers – [wbowers@state.pa.us](mailto:wbowers@state.pa.us) or 717-346-3840

CHANGE SUMMARY: I would like to make a correction on change notice 5 that was done on 5/8/09. The customer number should be **6165037**. This number should be used for all purchases. Please call **800-677-9943**

ALL OTHER TERMS AND CONDITIONS OF THIS AGREEMENT NOT CHANGED BY THIS CHANGE NOTICE REMAIN AS ORIGINALLY WRITTEN.

SRM Parent Number: 4400002495  
SRM/SAP Contract Number: 4400002503  
Change Number: 8  
Change Effective Date: 10/07/09

**COMMONWEALTH OF PENNSYLVANIA  
DEPARTMENT OF GENERAL SERVICES  
HARRISBURG**

**For:** All using Agencies of the Commonwealth  
**Subject:** Offset Printing & Binding Equipment, Supplies and Maintenance – Brett Business Machines  
**Contract Period:** Beginning 05/07/08 – 06/30/2011  
**Commodity Specialist Name:** Wanda Bowers – [wbowers@state.pa.us](mailto:wbowers@state.pa.us) or 717-346-3840

**CHANGE SUMMARY:** There have been new price lists posted to the emarketplace website for contract 4400002503 E. Thomas Brett.

ALL OTHER TERMS AND CONDITIONS OF THIS AGREEMENT NOT CHANGED BY THIS CHANGE NOTICE REMAIN AS ORIGINALLY WRITTEN.



Division of: E. Thomas Brett Business Machines  
440 Horsham Road, Horsham, PA 19044

Phone: 215-674-4114

Fax: 215-674-4478

E-mail: [brettgraphics@comcast.net](mailto:brettgraphics@comcast.net)

Website: [www.etbrett.com](http://www.etbrett.com)

10/5/09

Wanda Bowers  
PA Dept of General Services  
Bureau of Procurement  
Forum Place, 555 Walnut Street 6<sup>th</sup> Floor  
Harrisburg, PA 17101-1914

Dear Wanda,  
Reference contract #4400002503 Offset equipment/supp/maint. The attached price list are new model release's from the following manufacturers.

Banner American	Price List 04/15/09
Duplo USA	Price List 07/27/09
Lassco Wizer	Price List 02/15/09
Martin Yale	Price List 10/03/09
MBM	Price List 02/01/09
Morgana Systems USA	Price List 01/01/09
Preferred Packaging Group	Price List 07/01/09
Prographics Network LLC	Price List 03/01/09
Renz	Price List 11/10/08
Xante	Price List 03/03/09

Regards,

Francis Brett

---

**Equipment Solutions for Graphics, Print Finishing, Digital Imaging, The Office, The Mailroom**

◆Quality Equipment Solutions ◆Interactive Showroom ◆Onsite Setup and Operator Training  
◆Onsite Emergency Technical Service ◆Equipment Leasing ◆Maintenance Agreements ◆Equipment Supplies

## United States & Canada

\$USD only

Illumina Digital Envelope Press		Recommended List Price	Shipping Weight (LBS)
500-100851	ILUMINA DIGITAL ENVELOPE PRESS, 110V	\$15,995.00	215
500-100857	ILUMINA DIGITAL ENVELOPE PRESS FEEDER SYSTEM	Included	291

Consumables for Illumina Digital Envelope Press		Recommended List Price	Shipping Weight (LBS)
200-100225	TON, ILUMINA BLACK TONER CARTRIDGE (Single)	\$99.00	2
200-100222	TON, ILUMINA CYAN TONER CARTRIDGE (Single)	\$290.00	2
200-100223	TON, ILUMINA MAGENTA TONER CARTRIDGE (Single)	\$290.00	2
200-100224	TON, ILUMINA YELLOW TONER CARTRIDGE (Single)	\$290.00	2
200-100226	TON, ILUMINA 4PK ASSORTED TONER CARTRIDGE (CMYK Pack)	\$920.00	8
200-100225-6PK	TON, ILUMINA BLACK TONER CARTRIDGE 6 PK (Pack)	\$570.00	12
200-100222-6PK	TON, ILUMINA CYAN TONER CARTRIDGE 6PK (Pack)	\$1,650.00	12
200-100223-6PK	TON, ILUMINA MAGENTA TONER CARTRIDGE 6PK (Pack)	\$1,650.00	12
200-100224-6PK	TON, ILUMINA YELLOW TONER CARTRIDGE 6PK (Pack)	\$1,650.00	12
200-100230	TON, ILUMINA BLACK DRUM (Single)	\$155.00	5
200-100227	TON, ILUMINA CYAN DRUM (Single)	\$190.00	5
200-100228	TON, ILUMINA MAGENTA DRUM (Single)	\$190.00	5
200-100229	TON, ILUMINA YELLOW DRUM (Single)	\$190.00	5
200-100231	TON, ILUMINA 4PK ASSORTED DRUMS (CMYK Pack)	\$687.00	19
200-100230-3PK	TON, ILUMINA BLACK DRUM 3PK (Pack)	\$442.00	15
200-100227-3PK	TON, ILUMINA CYAN DRUM 3PK (Pack)	\$540.00	15
200-100228-3PK	TON, ILUMINA MAGENTA DRUM 3PK (Pack)	\$540.00	15
200-100229-3PK	TON, ILUMINA YELLOW DRUM 3PK (Pack)	\$540.00	15
200-100232	ILUMINA, TRANSFER BELT (Single)	\$249.00	11
200-100269	ILUMINA ENVELOPE FUSER UNIT 110V (Single)	\$295.00	9
200-100235	ILUMINA WASTE TONER BOX (Single)	\$14.00	1

Options for Illumina Digital Envelope Press		Recommended List Price	Shipping Weight (LBS)
250-100082	ILUMINA DUPLEX UNIT	\$695.00	16
100-100913	ILUMINA HARD DRIVE	\$395.00	3

Additional Service for Illumina Digital Envelope Press		Recommended List Price	Shipping N/A
810-100763	Illumina Envelope RightCare Service - 1st Yr. Included	Included	
810-100764	Illumina Envelope RightCare Service Extension - 1 Yr.	\$1,595.00	
810-100765	Illumina Envelope RightCare Service Extension - 1 Yr. After 60 Days	\$1,995.00	
810-100766	Illumina Envelope RightCare Service Extension - 2 Yr.	\$2,895.00	
810-100767	Illumina Envelope RightCare Service Extension - 2 Yr. After 60 Days	\$3,295.00	
810-100768	Illumina Envelope RightCare Service Extension - 3 Yr.	\$4,395.00	
810-100769	Illumina Envelope RightCare Service Extension - 3 Yr. After 60 Days	\$4,795.00	
810-100770	Illumina Envelope RightCare Service Extension - 4 Yr.	\$5,795.00	
810-100771	Illumina Envelope RightCare Service Extension - 4 Yr. After 60 Days	\$6,195.00	
870-100050	Premium Phone Installation, Training, and Setup.	\$395.00	

### Illumina Digital Envelope Press Warranty

End User & Partner Illumina Digital Envelope Press Warranty: Xanté will provide 1-year RightCare Service. Xanté services include telephone support, parts replacement, factory repair, onsite repair, and freight. Method of service is completely at the sole discretion of Xanté. Select Xanté partners will provide RightCare service to their customers. The partner services include telephone support and on-site repair and Xanté will provide telephone support, parts and freight when applicable.

Note: RightCare Service must be activated. Customers activate RightCare Service by signing RightCare Agreement and successfully completing onsite or phone installation, as recommended by Xanté.

**Terms & Conditions:** Pricing, Terms, and Conditions subject to change at the sole discretion of Xanté without prior notice. All Pricing Excluding all Taxes, VAT, and Freight. Incoterms: EXW / Ex-Works from Xante shipping point.



# United States & Canada

\$USD only

Illumina Digital Production Press		Recommended List Price	Shipping Weight (LBS)
500-100864	ILUMINA DIGITAL PRODUCTION PRESS 110V	\$15,995.00	215
500-100866	ILUMINA DIGITAL PROD. PRESS FEEDER SYSTEM 110V	Included	291

Consumables for Illumina Digital Production Press		Recommended List Price	Shipping Weight (LBS)
200-100225	TON, ILUMINA BLACK TONER CARTRIDGE (Single)	\$99.00	2
200-100222	TON, ILUMINA CYAN TONER CARTRIDGE (Single)	\$290.00	2
200-100223	TON, ILUMINA MAGENTA TONER CARTRIDGE (Single)	\$290.00	2
200-100224	TON, ILUMINA YELLOW TONER CARTRIDGE (Single)	\$290.00	2
200-100226	TON, ILUMINA 4PK ASSORTED TONER CARTRIDGE (CMYK Pack)	\$920.00	8
200-100225-6PK	TON, ILUMINA BLACK TONER CARTRIDGE 6 PK (Pack)	\$570.00	12
200-100222-6PK	TON, ILUMINA CYAN TONER CARTRIDGE 6PK (Pack)	\$1,650.00	12
200-100223-6PK	TON, ILUMINA MAGENTA TONER CARTRIDGE 6PK (Pack)	\$1,650.00	12
200-100224-6PK	TON, ILUMINA YELLOW TONER CARTRIDGE 6PK (Pack)	\$1,650.00	12
200-100230	TON, ILUMINA BLACK DRUM (Single)	\$155.00	5
200-100227	TON, ILUMINA CYAN DRUM (Single)	\$190.00	5
200-100228	TON, ILUMINA MAGENTA DRUM (Single)	\$190.00	5
200-100229	TON, ILUMINA YELLOW DRUM (Single)	\$190.00	5
200-100231	TON, ILUMINA 4PK ASSORTED DRUMS (CMYK Pack)	\$687.00	19
200-100230-3PK	TON, ILUMINA BLACK DRUM 3PK (Pack)	\$442.00	15
200-100227-3PK	TON, ILUMINA CYAN DRUM 3PK (Pack)	\$540.00	15
200-100228-3PK	TON, ILUMINA MAGENTA DRUM 3PK (Pack)	\$540.00	15
200-100229-3PK	TON, ILUMINA YELLOW DRUM 3PK (Pack)	\$540.00	15
200-100232	ILUMINA, TRANSFER BELT (Single)	\$249.00	11
200-100288	ILUMINA DIGITAL PROD. PRESS 110V FUSER UNIT	\$349.00	9
200-100235	ILUMINA WASTE TONER BOX (Single)	\$14.00	1

Options for Illumina Digital Production Press		Recommended List Price	Shipping Weight (LBS)
250-100082	ILUMINA DUPLEX UNIT	\$695.00	16
100-100913	ILUMINA HARD DRIVE	\$395.00	3

Additional Service for Illumina Digital Production Press		Recommended List Price	Shipping N/A
810-100788	Illumina DPP RightCare Service - 1st Yr. Included	Included	
810-100789	Illumina DPP RightCare Service Extension - 1 Yr.	\$1,595.00	
810-100790	Illumina DPP RightCare Service Extension - 1 Yr. After 60 Days	\$1,995.00	
810-100791	Illumina DPP RightCare Service Extension - 2 Yr.	\$2,895.00	
810-100792	Illumina DPP RightCare Service Extension - 2 Yr. After 60 Days	\$3,295.00	
810-100793	Illumina DPP RightCare Service Extension - 3 Yr.	\$4,395.00	
810-100794	Illumina DPP RightCare Service Extension - 3 Yr. After 60 Days	\$4,795.00	
810-100795	Illumina DPP RightCare Service Extension - 4 Yr.	\$5,795.00	
810-100796	Illumina DPP RightCare Service Extension - 4 Yr. After 60 Days	\$6,195.00	
870-100051	Premium Phone Installation, Training and Setup	\$395.00	

## Illumina Digital Production Press Warranty

**End User & Partner Illumina Digital Production Press Warranty:** Xanté will provide 1-year RightCare Service. Xanté services include telephone support, parts replacement, factory repair, onsite repair, and freight. Method of service is completely at the sole discretion of Xanté. Select Xanté partners will provide RightCare service to their customers. The partner services include telephone support and on-site repair and Xanté will provide telephone support, parts and freight when applicable.

**Note:** RightCare Service must be activated. Customers activate RightCare Service by signing RightCare Agreement and successfully completing onsite or phone installation, as recommended by Xanté.

**Terms & Conditions:** Pricing, Terms, and Conditions subject to change at the sole discretion of Xanté without prior notice.  
**All Pricing Excluding all Taxes, VAT, and Freight.**  
**Incoterms: EXW / Ex-Works from Xante shipping point.**

# Laminator by Banner American Products

04/15/09

<b><u>Model No.</u></b>		<b><u>Price</u></b>
Easy Lam	27"	\$1,795.00
Easy Lam-II	27"	\$1,895.00
Easy Lam Green	27"	\$2,599.00
Mighty Lam 2700	27"	\$2,995.00
Entry 4500	45"	\$8,995.00
Value Lam 4500	45"	\$5,995.00
Stand 4500		\$1,000.00
Foot Pedal		\$400.00

## Film

<b><u>Part No.</u></b>		<b><u>Price per Roll</u></b>
8041	25" x 500' 3 Mil Gloss	\$94.06
8056	27" x 250' 3 Mil Gloss	\$50.80
8002	43" x 250' 3 Mil Gloss	\$80.90
8064	43" x 500' 3 Mil Gloss	\$161.79
8053	45" x 250' 3 Mil Gloss	\$84.67
8036	60" x 250' 3 Mil Gloss	\$112.88
8069	60" x 500' 3 Mil Gloss	\$225.75
8031	25" x 250' 5 Mil Gloss	\$105.82
8058	27" x 250' 5 Mil Gloss	\$114.29
8012	43" x 250' 5 Mil Gloss	\$182.00
8055	45" x 250' 5 Mil Gloss	\$190.47
8038	60" x 250' 5 Mil Gloss	\$253.98
8070	60" x 500' 5 Mil Gloss	\$507.94

# Film by Banner American Products

04/15/09

## Film

<u>Part No.</u>		<u>Price per Roll</u>
8033	25" x 250' 3 Mil Satin	\$60.74
8057	27" x 250' 3 Mil Satin	\$65.61
8007	43" x 250' 3 Mil Satin	\$104.49
8063	43" x 500' 3 Mil Satin	\$208.99
8054	45" x 250' 3 Mil Satin	\$109.36
8037	60" x 250' 3 Mil Satin	\$145.79
8060	25" x 250' 5 Mil Satin	\$166.57
8061	27" x 250' 5 Mil Satin	\$179.90
8016	40" x 250' 5 Mil Satin	\$266.51
8017	43" x 250' 5 Mil Satin	\$286.51
8062	60" x 250' 5 Mil Stain	\$399.77
0320	12" x 250' 3 Mil	\$29.45
0457	12" x 500' 1.5 Mil	\$34.20
0322	18" x 250' 3 Mil	\$44.10
0324	25" x 250' 3 Mil	\$60.40
1145	27" x 250' 3 Mil	\$65.20
1144	27" x 500' 1.5 Mil	\$50.45

## Accessories

### Model NO.

2CA	2 ¼" Core	\$118.00
3CA	3" Core	\$205.00
FP	Foot Pedal	\$235.00
FC	Film Counter	\$235.00
KEY	Key Switch	\$85.00
EVIS	Variable Speed	\$103.00
EVIIS	Variable Speed	\$103.00
EVIISFIVE	5 Mil Switch	\$60.00
AS	Auto Shutoff	\$115.00

# Foliant Series by Banner American Products

04/15/09

## Laminators

<u>Model No.</u>	<u>Price</u>
400T	\$8,995.00
Gemini 400	\$16,670.00
Gemini 400SN	\$21,980.00
Gemini 400AN	\$29,990.00
520T	\$9,840.00
520HP	\$12,610.00
520HPX	\$13,100.00
Gulliver 520	\$23,175.00
720 HP	\$14,270.00

## Separators

520 HPS	\$6,415.00
720HPS	\$7,445.00

## Feeders

520 F	\$14,260.00
720 F	\$18,225.00

## Reception Units

520 RU	\$500.00
720 RU	\$500.00

04/15/09

Modular Stands

Model No.

Price

MS400

\$495.00

MS520

\$495.00

MS720

\$595.00

MS520S

\$695.00

MS720S

\$695.00

# Duplo USA Corporation

(Effective 07/27/2009)

<u>Model #</u>	<u>Product</u>	<u>Suggested Retail</u>
DC-8M	Micro 8 Collator	\$3,100
DFC-80	8-Bin Friction-Feed Collator (does not include stand)	5,100
DFC-120	12-Bin Friction-Feed Collator (does not include stand)	7,600
DFC-120B	12-Bin B Tower Friction-Feed Collator (does not include stand)	8,400
DF-755	Manual Setting Folder	2,290
DF-915	Automatic Folder	4,100
DF-920	Automatic Folder	4,700
DF-1000	Air-Suction Folder	9,000
UJ-500AS	Anti-Static Air Jogger	3,900
DT-900	Tabber	6,800
DB-280	Perfect Binder	9,500
DSF-2000	Sheet Feeder for DBM-120S/S, DBM-400S/S & DBM-500	20,400
DBM-120 S/S	Sheet By Sheet Bookletmaker	9,300
DBM-120	Auto-Setting Bookletmaker (AAA-DFC12DU is required when connecting with DFC-12)	9,300
DBM-120T	Face Trimmer	7,800
DBM-80H	Hand Feed Auto Setting Bookletmaker	5,800
DBM-80HT	Trimmer	5,300
DC-445	Creaser (please specify 120V or 230V) Dealer must meet certain requirements in order to sell. ****Please see bottom of price list on page 7.	9,800
DC-535	Suction Feed Cut Sheet Cutter with 2 margin trimmers	6,500
DC-615	Slitter/Cutter/Creaser – Base Model with Air-Knife Dealer must meet certain requirements in order to sell. ****Please see bottom of price list on page 7.	18,900
DC-615 PRO	Slitter/Cutter/Creaser – Fully-equipped <u>without</u> PC or PC ARM Dealer must meet certain requirements in order to sell. ****Please see bottom of price list on page 7.	23,100
DC-615 PRO-LE	Slitter/Cutter/Creaser – Fully-equipped <u>with</u> PC and PC ARM Dealer must meet certain requirements in order to sell. ****Please see bottom of price list on page 7.	26,200
DC-645	Heavy-Duty Slitter/Cutter/Creaser Software included (USB Cable Not Included) Dealer must meet certain requirements in order to sell. ****Please see bottom of price list on page 7.	38,500

# Duplo USA Corporation

(Effective 07/27/2009)

<u>Model #</u>	<u>Product</u>	<u>Suggested Retail</u>
EX-2000	Sealer	8,100
490	19" Hydraulic Paper Cutter	10,300
490P	19" Hydraulic Programmable Paper Cutter	12,400
660P	26.5" Hydraulic Programmable Paper Cutter	17,700
V-415	Cut Sheet Burster	5,100
V-580	Cut Sheet Cutter	6,000
DS-416	Slitter	1,470
V-350	Burster	4,100
V-767	Burster	9,800

## DFC-120 & DBM-120/T COLLATING & BOOKLETMAKING SYSTEM PRICING

<u>Model #</u>	<u>Product</u>	<u>Suggested Retail</u>
System DFC-120 with DBM-120 & DBM-120T	12 Bin Collator + Bookletmaker + Trimmer Delivery Unit, Connecting Kit & Stand Included	25,830
System DFC-120 & DFC-120B with DBM-120 & DBM-120T	Two Collators (24 bins)+ Bookletmaker + Trimmer Delivery Unit, (2) Connecting Kits & Stands Included	34,875

## IFS INTEGRATED FOLDING SYSTEM\*\*\*\* - FOR DC-445, DC-615 & DC-645

\*\*\*\*Dealer must meet certain requirements in order to sell the IFS. Please see bottom of price list on page 7.

<u>Model #</u>	<u>Description</u>	<u>Suggested Retail</u>
DC-445 IFS Package	DC-445 Creaser (please specify 120V or 230V) + DC-F1 Folder + DC-ST2 Short Stacker + DCK-01 Inline Kit + DCK-26 Connecting Kit + AAO-DFC-12 Stand + AAO-DC-445IFS BASE	31,485
IFS Kit B – For DC-615	IFS for DC-615 with all connecting kits. Includes: DC-SC1 Straight Conveyor + DC-F1 Folder + DC-ST1 Long Stacker + DCK-02 Inline Kit + DCK-25 Connecting Kit. **Does not include DC-615 unit** **DC-615 Software version 1.06 or later is required	31,935
IFS Kit C – For DC-645	IFS for DC-645 with all connecting kits. Includes: DC-SC1 Straight Conveyor + DC-F1 Folder + DC-ST1 Long Stacker + DCK-03 Inline kit + DCK-13 Connecting Kit + DCK-25 Connecting Kit. **Does not include DC-645 unit** **DC-645 E-Prom Version 1.27 or later is required	32,160
IFS Kit D – Cross Conveyor for DC-645	IFS with Cross Conveyor for DC-645 with all connecting kits. Includes: DC-CC1 Cross Conveyor + DC-SC1 Straight Conveyor + DC-F1 Folder + DC-ST1 Long Stacker + DCK-03 Inline kit + DCK-13 Connecting Kit + DCK-14 Connecting Kit + DCK-25 Connecting Kit + DCK-43 Connecting Kit **Does not include DC-645 unit** **DC-645 E-Prom Version 1.28 or later is required	40,170

# Duplo USA Corporation

(Effective 07/27/2009)

## INTEGRATED FOLDING SYSTEM Components (continued)\*\*\*\*

\*\*\*\*Dealer must meet certain requirements in order to sell the IFS. Please see bottom of price list on page 7.

Model #	Description	Suggested Retail
DC-F1	Knife Folder Module for DC-445/615/645	16,900
DC-SC1	Straight Conveyor for DC-445/615/645	6,900
DC-CC1	Cross Conveyor for DC-615/645	7,400
DC-ST1	Long Stacker for DC-445/615/645	7,500
DC-ST2	Short Stacker for DC-445/615/645	3,400
DCK-01	Inline kit for DC-445	445
DCK-02	Inline kit for DC-615	410
DCK-03	Inline kit for DC-645	380
DCK-13	Connecting Kit DC-645 - DC-SC1	255
DCK-14	Connecting Kit DC-CC1	320
DCK-15	Connecting Kit DC-ST1	190
DCK-16	Connecting Kit DC-ST2	290
DCK-24**	Connecting Kit DC-F1 - DC-CC1 **30 day lead time required after receiving P.O.	640
DCK-25	Connecting Kit (DC-F1 or DC-CC1) - DC-ST1	225
DCK-26	Connecting Kit DC-F1 - DC-ST2	480
DCK-42	Connecting Kit DC-CC1 - DC-F1	225
DCK-43	Connecting Kit DC-CC1 - DC-SC1	290
DCK-46**	Connecting Kit DC-CC1 - DC-ST2 **30 day lead time required after receiving P.O.	1,110
DCK-60**	Connecting Kit DC-ST2 - DC-CC1 **30 day lead time required after receiving P.O.	TBD
AAO-DFC-12 Stand	Stand for DC-445	210
AAO-DC-445IFS BASE**	Additional base for the AAO-DFC-12 Stand-required to match DC-445 and DC-F1 heights **Must have AAO-DFC-12 Stand for the DC-445	250

## ALL OTHER OFFICE PRODUCT OPTIONS & SUPPLIES

Model #	Product	Suggested Retail
AAO-DT900 CONVYR	DT-900C Conveyor for DT-900 Tabber	800
AAO-DT900 FEEDER	AF-900 Auto Feeder for DT-900 Tabber	2,000



# Duplo USA Corporation

(Effective 07/27/2009)

## ALL OTHER OFFICE PRODUCT OPTIONS & SUPPLIES (continued)

<u>Model #</u>	<u>Product</u>	<u>Suggested Retail</u>
AAO-AF100STAND	Stand for DT-900 Tabber or DT-900C Conveyor	257
AAAB-TAB CR1516	Clear round perforated tabs for DT-900 Tabber – sold per carton (6 rolls per carton/10,000 tabs per roll)	270/carton
AAAB-TAB WR1516	White round perforated tabs for DT-900 Tabber - sold per carton (6 rolls per carton/10,000 tabs per roll)	150/carton
AAO-DC445AIR03	Air Knife Kit for DC-445 - <b>120V</b>	880
AAO-DC445AIR04	Air Knife Kit for DC-445 - <b>230V</b>	880
AAO-DC445PFR04	1x Perforator Unit for DC-445 (Must have DC445OPM02 Optional Housing Module)	760
AAO-DC445SLT18	1x Slitter Unit for DC-445 (Must have DC445OPM02 Optional Housing Module)	735
AAO-DC445OPM02	Optional Housing Module for DC-445	740
AAO-DC445LPT02	Long Paper Tray for DC-445 (30-day lead time is required)	370
AAO-DC445DFD07	Double-feed Detection Sensor for DC-445	515
AAO-DFC12 Stand	Stand for DC-445 (also for DFC-120, DFC-80 & DFC-12)	210
AAO-DC615DFD06	Ultrasonic double-feed detection sensor for DC-615	630
AAO-DC615CCD01	CCD scanner for REG and Barcode functions for DC-615	1,200
AAO-DC615JCR01	Job Creator software bundle (disk & dongle) for DC-615	1,145
AAO-DC615PCM01	Pole Mount for DC-615PCARM (must purchase DC615PCARM)	645
AAO-DC615PCARM	PC ARM for DC-615PC (must purchase DC615PCM01)	640
AAO-DC615PC	Desktop PC workstation with 17" flat panel monitor for DC-615	2,500
AAO-DC615CST01	Card stacker receiving tray for DC-615	770
9P9-F1041	Slitter Blade (upper) for DC-615 (margin or center)	175/each
9P9-F1070	Slitter Blade (lower) for DC-615 (margin or center)	155/each
9S2-J1010	Cutter Unit for DC-615	1,465
AAO-DC645 BCMODULE	Business Card Module for use with DC-645. Designed for 2" x 3.5" business cards (for 20-up 12"x18" sheet size).	3,800
AAO-DC645BCM26	Business Card Module for use with DC-645. Designed for 2" x 3.5" business cards (for 30-up 14"x20" sheet size).	4,600

# Duplo USA Corporation

(Effective 07/27/2009)

## OPTIONAL PRODUCTS & SUPPLIES (Continued)

<u>Model #</u>	<u>Product</u>	<u>Suggested Retail</u>
AAO-DC645BCM52	Business Card Module for use with DC-645 Designed for cards with a 52mm slit width *Special order only, 6 wks delivery time with confirmed P.O.	3,800
AAO-DC645BCM54	Business Card Module for use with DC-645 Designed for cards with a 54mm slit width *Special order only, 6 wks delivery time with confirmed P.O.	3,800
AAO-DC645BCM55	Business Card Module for use with DC-645 Designed for cards with a 55mm slit width *Special order only, 6 wks delivery time with confirmed P.O.	3,800
AAO-DC645BCM16	Trading Card Module for use with DC-645 Designed for 2.5" x 3.5" trading cards (for 16-up 12"x18" sheet size).	4,600
AAO-DC645PFM01	Perforation Module for use with DC-645. (Must have AAO-DC645OMK01 Motor Kit).	4,600
AAO-DC645RSM01	Rotary Score Module for use with DC-645. (Must have AAO-DC645OMK01 Motor Kit).	4,600
AAO-DC645OMK01	Motor Kit for use with DC-645 Perforation Module or Rotary Score Module	140
9P9-Q6011	Replacement Score Wheel for DC-645 RSM-01	205
AAO-DC645PC	Dell PC (with Job Creator installed) for DC-645	2,500
AAO-DC645PCSTAND	Stand for Dell PC for DC-645	500
AAO-DFC12 Stand	Stand for DFC-120, DFC-80 & DFC-12 (also for DC-445)	210
AAA-DFC12DU	Delivery Unit between DFC-12A and DBM120	385
AAA-DFC-S	Corner and Side Stapler for DFC-120, DFC-80, DFC-12 & DC-8 Collators (Optional 13J-42 connecting kit required for DC-8)	5,000
AAO-DFC120DU	Delivery Unit (Required for connecting DFC-120 and DBM-120)	485
AAO-DFC120CKIT	DBM-120 Connecting Kit for DFC-120 (Two kits required when connecting two towers)	435
13J-42	DC-8 Connecting Kit for DFC-S Stapler	240
98J-42	Guide Plate for DC-8/DC-S4	50
11C-13	DBM-120 Off-Line Paper Guide Attachment that provides a more efficient method of manually feeding sets into the DBM-120	40
11C-15	DBM-120 Small Book Kit (down to 5.83" x 7.87")	820

# Duplo USA Corporation

(Effective 07/27/2009)

## OPTIONAL PRODUCTS & SUPPLIES (Continued)

<u>Model #</u>	<u>Product</u>	<u>Suggested Retail</u>
999-50050	Staples for DBM-100 and DBM-120 (60,000 Staples Per Box)	116
025-10150	Staples for DFC-S, DC-S4 and DBM-80H (20,000 Staples Per Box)	58
999-SPSTAPLE	Staples for DC-8ST Stapler (25,000 Staples Per Box)	70
999-151R	Staples for DC-8M (Micro 8 Collator) (8,000 staples per box)	35
AAO-DSF2000BC-KIT	DSF-2000 Barcode Kit	4,200
AAO-DCM-KIT	Digital Color Media for DSF-2000 (Anti-Static with Air Separating Kit)	4,400
AAO-CD100D	Universal Conveyor (Variable Speed Control and Height Adjustment)	995
AAO-STAND/BRST	Stand W/Caster for V-350	270
9F4-35010	Center Slitter for V-350	400
AAA-V130	Check Signer	1,255
830-542	Ink Roller for V-130	76
999-SDL PLATE/130	Blank Saddle for V-130	35
AAO-V767CHP05	Left Margin Chopper for V-740, V-760 & V-767 Bursters	555
AAO-V767CHP06	Right Margin Chopper for V-740, V-760 & V-767 Bursters	555
AAO-V767CNT21	Center Slitter for V-767 Burster	580
AAO-V767SEP07	Decollator Unit for V-767 Burster	580
AAO-V767MTU01	Middle Tray Unit for V-767 Burster	240
999-STCKER415	Conveyor for V-415	840
999-CNV03	Conveyor for V-580	840
999-SLT08	Center Slitter for V-580	400
999-PFR02	Perforator for V-580	400
AAO-V707	Deep Stacker for V-740/760	2,100
AAO-V170	Slit/Merge for V-760	4,400
999-CTRLTR	Center Slitter for V-740/760	505

# Duplo USA Corporation

## Office Products Retail Price List

### OPTIONAL PRODUCTS & SUPPLIES (Continued)

<u>Model #</u>	<u>Product</u>	<u>Suggested Retail</u>
999-DEC ATCH 740	Decollating Attachment for V-740	505
999-DEC ATCHMNT	Decollating Attachment for V-760	505
AAG-DB280GLUE	Glue for DB-280 and DB-250 / 50lb. Crtn	217/crtn
AAB-DB280LABEL	Self-Adhesive Label for DB-280, 8.72" x 11" (100 sheets/pack)	\$40/pack
AAB-DB280TAPE	Spine Strip Tapes for DB-280 (100 strips)	56
9SR-490K35	Cutting Blade for 490/490P Cutter	290
9SR-490CS	Cutting Sticks for 490/490P Cutter (Packaged 10 per box)	84/box
9SR-660/K02	Blade for 660P Cutter	370
9SR-660/NCS	New Cutting Sticks for 660P Cutter (Packaged 10 per box)	117/box

---

**F.O.B: Point of Origin**

**Prices are subject to change without notice.**

# Duplo USA Corporation

<u>Product Model #</u>	<u>Description</u>	<u>Suggested Retail</u>
<b><u>SUCTION-FEED COLLATORS</u></b>		
DC-10/60	Air Suction-Feed 10-station (A, B, C, D, E, F) Tower; Expandable up to 60 stations (can add up to 6 towers); DC-10/60 and lift unit accepts DBM-500, DBM-400, DBM-300, and DBM-120	\$22,600
DC-8/32	Air Suction-Feed 8-station (A, B, C, D) Tower; Expandable up to 32 stations (can add up to 4 towers); DC-8/32 and lift unit accepts DBM-400/500, DBM-300, and DBM-120	\$18,200
<b><u>FINISHING ACCESSORIES &amp; SUPPLIES</u></b>		
DC10/60D	Bridge between DC-10/60 (DC-8/32) towers	\$880
DC1060LULBC	Barcode Kit for DC-10/60 Lift Unit	\$7,400
LUL-HM	Lift Unit/Hand Marry Connector (Left Exit) between DC-10/60 or DC-8/32 and DBM-500, DBM-400, DBM-300 or DBM-120	\$2,800
LUR	Lift Unit with Reject Tray (Right Exit) between DC-10/60 or DC-8/32 and DBM-400STR	\$2,800
LDR	LDR Connecting Bridge for Duetto Configuration (Connects DSF-2000 to DC-10/60 Tower)	\$3,300
DBM-500H4 with DBMLS1&DBM-K	Four Stitch Head Automatic Setting Stitcher/Folder for use with DC-10/60, DC-8/32, DSF-5000 and DSF-2000. Includes 12J-44 Four Stitcher Head Kit (Kit only, 054-3860 Stitcher Heads sold separately) and 54" Extended Conveyor Delivery & Batch Kicker. Connects to the DBM-500T Face Trimmer. Must purchase two additional stitcher heads 054-3860 (x2)	\$40,700
DBM-500H4 with DBM-SS1	Four Stitch Head Automatic Setting Stitcher/Folder for use with DC-10/60, DC-8/32, DSF-5000 and DSF-2000. Includes 12J-44 Four Stitcher Head Kit (Kit only, 054-3860 Stitcher Heads sold separately) and 24" Conveyor Delivery. Connects to the DBM-500T Trimmer. Must purchase two additional stitcher heads 054-3860 (x2)	\$39,100
DBM-500 with DBMLS1&DBM-K	Automatic Setting Stitcher/Folder for use with DC-10/60, DC-8/32, DSF-5000 and DSF-2000. Includes a 54" Extended Conveyor Delivery and Batch Kicker. Connects to the DBM-500T Face Trimmer.	\$36,900
DBM-500 with DBM-SS1	Automatic Setting Stitcher/Folder for use with DC-10/60, DC-8/32, DSF-5000 and DSF-2000. Includes a 24" Conveyor Delivery. Connects to the DBM-500T Face Trimmer.	\$35,300
DBM-500T	Automatic Setting Trimmer to use on-line with DBM-500	\$19,800
DBM-2KT	Automatic Setting Head and Foot Trimmer (connects only with DBM-500T)	\$43,500
DBM-500P	Spine Compressor for DBM-500 (Special order only – 3 month delivery time after P.O. received)	\$14,800
ASM-500	Square Back Spine for DBM-500T	\$19,200

# Duplo USA Corporation

## FINISHING ACCESSORIES & SUPPLIES (continued)

<u>Product Model #</u>	<u>Description</u>	<u>Suggested Retail</u>
DBM-350	Automatic Setting Bookletmaker***	\$25,000
		***Special pricing until 12/31/09
DBM-350T	Automatic Setting Face Trimmer for DBM-350***	\$8,400
		***Special pricing until 12/31/09
AAO-DBM350SBKIT	DBM-350 Small Booklet Kit – down to 4.13" width	\$350
AAO-DBM350CSKIT	DBM-350 Corner/Side Stitch Kit	\$450
AAO-DBM350INSERTKIT	DBM-350 6-Page Newsletter Insert Kit	\$240
DBM-120	Automatic Bookletmaker for DC-10/60, DC-8/32, DC-10000S, or DFC-12/24 <b>**NOTE – When connecting to DC-10/60 or DC-8/32 Tower the 11C-27 Interface is REQUIRED**</b>	\$9,300
DBM-120S/S	Automatic Bookletmaker for use with DSF-2000	\$9,300
DBM-120T	Face trimmer to use on-line with DBM-120	\$7,800
AAO-DFC120DU	Delivery Unit (Required for connecting DBM-120 and DFC-120 Collator)	\$485
AAO-DFC120CKIT	DBM-120 Connecting Kit to DFC-120 Collator (Two kits required when connecting two towers)	\$435
11A-42	Single Tower Kit – Connects a single tower DC-10/60 or DC-8/32 to a DBM-120, DBM-350 or DBM-500.	\$125
11C-27	DBM-120 interface kit for connecting the DC-10/60 or DC-8/32	\$355
11C-15	DBM-120 small book kit (down to 5.83" x 7.87")	\$820
999-50050	Staples for DBM-120 & DBM-120S/S (60,000 staples per box)	\$116/box
DBM-400STR	Right-hand, Deep-pile Stacker (Straight and Offset) for use with DC-10/60 or DC-8/32 towers. Need to connect with LUR. If configured with a single tower system, requires 11A-42 kit.	\$8,300
DBM400STL	Left-hand, Deep-pile Stacker (Straight and Offset) For use with DC-10/60 or DC-8/32 Towers. Need to add LUL-HM.	\$8,800
DBMLS	54" Long Extended Conveyor (Does not include DBM-K Batch Kicker)	\$880
DBMLS1	54" Long Extended Conveyor and Batch Kicker for use with the DBM-500T	\$1,540
DBM-K	Batch Kicker for DBM-500T and DBM-SS1	\$660
DC-8000ST	Rear Stacker for DC-10/60 or DC-8/32, allows offset/straight stacking without unhooking of accessories	\$2,100
DBM-500OLF	Off-line Feeder for DBM-500	\$1,875
12J-44	4 Stitcher Head Kit for DBM-500 (Kit only, 054-3860 Stitcher Head sold separately)	\$3,900

# Duplo USA Corporation

## FINISHING ACCESSORIES & SUPPLIES (continued)

<u>Product Model #</u>	<u>Description</u>	<u>Suggested Retail</u>
054-3860	Stitcher Head for DBM-500	\$959
12J-45	Calendar Kit for DBM-500	\$2,300
12J-48A	DBM-500 14"x20" Paper Size Kit (For production units with serial numbers starting PRIOR TO or INCLUDING S/N# 0503XXXXX)	\$840
AAO-CD100D	Universal Conveyor (Variable Speed Control and Height Adjustment)	\$995
9FK-SCOVER KIT	Short Cover Kit for DBM-500	\$525
999-ENVELOPEKIT	DC-10/60 Envelope kit w/o double feed detection function (1 bin/set)	\$230
999-ENVELOPEKIT2	DC-10/60 Envelope kit w/double feed detection function (2 bins/set)	\$630
999-STITCHERWIRE	Stitcher Wire for DBM-500, DBM-400, DBM-400SxS, DBM-300 (5 lb. spool, 4,500 ft. per spool, 10 spools per box)	\$18.50/spool \$185/box
999-STITCHWIRE35	35 lb. spool - Stitcher Wire for DBM-500, DBM-400, DBM-300 (sold per spool)	\$84.00/spool
999-STITCHWIREDSP	De-spooler wire holder for 35 lb. spool	\$417/each

### Intelligent Multi Bin Feeder (IMBF)

#### Basic System pricing:

IMBF Package	Touch Screen PC Control IMBF Package (PCB, PC & Software) connect to DC-10/60	\$9,900
--------------	---	---------

#### Options:

IMBF Scanner Kit	IMBF Scanner Kit (2 Scanner Set)	\$4,200
IMBF Scanner Kit	IMBF Scanner Kit (4 Scanner Set)	\$8,200
IMBF Scanner Kit	IMBF Scanner Kit (8 Scanner Set)	\$16,500

### ELECTRONIC PRINT FINISHING PRODUCTS

#### DSF-5000 Sheet Feeder

DSF-5000	Sheet Feeder for DBM-500	\$29,400
AAO-DSF5000SW	DSF-5000 PC Controller Software *REQUIRED*	\$2,600

#### DSF-5000 Options

AAO-DSF5000PC	Optional Touch Screen PC for DSF-5000	\$2,400
AAO-DSF5000BCKIT	Optional Barcode Kit for DSF-5000	\$3,900
AAO-DSF5000BCFKIT	Optional Barcode Kit for DSF-5000CF	\$3,900
AAO-DSF5000BESKIT	Optional Exit Scanner Barcode Kit for DSF-5000 – Verifies completed book output	\$3,900

# Duplo USA Corporation

<u>Product Model #</u>	<u>Description</u>	<u>Suggested Retail</u>
<b><u>DSF-5000 Options (continued)</u></b>		
AAO-DSF-5000CF	Optional Cover Feeder for DSF-5000	\$7,400
AAO-DSF5000PUMP*	Pressure Pump for DSF-5000 *Pressure pump included with initial DSF-5000 purchase	\$995
13G-90940	Feed Tray for DSF-5000 *DSF-5000 comes with 1 feed tray	\$978
<b><u>DSF-2000 Sheet Feeder</u></b>		
DSF-2000	Sheet Feeder for DBM-120S/S, DBM-400S/S and DBM-500	\$20,400
<b><u>DSF-2000 Options</u></b>		
SCC	Automatic Setting Slitter, Cutter and Creaser with PC controller software included (currently connects only with DSF-2000, DBM-500/T)	\$29,400
AAO-DSF2000BC-KIT	DSF-2000 Barcode kit	\$4,200
AAO-DCM-KIT	Digital Color Media (Anti-Static with Air Separating Kit)	\$4,400
AAO-SCCPC	PC Touch screen for SCC with PC Controller Software Installed	\$5,000
AAO-SCCPCSTAND	Stand for SCC PC Touch screen	\$500
<b><u>UV DOCUMENT COATERS</u></b>		
Ultra 205A	20.5" UV Document Coater	\$44,100
Ultra 205A2	20.5" Modular UV Document Coater	\$45,700
Ultra 145A	14.5" UV Document Coater	\$39,900
Ultra 145A2	14.5" Modular UV Document Coater	\$41,500
<b><u>Options:</u></b>		
SF-205	20" Air Vacuum Auto Feeder	\$10,000
AAO-UL1009902	IR Dryer Kit for Ultra 205A/205A2 UV Coaters	\$3,500
AAO-UL1009901	IR Dryer Kit for Ultra 145A/145A2 UV Coaters	\$3,500



# Duplo USA Corporation

<u>Product Model #</u>	<u>Description</u>	<u>Suggested Retail</u>
<b><u>PERFECT BINDERS</u></b>		
Quadrimax II	Perfect Binder – 4 Clamps (Dust extractor included, must purchase compressor)	Please call RSD for pricing
MR-720 PUR	PUR Perfect Binder – Fully Automatic, Single Clamp - designed for coated stock applications (Special order only – 3 month delivery time after P.O. received)	Please call RSD for pricing
DPB-500	Perfect Binder – Fully Automatic, Single Clamp (includes dust extractor)	\$47,300
DB-280	Desktop Perfect Binder	\$9,500
<b>Perfect Binder Options &amp; Supplies:</b>		
AAA-DPB500LS	Long Stacker for DPB-500	\$6,500
AAO-DPB500BCRKITA	Barcode Kit for DPB-500 with <b>S/N#s 080100999 or lower</b> (Kits 11-36, 11H-45, 11H-86073)	\$9,740
AAO-DPB500BCRKITB	Barcode Kit for DPB-500 with <b>S/N#s 080101000 to 081200999</b> (Kits 11H-36 and 11H-45)	\$9,090
AAO-DPB500BCRKITC	Barcode Kit for DPB-500 with <b>S/N#s 081201000 or higher</b> (Kit 11H-36)	\$8,500
AAO-DPB500WS	Wing Scoring Kit for DPB-500	\$2,100
AAG-PBGLUE	Adhesive for DPB-500, Quadrimax II, MR-720, MR-500/520 Perfect Binders: 50 lb. carton	\$216/crtn
AAG-DB280 GLUE	Glue for DB-280 and DB-250: 50lb.carton	\$217/crtn
AAB-DB280LABEL	Self-Adhesive Label for DB-280, 8.72"x11" (100 sheets/pack)	\$40/pack
<b><u>CUTTERS</u></b>		
660P	26.5" Hydraulic Programmable Paper Cutter	\$17,700
490P	19" Hydraulic Programmable Paper Cutter	\$12,400
490	19" Hydraulic Paper Cutter	\$10,300
<b>Supplies:</b>		
9SR-660/K02	Blade for 660	\$370
9SR-660/NCS	New Cutting Sticks for 660 (Packaged Ten to a Box ) More Durable	\$117/Box
9SR-490K35	Cutting Blade for 490/490P Cutter	\$290
9SR-490CS	Cutting Sticks for 490/490P Cutter (Packaged 10 per box)	\$84/box

## Duplo USA Corporation

PRODUCT MODEL#	DESCRIPTION	SUGGESTED RETAIL
<b>DUPLICATORS</b>		
DP-460H	*Digital Printer	\$19,995
DP-S850	*Digital Printer	16,995
DP-J450	*Digital Printer	9,495
DP-S510	*Digital Printer	7,995
DP-220Le	Digital Printer	6,595
DP-210Le	Digital Printer	5,995
DP-C110	Digital Printer (Legal Size)	2,600
DP-C100**	Digital Printer (A4/Letter Only)	2,600
	**Non-stock item - please see note on bottom of page 5.	
* (For DP-460H price includes stand and centronic interface for PC. For DP-S850 and DP-S510 models price includes star interface for PC. For DP-J450 price includes MCD-50 stand)		
<b>ACCESSORIES</b>		
<b>STANDS</b>		<b>SUGGESTED RETAIL</b>
MCD-50	For DP-S850, DP-S550, DP-S510 & DP-J450	\$216
MCD-43	For DP-460c, DP-430e & DP-330Le	216
MCD-24	For DP-220Le, DP-210Le, DP-22LII & DP-21LII	216
<b>AUTOMATIC DOCUMENT FEEDERS (ADF)</b>		
AAO-ADF-15	For DP-J450	\$1,043
AAO-ADF-13	For DP-S850, DP-S550, DP-S510	995
AAO-ADF-12	For DP-460H, DP-220Le, DP-460e, DP-430e, DP-330Le & DP-22LII	995
AAO-ADF-08	For DP-63P/S, DP-43E/S, DP-31E/S	1,495
<b>INTERFACES</b>		
CINPS II	Upgrade for all Postscript Levels I, II, III. Includes Open RIP Symphony. (All models)	3,895
IF-29	Parallel interface (For DP-S850, DP-S550 & DP-S510 only)	TBD
IF-37	LAN Kit for network applications (For DP-S850, DP-S550 & DP-S510 only)	795
IF-39	DP-J450 USB Interface	626
Interface-23	PC Interface Kit II for DP-220Le, DP-210Le, DP-22LII and DP-21LII with optional FS-100P to achieve network connection.	999
Interface-38	USB Interface for DP-C110 and DP-C100	590
FS-100P	Duplo Print Server FS100P (Needed for Network Applications) For DP-460H, DP-460e, DP-430e, and DP-330Le. Interface-23 is required for DP-220Le, DP-210Le, DP-22LII & DP-21LII.	820

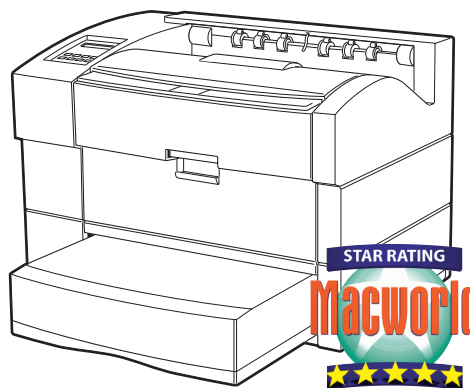
# FilmMaker 4

1200 x 1200 dpi

RAM	Part No.	Price
128 MB	500-100729	\$3,540
256 MB	500-100730	\$3,740

2400 x 2400 dpi

RAM	Part No.	Price
256 MB	500-100731	\$5,240



## Options & Consumables

Toner Cartridge - Qty.1 - 4 7,000 letter size prints at 5% coverage (200-100041-FM4) . . . . .	\$239
Toner Cartridge - Qty. 5 + 7,000 letter size prints at 5% coverage (200-100041-FM4) . . . . .	\$227
500 Sheet Universal Paper Cassette (250-100049-FM4) . . . . .	\$150
Internal IDE Disk Drive (500-100606) . . . . .	\$495
Manual Feed Tray Extension (250-100058) . . . . .	\$125

## Myriad Film & FilmStar Solution

FilmStar™ 4 (500-100740) . . . . .	\$395
FilmStar FX2 Solution 1pt/.5 liter Bottle 4-pack (200-100074) . . . . .	\$60
Myriad Matte Letter Film (200-100001) 100 ct. . . . .	\$40
Myriad Matte A4 Film (200-100002) 100 ct. . . . .	\$40
Myriad Matte 11" x 17" Film (200-100003) 100 ct. . . . .	\$80
Myriad Matte A3 Film (200-100004) 100 ct. . . . .	\$80
Myriad Matte 10" x 15" Film (200-100005) 100 ct. . . . .	\$64
Myriad Matte 11.7" x 18" Film (200-100006) 100 ct. . . . .	\$90
Myriad Matte 12" x 18" Film (200-100007) 100 ct. . . . .	\$92
Myriad Matte 12" x 25" Film (200-100036) 100 ct. . . . .	\$129
Myriad Matte 13" x 18.5" Film (200-100062) 100 ct. . . . .	\$103
Myriad Matte 13" x 25" Film (200-100063) 100 ct. . . . .	\$139
Myriad Matte 13" x 35.5" Film (200-100072) 100 ct. . . . .	\$198
Myriad Clear Letter Film (200-100107) 100 ct. . . . .	\$46
Myriad Clear A4 Film (200-100108) 100 ct. . . . .	\$46
Myriad Clear 11" x 17" Film (200-100109) 100 ct. . . . .	\$92
Myriad Clear A3 Film (200-100110) 100 ct. . . . .	\$92
Myriad 13" x 18.5" Clear Film (200-100111) 100 ct. . . . .	\$119

## Standard Configurations

### 1200 Model

- Adobe® PostScript® 3™
- 10 page-per minute print engine
- RISC Processor
- 1200 dpi standard, upgradable to 2400 dpi
- 128 MB RAM, upgradable to 256MB
- Ethernet
- 650 sheets input capacity, includes 500 sheet universal tray
- Oversize printing up to 13" x 35.5"
- Toner Cartridge (7,000 letter prints @ 5% coverage)
- 136 Adobe PostScript Fonts
- Xanté's Graphic Software Package
  - X-ACT
  - Enhanced Screening
  - Densitometer Support
  - Halftone Calibration Technology
- NEIT
- Positive Film Technology

### 2400 Model same as 1200 Model except for:

- 2400 dpi standard

All pricing is in US currency

US and Canada Sales

All prices subject to change without prior notice.



# XANTÉ

Revised 6/10/08

# FilmMaker 4

# Film System FilmMaker 4



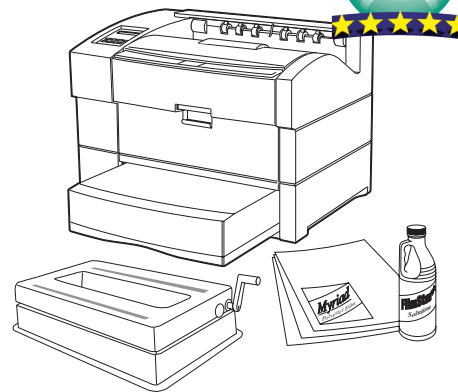
## 1200 x 1200 dpi

RAM	Part No.	Price
128 MB	500-100729*	\$3,935
256 MB	500-100730*	\$4,135

## 2400 x 2400 dpi

RAM	Part No.	Price
256 MB	500-100731*	\$5,635

\* Note : Film System includes FilmMaker 4 and FilmStar 4. When placing an order for Film Systems, include the part nos. for FilmStar 4 (500-100740).



## Options & Consumables

Toner Cartridge - Qty.1 - 4 7,000 letter size prints at 5% coverage (200-100041-FM4)	\$239
Toner Cartridge - Qty. 5 + 7,000 letter size prints at 5% coverage (200-100041-FM4)	\$227
500 Sheet Universal Paper Cassette (250-100049-FM4)	\$150
Internal IDE Disk Drive (500-100606)	\$495
Manual Feed Tray Extension (250-100058)	\$125

## Myriad Film & FilmStar Solution

FilmStar FX2 Solution 1pt/.5 liter Bottle 4-pack (200-100074)	\$60
Myriad Matte Letter Film (200-100001) 100 ct.	\$40
Myriad Matte A4 Film (200-100002) 100 ct.	\$40
Myriad Matte 11" x 17" Film (200-100003) 100 ct.	\$80
Myriad Matte A3 Film (200-100004) 100 ct.	\$80
Myriad Matte 10" x 15" Film (200-100005) 100 ct.	\$64
Myriad Matte 11.7" x 18" Film (200-100006) 100 ct.	\$90
Myriad Matte 12" x 18" Film (200-100007) 100 ct.	\$92
Myriad Matte 12" x 25" Film (200-100036) 100 ct.	\$129
Myriad Matte 13" x 18.5" Film (200-100062) 100 ct.	\$103
Myriad Matte 13" x 25" Film (200-100063) 100 ct.	\$139
Myriad Matte 13" x 35.5" Film (200-100072) 100 ct.	\$198
Myriad Clear Letter Film (200-100107) 100 ct.	\$46
Myriad Clear A4 Film (200-100108) 100 ct.	\$46
Myriad Clear 11" x 17" Film (200-100109) 100 ct.	\$92
Myriad Clear A3 Film (200-100110) 100 ct.	\$92
Myriad Clear 13" x 18.5" Film (200-100111) 100 ct.	\$119

## Standard Configurations

### 1200 Model

- Adobe® PostScript® 3™
- 10 page-per minute print engine
- Fast IDT 79RC32355
- 1200 dpi standard, upgradable to 2400 dpi
- 128 MB RAM, upgradable to 256MB
- Ethernet
- 650 sheets input capacity, includes 500 sheet universal tray
- Oversize printing up to 13" x 35.5"
- Toner Cartridge (7,000 letter prints @ 5% coverage)
- 136 Adobe PostScript Fonts
- NEIT
- Positive Film Technology
- Xanté's Graphic Software Package
  - X-ACT
  - Densitometer Support
  - Enhanced Screening
  - Halftone Calibration Technology
- Includes FilmStar 4 film processing unit
- 4 Pack FilmStar solution
- 1 box of 8.5"x 11" Myriad film (100 ct.)

### 2400 Model same as 1200 Model except for:

- 2400 dpi standard

All pricing is in US currency

US and Canada Sales

All prices subject to change without prior notice.

# XANTÉ



Revised 6/10/08

# FilmMaker 4

# XANTE

SPECIAL FEEDERS		
	<b>Special Order Product</b>	
870-ENVELOPE	Envelope Feeder/Conveyor/Wide/Install	\$4,995.00
870-HESTOCK	Stock Feeder/Conveyor/Wide/Install	\$4,995.00
INSTALL/FREIGHT		
870-100019	Premium Install Illumina, PM5, FM5, Impressia, IDEP and IDPP	\$1,364.00
870-100018	Basic Install Illumina, PM5, FM5, Impressia, IDEP and IDPP	\$1,050.00
870-100050	Phone Install Illumina, PM5, FM5, Impressia, IDEP and IDPP	\$395.00
870-freight1	Mobile Alabama FOB Equipment	\$595.00
870-freight2	Mobile Alabama FOB Supplies	\$50.00
XANTE	3/3/2009	



# United States & Canada

\$ USD only

Illumina 502 Digital Color Press		Recommended List Price	Shipping Weighth LBS
500-100838	ILUMINA 502, 1 GB, W/HD DUPLEX 110V	\$8,995.00	230

Consumables for Illumina 502 Digital Color Press		Recommended List Price	Shipping Weighth LBS
200-100225	TON, ILUMINA BLACK TONER CARTRIDGE (Single)	\$99.00	2
200-100222	TON, ILUMINA CYAN TONER CARTRIDGE (Single)	\$290.00	2
200-100223	TON, ILUMINA MAGENTA TONER CARTRIDGE (Single)	\$290.00	2
200-100224	TON, ILUMINA YELLOW TONER CARTRIDGE (Single)	\$290.00	2
200-100226	TON, ILUMINA 4PK ASSORTED TONER CARTRIDGE (CMYK Pack)	\$920.00	8
200-100225-6PK	TON, ILUMINA BLACK TONER CARTRIDGE 6 PK (Pack)	\$570.00	12
200-100222-6PK	TON, ILUMINA CYAN TONER CARTRIDGE 6PK (Pack)	\$1,650.00	12
200-100223-6PK	TON, ILUMINA MAGENTA TONER CARTRIDGE 6PK (Pack)	\$1,650.00	12
200-100224-6PK	TON, ILUMINA YELLOW TONER CARTRIDGE 6PK (Pack)	\$1,650.00	12
200-100230	TON, ILUMINA BLACK DRUM (Single)	\$155.00	5
200-100227	TON, ILUMINA CYAN DRUM (Single)	\$190.00	5
200-100228	TON, ILUMINA MAGENTA DRUM (Single)	\$190.00	5
200-100229	TON, ILUMINA YELLOW DRUM (Single)	\$190.00	5
200-100231	TON, ILUMINA 4PK ASSORTED DRUMS (CMYK Pack)	\$687.00	19
200-100230-3PK	TON, ILUMINA BLACK DRUM 3PK (Pack)	\$442.00	15
200-100227-3PK	TON, ILUMINA CYAN DRUM 3PK (Pack)	\$540.00	15
200-100228-3PK	TON, ILUMINA MAGENTA DRUM 3PK (Pack)	\$540.00	15
200-100229-3PK	TON, ILUMINA YELLOW DRUM 3PK (Pack)	\$540.00	15
200-100232	ILUMINA, TRANSFER BELT (Single)	\$249.00	11
200-100233	ILUMINA FUSER UNIT 110V (Single)	\$349.00	9
200-100235	ILUMINA WASTE TONER BOX (Single)	\$14.00	1

Options for Illumina 502 Digital Color Press		Recommended List Price	Shipping Weighth LBS
250-100081	PT, ILUMINA ADDITIONAL OPTIONAL TRAY (550 SHEETS PER TRAY - 2 Max)	\$495.00	47
250-100083	PT, ILUMINA HIGH CAPACITY FEEDER	\$1,499.00	145
250-100085	PT, ILUMINA PRINTER STAND	\$329.00	38

Additional Service for Illumina 502 Digital Color Press		Recommended List Price	Shipping N/A
810-100745	Illumina RightCare Service - 1st Year Included	Included	
810-100746	Illumina RightCare Service Extension - 1 Yr. Extension	\$1,395.00	
810-100747	Illumina RightCare Service Extension - 1 Yr. Ext. After 60 Days	\$1,795.00	
810-100748	Illumina RightCare Service Extension - 2 Yr. Extension	\$2,495.00	
810-100749	Illumina RightCare Service Extension - 2 Yr Ext. After 60 Days	\$2,895.00	
810-100750	Illumina RightCare Service Extension - 3 Yr. Extension	\$3,795.00	
810-100751	Illumina RightCare Service Extension - 3 Yr. Ext After 60 Days	\$4,195.00	
810-100752	Illumina RightCare Service Extension - 4 Yr. Extension	\$4,995.00	
810-100753	Illumina RightCare Service Extension - 4 Yr. Ext. After 60 Days	\$5,395.00	
810-100745	Illumina w/HC Tray RightCare Service Extension - 1st Yr. Included	Included	
810-100755	Illumina w/HC Tray RightCare Service Extension - 1 Yr.	\$1,595.00	
810-100756	Illumina w/HC Tray RightCare Service Extension - 1 Yr. After 60 Days	\$1,995.00	
810-100757	Illumina w/HC Tray RightCare Service Extension - 2 Yr.	\$2,695.00	
810-100758	Illumina w/HC Tray RightCare Service Extension - 2 Yr. After 60 Days	\$3,095.00	
810-100759	Illumina w/HC Tray RightCare Service Extension - 3 Yr.	\$3,995.00	
810-100760	Illumina w/HC Tray RightCare Service Extension - 3 Yr. After 60 Days	\$4,395.00	
810-100761	Illumina w/HC Tray RightCare Service Extension - 4 Yr.	\$5,195.00	
810-100762	Illumina w/HC Tray RightCare Service Extension - 4 Yr. After 60 Days	\$5,595.00	
870-100039	Premium Phone Installation, Training and Setup.	\$395.00	

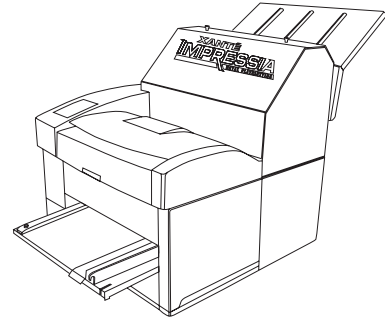
## Illumina 502 Digital Color Press Warranty

**End User & Partner Illumina 502 Digital Color Press Warranty:** Xanté will provide 1-year RightCare Service. Xanté services include telephone support, parts replacement, factory repair, onsite repair, and freight. Method of service is completely at the sole discretion of Xanté. Select Xanté partners will provide RightCare service to their customers. The partner services include telephone support and on-site repair and Xanté will provide telephone support, parts and freight when applicable.

**Note:** RightCare Service must be activated. Customers activate RightCare Service by signing RightCare Service Agreement and successfully completing onsite or phone installation, as recommended by Xanté.

**Terms & Conditions:** Pricing, Terms and Conditions subject to change at the sole discretion of Xanté without prior notice. All pricing excluding all taxes, VAT and Freight. Incoterms: EXW / Ex-Works from Xanté shipping point.

# XANTÉ IMPRESSIA METAL PLATESETTER



## Product

## Price

Impressia-256MB, 2400DPI ETH 220V (500-100791)*	\$14,999
Impressia-256MB, 2400DPI ETH 340mm 220V (500-100792)	\$15,599

\*A base model Impressia (500-100791) may later be enabled for the 340mm plate format (800-100122) for \$695

## Consumables

Aspen Metal Plate 9.88" x 16.54" (251mm x 420mm) 100 ct. (200-100220)	\$.131
Aspen Metal Plate 10" x 15" (254mm x 381mm) 100 ct. (200-100185)	\$.120
Aspen Metal Plate 10" x 15.5" (254mm x 394mm) 100 ct. (200-100186)	\$.124
Aspen Metal Plate 10.062" x 15.5" (256mm x 394mm) 100 ct. (200-100187)	\$.125
Aspen Metal Plate 11" x 18" (279mm x 457mm) 100 ct. (200-100188)	\$.158
Aspen Metal Plate 11" x 18.5" (279mm x 470mm) 100 ct. (200-100189)	\$.163
Aspen Metal Plate 11.25" x 18.5" (286mm x 470mm) 100 ct. (200-100198)	\$.166
Aspen Metal Plate 11.25" x 19.375" (286mm x 492mm) 100 ct. (200-100190)	\$.175
Aspen Metal Plate 11.75" x 18" (298mm x 457mm) 100 ct. (200-100191)	\$.169
Aspen Metal Plate 11.75" x 18.5" (298mm x 470mm) 100 ct. (200-100192)	\$.174
Aspen Metal Plate 12" x 18" (305mm x 458mm) 100 ct. (200-100193)	\$.173
Aspen Metal Plate 12" x 19.375" (305mm x 492mm) 100 ct. (200-100194)	\$.186
Aspen Metal Plate 12.25" x 20.47" (311mm x 520mm) 100 ct. (200-100221)	\$.201
Aspen Metal Plate 12.75" x 18.062" (324mm x 458mm) 100 ct. (200-100195)	\$.184
Aspen Metal Plate 13" x 19.375" (330mm x 492mm) 100 ct. (200-100196)	\$.201
Aspen Metal Plate 13" x 19.875" (330mm x 505mm) 100 ct. (200-100219)	\$.207
Aspen Metal Plate 13.19" x 19.09" (335mm x 485mm) 100 ct. (200-100200)	\$.202
Aspen Metal Plate 13.375" x 19.875" (340mm x 505mm) 100 ct. (200-100197)	\$.213
Impressia Imaging Unit (1,500 plates, letter/A4 image @ 45% coverage) (200-100199)	\$.299

## Warranty

### Standard with every purchase\*

- FREE – 6 months On-Site Warranty Upgrade
- FREE – Technical Support Phone Installation
- FREE – 1 Year Limited Factory Warranty

### Optional IMPRESSIA On-Site Warranty Extensions (where available)\*

#### At time of purchase

\$995 for 12 months continuous coverage (810-100613)
\$2495 for 24 months continuous coverage (810-100614)
\$3695 for 36 months continuous coverage (810-100615)
\$4895 for 48 months continuous coverage (810-100616)

#### After 60 days

\$1195 for 12 months continuous coverage (810-100617)
\$2695 for 24 months continuous coverage (810-100618)
\$3895 for 36 months continuous coverage (810-100619)
\$5095 for 48 months continuous coverage (810-100620)

\$1795 for 12 months additional Impressia On-Site Warranty (810-100621), not to exceed 48 total months.

\*On-Site warranty extensions activated after completion of free phone installation within 30 days of delivery. Warranty extensions are for continuous coverage from date of delivery of Impressia. No On-Site warranty to exceed 48 total months. On-Site warranty extensions available only while under existing On-Site warranty agreement. No lapse in coverage is allowed without recertification. For details of warranty, please visit our website at [www.xante.com/warranty](http://www.xante.com/warranty).

All pricing is in US currency

US and Canada Sales

All prices subject to change without prior notice.

©2005. Xanté, Impressia, and Aspen Plate Technology are trademarks or registered trademarks of Xanté Corporation. The Xanté Impressia Metal PlateSetter features patented and patent pending technology. Adobe and PostScript are trademarks of Adobe Systems, Incorporated, which may be registered in certain jurisdictions. Other brands and product names are trademarks or registered trademarks of their respective holders.

# XANTÉ



XANTÉ CORPORATION

PO Box 16526 • Mobile, AL 36616-0526

call toll free **1.800.926.8839**

tel **251.473.6502**

fax **251.473.6503**

web [www.xante.com](http://www.xante.com)

**LASSCO WIZER**

485 Hague Street Rochester, NY 14606

Tel: 800-854-6595 Fax: 800-854-6585

February 15, 2009

STOCK NO.	DESCRIPTION	SUGGESTED LIST
<b>DRILLS - Floor Models</b>		
HL-3	3-Spindle, Moveable Heads, Hydraulic	\$7,345.00
FMMH-3	3-Spindle, Moveable Heads, Hydraulic	\$5,900.00
FMMP-3	3-Spindle, Moveable Heads, Pneumatic	5,595.00
FMM-3	3-Spindle, Moveable Heads	4,825.00
FMMS-3	3-Spindle, Fixed Head, Pneumatic	5,150.00
FMMS-3	3-Spindle, Fixed Head	4,385.00
FMMP-2	2-Spindle, Pneumatic	4,990.00
FMM-2	2-Spindle	4,225.00
FMP-2	Single Spindle, Pneumatic	3,085.00
FM-2	Single Spindle	2,315.00
<b>DRILLS - Bench Models</b>		
EBM-2.1	E-Z Glide Table	1,195.00
EBM-S	Fixed Table	925.00
<b>AIR COMPRESSOR</b>		395.00
<b>DRILL SHARPENERS</b>		
MS-1	Precision Drill Sharpener	141.00
MS-2	Pencil Type Drill Sharpener	80.00
MS-3	Hand Drill Sharpener	52.00
EBM-41	Sharpening Stone	7.00
<b>DRILL ACCESSORIES</b>		
EBM-10	1-1/2" Dia Drill Blocks, for Spinnit® EBM-S & Challenge (1dz)	12.00
W170-B	3" Dia Drill Blocks, for Challenge (1dz)	25.00
W170-C	2-1/2" Dia Drill Blocks, for Challenge (1dz)	20.00
EBM-04	Drill Blocks for Spinnit® EBM-1-R (1dz)	30.00
EBM2-1034	Drill Strip 16"	9.00
FM4-4001	Drill Strip 25"	10.00
HL3G06	6-5/8" x 1-1/4" x 5/16" Drill Blocks (3 dz)	26.00
W170-K	Drill Strips for M.Y. #202 (pk of 5)	20.00
EBM-32	Chuck Release Key-Spinnit	14.00
W171-A	Chuck Release Key-Challenge	10.00
W171-JK	E-Z Remover (for M.Y. #101 & #202)	15.00
CC-2	2" Chip Clearer	20.00
SPIN-EZE	Drill Bit Lubricant	7.00
<b>DRILL ACCESSORIES</b>		
W171-1	Drill-Ease Wax Sticks (3 pk)	12.00
W171-2	Drill-Ease Wax Sticks (12 pk)	42.00
W171-3	Drill-Ease Wax Sticks (24 pk)	76.00



STOCK NO.	DESCRIPTION	SUGGESTED LIST
<b>CORNER CUTTERS - Floor Models</b>		
CR-50XP	Pneumatic (Includes 1 standard cutting unit of your choice)	1,895.00
CR-50P	Electric (Includes 1 standard cutting unit of your choice)	1,580.00
CR-50	Manual (Includes 1 standard cutting unit of your choice)	815.00

<b>CORNER CUTTERS - Desktop</b>		
CR-20	Standard (Includes 1 standard cutting unit of your choice)	174.00
CR-50B	Heavy Duty (Includes 1 standard cutting unit of your choice)	320.00
CR-60	Sign Makers Metal Cutter (Includes 1 Radius Table Assembly)	820.00
CR-177	1" Capacity (Includes 1 die and matching blades)	430.00

**CUTTING UNITS and ACCESSORIES**  
**For Models 20, 50B, 50, 50P, 50XP**

CU18	1/8" Standard Size Radius	96.00
CU14	1/4" Standard Size Radius	96.00
CU38	3/8" Standard Size Radius	96.00
CU12	1/2" Standard Size Radius	96.00
CU116	1/16" Special Size Radius	136.00
CU332	3/32" Special Size Radius	136.00
CU532	5/32" Special Size Radius	136.00
CU316	3/16" Special Size Radius	136.00
CU516	5/16" Special Size Radius	136.00
CU58	5/8" Special Size Radius	136.00

**For Models 50B, 50, 50P, 50XP**

CU34	3/4" Large Size Radius	179.00
CU1	1" Large Size Radius	179.00
CU112	1-1/2" Large Size Radius	179.00

**For Model 60**

60-12TA	1/2" Radius Table Assembly	375.00
60-34TA	3/4" Radius Table Assembly	375.00
60-1TA	1" Radius Table Assembly	375.00
60-112TA	1-1/2" Radius Table Assembly	375.00

**Blades & Dies for 1" Capacity Corner Cutter**

CR177-18	1/8" Blade	75.00
CR177-14	1/4" Blade	75.00
CR177-38	3/8" Blade	75.00
CR177-12	1/2" Blade	75.00
W177-C	Die (2 sided: 1/4" & 3/8")	70.00
W177-F	Die (2 sided: 1/8" & 1/2")	70.00

STOCK NO.	DESCRIPTION	SUGGESTED LIST
<b>LASSCOJOG® JOGGERS</b>		
LJ-2	Office Jogger	615.00
LJ-4	Heavy Duty Jogger	845.00
LJ-6	Multi-bin Jogger	845.00
LJ-8	Flat Top Jogger	745.00

<b>PADDING PRESS</b>		
W175	Ultra II Padding Press	365.00

<b>PAD COUNTERS AND ACCESSORIES</b>		
W172	2" Adjustable Pad Counter	13.80
W172-B	4" Adjustable Pad Counter	15.10
W172-C	5" Adjustable Pad Counter	16.30
W173	Quickie Pad Counter (Counts one Ream)	5.00
W174	Pad Separating Knife	11.50
W176	Padding Compound	11.50
W178	Padding Brush	2.20
W179	Plastic Pile Separator	7.50

<b>NUMBERING, PERFORATING, SCORING &amp; ACCESSORIES</b>		
W100-3	Number-Rite®	995.00
W100-A	Gothic Head	155.00
W100-B	Roman Head	155.00
W100-C	Black Ink (1oz bottle) Metal Numbering Ink	5.50
W100-D	Red Ink (1oz bottle) Metal Numbering Ink	5.50
W100-D2	Blue Ink (1oz bottle) Metal Numbering Ink	5.50
W100-E	Ink Pad Clip	10.00
W100-F	Ink Pads, Felt Size : 1/4" x 7/16" x 1-1/8" (1dz)	10.00
W100-G	Green Strike Pad, Size: 2-3/4" x 2-3/4"	5.50
W100-H	Numbering Supply Kit for Number-Rite	49.00
W200	Number-All™	650.00
W200-G	Green Strike Pad, Size: 1-11/16" x 1-11/16"	5.50
W200-H	Numbering Supply Kit for Number-All	49.00
W630	Score II (Perfing & Scoring Machine) 19-1/2"	330.00
W635	Score II (Perfing & Scoring Machine) 25"	375.00

<b>Count Machinery</b>		
XCM-NPP	Number Pro Plus - 1 Numbering Head, Perforating and Scoring, Forward Numbering Head, Top Feed	6,950.00
XCM-APPI	Auto Pro Plus I - 1 Numbering Head, Perforating and Scoring	7,450.00
XCM-APPPII	Auto Pro Plus II - 2 Numbering Heads, Perforating and Scoring	8,145.00
XCM-APPPIAIR	Auto Pro Plus II - 2 Numbering Heads, Perforating and Scoring, Air Feed	10,950.00
XCM-A-PM	Perfmaster - Perforating and Scoring	3,950.00
XCM-A-PM AIR	Perfmaster - Air Feed	5,950.00
XCM-APSTAND	Optional Stand For Friction-Fed Machines	395.00
XCM-TM-P	Tablematic Plus - 1 Numbering Head, Manual Feed	1,175.00

STOCK NO.	DESCRIPTION	SUGGESTED LIST
<b>STAPLERS and ACCESSORIES</b>		
W106	Rapid 106 Electric Stapler	720.00
V106B	Stapling Head for Rapid 106	80.00
W106-K	Group Stapling Kit	205.00
W101-301	Stapling Head for Rapid 101	80.00
W110	Stapling Head for MBM Sprint	95.00
W111	Stapling Head for Plockmatic	95.00
W109	Staple Driver for MBM Sprint	28.00
<b>STAPLES</b>		
W102	1/4" Staples, 5,000/box Red Streak	5.00
W102-A	1/4" Staples, 100 boxes/case Red Streak	
W103	5/16" Staples, 5000/box Red Streak	5.50
W103-A	5/16" Staples, 80 boxes/case Red Streak	
W104	1/4" Staples, 5000/box Premium	5.00
W104-A	1/4" Staples, 100 boxes/case Premium	
W105	5/16" Staples, 5000/box Premium	5.50
W105-A	5/16" Staples, 100 boxes/case Premium	
<b>STAPLERS</b>		
W115	Skrebba Heavy Duty, Flat/Saddle Stapler	195.00
W117L	Skrebba Heavy Duty Long Reach Flat Stapler	185.00
W117R	Skrebba Heavy Duty Stapler	160.00
<b>STAPLES</b>		
W118-A	5/16" Heavy Duty Staples, 1,000/box	4.00
W118-B	1/2" Heavy Duty Staples, 1,000/box	4.50
W118-C	11/16" Heavy Duty Staples, 1,000/box	7.00
W118-D	1/4" Heavy Duty Staples, 1,000/box	4.00
W118-E	3/8" Heavy Duty Staples, 1,000/box	4.50
W118-F	13/16" Heavy Duty Staples, 1,000/box	7.50
<b>PLATE PUNCH</b>		
W166	MasterPunch™	289.00

STOCK NO.	DESCRIPTION	SUGGESTED LIST
<b>SUCKERS and SUCKER FEET</b>		
W130	Molded Suckers - A.B. Dick Presses (10 dz)	38.00
W130-F	Thin Molded Suckers - A.B. Dick Presses (10 dz)	38.00
W130-T	Long Wear Thick Molded Suckers - A.B. Dick Presses (10 dz)	38.00
W131	Flat Rubber Suckers for 1/4" Bottom (5 dz)	16.50
W134	Ryobi Rubber Suckers - All Ryobis & Iteks (10 dz)	38.00
W135	Hamada Rubber Suckers, 500/600/700/800, Standard #78 (10 dz)	75.00

<b>BLANKET BARS</b>		
W124	Blanket Bars - A.B. Dick 360 (pr)	30.00
W124-A	Blanket Bars - A.B. Dick 375, 9800 Series(pr)	40.00
W124-B	Quick Change Blanket Bars - A.B. Dick 360(pr)	15.00
W124-C	Quick Change Blanket Bars - A.B. Dick 375/9800 (pr)	20.00

<b>ENVELOPE BACKSTOP</b>		
W125	A.B. Dick 350/360/375/9820/9840/9850	20.00

<b>REMITTANCE ENVELOPE FEEDER</b>		
W128	Remittance Envelope Feeder	25.00

<b>SHEET SEPARATORS</b>		
W165	Multi/Hamada Sheet Separators (1 dz)	5.00

Stock NO.	Description		Suggested List
<b>STYLE A 2" - LASSCO "SPINNIT" / CHALLENGE</b>			③
PD18P-2	1/8"	PREMIUM	27.00
PD18PT-2	1/8"	PREMIUM TEFLON	35.00
PD532P-2	5/32"	PREMIUM	27.00
PD316-2	3/16"	STANDARD	23.00
PD316T-2	3/16"	STANDARD TEFLON	29.00
PD316P-2	3/16"	PREMIUM	27.00
PD316PT-2	3/16"	PREMIUM TEFLON	35.00
PD732P-2	7/32"	PREMIUM	27.00
PD14-2	1/4"	STANDARD	23.00
PD14T-2	1/4"	STANDARD TEFLON	29.00
PD14P-2	1/4"	PREMIUM	27.00
PD14PT-2	1/4"	PREMIUM TEFLON	35.00
PD932P-2	9/32"	PREMIUM	27.00
PD516-2	5/16"	STANDARD	23.00
PD516T-2	5/16"	STANDARD TEFLON	29.00
PD516P-2	5/16"	PREMIUM	27.00
PD516PT-2	5/16"	PREMIUM TEFLON	35.00
PD1132P-2	11/32"	PREMIUM	27.00
PD38-2	3/8"	STANDARD	23.00
PD38T-2	3/8"	STANDARD TEFLON	29.00
PD38P-2	3/8"	PREMIUM	27.00
PD38PT-2	3/8"	PREMIUM TEFLON	35.00
PD1332P-2	13/32"	PREMIUM	27.00
PD716P-2	7/16"	PREMIUM	27.00
PD12-2	1/2"	STANDARD	23.00
PD12T-2	1/2"	STANDARD TEFLON	29.00
PD12P-2	1/2"	PREMIUM	27.00
PD12PT-2	1/2"	PREMIUM TEFLON	35.00
<b>STYLE A 2.5" - CHALLENGE</b>			
PD14-2.5	1/4"	STANDARD	27.00
PD14T-2.5	1/4"	STANDARD TEFLON	33.00
PD14P-2.5	1/4"	PREMIUM	31.00
PD14PT-2.5	1/4"	PREMIUM TEFLON	39.00
PD516-2.5	5/16"	STANDARD	27.00
PD516T-2.5	5/16"	STANDARD TEFLON	33.00
PD516P-2.5	5/16"	PREMIUM	31.00
PD516PT-2.5	5/16"	PREMIUM TEFLON	39.00
PD38P-2.5	3/8"	PREMIUM	31.00
PD38PT-2.5	3/8"	PREMIUM TEFLON	39.00

Stock NO.	Description		Suggested List
<b>STYLE L 1" - LASSCO</b>			
PD18P-1	1/8"	PREMIUM	27.00
PD316-1	3/16"	STANDARD	23.00
PD14-1	1/4"	STANDARD	23.00
PD516-1	5/16"	STANDARD	23.00
PD38-1	3/8"	STANDARD	23.00
PD12P-1	1/2"	PREMIUM	27.00
<b>STYLE J 1" - MARTIN YALE / LIHIT</b>			
PD18-J	1/8"	STANDARD	28.00
PD14-J	1/4"	STANDARD	25.00
<b>STYLE K 2" - MARTIN YALE / LIHIT</b>			
PD14-K	1/4"	PREMIUM	33.00
PD516-K	5/16"	PREMIUM	33.00
<b>STYLE B 2" - LAWSON</b>			
PD14P-B	1/4"	PREMIUM	29.00
PD516P-B	5/16"	PREMIUM	29.00
<b>STYLE C 2" - NYGREN DAHLY</b>			
PD14P-C	1/4"	PREMIUM	29.00
PD516P-C	5/16"	PREMIUM	29.00
<b>STYLE H 2.5" - LASSCO "SPINNIT" HL-3</b>			
PD532P-H	5/32"	PREMIUM	31.00
PD532PT-H	5/32"	PREMIUM TEFLON	39.00
PD14P-H	1/4"	PREMIUM	31.00
PD14PT-H	1/4"	PREMIUM TEFLON	39.00
PD516P-H	5/16"	PREMIUM	31.00
PD516PT-H	5/16"	PREMIUM TEFLON	39.00
PD38P-H	3/8"	PREMIUM	31.00
PD38PT-H	3/8"	PREMIUM TEFLON	39.00

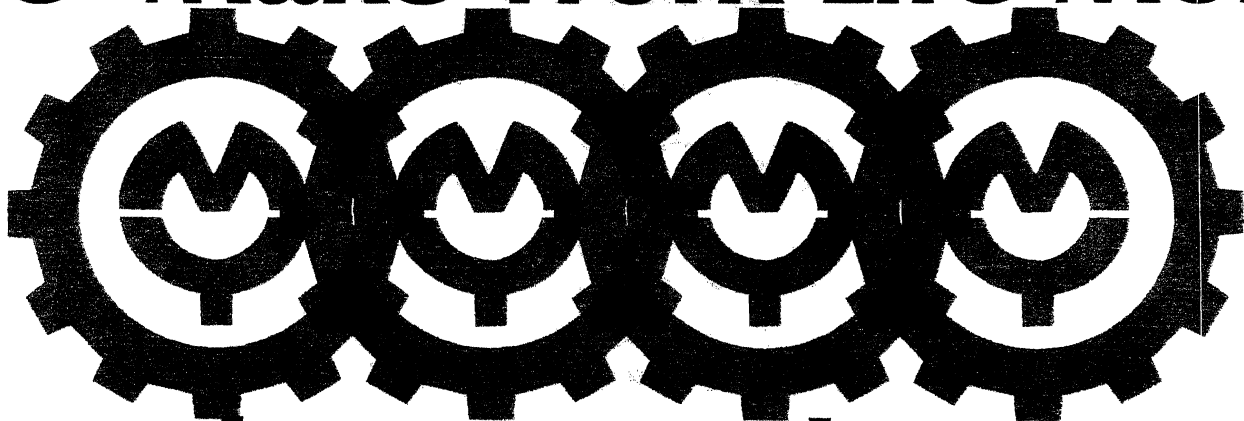


**MARTIN YALE**  
Industries

**Effective October 3, 2008**

***SUGGESTED  
RETAIL PRICE LIST***

**We Make Work Life More**



**Productive and Secure**

***CHECK OUT OUR NEW WEB SITE***

***WWW.MARTINYALE.COM***

MARTIN YALE® **Premier**® A MARTIN YALE BRAND **MASTER**® A MARTIN YALE BRAND Mead-Hatcher **intimus**® A MARTIN YALE BRAND 1

- **Martin Yale Vision Statement (pg 1)**
- **Table of Contents (pg 2)**
- **Paper Punches and Drills (pg 3)**
- **Perforators and Forms Cutter (pg 4)**
- **Business Card Slitters (pg 4)**
- **Bindery Equipment and Joggers (pg 4)**
- **Signers and Bursters (pg 4)**
- **Paper Trimmers and Cutters (pg 5)**
- **Commercial Cutters (pg 5)**
- **Electric Cutters (pg 5)**
- **Moisteners and Affixers (pg 5)**
- **Folding Machines (pg 6)**
- **Booklet Maker (pg 6)**
- **Labelers and Tabbers (pg 6)**
- **Letter Openers (pg 6)**
- **Posting Trays (pg 6)**
- **Catalog Racks (pg 7)**
- **Reference Systems (pg 8)**
- **Keyboard Management (pg 8)**
- **Computer Stands (pg 8)**
- **At the Desk Shredders (pg 9)**
- **In the Office Shredders (pg 9)**
- **In the Department Shredders (pg 9)**
- **PacMaster (pg 10)**
- **Industrial Shredders (pg10)**
- **Shredder Bags and Accessories (pg 11)**
- **FAIM Information (pg 12)**



**PAPER PUNCHES****MASTER**

PRODUCT	CAPACITY	HOLE DIAMETER	SUGGESTED LIST
<b>2 Hole Punches</b>			
MP250	40	9/32"	\$32.00
EP210 (electric)	10	1/4"	69.00
3275B	40	9/32"	70.00
<b>Duo 2 &amp; 3 Hole Punches</b>			
DP20	20	9/32"	48.00
EP323 (battery/transformer)	12	9/32"	95.00
<b>3 Hole Punches</b>			
30FB	10	9/32"	21.00
MP3	20	9/32"	30.00
MP40	30	9/32"	42.00
MP50	40	9/32"	63.00
MP80	80	1/4"	140.00
EP312 (battery/transformer)	10	9/32"	62.00
<b>Adjustable 3 Hole Punches</b>			
325B	24	9/32"	61.00
3020B	30	9/32"	65.00
5325B	32	9/32"	98.00
5335B	32	11/32"	98.00
5340B	32	13/32"	98.00
1325B	40	9/32"	119.00
1340PB	45	13/32"	123.00
<b>5 Hole Punch</b>			
525M	40	11/32"	113.00

PRODUCT	FOR PUNCH	HOLE DIAMETER	SUGGESTED LIST
<b>Punch Heads</b>			
2525B	325B	9/32"	\$17.00
3025	3020B	9/32"	11.00
1025B	1325B, 1325PB	9/32"	30.00
1035B	1335PB	11/32"	30.00
1040B	1340B, 1340PB	13/32"	30.00
5025B	5325B	9/32"	24.00
5035B	5335B	11/32"	24.00
5040B	5340B	13/32"	24.00
MP80SET	MP80	1/4"	52.50
(Set of 3 heads)			

**DRILL BITS & DRILL BLOCKS**

PRODUCT	DESCRIPTION	SUGGESTED LIST
<b>Standard Hollo Drill Bits</b>		
Standard Style A, B, C, D, & B Special		41.16
Standard Style A Long (2 1/2" capacity) 1/4", 5/16", & 3/8"		59.20
Standard Style J up to 9/32" & Style K Up to 5/16"		56.60
Standard Style K 3/8" & 1/2"		201.20
<b>Diamonized Hollo Drill Bits</b>		
Diamonized Style A, B, C, D, & B Special		58.68
Diamonized Style J up to 9/32"		88.50
Diamonized Style K up to 5/16"		115.70
Diamonized Style K 3/8" & 1/2"		218.90
<b>Drill Bit Lubricant</b>		
100J	Drill-Eze Lubricant (per dozen)	30.00
<b>Drill Blocks</b>		
MRS100K00	1-1/2" (per dozen)	18.30
MRS100L00	2-1/4" (per dozen)	36.35
MRS100M00	2-1/2" (per dozen)	23.95
MRS100N00	3" (per dozen)	31.50

## PERFORATORS and FORMS CUTTER

### Intimus

PRODUCT	DESCRIPTION	SUGGESTED LIST
<b>Forms Cutter</b> 3800FC	Forms Cutter w/FAIM*	\$5,481.00
<b>Perforator</b> 3800AP	AutoPerf™ Perforator w/FAIM*	5,603.00
<b>Score &amp; Perf Machine</b> SP100	Score and Perf Machine	1,096.00

## BUSINESS CARD SLITTERS

### MARTIN YALE®

PRODUCT	DESCRIPTION	SUGGESTED LIST
BCS210	10up Slitter	\$1,670.00
BCS212	12up Slitter	1,670.00
CDS200	CD Insert Slitter/Perforator	1,740.00

### Intimus

BCS410	10up Slitter w/ Score & Perf	2,156.00
BCS412	12up Slitter w/ Score & Perf	2,156.00
GC208	Gutter Cut Bup w/FAIM*	2,583.00

## BINDERY EQUIPMENT & JOGGERS

### Premier

PRODUCT	DESCRIPTION	SUGGESTED LIST
<b>Collator</b> CL6	6 Sheet Manual Collator	\$139.00

### MARTIN YALE®

<b>Electric Collators</b> 61201	12 Bin Electric Collator	3,041.00
<b>Joggers</b> 400	Jog-O-Matic Jogger	694.00

### Intimus

<b>Joggers</b> 4200	Tabletop Jogger	1,866.00
<b>Padding Presses</b> J1811	Jiffy Padding Press	198.00
J1824	Jiffy Giant Padding Press	330.00
<b>StackWagons</b> 500	StackWagon™	656.00
501	Big Bin StackWagon™	876.00

## FORMS HANDLING MACHINES

### Intimus

PRODUCT	DESCRIPTION	SUGGESTED LIST
<b>Continuous Form Document Signers</b> 930A	3-1/2" or 7" Signer	\$2,457.00
<b>Bursters</b> 970A	Table Top Burster w/FAIM*	3,810.00
<b>MARTIN YALE®</b> <b>Decollators</b> 63251	A-Frame Decollator	2,992.00

**PAPER TRIMMERS****Premier<sup>®</sup>**

PRODUCT	DESCRIPTION	SUGGESTED LIST
<b>Rotary Trimmers</b>		
HRP12	12" Cut	\$52.00
CT13	13" Cut	57.00
CT18	18" Cut	67.00
318	18" Cut	150.00
330	30" Cut	204.00
<b>Rotary StakCut™ Trimmer</b>		
HR120	12" Cut	330.00
<b>PolyBoard™ Trimmers</b>		
P212X	12" Cut	65.00
P215X	15" Cut	75.00
P218X	18" Cut	141.00
<b>SharpCut™ Trimmers</b>		
T12	12" Cut	75.00
T15	15" Cut	108.00
<b>Heavy Duty Trimmers</b>		
W12	12" Cut	140.00
W15	15" Cut	202.00
W18	18" Cut	250.00
W24	24" Cut	351.00
W30	30" Cut	577.00
WC36	36" Cut (with auto clamp)	840.00
<b>StakCut™ Trimmers</b>		
715	15" Cut	279.00
AC150	15" Cut	340.00
724	24" Cut	428.00

**PowerLine™ COMMERCIAL CUTTERS****MARTIN YALE<sup>®</sup>**

PRODUCT	DESCRIPTION	SUGGESTED LIST
7000E (0-12)	200 Sheet Paper Cutter (12" cut)	\$1,100.00
<b>Intimus<sup>®</sup></b>		
620RC	18" Manual Ream Cutter with Stand	2,647.00
<b>Accessories</b>		
MRS037046	Trim-Ease Lubricant (per stick)	13.30

**PowerLine™ ELECTRIC and REAM CUTTERS****Intimus<sup>®</sup>**

PRODUCT	DESCRIPTION	SUGGESTED LIST
<b>Semi-Automatic/Automatic Cutters</b>		
PL21	21" Semi-Automatic w/FAIM*	\$10,981.00
PL212	21" Automatic w/FAIM*	11,639.00
<b>Fully Automatic Programmable Cutters</b>		
PL215	21" Fully Automatic Programmable w/FAIM*	12,492.00
PL265	26" Fully Automatic Programmable w/FAIM*	13,473.00
<b>Accessories</b>		
PL2T	Side Tables for Powerline Cutters, per pair	182.00

**MOISTENERS and STAMP AFFIXERS****Premier<sup>®</sup>**

PRODUCT	DESCRIPTION	SUGGESTED LIST
AQ701G	AquaBall™ Moistener, Charcoal	\$15.00
LM3	AquaPad™ Moistener	19.00
LMS1	Moistener / Sealer Combo	37.00
DL32	Stamp EZ™ Self-Adhesive Stamp Affixer	23.00

**DESKTOP FOLDING MACHINES**

**MARTIN YALE®**

PRODUCT	DESCRIPTION	SUGGESTED LIST
P6200	3-Sheet Folder	\$219.00
P6400	3-Sheet Letter/Half Folder	365.00
P7200	Auto-Feed RapidFold™ Folder	485.00
P7400	RapidFold™ Folder	685.00

**TABLETOP FOLDING MACHINES**

**MARTIN YALE®**

PRODUCT	DESCRIPTION	SUGGESTED LIST
1501X	AutoFolder™	\$1,032.00
1601	Ease-of-Use AutoFolder™	963.00
1217A	Medium Duty AutoFolder™	2,029.00
1701	Electronic AutoFolder™	2,135.00
1812	Medium-Duty AutoFolder™	2,899.00
959	Heavy-Duty AutoFolder w/FAIM*	4,871.00
<b>Accessories</b>		
200	Rubber Roller Cleaner & Rejuvenator	16.00
300	Static Eliminator	16.00

**Intimus®**

PRODUCT	DESCRIPTION	SUGGESTED LIST
2051	Electronic SmartFold™ w/FAIM*	\$5,286.00
959AF	Air-Feed AutoFolder™ w/FAIM*	7,310.00

**BOOKLET MAKER**

**MARTIN YALE®**

PRODUCT	DESCRIPTION	SUGGESTED LIST
BM101	Booklet Maker	\$954.00

**LABELERS and TABBERS**

**MARTIN YALE®**

PRODUCT	DESCRIPTION	SUGGESTED LIST
EX5100	Express Tabber	\$3,236.00
EX5000	Express Labeler	4,208.00
<b>Accessories</b>		
EX5775	5,000 tab roll, 15/16", round, white	46.00

**DESKTOP LETTER OPENERS**

**MARTIN YALE®**

PRODUCT	DESCRIPTION	SUGGESTED LIST
1624	Handheld Electric Letter Opener	\$22.00
1616	Electric Letter Opener	113.00
1628	Desktop Letter Opener	249.95
1632	Automatic Letter Opener	616.00

**TABLETOP LETTER OPENERS**

**MARTIN YALE®**

PRODUCT	DESCRIPTION	SUGGESTED LIST
1648	Chadless Automatic Letter Opener	\$1,389.00
62001	High Speed Letter Opener (Tray Included)	2,156.00

**POSTING TRAYS**

**MASTER®**  
A MARTIN YALE® PRODUCT

PRODUCT	CATALOG #	DESCRIPTION	FORM SIZES (WxH)	SUGGESTED LIST
<b>Standard Trays</b>				
11752	58815	V-Matic Tray	(5.5" x 8.5") (6" x 9")	\$100.00
11756	70115	V-MaticTray	(7" x 10") (7" x 11")	106.00
11764	86115	V-MaticTray	(8" x 10") (8.5" x 11")	107.00
<b>Expandable Trays</b>				
11531	EX-558-15	Expandi-Matic Tray	(5.5" x 8.5") (6" x 9")	119.00
<b>Deluxe Trays</b>				
11303	CA-608-12	Card-Matic Tray	(5.5" x 8.5") (6" x 9")	95.00
11307	CA-608-15	Card-Matic Tray	(5.5" x 8.5") (6" x 9")	95.00

\* Factory Authorized Installation & Maintenance Program

**POSTING TRAYS - Cont.**

**MASTER**  
A MASTER FILE SYSTEM BRAND

PRODUCT	CATALOG #	DESCRIPTION	FORM SIZES (WxH)	SUGGESTED LIST
<b>Heavy Duty Trays</b>				
11070	8511-15	Porta-Matic Tray	(8" x 10") (8.5" x 11")	\$220.00
<b>Posting Tray Indexes</b>				
14880	14880	Index Set	(8" x 8")	46.00
14254	6009-25	Index Set	(6" x 9")	48.00
14522	8511-25	Index Set	(8.5" x 11")	59.00

**CATALOG RACK & ACCESSORIES**

**MASTER**  
A MASTER FILE SYSTEM BRAND

PRODUCT	FILING CAPACITY	WING TO WING	ANGLE	SUGGESTED LIST
<b>Starter Sets</b>				
66RS-3*	6"	18"	30°	\$105.00
966RS-3*	6"	18"	45°	105.00
912RS-3	12"	25"	45°	169.00
<b>Hinged Racks</b>				
6*	6"	18"	30°	56.00
906	6"	18"	45°	59.00
12	12"	25"	30°	73.00
912*	12"	25"	45°	72.00
18	18"	33"	30°	103.00
918	18"	33"	45°	105.00
<b>Rack Extensions</b>				
X6*	6"	-	30°	48.00
X906	6"	-	45°	49.00
X12*	12"	-	30°	60.00
X912	12"	-	45°	61.00
X18	18"	-	30°	91.00
X918	18"	-	45°	94.00
<b>Deluxe Racks</b>				
24	24"	40"	30°	192.00
30	30"	48"	30°	211.00
<b>Double Deck Racks</b>				
DD36	36"	33"	39° & 45°	391.00
DD60*	60"	48"	39° & 45°	406.00

\* All catalog racks and extensions are available in Gray

\* Models with an (\*) are available in black also. Put a (G) Gray or (B) Black after the number to denote color.

PRODUCT	FILING CAPACITY	DESCRIPTION	SUGGESTED LIST
<b>Ring Sections</b>			
RS-3	1"	3 Ring	\$8.00
DRS-3	2"	3 Ring	12.00
<b>Post Sections</b>			
MPS-3	1"	3 Post	8.00
DMP-3	2"	3 Post	13.00
<b>Bar Sections</b>			
BS	1"	2 Bar Section	10.00
BD	2"	4 Bar Section	15.00
BT-G	3"	6 Bar Section	20.00
<b>File Adapter</b>			
ADA	-	Expands from 9-1/4" to 13-3/4"	9.00
<b>Locking Bars</b>			
MRALB6	-	For 6" Catalog Racks	72.10
MRALB12	-	For 12" Catalog Racks	74.30
MRALB18	-	For 18" Catalog Racks	79.45
MRALBDD36	-	For 36" Catalog Racks (2 required)	82.70
MRALBDD60	-	For 60" Catalog Racks (2 required)	108.20
<b>Turntable</b>			
T6612*		Fits all Capacity Racks 6", 12", 18"	52.00

PRODUCT	SIZE OF TAB	DESCRIPTION	SUGGESTED LIST
<b>Blank Index Sets</b>			
B5175M	5th Cut	Poly Index	\$13.00
B6125M	6th Cut	Poly Index	16.00
<b>Alphabetical Index Sets</b>			
AZ24125M	A-Z	Poly Index	62.00

PRODUCT	TAB SIZE	DESCRIPTION	PRICE PER SET
<b>Bulk Price for Blank Index Sheets (50 Sheet Sets)</b>			
B125M	1-1/4"	Poly Index	\$102.00
B1755M	1-3/4"	Poly Index	102.00

**MasterView™ REFERENCE SYSTEMS**

**MASTER**

PRODUCT	DESCRIPTION	SLEEVES	ANGLE	SUGGESTED LIST
ML10	Desktop Starter Set	10	60°	\$66.00
ML20	Desktop Starter Set	20	60°	98.00
MVR24	Heavy-Duty Desktop Starter Set	24	45°	183.00
MWW12	Wall Mount Starter Set	12	15°	95.00
MVRF12	Catalog Racks Retrofit Kit	12	-	85.00
MVF3	Reference Sleeve 3 Pack	3	-	19.00
MVMD12	Desktop Note Dispenser	12	60°	121.00
MVMD24	24-Sleeve Desktop Note Dispenser	24	60°	189.95
MVPD12	Wall Mount Note Dispenser	12	-	109.00
MVSM10	Executive Desktop Stand	10	-	65.00
MVS6	Reference Sleeve 6 Pack	6	-	33.00

**KEYBOARD MANAGEMENT**

**Mead-Hatcher**

PRODUCT	CATALOG #	DESCRIPTION	SUGGESTED LIST
<b>Under-Desk Keyboard Drawers</b>			
21885	1022	Steel Drawer	\$99.00
21028	21028	Steel Drawer	126.00
42020	42020	WaveTech™ Corner Keyboard Platform	127.00
22030	2030	Adjustable Steel Drawer	170.00
32030	32030	Adjustable Steel Drawer (Black)	168.00
<b>Articulating Keyboard Arms</b>			
KA150	KA150	Lift-N-Loc™ Wood Platform	315.00
28200	28200	Lever-Loc	299.00
28828	28828	Easy-Touch Steel Platform	337.00
28866	28866	Lift-N-Loc Radius Phenolic Platform	356.00
28300	28300	Lever-Loc with Ball-Bearing Slides	373.00
28962	28962	Lift-N-Loc™ Phenolic Platform	380.00
<b>"Going Green" Articulating Keyboard Arms</b>			
50200	50200	Economy Keyboard and Arm	289.95
50215	50215	Deluxe Keyboard and Arm	375.95
50240	50240	Sit or Stand Keyboard and Arm	429.95
<b>Desktop Keyboard Drawers</b>			
22040	2040	Hide-A-Board® Steel Drawer	216.00

**ERGONOMIC ACCESSORIES**

**Mead-Hatcher**

PRODUCT	CATALOG #	DESCRIPTION	SUGGESTED LIST
<b>Mouse Drawers</b>			
24812	5812	Mouse Drawer	\$59.00

**COMPUTER STANDS**

**Mead-Hatcher**

PRODUCT	CATALOG #	DESCRIPTION	SUGGESTED LIST
<b>Monitor Management</b>			
21202	1202	Monitor Riser	\$30.00
21318	1318	Heavy-Duty Monitor Stand with Copy Holder	117.00
<b>CPU Management</b>			
26143	1096	Mobile Floor Stand	80.00
26155	26155	Under Desk Fixed Mount CPU Holder	94.00
26158	26158	Under Desk Swivel Mount CPU Holder	144.00
<b>Printer Management</b>			
24050	24050	2-Shelf Mobile Printer Stand	112.00
24060	24060	3-Shelf Mobile Printer Stand	167.00
24070	24070	Mobile CPU/Printer Stand	213.00

**AT THE DESK SHREDDERS****MARTIN YALE®**

ITEM#	DESCRIPTION	SUGGESTED LIST
251714	1000SC 5/32" Strip Cut	\$209.95
251764	1000CC 5/32" x 1 7/8" Cross Cut	229.95
252714	2000SC 5/32" Strip Cut	309.95
252764	2000CC 5/32" x 1 7/8" Cross Cut	369.95

**Intimus**

ITEM#	DESCRIPTION	SUGGESTED LIST
669154	302 (1/4)	1,425.95
669114	302 (1/8)	1,425.95
669144	302CC (1/8 x 1)	1,761.95
669124	302CC (1/16 x 9/16)	1,777.95

**IN THE OFFICE SHREDDERS****MARTIN YALE®**

ITEM#	DESCRIPTION	SUGGESTED LIST
253714	3000SC 5/32" Strip Cut	\$749.95
253764	3000CC 5/32" x 1 5/8" Cross Cut	809.95
255714	5000SC 5/32" Strip Cut	1,299.95
255764	5000CC 1/8" x 1 5/8" Cross Cut	1,549.95

**Intimus**

ITEM#	DESCRIPTION	SUGGESTED LIST
669254	402 (1/4)	\$1,501.95
669214	402 (1/8)	1,501.95
81984CON	402 Console	1,948.95
84265CON	402CC Console	2,149.95
669294	402CC (1/8 x 1)	1,896.95
669224	402CC (1/16 x 9/16)	1,914.95
679114	502 (1/4)	2,820.95
679104	502 (1/8)	2,820.95
679154	502CC (5/32 x 1 13/32)	3,106.95
679124	502CC (1/16 x 9/16)	3,106.95
679254	502CD	4,120.95
684104	452	3,056.95
684114	452CC	4,065.95
671118	602 (1/4)	4,324.95
671104	602 (1/8)	4,324.95
671114	602 High Speed	4,324.95
671174	602CC (5/32 x 1 13/32)	4,737.95
671124	602CC (1/16 x 5/8)	4,515.95

**IN THE DEPARTMENT SHREDDERS****Intimus**

ITEM#	DESCRIPTION	SUGGESTED LIST
697124	702 (1/4)	\$6,769.95
697114SPL	702 (1/8)	6,769.95
697134	702CC (5/32 x 1 13/16)	7,867.95
648104	802CC	20,555.95
649104	852CC	17,488.95
00407	S407	7,106.95
78641	S407 Stand	859.00
684204	Multimedia	5,430.95

**PACMASTER**

**Intimus**

ITEM#	DESCRIPTION	SUGGESTED LIST
344904	PacMate	\$3,157.00
343704	PacMaster® S/B (220V, 3PH)	8,998.50
78819	*Optional Vacuum Kit (includes vacuum) - installation at Factory	566.00 150.00

**INDUSTRIAL SHREDDERS**

**Intimus**

ITEM#	DESCRIPTION	SUGGESTED LIST
<b>S14.95</b>		
698904	14.95 - 5.8mm 220V/60Hz	\$16,472.00
698914	14.95 - 11.8mm 220V/60Hz	16,472.00
698924	14.95 - 6mm x 50mm 220V/60Hz	19,309.00
<b>S16.50</b>		
1650-7.8	16.50 - 7.8mm	Site evaluation required prior to final pricing
1650-11.8	16.50 - 11.8mm	Site evaluation required prior to final pricing
1650-7.8CC	16.50 - 7.8mm x 55mm	Site evaluation required prior to final pricing
1650-11.8CC	16.50 - 11.8mm x 55mm	Site evaluation required prior to final pricing
1650-6X15X50	16.50 - 6X15-50	Site evaluation required prior to final pricing
<b>16.86 / Baler System</b>		
1550-7.8 / 00860	16.86 - 7.8mm	Site evaluation required prior to final pricing
1550-11.8 / 00860	16.86 - 11.8mm	Site evaluation required prior to final pricing
1550-7.8CC / 00860	16.86 - 7.8mm x 55mm	Site evaluation required prior to final pricing
1550-11.8CC / 00860	16.86 - 11.8mm x 55mm	Site evaluation required prior to final pricing
1550-6X15X50 / 00860	16.86 - 6X15-50	Site evaluation required prior to final pricing
<b>Dust Extractor - 220 - Single Phase</b>		
30720	14.9	Site evaluation required prior to final pricing
30721	16.5	Site evaluation required prior to final pricing
30722	16.86	Site evaluation required prior to final pricing
<b>VZ Special 28/35 (2.2kW)</b>		
Special Order	83691 - 20mm	Site evaluation required prior to final pricing
<b>VZ Special 35/35 (2.2kW)</b>		
Special Order	83692 - 20mm	Site evaluation required prior to final pricing
<b>VZ Special Options</b>		
Special Order	3.0kW Motor (35/35 only)	Site evaluation required prior to final pricing
Special Order	15mm cutting system (28/35)	Site evaluation required prior to final pricing
Special Order	15mm cutting system (35/35)	Site evaluation required prior to final pricing
Special Order	Waste Bin	Site evaluation required prior to final pricing
<b>VZ 17.00</b>		
551103	6 x 15 - 50mm	Site evaluation required prior to final pricing
551113	7.8 x 15 - 55mm	Site evaluation required prior to final pricing
<b>VZ 18.00</b>		
551223	11.8 x 15 - 55mm	Site evaluation required prior to final pricing
<b>VZ 19.00</b>		
551323	11.8 x 15 - 55mm	Site evaluation required prior to final pricing
<b>VZM 17.00</b>		
551153	6 x 15 - 50mm	Site evaluation required prior to final pricing
551163	7.8 x 15 - 55mm	Site evaluation required prior to final pricing
<b>VZM 18.00</b>		
551273	11.8 x 15 - 55mm	Site evaluation required prior to final pricing
<b>VZM 19.00</b>		
551373	11.8 x 15 - 55mm	Site evaluation required prior to final pricing

\* All industrial shredder prices are subject to change without notice.



**SHREDDER BAGS****Intimus**

PRODUCT	PKG. QTY.	DESCRIPTION	SUGGESTED LIST
PB1	100	100-152's-155's-*250's-*280's Simplex-300/302's-400/402's	\$54.00
PB3	100	3850-1000**-2000**-500/501-502's	79.00
PB4	100	3000**-4000**-602's-452's-407,702	140.00
PB6	50	490-S14.90	125.00
PB7	50	15.50 - S16.50	233.00
PB8	50	14.90VC-16.50VC Vibro Comp.	169.00
PB9	50	840-860-14.84 / 16.86 Balers / 14.95	141.00
PB10	50	800 CSO & CSL Balers	123.00
PB11	100	444 w/hopper-802/852's	149.00
82683	25	502 CD	88.00
83177	25	Multimedia	72.00
83079	25	402 Console	36.00

\*250 &amp; \*280 requires a bag bar to use

\*\* Indicates Intimus® models, not Martin Yale® brand models

**SHREDDER ACCESSORIES****Intimus**

PRODUCT	FOR MODEL	DESCRIPTION	SUGGESTED LIST
MR76398	431/434	EDP Forms Rack	\$97.35
MR79498	250/280	Bag Bar	36.00
MR3930100	407	Paper Shelf	159.35
MR8330040	444/802/852/ 852VS* (requires paper shelf)	Support Bar	91.25
MR82679	502 CD (CD's)	Shred Box	36.25
MR82678	502 CD (disks)	Shred Box	36.25
MR80068	300/302	Shred Box	20.95
MR80069	400/402	Shred Box	24.75
MR80538	500/501/502	Shred Box	22.00
MR75237	421/431/434	Shred Box	63.85
WRA83210	602	Shred Box (Plastic)	292.25
MR79299	600/602	Shred Box	86.90
MR01490SB	14.90	Shred Box	790.80
M-71399	S16.50	Shred Box	1,562.75
MR78521	S16.50/16.86/1550	Buck Booster Transformer	893.25
ST1		Strapping for Baler	78.00
78643	385	Stand	467.00

**SHREDDER ACCESSORIES****Intimus**

PRODUCT	DESCRIPTION	SUGGESTED LIST
9999917	Aerosol (9 oz. can)	\$156.00
9999943	Liquid (16 oz. bottle)	121.00
78806	Liquid (32 oz. bottle)	121.00
78839	Liquid (1 gallon bottle)	224.00
OILR101	Installed - W/ Tank	554.95
OILR102	Installed - W/ No tank	399.95
36158	Automatic Oiler Factory Installation	788.00

# → FINISHING PRODUCTS RETAIL PRICE LIST

## EFFECTIVE FEBRUARY 1, 2008

### TRIUMPH® CUTTERS

Model	Description	List price
4205	16 7/8" manual	1,749.00
4215	16 7/8" semi-automatic with digital display	3,999.00
4225 EP	16 7/8" semi-automatic programmable	5,899.00
0409	Stand (4205, 4215, 4225 EP)	199.00
0461	Cabinet (4205, 4215, 4225 EP)	549.00
0398	Stand (3905, 3915)	189.00
4705	18 3/4" manual	3,149.00
0408	Stand for 4705	229.00
4810	18 7/8" semi-automatic	6,699.00
4810 EP	18 7/8" semi-automatic programmable	8,149.00
4850	18 7/8" fully automatic	8,449.00
4850 EP	18 7/8" fully automatic programmable	9,999.00
6550 EP	25 1/2" fully automatic programmable	12,349.00
5550 EP	21 3/8" programmable hydraulic	13,299.00
0430	Side tables for 5550 EP	449.00
5551-06 EP	21 3/8" programmable hydraulic with safety light beams	15,549.00
0432	Side tables for 5551-06 EP	449.00
721-06 LT	28" programmable hydraulic with safety light beams and air table	23,429.00
0434	Side tables for 721-06 LT	529.00

### CUTTER KNIVES

Item	Length	Models	List price
0651	17 1/2"	3905, 3915	229.00
0652	19 1/4"	430 EP	239.00
0687	19 3/8"	4205, 4215, 4225 EP	229.00
0653	22 3/4"	4700, 4705, 4810, 4810 EP, 4850, 4850 EP	399.00
0658	24 7/8"	5210-95, 5221-95, 5221 EC	429.00
0684	26"	5550 EP, 5551-06 EP	519.00
0656	29 1/4"	6550, 6550 EC, 6550 EP	449.00
0657	33 1/8"	7228, 721-06 LT	519.00

### CUTTER STICKS (6 PER BOX)

Item	Length	Models	List price
0677	17 7/8"	3905, 3915	55.00
0672	19 1/8"	430 EP	55.00
0678	22 1/8"	5550 EP, 5551-06 EP	109.00
0695	22 3/8"	4205, 4215, 4225 EP	139.00
0675	22 7/8"	4700, 4810, 4810 EP, 4850, 4850 EP	69.00
0676	25 3/8"	5210-95, 5250, 5221-95, 5221 EC	109.00
0696	26 3/8"	4705	169.00
0679	30 1/8"	6550, 6550 EC, 6550 EP	135.00
0671	34 7/8"	7228, 721-06 LT	139.00

### KUTRIMMER® TRIMMERS

Model	Description	List price
1035	13 3/4" tabletop	269.00
2035	13 3/4" tabletop	319.00
1038	14 1/2" tabletop	549.00
1043	17" tabletop	499.00
1058	22 1/2" tabletop	829.00
1071	28 1/2" tabletop	999.00
1080	31 1/4" floor model	1,769.00
1110	43 3/4" floor model	2,549.00

### TRIMMER KNIFE KITS (UPPER AND LOWER KNIVES INCLUDED)

Item	Models	List price
0659C	1035, 2035	99.00
0661C	1036, 1038	119.00
0682C	1043	149.00
0663C	1058	169.00
0665C	1071	209.00
0667C	1080	339.00
0669C	1110	419.00

### BOOKLETMAKERS

Model	List price
Bookletmaker Jr.	899.00
AutoBook	1,299.00
BinderyMate 2 stitcher	2,275.00
Dual BinderyMate 2 stitcher	4,599.00
Stand for BinderyMate 2	259.00
Sprint® 3000	6,099.00
Sprint 5000	6,899.00
Sprint interface for FC 10 collator	1,449.00
Sprint interface for Maxxum collators	1,449.00
Sprint trimmer	7,499.00
StitchFold (includes base, backjog, and interface / jam detector)	11,419.00
StitchFold without interface / jam detector (for off-line use)	10,699.00
StitchFold trimmer	9,699.00
StitchFold activated clinch (special factory order—not a field upgrade)	619.00
StitchFold side/corner stapler (for on-line use)	389.00

### BOOKLETMAKER SUPPLIES

Item	Description	List price
0857	5/16" staples (66/8)*	9.99
0870	1/4" staples (66/6)*	7.99
0871	Stitching wire for StitchFold (2 spools per pack)	46.99
0872	Stitching wire for BinderyMate 2 (2 spools per pack)	36.49

\*minimum order of 5 boxes (not for use in Sprint 5000, Bookletmaker 82, Bookletmaker 102, Maxxum 91, or FC 10 corner stapler)



3134 Industry Drive  
 North Charleston, South Carolina 29418  
 800-223-2508, fax: 843-552-2974  
[www.mbmcorp.com](http://www.mbmcorp.com)

# → FINISHING PRODUCTS RETAIL PRICE LIST

## EFFECTIVE FEBRUARY 1, 2008

### FOLDERS

Model	List price
87M manual	599.00
Simplimatic manual	999.00
207M manual	2,599.00
307A automatic	3,699.00
407A automatic programmable	4,399.00
Perforator (307A, 407A)	999.00
Scorer (307A, 407A)	999.00
352F friction	4,499.00
352S air	7,999.00

### 352F FRICTION FOLDER ACCESSORIES

Item	Description	List price
0626	Silencing covers	699.00
0630	Slitter	189.00
0631	Scorer, narrow	199.00
0632	Scorer, medium	199.00
0633	Scorer, broad	199.00
0646	Extended delivery	2,399.00
0690	Standard perforator, short	199.00
0691	Standard perforator, medium	199.00
0692	Blade perforator, short	209.00
0693	Blade perforator, medium	209.00
0694	Blade perforator, long	209.00

### 352S AIR FOLDER ACCESSORIES

Item	Description	List price
0623	Silencing covers	849.00
0630	Slitter	189.00
0631	Scorer, narrow	199.00
0632	Scorer, medium	199.00
0633	Scorer, broad	199.00
0646	Extended delivery	2,399.00
0690	Standard perforator, short	199.00
0691	Standard perforator, medium	199.00
0692	Blade perforator, short	209.00
0693	Blade perforator, medium	209.00
0694	Blade perforator, long	209.00

### COLLATORS

Model	List price
FC 10	6,499.00
FC 10B with transport unit	6,999.00
FC 10 twin tower collating system	13,498.00
Base for FC 10	429.00
FC 10 high capacity stacker	4,299.00
FC 10 corner stapler	2,799.00
Stand for FC 10 corner stapler	179.00

### SUPPORT PRODUCTS

Model	List price
BC 10 business card cutter	4,699.00
Perforator for BC 10	999.00
Scorer for BC 10	999.00
JT 7 tabletop jogger	1,199.00
AJ 700 air-feed floor model jogger	2,099.00
FMM3 three spindle drill	4,999.00
MBM 25 single spindle drill	899.00
MBM 55 single spindle drill	1,299.00

### DRILL ACCESSORIES

Item	Description	List price
0939-0945	Bits for MBM 25 (7 sizes: 7/64" to 15/64")	23.00
0939-0953	Bits for MBM 55 (15 sizes: 7/64" to 1/2")	23.00
0954	Fiber plug for MBM 55	5.00
0955	Bit sharpener	37.00
0956	Pick	3.00
0957	Stone	5.50
0958	Drill bit wax	2.50
0959	Wrench for MBM 55	2.50
0960	Fiber plug for MBM 25	5.00
0970	Drill block for FMM3	10.00



3134 Industry Drive  
 North Charleston, South Carolina 29418  
 800-223-2508, fax: 843-552-2974  
[www.mbmcorp.com](http://www.mbmcorp.com)

All prices subject to change. F.O.B. North Charleston, South Carolina. © MBM Corporation, 01/2008. 1008SP

**→ RETAIL PRICE LIST**  
EFFECTIVE FEBRUARY 1, 2008

**BUSINESS SHREDDERS**  
DESKSIDE, CENTRALIZED OFFICE,  
HIGH CAPACITY, HIGH SECURITY





STRIP-CUT \$349  
CROSS-CUT \$479

### → DESTROYIT 2240

- automatic start and stop controlled by photo cell
- single, multifunction control switch with pilot light for stand-by, stop (off), and reverse
- transparent safety shield in the feed opening
- high quality, hardened steel cutting shafts take staples and paper clips (strip-cut model takes credit cards)
- double protection against overheating
- impact-resistant plastic shred bin eliminates the need for bags
- convenient handle for lifting shredder head unit from the bin
- automatic power cut-off when shredder head unit is removed from bin
- 5 gallon bin capacity



STRIP-CUT \$489  
CROSS-CUT \$589

### → DESTROYIT 2260

- automatic start and stop controlled by photo cell
- single, multifunction control switch with pilot light for stand-by, stop (off), and reverse
- transparent safety shield in the feed opening
- high quality, hardened steel cutting shafts take staples and paper clips (strip-cut model takes credit cards)
- double protection against overheating
- high quality wooden cabinet
- easy-access shred bin eliminates the need for bags
- window in shred bin shows amount of shreds collected
- automatic power cut-off when shred bin is removed from cabinet
- 5 gallon bin capacity



STRIP-CUT \$829  
CROSS-CUT \$949

### → DESTROYIT 2360

- "SPS" (Safety Protection System) package: electronically controlled, transparent safety shield in the feed opening; "Easy Switch" control element uses color codes and back-lit symbols to indicate operational status; automatic reverse and power cut-off in case of paper jam; automatic power cut-off when shred bag is full or when cabinet door is opened; double protection against overheating
- automatic start and stop controlled by photo cell
- high quality, hardened steel cutting shafts take staples, paper clips, and credit cards (strip- and cross-cut models)
- super micro-cut (SMC) model meets all NSA/CSS specifications and is DOD approved
- high quality wooden cabinet mounted on casters
- environmentally friendly reusable plastic bag
- 9 1/4 gallon bin capacity

**SUPER MICRO-CUT**  
(CONTACT MBM FOR PRICING)

	STRIP-CUT	CROSS-CUT
<b>Shred size</b>	3/16" (4 mm)	1/8" x 1" (3 x 25 mm)
Sheet capacity	10-12*	5-6*
Shred speed	12 ft./min.	12 ft./min.
Shipping wt.	16 lbs.	18 lbs.
<b>Both models</b>		
Feed opening	8 3/4"	
Max. horsepower	1/5	
Motor output	.15 KW	
Electrical requirements	115 V	
Dimensions (D x W x H)	8 1/2" x 13 1/2" x 17 3/4"	

\*may vary due to variations in paper and power supply

	STRIP-CUT	CROSS-CUT
<b>Shred size</b>	3/16" (4 mm)	1/8" x 1" (3 x 25 mm)
Sheet capacity	10-12*	5-6*
Shred speed	12 ft./min.	12 ft./min.
Shipping wt.	28 lbs. <sup>1</sup>	28 lbs. <sup>1</sup>
<b>Both models</b>		
Feed opening	8 3/4"	
Max. horsepower	1/5	
Motor output	.15 KW	
Electrical requirements	115 V	
Dimensions (D x W x H)	8 3/4" x 13 1/2" x 21"	

\*may vary due to variations in paper and power supply

<sup>1</sup> dimensional weight

	STRIP-CUT	CROSS-CUT	SMC
<b>Shred size</b>	3/16" (4 mm)	3/32" x 5/8" (2 x 15 mm)	1/32" x 3/16" (.8 x 5 mm)
Sheet capacity	12-14*	6-8*	5-7*
Shred speed	27 ft./min.	14 ft./min.	14 ft./min.
Shipping wt.	51 lbs. <sup>1</sup>	51 lbs. <sup>1</sup>	51 lbs. <sup>1</sup>
<b>All models</b>			
Feed opening	9 1/2"		
Max. horsepower	1/2		
Motor output	.39 KW		
Electrical requirements	115 V		
Dimensions (D x W x H)	11 3/4" x 15 1/2" x 25"		

\*may vary due to variations in paper and power supply

<sup>1</sup> dimensional weight



STRIP-CUT \$1,699  
CROSS-CUT \$1,899

➔ DESTROYIT 2503

- "SPS" (Safety Protection System) package: electronically controlled, transparent safety shield in the feed opening; "Easy Switch" control element uses color codes and back-lit symbols to indicate operational status; automatic reverse and power cut-off in case of paper jam; automatic power cut-off when shred bag is full or when cabinet door is opened; double protection against overheating
- automatic start and stop controlled by photo cell
- high quality, hardened steel cutting shafts take staples, paper clips, and credit cards (strip-cut model takes CDs)
- high quality wooden cabinet mounted on casters
- pull-out bag frame for disposable shred bags
- 26 gallon bin capacity



STRIP-CUT \$2,049  
CROSS-CUT \$2,229

➔ DESTROYIT 2603

- "SPS" (Safety Protection System) package: electronically controlled, transparent safety shield in the feed opening; "Easy Switch" control element uses color codes and back-lit symbols to indicate operational status; automatic reverse and power cut-off in case of paper jam; automatic power cut-off when shred bag is full or when cabinet door is opened; double protection against overheating
- automatic start and stop controlled by photo cell
- high quality, hardened steel cutting shafts take staples, paper clips, and credit cards (strip- and cross-cut models); strip-cut model takes CDs
- super micro-cut (SMC) model includes a built-in oiler, meets all NSA/CSS specifications, and is DOD approved
- motor rated for continuous operation
- high quality wooden cabinet mounted on casters
- pull-out bag frame mounted on rollers for easy replacement of disposable shred bags
- 30 gallon bin capacity



STRIP-CUT \$2,349  
CROSS-CUT \$2,799

➔ DESTROYIT 3103

- "SPS" (Safety Protection System) package: electronically controlled, transparent safety shield in the feed opening; "Easy Switch" control element uses color codes and back-lit symbols to indicate operational status; automatic reverse and power cut-off in case of paper jam; automatic power cut-off when shred bag is full or when cabinet door is opened; double protection against overheating
- automatic start and stop controlled by photo cell
- high quality, hardened steel cutting shafts take staples, paper clips, and credit cards (strip-cut model takes CDs)
- motor rated for continuous operation
- high quality wooden cabinet mounted on casters
- pull-out bag frame mounted on rollers for easy replacement of disposable shred bags
- 37 gallon bin capacity

	STRIP-CUT	CROSS-CUT	CROSS-CUT
Shred size	3/16" (4 mm)	3/16" x 1 1/2" (4 x 40 mm)	3/32" x 5/8" (2 x 15 mm)
Sheet capacity	19-21*	12-14*	8-10*
Shred speed	24 ft./min.	24 ft./min.	24 ft./min.
Shipping wt.	92 lbs. <sup>1</sup>	92 lbs. <sup>1</sup>	92 lbs. <sup>1</sup>
<b>All models</b>			
Feed opening	10 1/4"		
Max. horsepower	3/4		
Motor output	.58 KW		
Electrical requirements	115 V		
Dimensions (D x W x H)	14 1/2" x 19 3/4" x 34 1/4"		

\*may vary due to variations in paper and power supply

<sup>1</sup> dimensional weight

	STRIP-CUT	CROSS-CUT	CROSS-CUT	SMC
Shred size	1/4" (6 mm)	3/16" x 1 1/2" (4 x 40 mm)	3/32" x 5/8" (2 x 15 mm)	1/32" x 3/16" (.8 x 5 mm)
Sheet capacity	24-27*	16-18*	9-12*	7-10*
Shred speed	30 ft./min.	28 ft./min.	28 ft./min.	32 ft./min.
Shipping wt.	119 lbs. <sup>1</sup>	119 lbs. <sup>1</sup>	119 lbs. <sup>1</sup>	119 lbs. <sup>1</sup>
<b>All models</b>				
Feed opening	10 1/4"			
Max. horsepower	1			
Motor output	.64 KW			
Electrical requirements	115 V			
Dimensions (D x W x H)	18 1/2" x 19 1/2" x 34 1/4"			

\*may vary due to variations in paper and power supply

<sup>1</sup> dimensional weight

	STRIP-CUT	CROSS-CUT
Shred size	1/4" (6 mm)	3/16" x 1 1/2" (4 x 40 mm)
Sheet capacity	22-25*	15-18*
Shred speed	30 ft./min.	27 ft./min.
Shipping wt.	127 lbs. <sup>1</sup>	127 lbs. <sup>1</sup>
<b>Both models</b>		
Feed opening	12"	
Max. horsepower	1	
Motor output	.64 KW	
Electrical requirements	115 V	
Dimensions (D x W x H)	18 1/2" x 21" x 36 1/2"	

\*may vary due to variations in paper and power supply

<sup>1</sup> dimensional weight



STRIP-CUT \$1,199  
CROSS-CUT \$1,399

### → DESTROYIT 2403

- "SPS" (Safety Protection System) package: electronically controlled, transparent safety shield in the feed opening; "Easy Switch" control element uses color codes and back-lit symbols to indicate operational status; automatic reverse and power cut-off in case of paper jam; automatic power cut-off when shred bag is full or when cabinet door is opened; double protection against overheating
- automatic start and stop controlled by photo cell
- high quality, hardened steel cutting shafts take staples, paper clips, and credit cards (strip-cut model takes CDs)
- high quality wooden cabinet mounted on casters
- environmentally friendly reusable plastic bag
- 9 1/4 gallon bin capacity

	STRIP-CUT	CROSS-CUT
Shred size	3/16" (4 mm)	3/32" x 5/8" (2 x 15 mm)
Sheet capacity	19-22*	9-11*
Shred speed	27 ft./min.	27 ft./min.
Shipping wt.	51 lbs. <sup>1</sup>	51 lbs. <sup>1</sup>
<b>Both models</b>		
Feed opening	9 1/2"	
Max. horsepower	3/4	
Motor output	.58 KW	
Electrical requirements	115 V	
Dimensions (D x W x H)	11 3/4" x 15 1/2" x 25"	

\*may vary due to variations in paper and power supply

<sup>1</sup> dimensional weight



STRIP-CUT \$1,299  
CROSS-CUT \$1,499

### → DESTROYIT 2404

- "SPS" (Safety Protection System) package: electronically controlled, transparent safety shield in the feed opening; "Easy Switch" control element uses color codes and back-lit symbols to indicate operational status; automatic reverse and power cut-off in case of paper jam; automatic power cut-off when shred bag is full or when cabinet door is opened; double protection against overheating
- automatic start and stop controlled by photo cell
- high quality, hardened steel cutting shafts take staples, paper clips, and credit cards (strip-cut model takes CDs)
- high quality wooden cabinet mounted on casters
- environmentally friendly reusable plastic bag
- 13 gallon bin capacity

	STRIP-CUT	CROSS-CUT
Shred size	3/16" (4 mm)	3/32" x 5/8" (2 x 15 mm)
Sheet capacity	19-22*	9-11*
Shred speed	27 ft./min.	27 ft./min.
Shipping wt.	58 lbs. <sup>1</sup>	58 lbs. <sup>1</sup>
<b>Both models</b>		
Feed opening	9 1/2"	
Max. horsepower	3/4	
Motor output	.58 KW	
Electrical requirements	115 V	
Dimensions (D x W x H)	11 3/4" x 15 1/2" x 28 3/4"	

\*may vary due to variations in paper and power supply

<sup>1</sup> dimensional weight

## CENTRALIZED OFFICE SHREDDERS



STRIP-CUT \$1,599  
CROSS-CUT \$1,799

### → DESTROYIT 2501

- "SPS" (Safety Protection System) package: electronically controlled, transparent safety shield in the feed opening; "Easy Switch" control element uses color codes and back-lit symbols to indicate operational status; automatic reverse and power cut-off in case of paper jam; automatic power cut-off when shred bag is full or when cabinet door is opened; double protection against overheating
- automatic start and stop controlled by photo cell
- high quality, hardened steel cutting shafts take staples, paper clips, and credit cards (strip-cut model takes CDs)
- high quality wooden cabinet mounted on casters
- pull-out bag frame for disposable shred bags
- 20 gallon bin capacity

	STRIP-CUT	CROSS-CUT	CROSS-CUT
Shred size	3/16" (4 mm)	3/16" x 1 1/2" (4 x 40 mm)	3/32" x 5/8" (2 x 15 mm)
Sheet capacity	19-21*	12-14*	8-10*
Shred speed	24 ft./min.	24 ft./min.	24 ft./min.
Shipping wt.	77 lbs. <sup>1</sup>	77 lbs. <sup>1</sup>	77 lbs. <sup>1</sup>
<b>All models</b>			
Feed opening	10 1/2"		
Max. horsepower	3/4		
Motor output	.58 KW		
Electrical requirements	115 V		
Dimensions (D x W x H)	14 3/4" x 19 3/4" x 28 3/4"		

\*may vary due to variations in paper and power supply

<sup>1</sup> dimensional weight



STRIP-CUT \$2,649  
CROSS-CUT \$2,999

### → DESTROYIT 3803

- "SPS" (Safety Protection System) package: electronically controlled, transparent safety shield in the feed opening; "Easy Switch" control element uses color codes and back-lit symbols to indicate operational status; automatic reverse and power cut-off in case of paper jam; automatic power cut-off when shred bag is full or when cabinet door is opened; double protection against overheating
- automatic start and stop controlled by photo cell
- high quality, hardened steel cutting shafts take staples, paper clips, and credit cards (strip-cut model takes CDs)
- motor rated for continuous operation
- high quality wooden cabinet mounted on casters
- pull-out bag frame mounted on rollers for easy replacement of disposable shred bags
- 42 gallon bin capacity



STRIP-CUT \$3,399  
CROSS-CUT \$3,899

### → DESTROYIT 4002

- "SPS" (Safety Protection System) package: electronically controlled, transparent safety shield in the feed opening; "Easy Switch" control element uses color codes and back-lit symbols to indicate operational status; automatic reverse and power cut-off in case of paper jam; automatic power cut-off when shred bag is full or when cabinet door is opened; double protection against overheating
- automatic start and stop controlled by photo cell
- high quality, hardened steel cutting shafts take staples, paper clips, credit cards, and CDs
- motor rated for continuous operation
- high quality wooden cabinet mounted on casters
- pull-out bag frame mounted on rollers for easy replacement of disposable shred bags
- 53 gallon bin capacity



STRIP-CUT \$6,399  
CROSS-CUT \$7,399

### → DESTROYIT 4005

- "SPS" (Safety Protection System) package: electronically controlled, transparent safety shield in the feed opening; "Easy Switch" control element uses color codes and back-lit symbols to indicate operational status; automatic reverse and power cut-off in case of paper jam; automatic power cut-off when shred bag is full or when cabinet door is opened; double protection against overheating; "sleep" mode
- automatic start and stop controlled by photo cell
- "ECC" (Electronic Capacity Control) indicator helps prevent paper jams by indicating capacity levels while shredding
- automatic oil injection insures optimal performance at all times
- high quality, hardened steel cutting shafts take staples, paper clips, credit cards, and CDs (strip- and cross-cut models)
- super micro-cut (SMC) model meets all NSA/CSS specifications and is DOD approved
- motor rated for continuous operation
- high quality wooden cabinet mounted on casters
- pull-out bag frame mounted on rollers for easy replacement of disposable shred bags (SMC model equipped with shred bin)
- 59 gallon bin capacity (approximate)

**SUPER MICRO-CUT**  
(CONTACT MBM FOR PRICING)

	STRIP-CUT	CROSS-CUT
Shred size	1/4" (6 mm)	3/16" x 1 1/2" (4 x 40 mm)
Sheet capacity	20-23*	14-16*
Shred speed	35 ft./min.	27 ft./min.
Shipping wt.	155 lbs. <sup>1</sup>	155 lbs. <sup>1</sup>
<b>Both models</b>		
Feed opening	16"	
Max. horsepower	1	
Motor output	.64 KW	
Electrical requirements	115 V	
Dimensions (D x W x H)	18 1/2" x 24" x 37 1/2"	

\*may vary due to variations in paper and power supply

<sup>1</sup> dimensional weight

	STRIP-CUT	CROSS-CUT
Shred size	1/4" (6 mm)	3/16" x 1 1/2" (4 x 40 mm)
Sheet capacity	32-35*	24-26*
Shred speed	30 ft./min.	25 ft./min.
Shipping wt.	239 lbs.	240 lbs.
<b>Both models</b>		
Feed opening	16"	
Max. horsepower	1 3/4	
Motor output	1.3 KW	
Electrical requirements	115 V	
Dimensions (D x W x H)	23 1/4" x 25 1/4" x 38 1/2"	

\*may vary due to variations in paper and power supply

	STRIP-CUT	CROSS-CUT	CROSS-CUT	SMC
Shred size	1/4" (6 mm)	3/16" x 1 1/2" (4 x 40 mm)	3/32" x 5/8" (2 x 15 mm)	1/32" x 3/16" (.8 x 5 mm)
Sheet capacity	50-52*	30-32*	18-20*	12-16*
Shred speed	40 ft./min.	30 ft./min.	30 ft./min.	44 ft./min.
Shipping wt.	343 lbs.	378 lbs.	378 lbs.	390 lbs.
<b>All models</b>				
Feed opening	16"			
Max. horsepower	2 1/2			
Motor output	1.6 KW			
Electrical requirements	115 V <sup>1</sup>			
Dimensions (D x W x H)	23 1/4" x 25 1/4" x 39 1/4"			

\*may vary due to variations in paper and power supply

<sup>1</sup> 20 amp. dedicated line required





STRIP-CUT \$11,999  
CROSS-CUT \$13,549

➔ DESTROYIT 4605

- small footprint
- top loading feed hopper for bulky materials such as crumpled paper from wastebaskets
- special rotating paddle for positive feeding of bulky materials into the cutting head
- standard feed opening for flat paper with automatic start and stop controlled by photo cell
- fold-away feed table
- main switch and emergency stop button
- automatic reverse and power cut-off in case of overfeeding
- soft-touch control keys for forward (continuous operation), stop, and reverse
- optical indicators show operational status
- high quality, hardened steel cutting shafts are soft metal resistant and can take CDs and hardbound documents
- motor rated for continuous operation
- cabinet door opens from front
- mobile shred bin for easy replacement of disposable shred bags
- automatic power cut-off when hopper or cabinet door is opened or when shred bag is full
- thermal switch prevents overheating
- mounted on heavy duty casters
- 61 gallon bin capacity

	STRIP-CUT	CROSS-CUT
Shred size	1/4" (6 mm)	3/16" x 2 3/8" (4 x 60 mm)
Sheet capacity	75-90*	50-60*
Shred speed	40 ft./min.	40 ft./min.
Shipping wt.	701 lbs.	715 lbs.
<b>Both models</b>		
Feed opening	18"	
Max. horsepower	7 1/2	
Motor output	2.2 KW	
Electrical requirements	220 V, 3 ph.	
Dimensions (D x W x H)	30" x 29" x 67"	

\*may vary due to variations in paper and power supply

➔ DESTROYIT 4107

- removable side tables provide large work space
- easy-to-use control panel with push buttons for forward, stop, and reverse
- safety lock and key, main switch, and emergency stop button
- automatic reverse and power cut-off in case of paper jam
- optical indicators show operational status
- high quality, hardened steel cutting shafts are soft metal resistant and can take CDs, VHS tapes (cross-cut only), and hardbound documents
- convenient, centralized oiler for lubrication of the cutting head
- motor rated for continuous operation
- large shred compartment with easy-access door located in back of machine
- pull-out bag frame mechanism mounted on rollers for easy replacement of disposable shred bags
- automatic power cut-off when shred bag is full or cabinet door is opened
- thermal switch prevents overheating
- mounted on heavy-duty casters
- 79 gallon bin capacity

	STRIP-CUT	STRIP-CUT	STRIP-CUT	CROSS-CUT
Shred size	1/2" (12 mm)	3/8" (9 mm)	1/4" (6 mm)	1/4" x 2" (6 x 50 mm)
Sheet capacity	120-140*	105-125*	75-95*	65-82*
Shred speed	60 ft./min.	60 ft./min.	60 ft./min.	53 ft./min.
Shipping wt.	952 lbs.	952 lbs.	994 lbs.	983 lbs.
<b>All models</b>				
Feed opening	16"			
Max. horsepower	10			8
Motor output	4 KW			3 KW
Electrical requirements	220 V, 3 ph.			
Dimensions (D x W x H)	67" x 48 3/4" x 56 3/4"			

\*may vary due to variations in paper and power supply



STRIP-CUT \$12,999  
CROSS-CUT \$14,999



\$34,999

## → DESTROYIT 5009 CROSS-CUT

- extra-large feed table with conveyor belt and electronically secured safety guard
- easy-to-use control panel with push buttons for forward, stop, and reverse
- safety lock and key, main switch, and emergency stop button
- automatic reverse and re-feed in case of paper jam
- optical indicators show operational status
- two automatic speed modes: "Power" for bulk feeding large quantities of paper, and "Speed" for high speed shredding of smaller amounts
- high quality, hardened steel cutting shafts are soft metal resistant and can take CDs, VHS tapes, hardbound documents, and 3-ring binders
- convenient, centralized oiler for lubrication of the cutting head
- dual motors rated for continuous operation
- large shred compartment with easy-access door located at rear of machine
- mobile shred cart with bag mounting frame for easy replacement of disposable shred bags
- automatic power cut-off when shred bag is full or cabinet door is opened
- thermal switch prevents overheating
- mounted on heavy-duty casters
- 79 gallon bin capacity
- optional accessories: modular conveyor belt system and additional shred carts

CROSS-CUT	
Shred size	11/32" x 1 1/2" - 3" (8 x 40 - 80 mm)
Sheet capacity	600+*
Shred speed	24-46 ft./min. <sup>1</sup>
Feed opening	20"
Max. horsepower	24
Motor output	9 KW
Electrical requirements	220 V, 3 ph. <sup>2</sup>
Dimensions (D x W x H)	85 1/2" x 40 3/4" x 67 1/2" <sup>3</sup>
Shipping wt.	3,080 lbs.

\*may vary due to variations in paper and power supply

<sup>1</sup> two automatic speed modes

<sup>2</sup> 50 amp. dedicated line required

<sup>3</sup> depth with modular conveyor belt system is 121"



\$5,429

## → 5009 MODULAR CONVEYOR BELT SYSTEM

- optional accessory transports shredded material to an external container
- eliminates need to change shred bags
- easy to attach—simply roll into place, close door, and lock
- electric belt drive is controlled by the shredder electronics
- electrically secured locking system
- mounted on heavy-duty casters

CONVEYOR SYSTEM	
Speed	35 ft./min.
Feed opening (W x H)	13 3/4" x 4"
Dimensions (D x W x H)	74 3/4" x 27 1/4" x 45 3/4"
Shipping wt.	359 lbs.

## WARRANTY INFORMATION

### → DESTROYIT LIFETIME WARRANTY

- lifetime limited warranty on strip- and cross-cut cutting shafts and wheels
- 1 year limited warranty on super micro-cut cutting shafts and wheels
- 1 year warranty on all other parts, excluding wearables



**MBM**  
CORPORATION

**SHREDDER BAGS**

ITEM	DESCRIPTION	PRICE
0901	100 bags (4000ss, 4002, 4202)	139.00
0902	100 bags (2501, 2600, 2601, 3801)	115.00
0907	200 bags (1000, 2000, 2100, 2200, 2201, 2230, 2240, 2250, 2260, 2350, 2400, 2401, 3000)	79.00
0908	200 bags (2360, 2401L, 2402, 2403, 2404)	75.00
0914	100 bags (4104, 4105 strip-cut)	199.00
0915	50 bags (4105 cross-cut, 4106)	199.00
0917	100 bags (3800, 3802, 4001, 4203)	119.00
0918	100 bags (3803, 4000, 4003, 4004, 4005, 4011, 4012)	129.00
0919	100 bags for 4000ss (extra large)	239.00
0920	100 bags (2502, 2503, 2602, 2603, 3102, 3103)	129.00
0921	100 bags for 4605	229.00
0922	100 bags (4107, 4109)	239.00
0923	50 bags for 5009 (old style)	189.00
0924	50 bags for 5009 (new style)	210.00

**SUPPLIES AND ACCESSORIES**

ITEM	DESCRIPTION	PRICE
CED21/4	Shredder oil, 4 bottles (1 pint each)	49.00
CED21/8	Shredder oil, 8 bottles (1 pint each)	79.00
CED21/6	Shredder oil, 6 bottles (1 quart each)	99.00
CED21/G	Shredder oil, 4 bottles (1 gallon each)	169.00
0018	Automatic oiler (models 2602 thru 4004), installed	949.00
0332	Modular conveyor belt system for 5009	5,429.00
0399	Shred collection cart for 5009	1,539.00



3134 Industry Drive  
 North Charleston, South Carolina 29418  
 800-223-2508, fax: 843-552-2974  
[www.mbmcorp.com](http://www.mbmcorp.com)



ITE Listed 802 D

# Morgana Systems USA

January 1, 2009

## Creasers

Docucrease 35	\$710.00
Docucrease 52	\$810.00
Electrocrease 36	\$2,195.00
Electrocrease 52	\$2,685.00
Cardmaster	\$31,925.00
Digicrease	\$8,360.00
Digicrease Base	\$510.00
Autocreaser 33	\$13,895.00
Autocreaser 50	\$16,995.00
Digifold 5000P	\$38,995.00
Digifold	\$30,345.00
MPBK Buck Boost Transformer	\$595.00
Value Added Uncrate, Prep, Install (Digifold)	\$1,995.00
Value Added Uncrate, Prep, Install (Digicrease/Autocreaser/Cardmaster)	\$695.00

## Paper Folders

Major (14.3" x 25")	\$9,220.00
Docufold (14.3" x 17.79")	\$11,075.00
OFM Turbo Air Fold (14"x20")	\$6,995.00
OFM Right Angle	\$5,995.00
MPBK Buck Boost Transformer	\$595.00
Value Added Uncrate, Prep, Install (Major/Docufold/OFM/Uchida)	\$695.00
System 90 Jogger	\$1,995.00
90901 Rear Delivery Stacker	\$995.00
Uchida 207M Manual Set Item F-25	\$2,799.00
Uchida 307A Auto Set Item F-30	\$3,899.00
Uchida 407A Auto Programmable Item F-43N	\$4,599.00
Uchida 2300CA Stand/Castors Item F-23	\$299.00

[www.morgana.co.uk](http://www.morgana.co.uk)

# Morgana Systems USA

January 1, 2009

## Numbering

FSN2 Suction Feed (18" x 18")	\$13,260.00
FSNSRA2 (25" x 18")	\$15,425.00
FRN5 Friction Feed	\$8,675.00

## Accessories

199-12 28T Perf	\$95.00
199-41 56T Perf	\$95.00
199-10 20T Perf	\$95.00
199-42 96T Perf	\$95.00
199-41 Anvil	\$54.96
199-13 Slit	\$133.65
699-05 Narrow Score	\$160.00
699-06 Wide Score	\$160.00
94-073 Side Lay	\$188.91
94-077 Landscape Guide	\$117.00
51-300 Parallel Number Head	\$503.00
51-302 Convex Number Head	\$503.00
601-102 Red Ink	\$47.25
601-101 Black Ink	\$47.25
5-85-30 Morgana Oscillating Kit	\$895.00
5-99-31 Black Roller	\$269.00
5-99-32 Red Roller	\$269.00

## UV Coaters

Digicoater (without primer)	\$41,584.00
Digicoater (with primer)	\$43,976.00
Heavy Duty Jogger	\$1,950.00
8000 Sheet Feeder	\$9,784.00
Roller Safety Guard	\$295.00
X Tractor	\$1,904.00
Value Added Uncrate, Prep, Install and Train (Digicoater)	\$1,995.00
MPBK Buck Boost Two	\$795.00

# Morgana Systems USA

January 1, 2009

## Finishing

Kwikfold Bookmaker	\$7,195.00
Kwikfold Trimmer	\$11,995.00
Kwikfold On Line Box/Jogger	\$1,995.00
Kwikfold S-Table L Link	\$995.00
Kwikfold FC-10 Collator	\$6,995.00
Kwikfold 310 Plus Collator	\$6,995.00
Kwikfold FC-10 Interface Cable Kit	\$195.00
Kwikfold 310 Interface Cable Kit	\$195.00
Kwikfold NAG2400102 Staple Head	\$351.02
Nagel 26/6 Staples 627-2060	\$9.25 (1 box 5000)
Nagel 26/8S Staples 627-2081	\$23.75 (1 box of 5000)
Documaster	\$58,350.00
Online Square Back	\$17,665.00
Documaster Outfeed Conveyor	\$1,295.00
MPBK Buck Boost Transformer	\$595.00
Value Added Uncrate, Prep, Install (Documaster)	\$1,995.00
Documaster Staples VAR810023	\$79.95
Value Added Uncrate, Prep, Install (Kwikfold)	\$695.00
Foldnak M2 Bookmaker	\$3,595.00

## Cutters

Digicutter 20.5" Programmable 205 Series	\$14,495.00
Digicutter 28" Programmable 280 Series	\$25,995.00
Digicutter Side Tables	\$449.00
Digicutter IDL-249HS Knife High Speed	\$489.00
Digicutter 0658 Knife	\$409.00
Digicutter 0676 Cut Sticks	\$98.00 (pkg of 6)
Digicutter Book Guides	\$50.00
Digicutter MCP Magnetic Pads	\$39.95
Value Added Uncrate, Prep, Install (Digicutter, EBA)	\$695.00
EBA 480EP 18.5" Programmable Semi Auto Item 4810EP	\$8,149.00
EBA 485EP 18.5" Programmable Auto Clamp Item 4850EP	\$9,999.00
EBA 550 21.5" Programmable Item 5550EP	\$12,499.00
EBA 551 21.5" Programmable Safety Beams Item 5551EP	\$14,599.00
EBA 435EP 16 7/8" Programmable Item 4225EP	\$5,738.00

## Cutter

EBA 435E 16 7/8" Semi Auto Digital Item 4215	\$3,999.00
EBA 435A 16 7/8" Manual Item 4205	\$1,749.00
EBA 0409 Stand	\$199.00
EBA 0461 Cabinet	\$599.00
EBA 721-06LT 28" Programmable, Air Table	\$23,429.00
EBA 0434 Side Tables	\$599.00
EBA 0653 Knife	\$409.00
EBA 0653 HS Knife High Speed	\$499.00
EBA 0684 Knife	\$519.00
EBA 0684HS Knife High Speed	\$599.00
EBA 0687 Knife	\$299.00
EBA 0675 Cut Sticks	\$79.00
EBA 0695 Cut Sticks	\$149.00
EBA 0678 Cut Sticks	\$119.00
EBA 0671 Cut Sticks	\$149.00

## Shredders

EBA 5141 Shredder 1/4" Item 4005	\$6,399.00
EBA 5141 Shredder CC Item 4005CC	\$7,399.00
EBA 5146 Shredder 1/4" Item 4605	\$11,999.00
EBA 5146 Shredder CC Item 4605CC	\$13,549.00
EBA 6040 Shredder 1/2" Item 4107	\$12,999.00
EBA 6040 Shredder CC Item 4107CC	\$14,999.00
EBA 7050 Shredder CC Item 5009	\$34,999.00
EBA Modular Conveyor Belt	\$5,929.00

# Morgana Systems USA

January 1, 2009

EBA Shred Collection Cart	\$1,999.00
Auto Oiler 5141	\$1,099.00
EBA Oil Case 8 Pint Bottles	\$89.00
EBA 5141 Shred Bags (100)	\$139.00
EBA 5146 Shred Bags (100)	\$239.00
EBA 6040 Shred Bags (100)	\$249.00
EBA 7050 Shred Bags (50)	\$220.00
Value Added Uncrate, Prep, Install (EBA)	\$695.00
<u>Card Slitters</u>	
BC10 Biz Card Slitter	\$4,699.00
BC10 Perforator	\$999.00
BC10 Scorer	\$999.00
Card Extra Digital CT620EXA	\$15,995.00
MC-1 Cartridge 55MM/4 Side Margin	\$1,395.00
MC-2 Cartridge 55mm/No Margin	\$1,295.00
MC-3 Cartridge 2"x20 Biz Cards 4 Side	\$1,395.00
HC-1 Cartridge 8 Up Post Cards	\$1,395.00
OT-2 Receiver Tray	\$395.00
Value Added Uncrate, Prep, Install	\$695.00
<u>Drill</u>	
FMM3 3 Spindle Drill	\$4,999.00
25 Single Spindle Drill	\$899.00
55 Single Spindle Drill	\$1,299.00
Value Added Uncrate, Prep, Install (Drill)	\$295.00
<u>Stitcher</u>	
Binderymate 2	\$2,275.00
Dual Binderymate 2	\$4,599.00
Stand	\$259.00
Stitch Fold	\$11,419.00
Stitch Fold Trimmer Unit	\$9,699.00
Value Added Uncrate, Prep, Install (Stitcher)	\$295.00



January 1, 2009

New Products

Digicoater 20" with 6 Tanks, 3 Rollers and IR Lamp	\$42,990.00
Digicoater 202 with 4 Tanks, 2 Roller	\$40,990.00
20" Top Feeder	\$16,990.00
20" Freestanding IR Unit	\$6,940.00
A2 Jogger	\$1,950.00
8000 Sheet Feeder	\$9,784.00
Digicoater 13"	\$24,990.00
13" Top Feeder	\$9,990.00
13" Freestanding IR Unit	\$4,990.00
Value Added Uncrate, Prep, Install and Train (Digicoater)	\$1,995.00
Digibind Including Cabinet	\$12,995.00
Card Xtra	\$13,995.00

## 1200 × 1200 DPI

RAM	Part #	Price
128 MB	500-100803	\$7,495
256 MB	500-100804	\$7,695

## 2400 × 2400 DPI

RAM	Part #	Price
256 MB	500-100805	\$8,995

## SYSTEM & FILM PACKAGE

System & Film Package: PM5, FilmStar Processor, Myriad film (box of your choice) & 4 pack FilmStar solution

DPI	RAM	Part #	Price
1200	128 MB	500-100803*	\$7,965
1200	256 MB	500-100804*	\$8,165
2400	256 MB	500-100805*	\$9,465

\*When placing an order for System & Film Package, include part number for FilmStar 500-100740.

## OPTIONS & CONSUMABLES

Imaging Unit - 7,000 Letter size prints (200-100236)	\$299
Paper Feeder Includes 500 Sheet Universal Paper Cassette (250-100047-PM5)	\$295
Manual Feed Tray Extension (250-100058) Standard with 340 Option	\$125
500 Sheet Universal Paper Cassette (250-100049-PM5)	\$150
Internal IDE Disk Drive (500-100809)	\$495
340 Option Requires 256MB RAM (Allows for throughput of 13 <sup>3</sup> / <sub>8</sub> " or 340mm) (500-100810)	\$495

## MYRIAD 2 PLATES

Myriad 2 - 10" x 15" Plates (200-100050) 100 ct	\$87
Myriad 2 - 10" x 15 <sup>1</sup> / <sub>2</sub> " Plates (200-100051) 100 ct	\$90
Myriad 2 - 11" x 18" Plates (200-100058) 100 ct	\$115
Myriad 2 - 11" x 18 <sup>1</sup> / <sub>2</sub> " Plates (200-100076) 100 ct	\$119
Myriad 2 - 11 <sup>3</sup> / <sub>4</sub> " x 18 <sup>1</sup> / <sub>2</sub> " Plates (200-100052) 100 ct	\$125
Myriad 2 - 12" x 18" Plates (200-100054) 100 ct	\$128
Myriad 2 - 11 <sup>3</sup> / <sub>4</sub> " x 19 <sup>3</sup> / <sub>8</sub> " Plates (200-100053) 100 ct	\$132
Myriad 2 - 12" x 19 <sup>3</sup> / <sub>8</sub> " Plates (200-100055) 100 ct	\$134
Myriad 2 - 11 <sup>3</sup> / <sub>4</sub> " x 19 <sup>7</sup> / <sub>8</sub> " Plates (200-100056) 100 ct	\$136
Myriad 2 - 12" x 19 <sup>7</sup> / <sub>8</sub> " Plates (200-100057) 100 ct	\$138
Myriad 2 - 13" x 19 <sup>3</sup> / <sub>8</sub> " Plates (200-100060) 100 ct	\$147
Myriad 2 - 13" x 19 <sup>7</sup> / <sub>8</sub> " Plates (200-100061) 100 ct	\$151
Myriad 2 - 13 <sup>3</sup> / <sub>8</sub> " x 19 <sup>7</sup> / <sub>8</sub> " Plates (200-100082) 100 ct (Requires 340 Option)	\$155
Myriad 2 - 12" x 25" Plates (200-100059) 100 ct	\$175

## FILM & FILMSTAR

Myriad 2 - Plate Cleaner (200-100078) 16 oz. bottle	\$7
FilmStar FX2 Solution 1pt/.5 liter Bottle 4-pack (200-100074)	\$60
Myriad Letter Film (200-100001) 100 ct	\$40
Myriad A4 Film (200-100002) 100 ct	\$40
Myriad 10" x 15" Film (200-100005) 100 ct	\$64
Myriad 11" x 17" Film (200-100003) 100 ct	\$80
Myriad A3 Film (200-100004) 100 ct	\$80
Myriad 11.7" x 18" Film (200-100006) 100 ct	\$90
Myriad 12" x 18" Film (200-100007) 100 ct	\$92
Myriad 13" x 18.5" Film (200-100062) 100 ct	\$103
Myriad 12" x 25" Film (200-100036) 100 ct	\$129
Myriad 13" x 25" Film (200-100063) 100 ct	\$139
Myriad 13" x 35.5" Film (200-100072) 100 ct	\$198
FilmStar Processing Unit (500-100740)	\$395



## SPECIFICS

### RESOLUTION:

- 1200dpi with 128 or 256MB RAM
- 2400dpi with 256MB RAM

### LPI:

Up to 150 line screens

### AUTO PLATE LOADER:

50 plate capacity

### PLATE RUN LENGTH:

>20,000 Impressions

### SCREENING TECHNOLOGY:

Z-Dot / Traditional Screens

### SPEED:

Up to 120 plates per hour

### CONNECTIVITY:

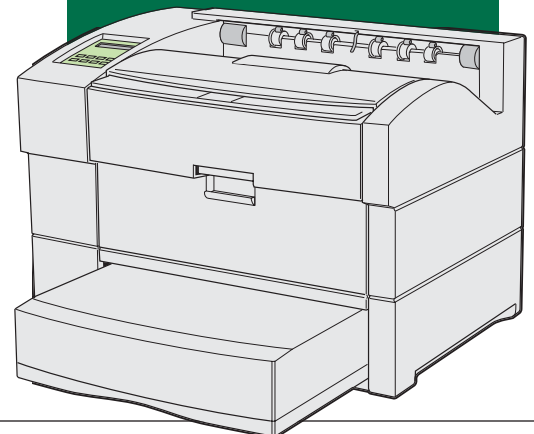
10/100 BaseT Ethernet and Parallel Port

### HARD DISK:

Optional

### 340MM OPTION:

For plates up to 340mm (13<sup>3</sup>/<sub>8</sub>") (330mm standard)



All pricing is in US currency. All prices subject to change without prior notice.

©2006 Xanté Corporation. PlateMaker® total prepress system is a trademark or registered trademark of Xanté Corporation. Xanté is a trademark or registered trademark of Xanté Corporation. Adobe, PostScript, PostScript 3 and the Clearly Adobe Imaging logos are trademarks or registered trademarks of Adobe Systems Incorporated.

US and Canada Sales • Revised 4/12/06



CLEARLY™  
Adobe  
IMAGING

# Myriad<sup>2</sup>

**PREFERRED PACKAGING GROUP**

07/01/09

**SHRINK PACKAGING SYSTEMS**

---

<u>All in One Seal and Shrink</u>	
PP-48ST 12" x 18.5" Seal	\$3,995.00
PP-76ST 16" x 22" Seal	\$4,995.00

---

<u>Combo Seal and Shrink</u>	
PP1519EC 15" x 19" Seal	\$4,995.00
PP1519ECM 15" x 19" Seal Mag Hold	\$5,995.00
PP1519ECMC 15" x 19" Seal Mag Hold and Power Discharge Conveyor	\$6,995.00
PP180-24 Conveyor 24"	\$1,995.00
PP1622MK Sealer and PP1808-28 Tunnel 16" x 22" Seal	\$8,995.00
PP180-36 Conveyor 36"	\$2,595.00
PP1622MK Sealer and PP1808-28 Tunnel 16" x 22" Seal With Micro Knife	\$10,995.00
PP1622MK Sealer and PP1808-28 Tunnel 16" x 22" Seal With Hot Knife	\$11,995.00
PP-5300 Combo Seal and Shrink 19" x 17" x 5"	\$35,000.00
PP-5600 Combo Seal and Shrink 25" x 19" x 6"	\$39,995.00
TP-101 Auto Strapper	\$6,995.00
TP-101 Pneumatic Strapper	\$8,850.00
TP-101PR Power Roller Strapper	\$9,850.00
TP-101PB Power Belt Strapper	\$9,950.00
JK-5 20" Auto Strapper	\$3,995.00
JK-2 Dual Tension Semi Auto Strapper	\$1,999.00
Seal N Shrink L Sealer/Tunnel	\$2,595.00

## **Prographics Network LLC**

### Printing/Prepress Equipment

Proprint 4750 K Offset Press	\$29,995.00
Proprint R1 Series System Ripit X1 Direct	\$39,995.00
Proprint R2 Series System RIpit X2 Direct	\$42,995.00
Proprint T51 AE Color Unit (4750)	\$9,500.00
Phototex 9880 Printer Bundle	\$10,995.00
Phototex 9880 Printer Bundle Color Burst	\$11,995.00
Phototex 7880 Printer Bundle	\$7,995.00
Phototex 7880 Printer Bundle Color Burst	\$8,995.00
Proprint T-200 Feeder	\$4,295.00
Proprint T-200 Conveyor	\$495.00
Win 504—4 Color Offset	\$295,000.00
Win 504—4 Color Offset/Console	\$350,000.00
Win PC-52-2 Two Color/Stream Feed/Plate Loaders	\$200,000.00
Win PC-52-4 Four Color Offset/Plate Loader	\$380,000.00
Win 502 Two Color Offset	\$110,000.00
Win 500 IR Dryer	\$5,995.00
Proprint IR Dryer	\$3,995.00
Proprint Register Punch	\$1,595.00
Proprint Super Blue	\$1,195.00
PC 52 Cip <sup>3</sup> / <sub>4</sub>	\$16,995.00
PC 52 Series Console	\$39,995.00
Win Kompac Recirculator	\$4,995.00
PM5 1200-128 MB Prepress System	\$7,495.00
PM5 1200-256 MB Prepress System	\$7,695.00
PM5 2400-256 MB Prepress System	\$8,995.00
Film Star Processing Unit	\$395.00
Ilumina Digital Color Press	\$8,995.00
Ilumina High Capacity Tray	\$1,499.00
Ilumina Digital Envelope Press	\$15,995.00
Ilumina Envelope Feeder/Conveyor	\$4,995.00
Ilumina Digital Production Press	\$15,995.00
Ilumina Production Press Feeder /Conveyor	\$4,995.00

National Distributor: Prographics Network Boardman, Ohio

March 1, 2009

### Printing/PrePress Equipment

PM5 Basic Install	\$995.00
PM5 Premium Install	\$1,295.00
Illumina Basic Install	\$995.00
Illumina Premium Install	\$1,295.00

### Paper Cutters

Prism 32i Paper Cutter	\$29,500.00
Prism 27i Paper Cutter	\$23,995.00
Titan 200M Digital Paper Cutter	\$9,675.00
Spartan 185AEP Program Paper Cutter	\$9,695.00
Spartan 185A Auto Paper Cutter	\$8,450.00
Spartan 185SA Manual Paper Cutter	\$7,295.00
Spartan 150A Auto Paper Cutter	\$4,395.00
Spartan 150SA Semi Auto Paper Cutter	\$3,895.00
Spartan 150M Manual Paper Cutter	\$2,150.00
Cutter Install Package Under 20.5"	\$995.00
Cutter Install Package Over 21"	\$1,995.00
Cutter Disassembly To Pass Thru 34" Opening	\$1,295.00

### Drills

Handy Drill	\$1,395.00
JF Drill	\$2,295.00
Drill Install Package	\$395.00

### Joggers

2026A	\$2,895.00
2436A	\$2,995.00
2840A	\$3,095.00
A-6822-1 Stand	\$395.00

March 1, 2009

Joggers

B1	\$1,395.00
B2	\$1,595.00
Handy Jog	\$495.00
I Jog with Air	\$1,995.00

Finishing

1000 System (Vacuum Feed) (includes—VF1008, BM2000, FTR 2000, SQF 2000)	\$58,910.00
Sytem 200 (Friction) (includes—510AC, BM200, FTR200, SQF 200)	\$42,259.00
System 61 (Friction) (includes—510, CM61, Belt Stacker, Stand)	\$16,995.00
VF1008 Feeder	\$22,995.00
180004 Stand	\$1,224.00
VF100813 Second Tower	\$22,955.00
180003 Motorized Base	\$1,987.00
510 Friction Collator	\$7,995.00
11400006 Stand	\$695.00
11400002 Air Upgrade	\$3,050.00
BM2000 Binder Bookletmaker	\$17,052.00
810002 Hand Feed Tray	\$178.00
880001 Staples	\$21.45
FIR 2000 Trimmer	\$8,969.00
SQF 2000 Square Folder	\$8,211.00
BM 200 Binder Bookletmaker	\$11,372.00
FTR 200 Trimmer	\$9,442.00
SQF 200 Square Folder	\$8,512.00
BM 61 Binder Bookmaker	\$6,716.00
BM 60 Binder Bookmaker	\$5,315.00
600045 Stand	\$495.00
610011 On Line Stand	\$295.00
600041 Belt Stacker	\$793.00
600033 Basic Delivery Tray	\$251.00
104 Square Folder	\$8,285.00
170010 Stand	\$536.00

March 1, 2009

510AC Collator Air Assist	\$10,995.00
510C Collator	\$7,995.00
Stand 11400003	\$695.00
Feeder Upgrade 1140000	\$1,500.00
Stand 170010	\$595.00
<u>Printer</u>	
7880/9880 220ML Inks Bundle (8) Photo	\$995.00
7880/9880 220ML Ink Bundle (8) Matte	\$995.00
7880/9880 Stand	\$595.00
7880/9880 Install Package	\$2,045.00
7880/9880 Reserve Tank	\$49.00
44" Matte Paper S041597	\$149.00
44" Luster Photo S042083	\$235.00
44" Glossy Photo S041640	\$235.00
24" Matte Paper S041595	\$79.00
24" Luster Photo S042081	\$135.00
24" Glossy Photo S041638	\$135.00
PT2400 Phototex	\$256.00
PT36100 Phototex	\$339.00
PT42100 Phototex	\$360.00
PT60100 Phototex	\$495.00
PT17100 Phototex	\$204.00
2 Year Extended Warranty	\$1,600.00
Color Burst Edition	\$1,000.00
Phototex Enabled Printer 9880	\$5,995.00
Phototex Enabled Printer 7880	\$3,995.00

March 1, 2009

Printer P21X	\$1,695.00
Printer P31	\$3,295.00
P21X Printer Cartridge (5 per box)	\$120.75
P31 Printer Cartridge (5 per box)	\$108.00
SM1 Scorer	\$1,295.00
HCG2 Hardcover Guide	\$295.00
Studio Binding System	\$3,980.00
Production Work Cell System	\$11,795.00
Photo Press System	\$9,390.00
Studio Binding Install Package	\$395.00
Production Work Cell/Photo Press Install Package	\$695.00
FB-9 Image Strip Binder	\$1,995.00
Theme Strip (300 per box)	\$190.00
Branded Strip (300 per box)	\$220.00
FB15XS Strip Binder	\$5,195.00
FB25 Binder	\$5,495.00
S41 Splitter	\$5,995.00
FB15XS Install Package	\$395.00
Superstrip Narrow (500 per carton)	\$154.00
Superstrip Medium (400 per carton)	\$154.00
Superstrip Wide (300 per carton)	\$154.00
CP Strip Narrow (375 per carton)	\$194.00
CP Strip Medium (300 per carton)	\$194.00
Covers 8.5"x11" (10 packs per carton)(100 per pack)	\$400.00 per carton
Clear Covers 8.5"x11" (10 packs per carton)(100 per pack)	\$344.50 per carton

March 1, 2009



## **Prographics Network Supplies and Accessories 4750**

Toko #KL23W Blanket	\$44.55
Toko #TB4750 Foundation Under Packing	\$47.25
Toko-IBF #N2000 13 x 19 3/8 P.B. single (1 pkg 100)	\$433.08
Toko-IBF #N2000 DG Developer (gallon)	\$59.69
Toko-IBF #N2000 FG Finisher (gallon)	\$44.45
Toko #2200 Martex Deletion Pen (Fine)	\$10.68
Toko #2201 Martex Deletion Pen (Broad)	\$17.16
Toko #PLATECARE F/P/C Finisher Preserver (quart)	\$18.41
Toko #AQUA Cleaner, Conditioner, Scratch Remover (quart)	\$19.82
Toko-IBF #EZ Scrubber	\$22.35
Toko-Printers Pride Back Cylinder Cleaner (quart)	\$19.06
Toko-Lithco Disposable Gloves (1 box/100)	\$19.95
Toko-MG Pumice Powder	\$5.10
Toko-Airtech Spray Powder (5 lb.)	\$36.40
Toko General SAE20 Oil (gallon)	\$24.25
Toko-Worlbeaters Hand Cleaner (1 pint)	\$11.06
Toko-Webril 4 x 4 Handi Pads (case/20)	\$150.00
Toko-Ypers Printers Rags (case 25 lbs)	\$49.95
Toko 4750 Cleanup Sheets (1 pkg/100)	\$43.45
Toko 4750-R2 Masking Sheets (1 pkg/100)	\$56.80
Toko Juice Fountain Solution (1 gallon)	\$29.95
Toko 4750 IR Dryer	\$3995.00
Toko Sheet Rod Kit	\$695.00
Toko 4750 Super Blue	\$995.00
Toko Wash up Attachment	\$695.00
Toko Blanket Restore (Each)	\$17.76
Toko Lamson 4" Flex Ink Knife	\$18.70
Toko Varn V120 Roller Wash (5 Gal)	\$158.71

## Prographics Network Supplies and Accessories R2SH

Toko Register PunchPPR2SH	\$1295.00
Toko Super Blue R2	\$990.00
Toko Accessory Kit 22978	\$225.00
Toko Accessory Pins	\$125.00
Toko PB42.085 0301-0202 Pin Bar	\$60.00
Toko Vacuum Frame Contact Mats	\$40.00
Toko IR Dryer	\$3995.00
Toko Water Recirculator	\$995.00
Toko Chiller Recirculator	\$2995.00
Toko Blanket Washers	\$4595.00
Toko Ink Cartridges	\$1295.00
Toko Base Assembly	\$495.00
Toko Sheet Rod Kit	\$695.00
Toko R2 Cleanup Sheets (1 pkg/100)	\$43.45
Toko R2 Masking Sheets (1 pkg/100)	\$56.80
Toko R2 American Blanket BR2 (ea)	\$57.10
Toko R2 OEM Blanket/Bars K400 (ea)	\$83.28
Toko R2 Poly Under packing (ea) Need two per tower	\$24.40
Toko R2 Black Underblanket TBR2 (ea)	\$28.50
Toko Tokojuce Fountain Solution (gallon)	\$29.95
Toko IBF 13 x 19 3/8 SC Plates 6SF (1 pkg/100)	\$433.08
Toko-IBF N2000DG Developer (gallon)	\$59.69
Toko-IBF N2000FG Finisher (gallon)	\$44.45
Toko 2200 Deletion Pen (Fine)	\$10.68
Toko 2201 Deletion Pen (Broad)	\$17.16
Toko-IBF N2000 EZ Scrubber (ea)	\$22.35
Toko-Printer Pride Chrome Cleaner (quart)	\$19.06
Toko-Airtech Spray Powder (5 lb)	\$36.40
Toko General SAE20 Oil (gallon)	\$24.50
Toko #PLATECARE F/P/C Quart	\$18.41
Toko V120 Wash (5 gallon)	\$158.71

## Prographics Network Supplies and Accessories

### Prepress

Myriad 2 11 x 18 Plates	\$115.00
Myriad 2 11 x 18.50 Plates	\$119.00
Myriad 2 12 x 19 3/8 Plates	\$134.00
Myriad 2 13 x 19 3/8 Plates	\$147.00
Myriad 2 10 x 15 Plates	\$87.00
Myriad 2 Plate Cleaner	\$7.00
Filmstar FX2 Solution	\$135.70
Myriad Letter Film	\$40.00
Myriad 10 x 15 Film	\$64.00
Myriad 11 x 17 Film	\$80.00
Myriad 12 x 18 Film	\$92.00
Imaging Unit PM5	\$299.00
PPE25 Plate Punch	\$595.00
CMYK Toner Pack	\$920.00
CMYK Drum Pack	\$687.00
Waste Toner Box	\$14.00
IDDP 110 Volt Fuser	\$395.00
IDEP 110 Volt Fuser	\$295.00
Transfer Belt	\$249.00
512 MB Upgrade	\$499.00
Right Site PM5 3 Year	\$2,795.00
Right Site Ilumina 3 Year	\$3,795.00
Right Site Ilumina IDEP 3 Year	\$4,395.00

March 1, 2009

Product Description	List Sell 2008
<b>Ring Wire Binding 3:1</b>	
RW	727
ERW	4,268
SRW 360	993
Modular Drive	1,781
SRW 360 Comfort	2,559

<b>Ring Wire Binding 2:1 (One Pitch)</b>	
ECO C 360	727
ECO E	4,268
ECO S 360	993
Modular Drive	1,781
ECO Comfort 360	2,559

<b>Plastic Comb Binding</b>	
Combinette	488
Combi S	634
Combi Comfort	2,192
Combi E	3,601

<b>Plastic Spiral Binding</b>	
SC Cutting and Bending pliers	111
SPB 360	2,563
SPB 360 Comfort	4,140
Modular Electric Motor drive (upgrade SF)	1,781

<b>ECL 360</b>	
wire clamp (for ECL 360)	165
<b>ECL 500</b>	
wire clamp (for ECL 500)	198
<b>ECL 700</b>	
	5,100

<b>Semi Automatic &amp; Modular Desk Top</b>	
<b>DTP 340 A w/ 1 die (non thumb cut)</b>	7,889

<b>DTP 340 M w/ 1 die (non thumb cut)</b>	4,877
---	-------

<b>Modular Binding System Components</b>	
WBS 340	458
CBS 340 (w/ cut/crimp)	1,788
PBS 340 (US pitch max 24 rings)	481
Module Holding Device	60

Product Description	List Sell 2008
<b>Low Volume Thumb cut punch</b>	
TC 20	176
<b>Wire Pack Element Dispenser</b>	
WP300	4,730
<b>High Capacity Desktop Punch</b>	
Punch 500e	8,925
logistics desk	2,688
floor stand	537
<b>Logistics Paper Stand</b>	62
<b>Laminators</b>	
HT 105 C	62
HT 320 C	283
HT 320	324
HT 320 P	1,025
HR 340V	7,073
HR 460V	9,077

Xante.com  
 Sales: 1-800-926-8393  
 Technical Support: 1-800-926-8393

RightCare Service	Included	1 Yr*	1 Yr Add'l	2 Yr*	2 Yr Add'l	3 Yr*	3 Yr Add'l	4 Yr*	4 Yr Add'l
Product	Initially	Add'l	Aft/60 Days	Add'l	Aft/60 Days	Add'l	Aft/60 Days	Add'l	Aft/60 Days
Poly SS 300/400	1 Yr.RC	\$1,895.00	\$2,295.00	\$3,595.00	\$3,995.00	\$5,195.00	\$5,595.00	\$6,695.00	\$7,095.00
Poly Processor 300/400	1 Yr.RC	\$895.00	\$1,295.00	\$1,795.00	\$2,195.00	\$2,695.00	\$3,095.00	\$3,595.00	\$3,995.00
VM2/VM2+/VM4/VM4News	1 Yr.RC	\$3,495.00	\$3,895.00	\$6,695.00	\$7,095.00	\$9,795.00	\$10,195.00	\$12,795.00	\$13,195.00
P-20/P-24 Processor	1 Yr.RC	\$1,995.00	\$2,395.00	\$3,995.00	\$4,395.00	\$5,995.00	\$6,395.00	\$7,995.00	\$8,395.00
Impressia GTO	1 Yr.RC	\$2,295.00	\$2,695.00	\$4,395.00	\$4,795.00	\$6,395.00	\$6,795.00	\$8,295.00	\$8,695.00
Impressia	1 Yr.RC	\$1,795.00	\$2,195.00	\$3,395.00	\$3,795.00	\$4,895.00	\$5,295.00	\$6,295.00	\$6,695.00
Illumina Envelope +	1 Yr.RC	\$1,595.00	\$1,995.00	\$2,895.00	\$3,295.00	\$4,395.00	\$4,795.00	\$5,795.00	\$6,195.00
Illumina 502	1 Yr.RC	\$1,395.00	\$1,795.00	\$2,495.00	\$2,895.00	\$3,795.00	\$4,195.00	\$4,995.00	\$5,395.00
Illumina 502 w/ HC Feeder	1 Yr.RC	\$1,595.00	\$1,995.00	\$2,695.00	\$3,095.00	\$3,995.00	\$4,395.00	\$5,195.00	\$5,595.00
Degrava DP8500	1 Yr.RC	\$2,495.00	\$2,895.00	\$4,695.00	\$5,095.00	\$6,995.00	\$7,395.00	\$9,095.00	\$9,495.00
PM5 XL	1 Yr.RC	\$2,495.00	\$2,895.00	\$4,695.00	\$5,095.00	\$6,995.00	\$7,395.00	\$9,095.00	\$9,495.00
PM5	1 Yr.RC	\$995.00	\$1,395.00	\$1,895.00	\$2,295.00	\$2,795.00	\$3,195.00	\$3,595.00	\$3,995.00
FM	1 Yr.RC	\$895.00	\$1,295.00	\$1,795.00	\$2,195.00	\$2,595.00	\$2,995.00	\$3,395.00	\$3,795.00
SW/4G/4N**	1 Yr. Fac.	\$895.00	\$1,295.00	\$1,795.00	\$2,195.00	\$2,595.00	\$2,995.00	\$3,395.00	\$3,795.00
Cross-Ship Service	Included	1 Yr	1 Yr Add'l	2 Yr	2 Yr Add'l	3 Yr	3 Yr Add'l	4 Yr	4 Yr Add'l
Product	Initially	Add'l	Aft/60 Days	Add'l	Aft/60 Days	Add'l	Aft/60 Days	Add'l	Aft/60 Days
Poly SS 300/400 (SS Only)	1 Yr.RC	\$1,495.00	\$1,895.00	\$2,795.00	\$3,195.00	\$4,195.00	\$4,595.00	\$5,495.00	\$5,895.00
PM5	1 Yr.RC	\$795.00	\$1,195.00	\$1,495.00	\$1,895.00	\$2,095.00	\$2,495.00	\$2,795.00	\$3,195.00
FM	1 Yr.RC	\$695.00	\$1,095.00	\$1,295.00	\$1,695.00	\$1,895.00	\$2,295.00	\$2,495.00	\$2,895.00
SW/4G/4N**	1 Yr. Fac.	\$695.00	\$1,095.00	\$1,295.00	\$1,695.00	\$1,895.00	\$2,295.00	\$2,495.00	\$2,895.00

Toner Based CTP units eligible for 5 years of service Non-Toner Based CTP units eligible for 8 years of service (4 Yr. + 3 Yr.)

\* Before 60 day pricing only available during original purchase of unit, or within 60 days of original unit purchase

\*\* If upgraded level of service is purchased, 1<sup>st</sup> year coverage is upgraded to RightCare service.

Customers who sign up on a Poly or VM Consumable Agreement can receive a discount on their RightCare and/or Cross-Ship Agreement

### Renewal Eligibility:

RightCare and/or Cross-Ship Service coverage may be purchased for equipment that is no longer under warranty, or not covered by another service agreement, after an authorized Xanté representative, at customer's expense, determines that the equipment is in acceptable condition to warrant RightCare and/or Cross-Ship Service coverage. Customer's expense is any parts and labor necessary to bring equipment to acceptable working condition, plus any associated travel costs. Xanté charges a minimum recertification fee of \$495.00, which is applied against any recertification repair and /or travel costs. For products whose warranty agreement has expired, the Agreement will begin on the first day following a 30-day waiting period from date of application for service and recertification.

## RightCare Service Agreement

If you need service, call Xante Technical Support at 1-800-926-8393. Xante Technical Support will first try to resolve the issue over the phone. This could include the sending of samples or files for testing, or troubleshooting issues to determine which parts, if any, are at fault. Xante may dispatch a CRP (Customer Replaceable Part) to customer's site for customer installation. If the issue cannot be resolved over the phone or with a CRP, Xante has two options:

- 1.) Xante may dispatch a Field Service Technician or Authorized Service Agent (ASA) to your location (usually the next business day) for the onsite repair. The repair service shall be performed during normal business hours, Monday through Friday, 8:00 a.m. to 5:00 p.m. local time, excluding observed holidays. Xanté will pay all onsite technician labor costs and normal travel costs. Customer is responsible for travel time and expenses beyond 100 miles of the nearest ASA service technician including transportation and hotels, and there could be limitations to response times and optional services. Onsite expenses will be quoted on a case-by-case basis.
- 2.) Xanté may ship a replacement unit (usually same day) of like configuration. Upon receipt of the replacement unit, the customer is responsible to pack the defective unit in the carton, which contained the replacement unit. Xanté Customer Support will contact customer to arrange for its pickup and delivery via freight carrier. **WARNING: Toners and other consumables should never be shipped inside the units because they cause damage. Customer is responsible for damages that occur in shipping due to improper packaging by customer and may be invoiced for value of unit. If customer has not retained the proper packaging material, it can be purchased from Xanté for cost of materials and freight. This service is not available for all products.** Customers will receive a cross-ship replacement unit in similar condition to the unit returned by the customer. Xanté will ship customer their original unit back after repair and have the customer return the replacement unit to Xanté. Customer is responsible for returning replacement unit within 15 business days or customer will be billed for unit.

## Cross-Ship Service Agreement

If you need service, call Xante Technical Support at 1-800-926-8393. Xante Technical Support will first try to resolve the issue over the phone. This could include the sending of samples or files for testing, or troubleshooting issues to determine which parts, if any, are at fault. Xante may dispatch a CRP (Customer Replaceable Part) to customer's site for customer installation. If the issue cannot be resolved over the phone or with a CRP, Xanté ships a replacement unit (usually same day) of like configuration. Upon receipt of the replacement unit, the customer is responsible to pack the defective unit in the carton, which contained the replacement unit. Xanté Customer Support will contact customer to arrange for its pickup and delivery via freight carrier. **WARNING: Toners and other consumables should never be shipped inside the units because they cause damage. Customer is responsible for damages that occur in shipping due to improper packaging by customer and may be invoiced for value of unit. If customer has not retained the proper packaging material, it can be purchased from Xanté for cost of materials and freight.** Customers will receive a cross-ship replacement unit in similar condition to the unit returned by the customer. Xanté will ship customer their original unit back after repair and have the customer return the replacement unit to Xanté. Customer is responsible for returning replacement unit within 15 business days or customer will be billed for unit.

**Note: During the initial consultation with a technician, if the issue cannot be resolved over the phone and/or the customer wants to bypass the troubleshooting procedures, the customer may immediately request a priority cross-ship replacement unit without waiting for a technician's diagnosis for an additional fee per incident, (\$1,195.00 for Poly SS / \$995.00 for PM5, FM4, SW, 4G/N) with approval from Xanté. This fee includes overnight, next business day shipping, but does not include consumables. There may be additional fees for customers located outside the contiguous 48 United States. This amount must be paid in advance by credit card. When the request for such priority service is received Xanté ships a replacement unit (usually same day) of like configuration. Once Cross-Shipped unit arrives and is operational, Customer is responsible for initiating the troubleshooting process with Xante Technical Support within five (5) business days to address the original units issue. The expedited Cross-Shipped unit is not a replacement unit. If customer refuses to troubleshoot and/or return the expedited Cross-Shipped unit back to Xante upon resolving the Customer's original units issue, Customer will be billed for the purchase of the expedited Cross-Shipped unit. Note: Program not available for all units.**

---

### **Return to Factory (Non-Warranty):**

If customer returns unit to Xante for repair, the customer is responsible for packaging materials and shipping charges to and from the Xante facilities. In addition, \$150 for initial inspection and \$95 for every additional hour will be charged for repairs. If replacement parts are required, these will be billed separately.

### **Immediate Cross-Ship Units:**

Customers may request unit to use while their unit is in for repair, and pay additional fee (\$1,195.00 for Poly SS / \$995.00 for PM5, FM4, SW, 4G/N) and receive an Immediate Cross-Ship Unit. (**NOTE:** Customer will be responsible for repair costs along with Immediate Cross-Ship Fee) The Immediate Cross-Ship fee includes overnight, next business day delivery, and cost of shipping Immediate Cross-Ship unit back to Xante once customer receives their unit back from Xante repair center, but does not include consumables. Customer is responsible for freight charges associated with shipping their unit to Xante repair center, and freight costs to ship repaired unit back to customer. **This service is not eligible for all products.** Once customer receives Immediate Cross-Ship Unit, they are responsible to contact Xante Customer Support within 72 hours and make arrangements for their unit to be picked up and shipped to Xante for repair. Once repair estimate is provided to customer, customer has 72 hours to determine whether or not to proceed with the repair. Customers are entitled to use the Immediate Cross-Ship unit until their unit arrives back from the Xante repair center. Once customer's original unit is received back, customer is allowed to keep Immediate Cross-Ship Unit for a max of 10 business days to evaluate performance of unit sent in for repair. If at any time, customer does not respond within 72 hour notification time, or fails to send Immediate Cross-Ship Unit back to Xante within 10 business days of receiving repaired unit back from Xante Service Center, customer will be billed for the purchase of the Immediate Cross-Ship Unit.

### **Exclusions:**

**All peripherals, including but not limited to, Computers, Monitors, Inkjet Proofing Printers, and Scanners are not covered under these Agreements. These items, when purchased from Xanté, are covered by their Original Equipment Manufacturers warranty only.**

For more details on the Xante Service Agreements, see the Xante RightCare and Cross-Ship Service Agreement Terms and Conditions.

Collective Number: 4400002495  
SRM/SAP Contract Number:4400002508  
Change Number: 9  
Change Effective Date: 05/07/10

**COMMONWEALTH OF PENNSYLVANIA  
DEPARTMENT OF GENERAL SERVICES  
HARRISBURG**

**For:** All using Agencies of the Commonwealth  
**Subject:** Offset Printing & Binding Equipment, Supplies and Maintenance  
**Contract Period:** Beginning May 7, 2008 and Ending June 30, 2011

**Commodity Specialist Name:** Wanda Bowers – [wbowers@state.pa.us](mailto:wbowers@state.pa.us) or 717-346-3840

**CHANGE SUMMARY:** \ New Equipment Price List for Presstek (4400002508) will be effective May 7, 2010. Please see the attached equipment list on the website [www.emarketplace.state.pa.us](http://www.emarketplace.state.pa.us) .

ALL OTHER TERMS AND CONDITIONS OF THIS AGREEMENT NOT CHANGED BY THIS CHANGE NOTICE REMAIN AS ORIGINALLY WRITTEN.





**ABDICK BRAND PRODUCTS**

**2010  
ABDICK 30% OFF LIST PRICE**

AS OF  
7-May-10  
**Customer**

**PRESS BLANKETS & PACKING SHEETS**

<b>Part Number</b>	<b>Description</b>	<b>Stock Description</b>	<b>Stock</b>	<b>List</b>	<b>Price</b>
4-4193	25- 20.2X16.73X.008 PPR PK SHT 52DI	PK	Stock	\$ 31.84	\$ 22.29
4-4192	25- 20.2X16.73X.010 PPR PK SHT 52DI	PK	Stock	\$ 32.64	\$ 22.85
4-4525BR	4BCP- 19-3/16X12-5/8 BUFF QP25/9910	EA	Stock	\$ 66.29	\$ 46.40
4-4526BR	4BCP- 19-3/16X12-5/8 CAST QP25/9910	EA	Stock	\$ 57.87	\$ 40.51
4-4704-S	2 PIECE QC BLKT 2 FCS SMOOTH ABD360	BX	Stock	\$ 71.38	\$ 49.97
4-4110-S	2- QC 19-1/8X12-3/4 FACR SMOOTH 9800	PK	Stock	\$ 70.62	\$ 49.43
4-4704	3 PCS- QC 1BK/2FCS SC ABD360	BX	Stock	\$ 98.72	\$ 69.10
4-4110	SET- 3PQC 1 BACKER/2 FACES 9800	PK	Stock	\$ 113.58	\$ 79.51
4-4126	10-5/8X19-1/8 3PCV BLKT ABD9800 SER	EA	Stock	\$ 31.25	\$ 21.88
4-4127	14-1/2X9-7/8 PCV .075 ABD8400	EA	Non-Stock	\$ 40.63	\$ 28.44
83-7-106871	19-1/2X13 5PCP BLKT RY3302	EA	Stock	\$ 69.32	\$ 48.52
4-2200	2- 12-5/8X19-5/16 3PCP BLKT 9800	PK	Stock	\$ 58.99	\$ 41.29
4-3260	3PCV 10-5/8X18-1/2 360 ECON	EA	Stock	\$ 27.72	\$ 19.40
4-4117	3PCV 10-5/8X18-1/2 ABD 360	EA	Stock	\$ 30.28	\$ 21.20
4-3250	3PCV 10X15-1/8 350 ECONOMY BLUE	EA	Stock	\$ 21.91	\$ 15.34
4-3275	3PCV 12-5/8X18-1/2 375 ECON	EA	Stock	\$ 32.53	\$ 22.77
4-3200	3PCV 12-5/8X19-3/16 9800	EA	Stock	\$ 33.63	\$ 23.54
4-3285	3PCV 18-11/16X22-5/8 9880 ECO	EA	Stock	\$ 56.89	\$ 39.82
4-4131	3PCV 19-1/4X22-3/4 9880	EA	Stock	\$ 58.83	\$ 41.18
4-4260	3PCP 10-5/8X18-1/2 PNCH 360 QUAL	EA	Stock	\$ 30.28	\$ 21.20
4-4250	3PCP 10X15-1/8 350 SLOTTED QUAL	EA	Stock	\$ 25.79	\$ 18.05
4-4275	3PCP 12-5/8X18-1/2 375 QUAL	EA	Stock	\$ 35.50	\$ 24.85
4-4200	3PCP 12-5/8X19-3/16 9800 QUAL	EA	Stock	\$ 36.73	\$ 25.71
4-4285	3PCP 18-11/16X22-5/8 9880 QUL	EA	Stock	\$ 62.35	\$ 43.65
4-4280	3PCP 19-1/4X22-3/4 9880 QUAL	EA	Stock	\$ 64.48	\$ 45.14
4-5200	12-5/8X19-5/16 BLKT PCV 9800 PREM	EA	Stock	\$ 46.75	\$ 32.73
4-5260	18-1/2X10-5/8 3PCV 360 PREM	EA	Stock	\$ 39.90	\$ 27.93
4-5280	19-1/4X22-3/4 3PCV BLKT 9880 PREM	EA	Stock	\$ 81.32	\$ 56.92

**ABDICK BRAND PRODUCTS**

**ABDICK 30% OFF LIST PRICE**

AS OF  
7-May-10  
**Customer**

**PRESS BLANKETS & PACKING SHEETS**

Part Number	Description	Stock Description	Stock	List	Price
4-4144	BLKT BCV 2+2 11-7/8X18-1/2 ABD	EA	Stock	\$ 73.20	\$ 51.24
43207	1- PACKER FOR BLKT 43206 (PAPER)	EA	Stock	\$ 4.53	\$ 3.17
43211-P	2- 11.25X19 5PCP BLKT.100 960/960CDP	PK	Stock	\$ 156.99	\$ 109.89
43211XL-P	2- 11.25X19.5 .100 CP BLKT 960XL/	PK	Stock	\$ 171.81	\$ 120.27
43189-P	2- 12.2X19.13X.075 BCP Q/R BLKT PFA	PK	Stock	\$ 199.46	\$ 139.62
43202-P	2- 12X19 5PCP BLKT .100 975/975CPD	PK	Stock	\$ 163.31	\$ 114.32
43206-P	2- 12X19.2 .065 BCV BLKT 975PFA	PK	Stock	\$ 156.43	\$ 109.50
43452-P	2- 12X19.5 5PCP .100 BLKT 975CPD/	PK	Stock	\$ 174.83	\$ 122.38
43298-P	2- 13.5X19.2 .075 BCV Q/R BLKT	PK	Stock	\$ 184.46	\$ 129.12
43457-P	2- 13.5X19.5 .065 PCV BLKT 985/985C	PK	Stock	\$ 132.51	\$ 92.76
58575-P	2- 13.5X19.5 .078 PCV BLK 9920/9985	PK	Stock	\$ 151.04	\$ 105.73
43456-P	2- 13x19.5 PCP .100 985/985CPD/3985	PK	Stock	\$ 185.00	\$ 129.50
58576-P	2- PACKER CLOTH 3985/9985/9920	PK	Stock	\$ 72.90	\$ 51.03
43461-P	2- PACKER FOR BLKT 43298(5340242673)	PK	Stock	\$ 69.41	\$ 48.59
43458	PACKER TO USE WITH BLKT 43457	EA	Stock	\$ 43.42	\$ 30.39
4-5262	13X19-1/4 GRAY 4SCV C3000 BLKT	EA	Stock	\$ 66.24	\$ 46.37
4-4262	13X19-1/4 GREEN C3000 CP BLKT	EA	Stock	\$ 71.80	\$ 50.26
4-4295	BLKT 4PSCP 13X19-1/2 4 POWERPRO34	EA	Stock	\$ 69.59	\$ 48.71
4-4179	25- 10ML CENTURY 3000 POLY PACK SHT	PK	Stock	\$ 193.96	\$ 135.77
4-4174	25- 3ML CENTURY 3000 POLY PACK SHT	PK	Stock	\$ 98.39	\$ 68.87
4-4175	25- 4ML CENTURY 3000 POLY PACK SHT	PK	Stock	\$ 106.41	\$ 74.49
4-4176	25- 5ML CENTURY 3000 POLY PACK SHT	PK	Stock	\$ 118.15	\$ 82.71
4-4177	25- 7.5ML CENTURY 3000 POLY PACK SHT	PK	Stock	\$ 159.31	\$ 111.52
4-4128	9880 PKSH .003" 22.63"x17.125" 10/PK	PK	Stock	\$ 9.81	\$ 6.87
4-4129	9880 PKSH .004" 22.63"x17.125" 10/PK	PK	Stock	\$ 8.93	\$ 6.25
4-4130	9880 PKSH .005" 22.63"x17.125" 10/PK	PK	Stock	\$ 10.91	\$ 7.64
4-3511	POLY PKG SHEETS .0010"/10mil (5/PK)	PK	Stock	\$ 27.61	\$ 19.33
4-3503	POLY PKG SHEETS .003"/3mil (5/PK)	PK	Stock	\$ 14.24	\$ 9.97
4-3504	POLY PKG SHEETS .004"/4mil (5/PK)	PK	Stock	\$ 11.34	\$ 7.94
4-3505	POLY PKG SHEETS .005"/5mil (5/PK)	PK	Stock	\$ 13.49	\$ 9.44
4-3507	POLY PKG SHEETS .0070"/7mil (5/PK)	PK	Stock	\$ 34.29	\$ 24.00
83-8-108702	5BCP 12-1/4X19-1/4 W/B 3200/975PFA	EA	Stock	\$ 94.72	\$ 66.30
83-5-108705	5BCP 13-5/8X19-3/8 BLKT W/B 3302	EA	Stock	\$ 64.32	\$ 45.02

**ABDICK BRAND PRODUCTS**

**ABDICK 30% OFF LIST PRICE**

AS OF  
7-May-10  
**Customer**

**PRESS BLANKETS & PACKING SHEETS**

Part Number	Description	Stock Description	Stock	List	Price
83-6-108746	5BCP 13X19-1/2 BLK 2HL9995/4995/3302	EA	Stock	\$ 80.78	\$ 56.55
83-0-108700	5PCP 11-1/4X19 BLKT PNCH RY2800/960	EA	Stock	\$ 56.62	\$ 39.63
83-9-108701	5PCP 12X19-1/2 BLKT PNCH10H 3200/975	EA	Stock	\$ 61.58	\$ 43.11
83-6-108704	5PCP 13X19-1/2 BLKT PNCH 3200MCD/975	EA	Stock	\$ 66.60	\$ 46.62
83-7-108703	5PCP 13X19-1/2 BLKT PNCH 3302/3985/3	EA	Stock	\$ 66.55	\$ 46.59
4-3540	19-1/2X13 QR 4 CP VHB 3500 POWPRO 34	EA	Stock	\$ 71.89	\$ 50.32
4-4121	EA- 18-1/2X11 CV BLKT M360 OVERSIZE	EA	Stock	\$ 45.10	\$ 31.57

**CLEANING SUPPLIES**

83-5-108408	150- CLEAN FREE CLOTHS POP UPS 12X17	CS	Stock	\$ 37.86	\$ 26.50
4-4945	2RLS/400- CLEAN FREE CLOTHS 12X16	CS	Stock	\$ 119.33	\$ 83.53
83-1-107529	375- CLEAN FREE + CLOTHS 13X17	CS	Stock	\$ 95.25	\$ 66.68
4-4940	375- CLEAN FREE DISPO CLOTHS 13X13	CS	Stock	\$ 64.40	\$ 45.08
83-2-107528	RL/400- CLEAN FREE + CLOTHS 12X17	CS	Stock	\$ 82.16	\$ 57.51
83-7-105238	RL/100- COTTON LITHO PADS 4X8	RL	Stock	\$ 8.02	\$ 5.61
4-4946	RL/100- MAXI WIPES 8X8	RL	Stock	\$ 9.00	\$ 6.30
4-4931-CS	20PK- COTTON PADS 4X4 100/PK	CS	Stock	\$ 107.16	\$ 75.01
4-4931-4	4PK- COTTON PADS 4X4 100/PK	CS	Stock	\$ 23.23	\$ 16.26
4-4932-CS	20PK- PRESS SUPERWIPES 100/PK	CS	Stock	\$ 98.31	\$ 68.82
4-4944	SHOP TOWEL FLOOR RACK FOR ROLLS	EA	Stock	\$ 27.80	\$ 19.46
4-4939	HAND CLEANER 1/2 GAL WITH PUMP	BT	Stock	\$ 24.19	\$ 16.93
4-4938	HAND CLEANER 12OZ	EA	Stock	\$ 8.13	\$ 5.69
4-4988	PRINTERS GRIT HAND CLEANER 17OZ	BT	Stock	\$ 9.39	\$ 6.57
4-4962-B	100- CLEAN-SHT 10-3/16X15 PB	PK	Stock	\$ 22.51	\$ 15.76
4-4961-B	100- CLEAN-SHT 10-3/16X15-1/2 SL	PK	Stock	\$ 23.07	\$ 16.15
4-1430	100- CLEAN-SHT 11-5/16X19-3/8 2800	PK	Stock	\$ 32.01	\$ 22.41
4-1431	100- CLEAN-SHT 11-7/8X18-1/32 HAM600	PK	Stock	\$ 31.28	\$ 21.90
4-1422	100- CLEAN-SHT 11X15-1/2 SL 12/26/27	PK	Stock	\$ 29.25	\$ 20.48
4-1421	100- CLEAN-SHT 11X15-1/8 PB 1250STD	PK	Stock	\$ 24.31	\$ 17.02
4-1423	100- CLEAN-SHT 11X18-1/8 PB	PK	Stock	\$ 29.15	\$ 20.41
36793	100- CLEAN-SHT 11X18-3/4 PB RY IT	PK	Stock	\$ 29.58	\$ 20.71
4-4960-B	100- CLEAN-SHT 11X18-5/8 PB ABD	PK	Stock	\$ 29.73	\$ 20.81
4-1412	100- CLEAN-SHT 12-3/4X18-5/8 SE ABD	PK	Stock	\$ 30.50	\$ 21.35

**ABDICK BRAND PRODUCTS**

**ABDICK 30% OFF LIST PRICE**

AS OF  
7-May-10  
**Customer**

**PRESS BLANKETS & PACKING SHEETS**

<b>Part Number</b>	<b>Description</b>	<b>Stock Description</b>	<b>Stock</b>	<b>List</b>	<b>Price</b>
36797	100- CLEANSHT 13-1/2X19-3/8 PB RY IT	PK	Stock	\$ 36.87	\$ 25.81
36794	100- CLEAN-SHT 13X18-1/2 PB RY IT	PK	Stock	\$ 35.03	\$ 24.52
4-1427	100- CLEAN-SHT 13X18-1/8 PB	PK	Stock	\$ 34.42	\$ 24.09
4-1408	100- CLEAN-SHT 13X18-5/8 PB	PK	Stock	\$ 35.37	\$ 24.76
4-1418	100- CLEAN-SHT 13X19-11/64 SE ABD	PK	Stock	\$ 34.27	\$ 23.99
4-1407	100- CLEAN-SHT 13X19-3/8 PB	PK	Stock	\$ 36.79	\$ 25.75
4-1428	100- CLEAN-SHT 17-5/8X16 SE	PK	Stock	\$ 41.20	\$ 28.84
4-1429	100- CLEANSHT 18-3/16X15 PB 18/19/46	PK	Stock	\$ 40.03	\$ 28.02
4-1409	100- CLEAN-SHT 19-1/4X22-5/8 SE	PK	Stock	\$ 68.48	\$ 47.94
4-1410-H	100- CLEAN-SHT HD 13X18-1/8 SE	PK	Stock	\$ 40.07	\$ 28.05
4-4952-B	200- CLEAN-SHT 11-1/16X17-3/4 SE 360	PK	Stock	\$ 46.63	\$ 32.64
4-1364	KRESTO 1 PUMP DISP HAND CLNR REFILL	EA	Stock	\$ 25.11	\$ 17.58
4-1362	KRESTO EF HAND CLEANER 8.45OZ	EA	Stock	\$ 6.22	\$ 4.35
4-1363	KRESTO KWIK WIPES 130/BUCKET	EA	Stock	\$ 29.70	\$ 20.79
4-1365	STOKO ONE PUMP DISP.(p/n 00877)	EA	Stock	\$ 10.07	\$ 7.05
4-1374	STOKOLAN PRINTERS HAND CARE 100ML	EA	Stock	\$ 6.15	\$ 4.31
4-1372	TRAVABON HAND PROTECTION CREAM 3.3OZ	EA	Stock	\$ 6.02	\$ 4.21
4-4978	17OZ- INK ROLLER DEGLAZER	BT	Stock	\$ 14.55	\$ 10.19
4-4997	100- BLUE NITRILE GLOVES LARGE DISPO	BX	Stock	\$ 27.83	\$ 19.48
4-4997-M	100- BLUE NITRILE GLOVES MED DISPO	BX	Stock	\$ 27.83	\$ 19.48
4-4997-S	100- BLUE NITRILE GLOVES SMALL DISPO	BX	Stock	\$ 27.83	\$ 19.48
4-4997-XL	100- BLUE NITRILE GLOVES XL DISPO	BX	Stock	\$ 27.83	\$ 19.48
4-5992	100- LATEX GLOVES LARGE	BX	Stock	\$ 23.71	\$ 16.60
4-5992-PF	100- LATEX GLOVES LARGE POWDER FRE	BX	Stock	\$ 25.10	\$ 17.57
4-5991	100- LATEX GLOVES MED	BX	Stock	\$ 23.71	\$ 16.60
4-5991-PF	100- LATEX GLOVES MED POWDER FREE	BX	Stock	\$ 25.10	\$ 17.57
4-5990	100- LATEX GLOVES SMALL	BX	Stock	\$ 23.71	\$ 16.60
4-5999	100- LATEX GLOVES XL	BX	Stock	\$ 23.71	\$ 16.60
4-5999-PF	100- LATEX GLOVES XL POWDER FRE	BX	Stock	\$ 25.10	\$ 17.57
4-4992	100- VINYL GLOVES LARGE	BX	Stock	\$ 23.71	\$ 16.60
4-4992-PF	100- VINYL GLOVES LARGE POWDER FRE	BX	Stock	\$ 25.10	\$ 17.57
4-4991	100- VINYL GLOVES MED	BX	Stock	\$ 23.71	\$ 16.60
4-4991-PF	100- VINYL GLOVES MED POWDER FREE	BX	Stock	\$ 25.10	\$ 17.57

**ABDICK BRAND PRODUCTS**

**ABDICK 30% OFF LIST PRICE**

AS OF  
7-May-10  
**Customer**

**PRESS BLANKETS & PACKING SHEETS**

Part Number	Description	Stock Description	Stock	List	Price
4-4990	100- VINYL GLOVES SMALL	BX	Stock	\$ 23.71	\$ 16.60
4-4990-PF	100- VINYL GLOVES SMALL POWDER FRE	BX	Stock	\$ 25.10	\$ 17.57
4-4999	100- VINYL GLOVES XL	BX	Stock	\$ 23.71	\$ 16.60
4-4999-PF	100- VINYL GLOVES XL POWDER FREE	BX	Stock	\$ 25.10	\$ 17.57
4-4941	100- PHOTEX SCREEN WIPES 9 x 13	BX	Stock	\$ 26.11	\$ 18.28

**IMAGESETTING FILM SUPPLIES**

83-DP-25620	RL- 20X200 DPM 2508 NEG FILM	RL	Stock	\$ 618.60	\$ 433.02
670-25475-829	10X250 IMAGE6000-RLD SP829	RL	Non-Stock	\$ 384.98	\$ 269.49
780-31030-867	12.2X100 IMAGE6000-IR SP867	CG	Stock	\$ 222.88	\$ 156.02
670-31060-829	12.2X200 IMAGE6000-RLD SP829	RL	Stock	\$ 375.89	\$ 263.12
670-30530-829	12X100 IMAGE6000-RLD SP829	RL	Stock	\$ 184.89	\$ 129.42
780-30560-829	12X200 IMAGE6000-IR SP829	RL	Stock	\$ 438.56	\$ 306.99
670M-30560-829	12X200 IMAGE6000-MRLD SP829	RL	Stock	\$ 426.72	\$ 298.70
670-30560-829	12X200 IMAGE6000-RLD SP829	RL	Stock	\$ 369.83	\$ 258.88
670-30575-829	12X250 IMAGE6000-RLD SP829	RL	Stock	\$ 462.27	\$ 323.59
780-33830-867	13.3X100 IMAGE6000-IR SP867	CG	Stock	\$ 243.01	\$ 170.11
780-33830-829	13.3X100 IMAGE6000 IR SP829	RL	Stock	\$ 243.01	\$ 170.11
670-33860-829	13.3X200 IMAGE6000-RLD SP829	RL	Stock	\$ 409.84	\$ 286.89
670M-33860-829	13.3X200 IMAGE6000 MRLD SP829	RL	Stock	\$ 472.93	\$ 331.05
780-33860-829	13.3X200 IMAGE6000-IR SP829	RL	Stock	\$ 408.28	\$ 285.80
780-33875-829	13.3X250 IMAGE6000-IR SP829	RL	Stock	\$ 510.11	\$ 357.08
670-33875-829	13.3X250 IMAGE6000-RLD SP829	RL	Stock	\$ 512.30	\$ 358.61
670-38060-390	14.96X200 IMAGE6000-RLD SP390	RL	Stock	\$ 460.76	\$ 322.53
780-35560-829	14X200 IMAGE6000-IR SP829	RL	Stock	\$ 510.47	\$ 357.33
670M-35560-829	14X200 IMAGE6000-MRLD SP829	RL	Stock	\$ 496.66	\$ 347.66
670-35560-829	14X200 IMAGE6000-RLD SP829	RL	Stock	\$ 430.45	\$ 301.32
670-35575-829	14X250 IMAGE6000-RLD SP829	RL	Stock	\$ 538.06	\$ 376.64
670-40675-829	16X250 IMAGE6000-RLD SP829	RL	Stock	\$ 615.37	\$ 430.76
670-46060-829	18.11X200 IMAGE6000-RLD SP829	RL	Stock	\$ 557.76	\$ 390.43
670M-46060-829	18.11X200 IMAGE6000-MRLD SP829	RL	Non-Stock	\$ 643.57	\$ 450.50
670-51060-829	20.08X 200 IMAGE6000-RLD SP829	RL	Stock	\$ 618.39	\$ 432.87
670-53060-829	20.87X200 IMAGE6000-RLD SP829	RL	Stock	\$ 642.64	\$ 449.85

**ABDICK BRAND PRODUCTS**

**ABDICK 30% OFF LIST PRICE**

AS OF  
7-May-10  
**Customer**

**PRESS BLANKETS & PACKING SHEETS**

<b>Part Number</b>	<b>Description</b>	<b>Stock Description</b>	<b>Stock</b>	<b>List</b>	<b>Price</b>
670-66060-390	25.98X200 IMAGE6000-RLD SP390	RL	Stock	\$ 800.27	\$ 560.19
670-66060-829	25.98X200 IMAGE6000-RLD SP829	RL	Non-Stock	\$ 800.27	\$ 560.19
670-63560-829	25X200 IMAGE6000-RLD SPEC829	RL	Non-Stock	\$ 769.95	\$ 538.97
670-74960-390	29.5X200 IMAGE6000-RLD SP390	RL	Non-Stock	\$ 908.21	\$ 635.75
670-76260-829	30X200 IMAGE6000-RLD SP829	RL	Non-Stock	\$ 923.95	\$ 646.77
670-76260-989	30X200 IMAGE6000-RLD SP989	RL	Stock	\$ 923.95	\$ 646.77
670-76260-989R	30X200 IMAGE6000-RLD SP989R	RL	Non-Stock	\$ 923.95	\$ 646.77
780-30530-867	RL- 12X100 IMAGE6000 IR SP867	CG	Stock	\$ 219.29	\$ 153.50
780-35530-867	RL- 14X100 IMAGE6000-IR SP867	CG	Non-Stock	\$ 255.84	\$ 179.09
53955	DPM2000 12X200 DIGITAL RC FILM	EA	Stock	\$ 477.84	\$ 334.49
78-12100867	CG- 12X100 EKONOFILM-IR SP867	CG	Stock	\$ 204.13	\$ 142.89
68-133100867	CG- 13.3X100 EKONOFILM-EXRED SP867	CG	Non-Stock	\$ 226.24	\$ 158.37
78-133100867	CG- 13.3X100 EKONOFILM-IR SP867	CG	Stock	\$ 226.24	\$ 158.37
68-122100829	RL- 12.2X100 EKONOFILM-EXRED SP829	RL	Non-Stock	\$ 167.66	\$ 117.36
78-122100829	RL- 12.2X100 EKONOFILM-IR SP829	CG	Stock	\$ 208.05	\$ 145.64
68-12100829	RL- 12X100 EKONOFILM-EXRED SP829	RL	Stock	\$ 164.97	\$ 115.48
78-12100829	RL- 12X100 EKONOFILM-IR SP829	RL	Non-Stock	\$ 204.66	\$ 143.26
68-12200390	RL- 12X200 EKONOFILM-EXRED SP390	RL	Stock	\$ 329.93	\$ 230.95
68-12200829	RL- 12X200 EKONOFILM-EXRED SP829	RL	Stock	\$ 329.93	\$ 230.95
68-12250829	RL- 12X250 EKONOFILM-EXRED SP829	RL	Stock	\$ 412.42	\$ 288.69
68-13360989	RL- 13.3X197 EKONOFILM-EXRED SP989R	RL	Stock	\$ 360.13	\$ 252.09
68-133200829	RL- 13.3X200 EKONOFILM-EXRED SP829	RL	Stock	\$ 365.69	\$ 255.98
68-133250829	RL- 13.3X250 EKONOFILM-EXRED SP829	RL	Stock	\$ 457.10	\$ 319.97
68-14200989R	RL- 14 X 200 EKONOFILM-EXRED 989R	RL	Stock	\$ 384.92	\$ 269.44
68-14200829	RL- 14X200 EKONOFILM-EXRED SP829	RL	Stock	\$ 384.92	\$ 269.44
68M-14200829	RL- 14X200 EKONOFILM-MEXRED SP829	RL	Stock	\$ 451.86	\$ 316.30
68-14250829	RL- 14X250 EKONOFILM-EXRED SP829	RL	Stock	\$ 481.15	\$ 336.81
68-208760989R	RL- 20.87X197 EKONOFILM-EXRED SP989R	RL	Stock	\$ 565.08	\$ 395.56
68-225200989	RL- 22-1/2X197 EKONOFILM-EXRED SP989	RL	Stock	\$ 609.19	\$ 426.43
78-24197989	RL- 24X197 EKONOFILM IR SP989	RL	Stock	\$ 806.33	\$ 564.43
68-2598200390	RL- 25.98X200 EKONOFILM-EXRED SP390	RL	Stock	\$ 714.86	\$ 500.40
68-2598200390R	RL- 25.98X200 EKONOFILM-EXRED SP390R	RL	Non-Stock	\$ 714.86	\$ 500.40
68-2598200829	RL- 25.98X200 EKONOFILM-EXRED SP829	RL	Stock	\$ 714.86	\$ 500.40

**ABDICK BRAND PRODUCTS****ABDICK 30% OFF LIST PRICE**AS OF  
7-May-10  
**Customer****PRESS BLANKETS & PACKING SHEETS**

<b>Part Number</b>	<b>Description</b>	<b>Stock Description</b>	<b>Stock</b>	<b>List</b>	<b>Price</b>
68-2598200989	RL- 25.98X200 EKONOFILM-EXRED SP989	RL	Stock	\$ 714.13	\$ 499.89
78-30197989	RL- 30X197 EKONOFILM IR SP989	RL	Stock	\$ 1,007.90	\$ 705.53
68-30200829	RL- 30X200 EKONOFILM-EXRED SP829	RL	Stock	\$ 824.85	\$ 577.40
68-36200829	RL- 36X200 EKONOFILM-EXRED SP829	RL	Stock	\$ 989.54	\$ 692.68
83-DP-23633	1- MULTISSET+ DPM FILM 13-3/8X200	RL	Stock	\$ 449.76	\$ 314.83
83-DP-23613	1- MULTISSET+ DPM FILM 13X200	RL	Stock	\$ 437.15	\$ 306.01
83-DP-23614	1- MULTISSET+ DPM FILM 14X200	RL	Stock	\$ 470.76	\$ 329.53
83-DP-23612	1- MULTISSET+ DPM FILM 2340 12X200	RL	Stock	\$ 421.69	\$ 295.18
83-SC-34633	1- MULTISSET+ DPM FLM 13-3/8 X 200	RL	Stock	\$ 449.83	\$ 314.88
83-DP-23614-M	1- MULTISSET+ MATTE DPM FILM 14/200	RL	Stock	\$ 573.86	\$ 401.70

**ANALOG FILMS & CHEMISTRY**

55010	9X100 EI 430 HT NEG FILM	CG	Stock	\$ 175.72	\$ 123.00
55011	12X100 EI 430 HT NEG FILM	CG	Stock	\$ 234.29	\$ 164.00
55070	4GL- C-FIX CONCEN. FIXER	CS	Stock	\$ 100.66	\$ 70.46
55060	4x5QT- C-DEV CONCEN. DEVELOPER	CS	Stock	\$ 148.93	\$ 104.25
55065	5GL- C-DEV CONCEN. DEVELOPER	EA	Stock	\$ 142.97	\$ 100.08
55075	5GL- C-FIX CONCEN. FIXER	EA	Stock	\$ 92.61	\$ 64.83
55070-55	C-FIX CONCEN. FIXER 55 GAL	CS	Non-Stock	\$ 761.25	\$ 532.88
55050	4X5QT- IMAGE SERIES DEV PREMIX	CS	Stock	\$ 72.49	\$ 50.74
55055	5GL- IMAGE SERIES DEVELOPER PREMIX	EA	Stock	\$ 61.58	\$ 43.11
26100	4X5QT- BOTTLE PREMIX CP DEVELOPER	CS	Stock	\$ 109.64	\$ 76.75
26130	5GL- PREMIX CP DEVELOPER	BT	Stock	\$ 88.42	\$ 61.89
55040	ABD RA DEV PREMIX 5 QT 4/CS	CS	Stock	\$ 77.75	\$ 54.43
55045	ABD RA DEV PREMIX 5GAL CUBE	CU	Stock	\$ 72.50	\$ 50.75
13284	3QT- DT PROCESSOR CLEANER	CS	Stock	\$ 41.07	\$ 28.75

**ABDICK INK & INK SUPPLIES**

3-1010	1LB- ALL PURPOSE OIL BASE BLACK	EA	Stock	\$ 10.44	\$ 7.31
3-1010-55	55GL- ALL PURPOSE OIL BASE BLACK	DR	Non-Stock	\$ 1,638.32	\$ 1,146.82
3-1010-5	5LB- ALL PURPOSE OIL BASE BLACK	EA	Stock	\$ 42.92	\$ 30.04

**ABDICK BRAND PRODUCTS****ABDICK 30% OFF LIST PRICE**AS OF  
7-May-10**PRESS BLANKETS & PACKING SHEETS**

Part Number	Description	Stock Description	Stock	List	Customer Price
3-1010-C	CTG- ALL PURPOSE OIL BASE BLACK	EA	Stock	\$ 9.89	\$ 6.92
CAP-5000	1LB- CAPSULINK BLACK LASER SOY	CN	Stock	\$ 23.53	\$ 16.47
CAP-5000-5	5LB- CAPSULINK BLACK LASER SOY	CN	Stock	\$ 79.69	\$ 55.78
CAP-6000-5	5LB- CAPSULINK HIGH TACK BLACK	CN	Stock	\$ 66.80	\$ 46.76
3-3102	1.5LB FAST SET MAGNETIC OIL BASE BLK	CN	Stock	\$ 37.31	\$ 26.12
3-3101	1.5LB- MAGNETIC OIL BASE BLACK	EA	Stock	\$ 31.71	\$ 22.20
3-3103-7	7LB- BLACK MAGNETIC INK 1% DRIER	CN	Non-Stock	\$ 141.90	\$ 99.33
3-3101-7	7LB- MAGNETIC OIL BASE BLACK	EA	Stock	\$ 132.49	\$ 92.74
3-3101-C	CTG- MAGNETIC OIL BASE BLACK	EA	Stock	\$ 27.38	\$ 19.17
4-4974	1- 2" BRASS INK KNIFE	EA	Stock	\$ 17.84	\$ 12.49
4-4975	1- 3" BRASS INK KNIFE- 8" LONG	EA	Stock	\$ 18.92	\$ 13.24
4-4971	1- A.B.DICK PRINTERS APRON 29"LONG	EA	Stock	\$ 17.78	\$ 12.45
4-4972	1- INK DISPENSING GUN	EA	Stock	\$ 8.05	\$ 5.64
4-2000	1- INK MIXING KIT	EA	Stock	\$ 507.53	\$ 355.27
9-2242	100- PAPER INK WEIGHING DISC	EA	Stock	\$ 13.78	\$ 9.65
9-2241	12- INK MIXING CANS PLASTIC	BX	Stock	\$ 21.36	\$ 14.95
9-2235	35- ABD PLASTIC 1LB INK CAN W/ COVER	BX	Stock	\$ 52.18	\$ 36.53
9-2245	50- 8OZ NATURAL EMPTY INK CAN	BX	Stock	\$ 38.13	\$ 26.69
9-2246	50- 8OZ WHITE INK CAN LID	BX	Stock	\$ 26.64	\$ 18.65
4-2005	ABDICK PANTONE COLOR GUIDE SET C&UC	ST	Stock	\$ 111.76	\$ 78.23
PSI-PB	5LB- ABD PRO-SET INK BLACK	CN	Stock	\$ 32.53	\$ 22.77
PSI-PC	5LB- ABD PRO-SET INK CYAN	CN	Stock	\$ 46.16	\$ 32.31
PSI-DB	5LB- ABD PRO-SET INK DENSE BLACK	CN	Stock	\$ 37.88	\$ 26.52
PSI-PM	5LB- ABD PRO-SET INK MAGENTA	CN	Stock	\$ 44.54	\$ 31.18
PSI-PY	5LB- ABD PRO-SET INK YELLOW	CN	Stock	\$ 42.04	\$ 29.43

**ABDICK INKJET PROOFING PAPER**

7-100P-1319-M	100- IJ PROOF PAPER 13X19 MATTE	BX	Stock	\$ 158.50	\$ 110.95
7-100P-1319-SG	100- IJ PROOF PAPER 13X19 SEMIGLOSS	BX	Stock	\$ 207.12	\$ 144.98

**ABDICK MEGA ANALOG PLATES**

41710	10X75M MEGA PLT MATL 7MIL PPR	RL	Stock	\$ 170.73	\$ 119.51
41708	11-1/2X75M MEGA PLT MATL 7MIL PPR	RL	Stock	\$ 196.33	\$ 137.43



**ABDICK BRAND PRODUCTS**

**ABDICK 30% OFF LIST PRICE**

AS OF  
7-May-10  
**Customer**

**PRESS BLANKETS & PACKING SHEETS**

<b>Part Number</b>	<b>Description</b>	<b>Stock Description</b>	<b>Stock</b>	<b>List</b>	<b>Price</b>
41721	11-1/4X75M MEGA PLT MATL 7MIL PPR	RL	Stock	\$ 192.08	\$ 134.46
41711	11X75M MEGA PLT MATL 7MIL PPR	RL	Stock	\$ 187.81	\$ 131.47
41714	12-1/2X75M MEGA PLT MATL 7MIL PPR	RL	Stock	\$ 213.40	\$ 149.38
41712	12X75M MEGA PLT MATL 7MIL PPR	RL	Stock	\$ 204.87	\$ 143.41
41706	13.5x75M MEGA PLT MATL 7MIL PPR	RL	Stock	\$ 230.48	\$ 161.34
41704	13X75M MEGA PLT MATL 7MIL PPR	RL	Stock	\$ 221.95	\$ 155.37
41716	15.9X75M MEGA PLT MATL 7MIL PPR	RL	Stock	\$ 271.44	\$ 190.01
41717	15-1/2X75M MEGA PLT MATL 7MIL PPR	RL	Stock	\$ 264.62	\$ 185.23
41715	15X75M MEGA PLT MATL 7MIL PPR	RL	Stock	\$ 256.08	\$ 179.26
41707	18-1/2X75M MEGA PLT MATL 7MIL PPR	RL	Stock	\$ 315.84	\$ 221.09
41718	18X75M MEGA PLT MATL 7MIL PPR	RL	Stock	\$ 307.31	\$ 215.12
41728	19-1/4X75M MEGA PLT MAT 7MILL PPR	RL	Stock	\$ 328.64	\$ 230.05
41720	20X75M MEGA PLT MATL 7MIL PPR	RL	Stock	\$ 341.46	\$ 239.02
41724	21-5/8X75M MEGA PLT MATL 7MIL PPR	RL	Stock	\$ 369.19	\$ 258.43
41726	22X75M MEGA PLT MATL 7MIL PPR	RL	Stock	\$ 375.59	\$ 262.91
41705	5X75M MEGA PLT MATL 7MIL PPR	RL	Stock	\$ 85.37	\$ 59.76
41713	9-3/8X75M MEGA PLT MATL 7MIL PPR	RL	Stock	\$ 160.06	\$ 112.04
41709	9X75M MEGA PLT MATL 7MIL PPR	RL	Stock	\$ 153.64	\$ 107.55
41719	RL- 17-3/8 X 75M MEGA PLT MATL	RL	Stock	\$ 296.65	\$ 207.66
58320-V3	MEGA PLUS VER3 5MIL 10X246 POLY	RL	Stock	\$ 206.14	\$ 144.30
58324-V3	MEGA PLUS VER3 5MIL 11-1/4X246 POLY	RL	Stock	\$ 231.93	\$ 162.35
58321-V3	MEGA PLUS VER3 5MIL 11X246 POLY	RL	Stock	\$ 226.78	\$ 158.75
58327-V3	MEGA PLUS VER3 5MIL 12-1/2X246 POLY	RL	Stock	\$ 257.70	\$ 180.39
58322-V3	MEGA PLUS VER3 5MIL 12X246 POLY	RL	Stock	\$ 247.40	\$ 173.18
58389-V3	MEGA PLUS VER3 5MIL 13X246 POLY	RL	Stock	\$ 268.01	\$ 187.61
58328-V3	MEGA PLUS VER3 5MIL 14-9/16X246 POLY	RL	Stock	\$ 300.23	\$ 210.16
58326-V3	MEGA PLUS VER3 5MIL 15.9X246 POLY	RL	Stock	\$ 327.80	\$ 229.46
58325-V3	MEGA PLUS VER3 5MIL 15X246 POLY	RL	Stock	\$ 309.24	\$ 216.47
58390-V3	MEGAPLUS VER3 5MIL 13.3"X246'	RL	Stock	\$ 274.21	\$ 191.95
41310	10X40M MEGA CASSETTE 7MIL PPR	CG	Stock	\$ 129.70	\$ 90.79
41314	11-1/4X40M MEGA CASSETTE 7MIL PPR	CG	Stock	\$ 145.93	\$ 102.15
41311	11X40M MEGA CASSETTE 7MIL PPR	CG	Stock	\$ 142.68	\$ 99.88
41312	12X40M MEGA CASSETTE 7MIL PPR	CG	Stock	\$ 155.65	\$ 108.96

**ABDICK BRAND PRODUCTS**

**ABDICK 30% OFF LIST PRICE**

AS OF  
7-May-10  
**Customer**

**PRESS BLANKETS & PACKING SHEETS**

Part Number	Description	Stock Description	Stock	List	Price
41309	9X40M MEGA CASSETTE 7MIL PPR	CG	Stock	\$ 116.73	\$ 81.71
58310	MEGA PLUS 10X61M 430 5MIL POLY	CG	Stock	\$ 201.45	\$ 141.02
58314	MEGA PLUS 11-1/4X61M 430 5MIL POLY	CG	Stock	\$ 226.64	\$ 158.65
58311	MEGA PLUS 11X61M 430 5MIL POLY	CG	Stock	\$ 221.61	\$ 155.13
58312	MEGA PLUS 12X61M 430 5MIL POLY	CG	Stock	\$ 241.74	\$ 169.22
41323	MEGA PLUS 11X200 8MIL POLY	RL	Stock	\$ 248.64	\$ 174.05
41322	MEGA PLUS 10X200 8MIL POLY	RL	Stock	\$ 226.04	\$ 158.23
41335	MEGA PLUS 11-1/4X61M 8MIL POLY	RL	Stock	\$ 254.29	\$ 178.00
41329	MEGA PLUS 12.5X61M 8MIL POLY	RL	Stock	\$ 282.54	\$ 197.78
41336	MEGA PLUS 12X61M 8MIL POLY	RL	Stock	\$ 271.25	\$ 189.88
41338	MEGA PLUS 13-3/8X200 8MIL POLY	RL	Stock	\$ 302.33	\$ 211.63
41333	MEGA PLUS 13X200 8MIL POLY	RL	Stock	\$ 293.86	\$ 205.70
41328	MEGA PLUS 15.9X61M 8MIL POLY	RL	Stock	\$ 359.41	\$ 251.59
41331	MEGA PLUS 15X61M 8MIL POLY	RL	Stock	\$ 339.05	\$ 237.34
41319	MEGA PLUS 19-1/4X200 8MIL POLY	RL	Stock	\$ 435.13	\$ 304.59
41324	MEGA PLUS 22X200 8MIL POLY	RL	Stock	\$ 497.30	\$ 348.11
38704	BT- SILVER-WET FOUNT ADDITIVE	BT	Stock	\$ 22.33	\$ 15.63
38766	MEGA ETCH (6 QTS/CS)	CS	Stock	\$ 34.94	\$ 24.46
38750	MEGA ACTIVATOR (4 GAL/CS)	CS	Stock	\$ 82.94	\$ 58.06
38745	MEGA ACTIVATOR (5GAL CUBE)	CU	Stock	\$ 96.42	\$ 67.49
38773	MEGA FOUNTAIN CONC(4 GAL/CS)	CS	Stock	\$ 55.77	\$ 39.04
38776	MEGA FOUNTAIN CONC.(6 QTS/CS)	CS	Stock	\$ 38.60	\$ 27.02
38756	MEGA STABILIZER (4 GAL/CS)	CS	Stock	\$ 73.63	\$ 51.54
38753	MEGA STABILIZER(5 GAL CUBE)	CU	Stock	\$ 84.44	\$ 59.11
4-9974	SILVER PLATE IMAGE REM. PEN BROAD PT	EA	Stock	\$ 20.09	\$ 14.06
38778	1GL- MEGA CMS+ FOUNT FOR POLY PLTS	GA	Stock	\$ 49.65	\$ 34.76

**MEGAPRO DIGITAL SILVER PLATES**

53917	DPM2000 10x200 5MIL MEGAPRO POLY	CG	Stock	\$ 240.79	\$ 168.55
53902	DPM2000 10x200 7MIL MEGAPRO PPR PLT	CG	Stock	\$ 234.33	\$ 164.03
53904	DPM2000 11.25x200 7MIL MEGAPRO PPR	CG	Stock	\$ 263.63	\$ 184.54
53918	DPM2000 11x200 5MIL MEGAPRO POLY	CG	Stock	\$ 264.86	\$ 185.40
53907	DPM2000 12.5x200 7MIL MEGAPRO PPR	CG	Stock	\$ 292.93	\$ 205.05

**ABDICK BRAND PRODUCTS**

**ABDICK 30% OFF LIST PRICE**

AS OF  
7-May-10  
**Customer**

**PRESS BLANKETS & PACKING SHEETS**

<b>Part Number</b>	<b>Description</b>	<b>Stock Description</b>	<b>Stock</b>	<b>List</b>	<b>Price</b>
53921	DPM2000 12x200 5MIL MEGAPRO POLY	CG	Stock	\$ 288.94	\$ 202.26
53906	DPM2000 12x200 7MIL MEGAPRO PPR PLT	CG	Stock	\$ 281.20	\$ 196.84
53936-M	DPM2000 12x200 8MIL MEGAPRO MATTE	CG	Stock	\$ 344.14	\$ 240.90
53967	DPM2000 13-3/8x200 7MIL MEGAPRO PPR	CG	Stock	\$ 313.43	\$ 219.40
53969-M	DPM2000 13-3/8X200 8M MEGAPRO MATTE	CG	Stock	\$ 383.41	\$ 268.39
53923	DPM2000 13x200 5MIL MEGAPRO POLY	CG	Stock	\$ 313.00	\$ 219.10
53908	DPM2000 13x200 7MIL MEGAPRO PPR PLT	CG	Stock	\$ 304.63	\$ 213.24
53938-M	DPM2000 13x200 8MIL MEGAPRO MATTE	CG	Stock	\$ 372.82	\$ 260.97
53939-M	DPM2000 14.56x200 8MIL MEGAPRO MATTE	CG	Stock	\$ 417.53	\$ 292.27
53941-M	DPM2000 15.5x200 8MIL MEGAPRO MATTE	CG	Stock	\$ 444.50	\$ 311.15
53960-M	DPM2000 15.75x200 8MIL MEGAPRO MATTE	CG	Stock	\$ 461.69	\$ 323.18
53942-M	DPM2000 15.9x200 8MIL MEGAPRO MATTE	CG	Stock	\$ 455.97	\$ 319.18
53910	DPM2000 15x200 7MIL MEGAPRO PPR PLT	CG	Stock	\$ 351.49	\$ 246.04
53940-M	DPM2000 15X200 8MIL MEGAPRO MATTE	CG	Stock	\$ 430.15	\$ 301.11
53944-M	DPM2000 16.5x200 8MIL MEGAPRO MATTE	CG	Stock	\$ 473.15	\$ 331.21
53916	DPM2000 9.375x200 5MIL MEGAPRO POLY	CG	Stock	\$ 225.74	\$ 158.02
53901	DPM2000 9.375x200 7MIL MEGAPRO PPR	CG	Stock	\$ 219.70	\$ 153.79
66511	MEGAPRO-LD 5POLY SPEC820 11X200	RL	Stock	\$ 189.85	\$ 132.90
66512-S	MEGAPRO-LD 5POLY SPEC820 12X100	RL	Stock	\$ 103.57	\$ 72.50
66512	MEGAPRO-LD 5POLY SPEC820 12X200	RL	Stock	\$ 207.12	\$ 144.98
66534-S	MEGAPRO-LD 5POLY SPEC820 13.3X100	RL	Stock	\$ 114.78	\$ 80.35
66534	MEGAPRO-LD 5POLY SPEC820 13.3X200	RL	Stock	\$ 229.56	\$ 160.69
66516	MEGAPRO-LD 5POLY SPEC820 14X200	RL	Stock	\$ 241.64	\$ 169.15
66518	MEGAPRO-LD 5POLY SPEC820 18X200	RL	Non-Stock	\$ 310.68	\$ 217.48
66509	MEGAPRO-LD 5POLY SPEC820 9X200	RL	Non-Stock	\$ 155.34	\$ 108.74
66710	MEGAPRO-LD 7PPR SPEC28SD 10X200	RL	Non-Stock	\$ 166.67	\$ 116.67
66711	MEGAPRO-LD 7PPR SPEC28SD 11X200	RL	Non-Stock	\$ 183.33	\$ 128.33
66712	MEGAPRO-LD 7PPR SPEC28SD 12X200	RL	Stock	\$ 200.00	\$ 140.00
66734-S	MEGAPRO-LD 7PPR SPEC28SD 13.3X100	RL	Stock	\$ 110.83	\$ 77.58
66713	MEGAPRO-LD 7PPR SPEC28SD 13X200	RL	Non-Stock	\$ 216.67	\$ 151.67
66757	MEGAPRO-LD 7PPR SPEC28SD 15.75X200	RL	Non-Stock	\$ 250.00	\$ 175.00
66759	MEGAPRO-LD 7PPR SPEC28SD 15.9X200	RL	Non-Stock	\$ 265.01	\$ 185.51
66715	MEGAPRO-LD 7PPR SPEC28SD 15X200	RL	Non-Stock	\$ 250.00	\$ 175.00

**ABDICK BRAND PRODUCTS**

**ABDICK 30% OFF LIST PRICE**

AS OF  
7-May-10  
**Customer**

**PRESS BLANKETS & PACKING SHEETS**

<b>Part Number</b>	<b>Description</b>	<b>Stock Description</b>	<b>Stock</b>	<b>List</b>	<b>Price</b>
66709	MEGAPRO-LD 7PPR SPEC28SD 9X200	RL	Non-Stock	\$ 150.00	\$ 105.00
66811-M	MEGAPRO-LD 8MATPOLY S820 11X100	RL	Stock	\$ 120.90	\$ 84.63
66812-M	MEGAPRO-LD 8MATPOLY SP820 12X100	RL	Stock	\$ 131.91	\$ 92.34
66813-M	MEGAPRO-LD 8MATPOLY SP820 13X100	RL	Stock	\$ 142.89	\$ 100.02
66823-M	MEGAPRO-LD 8MATPOLY SP820 23.6X100	RL	Stock	\$ 259.42	\$ 181.59
66834-M	MEGAPRO-LD MATPOLY S820 13.3X100 8M	RL	Stock	\$ 146.21	\$ 102.35
66857-M	MEGAPRO-LD MATPOLY S820 15.75X100	RL	Stock	\$ 172.58	\$ 120.81
66859-M	MEGAPRO-LD MATPOLY S820 8M 15.9x100	RL	Stock	\$ 174.78	\$ 122.35
23832-MRF	DPM2340 MEGAPRO 13.2X200 8M MATTE	RL	Stock	\$ 323.88	\$ 226.72
23813-MRF	DPM2340 MEGAPRO 13X200 8M MATTE	RL	Stock	\$ 318.96	\$ 223.27
23510-RF	RL- DPM2340 10X200 5M MEGAPRO POLY	RL	Stock	\$ 206.02	\$ 144.21
23511-RF	RL- DPM2340 11X200 5M MEGAPRO POLY	RL	Stock	\$ 226.61	\$ 158.63
23512-RF	RL- DPM2340 12X200 5M MEGAPRO POLY	RL	Stock	\$ 247.22	\$ 173.05
23533-RF	RL- DPM2340 13.375X200 5M MEGAPRO PO	RL	Stock	\$ 275.55	\$ 192.89
23833-MRF	RL- DPM2340 13.375X200 8M MATTE POLY	RL	Stock	\$ 328.15	\$ 229.71
23513-RF	RL- DPM2340 13X200 5M MEGAPRO POLY	RL	Stock	\$ 267.82	\$ 187.47
23509-RF	RL- DPM2340 9X200 5MIL MEGAPRO POLY	RL	Stock	\$ 185.42	\$ 129.79
23710-RF	RL- DPM2340 MEGAPRO 10X200 7MIL PPR	RL	Stock	\$ 200.50	\$ 140.35
23810-MRF	RL- DPM2340 MEGAPRO 10X200 8M MATTE	RL	Stock	\$ 245.37	\$ 171.76
23811-MRF	RL- DPM2340 MEGAPRO 11X200 8M MATTE	CG	Stock	\$ 269.93	\$ 188.95
23712-RF	RL- DPM2340 MEGAPRO 12X200 7M PPR	RL	Stock	\$ 240.60	\$ 168.42
23812-MRF	RL- DPM2340 MEGAPRO 12X200 8M MATTE	RL	Stock	\$ 294.43	\$ 206.10
23733-RF	RL- DPM2340 MEGAPRO 13.375X200 7M PP	RL	Stock	\$ 268.18	\$ 187.73
23713-RF	RL- DPM2340 MEGAPRO 13X200 7MIL PPR	RL	Stock	\$ 260.64	\$ 182.45
23709-RF	RL- DPM2340 MEGAPRO 9X200 7MIL PPR	RL	Stock	\$ 180.45	\$ 126.32
65512-S	MEGAPRO-IR 5POLY SPEC820 12X100	RL	Stock	\$ 116.34	\$ 81.44
65512	MEGAPRO-IR 5POLY SPEC820 12X200	RL	Stock	\$ 225.03	\$ 157.52
65534-S	MEGAPRO-IR 5POLY SPEC820 13.3X100	RL	Stock	\$ 124.72	\$ 87.30
65534	MEGAPRO-IR 5POLY SPEC820 13.3X200	RL	Stock	\$ 249.41	\$ 174.59
65559	MEGAPRO-IR 5POLY SPEC820 15.9X200	RL	Non-Stock	\$ 298.18	\$ 208.73
65710	MEGAPRO-IR 7PPR SPEC28SD 10X200	RL	Non-Stock	\$ 174.85	\$ 122.40
65711	MEGAPRO-IR 7PPR SPEC28SD 11X200	RL	Non-Stock	\$ 192.34	\$ 134.64
65712	MEGAPRO-IR 7PPR SPEC28SD 12X200	RL	Non-Stock	\$ 209.81	\$ 146.87

**ABDICK BRAND PRODUCTS**

**ABDICK 30% OFF LIST PRICE**

AS OF  
7-May-10  
**Customer**

**PRESS BLANKETS & PACKING SHEETS**

<b>Part Number</b>	<b>Description</b>	<b>Stock Description</b>	<b>Stock</b>	<b>List</b>	<b>Price</b>
65734-S	MEGAPRO-IR 7PPR SPEC28SD 13.3x100	RL	Stock	\$ 116.29	\$ 81.40
65709	MEGAPRO-IR 7PPR SPEC28SD 9X200	RL	Non-Stock	\$ 157.37	\$ 110.16
65834	MEGAPRO-IR 8POLY SPEC820 13.3X100	RL	Stock	\$ 160.06	\$ 112.04
25875-M	DPM2508 15.75X200 8MIL MATTE POLY	RL	Stock	\$ 394.18	\$ 275.93
25814-M	DPM2508 14.57X200 8MIL MATTE POLY	RL	Stock	\$ 364.63	\$ 255.24
25815-M	DPM2508 15 X 200 8MIL POLY MATTE	RL	Stock	\$ 375.40	\$ 262.78
25575	DPM2508 15.75X200 5MIL MEGAPRO POLY	RL	Stock	\$ 324.79	\$ 227.35
25775	DPM2508 15.75X200 7MIL MEGAPRO PPR	RL	Stock	\$ 294.03	\$ 205.82
25759	DPM2508 15.9X200 7MIL MEGAPRO PPR	RL	Stock	\$ 296.82	\$ 207.77
25862-M	DPM2508 16.14X200 8MIL MATTE POLY	RL	Stock	\$ 403.94	\$ 282.76
25816-M	DPM2508 16.38 X 200 8MIL POLY MATTE	RL	Stock	\$ 409.94	\$ 286.96
25587	DPM2508 17.87X200 5MIL MEGAPRO POLY	RL	Stock	\$ 368.51	\$ 257.96
25887-M	DPM2508 17.87X200 8MIL MATTE POLY	RL	Stock	\$ 447.23	\$ 313.06
25886-M	DPM2508 18.06X200 8MIL MATTE POLY	RL	Stock	\$ 451.98	\$ 316.39
25519	DPM2508 19.09X200 5MIL MEGAPRO POLY	RL	Stock	\$ 393.68	\$ 275.58
25719	DPM2508 19.09X200 7MIL MEGAPRO PPR	RL	Stock	\$ 356.38	\$ 249.47
25819-M	DPM2508 19.09X200 8MIL MATTE POLY	RL	Stock	\$ 477.76	\$ 334.43
25892-M	DPM2508 19.2 X 200 8MIL POLY MATTE	RL	Stock	\$ 480.51	\$ 336.36
25538	DPM2508 19.375X200 5MIL MEGAPRO POLY	RL	Stock	\$ 399.54	\$ 279.68
25738	DPM2508 19.375X200 7MIL MEGAPRO PPR	RL	Stock	\$ 361.69	\$ 253.18
25838-M	DPM2508 19.375X200 8MIL MATTE POLY	RL	Stock	\$ 484.89	\$ 339.42
25898-M	DPM2508 19.88X200 8MIL MATTE POLY	RL	Stock	\$ 497.54	\$ 348.28
25820-M	DPM2508 20 X 200 8MIL POLY MATTE	RL	Stock	\$ 500.54	\$ 350.38
25520	DPM2508 20X200 5MIL MEGAPRO POLY	RL	Stock	\$ 412.45	\$ 288.72
SC34832-M	MEGAPRO SC 13.2X200 8MIL MATPOLY	RL	Stock	\$ 323.88	\$ 226.72
SC34533	MEGAPRO SC 13.375X200 5MIL POLY	RL	Stock	\$ 275.55	\$ 192.89
SC34733	MEGAPRO SC 13.375X200 7MIL PPR	RL	Stock	\$ 268.06	\$ 187.64
SC34833-M	MEGAPRO SC 13.375X200 8MIL MATTE	RL	Stock	\$ 328.17	\$ 229.72
SC34513	MEGAPRO SC 13X200 5MIL POLY	RL	Stock	\$ 267.82	\$ 187.47
SC34713	MEGAPRO SC 13X200 7MIL PPR	RL	Stock	\$ 260.53	\$ 182.37
SC34813-M	MEGAPRO SC 13X200 8MIL MATTE POLY	RL	Stock	\$ 318.96	\$ 223.27

**MEGAPRINT POLYESTER SILVER PLATES**

**ABDICK BRAND PRODUCTS**

**ABDICK 30% OFF LIST PRICE**

AS OF  
7-May-10  
**Customer**

**PRESS BLANKETS & PACKING SHEETS**

<b>Part Number</b>	<b>Description</b>	<b>Stock Description</b>	<b>Stock</b>	<b>List</b>	<b>Price</b>
702-23510	MEGAPRINT DPM2340 5MIL 10X200	RL	Stock	\$ 239.39	\$ 167.57
702-23512	MEGAPRINT DPM2340 5MIL 12X200	RL	Stock	\$ 268.11	\$ 187.68
702-23533	MEGAPRINT DPM2340 5MIL 13-3/8X200	RL	Stock	\$ 298.77	\$ 209.14
702-23513	MEGAPRINT DPM2340 5MIL 13X200	RL	Stock	\$ 290.38	\$ 203.27
702-23811	MEGAPRINT DPM2340 8MIL 11X200	RL	Stock	\$ 292.71	\$ 204.90
702-23812	MEGAPRINT DPM2340 8MIL 12X200	RL	Stock	\$ 319.32	\$ 223.52
702-23832	MEGAPRINT DPM2340 8MIL 13.2X200	RL	Stock	\$ 351.24	\$ 245.87
702-23833	MEGAPRINT DPM2340 8MIL 13-3/8X200	RL	Stock	\$ 355.90	\$ 249.13
702-23813	MEGAPRINT DPM2340 8MIL 13X200	RL	Stock	\$ 345.90	\$ 242.13
702-25875	MEGAPRINT DPM2508 8MIL 15-3/4X200	RL	Stock	\$ 427.49	\$ 299.24
702-25819	MEGAPRINT DPM2508 8MIL 19.09X200	RL	Stock	\$ 518.12	\$ 362.68
702-25820	MEGAPRINT DPM2508 8MIL 20X200	RL	Stock	\$ 542.82	\$ 379.97
702-34832	MEGAPRINT DPM34 13.2X200 8MIL POLY	RL	Stock	\$ 351.24	\$ 245.87
702-34533	MEGAPRINT DPM34 13-3/8X200 5MIL POLY	RL	Stock	\$ 298.85	\$ 209.20
702-34833	MEGAPRINT DPM34 13-3/8X200 8MIL POLY	RL	Stock	\$ 355.90	\$ 249.13
702-34513	MEGAPRINT DPM34 13X200 5MIL POLY	RL	Stock	\$ 290.44	\$ 203.31
702-34813	MEGAPRINT DPM34 13X200 8MIL POLY	RL	Stock	\$ 345.90	\$ 242.13
70223	MEGAPRINT CONC ACTIVATOR 4X5 LTRS	CS	Stock	\$ 129.78	\$ 90.85
70225	MEGAPRINT CONC STABILIZER 4X5LTR	CS	Stock	\$ 118.20	\$ 82.74
70212	MEGAPRINT CONV FOUNT SOLN 4X5L	CS	Stock	\$ 73.20	\$ 51.24
70211	MEGAPRINT INTG FOUNT SOLN 4X5L	CS	Stock	\$ 52.99	\$ 37.09

**LASER-PRINTER PLATES**

LE-10X15	100- LASER-EDGE PLATES 10X15	BX	Stock	\$ 113.15	\$ 79.21
LE-10X155	100- LASER-EDGE PLATES 10X15-1/2	BX	Stock	\$ 144.52	\$ 101.16
LE-1125X185	100- LASER-EDGE PLATES 11-1/4X18-1/2	BX	Stock	\$ 169.68	\$ 118.78
LE-1175X18	100- LASER-EDGE PLATES 11-3/4X18	BX	Stock	\$ 169.68	\$ 118.78
LE-1175X185	100- LASER-EDGE PLATES 11-3/4X18-1/2	BX	Stock	\$ 169.68	\$ 118.78
LE-1175X19375	100- LASER-EDGE PLATES 11-3/4X19-3/8	BX	Stock	\$ 157.65	\$ 110.36
LE-11X18	100- LASER-EDGE PLATES 11X18	BX	Stock	\$ 148.52	\$ 103.96
LE-11X185	100- LASER-EDGE PLATES 11X18-1/2	BX	Stock	\$ 151.90	\$ 106.33
LE-125X19375	100- LASER-EDGE PLATES 12-1/2X19-3/8	BX	Stock	\$ 188.56	\$ 131.99
LE-125X19875	100- LASER-EDGE PLATES 12-1/2X19-7/8	BX	Stock	\$ 183.83	\$ 128.68

**ABDICK BRAND PRODUCTS**

**ABDICK 30% OFF LIST PRICE**

AS OF  
7-May-10  
**Customer**

**PRESS BLANKETS & PACKING SHEETS**

Part Number	Description	Stock Description	Stock	List	Price
LE-12X18	100- LASER-EDGE PLATES 12X18	BX	Stock	\$ 169.68	\$ 118.78
LE-12X185	100- LASER-EDGE PLATES 12X18-1/2	BX	Stock	\$ 169.68	\$ 118.78
LE-12X19375	100- LASER-EDGE PLATES 12X19-3/8	BX	Stock	\$ 174.06	\$ 121.84
LE-12X19875	100- LASER-EDGE PLATES 12X19-7/8	BX	Stock	\$ 183.83	\$ 128.68
LE-13X19375	100- LASER-EDGE PLATES 13X19-3/8	BX	Stock	\$ 188.56	\$ 131.99
LE-13X19875	100- LASER-EDGE PLATES 13X19-7/8	BX	Stock	\$ 188.56	\$ 131.99
LE-8625X15	100- LASER-EDGE PLATES 8-5/8X15	BX	Stock	\$ 89.08	\$ 62.36
LE-9X12	100- LASER-EDGE PLATES 9X12	BX	Stock	\$ 89.10	\$ 62.37
PPRS-13-100	100- POLY PLATE REINFORCE STRIPS 13"	PK	Stock	\$ 38.21	\$ 26.75
LE-DELPEN	LASER-EDGE DELETION PEN	EA	Stock	\$ 18.94	\$ 13.26
50062	KIMOCLEAN PLATE CLEANER 16OZ.	PT	Stock	\$ 11.51	\$ 8.06
LEX-200100050	100- LEX 10X15 PLATES	BX	Stock	\$ 88.99	\$ 62.29
LEX-200100051	100- LEX 10X15-1/2 PLATES	BX	Stock	\$ 91.35	\$ 63.95
LEX-200100052	100- LEX 11-3/4X18-1/2 PLATES	BX	Stock	\$ 128.11	\$ 89.68
LEX-200100053	100- LEX 11-3/4X19-3/8 PLATES	BX	Stock	\$ 134.18	\$ 93.93
LEX-200100058	100- LEX 11X18 PLATES	BX	Stock	\$ 116.70	\$ 81.69
LEX-200100076	100- LEX 11X18-1/2 PLATES	BX	Stock	\$ 119.94	\$ 83.96
LEX-200100054	100- LEX 12X18 PLATES	BX	Stock	\$ 127.31	\$ 89.12
LEX-200100055	100- LEX 12X19-3/8 PLATES	BX	Stock	\$ 137.04	\$ 95.93
LEX-200100057	100- LEX 12X19-7/8 PLATES	BX	Stock	\$ 140.57	\$ 98.40
LEX-200100082	100- LEX 13-3/8X19-7/8 PLATES	BX	Stock	\$ 156.67	\$ 109.67
LEX-200100111	100- LEX 13X18-1/2 PLATES	BX	Stock	\$ 141.75	\$ 99.23
LEX-200100060	100- LEX 13X19-3/8 PLATES	BX	Stock	\$ 148.45	\$ 103.92
LEX-200100061	100- LEX 13X19-7/8 PLATES	BX	Stock	\$ 152.29	\$ 106.60

**ABDICK DIGITAL DSTAT PLATES**

DSTAT-10155-A	D-STAT THERM PLT 10X15 100/BX	BX	Non-Stock	\$ 105.99	\$ 74.19
DSTAT-10155	D-STAT THERM PLT 10X15.5 100/BX	BX	Stock	\$ 105.99	\$ 74.19
DSTAT-112518625	D-STAT THERM PLT 11.25X18.625 100/BX	BX	Stock	\$ 181.12	\$ 126.78
DSTAT-117518125	D-STAT THERM PLT 11.75X18.125 100/BX	BX	Non-Stock	\$ 146.63	\$ 102.64
DSTAT-11251925	D-STAT THERM PLT 11-1/4X19-1/4 100BX	BX	Stock	\$ 149.10	\$ 104.37
DSTAT-11185	D-STAT THERM PLT 11X18.5 100/BX	BX	Stock	\$ 139.96	\$ 97.97
DSTAT-127518116	D-STAT THERM PLT 12.75X18.0625 100/B	BX	Stock	\$ 158.55	\$ 110.99

**ABDICK BRAND PRODUCTS****ABDICK 30% OFF LIST PRICE**AS OF  
7-May-10  
**Customer****PRESS BLANKETS & PACKING SHEETS**

<b>Part Number</b>	<b>Description</b>	<b>Stock Description</b>	<b>Stock</b>	<b>List</b>	<b>Price</b>
DSTAT-127519375	D-STAT THERM PLT 12.75X19.375 100/BX	BX	Stock	\$ 170.07	\$ 119.05
DSTAT-1218	D-STAT THERM PLT 12X18 100/BX	BX	Stock	\$ 141.64	\$ 99.15
DSTAT-12185	D-STAT THERM PLT 12X18-1/2 100/BX	BX	Non-Stock	\$ 145.57	\$ 101.90
DSTAT-1219375	D-STAT THERM PLT 12X19.375 100/BX	BX	Stock	\$ 159.91	\$ 111.94
DSTAT-1219875	D-STAT THERM PLT 12X19.875 100/BX	BX	Stock	\$ 164.03	\$ 114.82
DSTAT-1321909	D-STAT THERM PLT 13.2X19.09 100/BOX	BX	Stock	\$ 183.49	\$ 128.44
DSTAT-13371987	D-STAT THERM PLT 13.375X19.875 100	BX	Stock	\$ 182.84	\$ 127.99
DSTAT-1319375	D-STAT THERM PLT 13X19.375 100/BX 5M	BX	Stock	\$ 173.40	\$ 121.38
DSTAT-1319875	D-STAT THERM PLT 13X19.875 100/BX	BX	Stock	\$ 177.88	\$ 124.52
DSTAT-9841456	D-STAT THERM PLT 9.84X14.56 100/BX	BX	Stock	\$ 108.55	\$ 75.99
DSTAT-RIB	D-STAT THERMAL RIBBONS 10/BX	BX	Stock	\$ 94.69	\$ 66.28

**ABDICK MASKING MATERIALS**

4-4927	100- 11-1/16X19-1/4 RULED MASK PAPER	PK	Stock	\$ 45.39	\$ 31.77
43493	100- 13-1/2X19-1/2 RULED GLD MASK	PK	Stock	\$ 42.89	\$ 30.02
4-4923	100- 13-1/2X19-1/4 RULED MASK PAPER	PK	Stock	\$ 56.89	\$ 39.82
4-4930	100- 13-1/2X19-3/8 4MIL ANTISTAT	PK	Stock	\$ 42.79	\$ 29.95
4-4920	100- 13-1/2X20 RULED GLD MASK PPR	PK	Stock	\$ 56.89	\$ 39.82
43492	100- 13X19 RULED GLD MASK PPR	PK	Stock	\$ 61.10	\$ 42.77
4-4929	100- 20x23 RULED GLD MASK PPR	PK	Stock	\$ 94.86	\$ 66.40
4-4907	100- ORANGE RULED MASK 13-1/2X19-3/8	PK	Stock	\$ 104.63	\$ 73.24
4-4908	100-ORANGE UNRLD MASK 13-1/2x19-3/8	PK	Stock	\$ 99.31	\$ 69.52

**ABDICK MATTE BLUE ANALOG SUBTRACTIVE METAL PLATES & CHEMISTRY**

57534	100- MATTE BLUE 10-5/8X15-1/2 PB 5M	BX	Stock	\$ 201.79	\$ 141.25
57533	100- MATTE BLUE 10X15 PB 5MIL	BX	Stock	\$ 183.80	\$ 128.66
57549	100- MATTE BLUE 10X15-1/2 SL 5MIL	BX	Stock	\$ 189.92	\$ 132.94
57525	100- MATTE BLUE 10X16 SC 5MIL	BX	Stock	\$ 196.02	\$ 137.21
57513	100- MATTE BLUE 11-1/2X18-1/2 PB 5M	BX	Stock	\$ 260.66	\$ 182.46
57537	100- MATTE BLUE 11-1/4X18-1/2 PB 5M	BX	Stock	\$ 255.00	\$ 178.50
57538	100- MATTE BLUE 11-3/4X18 PB 5MIL	BX	Stock	\$ 259.14	\$ 181.40



**ABDICK BRAND PRODUCTS**

**ABDICK 30% OFF LIST PRICE**

AS OF  
7-May-10  
**Customer**

**PRESS BLANKETS & PACKING SHEETS**

Part Number	Description	Stock Description	Stock	List	Price
57507	100- MATTE BLUE 11-7/8X19-3/8 PB 5ML	BX	Stock	\$ 281.89	\$ 197.32
57535	100- MATTE BLUE 11X18 PB 5MIL	BX	Stock	\$ 242.59	\$ 169.81
57516	100- MATTE BLUE 11X18-1/16 PB 5MIL	CR	Stock	\$ 243.44	\$ 170.41
57536	100- MATTE BLUE 11X18-1/2 PB 5MIL	BX	Stock	\$ 249.35	\$ 174.55
57540	100- MATTE BLUE 12-3/4X18-1/16 PB 5M	BX	Stock	\$ 282.18	\$ 197.53
57541	100- MATTE BLUE 12-3/4X18-1/2 PB 5M	BX	Stock	\$ 289.01	\$ 202.31
57510	100- MATTE BLUE 12-3/4X19-3/8 SC 6ML	BX	Stock	\$ 292.25	\$ 204.58
57539	100- MATTE BLUE 12X18 PB 5MIL	BX	Stock	\$ 264.64	\$ 185.25
57526	100- MATTE BLUE 13-3/4X17-1/2 SC 5ML	BX	Non-Stock	\$ 294.82	\$ 206.37
57544	100- MATTE BLUE 13X18-1/2 PB 5MIL	BX	Stock	\$ 294.67	\$ 206.27
57528	100- MATTE BLUE 14-9/16X17-3/4 SC 5M	BX	Stock	\$ 316.71	\$ 221.70
57547	100- MATTE BLUE 15-1/16X18 PB 5MIL	BX	Stock	\$ 330.81	\$ 231.57
57548	100- MATTE BLUE 15-1/2X18-3/8 PB 5M	BX	Stock	\$ 348.97	\$ 244.28
57518	100- MATTE BLUE 9-3/8X13-3/8 SC 5MIL	BX	Stock	\$ 153.64	\$ 107.55
57509	50- MATTE BLUE 11-1/2X19-3/8 PB 5MIL	BX	Stock	\$ 136.51	\$ 95.56
57501	50- MATTE BLUE 11-1/4X19-3/8 PB 5MIL	BX	Stock	\$ 133.54	\$ 93.48
57597	50- MATTE BLUE 12X19-3/8 PB 5MIL	BX	Stock	\$ 142.44	\$ 99.71
57527	50- MATTE BLUE 13-3/16X19-3/32 SC 5M	BX	Stock	\$ 154.27	\$ 107.99
57545	50- MATTE BLUE 13X19-3/8 PB 5MIL	BX	Stock	\$ 149.00	\$ 104.30
57551	50- MATTE BLUE 15-1/2X20-1/2 SL 5MIL	BX	Stock	\$ 194.66	\$ 136.26
57552	50- MATTE BLUE 15-15/16X19 SL 5MIL	BX	Stock	\$ 185.51	\$ 129.86
57529	50- MATTE BLUE 15-3/4X20-1/8 SC 5M	BX	Stock	\$ 194.20	\$ 135.94
57530	50- MATTE BLUE 16X17-1/2 SC 5MIL	BX	Stock	\$ 171.54	\$ 120.08
57532	50- MATTE BLUE 19-1/4X22-7/8 SC 5MIL	BX	Stock	\$ 269.77	\$ 188.84
4-8014	QT- IT PRESENSITIZED PLT CLEAN	QT	Stock	\$ 19.22	\$ 13.45
4-4936	16- METAL PLATE DEV PADS NO HANDLE	PK	Stock	\$ 25.43	\$ 17.80
4-1315	GL- IT METAL GUM ARABIC 7DEGREE BAUM	GA	Stock	\$ 31.09	\$ 21.76
4-1320	GL- IT METAL GUM ARABIC 7DEGREE BAUM	GA	Stock	\$ 36.49	\$ 25.54
4-1314	QT- IT METAL GUM ARABIC 7DEGREE BAUM	QT	Stock	\$ 9.79	\$ 6.85
4-9970	1- ABDICK METAL IMAGE REMOVER PEN	EA	Stock	\$ 15.05	\$ 10.54

**ABDICK EXTREME AQUA 1 SINGLE SIDED PLATES**

83-XA1-108410	100- 10X15 PB XAP-1 PB 6MIL	BX	Stock	\$ 123.80	\$ 86.66
---------------	-----------------------------	----	-------	-----------	----------

**ABDICK BRAND PRODUCTS**

**ABDICK 30% OFF LIST PRICE**

AS OF  
7-May-10  
**Customer**

**PRESS BLANKETS & PACKING SHEETS**

<b>Part Number</b>	<b>Description</b>	<b>Stock Description</b>	<b>Stock</b>	<b>List</b>	<b>Price</b>
83-XA1-108411	100- 10X15-1/2 SL XAP-1 6MIL	BX	Stock	\$ 127.93	\$ 89.55
83-XA1-108462	100- 10X16 SC XAP-1 6MIL	BX	Stock	\$ 142.67	\$ 99.87
83-XA1-108418	100- 11-1/2X18-1/2 PB XAP-1 6MIL	BX	Non-Stock	\$ 189.71	\$ 132.80
83-XA1-108417	100- 11-1/4X18-1/2 PB XAP-1 6MIL	BX	Stock	\$ 171.77	\$ 120.24
83-XA1-108608	100- 11-1/4X19-3/8 PB XAP-1 6MIL	BX	Stock	\$ 179.91	\$ 125.94
83-XA1-108419	100- 11-3/4X18 PB XAP-1 6MIL	BX	Stock	\$ 174.56	\$ 122.19
83-XA1-108733	100- 11-3/4X18 PB XAP-1 LR 6MIL	BX	Stock	\$ 174.56	\$ 122.19
83-XA1-108687	100- 11-3/4X18-5/8 PB XAP-1 6MIL	BX	Non-Stock	\$ 195.15	\$ 136.61
83-XA1-108690	100- 11-3/4X19-3/8 SC XAP-1 6MIL	BX	Non-Stock	\$ 203.01	\$ 142.11
83-XA1-108455	100- 11-7/8X19-3/8 PB XAP-1 6MIL	BX	Stock	\$ 205.17	\$ 143.62
83-XA1-108413	100- 11X18 PB XAP-1 6MIL	BX	Stock	\$ 163.42	\$ 114.39
83-XA1-108414	100- 11X18-1/16 PB XAP-1 6MIL	BX	Stock	\$ 163.99	\$ 114.79
83-XA1-108415	100- 11X18-1/2 PB XAP-1 6MIL	BX	Stock	\$ 167.95	\$ 117.57
83-XA1-108643	100- 11X18-5/8 PB XAP-1 6MIL	BX	Non-Stock	\$ 182.69	\$ 127.88
83-XA1-108759	100- 12-1/16X17-3/8 SC XAP-1 6MIL	BX	Non-Stock	\$ 173.00	\$ 121.10
83-XA1-108766	100- 12-1/8X17-3/8 XAP-1 6MIL	BX	Non-Stock	\$ 188.07	\$ 131.65
83-XA1-108424	100- 12-3/4X18-1/16 PB XAP-1 6MIL	BX	Stock	\$ 190.08	\$ 133.06
83-XA1-108468	100- 12-3/4X18-1/2 PB XAP-1 6MIL	BX	Stock	\$ 210.34	\$ 147.24
83-XA1-108425	100- 12-3/4X19-3/8 PB XAP-1 6MIL	BX	Stock	\$ 220.28	\$ 154.20
83-XA1-108647	100- 12-3/4X19-3/8 SC XAP-1 6MIL	BX	Non-Stock	\$ 220.28	\$ 154.20
83-XA1-108420	100- 12X18 PB XAP-1 6MIL	BX	Non-Stock	\$ 192.61	\$ 134.83
83-XA1-108748	100- 13-3/16 X 18-1/2 XAP-1 6MIL	BX	Non-Stock	\$ 217.56	\$ 152.29
83-XA1-108431	100- 13-3/16X19-3/32 SC XAP-1 6MIL	BX	Stock	\$ 207.82	\$ 145.47
83-XA1-108645	100- 13-3/8X18-13/64 6MIL SC	BX	Non-Stock	\$ 217.11	\$ 151.98
83-XA1-108591	100- 13-3/8X18-7/32 SC XAP-1 6MIL	BX	Stock	\$ 201.11	\$ 140.78
83-XA1-108432	100- 13-3/8X19-7/8 SC XAP-1 6MIL	BX	Stock	\$ 219.41	\$ 153.59
83-XA1-108751	100- 13-5/8 X 19-3/8 XAP-1 PB 6MIL	BX	Non-Stock	\$ 235.41	\$ 164.79
83-XA1-108426	100- 13X18-5/8 PB XAP-1 6MIL	BX	Non-Stock	\$ 215.90	\$ 151.13
83-XA1-108735	100- 13X19-11/64 SC XAP-1 6MIL	BX	Stock	\$ 222.24	\$ 155.57
83-XA1-108427	100- 13X19-3/16 SC XAP-1 6MIL	BX	Non-Stock	\$ 222.43	\$ 155.70
83-XA1-108428	100- 13X19-3/8 PB XAP-1 6MIL	BX	Stock	\$ 207.88	\$ 145.52
83-XA1-108752	100- 14-9/16 X 17-3/4 XAP-1 SC 6MIL	BX	Non-Stock	\$ 230.50	\$ 161.35
83-XA1-108433	100- 15-1/2X18-3/8 PB XAP-1 6MIL	BX	Stock	\$ 253.97	\$ 177.78

**ABDICK BRAND PRODUCTS**

**ABDICK 30% OFF LIST PRICE**

AS OF  
7-May-10  
**Customer**

**PRESS BLANKETS & PACKING SHEETS**

<b>Part Number</b>	<b>Description</b>	<b>Stock Description</b>	<b>Stock</b>	<b>List</b>	<b>Price</b>
83-XA1-108435	100- 15-1/2X20-1/2 SL XAP-1 6MIL	BX	Non-Stock	\$ 283.34	\$ 198.34
83-XA1-108484	100- 15-15/16X19 SC XAP-1 6MIL	BX	Non-Stock	\$ 270.03	\$ 189.02
83-XA1-108457	100- 15-3/4X18-1/2 SC XAP-1 6MIL	BX	Stock	\$ 259.83	\$ 181.88
83-XA1-108436	100- 15-3/4X20-1/16 SC XAP-1 6MIL	BX	Stock	\$ 260.79	\$ 182.55
83-XA1-108430	100- 15-3/4X20-1/8 SC XAP-1 6MIL	BX	Stock	\$ 261.61	\$ 183.13
83-XA1-108459	100- 16-3/8X20-1/2 SC XAP-1 6MIL	BX	Non-Stock	\$ 299.34	\$ 209.54
83-XA1-108679	100- 16X17-1/2 SC XAP-1 6MIL	BX	Non-Stock	\$ 249.68	\$ 174.78
83-XA1-108685	100- 18-1/16X20-11/16 SC XAP-1 6MIL	BX	Non-Stock	\$ 333.22	\$ 233.25
83-XA1-108438	100- 18X15-1/16 PB XAP-1 6MIL	BX	Stock	\$ 223.79	\$ 156.65
83-XA1-108452	100- 19-1/4X22-7/8 SC XAP-1 6MIL	BX	Stock	\$ 392.67	\$ 274.87
83-XA1-108662	100- 23-13/64X17-3/8 SC XAP-1 6MIL	BX	Non-Stock	\$ 376.71	\$ 263.70
83-XA1-108592	100- 9-9/16X13-3/8 SC XAP-1 6MIL	BX	Stock	\$ 105.56	\$ 73.89
83-XA1-108713	40- 30-5/8X40-1/2 SC XAP-1 12MIL	BX	Non-Stock	\$ 509.76	\$ 356.83
83-XA1-108755	50- 21-5/8 X 25-5/8 SC XAP-1 12MIL	BX	Non-Stock	\$ 263.68	\$ 184.58
83-XA1-108761	50- 21-5/8X25-5/8 SC XAP-1 8MIL	BX	Stock	\$ 239.82	\$ 167.87
83-XA1-108745	50- 23-13/16X29-1/8 SC XAP-1 8MIL	BX	Non-Stock	\$ 324.18	\$ 226.93
83-XA1-108721	50- 23-5/8X28-3/4 XAP-1 8MIL	BX	Non-Stock	\$ 317.48	\$ 222.24
83-XA1-108725	50- 23-7/8X26-1/2 XAP-1 SC 8MIL	BX	Non-Stock	\$ 295.72	\$ 207.00
83-XA1-108753	50- 24-1/4X28-1/2 SC XAP-1 8MIL	BX	Non-Stock	\$ 323.04	\$ 226.13
83-XA1-108476	50- 26-3/4X31 SC XAP-1 8MIL	BX	Non-Stock	\$ 387.61	\$ 271.33
83-XA1-108727	50- 28-1/8x35-1/4 XAP-1 SC 8MIL	BX	Non-Stock	\$ 463.40	\$ 324.38
83-XA1-108637	50- 28-1/8X38-1/2 SC XAP-1 8MIL	BX	Non-Stock	\$ 506.12	\$ 354.28
83-XA1-108706	60- 11-11/16X15-1/2 SC XAP-1 8MIL	BX	Non-Stock	\$ 101.57	\$ 71.10
83-XA1-108423	60- 12-1/4X19-7/16 SC XAP-1 8MIL	BX	Stock	\$ 123.67	\$ 86.57
83-XA1-108627	60- 13-3/8X19-7/8 SC XAP-1 8MIL	BX	Stock	\$ 138.05	\$ 96.64
83-XA1-108757	60- 15-3/4 X 20-7/8 XAP-1 12MIL	BX	Stock	\$ 202.69	\$ 141.88
83-XA1-108734	60- 15-3/4X18-1/2 SC XAP-1 LR 8MIL	BX	Stock	\$ 163.36	\$ 114.35
83-XA1-108437	60- 15-3/4X20-1/8 SC XAP-1 8MIL	BX	Stock	\$ 164.62	\$ 115.23
83-XA1-108715	60- 17-3/8X15-13/64 SC XAP-1 8MIL	BX	Stock	\$ 151.29	\$ 105.90
83-XA1-108714	60- 18-1/16 x 20-11/16 SC XAP-1 8MIL	BX	Stock	\$ 194.06	\$ 135.84
83-XA1-108726	60- 18-1/2X22-19/32 SC XAP-1 8MIL	BX	Stock	\$ 234.34	\$ 164.04
83-XA1-108707	60- 18-1/2X22-9/16 SC XAP-1 8MIL	BX	Non-Stock	\$ 234.01	\$ 163.81
83-XA1-108712	60- 19-3/4X23 XAP-1 8MIL SC	BX	Non-Stock	\$ 254.67	\$ 178.27

**ABDICK BRAND PRODUCTS****ABDICK 30% OFF LIST PRICE**AS OF  
7-May-10  
**Customer****PRESS BLANKETS & PACKING SHEETS**

Part Number	Description	Stock Description	Stock	List	Price
83-XA1-108478	60- 20-3/4X25-1/4 SC XAP-1 8MIL	BX	Non-Stock	\$ 293.74	\$ 205.62
83-XA1-108739	60- 20X22-13/16 SC XAP-1 8MIL	BX	Stock	\$ 255.80	\$ 179.06
83-XA1-108661	60- 23-13/64X17-3/8 SC XAP-1 8MIL	BX	Non-Stock	\$ 226.02	\$ 158.21
83-XA1-108535	60- 9-1/2X12-1/4 SC XAP-1 8MIL	BX	Stock	\$ 60.44	\$ 42.31

**ABDICK PRESS CHEMICALS**

4-1001	pH ADJUSTMENT KIT	KI	Stock	\$ 78.16	\$ 54.71
4-1014	QT- BLUE ETCH SOLUTION	QT	Stock	\$ 15.27	\$ 10.69
4-1015	GL- BLUE ETCH SOLUTION	GA	Stock	\$ 36.72	\$ 25.70
4-1015-CD	55GL- ETCH DOUBLE CONCENTRATE	DR	Stock	\$ 1,012.36	\$ 708.65
4-1067-1	GL- E-STAT CONVERSION SOLUTION	GA	Stock	\$ 38.86	\$ 27.20
4-1067-55	55GL- (90228)CONV. SOL.	EA	Stock	\$ 1,333.17	\$ 933.22
4-1080	GL- DUAL PURPOSE E-STAT SOLUTION	GA	Stock	\$ 43.62	\$ 30.53
4-1080-5	5GL- DUAL PURPOSE E-STAT SOLUTION	CU	Stock	\$ 179.88	\$ 125.92
4-1080-55	55GL- DUAL PURPOSE E-STAT SOLUTION	DR	Stock	\$ 911.27	\$ 637.89
4-1100	100- COLORPHAST 0-6 PH TEST STRIPS	PK	Stock	\$ 23.06	\$ 16.14
4-1101	RL- PH TEST STRIPS ROLL	RL	Stock	\$ 9.78	\$ 6.85
4-1114	QT- LIGHT BLUE FTN CONCENTRATE	QT	Stock	\$ 16.08	\$ 11.26
4-1115	GL- LIGHT BLUE FTN CONCENTRATE	GA	Stock	\$ 41.70	\$ 29.19
4-1115-55	55GL- FTN CONCENTRATE (BLUE)	DR	Stock	\$ 1,468.70	\$ 1,028.09
4-1125	GL- YELLOW FTN CONCENTRATE	GA	Stock	\$ 45.61	\$ 31.93
4-1125-55	55GL- 4-1125 PKD YELLOW FTN CONC.	DR	Stock	\$ 1,863.68	\$ 1,304.58
4-1125-CD	55GL- FTN DOUBLE CONCENTRATE YELLOW	DR	Stock	\$ 2,695.62	\$ 1,886.93
4-1165	GL- FTN CONCENTRATE	GA	Stock	\$ 24.79	\$ 17.35
4-1165-55	55GL- FTN CONCENTRATE	DR	Stock	\$ 933.07	\$ 653.15
4-1172	GL- ISOPROPYL ALCOHOL	CT	Stock	\$ 20.09	\$ 14.06
4-1175	4GL- ISOPROPYL ALCOHOL	CT	Stock	\$ 67.61	\$ 47.33
4-1175-5	5GL- ISOPROPYL ALCOHOL	PA	Stock	\$ 75.69	\$ 52.98
4-1175-55	55GL- ALCOHOL	DR	Stock	\$ 654.89	\$ 458.42
4-1177	GL- ISOPROPYL ALCOHOL SUBSTITUTE	GA	Stock	\$ 19.85	\$ 13.90
4-1177-5	5GL- ISOPROPYL ALCOHOL SUBSTITUTE	EA	Stock	\$ 85.19	\$ 59.63
4-1185	GL- PROFORMANCE FTN CONCENTRATE	GA	Stock	\$ 40.96	\$ 28.67
4-1195	GL- UNIVERSAL FTN CONCENTRATE	GA	Stock	\$ 34.37	\$ 24.06

**ABDICK BRAND PRODUCTS**

**ABDICK 30% OFF LIST PRICE**

AS OF  
7-May-10  
**Customer**

**PRESS BLANKETS & PACKING SHEETS**

<b>Part Number</b>	<b>Description</b>	<b>Stock Description</b>	<b>Stock</b>	<b>List</b>	<b>Price</b>
4-1200	GL- SAFETY ZONE BLKT WASH	GA	Stock	\$ 21.35	\$ 14.95
4-1200-5	5GL- SAFETY ZONE BLKT WASH	EA	Stock	\$ 84.53	\$ 59.17
4-1200-55	55GL- SAFETY ZONE BLKT WASH	DR	Stock	\$ 610.49	\$ 427.34
4-1235	GL- AUTOMATIC BLANKET WASH	GA	Stock	\$ 20.48	\$ 14.34
4-1236	GL- SUREDOT WATERMISC BLKT WASH	GL	Stock	\$ 15.45	\$ 10.82
4-1237	5GL- AUTOMATIC BLANKET WASH	EA	Stock	\$ 73.30	\$ 51.31
4-1238	2X2.5GL- SUREDOT BLKT WM WASH	CS	Stock	\$ 72.55	\$ 50.79
4-1238-55	55GL- SUREDOT BLKT WM WASH	DR	Stock	\$ 638.41	\$ 446.89
4-1239	55GL- AUTOMATIC BLANKET WASH	DR	Stock	\$ 840.09	\$ 588.06
4-1248	5GL- SUREDOT BLKT WM WASH CONC	CN	Stock	\$ 89.72	\$ 62.80
4-1249	QT- SUREDOT METER WATER ROLL CLNR	QT	Stock	\$ 8.78	\$ 6.15
4-1249-55	55GL- SUREDOT METER WATERROLL CLR	DR	Stock	\$ 1,579.15	\$ 1,105.41
4-1275	GL- SUREDOT ALCOHOL REPLACEMENT	GA	Stock	\$ 25.71	\$ 18.00
4-1276	GL- SUREDOT FTN CONCENTRATE	GA	Stock	\$ 21.58	\$ 15.11
4-4305	BLKT WASH PUMP FOR 5GAL (METAL)	EA	Stock	\$ 63.41	\$ 44.39
4-4314-L	TPH BLANKET & ROLLER WASH	CS	Stock	\$ 70.31	\$ 49.22
4-4315	GL- BLKT WASH AND ROLLER CLEANER	GA	Stock	\$ 20.96	\$ 14.67
4-4317	5GL- BLKT WASH AND ROLLER CLEAN	EA	Stock	\$ 76.96	\$ 53.87
4-4319	55GL- BLKT WASH AND ROLLER CLEAN	DR	Stock	\$ 765.71	\$ 536.00
4-4347	5GL- UNIVERSAL BLKT WASH	EA	Stock	\$ 63.36	\$ 44.35
4-4347-55	55GL- UNIVERSAL BLKT WASH	DR	Stock	\$ 515.14	\$ 360.60
4-6000	3OZ- ABDICK ORIGINAL BLANKET FIX	EA	Stock	\$ 11.81	\$ 8.27
4-8010	GL-ABD PD+ DI PLATE CLEANER	GA	Stock	\$ 86.06	\$ 60.24
4-8010-QT	QT-ABD PD+ DI PLATE CLEANER	QT	Stock	\$ 24.66	\$ 17.26
4-H2O	GL- DEIONIZED PRESS WATER	GL	Stock	\$ 9.35	\$ 6.55
4-H2O-5	5GL- DEIONIZED PRESS WATER	CU	Stock	\$ 29.78	\$ 20.85
4-H2O-55	55GL- DEIONIZED PRESS WATER	DR	Stock	\$ 205.07	\$ 143.55
36400	5GL- ITEK BLKT WASH SOLUTION	EA	Stock	\$ 74.37	\$ 52.06
38419	GL- EXTRA STRENGTH CONV SOLUTON	GA	Stock	\$ 34.32	\$ 24.02
38421	6QT/CS- PREMIUM E-STAT PLATE ETCH	CS	Stock	\$ 70.64	\$ 49.45
59730	GL- LASER CLEAN FTN CONCENTRATE	GA	Stock	\$ 56.16	\$ 39.31
4-1264	11OZ- SILICONE SPRAY AEROSOL	CN	Stock	\$ 11.01	\$ 7.71
4-1262	13OZ- ANTI-STATIC SPRAY AEROSOL	CN	Stock	\$ 11.00	\$ 7.70

**ABDICK BRAND PRODUCTS****ABDICK 30% OFF LIST PRICE**AS OF  
7-May-10**PRESS BLANKETS & PACKING SHEETS**

Part Number	Description	Stock Description	Stock	List	Customer Price
4-1260	13OZ- PLATE-TAC SPRAY ADHESIVE	CN	Stock	\$ 12.08	\$ 8.46
4-1265	14OZ- INK ANTI-SKIN SPRAY AEROSOL	CN	Stock	\$ 9.02	\$ 6.31
4-1266	19.5OZ- GLASS CLEANER AEROSOL	CN	Stock	\$ 6.99	\$ 4.89
SR-1010-5	5GL- SOLEX 2 COLOR WASH	CN	Stock	\$ 88.56	\$ 61.99
SR-1007-5	5GL- SOLEX 121	CN	Stock	\$ 89.34	\$ 62.54
SR-1008-5	5GL- SOLEX BLKT WM WASH	CN	Stock	\$ 84.74	\$ 59.32
SR-1004	GL- SOLEX WATER ROLLER CLEANER	GA	Stock	\$ 19.12	\$ 13.38
SR-1005	4GL- SOLEX RENEWAL	CS	Stock	\$ 96.76	\$ 67.73
SR-1020	4GL- SOLEXOLITE DEGLAZER	CS	Stock	\$ 106.96	\$ 74.87
SR-1020-55	55GL- SOLEXOLITE DEGLAZER	DR	Non-Stock	\$ 1,154.91	\$ 808.44
SR-1013-5	5GL- SOLEX RAPID DRY WASH	CN	Stock	\$ 74.80	\$ 52.36
SR-1005-5	5GL- SOLEX RENEWAL	CN	Stock	\$ 123.58	\$ 86.51
SR-1020-5	5GL- SOLEXOLITE DEGLAZER	PA	Stock	\$ 112.61	\$ 78.83
SR-1020-1	GL- SOLEXOLITE DEGLAZER	GL	Stock	\$ 30.08	\$ 21.06
SR-1009-55	55GL- SOLEX 1 COLOR WASH	DR	Non-Stock	\$ 803.51	\$ 562.46
SR-1010-55	55GL- SOLEX 2 COLOR WASH	DR	Non-Stock	\$ 828.00	\$ 579.60
SR-1007-55	55GL- SOLEX 121	DR	Non-Stock	\$ 835.46	\$ 584.82
SR-1008-55	55GL- SOLEX BLKT WM WASH	DR	Non-Stock	\$ 707.49	\$ 495.24
SR-1001-55	55GL- SOLEX CHOICE GREEN FNT CONC	DR	Non-Stock	\$ 1,044.71	\$ 731.30
SR-1013-55	55GL- SOLEX RAPID DRY WASH	DR	Non-Stock	\$ 668.15	\$ 467.71
SR-1009-5	5GL- SOLEX 1 COLOR WASH	CN	Stock	\$ 95.28	\$ 66.70
SR-1001	GL- SOLEX CHOICE GREEN FTN CONCEN	GA	Stock	\$ 24.45	\$ 17.12
SR-1002	GL- SOLEX PROXY ALCOHOL SUB	GA	Stock	\$ 23.78	\$ 16.65

**ABDICK ELECTROSTATIC PLATES**

4-3795	6PT- LASER PLATE TONER	CS	Stock	\$ 179.54	\$ 125.68
38414	6QT- ITEK TONER	CS	Stock	\$ 163.36	\$ 114.35
4-3792	6QT- TONER SOL CONCENTRATE	CS	Stock	\$ 163.36	\$ 114.35
4-9972	E-STAT IMAGE REMOVER PEN	EA	Stock	\$ 14.18	\$ 9.93

**ABDICK BRAND PRODUCTS****ABDICK 30% OFF LIST PRICE**AS OF  
7-May-10**PRESS BLANKETS & PACKING SHEETS**

Part Number	Description	Stock Description	Stock	List	Customer Price
<b>ABDICK PADDING COMPOUND/FINISHING CHEMISTRY</b>					
4-6712	GA-UNIVERSAL FANAPART U/W NCR&MEA	GL	Stock	\$ 68.37	\$ 47.86
4-6702	QT-UNIVERSAL FANAPART U/W NCR&MEAD	QT	Stock	\$ 30.26	\$ 21.18
4-6710	GL- PADDING COMPOUND SPEC MIX *MIN4	GL	Non-Stock	\$ 33.57	\$ 23.50
4-6717	GL- RED PRECISION PADDING COMPOUND	GL	Stock	\$ 33.57	\$ 23.50
4-6718	GL- RED PREMIUM QUICK PADDING COMPOU	GL	Stock	\$ 34.52	\$ 24.16
4-6719	GL- SPEC MIX COLOR PADDING COMP MIN4	GL	Non-Stock	\$ 40.97	\$ 28.68
4-6716	GL- WHITE PRECISION PADDING COMPOUND	GL	Stock	\$ 33.57	\$ 23.50
4-6713	GL- WHITE PREMIUM QUICK PADDING COMP	GL	Stock	\$ 34.52	\$ 24.16
4-6701	QT- CUSTOM PREMIUM PADCOM 16 MIN	QT	Non-Stock	\$ 14.55	\$ 10.19
4-6707	QT- RED PRECISION PADDING COMPOUND	QT	Stock	\$ 12.80	\$ 8.96
4-6708	QT- RED PREMIUM QUICK PADDING COMPOU	QT	Stock	\$ 14.55	\$ 10.19
4-6702-IM	QT- UNIVERSAL FANAPART FOR IMATION	QT	Stock	\$ 30.26	\$ 21.18
4-6706	QT- WHITE PRECISION PADDING COMPOUND	QT	Stock	\$ 12.80	\$ 8.96
4-6703	QT- WHITE PREMIUM QUICK PADDING COMP	QT	Stock	\$ 14.55	\$ 10.19

# CHEMICALS

## Product Selector and 2010 Price List

BASELINE 28% OFF LIST PRICE

5/7/2010

<i>Product number</i>	<i>Description</i>	<i>Units per Case</i>	<i>Sales U/M</i>	<i>Shipping Weight</i>	<i>List Price</i>	<i>CUST PRICE</i>
-----------------------	--------------------	-----------------------	------------------	------------------------	-------------------	-------------------

### Back Cylinder Ink Preventer

Convenient spray-on coating prevents ink from sticking to your back cylinder and marking your press sheets. Back Cylinder Ink Preventer reduces future ink build-up, and thus offsetting, and costly down time. Sold only in full cases, no air shipments.

BACKC-200415	14 oz. Aerosol Cans - full case	6	Case	7	\$105.88	\$76.23
--------------	---------------------------------	---	------	---	----------	---------

### Fargel®

Ink additive specially formulated to accelerate ink drying time which helps prevent offsetting. Fargel works on any porous paper stock and with oil, rubber, soy, acrylic, laser/thermal, or metallic inks, and in overprint varnish. Fargel will not reduce the ink's open time.

FARGEL-1008	8 oz. Jars - full case	6	Case	4	\$108.49	\$78.11
FARGEL-1008-B	8 oz. Jar - broken case	n/a	Jar	0.7	\$21.69	\$15.62
FARGEL-1016	16 oz. Jars - full case	6	Case	8	\$173.57	\$124.97
FARGEL-1016-B	16 oz. Jar - broken case	n/a	Jar	1.5	\$34.72	\$25.00

### Jomac® DCC - Dampening Cover Cleaner

Gentle but very effective cleaner is specially formulated to remove ink off press from sleeves, rollers (rubber and synthetic), and nitrile gloves. DCC will not break down the fibers of roller covers, causing premature wear. Sold only in full cases.

DCC-GALLON	Gallons - full case	4	Case	40	\$131.91	\$94.97
------------	---------------------	---	------	----	----------	---------

### Jomac® DPS - Dampening Prep Solution

Jomac Dampening Prep Solution can be used on and off press, and enhances the water affinity of dampening covers and rollers in continuous dampening systems. By creating a thin, even application of water to the plate, and reducing ink contamination of dampening rollers, DPS gives you faster, trouble-free start-ups. Sold only in full cases.

DPS-QUART	Quarts - full case	6	Case	14	\$61.64	\$44.38
-----------	--------------------	---	------	----	---------	---------



# CHEMICALS

## Product Selector and 2010 Price List

BASELINE 28% OFF LIST PRICE

5/7/2010

<i>Product number</i>	<i>Description</i>	<i>Units per Case</i>	<i>Sales U/M</i>	<i>Shipping Weight</i>	<i>List Price</i>	<i>CUST PRICE</i>
-----------------------	--------------------	-----------------------	------------------	------------------------	-------------------	-------------------

### Laser Direct™ Universal Fountain Solution

Fountain solution formulated for use with polyester laser plates is also compatible with silver-based and metal plates, which makes it an ideal multi-purpose fountain solution. It should always be diluted (32:1, water to solution) when wetting and running laser plates.

LASER-54103	Gallons - full case	4	Case	39	\$164.57	\$118.49
LASER-54103-B	Gallon - broken case	n/a	Gallon	10	\$49.38	\$35.55

### Laser Direct™ Plate Cleaner

This cleaner is specially formulated for polyester laser plates and is uniquely suited for cleaning plate surfaces and removing toner scatter that can cause tinting on press. Using Laser Direct™ Plate Cleaner is an easy, economical, and efficient way to get the best reproduction from dry toner imaged laser plates. Use full-strength with a soft, low-linting cotton pad or sponge.

LASER-520701	Quarts - full case	6	Case	14	\$99.51	\$71.65
LASER-520701-B	Quart - broken case	n/a	Quart	2.5	\$19.91	\$14.34

### Maticlean

This cleaner and conditioner can be used on chrome, rubber, nylon, and ceramic metering rollers in continuous dampening systems. Maticlean quickly removes ink build-up and any other oily matter. Maticlean coats the roller surface with its unique formula to make it more water receptive.

MATIC-222611	Quarts - full case	6	Case	13	\$56.31	\$40.54
MATIC-222611-B	Quart - broken case	n/a	Quart	2.5	\$11.26	\$8.11
MATIC-222613	Gallons - full case	4	Case	33	\$121.76	\$87.66
MATIC-222613-B	Gallon - broken case	n/a	Gallon	9	\$36.53	\$26.30

### RCL - Reactive Cross Linking Fountain Solution

GATF award winning one step fountain solution dramatically decreases the time needed for ink to setup and dry. RCL does not require alcohol or other additives. U.V. and IR dryers increase RCL's effectiveness but are not necessary.

RCL-503	Gallon	n/a	Each	9	\$59.98	\$43.19
RCL-506	5 Gallon	n/a	Each	45	\$299.89	\$215.92

### Total Release Compound (TRC)

Unique ink additive improves the transfer of ink from the printing blanket to the press sheet, which results in more consistent solids with reduced voids, shading, and ghosting. TRC also reduces ink tack without affecting ink body or the ink's open time. TRC can be used with oil, soy, rubber, acrylic, laser/thermal, U.V., or metallic inks and in overprint varnish.

TRC-0014	14 oz. Jars - full case	12	Case	13	\$406.20	\$292.47
TRC-0014-B	14 oz. Jar - broken case	n/a	Jar	1.5	\$36.91	\$26.57
TRC-0006	6 lb Can	n/a	Can	6	\$156.28	\$112.52

# CLEANUP SHEETS

## Product Selector and 2010 Price List

Effective 05/07/2010

BASELINE 28% OFF LIST PRICE

<i>Press Type and Mfg.</i>	<i>Style</i>	<i>Sheet Size in Inches</i>	<i>Sheets per Case</i>	<i>Product Number</i>	<i>Weight per Case</i>	<i>List price per unit</i>	<i>CUST PRICE</i>
<b>A.B. Dick</b>							
350, 320	PINBAR	10 3/16 x 15	100	1015-PB	5.6	\$31.22	\$22.48
350, 320	SLOTTED	10 3/16 X 15 1/2	100	1015-SL	5.4	\$32.79	\$23.61
360,367, 8805/10/15/20	PINBAR	11 X 18 5/8	100	ABD-360-PB	7.6	\$38.86	\$27.98
375	PINBAR	13 X 18 3/4	100	ABD-375-PB	9.5	\$46.74	\$33.65
385, 9880/90	STR EDGE	19 3/8 X 22 7/8	100	MGD-22-1/2-SE	16.9	\$89.47	\$64.42
9800/10/20/40/50/70, 9865, 9910/70	PINBAR	13 X 19 3/8	100	ABD-9800-PB	9.4	\$46.74	\$33.65
<b>AM/Multigraphics</b>							
1250, 2550	PINBAR	10 3/16 x 15	100	1015-PB	5.6	\$31.22	\$22.48
1250, 2550	SLOTTED	10 3/16 X 15 1/2	100	1015-SL	5.4	\$32.79	\$23.61
1250 Wide	PINBAR	11X 15 1/8	100	M-1250-WIDE-PB	6.5	\$39.80	\$28.66
1250 Wide	SLOTTED	11 1/8 X 15 5/8	100	M-1250-WIDE-SL	6.3	\$41.79	\$30.09
1250LW, 1250W, 2650,	PINBAR	11 X 18 1/8	100	1118-PB	7.5	\$39.63	\$28.53
1218	PINBAR	12 1/2 X 18 1/2	100	M-1218-PB	8.7	\$46.74	\$33.65
1360, 1450, 1650	PINBAR	13 X 18 1/16	100	M-1360-PB	9	\$46.74	\$33.65
1850/60/70, 1960, 4610/20	PINBAR	18 1/8 X 15 1/16	100	M-1850-PB	10.6	\$56.06	\$40.36
8585	STR EDGE	17 5/8 X 16	100	D-233-SE	10.8	\$53.34	\$38.40
<b>A.T.F.</b>							
15-115	PINBAR	10 3/16 x 15	100	1015-PB	5.6	\$31.22	\$22.48
15-115	SLOTTED	10 3/16 X 15 1/2	100	1015-SL	5.4	\$32.79	\$23.61
17-117	PINBAR	11 X 18 1/8	100	1118-PB	7.5	\$39.63	\$28.53
2000, X Series, 2117, 2217, SuperChief	PINBAR	13 X 18 1/16	100	M-1360-PB	9	\$46.74	\$33.65
<b>Davidson</b>							
221, 500, 501, 560	STR EDGE	10 3/16 X 16	100	D-221-SE	6.5	\$31.21	\$22.47
233, 700, 701, 702	STR EDGE	17 5/8 X 16	100	D-233-SE	10.8	\$53.34	\$38.40
<b>Hamada</b>							
500, 550	SLOTTED	10 7/8 X 15 3/4	100	H-500-SL	6.3	\$41.79	\$30.09
500, 550	PINBAR	11 X 15 1/2	100	H-500-PB	6.5	\$39.80	\$28.66
600, 660, 665	PINBAR	12 X 18 1/32	100	H-600-PB	8.1	\$46.74	\$33.65
601, 602, Duetto, 611, 612, 661, 622	PINBAR	12 X 18 3/16	100	H-601-PB	8.3	\$46.74	\$33.65
661ECD	PINBAR	13 X 19 3/8	100	ABD-9800-PB	9.4	\$46.74	\$33.65
700, 770, E47S	SLOTTED	15-1/2X18-1/2	100	H-700-SL	10.3	\$56.00	\$40.32
700, 770, 775, E47S,	PINBAR	15 1/2 X 18 1/2	100	H-700-PB	11	\$53.34	\$38.40
800	SLOTTED	15 7/8 X 20 1/2	100	H-800-SL	11.3	\$73.78	\$53.12
800 (18 Hole) 880, 885	SLOTTED	15 1/2 X 20 1/2	100	H-800-18-SL	12.1	\$73.78	\$53.12
<b>Imperial</b>							
2200, 3200	PINBAR	13 1/2 X 18 5/8	100	TOKO-4700-CD-PB	9.0	\$54.03	\$38.90
4200	PINBAR	13 X 19 3/8	100	ABD-9800-PB	9.4	\$46.74	\$33.65

# CLEANUP SHEETS

## Product Selector and 2010 Price List

Effective 05/07/2010

BASELINE 28% OFF LIST PRICE

<i>Press Type and Mfg.</i>	<i>Style</i>	<i>Sheet Size in inches</i>	<i>Sheets per Case</i>	<i>Product Number</i>	<i>Weight per Case</i>	<i>List price per unit</i>	<i>CUST PRICE</i>
<b>itek</b>							
950	SLOTTED	10 5/8 X 15 1/2	100	KR-2700-SL	6.1	\$41.79	\$30.09
960	PINBAR	11 1/2 X 18 9/16	100	KR-2800-PB	8	\$39.80	\$28.66
975	PINBAR	13 X 18 9/16	100	KR-3200-18-PB	8.9	\$46.74	\$33.65
975, 975-XL	PINBAR	13 X 19 3/8	100	ABD-9800-PB	9.4	\$46.74	\$33.65
985-18 5/8	PINBAR	13 1/2 X 18 5/8	100	KR-3200MCD18PB	9.8	\$52.15	\$37.55
985-19-3/8	PINBAR	13 1/2 X 19 3/8	100	KR-3200MCD19PB	9.8	\$52.15	\$37.55
<b>Miehle - M.G.D.</b>							
MGD-22 1/2	STR EDGE	19 3/8 X 22 7/8	100	MGD-22-1/2-SE	16.9	\$89.47	\$64.42
<b>Rotaprint</b>							
R40 SERIES	PINBAR	10 3/16 x 15	100	1015-PB	5.6	\$31.22	\$22.48
R40 SERIES	SLOTTED	10 3/16 X 15 1/2	100	1015-SL	5.4	\$32.79	\$23.61
<b>Ryobi</b>							
2700	SLOTTED	10 5/8 X 15 1/2	100	KR-2700-SL	6.1	\$41.79	\$30.09
2800	PINBAR	11 1/2 X 18 9/16	100	KR-2800-PB	8	\$39.80	\$28.66
2800-CD-XL	PINBAR	11 1/2 X 19 3/8	100	KR-2800-CDXLPB	8.6	\$46.74	\$33.65
3200-18 5/8	PINBAR	13 X 18 9/16	100	KR-3200-18-PB	8.9	\$46.74	\$33.65
3200-19 3/8	PINBAR	13 X 19 3/8	100	ABD-9800-PB	9.4	\$46.74	\$33.65
3200 PFA (lightweight)	STR EDGE	12 3/4 X 18 1/2	200	KR-3200-PFALWSE	10	\$41.86	\$30.14
3200 MCD-18 5/8	PINBAR	13 1/2 X 18 5/8	100	KR-3200MCD18PB	9.8	\$52.15	\$37.55
3200 MCD-19 3/8	PINBAR	13 1/2 X 19 3/8	100	KR-3200MCD19PB	9.8	\$52.15	\$37.55
3302/M	STR EDGE	13 1/4 X 19 5/32	100	KR-3302-SE	9.4	\$52.15	\$37.55
480D, 500N	SLOTTED	19 X 16 1/16	100	KR-480D-SL	12.1	\$54.75	\$39.42
<b>Toko</b>							
4700-CD	PINBAR	13 1/2 X 18 5/8	100	TOKO-4700-CD-PB	9.0	\$54.03	\$38.90
4750	PINBAR	13 X 19 3/8	100	ABD-9800-PB	9.4	\$46.74	\$33.65

# MULTI PURPOSE GLOVES

## Product Selector and 2010 Price List

Effective 05/07/2010

BASELINE 28% OFF LIST PRICE

<i>Product number</i>	<i>Size</i>	<i>Gloves per Pack</i>	<i>Shipping Weight</i>	<i>List price per Pack</i>	<i>CUST PRICE</i>
-----------------------	-------------	------------------------	------------------------	----------------------------	-------------------

### Economy Disposable Vinyl Glove - Clear

Soft, strong, and lightly powdered, these gloves are ideal for light-duty work and are latex-free to avoid allergic reactions. Sold in cases of 10.

GLOVE-CV100-S	SMALL	100/pack	22	\$11.95	\$8.61
GLOVE-CV100-M	MEDIUM	100/pack	22	\$11.95	\$8.61
GLOVE-CV100-L	LARGE	100/pack	22	\$11.95	\$8.61

### Disposable Vinyl Glove - Green

Loose-fitting, very durable, and lightly powdered, these gloves are slightly heavier than the Economy version and are latex-free to avoid allergic reactions.

GLOVE-V100-M	MEDIUM	100/pack	4	\$22.37	\$16.10
GLOVE-V300-M	MEDIUM	300/pack	11	\$54.44	\$39.20
GLOVE-V100-L	LARGE	100/pack	4	\$22.37	\$16.10
GLOVE-V300-L	LARGE	300/pack	11	\$54.44	\$39.20

### Disposable Nitrile Glove - Blue

Form fitting, strong, and lightly textured, these gloves offer superior protection against chemicals and tearing. Sold in cases of 10.

GLOVE-ND100-S	SMALL	100/pack	19	\$18.06	\$13.00
GLOVE-ND100-M	MEDIUM	100/pack	19	\$18.06	\$13.00
GLOVE-ND100-L	LARGE	100/pack	19	\$18.06	\$13.00

### Multi-Use Unsupported Nitrile Glove - Green

Long-lasting and flexible, these gloves offer a non-slip grip and an extended cuff. They resist punctures, abrasions, and most roller and blanket washes.

GLOVE-315F8	X-SMALL	12 pairs/pack	2	\$42.23	\$30.40
GLOVE-315F9	SMALL	12 pairs/pack	2	\$42.23	\$30.40
GLOVE-315F10	MEDIUM	12 pairs/pack	2	\$42.23	\$30.40
GLOVE-315F11	LARGE	12 pairs/pack	2	\$42.23	\$30.40

# GRAPHIC ARTS PENS

## Product Selector and 2010 Price List

Effective 05/07/2010

BASELINE 28% OFF LIST PRICE

<i>Product number</i>	<i>Description</i>	<i>Weight per Package</i>	<i>List price</i>	<i>CUST PRICE</i>
<b>Opaquing and Solvent Pens</b>				
Feature dense opacity and dry fast even in high humidity. They will not stick to glass or flake off due to heat or aging. Our opaquing pens are available in five thicknesses. We also offer brush tip pen for heavier opaquing, and an economical twin-tip opaquer.				
OPAQU-3999-B	Black Opaquing Pen - Micro-Fine Tip (.05 mm)	0.05	\$21.60	\$15.55
OPAQU-4001-B	Black Opaquing Pen - Fine Tip (.1 mm)	0.05	\$21.60	\$15.55
OPAQU-4003-B	Black Opaquing Pen - Medium Tip (.3 mm)	0.05	\$21.60	\$15.55
OPAQU-4005-B	Black Opaquing Pen - Medium Tip (.5 mm)	0.05	\$21.60	\$15.55
OPAQU-4030-B	Black Opaquing Pen - Broad Tip (3.0 mm)	0.05	\$21.60	\$15.55
OPAQU-4012-B	Black Opaquing Broad Tip Brush	0.05	\$21.60	\$15.55
OPAQU-4013-R	Red Opaquing Pen - Twin Tip	0.05	\$21.60	\$15.55
SOLVE-4010	Solvent Pen (for removing opaquing liquid)	0.05	\$6.62	\$4.76

### Image Remover Pens

Designed for quick and easy chemical removal of unwanted images. Corrections can be made during plate making or on press. Base-Line Image Removers are specially formulated for different film and plate materials: electrostatic, Silvermaster®, photo imagesetting papers and stats, all negative or positive pre-sensitized plates and film, the CTP and polyester laser plates.

#### Image Remover Pens for Electrostatic Plates

Work with Itek, ABDick®, 3M®, Mitsubishi®, Iwatsu®, or any other dry or wet electrostatic masters. Treated area is non-receptive to ink.

ELECT-7003	Electrostatic Plate - Fine Tip	0.05	\$14.97	\$10.78
ELECT-7004	Electrostatic Plate - Broad Tip	0.05	\$21.37	\$15.39

#### Image Remover Pens for Silvermaster Plates

These pens work with any "black plate" such as Silvermaster or Megalith/Itek®.

The treated area is non-receptive to ink.

SILVE-5001	Silver Plate - Fine Tip	0.05	\$12.83	\$9.24
SILVE-5002	Silver Plate - Broad Tip	0.05	\$21.37	\$15.39

#### Image Remover Pens for Positive or Negative Pre-sensitized Plates

These pens work with all types of metal plates, including Kodak®, Enco®, Dupont®, Howson®, Western®, 3M®, and Fuji®. They can also be used on diffusion transfer plates.

PLATE-1001	Metal Plate - Fine Tip	0.05	\$9.85	\$7.09
PLATE-1002	Metal Plate - Broad Tip	0.05	\$15.85	\$11.41

#### CTP Deletion Pen for Metal Plates

This pen works with CTP, long-run, and fast-exposure metal plates that are used on web and sheet fed presses. CTP-1000 pen features a unique 3-tip barrel with fine, medium, and broad tips.

CTP-1000	CTP Deletion Pen - 3 tip	0.05	\$31.83	\$22.92
----------	--------------------------	------	---------	---------

#### Laser Direct™ Deletion Pen for Laser Plates

This pen works with Laser Direct™ polyester laser plates as well as other types of laser plates.

LASER-5501	Laser Direct™ - Chisel Tip	0.05	\$18.77	\$13.51
------------	----------------------------	------	---------	---------

# GRAPHIC ARTS PENS

## Product Selector and 2010 Price List

Effective 05/07/2010

BASELINE 28% OFF LIST PRICE

<i>Product number</i>	<i>Description</i>	<i>Weight per Package</i>	<i>List price</i>	<i>CUST PRICE</i>
<b>Image Addition Pens</b>				
Designed to make quick and easy additions to images on the plate. Corrections can be made during plate making process or on press. Our Image Addition pens are specially formulated for different plate materials: electrostatic, Silvermaster®, all negative or positive pre-sensitized plates, and CTP plates.				
<b>Image Addition Pen for Electrostatic Plates</b>				
This pen adds images to all paper masters.				
ELECT-7002	Electrostatic Plate - Fine Tip	0.05	\$14.97	\$10.78
<b>Image Addition Pen for Silvermaster Plates</b>				
This pen adds images to "black plates" such as Silvermaster or Megalith/itek®.				
SILVE-5000	Silver Plate - Fine Tip	0.05	\$17.51	\$12.61
<b>Image Addition Pens for Positive or Negative Pre-sensitized Plates</b>				
These pens add images to all types of grained and ungrained aluminum plates, and can be used during plate making or on press.				
PLATE-2001	Metal Plate - Fine Tip	0.05	\$13.31	\$9.58
PLATE-2002	Metal Plate - Broad Tip	0.05	\$25.19	\$18.14
<b>Long Run Addition Pen for Metal Plates</b>				
Adds images to all types of metal plates from analog to CTP. The pen utilizes a two-step process: first, a prep tip is used to prepare the plate surface, then the pen's two additional tips make corrections that last for countless impressions.				
CTP-2000	CTP Addition Pen - 3 tip	0.05	\$34.14	\$24.58

# JOMAC DAMPENING COVERS

## Product Selector and 2010 Price List

Effective 05/07/2010

BASELINE 28% OFF LIST PRICE

Product number	Jomac Style Number	To Fit a Roller Diameter of Inches	Roll Length Yards	Roll Length Meters	Cut Cover Factor*	List Price per Roll	CUST PRICE
----------------	--------------------	------------------------------------	-------------------	--------------------	-------------------	---------------------	------------

### A-Tex®

### COTTON DAMPENING COVERS

These seamless, looped cotton covers for the water form and ductor rollers feature 100% bleached cotton construction, which provide high absorbency and long life. A-Tex is available in pre-cut covers and rolled material in boxes of 25 yard (22.8 meter) rolls. All A-Tex cut covers have drawstrings at both ends and are packed with clear plastic sheets for easier application.

ATEX-LL15-25YD	LL-15	Under 3/4	Under 19	25YD	22.8 m	0.1262	\$205.31	\$147.82
ATEX-LL25-25YD	LL-25	3/4 - 1 1/8	19 - 29	25YD	22.8 m	0.1767	\$205.31	\$147.82
ATEX-LL50-25YD	LL-50	1 1/4 - 1 1/2	32 - 38	25YD	22.8 m	0.1767	\$205.31	\$147.82
ATEX-LL75-25YD	LL-75	1 3/4 - 2	45 - 51	25YD	22.8 m	0.2019	\$217.38	\$156.51
ATEX-LL100-25YD	LL-100	2 1/8 - 2 3/8	54 - 60	25YD	22.8 m	0.2019	\$229.45	\$165.20
ATEX-LL150-25YD	LL-150	2 1/2 - 2 9/16	64 - 65	25YD	22.8 m	0.2019	\$245.57	\$176.81
ATEX-LL175-25YD	LL-175	2 5/8 - 2 11/16	67 - 68	25YD	22.8 m	0.2113	\$245.57	\$176.81
ATEX-LL200-25YD	LL-200	2 3/4 - 3 1/16	70 - 78	25YD	22.8 m	0.2271	\$273.73	\$197.09
ATEX-3-25YD	3	3 - 3 1/2	76 - 89	25YD	22.8 m	0.2436	\$297.89	\$214.48
ATEX-35-25YD	35	3 3/4 - 4	95 - 102	25YD	22.8 m	0.2525	\$318.04	\$228.99
ATEX-6-25YD	6	5 1/2 - 6 1/4	140 - 159	25YD	22.8 m	0.2814	\$410.62	\$295.65

Available by special order for OD 4" - 10" Call for prices and information

\*To determine the price of A-Tex cut cover with drawstrings at both ends, use one of the calculations that suits: →

→ Face Length of the Roller (inches)	→ Cut Length of your cover (inches)
x Cut Cover Factor* (above)	x Cut Cover Factor* (above)
x 1.25	x 1.1
+ 7.04	+ 7.04
= Base Price of one cut cover	= Base Price of one cut cover

For orders between \$1500 and 3499.99 take 7% discount, for orders over \$3500 take 14% discount off Base Price calculated using  
To calculate suggested list price, multiply Base Price with 1.43.

### Bild-Up

### COTTON DAMPENING COVERS

These seamless, light-weight, tightly knit cotton covers are highly absorbent and durable, and are used to enlarge the roller diameter. Bild-Up works great on water pickup and pan rollers of newspaper presses. Bild-Up rolled material comes in boxes of 25 yard (22.8 meter) rolls.

BILD-1020-25YD	1020	2 1/8 - 2 3/8	54 - 60	25YD	22.8 m	N/A	\$148.96	\$107.25
BILD-1025-25YD	1025	2 1/2 - 2 3/4	64 - 70	25YD	22.8 m	N/A	\$148.96	\$107.25
BILD-1030-25YD	1030	2 7/8 - 3	73 - 76	25YD	22.8 m	N/A	\$152.96	\$110.13
BILD-1035-25YD	1035	3 1/8 - 3 1/4	79 - 83	25YD	22.8 m	N/A	\$152.96	\$110.13

### J-Knit

### COTTON DAMPENING COVERS

These seamless, cotton covers are ideal for fast color changes on sheetfed or web presses. They simply slip over the existing cover and are removed at the end of the run. J-Knit is available in pre-cut covers with drawstrings at both ends and rolled material in boxes of 25 yard (22.8 meter) rolls.

JK-4000L-25YD	4000L	3 1/2 - 4 3/4	89 - 121	25YD	22.8 m	0.1620	\$189.22	\$136.24
---------------	-------	---------------	----------	------	--------	--------	----------	----------

\*To determine the price of J-Knit cut cover, use one of the calculations that suits: →

→ Face Length of the Roller (inches)	→ Cut Length of your cover (inches)
x Cut Cover Factor* (above)	x Cut Cover Factor* (above)
x 1.25	x 1.1
+ 5.87	+ 5.87
= Base Price of one cut cover	= Base Price of one cut cover

For orders between \$1500 and 3499.99 take 7% discount, for orders over \$3500 take 14% discount off Base Price calculated using  
To calculate suggested list price, multiply Base Price with 1.43.

# JOMAC DAMPENING COVERS

## Product Selector and 2010 Price List

Effective 05/07/2010

BASELINE 28% OFF LIST PRICE

Product number	Jomac Style Number	To Fit a Roller Diameter of Inches	Roll Length Yards	Roll Length Meters	Cut Cover Factor*	List Price per Roll	CUST PRICE
----------------	--------------------	------------------------------------	-------------------	--------------------	-------------------	---------------------	------------

### News-Knit

### COTTON DAMPENING COVERS

These seamless, medium-weight cotton covers for the water pickup or pan rollers of newspaper presses are highly absorbent and durable. News-Knit also works great as a ductor cover. News-Knit rolled material comes in boxes of 25 yard (22.8 meter) rolls.

NK-20-25YD	NK-20	1 3/4 - 2	44 - 51	25YD	22.8 m	N/A	\$179.16	\$129.00
NK-25-25YD	NK-25	2 1/8 - 2 3/8	54 - 60	25YD	22.8 m	N/A	\$179.16	\$129.00
NK-30-25YD	NK-30	2 1/2 - 2 3/4	64 - 70	25YD	22.8 m	N/A	\$179.16	\$129.00
NK-35-25YD	NK-35	2 7/8 - 3	73 - 76	25YD	22.8 m	N/A	\$179.16	\$129.00
NK-40-25YD	NK-40	3 1/8 - 3 1/4	79 - 83	25YD	22.8 m	N/A	\$185.17	\$133.32
NK-G3125-25YD	G-3125	GOSS URBANITE		25YD	22.8 m	N/A	\$201.28	\$144.92
NK-G3750-25YD	G-3750	GOSS COSMO		25YD	22.8 m	N/A	\$225.44	\$162.32

### J-Lastic

### COTTON DAMPENING COVERS

These seamless, elasticized cotton covers are highly absorbent, and provide an excellent alternative to linen covers for the water pan roller, fountain roller, or intermediate ductor roller. J-Lastic rolled material comes in boxes of 25 yard (22.8 meter) rolls.

JL-2-25YD	J-2	1 7/8 - 2 3/4	48 - 70	25YD	22.8 m	N/A	\$219.44	\$158.00
JL-3-25YD	J-3	3 - 4 1/4	76 - 105	25YD	22.8 m	N/A	\$314.01	\$226.09
JL-4-25YD	J-4	4 1/2 - 5	114 - 127	25YD	22.8 m	N/A	\$330.10	\$237.67

### Uni-Damp®

### COTTON DAMPENING COVERS

These seamless covers for the water form and ductor rollers have a uniformly sheared surface that produces a velour-smooth finish and provides maximum moisture control on small sheetfed presses. Uni-Damp is available in pre-cut covers and rolled material in boxes of 25 yard (22.8

UNI-1125-25YD	1125	1 1/8 - 1 1/4	29 - 32	25YD	22.8 m	0.4931	\$383.73	\$276.29
UNI-1150-25YD	1150	1 3/8 - 1 1/2	35 - 38	25YD	22.8 m	0.4931	\$431.69	\$310.82
UNI-1175-25YD	1175	1 9/16 - 1 3/4	40 - 44	25YD	22.8 m	0.5048	\$455.65	\$328.07
UNI-1200-25YD	1200	1 3/4 - 2	44 - 51	25YD	22.8 m	0.5107	\$455.65	\$328.07
UNI-1225-25YD	1225	2 1/16 - 2 1/4	52 - 57	25YD	22.8 m	0.5283	\$484.44	\$348.80
UNI-1250-25YD	1250	2 3/8 - 2 9/16	60 - 65	25YD	22.8 m	0.5635	\$542.01	\$390.25
UNI-1275-25YD	1275	2 5/8 - 2 3/4	67 - 70	25YD	22.8 m	0.5635	\$565.97	\$407.50
UNI-1300-25YD	1300	2 7/8 - 3 1/16	73 - 78	25YD	22.8 m	0.5635	\$589.97	\$424.78
UNI-1325-25YD	1325	3 1/8 - 3 5/16	79 - 84	25YD	22.8 m	0.5635	\$647.53	\$466.22

\*To determine the price of Uni-Damp cut cover with drawstrings at both ends, use one of the calculations that suits: →

→ Face Length of the Roller (inches)	→ Cut Length of your cover (inches)
x Cut Cover Factor* (above)	x Cut Cover Factor* (above)
x 1.25	x 1.1
+ 7.04	+ 7.04
= Base Price of one cut cover	= Base Price of one cut cover

For orders between \$1500 and 3499.99 take 7% discount, for orders over \$3500 take 14% discount off Base Price calculated using To calculate suggested list price, multiply Base Price with 1.43.



# JOMAC DAMPENING COVERS

## Product Selector and 2010 Price List

Effective 05/07/2010

BASELINE 28% OFF LIST PRICE

Product number	Jomac Style Number	To Fit a Roller Diameter of Inches	Roll Length Yards	Roll Length Meters	Cut Cover Factor*	List Price per Roll	CUST PRICE
----------------	--------------------	------------------------------------	-------------------	--------------------	-------------------	---------------------	------------

### Greensleeves™

### SYNTHETIC DAMPENING COVERS

These seamless, looped, synthetic covers for the water form and ductor rollers provide shrink-in installation, less frequent cleaning, and lint-free operation. Rolled material comes in boxes of 10 yard (9.1 m) and 25 yard (22.8 m) rolls. Standard Greensleeves cut covers come without drawstrings.

GS-118-10YD	GS-118	7/8 - 1	22 - 25	10 YD	9.1 m	0.2466	\$202.93	\$146.11
GS-125-10YD	GS-125	1 1/8 - 1 1/4	29 - 32	10 YD	9.1 m	0.2466	\$211.00	\$151.92
GS-150-10YD	GS-150	1 3/8 - 1 1/2	35 - 38	10 YD	9.1 m	0.2817	\$217.38	\$156.51
GS-175-10YD	GS-175	1 5/8 - 1 3/4	41 - 44	10 YD	9.1 m	0.3170	\$231.90	\$166.97
GS-218-10YD	GS-218	1 7/8 - 2 1/8	48 - 54	10 YD	9.1 m	0.3522	\$233.46	\$168.09
GS-250-10YD	GS-250	2 1/4 - 2 1/2	57 - 64	10 YD	9.1 m	0.3874	\$236.67	\$170.40
GS-300-10YD	GS-300	2 5/8 - 3	67 - 76	10 YD	9.1 m	0.3874	\$310.82	\$223.79
GS-350-10YD	GS-350	3 1/8 - 3 1/2	79 - 89	10 YD	9.1 m	0.3874	\$346.21	\$249.27
GS-118-25YD	GS-118	7/8 - 1	22 - 25	25YD	22.8 m	0.2466	\$438.80	\$315.94
GS-125-25YD	GS-125	1 1/8 - 1 1/4	29 - 32	25YD	22.8 m	0.2466	\$442.83	\$318.84
GS-150-25YD	GS-150	1 3/8 - 1 1/2	35 - 38	25YD	22.8 m	0.2817	\$446.81	\$321.70
GS-175-25YD	GS-175	1 5/8 - 1 3/4	41 - 44	25YD	22.8 m	0.3170	\$471.01	\$339.13
GS-218-25YD	GS-218	1 7/8 - 2 1/8	48 - 54	25YD	22.8 m	0.3522	\$519.30	\$373.90
GS-250-25YD	GS-250	2 1/4 - 2 1/2	57 - 64	25YD	22.8 m	0.3874	\$555.54	\$399.99
GS-300-25YD	GS-300	2 5/8 - 3	67 - 76	25YD	22.8 m	0.3874	\$696.44	\$501.44
GS-350-25YD	GS-350	3 1/8 - 3 1/2	79 - 89	25YD	22.8 m	0.3874	\$789.03	\$568.10

\*To determine the price of a Greensleeve cut cover, use one of the calculations that suits: →

→ Face Length of the Roller (inches)	→ Cut Length of your cover (inches)
x Cut Cover Factor* (above)	x Cut Cover Factor* (above)
x 1.25	x 1.1
+ 6.46	+ 6.46
+ Number of drawstrings**	+ Number of drawstrings**
= Base Price of one cut cover	= Base Price of one cut cover

\*\*0 if your cover has no drawstrings, 1 if your cover has one drawstring, 2 if your cover has two drawstrings

For orders between \$1500 and 3499.99 take 7% discount, for orders over \$3500 take 14% discount off Base Price calculated using To calculate suggested list price, multiply Base Price with 1.43.

### Green Synthetic J-Lastic® (JS)

### SYNTHETIC DAMPENING COVERS

These seamless covers for the intermediate pan or ductor rollers provide an excellent alternative to linen covers, and can also replace Jomac Dura-Shrink. JS rolled material comes in boxes of 25 yard (22.8 meter) rolls. Green Synthetic J-Lastic® cut covers come in packages of three with a drawstring on one end of each cover and 3 cable ties.

JS-3040-25YD	JS-3040	3.0 - 4.0	76 - 101	25YD	22.8 m	0.4462	\$432.78	\$311.60
--------------	---------	-----------	----------	------	--------	--------	----------	----------

\*To determine the price of a package of three Green Synthetic J-Lastic Covers with drawstring on one end and three cable ties, use

→ Cut Length of your cover (inches)
x Cut Cover Factor* (above)
x 3.3
+ 5.87
= Base Price of package of three Green Synthetic J-Lastic Covers with drawstring on one end and three

For orders between \$1500 and 3499.99 take 7% discount, for orders over \$3500 take 14% discount off Base Price calculated using

# JOMAC DAMPENING COVERS

## Product Selector and 2010 Price List

Effective 05/07/2010

BASELINE 28% OFF LIST PRICE

Product number	Jomac To Fit a Roller Diameter of		Roll Length		Cut Cover Factor*	List Price per Roll	CUST PRICE
	Style Number	Inches	Millimeters	Yards			
<b>GSS News Knit® (GNK)</b> SYNTHETIC DAMPENING COVERS							
Developed for the water pick-up rollers on large web offset newspaper presses, this seamless, shrink-fit cover provides consistent absorbency and a long, lint-free life. Boxes of 13.2 yd (12 m) roll.							
GNK-27-13.2YD	GNK-27	2.750 - 3.125	70 - 79	13.2YD	12 m	N/A	\$223.24 \$160.73

<b>Watersleeves™</b> SYNTHETIC DAMPENING COVERS							
Seamless, synthetic, lint-free, shrink-fit, non-patterning, and designed to replace paper sleeves used on the water form, WaterSleeves™ are available in pre-cut covers and rolled material. Cut covers are supplied with drawstrings at both ends and a mounting tube, and are packaged three to							
WS-118-1YD	118-130	1.18 - 1.30	30 - 33	1 YD	0.91 m	3.1501	\$50.22 \$36.16
WS-150-1YD	150-168	1.50 - 1.68	38 - 43	1 YD	0.91 m	3.1501	\$50.22 \$36.16
WS-169-1YD	169-192	1.69 - 1.92	43 - 49	1 YD	0.91 m	3.1501	\$50.22 \$36.16
WS-185-1YD	185-211	1.85 - 2.11	47 - 54	1 YD	0.91 m	3.1501	\$50.22 \$36.16
WS-193-1YD	193-219	1.93 - 2.19	49 - 56	1 YD	0.91 m	3.1501	\$50.22 \$36.16
WS-220-1YD	220-251	2.20 - 2.51	56 - 64	1 YD	0.91 m	3.1819	\$52.51 \$37.81
WS-243-1YD	243-263	2.43 - 2.63	62 - 67	1 YD	0.91 m	3.1819	\$52.51 \$37.81
WS-252-1YD	252-290	2.52 - 2.90	64 - 74	1 YD	0.91 m	3.1819	\$52.51 \$37.81
WS-291-1YD	291-335	2.91 - 3.35	74 - 85	1 YD	0.91 m	3.3476	\$54.77 \$39.43
WS-335-1YD	335-362	3.35 - 3.62	85 - 92	1 YD	0.91 m	3.3476	\$54.77 \$39.43
WS-336-1YD	336-394	3.36 - 3.94	85 - 100	1 YD	0.91 m	3.3476	\$54.77 \$39.43

\*To determine the price of WaterSleeves™ cut cover set of three sleeves with drawstrings at both ends and a mounting tube, use t

- Face Length of your Roller (inches)
- x Cut Cover Factor\* (above)
- + 7.57
- = Base Price of Watersleeve package as described above

<b>Dura-Shrink</b> SYNTHETIC DAMPENING COVERS							
Shrink-fit cover made for the intermediate ductor rollers on all Heidelberg K Series presses. Dura-Shrink comes in sets of three sleeves with drawstrings at one and cable ties to secure the other							
Product number	Jomac To Fit a Roller Diameter of		Cut cover Length		List Price per Set		
	Style Number	Inches	Millimeters	Inches			
DURA-K	DURA-K	2 9/16	65	36	0.91 m	\$64.24	\$46.25

## OTHER GRAPHIC ARTS PRODUCTS FOR USE WITH DAMPENING CO

### Dampening Cover Che

Product number	List Price per Case	
<b>Jomac DCC (Dampening Cover C</b>		
DCC-Gallon	\$131.91	\$94.98
<b>Jomac DPS (Dampening Prep So</b>		
DPS-Quart	\$61.64	\$44.38

# LASER PLATES

BASELINE 28% OFF LIST PRICE

## Product Selector and 2010 Price List

Effective 05/07/2010

### Laser Direct™ Plates

Laser Direct™ 50000 series polyester laser plates provide a high quality and affordable computer-to-plate solution for small and medium size press rooms. Ideal for short runs and spot color printing, Laser Direct™ plates are directly imaged using a high-resolution, dry toner laser printer (the HP LaserJet 5000/5100 series printer is ideal). Laser Direct™ plates do not require any additional processing. Plate's award winning technology offers enhanced surface conductivity and improved handling properties to provide fast turnaround and excellent quality. Laser Direct™ plates can be imaged on either side, can print in

Sheet Size in Inches	Sheets per package	Product Number	Weight per Case	Series	List price	CUST PRICE
8-5/8 X 12	100	LASER-50000-100	3	50000	\$69.18	\$49.81
8-5/8 X 14	100	LASER-50005-100	4	50000	\$80.72	\$58.12
8-5/8 X 15	100	LASER-50007-100	4	50000	\$86.49	\$62.27
10 X 15	100	LASER-50010-100	4	50000	\$100.26	\$72.19
10 X 15-1/2	100	LASER-50015-100	4	50000	\$103.63	\$74.61
11 X 18	100	LASER-50020-100	5	50000	\$132.36	\$95.30
11 X 18-1/2	100	LASER-50025-100	5	50000	\$136.04	\$97.95
11-1/8 X 18-1/2	100	LASER-50021-100	5	50000	\$137.59	\$99.06
11-1/4 X 18-1/2	100	LASER-50022-100	5	50000	\$139.13	\$100.18
11-3/4 X 18-1/2	100	LASER-50062-100	6	50000	\$155.41	\$111.90
11-3/4 X 19-3/8	100	LASER-50065-100	6	50000	\$155.41	\$111.90
12 X 18	100	LASER-50030-100	6	50000	\$144.40	\$103.97
12 X 19-3/8	100	LASER-50031-100	6	50000	\$155.41	\$111.90
12 X 19-7/8	100	LASER-50034-100	6	50000	\$159.42	\$114.79
12-1/2 X 19-3/8	100	LASER-50063-100	7	50000	\$168.38	\$121.23
12-1/2 X 19-7/8	100	LASER-50064-100	7	50000	\$172.71	\$124.35
13 X 19-3/8	100	LASER-50035-100	7	50000	\$168.38	\$121.23
13 X 19-7/8	100	LASER-50036-100	7	50000	\$172.71	\$124.35

### Laser Direct™ Plate Reinforcing Strips

These 13" long aluminum reinforcing strips feature a pressure sensitive adhesive side. When applied to the edge of polyester laser plates, silver plates, or electrostatic plates, reinforcing strips eliminate flexing and tearing of the plate, and help maintain registration

Reinforcing Strips 13"	100	LASER-5801	1	13 "	\$45.03	\$32.42
------------------------	-----	------------	---	------	---------	---------

### Laser Direct™ Universal Fountain Solution

Fountain solution formulated for use with polyester laser plates is also compatible with silver-based and metal plates, which makes it an ideal multi-purpose fountain solution. It should always be diluted (32:1, water to solution) when wetting and running laser plates.

LASER-54103	Gallons - full case	4	Case	39	\$164.57	\$118.49
LASER-54103-B	Gallon - broken case	n/a	Gallon	10	\$49.38	\$35.55

### Laser Direct™ Plate Cleaner

This cleaner is specially formulated for polyester laser plates and is uniquely suited for cleaning plate surfaces and removing toner scatter that can cause tinting on press. Using Laser Direct™ Plate Cleaner is an easy, economical, and efficient way to get the best reproduction from dry toner imaged laser plates. Use full-strength with a soft, low-linting

LASER-520701	Quarts - full case	6	Case	14	\$99.51	\$71.65
LASER-520701-B	Quart - broken case	n/a	Quart	2.5	\$19.91	\$14.34

### Laser Direct™ Deletion Pen

Chisel point image remover is specially formulated for quick corrections of dry toner imaged polyester laser plates.

LASER-5501	Deletion Pen	Chisel Tip	Each	14	\$18.77	\$13.51
------------	--------------	------------	------	----	---------	---------

# RULED PAPER MASKING SHEETS

## Product Selector and 2010 Price List

BASELINE 28% OFF LIST PRICE

Effective 05/07/2010

<i>Press Type and Mfg.</i>	<i>Product Number</i>	<i>Sheet Size In Inches</i>	<i>Sheets per Package</i>	<i>Weight per Package</i>	<i>List price</i>	<i>CUST PRICE</i>
<b>Combination/Universal</b>						
UNIVERSAL 1015	U-1015	10-1/16 X 15-15/16	100	3	\$35.67	\$25.68
Fits all 10"x15" to 16" presses: AB Dick 320, 350; ATF-15; Davidson 221, 500; Itek 950. Multi 1250;						
UNIVERSAL 1117	U-1117	11-1/16 X 18-1/2	100	4	\$50.00	\$36.00
Fits all 11"x17" to 18" presses: AB Dick 360; ATF-17; Multi 1250-W						
UNIVERSAL 1319	U-1319	13-1/16 X 19-3/4	100	6	\$62.65	\$45.11
Fits all 12-3/4" to 13"x19" presses: AB Dick 375, 9800; ATF Chief XL Series; Gestetner 313, 314;						
UNIVERSAL FORM 29	F-29	31-5/8 X 29	100	18	\$186.72	\$134.44
Fits all 29" to 30" presses: Akiyama; ATF; Aurelia; Harris; Heidelberg; Komori; Man Rolan 202; Miehle;						
UNIVERSAL FORM 31/41	F-31/41	41-3/4 X 34-1/2	100	30	\$295.49	\$212.75
Fits all 31" to 41" wide presses (including 23"x35", 24"x36", 25"x38", 26"x40"): Akiyama,						
<b>A.B. Dick</b>						
ABD 350	ABD-350	10-1/16 X 16	100	3	\$35.67	\$25.68
ABD 360 (10-3/4" plate)	ABD-360	10-13/16 X 18-1/2	100	4	\$50.00	\$36.00
ABD-360A (11" plate), 369, 8805, 8820	ABD-360-A	11-1/16 X 18-1/2	100	4	\$50.00	\$36.00
ABD 360L	ABD-360-L	11-1/16 X 19	100	4	\$57.95	\$41.72
ABD 375	ABD-375	13 X 18-5/8	100	5	\$62.66	\$45.12
ABD 385, 9880/90 (22-1/4" image)	MGD-22-A	23 X 19-1/4	100	8	\$104.46	\$75.21
ABD 9800/10/20/40/50/65/70, 9910/70/85	ABD-9800	13-1/8 X 19-15/16	100	5	\$62.66	\$45.12
<b>AM/Multigraphics</b>						
Multi 1250 Pinbar	M-1250-PB	10-1/16 X 15	100	3	\$35.67	\$25.68
Multi 1250	M-1250-R-3	10-1/16 X 15-5/8	100	3	\$35.67	\$25.68
Multi 1250-W, LW, 2650, 2850, 2975	M-1250-W	11-1/16 X 18-3/16	100	4	\$52.50	\$37.80
Multi 1218, 1218E!	M-1218	13 X 19-1/2	100	4	\$62.66	\$45.12
Multi 1330, 1360, 1450, 1650, 1650SE	M-1330	12-7/8 X 18-3/16	100	5	\$62.66	\$45.12
Multi 1850/60/70, 1900/60/62, 4610/20	M-1850	18-1/8 X 15-1/16	100	5	\$67.30	\$48.46
Multi 8585	D-233/700	17-5/8 X 16-1/16	100	5	\$67.30	\$48.46
<b>A.T.F.</b>						
Chief 15,115	ATF-15	10-1/16 X 15-3/8	100	3	\$35.67	\$25.68
Chief 17, 117, 217	ATF-17	11-1/16 X 18-3/16	100	4	\$50.00	\$36.00
Chief 2000, 2117, 2217, X Series	ATF-2000	13-1/16 X 18-1/8	100	4	\$62.66	\$45.12
Chief 22	WEB-22	22-3/4 X 20	100	8	\$104.46	\$75.21
Solna 125, 225, 425	ATF-125	25-1/2 X 20-3/16	100	10	\$114.20	\$82.22
<b>Davidson</b>						
221, 241, 251, 500, 501, 560	D-221/500	10-1/16 X 16	100	3	\$35.67	\$25.68
Fits all Davidson 10"x16" plates (13"&14" image) 1", 3/4", 5/8" plate bends						
233, 700, 701, 702	D-233/700	17-5/8 X 16-1/16	100	5	\$67.30	\$48.46
(13" & 14" image) 1", 3/4", 5/8" plate bends						
600, 601, 650	D-600	17-5/8 X 13-3/4	100	4	\$67.30	\$48.46

# RULED PAPER MASKING SHEETS

## Product Selector and 2010 Price List

BASELINE 28% OFF LIST PRICE

Effective 05/07/2010

<i>Press Type and Mfg.</i>	<i>Product Number</i>	<i>Sheet Size In Inches</i>	<i>Sheets per Package</i>	<i>Weight per Package</i>	<i>List price</i>	<i>CUST PRICE</i>
<b>Didde Graphics</b>						
Apollo	D.G.A.	13-1/2 X 9-7/16	100	3	\$35.67	\$25.68
DG 175 & Webcomb 11" Compupress	DG-175-11	17-3/8 X 12-1/16	100	4	\$62.66	\$45.12
DG 175 & Webcomb 17"	DG-175-17	17-3/8 X 18-3/16	100	5	\$104.46	\$75.21
DG 175 & Webcomb 22"	DG-175-22	17-3/8 X 23-1/4	100	7	\$104.46	\$75.21
DG MCM 24"	MCM-24	20-3/8 X 25-1/4	100	10	\$114.20	\$82.22
Tandemer 8	TAND-8	13-1/2 X 9-9/16	100	3	\$35.67	\$25.68
Tandemer 17, Apollo 17, Conserver 17, Minicom, MCP	TAND-17	13-1/2 X 18-1/4	100	2	\$71.46	\$51.45
<b>Halm</b>						
Jet	JP-2	12-1/4 X 9-1/2	100	2	\$35.67	\$25.68
Super Jet	JP-06	12-1/4 X 19-9/16	100	4	\$71.46	\$51.45
<b>Hamada</b>						
C248/E	H-C248	15-7/8 X 19-1/16	100	5	\$71.46	\$51.45
C252 series	H-C252	20-15/32 X 15-15/16	100	6	\$71.46	\$51.45
500, 550 series	H-500	10-7/8 X 15-13/16	100	3	\$52.50	\$37.80
600, 660, 665, 665CD	H-600	11-13/16 X 18-1/8	100	4	\$57.95	\$41.72
601, 602, 611, 612, 661, 662, Duetto	H-601/612	12-1/16 X 18-1/8	100	4	\$62.66	\$45.12
700, 770 series, 775, E47S	H-700	18-1/2 X 15-7/8	100	5	\$71.46	\$51.45
800, 880 series	H-800	20-5/8 X 16	100	6	\$71.46	\$51.45
<b>Harris</b>						
125 B/C	HRS-125B/C	25-3/8 X 20-3/4	100	10	\$114.20	\$82.22
<b>Heidelberg</b>						
GTO 46	GTO-46	18 X 15	100	5	\$67.30	\$48.46
GTO 52	GTO-52	20-1/4 X 15-7/8	100	6	\$71.46	\$51.45
KORA	KORA	22-7/8 X 21-1/8	100	9	\$114.20	\$82.22
KORD 64 (25-1/4" image)	KORD-64	25-3/4 X 21-5/8	100	10	\$114.20	\$82.22
KORS	KORS	28-5/8 X 24-1/4	100	12	\$139.62	\$100.53
Quickmaster 46	QM-46	13-3/4 X 19-7/8	100	6	\$71.46	\$51.45
SORD/SORD-Z	F-31/41	41-3/4 X 34-1/2	100	30	\$295.49	\$212.75
SORK/M.O. series	SORK	25-3/4 X 21-5/8	100	10	\$114.20	\$82.22
SORM	SORM	28-5/8 X 24-1/4	100	12	\$139.62	\$100.53
Speedmaster 52	SM-52	20-7/8 X 18-5/32	100	8	\$104.46	\$75.21
T-Offset	TOK/TOM	10-5/8 X 15-3/8	100	3	\$52.50	\$37.80
<b>Imperial</b>						
2200, 3200	M-1218	13 X 19-1/2	100	4	\$62.66	\$45.12
4200	ABD-9800	13-1/8 X 19-15/16	100	5	\$62.66	\$45.12
<b>Itek</b>						
960	KR-290	11-1/2 X 18-1/2	100	4	\$57.95	\$41.72
975	KR-3200-13	13 X 19-1/2	100	4	\$62.66	\$45.12
985, 975 CPD	KR-3200-MCD	13-5/8 X 19-1/2	100	5	\$71.46	\$51.45
3980, 3985	KR-3302	13-1/4 X 19-1/4	100	5	\$62.66	\$45.12

# RULED PAPER MASKING SHEETS

## Product Selector and 2010 Price List

BASELINE 28% OFF LIST PRICE

Effective 05/07/2010

<i>Press Type and Mfg.</i>	<i>Product Number</i>	<i>Sheet Size In Inches</i>	<i>Sheets per Package</i>	<i>Weight per Package</i>	<i>List price</i>	<i>CUST PRICE</i>
<b>Komori</b>						
Sprint Lithrone 26	KSL-26	22-1/8 X 26-15/32	100	10	\$139.62	\$100.53
<b>Miehle</b>						
M.G.D. 22 (22-1/4" image)	MGD-22-A	23 X 19-1/4	100	8	\$104.46	\$75.21
<b>Omni/Adast</b>						
514,515,524,525,526	RZ-20-S	20-9/16 X 16-3/8	100	6	\$75.03	\$54.02
714,715,724,725,745,755,775	RZ-126	25-3/4 X 21	100	10	\$114.20	\$82.22
<b>Rotaprint</b>						
R-40	U-1015	10-1/16 X 15-15/16	100	3	\$35.67	\$25.68
<b>Royal Zenith</b>						
20-S	RZ-20-S	20-9/16 X 16-3/8	100	6	\$75.03	\$54.02
126, 226	RZ-126	25-3/4 X 21	100	10	\$114.20	\$82.22
<b>Ryobi</b>						
290, 2800	KR-290	11-1/2 X 18-1/2	100	4	\$57.95	\$41.72
Fits 11", 11-1/4", 11-3/8", 11-1/2" plates						
2800 CDXL	KR-2800-CD-XL	11-9/16 X 19-3/8	100	4	\$62.66	\$45.12
3200 (13" wide plate), PFA	KR-3200-13	13 X 19-1/2	100	4	\$62.66	\$45.12
3200 MCD (13-5/8" wide plate)	KR-3200-MCD	13-5/8 X 19-1/2	100	5	\$71.46	\$51.45
3300, 3302/M, 3304	KR-3302	13-1/4 X 19-1/4	100	5	\$62.66	\$45.12
480, 500, 500N	KR-480	19-1/8 X 16	100	6	\$71.46	\$51.45
512, 520, 522, 524, 525	KR-522	20-3/16 X 15-7/8	100	6	\$71.46	\$51.45
580, 582H	KR-582	23-1/32 X 20	100	9	\$114.20	\$82.22
640K	KR-640K-SC	25-5/8 X 21-5/8	100	10	\$114.20	\$82.22
660, 660H, 662H, 662PFH	KR-662	26-9/16 X 22-1/8	100	11	\$139.62	\$100.53
<b>Sakurai</b>						
Sakurai/Oliver 58, 258	SAK-258	23-1/32 X 20	100	9	\$114.20	\$82.22
<b>Shinohara</b>						
52	S-52-SC	20-3/4 X 16-5/32	100	6	\$104.46	\$75.21
65, Fuji 65	S-65	26 X 21-5/8	100	10	\$114.20	\$82.22
<b>Solna</b>						
125, 225, 425	ATF-125	25-1/2 X 20-3/16	100	10	\$114.20	\$82.22
164, 264, 464	S-164	25-5/8 X 21-5/8	100	10	\$139.62	\$100.53
<b>Toko</b>						
4700	ABD-375	13 X 18-5/8	100	5	\$62.66	\$45.12
4750	TOKO-4750	13-1/8 X 20	100	5	\$62.66	\$45.12

# RULED ORANGE VINYL MASKING SHEETS

## Product Selector and 2010 Price List

Effective 05/07/2010

BASELINE 28% OFF LIST PRICE

<i>Press Type and Mfg.</i>	<i>Product Number</i>	<i>Sheet Size In Inches</i>	<i>Sheets per Package</i>	<i>Weight per Package</i>	<i>List price</i>	<i>CUST PRICE</i>
<b>A.B. Dick</b>						
ABD 9800/10/20/40/50/65/70, 9910/70/85	MV5-ABD-9800	13-1/8 X 19-15/16	100	9	\$105.95	\$76.28
<b>AM/Multigraphics</b>						
Multi 1250-W, LW, 2650, 2850, 2975	MV5-M-1250-W	11-1/16 X 18-3/16	100	7	\$82.45	\$59.36
<b>Halm</b>						
Jet	MV5-JP-2	12-1/4 X 9-1/2	100	5	\$68.13	\$49.05
Super Jet	MV5-JP-06	12-1/4 X 19-9/16	100	8	\$124.03	\$89.30
<b>Hamada</b>						
C248/E	MV5-H-C248	15-7/8 X 19-1/16	100	10	\$124.03	\$89.30
600, 660, 665, 665CD	MV5-H-600	11-13/16 X 18-1/8	100	7	\$96.80	\$69.70
<b>Heidelberg</b>						
GTO 52	MV5-GTO-52	20-1/4 X 15-7/8	100	12	\$123.52	\$88.93
KORD (25-1/4" image)	MV5-KORD-64	25-3/4 X 21-5/8	100	17	\$196.88	\$141.75
Quickmaster 46	MV5-QM-46	13-3/4 X 19-7/8	100	9	\$120.75	\$86.94
SORK/M.O. series	MV5-SORK	25-3/4 X 21-5/8	100	18	\$197.10	\$141.91
T-Offset	MV5-TOK/TOM	10-5/8 X 15-3/8	100	5	\$83.25	\$59.94
<b>Imperial</b>						
4200	MV5-ABD-9800	13-1/8 X 19-15/16	100	9	\$105.95	\$76.28
<b>Itek</b>						
975	MV5-KR-3200-13	13 X 19-1/2	100	9	\$105.72	\$76.12
985, 975 CPD	MV5-KR-3200-MCD	13-5/8 X 19-1/2	100	9	\$120.73	\$86.93
3980, 3985	MV5-KR-3302	13-1/4 X 19-1/4	100	9	\$105.72	\$76.12
<b>Ryobi</b>						
3200 (13" wide plate), PFA	MV5-KR-3200-13	13 X 19-1/2	100	9	\$105.72	\$76.12
3200 MCD (13-5/8" wide plate)	MV5-KR-3200-MCD	13-5/8 X 19-1/2	100	9	\$120.73	\$86.93
3300, 3302/M, 3304	MV5-KR-3302	13-1/4 X 19-1/4	100	9	\$105.72	\$76.12
512, 520, 522, 524, 525	MV5-KR-522	20-3/16 X 15-7/8	100	12	\$123.02	\$88.57

Above printed vinyl masking sheets are stock items.

All printed masking sheets are available in orange vinyl version for a setup charge of \$50 and a minimum order of 25 packages of 100 sheets. 15% Over/under runs apply

# UNRULED PAPER MASKING SHEETS - GOLDENROD

## Product Selector and 2010 Price List

BASELINE 28% OFF LIST PRICE

AS OF MAY 7, 2010

<i>Product Number</i>	<i>Description</i>	<i>Sheet Size in Inches</i>	<i>Sheets per Pkg</i>	<i>Weight per Pkg</i>	<i>List price</i>	<i>CUST PRICE</i>
1312X20	UNRULED GOLDENROD MASKING	13-1/2 X 20	100	5	\$22.70	\$16.34
1312X20-B	UNRULED GOLDENROD MASKING	13-1/2 X 20	500	28	\$98.66	\$71.04
16X20	UNRULED GOLDENROD MASKING	16 X 20	100	6	\$26.88	\$19.35
16X20-B	UNRULED GOLDENROD MASKING	16 X 20	500	28	\$116.89	\$84.16
1612X21-B	UNRULED GOLDENROD MASKING	16-1/2 X 21	500	30	\$126.62	\$91.17
20X24	UNRULED GOLDENROD MASKING	20 X 24	100	9	\$40.33	\$29.04
20X24-B	UNRULED GOLDENROD MASKING	20 X 24	500	45	\$175.34	\$126.24
22X28	UNRULED GOLDENROD MASKING	22 X 28	100	11	\$51.77	\$37.27
22X28-B	UNRULED GOLDENROD MASKING	22 X 28	500	56	\$225.05	\$162.04
24X36	UNRULED GOLDENROD MASKING	24 X 36	100	18	\$80.60	\$58.03
24X36-B	UNRULED GOLDENROD MASKING	24 X 36	500	80	\$350.41	\$252.30
25X38	UNRULED GOLDENROD MASKING	25 X 38	100	18	\$88.61	\$63.80
25X38-B	UNRULED GOLDENROD MASKING	25 X 38	500	90	\$385.25	\$277.38
30X40	UNRULED GOLDENROD MASKING	30 X 40	100	25	\$111.93	\$80.59
30X40-B	UNRULED GOLDENROD MASKING	30 X 40	500	125	\$486.62	\$350.37
35X45	UNRULED GOLDENROD MASKING	35 X 45	100	27	\$136.07	\$97.97
35X45-B	UNRULED GOLDENROD MASKING	35 X 45	500	135	\$591.58	\$425.94
38X50-B	UNRULED GOLDENROD MASKING	38 X 50	500	210	\$770.50	\$554.76



# NONWOVEN PRODUCTS: PADS/WIPES/CLOTHS/CHEESECLOTH Product Selector and 2010 Price List

BASELINE 28% OFF LIST PRICE

Effective 05/07/2010

<i>Product number</i>	<i>Description</i>	<i>Size (in)</i>	<i>Units per Package</i>	<i>Packages per Case</i>	<i>Weight per Case</i>	<i>List price</i>	<i>CUST PRICE</i>
-----------------------	--------------------	------------------	--------------------------	--------------------------	------------------------	-------------------	-------------------

## Cotton Litho Pads and Wipes

These 100% cotton pads and wipes are strong and highly absorbent so they won't break down in water or solvents. They are also soft, contain no chemicals and leave very low lint, so they won't scratch the most delicate materials. Available in 4x4 or 8x8 sizes, these pads and wipes are convenient for camera rooms, stripping areas, platemaking, and small press operations.

562211BL	Cotton Litho Pads	4 x 4	100/pkg	20	12	\$111.48	\$80.27
562211BL-B-500	500 Bulk Cotton Litho Pads*	4 x 4	500/case	N/A	2	\$24.19	\$17.42
562207BLN	Cotton Litho Wipes	8 x 8	100/roll	8	10	\$76.55	\$55.12

\* Bulk package consists of loose 4x4 cotton pads in a case. There are no inner packs.

• This item is packed 6 to the master case. Please place orders in multiples of 6.

## Base-Line Blue Shop Cloths

These synthetic shop cloths are strong in both directions and will not rip or tear. They are soft, highly absorbent, extremely low-linting, and contain no contaminants. These multi-purpose products are excellent for pre-press, pressroom, and countless other industrial cleaning applications.

560029BL	Blue Shop Cloths	13 x 13	25/pkg	15	9	\$61.44	\$44.24
----------	------------------	---------	--------	----	---	---------	---------

## Screen and Scanner Wipes

These non-scratch, synthetic wipes are ultra-soft, completely lint-free, and anti-static, making them perfect for cleaning computer screens, scanner beds and drums, light tables, contact screens, photo film, optics, and safety or prescription eyewear.

560128BL	Screen Wipes	7 x 13	25/pkg	12	5	\$52.25	\$37.62
----------	--------------	--------	--------	----	---	---------	---------

## Cotton Cheesecloth - Grade 50

This 4-ply, 100% cotton cheesecloth is soft, absorbent, non-abrasive, and durable. Cheesecloth is excellent for gumming and buffing plates, as well as countless other graphic arts applications.

589922BL	Cotton Cheesecloth	30 x 33.5	120/roll	8	58	\$735.49	\$529.55
589922BL-4R	Cotton Cheesecloth	30 x 33.5	120/roll	4	29	\$367.74	\$264.77

# SPLICING TAPE

## Product Selector and 2010 Price List

Effective 05/07/2010

BASELINE 28% OFF LIST PRICE

### Double Faced Repulpable Tape - Blue

Versatile repulpable acrylic adhesive tape with repulpable non-woven carrier, coated on both sides. Other outstanding features are high peel and tack, high adhesion, and dissolvable acrylic adhesion.

<i>Product number</i>	<i>Description</i>	<i>Tape Thickness</i>	<i>Roll Length</i>	<i>Roll Width</i>	<i>Rolls per Case</i>	<i>List Price per Case</i>	<i>CUST PRICE</i>
T-26-050	Double Faced Repulpable Tape - Blue	4.3 mil	60 yd	1/2"	92	\$420.92	\$303.06
T-26-075	Double Faced Repulpable Tape - Blue	4.3 mil	60 yd	3/4"	64	\$418.60	\$301.39
T-26-1	Double Faced Repulpable Tape - Blue	4.3 mil	60 yd	1"	48	\$399.01	\$287.29
T-26-15	Double Faced Repulpable Tape - Blue	4.3 mil	60 yd	1 1/2"	32	\$399.16	\$287.39
T-26-2	Double Faced Repulpable Tape - Blue	4.3 mil	60 yd	2"	24	\$399.16	\$287.39

Hyton®  
 Nubtex®  
 Photex®  
 Quack®  
 Vintage Quack®  
 Red-1®  
 Red Runner®  
 Snowtex®  
 Verasorb®  
 Web-Lock®  
 Webri®  
 Washtex®  
 Elixir®



**GRAPHIC ARTS PRODUCTS**  
**Suggested Resale Price List**

EFFECTIVE: MARCH 2, 2009; SUPERSEDES: NOVEMBER 1, 2007

BBA - FIBERWEB 20% OFF LIST PRICE

**REPRODUCTION PRODUCTS**

AS OF

7-May-10

**WIPES**

DESCRIPTION	ITEM CODE	NOMINAL SIZE	PIECES PER PACKAGE	PACKS PER CASE	PRICE PER UNIT	PRICE PER CASE	CUST PRICE
Webriil Handi-Pads 4 X 4	562211	4" x 4"	100	20	\$5.84	\$116.80	\$93.44
Webriil Handi Pads 4 X 4 Handi-Pak	562200	4" x 4"	100	4	\$5.83	\$23.32	\$18.66
Webriil Handi-Pad Rack	569931			1	\$28.90	\$28.90	\$23.12
Webriil Litho-Pads	562070	4" x 8"	100	20 rolls	\$8.07	\$161.40	\$129.12
Webriil Wipes	562207	8" x 8"	100	8 rolls	\$10.03	\$80.24	\$64.19
Webriil Wipe Rack	569925			6	\$8.04	\$48.24	\$38.59
Photex VIP Digital Wipes	560186	7" x 13"	25	12	\$7.34	\$88.08	\$70.46
Photex Scanner Wipes	548026	9" x 13"	100	4	\$26.11	\$104.44	\$83.55
Nubtex Style #313	560029	13" x 13"	25	15	\$3.67	\$55.05	\$44.04
Nubtex Style #317	560028	13" x 17"	25	15	\$4.81	\$72.15	\$57.72
Nubtex Style #617	560027	16" x 17"	25	15	\$5.92	\$88.80	\$71.04
Nubtex Style #216R (Rolls)	561980	12.2" x 15.75"	400	2 rolls	\$59.38	\$118.76	\$95.01
Nubtex Pop-Up Box	561539	12" X 17"	150	1	\$37.02	\$37.02	\$29.62
Nubtex/Snowtex Floor Rack	569941			1	\$37.61	\$37.61	\$30.09
Nubtex/Snowtex Wall Rack	569934			1	\$27.95	\$27.95	\$22.36
Snowtex Style QF 80	560080	13" x 13"	25	15	\$4.21	\$63.15	\$50.52
Snowtex Style QF 81	560081	13" x 17"	25	15	\$5.94	\$89.10	\$71.28
Snowtex Style QF 82	560082	16" x 17"	25	15	\$7.05	\$105.75	\$84.60
Snowtex Style PR 96 (Rolls)	561190	12.2" x 17.3"	400	2 rolls	\$70.43	\$140.86	\$112.69
KleanWipes Task Wipers	579835	15" x 16.75"	140	15	\$9.41	\$141.15	\$112.92
KleanWipes AP on a Roll	8411023	12" x 15"	500	1	\$60.21	\$60.21	\$48.17
KleanWipes AP Pop-Up Box	579838	12" X 17"	150	1	\$24.89	\$24.89	\$19.91
Verasorb 48 Absorbent Socks	525000	3" x 48"		24	\$3.67	\$88.08	\$70.46
Verasorb 38 Absorbent Socks	525002	3" x 38"		24	\$3.13	\$75.12	\$60.10
Washtex Flexo Wipes	579939	14" x 17"	500	1	\$69.65	\$69.65	\$55.72
Flextex Plate Pad	569940	4"x 5"	144	1	\$108.71	\$108.71	\$86.97

**VERATEC® CHEESECLOTH**

DESCRIPTION	ITEM CODE	PIECES PER ROLL	YARDS PER CASE	UNITS PER CASE	PRICE PER UNIT	PRICE PER CASE	CUST PRICE
Economy-Cut #40 8 30"x36" 4 Ply Rolls	589922	120	800	8	\$84.31	\$674.48	\$539.58
Economy-Cut #50 8 30"x36" 4 Ply Rolls	589923	120	800	8	\$94.78	\$758.24	\$606.59
Economy-Cut Rack	569930			1	\$15.04	\$15.04	\$12.03
Handi-Fold #10 10 80-yd x 36" Bolts	589927		800	10	\$46.01	\$460.10	\$368.08
Handi-Fold #40 10 70-yd x 36" Bolts	589928		700	10	\$56.48	\$564.80	\$451.84
Handi-Fold #50 10 70-yd x 36" Bolts	589929		700	10	\$59.63	\$596.30	\$477.04
Crimped Polishing Cloth -10"x24" Piece Rolls	569525	100	800	12	\$33.33	\$399.96	\$319.97

PRICES SUBJECT TO CHANGE WITHOUT NOTICE

Hyton®  
 Nubtex®  
 Photex®  
 Quack®  
 Vintage Quack®  
 Red-1®  
 Red Runner®  
 Snowtex®  
 Verasorb®  
 Web-Lock®  
 Webri®  
 Washtex®  
 Elixir®



**GRAPHIC ARTS PRODUCTS**  
**Suggested Resale Price List**

EFFECTIVE: MARCH 2, 2009; SUPERSEDES: NOVEMBER 1, 2007

BBA - FIBERWEB 20% OFF LIST PRICE

**REPRODUCTION PRODUCTS**

AS OF

7-May-10

**WIPES**

DESCRIPTION	ITEM CODE	NOMINAL SIZE	PIECES PER PACKAGE	PACKS PER CASE	PRICE PER UNIT	PRICE PER CASE	CUST PRICE
-------------	-----------	--------------	--------------------	----------------	----------------	----------------	------------

**PRESSROOM PRODUCTS**

**WEBRIL® HANDCLEANER**

DESCRIPTION	ITEM CODE			UNITS PER CASE	PRICE PER UNIT	PRICE PER CASE	
Webriil Waterless with Pumice 1-Gal Bottle	569933			4	\$25.09	\$100.36	\$80.29
Webriil Natural Citrus 1-Gal Bottle	569738			4	\$29.74	\$118.96	\$95.17
Webriil Natural Citrus with Pumice 4.5-Lb Can	569753			6	\$12.40	\$74.40	\$59.52
Wall Rack for 1-Gal Bottles	569750			1	\$11.93	\$11.93	\$9.54
Dispenser Unit for 4.5-Lb Cans	569903			1	\$108.75	\$108.75	\$87.00
KleanWipes PM Premoistened Hand Wipes	569760			6	\$14.23	\$85.38	\$68.30

**WEB-LOCK® TAPE**

DESCRIPTION	ITEM CODE	WIDTH	LENGTH	ROLLS PER CASE	PRICE PER ROLL	PRICE PER CASE	
Web-Lock TN25 1/2" Pink	579613	1/2"	60 yds	92	\$6.66	\$612.72	\$490.18
Web-Lock TN25 3/4" Pink	579614	3/4"	60 yds	64	\$8.30	\$531.20	\$424.96
Web-Lock TN25 1" Pink	579615	1"	60 yds	48	\$10.05	\$482.40	\$385.92
Web-Lock TN25 1-1/2" Pink	579616	1-1/2"	60 yds	32	\$15.07	\$482.24	\$385.79
Web-Lock TN25 2" Pink	579617	2"	60 yds	24	\$20.10	\$482.40	\$385.92
Web-Lock TN26 3/4" Clear	579620	3/4"	60 yds	64	\$8.30	\$531.20	\$424.96
Web-Lock TN26 2" Clear	579630	2"	60 yds	24	\$20.10	\$482.40	\$385.92
Web-Lock DN31 1/2" Red	579611	1/2"	60 yds	92	\$6.66	\$612.72	\$490.18
Web-Lock DN31 3/4" Red	579608	3/4"	60 yds	64	\$8.30	\$531.20	\$424.96
Web-Lock DN31 1" Red	579609	1"	60 yds	48	\$10.49	\$503.52	\$402.82
Web-Lock DN31 1-1/2" Red	579625	1-1/2"	60 yds	32	\$15.73	\$503.36	\$402.69
Web-Lock DN31 2" Red	579610	2"	60 yds	24	\$20.97	\$503.28	\$402.62
Web-Lock DN32 1/2" Clear	579603	1/2"	60 yds	92	\$6.66	\$612.72	\$490.18
Web-Lock DN32 3/4" Clear	579607	3/4"	60 yds	64	\$8.30	\$531.20	\$424.96
Web-Lock DN32 1" Clear	579606	1"	60 yds	48	\$10.49	\$503.52	\$402.82
Web-Lock DN32 1-1/2" Clear	579605	1-1/2"	60 yds	32	\$15.73	\$503.36	\$402.69
Web-Lock DN32 2" Clear	579604	2"	60 yds	24	\$20.97	\$503.28	\$402.62

**HYTON® DUPLICATOR COVERS**

DESCRIPTION	ITEM CODE	ROLLER DIAMETER	ROLLER LENGTH	UNITS PER CASE	PRICE PER SET/COVER	PRICE PER CASE	
Hyton VIP Set	569115	VIP + D2	10-1/2" - 11-1/4"	12 Sets	\$22.66	\$271.92	\$217.54
Hyton F2D2 Set	569113	F2 + D2	10-1/2" - 11-1/4"	12 Sets	\$20.62	\$247.44	\$197.95
Hyton VIP Form	569116	1-7/8" - 2-1/4"	10-1/2" - 11-1/4"	12 Covers	\$12.54	\$150.48	\$120.38
Hyton D2 Ductor	569114	7/8" - 1-1/4"	10-1/4" - 11-1/2"	12 Covers	\$9.47	\$113.64	\$90.91
Hyton F2 Form	569112	1-7/8" - 2-1/4"	10-1/2" - 11-1/4"	12 Covers	\$11.40	\$136.80	\$109.44
Hyton F2018 Form	569016	1-7/8" - 2-1/4"	17-7/8" - 19-3/8"	12 Covers	\$17.23	\$206.76	\$165.41
Hyton D2017 Ductor	569017	7/8" - 1-1/4"	17-5/8" - 19-3/8"	12 Covers	\$15.05	\$180.60	\$144.48
Hyton FD2014 (2/PKG) - 2 Ductors or 2 Forms	569118	7/8" - 1-1/4"	13-1/4" - 14-1/4"	12 Pkgs	\$22.79	\$273.48	\$218.78
Hyton F600 Form	569009	1-7/8" - 2-1/4"	12" - 13"	12 Covers	\$13.33	\$159.96	\$127.97
Hyton D600 Ductor	569010	7/8" - 1-1/4"	12-1/2" - 13-1/2"	12 Covers	\$10.62	\$127.44	\$101.95
Hyton F1300 Form	569084	1-7/8" - 2-1/4"	12-3/4" - 13-3/4"	12 Covers	\$13.95	\$167.40	\$133.92
Hyton D1300 Ductor	569085	7/8" - 1-1/4"	12-3/4" - 13-3/4"	12 Covers	\$11.30	\$135.60	\$108.48
Hyton F800 Form	569068	1-7/8" - 2-1/4"	19-3/8" - 20-7/8"	12 Covers	\$22.02	\$264.24	\$211.39
Hyton D800 Ductor	569067	7/8" - 1-1/4"	19-3/8" - 20-7/8"	12 Covers	\$16.73	\$200.76	\$160.61

**HYTON® PRESS SIZE COVERS**

Hyton®  
 Nubtex®  
 Photex®  
 Quack®  
 Vintage Quack®  
 Red-1®  
 Red Runner®  
 Snowtex®  
 Verasorb®  
 Web-Lock®  
 Webri®  
 Washtex®  
 Elixir®



**GRAPHIC ARTS PRODUCTS**  
**Suggested Resale Price List**

EFFECTIVE: MARCH 2, 2009; SUPERSEDES: NOVEMBER 1, 2007

BBA -FIBERWEB 20% OFF LIST PRICE

**REPRODUCTION PRODUCTS**

AS OF

7-May-10

**WIPES**

DESCRIPTION	ITEM CODE	NOMINAL SIZE	PIECES PER PACKAGE	PACKS PER CASE	PRICE PER UNIT	PRICE PER CASE	CUST PRICE
DESCRIPTION/SIZE	ITEM CODE	ROLLER DIAMETER	ROLLER LENGTH	UNITS PER CASE		PRICE PER CASE	
Hyton Size #33	569003	1-7/8" - 2-1/2"	5-7/8" - 7-7/8"	25 Yards		\$339.40	\$271.52
Hyton Size #43	569004	2-1/2" - 3-3/8"	7-7/8" - 10-5/8"	25 Yards		\$437.56	\$350.05
Hyton Size #45	569007	Same as 43		25 Yards		\$484.36	\$387.49
Hyton Size #53	569005	3-3/8" - 4"	10-5/8" - 12-1/2"	25 Yards		\$505.86	\$404.69
Hyton Size #55	569042	Same as 53		25 Yards		\$558.02	\$446.42
Hyton Size #63	569006	4" - 5"	12-1/2" - 15-3/4"	25 Yards		\$578.42	\$462.74

Hyton®  
 Nubtex®  
 Photex®  
 Quack®  
 Vintage Quack®  
 Red-1®  
 Red Runner®  
 Snowtex®  
 Verasorb®  
 Web-Lock®  
 Webri®  
 Washtex®  
 Elixir®



**GRAPHIC ARTS PRODUCTS**  
**Suggested Resale Price List**

EFFECTIVE: MARCH 2, 2009; SUPERSEDES: NOVEMBER 1, 2007

BBA - FIBERWEB 20% OFF LIST PRICE

**REPRODUCTION PRODUCTS**

AS OF

7-May-10

**WIPES**

DESCRIPTION	ITEM CODE	NOMINAL SIZE	PIECES PER PACKAGE	PACKS PER CASE	PRICE PER UNIT	PRICE PER CASE	CUST PRICE
-------------	-----------	--------------	--------------------	----------------	----------------	----------------	------------

**PRESSROOM PRODUCTS (continued)**

**RED-1® SHRINK PRESS SIZE COVERS**

DESCRIPTION	ITEM CODE	ROLLER DIAMETER	ROLLER CIRCUMFERENCE	UNITS PER CASE	PRICE PER CASE	
RED-1 Size 50	569238	0.9" - 1.25"	2.8" - 3.9"	10.9 yards	\$223.36	\$178.69
RED-1 Size 75	569252	1.4" - 1.8"	4.3 - 5.6"	10.9 yards	\$234.43	\$187.54
RED-1 Size 100	569086	1-7/8" - 2-1/8"	5-7/8" - 6-5/8"	10 Yards	\$234.43	\$187.54
RED-1 Size 100	569077	1-7/8" - 2-1/8"	5-7/8" - 6-5/8"	25 Yards	\$521.82	\$417.46
RED-1 Size 200	569087	2-1/8" - 2-3/8"	6-5/8" - 7-1/2"	10 Yards	\$254.51	\$203.61
RED-1 Size 200	569078	2-1/8" - 2-3/8"	6-5/8" - 7-1/2"	25 Yards	\$568.62	\$454.90
RED-1 Size 300	569079	2-3/8" - 2-5/8"	7-1/2" - 8-1/4"	25 Yards	\$614.61	\$491.69
RED-1 Size 400	569080	2-5/8" - 3"	8-1/4" - 9-3/8"	25 Yards	\$709.31	\$567.45
RED-1 Size 500	569081	3" - 3-1/2"	9-3/8" - 11"	25 Yards	\$803.05	\$642.44
RED-1 Size 600	569082	3-1/2" - 4-1/8"	11" - 13"	25 Yards	\$915.28	\$732.22
RED-1 Size 700	569083	4-1/8" - 5"	13" - 15-3/4"	25 Yards	\$1,059.77	\$847.82
RED 1 Gravure 700, 102" Long Cover	569411	4-1/8" - 5"	13" - 15-3/4"	8 covers	\$76.02	\$608.16

**RED-1® SHRINK DUPLICATOR COVERS**

DESCRIPTION	ITEM CODE	PRESS MAKE	PRESS MODEL	UNITS PER CASE	PRICE PER SET/COVER	PRICE PER CASE	
RED-1 RFD 11 SETS 12/CS (Form & Ductor)	569123	ATF Chief	15, 115, 17, 117, 217, 1014, 1015	12 Sets	\$23.74	\$284.85	\$227.88
		Davidson	241, 251, 301, 400, 500 Series				
		Ditto	215, 217				
		Gestetner	211, 212, 213, 311				
		Hamada	500, 50-Color Head				
		Itek					
		Mullilith	1250, (All), 1260, 1274, 1275, 2560, 2650, 2850, 2875, 4250, 4975				
		Townsend	T-51 for 1250, etc.				
RED-1 RF11 FORMS 12/CS	569119	Same Presses as RFD11 Above		12 Covers	\$15.64	\$187.67	\$150.14
RED-1 RD11 DUCTOR 12/CASE	569121	Same Presses as RFD11 Above		12 Covers	\$11.61	\$139.31	\$111.45
RED-1 RFD 14 SETS 12/CS (Form & Ductor)	569124	ATF Chief	2115, 2217	12 Sets	\$27.76	\$333.06	\$266.45
		Gestetner	313				
		Itek	975, 985, 3985				
		Mullilith	1330, 1360, 1362, 1650, 1652				
		Ryobi	3200, 3302				
RED-1 RF14 FORMS 12/CS	569120	Same Presses as RFD14 Above		12 Covers	\$17.42	\$209.04	\$167.23
RED-1 RD14 DUCTOR 12/CS	569122	Same Presses as RFD14 Above Plus:		12 Covers	\$12.94	\$155.22	\$124.18
		Didde	Apollo, IBM 9370, Tandemer 8-1/2				
		Hamada	500CDA, 600, 50A/60 Color Head, Duetto				
RED-1 RF19 FORMS 12/CS	569090	Davidson	233, 600 Series, 700 Series	12 Covers	\$21.52	\$258.18	\$206.54
		Heidelberg	GTO46				
		Mullilith	1850, 1860, 1870, 1870W, 1960, 1962				
		Rotoprint	R-30/90, 30/95				
		Townsend	T-51 for 1850, etc.				
		Ryobi	500N				
RED-1 RD19 DUCTOR 12/CS	569106	Same Presses as RF-19 Above Plus:		12 Covers	\$15.96	\$191.57	\$153.26
		Hamada	700, 70-Color Head, E47, E47S, C248				
RED-1 RF21 FORMS 12/CS	569091	Davidson	901	12 Covers	\$27.51	\$330.09	\$264.07
		Dominant	515, 519, 524, 525				
		Hamada	800DX/SX, 80DX/SX Color Head, B252				
		Heidelberg	GTO52, (Form & Ductor)				
		Ryobi	530, 560				
		Rotoprint	038, 508, 3850				
RED-1 RD21 DUCTOR 12/CS	569107	Same Presses as RF21 Above Except: No Heidelberg or Ryobi 530/560		12 Covers	\$20.42	\$245.07	\$196.06
RED-1 RM-14 Mid-Size Cover	569125	Didde	Tandemer 17, Convserver, Minicom, Minicom 1	12 Covers	\$15.05	\$180.65	\$144.52

Hyton®  
 Nubtex®  
 Photex®  
 Quack®  
 Vintage Quack®  
 Red-1®  
 Red Runner®  
 Snowtex®  
 Verasorb®  
 Web-Lock®  
 Webri®  
 Washtex®  
 Elixir®



**GRAPHIC ARTS PRODUCTS**  
**Suggested Resale Price List**

EFFECTIVE: MARCH 2, 2009; SUPERSEDES: NOVEMBER 1, 2007

BBA -FIBERWEB 20% OFF LIST PRICE

**REPRODUCTION PRODUCTS**

AS OF

7-May-10

**WIPES**

DESCRIPTION	ITEM CODE	NOMINAL SIZE	PIECES PER PACKAGE	PACKS PER CASE	PRICE PER UNIT	PRICE PER CASE	CUST PRICE
RED-1 RM-18 Mid-Size Cover	569126	Didde	175	12 Covers	\$19.32	\$231.81	\$185.45
RED-1 RM-22 Mid-Size Cover	569127	Ryobi	480 All, 500K, 520, 522, 530, 560	12 Covers	\$23.63	\$283.61	\$226.89
		Hamada	B252				
		Omni	514, 515, 524, 525				
RED-1 RM-27 Mid-Size Cover	569128	Ryobi	560, 640	12 Covers	\$27.92	\$335.09	\$268.07
		Omni	714, 724				
		Hamada	66				
		Dominant	714, 715, 724, 725, 745, 755				
RED-1 RFH-14 FORMS	569129	Hamada	500CDA, 600, 50AJ60 Color Head	12 Covers	\$17.42	\$209.04	\$167.23
		Duetto					
		Ryobi	3200, 3302				
RED-1 RFH-19 FORMS	569130	Hamada	700, 70 Color Head, E47, E47S, C248	12 Covers	\$21.49	\$257.87	\$206.30
		Heidelberg	GTO 46 (Form and Ductor)				

Hyton®  
 Nubtex®  
 Photex®  
 Quack®  
 Vintage Quack®  
 Red-1®  
 Red Runner®  
 Snowtex®  
 Verasorb®  
 Web-Lock®  
 Webri®  
 Washtex®  
 Elixir®



**GRAPHIC ARTS PRODUCTS**  
**Suggested Resale Price List**

EFFECTIVE: MARCH 2, 2009; SUPERSEDES: NOVEMBER 1, 2007

BBA - FIBERWEB 20% OFF LIST PRICE

**REPRODUCTION PRODUCTS**

AS OF

7-May-10

**WIPES**

DESCRIPTION	ITEM CODE	NOMINAL SIZE	PIECES PER PACKAGE	PACKS PER CASE	PRICE PER UNIT	PRICE PER CASE	CUST PRICE
-------------	-----------	--------------	--------------------	----------------	----------------	----------------	------------

**PRESSROOM PRODUCTS (continued)**

**RED RUNNER® DAMPENING SLEEVES**

DESCRIPTION/SIZE	ITEM CODE	OVERSIZED ROLLER DIAMETER RANGE (inches/mm)	MAXIMUM ROLLER LENGTH (inches/cm)	SLEEVES PER CASE	PRICE PER SLEEVE	PRICE PER CASE	
Red Runner Size A-19	569232	1.600-1.860 / 40.64-47.24	19 / 48	6	\$30.19	\$181.14	\$144.91
Red Runner Size A-24	569220	1.600-1.860 / 40.64-47.24	24 / 61	6	\$40.90	\$245.40	\$196.32
Red Runner Size B-14	569132	1.860-2.130 / 47.24-54.10	14 / 36	6	\$23.25	\$139.50	\$111.60
Red Runner Size B-20	569133	1.860-2.130 / 47.24-54.10	20 / 51	6	\$30.40	\$182.40	\$145.92
Red Runner Size B-24	569134	1.860-2.130 / 47.24-54.10	24 / 61	6	\$41.32	\$247.92	\$198.34
Red Runner Size B-28	569135	1.860-2.130 / 47.24-54.10	28 / 71	6	\$43.45	\$260.70	\$208.56
Red Runner Size B-32	569136	1.860-2.130 / 47.24-54.10	32 / 81	6	\$48.23	\$289.38	\$231.50
Red Runner Size B-42	569137	1.860-2.130 / 47.24-54.10	42 / 107	6	\$63.16	\$378.96	\$303.17
Red Runner Size C-12	569138	2.130-2.527 / 54.10-64.19	12 / 31	6	\$23.01	\$138.06	\$110.45
Red Runner Size C-19	569139	2.130-2.527 / 54.10-64.19	19 / 48	6	\$30.40	\$182.40	\$145.92
Red Runner Size C-24	569140	2.130-2.527 / 54.10-64.19	24 / 61	6	\$41.32	\$247.92	\$198.34
Red Runner Size C-28	569141	2.130-2.527 / 54.10-64.19	28 / 71	6	\$43.45	\$260.70	\$208.56
Red Runner Size C-32	569142	2.130-2.527 / 54.10-64.19	32 / 81	6	\$48.23	\$289.38	\$231.50
Red Runner Size C-38	569164	2.130-2.527 / 54.10-64.19	38 / 97	6	\$58.76	\$352.56	\$282.05
Red Runner Size C-42	569143	2.130-2.527 / 54.10-64.19	42 / 107	6	\$63.16	\$378.96	\$303.17
Red Runner Size D-32	569144	2.527-2.615 / 64.19-66.42	32 / 81	6	\$48.23	\$289.38	\$231.50
Red Runner Size D-38	569145	2.527-2.615 / 64.19-66.42	38 / 97	6	\$58.76	\$352.56	\$282.05
Red Runner Size D-42	569146	2.527-2.615 / 64.19-66.42	42 / 107	6	\$63.16	\$378.96	\$303.17
Red Runner Size D-56	569147	2.527-2.615 / 64.19-66.42	56 / 142	6	\$69.42	\$416.52	\$333.22
Red Runner Size DD-32	569165	2.615-2.990 / 66.42-75.95	32 / 81	6	\$48.23	\$289.38	\$231.50
Red Runner Size DD-38	569166	2.615-2.990 / 66.42-75.95	38 / 97	6	\$58.76	\$352.56	\$282.05
Red Runner Size DD-42	569167	2.615-2.990 / 66.42-75.95	42 / 107	6	\$63.16	\$378.96	\$303.17
Red Runner Size DD-56	569168	2.615-2.990 / 66.42-75.95	56 / 142	6	\$69.42	\$416.52	\$333.22
Red Runner Size E-28	569148	2.990-3.400 / 75.95-86.36	28 / 71	6	\$43.45	\$260.70	\$208.56
Red Runner Size E-38	569149	2.990-3.400 / 75.95-86.36	38 / 97	6	\$58.76	\$352.56	\$282.05
Red Runner Size E-42	569150	2.990-3.400 / 75.95-86.36	42 / 107	6	\$63.16	\$378.96	\$303.17
Red Runner Size E-48	569151	2.990-3.400 / 75.95-86.36	48 / 122	6	\$69.42	\$416.52	\$333.22
Red Runner Size E-58	569152	2.990-3.400 / 75.95-86.36	58 / 147	6	\$83.25	\$499.50	\$399.60
Red Runner Size E-78	569153	2.990-3.400 / 75.95-86.36	78 / 198	6	\$95.63	\$573.78	\$459.02
Red Runner Size F-40	569156	3.400-3.990 / 86.36-101.35	40 / 102	6	\$64.64	\$387.84	\$310.27
Red Runner Size F-52	569157	3.400-3.990 / 86.36-101.35	52 / 132	6	\$80.21	\$481.26	\$385.01
Red Runner Size F-62	569158	3.400-3.990 / 86.36-101.35	62 / 158	6	\$95.63	\$573.78	\$459.02
Red Runner Size F-79	569159	3.400-3.990 / 86.36-101.35	79 / 201	6	\$121.21	\$727.26	\$581.81
Red Runner Size G-52	569160	3.990-4.490 / 101.35-114.05	52 / 132	6	\$80.21	\$481.26	\$385.01
Red Runner Size G-58	569161	3.990-4.490 / 101.35-114.05	58 / 147	6	\$83.25	\$499.50	\$399.60
Red Runner Size G-66	569162	3.990-4.490 / 101.35-114.05	66 / 168	6	\$101.53	\$609.18	\$487.34
Red Runner Size G-80	569163	3.990-4.490 / 101.35-114.05	80 / 203	6	\$121.21	\$727.26	\$581.81
Red Runner Size H80	569274	4.490-5.200 / 114.05-132.08	80 / 203	6	\$121.21	\$727.26	\$581.81

**RED RUNNER® DAMPENING SLEEVES with Tie Strings**

DESCRIPTION/SIZE	ITEM CODE	OVERSIZED ROLLER DIAMETER RANGE (inches/mm)	MAXIMUM ROLLER LENGTH (inches/cm)	SLEEVES PER CASE	PRICE PER SLEEVE	PRICE PER CASE	
Red Runner Size BT-11	569207	1.860-2.130 / 47.24-54.10	12 / 31	6	\$21.97	\$131.82	\$105.46
Red Runner Size BT-13	569208	1.860-2.130 / 47.24-54.10	14 / 36	6	\$23.69	\$142.14	\$113.71
Red Runner Size BT-19	569209	1.860-2.130 / 47.24-54.10	20 / 51	6	\$31.28	\$187.68	\$150.14
Red Runner Size BT-21	569210	1.860-2.130 / 47.24-54.10	22 / 56	6	\$33.83	\$202.98	\$162.38



Hyton®  
 Nubtex®  
 Photex®  
 Quack®  
 Vintage Quack®  
 Red-1®  
 Red Runner®  
 Snowtex®  
 Verasorb®  
 Web-Lock®  
 Webri®  
 Washtex®  
 Elixir®



**GRAPHIC ARTS PRODUCTS**  
**Suggested Resale Price List**

EFFECTIVE: MARCH 2, 2009; SUPERSEDES: NOVEMBER 1, 2007

BBA -FIBERWEB 20% OFF LIST PRICE

**REPRODUCTION PRODUCTS**

AS OF

7-May-10

**WIPES**

DESCRIPTION	ITEM CODE	NOMINAL SIZE	PIECES PER PACKAGE	PACKS PER CASE	PRICE PER UNIT	PRICE PER CASE	CUST PRICE
Red Runner Size BT-26	569211	1.860-2.130 / 47.24-54.10	27 / 69	6	\$40.61	\$243.66	\$194.93
Red Runner Size CT-18	569221	2.130-2.527 / 54.10-64.19	18 / 46	6	\$31.28	\$187.68	\$150.14
Red Runner Size DT-37	569212	2.527-2.615 / 64.19-66.42	37 / 94	6	\$60.89	\$365.34	\$292.27
Red Runner Size DT-42	569237	2.527-2.615 / 64.19-66.42	42 / 107	6	\$65.03	\$390.18	\$312.14

**CLASSIC™ DAMPENING COVERS**

DESCRIPTION/SIZE	ITEM CODE	ROLLER DIAMETER RANGE (inches/mm)	YARDS PER CASE	UNITS PER CASE	PRICE PER CASE	CUST PRICE
Classic Build Size VB-1030	579516	2-7/8 - 3-0/0 / 73.0 - 76.2	25	1	\$87.33	\$69.86
Classic Loop Size VV-750	579502	1-3/4 - 2-0/0 / 44.5 - 50.1	25	1	\$123.71	\$98.97
Classic News Size VN-30	579510	2-3/8 - 2-3/4 / 60.3 - 69.9	25	1	\$101.91	\$81.53

Hyton®  
 Nubtex®  
 Photex®  
 Quack®  
 Vintage Quack®  
 Red-1®  
 Red Runner®  
 Snowtex®  
 Verasorb®  
 Web-Lock®  
 Webri®  
 Washtex®  
 Elixir®



**GRAPHIC ARTS PRODUCTS**  
**Suggested Resale Price List**

EFFECTIVE: MARCH 2, 2009; SUPERSEDES: NOVEMBER 1, 2007

BBA -FIBERWEB 20% OFF LIST PRICE

**REPRODUCTION PRODUCTS**

AS OF

7-May-10

**WIPES**

DESCRIPTION	ITEM CODE	NOMINAL SIZE	PIECES PER PACKAGE	PACKS PER CASE	PRICE PER UNIT	PRICE PER CASE	CUST PRICE
-------------	-----------	--------------	--------------------	----------------	----------------	----------------	------------

**QUACK® ANTI-MARKING NETS**

DESCRIPTION/SIZE	ITEM CODE			NETS PER CASE	PRICE PER NET	PRICE PER CASE	
QA-11	D561249			5	\$8.54	\$42.70	\$34.16
QB-21	D561250			5	\$16.80	\$84.00	\$67.20
QC-30	D561251			5	\$18.18	\$90.90	\$72.72
QD-42	D561252			5	\$19.16	\$95.80	\$76.64
QE-44	D561253			5	\$19.16	\$95.80	\$76.64
QF-65	D561255			5	\$42.70	\$213.50	\$170.80
QG-78	D561262			5	\$42.70	\$213.50	\$170.80

**VINTAGE QUACK® ANTI-MARKING NETS**

DESCRIPTION/SIZE	ITEM CODE			NETS PER CASE	PRICE PER NET	PRICE PER CASE	
VA-17	579641			5	\$9.30	\$46.50	\$37.20
VB-22	579642			5	\$24.23	\$121.15	\$96.92
VC-26	579643			5	\$24.23	\$121.15	\$96.92
VC=30	579644			5	\$24.23	\$121.15	\$96.92
VD=42	579645			5	\$24.23	\$121.15	\$96.92
VE-44	579646			5	\$24.23	\$121.15	\$96.92
VF-60	579647			5	\$48.47	\$242.35	\$193.88
VF-65	579648			5	\$48.47	\$242.35	\$193.88
VG78	579649			5	\$48.47	\$242.35	\$193.88
DESCRIPTION	ITEM CODE	NOMINAL SIZE		ROLLS PER CASE		PRICE PER CASE	
VELCRO BLK, 1 ROLL/CASE	569527	25 yd x 1 "		1		\$44.81	\$35.85

Hyton®  
 Nubtex®  
 Photex®  
 Quack®  
 Vintage Quack®  
 Red-1®  
 Red Runner®  
 Snowtex®  
 Verasorb®  
 Web-Lock®  
 Webri®  
 Washtex®  
 Elixir®



**GRAPHIC ARTS PRODUCTS**  
**Suggested Resale Price List**

EFFECTIVE: MARCH 2, 2009; SUPERSEDES: NOVEMBER 1, 2007

BBA - FIBERWEB 20% OFF LIST PRICE

**REPRODUCTION PRODUCTS**

AS OF

7-May-10

**WIPES**

DESCRIPTION	ITEM CODE	NOMINAL SIZE	PIECES PER PACKAGE	PACKS PER CASE	PRICE PER UNIT	PRICE PER CASE	CUST PRICE
-------------	-----------	--------------	--------------------	----------------	----------------	----------------	------------

**AUTOMATIC BLANKET CLEANING CLOTH PRODUCT - DRY**

**WASHTEX® ABC BLANKET CLEANING FABRIC - Mini Rolls**

PRESS MODEL	ITEM CODE	WIDTH (in)	ROLLS PER CASE	PRICE PER ROLL	PRICE PER CASE	
Heidelberg SM52	579921	21.250	25	\$10.60	\$265.00	\$212.00
Heidelberg MO	579922	26.378	25	\$13.34	\$333.50	\$266.80
Komori L26 Japan EC	579924	26.970	25	\$9.68	\$242.00	\$193.60
Komori L28 Japan EC	579926	29.350	25	\$10.16	\$254.00	\$203.20
Komori L28 US flush core	579925	29.350	25	\$10.16	\$254.00	\$203.20
Heidelberg CD74	579937	30.125	25	\$19.04	\$476.00	\$380.80
Heidelberg SM 74	579923	30.125	25	\$11.80	\$295.00	\$236.00
Mitsubishi 3F	579936	41.000	16	\$14.56	\$232.96	\$186.37
MAN Roland 600	620009	41.250	16	\$12.95	\$207.20	\$165.76
Komori L40	579927	41.500	16	\$12.13	\$194.08	\$155.26
Planeta KBA	579930	42.125	16	\$12.13	\$194.08	\$155.26
Heidelberg XL105	579920	42.250	16	\$20.78	\$332.48	\$265.98

**WASHTEX® ABC BLANKET CLEANING FABRIC - 500-m Rolls**

PRESS MODEL	ITEM CODE	WIDTH (in)	LENGTH (yds)	PRICE PER CASE	
Washtex Blue 21.25"	579989	21.25	547	\$280.67	\$224.54
Washtex Blue 29.35"	579986	29.35	547	\$434.70	\$347.76
Washtex Blue 30.125"	579990	30.13	547	\$358.71	\$286.97
Washtex Blue 34.25"	579912	34.25	547	\$407.85	\$326.28
Washtex Blue 36.0"	579911	36.00	547	\$533.25	\$426.60
Washtex Blue 38.5"	580013	38.50	547	\$469.13	\$375.30
Washtex Blue 40.5"	579910	40.50	547	\$604.53	\$483.62
Washtex White Ultra (765mm) 30.12"	610017	30.12	547	\$270.00	\$216.00
Washtex White Ultra (980mm) 38.58"	610018	38.58	547	\$371.25	\$297.00
Washtex White Ultra (1050mm) 41.34"	610022	41.34	547	\$384.75	\$307.80
Washtex White Ultra (1054mm) 41.50"	610023	41.50	547	\$384.75	\$307.80
Washtex White Ultra (1070mm) 42.13"	610024	42.13	547	\$384.75	\$307.80
Washtex White Ultra (1090mm) 42.91"	610025	42.91	547	\$438.75	\$351.00
Washtex White Ultra (1300mm) 51.18"	610052	51.18	547	\$598.74	\$478.99
Washtex White Ultra (1440mm) 56.69"	610026	56.69	547	\$492.75	\$394.20
Washtex White Ultra (1460mm) 57.48"	610044	57.48	547	\$519.75	\$415.80

**WASHTEX® XL AUTOMATIC BLANKET CLEANING FABRIC**

PRESS TYPE & MODEL	ITEM CODE	ADDITIONAL DESCRIPTION	WIDTH (in)	LENGTH (yds)	PRICE PER ROLL	PRICE PER CASE	
Heidelberg SM 52	580010	astic core, longer, 25 roll per cas	21.25	12.00	\$12.72	\$318.00	\$254.40
Heidelberg MO	580018	astic core, longer, 25 rolls per ca	26.38	11.00	\$14.08	\$352.00	\$281.60
Komori L26	580020	board core, longer, 25 rolls per c	26.97	8.00	\$10.80	\$270.00	\$216.00
Komori L28 EC	580011	board core, longer, 25 rolls per c	29.30	8.00	\$11.54	\$288.50	\$230.80
Komori L28 FC	580016	dboard core, flush, 16 rolls per c	29.35	9.00	\$11.25	\$281.25	\$225.00
Komori L28 ECPL	580025	al plastic core, longer, 25 rolls pe	29.35	8.00	\$10.00	\$250.00	\$200.00
Heidelberg CD 74	580012Q	astic core, longer, 16 rolls per ca	30.13	22.00	\$21.05	\$336.80	\$269.44
Heidelberg SM 74	580009	astic core, longer, 25 rolls per ca	30.13	15.00	\$15.00	\$375.00	\$300.00
Mitsubishi L750 (chill roll)	580027S	dboard core, flush, 16 rolls per c	36.875	14.00	\$14.56	\$232.96	\$186.37
Baker Perkins 38	580015S	dboard core, flush, 16 rolls per c	38.75	14.00	\$14.56	\$232.96	\$186.37
Rotoman N-38	580041	dboard core, flush, 16 rolls per c	38.75	16.00	\$24.11	\$385.76	\$308.61
Komori L40	580008	dboard core, flush, 16 rolls per c	41.50	14.00	\$14.00	\$224.00	\$179.20
KBA Planeta	580017	dboard core, flush, 16 rolls per c	42.13	13.00	\$13.52	\$216.32	\$173.06
Heidelberg 105 XL	580022Q	astic core, longer, 12 rolls per ca	42.25	20.00	\$23.23	\$278.76	\$223.01

Hyton®  
 Nubtex®  
 Photex®  
 Quack®  
 Vintage Quack®  
 Red-1®  
 Red Runner®  
 Snowtex®  
 Verasorb®  
 Web-Lock®  
 Webri®  
 Washtex®  
 Elixir®



**GRAPHIC ARTS PRODUCTS**  
**Suggested Resale Price List**

EFFECTIVE: MARCH 2, 2009; SUPERSEDES: NOVEMBER 1, 2007

BBA -FIBERWEB 20% OFF LIST PRICE

**REPRODUCTION PRODUCTS**

AS OF

7-May-10

**WIPES**

DESCRIPTION	ITEM CODE	NOMINAL SIZE	PIECES PER PACKAGE	PACKS PER CASE	PRICE PER UNIT	PRICE PER CASE	CUST PRICE
Komori L44	580023	dboard core, flush, 16 rolls per c	45.125	14.00	\$16.94	\$271.04	\$216.83
Timson	580029	dboard core, flush, 16 rolls per c	49.750	14.00	\$16.94	\$271.04	\$216.83
Mitsubishi GPX (chill roll)	580026S	dboard core, flush, 16 rolls per c	57.563	14.00	\$16.94	\$271.04	\$216.83

**WASHTEX® I.C. IMPRESSION CYLINDER CLEANING FABRIC**

PRESS MODEL	ITEM	WIDTH (in)	LENGTH (yds)	ROLLS PER CASE	PRICE PER ROLL	PRICE PER CASE	
Heidelberg SM 74	581001	30.125	9.00	25	\$22.78	\$569.50	\$455.60
Heidelberg CD 74	581007	30.125	14.00	16	\$31.66	\$506.56	\$405.25
Komori L40	581000	41.500	8.00	16	\$24.86	\$397.76	\$318.21
KBA Rapida 105 Narrow	581009	42.250	10.00	16	\$31.72	\$507.52	\$406.02
KBA Rapida 105	581008	42.875	10.00	16	\$32.16	\$514.56	\$411.65

Hyton®  
 Nubtex®  
 Photex®  
 Quack®  
 Vintage Quack®  
 Red-1®  
 Red Runner®  
 Snowtex®  
 Verasorb®  
 Web-Lock®  
 Webri®  
 Washtex®  
 Elixir®



**GRAPHIC ARTS PRODUCTS**  
**Suggested Resale Price List**

EFFECTIVE: MARCH 2, 2009; SUPERSEDES: NOVEMBER 1, 2007

BBA -FIBERWEB 20% OFF LIST PRICE

**REPRODUCTION PRODUCTS**

AS OF

7-May-10

**WIPES**

DESCRIPTION	ITEM CODE	NOMINAL SIZE	PIECES PER PACKAGE	PACKS PER CASE	PRICE PER UNIT	PRICE PER CASE	CUST PRICE
-------------	-----------	--------------	--------------------	----------------	----------------	----------------	------------

**AUTOMATIC BLANKET CLEANING CLOTH PRODUCT - PRESATURATED**

**ELIXIR® PRE-SATURATED AUTOMATIC BLANKET CLEANING I**

PRESS TYPE	ITEM	ADDITIONAL PRODUCT DESCRIPTION	COMPETITIVE ITEM CODE	ROLLS PER CASE	PRICE PER ROLL	PRICE PER CASE	
Drent Goebel VSOP 850	GCD9306	Elixir 33.75, Drent VSOP850 4 RLS	93-0306	4	\$61.50	\$246.00	\$196.80
Goss Colorliner	GCD9001	Elixir 54.813 Colorliner	102326-001	5	\$62.20	\$311.00	\$248.80
Harris M100, M110, M8L (100L)	GCD9006	Elixir 27.375 Harris M100	87970-006	5	\$30.60	\$153.00	\$122.40
Harris M300, Baker Perkins 314	GCD9029	Elixir 36.813 M300	87056-029	5	\$30.20	\$151.00	\$120.80
Harris M300, M600, M700, M850, M1000B; MAN Roland Lithoman 38; Mitsubishi 750 XL, L1100; Toshiba AO8000	GCD9002	Elixir 38.875 HD 600, 700, 850, MIT 75	87970-002	5	\$43.20	\$216.00	\$172.80
Harris M600	GCD9115	Elixir 38.75 1.25 M600	87056-115	5	\$52.20	\$261.00	\$208.80
Harris M600	GCD9807	Elixir 38.813 M600	107642-007W	5	\$30.20	\$151.00	\$120.80
Harris M1000, M1000 B; MAN Roland Rotoman N; Baker Perkins G14; KBA Compacta 418; Beiren 3840 press	GCD9025	Elixir 38.75, M1000 ROTO N, BP G14	87056-025	5	\$32.80	\$164.00	\$131.20
Harris M4000	GCD9056	Elixir 67 M4000	TP-056	5	\$74.20	\$371.00	\$296.80
Heidelberg Web 8	GCD9018	Elixir 20.875 HD Web 8	87056-018	5	\$24.00	\$120.00	\$96.00
KBA Colora	GCD0158A	Elixir 49.75 KBA Colora	93-0158	5	\$52.80	\$264.00	\$211.20
KBA COM	GCD9054	Elixir 64.19 KBA COM	-	5	\$68.00	\$340.00	\$272.00
KBA Commander	GCD9286A	Elixir KBA 67.323	93-0286	5	\$53.60	\$268.00	\$214.40
KBA Compacta 215	GCD9184	Elixir 39.75 KBA COMP 215	93-0184	5	\$39.80	\$199.00	\$159.20
KBA Express Commander	GCD0085A	Elixir KBA 64.17	93-0085	5	\$55.60	\$278.00	\$222.40
KBA Press	GCD9271	Elixir KBA 35.433	93-0271	5	\$41.00	\$205.00	\$164.00
Komori	GCD0113	Elixir 39.37 Komori	93-0113	5	\$36.00	\$180.00	\$144.00
Komori	GCD0123	Elixir 39.375 Komori	93-0123	5	\$40.00	\$200.00	\$160.00
M850	GCD9089	Elixir 40 M850	93-0089	5	\$35.40	\$177.00	\$141.60
M1000 Narrow	GCD9021LA	Elixir 35.813 10.0 YD M1000 N	87056-021	5	\$34.60	\$173.00	\$138.40
M3000, KBA Rapida 142	GCD9090	Elixir 57.50 M3000	87056-090	5	\$47.20	\$236.00	\$188.80
M4000	GCD0129	Elixir 75.8 M4000	93-0129	5	\$131.60	\$658.00	\$526.40
M4000	GCD0135	Elixir 57.875 Sunday 4000 4 RLS	93-0135	4	\$80.50	\$322.00	\$257.60
MAN Roland Colorman M	GCD9142	Elixir 66.5 MAN COLOR M	93-0142	5	\$71.20	\$356.00	\$284.80
MAN Roland Lithoman 38	GCD9023	Elixir 38.75 MAN Litho 38 4 RLS	-	4	\$70.75	\$283.00	\$226.40

Hyton®  
 Nubtex®  
 Photex®  
 Quack®  
 Vintage Quack®  
 Red-1®  
 Red Runner®  
 Snowtex®  
 Verasorb®  
 Web-Lock®  
 Webri®  
 Washtex®  
 Elixir®



**GRAPHIC ARTS PRODUCTS**  
**Suggested Resale Price List**

EFFECTIVE: MARCH 2, 2009; SUPERSEDES: NOVEMBER 1, 2007

BBA -FIBERWEB 20% OFF LIST PRICE

**REPRODUCTION PRODUCTS**

AS OF

7-May-10

**WIPES**

DESCRIPTION	ITEM CODE	NOMINAL SIZE	PIECES PER PACKAGE	PACKS PER CASE	PRICE PER UNIT	PRICE PER CASE	CUST PRICE
MAN Roland Lithoman III	GCD9058L	Elixir 56.75 MIT GPX	93-0164	5	\$65.80	\$329.00	\$263.20
MAN Roland Lithoman IV, KBA618	GCD0003	Elixir 58.25 LITHO IV 4 RLS	93-0003	4	\$80.75	\$323.00	\$258.40
MAN Roland Rotoman S, Rotoman C	GCD9003	Elixir 38.75 ROTO S, C	96665-003	5	\$37.40	\$187.00	\$149.60
Mitsubishi L-750	GCD9825	Elixir 38.75 MIT L-750	107642-025W	5	\$37.40	\$187.00	\$149.60
Mitsubishi L-750	GCD9825B	Elixir B MIT L-750 38.75	107642-025W	5	\$41.60	\$208.00	\$166.40
Sunday M2000	GCD9086	Elixir 38.563 M2000	87056-086	5	\$36.80	\$184.00	\$147.20
Sunday 4000	GCD0807A	Elixir Sunday 4000 78.69	109672-007SW	5	\$96.80	\$484.00	\$387.20
Timson	GCD9077	Elixir 55.25 Timson	87056-077	5	\$48.00	\$240.00	\$192.00
Timson	GCD9097	Elixir 42.375 Timson	87056-097	5	\$36.60	\$183.00	\$146.40

Hyton®  
 Nubtex®  
 Photex®  
 Quack®  
 Vintage Quack®  
 Red-1®  
 Red Runner®  
 Snowtex®  
 Verasorb®  
 Web-Lock®  
 Webri®  
 Washtex®  
 Elixir®



**GRAPHIC ARTS PRODUCTS**  
**Suggested Resale Price List**

EFFECTIVE: MARCH 2, 2009; SUPERSEDES: NOVEMBER 1, 2007

BBA - FIBERWEB 20% OFF LIST PRICE

**REPRODUCTION PRODUCTS**

AS OF

7-May-10

**WIPES**

DESCRIPTION	ITEM CODE	NOMINAL SIZE	PIECES PER PACKAGE	PACKS PER CASE	PRICE PER UNIT	PRICE PER CASE	CUST PRICE
-------------	-----------	--------------	--------------------	----------------	----------------	----------------	------------

**AUTOMATIC BLANKET CLEANING CLOTH PRODUCT - PRESATURATED (**

**ELIXIR® PRE-SATURATED AUTOMATIC BLANKET CLEANING ROLLS (continued)**

PRESS TYPE	ITEM	PRODUCT DESCRIPTION	COMPETITIVE ITEM CODE	ROLLS PER CASE	PRICE PER ROLL	PRICE PER CASE	
Timson	GCD9136	Elixir Timson 52.75 4 RLS	93-0136	4	\$91.50	\$366.00	\$292.80
Timson	GCD9588	Elixir 49.25 Timson	87056-088	5	\$48.00	\$240.00	\$192.00
Toshiba	GCD9098	Elixir 36.625 Toshiba	87056-098	5	\$35.60	\$178.00	\$142.40
Toshiba AO-RKO	GCD9076	Elixir 55.625 Tosh AO-RKO	87056-076	5	\$45.80	\$229.00	\$183.20

**ELIXIR® SF PRE-SATURATED AUTOMATIC BLANKET CLEANING ROLLS FOR SHEE**

PRES TYPE & MODEL	ITEM CODE	WIDTH (in)	LENGTH (yds)	ROLLS PER CASE	PRICE PER ROLL	PRICE PER CASE	
Presstek 34DI	582037	13.5	5.5	10	\$23.66	\$236.60	\$189.28
Ryobi 520 series	582011	21.00	8	10	\$21.50	\$215.00	\$172.00
Sakurai 66 series	582004	26.81	9.5	10	\$36.80	\$368.00	\$294.40
Ryobi 680 series	582027	26.93	9	10	\$29.22	\$292.20	\$233.76
Komori L28	582000	29.25	10.5	10	\$33.00	\$330.00	\$264.00
Komori L28	582009M20	29.25	9.5	10	\$30.69	\$306.90	\$245.52
Komori L28 extended pl core	582009	29.25	9.5	10	\$30.70	\$307.00	\$245.60
Mitsubishi 28	582002	29.25	9	10	\$29.50	\$295.00	\$236.00
MAN Roland 200	582014	29.33	11	10	\$34.10	\$341.00	\$272.80
Komori Spica 29	582012	30.47	9.8	10	\$32.30	\$323.00	\$258.40
Ryobi 750	582012	30.47	9.8	10	\$32.30	\$323.00	\$258.40
Sakurai 75	582012	30.47	9.8	10	\$32.30	\$323.00	\$258.40
Mitsubishi 40	582003	40.88	16	5	\$43.60	\$218.00	\$174.40
Mitsubishi-Diamond 582010		41.25	20	5	\$50.20	\$251.00	\$200.80
Komori L40	582001	41.50	16	5	\$44.20	\$221.00	\$176.80
KBA 105	582015L	42.125	20	5	\$44.17	\$220.85	\$176.68
KBA 105	582006	42.13	12.75	5	\$44.80	\$224.00	\$179.20
KBA 105 with 1" core	582015	42.13	12.25	5	\$44.20	\$221.00	\$176.80
Heidelberg 105XL	582021	42.25	20	5	\$76.20	\$381.00	\$304.80
KBA 51& Mitsubishi 52	582007	51.63	12.5	5	\$46.60	\$233.00	\$186.40
Komori L50	582024	52.625	15	5	\$72.60	\$363.00	\$290.40
KBA Planeta Varimat	582016	56.75	17.5	5	\$56.40	\$282.00	\$225.60
KBA Rapida 142	582005	57.50	12	5	\$46.60	\$233.00	\$186.40
KBA 162	582008	65.25	13	5	\$50.60	\$253.00	\$202.40
KBA Rapida 205	582026	82.28	12	5	\$53.20	\$266.00	\$212.80

Hyton®  
 Nubtex®  
 Photex®  
 Quack®  
 Vintage Quack®  
 Red-1®  
 Red Runner®  
 Snowtex®  
 Verasorb®  
 Web-Lock®  
 Webri®  
 Washtex®  
 Elixir®



**GRAPHIC ARTS PRODUCTS**  
***Suggested Resale Price List***

EFFECTIVE: MARCH 2, 2009; SUPERSEDES: NOVEMBER 1, 2007

BBA -FIBERWEB 20% OFF LIST PRICE

**REPRODUCTION PRODUCTS**

AS OF

7-May-10

**WIPES**

DESCRIPTION	ITEM CODE	NOMINAL SIZE	PIECES PER PACKAGE	PACKS PER CASE	PRICE PER UNIT	PRICE PER CASE	CUST PRICE
-------------	-----------	--------------	--------------------	----------------	----------------	----------------	------------

PRICES SUBJECT TO CHANGE WITHOUT NOTICE





2010

AS OF  
7-May-10

**BEST COLOR PROOFING Price List**

**BestColor 20% off List Price**

<b>Part #</b>	<b>Description</b>	<b>Unit</b>	<b>Stock Status</b>	<b>List Price</b>	<b>Cust Price</b>
EV25013	RL- 13X98 EFI VALIDATION SATIN PAPER	RL	Stock	\$ 99.00	\$ 79.20
EV25017	RL- 17X98 EFI VALIDATION SATIN PAPER	RL	Stock	\$ 119.00	\$ 95.20
EV25024	RL- 24X98 EFI VALIDATION SATIN PAPER	RL	Stock	\$ 159.00	\$ 127.20
EV25036	RL- 36X98 EFI VALIDATION SATIN PAPER	RL	Stock	\$ 219.00	\$ 175.20
EV25042	RL- 42X98 EFI VALIDATION SATIN PAPER	RL	Stock	\$ 249.00	\$ 199.20
4207-01	200- BESTCOLOR 5120 MATTE 13X19 PPR	BX	Stock	\$ 108.00	\$ 86.40
4207-24	BEST PAPER 5120 MATTE 24" X 115'	RL	Non-Stock	\$ 71.00	\$ 56.80
4224-24	RL- BP PPR SEMI-GLOSS 24"X82' 8180	BX	Non-Stock	\$ 334.00	\$ 267.20
4233-01	BP PPR SEMIMATT 9150 13X19 100/BX	BX	Stock	\$ 239.00	\$ 191.20
4233-24	BEST PAPER SEMIMATTE 9150 24" X 100'	BX	Stock	\$ 229.00	\$ 183.20
4233-36	BP PPR SEMIMATT 9150 36"X 100' ROLL	RL	Stock	\$ 339.00	\$ 271.20
4234-01	100- BP PPR SEMIMATT 9180 13X19	BX	Stock	\$ 299.00	\$ 239.20
4234-14	RL- 14-1/8X100 SEMIMATTE BESTCLR9180	RL	Non-Stock	\$ 209.00	\$ 167.20
4242-01	100- BESTCOLOR 9200 SEMIMAT 13X19	BX	Stock	\$ 274.50	\$ 219.60
4242-24	RL- BESTCOLOR 9200 SEMIMAT 24X100	BX	Stock	\$ 257.50	\$ 206.00
4247-24	RL- PREM PROD PPR 2200 GLOSSY 24X100	RL	Non-Stock	\$ 182.00	\$ 145.60
4250-01	50- BESTCOLOR 4250 PHOTO PPR 13X19	RL	Non-Stock	\$ 125.00	\$ 100.00
9190-24	RL- BEST PAPER MATTE 9190 24"X100	BX	Non-Stock	\$ 105.00	\$ 84.00

# BURNISHINE PRODUCTS



BURNISHINE 25% OFF LIST PRICE

## Price List

## Graphic Arts Price List

Plate Cleaners - Metal, Aqueous, Photo Direct and Laser					AS OF 7-May-10
Product Code	Description	Case/ Pack	Wt.	Suggested List per bottle or can	Customer price
P5	Plate Sav-Ur	12/16 oz.	14 #	\$10.28	\$7.71
P2	Plate Sav-Ur	12/32 oz.	28#	\$15.53	\$11.65
P1	Plate Sav-Ur	4/1 gal.	34#	\$57.82	\$43.37
P4	Plate Sav-Ur	1/30 gal.	240#		
P7	Aqua Blue	12/32 oz.	28#	\$22.05	\$16.54
3600	PlateCare	12/32 oz.	28#	\$15.05	\$11.29
L2	Gold Miracle	12/16 oz.	14 #	\$10.28	\$7.71
L3	Gold Miracle	12/32 oz.	28#	\$15.53	\$11.65
L4	Gold Miracle	4/1 gal.	34#	\$57.82	\$43.37

### Printers Pride Fountain Solutions

Product Code	Description	Case/ Pack	Wt.	Suggested List / gallon	
3457	Universal Fountain Solution	4/1 gal.	38#	\$29.52	\$22.14
3459	SM Fountain Solution	4/1 gal.	38#	\$29.52	\$22.14
3464	SM Plus Fountain Solution	4/1 gal.	38#	\$40.23	\$30.17
3476	Ultrafount Fountain Solution	4/1 gal.	38#	\$42.91	\$32.18

### Roller Cleaners by Burnishine

Product Code	Description	Case/ Pack	Wt.	Suggested List per bottle or can	
Y3*	Putz Pomade Liquid Flow	6/15 oz.	7#	\$19.74	\$14.81
R1	Putz Pomade Paste	12/15 oz.	14#	\$13.94	\$10.46
Y9	Clear Gel	6/16 oz.	8#	\$27.09	\$20.32

\*Please note new size & bottle packaging

### Printers Pride Chrome Cleaner

Product Code	Description	Case/ Pack	Wt.	Suggested List per bottle or can	
3462Q	Chrome Cylinder Cleaner	12/32 oz.	30#	\$16.05	\$12.04

### Additional Products

Product Code	Description	Case/ Pack	Wt.	Suggested List per bottle or can	
AC1	Barrier Cream	12/16 oz.	15#	\$18.94	\$14.21
CC5	Flexo Cleaner Concentrate	5 gal.	42#	\$73.53	\$55.15
FC55	Flexo Cleaner Concentrate	55 gal.	550#	\$643.36	\$482.52

Drum pricing available on select products.

**WCM Waste & Compliance Management Inc.**  
**"Making Compliance Convenient, Easy & Inexpensive"**

**WASTEWISE™**  
**Eco-Friendly Onsite Disposal & Recycling Products**  
**"Promoting a Safer, Cleaner World"**  
**Price list 3-1-2010**



PRODUCT	Units Per Case	CHEMGON 25% OFF LIST PRICE		
		Suggested Retail Price Ea/Cs	Weight Per Case	AS OF 7-May-10 CUST PRICE
<b>Chemgon® Fixer &amp; Developer Treatment and Disposal System</b>				
50000	1	\$69.32	5	\$51.99
50000 Pallet of 60	1	\$69.32	340	\$51.99

**NOTE: Federal law prohibits improper disposal of hazardous waste down the drain, including fixer & aldehydes. The EPA could impose fines of up to \$22,000 per occurrence. All offices need AMALGON for disposal of Amalgam Contaminated Screens, Filters & Traps.**

**WCM Waste & Compliance Management Inc.**  
**"Making Compliance Convenient, Easy & Inexpensive"**

**WASTEWISE™**  
**Eco-Friendly Onsite Disposal & Recycling Products**  
**"Promoting a Safer, Cleaner World"**  
**Price list 3-1-2010**



PRODUCT	Units Per Case	CHEMGON 25% OFF LIST PRICE		
		Suggested Retail Price Ea/Cs	Weight Per Case	AS OF 7-May-10 CUST PRICE
<b>Chemgon® Fixer &amp; Developer Treatment and Disposal System</b>				
50000	1	\$69.32	5	\$51.99
50000 Pallet of 60	1	\$69.32	340	\$51.99

**NOTE: Federal law prohibits improper disposal of hazardous waste down the drain, including fixer & aldehydes. The EPA could impose fines of up to \$22,000 per occurrence. All offices need AMALGON for disposal of Amalgam Contaminated Screens, Filters & Traps.**



**ITEK METAL PLATES AND CHEMISTRY**

**ITEK 33% OFF LIST PRICE**

AS OF  
7-May-10  
Customer

Part Number	Description	Stock Description	Stock	List	Price
59601-1	100- IT 10 X 15-1/2 SL 1-SD 6MIL	BX	Stock	\$ 170.66	\$ 114.34
59600-1	100- IT 10X15 PB 1-SD 6MIL	BX	Stock	\$ 165.15	\$ 110.65
59826-1	100- IT 11X18-1/16 6MIL 1-SD PB	BX	Stock	\$ 218.77	\$ 146.58
59605-1	100- IT 11 X 18-1/8 PB 1-SD 6MIL	BX	Stock	\$ 219.52	\$ 147.08
59607-1	100- IT 11-1/4 X 18-1/2 1-SD 6MIL PB	BX	Stock	\$ 229.15	\$ 153.53
59676-1	100- IT 11-1/4X19-3/8 1-SD 6MIL PB	BX	Stock	\$ 239.99	\$ 160.79
59608-1	100- IT 11-3/4 X 18 PB 1-SD 6MIL	BX	Stock	\$ 232.87	\$ 156.02
59606-1	100- IT 11X18-1/2 PB 1-SD 6MIL	BX	Stock	\$ 224.06	\$ 150.12
59694-1	100- IT 12-3/4X19-3/8 1-SD 6MIL PB	BX	Stock	\$ 271.99	\$ 182.23
59686-1	100- IT 12-3/4X19-3/8 6MIL 1-SD SC	BX	Stock	\$ 272.00	\$ 182.24
59613-1	100- IT 13 X 19-3/8 PB 1-SD 6MIL	BX	Stock	\$ 277.33	\$ 185.81
59614-1	100- IT 13-3/16 X 19-3/32 SE 1SD 6ML	BX	Stock	\$ 277.23	\$ 185.74
69663-1	100- IT 13-3/8 X 19-7/8 SE 1-SD 6ML	BX	Stock	\$ 292.69	\$ 196.10
67153-1	100- IT 15-1/2X19 SC 1-SD 6MIL	BX	Stock	\$ 323.73	\$ 216.90
57157-1	100- IT 15-1/2X20-1/2 SL 1-SD 6MIL	BX	Stock	\$ 349.86	\$ 234.41
69688-1	100- IT 15-3/4 X 18-3/4 1-SD 6MIL SE	BX	Stock	\$ 325.17	\$ 217.86
67159-1	100- IT 15-3/4X20-1/8 SE 1SD 6MIL	BX	Stock	\$ 348.99	\$ 233.82
57162-1	100- IT 16 X 17 1/2 6ML SE	BX	Stock	\$ 308.29	\$ 206.55
69820-1	100- IT 18-1/16X20-11/16 6MIL SE 1-SD	BX	Stock	\$ 411.42	\$ 275.65
67167-1	100- IT 19-1/4 X 22-7/8 6MIL 1-SD SE	BX	Stock	\$ 484.83	\$ 324.84
59649-1	100- IT 9-3/8X13-3/8 SE 6MIL	BX	Stock	\$ 138.06	\$ 92.50
59679-1	100- IT 15-1/2X18-3/8 SL 1-SD 6MIL	BX	Stock	\$ 313.59	\$ 210.11
59602-1	100- ITEK 60 10X16 PB 1-SD 6MIL	BX	Stock	\$ 175.99	\$ 117.91
57147-1	100- ITEK 60 15-1/16X18 PB 1-SD 6MIL	BX	Stock	\$ 298.53	\$ 200.02
57156-1	100- ITK60 15-1/2X18-3/8 1-SD PB 6ML	BX	Stock	\$ 313.59	\$ 210.11
59833-1	11-1/2X19-3/8 6MIL PB 1-SD 100/BX	BX	Stock	\$ 257.60	\$ 172.59
59612-1	13 X 18-1/2 6MIL 1-SD PB 100/BX	BX	Stock	\$ 264.80	\$ 177.42
59655	13-3/8x18-13/64 5.5MIL SE 100/BX	BX	Stock	\$ 307.10	\$ 205.76
59823-1	16-1/8X19 6MIL SC 1-SD 100/BX	BX	Stock	\$ 354.22	\$ 237.33
59664-1	60- IT 9-1/2X12-1/4 SE 1-SD 8MIL	BX	Stock	\$ 82.49	\$ 55.27
69691-1	30- IT 120 29-3/4X32-1/4 SC 1-SD 8ML	BX	Stock	\$ 339.86	\$ 227.71
69621-1	30- IT 23-5/8X28-3/4 GS 1-SD 8MIL	BX	Stock	\$ 240.70	\$ 161.27
67188-1	30- IT 23-5/8X28-3/4 SC 1-SD 12MIL	BX	Stock	\$ 267.44	\$ 179.18
67177-1	30- IT 24-1/4X28-1/2 SC 8MIL	BX	Stock	\$ 244.91	\$ 164.09
69645-1	30- IT 31X40-1/8 1-SD 12MIL	BX	Stock	\$ 489.77	\$ 328.15
69666-1	60- 15-3/4X20-7/8 SC 1-SD 8MIL	BX	Stock	\$ 233.03	\$ 156.13
67102-1	60- IT 12-1/4X19-15/32 1-SD SE 8MIL	BX	Stock	\$ 169.03	\$ 113.25
69695-1	60- IT 12-1/4X19-15/32 SC GL 1SD 8ML	BX	Stock	\$ 169.31	\$ 113.44
59861-1	60- IT 13-1/2X22-19/32 8MIL 1-SD PLT	BX	Stock	\$ 216.18	\$ 144.84
69699-1	60- IT 13-3/16X18-3/8 SC 1-SD 8MIL	BX	Stock	\$ 171.75	\$ 115.07
69653-1	60- IT 13-3/16X19-1/16 SC 1-SD 8MIL	BX	Stock	\$ 178.17	\$ 119.37



**ITEK METAL PLATES AND CHEMISTRY**

**ITEK 33% OFF LIST PRICE**

AS OF  
7-May-10  
Customer

Part Number	Description	Stock Description	Stock	List	Price
59653-1	60- IT 13-3/16X19-3/32 SC 1-SD 8MIL	BX	Stock	\$ 178.46	\$ 119.57
69618-1	60- IT 14-9/16 X 17-3/4 1-SD 8MIL SE	BX	Stock	\$ 183.19	\$ 122.74
69852-1	60- IT 14-9/16X20 GL 1-SD 8MIL	BX	Stock	\$ 206.42	\$ 138.30
69625-1	60- IT 15-3/4X20-1/16 SC 1-SD 8MIL	BX	Stock	\$ 223.97	\$ 150.06
69665-1	60- IT 15-3/4X20-1/8 SC 1-SD 8MIL	BX	Stock	\$ 224.65	\$ 150.52
67165-1	60- IT 16-1/8X20-1/4 8MIL SE	BX	Stock	\$ 231.58	\$ 155.16
69615-1	60- IT 17-11/16X20 GL 1-SD 8MIL	BX	Stock	\$ 250.72	\$ 167.98
69880-1	60- IT 18-1/16X20-11/16 SC 8MIL	BX	Stock	\$ 265.74	\$ 178.05
69693	60- IT 19-3/4X22-3/4 SC 8MIL	BX	Stock	\$ 389.56	\$ 261.01
67171-1	60- IT 20-1/16X24-5/8 GS 1-SD 8MIL	BX	Stock	\$ 348.17	\$ 233.27
67179-1	60- IT 20-5/16X22-3/4 1-SD 8MIL	BX	Stock	\$ 327.53	\$ 219.45
67169-1	60- IT 20X22-9/16 GS 1-SD 8MIL	BX	Stock	\$ 319.82	\$ 214.28
69882-1	60- IT 21-1/2X25-9/16 SC 8MIL	BX	Stock	\$ 389.53	\$ 260.99
67176-1	60- IT 21-5/8X25-5/8 SC 1-SD 8MIL	BX	Stock	\$ 392.75	\$ 263.14
69855-1	60- IT 22-1/218-7/16 GL 1-SD 8MIL	BX	Stock	\$ 294.02	\$ 196.99
69626-1	60- IT 22X26-1/2 SC 1-SD 8MIL	BX	Stock	\$ 413.20	\$ 276.84
69660-1	60- IT 9-15/16X12-1/4 SC 1-SD 8MIL	BX	Stock	\$ 90.59	\$ 60.70
67101-1	60- IT 9-15/16X15-3/4 1-SD GS 8MIL	BX	Stock	\$ 110.93	\$ 74.32
59664	9-1/2x12-1/4 8MIL SE 60/BOX	BX	Stock	\$ 98.87	\$ 66.24
59603	10-5/8 X 15-1/2 6MIL PB (100/BX)	BX	Stock	\$ 207.73	\$ 139.18
69893-1	30- 30-3/16X40-9/16 SC 1-SD 12MIL	BX	Stock	\$ 482.14	\$ 323.03
59837	30- IT 22-1/2X28-1/2 SC 12MIL	BX	Stock	\$ 300.06	\$ 201.04
69876-1	30- IT 23-13/16X29-5/16 SC 1-SD 12ML	BX	Stock	\$ 274.85	\$ 184.15
69640	30- IT 28-1/8X38-1/2 SC 12MIL	BX	Stock	\$ 506.69	\$ 339.48
69642-1	30- IT 28-3/4X38-1/2 1-SD 12MIL	BX	Stock	\$ 435.83	\$ 292.01
67181	30- IT 30-5/16X40-9/16 SC 12MIL	BX	Stock	\$ 575.41	\$ 385.52
69646-1	30- IT 31X41-1/8 1-SD SC 12MIL	BX	Stock	\$ 501.98	\$ 336.33
69628-1	30- ITEK 120 23-13/16X28-3/4 1-SD 8M	BX	Stock	\$ 242.61	\$ 162.55
69878-1	30- ITEK 120 28X37-1/2 1-SD 12MIL	BX	Stock	\$ 354.24	\$ 237.34
69892-1	30- ITEK 120 30-5/8X41-1/8 1-SD 12ML	BX	Stock	\$ 495.90	\$ 332.25
69890-1	30- ITEK 120 31-1/2X40-1/2 12MIL	BX	Stock	\$ 502.36	\$ 336.58
69891-1	30- ITEK 120 31-5/8X39-5/8 SE 12MIL	BX	Stock	\$ 493.29	\$ 330.50
69905-1	30- ITEK 120 41X50-3/8 1-SD 12MIL	BX	Stock	\$ 813.25	\$ 544.88
69634-1	60- IT 21-5/8X25-5/8 SC 1-SD 12MIL	BX	Stock	\$ 436.39	\$ 292.38
69652-1	60- IT 22X26-1/2 SC 1-SD 12MIL	BX	Stock	\$ 459.12	\$ 307.61
59602	10 X 16 6 MIL SE 100/BX	BX	Non-Stock	\$ 201.82	\$ 135.22
59600	100- 10X15 5.5 MIL PB	BX	Stock	\$ 189.20	\$ 126.76
67143	100- 12-3/4x19-3/8 5.5MIL PB 26HL	BX	Stock	\$ 308.50	\$ 206.70
57189	100- 13X19-11/64 5.5MIL SE	BX	Stock	\$ 314.39	\$ 210.64
57154	100- 14-9/16 X 17-3/4 5.5MIL SE	BX	Stock	\$ 326.05	\$ 218.45
59683	100- 15 1/2x18 3/8 6MIL SL GR	BX	Stock	\$ 359.27	\$ 240.71



**ITEK METAL PLATES AND CHEMISTRY**

**ITEK 33% OFF LIST PRICE**

AS OF  
7-May-10  
Customer

Part Number	Description	Stock Description	Stock	List	Price
57155	100- 15 X 18 PB GRAINED 5.5 MIL	BX	Stock	\$ 340.60	\$ 228.20
57156	100- 15-1/2 X 18-3/8 5.5MIL PB	BX	Stock	\$ 359.27	\$ 240.71
57157	100- 15-1/2 X 20-1/2 5.5MIL SL	BX	Stock	\$ 400.81	\$ 268.54
57162	100- 16 X 17 1/2 6MIL SE	BX	Stock	\$ 353.21	\$ 236.65
59836	100- 20-1/2 X 15-1/2 40 PB 5.5 MIL	BX	Non-Stock	\$ 399.39	\$ 267.59
59601	100- IT 10 X 15-1/2 5.5MIL SL	BX	Stock	\$ 195.51	\$ 130.99
59826	100- IT 11 X 18-1/16 6MIL PB GRN PLT	BX	Stock	\$ 250.64	\$ 167.93
59606	11 X 18-1/2 5.5MIL PB 100/BX	BX	Stock	\$ 256.68	\$ 171.98
59605	11 X 18-1/8 5.5 MIL PB 100/BX	BX	Stock	\$ 249.74	\$ 167.33
59606-5/8	11 X 18-5/8 5.5MIL PB 100/BX	BX	Stock	\$ 256.67	\$ 171.97
59833	11-1/2 x 19-3/8 PB 6MIL 100/BOX	BX	Stock	\$ 281.00	\$ 188.27
59607	11-1/4 X 18-1/2 5.5MIL PB 100/BX	BX	Stock	\$ 262.53	\$ 175.90
59676	11-1/4 X 19-3/8 5.5MIL PB 100/BX	BX	Stock	\$ 274.93	\$ 184.20
59608	11-3/4 X 18 5.5MIL PB 100/BX	BX	Stock	\$ 266.78	\$ 178.74
59651	12-1/16X17-3/8 5.5MIL SE 100/BX	BX	Stock	\$ 264.38	\$ 177.13
59610	12-3/4 X 18-1/16 5.5MIL PB 100/BX	BX	Stock	\$ 290.50	\$ 194.64
59611	12-3/4 X 18-1/2 5.5MIL 25 PB 100/BX	BX	Stock	\$ 297.54	\$ 199.35
59686	12-3/4 X 19-3/8 5.5MIL SE 100/BX	BX	Stock	\$ 311.55	\$ 208.74
59694	12-3/4 x 19-3/8 5.5MIL PB 25HL100/PK	PK	Stock	\$ 317.54	\$ 212.75
59691	12-3/4x18-5/8 6MIL PB 25HOLE(100/BX)	BX	Stock	\$ 305.24	\$ 204.51
59612	13 X 18-1/2 5.5MIL PB 100/BX	BX	Stock	\$ 303.37	\$ 203.26
59613	13 X 19-3/8 5.5MIL PB 100/BX	BX	Stock	\$ 317.72	\$ 212.87
57195	13-1/2 X 17-7/8 5.5 MIL SE 100/BX	BX	Non-Stock	\$ 304.38	\$ 203.93
59614	13-3/16 X 19-3/32 5.5MIL SE 100/BX	BX	Stock	\$ 317.63	\$ 212.81
69663	13-3/8 X 19-7/8 5.5MIL SE 100/BOX	BX	Stock	\$ 334.94	\$ 224.41
59811-1	13-3/8x17-7/8 5.5MIL 1S SE 100/BX	BX	Stock	\$ 263.25	\$ 176.38
67110	15-15/16 X 19 5.5MIL SE 100/BOX	BX	Stock	\$ 381.52	\$ 255.62
67193	15-3/4 X 18-1/2 5.5MIL SE 100/BOX	BX	Stock	\$ 367.14	\$ 245.98
69688	15-3/4 X 18-3/4 5.5MIL SE 100/BOX	BX	Stock	\$ 446.87	\$ 299.40
67158	15-3/4 X 18-3/8 5.5MIL SL 100/BOX	BX	Stock	\$ 364.64	\$ 244.31
59834	15-3/4 X 20-1/16 5.5MIL SE 100/BX	BX	Stock	\$ 398.49	\$ 266.99
67198	15-3/4 x 20-1/2 5.5MIL SE 100/BOX	BX	Stock	\$ 406.82	\$ 272.57
67159	15-3/4 X 20-1/8 5.5MIL SE 100/BOX	BX	Stock	\$ 399.37	\$ 267.58
67163	16 X 19 5.5MIL SE 100/BOX	BX	Non-Stock	\$ 383.04	\$ 256.64
67164	16-3/8 X 20-1/2 5.5MIL SE 100/BOX	BX	Stock	\$ 422.95	\$ 283.38
59832	17-3/8x18-3/16 5.5 MIL SE 100/BOX	BX	Stock	\$ 409.08	\$ 274.08
69820	18-1/16 X 20-11/16 5.5MIL SE 100/BOX	BX	Stock	\$ 546.23	\$ 365.97
67167	19-1/4 X 22-7/8 5.5MIL SE 100/BOX	BX	Stock	\$ 554.82	\$ 371.73
67169	20 X 22-5/8 8MIL SE 100/BOX	BX	Non-Stock	\$ 641.28	\$ 429.66
69690	30- 27-1/4X30 SC 8MIL	BX	Stock	\$ 354.34	\$ 237.41
59649	9-3/8X13-3/8 5.5MIL SE 100/BX	BX	Stock	\$ 158.18	\$ 105.98



**ITEK METAL PLATES AND CHEMISTRY**

**ITEK 33% OFF LIST PRICE**

AS OF  
7-May-10  
Customer

Part Number	Description	Stock Description	Stock	List	Price
69886	30- 25-1/2X36 SC 8MIL	BX	Non-Stock	\$ 389.74	\$ 261.13
69885	30- 27-1/2X32-1/4 SC 8MIL	BX	Non-Stock	\$ 377.07	\$ 252.64
69883	30- 27X36-1/4 SE 8MIL	BX	Non-Stock	\$ 415.79	\$ 278.58
69854	30- IT 22-1/4X28-9/16 SC 8MIL	BX	Stock	\$ 297.69	\$ 199.45
69627	30- IT 22-7/16X26 SC 8MIL	BX	Stock	\$ 248.01	\$ 166.17
69669	30- IT 23-13/16X29-1/8 SC 8MIL	BX	Stock	\$ 294.87	\$ 197.56
69874	30- IT 23-15/16X28-3/4 SC 8MIL	BX	Non-Stock	\$ 292.35	\$ 195.87
69677	30- IT 23-3/4X27-7/8 SC 8MIL	BX	Stock	\$ 281.46	\$ 188.58
67177	30- IT 24-1/4X28-1/2 SC 8MIL	BX	Stock	\$ 293.83	\$ 196.87
69629	30- IT 26-3/4X31 SC 8MIL	BX	Stock	\$ 352.55	\$ 236.21
69630	30- IT 27X30 SC 8MIL	BX	Stock	\$ 344.38	\$ 230.73
69638	30- IT 28-1/8X35-1/4 SC 12MIL	BX	Stock	\$ 463.94	\$ 310.84
69631	30- IT 28-1/8X35-1/4 SC 8MIL	BX	Stock	\$ 462.42	\$ 309.82
69892	30- ITEK 120 24X29-1/8 8MIL	BX	Stock	\$ 296.64	\$ 198.75
69666	60- 15-3/4X20-7/8 SE 8MIL	BX	Non-Stock	\$ 281.55	\$ 188.64
69851	60- 19-15/16X22-7/16 8MIL SE	BX	Stock	\$ 379.69	\$ 254.39
69660	60- IT 9-15/16x12-1/4 SC 8MIL	BX	Stock	\$ 103.52	\$ 69.36
69695	60- IT 12-1/4X19-1/2 SC 8MIL	BX	Non-Stock	\$ 202.74	\$ 135.84
67102	60- IT 12-1/4X19-15/32 SC 8MIL	BX	Stock	\$ 202.79	\$ 135.87
59653	60- IT 13-3/16X19-3/32 SC 8MIL	BX	Stock	\$ 214.12	\$ 143.46
69658	60- IT 13-3/8X19-7/8 SC 8MIL	BX	Stock	\$ 226.04	\$ 151.45
69853	60- IT 15-1/2X20-1/2 SC 8MIL	BX	Non-Stock	\$ 269.70	\$ 180.70
69659	60- IT 15-3/4X18-1/2 8MIL	BX	Stock	\$ 247.33	\$ 165.71
69625	60- IT 15-3/4X20-1/16 SC 8MIL	BX	Stock	\$ 268.65	\$ 180.00
69665	60- IT 15-3/4X20-1/8 SC 8MIL	BX	Stock	\$ 269.52	\$ 180.58
59864-1	60- IT 16-1/8X20-1/16 SC 8MIL	BX	Stock	\$ 229.28	\$ 153.62
69651	60- IT 16-1/8X20-1/8 SC 8MIL	BX	Stock	\$ 275.44	\$ 184.54
69616	60- IT 19-3/4X23 SC 8MIL	BX	Stock	\$ 386.25	\$ 258.79
69870	60- IT 19-7/8X22-3/4 SC 8MIL	BX	Stock	\$ 383.06	\$ 256.65
67171	60- IT 20-1/16X24-5/8 SC 8MIL	BX	Stock	\$ 420.09	\$ 281.46
69619	60- IT 20-3/4X25-1/4 SC 8MIL	BX	Stock	\$ 445.48	\$ 298.47
69680	60- IT 20-3/4X25-5/8 SC 8MIL	BX	Stock	\$ 452.13	\$ 302.93
69620	60- IT 20-7/8X25-19/32 SC 8MIL	BX	Stock	\$ 453.45	\$ 303.81
67173	60- IT 20-7/8X25-5/8 SC 8MIL	BX	Stock	\$ 454.84	\$ 304.74
69687	60- IT 20-7/8X26 SC 8MIL	BX	Stock	\$ 461.49	\$ 309.20
69813	60- IT 20X22-7/8 SC 8MIL	BX	Stock	\$ 389.00	\$ 260.63
67170	60- IT 20X25-3/8 SC 8MIL	BX	Stock	\$ 431.52	\$ 289.12
69882	60- IT 21-1/2X25-9/16 SC 8MIL	BX	Stock	\$ 467.32	\$ 313.10
67174	60- IT 21-1/8X22-3/4 SC 8MIL	BX	Stock	\$ 408.65	\$ 273.80
69623	60- IT 21-3/8X25-3/8 SC 8MIL	BX	Stock	\$ 461.19	\$ 309.00
69868	60- IT 21-3/8X25-5/8 SC 8MIL	BX	Non-Stock	\$ 465.78	\$ 312.07





**ITEK METAL PLATES AND CHEMISTRY**

**ITEK 33% OFF LIST PRICE**

AS OF  
7-May-10  
Customer

Part Number	Description	Stock Description	Stock	List	Price
67175	60- IT 21-5/8X24-5/8 SC 8MIL	BX	Stock	\$ 452.79	\$ 303.37
67176	60- IT 21-5/8X25-5/8 SC 8MIL	BX	Stock	\$ 471.19	\$ 315.70
69624	60- IT 21-5/8X26 SC 8MIL	BX	Stock	\$ 478.09	\$ 320.32
69873	60- IT 21-7/8X26-1/2 SC 8MIL	BX	Non-Stock	\$ 492.52	\$ 329.99
69622	60- IT 21X25-3/8 SC 8MIL	BX	Non-Stock	\$ 453.12	\$ 303.59
69626	60- IT 22X26-1/2 SC 8MIL	BX	Stock	\$ 495.74	\$ 332.15
69872	60- IT 22X26-3/8 SC 8MIL	BX	Stock	\$ 493.41	\$ 330.58
69888-1	60- PLT 22-15/16X36 8MIL 1-SD	BX	Stock	\$ 585.83	\$ 392.51
59685	9-3/8 x 13-3/8 5.5MIL NOTCH 100/BX	BX	Stock	\$ 158.13	\$ 105.95
69888	30- 30-1/2X40-3/4 SE 12MIL	BX	Stock	\$ 581.66	\$ 389.71
69875	30- 30-1/4X40-9/16 SE 12MIL	BX	Non-Stock	\$ 574.19	\$ 384.71
69893	30- 30-3/16X40-9/16 SC 12MIL	BX	Stock	\$ 573.22	\$ 384.06
69877	30- IT 21-1/2X27-3/8 SC 12MIL	BX	Stock	\$ 275.43	\$ 184.54
69885-1	30- IT 21-3/4X29-5/16 SC 12MIL	BX	Stock	\$ 251.03	\$ 168.19
69876	30- IT 23-13/16X29-5/16 SC 2-S 12MIL	BX	Stock	\$ 326.87	\$ 219.00
67188	30- IT 23-5/8X28-3/4 SC 12MIL	BX	Stock	\$ 317.85	\$ 212.96
69635	30- IT 24-1/4X28-1/2 SC 12MIL	BX	Stock	\$ 323.42	\$ 216.69
69636	30- IT 26-3/4X31 SC 12MIL	BX	Stock	\$ 388.20	\$ 260.09
69637	30- IT 27X30 SC 12MIL	BX	Non-Stock	\$ 379.07	\$ 253.98
69886-1	30- IT 28-1/8 X 38-1/2 SC 12MIL	BX	Non-Stock	\$ 426.36	\$ 285.66
69641	30- IT 28-1/8X39-1/2 SC 12MIL	BX	Stock	\$ 519.90	\$ 348.33
69642	30- IT 28-3/4X38-1/2 SC 12MIL	BX	Stock	\$ 518.00	\$ 347.06
69644	30- IT 29-1/2X38-3/4 SC 12MIL	BX	Stock	\$ 534.94	\$ 358.41
69871	30- IT 30-1/4X39-3/4 SC 12MIL	BX	Stock	\$ 562.70	\$ 377.01
69887-1	30- IT 30-5/16X40-1/2 SC 12MIL	BX	Stock	\$ 483.39	\$ 323.87
69646	30- IT 31X41-1/8 SC 12MIL	BX	Non-Stock	\$ 596.59	\$ 399.72
67189	30- ITEK 120 23-1/2X29-1/8 12MIL	BX	Stock	\$ 319.35	\$ 213.96
69881	60- IT 21-1/2X25-9/16 SC 12MIL	BX	Stock	\$ 514.34	\$ 344.61
69634	60- IT 21-5/8X25-5/8 SC 12MIL	PK	Non-Stock	\$ 518.60	\$ 347.46
69884	60- IT 21X25-3/8 SC 12MIL	BX	Non-Stock	\$ 499.11	\$ 334.40
69652	60- IT 22X26-1/2 SC 12MIL	BX	Stock	\$ 545.64	\$ 365.58
69889-1	60-IT 20X22-7/8 SE 1SD 12MIL	BX	Stock	\$ 360.61	\$ 241.61
57186	5GL- IT 2 IN 1 DEVELOPER	CU	Stock	\$ 176.66	\$ 118.36
57184	GL- IT 2 IN 1 DEVELOPER GAL.	GA	Stock	\$ 40.13	\$ 26.89
57182	GL- IT DEVELOPER GAL.	GA	Stock	\$ 30.84	\$ 20.66
57185	5GL- IT DEVELOPER	CU	Stock	\$ 147.94	\$ 99.12
57187	5GL- IT FINISHER	CU	Stock	\$ 142.96	\$ 95.78
57183	GL- ABDICK METAL PLATE FINISHER	GA	Stock	\$ 28.27	\$ 18.94

2010

## MULTIGRAPHICS BRAND PRODUCTS PRICE LIST

## MULTIGRAPHICS 35% OFF LIST PRICE

AS OF  
7-May-10  
Customer

## MULTIGRAPHICS BRAND PRESS BLANKETS

Part Number	Description	Stock Description	Stock	List	Price
83-8-104578	M 3PCP 10-5/8X16-1/16 AM2850	EA	Stock	\$ 24.44	15.89
83-6-104836	M 3PCP 10-5/8X18-1/2 ABD360	EA	Stock	\$ 28.16	18.30
83-0-104576	M 3PCP 10-5/8X18-7/16 AM1250 L&W	EA	Stock	\$ 28.01	18.21
83-2-104574	M 3PCP 10X15-1/16 AM1250	EA	Stock	\$ 21.58	14.03
83-5-104282	M 3PCP 11X18-1/2 ABD360W	EA	Stock	\$ 29.02	18.86
83-2-107478	M 3PCP 11X18-1/2 PNCH ABD360W	CR	Stock	\$ 27.45	17.84
83-5-101437	M 3PCP 12-5/8X18-7/16 AM1360/1650	EA	Stock	\$ 33.29	21.64
83-7-105634	M 3PCP 12-5/8X19-3/16 ABD9840	EA	Stock	\$ 34.60	22.49
83-3-104573	M 3PCP 17-5/8X16-1/6 AM1850	EA	Stock	\$ 45.45	29.54
83-8-104818	M 3PCV 10-5/8X15-1/16 AM1250W	EA	Stock	\$ 23.59	15.33
83-7-104819	M 3PCV 10-5/8X18-7/16 AM1250WL	EA	Stock	\$ 28.89	18.78
83-9-104817	M 3PCV 10X15-1/16 AM1250	EA	Stock	\$ 22.16	14.40
83-4-104820	M 3PCV 12 5/8X18 7/16 AM1650	EA	Stock	\$ 34.31	22.30
83-3-104821	M 3PCV 17-5/8X16-1/16 AM1850	EA	Stock	\$ 41.74	27.13
83-7-107481	M 3PSCP 10-5/8X18-1/2 ABD360	CR	Stock	\$ 26.45	17.19
83-4-107476	M 3PSCP 10-5/8X18-7/16 AM1250W	CR	Stock	\$ 26.45	17.19
83-5-107483	M 3PSCP 10X15-1/16 AM1250	CR	Stock	\$ 20.29	13.19
83-4-107534	M 3PSCP 11-7/8X19-1/8 HAMADA600	EA	Stock	\$ 45.75	29.74
83-1-107636	M 3PSCP 12-11/16 X19-1/4 ABD9870	EA	Stock	\$ 32.89	21.38
83-8-107530	M 3PSCP 12-5/8X18-1/2 ABD375	EA	Non-Stock	\$ 31.45	20.44
83-6-107474	M 3PSCP 12-5/8X18-7/16 AM1360/1650	CR	Stock	\$ 31.45	20.44
83-6-107482	M 3PSCP 12-5/8X19-3/16 ABD9840	CR	Stock	\$ 32.74	21.28
83-3-107477	M 3PSCP 12-5/8X19-3/8 ABD9800	CR	Stock	\$ 35.77	23.25
83-5-107475	M 3PSCP 17-5/8X16-1/16 AM1850/1880	CR	Stock	\$ 38.17	24.81
83-1-104575	M 3SCP 10-5/8X15-1/16 AM1250W	EA	Stock	\$ 22.88	14.87
83-0-105268	M 4BCV 20-7/8X19-3/4 EAGLE	EA	Non-Stock	\$ 74.23	48.25
83-6-107532	M 4BSCP 20-1/2X17-1/2 GTO52	EA	Stock	\$ 70.34	45.72
83-8-105542	M1218EI UNDBLKT 17-3/8X12-7/8 .041	EA	Stock	\$ 42.65	27.72
83-9-106762	PPII 3PSCP 10-5/8X18-1/2 ABD360	EA	Stock	\$ 30.87	20.07
83-9-106754	PPII 3PSCP 11-7/8X19-1/8 HAM600	EA	Stock	\$ 35.60	23.14
83-8-106763	PPII 3PSCP 11X18-1/2 ABD360W	EA	Stock	\$ 31.87	20.72

**MULTIGRAPHICS BRAND PRODUCTS PRICE LIST**

**MULTIGRAPHICS 35% OFF LIST PRICE**

AS OF  
7-May-10  
Customer

**MULTIGRAPHICS BRAND PRESS BLANKETS**

Part Number	Description	Stock Description	Stock	List	Price
83-4-106767	PPII 3PSCP 15-1/16X10 AM1250	EA	Stock	\$ 24.31	15.80
83-8-106730	PPII 3PSCP 15-1/16X10-5/8 AM1250W	EA	Stock	\$ 25.16	16.35
83-0-106761	PPII 3PSCP 15-3/16X10 ABD350	EA	Stock	\$ 23.88	15.52
83-5-106758	PPII 3PSCP 15-3/16X10 ATF15	EA	Stock	\$ 23.88	15.52
83-7-106749	PPII 3PSCP 15-5/16X12-5/8 AM1330	EA	Stock	\$ 30.30	19.70
83-8-106748	PPII 3PSCP 16-1/16X10-5/8 AM1250STD	EA	Stock	\$ 26.75	17.39
83-2-106751	PPII 3PSCP 16-1/16X17-5/8 1860/1862	EA	Stock	\$ 44.47	28.91
83-8-106755	PPII 3PSCP 16-1/2X18-3/8 HAM700	EA	Stock	\$ 47.61	30.95
83-6-106757	PPII 3PSCP 16-3/16X17-1/4 DAV700	EA	Stock	\$ 43.88	28.52
83-1-106729	PPII 3PSCP 16X10-1/4 DAV500	EA	Stock	\$ 25.72	16.72
83-1-106752	PPII 3PSCP 17-1/4X16 AM8585	EA	Stock	\$ 43.29	28.14
83-7-106764	PPII 3PSCP 18-1/2X12-5/8 PNCH ABD375	EA	Stock	\$ 36.61	23.80
83-5-106881	PPII 3PSCP 18-11/16X22-5/8 ABD385	EA	Stock	\$ 66.33	43.11
83-4-106759	PPII 3PSCP 18-5/8X11 ATF17	EA	Stock	\$ 32.16	20.90
83-3-106768	PPII 3PSCP 18-7/16X10-5/8 1250LW	EA	Stock	\$ 30.74	19.98
83-3-106750	PPII 3PSCP 18-7/16X12-5/8 1360/1650	EA	Stock	\$ 36.61	23.80
83-2-107635	PPII 3PSCP 19-1/4X12-11/16 ABD9870	EA	Stock	\$ 32.89	21.38
83-1-106760	PPII 3PSCP 19-13/16X12-5/8 ATF2217	EA	Stock	\$ 38.01	24.71
83-5-106766	PPII 3PSCP 19-3/16X12-5/8 ABD9840	EA	Stock	\$ 38.01	24.71
83-4-107633	PPII 3PSCP 19-3/16X13 ABD3000	EA	Stock	\$ 33.60	21.84
83-6-106765	PPII 3PSCP 19-3/8X12-5/8 ABD9800	EA	Stock	\$ 38.47	25.01
83-0-106746	PPII 4BSCP 19-3/4X20-7/8 EAGLE	EA	Stock	\$ 84.56	54.96
83-1-106745	PPII 4PSCP 25-5/8X22-7/16 6400/SOL	EA	Stock	\$ 90.19	58.62
83-9-106747	PPII 4PSCP 25-5/8X23-1/16 EAGLE 6400	EA	Stock	\$ 92.77	60.30
83-0-107538	PPII 4SSCP 17-1/2X20-1/2 HEID GTO52	EA	Stock	\$ 83.49	54.27
83-1-107537	PPII 4SSCP 20-5/8X26-1/2 HEID KORD64	EA	Stock	\$ 127.23	82.70
83-5-106634	1- QC BACKER 11-3/8X17-3/4 RYOBI2800	BX	Stock	\$ 38.94	25.31
83-6-106633	1- QC FACER 11-3/8X17-3/4 RYOBI 2800	BX	Stock	\$ 39.89	25.93
83-4-106635	1- QC FACER 12X19 .035 RY2200/3200	BX	Stock	\$ 45.09	29.31
200W-1017-9A	1B/2F- QC 10-15/16X20-1/8 POE 1250	ST	Stock	\$ 138.45	89.99
200-1017-2A	1B/2F- QC 10-3/16X14-5/16 SR AM1250	ST	Stock	\$ 109.85	71.40
200-1017-4A	1B/2F- QC 10-3/16X16-5/16 SR AM1250	ST	Stock	\$ 99.58	64.73
200W-1017-2A	1B/2F- QC 10-3/4X15-5/16 SR AM125	ST	Stock	\$ 97.27	63.23

**MULTIGRAPHICS BRAND PRODUCTS PRICE LIST**

**MULTIGRAPHICS 35% OFF LIST PRICE**

AS OF  
7-May-10  
Customer

**MULTIGRAPHICS BRAND PRESS BLANKETS**

Part Number	Description	Stock Description	Stock	List	Price
200W-1017-4A	1B/2F- QC 10-3/4X16-5/16 SR AM1250/2	ST	Stock	\$ 110.85	72.05
200W-1017-11A	1B/2F- QC 10-5/8X20-1/8 PB AM2850/28	ST	Stock	\$ 142.67	92.74
83-9-104312	1B/2F- QC 11X18-1/2 PNCHD ABD360W2	BX	Stock	\$ 135.81	88.28
83-4-101438	1B/2F- QC 12-1/2X13 PNCHD AM1250	ST	Non-Stock	\$ 137.95	89.67
83-3-101439	1B/2F- QC 12-3/4X16-3/8 PNCHD AM1650	ST	Stock	\$ 139.31	90.55
185-1017-2A	1B/2F- QC 17-3/4X15-3/4 PNCHD AM1860	ST	Stock	\$ 186.55	121.26
200-1017-7A	1B/2F- QC 8-3/8X14-1/4 PB AM1250	ST	Stock	\$ 81.06	52.69
83-3-106636	1-QC BACKER 11-3/8X18-1/2 .030 RY320	EA	Non-Stock	\$ 40.60	26.39
200W-1019-11A	3- QC BACKER 10-1/2X16-3/8 SC AM2850	BX	Stock	\$ 99.58	64.73
200W-1019-9A	3- QC BACKER 10-13/16X16-3/8 SC AM12	BX	Stock	\$ 120.22	78.14
200W-1019-2A	3- QC BACKER 10-5/8X13-3/16 SR AM12	BX	Stock	\$ 82.69	53.75
83-1-105515	3- QC BACKER 12-7/8X16-3/8 AM1250	BX	Stock	\$ 122.09	79.36
185-1019-2A	3- QC BACKER 17-5/8X16-1/16 PB M1250	BX	Stock	\$ 161.90	105.24
200-1019-7A	3- QC BACKER 8-3/8X14-1/2 SC AM1250	BX	Stock	\$ 105.50	68.58
200W-1018-9A	3- QC FACER 10-15/16X20-1/8 POE AM12	ST	Stock	\$ 139.44	90.64
200W-1018-2A	3- QC FACER 10-3/4X15-5/16 SR AM1250	ST	Stock	\$ 97.63	63.46
200W-1018-11A	3- QC FACER 10-5/8X20-1/8 POE AM2850	ST	Stock	\$ 126.80	82.42
83-5-106717	3- QC FACER 12-3/4X19-1/8 ABD9800	ST	Stock	\$ 144.60	93.99
83-9-101441	3- QC FACER 12-3/4X20-3/8 1360/1650	ST	Stock	\$ 154.03	100.12
83-3-106719	3- QC FACER 12-5/8X18-9/16 ABD375	ST	Non-Stock	\$ 138.95	90.32
200-1018-2A	3- QC FACER 13-3/16X14-5/16 SR AM125	ST	Stock	\$ 86.49	56.22
185-1018-2A	3- QC FACER 17-3/4X15-3/4 PB AM1860	ST	Stock	\$ 165.75	107.74
200-1018-7A	3- QC FACER 8-3/8X14-1/2 PB AM1250	ST	Stock	\$ 72.06	46.84
200W-1018-4A	3- QC FCRS 10-3/4X16-5/16 1250/2850	ST	Stock	\$ 98.57	64.07

**MULTIGRAPHICS CLEANING SUPPLIES**

83-6-104059	16OZ.- CLEAN N EASY HAND CLEANER B	EA	Stock	\$ 5.08	3.30
83-5-200867	48/BX- INKLING TOWELET A	BX	Stock	\$ 10.10	6.57
185-7407	CLEAN-UP BLADE 1850	EA	Stock	\$ 8.50	5.52
83-3-104060	GL- CLEAN N EASY HAND CLEANER A	GL	Stock	\$ 32.04	20.83
13-7-194361	INK CLEAN-UP BLADE 1820 2ND HD	EA	Stock	\$ 40.90	26.59
13-2-199456	INK CLEAN-UP BLADE RED 1650	EA	Stock	\$ 34.56	22.46

**MULTIGRAPHICS BRAND PRODUCTS PRICE LIST**

**MULTIGRAPHICS 35% OFF LIST PRICE**

AS OF  
7-May-10

**MULTIGRAPHICS BRAND PRESS BLANKETS**

Part Number	Description	Stock Description	Stock	List	Customer Price
<b>MULTIGRAPHICS DIGITAQL IMAGESETTING FILMS</b>					
83-0-108254	RL- 12.2X200 EXT RED SP928	RL	Stock	\$ 430.00	279.50
83-9-107430	RL- 12X100 HN LSR FLM SP925	EA	Non-Stock	\$ 211.91	137.74
83-3-107543	RL- 12X100 HN RLF SP925	RL	Stock	\$ 211.91	137.74
83-5-107426	RL- 12X100 IR LASER DAY SP925	RL	Stock	\$ 251.69	163.60
83-1-108253	RL- 12X200 EXT RED SP928	RL	Stock	\$ 422.96	274.92
83-7-107077	RL- 12X200 IR FLM DAY SP928	RL	Stock	\$ 503.36	327.18
83-7-108224	RL- 12X200 RED MATTE FILM SP928	RL	Stock	\$ 490.09	318.56
83-5-107491	RL- 12X250 DAY FILM SP926	RL	Stock	\$ 529.79	344.36
83-8-107431	RL- 13.3X100 HN LSR FLM DAY SP925	EA	Non-Stock	\$ 234.86	152.66
83-4-107427	RL- 13.3X100 IR LSR DAY SP925	EA	Stock	\$ 278.99	181.34
83-6-108225	RL- 13.3X200 EXT RED SP928	RL	Stock	\$ 469.76	305.34
83-6-107078	RL- 13.3X200 IR FLM BDK SP928	RL	Stock	\$ 557.91	362.64
83-3-107113	RL- 13.3X250 EXT RED FILM SP926	RL	Stock	\$ 587.17	381.66
83-3-108244	RL- 13.3X250 INFRA LSR FLM SP926	RL	Stock	\$ 697.55	453.41
83-4-108458	RL- 13.98X200 LED FILM SPEC 500	RL	Stock	\$ 547.54	355.90
83-4-107492	RL- 14.96X200 HEL NEON LSR FLM SP914	RL	Stock	\$ 528.35	343.43
83-5-108218	RL- 14X200 EXT RED SP928	RL	Stock	\$ 493.46	320.75
83-0-107389	RL- 14X250 DAY FILM SP926	RL	Stock	\$ 618.15	401.80
83-1-107115	RL- 16X250 HN LSR FLM DAY SP926	RL	Stock	\$ 706.38	459.15
83-1-108220	RL- 18.11X200 EXT RED 6547 SP928	RL	Stock	\$ 639.30	415.55
83-3-108228	RL- 18.11X200 RED MATTE FILM SP928	RL	Stock	\$ 739.62	480.75
83-2-108286	RL- 18.1X200 EXT RED SP528	RL	Stock	\$ 638.00	414.70
83-6-108258	RL- 20.08X200 EXT RED SP928	RL	Stock	\$ 704.92	458.20
83-9-108396	RL- 20.87X200 EXT RED SP928	RL	Stock	\$ 735.63	478.16
83-7-108638	RL- 20X200 HN LSR FILM SPEC 914	RL	Stock	\$ 706.38	459.15
83-3-108681	RL- 21.6X200 RLD FILM SP303	RL	Stock	\$ 761.33	494.86
83-7-108711	RL- 22.52X200 RLD FILM SPEC 914	RL	Stock	\$ 795.44	517.04
83-9-108610	RL- 22X200 EX RED FILM SPEC 928	RL	Stock	\$ 775.29	503.94
83-5-108259	RL- 25.98X200 EXT RED SP914	RL	Stock	\$ 916.41	595.67
83-0-107116	RL- 25.98X250 HN LSR FLM DAY SP926	RL	Stock	\$ 1,147.88	746.12

**MULTIGRAPHICS BRAND PRODUCTS PRICE LIST****MULTIGRAPHICS BRAND PRESS BLANKETS**

Part Number	Description
83-8-108603	RL- 25X200 EXT RED FILM SP928
83-7-108737	RL- 28 x 200 IR FILM SPEC303
83-2-108041	RL- 30X200 EXT RED SP928

**MULTIGRAPHICS 35% OFF LIST PRICE**

AS OF  
7-May-10  
Customer

Stock Description	Stock	List	Price
RL	Stock	\$ 881.19	572.77
RL	Stock	\$ 1,173.96	763.07
RL	Stock	\$ 1,057.41	687.32

**MULTIGRAPHICS ANALOG FILM AND CHEMISTRY**

83-1-104617	100- 10X12 RAPID ACCESS FILM	BX	Stock	\$ 106.58	69.28
83-0-104618	100- 11X14 RAPID ACCESS FILM	BX	Stock	\$ 136.75	88.89
83-9-104619	100- 12X18 RAPID ACCESS FILM	BX	Stock	\$ 191.81	124.68
83-2-108237	100- 14X17 RAPID ACCESS FILM	CR	Stock	\$ 211.37	137.39
83-5-104621	100- 20X24 RAPID ACCESS FILM	BX	Stock	\$ 426.26	277.07
83-8-104867	100- 8-1/2X11 RAPID ACCESS FILM	BX	Stock	\$ 83.06	53.99
83-5-108580	RL- 12X100 RAPID ACCESS FILM EI	RL	Stock	\$ 127.87	83.12
83-5-104647	## GL- PRO-GRAPHIC FILM HARDENER	GL	Stock	\$ 18.75	12.19

**MULTIGRAPHICS DAMPENING COVERS**

1220-2035-A	2- 1220 2ND COVER DUCTOR	PK	Stock	\$ 10.94	7.11
120W-3671-A	2- 1250 MOLLETON A DUCTOR 10-5/8	PK	Stock	\$ 9.42	6.12
120W-3671-1A	2- 1250 MOLLETON A DUCTOR 11"	PK	Stock	\$ 10.40	6.76
120-3671-A	2- 1250 MOLLETON B DUCTOR 10-1/4	PK	Stock	\$ 9.85	6.40
120-3670-A	2- 1250 MOLLETON B FORM	PK	Stock	\$ 19.69	12.80
83-1-101035	2- 1330/60/1650 MOLLETON DUCTOR	PK	Stock	\$ 7.48	4.86
83-5-101452	2- 1330/60/1650 MOLLETON FORM	PK	Stock	\$ 12.82	8.33
185-3726-A	2- 1820/1850 MOLLETON A FORM	PK	Stock	\$ 26.25	17.06
185-3720-A	2- 1820/1850 MOLLETON B DUCTOR	PK	Stock	\$ 19.03	12.37

**MULTIGRAPHICS INK AND INK SUPPLIES**

**MULTIGRAPHICS BRAND PRODUCTS PRICE LIST**

**MULTIGRAPHICS 35% OFF LIST PRICE**

AS OF  
7-May-10  
Customer

**MULTIGRAPHICS BRAND PRESS BLANKETS**

Part Number	Description	Stock Description	Stock	List	Price
SOY-0020	1LB- FRSH IMP SOY 002 PROC YELLOW	LB	Stock	\$ 44.84	29.15
SOY-0030	1LB- FRSH IMP SOY 003 PROC MAGENTA	LB	Stock	\$ 45.44	29.54
SOY-1000	1LB- FRSH IMP SOY PANT NEUTRAL BLK	LB	Stock	\$ 16.09	10.46
SOY-6000	1LB- FRSH IMP SOY PANT PURPLE	LB	Non-Stock	\$ 40.67	26.44
SOY-7000	1LB- FRSH IMP SOY PANT REFLEX BLUE	LB	Stock	\$ 23.10	15.02
SOY-0500	1LB- FRSH IMP SOY PANT TRANS WHT	LB	Stock	\$ 15.65	10.17
SOY-2000	1LB- FRSH IMP SOY PANT YELLOW	LB	Stock	\$ 21.01	13.66
SOY-109	1LB- FRSH IMP SOY PMS 109 YELLOW	LB	Non-Stock	\$ 35.24	22.91
SOY-151	1LB- FRSH IMP SOY PMS 151 ORANGE	LB	Stock	\$ 35.63	23.16
SOY-154	1LB- FRSH IMP SOY PMS 154 BROWN	LB	Non-Stock	\$ 35.09	22.81
SOY-165	1LB- FRSH IMP SOY PMS 165 ORANGE M10	LB	Non-Stock	\$ 46.62	30.30
SOY-181	1LB- FRSH IMP SOY PMS 181 BROWN	LB	Non-Stock	\$ 41.85	27.20
SOY-185	1LB- FRSH IMP SOY PMS 185 RED	LB	Stock	\$ 36.50	23.73
SOY-199	1LB- FRSH IMP SOY PMS 199 RED	LB	Stock	\$ 35.63	23.16
SOY-221	1LB- FRSH IMP SOY PMS 221 MAROON	LB	Stock	\$ 35.09	22.81
SOY-273	1LB- FRSH IMP SOY PMS 273 BLUE	LB	Non-Stock	\$ 37.24	24.21
SOY-293	1LB- FRSH IMP SOY PMS 293 BLUE	LB	Stock	\$ 37.24	24.21
SOY-347	1LB- FRSH IMP SOY PMS 347 GREEN	LB	Stock	\$ 35.24	22.91
SOY-361	1LB- FRSH IMP SOY PMS 361 GREEN	LB	Non-Stock	\$ 35.24	22.91
SOY-469	1LB- FRSH IMP SOY PMS 469 BROWN	LB	Non-Stock	\$ 35.90	23.34
SOY-470	1LB- FRSH IMP SOY PMS 470 BROWN	LB	Non-Stock	\$ 30.40	19.76
SOY-0040	1LB- FRSH IMP SOY PROCESS CYAN	LB	Stock	\$ 46.62	30.30
SOY-001	1LB- FRSH IMP SOYDENSE BLACK	LB	Stock	\$ 17.14	11.14
SOY-8000	1LB- SOY PROCESS BLUE	LB	Stock	\$ 21.01	13.66
SOY-10005	5.5LB- FRSH IMP SOY PANT NEUT BLK	CN	Stock	\$ 84.04	54.63
SOY-2065	5LB- FRESH IMPRESSIONS PMS 206 RED	CN	Non-Stock	\$ 70.58	45.88
SOY-2095	5LB- FRESH IMPRESSIONS PMS 209	CN	Non-Stock	\$ 68.50	44.53
SOY-2875	5LB- FRESH IMPRESSIONS PMS 287	CN	Non-Stock	\$ 77.96	50.67
SOY-0025	5LB- FRSH IMP SOY 002 PROC YELLOW*M2	CN	Stock	\$ 155.33	100.96
SOY-0035	5LB- FRSH IMP SOY 003 PROC MGNTA *M2	CN	Stock	\$ 121.94	79.26
SOY-70005	5LB- FRSH IMP SOY PANT RFLX BLU M10#	CN	Non-Stock	\$ 96.84	62.95
SOY-95005	5LB- FRSH IMP SOY PANT VIOLET	CN	Non-Stock	\$ 181.31	117.85
SOY-20005	5LB- FRSH IMP SOY PANT YELLOW	CN	Stock	\$ 86.58	56.28

**MULTIGRAPHICS BRAND PRODUCTS PRICE LIST**

**MULTIGRAPHICS 35% OFF LIST PRICE**

AS OF  
7-May-10  
Customer

**MULTIGRAPHICS BRAND PRESS BLANKETS**

Part Number	Description	Stock Description	Stock	List	Price
SOY-1855	5LB- FRSH IMP SOY PMS 185 RED	CN	Non-Stock	\$ 164.43	106.88
SOY-1995	5LB- FRSH IMP SOY PMS 199 RED *M2	CN	Non-Stock	\$ 168.50	109.53
SOY-208-5	5LB- FRSH IMP SOY PMS 208	CN	Non-Stock	\$ 85.97	55.88
SOY-2865	5LB- FRSH IMP SOY PMS 286 BLUE *M2	CN	Non-Stock	\$ 162.75	105.79
SOY-2935	5LB- FRSH IMP SOY PMS 293 BLUE *M2	CN	Non-Stock	\$ 129.62	84.25
SOY-3545	5LB- FRSH IMP SOY PMS 354 GREEN *M2	CN	Non-Stock	\$ 164.63	107.01
SOY-3615	5LB- FRSH IMP SOY PMS 361 GREEN *M2	CN	Non-Stock	\$ 122.33	79.51
SOY-0045	5LB- FRSH IMP SOY PROCESS CYAN	CN	Stock	\$ 124.36	80.83
SOY-50005	5LB- FRSH IMP SOY RHODAMINE	CN	Stock	\$ 155.62	101.15
SOY-80005	5LB- SOY PROCESS BLUE	CN	Stock	\$ 86.58	56.28
SOY-0115	6LB- FRSH IMP SOY 0115 PROC BLACK*M2	CN	Stock	\$ 124.18	80.72
SOY-0015	6LB- FRSH IMP SOY DENSE BLACK	CN	Stock	\$ 80.47	52.31
SOY-374-P	1LB- FRSH IMP BLACK SOY E-STAT	LB	Stock	\$ 16.49	10.72
PS-274-P	1LB- PREM SYSTEM E-STAT BLACK	LB	Stock	\$ 14.80	9.62
CS-174-P	1LB- TCS GENERAL PURPOSE BLACK	LB	Stock	\$ 13.72	8.92
SOY-374-5	5LB- FRSH IMP BLACK SOY E-STAT	CN	Stock	\$ 67.98	44.19
PS-274-5	5LB- PREM SYSTEM E-STAT BLACK	EA	Stock	\$ 63.15	41.05
CS-174-5	5LB- TCS GENERAL PURPOSE BLACK	EA	Stock	\$ 62.73	40.77
SOY-374-C	CTG- FRSH IMP BLACK SOY E-STAT	CT	Stock	\$ 15.84	10.30
PS-274-C	CTG- PREM SYSTEM E-STAT BLACK	CT	Stock	\$ 13.99	9.09
CS-174-C	CTG- TCS GENERAL PURPOSE BLACK	CT	Stock	\$ 13.24	8.61
83-7-104058	1.5LB- BLK MICR MAG INK	LB	Stock	\$ 30.41	19.77
960-0100	1.5LB- EX LAT 0100 OPAQUE WHITE	CN	Stock	\$ 25.44	16.54
990-0100	1.5LB- PRO-GLOSS 0100 OPAQUE WHITE	LB	Stock	\$ 18.27	11.88
EARTHPRIDEDB-1	1LB- EARTHPRIDE DENSE BLACK	CN	Non-Stock	\$ 17.91	11.64
EARTHPRIDE072-1	1LB- EARTHPRIDE PMS 072	CN	Non-Stock	\$ 26.70	17.36
EARTHPRIDE193-1	1LB- EARTHPRIDE PMS 193 RED	LB	Non-Stock	\$ 48.71	31.66
EARTHPRIDE194-1	1LB- EARTHPRIDE PMS 194 RED	LB	Non-Stock	\$ 48.71	31.66
960-0500	1LB- EX LAT 0500 PANT TRANS WHITE	LB	Stock	\$ 10.32	6.71
960-1000	1LB- EX LAT 1000 PANT NEUTRAL BLACK	LB	Stock	\$ 10.11	6.57
960-2000	1LB- EX LAT 2000 PANT YELLOW	LB	Stock	\$ 14.55	9.46
960-3000	1LB- EX LAT 3000 PANT WARM RED	LB	Stock	\$ 16.62	10.80
960-4000	1LB- EX LAT 4000 PANT RUBINE	LB	Stock	\$ 16.06	10.44



**MULTIGRAPHICS BRAND PRODUCTS PRICE LIST**

**MULTIGRAPHICS 35% OFF LIST PRICE**

AS OF  
7-May-10  
Customer

**MULTIGRAPHICS BRAND PRESS BLANKETS**

Part Number	Description	Stock Description	Stock	List	Price
960-5000	1LB- EX LAT 5000 PANT RHODAMINE	LB	Stock	\$ 26.18	17.02
960-6000	1LB- EX LAT 6000 PANT PURPLE	LB	Stock	\$ 29.18	18.97
960-7000	1LB- EX LAT 7000 PANT REFLEX BLUE	LB	Stock	\$ 16.55	10.76
960-8000	1LB- EX LAT 8000 PANT PROCESS BLUE	LB	Stock	\$ 14.55	9.46
960-9000	1LB- EX LAT 9000 PANT GREEN	LB	Stock	\$ 20.93	13.60
960-9500	1LB- EX LAT 9500 PANT VIOLET	LB	Stock	\$ 25.51	16.58
960-001	1LB- EX LAT DENSE BLACK INK	LB	Stock	\$ 11.04	7.18
960-021	1LB- EX LAT PANT 021 ORANGE	CN	Stock	\$ 24.52	15.94
960-032	1LB- EX LAT PANT 032 RED	LB	Stock	\$ 32.98	21.44
960-072	1LB- EX LAT PANT 072 BLUE	LB	Stock	\$ 40.55	26.36
960-109	1LB- EX LAT PMS 109 YELLOW	LB	Stock	\$ 14.63	9.51
960-151	1LB- EX LAT PMS 151 ORANGE	LB	Stock	\$ 14.90	9.69
960-154	1LB- EX LAT PMS 154 BROWN	LB	Stock	\$ 14.48	9.41
960-165	1LB- EX LAT PMS 165 ORANGE	LB	Stock	\$ 18.56	12.06
960-181	1LB- EX LAT PMS 181 BROWN	LB	Non-Stock	\$ 15.20	9.88
960-185	1LB- EX LAT PMS 185 RED	LB	Stock	\$ 16.13	10.48
960-199	1LB- EX LAT PMS 199 RED	LB	Stock	\$ 15.63	10.16
960-221	1LB- EX LAT PMS 221 MAROON	LB	Stock	\$ 16.62	10.80
960-273	1LB- EX LAT PMS 273 PURPLE	LB	Stock	\$ 16.21	10.54
960-286	1LB- EX LAT PMS 286 BLUE	LB	Stock	\$ 16.06	10.44
960-289	1LB- EX LAT PMS 289 BLUE	LB	Non-Stock	\$ 57.24	37.21
960-293	1LB- EX LAT PMS 293 BLUE	LB	Stock	\$ 15.56	10.11
960-300	1LB- EX LAT PMS 300 BLUE	LB	Stock	\$ 14.90	9.69
960-347	1LB- EX LAT PMS 347 GREEN	LB	Stock	\$ 14.63	9.51
960-354	1LB- EX LAT PMS 354 GREEN	LB	Stock	\$ 19.93	12.95
960-357	1LB- EX LAT PMS 357 GREEN	LB	Stock	\$ 18.07	11.75
960-361	1LB- EX LAT PMS 361 GREEN	LB	Non-Stock	\$ 14.63	9.51
960-469	1LB- EX LAT PMS 469 BROWN	LB	Stock	\$ 14.34	9.32
960-470	1LB- EX LAT PMS 470 BROWN	LB	Stock	\$ 14.90	9.69
960-002	1LB- EXTRA LATITUDE 002 PROC YELLOW	LB	Stock	\$ 14.34	9.32
960-003	1LB- EXTRA LATITUDE 003 PROC RED	LB	Stock	\$ 16.35	10.63
960-004	1LB- EXTRA LATITUDE 004 PROC BLUE	LB	Stock	\$ 14.84	9.65
83-3-104409	1LB- MULTI TACK REDUCER	LB	Stock	\$ 12.68	8.24

**MULTIGRAPHICS BRAND PRODUCTS PRICE LIST**

**MULTIGRAPHICS 35% OFF LIST PRICE**

AS OF  
7-May-10  
Customer

**MULTIGRAPHICS BRAND PRESS BLANKETS**

Part Number	Description	Stock Description	Stock	List	Price
83-3-104607	1LB- MULTIGRAPHICS #0 MED VARNISH	PT	Non-Stock	\$ 12.11	7.87
83-4-104606	1LB- MULTIGRAPHICS LIGHT VARNISH	PT	Stock	\$ 12.11	7.87
83-2-104608	1LB- MULTIGRAPHICS PASTE DRIER	EA	Stock	\$ 13.41	8.72
83-5-105560	1LB- PRO-GLOSS DENSE BLACK	LB	Stock	\$ 10.45	6.79
990-021	1LB- PRO-GLOSS PANT 021 ORANGE	CN	Stock	\$ 23.60	15.34
990-032	1LB- PRO-GLOSS PANT 032 RED	LB	Stock	\$ 31.52	20.49
990-072	1LB- PRO-GLOSS PANT 072 BLUE	LB	Stock	\$ 36.47	23.71
990-9000	1LB- PRO-GLOSS PANT GREEN	LB	Stock	\$ 21.37	13.89
990-1000	1LB- PRO-GLOSS PANT NEUT BLACK	LB	Stock	\$ 11.46	7.45
990-8000	1LB- PRO-GLOSS PANT PROC BLUE	LB	Stock	\$ 16.78	10.91
990-6000	1LB- PRO-GLOSS PANT PURPLE	LB	Stock	\$ 25.01	16.26
990-7000	1LB- PRO-GLOSS PANT REFLEX BLUE	LB	Stock	\$ 16.42	10.67
990-5000	1LB- PRO-GLOSS PANT RHODAMINE	LB	Stock	\$ 25.95	16.87
990-4000	1LB- PRO-GLOSS PANT RUBINE	LB	Stock	\$ 16.42	10.67
990-9500	1LB- PRO-GLOSS PANT VIOLET	LB	Stock	\$ 27.08	17.60
990-3000	1LB- PRO-GLOSS PANT WARM RED	LB	Stock	\$ 18.72	12.17
990-2000	1LB- PRO-GLOSS PANT YELLOW	LB	Stock	\$ 17.85	11.60
990-0500	1LB- PRO-GLOSS PANT TRANS WHT	LB	Stock	\$ 11.75	7.64
990-109	1LB- PRO-GLOSS PMS 109 YELLOW	LB	Stock	\$ 18.56	12.06
990-151	1LB- PRO-GLOSS PMS 151 ORANGE	LB	Non-Stock	\$ 18.78	12.21
990-154	1LB- PRO-GLOSS PMS 154 BROWN	LB	Non-Stock	\$ 16.91	10.99
990-165	1LB- PRO-GLOSS PMS 165 ORANGE	LB	Stock	\$ 18.56	12.06
990-181	1LB- PRO-GLOSS PMS 181 BROWN	LB	Non-Stock	\$ 17.85	11.60
990-185	1LB- PRO-GLOSS PMS 185 RED	LB	Stock	\$ 17.85	11.60
990-199	1LB- PRO-GLOSS PMS 199 RED	LB	Stock	\$ 18.14	11.79
990-201	1LB- PRO-GLOSS PMS 201 RED	LB	Non-Stock	\$ 65.41	42.52
990-221	1LB- PRO-GLOSS PMS 221 MAROON	LB	Stock	\$ 17.44	11.34
990-273	1LB- PRO-GLOSS PMS 273 PURPLE	LB	Stock	\$ 19.56	12.71
990-286	1LB- PRO-GLOSS PMS 286 BLUE	LB	Stock	\$ 20.71	13.46
990-293	1LB- PRO-GLOSS PMS 293 BLUE	LB	Stock	\$ 20.51	13.33
990-300	1LB- PRO-GLOSS PMS 300 BLUE	LB	Stock	\$ 18.92	12.30
990-347	1LB- PRO-GLOSS PMS 347 GREEN	LB	Stock	\$ 18.43	11.98
990-354	1LB- PRO-GLOSS PMS 354 GREEN	LB	Stock	\$ 21.87	14.22

**MULTIGRAPHICS BRAND PRODUCTS PRICE LIST**

**MULTIGRAPHICS 35% OFF LIST PRICE**

AS OF  
7-May-10  
Customer

**MULTIGRAPHICS BRAND PRESS BLANKETS**

Part Number	Description	Stock Description	Stock	List	Price
990-357	1LB- PRO-GLOSS PMS 357 GREEN	LB	Stock	\$ 20.57	13.37
990-361	1LB- PRO-GLOSS PMS 361 GREEN	LB	Non-Stock	\$ 18.85	12.25
990-422	1LB- PRO-GLOSS PMS 422 GRAY	LB	Non-Stock	\$ 65.41	42.52
990-469	1LB- PRO-GLOSS PMS 469 BROWN	LB	Stock	\$ 17.98	11.69
990-470	1LB- PRO-GLOSS PMS 470 BROWN	LB	Stock	\$ 18.49	12.02
990-540	1LB- PRO-GLOSS PMS 540 BLUE	LB	Stock	\$ 65.41	42.52
83-0-105706	1LB- PRO-GLOSS PROCESS CYAN INK	LB	Stock	\$ 16.42	10.67
83-8-108231	1LB- PRO-GLOSS PROCESS RED INK	LB	Stock	\$ 16.42	10.67
83-1-105705	1LB- PRO-GLOSS PROCESS RUBINE INK	LB	Stock	\$ 16.62	10.80
83-9-105707	1LB- PRO-GLOSS PROCESS YELLOW INK	LB	Stock	\$ 15.91	10.34
83-9-104411	1LB- RB900 RUBBER BASE BLACK	LB	Stock	\$ 9.97	6.48
960-200030	30LB- EX LAT 2000 PANT YELLOW	EA	Non-Stock	\$ 407.45	264.84
960-300030	30LB- EX LAT 3000 PANT WARM RED	EA	Non-Stock	\$ 467.25	303.71
960-400030	30LB- EX LAT 4000 PANT RUBINE	EA	Non-Stock	\$ 450.01	292.51
960-600030	30LB- EX LAT 6000 PANT PURPLE	EA	Non-Stock	\$ 838.54	545.05
960-700030	30LB- EX LAT 7000 PANT REFLEX BLUE	EA	Non-Stock	\$ 465.22	302.39
960-800030	30LB- EX LAT 8000 PANT PROCESS BLUE	EA	Non-Stock	\$ 406.43	264.18
960-00130	30LB- EX LAT DENSE BLACK INK	EA	Non-Stock	\$ 300.02	195.01
83-2-108393	30LB- RB900 RUBBER BASE BLACK	PA	Non-Stock	\$ 232.25	150.96
EARTHPRIDE20005	5LB- EARTHPRIDE 2000 PANT YELLOW	CN	Non-Stock	\$ 194.85	126.65
EARTHPRIDE185-5	5LB- EARTHPRIDE PMS 185 RED	CN	Non-Stock	\$ 194.85	126.65
EARTHPRIDE293-5	5LB- EARTHPRIDE PMS 293 BLUE	CN	Non-Stock	\$ 194.85	126.65
EARTHPRIDE340-5	5LB- EARTHPRIDE PMS 340 GREEN	CN	Non-Stock	\$ 194.85	126.65
EARTHPRIDE347-5	5LB- EARTHPRIDE PMS 347 GREEN	CN	Non-Stock	\$ 194.85	126.65
EARTHPRIDE464-5	5LB- EARTHPRIDE PMS 464 BROWN	CN	Non-Stock	\$ 194.85	126.65
EARTHPRIDE465-5	5LB- EARTHPRIDE PMS 465 BROWN	CN	Non-Stock	\$ 194.85	126.65
EARTHPRIDE469-5	5LB- EARTHPRIDE PMS 469 BROWN	CN	Non-Stock	\$ 194.85	126.65
EARTHPRIDE485-5	5LB- EARTHPRIDE PMS 485 RED	CN	Non-Stock	\$ 169.51	110.18
EARTHPRIDE527-5	5LB- EARTHPRIDE PMS 527 PURPLE	CN	Non-Stock	\$ 194.85	126.65
EARTHPRIDEPB-5	5LB- EARTHPRIDE PROCESS BLACK	CN	Non-Stock	\$ 86.03	55.92
EARTHPRIDEPC-5	5LB- EARTHPRIDE PROCESS CYAN	CN	Non-Stock	\$ 126.36	82.13
EARTHPRIDEPR-5	5LB- EARTHPRIDE PROCESS RED	CN	Non-Stock	\$ 122.77	79.80
EARTHPRIDEPY-5	5LB- EARTHPRIDE PROCESS YELLOW	CN	Non-Stock	\$ 126.36	82.13

**MULTIGRAPHICS BRAND PRODUCTS PRICE LIST**

**MULTIGRAPHICS 35% OFF LIST PRICE**

AS OF  
7-May-10  
Customer

**MULTIGRAPHICS BRAND PRESS BLANKETS**

Part Number	Description	Stock Description	Stock	List	Price
960-05005	5LB- EX LAT 0500 PANT TRANS WHITE	CN	Stock	\$ 49.81	32.38
960-10005	5LB- EX LAT 1000 PANT NEUTRAL BLACK	CN	Stock	\$ 48.74	31.68
960-20005	5LB- EX LAT 2000 PANT YELLOW	CN	Stock	\$ 71.18	46.27
960-30005	5LB- EX LAT 3000 PANT WARM RED	CN	Stock	\$ 81.50	52.98
960-40005	5LB- EX LAT 4000 PANT RUBINE	CN	Stock	\$ 78.51	51.03
960-50005	5LB- EX LAT 5000 PANT RHODAMINE	CN	Stock	\$ 129.03	83.87
960-60005	5LB- EX LAT 6000 PANT PURPLE	CN	Stock	\$ 144.10	93.67
960-70005	5LB- EX LAT 7000 PANT REFLEX BLUE	CN	Stock	\$ 81.15	52.75
960-80005	5LB- EX LAT 8000 PANT PROCESS BLUE	CN	Stock	\$ 70.97	46.13
960-90005	5LB- EX LAT 9000 PANT GREEN	CN	Stock	\$ 102.79	66.81
960-95005	5LB- EX LAT 9500 PANT VIOLET	CN	Stock	\$ 125.72	81.72
960-0015	5LB- EX LAT DENSE BLACK INK	CN	Stock	\$ 52.61	34.20
960-0215	5LB- EX LAT PANT 021 ORANGE	CN	Stock	\$ 116.44	75.69
960-0325	5LB- EX LAT PANT 032 RED	CN	Non-Stock	\$ 151.76	98.64
960-0725	5LB- EX LAT PANT 072 BLUE	CN	Stock	\$ 189.71	123.31
960-1095	5LB- EX LAT PMS 109 YELLOW	CN	Stock	\$ 71.54	46.50
960-1545	5LB- EX LAT PMS 154 BROWN	CN	Non-Stock	\$ 70.63	45.91
960-1655	5LB- EX LAT PMS 165 ORANGE	CN	Non-Stock	\$ 84.59	54.98
960-1815	5LB- EX LAT PMS 181 DK MAROON	CN	Non-Stock	\$ 74.13	48.18
960-1855	5LB- EX LAT PMS 185 RED	CN	Stock	\$ 78.99	51.34
960-1995	5LB- EX LAT PMS 199 RED	CN	Stock	\$ 76.41	49.67
960-2025	5LB- EX LAT PMS 202 DEEP RED	CN	Non-Stock	\$ 163.45	106.24
960-2215	5LB- EX LAT PMS 221 MAROON	CN	Stock	\$ 81.29	52.84
960-2735	5LB- EX LAT PMS 273 PURPLE	CN	Stock	\$ 79.35	51.58
960-2865	5LB- EX LAT PMS 286 BLUE	CN	Stock	\$ 74.82	48.63
960-2935	5LB- EX LAT PMS 293 BLUE	CN	Non-Stock	\$ 76.06	49.44
960-3005	5LB- EX LAT PMS 300 BLUE	CN	Stock	\$ 72.89	47.38
960-3475	5LB- EX LAT PMS 347 GREEN	CN	Stock	\$ 71.33	46.36
960-3545	5LB- EX LAT PMS 354 GREEN	CN	Stock	\$ 97.72	63.52
960-3575	5LB- EX LAT PMS 357 GREEN	CN	Stock	\$ 88.67	57.64
960-3615	5LB- EX LAT PMS 361 GREEN	CN	Non-Stock	\$ 71.33	46.36
960-4695	5LB- EX LAT PMS 469 BROWN	CN	Non-Stock	\$ 70.11	45.57
960-4705	5LB- EX LAT PMS 470 BROWN	CN	Non-Stock	\$ 72.76	47.29

**MULTIGRAPHICS BRAND PRODUCTS PRICE LIST**

**MULTIGRAPHICS 35% OFF LIST PRICE**

AS OF  
7-May-10  
Customer

**MULTIGRAPHICS BRAND PRESS BLANKETS**

Part Number	Description	Stock Description	Stock	List	Price
960-0025	5LB- EXTRA LATITUDE 002 PROC YELLOW	CN	Stock	\$ 69.96	45.47
960-0035	5LB- EXTRA LATITUDE 003 PROC RED	CN	Stock	\$ 80.07	52.05
960-0045	5LB- EXTRA LATITUDE 004 PROC BLUE	CN	Stock	\$ 72.41	47.07
83-4-105561	5LB- PRO-GLOSS DENSE BLACK	CN	Stock	\$ 50.67	32.94
990-0215	5LB- PRO-GLOSS PANT 021 ORANGE	CN	Stock	\$ 111.90	72.74
990-0325	5LB- PRO-GLOSS PANT 032 RED	CN	Stock	\$ 144.43	93.88
990-0725	5LB- PRO-GLOSS PANT 072 BLUE	CN	Stock	\$ 169.25	110.01
990-90005	5LB- PRO-GLOSS PANT GREEN	CN	Stock	\$ 105.08	68.30
990-10005	5LB- PRO-GLOSS PANT NEUT BLACK	CN	Stock	\$ 55.63	36.16
990-80005	5LB- PRO-GLOSS PANT PROC BLUE	CN	Stock	\$ 82.15	53.40
990-60005	5LB- PRO-GLOSS PANT PURPLE	CN	Stock	\$ 123.25	80.11
990-70005	5LB- PRO-GLOSS PANT REFLEX BLUE	CN	Stock	\$ 80.43	52.28
990-50005	5LB- PRO-GLOSS PANT RHODAMINE	CN	Stock	\$ 127.96	83.17
990-40005	5LB- PRO-GLOSS PANT RUBINE	CN	Stock	\$ 80.43	52.28
990-05005	5LB- PRO-GLOSS PANT TRANS WHT	CN	Stock	\$ 57.21	37.19
990-95005	5LB- PRO-GLOSS PANT VIOLET	CN	Stock	\$ 133.56	86.81
990-30005	5LB- PRO-GLOSS PANT WARM RED	CN	Stock	\$ 91.97	59.78
990-20005	5LB- PRO-GLOSS PANT YELLOW	CN	Stock	\$ 87.46	56.85
990-1095	5LB- PRO-GLOSS PMS 109 YELLOW	CN	Non-Stock	\$ 90.90	59.09
990-1515	5LB- PRO-GLOSS PMS 151 ORANGE	CN	Non-Stock	\$ 92.12	59.88
990-1545	5LB- PRO-GLOSS PMS 154 BROWN	CN	Non-Stock	\$ 89.19	57.97
990-1655	5LB- PRO-GLOSS PMS 165 ORANGE	CN	Stock	\$ 90.90	59.09
990-1815	5LB- PRO-GLOSS PMS 181 BROWN	CN	Non-Stock	\$ 87.46	56.85
990-1855	5LB- PRO-GLOSS PMS 185 RED	CN	Stock	\$ 87.60	56.94
990-1995	5LB- PRO-GLOSS PMS 199 RED	CN	Stock	\$ 88.96	57.82
990-2215	5LB- PRO-GLOSS PMS 221 MAROON	CN	Stock	\$ 85.31	55.45
990-2865	5LB- PRO-GLOSS PMS 286 BLUE	CN	Stock	\$ 101.79	66.16
990-2935	5LB- PRO-GLOSS PMS 293 BLUE	CN	Stock	\$ 86.52	56.24
990-3005	5LB- PRO-GLOSS PMS 300 BLUE	CN	Stock	\$ 92.83	60.34
990-3475	5LB- PRO-GLOSS PMS 347 GREEN	CN	Stock	\$ 90.03	58.52
990-3545	5LB- PRO-GLOSS PMS 354 GREEN	CN	Stock	\$ 102.29	66.49
990-3575	5LB- PRO-GLOSS PMS 357 GREEN	CN	Stock	\$ 101.07	65.70
990-3615	5LB- PRO-GLOSS PMS 361 GREEN	CN	Non-Stock	\$ 91.62	59.55

**MULTIGRAPHICS BRAND PRODUCTS PRICE LIST**

**MULTIGRAPHICS 35% OFF LIST PRICE**

AS OF  
7-May-10  
Customer

**MULTIGRAPHICS BRAND PRESS BLANKETS**

Part Number	Description	Stock Description	Stock	List	Price
990-4695	5LB- PRO-GLOSS PMS 469 BROWN	CN	Stock	\$ 88.33	57.41
990-4705	5LB- PRO-GLOSS PMS 470 BROWN	CN	Non-Stock	\$ 90.75	58.99
83-6-105783	5LB- PRO-GLOSS PROCESS CYAN INK	CN	Stock	\$ 80.43	52.28
83-7-105782	5LB- PRO-GLOSS PROCESS RED INK	CN	Stock	\$ 81.80	53.17
83-8-105781	5LB- PRO-GLOSS PROCESS RUBINE INK	CN	Stock	\$ 81.29	52.84
83-5-105784	5LB- PRO-GLOSS PROCESS YELLOW INK	CN	Stock	\$ 77.98	50.69
83-8-104412	5LB- RB900 RUBBER BASE BLACK	CN	Stock	\$ 48.11	31.27
960-01005	8.1LB- EX LAT 0100 OPAQUE WHITE	CN	Non-Stock	\$ 134.55	87.46
990-01005	8.2LB- PRO-GLOSS 0100 OPAQUE WHITE	CN	Non-Stock	\$ 97.20	63.18
83-0-104410	CTG- RB900 RUBBER BASE BLACK	CG	Stock	\$ 9.39	6.10
13-3-208868	1LB- PROGLOSS SPEC MIX INK 1 LB.	LB	Non-Stock	\$ 41.35	26.88
83-1-108337	1LB- PROGLOSS SPEC MIX INK 10+ CANS	LB	Non-Stock	\$ 33.12	21.53
13-2-208869	1LB- PROGLOSS SPEC MIX INK 2-9 CANS	LB	Non-Stock	\$ 38.06	24.74
83-6-108340	1LB-XTRA LAT SPEC MIX INK 10+ CANS	LB	Non-Stock	\$ 33.12	21.53
83-8-108348	1LB-XTRA LAT SPEC MIX INK 2-9CAN	LB	Non-Stock	\$ 38.06	24.74
83-3-108343	5LB- PROGLOSS SPEC MIX INK 1 CAN	CN	Non-Stock	\$ 158.85	103.25
83-0-108353	5LB- PROGLOSS SPEC MIX INK 11+ CANS	CN	Non-Stock	\$ 118.79	77.21
83-1-108345	5LB- PROGLOSS SPEC MIX INK 2-5 CANS	CN	Non-Stock	\$ 151.06	98.19
83-6-108357	5LB- PROGLOSS SPEC MIX INK 6-10 CANS	CN	Non-Stock	\$ 133.62	86.85
83-4-108342	5LB-XTRA LAT SPEC MIX INK 1 CAN	CN	Non-Stock	\$ 169.54	110.20
83-5-108358	5LB-XTRA LAT SPEC MIX INK 10+ CANS	CN	Non-Stock	\$ 118.79	77.21
83-2-108344	5LB-XTRA LAT SPEC MIX INK 2-5 CANS	CN	Non-Stock	\$ 148.46	96.50
83-8-108355	5LB-XTRA LAT SPEC MIX INK 6-9 CAN	CN	Non-Stock	\$ 133.62	86.85
530-0100	1.5LB- MULTICOLOR RB OPAQUE WHITE	CN	Stock	\$ 24.67	16.04
530-021	1LB- MULTICOLOR RB PANT 021 ORANGE	LB	Stock	\$ 24.00	15.60
530-032	1LB- MULTICOLOR RB PANT 032 RED	LB	Stock	\$ 27.21	17.69
530-072	1LB- MULTICOLOR RB PANT 072 BLUE	LB	Stock	\$ 32.35	21.03
530-9000	1LB- MULTICOLOR RB PANT GREEN	LB	Stock	\$ 20.51	13.33
530-1000	1LB- MULTICOLOR RB PANT NEUT BLACK	LB	Stock	\$ 10.61	6.90
530-8000	1LB- MULTICOLOR RB PANT PROC BLUE	LB	Stock	\$ 13.70	8.91
530-6000	1LB- MULTICOLOR RB PANT PURPLE	LB	Stock	\$ 28.46	18.50
530-7000	1LB- MULTICOLOR RB PANT REFLEX BLUE	LB	Stock	\$ 15.91	10.34
530-5000	1LB- MULTICOLOR RB PANT RHODAMINE	LB	Stock	\$ 28.68	18.64

**MULTIGRAPHICS BRAND PRODUCTS PRICE LIST**

**MULTIGRAPHICS 35% OFF LIST PRICE**

AS OF  
7-May-10  
Customer

**MULTIGRAPHICS BRAND PRESS BLANKETS**

Part Number	Description	Stock Description	Stock	List	Price
530-4000	1LB- MULTICOLOR RB PANT RUBINE	LB	Stock	\$ 15.91	10.34
530-0500	1LB- MULTICOLOR RB PANT TRANS WHT	LB	Stock	\$ 10.68	6.94
530-9500	1LB- MULTICOLOR RB PANT VIOLET	LB	Stock	\$ 24.52	15.94
530-3000	1LB- MULTICOLOR RB PANT WARM RED	LB	Stock	\$ 15.56	10.11
530-2000	1LB- MULTICOLOR RB PANT YELLOW	LB	Stock	\$ 13.75	8.94
530-109	1LB- MULTICOLOR RB PMS 109 YELLOW	LB	Stock	\$ 13.91	9.04
530-151	1LB- MULTICOLOR RB PMS 151 ORANGE	LB	Stock	\$ 14.19	9.22
530-165	1LB- MULTICOLOR RB PMS 165 ORANGE	LB	Stock	\$ 17.20	11.18
530-181	1LB- MULTICOLOR RB PMS 181 MAROON	LB	Stock	\$ 14.55	9.46
530-185	1LB- MULTICOLOR RB PMS 185 RED	LB	Stock	\$ 15.27	9.93
530-199	1LB- MULTICOLOR RB PMS 199 RED	LB	Stock	\$ 15.49	10.07
530-221	1LB- MULTICOLOR RB PMS 221 MAROON	LB	Stock	\$ 15.49	10.07
530-273	1LB- MULTICOLOR RB PMS 273 PURPLE	LB	Stock	\$ 15.98	10.39
530-286	1LB- MULTICOLOR RB PMS 286 BLUE	LB	Stock	\$ 15.14	9.84
530-293	1LB- MULTICOLOR RB PMS 293 BLUE	LB	Stock	\$ 14.90	9.69
530-300	1LB- MULTICOLOR RB PMS 300 BLUE	LB	Stock	\$ 14.27	9.28
530-347	1LB- MULTICOLOR RB PMS 347 GREEN	LB	Stock	\$ 13.91	9.04
530-354	1LB- MULTICOLOR RB PMS 354 GREEN	LB	Stock	\$ 19.21	12.49
530-357	1LB- MULTICOLOR RB PMS 357 GREEN	LB	Stock	\$ 17.49	11.37
530-361	1LB- MULTICOLOR RB PMS 361 GREEN	LB	Non-Stock	\$ 13.75	8.94
530-469	1LB- MULTICOLOR RB PMS 469 BROWN	LB	Stock	\$ 13.70	8.91
530-470	1LB- MULTICOLOR RB PMS 470 BROWN	LB	Stock	\$ 14.19	9.22
530-01005	5LB- MULTICOLOR RB OPAQUE WHITE	CN	Stock	\$ 125.53	81.59
530-0215	5LB- MULTICOLOR RB PANT 021 ORANGE	CN	Non-Stock	\$ 113.82	73.98
530-0325	5LB- MULTICOLOR RB PANT 032 RED	CN	Stock	\$ 122.91	79.89
530-0725	5LB- MULTICOLOR RB PANT 072 BLUE	CN	Stock	\$ 148.62	96.60
530-90005	5LB- MULTICOLOR RB PANT GREEN	CN	Stock	\$ 100.71	65.46
530-10005	5LB- MULTICOLOR RB PANT NEUT BLACK	CN	Stock	\$ 51.39	33.40
530-80005	5LB- MULTICOLOR RB PANT PROC BLUE	CN	Stock	\$ 66.83	43.44
530-60005	5LB- MULTICOLOR RB PANT PURPLE	CN	Stock	\$ 140.57	91.37
530-70005	5LB- MULTICOLOR RB PANT REFLEX BLUE	CN	Stock	\$ 77.98	50.69
530-50005	5LB- MULTICOLOR RB PANT RHODAMINE	CN	Stock	\$ 141.45	91.94
530-40005	5LB- MULTICOLOR RB PANT RUBINE	CN	Stock	\$ 77.98	50.69

**MULTIGRAPHICS BRAND PRODUCTS PRICE LIST**

**MULTIGRAPHICS 35% OFF LIST PRICE**

AS OF  
7-May-10  
Customer

**MULTIGRAPHICS BRAND PRESS BLANKETS**

Part Number	Description	Stock Description	Stock	List	Price
530-05005	5LB- MULTICOLOR RB PANT TRANS WHT	CN	Stock	\$ 51.75	33.64
530-95005	5LB- MULTICOLOR RB PANT VIOLET	CN	Stock	\$ 120.79	78.51
530-30005	5LB- MULTICOLOR RB PANT WARM RED	CN	Stock	\$ 76.06	49.44
530-20005	5LB- MULTICOLOR RB PANT YELLOW	CN	Stock	\$ 66.83	43.44
530-1095	5LB- MULTICOLOR RB PMS 109 YELLOW	CN	Non-Stock	\$ 66.96	43.52
530-1545	5LB- MULTICOLOR RB PMS 154 BROWN	CN	Non-Stock	\$ 66.96	43.52
530-1655	5LB- MULTICOLOR RB PMS 165 ORANGE	CN	Non-Stock	\$ 81.29	52.84
530-1855	5LB- MULTICOLOR RB PMS 185 RED	CN	Stock	\$ 74.48	48.41
530-1995	5LB- MULTICOLOR RB PMS 199 RED	CN	Stock	\$ 75.72	49.22
530-2215	5LB- MULTICOLOR RB PMS 221 MAROON	CN	Stock	\$ 79.58	51.73
530-2735	5LB- MULTICOLOR RB PMS 273 PURPLE	CN	Non-Stock	\$ 78.36	50.93
530-2865	5LB- MULTICOLOR RB PMS 286 BLUE	CN	Stock	\$ 73.98	48.09
530-2935	5LB- MULTICOLOR RB PMS 293 BLUE	CN	Stock	\$ 72.89	47.38
530-3005	5LB- MULTICOLOR RB PMS 300 BLUE	CN	Stock	\$ 69.39	45.10
530-3475	5LB- MULTICOLOR RB PMS 347 GREEN	CN	Stock	\$ 67.82	44.08
530-3545	5LB- MULTICOLOR RB PMS 354 GREEN	CN	Stock	\$ 94.27	61.28
530-3575	5LB- MULTICOLOR RB PMS 357 GREEN	CN	Stock	\$ 85.88	55.82
530-3615	5LB- MULTICOLOR RB PMS 361 GREEN	CN	Non-Stock	\$ 72.26	46.97
530-4695	5LB- MULTICOLOR RB PMS 469 BROWN	CN	Stock	\$ 66.83	43.44
530-4705	5LB- MULTICOLOR RB PMS 470 BROWN	CN	Stock	\$ 74.69	48.55
13-3-208835	1LB- RUBBR BS SPEC MIX INK 1 LB.	LB	Non-Stock	\$ 41.35	26.88
83-0-108338	1LB- RUBBR BS SPEC MIX INK 10+ CANS	LB	Non-Stock	\$ 33.12	21.53
13-2-208836	1LB- RUBBR BS SPEC MIX INK 2-9 LBS	LB	Non-Stock	\$ 38.06	24.74
83-5-108341	5LB- RUBBER BASE SPEC MIX INK 1 CAN	CN	Non-Stock	\$ 169.54	110.20
83-0-108346	5LB- RUBBER BS SPEC MIX INK 2-5 CANS	CN	Non-Stock	\$ 148.46	96.50
83-9-108354	5LB- RUBBR BS SPEC MIX INK 11+CANS	CN	Non-Stock	\$ 118.79	77.21
83-7-108356	5LB- RUBBR BS SPEC MIX INK 6-10 CANS	CN	Non-Stock	\$ 133.62	86.85
990-871	1.4LB- PRO-GLOSS PMS 871 METALLIC	LB	Stock	\$ 44.92	29.20
990-872	1.4LB- PRO-GLOSS PMS 872 METALLIC	LB	Stock	\$ 44.92	29.20
990-873	1.4LB- PRO-GLOSS PMS 873 METALLIC	LB	Stock	\$ 44.92	29.20
990-874	1.4LB- PRO-GLOSS PMS 874 METALLIC	LB	Stock	\$ 44.92	29.20
990-875	1.4LB- PRO-GLOSS PMS 875 METALLIC	LB	Non-Stock	\$ 44.92	29.20
990-876	1.4LB- PRO-GLOSS PMS 876 METALLIC	LB	Stock	\$ 44.92	29.20



**MULTIGRAPHICS BRAND PRODUCTS PRICE LIST****MULTIGRAPHICS 35% OFF LIST PRICE**AS OF  
7-May-10  
**Customer****MULTIGRAPHICS BRAND PRESS BLANKETS**

Part Number	Description	Stock Description	Stock	List	Price
990-877	1LB- PRO-GLOSS PMS 877 METALLIC	LB	Stock	\$ 23.81	15.48
990-8777	5.2LB- PRO-GLOSS PMS 877 METALLIC	CN	Non-Stock	\$ 116.35	75.63
990-8717	7.2LB- PRO-GLOSS PMS 871 METALLIC	CN	Non-Stock	\$ 224.81	146.13
990-8727	7.2LB- PRO-GLOSS PMS 872 METALLIC	CN	Non-Stock	\$ 224.81	146.13
990-8737	7.2LB- PRO-GLOSS PMS 873 METALLIC	CN	Non-Stock	\$ 224.81	146.13
990-8757	7.2LB- PRO-GLOSS PMS 875 METALLIC	CN	Non-Stock	\$ 224.81	146.13
990-8767	7.2LB- PRO-GLOSS PMS 876 METALLIC	CN	Non-Stock	\$ 224.81	146.13

**MULTIGRAPHICS PROOFING SUPPLIES****MULTIGRAPHICS QUICKSILVER DIGITAL SILVER PLATES**

83-5-108762	RL- 12X250 QSNG 5MIL SPEC 600BD	EA	Stock	\$ 312.85	203.35
83-4-108763	RL- 12X250 QSNG 8MIL SPEC 600BD	EA	Stock	\$ 359.20	233.48
83-8-108314	RL- 13-5/16X197 QSNG 600BD HN 5MIL	EA	Stock	\$ 273.48	177.76
83-3-108749	RL- QS 13.3X279 HN 5MIL 600BD POLY	RL	Stock	\$ 385.42	250.52
83-1-108618	RL- QS 13.4X279 HN 8MIL 600BD POLY	RL	Stock	\$ 447.62	290.95
83-6-108597	RL- QSNG 10X279 POLY 5MIL 600BD	RL	Stock	\$ 289.62	188.25
83-0-108312	RL- QSNG 11X197 HN 5MIL 600BD POLY	EA	Stock	\$ 225.98	146.89
83-1-108329	RL- QSNG 12X131 HN 8MIL 600BD POLY	EA	Stock	\$ 188.20	122.33
83-9-108313	RL- QSNG 12X197 HN 5MIL 600BD POLY	EA	Stock	\$ 246.50	160.23
83-1-108451	RL- QSNG 13-5/16X131 HN 8MIL 600BD	EA	Stock	\$ 209.64	136.27
83-7-108331	RL- QSNG 16X131 HN 8MIL 600BD POLY	EA	Non-Stock	\$ 250.96	163.12
83-6-108316	RL- QSNG 16X197 600BD HN 5MIL	EA	Stock	\$ 328.67	213.64
83-3-108632	RL- QSNG 22-3/4X131 POLY 8MIL 600BD	RL	Stock	\$ 355.68	231.19
83-0-108742	RL-QS 13-3/8X131 HN 8 MIL 600BD POLY	RL	Non-Stock	\$ 209.77	136.35
83-1-108741	RL-QS 13X131 HN 8MIL 600BD POLY	RL	Non-Stock	\$ 203.88	132.52

**MULTIGRAPHICS DIGITAL LASTER MASTERS**

380402500	200- 9X13 LASER E-STAT	CR	Stock	\$ 80.65	52.42
-----------	------------------------	----	-------	----------	-------

**MULTIGRAPHICS BRAND PRODUCTS PRICE LIST**

**MULTIGRAPHICS 35% OFF LIST PRICE**

AS OF  
7-May-10

**MULTIGRAPHICS BRAND PRESS BLANKETS**

Part Number	Description	Stock Description	Stock	List	Customer Price
<b>MULTIGRAPHICS ANALOG SILVER PLATES AND CHEMISTRY</b>					
83-4-107724	RL- QSNG 10X250 POLY PLATE 5MIL	BX	Stock	\$ 192.15	124.90
83-7-107754	RL- QSNG 10X250 POLY PLATE 8MIL	BX	Stock	\$ 206.70	134.36
83-6-108217	RL- QSNG 11-1/2X250 POLY PLATE 5MIL	BX	Stock	\$ 220.95	143.62
83-2-107726	RL- QSNG 11-1/4X250 POLY PLATE 5MIL	BX	Stock	\$ 216.14	140.49
83-3-107725	RL- QSNG 11X250 POLY PLATE 5MIL	BX	Stock	\$ 211.35	137.38
83-6-107755	RL- QSNG 11X250 POLY PLATE 8MIL	BX	Stock	\$ 227.33	147.76
83-8-108611	RL- QSNG 12.5X250 POLY PLATE 8MIL	RL	Stock	\$ 258.38	167.95
83-7-108612	RL- QSNG 12.8X250 POLY PLATE 8MIL	RL	Stock	\$ 264.58	171.98
83-0-107728	RL- QSNG 12-1/2X250 POLY PLATE 5MIL	BX	Stock	\$ 240.17	156.11
83-7-107788	RL- QSNG 12X125 POLY PLATE 5MIL	BX	Stock	\$ 115.24	74.91
83-1-107727	RL- QSNG 12X250 POLY PLATE 5MIL	BX	Stock	\$ 230.57	149.87
83-5-107756	RL- QSNG 12X250 POLY PLATE 8MIL	BX	Stock	\$ 248.05	161.23
83-8-108272	RL- QSNG 13.4X250 POLY PLATE 8MIL	BX	Stock	\$ 276.92	180.00
83-9-107778	RL- QSNG 13X250 POLY PLATE 5MIL	BX	Stock	\$ 249.78	162.36
83-3-108202	RL- QSNG 13X250 POLY PLATE 8MIL	BX	Stock	\$ 268.67	174.64
83-3-107758	RL- QSNG 15.9X250 POLY PLATE 8MIL	BX	Stock	\$ 328.63	213.61
83-9-107729	RL- QSNG 15X250 POLY PLATE 5MIL	EA	Stock	\$ 288.18	187.32
83-4-107757	RL- QSNG 15X250 POLY PLATE 8MIL	BX	Stock	\$ 310.01	201.51
83-2-107759	RL- QSNG 19-1/4X250 POLY PLATE 8MIL	EA	Stock	\$ 397.87	258.62
83-9-107760	RL- QSNG 21-5/8X250 POLY PLATE 8MIL	BX	Stock	\$ 426.24	277.06
83-5-107723	RL- QSNG 9-3/8X250 POLY PLATES 5MIL	BX	Stock	\$ 180.13	117.08
83-8-107762	## 4X5LITER QSNG CLEAN ACTIVAT PREMIX	BX	Stock	\$ 73.75	47.94
83-6-107763	4X5LITER QSNG STABILIZER PREMIX	BX	Stock	\$ 63.21	41.09

**MULTIGRAPHICS BRAND MASKING SHEETS**

83-1-104484	100- 11X18-1/2 GLD MASK SHT ABD360	PK	Stock	\$ 45.39	29.50
83-6-105387	100- 12-1/8X19-3/8 GLD MASK SHT 1218	PK	Stock	\$ 56.89	36.98
83-4-101453	100- 13-1/4X18-3/4 GLD MASK SHT MULT	PK	Stock	\$ 56.89	36.98
83-0-105243	100- 13-3/4X19 4MIL LAY-OUT CLEAR	CR	Non-Stock	\$ 46.26	30.07

**MULTIGRAPHICS BRAND PRODUCTS PRICE LIST**

**MULTIGRAPHICS 35% OFF LIST PRICE**

AS OF  
7-May-10  
Customer

**MULTIGRAPHICS BRAND PRESS BLANKETS**

Part Number	Description	Stock Description	Stock	List	Price
83-6-105635	100- 13X19-3/8 GLD MASK SHT ABD9800	PK	Stock	\$ 56.89	36.98
5-90006	100- 18-1/4X15-1/4 RULED GLD MASK	PK	Stock	\$ 61.10	39.72
83-9-105244	100- 19X16 4MIL LAY-OUT CLEAR	CR	Non-Stock	\$ 58.19	37.82
83-3-105240	100- 19X16 5ML OVM 1850,1860,1960	CR	Stock	\$ 61.96	40.27
83-2-105704	100- 22-1/2X26-1/2 5ML OVM EAGLE6400	EA	Non-Stock	\$ 119.07	77.40
5-90002	250- 11-1/4X18-1/8 GLD MASK SHT 1250	PK	Stock	\$ 124.60	80.99
5-90001	500- 10-1/2X15-1/2 GLD MASK SHT 1250	PK	Stock	\$ 150.62	97.90

**MULTIGRAPHICS TRITON BRAND ANALOG SUBTRACTIVE METAL PLATES AND CHEMISTRY**

83-3-107295	100- TR 10-5/8X15-1/2 PB MR-2 5MIL	BX	Stock	\$ 220.55	143.36
83-4-107294	100- TR 10-5/8X15-1/2 SL MR-2 5MIL	BX	Stock	\$ 220.55	143.36
83-6-107292	100- TR 10X15 PB MR-2 5MIL	BX	Stock	\$ 204.78	133.11
83-5-107293	100- TR 10X15-1/2 SL MR-2 5MIL	BX	Stock	\$ 204.78	133.11
83-8-107720	100- TR 10X15-5/8 PB MR-2 5MIL	BX	Non-Stock	\$ 206.93	134.50
83-6-107300	100- TR 10X16 SC MR-2 5MIL	BX	Stock	\$ 212.67	138.24
83-2-107304	100- TR 11-1/2X18-1/2 PB MR-2 5MIL	BX	Stock	\$ 283.55	184.31
83-4-107302	100- TR 11-1/4X18-1/2 PB MR-2 5MIL	BX	Stock	\$ 283.55	184.31
83-0-107306	100- TR 11-3/4X18 PB MR-2 5MIL	BX	Stock	\$ 283.55	184.31
83-8-107308	100- TR 11-7/8X18-1/2 PB MR-2 5MIL	BX	Stock	\$ 299.32	194.56
83-3-108731	100- TR 11-7/8X19-3/8 PB MR-2 5MIL	BX	Stock	\$ 307.21	199.69
83-1-107297	100- TR 11X18 PB MR-2 5MIL	BX	Stock	\$ 267.81	174.08
83-0-107298	100- TR 11X18-1/16 PB MR-2 5MIL	BX	Stock	\$ 267.81	174.08
83-5-107301	100- TR 11X18-1/2 PB MR-2 5MIL	BX	Stock	\$ 275.68	179.19
83-9-107299	100- TR 11X18-5/32 PB MR-2 5MIL	BX	Stock	\$ 267.81	174.08
83-1-107313	100- TR 12-1/16X17-3/8 SC MR-2 5MIL	BX	Stock	\$ 283.55	184.31
83-7-107317	100- TR 12-3/4X18-1/16 PB MR-2 5MIL	BX	Stock	\$ 307.21	199.69
83-6-107318	100- TR 12-3/4X18-1/2 PB MR-2 5MIL	BX	Stock	\$ 315.07	204.80
M-SM030B72-A	100- TR 12-3/4X19-3/8 SC MR-2 5MIL	BX	Stock	\$ 330.80	215.02
83-9-107315	100- TR 12-3/8X18-1/2 PB MR-2 5MIL	BX	Non-Stock	\$ 307.21	199.69
83-3-107311	100- TR 12X18 PB MR-2 5MIL	BX	Stock	\$ 291.44	189.44
83-5-107327	100- TR 13-3/8 X18-3/16 SC MR-2 5MIL	BX	Non-Stock	\$ 330.81	215.03
83-6-107326	100- TR 13-3/8X17-7/8 SC MR-2 5MIL	BX	Stock	\$ 322.94	209.91

**MULTIGRAPHICS BRAND PRODUCTS PRICE LIST**

**MULTIGRAPHICS 35% OFF LIST PRICE**

AS OF  
7-May-10  
Customer

**MULTIGRAPHICS BRAND PRESS BLANKETS**

Part Number	Description	Stock Description	Stock	List	Price
83-4-107328	100- TR 13-3/8X18-7/32 SC MR-2 5MIL	BX	Non-Stock	\$ 330.81	215.03
83-1-107321	100- TR 13X18-1/2 PB MR-2 5MIL	BX	Stock	\$ 322.94	209.91
83-8-107332	100- TR 14-9/16X17-3/4 SC MR-2 5MIL	BX	Stock	\$ 346.58	225.28
83-4-107336	100- TR 15-1/2X18-3/8 PB MR-2 5MIL	BX	Stock	\$ 385.95	250.87
83-2-108542	100- TR 15-3/4X18-3/8 SL MR-2 5MIL	BX	Stock	\$ 389.42	253.12
83-4-107351	100- TR 18X15-1/16 PB MR-2 5MIL	BX	Stock	\$ 362.33	235.51
83-3-107717	100- TR 18X15-1/16 SC MR-2 5MIL	BX	Non-Stock	\$ 362.33	235.51
83-2-108559	100- TR XLR-1 15-3/4X20-1/16 SC 5MIL	CR	Stock	\$ 428.13	278.28
M-KH3J3000	25- TR 24-1/4X28-1/2 SC LR-2 12MIL	BX	Stock	\$ 325.14	211.34
M-KH39M000	25- TR 25-1/2X36 SC LR-2 12MIL	BX	Stock	\$ 431.89	280.73
M-KS5R8000	25- TR 25-3/8X32-1/2 SC LR-2 8MIL	BX	Stock	\$ 387.93	252.15
M-KH3PG000	25- TR 26-3/4X31 SC LR-2 12MIL	BX	Stock	\$ 390.05	253.53
M-KHZYN000	25- TR 26-3/4X31 SC LR-2 8MIL	BX	Stock	\$ 389.90	253.44
M-KH1GQ000	25- TR 26-3/4X36 SC LR-2 8MIL	BX	Stock	\$ 452.98	294.44
M-KHZP3000	25- TR 27X26 SC LR-2 8MIL	BX	Stock	\$ 330.28	214.68
M-KHZ5Z000	25- TR 27X30 SC LR-2 8MIL	BX	Stock	\$ 381.07	247.70
M-KH36F000	25- TR 28-1/8X35-1/4 SC LR-2 12MIL	BX	Stock	\$ 466.38	303.15
M-KH1M1000	25- TR 28-1/8X35-1/4 SC LR-2 8MIL	BX	Non-Stock	\$ 467.18	303.67
M-KH4F1000	25- TR 28-1/8X38-1/2 SC LR-2 12MIL	BX	Stock	\$ 509.39	331.10
M-KH4ME000	25- TR 28-1/8X39-1/2 SC LR-2 12MIL	BX	Stock	\$ 522.63	339.71
M-KH4TT000	25- TR 29-1/2X38-3/4 SC LR-2 12MIL	BX	Stock	\$ 537.75	349.54
M-KH418000	25- TR 29-1/8X36-7/16 SC LR-2 12MIL	BX	Stock	\$ 499.22	324.49
M-KH44F000	25- TR 30-5/16X40-1/2 SC LR-2 12MIL	BX	Non-Stock	\$ 577.51	375.38
M-KH5F5000	25- TR 31-1/2X40-9/16 SC LR-2 12MIL	BX	Non-Stock	\$ 601.07	390.70
M-KH5AU000	25- TR 31X41-1/8 SC LR-2 12MIL	BX	Stock	\$ 599.74	389.83
M-K7SBA000	30- 23-1/16 X35 SC XLR-1 8MIL	BX	Stock	\$ 663.74	431.43
M-K3YKJ000	30- TR XLR-1 30-5/16X40-1/2 SC 12MIL	CR	Stock	\$ 664.74	432.08
M-K3QKK000	30- TR XLR-1 31-1/2X40-9/16 SC 12MIL	BX	Stock	\$ 691.92	449.75
83-9-108768	40- TR XLR-1 31X41-1/8 SC 12MIL	BX	Stock	\$ 920.50	598.33
83-8-108736	50- 20-5/16X22-3/4 LR-2 SC 8MIL	BX	Stock	\$ 434.69	282.55
M-KHZNY000	50- 23-15/16X28-3/4 SC LR-2 8 MIL	BX	Stock	\$ 921.47	598.96
83-1-107305	50- TR 11-1/2X19-3/8 PB MR-2 5MIL	BX	Stock	\$ 149.66	97.28
83-3-107303	50- TR 11-1/4X19-3/8 PB MR-2 5MIL	BX	Stock	\$ 145.72	94.72

**MULTIGRAPHICS BRAND PRODUCTS PRICE LIST**

**MULTIGRAPHICS 35% OFF LIST PRICE**

AS OF  
7-May-10  
Customer

**MULTIGRAPHICS BRAND PRESS BLANKETS**

Part Number	Description	Stock Description	Stock	List	Price
83-0-107249	50- TR 12-1/4X19-1/2 SC LR-2 8MIL	BX	Non-Stock	\$ 224.48	145.91
M-SM040153	50- TR 12-1/4X19-3/8 PB MR-2 5MIL	BX	Stock	\$ 159.66	103.78
83-1-107248	50- TR 12-1/4X19-7/16 SC LR-2 8MIL	BX	Non-Stock	\$ 224.48	145.91
83-2-107320	50- TR 12-3/4X19-3/8 PB MR-2 5MIL	BX	Stock	\$ 165.42	107.52
83-7-107325	50- TR 13-3/16X19-3/32 SC MR-2 5MIL	BX	Stock	\$ 169.35	110.08
83-0-107777	50- TR 13-3/8X19-7/8 SC LR-2 8MIL	BX	Stock	\$ 250.09	162.56
83-9-107547	50- TR 13-3/8X19-7/8 SC MR-2 5MIL	BX	Stock	\$ 177.22	115.19
83-3-107329	50- TR 13-5/8X19-3/8 PB MR-2 5MIL	BX	Stock	\$ 177.22	115.19
83-0-107322	50- TR 13X18-5/8 PB MR-2 5MIL	BX	Stock	\$ 161.47	104.96
83-9-107323	50- TR 13X19-3/16 SC MR-2 5MIL	BX	Stock	\$ 169.35	110.08
83-8-107324	50- TR 13X19-3/8 PB MR-2 5MIL	BX	Stock	\$ 169.35	110.08
M-SM030B7D	50- TR 13X19-3/8 SC MR-2 5MIL	BX	Stock	\$ 169.35	110.08
83-1-107719	50- TR 15-1/2x19 SC MR-2 5MIL	CR	Non-Stock	\$ 198.19	128.82
83-2-107338	50- TR 15-1/2X20-1/2 SL MR-2 5MIL	BX	Stock	\$ 212.67	138.24
83-2-107718	50- TR 15-15/16X19 SL MR-2 5MIL	BX	Stock	\$ 203.77	132.45
M-KTEK1000	50- TR 15-3/4X18-1/2 SC LR-2 8MIL	BX	Stock	\$ 274.10	178.17
83-7-107341	50- TR 15-3/4X18-1/2 SC MR-2 5MIL	BX	Stock	\$ 196.93	128.00
M-KM5W3000	50- TR 15-3/4X18-3/4 SC LR-2 8MIL	BX	Stock	\$ 277.82	180.58
83-6-107342	50- TR 15-3/4X18-3/4 SC MR-2 5MIL	BX	Stock	\$ 196.93	128.00
83-6-107466	50- TR 15-3/4X19 SL MR-2 5MIL	BX	Non-Stock	\$ 200.87	130.57
83-5-107343	50- TR 15-3/4X20-1/16 SC MR-2 5MIL	BX	Stock	\$ 212.67	138.24
83-8-108660	50- TR 15-3/4X20-1/4 SC LR-2 8MIL	CR	Stock	\$ 300.07	195.05
M-SM030B61	50- TR 15-3/4X20-1/4 SC MR-2 5MIL	BX	Stock	\$ 214.63	139.51
83-5-107251	50- TR 15-3/4X20-1/8 SC LR-2 8MIL	BX	Stock	\$ 298.15	193.80
83-4-107344	50- TR 15-3/4X20-1/8 SC MR-2 5MIL	BX	Stock	\$ 212.67	138.24
83-5-108663	50- TR 15-3/4X20-7/8 SC LR-2 8MIL	BX	Stock	\$ 308.73	200.67
83-2-107254	50- TR 16-3/8X20-1/2 SC LR-2 8MIL	BX	Stock	\$ 315.07	204.80
83-9-107349	50- TR 16-3/8X20-1/2 SC MR-2 5MIL	BX	Stock	\$ 224.48	145.91
M-SM030B32	50- TR 16-5/16X20-1/2 SC MR-2 5MIL	BX	Stock	\$ 224.96	146.22
83-3-107253	50- TR 16-5/32X20-3/32 SC LR-2 8MIL	BX	Stock	\$ 305.36	198.48
83-0-107348	50- TR 16X17-1/2 SC MR-2 5MIL	BX	Stock	\$ 189.04	122.88
83-7-108760	50- TR 16X19 SC MR-2 5MIL	BX	Stock	\$ 204.78	133.11
M-KQEPM000	50- TR 18-1/16x20-11/16 SC LR-2 8MIL	BX	Stock	\$ 351.50	228.48

**MULTIGRAPHICS BRAND PRODUCTS PRICE LIST**

**MULTIGRAPHICS 35% OFF LIST PRICE**

AS OF  
7-May-10  
Customer

**MULTIGRAPHICS BRAND PRESS BLANKETS**

Part Number	Description	Stock Description	Stock	List	Price
M-SM030260	50- TR 18-1/16X20-11/16 SC MR-2 5MIL	BX	Stock	\$ 251.42	163.42
83-0-107256	50- TR 19-1/4X21-1/2 SC LR-2 8MIL	BX	Stock	\$ 389.90	253.44
83-2-107353	50- TR 19-1/4X21-1/2 SC MR-2 5MIL	BX	Stock	\$ 279.62	181.75
83-1-107354	50- TR 19-1/4X22-5/8 SC MR-2 5MIL	BX	Stock	\$ 291.44	189.44
83-0-107355	50- TR 19-1/4X22-7/8 SC MR-2 5MIL	BX	Stock	\$ 295.37	191.99
83-4-107260	50- TR 19-15/16X22-7/16 SC LR-2 8MIL	BX	Non-Stock	\$ 421.41	273.92
M-SM230C12	50- TR 19-3/4X22-3/4 SC LR-2 8MIL	BX	Stock	\$ 422.66	274.73
83-7-107259	50- TR 19-3/4X23 SC LR-2 8MIL	BX	Stock	\$ 427.29	277.74
83-9-107356	50- TR 19-3/4X23 SC MR-2 5MIL	BX	Stock	\$ 307.21	199.69
83-1-107263	50- TR 20-1/16X24-5/8 SC LR-2 8MIL	BX	Non-Stock	\$ 464.73	302.07
83-0-107264	50- TR 20-3/4X25-1/4 SC LR-2 8MIL	BX	Stock	\$ 492.28	319.98
83-8-107266	50- TR 20-7/8X25-19/32 SC LR-2 8MIL	BX	Stock	\$ 504.12	327.68
83-9-107265	50- TR 20-7/8X25-3/8 SC LR-2 8MIL	BX	Non-Stock	\$ 498.24	323.86
83-7-107267	50- TR 20-7/8X25-5/8 SC LR-2 8MIL	BX	Stock	\$ 504.12	327.68
83-3-107261	50- TR 20X22-5/8 SC LR-2 8MIL	BX	Stock	\$ 425.34	276.47
83-2-107262	50- TR 20X25-3/8 SC LR-2 8MIL	BX	Stock	\$ 476.53	309.74
83-5-107269	50- TR 21-1/8X22-3/4 SC LR-2 8MIL	BX	Stock	\$ 452.91	294.39
83-2-107270	50- TR 21-3/8X25-3/8 SC LR-2 8MIL	BX	Stock	\$ 511.99	332.79
83-0-107272	50- TR 21-5/8X24-5/8 SC LR-2 8MIL	BX	Stock	\$ 500.18	325.12
83-9-107273	50- TR 21-5/8X25-5/8 SC LR-2 8MIL	BX	Stock	\$ 519.87	337.92
83-2-107361	50- TR 21-5/8X25-5/8 SC MR-2 5MIL	BX	Stock	\$ 374.13	243.18
M-KHYOW000	50- TR 21-5/8X26 SC LR-2 8MIL	BX	Stock	\$ 529.00	343.85
M-KH2XT000	50- TR 21-5/8X27-9/16 SC LR-2 12MIL	BX	Stock	\$ 560.75	364.49
83-6-107268	50- TR 21X25-3/8 SC LR-2 8MIL	BX	Stock	\$ 500.18	325.12
M-KH2VP000	50- TR 22X26-1/2 SC LR-2 12MIL	BX	Stock	\$ 548.52	356.54
M-KHYA4000	50- TR 22X26-1/2 SC LR-2 8MIL	BX	Stock	\$ 548.52	356.54
M-KH3CQ000	50- TR 23-13/16X29-1/8 SC LR-2 12MIL	BX	Stock	\$ 652.50	424.13
M-KH3L7000	50- TR 23-13/16X29-5/16 SC LR-2 12MIL	BX	Stock	\$ 656.69	426.85
M-KH21Z000	50- TR 23-5/8X28-3/4 SC LR-2 12MIL	BX	Stock	\$ 639.05	415.38
83-3-108723	50- TR 23-5/8X28-3/4 SC LR-2 8MIL	BX	Stock	\$ 639.47	415.66
M-KHY1N000	50- TR 24-1/4X28-1/2 SC LR-2 8MIL	BX	Stock	\$ 650.23	422.65
83-2-107247	50- TR 9-15/16X12-1/4 SC LR-2 8MIL	BX	Non-Stock	\$ 114.21	74.24
83-3-107246	50- TR 9-3/8X13-3/8 SC LR-2 8MIL	BX	Stock	\$ 118.16	76.80

**MULTIGRAPHICS BRAND PRODUCTS PRICE LIST**

**MULTIGRAPHICS 35% OFF LIST PRICE**

AS OF  
7-May-10  
Customer

**MULTIGRAPHICS BRAND PRESS BLANKETS**

Part Number	Description	Stock Description	Stock	List	Price
M-K3T2X000	50- TR XLR-1 23-5/8X28-3/4 SC 12MIL	BX	Stock	\$ 735.62	478.15
83-1-108543	60- TR XLR-1 12-1/16X17-3/8 SC 8MIL	CR	Stock	\$ 226.98	147.54
M-K47KQ000	60- TR XLR-1 12-1/4X19-15/32 BF 8MIL	CR	Stock	\$ 264.98	172.24
83-5-108564	60- TR XLR-1 13-1/2X22-19/32 SC 8MIL	CR	Stock	\$ 330.35	214.73
83-8-108561	60- TR XLR-1 13-3/16X19-3/32 SC 8MIL	CR	Stock	\$ 272.72	177.27
83-1-108550	60- TR XLR-1 13-3/8X18-7/32 SC 8MIL	CR	Stock	\$ 263.93	171.55
83-6-108563	60- TR XLR-1 13-3/8X19-7/8 SC 8MIL	CR	Stock	\$ 287.92	187.15
83-2-108567	60- TR XLR-1 15-1/2X18-5/8 SC 8MIL	CR	Non-Stock	\$ 312.66	203.23
83-1-108568	60- TR XLR-1 15-3/4X18-3/8 SC 8MIL	CR	Stock	\$ 313.45	203.74
83-8-108546	60- TR XLR-1 15-3/4X20-1/8 SC 8MIL	CR	Stock	\$ 343.30	223.15
83-3-108665	60- TR XLR-1 15-3/4X20-7/8 SC 8MIL	BX	Stock	\$ 355.38	231.00
M-K3RQ1000	60- TR XLR-1 16X20-1/8 SC 8MIL	CR	Non-Stock	\$ 348.74	226.68
83-5-108572	60- TR XLR-1 17-1/2X23-7/32 SC 8MIL	CR	Stock	\$ 440.06	286.04
83-7-108570	60- TR XLR-1 17-3/8X23-7/32 SC 8MIL	CR	Stock	\$ 436.94	284.01
83-0-108569	60- TR XLR-1 17X23-7/32 SC 8MIL	CR	Stock	\$ 427.50	277.88
83-1-108659	60- TR XLR-1 18-1/16X20-21/32 SC 8ML	CR	Stock	\$ 404.73	263.07
83-5-108549	60- TR XLR-1 18-1/8X23-1/8 SC 8MIL	BX	Non-Stock	\$ 453.96	295.07
83-0-108551	60- TR XLR-1 19-1/4X21-1/2 SC 8MIL	CR	Non-Stock	\$ 448.20	291.33
83-9-108552	60- TR XLR-1 19-3/4X22-3/4 SC 8MIL	CR	Stock	\$ 486.61	316.30
83-9-108545	60- TR XLR-1 19-7/16X12-1/4 SC 8MIL	CR	Stock	\$ 257.88	167.62
83-8-108553	60- TR XLR-1 20-7/8X25-19/32 SC 8MIL	CR	Stock	\$ 578.64	376.12
M-K3SO1000	60- TR XLR-1 21-21/32X26-3/8 SC 8ML	CR	Stock	\$ 618.62	402.10
83-6-108555	60- TR XLR-1 21-5/8X25-5/8 SC 8MIL	CR	Stock	\$ 600.16	390.10
83-5-108556	60- TR XLR-1 9-1/2X12-1/4 SC 8MIL	CR	Stock	\$ 126.05	81.93
83-3-108574	60- TR XLR-1 9-15/16X12-1/4 SC 8MIL	CR	Stock	\$ 131.87	85.72
KK9KD000	20L- ENCO FINISHER RC791	EA	Stock	\$ 249.65	162.27
83-4-105793	!# PT- TR STARTER, METAL PLATE	PT	Stock	\$ 9.42	6.12
KXXBP000	20L- TR 2-STEP DEVELOPER	EA	Stock	\$ 182.77	118.80
KX5L3000	20L- TR 2-STEP FINISHER	EA	Stock	\$ 166.84	108.45
K1TCZ000	5L- TR 1-STEP DEV/FINISHER	EA	Stock	\$ 74.70	48.56
K1A4E000	5L- TR 2-STEP DEVELOPER	EA	Stock	\$ 47.15	30.65
83-6-104323	QT- TR FPC FINISH/PRESERVE/CLEAN	EA	Stock	\$ 13.85	9.00

**MULTIGRAPHICS BRAND PRODUCTS PRICE LIST**

**MULTIGRAPHICS 35% OFF LIST PRICE**

AS OF  
7-May-10

**MULTIGRAPHICS BRAND PRESS BLANKETS**

Part Number	Description	Stock Description	Stock	List	Customer Price
<b>MULTIGRAPHICS IMAGE-WORKS BLUE ANALOG METAL PLATES</b>					
83-6-107235	100- IWB 10X15 PB 5MIL	BX	Stock	\$ 173.27	112.63
83-5-107236	100- IWB 10X15-1/2 SL 5MIL 2 SIDED	BX	Stock	\$ 181.17	117.76
83-2-108732	100- IWB 11-7/8X19-3/8 PB 5MIL	BX	Stock	\$ 267.81	174.08
83-4-107237	100- IWB 11X18 PB 5MIL	BX	Stock	\$ 228.43	148.48
83-3-107238	100- IWB 11X18-1/16 PB 5MIL	BX	Stock	\$ 228.43	148.48
83-2-107239	100- IWB 11X18-1/2 PB 5MIL	BX	Stock	\$ 236.30	153.60
83-8-107241	100- IWB 12-3/4X18-1/16 PB 5MIL	BX	Stock	\$ 267.81	174.08
83-5-107244	100- IWB 14-9/16X17-3/4 SC 5MIL	BX	Stock	\$ 299.32	194.56
83-4-107245	100- IWB 18X15-1/16 PB 5MIL	BX	Stock	\$ 315.07	204.80
83-6-107243	50- IWB 13-3/16X19-3/32 SC 5MIL	BX	Stock	\$ 145.72	94.72
83-7-107242	50- IWB 13X19-3/8 PB 5MIL	BX	Stock	\$ 145.72	94.72
83-2-105126	6- TR IWB IMAGE ADD PENS	BX	Stock	\$ 56.57	36.77
KX5JY000	20L- IWB 2-STEP DEVELOPER	EA	Stock	\$ 171.17	111.26

**MULTIGRAPHICS BRAND PRESS CHEMISTRIES**

83-1-104971	!#GL- FORMULA 300 FTN SOL	GL	Stock	\$ 39.79	25.86
200-9050-1A	##PT- CLEAN PRINT DESENSIT SOL	PT	Stock	\$ 18.40	11.96
83-8-105161	50GL- ECONOMY GRADE E-STAT SOLUTION	EA	Stock	\$ 752.61	489.20
83-9-105160	5GL- ECONOMY GRADE E-STAT SOLUTION	CU	Stock	\$ 113.89	74.03
83-2-105159	GL- ECONOMY GRADE E-STAT SOLUTION	EA	Stock	\$ 23.56	15.31
83-5-101247	GL- E-STAT CONVERSION SOLN B	GL	Stock	\$ 39.71	25.81
83-5-104035	GL- E-STAT FTN & CONVERSION SOL II	GL	Stock	\$ 50.18	32.62
83-5-104704	GL- FORMULA 200 FTN CONCENTRATE	GL	Stock	\$ 47.56	30.91
200-726-4A	GL- KEEPEZE	GL	Stock	\$ 40.48	26.31
83-2-104525	GL- MULTI-PURPOSE FNT SOL	GL	Stock	\$ 46.94	30.51
200-722-4A	GL- REPELEX A	GL	Stock	\$ 86.05	55.93
83-5-101395	PT- CHROME/CYLINDER CLEANER PKD	PT	Stock	\$ 13.04	8.48



**MULTIGRAPHICS BRAND PRODUCTS PRICE LIST**

**MULTIGRAPHICS 35% OFF LIST PRICE**

AS OF  
7-May-10  
Customer

**MULTIGRAPHICS BRAND PRESS BLANKETS**

Part Number	Description	Stock Description	Stock	List	Price
83-9-770055	!#50GL- BLANKROLA	DR	Stock	\$ 723.43	470.23
83-4-105454	!#50GL- POWER CLEAN BLKT WASH	EA	Stock	\$ 686.83	446.44
83-9-770005	!#5GL- BLANKROLA	EA	Stock	\$ 92.83	60.34
83-5-105453	!#5GL- POWER CLEAN BLKT WASH	EA	Stock	\$ 86.57	56.27
83-1-770004	!#GL- BLANKROLA	GL	Stock	\$ 29.71	19.31
83-6-107144	!#GL- FRESH IMPRESSIONS DEGLAZE	GL	Stock	\$ 96.42	62.67
83-6-105452	!#GL- POWER CLEAN BLKT WASH	GL	Stock	\$ 25.80	16.77
83-7-107143	!#PT- FRESH IMPRESSIONS DEGLAZE	PT	Stock	\$ 16.34	10.62
83-9-105533	##GL- DEGLAZE	GL	Stock	\$ 70.79	46.01
83-0-105797	##GL- DG-54 GLAZE REMOVER	GL	Stock	\$ 38.75	25.19
83-0-105532	##PT- DEGLAZE	PT	Stock	\$ 29.89	19.43
83-3-105612	\$\$QT- DURO-VIS OIL HEAVY	QT	Stock	\$ 18.83	12.24
83-2-105803	!#4.5lb - DEGLAZE 149 ROLL DEGLAZER	EA	Stock	\$ 41.03	26.67
83-0-105821	!#55GL- WATER MISC BLKT/ROLLER WASH	DR	Stock	\$ 909.43	591.13
83-9-105814	!#5GL- LIQUID RUBBER REJUVENATOR	EA	Stock	\$ 127.77	83.05
83-1-105820	!#5GL- WATER MISC BLKT/ROLLER WASH	EA	Stock	\$ 99.30	64.55
83-8-106870	!#GL- WATER MISC BLKT/ROLLER WASH	GL	Stock	\$ 24.82	16.13

**MULTIGRAPHICS BRAND ELECTROSTATIC MASTERS AND CHEMISTRY**

83-3-106875	2- 10X475 2500 LR MASTER	CR	Stock	\$ 376.88	244.97
83-7-106880	2- 12-1/2X475 2500 LR MASTER	CR	Stock	\$ 443.12	288.03
83-0-106878	2- 12-1/4X475 2500 LR MASTER	CR	Stock	\$ 461.63	300.06
83-8-106879	2- 12X475 2500 LR MASTER	CR	Stock	\$ 421.86	274.21
83-4-106874	2- 9X475 2500 LR MASTER	CR	Stock	\$ 338.52	220.04
83-1-106877	2RLS- 11-1/4X475 2500 LR MASTER	CR	Stock	\$ 423.16	275.05
83-2-106876	2RLS- 11X475 2500 LR MASTER	CR	Stock	\$ 418.62	272.10
321116314	200- 25T/2600 LR 8-3/4X13 MSTR SC	PK	Stock	\$ 97.99	63.69
321115082	200- 25T/2600 SR 10X15 MED RUN	BX	Stock	\$ 85.83	55.79
83-4-106460	3/BX- CX-2 DELETION PENS	PK	Stock	\$ 48.45	31.49
321118315	500- 25T/2600 LR 12X18-1/32 MSTR SC	CR	Stock	\$ 441.38	286.90
321116215	100- E-STAT 12X18.6 (5K) SE	BX	Stock	\$ 113.76	73.94
321115715	200- 25T/2600 LR 10X15 E-STAT PINBAR	BX	Stock	\$ 146.72	95.37

**MULTIGRAPHICS BRAND PRODUCTS PRICE LIST**

**MULTIGRAPHICS 35% OFF LIST PRICE**

AS OF  
7-May-10  
Customer

**MULTIGRAPHICS BRAND PRESS BLANKETS**

Part Number	Description	Stock Description	Stock	List	Price
321115815	200- 25T/2600 LR 10X15 E-STAT SE	BX	Stock	\$ 146.72	95.37
321114615	200- E-STAT 10X15.6 (5K) SE	BX	Stock	\$ 159.02	103.36
83-4-104416	!# 6QT- DISPERSANT	CR	Stock	\$ 53.49	34.77
83-0-104824	!# 2500VR DEVELOPER 2LTR 3BTL/CR	CR	Stock	\$ 194.46	126.40
83-1-101241	!# 6QT- DEVELOPER	CS	Stock	\$ 157.26	102.22
83-3-105059	!# 6QT- DEVELOPER HIGH DENSITY	CS	Stock	\$ 158.28	102.88

**MULTIGRAPHICS BRAND POST-PRESS FINISHING SUPPLIES**

83-4-100281-C	1/2 TEFLON COATED DRILL BIT 2.1 CAP	EA	Non-Stock	\$ 28.00	18.20
83-4-100273-C	1/4 TEFLON COATED DRILL BIT 2.1 CAP	EA	Stock	\$ 28.00	18.20
83-1-101233-C	2.5CAP 1/4 TEFLON COATED BIT	EA	Stock	\$ 29.00	18.85
83-9-101235-C	2.5CAP 5/16 TEFLON COATED BIT	EA	Stock	\$ 29.00	18.85
83-6-100271-C	3/16 TEFLON DRILL BIT 1.7 CAP	EA	Non-Stock	\$ 28.00	18.20
83-9-100278-C	3/8 TEFLON COATED 2.1CAP DRILL BIT	EA	Non-Stock	\$ 30.70	19.96
83-1-100276-C	5/16 TEFLON COATED DRILL BIT 2.1 CA	EA	Stock	\$ 28.00	18.20
83-4-100281	CHALLENGE STYLE DRILL 1/2X2.1CAP	EA	Stock	\$ 23.10	15.02
83-0-101234	CHALLENGE STYLE DRILL 1/2X2.5CAP	EA	Stock	\$ 26.50	17.23
83-4-100273	CHALLENGE STYLE DRILL 1/4X2.1CAP	EA	Stock	\$ 23.10	15.02
83-1-101233	CHALLENGE STYLE DRILL 1/4X2.5CAP	EA	Stock	\$ 26.50	17.23
83-0-100269	CHALLENGE STYLE DRILL 1/8"X 1.15CAP	EA	Stock	\$ 23.10	15.02
83-0-100277	CHALLENGE STYLE DRILL 11/32X2.1CAP	EA	Stock	\$ 23.10	15.02
83-3-100274	CHALLENGE STYLE DRILL 17/64X2.1CAP	EA	Non-Stock	\$ 23.10	15.02
83-6-100271	CHALLENGE STYLE DRILL 3/16X1.7CAP	EA	Stock	\$ 23.10	15.02
83-9-100278	CHALLENGE STYLE DRILL 3/8"X2.1CAP	EA	Stock	\$ 23.10	15.02
83-2-101232	CHALLENGE STYLE DRILL 3/8X2.5CAP	EA	Stock	\$ 26.50	17.23
83-1-100276	CHALLENGE STYLE DRILL 5/16X2.1CAP	EA	Stock	\$ 23.10	15.02
83-9-101235	CHALLENGE STYLE DRILL 5/16X2.5CAP	EA	Stock	\$ 26.50	17.23
83-7-100270	CHALLENGE STYLE DRILL 5/32X1.3CAP	EA	Stock	\$ 23.10	15.02
83-5-100280	CHALLENGE STYLE DRILL 7/16X2.1CAP	EA	Stock	\$ 23.10	15.02
83-5-100272	CHALLENGE STYLE DRILL 7/32X1.9CAP	EA	Non-Stock	\$ 23.10	15.02
83-2-100275	CHALLENGE STYLE DRILL 9/32X2.1CAP	EA	Stock	\$ 23.10	15.02
83-9-100310	DZ- 2.5" DIA SOLID WOOD DRILL BLOCK	DZ	Stock	\$ 31.09	20.21

**MULTIGRAPHICS BRAND PRODUCTS PRICE LIST**

**MULTIGRAPHICS BRAND PRESS BLANKETS**

<b>Part Number</b>	<b>Description</b>
83-8-100311	DZ- 3" DIA SOLID WOOD DRILL BLOCK
83-2-100309	DZ-1.5" DIA SOLID WD DRILL BLK 3/4TH
83-2-101232-C	KOG 2.5CAP 3/8 TEFLON CTD DRILL BIT
83-6-100313	PK/24- 1.25X.375X6 WOOD DRILL BLOCK

**MULTIGRAPHICS 35% OFF LIST PRICE**

AS OF  
7-May-10  
**Customer**

<b>Stock Description</b>	<b>Stock</b>	<b>List</b>	<b>Price</b>
DZ	Stock	\$ 26.42	17.17
DZ	Stock	\$ 11.28	7.33
EA	Non-Stock	\$ 29.00	18.85
PK	Stock	\$ 24.57	15.97



NIKKEN 28% OFF LIST PRICE

AS OF  
7-May-10

Part Number	Description	LIST	Customer Price
82-G	4GL/CS- NIKKEN SILVERPOLY FTN CONC	\$ 184.22	132.64
82-G1	1GL- NIKKEN SILVERPOLY FTN CONC	\$ 46.07	33.17
121-G	CS- NIKKEN BLAN WASH	\$ 122.49	88.19
45-G	GL- NIKKEN DECALCIFIER	\$ 27.93	20.11
71-G	GL- NIKKEN PP CLEAN H FTN SOL	\$ 50.08	36.06
79-5C	5GL- NIKKEN MARK IV FTN SOL	\$ 179.83	129.48
79-G	GL- NIKKEN MARK IV FTN SOL	\$ 49.70	35.78
80-5C	5GL- NIKKEN MARK III FTN SOL	\$ 205.34	147.84
80-G	GL- NIKKEN MARK III FTN CONCENTRATE	\$ 44.11	31.76
81-5C	##5GL- NIKKEN ALCOHOL SUBSTITUTE	\$ 137.27	98.84
81-G	!#GL- NIKKEN ALCOHOL SUBSTITUTE	\$ 39.46	28.41
82-5C	5GL- NIKKEN SILVERPOLY FS	\$ 243.28	175.16
84-G-CSE	4GL- NIKKEN MOIST CLEAN EXCEL	\$ 176.40	127.01
86-G	GL- NIKKEN SILVERPOLY PLATE CLNR	\$ 48.83	35.15
87-Q	QT- NIKKEN CTP PLATE CLNR	\$ 23.72	17.08
88-P	PT- NIKKEN DEFOAMER PINT	\$ 18.42	13.26
89-10	EA- NIKKEN SPRAY POWDER S-10 2.2LB	\$ 14.30	10.29
89-20	EA- NIKKEN SPRAY POWDER S-20 2.2LB	\$ 14.30	10.29
98-5C	5GL- NIKKEN ASTRO MARK 20	\$ 215.78	155.36
98-G	GL- NIKKEN ASTRO MARK 20	\$ 46.78	33.68
85-P	PINT- NIKKEN CHROME ROLLER CLEANER	\$ 11.56	8.32
131-2	EA- NIKKEN E-STAT IMAGE DEL PEN MED	\$ 8.80	6.33
132-2	EA- NIKKEN SILVER IMAGE DEL PEN LRG	\$ 16.48	11.87
134-1	EA- NIKKEN ADDITION PEN XL	\$ 13.99	10.07
134-2	EA- NIKKEN ADDITION PEN MED	\$ 9.48	6.82
134-4	EA- NIKKEN ADDITION PEN FINE TIP	\$ 9.48	6.82
134-5	EA- NIKKEN ADDITION PEN SUPERFINE	\$ 9.48	6.82
135-1	EA- NIKKEN MTL PLT DEL PEN TYPE F LG	\$ 8.86	6.38
135-11	EA- NIKKEN MTL PLT DEL PEN TYPE K XL	\$ 10.84	7.80
135-2	EA- NIKKEN MTL PLT DEL PEN TYPE F MD	\$ 7.90	5.69
135-3	12-NIKKN MTL PLT DEL PEN FINE TYPE F	\$ 94.85	68.29
135-6	1- NIKKN MTL PLT DEL PEN FINE TYPE K	\$ 7.90	5.69
135-7	1- NIKKN MTL PLT DEL PEN LG TYPE K	\$ 8.86	6.38
137-1	EA- NIKKEN THERMAL PLATE DEL PEN MED	\$ 7.97	5.74
137-2	EA- NIKKEN THERMAL PLATE DEL PEN XL	\$ 12.49	8.99
144-2	EA- NIKKEN ALKALINE PPR CHECK PEN LG	\$ 8.37	6.03
145-2	EA- NIKKEN PH TESTER PEN LARGE	\$ 12.56	9.04
146-1	EA- NIKKEN LASER PLT DEL PEN SPL TIP	\$ 10.32	7.43
150-1	EA- NIKKEN FILM OPAQUE PEN .05MM BLK	\$ 10.11	7.28
150-1R	EA- NIKKEN FILM OPAQUE PEN .05MM RED	\$ 10.11	7.28
150-2	EA- NIKKEN FILM OPAQUE PEN 0.1MM BLK	\$ 9.67	6.97
150-2R	EA- NIKKEN FILM OPAQUE PEN .1MM RED	\$ 9.68	6.97
150-3	EA- NIKKEN FILM OPAQUE PEN .3MM BLK	\$ 9.67	6.97
150-4	EA- NIKKEN FILM OPAQUE PEN FINE BLK	\$ 9.67	6.97
150-4R	EA- NIKKEN FILM OPAQUE PEN FINE RED	\$ 9.68	6.97



2010

PRESSTEK ITEM LIST 15% off

AS OF  
7-May-10

**DIRECT IMAGE PRESS PLATES**

Part Number	Item Description	Stock Unit	List Price	Customer Price
ACP00471	100- PEARLDRIY PLUS PLTS HEID GTO-DI	BX	\$ 950.00	807.50
ACP02221	50- ADAST PEARLDRIY PLTS	BX	\$ 720.00	612.00
ACP04751	KARAT 74 PEARLDRIY 40/CS	EA	\$ 499.00	424.15
AMM07541	PEARLDRIY PLUS QMDI 4 PACK	BX	\$ 1,330.00	1,130.50
AMM09021	XEROX DC400 PEARLDRIY 4/CS	EA	\$ 1,750.00	1,487.50
AMM09051	RYOBI 3404 DI PEARLDRIY PLUS 4/CS	EA	\$ 1,064.00	904.40
AMM10051	BX,46KARAT, 4 PACK	BX	\$ 323.43	274.92
AMM10551	KPG DI 5034 PEARLDRIY PLUS 4/CS	EA	\$ 1,064.00	904.40
AMM11071	RYOBI 3404 DI PROFIRE DM 4/CS	EA	\$ 1,064.00	904.40
AMM11091	KARAT46 PROFIRE DM 4/CASE	EA	\$ 1,074.00	912.90
AMM11111	KPG DI 5334/5634 PROFIRE DIGTL MEDIA	CR	\$ 1,064.00	904.40
AMM11321	KIT PD+ 4 PACK W/TOWELS WIPES QMDI	BX	\$ 1,400.00	1,190.00
AMM11541	52DI PROFIRE DIGITAL MEDIA 4RLS	BX	\$ 1,672.00	1,421.20
52DI-SUPKIT	PRESSTEK 52DI SUPPLY START-UP KIT	PL	\$ 5,325.00	4,526.25
AMM11741	34DI PROFILE DIGITAL MEDIA 4RL/CS	EA	\$ 1,064.00	904.40
34DI-SUPKIT	##PRESSTEK 34DI SUPPLY START-UP KIT	PL	\$ 4,065.00	3,455.25
ST-1	10-TORAY WTRLS PLT STOP-OUT SOLN/PEN	PK	\$ 49.98	42.48

**METAL CTP DIGITAL PLATES ANTHEMPRO PLATES**

Part Number	Item Description	Stock Unit	List Price	Customer Price
PCG08831	100- ANTHEMPRO 9-3/8X13-3/8 6MIL	BX	\$ 201.15	170.98
PCG13511	100- ANTHEMPRO 9-1/2 X 13-3/8 6MIL	BX	\$ 203.83	173.26
PCG05911	100- ANTHEMPRO 10X15 6MIL	BX	\$ 240.63	204.54
PCG08051	100- ANTHEMPRO 10X15-1/2 6MIL	BX	\$ 248.65	211.35
PCG06091	100- ANTHEMPRO 10X15-9/32 6MIL	BX	\$ 245.14	208.37
PCG07061	100- ANTHEMPRO 10X16 6MIL	BX	\$ 256.67	218.17
PCG11511	100- ANTHEMPRO 10-5/8X14-31/32 6MIL	BX	\$ 255.13	216.86
PCG09501	100- ANTHEMPRO 10-5/8X14-9/16 6MIL	BX	\$ 248.21	210.98
PCG05891	100- ANTHEMPRO 10-5/8X15-1/2 6MIL	BX	\$ 264.19	224.56
PCG08281	100- ANTHEMPRO 10-31/32X18 6MIL	BX	\$ 316.72	269.21
PCG06111	100- ANTHEMPRO 10-31/32X18-1/16 6MIL	BX	\$ 317.82	270.15
PCG05871	100- ANTHEMPRO 11X18-1/2 6MIL	BX	\$ 326.45	277.48
PCG06001	100- ANTHEMPRO 11-1/4X18-1/2 6MIL	BX	\$ 333.87	283.79
PCG06101	100- ANTHEMPRO 11-1/4X19-3/8 6MIL	BX	\$ 349.66	297.21
PCG12191	100- ANTHEMPRO 11-1/2X19-3/8 6MIL	BX	\$ 357.43	303.82
PCG10961	100- ANTHEMPRO 11-3/4X15-1/4 6MIL	BX	\$ 287.45	244.33
PCG06221	100- ANTHEMPRO 11-3/4X18 6MIL	BX	\$ 339.28	288.39
PCG11671	100- ANTHEMPRO 11-3/4X18-1/16 6MIL	BX	\$ 340.46	289.39
PCG11341	100- ANTHEMPRO 11-3/4X18-1/8 6MIL	BX	\$ 341.64	290.39
PCG06521	100- ANTHEMPRO 12X19-3/8 6MIL	BX	\$ 372.97	317.02
PCG13791	100- ANTHEMPRO 12 X 18-1/4 6MIL	BX	\$ 351.31	298.61
PCG13261	100- ANTHEMPRO 12-1/16X17-3/8 6MIL	BX	\$ 339.11	288.24
PCG11941	100- ANTHEMPRO 12-3/8X19-7/16 6MIL	BX	\$ 385.86	327.98
PCG12311	100- ANTHEMPRO 12-2/5X19-7/8 6MIL	BX	\$ 395.35	336.05
PCG12501	100- ANTHEMPRO 12-5/8X14-1/2 6MIL	BX	\$ 293.66	249.61
PCG12021	100- ANTHEMPRO 12-3/4X18-1/16 6MIL	BX	\$ 369.43	314.02
PCG09171	100- ANTHEMPRO 12-3/4X18-1/2 6MIL	BX	\$ 378.38	321.62
PCG06861	100- ANTHEMPRO 12-3/4X18-1/8 6MIL	BX	\$ 370.71	315.10

**DIRECT IMAGE PRESS PLATES**

Part Number	Item Description	Stock Unit	List Price	Customer Price
PCG08101	100- ANTHEMPRO 12-3/4X18-5/8 6MIL	BX	\$ 380.94	323.80
PCG06561	100- ANTHEMPRO 12-3/4X19-3/8 6MIL	BX	\$ 396.28	336.84
PCG08671	100- ANTHEMPRO 13X19-3/16 6MIL	BX	\$ 400.14	340.12
PCG05881	100- ANTHEMPRO 13X19-3/8 6MIL	BX	\$ 404.05	343.44
PCG12071	100- ANTHEMPRO 13X18-1/2 6MIL	BX	\$ 385.80	327.93
PCG12651	100- ANTHEMPRO 13X18-1/8 6MIL	BX	\$ 377.98	321.28
PCG09941	100- ANTHEMPRO 13-3/16X18-5/8 6MIL	BX	\$ 394.01	334.91
PCG05851	100- ANTHEMPRO 13-3/16X19-3/32 6MIL	BX	\$ 403.93	343.34
PCG13701	100- ANTHEMPRO 13-3/8X17-15/16 6MIL	BX	\$ 384.86	327.13
PCG12331	100- ANTHEMPRO 13-3/8X17-7/8 6MIL	BX	\$ 383.52	325.99
PCG06151	100- ANTHEMPRO 13-3/8X18-3/16 6MIL	BX	\$ 390.23	331.70
PCG08001	100- ANTHEMPRO 13-3/8X19-7/16 6MIL	BX	\$ 417.05	354.49
PCG05741	100- ANTHEMPRO 13-3/8X19-7/8 6MIL	BX	\$ 426.43	362.47
PCG06021	100- ANTHEMPRO 13-5/8X17-7/8 6MIL	BX	\$ 390.69	332.09
PCG06911	100- ANTHEMPRO 13-5/8X18-5/8 6MIL	BX	\$ 407.08	346.02
PCG09701	100- ANTHEMPRO 13-5/8X19-3/8 6MIL	BX	\$ 423.47	359.95
PCG05861	100- ANTHEMPRO 14-9/16X17-23/32 6MIL	BX	\$ 413.92	351.83
PCG05921	100- ANTHEMPRO 14-9/16X17-3/4 6MIL	BX	\$ 414.65	352.45
PCG06141	100- ANTHEMPRO 15X18 6MIL	BX	\$ 433.13	368.16
PCG06171	100- ANTHEMPRO 15X20-1/2 6MIL	BX	\$ 493.28	419.29
PCG09201	100- ANTHEMPRO 15-5/32X12-27/32 6MIL	BX	\$ 312.27	265.43
PCG09191	100- ANTHEMPRO 15-5/32X17-9/32 6MIL	BX	\$ 420.16	357.14
PCG13321	100- ANTHEMPRO 15-1/4X17-7/8 6MIL	BX	\$ 437.29	371.70
PCG11061	100- ANTHEMPRO 15-1/4X18-3/8 6MIL	BX	\$ 449.52	382.09
PCG05421	100- ANTHEMPRO 15-1/2X18-3/8 6MIL	BX	\$ 456.89	388.36
PCG05401	100- ANTHEMPRO 15-3/4X18-3/4 6MIL	BX	\$ 473.73	402.67
PCG04891	100- ANTHEMPRO 15-3/4X20-1/16 6MIL	BX	\$ 506.89	430.86
PCG08241	100- ANTHEMPRO 15-3/4X20-15/32 6MIL	BX	\$ 517.16	439.59
PCG05381	100- ANTHEMPRO 15-3/4X20-7/8 6MIL	BX	\$ 527.42	448.31
PCG06921	100- ANTHEMPRO 16-1/8X20-1/16 6MIL	BX	\$ 518.96	441.12
PCG09761	100- ANTHEMPRO 16-11/32X20-1/2 6MIL	BX	\$ 537.47	456.85
PCG12891	100- ANTHEMPRO 16-1/2 X 20-1/2 6MIL	BX	\$ 542.61	461.22
PCG12781	100- ANTHEMPRO 17-3/8X12-1/4 6MIL	BX	\$ 341.44	290.22
PCG12401	100- ANTHEMPRO 17-3/8X15-7/32 6MIL	BX	\$ 424.18	360.55
PCG11541	100- ANTHEMPRO 17-3/8X18-3/16 6MIL	BX	\$ 506.93	430.89
PCG12801	100- ANTHEMPRO 17-3/8X18-7/32 6MIL	BX	\$ 507.80	431.63
PCG12291	100- ANTHEMPRO 17-23/32X18-5/8 6MIL	BX	\$ 529.39	449.98
PCG09471	100- ANTHEMPRO 17-7/8X13-3/8 6MIL	BX	\$ 383.52	325.99
PCG04881	100- ANTHEMPRO 18-1/16X20-21/32 6MIL	BX	\$ 598.52	508.74
PCG09751	100- ANTHEMPRO 18-1/16X20-7/8 6MIL	BX	\$ 604.86	514.13
PCG06601	100- ANTHEMPRO 18-3/16X13-3/8 GL 6M	BX	\$ 390.23	331.70
PCG12411	100- ANTHEMPRO 18-13/64X20-3/8 6MIL	BX	\$ 594.97	505.72
PCG13361	100- ANTHEMPRO 18-17/64X17-1/2 6MIL	BX	\$ 512.77	435.85
PCG11161	100- ANTHEMPRO 19-1/4X22-5/8 6MIL	BX	\$ 698.66	593.86
PCG08951	100- ANTHEMPRO 19-7/8X13-3/8 6MIL	BX	\$ 426.43	362.47
PCG10801	50- ANTHEMPRO 20X22-5/8 6MIL	BX	\$ 362.94	308.50
PCG04941	50- ANTHEMPRO 20-1/16X21-5/8 6MIL	BX	\$ 347.99	295.79
PCG04961	50- ANTHEMPRO 21-5/8X25-5/8 6MIL	BX	\$ 444.47	377.80
PCG10411	100- ANTHEMPRO 9-11/32X13-3/8 8MIL	BX	\$ 206.55	175.57

**DIRECT IMAGE PRESS PLATES**

Part Number	Item Description	Stock Unit	List Price	Customer Price
PCG08091	100- ANTHEMPRO 9-1/2X12-1/4 8MIL	BX	\$ 192.34	163.49
PCG11751	100- ANTHEMPRO 9-11/16X12-1/4 8MIL	BX	\$ 196.14	166.72
PCG05811	100- ANTHEMPRO 9-7/8X14-9/16 8MIL	BX	\$ 237.68	202.03
PCG06201	100- ANTHEMPRO 9-15/16X12-1/4 8MIL	BX	\$ 201.20	171.02
PCG06491	100- ANTHEMPRO 10X15-1/8 8MIL	BX	\$ 249.98	212.48
PCG09321	100- ANTHEMPRO 10X12-5/8 8MIL	BX	\$ 208.66	177.36
PCG13031	100- ANTHEMPRO 10X16 8MIL	BX	\$ 264.44	224.77
PCG08911	100- ANTHEMPRO 10-1/2X15-1/4 8MIL	BX	\$ 264.65	224.95
PCG08861	100- ANTHEMPRO 10-1/2X23-7/32 8MIL	BX	\$ 402.94	342.50
PCG11731	100- ANTHEMPRO 10-5/8X12-1/4 8MIL	BX	\$ 215.12	182.85
PCG12201	100- ANTHEMPRO 10-31/32X18-5/8 8MIL	BX	\$ 337.65	287.00
PCG13451	100- ANTHEMPRO 11-1/4 X 19-3/8 8MIL	BX	\$ 360.25	306.21
PCG08431	100- ANTHEMPRO 11-3/4X18 8MIL	BX	\$ 349.56	297.13
PCG08871	100- ANTHEMPRO 12X15-5/16 8MIL	BX	\$ 303.70	258.15
PCG13541	100- ANTHEMPRO 12X19-3/8 8MIL	BX	\$ 384.27	326.63
PCG09531	100- ANTHEMPRO 12-1/16X17-3/8 8MIL	BX	\$ 346.40	294.44
PCG13671	100- ANTHEMPRO 12-1/16X18-11/16 8MIL	BX	\$ 372.57	316.68
PCG10151	100- ANTHEMPRO 12-13/64X19-1/2 8MIL	BX	\$ 393.30	334.31
PCG09731	100- ANTHEMPRO 12-1/4x17-3/8 8MIL	BX	\$ 351.78	299.01
PCG08201	100- ANTHEMPRO 12-1/4X19-7/16 8MIL	BX	\$ 393.54	334.51
PCG09151	100- ANTHEMPRO 12-1/4X20-9/16 8MIL	BX	\$ 416.32	353.87
PCG08841	100- ANTHEMPRO 12-1/2X18-7/32 8MIL	BX	\$ 376.39	319.93
PCG09331	100- ANTHEMPRO 12-5/8X15-1/2 8MIL	BX	\$ 323.43	274.92
PCG10971	100- ANTHEMPRO 12-27/32X18-1/8 8MIL	BX	\$ 384.76	327.05
PCG06181	100- ANTHEMPRO 13X19-3/8 8MIL	BX	\$ 416.29	353.85
PCG06211	100- ANTHEMPRO 13-3/16X19-3/32 8MIL	BX	\$ 416.17	353.74
PCG08021	100- ANTHEMPRO 13-3/8X18-3/16 8MIL	BX	\$ 402.05	341.74
PCG08681	100- ANTHEMPRO 13-3/8X19-7/8 8MIL	BX	\$ 439.35	373.45
PCG07071	100- ANTHEMPRO 13-1/2X22-19/32 8MIL	BX	\$ 504.12	428.50
PCG06691	100- ANTHEMPRO 14-9/16X17-3/4 8MIL	BX	\$ 427.22	363.14
PCG13431	100- ANTHEMPRO 15X18 8MIL	BX	\$ 446.25	379.31
PCG08881	100- ANTHEMPRO 15-1/4X17-3/8 8MIL	BX	\$ 437.93	372.24
PCG13011	100- ANTHEMPRO 15-1/4X17-7/8 8MIL	BX	\$ 450.54	382.96
PCG13601	100- ANTHEMPRO 15-3/8X17-1/2 8MIL	BX	\$ 444.70	378.00
PCG05451	100- ANTHEMPRO 15-1/2X18-3/8 8MIL	BX	\$ 470.73	400.12
PCG05461	100- ANTHEMPRO 15-3/4X18-3/4 8MIL	BX	\$ 488.09	414.88
PCG04911	100- ANTHEMPRO 15-3/4X20-1/16 8MIL	BX	\$ 522.25	443.91
PCG05431	100- ANTHEMPRO 15-3/4X20-7/8 8MIL	BX	\$ 543.40	461.89
PCG05151	100- ANTHEMPRO 15-3/4X20-9/32 8MIL	BX	\$ 527.95	448.76
PCG10641	100- ANTHEMPRO 15-63/64X18-3/16 8MIL	BX	\$ 480.49	408.42
PCG05241	100- ANTHEMPRO 16-1/8X20-1/16 8MIL	BX	\$ 534.69	454.49
PCG05061	100- ANTHEMPRO 16-1/8X20-9/32 8MIL	BX	\$ 540.52	459.44
PCG12371	100- ANTHEMPRO 16-7/16X20-1/2 8MIL	BX	\$ 556.93	473.39
PCG09291	100- ANTHEMPRO 17-3/8X18-3/16 8MIL	BX	\$ 522.29	443.95
PCG12351	50- ANTHEMPRO 17-3/8X25-13/64 8MIL	BX	\$ 361.88	307.60
PCG05091	50- ANTHEMPRO 17-13/32X23-7/32 8MIL	BX	\$ 333.99	283.89
PCG08891	100- ANTHEMPRO 17-1/2X18-7/32 8MIL	BX	\$ 526.95	447.91
PCG10131	100- ANTHEMPRO 17-7/8X18-3/4 8MIL	BX	\$ 553.94	470.85
PCG10221	100- ANTHEMPRO 17-29/32X18-11/32 8MIL	BX	\$ 542.88	461.45

**DIRECT IMAGE PRESS PLATES**

Part Number	Item Description	Stock Unit	List Price	Customer Price
PCG04901	100- ANTHEMPRO 18-1/16X20-21/32 8MIL	BX	\$ 616.66	524.16
PCG13311	100- ANTHEMPRO 18-1/16X20-9/32 8MIL	BX	\$ 605.46	514.64
PCG09721	100- ANTHEMPRO 18-3/16X17-3/8 8MIL	BX	\$ 522.29	443.95
PCG10091	50- ANTHEMPRO 18-1/2X22-19/32 8MIL	BX	\$ 345.42	293.61
PCG10651	100- ANTHEMPRO 19-3/16X15-1/4 8MIL	BX	\$ 483.62	411.08
PCG10301	50- ANTHEMPRO 19-5/16X26-1/2 8MIL	BX	\$ 422.93	359.49
PCG10421	100- ANTHEMPRO 12-1/4x19-7/16 8MIL	BX	\$ 393.54	334.51
PCG08061	100- ANTHEMPRO 19-11/16X17-29/32 8MIL	BX	\$ 582.65	495.25
PCG08581	50- ANTHEMPRO 19-3/4X22-3/4 8MIL	BX	\$ 371.31	315.61
PCG05771	50- ANTHEMPRO 19-15/16X22-27/32 8MIL	BX	\$ 376.38	319.92
PCG09551	50- ANTHEMPRO 20X22-7/8 8MIL	BX	\$ 378.07	321.36
PCG09251	50- ANTHEMPRO 20X25-3/8 8MIL	BX	\$ 419.39	356.48
PCG13271	50- ANTHEMPRO 20 X 25-5/16 8MIL	BX	\$ 418.36	355.61
PCG13371	50- ANTHEMPRO 20X22-5/8 8MIL	BX	\$ 373.94	317.85
PCG05211	50- ANTHEMPRO 20-1/16X22-5/8 8MIL	BX	\$ 375.11	318.84
PCG11741	100- ANTHEMPRO 20-1/8X12-1/4 8MIL GL	BX	\$ 407.46	346.34
PCG12341	50- ANTHEMPRO 20-3/8X24-7/32 8MIL	BX	\$ 407.79	346.62
PCG08821	50- ANTHEMPRO 20-25/64X25-3/16 8MIL	BX	\$ 425.80	361.93
PCG13081	50- ANTHEMPRO 20-7/16X25-7/8 8MIL	BX	\$ 437.01	371.46
PCG09221	50- ANTHEMPRO 20-15/32X24-31/32 8MIL	BX	\$ 422.35	359.00
PCG09211	50- ANTHEMPRO 20-15/32X26 8MIL	BX	\$ 439.79	373.82
PCG09021	50- ANTHEMPRO 20-3/4X25-5/8 8MIL	BX	\$ 439.41	373.50
PCG09261	50- ANTHEMPRO 20-3/4X26 8MIL	BX	\$ 445.84	378.96
PCG13411	50- ANTHEMPRO 20-7/8 X 25-7/8 8MIL	BX	\$ 446.37	379.41
PCG12941	50- ANTHEMPRO 20-7/8 X 26-3/8 8MIL	BX	\$ 454.99	386.74
PCG05521	50- ANTHEMPRO 20-7/8X25-3/4 8MIL	BX	\$ 444.21	377.58
PCG08011	50- ANTHEMPRO 20-7/8X25-3/8 8MIL	BX	\$ 437.74	372.08
PCG08611	50- ANTHEMPRO 20-7/8X25-5/8 8MIL	BX	\$ 442.05	375.74
PCG13281	50- ANTHEMPRO 21 X 25-3/8 8MIL	BX	\$ 440.36	374.31
PCG09631	50- ANTHEMPRO 21-9/64X22-3/4 8MIL	BX	\$ 397.45	337.83
PCG08031	50- ANTHEMPRO 21-5/16X23-3/4 8MIL	BX	\$ 418.29	355.55
PCG08161	50- ANTHEMPRO 21-5/16X29-3/4 8MIL	BX	\$ 523.97	445.37
PCG06741	50- ANTHEMPRO 21-11/32X26-15/16 8MIL	BX	\$ 475.13	403.86
PCG08251	50- ANTHEMPRO 21-3/8X25-3/8 8MIL	BX	\$ 448.23	381.00
PCG13551	50- ANTHEMPRO 21-3/8X25-5/8 8MIL	BX	\$ 452.64	384.74
PCG06501	50- ANTHEMPRO 21-1/2X27-9/16 8MIL	BX	\$ 489.71	416.25
PCG10451	50- ANTHEMPRO 21-5/8X24-19/32 8MIL	BX	\$ 439.51	373.58
PCG04931	50- ANTHEMPRO 21-5/8X25-5/8 8MIL	BX	\$ 457.94	389.25
PCG06371	50- ANTHEMPRO 21-5/8X26 8MIL	BX	\$ 464.64	394.94
PCG10941	50- ANTHEMPRO 21-5/8X26-3/16 8MIL	BX	\$ 467.99	397.79
PCG05511	50- ANTHEMPRO 21-5/8X27-9/16 8MIL	BX	\$ 492.56	418.68
PCG05491	50-ANTHEMPRO 21-5/8X26-3/8 8MIL	BX	\$ 471.34	400.64
PCG11131	50- ANTHEMPRO 21-3/4X29-5/16 8MIL	BX	\$ 526.86	447.83
PCG12701	50- ANTHEMPRO 21-7/8X26-1/4 8MIL	BX	\$ 474.53	403.35
PCG05501	50- ANTHEMPRO 22X26-1/2 8MIL	BX	\$ 481.78	409.51
PCG10231	50- ANTHEMPRO 22X26 8MIL	BX	\$ 472.69	401.79
PCG05631	50- ANTHEMPRO 22-1/16X26-3/8 8MIL	BX	\$ 480.87	408.74
PCG05651	50- ANTHEMPRO 22-1/2X29-1/8 8MIL	BX	\$ 541.54	460.31
PCG05171	50- ANTHEMPRO 22-5/8X29-1/8 8MIL	BX	\$ 544.55	462.87



**DIRECT IMAGE PRESS PLATES**

Part Number	Item Description	Stock Unit	List Price	Customer Price
PCG12481	50- ANTHEMPRO 22-3/4 X 19-7/8 8MIL	BX	\$ 373.66	317.61
PCG13441	50- ANTHEMPRO 23-1/8X26-1/4 8MIL	BX	\$ 501.64	426.39
PCG12141	50- ANTHEMPRO 23-1/4X20-1/4 8MIL	BX	\$ 389.07	330.71
PCG08221	50- ANTHEMPRO 23-3/8X28-1/2 8MIL	BX	\$ 550.53	467.95
PCG10181	50- ANTHEMPRO 23-7/16X28-3/4 8MIL	BX	\$ 556.84	473.31
PCG13101	50- ANTHEMPRO 23-5/8X29-1/8 8MIL	BX	\$ 568.62	483.33
PCG04871	50- ANTHEMPRO 23-5/8X28-3/4 8MIL	BX	\$ 561.30	477.11
PCG05041	50- ANTHEMPRO 23-5/8X28-9/16 8MIL	BX	\$ 557.64	473.99
PCG08421	50- ANTHEMPRO 23-3/4X27-7/8 8MIL	BX	\$ 547.10	465.04
PCG05131	50- ANTHEMPRO 23-13/16X29-1/8 8MIL	BX	\$ 573.13	487.16
PCG05051	50- ANTHEMPRO 23-13/16X29-5/16 8MIL	BX	\$ 576.82	490.30
PCG05701	10- ANTHEMPRO 24-7/32X29-5/16 8MIL	BX	\$ 117.33	99.73
PCG04861	50- ANTHEMPRO 24-7/32X28-1/2 8MIL	BX	\$ 570.40	484.84
PCG05591	50- ANTHEMPRO 24-7/32X29-5/16 8MIL	BX	\$ 586.66	498.66
PCG13121	50- ANTHEMPRO 24-3/4X18-1/9 GL 8MIL	BX	\$ 370.43	314.87
PCG08211	50- ANTHEMPRO 25X29-5/16 8MIL	BX	\$ 605.59	514.75
PCG11641	50- ANTHEMPRO 25X30 8MIL	BX	\$ 619.79	526.82
PCG12901	50- ANTHEMPRO 25 X 30 8MIL	BX	\$ 619.79	526.82
PCG11481	50- ANTHEMPRO 25X30-3/16 8MIL	BX	\$ 623.92	530.33
PCG10881	50- ANTHEMPRO 26X30-1/8 8MIL	BX	\$ 647.27	550.18
PCG12951	50- ANTHEMPRO 26 X 29-1/2 8 MIL	BX	\$ 633.84	538.76
PCG13731	50- ANTHEMPRO 26 X 29-15/16 8MIL	BX	\$ 643.24	546.75
PCG12111	50- ANTHEMPRO 26X30-23/32 8MIL	BX	\$ 660.03	561.03
PCG10671	50- ANTHEMPRO 26-17/64X18-17/64 8MIL	BX	\$ 396.47	337.00
PCG12711	50- ANTHEMPRO 26-5/8X29-1/8 8MIL	BX	\$ 640.83	544.71
PCG08601	50- ANTHEMPRO 26-3/4X29-7/16 8MIL	BX	\$ 650.74	553.13
PCG08401	50- ANTHEMPRO 26-25/32X30-23/32 8MIL	BX	\$ 679.86	577.88
PCG09771	50- ANTHEMPRO 26-15/16X29-1/2 8MIL	BX	\$ 656.70	558.20
PCG08381	25- ANTHEMPRO 28-1/8X35-1/4 8MIL	BX	\$ 409.64	348.19
PCG13561	50- ANTHEMPRO 28-9/16X22-23/64 8MIL	BX	\$ 527.76	448.60
PCG13091	25- ANTHEMPRO 28-3/4 X38-1/2 8MIL	BX	\$ 457.35	388.75
PCG09481	25- ANTHEMPRO 29-17/32X35-13/64 8MIL	BX	\$ 429.55	365.12
PCG09591	25- ANTHEMPRO 31-1/8X40-1/8 8MIL	BX	\$ 516.03	438.63
PCG06891	50- ANTHEMPRO 15-3/4X20-1/16 12MIL	BX	\$ 288.56	245.28
PCG11271	100- ANTHEMPRO 16-1/8X20-1/16 12MIL	BX	\$ 590.85	502.22
PCG06671	50- ANTHEMPRO 16-1/8X20-21/32 12MIL	BX	\$ 304.17	258.54
PCG13131	50- ANTHEMPRO 19-5/16X26-1/2 12MIL	BX	\$ 467.36	397.26
PCG06471	50- ANTHEMPRO 19-15/16X22-27/32 12MIL	BX	\$ 415.91	353.52
PCG13631	50- ANTHEMPRO 19-15/16X22-3/4 12MIL	BX	\$ 414.21	352.08
PCG09161	50- ANTHEMPRO 20-1/16X26 12MIL	BX	\$ 476.35	404.90
PCG12261	50- ANTHEMPRO 20-1/2X26 12MIL	BX	\$ 486.73	413.72
PCG12881	50- ANTHEMPRO 20.5X26 12MIL(520mm)	BX	\$ 486.73	413.72
PCG06681	50- ANTHEMPRO 20-7/8X25-5/8 12MIL	BX	\$ 488.49	415.22
PCG13621	50- ANTHEMPRO 21-9/64X22-3/4 12MIL	BX	\$ 439.20	373.32
PCG11141	50- ANTHEMPRO 21-1/2X27-9/16 12MIL	BX	\$ 541.15	459.98
PCG05531	50- ANTHEMPRO 21-5/8X25-5/8 12MIL	BX	\$ 506.04	430.13
PCG11311	50- ANTHEMPRO 21-5/8X25-7/8 12MIL	BX	\$ 510.98	434.33
PCG10511	50- ANTHEMPRO 21-5/8X26-25/32 12MIL	BX	\$ 528.87	449.54
PCG08261	50- ANTHEMPRO 21-5/8X27-9/16 12MIL	BX	\$ 544.30	462.66

PRESSTEK ITEM LIST 15% off

AS OF  
7-May-10

**DIRECT IMAGE PRESS PLATES**

Part Number	Item Description	Stock Unit	List Price	Customer Price
PCG10771	50- ANTHEMPRO 21-3/4X29-5/16 12MIL	BX	\$ 582.20	494.87
PCG10481	50- ANTHEMPRO 21-15/16X29-19/64 12MIL	BX	\$ 586.91	498.87
PCG05561	50- ANTHEMPRO 22X26-1/2 12MIL	BX	\$ 532.39	452.53
PCG05821	50- ANTHEMPRO 22-1/16X26-3/8 12MIL	BX	\$ 531.39	451.68
PCG13761	50- ANTHEMPRO 23X28-1/2 12MIL	BX	\$ 598.60	508.81
PCG10901	50- ANTHEMPRO 23-7/32X17-3/8 12MIL	BX	\$ 368.41	313.15
PCG13161	50- ANTHEMPRO 23-7/16X28-1/2 12MIL	BX	\$ 609.99	518.49
PCG06621	50- ANTHEMPRO 23-5/8X28-15/16 12MIL	BX	\$ 624.30	530.66
PCG05581	50- ANTHEMPRO 23-5/8X28-3/4 12MIL	BX	\$ 620.26	527.22
PCG04851	50- ANTHEMPRO 23-5/8X28-9/16 12MIL	BX	\$ 616.21	523.78
PCG08451	50- ANTHEMPRO 23-5/8X29-1/8 12MIL	BX	\$ 628.35	534.10
PCG13421	50- ANTHEMPRO 23-5/8X29-15/16 12MIL	BX	\$ 645.88	549.00
PCG06611	50- ANTHEMPRO 23-13/16X28-3/4 12MIL	BX	\$ 625.18	531.40
PCG04921	50- ANTHEMPRO 23-13/16X29-1/8 12MIL	BX	\$ 633.34	538.34
PCG12811	50- ANTHEMPRO 23-13/16X29-15/16 12MIL	BX	\$ 651.00	553.35
PCG05141	50- ANTHEMPRO 23-13/16X29-5/16 12MIL	BX	\$ 637.41	541.80
PCG13751	50- ANTHEMPRO 23-13/16X30-1/2 12MIL	BX	\$ 663.24	563.75
PCG05541	50- ANTHEMPRO 24 X 29-1/8 12MIL	BX	\$ 638.32	542.57
PCG04841	50- ANTHEMPRO 24-7/32X28-1/2 12MIL	BX	\$ 630.32	535.77
PCG06541	50- ANTHEMPRO 25X29-19/64 12MIL	BX	\$ 668.49	568.22
PCG10241	50- ANTHEMPRO 25X29-21/64 12MIL	BX	\$ 669.56	569.13
PCG13481	50- ANTHEMPRO 25 X 29-15/16 12MIL	BX	\$ 683.47	580.95
PCG13331	50- ANTHEMPRO 25X29-11/16 12MIL	BX	\$ 677.76	576.10
PCG10501	50- ANTHEMPRO 25-5/8X19-3/32 12MIL	BX	\$ 446.81	379.79
PCG09441	50- ANTHEMPRO 25-5/8X20-15/32 12MIL	BX	\$ 478.98	407.13
PCG10711	50- ANTHEMPRO 25-5/8X21-5/8 12MIL	BX	\$ 506.04	430.13
PCG06461	50- ANTHEMPRO 25-7/8X20-5/8 12MIL	BX	\$ 487.35	414.25
PCG13591	50- ANTHEMPRO 25-7/8X29-1/8 12MIL	BX	\$ 688.19	584.96
PCG07081	50- ANTHEMPRO 26X29-1/8 12MIL	BX	\$ 691.52	587.79
PCG06411	50- ANTHEMPRO 26X29-5/16 12MIL	BX	\$ 695.97	591.57
PCG10491	50- ANTHEMPRO 26X30-5/16 12MIL	BX	\$ 719.71	611.75
PCG10721	50- ANTHEMPRO 26-17/64X23-17/64 12MIL	BX	\$ 558.04	474.33
PCG10731	50- ANTHEMPRO 26-1/2X19 12MIL	BX	\$ 459.79	390.82
PCG06551	50- ANTHEMPRO 26-5/8X29-1/8 12MIL	BX	\$ 708.14	601.92
PCG06191	50- ANTHEMPRO 27X30 12MIL	BX	\$ 739.69	628.74
PCG06441	50- ANTHEMPRO 27-7/8X20-5/8 12MIL	BX	\$ 525.02	446.27
PCG09061	25- ANTHEMPRO 28-1/8X35-1/4 12MIL	BX	\$ 452.67	384.77
PCG13381	25- ANTHEMPRO 28-1/8X39-1/2 12MIL	BX	\$ 507.25	431.16
PCG11761	25- ANTHEMPRO 28-17/64X37-33/64 12MI	BX	\$ 484.18	411.55
PCG11711	25- ANTHEMPRO 28-1/2X36-29/64 12MIL	BX	\$ 474.37	403.21
PCG09741	25- ANTHEMPRO 28-3/4X38-1/2 12MIL	BX	\$ 505.40	429.59
PCG13661	25- ANTHEMPRO 29-1/8X36-7/16 12MIL	BX	\$ 484.56	411.88
PCG11771	50- ANTHEMPRO 29-1/8X23-13/16 GL 12M	BX	\$ 633.34	538.34
PCG10371	50- ANTHEMPRO 29-1/8X26-5/8 12MIL	BX	\$ 708.14	601.92
PCG08321	25- ANTHEMPRO 30-5/16X40-9/16 12MIL	BX	\$ 561.41	477.20
PCG09781	25- ANTHEMPRO 30-7/8X40-1/8 12MIL	BX	\$ 565.66	480.81
PCG08331	25- ANTHEMPRO 31-1/8X40-9/16 12MIL	BX	\$ 576.46	489.99
PCG08361	25- ANTHEMPRO 31-1/8X41-1/8 12MIL	BX	\$ 570.24	484.70
PCG08301	25- ANTHEMPRO 31-1/2X40-9/16 12MIL	BX	\$ 583.40	495.89

**DIRECT IMAGE PRESS PLATES**

Part Number	Item Description	Stock Unit	List Price	Customer Price
PCG09791	25- ANTHEMPRO 32X40-5/32 12MIL	BX	\$ 586.73	498.72
PCG05991	10- ANTHEMPRO 32X44 12MIL	BX	\$ 257.16	218.59
PCG13781	25- ANTHEMPRO 35-13/16X26-3/16 12ML	BX	\$ 428.22	363.99
PBG05911	1000- ANTHEMPRO 10 X 15 6MIL	PL	\$ 2,052.08	1,744.27
PBG07061	1000- ANTHEMPRO 10X16 6MIL	PL	\$ 2,188.89	1,860.56
PBG05871	1000- ANTHEMPRO 11X18-1/2 6MIL	PL	\$ 2,783.99	2,366.39
PBG06221	1000- ANTHEMPRO 11-3/4X18 6MIL	PL	\$ 2,893.44	2,459.42
PBG11341	1000- ANTHEMPRO 11-3/4X18-1/8 6MIL	PL	\$ 2,913.53	2,476.50
PBG11911	1000- ANTHEMPRO 12-53/64X15-1/4 6MIL	PL	\$ 2,676.31	2,274.86
PBG05881	1000- ANTHEMPRO 13X19-3/8 6MIL	PL	\$ 3,445.79	2,928.92
PBG09941	1000- ANTHEMPRO 13-3/16X18-5/8 6MIL	PL	\$ 3,360.18	2,856.15
PBG10061	1000- ANTHEMPRO 13-3/16X19-3/32 6MI	PL	\$ 3,444.75	2,928.04
PBG05851	1000- ANTHEMPRO 13-3/16X19-3/32 6MIL	PL	\$ 3,444.75	2,928.04
PBG05741-1	1000- ANTHEMPRO 13-3/8X19-7/8 6MIL	PL	\$ 3,636.68	3,091.18
PBG13401	1000- ANTHEMPRO 14-9/16 X 18.7 6MIL	PL	\$ 3,725.47	3,166.65
PBG05861	1000- ANTHEMPRO 14-9/16X17-23/32 6ML	PL	\$ 3,529.98	3,000.48
PBG05921	1000- ANTHEMPRO 14-9/16X17-3/4 6MIL	PL	\$ 3,536.21	3,005.78
PBG11971	1000- ANTHEMPRO 14-3/4X19-11/16 6MIL	PL	\$ 3,972.71	3,376.80
PBG06141	1000- ANTHEMPRO 15 X 18 6MIL	PL	\$ 3,693.75	3,139.69
PBG09191	1000- ANTHEMPRO 15-5/32X17-9/16 6MIL	PL	\$ 3,583.20	3,045.72
PBG05421	1000- ANTHEMPRO 15-1/2X18-3/8 6MIL	PL	\$ 3,896.39	3,311.93
PBG04891-1	1000- ANTHEMPRO 15-3/4X20-1/16 6MIL	PL	\$ 4,322.84	3,674.41
PBG08241-1	1000- ANTHEMPRO 15-3/4X20-15/32 6MIL	PL	\$ 4,410.38	3,748.82
PBG05381-1	1000- ANTHEMPRO 15-3/4X20-7/8 6MIL	PL	\$ 4,497.91	3,823.22
PBG06921-1	1000- ANTHEMPRO 16-1/8X20-1/16 6MIL	PL	\$ 4,425.77	3,761.90
PBG09761	1000- ANTHEMPRO 16-11/32X20-1/2 6MIL	PL	\$ 4,583.63	3,896.09
PBG12891	1000- ANTHEMPRO 16-1/2 X 20-1/2 6MIL	PL	\$ 4,627.45	3,933.33
PBG12301	1000- ANTHEMPRO 17-1/4X19-7/8 6MIL	PL	\$ 4,690.29	3,986.75
PBG12911	1000- ANTHEMPRO 17-3/4X20-3/4 6MIL	PL	\$ 5,038.72	4,282.91
PBG04881-1	1000- ANTHEMPRO 18-1/16X20-21/32 6ML	PL	\$ 5,104.26	4,338.62
PBG09751	1000- ANTHEMPRO 18-1/16X20-7/8 6MIL	PL	\$ 5,158.32	4,384.57
PBG12061	1000- ANTHEMPRO 19-1/4X22-7/8 6MIL	PL	\$ 6,024.15	5,120.53
PBG08781	1000- ANTHEMPRO 19-11/16X19-11/16 6M	PL	\$ 5,302.55	4,507.17
PBG08951	1000- ANTHEMPRO 19-7/8X13-3/8 6MIL	PL	\$ 3,636.68	3,091.18
PBG13071	1000- ANTHEMPRO 20X24-3/5 6MIL	PL	\$ 6,730.83	5,721.21
PBG12861	1000- ANTHEMPRO 20-3/4 X 22-3/4 6MIL	PL	\$ 6,458.08	5,489.37
PBG12871	1000- ANTHEMPRO 20-3/4 X 24-3/4 6ML	PL	\$ 7,025.82	5,971.95
PBG12691	1000- ANTHEMPRO 11X12-1/4 8ML	PL	\$ 1,899.60	1,614.66
PBG13671	1000- ANTHEMPRO 12-1/16X18-11/16 8ML	PL	\$ 3,177.77	2,701.10
PBG09151	1000- ANTHEMPRO 12-1/4X20-9/16 8MIL	PL	\$ 3,550.96	3,018.32
PBG10971	1000- ANTHEMPRO 12-27/32X18-1/8 8MIL	PL	\$ 3,281.73	2,789.47
PBG06181	1000- ANTHEMPRO 13X19-3/8 8MIL	PL	\$ 3,550.74	3,018.13
PBG08681	1000- ANTHEMPRO 13-3/8X19-7/8 8MIL	PL	\$ 3,747.44	3,185.32
PBG13241	1000- ANTHEMPRO 14-3/16X17-13/16 8ML	PL	\$ 3,562.58	3,028.19
PBG06691	1000- ANTHEMPRO 14-9/16X17-3/4 8MIL	PL	\$ 3,643.91	3,097.32
PBG04911-1	1000- ANTHEMPRO 15-3/4X20-1/16 8MIL	PL	\$ 4,454.50	3,786.33
PBG11781	1000- ANTHEMPRO 15-3/4X20-13/32 8MIL	PL	\$ 4,530.83	3,851.21
PBG05061	1000- ANTHEMPRO 16-1/8X20-9/32 8MIL	PL	\$ 4,610.29	3,918.75
PBG05161	1000- ANTHEMPRO 16-11/32X20-1/2 8MIL	PL	\$ 4,723.23	4,014.75

PRESSTEK ITEM LIST 15% off

AS OF  
7-May-10

**DIRECT IMAGE PRESS PLATES**

Part Number	Item Description	Stock Unit	List Price	Customer Price
PBG09851	1000- ANTHEMPRO 17-23/32X18-7/16 8ML	PL	\$ 4,605.41	3,914.60
PBG04901-1	1000- ANTHEMPRO 18-1/16X20-21/32 8ML	PL	\$ 5,259.72	4,470.76
PBG10421	1000- ANTHEMPRO 19-7/16X12-1/4 8MIL	PL	\$ 3,356.68	2,853.18
PBG05771	1000- ANTHEMPRO 19-15/16X22-27/32 8M	PL	\$ 6,420.54	5,457.46
PBG12961	1000- ANTHEMP 20-15/32X25-7/8 GL 8ML	PL	\$ 7,466.30	6,346.36
PBG08491	1000- ANTHEMPRO 20-5/8X23-27/32 8MIL	PL	\$ 6,932.69	5,892.79
PBG09021	1000- ANTHEMPRO 20-3/4X25-5/8 8MIL	PL	\$ 7,495.76	6,371.40
PBG05521	1000- ANTHEMPRO 20-7/8X25-3/4 8MIL	PL	\$ 7,577.70	6,441.05
PBG08611	1000- ANTHEMPRO 20-7/8X25-5/8 8MIL	PL	\$ 7,540.91	6,409.77
PBG09631	1000- ANTHEMPRO 21-9/64 X 22-3/4 8MI	PL	\$ 6,780.05	5,763.04
PBG06501	1000- ANTHEMPRO 21-1/2X27-9/16 8MIL	PL	\$ 8,353.93	7,100.84
PBG04931	1000- ANTHEMPRO 21-5/8X25-5/8 8MIL	PL	\$ 7,811.84	6,640.06
PBG06371	1000- ANTHEMPRO 21-5/8X26 8MIL	PL	\$ 7,926.16	6,737.24
PBG05491	1000- ANTHEMPRO 21-5/8X26-3/8 8MIL	PL	\$ 8,040.48	6,834.41
PBG05501	1000- ANTHEMPRO 22X26-1/2 8MIL	PL	\$ 8,218.68	6,985.88
PBG05631	1000- ANTHEMPRO 22-1/16X26-3/8 8 MIL	PL	\$ 8,203.15	6,972.68
PBG13101	1000- ANTHEMPRO 23-5/8 X 29-1/8 8MIL	PL	\$ 9,699.99	8,244.99
PBG04871	1000- ANTHEMPRO 23-5/8X28-3/4 8MIL	PL	\$ 9,575.10	8,138.84
PBG05041	1000- ANTHEMPRO 23-5/8X28-9/16 8MIL	PL	\$ 9,512.65	8,085.75
PBG05131	1000- ANTHEMPRO 23-13/16X29-1/8 8MIL	PL	\$ 9,776.97	8,310.42
PBG05051	1000- ANTHEMPRO 23-13/16X29-5/16 8ML	PL	\$ 9,839.92	8,363.93
PBG04861	1000- ANTHEMPRO 24-7/32X28-1/2 8MIL	PL	\$ 9,730.39	8,270.83
PBG08211	1000- ANTHEMPRO 25X29-5/16 8MIL	PL	\$ 10,330.62	8,781.03
PBG11641	1000- ANTHEMPRO 25X30 8MIL	PL	\$ 10,572.92	8,986.98
PBG12951	1000- ANTHEMPRO 26 X 29-1/2 8MIL	PL	\$ 10,812.57	9,190.68
PBG13731	1000- ANTHEMPRO 26 X 29-15/16 8MIL	PL	\$ 10,972.93	9,326.99
PBG08381	500- ANTHEMPRO 28-1/8X35-1/4 8MIL	PL	\$ 6,988.04	5,939.83
PBG10161	500- ANTHEMPRO 29-17/32X36-5/32 8MIL	PL	\$ 7,526.08	6,397.17
PBG13391	1000-ANTHEMPRO 10-5/8 X 13-3/8 12MIL	PL	\$ 2,210.59	1,879.00
PBG09351	1000- ANTHEMPRO 13-3/8X24-3/4 12MIL	PL	\$ 5,149.38	4,376.97
PBG13721	1000- ANTHEMPRO 13-3/8X24-3/4 12MIL	PL	\$ 5,149.38	4,376.97
PBG09361	1000- ANTHEMPRO 13-3/8X25-23/32 12ML	PL	\$ 5,350.93	4,548.29
PBG09371	1000- ANTHEMPRO 13-3/8X26-3/4 12MIL	PL	\$ 5,565.49	4,730.67
PBG06891-1	1000- ANTHEMPRO 15-3/4X20-1/16 12MIL	PL	\$ 4,915.31	4,178.01
PBG10761	1000- ANTHEMPRO 15-3/4X30-21/32 12ML	PL	\$ 5,060.78	4,301.66
PBG11181	1000- ANTHEMPRO 15-15/16X30-21/32 12	PL	\$ 5,121.03	4,352.88
PBG11271	1000- ANTHEMPRO 16-1/8X20-1/16 12MIL	PL	\$ 5,032.34	4,277.49
PBG06471	1000- ANTHEMPRO 19-15/16X22-27/32 12	PL	\$ 7,084.74	6,022.03
PBG13531	1000- ANTHEMPRO 20-1/16 X 26-3/16 12	PL	\$ 8,172.68	6,946.78
PBG13181	1000- ANTHEMPRO 20-1/16X25-11/16 12M	PL	\$ 8,016.64	6,814.14
PBG09141	1000- ANTHEMPRO 20-3/4X25-1/4 12ML	PL	\$ 8,150.14	6,927.62
PBG06681	1000- ANTHEMPRO 20-7/8X25-5/8 12MIL	PL	\$ 8,321.01	7,072.86
PBG11301	1000- ANTHEMPRO 20-7/8X26 12MIL	PL	\$ 8,442.78	7,176.36
PBG05531	1000- ANTHEMPRO 21-5/8X25-5/8 12MIL	PL	\$ 8,619.97	7,326.97
PBG05551	1000- ANTHEMPRO 21-5/8X26-3/8 12MIL	PL	\$ 8,872.26	7,541.42
PBG08261	1000- ANTHEMPRO 21-5/8X27-9/16 12MIL	PL	\$ 9,271.72	7,880.96
PBG05101	1000- ANTHEMPRO 21-15/16X28-11/32 12	PL	\$ 9,672.30	8,221.46
PBG10481	1000- ANTHEMPRO 21-15/16X29-19/64 12	PL	\$ 9,997.56	8,497.93
PBG05561	1000- ANTHEMPRO 22X26-1/2 12MIL	PL	\$ 9,068.89	7,708.56

PRESSTEK ITEM LIST 15% off

AS OF  
7-May-10

**DIRECT IMAGE PRESS PLATES**

Part Number	Item Description	Stock Unit	List Price	Customer Price
PBG05821	1000- ANTHEMPRO 22-1/16X26-3/8 12MIL	PL	\$ 9,051.75	7,693.99
PBG13351	1000- ANTHEMPRO 22-1/16X28-1/2 12MIL	PL	\$ 9,781.04	8,313.88
PBG12381	1000- ANTHEMPRO 22-3/16X29-5/16 12MI	PL	\$ 10,116.88	8,599.35
PBG11991	1000- ANTHEMPRO 22-5/8X28-15/16 12ML	PL	\$ 10,184.39	8,656.73
PBG05181	1000- ANTHEMPRO 22-5/8X29-1/8 12MIL	PL	\$ 10,250.38	8,712.82
PBG05581	1000- ANTHEMPRO 23-5/8X28-3/4 12MIL	PL	\$ 10,565.63	8,980.79
PBG04851	1000- ANTHEMPRO 23-5/8X28-9/16 12MIL	PL	\$ 10,496.72	8,922.21
PBG12811	1000- ANTHEMP 23-13/16X29-15/16 12MI	PL	\$ 11,089.35	9,425.95
PBG06611	1000- ANTHEMPRO 23-13/16X28-3/4 12ML	PL	\$ 10,649.48	9,052.06
PBG04921	1000- ANTHEMPRO 23-13/16X29-1/8 12ML	PL	\$ 10,788.39	9,170.13
PBG05141	1000- ANTHEMPRO 23-13/16X29-5/16 12M	PL	\$ 10,857.84	9,229.16
PBG13751	1000- ANTHEMPRO 23-13/16X30-1/2 12ML	PL	\$ 11,297.71	9,603.05
PBG04841	1000- ANTHEMPRO 24-7/32X28-1/2 12MIL	PL	\$ 10,736.98	9,126.43
PBG10241	1000- ANTHEMPRO 25X29-21/64 12MIL	PL	\$ 11,405.38	9,694.57
PBG06541	1000- ANTHEMPRO 25X29-9/32 12MIL	PL	\$ 11,387.15	9,679.08
PBG13481	1000- ANTHEMPRO 25 X 29-15/16 12MIL	PL	\$ 11,642.36	9,896.01
PBG10501	1000- ANTHEMPRO 25-5/8X19-3/32 12MIL	PL	\$ 7,610.98	6,469.33
PBG06411	1000- ANTHEMPRO 26X29-5/16 12MIL	PL	\$ 11,855.28	10,076.99
PBG10491	1000- ANTHEMPRO 26X30-5/16 12MIL	PL	\$ 12,259.72	10,420.76
PBG13681	1000- ANTHEMPRO 26X30-3/16 12MIL	PL	\$ 12,209.17	10,377.79
PBG06551	1000- ANTHEMPRO 26-5/8X29-1/8 12MIL	PL	\$ 12,062.60	10,253.21
PBG11771	1000- ANTHEMP 29-1/8X23-13/16 GL 12M	PL	\$ 10,788.39	9,170.13
PBG10371	1000- ANTHEMPRO 29-1/8X26-5/8 12MIL	PL	\$ 12,062.60	10,253.21
PBG11701	500- ANTHEMPRO 25-5/16 X 32-41/64 12	PL	\$ 6,426.12	5,462.20
PBG09061	500- ANTHEMPRO 28-1/8X35-1/4 12MIL	PL	\$ 7,710.94	6,554.30
PBG13381	500- ANTHEMPRO 28-1/8X39-1/2 12MIL	PL	\$ 8,640.63	7,344.54
PBG13661	500- ANTHEMPRO 29-1/8X36-7/16 12MIL	PL	\$ 8,254.11	7,015.99
PBG08321	500- ANTHEMPRO 30-5/16X40-9/16 12MIL	PL	\$ 9,563.17	8,128.69
PBG08351	500- ANTHEMPRO 30-7/8X40-9/16 12MIL	PL	\$ 9,740.63	8,279.54
PBG09781	500- ANTHEMPRO 30-7/8X41-1/8 12MIL	PL	\$ 9,635.57	8,190.23
PBG08361	500- ANTHEMPRO 31-1/8X40-1/8 12MIL	PL	\$ 9,713.59	8,256.55
PBG08331	500- ANTHEMPRO 31-1/8X40-9/16 12MIL	PL	\$ 9,819.51	8,346.58
PBG08371	500- ANTHEMPRO 31-5/16X40-9/16 12MIL	PL	\$ 9,878.66	8,396.86
PBG08941	500- ANTHEMPRO 31-5/16X41-11/32 12ML	PL	\$ 10,068.93	8,558.59
PBG08301	500- ANTHEMPRO 31-1/2X40-9/16 12MIL	PL	\$ 9,937.81	8,447.14
PBG13021	500- ANTHEMPRO 31-1/2X41-1/7 12MIL	PL	\$ 10,080.00	8,568.00
PBG13651	500- ANTHEMPRO 31-7/8 X40-9/16 12MIL	PL	\$ 10,056.12	8,547.70
PBG09791	500- ANTHEMPRO 32X40-5/32 12MIL	PL	\$ 9,994.44	8,495.27
PBG12741	500- ANTHEMPRO 32-5/16X40-9/16 12MIL	PL	\$ 10,194.14	8,665.02
PBG13691	500- ANTHEMPRO 35-13/16X25-5/8 12MIL	PL	\$ 7,137.63	6,066.99
PBG13781	500- ANTHEMPRO 35-13/16X26-3/16 12ML	PL	\$ 7,294.31	6,200.16

**METAL CTP PLATES FREEDOMPRO THERMAL PLATES for VECTOR 52**

Part Number	Item Description	Stock Unit	List Price	Customer Price
FTG80604	100- FREEDOM GR 13X19-11/64 6MIL	BX	\$ 398.80	338.98
FTG80605	100- FREEDOM GR 13X19-3/8 6MIL	BX	\$ 403.03	342.58
FTG80605-PB	100- FREEDOM GR 13X19-3/8 PB 6MIL	BX	\$ 418.18	355.45
FTG80606	100- FREEDOM GR 12-3/4X18-1/16 6MIL	BX	\$ 368.49	313.22

**DIRECT IMAGE PRESS PLATES**

Part Number	Item Description	Stock Unit	List Price	Customer Price
FTG80607	100- FREEDOM GR 13-3/16X19-3/32 6ML	BX	\$ 402.90	342.47
FTG80608	100- FREEDOM GR 13-3/8X19-7/8 6MIL	BX	\$ 425.34	361.54
FTG80609	100- FREEDOM GR 13-3/8X17-7/8 6MIL	BX	\$ 382.52	325.14
FTG80611	100- FREEDOM GR 10-5/8X15-5/8 6MIL	BX	\$ 265.64	225.79
FTG80612	100- FREEDOM GR 15-1/16X18 6MIL	BX	\$ 433.82	368.75
FTG80614	100- FREEDOM GR 11X18 6MIL	BX	\$ 316.82	269.30
FTG80615	100- FREEDOM GR 11X18-1/16 6MIL	BX	\$ 317.92	270.23
FTG80616	100- FREEDOM GR 11X18-1/2 6MIL	BX	\$ 325.61	276.77
FTG80627	100- FREEDOM GR 14-9/16X20-1/16 6ML	BX	\$ 467.49	397.37
FTG80628	100- FREEDOM GR 15-1/2X20-1/2 6MIL	BX	\$ 508.43	432.17
FTG80630	100- FREEDOM GR 15-3/4X20-1/16 6MIL	BX	\$ 505.61	429.77
FTG80631	100- FREEDOM GR 15-3/4X20 6MIL	BX	\$ 504.02	428.42
FTG80632	100- FREEDOM GR 16-1/5X20-1/16 6MIL	BX	\$ 529.67	450.22
FTG80633	100- FREEDOM GR 16-3/16X20-1/16 6MIL	BX	\$ 518.85	441.02
FTG80634	100- FREEDOM GR 15-3/4X20-7/16 6ML	BX	\$ 515.83	438.46
FTG80635	100- FREEDOM GR 15-3/4X20-3/16 6MIL	BX	\$ 510.57	433.98
FTG80636	100- FREEDOM GR 15-3/4X20-7/8 6MIL	BX	\$ 526.07	447.16
FTG80638	100- FREEDOM GR 18-1/16X20-5/8 6MIL	BX	\$ 596.10	506.69
FTG80640	100- FREEDOM GR 18-1/16X20-21/32 6ML	BX	\$ 597.00	507.45
FTG80643	100- FREEDOM GR 16-1/8X20-9/32 6MIL	BX	\$ 523.28	444.79
FTG80646	100- FREEDOM GR 14-9/16X17-23/32 6ML	BX	\$ 412.84	350.91
FTG80649	50- FREEDOM GR 21-5/8X26 6MIL	BX	\$ 449.79	382.32
FTG80805	100- FREEDOM GR 13X19-3/8 8MIL	BX	\$ 416.02	353.62
FTG80807	100- FREEDOM GR 13-3/16X19-3/32 8ML	BX	\$ 415.89	353.51
FTG80808	100- FREEDOM GR 13-3/8X19-7/8 8MIL	BX	\$ 439.07	373.21
FTG80810	100- FREEDOM GR 13X19-11/64 8MIL	BX	\$ 411.66	349.91
FTG80822	100- FREEDOM GR 12-3/4X19-3/8 8MIL	BX	\$ 408.03	346.83
FTG80828	100- FREEDOM GR 15-1/2X20-1/2 8MIL	BX	\$ 524.82	446.10
FTG80830	100- FREEDOM GR 15-3/4X20-1/16 8MIL	BX	\$ 521.91	443.62
FTG80831	100- FREEDOM GR 15-3/4X20 8MIL	BX	\$ 520.29	442.25
FTG80832	100- FREEDOM GR 16-1/2X20-1/16 8MIL	BX	\$ 547.84	465.66
FTG80834	100- FREEDOM GR 15-3/4X20-7/16 8ML	BX	\$ 532.47	452.60
FTG80836	100- FREEDOM GR 15-3/4X20-7/8 8MIL	BX	\$ 543.06	461.60
FTG80838	100- FREEDOM GR 18-1/16X20-5/8 8MIL	BX	\$ 615.32	523.02
FTG80839	100- FREEDOM GR 17-7/8X20-5/8 8MIL	BX	\$ 608.94	517.60
FTG80842	50- FREEDOM GR 19-7/8X22-3/4 8MIL	BX	\$ 373.41	317.40
FTG80843	100- FREEDOM GR 16-1/8X20-9/32 8MIL	BX	\$ 540.16	459.14
FTG80844	100- FREEDOM GR 16-7/64X20-1/16 8MIL	BX	\$ 532.60	452.71
FTG80845	100- FREEDOM GR 16-9/16X20-5/64 8MIL	BX	\$ 547.63	465.49
FTG80847	100- FREEDOM GR 16-1/8X20-1/8 8MIL	BX	\$ 534.39	454.23
FTG80848	50- FREEDOM GR 21-5/8X25-5/8 8MIL	BX	\$ 457.63	388.99
FTG80849	50- FREEDOM GR 21-5/8X26 8MIL	BX	\$ 464.32	394.67
FTG80850	50- FREEDOM GR 23-5/8X28-3/4 8MIL	BX	\$ 560.93	476.79
FTG80851	50- FREEDOM GR 21-1/2X25-9/16 8MIL	BX	\$ 453.88	385.80
FTG80852	50- FREEDOM GR 20-1/16X25-3/8 8MIL	BX	\$ 441.39	375.18
FTG80858	50- FREEDOM GR 24-1/4X28-1/2 8MIL	BX	\$ 570.77	485.15

**METAL CTP PLATES FREEDOMPRO THERMAL PLATES for VECTOR TX52**

PRESSTEK ITEM LIST 15% off

AS OF  
7-May-10

**DIRECT IMAGE PRESS PLATES**

Part Number	Item Description	Stock Unit	List Price	Customer Price
Part Number	Item Description	Stock Unit	List Price	Customer Price
VTG80604	100- FRDM TX GR 13X19-11/64 6MIL	BX	\$ 398.80	338.98
VTG80605	100- FRDM TX GR 13X19-3/8 6MIL	BX	\$ 403.03	342.58
VTG80607	100- FRDM TX GR 13-3/16X19-3/32 6ML	BX	\$ 402.90	342.47
VTG80608	100- FRDM TX GR 13-3/8X19-7/8 6MIL	BX	\$ 425.34	361.54
VTG80609	100- FRDM TX GR 13-3/8X17-7/8 6MIL	BX	\$ 382.52	325.14
VTG80627	100- FRDM TX GR 14-9/16X20-1/16 6ML	BX	\$ 467.49	397.37
VTG80628	100- FRDM TX GR 15-1/2X20-1/2 6MIL	BX	\$ 508.43	432.17
VTG80630	100- FRDM TX GR 15-3/4X20-1/16 6MIL	BX	\$ 505.61	429.77
VTG80631	100- FRDM TX GR 15-3/4X20 6MIL	BX	\$ 504.02	428.42
VTG80632	100- FRDM TX GR 16-1/2X20-1/16 6MIL	BX	\$ 529.67	450.22
VTG80633	100- FRDM TX GR 16-3/16X20-1/16 6MIL	BX	\$ 518.85	441.02
VTG80634	100- FRDM TX GR 15-3/4X20-15/32 6ML	BX	\$ 515.83	438.46
VTG80635	100- FRDM TX GR 15-3/4X20-3/16 6MIL	BX	\$ 510.57	433.98
VTG80636	100- FRDM TX GR 15-3/4X20-7/8 6MIL	BX	\$ 526.07	447.16
VTG80638	100- FRDM TX GR 18-1/16X20-5/8 6MIL	BX	\$ 596.10	506.69
VTG80643	100- FRDM TX GR 16-1/8X20-9/32 6MIL	BX	\$ 523.28	444.79
VTG80646	100- FRDM TX GR 14-9/16X17-23/32 6ML	BX	\$ 412.84	350.91
VTG80805	100- FRDM TX GR 13X19-3/8 8MIL	BX	\$ 416.02	353.62
VTG80807	100- FRDM TX GR 13-3/16X19-3/32 8ML	BX	\$ 415.89	353.51
VTG80808	100- FRDM TX GR 13-3/8X19-7/8 8MIL	BX	\$ 439.07	373.21
VTG80810	100- FRDM TX GR 13X19-11/64 8MIL	BX	\$ 411.66	349.91
VTG80828	100- FRDM TX GR 15-1/2X20-1/2 8MIL	BX	\$ 524.82	446.10
VTG80830	100- FRDM TX GR 15-3/4X20-1/16 8MIL	BX	\$ 521.91	443.62
VTG80831	100- FRDM TX GR 15-3/4X20 8MIL	BX	\$ 520.29	442.25
VTG80832	100- FRDM TX GR 16-1/2X20-1/16 8MIL	BX	\$ 547.84	465.66
VTG80834	100- FRDM TX GR 15-3/4X20-15/32 8ML	BX	\$ 532.47	452.60
VTG80836	100- FRDM TX GR 15-3/4X20-7/8 8MIL	BX	\$ 543.06	461.60
VTG80838	100- FRDM TX GR 18-1/16X20-5/8 8MIL	BX	\$ 615.32	523.02
VTG80842	100- FRDM TX GR 16.1X20-1/16 8MIL	BX	\$ 534.26	454.12
VTG80843	100- FRDM TX GR 16-1/8X20-9/32 8MIL	BX	\$ 540.16	459.14
VTG80845	100- FRDM TX GR 16-9/16X20-5/64 8MIL	BX	\$ 547.63	465.49
VTG80847	100- FRDM TX GR 16-1/8X20-1/8 8MIL	BX	\$ 534.39	454.23

**METAL CTP PLATES FREEDOMPRO THERMAL PLATES for VECTOR TX52**

VFL80602	100- FRDM VFL 12-3/4X18-1/16 6MIL	BX	\$ 369.43	314.02
VFL80604	100- FRDM VFL 13X19-11/64 6MIL	BX	\$ 398.80	338.98
VFL80605	100- FRDM VFL 13X19-3/8 6MIL	BX	\$ 403.03	342.58
VFL80607	100- FRDM VFL 13-3/16X19-3/32 6ML	BX	\$ 402.90	342.47
VFL80608	100- FRDM VFL 13-3/8X19-7/8 6MIL	BX	\$ 425.34	361.54
VFL80609	100- FRDM VFL 13-3/8X17-7/8 6MIL	BX	\$ 382.52	325.14
VFL80612	100- FRDM VFL 15-1/16x18 6MIL	BX	\$ 434.93	369.69
VFL80613	100- FRDM VFL 13-3/8X18-3/16 6MIL	BX	\$ 390.23	331.70
VFL80615	100- FRDM VFL 11x18-1/16 6MIL	BX	\$ 318.73	270.92
VFL80616	100- FRDM VFL 11X18-1/2 6MIL	BX	\$ 326.45	277.48
VFL80627	100- FRDM VFL 14-9/16X20-1/16 6ML	BX	\$ 467.49	397.37
VFL80628	100- FRDM VFL 15-1/2X20-1/2 6MIL	BX	\$ 508.43	432.17
VFL80630	100- FRDM VFL 15-3/4X20-1/16 6MIL	BX	\$ 505.61	429.77

PRESSTEK ITEM LIST 15% off

AS OF  
7-May-10

**DIRECT IMAGE PRESS PLATES**

Part Number	Item Description	Stock Unit	List Price	Customer Price
VFL80631	100- FRDM VFL 15-3/4X20 6MIL	BX	\$ 504.02	428.42
VFL80633	100- FRDM VFL 16-3/16X20-1/16 6MIL	BX	\$ 518.85	441.02
VFL80634	100- FRDM VFL 15-3/4X20-15/32 6ML	BX	\$ 515.83	438.46
VFL80635	100- FRDM VFL 15-3/4X20-3/16 6MIL	BX	\$ 510.57	433.98
VFL80636	100- FRDM VFL 15-3/4X20-7/8 6MIL	BX	\$ 526.07	447.16
VFL80638	100- FRDM VFL 18-1/16X20-5/8 6MIL	BX	\$ 596.10	506.69
VFL80639	100- FRDM VFL 11-3/4X18-1/16 6MIL	BX	\$ 388.76	330.45
VFL80643	100- FRDM VFL 16-1/8X20-9/32 6MIL	BX	\$ 523.28	444.79
VFL80646	100- FRDM VFL 14-9/16X17-23/32 6ML	BX	\$ 412.84	350.91
VFL80647	100- FRDM VFL 11-1/4X18-1/2 6MIL	BX	\$ 333.87	283.79
VFL80648	100- FRDM VFL 11-1/4X19-3/8 6MIL	BX	\$ 349.66	297.21
VFL80805	100- FRDM VFL 13X19-3/8 8MIL	BX	\$ 416.02	353.62
VFL80807	100- FRDM VFL 13-3/16X19-3/32 8ML	BX	\$ 415.89	353.51
VFL80808	100- FRDM VFL 13-3/8X19-7/8 8MIL	BX	\$ 439.07	373.21
VFL80810	100- FRDM VFL 13X19-11/64 8MIL	BX	\$ 411.66	349.91
VFL80830	100- FRDM VFL 15-3/4X20-1/16 8MIL	BX	\$ 521.91	443.62
VFL80831	100- FRDM VFL 15-3/4X20 8MIL	BX	\$ 520.29	442.25
VFL80832	100- FRDM VFL 16-1/2X20-1/16 8MIL	BX	\$ 547.84	465.66
VFL80836	100- FRDM VFL 15-3/4X20-7/8 8MIL	BX	\$ 543.06	461.60
VFL80838	100- FRDM VFL 18-1/16X20-5/8 8MIL	BX	\$ 615.32	523.02
VFL80842	100- FRDM VFL 16.1X20-1/16 8MIL	BX	\$ 534.26	454.12
VFL80843	100- FRDM VFL 16-1/8X20-9/32 8MIL	BX	\$ 540.16	459.14
VFL80844	100- FDRM VFL SPL 16-3/8X20-1/2 8ML	BX	\$ 610.30	518.76
VFL80846	100- FRDM VFL 14-9/16 X 17-23/32 8ML	BX	\$ 447.79	380.62

**METAL CTP FOUNTAIN SOLUTION**

Part Number	Item Description	Stock Unit	List Price	Customer Price
RMJ-GAL	GL- PRESSTEK TF-1 THERMOFOUNT SOLN	GL	\$ 37.45	31.83
RMJ-5GAL	5GL- PRESSTEK TF-1 THERMOFOUNT SOLN	EA	\$ 168.53	143.25

**DIMINSON PLATESETTER AIR MANAGEMENT SYSTEM FILTERS & SUPPLIES**

Part Number	Item Description	Stock Unit	List Price	Customer Price
AYY02221	KIT GREEN MTR 6 BRUSHES #B068	PK	\$ 137.59	116.95
AYY02351	HOSE EXT KIT 8 FOOT	EA	\$ 123.19	104.71
AYY02581	5K-10K 2" FILTERS #F007 (8/PK)	EA	\$ 141.72	120.46
AYY02591	FILTERS 24-F007 2-F016 1-F057 1-F083	KI	\$ 966.42	821.46
A082	5K AMS VACUUM FILTER KIT QUATRO	EA	\$ 868.04	737.83
MY03781	REPLCMT FILTER FOR FABTECH	EA	\$ 439.33	373.43
P-UF-F2004	8 FT HOSE EXT KIT	EA	\$ 99.20	84.32
P UF-F2005S	CHEMICAL FILTER, SILVER	EA	\$ 870.60	740.01
P UF-F2006S	PARTICULATE FILTER, SILVER	EA	\$ 933.32	793.32

**AEON THERMAL CTP PLATES & CHEMISTRY**

Part Number	Item Description	Stock Unit	List Price	Customer Price
-------------	------------------	------------	------------	----------------



**DIRECT IMAGE PRESS PLATES**

Part Number	Item Description	Stock Unit	List Price	Customer Price
1A10004	AEON CTP PLATES 279MM X 470MM X .15MM	100 / BOX	\$ 219.59	
1A10001	AEON CTP PLATES 281MM X 457MM X .15MM	100 / BOX	\$ 214.87	
1A10003	AEON CTP PLATES 298MM X 457MM X .15MM	100 / BOX	\$ 228.22	
1A10011	AEON CTP PLATES 330MM X 470MM X .15MM	100 / BOX	\$ 259.51	
1A10012	AEON CTP PLATES 330MM X 485MM X .15MM	100 / BOX	\$ 267.84	
1A10013	AEON CTP PLATES 330MM X 492MM X .15MM	100 / BOX	\$ 217.79	
1A10008	AEON CTP PLATES 335MM X 485MM X .15MM	100 / BOX	\$ 271.71	
1A10009	AEON CTP PLATES 340MM X 486MM X .15MM Gr.	100 / BOX	\$ 276.02	
1A10010	AEON CTP PLATES 340MM X 505MM X .15MM	100 / BOX	\$ 286.84	
1A10014	AEON CTP PLATES 368MM X 492MM X .15MM	100 / BOX	\$ 303.15	
1A10019	AEON CTP PLATES 370MM X 451MM X .15MM	100 / BOX	\$ 278.92	
1A10015	AEON CTP PLATES 375MM X 492MM X .15MM	100 / BOX	\$ 308.38	
1A10016	AEON CTP PLATES 375MM X 505MM X .15MM	100 / BOX	\$ 316.33	
1A10026	AEON CTP PLATES 381MM X 457MM X .15MM	100 / BOX	\$ 291.35	
1A10002	AEON CTP PLATES 385MM X 457MM X .15MM	100 / BOX	\$ 294.58	
1A10020	AEON CTP PLATES 394MM X 457MM X .15MM	100 / BOX	\$ 301.06	
1A10022	AEON CTP PLATES 400MM X 470MM X .15MM	100 / BOX	\$ 314.41	
1A10024	AEON CTP PLATES 400MM X 510MM X .15MM	100 / BOX	\$ 342.03	
1A10028	AEON CTP PLATES 406MM X 533MM X .15MM	100 / BOX	\$ 362.56	
1A10030	AEON CTP PLATES 440MM X 590MM X .15MM	100 / BOX	\$ 435.32	
1A10038	AEON CTP PLATES 457MM X 597MM X .15MM	100 / BOX	\$ 456.44	
1A10033	AEON CTP PLATES 459MM X 648MM X .15MM	100 / BOX	\$ 497.01	
1A10034	AEON CTP PLATES 459MM X 525MM X .15MM	100 / BOX	\$ 403.56	
1A10036	AEON CTP PLATES 473MM X 572MM X .15MM	100 / BOX	\$ 452.19	
1A10037	AEON CTP PLATES 473MM X 559MM X .15MM	100 / BOX	\$ 442.14	
1A10041	AEON CTP PLATES 335MM X 485MM X .20MM	60 / BOX	\$ 166.25	
1A10042	AEON CTP PLATES 340MM X 463MM X .20MM	60 / BOX	\$ 160.89	
1A10043	AEON CTP PLATES 340MM X 505MM X .20MM	60 / BOX	\$ 175.51	
1A10048	AEON CTP PLATES 400MM X 470MM X .20MM	60 / BOX	\$ 192.38	
1A10051	AEON CTP PLATES 400MM X 511MM X .20MM	60 / BOX	\$ 209.28	
1A10061	AEON CTP PLATES 441MM X 590MM X .20MM	60 / BOX	\$ 266.36	
1A10065	AEON CTP PLATES 457MM X 590MM X .20MM	60 / BOX	\$ 275.95	
1A10063	AEON CTP PLATES 459MM X 525MM X .20MM	60 / BOX	\$ 246.56	
1A10062	AEON CTP PLATES 465MM X 604MM X .20MM Gr.	60 / BOX	\$ 287.54	
1A10064	AEON CTP PLATES 479MM X 618MM X .20MM	60 / BOX	\$ 302.99	
1A10068	AEON CTP PLATES 502MM X 578MM X .20MM	60 / BOX	\$ 296.66	
1A10072	AEON CTP PLATES 510MM X 635MM X .20MM	60 / BOX	\$ 332.19	
1A10078	AEON CTP PLATES 516MM X 581MM X .20MM	60 / BOX	\$ 306.79	
1A10075	AEON CTP PLATES 518MM X 589MM X .20MM Gr.	60 / BOX	\$ 312.15	
1A10084	AEON CTP PLATES 550MM X 650MM X .20MM	60 / BOX	\$ 365.87	
1A10081	AEON CTP PLATES 551MM X 673MM X .20MM	60 / BOX	\$ 379.46	
1A10082	AEON CTP PLATES 551MM X 664MM X .20MM	60 / BOX	\$ 374.09	
1A10083	AEON CTP PLATES 551MM X 660MM X .20MM	60 / BOX	\$ 372.30	
1A10086	AEON CTP PLATES 560MM X 670MM X .20MM	60 / BOX	\$ 386.02	
1A10087	AEON CTP PLATES 560MM X 670MM X .20MM	60 / BOX	\$ 384.20	
1A10088	AEON CTP PLATES 586MM X 813MM X .20MM	30 / BOX	\$ 243.63	
1A10089	AEON CTP PLATES 586MM X 889MM X .20MM Gr.	30 / BOX	\$ 266.48	
1A10094	AEON CTP PLATES 587MM X 914MM X .20MM	600 / PALLET	\$ 5,489.21	
1A10097	AEON CTP PLATES 600MM X 730MM X .20MM	30 / BOX	\$ 224.23	

**DIRECT IMAGE PRESS PLATES**

Part Number	Item Description	Stock Unit	List Price	Customer Price
1A10090	AEON CTP PLATES 605MM X 745MM X .20MM	30 / BOX	\$ 230.43	
1A10101	AEON CTP PLATES 606MM X 914MM X .20MM	30 / BOX	\$ 283.75	
1A10092	AEON CTP PLATES 607MM X 889MM X .20MM Gr.	30 / BOX	\$ 276.22	
1A10110	AEON CTP PLATES 610MM X 914MM X .20MM Gr.	30 / BOX	\$ 285.23	
1A10104	AEON CTP PLATES 615MM X 724MM X .20MM	30 / BOX	\$ 228.16	
1A10106	AEON CTP PLATES 625MM X 914MM X .20MM	30 / BOX	\$ 292.66	
1A10107	AEON CTP PLATES 625MM X 914MM X .20MM Gr.	30 / BOX	\$ 292.66	
1A10109	AEON CTP PLATES 625MM X 914MM X .20MM Gr.	500 / PALLET	\$ 4,877.64	
1A10116	AEON CTP PLATES 635MM X 760MM X .20MM	30 / BOX	\$ 247.08	
1A10117	AEON CTP PLATES 635MM X 745MM X .20MM	30 / BOX	\$ 241.92	
1A10118	AEON CTP PLATES 635MM X 775MM X .20MM	30 / BOX	\$ 251.72	
1A10111	AEON CTP PLATES 648MM X 902MM X .20MM	30 / BOX	\$ 298.85	
1A10113	AEON CTP PLATES 648MM X 902MM X .20MM Gr.	30 / BOX	\$ 298.85	
1A10115	AEON CTP PLATES 648MM X 927MM X .20MM	30 / BOX	\$ 307.27	
1A10123	AEON CTP PLATES 714MM X 978MM X .20MM	30 / BOX	\$ 357.47	
1A10124	AEON CTP PLATES 714MM X 978MM X .20MM	600 / PALLET	\$ 7,149.34	
1A10121	AEON CTP PLATES 724MM X 926MM X .20MM	30 / BOX	\$ 343.12	
1A10130	AEON CTP PLATES 483MM X 676MM X .30MM Gr.	60 / BOX	\$ 340.49	
1A10129	AEON CTP PLATES 491MM X 673MM X .30MM	30 / BOX	\$ 172.23	
1A10133	AEON CTP PLATES 530MM X 660MM X .30MM	60 / BOX	\$ 365.31	
1A10134	AEON CTP PLATES 546MM X 649MM X .30MM Gr.	60 / BOX	\$ 369.92	
1A10139	AEON CTP PLATES 549MM X 651MM X .30MM	60 / BOX	\$ 372.98	
1A10140	AEON CTP PLATES 549MM X 673MM X .30MM	60 / BOX	\$ 385.72	
1A10141	AEON CTP PLATES 549MM X 700MM X .30MM	30 / BOX	\$ 200.59	
1A10138	AEON CTP PLATES 552MM X 889MM X .30MM	30 / BOX	\$ 256.19	
1A10142	AEON CTP PLATES 560MM X 670MM X .30MM	60 / BOX	\$ 392.40	
1A10143	AEON CTP PLATES 559MM X 745MM X .30MM	30 / BOX	\$ 217.26	
1A10163	AEON CTP PLATES 600MM X 730MM X .30MM	30 / BOX	\$ 228.58	
1A10159	AEON CTP PLATES 603MM X 914MM X .30MM	30 / BOX	\$ 287.74	
1A10152	AEON CTP PLATES 605MM X 745MM X .30MM	30 / BOX	\$ 234.91	
1A10153	AEON CTP PLATES 605MM X 740MM X .30MM	30 / BOX	\$ 233.53	
1A10180	AEON CTP PLATES 610MM X 762MM X .30MM	30 / BOX	\$ 242.31	
1A10167	AEON CTP PLATES 616MM X 724MM X .30MM	30 / BOX	\$ 232.59	
1A10176	AEON CTP PLATES 625MM X 965MM X .30MM	30 / BOX	\$ 314.92	
1A10175	AEON CTP PLATES 629MM X 914MM X .30MM Gr.	30 / BOX	\$ 299.86	
1A10182	AEON CTP PLATES 635MM X 745MM X .30MM	30 / BOX	\$ 246.88	
1A10183	AEON CTP PLATES 635MM X 760MM X .30MM	30 / BOX	\$ 251.62	
1A10184	AEON CTP PLATES 635MM X 914MM X .30MM	30 / BOX	\$ 302.88	
1A10185	AEON CTP PLATES 635MM X 914MM X .30MM Gr.	30 / BOX	\$ 302.88	
1A10186	AEON CTP PLATES 635MM X 965MM X .30MM	30 / BOX	\$ 319.71	
1A10181	AEON CTP PLATES 641MM X 965MM X .30MM	30 / BOX	\$ 322.91	
1A10189	AEON CTP PLATES 660MM X 745MM X .30MM	30 / BOX	\$ 256.76	
1A10191	AEON CTP PLATES 660MM X 740MM X .30MM	30 / BOX	\$ 254.98	
1A10188	AEON CTP PLATES 672MM X 962MM X .30MM	30 / BOX	\$ 336.98	
1A10187	AEON CTP PLATES 676MM X 740MM X .30MM	30 / BOX	\$ 261.11	
1A10193	AEON CTP PLATES 686MM X 813MM X .30MM	30 / BOX	\$ 290.77	
1A10195	AEON CTP PLATES 714MM X 1003MM X .30MM	30 / BOX	\$ 373.87	
1A10198	AEON CTP PLATES 715MM X 915MM X .30MM	30 / BOX	\$ 341.42	
1A10196	AEON CTP PLATES 730MM X 978MM X .30MM Gr.	30 / BOX	\$ 372.51	



2010

PRESSTEK ITEM LIST 15% off

AS OF  
7-May-10

**DIRECT IMAGE PRESS PLATES**

Part Number	Item Description	Stock Unit	List Price	Customer Price
1A10210	AEON CTP PLATES 770MM X 1030MM X .30MM	30 / BOX	\$ 413.79	
1A10205	AEON CTP PLATES 781MM X 1030MM X .30MM	30 / BOX	\$ 419.76	
1A10206	AEON CTP PLATES 781MM X 1041MM X .30MM G	30 / BOX	\$ 424.29	
1A10212	AEON CTP PLATES 784MM X 1030MM X .30MM	30 / BOX	\$ 421.47	
1A10219	AEON CTP PLATES 790MM X 1030MM X .30MM	30 / BOX	\$ 424.46	
1A10220	AEON CTP PLATES 795MM X 1050MM X .30MM	30 / BOX	\$ 435.67	
1A10215	AEON CTP PLATES 800MM X 1035MM X .30MM	30 / BOX	\$ 431.99	
1A10216	AEON CTP PLATES 800MM X 1030MM X .30MM	30 / BOX	\$ 430.00	
1A10224	AEON CTP PLATES 819MM X 1029MM X .30MM	30 / BOX	\$ 439.56	
1A10225	AEON CTP PLATES 819MM X 1019MM X .30MM	30 / BOX	\$ 435.49	
1A10226	AEON CTP PLATES 819MM X 1021MM X .30MM	30 / BOX	\$ 436.34	
1A10227	AEON CTP PLATES 819MM X 1030MM X .30MM	30 / BOX	\$ 440.24	
1A10250	AEON CTP PLATE DEVELOPER	5 GALLONS	\$ 165.00	
1A10251	AEON CTP PLATE FINISHER / PRESERVER	5 GALLONS	\$ 170.00	
1A10252	AEON CTP PLATE DEVELOPER	36 x 5 GALLONS	\$ 5,643.00	
1A10253	AEON CTP PLATE FINISHER / PRESERVER	36 x 5 GALLONS	\$ 5,814.00	



2010  
**SPINKS 20% OFF LIST PRICE**

AS OF  
 7-May-10

Part Number	Description	List Price	Customer Price
GEBAT-100	EA- PANTONE COLOR CUE	\$380.00	\$304.00
S5001	EA- SPINKS DIGITAL INKSCALE 1500GRAM	\$283.00	\$226.40
S5015	DIGITAL INK SCALE (15 LB CAPACITY)	\$598.00	\$478.40
701F	5LB- SPINKS FLORIDA BLACK FORMS *M5	\$45.00	\$36.00
704F	5LB- SPINKS BLACK FORMS INK	\$39.00	\$31.20
7117Q	1LB- SPINKS MAGNETIC BLACK	\$16.30	\$13.04
9.5	BX/5- SPINKS 5LB METAL EMPTY CAN	\$10.00	\$8.00
9M	bx/6- SPINKS 1LB METAL EMPTY CAN	\$8.88	\$7.10
9P	BX/6- SPINKS 1LB PLASTIC EMPTY CAN	\$8.40	\$6.72
BA125	3OZ- SPINKS BARON'S IMAGE REMOVER	\$20.00	\$16.00
C-4	1LB- SPINKS TACK JELLY	\$11.00	\$8.80
D-1	1LB- SPINKS POLYSEAL DRIER	\$12.00	\$9.60
D-1600	1.5LB- SPINKS DRYING STIMULATOR	\$33.00	\$26.40
D-18	1LB- SPINKS TWIN DRY	\$15.00	\$12.00
D22	1LB- SPINKS SUPER COBALT DRIER	\$16.00	\$12.80
D-4	8OZ- SPINKS LIQUID COBALT FTN ADDITV	\$6.00	\$4.80
GQ1076	5.1LB- SPINKS HYDROLUX PROC MAG	\$45.39	\$36.31
GQ1171-5	5.2LB- SPINKS QUATRO PROC MAGENTA	\$44.20	\$35.36
GQ1176	5LB HYDROLUX STAYOPEN PROCESS MAG.	\$46.00	\$36.80
GQ117LS-5	5.3LB- SPINKS PERMA PROC MAGENTA	\$70.49	\$56.39
GQ1198	5.4LB- HYDROLUX PANTONE WARM RED	\$103.68	\$82.94
GQ1199	5.5LB- HYDROLUX PANTONE RUBINE RED	\$105.60	\$84.48
GQ1200	5.5LB- HYDROLUX PANTONE RHOD RED	\$114.95	\$91.96
GQ1212-1	1LB- SPINKS QSET PROC MAGENTA	\$8.07	\$6.46
GQ1212-5	5.2LB- SPINKS QSET PROC MAGENTA	\$43.16	\$34.53
GQ192-5	5LB- SPINKS HYDROLUX RED	\$123.50	\$98.80
GQ3012-1	1LB- SPINKS QSET PROC YELLOW	\$8.07	\$6.46
GQ3012-5	5LB- SPINKS QSET PROC YELLOW	\$41.50	\$33.20
GQ3076	5LB- SPINKS HYDROLUX PROC YELLOW	\$45.39	\$36.31
GQ3171-5	5.0LB- SPINKS QUATRO PROC YELLOW	\$42.50	\$34.00
GQ3176	5LB HYDROLUX STAYOPEN PROCESS YELLOW	\$46.00	\$36.80
GQ317LS-5	5.2LB- SPINKS PERMA PROC YELLOW	\$71.24	\$56.99
GQ387	5.1LB- HYDROLUX PANTONE YELLOW	\$83.64	\$66.91
GQ4036	5.4LB- HYDROLUX PANTONE GREEN	\$112.86	\$90.29
GQ5076	5.2LB- SPINKS HYDROLUX PROC CYAN	\$47.32	\$37.86
GQ5112-1	1LB- SPINKS QSET PROC CYAN	\$9.88	\$7.90
GQ5112-5	5.2LB- SPINKS QSET PROC CYAN	\$44.20	\$35.36
GQ5171-5	5LB- SPINKS QUATRO PROC CYAN	\$45.76	\$36.61
GQ5176	5LB HYDROLUX STAYOPEN PROCESS CYAN	\$47.00	\$37.60
GQ517LS-5	5.2LB- SPINKS PERMA PROC CYAN	\$70.20	\$56.16
GQ5210	5.2LB- HYDROLUX PANT REFLEX BLUE	\$107.48	\$85.99
GQ5212	5.2LB- HYDROLUX PANTONE PROCESS BLUE	\$101.40	\$81.12
GQ637	5.4LB- HYDROLUX PANTONE PURPLE	\$112.86	\$90.29
GQ638	5.4LB- HYDROLUX PANTONE VIOLET	\$112.86	\$90.29
GQ7012-1	1LB- SPINKS QSET PROC BLACK	\$7.31	\$5.85
GQ7012-5	5.3LB- SPINKS QSET PROC BLACK	\$36.57	\$29.26



2010  
SPINKS 20% OFF LIST PRICE

AS OF  
7-May-10

Part Number	Description	List Price	Customer Price
GQ707	5LB HYDROLUX DENSE BLACK	\$112.00	\$89.60
GQ7076	5.3LB- SPINKS HYDROLUX PROC BLACK	\$39.75	\$31.80
GQ7171-5	5.3LB- SPINKS QUATRO PROC BLACK	\$36.57	\$29.26
GQ7176	5LB HYDROLUX STAYOPEN PROCESS BLACK	\$38.50	\$30.80
GQ769	5.3LB- HYDROLUX PANTONE BLACK	\$59.55	\$47.64
GQ887	5LB- HYDROLUX PANTONE TRANS. WHITE	\$56.00	\$44.80
KE125	1LB- SPINKS KWIK-N-EASY DEGLAZER	\$11.66	\$9.33
PS1534-1	1LB- SPINKS ACRY PROCESS MAGENTA	\$14.42	\$11.53
PS1534-5	5LB- SPINKS ACRY PROCESS MAGENTA	\$68.00	\$54.40
PS187F-5	SPECIAL MIX FORMS BRAND PMS187	\$88.50	\$70.80
PS3034-1	1LB- SPINKS ACRY PROCESS YELLOW	\$16.46	\$13.17
PS3034-5	5LB- SPINKS ACRY PROCESS YELLOW	\$68.00	\$54.40
PS347F-5	5LB- PANTONE 347 GREEN FORMS INK	\$78.75	\$63.00
PS486-30	30LB- SPINKS PEACH FORMS *SPEC MIX	\$426.00	\$340.80
PS50F-5	5LB- SPINKS REFLEX BLUE FORMS	\$38.00	\$30.40
PS5434-1	1LB- SPINKS ACRY PROCESS CYAN	\$15.16	\$12.13
PS5434-5	5LB- SPINKS ACRY PROCESS CYAN	\$71.50	\$57.20
S4444	SPINKS SET OF 4 INK SPATULAS	\$34.00	\$27.20
S-5	8OZ- SPINKS CONC LIQUID TACK REDUCER	\$6.00	\$4.80
S6010	2QT- SPINKS BLUE CRYSTAL HAND CLEANER	\$19.00	\$15.20
SPCMXH-1	1LB- SPINKS HYDROLUX SPEC MIX	\$45.30	\$36.24
SPCMXH-51	5LB- SPINKS HYDROLUX SPEC MIX	\$123.50	\$98.80
SS1534-1	1LB- SPINKS ENVIRO PROC MAGENTA	\$13.60	\$10.88
SS1534-5	5LB- SPINKS ENVIRO PROC MAGENTA	\$68.00	\$54.40
SS3034-5	5LB- SPINKS ENVIRO PROC YELLOW	\$69.49	\$55.59
SS5434-1	1LB- SPINKS ENVIRO PROC CYAN	\$14.30	\$11.44
SS5434-5	5LB- SPINKS ENVIRO PROC CYAN	\$71.50	\$57.20
TIB101	5.1LB- SPINKS TITAN I PROCESS CYAN	\$33.66	\$26.93
TIB102	5LB- SPINKS TITAN II PROCESS CYAN	\$39.52	\$31.62
TIK101	5.3LB- SPINKS TITAN I PROCESS BLACK	\$28.62	\$22.90
TIK102	5LB- SPINKS TITAN II PROCESS BLACK	\$29.00	\$23.20
TIR101	5.1LB- SPINKS TITAN I PROC MAGENTA	\$35.19	\$28.15
TIR102	5.2LB- SPINKS TITAN II PROC MAGENTA	\$39.00	\$31.20
TI-SPEC550+	5LB- SPINKS TITAN PMS357 *M10	\$68.94	\$55.15
TIY101	5LB- SPINKS TITAN I PROCESS YELLOW	\$33.00	\$26.40
TIY102	5LB- SPINKS TITAN II PROCESS YELLOW	\$37.50	\$30.00
V-1	1LB- SPINKS BINDING VARNISH	\$10.00	\$8.00
V12	5LB- SPINKS WATERLESS BODY. VARNISH	\$53.00	\$42.40
V-16	5LB- HYDROLUX GLOSS OVERPRINT VARNIS	\$53.00	\$42.40
V-18	1LB- SPINKS NATURAL TACK REDUCER	\$8.00	\$6.40
V-196	1LB- SPINKS WATER-REPELLENT VARNISH	\$12.00	\$9.60
V-31	1LB- SPINKS DULL OVERPRINT VARNISH	\$12.00	\$9.60
V-33	1LB- SPINKS WAXFREE OVERPRINT VARN	\$10.00	\$8.00
V-487	1LB- SPINKS GLOSS OVERPRINT VARNISH	\$10.00	\$8.00
TI021	5.3LB- SPINKS TITAN PANT 021 ORNG	\$60.95	\$48.76
TI185	5.4LB- SPINKS TITAN PMS 185 RED	\$62.10	\$49.68



2010  
SPINKS 20% OFF LIST PRICE

AS OF  
7-May-10

Part Number	Description	List Price	Customer Price
TI186	5.5LB- SPINKS TITAN PMS 186 RED	\$54.73	\$43.78
TI199	5.2LB- SPINKS TITAN PMS 199 RED	\$59.80	\$47.84
TI201	5.3LB- SPINKS TITAN PMS 201 BURG	\$60.95	\$48.76
TI208	5.4LB- SPINKS TITAN PMS 208 RED	\$68.31	\$54.65
TI286	5.1LB- SPINKS TITAN PMS 286 BLUE	\$58.65	\$46.92
TI287	5.3LB- SPINKS TITAN PMS 287 BLUE	\$52.74	\$42.19
TI288	5.1LB- SPINKS TITAN PMS 288 BLUE	\$58.65	\$46.92
TI293	5.2LB- SPINKS TITAN PMS 293 BLUE	\$59.80	\$47.84
TI300	5.3LB- SPINKS TITAN PMS 300 BLUE	\$60.95	\$48.76
TI320	5.5LB- SPINKS TITAN PMS 320 TEAL	\$63.25	\$50.60
TI341	5.5LB- SPINKS TITAN PMS 341 GREEN	\$54.73	\$43.78
TI347	5.3LB- SPINKS TITAN PMS 347 GREEN	\$60.95	\$48.76
TI348	5.2LB- SPINKS TITAN PMS 348 GREEN	\$59.80	\$47.84
TI354	5.7LB- SPINKS TITAN PMS 354 GREEN	\$70.11	\$56.09
TI356	5.4LB- SPINKS TITAN PMS 356 GREEN	\$62.10	\$49.68
TI485	5.5LB- SPINKS TITAN PMS 485 RED	\$59.80	\$47.84
TI541	5.4LB- SPINKS TITAN PMS 541 BLUE	\$53.73	\$42.98
TIB103	5.0LB- SPINKS TITAN PANT RFLX BLUE	\$50.50	\$40.40
TIB104	5.1LB- SPINKS TITAN PANT PROC BLUE	\$48.96	\$39.17
TIB105	5.2LB- SPINKS TITAN PANT 072 BLUE	\$59.80	\$47.84
TIB110	5.1LB- SPINKS TITAN STY OPN PROC CYN	\$40.80	\$32.64
TIB130	5.0LB- SPINKS STAY OPEN REF BLUE	\$50.50	\$40.40
TIB-140	5.2LB- TITAN STAY OPEN PROC BLUE	\$49.92	\$39.94
TIB-289	5LB- TITAN STAY OPEN PMS 289	\$57.50	\$46.00
TIG100	5.5LB- SPINKS TITAN PANT GREEN	\$63.25	\$50.60
TIG-130	5.5LB- TITAN STAY OPEN PANT GREEN	\$63.25	\$50.60
TIK100	5.3LB- SPINKS TITAN DENSE BLACK	\$30.21	\$24.17
TIK103	5.4LB- SPINKS TITAN PANT NEUT BLACK	\$32.94	\$26.35
TIK110	5.4LB- SPINKS TITAN STY OPN PROC BLK	\$30.50	\$24.40
TIK-113	5.3LB- TITAN STAY OPEN M/T DENSE BLK	\$47.17	\$37.74
TIK-115	5.3LB- TITAN STAY OPEN AP BLACK	\$35.51	\$28.41
TIK-130	5.4LB- TITAN STAY OPEN PANT BLACK	\$32.94	\$26.35
TIP100	5.4LB- SPINKS TITAN PANT PURPLE	\$71.28	\$57.02
TIP-130	5.4LB- TITAN STAY OPEN PANT PURPLE	\$71.28	\$57.02
TIR103	5.4LB- SPINKS TITAN PANT WARM RED	\$49.68	\$39.74
TIR104	5.2LB- SPINKS TITAN PANT RUBINE	\$47.84	\$38.27
TIR105	5.5LB- SPINKS TITAN PANT RHODAMINE	\$72.60	\$58.08
TIR106	5.4LB- SPINKS TITAN PANT 032 RED	\$62.10	\$49.68
TIR-110	5.1LB- TITAN STAY OPEN PROC MAG	\$39.78	\$31.82
TIR-130	5.4LB- TITAN STAY OPEN PANT WARM RED	\$49.68	\$39.74
TIR-140	5.2LB- TITAN STAY OPEN PANT RUBINE	\$47.84	\$38.27
TIR-150	5.5LB- TITAN STAY OPEN PANT RHODIMIN	\$72.60	\$58.08
TIR-210	5LB- TITAN STAY OPEN PANTONE 032 RED	\$57.50	\$46.00
TI-SPEC1	1LB- SPINKS TITAN SPEC MIX 1 LB	\$32.10	\$25.68
TI-SPEC124	1LB- SPINKS TITAN SPEC MIX 2-4 LBS.	\$21.10	\$16.88
TI-SPEC5	5LB- SPINKS TITAN SPEC MIX 1 CAN	\$88.50	\$70.80



2010  
SPINKS 20% OFF LIST PRICE

AS OF  
7-May-10

Part Number	Description	List Price	Customer Price
TI-SPEC51020	5LB- SPINKS TITAN SPECMIX 10-20 CANS	\$68.94	\$55.15
TI-SPEC524	5LB- SPINKS TITAN SPEC MIX 2-4 CAN	\$71.00	\$56.80
TI-SPEC559	5LB- SPINKS TITAN SPEC MIX 5-9 CANS	\$71.00	\$56.80
TIS-SPEC1	1LB- SPINKS TITAN STAYOPEN SPEC MIX	\$32.10	\$25.68
TIS-SPEC124	1LB- TITAN STAYOPEN SPEC MIX (2-4)	\$21.10	\$16.88
TIS-SPEC5	5LB - SPINKS TITAN STAYOPEN SPEC MX	\$88.50	\$70.80
TIV100	5.3LB- SPINKS TITAN PANT VIOLET	\$69.96	\$55.97
TIV-130	5.3LB- TITAN STAY OPEN PANT VIOLET	\$69.96	\$55.97
TIW100	4.9LB- SPINKS TITAN PANT TRANS WHT	\$30.38	\$24.30
TIW101	6.5LB- SPINKS TITAN OPAQUE WHITE	\$63.70	\$50.96
TIW-130	4.8LB- TITAN STAY OPEN TRANS WHITE	\$29.76	\$23.81
TIY103	5LB- SPINKS TITAN PANT YELLOW	\$46.00	\$36.80
TIY105	5.3LB- SPINKS TITAN PANT 012 YELLOW	\$60.95	\$48.76
TIY-110	5LB- TITAN STAY OPEN PROC YELLOW	\$39.00	\$31.20
TIY-130	5LB- TITAN STAY OPEN PANT YELLOW	\$46.00	\$36.80
17-1	1LB- SPINKS ACRY PANT WARM RED	\$21.62	\$17.30
17-5	5LB- SPINKS ACRY PANT WARM RED	\$93.00	\$74.40
18-1	1LB- SPINKS ACRY PANT RUBINE RED	\$21.62	\$17.30
18-5	5LB- SPINKS ACRY PANT RUBINE RED	\$93.00	\$74.40
19-1	1LB- SPINKS ACRY PANT RHODAMINE RED	\$22.20	\$17.76
19-5	5LB- SPINKS ACRY PANT RHODAMINE RED	\$102.00	\$81.60
33-1	1LB- SPINKS ACRY PANT YELLOW	\$17.50	\$14.00
33-5	5LB- SPINKS ACRY PANT YELLOW	\$83.74	\$66.99
43-1	1LB- SPINKS ACRY PANT GREEN	\$22.20	\$17.76
43-5	5LB- SPINKS ACRY PANT GREEN	\$102.00	\$81.60
53-1	1LB- SPINKS ACRY PANT REFLEX BLUE	\$20.70	\$16.56
53-5	5LB- SPINKS ACRY PANT REFLEX BLUE	\$94.50	\$75.60
58-1	1LB- SPINKS ACRY PROCESS BLUE	\$21.94	\$17.55
58-5	5LB- SPINKS ACRY PANT PROCESS BLUE	\$94.50	\$75.60
61-1	1LB- SPINKS ACRY PANT VIOLET	\$22.20	\$17.76
61-5	5LB- SPINKS ACRY PANT VIOLET	\$102.00	\$81.60
63-1	1LB- SPINKS ACRY PANT PURPLE	\$22.20	\$17.76
63-5	5LB- SPINKS ACRY PANT PURPLE	\$102.00	\$81.60
700-1	1LB- SPINKS ACRYLIC BLACK	\$11.45	\$9.16
700-5	5LB- SPINKS ACRY BLACK	\$45.00	\$36.00
73-1	1LB- SPINKS ACRY PANT BLACK	\$12.51	\$10.01
73-5	5LB- SPINKS ACRY PANT BLACK	\$50.00	\$40.00
747-1	1LB- SPINKS ACRYLIC EZ FLO BLACK	\$10.80	\$8.64
747-5	5LB- SPINKS ACRY EZ FLO BLACK	\$45.00	\$36.00
83-1	1LB- SPINKS ACRY PANT TRANS WHT	\$13.14	\$10.52
83-5	5LB- SPINKS ACRY PANT TRANS WHT	\$56.18	\$44.94
84-1	1LB- SPINKS ACRY MIX WHT OPQ	\$12.40	\$9.92
84-5	5LB- SPINKS ACRY MIX WHT OPQ	\$53.00	\$42.40
88-1	1LB- SPINKS ACRY MIX WHT SEM OPQ	\$12.40	\$9.92
88-5	5LB- SPINKS ACRY MIX WHT SEM-OPQ	\$53.00	\$42.40
GQ502-5	5LB- SPINKS QSET SUBST. REFLEX BLUE	\$73.30	\$58.64



2010  
SPINKS 20% OFF LIST PRICE

AS OF  
7-May-10

Part Number	Description	List Price	Customer Price
GQ701-1	1LB- SPINKS QSET INTENSE BLACK	\$10.50	\$8.40
GQ701-5	5.4LB- SPINKS QSET INTENSE BLACK	\$42.00	\$33.60
GQ717LS-1	1LB- SPINKS PERMA LASER BLACK	\$11.00	\$8.80
GQ717LS-5	5.4LB- SPINKS PERMABIND LASER BLACK	\$52.92	\$42.34
GQ759-5	5.3LB- SPINKS HARD DRY BLACK	\$51.11	\$40.89
GQ780-1	1LB- SPINKS QSET BLACK	\$10.50	\$8.40
GQ780-5	5.4LB- SPINKS QSET BLACK	\$42.00	\$33.60
GQ789-5	5.8LB- SPINKS QSET DYNAMO BLACK	\$29.00	\$23.20
GQ8216-1	1.9LB- SPINKS QSET WHITE	\$23.37	\$18.70
GQ8216-5	6.5LB- SPINKS QSET PANT MIXING WHITE	\$61.50	\$49.20
GQ869LS-1	1LB- SPINKS PERMA PANT MIXING WHITE	\$8.90	\$7.12
PS012-1	1LB- SPINKS ACRY PANTONE 012 YELLOW	\$21.50	\$17.20
PS012-5	5LB- SPINKS ACRY PANTONE 012 YELLOW	\$98.50	\$78.80
PS012SS-1	1LB- SPINKS ENVIRO PMS 012 YELLOW	\$22.70	\$18.16
PS021-1	1LB- SPINKS ACRY PANT 021 ORANGE	\$22.79	\$18.23
PS021-5	5LB- SPINKS ACRY PANT 021 ORANGE	\$98.50	\$78.80
PS021Q-1	1LB- SPINKS QSET PANT 021 ORANGE	\$21.30	\$17.04
PS021Q-5	5LB- SPINKS QSET PANT 021 ORANGE	\$95.50	\$76.40
PS021SS-1	1LB- SPINKS ENVIRO PMS 021 ORANGE	\$22.70	\$18.16
PS032-1	1LB- SPINKS ACRY PANT 032 BIG APPLE	\$21.50	\$17.20
PS032-5	5LB- SPINKS ACRY PANT 032 BIG APPLE	\$98.50	\$78.80
PS032Q-1	1LB- SPINKS QSET PANT 032 BIG APPLE	\$21.30	\$17.04
PS032Q-5	5.4LB- SPINKS QSET PANT 032 BIG APPL	\$95.50	\$76.40
PS032RB	1LB- SPINKS RB PANT 032 BIG APPLE RD	\$21.80	\$17.44
PS032RB-5	5LB- SPINKS RB PANT 032 BIG APPLE RD	\$100.00	\$80.00
PS072-1	1LB- SPINKS ACRY PANT 072 GRT LK BLU	\$21.50	\$17.20
PS072-5	5LB- SPINKS ACRY PANT 072 GRT LK BLU	\$98.50	\$78.80
PS072Q-1	1LB- SPINKS QSET PANT 072 GT LK BLU	\$21.30	\$17.04
PS072Q-5	5.2LB- SPINKS QSET PANT 072 GRT LAKE	\$99.32	\$79.46
PS072RB	1LB- SPINKS RB PANT 072 GRT LK BLUE	\$21.80	\$17.44
PS072RB-5	5LB- SPINKS RB PANT 072 GRT LK BLUE	\$100.00	\$80.00
PS109Q-1	1LB- SPINKS QSET PMS 109 BTTRSCCTCH	\$22.05	\$17.64
PS10LS-1	1LB- SPINKS PERMA PANT WARM RED	\$22.70	\$18.16
PS10LS-5	5.4LB- SPINKS PERMA PANT WARM RED	\$112.86	\$90.29
PS10Q-1	1LB- SPINKS QSET PANT WARM RED	\$16.10	\$12.88
PS10Q-5	5.6LB- SPINKS QSET PANT WARM RED	\$68.00	\$54.40
PS12LS-5	5.3LB- SPINKS PERMA PANT RUBINE RED	\$66.78	\$53.42
PS12Q-1	1LB- SPINKS QSET PANT RUBINE RED	\$16.10	\$12.88
PS12Q-5	5.3LB- SPINKS QSET PANT RUBINE RED	\$68.00	\$54.40
PS14LS-1	1LB- SPINKS PERMA PANT RHODAMINE	\$24.30	\$19.44
PS14LS-5	5.2LB- SPINKS PERMA PANT RHODAMINE	\$122.20	\$97.76
PS14Q-1	1LB- SPINKS QSET PANT RHODAMINE	\$20.90	\$16.72
PS14Q-5	5.5LB- SPINKS QSET PANT RHODAMINE	\$92.00	\$73.60
PS165-1	1LB- SPINKS ACRY TANGERINE	\$25.40	\$20.32
PS185-1	1LB- SPINKS ACRY BRICK RED	\$19.90	\$15.92
PS185-5	5LB- SPINKS ACRY BRICK RED	\$90.50	\$72.40





2010  
SPINKS 20% OFF LIST PRICE

AS OF  
7-May-10

Part Number	Description	List Price	Customer Price
PS185Q-1	1LB- SPINKS QSET BRICK RED	\$17.50	\$14.00
PS185Q-5	5.4LB- SPINKS QSET BRICK RED	\$83.16	\$66.53
PS185RB	1LB- SPINKS RB PANT 185 BRICK RED	\$20.20	\$16.16
PS185RB-5	5LB- SPINKS RB PANT 185 BRICK RED	\$92.00	\$73.60
PS199-1	1LB- SPINKS ACRY INDIAN RED	\$19.90	\$15.92
PS199-5	5LB- SPINKS ACRY INDIAN RED	\$90.50	\$72.40
PS199Q-1	1LB- SPINKS QSET PMS 199 INDIAN RED	\$17.80	\$14.24
PS199Q-5	5.2LB- SPINKS QSET PMS 199 IN RED	\$81.12	\$64.90
PS199RB	1LB- SPINKS RB PANT 199 INDIAN RED	\$20.20	\$16.16
PS199RB-5	5LB- SPINKS RB PANT 199 INDIAN RED	\$92.00	\$73.60
PS200Q-1	1LB- SPINKS QSET CANDY APPLE RED	\$24.03	\$19.22
PS201-1	1LB- SPINKS ACRY BURGUNDY	\$21.00	\$16.80
PS201-5	5LB- SPINKS ACRY BURGUNDY	\$96.00	\$76.80
PS201Q-1	1LB- SPINKS QSET BURGUNDY	\$20.50	\$16.40
PS201Q-5	5.3LB- SPINKS QSET BURGUNDY	\$97.52	\$78.02
PS201RB	1LB- SPINKS RB PANT 201 BURGUNDY	\$21.30	\$17.04
PS201RB-5	5LB- SPINKS RB PANT 201 BURGUNDY	\$103.35	\$82.68
PS201SS-1	1LB- SPINKS ENVIRO PMS 201 BURGUNDY	\$20.30	\$16.24
PS221-1	1LB- SPINKS ACRY BORDEAUX	\$21.00	\$16.80
PS221-5	5LB- SPINKS ACRY BORDEAUX	\$96.00	\$76.80
PS221Q-1	1LB- SPINKS QSET PMS 221 BORDEAUX	\$20.50	\$16.40
PS221Q-5	5.3LB- SPINKS QSET PMS 221 BORDEAUX	\$97.52	\$78.02
PS221RB	1LB- SPINKS RB PANT 221 BORDEAUX	\$21.30	\$17.04
PS221RB-5	5LB- SPINKS RB PANT 221 BORDEAUX	\$97.50	\$78.00
PS286-1	1LB- SPINKS ACRY PMS 286 LN STAR BLU	\$21.00	\$16.80
PS286-5	5LB- SPINKS ACRY PMS 286 LN STAR BLU	\$96.00	\$76.80
PS286Q-1	1LB- SPINKS QSET PMS 286 LN STR BLUE	\$18.10	\$14.48
PS286Q-5	5.1LB- SPINKS QSET 286 LONE STAR BLU	\$81.60	\$65.28
PS286RB	1LB- SPINKS RB PANT 286 LONESTARBLUE	\$21.30	\$17.04
PS286RB-5	5LB- SPINKS RB PANT 286 LONESTARBLUE	\$97.50	\$78.00
PS286SS-1	1LB- SPINKS ENVIRO PMS286 LONESTRBLU	\$22.10	\$17.68
PS286SS-5	5LB- SPINKS ENVIRO PMS286 LONESTRBLU	\$101.50	\$81.20
PS288-1	1LB- SPINKS ACRY ROYAL BLUE	\$21.00	\$16.80
PS288-5	5LB- SPINKS ACRY ROYAL BLUE	\$96.00	\$76.80
PS288Q-1	1LB- SPINKS QSET PMS 288 ROYAL BLUE	\$18.10	\$14.48
PS288Q-5	5.1LB- SPINKS QSET 288 ROYAL BLUE	\$81.60	\$65.28
PS288RB	1LB- SPINKS RB PANT 288 ROYAL BLUE	\$21.30	\$17.04
PS288RB-5	5LB- SPINKS RB PANT 288 ROYAL BLUE	\$97.50	\$78.00
PS288SS-1	1LB- SPINKS ENVIRO PMS 288 ROYL BLUE	\$20.30	\$16.24
PS293-1	1LB- SPINKS ACRY PMS 293 BG SURF BLU	\$21.00	\$16.80
PS293-5	5LB- SPINKS ACRY PMS 293 BG SURF BLU	\$96.00	\$76.80
PS293Q-1	1LB- SPINKS QSET PMS 293 BIG SURF	\$18.10	\$14.48
PS293Q-5	5.2LB- SPINKS QSET PMS 293 BIG SURF	\$81.60	\$65.28
PS293RB	1LB- SPINKS RB PANT 293 BIGSURF BLUE	\$21.30	\$17.04
PS293RB-5	5LB- SPINKS RB PANT 293 BIGSURF BLUE	\$97.50	\$78.00
PS293SS-1	1LB- SPINKS ENVIRO PMS 293 BIG SURF	\$20.30	\$16.24



2010  
SPINKS 20% OFF LIST PRICE

AS OF  
7-May-10

Part Number	Description	List Price	Customer Price
PS294Q-1	1LB- SPINKS QSET PMS 294 BLUE JEAN	\$34.25	\$27.40
PS300-1	1LB- SPINKS ACRY PMS 300 PERI BLUE	\$21.94	\$17.55
PS300-5	5LB- SPINKS ACRY PMS 300 PERI BLUE	\$94.50	\$75.60
PS300Q-1	1LB- SPINKS QSET PMS 300 PERI BLUE	\$18.10	\$14.48
PS300Q-5	5.3LB- SPINKS QSET PMS 300 PERI BLUE	\$81.60	\$65.28
PS300RB	1LB- SPINKS RB PANT 300 PERIWNK BLUE	\$20.90	\$16.72
PS300RB-5	5LB- SPINKS RB PANT 300 PERIWNK BLUE	\$96.00	\$76.80
PS300SS-1	1LB- SPINKS ENVIRO BLUE	\$21.80	\$17.44
PS300SS-5	5LB- SPINKS ENVIRO PMS 300 BLUE	\$100.50	\$80.40
PS30LS-5	5.2LB- SPINKS PERMA PANT YELLOW	\$98.80	\$79.04
PS30Q-1	1LB- SPINKS QSET PANT YELLOW	\$15.90	\$12.72
PS30Q-5	5.1LB- SPINKS QSET PANT YELLOW	\$67.50	\$54.00
PS320-1	1LB- SPINKS ACRY PMS 320 KY TEAL	\$20.70	\$16.56
PS320-5	5LB- SPINKS ACRY PMS 320 KY TEAL	\$94.50	\$75.60
PS320Q-1	1LB- SPINKS QSET PMS 320 KY TEAL	\$19.19	\$15.35
PS320Q-5	5.5LB- SPINKS QSET PMS 320 KY TEAL	\$81.60	\$65.28
PS320RB	1LB- SPINKS RB PANT 320 KENTUCKYTEAL	\$20.90	\$16.72
PS320RB-5	5LB- SPINKS RB PANT 320 KENTUCKYTEAL	\$96.00	\$76.80
PS320SS-1	1LB- SPINKS ENVIRO PMS 320 TEAL	\$21.80	\$17.44
PS347-1	1LB- SPINKS ACRY RAIN FRST GRN	\$19.30	\$15.44
PS347-5	5LB- SPINKS ACRY RAIN FRST GRN	\$87.50	\$70.00
PS347Q-1	1LB- SPINKS QSET PMS 347 RN FRST GRN	\$18.30	\$14.64
PS347Q-5	5.4LB- SPINKS QSET PMS 347 RN FRST	\$85.86	\$68.69
PS347RB	1LB- SPINKS RB PANT 347 RAINFRST GRN	\$19.60	\$15.68
PS347RB-5	5LB- SPINKS RB PANT 347 RAIN FOREST	\$89.50	\$71.60
PS347SS-1	1LB- SPINKS ENVIRO PMS 347 RNFORST	\$20.50	\$16.40
PS347SS-5	5LB- SPINKS ENVIRO PMS 347 RNFORST	\$93.50	\$74.80
PS348-1	1LB- SPINKS ACRY PMS 348 YOSEM GRN	\$19.30	\$15.44
PS348-5	5LB- SPINKS ACRY PMS 348 YOSEM GRN	\$87.50	\$70.00
PS348Q-1	1LB- SPINKS QSET 348 YOSEMITE GREEN	\$18.30	\$14.64
PS348Q-5	5.2LB- SPINKS QSET PMS 348 YOSE GRN	\$85.86	\$68.69
PS348RB	1LB- SPINKS RB PANT 348 YOSEMITE GRN	\$19.60	\$15.68
PS348RB-5	5LB- SPINKS RB PANT 348 YOSEMITE GRN	\$89.50	\$71.60
PS348SS-5	5LB- SPINKS ENVIRO PMS 348 GREEN	\$93.50	\$74.80
PS354-1	1LB- SPINKS ACRY PMS 354 KEY LIME	\$21.94	\$17.55
PS354-5	5LB- SPINKS ACRY PMS 354 KEY LIME	\$94.50	\$75.60
PS354Q-1	1LB- SPINKS QSET 354 KEY LIME	\$19.70	\$15.76
PS354Q-5	5.4LB- SPINKS QSET PMS 354 KEY LIME	\$99.75	\$79.80
PS354RB	1LB- SPINKS RB PANT 354 KEY LIME	\$20.90	\$16.72
PS354RB-5	5LB- SPINKS RB PANT 354 KEY LIME	\$96.00	\$76.80
PS354SS-1	1LB- SPINKS ENVIRO PMS 354 KEY LIME	\$21.80	\$17.44
PS354SS-5	5LB- SPINKS ENVIRO PMS 354 KEY LIME	\$100.50	\$80.40
PS356-1	1LB- SPINKS ACRY PMS 356 PINE GREEN	\$19.30	\$15.44
PS356-5	5LB- SPINKS ACRY PMS 356 PINE GREEN	\$87.50	\$70.00
PS356Q-1	1LB- SPINKS QSET PMS 356 PINE GREEN	\$17.50	\$14.00
PS356Q-5	5.4LB- SPINKS QSET PMS 356 PINE GRN	\$83.16	\$66.53



2010  
SPINKS 20% OFF LIST PRICE

AS OF  
7-May-10

Part Number	Description	List Price	Customer Price
PS356RB	1LB- SPINKS RB PANT 356 PINE GREEN	\$19.60	\$15.68
PS356RB-5	5LB- SPINKS RB PANT 356 PINE GREEN	\$89.50	\$71.60
PS40LS-1	1LB- SPINKS PERMA PANT GREEN	\$23.40	\$18.72
PS40LS-5	5.5LB- SPINKS PERMA PANT GREEN	\$124.85	\$99.88
PS40Q-1	1LB- SPINKS QSET PANT GREEN	\$18.50	\$14.80
PS40Q-5	5.5LB- SPINKS QSET PANT GREEN	\$88.55	\$70.84
PS423-1	1LB- SPINKS ACRY PMS 423 FOX GRAY	\$25.45	\$20.36
PS423Q-1	1LB- SPINKS QSET PMS 423 FOX GRAY	\$41.55	\$33.24
PS464-5	5LB- SPINKS ACRY SEPIA BROWN	\$155.75	\$124.60
PS464Q-1	1LB- SPINKS QSET SEPIA BROWN	\$14.85	\$11.88
PS469-1	1LB- SPINKS ACRY PMS 469 CHOC BROWN	\$19.30	\$15.44
PS469-5	5LB- SPINKS ACRY 469 CHOCOLATE BROWN	\$87.50	\$70.00
PS469Q-1	1LB- SPINKS QSET PMS 469 CHOC BRN	\$16.60	\$13.28
PS469Q-5	5.3LB- SPINKS QSET PMS 469 CHOC BRN	\$77.91	\$62.33
PS469RB	1LB- SPINKS RB PANT 469 CHOCOLATE BR	\$19.60	\$15.68
PS469RB-5	5LB- SPINKS RB PANT 469 CHOCOLATE BR	\$89.50	\$71.60
PS485-1	1LB- SPINKS ACRY RICH RED	\$19.90	\$15.92
PS485-5	5LB- SPINKS ACRY RICH RED	\$90.50	\$72.40
PS485Q-1	1LB- SPINKS QSET RICH RED	\$16.60	\$13.28
PS485Q-5	5.2LB- SPINKS QSET PMS 485 RICH RED	\$77.91	\$62.33
PS485RB	1LB- SPINKS RB PANT 485 RICH RED	\$20.20	\$16.16
PS485RB-5	5LB- SPINKS RB PANT 485 RICH RED	\$92.00	\$73.60
PS502-1	1LB- SPINKS ACRY SUBS REFLEX BLUE	\$21.10	\$16.88
PS502-5	5LB- SPINKS ACRY SUBS REFLEX BLUE	\$96.50	\$77.20
PS50LS-1	1LB- SPINKS PERMA PANT REFLEX BLUE	\$21.90	\$17.52
PS50LS-5	5LB- SPINKS PERMA PANT REFLEX BLUE	\$105.50	\$84.40
PS50Q-1	1LB- SPINKS QSET PANT REFLEX BLUE	\$17.10	\$13.68
PS50Q-5	5LB- SPINKS QSET PANT REFLEX BLUE	\$73.50	\$58.80
PS55LS-5	5.2LB- SPINKS PERMA PANT PROC BLUE	\$109.72	\$87.78
PS55Q-1	1LB- SPINKS QSET PANT PROCESS BLUE	\$16.30	\$13.04
PS55Q-5	5.1LB- SPINKS QSET PANT PROC BLUE	\$70.38	\$56.30
PS60LS-1	1LB- SPINKS PERMA PANT PURPLE	\$24.30	\$19.44
PS60LS-5	5.2LB- SPINKS PERMA PANT PURPLE	\$122.20	\$97.76
PS60Q-1	1LB- SPINKS QSET PANT PURPLE	\$20.90	\$16.72
PS60Q-5	5.4LB- SPINKS QSET PANT PURPLE	\$99.36	\$79.49
PS61LS-1	1LB- SPINKS PERMA PANT VIOLET	\$24.30	\$19.44
PS61LS-5	5.5LB- SPINKS PERMA PANT VIOLET	\$129.25	\$103.40
PS61Q-1	1LB- SPINKS QSET PANT VIOLET	\$20.90	\$16.72
PS61Q-5	5.4LB- SPINKS QSET PANT VIOLET	\$97.52	\$78.02
PS70LS-1	1LB- SPINKS PERMA PANT BLACK	\$13.70	\$10.96
PS70Q-1	1LB- SPINKS QSET PANT BLACK	\$11.70	\$9.36
PS70Q-5	5.5LB- SPINKS QSET PANT BLACK	\$50.22	\$40.18
PS801Q-1	1LB- SPINKS QSET FLUORESCENT BLUE	\$50.60	\$40.48
PS802Q-1	1LB- SPINKS QSET FLUORESCENT GREEN	\$50.60	\$40.48
PS802Q-5	5LB- SPINKS QSET FLUORESCENT GREEN	\$253.00	\$202.40
PS803Q-1	1LB- SPINKS QSET FLUORESCENT YELLOW	\$50.60	\$40.48



2010  
SPINKS 20% OFF LIST PRICE

AS OF  
7-May-10

Part Number	Description	List Price	Customer Price
PS803Q-5	5LB- SPINKS QSET FLUORESCENT YELLOW	\$253.00	\$202.40
PS804Q-1	1LB- SPINKS QSET FLUORESCENT ORANGE	\$50.60	\$40.48
PS805Q-1	1LB- SPINKS QSET FLUORESCENT RED	\$50.60	\$40.48
PS805Q-5	5LB- SPINKS QSET FLUORESCENT RED	\$253.00	\$202.40
PS806Q-1	1LB- SPINKS QSET FLUORESCENT PINK	\$50.60	\$40.48
PS807Q-1	1LB- SPINKS QSET FLUORESCENT PURPLE	\$50.60	\$40.48
PS807Q-5	5LB- SPINKS QSET FLUORESCENT PURPLE	\$253.00	\$202.40
PS80LS-1	1LB- SPINKS PERMA PANT TRANS WHITE	\$14.00	\$11.20
PS80LS-5	5LB- SPINKS PERMA PANT TRANS WHITE	\$66.50	\$53.20
PS80Q-1	1LB- SPINKS QSET PANT TRANS WHITE	\$11.80	\$9.44
PS80Q-5	4.9LB- SPINKS QSET PANT TRANS WHITE	\$46.06	\$36.85
PS811Q-1	1LB- SPINKS QSET FLUORESCENT ORANGE	\$47.74	\$38.19
PS871QVP-2.7	2.7LB- SPINKS QSET PMS 871 MET GOLD	\$65.63	\$52.50
PS872QVP-2.7	2.7LB- SPINKS QSET PMS872 METAL GOLD	\$65.63	\$52.50
PS873QVP-2.7	2.7LB- SPINKS QSET PMS873 METAL GOLD	\$65.63	\$52.50
PS874QVP-2.5	2.5LB- SPINKS QSET PMS874 METAL GOLD	\$60.77	\$48.62
PS875QVP-2.5	2.5LB- SPINKS QSET PMS875 METAL GOLD	\$60.77	\$48.62
PS876QVP-2.5	2.5LB- SPINKS QSET METALLIC GOLD	\$60.77	\$48.62
PS877QVP-2	2LB- PANTONE 877 SILVER	\$37.00	\$29.60
QG802-1	1LB- SPINKS QSET COOL GRAY BASE	\$45.30	\$36.24
RB17	1LB- SPINKS RB PANT WARM RED	\$20.70	\$16.56
RB17-5	5LB- SPINKS RB PANT WARM RED	\$94.50	\$75.60
RB18	1LB- SPINKS RB PANT RUBINE RED	\$20.70	\$16.56
RB18-5	5LB- SPINKS RB PANT RUBINE RED	\$94.50	\$75.60
RB19	1LB- SPINKS RB PANT RHODAMINE	\$22.50	\$18.00
RB19-5	5LB- SPINKS RB PANT RHODAMINE	\$103.50	\$82.80
RB33	1LB- SPINKS RB PANT YELLOW	\$17.90	\$14.32
RB33-5	5LB- SPINKS RB PANT YELLOW	\$80.50	\$64.40
RB43	1LB- SPINKS RB PANT GREEN	\$20.70	\$16.56
RB43-5	5LB- SPINKS RB PANT GREEN	\$94.50	\$75.60
RB502	1LB- SPINKS RB SUB REFLEX BLUE	\$21.40	\$17.12
RB502-5	5LB- SPINKS RB SUBSTITUTE REFLEX BLU	\$98.50	\$78.80
RB53	1LB- SPINKS RB PANT REFLEX BLUE	\$22.15	\$17.72
RB53-5	5LB- SPINKS RB PANT REFLEX BLUE	\$96.00	\$76.80
RB58	1LB- SPINKS RB PANT PROCESS BLUE	\$20.90	\$16.72
RB58-5	5LB- SPINKS RB PANT PROCESS BLUE	\$96.00	\$76.80
RB61	1LB- SPINKS RB PANT VIOLET	\$20.70	\$16.56
RB61-5	5LB- SPINKS RB PANT VIOLET	\$94.50	\$75.60
RB63	1LB- SPINKS RB PANT PURPLE	\$22.50	\$18.00
RB63-5	5LB- SPINKS RB PANT PURPLE	\$103.50	\$82.80
RB700	1LB- SPINKS RB BLACK	\$11.10	\$8.88
RB700-5	5LB- SPINKS RB BLACK	\$46.50	\$37.20
RB73	1LB- SPINKS RB PANT MIXING BLACK	\$12.00	\$9.60
RB73-5	5LB- SPINKS RB PANT MIXING BLACK	\$51.00	\$40.80
RB83	1LB- SPINKS RB PANT TRANS WHITE	\$12.60	\$10.08
RB83-5	5LB- SPINKS RB PANT TRANS WHITE	\$54.00	\$43.20



2010  
SPINKS 20% OFF LIST PRICE

AS OF  
7-May-10

Part Number	Description	List Price	Customer Price
RB84-5	5LB- SPINKS RB OPAQUE MIXING WHITE	\$54.00	\$43.20
SS032-1	1LB- SPINKS ENVIRO PANT 032 BIG APPL	\$22.70	\$18.16
SS032-5	5LB- SPINKS ENVIRO PANT 032 BIG APPL	\$104.50	\$83.60
SS072-1	1LB- SPINKS ENVIRO PANT 072 GT LK BL	\$22.70	\$18.16
SS072-5	5LB- SPINKS ENVIRO PANT 072 GT LK BL	\$104.50	\$83.60
SS17-1	1LB- SPINKS ENVIRO PANT WARM RED	\$21.60	\$17.28
SS17-5	5LB- SPINKS ENVIRO PANT WARM RED	\$98.50	\$78.80
SS18-1	1LB- SPINKS ENVIRO PANT RUBINE RED	\$21.60	\$17.28
SS18-5	5LB- SPINKS ENVIRO PANT RUBINE RED	\$98.50	\$78.80
SS185-1	1LB- SPINKS ENVIRO BRICK RED	\$19.20	\$15.36
SS185-5	5LB- SPINKS ENVIRO BRICK RED	\$96.00	\$76.80
SS19-1	1LB- SPINKS ENVIRO PANT RHODAMINE	\$21.50	\$17.20
SS19-5	5LB- SPINKS ENVIRO PANT RHODAMINE	\$107.50	\$86.00
SS199-1	1LB- SPINKS ENVIRO INDIAN RED	\$19.20	\$15.36
SS199-5	5LB- SPINKS ENVIRO INDIAN RED	\$96.00	\$76.80
SS201-1	1LB- SPINKS ENVIRO BURGUNDY	\$22.10	\$17.68
SS201-5	5LB- SPINKS ENVIRO BURGUNDY	\$101.50	\$81.20
SS221-1	1LB- SPINKS ENVIRO BORDEAUX	\$22.10	\$17.68
SS221-5	5LB- SPINKS ENVIRO BORDEAUX	\$101.50	\$81.20
SS286-1	1LB- SPINKS ENVIRO LONE STAR BLUE	\$22.10	\$17.68
SS286-5	5LB- SPINKS ENVIRO LONE STAR BLUE	\$101.50	\$81.20
SS288-1	1LB- SPINKS ENVIRO ROYAL BLUE	\$22.10	\$17.68
SS288-5	5LB- SPINKS ENVIRO ROYAL BLUE	\$101.50	\$81.20
SS293-1	1LB- SPINKS ENVIRO BIG SURF BLUE	\$22.10	\$17.68
SS293-5	5LB- SPINKS ENVIRO BIG SURF BLUE	\$101.50	\$81.20
SS320-1	1LB- SPINKS ENVIRO KENTUCKY TEAL	\$21.80	\$17.44
SS320-5	5LB- SPINKS ENVIRO KENTUCKY TEAL	\$100.50	\$80.40
SS33-1	1LB- SPINKS ENVIRO PANT YELLOW	\$18.70	\$14.96
SS33-5	5LB- SPINKS ENVIRO PANT YELLOW	\$84.50	\$67.60
SS347-5	5LB- SPINKS ENVIRO RAIN FOREST GRN	\$93.50	\$74.80
SS348-1	1LB- SPINKS ENVIRO YOSEMITE GREEN	\$20.50	\$16.40
SS348-5	5LB- SPINKS ENVIRO YOSEMITE GREEN	\$93.50	\$74.80
SS354-1	1LB- SPINKS ENVIRO KEY LIME	\$21.80	\$17.44
SS354-5	5LB- SPINKS ENVIRO KEY LIME	\$100.50	\$80.40
SS356-1	1LB- SPINKS ENVIRO PINE GREEN	\$20.50	\$16.40
SS356-5	5LB- SPINKS ENVIRO PINE GREEN	\$93.50	\$74.80
SS43-1	1LB- SPINKS ENVIRO PANT GREEN	\$23.30	\$18.64
SS43-5	5LB- SPINKS ENVIRO PANT GREEN	\$107.50	\$86.00
SS469-1	1LB- SPINKS ENVIRO CHOCOLATE BROWN	\$20.50	\$16.40
SS469-5	5LB- SPINKS ENVIRO CHOCOLATE BROWN	\$93.50	\$74.80
SS485-1	1LB- SPINKS ENVIRO RICH RED	\$21.00	\$16.80
SS485-5	5LB- SPINKS ENVIRO RICH RED	\$96.00	\$76.80
SS53-1	1LB- SPINKS ENVIRO PANT REFLEX BLUE	\$21.80	\$17.44
SS53-5	5LB- SPINKS ENVIRO PANT REFLEX BLUE	\$106.53	\$85.22
SS58-1	1LB- SPINKS ENVIRO PANT PROC BLUE	\$23.11	\$18.49
SS58-5	5LB- SPINKS ENVIRO PANT PROC BLUE	\$100.50	\$80.40



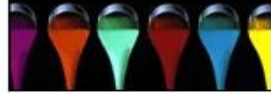
2010  
**SPINKS 20% OFF LIST PRICE**

AS OF  
 7-May-10

Part Number	Description	List Price	Customer Price
SS61-1	1LB- SPINKS ENVIRO PANT VIOLET	\$23.30	\$18.64
SS61-5	5LB- SPINKS ENVIRO PANT VIOLET	\$107.50	\$86.00
SS63-1	1LB- SPINKS ENVIRO PANT PURPLE	\$23.30	\$18.64
SS63-5	5LB- SPINKS ENVIRO PANT PURPLE	\$107.50	\$86.00
SS700-1	1LB- SPINKS ENVIROTECH BLACK	\$11.90	\$9.52
SS700-5	5LB- SPINKS ENVIROTECH BLACK	\$50.50	\$40.40
SS73-1	1LB- SPINKS ENVIRO PANT BLACK	\$13.00	\$10.40
SS73-5	5LB- SPINKS ENVIRO PANT BLACK	\$56.00	\$44.80
SS83-1	1LB- SPINKS ENVIRO PANT TRANS WHITE	\$13.50	\$10.80
SS83-5	5LB- SPINKS ENVIRO PANT TRANS WHITE	\$58.50	\$46.80
SS84-5	5LB- SPINKS ENVIRO PANT MIX WHT OPQ	\$58.50	\$46.80
V-17	1LB- SPINKS WAXFREE DULL VARNISH	\$11.00	\$8.80
SPCMX-1	1LB- SPINKS ACRY SPEC MIX 1 LB.	\$45.30	\$36.24
SPCMX-11020	1LB- SPINKS ACRY SPEC MIX 10+ CANS	\$25.00	\$20.00
SPCMX-124	1LB- SPINKS ACRY SPEC MIX 2-4 CANS	\$33.20	\$26.56
SPCMX-159	1LB- SPINKS ACRY SPEC MIX 5+ CANS	\$28.60	\$22.88
SPCMX-51	5LB- SPINKS ACRY SPECIAL MIX 1 CAN	\$143.00	\$114.40
SPCMX-524	5LB- SPINKS ACRYLIC SPEC MIX 2-4 CAN	\$125.00	\$100.00
SPCMXF-517	5LB- SPINKS SPECIAL MIX FORMS 1-7CAN	\$85.84	\$68.67
SPCMXF-58+	5LB- SPINKS SPECIAL MIX FORMS 8+CANS	\$86.22	\$68.98
SPCMXM-1	1LB- SPINKS SPEC MIX METALLIC 1 LB	\$46.40	\$37.12
SPCMXM-124	1LB- SPINK SPEC MIX METALLIC 2-4 CAN	\$30.80	\$24.64
SPCMXM-51	5LB- SPINKS SPEC MIX METALLIC 5 LB	\$129.50	\$103.60
SPCMXQ-1	1LB- SPINKS QSET SPEC MIX 1 LB.	\$45.30	\$36.24
SPCMXQ-11020	1LB- SPINKS QSET SPEC MIX 10+ CANS	\$20.80	\$16.64
SPCMXQ-124	1LB- SPINKS QSET SPEC MIX 2-4 CANS	\$29.60	\$23.68
SPCMXQ-159	1LB- SPINKS QSET SPEC MIX 5-9 CANS	\$24.70	\$19.76
SPCMXQ-51	5LB- SPINKS QSET SPEC MIX 1 CAN	\$123.50	\$98.80
SPCMXQ-524	5LB- SPINKS QSET SPEC MIX 2-4 CAN	\$104.00	\$83.20
SPXMXLAS-1	1LB- SPINKS PERMA SPEC MIX 1 LB.	\$45.30	\$36.24
SPXMXLAS-11020	1LB- SPINKS PERMA SPEC MIX 10+ CANS	\$25.00	\$20.00
SPXMXLAS-124	1LB- SPINKS PERMA SPEC MIX 2-4 LBS	\$33.20	\$26.56
SPXMXLAS-159	1LB- SPINKS PERMA SPEC MIX 5-9 LBS	\$28.60	\$22.88
SPXMXLAS-51	5LB- SPINKS PERMA SPEC MIX 1 CANS	\$143.00	\$114.40
SPXMXLAS-510+	5LB- SPINKS PERMA SPEC MIX 10 & OVER	\$125.00	\$100.00
SPXMXLAS-524	5LB- SPINKS PERMA SPEC MIX 2-4 CANS	\$125.00	\$100.00
SPXMXLAS-559	5LB- SPINKS PERMA SPEC MIX 5-9 CANS	\$125.00	\$100.00
SSSPCMX-1	1LB- SPINKS ENVIRO SPEC MIX 1 LB	\$45.30	\$36.24
SSSPCMX-11020	1LB- SPINKS ENVIRO SPEC MIX 10+CAN	\$25.00	\$20.00
SSSPCMX-124	1LB- SPINKS ENVIRO SPEC MIX 2-4CAN	\$33.20	\$26.56
SSSPCMX-159	1LB- SPINKS ENVIRO SPEC MIX 5-9CAN	\$28.60	\$22.88
SSSPCMX-51	5LB- SPINKS ENVIRO SPEC MIX 1 CAN	\$143.00	\$114.40
SSSPCMX-51020	5LB- SPINKS ENVIRO SPEC MIX 10+ CANS	\$125.00	\$100.00
SSSPCMX-524	5LB- SPINKS ENVIRO SPEC MIX 2-4 CN	\$125.00	\$100.00
SSSPCMX-559	5LB- SPINKS ENVIRO SPEC MIX 5-9 CANS	\$125.00	\$100.00

# TOYO INK

Value You Can See



## TOYO INK PRICE LIST

Part Number	Description
10130344CJ	2.2LB AQUALESS ULTRA BLACK LOWTACK
10130340CJ	2.2LB AQUALESS ULTRA BLACK MEDTACK
10120343CJ	2.2LB AQUALESS ULTRA CYAN LOWTACK
10120339CJ	2.2LB AQUALESS ULTRA CYAN MEDTACK
10110342CJ	2.2LB AQUALESS ULTRA MAGENTA LOWTACK
10110338CJ	2.2LB AQUALESS ULTRA MAGENTA MEDTACK
10100341CJ	2.2LB AQUALESS ULTRA YELLOW LOWTACK
10100337CJ	2.2LB AQUALESS ULTRA YELLOW MEDTACK
233404	1- TOYO AQUALESS INK CAN KEY/OPENER
00140141C5	5.1LB AQUALESS PMS 021 ORANGE
00150132C5	5.1LB AQUALESS PMS RUBINE RED
00140130C5	5.1LB AQUALESS PMS YELLOW
00140140C5	5.2LB AQUALESS PMS 012 YELLOW
00120137C5	5.2LB AQUALESS PMS PROCESS BLUE
00160143C5	5.3LB AQUALESS PMS 072 BLUE
00160138C5	5.3LB AQUALESS PMS GREEN
00160134C5	5.3LB AQUALESS PMS PURPLE
00160135C5	5.3LB AQUALESS PMS VIOLET
00150133C5	5.4LB AQUALESS PMS RHODAMINE RED
00150131C5	5.4LB AQUALESS PMS WARM RED
00170139C5	5.5LB AQUALESS PMS BLACK
041A0632C5491-1	1LB AQUALESS MEDTACK PMS 491
041A0637C585801	1LB AQUALESS MEDTACK PMS 8580
00180595LB	1LB AQUALESS INK TACK REDUCER
041A0634C583811	1LB AQUALESS MEDTACK PMS
041A0632C5116-1	1LB AQUALESS MEDTACK PMS 116
041A0112C5136U1	1LB AQUALESS MEDTACK PMS 136UNCTD

2010

## TOYO INK PRODUCTS 12% OFF LIST PRICE

AS OF  
7-May-10

Stock Description	Stock	List	Cust Price
CN	Stock	\$ 16.25	\$ 14.30
CN	Stock	\$ 16.25	\$ 14.30
CN	Stock	\$ 16.51	\$ 14.53
CN	Stock	\$ 16.51	\$ 14.53
CN	Stock	\$ 16.78	\$ 14.77
CN	Stock	\$ 16.78	\$ 14.77
CN	Stock	\$ 16.51	\$ 14.53
CN	Stock	\$ 16.51	\$ 14.53
EA	Stock	\$ 2.17	\$ 1.91
CN	Non-Stock	\$ 104.44	\$ 91.91
CN	Stock	\$ 48.55	\$ 42.72
CN	Stock	\$ 48.55	\$ 42.72
CN	Non-Stock	\$ 56.65	\$ 49.85
CN	Stock	\$ 49.50	\$ 43.56
CN	Stock	\$ 74.45	\$ 65.52
CN	Stock	\$ 79.50	\$ 69.96
CN	Stock	\$ 101.28	\$ 89.13
CN	Stock	\$ 94.06	\$ 82.77
CN	Stock	\$ 95.79	\$ 84.30
CN	Stock	\$ 53.67	\$ 47.23
CN	Stock	\$ 39.57	\$ 34.82
CN	Non-Stock	\$ 51.17	\$ 45.03
LB	Non-Stock	\$ 92.70	\$ 81.58
BT	Stock	\$ 7.77	\$ 6.84
CN	Non-Stock	\$ 74.15	\$ 65.25
LB	Non-Stock	\$ 68.59	\$ 60.36
CN	Non-Stock	\$ 68.41	\$ 60.20

**TOYO INK PRICE LIST**

Part Number	Description
041A0635C515451	1LB AQUALESS MEDTACK PMS 1545
041A0632C5-1681	1LB AQUALESS MEDTACK PMS 168
041A0632C5-2281	1LB AQUALESS MEDTACK PMS 228
041A0632C5244-1	1LB AQUALESS MEDTACK PMS 244
041A0632C525771	1LB AQUALESS MEDTACK PMS 2577
041A0632C5281-1	1LB AQUALESS MEDTACK PMS 281
041A0634C534251	1LB AQUALESS MEDTACK PMS 3425
041A0632C5-3471	1LB AQUALESS MEDTACK PMS 347
041A0632C544851	1LB AQUALESS MEDTACK PMS 4485
041A0632C574061	1LB AQUALESS MEDTACK PMS 7406
041A0632C574871	1LB AQUALESS MEDTACK PMS 7487
041A0632C575121	1LB AQUALESS MEDTACK PMS 7512
041A0636C587421	1LB AQUALESS MEDTACK PMS 8742
041A0634C1-877	1LB AQUALESS MEDTACK PMS 877
041A0117C5872LB	1LB AQUALESS MEDTACK PMS GOLD 872
041A0113C5	1LB AQUALESS MEDTACK PMS117
041A0632C5109-1	1LB AQUALESS MEDTAK PMS 109
041A0112C5	1LB AQUALESS PMS 201 RED
001B0154C1	1LB TOYO COMBO DRIER FOR WATERLESS
10100341CJ-287	2.2LB AQUALESS PROCESS YELLOW LOWTAC
AKQ2627C5	4.5LB TOYO BINDER VARNISH
041A0632C5-465	5LB AQUALESS MEDTACK PMS 465
041A0632C5-360L	5LB AQUALESS LOWACK PMS 360
041A0632C5-124L	5LB AQUALESS LOWTACK PMS 124
041A0632C5-157L	5LB AQUALESS LOWTACK PMS 157
041A0632C5-185L	5LB AQUALESS LOWTACK PMS 185
041A0632C5-200L	5LB AQUALESS LOWTACK PMS 200
041A0113C5-200	5LB AQUALESS LOWTACK PMS 200
041A0114C5-232	5LB AQUALESS LOWTACK PMS 232
041A0113C5-237	5LB AQUALESS LOWTACK PMS 237
041A0115C5-2607	5LB AQUALESS LOWTACK PMS 2607
041A0633C52756L	5LB AQUALESS LOWTACK PMS 2756
041A0632C5-281L	5LB AQUALESS LOWTACK PMS 281
041A0632C5-285L	5LB AQUALESS LOWTACK PMS 285

**TOYO INK PRODUCTS 12% OFF LIST PRICE**

AS OF  
7-May-10

Stock Description	Stock	List	Cust Price
CN	Non-Stock	\$ 63.91	\$ 56.24
CN	Non-Stock	\$ 53.29	\$ 46.90
CN	Non-Stock	\$ 55.06	\$ 48.45
CN	Non-Stock	\$ 62.36	\$ 54.88
CN	Non-Stock	\$ 62.36	\$ 54.88
LB	Non-Stock	\$ 68.59	\$ 60.36
CN	Non-Stock	\$ 79.53	\$ 69.99
CN	Non-Stock	\$ 76.04	\$ 66.92
CN	Non-Stock	\$ 53.29	\$ 46.90
CN	Non-Stock	\$ 51.17	\$ 45.03
CN	Non-Stock	\$ 62.36	\$ 54.88
CN	Non-Stock	\$ 51.90	\$ 45.67
LB	Non-Stock	\$ 81.58	\$ 71.79
CN	Non-Stock	\$ 76.76	\$ 67.55
CN	Non-Stock	\$ 81.21	\$ 71.46
CN	Non-Stock	\$ 48.84	\$ 42.98
CN	Non-Stock	\$ 67.08	\$ 59.03
CN	Non-Stock	#N/A	#N/A
CN	Non-Stock	\$ 10.49	\$ 9.23
CN	Non-Stock	\$ 16.22	\$ 14.27
CN	Non-Stock	#N/A	#N/A
CN	Non-Stock	\$ 116.80	\$ 102.78
CN	Non-Stock	\$ 116.80	\$ 102.78
CN	Non-Stock	\$ 116.80	\$ 102.78
CN	Non-Stock	\$ 116.80	\$ 102.78
CN	Non-Stock	\$ 116.80	\$ 102.78
CN	Non-Stock	\$ 105.40	\$ 92.75
CN	Non-Stock	\$ 121.57	\$ 106.98
CN	Non-Stock	\$ 105.40	\$ 92.75
CN	Non-Stock	\$ 137.80	\$ 121.26
CN	Non-Stock	\$ 126.54	\$ 111.36
CN	Non-Stock	\$ 116.80	\$ 102.78
CN	Non-Stock	\$ 116.80	\$ 102.78





**TOYO INK PRICE LIST**

Part Number	Description
041A0632C5-125	5LB AQUALESS MEDTACK PMS 125
041A0632C5-129	5LB AQUALESS MEDTACK PMS 129
041A0113C5-130	5LB AQUALESS MEDTACK PMS 130
041A0632C5-131	5LB AQUALESS MEDTACK PMS 131
041A0632C5-137	5LB AQUALESS MEDTACK PMS 137
041A0632C5-138	5LB AQUALESS MEDTACK PMS 138
041A0632C5-143	5LB AQUALESS MEDTACK PMS 143
041A0632C5-144	5LB AQUALESS MEDTACK PMS 144
041A0632C5-151	5LB AQUALESS MEDTACK PMS 151
041A0632C5-152	5LB AQUALESS MEDTACK PMS 152
041A0632C5-154	5LB AQUALESS MEDTACK PMS 154
041A0113C5-157	5LB AQUALESS MEDTACK PMS 157
041A0632C5-158	5LB AQUALESS MEDTACK PMS 158
041A0632C5-159	5LB AQUALESS MEDTACK PMS 159
041A0632C5-161	5LB AQUALESS MEDTACK PMS 161
041A0632C5-165	5LB AQUALESS MEDTACK PMS 165
041A0112C5-1655	5LB AQUALESS MEDTACK PMS 1655
041A0632C5-166	5LB AQUALESS MEDTACK PMS 166
041A0112C5-1665	5LB AQUALESS MEDTACK PMS 1665
041A0632C5-167	5LB AQUALESS MEDTACK PMS 167
041A0632C5-172	5LB AQUALESS MEDTACK PMS 172
041A0113C5-1767	5LB AQUALESS MEDTACK PMS 1767
041A0632C5-1795	5LB AQUALESS MEDTACK PMS 1795
041A0632C5-1797	5LB AQUALESS MEDTACK PMS 1797
041A0632C5-1807	5LB AQUALESS MEDTACK PMS 1807
041A0632C5-1815	5LB AQUALESS MEDTACK PMS 1815
041A0632C5-185	5LB AQUALESS MEDTACK PMS 185
041A0112C5-186	5LB AQUALESS MEDTACK PMS 186
041A0632C5-194	5LB AQUALESS MEDTACK PMS 194
041A0112C5-1955	5LB AQUALESS MEDTACK PMS 1955
041A0632C5-1955	5LB AQUALESS MEDTACK PMS 1955
041A0111C5-197	5LB AQUALESS MEDTACK PMS 197
041A0632C5-199	5LB AQUALESS MEDTACK PMS 199
041A0632C5-200	5LB AQUALESS MEDTACK PMS 200

**TOYO INK PRODUCTS 12% OFF LIST PRICE**

AS OF  
7-May-10

Stock Description	Stock	List	Cust Price
CN	Non-Stock	\$ 116.80	\$ 102.78
CN	Non-Stock	\$ 116.80	\$ 102.78
CN	Non-Stock	\$ 111.24	\$ 97.89
CN	Non-Stock	\$ 116.80	\$ 102.78
EA	Non-Stock	\$ 116.80	\$ 102.78
CN	Non-Stock	\$ 116.80	\$ 102.78
CN	Non-Stock	\$ 116.80	\$ 102.78
CN	Non-Stock	\$ 116.80	\$ 102.78
CN	Non-Stock	\$ 116.80	\$ 102.78
CN	Non-Stock	\$ 128.48	\$ 113.06
CN	Non-Stock	\$ 116.80	\$ 102.78
CN	Non-Stock	\$ 116.80	\$ 102.78
CN	Non-Stock	\$ 116.80	\$ 102.78
CN	Non-Stock	\$ 116.80	\$ 102.78
CN	Non-Stock	\$ 128.48	\$ 113.06
CN	Non-Stock	\$ 103.26	\$ 90.87
EA	Non-Stock	\$ 116.80	\$ 102.78
CN	Non-Stock	\$ 102.17	\$ 89.91
CN	Non-Stock	\$ 116.80	\$ 102.78
CN	Non-Stock	\$ 116.80	\$ 102.78
CN	Non-Stock	\$ 105.40	\$ 92.75
CN	Non-Stock	\$ 116.80	\$ 102.78
CN	Non-Stock	\$ 116.80	\$ 102.78
CN	Non-Stock	\$ 108.15	\$ 95.17
CN	Non-Stock	\$ 116.80	\$ 102.78
CN	Non-Stock	\$ 127.09	\$ 111.84
CN	Non-Stock	\$ 116.80	\$ 102.78
EA	Non-Stock	\$ 116.80	\$ 102.78
CN	Non-Stock	\$ 116.80	\$ 102.78
CN	Non-Stock	\$ 108.15	\$ 95.17
CN	Non-Stock	\$ 76.59	\$ 67.40
CN	Non-Stock	\$ 128.48	\$ 113.06
CN	Non-Stock	\$ 116.80	\$ 102.78

**TOYO INK PRICE LIST**

Part Number	Description
041A0632C5-201	5LB AQUALESS MEDTACK PMS 201
041A0632C5-207	5LB AQUALESS MEDTACK PMS 207
041A0632C5-208	5LB AQUALESS MEDTACK PMS 208
041A0112C5-209	5LB AQUALESS MEDTACK PMS 209
041A0634C5-216	5LB AQUALESS MEDTACK PMS 216
041A0632C5-222	5LB AQUALESS MEDTACK PMS 222
041A0634C5-226	5LB AQUALESS MEDTACK PMS 226
041A0632C5-228	5LB AQUALESS MEDTACK PMS 228
041A0636C5-233	5LB AQUALESS MEDTACK PMS 233
041A0635C5-2405	5LB AQUALESS MEDTACK PMS 2405
041A0632C5-2573	5LB AQUALESS MEDTACK PMS 2573
041A0632C5-259	5LB AQUALESS MEDTACK PMS 259
041A0635C5-2592	5LB AQUALESS MEDTACK PMS 2592
041A0632C5-2603	5LB AQUALESS MEDTACK PMS 2603
041A0633C5-2603	5LB AQUALESS MEDTACK PMS 2603
041A0632C5-262	5LB AQUALESS MEDTACK PMS 262
041A0633C5-2623	5LB AQUALESS MEDTACK PMS 2623
041A0634C52668U	5LB AQUALESS MEDTACK PMS 2668
041A0632C5-2718	5LB AQUALESS MEDTACK PMS 2718
041A0113C5-2728	5LB AQUALESS MEDTACK PMS 2728
041A0633C5-2746	5LB AQUALESS MEDTACK PMS 2746
041A0634C5-2747	5LB AQUALESS MEDTACK PMS 2747
041A0634C5-2748	5LB AQUALESS MEDTACK PMS 2748
041A0633C5-2756	5LB AQUALESS MEDTACK PMS 2756
041A0632C5-2757	5LB AQUALESS MEDTACK PMS 2757
041A0633C5-2758	5LB AQUALESS MEDTACK PMS 2758
041A0634C5-2765	5LB AQUALESS MEDTACK PMS 2765
041A0633C5-2766	5LB AQUALESS MEDTACK PMS 2766
041A0631C5-278	5LB AQUALESS MEDTACK PMS 278
041A0632C5-279	5LB AQUALESS MEDTACK PMS 279
041A0633C5-280	5LB AQUALESS MEDTACK PMS 280
041A0632C5-281	5LB AQUALESS MEDTACK PMS 281
041A0632C5-282	5LB AQUALESS MEDTACK PMS 282
041A0632C5-285	5LB AQUALESS MEDTACK PMS 285

**TOYO INK PRODUCTS 12% OFF LIST PRICE**

AS OF  
7-May-10

Stock Description	Stock	List	Cust Price
CN	Non-Stock	\$ 116.80	\$ 102.78
CN	Non-Stock	\$ 116.80	\$ 102.78
CN	Non-Stock	\$ 116.80	\$ 102.78
CN	Non-Stock	\$ 116.80	\$ 102.78
CN	Non-Stock	\$ 146.00	\$ 128.48
CN	Non-Stock	\$ 116.80	\$ 102.78
CN	Non-Stock	\$ 146.00	\$ 128.48
CN	Non-Stock	\$ 116.80	\$ 102.78
CN	Non-Stock	\$ 184.94	\$ 162.75
CN	Non-Stock	\$ 165.47	\$ 145.61
CN	Non-Stock	\$ 116.80	\$ 102.78
CN	Non-Stock	\$ 116.80	\$ 102.78
CN	Non-Stock	\$ 165.47	\$ 145.61
CN	Non-Stock	\$ 126.54	\$ 111.36
CN	Non-Stock	\$ 126.54	\$ 111.36
CN	Non-Stock	\$ 116.80	\$ 102.78
CN	Non-Stock	\$ 126.54	\$ 111.36
CN	Non-Stock	\$ 139.05	\$ 122.36
CN	Non-Stock	\$ 116.80	\$ 102.78
CN	Non-Stock	\$ 80.41	\$ 70.76
CN	Non-Stock	\$ 126.54	\$ 111.36
CN	Non-Stock	\$ 146.00	\$ 128.48
CN	Non-Stock	\$ 135.19	\$ 118.97
CN	Non-Stock	\$ 126.54	\$ 111.36
CN	Non-Stock	\$ 135.19	\$ 118.97
CN	Non-Stock	\$ 126.54	\$ 111.36
CN	Non-Stock	\$ 135.19	\$ 118.97
CN	Non-Stock	\$ 102.21	\$ 89.94
CN	Non-Stock	\$ 116.80	\$ 102.78
CN	Non-Stock	\$ 126.54	\$ 111.36
CN	Non-Stock	\$ 116.80	\$ 102.78
CN	Non-Stock	\$ 116.80	\$ 102.78
CN	Non-Stock	\$ 128.48	\$ 113.06

**TOYO INK PRICE LIST**

Part Number	Description
041A0114C5-286M	5LB AQUALESS MEDTACK PMS 286
041A0114C4	5LB AQUALESS MEDTACK PMS 286
041A0632C5-287	5LB AQUALESS MEDTACK PMS 287
041A0632C5-288	5LB AQUALESS MEDTACK PMS 288
041A0632C5-289	5LB AQUALESS MEDTACK PMS 289
041A0632C1-290	5LB AQUALESS MEDTACK PMS 290
041A0631C5-290	5LB AQUALESS MEDTACK PMS 290
041A0632C5-2905	5LB AQUALESS MEDTACK PMS 2905
041A0632C5-2925	5LB AQUALESS MEDTACK PMS 2925
041A0114C5-293	5LB AQUALESS MEDTACK PMS 293
041A0632C5-2935	5LB AQUALESS MEDTACK PMS 2935
041A0013C5-294	5LB AQUALESS MEDTACK PMS 294
041A0113C5-294	5LB AQUALESS MEDTACK PMS 294
041A0632C5-295	5LB AQUALESS MEDTACK PMS 295
041A0632C5-2955	5LB AQUALESS MEDTACK PMS 2955
041A0632C5-296	5LB AQUALESS MEDTACK PMS 296
041A0632C5-2965	5LB AQUALESS MEDTACK PMS 2965
041A0113C5-300	5LB AQUALESS MEDTACK PMS 300
041A0632C5-301	5LB AQUALESS MEDTACK PMS 301
041A0632C5-3015	5LB AQUALESS MEDTACK PMS 3015
041A0632C5-302	5LB AQUALESS MEDTACK PMS 302
041A0631C5-304	5LB AQUALESS MEDTACK PMS 304
041A0631C5-305	5LB AQUALESS MEDTACK PMS 305
041A0634C5-306	5LB AQUALESS MEDTACK PMS 306
041A0113C5-308	5LB AQUALESS MEDTACK PMS 308
041A0632C5-311	5LB AQUALESS MEDTACK PMS 311
041A0113C5-3165	5LB AQUALESS MEDTACK PMS 3165
041A0114C5-3165	5LB AQUALESS MEDTACK PMS 3165
041A0114C5-320	5LB AQUALESS MEDTACK PMS 320
041A0633C5-322	5LB AQUALESS MEDTACK PMS 322
041A0632C5-326	5LB AQUALESS MEDTACK PMS 326
041A0632C5-327	5LB AQUALESS MEDTACK PMS 327
041A0113C5-3298	5LB AQUALESS MEDTACK PMS 3298
041A0114C5-3405	5LB AQUALESS MEDTACK PMS 3405

**TOYO INK PRODUCTS 12% OFF LIST PRICE**

AS OF  
7-May-10

Stock Description	Stock	List	Cust Price
CN	Non-Stock	\$ 128.36	\$ 112.96
CN	Non-Stock	\$ 139.05	\$ 122.36
CN	Non-Stock	\$ 116.80	\$ 102.78
CN	Non-Stock	\$ 116.80	\$ 102.78
CN	Non-Stock	\$ 116.80	\$ 102.78
CN	Non-Stock	\$ 110.26	\$ 97.03
CN	Non-Stock	\$ 94.64	\$ 83.28
CN	Non-Stock	\$ 116.80	\$ 102.78
CN	Non-Stock	\$ 116.80	\$ 102.78
CN	Non-Stock	\$ 127.65	\$ 112.33
CN	Non-Stock	\$ 116.80	\$ 102.78
CN	Non-Stock	\$ 116.80	\$ 102.78
CN	Non-Stock	#N/A	#N/A
CN	Non-Stock	\$ 116.80	\$ 102.78
CN	Non-Stock	\$ 116.80	\$ 102.78
CN	Non-Stock	\$ 116.80	\$ 102.78
CN	Non-Stock	\$ 116.80	\$ 102.78
CN	Non-Stock	\$ 111.24	\$ 97.89
CN	Non-Stock	\$ 116.80	\$ 102.78
CN	Non-Stock	\$ 116.80	\$ 102.78
CN	Non-Stock	\$ 102.21	\$ 89.94
CN	Non-Stock	\$ 102.21	\$ 89.94
CN	Non-Stock	\$ 128.48	\$ 113.06
CN	Non-Stock	\$ 120.51	\$ 106.05
CN	Non-Stock	\$ 116.80	\$ 102.78
CN	Non-Stock	\$ 119.14	\$ 104.84
CN	Non-Stock	\$ 125.16	\$ 110.14
CN	Non-Stock	\$ 139.05	\$ 122.36
CN	Non-Stock	\$ 117.16	\$ 103.10
CN	Non-Stock	\$ 116.80	\$ 102.78
CN	Non-Stock	\$ 116.80	\$ 102.78
CN	Non-Stock	\$ 120.51	\$ 106.05
CN	Non-Stock	\$ 146.00	\$ 128.48

**TOYO INK PRICE LIST**

Part Number	Description
041A0632C5-341	5LB AQUALESS MEDTACK PMS 341
041A0634C5-3415	5LB AQUALESS MEDTACK PMS 3415
041A0634C5-3425	5LB AQUALESS MEDTACK PMS 3425
041A0632C5-343	5LB AQUALESS MEDTACK PMS 343
041A0631C5-345	5LB AQUALESS MEDTACK PMS 345
041A0632C5-346	5LB AQUALESS MEDTACK PMS 346
041A0632C5-349	5LB AQUALESS MEDTACK PMS 349
041A0114C5-354	5LB AQUALESS MEDTACK PMS 354
041A0633C5-355	5LB AQUALESS MEDTACK PMS 355
041A0633C5-356	5LB AQUALESS MEDTACK PMS 356
041A0113C5-356	5LB AQUALESS MEDTACK PMS 356
041A0113C5-360	5LB AQUALESS MEDTACK PMS 360
041A0632C5-367	5LB AQUALESS MEDTACK PMS 367
041A0632C5-369	5LB AQUALESS MEDTACK PMS 369
041A0632C5-378	5LB AQUALESS MEDTACK PMS 378
041A0632C5-383	5LB AQUALESS MEDTACK PMS 383
041A0631C5-406	5LB AQUALESS MEDTACK PMS 406
041A0631C5-422	5LB AQUALESS MEDTACK PMS 422
041A0631C5-423	5LB AQUALESS MEDTACK PMS 423
041A0631C5-425	5LB AQUALESS MEDTACK PMS 425
041A0631C5-426	5LB AQUALESS MEDTACK PMS 426
041A0111C5-429	5LB AQUALESS MEDTACK PMS 429
041A0111C5-430	5LB AQUALESS MEDTACK PMS 430
041A0013C5-430	5LB AQUALESS MEDTACK PMS 430
041A0631C5-431	5LB AQUALESS MEDTACK PMS 431
041A0631C5-432	5LB AQUALESS MEDTACK PMS 432
041A0632C5-449	5LB AQUALESS MEDTACK PMS 449
041A0631C5-4525	5LB AQUALESS MEDTACK PMS 4525
041A0631C5-4535	5LB AQUALESS MEDTACK PMS 4535
041A0632C5-457	5LB AQUALESS MEDTACK PMS 457
041A0632C5-462	5LB AQUALESS MEDTACK PMS 462
041A0632C5-4625	5LB AQUALESS MEDTACK PMS 4625
041A0632C5-463	5LB AQUALESS MEDTACK PMS 463
041A0631C5-468	5LB AQUALESS MEDTACK PMS 468

**TOYO INK PRODUCTS 12% OFF LIST PRICE**

AS OF  
7-May-10

Stock Description	Stock	List	Cust Price
CN	Non-Stock	\$ 116.80	\$ 102.78
CN	Non-Stock	\$ 146.00	\$ 128.48
CN	Non-Stock	\$ 153.29	\$ 134.90
CN	Non-Stock	\$ 116.80	\$ 102.78
CN	Non-Stock	\$ 94.64	\$ 83.28
CN	Non-Stock	\$ 116.80	\$ 102.78
CN	Non-Stock	\$ 116.80	\$ 102.78
CN	Non-Stock	\$ 146.00	\$ 128.48
CN	Non-Stock	\$ 139.05	\$ 122.36
CN	Non-Stock	\$ 126.54	\$ 111.36
CN	Non-Stock	\$ 119.14	\$ 104.84
CN	Non-Stock	\$ 116.80	\$ 102.78
CN	Non-Stock	\$ 116.80	\$ 102.78
CN	Non-Stock	\$ 116.80	\$ 102.78
CN	Non-Stock	\$ 116.80	\$ 102.78
CN	Non-Stock	\$ 116.80	\$ 102.78
CN	Non-Stock	\$ 102.21	\$ 89.94
EA	Non-Stock	\$ 102.21	\$ 89.94
CN	Non-Stock	\$ 102.21	\$ 89.94
CN	Non-Stock	\$ 102.21	\$ 89.94
CN	Non-Stock	\$ 102.21	\$ 89.94
CN	Non-Stock	\$ 89.85	\$ 79.07
CN	Non-Stock	\$ 89.36	\$ 78.64
CN	Non-Stock	\$ 102.21	\$ 89.94
CN	Non-Stock	\$ 102.21	\$ 89.94
CN	Non-Stock	\$ 116.80	\$ 102.78
CN	Non-Stock	\$ 102.21	\$ 89.94
CN	Non-Stock	\$ 94.64	\$ 83.28
CN	Non-Stock	\$ 116.80	\$ 102.78
CN	Non-Stock	\$ 116.80	\$ 102.78
CN	Non-Stock	\$ 116.80	\$ 102.78
CN	Non-Stock	\$ 116.80	\$ 102.78
CN	Non-Stock	\$ 102.21	\$ 89.94

**TOYO INK PRICE LIST**

Part Number	Description
041A0632C5-469	5LB AQUALESS MEDTACK PMS 469
041A0113C5-4695	5LB AQUALESS MEDTACK PMS 4695
041A0632C5-476	5LB AQUALESS MEDTACK PMS 476
041A0632C5-485	5LB AQUALESS MEDTACK PMS 485
041A0635C5-527	5LB AQUALESS MEDTACK PMS 527
041A0632C5-5275	5LB AQUALESS MEDTACK PMS 5275
041A0632C5-540	5LB AQUALESS MEDTACK PMS 540
041A0632C5-5405	5LB AQUALESS MEDTACK PMS 5405
041A0632C5-541	5LB AQUALESS MEDTACK PMS 541
041A0632C5-5415	5LB AQUALESS MEDTACK PMS 5415
041A0632C5-5473	5LB AQUALESS MEDTACK PMS 5473
041A0632C5-548	5LB AQUALESS MEDTACK PMS 548
041A0631C5-5483	5LB AQUALESS MEDTACK PMS 5483
041A0632C5-549	5LB AQUALESS MEDTACK PMS 549
041A0631C5-5497	5LB AQUALESS MEDTACK PMS 5497
041A0632C5-5545	5LB AQUALESS MEDTACK PMS 5545
041A0632C5-5555	5LB AQUALESS MEDTACK PMS 5555
041A0632C5-556	5LB AQUALESS MEDTACK PMS 556
041A0114C5-557	5LB AQUALESS MEDTACK PMS 557
041A0634C5-561	5LB AQUALESS MEDTACK PMS 561
041A0114C5	5LB AQUALESS MEDTACK PMS 569
041A0112C5-5753	5LB AQUALESS MEDTACK PMS 5753
041A0631C5-5777	5LB AQUALESS MEDTACK PMS 5777
041A0631C5-5855	5LB AQUALESS MEDTACK PMS 5855
041A0632C5-613	5LB AQUALESS MEDTACK PMS 613
041A0112C5-617	5LB AQUALESS MEDTACK PMS 617
041A0632C5-619	5LB AQUALESS MEDTACK PMS 619
041A0112C5-625	5LB AQUALESS MEDTACK PMS 625
041A0632C5-640	5LB AQUALESS MEDTACK PMS 640
041A0114C5-647	5LB AQUALESS MEDTACK PMS 647
041A0632C5-648	5LB AQUALESS MEDTACK PMS 648
041A0631C5-652	5LB AQUALESS MEDTACK PMS 652
041A0632C5-653	5LB AQUALESS MEDTACK PMS 653
041A0634C5-654	5LB AQUALESS MEDTACK PMS 654

**TOYO INK PRODUCTS 12% OFF LIST PRICE**

AS OF  
7-May-10

Stock Description	Stock	List	Cust Price
CN	Non-Stock	\$ 116.80	\$ 102.78
CN	Non-Stock	\$ 105.40	\$ 92.75
CN	Non-Stock	\$ 116.80	\$ 102.78
CN	Non-Stock	\$ 116.80	\$ 102.78
CN	Non-Stock	\$ 165.47	\$ 145.61
CN	Non-Stock	\$ 116.80	\$ 102.78
CN	Non-Stock	\$ 116.80	\$ 102.78
CN	Non-Stock	\$ 128.48	\$ 113.06
CN	Non-Stock	\$ 116.80	\$ 102.78
CN	Non-Stock	\$ 116.80	\$ 102.78
CN	Non-Stock	\$ 116.80	\$ 102.78
CN	Non-Stock	\$ 102.21	\$ 89.94
CN	Non-Stock	\$ 116.80	\$ 102.78
EA	Non-Stock	\$ 102.21	\$ 89.94
CN	Non-Stock	\$ 116.80	\$ 102.78
CN	Non-Stock	\$ 116.80	\$ 102.78
CN	Non-Stock	\$ 108.15	\$ 95.17
CN	Non-Stock	\$ 128.48	\$ 113.06
CN	Non-Stock	\$ 146.00	\$ 128.48
CN	Non-Stock	\$ 139.05	\$ 122.36
CN	Non-Stock	\$ 90.25	\$ 79.42
EA	Non-Stock	\$ 102.21	\$ 89.94
EA	Non-Stock	\$ 102.21	\$ 89.94
CN	Non-Stock	\$ 116.80	\$ 102.78
CN	Non-Stock	\$ 102.67	\$ 90.35
CN	Non-Stock	\$ 116.80	\$ 102.78
CN	Non-Stock	\$ 102.46	\$ 90.16
CN	Non-Stock	\$ 116.80	\$ 102.78
CN	Non-Stock	\$ 127.93	\$ 112.58
CN	Non-Stock	\$ 116.80	\$ 102.78
EA	Non-Stock	\$ 102.21	\$ 89.94
CN	Non-Stock	\$ 122.09	\$ 107.44
CN	Non-Stock	\$ 146.00	\$ 128.48

**TOYO INK PRICE LIST**

Part Number	Description
041A0632C-660	5LB AQUALESS MEDTACK PMS 660
041A0632C5-660	5LB AQUALESS MEDTACK PMS 660
041A0112C5-662	5LB AQUALESS MEDTACK PMS 662
041A0113C5-667	5LB AQUALESS MEDTACK PMS 667
041A0633C5-669	5LB AQUALESS MEDTACK PMS 669
041A0631C5-673	5LB AQUALESS MEDTACK PMS 673
041A0113C5-701	5LB AQUALESS MEDTACK PMS 701
041A0634C5-704	5LB AQUALESS MEDTACK PMS 704
041A0115C5-724	5LB AQUALESS MEDTACK PMS 724
041A0632C5-7406	5LB AQUALESS MEDTACK PMS 7406
041A0112C5-7413	5LB AQUALESS MEDTACK PMS 7413
041A0632C5-7428	5LB AQUALESS MEDTACK PMS 7428
041A0632C5-7455	5LB AQUALESS MEDTACK PMS 7455
041A0632C5-7456	5LB AQUALESS MEDTACK PMS 7456
041A0112C5-7458	5LB AQUALESS MEDTACK PMS 7458
041A0632C5-7461	5LB AQUALESS MEDTACK PMS 7461
041A0112C57462U	5LB AQUALESS MEDTACK PMS 7462UNCTD
041A0632C5-7473	5LB AQUALESS MEDTACK PMS 7473
041A0632C5-7494	5LB AQUALESS MEDTACK PMS 7494
041A0632C5-7496	5LB AQUALESS MEDTACK PMS 7496
041A0631C1-7533	5LB AQUALESS MEDTACK PMS 7533
041A0631C5-7533	5LB AQUALESS MEDTACK PMS 7533
041A0631C5-7545	5LB AQUALESS MEDTACK PMS 7545
041A0631C5-7546	5LB AQUALESS MEDTACK PMS 7546
041A0637C5-801	5LB AQUALESS MEDTACK PMS 801 FLUOR
041A0637C5-8021	5LB AQUALESS MEDTACK PMS 8021
041A0637C5-803	5LB AQUALESS MEDTACK PMS 803
041A0637C5-811C	5LB AQUALESS MEDTACK PMS 811C
041A0634C5-8202	5LB AQUALESS MEDTACK PMS 8202
041A0634C5-8380	5LB AQUALESS MEDTACK PMS 8380
041A0634C5-8401	5LB AQUALESS MEDTACK PMS 8401
O41A06114C58402	5LB AQUALESS MEDTACK PMS 8402
041A0635C5-8645	5LB AQUALESS MEDTACK PMS 8645
041A0637C5-8820	5LB AQUALESS MEDTACK PMS 8820

**TOYO INK PRODUCTS 12% OFF LIST PRICE**

AS OF  
7-May-10

Stock Description	Stock	List	Cust Price
CN	Non-Stock	\$ 108.15	\$ 95.17
CN	Non-Stock	\$ 108.15	\$ 95.17
CN	Non-Stock	\$ 127.65	\$ 112.33
CN	Non-Stock	\$ 116.80	\$ 102.78
CN	Non-Stock	\$ 126.54	\$ 111.36
CN	Non-Stock	\$ 102.21	\$ 89.94
CN	Non-Stock	\$ 116.80	\$ 102.78
CN	Non-Stock	\$ 146.00	\$ 128.48
CN	Non-Stock	\$ 157.91	\$ 138.96
CN	Non-Stock	\$ 116.80	\$ 102.78
CN	Non-Stock	\$ 98.33	\$ 86.53
CN	Non-Stock	\$ 116.80	\$ 102.78
EA	Non-Stock	\$ 116.80	\$ 102.78
CN	Non-Stock	\$ 116.80	\$ 102.78
CN	Non-Stock	\$ 102.67	\$ 90.35
CN	Non-Stock	\$ 116.80	\$ 102.78
CN	Non-Stock	\$ 105.68	\$ 93.00
CN	Non-Stock	\$ 116.80	\$ 102.78
CN	Non-Stock	\$ 116.80	\$ 102.78
CN	Non-Stock	\$ 116.80	\$ 102.78
CN	Non-Stock	\$ 110.26	\$ 97.03
CN	Non-Stock	\$ 94.64	\$ 83.28
CN	Non-Stock	\$ 102.21	\$ 89.94
CN	Non-Stock	\$ 102.21	\$ 89.94
CN	Non-Stock	\$ 220.16	\$ 193.74
CN	Non-Stock	\$ 267.65	\$ 235.53
CN	Non-Stock	\$ 243.34	\$ 214.14
CN	Non-Stock	\$ 243.34	\$ 214.14
CN	Non-Stock	\$ 139.05	\$ 122.36
CN	Non-Stock	\$ 139.05	\$ 122.36
CN	Non-Stock	\$ 160.65	\$ 141.37
EA	Non-Stock	#N/A	#N/A
CN	Non-Stock	\$ 165.47	\$ 145.61
CN	Non-Stock	\$ 243.34	\$ 214.14

**TOYO INK PRICE LIST**

Part Number	Description
041A0638C5-8923	5LB AQUALESS MEDTACK PMS 8923
041A0631C5-CG8	5LB AQUALESS MEDTACK PMS COOL GRAY 8
041A0113C5-CG9	5LB AQUALESS MEDTACK PMS COOL GRAY 9
041A0113C5-CG10	5LB AQUALESS MEDTACK PMS COOL GRAY10
041A0117C5-871	5LB AQUALESS MEDTACK PMS GOLD 871
041A0117C5-872	5LB AQUALESS MEDTACK PMS GOLD 872
041A0117C5-873	5LB AQUALESS MEDTACK PMS GOLD 873
041A0117C5-874	5LB AQUALESS MEDTACK PMS GOLD 874
041A0117C5-876	5LB AQUALESS MEDTACK PMS GOLD 876
TIIL-5711	5LB AQUALESS MEDTACK STONE
TIIL-5876	5LB AQUALESS MEDTACK VOLVO BLUE
041A0112C5-W62	5LB AQUALESS OPAQUE WHITE 62
00190409C5-877	5LB AQUALESS PANTONE SILVER 87
00150142C5	5LB AQUALESS PMS 032 RED
041A0112C5-201	5LB AQUALESS PMS 201 RED
041A0114C5-287	5LB AQUALESS PMS 287 BLUE LOWTACK
041A0112C5-295	5LB AQUALESS PMS 295 LOW TACK
041A0114C5-511	5LB AQUALESS PMS 511 PLUM LOWTACK
041A0112C5-BK6M	5LB AQUALESS PMS BLACK 6 MATTE
00160136C5	5LB AQUALESS PMS REFLEX BLUE
00180375C5	5LB AQUALESS PMS TRANS WHITE
041A0112C5-WG7	5LB AQUALESS PMS WARM GRAY 7
041A0113C5-STCS	5LB AQUALESS SATIN CLEAR SEALER
041A0634C5-TSGK	5LB AQUALESS TSG BLACK
041A0634C5-TSGC	5LB AQUALESS TSG CYAN
041A0634C5-TSGM	5LB AQUALESS TSG MAGENTA
041A0634C5-TSGW	5LB AQUALESS TSG OPAQUE WHITE
041A0634C5-TSGY	5LB AQUALESS TSG YELLOW
00170267C5	5LB AQUALESS ULTRA DENSE BLK MEDTACK
041A0112C5-187	5LB AQUALESS MEDTACK PMS 187
041A0113C5-534	5LB AQUALESS MEDTACK PMS 534
00180557KR	AQL Karat Matte
00180556KR	AQL Karat MCOP Gloss Varnish
00180558KR	AQL KARAT SATIN

**TOYO INK PRODUCTS 12% OFF LIST PRICE**

AS OF  
7-May-10

Stock Description	Stock	List	Cust Price
CN	Non-Stock	\$ 278.10	\$ 244.73
CN	Non-Stock	\$ 102.21	\$ 89.94
CN	Non-Stock	\$ 105.40	\$ 92.75
CN	Non-Stock	\$ 111.24	\$ 97.89
CN	Non-Stock	\$ 205.39	\$ 180.74
CN	Non-Stock	\$ 205.39	\$ 180.74
CN	Non-Stock	\$ 205.39	\$ 180.74
CN	Non-Stock	\$ 205.39	\$ 180.74
CN	Non-Stock	\$ 205.39	\$ 180.74
CN	Non-Stock	#N/A	#N/A
CN	Non-Stock	#N/A	#N/A
CN	Non-Stock	\$ 102.46	\$ 90.16
CN	Stock	#N/A	#N/A
CN	Stock	\$ 104.47	\$ 91.93
CN	Stock	\$ 95.31	\$ 83.87
CN	Non-Stock	\$ 146.00	\$ 128.48
CN	Non-Stock	\$ 102.46	\$ 90.16
CN	Non-Stock	\$ 97.58	\$ 85.87
CN	Non-Stock	\$ 105.68	\$ 93.00
CN	Stock	\$ 61.30	\$ 53.94
CN	Stock	\$ 68.13	\$ 59.95
CN	Non-Stock	\$ 116.80	\$ 102.78
CN	Non-Stock	\$ 126.54	\$ 111.36
CN	Non-Stock	\$ 157.96	\$ 139.00
CN	Non-Stock	\$ 157.96	\$ 139.00
CN	Non-Stock	\$ 157.96	\$ 139.00
CN	Non-Stock	\$ 120.14	\$ 105.72
CN	Non-Stock	\$ 157.96	\$ 139.00
CN	Non-Stock	\$ 58.40	\$ 51.39
CN	Non-Stock	\$ 116.80	\$ 102.78
CN	Non-Stock	\$ 125.98	\$ 110.86
EA	Stock	\$ 31.92	\$ 28.09
EA	Stock	\$ 27.08	\$ 23.83
EA	Stock	\$ 30.84	\$ 27.14



**TOYO INK PRICE LIST**

Part Number	Description
00130540KR	AQL KARAT TUBE BLACK EXD
00130462H5	AQL KARAT TUBE BLACK M
00120539KR	AQL KARAT TUBE CYAN EXD
00120461H5	AQL KARAT TUBE CYAN M
00130524H5	AQL KARAT TUBE DENSE BLACK M
00100510H5	AQL KARAT TUBE EX YELLOW M
00110538KR	AQL KARAT TUBE MAGENTA EXD
00110460H5	AQL KARAT TUBE MAGENTA M
00110531H5	AQL KARAT TUBE MAGENTA S M
00100459H5	AQL KARAT TUBE SWOP YELLOW M
00100537KR	AQL KARAT TUBE YELLOW EXD
00100463H5	AQL KARAT TUBE YELLOW M
00180264K1	AQUALESS GLOSS MEDIUM 8LB
041A0113C5-TBK	AQUALESS TSP400 BLACK MEDTACK
041A0114C5-TCY	AQUALESS TSP400 CYAN MEDTACK
041A0114C5-TMG	AQUALESS TSP400 MAGENTA MEDTACK
041A0114C5-TYL	AQUALESS TSP400 YELLOW MEDTACK
041A0115C5-TRMG	AQUALESS TSP400RESIST MAG MEDTACK
041A0118C5-TRYL	AQUALESS TSP400RESIST YELLOW MEDTACK
TOYO-30125	TOYO AQL WAXLS MCOP GLS VARNISH 8LB
TOYO-30212	TOYO AQUALESS MATTE OP VARNISH 9.5LB
TOYO-30268	TOYO AQUALESS MCOP GLOSS VARNISH 8LB
00180266K1	TOYO AQUALESS MCOP GLOSS VARNISH 8LB
13BB0014XX	TOYO COLOR FINDER 10,000 5 BOOK SET
03180274K1	TOYO NEW GEL INK REDUCER 8 LBS
TOYO-AT50	TOYO STOP TONING AGENT LITER

**TOYO INK PRODUCTS 12% OFF LIST PRICE**

AS OF  
7-May-10

Stock Description	Stock	List	Cust Price
EA	Non-Stock	\$ 40.91	\$ 36.00
EA	Stock	\$ 38.99	\$ 34.31
EA	Non-Stock	\$ 41.13	\$ 36.19
EA	Stock	\$ 39.15	\$ 34.45
EA	Stock	\$ 41.82	\$ 36.80
EA	Stock	\$ 37.43	\$ 32.94
EA	Non-Stock	\$ 41.56	\$ 36.57
EA	Stock	\$ 39.55	\$ 34.80
EA	Stock	\$ 40.77	\$ 35.88
EA	Stock	\$ 33.32	\$ 29.32
EA	Non-Stock	\$ 34.99	\$ 30.79
EA	Stock	\$ 33.32	\$ 29.32
CN	Non-Stock	\$ 39.48	\$ 34.74
CN	Non-Stock	\$ 110.67	\$ 97.39
CN	Non-Stock	\$ 127.65	\$ 112.33
CN	Non-Stock	\$ 127.65	\$ 112.33
CN	Non-Stock	\$ 127.65	\$ 112.33
CN	Non-Stock	\$ 144.69	\$ 127.33
CN	Non-Stock	\$ 255.31	\$ 224.67
CN	Stock	\$ 57.76	\$ 50.83
CN	Stock	\$ 94.39	\$ 83.06
CN	Stock	\$ 47.74	\$ 42.01
CN	Non-Stock	#N/A	#N/A
EA	Non-Stock	\$ 236.33	\$ 207.97
EA	Non-Stock	\$ 62.29	\$ 54.82
LT	Stock	\$ 172.75	\$ 152.02



# VARN PRODUCTS



**VARN 30% OFF LIST PRICE**

Product Code	Unit of Measure	Units per Package	Product Description	Effective MAY 7, 2010	
				Suggested List Price	Customer Price
17500EA	Each	1	HAND SPRAYER 9"	4.57	3.20
17541EA	Case	10	ACID PH STICKS 3.6-6.1	134.29	94.00
17560EA	Each	1	MYRON L COND METER	240.35	168.25
17562EA	Each	1	HANNA PH ELECTRIC PEN	75.58	52.91
17572EA	Each	1	DOSER DI-110	1,272.40	890.68
17576EA	Each	1	GRAPHIC DOSER KIT	254.49	178.14
17592EA	Each	1	PLASTIC DRUM SPIGOT	6.72	4.70
17593EA	Case	12	GOOSENECK WASH BOTTLE CS	64.03	44.82
17598EA	Each	1	DRUM OPENER W-169	16.97	11.88
17600EA	Each	6	FOUNTAINPURE FILTER 7600 -- 1/2" TUBING	40.31	28.22
17603EA	Case	2	FOUNTAINPURE RELIEF VALVE KIT 3 lb. -- 1" TUBING	89.09	62.36
15340AE	Each	12	INK READI CS 12EA	8.76	6.13
15341AE	Case	12	ANTI-STATIC CS 12EA	108.20	75.74
15342AE	Case	12	SILICONE SPRAY CS 12EA	121.42	84.99
16457CA	Each	44	R-23 4 X 11 LB CTN	35.31	24.72
16457CB	Carton	55	R-23 55LB CTN	106.70	74.69
16459CA	Each	44	R-27 4 X 11 LB CTN	35.31	24.72
16459CB	Each	55	R-27 55LB CTN	106.70	74.69
16460CA	Each	44	R-35 4 X 11 LB CTN	141.60	99.12
16460CB	Carton	55	R-35 55LB CTN	107.00	74.90
16461CA	Carton	44	C-350 4 X 11 LB CTN	152.80	106.96
16462CA	Carton	44	R-50 4 X 11 LB CTN	141.60	99.12
16462CB	Carton	55	R-50 55LB CTN	106.70	74.69
16463CA	Each	44	C-230 4 X 11 LB CTN	38.17	26.72
16463CB	Carton	55	C-230 55LB CTN	107.00	74.90
16464CA	Each	44	C-270 4 X 11 LB CTN	38.17	26.72
16464CB	Each	55	C-270 55LB CTN	106.15	74.31
16465CA	Carton	44	C-500 4 X 11 LB CTN	152.80	106.96

Product Code	Unit of Measure	Units per Package	Product Description	Effective MAY 7, 2010	
				Suggested List Price	Customer Price
16465CB	Carton	55	C-500 55LB CTN	111.00	77.70
16469CB	Carton	55	C-600 55LB CTN	111.00	77.70
13037GB	Case	4	ABSOLUTE 6300 ALC SUB 4G CS	120.44	84.31
13046GB	Case	4	ABSOLUTE 6036 ALC SUB 4G CS	139.92	97.94
13100DB	Each	55	PAR 55G DR	1,889.44	1,322.61
13100GB	Gallon	4	PAR 4G CS	51.57	36.10
13100PB	Pail	5	PAR 5G PAIL	223.60	156.52
13248DE	Each	55	JET WET 55G DR	1,497.36	1,048.15
13248GA	Gallon	6	JET WET 6G CS	37.78	26.45
13248PA	Each	5	JET WET 5G PAIL	180.55	126.39
15237GB	Gallon	4	INK-DRYING STIM 4G CS	67.79	47.45
15250DE	Drum	55	NPA 55G DR	1,081.50	757.05
15250GA	Gallon	6	NPA 6G CS	27.59	19.31
15250PA	Each	5	NPA 5G PAIL	126.93	88.85
15280KA	Each	12	SUPER DEFOAMER CS 12 EA	35.13	24.59
17282DE	Drum	55	IPA 55G DR	770.17	539.12
13002GB	Gallon	4	OPTI PRINT 4G CS	52.94	37.06
13002PB	Pail	5	OPTI PRINT 069 5G PAIL	195.45	136.82
13004GB	Gallon	4	UNIVERSAL PINK 4G CS	20.20	14.14
13034DB	Drum	55	PANTHEON 606C 55G DR	1,014.35	710.05
13034GB	Case	4	PANTHEON 606C 4G CS	102.62	71.83
13034PB	Pail	5	PANTHEON 606C 5GPA	119.18	83.43
13042DB	Drum	55	PANTHEON OPTIMA 55G	965.80	676.06
13042GB	Case	4	PANTHEON OPTIMA 4G	113.49	79.44
13048GB	Gallon	4	SUPREME 6038 FS CONC 4G CS	29.43	20.60
13049DB	Drum	55	SUPREME FOUNT 7086 55G DR	965.79	676.05
13049GB	Case	4	SUPREME FOUNT 7086 4G CS	113.49	79.44
13049PB	Pail	5	SUPREME FOUNT 7086 5G PAIL	112.82	78.97
13111GB	Gallon	4	VERSI 4G CS	26.05	18.24
13112DB	Each	55	TOTAL PLUS AR 55G DR	1,251.16	875.81
13112GB	Gallon	4	TOTAL PLUS AR 4G CS	30.90	21.63
13112PB	Each	5	TOTAL PLUS AR 5G PAIL	130.91	91.64
13135GB	Gallon	4	SUPERLENE 4G CS	31.44	22.01
13138DB	Each	55	TOTAL 55G DR	1,155.24	808.67
13138GB	Gallon	4	TOTAL 4G CS	30.02	21.01
13138PB	Each	5	TOTAL 5G PAIL	142.68	99.88

Product Code	Unit of Measure	Units per Package	Product Description	Effective MAY 7, 2010	
				Suggested List Price	Customer Price
13144DB	Each	55	TOTAL CHROME FREE 55G DR	1,125.26	787.68
13144GB	Gallon	4	TOTAL CHROME FREE 4G CS	27.33	19.13
13144PB	Each	5	TOTAL CHROME FREE 5G PAIL	130.91	91.64
13144QA	Quart	12	TOTAL CHROME FREE 12QT CS	12.32	8.62
12109DB	Each	55	NEUTRA-WEB 55G DR	537.35	376.15
12109PB	Each	5	NEUTRA-WEB 5G PAIL	80.36	56.25
12141DB	Each	55	PREMIER EDITION 55G DR	469.15	328.41
12141PB	Each	5	PREMIER EDITION 5G PAIL	72.45	50.72
92040PB	Each	5	MAJESTA 400 5G PA	84.09	58.86
11023DC	Drum	55	FLEXO WASH CONC 55G DR	628.10	439.67
10040DE	Drum	55	WASH V-275 55G DR	677.60	474.32
10037DE	Drum	55	BLUE RIBBON WASH 55G DR	677.60	474.32
10013DE	Drum	55	PRESS CLEAN 55G DR	864.05	604.84
10009DE	Drum	55	PRONTO 55G DR	889.35	622.55
10006DE	Drum	55	VWM 55G DR	677.60	474.32
11023PB	Each	5	FLEXO WASH CONC 5G PAIL	84.00	58.80
10034DE	Drum	55	VARN ABC WASH 55G DR	932.80	652.96
10032DE	Drum	55	COLOR WASH STEP 2 55G DR	939.95	657.97
10095DE	Drum	55	A 230 55 G DRUM	677.28	474.10
15019DE	Drum	55	METERING ROLLER CLEANER 55G DR	704.00	492.80
10002DE	Drum	55	CALIFORNIA WASH 55G DR	958.10	670.67
10017DE	Drum	55	R-7 55G DR	972.95	681.07
10060DE	Drum	55	WASH V-60 55G DR	976.25	683.38
10021DE	Drum	55	TYPE WASH 55G DR	983.40	688.38
10005DE	Drum	55	V-253 55G DR	994.40	696.08
10040PA	Each	5	WASH V-275 5G PAIL	91.60	64.12
15004DE	Drum	55	LVP MRC 55G DR	1,011.83	708.28
10037PA	Pail	5	BLUE RIBBON WASH 5G PAIL	93.80	65.66
10003DE	Drum	55	V-120 55G DR	1,034.55	724.19
10004DE	Drum	55	HYDRO SOLV 55G DR	1,103.30	772.31
10040GA	Each	6	WASH V-275 6G CS	126.76	88.73
10078PA	Each	5	V-2995 5G PAIL	105.75	74.03
11080DE	Drum	55	VARN SAFETY UV CLR 55G DR	1,183.05	828.14
10009PA	Each	5	PRONTO 5G PAIL	128.55	89.99
10013PA	Each	5	PRESS CLEAN 5G PAIL	128.55	89.99
10006PA	Each	5	VWM 5G PAIL	132.80	92.96

Product Code	Unit of Measure	Units per Package	Product Description	Effective MAY 7, 2010	
				Suggested List Price	Customer Price
10028PA	Pail	5	POLARSOLV 5G PAIL	134.15	93.91
10032PA	Each	5	COLOR WASH STEP 2 5G PAIL	134.15	93.91
10034PA	Pail	5	VARN ABC WASH 5G PAIL	78.36	54.85
10017PA	Each	5	R-7 5G PAIL	135.80	95.06
10005PA	Each	5	V-253 5G PAIL	136.09	95.26
10021PA	Each	5	TYPE WASH 5G PAIL	136.10	95.27
10027PA	Each	5	NTT WASH 5G PAIL	136.10	95.27
10095PA	Each	5	A 230 5G PAIL	136.45	95.52
10037GA	Case	6	BLUE RIBBON WASH 6G CS	164.07	114.85
10060PA	Each	5	WASH-V-60 5G PAIL	136.73	95.71
10002PA	Each	5	CALIFORNIA WASH 5G PAIL	138.75	97.13
10003PA	Each	5	V-120 5G PAIL	141.05	98.74
10006GA	Case	6	VWM 6G CS	169.68	118.78
10009GA	Gallon	6	PRONTO 6G CS	28.28	19.80
10031PA	Each	5	COLOR WASH STEP 1 5G PAIL	143.35	100.35
10032GA	Gallon	6	COLOR WASH STEP 2 6G CS	29.47	20.63
15004PA	Each	5	LVP MRC 5G PAIL	165.00	115.50
10004PA	Each	5	HYDRO SOLV 5G PAIL	96.55	67.59
11500PA	Pail	5	V-500 HYBRID UV WASH 5G PAIL	105.64	73.95
10021GA	Gallon	6	TYPE WASH 6G CS	29.93	20.95
11080PA	Pail	5	VARN SAFETY UV CLR 5G PAIL	105.64	73.95
10002GA	Case	6	CALIFORNIA WASH 6G CS	182.76	127.93
10027GA	Each	6	NTT WASH 6G CS	182.73	127.91
10003GA	Gallon	6	V-120 6G CS	31.18	21.83
10060GA	Case	6	WASH V-60 6G CS	187.08	130.96
10031GA	Gallon	6	COLOR WASH STEP 1 6G CS	31.64	22.15
15019PA	Each	5	METERING ROLLER CLEANER 5G PAIL	161.00	112.70
15019GA	Gallon	6	METERING ROLLER CLEANER 6G CS	34.71	24.30
15004GA	Carton	6	LVP MRC 6G CS	211.56	148.09
11025DB	Drum	55	ECOLO WASH @ 100 55G DR	1,053.80	737.66
11025GA	Case	6	ECOLO WASH @ 100 6G CS	173.10	121.17
15002DE	Drum	55	ECOLO WASH PLUS 55G DR	948.20	663.74
15002GA	Case	6	ECOLO WASH PLUSH 6G CS	166.62	116.63
10039GA	Case	6	ZAP METERING ROLLER CLNR 6G	200.26	140.18
10039PA	Each	5	ZAP METERING ROLLER CLNR 5G	96.55	67.59
11026GA	Gallon	6	ECOLO WASH@ MRC 6G CS	45.20	31.64

Product Code	Unit of Measure	Units per Package	Product Description	Effective MAY 7, 2010	
				Suggested List Price	Customer Price
14003GB	Case	4	TRIPLE THREAT DEGLAZER 4G	116.22	81.35
14003QA	Quart	12	TRIPLE THREAT DEGLAZER 12QT	19.09	13.36
14100GB	Case	4	CALCIUM ELIMINATOR 4G CS	128.07	89.65
14100QA	Case	12	CALCIUM ELIMINATOR 12QT CS	211.11	147.78
14220GA	Gallon	6	REVITOL 6G CS	32.58	22.81
14220QA	Quart	12	REVITOL 12QT CS	14.20	9.94
14255LA	Each	12	TAKE IT OFF 12 X 1 LB CS	14.74	10.32
14255LB	Each	27	TAKE IT OFF 6 X 4.5 LB CS	49.68	34.78
14277QA	Quart	12	OVERNITE 12 QT CS	15.48	10.84
15003DE	Drum	55	PEARL DRY 55G DR	1,697.18	1,188.03
15003GA	Case	6	PEARL DRY 6G CS	243.29	170.30
15003PA	Pail	5	PEARL DRY 5G PAIL	181.15	126.81
15003QA	Case	12	PEARL DRY 12QT CS	264.84	185.39
15011QA	Carton	12	PLATE PLUS 12QT CS	119.34	83.54
15014QA	Quart	12	COMPLETE PLATE CLEANER	13.32	9.32
15015GB	Case	4	AC CLEANER 77 4G CS	124.39	87.07
15034GB	Gallon	4	GRAPHIC SHOP CLR 045 4G CS	18.19	12.73
15200DB	Drum	55	DAMPENING SYSTEM CLEANER 55G	1,266.14	886.30
15200GB	Gallon	4	DAMPENING SYSTEM CLEANER 4G CS	30.23	21.16
15200PB	Case	5	DAMPENING SYSTEM CLEANER 5G	138.73	97.11
15204DE	Drum	55	SPOTLESS 55G DR	957.40	670.18
15204GA	Case	6	SPOTLESS 6G CS	160.47	112.33
15204PA	Each	5	SPOTLESS 5G PAIL	121.73	85.21
15205KD	Bottle	36	VARN SWELL 3 OZ	12.33	8.63
15222DE	Drum	55	SUPER RUBBER REJUVENATOR 55G	1,954.37	1,368.06
15222GA	Gallon	6	SUPER RUBBER REJUVENATOR 6G CS	47.19	33.03
15222PA	Each	5	SUPER RUBBER REJUVENATOR 5G	227.43	159.20
15224DE	Drum	55	FILM CLEANER 55G DR	873.47	611.43
15224GA	Gallon	6	FILM CLEANER 6G CS	24.36	17.05
15224PA	Each	5	FILM CLEANER 5G PAIL	110.91	77.64
15225QA	Quart	12	SLIP AGENT 6 12QT CS	21.14	14.80
15230GA	Case	6	COMPOUND 747 6G CS	228.18	159.73
15230QA	Quart	12	COMPOUND 747 12QT CS	14.74	10.32
15232GB	Gallon	4	BLACK MAGIC 4G CS	40.92	28.64
15232QA	Quart	12	BLACK MAGIC 12QT CS	14.42	10.09
15235QA	Quart	12	TRUE BLUE 12QT CS	24.57	17.20

Product Code	Unit of Measure	Units per Package	Product Description	Effective MAY 7, 2010	
				Suggested List Price	Customer Price
15266LA	Case	12	BLUE VELVET 12 X 1 LB CS	84.00	58.80
15266LB	Each	27	BLUE VELVET 6 X 4.5 LB CS	23.63	16.54
15267LB	Each	27	ORANGE SCRUB 6 X 4.5 LB CS	23.63	16.54
15274DB	Drum	55	EASI-FOLD CONC 55G DR	818.32	572.82
15290KC	Each	48	PBR 6X8 FO CS	73.52	51.46
15350GA	Case	6	PREVENT 6G CS	436.44	305.51
17000QA	Case	12	ROLLER LUBE 12QT CS	191.76	134.23
17229DB	Each	55	100% PURE GUM 55G DR	1,966.36	1,376.45
17229GB	Gallon	4	100% PURE GUM 4G CS	44.94	31.46
17229PB	Each	5	100% PURE GUM 5G PAIL	203.67	142.57
17229QA	Quart	12	100% PURE GUM 12QT CS	16.79	11.75

ONLY THE TABS IN YELLOW WAS AWARDED TO PRESSTEK

on Contract #4400002508 ENDING 06/30/11

Period 05/07/10 thru 06/30/11



<b>Presstek 2010 Equipment Price list (OFFSET) (Manf. PRESSTEK)</b>				<b>effective 05/07/10</b>
<b>AVAILABLE FOR LEASE AND OUTRIGHT PURCHASE</b>				<b>10% OFF LIST</b>
<b>Category</b>	<b>Product Code Number</b>	<b>Description</b>	<b>List</b>	<b>CUSTOMER PRICE</b>
DI Press	PRST52NA-P	52 DI Digital Printing Press	529,900.00	\$ 476,910.00
DI Press	HYY00831	DI Compressor	4,500.00	\$ 4,050.00
DI Press	R 5554 66 201	PDSe Denistometer 52DI	20,000.00	\$ 18,000.00
DI Press	PRVS-52DI	GTI Viewing Booth 52DI	2,025.00	\$ 1,822.50
DI Press	52DI-SUPKIT	52DI Supply Kit	5,325.00	\$ 4,792.50
DI Press	PRST52ACNA-P	52 DI Digital Printing Press with Aqueous Coater	705,000.00	\$ 634,500.00
DI Press	PRST34E	34DI-E Digital Printing Press	286,000.00	\$ 257,400.00
DI Press	PRST34X	34DI-X Digital Printing Press	295,500.00	\$ 265,950.00
DI Press	AAG02581	34 Plate Saver	9,500.00	\$ 8,550.00
DI Press	AAG02541	34 high Grade Powder Spray	12,500.00	\$ 11,250.00
DI Press	AAG02531	Feeder Pre-Pile	1,800.00	\$ 1,620.00
DI Press	AAG02691	34 paper pile board	750.00	\$ 675.00
DI Press	AAG02181	PDSe Denistometer 34DI before sn 2562	20,000.00	\$ 18,000.00
DI Press	AAG02182	PDSe Denistometer 34DI	20,000.00	\$ 18,000.00
DI Press	PRVS-34DI	GTI Viewing Booth 34DI	1,685.00	\$ 1,516.50
DI Press	34DI-SUPKIT	34DI Supply Kit	4,065.00	\$ 3,658.50
DI Press	535446140	Paper Tables - Delivery 34DI	876.90	\$ 789.21
DI Press	555446140	Delivery table assembly - Delivery 52DI	1,426.00	\$ 1,283.40
DI Press	AAG02571	PDS-PROE(SPECTRO)	40,000.00	\$ 36,000.00
Platesetters	AAG03771	Compass 4015	75,142.00	\$ 67,627.80
Platesetters	AAG03771 & AAG03791	Compass 4022	85,000.00	\$ 76,500.00
Platesetters	AAG04811	Compass 4038	94,623.00	\$ 85,160.70
Platesetters	AAG03871	Compass 4000 Accessories	22,557.00	\$ 20,301.30
Platesetters	COM4MCUNA	Compass 4000 Accessories	34,585.00	\$ 31,126.50
Platesetters	COM4TIFFINTRONA	Compass 4000 Accessories	6,486.00	\$ 5,837.40
Platesetters	COM4TIFFWRKSTNA	Compass 4000 Accessories	9,395.00	\$ 8,455.50
Platesetters	COM4CONVYNA	Compass 4000 Accessories	2,482.00	\$ 2,233.80
Platesetters	COM4PLATESLDER	Compass 4000 Accessories	843.00	\$ 758.70
Platesetters	COM4PNCHCNVYRNA	Compass 4000 Accessories	12,502.00	\$ 11,251.80
Platesetters	COM4PUNCHNA	Compass 4000 Accessories	2,215.00	\$ 1,993.50
Platesetters	COM4STACKERNA	Compass 4000 Accessories	1,425.00	\$ 1,282.50
Platesetters	COM8022NA	Compass 8022	160,312.00	\$ 144,280.80
Platesetters	COM8030NA	Compass 8030	191,151.00	\$ 172,035.90
Platesetters	COM8SCULFTNA	Compass 8000 Accessories	40,902.00	\$ 36,811.80
Platesetters	COM8STRCONVNA	Compass 8000 Accessories	3,877.00	\$ 3,489.30
Platesetters	COM8MCU3LFTNA	Compass 8000 Accessories	80,800.00	\$ 72,720.00
Platesetters	COM8MCU3RTNA	Compass 8000 Accessories	80,800.00	\$ 72,720.00
Platesetters	DIMCOMTIFF8UPNA	Compass 8000 Accessories	12,866.00	\$ 11,579.40
Platesetters	COM8PUNCHNA	Compass 8000 Accessories	2,215.00	\$ 1,993.50
Platesetters	COM8STACKERNA	Compass 8000 Accessories	4,350.00	\$ 3,915.00
Platesetters	VECTORFL52	Vector FL52 Platemaker	52,900.00	\$ 47,610.00
Platesetters	AAG04041	Dimension Pro 815	81,840.00	\$ 73,656.00
Platesetters	AAG04051	Dimension Pro 815 with Plus Head	102,300.00	\$ 92,070.00
Platesetters	AAG04071	800 Autoloader	23,436.00	\$ 21,092.40
Platesetters	AAG03711	Dimension Pro 420	68,132.00	\$ 61,318.80
Platesetters	AAG03731	Dimension Pro 443	80,408.00	\$ 72,367.20
Platesetters	AAG037511	400 Autoloader	21,080.00	\$ 18,972.00
Platesetters	DIM425NA	Dimension 425 CTP System	58,000.00	\$ 52,200.00
Platesetters	DIM450ALNA	Dimension 450 CTP System	87,572.00	\$ 78,814.80
Platesetters	AAG04291	8up Tiff Downloader	8,164.00	\$ 7,347.60
Platesetters	AAG03931	4up Tiff Downloader	6,358.00	\$ 5,722.20
Platesetters	AAG01452	Anthem Water Wash 650	10,781.00	\$ 9,702.90
Platesetters	AAG01792	Anthem Water Wash 850	15,812.00	\$ 14,230.80
Platesetters	AAGO2601	Plate Stacker DS400	6,000.00	\$ 5,400.00
Platesetters	WASHSYSD50	Excel Anthem Plate Handling System	18,750.00	\$ 16,875.00
Platesetters	AYY02922	UPS Dimension	7,310.42	\$ 6,579.38

<b>Presstek 2010 Equipment Price list (OFFSET) (Manf. PRESSTEK)</b>				<b>effective 05/07/10</b>	
<b>AVAILABLE FOR LEASE AND OUTRIGHT PURCHASE</b>					
<b>Category</b>	<b>Product Code Number</b>	<b>Description</b>	<b>List</b>	<b>10% OFF LIST CUSTOMER PRICE</b>	
Platesetters	PTEK-425220-AP2	Combo Punch	3,162.00	\$	2,845.80
Platesetters	D4DICOMPDL	RIP Computer	2,250.00	\$	2,025.00
Platesetters	DPM34HSC	DPM34HSC	24,250.00	\$	21,825.00
Platesetters	SUPCST34SC	34SC Supply Cassette	850.00	\$	765.00
Platesetters	SUPCST34HSC	34HSC Supply Cassette	850.00	\$	765.00
Platesetters	35-53-00	ICPlates II Basic plate reader	2,299.00	\$	2,069.10
Platesetters	IVS W/O RIP	IVS Software without RIP	8,300.00	\$	7,470.00
RIPs & RIP Accesso	D8DICOMPDX	RIP Computer Dual	6,000.00	\$	5,400.00
RIPs & RIP Accesso	SP4880K3-KIT	4880	2,114.00	\$	1,902.60
RIPs & RIP Accesso	C4800STAND	4880Stand	399.00	\$	359.10
RIPs & RIP Accesso	SP7880K3-KIT	7880	3,154.00	\$	2,838.60
RIPs & RIP Accesso	SP9880K3-KIT	9880	5,244.00	\$	4,719.60
RIPs & RIP Accesso	MPRO	Presstek Momentum Pro Workflow and RIP	10,995.00	\$	9,895.50
RIPs & RIP Accesso	MRIPDPM-TX	Presstek Momentum for DPM/TX RIP	5,995.00	\$	5,395.50
RIPs & RIP Accesso	MRIPDIM-DI	Presstek Momentum for DIM/DI RIP	5,995.00	\$	5,395.50
RIPs & RIP Accesso	MTRAPPRO	Momentum TrapPro	2,000.00	\$	1,800.00
RIPs & RIP Accesso	MPROOFE4880	Epson Proofing Plug in	1,000.00	\$	900.00
RIPs & RIP Accesso	MPROOFE7880	Epson Proofing Plug in	1,000.00	\$	900.00
RIPs & RIP Accesso	MPROOFE9880	Epson Proofing Plug in	1,250.00	\$	1,125.00
RIPs & RIP Accesso	MSTRIP	2 and 4 up Automated in-RIP imposition	1,000.00	\$	900.00
RIPs & RIP Accesso	MCIP	Momentum CIP 3 Plug in	5,000.00	\$	4,500.00
RIPs & RIP Accesso	MPTEK	Dimension and DI	1,000.00	\$	900.00
RIPs & RIP Accesso	MTIFF	Momentum TIFF catcher SW	1,000.00	\$	900.00
RIPs & RIP Accesso	FMSCREEN	MOMENTUM FM SCREENING	5,000.00	\$	4,500.00
RIPs & RIP Accesso	MADCLIENT	1 Additional Workflow Client for MPRO	350.00	\$	315.00
RIPs & RIP Accesso	MADRIPS	1 Additional RIP support for MPRO	500.00	\$	450.00
RIPs & RIP Accesso	655-1001-00B	Xenith 4PDF for Dimension 2xx/4xx Bundle	20,000.00	\$	18,000.00
RIPs & RIP Accesso	AYY01421	DI TOOLS	5,000.00	\$	4,500.00
RIPs & RIP Accesso	CPXFM-KIT	ColorProof XF/M	4,990.00	\$	4,491.00
RIPs & RIP Accesso	CPXFXL-KIT	ColorProof XF/XL	5,990.00	\$	5,391.00
RIPs & RIP Accesso	CPXFXXL-KIT	ColorProof XF/XXL	6,490.00	\$	5,841.00
RIPs & RIP Accesso	IVSW/ORIPUPG120	IVS W/O Rip Upgrade From Vers 1.20	1,000.00	\$	900.00
RIPs & RIP Accesso	IVSW/ORIPUPG21X	IVS W/O Rip Upgrade From 2.10-2.14	1,000.00	\$	900.00
RIPs & RIP Accesso	MRIPUPGDPMTXCD	MRIP Upgrade for DPM & VECTORFL52	1,000.00	\$	900.00
RIPs & RIP Accesso	MRIPUPGDPMTX	MRIP Dongle Exchange Upgrade for DPM & VECTORFL52	5,000.00	\$	4,500.00
RIPs & RIP Accesso	MRIPDPMTXCOMPL	MRIP Dongle Exchange w/D4DICOMPDL	7,250.00	\$	6,525.00
RIPs & RIP Accesso	TRAPPROUPG	TrapPro Lite to TrapPro Upgrade	750.00	\$	675.00
RIPs & RIP Accesso	MPROUPGCD	Momentum Pro Upgrade	2,000.00	\$	1,800.00
RIPs & RIP Accesso	MRIPUPGDIMDICD	Momentum Rip Upgrades DIM, Comp & DI from v7.x to 8.x	1,500.00	\$	1,350.00
RIPs & RIP Accesso	MRIPUPGDIMDI	MRIP Dongle Exchange Upgrade for DIM, COMP & DI	5,000.00	\$	4,500.00
RIPs & RIP Accesso	MRIPDIMCOMPL	MRIP Dongle Exchange w/D4DICOMPDL	7,250.00	\$	6,525.00
RIPs & RIP Accesso	MRIPDICOMPX	MRIP Dongle Exchange w/D4DICOMPX	11,000.00	\$	9,900.00
RIPs & RIP Accesso	LA97PR100	PRESSTEK LATITUDE COPPER BUNDLE	25,566.00	\$	23,009.40
RIPs & RIP Accesso	LA97PR110	PRESSTEK LATITUDE BRONZE BUNDLE	32,975.00	\$	29,677.50
RIPs & RIP Accesso	LA97PR120	PRESSTEK LATITUDE SILVER BUNDLE	44,818.00	\$	40,336.20
RIPs & RIP Accesso	LA97PR130	PRESSTEK LATITUDE GOLD BUNDLE	53,090.00	\$	47,781.00
RIPs & RIP Accesso	LA97PR140	PRESSTEK LATITUDE WORKFLOW ONLY BUNDLE	25,634.00	\$	23,070.60
RIPs & RIP Accesso	LA96AW970	Advanced Prepress Module	8,750.00	\$	7,875.00
RIPs & RIP Accesso	LA96AW976	Versioning Module	6,250.00	\$	5,625.00
RIPs & RIP Accesso	LA96AW134	Additional PitStop License	699.00	\$	629.10
RIPs & RIP Accesso	LA96AW143	External Parameter Control	10,000.00	\$	9,000.00
RIPs & RIP Accesso	LA96AW139	DynaStrip Flow	7,500.00	\$	6,750.00
RIPs & RIP Accesso	LA96AW140	DynaStrip Full	4,495.00	\$	4,045.50
RIPs & RIP Accesso	LA96AW141	Preps GateWay	4,000.00	\$	3,600.00
RIPs & RIP Accesso	LA96AW132	Concentric Screening	12,500.00	\$	11,250.00
RIPs & RIP Accesso	LA96AW129	Paragon Organic FM Screening	9,250.00	\$	8,325.00

<b>Presstek 2010 Equipment Price list (OFFSET) (Manf. PRESSTEK)</b>				<b>effective 05/07/10</b>
<b>AVAILABLE FOR LEASE AND OUTRIGHT PURCHASE</b>				
<b>Category</b>	<b>Product Code Number</b>	<b>Description</b>	<b>List</b>	<b>10% OFF LIST CUSTOMER PRICE</b>
RIPs & RIP Accesso	LA96AW142	CIP3 Output with PressLink	4,000.00	\$ 3,600.00
RIPs & RIP Accesso	LA96AW480	DotSpy Site License	9,750.00	\$ 8,775.00
RIPs & RIP Accesso	LA96AW120	DotSpy Upgrade	7,700.00	\$ 6,930.00
RIPs & RIP Accesso	LA96AW107	Neo 1 Floating License	4,500.00	\$ 4,050.00
RIPs & RIP Accesso	LA97PR110EXS1	Bronze 1 year Extended Support Agreement	3,266.00	\$ 2,939.40
RIPs & RIP Accesso	LA97PR120EXS1	Silver 1 year Extended Support Agreement	2,700.00	\$ 2,430.00
RIPs & RIP Accesso	LA97PR130EXS1	Gold 1 Year Extended Support Agreement	3,000.00	\$ 2,700.00
RIPs & RIP Accesso	LA97PR140EXS1	Workflow Only 1 Year Extended Support Agreement	1,500.00	\$ 1,350.00
RIPs & RIP Accesso	LA97PR110EXS2	Bronze 2 additional years Ext Support Agreement	3,750.00	\$ 3,375.00
RIPs & RIP Accesso	LA97PR120EXS2	Silver 2 additional years Ext Support Agreement	5,200.00	\$ 4,680.00
RIPs & RIP Accesso	LA97PR130EXS2	Gold 2 additional years Ext Support Agreement	6,000.00	\$ 5,400.00
RIPs & RIP Accesso	LA97PR140EXS2	Workflow Only 2 additional years Ext Support Agreement	3,000.00	\$ 2,700.00
RIPs & RIP Accesso	LA9649942	1 DAY LATITUDE INSTALLATION & TRAINING	1,750.00	\$ 1,575.00
RIPs & RIP Accesso	35-53-46	X-Rite Densieye 700 Status	2,393.00	\$ 2,153.70
Misc Pre-Press	43169	Pin Bar Master Punch - 12.5"	495.00	\$ 445.50
Misc Pre-Press	43170	Pin Bar Master Punch - 18"	959.00	\$ 863.10
Four-Tower Presses	4995A-ICS	4995A-ICS Four-Color Offset	199,500.00	\$ 179,550.00
Four-Tower Presses	43293XC	4995 Tape Inserter	1,700.00	\$ 1,530.00
Four-Tower Presses	1-3895	4995 Infrared/Dry Powder Spray	4,080.00	\$ 3,672.00
Four-Tower Presses	49002	No-Mark Anti-Tracking System	625.00	\$ 562.50
Duplicators	9920	9920 Single-Color Offset	26,500.00	\$ 23,850.00
Duplicators	9982CR	9980 Two-Color Offset w/Register Board	47,500.00	\$ 42,750.00
Two-Tower Presses	9995A	9995A Two-Color Offset Press	93,500.00	\$ 84,150.00
Two-Tower Presses	9995A-ICS	9995A-ICS Two-Color Offset Press	132,500.00	\$ 119,250.00
Two-Tower Presses	9995C	9995 Two-Color Offset Press w/crestline	76,500.00	\$ 68,850.00
Two-Tower Presses	42005	9995 Multi-size paper pile board	600.00	\$ 540.00
Two-Tower Presses	42009	9995 Super blue anti-tracking device	990.00	\$ 891.00
Two-Tower Presses	49001	4995 Video Punch	8,950.00	\$ 8,055.00
Two-Tower Presses	42006	9995 Print counter	85.00	\$ 76.50
Two-Tower Presses	42003	9995 Electronic double sheet detector	975.00	\$ 877.50
Two-Tower Presses	42004	9995 High precision register punch	6,175.00	\$ 5,557.50
Two-Tower Presses	42008	9995 Blanket cleaning devices	2,175.00	\$ 1,957.50
Two-Tower Presses	42010	9995 Infrared/Dry Powder Spray	4,080.00	\$ 3,672.00
Two-Tower Presses	1-4351	9995 Recirculator/Chiller 110V	2,915.00	\$ 2,623.50
Two-Tower Presses	1-4352	9995 Recirculator/Chiller 220V	2,915.00	\$ 2,623.50
Two-Tower Presses	43277	9995 Card Guide	230.00	\$ 207.00
Two-Tower Presses	43281	9995 Oil Pan	200.00	\$ 180.00
Two-Tower Presses	43293	9985 Tape Inserter	2,500.00	\$ 2,250.00
Two-Tower Presses	43293XC	9995C, 9995A Tape Inserter	1,700.00	\$ 1,530.00
Two-Tower Presses	5110100104	RP-22 Punch (Manual)	935.00	\$ 841.50
Two-Tower Presses	43297	9995 Quick Release Blanket Holder	150.00	\$ 135.00
Two-Tower Presses	42011	Blanket Cleaner Kit for 9995A	2,090.00	\$ 1,881.00
Duplicators Accesso	5110100104	RP22 Punch Manual	935.00	\$ 841.50
Duplicators Accesso	9920-002	9920 Spray Attachment - 115 Volt	1,600.00	\$ 1,440.00
Duplicators Accesso	9920-004	9920 Feeder Back Blower	310.00	\$ 279.00
Duplicators Accesso	9920-005	9920 Back Guide Assembly	25.00	\$ 22.50
Duplicators Accesso	9920-006	9920 Blanket Cleaner w/o 2nd Head	800.00	\$ 720.00
Duplicators Accesso	9920-007	9920 Card Guide	195.00	\$ 175.50
Duplicators Accesso	9920-008	9920 Grand Total Counter	150.00	\$ 135.00
Duplicators Accesso	9920-009	9920 Oil Pans	85.00	\$ 76.50
Duplicators Accesso	9920-010	9920 Static Eliminator	435.00	\$ 391.50
Duplicators Accesso	9920-011	9920 Tape Inserter	2,095.00	\$ 1,885.50
Duplicators Accesso	43253	Powder Mizer Spray Attachment - 110 Volt	1,290.00	\$ 1,161.00
Duplicators Accesso	9920-001	9920 Extended Ink System 4 additional rollers	1,245.00	\$ 1,120.50
Duplicators Accesso	980NPD	9980 Numbering Perforating Device	9,475.00	\$ 8,527.50
Duplicators Accesso	9980-001	9980 Dry Powder Spray Attachment	1,075.00	\$ 967.50

<b>Presstek 2010 Equipment Price list (OFFSET) (Manf. PRESSTEK)</b>				<b>effective 05/07/10</b>
<b>AVAILABLE FOR LEASE AND OUTRIGHT PURCHASE</b>				
<b>Category</b>	<b>Product Code Number</b>	<b>Description</b>	<b>List</b>	<b>10% OFF LIST CUSTOMER PRICE</b>
Duplicators Accesso	9980-003	9980 Airtech Powder Mizer 110V	1,290.00	\$ 1,161.00
Duplicators Accesso	9980-004	9980 Static Eliminator	475.00	\$ 427.50
Duplicators Accesso	9980-005	9980 IR Dryer 220V	4,080.00	\$ 3,672.00
Duplicators Accesso	9980-006	9980 Airtech Powder Mizer 220V	1,290.00	\$ 1,161.00
Duplicators Accesso	9980-007	9980 Work Organizer	255.00	\$ 229.50
T-Heads	1-9920-NT	9920 Swing-Away	10,400.00	\$ 9,360.00
T-Heads	1-9920-AE	9920 Swing-Away AE	9,600.00	\$ 8,640.00
Envelope Feeders	AMC-2000	9810 Envelope Feeder	6,095.00	\$ 5,485.50
Envelope Feeders	A-202	Auxillary Feeder Kit	535.00	\$ 481.50
Envelope Feeders	CD-100	Conveyor Delivery	1,355.00	\$ 1,219.50
Envelope Feeders	A-203	Dual-Stream Feed Kit	610.00	\$ 549.00
Training	WFTRAIN	First day of extra DSE RIP WF Training	1,500.00	\$ 1,350.00
Training	WFTRAINX	Each additional day of extra DSE RIP WF Training	1,000.00	\$ 900.00
Training	CTPTRAIN	First day of extra CTP training	1,500.00	\$ 1,350.00
Training	CTPTRAINX	Each additional day of extra CTP training	1,000.00	\$ 900.00
Training	CPXFTRAIN	3 DAYS OF COLOR PROOF XF SOFTWARE & TRAINING	3,500.00	\$ 3,150.00
Training	ADVPROOFTRAIN	2 DAYS OF ADVANCED PROOF TRAINING	2,500.00	\$ 2,250.00
Training	RIPTRAIN	3 DAYS RIP INSTALL & TRAINING	3,500.00	\$ 3,150.00
Training	DPMTRAIN	1st Day of DSE Training for all DPM Series	1,500.00	\$ 1,350.00
Training	DPMTRAINX	DPM Extra Consecutive Day Training	1,000.00	\$ 900.00
Training	DTSRTRAIN	1st Day of DTSR Training or Profiling	1,500.00	\$ 1,350.00
Training	DTSRTRAINX	2nd Day of DTSR Training or Profiling	1,000.00	\$ 900.00
Training	PRESSTRAIN	1st Day Press Training - Any Product	1,500.00	\$ 1,350.00
Training	PRESSTRAINX	Extra Consecutive Day of Press Training	1,000.00	\$ 900.00
Training	BASIC2TTRAINING	Press Training: Two Tower	3,000.00	\$ 2,700.00
Training	4995ATRAN	4995 5 Day Training in 4-Color Printing	4,000.00	\$ 3,600.00
Cutters	BAUMCUT-26	Baumcut 26.4" Paper Cutter	24,695.00	\$ 22,225.50
Cutters	BAUMCUT-26-3P	Baumcut 26.4" Paper Cutter 3 Phase	24,095.00	\$ 21,685.50
Cutters	BAUMCUT-31	Baumcut 31.5" Paper Cutter	30,995.00	\$ 27,895.50
Folders	2020-3-3	Baum 2020 with Right Angle	32,695.00	\$ 29,425.50
Folders	714XLTB-2-P	Baum 714XLT Folder-Air Feed Urethane Rolls	6,995.00	\$ 6,295.50
Drills	ND5A-M-3	Baum ND5-5 Spindle Drill 3 Ph-Moveable Table	11,940.00	\$ 10,746.00
Drills	CMC-1-FM-1	Baum Single Spindle Drill-Manual Floor Model	2,595.00	\$ 2,335.50

Presstek 2010 Equipment Price list (OFFSET) (Manf. EFI) AVAILABLE FOR LEASE AND OUTRIGHT PURCHASE				Effective 05/07/10
Category	Product Code Number	Description	List	10% OFF LIST CUSTOMER PRICE
RIPs & RIP Accessories	CPXFM-KIT	ColorProof M	4,990.00	\$ 4,491.00
RIPs & RIP Accessories	CPXFXL-KIT	ColorProof XL	5,990.00	\$ 5,391.00
RIPs & RIP Accessories	CPXFXXL-KIT	ColorProof XXL	6,490.00	\$ 5,841.00
RIPs & RIP Accessories	EFB3001471-3	ColorProof XL	2,300.00	\$ 2,070.00
RIPs & RIP Accessories	EFB300328-3	Printer Option XL For printers 18" to 24"	1,000.00	\$ 900.00
RIPs & RIP Accessories	EFB300329-3	Printer Option XXL For printers 25" to 60"	1,500.00	\$ 1,350.00
RIPs & RIP Accessories	EFB300312-3	Color Manager Option	1,500.00	\$ 1,350.00
RIPs & RIP Accessories	EFB300321-3	Dot Creator Option	1,625.00	\$ 1,462.50
RIPs & RIP Accessories	EFB300325-3	One Bit Option	4,600.00	\$ 4,140.00
RIPs & RIP Accessories	EFB300320-3	Color Verifier	950.00	\$ 855.00
RIPs & RIP Accessories	D4DICOMPDL	ColorProof XF RIP computer	2,250.00	\$ 2,025.00
RIPs & RIP Accessories	EFB300663-3	ColorProof Upgrade from v2.5/v2.6/v3.0 to 3.1	599.00	\$ 539.10
RIPs & RIP Accessories	EFB3001467-3	ColorProof Upgrade from Best v5 to CPXF 3.1	1,840.00	\$ 1,656.00
RIPs & RIP Accessories	C4800STAND	Epson 4880 Printer Stand	399.00	\$ 359.10
RIPs & RIP Accessories	EPSEPP48B1	1 Yr Preferred Plus Extend Warranty: Epson 4880	279.00	\$ 251.10
RIPs & RIP Accessories	EPSEPP48B2	2 Yr Preferred Plus Extend Warranty: Epson 4880	479.00	\$ 431.10
RIPs & RIP Accessories	EPSEPP7898B1	1 Yr Preferred Plus Extend Warranty: Epson 78/9880	725.00	\$ 652.50
RIPs & RIP Accessories	EPSEPP7898B2	2 Yr Preferred Plus Extend Warranty: Epson 78/9880	1,305.00	\$ 1,174.50

Presstek 2010 Equipment Price list (OFFSET) (Manf. EPSON) AVAILABLE FOR LEASE AND OUTRIGHT PURCHASE				Effective 05/07/10
Category	Product Code Number	Description	List	10% OFF LIST CUSTOMER PRICE
Proofers	SP4880K3-KIT	Epson 4880UltraChrome	2,114.00	\$ 1,902.60
Proofers	C4800STAND	Epson 4880 Printer Stand	399.00	\$ 359.10
Proofers	SP7880K3-KIT	Epson 7880 UltraChrome	3,154.00	\$ 2,838.60
Proofers	SP9880K3-KIT	Epson 9880 UltraChrome	5,244.00	\$ 4,719.60

**Presstek 2009 Equipment Price list (OFFSET) (Manf. VASTECH)**  
**AVAILABLE FOR LEASE AND OUTRIGHT PURCHASE**

<b>Category</b>	<b>Product Code Number</b>	<b>Description</b>	<b>List</b>
Film Processors	DT-14	Vastech 14" Deep Tank Film Processor	5,045.00
Film Processors	DT-22	Vastech 22" Deep Tank Film Processor	6,250.00

**Presstek 2009 Equipment Price list (OFFSET) (Manf. TOWNSEND)**  
**AVAILABLE FOR LEASE AND OUTRIGHT PURCHASE**

<b>Category</b>	<b>Product Code Number</b>	<b>Description</b>	<b>List</b>
T-Heads	1-9920-NT	9920 Swing-Away	10,400.00
T-Heads	1-9920-AE	9920 Swing-Away AE	9,600.00



**Presstek 2009 Equipment Price list (OFFSET) (Manf. ASTRO)**  
**AVAILABLE FOR LEASE AND OUTRIGHT PURCHASE**

<b>Category</b>	<b>Product Code Number</b>	<b>Description</b>	<b>List</b>
Envelope Feeders	AMC-2000	9810 Envelope Feeder	6,095.00
Envelope Feeders	A-202	Auxillary Feeder Kit	535.00
Envelope Feeders	AMC-2000-2	Astro Envelope Feeder for Ryobi 2700/2800/3200	6,310.00
Envelope Feeders	AMC-2000-5	Astro Envelope Feeder for 9985/9995/3985/3995/Ryobi 3320	6,310.00
Envelope Feeders	AMC-2000-18	Astro Envelope Feeder for 9920	6,735.00
Envelope Feeders	CD-100	Conveyor Delivery	1,355.00

**Presstek 2009 Equipment Price list (OFFSET) (Manf. THOMPSON)**  
**AVAILABLE FOR LEASE AND OUTRIGHT PURCHASE**

<b>Category</b>	<b>Product Code Number</b>	<b>Description</b>	<b>List</b>
Envelope Feeders	T-100/200	Top Loading Envelope Feeder and conveyor	3,995.00

Presstek 2010 Equipment Price list (OFFSET) (Manf. MULTI-FLO) AVAILABLE FOR LEASE AND OUTRIGHT PURCHASE				Effective 05/07/10
Category	Product Code Number	Description	List	10% OFF LIST CUSTOMER PRICE
Envelope Feeders	MULTI-FLO-DI	Multi-Flo Envelope Feeder	8,950.00	\$ 8,055.00

Presstek 2010 Equipment Price list (BINDING) (Manf. BAUM) AVAILABLE FOR LEASE AND OUTRIGHT PURCHASE				Effective 05/07/10
Category	Product Code Number	Description	List	10% OFF LIST CUSTOMER
Cutters	BAUMCUT-26	Baumcut 26.4" Paper Cutter	24,695.00	\$ 22,225.50
Cutters	BAUMCUT-26-3P	Baumcut 26.4" Paper Cutter 3 Phase	24,095.00	\$ 21,685.50
Cutters	BAUMCUT-31	Baumcut 31.5" Paper Cutter	30,995.00	\$ 27,895.50
Folders	2020-3-3	Baum 2020 with Right Angle	32,695.00	\$ 29,425.50
Folders	714XLTB-2-P	Baum 714XLT Folder-Air Feed Urethane Rolls	6,995.00	\$ 6,295.50
Drills	ND5A-M-3	Baum ND5-5 Spindle Drill 3 Ph-Moveable Table	11,940.00	\$ 10,746.00
Drills	CMC-1-FM-1	Baum Single Spindle Drill-Manual Floor Model	2,595.00	\$ 2,335.50

SRM/SAP Parent Number: 4400002495  
SRM Contract Number 4400002503  
Change Number: 10  
Change Effective Date: 5/7/10

**COMMONWEALTH OF PENNSYLVANIA  
DEPARTMENT OF GENERAL SERVICES  
HARRISBURG**

**For:** All using Agencies of the Commonwealth  
**Subject:** Offset Printing & Binding Equipment, Supplies and Maintenance  
**Contract Period:** Beginning 05/07/08 – 06/30/2011

**Commodity Specialist Name:** Wanda Bowers – [wbowers@state.pa.us](mailto:wbowers@state.pa.us) or 717-346-3840

**CHANGE SUMMARY:** There has been new price listed posted to the emarketplace website for contract 4400002503 E. Thomas Brett.

ALL OTHER TERMS AND CONDITIONS OF THIS AGREEMENT NOT CHANGED BY THIS CHANGE NOTICE REMAIN AS ORIGINALLY WRITTEN.



**EQUIPMENT AND SUPPLIES PRICES**

**INKJET PRINTERS**

<u>Part#</u>	<u>Printer v.4</u>	<u>Asmarc 2010</u>	<u>MSRP</u>
11-0150-94	PMx 4 Imagers w HDF, Stands, Warr		35000.00
11-0150-04	PMx 4 Imager		30500.00
11-0150-93	PMx 3 Imagers w HDF, Stands, Warr		28599.00
11-0150-03	PMx 3 Imager		25500.00
11-0150-92	PMx 2 Imagers w HDF, Stands, Warr		22900.00
11-0150-02	PMx 2 Imager		21990.00
11-0150-91	PMx 1 Imagers w HDF, Stands, Warr		19000.00
11-0150-01	PMx 1 Imager		15590.00
11-0140-04	LPx w/ 2 m/c Imagers		26800.00
11-0140-05	LPx w/ 2 a/c Imagers & UV Cure		38900.00
11-0124-08	P8 2 Imagers 4" of print	\$	16,800.00
11-0124-09	PC3, HDF w/MC imager & 150 LED Cure	\$	33,965.00
11-0124-10	PC3, HDF w/ AC imager & 150 LED Cure	\$	35,840.00
11-0122-10	P4 1 Imager (2" of Print)	\$	8,500.00
11-0122-04	P4/PCS System w/HDF and UV Conveyor	\$	26,000.00
16-0150-00	v.4 imager m/c Kit	\$	4,200.00
16-0150-10	v.4 imager a/c Kit	\$	5,700.00
16-0150-02	v.4 Satellite for PMx	\$	6,100.00
16-0160-10	Afterburner Right of Mounting Bar	\$	1,700.00
16-0160-20	Afterburner Left of Mounting Bar	\$	1,700.00
02-1235-99	xtended Imager Warranty v.4	\$	350.00

**INKJET COMPONENT KIT**

<u>Part#</u>	<u>Component Kit v.4</u>	<u>MSRP</u>
16-0106-00	CK 1 Imager m/c (Basic)	\$ 8,925.00
16-0106-20	CK 1 Imager a/c (Basic)	\$ 10,425.00
16-0106-30	CK 1 Imager m/c w/UV LED 150 (Basic)	\$ 22,400.00
16-0107-00	CKx Kit 1 & 2 m/c (w/1 Imager)	\$ 9,765.00
16-0107-20	CKx Kit 1 & 2 a/c (w/1 Imager)	\$ 11,265.00
16-0108-00	CKx Kit 2 <sup>nd</sup> & 4 <sup>th</sup> Imager m/c	\$ 4,200.00
16-0108-20	CKx Kit 2 <sup>nd</sup> & 4 <sup>th</sup> Imager a/c	\$ 5,700.00
16-0109-00	CKx Kit 3 <sup>rd</sup> Imager m/c	\$ 8,137.50
16-0109-20	CKx Kit 3 <sup>rd</sup> Imager a/c	\$ 9,637.50
16-0150-01	v.4 Satellite for CKx	\$ 9,200.00
16-0150-50	Satellite Pen	\$ 1,900.00
16-0160-10	Standard Imager Afterburner - Right side	\$ 1,700.00
16-0160-20	Standard Imager Afterburner - Left side	\$ 1,700.00
02-1235-99	xtended Imager Warranty v.4	\$ 350.00
11-0147-00	3x13 VT Transport (6" UV capable)	\$ 3,465.00
11-0152-00	3x24 VT Transport (6" UV capable)	\$ 3,675.00
11-0129-00	3x13 VT Transport Basic	\$ 3,307.50
11-0135-00	3x24 VT Transport Basic	\$ 3,423.00
16-0107-60	6" UV Cure Kit (existing bases only)	\$ 10,800.00

**Camera Systems**

16-0900-01	Cognex Camera IS 5100	\$ 10,236.00
16-0900-02	Cognex DMR-100Q - Data Man	\$ 3,590.00

**Software & Support**

00-000-00	ACCUFAST Print Connect Software	\$ 350.00
00-000-00	Remote Access Support	\$ 150.00



## EQUIPMENT AND SUPPLIES PRICES

**TABBERS**

<u>Part#</u>	<u>Tabbers</u>	<u>ASMARC</u>	<u>MSRP</u>
11-1900-00	ET Tabber		\$ 9,100.00
11-0119-00	KT2 Tabber		\$ 5,100.00
11-0114-15	KT Tabber		\$ 3,500.00
11-0120-00	Freehand Tabber		\$ 3,000.00

**LABELERS**

<u>Part#</u>	<u>Labelers</u>	<u>ASMARC</u>	<u>MSRP</u>
11-0400-50	VL Labeler w/HDF & Stand		\$ 8,300.00
11-0040-01	XL/R Labeler		\$ 4,900.00
11-0040-00	XL Labeler		\$ 4,300.00
11-0006-01	Freehand Labeler		\$ 2,600.00
11-0600-00	XL/R Roll Head		\$ 2,100.00

**FEEDERS**

<u>Part#</u>	<u>Feeders</u>	<u>ASMARC</u>	<u>MSRP</u>
11-0200-04	HDF Feeder (P4)		\$ 3,525.00
11-0200-00	HDF Feeder		\$ 3,460.00
11-0115-03	FX -03 (Fast Speed)		\$ 1,770.00
11-0115-00	FX Feeder		\$ 1,660.00
11-0122-16	Card/Tag Feeder		\$ 870.00
11-0127-00	FY (KT or QT)		\$ 870.00

**CONVEYORS & STACKERS**

<u>Part#</u>	<u>Conveyors &amp; Stackers</u>	<u>ASMARC</u>	<u>MSRP</u>
11-0011-01	6FV Conveyor		\$ 2,760.00
11-0125-00	CS3 Conveyor - Floor Model		\$ 1,525.00
11-0125-01	CS3 Conveyor - Tabletop		\$ 1,355.00
11-0020-00	3FV w/weight wheel assembly		\$ 1,300.00
16-0130-00	3DC Conveyor		\$ 2,940.00

**FOLDERS**

<u>Part#</u>	<u>Folders</u>	<u>ASMARC</u>	<u>MSRP</u>
11-0113-01	AF 1		\$ 810.00
11-0113-02	AF 1 IN		\$ 810.00
11-0113-00	AF 2 (formally Freehand)		\$ 1,015.00
11-0113-03	AF 2 IN		\$ 1,015.00
11-0113-04	AF 3		TBA
11-0113-05	AF3 IN		TBA
11-0113-06	AF 4		\$ 2,560.00
11-0113-07	AF 4 IN		\$ 2,560.00
11-0113-08	AF 5		\$ 2,867.50
11-0113-09	AF 5 IN		\$ 2,867.50

Phone: 800-447-9990 or 518-283-0988

Fax: 518-283-0977

Prices subject to change without notice.



**EQUIPMENT AND SUPPLIES PRICES**

**ACCESSORIES**

<u>Part#</u>	<u>Accessories</u>	<u>MSRP</u>
11-0140-98	LPx UV Dryer	\$ 18,000.00
00-0000-00	ET Unwinder	\$ 1,000.00
16-0190-00	Bulk Ink System Assembly Kit	\$ 1,900.00
16-0191-00	Bulk Ink Kit Additional 3 Pen	\$ 800.00
11-0500-98	Adjustable Height Cart 18" x 42"	\$ 577.50
11-0500-00	Adjustable Height Cart 18" x 22"	\$ 472.50
11-0500-99	Adjustable Height Cart w/slider 18" x 42"	\$ 1,134.00
10-0623-01	ET/HDF Stand (21.5" x 42.5")	\$ 650.00
16-0120-00	Laptop shelf	\$ 378.00
11-0048-00	XL Sliding Stand	\$ 254.10
16-0065-01	CS3 Bump Turn Kit	\$ 241.50
11-0049-00	3FV Stand	\$ 178.50
09-0851-00	Weight Roller Assembly	\$ 161.70
16-0058-01	XL P.S. Stamp Kit	\$ 141.95
16-0050-00	XL Narrow Roll Adapter Kit	\$ 94.50
11-0221-00	FanFold Stand	\$ 63.50
11-0022-00	XL Stand	\$ 94.50
11-0220-00	HDF/P4 Stand	\$ 68.25
11-0041-00	Catch Tray	\$ 29.00
09-0558-00	Separator Sub Assembly Urethane	\$ 29.00

**FRICION-FED  
TABS**

<u>Part#</u>	<u>1.0" Tabs</u>	<u>Qty Disc</u>	<u>MSRP</u>
02-0799-12	White Non-Perforated	1 - 4 Cases	\$ 175.00
02-0843-00	White Perforated	5 - 9 Cases	\$ 150.00
	<i>100,000 per case, 20 rolls, 5000 per roll</i>	10 + Cases	\$ 125.00
<u>Part#</u>	<u>1.0" tabs</u>	<u>Qty Disc</u>	<u>MSRP</u>
02-0799-16	Translucent Paper	1 - 4 Cases	\$ 205.00
		5 - 9 Cases	\$ 180.00
		10 + Cases	\$ 155.00
<u>Part#</u>	<u>1.5" tabs</u>	<u>Qty Disc</u>	<u>MSRP</u>
02-0799-15	White	1 - 4 Cases	\$ 80.00
		5 - 9 Cases	\$ 75.00
	<i>20,000 per case, 4 rolls, 4000 per roll</i>	10 + Cases	\$ 60.00
<u>Part#</u>	<u>1.5" tabs</u>	<u>Qty Disc</u>	<u>MSRP</u>
02-0842-15	Translucent Paper	1 - 4 Cases	\$ 215.00
		5 - 9 Cases	\$ 195.00
	<i>50,000 per case, 10 rolls, 5000 per roll</i>	10 + Cases	\$ 170.00
<u>Part#</u>	<u>Colors - Non-Perf (50,000)</u>	<u>Pantone</u>	<u>MSRP</u>
02-0841-01	Red	pms 32	\$ 95.00
02-0841-02	Yellow	process	\$ 95.00
02-0841-03	Orange	pms 21	\$ 95.00
02-0841-04	Dark Blue	pms 72	\$ 95.00
02-0841-05	Light Blue	pms 2975	\$ 95.00
02-0841-06	Burgundy	pms 221	\$ 95.00
02-0841-07	Black	process	\$ 95.00
02-0841-08	Green	pms 354	\$ 95.00
02-0841-09	Gold Foil		\$ 210.00
02-0841-10	Silver Foil		\$ 210.00

Phone: 800-447-9990 or 518-283-0988

Fax: 518-283-0977

Prices subject to change without notice.

Rev: 04/10





**EQUIPMENT AND SUPPLIES PRICES**

**FANFOLD TABS**

<u>Part#</u>	<u>White (100K)</u>	<u>Qty Disc</u>	<u>MSRP</u>
02-0901.00	1.0"	1 - 4 Cases	\$ 205.00
		5 - 9 Cases	\$ 180.00
	50K per box, 5 sleeves, 10K per sleeve	10 + Cases	\$ 155.00
<u>Part#</u>	<u>White (100K)</u>	<u>Qty Disc</u>	<u>MSRP</u>
02-0903-15	1.5"	1 - 4 Cases	\$ 350.00
		5 - 9 Cases	\$ 305.00
	50K per box, 5 sleeves, 10K per sleeve	10 + Cases	\$ 265.00
<u>Part#</u>	<u>Translucent Paper (100k)</u>	<u>Qty Disc</u>	<u>MSRP</u>
02-0902.00	1.0"	1 - 4 Cases	\$ 275.00
		5 - 9 Cases	\$ 240.00
	50K per box, 5 sleeves, 10K per sleeve	10 + Cases	\$ 210.00
<u>Part#</u>	<u>Translucent Paper (100k)</u>	<u>Qty Disc</u>	<u>MSRP</u>
02-0904-15	1.5"	1 - 4 Cases	\$ 465.00
		5 - 9 Cases	\$ 410.00
	50K per box, 5 sleeves, 10K per sleeve	10 + Cases	\$ 355.00

**TRACTORTABS®**

<u>Part#</u>	<u>White</u>	<u>Qty Disc</u>	<u>MSRP</u>
02-0799-00	Non-Perforated	1 - 4 Cases	\$ 225.00
02-0798-00	Perforated	5 - 9 Cases	\$ 200.00
	100,000 per case, 32 rolls, 3125 per roll	10 + Cases	\$ 180.00
<u>Part#</u>	<u>Colors - Non-Perf (50,000)</u>	<u>Pantone</u>	<u>MSRP</u>
02-0799.03	Red	pms 32	\$ 125.00
02-0799-09	Yellow	process	\$ 125.00
02-0799-10	Orange	pms 21	\$ 125.00
02-0799-01	Dark Blue	pms 72	\$ 125.00
02-0799-07	Light Blue	pms 2975	\$ 125.00
02-0799-11	Burgundy	pms 221	\$ 125.00
02-0799-02	Black	process	\$ 125.00
02-0799-08	Green	pms 354	\$ 125.00
02-0799-04	Gold Foil		\$ 255.00
02-0799-05	Silver Foil		\$ 255.00

**POST-IT® NOTES**

<u>Part#</u>	<u>Repositionable Notes</u>	<u>Qty Disc</u>	<u>MSRP</u>
35-001	Canary Yellow 3 x 3 - 4R	1 - 4 Cases	\$ 280.00
35-002	Canary Yellow 3 x 3 - 4L	5 - 9 Cases	\$ 200.00
	Minimum Qty order is 50,000	10+Cases	\$ 180.00
	10,000 per case, 2 rolls, 5000 per roll		

Phone: 800-447-9990 or 518-283-0988

Fax: 518-283-0977

Prices subject to change without notice.

Rev: 04/10



**EQUIPMENT AND SUPPLIES PRICES**

**45A INK CARTRIDGES**

<u>Part#</u>	<u>HP Ink</u>	<u>Qty Disc</u>	<u>MSRP</u>
45-002	Versatile Black	per cartridge	\$ 35.00
		3 cartridges	\$ 33.00
		6 cartridges	\$ 32.00
<u>Part#</u>	<u>HP Ink</u>	<u>Qty Disc</u>	<u>MSRP</u>
45-003	Red	per cartridge	\$ 38.00
45-004	Blue	3 cartridges	\$ 36.00
45-005	Green	6 cartridges	\$ 35.00
45-006	Yellow		
<u>Part#</u>	<u>Black Inks</u>	<u>Qty Disc</u>	<u>MSRP</u>
45-007	Overcoat Black	per cartridge	\$ 45.00
45-008	Overcoat Black Delta +	3 cartridges	\$ 43.00
45-012	Jet Black	6 cartridges	\$ 40.00
45-013	Jet Black Delta +		
<u>Part#</u>	<u>Specialty Inks</u>	<u>Qty Disc</u>	<u>MSRP</u>
45-014	Supersonic	per cartridge	\$ 50.00
45-010	Tracer	3 cartridges	\$ 48.00
45-017	G-Force	6 cartridges	\$ 45.00
45-015	Hypersonic		

<u>Part #</u>	<u>UV Curable Inks</u>	<u>Qty Disc</u>	<u>MSRP</u>
80-002	ACCUFAST Ultra	per cartridge	\$ 68.00

**BULK INK SUPPLIES**

<u>Part#</u>	<u>Bulk Ink Supplies 800 ml</u>	<u>Type</u>	<u>MSRP</u>
60-001	Basic Black		\$ 200.00
60-002	Basic Black Delta +		
60-003	Overcoat Black		
60-004	Overcoat Black Delta +		
60-005	Universal Black		
60-006	Jet Black		
60-007	Jet Black Delta +		
<u>Part#</u>	<u>Bulk Ink Cartridges 42 ml</u>		<u>MSRP</u>
70-001	Basic Black		\$ 95.00
70-002	Basic Black Delta +		
70-003	Overcoat Black		
70-004	Overcoat Black Delta +		
70-005	Universal Black		
70-006	Jet Black		
70-007	Jet Black Delta +		

Phone: 800-447-9990 or 518-283-0988

Fax: 518-283-0977

Prices subject to change without notice.

Rev: 04/10

# Duplo USA Corporation

## Office Products Retail Price List

(PRICE BY VOLUME)  
2<sup>nd</sup> Quarter 2010 (Effective 4/1/10 – 6/30/10)

<u>Model #</u>	<u>Product</u>	<u>Suggested Retail</u>
DFC-80	8-Bin Friction-Feed Collator (does not include stand)	5,100
DFC-120	12-Bin Friction-Feed Collator (does not include stand)	7,600
DFC-120B	12-Bin B Tower Friction-Feed Collator (does not include stand)	8,400
DF-755	Manual Setting Folder	2,290
DF-915	Automatic Folder	4,100
DF-920	Automatic Folder	4,700
DF-1000	Air-Suction Folder	9,000
UJ-500AS	Anti-Static Air Jogger	3,900
DT-900	Tabber	6,800
DB-280	Perfect Binder	9,500
DSF-2000	Sheet Feeder for DBM-120S/S, DBM-400S/S & DBM-500	20,400
DBM-120 S/S	Sheet By Sheet Bookletmaker	9,300
DBM-120	Auto-Setting Bookletmaker (AAA-DFC12DU is required when connecting with DFC-12)	9,300
DBM-120T	Face Trimmer	7,800
DBM-80H	Hand Feed Auto Setting Bookletmaker	5,800
DC-445	Creaser <b>(please specify 120V or 230V)</b> Dealer must meet certain requirements in order to sell. ****Please see bottom of price list on page 7.	9,800
DC-535	Suction Feed Cut Sheet Cutter with 2 margin trimmers	6,500
DC-615	Slitter/Cutter/Creaser – Base Model with Air-Knife Dealer must meet certain requirements in order to sell. ****Please see bottom of price list on page 7.	18,900
DC-615 PRO	Slitter/Cutter/Creaser – Fully-equipped <u>without</u> PC or PC ARM Dealer must meet certain requirements in order to sell. ****Please see bottom of price list on page 7.	23,100
DC-615 PRO-LE	Slitter/Cutter/Creaser – Fully-equipped <u>with</u> PC and PC ARM Dealer must meet certain requirements in order to sell. ****Please see bottom of price list on page 7.	26,200
DC-645	Heavy-Duty Slitter/Cutter/Creaser Software included (USB Cable Not Included) Dealer must meet certain requirements in order to sell. ****Please see bottom of price list on page 7.	38,500
Duplo BCRG	Duplo Barcode Generator – Barcode & imposition tool	3,900
BCRG-TSP	Duplo Barcode Generator Titanium Service Plan for one (1) year	780/year

# Duplo USA Corporation

## Office Products Retail Price List

(PRICE BY VOLUME)

2<sup>nd</sup> Quarter 2010 (Effective 4/1/10 – 6/30/10)

<u>Model #</u>	<u>Product</u>	<u>Suggested Retail</u>
UP-240	Paper Bander	5,500
EX-2000	Sealer	8,100
490	19" Hydraulic Paper Cutter	10,300
490P	19" Hydraulic Programmable Paper Cutter	12,400
660P	26.5" Hydraulic Programmable Paper Cutter	17,700
V-417	Cut Sheet Burster (120V)	5,400
V-580	Cut Sheet Cutter	6,000
DS-416	Slitter	1,470
V-350	Burster	4,100
V-767	Burster	9,800

### DFC-120 & DBM-120/T COLLATING & BOOKLETMAKING SYSTEM PRICING

<u>Model #</u>	<u>Product</u>	<u>Suggested Retail</u>
System DFC-120 with DBM-120 & DBM-120T	12 Bin Collator + Bookletmaker + Trimmer Delivery Unit, Connecting Kit & Stand Included	25,830
System DFC-120 & DFC-120B with DBM-120 & DBM-120T	Two Collators (24 bins)+ Bookletmaker + Trimmer Delivery Unit, (2) Connecting Kits & Stands Included	34,875

### IFS INTEGRATED FOLDING SYSTEM\*\*\*\* - FOR DC-445, DC-615 & DC-645

\*\*\*\*Dealer must meet certain requirements in order to sell the IFS. Please see bottom of price list on page 7.

<u>Model #</u>	<u>Description</u>	<u>Suggested Retail</u>
DC-445 IFS Package	DC-445 Creaser (please specify 120V or 230V) + DC-F1 Folder + DC-ST2 Short Stacker + DCK-01 Inline Kit + DCK-26 Connecting Kit + AAO-DC445STAND	31,520
IFS Kit B – For DC-615	IFS for DC-615 with all connecting kits. Includes: DC-SC1 Straight Conveyor + DC-F1 Folder + DC-ST1 Long Stacker + DCK-02 Inline Kit + DCK-25 Connecting Kit. **Does not include DC-615 unit** **DC-615 Software version 1.06 or later is required	31,935
IFS Kit C – For DC-645	IFS for DC-645 with all connecting kits. Includes: DC-SC1 Straight Conveyor + DC-F1 Folder + DC-ST1 Long Stacker + DCK-03 Inline kit + DCK-13 Connecting Kit + DCK-25 Connecting Kit. **Does not include DC-645 unit** **DC-645 E-Prom Version 1.27 or later is required	32,160
IFS Kit D – Cross Conveyor for DC-645	IFS with Cross Conveyor for DC-645 with all connecting kits. Includes: DC-CC1 Cross Conveyor + DC-SC1 Straight Conveyor + DC-F1 Folder + DC-ST1 Long Stacker + DCK-03 Inline kit + DCK-13 Connecting Kit + DCK-14 Connecting Kit + DCK-25 Connecting Kit + DCK-43 Connecting Kit **Does not include DC-645 unit** **DC-645 E-Prom Version 1.28 or later is required	40,170

# Duplo USA Corporation

## Office Products Retail Price List

(PRICE BY VOLUME)

2<sup>nd</sup> Quarter 2010 (Effective 4/1/10 – 6/30/10)

### INTEGRATED FOLDING SYSTEM Components (continued)\*\*\*\*

\*\*\*\*Dealer must meet certain requirements in order to sell the IFS. Please see bottom of price list on page 7.

Individual IFS Components >> **\*\*DC-645 Software Requirements: V1.27 or later**  
**\*\*DC-615 Software Requirements: V1.06 or later**

<u>Model #</u>	<u>Description</u>	<u>Suggested Retail</u>
DC-F1	Knife Folder Module for DC-445/615/645	16,900
DC-SC1	Straight Conveyor for DC-445/615/645	6,900
DC-CC1	Cross Conveyor for DC-615/645	7,400
DC-ST1	Long Stacker for DC-445/615/645	7,500
DC-ST2	Short Stacker for DC-445/615/645	3,400
DCK-01	Inline kit for DC-445	445
DCK-02	Inline kit for DC-615	410
DCK-03	Inline kit for DC-645	380
DCK-13	Connecting Kit DC-645 - DC-SC1	255
DCK-14	Connecting Kit DC-CC1	320
DCK-15	Connecting Kit DC-ST1	190
DCK-16	Connecting Kit DC-ST2	290
DCK-24**	Connecting Kit DC-F1 – DC-CC1 **30 day lead time required after receiving P.O.	640
DCK-25	Connecting Kit (DC-F1 or DC-CC1) – DC-ST1	225
DCK-26	Connecting Kit DC-F1 – DC-ST2	480
DCK-42	Connecting Kit DC-CC1 – DC-F1	225
DCK-43	Connecting Kit DC-CC1 – DC-SC1	290
DCK-46**	Connecting Kit DC-CC1 – DC-ST2 **30 day lead time required after receiving P.O.	1,110
DCK-60**	Connecting Kit DC-ST2 – DC-CC1 **30 day lead time required after receiving P.O.	TBD
AAO-DC445STAND	Stand for DC-445	495

### ALL OTHER OFFICE PRODUCT OPTIONS & SUPPLIES

<u>Model #</u>	<u>Product</u>	<u>Suggested Retail</u>
AAO-DT900 CONVYR	DT-900C Conveyor for DT-900 Tabber	800
AAO-DT900 FEEDER	AF-900 Auto Feeder for DT-900 Tabber	2,000

# Duplo USA Corporation

## Office Products Retail Price List

(PRICE BY VOLUME)  
2<sup>nd</sup> Quarter 2010 (Effective 4/1/10 – 6/30/10)

### ALL OTHER OFFICE PRODUCT OPTIONS & SUPPLIES (continued)

<u>Model #</u>	<u>Product</u>	<u>Suggested Retail</u>
AAO-AF100STAND	Stand for DT-900 Tabber or DT-900C Conveyor	257
AAB-TAB CR1516	Clear round <u>perforated</u> tabs for DT-900 Tabber – sold per carton (6 rolls per carton/10,000 tabs per roll)	270/carton
AAB-TAB WR1516NP	White round <u>non-perforated</u> tabs for DT-900 Tabber - sold per carton (6 rolls per carton/10,000 tabs per roll)	150/carton
AAO-DC445AIR03	Air Knife Kit for DC-445 - <b>120V</b>	880
AAO-DC445AIR04	Air Knife Kit for DC-445 - <b>230V</b>	880
AAO-DC445PFR04	1x Perforator Unit for DC-445 (Must have DC445OPM02 Optional Housing Module)	760
AAO-DC445SLT18	1x Slitter Unit for DC-445 (Must have DC445OPM02 Optional Housing Module)	735
AAO-DC445OPM02	Optional Housing Module for DC-445	740
AAO-DC445LPT02	Long Paper Tray for DC-445 (30-day lead time is required)	370
AAO-DC445DFD07	Double-feed Detection Sensor for DC-445	515
AAO-DC445STAND	Stand for DC-445	495
AAO-DC615DFD06	Ultrasonic double-feed detection sensor for DC-615	630
AAO-DC615CCD01	CCD scanner for REG and Barcode functions for DC-615	1,200
AAO-DC615JCR01	Job Creator software bundle (disk & dongle) for DC-615	1,145
AAO-DC615PCM01	Pole Mount for DC-615PCARM (must purchase DC615PCARM)	645
AAO-DC615PCARM	PC ARM for DC-615PC (must purchase DC615PCM01)	640
AAO-DC615PC	Desktop PC workstation with 17" flat panel monitor for DC-615	2,500
AAO-DC615CST01	Card stacker receiving tray for DC-615	770
9P9-F1041	Slitter Blade (upper) for DC-615 (margin or center)	175/each
9P9-F1070	Slitter Blade (lower) for DC-615 (margin or center)	155/each
9S2-J1010	Cutter Unit for DC-615	1,465
AAO-DC645 BCMODULE	Business Card Module for use with DC-645. Designed for 2" x 3.5" business cards (for 20-up 12"x18" sheet size).	3,800
AAO-DC645BCM26	Business Card Module for use with DC-645. Designed for 2" x 3.5" business cards (for 30-up 14"x20" sheet size).	4,600

# Duplo USA Corporation

## Office Products Retail Price List

(PRICE BY VOLUME)

2<sup>nd</sup> Quarter 2010 (Effective 4/1/10 – 6/30/10)

### OPTIONAL PRODUCTS & SUPPLIES (Continued)

<u>Model #</u>	<u>Product</u>	<u>Suggested Retail</u>
AAO-DC645BCM52	Business Card Module for use with DC-645 Designed for cards with a 52mm slit width *Special order only, 6 wks delivery time with confirmed P.O.	3,800
AAO-DC645BCM54	Business Card Module for use with DC-645 Designed for cards with a 54mm slit width *Special order only, 6 wks delivery time with confirmed P.O.	3,800
AAO-DC645BCM55	Business Card Module for use with DC-645 Designed for cards with a 55mm slit width *Special order only, 6 wks delivery time with confirmed P.O.	3,800
AAO-DC645BCM16	Trading Card Module for use with DC-645 Designed for 2.5" x 3.5" trading cards (for 16-up 12"x18" sheet size).	4,600
AAO-DC645PFM01	Perforation Module for use with DC-645. (Must have AAO-DC645OMK01 Motor Kit).	4,600
AAO-DC645RSM01	Rotary Score Module for use with DC-645. (Must have AAO-DC645OMK01 Motor Kit).	4,600
AAO-DC645OMK01	Motor Kit for use with DC-645 Perforation Module or Rotary Score Module	140
9P9-Q6011	Replacement Score Wheel for DC-645 RSM-01	205
AAO-DC645PC	Dell PC (with Job Creator installed) for DC-645	2,500
AAO-DC645PCSTAND	Stand for Dell PC for DC-645	500
AAO-DFC12 Stand	Stand for DFC-120, DFC-80 & DFC-12	210
AAA-DFC12DU	Delivery Unit between DFC-12A and DBM120	385
AAA-DFC-S	Corner and Side Stapler for DFC-120, DFC-80, DFC-12 & DC- 8 Collators (Optional 13J-42 connecting kit required for DC-8)	5,000
AAO-DFC120DU	Delivery Unit (Required for connecting DFC-120 and DBM-120)	485
AAO-DFC120CKIT	DBM-120 Connecting Kit for DFC-120 (Two kits required when connecting two towers)	435
13J-42	DC-8 Connecting Kit for DFC-S Stapler	240
98J-42	Guide Plate for DC-8/DC-S4	50
11C-13	DBM-120 Off-Line Paper Guide Attachment that provides a more efficient method of manually feeding sets into the DBM- 120	40
11C-15	DBM-120 Small Book Kit (down to 5.83" x 7.87")	820

# Duplo USA Corporation

## Office Products Retail Price List

(PRICE BY VOLUME)  
2<sup>nd</sup> Quarter 2010 (Effective 4/1/10 – 6/30/10)

### OPTIONAL PRODUCTS & SUPPLIES (Continued)

<u>Model #</u>	<u>Product</u>	<u>Suggested Retail</u>
999-50050	Staples for DBM-100 and DBM-120 (60,000 Staples Per Box)	116
025-10150	Staples for DFC-S, DC-S4 and DBM-80H (20,000 Staples Per Box)	58
999-SPSTAPLE	Staples for DC-8ST Stapler (25,000 Staples Per Box)	70
999-151R	Staples for DC-8M (Micro 8 Collator) (8,000 staples per box)	35
AAO-DSF2000BC-KIT	DSF-2000 Barcode Kit	4,200
AAO-DCM-KIT	Digital Color Media for DSF-2000 (Anti-Static with Air Separating Kit)	4,400
AAO-CD100D	Universal Conveyor (Variable Speed Control and Height Adjustment)	995
AAO-STAND/BRST	Stand W/Caster for V-350	270
9F4-35010	Center Slitter for V-350	400
AAA-V130	Check Signer	1,255
830-542	Ink Roller for V-130	76
999-SDL PLATE/130	Blank Saddle for V-130	35
AAO-V767CHP05	Left Margin Chopper for V-740, V-760 & V-767 Bursters	555
AAO-V767CHP06	Right Margin Chopper for V-740, V-760 & V-767 Bursters	555
AAO-V767CNT21	Center Slitter for V-767 Burster	580
AAO-V767SEP07	Decollator Unit for V-767 Burster	580
AAO-V767MTU01	Middle Tray Unit for V-767 Burster	240
AAO-CNV05	Conveyor Stacker for V-417	1,600
999-CNV03	Conveyor for V-580	840
999-SLT08	Center Slitter for V-580	400
999-PFR02	Perforator for V-580	400
AAO-V707	Deep Stacker for V-740/760	2,100
AAO-V170	Slit/Merge for V-760	4,400
999-CTRLTR	Center Slitter for V-740/760	505



# Duplo USA Corporation

## Office Products Retail Price List

(PRICE BY VOLUME)

2<sup>nd</sup> Quarter 2010 (Effective 4/1/10 – 6/30/10)

### OPTIONAL PRODUCTS & SUPPLIES (Continued)

<u>Model #</u>	<u>Product</u>	<u>Suggested Retail</u>
999-DEC ATCH 740	Decollating Attachment for V-740	505
999-DEC ATCHMNT	Decollating Attachment for V-760	505
AAB-UP240BRNTAPE	Brown Craft Tape for UP-240 (40 rolls)	380
AAB-UP240WHTTAPE	White Craft Tape for UP-240 (40 rolls)	420
AAG-DB280GLUE	Glue for DB-280 and DB-250 / 50lb. Crtn	217/crtn
AAB-DB280LABEL	Self-Adhesive Label for DB-280, 8.72" x 11" (100 sheets/pack)	\$40/pack
AAB-DB280TAPE	Spine Strip Tapes for DB-280 (100 strips)	56
9SR-490K35	Cutting Blade for 490/490P Cutter	290
9SR-490CS	Cutting Sticks for 490/490P Cutter (Packaged 10 per box)	84/box
9SR-660/K02	Blade for 660P Cutter	370
9SR-660/NCS	New Cutting Sticks for 660P Cutter (Packaged 10 per box)	117/box

---

**F.O.B: Point of Origin**

**Prices are subject to change without notice.**

**Terms: Net 30 days or 4% discount for payment with order. Account must be current to qualify for 4% CWO discount.**

- \* Orders submitted at the same time can be combined for larger quantity discount pricing. Options and supplies can NOT be included.
- \*\* Option must be installed by dealer. Dealer may also elect to have Duplo U.S.A. install option prior to shipping for an additional \$100.00.
- \*\*\* Limited quantities of factory installed options. If no inventory exists at the time order is placed, dealer may elect to install option himself/ herself or have Duplo U.S.A. install option prior to shipping for an additional \$100.00
- \*\*\*\* DC-445, DC-615, DC-645 and IFS Sales Requirement: Dealers who have not already sold a DC-445, DC-615, DC-645 or IFS and would like to do so must first 1) Keep one demo unit on showroom floor at all times and 2) Send service technicians for training.

**Confidential to our organization**

Duplo USA Corporation • 3050 South Daimler Street • Santa Ana, CA 92705  
949/752-8222 800/255-1933 FAX 949/752-7766  
[www.duplousa.com](http://www.duplousa.com)

# LASSCO WIZER

485 Hague Street Rochester, NY 14606

Tel: 800-854-6595 Fax: 800-854-6585

February 1, 2010

STOCK NO.	DESCRIPTION	SUGGESTED LIST
<b>DRILLS - Floor Models</b>		
HL-3	3-Spindle, Moveable Heads, Hydraulic	\$7,345.00
FMMH-3	3-Spindle, Moveable Heads, Hydraulic	5,900.00
FMMP-3	3-Spindle, Moveable Heads, Pneumatic	5,595.00
FMM-3	3-Spindle, Moveable Heads	4,825.00
FMMS-3	3-Spindle, Fixed Head, Pneumatic	5,150.00
FMMS-3	3-Spindle, Fixed Head	4,385.00
FMMP-2	2-Spindle, Pneumatic	4,990.00
FMM-2	2-Spindle	4,225.00
FMP-2	Single Spindle, Pneumatic	3,085.00
FM-2	Single Spindle	2,315.00
<b>DRILLS - Bench Models</b>		
EBM-2.1	E-Z Glide Table	1,195.00
EBM-S	Fixed Table	925.00
<b>AIR COMPRESSOR</b>		395.00
<b>DRILL SHARPENERS</b>		
MS-1	Precision Drill Sharpener	141.00
MS-2	Pencil Type Drill Sharpener	40.00
MS-3	Hand Drill Sharpener	52.00
EBM-41	Sharpening Stone	7.00
<b>DRILL ACCESSORIES</b>		
EBM-10	1-1/2" Dia Drill Blocks, for Spinnit® EBM-S & Challenge (1dz)	12.00
W170-B	3" Dia Drill Blocks, for Challenge (1dz)	25.00
W170-C	2-1/2" Dia Drill Blocks, for Challenge (1dz)	20.00
EBM-04	Drill Blocks for Spinnit® EBM-1-R (1dz)	30.00
EBM2-1034	Drill Strip 16"	9.00
FM4-4001	Drill Strip 25"	10.00
HL3G06	6-5/8" x 1-1/4" x 5/16" Drill Blocks (3 dz)	26.00
W170-K	Drill Strips for M.Y. #202 (pk of 5)	20.00
EBM-32	Chuck Release Key-Spinnit	14.00
W171-A	Chuck Release Key-Challenge	10.00
W171-JK	E-Z Remover (for M.Y. #101 & #202)	15.00
CC-2	2" Chip Clearer	20.00
SPIN-EZE	Drill Bit Lubricant	7.00
W171-1	Drill-Ease Wax Sticks (3 pk)	12.00
W171-2	Drill-Ease Wax Sticks (12 pk)	42.00
W171-3	Drill-Ease Wax Sticks (24 pk)	76.00

MINIMUM ORDER \$30.00  
OR \$5.00 SERVICE CHARGE

Tel: 800-854-6595  
Fax: 800-854-6585

STOCK NO.	DESCRIPTION	SUGGESTED LIST
<b><u>CORNER CUTTERS - Floor Models</u></b>		
CR-50XP	Pneumatic (Includes 1 standard cutting unit of your choice)	1,895.00
CR-50P	Electric (Includes 1 standard cutting unit of your choice)	1,580.00
CR-50	Manual (Includes 1 standard cutting unit of your choice)	815.00
<b><u>CORNER CUTTERS - Desktop</u></b>		
CR-20	Standard (Includes 1 standard cutting unit of your choice)	169.00
CR-50B	Heavy Duty (Includes 1 standard cutting unit of your choice)	320.00
CR-60	Sign Makers Metal Cutter (includes 1 table assembly of your choice)	820.00
CR-177	1" Capacity (Includes 1 die and 2 matching blades)	430.00
<b><u>CUTTING UNITS and ACCESSORIES</u></b>		
<b><i>For Models 20, 50B, 50, 50P, 50XP</i></b>		
CU18	1/8" Standard Size Radius	96.00
CU14	1/4" Standard Size Radius	96.00
CU38	3/8" Standard Size Radius	96.00
CU12	1/2" Standard Size Radius	96.00
CU116	1/16" Special Size Radius	136.00
CU332	3/32" Special Size Radius	136.00
CU532	5/32" Special Size Radius	136.00
CU316	3/16" Special Size Radius	136.00
CU516	5/16" Special Size Radius	136.00
CU58	5/8" Special Size Radius	136.00
<b><i>For Models 50B, 50, 50P, 50XP</i></b>		
CU34	3/4" Large Size Radius	179.00
CU1	1" Large Size Radius	179.00
CU112	1-1/2" Large Size Radius	179.00
<b><i>For Model 60</i></b>		
60-12TA	1/2" Radius Table Assembly	375.00
60-34TA	3/4" Radius Table Assembly	375.00
60-1TA	1" Radius Table Assembly	375.00
60-112TA	1-1/2" Radius Table Assembly	375.00
<b><u>Blades &amp; Dies for 1" Capacity Corner Cutter</u></b>		
CR177-18	1/8" Blade	75.00
CR177-14	1/4" Blade	75.00
CR177-38	3/8" Blade	75.00
CR177-12	1/2" Blade	75.00
W177-C	Die (2 sided: 1/4" & 3/8")	70.00
W177-F	Die (2 sided: 1/8" & 1/2")	70.00
<b><u>Hand-held Punches</u></b>		
OS-PHP	Peg Hole Punch	76.00
OS-SSP	Strap Slot Punch	30.00

**MINIMUM ORDER \$30.00  
OR \$5.00 SERVICE CHARGE**

**Tel: 800-854-6595  
Fax: 800-854-6585**

STOCK NO.	DESCRIPTION	SUGGESTED LIST
<b>LASSCOJOG™ JOGGERS</b>		
LJ-2	Office Jogger	615.00
LJ-4	Heavy Duty Jogger	845.00
LJ-6	Multi-bin Jogger	845.00
LJ-8	Flat Top Jogger	595.00
<b>PADDING PRESS</b>		
W175	Ultra II Padding Press	365.00
<b>PAD COUNTERS AND ACCESSORIES</b>		
W172	2" Adjustable Pad Counter	13.80
W172-B	4" Adjustable Pad Counter	15.10
W172-C	5" Adjustable Pad Counter	16.30
W173	Quickie Pad Counter (Counts one Ream)	5.00
W174	Pad Separating Knife	11.50
W176	Padding Compound (1 Quart)	11.50
W178	Padding Brush	2.20
W179	Plastic Pile Separator	7.50
<b>NUMBERING, PERFORATING, SCORING &amp; ACCESSORIES</b>		
W100	Number-Rite®	995.00
W100-A	Gothic Head	155.00
W100-B	Roman Head	155.00
W100-C	Black Ink (1oz bottle) Metal Numbering Ink	5.50
W100-D	Red Ink (1oz bottle) Metal Numbering Ink	5.50
W100-D2	Blue Ink (1oz bottle) Metal Numbering Ink	5.50
W100-E	Ink Pad Clip	10.00
W100-F	Ink Pads, Felt Size : 1/4" x 7/16" x 1-1/8" (1dz)	10.00
W100-G	Green Strike Pad, Size: 2-3/4" x 2-3/4"	5.50
W100-H	Numbering Supply Kit for Number-Rite	49.00
W100-L	Lube and Clean for Numbering Heads	28.00
W200	Number-All™	650.00
W200-G	Green Strike Pad, Size: 1-11/16" x 1-11/16"	5.50
W200-H	Numbering Supply Kit for Number-All	49.00
W630	Score II (Perfing & Scoring Machine) 19-1/2"	330.00
W635	Score II (Perfing & Scoring Machine) 25"	375.00

**MINIMUM ORDER \$30.00  
OR \$5.00 SERVICE CHARGE**

**Tel: 800-854-6595  
Fax: 800-854-6585**

STOCK NO.	DESCRIPTION	SUGGESTED LIST
<b><u>Count Machinery</u></b>		
XCM-NPP	Number Pro Plus - 1 Numbering Head, Perforating and Scoring, Top Feed	6,950.00
XCM-APPI	Auto Pro Plus I - 1 Numbering Head, Perforating and Scoring	7,950.00
XCM-APPII	Auto Pro Plus II - 2 Numbering Heads, Perforating and Scoring	8,845.00
XCM-APPIAIR	Auto Pro Plus I - 1 Numbering Head, Perforating and Scoring, Air Feed	10,950.00
XCM-A-PM	Perfmaster - Perforating and Scoring	3,950.00
XCM-A-PAIR	Perfmaster - Air Feed	5,950.00
XCM-APSTAND	Optional Stand For Friction-Fed Machines	395.00
XCM-TM-P	Tablematic Plus - 1 Numbering Head, Manual Feed	1,175.00

Prices subject to change without prior notice.

### **STAPLERS and ACCESSORIES**

W106	Rapid 106 Electric Stapler	720.00
W106B	Stapling Head for Rapid 106	80.00
W106-K	Group Stapling Kit	205.00
W101-301	Stapling Head for Rapid 101	85.00
W110	Stapling Head for MBM Sprint	95.00
W111	Stapling Head for Plockmatic	95.00
W109	Staple Driver for MBM Sprint	28.00

W102	1/4" Staples, 5,000/box Red Streak	5.00
W103	5/16" Staples, 5000/box Red Streak	5.50
W104	1/4" Staples, 5000/box Premium	5.00
W105	5/16" Staples, 5000/box Premium	5.50

W115	Skrebba Heavy Duty, Flat/Saddle Stapler	195.00
W117L	Skrebba Heavy Duty Long Reach Flat Stapler	185.00
W117R	Skrebba Heavy Duty Stapler	160.00

W118-A	5/16" Heavy Duty Staples, 1,000/box	4.00
W118-B	1/2" Heavy Duty Staples, 1,000/box	4.50
W118-C	11/16" Heavy Duty Staples, 1,000/box	7.00
W118-D	1/4" Heavy Duty Staples, 1,000/box	4.00
W118-E	3/8" Heavy Duty Staples, 1,000/box	4.50
W118-F	13/16" Heavy Duty Staples, 1,000/box	7.50

### **PLATE PUNCH**

W166	MasterPunch™	289.00
------	--------------	--------

**MINIMUM ORDER \$30.00  
OR \$5.00 SERVICE CHARGE**

**Tel: 800-854-6595  
Fax: 800-854-6585**

STOCK NO.	DESCRIPTION	SUGGESTED LIST
<b><u>SUCKERS and SUCKER FEET</u></b>		
W130	Molded Suckers - A.B. Dick Presses (10 dz)	38.00
W130-T	Long Wear Thick Molded Suckers - A.B. Dick Presses (10 dz)	38.00
W131	Flat Rubber Suckers for 1/4" Bottom (5 dz)	10.00
W134	Ryobi Rubber Suckers - All Ryobis & Iteks (10 dz)	38.00
W135	Hamada Rubber Suckers, 500/600/700/800, Standard #78 (10 dz)	75.00
<b><u>BLANKET BARS</u></b>		
W124	Blanket Bars - A.B. Dick 360 (pr)	30.00
W124-A	Blanket Bars - A.B. Dick 375, 9800 Series(pr)	34.00
W124-B	Quick Change Blanket Bars - A.B. Dick 360(pr)	12.00
W124-C	Quick Change Blanket Bars - A.B. Dick 375/9800 (pr)	16.00
<b><u>ENVELOPE BACKSTOP</u></b>		
W125	A.B. Dick 350/360/375/9820/9840/9850	20.00
<b><u>POWDER SPRAY GUNS</u></b>		
W121-F	Ryobi 3200, 2800 / Itek 960, 975	90.00
W123-A	A.B. Dick 375, 9800 series chain	80.00
<b><u>REMITTANCE ENVELOPE FEEDER</u></b>		
W128	Remittance Envelope Feeder	20.00
<b><u>SHEET SEPARATORS</u></b>		
W165	Multi/Hamada Sheet Separators (1 dz)	5.00

**MINIMUM ORDER \$30.00  
OR \$5.00 SERVICE CHARGE**

**Tel: 800-854-6595  
Fax: 800-854-6585**

Stock NO.	Description		Suggested List
<b>STYLE A 2" - LASSCO "SPINNIT" / CHALLENGE</b>			
PD18P-2	1/8"	PREMIUM	27.00
PD18PT-2	1/8"	PREMIUM COATED	35.00
PD532P-2	5/32"	PREMIUM	27.00
PD316-2	3/16"	STANDARD	23.00
PD316T-2	3/16"	STANDARD COATED	29.00
PD316P-2	3/16"	PREMIUM	27.00
PD316PT-2	3/16"	PREMIUM COATED	35.00
PD732P-2	7/32"	PREMIUM	27.00
PD14-2	1/4"	STANDARD	23.00
PD14T-2	1/4"	STANDARD COATED	29.00
PD14P-2	1/4"	PREMIUM	27.00
PD14PT-2	1/4"	PREMIUM COATED	35.00
PD932P-2	9/32"	PREMIUM	27.00
PD516-2	5/16"	STANDARD	23.00
PD516T-2	5/16"	STANDARD COATED	29.00
PD516P-2	5/16"	PREMIUM	27.00
PD516PT-2	5/16"	PREMIUM COATED	35.00
PD1132P-2	11/32"	PREMIUM	27.00
PD38-2	3/8"	STANDARD	23.00
PD38T-2	3/8"	STANDARD COATED	29.00
PD38P-2	3/8"	PREMIUM	27.00
PD38PT-2	3/8"	PREMIUM COATED	35.00
PD1332P-2	13/32"	PREMIUM	27.00
PD716P-2	7/16"	PREMIUM	27.00
PD12-2	1/2"	STANDARD	23.00
PD12T-2	1/2"	STANDARD COATED	29.00
PD12P-2	1/2"	PREMIUM	27.00
PD12PT-2	1/2"	PREMIUM COATED	35.00
<b>STYLE A 2.5" - CHALLENGE</b>			
PD14-2.5	1/4"	STANDARD	27.00
PD14T-2.5	1/4"	STANDARD COATED	33.00
PD14P-2.5	1/4"	PREMIUM	31.00
PD14PT-2.5	1/4"	PREMIUM COATED	39.00
PD516-2.5	5/16"	STANDARD	27.00
PD516T-2.5	5/16"	STANDARD COATED	33.00
PD516P-2.5	5/16"	PREMIUM	31.00
PD516PT-2.5	5/16"	PREMIUM COATED	39.00
PD38P-2.5	3/8"	PREMIUM	31.00
PD38PT-2.5	3/8"	PREMIUM COATED	39.00

**MINIMUM ORDER \$30.00  
OR \$5.00 SERVICE CHARGE**

**Tel: 800-854-6595  
Fax: 800-854-6585**

Stock NO.	Description		Suggested List
<b><u>STYLE L 1" - LASSCO</u></b>			
PD18P-1	1/8"	PREMIUM	27.00
PD316-1	3/16"	STANDARD	23.00
PD14-1	1/4"	STANDARD	23.00
PD516-1	5/16"	STANDARD	23.00
PD38-1	3/8"	STANDARD	23.00
PD12P-1	1/2"	PREMIUM	27.00
<b><u>STYLE J 1" - MARTIN YALE / LIHIT</u></b>			
PD18-J	1/8"	STANDARD	28.00
PD14-J	1/4"	STANDARD	25.00
<b><u>STYLE K 2" - MARTIN YALE / LIHIT</u></b>			
PD14-K	1/4"	PREMIUM	33.00
PD516-K	5/16"	PREMIUM	33.00
<b><u>STYLE B 2" - LAWSON</u></b>			
PD14P-B	1/4"	PREMIUM	29.00
PD516P-B	5/16"	PREMIUM	29.00
<b><u>STYLE C 2" - NYGREN DAHLY</u></b>			
PD14P-C	1/4"	PREMIUM	29.00
PD516P-C	5/16"	PREMIUM	29.00
<b><u>STYLE H 2.5" - LASSCO "SPINNIT" HL-3</u></b>			
PD14P-H	1/4"	PREMIUM	31.00
PD14PT-H	1/4"	PREMIUM COATED	39.00
PD516P-H	5/16"	PREMIUM	31.00
PD516PT-H	5/16"	PREMIUM COATED	39.00
PD38P-H	3/8"	PREMIUM	31.00
PD38PT-H	3/8"	PREMIUM COATED	39.00
PD12P-H	1/2"	PREMIUM	31.00
PD12PT-H	1/2"	PREMIUM COATED	39.00

MINIMUM ORDER \$30.00  
OR \$5.00 SERVICE CHARGE

Tel: 800-854-6595  
Fax: 800-854-6585



SRM/SAP Parent Number: 4400002495  
SRM Contract Number 4400002503  
Change Number: 11  
Change Effective Date: 6/3/10

**COMMONWEALTH OF PENNSYLVANIA  
DEPARTMENT OF GENERAL SERVICES  
HARRISBURG**

**For:** All using Agencies of the Commonwealth  
**Subject:** Offset Printing & Binding Equipment, Supplies and Maintenance  
**Contract Period:** Beginning 05/07/08 – 06/30/2011

**Commodity Specialist Name:** Wanda Bowers – [wbowers@state.pa.us](mailto:wbowers@state.pa.us) or 717-346-3840

**CHANGE SUMMARY:** There has been additional price list posted to the emarketplace website for contract 4400002503 E. Thomas Brett for the following manufacturers

**Asmarc  
Martin Yale  
Destroyilt  
MBM  
Duplo**

ALL OTHER TERMS AND CONDITIONS OF THIS AGREEMENT NOT CHANGED BY THIS CHANGE NOTICE REMAIN AS ORIGINALLY WRITTEN.



**EQUIPMENT AND SUPPLIES PRICES**

**INKJET PRINTERS**

<u>Part#</u>	<u>Printer v.4</u>	<u>Asmarc 2010</u>	<u>MSRP</u>
11-0150-94	PMx 4 Imagers w HDF, Stands, Warr		35000.00
11-0150-04	PMx 4 Imager		30500.00
11-0150-93	PMx 3 Imagers w HDF, Stands, Warr		28599.00
11-0150-03	PMx 3 Imager		25500.00
11-0150-92	PMx 2 Imagers w HDF, Stands, Warr		22900.00
11-0150-02	PMx 2 Imager		21990.00
11-0150-91	PMx 1 Imagers w HDF, Stands, Warr		19000.00
11-0150-01	PMx 1 Imager		15590.00
11-0140-04	LPx w/ 2 m/c Imagers		26800.00
11-0140-05	LPx w/ 2 a/c Imagers & UV Cure		38900.00
11-0124-08	P8 2 Imagers 4" of print	\$	16,800.00
11-0124-09	PC3, HDF w/MC imager & 150 LED Cure	\$	33,965.00
11-0124-10	PC3, HDF w/ AC imager & 150 LED Cure	\$	35,840.00
11-0122-10	P4 1 Imager (2" of Print)	\$	8,500.00
11-0122-04	P4/PCS System w/HDF and UV Conveyor	\$	26,000.00
16-0150-00	v.4 imager m/c Kit	\$	4,200.00
16-0150-10	v.4 imager a/c Kit	\$	5,700.00
16-0150-02	v.4 Satellite for PMx	\$	6,100.00
16-0160-10	Afterburner Right of Mounting Bar	\$	1,700.00
16-0160-20	Afterburner Left of Mounting Bar	\$	1,700.00
02-1235-99	xtended Imager Warranty v.4	\$	350.00

**INKJET COMPONENT KIT**

<u>Part#</u>	<u>Component Kit v.4</u>	<u>MSRP</u>
16-0106-00	CK 1 Imager m/c (Basic)	\$ 8,925.00
16-0106-20	CK 1 Imager a/c (Basic)	\$ 10,425.00
16-0106-30	CK 1 Imager m/c w/UV LED 150 (Basic)	\$ 22,400.00
16-0107-00	CKx Kit 1 & 2 m/c (w/1 Imager)	\$ 9,765.00
16-0107-20	CKx Kit 1 & 2 a/c (w/1 Imager)	\$ 11,265.00
16-0108-00	CKx Kit 2 <sup>nd</sup> & 4 <sup>th</sup> Imager m/c	\$ 4,200.00
16-0108-20	CKx Kit 2 <sup>nd</sup> & 4 <sup>th</sup> Imager a/c	\$ 5,700.00
16-0109-00	CKx Kit 3 <sup>rd</sup> Imager m/c	\$ 8,137.50
16-0109-20	CKx Kit 3 <sup>rd</sup> Imager a/c	\$ 9,637.50
16-0150-01	v.4 Satellite for CKx	\$ 9,200.00
16-0150-50	Satellite Pen	\$ 1,900.00
16-0160-10	Standard Imager Afterburner - Right side	\$ 1,700.00
16-0160-20	Standard Imager Afterburner - Left side	\$ 1,700.00
02-1235-99	xtended Imager Warranty v.4	\$ 350.00
11-0147-00	3x13 VT Transport (6" UV capable)	\$ 3,465.00
11-0152-00	3x24 VT Transport (6" UV capable)	\$ 3,675.00
11-0129-00	3x13 VT Transport Basic	\$ 3,307.50
11-0135-00	3x24 VT Transport Basic	\$ 3,423.00
16-0107-60	6" UV Cure Kit (existing bases only)	\$ 10,800.00

**Camera Systems**

16-0900-01	Cognex Camera IS 5100	\$ 10,236.00
16-0900-02	Cognex DMR-100Q - Data Man	\$ 3,590.00

**Software & Support**

00-000-00	ACCUFAST Print Connect Software	\$ 350.00
00-000-00	Remote Access Support	\$ 150.00



**EQUIPMENT AND SUPPLIES PRICES**

**TABBERS**

<u>Part#</u>	<u>Tabbers</u>	<u>ASMARC</u>	<u>MSRP</u>
11-1900-00	ET Tabber		\$ 9,100.00
11-0119-00	KT2 Tabber		\$ 5,100.00
11-0114-15	KT Tabber		\$ 3,500.00
11-0120-00	Freehand Tabber		\$ 3,000.00

**LABELERS**

<u>Part#</u>	<u>Labelers</u>	<u>ASMARC</u>	<u>MSRP</u>
11-0400-50	VL Labeler w/HDF & Stand		\$ 8,300.00
11-0040-01	XL/R Labeler		\$ 4,900.00
11-0040-00	XL Labeler		\$ 4,300.00
11-0006-01	Freehand Labeler		\$ 2,600.00
11-0600-00	XL/R Roll Head		\$ 2,100.00

**FEEDERS**

<u>Part#</u>	<u>Feeders</u>	<u>ASMARC</u>	<u>MSRP</u>
11-0200-04	HDF Feeder (P4)		\$ 3,525.00
11-0200-00	HDF Feeder		\$ 3,460.00
11-0115-03	FX -03 (Fast Speed)		\$ 1,770.00
11-0115-00	FX Feeder		\$ 1,660.00
11-0122-16	Card/Tag Feeder		\$ 870.00
11-0127-00	FY (KT or QT)		\$ 870.00

**CONVEYORS & STACKERS**

<u>Part#</u>	<u>Conveyors &amp; Stackers</u>	<u>ASMARC</u>	<u>MSRP</u>
11-0011-01	6FV Conveyor		\$ 2,760.00
11-0125-00	CS3 Conveyor - Floor Model		\$ 1,525.00
11-0125-01	CS3 Conveyor - Tabletop		\$ 1,355.00
11-0020-00	3FV w/weight wheel assembly		\$ 1,300.00
16-0130-00	3DC Conveyor		\$ 2,940.00

**FOLDERS**

<u>Part#</u>	<u>Folders</u>	<u>ASMARC</u>	<u>MSRP</u>
11-0113-01	AF 1		\$ 810.00
11-0113-02	AF 1 IN		\$ 810.00
11-0113-00	AF 2 (formally Freehand)		\$ 1,015.00
11-0113-03	AF 2 IN		\$ 1,015.00
11-0113-04	AF 3		TBA
11-0113-05	AF3 IN		TBA
11-0113-06	AF 4		\$ 2,560.00
11-0113-07	AF 4 IN		\$ 2,560.00
11-0113-08	AF 5		\$ 2,867.50
11-0113-09	AF 5 IN		\$ 2,867.50

Phone: 800-447-9990 or 518-283-0988

Fax: 518-283-0977

Prices subject to change without notice.



**EQUIPMENT AND SUPPLIES PRICES**

**ACCESSORIES**

<u>Part#</u>	<u>Accessories</u>	<u>MSRP</u>
11-0140-98	LPx UV Dryer	\$ 18,000.00
00-0000-00	ET Unwinder	\$ 1,000.00
16-0190-00	Bulk Ink System Assembly Kit	\$ 1,900.00
16-0191-00	Bulk Ink Kit Additional 3 Pen	\$ 800.00
11-0500-98	Adjustable Height Cart 18" x 42"	\$ 577.50
11-0500-00	Adjustable Height Cart 18" x 22"	\$ 472.50
11-0500-99	Adjustable Height Cart w/slider 18" x 42"	\$ 1,134.00
10-0623-01	ET/HDF Stand (21.5" x 42.5")	\$ 650.00
16-0120-00	Laptop shelf	\$ 378.00
11-0048-00	XL Sliding Stand	\$ 254.10
16-0065-01	CS3 Bump Turn Kit	\$ 241.50
11-0049-00	3FV Stand	\$ 178.50
09-0851-00	Weight Roller Assembly	\$ 161.70
16-0058-01	XL P.S. Stamp Kit	\$ 141.95
16-0050-00	XL Narrow Roll Adapter Kit	\$ 94.50
11-0221-00	FanFold Stand	\$ 63.50
11-0022-00	XL Stand	\$ 94.50
11-0220-00	HDF/P4 Stand	\$ 68.25
11-0041-00	Catch Tray	\$ 29.00
09-0558-00	Separator Sub Assembly Urethane	\$ 29.00

**FRICION-FED  
TABS**

<u>Part#</u>	<u>1.0" Tabs</u>	<u>Qty Disc</u>	<u>MSRP</u>
02-0799-12	White Non-Perforated	1 - 4 Cases	\$ 175.00
02-0843-00	White Perforated	5 - 9 Cases	\$ 150.00
	<i>100,000 per case, 20 rolls, 5000 per roll</i>	10 + Cases	\$ 125.00
<u>Part#</u>	<u>1.0" tabs</u>	<u>Qty Disc</u>	<u>MSRP</u>
02-0799-16	Translucent Paper	1 - 4 Cases	\$ 205.00
		5 - 9 Cases	\$ 180.00
		10 + Cases	\$ 155.00
<u>Part#</u>	<u>1.5" tabs</u>	<u>Qty Disc</u>	<u>MSRP</u>
02-0799-15	White	1 - 4 Cases	\$ 80.00
		5 - 9 Cases	\$ 75.00
	<i>20,000 per case, 4 rolls, 4000 per roll</i>	10 + Cases	\$ 60.00
<u>Part#</u>	<u>1.5" tabs</u>	<u>Qty Disc</u>	<u>MSRP</u>
02-0842-15	Translucent Paper	1 - 4 Cases	\$ 215.00
		5 - 9 Cases	\$ 195.00
	<i>50,000 per case, 10 rolls, 5000 per roll</i>	10 + Cases	\$ 170.00
<u>Part#</u>	<u>Colors - Non-Perf (50,000)</u>	<u>Pantone</u>	<u>MSRP</u>
02-0841-01	Red	pms 32	\$ 95.00
02-0841-02	Yellow	process	\$ 95.00
02-0841-03	Orange	pms 21	\$ 95.00
02-0841-04	Dark Blue	pms 72	\$ 95.00
02-0841-05	Light Blue	pms 2975	\$ 95.00
02-0841-06	Burgundy	pms 221	\$ 95.00
02-0841-07	Black	process	\$ 95.00
02-0841-08	Green	pms 354	\$ 95.00
02-0841-09	Gold Foil		\$ 210.00
02-0841-10	Silver Foil		\$ 210.00

Phone: 800-447-9990 or 518-283-0988

Fax: 518-283-0977

Prices subject to change without notice.

Rev: 04/10



**EQUIPMENT AND SUPPLIES PRICES**

**FANFOLD TABS**

<u>Part#</u>	<u>White (100K)</u>	<u>Qty Disc</u>	<u>MSRP</u>
02-0901.00	1.0"	1 - 4 Cases	\$ 205.00
		5 - 9 Cases	\$ 180.00
	50K per box, 5 sleeves, 10K per sleeve	10 + Cases	\$ 155.00
<u>Part#</u>	<u>White (100K)</u>	<u>Qty Disc</u>	<u>MSRP</u>
02-0903-15	1.5"	1 - 4 Cases	\$ 350.00
		5 - 9 Cases	\$ 305.00
	50K per box, 5 sleeves, 10K per sleeve	10 + Cases	\$ 265.00
<u>Part#</u>	<u>Translucent Paper (100k)</u>	<u>Qty Disc</u>	<u>MSRP</u>
02-0902.00	1.0"	1 - 4 Cases	\$ 275.00
		5 - 9 Cases	\$ 240.00
	50K per box, 5 sleeves, 10K per sleeve	10 + Cases	\$ 210.00
<u>Part#</u>	<u>Translucent Paper (100k)</u>	<u>Qty Disc</u>	<u>MSRP</u>
02-0904-15	1.5"	1 - 4 Cases	\$ 465.00
		5 - 9 Cases	\$ 410.00
	50K per box, 5 sleeves, 10K per sleeve	10 + Cases	\$ 355.00

**TRACTORTABS®**

<u>Part#</u>	<u>White</u>	<u>Qty Disc</u>	<u>MSRP</u>
02-0799-00	Non-Perforated	1 - 4 Cases	\$ 225.00
02-0798-00	Perforated	5 - 9 Cases	\$ 200.00
	100,000 per case, 32 rolls, 3125 per roll	10 + Cases	\$ 180.00
<u>Part#</u>	<u>Colors - Non-Perf (50,000)</u>	<u>Pantone</u>	<u>MSRP</u>
02-0799.03	Red	pms 32	\$ 125.00
02-0799-09	Yellow	process	\$ 125.00
02-0799-10	Orange	pms 21	\$ 125.00
02-0799-01	Dark Blue	pms 72	\$ 125.00
02-0799-07	Light Blue	pms 2975	\$ 125.00
02-0799-11	Burgundy	pms 221	\$ 125.00
02-0799-02	Black	process	\$ 125.00
02-0799-08	Green	pms 354	\$ 125.00
02-0799-04	Gold Foil		\$ 255.00
02-0799-05	Silver Foil		\$ 255.00

**POST-IT® NOTES**

<u>Part#</u>	<u>Repositionable Notes</u>	<u>Qty Disc</u>	<u>MSRP</u>
35-001	Canary Yellow 3 x 3 - 4R	1 - 4 Cases	\$ 280.00
35-002	Canary Yellow 3 x 3 - 4L	5 - 9 Cases	\$ 200.00
	Minimum Qty order is 50,000	10+Cases	\$ 180.00
	10,000 per case, 2 rolls, 5000 per roll		

Phone: 800-447-9990 or 518-283-0988

Fax: 518-283-0977

Prices subject to change without notice.

Rev: 04/10



**EQUIPMENT AND SUPPLIES PRICES**

**45A INK CARTRIDGES**

<u>Part#</u>	<u>HP Ink</u>	<u>Qty Disc</u>	<u>MSRP</u>
45-002	Versatile Black	per cartridge	\$ 35.00
		3 cartridges	\$ 33.00
		6 cartridges	\$ 32.00
<u>Part#</u>	<u>HP Ink</u>	<u>Qty Disc</u>	<u>MSRP</u>
45-003	Red	per cartridge	\$ 38.00
45-004	Blue	3 cartridges	\$ 36.00
45-005	Green	6 cartridges	\$ 35.00
45-006	Yellow		
<u>Part#</u>	<u>Black Inks</u>	<u>Qty Disc</u>	<u>MSRP</u>
45-007	Overcoat Black	per cartridge	\$ 45.00
45-008	Overcoat Black Delta +	3 cartridges	\$ 43.00
45-012	Jet Black	6 cartridges	\$ 40.00
45-013	Jet Black Delta +		
<u>Part#</u>	<u>Specialty Inks</u>	<u>Qty Disc</u>	<u>MSRP</u>
45-014	Supersonic	per cartridge	\$ 50.00
45-010	Tracer	3 cartridges	\$ 48.00
45-017	G-Force	6 cartridges	\$ 45.00
45-015	Hypersonic		

<u>Part #</u>	<u>UV Curable Inks</u>	<u>Qty Disc</u>	<u>MSRP</u>
80-002	ACCUFAST Ultra	per cartridge	\$ 68.00

**BULK INK SUPPLIES**

<u>Part#</u>	<u>Bulk Ink Supplies 800 ml</u>	<u>Type</u>	<u>MSRP</u>
60-001	Basic Black		\$ 200.00
60-002	Basic Black Delta +		
60-003	Overcoat Black		
60-004	Overcoat Black Delta +		
60-005	Universal Black		
60-006	Jet Black		
60-007	Jet Black Delta +		
<u>Part#</u>	<u>Bulk Ink Cartridges 42 ml</u>		<u>MSRP</u>
70-001	Basic Black		\$ 95.00
70-002	Basic Black Delta +		
70-003	Overcoat Black		
70-004	Overcoat Black Delta +		
70-005	Universal Black		
70-006	Jet Black		
70-007	Jet Black Delta +		

Phone: 800-447-9990 or 518-283-0988

Fax: 518-283-0977

Prices subject to change without notice.

Rev: 04/10

# DESTROYIT BUSINESS SHREDDERS

RETAIL PRICE LIST  
EFFECTIVE MARCH 1, 2010





**STRIP-CUT \$379.00**  
**CROSS-CUT \$499.00**

### → DESTROYIT 2240

- automatic start and stop controlled by photo cell
- single, multifunction control switch with pilot light for stand-by, stop (off), and reverse
- transparent safety shield in the feed opening
- high quality, hardened steel cutting shafts take staples and paper clips (strip-cut model takes credit cards)
- quiet and powerful single phase motor
- double protection against overheating
- durable gears enclosed in dust-proof housing
- impact-resistant plastic shred bin
- convenient handle for lifting shredder head unit from the bin
- automatic power cut-off when head unit is removed from bin
- 5 gallon shred volume



**STRIP-CUT \$519.00**  
**CROSS-CUT \$619.00**

### → DESTROYIT 2260

- window in shred bin shows amount of shreds collected
- automatic start and stop controlled by photo cell
- single, multifunction control switch with pilot light for stand-by, stop (off), and reverse
- transparent safety shield in the feed opening
- high quality, hardened steel cutting shafts take staples and paper clips (strip-cut model takes credit cards)
- quiet and powerful single phase motor
- double protection against overheating
- durable gears enclosed in dust-proof housing
- high quality wooden cabinet
- automatic power cut-off when shred bin is removed from cabinet
- 5 gallon shred volume



**STRIP-CUT \$649.00**  
**CROSS-CUT \$749.00**

### → DESTROYIT 2270

- two separate cutting heads with separate feed openings—one for paper and one for CDs
- window in shred bin shows amount of shreds collected
- integrated collection tray in shred bin keeps plastic shreds separate from paper
- automatic start and stop controlled by photo cell
- single, multifunction control switch with pilot light for stand-by, stop (off), and reverse
- transparent safety shield in the feed opening
- high quality, hardened steel cutting shafts take staples, paper clips, credit cards, and CDs
- quiet and powerful single phase motor
- double protection against overheating
- durable gears enclosed in dust-proof housing
- high quality wooden cabinet
- automatic power cut-off when shred bin is removed from cabinet
- 5 gallon shred volume for paper
- 3/4 gallon shred volume (approximate) for CDs

	STRIP-CUT	CROSS-CUT
Shred size	3/16" (4 mm)	1/8" x 1" (3 x 25 mm)
Security level	2	3
Sheet capacity	10-12*	5-6*
Shred speed	12 ft./min.	12 ft./min.
Shipping weight	16 lbs.	18 lbs.
<b>Both models</b>		
Feed opening	8 3/4"	
Maximum horsepower	1/5	
Motor output	.15 KW	
Electrical requirements	115 V	
Dimensions (D x W x H)	8 1/2" x 13 1/2" x 17 3/4"	

\*may vary due to variations in paper and power supply

	STRIP-CUT	CROSS-CUT
Shred size	3/16" (4 mm)	1/8" x 1" (3 x 25 mm)
Security level	2	3
Sheet capacity	10-12*	5-6*
Shred speed	12 ft./min.	12 ft./min.
Shipping weight	27 lbs.	28 lbs.
<b>Both models</b>		
Feed opening	8 3/4"	
Maximum horsepower	1/5	
Motor output	.15 KW	
Electrical requirements	115 V	
Dimensions (D x W x H)	8 3/4" x 13 1/2" x 21"	

\*may vary due to variations in paper and power supply

	STRIP-CUT	CROSS-CUT
Shred size	3/16" (4 mm)	1/8" x 1" (3 x 25 mm)
Security level	2	3
Sheet capacity	10-12*	5-6*
Shred speed	12 ft./min.	12 ft./min.
Shipping weight	32 lbs.	32 lbs.
<b>Both models</b>		
Feed opening	8 3/4"	
Maximum horsepower	1/5	
Motor output	.15 KW	
Electrical requirements	115 V	
Dimensions (D x W x H)	8 3/4" x 13 1/2" x 21"	

\*may vary due to variations in paper and power supply





**STRIP-CUT \$869.00**  
**CROSS-CUT \$989.00**  
**SMC: CONTACT MBM**

### DESTROYIT 2360

- SPS (Safety Protection System) package
- automatic start and stop controlled by photo cell
- high quality, hardened steel cutting shafts take staples, paper clips, and credit cards (strip- and cross-cut models)
- super micro-cut (SMC) model meets all NSA/CSS specifications and is DOD approved
- quiet and powerful single phase motor
- durable gears enclosed in dust-proof housing
- high quality wooden cabinet mounted on casters
- environmentally friendly reusable plastic bag
- 9 ¼ gallon shred volume



**STRIP-CUT \$1,199.00**  
**CROSS-CUT \$1,399.00**

### DESTROYIT 2404

- SPS (Safety Protection System) package
- automatic start and stop controlled by photo cell
- high quality, hardened steel cutting shafts take staples, paper clips, and credit cards (strip-cut model takes CDs)
- quiet and powerful single phase motor
- durable gears enclosed in dust-proof housing
- high quality wooden cabinet mounted on casters
- environmentally friendly reusable plastic bag
- 13 gallon shred volume

### CENTRALIZED OFFICE



**STRIP-CUT \$1,599.00**  
**CROSS-CUT \$1,799.00**

### DESTROYIT 2503

- SPS (Safety Protection System) package
- automatic start and stop controlled by photo cell
- high quality, hardened steel cutting shafts take staples, paper clips, and credit cards (strip-cut and 3/16" x 1 1/2" cross-cut models takes CDs)
- quiet and powerful single phase motor
- durable gears enclosed in dust-proof housing
- high quality wooden cabinet mounted on casters
- pull-out bag frame for disposable shred bags
- 26 gallon shred volume

	STRIP-CUT	CROSS-CUT	SMC
Shred size	3/16" (4 mm)	3/32" x 5/8" (2 x 15 mm)	1/32" x 3/16" (.8 x 5 mm)
Security level	2	4	6
Sheet capacity	12-14*	6-8*	5-7*
Shred speed	27 ft./min.	14 ft./min.	14 ft./min.
Shipping weight	51 lbs.	51 lbs.	51 lbs.
<b>All models</b>			
Feed opening	9 1/2"		
Maximum horsepower	1/2		
Motor output	.39 KW		
Electrical requirements	115 V		
Dimensions (D x W x H)	11 3/4" x 15 1/2" x 25"		

\*may vary due to variations in paper and power supply

	STRIP-CUT	CROSS-CUT
Shred size	3/16" (4 mm)	3/32" x 5/8" (2 x 15 mm)
Security level	2	4
Sheet capacity	19-22*	9-11*
Shred speed	27 ft./min.	27 ft./min.
Shipping weight	58 lbs.	58 lbs.
<b>Both models</b>		
Feed opening	9 1/2"	
Maximum horsepower	3/4	
Motor output	.58 KW	
Electrical requirements	115 V	
Dimensions (D x W x H)	11 3/4" x 15 1/2" x 28 3/4"	

\*may vary due to variations in paper and power supply

	STRIP-CUT	CROSS-CUT	CROSS-CUT
Shred size	3/16" (4 mm)	3/16" x 1 1/2" (4 x 40 mm)	3/32" x 5/8" (2 x 15 mm)
Security level	2	3	4
Sheet capacity	19-21*	12-14*	8-10*
Shred speed	24 ft./min.	24 ft./min.	24 ft./min.
Shipping weight	78 lbs.	78 lbs.	78 lbs.
<b>All models</b>			
Feed opening	10 1/4"		
Maximum horsepower	3/4		
Motor output	.58 KW		
Electrical requirements	115 V		
Dimensions (D x W x H)	14 3/4" x 19 3/4" x 34 1/4"		

\*may vary due to variations in paper and power supply



**STRIP-CUT \$2,099.00**  
**CROSS-CUT \$2,399.00**  
**SMC: CONTACT MBM**

### → DESTROYIT 2604

- SPS (Safety Protection System) package
- automatic start and stop controlled by photo cell
- ECC (Electronic Capacity Control) indicator helps prevent paper jams by indicating sheet capacity levels while shredding
- automatic oil injection ensures optimal performance at all times (cross-cut and SMC models)
- high quality, hardened steel cutting shafts take staples, paper clips, credit cards, and CDs (strip- and cross-cut models)
- super micro-cut (SMC) model meets all NSA/CSS specifications and is DOD approved
- single phase motor rated for continuous operation
- sturdy "twin drive system" with dust-proof gear box housing
- high quality wooden cabinet mounted on casters
- convenient shred bin
- 26 gallon shred volume (approximate)

	STRIP-CUT	CROSS-CUT	CROSS-CUT	SMC
Shred size	3/16" (4 mm)	3/16" x 1 1/2" (4 x 40 mm)	3/32" x 5/8" (2 x 15 mm)	1/32" x 3/16" (.8 x 5 mm)
Security level	2	3	4	6
Sheet capacity	27-30*	20-22*	12-14*	6-8*
Shred speed	18 ft./min.	18 ft./min.	18 ft./min.	28 ft./min.
Shipping weight	123 lbs.	123 lbs.	123 lbs.	123 lbs.
<b>All models</b>				
Feed opening	10 1/4"			
Maximum horsepower	1			
Motor output	.64 KW			
Electrical requirements	115 V			
Dimensions (D x W x H)	18 1/2" x 22 1/2" x 36 1/2"			

\*may vary due to variations in paper and power supply



**STRIP-CUT \$2,449.00**  
**CROSS-CUT \$2,899.00**

### → DESTROYIT 3103

- SPS (Safety Protection System) package
- automatic start and stop controlled by photo cell
- high quality, hardened steel cutting shafts take staples, paper clips, credit cards, and CDs
- single phase motor rated for continuous operation
- durable gears enclosed in dust-proof housing
- high quality wooden cabinet mounted on casters
- pull-out bag frame mechanism mounted on rollers for easy replacement of disposable shred bags
- 37 gallon shred volume

	STRIP-CUT	CROSS-CUT
Shred size	3/16" (4 mm)	3/16" x 1 1/2" (4 x 40 mm)
Security level	2	3
Sheet capacity	22-24*	15-18*
Shred speed	30 ft./min.	27 ft./min.
Shipping weight	127 lbs.	127 lbs.
<b>Both models</b>		
Feed opening	12"	
Maximum horsepower	1	
Motor output	.64 KW	
Electrical requirements	115 V	
Dimensions (D x W x H)	18 1/2" x 21" x 36 1/2"	

\*may vary due to variations in paper and power supply



**STRIP-CUT \$6,099.00**  
**CROSS-CUT \$6,499.00**  
**SMC: CONTACT MBM**

### → DESTROYIT 3105

- SPS (Safety Protection System) package
- automatic start and stop controlled by photo cell
- ECC (Electronic Capacity Control) indicator helps prevent paper jams by indicating sheet capacity levels while shredding
- automatic oil injection ensures optimal performance at all times
- high quality, hardened steel cutting shafts take staples, paper clips, credit cards, and CD's (strip- and cross-cut models)
- super micro-cut (SMC) model meets all NSA/CSS specifications and is DOD approved
- single phase motor rated for continuous operation
- sturdy chain drive and dust-proof gear box housing
- high quality wooden cabinet mounted on casters
- pull-out bag frame mechanism mounted on rollers for easy replacement of disposable shred bags (SMC model equipped with 26 gallon shred bin)
- 48 gallon shred volume (approximate)

	STRIP-CUT	CROSS-CUT	CROSS-CUT	SMC
Shred size	1/4" (6 mm)	3/16" x 1 1/2" (4 x 40 mm)	3/32" x 5/8" (2 x 15 mm)	1/32" x 3/16" (.8 x 5 mm)
Security level	2	3	4	6
Sheet capacity	50-52*	30-32*	18-20*	12-16*
Shred speed	40 ft./min.	30 ft./min.	30 ft./min.	44 ft./min.
Shipping weight	324 lbs.	324 lbs.	324 lbs.	324 lbs.
<b>All models</b>				
Feed opening	12"			
Maximum horsepower	2 1/2			
Motor output	1.6 KW			
Electrical requirements	115 V <sup>1</sup>			
Dimensions (D x W x H)	23" x 22" x 40"			

\*may vary due to variations in paper and power supply

<sup>1</sup> 20 amp. dedicated line required



**STRIP-CUT \$2,749.00**  
**CROSS-CUT \$3,149.00**

### DESTROYIT 3803

- SPS (Safety Protection System) package
- automatic start and stop controlled by photo cell
- high quality, hardened steel cutting shafts take staples, paper clips, credit cards, and CDs
- single phase motor rated for continuous operation
- durable gears enclosed in dust-proof housing
- high quality wooden cabinet mounted on casters
- pull-out bag frame mechanism mounted on rollers for easy replacement of disposable shred bags
- 42 gallon shred volume



**STRIP-CUT \$3,549.00**  
**CROSS-CUT \$3,999.00**

### DESTROYIT 4002

- SPS (Safety Protection System) package
- automatic start and stop controlled by photo cell
- high quality, hardened steel cutting shafts take staples, paper clips, credit cards, and CDs
- single phase motor rated for continuous operation
- sturdy "twin drive system" with dust-proof gear box housing
- high quality wooden cabinet mounted on casters
- pull-out bag frame mechanism mounted on rollers for easy replacement of disposable shred bags
- 53 gallon shred volume



**STRIP-CUT \$6,599.00**  
**CROSS-CUT \$7,599.00**  
**4014-2 SMC: CONTACT MBM**

### DESTROYIT 4005

- SPS (Safety Protection System) package
- automatic start and stop controlled by photo cell
- ECC (Electronic Capacity Control) indicator helps prevent paper jams by indicating sheet capacity levels while shredding
- automatic oil injection ensures optimal performance at all times
- high quality, hardened steel cutting shafts take staples, paper clips, credit cards, and CDs (strip- and cross-cut models)
- super micro-cut model (4014-2 SMC) meets all NSA/CSS specifications and is DOD approved
- single phase motor rated for continuous operation
- sturdy chain drive and dust-proof gear box housing
- high quality wooden cabinet mounted on casters
- pull-out bag frame mechanism mounted on rollers for easy replacement of disposable shred bags (SMC model equipped with shred bin)
- 59 gallon shred volume (approximate)

	STRIP-CUT	CROSS-CUT
Shred size	3/16" (4 mm)	3/16" x 1 1/2" (4 x 40 mm)
Security level	2	3
Sheet capacity	20-22*	14-16*
Shred speed	35 ft./min.	27 ft./min.
Shipping weight	155 lbs.	155 lbs.
<b>Both models</b>		
Feed opening	16"	
Maximum horsepower	1	
Motor output	.64 KW	
Electrical requirements	115 V	
Dimensions (D x W x H)	18 1/2" x 24" x 37 1/2"	

\*may vary due to variations in paper and power supply

	STRIP-CUT	CROSS-CUT
Shred size	1/4" (6 mm)	3/16" x 1 1/2" (4 x 40 mm)
Security level	2	3
Sheet capacity	32-35*	24-26*
Shred speed	30 ft./min.	25 ft./min.
Shipping weight	239 lbs.	240 lbs.
<b>Both models</b>		
Feed opening	16"	
Maximum horsepower	1 3/4	
Motor output	1.3 KW	
Electrical requirements	115 V	
Dimensions (D x W x H)	23 1/4" x 25 1/4" x 38 1/4"	

\*may vary due to variations in paper and power supply

	STRIP-CUT	CROSS-CUT	CROSS-CUT	4014-2 SMC
Shred size	1/4" (6 mm)	3/16" x 1 1/2" (4 x 40 mm)	3/32" x 5/8" (2 x 15 mm)	1/32" x 3/16" (.8 x 5 mm)
Security level	2	3	4	6
Sheet capacity	50-52*	30-32*	18-20*	12-16*
Shred speed	40 ft./min.	30 ft./min.	30 ft./min.	44 ft./min.
Shipping weight	343 lbs.	378 lbs.	378 lbs.	390 lbs.
<b>All models</b>				
Feed opening	16"			
Maximum horsepower	2 1/2			
Motor output	1.6 KW			
Electrical requirements	115 V <sup>1</sup>			
Dimensions (D x W x H)	23 1/4" x 25 1/4" x 39 3/4"			

\*may vary due to variations in paper and power supply

<sup>1</sup>20 amp. dedicated line required



**\$14,299.00**

**→ DESTROYIT 4605 CROSS-CUT**

- small footprint
- top loading feed hopper for bulky materials such as crumpled paper from wastebaskets
- special rotating paddle for positive feeding of bulky materials into the cutting head
- standard feed opening for flat paper with automatic start and stop controlled by photo cell
- fold-away feed table
- main switch and emergency stop button
- automatic reverse and power cut-off in case of overfeeding
- soft-touch control keys for forward (continuous operation), stop, and reverse
- optical indicators show operational status
- high quality, hardened steel cutting shafts are soft metal resistant and can take CDs and hardbound documents
- 3 phase motor rated for continuous operation
- durable gears enclosed in dust-proof housing
- cabinet door opens from front
- mobile shred bin for easy replacement of disposable shred bags
- automatic power cut-off when hopper or cabinet door is opened or when shred bag is full
- thermal switch prevents overheating
- mounted on heavy duty casters
- 61 gallon shred volume



**STRIP-CUT \$13,599.00**  
**CROSS-CUT \$15,749.00**

**→ DESTROYIT 4107**

- removable side tables provide large work space
- easy-to-use control panel with push buttons for forward, stop, and reverse
- safety lock and key, main switch, and emergency stop button
- automatic reverse and power cut-off in case of paper jam
- optical indicators show operational status
- high quality, hardened steel cutting shafts are soft metal resistant and can take CDs, VHS tapes (cross-cut only), and hardbound documents
- convenient, centralized oiler for lubrication of the cutting head
- 3 phase motor rated for continuous operation
- durable gears enclosed in dust-proof housing
- large shred compartment with easy-access door located in back of machine
- pull-out bag frame mechanism mounted on rollers for easy replacement of disposable shred bags
- automatic power cut-off when shred bag is full or cabinet door is opened
- thermal switch prevents overheating
- mounted on heavy-duty casters
- 79 gallon shred volume

	CROSS-CUT	CROSS-CUT
Shred size	3/16" x 2 3/8" (4 x 60 mm)	3/32" x 5/8" (2 x 15 mm)
Security level	3	4
Sheet capacity	50-60*	32-37*
Shred speed	40 ft./min.	40 ft./min.
Shipping weight	715 lbs.	715 lbs.
<b>Both models</b>		
Feed opening	18"	
Maximum horsepower	7 1/2	
Motor output	2.2 KW	
Electrical requirements	220 V, 3 ph.	
Dimensions (D x W x H)	30" x 29" x 67"	

\*may vary due to variations in paper and power supply

	STRIP-CUT	STRIP-CUT	STRIP-CUT	CROSS-CUT
Shred size	1/2" (12 mm)	3/8" (9 mm)	1/4" (6 mm)	1/4" x 2" (6 x 50 mm)
Security level	2	2	2	3
Sheet capacity	120-140*	105-125*	75-95*	65-82*
Shred speed	60 ft./min.	60 ft./min.	60 ft./min.	53 ft./min.
Shipping weight	952 lbs.	952 lbs.	994 lbs.	983 lbs.
<b>All models</b>				
Feed opening	16"			
Maximum horsepower	10			8
Motor output	4 KW			3 KW
Electrical requirements	220 V, 3 ph.			
Dimensions (D x W x H)	67" x 48 3/4" x 56 3/4"			

\*may vary due to variations in paper and power supply



**\$36,599.00**

## → DESTROYIT 5009 CROSS-CUT

- extra-large feed table with conveyor belt and electronically secured safety guard
- easy-to-use control panel with push buttons for forward, stop, and reverse
- safety lock and key, main switch, and emergency stop button
- automatic reverse and re-feed in case of paper jam
- optical indicators show operational status
- two automatic speed modes: "Power" for bulk feeding large quantities of paper, and "Speed" for high speed shredding of smaller amounts
- high quality, hardened steel cutting shafts are soft metal resistant and can take CDs, VHS tapes, hardbound documents, and 3-ring binders
- convenient, centralized oiler for lubrication of the cutting head
- dual 3 phase motors (24 maximum horsepower) rated for continuous operation
- durable gears enclosed in dust-proof housing
- large shred compartment with easy-access door located at rear of machine
- mobile shred cart with bag mounting frame for easy replacement of disposable shred bags
- automatic power cut-off when shred bag is full or cabinet door is opened
- thermal switch prevents overheating
- mounted on heavy-duty casters
- 79 gallon shred volume
- optional accessories: modular conveyor belt system and additional shred carts

CROSS-CUT	
Shred size	11/32" x 1 1/2" - 3" (8 x 40 - 80 mm)
Security level	2
Sheet capacity	600+*
Shred speed	24-46 ft./min. <sup>1</sup>
Feed opening	20"
Maximum horsepower	24
Motor output	9 KW
Electrical requirements	220 V, 3 ph. <sup>2</sup>
Dimensions (D x W x H)	85 1/2" x 40 3/4" x 67 1/2" <sup>3</sup>
Shipping weight	3,080 lbs.

\*may vary due to variations in paper and power supply

<sup>1</sup>two automatic speed modes

<sup>2</sup>50 amp. dedicated line required

<sup>3</sup>depth with modular conveyor belt system is 121"



**\$5,999.00**

## → 5009 MODULAR CONVEYOR BELT SYSTEM

- optional accessory transports shredded material to an external container
- eliminates need to change shred bags
- easy to install—simply roll into place, close door, and lock
- electric belt drive is controlled by the shredder electronics
- electrically secured locking system
- mounted on heavy duty casters

5009 MODULAR CONVEYOR SYSTEM	
Speed	35 ft./min.
Feed opening (W x H)	13 3/4" x 4"
Dimensions (D x W x H)	74 3/4" x 27 1/4" x 45 3/4"
Shipping weight	359 lbs.



## SPS—A DESTROYIT EXCLUSIVE

SPS (Safety Protection System) is a combination of innovative design features which insure the highest standards of safety. These features include an electronically controlled safety shield in the feed opening, an electronic switch which stops power to the motor when the cabinet door is opened or when the shred bag is full, automatic reverse and power cut-off (avoids paper jams), and double protection against overheating. The environmentally-friendly Energy Saving Mode (ESM) is a power-saving "sleep" mode that activates after 1 hour of inactivity.

Every Destroyit shredder with SPS includes the "Easy Switch"—an intuitive, multi-function control element. The large, illuminated surface indicates the operational status of the shredder with color codes and back-lit symbols. It also provides an added degree of safety by functioning as an emergency stop switch.

**WARRANTY INFORMATION**

- lifetime limited warranty on strip- and cross-cut cutting shafts and wheels
- 1 year limited warranty on super micro-cut cutting shafts and wheels (SMC models are not intended to shred plastic or metal—staples and paper clips must be removed before use)
- 1 year warranty on all other parts, excluding wearables



**SHRED BAGS**

ITEM	DESCRIPTION	PRICE
0901	100 bags (4000ss, 4002, 4202)	139.00
0902	100 bags (2501, 2600, 2601, 3801)	115.00
0907	200 bags (1000, 2000, 2100, 2200, 2201, 2230, 2240, 2250, 2260, 2270, 2350, 2400, 2401, 3000)	79.00
0908	200 bags (2360, 2401L, 2402, 2403, 2404)	75.00
0914	100 bags (4104, 4105 strip-cut)	199.00
0915	50 bags (4105 cross-cut, 4106)	199.00
0917	100 bags (3800, 3802, 4001, 4203)	119.00
0918	100 bags (3105, 3803, 4000, 4003, 4004, 4005, 4011, 4012)	129.00
0919	100 bags for 4000ss (extra large)	239.00
0920	100 bags (2502, 2503, 2602, 2603, 2604, 3102, 3103)	129.00
0921	100 bags for 4605	229.00
0922	100 bags (4107, 4109)	239.00
0923	50 bags for 5009 (old style)	189.00
0924	50 bags for 5009 (new style)	210.00

**SUPPLIES AND ACCESSORIES**

ITEM	DESCRIPTION	PRICE
CED21/4	Shredder oil, 4 bottles (1 pint each)	49.00
CED21/8	Shredder oil, 8 bottles (1 pint each)	79.00
CED21/6	Shredder oil, 6 bottles (1 quart each)	99.00
CED21/G	Shredder oil, 4 bottles (1 gallon each)	169.00
0018	Automatic oiler (models 2602 thru 4004), installed	999.00
0018A	Automatic oiler (High Capacity models), installed	1,149.00
0330	Shred collection cart for 5009	1,599.00
0332	Modular conveyor belt system for 5009	5,999.00



3134 Industry Drive  
 North Charleston, South Carolina 29418  
 800-223-2508, fax: 843-552-2974  
[www.mbmcorp.com](http://www.mbmcorp.com)



# ➔ FINISHING PRODUCTS RETAIL PRICE LIST

## EFFECTIVE MARCH 1, 2010

### TRIUMPH® CUTTERS

Model	Description	List price
4205	16 7/8" manual tabletop	1,799.00
4705	18 3/4" manual tabletop	3,299.00
0408	Stand for 4705	239.00
4215	16 7/8" semi-automatic tabletop	4,199.00
4250	16 7/8" automatic tabletop	4,999.00
0409	Stand (4205, 4215, 4250)	209.00
0461	Cabinet (4205, 4215, 4250)	575.00
4810 D	18 7/8" semi-automatic	6,999.00
4850 D	18 7/8" automatic	8,799.00
4810 EP	18 7/8" semi-automatic programmable	8,549.00
4850 EP	18 7/8" automatic programmable	10,499.00
6550 EP	25 1/2" automatic programmable	12,899.00
5550 EP	21 5/8" programmable hydraulic	13,799.00
0430	Side tables for 5550 EP	479.00
5222 DIGICUT	20 1/2" programmable hydraulic	15,299.00
5551-06 EP	21 5/8" programmable hydraulic	16,299.00
0432	Side tables for 5551-06 EP	479.00
721-06 LT	28" programmable hydraulic	23,999.00
0434	Side tables for 721-06 LT	559.00

### CUTTER KNIVES

Item	Length	Models	List price
0651	17 1/2"	3905, 3915	239.00
0652	19 1/4"	430 EP	249.00
0687	19 7/16"	4205, 4215, 4225 EP, 4250	239.00
0653	22 3/8"	4700, 4705, 4810, 4810 D, 4810 EP, 4850, 4850 D, 4850 EP	419.00
0658	24 7/8"	5210-95, 5221-95, 5221 EC, 5222 DIGICUT	449.00
0684	26"	5550 EP, 5551-06 EP	539.00
0656	29 11/16"	6550, 6550 EC, 6550 EP	469.00
0657	33 1/8"	7228, 721-06 LT	539.00

### CUTTER STICKS (6 PER BOX)

Item	Length	Models	List price
0677	17 7/8"	3905, 3915	59.00
0672	19 1/8"	430 EP	59.00
0678	22 1/8"	5550 EP, 5551-06 EP	119.00
0695	22 3/8"	4205, 4215, 4225 EP, 4250	149.00
0675	22 7/8"	4700, 4810, 4810 D, 4810 EP, 4850, 4850 D, 4850 EP	79.00
0676	25 3/8"	5210-95, 5250, 5221-95, 5221 EC, 5222 DIGICUT	119.00
0696	26 3/8"	4705	169.00
0679	30 7/8"	6550, 6550 EC, 6550 EP	139.00
0671	34 7/8"	7228, 721-06 LT	149.00

### KUTRIMMER® TRIMMERS

Model	Description	List price
1134	13 3/4" tabletop	279.00
1135	13 3/4" tabletop	339.00
1038	14 3/4" tabletop	579.00
1046	18" tabletop	519.00
1058	22 1/2" tabletop	859.00
1071	28 1/2" tabletop	1,049.00
1080	31 1/4" floor model	1,849.00
1110	43 3/4" floor model	2,659.00
0135	53" floor model rotary	1,299.00
0155	61" floor model rotary	1,449.00

### TRIMMER KNIFE KITS (UPPER AND LOWER KNIVES INCLUDED) AND ACCESSORIES

Item	Models / Description	List price
0659C	1035, 1134, 1135, 2035	99.00
0661C	1036, 1038	119.00
0682C	1043	149.00
0662C	1046	149.00
0663C	1058	169.00
0665C	1071	209.00
0667C	1080	339.00
0669C	1110	419.00
0688	Paper roll holder for 0135	299.00
0689	Paper roll holder for 0155	349.00

### BOOKLETMAKERS

Model	List price
Bookletmaker Jr.	949.00
AutoBook	1,399.00
Sprint® 3000	6,399.00
Sprint 5000	6,999.00
Sprint interface for FC 10 collator	1,499.00
Sprint interface for Maxxum collators	1,499.00
Sprint trimmer	7,799.00
StitchFold (includes base, backjog, and interface)	11,999.00
StitchFold without interface (for off-line use)	11,199.00
StitchFold trimmer	10,199.00
StitchFold with activated clinch (special factory order)	11,549.00
StitchFold side/corner stapler (for on-line use)	599.00

### BOOKLETMAKER SUPPLIES

Item	Description	List price
0857	5/16" staples (66/8)*	9.99
0870	1/4" staples (66/6)*	7.99
0871	Wire for StitchFold (2 spools per pack)	46.99
0872	Wire for BinderyMate 2 (2 spools per pack)	36.49

\*minimum order of 5 boxes (not for use in Sprint 5000, Bookletmaker 82, Bookletmaker 102, Maxxum 91, or FC 10 corner stapler)



3134 Industry Drive  
North Charleston, South Carolina 29418  
800-223-2508, fax: 843-552-2974  
www.mbmcorp.com

# ➔ FINISHING PRODUCTS RETAIL PRICE LIST

## EFFECTIVE MARCH 1, 2010

### FOLDERS / CREASERS

Model	List price
Simplimatic manual tabletop folder	1,049.00
87M manual tabletop folder	649.00
207M manual tabletop folder	2,699.00
307A automatic programmable tabletop folder	3,849.00
407A automatic programmable tabletop folder	4,599.00
Perforator (307A, 407A)	1,049.00
Scorer (307A, 407A)	1,049.00
1500S automatic programmable air suction tabletop folder	7,299.00
Micro-perforator for 1500S	1,299.00
Scorer for 1500S	1,199.00
352F professional series tabletop folder	4,699.00
352S professional series air suction folder	8,399.00
Creasematic 150 programmable creaser	8,399.00
Creasefold on-line folder for Creasematic 150	7,349.00
Creasematic Auto 50 automatic programmable air suction creaser	15,999.00

### 352F FOLDER ACCESSORIES

Item	Description	List price
0626	Silencing covers	729.00
0630	Slitter	199.00
0631	Scorer, narrow	209.00
0632	Scorer, medium	209.00
0633	Scorer, broad	209.00
0646	Extended delivery	2,499.00
0690	Standard perforator, short	209.00
0691	Standard perforator, medium	209.00
0692	Blade perforator, short	219.00
0693	Blade perforator, medium	219.00
0694	Blade perforator, long	219.00

### 352S AIR SUCTION FOLDER ACCESSORIES

Item	Description	List price
0623	Silencing covers	899.00
0630	Slitter	199.00
0631	Scorer, narrow	209.00
0632	Scorer, medium	209.00
0633	Scorer, broad	209.00
0646	Extended delivery	2,499.00
0690	Standard perforator, short	209.00
0691	Standard perforator, medium	209.00
0692	Blade perforator, short	219.00
0693	Blade perforator, medium	219.00
0694	Blade perforator, long	219.00

### COLLATORS

Model	List price
FC 10	6,799.00
FC 10B with transport unit	7,349.00
FC 10 twin tower collating system	14,148.00
Base for FC 10	449.00
High capacity stacker for FC 10	4,499.00
Corner stapler for FC 10	2,939.00
Stand for FC 10 corner stapler	189.00

### SUPPORT PRODUCTS

Model	List price
JT 7 tabletop jogger	1,249.00
AJ 700 air-feed floor model jogger	2,199.00
MBM 25 single spindle tabletop drill	949.00
MBM 55 single spindle tabletop drill	1,369.00
FMM3 three spindle floor model drill	4,999.00
BC 10 business card cutter	4,999.00
Perforator cartridge for BC 10	999.00
Scorer cartridge for BC 10	999.00
BC 12 card cutter	5,999.00
Perforator cartridge for BC 12	859.00
Scorer cartridge for BC 12	859.00
Photo format cartridge for BC 12	599.00

### DRILL ACCESSORIES

Item	Description	List price
0939-0945	Bits for MBM 25 (7 sizes: 7/64" to 15/64")	24.00
0939-0953	Bits for MBM 55 (15 sizes: 7/64" to 1/2")	24.00
0954	Fiber plug for MBM 55	5.00
0955	Bit sharpener	39.00
0956	Pick	3.50
0957	Stone	6.00
0958	Drill bit wax	3.00
0959	Wrench for MBM 55	3.00
0960	Fiber plug for MBM 25	5.00
0970	Drill block for FMM3	11.00



3134 Industry Drive  
 North Charleston, South Carolina 29418  
 800-223-2508, fax: 843-552-2974  
 www.mbcmcorp.com





**MARTIN YALE**  
Industries

Effective October 2, 2009

# SUGGESTED RETAIL PRICE LIST



CHECK OUT OUR NEW WEB SITE

[WWW.MARTINYALE.COM](http://WWW.MARTINYALE.COM)

## TABLE OF CONTENTS

- **Martin Yale Vision Statement (pg 1)**
- **Table of Contents (pg 2)**
- **Paper Punches (pg 3)**
- **Perforators and Forms Cutter (pg 4)**
- **Business Card Slitters (pg 4)**
- **Bindery Equipment and Joggers (pg 4)**
- **Signers and Bursters (pg 4)**
- **Paper Trimmers and Cutters (pg 5)**
- **Commercial Cutters (pg 5)**
- **Electric Cutters (pg 5)**
- **Moisteners and Affixers (pg 5)**
- **Folding Machines (pg 6)**
- **Booklet Maker (pg 6)**
- **Tabbers (pg 6)**
- **Letter Openers (pg 6)**
- **Posting Trays (pg 6)**
- **Catalog Racks (pg 7)**
- **Reference Systems (pg 8)**
- **Keyboard Management (pg 8)**
- **Computer Stands (pg 8)**
- **At the Desk Shredders (pg 9)**
- **In the Office Shredders (pg 9)**
- **In the Department Shredders (pg 9)**
- **PacMaster (pg 10)**
- **ScripStroyer™ Pharmacy Shredder (pg 10)**
- **Industrial Shredders (pg10)**
- **Shredder Bags and Accessories (pg 11)**
- **FAIM Information (pg 12)**

## PAPER PUNCHES

### MASTER®

PRODUCT	CAPACITY	HOLE DIAMETER	SUGGESTED LIST
<b>2 Hole Punches</b>			
MP250	40	9/32"	\$34.00
EP210 (electric)	10	1/4"	72.00
3275B	40	9/32"	73.00
<b>Duo 2 &amp; 3 Hole Punches</b>			
DP20	20	9/32"	49.00
EP323 (battery/transformer)	12	9/32"	99.00
<b>3 Hole Punches</b>			
MP3	20	9/32"	31.00
MP40	30	9/32"	44.00
MP50	40	9/32"	65.00
MP80	80	1/4"	146.00
EP312 (battery/transformer)	10	9/32"	65.00
<b>Adjustable 3 Hole Punches</b>			
325B	24	9/32"	63.00
3020B	30	9/32"	67.00
5325B	32	9/32"	102.00
5335B	32	11/32"	102.00
5340B	32	13/32"	102.00
1325B	40	9/32"	123.00
1340PB	45	13/32"	127.00
<b>5 Hole Punch</b>			
525M	40	11/32"	117.00

PRODUCT	FOR PUNCH	HOLE DIAMETER	SUGGESTED LIST
<b>Punch Heads</b>			
2525B	325B	9/32"	\$17.60
3025	3020B	9/32"	11.30
1025B	1325B, 1325PB	9/32"	30.60
1035B	1335PB	11/32"	30.60
1040B	1340B,1340PB	13/32"	30.60
5025B	5325B	9/32"	24.50
5035B	5335B	11/32"	24.50
5040B	5340B	13/32"	24.50
MP80SET (Set of 3 heads)	MP80	1/4"	55.00

## PERFORATORS and FORMS CUTTER

 martin yale®

PRODUCT	DESCRIPTION	SUGGESTED LIST	SUGGESTED LIST W/O FAIM
<b>Forms Cutter</b> 3800FC	Forms Cutter w/FAIM*	\$5,686.00	\$4,944.00
<b>Perforator</b> 3800AP	AutoPerf™ Perforator w/FAIM*	5,799.00	\$5,043.00
<b>Score &amp; Perf Machine</b> SP100	Score and Perf Machine	1,134.00	

## BUSINESS CARD SLITTERS

 martin yale®

PRODUCT	DESCRIPTION	SUGGESTED LIST	SUGGESTED LIST W/O FAIM
BCS210	10up Slitter	\$1,728.00	
BCS212	12up Slitter	1,728.00	
CDS200	CD Insert Slitter/Perforator	1,799.00	
BCS410	10up Slitter w/ Score & Perf	2,231.00	
BCS412	12up Slitter w/ Score & Perf	2,231.00	
GC210	Gutter Cut 10up w/FAIM*	2,598.00	\$2,259.00

## BINDERY EQUIPMENT & JOGGERS

**Premier®**

PRODUCT	DESCRIPTION	SUGGESTED LIST
<b>Collator</b> CL6	6 Sheet Manual Collator	\$129.00

 martin yale®

<b>Electric Collators</b> 61201	12 Bin Electric Collator	3,148.00
<b>Joggers</b> 400	Jog-O-Matic Jogger	718.00
4200	Tabletop Jogger	1,932.00
<b>Padding Presses</b> J1811	Jiffy Padding Press	205.00
J1824	Jiffy Giant Padding Press	342.00
<b>StackWagons</b> 500	StackWagon™	679.00
501	Big Bin StackWagon™	907.00

## FORMS HANDLING MACHINES

 martin yale®

PRODUCT	DESCRIPTION	SUGGESTED LIST	SUGGESTED LIST W/O FAIM
<b>Continuous Form Document Signers</b> 930A	3-1/2" or 7" Signer	\$2,543.00	
<b>Bursters</b> 970A	Table Top Burster w/FAIM*	3,943.00	\$3,429.00

**PAPER TRIMMERS****Premier®**

PRODUCT	DESCRIPTION	SUGGESTED LIST
<b>Rotary Trimmers</b>		
HRP12	12" Cut	\$54.00
CT13	13" Cut	59.00
CT18	18" Cut	69.00
<b>Rotary StakCut™ Trimmer</b>		
HR120	12" Cut	344.00
<b>PolyBoard™ Trimmers</b>		
P212X	12" Cut	68.00
P215X	15" Cut	78.00
P218X	18" Cut	147.00
<b>SharpCut™ Trimmers</b>		
T12	12" Cut	78.00
T15	15" Cut	112.00
<b>Heavy Duty Trimmers</b>		
W12	12" Cut	145.00
W15	15" Cut	209.00
W18	18" Cut	259.00
W24	24" Cut	364.00
W30	30" Cut	598.00
WC36	36" Cut (with auto clamp)	869.00
<b>StakCut™ Trimmers</b>		
715	15" Cut	289.00
AC150	15" Cut	354.00
724	24" Cut	445.00

**PowerLine™ COMMERCIAL CUTTERS****martin yale®**

PRODUCT	DESCRIPTION	SUGGESTED LIST
7000E (0-12)	200 Sheet Paper Cutter (12" cut)	\$1,139.00
620RC	18" Manual Ream Cutter with Stand	3,564.00
<b>Accessories</b>		
MRS037046	Trim-Ease Lubricant (per stick)	Call for Pricing

**PowerLine™ ELECTRIC and REAM CUTTERS****martin yale®**

PRODUCT	DESCRIPTION	SUGGESTED LIST	SUGGESTED LIST W/O FAIM
<b>Semi-Automatic/Automatic Cutters</b>			
PL21	21" Semi-Automatic w/FAIM*	12,847.00	11,679.00
PL212	21" Automatic w/FAIM*	13,617.00	12,379.00
<b>Fully Automatic Programmable Cutters</b>			
PL215	21" Fully Automatic Programmable w/FAIM*	14,618.00	13,289.00
PL265	26" Fully Automatic Programmable w/FAIM*	15,672.00	14,329.00
<b>Accessories</b>			
PL2T	Side Tables for Powerline Cutters, per pair	214.00	

**MOISTENERS and STAMP AFFIXERS****Premier®**

PRODUCT	DESCRIPTION	SUGGESTED LIST
AQ701G	AquaBall™ Moistener, Charcoal	\$14.70
LM3	AquaPad™ Moistener	19.70
LMS1	Moistener / Sealer Combo	38.30
DL32	Stamp EZ™ Self-Adhesive Stamp Affixer	23.85

## DESKTOP FOLDING MACHINES

 martin yale®

PRODUCT	DESCRIPTION	SUGGESTED LIST
P6200	3-Sheet Folder	\$229.00
P6400	3-Sheet Letter/Half Folder	379.00
P7200	Auto-Feed RapidFold™ Folder	499.00
P7400	RapidFold™ Folder	709.00

## TABLETOP FOLDING MACHINES

 martin yale®

PRODUCT	DESCRIPTION	SUGGESTED LIST	SUGGESTED LIST W/O FAIM
1501X	AutoFolder™	\$1,069.00	
1601	Ease-of-Use AutoFolder™	997.00	
1217A	Medium Duty AutoFolder™	2,099.00	
1701	Electronic AutoFolder™	2,209.00	
1812	Medium-Duty AutoFolder™	3,299.00	
959	Heavy-Duty AutoFolder w/FAIM*	5,042.00	4,384.00
2051	Electronic SmartFold™ w/FAIM*	5,550.00	4,269.00
959AF	Air-Feed AutoFolder™ w/FAIM*	7,567.00	6,879.00
<b>Accessories</b>			
200	Rubber Roller Cleaner & Rejuvenator	16.00	
300	Static Eliminator	16.00	

## BOOKLET MAKER

 martin yale®

PRODUCT	DESCRIPTION	SUGGESTED LIST
BM101	Booklet Maker	\$989.00

## TABBERS

 martin yale®

PRODUCT	DESCRIPTION	SUGGESTED LIST
EX5100	Express Tabber	\$3,365.00
<b>Accessories</b>		
EX5775	5,000 tab roll, 15/16", round, white	57.20

## DESKTOP LETTER OPENERS

 martin yale®

PRODUCT	DESCRIPTION	SUGGESTED LIST
1624	Handheld Electric Letter Opener	\$22.80
1616	Electric Letter Opener	118.00
1628	Desktop Letter Opener	259.00
1632	Automatic Letter Opener	638.00

## TABLETOP LETTER OPENERS

 martin yale®

PRODUCT	DESCRIPTION	SUGGESTED LIST
1648	Chadless Automatic Letter Opener	\$1,438.00
62001	High Speed Letter Opener (Tray Included)	2,232.00

## POSTING TRAYS

### MASTER

PRODUCT	CATALOG #	DESCRIPTION	FORM SIZES (WxH)	SUGGESTED LIST
<b>Standard Trays</b>				
11752	58815	V-Matic Tray	(5.5" x 8.5") (6" x 9")	\$104.00
11756	70115	V-MaticTray	(7" x 10") (7" x 11")	110.00
11764	86115	V-MaticTray	(8" x 10") (8.5" x 11")	111.00
<b>Expandable Trays</b>				
11531	EX-558-15	Expandi-Matic Tray	(5.5" x 8.5") (6" x 9")	124.00
<b>Deluxe Trays</b>				
11303	CA-608-12	Card-Matic Tray	(5.5" x 8.5") (6" x 9")	99.00
11307	CA-608-15	Card-Matic Tray	(5.5" x 8.5") (6" x 9")	99.00

\* Factory Authorized Installation & Maintenance Program

**POSTING TRAYS - Cont.****MASTER**

PRODUCT	CATALOG #	DESCRIPTION	FORM SIZES (WxH)	SUGGESTED LIST
<b>Heavy Duty Trays</b>				
11070	8511-15	Porta-Matic Tray	(8" x 10") (8.5" x 11")	\$229.00
<b>Posting Tray Indexes</b>				
14880	14880	Index Set	(8" x 8")	48.00
14254	6009-25	Index Set	(6" x 9")	49.00
14522	8511-25	Index Set	(8.5" x 11")	61.00

**CATALOG RACK & ACCESSORIES****MASTER**

PRODUCT	FILING CAPACITY	WING TO WING	ANGLE	SUGGESTED LIST
<b>Starter Sets</b>				
66RS-3*	6"	18"	30°	\$109.00
966RS-3*	6"	18"	45°	109.00
912RS-3	12"	25"	45°	175.00
<b>Hinged Racks</b>				
6*	6"	18"	30°	58.00
906	6"	18"	45°	61.00
12	12"	25"	30°	76.00
912	12"	25"	45°	75.00
18	18"	33"	30°	107.00
918	18"	33"	45°	109.00
<b>Rack Extensions</b>				
X6*	6"	-	30°	49.00
X906	6"	-	45°	51.00
X12*	12"	-	30°	62.00
X912	12"	-	45°	64.00
X18	18"	-	30°	94.00
X918	18"	-	45°	98.00
<b>Deluxe Racks</b>				
24	24"	40"	30°	199.00
30	30"	48"	30°	219.00
<b>Double Deck Racks</b>				
DD36	36"	33"	39° & 45°	405.00
DD60*	60"	48"	39° & 45°	421.00
<b>PRODUCT</b>	<b>FILING CAPACITY</b>	<b>DESCRIPTION</b>	<b>SUGGESTED LIST</b>	
<b>Ring Sections</b>				
RS-3	1"	3 Ring	\$8.40	
DRS-3	2"	3 Ring	12.50	
<b>Post Sections</b>				
MPS-3	1"	3 Post	8.30	
DMP-3	2"	3 Post	13.50	
<b>Bar Sections</b>				
BS	1"	2 Bar Section	10.40	
BD	2"	4 Bar Section	15.60	
BT-G	3"	6 Bar Section	20.70	
<b>File Adapter</b>				
ADA	-	Expands from 9-1/4" to 13-3/4"	9.50	
<b>Locking Bars</b>				
MRALB6	-	For 6" Catalog Racks	90.09	
MRALB12	-	For 12" Catalog Racks	92.89	
MRALB18	-	For 18" Catalog Racks	99.32	
MRALBDD36	-	For 36" Catalog Racks (2 required)	103.35	
MRALBDD60	-	For 60" Catalog Racks (2 required)	124.80	
<b>Turntable</b>				
T6612		Fits all Capacity Racks 6", 12", 18"	54.00	
<b>PRODUCT</b>	<b>SIZE OF TAB</b>	<b>DESCRIPTION</b>	<b>SUGGESTED LIST</b>	
<b>Blank Index Sets</b>				
B5175M	5th Cut	Poly Index	\$13.50	
B6125M	6th Cut	Poly Index	16.60	
<b>Alphabetical Index Sets</b>				
AZ24125M	A-Z	Poly Index	64.00	
<b>PRODUCT</b>	<b>TAB SIZE</b>	<b>DESCRIPTION</b>	<b>PRICE PER SET</b>	
<b>Bulk Price for Blank Index Sheets (50 Sheet Sets)</b>				
B125M	1-1/4"	Poly Index	\$106.00	

• All catalog racks and extensions are available in Gray

\* Models with an (\*) are available in black also. Put a (G) Gray or (B) Black after the number to denote color.

## MasterView™ REFERENCE SYSTEMS

### MASTER®

PRODUCT	DESCRIPTION	SLEEVES	ANGLE	SUGGESTED LIST
ML10	Desktop Starter Set	10	60°	\$68.00
ML20	Desktop Starter Set	20	60°	102.00
MVR24	Heavy-Duty Desktop Starter Set	24	45°	189.00
MVW12	Wall Mount Starter Set	12	15°	99.00
MVRF12	Catalog Racks Retrofit Kit	12	-	88.00
MVF3	Reference Sleeve 3 Pack	3	-	19.70
MVMD12	Desktop Note Dispenser	12	60°	125.00
MVMD24	24-Sleeve Desktop Note Dispenser	24	60°	197.00
MVPD12	Wall Mount Note Dispenser	12	-	113.00
MVSM10	Executive Desktop Stand	10	-	67.00
MVS6	Reference Sleeve 6 Pack	6	-	34.00

## KEYBOARD MANAGEMENT

Mead-Hatcher  
A MARTH YALE BRAND

PRODUCT	CATALOG #	DESCRIPTION	SUGGESTED LIST
<b>Under-Desk Keyboard Drawers</b>			
21885	1022	Steel Drawer	\$102.00
21028	21028	Steel Drawer	131.00
42020	42020	WaveTech™ Corner Keyboard Platform	132.00
22030	2030	Adjustable Steel Drawer	176.00
32030	32030	Adjustable Steel Drawer (Black)	176.00
<b>Articulating Keyboard Arms</b>			
KA150	KA150	Lift-N-Loc™ Wood Platform	326.00
28200	28200	Lever-Loc	309.00
28828	28828	Easy-Touch Steel Platform	349.00
28866	28866	Lift-N-Loc Radius Phenolic Platform	369.00
28300	28300	Lever-Loc with Ball-Bearing Slides	387.00
<b>"Going Green" Articulating Keyboard Arms</b>			
50200	50200	Economy Keyboard and Arm	297.00
50215	50215	Deluxe Keyboard and Arm	385.00
50240	50240	Sit or Stand Keyboard and Arm	441.00
<b>Desktop Keyboard Drawers</b>			
22040	2040	Hide-A-Board® Steel Drawer	224.00

## ERGONOMIC ACCESSORIES

Mead-Hatcher  
A MARTH YALE BRAND

PRODUCT	CATALOG #	DESCRIPTION	SUGGESTED LIST
<b>Mouse Drawers</b>			
24812	5812	Mouse Drawer	\$61.00

## COMPUTER STANDS

Mead-Hatcher  
A MARTH YALE BRAND

PRODUCT	CATALOG #	DESCRIPTION	SUGGESTED LIST
<b>Monitor Management</b>			
21202	1202	Monitor Riser	\$31.00
22310	2310	PC Bridge	58.00
<b>CPU Management</b>			
26155	26155	Under Desk Fixed Mount CPU Holder	97.00
26158	26158	Under Desk Swivel Mount CPU Holder	149.00
<b>Printer Management</b>			
24050	24050	2-Shelf Mobile Printer Stand	116.00
24060	24060	3-Shelf Mobile Printer Stand	174.00
24070	24070	Mobile CPU/Printer Stand	222.00



**AT THE DESK SHREDDERS**


ITEM#	DESCRIPTION	SUGGESTED LIST
251764	1000CC 5/32" x 1 7/8" Cross Cut	\$238.00
252764	2000CC 5/32" x 1 7/8" Cross Cut	383.00



ITEM#	DESCRIPTION	SUGGESTED LIST
273164	26CC3 (5/32" x 1 1/16")	\$590.00
274164	32CC3 (5/32" x 1 1/16")	693.00
669154	302 (1/4)	1,476.00
669114	302 (1/8)	1,476.00
669144	302CC (1/8 x 1)	1,823.00
669124	302CC (1/16 x 9/16)	1,840.00

**IN THE OFFICE SHREDDERS**


ITEM#	DESCRIPTION	SUGGESTED LIST
253764	3000CC 5/32" x 1 5/8" Cross Cut	\$838.00
255764	5000CC 1/8" x 1 5/8" Cross Cut	1,604.00



ITEM#	DESCRIPTION	SUGGESTED LIST
669254	402 (1/4)	\$1,554.00
669214	402 (1/8)	1,554.00
669294	402CC (1/8 x 1)	1,963.00
669224	402CC (1/16 x 9/16)	1,981.00
679114	502 (1/4)	2,920.00
679104	502 (1/8)	2,920.00
679154	502CC (5/32 x 1 13/32)	3,215.00
679124	502CC (1/16 x 9/16)	3,215.00
679254	502CD	4,499.00
684104	452	3,164.00
684114	452CC	4,208.00
671118	602 (1/4)	4,476.00
671104	602 (1/8)	4,476.00
671114	602 High Speed	4,476.00
671174	602CC (5/32 x 1 13/32)	4,904.00
671124	602CC (1/16 x 5/8)	4,674.00

**IN THE DEPARTMENT SHREDDERS**


ITEM#	DESCRIPTION	SUGGESTED LIST
697124	702 (1/4)	\$7,006.00
697114SPL	702 (1/8)	7,006.00
697134	702CC (5/32 x 1 13/16)	8,143.00
648104	802CC	21,275.00
649104	852CC	18,101.00
00407	S407	7,356.00
78641	S407 Stand	1,186.00
684204	Multimedia	5,620.00

**PACMASTER**



ITEM#	DESCRIPTION	SUGGESTED LIST
344904	PacMate	\$3,268.00
347904	PacMaster® S/B (220V, 3PH)	8,057.00
78819	*Optional Vacuum Kit (includes vacuum) - installation at Factory	781.00 150.00
UC5500	ScriptStroyer™ Pharmacy Shredder	4,699.00

**INDUSTRIAL SHREDDERS**



ITEM#	DESCRIPTION	SUGGESTED LIST
<b>S14.95</b>		
698904	14.95 - 5.8mm 220V/60Hz	\$17,048.00
698914	14.95 - 11.8mm 220V/60Hz	17,048.00
698924	14.95 - 6mm x 50mm 220V/60Hz	19,984.00
<b>14.87 / Baler System</b>		
14.87-5.8mm	14.87 - 5.8mm 220V/60Hz	\$40,929.00
14.87-6X50mm	14.87 - 6 x 50mm 220V/60Hz	41,584.50
<b>S16.50</b>		
1650-7.8	16.50 - 7.8mm	Site evaluation required prior to final pricing
1650-11.8	16.50 - 11.8mm	Site evaluation required prior to final pricing
1650-7.8CC	16.50 - 7.8mm x 55mm	Site evaluation required prior to final pricing
1650-11.8CC	16.50 - 11.8mm x 55mm	Site evaluation required prior to final pricing
1650-6X15X50	16.50 - 6X15-50	Site evaluation required prior to final pricing
<b>16.87 / Baler System</b>		
16.87-7.8	16.86 - 7.8mm	Site evaluation required prior to final pricing
16.87-11.8	16.86 - 11.8mm	Site evaluation required prior to final pricing
16.87-7.8CC	16.86 - 7.8mm x 55mm	Site evaluation required prior to final pricing
16.87-11.8CC	16.86 - 11.8mm x 55mm	Site evaluation required prior to final pricing
16.87-6X15X50	16.86 - 6X15-50	Site evaluation required prior to final pricing
<b>VZ Special 28/35 (2.2kW)</b>		
Special Order	83691 - 20mm	Site evaluation required prior to final pricing
<b>VZ Special 35/35 (2.2kW)</b>		
Special Order	83692 - 20mm	Site evaluation required prior to final pricing
<b>VZ Special Options</b>		
Special Order	3.0kW Motor (35/35 only)	Site evaluation required prior to final pricing
Special Order	15mm cutting system (28/35)	Site evaluation required prior to final pricing
Special Order	15mm cutting system (35/35)	Site evaluation required prior to final pricing
Special Order	Waste Bin	Site evaluation required prior to final pricing
<b>VZ 14.00</b>		
553904	2 x 15mm	Site evaluation required prior to final pricing
553914	2 x 4.5mm	Site evaluation required prior to final pricing
<b>VZ 17.00</b>		
551103	6 x 15 - 50mm	Site evaluation required prior to final pricing
551113	7.8 x 15 - 55mm	Site evaluation required prior to final pricing
<b>VZ 18.00</b>		
551223	11.8 x 15 - 55mm	Site evaluation required prior to final pricing
<b>VZ 19.00</b>		
551323	11.8 x 15 - 55mm	Site evaluation required prior to final pricing
<b>VZM 17.00</b>		
551153	6 x 15 - 50mm	Site evaluation required prior to final pricing
551163	7.8 x 15 - 55mm	Site evaluation required prior to final pricing
<b>VZM 18.00</b>		
551273	11.8 x 15 - 55mm	Site evaluation required prior to final pricing
<b>VZM 19.00</b>		
551373	11.8 x 15 - 55mm	Site evaluation required prior to final pricing
<b>VZ MultiMedia</b>		
89979-US	15mm	Site evaluation required prior to final pricing
<b>Baler</b>		
475904	870 Universal Baler	Site evaluation required prior to final pricing

\* All industrial shredder prices are subject to change without notice.

**SHREDDER BAGS****intimus**

PRODUCT	PKG. QTY.	DESCRIPTION	SUGGESTED LIST
PB1	100	100-152's-155's-*250's-*280's Simplex-300/302's-400/402's	\$56.00
PB2	200	UC5500	488.00
PB3	100	3850-1000**-2000**-500/501-502's-26CC,32CC	82.00
PB4	100	3000**-4000**-5000-602's-452's-407,702	145.00
PB6	50	490-S14.90	127.00
PB7	50	15.50 - S16.50	242.00
PB8	50	14.90VC-16.50VC Vibro Comp.	175.00
PB9	50	840-860-14.84 / 16.86 Balers / 14.95	146.00
PB10	50	800 CSO & CSL Balers	127.00
PB11	100	444 w/hopper-802/852's	154.00
82683	25	502 CD	91.00
83177	25	Multimedia	74.60
83079	25	402 Console	37.30

\*250 &amp; \*280 requires a bag bar to use

\*\* Indicates intimus® models, not Martin Yale® brand models

**SHREDDER ACCESSORIES****intimus**

PRODUCT	FOR MODEL	DESCRIPTION	SUGGESTED LIST
76398	431/434	EDP Forms Rack	\$104.00
79498	250/280	Bag Bar	64.14
3930100	407	Paper Shelf	197.16
8330040	444/802/852/ 852VS* (requires paper shelf)	Support Bar	73.58
82679	502 CD (CD's)	Shred Box	44.80
82678	502 CD (disks)	Shred Box	44.80
80068	300/302	Shred Box	11.16
80069	400/402	Shred Box	11.16
80538	500/501/502	Shred Box	18.80
75237	421/431/434	Shred Box	64.00
WRA83210	602	Shred Box (Plastic)	274.45
79299	600/602	Shred Box	94.06
MRA1490SB	14.90	Shred Box	914.72
71399	S16.50	Shred Box	1,692.36
78521	S16.50/16.86/1550	Buck Booster Transformer	829.13
ST1		Strapping for Baler	81.00
75987	0077/444	Shred Box	111.93

**SHREDDER ACCESSORIES****intimus**

PRODUCT	DESCRIPTION	SUGGESTED LIST
9999943	Liquid (16 oz. bottle)	\$126.00
78806	Liquid (32 oz. bottle)	125.00
78839	Liquid (1 gallon bottle)	232.00
OILR101	Installed - W/ Tank	919.00
OILR101KIT	Installed - W/ Tank	652.00
OILR102	Installed - W/ No tank	689.00
OILR102KIT	Installed - W/ Tank	599.00
36158	Automatic Oiler Factory Installation	1,449.00

**SHREDDER ACCESSORIES**

PRODUCT	DESCRIPTION	SUGGESTED LIST
27200	27" Wood Executive Console	\$378.00
36100	36" Wood Executive Console	399.00
66000	66 Gallon Bin w/ Lock	414.00
96000	96 Gallon Bin w/ Lock	489.00

## Installation and Maintenance

Ask your Martin Yale dealer about **F A I M** today!

### Factory Authorized Installation and Maintenance

Includes installation, training, replacement parts, and maintenance visits.

With **F A I M** you get:

- Installation by a factory authorized installer. A factory-trained installer will visit your site and help you set up your Martin Yale machine.
- Application and use training by a factory-authorized installer. The installer will train the users on correct operation and maintenance of the machine.
- In the event additional calls are needed, the installer will provide up to two additional calls, at no charge, during the first year.
- Replacement parts free for one year from the date of installation. In the unlikely event parts must be replaced, Martin Yale will provide the parts at no charge\* during the first year. The installer will install the parts at no charge.

\* Program excludes consumables such as rubber wheels and rollers; slitting, perforating and scoring wheels, etc.

## BRANDS YOU KNOW AND TRUST



Prices subject to change without notice.

251 Wedcor Avenue • Wabash, Indiana 46992

Phone: 260.563.0641 • Fax: 260.563.4575

New Customer Care Line 1.800.225.5644

E-mail: [info@martinyale.com](mailto:info@martinyale.com) • Website: [www.martinyale.com](http://www.martinyale.com)

SRM/SAP Parent Number: 4400002495  
SRM Contract Numbers: SEE BELOW  
Change Number: 12  
Change Effective Date: 7/1/11

**COMMONWEALTH OF PENNSYLVANIA  
DEPARTMENT OF GENERAL SERVICES  
HARRISBURG**

**For:** All using Agencies of the Commonwealth  
**Subject:** Offset Printing & Binding Equipment, Supplies and Maintenance  
**Contract Period:** Beginning 05/07/08 – 06/30/2011  
**(Renewal 07/1/2011 - 06/30/2012) and  
Supplemental IFB**

**Commodity Specialist Name:** Wanda Bowers – [wbowers@state.pa.us](mailto:wbowers@state.pa.us) or 717-346-3840

**CHANGE SUMMARY:** In accordance with the option to renew clause, the Commonwealth, by mutual consent of the awarded supplier has renewed the contract for a 1 year period effective **July 1, 2011 through June 30, 2012** for the following suppliers under the Offset Printing Parent Contract #4400002495. The following children contracts are listed below:

<b>Colter &amp; Peterson</b>	<b>4400002502</b>
<b>E. Thomas Brett</b>	<b>4400002503</b>
<b>Eastman Kodak</b>	<b>4400002504</b>
<b>G. E. Richards</b>	<b>4400002505</b>
<b>Xpedx</b>	<b>4400002506</b>
<b>Northern Machine</b>	<b>4400002507</b>
<b>Presstek</b>	<b>4400002508 (Presstek has also submitted new pricing on emarketplace effective 7/1/11 )</b>
<b>Riso</b>	<b>4400002509</b>

**Shinohara USA 4400002510-** has decided not to renew their contract. This contract will expire effective 6/30/2011.

**A supplemental IFB was done to add an additional manufacturer to the contract. G. E. Richards responded to the IFB and they have added the manufacturer MGI to their contract 4400002505. This is effective on April 4, 2011. Please see the updated contract information on e-marketplace.**

ALL OTHER TERMS AND CONDITIONS OF THIS AGREEMENT NOT CHANGED BY THIS CHANGE NOTICE REMAIN AS ORIGINALLY WRITTEN.

SRM/SAP Parent Number: 4400002495  
SRM Contract Numbers: 4400002509  
Change Number: 13  
Change Effective Date: 4/15/11

**COMMONWEALTH OF PENNSYLVANIA  
DEPARTMENT OF GENERAL SERVICES  
HARRISBURG**

**For:** All using Agencies of the Commonwealth  
**Subject:** Offset Printing & Binding Equipment, Supplies and Maintenance  
**Contract Period:** Beginning 05/07/08 – 06/30/2011  
**(Renewal 07/1/2011 - 06/30/2012) and  
Supplemental IFB**

**Commodity Specialist Name: Wanda Bowers – [wbowers@state.pa.us](mailto:wbowers@state.pa.us) or 717-346-3840**

**CHANGE SUMMARY:** There is a new supplier contact for Riso 4400002509. Please see the information below:

Yvonne Kent  
978-739-3520 (ph)  
978-774-5445 (fax)  
[Ykent02@riso.com](mailto:Ykent02@riso.com)

ALL OTHER TERMS AND CONDITIONS OF THIS AGREEMENT NOT CHANGED BY THIS CHANGE NOTICE REMAIN AS ORIGINALLY WRITTEN.

SRM/SAP Parent Number: 4400002495  
SRM Contract Numbers: 4400008228  
Change Number: 14  
Change Effective Date :5/3/2011

**COMMONWEALTH OF PENNSYLVANIA  
DEPARTMENT OF GENERAL SERVICES  
HARRISBURG**

**For:** All using Agencies of the Commonwealth  
**Subject:** Offset Printing & Binding Equipment, Supplies and Maintenance  
**Contract Period:** Beginning 05/07/08 – 06/30/2011  
**(Renewal 07/1/2011 - 06/30/2012)**

**Commodity Specialist Name:** Wanda Bowers – [wbowers@state.pa.us](mailto:wbowers@state.pa.us) or 717-346-3840

**CHANGE SUMMARY:** There was a supplemental IFB done and a new contract has been awarded for J. R. Wald contract number 440008228. The contract start date is 5/23/11 – 6/30/12. Please see contract overview for supplier contact information.

ALL OTHER TERMS AND CONDITIONS OF THIS AGREEMENT NOT CHANGED BY THIS CHANGE NOTICE REMAIN AS ORIGINALLY WRITTEN.

SRM/SAP Parent Number: 4400002495  
SRM Contract Numbers: 4400002503  
Change Number: 15  
Change Effective Date :05/23/11

**COMMONWEALTH OF PENNSYLVANIA  
DEPARTMENT OF GENERAL SERVICES  
HARRISBURG**

**For:** All using Agencies of the Commonwealth  
**Subject:** Offset Printing & Binding Equipment, Supplies and Maintenance  
**Contract Period:** Beginning 05/07/08 – 06/30/2011  
**(Renewal 07/1/2011 - 06/30/2012)**

**Commodity Specialist Name:** Wanda Bowers – [wbowers@state.pa.us](mailto:wbowers@state.pa.us) or 717-346-3840

**CHANGE SUMMARY:** Please see the new price list for E. Thomas Brett contract 4400002503 effective 5-23-11.

ALL OTHER TERMS AND CONDITIONS OF THIS AGREEMENT NOT CHANGED BY THIS CHANGE NOTICE REMAIN AS ORIGINALLY WRITTEN.