



# EOS Shark

## Sauna heater for commercial saunas. Floor-standing model.

Exclusive sauna heater in distinctive round design with fin-like upper part of the rock store. For commercial use. Ideal for placement in front of glass walls or in the centre of the sauna.

Stylish round-shape wooden guard rail optionally available.

### Your advantages:

- Unique state-of-art design. Round shape.
- 50 kg sauna stone volume for the perfect "loylu" effect.
- Ideal for placement in front of glass walls or in the centre of the sauna.
- Durable construction of stainless steel.
- Exclusive guard rail in matching design as an option, available in various wood sorts.
- Made in Germany quality from EOS.

### Specifications:

Outer shell & housing:	Stainless steel
Top:	Stainless steel
Side strips:	Stainless steel with anthracite pearl effect powder coating, scratch resistant
Terminal box:	Stainless steel, integrated in the base
Power range:	12, 15, 18, 21 und 24 kW
Power supply:	400 V 3N ~ 50 Hz
Stone filling:	~50 kg (Grain size: 100-150 mm) (Sauna stones optional)
Dimensions:	Ø 74 x 99 cm (Ø94 with safety guard rail)
Installation:	Floor-standing



EOS Shark with a 360° heater guard rail in abachi wood.

### Optional accessories:

Heater guard rail in abachi or walnut wood without mounting brackets

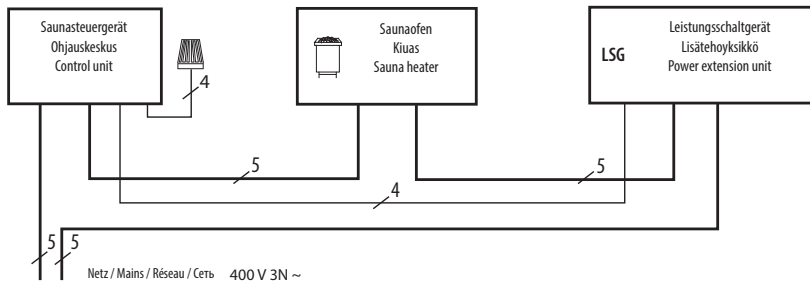
Model	Item no.
360° Abachi	94 6896
270° Abachi	94 6890
360° Walnut	94 6900
270° Walnut	94 6894



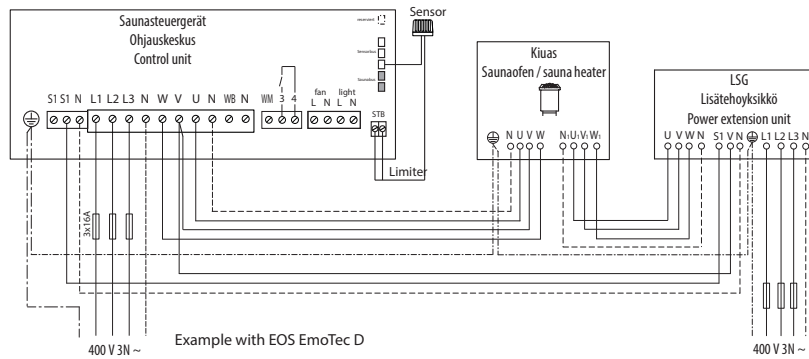
EOS Shark with a 270° heater guard rail in walnut wood

## Connection overview and diagram

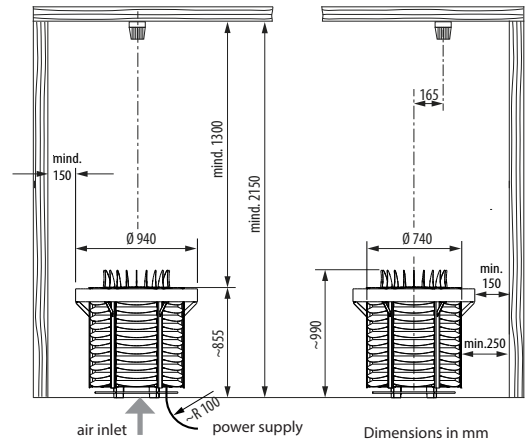
12,0 - 24,0 kW



12,0 - 24,0 kW



## Safety gaps and sensor position



## Spare heating elements

Description	Item no.
For 12,0 kW (6 x 2000 W)	2001 3931
For 15,0 kW (6 x 2500 W)	2001 5943
For 18,0 kW (6 x 3000 W)	2001 5944
For 21,0 kW (7 x 3000 W)	2001 5944
For 24,0 kW (8 x 3000 W)	2001 5944

## Technical specifications

Power output	Electrical connection	Connection mains - control unit	Connection control unit - heater	Connection mains - LSG	Connection LSG - heater	Connection control unit - LSG unit
12,0 kW	400 V 3N ~ 50 Hz	5 x 2,5 mm <sup>2</sup>	5 x 1,5 mm <sup>2</sup>	5 x 2,5 mm <sup>2</sup>	5 x 1,5 mm <sup>2</sup>	4 x 1,5 mm <sup>2</sup>
15,0 kW						
18,0 kW				5 x 6 mm <sup>2</sup>	5 x 6 mm <sup>2</sup>	
21,0 kW						
24,0 kW						

All cross sections of a line are minimum diameters in mm<sup>2</sup> (copper wire).

Item no.*	Power output	Fuse protection control unit	Fuse protection LSG unit	Dimensions D x H, in cm	For sauna cabin size	Min. size of air inlet and outlet	Net weight (no stones)	Stone filling	Power extension required
94 6885	12,0 kW	3 x 16 A	3 x 16 A	Ø 74 x 99 cm	14-18 m <sup>3</sup>	50 x 6 cm	~110 kg	~50 kg	LSG 10
94 6886	15,0 kW				18-25 m <sup>3</sup>	50 x 6 cm			
94 6887	18,0 kW				24-34 m <sup>3</sup>	50 x 8 cm			
94 6888	21,0 kW				24-34 m <sup>3</sup>	50 x 8 cm			LSG 18
94 6889	24,0 kW				35-40 m <sup>3</sup>	50 x 8 cm			

\*Model without mounting brackets. Models with mounting brackets 270° or 360° upon request.

Druck-Nr.: 29344949 / 17.23

Technical changes reserved