

4-WHEEL CONTAINERS



ROUND LID
1100 L



SAFETY STANDARDS

YOU CAN RELY ON

WE FEEL RESPONSIBLE!

ESE 1100 litre containers with round lids are always equipped with child safety devices in various versions. The child safety device 6 consists of a spring lock in the lid arm. This lock automatically holds the lid arm in the safety position after opening. Sudden closing of the lid becomes impossible. The lid-in-lid feature allows easy access for children.

INCREDIBLY CONVENIENT

Lid-in-lid containers are particularly suitable for handicapped people. The additional lid opens completely to a degree of about 180°. This feature also allows a simple way of colour identification for different fractions of recyclables and waste. It's easily and quickly exchangeable thus saving cost.

COMPREHENSIVE STANDARD

- Wide symmetrical trunnions reinforced with metal tubes
- DIN comb receiver with honey comb ribbing
- Robust maintenance-free spring closing mechanism for the lid
- Centrally positioned drainage plug, secured from falling out
- Base structure and high stress areas are computer-designed and tested for durability
- Reinforced wheel housings
- Rounded edges at the base



Side handles replaceable



Lid in Lid



Steady, wide trunnion

TECHNICAL DATA

MGB	1100
Nominal volume (l)	1100
Weight of container (kg)	60
Max. permissible weight (kg)	510
A Overall height (mm)	1463
B Overall width (mm)	1370
C overall depth (mm)	1057
D Height to upper edge comb (mm)	1206
E Wheel diameter	200

SELECTION OF OPTIONS

Locking devices
Noise reduction
Steering lock
Central brake system
Heavy duty wheels
Towing equipment
Fork lift pockets
Identification systems

These details are subject to technical changes. For further options, please refer to our accessories brochure. The products contain no substances on the SVHC list of the European Chemicals Agency (ECHA).



LID IN LID



STANDARD LID
Spring lock in the lid arm

- Smooth surface for easy maintenance
- Four ergonomic handles on the side as standard for easy manoeuvring (two handles are replaceable)
- Eight ribs in the chip-nest secure the position of the transponder
- Colours: 16 standard colours; additional colours on request

FUNCTIONAL AND CONFORMING TO STANDARDS

ESE always considers the entire logistic and application chain when designing products, including requirements for filling, emptying, handling and health and safety.

The containers fulfil all current European and national standards and are certified in accordance with the highest quality standard worldwide, the RAL-GZ 951/1.

RETROFITTING OPTION

ESE offers a retrofitting option for the plastic round lid container 1100 with a certificate. This means that all non-conforming containers from German manufacturers can be upgraded to the current safety standard.



Drainage plug open

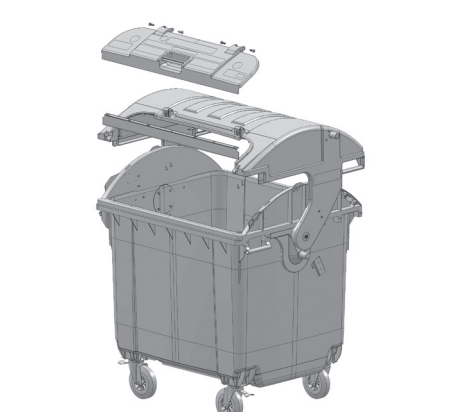
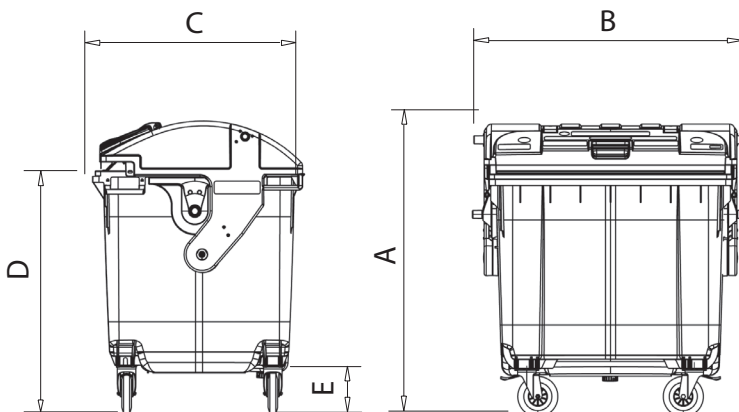


Base construction optimised through computer design



Reinforced wheel housing

DIMENSIONS



ESE - WE VALUE YOUR RECYCLABLES



KERBSIDE SYSTEMS
MOBILE CONTAINERS FOR
WASTE AND RECYCLABLES



BRING SYSTEMS
(SEMI-) UNDERGROUND SYSTEMS
COLLECTION BANKS



BIO SELECT LINE
CONTAINERS AND COMPOSTERS
FOR GARDEN AND BIO WASTE



HAZARDOUS WASTE CONTAINERS
MOBILE FUEL CONTAINERS
MOBILE OIL CHANGE UNITS



PUBLIC FURNISHING
BINS FOR THE PUBLIC SPACE



CONTAINER MANAGEMENT
DISTRIBUTION, REGISTRATION,
COLLECTION AND RECYCLING

ESE is Europe's leading manufacturer of temporary storage solutions for waste and recyclables. Our comprehensive range of products is complemented by a full service offer from container management to the recycling of products at the end of their lifetime. Specialists in all departments develop solutions to meet our customers' requirements. In doing so, we follow the principle of highest possible sustainability from product development and production to transport.