

cloud

Clearly better sound

éSISTEMAS[®]
VISUAL COMMUNICATION SOLUTIONS
MULTIMEDIA PRODUCTS

Products and Accessories Catalogue

2019

**MADE IN
BRITAIN** 

Contents

Introduction.....	2
-------------------	---

Cloud In-Ceiling & Surface Mount Speakers

CS-C3B & CS-C3W.....	4
CS-C4v & CS-C4b.....	5
CS-C5B & CS-C5W.....	6
CS-C6B & CS-C6W.....	7
CS-C8B & CS-C8W.....	8
CS-CSUB8B & CS-CSUB8W.....	9
CS-S3B & CS-S3W.....	10
CS-S4B & CS-S4W.....	11
CS-S6B & CS-S6W.....	12
CS-S8xB & CS-S8xW.....	13
CS-S10xB & CS-S10xW.....	14
CS-SUB8B & CS-SUB8W.....	15

Digitally Controlled Mixers

DCM1 Digitally Controlled Zone Mixer.....	17
DCM1e Ethernet Digital Control Zone Mixer.....	18

Analogue Mixers

Z4MK4 Four Zone Venue Mixer.....	20
Z8MK4 Eight Zone Venue Mixer.....	21
CX335 Stereo Compressor Limiter.....	22
CX163 2 Zone Stereo Mixer with Mono Utility Output.....	22
CX261 MP3 Zone Mixer.....	22
CX263 3 Zone Mixer.....	23
CX462 Audio System Controller.....	23

Mixer Amplifiers

46-120 Four Zone Integrated Mixer Amplifier.....	25
46-120 Media Four Zone Integrated Mixer Amplifier ..	25
46-120T Four Zone Integrated Mixer Amplifier.....	26
46-120T Media Four Zone Integrated Mixer Amplifier	26
CDI-46.....	26
46-80 : Four Zone Integrated Mixer Amplifier.....	27
46-80T : Four Zone Integrated Mixer Amplifier.....	27
46-50 Four Zone Integrated Mixer Amplifier.....	28
36-50 Integrated Two Zone Plus Utility Mixer Amplifier.....	28
MA40 Mini Amplifier.....	29
MA40F Mini Amplifier.....	29
MA40T Mini Amplifier.....	29
MA40E Mini Amplifier.....	29
MA80 Mini Amplifier.....	30
MA80FT Mini Amplifier.....	30
MA80E Mini Amplifier.....	30
MA60.....	31
MA60 Media.....	31
MPA120 General Purpose Mixer Amplifier.....	32
MPA240 General Purpose Mixer Amplifier.....	32

Amplifiers

CXV225 100V & 70V Line Amplifiers.....	34
CXV425 100V & 70V Line Amplifiers.....	34
CV2500 2Ch Digital, DSP, 70V/100V Line Amplifier....	35
CV4250 4Ch Digital, DSP, 70V/100V Line Amplifier....	35
CV8125 8Ch Digital, DSP, 70V/100V Line Amplifier....	35
CV Amplifier DSP User Configuration & User GUI.....	36
CV Monitor Card.....	36
VTX4120, VTX4240 & VTX4400 4 Channel Amplifiers.	37
VTX-WM1 Ethernet Web Monitor Card.....	38
CXA6 Multi Channel Amplifier.....	39
CXA450 Multi Channel Amplifier.....	39
CXA850 Multi Channel Amplifier.....	40

Headphone Distribution Systems

CAS16 / CAM16 Headphone Distribution Systems.....	42
---	----

Paging Microphones

PM & PM-SA Paging Microphones.....	44
------------------------------------	----

Accessories Index

DCM1 / DCM1e Accessories.....	46
BT-1EB, BT-1EW & BT-IEAW.....	46
CDR-1F & CDR-1.....	46
LE-1, LE-1A (US Version) & LE-1m (Media Version)....	46
ME-1, ME-1A (US Version) & ME-1m (Media Version)..	46
BE-1, BE-1A (US Version) & BE-1m (Media Version)....	46
BT-1W / BT-1B / BT-1AW.....	47
FPA-1.....	47
LM-2 / LM-2A / LM-2D / L-1 / L-1A / M-1 / M-1A (B/W) Active Modules.....	47
RL-1/ RL-1A / RL-1m (B/W).....	47
RSL-6 / RSL-6A / RSL-6m (B/W).....	47
RSL-4 / RSL-4A / RSL-4m (B/W).....	47
XLR-F1 / XLR-F1A (B/W).....	47
XLR-M1 / XLR-M1A / XLR-M1m (B/W).....	47
VCA-2.....	48
VCA-5.....	48
RE-S.....	48
RE-L.....	48
PS-UK / PS-EU / PS-NA.....	48
EQ Cards for Amina Speakers.....	48
CXL-4160.....	48
CXL-3120.....	48
CXL-800.....	48
CXL-1600.....	48
CXL-40T.....	48
CXL-50T.....	48
CXL-46T.....	48
CXL-80T.....	48
CXL-100T.....	48
CXL-200T.....	48
CXL-400T.....	48

Product Matrix.....	49
---------------------	----

Contact Us & How To Find Us.....	50
----------------------------------	----



In-Ceiling & Surface Mount Speakers

Digitally Controlled Mixers

Analogue Mixers

Mixer Amplifiers

For well over three decades Cloud has led the field in high-quality commercial audio systems. Over this time the world's most prestigious and respected brand names have turned to us without question, again and again.

Blue-chip brands from the world of high street retail, international hotel chains, museums, entertainment venues, health and fitness centres: they all choose Cloud. The reason? Together we share an uncompromising commitment to excellence. We understand the importance of reliability in our respective enterprises. We know that quality pays for itself in the end, many times over.

Our clients value clear and faultless sound that is easily managed and consistently trouble free. Cloud enjoys a worldwide reputation for delivering exactly that, a reputation won almost entirely through word of mouth. Performance over time is the only benchmark, and we set that benchmark.

All of our products are backed with a five-year guarantee.

Amplifiers



It's Cloud's four-stage process that guarantees outstanding reliability and performance

Headphone Distribution Systems

Paging Microphones

Accessories Index

We design for reliability

The most important stage is the original design integrity. Cloud designs all its products from the principle of reliability first. Over everything, it's of no use having outstanding sound and industrial build if it fails within six months. Dependability and excellence must be one and the same. We design our products for specific tasks, and we call on many years of experience from real-life installations in order to execute this design work appropriately and effectively. Our in-house research and development team doesn't cut corners. It shows over time.

Mechanical and electrical testing

Every single product, when it is being assembled, is put through a stringent range of audio precision tests. Using exacting test equipment and following precise engineer designed scripts, Cloud's experienced test engineers put every product through lengthy electrical and mechanical tests before passing for Sound Testing.



Component choice

We're meticulous. We choose the best for the job – it's common sense if you're designing for reliability and quality to back it up with the right components. There may be hundreds to choose from. We've tested them all. And we pick the ones we know won't let us down. No weak links, no breakdowns, no errors, no awkward silences, no expensive service call-outs.

Sound testing

Once assembled, we then put every single product through extensive sound testing, with people trained to know how to spot the most subtle of defects, often professionals from the field in which the equipment will be used. This is to say we listen to everything we make, turn every switch and push every button. Nothing leaves our facility in Sheffield without working 100%, and ready to carrying on doing so for years.

In-Ceiling & Surface Mount Speakers

Designed exclusively for Cloud Electronics in the USA by a specialist team of speaker design engineers, the speakers are extremely installer friendly and are tuned to complement the Cloud range of amplifiers and mixer amplifiers. The entire range are 100 V line and Low-Z. Designed with purpose, tested with care, to **sound better** and **last longer**.



CS-C3B & CS-C3W

3" In-Ceiling Speaker with a 100mm Shallow Back Can

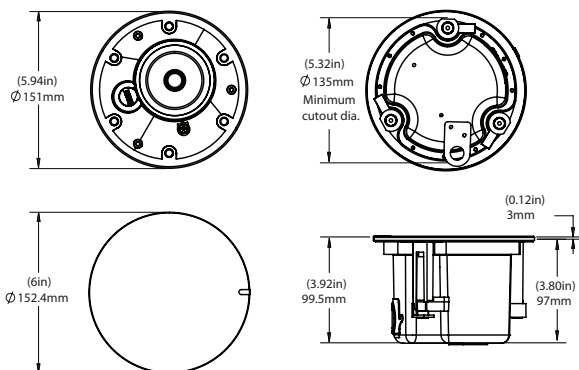


The Cloud CS-C3 In-Ceiling Speaker is a 3" full range loudspeaker featuring exceptional intelligibility and musical performance. Using components, the CS-C3 offers high musicality, with high intelligibility, prioritising bass response over sensitivity. All models offer ZeroEdge™ magnetic grilles which reveal the high/low impedance switch settings for distributed audio systems.

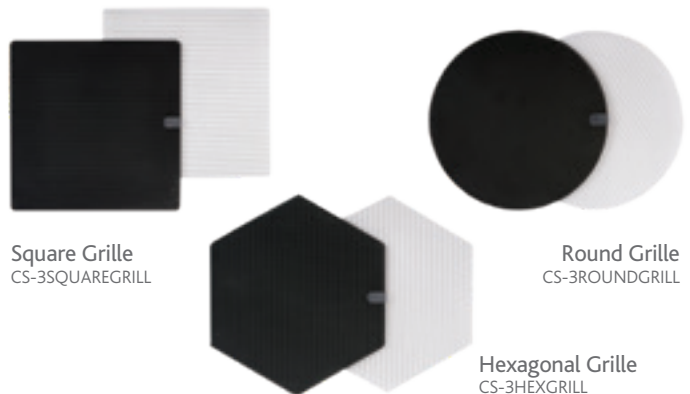
Designed exclusively for Cloud Electronics in the USA by a specialist team of speaker design engineers, the new CS-C Series speakers are extremely installer friendly and are tuned to complement the Cloud range of amplifiers and mixer amplifiers. Built for quality performance Cloud speakers are designed and tested to a superior standard by engineers who care and include a comprehensive 5-Year commercial warranty.

- 16W, 8W, 4W, 2W, 1W or 16W @ 16Ω
- 3" treated paper with rubber surround
- Nom SPL: 82dB 1W/1m Max SPL: 94dB @ 1m
- Locking euroblock connector
- Choice of black or white magnetic grill
- Optional: Square Grille or Hexagonal Grille

Loudspeaker Dimensions



Optional Replacement Grilles



CS-C4v & CS-C4b

4" In-Ceiling Speaker with a 100mm Metal Back Can



In Development

The all-new line of Cloud CS-C4 speakers brings the premium Cloud signature sound to a diverse line of value priced speakers. The CS-C4 family includes 2 distinct models for specialized performance, including:

CS-C4v premium in-ceiling speaker at a value price point

CS-C4b low impedance in-ceiling speaker with premium performance and excellent pricing designed for Bathroom Applications

All three members of the CS-C4 series share the same premium drivers and electronics, offering class leading intelligibility, premium musical performance, and excellent off-axis performance. The minimal diameter and installation depth make installation options flexible, and the ZeroEdge magnetic grill keeps the finished installation free of visual clutter.

CS-C4 series

- Premium in ceiling performance at a value price
- Magnetic ZeroEdge™ grille with removable badge
- 2-way drivers offering consistent dispersion
- 4" Treated Paper Woofer with Rubber Surround
- 0.75" Silk Dome Tweeter with phase plug
- 4-pin quick connector for easy daisy-chaining and secure connections

Nom SPL: 88dB@1m Max SPL: 103dB@1m

Dims: 236.0mm x 93.0mm.

Weight: 2.0kg net, 2.5kg gross.

Cutout: 213.0mm

Optional tile bridge and input cover / conduit connector

Available colours: black, white

CS-C4v

Smaller than the CS-C4, but with better acoustics and a lower price

Shallow backcan design for installation in tight spaces

Accessible high-impedance or low impedance switch settings

16 ohm impedance for low impedance daisy chaining

CS-C4b

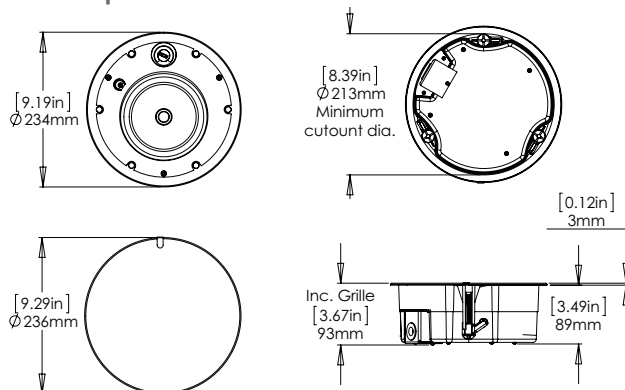
Premium low impedance performance at a value price

With sealed back can for moisture protection, transformer, and tap switch to push price even lower

Plastic Magnetic Grille

16 ohm impedance for low impedance daisy chaining

Loudspeaker Dimensions



CS-C5B & CS-C5W

5" In-Ceiling Speaker with a 100mm Metal Back Can

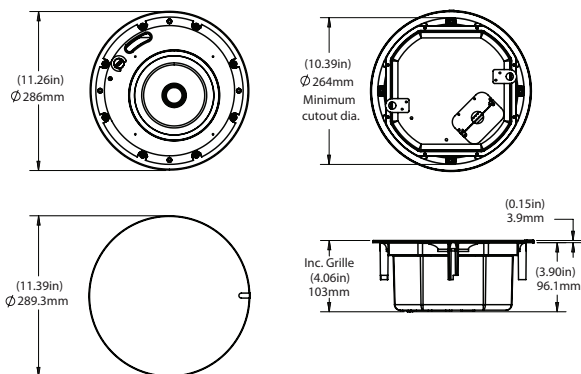


The Cloud CS-C5 In-Ceiling Speaker is a 5-inch coaxial two-way loudspeaker featuring exceptional intelligibility and musical performance. Using premium drivers and electronics, the CS-C5 offers high sensitivity, smooth frequency response and excellent off-axis performance. All models offer ZeroEdge™ magnetic grilles which reveal the high/low impedance switch settings for distributed audio systems.

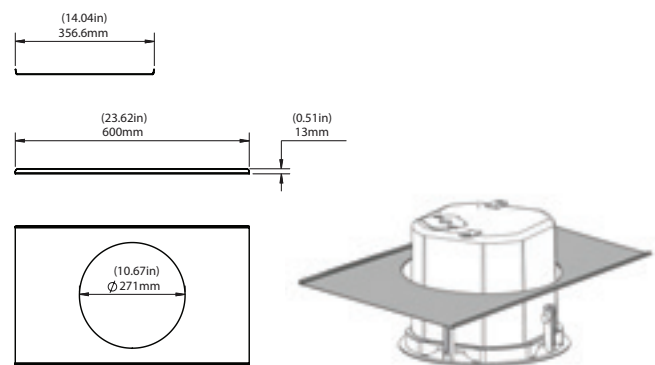
Designed exclusively for Cloud Electronics in the USA by a specialist team of speaker design engineers, the new CS-C Series speakers are extremely installer friendly and are tuned to complement the Cloud range of amplifiers and mixer amplifiers. Built for quality performance Cloud speakers are designed and tested to a superior standard by engineers who care and include a comprehensive 5-Year commercial warranty.

- Magnetic ZeroEdge™ grille with removable badge
- Easy inventory management with a single tile bridge and common grilles for the whole CS-C series
- Only one hole size to cut for all models within the CS-C series
- Premium drivers for exceptional sound quality and intelligibility
- Integrated high power transformer
- 16 ohm impedance for low impedance daisy chaining
- Low profile back can for installation into small ceiling voids
- Front mounted tap switch
- 4-pin quick connector for easy daisy-chaining and secure connections
- Available colours: black, white

Loudspeaker Dimensions



Tile Bridge Dimensions



CS-C6B & CS-C6W

6.5" In-Ceiling Speaker with a 200mm Metal Back Can



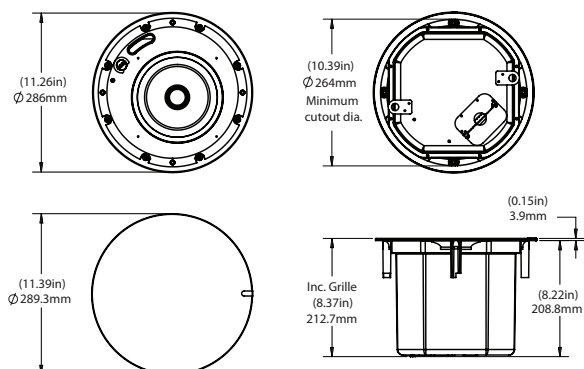
The Cloud CS-C6 is a 6.5 inch coaxial two way in-ceiling loudspeaker featuring exceptional intelligibility and musical performance. Using premium drivers and electronics, the CS-C6 offers high sensitivity, smooth frequency response, and excellent off axis performance. The 6.5 inch woofer incorporates a large magnet structure, a treated paper cone, and a butyl rubber surround for lasting, low distortion performance. The 1.0 inch tweeter is a silk soft dome with a phase plug to smoothly distribute the high frequency energy. The included 32 W transformer provides plenty of power for even high SPL applications. The 16 ohm impedance allows for easy low impedance daisy chaining.

The CS-C6 incorporates several innovative features that make it a truly remarkable speaker. The ZeroEdge™ grille is magnetically attached for easy installation, and features a completely seamless transition from grille to ceiling. The entire CS-C series of speakers uses the same diameter back can which simplifies installation, and inventory management with only one size hole to cut, one size grille to install, and one size tile bridge to bring to the job site.

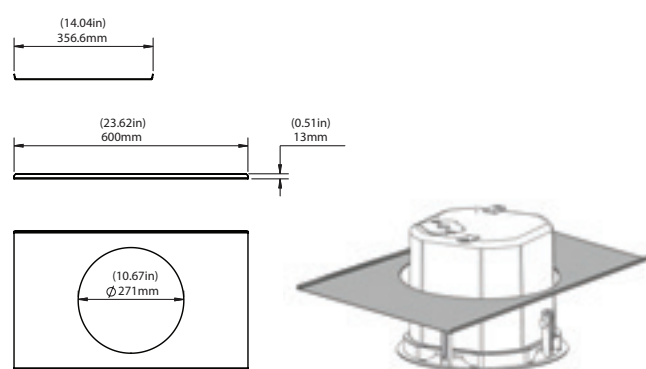
Built for quality performance Cloud speakers are designed and tested to a superior standard by engineers who care and include a comprehensive 5-Year commercial warranty.

- Magnetic ZeroEdge™ grille with removable badge
- Easy inventory management with a single tile bridge and common grilles for the whole CS-C series
- Only one hole size to cut for all models within the CS-C series
- Premium drivers for exceptional sound quality and intelligibility
- Integrated high power transformer
- 16 ohm impedance for low impedance daisy chaining
- Low profile back can for installation into small ceiling voids
- Front mounted tap switch
- 4-pin quick connector for easy daisy-chaining and secure connections
- Available colours: black, white

Loudspeaker Dimensions



Tile Bridge Dimensions



CS-C8B & CS-C8W

8" In-Ceiling Speaker with a 200mm Metal Back Can



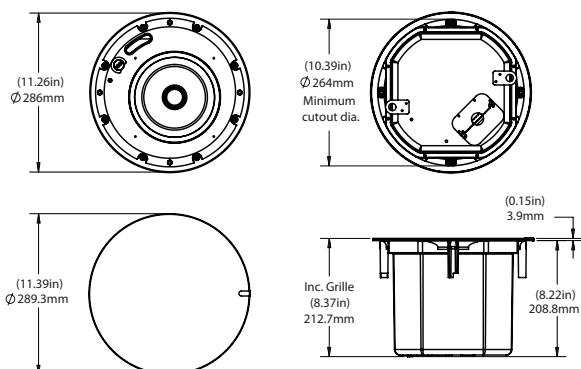
The Cloud CS-C8 is an 8 inch coaxial two way in-ceiling loudspeaker featuring exceptional intelligibility and musical performance. Using premium drivers and electronics, the CS-C8 offers high sensitivity, smooth frequency response, and excellent off axis performance. The 8.0 inch woofer incorporates a large magnet structure, a treated paper cone, and a butyl rubber surround for lasting, low distortion performance. The 1.0 inch tweeter is a silk soft dome with a phase plug to smoothly distribute the high frequency energy. The included 64 W transformer provides plenty of power for even high SPL applications. The 16 ohm impedance allows for easy low impedance daisy chaining.

The CS-C8 incorporates several innovative features that make it a truly remarkable speaker. The ZeroEdge™ grille is magnetically attached for easy installation, and features a completely seamless transition from grille to ceiling. The entire CS-C series of speakers uses the same diameter back can which simplifies installation, and inventory management with only one size hole to cut, one size grille to install, and one size tile bridge to bring to the job site.

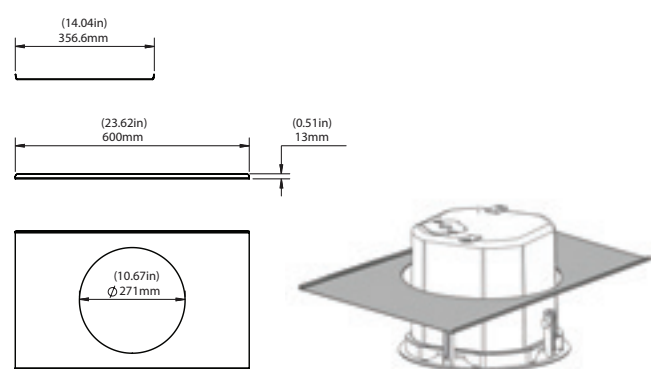
Built for quality performance Cloud speakers are designed and tested to a superior standard by engineers who care and include a comprehensive 5-Year commercial warranty.

- Magnetic ZeroEdge™ grille with removable badge
- Easy inventory management with a single tile bridge and common grilles for the whole CS-C series
- Only one hole size to cut for all models within the CS-C series
- Premium drivers for exceptional sound quality and intelligibility
- Integrated high power transformer with transformer bypass
- 16 ohm impedance for low impedance daisy chaining
- Low profile back can for installation into small ceiling voids
- Front mounted tap switch
- 4-pin quick connector for easy daisy-chaining and secure connections
- Available colours: black, white

Loudspeaker Dimensions



Tile Bridge Dimensions



CS-CSUB8B & CS-CSUB8W

8" In-Ceiling Subwoofer with a 200mm Metal Back Can

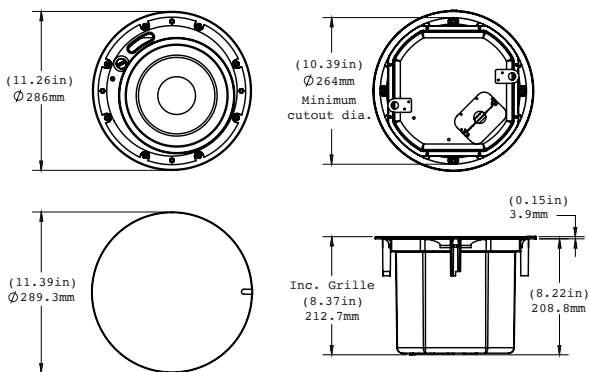


Cloud's new and exciting CS-CSUB8 is an 8-inch in ceiling subwoofers designed perfectly for any application. Excellent low frequency extension, ZeroEdge™ magnetic speaker grilles available in black or white, accessible high-impedance or low impedance switch settings and removable logos ensure Cloud speakers can be used discretely in almost any venue.

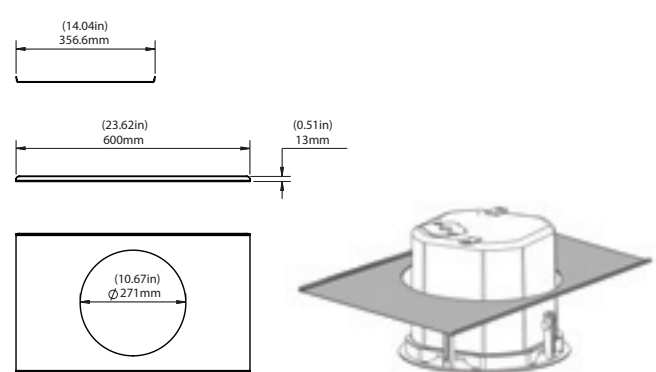
Designed exclusively for Cloud Electronics in the USA by a specialist team of speaker design engineers, the new CS-C Series speakers are extremely installer friendly and are tuned to complement the Cloud range of amplifiers and mixer amplifiers. Built for quality performance Cloud speakers are designed and tested to a superior standard by engineers who care and include a comprehensive 5-Year commercial warranty.

- Magnetic ZeroEdge™ grille with removable badge
- Easy inventory management with a single tile bridge and common grilles for the whole CS-C series
- Only one hole size to cut for all models within the CS-C series
- Premium drivers and electronics for exceptional sound quality and intelligibility
- Integrated high power transformer with transformer bypass
- Integrated back can
- 4-pin Euroblock connectors for easy daisy-chaining and secure connections
- Available colours: black, white

Loudspeaker Dimensions

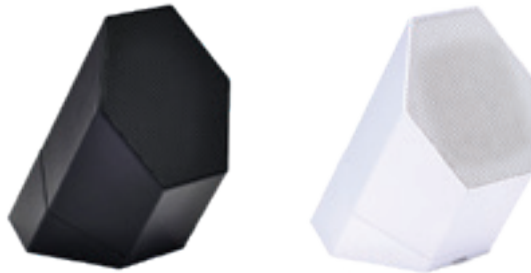


Tile Bridge Dimensions



CS-S3B & CS-S3W

3" Surface Mounted Speaker with Omnidirectional Mounting



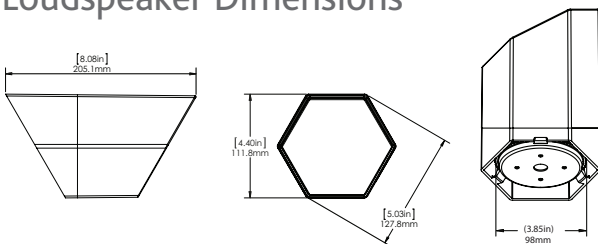
The Cloud CS-S3 is a 3 inch full range surface mount loudspeaker featuring exceptional intelligibility and musical performance. Using a premium woofer and crossover electronics, the CS-S3 offers clear intelligibility, smooth frequency response, and excellent off axis performance. The 3.0 inch woofer incorporates a large magnet structure, a polypropylene cone, and a butyl rubber surround for lasting, low distortion performance, and exceptional weather resistance. The included 16 W transformer provides plenty of power for background music and voice messaging applications. The 16 ohm impedance allows for easy low impedance daisy chaining.

The CS-S3 incorporates several innovative features that make it a truly remarkable speaker. The omnidirectional mounting system allows the installer to easily aim the speaker at any point within the space without any tools, and with no bulky brackets. The round surface mount bracket mounts easily to any surface with just two screws, and is completely hidden when the speaker is snapped on. The distinctive styling makes the speaker look intentional in all orientations. When coupled with the CS-CSUB8 or CS-SSUB8, the CS-C3 and CS-S3 offer a premium business music system with exceptional performance and aesthetics in a small package.

Built for quality performance Cloud speakers are designed and tested to a superior standard by engineers who care and include a comprehensive 5-Year commercial warranty.

- Premium driver and electronics for exceptional sound quality and intelligibility
- Integrated high power transformer
- Integrated high power transformer with bypass
- 16 ohm for low impedance daisy chaining
- Striking architectural aesthetic
- Omnidirectional, tool free installation and aiming

Loudspeaker Dimensions

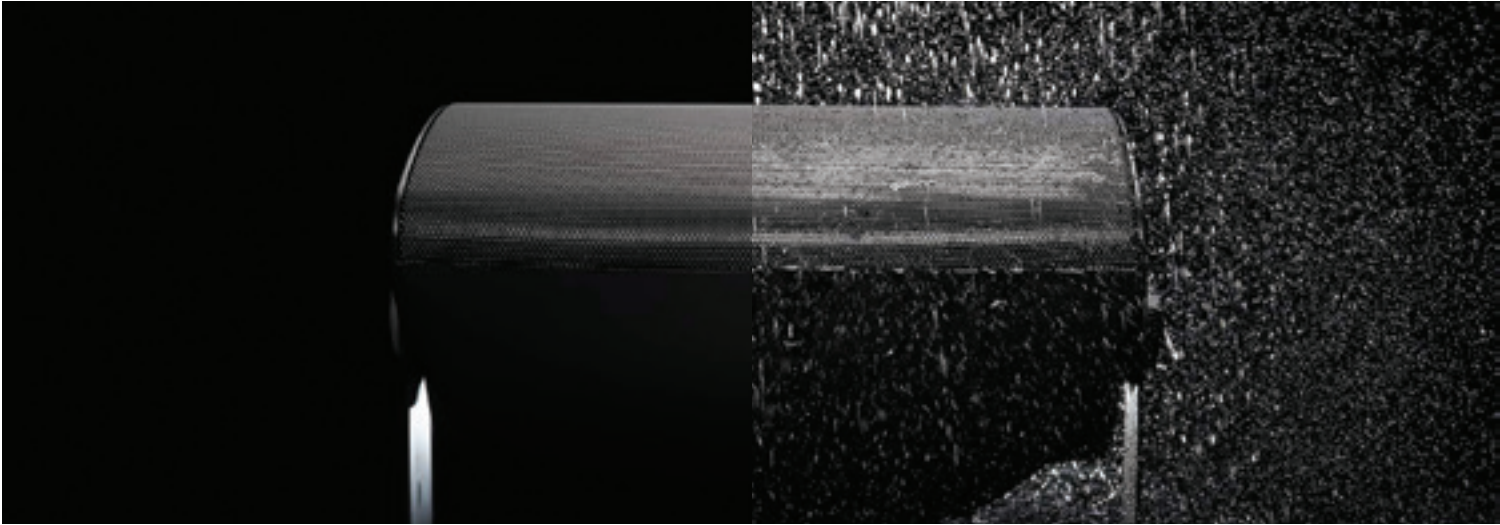


Omnidirectional Mount



CS-S4B & CS-S4W

4" Surface Mounted Speaker

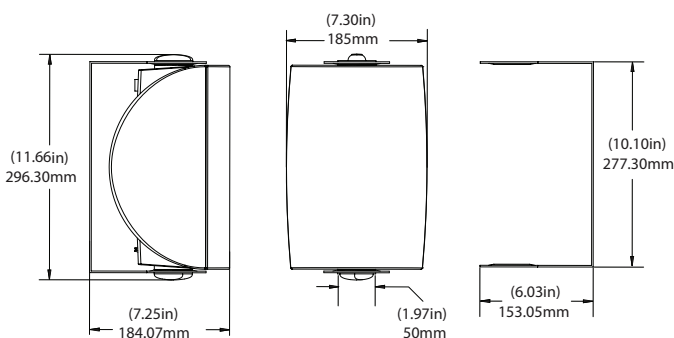


The Cloud CS-S4 is a 4.0 inch coaxial two way surface mount loudspeaker featuring exceptional intelligibility and musical performance. Suitable for internal or outdoor use, the CS-S4 conforms to IP rating IP55 (protection from limited dust ingress, and low pressure water jets from any direction) when fitted with the supplied port plug. Using premium drivers and electronics, the CS-S4 offers high sensitivity, smooth frequency response, and excellent off axis performance. The 4.0 inch woofer incorporates a large magnet structure, a polypropylene cone, and a butyl rubber surround for lasting, low distortion performance. The 19mm (0,75 in) soft dome tweeter contributes to the smooth distribution of off axis HF energy. The included 20 W transformer provides plenty of power for background to foreground applications. The 16 ohm impedance allows for easy low impedance daisy chaining.

Built for quality performance Cloud speakers are designed and tested to a superior standard by engineers who care and include a comprehensive 5-Year commercial warranty.

- Easy access front mounted tap switch
- Premium drivers for exceptional sound quality and intelligibility
- Integrated high power transformer with bypass
- 16 ohm for low impedance daisy chaining
- Designed to mount vertically and horizontally
- Coaxial drivers for optimal off axis performance
- 4-pin Euroblock connectors
- Corrosion resistant Aluminium grille and U-bracket

Loudspeaker Dimensions

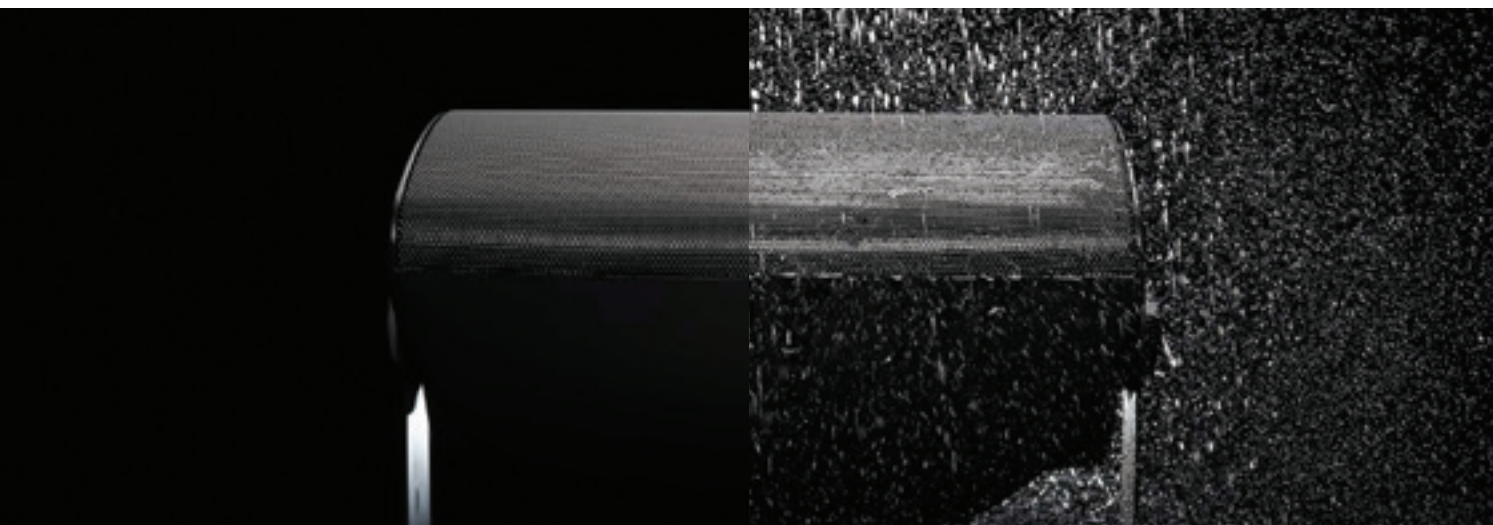


Rear Image



CS-S6B & CS-S6W

6.5" Surface Mounted Speaker

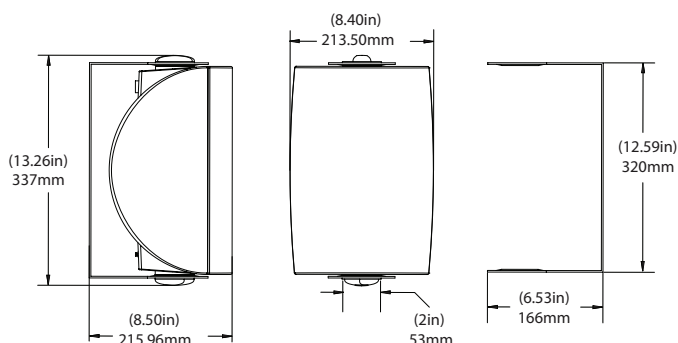


The Cloud CS-S6 is a 6.5 inch coaxial two way surface mount loudspeaker featuring exceptional intelligibility and musical performance. Suitable for internal or outdoor use, the CS-S6 conforms to IP rating IP55 (protection from limited dust ingress, and low pressure water jets from any direction) when fitted with the supplied port plug. Using premium drivers and electronics, the CS-S6 offers high sensitivity, smooth frequency response, and excellent off axis performance. The 6.5 inch woofer incorporates a large magnet structure, a polypropylene cone, and a butyl rubber surround for lasting, low distortion performance. The 1.0 inch (25.4 mm) tweeter is a silk soft dome with a phase plug to smoothly distribute the high frequency energy. The included 32 W transformer provides plenty of power for even high SPL applications. The 16 ohm impedance allows for easy low impedance daisy chaining.

Built for quality performance Cloud speakers are designed and tested to a superior standard by engineers who care and include a comprehensive 5-Year commercial warranty.

- Easy access front mounted tap switch
- Premium drivers for exceptional sound quality and intelligibility
- Integrated high power transformer with bypass
- 16 ohm for low impedance daisy chaining
- Designed to mount vertically and horizontally
- Coaxial drivers for optimal off axis performance
- 4-pin Euroblock connectors
- Corrosion resistant Aluminium grille and U-bracket

Loudspeaker Dimensions



Rear Image



CS-S8xB & CS-S8xW

8" Surface Mounted High Power Speaker



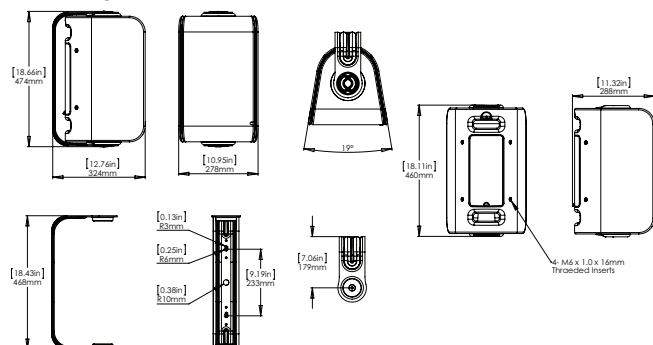
Under Ongoing Development

The all-new Cloud CS-S8x speaker is the first in Cloud's "X" series of high output loudspeakers, and is ideally suited for use outdoors, as front of house or fill speakers, or as monitors. These speakers are designed to offer high efficiency, high SPL, and plenty of bass response. These speakers are built for performance, and set the bar for premium acoustics and installation flexibility. The CS-S8x are built using premium, weather resistant materials for indoor or outdoor installation, with aluminium grills and mounting brackets, stainless steel fasteners, and UV resistant LLDPE enclosures. With a quick change of the bracket insert they can also be reconfigured for use as floor monitors, or pole mount speakers.

Built for quality performance Cloud speakers are designed and tested to a superior standard by engineers who care and include a comprehensive 5-Year commercial warranty.

- 2-way high power coaxial drivers offering consistent dispersion across broad frequency ranges
- Ideal for front of house, side fills, or monitors
- Outdoor ready aluminium mounting bracket and grill
- SnapMount™ surface mount bracket with integrated knobs for easy installation
- Integrated carry handle for easy installation
- Available configured for pole mount applications
- Accessible high-impedance or low impedance switch on rear of cabinet
- Integrated 150w transformer with bypass
- 4-pin quick connector for easy daisy-chaining and secure connections
- Silicone input cover
- Includes optional port plugs for water resistant outdoor installation
- Integrated M6 threaded inserts for flexible rigging installation
- Available colours: black, white

Loudspeaker Dimensions



CS-S8x

- 8.0" Treated Paper Woofer with Treated Cloth Surround
- 1.4" Titanium compression Tweeter
- Nom SPL: 92dB@1m Max SPL: 116db@1m
- Dims: 474.0mm x 278.0mm x 324.0mm (with mounting bracket)
- Weight: 8kg net, 10kg gross

CS-S10xB & CS-S10xW

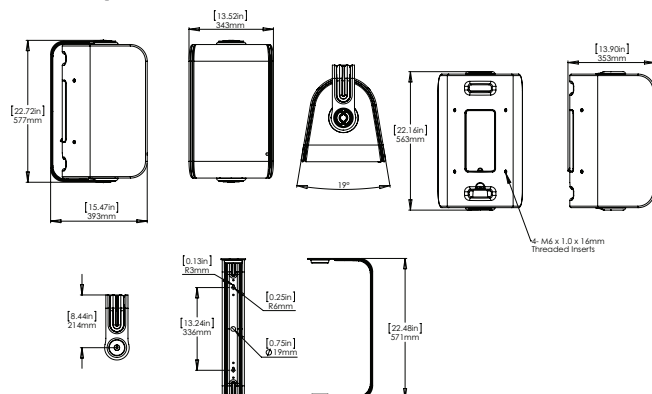
10" Surface Mounted High Power Speaker



The all-new Cloud CS-S10x speaker is the first in Cloud's "X" series of high output loudspeakers, and is ideally suited for use outdoors, as front of house or fill speakers, or as monitors. These speakers are designed to offer high efficiency, high SPL, and plenty of bass response. These speakers are built for performance, and set the bar for premium acoustics and installation flexibility. The CS-S10x are built using premium, weather resistant materials for indoor or outdoor installation, with aluminium grills and mounting brackets, stainless steel fasteners, and UV resistant LLDPE enclosures. With a quick change of the bracket insert they can also be reconfigured for use as floor monitors, or pole mount speakers.

Built for quality performance Cloud speakers are designed and tested to a superior standard by engineers who care and include a comprehensive 5-Year commercial warranty.

Loudspeaker Dimensions



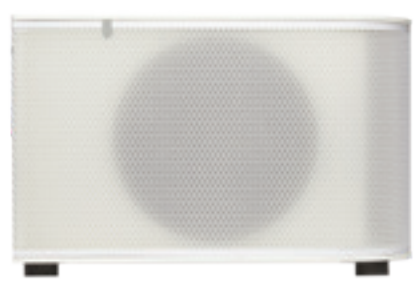
- 2-way high power coaxial drivers offering consistent dispersion across broad frequency ranges
- Ideal for front of house, side fills, or monitors
- Outdoor ready aluminium mounting bracket and grill
- SnapMount™ surface mount bracket with integrated knobs for easy installation
- Integrated carry handle for easy installation
- Available configured for pole mount applications
- Accessible high-impedance or low impedance switch on rear of cabinet
- Integrated 150w transformer with bypass
- 4-pin quick connector for easy daisy-chaining and secure connections
- Silicone input cover
- Includes optional port plugs for water resistant outdoor installation
- Integrated M6 threaded inserts for flexible rigging installation
- Available colours: black, white

CS-S10x

- 10.0" Treated Paper Woofer with Treated Cloth Surround
- 1.6" Titanium compression Tweeter
- Nom SPL: 95dB@1m Max SPL: 120db@1m
- Dims: 577.0mm x 343.0mm x 393.0mm (with mounting bracket)
- Weight: 12kg net, 15kg gross

CS-SUB8B & CS-SUB8W

8" Surface Mounted Subwoofer



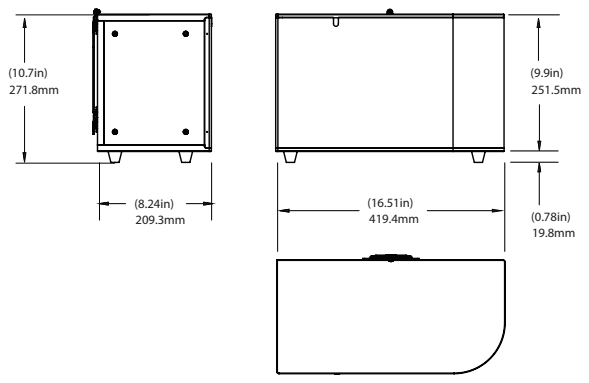
The Cloud CS-SUB8 is an 8 inch passive subwoofer featuring powerful bass response in a small package. Using a premium woofer and first order crossover network, the CS-SUB8 adds punch and low end reinforcement to Cloud's line of full range speakers. The 8.0 inch woofer incorporates a large magnet structure, treated paper cone, and long throw butyl rubber surround for lasting, low distortion performance. The included 100 W transformer provides plenty of power for background to foreground music applications.

Built for quality performance Cloud speakers are designed and tested to a superior standard by engineers who care and include a comprehensive 5-Year commercial warranty.

The CS-SUB8 incorporates several features that make it a premium, versatile subwoofer. The low profile cabinet is easy to hide in any installation, but the architectural aesthetic makes it desirable to show. The CS-SUB8 ships with rubber feet installed for floor or shelf mounting, and includes a versatile surface mount bracket that can securely mount the speaker in either the vertical or horizontal orientation. It can also be flown via the threaded inserts on the side or bottom. The CS-SUB8 pairs well with the CS-S3 and CS-C3 to make a complete, premium business music system.

- Premium driver for exceptional sound quality and intelligibility
- Integrated high power transformer
- Striking architectural aesthetic
- Versatile mounting using included rubber feet, or included surface mount bracket
- Optional flying using forged eye bolts and cables (sold separately)

Loudspeaker Dimensions



Without Grille



Digitally Controlled Mixers

Cloud's digitally controlled zone mixer combines traditional "installer-friendly" analogue I/O and signal path, with the flexibility and adaptability of digital control.



DCM1 : Digitally Controlled Zone Mixer

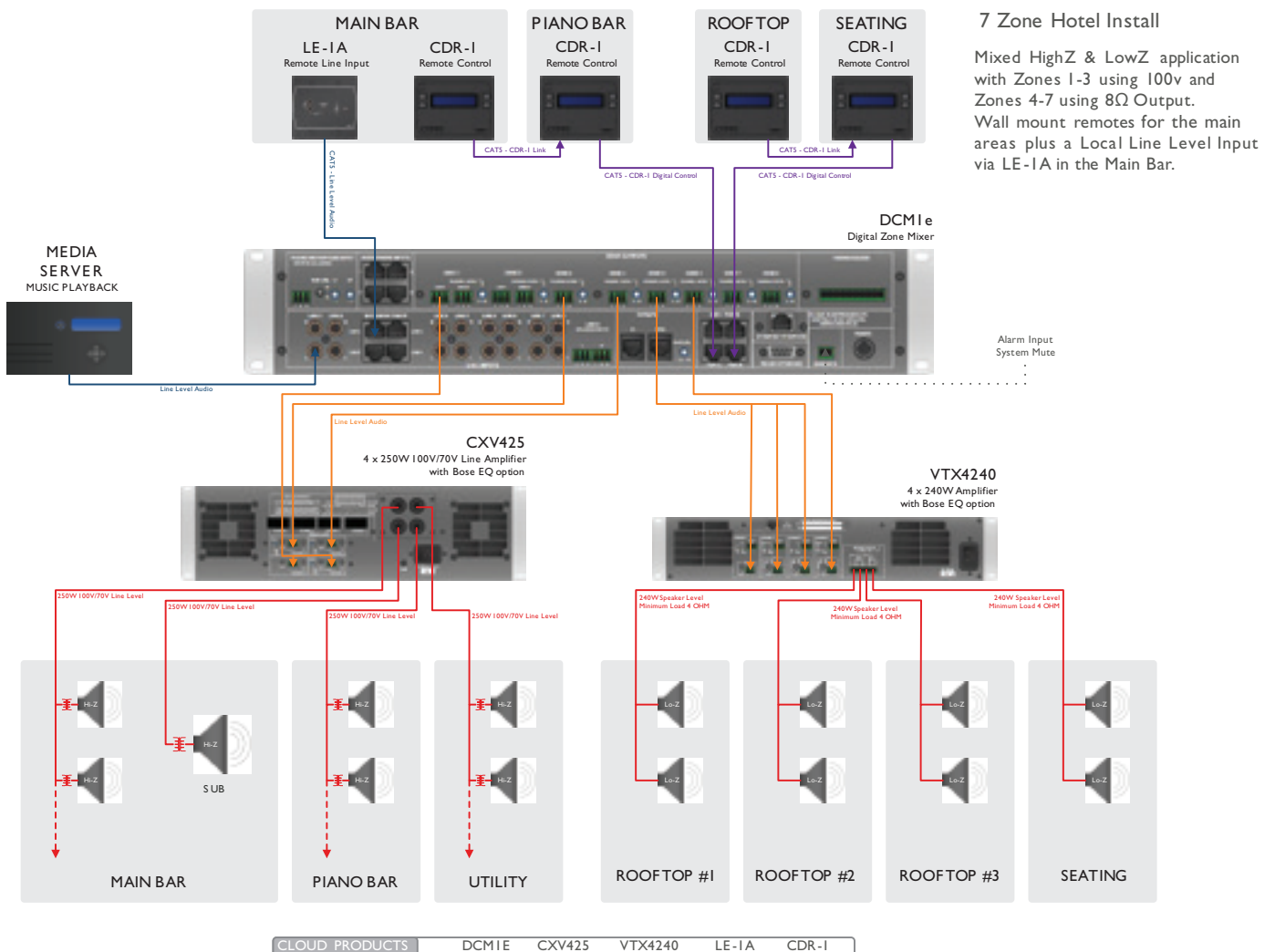
8 stereo line inputs, 4 ME-1 inputs plus paging mic, 8 balanced outputs (2 stereo plus 6 mono)



General Description

- 8 stereo line inputs (1 balanced)
- 8 balanced line outputs (2 stereo + 6 mono)
- 4 dedicated ports for optional remote line input modules
- 4 dedicated ports for optional remote mic input modules
- Mic paging to all zones with fully programmable override logic
- Separate analogue paging mic input with contact closure zone selection
- Separate RJ45 interface for PM Series digital paging microphones
- Supports multiple CDR-1 Remote Controls (optional) in any wiring configuration
- CDR-1 provides local control of source, level, EQ and group enable
- 2 x 16 character LCD dot-matrix display (both DCM-1 and CDR-1)
- 4 definable zone groups
- Any line input may have priority in any zone; operation also configurable per-zone
- Code-protected "Installer" mode (both DCM1 and CDR-1) prevents user access to configuration menus
- Inputs, zones and groups can be named
- RS232 interface for control by third-party control systems
- Front-panel LEDs confirm remote access
- Optional equaliser modules for Bose®, Amina and Active Audio loudspeakers can be fitted
- No PC required
- Multiple DCM1's may be cascaded for larger systems
- External Music Mute input for interfacing with emergency systems
- Any input (mic or line) may be assigned as Emergency Input, overriding Music Mute
- 2U 19" rack-mounting unit

Application Diagram



DCM1e : Ethernet Digitally Controlled Zone Mixer

8 stereo line inputs, 4 ME-1 inputs plus paging mic, 8 balanced outputs (2 stereo plus 6 mono)



The DCM1e is a new Ethernet version of the popular DCM1 Digital Control Zone Mixer. The addition of an Ethernet port on the rear panel of the new DCM1e allows its in-built Ethernet web-server to be connected via an RJ-45 socket to an independent or existing wireless router.

This new feature means the new DCM1e can be configured and controlled

remotely by any mobile device or PC connected to the network.

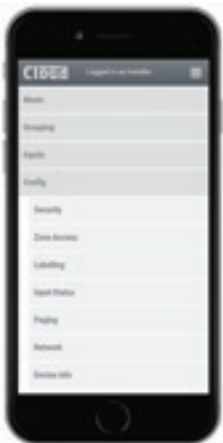
Using the web browser of any mobile End Users have "limited installer defined" controls via simple and intuitive interface pages. Installers have administrator status via "Configuration Options" which are password protected.



General Description

- 8 Stereo Line Inputs (1 Balanced)
- Balanced Line Outputs (2 Stereo + 6 Mono)
- Dedicated RJ-45 Ports for optional Line Inputs (LE-1)
- 4 Dedicated RJ-45 Ports for optional Mic Input Sockets (ME-1)
- Microphone Paging to all or any zone with fully programmable override logic
- Separate analogue paging Microphone Input with analogue contact closure selection
- Configurable remote Controls (CDR-1)
- Configurable Line Priority by Zone
- RS-232 Interface for Crestron/Other Control
- Ethernet Connection Socket and Web Server for PC, Tablet & Mobile Device Control
- Accepts Bose®, Amina and Active Audio EQ cards

Mobile Graphics



Menu Screen



Music Screen



Group Screen



Security Settings Screen

Configuration / Set Up



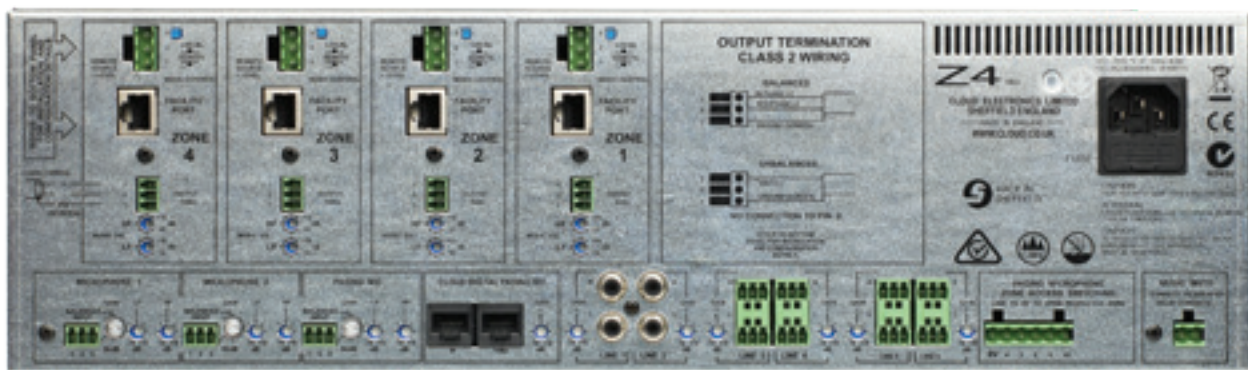
Analogue Mixers

Cloud's analogue Mixers are versatile analogue single zone / multi zone audio mixers known for performance, features, flexibility and reliability.



Z4MK4 : Four Zone Venue Mixer

6 music inputs, 2 mic inputs + digital paging interface, 4 x facility inputs, 4 output zones



LM-2 UK Version		L-1 UK Version		M-1 UK Version	
LM-2A US Version		L-1A US Version		M-1A US Version	
LM-2D DE/NL Version		LM-2B & LM-2W, LM-2AB & LM-2AW, LM-2DB & LM-2DW L-1B & L-1W, L-1AB & L-1AW, M-1B & M-1W, M-1AB & M-1AW.			

General Description

- Four zone mono mixer
- Digital paging interface for PM Paging Mics with IN/THRU
- Digital Switch Mode Power Supply (85 - 254v)
- Line 1-6, 2x unbalanced + 4x balanced (3.5mm Phoenix)
- Line 6 priority, can be selected on a zone by zone basis
- Facility input available on all zones
- Accepts active modules DM-1 and LM-2
- Music level and source selection with remote control RSL-6 (or RL-1 for remote level only) per zone

- 2 mic inputs with volume controls on front panel
- Input for paging mic with priority and zone selection
- Separate EQ for mic and music
- All mics have priority over music
- Optional equaliser modules for Bose®, Amina and Active Audio loudspeakers can be fitted to any output zone

Accessories
(see pages 43/48 for details)



Z8MK4 : Eight Zone Venue Mixer

6 music inputs, 2 mic inputs plus digital paging interface, 8 x facility inputs, 8 output zones



General Description

- Eight zone venue mixer
- Digital paging interface for PM Paging Mics with IN/THRU
- Digital Switch Mode Power Supply (85 - 254v)
- Line 1-6, 2x unbalanced + 4x balanced (3.5mm Phoenix)
- Line 6 priority, can be selected on a zone by zone basis
- Facility input available on all zones
- Accepts active modules DM-1 and LM-2
- 2 mic inputs with volume controls on front panel

- Music level and source selection with remote control RSL-6 (or RL-1 for remote level only) per zone
- Input for paging mic with priority and zone selection
- Separate EQ for mic and music
- All mics have priority over music
- Optional equaliser modules for Bose®, Amina and Active Audio loudspeakers can be fitted to any output zone

Accessories
(see pages 43/48 for details)



CX335 : Stereo Compressor Limiter

The Cloud CX-335 stereo compressor-limiter is designed for system control and protection. When utilised as part of a full range system its ease of installation and setup coupled with the audio transparent operation make it the ideal choice.



General Description

- Very easy to install and setup
- Transparent in operation
- Frequency dependent automatic attack and release circuits
- Adjustable threshold and compression ratio
- Peak Limiter settings with led indicator
- Envelope option of normal or slow
- Soft knee or hard knee selection
- Display for output level and gain reduction
- Possibility for external VCA attenuator
- Anti-tamper cover with one time lock seal

Accessories
(see pages 43/48 for details)



CX163 : 2 Zone Stereo Mixer with Mono Utility Output

6 stereo line inputs, 1 mic input, 2 stereo output zones, mono utility output



General Description

- Two zone stereo mixer with mono utility output
- Both stereo zones can be configured to run as mono
- Utility output is constant 0dB
- Utility music source selectable via internal jumper
- 6 stereo line inputs
- Line 6 priority over other input sources in zone 1 only
- Remote music mute
- Microphone access contacts for paging to all 3 zones
- 100Hz high pass filter on all microphone inputs
- Two band microphone EQ
- Remote level control in each zone using RL-1
- Front panel controls give microphone level, music source select and volume
- Optional equaliser modules for Bose®, Amina and Active Audio loudspeakers can be fitted to either stereo output

Accessories
(see pages 43/48 for details)



CX261 : MP3 Zone Mixer

6 stereo line inputs, 2 mic input, 1 stereo output zone, music on hold



General Description

- 1 stereo zone
- 6 stereo line inputs
- Line 6 priority over other input sources
- Remote music mute
- Paging microphone access
- Microphone over music priority
- Front MP3 Input socket
- Music on hold output
- Two band microphone EQ
- 100Hz high pass filter on all microphone inputs
- Two band music EQ on the rear panel
- Front panel gives Mic 1 level, Mic 2 level, music level and music source selection controls
- Digital Switch Mode Power Supply (85 - 254v)
- Optional equaliser modules for Bose®, Amina and Active Audio loudspeakers can be fitted to either stereo output

Accessories
(see pages 43/48 for details)



CX263 : 3 Zone Mixer

6 stereo line inputs, 2 mic input, 3 output zones (1 stereo 2 mono)

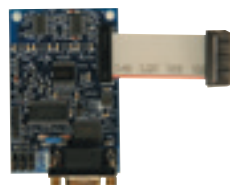


Without security cover

General Description

- 1 stereo zone and 2 mono zones
- 6 stereo line inputs
- Line 6 priority over other input sources
- Remote music mute
- Paging microphone access for Mic 1 only
- Microphone over music priority
- Two band microphone EQ behind front panel fascia
- 100Hz high pass filter on all microphone inputs
- Two band music EQ per zone on the rear panel
- Front panel gives Mic 1 level, Mic 2 level, music level and music source selection controls
- Optional equaliser modules for Bose®, Amina and Active Audio loudspeakers can be fitted to any output zone
- Optional CDI-S200 serial interface module using RS232 to control Music & Mic Muting (not installed in above photo)

Accessories
(see pages 43/48 for details)



CDI-S200 Optional RS232 Module Card for CX263 Zone Mixer

The CDI-S200 is an optional module that fits inside the CX263 3Zone Stereo/Mono Mixer to allow RS-232 Serial Control of:

- Music Source and Level Control for Each Independent Zone
- Microphone 1 Paging Access
- Individual Microphone Mute & Total Music Mute
- General RS232 3rd Party Controllers such as CRESTRON™

CX462 : Audio System Controller

6 music inputs (1 stereo output), 4 mic inputs (1 mono output)



Without security cover

General Description

- Independent music and microphone sections
- 6 line inputs with preset gain controls (music section)
- Line 6 can be configured for priority (music section)
- Music level and source selection with remote control
- HF and LF equalisation (music section)
- Mic signals can be routed to music section
- Individual HF and LF controls (microphone section)
- Single parametric equaliser (microphone section)
- 150 Hz High pass filter
- Selectable priority for Mic 1
- Optional CDI-S100 serial interface module using RS232 to control Music & Mic Muting (shown above installed)
- Optional equaliser modules for Bose®, Amina and Active Audio loudspeakers can be fitted to any output zone

Accessories
(see pages 43/48 for details)



CDI-S100 Optional RS232 Module Card for CX462 Zone Mixer

The CDI-S100 is an optional module that fits inside the CX462 Audio System Controller to allow RS-232 Serial Control of:

- Music Source Select
- Level Control and Muting
- Individual Microphone Muting
- Master Microphone Level and Muting
- General RS232 3rd Party Controllers such as CRESTRON™

Mixer Amplifiers

Cloud's Mixer Amplifiers are integrated, analogue audio mixer amplifier. It combines simple control of background music with versatile microphone paging and power amplification in a single unit.



46-120 : Four Zone Integrated Mixer Amplifier

6 music inputs, 2 mic inputs (1 paging), 1 facility input plus 1 aux. output, 4 x 120W amplifiers



Shown with CDI-46 fitted

Accessories
(see pages 43/48 for details)



General Description

- 4-Zone Mixer Amplifier
- 4 x 120W Output per zone (4 Ohm)
- Optional 120W 70V/100V Internal Transformer
- Optional Digital Paging/RS-232/Ethernet Card (CDI-46)
- 6 Stereo Line-Inputs
- 2 Microphone Inputs with priority option
- Music on Hold / Utility Output
- Remote Music Level and Source Selection via RSL-6 / RSL-6A
- Facility Input via RJ-45 for LM-2 on Zone 1
- Amplifier Link Feature
- Optional Paging Microphone with Chime Available
- Optional EQ Module for Bose®, Amina & Active Audio Loudspeakers
- Remote Music Mute Function for Fire Alarm Interface
- Remote Power Down & Hibernation Options

46-120 Media : Four Zone Integrated Mixer Amplifier

6 music inputs, 2 mic inputs (1 paging), 1 facility input plus 1 aux. output, 4 x 120W amplifiers



Shown with CDI-46 fitted

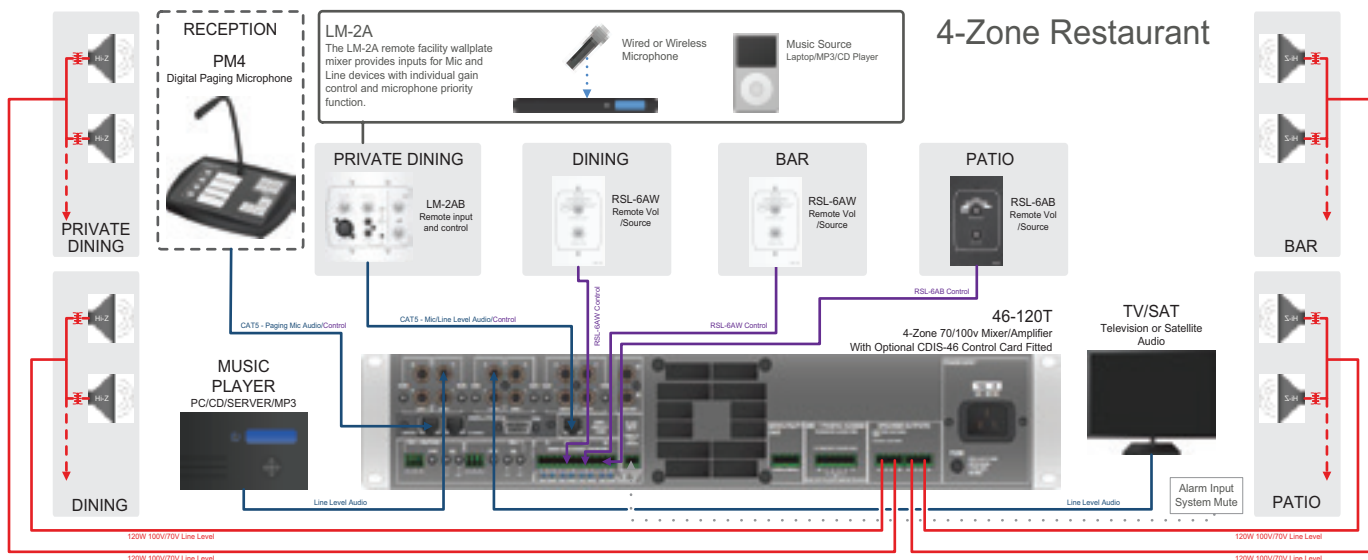
Accessories
(see pages 43/48 for details)



General Description

- 4-Zone Mixer Amplifier
- 4 x 120W Output per zone (4 Ohm)
- Optional 120W 70V/100V Internal Transformer
- MP3/SD/USB Media Player
- Optional Digital Paging/RS-232/Ethernet Card (CDI-46)
- 6 Stereo Line Inputs
- 2 Microphone Inputs
- Music on Hold / Utility Output
- Remote Music Level and Source Selection via RSL-6 / RSL-6A
- Facility Input via RJ-45 for LM-2 on Zone 1
- Amplifier Link Feature
- Optional Paging Microphone with Chime Available
- Optional EQ Module for Bose®, Amina & Active Audio Loudspeakers
- Remote Music Mute Function for Fire Alarm Interface
- Remote Power Down & Hibernation Options

Application Diagram



46-120T : Four Zone Integrated Mixer Amplifier

6 music inputs, 2 mic inputs (1 paging), 1 facility input + 1 aux. output, 4 x 120W Hi-Z amplifiers



Shown with CDI-46 fitted

Accessories
(see pages 43/48 for details)



General Description

- 4-Zone Mixer Amplifier
- 4 x 120W Output per zone (70V/100V)
- 120W 70V/100V Internal Transformers
- Optional Digital Paging/RS-232/Ethernet Card (CDI-46)
- 6 Stereo Line-Inputs
- 2 Microphone Inputs with priority option
- Music on Hold / Utility Output
- Remote Music Level and Source Selection via RSL-6 / RSL-6A
- Facility Input via RJ-45 for LM-2 on Zone 1
- Amplifier Link Feature
- Optional Paging Microphone with Chime Available
- Optional EQ Module for Bose®, Amina & Active Audio Loudspeakers
- Remote Music Mute Function for Fire Alarm Interface
- Remote Power Down & Hibernation Options

46-120T Media : Four Zone Integrated Mixer Amplifier

6 music inputs, 2 mic inputs (1 paging), 1 facility input plus 1 aux. output, 4 x 120W Hi-Z amplifiers



Shown with CDI-46 fitted

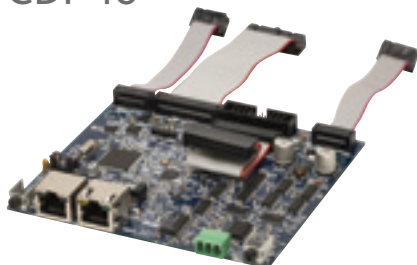
Accessories
(see pages 43/48 for details)



General Description

- 4-Zone Mixer Amplifier
- 4 x 120W Output per zone (70V/100V)
- 120W 70V/100V Internal Transformers
- MP3/SD/USB Media Player
- Optional Digital Paging/RS-232/Ethernet Card (CDI-46)
- 6 Stereo Line Inputs
- 2 Microphone Inputs
- Music on Hold / Utility Output
- Remote Music Level and Source Selection via RSL-6 / RSL-6A
- Facility Input via RJ-45 for LM-2 on Zone 1
- Amplifier Link Feature
- Optional Paging Microphone with Chime Available
- Optional EQ Module for Bose®, Amina & Active Audio Loudspeakers
- Remote Music Mute Function for Fire Alarm Interface
- Remote Power Down & Hibernation Options

CDI-46



K1

Optional internally fitted card, offering Digital PM paging interface, RS232 & Ethernet Control.

"Ethernet allows for all user functional controls such as line level, source and mic routing, triggering PM-SA spot announcements via a web enabled Cloud Serial Control Protocol for bespoke applications."



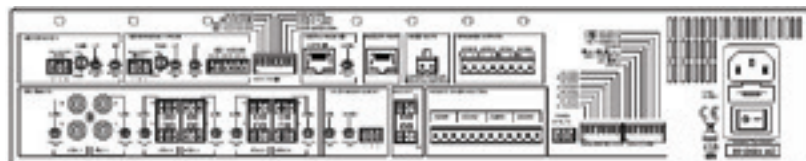
Ethernet web browser options

46-80 : Four Zone Integrated Mixer Amplifier

6 music inputs, 2 mic inputs (1 paging), 1 facility input plus 1 aux. output, 4 x 80W@4Ω amplifiers



Accessories
(see pages 43/48 for details)



General Description

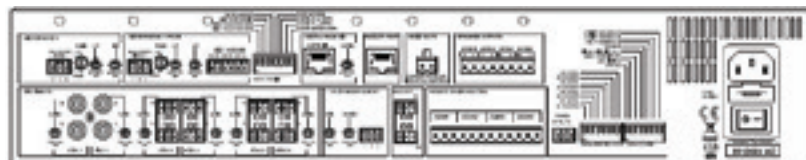
- Four zone mixer/amplifier
- 4 x Class D 80W amplifiers with limiters on each zone and Thermal & Short Protection
- RS232 interface for control by third-party control systems
- 2 Mic inputs, one with analogue paging
- Line 1-6, 2x unbalanced + 4x balanced (3.5mm Phoenix)
- Low impedance and 100v/70v variants.
- Digital paging interface for PM Paging Mics
- Mic 1 priority over Mic 2
- Line 6 input priority (zone 1 only or global)
- Music level and source selection with remote control RSL-6 (or RL-1: level only)
- Facility input (zone 1 only) for active modules LM-2/BT-1
- 2x Auxiliary balanced line output
- 1x Utility / Loop output with independent line mic controls and music content selection
- Routing/slaving feature to allow duplication of zones on amplifier channels
- Remote mute for Fire Alarm interface
- Installer settings behind anti-tamper panel

46-80T : Four Zone Integrated Mixer Amplifier

6 music inputs, 2 mic inputs (1 paging), 1 facility input plus 1 aux. output, 4 x 80W@70V/100V line amplifiers



Accessories
(see pages 43/48 for details)



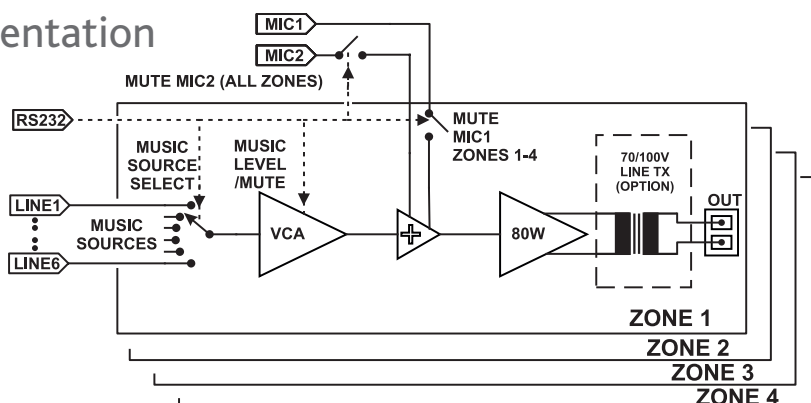
General Description

- Four zone mixer/amplifier
- 4 x Class D 80W@70V/100V line amplifiers with limiters on each zone and Thermal & Short Protection
- RS232 interface for control by third-party control systems
- 2 Mic inputs, one with analogue paging
- Line 1-6, 2x unbalanced + 4x balanced (3.5mm Phoenix)
- Digital paging interface for PM Paging Mics
- Mic 1 priority over Mic 2
- Line 6 input priority (zone 1 only or global)
- Music level and source selection with remote control RSL-6 (or RL-1: level only)
- Facility input (zone 1 only) for active modules LM-2/BT-1
- 2x Auxiliary balanced line output
- 1x Utility / Loop output with independent line mic controls and music content selection
- Routing/slaving feature to allow duplication of zones on amplifier channels
- Remote mute for Fire Alarm interface
- Installer settings behind anti-tamper panel

46-80/46-80T RS232 Implementation (Simplified Diagram)

A 3-PIN port is provided on 46-80 and 46-80T to allow remote control by RS-232. Implemented features are:

- Zone Music Level: Up/Down, Set to absolute level
- Zone Music Source: Up/Down, Set to absolute Source
- Global Music Mute
- Mic 1 Mute in Zone 1-4
- Mic 2 Mute in all zones



46-50 : Four Zone Integrated Mixer Amplifier

6 music inputs, 2 mic inputs (1 paging), 1 facility input plus 1 aux. output, 4 x 50W amplifiers



Non T version shown. Without security cover

Accessories
(see pages 43/48 for details)



General Description

- Four zone mixer/amplifier
- 4 x 50W with dynamic clip limiters on every zone
- Mic 1 priority over Mic 2
- Line 6 input priority (zone 1 only) with adjustable release time
- 6 line inputs, 2 mic inputs with voice operated priority over the mic
- Music level and source selection with remote control RSL-6 (or RL-1: level only)
- Facility input (zone 1 only) for active modules DM-1/LM-1
- Amplifier link feature when used on 2-zone or 3-zone systems
- Dedicated CDPM paging mic with chime available
- Optional equaliser modules for Bose®, Amina and Active Audio loudspeakers can be fitted to any output zone
- 2 x Aux outputs
- Optional 4 x 40W 100V or 70V internal module (CXL-4160)
- Remote music for Fire Alarm interface
- Installer settings behind anti-tamper panel
- Forced cooling by vari-speed fan

36-50 : Integrated Two Zone Plus Utility Mixer Amplifier

6 music inputs, 1 mic or paging mic input, 3 x 50W (1 utility) amplifiers



Non T version shown.

Accessories
(see pages 43/48 for details)



General Description

- Two zone mixer/amplifier with utility output
- 6 line inputs, 1 mic input with paging options for zone 1, zone 2 and utility output
- Music level and source selection with remote control RSL-6
- 3 x 50W for zone 1, zone 2 and utility output with dynamic clip limiters on every amplifier
- 50W utility amplifier can provide zone 1 with 100W
- Optional 3 x 40W 100V or 70V internal module (CXL-3120)
- Separate EQ for music and mic signals
- Optional equaliser modules for Bose®, Amina and Active Audio loudspeakers can be fitted to any output zone (with adaptor)

MA40 : Mini Amplifier

2 music, 1 mic input, 40W @ 4Ω



General Description

- 1 x 40W 4Ω Output (<1% THD @ Full Output)
- Line 1 over Line 2 Priority
- Microphone Input with EQ and Input Gain
- Music EQ Plus Optional EQ Card
- Microphone Output Level Control + Priority
- Music Mute
- RL-1 Remote Control Interface
- Dynamic Clip, Thermal & Short Protection
- 12-24V Power Supply
- Variants: EK, AUS, NA
- Energy Saving APD Feature

Accessories
(see pages 43/48 for details)



MA40F : Mini Amplifier

2 music, 1 mic input, 40W @ 4Ω, facility port input



General Description

- 1 x 40W 4Ω Output (<1% THD @ Full Power)
- Line 1 over Line 2 Priority
- Microphone Input and Input Gain
- Music EQ Plus Optional EQ Card
- 70 / 100V Line Input
- Paging Microphone Input Access Contacts (SW/VOX)
- Facility Port Input (For LM-2 Connection)
- Music Mute
- Dynamic Clip, Thermal & Short Protection
- 12-24V Power Supply
- Variants: EK, AUS, NA
- Energy Saving APD Feature

Accessories
(see pages 43/48 for details)



MA40T : Mini Amplifier

2 music, 1 mic input, 40W @ 100/70V, facility port input



General Description

- 1 x 40W 100/70/25V Output
- Line 1 over Line 2 Priority
- Microphone Input and Input Gain
- Music EQ Plus Optional EQ Card
- 70 / 100V Line Input
- Paging Microphone Access Contacts (SW/VOX)
- Facility Port Input (For LM-2 Connection)
- Music Mute
- Dynamic Clip, Thermal & Short Protection
- 12-24V Power Supply
- Variants: EK, AUS, NA
- Energy Saving APD Feature

Accessories
(see pages 43/48 for details)



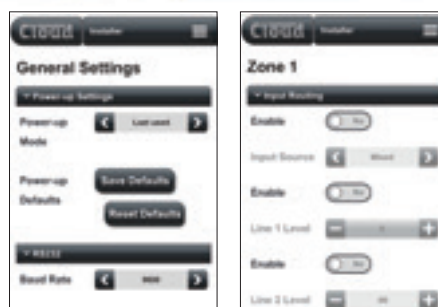
MA40E : Mini Amplifier

2 music, 1 mic input, 2 x 20W @ 4Ω, Ethernet/RS-232, facility port input



General Description

- 2 x 20W 4Ω Output (<1% THD @ Full Power)
- Ethernet / RS-232 Level / Source / EQ Control
- Line 1 over Line 2 Priority
- Facility Port Input (For LM-2 Connection)
- Music EQ
- Music Mute
- Dynamic Clip, Thermal & Short Protection
- 12-24V Power Supply
- Variants: EK, AUS, NA
- Energy Saving APD Feature



Web Browser Configuration and User GUI

Accessories
(see pages 43/48 for details)



MA80 : Mini Amplifier

2 music, 1 mic input, 80W @ 4Ω



General Description

- 1 x 80W 4Ω Output (<1% THD @ Full Output)
- Line 1 over Line 2 Priority
- Microphone Input with EQ and Input Gain
- Music EQ Plus Optional EQ Card
- Microphone Output Level Control + Priority
- Music Mute • RL-1 Remote Control Interface
- Auxiliary Output
- Dynamic Clip, Thermal & Short Protection
- Integrated Universal Power Supply
- Variants: EK, AUS, NA
- Energy Saving APD Feature

Accessories
(see pages 43/48 for details)



MA80FT : Mini Amplifier

2 music, 1 mic input, 80W @ 4Ω or 100/70V, Facility port input



General Description

- 1 x 80W Mono 4Ω or 100/70/25V Output
- High Impedance Line Input 100/70V
- Line 1 over Line 2 Priority
- Energy Saving APD Feature
- Microphone Input with EQ (MA80 only) and Input Gain
- Music EQ Plus Optional EQ Card
- Paging Microphone Access Contacts (SW/VOX)
- Facility Port Input (For LM-2 Connection)
- Music Mute • Auxiliary Output
- Dynamic Clip, Thermal & Short Protection
- Integrated Universal Power Supply
- Variants: EK, AUS, NA
- Energy Saving APD Feature

Accessories
(see pages 43/48 for details)



MA80E : Mini Amplifier

2 music, 1 mic input, 80W @ 4Ω, Ethernet/RS-232, facility port input



General Description

- 1 x 80W 4Ω Output (<1% THD @ Full Output)
- Ethernet /RS-232 Level/Source/EQ Control
- Line 1 over Line 2 Priority
- Microphone Input with EQ (MA80 only) and Input Gain
- Facility Port Input (For LM-2 Connection)
- Music EQ Plus
- Music Mute
- Auxiliary Output
- Dynamic Clip, Thermal & Short Protection
- Integrated Universal Power Supply
- Variants: EK, AUS, NA
- Energy Saving APD Feature



Web Browser Configuration and User GUI

Accessories
(see pages 43/48 for details)

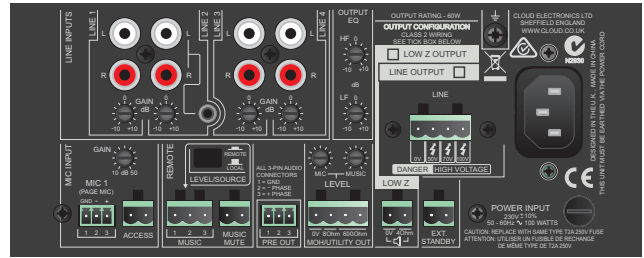


CA947034
Optional 20mm
Flexible Conduit Kit



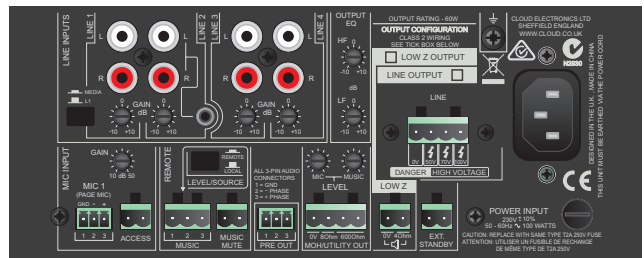
MA60

4 music, 1 mic input, 60W @ 4Ω or 100V/70V/50V line output transformer (option)



MA60 Media

4 music, 1 mic input, 60W @ 4Ω or 100V/70V/50V line output transformer (option)



General Description

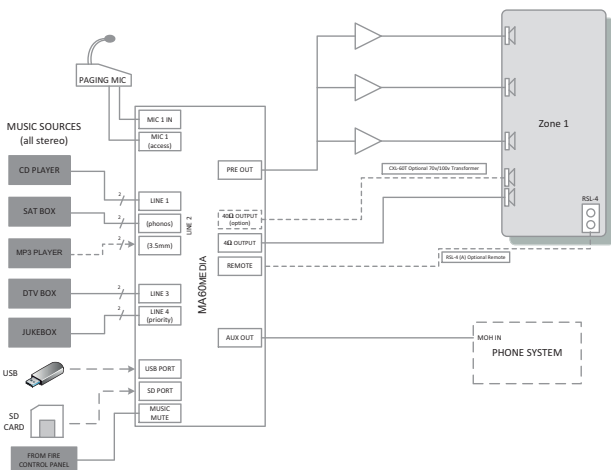
- Four-input mixer-amplifier with integral 60W mono power amplifier
- 100V/70V/50V line output transformer (option – CXL-50T)
- Built-in digital music player supports MP3 and WMA files at all standard data rates/sample frequencies (MA-60 Media only)
- Gain trims on all inputs
- Electronically-balanced mic input
- Front panel control of music source/level and mic level
- 3.5mm jack input (LINE 2) for MP3 player, laptop, etc.
- Overall HF & LF EQ adjustment
- Short-to-ground access connector or VOX-triggered paging on mic input
- Selectable LINE 4 priority over other music inputs
- Optional equaliser modules for Bose®, Amina and Active Audio
- Music Mute control input (NO or NC) for interface to emergency system

- Compatible with standard Cloud remote control panels – RL-1 (music level) and RSL-4 (music level and source selection)
- Electronically-balanced pre-amp output
- Transformer-isolated auxiliary output with independent mic and music level control – for use with telephone MOH systems
- Aux output source selection (internal jumper) – fixed source or follow main output
- 19" rack mounting kit option for 1 x MA-60 (RE-L)
- 19" rack mounting kit option for 2 x MA-60 (RE-L)

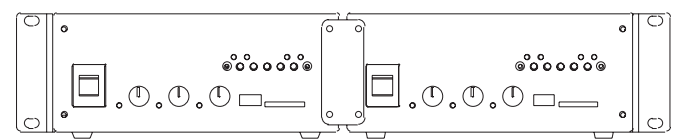
Accessories
(see pages 43/48 for details)



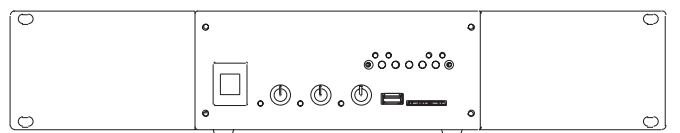
Application Diagram for MA range



Rack Kit Option for MA range



19" rack mounting kit option for 2 x MA-60 (RE-S)



19" rack mounting kit option for 1 x MA-60 (RE-L)

MPA120, MPA240 : General Purpose Mixer Amplifier

6 music inputs, 4 mic inputs, 120W/240W RMS output into 4Ω or 25/70/100V



General Description

- 6 line inputs, stereo inputs summed to mono
- Line inputs via RCA phono's with input gain controls adjacent to connectors
- Music on Hold utility output
- Balanced AUX output
- Source select via front panel rotary selector or remotely via RSL-6
- Line input level via front panel control or remotely via RL-1 or RSL-6
- Line 6 priority selectable by internal jumper, release time 3s/6s/12s selectable by internal jumper
- Music EQ by tamperproof LF & HF presets on rear panel.
- 4 Microphone inputs, low impedance balanced via phoenix style connectors

- Microphone EQ by tamperproof LF & HF presets on rear panel
- 100Hz HP dedicated filter on Microphone inputs
- Phantom power selected by internal jumper for each microphone
- Limiter dedicated to microphone inputs
- Mic 1 has access triggered priority over Mics 2 – 4
- All mics have VOX priority over music signals, providing 30dB of attenuation (on/off by jumper)
- Integrated chime triggered by access control of Mic 1 (on/off by jumper and level by internal preset)
- Optional equaliser modules for Bose®, Amina and Active Audio loudspeakers can be fitted
- Remote Music Mute configurable for NO or NC operation
- Overall "Peak Limiter" with LED indication on front panel

Accessories
(see pages 43/48 for details)



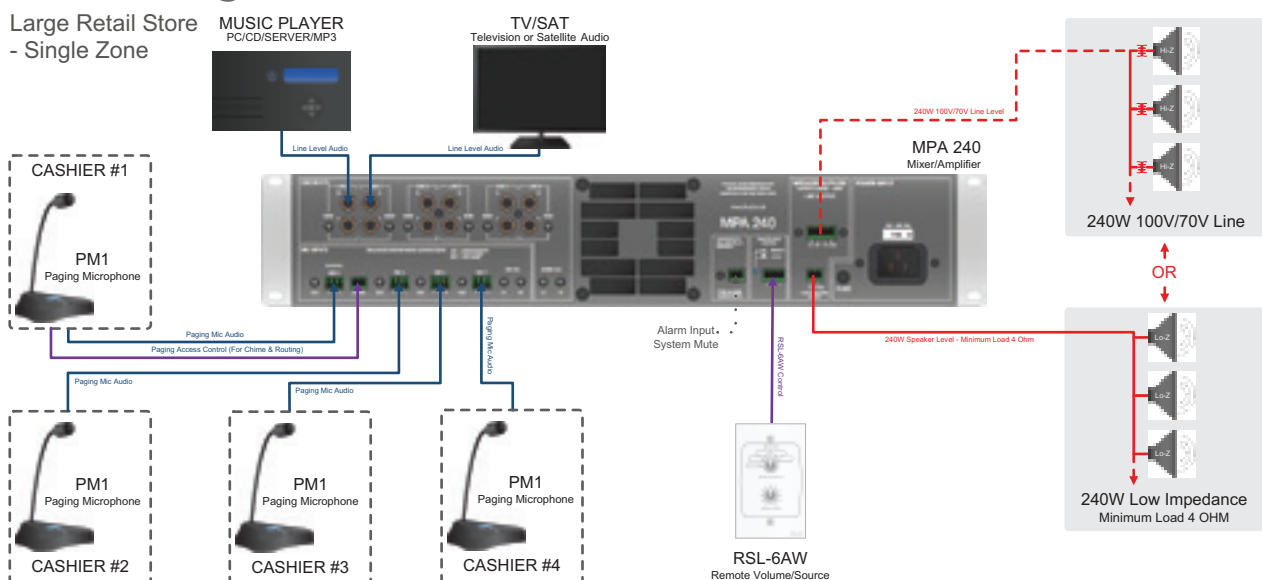
Amplifier features:

- 63Hz HP Filter for 25/70/100V operation
- Variable speed fan cooling
- Switch on delay
- DC protection
- IV Limiting
- 2U Rack chassis fitted with removable rack ears



Application Diagram

Large Retail Store
- Single Zone



Amplifiers

Cloud amplifiers are a range of multichannel audio amplifiers intended for use with high quality PA and music systems in locations where unquestionable long-term reliability is the primary consideration.



CXV225

100V/70V Line Amplifier : 2 x 250W @ 40Ω, 100V line amplifier



General Description

- 2 x 250W
- Transformer-less topology
- VCA option
- Vari-speed fan
- Clip, signal present and protect LEDs
- Input routing switch
- Variable high-pass filter (20Hz - 200Hz)

- Clip limiter
- Switch on delay
- Thermal protection
- DC offset protection
- Optional equaliser modules for Bose®, Amina and Active Audio loudspeakers can be fitted to any output

Accessories
(see pages 43/48 for details)



CXV425

100V/70V Line Amplifier : 4 x 250W @ 40Ω, 100V line amplifier



General Description

- 4 x 250W
- Transformer-less topology
- VCA option
- Vari-speed fan
- Clip, signal present and protect LEDs
- Input routing switch
- Variable high-pass filter (20Hz - 200Hz)

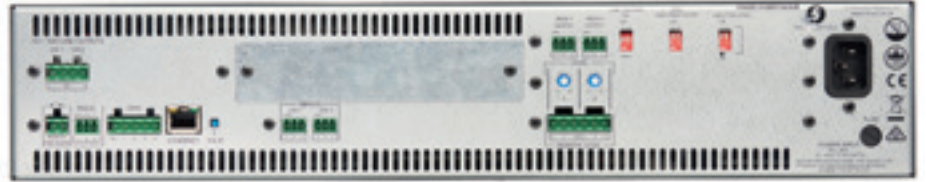
- Clip limiter
- Switch on delay
- Thermal protection
- DC offset protection
- Optional equaliser modules for Bose®, Amina and Active Audio loudspeakers can be fitted to any output

Accessories
(see pages 43/48 for details)



CV2500 : 2Ch Digital, DSP, 70V/100V Line Amplifier

2 music inputs, 2 x 500W output, + 2 aux. output



Accessories
(see pages 43/48 for details)



CV4250 : 4Ch Digital, DSP, 70V/100V Line Amplifier

4 music inputs, 4 x 250W output, + 2 aux. output



Accessories
(see pages 43/48 for details)



CV8125 : 8Ch Digital, DSP, 70V/100V Line Amplifier

8 music inputs, 8 x 125W output, + 2 aux. output



Accessories
(see pages 43/48 for details)



General Description

The New CV Digital Class-D Multi-Channel Amplifier Series from Cloud Electronics, provides a range of feature-rich functions for commercial audio installers and users alike. On-board configurable DSP, a host of remote / third party control options and with basic set-up options via rear panel DIP switches, the new CV-Series Multi-Channel Amplifiers are designed specifically for commercial use in Retail, Leisure, Hospitality, Commercial and Industrial applications.

- Digital Class-D Multi-Channel Amplifier Series
- Energy Efficient Switch Mode Power Supply
- Comprehensive On-Board DSP
- 1450ms assignable audio delay
- Basic / Advanced User Modes
- Load Testing / Reporting
- Power Sharing Capability
- Ethernet / RS-232 configuration and control
- SNMP status monitoring and reporting
- GPIO (General Purpose Inputs/Outputs)
- Rear Dip-Switch Configuration of routing, high-pass filters, and 70/100v line level
- Two configurable Aux Outputs capable of independent operation, or as slaves to an existing amplifier channel
- 2U Lightweight Chassis
- Remote Volume (RL-1) compatible
- 70/100v line operation
- Energy Star Compliant (Application Pending)

CV Amplifier DSP User Configuration & User GUI

On-board configurable DSP via ethernet hosted browser



Logon screen

Auxiliary 1 screen

Crossover screen

Crossover advanced screen

DSP configuration screen



Event log screen

Logging reports screen

Menu screen

Monitoring screen

Room EQ screen



Network configuration screen

Speaker EQ advanced screen

Delay setup

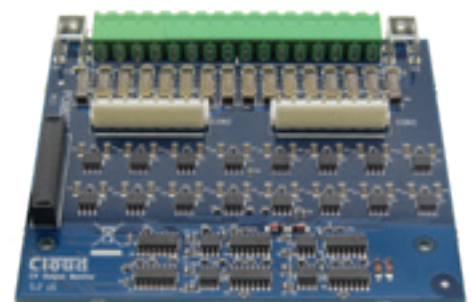
EQ test calendar screen

Test schedule screen

CV Monitor Card : CV-M2, CV-M4, CV-M8

The CV Monitor Card is an internal option card for the CV series, direct-drive, 100v line, DSP amplifiers. A built-in scheduler, facilitates offline, "out-of-hours" impedance testing of connected speakers, with user-nominated audio test frequencies. Test results are logged in the amplifier's event log, and can optionally be setup to generate an SNMP trap notification to an external monitoring system.

- Internal option card
- Test speaker impedance at user-nominated audio frequencies
- Scheduler to allow offline, out-of-hours testing
- Records test results to the host amplifier's event log
- Optional SNMP "trap" notification of test status



In-Ceiling & Surface Mount Speakers

Digitally Controlled Mixers

Analogue Mixers

Mixer Amplifiers

Amplifiers

Headphone Distribution Systems

Paging Microphones

Accessories Index

VTX4120, VTX4240 & VTX4400 : 4 Channel Amplifiers

4 Channel power amplifiers, in 4 x 120W,
4 x 240W & 4 x 400W (optional web monitoring card)



Shown with web monitor card fitted

General Description

- High power multichannel amplifiers for "install-and-forget" application
- 4x120W (VTX-4120), 4x240W (VTX-4240) and 4x400W (VTX-4400) into 4 Ohm
- Extensive protection against short-circuit and reactive loads, clipping, DC and overheating
- Channels 1 & 2 and/or 3 & 4 may be operated in Bridge Mode
- Per-channel, front-panel LEDs for power status, signal presence, peak level and protection
- Balanced line level inputs with gain trim
- Configurable for 4 channel, dual stereo or mono use
- Per-channel switched hi-pass filter (18 dB/oct below 65 Hz)
- Optional VTX-WM1 card allows amplifier monitoring from any standard web browser
- Optional remote volume control (per channel)

Accessories
(see pages 43/48 for details)



- Optional equaliser modules for Bose®, Amina and Active Audio loudspeakers can be fitted to any output
- Optional transformers for 100v line
- 2U 19" rackmounting unit
- Forced-air cooling
- Five year warranty

VTX-WM1 : Ethernet Web Monitor Card

Optional web monitor card for VTX amplifier range



The VTX-WM1 web monitor card is a retrofittable option for Cloud's new VTX power amplifiers. The VTX-WM1 has a standard Ethernet interface and connects to the building's existing IT network. It allows the amplifier's performance and settings to be monitored at a remote location using any computer (or PDA, smartphone, etc.), via its normal Internet browser application. No dedicated software application or hardware is necessary.

As well as checking the integrity of the amplifier, the VTX-WM1 generates a test signal for the load impedance test, at one or more user-definable frequencies. The system can also be configured to generate an email report (optionally formatted for SMS text forwarding) if the VTX detects a fault condition. (Assumes the necessary Internet connection and email account are established.)

- Simplest and most cost effective amplifier surveillance available
- Optional Ethernet interface for Cloud VTX power amplifiers, allows remote monitoring of amplifier status from any computer, anywhere
- Operates with any web browser – no dedicated software necessary
- Uses standard network protocols, not Audio over Ethernet; can be used on an existing IT infrastructure
- Simple and intuitive user interface
- Easy to set up
- Monitors internal temperature, signal level, PSU status, protection circuitry and remote volume levels
- Confirms all user definable control settings
- Checks load impedance on demand, or at scheduled times, using user-defined frequency
- Real-time clock for event logging
- User-definable polling interval
- Automatic email or SMS text alert on pre-defined fault condition
- Battery back up for (blackbox style) messaging should the amplifier power down



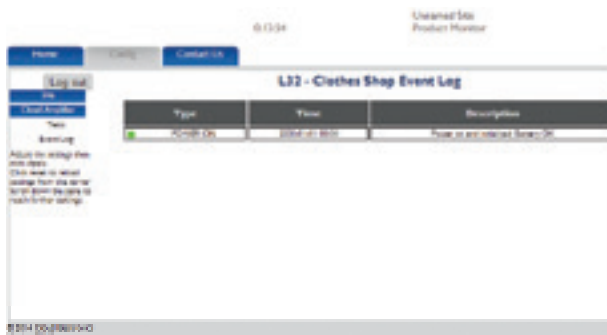
WM-1 web interface homepage showing a summary of the information from each unit available to the site host.



Configuration page for a specific unit which allows access to network and timing information.



Configuration page for the overall site information.



Current known status of a specific unit on the site.



Scheduling page for impedance/load testing on channels of a unit. Audio throughput is interrupted for the duration of the test.

CXA6 : Multi Channel Amplifier

6 channel power amplifier, 120W per channel (100V line external option)



General Description

- Six channel, 6 x 120W
- Connection for one of three optional modules
- VCA-2 2 channel remote level control
- Optional equaliser modules for Bose®, Amina and Active Audio loudspeakers can be fitted to any channel (with adaptor)
- Optional external 100W 70V/100V line transformer module available (with RL-1)

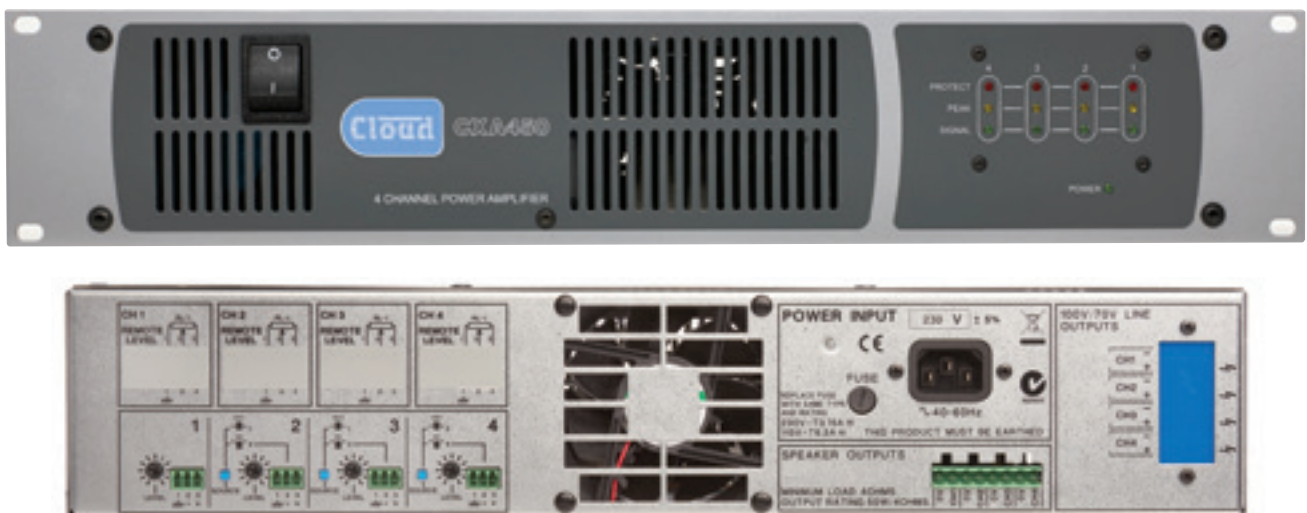
- CXL-800 is a 2U rack-mounted housing for 8 x CXL-100T
- Input routing options simplify terminations when some channels share a signal
- Comprehensive protection circuitry
- LED indicators for signal, clip and protect
- Forced cooling by 2 speed DC fan

Accessories
(see pages 43/48 for details)



CXA450 : Multi Channel Amplifier

4 channel power amplifier, 50W per channel (100V line internal option)



General Description

- Four channel, 4 x 50W
- Optional modules for remote level control of any channel, VCA-5
- Optional equaliser modules for Bose®, Amina and Active Audio loudspeakers can be fitted to any channel
- Optional is a 4 x 40W 70V/100V internal module (CXL-4160)
- Optional external 40W 70V/100V line transformer module available (CXL-40T)

- CXL-800 is a 2U rack-mounted housing for up to 8 x CXL-40T
- Input routing operations simplify terminations when some channels share a signal
- Comprehensive protection circuitry including dynamic clip protection
- LED indicators for signal, clip and protect
- Forced cooling vari-speed DC fan

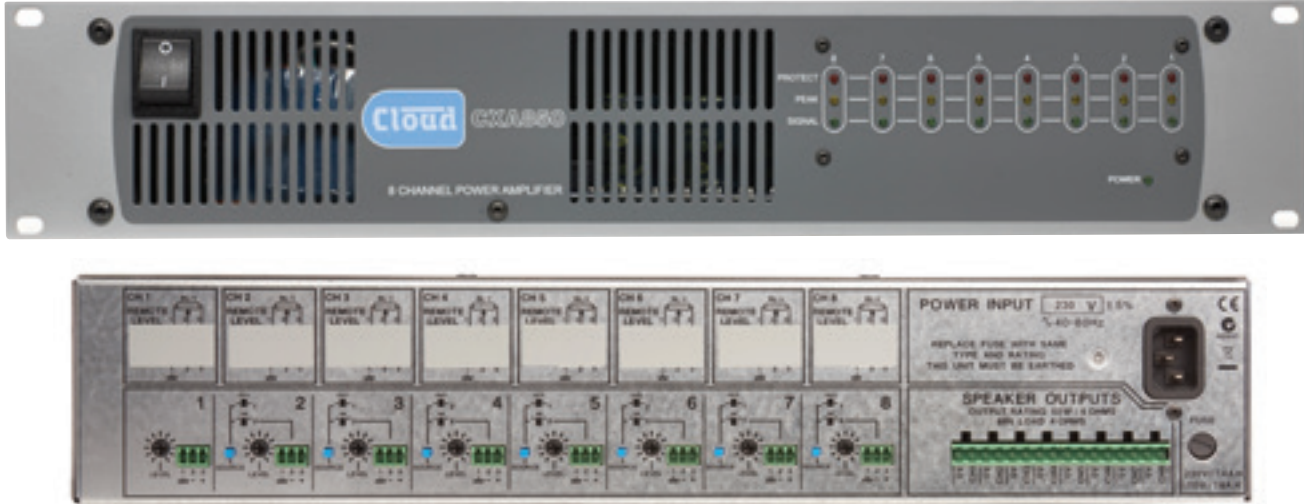
Accessories
(see pages 43/48 for details)



In-Ceiling & Surface Mount Speakers
 Digitally Controlled Mixers
 Analogue Mixers
 Mixer Amplifiers
 Amplifiers
 Headphone Distribution Systems
 Paging Microphones
 Accessories Index

CXA850 : Multi Channel Amplifier

8 channel power amplifier, 50W per channel (100V line external option)



General Description

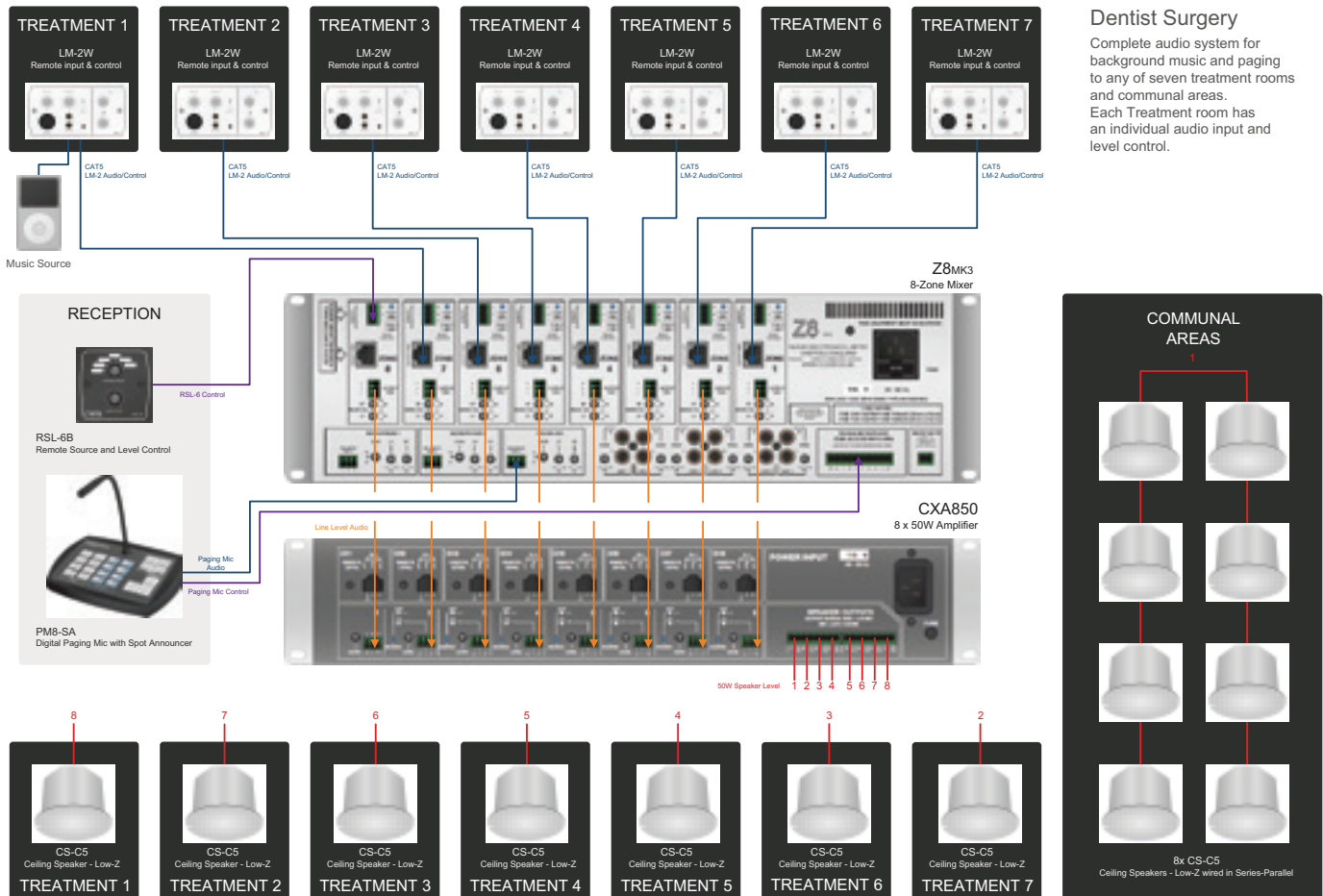
- Eight channel, 8 x 50W
- Optional modules for remote level control of any channel, VCA-5
- Optional equaliser modules for Bose®, Amina and Active Audio loudspeakers can be fitted to any channel
- Optional external 40W 70V/100V line transformer module available (CXL-40T)

- CXL-800 is a 2U rack-mounted housing for up to 8 x CXL-40T
- Input routing options simplify terminations when some channels share a signal
- Comprehensive protection circuitry including dynamic clip protection
- LED indicators for signal, clip and protect
- Forced cooling vari-speed DC fan

Accessories
(see pages 43/48 for details)



Application Diagram



Dentist Surgery
Complete audio system for background music and paging to any of seven treatment rooms and communal areas. Each Treatment room has an individual audio input and level control.

Headphone Distribution Systems

The Cloud headphone distribution matrix designed to provide headphone monitoring of sound sources at remote locations.



CAS16 & CAM16 : Headphone Distribution Systems



The CAM16 is a headphone-level distribution processor primarily designed to provide headphone monitoring of up to eight stereo sound sources plus a single mic or line paging source. The CAM16 has eight stereo line inputs and a balanced "global" priority input.

The CAM16 provides individual choice at the users fingertips. Whether multi-language in a lecture theatre or classroom, museum exhibits, multi-screen TV monitoring, CV exercise, adding a tan or

patiently waiting in a surgery, the CAM16 is designed to provide multiple users selectable source and volume with a Page All option.

When combined with CAS16 the system has a total capacity of 256 outputs.

The CAS16 is a Sub Station for the CAM16 distribution system. The CAS16 increases the capacity of the CAM16 by up to sixteen RH-8 or WP-8 remote control units or independent active speakers.

CAS16



CAM16



General Description

- 8 stereo line inputs
- Global input for microphone with priority
- RJ45 connection for 16 x RH-8/RH-8C or WP-8 Control Panels
- Expansion unit for connection of RH-8c Control Panel
- Up to fifteen SS-16s can be added to provide a total system capacity of 256 users
- A total of 16 remotely located RH-8 or WP-8 remote control units can be wired to the CAM16 for headphone level output, rotary source selection and volume control. The WP-8 however is a dedicated wall-mounting version of the RH-8 with the provision to connect to Active Speakers.

Accessories

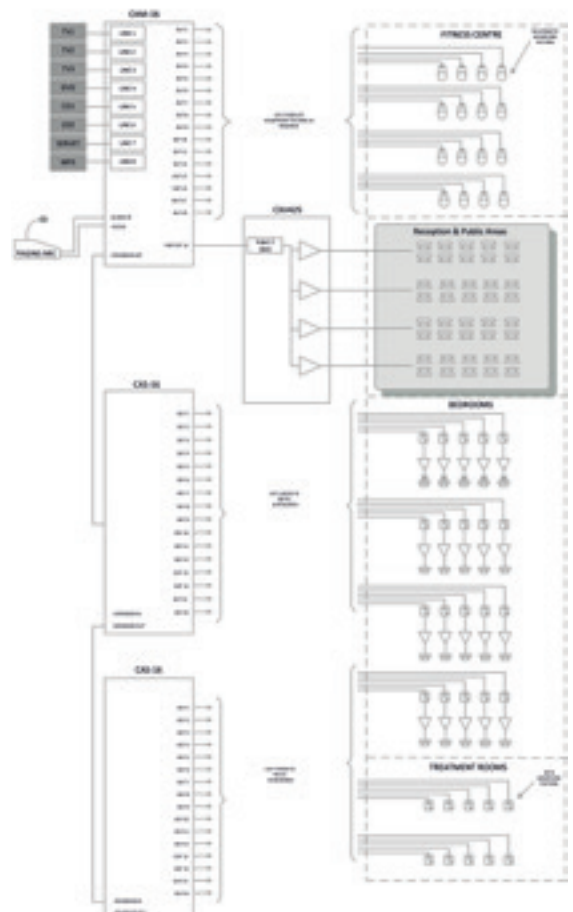


RH-8C
The RH-8C is a remote headphone station that connects to either the CAM16 or CAS16 Audio Distribution System; used in addition to a pair of personal headphones; mainly used with CV Machine.



WP-8 & WP-8A (US Version)
The WP-8 is a Wall Mounted remote headphone station that connects to either a CAM16 or CAS16 Audio Distribution System. It also provides outputs for a pair of Active Loudspeakers.

Application Diagram



Paging Microphones

Clouds paging microphones are designed for general purpose multi-zone applications and have a powerful range of options that make them suitable for almost any situation. They are easy to install and configure, and provide the user with an elegant and simple-to-use unit.



PM & PM-SA Series : Paging Microphones

A

The PM range of microphones can be used for paging with several Cloud Products and can be integrated with any 3rd party systems that require 'short to ground' for paging access. With four multi-zone models in the range, PM-4, 8, 12, 16 and the ability to link 32 PM's together, designers can provide large, complex and flexible multi-zone paging systems.

When designing a multi-microphone paging system any combination of mics can be used to create a system and all but the first in the system will require a local PSU.

PM Series

Features PM-1:

- PM-1 entry level, single-zone paging microphone
- High quality 300mm Dynamic Mic
- Integral PTT (PressToTalk) switch
- Internal cable connections with cable retention strap

Features PM-4, 8, 12 & 16:

- Simple CAT5, mic to mic cabling
- "Paging Group" key assignment
- Selected zone, group or "Call all" paging
- First come first served priority
- "Busy" indicator to show system in use

- Any mic can be configured with ultimate priority
- High quality cardioid capsule
- Integral compressor
- A choice of four chimes
- Internal sounder
- Factory 're-set' (by jumper)



PM-SA Series

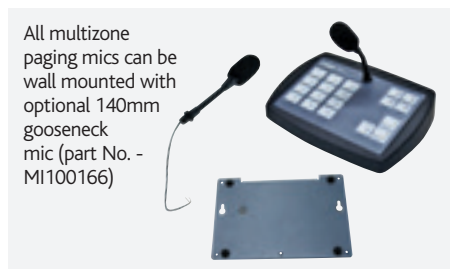
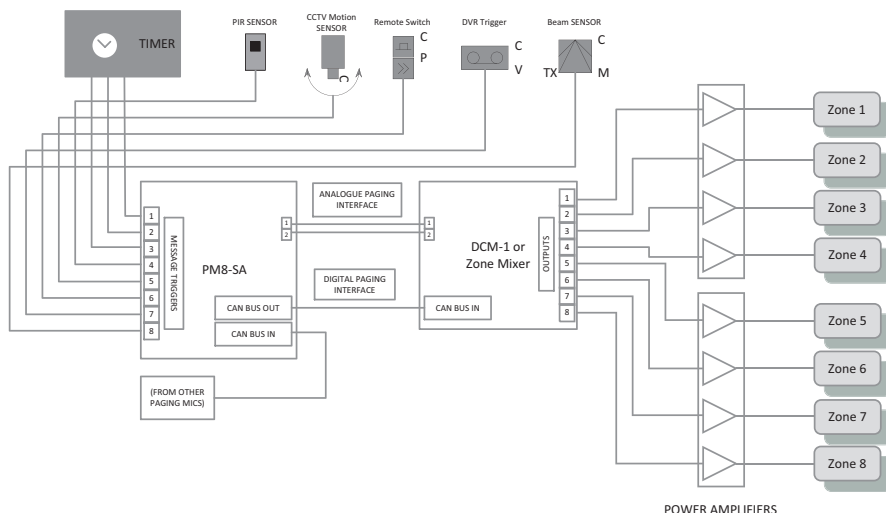
Features PM4-SA, PM8-SA

- Individual and Multiple Zone Selection by Mic or Message
- Remote Message Trigger Contacts (NO/NC Contacts) for PIRs, Timer, DVR/Cameras
- User Definable .WAV & .MP3 Recordable Message - any length
- Definable Zone Groups with Group Selection

- Pre-Announcement Chime (recordable on SD Card)
- TALK & CALL ALL Buttons
- BUSY LED
- Configurable 2-Layer Announcement Priority
- Auto Zone Reset after Announcement
- Zone Disable Function



Application Diagram for PM-SA Series



All multizone paging mics can be wall mounted with optional 140mm gooseneck mic (part No. - MI100166)

Accessories Index



Accessories

Compatible with DCM-1 & DCM-1E



BT-1EB & BT-1EW - UK Version



BT-1EAB & BT-1EAW US Version

BT-1EB, BT-1EW & BT-1EAW

- Remote Bluetooth Input Module
- Host units with Facility Port option
- RF power level adjustment
- Link and daisy-chain option
- UK single-gang or USA dual-gang back box

CDR-1F (170mm x 85mm)



CDR-1 (85mm x 85mm)



Rear and side views

CDR-1F & CDR-1

The CDR-1F & CDR-1 are remote control units specifically designed for use with the DCM-1. CDRs may be fitted to standard electrical back boxes in whatever location is convenient in each zone.

Any zone may have one CDR, more than one, or none at all. The DCM-1 can support up to 100 CDRs. CDRs are interconnected with just one standard CAT-5 UTP cable; units may be daisy-chained at will and/or connected individually back to the DCM-1's four CDR ports using almost any wiring topology convenient for the installation.



US Version

LE-1 & LE-1A (US Version)

The LE-1 is an input connector plate which can be installed wherever required. Versions are available to fit standard UK, US or Australian dual-gang electrical back boxes. It allows connection of a stereo unbalanced line-level audio source, such as a portable music centre, laptop, radio mic receiver or similar, and connects to one of the DCM-1's Extension Ports with a single screened CAT-5 cable.



US Version



US Version

ME-1 & ME-1A (US Version)

The ME-1 input connector plate provides two balanced microphone inputs, and is useful in multi-purpose areas where mics are sometimes needed. The ME-1 has adjustable mic level and EQ per input, and connects to one of the DCM-1's four dedicated Mic Inputs with a single screened CAT-5 cable. The ME-1's two inputs are mixed together at the plate, and the summed mic signal applied to the DCM-1.

BE-1 & BE-1A (US Version)

The BE-1 is an input connector plate of similar type to the LE-1. It provides a stereo balanced line-level input, permitting professional audio equipment such as mixing consoles, DI boxes or broadcast equipment to be connected. Like the LE-1, it connects to one of the DCM-1's Extension Ports with a single screened CAT-5 cable. BE-1s may be daisy-chained in the same way as LE-1s, and the two types of plate may be intermixed.

BT-1, DM-1, LM-2 : Active Modules

Active Modules

Several Cloud products have a facility port, which is intended to extend the capabilities of the unit by allowing the connection of a remotely located active module. The combination of products such as the Z8II/Z4II and the active modules allow designers to provide simple, cost effective solutions to many customers requirements that are difficult to achieve with other manufacturers units.

<p>B</p> <p>UK Version</p> <p>US Version</p>	<p>C</p>	<p>E</p> <p>LM-2 UK Version</p> <p>LM-2A US Version</p> <p>LM-2D DE/NL Version</p> <p>L-1 UK Version</p> <p>M-1 UK Version</p> <p>L-1A US Version</p> <p>M-1A US Version</p>
<p>BT-1B, BT-1W & BT-1AW;</p> <ul style="list-style-type: none"> • Remote Bluetooth Input Module • Host units with Facility Port option • RF power level adjustment • Link and daisy-chain option • UK single-gang or USA dual-gang back box 	<p>FPA-1;</p> <ul style="list-style-type: none"> • Facility Port Adapter • Connects LM-2 and/or BT-1 input plates to any amplifier or mixer • 12V PSU included • RL and RSL remote connector • Power injector for extended range 	<p>LM-2B & LM-2W, LM-2AB & LM-2AW, LM-2DB & LM-2DW, L-1B & L-1W, L-1AB & L-1AW, M-1B & M-1W, M-1AB & M-1AW;</p> <ul style="list-style-type: none"> • Inputs for balanced mic (XLR) and stereo line • Level controls for mic and music • Microphone over music and link extension • Remote control of mixer's music source and level




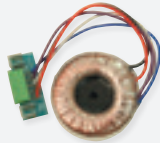
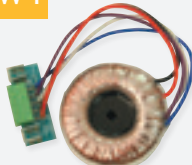
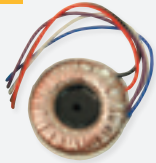
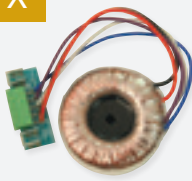
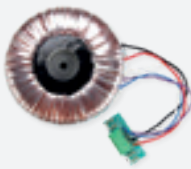
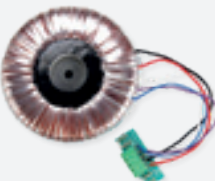
Wall Remote Controls

<p>F FM</p> <p>RL-1A US Version</p> <p>RL-1</p> <p>RL-1x8</p>	<p>G GM</p> <p>RSL-6A US Version</p> <p>RSL-6</p> <p>RSL-6x4</p>	<p>H HM</p> <p>RSL-4</p> <p>US Version</p>
<p>RL-1, RL-1A (US Version) & RL-1x8</p> <p>Remote music level control compatible with Z4II, Z8II, CX263, CX163, 46/50, 36/50, MPA Series, CXV-225 and CXV-425.</p>	<p>RSL-6, RSL-6A (US Version) & RSL-6x4</p> <p>Remote music source select & level control compatible with Z4II, Z8II, CX261, CX263, 46/50, 36/50, MPA Series.</p>	<p>RSL-4 & RSL-4A (US Version)</p> <p>Remote music source select & level control compatible with MA60 and MA60 Media.</p>
<p>I</p> <p>US Version</p> <p>XLR-F1B & XLR-F1W, XLR-F1AB & XLR-F1AW</p> <p>Female XLR connector mounted on a plate similar to RL-1, RSL-6.</p>		<p>J</p> <p>US Version</p> <p>XLR-M1B & XLR-M1W, XLR-M1AB & XLR-M1AW</p> <p>Male XLR connector mounted on a plate similar to RL-1, RSL-6.</p>

General Accessories

			
<p>K</p> <p>VCA-2 Two channel VCA card for remote level control of CX-A6 amplifiers. Requires 1 or 2 RL-1's.</p>	<p>L</p> <p>VCA-5 Single channel VCA card for remote level control of CX-450, CX-A850, CXV-225, CXV-42. Requires 1 RL-1.</p>	<p>M</p> <p>RE-S Rack mounting housing kit designed to accept 2 x MA60 Mixer amps.</p>	<p>N</p> <p>RE-L Rack mounting housing kit designed to accept 1 x MA60 Mixer amp.</p>
			
<p>O</p> <p>PS-UK / PS-EU / PS-NA External power supply.</p>	<p>P</p> <p>EQ Cards for Amina Speakers: EQ-AIWX, EQ-LFIT.</p>	<p>T</p> <p>CXL-4160 4 x 40W 100V or 70V transformer module for internal use in 46/50 & CX-A450.</p>	<p>U</p> <p>CXL-3120 3 x 40W 100V or 70V transformer module for internal use in 36/50.</p>

High-Impedance Transformers

				
<p>R</p> <p>CXL-800 Rack mounting housing designed to accept up to eight toroidal transformers.</p>	<p>S</p> <p>CXL-1600 Rack mount housing for up to 8 x CXL-40T or 8 x CXL-100T or 4 x CXL-200T or 4 x CXL-400T toroidal transformers.</p>	<p>V</p> <p>CXL-40T 40W 100/70 volt toroidal transformer, compatible with 46/50, 36/50, CXA450 & CXA850.</p>	<p>W</p> <p>CXL-50T 50W 100V/70V/50V toroidal transformer, compatible with MA60 & MA60 Media.</p>	<p>W1</p> <p>CXL-46T Optional, internally fitted 70V/ 100V, 120W High impedance output toroidal transformer. Compatible with 46-120.</p>
				
<p>W2</p> <p>CXL-80T 80W 100V/70V/50V toroidal transformer, compatible with 46-80 Mixer Amplifier.</p>	<p>X</p> <p>CXL-100T 100W 100/70V toroidal transformer, compatible with CXA6.</p>	<p>Y</p> <p>CXL-200T 200W 100/70V toroidal transformer, compatible with VTX4240.</p>	<p>Z</p> <p>CXL-400T 400W 100/70V toroidal transformer, compatible with VTX4400.</p>	

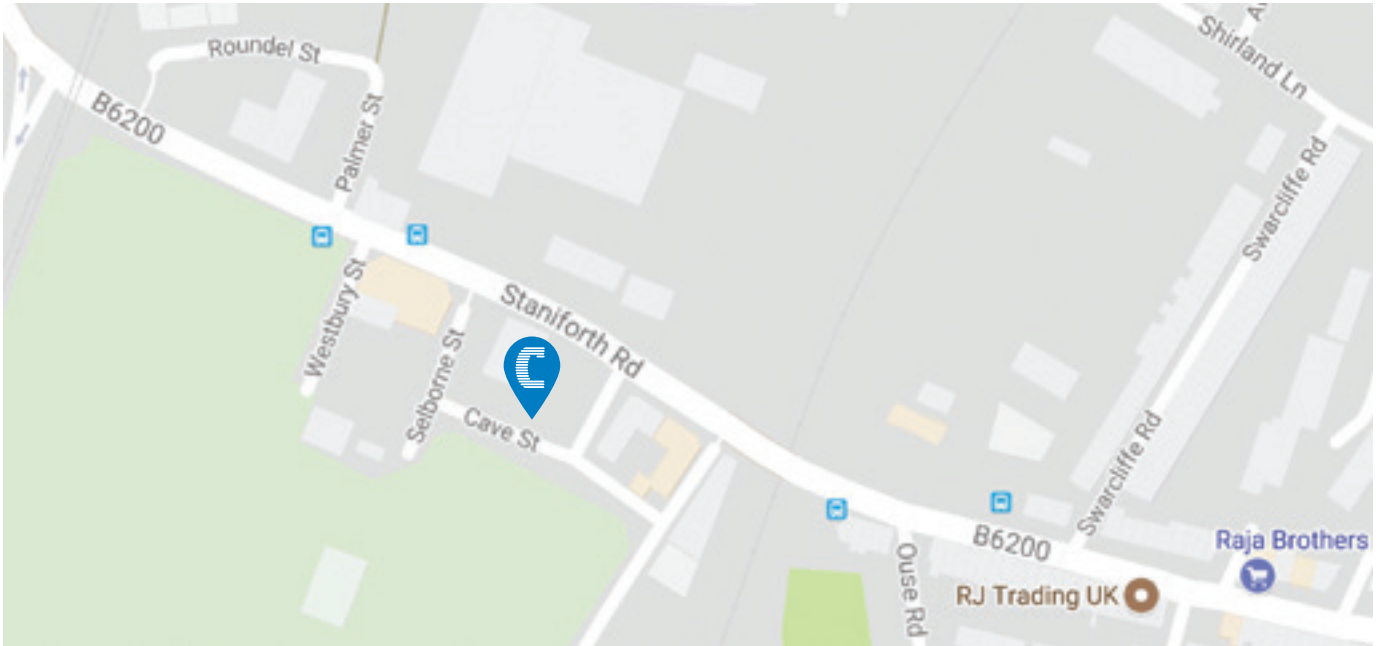
Product Matrix

- In-Ceiling & Surface Mount Speakers
- Digitally Controlled Mixers
- Analogue Mixers
- Mixer Amplifiers
- Amplifiers
- Headphone Distribution Systems
- Paging Microphones
- Accessories Index

	Mixer	Amplifier	Mixer Amplifier	Mono/Stereo	Wattage @ Low Impedance	Wattage @ 100V Line	Internal 100V Line Transformers	External 100V Line Transformers	Zones Stereo	Zones Mono	Channels	Line Inputs	Mic Inputs	SD/USB Input	MP3 Jack Input	Paging Mic/PM	RL1	RSL-4/RSL-6	DM-1/LM-1/LM-2	CDR1(F)/LE1/ME1/BE1	VCA-2/5 Module	Speaker EQ Modules	Ethernet	RS232 Interface	TEL Page/MOH	Music Mute	Line 6 Priority	
DCM-1	✓																											
DCM-1e	✓																											
Z4MK4	✓																											
Z8MK4	✓																											
CX163	✓																											
CX261	✓																											
CX263	✓																											
CX335	✓																											
46-80	✓																											
46-80T	✓																											
CX462	✓																											
46-120	✓																											
46-120T	✓																											
46-120Media	✓																											
46-120TMedia	✓																											
46-50	✓																											
36-50	✓																											
VTX4120	✓																											
VTX4240	✓																											
VTX4400	✓																											
CXV225	✓																											
CXV425	✓																											
CV2500	✓																											
CV4250	✓																											
CV8125	✓																											
MA40	✓																											
MA40F	✓																											
MA40E	✓																											
MA80	✓																											
MA80FT	✓																											
MA80E	✓																											
MA60	✓																											
MA60 Media	✓																											
MPA120	✓																											
MPA240	✓																											
CXA6	✓																											
CXA450	✓																											
CXA850	✓																											
CAS16	Headphone Distribution	S	✓	✓	✓	✓	✓	✓	✓	✓	✓	✓	✓	✓	✓	✓	✓	✓	✓	✓	✓	✓	✓	✓	✓	✓	✓	
CAM16	Headphone Distribution	S	✓	✓	✓	✓	✓	✓	✓	✓	✓	✓	✓	✓	✓	✓	✓	✓	✓	✓	✓	✓	✓	✓	✓	✓	✓	

Notes : ¹ Utility amplifier for fixed level output for toilets, foyer, etc. ² Microphone inputs via ME1, Active Input Plate. ³ RL-1 compatibility on MA40F/T/E requires use of Cat5 cable through Facility Port (no dedicated RL-1 Port).

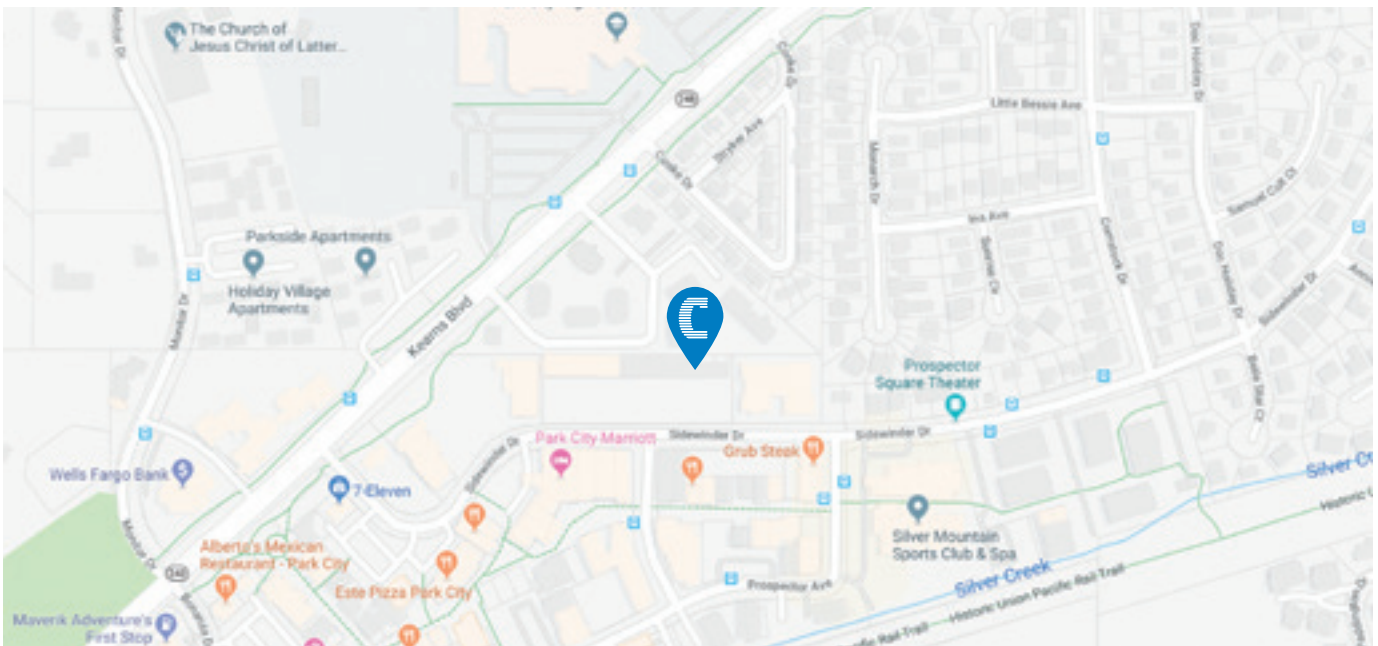
Contact Us



Cloud Electronics Limited
140 Staniforth Road,
Sheffield, S9 3HF, England

T: +44 (0)114 244 7051
F: +44 (0)114 242 5462
www.cloud.co.uk

Customer Service: sales@cloud.co.uk
Technical Support: technical@cloud.co.uk
Distribution/Logistics: info@cloud.co.uk



Cloud Electronics Limited
1960 Sidewinder Dr , Ste 211
Park City, UT 84060, USA

Office: +1 (435) 6493254
Mobile: +1 (435) 6402474
www.cloud.com

Customer Service: sales@cloud.com
Technical Support: technical@cloud.com
Distribution/Logistics: info@cloud.com

Connect



Search 'Cloud Electronics Limited' on Facebook



Find us on Twitter
www.twitter.com/CloudElectronic



Search 'Cloud Electronics Limited' on Linked In

Website Resources

Cable Connectors
Wareparts
FAQs
Product Matrix
Datashets
Instruction Manuals
Technical Notes

www.cloud.co.uk/connectors
www.cloud.co.uk/wareparts
www.cloud.co.uk/faqs
www.cloud.co.uk/productmatrix
www.cloud.co.uk/datashets
www.cloud.co.uk/manuals
www.cloud.co.uk/tech



United Kingdom

Cloud Electronics Limited
140 Staniforth Road,
Sheffield,
S9 3HF, England

Telephone: +44 (0)114 244 7051
Fax: +44 (0)114 242 5462

www.cloud.co.uk

E-mail: info@cloud.co.uk

United States

Cloud Electronics Limited
1960 Sidewinder Dr,
Ste 211, Park City, UT 84060,
United States of America

Office: +1 (435) 649 3254
Toll Free: 855 810 0161
Mobile: +1 (435) 640 2474

www.cloud.com

E-mail: sales@cloud.com

'Bose' is a registered trade mark of the Bose Corporation.

In the interests of continuing improvements Cloud Electronics Limited reserves the right to alter specifications without prior notice. E&O.E.
Manufactured in England.