

VIVANCO



INTELLIGENT SOLUTIONS

2015/2016
Consumer Electronics



LOOKING FOR NEW PROFIT GENERATING PRODUCT?

Vivanco continues to maximise the accessory potential for all its trade partners - with more class leading accessory ranges to compliment the latest hardware. Consumer-orientated packaging creates readily shoppable displays within personalised concepts both in-store and on-line, to enhance the consumer experience.

Our increasing e-marketing activity takes our consumer focus & category management to completely new levels. Our European new product development/marketing department is backed by a significant German based QC team - which gives our customers the confidence they need. On top of this, our new Far East structure has given us much greater sourcing & manufacturing access to new technologies.

All of this, combined with our flexibility and customer focus makes Vivanco the right partner for technology accessory solutions.

1. TV – Wall mounts/Furniture/Remotes**Titan wall mounts**

Overview	1.1 / 1.2
UNIVERSAL fixed	1.3
UNIVERSAL tilt	1.4
UNIVERSAL tilt & swing	1.5 – 1.6
PREMIUM tilt & swing	1.7 – 1.8

Vivanco wall mounts, Projector ceiling mount

Overview	1.9
Fast-moving range	1.10 – 1.13
Projector ceiling mount	1.13

Furniture / accessories

Cable management: Cable cover D-Line	1.14
TV Furniture	1.15

Remote Controls	1.15 – 1.16
------------------------	-------------

2. Remote controls & TV/Audio/Video**Antennas**

Concept / Overview	2.1
Indoor / Indoor Design	2.2 – 2.4
PC	2.4
Outdoor	2.5

Control panels & amplifiers, adapter cassettes	2.6
---	-----

3. Cleaning & Care

Flat screen cleaning systems	3.1
PC cleaning systems	3.2
Disk cleaning systems	3.3
VHS cleaning systems	3.3
Digital photo cleaning systems	3.3
Desktop, TFT and plasma cleaning systems	3.4
Others	3.4
CD/DVD/Blu-Ray organiser	3.5 – 3.10

4. Audio

Headphones aircoustic Premium Series	4.2
Headphones aircoustic Mobile Series	4.3
Headphones aircoustic Travel Series	4.4
Headphones aircoustic Sport Series	4.4
Headphones aircoustic Urban Series	4.5 – 4.6
Headphones aircoustic Ear Buddy Series	4.6
aircoustic Bluetooth Stereo Headphones	4.7
aircoustic Full Size Stereo Headphones	4.7
aircoustic TV Headphones	4.8
In-ear headphones / Headphones, Standard range	4.8 – 4.8
Ear pads	4.9
In-ear headphones sets: Talk 4 and Play	4.10
In-ear headphones Fusion	4.11
In-ear headphones / Headphones Colour Buds	4.12
Microphones	4.13

5. MP3 / iPhone accessories

MP3 headphones	5.1
Power Supplies for Apple devices	5.2 – 5.3
Power Supplies Micro USB	5.3
Power Supplies Universal	5.3 – 5.4
Data cables	5.5
iPod and MP3 player connections	5.6 – 5.7
MP3 adapters	5.7

6. Photo / video accessories

Camera bags	6.1 – 6.2
Camcorder and DSLR	6.3 – 6.4
Tripods	6.5

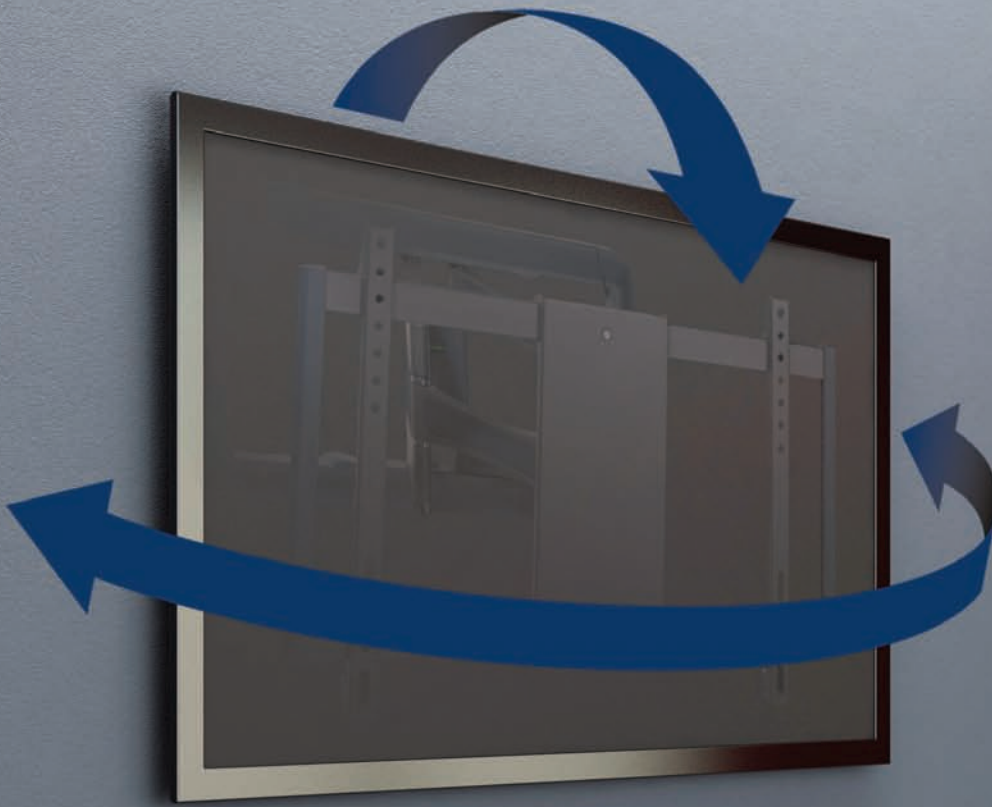
7. Power supply / charger

Concept / Overview	7.1
Universal	7.2
USB	7.2 – 7.3
USB + Universal	7.4
Notebooks and Netbooks	7.4
Accessories	7.5
Vivanco special models	7.5 – 7.6
Batteries	7.6 – 7.7

8. Power accessories

Socket extensions, standard	8.1
Adapters	8.1 – 8.2
Socket extensions, basic	8.2 – 8.3
Socket extensions, comfort	8.3 – 8.4
Extension cables	8.5
Professional line	8.5 – 8.7
Travel plugs	8.7 – 8.8
Smoke detector / CO detector & accessories	8.9
RF power sockets	8.10
Timer	8.10
Night lights	8.11
Others	8.12
Connection cables	8.12

TOTAL
**Wallmount
Solutions**



- Full market coverage
19" up to 85"
- Wide product selection
fix / tilt / single arm / dual arms

- Focus to the basics
- High stock rotation
- Space saving

8+3 Products

- Comfortable product navigation
- Strong POS solutions
- Online mountfinder

- Tailormade modules
- Active category management
- Professional rack jobbing

	 FIXED	 TILT	 1 ARM TILT & SWING	 2 ARMS TILT & SWING	 2 ARMS TILT & SWING PREMIUM
 SMALL 19" - 40" 48 - 102cm VESA 200 x 200 max.	 WTS 1 (35550)	 WTS 2 (35551)	 WTS 3 (35552)	 WTS 4 (35553)	 WTS 5 (35558)
 LARGE 40" - 85" 102 - 216cm VESA 600 x 400 max.	 WTL 1 (35554)	 WTL 2 (35555)	 WTL 3 (35556)	 WTL 4 (35557)	 WTL 6 (35559)
					 WTL 7 XXL (36488)



Universal wall mounts, fixed

Small fixed TV wall bracket made of aluminum

Universal TV wall bracket made of aluminum for safe and low profile installation of TV displays up to 40" / 102cm, max 50 kg

- 2 fixing points only at the TV display
- Fully variable VESA pattern from 50 to 200mm
- Easy hook-in of the TV screen
- Horizontal shift
- Integrated bubble level
- For screen sizes 48 - 102 cm / 19 - 40"
- VESA max. 200x200 (variable)
- Max. 50kg weight load
- Wall distance 28mm
- Weight of the bracket 574g
- Incl. wall fixing kit (with Fischer® anchors)
- Design: titan optic
- Made in Europe

Designed for Flat Panel TV screens with:

- Uneven mounting surface
- Curved OLED display
- Sockets closely situated to the fixing points

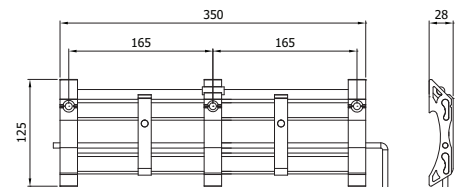
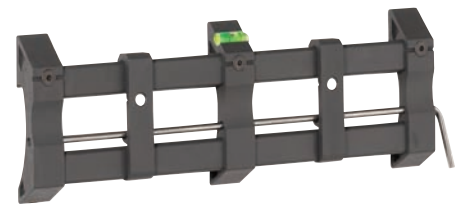


Large fixed TV wall bracket made of aluminum

Universal TV wall bracket made of aluminum for safe and low profile installation of TV displays up to 85" / 216cm, max 50kg

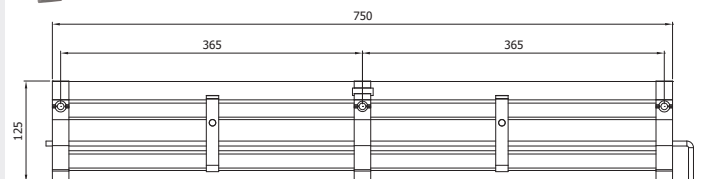
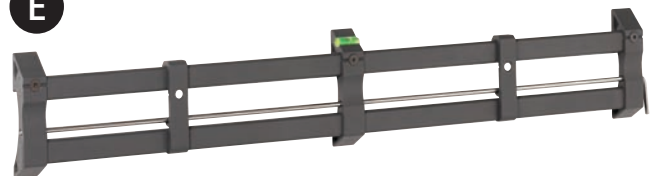
- 2 fixing points only at the TV display
- Fully variable VESA pattern from 200 to 600mm
- Easy hook-in of the TV screen
- Horizontal shift
- Integrated bubble level
- For screen sizes 102 - 216cm / 40 - 85"
- VESA max. 600x400 (variable)
- Max. 50kg weight load
- Wall distance 28mm
- Weight of the bracket 0.9kg
- Incl. wall fixing kit (with Fischer® anchors)
- Design: Titan optic
- Made in Europe





WTS 1
EDP-No. 35550
ctn qty. 10



 BILDSCHIRM-GRÖßE	 MAX GEWICHT	 MAX VESA variabel
 INKL. WASSERWAAGE	 GERINGER WANDABSTAND	 EINFACHE MONTAGE

WTL 1
EDP-No. 35554
ctn qty. 10



 BILDSCHIRM-GRÖßE	 MAX GEWICHT	 MAX VESA variabel
 INKL. WASSERWAAGE	 GERINGER WANDABSTAND	 EINFACHE MONTAGE

Universal wall mounts, tilt

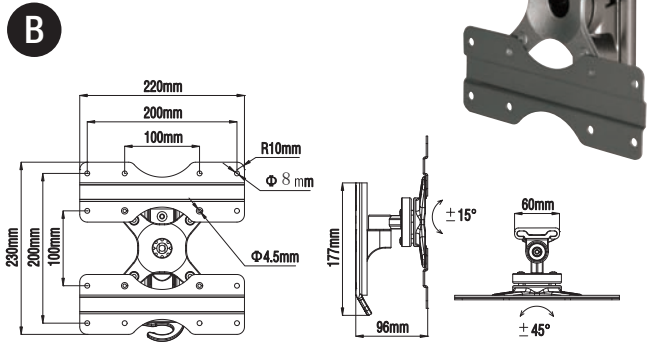
Small tilt universal TV wall bracket made of aluminum

Tilt Aluminum TV Wall Bracket for screen sizes up to 40" / 102cm, max. 25kg

- Lightweight and robust aluminum construction
- 2 hinges
- Easy & quick installation
- Integrated spirit level
- Cable management
- For screen sizes 48 - 102cm / 19 - 40"
- VESA 75x75 / 100x100 / 200x100 / 200x200
- +/-45° swing (depending on screen size)
- +/-15° tilt
- Full horizontal level correction / 360° rotation
- Max. 25kg weight load
- Wall distance 96mm
- Weight of the bracket 1.4kg
- Design: titan optic
- Incl. wall fixing kit (with Fischer® anchors)

WTS 2
EDP-No. 35551

ctn qty. 6



 BILDSCHIRM-GRÖÖE	 MAX GEWICHT	 VESA
 EINFACHE MONTAGE		

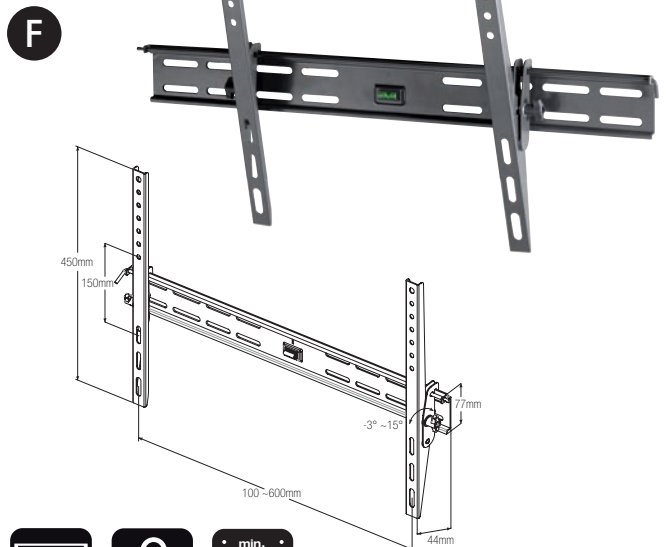
Large tilt universal TV wall bracket made of aluminum

Tilt TV Wall Bracket for screen sizes up to 85" / 216cm, max. 50kg

- Robust steel construction
- Theft protection
- Easy & quick installation
- Integrated spirit level
- Suitable for non-VESA-conform displays
- For screen sizes 102 - 216 cm / 40 - 85"
- VESA max 600x400 (variable)
- +3°/-15° tilt, stepless adjustment without tools
- Max. 50kg weight load
- Wall distance 40mm
- Weight of the bracket 2.2kg
- Design: titan optic
- Incl. wall fixing kit (with Fischer® anchors)

WTL 2
EDP-No. 35555

ctn qty. 6



 BILDSCHIRM-GRÖÖE	 MAX GEWICHT	 VESA
 EINFACHE MONTAGE		

Universal wall mounts, tilt & swing

Small tilt & swing universal TV wall bracket made of aluminum

Tilt & Swing Aluminum TV Wall Bracket
for screen sizes up to 40" / 102cm, max. 35kg

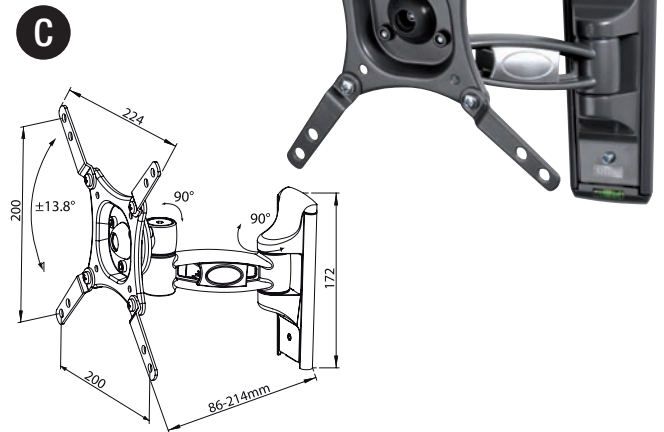
- Lightweight and robust aluminum construction
- Single arm / 2 hinges
- Easy & quick installation
- Integrated spirit level
- Cable management
- For screen sizes 48 - 102cm / 19 - 40"
- VESA 75x75 / 100x100 / 200x100 / 200x200
- +/-90° swing (depending on screen size)
- +/-13,8° tilt
- Full horizontal level correction / 360° rotation
- Max. 35kg weight load
- Wall distance 86 - 214mm
- Weight of the bracket 1.8kg
- Design: titan optic
- Incl. wall fixing kit (with Fischer® anchors)

Large tilt & swing universal TV wall bracket made of aluminum

Tilt & Swing TV Wall Bracket
for screen sizes up to 85" / 216cm, max. 35kg

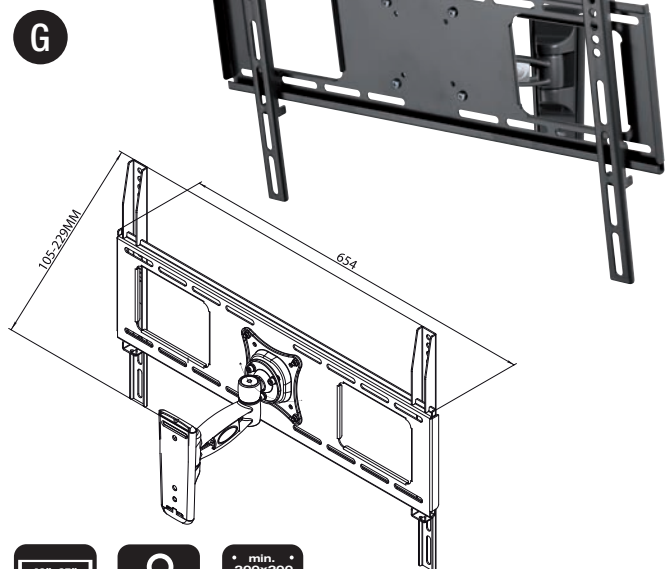
- Lightweight and robust aluminum/steel construction
- Single arm / 2 hinges
- Easy & quick installation
- Integrated spirit level
- Cable management
- Suitable for non-VESA-conform displays
- For screen sizes 102 - 216cm / 40 - 85"
- VESA max 600x400 (variable)
- +/-90° swing (depending on screen size)
- +/-13,8° tilt
- Horizontal level correction
- Max. 35kg weight load
- Wall distance 105 - 229mm
- Weight of the bracket 4.0kg
- Design: titan optic
- Incl. wall fixing kit (with Fischer® anchors)

WTS 3
EDP-No. 35552
ctn qty. 6



19" - 40" 48 - 102 cm	35 kg	75x75 100x100 200x100 200x200
BILDSCHIRM-GRÖßE	MAX GEWICHT	VESA
+/-13,8° NEIGBAR	+/-90° SCHWENKBAR	360° ROTATION
INKL. WASSERWAAGE	EINFACHE MONTAGE	

WTL 3
EDP-No. 35556
ctn qty. 3



40" - 85" 102 - 216 cm	35 kg	min. 200x200 max. 600x400 (variable)
BILDSCHIRM-GRÖßE	MAX GEWICHT	VESA
+/-13,8° NEIGBAR	+/-90° SCHWENKBAR	NIVEAU KORREKTUR
INKL. WASSERWAAGE	EINFACHE MONTAGE	

Universal wall mounts, tilt & swing

Small tilt & swing universal TV wall bracket made of aluminum

Tilt & Swing Aluminum TV Wall Bracket
for screen sizes up to 40" / 102cm, max. 25kg

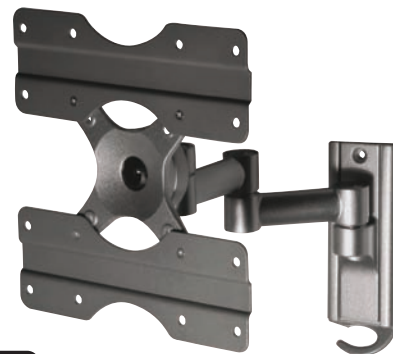
- Lightweight and robust aluminum construction
- Dual arm / 3 hinges
- Easy & quick installation
- Integrated spirit level
- Cable management
- Design: titan optic
- For screen sizes 48 - 102cm / 19 - 40"
- VESA 75x75 / 100x100 / 200x100 / 200x200
- 1st arm: +/-90° swing
- 2nd arm: +/-180° swing (depending on screen size)
- +/-15° tilt
- Full horizontal level correction / 360° rotation
- Max. 25kg weight load
- Wall distance 96 - 276mm
- Weight of the bracket 1.6kg
- Incl. wall fixing kit (with Fischer® anchors)

Large tilt & swing universal TV wall bracket made of aluminum

Tilt & Swing TV Wall Bracket
for screen sizes up to 85" / 216cm, max 50kg

- Robust full motion TV wall bracket
- Dual arm / 3 hinges
- Easy & quick installation
- Cable management
- Suitable for non-VESA-conform displays
- For screen sizes 102 - 216cm / 40 - 85"
- VESA max 600x400
- 1st arm: +/-90° swing
- 2nd arm: +/-180° (depending on screen size)
- +2°/-10° tilt
- 3° horizontal level correction
- Max. 50kg weight load
- Wall distance 40 - 450mm
- Weight of the bracket 4.7kg
- Design: titan optic
- Incl. wall fixing kit (with Fischer® anchors)

WTS 4
EDP-No. 35553
ctn qty. 4



BILDSCHIRM-GRÖÖE



MAX GEWICHT



VESA



+/-15° NEIGBAR



+/-90° SCHWENKBAR



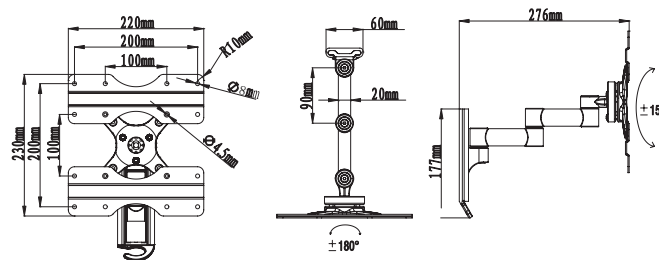
360° ROTATION



INKL. WASSERWAAGE



EINFACHE MONTAGE



WTL 4
EDP-No. 35557
ctn qty. 2



BILDSCHIRM-GRÖÖE



MAX GEWICHT



VESA



+2°/-10° NEIGBAR



+/-90° SCHWENKBAR



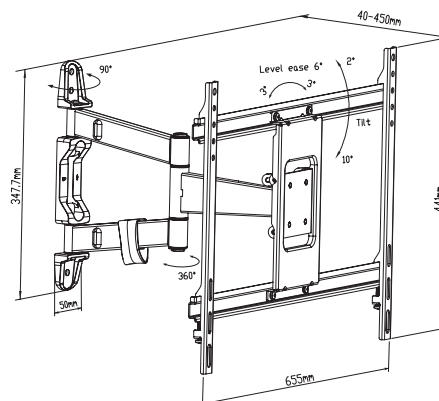
+/-3° NIVEAU KORREKTUR



KABEL-MANAGEMENT



EINFACHE MONTAGE



PREMIUM wall mounts, tilt & swing

Tilt & swing universal TV wall bracket

Optimal adjustable dual arm TV wall bracket for screen sizes up to 40" / 102cm, max. 25kg

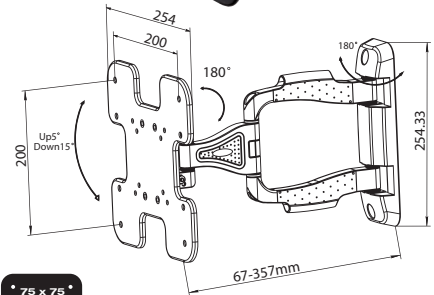
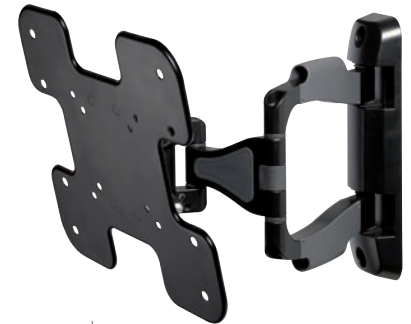
- Robust full motion TV wall bracket
- Dual arm
- Easy & quick installation
- Tool-free adjustment of the tilt function
- Very smooth motion
- Flat profile but also extra high maximum wall distance
- Cable management
- For screen sizes 48 - 102cm / 19 - 40"
- VESA 75 / 100 / 200
- Dual arm: +/-90° swing
- Front hinge: +/-180° swing
- +5°/-15° tilt
- Horizontal level correction +/-2° (without tools)
- Max. 25kg weight load
- Wall distance 67 - 357mm
- Weight of the bracket 2.7kg
- Design: titan optic
- Incl. wall fixing kit (with Fischer® anchors)

Large tilt & swing universal TV wall bracket made of aluminum

Optimal adjustable dual arm TV wall bracket for screen sizes up to 85" / 216cm, max. 45kg

- Robust full motion TV wall bracket
- Dual arm / 3 hinges
- Easy & quick installation
- Very smooth motion
- Flat profile but also extra high maximum wall distance
- Cable management
- Integrated spirit level
- For screen sizes 102 - 216cm / 40 - 85"
- VESA max. 600x400 (variable)
- Dual arm: +/-90° swing
- Front hinge: +/-180° (depending on screen size)
- +2°/-10° tilt
- Max. 45kg weight load
- Wall distance 38 - 412mm
- Weight of the bracket 9.6kg
- Design: titan optic
- Incl. wall fixing kit (with Fischer® anchors)

new WTS 5
EDP-No. 35558
ctn qty. 4



19" - 40"
48 - 102cm
SCREEN SIZE

25kg
MAX LOAD

75 x 75
100 x 100
100 x 200
200 x 100
200 x 200
VESA

SWING +/-90°

TILT +5°/-15°

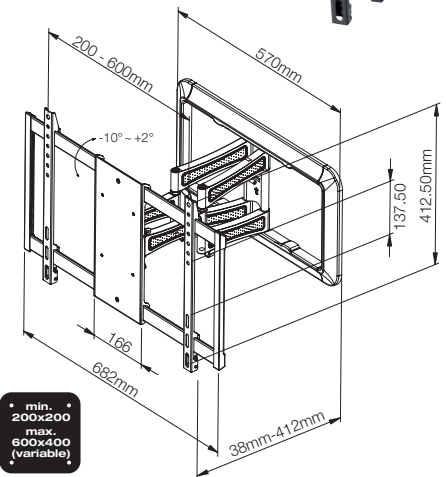
SMOOTH MOTION

LEVEL CORRECTION

CABLE MANAGEMENT

1 2 3
EASY TO FIT

WTL 6
EDP-No. 35559
ctn qty. 1



40" - 85"
102 - 216cm
BILDSCHIRM-GRÖßE

45kg
MAX GEWICHT

min. 200x200
max. 600x400 (variable)
VESA

+/-90°
SCHWENKBAR

+2°/-10°
NEIGBAR

SEHR LEICHTGÄNGIG

NIVEAU KORREKTUR

KABEL-MANAGEMENT

1 2 3
EINFACHE MONTAGE

PREMIUM wall mounts, tilt & swing

Large tilt & swing universal TV wall bracket made of aluminum

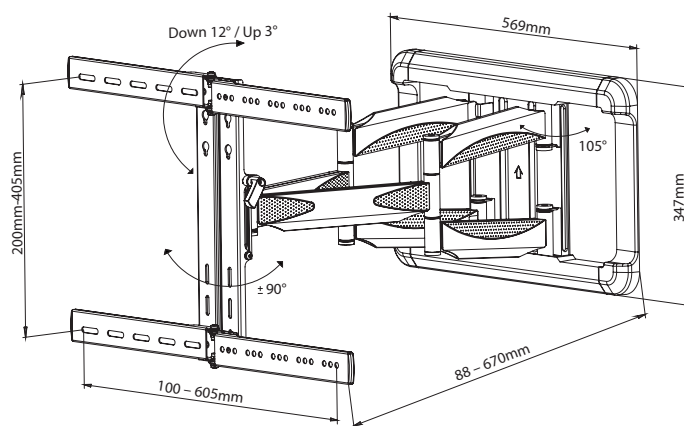
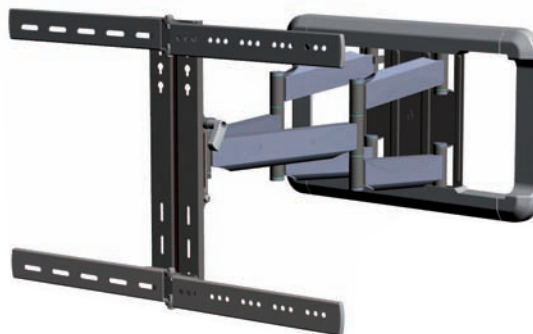
Optimal adjustable dual arm TV wall bracket for screen sizes up to 80" / 203cm, max. 60kg

- Robust full motion XXL TV wall bracket
- Dual arm / 3 hinges
- Very high max. wall distance (689mm)
- Adjustable TV arms for Curved TV (40°)
- Easy & quick installation
- Tool-free adjustment of the tilt function
- Very smooth motion
- Cable management

- For screen sizes 101 - 203cm / 40 - 80"
- VESA min. 200 / max. 600
- Dual arm: +/-90° swing
- Front hinge: +/-90° swing
- +2°/-13° tilt
- Horizontal level correction +/-4° (without tools)
- Max. 60kg weight load
- Wall distance 98 - 689mm
- Weight of the bracket 13.5kg
- Design: titan optic
- Incl. wall fixing kit (with Fischer® anchors)

new WTL 7 XXL
EDP-No. 36488

ctn qty. 1



SCREEN SIZE



MAX LOAD



VESA



SWING +/-90°



TLT +2°/-13°



SMOOTH MOTION



LEVEL CORRECTION



CABLE MANAGEMENT





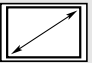



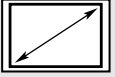



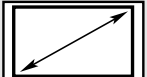



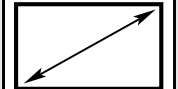





EASY TO FIT



**Good
quality**

at affordable prices

 VIVANCO	 FIXED	 TILT	 TILT & SWING
 SMALL VESA 200 x 200 max.	 WF 3220 (33384)	 WT 3225 (33388)	 WM 3220 (33393) WM 3215 (33392) WB 200 A (35978)
 MEDIUM VESA 400 x 400 max.	 WF 4035 (33385)	 WT 4035 (33389)	 WM 4725 (34890)
 LARGE VESA 600 x 400 max.	 WF 5550 (33386)	 WT 5550 (33390)	 WM 5545 (34891)
 EXTRA-LARGE VESA 800 x 400 max.	 WF 8065 (33387)	 WT 8065 (33391)	 WM 8045 (34892)

Fast-moving range

Simple fixed wall mount for screens up to 32" / 81cm

- Suited for screens made by 10 – 32" / 25 – 81cm
- Max. 200 x 200 VESA
- For max. 20kg
- Fix at the wall
- Incl. fastening screws for the TV screen
- Colour: black

Simple fixed wall mount for screens up to 40" / 101cm

- Suited for screens made by 32 – 40" / 81 – 101cm
- Max. 400 x 400 VESA
- For max. 35kg
- Fix at the wall
- Incl. fastening screws for the TV screen
- Colour: black

Simple fixed wall mount for screens up to 55" / 139cm

- Suited for screens made by 40 – 55" / 101 – 139cm
- Max. 600 x 400 VESA
- For max. 50kg
- Fix at the wall
- Incl. fastening screws for the TV screen
- Colour: black

Simple fixed wall mount for screens up to 80" / 203cm

- Suited for screens made by 55 – 80" / 139 – 203cm
- Max. 800 x 400 VESA
- For max. 65kg
- Fix at the wall
- Incl. fastening screws for the TV screen
- Colour: black

Tiltable wall mount for screens up to 32" / 81cm

- Suited for screens made by 10 – 32" / 25 – 81cm
- Max. 200 x 200 VESA
- For max. 25kg
- 2.0 mm thickness cold steel
- Tilt angle: 15° (continuously adjustable)
- Incl. fastening screws for the TV screen
- Colour: black

WF 3225
EDP-No. 33384
ctn qty. 20



WF 4035
EDP-No. 33385
ctn qty. 10



WF 5550
EDP-No. 33386
ctn qty. 10



WF 8065
EDP-No. 33387
ctn qty. 10



WT 3225
EDP-No. 33388
ctn qty. 20



Fast-moving range

Tiltable wall mount for screens up to 40" / 101cm

- Suited for screens made by 32 – 40" / 81 – 101cm
- Max. 400 x 400 VESA
- For max. 35kg
- Tilt angle: 12° (continuously adjustable)
- Incl. fastening screws for the TV screen
- Colour: black

Tiltable wall mount for screens up to 55" / 139cm

- Suited for screens made by 40 – 55" / 101 – 139cm
- Max. 600 x 400 VESA
- For max. 50kg
- Tilt angle: 12° (continuously adjustable)
- Incl. fastening screws for the TV screen
- Colour: black

Tiltable wall mount for screens up to 80" / 203cm

- Suited for screens made by 55 – 80" / 139 – 203cm
- Max. 800 x 400 VESA
- For max. 65kg
- Tilt angle: 12° (continuously adjustable)
- Incl. fastening screws for the TV screen
- Colour: black

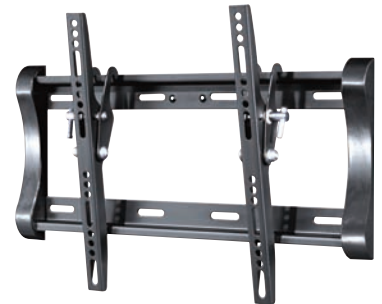
Tilt & swing wall mount for screens up to 32" / 81cm

- Suited for screens made by 10 – 32" / 25 – 81cm
- Max. 200 x 200 VESA
- For max. 15kg
- Tilt angle: +/- 15° (continuously adjustable)
- Rotary joint +/- 15° (continuously adjustable)
- Steel construction
- Incl. fastening screws for the TV screen
- Colour: black

Articulated wall mount for screens up to 40" / 102cm

- Suited for screens made by 19 – 40" / 48 – 102cm
- Max. 200 x 200 VESA
- For max. 20kg
- Tilt angle: 10° (continuously adjustable)
- 2x rotary joints +/-90°, continuously adjustable
- Incl. fastening screws for the TV screen
- Colour: black

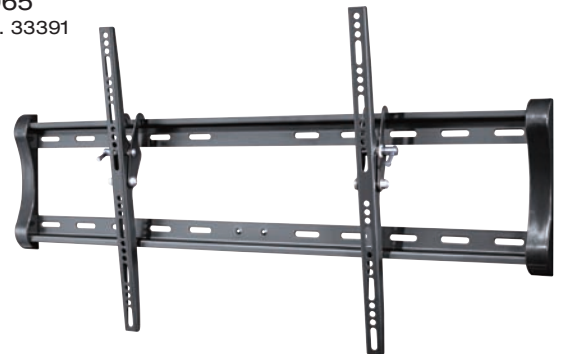
WT 4035
EDP-No. 33389
ctn qty. 5



WT 5550
EDP-No. 33390
ctn qty. 5



WT 8065
EDP-No. 33391
ctn qty. 5



WM 3215
EDP-No. 33392
ctn qty. 20



WM 3225
EDP-No. 33393
ctn qty. 6



Fast-moving range

Wall bracket for medium sized flat screen TV's,
19 - 40" / 48 - 102cm, max. 25kg, black

- 19" - 40" / 48 - 102cm
- Max. 200 x 200 VESA
- Max. 25kg
- Swivel angle +/- 90°
- Tilt angle: +3°/- 10°
- Wall distance 35 - 340mm
- Cable management
- Colour: black
- Weight of the bracket only 1.5kg

Wall bracket for medium sized flat screen TV's,
up to 119cm / 47", max. 25kg, black

Tilt & swing TV wall bracket
for LCD and LED screens up to 119cm / 47", 25kg max.

- 32 - 47" / 81 - 119cm
- Max. 400 x 400 VESA
- Max. 25kg
- Swivel angle +/- 90°
- Tilt angle: +3°/- 15°
- Horizontal level correction +/- 3°
- Wall distance 70 - 280mm
- Cable management

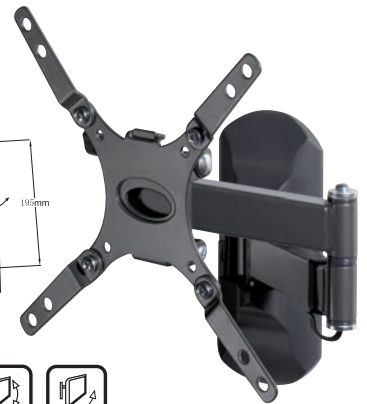
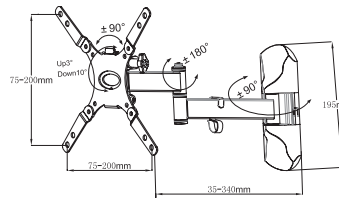
Wall bracket for large sized flat screen TV's,
up to 140cm / 55", max. 45kg, black

Tilt & swing TV wall bracket
for LCD and LED screens up to 140cm / 55", 45kg max.

- 40 - 55" / 101 - 140cm
- Max. 600 x 400 VESA
- Max. 45kg
- Swivel angle +/- 90°
- Tilt angle: +3°/- 15°
- Horizontal level correction +/- 3°
- Wall distance 70 - 320mm
- Cable management

new WB 200 A
EDP-No. 35978

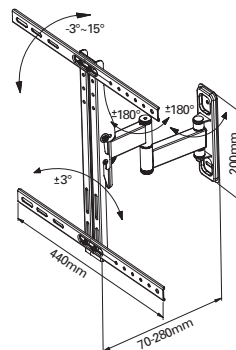
ctn qty. 6



SCREEN SIZE	MAX VESA	MAX LOAD	TILT ±3° / -10°	SWING +/- 90°

WM 4725
EDP-No. 34890

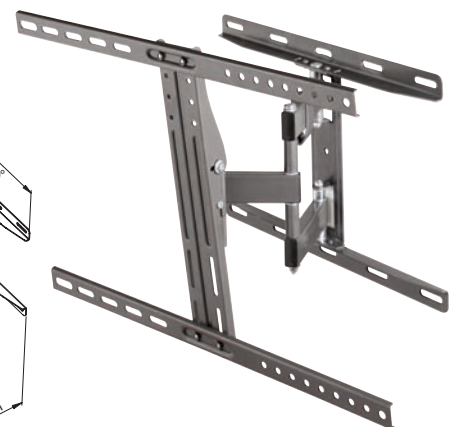
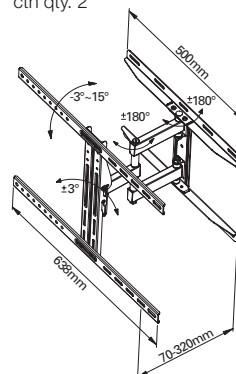
ctn qty. 2



SCREEN SIZE	MAX VESA	MAX LOAD	TILT ±3° / -15°	SWING +/- 90°

WM 5545
EDP-No. 34891

ctn qty. 2



SCREEN SIZE	MAX VESA	MAX LOAD	TILT ±3° / -15°	SWING +/- 90°

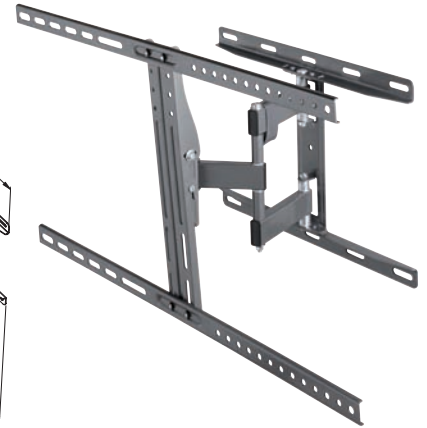
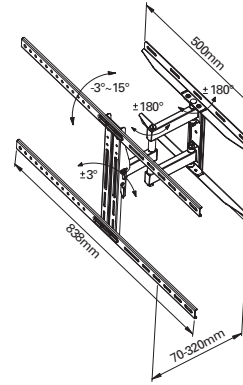
Fast-moving range

Wall bracket for extra large sized flat screen TV's, up to 203cm / 80", max. 45kg, black

Tilt & swing TV wall bracket for screens up to 203cm / 80", 45kg max.

- 40 – 80" / 101 – 203cm
- Max. 800 x 400 VESA
- Max. 45kg
- Swivel angle +/- 90°
- Tilt angle: +3°/- 15°
- Horizontal level correction +/- 3°
- Wall distance 70 - 320mm
- Cable management

WM 8045
EDP-No. 34892
ctn qty. 2



--	--	--	--	--

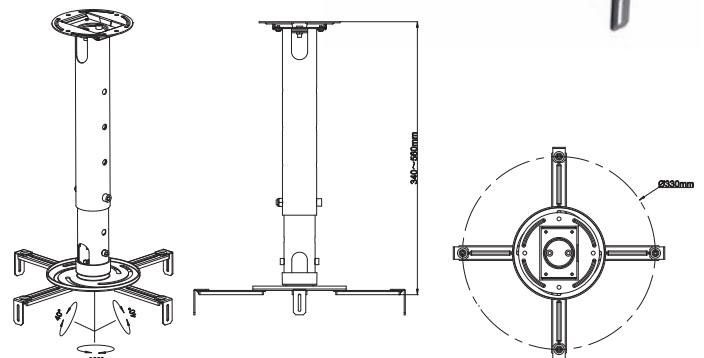
Projector ceiling mount

Height-adjustable projector ceiling mount, variable height from 34 to 56cm, max. 15kg

- 4 flexibly adjustable mounting arms
- Height adjustable in steps of 5cm from 34 – 56cm
- Maximum overall weight: 15kg
- Infinitely rotates by 360°
- Laterally inclinable by +/-20° in all directions
- Cables can be hidden in the mounting pipe
- Incl. screw set for fastening projector to the wall mount

590 V
EDP-No. 35536
ctn qty. 6

--	--	--	--



Cable Cover D-Line

16/8 D-profil white 4x 1,0m length
(EDP 26454)

30/15 D-profil white 2x 1,0m length
(EDP 26455)

50/25 D-profil 1x 1,0m length
(EDP 26456/26457)

- Easy to handle and fit
- Self-adhesive backing
- High-quality material/easy to trim
- No more opening of walls
- Allows routing of cables at a later time
- Easy to open, engages easily and precisely when closed
- Decorativ design
- Rounded D-profile/no accumulation of dust
- Can be painted
- No bending and warping
- UV-proof
- Protected against water jets and dust (no ingresson of dust at a vacuum of 20mmbar) acc. to IP65 standard
- Can be installed in bathroom, kitchen or outdoors
- Temperature range -33°C to +60°C -> Flameproof
- Modular system/adapters available
- Bends and connectors available
- Can be easily routed, even in corners
- Routing of T-connectors

16/8 or 30/15 Set of connectors white

- No more opening of walls
- Allows routing of cables at a later time
- Decorativ design
- Can be painted
- Can be easily routed, even in corners
- Routing of T-connectors
- No bending and warping
- UV-proof
- Protected against water jets and dust (no ingresson of dust at a vacuum of 20mmbar) acc. to IP65 standard
- Can be installed in bathroom, kitchen or outdoors
- Temperature range -33°C to +60°C -> Flameproof
- Open back allows mounting over existing cables

Adapter set 26458
(suits article 26454)
consisting of:

- 2x inner bends
- 2x outer bends
- 2x 90° bends
- 2x end pieces
- 2x T-adapters
- 3x extensions

Adapter set 26459
(suits article 26455)
consisting of:

- 2x inner bends
- 2x outer bends
- 1x 90° bends
- 2x end pieces
- 2x T-adapters
- 1x extensions

D-16/8 W 4x1m
EDP-No. 26454

ctn qty. 1



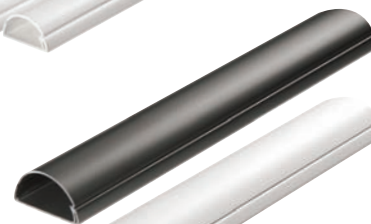
D-30/15 W 2x1m
EDP-No. 26455

ctn qty. 1



D-50/25 B 1x1m
EDP-No. 26456

ctn qty. 1 / schwarz



D-50/25 W 1x1m
EDP-No. 26457

ctn qty. 1 / weiß



D-16/8 W Kit
EDP-No. 26458

ctn qty. 1 / Set:16/8



D-30/15 W Kit
EDP-No. 26459

ctn qty. 1 / Set: 30/15



TV Furniture

B Series 800 - Attractive and functional TV rack black

The attractive blend of high gloss tempered glass and matching aluminium legs make this range suitable for all living environments. With a gentle front curve, soft glass edges and integrated cable management this piece is a simple, functional and attractive option for any type of television.

- High quality manufacturing
- Integrated cable management
- Dimensions:
B-800B / EDP-No. 26061: W 80 cm x H 50 cm x D 40 cm
B-1000B / EDP-No. 26063: W 100 cm x H 50 cm x D 40 cm

B-800B
EDP-No. 26061

ctn qty. 1



B-1000B
EDP-No. 26063

ctn qty. 1



Remote Controls

2in1 universal ultra-slim remote control

- Super flat design
- Replaces up to 12 original remote controls
- For TV, beamer, SAT receiver, DVBT Set top box, DVD player and recorder, CD player, VCR and many more
- Automatic code search
- Preprogrammed for numerous brands
- Ideal substitute for lost or defective remote controls
- Easy to use and easy setup
- Battery CR2032 included

UR 12 N
EDP-No. 34874

ctn qty. 5 / silber

UR 12 BN
EDP-No. 34875

ctn qty. 5 / schwarz



Remote Controls

Universal 8in1 remote control

- Controls almost all well-known brands devices
- TV, set top boxes, digital and analog satellite receivers, DTT, DVD players and recorders, video recorders, CD player, Hifi systems, etc.
- Controls all frequently used functions also video text, fasttext, EPG, etc.
- Controls up to 8 different devices
- Extra menu keys
- Code search function for finding not code listed devices
- Punch through: controls sound also on VCR level
- Compatible with Pay TV
- Batteries or high-performance rechargeable batteries: 2x AAA not supplied

Universal 8in1 remote control

- Controls all well-known brands devices
- TV, set top boxes, digital and analog satellite receivers, DTT, DVD players and recorders, video recorders, CD player, Hifi systems, etc.
- Controls all frequently used functions also video text, fasttext, EPG, etc.
- Controls up to 8 different devices
- Trendy silver colour
- Extra menu keys
- Code search function for finding not code listed devices
- Punch through: controls sound also on VCR level
- Batteries or high-performance rechargeable batteries: 2x AAA not supplied

2in1 TV/DVB universal remote control silver

- TV and DVB (DTT, DVB-S (sat), DVB-C (cable) or analog (sat))
- Extra large buttons for easy operation
- Code search for finding devices not included in the code list
- Controls most used functions
- Adjustable punch-through sound control (TV sound can also be controlled at DVB level without changing the equipment level)
- Batteries (not included): 2x AA

2in1 TV/DVB universal remote control

- TV and DVB (DTT, DVB-S (sat), DVB-C (cable) or analog (sat))
- Replaces defective or lost original remote control devices.
- Compact, sits neatly in the hand
- Code search for finding devices not included in the code list
- Controls a range of functions, including video text and menus, on almost all equipment brands
- Adjustable punch-through sound control (TV sound can also be controlled at DVB level without changing the equipment level)
- Batteries (not included): 2x AAA cells or Vivanco Eco.Bat. rechargeable batteries

UR 89
EDP-No. 21966
ctn qty. 5



UR 82 SE
EDP-No. 25603
ctn qty. 10



UR Z2
EDP-No. 34873
ctn qty. 5



UR 2
EDP-No. 19696
ctn qty. 5



Innovative concept for DVB-T antennas

Vivanco presents a new innovative concept for DVB-T antennas. Apart from performance and design, the main focus is on the actual real-life usage.

The new guidance system facilitates the search for the antenna which best suits a consumer's requirements, allowing anybody to find the product most suitable for them easily and quickly.

The answer to the question: which is the right antenna?

Good / Better / Best

Vivanco antennas are categorised in the three ranges Good, Better, and Best. This categorisation also refers to the reception quality. The farther away from the transmission tower, the better the quality of the antenna should be.

Best

- Very high reception quality, top amplification, premium accessories kit
- Optimal for operation in areas with poor reception

Better

- High reception quality, high amplification, basic accessories kit
- For operation in areas with average to good reception

Good

- Good reception quality with good amplification characteristics
- Optimal for areas with good reception

The segments

The product range is divided into four basic application ranges: Indoor, PC and Outdoor. Vivanco's DVB-T antennas were specially optimised for these areas of application.

Indoor

- For indoor use such as in rooms or flats

PC

- Specially optimised for use with PCs and for mobile application with notebooks

Outdoor

- For outdoor use, for example for installation on house walls or on cara vans

The segments

Best
Better
Good

	Indoor	Indoor	PC	Outdoor
★★★★★	TVA 402	TVA 302	TVA 202	TVA 502
★★★★	TVA 401	TVA 301 / TVA 3005	TVA 201	TVA 501
★★★	TVA 400	TVA 300 / TVF 09B	TVA 200	TVA 500

Indoor – Design

Design down to the finest details!

The Vivanco Design line combines aesthetics and function in extraordinary products. The subtle understatement, the clear lines and the above-average performance make these products something special.

Full HD indoor antenna

- Full HD TV reception, DVB-T and DVB-T2, DAB radio
- The most innovating 48dB amplification technology for an optimal amplification of terrestrial TV signals
- Auto-gain control - automatic setting of the best amplification factor
- Active low-noise technology for extremely clear reception
- Multi-direction 360° system increases reception capacities
- Highest level of flexibility: positioning or wall assembly possible
- Eco-Switch: OFF instead of only STANDBY, save power by switch-on and switch-off
- Current supply by power supply, USB connection or DVB-T receiver
- UHF, VHF

Full HD indoor antenna

- Full HD TV reception, DVB-T and DVB-T2, DAB radio
- The most innovating 46dB amplification technology for an optimal amplification of terrestrial TV signals
- Auto-gain control - automatic setting of the best amplification factor
- Active low-noise technology for extremely clear reception
- For optimal horizontal reception
- Highest level of flexibility: positioning or wall assembly possible
- Current supply by power supply or DVB-T receiver
- Ultra-Flat Design
- Outstanding antenna suits well to current Flat-TV models
- UHF, VHF

Full HD indoor antenna

- For analogue and digital TV reception, DVB-T, DVB-T2, DAB-radio and FM-radio
- The most innovating 42 dB amplification technology for an optimal amplification of terrestrial TV signals
- Variable amplification performance for a perfect reception setting
- Active low-noise technology for extremely clear reception
- Additional telescopic antennas for ideal VHF and UKW reception
- For optimal horizontal and vertical reception
- Eco-Switch: OFF instead of only STANDBY, save power by switch-on and switch-off
- Current supply by power supply, USB connection or DVB-T receive

TVA 402
EDP-No. 29947

ctn qty. 10



TVA 401
EDP-No. 29948

ctn qty. 10



TVA 400
EDP-No. 29949

ctn qty. 10



Indoor

A high demand on daily TV viewing

The segment offers optimum solutions for DVB-T receivers and for TV sets with integrated DVB-T module. The antennas also offer FM radio reception. Their distinctive features are flexibility and functionality.

Indoor antenna

- For analogue and digital TV reception, DVB-T, DVB-T2, DAB-radio and FM-radio
- The most innovating 46dB amplification technology for an optimal amplification of terrestrial TV signals
- Variable amplification performance for a perfect reception setting
- Active low-noise technology for extremely clear reception
- 2 additional telescopic antennas for ideal VHF and UKW reception
- Eco-Switch: OFF instead of only STANDBY, save power by switch-on and switch-off
- Current supply by power supply or DVB-T receiver

Indoor antenna

- For analogue and digital TV reception, DVB-T, DVB-T2, DAB-radio and FM-radio
- The most innovating 40dB amplification technology for an optimal amplification of terrestrial TV signals
- Variable amplification performance for a perfect reception setting
- 2 additional telescopic antennas for ideal VHF and UKW reception
- Eco-Switch: OFF instead of only STANDBY, save power by switch-on and switch-off
- Current supply by integrated power supply unit

Indoor antenna, passive

- For analogue and digital TV reception, DVB-T, DVB-T2, DAB-radio and FM-radio
- Passive increase of terrestrial TV signals
- 2 additional telescopic antennas for ideal VHF and UKW reception

DVB-T indoor antenna with amplifier and power adapter, 22 dB

- Aerial for analogue and digital TV reception, DVB-T, DVB-T2, DAB Radio and FM Radio
- Also for Notebook Computers with DTT receivers
- UHF and VHF
- Plug & Play system
- Multi directional antenna, no adjustment needed
- Gain: VHF / UHF: 22 dB
- Frequency range: VHF 174 – 230 MHz; UHF: 470 – 862 MHz
- To be powered by DTT receiver (5V=, 40 mA) via aerial cable or optional power adapter 230V / 50 Hz (included)
- Dimensions: 37.0 x 7.8 x 5.8 cm
- Coax cable: 1.45 m with IEC plug

TVA 302
EDP-No. 29950
ctn qty. 10



TVA 301
EDP-No. 29951
ctn qty. 10



TVA 300
EDP-No. 29952
ctn qty. 10



TVA 3005
EDP-No. 29962
ctn qty. 10



Indoor

Boosted TV / radio indoor antenna

- For analogue and digital reception
- For reception of local and regional stations
- Suitable for mobile use (camping, boats etc.)
- Adjustable broadband amplifier for the best sound and picture quality
- Adjustable loop aerial for the best UHF reception
- Telescopic aerial for the best VHF and UKW radio reception
- Additional aerial connection for looping through cable signals for instance
- Built-in 230V power supply
- 12V direct voltage connection
- Color: black
- Broadband amplifier:
- UKW/ VHF: adjustable max. 32dB
- UHF: adjustable max. 36dB
- Frequency ranges : 40 – 230, 450 – 860MHz
- Coaxial cable, length: min. 90cm / IEC plug connector
- Power supply: 230V 50Hz (power cable length: min. 1.0m)

TVF 09 B
EDP-No. 31760
ctn qty. 10



DVB-T

DAB

DIGITAL

VHF

PC

Digital TV on your computer!

You can watch high-quality DVB-T television, not only on your stationary home PC but also on your notebook PC during mobile usage. Due to their extremely compact design and optimisation for mobile reception, the PC antennas are your perfect companion when you are travelling. When connected to your DVB-T stick or the TV card, the antennas provide an excellent television signal.

Mobile PC indoor antenna

- For analogue and digital TV reception, DVB-T and DVB-T2, DAB radio
- The most innovating 36dB amplification technology for an optimal amplification of terrestrial TV signals
- Active low-noise technology for extremely clear reception
- For optimal horizontal and vertical reception
- Ultra slim design: extremely compact and flat design for different positioning options
- Perfectly suitable for outdoor use and equipped with DVB-T reception component on the PC/notebook
- Current supply by power supply, USB connection or DVB-T receiver

Mobile PC indoor antenna, passive

- For analogue and digital TV reception, DVB-T and DVB-T2, DAB radio
- Passive increase of terrestrial TV signals
- Omnidirectional: no adjustment required
- Perfectly suitable for outdoor use and equipped with DVB-T reception component on the PC/notebook

TVA 202
EDP-No. 29956
ctn qty. 10



HD compatible

DVB-T DVB-T2

DAB

DIGITAL

TVA 200
EDP-No. 29958
ctn qty. 10

DVB-T

DAB

DIGITAL

VHF



Reception problems?

Outdoor antennas offer the perfect solution when reception in your apartment is very poor or even impossible. Purposeful and weatherproof, they receive television signals you cannot receive inside the house or apartment. This lets you easily blank out structural obstacles.

Outdoor

Outdoor roof antenna, passiv

- For analogue and digital TV reception, DVB-T and DVB-T2, DAB radio
- Passive increase of 28dB for terrestrial TV signals
- Wideband UHF reception
- Long-distance reception: extraordinary reception by pinpoint adjustment
- Easy installation: Very easy assembly with device for mast assembly
- Waterproof dipole box with F plug
- With triple cross beam and balun for signal optimisation

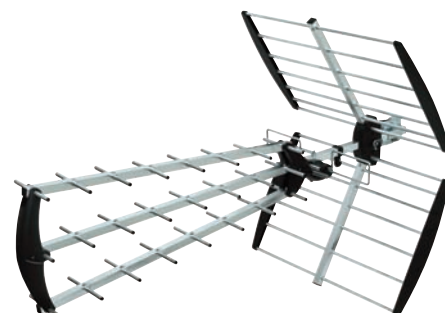
Outdoor antenna

- For analogue and digital TV reception, DVB-T and DVB-T2, DAB radio
- The most innovating 48dB amplification technology for an optimal amplification of terrestrial TV signals
- Auto-gain control: automatic setting of the best amplification factor
- Active low-noise technology for extremely clear reception
- Multi-direction 360° system increases reception capacities
- Highest level of flexibility: positioning, wall or mast assembly possible
- Perfectly suitable for external applications and for caravans and mobile homes
- Current supply by power supply or DVB-T receiver
- Suitable for all weather conditions
- Included cable for antenna of 8.5m

Outdoor antenna

- For analogue and digital TV reception, DVB-T and DVB-T2, DAB radio
- The most innovating 42dB amplification technology for an optimal amplification of terrestrial TV signals
- Active low-noise technology for extremely clear reception
- Multi-direction 360° system increases reception capacities
- Highest level of flexibility: positioning, laying, wall and mast assembly possible
- Perfectly suitable for external applications and for caravans and mobile homes
- Current supply by power supply or DVB-T receiver
- Suitable for all weather conditions
- Included cable for antenna of 8.5m

TVA 502
EDP-No. 29953
ctn qty. 1



1080p+
FULL HDTV

DVB-T DVB-T2

DAB DIGITAL

TVA 501
EDP-No. 29954
ctn qty. 5



1080p+
FULL HDTV

DVB-T DVB-T2

DAB DIGITAL



TVA 500
EDP-No. 29955
ctn qty. 5



1080p+
FULL HDTV

DVB-T DVB-T2

DAB DIGITAL



Control panels and amplifiers

Manual 4 way HD audio visual switching unit, 4 -> 1

- Manual 4to1 HDMI switcher for high-resolution television
- Simple one source connections to HD/BD DVD players and recorders, Sky HD, DVB, SetTopBox, Playstation 3 and more
- HDMI TV connection
- HDMI 1.3 compliant
- HDCP copy protection
- Sockets are gold plated for superior signal transfer
- Inputs: 4x HDMI
- Output: 1x HDMI
- Single link range: 480i/480p/720i/720p/1080i/1080p
- HDMI 1.3 compliant, HDCP copy protection
- Bandwidth: up to 10.2Gbps/400MHz

Manual 2 way HD audio visual switching unit, 2 -> 1

- Manual 2to1 HDMI switcher for high-resolution television
- Simple one source connections to HD/BD DVD players and recorders, Sky HD, DVB, SetTopBox, Playstation 3 and more
- HDMI TV connection
- HDMI 1.3 compliant
- HDCP copy protection
- Inputs: 2x HDMI
- Output: 1x HDMI
- Single link range: 480i/480p/720i/720p/1080i/1080p
- HDMI 1.3 compliant, HDCP copy protection
- Bandwidth: up to 10.2Gbps/400MHz

AV connector 3, 3 channel RGB AV switch box with copy facility, 3 -> 1 (2)

- For connection of up to 3 AV devices (program sources) to a single TV set
- Easy connection of DVD players and recorders, SAT receivers, DVB-T receivers, video recorders, DVD recorders, camcorders, digital photo cameras etc.
- Scart TV socket and TV phono sockets
- Additional AV phono outputs from TV
- Additional audio outputs to Hifi or home cinema systems
- Recorder copy function (composite video, S-video)
- Manual input selection
- RGB, S-Video (Y/C), composite video at all sockets

Phono pre-amplifier

- For connection of record players; adapter for all equipment lacking a phono input
- Converts line, Aux, Tape, MC, CD, tuner inputs to phono inputs for record players
- Phono to high level signal converter
- Also for multimedia PCs
- The ideal solution to connect analogue record players to a PC
- Mains adaptor included

Microphone pre-amplifier

- Expands equipment such as mixers by an additional microphone input
- For devices without or insufficient microphone inputs
- Impedance control
- For all receivers, amplifiers, mixers or sound cards at the PC
- Mains adaptor included

Adapter cassettes

Car adapter cassette

- For connecting portable CD, DAT, minidisc, DCC as well as MP3 playback devices to car radios with tape decks
- 3.5mm mono plug, stereo

HD 4.1 manu 1.3

EDP-No. 25350

ctn qty. 5



HD 2.1 manu 1.3

EDP-No. 25349

ctn qty. 5



SBX 84

EDP-No. 16876

ctn qty. 5



PA 115

EDP-No. 30338

ctn qty. 5



MA 225

EDP-No. 30339

ctn qty. 5



ACA 35

EDP-No. 26954

ctn qty. 5



Flat screen cleaning systems

Cleaning solution suitable for OLED, Plasma, LED, LCD and TFT screens

- Alcohol free, drip resistant fluid safely loosens dirt and grime
- 250ml of fluid gives approximately 100 applications
- 40cm x 40cm microfiber cloth for streak free cleaning, washable for extended usage

Cleaning solution suitable for LCD, TFT, Plasma and LED

- Alcohol free, drip resistant fluid safely loosens dirt and grime
- 150ml of fluid gives approximately 100 applications

Microfiber Cloth for Flat Screen TVs

- Microfiber Cloth for OLED, LED, LCD, TFT & Plasma TVs
- Extra large - 40 x 40cm
- Suitable for large screens
- Washable, for extended usage

Cleaning system for LED, LCD, TFT and OLED

- Antistatic
- Integrated, anti bacterial treated cloth pad leaves screen smudge free
- 200ml cleaning solution for app. 100 applications

TFT Foam Cleaner + antistatic microfibre cloth

- Ideal for Plasma / LCD- Displays
- Removes dust, dirt and fingerprints from glass, metal and other smooth surfaces
- Ensures a brilliant picture on plasma, LCD and computer screens
- Also cleans lenses, glasses, cameras etc.
- Content: 400ml special foam cleaner, Microfibre cloth, ca. 20x20cm

new FS 10 EDP-No. 35975

ctn qty. 18



FS2 EDP-No. 26956

ctn qty. 10



new FS 30 EDP-No. 35979

ctn qty. 63



FS4 EDP-No. 32435

ctn qty. 10



PRO TFT FOAM EDP-No. 26822

ctn qty. 12



PC cleaning systems

Cleaning System for PC, tablet and notebook

- Alcohol free, drip resistant fluid safely loosens dirt and grime
- 250ml of fluid gives approximately 100 applications
- Incl. supsize: 40 x 40cm, microfiber cloth for streak free cleaning, washable for extended usage
- Incl. 3 microfibre swabs for keyboard cleaning

Air duster

- Air duster specially developed for keyboards, printers and disc drives
- Removes dust even in inaccessible areas
- Also for overhead application
- Contents: 125ml e

Cleaning tissues for LCD, TFT and LED screens

- 100 moist cleaning tissues supplied in dispensing tub
- Practical, reclosable dispenser box
- Cleaning liquid is free of alcohol (not inflammable)
- Avoid scratches and smudge
- Safely removes dust and dirt
- Rapid drying and antistatic characteristics
- For LCD, TFT, LED, plasma, laptop, flat screens, PDA and all glass surfaces

PC CD/DVD lens cleaner

- 2 brush cleaning system
- Brush and cleaning fluid cleans laser optics in your CD/DVD drive

Notebook and Tablet Cleaning kit

- Antistatic
- Microfibre cloth formulated for all notebooks and tablet computers
- 100ml cleaning solution for app. 50 applications

new PC 20
EDP-No. 35976

ctn qty. 18



PC1
EDP-No. 26958

ctn qty. 12



PC8
EDP-No. 26965

ctn qty. 12



PC9
EDP-No. 26966

ctn qty. 10



PC10
EDP-No. 32434

ctn qty. 20



Disc cleaning systems

Lens cleaner for DVD

- Six fine cleaning brushes gently removes dirt from the main head of DVD drive
- Restores original sound and picture quality
- Audio and video animations for checking picture and surround sound

DC1
EDP-No. 26967
ctn qty. 10



Lens cleaner for Blu-ray

- Twelve fine cleaning brushes gently removes dirt and dust
- Restores original sound and picture quality
- Audio and video animations for checking picture and surround sound

DC2
EDP-No. 26968
ctn qty. 10



Radial disc cleaner

- Safely cleans both disc and disc drive
- Rotating microfiber cleaning pad gently removes dirt from disc surface
- Laser lens cleaning disc

DC3
EDP-No. 26969
ctn qty. 10



VHS cleaning systems

VHS head cleaner

- VHS and S-VHS head cleaner
- Cleaning tape and fluid gently cleans tape head
- Cleaning fluid for approximately 50 applications

DC6
EDP-No. 26971
ctn qty. 10



Digital photo cleaning systems

Cleaning system for digital cameras and camcorders

- Suitable for digital cameras and camcorders
- 3in1 cleaning pen with brush and cleaning pads for both lens and screen
- Dedicated optical lens fluid

DP1
EDP-No. 26972
ctn qty. 20



Desktop cleaning systems

Alcohol free cleaning spray for LED/LCD/TFT, Plasma

The cleaning liquid is alcohol free and environmentally-friendly. A professional cleaner for smooth cleaning of sensitive TFT and LCD monitors. Also suited for all coated and uncoated glass surfaces. Simply spray it onto the enclosed cleaning cloth, wipe the screen and polish with a dry cloth. The cleaning liquid is alcohol free and environmentally-friendly. Bottle contains 200ml.

Cleaningset for LED/LCD/TFT and Plasma

- Cleaning brush with antistatic effect removed effectively dust, dirt and dabs
- Cleaning liquid without alcohol: ensured smooth cleaning of sensitive screen surfaces
- Special micro fibre cloth enabled a gentle cleaning and drying, the softly material avoid scratches and smudge
- Convenient storage case

TFT SC 200 EDP-No. 24015

ctn qty. 8



TP CLS 04 EDP-No. 23897

ctn qty. 10



Others

Pen for writing on CDs (4 colours)

- CD marker with 4 colours for permanent writing on CD, DVD, Blu-ray
- Indelible, water resistant special ink on waterbasis

CD IPN4 EDP-No. 26953

ctn qty. 12



Car adapter cassette

- Connects MP3 players and other portable audio devices to the car cassette player
- 3.5mm stereo plug
- With Auto-Reveres function

ACA 35 EDP-No. 26954

ctn qty. 10



For CD

CD/DVD Jewel Case, 5pcs., black

- Break-proof material
- For 1 CD/CD-ROM/DVD each + Booklet
- Shrink wrapped in a pack of 5 pcs.
- Size: 124 x 142 x 50mm

CD/DVD Jewel Case, 5pcs., clear

- Break-proof material
- For 1 CD/CD-ROM/DVD each + Booklet
- Shrink wrapped in a pack of 5 pcs.
- Size: 124 x 142 x 50mm

CD/DVD Jewel Case, 10pcs., black

- Break-proof material
- For 1 CD/CD-ROM/DVD each + Booklet
- Shrink wrapped in a pack of 10 pcs.
- Size: 124 x 142 x 100mm

CD/DVD Jewel Case, 10pcs., clear

- Break-proof material
- For 1 CD/CD-ROM/DVD each + Booklet
- Shrink wrapped in a pack of 10 pcs.
- Size: 124 x 142 x 100mm

CD/DVD Slim Case, 10pcs., black

- Break-proof material
- For 1 CD/CD-ROM/DVD each + Booklet
- Shrink wrapped in a pack of 10 pcs.
- Size: 124 x 142 x 55mm

CD/DVD Slim Case, 10pcs., clear

- Break-proof material
- For 1 CD/CD-ROM/DVD each + Booklet
- Shrink wrapped in a pack of 10 pcs.
- Size: 124 x 142 x 55mm

CD/DVD Slim Case, 15pcs., 3 colours

- Break-proof material
- For 1 CD/CD-ROM/DVD each + Booklet
- Shrink wrapped in a pack of 15 pcs., assorted in 3 colours: blue, orange, red
- Size: 125 x 143 x 80mm

CD/DVD Slim Case, 25pcs., black

- Break-proof material
- For 1 CD/CD-ROM/DVD each + Booklet
- Shrink wrapped in a pack of 25 pcs.
- Size: 125 x 143 x 137mm

CD/DVD Slim Case, 25pcs., clear

- Break-proof material
- For 1 CD/CD-ROM/DVD each + Booklet
- Shrink wrapped in a pack of 25 pcs.
- Size: 125 x 143 x 137mm

CD CASE 5B

EDP-No. 31691

ctn qty. 40



CD CASE 5C

EDP-No. 31692

ctn qty. 40



CD CASE 10B

EDP-No. 31693

ctn qty. 10



CD CASE 10C

EDP-No. 31694

ctn qty. 10



CD SLIM 10B

EDP-No. 31695

ctn qty. 10



CD SLIM 10C

EDP-No. 31696

ctn qty. 20



CD SLIM 15

EDP-No. 31697

ctn qty. 20



CD SLIM 25B

EDP-No. 31698

ctn qty. 8



CD SLIM 25C

EDP-No. 31699

ctn qty. 8



For CD

CD/DVD Slim Case, 25pcs., 5 colours

- Break-proof material
- For 1 CD/CD-ROM/DVD each + Booklet
- Shrink wrapped; 25 pcs. assorted colours: pink, purple, blue, orange, green
- Size: 125 x 143 x 137mm

CD/DVD Slim Case, 50pcs., black

- Break-proof material
- For 1 CD/CD-ROM/DVD each + Booklet
- Shrink wrapped in a pack of 50 pcs.
- Size: 125 x 143 x 275mm

CD/DVD Double Jewel Case, 5pcs., black

- Break-proof material
- For 2 CD's/CD-ROM's/DVD's each + Booklet
- Shrink wrapped in a pack of 50 pcs.
- Size: 124 x 142 x 47mm

CD/DVD Double Jewel Case, 5pcs., clear

- Break-proof material
- For 2 CD's/CD-ROM's/DVD's each + Booklet
- Shrink wrapped in a pack of 50 pcs.
- Size: 124 x 142 x 47mm

CD/DVD Jewel Case for 4 CD's/DVD's, black

- Break-proof material
- For 4 CD's/CD-ROM's/DVD's each + Booklet
- Shrink wrapped
- Size: 124 x 142 x 24mm

CD/DVD Jewel Case for 6 CD's/DVD's, clear

- Break-proof material
- For 6 CD's/CD-ROM's/DVD's each + Booklet
- Shrink wrapped
- Size: 124 x 142 x 24mm

CD/DVD Cover, 25pcs., clear

- Clear plastic cover for storing CD's/DVD's
- For 1 CD/DVD each
- Made of heat-resistant PP-Material
- Size: 175 x 134 x 22mm

CD/DVD Cover, 50pcs., clear

- Clear plastic cover for storing CD's/DVD's
- For 1 CD/DVD each
- Made of heat-resistant PP-Material
- Size: 175 x 134 x 33mm

CD SLIM 25

EDP-No. 31700

ctn qty. 8



CD SLIM 50B

EDP-No. 31701

ctn qty. 4



CD DBL CASE 5B

EDP-No. 31702

ctn qty. 40



CD DBL CASE 5C

EDP-No. 31703

ctn qty. 40



CD 4B

EDP-No. 31704

ctn qty. 48



CD 6C

EDP-No. 31705

ctn qty. 48



CD PP 25C

EDP-No. 31706

ctn qty. 12



CD PP 50C

EDP-No. 31707

ctn qty. 8



For CD

CD/DVD Cover, 50pcs., 6 colours

- Plastic cover for storing CD's/DVD's
- For 1 CD/DVD each
- Made of heat-resistant PP-Material
- Assorted in: pink, purple, green, clear, blue, orange
- Size: 130 x 130 x 35mm

CD/DVD Paper Envelopes, 50pcs., black

- Paper envelopes for storing CD's/DVD's
- For 1 CD/DVD each
- Shrink wrapped in a pack of 50pcs.
- Size: 170 x 127 x 33mm

CD/DVD Paper Envelopes, 100pcs., white

- Paper envelopes for storing CD's/DVD's
- For 1 CD/DVD each
- Shrink wrapped in a pack of 100pcs.
- Size: 195 x 130 x 47mm

CD/DVD Paper Envelopes, 100pcs., 6 colours

- Paper envelopes for storing CD's/DVD's
- For 1 CD/DVD each
- Shrink wrapped, 100pcs. assorted colours: orange, blue, yellow, red, white, green
- Size: 175 x 125 x 56mm

CD PP 60

EDP-No. 31708

ctn qty. 10



CD PAPER 50B

EDP-No. 31709

ctn qty. 100



CD PAPER 100W

EDP-No. 31710

ctn qty. 50



CD PAPER 100

EDP-No. 31711

ctn qty. 50



For DVD & Blu-Ray

DVD Case, 5pcs., black

- Transparent pocket to insert the DVD cover
- Additional clips inside for the booklet
- For 1 DVD each
- Shrink wrapped in a pack of 5 pcs.
- Size: 190 x 136 x 73mm

DVD Case, 5pcs., clear

- Transparent pocket to insert the DVD cover
- Additional clips inside for the booklet
- For 1 DVD each
- Shrink wrapped in a pack of 5 pcs.
- Size: 190 x 136 x 73mm

DVD Slim Case, 5pcs., black

- Transparent pocket to insert the DVD cover
- Additional brackets inside for the booklet
- For 1 DVD each
- Shrink wrapped in a pack of 5 pcs.
- Size: 190 x 136 x 35mm

DVD Slim Case, 5pcs., clear

- Transparent pocket to insert the DVD cover
- Additional clips inside for the booklet
- For 1 DVD each
- Shrink wrapped in a pack of 5 pcs.
- Size: 190 x 136 x 35mm

DVD CASE 5B

EDP-No. 31712

ctn qty. 20



DVD CASE 5C

EDP-No. 31713

ctn qty. 20



DVD SLIM 5B

EDP-No. 31714

ctn qty. 40



DVD SLIM 5C

EDP-No. 31715

ctn qty. 40



For DVD & Blu-Ray

DVD Slim Case, 10pcs., black

- Transparent pocket to insert the DVD cover
- Additional clips inside for the booklet
- For 1 DVD each
- Shrink wrapped in a pack of 10 pcs.
- Size: 190 x 136 x 70mm

DVD Slim Case, 10pcs., clear

- Transparent pocket to insert the DVD cover
- Additional clips inside for the booklet
- For 1 DVD each
- Shrink wrapped in a pack of 10 pcs.
- Size: 190 x 136 x 70mm

DVD Double Case, 5pcs., black

- Transparent pocket to insert the DVD cover
- For 2 DVD's each
- Shrink wrapped in a pack of 5 pcs.
- Size: 190 x 136 x 73mm

DVD Double Case, 5pcs., clear

- Transparent pocket to insert the DVD cover
- For 2 DVD's each
- Shrink wrapped in a pack of 5 pcs.
- Size: 190 x 136 x 73mm

DVD Double Slim Case, 5pcs., black

- Transparent pocket to insert the DVD cover
- For 2 DVD's each
- Shrink wrapped in a pack of 5 pcs.
- Size: 190 x 136 x 35mm

DVD Double Slim Case, 5pcs., clear

- Transparent pocket to insert the DVD cover
- For 2 DVD's each
- Shrink wrapped in a pack of 5 pcs.
- Size: 190 x 136 x 35mm

Blu-Ray Case, 5pcs.

- Transparent pocket to insert the cover
- Additional clips inside for the booklet
- For 1 Blu-Ray's each
- Shrink wrapped in a pack of 5 pcs.
- Size: 170 x 136 x 55mm

Blu-Ray Double Case, 5pcs.

- Transparent pocket to insert the cover
- For 2 Blu-Ray's each
- Shrink wrapped in a pack of 5 pcs.
- Size: 170 x 136 x 55mm

DVD SLIM 10B

EDP-No. 31716

ctn qty. 20



DVD SLIM 10C

EDP-No. 31717

ctn qty. 20



DVD DBL 5B

EDP-No. 31718

ctn qty. 20



DVD DBL 5C

EDP-No. 31719

ctn qty. 20



DVD DBL SLIM 5B

EDP-No. 31720

ctn qty. 40



DVD DBL SLIM 5C

EDP-No. 31721

ctn qty. 40



BR 5

EDP-No. 31722

ctn qty. 20



BR DBL 5

EDP-No. 31723

ctn qty. 20



Nylon bag

Organiser for 24 CD's or DVD's

- Material: nylon
- With color application
- Clear register compartments for organized storage
- Especially protective fleece with anti-static effect for protecting CD/DVDs
- 12 clear cover for each 2 CD/DVDs
- Dimensions: 160 x 155 x 40mm

CD WA 24R
EDP-No. 31787

ctn qty. 60 / red

CD WA 24V
EDP-No. 31788

ctn qty. 60 / violet



Organiser for 48 CD's or DVD's

- Material: nylon
- With color application
- Clear register compartments for organized storage
- Especially protective fleece with anti-static effect for protecting CD/DVDs
- 12 clear cover for each 4 CD/DVDs
- Dimensions: 170 x 285 x 45mm

CD WA 48B
EDP-No. 31791

ctn qty. 12 / blue



CD Sport Line

Organiser for CD and DVD

- Made of black and red robust nylon with silver piping
- Practical carrying handle made of elastic – also ideal when you are on the go
- Reinforced, transparent index areas for clear overview of CD/DVDs
- Especially protective fleece with anti-static effect for protecting CD/DVDs
- High-quality design

CD Sport 128
EDP-No. 23205

ctn qty. 6 / for 128 CDs



CD Budget Line

Organiser for CD and DVD

- Material: water resistant nylon with silver grey highlights
- Inside: transparent sleeves of heat resistant PP
- Black fleece material protects CD/DVDs from scratches
- Ideal for travelling!
- Only available in complete carton units

Organiser for 96 CD's or DVD's

- Inner material: Nylon
- PP CD wallets
- Inner dimension: 155 x 273 x 73mm
- Outer material: Oxford nylon material
- Outer size (incl. Hangtag): 335 x 165 x 78mm

Organiser for 320 CD's or DVD's

- Material: structured synthetic leather
- Practical carrying handle
- Interior: heat-resistant PP sleeves for clear storage
- Black anti-static fleece protects the CDs from scratches and soiling
- Removable shoulder strap
- High quality
- Available in full packaging units of 6 only

Hard Disc Case 2,5"

- Material outside: EVA
- Material inside: Fleece
- Double zipper
- Colour: black
- Inner dimension: approx. 13 x 8 x 2,5 cm
- Outer dimension: approx. 15,2 x 10,5 x 3 cm

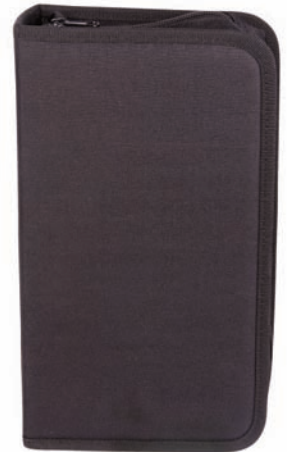
CDW 48 B EDP-No. 27400

ctn qty. 14
for 48 CDs or 24 CDs with booklet



CDDVDWALLET 96BL

EDP-No. 28039
ctn qty. 12 / black



PRO CDK 320 EDP-No. 18932

ctn qty. 6



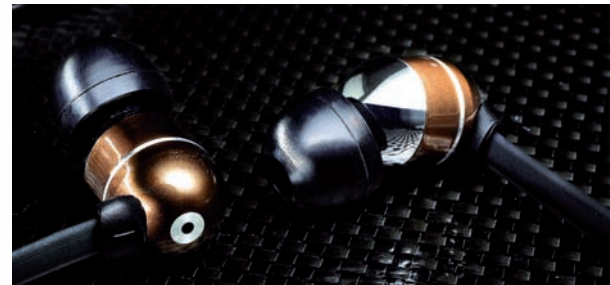
HDC 2,5 EDP-No. 26600

ctn qty. 16



A STRONG BRAND

The aircoustic brand symbolises an entirely new, customer-oriented approach to sell headphones. The “Application-matched segmentation” concept directly addresses the requirements of the final customers, thus allowing for a fast and optimal decision to buy.



Tried and tested features:

Segmentation by application

For this reason, we segment the aircoustic product line by application rather than by type or design. This lets the customer find the right headphones for his intended application very quickly.

Decision guidance and fast orientation

The concept for the aircoustic product line indicates the relevant applications and so actively supports the customer in his decision to buy. The colour coding system helps with orientation.

Comprehensive solution

aircoustic is the comprehensive solution for headphones. We ensure a uniform and attractive shelf presentation minimising the expenses for customer counselling while continuously updating and gearing the product range towards the latest trends.

The 4 segments:

aircoustic

Mobile Series

Urban Series

Travel Series

Sports Series

Premium Series

Premium headset with microphone

Designed to deliver to you the ultimate sound experience. Stunning in appearance and supported with flat 'non-tangle' designer cables with integrated microphone/ remote control, this earphone is not only good looking and intelligent, its most beautiful secret is its performance. Driven by a high performance 10mm driver unit, these earphones deliver a rich bass, magnificently balanced mid range crowned with perfectly detailed highs, all converging to create an orchestral like performance, this combined with the tailor-fitted selection of noise isolation and comfort cushions create a truly breath-taking audio experience.

- Frequency: 18 – 23.000Hz
- Sensitivity: 108dB
- Impedance: 32ohm
- Driver size: Ø 10mm
- Cord length: 1.2m
- Plug: 3.5mm stereo golden
- Carry case included

X-treme talk, Premium headset

These Premium earphones were not only designed for ultimate sound experience but also for the use of mobile phones. Milled from solid aluminium and equipped with a 9mm high-performance driver, these earphones convince with an extraordinary powerful sound. Thanks to the extremely lightweight housing and the luxury ear pads they are hardly felt in the ear.

- High-quality earphones
- With built-in mic and remote
- Lightweight aluminium housing
- Bass accentuated sound
- Premium packaging with magnet lock
- Incl. bag
- Incl. silicone ear pads in 3 sizes
- Frequency: 19 – 22.000kHz
- Sensitivity: 102dB
- Impedance: 16ohm
- Cord length: 1.2m
- Plug: 3.5mm stereo golden

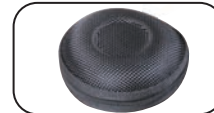
X-treme Buds, Premium in earphones

These Premium earphones were designed for ultimate sound experience. Milled from solid aluminium and equipped with a 9mm high-performance driver, the PRE 9090 convince with an extraordinary powerful sound. Thanks to the extremely lightweight housing and the luxury ear pads they are hardly felt in the ear.

- High-quality earphones
- Lightweight aluminium housing
- Bass accentuated sound
- Premium packaging with magnet lock
- Incl. bag
- Incl. silicone ear pads in 3 sizes
- Frequency: 19 – 22.000kHz
- Sensitivity: 102dB
- Impedance: 16ohm
- Cord length: 1.2m
- Plug: 3.5mm stereo golden

metalist talk EDP-No. 32212

ctn qty. 5 / brown/silver



Incl. bag



x-treme talk EDP-No. 32211

ctn qty. 5 / black/silver



Incl. bag



x-treme EDP-No. 32210

ctn qty. 5



Incl. bag



Mobile Series

Headset for smartphones, metal housing

This headset is the perfect accessory for mobile phones and smartphones. The cable built-in remote controls the functions "answer call" and "hang up" as well as play/pause during music replay. The lightweight construction and ergonomic design provide an extraordinary wearing comfort. Beside the phone functions the MBX 870 convinces with a good music rendition. The well-balanced sound performance with crisp bass range is suitable for sundry music styles.

- Cool grey metal housing
- Lightweight, ergonomic Design
- With built-in mic and remote
- Crisp bass range, well-balanced sound
- Passive noise isolation
- Compatibility: Smartphones and mobile phones from Apple, HTC and Blackberry as well as the latest Samsung models.
- Frequency: 20 – 20.000Hz
- Sensitivity: 100dB
- Impedance: 32ohm
- Cable Length: 1.2m
- Plug: 3.5mm gold plated, 4pol.

Stereo Headset for smartphones

The Stereo Headset MBX 850 is the perfect accessory for mobile phones and smartphones. The cable built-in remote controls the functions "answer call" and "hang up" as well as play/pause during music replay. The lightweight construction and ergonomic design provide an extraordinary wearing comfort. Beside the phone functions the MBX 850 convinces with a good music rendition. The well-balanced sound performance with crisp bass range is suitable for sundry music styles.

- Lightweight, ergonomic Design
- With built-in mic and remote
- Crisp bass range, well-balanced sound
- Passive noise isolation
- Compatibility: Smartphones and mobile phones from Apple, HTC and Blackberry as well as the latest Samsung models.
- Frequency: 20 – 20.000Hz
- Sensitivity: 101dB
- Impedance: 16ohm
- Cable Length: 1.2m
- Plug: 3.5mm gold plated, 4pol.

MBX 870
EDP-No. 32215
ctn qty. 5 / gray



MBX 850
EDP-No. 32213
ctn qty. 5 / black/white



Travel Series

Travel Headset with remote and airline adapter

The passive construction isolates background noise, and the headphones offer a high degree of comfort because of their balanced fit.

- Phone function: The remote allows to answer calls, to hang up and control the volume.
- Audio replay: Skip forward/back, play/pause, volume
- Isolates background noise
- Comfortable fit
- S/M/L earpads
- Plug: 3.5mm stereo golden
- Volume control
- Incl. bag and airline adaptor
- Frequency: 18 – 23.00Hz
- Sensitivity: 90dB
- Impedance: 32ohm
- Cord length: 1.2m
- Plug: 3.5mm golden

Travel in earphone with remote and airline adapter

The passive construction isolates background noise, and the headphones offer a high degree of comfort because of their balanced fit.

- Isolates background noise
- Comfortable fit
- S/M/L earpads
- Plug: 3.5mm stereo golden
- Volume control
- Incl. bag and airline adapter
- Frequency: 18 – 23.00Hz
- Sensitivity: 90dB
- Impedance: 32ohm
- Cord length: 1.2m
- Plug: 3.5mm golden

TRX 760 EDP-No. 32220

ctn qty. 5 / black



Volume control



Airline adaptor



TRX 750 EDP-No. 32219

ctn qty. 5



Volume control



Airline adaptor



Sport Series

Sport earphones

Ergonomically designed and made from ultra-lightweight components you will hardly notice that you are wearing the SPX620. The lightweight materials are highly specified materials that provide excellent sound quality with voluminous and deep rich bass transfer.

- Sensitivity: 100dB
- Impedance: 16ohm
- Cord length: 1.2m
- Plug: 3.5mm golden

Sport Earphones with ear clips

The ear clips of the SPX 610 are made of soft silicon. This ensures the perfect fit for all kinds of sport. Robust design and balanced sound characteristics.

- Frequency: 20 Hz – 20.000Hz
- Sensivity: 96dB
- Impedance: 32ohm
- Cable length: 1.2m
- Plug: 3.5mm golden

SPX 620 EDP-No. 32241

ctn qty. 5 / black/yellow



SPX 610 EDP-No. 32240

ctn qty. 5 / black/yellow



Urban Series

In earphones „Reflections“

- Very lightweight fashion earphones
- Compact design*
- Balanced sound characteristics
- S/M/L earpads
- Frequency: 18Hz – 23.000Hz
- Sensitivity: 98dB
- Impedance: 16ohm
- Cord length: 1.2m
- Plug: 3.5mm golden

In earphones „Diamond Style Buds“

Great looking, translucent, diamond shaped gem of an earphone! But aside from great looks, this well-balanced earphone displays impressive versatility making it ideal for all music genres.

- Frequency: 18Hz – 22.000Hz
- Sensitivity: 102dB
- Impedance: 32ohm
- Cord length: 1.2m
- Plug: 3.5mm golden

In earphones „Nano Buds“

The Nano Buds are very compact, ultra lightweight in ear phones. The discrete and trendy design makes the dwarf look good in any ear. The sound of the Nano Buds surprises with heavy basses and a balanced mids and treble range. The silicone ear pads coming in three sizes let you individually adapt the fit. Thanks to the in ear design, the majority of interfering ambient noise is masked out, allowing to enjoy music at an agreeable volume.

- High-quality in earphones
- Robust, ultra-light metal housing
- Including silicon ear pads (S/M/L)
- Frequency: 18Hz – 22.000Hz
- Sensitivity: 100dB
- Impedance: 32ohm
- Cord length: 1.2m
- Plug: 3.5mm golden

In earphones „Style Buds“

- Powerful sound
- Anti tangle cable
- S/M/L earpads
- Frequency: 20Hz – 22.000Hz
- Sensitivity: 90dB
- Impedance: 32ohm
- Cord length: 1.2m
- Plug: 3.5mm golden

URX 350
EDP-No. 32234
ctn qty. 5



URX 330
EDP-No. 32231
ctn qty. 5 / black



URX 260
EDP-No. 32229
ctn qty. 5



URX 220
EDP-No. 32226
ctn qty. 5



Urban Serie

In earphones „Comfort Buds“

- Smooth shape design
- Including silicon ear pads (S/M/L)
- Frequency: 20Hz – 20.000Hz
- Sensitivity: 105dB
- Impedance: 32ohm
- Cord length: 1.2m
- Plug: 3.5mm golden

In earphones „Comfort Buds“

- Smooth shape design
- Including silicon ear pads (S/M/L)
- Frequency: 20Hz – 20.000Hz
- Sensitivity: 105dB
- Impedance: 32ohm
- Cord length: 1.2m
- Plug: 3.5mm golden

Stereo Earphones

A clever, ergonomically designed product, fitting comfortably but securely into the auricle. Part of the earphone is designed in such a way that the sound is delivered directly into the opening of the auditory canal to ensure the best possible sound quality is achieved.

- Frequency: 20Hz – 20.000Hz
- Sensitivity: 99dB
- Impedance: 16ohm
- Cord length: 1.2m
- Plug: 3.5mm golden

URX 210 W EDP-No. 32225

ctn qty. 5 / white



URX 210 B EDP-No. 32224

ctn qty. 5 / black



URX 200 W EDP-No. 32223

ctn qty. 5 / white



URX 200 B EDP-No. 32222

ctn qty. 5 / black



Ear Buddy Series

Earphones Ear Buddy

- Jelly style
- Fashion design in 4 colours available
- Simple cleaning due to silicone design
- Frequency: 20Hz – 20kHz
- Sensitivity: 104dB
- Impedance: 16ohm
- Cord length: 1.2m
- Plug: 3.5mm golden

BUD 4040 EDP-No. 27075

ctn qty. 5 / Ice White

BUD 4041 EDP-No. 27076

ctn qty. 5 / Cool Blue

BUD 4042 EDP-No. 27077

ctn qty. 5 / Hot Pink

BUD 4043 EDP-No. 27078

ctn qty. 5 / Green Zest



Cool Blue



Hot Pink



Green Zest

Bluetooth stereo headphones

Bluetooth stereo headphones with telephone function

- First class sound quality from compact high performance 40mm Neodym Drivers
- Wireless music and comfortable additional phone use
- Supports mobile devices with Bluetooth 3.0 (Smartphones, iPhone, iPad, iPod, Tablet, PC)
- Easy music & phone control: pick-up / hang-up / play / pause / <>
- Easy stowage during transport due to foldable design
- Integrated lithium battery, re-chargeable by USB cable
- Compatibility: Bluetooth 3.0 + lithium rechargeable battery 3.7V 420mAh
- Connectivity : Recharging cable USB / DC 5V
- Impedance (Ohm) : 32
- Built-in microphone: 40dB
- Frequency response: 20Hz to 20kHz
- Magnet type : NdFeB 40mm

BTHP 200 EDP-No. 34897

ctn qty. 2



Full size stereo headphones

Retro design stereo headphones

In terms of design, the SR 180 scores with its retro looks, but also convinces with its stereo sound rich of details. The lightweight is extremely comfortable to wear thanks to the soft, infinitely adjustable head band.

- Frequency: 20 – 23.000kHz
- Design: closed
- Sensitivity: 100dB
- Impedance: 32ohm
- Head band: infinitely variable
- Cord length: 1.8m
- Cable arrangement: single-sided
- Plug: 3.5mm golden

SR 180 EDP-No. 28880

ctn qty. 5



DJ style headphones

Thanks to the swivel ear caps and convenient designed ear cushions the wearing comfort is extraordinary. The manufacture is rugged and high-grade and will be underlined by an elaborated surface structure (rubber coating). The closed construction provides a strong bass performance completed by clear highs and smooth mids. The headphones can be folded compactly.

- Frequency Range: 18 – 23.000Hz
- Impedance: 32ohm
- Sensitivity: 109dB
- Cable Length: 1.8m
- Plug: 3.5mm golden
- Headband: adjustable
- Weight: 140g (w/o cable)

SR 580 HD EDP-No. 31440

ctn qty. 5 / black



TV headphones

TV stereo headphones

Compact and comfortable – the TV 180 convinces with its optimum wearing comfort and a sound optimised for TV and movies.

- Padded head band and ear cushions
- Adjustable headband
- Long cable with integrated volume controller
- Optimum sound
- Frequency: 20 – 20.000kHz
- Sensitivity: 103dB
- Impedance: 32ohm
- Head band: variable
- Cord length: 5m, incl. volume control and mono/stereo switch
- Plug: 3.5mm golden
- Adapter: 6.35mm golden

TV 180

EDP-No. 28883

ctn qty. 20



Volume control



Standard range

In-ear headphones with metal housing

- High-quality metal housing
- Powerful bass
- Flat cable to avoid cable tangle
- Frequency: 18 – 21.000Hz
- Sensibility: 101dB
- Impedance: 16ohm
- Cable length: 1,2m
- Plug: 3,5mm stereo gold plated

SR 3043

EDP-No. 33840

ctn qty. 10 / metallic blue

SR 3042

EDP-No. 33839

ctn qty. 10 / metallic black



Stereo TV headphones, 3.5mm plug

Light TV headphones with comfortable design and high freedom of movement by 5m cord length.

- Leather-style earpads
- Adjustable headband
- Volume control
- Closed design
- Single-sided cord
- Frequency range 15 – 20.000Hz
- Impedance: 32ohm
- Sensitivity: 105dB
- Plug: 3.5mm golden
- Cord length: 5m
- Adapter: 3.5mm to 6.35mm

SR 96 TV

EDP-No. 32251

ctn qty. 5



Stereo headphones

- Leather-style earpads
- Adjustable headband
- Closed design
- Single-sided cord
- Frequency range: 15 – 20.000Hz
- Impedance: 32ohm
- Sensitivity: 105dB
- Plug: 3.5mm golden
- Cord length: 1.8m

SR 96

EDP-No. 32250

ctn qty. 5



Standard range

Stereo headphones with volume control

- Lightweight design
- With volume control
- Soft earpads
- Adjustable headband
- Frequency: 20 Hz – 20.000Hz
- Sensitivity: 105dB
- Impedance: 32ohm
- Cord length: 1.2m
- Plug: 3.5mm golden

Stereo Ear Buds

Convince with their bass accentuated sound and attractive design

- Frequency: 20 – 20.000kHz
- Sensitivity: 109dB
- Impedance: 32ohm
- Cord length: 1.2m
- Plug: 3.5mm

Stereo headphones, light weight

- Light weight
- High wearing comfort
- Extra soft ear pads
- Frequency: 20 – 20.000Hz
- Sensitivity: 101dB
- Impedance: 32ohm
- Cord length: 1.1m
- Plug: 3.5mm

Ear pads

Universal silicone ear pads for in earphones

- Universal silicone ear pads for in earphones
- 3 Sizes: S/M/L

Universal silicone ear pads for in earphones

- Universal silicone ear pads for in earphones
- 3 Sizes: S/M/L

Universal soft spare ear pads for earphones

- 6 off foam ear cushions
- Ø 18mm

SR 3031
EDP-No. 32256
ctn qty. 5



Volume control



SR 3040
EDP-No. 32254
ctn qty. 10 / black

SR 3041
EDP-No. 32255
ctn qty. 10 / white



SR 3030
EDP-No. 32253
ctn qty. 10



EP10B
EDP-No. 33841
ctn qty. 100 / black

EP10W
EDP-No. 33842
ctn qty. 100 / white

EP2018B
EDP-No. 33843
ctn qty. 100 / black



Talk 4

Sales display with 25 handsfree in-earphones in 4 colors

This sales display contains 25 in-earphones in 4 different trend colors. The earphone comes with microphone and control unit for phone call acceptance. The use of the earphone is convenient thanks to its flat anti-tangle cable.

- Frequency: 20 - 20.000Hz
- Sensivity: 102dB
- Impedance: 32 Ohm
- Cable length: 1.2m
- Cable: flat, anti-tangle
- Plug: 3.5mm, metallic
- Control element with mic and call acceptance button

The sales display contains:

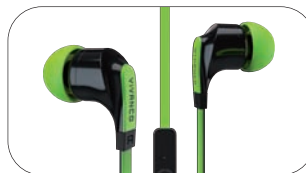
- 10 earphones black
- 5 earphones blue
- 5 earphones green
- 5 earphones pink



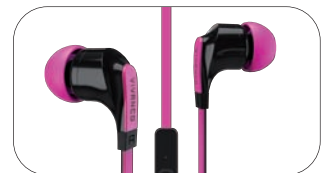
Talk black



Talk blue



Talk green



Talk pink

new Talk 4
EDP-No. 35544

ctn qty. 25 - assorted colors



Play 5

Sales display with earphones in 5 different types and 5 colors

In-earphones with anti-tangle flat cable and Metallic plug, golden

Super Bass

- Super Bass earphones with rich sound and extra strong bass
- Color: black

Comfort Buds

- Earphones with comfort ear pads in 3 different sizes (S / M / L)
- Color: blue

Share Buds

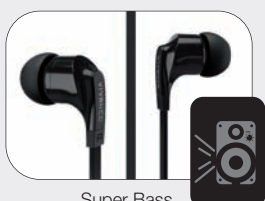
- Earphones with sound splitter
- Color: green

Sport Buds

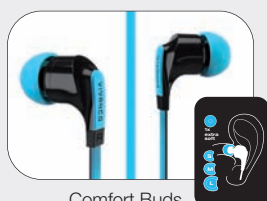
- Earphones with in ear clips in 2 sizes – secure fit for sport activities
- Color: pink

Volume Control

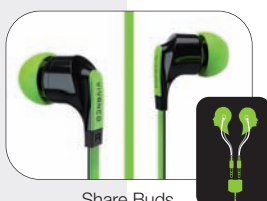
- Earphones with volume control
- Color: white



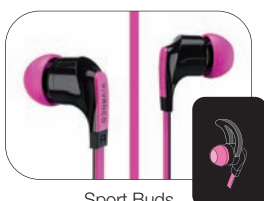
Super Bass



Comfort Buds



Share Buds



Sport Buds



Volume Control

new Play 5
EDP-No. 35540

ctn qty. 25 - assorted colors



Fusion

FUSION Display – 4 different fashion in earphones

Stunning and affordable earphones in fashionable colours. 4 Variations of product, each with a unique to range function.

- Volume Control Edition in Violet/White. With built-in volume control for convenience. (5 pieces per display)
- Share Buds Edition in White/Green. With Y adapter allowing you to share your music. (5 pieces per display)
- Comfort Edition in Black/Red, With foam ear pads, ideal for long wearing periods. (5 pieces per display)
- Super Bass Edition in Black. With powerful bass for user enjoyment. (10 pieces per display)
- Frequency: 20 – 20.000Hz
- Sensitivity: 108dB (101dB SuperBass edition)
- Impedance: 16ohm (32ohm SuperBass edition)
- Cord length: 1.2m
- 3.5mm plug golden



Share Buds



Volume Control



Comfort



Super Bass

FUSION
EDP-No. 26773

ctn qty. 25*



FUSION Super Bass stereo in earphones

- Powerful sound
- Massive bass
- 3 ear silicon fitting kits (S/M/L)
- Frequency: 5 – 20.000Hz
- Sensitivity: 110dB
- Impedance: 16ohm
- Cable length: 1.2m
- Plug: 3.5mm, golden

FUSION BASS
EDP-No. 27583

ctn qty. 10*



Colour Buds

StStreet Style Headphones Colourz

Street Style Headphones, the perfect partner for every day. The Sound convinces with a crisp bass range as well as well-balanced mids and highs. Soft leatherette ear cushions, a stageless adjustable headband and the single-sided cable wiring provide a comfortable fit. The cable and the 3.5 mm plug come with a tough coating which makes them very lasting.

- Sensitivity: 110dB
- Frequency Range: 18 – 22.000Hz
- Impedance: 32ohm
- Cable Length: 1.8m
- Cable Wiring: single sided
- Plug: 3.5mm, golden
- Headband: stageless adjustable
- Weight: 120g (w/o cable)

COL 400 BLACK
EDP-No. 34877

ctn qty. 5 / black

COL 400 WHITE
EDP-No. 34878

ctn qty. 5 / white

COL 400 GREEN
EDP-No. 34879

ctn qty. 5 / green

COL 400 RED
EDP-No. 34880

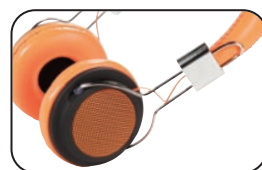
ctn qty. 5 / red

COL 400 BLUE
EDP-No. 34881

ctn qty. 5 / blue

COL 400 ORANGE
EDP-No. 34882

ctn qty. 5 / orange



Colour Buds light weight and trendy design

Light weight stereo ear buds available in 6 trend colours.

- Frequency: 20 - 20.000Hz
- Sensitivity: 81dB
- Impedance: 32ohm
- Cable length: 1.2m
- Plug: 3.5mm
- Weight: only 10.5g

SR 3 BLACK
EDP-No. 34883

ctn qty. 20 / black

SR 3 WHITE
EDP-No. 34884

ctn qty. 20 / white

SR 3 GREEN
EDP-No. 34885

ctn qty. 20 / green

SR 3 RED
EDP-No. 34886

ctn qty. 20 / red

SR 3 BLUE
EDP-No. 34887

ctn qty. 20 / blue

SR 3 ORANGE
EDP-No. 34888

ctn qty. 20 / orange



Dynamic microphones (mono)

Dynamic microphone (mono)

- 3 level volume control
- 6.3mm / XLR plug
- Zinc Alloy housing
- 5m lead
- Unidirectional
- Impedance: 500ohm

Dynamic microphone (mono)

- Dynamic shock absorber
- 6.3mm / XLR plug
- Zinc Alloy housing
- 5m lead
- Unidirectional
- Impedance: 500ohm

Dynamic microphone (mono)

- Windbreak integrated
- 3.5mm / 6.3mm / XLR plug
- ABS housing
- 3.1m lead
- Unidirectional
- Impedance: 500ohm

Dynamic microphone (mono)

- Windbreak integrated
- 3.5mm / 6.3mm plug
- ABS housing
- 3.1m lead
- Unidirectional
- Impedance: 500ohm

Dynamic microphone (mono)

- Super lightweight
- 3.5mm / 6.3mm / XLR plug
- ABS housing
- 3.1m lead
- Unidirectional
- Impedance: 600ohm

Dynamic microphone (mono)

- Attractive entry class
- 3.5mm / 6.3mm plug
- ABS housing
- 3.1m lead
- Unidirectional
- Impedance: 500ohm

DM 60
EDP-No. 14513
ctn qty. 5



DM 50
EDP-No. 14512
ctn qty. 5



DM 40
EDP-No. 14511
ctn qty. 5



DM 30
EDP-No. 14510
ctn qty. 5



DM 20
EDP-No. 14509
ctn qty. 5



DM 10
EDP-No. 14508
ctn qty. 5



MP3 Headphones

Essential In-ear Headset for Smartphones with flat cable

- In-Ear Headset with replacement ear pads
- Start/Stop Button
- Multi-function button, f.e. for answering telephone calls
- Flat cable
- Frequency: 20 – 20.000Hz
- Sensitivity: 95dB
- Impedance: 32 Ohm
- Cable Length: 1.2m, „Anti-Tangle“
- Plug: 3.5mm, golden, 4 polig,

SMART PRO In-ear Stereo Headset for Smartphones

- For use with mobile devices
- Ergonomic formed Ear-plugs
- Multi-function button, e.g. for answering telephone calls
- Volume Control
- Cable Length: 1.2m, „Anti-Tangle“
- Plug: 3.5mm
- Sensitivity: 97dB/1mW
- Impedance: 32 Ohm
- Frequency: 20Hz - 20KHz

Metal In-ear Headset with multifunctions Button

- Metal housing
- In-Ear plugs with replacement ear pads
- With remote control, for example, next song / call the last dialed number
- Start/Stop Button
- Volume Control
- Multi-function button, f.e. for answering telephone calls
- Frequency: 20 – 20.000Hz
- Sensitivity: 102dB
- Impedance: 32 Ohm
- Cable length: 1.2m, „Anti-Tangle“
- Plug: 3.5mm, golden, 4 polig,

new HSESSVVBK

EDP-No. 35492

ctn qty. 10 / black

new HSESSVWW

EDP-No. 35493

ctn qty. 10 / white

new HSESSVVB

EDP-No. 35494

ctn qty. 10 / blue

new HSESSVVR

EDP-No. 35495

ctn qty. 10 / red



new HSSMARTVVBK

EDP-No. 36271

ctn qty. 10 / black

new HSSMARTVWW

EDP-No. 36272

ctn qty. 10 / white



new HSMETVVBKA

EDP-No. 35496

ctn qty. 10 / black, for Android

new HSMETVWWA

EDP-No. 35497

ctn qty. 10 / white, for Android

new HSMETVVBKI

EDP-No. 35498

ctn qty. 10 / black, for iPhone

new HSMETVWWI

EDP-No. 35499

ctn qty. 10 / white, for iPhone



Power supplies for Apple devices

USB Power supply, 2.4A with lightning connection cable, 1m

- Power supply Incl. removable lightning connection cable for iPhone, iPad, iPod
- Recharge of all devices with lightning connection possible
- Charging current: max. 2.4A
- Input current: 100 – 240V

USB Car Power supply, 2.4A with lightning connection, 1m

Car Power supply with with removable lightning connection cable for iPhone, iPad, iPod

- Car Power supply
- Incl. removable lightning connection cable
- Recharge of all devices with lightning connection via cigarette lighter in the car
- Charging current: max. 2.4A
- Input current: 12 – 24V

Power supply with lightning plug for Apple devices, 1A

- Power supply with lightning plug
- Recharge of all devices with lightning connection possible
- Charging current: 1A
- Input current: 100 – 240V

Car Power supply with lightning plug for Apple devices, 1A

- Car Power supply with lightning plug
- Recharge of all devices with Lightning connection via cigarette lighter in the car
- Charging current: 1A
- Input current: 12 – 24V

Power supply 30pin for Apple iPhone, iPod, 1A

- Power supply Apple 30-pin plug
- Recharge of all devices with 30-pin connection possible
- Charging current: 1A
- Input current: 100 – 240V

new TCVVLIGHTNING24A

EDP-No. 36276

ctn qty. 10 / 1.0m / white



new CCVVLIGHTNING24A

EDP-No. 36277

ctn qty. 10 / 1.0m / white



new TCVVLIGHTNING

EDP-No. 34759

ctn qty. 10 / white



new CCVVLIGHTN

EDP-No. 34758

ctn qty. 10 / white



new TCVVDOCKIPH

EDP-No. 35468

ctn qty. 10 / 1.0m / white



Power supplies for Apple devices

Car Charger 30pin for Apple iPhone, iPod, 1A

- Car-Power supply with 30-pin connection
- Recharge of all devices with 30-pin connection via cigarette lighter in the car
- Charging current: 1A
- Input current: 12V

new CCVVDOCKIPH

EDP-No. 35469

ctn qty. 10 / white



Micro USB Power supply

Power supply with Micro USB plug, 1A

Das Netzteil mit Micro USB Stecker ist zum Laden von diversen mobilen Geräten mit micro USB Anschluss

- Power supply with micro USB
- Recharge of all devices with Micro-USB socket
- With Functions LED
- Charging current: 1A
- Input current: 100 – 240V

new TC MUSB TC 1

EDP-No. 31755

ctn qty. 10 / 1.0m / black

new TCVMUSB1AW

EDP-No. 36265

ctn qty. 10 / 1.0m / white



Car power supply with micro USB plug, 1A

- Car power supply micro USB
- Recharge of all devices with Micro-USB socket by cigarette lighter in the car
- Charging current: 1A
- Input current: 12 - 24V

new CCVVMUSB1ABK

EDP-No. 35485

ctn qty. 10 / 1.0m / black

new CCVVMUSB1AW

EDP-No. 36266

ctn qty. 10 / 1,0m / white



Universal Power supply

USB Wall Charger, 1A

- Super compact and light weight
- For worldwide use
- Input: Euro plug 100 - 240V, 50/60Hz, max. 150mA
- Output: USB A charging outlet socket: 5V=, max. 1A

new CHARGERVUSB1A

EDP-No. 35467

ctn qty. 10 / black

new CHARGERVUSB1AW

EDP-No. 36261

ctn qty. 10 / white



Universal Power supply

USB Car Charger, 2.1A

- USB car charger
- Allows charging via the cigarette lighter of all devices that are powered via USB
- Cable needed
- With Functions LED
- Charging current: 2.1A
- Input current: 12 - 24V

Dual car charger, 3.4A

- Dual car charger
- Allows charging of 2 devices via the cigarette lighter of all powered via USB
- With Functions LED
- Charging current: total 3.4A
- Input current: 12 - 24V

Universal USB charging adapter

- For all USB chargeable devices like smartphones, MP3 player and Apple iPod/iPhone
- GS, CE
- Input: 100 – 240V~; 60/50Hz; max. 130mA
- Output: 5V / 1000mA (voltage according to USB standard)
- Max. Output power/current: 5W
- Output socket: USB type A socket
- Surge protection
- Stand-by power: <0.3W

Universal USB car charging adapter

- For all USB chargeable devices like smartphones, MP3 player and Apple iPod/iPhone
- E Mark: CE, (E4)
- Input: 12 – 13.8V
- Output: 5V / 1000mA (voltage according to USB standard)
- Max. Output power/current: 5W
- Output socket: USB type A socket
- Surge protection

new CCVVUSB21ABK

EDP-No. 36256

ctn qty. 10 / black

new CCVVUSB21AW

EDP-No. 36257

ctn qty. 10 / white



new CCVVUSBDUAL

EDP-No. 35466

ctn qty. 10 / black



IPA 2000

EDP-No. 31021

ctn qty. 10



ICA 2000

EDP-No. 31020

ctn qty. 10



Data cables

Micro USB 2.0 Connection
USB A-plug to USB micro B-plug

- Micro USB 2.0 Connection
- USB A-plug <-> USB micro B-plug
- Ideally for charging and synchronisation
- Compatible to devices with micro USB port e.g. tablet, smartphone, Samsung, Sony, HTC and other, MP3 player

new DCVVMCUSB12BK
EDP-No. 36251
ctn qty. 10 / black

new DCVVMCUSB12W
EDP-No. 36252
ctn qty. 10 / white

new DCVVMCUSB12BL
EDP-No. 36253
ctn qty. 10 / blue

new DCVVMCUSB12GR
EDP-No. 36254
ctn qty. 10 / green

new DCVVMCUSB12PU
EDP-No. 36255
ctn qty. 10 / purple



white



blue



green



purple

Lightning USB-Datencable for Apple devices

- Lightning USB-Datencable for iPhone 5/5S, iPhone 6, iPhone 6 plus
- For connection of Apple devices with the computer
- Supports charging and data synchronization

new LIGHTNVVUSBCABLE2
EDP-No. 35484
ctn qty. 10 / 1.5m / white

new LIGHTNVVUSBCABLE1
EDP-No. 35515
ctn qty. 10 / 1.5m / white



Dock USB cable for Apple devices

- Dock connector 30-polig to USB-cable
- For connection of Apple devices with the computer
- Supports charging and data synchronization

new DOCKVVUSBCABLE
EDP-No. 35470
ctn qty. 10 / 1.5m / white



iPod and MP3 player connections

Made for iPod dock connector > USB

- Inner core made of oxygen free copper (OFC)
- Double shielding
- Compatible with iPod touch, classic, nano
- iPhone compatibel
- Supported data synchronisation and transfer
- USB 2.0-compatible
- Also for charging, e.g. in connection with articles 23192, 25343 or 23193 or other USB charge adapters compatible with iPod/iPhone

Solid 3.5mm / RCA connection 3.5mm plug <-> 2x RCA plug

- For connecting your iPhone / iPod / iPad / MP3 player to your HiFi system
- Solid metallic plug, chromdesign
- Pure oxygen free copper cables (OFC)
- Solid metal connector with gold plated contacts
- Double shielded
- Stereo

Solid Y-adapter 3.5mm plug <-> 2x 3.5mm connection

- For connecting two headphones to your iPhone / iPod / iPad / MP3 player
- Solid metallic plug, chromdesign
- Pure oxygen free copper cables (OFC)
- 24 carat gold-plated contact surfaces
- Double shielded
- Stereo

Solid 3.5mm connection 3.5mm plug <-> 3.5mm plug

- For connecting your iPhone / iPod / iPad / MP3 player to your car radio
- Solid metallic plug, chromdesign
- Pure oxygen free copper cables (OFC)
- 24 carat gold-plated contact surfaces
- Double shielded
- Stereo

PREMIUM 3.5 mm extension 3.5 mm plug <-> 3.5 mm socket

- For connecting your headset to your iPhone / iPod / iPad / MP3 player
- Solid metallic plug, chromdesign
- Pure oxygen free copper cables (OFC)
- 24 carat gold-plated contact surfaces
- Double shielded
- Stereo

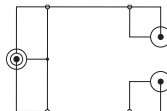
MFI U1 18W EDP-No. 31015

ctn qty. 5 / 1.8m / white



MP A2 15B EDP-No. 31011

ctn qty. 5 / 1.5m



MP A2 02B EDP-No. 31012

ctn qty. 5 / 0.2m



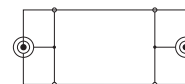
MP A1 03B EDP-No. 31038

ctn qty. 5 / 0.3m



MP A1 08B EDP-No. 31013

ctn qty. 5 / 0.8m



MP A1 15B EDP-No. 31444

ctn qty. 5 / 1.5m



MP AV1 03 EDP-No. 31039

ctn qty. 5 / 0.3m

iPod and MP3 player connections

3.5mm / RCA connection

3.5mm plug <-> 2x RCA plug

- For connecting your iPhone / iPod / MP3 player to your HiFi system
- Pure oxygen free copper cables (OFC)
- Ergonomic plug design with gold plated contacts
- Single shielded
- Stereo

Connection 3.5mm

3.5mm plug <-> 3.5mm plug

- For connecting your iPhone / iPod / MP3 player to your car radio
- Pure oxygen free copper cables (OFC)
- Ergonomic plug design with gold plated contacts
- Single shielded
- Stereo

Y-adapter 3.5mm

3.5mm plug <-> 2x 3.5mm socket

- For connecting two headphones to your iPhone / iPod / MP3 player
- Pure oxygen free copper cables (OFC)
- Ergonomic plug design with gold plated contacts
- Single shielded
- Stereo

USB 2.0 certified connection cable

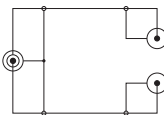
USB plug typ A <-> USB plug typ mini B

- For connecting your MP3 player to your PC / laptop
- Pure oxygen free copper cables (OFC)
- Ergonomic plug design with gold plated contacts
- Single shielded

MS A2 18W

EDP-No. 31006

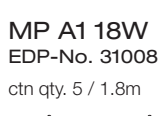
ctn qty. 5 / 1.8m



MS A1 08W

EDP-No. 31007

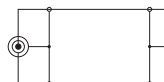
ctn qty. 5 / 0.8m



MP A1 18W

EDP-No. 31008

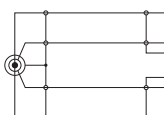
ctn qty. 5 / 1.8m



MS A2 02W

EDP-No. 31009

ctn qty. 5 / 0.2m



MS A1 18W

EDP-No. 31010

ctn qty. 5 / 1.8m



MP3 adapter

MP3 car adapter cassette

- For the connection of MP3 players to car radios with a cassette deck
- 3.5mm plug, stereo
- With auto-reverse function

IACA

EDP-No. 31037

ctn qty. 10



Camera cases

Neoprene Camera Case

The ultra-thin camera bags made of soft, stretchy neoprene offer optimum protection.

- Material outside: Neoprene
- Material inside: Fleece
- Inner dimension: 11.5 x 7.5 x 2cm
- Outer dimension: 12 x 9 x 2.5cm
- Loop for neckstrap
- Metal-Zipper

Camera case „Smart-Case“

- Soft pouch construction
- Twin zip closure
- Herringbone design
- 20mm webbing belt loop with velcro
- Hidden Memory card pocket with access given by opening the belt loop

Available in two sizes:

- Size I – for Compacts: 6.2 x 10.5 x 2cm
- Size II – for Superzooms: 7 x 11.5 x 3.5cm



Camera case „VN“

High quality nylon camera case. The small zip pocket at the front provides space for extra memory cards.

- Padded inner compartment
- Memory card pocket
- Removable shoulder strap
- Inner dimension: 7 x 10 x 3cm

Camera case „EVA“

The protective hard shell, the durable nylon cover and the soft lining ensure cameras, cell phones and MP3 players optimum security.

- Material: EVA hardcases with nylon
- Black coloured fleece lining inside
- Two Pockets inside
- 2 metal zipper puller
- Fixed belt loop (6cm)
- Neck strap with metal hook
- Ctn qty.: 100
- Inner dimension: 7 x 10 x 3cm

CC NEO BL EDP-No. 34280

ctn qty. 1 / black



SMC 60 BK EDP-No. 32286

ctn qty. 1 / Size I / black



SMC 70 BK EDP-No. 32290

ctn qty. 1 / Size II / black

SMC 70 BR EDP-No. 32291

ctn qty. 1 / Size II / brown

CC VN 70 BL EDP-No. 27376

ctn qty. 1 / black



CC EVA GY 70 EDP-No. 27389

ctn qty. 1 / gray

CC EVA RE 70 EDP-No. 27391

ctn qty. 1 / red



Camera cases

Hardcases for digital cameras „EVA“

The hard cases with tough nylon cover and soft lining ensure optimum protection.

- Material: EVA Hardcases with Nylon
- Material inside: Fleece
- Inner dimensions: 10.5 x 6.5 x 3cm
- Pocket inside for e.g. memory cards
- 2 metal zipper puller
- Belt loop
- Neck strap with metal hook

Hard shell camera case „EVA“

The protective hard shell, the durable nylon cover and the soft lining ensure cameras, cell phones and MP3 players optimum security.

- Material: EVA hardcases with nylon
- Black coloured fleece lining inside
- Two Pockets inside
- 2 metal zipper puller
- Fixed belt loop (6cm)
- Neck strap with metal hook
- Ctn qty.: 100

Available in two sizes:

Size I – Inner dimensions: 6 x 9 x 2.5cm

Size II – Inner dimensions: 7 x 10 x 3cm

CC EVA BL EDP-No. 34270

ctn qty. 1 / black

CC EVA BG EDP-No. 34271

ctn qty. 1 / red

CC EVA GY EDP-No. 34272

ctn qty. 1 / gray

CC EVA OU EDP-No. 34273

ctn qty. 1 / purple

CC EVA DB EDP-No. 34274

ctn qty. 1 / blue

CC EVA TU EDP-No. 34275

ctn qty. 1 / turquoise



CC EVA 60 BR EDP-No. 27414

ctn qty. 1 / Size I / brown

CC EVA FU 70 EDP-No. 27904

ctn qty. 1 / Size II / fuchsia



Camcorder and DSLR

DSLR camera case

- Soft padded pouch construction with twin zip closure
- Padded back panel
- Leatherette bottom
- Adjustable shoulder strap
- Opening pleat
- Internal pocket for accessories and memory cards
- Removable lens protection pad with velcro

Available in two sizes:

Size I – Inner dimensions: 14 x 14.5 x 9.5cm

Size II – Inner dimensions: 18 x 19 x 10.5cm

Camcorder case

- Soft padded pouch front-construction with main zip closure and EVA back
- 20mm Herringbone webbing belt loop
- Removable shoulder strap
- Internal pocket for accessories and memory cards
- Inner dimension: 8 x 15 x 6cm

Universal DSLR Camera Bag

- Top-loading opening for quick and easy access to the camera
- Padded inner compartment with adjustable panel
- Extra solid protection for objective lens - removable
- Front pocket
- 2-way zipper
- Padded carrying handle
- Solid belt loop
- Shoulder strap, removable and adjustable (60-120cm)
- Material: 600 D Polyester
- Inner dimensions: (W/H/D) 10-16cm x 18.5cm x 10-11 cm

DSLR 120 BK EDP-No. 32295

ctn qty. 1 / Size I

DSLR 180 BK EDP-No. 32296

ctn qty. 1 / Size II



CMC 70 BK EDP-No. 32294

ctn qty. 1



DSLR BL EDP-No. 34290

ctn qty. 1 / black



Camcorder and DSLR

Basic Black camcorder/camera case

Robust case for all occasions. Tasteful styling and high-quality workmanship are the trademark features of this line. Robust material and stable upholstery provide the best possible protection for the camera and accessories and make the basic black models an indispensable companion in all situations.

- Material: nylon
- Water-resistant top material in black with blue piping
- The main compartment is closed with a practical double zipper
- The cover net compartment, front compartment with organisational partitioning, front and side net pockets provide space for many accessories
- High-grade upholstery
- Light-coloured flannel inner lining to help find accessories inside the case
- Adjustable interior partitioning
- Removable shoulder strap and belt loop for different carrying options
- Cleanable bottom

Available in four sizes:

Size I – Inner dimension main compartment approx 10 x 14 x 8 cm

Size II – Inner dimension main compartment approx 13 x 12 x 6 cm

Size III – Inner dimension main compartment approx 17 x 12 x 9 cm

Size IV – DSLR*-Tasche „Colt“, Inner dimension main compartment approx 17 x 19 x 12,5 cm

BASIC BLACK 100

EDP-No. 22747

ctn qty. 1 / Size I

BASIC BLACK 130

EDP-No. 22748

ctn qty. 1 / Size II

BASIC BLACK 170

EDP-No. 22749

ctn qty. 1 / Size III

BASIC BLACK Colt

EDP-No. 26155

ctn qty. 1 / Size IV



Frontfach



Tripods

Photo & video camera tripod WT 3530, black incl. tripod carry case, nylon

- Max. loading: 3000 g
- Thread/Connection: 6.4 mm / 1/4"
- 3-Way Panhead
- Rhombic Legs – 3 pieces (2-extendable)
- Bubble level



Photo & video camera tripod WT 3570, black incl. tripod carry case, nylon

- Max. loading: 4000 g
- Thread/Connection: 6.4 mm / 1/4"
- 3-Way Panhead
- Rhombic Legs – 3 pieces (2-extendable)
- Bubble level



Photo / video mini tripod WT 0252, silver

- Max. loading: 800 g
- Thread/Connection: 6.4 mm / 1/4"
- Ball tilt head
- Rhombic Legs – 2 pieces (1-extendable)
- Max. Height: 21 cm



WT 3530

EDP-No. 30761

ctn qty. 10



WT 3570

EDP-No. 30762

ctn qty. 10



WT 0252

EDP-No. 30763

ctn qty. 40



Easy product navigation according to intended use



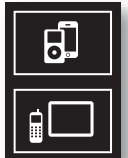
Universal

Small electronic appliances: portable audio appliances like portable radio and active loudspeakers; office and household articles, like pocket calculator, babyphone, kitchen scales, etc.



USB

All appliances with USB-interface: smartphones, tablet PCs, USB-loudspeakers, Bluetooth-appliances, MP3 Player, etc



USB + Universal

Ideal for universal use, for small appliances and appliances with USB-interface. Specific use also for camera and mobile navigation appliances.



Notebook

For notebooks and netbooks. Also ideal for the use of various notebooks.



Accessory

Power supply accessories

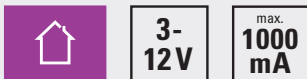


	Universal	USB	USB + Universal	Notebook	Accessory
	<p>PAH 10 (35980)</p>	<p>PAH 20 (35982) PAH 70 (35984)</p>	<p>PAU 1501 (35988) PAH 30 (35986)</p>	<p>PAH 50 (35987)</p>	
	<p>CPA 10 (35981)</p>	<p>CPA 20 (35983) CPA 70 (35985)</p>			<p>CPC 161 (35990) CPM 2.1 (35991)</p>

Universal

Universal AC/DC Power Adapter

- Compact and light weight
- Switchable output voltage: 3.0 / 4.5 / 5.0 / 6.0 / 7.5 / 9.0 / 12V; max. 12VA
- 8 output plugs for the most common devices: 2.5mm / 3.5mm / 5.0 x 2.1mm / 5.5 x 2.5mm / 3.5 x 1.35mm / 4.0 x 1.7mm / 5.5 x 1.5mm / 2.35 x 0.75mm
- Input: 100 – 240V~ / 60/50Hz / 0.25A max.
- Maximal output power/current: 12W / 1000mA max.
- Stand-by power: < 0.3W*
- Efficiency: max. 75%



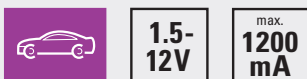
PAH 10
EDP-No. 35980

ctn qty. 10



Universal CAR Power Adapter

- Compact and light weight
- For worldwide use
- Switchable output voltage: 1.5 / 3.0 / 4.5 / 6.0 / 7.5 / 9.0 / 12V=; max. 14.4W
- 8 output plugs for the most common devices: 2.5mm / 3.5mm / 5.0 x 2.1mm / 5.5 x 2.5mm / 3.5 x 1.35mm / 4.0 x 1.7mm / 5.5 x 1.5mm / 2.35 x 0.75mm
- Input: 12 – 13.8V=
- Maximal output power/current: 14.4W / 1200mA max.
- Efficiency: max. 93%



CPA 10
EDP-No. 35981

ctn qty. 10



USB

USB Wall Charger

- Super compact and light weight
- For worldwide use
- Input: Euro plug 100 - 240V, 50/60Hz, max. 150mA
- Output: USB A charging outlet socket: 5V =, max. 1A



PAH 20
EDP-No. 35982

ctn qty. 10



USB

Dual USB wall charger with auto setup

- Dual USB high performance power adapter with 2x 2400mA
- Charging of 2 tablet PCs at the same time
- Auto detection of the USB device settings for optimised charging process
- Control LED
- Input: Euro socket 100 - 240V~, 50/60Hz, 520mA
- Output: 2x USBA sockets with 5V / 2.400mA max each
- Stand-by consumption: only 0.13W
- Efficiency: max. 76.4%
- Input: Euro socket 100 - 240V~, 50/60Hz, 520mA
- Output: 2x USBA sockets with 5V / 2.400mA max each
- Stand-by consumption: only 0.13W
- Efficiency: max. 76.4%

	2x 5V	max. 4800 mA	Auto Setup	2x Tablet PC	Extra High Performance
---	------------------------	----------------------------------	-----------------------------	---	---

USB Car Charger

- Super compact and lightweight
- For worldwide use
- USB A socket
- With control LED
- Input: Cigarette lighter plug 12V=
- Output: 1x USB A socket 5V=, max. 1A

	5V	max. 1000 mA
---	-----------	----------------------------------

Dual USB car charger with auto setup

- Dual USB high performance car power adapter with 3400mA
- Charging of 1 tablet PC and 1 mobile phone at the same time
- Auto detection of the USB device settings for optimised charging process
- Control LED
- Input: cigarette lighter socket 12-24V=
- Output: 2x USBA sockets with 5V each / 1x 2.400mA plus 1x 1000mA max.
- Stand-by consumption: only 0.15W
- Efficiency: max. 80.7%

	2x 5V	max. 3400 mA	Auto Setup	Tablet + Phone	Extra High Performance
---	------------------------	----------------------------------	-----------------------------	---------------------------------	---

PAH 70
EDP-No. 35984
ctn qty. 10



CPA 20
EDP-No. 35983
ctn qty. 10



CPA 70
EDP-No. 35985
ctn qty. 10



USB + Universal

AC/DC Power Adapter – Universal and USB

- Universal use for USB and non-USB devices
- Ideal for digital camera and car navigation devices as well as other USB and non-USB devices
- Compact and light weight
- Switchable output voltage: 3.0 / 4.5 / 5.0 / 6.0 / 7.5 / 9.0 / 12V DC
- 9 output plugs for USB and non-USB devices:
 - 6 non-USB plugs: 0.75 x 2.35mm / 1.35 x 3.5mm / 1.7 x 4.0mm / 1.7 x 4.75mm / 2.1 x 5.5mm / 2.5 x 5.5mm
 - 3 USB plugs: USB A / Mini USB / Micro USB
- Input: 100 – 240V~ / 60/50Hz / 0.55A max.
- Maximal output power/current: 27W / 2250mA max.
- Stand-by power: < 0.3W
- Efficiency: max. 84%



3-12V

max. 2250 mA

5V USB

PAH 30
EDP-No. 35986
ctn qty. 5



AC/DC Power Adapter – Universal and USB

- Universal use for USB and non-USB devices
- Ideal for operating and charging of non-USB as well as USB devices
- Compact and light weight
- For worldwide use
- Switchable output voltage: 3.0 / 4.5 / 5.0 / 6.0 / 7.5 / 9.0 / 12V DC
- 11 output plugs for USB and non-USB devices:
 - 8 non-USB plugs: 2.5mm / 3.5mm / 5.0 x 2.1mm / 5.5 x 2.5mm / 3.5 x 1.35mm / 4.0 x 1.7mm / 5.5 x 1.5mm / 2.35 x 0.75mm/
 - 3 USB plugs: USB A / Mini USB / Micro USB
- Input: 100 – 240V~ / 60/50Hz / 0.35A max.
- Maximal output power/current: 18W / 1500mA max.
- Stand-by power: < 0.3W
- Efficiency: max. 83%



3-12V

max. 1500 mA

5V USB

PAU 1501
EDP-No. 35988
ctn qty. 5



Notebook

Universal power adapter for notebooks + netbooks

- 90W max
- Auto detection for voltage pre-set
- Indication LED
- Input Voltage AC 100 - 240V ~ 60/50 Hz, max. 1.1A
- Fixed mains lead with Euro plug
- AC Cable length: 1.5m / DC Output Lead: length: 1.5m
- Output Voltages: 15 (auto mode only), 16, 19.5V=, max. 3.6A
- Manual output voltages: 15 - 16= 16V or 19.5 only
- Operating Temperature: 0 to 25°C
- Storage temperature: -20 to 60°C



15-19V

max. 90 W

Auto Voltage

Plug & Play

Extra High Performance

7.5 x 5.1/13	HP Notebook	7.9 x 5.1/12	Dell, IBM
6.5 x 1.0/12	Dell, Samsung, Sony, Fujitsu	4.75 x 1.75/10	HP, Compaq
5.5 x 1.75/12	HP, Sharp, Compaq	7/12.5	Lenovo
5.5 x 2.5/12.5	LG X Series	4.5 x 3.0/12	HP, Chromebook
5.0 x 3.4/12	Samsung		

PAH 50
EDP-No. 35987
ctn qty. 10



Accessories

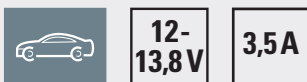
Car power DC/AC inverter with USB charging function

- Inverts DC voltage from car voltage network to AC voltage 230V
- Additional USB socket for charging and operating USB devices (for example tablet PCs)
- Control LEDs
- Input cigarette lighter plug: 12 – 13.8V= / max. 15A max.
- Maximum output: 150W / 300W (peak for max 0.3sec)
- Output voltage: 230V / 50Hz
- USB output: 5V=, 2400mA max., USB socket type A
- Fuse: 20A
- Operating temperature from 0°C to 40°C



Car socket multiplier

- Doubles power connector sockets in vehicle
- Input plug: cigarette lighter
- Input: 12 – 13.8V=
- Max. output power/current: 42W / 3500mA
- Output socket: 2x 12V=



Vivanco special models

Universal DC/DC car power adapter

- Compact and light weighing
- For worldwide use
- E Mark: CE, (E4) 10R-021419
- Input: 12 – 13.8V=
- Max. output power/current: 9.6W / 800mA
- Output voltages: 1.5/ 3.0 / 4.5 / 6.0 / 7.5 / 9.0 / 12V
- Output plugs: 3.5mm / 5.0 x 2.1mm / 5.5 x 2.5mm / 3.5 x 1.35mm / 4.0 x 1.7mm / 2.35 x 0.75mm

Universal AC/DC power adapter

- Compact and light weighing
- For worldwide use
- GS, CE
- Input: 100–240V; 60/50Hz; max. 0.16A
- Max. output power/current: 7.2W / 600mA max.
- Stand-by power: < 0.3W*
- Efficiency: max. 70%*
- Output voltages: 3.0 / 4.5 / 5.0 / 6.0 / 7.5 / 9.0 / 12V
- Output plugs: 3.5mm / 5.0 x 2.1mm / 5.5 x 2.5mm / 3.5 x 1.35mm / 4.0 x 1.7mm / 2.35 x 0.75mm

CPC 161
EDP-No. 35990
ctn qty. 10



CPM 2.1
EDP-No. 35991
ctn qty. 10



CA 800
EDP-No. 27821
ctn qty. 10



PA 600
EDP-No. 27822
ctn qty. 10



Vivanco special models

Universal USB charging adapter

- For all USB chargeable MP 3 players, also iPhone/iPod
- For charging of most USB chargeable devices, e.g. satellite navigation systems
- GS, CE
- Input: 100 – 240V; 60/50Hz; max. 0.13A
- Max. output power/current: 5W / 1000mA
- Stand-by power: < 0.3W*
- Efficiency: max. 85%*
- Output voltages: 5V (+- 5% USB standard compliant)
- Output socket: USB socket type A

Universal USB car charging adapter

- For all USB chargeable MP 3 players, also iPhone/iPod
- For charging of most USB chargeable devices, e.g. satellite navigation systems
- E Mark: CE, (E4) 10R-021618
- Input: 12 – 13.8V=
- Max. output power/current: 5W / 540mA max.
- Output voltages: 5V (+- 5% USB standard compliant)
- Output socket: USB socket type A

PA 1001
EDP-No. 32390

ctn qty. 10



CA 1001
EDP-No. 32391

ctn qty. 10



Batteries

Set of button cells, CR2032

- Lithium button cells
- 3.0V
- Content: 2x CR2032

BC CR2032-2
EDP-No. 31737

ctn qty. 10



Set of button cells, CR2025

- Lithium button cells
- 3.0V
- Content: 2x CR2025

BC CR2025-2
EDP-No. 31740

ctn qty. 10



Batteries

Set of button cells, 30pcs

Collection of popular button cells combined in a useful set

- Alkaline button cells
- 1.5V
- Content: 30pcs.:
6x AG1 / 6x AG3 / 6x AG4 / 3x AG10 / 3x AG12 / 6x AG13
- Compatibility overview:
AG1 - LR621 - 164
AG3 - LR41 - LR736 - 164
AG4 - LR626 - 177
AG10 - LR1130 - 189
AG12 - LR43 - LR1142 - 186
AG13 - LR44 - LR1154 - 157

Set of button cells, LR44

Set of these popular button cells LR41

- Alkaline button cells
- 1.5V
- Content: 10x LR41
- Compatibility overview: LR44 - AG13 - LR1154 - 157

NiMH battery pack, 4x micro 1.2V / 850mAh

- Nickel Metal hydrid
- 1.2V
- 850mAh
- Type: AAA
- Content: 4pcs.

NiMH battery, rechargeable, AAA-Type, 700mAh, 2pcs.

Ideally in use with digital camera, flashlight, walkie-talkie, clocks.

- NiMH 2x Micro 1.2V / 700mAh
- Size: 45 x 10 x 10mm
- Weight: 12g / battery
- Type: AAA
- Content: 2pcs.

NiMH battery pack, 4x mignon 1.2V / 2500mAh

- Nickel Metal hydrid
- 1.2V
- 2500mAh
- Type: AA
- Content: 4pcs.

BC LR SET-30

EDP-No. 31741

ctn qty. 20



BC LR44-10

EDP-No. 31742

ctn qty. 20

RC NIMH AAA850-4

EDP-No. 31744

ctn qty. 12



RC NIMH AAA700-2

EDP-No. 33594

ctn qty. 12



RC NIMH AA2500-4

EDP-No. 31745

ctn qty. 12



Socket extensions, standard

Triple socket extension lead

- 3x Schuko
- Core thickness 1.5mm²
- Sockets angled at 45°
- Secure contacts
- Virtually unbreakable housing

Triple socket extension lead with switch

- 3x Schuko with switch
- Core thickness 1.5mm²
- Sockets angled at 45°
- Secure contacts
- Virtually unbreakable housing

Six socket extension lead

- 6x Schuko
- Core thickness 1.5mm²
- Sockets angled at 45°
- Secure contacts
- Virtually unbreakable housing

Six socket extension lead with switch

- 6x Schuko with switch
- Core thickness 1.5mm²
- Sockets angled at 45°
- Secure contacts
- Virtually unbreakable housing

E3 W15

EDP-No. 28254

ctn qty. 40 / white / 1.4m

E3 S15-N

EDP-No. 34433

ctn qty. 40 / black / 1.4m



ES3 W15

EDP-No. 28256

ctn qty. 38 / white / 1.4m

ES3 S15

EDP-No. 28257

ctn qty. 38 / black / 1.4m



E6 W15

EDP-No. 28258

ctn qty. 20 / white / 1.4m

E6 S15

EDP-No. 28259

ctn qty. 20 / black / 1.4m



ES6 W15

EDP-No. 28260

ctn qty. 20 / white / 1.4m

ES6 S15

EDP-No. 28261

ctn qty. 20 / black / 1.4m



Adapters

2-way Euro adapter

- Schuko plug to 2x Euro socket

A2 W

EDP-No. 7295

ctn qty. 215 / white

3-way Euro adapter

- Schuko plug to 3x Euro socket
- Children security
- Max. 1.700Watt

A3 WE

EDP-No. 31047

ctn qty. 100 / white



Adapters

Schuko/Euro adapter

- Schuko plug to 1x Schuko socket and 2x Euro socket
- Children security

Schuko adapter with switch

- Schuko plug to Schuko socket with switch
- Children security

Schuko/Euro adapter with switch

- Schuko plug to 1x Schuko socket and 2x Euro socket
- Children security

Overvoltage protection adapter, 2x 4.500A

- For protecting your electrical devices from overvoltage, e.g. from lightning
- Including function LEDs
- Children security
- Max. connection power: 16A / 3500W
- Leakage current 2x 4500 A

A3 W

EDP-No. 17462

ctn qty. 100 / white



AS 1W

EDP-No. 22396

ctn qty. 100 / white



AS 3W

EDP-No. 27369

ctn qty. 100 / white



ÜSP 1W

EDP-No. 21950

ctn qty. 110 / white



Socket extensions, basic

Triple socket extension lead

- 3x Schuko
- Core thickness 1.5mm²
- Sockets angled at 45°
- Virtually unbreakable housing
- Children security

Triple socket extension lead with switch

- 3x Schuko with switch
- Core thickness 1.5mm²
- Sockets angled at 45°
- Virtually unbreakable housing
- Children security

EBL 3W

EDP-No. 27013

ctn qty. 40 / white / 1.4m



EBLS 3W

EDP-No. 27014

ctn qty. 38 / white / 1.4m

EBLS 3S

EDP-No. 27015

ctn qty. 38 / black / 1.4m

EBLS 3W3

EDP-No. 31044

ctn qty. 20 / white / 3.0m



Socket extensions, basic

Five socket extension lead with switch

- 5x Schuko with switch
- Core thickness 1.5mm²
- Sockets angled at 45°
- Virtually unbreakable housing
- Children security

Six socket extension lead with switch

- 6x Schuko with switch
- Core thickness 1.5mm²
- Sockets angled at 45°
- Virtually unbreakable housing
- Children security

EBLS 5W
EDP-No. 27016
ctn qty. 34 / white / 1.4m

EBLS 5S
EDP-No. 27017
ctn qty. 34 / black / 1.4m

EBLS 5W3
EDP-No. 31045
ctn qty. 15 / white / 3.0m



EBLS 6W
EDP-No. 27018
ctn qty. 20 / white / 1.4m

EBLS 6S
EDP-No. 27019
ctn qty. 20 / black / 1.4m



Socket extensions, comfort

Triple socket extension lead

- 3x Schuko
- Core thickness 1.5mm²
- Sockets angled at 45°
- Virtually unbreakable housing
- Children security
- Incl. wall mount holder

Triple socket extension lead with switch

- 3x Schuko with switch
- Core thickness 1.5mm²
- Sockets angled at 45°
- Virtually unbreakable housing
- Children security
- Incl. wall mount holder

EK3 W
EDP-No. 22352
ctn qty. 40 / white / 1.4m

EK3 S
EDP-No. 22353
ctn qty. 40 / black / 1.4m



EKS3 W
EDP-No. 22354
ctn qty. 40 / white / 1.4m

EKS3 S
EDP-No. 22351
ctn qty. 40 / black / 1.4m

EKS3 W3
EDP-No. 22356
ctn qty. 20 / white / 3.0m

EKS3 W5
EDP-No. 22357
ctn qty. 16 / white / 5.0m



Socket extensions, comfort

Five socket extension lead with switch

- 5x Schuko with switch
- Core thickness 1.5mm²
- Sockets angled at 45°
- Virtually unbreakable housing
- Children security
- Incl. wall mount holder

Seven socket extension lead with switch

- 5x Schuko + 2x Euro with switch
- Core thickness 1.5mm²
- Sockets angled at 45°
- Virtually unbreakable housing
- Children security
- Incl. wall mount holder

Ten socket extension lead with switch

- 6x Schuko + 4x Euro with switch
- Core thickness 1.5mm²
- Sockets angled at 45°
- Virtually unbreakable housing
- Children security
- Incl. wall mount holder

Triple socket extension lead with switch

- 3x Schuko with switch
- Cable opposed to the switch
- Core thickness 1.5mm²
- Sockets angled at 45°
- Virtually unbreakable housing
- Children security

Six socket extension lead with switch

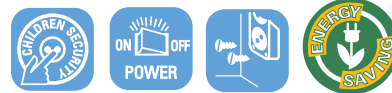
- 6x Schuko with switch
- Cable opposed to the switch
- Core thickness 1.5mm²
- Sockets angled at 45°
- Virtually unbreakable housing
- Children security

EKS5 W
EDP-No. 22359
ctn qty. 30 / white / 1.4m

EKS5 S
EDP-No. 22360
ctn qty. 30 / black / 1.4m

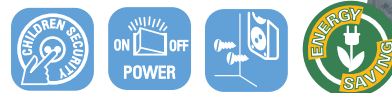
EKS5 W3
EDP-No. 28705
ctn qty. 20 / white / 3.0m

EKS5 W5
EDP-No. 29968
ctn qty. 15 / white / 5.0m



EKS5/2 W
EDP-No. 22362
ctn qty. 25 / white / 1.4m

EKS5/2 S
EDP-No. 22363
ctn qty. 25 / black / 1.4m



EKS10 W
EDP-No. 22367
ctn qty. 16 / white / 1.4m



EKS3 W180
EDP-No. 28704
ctn qty. 20 / white / 1.4m



EKS6 W180
EDP-No. 28703
ctn qty. 20 / white / 1.4m



Extension cables

Euro extension lead

- Euro plug to Euro socket
- Core thickness 0.75mm²

Schuko extension lead

- Schuko plug to Schuko socket
- Core thickness 1.5mm²

EV3W

EDP-No. 22129

ctn qty. 50 / white / 3.0m

EV3S

EDP-No. 22130

ctn qty. 50 / black / 3.0m

EV5W

EDP-No. 22131

ctn qty. 40 / white / 5.0m

EV5S

EDP-No. 22132

ctn qty. 40 / black / 5.0m



SKV 2 W

EDP-No. 7278

ctn qty. 30 / white / 2.0m

SKV 3 W

EDP-No. 7280

ctn qty. 28 / white / 3.0m

SKV 5 W

EDP-No. 7282

ctn qty. 20 / white / 5.0m

SKV 10 W

EDP-No. 7284

ctn qty. 15 / white / 10.0m



Professional line

6way power socket with foot switch

- With 6 schuko sockets
- 2 schuko sockets with permanent power supply. Ideally for devices which needs to be powered all the time (e.g. WLAN Router, Sat Receiver, Phone)
- 4 Schuko sockets switchable
- With children security
- 1.40m power cord
- 1.00m cable length on the foot switch
- With function LED
- Max. 3.680W, 16A, 230V~ / 50Hz

EP 42FS

EDP-No. 33505

ctn qty. 6 / black / 1.4m



Professional line

6way power socket with USB connection

- With 6 schuko - and 2 USB sockets (iPhone/iPod/iPad)
- USB port with 5V=, 2.1A max. ; optional:
- 2 devices with 1A max.
- 1 device with 2.1A max.
- With children security
- With function LED
- Max. 3.680W, 16A, 230V- / 50Hz

Four socket extension lead with switch and surge protection

- 4x Schuko
- Surge protection up to 19.500A
- Children security
- 1.40m lead, 1.5mm² core thickness
- Incl. wall mount holder
- 16A / 3.500W / 50Hz

Six socket extension lead with switch and surge protection

- 6x Schuko
- Surge protection up to 19.500A
- Children security
- 1.40m lead, 1.5mm² core thickness
- Incl. wall mount holder
- 16A / 3.500W / 50Hz

Four socket extension lead ALU with switch and surge protection

- 4x Schuko
- Surge protection up to 19.500A
- Overload protection
- Children security
- 2m lead, 1.5mm² core thickness
- Incl. wall mount holder
- 16A / 3.500W / 50Hz

EP 42USB
EDP-No. 33506

ctn qty. 6 / black / 1.4m



EP 4S
EDP-No. 26555

ctn qty. 30 / black / 1.4m



EP 6S
EDP-No. 26556

ctn qty. 20 / black / 1.4m



EP 4S ALU
EDP-No. 26558

ctn qty. 20 / ALU / 2,0m



Professional line

Six socket extension lead ALU with switch and surge protection

- 6x Schuko
- Surge protection up to 19.500A
- Overload protection
- Children security
- 2m lead, 1.5mm² core thickness
- Incl. wall mount holder
- 16A / 3.500W / 50Hz

Eight socket extension lead ALU with switch and surge protection

- 8x Schuko
- Surge protection up to 19.500A
- Overload protection
- Children security
- 2m lead, 1.5mm² core thickness
- Incl. wall mount holder
- 16A / 3.500W / 50Hz

EP 6S ALU
EDP-No. 26559

ctn qty. 20 / ALU / 2.0m



EP 8S ALU
EDP-No. 26560

ctn qty. 12 / ALU / 2.0m



Travel plugs

Travel plug set

- Suitable for:
- Southern Europe
 - America
 - Overseas
 - UK

Travel plug set, Schuko

- Incl. 7 adapters for more than 150 countries throughout the world
- Children security
- Including transport bag
- Suitable for Schuko and Euro plugs

The travel plug is not a voltage and frequency converter!

RS 4 W
EDP-No. 7292

ctn qty. 40 / white



RS 7W-N
EDP-No. 31141

ctn qty. 50 / black



Travel plugs

Multi travel adaptor

The compact TRAVEL adaptor is the perfect companion for travelling! Thanks to its space saving design it can be stored in any luggage and can be used for adapting many common plug norms. Different inputs and switchable outputs offer highest flexibility choosing the correct adaptor!

- UK, Ireland, Hongkong and other countries with 3-pin UK plug
- Australia, New Zealand and other countries with 2-pin "Aussie" plug
- USA, Canada, Mexico and other countries with 2-pin US plug
- Many European countries with 2-pin Euro plug
- 110V input: max. 275W power consumption
- 230V input: max. 575W power consumption
- Only for indoor use (IP20)
- 2.5A fuse, exchangeable

This adaptor is built according to applicable European laws and can therefore only be used for unearthed devices (protection class II). It is NOT ALLOWED that adaptors like this can be used with plugs that have a ground pin (e.g. Schuko, Swiss or Italian 3-pin plugs). Note: This product does not transform voltages or frequencies. (Input voltage = output voltage).

Travel plug for international travel

- Schuko plug <-> Australia / China socket

Travel plug GB/D

- Schuko plug <-> GB socket

Travel plug D/GB

- Schuko socket <-> GB plug
- Incl. 13A securing

Travel plug CH/D

- Schuko plug <-> CH socket

Travel plug D/CH

- Schuko socket <-> CH plug

Travel plug D/USA

- Schuko socket <-> USA plug, 3 pin

Travel plug USA/D

- Schuko plug <-> USA socket, 3 pin

Travel plug I/D

- Schuko plug <-> Italy socket

IT-PU MTA

EDP-No. 30466

ctn qty. 10 / black



TA AUS/D

EDP-No. 28692

ctn qty. 10 / black



TA GB/D

EDP-No. 28693

ctn qty. 10 / black



TA D/GB

EDP-No. 28699

ctn qty. 10 / black



TA CH/D

EDP-No. 28695

ctn qty. 10 / black



TA D/CH-N

EDP-No. 33504

ctn qty. 10 / black



TA D/USA

EDP-No. 28694

ctn qty. 10 / black



TA USA/D

EDP-No. 28698

ctn qty. 10 / black



TA I/D

EDP-No. 28700

ctn qty. 10 / black



Smoke/CO detector & accessories

Smoke detector

- Tested according to fire protection ordinance EN14604
- Incl. 9V battery
- With function LED and audible signal (85dB)
- With self test function
- Battery warning system
- Instruction manual

Photoelektrischer Rauchmelder, 4er Set

- Tested according to smoke detector standard EN14604
- Incl. 9V battery - lifetime: 1 year
- Optische Funktionsanzeige und akustisches Signal (85 db)
- With self test function
- Automatic function control
- With alarm function when the battery power isn't high enough
- Incl. instruction manual

Carbon Monoxide (CO) Alarm

The installation of the CO Alarm is recommended by chimney sweeper. Potential cause of risk are chimney, gas stove, gas heating system.

- Oil-, wood burning- and cockle stove
- To protect against toxic carbon monoxide
- With function LED and 85dB alarm
- Visuell Alarm (red flashing LED)
- Low battery alarm
- Regularly self test function
- Continuous measurement of carbon monoxide concentration in the air
- Content: CO-Alarm, mounting material, manual, 9V battery
- Dimensions: 107mm \varnothing , Height 44mm
- Battery Type: 9V Alkaline
- Certification: CE / EN50291
- Operation temperature: +5 to +40°C
- Alarm level: >85dB
- Sensibility of the CO Sensor:
 - 50 ppm within 60 - 90 min
 - 100 ppm within 10 - 40 min
 - 300 ppm within 3 min

Magnetic holder for smoke detector

- Quick and clean assembling
- Fits for almost all smoke detectors (\varnothing >8cm)
- Also suitable for CO alarm, heat alarm and other, similar devices
- 3M glue tape for a save and permanent assembling
- Incl. instruction manual

SD 3

EDP-No. 33510

ctn qty. 10 / white



SD 3-N SET

EDP-No. 36215

ctn qty. 1 / white



CO M1

EDP-No. 34425

ctn qty. 10 / white



MH SD1

EDP-No. 34426

ctn qty. 25



RF power sockets

3way RF power socket set

- Set comprises 1 wireless remote control and 3 wireless power outlet receivers
- Switching capacity: max. 1000W per receiver
- Coverage: up to 25m
- Power consumption: <1W
- Incl. battery
- Instruction manual

3way RF power socket set, 3.600Watt

- Set comprises 1 wireless remote control and 3 wireless power outlet receivers
- Switching capacity: max. 3600W per receiver
- Coverage: up to 25m
- Power consumption <1W
- Incl. battery
- Instruction manual

FSS 31000W

EDP-No. 26551

ctn qty. 6 / white



FSS 33600W

EDP-No. 26552

ctn qty. 6



Timer

Mechanical timer

- A maximum of 96 settings per day
- Shortest interval: 15 minutes
- Integrated children security
- Sliding on and off switch
- Instruction manual
- Voltage: 230 – 240V~ / 50Hz
- Max. capacity: 16A / 3600W
- Temperature: 0° to +55°C

Digital day and week timer

- Max. 128 settings per week
- Min. time setting: 1 min.
- Random function
- LCD display with time control
- Easy to use with 8 buttons
- Children security
- Instruction manual

T24

EDP-No. 1414

ctn qty. 6 / white



DT 1

EDP-No. 1416

ctn qty. 6 / white



Night lights

LED Nightlight with twilight sensor

The integrated twilight sensor will make sure that the nightlight will be only shine when it is needed. The twilight sensor will only switch on the nightlight if the light intensity is < 10 lux. As soon as the light intensity is higher then this level the nightlight will be switched off. By using energy saving LED's the nightlight needs only 0,60W power in use.

- Switching threshold: 10 lux
- Plug type: euro plug
- Bulb type: LED (3pcs)
- Colour of the LED: white
- Power consumption: $< 0,60W$
- Size: 80 x 57 x 28mm (without plug) 80 x 57 x 65mm (incl. plug)

LED Nightlight with twilight sensor and schuko socket

The integrated twilight sensor will make sure that the nightlight will be only shine when it is needed. The twilight sensor will only switch on the nightlight if the light intensity is < 10 lux. As soon as the light intensity is higher then this level the nightlight will be switched off. By using energy saving LED's the nightlight needs only 0,60W power in use. One additional benefit of the nightlight is the integrated schuko socket with shutter. By using the nightlight there can be always one additional device connected to the wall outlet socket.

- Switching threshold: 10 lux
- Plug type: schuko plug
- Socket type: schuko with shutter
- Colour of the housing: white
- Bulb type: LED (3pcs)
- Colour of the LED: white / blue / green
- Power consumption: $< 0,60W$
- Size: 80 x 80 x 35mm (without plug) 80 x 80 x 66mm (incl. plug)

LED Nightlight with twilight sensor and schuko socket

The integrated twilight sensor and the integrated power on/auto/off switch will make sure that the nightlight will only shine when it is needed. The twilight sensor will only switch on the nightlight if the light intensity is < 10 lux. As soon as the light intensity is higher then this level the nightlight will be switched off. By using energy saving LED's the nightlight needs only 0,60W power in use. One additional benefit of the nightlight is the integrated schuko socket with shutter. By using the nightlight there can be always one additional device connected to the wall outlet socket.

- 3 operation modes: ON / AUTO / OFF
- ON: The nightlight is permanently switched on
- AUTO: The twilight automatic enables the nightlight independently at dark (at about 10Lux). As soon as 10 Lux are exceeded the nightlight automatically disables itself.
- OFF: The nightlight is switched off
- Switching threshold: 10 lux
- Plug type: schuko plug
- Socket type: schuko with shutter
- Bulb type: LED (3pcs)
- Colour of the LED: white
- Power consumption: $< 0,60W$
- Size: 80 x 80 x 35mm (without plug) 80 x 80 x 66mm (incl. plug)

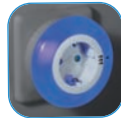
NL 3LED EDP-No. 34421

ctn qty. 6 / white



NL 4LED GBW EDP-No. 33511

ctn qty. 6 / white



NL 4LED WS EDP-No. 33512

ctn qty. 6 / switchable white



Others

Protection cap set for schuko outlets

- Set exists out of 6 protection caps
- Only suitable for schuko outlets

KSS 6
EDP-No. 31049
ctn qty. 6 / white



Connection cables

Power supply leads

- Euro plug - Japan-8
- For connection of small electronic equipment to a socket outlet

VN 125-N
EDP-No. 41095
ctn qty. 5 / 1.25m



Power supply leads

- Euro plug - Japan-8
- For connection of small electronic equipment to a socket outlet

VN 200-N
EDP-No. 41096
ctn qty. 5 / 2.0m



Power supply cable
3 pin earthed IEC plug

- Mains connection for PC, etc
- With earthing contact

CC E 18
EDP-No. 45482
ctn qty. 5 / 1.8m



Power supply extension cable
3 pin IEC socket <-> 3 pin IEC plug

- For extension of cooling device connection cables
- With earthing contact

CE E 18
EDP-No. 45483
ctn qty. 5 / 1.8m



Notebook mains adapter connection cable
Plug <-> IEC 320 5c plug


- Mains adapter power supply cable for notebooks, mobile power supply switching and other equipment
- With earthing contact

CC E 18 N
EDP-No. 45484
ctn qty. 5 / 1.8m





VIVANCO



Vivanco GmbH · Ewige Weide 15 · 22926 Ahrensburg/Germany
Phone +49 (0) 41 02 / 231 - 0 · Fax +49 (0) 41 02 / 231 - 160
Internet: www.vivanco.com

All the listed brands are registered trade marks of the respective companies.
Subject to correction and technical alterations!