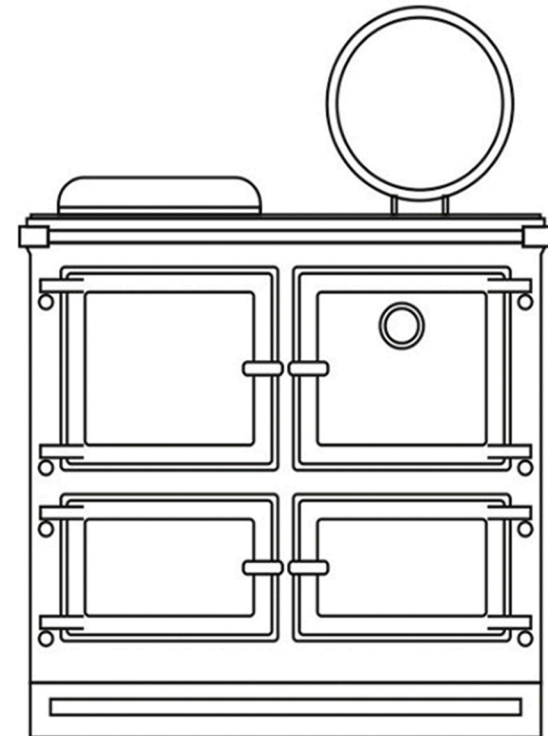


ESSE

Woodfired Cooker

Flue way maintenance &
wood burning guidelines

Models: WN, WD, W23, W35, 990 & 990D, EW & EWB



ESSE

ESSE Engineering Limited, Long Ing, Barnoldswick, Lancashire, BB18 6BJ

Tel: 01282 813235 Fax: 01282 816876 Email: enquiries@esse.com

Web: www.esse.com Store: www.esse.com/spareparts/

By burning properly seasoned firewood and following this simple maintenance guide your Woodfired cooker will reward you with a lifetime of trouble free performance

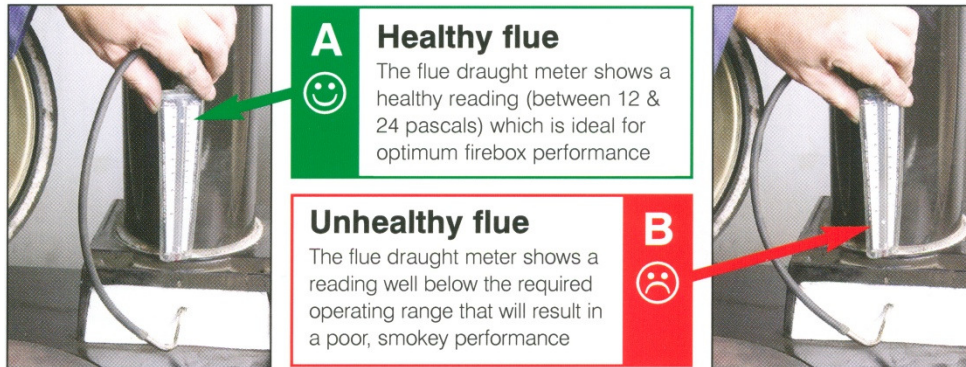
Your Woodfired cooker is a highly developed and precisely engineered piece of cooking equipment that is designed to perform to an exceptionally high level. It can run continuously and offers its experienced user an excellent degree of control over oven temperatures and fuel consumption.

When connected to a suitable and properly functioning flue (see installation instructions), the firebox at the heart of the cooker is highly efficient but will still produce a small amount of fine soot particles that are carried around the cooker's flue ways and will occasionally need removing.

If the simple cleaning and maintenance guidelines in this booklet are followed at the prescribed intervals, your cooker will provide, trouble free performance year after year and reward you with environmentally friendly cooking and heating with minimum fuss.

THE IMPORTANCE OF A HEALTHY FLUE

The successful operation of your Woodfired range cooker is entirely dependent on the adequate performance (pull) of the chimney or flue to which it is connected. The following maintenance guidelines will be pointless unless the flue is also maintained and cleaned regularly. How often it needs cleaning will depend on the quality and moisture content of the wood you burn but an annual clean is recommended. A partially blocked or dirty flue can have disastrous implications for an otherwise perfectly installed cooker as can be seen below. **Cooker A** has been used regularly for over a year following these maintenance guidelines and with a clean flue drawing correctly. **Cooker B** was just 6 weeks old when the picture was taken and shows how quickly tar deposits will build up if the flue performance is poor and clogged with old soot as it was in this case.



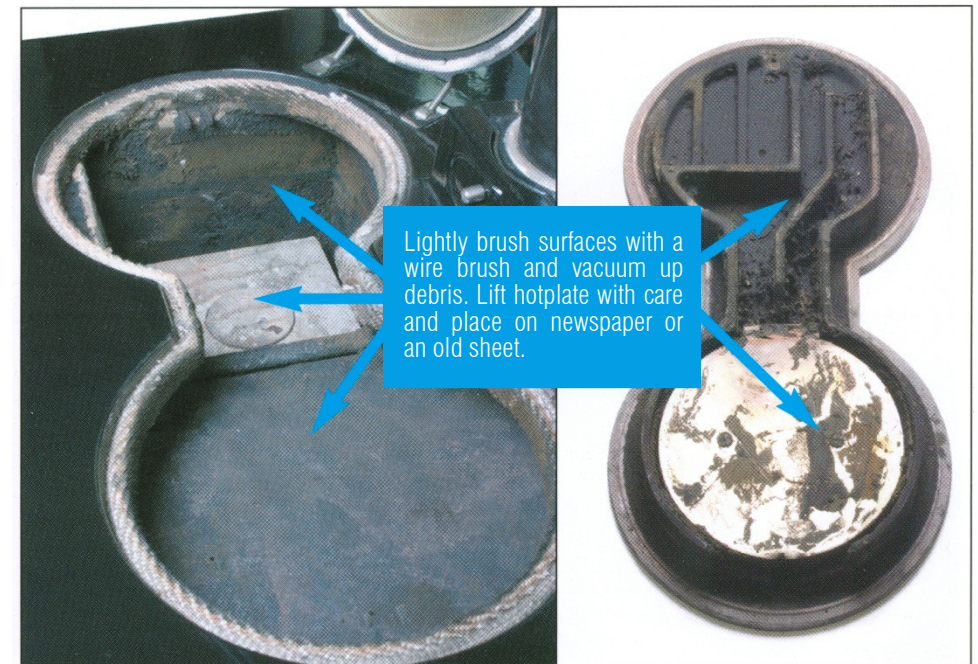
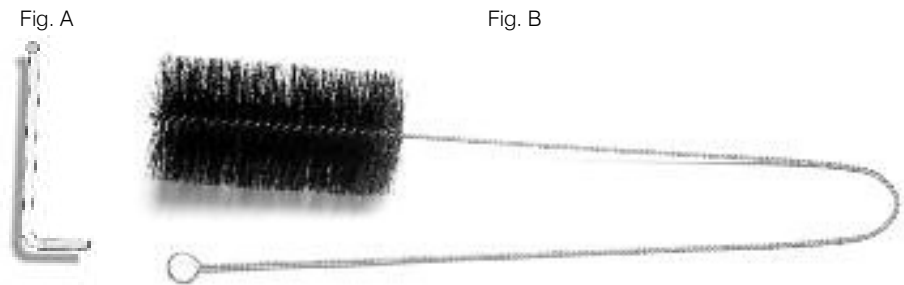
CLEANING THE FLUE WAYS - Every 3 months

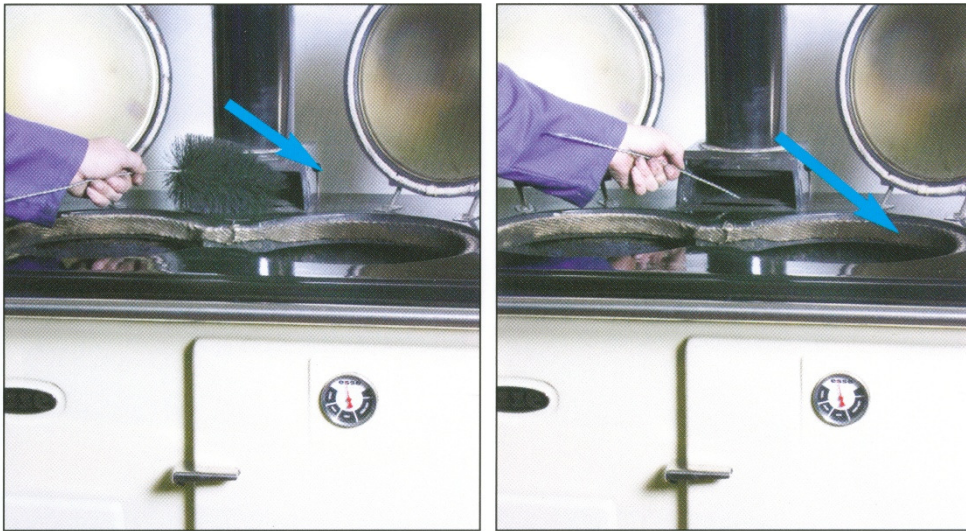
Always carry out cleaning procedures when the cooker is out and has been allowed to cool sufficiently to avoid burns. With time and experience you will be able to gauge the intervals between flue way cleaning more accurately. It will vary depending on the quality of your firewood and performance of your flue. Take time to get to know your cooker and inspect it at regular intervals for the first 6 months.

We recommend that a flue brush of the type shown below (Fig. B) is used to clean the flue ways. Its flexible wire handle is ideal for pushing the brush head round bends and into narrow spaces.

HOTPLATE AND PRIMARY FLUE WAY

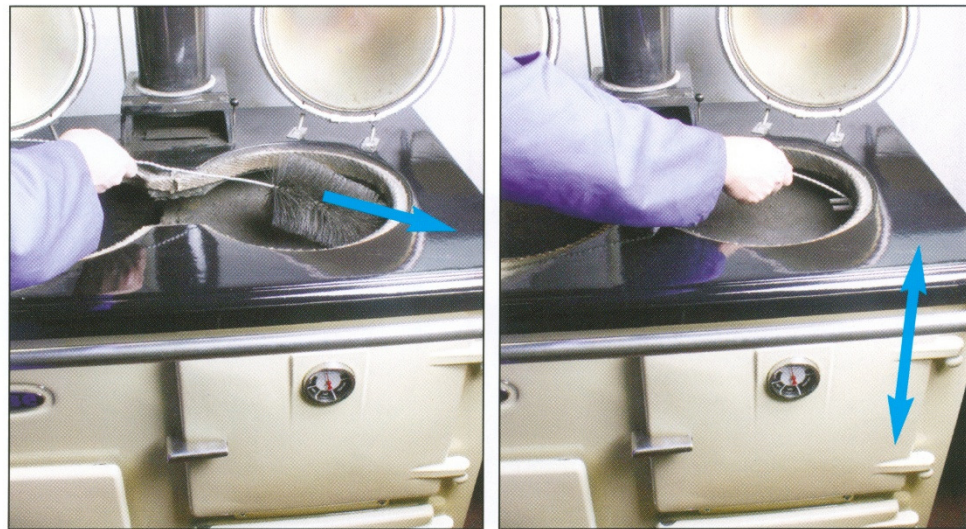
Remove the hotplate securing screws and use the hotplate lifting tools (Fig. A) that came with your cooker to remove the hotplate and if required give the surfaces under the hotplate and above the firebox and top oven a light scrub with a wire brush and vacuum out any debris.





FLUE BOX AND REAR FLUE WAY

Remove the front of the flue connector box and insert the flue brush from left to right, angling the brush down at 45°. Once you find the flue way entrance push the brush down until it stops then gently but firmly pull back and forth 3 or 4 times then remove the brush. Dislodged soot will fall into the tray between the ovens.



RIGHT SIDE FLUE WAY

Next insert the brush at a shallow angle as shown above. The brush will need to turn 90° into the flue way so steady pressure will be needed to help the brush head round the bend. Once in, work the brush up and down and front to back as the flue way runs along the entire depth of the ovens. Again, soot will fall into the trap.

OVEN BASE CLEANING HATCH



Open top oven door, insert tool and remove the cleaning hatch in the base of the oven.



With the scraping tool pull any soot or tar granules into the open space.



Remove any soot or tar granules with the vacuum cleaner.

FLUEWAY CLEANING FOR THE EW & EWB (IRONHEART)

Step 1. Removing the hotplate

Remove the hotplate securing screws with the Allen key supplied (Fig. 1) and then wind in the hotplate lifting tools that came supplied with the cooker into the holes vacated by the hotplate securing screws to lift up and remove the hotplate from the cooker (Fig. 2).

Fig. 1



Fig. 2



Step 2. Cleaning the flueways

Once the hotplate has been removed, insert the flue brush into the centre flueway and gently but firmly pull back and forth three or four times along the width of the flueway. Next, insert the brush at a shallow angle into the side flueway as shown in Fig. 4. The brush will need to turn 90 degrees so steady pressure will be needed to help the brush head around the bend. Once in, work the brush up and down and from front to back as the flue way runs along the entire depth of the ovens. Dislodged soot will fall into the bottom of the flueway and can then be removed from the flue access as in step 4.

Fig. 3



Fig. 4



Step 3. Removing the flue access plate

Open the flue access door and remove the nuts from the flue access plate and remove the covering plate to access the flueways for cleaning.

Fig. 5



Step 4. Cleaning the flueways

Once the flue access plate has been removed, place a bucket underneath the exposed flueway slots and use the flue rake to rake out all the loosened soot. Take care to reach the corners using slow and deliberate strokes to avoid dust. It may also be possible to insert a vacuum hose into the cavity for a good dust free clean. Once cleaned, replace the access plate and the nuts and close the flue access door.

Fig. 6



Fig. 7



CLEANING THE EXIT FLUE - Every 12 months

It is essential to maintain the integrity and cleanliness of the flue to ensure that your cooker continues to perform at its best. When your cooker was installed the main flue should have been equipped with an inspection hatch; either in the blanking plate above the cooker next to the flue pipe (Fig C) or in the flue pipe itself (Fig D) or in the flue pipe itself. These hatches are designed to allow periodic access to the flue for cleaning which should ideally be done by a chimney sweep.

Chimneys and flues vary widely in terms of size, shape, length and construction, but the principles of the way they work are the same. Keeping them clean and clear is essential to maintain the optimum performance of any woodburning or multi-fuel appliance.

Fig C

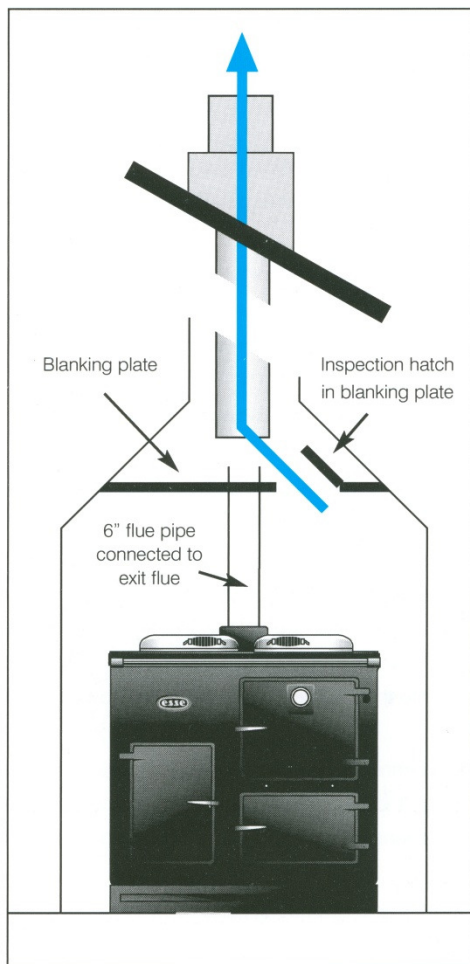
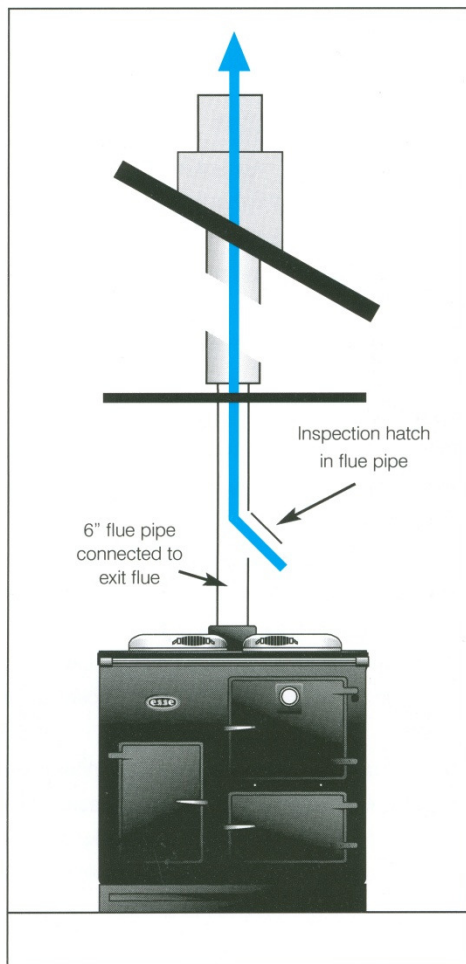


Fig D



CHOOSING THE RIGHT WOOD & WOOD BURNING GUIDELINES



THE BURNING PROCESS

Understanding what happens when wood is burnt will enable you to burn wood in a more environmentally friendly way, reduce the maintenance required for your chimney and get more out of your wood. There are 3 stages in the wood burning process:

Evaporation - When you light the cooker a lot of energy will be needed at first to boil away any moisture, which is left in the wood. Using energy to drive off excess water in firewood robs the cooker of energy needed for an efficient and clean burn. Also, much of the energy wasted in evaporating water is energy that could have heated the hotplate and ovens. This is a waste of wood, money and effort.

The presence of all that moisture tends to keep "putting out" the fire, and therefore making it burn very poorly, which tends to produce a lot of creosote and pollution.

Please see the section on page 10 on seasoning and storing wood, which can help minimise these problems.

Emissions - As the heat of the fire intensifies, waste-gases (smoke) are released from the wood. Unburned smoke is emitted into the air either as pollution, or condensed in the chimney causing creosote build-up. It takes time for the air in your chimney to heat up. When it is still cold you get an effect similar to the condensation of hot breath on a colder window or mirror. So when the by-products of combustion (smoke in the form of gases) exit the cooker, and flow up into the relatively cooler chimney, condensation occurs.

The resulting residue that sticks to the inner walls of the chimney is called creosote. Creosote is formed by unburned, flammable particles present in the smoke. It is black or brown in appearance. It can be crusty and flaky, tar-like, drippy and sticky or shiny and hardened. Quite often, all forms will occur in one chimney system (see an extreme example of this on page 3).

If the wood you are using is water logged, or green, the fire will tend to smoulder and not warm the chimney sufficiently. Wet wood causes the whole system to be cool, and inefficient. In contrast: dry wood means a hot fire, which results in a hot flue, and a hot flue means much less creosote clogging up your chimney.

The Woodfired cookers firebox is designed to operate at very high temperatures to burn the gases and particles released from the wood, which means less air-pollution.

The air supply to the afterburner in your cooker is always open but works most effectively in conjunction with a hot fire. We strongly recommend running the cooker up to a high temperature at least once a day.

Charcoal - When most of the tar and gases have burned the remaining substance is charcoal (ash in it's finer form). A hot bed of charcoals and ash can enhance the combustion process when burning larger pieces of wood. Start with a small fire to develop a bed of glowing embers. As the charcoal bed develops and the cooker heats up, slowly add larger and larger pieces of wood. It takes time to build a good charcoal bed, but it is well worth the effort, only empty excess ash periodically and always leave a bed of ash on which to light the next fire.

WHAT TYPE OF WOOD IS BEST

The difference between 'hard' and 'soft' woods is the density of their cells or fibres. The harder the wood, the greater the density and quantity of fibres in any square inch of that wood.

As a general rule, the deciduous trees (those that lose their leaves in the autumn) are usually thought of as hardwoods and the evergreen trees (such as pines, firs and larches) as the softwoods. But generalisations are of course always subject to many exceptions. Some evergreens may well be harder than some deciduous trees. Birch, for example, is not very hard at all. So we should understand that there is a whole range of densities amongst our tree species, including medium dense woods, which cannot be satisfactorily classed as hard or soft.

For construction purposes and different wood working projects, the shape and arrangement of the individual cells and its growth patterns are also important considerations, but when judging the value of a bit of wood for its use as firewood, we look especially at the density of the fibres.

One of the reasons for this is that firewood tends to be sold by volume rather than weight. Assuming that the wood is reasonably dry, the weight of a square foot of good hardwood may be double of that of a square foot of softwood. This means that the same volume of hardwood will provide you with more fuel to burn than an equal amount of softwood, simply because it contains more substance.

Yet the price of hardwood will normally not be double that of softwood, because it took the same amount of labour to prepare. So, if a trailer full of softwood costs £100 and the same size trailer full of hardwood costs £120, the more expensive option may well be the most economical.

The other advantage of good hard firewoods are that the cooker does not need to be fed as often and the charcoal-beds made by the glowing wood may burn more easily overnight.

However, the ideal situation would be to have a store of both hard and soft woods, because the softer woods also have distinct advantages. They light more easily than the slower burning hardwoods and if the softwoods are dry, they create a hotter more intense fire. The draught created by the hotter fire moves the air up the chimney faster.

After reading the notes opposite about the burning process, you will understand that means less pollution in the form of smoke and less creosote condensation in your chimney.

The denser hardwoods tend to smoulder more easily when the fire is lit at first, so their flue gas temperature will be much cooler.

Because softwoods like pine and larch contain a lot of resins and pitch, a popular misconception is that they will fur up the chimney with creosote more easily than a hardwood like oak. This is not necessarily true at all. It is not the pitch that is the problem, it's the water IN the pitch. Once the water in the wood has

evaporated, that pitch becomes high octane fuel!! When dry, soft woods burn extremely hot!

There is also the matter of seasoning (drying out of wood - please see below) to be considered. When you buy wood, it will usually have been cut in the winter of the year you buy it. Hard woods tend to take longer than softwoods to fully dry out.

Softwoods cut in the previous winter should, with proper storage, be ready to burn the next autumn, whereas many hardwoods may take a bit longer than that. Oak, for example, is very slow to dry out and ideally left for two years. It is also possible to purchase pre seasoned wood.

Summarising we can say that it is always sensible to buy this year for next years fuel supply and that it is very handy to have both soft and hardwoods. You can use the softwoods to start a good fire and you will have additional control over the fire (in addition to the cookers controls) by adding slower burning wood to fast ones if you want to leave the cooker without tending it for a while. Alternatively you can add some fast burning softwood logs to the slower hardwood logs to instantly revive a fire, which has been neglected.

SEASONING AND STORING FIREWOOD

Wood, which has recently been cut and is still full of sap and water is known as "green" wood.

Green wood will generally burn poorly and inefficiently, because it can have from 50% water (for example: Ash) to as much as 140% water (for example: Elm) in its cells. It may be hard to light, smoulder, not put out any heat and cause more than the usual amount of creosote to build up in your chimney.

So your aim should be to dry the wood out to below 25% moisture content, this process is called seasoning. As the name implies, you should store your wood for a season or so, while it dries, but there are things you can do to speed up seasoning by cutting the wood now rather than just before you use it.



Wood is composed of bundles of microscopic tubes that were used to transport water from the roots of the tree to the leaves. These tubes will stay full of water for years even after a tree is dead. This is why it is so important to have your firewood cut to length for 6 months or more before you burn it, it gives this water a chance to evaporate since the tube ends are finally open and the water only has to migrate a foot or two to escape. Splitting the wood helps by exposing more surface area to the sun and wind, but cutting the wood to shorter lengths is of primary importance.

Here's how you can tell whether your wood is ready or not: Well seasoned firewood generally has darkened ends with cracks or splits visible, it is relatively lightweight, and makes a clear "clunk" when two pieces are beat together. Green wood on the other hand is very heavy, the ends look fresher, and it tends to make a dull "thud" when struck.

Another thing you can do to help is store your wood properly. Store it off the ground by building the pile on some longer logs (or whatever method you can devise). A shed or shelter with an open side makes an ideal storage place, as the air can circulate around the logs and help to dry them out. Unventilated spaces or plastic tarps, which never get taken off will prevent the drying and evaporation process and

cause moulds and rot. So, if a tarp is your only option, take it off frequently to air the wood on fine days. And remember to put it back on again. Seasoned firewood will reabsorb large amounts of water if exposed to rain, snow and excessive dew, which is liable to make it rot and be unfit for making a good fire.

When you build up a store of firewood, remember that the wood may start to deteriorate after 4 to 5 years, although this is of course variable and depending on storage conditions and species involved.

OPERATING TIPS

By taking time to get to know your cooker, following our maintenance guidelines and using good quality firewood you should enjoy trouble free operation of your Woodfired cooker but it is also worth bearing in mind these useful operating tips:

- Don't leave the cooker lit for long periods in slumbered down mode (as you would for overnight burning), open the primary air control and bank up the fire periodically to heat up the cooker and flue to prevent soot build up.
- Cut your logs to the size shown in Fig E to minimise the need for refuelling.
- Always leave a decent ash bed of between 3 - 5 inches in the base of the firebox. This is an ideal base on which to burn logs.

Fig E

