

**BURG
WÄCHTER**





GERMAN TECHNOLOGY SINCE 1920



Administration in Wetter Volmarstein

This catalogue is designed to help with product selection from the full BURG-WÄCHTER range. You can be confident that your selection is of quality product supported by in-depth technical support from both our internal and field based team.

At our different facilities in Wetter, Meinerzhagen, and Wismar, Germany, BURG-WÄCHTER develop and manufacture products to enhance your safety with a value-added lifestyle.

Other own production facilities in Romania and China as well as international co-operation partners extend and enrich the product range. Our quality seals "Made in Germany" and "German Engineering" stand for proven products, which deserve your trust – since 1920.

BURG-WÄCHTER products correspond to the latest state-of-the-art. We are member in different European special committees.

Many of our products are checked and supervised by acknowledged testing institutes.



BURG WÄCHTER



*Production facility
in Wetter-Volmarstein*



*Facilities for research and production
in Meinerzhagen-Valbert*



Production facility in Wismar



Contents

Locks and bolts

Cylinder padlocks	4
Combination padlocks.....	9
Padlocks.....	10
Hasps & staples, locking bolts.....	12
Bicycle security.....	13
Chains.....	18
All-round cylinders	19
Furniture locks.....	20
Security inserts and lockblocking keys	22



Security for doors and windows

Door chains.....	24
Door and window security	26
Security bars – winPROTEC.....	28
Door closers.....	30
Door-lifters	32
Doorstops	33
Electronic door locking system TSE.....	37
Electronic door entry system TSM.....	40



Cash boxes and key cabinets

Cash boxes.....	42
EURO cash boxes and inserts	44
Stainless steel key boards.....	45
Key boxes	46
Key cabinets	47



Letter boxes

Letter boxes made of high-quality plastic	50
Letter boxes made of stainless steel.....	52
Letter boxes made of galvanized steel	55
U.S. Mailboxes	61
Paper boxes	62
Letter plates, letter boxes for sealing in the wall.....	63
Stands for letter boxes.....	64
Freestanding letter boxes	66
Colour table.....	68



Safes and strongboxes

Wall safes	70
Freestanding home safes	74
Hotel Safes	77
Fire Protective Safes	78
Gun cabinets.....	79
Safety cabinets Royal.....	80
Safety cabinets OfficeLine.....	84
Document safes OfficeDoku.....	87
Disk safes	88
Utilization of the interior space	90
Ideas for more turnover	91
Index.....	97



Subject to changes in sizes and colouring as well as technical improvements.
Minor variations of sizes depend on production characteristics.

Padlocks
Hasps, staples + locking bolts
Bicycle locks
Chains
Furniture locks + all-round cylinders



Locks & bolts



Alpha Titan 900

900 Alpha Titan

High-tech padlock for highest security demands

- extreme high protection against cutting and drilling due to a special body construction
- hardened steel body
- ultra-hardened shackle
- chromium-plated
- exchangeable precision locking mechanism, protected against drilling and corrosion
- easy shackle opening



Art.-No.	EAN				
	40 03482...		mm	mm	mm
900 85 V	10320 3	1	14,0	18,5	23,5
900 85 C	10450 7	1	14,0	18,5	23,5

Version C: with special locking cylinder, protected against drilling

Version V: Prepared for half profile cylinder, delivered without cylinder

World novelty: you can insert all standardized profile half cylinders (standard length 40 mm) according to EN 1303 and all standardized Scandinavian 6 pin oval cylinders into the Alpha Titan 900 padlock. Fast exchange without modification of the locking cylinder. User-friendly assembly.



Alpha 800

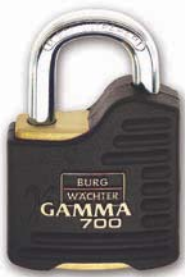
800 Alpha

High-performance padlock

- protected against opening by bolt cutting and boring (all-round protection)
- hardened steel body, chromium-plated
- handy plastic cover
- MnCr steel shackle, specially hardened
- double ball bearing locking
- several tons breaking strength
- high-tech locking mechanism, more than 300,000 key differs
- locking mechanism protected against extraction



Art.-No.	EAN					
	40 03482...		mm	mm	mm	
800 65	19650 2	1	11,0	22,0	26,0	62R
800 65 SB	19651 9	3	11,0	22,0	26,0	62R



Gamma 700

700 Gamma

High-performance padlock

- solid brass body
- high breaking strength
- handy plastic cover
- shackle ultra-hardened, double ball bearing locking
- precision locking mechanism
- rustproof interior
- cylinder multi-protected against drilling



Art.-No.	EAN					
	40 03482...		mm	mm	mm	
700 55	19170 5	3	9,0	22,0	28,0	60R
700 55 SB	19171 2	3	9,0	22,0	28,0	60R



Diamant D 600

D 600 Diamant

- solid brass body
- high breaking strength
- shackle ultra-hardened, double bolted
- precision locking mechanism
- rustproof interior
- cylinder multi-protected against drilling



Art.-No.	EAN					
	40 03482...		mm	mm	mm	
D 600 40	17600 9	5	7,5	22,0	23,0	60R
D 600 50	17610 8	5	9,0	25,0	28,0	60R
D 600 60	17620 7	3	11,0	30,0	35,0	60R
D 600 40 SB	17601 6	5	7,5	22,0	23,0	60R
D 600 50 SB	17611 5	5	9,0	25,0	28,0	60R
D 600 60 SB	17621 4	3	11,0	30,0	35,0	60R



116 Profi

Reliable quality

- solid brass body
- hardened steel shackle, double bolted
- precision locking mechanism
- many key differs
- rustproof interior



Art.-No.	EAN	Packing unit	Shackle Ø (mm)			Key blank no.
			mm	mm	mm	
116 20	03130 8	10	3,5	11,0	13,0	64R
116 25	03140 7	5	4,0	13,0	16,0	64R
116 30	03150 6	10	5,0	16,0	17,5	65R/L
116 40	03160 5	10	6,0	23,0	22,0	66R/L
116 50	03170 4	5	8,0	28,0	27,0	66R/L
116 60	03180 3	5	10,0	32,0	33,0	66R/L
116 30	SB	5	5,0	16,0	17,5	65R/L
116 40	SB	5	6,0	23,0	22,0	66R/L
116 50	SB	5	8,0	28,0	27,0	66R/L



116 Profi

116 Ni Profi

Seawater proof, absolutely rustproof!

- solid brass body
- stainless steel shackle, double bolted
- precision locking mechanism
- many key differs
- rustproof interior



Art.-No.	EAN	Packing unit	Shackle Ø (mm)			Key blank no.
			mm	mm	mm	
Niro 116 25	03380 7	5	4,0	13,0	16,0	64R
Niro 116 30	03190 2	10	5,0	16,0	17,5	65R/L
Niro 116 40	03200 8	10	6,0	23,0	22,0	66R/L
Niro 116 50	03210 7	5	8,0	28,0	27,0	66R/L
Niro 116 60	03220 6	5	10,0	32,0	33,0	66R/L
Ni116HB 40 45	03310 4	5	6,0	23,0	45,0	66R/L



116 Ni Profi

116 HB Profi

Reliable quality

- with long shackle
- solid brass body
- hardened steel shackle, double bolted
- precision locking mechanism
- many key differs
- rustproof interior



Art.-No.	EAN	Packing unit	Shackle Ø (mm)			Key blank no.
			mm	mm	mm	
116HB 30 30	03230 5	5	5,0	16,0	30,0	65R/L
116HB 30 45	03240 4	5	5,0	16,0	45,0	65R/L
116HB 40 45	03250 3	5	6,0	23,0	45,0	66R/L
116HB 40 60	03260 2	5	6,0	23,0	60,0	66R/L
116HB 50 80	03270 1	5	8,0	28,0	80,0	66R/L
116HB 50 110	03280 0	1	8,0	28,0	110,0	66R/L
116HB 50 180	03290 9	1	8,0	28,0	180,0	66R/L
116HB 60 110	03300 5	1	10,0	32,0	110,0	66R/L
116HB 40 45	SB	5	6,0	23,0	45,0	66R/L
116HB 40 60	SB	5	6,0	23,0	60,0	66R/L



116 HB Profi



This padlock is available in a keyed-alike version.



Absolutely rustproof padlock. Seawater proof.



Packing unit



Shackle Ø (mm)



Horizontal clearance



Vertical clearance



Key blank no.



217 Karat

217 Karat

- solid brass body
- hardened steel shackle, double bolted
- rustproof interior
- not available in special executions (keyed alike etc.)



With 6 keys each per lock, packed for self-service

Art.-No.	EAN	40 03482...	mm	mm	mm	
217 30	03430 9	10	5,0	16,0	17,5	64R
217 40	03440 8	10	6,0	23,0	23,5	65R/L
217 50	03450 7	10	8,0	28,0	27,5	66R/L
217 30 SB	03431 6	10	5,0	16,0	17,5	64R
217 40 SB	03441 5	10	6,0	23,0	23,5	65R/L
217 50 SB	03451 4	5	8,0	28,0	27,5	66R/L
217/30/6 SB	00371 8	10	5,0	16,0	17,5	64R
217/40/6 SB	00381 7	10	6,0	23,0	23,5	65R/L
217/50/6 SB	00391 6	5	8,0	28,0	27,5	66R/L



217 F Ni Atlantic

217 F Ni Atlantic

Seawater proof, absolutely rustproof!

- solid brass body
- plastic cover protects delicate surfaces against damage
- with stainless steel shackle, double bolted
- rustproof interior
- also available keyed alike



with long shackle

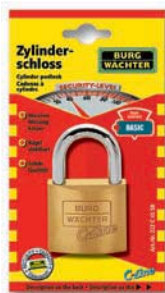
Art.-No.	EAN	40 03482...	mm	mm	mm	
217 F 30 Ni	10000 4	5	5,0	16,0	13,0	64R
217 F 40 Ni	10010 3	5	6,0	23,0	17,0	65R/L
217 F 50 Ni	10020 2	5	8,0	28,0	19,5	66R/L
217 F 30 Ni SB	10001 1	5	5,0	16,0	13,0	64R
217 F 40 Ni SB	10011 0	5	6,0	23,0	17,0	65R/L
217 F 50 Ni SB	10021 9	5	8,0	28,0	19,5	66R/L
217 40 45 Ni	10420 0	5	6,0	23,0	39,0	65R/L
217 40 45 Ni SB	10421 7	5	6,0	23,0	39,0	65R/L



222 C-Line

222 C-Line

- solid brass body
- hardened steel shackle
- double bolted as from size 30 mm
- reasonable quality
- not available in special executions (keyed alike etc.)



Art.-No.	EAN	40 03482...	mm	mm	mm	
222 15	02950 3	10	3,0	8,0	11,0	45L
222 20	02960 2	10	3,5	10,0	11,0	45L
222 25	03040 0	10	4,0	12,0	12,0	45L
222 30	03000 4	10	5,0	14,3	16,0	38R
222 35	03050 9	10	5,0	18,0	18,5	38R
222 40	03010 3	10	6,0	20,0	22,0	39R
222 45	03060 8	10	6,0	23,5	27,0	39R
222 50	03020 2	10	7,0	25,0	26,0	39R
222 60	03030 1	5	8,0	32,0	32,5	39R
222 15 SB	02951 0	10	3,0	8,0	11,0	45L
222 20 SB	02961 9	10	3,5	10,0	11,0	45L
222 25 SB	03041 7	10	4,0	12,0	12,0	45L
222 30 SB	03001 1	10	5,0	14,3	16,0	38R
222 35 SB	03051 6	10	5,0	18,0	18,5	38R
222 40 SB	03011 0	10	6,0	20,0	22,0	39R
222 45 SB	03061 5	10	6,0	23,5	27,0	39R
222 50 SB	03021 9	5	7,0	25,0	26,0	39R
222 60 SB	03031 8	5	8,0	32,0	32,5	39R



450 Boccia

450 Boccia

Brass cylinder padlock with reversible keying system

- solid brass body
- specially hardened shackle, double bolted
- high-tech interior, rustproof
- with 2 reversible keys
- high number of different key differs
- German Engineering



Art.-No.	EAN	40 03482...	mm	mm	mm	
450 30	06430 6	10	5,0	16,5	16,0	75W
450 40	06580 8	10	6,5	22,0	22,5	75W
450 50	06590 7	5	8,0	28,0	29,5	76W
450 60	06600 3	5	9,5	35,0	34,5	76W
450 30 SB	06431 3	10	5,0	16,5	16,0	75W
450 40 SB	06581 5	10	6,5	22,0	22,5	75W
450 50 SB	06591 4	5	8,0	28,0	29,5	76W
450 60 SB	06601 0	5	9,5	35,0	34,5	76W

400 E Magno

- massive brass body
- hardened steel shackle, chromium-plated
- double bolted as from size 30 mm
- rustproof interior
- high breaking strength
- many key differs

HB = with long shackle



Art.-No.	EAN					
	40 03482...		mm	mm	mm	
400 E 15	06100 8	10	3,0	8,0	11,0	41L
400 E 20	06110 7	10	3,5	10,0	11,0	41L
400 E 25	06120 6	10	4,0	13,5	14,0	42L
400 E 30	06130 5	10	5,0	16,0	17,0	67R
400 E 35	06150 3	10	5,5	19,0	18,5	68R
400 E 40	06160 2	10	6,5	22,0	23,5	68R
400 E 45	06190 9	10	7,0	25,0	26,0	68R
400 E 50	06210 4	5	8,0	28,0	29,5	68R
400 E 60	06270 8	5	9,5	35,0	34,5	68R
400 E HB 20 26	06140 4	10	3,5	11,0	23,0	41L
400 E HB 40 45	06170 1	5	6,5	22,0	45,0	68R
400 E HB 40 65	06180 0	5	6,5	22,0	65,0	68R
400 E HB 50 80	06260 0	5	8,0	28,0	80,0	68R
400 E 15 SB	06101 5	10	3,0	8,0	11,0	41L
400 E 20 SB	06111 4	10	3,5	10,0	11,0	41L
400 E 25 SB	06121 3	10	4,0	13,5	14,0	42L
400 E 30 SB	06131 2	10	5,0	16,0	17,0	67R
400 E 35 SB	06151 0	10	5,5	19,0	18,5	68R
400 E 40 SB	06161 9	10	6,5	22,0	23,5	68R
400 E 45 SB	06191 6	10	7,0	25,0	26,0	68R
400 E 50 SB	06211 1	5	8,0	28,0	29,5	68R
400 E 60 SB	06271 5	5	9,5	35,0	34,5	68R
400 E HB 20 26 SB	06141 0	10	3,5	11,0	23,0	41L
400 E HB 40 45 SB	06171 8	5	6,5	22,0	45,0	68R
400 E HB 40 65 SB	06181 7	5	6,5	22,0	65,0	68R



400 E HB Magno



400 E Magno

660 Delta

- body and shackle of stainless steel
- high breaking strength
- shackle double bolted
- with shackle guard
- rustproof interior



Art.-No.	EAN					
	40 03482...		mm	mm	mm	
660 30	47810 3	3	5,0	14,5	12,0	68R
660 40	47830 1	3	7,0	19,0	14,0	68R
660 50	28660 9	3	9,5	22,0	19,0	68R
660 30 SB	47811 0	3	5,0	14,5	12,0	68R
660 40 SB	47831 8	3	7,0	19,0	14,0	68R
660 50 SB	28661 6	3	9,5	22,0	19,0	68R



660 Delta

400 Magno CS

- massive brass body
- hardened steel shackle, double bolted
- rustproof interior
- with shackle guard



Art.-No.	EAN					
	40 03482...		mm	mm	mm	
400 CS 40	06080 3	5	6,5	17,0	15,0	68R
400 CS 50	06090 2	5	8,0	21,0	19,0	68R
400 CS 40 SB	06081 0	5	6,5	17,0	15,0	68R
400 CS 50 SB	06091 9	5	8,0	21,0	19,0	68R



400 CS Magno

444 Quadra

Practical cylinder block padlock

- massive brass body
- hardened steel shackle
- rustproof interior
- only very tiny space for attacks with mechanical tool because of integrated shackle



Art.-No.	EAN					
	40 03482...		mm	mm	mm	
444 50	28590 9	5	7,0	16,0	11,5	67R
444 60	28670 8	5	9,5	18,0	11,0	68R
444 70	28680 7	3	12,0	22,0	15,5	68R
444 90	28690 6	3	12,0	36,0	18,0	68R
444 50 SB	28591 6	5	7,0	16,0	11,5	67R
444 60 SB	28671 5	5	9,5	18,0	11,0	68R
444 70 SB	28681 4	3	12,0	22,0	15,5	68R
444 90 SB	28691 3	3	12,0	36,0	18,0	68R



444 Quadra



111 Vulcan

111 Vulcan

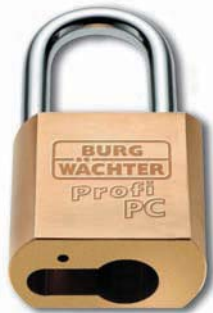
Massive laminated steel padlock

- steel body
- 8 times riveted
- hardened steel shackle, chromium-plated, double ball bearing locking
- locking mechanism:
5 pin tumbler cylinder

HB = with long shackle



Art.-No.	EAN				
	40 03482...		mm	mm	mm
111 30	01080 8	10	5,0	15,0	19,0
111 40	01090 7	10	6,5	21,0	24,0
111 45	01160 7	5	7,0	22,0	26,0
111 50	01170 6	5	9,0	24,0	28,0
111 HB 40 60	01100 3	5	6,5	21,0	60,0



116 Profi PC

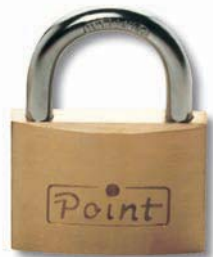
116 Profi PC

High-Tech cylinder padlock for exchangeable half profile cylinder

- massive brass body
- hardened shackle, double-bolted
- lock body completely prepared for fitting
- for integration into existing and new keying systems
- German Engineering

Art.-No.	EAN				
	40 03482...		mm	mm	mm
116 PC 50	01240 6	1	8,0	27,0	40,0

- suitable for all commercially available half profile cylinders
- fast assembly, dismantling and exchange
- no need to prepare the cylinder for assembly
- delivered without cylinder



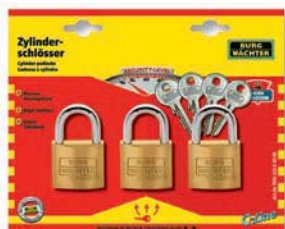
Point 500

500 Point

- low-priced brass padlock
- simple quality
- with 3 keys each
- not available in special executions (keyed-alike, etc.)



Art.-No.	EAN				
	40 03482...		mm	mm	mm
500 20	00500 2	10	3,0	10,5	11,0
500 25	00510 1	10	3,5	13,5	15,5
500 30	00520 0	10	4,5	16,0	17,5
500 35	00530 9	10	4,5	20,0	19,0
500 40	00540 8	10	5,5	22,5	22,5
500 45	00550 7	10	5,5	27,0	26,0
500 50	00560 6	10	6,5	30,0	27,0
500 20 SB	00501 9	10	3,0	10,5	11,0
500 30 SB	00521 7	10	4,5	16,0	17,5
500 40 SB	00541 5	10	5,5	22,5	22,5
500 50 SB	00561 3	10	6,5	30,0	27,0



Trio 222 40 SB

Padlock-Sets

Keyed alike padlocks, packed for self service

- each set delivered with 4 keys



Handy:
1 key fits all padlocks!



Art.-No.	EAN		Keyed alike padlocks:		
	40 03482...				
Duo 116 40 SB	17731 0	5	2 x 116 40	Profi	
Quadro 222 15 SB	16001 5	10	4 x 222 15	C-Line	
Duo 222 20 SB	29911 1	10	2 x 222 20	C-Line	
Trio 222 20 SB	29921 0	10	3 x 222 20	C-Line	
Duo 222 30 SB	06341 5	10	2 x 222 30	C-Line	
Trio 222 30 SB	06371 2	10	3 x 222 30	C-Line	
Quadro 222 30 SB	29931 9	10	4 x 222 30	C-Line	
Duo 222 40 SB	16501 0	10	2 x 222 40	C-Line	
Trio 222 40 SB	29941 8	10	3 x 222 40	C-Line	
Quadro 222 40 SB	29951 7	10	4 x 222 40	C-Line	
Duo 400 20 26 SB	29961 6	10	2 x 400 20 26	Magno	

Combi Lock 71/72

Resettable combination padlock

- body and shackle chromium-plated
- 3 digit rolls

Art.-No.	EAN				
	40 03482...		mm	mm	mm
71 25	SB 17981 9	10	3,8	11,5	16,5
72 25	SB 17991 8	10	3,8	9,0	15,7



71 25

Combi Lock 80

Resettable combination padlock

- solid brass body
- 80 15 - 30 M: 3 digit rolls
- 80 40 M: 4 digit rolls

Art.-No.	EAN				
	40 03482...		mm	mm	mm
80 20 M	02850 6	10	3,2	9,0	22,0
80 30 M	02470 6	10	5,0	12,0	27,0
80 40 M	02260 3	10	6,5	18,5	32,5
80 15 M	SB 02861 2	10	3,0	6,5	16,0
80 20 M	SB 02851 3	10	3,2	9,0	22,0
80 30 M	SB 02471 3	10	5,0	12,0	27,0
80 40 M	SB 02261 0	5	6,5	18,5	32,5



72 25



80 30

Combi Lock 90 Chromo

Resettable combination padlock

- body and shackle chromium-plated
- 90 20 and 30: 3 digit rolls
- 90 40: 4 digit rolls

Art.-No.	EAN				
	40 03482...		mm	mm	mm
90 20 Chromo	SB 03631 0	10	3,2	9,0	22,0
90 30 Chromo	SB 03641 9	10	5,0	12,0	27,0
90 40 Chromo	SB 03651 8	5	6,5	18,5	32,5



90 40

Fun 95

Transparent combination padlock

- you can choose and change your code at any time
- 3 digit rolls

Art.-No.	EAN				
	40 03482...		mm	mm	mm
95 30 Fun	03660 0	10	3,0	9,0	18,5
95 30 Fun	SB 03661 7	10	3,0	9,0	18,5



95

94

Solid combination padlock with spring shackle, 4 digit rolls

Art.-No.	EAN				
	40 03482...		mm	mm	mm
94 50	01630 5	5	8,0	25,0	31,5



94





22

22

Rustproof „Diskus“ padlock of stainless steel

Size 60:

60 mm diameter with stainless steel shackle, rustproof

Size 70:

classic model with hardened shackle, chromium-plated



Artikel	EAN						
	40 03482...		mm	mm	mm		
22 Ni 60	28500 8	5	8,0	17,0	13,0	48R	
22 70	10270 1	5	10,0	20,0	17,0	48R	
22 Ni 60	SB	28501 5	5	8,0	17,0	13,0	48R
22 70	SB	10271 8	5	10,0	20,0	17,0	48R



24

24

Favourable, coloured padlock



Art.-No.	EAN					
	40 03482...		mm	mm	mm	
24 30	00160 8	10	3,5	17,0	14,5	
24 40	00170 7	10	5,0	23,0	20,0	
24 30	SB	00161 5	10	3,5	17,0	14,5
24 40	SB	00171 4	10	5,0	23,0	20,0



65

65

Moderately priced, with spring shackle, without rivets



Art.-No.	EAN					
	40 03482...		mm	mm	mm	
65 30	SB	00271 1	10	4,0	15,0	16,0
65 40	SB	00281 0	10	5,0	20,5	22,0



393

393

Solid padlock with lever mechanism, galvanized, without keyhole cover



Art.-No.	EAN					
	40 03482...		mm	mm	mm	
393 35	00690 0	10	5,5	21,5	16,5	
393 45	00700 6	10	6,5	26,0	21,5	
393 55	00710 5	10	8,0	34,5	26,5	
393 35	SB	00691 7	10	5,5	21,5	16,5
393 45	SB	00701 3	10	6,5	26,0	21,5



This padlock is available in a keyed-alike version.



Absolutely rustproof padlock. Seawater proof.

Packing unit

Shackle Ø (mm)

Horizontal clearance

Vertical clearance

Key blank no.

394

Solid, galvanized padlock with brass keyhole cover

Art.-No.	EAN					
	40 03482...		mm	mm	mm	
394 35	00730 3	10	5,5	21,5	16,5	
394 45	00740 2	10	6,5	26,0	21,5	
394 45	SB	00741 9	10	6,5	26,0	21,5



394

398

Seawater proof padlock with brass locking mechanism, absolutely rustproof

Art.-No.	EAN				
	40 03482...		mm	mm	mm
398 35	00800 3	10	5,5	21,5	16,5
398 45	00810 2	10	6,5	26,0	21,5
398 55	00820 1	10	8,0	34,5	26,5
398 65	00830 0	5	9,0	40,0	32,5



398

630

Inexpensive security padlock with levers, weatherproof galvanized

Artikel	EAN				
	40 03482...		mm	mm	mm
630 40	01010 5	10	5,5	20,5	18,5
630 50	01020 4	10	7,0	25,5	24,5



630

725

According to German safety standards (DIN 7465), rust-resistant, with brass keyhole cover

Art.-No.	EAN				
	40 03482...		mm	mm	mm
725 40	01110 2	10	5,5	20,5	18,5
725 50	01120 1	10	7,0	25,5	24,5



725

820

Padlock with spring shackle, top and shackle galvanized

Art.-No.	EAN				
	40 03482...		mm	mm	mm
820 15	01310 6	10	3,0	7,5	9,5



820

LockCenter 40

The new padlock merchandiser

- less space
- more success
- delivery with 40 hooks and labels, individually adjustable
- variable assortment
- approx. dimensions:
height 86 cm
width 37 cm
depth 37 cm





PT 230 Titan

High security armoured hasp & staple PT 230 Titan

Heavy duty hasp & staple made of forged steel, hardened, hardened hinge with protection against breaking open, staple is welded with the fixing plate, corrosion prevention due to multiple coating, incl. fixing material

Art.-No.	EAN		Length	Width	Ø
	40 03482...		mm	mm	mm
PT 230 Titan	01250 5	1	225	82	14



PC

Heavy duty hasps & staples

Galvanized, all screw holes concealed

PC: standard version

PMG: with single link

PK: heavy version with 1 double link

PL: heavy version with 2 double links



PMG



Art.-No.	EAN		Length	Width	Ø
	40 03482...		mm	mm	mm
PC 60	02090 6	10	60	24	6
PC 80	02100 2	10	80	31	8
PC 100	02110 1	10	100	39	10
PC 120	02410 2	10	120	46	12
PMG 80	02150 7	10	120	31	8
PMG 100	02420 1	10	150	39	10
PK 1	26740 0	10	99	31	8
PK 2	02170 5	10	130	40	12
PK 3	02180 4	5	165	49	14
PK 4	02190 3	5	210	60	13
PL 2	02210 8	5	180	40	12
PL 3	02220 7	5	225	49	14



PK

Version packed for self-service with screws



PL

PC 60	SB	02091 3	10	60	24	6
PC 80	SB	02101 9	10	80	31	8
PC 100	SB	02111 8	10	100	39	10
PC 120	SB	02411 9	5	120	46	12
PMG 80	SB	02151 4	10	120	31	8
PMG 100	SB	02421 8	10	150	39	10
PK 1	SB	26741 7	10	99	31	8
PK 2	SB	02171 2	5	130	40	12
PK 3	SB	02181 1	5	165	49	14
PK 4	SB	02191 0	5	210	60	13
PL 2	SB	02211 5	5	180	40	12



R 100

Security locking bolts

Galvanized, all screw holes concealed

Art.-No.	EAN		Length	Width	Ø
	40 03482...		mm	mm	mm
R 80	02430 0	5	80	33	8
R 100	02230 6	5	100	39	9
R 120	02270 2	5	120	47	10
R 140	02310 5	5	140	54	13
R 160	02350 1	5	160	62	14

Version packed for self-service with screws



PC 80 + 30

Sets

Cylinder padlocks with security locking bolts or hasps & staples as set - packed for self-service

Art.-No.	EAN		Length	Width	Ø
	40 03482...		mm	mm	mm
PC 80 + 30	SB	02301 3	10	Hasps & staples PC 80 with padlock 222/30	

Multi-functional lock, „U“ shackle locks



Zick-Zack-Zu

Multi-functional lock of a new generation

- fast and easy operation
- solid and flexible
- including practical bike bag with carrier
- extra: additional zipper pocket for the car key, mobile phone, coins, etc.
- with rotatable cylinder lock head

Art.-No.	EAN		Length	Ø	
	40 03482...		cm	mm	
777 100	00230 8	5	100	10,0	71R



777 100

1580 HB with combination

"U" shackle lock

- with resettable combination
- hardened shackle, double bolted
- practical handling without key: shackle opens on button-press
- body and shackle with black plastic coating
- solid frame carrier

Art.-No.	EAN				
	40 03482...		mm	mm	mm
1580 HB 185/190	27780 5	3	14	106	190



1580 HB 185/190

1500 HB

Strong "U" shackle lock

- with pin cylinder
- hardened shackle, double bolted
- practical carrier
- body and shackle with black plastic coating

Art.-No.	EAN					
	40 03482...		mm	mm	mm	
1500 HB 130/175	29110 8	3	14	70	175	71R
1500 HB 170/180	27670 9	3	14	110	180	71R
1500 HB 170/255	27690 7	3	14	110	255	71R



1500 HB 170/255

The new Promotion-Shop

Security for hobby and leisure!

- universal: can be used from both sides
- with 5 baskets and 50 hooks for an individual assortment
- mobile: 4 stable casters, with safe stopping mechanism
- approx. dimensions: height 200 cm width 55 cm depth 45 cm



1500 HB 130/175



240

240

Cable lock with cylinder

- assorted in modern colours

Art.-No.	EAN		Length	Ø	
	40 03482...		cm	mm	
240 50	01710 4	10	50	6,0	72W
240 60	02010 4	10	60	6,0	72W



245 F

245 F

Solid cable lock

- in modern colours

Art.-No.	EAN		Length	Ø	
	40 03482...		cm	mm	
245 55 F	11450 6	10	55	6,0	72W



260

260

Solid steel cable lock

- automatic locking

Art.-No.	EAN		Length	Ø	
	40 03482...		cm	mm	
260 60	11700 2	10	60	8,0	77R



330 Fun

330 Fun

Extra strong steel cable lock

- with transparent lock body
- automatic locking

Art.-No.	EAN		Length	Ø	
	40 03482...		cm	mm	
330 65 Fun	11760 6	5	65	12,0	71R



340 L

340 L

Strong cable lock with illuminated key

- handy and ingenious
- automatic locking

Art.-No.	EAN		Length	Ø	
	40 03482...		cm	mm	
340 65 L	13080 3	10	65	12,0	71R



380 F

380 F

Extra strong steel cable lock

- with rotatable lock head
- with reversible key

Art.-No.	EAN		Length	Ø	
	40 03482...		cm	mm	
380 65 F	11730 9	5	65	12,0	74W

550

Strong cable lock

- with pin cylinder
- with keyhole cover

Art.-No.	EAN		Length	Ø	
	40 03482...		cm	mm	
550 80	18050 1	5	80	15,0	71R



550

560

Strong cable lock

- with pin cylinder
- with practical carrier

Art.-No.	EAN		Length	Ø	
	40 03482...		cm	mm	
560 90	11020 1	5	90	15,0	71R



560

570

Extreme strong steel cable lock

- strong plastic coating offers protection against damages
- locking head and steel cable form a unit
- high number of different key differs
- winner of the German independent consumer test magazine "TEST"

Art.-No.	EAN		Length	Ø	
	40 03482...		cm	mm	
570 120	11340 0	3	120	25,0	73W
570 150	11390 5	3	150	25,0	73W



570

580

Extreme strong, armoured cable lock

- high flexibility and security due to hardened ring links
- strong plastic coating offers protection against damage
- maximum protection despite low weight
- high number of different key differs

Art.-No.	EAN		Length	Ø	
	40 03482...		cm	mm	
580 120	11430 8	3	120	25,0	73W



580

220

Strong cable lock with combination

- resettable at any time

Art.-No.	EAN		Length	Ø
	40 03482...		cm	mm
220 65	28750 7	5	65	10,0



220

230 L

Strong cable lock with illuminated combination

- handy and ingenious
- choose your own combination



Art.-No.	EAN		Length	Ø
	40 03482...		cm	mm
230 65 L	07260 8	10	65	10,0



230 L

440

Cable lock with combination, resettable

- assorted in modern colours

Art.-No.	EAN		Length	Ø
	40 03482...		cm	mm
440 50	01850 7	10	50	6,0
440 60	01860 6	10	60	6,0



440



220 180

220

Strong coil cable lock

- with resettable combination
- with practical carrier

Art.-No.	EAN		Length	Ø
	40 03482...		cm	mm
220 180	28760 6	5	180	10,0



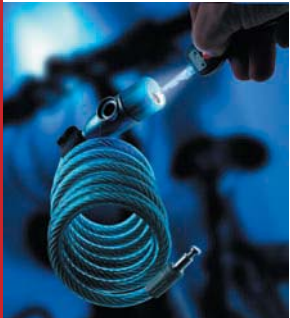
230 L

230 L

Strong coil cable lock with illuminated combination

- handy and ingenious
- choose your own combination
- with practical carrier

Art.-No.	EAN		Length	Ø
	40 03482...		cm	mm
230 180 L	07280 6	5	180	10,0



340 L

340 L

Strong coil cable lock with illuminated key

- practical and ingenious
- with practical carrier

Art.-No.	EAN		Length	Ø	
	40 03482...		cm	mm	
340 180 L	13140 4	5	180	10,0	71R



1245



1245

Low-priced coil cable

Art.-No.	EAN		Length	Ø	
	40 03482...		cm	mm	
1245 150	01800 2	5	150	8,0	72W



1260

1260

Solid coil cable lock

- with practical carrier

Art.-No.	EAN		Length	Ø	
	40 03482...		cm	mm	
1260 100	11570 1	5	100	8,0	77R
1260 150	11580 0	5	150	8,0	77R

1360

Strong coil cable lock

- high-quality pin cylinder
- with practical carrier

F: assorted in modern colours

Art.-No.	EAN		Length	Ø	
	40 03482...		cm	mm	
1360 150 F	11040 9	5	150	10,0	71R
1360 180	11050 8	5	180	10,0	71R



1360 F

1380

Extra strong coil cable lock

- with rotatable cylinder head
- with reversible key
- with practical carrier

Art.-No.	EAN		Length	Ø	
	40 03482...		cm	mm	
1380 150 F	11750 7	5	150	12,0	74W



1380 F

1550

Extra strong coil cable lock

- with pin cylinder
- with practical carrier
- with keyhole cover

Art.-No.	EAN		Length	Ø	
	40 03482...		cm	mm	
1550 150	18060 0	5	150	15,0	71R



1550

1555

Strong coil cable lock

- practical carrier
- with keyhole cover
- easy handling due to rotatable lock body

Art.-No.	EAN		Length	Ø	
	40 03482...		cm	mm	
1555 180	18070 9	5	180	12,0	71R



1555

Duo 1260 Set

Two coil cable locks as set

- all locks keyed-alike
- 4 keys lock all 2 locks
- practical carriers

Art.-No.	EAN		Length	Ø	
	40 03482...		cm	mm	
Duo 1260 150	11230 4	5	150	8,0	77R



Duo 1260



www.burg.biz



SKM

Square chain SKM

Hardened square chain

- high-quality textile-coated
- 6 or 8 mm thick

Art.-No.	EAN		Length	Ø
	40 03482...		cm	mm
SKM 6/60	11060 7	1	60	6
SKM 6/90	11070 6	1	90	6
SKM 8/90	11100 0	1	90	8



GKM

Square chain GKM

Super quality!

Hardened square chain

- high-quality textile-coated
- 10 mm thick

Art.-No.	EAN		Length	Ø
	40 03482...		cm	mm
GKM 10/100	11110 9	1	100	10
GKM 10/150	11120 8	1	150	10
GKM 10/200	11130 7	1	200	10



SKM 6/60Ni40

Chain combinations

Hardened square chain

- high-quality textile-coated
- combined with cylinder locks

Art.-No.	EAN		
	40 03482...		
GK 4/60/30	14610 1	10	Chain length 60 cm, 4 mm Ø with padlock 222/30
SKM 6/60/Ni40	14100 7	5	Chain length 60 cm, 6 mm squared with padlock 217 F/40Ni
SKM 6/90/Ni40	14150 2	3	Chain length 90 cm, 6 mm squared with padlock 217 F/40Ni
SKM 8/90/Ni50	14160 1	3	Chain length 90 cm, 8 mm squared with padlock 217 F/50Ni
GKM 10/150/700	28270 0	1	Chain length 150 cm, 10 mm squared with padlock 700/55



750

750

Extra long coil cable

- with loops

Art.-No.	EAN		Length	Ø
	40 03482...		cm	mm
750 200	11140 6	5	200	8,0
750 250	11150 5	5	250	10,0

Cam lock MZ 26

Cam lock with straight or off-set bolt, nickel-plated, cylinder length 20 mm

Art.-No.	EAN		Ø	
	40 03482...		mm	
MZ 26	05050 7	5	18,0	65R

MZ 26



All-round cylinders

From high-strength nickel-plated zinc diecasting, disk cylinder with reversible key, cam adjustable at an angle of 90°,

ZS 76, ZS 77, ZS 77 H:

with fixing nut

ZS 80 - 82: with friction spring

ZS 85, ZS 86: with fixing nut

All models are delivered with 3 different bolts, always the right solution

Sets: ZS 81 also available as Duo or Trio sets (keyed-alike).

Art.-No.	EAN		Material thickness	
	40 03482...			
ZS 76	01270 3	10	1 - 5 mm	33W
ZS 77	03070 7	10	1 - 10 mm	33W
ZS 77 H	03080 6	10	11 - 18,8 mm	33W
ZS 80	01280 2	10	1 - 2 mm	33W
ZS 81	03110 0	10	1 - 2 mm	33W
ZS 82	01290 1	10	1 - 2 + 4 - 5 mm	33W
ZS 85	26880 3	5	1 - 12 mm	36W
ZS 86	26890 2	5	1 - 24 mm	36W
ZS 77 SB	03071 4	10	1 - 10 mm	33W
ZS 77 H SB	03081 3	5	11 - 18,8 mm	33W
ZS 81 SB	03111 7	10	1 - 2 mm	33W
ZS 85 SB	26881 0	5	1 - 12 mm	36W
ZS 81 DUO SB	17741 9	10	1 - 2 mm	33W
ZS 81 TRIO SB	17751 8	5	1 - 2 mm	33W

ZS 77



ZS 77 H



ZS 81



All-round cylinder ZS 61

Low-priced cylinder made of plastic with friction spring, with 1 straight bolt. Also available as Duo set (keyed-alike).

Art.-No.	EAN		Material thickness	
	40 03482...			
ZS 61 SB	17761 7	10	1 - 2 mm	33W
ZS 61 DUO SB	17771 6	10	1 - 2 mm	33W

ZS 61



Cylinder Service Box

Assortment of popular replacement cylinders for BURG-WÄCHTER letter boxes and many other brands. Incl. technical documentation. With templates, several bolts and accessories.

Art.-No.	EAN	
	40 03482...	
ZS-Box 2003	80600 5	1



ZS-Box 2003

Spare cylinders

ZBK:

Replacement cylinders for letter boxes of different brands

Art.-No.	EAN		for brand	
	40 03482...			
ZBK 70	22360 4	5	JU	35W
ZBK 71	22370 3	5	Renz, Decayeux u.a.	34W
ZBK 72	22380 2	5	Rombi, Knobloch	34W
ZBK 73	22390 1	5	Brabantia (sheet metal)	34W
ZBK 74	22680 3	5	Brabantia (plastic)	34W
ZBK 70 SB	22361 1	5	JU	35W
ZBK 71 SB	22371 0	5	Renz, Decayeux u.a.	34W
ZBK 72 SB	22381 9	5	Rombi, Knobloch	34W
ZBK 73 SB	22391 8	5	Brabantia (sheet metal)	34W
ZBK 74 SB	22681 0	5	Brabantia (plastic)	34W

ZS 86



ZBK 74

Packed for self-service

for BURG-WÄCHTER letter boxes

BK 92 M:

for metal letter boxes

BK 92 K: for letter boxes made of plastic or cast aluminium

Art.-No.	EAN	
	40 03482...	
BK 92 M SB	14111 3	5
BK 92 K SB	14121 2	5

Art.-No.	EAN	
	40 03482...	
Single cylinders		1



Single cylinders for cash boxes, letter boxes, key cabinets, etc.



MZ 2320

Cylinder rim locks

Applicable in all fields, backset adjustable: 15 - 40 mm, cylinder length: 25 mm

Possible special executions: master keyed

MZ 23:

cylinder brass polished

MZ 2320:

cylinder brass, nickel-plated

Art.-No.	EAN		Ø		
	40 03482...		mm		
MZ 23	04730 9	5	22	65R	
MZ 2320	04780 4	5	22	65R	
MZ 23	SB	04731 6	5	22	65R



MZ 83

Cylinder rim lock

MZ 83: disk cylinder nickel-plated.

Backset 25/30 mm.

Cylinder length 23 mm.

Art.-No.	EAN		Ø		
	40 03482...		mm		
MZ 83	05390 4	5	18	10R	
MZ 83	SB	05391 1	5	18	10R



MS 90

Lock for sliding glass doors

MS 90: rack lock, smoothly adjustable from 4 to 8 mm thickness

Art.-No.	EAN		Ø		
	40 03482...		mm		
MS 90	22460 1	5	20	37W	
MS 90	SB	22461 8	5	20	37W



MS 91

Furniture lock

MS 91: to set in, bolt lifts 5,5 mm

Art.-No.	EAN		Ø		
	40 03482...		mm		
MS 91	22470 0	5	19	37W	
MS 91	SB	22471 7	5	19	37W



MS 92

Pressure lock

MS 92: for sliding doors. Bolt sinks completely into the cylinder, with M4 drilling, bolt lifts 12 mm

Art.-No.	EAN		Ø		
	40 03482...		mm		
MS 92	22480 9	5	19	37W	
MS 92	SB	22481 6	5	19	37W



Mortise locks

MN 94: with web-key, available with backset 15 - 40 mm.

New version: usable **left and right**.

Packed for self-service.



Art.-No.		EAN		Backset
		40 03482...		mm
MN 94.15	SB	22281 2	5	15,0
MN 94.20	SB	22291 1	5	20,0
MN 94.25	SB	22491 5	5	25,0
MN 94.30	SB	22511 0	5	30,0
MN 94.35	SB	22301 7	5	35,0
MN 94.40	SB	22311 6	5	40,0



MN 94

Rim locks

MN 95: with web-key, backsets

15 - 40 mm, one type fitting **right and left**.



Art.-No.		EAN		Backset
		40 03482...		mm
MN 95.15	SB	22571 4	5	15,0
MN 95.20	SB	22581 3	5	20,0
MN 95.25	SB	22591 2	5	25,0
MN 95.30	SB	22531 8	5	30,0
MN 95.35	SB	22661 2	5	35,0
MN 95.40	SB	22671 1	5	40,0



MN 95

Rotary bar locks

MN 97: low-priced, universal rotary bar lock for replacement requirements. Usable on the **right and left**.

Backsets: 16 and 25 mm.

New incl. rotary hook, fixing screws including.

Accessory: Rotary bar MD 120



Art.-No.		EAN		Backset
		40 03482...		mm
MN 97.16	SB	23311 5	5	16,0
MN 97.25	SB	23321 4	5	25,0
MD 120		22400 7	10	



MN 97





ES

Security inserts

change plain door locks into full cylinder locks, adjustable radius of the locking bolt from 13,5 to 15 mm.

ESA:

low-priced security insert with radius 16,5 mm, with 3 keys



Art.-No.	EAN		Ø	
	40 03482...		mm	
ES 10/2	04070 6	1	70	29
ES 10/3	04073 7	1	70	29
ESA 10/3	04623 4	1	70	29
ESA 10/3 SB	04651 7	5	70	29



ESA

Cylinder lockblocking keys

E 6/E 7: for mortise door locks

E 700:

with stopper, for mortise door locks

ME: for furniture mortise locks



Art.-No.	EAN		Ø	
	40 03482...		mm	
E 7/2	04280 9	10	7	24
E 7/3	04283 0	10	7	24
E 6/2	04270 0	10	6	22
E 700/2	04300 4	10	7	26
E 700/3	04303 5	10	7	26
ME/2	04340 0	10	6	14
E 7/2 SB	04281 6	10	7	24
E 7/3 SB	04481 0	10	7	24
E 6/2 SB	04271 7	10	6	22
E 700/2 SB	04301 1	10	7	26
E 700/3 SB	04501 5	10	7	26
ME/2 SB	04341 7	10	6	14



E 7



E 700



ME



Door chains
Door and window security
Door closers
Doorstops
Electronic door locking systems



Security



TK 64

Security door chains with screws

TK 64

The door chain with built-in spring to prevent accidental opening, approx. length 16 cm



Art.-No.		EAN		Colours
		40 03482...		
TK 64	SB	05481 9	5	nickel-plated
TKW 64	SB	05491 8	5	white
TKM 64	SB	05501 4	5	brass-plated
TKB 64	SB	05511 3	5	antique copper finish



TKM 75

TK 75

Luxury door chain with built-in spring to prevent accidental opening, approx. length 15 cm



Art.-No.		EAN		Colours
		40 03482...		
TK 75	SB	05521 2	5	nickel-plated
TKM 75	SB	05531 1	5	brass-plated
TKB 75	SB	05541 0	5	antique copper finish



VTK 77 W

VTK 77

Key-operated door chain of hardened steel for all doors, approx. length 14 cm



Art.-No.		EAN		Colours
		40 03482...		
VTK 77	SB	05551 9	3	nickel-plated
VTK 77 W	SB	06911 0	3	white



VTK 90

VTK 90

Key-operated door chain for doors and windows, extra strong, with edge protection, approx. length 18 cm



Art.-No.		EAN		Colours
		40 03482...		
VTK 90	SB	05341 6	3	nickel-plated



FS 20 W

Door and window lock

With screws, reliable and inconspicuous, easy assembling



Art.-No.		EAN		Colours
		40 03482...		
FS 20 B	SB	00641 2	5	brown
FS 20 W	SB	00631 3	5	white



Luxury bolts

Colours: white and brown

Basic model without key, for folding doors and windows, usable on the left and on the right, design that doesn't date, 60 mm thick



Art.-No.	EAN		Colours
	40 03482...		
R 60 W	01371 7	3	white
R 60 B	01391 5	3	brown



R 60 W

Luxury bolt

Colours: white and brown

Lockable bolt for folding doors and windows, usable on the left and on the right, design that doesn't date, 60 mm thick



Art.-No.	EAN		Colours
	40 03482...		
RZ 60 W	01521 6	3	white
RZ 60 B	01531 5	3	brown



RZ 60 B

Alarm for doors and windows

- suitable for all windows and doors with hinge or sliding function
- 100dB high-performance alarm
- low battery consumption
- batteries included
- easy assembly
- WEEE reg no. DE19767115



Art.-No.	EAN		Colours
	40 03482...		
FTA 2005	14181 6	5	white



FTA 2005

Personal alarm

- ideal for joggers, elderly...
- fits into pocket and on the key ring
- 100dB high-performance alarm
- low battery consumption
- batteries included
- WEEE reg no. DE19767115



Art.-No.	EAN		Colours
	40 03482...		
PA 2006	14191 5	10	assorted



PA 2006



W1 W

WinSafe W 1

- security for single casement windows
- usable for left or right opening windows
- for the easy self-assembly
- assembly only onto the frame, no damage of the window leaf
- with "parking" position, when bolt is not in use



Art.-No.	EAN	Colours
	40 03482...	
W1 W SB	30211 8	3 white
W1 BR SB	30221 7	3 brown
W1 W Z1 GL*	43612 7	1 white
W1 BR Z1 GL*	43632 5	1 brown



Available keyed-alike without surcharge!



WD 3 W

WinSafe WD 3

- solid bolts secure the window frame
- usable for left or right opening windows
- assembly only onto the frame, no damage of the window leaf
- high-locking comfort
- automatically engaging bolts



Art.-No.	EAN	Colours
	40 03482...	
WD 3 W SB	30251 4	3 white
WD 3 BR SB	30261 3	3 brown
WD 3 W Z1 GL*	43812 1	1 white
WD 3 BR Z1 GL*	43832 9	1 brown



for single casement windows

Available keyed-alike without surcharge!



WX 4

WinSafe WX 4

High protection against breaking-in

- extremely solid
- claw bolts of hardened steel
- very high resistance against leverage. Tested pressure load: 1,000 kg
- with secure hinge function

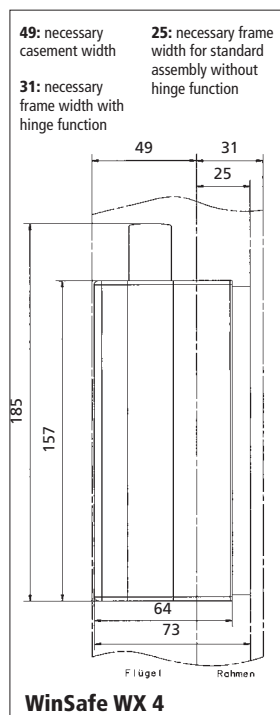


Art.-No.	EAN	Colours
	40 03482...	
WX 4 W SB	30181 4	3 white
WX 4 BR SB	30171 5	3 brown

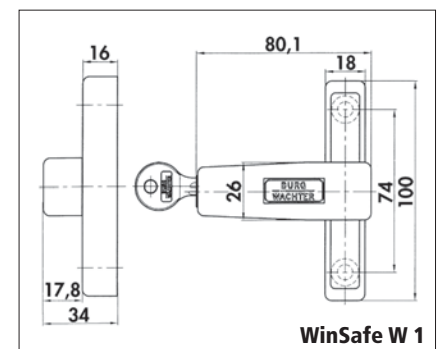


Practical operation

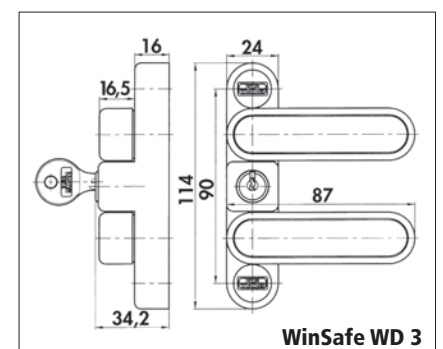
- lock the window - it's automatically protected
- comfortable single-hand opening operation without key
- for all inward opening windows
- can be fit on all 4 window sides
- 95° opening angle for assembly on the hinge side!
- easy assembly with the professional drilling template (attached)



WinSafe WX 4



WinSafe W 1



WinSafe WD 3

All dimensions in mm

BLOCKsafe B1

The massive window lock

- also as extra protection for doors
- massive steel bolt
- massive cast housing
- precise bolt guide
- deep bolt insertion
- high protection against leverage
- with precision cylinder locking mechanism



Art.-No.	EAN	Colours
	40 03482...	
B1 W SB	30311 5	3 white
B1 BR SB	30301 6	3 brown
B1 W Z1 GL*	46812 8	1 white
B1 BR Z1 GL*	46712 1	1 brown



Available keyed-alike without surcharge!



B1 W

BLOCKsafe BS 2

The massive door lock

- also for windows
- massive steel bolt
- massive cast housing
- precise bolt guide
- deep bolt insertion
- high protection against leverage
- with precision cylinder locking mechanism
- for slightly opened doors or windows the extra-solid bolt offers a VdS tested "attendance" protection



Art.-No.	EAN	Colours
	40 03482...	
BS 2 W SB	30331 3	3 white
BS 2 BR SB	30321 4	3 brown
BS 2 W Z1 GL*	48612 2	1 white
BS 2 BR Z1 GL*	46912 5	1 brown



Available keyed-alike without surcharge!



BS 2 W

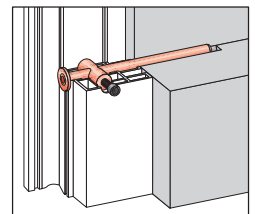
MA 99 DUO

Assembly anchor for all VdS approved BURG-WÄCHTER door and window locks

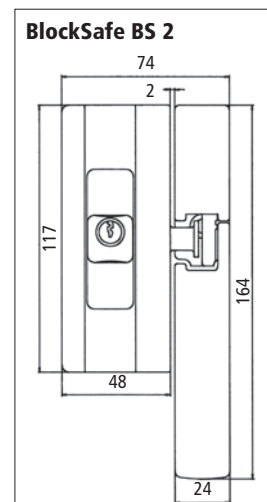
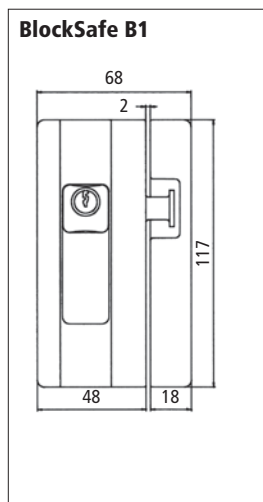
- easy assembly
- high protection against burglary
- best leverage results on window profiles of plastic, wood or aluminium



Art.-No.	EAN	Colours
	40 03482...	
MA 99 DUO SB	30291 0	5



MA 99 DUO





winPROTEC
in section

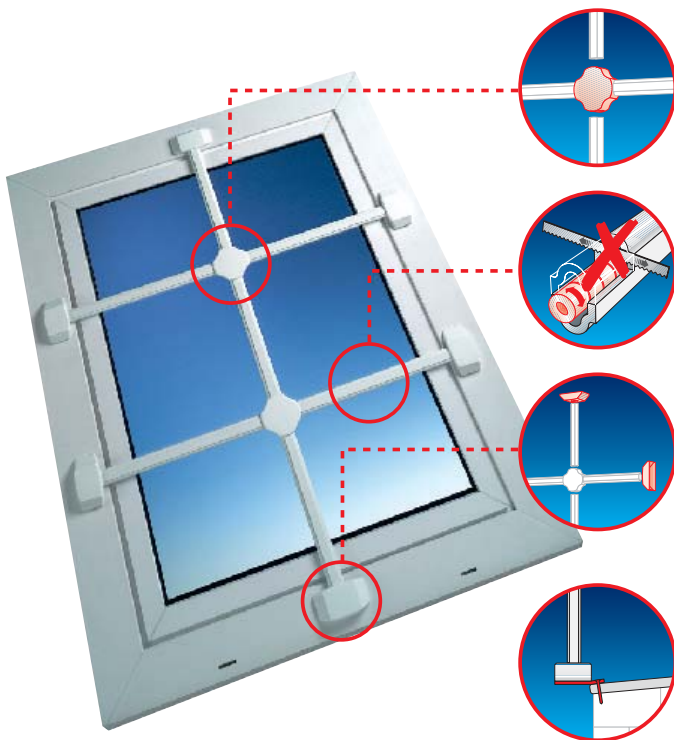
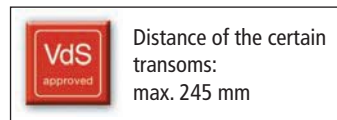
win PROTEC

Individual dimensions for each window size ...

for the proficient craftsman: easy assembly (without welding) or completely assembled bars for an immediate installation - tailor-made for you.

... solid and elegant

the aluminium profiles with a specially hardened core offer real security. All screws are non-detachably locked with steel balls.



WP MS 101 SB:

- heavy-duty cast cross piece with assembly template
- vertical and horizontal profile guide
- non-detachable fittings for the aluminium profiles

WP SK 107/110 SB:

- elegant aluminium profiles with hardened steel bolts protects against breaking in: the hardened surface and rotating bolts withstand sawing through.

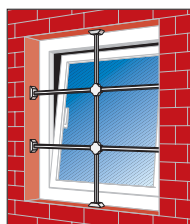
WP MS 102 SB:

- hardened steel wall anchor for non-detachable fittings
- cover caps for several assembly possibilities

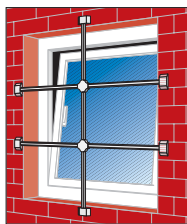
WP MP 103/104 SB:

... if you want to assemble on the house front by an overhanging window sill: BURG-WÄCHTER offers a specially constructed extension plate!

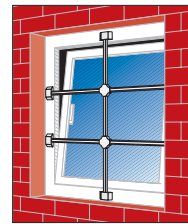
Make use of the various assembly possibilities of winPROTEC...



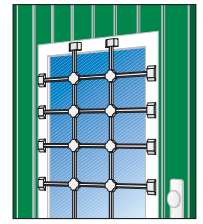
1 Assembly onto the window frame



2 Assembly onto the house front



3 Assembly onto the reveal



4 Assembly onto the window or door casement

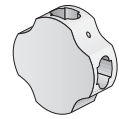
3 versions:

1. completely assembled security bars in 4 popular sizes
2. Pre-assembled bars according to your specifications
3. Pre-fabricated parts for the proficient craftsmen

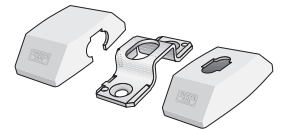
Completely assembled security bars in 4 sizes

- completely assembled security bars incl. accessories
- non-detachable fittings
- completely delivered with assembly material

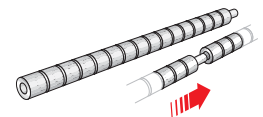
Art.-No.	EAN	
	40 03482...	
Security bar S	83220 2	bar dimension: 70 x 90 cm
Security bar M	83230 1	bar dimension: 80 x 100 cm
Security bar L	83240 0	bar dimension: 100 x 120 cm
Security bar XL	83250 9	bar dimension: 120 x 140 cm



WP MS 101



WP MS 102



WP SK 107/110

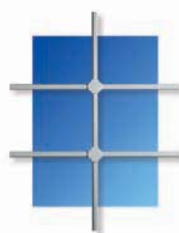


Security bar S

- for windows up to 50 x 70 cm
- bar dimension: 70 x 90 cm

Composed of:

- 1 WP-MS 101 assembled
- 2 WP-MS 102 SB
- 2 WP-Profil with steel bolts

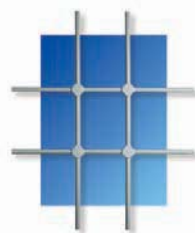


Security bar M

- for windows up to 60 x 80 cm
- bar dimension: 80 x 100 cm

Composed of:

- 2 WP-MS 101 assembled
- 3 WP-MS 102 SB
- 3 WP-Profil with steel bolts

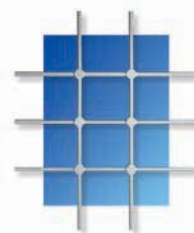


Security bar L

- for windows up to 80 x 100 cm
- bar dimension: 100 x 120 cm

Composed of:

- 4 WP-MS 101 assembled
- 4 WP-MS 102 SB
- 5 WP-Profil with steel bolts

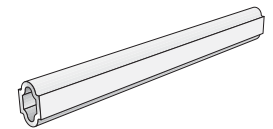


Security bar XL

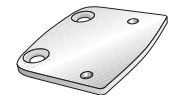
- for windows up to 100 x 120 cm
- bar dimension: 120 x 140 cm

Composed of:

- 6 WP-MS 101 assembled
- 5 WP-MS 102 SB
- 7 WP-Profil with steel bolts



WP Profil 100/150



WP MS 103



WP MS 104

Pre-assembled bars according to your specifications

- window security bar for the immediate installation
- tailor-made for you
- non-detachable screws

Art.-No.	EAN	
	40 03482...	
WP Profil with WP-SK	30820 2	Aluminium profile guides with hardened steel bolts
WP Profil without WP-SK	30830 1	Aluminium profile guides without hardened steel bolts
WP-MS 101 assembled	30480 8	Cross piece ready assembled
special packaging	30810 3	for a safe and undamaged delivery

Pre-fabricated parts for the proficient craftsmen

Window security bar for doors and windows

- elegant design
- individually adjustable
- easy self-assembly
- aluminium profile guides with hardened steel bolts
- non-detachable screws, headless screws and balls of stainless steel
- more security – greater peace of mind

Art.-No.	EAN			
	40 03482...			
WP Profil 100	30410 5	5		Profile guide 1000 mm
WP Profil 150	30400 6	5		Profile guide 1500 mm
WP MS 101 SB	30391 7	5		Cross piece
WP MS 102 SB	30381 8	5		2 end pieces
WP MP 103 SB	30371 9	5		Extension plate 1 slope 15°
WP MP 104 SB	30361 0	5		Extension plate 2 16 - 25° slope
WP SK 107 SB	30351 1	5		7 hardened steel inserts for WP Profil 100
WP SK 110 SB	30421 1	5		10 hardened steel inserts for WP Profil 150



TS 503 S

Door closer 500

- reliable and productive
- hydraulically steered
- final latching speed and closing speed adjustable
- incl. assembly instructions, template and fixing material
- 3 years warranty



Art.-No.	EAN	H x W x D	Colours		
	40 03482...				
TS 501 S	17500 2	45 x 190 x 34	silver	1	
TS 503 S	17510 1	50 x 196 x 37	silver	1	
TS 504 S	17520 0	50 x 200 x 41	silver	1	
TS 501 S	SB	17501 9	45 x 190 x 34	silver	2
TS 503 S	SB	17511 8	50 x 196 x 37	silver	2
TS 504 S	SB	17521 7	50 x 200 x 41	silver	2

Art.-No.	Width	Weight
501	up to 75 cm	up to 20 kg
503	up to 95 cm	up to 60 kg
504	up to 110 cm	up to 80 kg



TS 1500 S

Door closer TS 1500

The "little" with the technology of the "big ones"

Power and grade of closing adjustable through turning of the gear block, compact rack-door-closer, final latching speed and closing speed adjustable, for doors from 95 to 110 cm



Art.-No.	EAN	H x W x D	Colours		
	40 03482...				
TS 1500 S	19750 9	50 x 177 x 40	silver	1	
TS 1500 B	19740 0	50 x 177 x 40	bronze	1	
TS 1500 W	19770 7	50 x 177 x 40	white	1	
TS 1500 S	SB	19751 6	50 x 177 x 40	silver	2
TS 1500 B	SB	19741 7	50 x 177 x 40	bronze	2
TS 1500 W	SB	19771 4	50 x 177 x 40	white	2



TS 2000 V S

Door closer TS 2000 V

1 closer for 3 sizes

Top-design, simple assembly, closing speed adjustable from the front, independent from temperature, for doors from 95, 110 and 125 cm.



Art.-No.	EAN	H x W x D	Colours		
	40 03482...				
TS 2000 V S	15120 4	60 x 226 x 50	silver	1	
TS 2000 V B	15130 3	60 x 226 x 50	bronze	1	
TS 2000 V W	15140 2	60 x 226 x 50	white	1	
TS 2000 V S	SB	15121 1	60 x 226 x 50	silver	2
FA TS 2000 V S	15160 0	60 x 226 x 50	silver	1	
FA TS 2000 V W	15180 8	60 x 226 x 50	white	1	

Version FA:

with hold-open arm



TS 4000 V S

Door closer TS 4000 V

According to DIN EN 1154 A, sizes 1 – 6

1 closer for 6 sizes

Especially strong EN-door closer, simple assembly, closing speed adjustable from the front, for doors up to 75, 85, 95, 110, 125 and 140 cm

Art.-No.	EAN	H x W x D	Colours	
	40 03482...			
TS 4000 V S	17480 7	60 x 288 x 47	silver	1
TS 4000 V B	17490 6	60 x 288 x 47	bronze	1
TS 4000 V W	18020 4	60 x 288 x 47	white	1



www.burg.biz



In-door closer

Reliable functioning,
unobtrusive installation

Art.-No.	EAN	H x W x D	Colours	
	40 03482...			
TR 86 B	SB	08651 3	17 x 400 x 34	brown 5
TR 86 W	SB	08661 2	17 x 400 x 34	white 5



TR 86 W



Accessories for TS 2000

* also suitable for TS 4000 V

Description	Art.-No.	EAN	Colours
		40 03482...	
Regular arm*	TZB 2010 S	17470 8	silver
Regular arm*	TZB 2010 B	17140 0	bronze
Regular arm*	TZB 2010 W	17150 9	white
Fixing plate	TZB 2035 S	17400 5	silver
Glass door shoe	TZB 2036 S	17430 2	silver
Hold-open arm*	TZB 2060 S	17460 9	silver
Hold-open arm*	TZB 2060 B	18480 6	bronze
Hold-open arm*	TZB 2060 W	18490 5	white



Accessories for TS 4000

Description	Art.-No.	EAN	Colours
		40 03482...	
Fixing plate DIN, incl. screws	TZB 4035 S	14790 0	silver
Fixing plate DIN, incl. screws	TZB 4035 B	14580 7	bronze

Accessories for TR 86

Description	Art.-No.	EAN	Colours
		40 03482...	
Spare cable with support for cable pull	SZH+S 86 BR	28410 0	brown
Spare cable with support for cable pull	SZH+S 86 W	28400 1	white

Accessories for TF 2

Description	Art.-No.	EAN	Colours
		40 03482...	
Spare rubber bung	GST 2 W	28450 6	white



TF 165 Ni

Door lifter TF Ni

- well designed
- stainless steel appearance
- with screws
- stroke:
 - TF 125 Ni = 25 mm
 - TF 165 Ni = 30 mm



Art.-No.	EAN		Colours
	40 03482...		
TF 125 Ni	SB	15741 1	5 stainless steel appearance
TF 165 Ni	SB	15731 2	5 stainless steel appearance



TF 2

Door lifter TF 2

- well designed
- solid
- with screws
- stroke 30 mm



Art.-No.	EAN		Colours
	40 03482...		
TF 2	SB	14521 0	3 silver



TF 3 W

Door lifter PortaStopp TF 3

Maintains open any door in any requested position

- well designed
- solid
- packed for self-service
- with assembly instructions and screws
- stroke 35 mm



Art.-No.	EAN		Colours
	40 03482...		
TF 3 W	SB	14451 0	3 white
TF 3 B	SB	14461 9	3 brown



TFS 4 W

Doorstop PortaBlock TFS 4

Double use: stops not only the door so that you can enter comfortably, transport things easily or let some air in but also offers you a total locking device and an additional blocking system

- well designed
- solid
- packed for self-service
- with assembly instructions and screws
- stroke 35 mm



Art.-No.	EAN		Colours
	40 03482...		
TFS 4 W	SB	14471 8	3 white
TFS 4 B	SB	14481 7	3 brown

The professional recommendation! Additional security: total door locking - close the door, anchor PortaBlock - the door is secured.



TH 68

Door lifter

- with screws
- stroke adjustable from 9 to 16 mm



Art.-No.	EAN		Colours
	40 03482...		
TH 68	SB	05431 4	5 nickel-plated
THM 68	SB	05451 2	5 brass



Doorstop „Puck”

- flexible utilisation
- no screwing necessary
- heavy stainless steel quality
- wide rubber rings for careful and secure stopping
- Ø 80 mm
- weight 1120 g



Art.-No.	EAN		Colours
	40 03482...		
PUCK 2580 Ni	15600 1	1	stainless steel appearance



PUCK 2580 Ni

Doorstop

- No screwing necessary
- Flexible utilisation
- Solid marble
- Rubber rings and rubber pad for careful and secure stopping
- Height 40 mm, Ø approx. 110 mm
- Weight approx. 900g

Art.-No.	EAN		Colours
	40 03482...		
TSB 2595 MA S	15820 3	1	polished, black marble
TSB 2595 MA W	15830 2	1	polished, white marble



TSB 2595 MA S



TSB 2595 MA W

Solid Doorstop

- no screwing necessary
- flexible utilisation
- high weight through a solid steel core
- rubber rings and rubber pad for careful and secure stopping
- CR: chromium-plated
- Ni: stainless steel
- Ø ca. 95 mm
- weight approx. 1300 gr

Art.-No.	EAN		Colours
	40 03482...		
TSB 2590 CR	15900 2	1	chromium-plated
TSB 2590 Ni	15910 1	1	stainless steel



TSB 2590 Ni

Solid doorstop

- for wall fixing
- stainless steel
- length 65 or 90 mm
- incl. fixing material



Art.-No.	EAN		Colours
	40 03482...		
TSW 2365 Ni	15521 9	5	stainless steel
TSW 2390 Ni	15531 8	5	stainless steel



TSW 2365 Ni



TSW 2390 Ni

Magnetic doorstop

- for wall fixing
- stops and holds the door
- stainless steel appearance, brushed, varnished
- incl. fixing material



Art.-No.	EAN		Colours
	40 03482...		
TWM 2495 Ni	15721 3	3	stainless steel appearance



TWM 2495 Ni

Design door wedge

- made of stainless steel
- dimensions H x W x D : 32 x 66 x 153 mm



Art.-No.	EAN		Colours
	40 03482...		
TKL 2155 Ni	14491 6	3	stainless steel



TKL 2155 Ni



TSB 2140 Ni

Design doorstop

- for floor fixing
- stainless steel appearance, brushed
- varnished
- Ø 40 mm
- incl. fixing material



Art.-No.	EAN		Colours
	40 03482...		
TSB 2140 Ni	15660 5	10	stainless steel appearance
TSB 2140 Ni SB	15661 2	5	stainless steel appearance

TSB 2145 MP



TSB 2145 Ni

Elegant doorstop

- elegant design
- brass polished or stainless steel appearance, brushed
- varnished
- Ø 45 mm
- incl. fixing material



Art.-No.	EAN		Colours
	40 03482...		
TSB 2145 MP	15640 7	10	brass
TSB 2145 Ni	15650 6	10	stainless steel appearance
TSB 2145 MP SB	15641 4	5	brass
TSB 2145 Ni SB	15651 3	5	stainless steel appearance



TSB 2230 Ni

Elegant doorstop

- for floor fixing
- stainless steel appearance, brushed
- varnished
- with a wide rubber ring
- Ø 30 mm
- incl. fixing material



Art.-No.	EAN		Colours
	40 03482...		
TSB 2230 Ni	15700 8	10	stainless steel appearance
TSB 2230 Ni SB	15701 5	5	stainless steel appearance



TWB 2230 Ni

Modern doorstop

- for wall and floor fixing
- stainless steel appearance, brushed
- varnished
- double buffered
- Ø 30 mm
- incl. fixing material



Art.-No.	EAN		Colours
	40 03482...		
TWB 2230 Ni	15710 7	10	stainless steel appearance
TWB 2230 Ni SB	15711 4	5	stainless steel appearance



TSB 2235 Ni



TSB 2235 MP



TSB 2235 W

Classic doorstop

- classic design
- stainless steel appearance, brushed
- brass polished or white
- varnished
- Ø 35 mm
- incl. fixing material



Art.-No.	EAN		Colours
	40 03482...		
TSB 2235 Ni	15680 3	10	stainless steel appearance
TSB 2235 MP	15670 4	10	brass
TSB 2235 Ni SB	15681 0	5	stainless steel appearance
TSB 2235 MP SB	15671 1	5	brass
TSB 2235 W SB	15691 9	5	white

Classic doorstop

- classic design
- massive beech
- solid
- Ø 35 mm
- incl. fixing material



Art.-No.	EAN		Colours
	40 03482...		
TSB 2235 BU SB	15511 0	3	beech



TSB 2235 BU

Classic doorstop

- classic design
- solid body of transparent plastic
- Ø 35 mm
- incl. fixing material



Art.-No.	EAN		Colours
	40 03482...		
TWB 2235 PX SB	15491 5	5	transparent



TWB 2235 PX

Doorman 2195

- the cute doorstop, made of long-lasting material
- protects delicate surfaces against damage
- reliable on different types of floors
- stops also heavy doors
- delivery in 3 assorted colours, ready packed for sale

Art.-No.	EAN		Colours
	40 03482...		
Doorman 2195	15840 1	10	blue, orange, green



Doorman 2195

Door wedge "Big Foot"

- the smart doorstop
- long lasting material
- in case of not using it, you can "park" it at the door handle
- KOZIOL-design



Art.-No.	EAN		Colours
	40 03482...		
FU 2165 BL SB	15541 7	5	blue
FU 2165 OR SB	15561 5	5	orange
FU 2165 GR SB	15551 6	5	green



FU 2165 OR

Window clip "House Mouse"

- smart design
- various use
- prevents as a clip the slamming of doors and windows
- protects valuable furniture against damage



Art.-No.	EAN		Colours
	40 03482...		
FM 2110 GR SB	15580 6	3	grey
FM 2110 BL SB	15570 7	3	blue
FM 2110 S SB	15590 5	3	black



FM 2110 S



Packing unit

TSB 2025 W



TSB 2025 BG

Doorstop

- standard model
- plastic
- Ø 25 mm

Art.-No.	EAN		Colours
	40 03482...		
TSB 2025 BG	15390 1	80	beige
TSB 2025 W	15400 7	80	white

TSB 2040 W



TSB 2040 GR

Doorstop

- standard model
- plastic
- Ø 40 mm

Art.-No.	EAN		Colours
	40 03482...		
TSB 2040 GR	15410 6	80	grey
TSB 2040 W	15420 5	80	white

TPF 2035 S



TPF 2035 W

Doorbumper ball

- plastic
- Ø 35 mm
- for light doors
- incl. fixing material

Art.-No.	EAN		Colours
	40 03482...		
TPF 2035 W	15620 9	50	white
TPF 2035 S	15630 8	50	black



TPF 2050 DUO

Doorbumper (2 pcs.)

- plastic
- self-adhesive
- Ø 50 mm

Art.-No.	EAN		Colours
	40 03482...		
TPF 2050 DUO	15430 4	50 pairs	white

TKL 2010 T



TKL 2016 T

Door wedge

- transparent
- 100 or 160 mm long

Art.-No.	EAN		Colours
	40 03482...		
TKL 2010 T	15450 2	80	transparent
TKL 2016 T	15460 1	40	transparent



FKL 2090 T

Window clip

- prevents the slamming of an open window

Art.-No.	EAN		Colours
	40 03482...		
FKL 2090 T	15440 3	30	transparent



More security – no need to carry a key!

- **Safe locking without key:**
TSE replaces the existing profile cylinder
- **Personal code:**
Can be set and changed at any time
- **Easy and fast assembly:**
Mounting and mortise lock remain unchanged

TSE is something to be proud of!

- Elegant and universal: the discrete TSE casing can be installed harmoniously to any door of different designs.
- Opening and locking from the inside without entering the code.
- Proven BURG-WÄCHTER security in all situations: The TSE electronic is protected against manipulation and the memory against battery failure.
- Easy battery exchange without memory loss.



TSE 3000 Basic

The electronic door lock for front doors

- Electronic door lock with 6 digit user code, resettable by user
- 1 million different locking combinations
- User-friendly informative display
- Protected against manipulation
- incl. 3 batteries Mignon LR 6 AA

Art.-No.	EAN	Colours
	40 03482...	
TSE 3000 BASIC W	54100 5	1 white
TSE 3000 BASIC MCR	54110 4	1 matt chromium
TSE 3000 BASIC GF	54140 1	1 gold-coloured



TSE 3000 W



TSE 3000 MCR

The TSE product range: everything at a glance!

	TSE 3000 Basic	TSE 3003 Premium	TSE 3004 Wireless	TSE 3005 Wireless
For interior and exterior doors	✓	✓	✓	✓
For houses and apartment doors	✓	✓	✓	✓
For offices and practices	–	✓	✓	✓
For trade and industry	–	✓	✓	✓
Possible code combinations	1.000.000	111.000.000	1.000.000	> 10.000.000.000
How many digits in the code?	6 digits	6,7 or 8 digits	6 digits	without control unit
Number of possible user codes	1	1 to 300	1 to 300	1 to 300
TSE E-Key* function key	–	–	1 to 300	1 to 300
Safe AES function	–	–	✓	✓
Manipulation protection	✓	✓	✓	✓
Customer installation	✓	✓	✓	✓
Installation without drilling	–	–	✓	✓
Customer programming	✓	✓	✓	✓
Easy intuitive operation	✓	✓	✓	–
Menu-controlled user guidance	–	✓	✓	–
Multi-language menu guidance	–	12 languages	12 languages	without control unit
Illuminated display	–	✓	✓	–
Available housing colours	white, matt chrome, gold-coloured	white, matt chrome, gold-coloured	matt chrome	without control unit
Control unit installation point	door	door	up to 10 m from door	not available
Locking system function with user administration	–	✓	✓ with TSE Software	
Management software Home*	–	–	up to 8 TSE and 15 users	
Management software Business*	–	–	up to 50 TSE and 100 users	
Management software Professional*	–	–	up to 300 TSE and 2.000 users	
Battery change display	✓	✓	✓	✓
Including installation materials	✓	✓	✓	✓
Memory protection even without battery voltage	✓	✓	✓	✓
Standard emergency key	–	–	✓	✓
Including batteries	✓	✓	✓	✓

* Optional accessory. Not included.



TSE 3003 MCR

TSE 3003 Premium

The electronic door lock with integrated keying system for private households and commercial fields

- Electronic door lock with 6,7 or 8 digit user code, resettable by user
- User-friendly, illuminated menu-driven operation in 10 languages
- Up to 300 different users with individual access rights
- Protected against manipulation
- With many more options
- Intelligent and simple administration: the comfortable menu-driven operation masters. 10 languages: i.e. English, German, French, Italian, Spanish
- Intelligent and simple administration: suitable as component for a keying system in private as well as in commercial fields
- With TSE 3003 the installation of an access control system is also possible. Up to 300 users can be administrated.
- Incl. 3 batteries Mignon LR 6 AA



TSE 3003 GF

Art.-No.	EAN	Colours
	40 03482...	
TSE 3003 PREMIUM W	54120 3	1 white
TSE 3003 PREMIUM MCR	54130 2	1 matt chromium
TSE 3003 PREMIUM GF	54150 0	1 gold-coloured



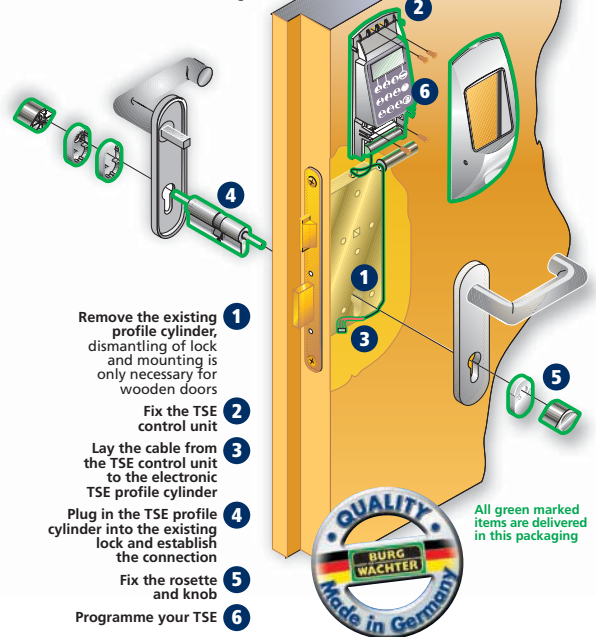
TSE 3003 Premium

Now as a standard feature with the following additional functions:

- multi-functional locking system with programmable time display
- 2 independent time locks with 8 time zones each
- division into 3 user-groups
- with calendar and holiday function for 30 events
- permanent opening programmable (e.g. for doctor's surgery)
- opening delay (programmable from 0 – 99 minutes)
- clocks will change automatically to summertime/wintertime

More security – no need to carry a key!

6 steps to the electronic security



.... ready to use!

TSE 3003 Hotel

The new electronic guest code system is working without network.

- easiest code generation via your PC
- the code will be generated out of room no., date of arrival and departure
- each lock has to be established only once for each room number
- additional codes for managers and staff are possible
- please ask for further information



TSE Wireless – for a wireless future:

**The electronic door lock TSE with a new radio version!
Key pad and cylinder correspond with each other via radio.**

Where do I put the key pad?

You can fit the key pad to the door, the door-frame or the wall – just as you like.
The distance between key pad and door lock can be up to 10 m depending on the environment.

TSE Wireless does not leave any traces if the occupant is moving.

Like this you can use the TSE Wireless also for rented property without any problem.

Door lock TSE 3004 Wireless

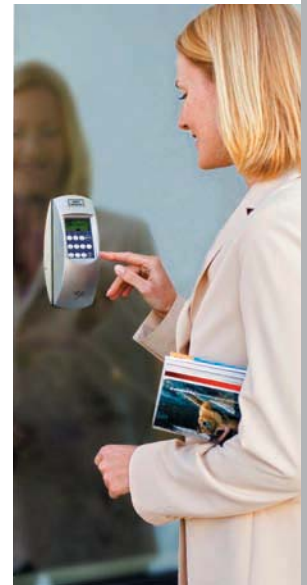
User prompt for key pad and display

- Initial code and how to change the code
- Blocking after wrong code is entered
- Setting of time and date
- Display of the battery voltage
- Diverse administrator functions

Operation

- Opening of the lock via the 6-digit code or with the optional radio key
- Personal code or optional with radio controlled key for up to 300 users
- In case of a failure of the electronics the lock can be operated by the override key. 2 emergency keys are supplied as a standard.
- All functions of the TSE 3003 Premium are available via the optional PC-Software.

Art.-No.	EAN		Colours
	40 03482...		
TSE 3004 Wireless MCR	54260 6	1	chromium



Radio controlled key TSE E-Key

Electronic radio controlled key – practical design

- The distance between radio controlled key and door lock can be up to 3 m, depending on the environment.
- Manual mode: TSE Wireless opens at the push of the button. The radio controlled key will be taken into one's hand.
- Automatic mode: TSE Wireless opens after engaging the TSE. The radio controlled key can remain in the pocket.
- A mechanical key for emergency function of the door lock can remain in the casing of the radio controlled key.
- Signal for low battery status. Battery: Standard CR2032 coin cell

Art.-No.	EAN		Colours
	40 03482...		
TSE E-Key	54300 9	1	



TSE E-Key

Electronic door lock TSE 3005 Wireless – for professional requirements

The new product of the TSE family is a unit composed of an electronic cylinder and a radio controlled key TSE E-Key.

- Activation of the cylinder with the E-Key, without keyboard
- All functions of the TSE 3004 Wireless are available via the optional PC software
- Further radio controlled E-Keys can be programmed with the TSE software
- Existing TSE 3004 systems can be extended with the TSE 3005



Art.-No.	EAN		Colours
	40 03482...		
TSE 3005 Wireless	54090 9	1	chromium

Available in spring 2007



TSE 3005

Software packets for more functionality

- comfortable operation from your own PC – like this you can configurate and manage your complete locking system clearly structured

- System requirements:
Windows XP in a standard configuration, USB port
- The distance between PC and TSE can be up to 20 m, depending on the environment. Reach on a free field up to 50 m.
- Denomination of users
- All functions of the TSE 3003 Premium available
- Readout of all processes in CSV format
- Wire connection between the BURG-WÄCHTER USB stick (included) and the PC. This facilitates an improvement of the radio connection in an environment disadvantageous for radio control.
- Back-up function (only Business + Professional)
- Data exchange in CSV format with other programs (only Professional)
- No permanent wireless connection between PC and TSE necessary
- Special configurations for bigger installations on demand

Artikel	EAN	users	door locks
	40 03482...	up to	up to
TSE Wireless Software Home	54280 4	15	8
TSE Wireless Software Business	54310 8	100	50
TSE Wireless Software Professional	54290 3	2.000	300 expandable



TSE Software

Subject to errors and changes. Minor variations of sizes depend on production characteristics.



TSM 300 EURO MCR



TSM 300 EURO City Line

- Basis model: the very low-priced mounting with electronics
- Easy fitting without power cable, not connected to any electricity mains
- Just change your mounting and cylinder
- Energy saving: using standard 1,5 V Mignon batteries, life: approx. 2 - 3 years
- The lock without a key - no loss
- Electronic door entry system, protected against manipulation
- Codes can be changed individually
- Two-row keyboard
- More security: integrated armour plate
- For doors with door stop both DIN right and DIN left
- Flexible EUR version: distance measure variably adjustable from 70 - 92 mm in a 2 mm grid.
- Assembly set for doors from 38 mm - 75 mm attached
- An additional assembly set for thicker doors (up to 100 mm) is also available (TSM MS 3)

Art.-No.	EAN		Colours
	40 03482...		
TSM 300 EURO W	51390 3	1	white
TSM 300 EURO MCR	51380 4	1	matt chromium

TSM 500 EURO

Pleasingly slim and discrete appearance. Technical features as basis model TSM 300. Additional features in series:

- Illuminated, two-row keyboard with visible protection
- Electronic master key: 1 general code and up to 9 user codes (6 digits)
- Turning knob with special protection against unauthorized and forcible opening
- Operating from the inside with special functions: i.e. opening protection for doors with glass inset, to prevent accidental opening, permanent access
- For doors with door stop both DIN right and DIN left

Art.-No.	EAN		Colours
	40 03482...		
TSM 500 EURO W	51310 1	1	white
TSM 500 EURO AME	51320 0	1	antique brass
TSM 500 EURO MCR	51330 9	1	matt chromium



TSM 500 EURO AME



TSM 500 EURO Transponder

Like TSM 500 EURO but with transponder system as a standard (see information below)

Art.-No.	EAN		Colours
	40 03482...		
TSM 500 EURO-TPR W	51470 2	1	white
TSM 500 EURO-TPR AME	51440 5	1	antique brass
TSM 500 EURO-TPR MCR	51450 4	1	matt chromium

Transponder – opening with a „SafeCard“ security cannot be more comfortable:

- You cannot lose any key.
- You do not have to remember additional numbers.
- Just hold the transponder card in front of the door lock/safe lock, press „ENTER“ and open the door.
- Ideal for the access authorization at different locations, ie. companies with several branches, the combination of private and holiday home.
- Use it double: with a „SafeCard“ you can operate the electronic door entry system TSM but also BURG-WÄCHTER safes and strongboxes.
- The „SafeCard“ issued with up to 4 billion different codes.
- For each transponder lock 32 codes and/or 32 cards can be used, that means 64 codes for each safe and each TSM lock in transponder version.
- Opening delay (settable from 0 - 99 minutes) in series.
- Protection against manipulation: data exchange between card and system will be transmitted highly coded during each operation.

For further information about the transponder system please ask our specialists.



Special fittings TSM 500 EURO

Art.-No.	EAN	Options
	40 03482...	
TSM-F Set W	53910 1	Additional package white for fire-retarding doors (licensed)
TSM-F Set AME	53920 0	Additional package antique brass for fire-retarding doors (licensed)
TSM-F Set MCR	53930 9	Additional package dull chromium for fire-retarding doors (licensed)
TSM-MS 3	52030 7	Assembly set for doors (75-100 mm thickness)
TSM-B 1	52000 0	Professional template for drilling
TSM-Card 99	31880 5	Additional transponder card
TSM-Energie	53420 5	External energy connection for emergency supply
TSM-PZA	53370 3	Profile cylinder adapter

Cash boxes
EURO cash boxes and inserts
Key boards
Key cabinets



Cash boxes



Royal 300

Royal

The masterpiece of cash box manufacture! Solid sheet body, weldless, double-walled lid with brass cylinder lock.

Art.-No.	Colours	EAN	W x D x H	
		40 03482...	mm	
Royal 250	green	05920 3	250 x 195 x 100	66R
Royal 300	green	05930 2	300 x 235 x 118	66R
Royal 350	green	05940 1	350 x 275 x 130	66R



Available in a keyed-alike version (KA).



Royal 300 A

Royal A

With screw-down bottom.

The additional screw-down bottom guarantees a higher safety-standard. Recommended by insurance companies.

Art.-No.	Colours	EAN	W x D x H	
		40 03482...	mm	
Royal 250 A	green	05990 6	250 x 200 x 100	66R
Royal 300 A	green	06000 1	300 x 240 x 120	66R
Royal 350 A	green	06010 0	350 x 280 x 130	66R



Available in a keyed-alike version (KA).



Classic 1250 C

Classic C

With resettable combination lock, real 10.000 combinations.

Art.-No.	Colours	EAN	W x D x H
		40 03482...	mm
Classic 1250 C	grey	05810 7	270 x 220 x 110



Business 7250

Business

High-quality cash box in stainless steel look. Elegant round shape with convex cover, concealed hinge, with precision cylinder lock, fold-down handle.

Art.-No.	Colours	EAN	W x D x H	
		40 03482...	mm	
Business 7167	silver	05760 5	173 x 130 x 79	65L
Business 7200	silver	27250 3	202 x 157 x 88	65L
Business 7250	silver	27260 2	255 x 200 x 102	65L
Business 7300	silver	27270 1	330 x 235 x 119	65L



Office 2127

Office Line

Proven security and reliability in a new round shape, concealed hinge, with counting tray.

*Office 2127: Cash box for children with slot – without insert.

Art.-No.	Colours	EAN	W x D x H	
		40 03482...	mm	
Office 2127*	assorted	23170 8	125 x 90 x 55	65L
Office 2167 W	white	28790 3	173 x 130 x 73	65L
Office 2167 BL	blue	29800 8	173 x 130 x 73	65L
Office 2207	red	28700 2	202 x 157 x 75	65L
Office 2257	white	28710 1	255 x 200 x 75	65L
Office 2307	blue	28720 0	330 x 235 x 75	65L



Office 2257

Cash boxes with counting trays + loose inserts



Universa CKS (high version)

Popular BURG-WÄCHTER cash box with cylinder lock, flush handle, concealed hinge.

Art.-No.	Colours	EAN	W x D x H	
		40 03482...	mm	
Universa CKS 200	blue	23140 1	205 x 160 x 90	65L
Universa CKS 250	silver	23150 0	255 x 205 x 100	65L
Universa CKS 300	blue	23160 9	310 x 235 x 110	65L



Available in a keyed-alike version (KA).



CKS 250

Universa CKS (small version)

Popular BURG-WÄCHTER cash box with cylinder lock, flush handle, concealed hinge.

Art.-No.	Colours	EAN	W x D x H	
		40 03482...	mm	
Universa CKS 167	blue	23100 5	165 x 130 x 75	65L
Universa CKS 207	silver	23110 4	205 x 160 x 75	65L
Universa CKS 257	blue	23120 3	255 x 205 x 75	65L
Universa CKS 307	silver	23130 2	310 x 235 x 75	65L



Available in a keyed-alike version (KA).



CKS 257

Counting trays from shock-resistant PVC

Art.-No.	EAN	W x D x H	for
	40 03482...	mm	
insert 2	07030 7	238 x 163 x 32	Royal 250
insert 3	07040 6	287 x 202 x 32	Royal 300
insert 4	07050 5	337 x 240 x 32	Royal 350
insert 7	07080 2	190 x 123 x 31	Business 7200, Office 2207
insert 8	07090 1	240 x 168 x 32	Business 7250, Office 2257
insert 11	07120 5	240 x 168 x 32	Classic 1250
insert 14	08810 4	151 x 115 x 39	Universa-CKS 167, Office 2167
insert 15	08820 3	192 x 149 x 44	Universa-CKS 200, 207
insert 16	08830 2	242 x 188 x 45	Universa-CKS 250, 257
insert 17	08840 1	296 x 218 x 45	Universa-CKS 300, 307 Business 7300, Office 2307



Insert

Money

Cash boxes with counting tray. Flush handle. With 2 keys.

Art.-No.	Colours	EAN	W x D x H
		40 03482...	mm
Money 5015	green	10670 9	152 x 118 x 80
Money 5020	blue	10690 7	200 x 160 x 90
Money 5025	black	10700 3	250 x 180 x 90
Money 5030	white	10710 2	300 x 240 x 90
Cylinder CAM 1		24690 0	Replacement cylinder



Money 5020 BL



Money 5025 S



ZK 7300 EURO

Business counting cash boxes

The new series on the basis of the high-quality cash box Business. Complete with EURO insert for notes and coins. Insert for coins can be put up into the open lid. With separate compartment for coin rolls. The insert can be taken out of the box. A foam material padding protects the coins during the transport.

Art.-No.	Colours	EAN	W x D x H	
		40 03482...	mm	
ZK 7250 EURO	silver	24640 5	255 x 200 x 102	65L
ZK 7300 EURO	silver	24650 4	330 x 235 x 119	65L



ZK 2307 EURO

Office counting cash boxes

Inexpensive EURO counting cash box on the basis of the Office series. Complete with EURO insert for notes and coins. Due to the flat construction this cash box fits perfectly into drawers. The insert for coins can be put up into the open lid. The insert can be taken out of the box.

Art.-No.	Colours	EAN	W x D x H	
		40 03482...	mm	
ZK 2257 EURO	white	28730 9	255 x 200 x 75	65L
ZK 2307 EURO	white	28740 8	330 x 235 x 75	65L



ZE 300 EURO

EURO counting trays

Cash box and drawer inserts for notes and coins.

Art.-No.	EAN	W x D x H
	40 03482...	mm
ZE 250 EURO	24660 3	253 x 194 x 65
ZE 300 EURO	24670 2	326 x 228 x 65

ZE 250 EURO: for cash boxes series Business 7250 and Office 2257
ZE 300 EURO: for cash boxes series Business 7300 and Office 2307

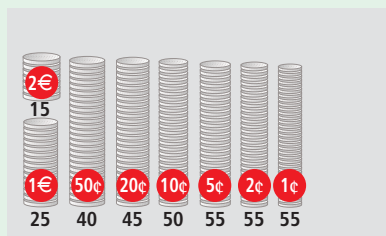


ZE 251 EURO

EURO coin trays

drawer inserts for coins only.

Art.-No.	EAN	W x D x H
	40 03482...	mm
ZE 251 EURO	24680 1	249 x 146 x 50
ZE 301 EURO	24690 0	326 x 167 x 50

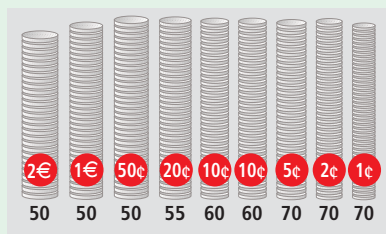


Division in coins:
ZK 7250 EURO
ZK 2257 EURO
ZE 250/251 EURO



Division in notes:
ZK 7250 EURO
ZK 2257 EURO
ZE 250 EURO

Pieces



Division in coins:
ZK 7300 EURO
ZK 2307 EURO
ZE 300/301 EURO



Division in notes:
ZK 7300 EURO
ZK 2307 EURO
ZE 300 EURO

Pieces

Nuvola

Key board of stainless steel in the shape of a cloud. Concealed fastening.

Art.-No.	EAN	H x W x D	Hooks
	40 03482...	mm	
6400/6 Ni	09430 3	170 x 332 x 31	6



Nuvola 6400/6 Ni

Varese

Elegant key board of stainless steel for tasteful interior furnishings. Sweeping wave design.

Art.-No.	EAN	H x W x D	Hooks
	40 03482...	mm	
6400/8 Ni	09440 2	208 x 150 x 81	8



Varese 6400/8 Ni

Grancio

Smart key board of stainless steel with 5 adjustable double hooks. Concealed fastening.

Art.-No.	EAN	H x W x D	Hooks
	40 03482...	mm	
6400/10 Ni	09450 1	254 x 80 x 62	10



Grancio 6400/10 Ni

Como

High-quality key box made from stainless steel. Single leaf door.

Art.-No.	EAN	H x W x D	Hooks
	40 03482...	mm	
6401/22 Ni	09410 5	250 x 235 x 57	22



Como 6401/22 Ni

Trento

High-quality key box made from stainless steel for tasteful interior furnishings. The highlight: double leaf door which opens synchronously.

Art.-No.	EAN	H x W x D	Hooks
	40 03482...	mm	
6402/22 Ni	09420 4	255 x 235 x 66	22



Trento 6402/22 Ni



6161

Emergency key cabinet

In an emergency case – the key is ready to hand.

Red-varnished steel frame (1 key rack).

Useful spare parts:
loose hammers with chain and replacement panes

Art.-No.	EAN	H x W x D	Hooks	
	40 03482...	mm		
6160	06610 2	167 x 130 x 64	1	65R
6161 with hammer	06620 1	167 x 130 x 64	1	65R
hammer HMK1	06650 8			
pane SCH1	06640 9	115 x 65		



Available in a keyed-alike version (KA).



6201/14 WD

Elegant key cabinet

Elegant cabinets for household and office.

Versions:

W: white, without decoration

WD: white, with gold-coloured decoration

Art.-No.	EAN	H x W x D	Hooks	
	40 03482...	mm		
6201/14 W	13090 2	205 x 160 x 73	14	65R
6201/14 WD	13100 8	205 x 160 x 73	14	65R



Available in a keyed-alike version (KA).



KB 24 S

Key-Box

Inexpensive key box in a new round shape.

Colours:

S: black

W: white

Art.-No.	EAN	H x W x D	Hooks	
	40 03482...	mm		
KB 15 S	28230 4	202 x 157 x 75	15	65R
KB 24 S	28250 2	255 x 200 x 75	24	65R
KB 15 W	28240 3	202 x 157 x 75	15	65R
KB 24 W	28260 1	255 x 200 x 75	24	65R
KB 35 W	28390 5	330 x 235 x 75	35	65R



CS 24

"CityLine" Key cabinet

Competitive key cabinet.
Colour: light grey

Art.-No.	EAN	H x W x D	Hooks	
	40 03482...	mm		
CS 15	06300 2	205 x 160 x 75	15	65R
CS 24	06310 1	255 x 205 x 75	24	65R
CS 35	06320 0	310 x 235 x 75	35	65R
CS 42	06330 9	310 x 235 x 75	41	65R



The key cabinets CS can be delivered prepared for Euro Profile Half Cylinders (standard length), without cylinder. Important: the locking lug must be locked at 90°.



Available in a keyed-alike version (KA).



FS 24

"Ferro" Key cabinet

Low-priced key cabinet in a high-quality stainless steel look with black printing, numbered key racks.

Art.-No.	EAN	H x W x D	Hooks	
	40 03482...	mm		
FS 15 ferro	21710 8	205 x 160 x 75	15	65R
FS 24 ferro	21720 7	255 x 205 x 75	24	65R
FS 35 ferro	21730 6	310 x 235 x 75	35	65R



Available in a keyed-alike version (KA).



"Point" Key cabinet

- key racks can be labelled
- with key tags for labelling and arranging the keys
- easy assignment of the key
- magnetic door with additional cylinder lock and 2 keys
- prepared for wall mounting
- universally applicable
– for commercial and home use

Art.-No.	EAN	H x W x D	Hooks
	40 03482...	mm	
6750/48 R	10460 6	560 x 280 x 60	48
6750/72 R	10470 5	455 x 380 x 60	72
6750/96 R	10640 2	595 x 380 x 60	96
6750/120 R	10650 1	710 x 380 x 60	120



6750/48 R

Key cabinet

Inexpensive key cabinet with folding key boards. Two-colour varnishing: body darkgrey, door lightgrey.

Art.-No.	EAN	H x W x D	Hooks	
	40 03482...	mm		
6700/57 R	13150 3	280 x 215 x 70	57	65R
6700/74 R	13160 2	330 x 245 x 85	74	65R
6700/108 R	13430 6	380 x 285 x 105	108	65R
6700/176 R	13170 1	380 x 285 x 105	176	65R
6700/204 R	13180 0	430 x 325 x 125	204	65R



Can be integrated into locking systems: The key cabinets 6700 can be delivered prepared for Euro Profile Half Cylinders (standard length), without cylinder. Important: the locking lug must be locked at 90°.



Available in a keyed-alike version (KA).



6700/57 R

Key cabinet

Very solid, consists of 2 parts, numbered and adjustable key racks
Colour: light grey

Type 6500 Z for cylinder keys

Art.-No.	EAN	H x W x D	Hooks	
	40 03482...	mm		
6500/48 R	06690 4	350 x 265 x 80	48	65R
6500/48 L	06700 0	350 x 265 x 80	48	65R
6500/78 R	06730 7	450 x 325 x 80	78	65R
6500/78 L	06740 6	450 x 325 x 80	78	65R
6500/120 R	06770 3	550 x 385 x 80	120	65R
6500/120 L	06780 2	550 x 385 x 80	120	65R
6500 Z/64 R	06710 9	350 x 265 x 80	64	65R
6500 Z/64 L	06720 8	350 x 265 x 80	64	65R
6500 Z/98 R	06750 5	450 x 325 x 80	98	65R
6500 Z/98 L	06760 4	450 x 325 x 80	98	65R
6500 Z/144 R	06790 1	550 x 385 x 80	144	65R
6500 Z/144 L	06800 7	550 x 385 x 80	144	65R

R = right-hand stop, standard execution
L = left-hand stop, special execution without surcharge
Z = hooks with little distance for cylinder keys



Available in a keyed-alike version (KA).



6500/48 R



6600/240 R

Large key cabinet

Consists of 4 equal parts which open as a T. Solid construction. Adjustable key racks.

Colour: light grey

Art.-No.	EAN	H x W x D	Hooks	
	40 03482...	mm		
6600/240 R	06810 6	550 x 385 x 160	240	65R
6600/240 L	06820 5	550 x 385 x 160	240	65R
6600 Z/288 R	06830 4	550 x 385 x 160	288	65R
6600 Z/288 R	06840 3	550 x 385 x 160	288	65R

R = right-hand stop, standard execution
 L = left-hand stop, special execution without surcharge
 Z = hooks with little distance for cylinder keys



Available in a keyed-alike version (KA).



6800/500

Large key cabinet

Adjustable key racks, inner key card swings out at 180°, with key register card, colour: beige

Art.-No.	EAN	H x W x D	Hooks	
	40 03482...	mm		
6800/300	115909	800 x 900 x 220	312	
6800/400	11600 5	800 x 900 x 220	420	
6800/500	11610 4	800 x 900 x 220	494	
6800/600	11620 3	800 x 900 x 220	598	
6800/700	11630 2	800 x 900 x 220	702	
6800/800	11640 1	1300 x 900 x 220	780	



Can be integrated into locking systems: The models 6800 can be delivered prepared for Euro Profile Half Cylinders (normal length), without cylinder. Delivery time: 4 weeks.



6900/1500

Large key cabinet

Adjustable key racks, strong telescopic pull out, with key register card, colour: beige

Art.-No.	EAN	H x W x D	Hooks	
	40 03482...	mm		
6900/1000	11650 0	850 x 500 x 420	1000	65R
6900/1500	19590 1	850 x 780 x 420	1500	65R
6900/2000	11680 7	1700 x 600 x 420	2000	65R
6900/3000	11690 6	1700 x 800 x 420	3000	65R



Can be integrated into locking systems: The models 6900 can be delivered prepared for Euro Profile Half Cylinders (normal length), without cylinder. Delivery time: 4 weeks.



HLW 12

Key racks

Numbered, for wall fixing

Version HL:

Spare key racks for BURG-WÄCHTER key cabinets

Art.-No.	EAN	H x W x D	Hooks	
	40 03482...	mm		
HLW 5	10500 9	140	5	
HLW 6	10510 8	190	6	
HLW 7	10520 7	220	7	
HLW 8	10530 6	260	8	
HLW 10	10540 5	320	10	
HLW 12	10550 4	380	12	

Letter boxes made of plastic, stainless steel, steel & solid cast aluminium

Letter boxes for group installation

US-Mailboxes, paper boxes

Letter plates, letter boxes for sealing in the wall

Freestanding letter boxes



Letter boxes



Swing 4905 W

Swing

New compact letter box completely made of plastic. Attractive form. Simple functionality.

Art.-No.	Colours	EAN	H x W x D	Slot	
		40 03482...	mm	W x H (mm)	
4905 W	white	05330 0	419 x 271 x 129	261 x 39	40W
4906 PR Si	silver	05470 3	419 x 271 x 129	261 x 39	40W



Swing-Set

Post box Swing made of plastic – now with fitting paper box. Appealing shape – harmonious impression. Technically perfect construction. Extremely weatherproof. With integrated opening stop, easy post removal. Paper box 4900 also available separately.



Swing-Set 49050 W

Art.-No.	Colours	EAN	H x W x D	Slot	
		40 03482...	mm	W x H (mm)	
49050 W	white	32710 4	419 x 271 x 129	261 x 39	40W
49060 Si	silver	32720 3	419 x 271 x 129	261 x 39	40W



Art.-No.	Colours	EAN	H x W x D
		40 03482...	mm
4900 W	white	32690 9	360 x 145 x 107
4900 Si	silver	32700 5	360 x 145 x 107



BURG-WÄCHTER letter boxes made of high quality **stainless steel** are extremely weatherproof and long-lasting. Stainless steel is a refined natural product which is durable throughout many decades without varnishing. Weatherproof and rustproof materials are as well **plastic or solid-cast aluminium**.



Kiel 886 W

Kiel

The Kiel - stylish and handy! Well-designed letter box made of high-quality plastic with integrated compartment for newspapers. Big volume, comfortable letter insertion.

Art.-No.	Colours	EAN	H x W x D	Slot	
		40 03482...	mm	W x H (mm)	
886 W	white	12800 8	400 x 380 x 178	325 x 34	65R
886 Si	silver	07830 3	400 x 380 x 178	325 x 34	65R
886 GR	green	12920 3	400 x 380 x 178	325 x 34	65R
886 BL	blue	12910 4	400 x 380 x 178	325 x 34	65R
886 S	black	12790 2	400 x 380 x 178	325 x 34	65R



Impression Post 898 GT

Impression

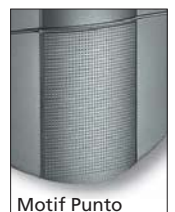
The letter box with the lifestyle shape surprises with an unusual shape and practical details.

The new colour "graphite" goes perfectly with stainless steel, aluminium, wood or light-coloured fronts. Integrated compartment for newspapers.

Art.-No.	Colours	EAN	H x W x D	Slot	
		40 03482...	mm	W x H (mm)	
Post 898 GT	graphite	01640 4	391 x 420 x 150	330 x 32	65R
Linea 898 GT	graphite	09890 5	391 x 420 x 150	330 x 32	65R
Punto 898 GT	graphite	09900 1	391 x 420 x 150	330 x 32	65R



Motif Linea



Motif Punto

Letter boxes made of high-quality plastic



Futuristic letter box architecture.

All models are completely made of plastic and of a sophisticated design.



Esprit

Letter box made of plastic in a dynamic shape. This modern model is optimally constructed. Extremely weatherproof.

Art.-No.	Colours	EAN	H x W x D	Slot	
		40 03482...	mm	W x H (mm)	
4911 W	white	24700 6	475 x 290 x 145	261 x 34	40W
4912 Si	silver	24710 5	475 x 290 x 145	261 x 34	40W



Available in spring 2007



Esprit 4912 Si

Vivo

Avant-garde letter box. A new dimension in form and function. Invisible locking system. Technically perfect construction. Extremely weatherproof.

Art.-No.	Colours	EAN	H x W x D	Slot	
		40 03482...	mm	W x H (mm)	
4921 W	white	24720 4	430 x 300 x 154	251 x 32	40W
4922 Si	silver	24730 3	430 x 300 x 154	251 x 32	40W



Available in spring 2007



Vivo 4922 Si

Classico

Letter box made of plastic in a soft shape. Can be placed everywhere. Extremely weatherproof.

Art.-No.	Colours	EAN	H x W x D	Slot	
		40 03482...	mm	W x H (mm)	
4931 W	white	24740 2	375 x 384 x 145	360 x 32	40W
4932 Si	silver	24750 1	375 x 384 x 145	360 x 32	40W



Available in spring 2007



Classico 4932 Si

4900:

The perfect supplement to the new plastic letter boxes

Art.-No.	Colours	EAN	H x W x D
		40 03482...	mm
4900 W	white	32690 9	360 x 145 x 107
4900 Si	silver	32700 5	360 x 145 x 107



4900 Si

All new letter boxes are equipped with a special engaging lock for the door. After or while opening the door the key can be pulled off. In order to close the door it only needs to be pushed back.



Classico 4932 Si with matching paperbox 4900 Si





Milano 3843 ES

Milano

Luxury stainless steel letter box, rust-proof. This chic design model nestles perfectly against the wall.

Dual application!

The newspaper partition and spacious letter compartment are located behind the tilting lid.

Art.-No.	EAN	H x W x D	Slot	
	40 03482...	mm	W x H (mm)	
3843 ES	32420 2	488 x 352 x 182	267 x 30	65R



Interior lighting as a series



Dual application: 2 compartments under one canopy



Verona 3844 ES

Verona

Luxury stainless steel letter box, rust-proof. New, innovative design. With integrated compartment for newspapers.

Art.-No.	EAN	H x W x D	Slot	
	40 03482...	mm	W x H (mm)	
3844 ES	32500 1	354 x 404 x 150	335 x 30	65R



Comfort 3913 Ni

Comfort 3913 Ni

The letter box made of stainless steel with the extra comfort. More volume without additional price!

With opening stop for an easy and safe post removal. With interior lighting.

Art.-No.	EAN	H x W x D	Slot	
	40 03482...	mm	W x H (mm)	
3913 Ni	04190 1	340 x 380 x 148	332 x 32	65R



Comfort 39130 Ni

Comfort-Set 39130 Ni

A lot of space for letters, catalogues, newspapers. Post box made of stainless steel. With interior lighting for all models. Comfort depth 13 cm. Integrated compartment for newspapers.

Art.-No.	EAN	H x W x D	Slot	
	40 03482...	mm	W x H (mm)	
39130 Ni	32680 0	440 x 380 x 148	332 x 32	65R



Concerns dimensions

H x W x D: Total dimensions height x width x depth in mm

Slot: Dimensions width x height in mm

Subject to errors and alterations.

Minor variations in sizes and weight are due to production characteristics.

Letter boxes made of stainless steel



Lucca 3713 Ni

Letter box made of stainless steel with transparent door and chromium-plated precision lock. Satinierte Tür aus bruchsicherem Kunststoff. Korpus aus rostfreiem Edelstahl, Versiegelung mit kratzfestem Schutzlack. Komfort-Plus: mehr Volumen, Öffnungsstopp. Einwurf Format DIN C4.

Art.-No.	EAN	H x W x D	Slot	
	40 03482...	mm	W x H (mm)	
3713 Ni Letter	14430 5	340 x 380 x 148	332 x 32	65R
3713 Ni Dekor	14440 4	340 x 380 x 148	332 x 32	65R



Lucca 3713 Ni Letter



Lucca 3713 Ni Dekor

Lucca-Set 37130 Ni

Letter box made of stainless steel with transparent door and chromium-plated precision lock. With integrated compartment for newspapers. Satinierte Tür aus bruchsicherem Kunststoff. Korpus aus rostfreiem Edelstahl, Versiegelung mit kratzfestem Schutzlack. Komfort-Plus: mehr Volumen, Öffnungsstopp. Einwurf Format DIN C4.

Art.-No.	EAN	H x W x D	Slot	
	40 03482...	mm	W x H (mm)	
37130 Ni Letter	18080 8	440 x 380 x 148	332 x 32	65R
37130 Ni Dekor	18090 7	440 x 380 x 148	332 x 32	65R



Set Lucca 37130 Ni Letter



Set Lucca 37130 Ni Dekor

Nordic

The new Nordic letter box made out of stainless steel offers even more space for your post, rustproof. Perfect combination: Fitting stand Rondo 3155 Ni

Art.-No.	EAN	H x W x D	Slot	
	40 03482...	mm	W x H (mm)	
3760 Ni	31330 5	555 x 380 x 210	320 x 30	65R



Nordic 3760 Ni
with Rondo 3155 Ni



Nordic 3760 Ni

Modena 3857 Ni

Simple and elegant letter box made of stainless steel for external installation. With opening stop.

Art.-No.	EAN	H x W x D	Slot	
	40 03482...	mm	W x H (mm)	
3857 Ni	01740 1	335 x 360 x 127	325 x 33	65R



Modena 3857 Ni



Amrum 3867 Ni

Amrum

Modern and timeless. Spacious stainless steel letter box with fold-out canopy, rustproof. A letter-holder keeps the post from falling out of the box.

Art.-No.	EAN	H x W x D	Slot	
	40 03482...	mm	W x H (mm)	
3867 Ni	08140 2	320 x 377 x 115	332 x 31	65R



Amrum-Set 38670 Ni

Amrum-Set

Modern and timeless. Spacious stainless steel letter box with fold-out canopy, rustproof. A letter-holder keeps the post from falling out of the box. With half-rounded paper box.

Art.-No.	EAN	H x W x D	Slot	
	40 03482...	mm	W x H (mm)	
38670 Ni	08150 1	420 x 377 x 115	332 x 31	65R



Borkum 3877 Ni

Borkum

Simple, spacious letter box for outer use made out of stainless steel, rustproof.

New:
Execution perforated for installation in groups.

Art.-No.	EAN	H x W x D	Slot	
	40 03482...	mm	W x H (mm)	
3877 Ni	20200 5	322 x 362 x 100	333 x 34	65R
perforated 3877 Ni	20390 3	322 x 362 x 100	333 x 34	65R



Possible combination:

2 x Borkum 3877 Ni +
2 x paper box 3820 Ni



Hannover

Classic letter box of stainless steel, rustproof.

Art.-No.	EAN	H x W x D	Slot	
	40 03482...	mm	W x H (mm)	
3861 Ni	09480 8	305 x 225 x 75	190 x 30	40W



Hannover-Set
38610 Ni

Hannover-Set

Compact letter box made of stainless steel with fitting paper box in a round shape. Can be used from both sides.

Art.-No.	EAN	H x W x D	Slot	
	40 03482...	mm	W x H (mm)	
38610 Ni	09580 5	305 x 225 x 75	190 x 30	40W



Letter boxes made of solid cast aluminium



Ascona

Elegant cast aluminium letter box, weatherproof, offers great volume, with letter clip.

Art.-No.	Colours	EAN	H x W x D	Slot	
		40 03482...	mm	W x H (mm)	
1897 W	white	18950 4	425 x 425 x 180	330 x 32	65R
1897 GR	green	18930 6	425 x 425 x 180	330 x 32	65R
1897 BC	bronze	18910 8	425 x 425 x 180	330 x 32	65R



Ascona 1897 GR

Venezia

This solid cast aluminium letter box spreads a Mediterranean flair and natural elegance. Despite its aesthetic appearance this letter box offers a great volume for many letters.

Art.-No.	Colours	EAN	H x W x D	Slot	
		40 03482...	mm	W x H (mm)	
1899 W	white	31530 9	390 x 417 x 170	307 x 33	65R
1899 BC	bronze	31510 1	390 x 417 x 170	307 x 33	65R



Venezia 1899 W



BURG-WÄCHTER letter boxes made of high quality **stainless steel** are extremely weatherproof and long-lasting. Stainless steel is a refined natural product which is durable throughout many decades without varnishing. Weatherproof and rustproof materials are as well **plastic or solid-cast aluminium**.



According to European norm EN 13724. For your better pleasure and use of your letter box. More information on page 56.

Sylt

Classic design!
Spacious letter box with casted posthorn.

Art.-No.	Colours	EAN	H x W x D	Slot	
		40 03482...	mm	W x H (mm)	
1883 W	white	12810 7	345 x 410 x 205	330 x 35	65R
1883 K	metallic copper	12830 5	345 x 410 x 205	330 x 35	65R
1883 E	antique iron	12820 6	345 x 410 x 205	330 x 35	65R



Sylt 1883 W

Kopenhagen

Classic and elegant design.

Art.-No.	Colours	EAN	H x W x D	Slot	
		40 03482...	mm	W x H (mm)	
882 W	white	12730 8	345 x 410 x 205	5,5	65R
882 GR	green	12710 0	345 x 410 x 205	5,5	65R
882 E	antique iron	12700 1	345 x 410 x 205	5,5	65R



Kopenhagen 882 GR



Comfort 913 W

Comfort 913

The letter box with the extra comfort. More volume without additional price! With opening stop for an easy and safe post removal. With interior lighting.

Art.-No.	Colours	EAN	H x W x D	Slot	
		40 03482...	mm	W x H (mm)	
913 W	white	04120 8	340 x 380 x 148	332 x 32	65R
913 Si	silver	04150 5	340 x 380 x 148	332 x 32	65R
913 S	black	04140 6	340 x 380 x 148	332 x 32	65R



Comfort-Set 91300 W

Comfort-Set 91300

A lot of space for letters, catalogues, newspapers... With interior lighting for all models. Comfort depth 13 cm. Integrated opening stop for an easy removal. With compartment for newspapers.

Art.-No.	Colours	EAN	H x W x D	Slot	
		40 03482...	mm	W x H (mm)	
91300 W	white	32670 1	440 x 380 x 148	332 x 32	65R
91300 Si	silver	32660 2	440 x 380 x 148	332 x 32	65R
91300 S	black	32650 3	440 x 380 x 148	332 x 32	65R



All letter boxes in this catalogue which are marked with the symbol "EN 13724" correspond to the high demands of the European standard and are recommended by the postal service.

The standard EN 13724 defines the size of the letter box, which means sufficient space for your post and the slot dimensions. Furthermore the new European standard classifies the protection against breaking-in and corrosion. Even the lock quality and resistance of rain-water penetration is tested.

In order to convey a clear overview of the quality of the particular letter box, BURG-WÄCHTER has developed a "Letter Box Passport" which contains the information of the following criteria corresponding to the demands of the new European standard EN 13724:

Category	Quality / feature	Pictogram
Type	1. for exterior use 2. for interior use 3. post insertion (wall assembly) 4. post insertion (door assembly)	
Format	1. landscape format 2. portrait format	
Corrosion resistance	0. no defined corrosion resistance 3. standard corrosion resistance 4. higher corrosion resistance	
Resistance against breaking-in	1. standard resistance against breaking-in 2. higher resistance against breaking-in	



BURG-WÄCHTER letter boxes with interior lighting. Then you can easily pick up your letters even if it is dark outside.



BURG-WÄCHTER opening stop: The special hinge ensures a practical handling. The opening stop protects letters from dropping.



BURG-WÄCHTER letter boxes with comfortable depth. For everybody who gets a lot of mail or wants to leave his letter box alone for a weekend.



Letter boxes made of galvanized steel



Olymp

The letter box with the extra volume. Spacious letter box with a special character. Casing and flap are weatherproof galvanized and have a high quality coating. With big plastic cover. With opening stop for the easy and safe post removal. With interior lighting.

Art.-No.	Colours	EAN	H x W x D	Slot	
		40 03482...	mm	W x H (mm)	
916 W	white	00900 0	340 x 389 x 193	332 x 32	65R
916 Si	silver	00910 9	340 x 389 x 193	332 x 32	65R



Olymp 916 W

Futura

The new letter box with the big volume and a lot of practical details. Casing and flap are weatherproof galvanized and have a high quality coating. With big plastic cover. With opening stop for the easy and safe post removal. With interior lighting.

Art.-No.	Colours	EAN	H x W x D	Slot	
		40 03482...	mm	W x H (mm)	
926 W	white	00920 8	340 x 389 x 188	332 x 32	65R
926 Si	silver	00930 7	340 x 389 x 188	332 x 32	65R



Futura 926 W

Olymp-Set

Letter box with luxury features:

- interior lighting as a series
 - comfortable depth 16 cm
 - integrated opening stop
- Steel casing with high-quality design canvas. Completely galvanized – high-quality coating. With integrated compartment for newspapers.

Art.-No.	Colours	EAN	H x W x D	Slot	
		40 03482...	mm	W x H (mm)	
91600 W	white	32620 6	445 x 385 x 193	332 x 32	65R
91600 Si	silver	32610 7	445 x 385 x 193	332 x 32	65R



Olymp-Set 91600 W

Futura-Set

Letter box with luxury features:

- interior lighting as a series
 - comfortable depth 16 cm
 - integrated opening stop
- Steel casing with high-quality design canvas. Completely galvanized – high-quality coating. With integrated compartment for newspapers.

Art.-No.	Colours	EAN	H x W x D	Slot	
		40 03482...	mm	W x H (mm)	
92600 W	white	32640 4	445 x 385 x 193	332 x 32	65R
92600 Si	silver	32630 5	445 x 385 x 193	332 x 32	65R



Futura-Set 92600 W



Modena 857 Si

Modena 857

Simple and elegant letter box for external installation. With opening stop.

Art.-No.	Colours	EAN	H x W x D	Slot	
		40 03482...	mm	W x H (mm)	
857 W	white	01720 3	335 x 360 x 127	325 x 33	65R
857 Si	silver	01730 2	335 x 360 x 127	325 x 33	65R



Set Vario 86720 Si

Set Vario

Letter box and paper box completely assembled as a unit. Letter box Amsterdam with integrated compartment for newspapers.

Art.-No.	Colours	EAN	H x W x D	Slot	
		40 03482...	mm	W x H (mm)	
86720 W	white	31420 3	420 x 377 x 115	332 x 31	65R
86720 Si	silver	31440 1	420 x 377 x 115	332 x 31	65R
86720 BL	blue	31430 2	420 x 377 x 115	332 x 31	65R
86720 S	black	31460 9	420 x 377 x 115	332 x 31	65R



Amsterdam 867 S

Amsterdam

Sufficient space for your letters! Low-priced, spacious model at horizontal format. With canopy and letter insertion on the top.

Art.-No.	Colours	EAN	H x W x D	Slot	
		40 03482...	mm	W x H (mm)	
867 W	white	20230 2	320 x 377 x 115	332 x 31	65R
867 Si	silver	31040 3	320 x 377 x 115	332 x 31	65R
867 GR	green	20160 2	320 x 377 x 115	332 x 31	65R
867 BR	brown	20250 0	320 x 377 x 115	332 x 31	65R
867 BL	blue	20130 5	320 x 377 x 115	332 x 31	65R
867 S	black	20240 1	320 x 377 x 115	332 x 31	65R



Potsdam 877 Si

Potsdam 877

Low-priced large letter box for group installation, with insertion on the front, horizontal format. A lot of space for your post!

877 W/Si:
Execution perforated for installation in groups.

Art.-No.	Colours	EAN	H x W x D	Slot	
		40 03482...	mm	W x H (mm)	
877 W	white	20260 9	322 x 362 x 100	333 x 34	65R
877 Si	silver	07750 4	322 x 362 x 100	333 x 34	65R
877 BR	brown	20270 8	322 x 362 x 100	333 x 34	65R
perforated 877 W		20280 7	322 x 362 x 100	333 x 34	65R
perforated 877 Si		20800 7	322 x 362 x 100	333 x 34	65R



Potsdam 878 BR

Potsdam 878

Letter box for fence fixing, spacious and inexpensive, with slot at the back, at horizontal format.

Art.-No.	Colours	EAN	H x W x D	Slot	
		40 03482...	mm	W x H (mm)	
878 W	white	20490 0	322 x 362 x 100	333 x 34	65R
878 BR	brown	20480 1	322 x 362 x 100	333 x 34	65R



Letter boxes made of galvanized steel



Magdeburg

Spacious and low-priced model with vertical format, with canopy.

Art.-No.	Colours	EAN	H x W x D	Slot	
				mm	W x H (mm)
767 W	white	28960 0	396 x 301 x 115	250 x 33	65R
767 S	black	28950 1	396 x 301 x 115	250 x 33	65R



Magdeburg 767 W

Leipzig 777

Low-priced, large letter box for group installation, vertical format. Great volume for your letters!

777 W:
Execution perforated for installation in groups.

Art.-No.	Colours	EAN	H x W x D	Slot	
				mm	W x H (mm)
777 W	white	28930 3	397 x 284 x 104	252 x 30	65R
777 BR	brown	28910 5	397 x 284 x 104	252 x 30	65R
perforated 777 W		27380 7	397 x 284 x 104	252 x 30	65R



Leipzig 777 W

Leipzig 778

Letter box for fence fixing, inexpensive type at vertical format, with slot on the back.

Art.-No.	Colours	EAN	H x W x D	Slot	
				mm	W x H (mm)
778 W	white	28970 9	397 x 284 x 104	252 x 30	65R
778 BR	brown	28920 4	397 x 284 x 104	252 x 30	65R



Leipzig 778 BR

Köln

Standard letter box with insertion lid. 871/872 W:
Execution perforated for installation in groups.

Art.-No.	Colours	EAN	H x W x D	Slot	
				mm	W x H (mm)
871 W	white	13760 4	315 x 215 x 75	185 x 35	65R
871 BR	brown	12520 5	315 x 215 x 75	185 x 35	65R
872 W	white	13770 3	340 x 255 x 85	225 x 35	65R
872 BR	brown	12530 4	340 x 255 x 85	225 x 35	65R
perforated 871 W		13780 2	315 x 215 x 75	185 x 35	65R
perforated 872 W		13790 1	340 x 255 x 85	225 x 35	65R



Köln 872 W



Pocket 5871 Si



Mail 5877 W



Daily 5861 E



Letter 5832 GR



Journal 5867 E



Holiday 5842 Si



News 5800 W



Inox-Star 4730 Ni

Point: The new inexpensive letter box series

Quality made in Germany with a great price-performance ratio.

- model Journal and Mail according to EN 13724
- with cylinder lock and 2 keys
- made of galvanized sheet steel
- weatherproof
- baked enamel finish in up to 4 different colours
- colour iron: charcoal painting



News 5800:

round shape, can be used from both sides.

Art.-No.	Colours	EAN	H x W x D	Slot	
		40 03482... mm	mm	W x H (mm)	
Pocket 5871 E	antique iron	61000 8	315 x 215 x 75	185 x 35	40W
Pocket 5871 W	white	61010 7	315 x 215 x 75	185 x 35	40W
Pocket 5871 Si	silver	61020 6	315 x 215 x 75	185 x 35	40W

Mail 5877 E	antique iron	61110 4	322 x 362 x 100	333 x 34	40W
Mail 5877 W	white	61120 3	322 x 362 x 100	333 x 34	40W
Mail 5877 Si	silver	61130 2	322 x 362 x 100	333 x 34	40W

Daily 5861 GR	green	61030 5	305 x 225 x 75	190 x 30	40W
Daily 5861 E	antique iron	61040 4	305 x 225 x 75	190 x 30	40W
Daily 5861 W	white	61050 3	305 x 225 x 75	190 x 30	40W
Daily 5861 Si	silver	61060 2	305 x 225 x 75	190 x 30	40W

Letter 5832 GR	green	61070 1	370 x 270 x 92	230 x 32	65R
Letter 5832 E	antique iron	61080 0	370 x 270 x 92	230 x 32	65R
Letter 5832 W	white	61090 9	370 x 270 x 92	230 x 32	65R
Letter 5832 Si	silver	61100 5	370 x 270 x 92	230 x 32	65R

Journal 5867 E	antique iron	61140 1	320 x 377 x 115	332 x 31	40W
Journal 5867 W	white	61150 0	320 x 377 x 115	332 x 31	40W
Journal 5867 Si	silver	61160 9	320 x 377 x 115	332 x 31	40W

Holiday 5842 E	antique iron	61180 7	357 x 390 x 135	262 x 38	40W
Holiday 5842 W	white	61190 6	357 x 390 x 135	262 x 38	40W
Holiday 5842 Si	silver	61200 2	357 x 390 x 135	262 x 38	40W
Holiday 5842 GR	green	61170 8	357 x 390 x 135	262 x 38	40W

News 5800 GR	green	61210 1	B 400 Ø 120		
News 5800 E	antique iron	61220 0	B 400 Ø 120		
News 5800 W	white	61230 9	B 400 Ø 120		
News 5800 Si	silver	61240 8	B 400 Ø 120		



Inox-Star

Letter box made of stainless steel with paper box

- stainless steel rustproof
- canopy protects the mail from dampness
- with cylinder lock and 2 keys
- paper box can be used from both sides
- according to EN 13724

Art.-No.	EAN	H x W x D	Slot	
InoxStar 4730 Ni	07010 9	425 x 380 x 115	332 x 31	40W



Original U.S. Mailbox

Letter box with red swinging flag offers great volume.

Art.-No.	Colours	EAN	H x W x D
		40 03482...	mm
891 W	white	18620 6	220 x 170 x 480
891 S	black	18610 7	220 x 170 x 480
891 N	aluminium	18600 8	220 x 170 x 480
892 ALU	from solid aluminium	18630 5	220 x 170 x 480



Mailbox 891 S with stand 893

Stand for U.S. Mailbox

Art.-No.	Colours	EAN	Height
		40 03482...	mm
893 S	black	18650 3	1500



Mailbox 892 ALU

Europa 712

Sufficient space for your letters! High-quality weatherproof letter box at vertical format, with large and totally projecting roof.

Art.-No.	Colours	EAN	H x W x D	Slot	
		40 03482...	mm	W x H (mm)	
712 W	white	20150 3	411 x 455 x 324	371 x 38	65R
712 E	antique iron	20120 6	411 x 455 x 324	371 x 38	65R



Europa 712 W

Europa 731/732

Very useful and large letter box. At the top: compartment for letters with integrated insertion flap. At the bottom: spacious compartment for parcels with door for removal (magnetic lock).

Art.-No.	Colours	EAN	H x W x D	Slot	
		40 03482...	mm	W x H (mm)	
731 W	white	20030 8	360 x 405 x 292	371 x 38	65R
731 E	antique iron	20020 9	360 x 405 x 292	371 x 38	65R



Europa 731 E

732: Same model as 731 but with large and totally projecting roof.

Art.-No.	Colours	EAN	H x W x D	Slot	
		40 03482...	mm	W x H (mm)	
732 W	white	19850 6	411 x 455 x 324	371 x 38	65R
732 E	antique iron	19840 7	411 x 455 x 324	371 x 38	65R
732 Si	silver	19730 1	411 x 455 x 324	371 x 38	65R



Europa 732 W with stand EST 1 W

Stand for EUROPA

Aluminium stand for letter box EUROPA for setting in concrete, may be shortened to any desired length.

Art.-No.	Colours	EAN	H x W x D
		40 03482...	mm
EST 1 W	white	08270 6	1200 x 80 x 80
EST 1 S	black	08260 7	1200 x 80 x 80
EST 1 Si	silver	10910 6	1200 x 80 x 80
A B E 1		08290 4	

ABE:

assembly set for wall fixing for all models Europa with roof



Possible combination:
1 x Europa 732 Si
1 x stand EST 1 Si



PMF 1 SB

Special cleaning product for letter boxes

Ferro-Star PMF 1 SB:

Special cleaning product for stainless steel letter boxes and other natural stainless steel surfaces

Color-Star PMC 1 SB:

Special cleaning product for varnished letter boxes made out of metal or plastic

Regular application increases the lifetime of your letter box.

Art.-No.	EAN		
	40 03482...		
PMF 1	SB	30121 0	5
PMC 1	SB	30111 1	5

- keeps the surface shiny
- offers extra protection against weather and environmental influences
- eliminates usage traces on the surface



ZBK 74

Spare cylinders

ZBK:

single cylinders for replacement, for letter boxes of different brands

Art.-No.	EAN			for
	40 03482...			
ZBK 70		22360 4	5	JU
ZBK 71		22370 3	5	Renz, Decayeux u.a.
ZBK 72		22380 2	5	Rombi
ZBK 73		22390 1	5	Brabantia (sheet metal)
ZBK 74		22680 3	5	Brabantia (plastic)
ZBK 70	SB	22361 1	5	JU
ZBK 71	SB	22371 0	5	Renz, Decayeux u.a.
ZBK 72	SB	22381 9	5	Rombi
ZBK 73	SB	22391 8	5	Brabantia (sheet metal)
ZBK 74	SB	22681 0	5	Brabantia (plastic)



Accessories

Spare cylinders 92 M and 92 K for all BURG-WÄCHTER letter boxes.

Packing unit: 5 pieces



BK 92 M SB

Art.-No.	EAN		
	40 03482...		
BK 92 M	SB	14111 3	for all BURG-WÄCHTER letter boxes made of galv. steel
BK 92 K	SB	14121 2	for all BURG-WÄCHTER letter boxes made of plastic and cast
BK 92 F	SB	18661 9	2 name windows for letter boxes packed for self-service



Bulk packed cylinders

Name plate N1	08110 5	size: 74 x 22 mm
Name plate N2	28900 6	size: 111 x 31 mm
Name plate N3	28890 0	size: 65 x 22mm
Sight plate S1	08120 4	size: 44 x 14 mm
Postal horn 1G	28460 5	for Roma letter boxes
Postal horn 2	28470 4	for Sylt letter boxes
Cover SD1	SB	28871 9
		Ø 120 mm, packed in pairs
		1 VE = 10 pairs



800 Si

Elegant paper boxes

– weatherproof –

800: round form with lateral plastic cover



3800 Ni



3800 Ni: round form with lateral plastic cover

Art.-No.	Colours	EAN	W x Ø
		40 03482...	mm
800 W	white	13750 5	400 x 120
800 Si	silver	31100 4	400 x 120
800 BR	brown	13710 9	400 x 120
800 S	black	13700 0	400 x 120



3820 Ni



3820 Ni: for the combination with the letter box models Amrum or Borkum. Not suitable for direct assembly on the wall.

Art.-No.	Colours	EAN	W x Ø
		40 03482...	mm
3800 Ni	stainless steel	095409	400 x 120

Art.-No.	Colours	EAN	W x D x H
		40 03482...	mm
3820 Ni	stainless steel	18820 0	362 x 102 x 102

Letter boxes for sealing in the wall

Letter box 795 made of galvanized sheet steel for sealing in the wall. Door varnished in white colour. Adjustable depth up to 490 mm wall thickness.

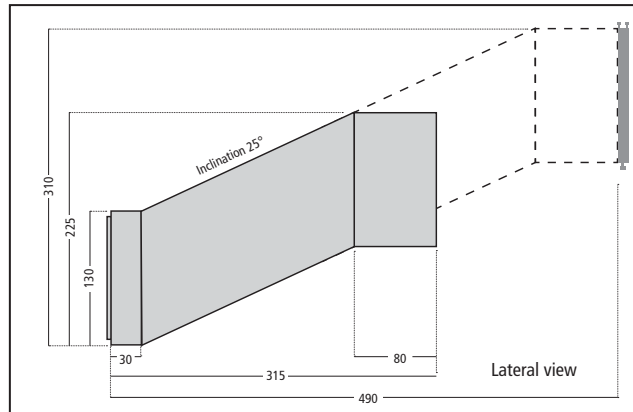
794: adequate blind for letter box 795. Front blind treaded, possibility to assemble as many letter boxes on top of each other as required.

Art.-No.	Colours	EAN	H x W x D
		40 03482...	mm
Kasten 795	white / galvanized	32430 1	130 x 260 x 315 - 490

Art.-No.	Colours	EAN	H x W	Slot
		40 03482...	mm	W x H (mm)
794 W	white	32440 0	135 x 305	35 x 230
794 Si	silver	32450 9	135 x 305	35 x 230
794 BR	brown	32460 8	135 x 305	35 x 230



Available in spring 2007



View from the inside:
2 x Kasten 795 +
2 x Blende 794 W



View from the outside:
2 x Kasten 795 +
2 x Blende 794 W

Porta letter plate

- aluminium frame
- galvanized lid
- high-quality powder coating
- fixing material incl.

Required opening:

Height: 50 - 67,5 mm

Width: 257 - 268,5 mm (model 796)

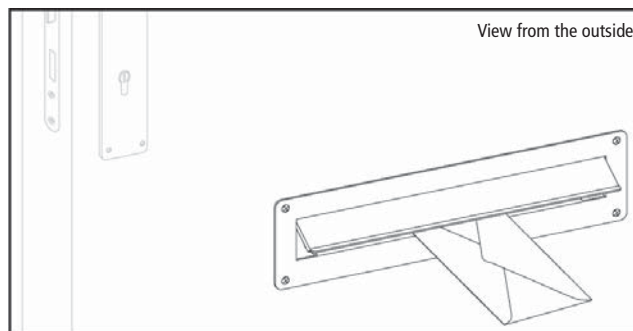
Width: 365 - 376,5 mm (model 797)

Can be used universally for doors/walls as from 20 mm thickness

Art.-No.	Colours	EAN	H x W	Slot
		40 03482...	mm	W x H (mm)
796 W	white	32470 7	101 x 304	35 x 254
796 Si	silver	32480 6	101 x 304	35 x 254
796 BR	brown	32490 5	101 x 304	35 x 254
797 A W	white	31560 6	101 x 412	35 x 360
797 A Si	silver	32380 9	101 x 412	35 x 360
797 A BR	brown	31570 5	101 x 412	35 x 360



Model 796: available in spring 2007



Porta 797 A W

Porta letter plate set

- the perfect solution
- consisting of inner and outer plates
- aluminium frame
- galvanized steel flaps
- with special sealing
- high-quality powder coating
- fixing material incl.

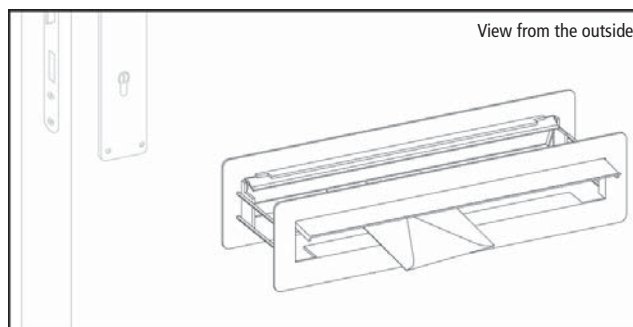
Required opening:

Height: 50 mm - 80 mm

Width: 396 mm

Can be used universally for doors/walls from 25 to 60 mm thickness

Art.-No.	Colours	EAN	H x W	Slot
		40 03482...	mm	W x H (mm)
798 Set W	white	31580 4	101 x 412	35 x 360
798 Set Si	silver	32390 8	101 x 412	35 x 360
798 Set BR	brown	31590 3	101 x 412	35 x 360



Porta 798 Set W



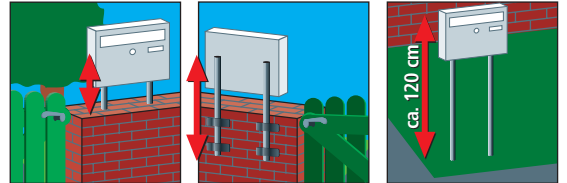
Stand UNIVERSAL 150, view from reverse

Universal 150

BURG-WÄCHTER letter box stand made of stainless steel/rustproof.

- Universal use for all letter boxes made of stainless steel, galvanized steel and plastic
- Consists of 2 tubes with special punching
- Letter boxes are secured from the inside onto the tubes, offering thereby increased theft protection
- To be embed in concrete
- The tubes can be shortened as required
- This stand can also be fixed to a wall with usual pipe clips

Art.-No.	EAN	Height	Ø
	40 03482...	mm	mm
Universal 150 Ni	00300 8	1500	34



Rondo 145

Elegant semicircular stand with mounted fixing plate. Complete with fixing screws.

Fitting letter box Kiel.

Art.-No.	Colour	EAN	Height	Ø
		40 03482...	mm	mm
Rondo 145 W	white	27760 7	1740	50

Possible combination:

- 1 x Kiel 886 W +
- 1 x Rondo 145 W



Rondo 3155

Stainless steel stand Rondo 3155 Ni, to be embed in concrete.

The perfect combination: Nordic with matching stand.

Art.-No.	EAN	Height	Ø
	40 03482...	mm	mm
3155 Ni	31340 4	1550	38



Possible combination:

- 1 x Nordic 3760 Ni +
- 1 x Rondo 3155 Ni



RONDO 3155 Ni with letter box NORDIC



Freestanding letter boxes



Jumbo 942

Stable, steady letter box with a big volume

- can be used variably for 1 or 2 users
- can be used with or without roof
- H x W x D without roof : 950 x 388 x 268 mm

Art.-No.	Colours	EAN	H x W x D	Slot	
		40 03482...	mm	W x H (mm)	
Jumbo 942 W	white	19920 6	1070 x 482 x 305	327 x 32	65R
Jumbo 942 Si	silver	19940 4	1070 x 482 x 305	327 x 32	65R
Jumbo 942 GR	green	19930 5	1070 x 482 x 305	327 x 32	65R



A lot of space for **many letters!**
Slot format DIN C 4: 327 x 32 mm

2 in 1:
Two extra large letter boxes in one.
Can be used variably for 1 or 2 users:
removable shelf - thus you obtain an extra large compartment.

Galvanized and high-quality coated.
Permanent **aeration system**.
All pieces and assembly instruction included.

With drillings for **floor fixing**.
These drillings are covered by the lower shelf.

The **pointed roof** is included.
Good protection, nice appearance.
Easy installation from the inside.

Here you can install a **cap** instead of the lid - in case the second slid is not used.



Jumbo 942 Si with roof



Jumbo 942 GR without roof



Arco

Avant-garde. With large canopy made of galvanized sheet steel – stove-finished. Two-coloured stand element unit. With 1 letter box Göteborg 896 and 1 paper box 890.

Art.-No.	EAN	H x W x D	Slot
	40 03482...	mm	W x H (mm)
ArcoSet R 896 W	27740 9	1780 x 570 x 350	
white box, with red stress			
ArcoSet W 896 W	27490 3	1780 x 570 x 350	
white			



ARCO Set R 896 W



TERZO
Combination example

Letter box stand elements - freestanding

Stands, supports and canopies are produced of high-quality powder coated aluminium profile. For setting in concrete. With assembly instruction.

Terzo

Can be combined individually with supports, canopies and assembly sets. The programme for the handyman.

Terzo V11 - Supports:

110 mm profile, perforated

Terzo H14 - Canvases:

140 mm profile, perforated

Placing only in a weather-proof exterior area.

Art.-No.	EAN	Length	Colour
	40 03482...	mm	
Terzo V11-160 W	27720 1	1540	white
Terzo V11-160 Si	20530 3	1540	silver
Terzo V11-180 W	27730 0	1740	white
Terzo V11-180 Si	20540 2	1740	silver
Terzo H14-63 W	27360 9	630	white
Terzo H14-79 W	27700 3	790	white
Terzo H14-79 Si	20600 3	790	silver
Terzo H14-92 W	27370 8	920	white
Terzo H14-115 W	27680 8	1150	white
Terzo H14-115 Si	20620 1	1150	silver



Now also available in silver colour!



TERZO
Set 87410 Si

Letter boxes for self-assembly:

Leipzig 777, Potsdam 877 and Amsterdam 867 respectively Magdeburg 767 perforated, incl. plugs

Art.-No.	EAN	H x W x D	Colour	
	40 03482...	mm		
perforated 767 W	28800 9	396 x 301 x 115	white	65R
perforated 777 W	27380 7	397 x 284 x 104	white	65R
perforated 877 W	20280 7	322 x 362 x 100	white	65R
perforated 877 Si	20800 7	322 x 362 x 100	silver	65R
perforated 867 W	27770 6	320 x 377 x 115	white	65R
perforated 867 Si	27710 2	320 x 377 x 115	silver	65R

Terzo base:
for a comfortable and stable
screwing, without concrete
or excavating works



TERZO
base V 11-FW

Accessories

Assembly sets:

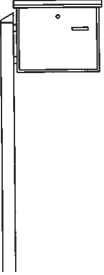
Distance pieces, screws and washers packed for self-service packing unit: 5 pieces

Terzo base for assembly on

the ground: Solid letter box made of high-quality zinc diecasting - no setting in concrete, incl. fixing material and plugs

Art.-No.	EAN	
	40 03482...	
Assembly set Terzo W	05951 7	white
Assembly set Terzo Si	22081 8	silver
1 set per support, 1 set per canopy 63 or 92, 2 sets per canopy 79 or 115		
Assembly set BK	06871 7	
1 assembly set BK per letter box connection		
Base V 11-F W	31000 7	white
Base V 11-F Si	17780 8	silver
Recommendation: just screw it on a stable base plate, no setting in concrete		

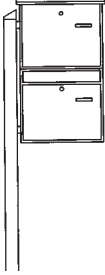
Examples for combining Terzo

Built-in height: 1301 mm
Total height: 1601 mm
Width: 440 mm

Ref. 86400 W / 87400 Si
Terzo installation with 1 letter box Amsterdam and 1 stand, consisting of:

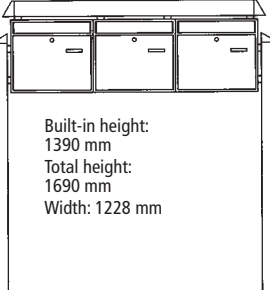
- 1 stand Terzo V11-160 W
- 1 Amsterdam 867 W perforated
- 1 assembly set Terzo



Built-in height: 1501 mm
Total height: 1801 mm
Width: 440 mm

Ref. 86410 W / 87410 Si
Terzo installation with 2 letter boxes and 1 stand, consisting of:

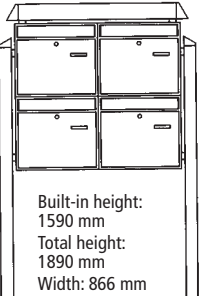
- 1 stand Terzo V11-180 W
- 1 Potsdam 877 W perforated
- 1 Amsterdam 867 W perforated
- 1 assembly set Terzo
- 1 assembly set BK



Built-in height: 1390 mm
Total height: 1690 mm
Width: 1228 mm

Ref. 86420 W / 87420 Si
Terzo installation with 3 letter boxes Potsdam, consisting of:

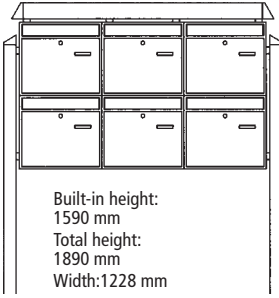
- 2 stand Terzo V11-160 W
- 1 canopy Terzo H14-115 W
- 3 Potsdam 877 W perforated
- 4 assembly sets Terzo
- 2 assembly sets BK

Built-in height: 1590 mm
Total height: 1890 mm
Width: 866 mm

Ref. 86430/87430 Si
Terzo installation with 4 letter boxes Potsdam, consisting of:

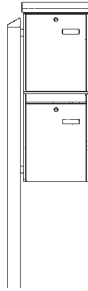
- 2 stands Terzo V11-180 W
- 1 canopy Terzo H14-79 W
- 4 Potsdam 877 W perforated
- 3 assembly sets Terzo
- 4 assembly sets BK



Built-in height: 1590 mm
Total height: 1890 mm
Width: 1228 mm

Ref. 86440 W / 87440 Si
Terzo installation with 6 letter boxes Potsdam, consisting of:

- 2 stands Terzo V11-180 W
- 1 canopy Terzo H14-115 W
- 6 Potsdam 877 W perforated
- 4 assembly sets Terzo
- 7 assembly sets BK



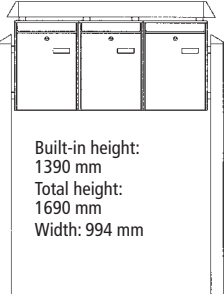
Built-in height: 1501 mm
Total height: 1801 mm
Width: 363 mm

Ref. 86460 W
Terzo installation with 2 letter boxes and 1 stand, consisting of:

- 1 stand Terzo V11-180 W
- 1 Leipzig 777 W perforated
- 1 Magdeburg 767 W perforated
- 1 assembly set Terzo
- 1 assembly set BK



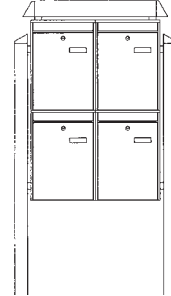
TERZO
Set-Nr. 86430



Built-in height: 1390 mm
Total height: 1690 mm
Width: 994 mm

Ref. 86470 W
Terzo installation with 3 letter boxes Leipzig, consisting of:

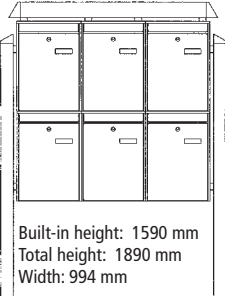
- 2 stands Terzo V11-160 W
- 1 canopy Terzo H14-92 W
- 3 Leipzig 777 W perforated
- 4 assembly sets Terzo
- 2 assembly sets BK



Built-in height: 1590 mm
Total height: 1890 mm
Width: 710 mm

Ref. 86480 W
Terzo installation with 4 letter boxes Leipzig, consisting of:

- 2 stands Terzo V11-180 W
- 1 canopy Terzo H14-63 W
- 4 Leipzig 777 W perforated
- 3 assembly sets Terzo
- 4 assembly sets BK



Built-in height: 1590 mm
Total height: 1890 mm
Width: 994 mm

Ref. 86490 W
Terzo installation with 6 letter boxes Leipzig, consisting of:

- 2 stands Terzo V11-180 W
- 1 canopy Terzo H14-92 W
- 6 Leipzig 777 W perforated
- 4 assembly sets Terzo
- 7 assembly sets BK



TERZO
Set-Nr. 86440

Letter boxes made of galvanized steel

Colour	Model
WHITE	nearly all models – similar to RAL 9016
SILVER	Amsterdam, Comfort, Futura, Modena, Olymp, Potsdam, Set Vario, Jumbo ZB 800, ZB 820
GREEN	Amsterdam, Jumbo, Kopenhagen – similar to RAL 6009
BROWN	Amsterdam, Köln, Leipzig, Potsdam ZB 800 – similar to RAL 8014
COPPER METALLIC	Sylt
BLUE	Amsterdam, ZB 800 – similar to RAL 5011
BLACK	Amsterdam, Magdeburg, Set Vario, ZB 800 – similar to RAL 9005
ANTIQUÉ IRON	Europa, Kopenhagen, Sylt
ALUSTAR	Kopenhagen, Straßburg, Sylt, Set Vario

Letter boxes made of high-quality plastic

Colour	Model
WHITE	Kiel, Swing – similar to RAL 9003
SILVER	Kiel, Swing – similar to RAL 9006
GREEN	Kiel – similar to RAL 6005
BLUE	Kiel – similar to RAL 5000
BLACK	Kiel – similar to RAL 9005
GRAPHITE	Impression

Letter boxes made of solid cast aluminium, structural surface

Colour	Model
WHITE	Ascona, Venezia – similar to RAL 9016
GREEN	Ascona – similar to 6005
BRONZE	Ascona, Venezia – similar to RAL 8025

Not every letter box is available in any colour. The possible colour variants are clearly indicated at every model. Due to the printing it is not possible to show the original colours a hundred per cent. The indicated RAL markings are only an approximate guideline.

Subject to errors or changes.

Freestanding Home Safes + Wall Safes
Hotel Safes
High Quality Commercial Safes
Gun cabinets
Disc Safes + Document Safes



safes



WT 10/6 350 E

Wall safes WT 10 "Diplomat"

RESISTANCE GRADE I

- type tested and supervised security by ECB-S
- back wall from 10 mm strong steel construction with stainless steel proportion as flame-cutting protection; more security – less installation depth
- double-walled door
- door with double emergency locking mechanism, not resettable, patented
- three-sided locking through strong square bolts, bolts with 2 integrated steel rolls each, double protection against flame-cutting
- all-over gripping hinge
- locking mechanism with special protection against penetration
- door with fire-protective material according to DIN 4102-A1
- specially designed fire fold
- also available with left-sided hinge
- sufficient space for files of common size
- WT 10 sizes 6 and 8 with 2 shelves in series
- two-coloured



Version E

Electronic combination lock „SecuTronic“, ECB-S certified according to EN 1300 class B, with intelligent menu-driven operation, up to 10 users, 111,000,000 different combinations possible, incl. batteries. The locking armature protrudes 18 mm.



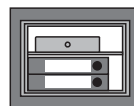
WT 10/6 580 E

Art.-No.	EAN	Exterior H x W x D	Interior H x W x D	Door H x W	Weight	Volume
	40 03482...	mm	mm	mm	kg	l
WT 10/5 350 E	21580 7	465 x 500 x 385	345 x 370 x 300	345 x 340	61	37,8
WT 10/6 350 E	21640 8	620 x 500 x 385	500 x 370 x 300	500 x 340	80	54,8
WT 10/6 580 E	21790 0	620 x 500 x 580	500 x 370 x 495	500 x 340	89	90,3
WT 10/8 350 E	21700 9	980 x 500 x 385	860 x 370 x 300	860 x 340	115	94,2
WT 10/8 580 E	21820 4	980 x 500 x 580	860 x 370 x 495	860 x 340	115	155,4
IT WT 10	09960 5	Interior safe for WT 10 for files (dimensions: H 180, W 370, D 260 mm)				

Optimal utilization of the interior of BURG-WÄCHTER safes:

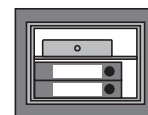
CityLine:

CW 5/350

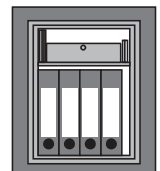


Series WT Karat with full depth:

WT 14 N

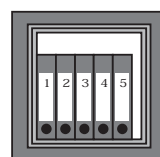


WT 16 N

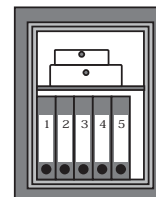


Series WT 10 Diplomat:

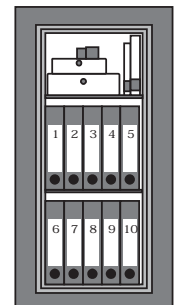
10/5 350



10/6 350
10/6 580



10/8 350
10/8 580



BURG-WÄCHTER safes correspond to the highest state-of-the-art technology and are internationally recognized. Changes in dimensions and constructions of wall safes and freestanding home safes can occur due to technical production changes.

Wall safes WT 11 - WT 13 "Karat"

- security level B according to VDMA 24992, 5/95
- the series of wall safes with variable depth – optimal utilization of space through to the adjustable body
- door double walled
- door leaf of 7 mm SM steel

SECURITY LEVEL B

- solid locking through square bolts
- all-over gripping hinge
- door with fire-protective material according to DIN 4102-A1
- specially designed fire fold



Version S

Security safe lock 'Secu-Safe', ECB-S certified according to EN 1300 class A, with 2 keys, 9 levers, more than 1,000,000 different key differs.

Art.-No.	EAN	Exterior H x W x D	Interior H x W x D	Door H x W	Weight	Volume
	40 03482...	mm	mm	mm	kg	l
WT 11 S	27800 0	170 x 240 x 119 -163	110 x 190 x 74,5 -118,5	110 x 130	7,5	1,55 -2,4
WT 12 S	27810 9	205 x 290 x 119 -163	145 x 240 x 74,5 -118,5	145 x 190	10,2	2,6 -4,1
WT 13 S	27830 7	250 x 350 x 233 -351	190 x 300 x 188,5 -306,5	190 x 251	18,0	10,7 -17,4



WT 12 S



Version E

Electronic combination lock 'SecuTronic', ECB-S certified according to EN 1300 class B, 1,000,000 different combinations possible, incl. batteries. The locking armature protrudes 13 mm.

Art.-No.	EAN	Exterior H x W x D	Interior H x W x D	Door H x W	Weight	Volume
	40 03482...	mm	mm	mm	kg	l
WT 13 E	27820 8	250 x 350 x 233 -351	190 x 300 x 188,5 -306,5	190 x 251	18,0	10,7 -17,4



WT 14 N E

Wall safes WT 14 N - WT 16 N "Karat"

- type tested and supervised security by ECB-S!
- the wall safe series with variable depth – optimal utilization of space through to the adjustable body
- sufficient space for files of common size when completely pulled out
- exterior frame of flame-cutting protected stainless steel material
- door double walled, with additional armoring
- three-sided locking, bolts on the top and on the bottom with integrated steel rolls

RESISTANCE GRADE N

- extreme protection against flame-cutting, drilling and attack
- all-over gripping hinge
- door with fire-protective material
- specially designed fire fold

security advantage:

- special protection against drilling
- thermal emergency locking mechanism



Version S

Resettable, armoured high-security safe lock 'Secu-Safe', ECB-S certified according to EN 1300 class B, with 2 keys, 10 levers, key captive, 50,000,000 different combinations.

More security in case of losing the key – immediately resettable to a new key.

Art.-No.	EAN	Exterior H x W x D	Interior H x W x D	Door H x W	Weight	Volume
	40 03482...	mm	mm	mm	kg	l
WT 14 N S	28340 0	342 x 434 x 233 -351	250 x 352 x 178 -296	250 x 336	27,5	15,6 -26,0
WT 16 N S	28360 8	532 x 434 x 233 -351	440 x 352 x 178 -296	440 x 336	39,0	27,5 -45,7



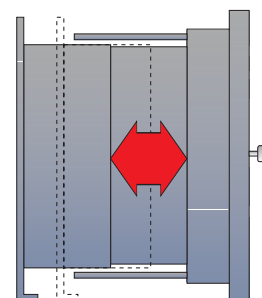
WT 16 N S



Version E

Electronic combination lock 'SecuTronic', ECB-S certified according to EN 1300 class B, with intelligent menu-driven operation, up to 10 users, 111,000,000 different combinations possible, incl. batteries. The locking armature protrudes 16 mm.

Art.-No.	EAN	Exterior H x W x D	Interior H x W x D	Door H x W	Weight	Volume
	40 03482...	mm	mm	mm	kg	l
WT 14 N E	28350 9	342 x 434 x 233 -351	250 x 352 x 178 -296	250 x 336	27,5	15,6 -26,0
WT 16 N E	28380 6	532 x 434 x 233 -351	440 x 352 x 178 -296	440 x 336	39,0	27,5 -45,7



The best solution for maximizing the interior space: variable depth, adjustable safe body (see sketch on the right). Pull-out shelves adapt themselves individually to every depth (WT 14/16 for files of common size when completely pulled out).

BURG-WÄCHTER safes correspond to the highest state-of-the-art technology and are internationally recognized. Changes in dimensions and constructions of wall safes and freestanding home safes can occur due to technical production changes.

Tip: variable depth for an optimal utilisation of the interior space according to the wall thickness

Wall safe CityLine CW 5

SECURITY LEVEL B

- security level B according to VDMA 24992, 5/95
- double-walled door
- safe lock, ECB-S certified according to EN 1300 class A
- 9 levers
- more than 1 million different combinations
- locking through round dog bolts
- door with fire-protective material according to DIN 4102-A1
- specially designed fire fold
- sufficient space for files of common size



CW 5 350



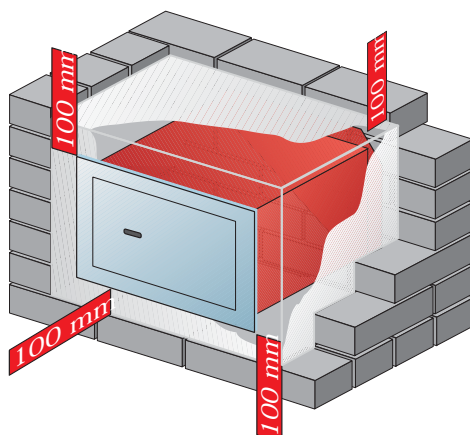
Version S

Security safe lock „Secu-Safe“, ECB-S certified according to EN 1300 class A, with 2 keys, 9 levers, more than 1,000,000 different key differs.

Art.-No.	EAN	Exterior H x W x D	Interior H x W x D	Door H x W	Weight	Volume
	40 03482...	mm	mm	mm	kg	l
CW 5 350 S	15030 6	326 x 440 x 350	243 x 343 x 294	251 x 333	19,5	24,5

Important built-in recommendations for wall safes:

- When having unpacked your new safe please check its perfect function.
- For your own security remove all batteries from the front blind by E-Version.
- After having finished all works do not place the batteries until there is no humidity left in the surrounding of the safe.
- Thus, you protect yourself against any short-circuit damages due to humidity and prevent a new coding by unauthorized persons.
- Prepare wall opening according to explanation mentioned below.
- Wall opening has to be big enough that the safe is surrounded with concrete of at least 100 mm on all sides.
- Cover safe front well with foil and stick them together.
- Insert the safe perpendicularly into the opening and wedge it (**consider imprint „oben“**), control with spirit level.
- Concrete B 45, mixture 1:4, put in and compress, mixture not too wet.
- Open safe door after approx. 2 days after setting in concrete, wipe out moisture remainings and let it dry.
- Because of security reasons safes and keys are not numbered. Spare keys can only be produced against presentation of a sample.
- Safe locks should not be oiled.
- If you have a safe with combination lock you should deposit your secret number safely.



Please note:

An installation into exterior walls can cause condensation water due to temperature differences. Then the safe has to be insulated. Failures due to condensation water or improper installation are at owner's risk.

Wall safes PointSafe PW 1 - PW 3

- tested in the BURG-WÄCHTER laboratory
- solid single-walled body
- with security safe lock
- with 2 keys



Version S

with safe lock and 2 keys

Art.-No.	EAN	Exterior H x W x D	Interior H x W x D	Weight	Volume
	40 03482...	mm	mm	kg	l
PW 1 S	24900 0	180 x 260 x 148	150 x 230 x 100	6,8	3,5
PW 2 S	24860 7	220 x 340 x 140	177 x 298 x 85	10,2	4,5
PW 3 S	24870 6	260 x 390 x 195	213 x 345 x 140	15,0	10,3



Version E

with self-programmable electronic lock, battery operated (1,5 V Mignon), you can change your secret code at any time, with Master code - self programmable, no electrical supply necessary, additional lock for emergency opening, the locking armature protrudes 16 mm

Art.-No.	EAN	Exterior H x W x D	Interior H x W x D	Weight	Volume
	40 03482...	mm	mm	kg	l
PW 2 E	24960 4	220 x 340 x 140	177 x 298 x 85	10,2	4,5
PW 3 E	24970 3	260 x 390 x 195	213 x 345 x 140	14,8	10,3



PW 1 S



PW 2 S



PW 2 E



PW 3 S



PW 3 E

Safe-Box „Box 1 E“

- single-walled, solid steel construction
with screw-down base
- flat construction – fits perfectly into drawers whether in desks, cupboards, furnishings ...
- to be opened from the top, easy application
- portable
- reliable technology
- security for your home and office
- modern, self-programmable electronic lock, with 3-6 digit code
- you can change your secret code at any time
- no electrical supply required
- with additional key for emergency opening

Art.-No.	EAN	Exterior H x W x D	Interior H x W x D	Weight	Volume
	40 03482...	mm	mm	kg	l
Box 1 E	24910 9	97 x 230 x 383	40-70 x 200 x 255	6,3	3,3
Base Box 1 E	24930 7	Additional screw-down base			



Box 1 E

BURG-WÄCHTER safes correspond to the highest state-of-the-art technology and are internationally recognized. Changes in dimensions and constructions of wall safes and freestanding home safes can occur due to technical production changes.

MTD 34 - MTD 48 commercial freestanding safes "Diplomat"

RESISTANCE GRADE I



MTD 34 S

- type tested and supervised security by ECB-S
- protected against burglary and fire
- body double-walled, exterior walls with special armoring
- double-walled door, door leaf thickness 10 mm SM steel, door with double emergency locking system, not resettable, patented
- three-sided locking through strong square bolts, bolts with 2 integrated steel rolls each - double protection against flame-cutting, all-over gripping hinge
- prepared for wall and floor fixing (MTD 46 and MTD 48 without floor fixing), with fixing material
- fire-protective material in body and door according to DIN 4102-A1, specially designed fire fold
- depth for files of common size, also available with interior safe

- adjustable shelf (sizes 36 + 38 with 2 adjustable shelves)
- standard series version two-coloured (grey/white), special painting on request
- security advantage:**
- special protection against drilling in front of each bolt and in front of the lock
- the models MTD 34 – MTD 48 are also available with left-sided hinge (except version C)

Left-hand-stop:

on demand without surcharge
MTD 34 - MTD 48 in versions S or E,
no possibility for floor fixing



MTD 35 C



Version S

Resettable, armoured high-security safe lock, 'Secu-Safe', ECB-S certified according to EN 1300 class B, with 2 keys, 10 levers, key captive, 50,000,000 different combinations. More security in case of losing the key – immediately resettable to a new key. The locking armature protrudes 7 mm.

Art.-No.	EAN	Exterior H x W x D	Interior H x W x D	Door H x W	Weight	Volume
	40 03482...	mm	mm	mm	kg	l
MTD 34 S	10570 2	380 x 500 x 440	255 x 370 x 300	255 x 340	85	28,0
MTD 35 S	14000 0	470 x 500 x 440	345 x 370 x 300	345 x 340	100	38,0
MTD 36 S	10580 1	625 x 500 x 440	500 x 370 x 300	500 x 340	125	55,0
MTD 38 S	14280 6	985 x 500 x 440	860 x 370 x 300	860 x 340	175	94,2



MTD 36 E



Version C

With resettable combination lock 'Secumatic', ECB-S certified according to EN 1300 class B, with 1,000,000 possible locking combinations, the locking armature protrudes 13 mm.

Art.-No.	EAN	Exterior H x W x D	Interior H x W x D	Door H x W	Weight	Volume
	40 03482...	mm	mm	mm	kg	l
MTD 34 C	14010 9	380 x 500 x 440	255 x 370 x 300	255 x 340	85	28,0
MTD 35 C	14020 8	470 x 500 x 440	345 x 370 x 300	345 x 340	100	38,0
MTD 36 C	14030 7	625 x 500 x 440	500 x 370 x 300	500 x 340	125	55,0
MTD 38 C	14290 5	985 x 500 x 440	860 x 370 x 300	860 x 340	175	94,2



MTD 38 C



Version E

Electronic combination lock 'SecuTronic', ECB-S certified according to EN 1300 class B, with intelligent menu-driven operation, administration of up to 10 users, 111,000,000 different combinations possible, incl. batteries. The locking armature protrudes 18 mm.

Art.-No.	EAN	Exterior H x W x D	Interior H x W x D	Door H x W	Weight	Volume
	40 03482...	mm	mm	mm	kg	l
MTD 34 E	14170 0	380 x 500 x 440	255 x 370 x 300	255 x 340	85	28,0
MTD 35 E	16580 5	470 x 500 x 440	345 x 370 x 300	345 x 340	100	38,0
MTD 36 E	14140 3	625 x 500 x 440	500 x 370 x 300	500 x 340	125	55,0
MTD 46 E*	19440 9	737 x 500 x 440	500 x 370 x 300	500 x 340	155	55,0
MTD 38 E	16020 6	985 x 500 x 440	860 x 370 x 300	860 x 340	175	94,2
MTD 48 E*	19450 8	1097 x 500 x 440	860 x 370 x 300	860 x 340	235	94,2
*NRG 4	18280 2	Additional weight for MTD Diplomat – 1 set of NRG 4 up to 200 kg for MTD 46 – 2 sets of NRG 4 up to 300 kg for MTD 48				
IT MTD	09960 5	interior safe for MTD 36 - 48 (H 180 x W 370 x D 260 mm)				

BURG-WÄCHTER safes correspond to the highest state-of-the-art technology and are internationally recognized. Changes in dimensions and constructions of wall safes and freestanding home safes can occur due to technical production changes.

MT 24 N - MT 26 N commercial freestanding safes "Karat"

RESISTANCE GRADE N

- type tested and supervised security by ECB-S
 - protected against burglary and fire
 - body triple-walled, exterior walls of flame-cutting protected stainless steel material
 - double-walled door with additional armouring, door leaf thickness 7 mm SM steel
 - three-sided locking through strong square bolts, bolts on the top and on the bottom with integrated steel rolls - extreme protection against flame-cutting, drilling and attack, all-over gripping hinge
 - prepared for wall and floor fixing, with fixing material - extreme high breaking strength
 - fire-protective material in body and door, specially designed fire fold
 - depth for files of common size, 1 adjustable shelf
- security advantage:**
- special protection against drilling
 - thermal emergency locking mechanism



MT 24 N S



Version S

Resettable, armoured high-security safe lock, 'Secu-Safe', ECB-S certified according to EN 1300 class B, with 2 keys, 10 levers, key captive, 50,000,000 different combinations. More security in case of losing the key – immediately resettable to a new key.

Art.-No.	EAN	Exterior H x W x D	Interior H x W x D	Door H x W	Weight	Volume
	40 03482...	mm	mm	mm	kg	l
MT 24 N S	16050 3	340 x 430 x 390	250 x 348 x 294	250 x 336	43	25,8
MT 26 N S	19090 6	530 x 430 x 390	440 x 348 x 294	440 x 336	60	45,3



Version E

Electronic combination lock 'SecuTronic', ECB-S certified according to EN 1300 class B, with intelligent menu-driven operation, administration of up to 10 users, 111,000,000 different combinations possible, incl. batteries. The locking armature protrudes 16 mm.

Art.-No.	EAN	Exterior H x W x D	Interior H x W x D	Door H x W	Weight	Volume
	40 03482...	mm	mm	mm	kg	l
MT 24 N E	19150 7	340 x 430 x 390	250 x 348 x 294	250 x 336	43	25,8
MT 26 N E	19020 3	530 x 430 x 390	440 x 348 x 294	440 x 336	60	45,3



MT 24 N E

Information about Locking Systems



Version S: (from Resistance Grade N)

- high-security safe lock 'Secu-Safe'
- ECB-S certified according to EN 1300 class B, for Resistance Grade N (0) to V, 10 levers, key captive, 50,000,000 different combinations
- more security in case of losing the key - immediately resettable to a new key
- resetting several safes to a common key is easily possible
- the innovative technology of these locks offers an extraordinary high protection against manipulation, strength against violent attacks and a maximum life



Version C:

- resettable, mechanical combination lock 'SECUMATIC', ECB-S certified according to EN 1300 class B
- digital combination lock - easy to handle, 1,000,000 different combinations possible
- resetting without any problem, digits engage perceptibly
- available for commercial freestanding safes series Diplomat



Version E: (from Resistance Grade N)

- electronic combination lock 'SecuTronic', ECB-S certified according to EN 1300 class B, incl. batteries
- 111,000,000 different combinations possible, 6- to 8- digit secret code
- resettable at any time without any problems
- for up to 10 users
- with protection against manipulation
- batteries can be exchanged from the outside, no loss of code without batteries
- with integrated time function
- as a series with opening delay (from 0-99 minutes)



MT 26 N E

BURG-WÄCHTER safes correspond to the highest state-of-the-art technology and are internationally recognized. Changes in dimensions and constructions of wall safes and freestanding home safes can occur due to technical production changes.



C 1 S

Freestanding home safes CityLine

SECURITY LEVEL B

- security level B according to VDMA 24992, 5/95
- double-walled
- fire-protective material according to DIN 4102-A1
- possibility to anchor the safe through the back wall
- effective locking mechanism
- specially designed fire fold
- for files of common size



C 1 E



Version S

Security safe lock ,Secu-Safe', ECB-S certified according to EN 1300 class A, with 2 keys, 9 levers, more than 1,000,000 different combinations.

Art.-No.	EAN	Exterior H x W x D	Interior H x W x D	Door H x W	Weight	Volume
	40 03482...	mm	mm	mm	kg	l
C 1 S	14880 8	320 x 420 x 376	243 x 343 x 294	243 x 333	33,5	24,5
C 4 S	14070 3	528 x 435 x 382	440 x 350 x 292	440 x 345	49,0	45,3



C 4 E



Version E

Electronic combination lock ,SecuTronic', ECB-S certified according to EN 1300 class B, 1,000,000 different combinations possible, incl. batteries. The locking armature protrudes 13 mm.

Art.-No.	EAN	Exterior H x W x D	Interior H x W x D	Door H x W	Weight	Volume
	40 03482...	mm	mm	mm	kg	l
C 1 E	26490 4	320 x 420 x 376	243 x 343 x 294	243 x 333	33,5	24,5
C 4 E	14080 2	528 x 435 x 382	440 x 350 x 292	440 x 345	49,0	45,3



H 1 S



Version S

Security safe lock ,Secu-Safe', ECB-S certified according to EN 1300 class A, with 2 keys, 9 levers, more than 1,000,000 different combinations.

Art.-No.	EAN	Exterior H x W x D	Interior H x W x D	Door H x W	Weight	Volume
	40 03482...	mm	mm	mm	kg	l
H 1 S	14900 3	320 x 420 x 376	243 x 343 x 294	243 x 333	33,5	24,5



H 1 E



Version E

Electronic combination lock ,SecuTronic', ECB-S certified according to EN 1300 class B, 1,000,000 different combinations possible, incl. batteries. The locking armature protrudes 13 mm.

Art.-No.	EAN	Exterior H x W x D	Interior H x W x D	Door H x W	Weight	Volume
	40 03482...	mm	mm	mm	kg	l
H 1 E	26290 0	320 x 420 x 376	243 x 343 x 294	243 x 333	33,5	24,5

BURG-WÄCHTER safes correspond to the highest state-of-the-art technology and are internationally recognized. Changes in dimensions and constructions of wall safes and freestanding home safes can occur due to technical production changes.

Freestanding home safes PointSafe P 1 - P 4

- tested in the BURG-WÄCHTER laboratory
- solid single-walled body
- double-walled door
- prepared for wall and floor fixing
- can be installed in cupboards, desks, etc.



P 3 S, P 3 E and P 4 E with depth for files of common size. The ideal size for laptops.



Version S

with safe lock and 2 keys

Art.-No.	EAN	Exterior H x W x D	Interior H x W x D	Door H x W	Weight	Volume
	40 03482...	mm	mm	mm	kg	l
P 1 S	24840 9	180 x 280 x 200	173 x 273 x 141	135 x 188	8,5	6,7
P 2 S	24850 8	255 x 350 x 300	248 x 343 x 241	188 x 230	16,5	20,5
P 3 S	24950 5	320 x 442 x 350	310 x 435 x 288	268 x 317	25,0	38,8



P 2 S



Version E

with self-programmable electronic lock, battery operated (1,5 V Mignon), you can change your secret code at any time, with Master code - self programmable, no electrical supply necessary, additional lock for emergency opening, the locking armature protrudes 16 mm

Art.-No.	EAN	Exterior H x W x D	Interior H x W x D	Door H x W	Weight	Volume
	40 03482...	mm	mm	mm	kg	l
P 1 E	26760 8	180 x 280 x 200	173 x 273 x 141	135 x 188	8,6	6,7
P 2 E	24810 2	255 x 350 x 300	248 x 343 x 241	188 x 230	16,5	20,5
P 3 E	24820 1	320 x 442 x 350	310 x 435 x 288	268 x 317	25,0	38,8
P 4 E	24830 0	500 x 416 x 350	490 x 410 x 288	423 x 290	33,0	57,9



P 3 E



Hotel safes

with self-programmable electronic lock, Version KA1 and KA2 with keyed-alike emergency opening lock

Art.-No.	EAN	Exterior H x W x D	Interior H x W x D	Door H x W	Weight	Volume
	40 03482...	mm	mm	mm	kg	l
P 1 E KA 1	29610 3	180 x 280 x 200	173 x 273 x 141	135 x 188	8,6	6,7
P 3 E KA 2	24790 7	320 x 442 x 350	310 x 435 x 288	268 x 317	25,0	38,8



P 1 E KA 1

The ideal safe for hotel use

- **Version KA1 and KA2:** with keyed-alike emergency opening lock
- **For the Hotelier:** superior hotel Master code for all safes - self programmable
- **For the hotel guest:** easy and comprehensible short instructions



P 4 E

Freestanding home safe HomeSafe H 3 with slot

- with slot 230 x 8 mm
- security level B according to VDMA 24992, 5/95
- ideal for a safe and fast locking of banknotes or envelopes
- because of its low weight of 18 kg it is also suitable for the mobile use, i.e. events etc.
- colour: black
- other technical features see above
- **version S:** with safe lock, ECB-S certified according to EN 1300 class A, 9 levers, 1 million different combinations
- **version E:** with electronic combination lock SECUTRONIC (incl. batteries) ECB-S certified according to EN 1300 class B. The locking armature protrudes 9 mm.

Art.-No.	EAN	Exterior H x W x D	Interior H x W x D	Door H x W	Weight	Volume
	40 03482...	mm	mm	mm	kg	l
H 3 C4 EWS	26090 6	257 x 347 x 298	216 x 340 x 243	184 x 276	16,0	17,8
H 3 E C4 EWS	26190 3	257 x 347 x 298	216 x 340 x 243	184 x 276	16,0	17,8



H 3 E C4 EWS

Fire protective safes

- Document safe – protection against burglary and fire
- Body and door double-walled
- **fully and massively filled with insulating concrete**
- Door with double-sided locking
- Safe passed fire protection test successfully: interior below 177° C after 1 hour – good protection for your documents
- Body with specially designed fire fold
- Prepared for floor fixing – incl. fixing material



FP 4 E available in spring 2007

- With modern, self-programmable electronic combination lock
- You can change your secret code at any time
- With user code and master code
- Battery operated (4 x 1,5 V Mignon)
- No electrical supply necessary
- Additional lock for emergency opening



FP 3 E

Art.-No.	EAN	Exterior H x W x D	Interior H x W x D	Weight	Volume
	40 03482...	mm	mm	kg	l
FP 3 E	24940 6	300 x 410 x 342	220 x 330 x 225	28,0	16,3
FP 4 E	20380 4	345 x 485 x 420	218 x 358 x 268	38,0	20,0



FP 4 E

Smart Safe 2 E

- single-walled
- compact freestanding home safe
- with resettable electronic lock
- overriding emergency lock

Art.-No.	EAN	Exterior H x W x D	Interior H x W x D	Weight	Volume
	40 03482...	mm	mm	kg	l
SMART 2E	22020 7	260 x 350 x 280	254 x 344 x 218	11,2	19,0



Smart 2E

Basic Safe 1E

- single-walled
- compact freestanding home safe
- with resettable electronic lock
- overriding emergency lock

Art.-No.	EAN	Exterior H x W x D	Interior H x W x D	Weight	Volume
	40 03482...	mm	mm	kg	l
BASIC 1E	26780 6	200 x 300 x 210	195 x 295 x 143	6,7	8,2



Basic 1E

Universal Safe 2E

- single-walled
- compact freestanding home safe
- with resettable electronic lock
- overriding emergency lock

Art.-No.	EAN	Exterior H x W x D	Interior H x W x D	Weight	Volume
	40 03482...	mm	mm	kg	l
UNI 2E	21040 6	260 x 350 x 260	256 x 346 x 210	11,0	18,6



Universal 2E

Ranger A 5

SECURITY LEVEL A

Single-walled gun cabinet for 5 rifles

- light height: 1250 mm
- security level A according to VDMA 24992, 5/95
- with lockable interior compartment and brackets at the inner side of the door
- double-walled door, 60 mm
- body of 3 mm steel with specially designed fire fold
- three-sided locking through strong round bolts
- prepared for wall and floor fixing
- high-quality workmanship
- German Technology
- tested in the BURG-WÄCHTER laboratory

Art.-No.	for rifles	EAN	Exterior H x W x D	Weight
		40 03482...	mm	kg
A 5	5	02970 1	1450 x 300 x 335	64



Ranger A 5

Ranger W 7 A/B

SECURITY LEVEL A / Interior compartment SECURITY LEVEL B

Single-walled gun cabinet for 7 rifles

- light height: 1220 mm
- security level A according to VDMA 24992, 5/95
- double-walled door, 60 mm
- body of 3 mm steel with specially designed fire fold
- three-sided locking through strong round bolts
- prepared for wall and floor fixing
- Lockable interior compartment, double walled, for common storage of weapons and ammunition security grade B according to the VDMA 24992 - 5/95
- high-quality workmanship
- German Technology
- tested in the BURG-WÄCHTER laboratory

Art.-No.	for rifles	EAN	Exterior H x W x D	Weight
		40 03482...	mm	kg
W 7 A/B	7	29980 7	1450 x 400 x 335	76



Ranger W 7 A/B



BURG-WÄCHTER safes correspond to the highest state-of-the-art technology and are internationally recognized. Changes in dimensions and constructions of wall safes and freestanding home safes can occur due to technical production changes.

Subject to changes in sizes and colouring as well as technical improvements. Minor variations of sizes depend on production characteristics.

Security characteristics of the series ROYAL

- type tested and supervised security by ECB•S
- body triple-walled
- concealed hinges
- armoured bolt system
- three-sided locking through strong square bolts
- all-over gripping hinge
- locking mechanism with special protection against penetration
- the locking armature handle protrudes 65 mm
- fire protective material according to DIN 4102-A1
- specially designed, doubled fire fold
- prepared for quadro wall fixing, incl. fixing material
- interior with sufficient space for files of common size
- special equipment and accessories see page 78 + 79
- recommendation for more security:
combine two locking systems with each other

Locking system SECUTRONIC:

BURG-WÄCHTER recommends the electronic locking system SECUTRONIC. For more security and comfort.

- according to EN 1300: lock class B or D
- Intelligent, menu-driven operation
- depending on the security level up to 10 or 34 users can be administered
- 111.000.000 possible combinations
- with integrated timer
- as a series with opening delay (from 0 - 99 Minuten)



E 514 E
Special paintwork Brilliant

ROYAL E 512 - 518

RESISTANCE GRADE I

Standard locking system:

- resettable, armoured high-security safe lock SECU-SAFE, ECB-S certified according to EN 1300 class B
- more security in case of losing the key – immediately resettable to a new key
- 10 levers, key captive

- 50,000,000 possible locking combinations

More security:

- isolating material according to DIN 4102-B2
- emergency locking mechanism, not resettable

Art.-No.	EAN	Exterior H x W x D	Interior H x W x D	Weight	Volume
	40 03482...	mm	mm	kg	l
E 512 S	25400 4	1000 x 695 x 635	745 x 545 x 400	220	162
E 514 S	25500 1	1315 x 695 x 635	1060 x 545 x 400	305	231
E 516 S	25600 8	1755 x 695 x 635	1500 x 545 x 400	350	327
E 518 S	20740 6	1755 x 1130 x 635	1500 x 980 x 400	500	588



E 524 S

ROYAL E 522 - 528

RESISTANCE GRADE II

Standard locking system:

- resettable, armoured high-security safe lock SECU-SAFE, ECB-S certified according to EN 1300 class B
- more security in case of losing the key – immediately resettable to a new key
- 10 levers, key captive

- 50,000,000 possible locking combinations

More security:

- isolating material according to DIN 4102-B2
- emergency locking mechanism, not resettable

Art.-No.	EAN	Exterior H x W x D	Interior H x W x D	Weight	Volume
	40 03482...	mm	mm	kg	l
E 522 S	25900 9	1000 x 695 x 635	745 x 545 x 400	360	162
E 524 S	26000 5	1315 x 695 x 635	1060 x 545 x 400	480	231
E 526 S	26100 2	1755 x 695 x 635	1500 x 545 x 400	640	327
E 528 S	20950 9	1755 x 1130 x 635	1500 x 980 x 400	910	588

ROYAL E 532 - 538

RESISTANCE GRADE III

Standard locking system:

- resettable, armoured high-security twin tumbler lock, SECU-SAFE, ECB-S certified according to EN 1300 class B
- more security in case of losing the key – immediately resettable to a new key
- 10 levers, key captive
- 50,000,000 possible locking combinations
- three sided locking with double strong square bolts on the top and the bottom of the door.

More security:

- fire-protective material (special armour-mass) according to DIN 4102-A1
- emergency locking mechanism, not resettable
- prepared for VdS approved alarm systems

Art.-No.	EAN	Exterior H x W x D	Interior H x W x D	Weight	Volume
	40 03482...	mm	mm	kg	l
E 532 S	26400 3	1000 x 695 x 635	745 x 545 x 400	540	162
E 534 S	26500 0	1315 x 695 x 635	1060 x 545 x 400	690	231
E 536 S	26600 7	1755 x 695 x 635	1500 x 545 x 400	900	327
E 538 S	21830 3	1755 x 1130 x 635	1500 x 980 x 400	1280	588



E 532 E

ROYAL E 542 - 548

RESISTANCE GRADE IV

Standard locking system:

- two resettable, armoured high-security twin tumbler locks, SECU-SAFE, ECB-S certified according to EN 1300 class B
- more security in case of losing the key – immediately resettable to a new key
- 10 levers, key captive
- 50,000,000 possible locking combinations
- three sided locking with double strong square bolts on the top and the bottom of the door.

More security:

- fire-protective material (special armour-mass) according to DIN 4102-A1
- double emergency locking mechanism, not resettable
- generally with 2 locking systems
- prepared for VdS approved alarm systems

Art.-No.	EAN	Exterior H x W x D	Interior H x W x D	Weight	Volume
	40 03482...	mm	mm	kg	l
E 542 SS	26900 8	1000 x 695 x 635	745 x 545 x 400	560	162
E 544 SS	27000 4	1315 x 695 x 635	1060 x 545 x 400	720	231
E 546 SS	27100 1	1755 x 695 x 635	1500 x 545 x 400	940	327
E 548 SS	23090 9	1755 x 1130 x 635	1500 x 980 x 400	1340	588



E 546 ES

ROYAL E 552 - 558

RESISTANCE GRADE V

Standard locking system:

- two resettable, armoured high-security twin tumbler lock, SECU-SAFE, ECB-S certified according to EN 1300 class B
- more security in case of losing the key – immediately resettable to a new key
- 10 levers, key captive
- 50,000,000 possible locking combinations
- three sided locking with double strong square bolts on the top and the bottom of the door.

More security:

- fire-protective material (special armour-mass) according to DIN 4102-A1
- double emergency locking mechanism, not resettable
- generally with 2 locking systems
- additional armouring in front of and behind the locking system
- special double armouring in body and door
- prepared for VdS approved alarm systems

Art.-No.	EAN	Exterior H x W x D	Interior H x W x D	Weight	Volume
	40 03482...	mm	mm	kg	l
E 552 SS	24550 7	1040 x 735 x 680	745 x 545 x 400	980	162
E 554 SS	24600 9	1355 x 735 x 680	1060 x 545 x 400	1250	231
E 556 SS	25090 7	1795 x 735 x 680	1500 x 545 x 400	1650	327
E 558 SS	25470 7	1795 x 1170 x 680	1500 x 980 x 400	2300	588

Locking systems for ROYAL according to "VdS-Schlossliste 2323"

Version	Lock class	Description
EN 1300		
Series E 512 - 528:		
S	B	1 high-security safe lock, standard fitting
SS	B	2 high-security safe locks
C	B	1 manipulation-protected, resettable combination lock instead of the safe lock
CS	B	1 manipulation-protected, resettable combination lock and a high-security safe lock
CC	B	2 manipulation-protected, resettable combination locks
E	B	1 electronic combination lock instead of the high-security safe lock
ES	B	1 electronic combination lock and a safe lock
EE	B	2 electronic combination locks
Series E 532 - 538		
S	B	1 high-security safe lock, standard fitting
SS	B	2 high-security safe locks
C	B	1 manipulation-protected, resettable combination lock instead of the safe lock
CS	B	1 manipulation-protected, resettable combination lock and a high-security safe lock
CC	B	2 manipulation-protected, resettable combination locks
E	B	1 electronic combination lock instead of the high-security safe lock
ES	B	1 electronic combination lock and a high-security safe lock
EE	B	2 electronic combination locks
Series E 542 - 558:		
SS	B	2 high-security safe locks, standard fitting
CS	B	1 manipulation-protected, resettable combination lock and a high-security safe lock
ES	B	1 electronic combination lock and a high-security safe lock
EE	B	2 electronic combination locks
High-tech locking systems for much more security:		
HSS	C	2 high-security safe locks
HSE	C/D	1 high-security safe lock and 1 high-security electronic combination lock
HEE	D	2 high-security electronic combination locks



Version S



Version SS



Version C



Version CS



Version CC



Version E



Version ES



Version EE



Version HSS



Version HSE



Version HEE

BURG-WÄCHTER safe locks class D according to EN 1300 contain a redundant system for the high security sector. The keyboard with display operation is integrated in the turning knob. The strongly illuminated display disposes of a special protection which prevents third persons from viewing the display from the side.

Transponder technology for High Quality Commercial Safes Royal

Lock class	Description
TRS E-5 Card	Transponder

Transponder – opening with a „SafeCard“ security cannot be more comfortable:

- You cannot lose any key.
- You do not have to remember additional numbers.
- Just hold the transponder card in front of the door lock/safe lock, press „ENTER“ and open the door.
- Ideal for the access authorization at different locations, ie. companies with several branches, the combination of private and holiday home.
- Use it double: with a „SafeCard“ you can operate the electronic door entry system TSM but also BURG-WÄCHTER safes and strongboxes.
- The „SafeCard“ issued with up to 4 billion different codes.
- For each transponder lock 32 codes and/or 32 cards can be used, that means 64 codes for each safe and each TSM lock in transponder version.
- Opening delay (settable from 0 - 99 minutes) in series.
- Protection against manipulation: data exchange between card an system will be transmitted highly coded during each operation.

For further information about the transponder system please ask our specialists.



Special paintwork on request

Art.-No.	
RAL paintwork	
Brilliant paintwork	on demand
Brilliant paintwork: for accessories (interior safe, etc.)	

Special fittings on request

Description	
Bolt and handle gold-plated	
Bolt and handle and 1 armature gold-plated (except E)	
Bolt and handle and 2 armatures gold-plated (except E)	
Handle chromium-plated or varnished	
Handle and 1 armature chromium-plated or varnished	on demand
Handle and 2 armatures chromium-plated or varnished	
Front blind with RAL paintwork	
Front blind with metallic paintwork	
Front blind with brilliant paintwork	
Front blind gold- chromium- or brass-plated	



Interior safe IT 1



Interior safe IT 2

Accessories ROYAL E 512 - 558

Art.-No.	EAN	Description
	40 03482...	
		for ROYAL sizes 2 - 6:
IT 1 ZS mont.	15240 9	Interior safe with cylinder lock – 250 mm high (inside 210 mm)
IT 2 TR mont.	15250 8	Interior safe with safe lock – 405 mm high (inside 365 mm for files)
FB 36	15350 5	Additional shelf
A-FB 510	15360 4	Pull-out shelf
A-HR 510	15370 3	Telescopic pull-out hanging frame
N R G 500 - 3	15210 2	Additional weight
		for ROYAL size 8:
IT 2 TR mont.	15250 8	Interior safe with twin tumbler lock – 405 mm high (inside 365 mm)
FB 37	07460 2	Additional shelf
A-FB 517	05190 0	Pull-out shelf
A-HR 517	05180 1	Telescopic pull-out hanging frame



A-HR 510

Office Line 101 - 106

SECURITY LEVEL B

- safety cabinet/commercial freestanding safe
- security level B according to VDMA 24992, 5/95
- body double-walled
- door double-walled
- solid three-sided locking through round bolts of 28 mm Ø, additional round dog bolts on hinge side
- prepared for floor fixing with fixing material
- depth for files of common size, adjustable shelves, also available with interior safe
- standard series version painted light-grey RAL 7035, armature black



Office 101 S



Version S

Resettable, armoured high-security safe lock, 'Secu-Safe', ECB-S certified according to EN 1300 class B, with 2 keys, 10 levers, key captive, 50,000,000 different combinations. The locking armature protrudes 20 mm. More security in case of losing the key – immediately resettable to a new key.

Art.-No.	EAN	Exterior H x W x D	Interior H x W x D	Door H x W	Weight	Volume
	40 03482...	mm	mm	mm	kg	l
Office 101 S	30610 9	626 x 641 x 554	476 x 498 x 370	476 x 498	110	87
Office 102 S	30630 7	816 x 641 x 554	666 x 498 x 370	666 x 498	126	122
Office 102 S 300	30850 9	816 x 641 x 554	666 x 498 x 370	666 x 498	300	122
Office 104 S	30650 5	1096 x 641 x 554	946 x 498 x 370	946 x 498	163	174
Office 104 S 300	30870 7	1096 x 641 x 554	946 x 498 x 370	946 x 498	300	174
Office 106 S	30840 0	1486 x 780 x 554	1336 x 638 x 370	1336 x 638	300	315



Version E

Electronic combination lock 'SecuTronic', ECB-S certified according to EN 1300 class B, 1,000,000 different combinations possible, incl. batteries. The locking armature protrudes 20 mm.

Art.-No.	EAN	Exterior H x W x D	Interior H x W x D	Door H x W	Weight	Volume
	40 03482...	mm	mm	mm	kg	l
Office 101 E	30600 0	626 x 641 x 554	476 x 498 x 370	476 x 498	110	87
Office 102 E	30620 8	816 x 641 x 554	666 x 498 x 370	666 x 498	126	122
Office 102 E 300	30860 8	816 x 641 x 554	666 x 498 x 370	666 x 498	300	122
Office 104 E	30640 6	1096 x 641 x 554	946 x 498 x 370	946 x 498	163	174
Office 104 E 300	30880 6	1096 x 641 x 554	946 x 498 x 370	946 x 498	300	174
Office 106 E	30890 5	1486 x 780 x 554	1336 x 638 x 370	1336 x 638	300	315



Office 102 E

Interior safe for Office 101 - 106

It is also possible to assemble various interior safes one below the other.

Art.-No.	EAN	suitable for:	H x W x D
	40 03482...		mm
IT - Office 1	15230 0	Office 101 -104/300	151 x 499 x 303
IT - Office 2	15320 8	Office 106	151 x 630 x 320

Practical accessories for Office 101 - 104

Art.-No.	EAN	suitable for:	
	40 03482...		
A-FB 100	04540 4	Office 101 -104/300	pull-out shelf Office
A-HR 100	04680 7	Office 101 -104/300	pull-out hanging frame Office

Concerns door dimensions H x W:
headroom door opening in mm

Subject to changes in sizes and colouring as well as technical improvements.
Minor variations of sizes depend on production characteristics.

Office Line 111 - 116

RESISTANCE GRADE I

- freestanding safety cabinet/commercial freestanding safe
- type tested and supervised security by ECB-S!
- protected against burglary and fire
- body double-walled
- door double-walled
- solid three-sided locking through round bolts of 28 mm Ø, additional round dog bolts on hinge side
- prepared for floor fixing with fixing material
- depth for files of common size, adjustable shelves, also available with interior safe
- standard series version painted light-grey RAL 7035, armature black
- **additional feature:**
non-resettable emergency re-locking mechanism



Version S

Resettable, armoured high-security safe lock, 'Secu-Safe', ECB-S certified according to EN 1300 class B, with 2 keys, 10 levers, key captive, 50,000,000 different combinations. The locking armature protrudes 20 mm. More security in case of losing the key – immediately resettable to a new key.

Art.-No.	EAN	Exterior H x W x D	Interior H x W x D	Door H x W	Weight	Volume
	40 03482...	mm	mm	mm	kg	l
Office 111 S	30670 3	626 x 641 x 554	476 x 498 x 370	476 x 498	121	87
Office 112 S	30690 1	816 x 641 x 554	666 x 498 x 370	666 x 498	205	122
Office 114 S	30710 6	1096 x 641 x 554	946 x 498 x 370	946 x 498	213	174
Office 114 S 300	30790 8	1096 x 641 x 554	946 x 498 x 370	946 x 498	305	174
Office 116 S	30930 8	1486 x 780 x 554	1336 x 638 x 370	1336 x 638	345	315



Office 112 S



Version E

Electronic combination lock 'SecuTronic', ECB-S certified according to EN 1300 class B, with intelligent menu-driven operation, 111,000,000 different combinations possible, incl. batteries. The locking armature protrudes 52 mm.

Art.-No.	EAN	Exterior H x W x D	Interior H x W x D	Door H x W	Weight	Volume
	40 03482...	mm	mm	mm	kg	l
Office 111 E	30660 4	626 x 641 x 554	476 x 498 x 370	476 x 498	121	87
Office 112 E	30680 2	816 x 641 x 554	666 x 498 x 370	666 x 498	205	122
Office 114 E	30700 7	1096 x 641 x 554	946 x 498 x 370	946 x 498	213	174
Office 114 E 300	30780 9	1096 x 641 x 554	946 x 498 x 370	946 x 498	305	174
Office 116 E	30940 7	1486 x 780 x 554	1336 x 638 x 370	1336 x 638	345	315



Office 114 E

Interior safe Office 111 - 116

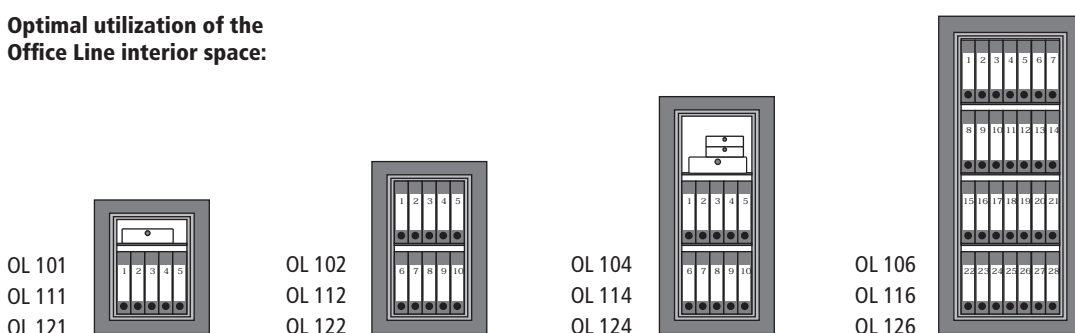
It is also possible to assemble various interior safes one below the other.

Art.-No.	EAN	suitable for:	H x W x D
	40 03482...		mm
IT - Office 1	15230 0	Office 111 -114/300	151 x 499 x 303
IT - Office 2	15320 8	Office 116	151 x 630 x 320

Practical accessories for Office 111 - 114

Art.-No.	EAN	suitable for:	
	40 03482...		
A-FB 100	04540 4	Office 111 -114/300	pull-out shelf Office
A-HR 100	04680 7	Office 111 -114/300	pull-out hanging frame Office

Optimal utilization of the Office Line interior space:



Office Line 121 - 126

RESISTANCE GRADE II

- freestanding safety cabinet/commercial freestanding safe
- type tested and supervised security by ECB-S!
- protected against burglary and fire
- body double-walled
- door double-walled
- solid three-sided locking through round bolts of 28 mm Ø, additional round dog bolts on hinge side
- prepared for floor fixing with fixing material
- depth for files of common size, adjustable shelves, also available with interior safe
- standard series version painted light-grey RAL 7035, armature black
- **additional feature:** non-resettable double emergency re-locking mechanism



Office 121 S



Version S

Resettable, armoured high-security safe lock, 'Secu-Safe', ECB-S certified according to EN 1300 class B, with 2 keys, 10 levers, key captive, 50,000,000 different combinations. The locking armature protrudes 20 mm. More security in case of losing the key – immediately resettable to a new key.

Art.-No.	EAN	Exterior H x W x D	Interior H x W x D	Door H x W	Weight	Volume
	40 03482...	mm	mm	mm	kg	l
Office 121 S	30020 6	626 x 641 x 554	476 x 498 x 370	476 x 498	205	87
Office 122 S	30040 4	816 x 641 x 554	666 x 498 x 370	666 x 498	205	122
Office 124 S	30060 2	1096 x 641 x 554	946 x 498 x 370	946 x 498	239	174
Office 126 S	30080 0	1486 x 780 x 554	1336 x 638 x 370	1336 x 638	383	315



Office 122 E



Version E

Electronic combination lock, 'SecuTronic', ECB-S certified according to EN 1300 class B, with intelligent menu-driven operation, 111,000,000 different combinations possible, incl. batteries. The locking armature protrudes 52 mm.

Art.-No.	EAN	Exterior H x W x D	Interior H x W x D	Door H x W	Weight	Volume
	40 03482...	mm	mm	mm	kg	l
Office 121 E	30030 5	626 x 641 x 554	476 x 498 x 370	476 x 498	205	87
Office 122 E	30050 3	816 x 641 x 554	666 x 498 x 370	666 x 498	205	122
Office 124 E	30070 1	1096 x 641 x 554	946 x 498 x 370	946 x 498	239	174
Office 126 E	30090 9	1486 x 780 x 554	1336 x 638 x 370	1336 x 638	383	315



Office 124 E

Interior safe for Office 121 - 126

It is also possible to assemble various interior safes one below the other.

Art.-No.	EAN	suitable for:	H x W x D
	40 03482...		mm
IT - Office 1	15230 0	Office 121 - 124	151 x 499 x 303
IT - Office 2	15320 8	Office 126	151 x 630 x 320

Practical accessories for Office 121 - 124

Art.-No.	EAN	suitable for:	
	40 03482...		
A-FB 100	04540 4	Office 121 - 124	pull-out shelf Office
A-HR 100	04680 7	Office 121 - 124	pull-out hanging frame Office

Office Doku 121 - 124

QUALITY GRADE S 60 P AND RESISTANCE GRADE II

- document safe
- protection against burglary and fire
- fire protection: S 60 P (RAL-RG 626/7) (1 hour fire test for paper)
- 2 security grades in one, type tested and supervised burglary protection by ECB-S
- body double-walled
- door double-walled
- solid three-sided locking through round bolts of 28 mm Ø, additional round dog bolts on hinge side
- prepared for floor fixing with fixing material
- body with specially designed fire fold
- depth for files of common size, 2 adjustable shelves, also available with interior safe
- standard series version painted light-grey RAL 7035, armature black
- **additional feature:** non-resettable double emergency re-locking mechanism



Version S

Resettable, armoured high-security safe lock, 'Secu-Safe', ECB-S certified according to EN 1300 class B, with 2 keys, 10 levers, key captive, 50,000,000 different combinations. The locking armature protrudes 20 mm. More security in case of losing the key – immediately resettable to a new key.

Art.-No.	EAN	Exterior H x W x D	Interior H x W x D	Door H x W	Weight	Volume
	40 03482...	mm	mm	mm	kg	l
OfficeDoku 121 S	30730 4	626 x 641 x 555	476 x 498 x 336	476 x 498	300	79,6
OfficeDoku 124 S	30770 0	1096 x 641 x 555	946 x 498 x 336	946 x 498	450	158,3



Version E

Electronic combination lock 'SecuTronic', ECB-S certified according to EN 1300 class B, with intelligent menu-driven operation, 111,000,000 different combinations possible, incl. batteries. The locking armature protrudes 52 mm.

Art.-No.	EAN	Exterior H x W x D	Interior H x W x D	Door H x W	Weight	Volume
	40 03482...	mm	mm	mm	kg	l
OfficeDoku 121 E	30720 5	626 x 641 x 555	476 x 498 x 336	476 x 498	300	79,6
OfficeDoku 124 E	30760 1	1096 x 641 x 555	946 x 498 x 336	946 x 498	450	158,3



OfficeDoku 124 E

Interior safe for Office Doku 121 + 124

It is also possible to assemble various interior safes one below the other.

Art.-No.	EAN	suitable for:	H x W x D
	40 03482...		mm
IT - Office 1	15230 0	Office Doku 121 + 124	151 x 499 x 303

Practical accessories for Office Doku 121 + 124

Art.-No.	EAN	suitable for:	
	40 03482...		
A-FB 100	04540 4	Office Doku 121 + 124	pull-out shelf Office
A-HR 100	04680 7	Office Doku 121 + 124	pull-out hanging frame Office

Disk safes SAFE-DIS 421 TE/422 TE

QUALITY GRADE S 120 P AND RESISTANCE GRADE I

- fire protection: S 120 P (RAL-RG 626/7) (2 hours fire test for paper)
- with interior disk cabinet quality grade S 120 P/DIS
- fire-proof saving of documents **and** disks
- the perfect „cabinet in cabinet“ system
- colour: RAL 7035, light grey
- with electronic combination lock ‚SecuTronic‘, ECB-S certified according to EN 1300 class B
- 111,000,000 possible locking combinations
- exterior depth: handle protrudes 80 mm
- height from interior disk cabinet 918 mm respectively 1364 mm
- standard series version with 2 possibilities for floor fixing



Safe-DIS 421 TE

Art.-No.	EAN	Exterior H x W x D		Interior H x W x D		Weight	Volume
		mm		mm			
Safe-DIS 421 TE	22600 1	1530 x 955 x 777	1268 x 734 x 440	650,0	409,0		
Safe-DIS 422 TE	22610 0	1976 x 955 x 777	1714 x 734 x 440	850,0	553,0		

Accessories SAFE-DIS 421 TE/422 TE

Art.-No.	EAN	Description
	40 03482...	
421-10	22620 9	Partitioned shelf
421-30	22630 8	Telescopic pull-out partitioned shelf
421-50	22640 7	Telescopic pull-out hanging frame
421-70	22650 6	Interior safe, quality grade S 120 P/DIS

Disk safe SAFE-DIS 420 S

QUALITY GRADE S 60 DIS

- fire protection: S 60 P (RAL-RG 626/7) (1 hour fire test)
- approved security according to RAL-RG 626/7
- the compact disk safe for every office with safety lock and practical springlock
- colour: RAL 7035, light grey
- exterior depth: handle protrudes 40 mm



Safe-DIS 420 S

Art.-No.	EAN	Exterior H x W x D		Interior H x W x D		Weight	Volume
	40 03482...	mm		mm			
Safe-DIS 420 S	24390 9	712 x 560 x 770	390 x 290 x 460	221,0	52,0		

ACCESSORIES SAFE-DIS 420 S

Art.-No.	EAN	Description
	40 03482...	
420-35	24110 3	partitioned shelf
420-30	24070 0	telescopic pull-out partitioned shelf
420-64	24080 9	basket for 3 1/2" disks
420-74	24090 8	basket for 5 1/4" disks
430-90	24300 8	basket for streamer tapes

Disk safe SAFE-DIS 440 S – 446 S

QUALITY GRADE S 120 DIS AND RESISTANCE GRADE II

- fire protection approved security according to RAL-RG 626/7 and 627 (2 hours fire test for disks)
- BURG-WÄCHTER disk safes with individual equipment
- gasproof and waterproof
- colour: RAL 7035, light grey
- exterior depth: locking armature protrudes 85 mm
- standard series version with 2 possibilities for floor fixing
- **standard locking system:** resettable, armoured high-security safe lock Secu-Safe, ECB-S certified according to EN 1300 class B, 10 levers, key captive
- 50,000,000 possible locking combinations
- with spring lock
- BURG-WÄCHTER SECUTRONIC (ECB-S certified according to EN 1300 class B) against surcharge



Art.-No.	EAN	Exterior H x W x D	Interior H x W x D	Weight	Volume
	40 03482...	mm	mm	kg	l
Safe-DIS 440 S	24400 5	730 x 786 x 918	332 x 446 x 478	320,0	71,0
Safe-DIS 441 S	24410 4	1050 x 786 x 918	652 x 446 x 478	460,0	139,0
Safe-DIS 442 S	24420 3	1293 x 786 x 918	895 x 446 x 478	543,0	191,0
Safe-DIS 444 S	24430 2	1850 x 786 x 918	1450 x 446 x 478	785,0	310,0
Safe-DIS 446 S	24440 1	1850 x 1193 x 918	1450 x 855 x 478	1150,0	590,0



Safe-DIS 441 E

Locking systems for disk safes SAFE-DIS 440 - 446

Lock class	Art.-No.
S 2	1 safe lock (standard fitting)
E 2	1 electronic combination lock instead of the safe lock



Safe-DIS 444 S

Accessories SAFE-DIS 440 - 446

Art.-No.	EAN	Description
	40 03482...	
430-40	24210 0	partitioned shelf 440-444
434-60	24330 5	partitioned shelf 446
430-30	24170 7	telescopic pull-out partitioned shelf 440-444
434-67	24290 2	telescopic pull-out partitioned shelf 446
430-65	24180 6	basket for 3 1/2" disks (100 pcs. + 3 1/2" optical disk (60 pcs.)
430-75	24190 5	basket for CD-ROM (30 pcs) + 5 1/4" optical disk (30 pcs.)
430-90	24300 8	basket for Streamer Tapes
430-42	24230 8	adjustable partition for 430/30
434-42	24350 3	adjustable partition for 434-67
430-25	24240 7	interior safe for files for 440-444
434-25	24360 2	interior safe tray in two parts for 446

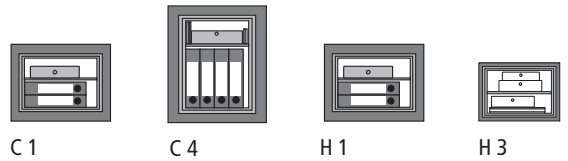


430-65

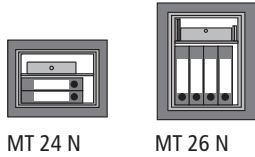


430-90

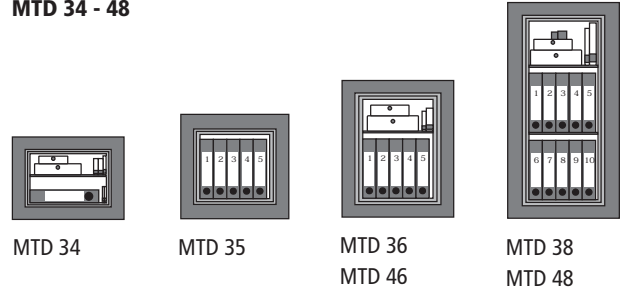
Freestanding home safes C 1 - C 4, H 1, H 3



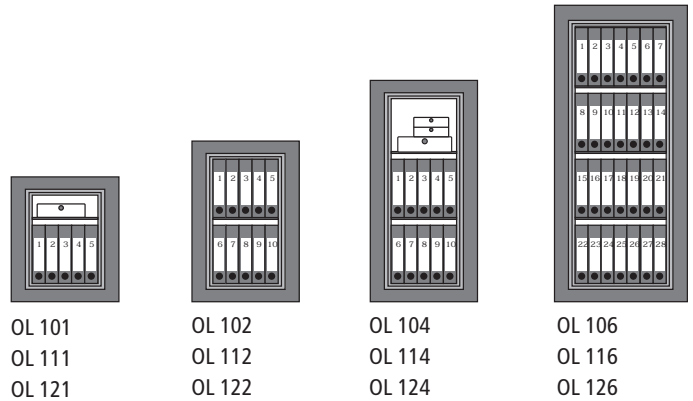
Freestanding home safes MT 24 N - MT 26 N



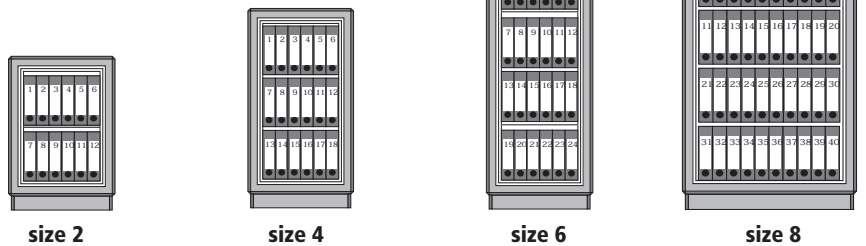
Freestanding home safes MTD 34 - 48



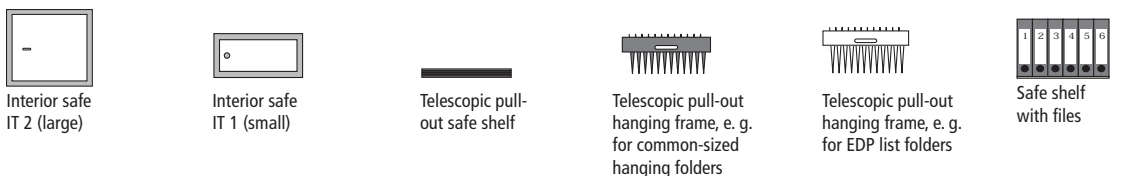
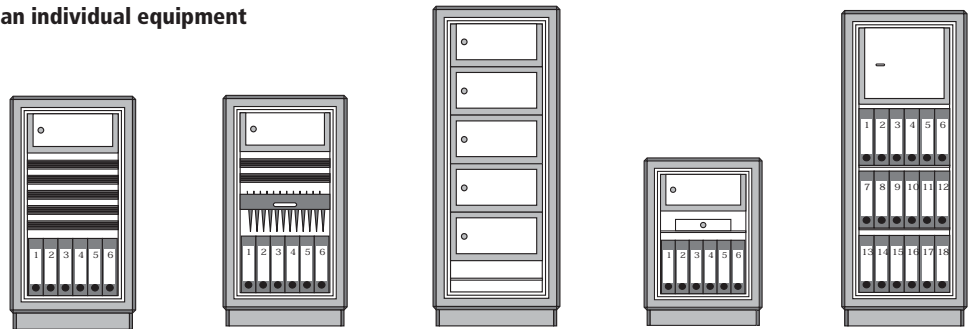
Commercial freestanding safes OfficeLine 101 - 106, Commercial freestanding safes OfficeLine 111 - 126



High Quality Commercial Safes ROYAL sizes 2 - 8



Examples for an individual equipment (only Royal):



SAFES:

Sales display TPS for safes:

- individual assortment
- solid construction
- height adjustable
- with light

Ask your BURG-WÄCHTER representative for more information.

Dimensions:

Height	2000 mm
Width	600 mm
Depth	600 mm



Safe display Point

(EDP no. 9820)

Approx. dimensions:

Height	1600 mm
Width	450 mm
Depth	450 mm

Assortment proposal:



LOCKS & BOLTS:

LockCenter 40 (EDP no. 81420)

- needs only little space
- for more success
- delivered with 40 hooks
- individual assortment
- approx. dimensions:

Height	860 mm
Width	370 mm
Depth	370 mm



Boccia-Arena

- eye-catching display
- attractive assortment
- starter package with 65 padlocks
- padlocks with reversible key
- approx. dimensions:

Height	350 mm
Width	300 mm
Depth	220 mm

Assortment proposal:



Promotion-Shop BIKE

- Usable on both sides
- Delivered with 50 hooks and 5 baskets for an individual assortment
- Mobile: stands on 4 solid wheels with brakes
- Dimensions:
 Height 200 cm
 Width 55 cm
 Depth 45 cm

Ask your BURG-WÄCHTER representative for more information.



Stopper-Point

- Clever space-saving presentation
- Absolute eye-catcher
- Toppers' assortment
- 98 pieces + display
- Variable assortment
- Dimensions:
 Height 2050 mm
 Width 450 mm
 Depth 450 mm

Security Point „Bike“

- Clever space-saving presentation
- Toppers' assortment
- Absolute eye-catcher
- Please note:
 1 x Security-Point STP 1 (EDV 87900)
 1 x Topschild Bike unterwegs (EDV 87480)
- Variable assortment
- Dimensions:
 Height 2050 mm
 Width 450 mm
 Depth 450 mm



Security-Point „Bike“



Letter box island

- Two parts made of aluminium
- High quality presentation for free standing letter boxes
- The show models can always be taken out without damage and sold
- With pamphlet holder
- Stands on solid wheels with brakes, can be placed easily
- The letter boxes are completely mounted
- Dimensions of one part:
 - Width 1250 mm
 - Depth 625 mm

Assortment proposal:



Promotion Shop letter boxes

(EDP no. 86120)

- Compact and flexible presentation
- Can be reached from both sides
- Possibility to expose 6 letter boxes on one display
- Mobile: 4 solid wheels with brakes
- Dimensions :
 - Height: 2000 mm
 - Width: 550 mm
 - Depth: 450 mm



TSE presentation no. 1

(EDP no. 83270)

- TSE table module
- For the personal advice
- Transportable and compact
- Equipped with TSE 3003 Premium
- On demand equipped with TSE 3000 Basic
- approx. dimensions:
Height 520 mm
Width 350 mm
Depth 200 mm



TSE presentation W 1

(EDP no. 89410)

- Equipped with 1 x TSE 3004 Wireless + 1 x radio controlled TSE E-Key
- The eye-catcher at the P.O.S.
- Transportable and compact
- approx. dimensions:
Height 520 mm
Width 350 mm
Depth 200 mm



TSE presentation no. 3

(EDP no. 83290)

- TSE Info door
- Big free-standing presentation
- With 4 hooks for presenting the goods
- The eye-catcher in your store
- Equipped with TSE 3000 Basic
- approx. dimensions:
Height 2000 mm
Width 1000 mm
Depth 450 mm



TSE presentation no. 5

(EDP no. 83990)

- TSE shelf shop
- The eye-catcher at the P.O.S.
- Extra slim presentation which can be integrated in your existing assortment
- Equipped with TSE 3000 Basic
- With 2 hooks for presenting the goods
- approx. dimensions:
Height 1420 mm
Width 290 mm
Depth 100 mm



TSE presentation no. 4

(EDP no. 83000)

- Can be integrated in your existing assortment
- Equipped with TSE 3000 Basic
- With 2 hooks for presenting the goods
- approx. dimensions:
Height 500 mm
Width 250 mm
Depth 270 mm

1			
111.....	8		
116.....	5		
116 PC.....	8		
1245.....	16		
1250 C.....	42		
1260.....	16/17		
1360.....	17		
1380.....	17		
145 W.....	64		
1500 HB.....	13		
1550/1555.....	17		
1580 HB.....	13		
167 - 307.....	43		
1883.....	55		
1897 - 1899.....	55		
2			
2127 - 2307.....	42		
2155.....	33		
217.....	6		
22.....	10		
220.....	15/16		
222.....	6		
24.....	10		
240/245.....	14		
250 - 350 A.....	42		
260.....	14		
3			
3155 Ni.....	64		
330.....	14		
3713/37130.....	53		
3760.....	53		
380 F.....	14		
3800 - 3820.....	62		
3843 - 3844.....	52		
3857.....	53		
3861.....	54		
3867(0).....	54		
3877.....	54		
3913/39130.....	53		
393 - 398.....	10/11		
4			
400.....	7		
440.....	15		
444.....	7		
450.....	6		
4730.....	60		
4900.....	51		
4905/4906.....	50		
49050/49060.....	50		
4911/4912.....	51		
4921/4922.....	51		
4931/4932.....	51		
5			
500.....	8		
550 - 580.....	15		
5800.....	60		
5832.....	60		
5842.....	60		
5861.....	60		
5867.....	60		
5871.....	60		
5877.....	60		
6			
600.....	4		
6160/6161.....	46		
6201.....	46		
630.....	11		
6400 - 6402.....	45		
65.....	10		
6500.....	47		
660.....	7		
6600.....	48		
6700 - 6750.....	47		
6800-6900.....	48		
7			
700.....	4		
71/72.....	9		
712 - 732.....	61		
7167 - 7300.....	42		
725.....	11		
750.....	18		
767.....	59		
777/100.....	13		
777/778.....	59		
794/798.....	63		
8			
80.....	9		
800 Alpha.....	4		
800.....	62		
820.....	11		
857.....	58		
867.....	58		
86720.....	58		
871/872.....	59		
877/878.....	58		
882.....	55		
886.....	50		
891 - 893.....	61		
896.....	65		
898.....	50		
9			
90.....	9		
900.....	4		
913/91300.....	56		
916.....	57		
926.....	57		
94.....	9		
942.....	65		
A			
Access control system.....	39		
Accessories for door closers.....	31		
Accessories for letter boxes.....	62		
All-round cylinders.....	19		
Alpha.....	4		
Amrum.....	54		
Amsterdam.....	58		
Arco.....	65		
Ascona.....	55		
Assembly anchor.....	27		
Atlantic.....	6		
B			
B 1/BS 2.....	27		
Bicycle security.....	14		
Big-Foot.....	35		
Blocksafe.....	27		
Boccia.....	6		
Borkum.....	54		
Box 1 E.....	73		
Business.....	42		
C			
C 1 - C 4.....	76		
Cable locks.....	13		
Cash boxes.....	41		
Chains.....	18		
CityLine Freestanding Home Safes.....	76		
CityLine Wall Safes.....	72		
CKS.....	43		
Classic.....	42		
Cleaning products.....	62		
C-Line.....	6		
Coil cable locks.....	16		
Colour table.....	68		
Combination padlocks.....	9		
Comfort.....	56		
Comfort Ni.....	52		
Commercial Freestanding Safes.....	74		
Como.....	45		
Counting cash boxes.....	44		
Counting trays.....	43		
CS.....	47		
CW.....	76		
Cylinder padlocks.....	4		
D			
Daily.....	60		
Delta.....	7		
Diamant.....	4		
Diplomat Freestanding Safes.....	74		
Diplomat Wall Safes.....	70		
Disk Safes.....	88		
Diskus.....	10		
Displays.....	92		
Document Safes.....	88		
Door chains.....	24		
Door closers.....	30		
Door lifters.....	32		
Door lock, electronic.....	38		
Door wedge.....	35		
Doorbumper.....	37		
Doorstops.....	33		
Duo.....	8		
Duo 1260 Set.....	17		
E			
E 512 - E 528.....	80		
E 532 - E 558.....	81		
E 6 / E 7 / E 700.....	22		
E-Key.....	39		
Emergency key cabinet.....	46		
ES/ESA.....	22		
Europa.....	64		
F			
Fire Protective Safe.....	78		
FM.....	35		
FP 3 E/FP 4 E.....	78		
Freestanding Home Safes.....	76		
FS 20.....	24		
FS 15 - 35.....	46		
FTA 2005.....	25		
FU.....	35		
Fun 95.....	9		



BURG-WÄCHTER KG • Altenhofer Weg 15 • DE 58300 Wetter

Fon: + 49 (0) 23 35 - 965 30 • Fax: + 49 (0) 23 35 - 965 390

E-Mail: export@burg.biz



www.burg.biz

