

Gebrauchs- und Montageanleitung

DE Bedienungsanleitung

GB Instructions Booklet

FR Mode d'emploi

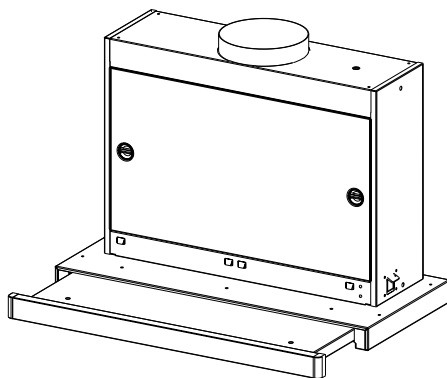
IT Libretto Istruzioni

NL Gebruiksaanwijzing

ES Manual de instrucciones

PT Manual de Instruções

GR Εγχειρίδιο οδηγιών



EDIP 638.1 E

EDIP 938.1 E

Küppersbusch

ALLERFEINSTE KÜCHENTECHNIK

Instructions Manual

INDEX

RECOMMENDATIONS AND SUGGESTIONS.....	17
CHARACTERISTICS.....	18
INSTALLATION	19
USE.....	21
MAINTENANCE	22

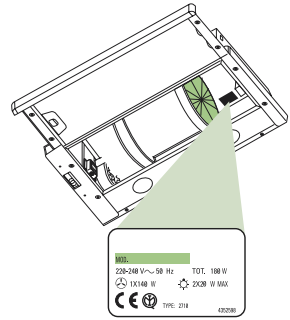
RECOMMENDATIONS AND SUGGESTIONS

INSTALLATION

- The manufacturer will not be held liable for any damages resulting from incorrect or improper installation.
- The minimum safety distance between the cooker top and the extractor hood is 650 mm.
- Check that the mains voltage corresponds to that indicated on the rating plate fixed to the inside of the hood.
- For Class I appliances, check that the domestic power supply guarantees adequate earthing.

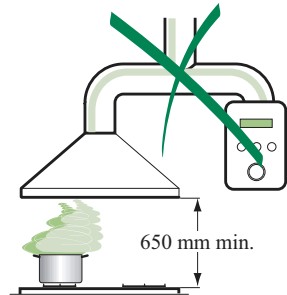
Connect the extractor to the exhaust flue through a pipe of minimum diameter 120 mm. The route of the flue must be as short as possible.

- Do not connect the extractor hood to exhaust ducts carrying combustion fumes (boilers, fireplaces, etc.).
- If the extractor is used in conjunction with non-electrical appliances (e.g. gas burning appliances), a sufficient degree of aeration must be guaranteed in the room in order to prevent the backflow of exhaust gas. The kitchen must have an opening communicating directly with the open air in order to guarantee the entry of clean air.




USE

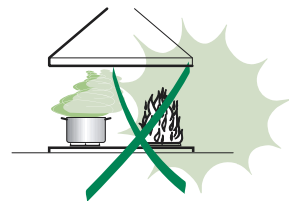
- The extractor hood has been designed exclusively for domestic use to eliminate kitchen smells.
- Never use the hood for purposes other than for which it has been designed.
- Never leave high naked flames under the hood when it is in operation.
- Adjust the flame intensity to direct it onto the bottom of the pan only, making sure that it does not engulf the sides.
- Deep fat fryers must be continuously monitored during use: overheated oil can burst into flames.
- The hood should not be used by children or persons not instructed in its correct use.



MAINTENANCE

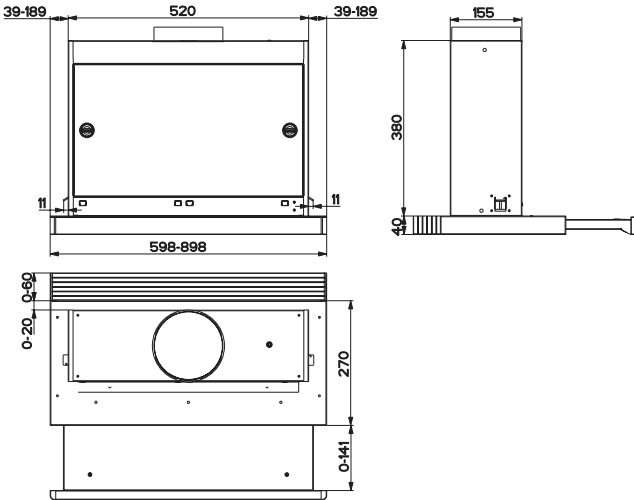
- Switch off or unplug the appliance from the mains supply before carrying out any maintenance work.
- Clean and/or replace the Filters after the specified time period.
- Clean the hood using a damp cloth and a neutral liquid detergent.

The symbol  on the product or on its packaging indicates that this product may not be treated as household waste. Instead it shall be handed over to the applicable collection point for the recycling of electrical and electronic equipment. By ensuring this product is disposed of correctly, you will help prevent potential negative consequences for the environment and human health, which could otherwise be caused by inappropriate waste handling of this product. For more detailed information about recycling of this product, please contact your local city office, your household waste disposal service or the shop where you purchased the product.



CHARACTERISTICS

Dimensions

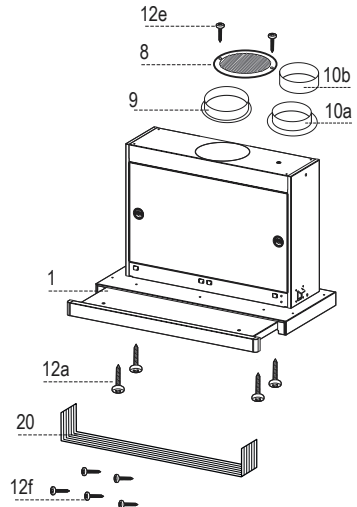


Components

Ref.	Q.ty	Product Components
1	1	Hood Body, complete with: Controls, Light, Blower, Filters
8	1	Directional Air Outlet grille
9	1	Flange \varnothing 150 mm
10a	1	Flange \varnothing 120 mm
10b	1	Adapting ring \varnothing 120-125 mm
20	1	Closing element

Ref.	Q.ty	Installation Components
12a	4	Screws 3,5 x 16
12e	2	Screws 2,9 x 12,7
12f	5	Screws 2,9 x 9,5

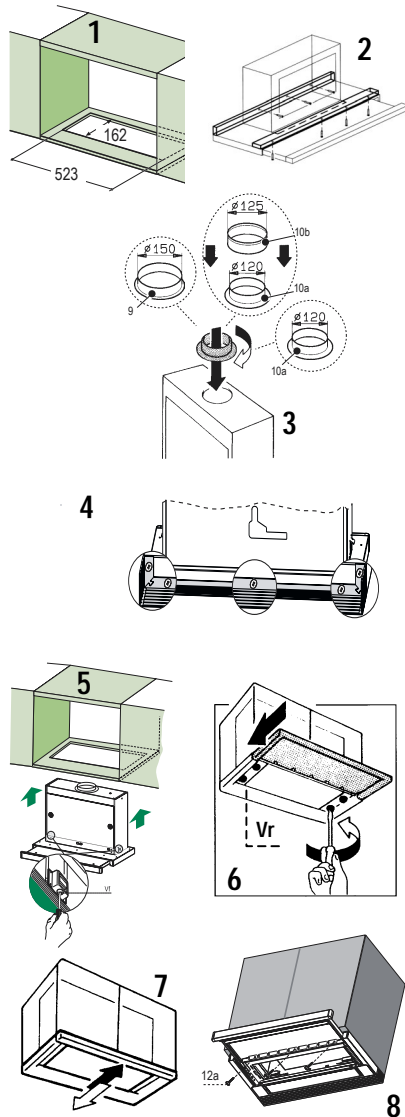
Q.ty	Documentation
1	Instruction Manual



INSTALLATION

Drilling the Support surface and Fitting the Hood

- The Hood can be fitted directly on the lower surface of the Wall Units (650 mm min. above the Cooker Top) using the snap-on Side Supports.
- Make an opening on the lower surface of the Wall Unit, as indicated. (fig.1)
- Before carrying out the installation, the wooden transportation protections screwed on the visor and on the canopy body must be removed. (fig.2)
- Choose the correct flange measure basing on the air outlet diameter and insert it to the upper air outlet opening. (fig.3)
- Screw the closing profile **20** onto the rear part of the hood, using the screws **12f** (2.9 x 9.5) provided. (fig.4)
- Open the sliding suction panel.
- Remove the metal grease filters one by one after having disconnected the relative fastening elements.
- Close the sliding suction panel again.
- Insert the Hood until the snap-on side supports click into place. (fig.5)
- Open the sliding suction panel.
- Lock in position by tightening the screws **Vf** from underneath the Hood. (fig.5)
- If necessary, adjust the whole filter holder unit and proceed as follows:
 - Loosen the four adjustment screws **Vr** and close the sliding panel again. (fig.6)
 - Move the entire filter holder unit until it is properly aligned with the wall unit. (fig.7)
 - Keeping the hood canopy still, remove the sliding panel and lock the adjustment screws again. (fig.6)
- The hood can now be fastened to the wall unit using the four screws **12a** (3.5 x 16) provided. (fig.8)
- Replace the metal grease filters.
- Close the sliding suction panel again.

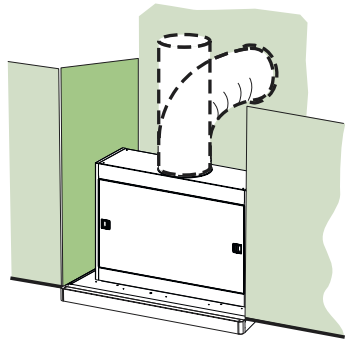


Connections

DUCTING VERSION AIR EXHAUST SYSTEM

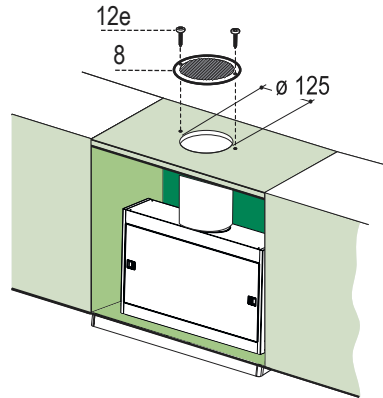
When installing the hood in ducting version, a rigid or a flexible pipe with the diameter corresponding to the flange diameter is used in order to connect the hood to the air outlet piping.

- Fix the pipe with an adequate quantity of pipe clamps (not supplied).
- Remove possible charcoal filters.



RECIRCULATION VERSION AIR OUTLET

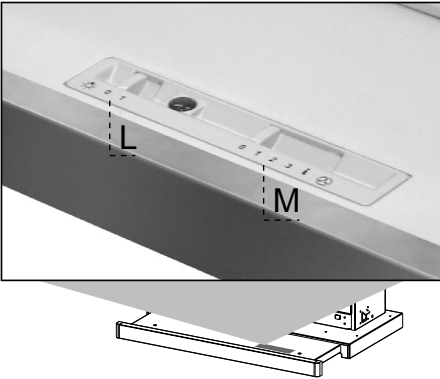
- Cut a hole \varnothing 125 mm in any shelf that may be positioned over the hood.
- Insert the flange **10a** on the hood body outlet.
- Connect the flange to the outlet on the shelf over the hood using a flexible or rigid pipe \varnothing 120 mm.
- Fix the pipe in position using sufficient pipe clamps (not supplied).
- Fix the directional grille **8** on the recirculation air outlet using the 2 screws **12e** (2,9 x 12,7) provided.
- Ensure that the activated charcoal filters have been inserted.



ELECTRICAL CONNECTION

- Connect the hood to the mains through a two-pole switch having a contact gap of at least 3 mm..

USE



By pulling out the sliding panel it is possible to automatically activate all the hood functions. By simply closing the sliding panel all the functions are switched off.

SWITCH	FUNCTIONS
--------	-----------

L	Light	Switches the lighting system on and off
----------	-------	---

M	Motor	Switches the extractor motor on and off
----------	-------	---

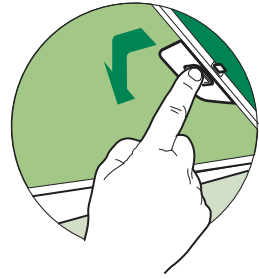
- | | | |
|--|--|--|
| | | <ol style="list-style-type: none">1. Low speed, used for a continuous and silent air change in the presence of light cooking vapour.2. Medium speed, suitable for most operating conditions, thanks to an optimum relation between hood performance and noise.3. Maximum speed, suitable when the highest cooking vapour emission has to be eliminated for longer periods. |
| | | <ol style="list-style-type: none">i. Intensive speed, suitable for the strongest cooking vapours and odours. |

MAINTENANCE

Grease filters

CLEANING METAL CASSETTE GREASE FILTERS

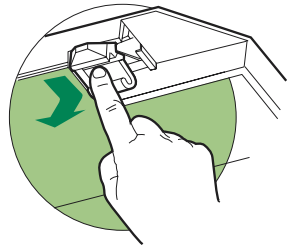
- The filters must be cleaned every 2 months, or more frequently in case of particularly heavy use of the hood. Filters can be washed in a dishwasher.
- Pull out the sliding suction panel.
- Remove the filters one by one, after having disconnected the relative fastening elements.
- Wash the filters, taking care not to bend them. Let them get dry before refitting them. (The colour of the filter surface may change throughout the time but this has no influence to the filter efficiency).
- When refitting the filters, make sure that the handle is visible on the outside.
- Close the sliding suction panel.



Charcoal filter (Recycling version)

REPLACING CHARCOAL FILTERS

- These filters are not washable and cannot be regenerated, and must be replaced approximately every four months or more frequently by particularly heavy use.
- Pull out the sliding suction panel.
- Remove the grease filters.
- Remove the saturated carbon filter by releasing the fixing hooks
- Replace the grease filters.
- Close the sliding suction panel.



Lighting

LIGHT REPLACEMENT

9 W fluorescent lights.

- Remove the metal terminals fixing the glass.
- Slide the glass cover out of one of the fastening clips. Lower the unfastened part of the glass cover slightly, so that the cover can be completely removed.
- Replace the light with a new one of the same type and rating.
- Replace the glass cover in reverse order.

