



element14

EN - For pricing and availability in your local country please visit one of the below links:

DE - Informationen zu Preisen und Verfügbarkeit in Ihrem Land erhalten Sie über die unten aufgeführten Links:

FR - Pour connaître les tarifs et la disponibilité dans votre pays, cliquez sur l'un des liens suivants:

[57943500](#)

EN

This Datasheet is presented by
the manufacturer

DE

Dieses Datenblatt wird vom
Hersteller bereitgestellt

FR

Cette fiche technique est
présentée par le fabricant



CorePro LEDspot LV

CoreProLEDspotLV ND 4.7-35W 827 MR16 36D

CorePro LEDspots are a perfect fit for spot lighting and deliver warm halogen-like light. They are compatible with most existing fixtures with MR16 GU5.3 holders and are designed as a retrofit replacement for halogen or incandescent spots. LEDlamps deliver huge energy savings and minimize maintenance cost.

Product data

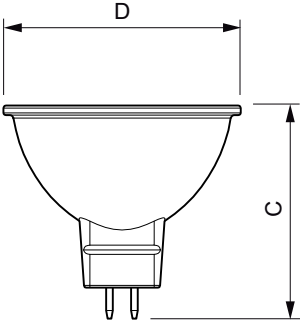
| General Information | | Wattage equivalent | |
|--|--------------------|----------------------------------|--|
| Cap base | GU5.3 [GU5.3] | | 35 W |
| Bulb shape | MR16 [2inch/50mm] | Starting time (nom.) | 0.5 s |
| Nominal lifetime (nom.) | 15000 h | Warm-up time to 60% light (nom.) | 1 s |
| Switching cycle | 50000X | Power factor (nom.) | 0.5 |
| Technical type | 4.7-35W | Voltage (Nom) | 12 V |
| Light Technical | | Temperature | |
| Beam Angle (Nom) | 36 ° | T-Case maximum (nom.) | 76 °C |
| Luminous intensity (nom.) | 900 cd | Controls and Dimming | |
| Colour designation | Warm white (WW) | Dimmable | No |
| Rated beam angle | 36 ° | Approval and Application | |
| Correlated colour temperature (nom.) | 2700 K | Energy-saving product | Yes |
| Luminous efficacy (rated) (nom.) | 80.85 lm/W | Suitable for accent lighting | Yes |
| Colour consistency | <6 | Energy efficiency label (EEL) | A+ |
| Color rendering index (nom.) | 80 | Energy Consumption kWh/1000 h | 6 kWh |
| LLMF at end of nominal lifetime (nom.) | 70 % | Product Data | |
| Luminous Flux In 90° Cone (Rated) | 380 lm | Full product code | 871869657943500 |
| Operating and Electrical | | Order product name | CoreProLEDspotLV ND 4.7-35W 827 MR16 36D |
| Power (Rated) (Nom) | 4.7 W | EAN/UPC – product | 8718696579435 |
| Lamp current (nom.) | 580 mA | | |

CorePro LEDspot LV

| | |
|---------------------------------|--------------|
| Order code | 57943500 |
| Numerator – quantity per pack | 1 |
| Numerator – packs per outer box | 10 |
| Material no. (12NC) | 929001240302 |

| | |
|--------------------|----------|
| Net weight (piece) | 0.045 kg |
|--------------------|----------|

Dimensional drawing

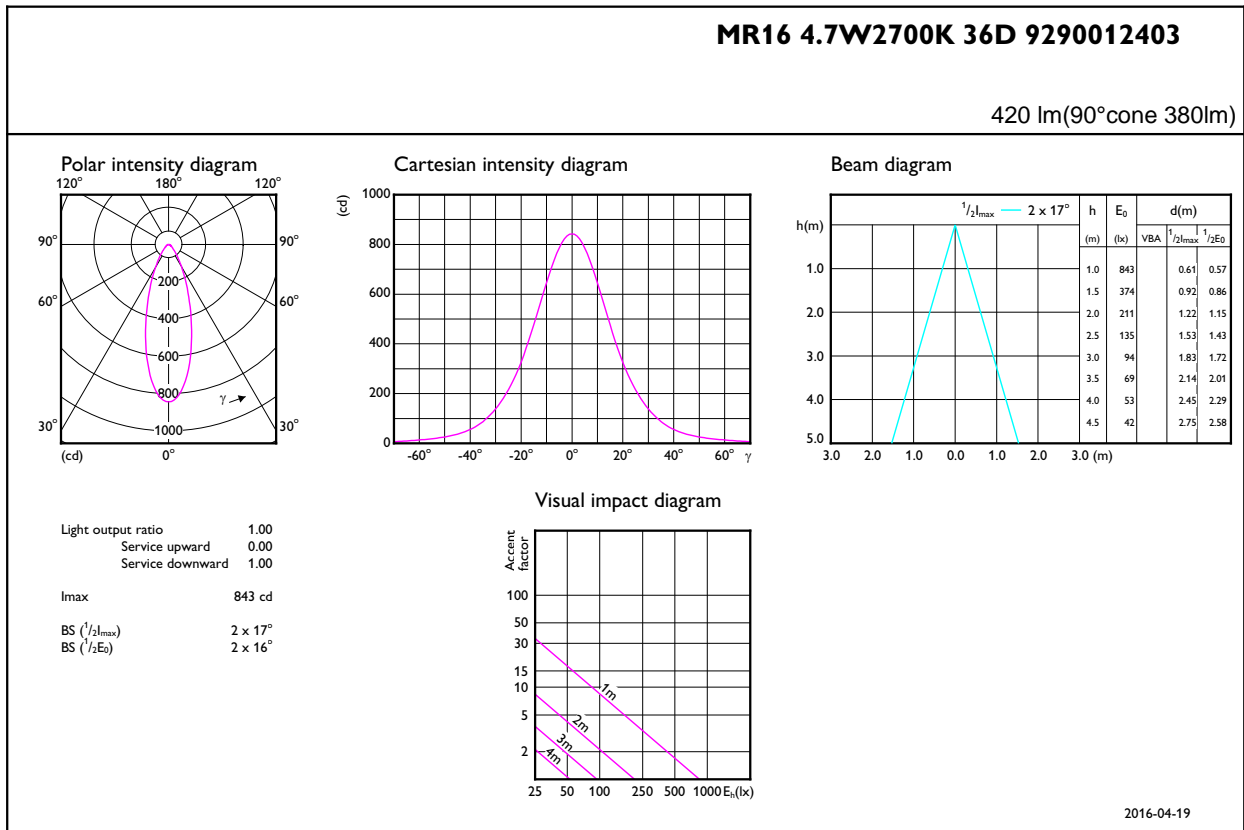


MR16 12V 5W-35W 380lm 36D 2700K GU5.3 ND

| Product | D | C |
|--|-------|-------|
| CoreProLEDspotLV ND 4.7-35W 827 MR16 36D | 50 mm | 46 mm |

Photometric data

Accent Lighting - Spots



CorePro LEDspot LV





element14

EN - For pricing and availability in your local country please visit one of the below links:

DE - Informationen zu Preisen und Verfügbarkeit in Ihrem Land erhalten Sie über die unten aufgeführten Links:

FR - Pour connaître les tarifs et la disponibilité dans votre pays, cliquez sur l'un des liens suivants:

[57943500](#)

EN

This Datasheet is presented by
the manufacturer

DE

Dieses Datenblatt wird vom
Hersteller bereitgestellt

FR

Cette fiche technique est
présentée par le fabricant