



THE RANGE AT A GLANCE

# LEDVANCE LED LUMINAIRES

OCTOBER 2020



[LEDVANCE.CO.UK](http://LEDVANCE.CO.UK)



**LEDVANCE**

# CONTENTS

## LEDVANCE LUMINAIRE PORTFOLIO: WHAT'S NEW?

04

### DOWNLIGHTS

Downlight UGR19	16
Downlight Comfort	18
Downlight Alu	20
Downlight Slim Alu	24



14

### PANEL LUMINAIRES

Panel IndiviLED	68
Panel IP54	70
Panel Performance Gen 3	72
Panel Value	76
Panel Accessories	78



66

**STANDARD APPLICATIONS:** Public Areas | Shops | Stairways | Corridors  
Foyers | Bathrooms | Kitchens

**STANDARD APPLICATIONS:** General Indoor Lighting | Public Buildings  
Offices | Conference Rooms | Corridors

### SPOTLIGHTS

Spot Vario	28
Spot Multi	30
Spot Square Adjust	32
Spot Round Adjust	34
Spot Round Fix	36
Spot Fireproof Fix	38
Spot Darklight	40



26

### PENDANT AND SURFACE-MOUNTED LUMINAIRES

Panel Direct/Indirect	84
Linear IndiviLED Direct/Indirect	86
Linear IndiviLED Direct/Indirect Accessories	88
Linear IndiviLED Direct	90
Linear IndiviLED Direct Accessories	93



82

**STANDARD APPLICATIONS:** Shops | Sales Rooms | Fashion Stores  
Hotels | Cafés | Restaurants | Galleries | Museums

**STANDARD APPLICATIONS:** General Indoor Lighting | Offices | Libraries  
Schools | Corridors | Entrance Areas

### TRACKLIGHTS

Tracklight Spot Compact	44
Tracklight Spot Zoom DIM	46
Tracklight Spot	48
Tracklight Spot Reflector	51



42

### LINEAR LUMINAIRES

Linear Surface IP44	96
Linear Surface IP44 Accessories	98
Linear Ultra Output	100
Linear Ultra Output Accessories	103
Linear Compact	104



94

**STANDARD APPLICATIONS:** Shops | Fashion Stores | Boutiques  
Department Stores | Hotels | Cafés | Galleries | Museums | Showrooms

**STANDARD APPLICATIONS:** Public Buildings | Corridors | Entrance  
Areas | Stairwells | Cove Lighting | Shelving

### WALL AND CEILING LUMINAIRES

Surface Compact IK10	54
Surface Circular	56
Surface Circular Cover	58
Surface Bulkhead	60
Surface Bulkhead Accessories	64



52

### TRUNKING SYSTEMS

TruSys Performance	110
TruSys Performance Energy	
Rail & Accessories	114
TruSys	120
TruSys Energy	
Rail & Accessories	123



108

**STANDARD APPLICATIONS:** Public Areas | Walkways | Stairways  
Bathrooms | Foyers

**STANDARD APPLICATIONS:** Factories | Warehouses | Discounters  
Workshops

## FURTHER INFORMATION ON LEDVANCE AND ABBREVIATIONS

188

### DAMP-PROOF LUMINAIRES

128

Damp Proof Compact IP66	130
Damp Proof	132
Damp Proof Special Gen 2	136
Damp Proof Housing	138
Damp Proof Slim Value	140
Damp Proof Value	142



**STANDARD APPLICATIONS:** Factories and Warehouses | Parking Lots  
Underpasses | Garages | Workshops | Production Lines | Agriculture

### EMERGENCY LIGHTING

178

Single-Battery	
Emergency Luminaires	179
Emergency Conversion Box	181



**STANDARD APPLICATIONS:** Escape Routes (Corridors) | Open Areas  
(Anti-Panic) | Public Buildings | Shops | Offices

### HIGH-BAY LUMINAIRES

144

High Bay DALI	146
High Bay DALI CLO	148
High Bay DALI Accessories	150
High Bay Gen 3	152
High Bay Accessories	154
High Bay Value	156
High Bay Value Accessories	158



**STANDARD APPLICATIONS:** Warehouses | Logistics Centers | Industry  
High Ceilings (e.g. Airports)

### LED DRIVERS FOR CONSTANT CURRENT

182

LED Driver DALI Performance	184
LED Driver Phase-Cut Performance	185
LED Driver Dip-Switch Performance	186
LED Driver Value	187



### FLOODLIGHTS

160

Floodlight Performance	162
Floodlight 10 W–50 W	166
Floodlight 65 W–200 W	168
Floodlight Sensor	170
Floodlight Photocell Sensor	172



**STANDARD APPLICATIONS:** Building Facades | Public Areas  
Construction Sites | Parking Lots | Underpasses

### OUTDOOR DECORATIVE LUMINAIRES

174

Outdoor	176
---------	-----



**STANDARD APPLICATIONS:** Residential Buildings | Hotels | Office Parks

All the following values for the IP and IK protection classes apply exclusively to luminaires (excluding accessories).

# BETTER LIGHT – QUICK AND EASY TO INSTALL THE NEW LED LUMINAIRES

## FOCUSING ON YOUR NEEDS

LEDVANCE is a strong partner to have by your side when you need to inspire your customers with perfect lighting solutions. We listen carefully to installers and lighting professionals – and are constantly working to improve our products and services. We aim not just to meet your expectations but exceed them – in the choice of products, the quality of the light and simple, user-friendly installation.

And we'll prove it with our extended luminaire portfolio for a wide range of applications in the office, industry, parking and shop sectors. Discover our latest highlights and new generations: The new Downlight UGR19, for example, produces brilliant, low-glare, flicker-free light in office buildings and shops. The fully sealed and ammonia-tested Damp Proof Special is designed to be used in oily, damp and dusty environments and is therefore ideal for agricultural businesses. The Panel Performance luminaires are popular choices for offices thanks to their outstanding quality of lighting and ease of installation.

And thanks to their optimised light output the Floodlights and the High Bay Performance luminaires are impressive performers for outdoor areas and for factories and warehouses respectively.



## SCALE – AWARD-WINNING LUMINAIRE DESIGN

Design makes products unique – like our individual, aesthetic and functional SCALE design language. It combines unique luminaire design with tangible value in every product and takes the modern tonality of the LEDVANCE brand into new territory. A fascinating combination of form and function, which is loved not only by our customers – as the 2019 German Design Award proves.

# EASY TO INSTALL FROM LEDVANCE

## TOGETHER FOR BETTER LIGHT

LEDVANCE supports you with a comprehensive lighting portfolio from a single source, an excellent price-performance ratio and guarantees<sup>1</sup> of up to 5 years.

But that's not nearly all. Our services are perfectly tailored to the needs of professional users. For example, our global supplier and sales network means we are always at your side wherever you may be. And you can count on us throughout all your lighting projects – from initial consultation to technical after-sales support.

<sup>1</sup> For precise terms and conditions go to [www.ledvance.co.uk/guarantee](http://www.ledvance.co.uk/guarantee)



## YOUR BENEFITS AT A GLANCE



Global network



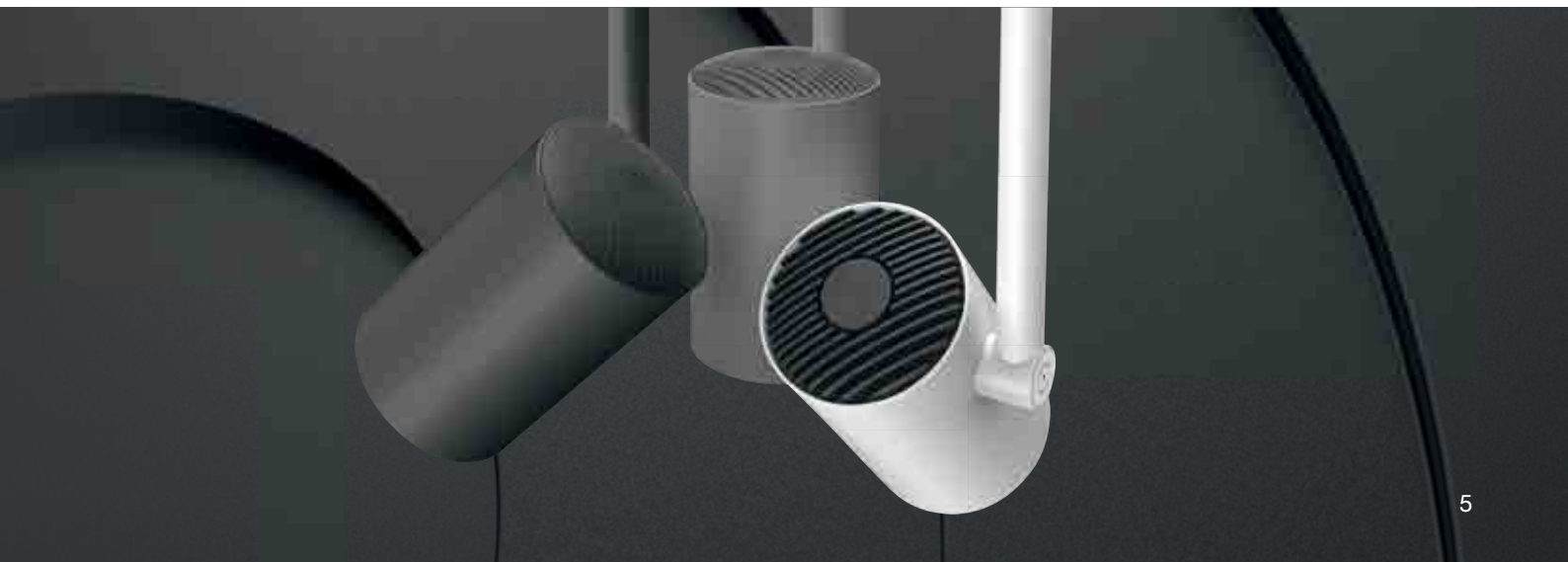
Extensive portfolio from a single source



Outstanding services

## FULL SERVICE FOR YOUR PROJECT SUCCESS

In addition to first-class products and competent customer service ([csc.uk@ledvance.co.uk](mailto:csc.uk@ledvance.co.uk)), we support you in numerous other ways throughout your lighting projects. Go to [www.ledvance.co.uk](http://www.ledvance.co.uk) and discover valuable service concepts such as the Fast Light Calculation Tool, our eLearning modules or the DIALux/RELUX light planning software.





# LEDVANCE BIOLUX: FOCUSING ON PEOPLE WITH HUMAN CENTRIC LIGHTING

Offices with little daylight, dark meeting rooms and artificial light until late at night – this is typical of modern working conditions. But light is essential and one of the most important sources – for our well-being, performance and satisfaction. A lack of daylight can cause serious disruption to our day/night rhythm (our “inner clock”), and massive degradation in our performance and overall well-being. Human centric lighting (HCL) is all about this biological effect of light. Lighting solutions for modern work environments must be designed to promote creative thinking and high levels of concentration at desks, in service sectors and in factories. Human centric lighting places the focus on people and their need for natural

light. Flexible, stimulating and effective. It creates a working environment that simulates the changes in natural daylight with its visual, biological and emotional effects. Through colour temperatures and illuminance levels, human centric lighting provides positive support for the human circadian rhythm. A neutral or cold white light colour, for example, can energise in the morning. Warm white light is relaxing and ideal for the evening.

With the HCL system BIOLUX from LEDVANCE we are opening up completely new opportunities for you and your customers.

## REFERENCE PROJECT



**PROJECT:** Upgrading to a BIOLUX HCL system in the training rooms of the Schleswig District Craftsmen’s Association, Germany

**APPLICATION:** Educational establishment, lighting of training rooms

**TECHNOLOGY:** LED technology, human centric lighting

**LEDVANCE PRODUCTS:** BIOLUX HCL Panel 625 43W, BIOLUX HCL Control Unit

The new BIOLUX HCL system was installed at the Schleswig District Craftsmen’s Association in 3 classrooms by directly replacing the existing T8 fluorescent lamp lighting system. The retrofit installation of 90 LED panels and commissioning of the system was so easy that it was carried out by trainees of the electrical engineering department themselves. Being intelligently controlled the system now provides better quality of light in the training rooms and can be intuitively adapted to the training situation. As a result, the individually adjustable light profiles support training in a concentration-enhancing manner and help to keep the trainees motivated.

**LEDVANCE BIOLUX HCL-SYSTEM**

BIOLUX is the innovative HCL system from LEDVANCE. With the help of an intelligent algorithm, it automatically adjusts the artificial light to simulate the changes in natural daylight – accurate for the time of day and the location – to produce the best possible biological effect. Changes in colour temperatures and lighting levels support our natural bio-rhythms.

**THE SMART ENTRY-LEVEL HCL-SYSTEM**

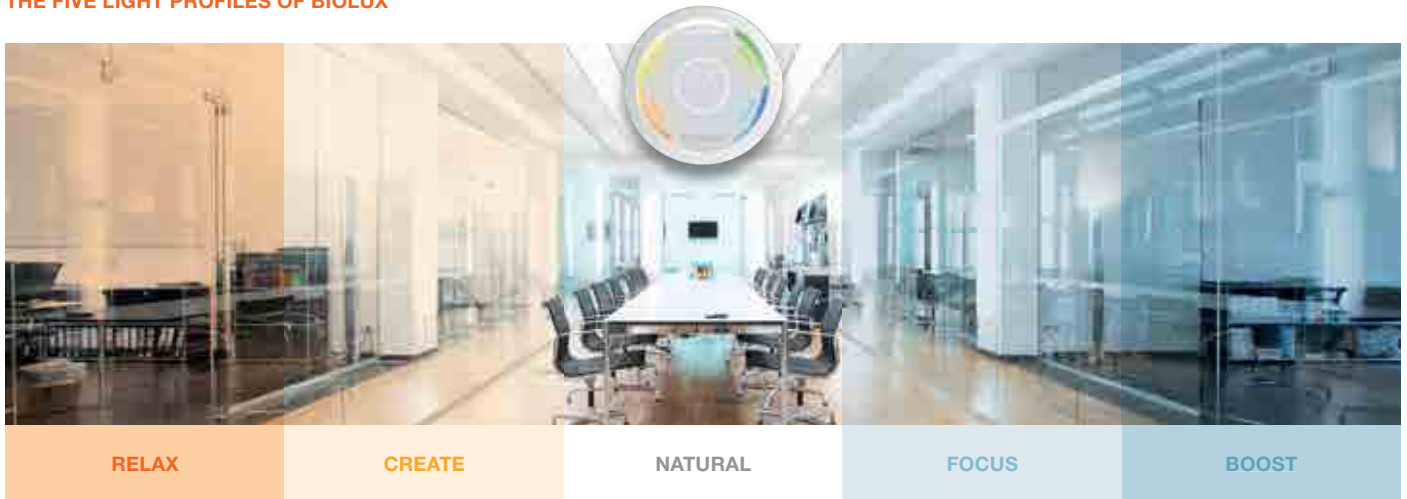
BIOLUX consists of two components: the BIOLUX control unit and the BIOLUX LED luminaires which communicate with each other wirelessly via the ZigBee protocol. Operation is intuitive. Pre-programmed light profiles can be set at the control unit in no time at all, with five manually adjustable modes being available, suitable for any work situation (see diagram). And BIOLUX is so easy to install as there is no need for wiring or configuration.

**WINNER OF DESIGN, FUNCTION & INNOVATION AWARDS:**



reddot winner 2020

**THE FIVE LIGHT PROFILES OF BIOLUX**



E.g. during breaks in meetings

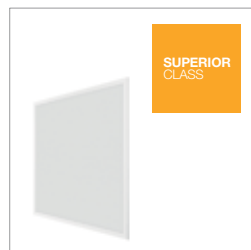
Creativity in workshops, e.g. in brainstorming sessions

Default setting

Enhanced concentration, e.g. in meetings

Highest concentration for highly detailed and particularly demanding tasks

**THE BIOLUX COMPONENTS**



BIOLUX CONTROL UNIT

BIOLUX HCL DOWNLIGHT

BIOLUX HCL PANEL

BIOLUX is ideal for single room solutions with up to 20 luminaires<sup>1</sup> – such as meeting rooms or offices with little or no daylight.

You will find more information at [hcl.ledvance.co.uk](http://hcl.ledvance.co.uk) or in our flyer on human centric lighting.

<sup>1</sup> Higher number of luminaires on request



# OFFICE LIGHT AS A FACTOR FOR SUCCESS



**DOWNLIGHT  
COMFORT**  
Page 18ff.



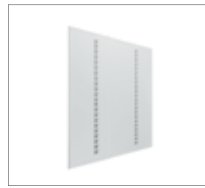
**DOWNLIGHT  
UGR19**  
Page 16ff.



**PANEL  
PERFORMANCE**  
Page 72ff.



**LINEAR  
INDIVILED**  
Page 90ff.



**PANEL  
INDIVILED**  
Page 68ff.



**PANEL DIRECT/  
INDIRECT**  
Page 84ff.



#### THE RIGHT LAMPS AND LED STRIPS:

From the ultra-low-profile OSRAM DULUX F **1** full glass LED lamp featuring excellent luminous efficacy all the way to the flexible LED STRIP PERFORMANCE RGBW **2** and WHITE **3**, LEDVANCE offers you tailored lighting solutions for large and small offices.

## REFERENCE PROJECT



**PROJECT:** SIEMENS Campus, Erlangen, Germany

**APPLICATION:** Lighting of meeting rooms and open-plan offices

**TECHNOLOGY:** LED technology

**LEDVANCE PRODUCTS:** Linear IndiviLED Direct/Indirect DALI Sensor, Panel Direct/Indirect DALI

When it came to selecting luminaires for the SIEMENS Campus in Erlangen, the existing suspended ceilings were a particular challenge. The LEDVANCE Linear IndiviLED Direct/Indirect DALI Sensor and Panel Direct/Indirect DALI luminaires were chosen as they offer excellent light comfort with direct/indirect beam characteristic, good glare reduction ( $UGR \leq 19$ ), low maintenance and low operating costs. What's more, brightness is kept at a consistent 500 lux in compliance with relevant standards. The luminaires blend into the building design perfectly and, thanks to integrated presence detection, offer optimum efficiency.



# INDUSTRY LIGHT MAKES HARD WORK EASIER



**DAMP PROOF  
COMPACT IP66**  
Page 130ff.



**TRUSYS  
PERFORMANCE**  
Page 110ff.



**HIGH BAY**  
Page 152ff.



**HIGH BAY DALI  
CLO**  
Page 148ff.



**DAMP PROOF  
SPECIAL**  
Page 136ff.



**LINEAR ULTRA  
OUTPUT**  
Page 100ff.



#### THE RIGHT LED TUBES:

SUBSTITUBE PRO EM LED **1** tubes are shatterproof, highly efficient and durable. They replace conventional fluorescent tubes and are suitable for use even in adverse conditions such as in cold stores and warehouses.

## REFERENCE PROJECT



**PROJECT:** EHH Car Centre, Ludwigsfelde, Germany

**APPLICATION:** Lighting of workshops, repair bays, offices and consulting areas

**TECHNOLOGY:** LED technology

**LEDVANCE PRODUCTS:** Spot Adjust, Panel 625, Panel 1200, Downlight, Damp Proof, Surface Compact Sensor, Floodlight, SubstiTUBE Advanced T8 EM UO, HQL LED Pro

The EHH car centre in Ludwigsfelde near Berlin, Germany completely upgraded its lighting to LED technology from LEDVANCE. Among other replacements, more than 600 conventional fluorescent lamps were replaced by SubstiTUBE Advanced T8 LED tubes. A wide range of LED luminaires were also installed to match the spatial requirements. The result: Significantly improved quality of light and annual energy consumption from lighting was reduced by around 63 %.

# PARKING LIGHT MEANS SAFETY & SECURITY



**DAMP PROOF HOUSING**  
Page 138ff.



**FLOODLIGHT PERFORMANCE**  
Page 162ff.



**DAMP PROOF**  
Page 132ff.



**FLOODLIGHT SENSOR**  
Page 170ff.



**SURFACE BULKHEAD**  
Page 60ff.



**PANEL DIRECT/INDIRECT**  
Page 84ff.



## THE RIGHT LED TUBES, HQL LED LAMPS AND LED STRIPS:

For indoor parking, LEDVANCE offers the SUBSTITUBE CONNECTED ADVANCED ULTRA OUTPUT **1** together with the CONNECTED SENSOR **2**. Efficient, high-output HQL LED PRO lamps **3** are ideal for outdoor use. And for both applications, LED STRIP PERFORMANCE PROTECTED **4** provides great design freedom.

## REFERENCE PROJECT



**PROJECT:** Tirol Kliniken, Innsbruck, Austria

**APPLICATION:** Lighting of underground garages

**TECHNOLOGY:** LED technology

**LEDVANCE PRODUCTS:** LED Damp Proof

In the underground garages of the Medical Centre and Surgery West the former luminaires equipped with fluorescent tubes were replaced by new 30 watt LED Damp Proof luminaires. Due to their robust design with an IP65 protection rating and IK08 impact resistance these are not only ideal for use in damp and dusty environments, but their beam angle of 105 degrees also ensures homogenous uniform light giving a greater feeling of safety for employees and visitors.

# SHOP

## AESTHETIC ILLUMINATION MEETS FUNCTIONALITY



**TRACKLIGHT SPOT**  
Page 48ff.



**SPOT VARIO**  
Page 28ff.



**SPOT MULTI**  
Page 30ff.



**TRUSYS**  
Page 120ff.



**TRACKLIGHT SPOT ZOOM DIM**  
Page 46ff.



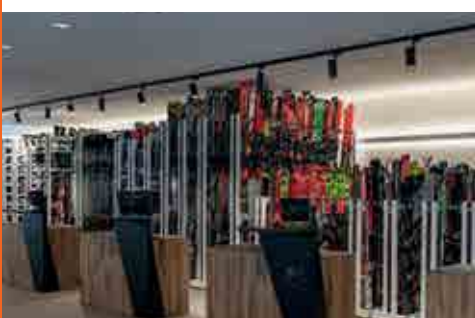
**TRACKLIGHT SPOT COMPACT**  
Page 44ff.



### THE RIGHT LED REFLECTOR AND TUBE LAMPS AS WELL AS LED STRIPS:

LEDVANCE lighting solutions – including fully dimmable PARATHOM PRO LED reflector lamps **1**, flexible LED STRIP SUPERIOR TUNABLE WHITE **2** lights and SUBSTITUBE FOOD LED **3** tubes for food retailers – present all your merchandise in the best light.

### REFERENCE PROJECT



**PROJECT:** Noleggio by Maestri ski equipment rental and sales shop, Passo del Tonale, Italy

**APPLICATION:** Lighting of showroom, rental and access area, lockers and dressing rooms

**TECHNOLOGY:** LED technology

**LEDVANCE PRODUCTS:** Tracklight Spot 35 W/4000 K, Downlight Comfort 20 W

Using 104 Tracklight Spot LEDs and different reflectors on ceiling tracks, LEDVANCE has provided accent lighting that attracts customers and guides them through the shop, and also highlights the merchandise with excellent colour rendering. Downlight Comfort luminaires are used for basic functional lighting. Since their light colour can be easily switched between 3,000, 4,000 and 5,700 Kelvin, every area of the shop can now be illuminated with optimum light.

# LUMINAIRE VARIETY COMES SEGMENTATION OF PRODUCTS

Your work involves everything from simple lighting tasks to the most complex and demanding – and it is precisely this bandwidth that is covered by LEDVANCE’s luminaire portfolio. To ensure that you always keep track of all this variety and quickly find the most suitable product, we have divided our luminaires into three segments: Superior Class, Performance Class and Value Class. With the help of consistent colour coding and clear labeling you can immediately see in the catalogue and also on the packaging which of the three segments a luminaire belongs to. So you can easily meet the needs of your customers – today and tomorrow.



Clear colour coding on the new sustainable packaging will help you keep track of the products and quickly identify the right product for the job.

Sample packaging

**SEGMENTATION CLASSES:**



# IN THREES:



## SUPERIOR CLASS

Sometimes only the best will do. The LEDVANCE Superior Class range comprises premium products that set standards in technology, quality and design. These top-of-the-line products are impressive in every respect and are the right choice for realising particularly demanding, prestigious projects with special lighting requirements.



## PERFORMANCE CLASS

In the LEDVANCE Performance Class you will find a reliable solution for the majority of your lighting tasks. Our core portfolio includes a wide range of high-quality, demand-oriented luminaires with excellent performance in terms of lifetime, efficiency, material and quality of light. Features such as easy installation, DALI versions and comprehensive guarantees add value.



## VALUE CLASS

High performance at an attractive price – that's what the LEDVANCE Value Class is about. The luminaires in this range are characterised by a standard lifetime, efficiency and quality of light, making them the right choice for everyday installation needs and projects where, in addition to reliability, the focus is on cost-effectiveness in particular. Additional features such as DALI extend the range of applications in this class.

LEDVANCE LED LUMINAIRES | SPOTLIGHTS

## SPOTLIGHTS

IMPRESSIVE ALL ROUND: OUR SPOTLIGHTS

**SPOT VARIO**  
Page 28

**VERSATILE SWIVEL SPOTLIGHT FOR THE RETAIL AREA**

- Ideal for accent lighting thanks to highly flexible tilt and swivel capability
- Easy replacement of the external driver thanks to plug with bayonet connection
- Low-flicker light <10%

**SPOT MULTI**  
Page 28

**POWERFUL MULTI-SPOTLIGHT WITH GIMBAL**

- Low-flicker light <10%
- Flexible application thanks to excellent anti-glare properties USPC-16
- Light-proof housing

**SPOT SQUARE ADJUST**  
Page 30

**Attractive square spotlight**

- Cut-off angle for good glare reduction and high visual comfort
- Energy savings of up to 90% compared with halogen lamp spotlights
- Housing made of die-cast aluminum for improved heat dissipation

**SPOT ROUND ADJUST**  
Page 32

**ADJUSTABLE REPLACEMENT FOR HALOGEN SPOTLIGHT**

- Extended range of applications through versions with DALI or switchable driver
- Energy savings of up to 90% compared with halogen lamp spotlights
- Simple installation for 3–20 mm ceiling thickness

**SPOT ROUND FIX**  
Page 34

**VERSATILE FAMILY**

- SPOT DIM
- SPOT FIREPROOF FIX
- SPOT FIREPROOF DIM
- SPOT FIREPROOF
- SPOT DIMMABLE LIGHT

**SPOT KIT**  
Page 25

Product name	Segmentation
SPOT MULTI 1 x 30W 3000K FL WT/BK	■
SPOT MULTI 1 x 30W 4000K FL WT/BK	■
SPOT MULTI 2 x 30W 3000K FL WT/BK	■
SPOT MULTI 2 x 30W 4000K FL WT/BK	■
SPOT MULTI 3 x 30W 3000K FL WT/BK	■
SPOT MULTI 3 x 30W 4000K FL WT/BK	■

**KEEPING TRACK – FINDING YOUR WAY AROUND THE BROCHURE AND RANGE**

The clear segmentation of the LEDVANCE luminaire portfolio is also reflected in the introductory pages of each chapter and the product pages of this brochure. Each product class has been assigned a colour that you can find throughout the catalogue. This makes finding suitable luminaires easier and faster than ever.

**GO ON, GIVE IT A TRY!**

13

# DOWNLIGHTS

## OUR CHAMPIONS FOR HOMOGENEOUS GENERAL LIGHTING

### DOWNLIGHT UGR19

Page 16

PERFORMANCE CLASS



#### DOWNLIGHT UGR19

- Good glare reduction (UGR < 19) and cut-off angle up to 30° for comfortable indoor lighting
- Easy and quick installation thanks to connector box with 5-pole toolless terminal
- Low-flicker light < 10 %

### DOWNLIGHT COMFORT

Page 18

PERFORMANCE CLASS



#### 3-IN-1 CCT, LOW UGR VALUE

- Three light colours in one luminaire: warm white 3,000 K, neutral white 4,000 K and cold white 5,700 K
- Good glare reduction (UGR ≤ 22)
- Simple connection thanks to plug-in terminal



3000K  
4000K  
5700K

### ONE LUMINAIRE, THREE OPTIONS

On the **Downlight Comfort** you can switch between three light colours (3,000/4,000/ 5,700 K)

#### An additional advantage ...

... is that wholesalers and installers can minimize their stock risks because they always have a luminaire with the right light colour in stock.

### DOWNLIGHT ALU

Page 20

VALUE CLASS

DOWNLIGHT ALU  
DOWNLIGHT ALU DALI  
DOWNLIGHT ALU EMERGENCY



#### NEW GENERATION, NOW IP44

- Suitable for use in dusty and humid environments thanks to higher IP rating
- Wide range of applications thanks to a large variety of versions
- Up to 60 % energy savings compared with luminaires that use compact fluorescent lamps

### DOWNLIGHT SLIM ALU

Page 24

VALUE CLASS



#### LOW IN HEIGHT AND PRICE

- Extremely small mounting depth due to very low-profile housing
- Up to 60 % energy savings compared with luminaires that use compact fluorescent lamps
- External driver for easy replacement (included)



## DOWNLIGHT UGR19

Downlights with low glare and low flicker



### PRODUCT FEATURES

- Housing Material: aluminium with mirror-finished reflector
- Type of protection: IP54 (room side) / IP20 (back side)
- Through wiring possible
- Luminaire available with on/off driver and DALI 2.0 IoT driver
- Connector box with push wire terminal for toolfree connection

### PRODUCT BENEFITS

- Good glare reduction (UGR <19) and cut-off angle up to 30° for comfortable indoor lighting
- Easy and quick installation thanks to connector box with 5-pole toolless terminal
- Lowflicker light
- Suitable for use in dusty and humid environments thanks to high IP rating
- 5 years guarantee

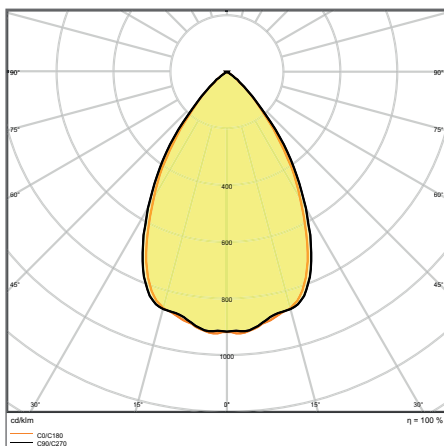
### AREAS OF APPLICATION

- Suitable for office applications, especially for computer screen workplaces
- Direct replacement for luminaires with compact fluorescent lamps
- Entrances / Hallways
- Bathrooms, kitchens and sheltered outdoor areas
- General illumination

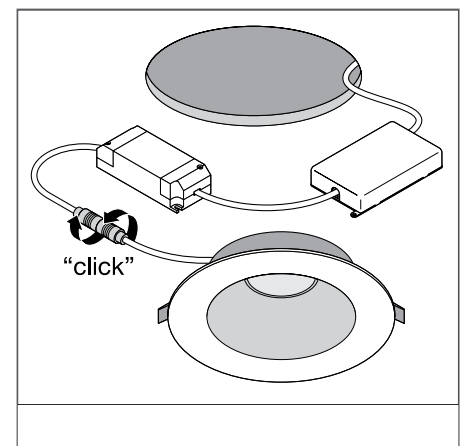
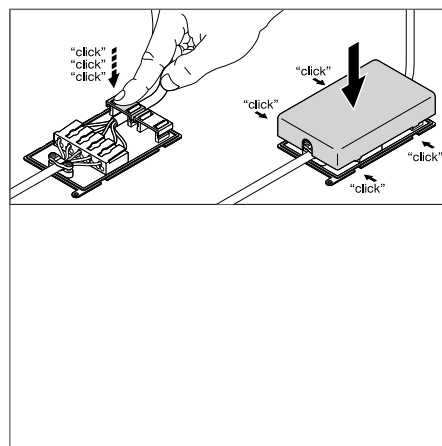
### EQUIPMENT / ACCESSORIES

- External control gear included

## FURTHER PRODUCT DETAILS



DL UGR19 PFM DN195 21 W 840 WT IP54



<sup>1</sup> Refer to [www.ledvance.co.uk/guarantee](http://www.ledvance.co.uk/guarantee) for precise conditions

The pictures shown in the catalogue are for illustration purposes only. For information on size and colour, please refer to the product table.



Product name	Segmentation	Static Code	GTIN (EAN)	W	lm	lm/W	K	L70	L80		
<b>NEW</b> DL UGR19 PFM DN155 14 W 830 WT IP54	■	DLU15530	4058075459137	14	1500	105	3000	70000	60000	65	-
<b>NEW</b> DL UGR19 PFM DN155 14 W 840 WT IP54	■	DLU15540	4058075459151	14	1600	115	4000	70000	60000	65	-
<b>NEW</b> DL UGR19 PFM DN195 21 W 830 WT IP54	■	DLU19530	4058075459250	21	2400	115	3000	70000	60000	65	-
<b>NEW</b> DL UGR19 PFM DN195 21 W 840 WT IP54	■	DLU19540	4058075459274	21	2520	120	4000	70000	60000	65	-
<b>NEW</b> DL UGR19 PFM DN155 14 W 830 WT IP54 DALI	■	DLU15530DA	4058075459298	14	1500	105	3000	70000	60000	65	DALI
<b>NEW</b> DL UGR19 PFM DN155 14 W 840 WT IP54 DALI	■	DLU15540DA	4058075459311	14	1600	115	4000	70000	60000	65	DALI
<b>NEW</b> DL UGR19 PFM DN195 21 W 830 WT IP54 DALI	■	DLU19530DA	4058075459830	21	2400	115	3000	70000	60000	65	DALI
<b>NEW</b> DL UGR19 PFM DN195 21 W 840 WT IP54 DALI	■	DLU19540DA	4058075459854	21	2520	120	4000	70000	60000	65	DALI



Product name	CRI	UGR	FLICKER VALUE		L x W x H [mm] Ø x H [mm]
<b>NEW</b> DL UGR19 PFM DN155 14 W 830 WT IP54	≥80	<19	<10 %	155	180 x 65
<b>NEW</b> DL UGR19 PFM DN155 14 W 840 WT IP54	≥80	<19	<10 %	155	180 x 65
<b>NEW</b> DL UGR19 PFM DN195 21 W 830 WT IP54	≥80	<19	<10 %	195	220 x 82
<b>NEW</b> DL UGR19 PFM DN195 21 W 840 WT IP54	≥80	<19	<10 %	195	220 x 82
<b>NEW</b> DL UGR19 PFM DN155 14 W 830 WT IP54 DALI	≥80	<19	<10 %	155	180 x 65
<b>NEW</b> DL UGR19 PFM DN155 14 W 840 WT IP54 DALI	≥80	<19	<10 %	155	180 x 65
<b>NEW</b> DL UGR19 PFM DN195 21 W 830 WT IP54 DALI	≥80	<19	<10 %	195	220 x 82
<b>NEW</b> DL UGR19 PFM DN195 21 W 840 WT IP54 DALI	≥80	<19	<10 %	195	220 x 82

<sup>1</sup> t [h]: L70/B50 @ 25 °C (Ta) / t [h]: L80/B10 @ 25 °C (Ta)

## DOWNLIGHT COMFORT

Downlights with adjustable white light colours



### PRODUCT FEATURES

- Material: Aluminium (Housing), Polycarbonate (Diffuser)
- Three light colours selectable via slide switch
- Type of protection: IP54 (room side)
- Through wiring possible

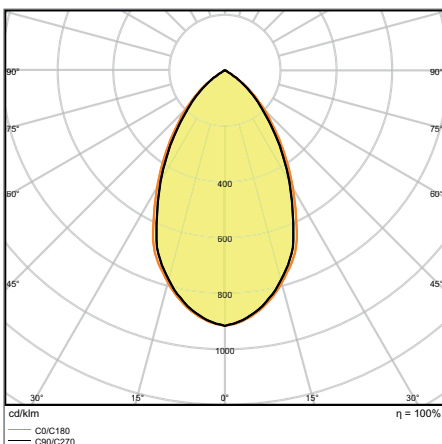
### PRODUCT BENEFITS

- Three light colours in one luminaire: warm white 3000 K, daylight white 4000 K, cold white 5700 K
- Good glare reduction (UGR  $\leq 22$ )
- Easy connection thanks to push terminal
- Suitable for use in dusty and humid environments thanks to high IP rating
- 5 years guarantee

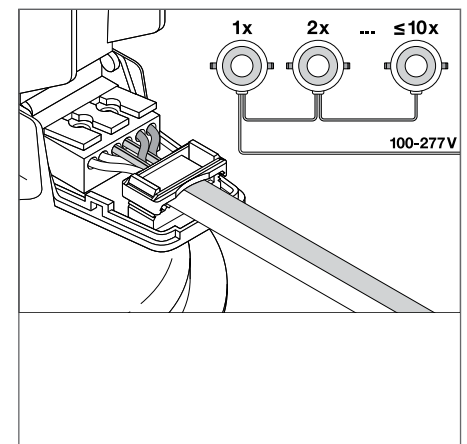
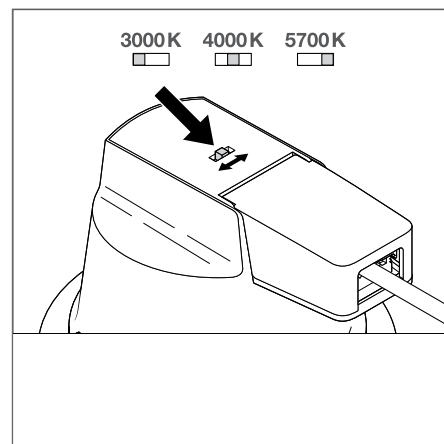
### AREAS OF APPLICATION

- Direct replacement for luminaires with compact fluorescent lamps
- General illumination
- Bathrooms, kitchens and sheltered outdoor areas
- Offices
- Corridors

## FURTHER PRODUCT DETAILS



DL COMFORT DN 130 13 W 3CCT IP54 WT



<sup>1</sup> Refer to [www.ledvance.co.uk/guarantee](http://www.ledvance.co.uk/guarantee) for precise conditions

The pictures shown in the catalogue are for illustration purposes only. For information on size and colour, please refer to the product table.

Product name	Segmentation	Static Code	GTIN (EAN)	RE- PLACE- MENT FOR	W	lm	lm/W	K	L70 <sup>1</sup>	L80 <sup>1</sup>	°
DL COMFORT DN 130 13 W 3CCT IP54 WT	■	DLCOMF130TW	4058075104068	1x18W CFL	13	1030...1210	85	3000...5700	50000	43000	60
DL COMFORT DN 155 18 W 3CCT IP54 WT	■	DLCOMF155TW	4058075104082	2x18W CFL	18	1040...1620	85	3000...5700	50000	43000	60
DL COMFORT DN 205 20 W 3CCT IP54 WT	■	DLCOMF205TW	4058075104105	2x26W CFL	20	1720...1930	90	3000...5700	50000	43000	60



Product name	CRI	∠	L × W × H [mm] ∅ × H [mm]
DL COMFORT DN 130 13 W 3CCT IP54 WT	>80	130	145 x 82
DL COMFORT DN 155 18 W 3CCT IP54 WT	>80	155	172 x 95
DL COMFORT DN 205 20 W 3CCT IP54 WT	>80	205	228 x 98

<sup>1</sup> t [h]: L70/B50 @ 25 °C (Ta) / t [h]: L80/B10 @ 25 °C (Ta)

## DOWNLIGHT ALU

Downlight luminaires with aluminium housing



### PRODUCT FEATURES

- Housing material: aluminium
- Diffuser made of opal polycarbonate
- Type of protection, front side: IP44
- Luminaire available as switchable, DALI and emergency versions
- TP(b) rated

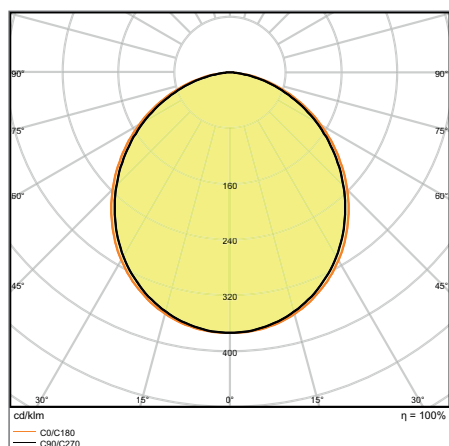
### PRODUCT BENEFITS

- Suitable for use in dusty and humid environments thanks to high IP rating
- Wide range of applications thanks to a large variety of versions
- Energy savings of up to 60 % compared to luminaires that use CFL
- Up to 5 years guarantee

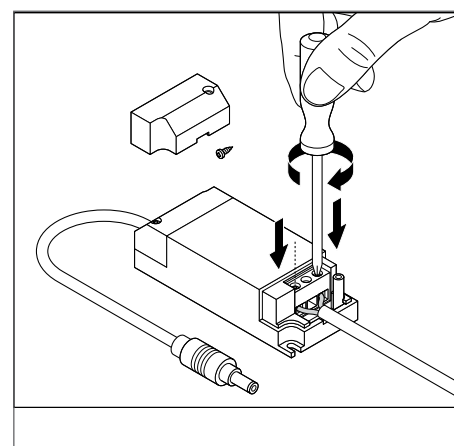
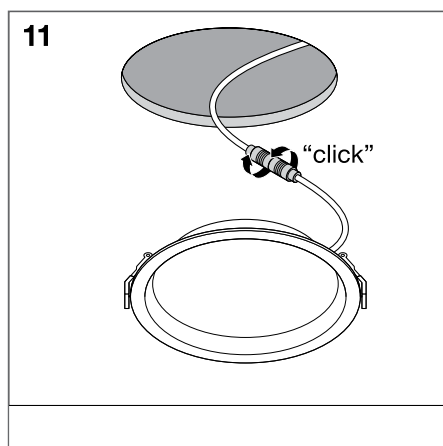
### AREAS OF APPLICATION

- Direct replacement for luminaires with compact fluorescent lamps
- General illumination
- Public areas
- Stairways
- Corridors

## FURTHER PRODUCT DETAILS



DL ALU DALI DN 200 35 W 6500 K  
 IP44/IP20 WT



<sup>1</sup> The ENEC and TÜV certifications apply exclusively to the switchable versions of the luminaire family, DALI versions and versions for emergency lighting are excepted.

<sup>2</sup> A 5-year guarantee applies to standard and DALI types; a 3-year guarantee for emergency versions.

The pictures shown in the catalogue are for illustration purposes only. For information on size and colour, please refer to the product table.

## DOWNLIGHT ALU

Downlight luminaires with aluminium housing

Product name	Segmentation	Static Code	GTIN (EAN)	RE-PLACEMENT FOR	W	lm	lm/W	K	L70	L80		
DL ALU DN 150 14 W 3000 K IP44/IP20 WT	■	DLALU1430	4058075091436	1x26W CFL	14	1190	85	3000	50000	45000	100	-
DL ALU DN 150 14 W 4000 K IP44/IP20 WT	■	DLALU1440	4058075091450	1x26W CFL	14	1260	90	4000	50000	45000	100	-
DL ALU DN 150 14 W 6500 K IP44/IP20 WT	■	DLALU1465	4058075091474	1x26W CFL	14	1330	95	6500	50000	45000	100	-
DL ALU DN 200 25 W 3000 K IP44/IP20 WT	■	DLALU2530	4058075091498	2x26W CFL	25	2250	90	3000	50000	45000	100	-
DL ALU DN 200 25 W 4000 K IP44/IP20 WT	■	DLALU2540	4058075091511	2x26W CFL	25	2370	95	4000	50000	45000	100	-
DL ALU DN 200 25 W 6500 K IP44/IP20 WT	■	DLALU2565	4058075091535	2x26W CFL	25	2370	95	6500	50000	45000	100	-
DL ALU DN 200 35 W 3000 K IP44/IP20 WT	■	DLALU3530	4058075091559	2x42W CFL	35	2975	85	3000	50000	45000	100	-
DL ALU DN 200 35 W 4000 K IP44/IP20 WT	■	DLALU3540	4058075091573	2x42W CFL	35	3150	90	4000	50000	45000	100	-
DL ALU DN 200 35 W 6500 K IP44/IP20 WT	■	DLALU3565	4058075091597	2x42W CFL	35	3150	90	6500	50000	45000	100	-
DL ALU DALI DN 150 14 W 3000 K IP44/IP20 WT	■	DLALU1430DA	4058075202610	1x26W CFL	14	1190	85	3000	50000	45000	100	DALI
DL ALU DALI DN 150 14 W 4000 K IP44/IP20 WT	■	DLALU1440DA	4058075202634	1x26W CFL	14	1260	90	4000	50000	45000	100	DALI
DL ALU DALI DN 150 14 W 6500 K IP44/IP20 WT	■	DLALU1465DA	4058075202658	1x26W CFL	14	1330	95	6500	50000	45000	100	DALI
DL ALU DALI DN 200 25 W 3000 K IP44/IP20 WT	■	DLALU2530DA	4058075091610	2x26W CFL	25	2250	90	3000	50000	45000	100	DALI
DL ALU DALI DN 200 25 W 4000 K IP44/IP20 WT	■	DLALU2540DA	4058075091634	2x26W CFL	25	2370	95	4000	50000	45000	100	DALI
DL ALU DALI DN 200 25 W 6500 K IP44/IP20 WT	■	DLALU2565DA	4058075091658	2x26W CFL	25	2370	95	6500	50000	45000	100	DALI
DL ALU DALI DN 200 35 W 3000 K IP44/IP20 WT	■	DLALU3530DA	4058075091672	2x42W CFL	35	2975	85	3000	50000	45000	100	DALI
DL ALU DALI DN 200 35 W 4000 K IP44/IP20 WT	■	DLALU3540DA	4058075091696	2x42W CFL	35	3150	90	4000	50000	45000	100	DALI
DL ALU DALI DN 200 35 W 6500 K IP44/IP20 WT	■	DLALU3565DA	4058075091719	2x42W CFL	35	3150	90	6500	50000	45000	100	DALI



Product name	CRI		L x W x H [mm] Ø x H [mm]
DL ALU DN 150 14 W 3000 K IP44/IP20 WT	>80	150	160 x 52
DL ALU DN 150 14 W 4000 K IP44/IP20 WT	>80	150	160 x 52
DL ALU DN 150 14 W 6500 K IP44/IP20 WT	>80	150	160 x 52
DL ALU DN 200 25 W 3000 K IP44/IP20 WT	>80	200	215 x 61
DL ALU DN 200 25 W 4000 K IP44/IP20 WT	>80	200	215 x 61
DL ALU DN 200 25 W 6500 K IP44/IP20 WT	>80	200	215 x 61
DL ALU DN 200 35 W 3000 K IP44/IP20 WT	>80	200	215 x 61
DL ALU DN 200 35 W 4000 K IP44/IP20 WT	>80	200	215 x 61
DL ALU DN 200 35 W 6500 K IP44/IP20 WT	>80	200	215 x 61
DL ALU DALI DN 150 14 W 3000 K IP44/IP20 WT	>80	150	160 x 52
DL ALU DALI DN 150 14 W 4000 K IP44/IP20 WT	>80	150	160 x 52
DL ALU DALI DN 150 14 W 6500 K IP44/IP20 WT	>80	150	160 x 52
DL ALU DALI DN 200 25 W 3000 K IP44/IP20 WT	>80	200	215 x 61
DL ALU DALI DN 200 25 W 4000 K IP44/IP20 WT	>80	200	215 x 61
DL ALU DALI DN 200 25 W 6500 K IP44/IP20 WT	>80	200	215 x 61
DL ALU DALI DN 200 35 W 3000 K IP44/IP20 WT	>80	200	215 x 61
DL ALU DALI DN 200 35 W 4000 K IP44/IP20 WT	>80	200	215 x 61
DL ALU DALI DN 200 35 W 6500 K IP44/IP20 WT	>80	200	215 x 61

<sup>1</sup> t [h]: L70/B50 @ 25 °C (Ta) / t [h]: L80/B10 @ 25 °C (Ta)

■ SUPERIOR CLASS ■ PERFORMANCE CLASS ■ VALUE CLASS

## DOWNLIGHT ALU EMERGENCY

Downlight luminaires with aluminium housing and integrated emergency lighting function

Product name	Segmentation	Static Code	GTIN (EAN)	RE-PLACEMENT FOR	W	lm	lm/W	K	L70 <sup>1</sup>	L80 <sup>1</sup>	
DL ALU EM DN150 14 W 3000 K AT 3H WT	■	DLALU1430EM	4058075204201	1x26W CFL	14	1190	85	3000	50000	45000	100
DL ALU EM DN150 14 W 4000 K AT 3H WT	■	DLALU1440EM	4058075204225	1x26W CFL	14	1260	90	4000	50000	45000	100
DL ALU EM DN150 14 W 6500 K AT 3H WT	■	DLALU1465EM	4058075204249	1x26W CFL	14	1330	95	6500	50000	45000	100
DL ALU EM DN200 25 W 3000 K AT 3H WT	■	DLALU2530EM	4058075204263	2x26W CFL	25	2250	90	3000	50000	45000	100
DL ALU EM DN200 25 W 4000 K AT 3H WT	■	DLALU2540EM	4058075204287	2x26W CFL	25	2370	95	4000	50000	45000	100
DL ALU EM DN200 25 W 6500 K AT 3H WT	■	DLALU2565EM	4058075204300	2x26W CFL	25	2370	95	6500	50000	45000	100
DL ALU EM DN200 35 W 3000 K AT 3H WT	■	DLALU3530EM	4058075204324	2x42W CFL	35	2975	85	3000	50000	45000	100
DL ALU EM DN200 35 W 4000 K AT 3H WT	■	DLALU3540EM	4058075204348	2x42W CFL	35	3150	90	4000	50000	45000	100
DL ALU EM DN200 35 W 6500 K AT 3H WT	■	DLALU3565EM	4058075204362	2x42W CFL	35	3150	90	6500	50000	45000	100



Product name	CRI		L x W x H [mm] Ø x H [mm]
DL ALU EM DN150 14 W 3000 K AT 3H WT	>80	150	160 x 52
DL ALU EM DN150 14 W 4000 K AT 3H WT	>80	150	160 x 52
DL ALU EM DN150 14 W 6500 K AT 3H WT	>80	150	160 x 52
DL ALU EM DN200 25 W 3000 K AT 3H WT	>80	200	215 x 61
DL ALU EM DN200 25 W 4000 K AT 3H WT	>80	200	215 x 61
DL ALU EM DN200 25 W 6500 K AT 3H WT	>80	200	215 x 61
DL ALU EM DN200 35 W 3000 K AT 3H WT	>80	200	215 x 61
DL ALU EM DN200 35 W 4000 K AT 3H WT	>80	200	215 x 61
DL ALU EM DN200 35 W 6500 K AT 3H WT	>80	200	215 x 61

## EMERGENCY LIGHTING PROPERTIES

Product name	Battery life in emergency operation mode	Type of emergency operation test	Type of emergency light operation	Luminous flux in emergency operation mode	Type of Battery
DL ALU EM DN150 14 W 3000 K AT 3H WT	3 h	Automatic	Maintained/Non-maintained	400 lm	LiFeP04
DL ALU EM DN150 14 W 4000 K AT 3H WT	3 h	Automatic	Maintained/Non-maintained	400 lm	LiFeP04
DL ALU EM DN150 14 W 6500 K AT 3H WT	3 h	Automatic	Maintained/Non-maintained	400 lm	LiFeP04
DL ALU EM DN200 25 W 3000 K AT 3H WT	3 h	Automatic	Maintained/Non-maintained	400 lm	LiFeP04
DL ALU EM DN200 25 W 4000 K AT 3H WT	3 h	Automatic	Maintained/Non-maintained	400 lm	LiFeP04
DL ALU EM DN200 25 W 6500 K AT 3H WT	3 h	Automatic	Maintained/Non-maintained	400 lm	LiFeP04
DL ALU EM DN200 35 W 3000 K AT 3H WT	3 h	Automatic	Maintained/Non-maintained	400 lm	LiFeP04
DL ALU EM DN200 35 W 4000 K AT 3H WT	3 h	Automatic	Maintained/Non-maintained	400 lm	LiFeP04
DL ALU EM DN200 35 W 6500 K AT 3H WT	3 h	Automatic	Maintained/Non-maintained	400 lm	LiFeP04

<sup>1</sup> t [h]: L70/B50 @ 25 °C (Ta) / t [h]: L80/B10 @ 25 °C (Ta)



## DOWNLIGHT SLIM ALU

Flat downlights with external driver and aluminium housing



### PRODUCT FEATURES

- Solid aluminium housing in white
- Diffuser made of opal PMMA
- Small visible bezel
- TP(b) rated

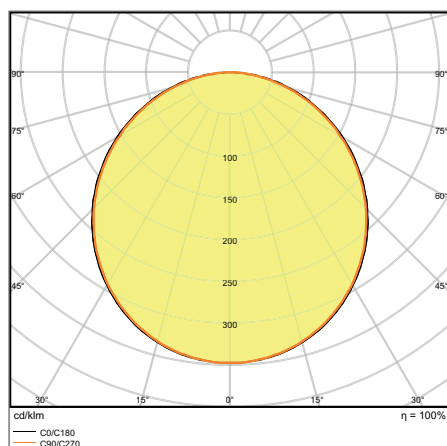
### PRODUCT BENEFITS

- Extremely small mounting depth due to very low-profile housing
- Energy savings of up to 60 % compared to luminaires that use CFL
- External driver for easy replacement
- 5 years guarantee

### AREAS OF APPLICATION

- Direct replacement for luminaires with compact fluorescent lamps
- General illumination
- Public areas
- Stairways
- Corridors

## FURTHER PRODUCT DETAILS



DL SLIM ALU DN 205 22 W 4000 K WT

<sup>1</sup> Refer to [www.ledvance.co.uk/guarantee](http://www.ledvance.co.uk/guarantee) for precise conditions

The pictures shown in the catalogue are for illustration purposes only. For information on size and colour, please refer to the product table.



Product name	Segmentation	Static Code	GTIN (EAN)	RE-PLACE-MENT-FOR	W	lm	lm/W	K	L70 <sup>1</sup>	L80 <sup>1</sup>	
DL SLIM ALU DN 180 17 W 3000 K WT	■	VDLSLM180R30	4058075063921	1x26W CFL	17	1350	80	3000	50000	30000	120
DL SLIM ALU DN 180 17 W 4000 K WT	■	VDLSLM180R40	4058075063945	1x26W CFL	17	1400	80	4000	50000	30000	120
DL SLIM ALU DN 205 22 W 3000 K WT	■	VDLSLM205R30	4058075064003	2x18W CFL	22	1850	85	3000	50000	30000	120
DL SLIM ALU DN 205 22 W 4000 K WT	■	VDLSLM205R40	4058075064027	2x18W CFL	22	1920	90	4000	50000	30000	120



Product name	CRI		L x W x H [mm] Ø x H [mm]
DL SLIM ALU DN 180 17 W 3000 K WT	>80	180	192 x 23
DL SLIM ALU DN 180 17 W 4000 K WT	>80	180	192 x 23
DL SLIM ALU DN 205 22 W 3000 K WT	>80	205	225 x 23
DL SLIM ALU DN 205 22 W 4000 K WT	>80	205	225 x 23

<sup>1</sup> t [h]: L70/B50 @ 25 °C (Ta) / t [h]: L80/B10 @ 25 °C (Ta)

# SPOTLIGHTS

## IMPRESSIVE ALL ROUND: OUR SPOTLIGHTS

### SPOT VARIO

Page 28



PERFOR-  
MANCE  
CLASS

#### VERSATILE SWIVEL SPOTLIGHT FOR THE RETAIL AREA

- Ideal for accent lighting thanks to highly flexible tilt and swivel capability
- Easy replacement of the external driver thanks to plug with bayonet connection
- Low-flicker light < 10 %

### SPOT MULTI

Page 30



PERFOR-  
MANCE  
CLASS

#### POWERFUL MULTI-SPOTLIGHT WITH GIMBAL

- Low-flicker light < 10 %
- Flexible application thanks to excellent anti-glare properties UGR < 16
- Light-proof housing

### SPOT SQUARE ADJUST

Page 32



PERFOR-  
MANCE  
CLASS

#### ATTRACTIVE SQUARE SPOTLIGHT

- Cut-off angle for good glare reduction and high visual comfort
- Energy savings of up to 90 % compared with halogen lamp spotlights
- Housing made of die-cast aluminium for improved heat dissipation

### SPOT ROUND ADJUST

Page 34

SPOT ADJUST  
SPOT ADJUST DALI



PERFOR-  
MANCE  
CLASS

#### ADJUSTABLE REPLACEMENT FOR HALOGEN SPOTLIGHT

- Extended range of applications through versions with DALI or switchable driver
- Energy savings of up to 90 % compared with halogen lamp spotlights
- Simple installation for 3–20 mm ceiling thickness

### SPOT ROUND FIX

Page 36

SPOT DIM

SPOT FIREPROOF FIX:

- SPOT FIREPROOF DIM
- SPOT FIREPROOF

SPOT DARKLIGHT



PERFOR-  
MANCE  
CLASS

#### VERSATILE FAMILY

- Various versions such as IP44, IP65 and dimmable for a wide range of applications
- Energy savings of up to 90 % compared with halogen lamp spotlights
- Simple installation for 3–20 mm ceiling thickness



## SPOT VARIO

Recessed mounted spotlight, swivelable



### PRODUCT FEATURES

- Housing material: aluminium
- Rotation angle: 0°...350°, tilt angle: 0°...35°
- Beam angle: 24°
- Large faceted reflector for high light output

### PRODUCT BENEFITS

- Ideal for accent lighting thanks to highly flexible tilt and swivel capability
- Easy replacement of external driver thanks to plug with bayonet lock
- Lowflicker light
- Die-cast aluminium housing for improved heat dissipation
- 5 years guarantee

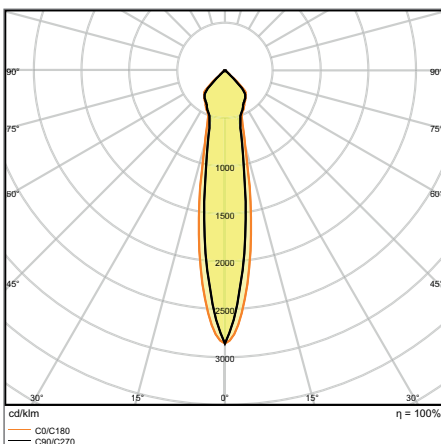
### AREAS OF APPLICATION

- Accent and general lighting for all kind of salesrooms
- Retail
- Supermarkets
- Shops, boutiques
- Hotel rooms

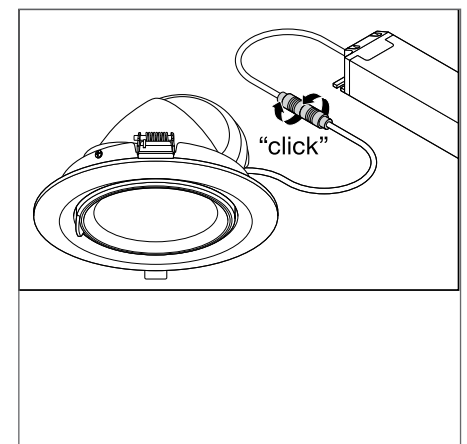
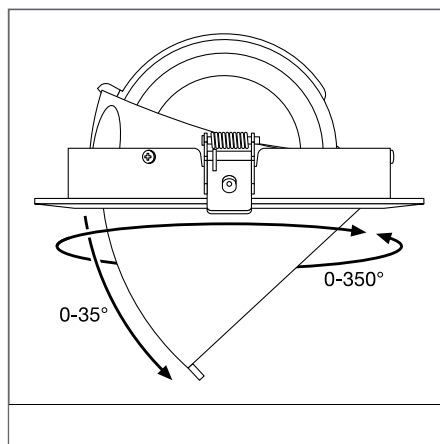
### EQUIPMENT / ACCESSORIES

- Driver included

## FURTHER PRODUCT DETAILS



SPOT VARIO DN 170 35 W 3000 K  
24DEG WT



<sup>1</sup> Refer to [www.ledvance.co.uk/guarantee](http://www.ledvance.co.uk/guarantee) for precise conditions

The pictures shown in the catalogue are for illustration purposes only. For information on size and colour, please refer to the product table.

Product name	Segmentation	Static Code	GTIN (EAN)	RE-PLACE-MENT-FOR	W	lm	lm/W	K	L70 <sup>1</sup>	L80 <sup>1</sup>	°
SPOT VARIO DN 170 35 W 3000 K 24DEG WT	■	SV17030WH	4058075104020	1x70W HID	35	3350	95	3000	50000	45000	24
SPOT VARIO DN 170 35 W 4000 K 24DEG WT	■	SV17040WH	4058075104044	1x70W HID	35	3550	100	4000	50000	45000	24



Product name	CRI	FLICKER VALUE	⚡	👤	L x W x H [mm] Ø x H [mm]
SPOT VARIO DN 170 35 W 3000 K 24DEG WT	>80	<10 %	170	1126	180 x 129
SPOT VARIO DN 170 35 W 4000 K 24DEG WT	>80	<10 %	170	1126	180 x 129

<sup>1</sup> t [h]: L70/B50 @ 25 °C (Ta) / t [h]: L80/B10 @ 25 °C (Ta)

## SPOT MULTI

Recessed mounted spotlight, swivelable



### PRODUCT FEATURES

- Housing material: aluminium
- Housing, black; frame, white
- One driver per luminaire head (1-, 2-, 3-lamp)
- Gimbal adjustment angle: +/- 25°

### PRODUCT BENEFITS

- Lowflicker light
- Flexible application thanks to excellent anti-glare properties UGR <16
- Light-proof housing
- Easy replacement of external driver thanks to plug with bayonet lock

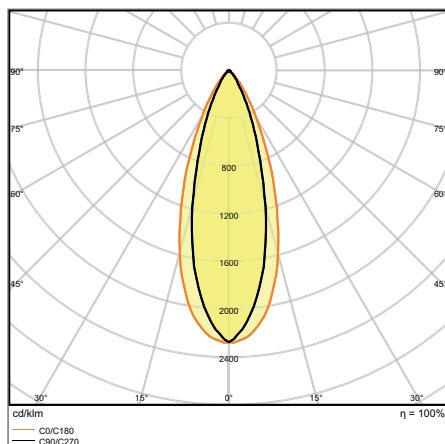
### AREAS OF APPLICATION

- Accent and general lighting for all kind of salesrooms
- Fashion shops, accessories shops
- Shops, boutiques
- Hotel rooms
- Cafés

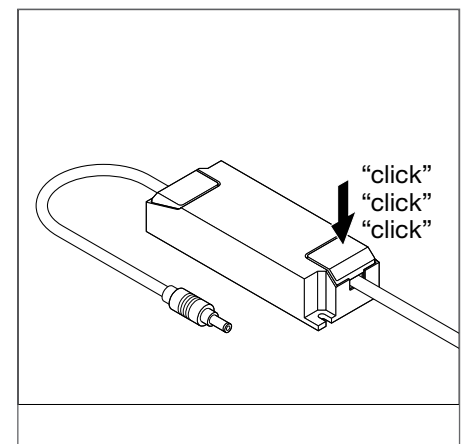
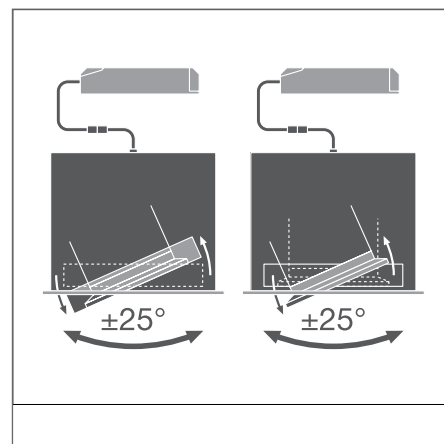
### EQUIPMENT / ACCESSORIES

- Driver included

## FURTHER PRODUCT DETAILS



SPOT MULTI 1 x 30W 3000K FL WT/BK



<sup>1</sup> Refer to [www.ledvance.co.uk/guarantee](http://www.ledvance.co.uk/guarantee) for precise conditions

The pictures shown in the catalogue are for illustration purposes only. For information on size and colour, please refer to the product table.

Product name	Segmentation	Static Code	GTIN (EAN)	RE- PLACE- MENT- FOR	W	lm	lm/W	K	L70 <sup>1</sup>	L80 <sup>1</sup>	°
SPOT MULTI 1 x 30W 3000K FL WT/BK	■	SM130	4058075113923	1x35W HID	30	2700	90	3000	50000	45000	38
SPOT MULTI 1 x 30W 4000K FL WT/BK	■	SM140	4058075113947	1x35W HID	30	2700	90	4000	50000	45000	38
SPOT MULTI 2 x 30W 3000K FL WT/BK	■	SM230	4058075113961	2x35W HID	2*30	2*2700	90	3000	50000	45000	38
SPOT MULTI 2 x 30W 4000K FL WT/BK	■	SM240	4058075113985	2x35W HID	2*30	2*2700	90	4000	50000	45000	38
SPOT MULTI 3 x 30W 3000K FL WT/BK	■	SM330	4058075114005	3x35W HID	3*30	3*2700	90	3000	50000	45000	38
SPOT MULTI 3 x 30W 4000K FL WT/BK	■	SM340	4058075114029	3x35W HID	3*30	3*2700	90	4000	50000	45000	38



Product name	CRI	FLICKER VALUE			L x W x H [mm] Ø x H [mm]	
SPOT MULTI 1 x 30W 3000K FL WT/BK	>80	<10 %	164x160	1540	173x173x135	1
SPOT MULTI 1 x 30W 4000K FL WT/BK	>80	<10 %	164x160	1540	173x173x135	1
SPOT MULTI 2 x 30W 3000K FL WT/BK	>80	<10 %	320x160	2700	330x173x135	3
SPOT MULTI 2 x 30W 4000K FL WT/BK	>80	<10 %	320x160	2700	330x173x135	3
SPOT MULTI 3 x 30W 3000K FL WT/BK	>80	<10 %	475x160	3870	487x173x135	2
SPOT MULTI 3 x 30W 4000K FL WT/BK	>80	<10 %	475x160	3870	487x173x135	2

<sup>1</sup> t [h]: L70/B50 @ 25 °C (Ta) / t [h]: L80/B10 @ 25 °C (Ta)

## SPOT SQUARE ADJUST

Recessed mounted spotlight, adjustable, square shape



### PRODUCT FEATURES

- Highquality, square die-cast aluminium housing for better heat dissipation, matt black and white
- Adjustable tilt angle: +/- 20°
- Lowflicker light

### PRODUCT BENEFITS

- Cut off angle for comfortable indoor lighting
- Energy savings of up to 90 % compared to halogen lamp spotlights
- Die-cast aluminium housing for improved heat dissipation
- External driver for extended flexibility (compatible with selected DALI drivers)
- 5 years guarantee

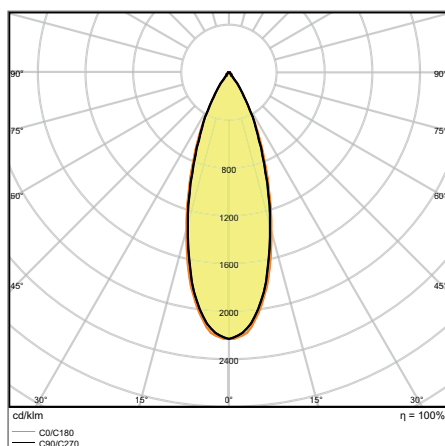
### AREAS OF APPLICATION

- Replacement of halogen lamp spotlights
- General accent lighting
- Shops, boutiques
- Hotel rooms
- Bars, restaurants

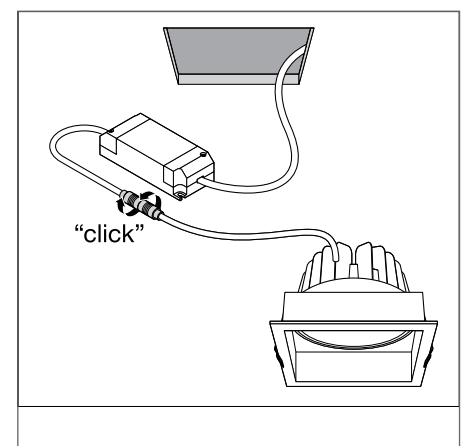
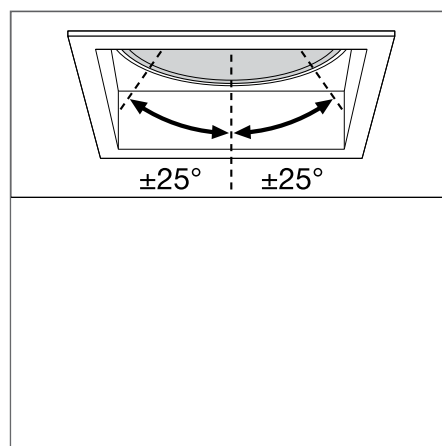
### EQUIPMENT / ACCESSORIES

- Driver included

## FURTHER PRODUCT DETAILS



SPOT SQUARE DK ADJ 8 W 3000 K WT



<sup>1</sup> Refer to [www.ledvance.co.uk/guarantee](http://www.ledvance.co.uk/guarantee) for precise conditions

The pictures shown in the catalogue are for illustration purposes only. For information on size and colour, please refer to the product table.



Product name	Segmentation	Static Code	GTIN (EAN)	RE-PLACE-MENT-FOR	W	lm	lm/W	K	L70 <sup>1</sup>	L80 <sup>1</sup>	°
SPOT SQUARE DK ADJ 8 W 3000 K WT	■	SSA30W	4058075114043	75W HAL	8	650	90	3000	50000	45000	36
SPOT SQUARE DK ADJ 8 W 3000 K BK	■	SSA30B	4058075114067	75W HAL	8	650	90	3000	50000	45000	36



Product name	CRI	FLICKER VALUE	⚡	L x W x H [mm]	⊘ x H [mm]	Light No.
SPOT SQUARE DK ADJ 8 W 3000 K WT	>80	<10 %	83 x 83	90 x 90 x 72		2
SPOT SQUARE DK ADJ 8 W 3000 K BK	>80	<10 %	83 x 83	90 x 90 x 72		3

<sup>1</sup> t [h]: L70/B50 @ 25 °C (Ta) / t [h]: L80/B10 @ 25 °C (Ta)

## SPOT ROUND ADJUST

Recessed mounted spotlight, adjustable, round shape



### PRODUCT FEATURES

- Die-cast aluminium housing, white
- Adjustable tilt angle: +/- 20°
- Available with DALI or switchable driver

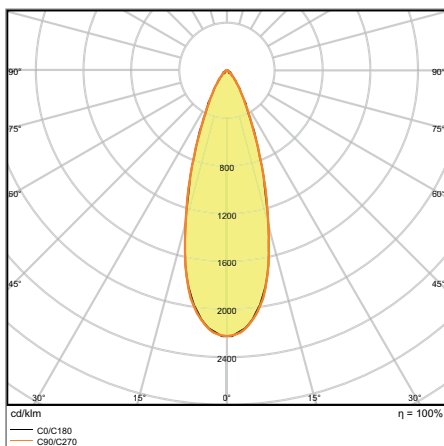
### PRODUCT BENEFITS

- Extended range of applications through versions with DALI or switchable driver
- Energy savings of up to 90 % compared to halogen lamp spotlights
- Easy installation for ceiling thickness: 3 - 20 mm
- 5 years guarantee

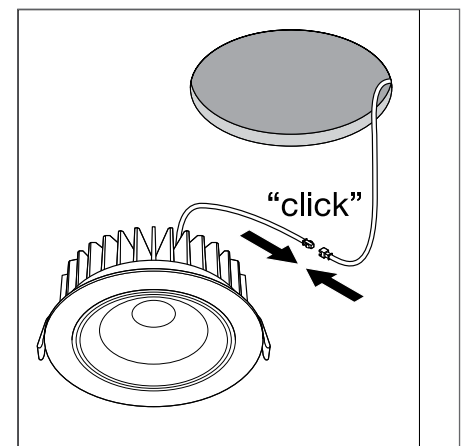
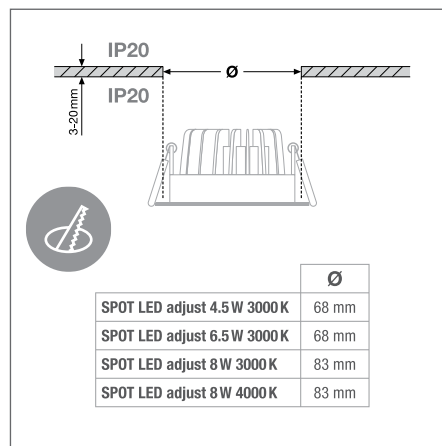
### AREAS OF APPLICATION

- Replacement of halogen lamp spotlights
- General illumination
- Hotel rooms
- Bars, restaurants
- Accent lighting

## FURTHER PRODUCT DETAILS



SPOT ADJUST 8 W 4000 K WT



<sup>1</sup> Refer to [www.ledvance.co.uk/guarantee](http://www.ledvance.co.uk/guarantee) for precise conditions

The pictures shown in the catalogue are for illustration purposes only. For information on size and colour, please refer to the product table.

Product name	Segmentation	Static Code	GTIN (EAN)	RE- PLACE- MENT FOR	W	lm	lm/W	K	L70 <sup>1</sup>	L80			
SPOT ADJUST 4.50 W 3000 K WT	■	S35R30	4058075126886	35W HAL	5	360	80	3000	50000	40000	36	-	-
SPOT ADJUST 6.50 W 3000 K WT	■	S50R30	4058075126909	50W HAL	7	550	85	3000	50000	40000	36	-	-
SPOT ADJUST 8 W 3000 K WT	■	S75R30	4058075126848	75W HAL	8	660	85	3000	50000	40000	36	-	-
SPOT ADJUST 8 W 4000 K WT	■	S75R40	4058075126862	75W HAL	8	720	90	4000	50000	40000	36	-	-
SPOT ADJUST DALI 8 W 3000 K IP20 WT	■	SDA75R30	4058075219946	75W HAL	8	660	85	3000	50000	40000	36	✓	DALI
SPOT ADJUST DALI 8 W 4000 K IP20 WT	■	SDA75R40	4058075219922	75W HAL	8	720	90	4000	50000	40000	36	✓	DALI



Product name	CRI	IK		L x W x H [mm] Ø x H [mm]
SPOT ADJUST 4.50 W 3000 K WT	>80	IK06	68	80 x 36
SPOT ADJUST 6.50 W 3000 K WT	>80	IK06	68	80 x 36
SPOT ADJUST 8 W 3000 K WT	>80	IK06	83	90 x 47
SPOT ADJUST 8 W 4000 K WT	>80	IK06	83	90 x 47
SPOT ADJUST DALI 8 W 3000 K IP20 WT	>80	IK06	83	90 x 47
SPOT ADJUST DALI 8 W 4000 K IP20 WT	>80	IK06	83	90 x 47

<sup>1</sup> t [h]: L70/B50 @ 25 °C (Ta) / t [h]: L80/B10 @ 25 °C (Ta)

# SPOT ROUND FIX

Recessed mounted spotlight, fixed, round shape



## PRODUCT FEATURES

- Aluminium housing available in white or silver
- Lens material: PMMA
- Type of protection, front side: IP44
- Compatible with standard ceiling cutouts of 68 mm

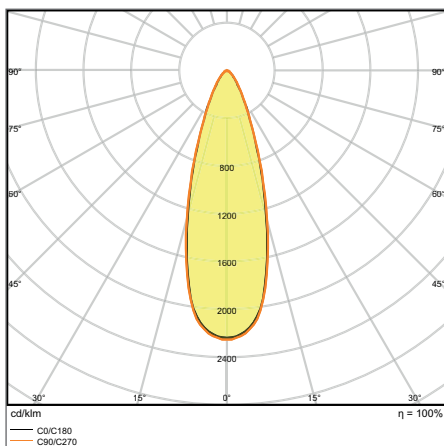
## PRODUCT BENEFITS

- Special design with conical aluminium ring
- Energy savings of up to 90 % compared to halogen lamp spotlights
- Easy installation for ceiling thickness: 3 - 20 mm
- 5 years guarantee

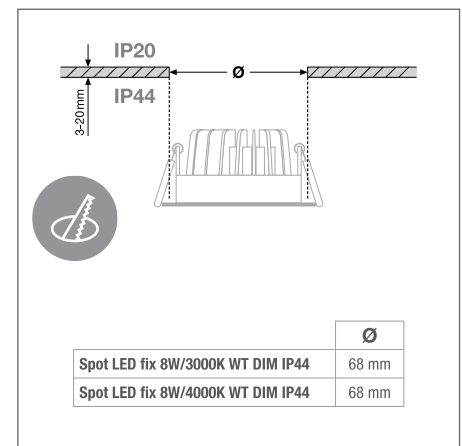
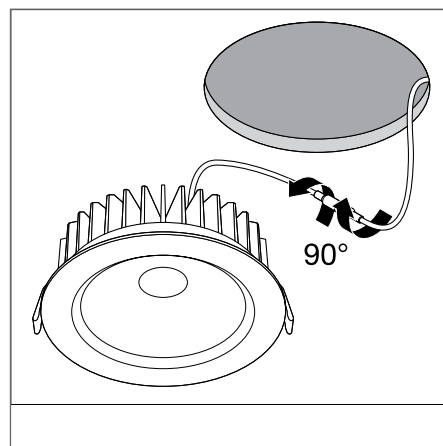
## AREAS OF APPLICATION

- Replacement of halogen lamp spotlights
- General illumination
- Hotel rooms
- Bars, restaurants
- Accent lighting

## FURTHER PRODUCT DETAILS



SPOT FIX DIM 8 W 4000 K IP44/IP20 SI



<sup>1</sup> Refer to [www.ledvance.co.uk/guarantee](http://www.ledvance.co.uk/guarantee) for precise conditions

The pictures shown in the catalogue are for illustration purposes only. For information on size and colour, please refer to the product table.

Product name	Segmentation	Static Code	GTIN (EAN)	RE-PLACE-MENT-FOR	W	lm	lm/W	K	L70	L80 <sup>1</sup>		
SPOT FIX DIM 8 W 3000 K IP44/IP20 SI	■	SD7530S	4058075126923	75W HAL	8	620	75	3000	50000	40000	36	✓
SPOT FIX DIM 8 W 3000 K IP44/IP20 WT	■	SD7530W	4058075127043	75W HAL	8	620	75	3000	50000	40000	36	✓
SPOT FIX DIM 8 W 4000 K IP44/IP20 SI	■	SD7540S	4058075127067	75W HAL	8	670	80	4000	50000	40000	36	✓
SPOT FIX DIM 8 W 4000 K IP44/IP20 WT	■	SD7540W	4058075127104	75W HAL	8	670	80	4000	50000	40000	36	✓



Product name	CRI	IK		L x W x H [mm] ∅ x H [mm]	No.
SPOT FIX DIM 8 W 3000 K IP44/IP20 SI	>80	IK06	68	81 x 51	1
SPOT FIX DIM 8 W 3000 K IP44/IP20 WT	>80	IK06	68	81 x 51	-
SPOT FIX DIM 8 W 4000 K IP44/IP20 SI	>80	IK06	68	81 x 51	1
SPOT FIX DIM 8 W 4000 K IP44/IP20 WT	>80	IK06	68	81 x 51	-

<sup>1</sup> t [h]: L70/B50 @ 25 °C (Ta) / t [h]: L80/B10 @ 25 °C (Ta)

# SPOT FIREPROOF FIX

Recessed mounted spotlight, round shape, fire-resistant



## PRODUCT FEATURES

- Die-cast aluminium housing, white
- Fire-resistant (up to 90 minutes, tested in accordance with EN 1365-2:2014, fire resistance tests for loadbearing elements - Part 2: Floors and roofs<sup>1</sup>\*)
- Type of protection, front side: IP65
- Dimmable (with suitable Phase-cut dimmers)

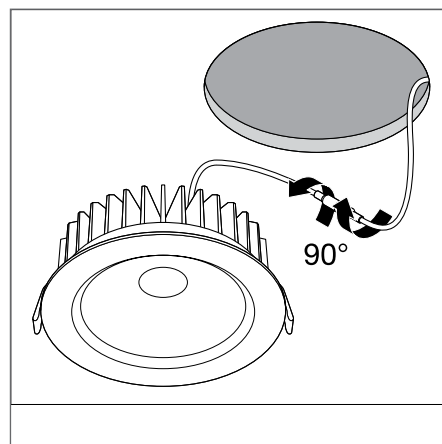
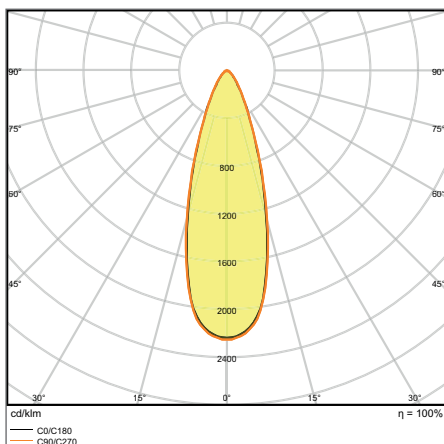
## PRODUCT BENEFITS

- Recessed spotlight usable for fire protection applications
- Energy savings of up to 90 % compared to halogen lamp spotlights
- Easy installation for ceiling thickness: 3 - 20 mm
- Designed for extra IP protection
- 5 years guarantee

## AREAS OF APPLICATION

- Replacement of halogen lamp spotlights
- Hotel rooms
- Bars, restaurants
- Bathrooms
- Accent lighting

## FURTHER PRODUCT DETAILS



	Ø
SpotFP LED fix 8W/3000K WT DIM IP65	68 mm
SpotFP LED fix 8W/4000K WT DIM IP65	68 mm

SPOT FP FIX DIM 8 W 4000 K IP65/IP20 WT

\* Coordination with your responsible fire protection inspector is required in advance!

<sup>1</sup> Refer to [www.ledvance.co.uk/guarantee](http://www.ledvance.co.uk/guarantee) for precise conditions

The pictures shown in the catalogue are for illustration purposes only. For information on size and colour, please refer to the product table.

## SPOT FIREPROOF DIM

Recessed mounted spotlight, round shape, fireresistant, dimmable

Product name	Segmentation	Static Code	GTIN (EAN)	RE-PLACEMENT FOR	W	lm	lm/W	K	L70 <sup>1</sup>	L80 <sup>1</sup>		
SPOT FP FIX DIM 8 W 3000 K IP65/IP20 WT	■	SFPD7530W	4058075127432	75W HAL	8	620	75	3000	50000	40000	36	✓
SPOT FP FIX DIM 8 W 4000 K IP65/IP20 WT	■	SFPD7540W	4058075127555	75W HAL	8	670	80	4000	50000	40000	36	✓
SPOT FP FIX DIM 8 W 3000 K IP65/IP20 SI	■	SFPD7530S	4058075127371	75W HAL	8	620	75	3000	50000	40000	36	✓
SPOT FP FIX DIM 8 W 4000 K IP65/IP20 SI	■	SFPD7540S	4058075127494	75W HAL	8	670	80	4000	50000	40000	36	✓



Product name	CRI	IK		L x W x H [mm]	
SPOT FP FIX DIM 8 W 3000 K IP65/IP20 WT	>80	IK06	68	81 x 51	-
SPOT FP FIX DIM 8 W 4000 K IP65/IP20 WT	>80	IK06	68	81 x 51	2
SPOT FP FIX DIM 8 W 3000 K IP65/IP20 SI	>80	IK06	68	81 x 51	-
SPOT FP FIX DIM 8 W 4000 K IP65/IP20 SI	>80	IK06	68	81 x 51	-

## SPOT FIREPROOF

Recessed mounted spotlight, round shape, fireresistant

Product name	Segmentation	Static Code	GTIN (EAN)	RE-PLACEMENT FOR	W	lm	lm/W	K	L70 <sup>1</sup>	L80 <sup>1</sup>	
SPOT FP FIX 7 W 3000 K IP65/IP20 WT	■	SFP5030	4058075127333	50W HAL	7	530	75	3000	50000	40000	38



Product name	CRI	IK		L x W x H [mm]	
SPOT FP FIX 7 W 3000 K IP65/IP20 WT	>80	IK06	68	90 x 72	1

<sup>1</sup> t [h]: L70/B50 @ 25 °C (Ta) / t [h]: L80/B10 @ 25 °C (Ta)

## SPOT DARKLIGHT

Recessed mounted spotlight, round shape, Darklight with cut-off



### PRODUCT FEATURES

- Die-cast aluminium housing, white
- Type of protection, front side: IP44
- Diameter of required ceiling cut-out: 63 mm

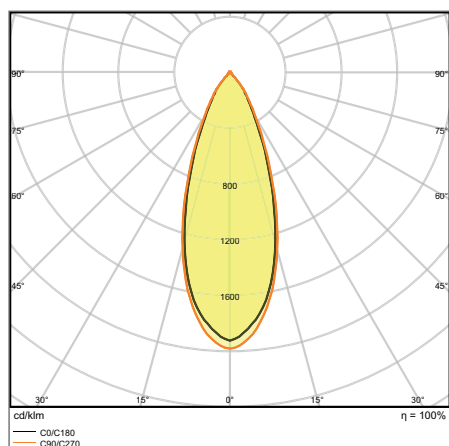
### PRODUCT BENEFITS

- 70° cut off angle - perfect for shelf lighting
- Energy savings of up to 90 % compared to halogen lamp spotlights
- Easy installation for ceiling thickness: 3 - 20 mm
- 5 years guarantee

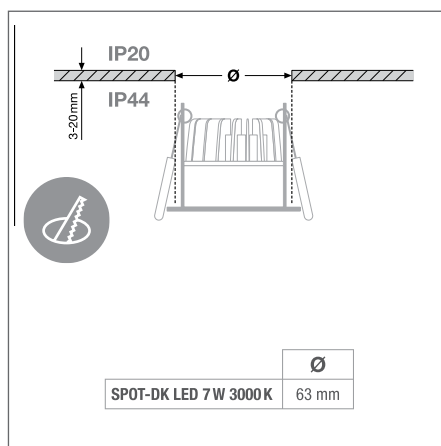
### AREAS OF APPLICATION

- Replacement of conventional 50 W halogen spotlights
- Hotel rooms
- Bars, restaurants
- Bathrooms
- Shelf and undercabinet lighting

## FURTHER PRODUCT DETAILS



SPOT DK FIX 7 W 3000 K IP44/IP20 WT



<sup>1</sup> Refer to [www.ledvance.co.uk/guarantee](http://www.ledvance.co.uk/guarantee) for precise conditions

The pictures shown in the catalogue are for illustration purposes only. For information on size and colour, please refer to the product table.



Product name	Segmentation	Static Code	GTIN (EAN)	RE-PLACEMENT FOR	W	lm	lm/W	K	L70 <sup>1</sup>	L80 <sup>1</sup>	°
SPOT DK FIX 7 W 3000 K IP44/IP20 WT	■	SDARK5030W	4058075127166	50W HAL	7	580	85	3000	50000	40000	36



Product name	CRI	IK	∅	L x W x H [mm]	∅ x H [mm]
SPOT DK FIX 7 W 3000 K IP44/IP20 WT	>80	IK06	63	70x58	

<sup>1</sup> t [h]: L70/B50 @ 25 °C (Ta) / t [h]: L80/B10 @ 25 °C (Ta)

# TRACKLIGHTS

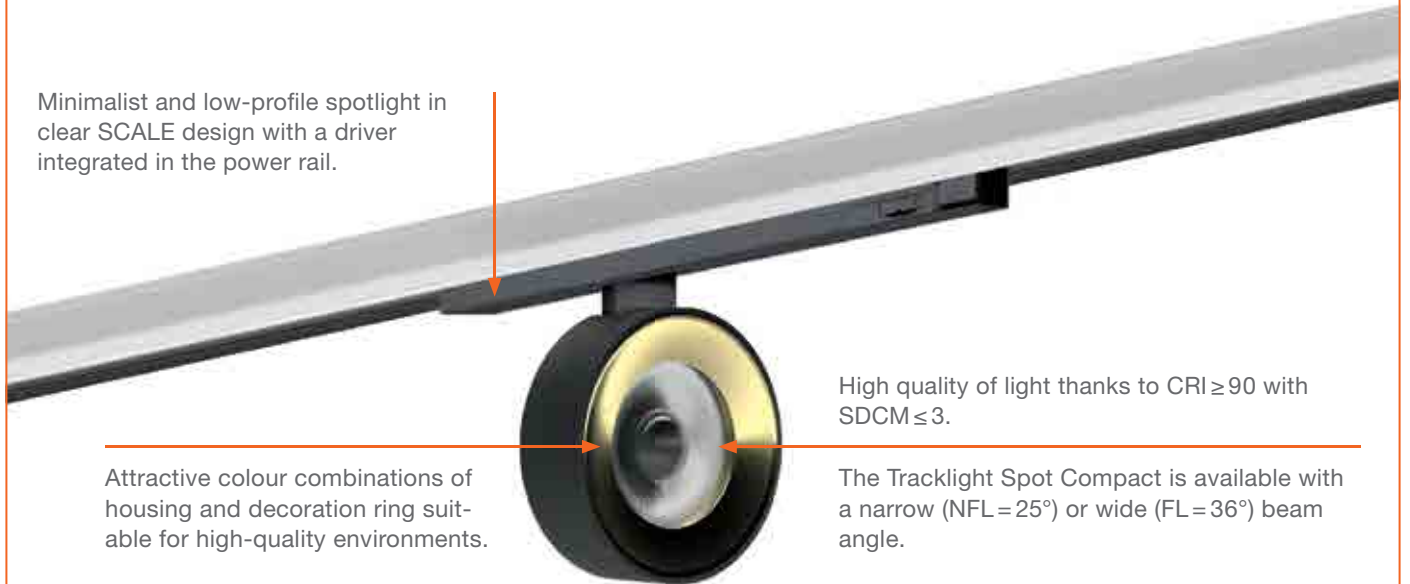
## REDUCED DESIGN, EXTENSIVE FUNCTIONS

### TRACKLIGHT SPOT COMPACT

Design spotlight – aesthetic and functional  
Page 44

PERFOR-  
MANCE  
CLASS

Minimalist and low-profile spotlight in clear SCALE design with a driver integrated in the power rail.



Attractive colour combinations of housing and decoration ring suitable for high-quality environments.

High quality of light thanks to  $CRI \geq 90$  with  $SDCM \leq 3$ .

The Tracklight Spot Compact is available with a narrow ( $NFL = 25^\circ$ ) or wide ( $FL = 36^\circ$ ) beam angle.

Choice of colour for housing + ring:



Matt white (WT)  
+ titanium



Matt black (BK)  
+ gold



Concrete grey (GY)  
+ chrome



### OUR SPOTLIGHTS ARE ALSO CHARACTERISED BY THE FOLLOWING SHARED QUALITY FEATURES:

- Included 3-phase adapter compatible with common power rails (such as NORLUX, GLOBAL, NUCO, NORDIC)
- High material quality thanks to die-cast aluminium housing
- High flexibility thanks to tilt and swivel joints



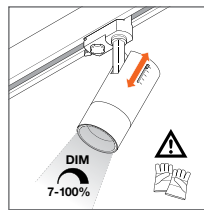
## TRACKLIGHT SPOT ZOOM DIM

Accurately focused light for flexible illumination

Page 46

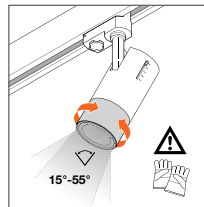
PERFORMANCE CLASS

Outstanding quality of light thanks to CRI  $\geq 97$  with Ra9 > 90 (colour rendering of red tones) and low-flicker light (< 10 %).



### DIM FUNCTION

Dimmable (7 %–100 %) by means of a slider on the housing; DIM level visible on a scale.



### ZOOM LENS

Mechanical ZOOM lens made of high-quality PMMA with adjustable beam angle (15°–55°); angle visible on a scale on the lens holder. The ZOOM mechanism concealed in the housing keeps the shape of the housing unchanged.

Choice of colour for housing:



## TRACKLIGHT SPOT

**Simply compact – a true all-rounder:** Excellent light comfort thanks to CRI  $\geq 90$ , SDCM  $\leq 3$  and UGR < 16. They master a wide range of lighting tasks thanks to replaceable, dust-proof reflectors and various power levels.

Page 48

PERFORMANCE CLASS

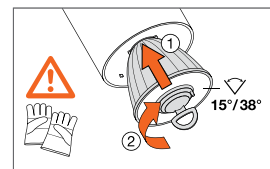


### THREE REFLECTORS FOR FLEXIBLE ACCENT LIGHTING

The reflectors are quick and easy to replace thanks to the practical bayonet connection and the supplied rubber suction cup.

The following replaceable reflectors are available:

the supplied standard Medium 24° reflector, as well as 2 Spot 15° and Flood 38° reflectors (order separately as accessories).



Distance (m)	∅ Light beam (m)	lx
Beam angle 15° Spot		
1.0	0.3	11,000 lx
2.0	0.6	2,900 lx
3.0	0.9	1,300 lx

Distance (m)	∅ Light beam (m)	lx
Beam angle 24° Medium		
1.0	0.4	9,200 lx
2.0	0.8	2,300 lx
3.0	1.2	1,000 lx

Distance (m)	∅ Light beam (m)	lx
Beam angle 38° Flood		
1.0		4,200 lx
2.0	1.4	1,000 lx
3.0	2.1	470 lx

Choice of colour for housing:



EAN: 4 058075113442, Tracklight Spot 25 W/3,000 K, rounded measured values

## TRACKLIGHT SPOT COMPACT

Shaped 3-phase tracklight spot with in-track control gear



### PRODUCT FEATURES

- Robust die-cast aluminium housing
- Available in matt white (like RAL9010), matt black (like RAL9005) and concrete grey (like RAL7042)
- Compact tracklight spot with in-track control gear
- Very good colour rendering CRI>90
- Colour consistency:  $\leq 3$  SDCM (threshold unit)

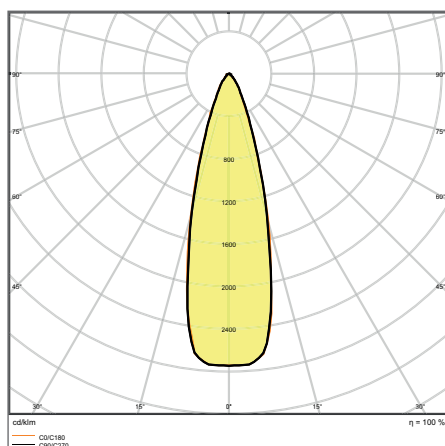
### PRODUCT BENEFITS

- Highquality spotlight thanks to excellent colour rendering
- Included 3-phase adapter compatible with common tracks (NORLUX, GLOBAL, NUCO, NORDIC, POWERGEAR, EUTRAC)
- Attractive colour combinations of housing/ decoration ring in white/titanium, black/gold, grey/chrome
- Made in Germany
- 5 years guarantee

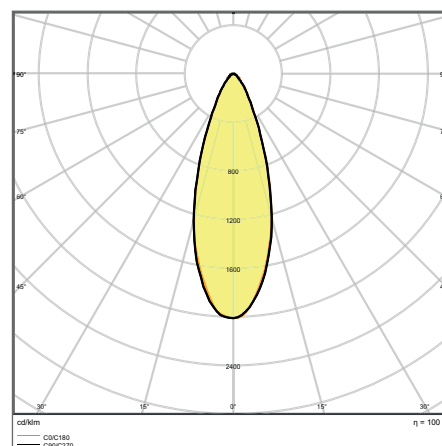
### AREAS OF APPLICATION

- Direct replacement for luminaires using HID lamps
- Accent lighting
- Fashion shops, accessories shops
- Retail
- Hotels, restaurants, shops

## FURTHER PRODUCT DETAILS



TR SP COMPACT D100 28 W 940 NFL BK

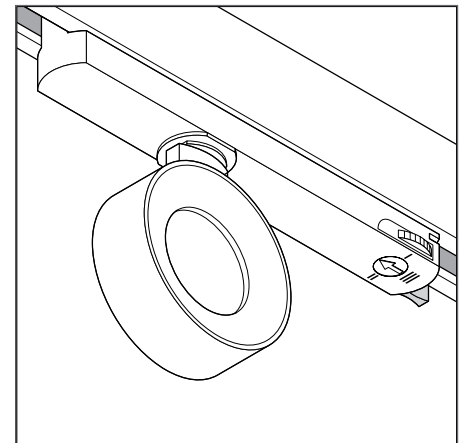
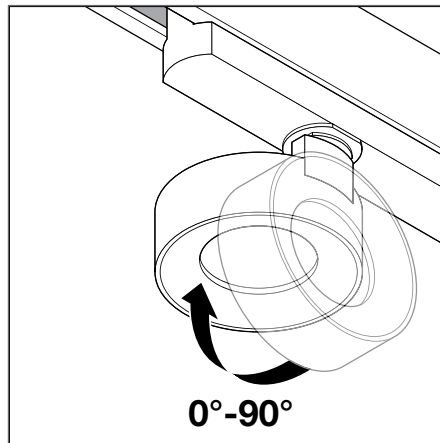
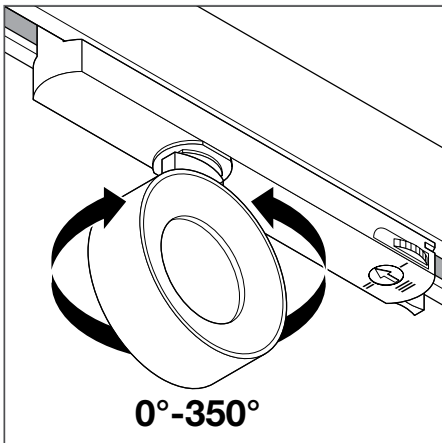


TR SP COM D100 28 W 4000 K FL

<sup>1</sup> Refer to [www.ledvance.co.uk/guarantee](http://www.ledvance.co.uk/guarantee) for precise conditions

The pictures shown in the catalogue are for illustration purposes only. For information on size and colour, please refer to the product table.

## FURTHER PRODUCT DETAILS



Product name	Segmentation	Static Code	GTIN (EAN)	RE-PLACE-MENT FOR	W	lm	lm/W	K	L70 <sup>1</sup>	L80 <sup>1</sup>	△
TR SP COMPACT D100 28 W 930 NFL WT	■	TSC2830NFLW	4058075335844	35W HCl	28	2280	80	3000	80000	50000	25
TR SP COMPACT D100 28 W 930 FL WT	■	TSC2830FLW	4058075335868	35W HCl	28	2200	80	3000	80000	50000	36
TR SP COMPACT D100 28 W 940 NFL WT	■	TSC2840NFLW	4058075335882	35W HCl	28	2380	85	4000	80000	50000	25
TR SP COMPACT D100 28 W 940 FL WT	■	TSC2840FLW	4058075335905	35W HCl	28	2300	80	4000	80000	50000	36
TR SP COMPACT D100 28 W 930 NFL BK	■	TSC2830NFLB	4058075335929	35W HCl	28	2280	80	3000	80000	50000	25
TR SP COMPACT D100 28 W 930 FL BK	■	TSC2830FLB	4058075335943	35W HCl	28	2200	80	3000	80000	50000	36
TR SP COMPACT D100 28 W 940 NFL BK	■	TSC2840NFLB	4058075335967	35W HCl	28	2380	85	4000	80000	50000	25
TR SP COMPACT D100 28 W 940 FL BK	■	TSC2840FLB	4058075335981	35W HCl	28	2300	80	4000	80000	50000	36
TR SP COMPACT D100 28 W 930 NFL GY	■	TSC2830NFLG	4058075336001	35W HCl	28	2280	80	3000	80000	50000	25
TR SP COMPACT D100 28 W 930 FL GY	■	TSC2830FLG	4058075336025	35W HCl	28	2200	80	3000	80000	50000	36
TR SP COMPACT D100 28 W 940 NFL GY	■	TSC2840NFLG	4058075336049	35W HCl	28	2380	85	4000	80000	50000	25
TR SP COMPACT D100 28 W 940 FL GY	■	TSC2840FLG	4058075336063	35W HCl	28	2300	80	4000	80000	50000	36



Product name	CRI	FLICKER VALUE	g	L x W x H [mm] Ø x H [mm]	Light No.
TR SP COMPACT D100 28 W 930 NFL WT	90	<5 %	400	260 x 33 x 160	1
TR SP COMPACT D100 28 W 930 FL WT	90	<5 %	400	260 x 33 x 160	1
TR SP COMPACT D100 28 W 940 NFL WT	90	<5 %	400	260 x 33 x 160	1
TR SP COMPACT D100 28 W 940 FL WT	90	<5 %	400	260 x 33 x 160	1
TR SP COMPACT D100 28 W 930 NFL BK	90	<5 %	400	260 x 33 x 160	2
TR SP COMPACT D100 28 W 930 FL BK	90	<5 %	400	260 x 33 x 160	2
TR SP COMPACT D100 28 W 940 NFL BK	90	<5 %	400	260 x 33 x 160	2
TR SP COMPACT D100 28 W 940 FL BK	90	<5 %	400	260 x 33 x 160	2
TR SP COMPACT D100 28 W 930 NFL GY	90	<5 %	400	260 x 33 x 160	3
TR SP COMPACT D100 28 W 930 FL GY	90	<5 %	400	260 x 33 x 160	3
TR SP COMPACT D100 28 W 940 NFL GY	90	<5 %	400	260 x 33 x 160	3
TR SP COMPACT D100 28 W 940 FL GY	90	<5 %	400	260 x 33 x 160	3

<sup>1</sup> t [h]: L70/B50 @ 25 °C (Ta) / t [h]: L80/B10 @ 25 °C (Ta)

# TRACKLIGHT SPOT ZOOM DIM

Dimmable 3-phase tracklight spot with mechanical zoom lens



## PRODUCT FEATURES

- Robust die-cast aluminium housing
- Available in matt white (like RAL9016), matt black (like RAL9004)
- Very good colour rendering index CRI97 and CRI>90
- Dimmable (7% - 100%) via slider potentiometer directly on each luminaire
- Mechanical zoom lens with a beam angle of 15 ° to 55 °

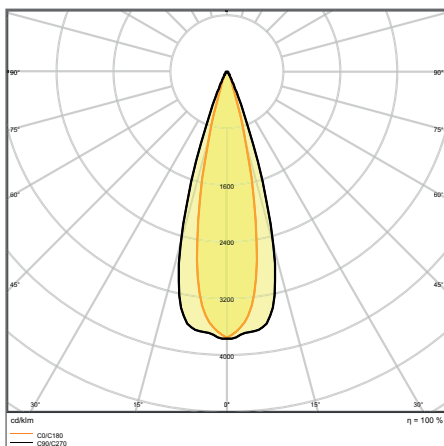
## PRODUCT BENEFITS

- Dimmable 3-phase track-mounted spotlight with mechanical zoom optics integrated in the housing
- Included 3-phase adapter compatible with common tracks (GLOBAL, POWERGEAR, EUTRAC, STAFF, NORLUX, NUCO, NORDIC)
- Highquality spotlight thanks to excellent colour rendering
- Lowflicker light
- 5 years guarantee

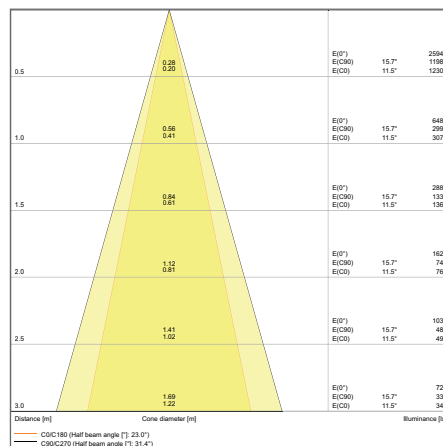
## AREAS OF APPLICATION

- Direct replacement for luminaires using HID lamps
- Accent lighting
- Galleries, museums
- Fashion shops, accessories shops
- Shops, changing rooms, shop windows

## FURTHER PRODUCT DETAILS



TR SP ZOOM DIM D85 25 W 3000 K 97R WT

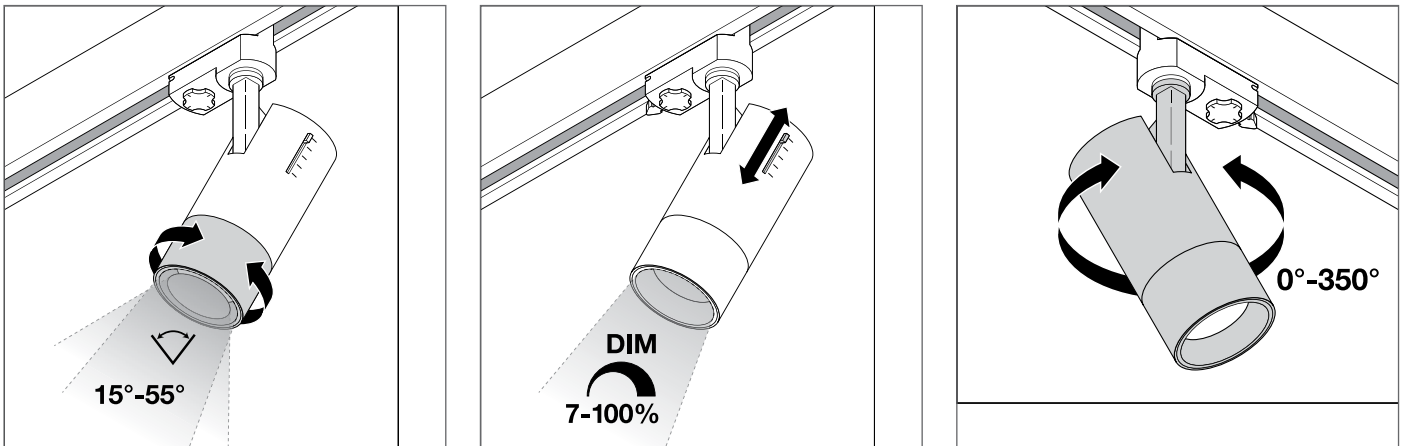


TR SP ZOOM D85 25 W 4000 K DIM 25DEG

<sup>1</sup> Refer to [www.ledvance.co.uk/guarantee](http://www.ledvance.co.uk/guarantee) for precise conditions

The pictures shown in the catalogue are for illustration purposes only. For information on size and colour, please refer to the product table.

## FURTHER PRODUCT DETAILS



Product name	Segmentation	Static Code	GTIN (EAN)	RE-PLACEMENT FOR	W	lm	lm/W	K	L70 <sup>1</sup>	L80 <sup>1</sup>	°
TR SP ZOOM DIM D85 25 W 3000 K 97R WT	■	TSZ25D30W	4058075335769	50W HCl	25	1500	60	3000	50000	35000	15.00 ... 55.00
TR SP ZOOM DIM D85 25 W 4000 K 97R WT	■	TSZ25D40W	4058075335783	50W HCl	25	1500	60	4000	50000	35000	15.00 ... 55.00
TR SP ZOOM DIM D85 25 W 3000 K 97R BK	■	TSZ25D30B	4058075335806	50W HCl	25	1500	60	3000	50000	35000	15.00 ... 55.00
TR SP ZOOM DIM D85 25 W 4000 K 97R BK	■	TSZ25D40B	4058075335820	50W HCl	25	1500	60	4000	50000	35000	15.00 ... 55.00



Product name	CRI	g	L x W x H [mm]	Ø x H [mm]	No.
TR SP ZOOM DIM D85 25 W 3000 K 97R WT	97	1025	85x265		2
TR SP ZOOM DIM D85 25 W 4000 K 97R WT	97	1025	85x265		2
TR SP ZOOM DIM D85 25 W 3000 K 97R BK	97	1025	85x265		3
TR SP ZOOM DIM D85 25 W 4000 K 97R BK	97	1025	85x265		3

<sup>1</sup> t [h]: L70/B50 @ 25 °C (Ta) / t [h]: L80/B10 @ 25 °C (Ta)

# TRACKLIGHT SPOT

3-phase tracklight spot with integrated control gear



## PRODUCT FEATURES

- Robust die-cast aluminium housing
- Available in matt white (like RAL9016), matt black (like RAL9004) and concrete grey (like RAL7042)
- Very good colour rendering index Ra: 90
- Rotation angle: 350°, tilt angle: 90°
- Equipped with reflectors with 24° beam angle

## PRODUCT BENEFITS

- Deep reflector and black antiglare ring for minimised glare (UGR ≤ 16)
- Accessory reflectors with 15° or 38° beam angle available
- Reflector easily replaceable thanks to bayonet catch and rubber suction pad
- Included 3-phase adapter compatible with common tracks (GLOBAL, POWERGEAR, EUTRAC, STAFF, NORLUX, NUCO, NORDIC)
- Lowflicker light

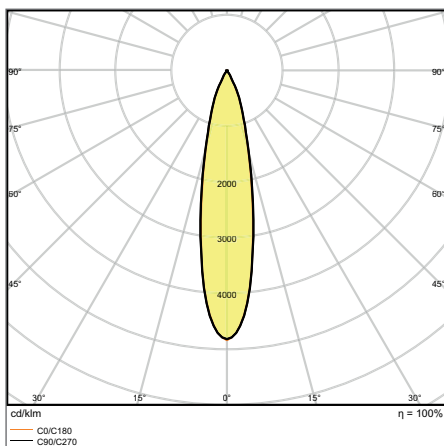
## AREAS OF APPLICATION

- Direct replacement for luminaires using HID lamps
- Accent lighting
- Fashion shops, accessories shops
- Retail
- Hotels, restaurants, shops

## EQUIPMENT / ACCESSORIES

- Accessory reflectors with 15° or 38° beam angle available\*

## FURTHER PRODUCT DETAILS



TRACK SP D95 55 W 4000 K 90RA NFL GY

Distance [m]	Cone diameter [m]	E(0°)	E(C90)	E(CD)	Illuminance [lx]
0.5	0.19 0.19	81247	11.0° 38656	10.9° 38871	
1.0	0.39 0.39	20312	11.0° 9664	10.9° 9718	
1.5	0.58 0.58	9027	11.0° 4295	10.9° 4319	
2.0	0.78 0.77	5078	11.0° 2416	10.9° 2429	
2.5	0.97 0.96	3250	11.0° 1546	10.9° 1555	
3.0	1.17 1.16	2257	11.0° 1074	10.9° 1080	

Distance [m] Cone diameter [m] Illuminance [lx]

— C0/C180 (Half beam angle [°]: 21.8°)  
— C90/C270 (Half beam angle [°]: 22.0°)

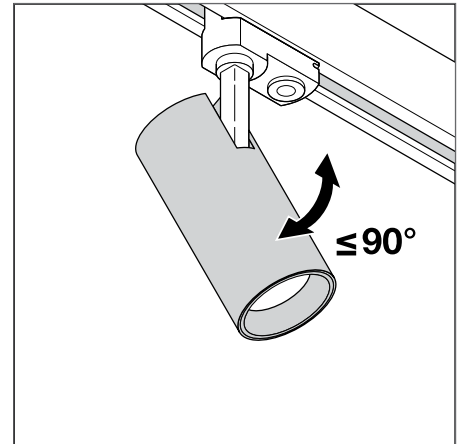
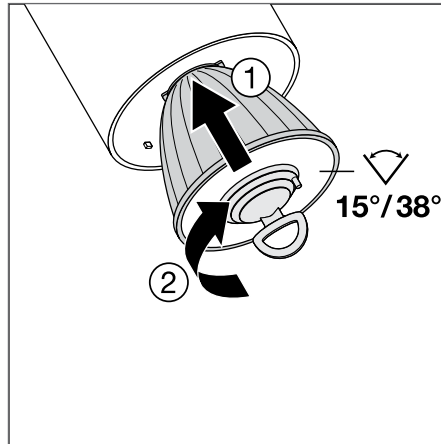
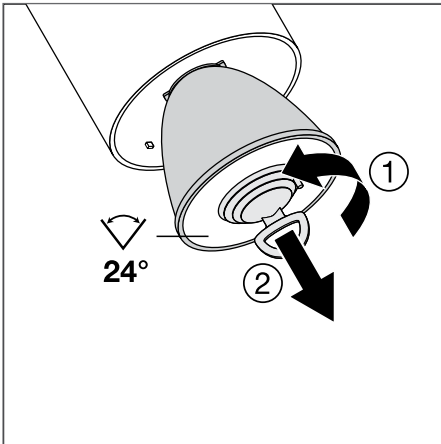
TRACK SP D95 55 W 4000 K NFL

\* Please note: available = available as an optional accessory.  
 † Refer to [www.ledvance.co.uk/guarantee](http://www.ledvance.co.uk/guarantee) for precise conditions

The pictures shown in the catalogue are for illustration purposes only. For information on size and colour, please refer to the product table.



## FURTHER PRODUCT DETAILS



Product name	Segmentation	Static Code	GTIN (EAN)	RE-PLACEMENT FOR	W	lm	lm/W	K	L70 <sup>1</sup>	L80 <sup>1</sup>	△
TRACK SP D75 25 W 3000 K 90RA NFL WT	■	TL2530WH	4058075113442	35W HID	25	1750	70	3000	50000	45000	24
TRACK SP D75 25 W 4000 K 90RA NFL WT	■	TL2540WH	4058075113466	35W HID	25	1900	75	4000	50000	45000	24
TRACK SP D75 25 W 3000 K 90RA NFL BK	■	TL2530BL	4058075113565	35W HID	25	1750	75	3000	50000	45000	24
TRACK SP D75 25 W 4000 K 90RA NFL BK	■	TL2540BL	4058075113589	35W HID	25	1900	80	4000	50000	45000	24
TRACK SP D75 25 W 3000 K 90RA NFL GY	■	TL2530GR	4058075113688	35W HID	25	1750	75	3000	50000	45000	24
TRACK SP D75 25 W 4000 K 90RA NFL GY	■	TL2540GR	4058075113701	35W HID	25	1900	75	4000	50000	45000	24
TRACK SP D85 35 W 3000 K 90RA NFL WT	■	TL3530WH	4058075113480	50WHID	35	2660	70	3000	50000	45000	24
TRACK SP D85 35 W 4000 K 90RA NFL WT	■	TL3540WH	4058075113503	50WHID	35	2800	75	4000	50000	45000	24
TRACK SP D85 35 W 3000 K 90RA NFL BK	■	TL3530BL	4058075113602	50WHID	35	2660	75	3000	50000	45000	24
TRACK SP D85 35 W 4000 K 90RA NFL BK	■	TL3540BL	4058075113626	50WHID	35	2800	80	4000	50000	45000	24
TRACK SP D85 35 W 3000 K 90RA NFL GY	■	TL3530GR	4058075113725	50W HID	35	2660	75	3000	50000	45000	24
TRACK SP D85 35 W 4000 K 90RA NFL GY	■	TL3540GR	4058075113749	50W HID	35	2800	75	4000	50000	45000	24
TRACK SP D95 55 W 3000 K 90RA NFL WT	■	TL5530WH	4058075113527	70W HID	55	4000	70	3000	50000	45000	24
TRACK SP D95 55 W 4000 K 90RA NFL WT	■	TL5540WH	4058075113541	70W HID	55	4200	75	4000	50000	45000	24
TRACK SP D95 55 W 3000 K 90RA NFL BK	■	TL5530BL	4058075113640	70W HID	55	4000	75	3000	50000	45000	24
TRACK SP D95 55 W 4000 K 90RA NFL BK	■	TL5540BK	4058075113664	70W HID	55	4200	80	4000	50000	45000	24
TRACK SP D95 55 W 3000 K 90RA NFL GY	■	TL5530GR	4058075113763	70W HID	55	4000	75	3000	50000	45000	24
TRACK SP D95 55 W 4000 K 90RA NFL GY	■	TL5540GR	4058075113787	70W HID	55	4200	75	4000	50000	45000	24

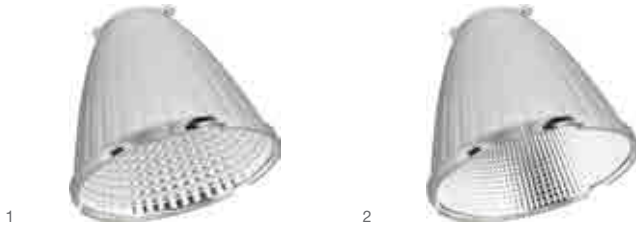


Product name	CRI	FLICKER VALUE	9	L x W x H [mm]	Ø x H [mm]	No.
TRACK SP D75 25 W 3000 K 90RA NFL WT	90	<10 %	770	75 x 255	1	1
TRACK SP D75 25 W 4000 K 90RA NFL WT	90	<10 %	770	75 x 255	1	1
TRACK SP D75 25 W 3000 K 90RA NFL BK	90	<10 %	770	75 x 255	-	-
TRACK SP D75 25 W 4000 K 90RA NFL BK	90	<10 %	770	75 x 255	-	-
TRACK SP D75 25 W 3000 K 90RA NFL GY	90	<10 %	770	75 x 255	-	-
TRACK SP D75 25 W 4000 K 90RA NFL GY	90	<10 %	770	75 x 255	-	-
TRACK SP D85 35 W 3000 K 90RA NFL WT	90	<10 %	1020	85 x 267	-	-
TRACK SP D85 35 W 4000 K 90RA NFL WT	90	<10 %	1020	85 x 267	-	-
TRACK SP D85 35 W 3000 K 90RA NFL BK	90	<10 %	1020	85 x 267	-	-
TRACK SP D85 35 W 4000 K 90RA NFL BK	90	<10 %	1020	85 x 267	-	-
TRACK SP D85 35 W 3000 K 90RA NFL GY	90	<10 %	1020	85 x 267	-	-
TRACK SP D85 35 W 4000 K 90RA NFL GY	90	<10 %	1020	85 x 267	-	-
TRACK SP D95 55 W 3000 K 90RA NFL WT	90	<10 %	1520	95 x 297	-	-
TRACK SP D95 55 W 4000 K 90RA NFL WT	90	<10 %	1520	95 x 297	-	-
TRACK SP D95 55 W 3000 K 90RA NFL BK	90	<10 %	1520	95 x 297	2	2
TRACK SP D95 55 W 4000 K 90RA NFL BK	90	<10 %	1520	95 x 297	2	2
TRACK SP D95 55 W 3000 K 90RA NFL GY	90	<10 %	1520	95 x 297	3	3
TRACK SP D95 55 W 4000 K 90RA NFL GY	90	<10 %	1520	95 x 297	3	3




<sup>1</sup> t [h]: L70/B50 @ 25 °C (Ta) / t [h]: L80/B10 @ 25 °C (Ta)

# TRACKLIGHT SPOT REFLECTOR

Interchangeable reflector



- Reflector easily replaceable thanks to bayonet catch and rubber suction pad
- Clear cover protects the reflector against dust and contact
- High optical efficacy
- Housing material: polycarbonate (PC)
- Accessory reflectors available in different beam angles

Product name	Static Code	GTIN (EAN)	L x W x H [mm] ∅ x H [mm]	MATERIAL	COLOUR			
TRACK SP REFLECTOR D75 SP	TREFD7515	4058075113800	63 x 53	Polycarbonate (PC)	Silver	15	1	1
TRACK SP REFLECTOR D75 FL	TREFD7538	4058075113824	63 x 53	Polycarbonate (PC)	Silver	38	1	2
TRACK SP REFLECTOR D85 SP	TREFD8515	4058075113848	75 x 63	Polycarbonate (PC)	Silver	15	1	1
TRACK SP REFLECTOR D85 FL	TREFD8538	4058075113862	75 x 63	Polycarbonate (PC)	Silver	38	1	2
TRACK SP REFLECTOR D95 SP	TREFD9515	4058075113886	82 x 69	Polycarbonate (PC)	Silver	15	1	1
TRACK SP REFLECTOR D95 FL	TREFD9538	4058075113909	82 x 69	Polycarbonate (PC)	Silver	38	1	2

<sup>1</sup> Refer to [www.ledvance.co.uk/guarantee](http://www.ledvance.co.uk/guarantee) for precise conditions

The pictures shown in the catalogue are for illustration purposes only. For information on size and colour, please refer to the product table.

# WALL AND CEILING LUMINAIRES

IDEAL FOR PUBLIC AREAS



## SURFACE COMPACT IK10

Page 54

PERFOR-  
MANCE  
CLASS



### ROBUST, POWERFUL SURFACE-MOUNTED LUMINAIRE

- Resistant to vandalism
- Transparent cover protects against dust and moisture
- High luminous efficacy

## SURFACE BULKHEAD

Page 60

SURFACE BULKHEAD  
SURFACE BULKHEAD SENSOR  
SURFACE BULKHEAD EMERGENCY  
SURFACE BULKHEAD SENSOR  
EMERGENCY  
SURFACE BULKHEAD ACCESSORY RINGS

PERFOR-  
MANCE  
CLASS



### GREAT PERFORMANCE INDOORS AND OUTDOORS

- Extremely versatile through switchable, HF-sensor and 3h single-battery versions
- Suitable for use in public areas thanks to high IK rating
- Easy installation on wall and ceiling with through-wiring option

## SURFACE CIRCULAR

Page 56

SURFACE CIRCULAR  
SURFACE CIRCULAR SENSOR  
SURFACE CIRCULAR COVER

VALUE  
CLASS



### FOR STANDARD APPLICATIONS

- Versions with sensor: easy adjustment of the sensor range, daylight detection and illumination time
- Energy savings of up to 55% compared with luminaires that use compact fluorescent lamps
- Quick and easy installation

# ROBUST VANDALISM PROTECTION AND INTELLIGENT SENSOR TECHNOLOGY



## ROBUST, RUGGED AND VANDAL-PROOF

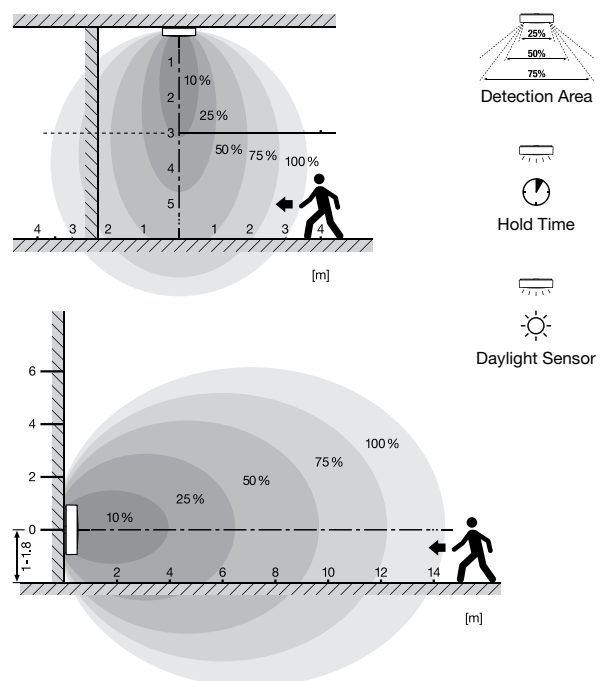
LEDVANCE SURFACE BULKHEAD and LEDVANCE SURFACE COMPACT IK10 are characterised by rugged design, an impact-resistant housing made of reinforced polycarbonate with IK10 rating, and high IP65 degree of protection. Torx screws make it harder for the luminaires to be removed with a conventional screwdriver, making them ideally protected against vandalism.



## SENSORS FOR SAFETY AND EFFICIENCY

LEDVANCE SURFACE BULKHEAD and CIRCULAR luminaires are available with state-of-the-art sensor technology. The flexible adjustment options allow illumination as required. This allows for light comfort and safety to be combined with maximum efficiency:

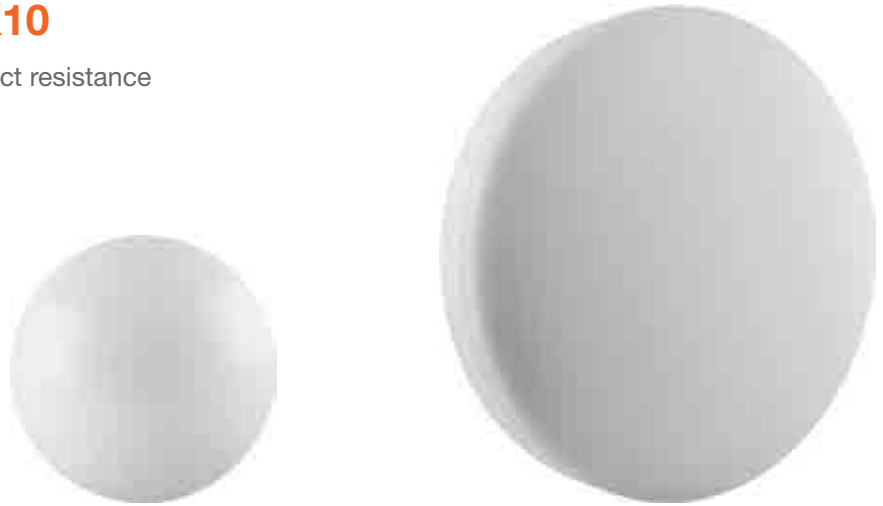
- HF sensor technology for motion detection
- Four-step twilight switching; activation adjustable between 2 and 50 lux
- Motion sensor with wide detection range (for wall and ceiling mounting); adjustable in five steps between 10 and 100 percent
- Hold time from 5 seconds to 30 minutes



Motion sensor with many adjustment options

## SURFACE COMPACT IK10

Wall and ceiling luminaire with high impact resistance



### PRODUCT FEATURES

- Housing and cover made from polycarbonate
- Impact resistance: IK10
- Glow Wire Test according to IEC 60695-2-12: 850 °C
- Through-wiring possible

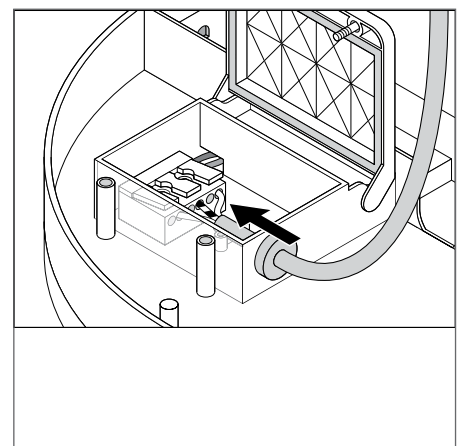
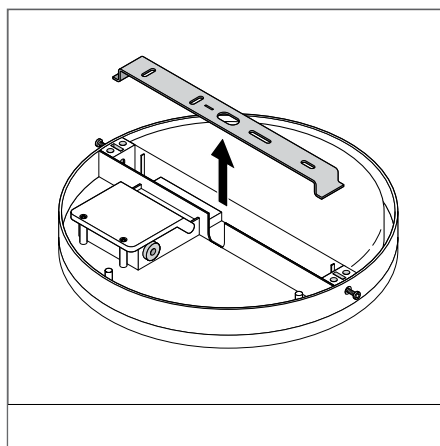
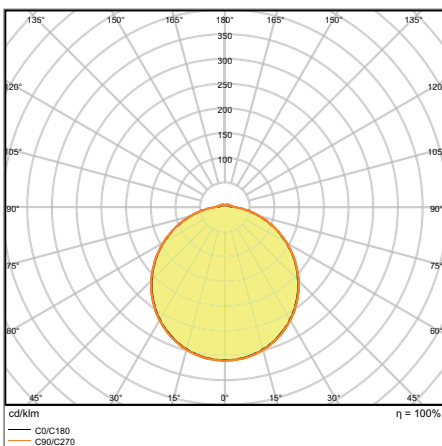
### PRODUCT BENEFITS

- Resistance against vandalism
- Transparent cover protects against dust and moisture
- LED protected for safe installation
- High luminous efficacy
- 5 years guarantee

### AREAS OF APPLICATION

- Corridors
- Stairways
- Bathrooms
- Foyers
- Public areas

## FURTHER PRODUCT DETAILS



SF COMPACT IK10 300 24 W 4000 K  
IP65 WT

<sup>1</sup> Refer to [www.ledvance.co.uk/guarantee](http://www.ledvance.co.uk/guarantee) for precise conditions

The pictures shown in the catalogue are for illustration purposes only. For information on size and colour, please refer to the product table.

Product name	Segmentation	Static Code	GTIN (EAN)	RE-PLACEMENT FOR	W	lm	lm/W	K	L70 <sup>1</sup>	L80 <sup>1</sup>	°
SF COMPACT IK10 300 24 W 3000 K IP65 WT	■	SCOM2430	4058075062207	2x18W CFL	24	1800	75	3000	50000	30000	120
SF COMPACT IK10 300 24 W 4000 K IP65 WT	■	SCOM2440	4058075062221	2x18W CFL	24	1920	80	4000	50000	30000	120



Product name	CRI	FLICKER VALUE	IK	L x W x H [mm] Ø x H [mm]
SF COMPACT IK10 300 24 W 3000 K IP65 WT	>80	<5 %	IK10	300 x 61
SF COMPACT IK10 300 24 W 4000 K IP65 WT	>80	<5 %	IK10	300 x 61

<sup>1</sup> t [h]: L70/B50 @ 25 °C (Ta) / t [h]: L80/B10 @ 25 °C (Ta)

# SURFACE CIRCULAR

Wall and ceiling luminaires



## PRODUCT FEATURES

- Metal housing, PMMA cover
- Versions with sensor: high-frequency sensor for daylight and motion detection
- Versions with sensor: 110° and 8 m detection range, threshold: 25 lx, 5 s/1 min/3 min/10 min
- Ambient temperature in operation: -20...+40 °C

## PRODUCT BENEFITS

- Versions with sensor: easy adjustment of the sensor range, daylight detection and illumination time
- Energy savings of up to 55 % compared to luminaires that use CFL
- Easy and quick installation

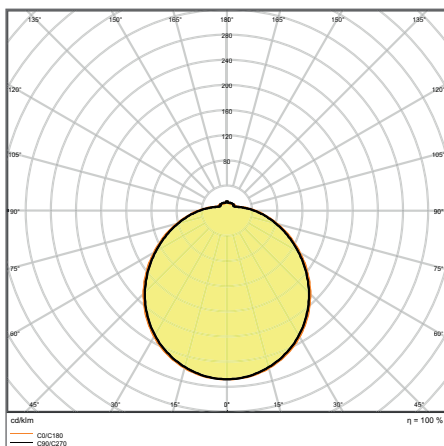
## AREAS OF APPLICATION

- Corridors
- Stairways
- Bathrooms
- Foyers

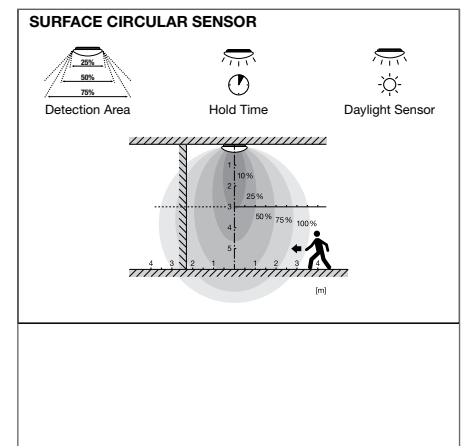
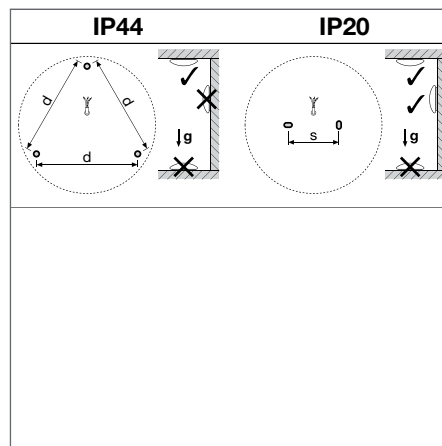
## EQUIPMENT / ACCESSORIES

- Replacement cover optional available\*

## FURTHER PRODUCT DETAILS



SF CIRCULAR 400 S 24 W 3000 K IP44 WT



\* Please note: available = available as an optional accessory.

<sup>1</sup> Versions with integrated sensor available | <sup>2</sup> Refer to [www.ledvance.co.uk/guarantee](http://www.ledvance.co.uk/guarantee) for precise conditions

The pictures shown in the catalogue are for illustration purposes only. For information on size and colour, please refer to the product table.



## SURFACE CIRCULAR

Wall and ceiling luminaires with IP44

Product name	Segmentation	Static Code	GTIN (EAN)	RE-PLACEMENT FOR	W	lm	lm/W	K	L70 <sup>1</sup>	L80 <sup>1</sup>	°
SF CIRCULAR 250 13 W 3000 K IP44 WT	■	SC25030	4058075110120	18W CFL	13	920	70	3000	30000	22000	120
SF CIRCULAR 250 13 W 4000 K IP44 WT	■	SC25040	4058075110144	18W CFL	13	960	75	4000	30000	22000	120
SF CIRCULAR 350 18 W 3000 K IP44 WT	■	SC35030	4058075080010	24W CFL	18	1440	80	3000	30000	22000	120
SF CIRCULAR 350 18 W 4000 K IP44 WT	■	SC35040	4058075080034	24W CFL	18	1440	80	4000	30000	22000	120
SF CIRCULAR 400 24 W 3000 K IP44 WT	■	SC40030	4058075080058	2x18W CFL	24	1920	80	3000	30000	22000	120
SF CIRCULAR 400 24 W 4000 K IP44 WT	■	SC40040	4058075080072	2x18W CFL	24	1920	80	4000	30000	22000	120



Product name	CRI	FLICKER VALUE	L x W x H [mm] ∅ x H [mm]
SF CIRCULAR 250 13 W 3000 K IP44 WT	>80	<5 %	250 x 91
SF CIRCULAR 250 13 W 4000 K IP44 WT	>80	<5 %	250 x 91
SF CIRCULAR 350 18 W 3000 K IP44 WT	>80	<5 %	350 x 115
SF CIRCULAR 350 18 W 4000 K IP44 WT	>80	<5 %	350 x 115
SF CIRCULAR 400 24 W 3000 K IP44 WT	>80	<5 %	400 x 120
SF CIRCULAR 400 24 W 4000 K IP44 WT	>80	<5 %	400 x 120

## SURFACE CIRCULAR SENSOR

Wall and ceiling luminaire with IP44 and high frequency sensor

Product name	Segmentation	Static Code	GTIN (EAN)	RE-PLACEMENT FOR	W	lm	lm/W	K	L70 <sup>1</sup>	L80 <sup>1</sup>	°
SF CIRCULAR 250 S 13 W 3000 K IP44 WT	■	SC25030S	4058075314894	18W CFL	13	920	70	3000	30000	22000	120
SF CIRCULAR 250 S 13 W 4000 K IP44 WT	■	SC25040S	4058075314917	18W CFL	13	960	75	4000	30000	22000	120
SF CIRCULAR 350 S 18 W 3000 K IP44 WT	■	SC35030S	4058075314931	26W CFL	18	1440	80	3000	30000	22000	120
SF CIRCULAR 350 S 18 W 4000 K IP44 WT	■	SC35040S	4058075314955	26W CFL	18	1440	80	4000	30000	22000	120
SF CIRCULAR 400 S 24 W 3000 K IP44 WT	■	SC40030S	4058075314979	32W CFL	24	1920	80	3000	30000	22000	120
SF CIRCULAR 400 S 24 W 4000 K IP44 WT	■	SC40040S	4058075314993	32W CFL	24	1920	80	4000	30000	22000	120



Product name	CRI	FLICKER VALUE	L x W x H [mm] ∅ x H [mm]
SF CIRCULAR 250 S 13 W 3000 K IP44 WT	>80	<5 %	250 x 91
SF CIRCULAR 250 S 13 W 4000 K IP44 WT	>80	<5 %	250 x 91
SF CIRCULAR 350 S 18 W 3000 K IP44 WT	>80	<5 %	350 x 115
SF CIRCULAR 350 S 18 W 4000 K IP44 WT	>80	<5 %	350 x 115
SF CIRCULAR 400 S 24 W 3000 K IP44 WT	>80	<5 %	400 x 120
SF CIRCULAR 400 S 24 W 4000 K IP44 WT	>80	<5 %	400 x 120

## SENSOR PROPERTIES

Product name	Type of sensor	Sensor technology	Detection threshold of daylight sensor	Detection range of motion sensor	Sensor detection angle	Sensor controlled switching time
SURFACE CIRCULAR 250 SENSOR	Motion/Light	Microwave	25 lx	8 m	110 °	5 s/1 min/3 min/10
SURFACE CIRCULAR 350 SENSOR	Motion/Light	Microwave	25 lx	8 m	110 °	5 s/1 min/3 min/10
SURFACE CIRCULAR 400 SENSOR	Motion/Light	Microwave	25 lx	8 m	110 °	5 s/1 min/3 min/10

<sup>1</sup> t [h]: L70/B50 @ 25 °C (Ta) / t [h]: L80/B10 @ 25 °C (Ta)



# SURFACE CIRCULAR COVER

Replacement cover for Surface Circular



- Easy replacement of the cover without changing the luminaire
- Opal cover made of PMMA
- Impact resistance: IK03

## AREAS OF APPLICATION

- Replacement for Surface Circular covers

Product name	Static Code	GTIN (EAN)	L x W x H [mm] Ø x H [mm]	MATERIAL	COLOUR	IK	QTY
SF CIRCULAR 250 Cover	SC250COV	4058075156722	250 x 80	Polymethylmethacrylate (PMMA) / Polymethyl methacrylate (PMMA)	White	120	1
SF CIRCULAR 350 Cover	SC350COV	4058075156807	350 x 104	Polymethylmethacrylate (PMMA) / Polymethyl methacrylate (PMMA)	White	120	1
SF CIRCULAR 400 Cover	SC400COV	4058075156821	400 x 112	Polymethylmethacrylate (PMMA) / Polymethyl methacrylate (PMMA)	White	120	1

<sup>1</sup> Refer to [www.ledvance.co.uk/guarantee](http://www.ledvance.co.uk/guarantee) for precise conditions

The pictures shown in the catalogue are for illustration purposes only. For information on size and colour, please refer to the product table.



# SURFACE BULKHEAD

Robust wall and ceiling luminaire for indoor or outdoor use



## PRODUCT FEATURES

- Housing and cover made of UV-resistant PC.
- Available in 2 diameters, 2 housing colours and 2 light colours
- Impact resistance: IK10
- Type of protection: IP65
- **Always order cover separately.**  
Versions: ring or eyelid cover

## PRODUCT BENEFITS

- Extremely versatile through switchable, HF-sensor and 3h single-battery versions
- Suitable for use in public areas thanks to high IK rating
- Easy installation on wall and ceiling with through-wiring option
- High luminous efficacy in normal operation
- All versions with 5-year guarantee, except emergency version: 3 years (built-in 3h battery)

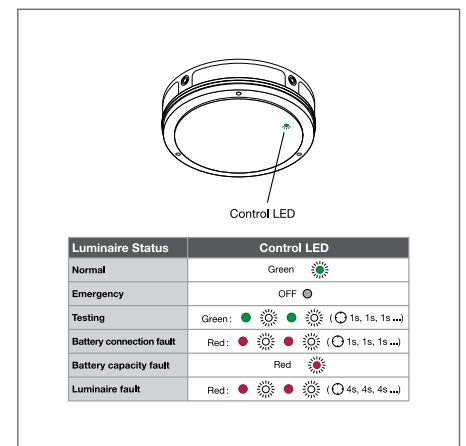
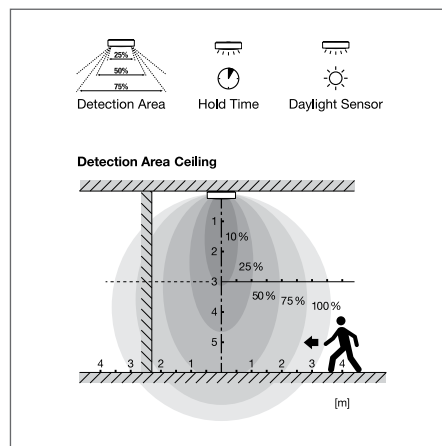
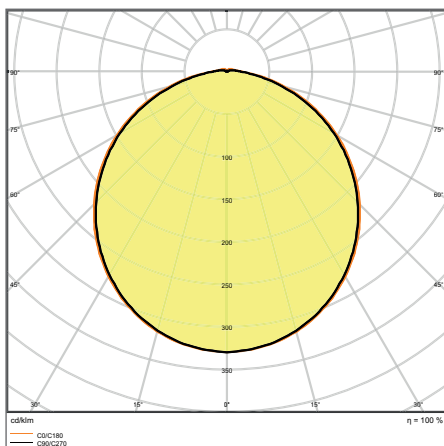
## AREAS OF APPLICATION

- Direct replacement for luminaires with fluorescent lamps
- Corridors, stairways, entrance areas
- Passages, underpasses
- Public areas

## EQUIPMENT / ACCESSORIES

- Additional cover rings in different designs available\*\*
- Mounting screws and dowels included

## FURTHER PRODUCT DETAILS



SF BLKH 250 10W/3000K WT IP65

\* All pictures show the luminaire with the accessory: SF BLKH RING. The accessory must be ordered separately.

\*\* Please note: available = available as an optional accessory.

<sup>1</sup> Versions with integrated sensor available

The pictures shown in the catalogue are for illustration purposes only. For information on size and colour, please refer to the product table.

## SURFACE BULKHEAD ON/OFF

Robust wall and ceiling luminaire with IP65 protection

Product name	Segmentation	Static Code	GTIN (EAN)	RE-PLACE-MENT FOR	W	lm	lm/W	K	L70 <sup>1</sup>	L80 <sup>1</sup>	°
SF BLKH 250 10W/3000K WT IP65	■	SB25030W	4058075374843	1x16W CFL	8	800	80	3000	50000	35000	120
SF BLKH 250 10W/4000K WT IP65	■	SB25040W	4058075374867	1x16W CFL	8	800	80	4000	50000	35000	120
SF BLKH 250 10W/3000K BK IP65	■	SB25030B	4058075374881	1x16W CFL	10	800	80	3000	50000	35000	120
SF BLKH 250 10W/4000K BK IP65	■	SB25040B	4058075374904	1x16W CFL	8	800	80	4000	50000	35000	120
SF BLKH 300 15W/3000K WT IP65	■	SB30030W	4058075375161	1x28W CFL	12	1400	93	3000	50000	35000	120
SF BLKH 300 15W/4000K WT IP65	■	SB30040W	4058075375185	1x28W CFL	12	1400	93	4000	50000	35000	120
SF BLKH 300 15W/3000K BK IP65	■	SB30030B	4058075375208	1x28W CFL	12	1400	93	3000	50000	35000	120
SF BLKH 300 15W/4000K BK IP65	■	SB30040B	4058075375222	1x28W CFL	12	1400	93	4000	50000	35000	120



Product name	CRI	FLICKER VALUE	IK	L x W x H [mm] Ø x H [mm]	No.
SF BLKH 250 10W/3000K WT IP65	>80	<5 %	IK10	250x70	3
SF BLKH 250 10W/4000K WT IP65	>80	<5 %	IK10	250x70	3
SF BLKH 250 10W/3000K BK IP65	>80	<5 %	IK10	250x70	1
SF BLKH 250 10W/4000K BK IP65	>80	<5 %	IK10	250x70	1
SF BLKH 300 15W/3000K WT IP65	>80	<5 %	IK10	300x70	3
SF BLKH 300 15W/4000K WT IP65	>80	<5 %	IK10	300x70	3
SF BLKH 300 15W/3000K BK IP65	>80	<5 %	IK10	300x70	1
SF BLKH 300 15W/4000K BK IP65	>80	<5 %	IK10	300x70	1

## SURFACE BULKHEAD SENSOR

Robust wall and ceiling luminaire with IP65 protection and highfrequency sensor

Product name	Segmentation	Static Code	GTIN (EAN)	RE-PLACE-MENT FOR	W	lm	lm/W	K	L70 <sup>1</sup>	L80 <sup>1</sup>	°
SF BLKH 250 S 10W/3000K WT IP65	■	SB25030WS	4058075374928	1x16W CFL	9	800	80	3000	50000	35000	120
SF BLKH 250 S 10W/4000K WT IP65	■	SB25040WS	4058075374942	1x16W CFL	9	800	80	4000	50000	35000	120
SF BLKH 250 S 10W/3000K BK IP65	■	SB25030BS	4058075374966	1x16W CFL	9	800	80	3000	50000	35000	120
SF BLKH 250 S 10W/4000K BK IP65	■	SB25040BS	4058075374980	1x16W CFL	9	800	80	4000	50000	35000	120
SF BLKH 300 S 15W/3000K WT IP65	■	SB30030WS	4058075375246	1x28W CFL	14	1400	93	3000	50000	35000	120
SF BLKH 300 S 15W/4000K WT IP65	■	SB30040WS	4058075375260	1x28W CFL	14	1400	93	4000	50000	35000	120
SF BLKH 300 S 15W/3000K BK IP65	■	SB30030BS	4058075375284	1x28W CFL	14	1400	93	3000	50000	35000	120
SF BLKH 300 S 15W/4000K BK IP65	■	SB30040BS	4058075375307	1x28W CFL	14	1400	93	4000	50000	35000	120



Product name	CRI	FLICKER VALUE	IK	L x W x H [mm] Ø x H [mm]	No.
SF BLKH 250 S 10W/3000K WT IP65	>80	<5 %	IK10	250x70	3
SF BLKH 250 S 10W/4000K WT IP65	>80	<5 %	IK10	250x70	3
SF BLKH 250 S 10W/3000K BK IP65	>80	<5 %	IK10	250x70	1
SF BLKH 250 S 10W/4000K BK IP65	>80	<5 %	IK10	250x70	1
SF BLKH 300 S 15W/3000K WT IP65	>80	<5 %	IK10	300x70	3
SF BLKH 300 S 15W/4000K WT IP65	>80	<5 %	IK10	300x70	3
SF BLKH 300 S 15W/3000K BK IP65	>80	<5 %	IK10	300x70	1
SF BLKH 300 S 15W/4000K BK IP65	>80	<5 %	IK10	300x70	1

<sup>1</sup> t [h]: L70/B50 @ 25 °C (Ta) / t [h]: L80/B10 @ 25 °C (Ta)

### SURFACE BULKHEAD EMERGENCY

Robust wall and ceiling luminaire with IP65 protection and integrated emergency lighting function

Product name	Segmentation	Static Code	GTIN (EAN)	RE-PLACE-MENT FOR	W	lm	lm/W	K	L70 <sup>1</sup>	L80 <sup>1</sup>	⏻
SF BLKH 250 EM 10 W 3000 K WT IP65	■	SB25030WEM	4058075375000	1x16W CFL	10	800	80	3000	50000	35000	120
SF BLKH 250 EM 10 W 4000 K WT IP65	■	SB25040WEM	4058075375024	1x16W CFL	10	800	80	4000	50000	35000	120
SF BLKH 250 EM 10 W 3000 K BK IP65	■	SB25030BEM	4058075375048	1x16W CFL	10	800	80	3000	50000	35000	120
SF BLKH 250 EM 10 W 4000 K BK IP65	■	SB25040BEM	4058075375062	1x16W CFL	10	800	80	4000	50000	35000	120
SF BLKH 300 EM 15 W 3000 K WT IP65	■	SB30030WEM	4058075375321	1x28W CFL	15	1400	93	3000	50000	35000	120
SF BLKH 300 EM 15 W 4000 K WT IP65	■	SB30040WEM	4058075375345	1x28W CFL	15	1400	93	4000	50000	35000	120
SF BLKH 300 EM 15 W 3000 K BK IP65	■	SB30030BEM	4058075375369	1x28W CFL	15	1400	93	3000	50000	35000	120
SF BLKH 300 EM 15 W 4000 K BK IP65	■	SB30040BEM	4058075375383	1x28W CFL	15	1400	93	4000	50000	35000	120



Product name	CRI	FLICKER VALUE	IK	L x W x H [mm] ∅ x H [mm]	⏻ No.
SF BLKH 250 EM 10 W 3000 K WT IP65	>80	<5 %	IK10	258x70	3
SF BLKH 250 EM 10 W 4000 K WT IP65	>80	<5 %	IK10	258x70	3
SF BLKH 250 EM 10 W 3000 K BK IP65	>80	<5 %	IK10	258x70	1
SF BLKH 250 EM 10 W 4000 K BK IP65	>80	<5 %	IK10	258x70	1
SF BLKH 300 EM 15 W 3000 K WT IP65	>80	<5 %	IK10	308x70	3
SF BLKH 300 EM 15 W 4000 K WT IP65	>80	<5 %	IK10	308x70	3
SF BLKH 300 EM 15 W 3000 K BK IP65	>80	<5 %	IK10	308x70	1
SF BLKH 300 EM 15 W 4000 K BK IP65	>80	<5 %	IK10	308x70	1

### SURFACE BULKHEAD SENSOR EMERGENCY

Robust wall and ceiling luminaire with IP65 protection, highfrequency sensor and integrated emergency lighting function

Product name	Segmentation	Static Code	GTIN (EAN)	RE-PLACE-MENT FOR	W	lm	lm/W	K	L70 <sup>1</sup>	L80 <sup>1</sup>	⏻
SF BLKH 250 S EM 10W/3000K WT IP65	■	SB25030WSEM	4058075375086	1x16W CFL	12	800	80	3000	50000	35000	120
SF BLKH 250 S EM 10W/4000K WT IP65	■	SB25040WSEM	4058075375109	1x16W CFL	12	800	80	4000	50000	35000	120
SF BLKH 250 S EM 10W/3000K BK IP65	■	SB25030BSEM	4058075375123	1x16W CFL	12	800	80	3000	50000	35000	120
SF BLKH 250 S EM 10W/4000K BK IP65	■	SB25040BSEM	4058075375147	1x16W CFL	12	800	80	4000	50000	35000	120
SF BLKH 300 S EM 15W/3000K WT IP65	■	SB30030WSEM	4058075375406	1x28W CFL	17	1400	93	3000	50000	35000	120
SF BLKH 300 S EM 15W/4000K WT IP65	■	SB30040WSEM	4058075375420	1x28W CFL	17	1400	93	4000	50000	35000	120
SF BLKH 300 S EM 15W/3000K BK IP65	■	SB30030BSEM	4058075375444	1x28W CFL	17	1400	93	3000	50000	35000	120
SF BLKH 300 S EM 15W/4000K BK IP65	■	SB30040BSEM	4058075375468	1x28W CFL	17	1400	93	4000	50000	35000	120



Product name	CRI	FLICKER VALUE	IK	L x W x H [mm] ∅ x H [mm]	⏻ No.
SF BLKH 250 S EM 10W/3000K WT IP65	>80	<5 %	IK10	258x70	3
SF BLKH 250 S EM 10W/4000K WT IP65	>80	<5 %	IK10	258x70	3
SF BLKH 250 S EM 10W/3000K BK IP65	>80	<5 %	IK10	258x70	1
SF BLKH 250 S EM 10W/4000K BK IP65	>80	<5 %	IK10	258x70	1
SF BLKH 300 S EM 15W/3000K WT IP65	>80	<5 %	IK10	308x70	3
SF BLKH 300 S EM 15W/4000K WT IP65	>80	<5 %	IK10	308x70	3
SF BLKH 300 S EM 15W/3000K BK IP65	>80	<5 %	IK10	308x70	1
SF BLKH 300 S EM 15W/4000K BK IP65	>80	<5 %	IK10	308x70	1

<sup>1</sup> t [h]: L70/B50 @ 25 °C (Ta) / t [h]: L80/B10 @ 25 °C (Ta)

## SENSOR PROPERTIES

Product name	Type of sensor	Sensor technology	Detection threshold of daylight sensor	Detection range of motion sensor	Sensor detection angle	Sensor controlled switching time
SURFACE BULKHEAD 250 SENSOR	Motion/Light	Microwave	25 lx	8 m	110 °	5 s/30 s/90 s/3 min/20 min/30
SURFACE BULKHEAD 300 SENSOR	Motion/Light	Microwave	25 lx	8 m	110 °	5 s/30 s/90 s/3 min/20 min/30
SURFACE BULKHEAD 250 SENSOR EMERGENCY	Motion/Light	Microwave	25 lx	8 m	110 °	5 s/30 s/90 s/3 min/20 min/30
SURFACE BULKHEAD 300 SENSOR EMERGENCY	Motion/Light	Microwave	25 lx	8 m	110 °	5 s/30 s/90 s/3 min/20 min/30

## EMERGENCY LIGHTING PROPERTIES

Product name	Battery life in emergency operation mode	Type of emergency operation test	Type of emergency light operation	Luminous flux in emergency operation mode	Type of Battery
SF BLKH 250 EM 10 W 3000 K WT IP65	3 h	Automatic	Maintained/Non-maintained	300 lm	LiFeP04
SF BLKH 250 EM 10 W 4000 K WT IP65	3 h	Automatic	Maintained/Non-maintained	300 lm	LiFeP04
SF BLKH 250 EM 10 W 3000 K BK IP65	3 h	Automatic	Maintained/Non-maintained	300 lm	LiFeP04
SF BLKH 250 EM 10 W 4000 K BK IP65	3 h	Automatic	Maintained/Non-maintained	300 lm	LiFeP04
SF BLKH 300 EM 15 W 3000 K WT IP65	3 h	Automatic	Maintained/Non-maintained	300 lm	LiFeP04
SF BLKH 300 EM 15 W 4000 K WT IP65	3 h	Automatic	Maintained/Non-maintained	300 lm	LiFeP04
SF BLKH 300 EM 15 W 3000 K BK IP65	3 h	Automatic	Maintained/Non-maintained	300 lm	LiFeP04
SF BLKH 300 EM 15 W 4000 K BK IP65	3 h	Automatic	Maintained/Non-maintained	300 lm	LiFeP04
SF BLKH 250 S EM 10W/3000K WT IP65	3 h	Automatic	Maintained/Non-maintained	300 lm	LiFeP04
SF BLKH 250 S EM 10W/4000K WT IP65	3 h	Automatic	Maintained/Non-maintained	300 lm	LiFeP04
SF BLKH 250 S EM 10W/3000K BK IP65	3 h	Automatic	Maintained/Non-maintained	300 lm	LiFeP04
SF BLKH 250 S EM 10W/4000K BK IP65	3 h	Automatic	Maintained/Non-maintained	300 lm	LiFeP04
SF BLKH 300 S EM 15W/3000K WT IP65	3 h	Automatic	Maintained/Non-maintained	300 lm	LiFeP04
SF BLKH 300 S EM 15W/4000K WT IP65	3 h	Automatic	Maintained/Non-maintained	300 lm	LiFeP04
SF BLKH 300 S EM 15W/3000K BK IP65	3 h	Automatic	Maintained/Non-maintained	300 lm	LiFeP04
SF BLKH 300 S EM 15W/4000K BK IP65	3 h	Automatic	Maintained/Non-maintained	300 lm	LiFeP04

## SURFACE BULKHEAD ACCESSORIES

Recommended equipment for Surface Bulkhead



### PRODUCT FEATURES

- Wide range of applications thanks to a large variety of versions
- PC cover in white or black
- As a ring or with eyelid cover
- Anti-theft screw (Torx) included

### EQUIPMENT / ACCESSORIES

- Anti-theft screw included

### SURFACE BULKHEAD RING

Attachable cover ring (IK10)

Product name	Static Code	GTIN (EAN)	L x W x H [mm] Ø x H [mm]	MATERIAL	COLOUR		
SF BLKH RING 250 WT	SB250RINGW	4058075399334	258 x 57	Polycarbonate (PC)	White	1	1
SF BLKH RING 250 BK	SB250RINGB	4058075399358	258 x 57	Polycarbonate (PC)	Black	1	2
SF BLKH RING 300 WT	SB300RINGW	4058075399372	308 x 57	Polycarbonate (PC)	White	1	1
SF BLKH RING 300 BK	SB300RINGB	4058075399396	308 x 57	Polycarbonate (PC)	Black	1	2

### SURFACE BULKHEAD EYELID

Attachable half-visor ring (IK10)

Product name	Static Code	GTIN (EAN)	L x W x H [mm] Ø x H [mm]	MATERIAL	COLOUR		
SF BLKH EYELID 250 WT	SB250EYEW	4058075375482	258 x 64	Polycarbonate (PC) / Polycarbonate (PC)	White	1	3
SF BLKH EYELID 250 BK	SB250EYEB	4058075375505	258 x 64	Polycarbonate (PC) / Polycarbonate (PC)	Black	1	4
SF BLKH EYELID 300 WT	SB300EYEW	4058075375529	308 x 65	Polycarbonate (PC) / Polycarbonate (PC)	White	1	3
SF BLKH EYELID 300 BK	SB300EYEB	4058075375543	308 x 65	Polycarbonate (PC) / Polycarbonate (PC)	Black	1	4


<sup>1</sup> Refer to [www.ledvance.co.uk/guarantee](http://www.ledvance.co.uk/guarantee) for precise conditions





# PANEL LUMINAIRES


## SUITABLE FOR EVERY NEED: OUR FUNCTIONAL PANELS



**PERFORMANCE CLASS**

**1. PANEL INDIVILED**  
Page 68


The panel luminaire for perfectionists: perfect lighting and SCALE design



**PERFORMANCE CLASS**

**2. PANEL IP54**  
Page 70

The tough panel luminaire: IP54 and resistant PMMA surface



**PERFORMANCE CLASS**

**3. PANEL PERFORMANCE**  
Page 72

The panel luminaire for everyday applications and convenient installation

### THE MOST IMPORTANT SPECIFICATIONS AT A GLANCE

	Product family	Specifications	Guarantee <sup>1</sup>	Installation accessories included	Available versions	Grid size
<b>1</b>	PANEL INDIVILED	Up to 120 lm/W 60,000 h (L80/B10 @25 °C) SDCM 3 UGR < 16 IP40/IK08	5 years	External driver with Fast Connector 4 x safety and suspension brackets Safety cable	ON/OFF DALI Emergency	600 x 600 625 x 625
<b>2</b>	PANEL IP54	120 lm/W 60,000 h (L80/B10 @25 °C) SDCM 3 UGR < 22 IP54	5 years	External driver 4 x safety and suspension brackets Safety cable	ON/OFF DALI	600 x 600 625 x 625
<b>3</b>	PANEL PERFORMANCE	<b>NEW:</b> Up to 120 lm/W Up to 60,000 h (L80/B10 @25 °C) <b>NEW:</b> SDCM 3 UGR < 22/UGR < 19 <b>NEW:</b> IP40	5 years	External driver with Fast Connector <b>NEW:</b> 3- or 5-pole connector box for toolless installation and through-wiring (except TP(A) version) <b>NEW:</b> 4 x security & suspension brackets included <b>NEW:</b> Security wire (all Panel PFM 600 and 1200, except TP(A) versions)	ON/OFF <b>NEW:</b> IoT-ready DALI (dimmable) Emergency (with EM CONV BOX)	600 x 600 625 x 625 1,200 x 300

<sup>1</sup> For precise terms and conditions go to [www.ledvance.co.uk/guarantee](http://www.ledvance.co.uk/guarantee)



VALUE CLASS



**4. PANEL VALUE**  
Page 76

The value model for cost-effective applications

**5. PANEL ACCESSORIES**  
Page 78

Versatile mounting options

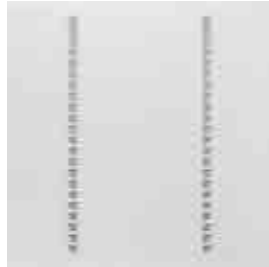
**THE MOST IMPORTANT SPECIFICATIONS AT A GLANCE**

	Product family	Specifications	Guarantee <sup>1</sup>	Installation accessories included	Available versions	Grid size
4	PANEL VALUE	Up to 100 lm/W 50,000 h (L70/B50 @ 25 °C) SDCM 5 UGR < 22/UGR < 19 IP40	3 years	External driver with Fast Connector 2 x safety brackets	ON/OFF DALI Emergency (with EM CONV BOX)	600 x 600 625 x 625 1,200 x 600

<sup>1</sup> For precise terms and conditions go to [www.ledvance.co.uk/guarantee](http://www.ledvance.co.uk/guarantee)

# PANEL INDIVILED®

Recessed luminaires with IndiviLED optics®



## PRODUCT FEATURES

- Metal housing, lenses and reflectors made of polycarbonate (PC)
- Each LED with individual lens and reflector for UGR ≤ 16 and homogenous light distribution
- Lifetime (L80/B10): up to 60,000 h (at 25 °C)
- Initial colour consistency: 3 SDCM
- Accessories available for various recessed and surface-mounted options

## PRODUCT BENEFITS

- Homogenous light distribution and reduced glare thanks to the IndiviLED® optics
- Low-flicker light
- Robust structure with IK08
- Versions available with on/off, IoT-ready DALI-2.0 or emergency lighting function acc. to IEC 60598-2-22
- 5 years guarantee

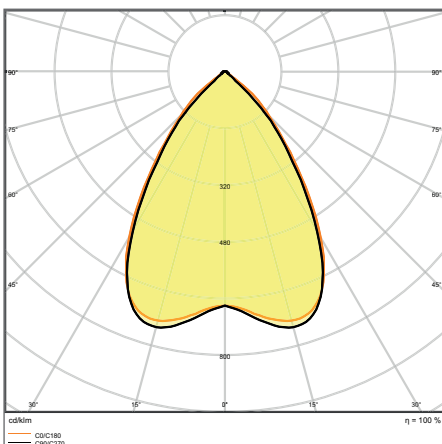
## AREAS OF APPLICATION

- Direct replacement for luminaires with fluorescent lamps
- Corridors
- Offices
- Conference rooms
- Reception areas

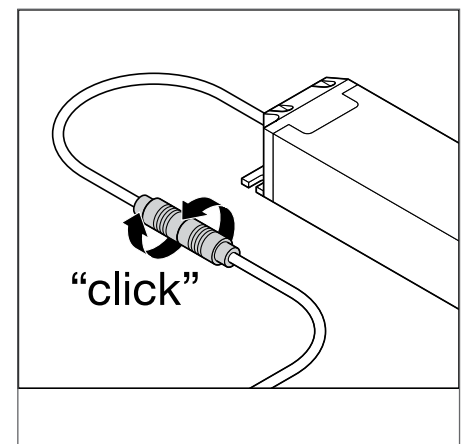
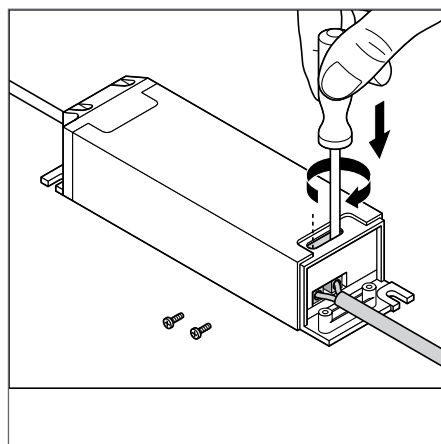
## EQUIPMENT / ACCESSORIES

- Accessories for several mounting options available\*
- Security rope for luminaire included
- External control gear included

## FURTHER PRODUCT DETAILS



PANEL INDV EM 600 33 W 4000 K



\* Please note: available = available as an optional accessory.

<sup>1</sup> The ENEC and TÜV certifications apply exclusively to the switchable versions of the luminaire family, DALI versions and versions for emergency lighting are excepted.

<sup>2</sup> A 5-year guarantee applies to standard and DALI types; a 3-year guarantee for emergency versions.

The pictures shown in the catalogue are for illustration purposes only. For information on size and colour, please refer to the product table.

## PANEL INDIVILED®

Square, recessed luminaires with IndiviLED® optics

Product name	Segmentation	Static Code	GTIN (EAN)	RE-PLACEMENT FOR	W	lm	lm/W	K	L70 <sup>1</sup>	L80 <sup>1</sup>	°
PANEL INDV 600 33 W 3000 K	■	PIND60030	4058075201132	4x18W/4x14W FL	33	3800	115	3000	80000	60000	70
PANEL INDV 600 33 W 4000 K	■	PIND60040	4058075201156	4x18W/4x14W FL	33	4000	120	4000	80000	60000	70
NEW PANEL INDV 600 33 W 3000K DALI	■	PIND60030DA	4058075503885	4x18W/4x14W FL	33	3800	115	3000	80000	60000	70
NEW PANEL INDV 600 33 W 4000K DALI	■	PIND60040DA	4058075503861	4x18W/4x14W FL	33	3800	115	4000	80000	60000	70



Product name	CRI	UGR	FLICKER VALUE	IK	9	L x W x H [mm]	Ø x H [mm]
PANEL INDV 600 33 W 3000 K	≥80	<16	-	IK08	3500	595 x 595 x 13	
PANEL INDV 600 33 W 4000 K	≥80	<16	-	IK08	3500	595 x 595 x 13	
NEW PANEL INDV 600 33 W 3000K DALI	≥80	<16	<5 %	IK08	3500	595 x 595 x 13	
NEW PANEL INDV 600 33 W 4000K DALI	≥80	<16	<5 %	IK08	3500	595 x 595 x 13	

## PANEL INDIVILED® EMERGENCY

Square recessed luminaire with IndiviLED® optics, self-contained emergency luminaire

Product name	Segmentation	Static Code	GTIN (EAN)	RE-PLACEMENT FOR	W	lm	lm/W	K	L70 <sup>1</sup>	L80 <sup>1</sup>	°
PANEL INDV EM 600 33 W 3000 K	■	PIND60030EM	4058075201293	4x18W/4x14W FL	33	3800	115	3000	80000	60000	70
PANEL INDV EM 600 33 W 4000 K	■	PIND60040EM	4058075201316	4x18W/4x14W FL	33	4000	120	4000	80000	60000	70



Product name	CRI	UGR	IK	9	L x W x H [mm]	Ø x H [mm]
PANEL INDV EM 600 33 W 3000 K	≥80	<16	IK08	3700	595 x 595 x 13	
PANEL INDV EM 600 33 W 4000 K	≥80	<16	IK08	3700	595 x 595 x 13	

## EMERGENCY LIGHTING PROPERTIES

Product name	Battery life in emergency operation mode	Type of emergency operation test	Type of emergency light operation	Luminous flux in emergency operation mode	Type of Battery
PANEL INDV EM 600 33 W 3000 K	3 h	Automatic	Maintained/Non-maintained	450 lm	LiFePO4
PANEL INDV EM 600 33 W 4000 K	3 h	Automatic	Maintained/Non-maintained	480 lm	LiFePO4

<sup>1</sup> t [h]: L70/B50 @ 25 °C (Ta) / t [h]: L80/B10 @ 25 °C (Ta)

## PANEL 600 IP54

Square recessed panel luminaires with IP54 protection and high luminous flux, 600 x 600 mm



### PRODUCT FEATURES

- Aluminium housing, PMMA diffuser
- Lifetime (L80/B10): up to 60,000 h (at 25 °C)
- Initial colour consistency: 3 SDCM
- Type of protection: IP54 (room side)
- Accessories available for various recessed and surfacemounted options

### PRODUCT BENEFITS

- Suitable for use in dusty and damp locations thanks to high IP rating
- Lowflicker light
- Energy savings of up to 50 % (compared to luminaires that use fluorescent lamps)
- 5 years guarantee

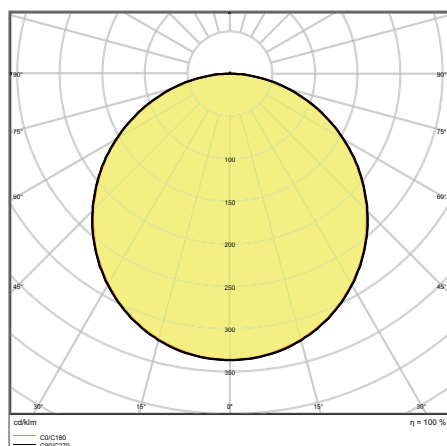
### AREAS OF APPLICATION

- Direct replacement for luminaires with fluorescent lamps
- Hospitals
- Laboratories
- Suitable for recessed ceiling systems with grid size of 600 x 600 mm
- Kitchens, workspaces

### EQUIPMENT / ACCESSORIES

- Accessories for several mounting options available\*
- External control gear included

## FURTHER PRODUCT DETAILS



PANEL 600 IP54 36 W 3000 K OP WT

\* Please note: available = available as an optional accessory.

<sup>1</sup> The ENEC and TÜV certifications apply exclusively to the switchable versions of the luminaire family, DALI versions are excepted.

<sup>2</sup> Refer to [www.ledvance.co.uk/guarantee](http://www.ledvance.co.uk/guarantee) for precise conditions

The pictures shown in the catalogue are for illustration purposes only. For information on size and colour, please refer to the product table.

Product name	Segmentation	Static Code	GTIN (EAN)	RE-PLACE-MENT FOR	W	lm	lm/W	K	L70	L80 <sup>1</sup>		
PANEL 600 IP54 36 W 3000 K OP WT	■	P60030IP	4058075149489	4x18W/4x14W FL	36	4320	120	3000	80000	60000	120	-
PANEL 600 IP54 36 W 4000 K OP WT	■	P60040IP	4058075149502	4x18W/4x14W FL	36	4320	120	4000	80000	60000	120	-
PANEL 600 IP54 36 W 3000 K OP WT DALI	■	P60030DAIP	4058075217720	4x18W/4x14W FL	36	4320	120	3000	80000	60000	120	DALI
PANEL 600 IP54 36 W 4000 K OP WT DALI	■	P60040DAIP	4058075217744	4x18W/4x14W FL	36	4320	120	4000	80000	60000	120	DALI

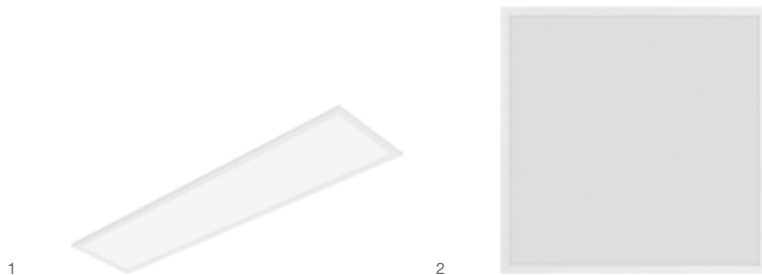


Product name	CRI	FLICKER VALUE	IK		L x W x H [mm]	Ø x H [mm]
PANEL 600 IP54 36 W 3000 K OP WT	>80	-	-	3200	595 x 595 x 12.6	
PANEL 600 IP54 36 W 4000 K OP WT	>80	-	-	3200	595 x 595 x 12.6	
PANEL 600 IP54 36 W 3000 K OP WT DALI	≥80	<2 %	IK06	3200	595 x 595 x 12.6	
PANEL 600 IP54 36 W 4000 K OP WT DALI	≥80	<2 %	IK06	3200	595 x 595 x 12.6	

<sup>1</sup> t [h]: L70/B50 @ 25 °C (Ta) / t [h]: L80/B10 @ 25 °C (Ta)

## PANEL PERFORMANCE GEN 3

Recessed panel luminaires with high luminous efficacy up to 120 lm/W and tool-free installation



### PRODUCT FEATURES

- Extruded aluminium frame, Polystyrene diffuser
- Lifetime (L80/B10): up to 60,000 h (at 25 °C)
- High luminous efficacy: up to 120 lm/W
- 3-pole terminal block, cable cross section up to 3x2.5mmsq (25 & 30W versions)
- DALI versions with DALI 2.0 IoT-ready driver, excluding UGR<19 TPA version

### PRODUCT BENEFITS

- Comfortable light and high colour consistency SDCM  $\leq 3$
- Through-wiring possible up to 2,5qmm with included connector box
- Lowflicker light thanks to special electronic control gear
- Energy savings thanks to high system efficacy of up to 120 lm/w
- 5 years guarantee

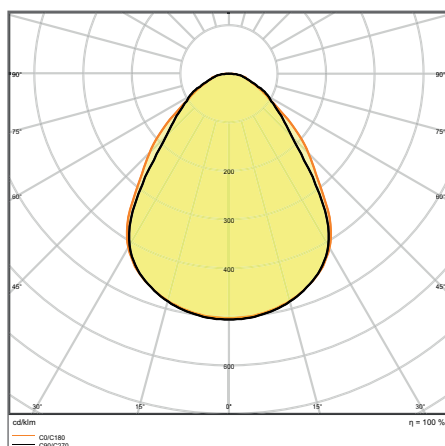
### AREAS OF APPLICATION

- Direct replacement for luminaires with fluorescent lamps
- Offices, conference rooms
- Suitable for recessed ceiling systems with grid size of 600 x 600 mm

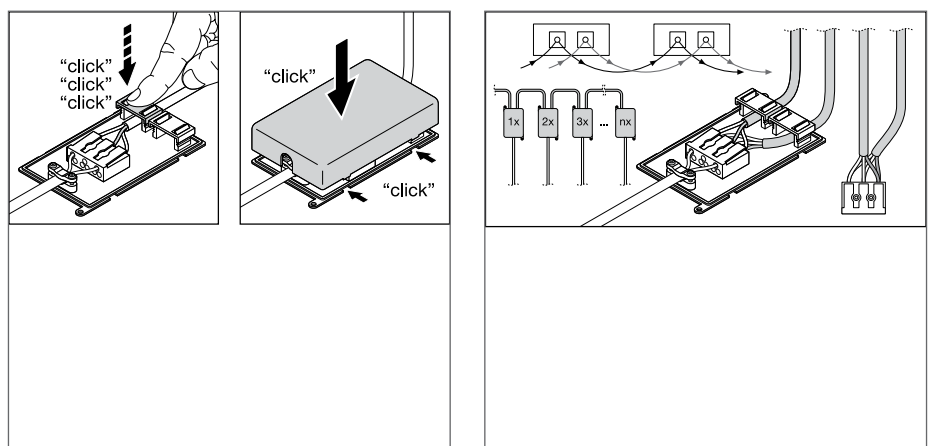
### EQUIPMENT / ACCESSORIES

- Accessories for several mounting options available\*
- Connector box with 3-pole or 5-pole terminal included
- Security rope for luminaire included

## FURTHER PRODUCT DETAILS



PL PFM 600 UGR19 30 W 3000 K



\* Please note: available = available as an optional accessory.

The pictures shown in the catalogue are for illustration purposes only. For information on size and colour, please refer to the product table.



### PANEL PERFORMANCE GEN 3

Recessed panel luminaires with high luminous efficacy up to 120 lm/W and tool-free installation

Product name	Segmentation	Static Code	GTIN (EAN)	W	lm	lm/W	K	L70	L80		
NEW PL PFM 600 25 W 3000 K	■	PL62530	4058075440159	25	3000	120	3000	100000	60000	120	-
NEW PL PFM 600 25 W 4000 K	■	PL62540	4058075440197	25	3000	120	4000	100000	60000	120	-
NEW PL PFM 600 30 W 3000 K	■	PL63030	4058075440234	30	3600	120	3000	100000	60000	120	-
NEW PL PFM 600 30 W 4000 K	■	PL63040	4058075440258	30	3600	120	4000	100000	60000	120	-
NEW PL PFM 600 36 W 3000 K	■	PL63630	4058075440319	36	4320	120	3000	100000	60000	120	-
NEW PL PFM 600 36 W 4000 K	■	PL63640	4058075440333	36	4320	120	4000	100000	60000	120	-
NEW PL PFM 1200 33 W 3000 K	■	PL12330	4058075440050	33	4000	120	3000	100000	60000	120	-
NEW PL PFM 1200 33 W 4000 K	■	PL12340	4058075440074	33	4000	120	4000	100000	60000	120	-
NEW PL PFM 600 36W/3000K DALI	■	PL63630DA	4058075440357	36	4320	120	3000	100000	60000	120	DALI
NEW PL PFM 600 36W/4000K DALI	■	PL63640DA	4058075440395	36	4320	120	4000	100000	60000	120	DALI
NEW PL PFM 1200 33W/3000K DALI	■	PL12330DA	4058075440135	33	4000	120	3000	100000	60000	120	DALI
NEW PL PFM 1200 33W/4000K DALI	■	PL12340DA	4058075440173	33	4000	120	4000	100000	60000	120	DALI

Product name	CRI	FLICKER VALUE	IP		L x W x H [mm]	Ø x H [mm]	
NEW PL PFM 600 25 W 3000 K	>80	<5 %	IP40/IP20	1600	595 x 595 x 32		2
NEW PL PFM 600 25 W 4000 K	>80	<5 %	IP40/IP20	1600	595 x 595 x 32		2
NEW PL PFM 600 30 W 3000 K	>80	<5 %	IP40/IP20	1600	595 x 595 x 32		2
NEW PL PFM 600 30 W 4000 K	>80	<5 %	IP40/IP20	1600	595 x 595 x 32		2
NEW PL PFM 600 36 W 3000 K	>80	<5 %	IP40/IP20	1650	595 x 595 x 32		2
NEW PL PFM 600 36 W 4000 K	>80	<5 %	IP40/IP20	1650	595 x 595 x 32		2
NEW PL PFM 1200 33 W 3000 K	>80	<5 %	IP40/IP20	1600	1195 x 295 x 9		1
NEW PL PFM 1200 33 W 4000 K	>80	<5 %	IP40/IP20	1600	1195 x 295 x 9		1
NEW PL PFM 600 36W/3000K DALI	>80	<5 %	IP40/IP20	1750	595 x 595 x 32		2
NEW PL PFM 600 36W/4000K DALI	>80	<5 %	IP40/IP20	1750	595 x 595 x 32		2
NEW PL PFM 1200 33W/3000K DALI	>80	<5 %	IP40/IP20	1600	1195 x 295 x 9		1
NEW PL PFM 1200 33W/4000K DALI	>80	<5 %	IP40/IP20	1600	1195 x 295 x 9		1

<sup>1</sup> t [h]: L70/B50 @ 25 °C (Ta) / t [h]: L80/B10 @ 25 °C (Ta)

### PANEL PERFORMANCE UGR<19

Square recessed panel luminaires with luminous efficacy up to 120 lm/Ws, low glare

Product name	Segmentation	Static Code	GTIN (EAN)	W	lm	lm/W	K	L70 <sup>1</sup>	L80 <sup>1</sup>		
NEW PL PFM 600 UGR19 30 W 3000 K	■	PL3030U	4058075440272	30	3600	120	3000	100000	60000	90	-
NEW PL PFM 600 UGR19 30 W 4000 K	■	PL3040U	4058075440296	30	3600	120	4000	100000	60000	90	-
NEW PL PFM 600 UGR19 36 W 3000 K	■	PL3630U	4058075440418	36	4320	120	3000	100000	60000	90	-
NEW PL PFM 600 UGR19 36 W 4000 K	■	PL3640U	4058075440432	36	4320	120	4000	100000	60000	90	-
NEW PL PFM UGR19 30 W 4000 K	■	PL12340U	4058075440111	30	3600	120	4000	100000	60000	90	-
NEW PL PFM UGR19 30 W 3000 K	■	PL12330U	4058075440098	30	3450	115	3000	100000	60000	90	-
NEW PL PFM 600 UGR19 36W/3000K DALI	■	PL3630UDA	4058075440456	36	4320	120	3000	100000	60000	90	DALI
NEW PL PFM 600 UGR19 36W/4000K DALI	■	PL3640UDA	4058075440470	36	4320	120	4000	100000	60000	90	DALI
NEW PL PFM UGR19 30W/3000K DALI	■	PL12330UDA	4058075440210	30	3450	115	3000	100000	60000	90	DALI
NEW PL PFM UGR19 30W/4000K DALI	■	PL12340UDA	4058075440630	30	3600	120	4000	100000	60000	90	DALI

Product name	CRI	UGR	FLICKER VALUE	IP		L x W x H [mm]	Ø x H [mm]	
NEW PL PFM 600 UGR19 30 W 3000 K	>80	<19	<5 %	IP40/IP20	1900	595 x 595 x 32		2
NEW PL PFM 600 UGR19 30 W 4000 K	>80	<19	<5 %	IP40/IP20	1900	595 x 595 x 32		2
NEW PL PFM 600 UGR19 36 W 3000 K	>80	<19	<5 %	IP40/IP20	1900	595 x 595 x 32		2
NEW PL PFM 600 UGR19 36 W 4000 K	>80	<19	<5 %	IP40/IP20	1900	595 x 595 x 32		2
NEW PL PFM UGR19 30 W 4000 K	>80	<19	<5 %	IP40/IP20	1700	1195 x 295 x 9		1
NEW PL PFM UGR19 30 W 3000 K	>80	<19	<5 %	IP40/IP20	1700	1195 x 295 x 9		1
NEW PL PFM 600 UGR19 36W/3000K DALI	>80	<19	<5 %	IP40/IP20	2000	595 x 595 x 32		2
NEW PL PFM 600 UGR19 36W/4000K DALI	>80	<19	<5 %	IP40/IP20	2000	595 x 595 x 32		2
NEW PL PFM UGR19 30W/3000K DALI	>80	<19	<5 %	IP40/IP20	1700	1195 x 295 x 9		1
NEW PL PFM UGR19 30W/4000K DALI	>80	<19	<5 %	IP40/IP20	1700	1195 x 295 x 9		1

### PANEL PERFORMANCE 600 UGR<19 TPA

Square recessed panel luminaires with TP(a) rated diffuser, low glare, 600 x 600 mm

Product name	Segmentation	Static Code	GTIN (EAN)	RE-PLACEMENT FOR	W	lm	lm/W	K	L70 <sup>1</sup>	L80 <sup>1</sup>	
PANEL PFM 600 UGR < 19 TPA 36 W 4000 K WT	■	PP60040UTPA	4058075384309	4x18W/4x14W FL	36	3960	110	4000	50000	50000	90
PANEL PFM 600 UGR < 19 TPA 36 W 4000 K WT DALI	■	PP60040UDATPA	4058075384323	4x18W/4x14W FL	36	3960	110	4000	50000	50000	90

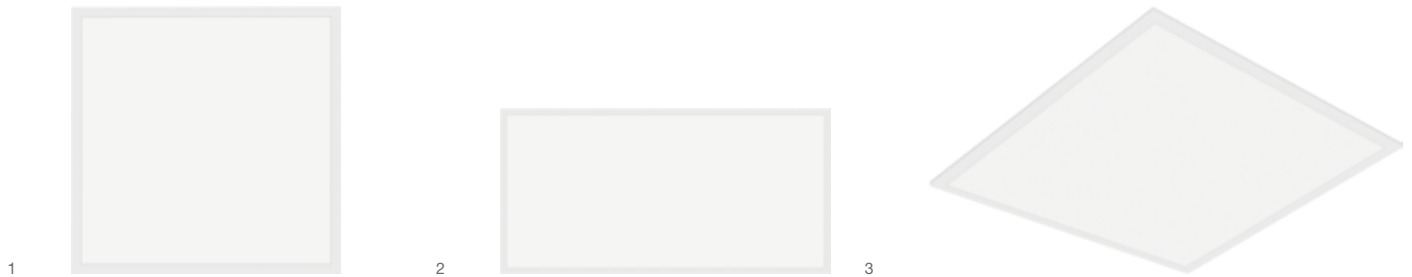
Product name	CRI	UGR	IP		L x W x H [mm]	Ø x H [mm]
PANEL PFM 600 UGR < 19 TPA 36 W 4000 K WT	>80	<19	IP40	1800	595 x 595 x 34	
PANEL PFM 600 UGR < 19 TPA 36 W 4000 K WT DALI	>80	<19	IP40	1800	595 x 595 x 34	

<sup>1</sup> t [h]: L70/B50 @ 25 °C (Ta) / t [h]: L80/B10 @ 25 °C (Ta)



## PANEL VALUE

Recessed panel luminaires



### PRODUCT FEATURES

- Extruded aluminium frame
- Polystyrene diffuser
- Lifetime (L70/B50): 50,000 h (at 25 °C)
- Accessories available for various recessed and surfacemounted options

### PRODUCT BENEFITS

- Good glare reduction (UGR<19)
- Lowflicker light
- Value for money luminaire

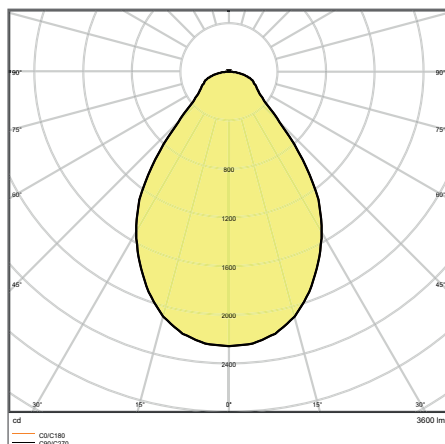
### AREAS OF APPLICATION

- Direct replacement for luminaires with fluorescent lamps
- Offices, conference rooms
- Reception areas, foyers, corridors, elevators
- Suitable for recessed ceiling systems with grid size of 600 x 600 mm

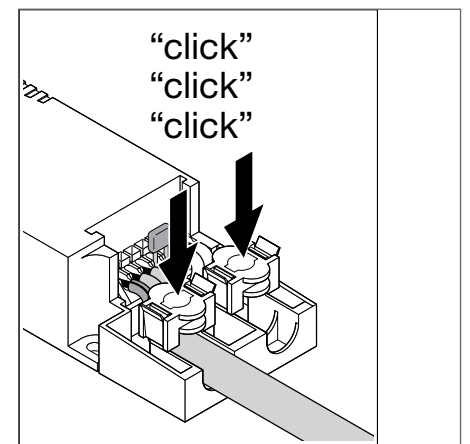
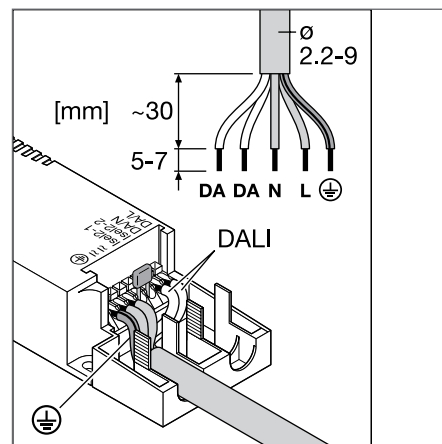
### EQUIPMENT / ACCESSORIES

- Accessories for several mounting options available\*
- External control gear included
- Security brackets included

## FURTHER PRODUCT DETAILS



PANEL VAL 600 36 W 3000 K WT



\* Please note: available = available as an optional accessory.

<sup>1</sup> Refer to [www.ledvance.co.uk/guarantee](http://www.ledvance.co.uk/guarantee) for precise conditions

The pictures shown in the catalogue are for illustration purposes only. For information on size and colour, please refer to the product table.

## PANEL VALUE

Recessed panel luminaires

Product name	Segmentation	Static Code	GTIN (EAN)	RE-PLACEMENT FOR	W	lm	lm/W	K	L70 <sup>1</sup>	L80 <sup>1</sup>	°
PANEL VAL 600 36 W 3000 K WT	■	VP60030	4058075392366	4x18W/4x14W FL	36	3600	100	3000	50000	50000	120
PANEL VAL 600 36 W 4000 K WT	■	VP60040	4058075392380	4x18W/4x14W FL	36	3600	100	4000	50000	50000	120
PANEL VAL 600 36 W 6500 K WT	■	VP60065	4058075392403	4x18W/4x14W FL	36	3600	100	6500	50000	50000	120
PANEL VAL 600 36 W 3000 K WT DALI	■	VP60030DA	4058075392441	4x18W/4x14W FL	36	3600	100	3000	50000	50000	120
PANEL VAL 600 36 W 4000 K WT DALI	■	VP60040DA	4058075392465	4x18W/4x14W FL	36	3600	100	4000	50000	50000	120
PANEL VAL 600 36 W 6500 K WT DALI	■	VP60065DA	4058075392489	4x18W/4x14W FL	36	3600	100	6500	50000	50000	120
PANEL VAL 600 UGR < 19 36 W 3000 K WT	■	VP60030U	4058075392427	4x18W/4x14W FL	36	3600	100	3000	50000	50000	90
PANEL VAL 600 UGR < 19 36 W 4000 K WT	■	VP60040U	4058118142200	4x18W/4x14W FL	36	3600	100	4000	50000	50000	90
PANEL VAL 600 UGR < 19 36 W 3000 K WT DALI	■	VP60030UDA	4058075392502	4x18W/4x14W FL	36	3600	100	3000	50000	50000	90
PANEL VAL 600 UGR < 19 36 W 4000 K WT DALI	■	VP60040UDA	4058075392526	4x18W/4x14W FL	36	3600	100	4000	50000	50000	90



Product name	CRI	UGR	FLICKER VALUE	g	L x W x H [mm]	Ø x H [mm]	No.
PANEL VAL 600 36 W 3000 K WT	>80	-	<5 %	1800	595 x 595 x 35		3
PANEL VAL 600 36 W 4000 K WT	>80	-	<5 %	1800	595 x 595 x 35		3
PANEL VAL 600 36 W 6500 K WT	>80	-	<5 %	1800	595 x 595 x 35		3
PANEL VAL 600 36 W 3000 K WT DALI	>80	-	<5 %	1800	595 x 595 x 35		3
PANEL VAL 600 36 W 4000 K WT DALI	>80	-	<5 %	1800	595 x 595 x 35		3
PANEL VAL 600 36 W 6500 K WT DALI	>80	-	<5 %	1800	595 x 595 x 35		3
PANEL VAL 600 UGR < 19 36 W 3000 K WT	>80	<19	<5 %	1800	595 x 595 x 35		3
PANEL VAL 600 UGR < 19 36 W 4000 K WT	>80	<19	<5 %	1800	595 x 595 x 35		3
PANEL VAL 600 UGR < 19 36 W 3000 K WT DALI	>80	<19	<5 %	1800	595 x 595 x 35		3
PANEL VAL 600 UGR < 19 36 W 4000 K WT DALI	>80	<19	<5 %	1800	595 x 595 x 35		3

## PANEL VALUE TPB

Square recessed panel luminaires with TP(b) rated diffuser

Product name	Segmentation	Static Code	GTIN (EAN)	RE-PLACEMENT FOR	W	lm	lm/W	K	L70 <sup>1</sup>	L80 <sup>1</sup>	°
PANEL VAL 600 TPB 36 W 4000 K WT	■	VPL60040	4058075384347	4x18W/4x14W FL	36	3240	90	4000	50000	50000	120
PANEL VALUE 1200x600 TPB 65 W 4000 K WT	■	VPL12640	4058075384361	4x36W/4x28W FL	65	5850	90	4000	50000	50000	120



Product name	CRI	g	L x W x H [mm]	Ø x H [mm]	No.
PANEL VAL 600 TPB 36 W 4000 K WT	>80	1800	595 x 595 x 34		1
PANEL VALUE 1200x600 TPB 65 W 4000 K WT	>80	3600	1195 x 595 x 34		2

<sup>1</sup> t [h]: L70/B50 @ 25 °C (Ta) / t [h]: L80/B10 @ 25 °C (Ta)

# COMPATIBILITY OF PANEL ACCESSORIES WITH PANEL FAMILIES<sup>1</sup>

## 1. SURFACE MOUNT KIT



- Pre-assembled ready to install
- Simple fixing with magnets
- Cross brace for greater stability
- Material: aluminium

## 2. SURFACE MOUNT KIT VALUE



- Kit for tool-free mounting with corner clips
- Material: aluminium

## 3. EMERGENCY CONVERSION BOX



- Conversion of a selection of panels to safety luminaires
- Reduces warehousing complexity
- Plug-and-play system for easy installation

## 4. SUSPENSION KIT



- Suspension length: 1,500 mm
- Material: steel

## 5. PANEL SECURITY KIT 4x



- Includes wires and brackets
- Material: steel

## 6. RECESSED MOUNT CLIPS



- Ceiling thickness: 10 to 20 mm
- Material: steel

## 7. RECESSED MOUNT FRAME



- Pre-assembled ready to install
- Seamless recessed mounting
- Ceiling thickness: 8 to 30 mm
- Material: aluminium

## 8. PANEL 1200 SECURITY BRACKET



- For ceiling mounting

## 9. CONNECTOR BOX 5-POLE



- Tool-free electrical connection due to push button connector
- Through-wiring made possible
- Suitable for cable cross section up to 5 x 2.5 mm<sup>2</sup>



## COMPATIBILITIES AT A GLANCE

	Accessories	GTIN (EAN)	PANEL INDIVILED	PANEL IP54	PANEL PERFORMANCE	PANEL VALUE
1	NEW Panel 600 Surface Mount Kit H75	4058075472914		✓	✓	✓
	NEW Panel 625 Surface Mount Kit H75	4058075472938		✓	✓	✓
2	Panel 1200x300 Surface Mount Kit	4058075108820			✓	
	Panel 600 Surface Mount Kit H70 Value	4058075402843		✓	✓	✓
	Panel 625 Surface Mount Kit H70 Value	4058075402867		✓	✓	✓
	NEW Panel 1200x300 Surface Mount Kit Value	4058075472952			✓	✓
3	Panel 1200x300 Surface Mount Kit Value	4058075389823				✓
	Emergency Conversion Box AT 3H	4058075237025	✓ <sup>2</sup>		✓ <sup>5</sup>	✓ <sup>5</sup>
4	Panel 1200 Suspension Kit	4058075108844			✓	
	Panel Suspension Kit	4058075402928	✓ <sup>2</sup>	✓	✓	✓
5	NEW Panel Security Kit 4x	4058075472990			✓	✓
6	Panel Recessed Mount Clips Value 4x	4058075409859	✓	✓	✓	✓
7	Panel 600 Recessed Mount Frame	4058075402881		✓	✓	✓
	Panel 625 Recessed Mount Frame	4058075402904		✓	✓	✓
	NEW Panel 1200x300 Recessed Mount Frame	4058075472976			✓	
8	Panel 1200 Security Bracket	4058075108882			✓	
9	NEW Connector Box 5-Pole L/N	4058075473010	✓ <sup>3</sup>	✓ <sup>3</sup>		✓ <sup>3</sup>
	NEW Connector Box 5-Pole L/N/PE/D+/D-	4058075473034	✓ <sup>4</sup>	✓ <sup>4</sup>		✓ <sup>4</sup>

<sup>1</sup> The accessories are compatible with the Panels in the respectively matching size. For details refer to the User Instructions. | <sup>2</sup> Not in combination with Panel IndiviLED Emergency

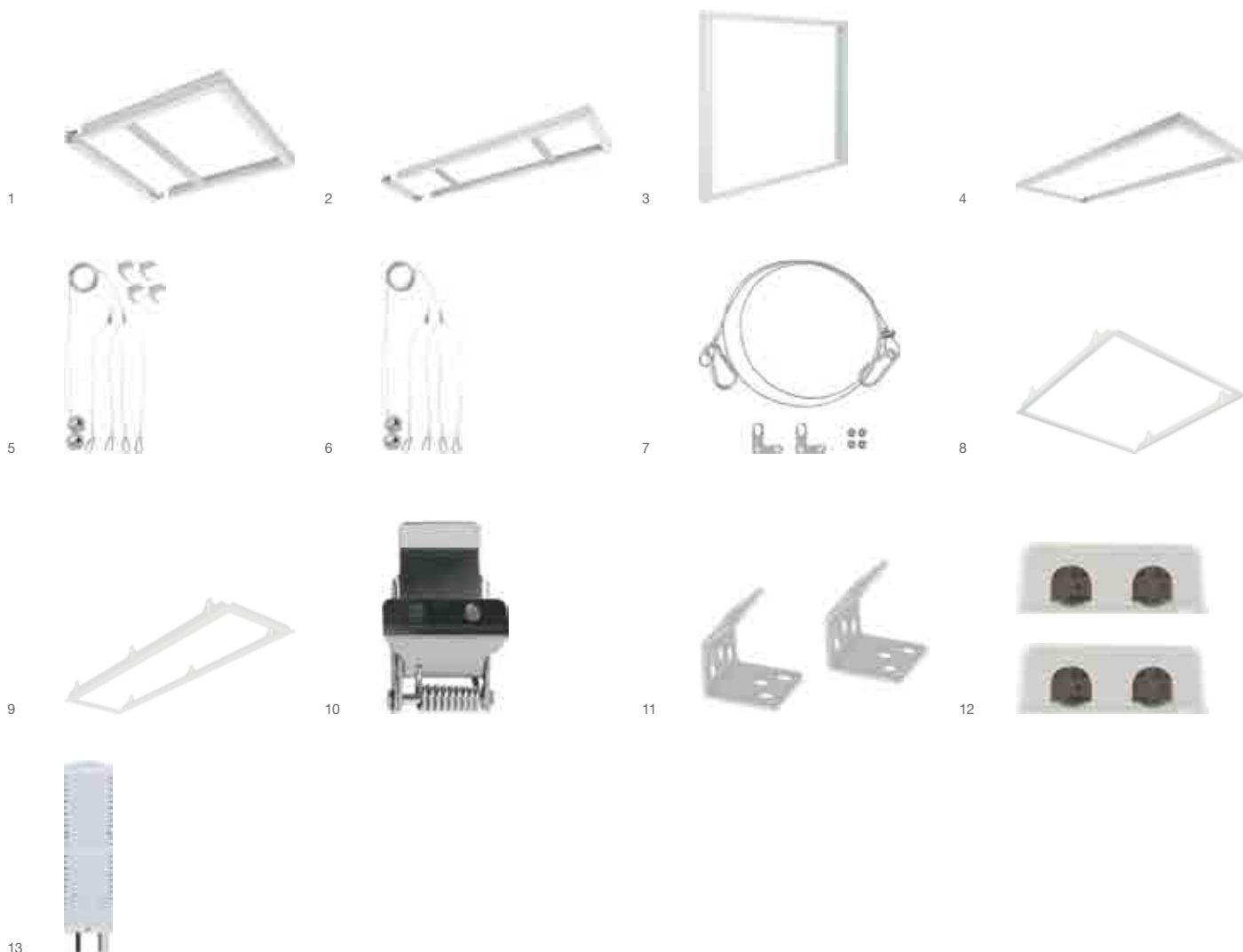
<sup>3</sup> Only with standard versions, not for DALI or Emergency versions | <sup>4</sup> Only with DALI or Emergency versions | <sup>5</sup> Not in combination with Surface Mount Kits, Surface Mount Clips or Suspension Kit

Technical product details  
for panel accessories  
found on next page



## PANEL ACCESSORIES

Mounting accessories for panel luminaires, combination according to the accessories matrix





- Suspension Kit: suspension length 1.5 m adjustable for various applications by screw connection
- Surface Mount Kit: sturdy, cross-stiffened aluminium frame with magnetic corners

- Surface Mount Kit Value: aluminium frame with polycarbonate strip. With rectangular frame, panel insertion is possible from short or long frame side.
- Recessed Mount Clips Value 1x4: ceiling thickness 10 - 20 mm, plasterboard, wood and metal ceilings

- Panel 1200 Security Bracket: accessories for attaching a safety cable to the luminaire



Product name	Static Code	GTIN (EAN)	L x W x H [mm] ∅ x H [mm]	MATERIAL	COLOUR		 No.
<b>NEW</b> PANEL 600 SURFACE MOUNT KIT H75	PSUR600	4058075472914	601 x 601 x 75	Aluminium	White	1	1
PANEL 1200 Surface Mount Kit	PSUR123	4058075108820	1201 x 301 x 56	Aluminium	White	1	2
<b>NEW</b> PANEL 1200x300 SURFACE MOUNT KIT VAL	VPSUR123	4058075472952	1212 x 312 x 52	Aluminium	White	1	4
PANEL 600 SURFACE MOUNT KIT H70 VAL	VPSUR600	4058075402843	613 x 613 x 70	Aluminium	White	1	3
PANEL 1200x600 SURFACE MOUNT KIT VAL	VPSUR126	4058075389823	1213 x 613 x 72	Aluminium	White	1	4
PANEL 1200 Suspension Kit	PSUS123	4058075108844	1500 x - x -	Steel	Steel	1	5
PANEL Suspension Kit	PSUS600	4058075402928	30 x -	Steel	Steel	1	6
<b>NEW</b> PANEL SECURITY KIT 4x	PLSECKIT	4058075472990	1000 x 17 x 4	Steel	Steel	4	7
PANEL 600 RECESSED MOUNT FRAME	P600REMF	4058075402881	625 x 625 x 76	Aluminium	White	1	8
<b>NEW</b> PANEL 1200x300 RECESSED MOUNT FRAME	P123REMF	4058075472976	1224 x 324 x 76	Aluminium	White	1	9
PANEL RECESSED MOUNT CLIPS VAL 4x	PCLIP	4058075409859	25 x 45 x 33	Steel	Steel	4	10
PANEL 1200 Security Bracket	PSECBKT123	4058075108882	25 x 20 x 20	Steel	Steel	2	11
<b>NEW</b> CONNECTOR BOX 5POLE L/N 4x	CON5BX	4058075473010	115 x 56 x 19	Polycarbonate (PC)	White	4	12
<b>NEW</b> CONNECTOR BOX 5POLE L/N/PE/D+/D- 4x	CON5BXDA	4058075473034	115 x 56 x 19	Polycarbonate (PC)	White	4	12
EM CONVERSION BOX	EMCONVBOX	4058075237025	292 x 81 x 41	-	-	1	13

# PENDANT AND SURFACE-MOUNTED LUMINAIRES

## GOOD LIGHT FOR GOOD RESULTS

### PANEL DIRECT/INDIRECT

Page 84

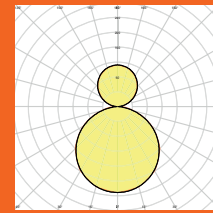
PANEL DIRECT/INDIRECT  
PANEL DIRECT/INDIRECT DALI



PERFORMANCE CLASS

#### ADVANCED PENDANT LUMINAIRE WITH DIRECT AND INDIRECT EMISSION OF LIGHT

- Functional SCALE design luminaire for office applications (driver integrated in the ceiling rose)
- Special directional light design and PMMA diffuser for homogeneous, low-glare lighting (UGR < 19)
- Low-flicker light thanks to special electronic control gear



Light distribution curve (30%/70%)

### PANEL 1200 DIRECT/INDIRECT

Exclusive and modern SCALE design pendant luminaire with very good light comfort through direct (70 %) and indirect (30 %) emission of light.

### LINEAR INDIVILED DIRECT/INDIRECT

Page 86

LINEAR INDIVILED DIRECT/INDIRECT  
LINEAR INDIVILED DIRECT/INDIRECT EMERGENCY  
LINEAR INDIVILED ACCESSORIES FOR PENDANT MOUNTING AND STRIP LIGHTING



PERFORMANCE CLASS

#### LINEAR INDIVILED PENDANT LUMINAIRE WITH DIRECT AND INDIRECT EMISSION OF LIGHT

- Luminaire in timeless SCALE design, usable as a single or lighting strip solution
- Versions available with DALI ECG or emergency lighting
- Increased light comfort with direct and indirect beam characteristic

### LINEAR INDIVILED DIRECT

Page 90

LINEAR INDIVILED DIRECT  
LINEAR INDIVILED DIRECT EMERGENCY  
LINEAR INDIVILED ACCESSORIES FOR PENDANT MOUNTING AND STRIP LIGHTING



PERFORMANCE CLASS

#### LINEAR INDIVILED SURFACE-MOUNTED AND PENDANT LUMINAIRE

- Luminaire in timeless SCALE design, usable as a single or lighting strip solution
- Versions available with DALI ECG (1500 25 W), IoT-ready DALI-2.0 (all other) or emergency lighting
- Direct-light, surface-mounted luminaire also usable as pendant (order accessories separately)



## PANEL DIRECT/INDIRECT

Suspended edge-lit luminaires for direct and indirect light emission, low glare UGR<19



### PRODUCT FEATURES

- Very slim aluminium housing
- Rectangular (1200 mm x 300 mm) stand-alone luminaires with direct (70 %) and indirect (30 %) light emission
- Steel cable suspension, length: 1.5 m
- Lifetime (L70/B50): up to 50,000 h (at 25 °C)
- DALI versions with IoT-ready DALI-2.0 driver

### PRODUCT BENEFITS

- Functional SCALE design luminaire for office applications (driver integrated in the ceiling rose)
- Special directional light design and PMMA diffuser for homogeneous, lowglare lighting (UGR <19)
- Low flicker light thanks to special electronic control gear
- Comfortable light and high colour consistency SDCM ≤3
- 5 years guarantee

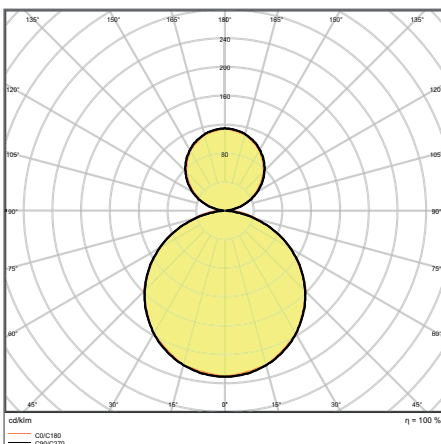
### AREAS OF APPLICATION

- Efficient replacement for traditional T8 and T5 luminaires
- Offices
- Meeting rooms
- Conference rooms
- Reception areas and foyers

### EQUIPMENT / ACCESSORIES

- Suspension kit included

## FURTHER PRODUCT DETAILS



PANEL D/I 1200 UGR 19 36 W 4000 K

<sup>1</sup> Refer to [www.ledvance.co.uk/guarantee](http://www.ledvance.co.uk/guarantee) for precise conditions

The pictures shown in the catalogue are for illustration purposes only. For information on size and colour, please refer to the product table.

Product name	Segmentation	Static Code	GTIN (EAN)	RE-PLACEMENT FOR	W	lm	lm/W	K	L70 <sup>1</sup>	L80 <sup>1</sup>	
PANEL D/I 1200 UGR 19 36 W 3000 K	■	PDI12330U	4058075144606	2x58W FL	36	3800	100	3000	80000	60000	110
PANEL D/I 1200 UGR 19 36 W 4000 K	■	PDI12340U	4058075144620	2x58W FL	36	4000	110	4000	80000	60000	110
<b>NEW</b> PANEL D/I 1200 UGR 19 36 W 3000 K DALI	■	PDI1230UDA	4058075504028	2x58W FL	36	3800	105	3000	80000	60000	110
<b>NEW</b> PANEL D/I 1200 UGR 19 36 W 4000 K DALI	■	PDI1240UDA	4058075504042	2x58W FL	36	4000	110	4000	80000	60000	110



Product name	CRI	UGR	FLICKER VALUE		L x W x H [mm] Ø x H [mm]
PANEL D/I 1200 UGR 19 36 W 3000 K	≥80	-	<10 %	4325	1200x300x16
PANEL D/I 1200 UGR 19 36 W 4000 K	≥80	-	<10 %	4325	1200x300x16
<b>NEW</b> PANEL D/I 1200 UGR 19 36 W 3000 K DALI	≥80	<19	<5 %	3500	1200x300x16
<b>NEW</b> PANEL D/I 1200 UGR 19 36 W 4000 K DALI	≥80	<19	<5 %	3500	1200x300x16

<sup>1</sup> t [h]: L70/B50 @ 25 °C (Ta) / t [h]: L80/B10 @ 25 °C (Ta)

# LINEAR INDIVILED® DIRECT/INDIRECT

Pendant luminaires with direct and indirect light emission



## PRODUCT FEATURES

- Aluminium housing, plastic end caps, white
- Each LED with individual lens and reflector for  $UGR \leq 16$  and homogeneous light distribution
- Usable as a single or strip lighting luminaire
- The suspension kit has to be ordered separately as an accessory

## PRODUCT BENEFITS

- Luminaire in timeless SCALE design, usable as a single or lighting strip solution
- Versions available with DALI ECG or emergency lighting
- Increased light comfort thanks to direct and indirect light emission
- Low flicker light thanks to special electronic control gear
- All versions with 5-year guarantee, except emergency version: 3 years (built-in 3h battery)

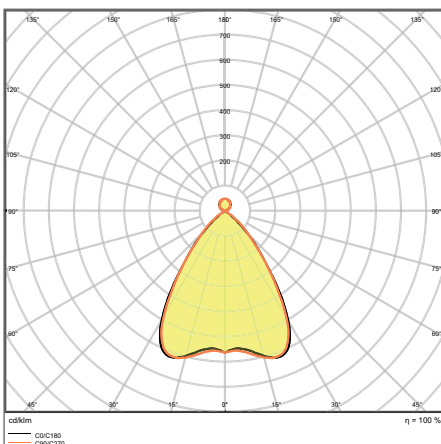
## AREAS OF APPLICATION

- Direct replacement for luminaires with fluorescent lamps
- Offices, schools
- General indoor illumination
- Corridors, entrance areas
- Seamless linear lighting

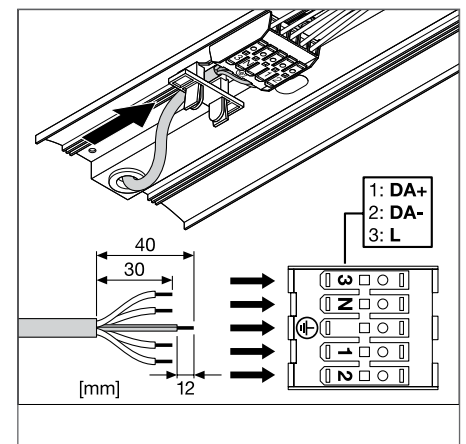
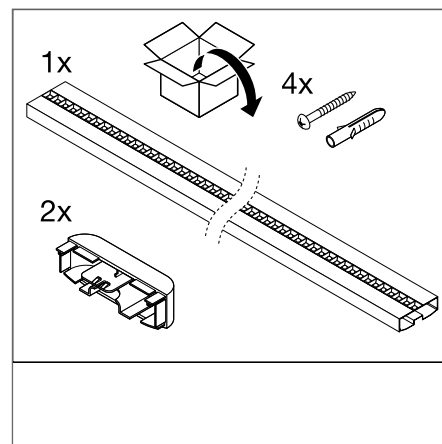
## EQUIPMENT / ACCESSORIES

- Ceiling connection box available\*
- Suspension kit available\*
- Line connection adapter available\*

## FURTHER PRODUCT DETAILS



LN INDV D/I 1500 56 W 4000 K EM



\* Please note: available = available as an optional accessory.

<sup>1</sup> The ENEC certification applies exclusively to the switchable versions of the luminaire family, all other versions: DALI, sensor, emergency and versions for through-wiring are excepted.

<sup>2</sup> Refer to [www.ledvance.co.uk/guarantee](http://www.ledvance.co.uk/guarantee) for precise conditions

The pictures shown in the catalogue are for illustration purposes only. For information on size and colour, please refer to the product table.

## LINEAR INDIVILED® DIRECT/INDIRECT

Pendant luminaire for single luminaire or light line application

Product name	Segmentation	Static Code	GTIN (EAN)	RE-PLACEMENT FOR	W	lm	lm/W	K	L70 <sup>1</sup>	L80 <sup>1</sup>	△	⌋
LN INDV D/1 1200 42 W 3000 K	■	INDI42W30	4058075109728	2x28W FL	42	4650	110	3000	60000	50000	70	-
LN INDV D/1 1200 42 W 4000 K	■	INDI42W40	4058075109742	2x28W FL	42	5050	120	4000	60000	50000	70	-
LN INDV D/1 1500 56 W 3000 K	■	INDI58W30	4058075109766	2x49W FL	56	6150	110	3000	60000	50000	70	-
LN INDV D/1 1500 56 W 4000 K	■	INDI58W40	4058075110441	2x49W FL	56	6550	115	4000	60000	50000	70	-
LN INDV D/1 1200 42 W 3000 K DALI	■	INDI42W30DA	4058075109001	2x28W FL	42	4650	110	3000	60000	50000	70	DALI
LN INDV D/1 1200 42 W 4000 K DALI	■	INDI42W40DA	4058075109025	2x28W FL	42	5050	120	4000	60000	50000	70	DALI
LN INDV D/1 1500 56 W 3000 K DALI	■	INDI58W30DA	4058075109049	2x49W FL	56	6150	110	3000	60000	50000	70	DALI
LN INDV D/1 1500 56 W 4000 K DALI	■	INDI58W40DA	4058075109063	2x49W FL	56	6550	115	4000	60000	50000	70	DALI



Product name	CRI	UGR	FLICKER VALUE	IK	Ⓘ	L × W × H [mm] ∅ × H [mm]
LN INDV D/1 1200 42 W 3000 K	≥80	<16	<10 %	IK06	2600	1199 x 120 x 40
LN INDV D/1 1200 42 W 4000 K	≥80	<16	<10 %	IK06	2600	1199 x 120 x 40
LN INDV D/1 1500 56 W 3000 K	≥80	<16	<10 %	IK06	3200	1488 x 120 x 40
LN INDV D/1 1500 56 W 4000 K	≥80	<16	<10 %	IK06	3200	1488 x 120 x 40
LN INDV D/1 1200 42 W 3000 K DALI	≥80	<16	<10 %	IK06	2800	1199 x 120 x 40
LN INDV D/1 1200 42 W 4000 K DALI	≥80	<16	<10 %	IK06	2800	1199 x 120 x 40
LN INDV D/1 1500 56 W 3000 K DALI	≥80	<16	<10 %	IK06	3600	1488 x 120 x 40
LN INDV D/1 1500 56 W 4000 K DALI	≥80	<16	<10 %	IK06	3600	1488 x 120 x 40

## LINEAR INDIVILED® DIRECT/INDIRECT EMERGENCY

Pendant luminaire for single luminaire or light line application with emergency lighting

Product name	Segmentation	Static Code	GTIN (EAN)	RE-PLACEMENT FOR	W	lm	lm/W	K	L70 <sup>1</sup>	L80 <sup>1</sup>	△
LN INDV D/1 1200 42 W 3000 K EM	■	INDI42W30EM	4058075109841	2x28W FL	42	4650	110	3000	60000	50000	70
LN INDV D/1 1200 42 W 4000 K EM	■	INDI42W40EM	4058075109865	2x28W FL	42	5050	120	4000	60000	50000	70
LN INDV D/1 1500 56 W 3000 K EM	■	INDI58W30EM	4058075109889	2x49W FL	56	6150	110	3000	60000	50000	70
LN INDV D/1 1500 56 W 4000 K EM	■	INDI58W40EM	4058075109902	2x49W FL	56	6550	115	4000	60000	50000	70



Product name	CRI	UGR	FLICKER VALUE	IK	Ⓘ	L × W × H [mm] ∅ × H [mm]
LN INDV D/1 1200 42 W 3000 K EM	≥80	<16	<10 %	IK06	3000	1199 x 120 x 40
LN INDV D/1 1200 42 W 4000 K EM	≥80	<16	<10 %	IK06	3000	1199 x 120 x 40
LN INDV D/1 1500 56 W 3000 K EM	≥80	<16	<10 %	IK06	3550	1488 x 120 x 40
LN INDV D/1 1500 56 W 4000 K EM	≥80	<16	<10 %	IK06	3550	1488 x 120 x 40

## EMERGENCY LIGHTING PROPERTIES

Product name	Battery life in emergency operation mode	Type of emergency operation test	Type of emergency light operation	Luminous flux in emergency operation mode	Type of Battery
LN INDV D/1 1200 42 W 3000 K EM	3 h	Automatic	Maintained/Non-maintained	410 lm	LiFeP04
LN INDV D/1 1200 42 W 4000 K EM	3 h	Automatic	Maintained/Non-maintained	410 lm	LiFeP04
LN INDV D/1 1500 56 W 3000 K EM	3 h	Automatic	Maintained/Non-maintained	410 lm	LiFeP04
LN INDV D/1 1500 56 W 4000 K EM	3 h	Automatic	Maintained/Non-maintained	410 lm	LiFeP04



<sup>1</sup> t [h]: L70/B50 @ 25 °C (Ta) / t [h]: L80/B10 @ 25 °C (Ta)

# LINEAR INDIVILED® DIRECT/INDIRECT ACCESSORIES

Mounting accessories for LINEAR INDIVILED® luminaires



- Suspension Kit:  
1 x transparent 1.5 m cable 3 x 0.75 mm +  
2 x Y wire suspension 1.5 m
- DALI Suspension Kit:  
1 x transparent 1.5 m cable 5 x 0.75 mm +  
2 x Y wire suspension 1.5 m
- Suspension Wire:  
1 x Y wire suspension 1.5 m
- Through Wiring Kit:  
3 x 1.5 mm with fast connector
- DALI Through Wiring Kit:  
2 x 1.5 mm with fast connector

Product name	Static Code	GTIN (EAN)	L x W x H [mm] Ø x H [mm]	MATERIAL	COLOUR		 No.
LN INDV Suspension Kit	INSUSKIT	4058075133280	100 x 25	Steel	White	1	1
LN INDV DALI Suspension Kit	INSUSDAKIT	4058075133303	100 x 25	Steel	White	1	2
LN INDV Suspension Wire	INSUSWIRE	4058075133327	1560 x 1 x 1	Steel	Steel	1	3
LN INDV Lightline Connector	INLINECON	4058075133341	82 x 40 x 12	Steel	Steel	1	4
LN INDV 1200 Through Wiring Kit	INTW4KIT	4058075158030	1250 x 20 x 7	Polycarbonate (PC)	Yellow	1	5
LN INDV 1500 Through Wiring Kit	INTW5KIT	4058075133365	1560 x 20 x 7	Polycarbonate (PC)	Yellow	1	5
LN INDV DALI 1200 Through Wiring Kit	INTW4KITDA	4058075158016	1250 x 13 x 7	Polycarbonate (PC)	Yellow	1	6
LN INDV DALI 1500 Through Wiring Kit	INTW5KITDA	4058075157996	1560 x 13 x 7	Polycarbonate (PC)	Yellow	1	6

<sup>1</sup> Refer to [www.ledvance.co.uk/guarantee](http://www.ledvance.co.uk/guarantee) for precise conditions

The pictures shown in the catalogue are for illustration purposes only. For information on size and colour, please refer to the product table.

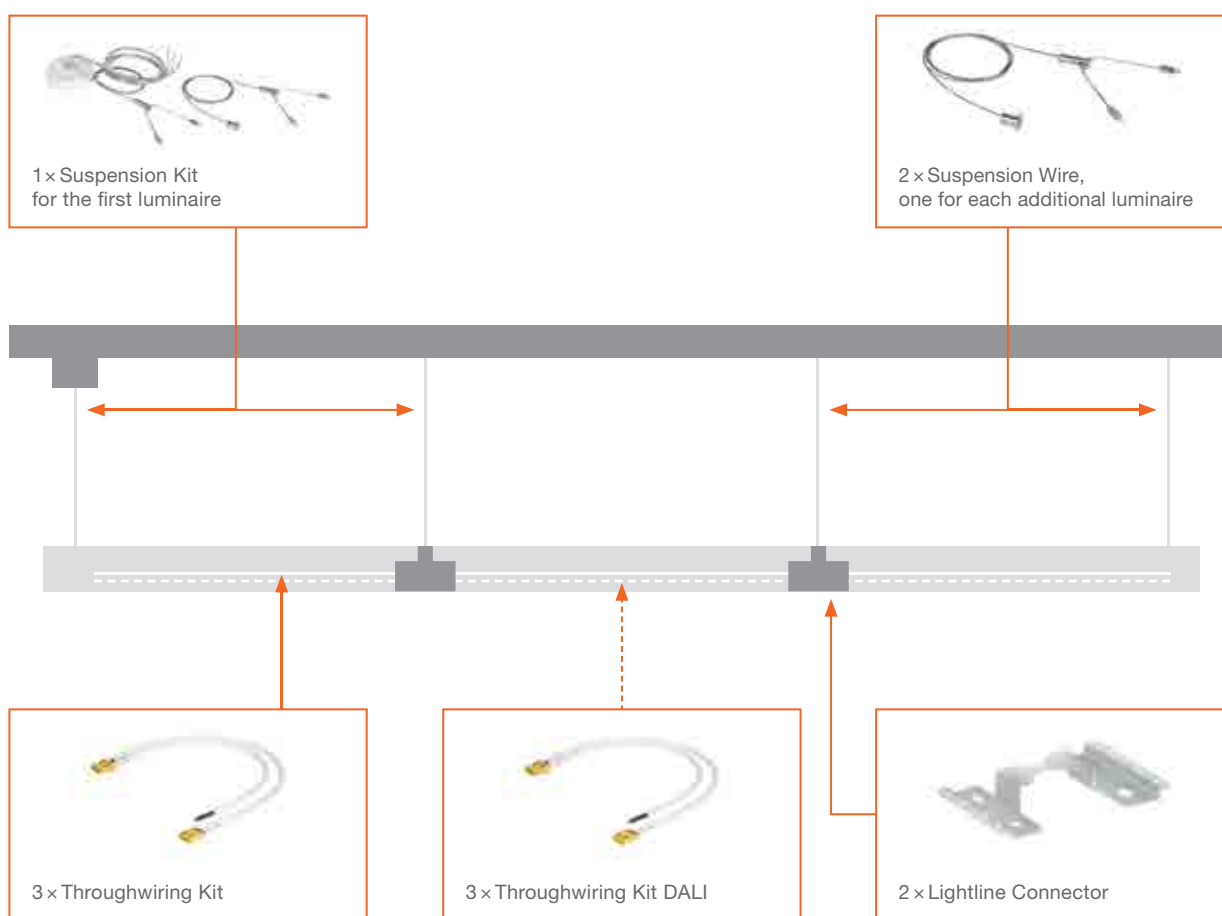


# OUR CHECKLIST FOR YOUR LINEAR INDIVILED DALI SYSTEM

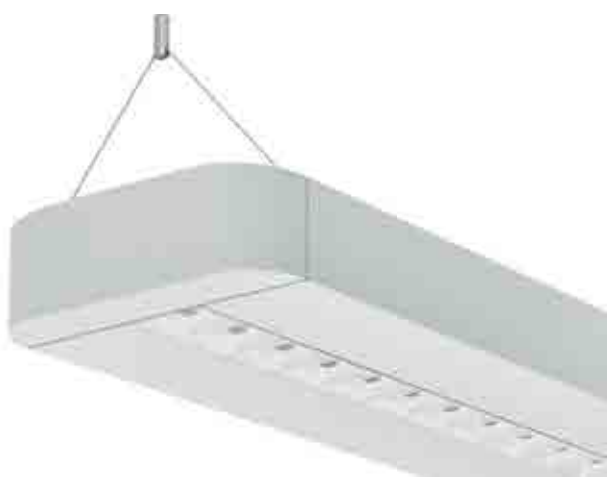
**Typical installation:** We have put together for you all the necessary components for suspended installation of three luminaires as strip lighting. For more information see the operating instructions for Linear IndiviLED.

**UP TO 20 LUMINAIRES!**

## INSTALLATION OF 3 × LINEAR INDIVILED DALI



The through-wiring must be fitted by an installer.



### ORDER LIST



- 3 × Linear IndiviLED Luminaire
- 3 × Throughwiring Kit
- 3 × Throughwiring Kit DALI
- 2 × Lightline Connector
- 1 × Suspension Kit
- 2 × Suspension Wire

# LINEAR INDIVILED® DIRECT

Surface luminaires with direct light emission for single luminaire or light line application



## PRODUCT FEATURES

- Aluminium housing, plastic end caps, white
- Each LED with individual lens and reflector for  $UGR \leq 16$  and homogeneous light distribution
- Usable as a single or strip lighting luminaire
- Mountable directly on the ceiling as a surface-mounted luminaire without additional accessories
- The suspension kit has to be ordered separately as an accessory

## PRODUCT BENEFITS

- Luminaire in timeless SCALE design, usable as a single or lighting strip solution
- Versions available with DALI ECG (1500 25W), IoT-ready DALI-2.0 (all other) or emergency lighting
- Directlight, surface-mounted luminaire also usable as pendant (order accessories separately)
- Low flicker light thanks to special electronic control gear
- All versions with 5-year guarantee, except emergency version: 3 years (built-in 3h battery)

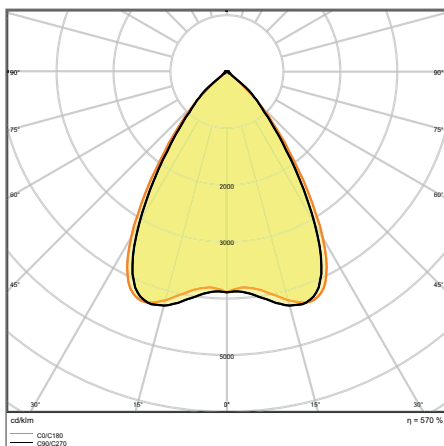
## AREAS OF APPLICATION

- Direct replacement for luminaires with fluorescent lamps
- Offices, schools
- General indoor illumination
- Corridors, entrance areas
- Seamless linear lighting

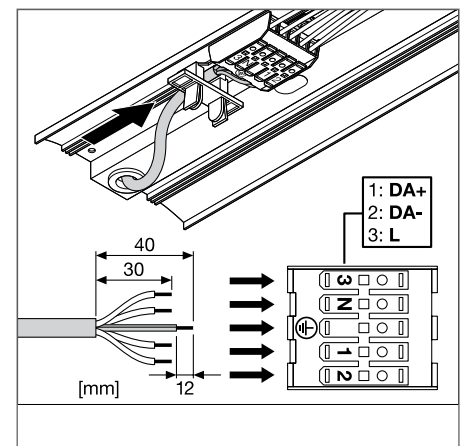
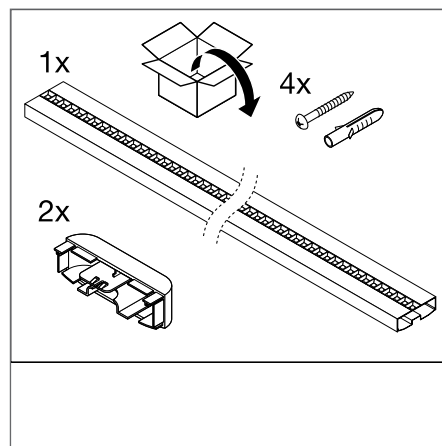
## EQUIPMENT / ACCESSORIES

- Ceiling connection box available\*
- Suspension kit available\*
- Line connection adapter available\*

## FURTHER PRODUCT DETAILS



LN INDV D 1500 48 W 4000 K DALI



\* Please note: available = available as an optional accessory.

<sup>1</sup> The ENEC certification applies exclusively to the switchable versions of the luminaire family, all other versions: DALI, sensor, emergency and versions for through-wiring are excepted.

<sup>2</sup> Refer to [www.ledvance.co.uk/guarantee](http://www.ledvance.co.uk/guarantee) for precise conditions

The pictures shown in the catalogue are for illustration purposes only. For information on size and colour, please refer to the product table.

### LINEAR INDIVILED® DIRECT

Surface mounted luminaire for single luminaire or light line application

Product name	Segmentation	Static Code	GTIN (EAN)	RE-PLACEMENT FOR	W	lm	lm/W	K	L70 <sup>1</sup>	L80 <sup>1</sup>	°	°
LN INDV D 1200 34 W 3000 K	■	IND33W30	4058075109605	2x28W FL	34	3800	110	3000	60000	50000	70	-
LN INDV D 1200 34 W 4000 K	■	IND33W40	4058075109629	2x28W FL	34	4200	120	4000	60000	50000	70	-
LN INDV D 1500 25 W 3000 K	■	IND25W30	4058075109643	1x49W FL	25	3100	125	3000	60000	50000	70	-
LN INDV D 1500 25 W 4000 K	■	IND25W40	4058075109667	1x49W FL	25	3300	125	4000	60000	50000	70	-
LN INDV D 1500 48 W 3000 K	■	IND50W30	4058075109681	2x49W FL	48	5300	110	3000	60000	50000	70	-
LN INDV D 1500 48 W 4000 K	■	IND50W40	4058075109704	2x49W FL	48	5700	120	4000	60000	50000	70	-
<b>NEW</b> LN INDV D 1200 34 W 3000 K DALI	■	IND33W30DA	4058075503946	2x28W FL	34	3800	110	3000	60000	50000	70	DALI
<b>NEW</b> LN INDV D 1200 34 W 4000 K DALI	■	IND33W40DA	4058075503960	2x28W FL	34	4200	125	4000	60000	50000	70	DALI
LN INDV D DALI 1500 25 W 3000 K	■	IND25W30DA	4058075108929	1x49W FL	25	3100	125	3000	60000	50000	70	DALI
LN INDV D DALI 1500 25 W 4000 K	■	IND25W40DA	4058075108943	1x49W FL	25	3300	125	4000	60000	50000	70	DALI
<b>NEW</b> LN INDV D 1500 48 W 3000 K DALI	■	IND50W30DA	4058075503984	2x49W FL	48	5300	110	3000	60000	50000	70	DALI
<b>NEW</b> LN INDV D 1500 48 W 4000 K DALI	■	IND50W40DA	4058075504004	2x49W FL	48	5700	120	4000	60000	50000	70	DALI



Product name	CRI	UGR	FLICKER VALUE	IK	g	L x W x H [mm]	Ø x H [mm]
LN INDV D 1200 34 W 3000 K	≥80	<16	<10 %	IK06	2400	1199 x 120 x 40	
LN INDV D 1200 34 W 4000 K	≥80	<16	<10 %	IK06	2400	1199 x 120 x 40	
LN INDV D 1500 25 W 3000 K	≥80	<16	<10 %	IK06	2900	1488 x 120 x 40	
LN INDV D 1500 25 W 4000 K	≥80	<16	<10 %	IK06	2900	1488 x 120 x 40	
LN INDV D 1500 48 W 3000 K	≥80	<16	<10 %	IK06	3100	1488 x 120 x 40	
LN INDV D 1500 48 W 4000 K	≥80	<16	<10 %	IK06	3100	1488 x 120 x 40	
<b>NEW</b> LN INDV D 1200 34 W 3000 K DALI	>80	<16	<5 %	IK06	2500	1199 x 120 x 40	
<b>NEW</b> LN INDV D 1200 34 W 4000 K DALI	>80	<16	<5 %	IK06	2500	1199 x 120 x 40	
LN INDV D DALI 1500 25 W 3000 K	≥80	<16	<10 %	IK06	3000	1488 x 120 x 40	
LN INDV D DALI 1500 25 W 4000 K	≥80	<16	<10 %	IK06	3000	1488 x 120 x 40	
<b>NEW</b> LN INDV D 1500 48 W 3000 K DALI	>80	<16	<5 %	IK06	3200	1488 x 120 x 40	
<b>NEW</b> LN INDV D 1500 48 W 4000 K DALI	>80	<16	<5 %	IK06	3200	1488 x 120 x 40	

### LINEAR INDIVILED® DIRECT EMERGENCY

Surface mounted luminaire for single luminaire or light line application with emergency lighting

Product name	Segmentation	Static Code	GTIN (EAN)	RE-PLACEMENT FOR	W	lm	lm/W	K	L70 <sup>1</sup>	L80 <sup>1</sup>	°
LN INDV D 1200 34 W 3000 K EM	■	IND33W30EM	4058075109520	2x28W FL	34	3800	110	3000	60000	50000	70
LN INDV D 1200 34 W 4000 K EM	■	IND33W40EM	4058075109544	2x28W FL	34	4200	120	4000	60000	50000	70
LN INDV D 1500 25 W 3000 K EM	■	IND25W30EM	4058075109568	1x49W FL	25	3100	125	3000	60000	50000	70
LN INDV D 1500 25 W 4000 K EM	■	IND25W40EM	4058075109582	1x49W FL	25	3300	125	4000	60000	50000	70
LN INDV D 1500 48 W 3000 K EM	■	IND50W30EM	4058075109803	2x49W FL	48	5300	110	3000	60000	50000	70
LN INDV D 1500 48 W 4000 K EM	■	IND50W40EM	4058075109827	2x49W FL	48	5700	120	4000	60000	50000	70



Product name	CRI	UGR	FLICKER VALUE	IK	g	L x W x H [mm]	Ø x H [mm]
LN INDV D 1200 34 W 3000 K EM	≥80	<16	<10 %	IK06	2700	1199 x 120 x 40	
LN INDV D 1200 34 W 4000 K EM	≥80	<16	<10 %	IK06	2700	1199 x 120 x 40	
LN INDV D 1500 25 W 3000 K EM	≥80	<16	<10 %	IK06	3100	1488 x 120 x 40	
LN INDV D 1500 25 W 4000 K EM	≥80	<16	<10 %	IK06	3100	1488 x 120 x 40	
LN INDV D 1500 48 W 3000 K EM	≥80	<16	<10 %	IK06	3170	1488 x 120 x 40	
LN INDV D 1500 48 W 4000 K EM	≥80	<16	<10 %	IK06	3170	1488 x 120 x 40	

<sup>1</sup> t [h]: L70/B50 @ 25 °C (Ta) / t [h]: L80/B10 @ 25 °C (Ta)

## EMERGENCY LIGHTING PROPERTIES



Product name	Battery life in emergency operation mode	Type of emergency operation test	Type of emergency light operation	Luminous flux in emergency operation mode	Type of Battery
LN INDV D 1200 34 W 3000 K EM	3 h	Automatic	Maintained/Non-maintained	410 lm	LiFeP04
LN INDV D 1200 34 W 4000 K EM	3 h	Automatic	Maintained/Non-maintained	410 lm	LiFeP04
LN INDV D 1500 25 W 3000 K EM	3 h	Automatic	Maintained/Non-maintained	410 lm	LiFeP04
LN INDV D 1500 25 W 4000 K EM	3 h	Automatic	Maintained/Non-maintained	410 lm	LiFeP04
LN INDV D 1500 48 W 3000 K EM	3 h	Automatic	Maintained/Non-maintained	410 lm	LiFeP04
LN INDV D 1500 48 W 4000 K EM	3 h	Automatic	Maintained/Non-maintained	410 lm	LiFeP04

## LINEAR INDIVILED® DIRECT ACCESSORIES

Mounting accessories for LINEAR INDIVILED® luminaires



- Suspension Kit:  
1 x transparent 1.5 m cable 3 x 0.75 mm +  
2 x Y wire suspension 1.5 m
- DALI Suspension Kit:  
1 x transparent 1.5 m cable 5 x 0.75 mm +  
2 x Y wire suspension 1.5 m
- Suspension Wire:  
1 x Y wire suspension 1.5 m
- Through Wiring Kit:  
3 x 1.5 mm with fast connector
- DALI Through Wiring Kit:  
2 x 1.5 mm with fast connector

Product name	Static Code	GTIN (EAN)	L x W x H [mm] Ø x H [mm]	MATERIAL	COLOUR		 No.
LN INDV Suspension Kit	INSUSKIT	4058075133280	100 x 25	Steel	White	1	1
LN INDV DALI Suspension Kit	INSUSDAKIT	4058075133303	100 x 25	Steel	White	1	2
LN INDV Suspension Wire	INSUSWIRE	4058075133327	1560 x 1 x 1	Steel	Steel	1	3
LN INDV Lightline Connector	INLINECON	4058075133341	82 x 40 x 12	Steel	Steel	1	4
LN INDV 1200 Through Wiring Kit	INTW4KIT	4058075158030	1250 x 20 x 7	Polycarbonate (PC)	Yellow	1	5
LN INDV 1500 Through Wiring Kit	INTW5KIT	4058075133365	1560 x 20 x 7	Polycarbonate (PC)	Yellow	1	5
LN INDV DALI 1200 Through Wiring Kit	INTW4KITDA	4058075158016	1250 x 13 x 7	Polycarbonate (PC)	Yellow	1	6
LN INDV DALI 1500 Through Wiring Kit	INTW5KITDA	4058075157996	1560 x 13 x 7	Polycarbonate (PC)	Yellow	1	6

<sup>1</sup> Refer to [www.ledvance.co.uk/guarantee](http://www.ledvance.co.uk/guarantee) for precise conditions

The pictures shown in the catalogue are for illustration purposes only. For information on size and colour, please refer to the product table.

# LINEAR LUMINAIRES

## HIGH LEVELS OF COMFORT AND FLEXIBILITY

### LINEAR SURFACE IP44

Page 96

LINEAR SURFACE IP44  
LINEAR SURFACE IP44 EMERGENCY

PERFOR-  
MANCE  
CLASS



#### IDEAL FOR SPECIAL APPLICATIONS WITH A HIGH DEGREE OF PROTECTION

- Robust IP44 and IK08 luminaire with integrated driver for surface and pendant mounting
- Replacement for traditional 2/36 W and 2/58 W versions
- Also available with 3-hour single battery on request (please note longer delivery time)

### LINEAR ULTRA OUTPUT

Page 100

LINEAR ULTRA OUTPUT  
LINEAR ULTRA OUTPUT EMERGENCY

PERFOR-  
MANCE  
CLASS



#### EXCELLENT LIGHT OUTPUT

- Replacement of conventional T8 luminaires: equivalent to 1/36 W, 2/36 W, 1/58 W, 2/58 W and 2 x 80 W depending on the version
- Robust housing with IK08
- Optional reflector accessories and numerous wiring options for flexible applications

### LINEAR COMPACT

Page 104

LINEAR COMPACT BATTEN  
LINEAR COMPACT HIGH OUTPUT  
LINEAR COMPACT SWITCH

VALUE  
CLASS



#### COMPACT AND VERSATILE

- Flexible strip lighting versions possible, plug-in (High Output and Switch) or with wiring (Batten)
- Many options for fast and flexible mounting through extensive accessories
- High luminous flux of up to 2,500 lm

## WHICH LUMINAIRE IS SUITABLE FOR WHICH APPLICATION?

### LINEAR SURFACE IP44



General lighting and special applications requiring a high degree of protection

### LINEAR ULTRA OUTPUT



Industry, general lighting

### LINEAR COMPACT



Cove lighting, shop and hospitality



## LINEAR SURFACE IP44

Surface mounted luminaire with IP44



### PRODUCT FEATURES

- Housing made of white (similar to RAL 9010) painted sheet steel with UV-stable opal PC diffuser
- Feed from side or rear, through-wiring 5 x 2.5 sqmm possible
- End cap made of polycarbonate, white, mounted with 2 screws for more secure installation
- Lifetime (L70/ B50): up to 60,000 h
- Luminaire efficacy: up to 110 lm/W

### PRODUCT BENEFITS

- Robust IP44 and IK08 luminaire with integrated driver for surface and suspended mounting
- Replacement for traditional 2 x 36W and 2 x 58W versions
- Also available with 3-hour single battery on request (please note longer delivery time)
- All versions with 5-year guarantee, except emergency version: 3 years (built-in 3h battery)

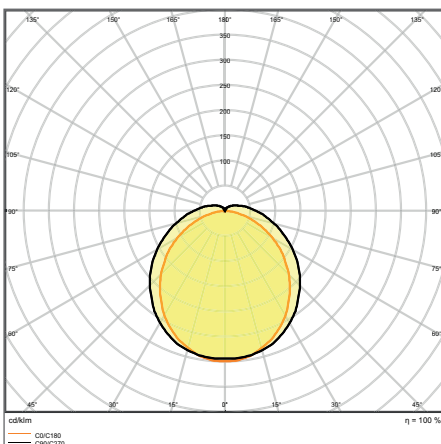
### AREAS OF APPLICATION

- Efficient replacement for traditional T8 and T5 luminaires
- Public buildings
- General illumination
- Libraries, schools

### EQUIPMENT / ACCESSORIES

- Accessories for suspension available\*

## FURTHER PRODUCT DETAILS



LN SF IP44 EM 1500 43 W 3000 K WT

\* Please note: available = available as an optional accessory.

The pictures shown in the catalogue are for illustration purposes only. For information on size and colour, please refer to the product table.



## LINEAR SURFACE IP44

Robust IP44 luminaires with direct light emission and integrated driver for surface or suspended applications

Product name	Segmentation	Static Code	GTIN (EAN)	RE-PLACEMENT FOR	W	lm	lm/W	K	L70 <sup>1</sup>	L80 <sup>1</sup>	△
LN SF IP44 1200 36 W 3000 K WT	■	LSUR430	4058075352872	2x36W FL	36	4000	110	3000	60000	40000	120
LN SF IP44 1200 36 W 4000 K WT	■	LSUR440	4058075352896	2x36W FL	36	4000	110	4000	60000	40000	120
LN SF IP44 1500 43 W 3000 K WT	■	LSUR530	4058075352919	2x58W FL	43	5000	115	3000	60000	40000	120
LN SF IP44 1500 43 W 4000 K WT	■	LSUR540	4058075352933	2x58W FL	43	5000	115	4000	60000	40000	120



Product name	CRI	FLICKER VALUE	IK	9	L x W x H [mm] ∅ x H [mm]
LN SF IP44 1200 36 W 3000 K WT	≥80	<10 %	IK08	2300	1199x145x64.5
LN SF IP44 1200 36 W 4000 K WT	≥80	<10 %	IK08	2300	1199x145x64.5
LN SF IP44 1500 43 W 3000 K WT	≥80	<10 %	IK08	2700	1499x145x64.5
LN SF IP44 1500 43 W 4000 K WT	≥80	<10 %	IK08	2700	1499x145x64.5

## LINEAR SURFACE IP44 EMERGENCY

Robust IP44 luminaires with direct light emission, integrated driver and integrated emergency lighting function

Product name	Segmentation	Static Code	GTIN (EAN)	RE-PLACEMENT FOR	W	lm	lm/W	K	L70 <sup>1</sup>	L80 <sup>1</sup>	△
LN SF IP44 EM 1200 36 W 3000 K WT	■	LSUR430EM	4058075402959	2x36W FL	36	4000	100	3000	60000	40000	120
LN SF IP44 EM 1200 36 W 4000 K WT	■	LSUR440EM	4058075402973	2x36W FL	36	4000	100	4000	60000	40000	120
LN SF IP44 EM 1500 43 W 3000 K WT	■	LSUR530EM	4058075402997	2x58W FL	43	5000	110	3000	60000	40000	120
LN SF IP44 EM 1500 43 W 4000 K WT	■	LSUR540EM	4058075403017	2x58W FL	43	5000	110	4000	60000	40000	120



Product name	CRI	FLICKER VALUE	IK	9	L x W x H [mm] ∅ x H [mm]
LN SF IP44 EM 1200 36 W 3000 K WT	≥80	<10 %	IK08	2400	1199x145x64.5
LN SF IP44 EM 1200 36 W 4000 K WT	≥80	<10 %	IK08	2400	1199x145x64.5
LN SF IP44 EM 1500 43 W 3000 K WT	≥80	<10 %	IK08	2800	1499x145x64.5
LN SF IP44 EM 1500 43 W 4000 K WT	≥80	<10 %	IK08	2800	1499x145x64.5

## EMERGENCY LIGHTING PROPERTIES

Product name	Battery life in emergency operation mode	Type of emergency operation test	Type of emergency light operation	Luminous flux in emergency operation mode	Type of Battery
LN SF IP44 EM 1200 36 W 3000 K WT	3 h	Automatic	Maintained/Non-maintained	350 lm	LiFeP04
LN SF IP44 EM 1200 36 W 4000 K WT	3 h	Automatic	Maintained/Non-maintained	350 lm	LiFeP04
LN SF IP44 EM 1500 43 W 3000 K WT	3 h	Automatic	Maintained/Non-maintained	375 lm	LiFeP04
LN SF IP44 EM 1500 43 W 4000 K WT	3 h	Automatic	Maintained/Non-maintained	375 lm	LiFeP04

<sup>1</sup> t [h]: L70/B50 @ 25 °C (Ta) / t [h]: L80/B10 @ 25 °C (Ta)



# LINEAR SURFACE ACCESSORIES

Mounting accessories for LINEAR SURFACE luminaires



- Suspension Kit:  
transp. cable 5-wire, 2 x wire suspension  
1.5 m + ceiling rose with terminal
- Suspension Wire:  
1 x Y wire suspension 1.5 m

Product name	Static Code	GTIN (EAN)	L x W x H [mm] Ø x H [mm]	MATERIAL	COLOUR		 No.
LN SF Suspension Kit	LSURSUSKIT	4058075352957	40 x -	Steel	Silver	1	1
LN SF Suspension Wire	LSURSUSWIR	4058075390089	1 x -	Steel	Silver	1	2

<sup>1</sup> Refer to [www.ledvance.co.uk/guarantee](http://www.ledvance.co.uk/guarantee) for precise conditions

The pictures shown in the catalogue are for illustration purposes only. For information on size and colour, please refer to the product table.



## LINEAR ULTRA OUTPUT

Surface luminaire with high lumen output and high luminous efficacy



### PRODUCT FEATURES

- Housing made of robust white sheet steel, end cap and opal diffuser made of polycarbonate (PC)
- Versions with luminous flux between 3500 and 7100 lm available
- Very high luminous efficacy: up to 125 lm/W
- Through-wiring possible
- Toolfree installation by push button terminal and simple click system of the diffuser

### PRODUCT BENEFITS

- Replacement of conventional T8 luminaires: equivalent to 2x36W, 1x58W, 2x58W and 2x80W
- Robust structure with IK08
- Optional reflector accessory and multiple wiring possibilities for flexible applications
- Energy savings of up to 60 % compared to luminaires that use CFL
- 5 years guarantee

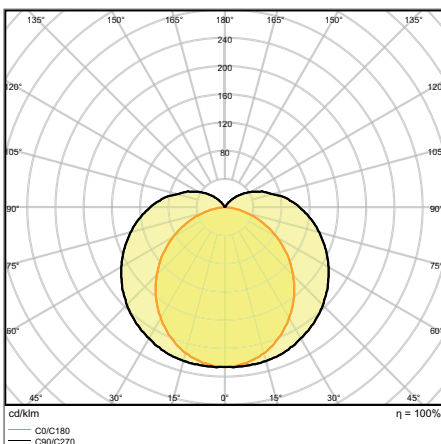
### AREAS OF APPLICATION

- Direct replacement for luminaires with fluorescent lamps
- Indoor applications
- Industrial and commercial halls
- Public areas
- Corridors, stairwells, basements

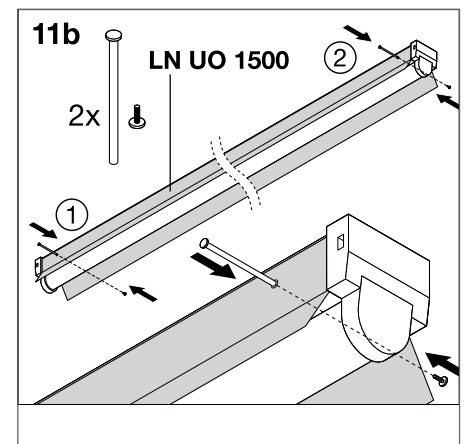
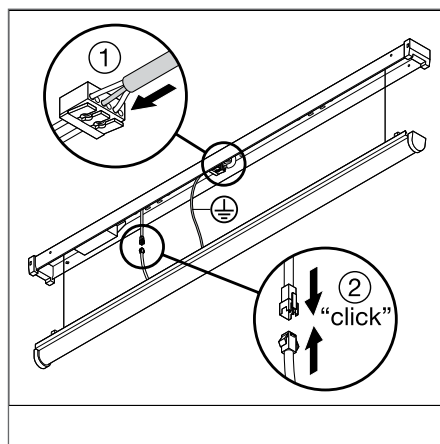
### EQUIPMENT / ACCESSORIES

- Reflector for high ceilings or asymmetric light emission available\* separately (1500 mm version)
- Mounting screws and dowels included

## FURTHER PRODUCT DETAILS



LN UO 1500 60 W 4000 K



\* Please note: available = available as an optional accessory.

The pictures shown in the catalogue are for illustration purposes only. For information on size and colour, please refer to the product table.

## LINEAR ULTRA OUTPUT

Surface luminaire with high luminous flux

Product name	Segmentation	Static Code	GTIN (EAN)	RE-PLACEMENT FOR	W	lm	lm/W	K	L70 <sup>1</sup>	L80 <sup>1</sup>	△
NEW LN UO 1200 25 W 3000 K	■	LU01430	4058075479937	-	25	2850	115	3000	50000	40000	110
NEW LN UO 1200 25 W 4000 K	■	LU01440	4058075479951	-	25	2950	120	4000	50000	40000	110
LN UO 1200 33 W 3000 K	■	LU02430	4058075122147	2x36W FL	33	3700	110	3000	50000	40000	110
LN UO 1200 33 W 4000 K	■	LU02440	4058075122161	2x36W FL	33	4000	120	4000	50000	40000	110
LN UO 1500 30 W 3000 K	■	LU01530	4058075122185	1x58W FL	30	3500	115	3000	50000	40000	110
LN UO 1500 30 W 4000 K	■	LU01540	4058075122208	1x58W FL	30	3800	125	4000	50000	40000	110
LN UO 1500 46 W 3000 K	■	LU02530	4058075122222	2x58W FL	46	5000	110	3000	50000	40000	110
LN UO 1500 46 W 4000 K	■	LU02540	4058075122246	2x58W FL	46	5500	120	4000	50000	40000	110
LN UO 1500 60 W 3000 K	■	LU0H530	4058075122260	2x80W FL	60	6600	110	3000	50000	40000	110
LN UO 1500 60 W 4000 K	■	LU0H540	4058075122284	2x80W FL	60	7100	120	4000	50000	40000	110



Product name	CRI	IK	g	L x W x H [mm]	Ø x H [mm]
NEW LN UO 1200 25 W 3000 K	≥80	IK08	1260	1168x62x74	
NEW LN UO 1200 25 W 4000 K	≥80	IK08	1260	1168x62x74	
LN UO 1200 33 W 3000 K	≥80	IK08	1500	1168x62x74	
LN UO 1200 33 W 4000 K	≥80	IK08	1260	1168x62x74	
LN UO 1500 30 W 3000 K	≥80	IK08	1800	1458x62x74	
LN UO 1500 30 W 4000 K	≥80	IK08	1800	1458x62x74	
LN UO 1500 46 W 3000 K	≥80	IK08	1850	1458x62x74	
LN UO 1500 46 W 4000 K	≥80	IK08	1850	1458x62x74	
LN UO 1500 60 W 3000 K	≥80	IK08	1850	1458x62x74	
LN UO 1500 60 W 4000 K	≥80	IK08	1850	1458x62x74	

<sup>1</sup> t [h]: L70/B50 @ 25 °C (Ta) / t [h]: L80/B10 @ 25 °C (Ta)

### LINEAR ULTRA OUTPUT EMERGENCY

Surface luminaire with high luminous flux and integrated emergency lighting function

Product name	Segmentation	Static Code	GTIN (EAN)	RE-PLACE-MENT FOR	W	lm	lm/W	K	L70 <sup>1</sup>	L80 <sup>1</sup>	°
NEW LN UO EM 1200 25 W 3000 K	■	LU01430EM	4058075515208	1x36W FL	25	2850	115	3000	50000	40000	120
NEW LN UO EM 1200 25 W 4000 K	■	LU01440EM	4058075515222	1x36W FL	25	2950	120	4000	50000	40000	120
NEW LN UO EM 1200 33 W 3000 K	■	LU02430EM	4058075515246	2x36W FL	33	3700	110	3000	50000	40000	120
NEW LN UO EM 1200 33 W 4000 K	■	LU02440EM	4058075515260	2x36W FL	33	4000	120	4000	50000	40000	120
NEW LN UO EM 1500 30 W 3000 K	■	LU01530EM	4058075515284	1x58W FL	30	3500	220	3000	50000	40000	120
NEW LN UO EM 1500 30 W 4000 K	■	LU01540EM	4058075515307	1x58W FL	30	3800	240	4000	50000	40000	120
NEW LN UO EM 1500 46 W 3000 K	■	LU02530EM	4058075515321	2x58W FL	46	5000	110	3000	50000	40000	120
NEW LN UO EM 1500 46 W 4000 K	■	LU02540EM	4058075515352	2x58W FL	46	5500	120	4000	50000	40000	120
NEW LN UO EM 1500 60 W 3000 K	■	LU0H530EM	4058075515376	2x80W FL	60	6600	110	3000	50000	40000	120
NEW LN UO EM 1500 60 W 4000 K	■	LU0H540EM	4058075515390	2x80W FL	60	7100	120	4000	50000	40000	120

Product name	CRI	IK	9	L x W x H [mm]	Ø x H [mm]
NEW LN UO EM 1200 25 W 3000 K	≥80	IK08	1410	1168x62x74	
NEW LN UO EM 1200 25 W 4000 K	≥80	IK08	1410	1168x62x74	
NEW LN UO EM 1200 33 W 3000 K	≥80	IK08	1410	1168x62x74	
NEW LN UO EM 1200 33 W 4000 K	≥80	IK08	1410	1168x62x74	
NEW LN UO EM 1500 30 W 3000 K	≥80	IK08	2050	1458x62x74	
NEW LN UO EM 1500 30 W 4000 K	≥80	IK08	2050	1458x62x74	
NEW LN UO EM 1500 46 W 3000 K	≥80	IK08	2100	1458x62x74	
NEW LN UO EM 1500 46 W 4000 K	≥80	IK08	2100	1458x62x74	
NEW LN UO EM 1500 60 W 3000 K	≥80	IK08	2100	1458x62x74	
NEW LN UO EM 1500 60 W 4000 K	≥80	IK08	2100	1458x62x74	

### EMERGENCY LIGHTING PROPERTIES

Product name	Battery life in emergency operation mode	Type of emergency operation test	Type of emergency light operation	Luminous flux in emergency operation mode	Type of Battery
LN UO EM 1200 25 W 3000 K	3 h	Automatic	Maintained/Non-maintained	370 lm	LiFeP04
LN UO EM 1200 25 W 4000 K	3 h	Automatic	Maintained/Non-maintained	370 lm	LiFeP04
LN UO EM 1200 33 W 3000 K	3 h	Automatic	Maintained/Non-maintained	370 lm	LiFeP04
LN UO EM 1200 33 W 4000 K	3 h	Automatic	Maintained/Non-maintained	370 lm	LiFeP04
LN UO EM 1500 30 W 3000 K	3 h	Automatic	Maintained/Non-maintained	370 lm	LiFeP04
LN UO EM 1500 30 W 4000 K	3 h	Automatic	Maintained/Non-maintained	370 lm	LiFeP04
LN UO EM 1500 46 W 3000 K	3 h	Automatic	Maintained/Non-maintained	370 lm	LiFeP04
LN UO EM 1500 46 W 4000 K	3 h	Automatic	Maintained/Non-maintained	370 lm	LiFeP04
LN UO EM 1500 60 W 3000 K	3 h	Automatic	Maintained/Non-maintained	370 lm	LiFeP04
LN UO EM 1500 60 W 4000 K	3 h	Automatic	Maintained/Non-maintained	370 lm	LiFeP04

<sup>1</sup> t [h]: L70/B50 @ 25 °C (Ta) / t [h]: L80/B10 @ 25 °C (Ta)



## LINEAR ULTRA OUTPUT ACCESSORIES

Symmetric/asymmetric reflector for Linear Ultra Output 1500 mm version



- Allows a symmetric light distribution with beam angle 80°
- Reflector for symmetric (both sides) or asymmetric (one side) mounting

Product name	Static Code	GTIN (EAN)	L x W x H [mm] Ø x H [mm]	MATERIAL	COLOUR	80°	2
LN UO 1500 REFLECTOR	LU05REF	4058075133389	1420 x 66 x 20	Steel	White	80	2

<sup>1</sup> Refer to [www.ledvance.co.uk/guarantee](http://www.ledvance.co.uk/guarantee) for precise conditions

The pictures shown in the catalogue are for illustration purposes only. For information on size and colour, please refer to the product table.

# LINEAR COMPACT

Compact single or light line luminaire



## PRODUCT FEATURES

- Housing made of durable polycarbonate
- High Output and Switch: fast and seamless connection up to a maximum of 10 luminaires per strip
- Batten: lighting strip with connection via the rear of the luminaire with up to 60 luminaires
- Up to 4 different lengths available
- Glow Wire Test according to IEC 60695-2-12: 850 °C

## PRODUCT BENEFITS

- Flexible strip lighting versions possible, plug-in (High Output and Switch) or with wiring (Batten)
- Many options for fast and flexible mounting through extensive accessories
- High lumen output, up to 2500 lm
- Low flicker light thanks to special electronic control gear
- 5 years guarantee

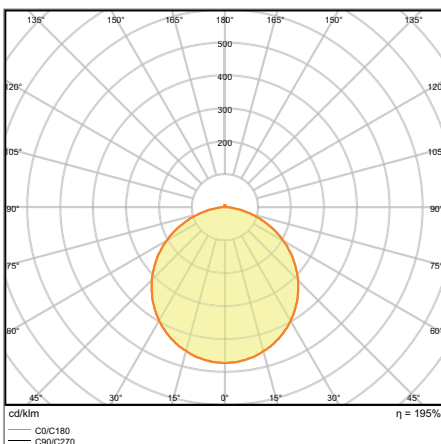
## AREAS OF APPLICATION

- Direct replacement for luminaires with fluorescent lamps
- Indoor applications
- Corridors, entrance areas, stairwells, living rooms, basements

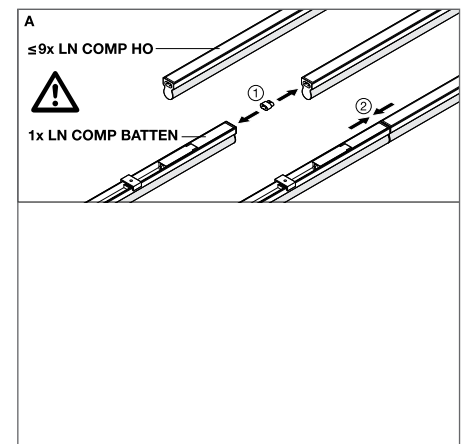
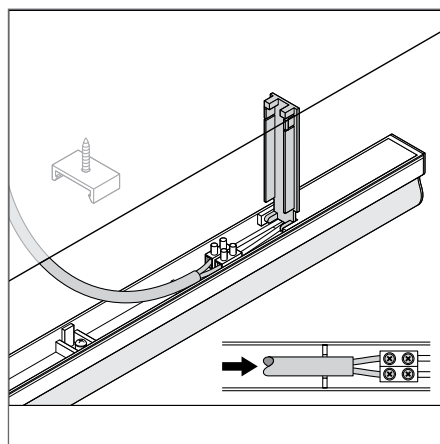
## EQUIPMENT / ACCESSORIES

- Equipped with power plug, cable connector and line adapter for connecting further luminaires\*
- Mounting material for wall and ceiling installations included

## FURTHER PRODUCT DETAILS



LN COMP Batten 1500 25 W 3000 K



\* Applies only to Linear Compact HO and Switch

<sup>1</sup> Refer to [www.ledvance.co.uk/guarantee](http://www.ledvance.co.uk/guarantee) for precise conditions

The pictures shown in the catalogue are for illustration purposes only. For information on size and colour, please refer to the product table.



## LINEAR COMPACT SWITCH

Compact single or light line luminaire with switch

Product name	Segmentation	Static Code	GTIN (EAN)	RE-PLACE-MENT FOR	W	lm	lm/W	K	L70 <sup>1</sup>	L80 <sup>1</sup>	⊘
LN COMP SWITCH 300 4 W 3000 K	■	LBSW130	4058075106079	1x9W FL	4	400	100	3000	50000	40000	140
LN COMP SWITCH 300 4 W 4000 K	■	LBSW140	4058075106093	1x9W FL	4	450	110	4000	50000	40000	140
LN COMP SWITCH 600 8 W 3000 K	■	LBSW230	4058075106116	1x18 W FL	8	800	100	3000	50000	40000	140
LN COMP SWITCH 600 8 W 4000 K	■	LBSW240	4058075106130	1x18 W FL	8	800	100	4000	50000	40000	140
LN COMP SWITCH 900 12 W 3000 K	■	LBSW330	4058075106192	1x30W FL	12	1200	100	3000	50000	40000	140
LN COMP SWITCH 900 12 W 4000 K	■	LBSW340	4058075106215	1x30W FL	12	1200	100	4000	50000	40000	140
LN COMP SWITCH 1200 14 W 3000 K	■	LBSW430	4058075106154	1x36W FL	14	1400	100	3000	50000	40000	140
LN COMP SWITCH 1200 14 W 4000 K	■	LBSW440	4058075106178	1x36W FL	14	1500	100	4000	50000	40000	140



Product name	CRI	FLICKER VALUE	L × W × H [mm] ∅ × H [mm]
LN COMP SWITCH 300 4 W 3000 K	>80	<5 %	313x28x36
LN COMP SWITCH 300 4 W 4000 K	>80	<5 %	313x28x36
LN COMP SWITCH 600 8 W 3000 K	>80	<5 %	573x28x36
LN COMP SWITCH 600 8 W 4000 K	>80	<5 %	573x28x36
LN COMP SWITCH 900 12 W 3000 K	>80	<5 %	873x28x36
LN COMP SWITCH 900 12 W 4000 K	>80	<5 %	873x28x36
LN COMP SWITCH 1200 14 W 3000 K	>80	<5 %	1173x28x36
LN COMP SWITCH 1200 14 W 4000 K	>80	<5 %	1173x28x36

## LINEAR COMPACT HIGH OUTPUT

Compact single or light line luminaire with high luminous flux

Product name	Segmentation	Static Code	GTIN (EAN)	RE-PLACE-MENT FOR	W	lm	lm/W	K	L70 <sup>1</sup>	L80 <sup>1</sup>	⊘
LN COMP HO 600 10 W 3000 K	■	LCBH0230	4058075106277	1x18W FL	10	1000	100	3000	50000	40000	140
LN COMP HO 600 10 W 4000 K	■	LCBH0240	4058075106291	1x18W FL	10	1000	100	4000	50000	40000	140
LN COMP HO 900 15 W 3000 K	■	LCBH0330	4058075106239	1x30W FL	15	1500	100	3000	50000	40000	140
LN COMP HO 900 15 W 4000 K	■	LCBH0340	4058075106253	1x30W FL	15	1500	100	4000	50000	40000	140
LN COMP HO 1200 20 W 3000 K	■	LCBH0430	4058075106314	1x36W FL	20	2000	100	3000	50000	40000	140
LN COMP HO 1200 20 W 4000 K	■	LCBH0440	4058075106338	1x36W FL	20	2000	100	4000	50000	40000	140
LN COMP HO 1500 25 W 3000 K	■	LCBH0530	4058075106352	1x58W FL	25	2500	100	3000	50000	40000	140
LN COMP HO 1500 25 W 4000 K	■	LCBH0540	4058075106376	1x58W FL	25	2500	100	4000	50000	40000	140



Product name	CRI	L × W × H [mm] ∅ × H [mm]
LN COMP HO 600 10 W 3000 K	>80	573x24x36
LN COMP HO 600 10 W 4000 K	>80	573x24x36
LN COMP HO 900 15 W 3000 K	>80	873x24x36
LN COMP HO 900 15 W 4000 K	>80	873x24x36
LN COMP HO 1200 20 W 3000 K	>80	1173x24x36
LN COMP HO 1200 20 W 4000 K	>80	1173x24x36
LN COMP HO 1500 25 W 3000 K	>80	1473x24x36
LN COMP HO 1500 25 W 4000 K	>80	1473x24x36

<sup>1</sup> t [h]: L70/B50 @ 25 °C (Ta) / t [h]: L80/B10 @ 25 °C (Ta)

## LINEAR COMPACT BATTEN

Compact luminaires with a wiring on the back side

Product name	Segmentation	Static Code	GTIN (EAN)	RE-PLACE-MENT FOR	W	lm	lm/W	K	L70 <sup>1</sup>	L80 <sup>1</sup>	°
LN COMP Batten 600 10 W 3000 K	■	LCB230	4058075099692	1x18W FL	10	1000	100	3000	50000	40000	140
LN COMP Batten 600 10 W 4000 K	■	LCB240	4058075099715	1x18W FL	10	1000	100	4000	50000	40000	140
LN COMP Batten 1200 20 W 3000 K	■	LCB430	4058075099739	1x36W FL	20	2000	100	3000	50000	40000	140
LN COMP Batten 1200 20 W 4000 K	■	LC1440	4058075099753	1x36W FL	20	2000	100	4000	50000	40000	140
LN COMP Batten 1500 25 W 3000 K	■	LCB530	4058075099777	1x58W FL	25	2500	100	3000	50000	40000	140
LN COMP Batten 1500 25 W 4000 K	■	LCB540	4058075099791	1x58W FL	25	2500	100	4000	50000	40000	140

Product name	CRI	L x W x H [mm] Ø x H [mm]
LN COMP Batten 600 10 W 3000 K	>80	575 x 27 x 38
LN COMP Batten 600 10 W 4000 K	>80	575 x 27 x 38
LN COMP Batten 1200 20 W 3000 K	>80	1175 x 27 x 38
LN COMP Batten 1200 20 W 4000 K	>80	1175 x 27 x 38
LN COMP Batten 1500 25 W 3000 K	>80	1475 x 27 x 38
LN COMP Batten 1500 25 W 4000 K	>80	1475 x 27 x 38


<sup>1</sup> t [h]: L70/B50 @ 25 °C (Ta) / t [h]: L80/B10 @ 25 °C (Ta)



# TRUNKING SYSTEMS

## TRUSYS VERSUS TRUSYS PERFORMANCE


**TRUSYS** **PAGE 120**



TRUSYS  
TRUSYS DALI  
TRUSYS ENERGY RAIL  
TRUSYS ACCESSORIES

**PERFORMANCE CLASS**

**TRUSYS PERFORMANCE** **PAGE 110**



TRUSYS PERFORMANCE ON/OFF  
TRUSYS PERFORMANCE DALI  
TRUSYS PERFORMANCE EM  
TRUSYS PERFORMANCE ENERGY RAIL  
TRUSYS PERFORMANCE ACCESSORIES

**PERFORMANCE CLASS**



Shop lighting, discounters, DIY stores	<b>← APPLICATIONS →</b>	Warehouses, industrial applications, factories, workshops
3,000, 4,000 and 6,500 K	<b>← AVAILABLE LIGHT COLOURS →</b>	4,000 K
Up to 7,200 lm (up to 135 lm/W) for optimal lighting of merchandise in shops	<b>← AVAILABLE LUMEN VALUES →</b>	5,600, 8,000, 11,200 lm (up to 160 lm/W) allow use in different heights
High-quality attractive SCALE design, anodized aluminium housing	<b>← DESIGN →</b>	Practical, simple and functional design, white housing
Wide (W): 105°, narrow (NFL): 25°, asymmetrical (WW): 45°, double asymmetrical (DA): 2 x 35°	<b>← BEAM ANGLE →</b>	Very wide (VW): 120°, wide (W): 90°, narrow (N): 60°, very narrow (VN): 30°, double symmetric (DS): 2 x 30°
Very simple and time-saving installation thanks to snap-in system and interior luminaire holders	<b>← INSTALLATION →</b>	Tool-free click system

For more detailed information about the TruSys and TruSys Performance systems see the system data sheet at [www.ledvance.co.uk/professional](http://www.ledvance.co.uk/professional)



# TRUSYS® PERFORMANCE

Efficient trunking system for a wide range of applications



## PRODUCT FEATURES

- Sheet steel housing, lens material: PMMA
- Lifetime (L80/B10): up to 60,000 h (at 25 °C)
- Fixed luminaire taps
- Click into place solution with smart click buttons

## PRODUCT BENEFITS

- Economical thanks to high luminous efficacy of 160 lm/W.
- Flexible application through a wide range of beam angles
- New also with double asymmetric beam angle: 2x30°
- Lighting strips with up to 57 luminaires (on/off) and 66 luminaires (DALI)
- Easy installation, no tools required for connection

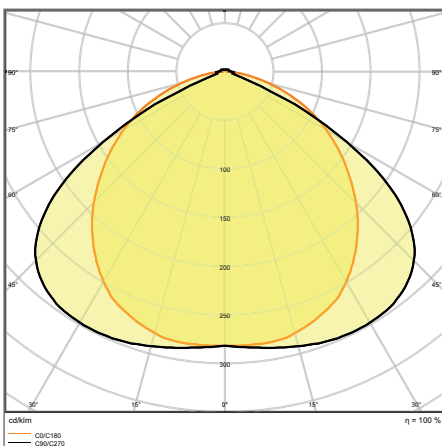
## AREAS OF APPLICATION

- Direct replacement for luminaires with fluorescent lamps
- Industry halls, high rack warehouse, garages, hardware stores
- Supermarkets

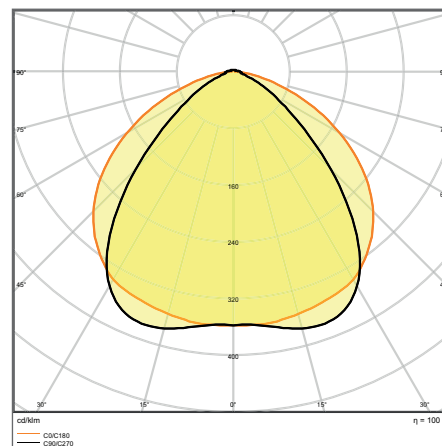
## EQUIPMENT / ACCESSORIES

- Mounting rail with fixed integrated 5- and 8-pole cable

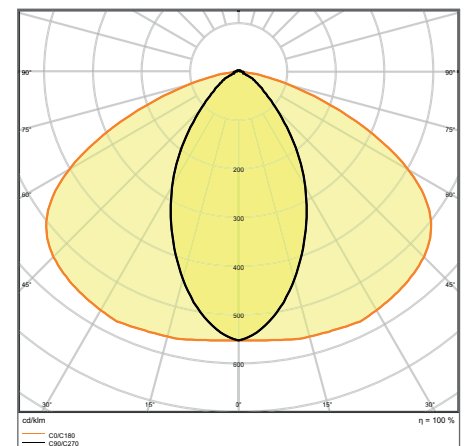
## FURTHER PRODUCT DETAILS



TRUSYS PFM VW 70 W 4000 K



TRUSYS PFM W 70 W 4000 K



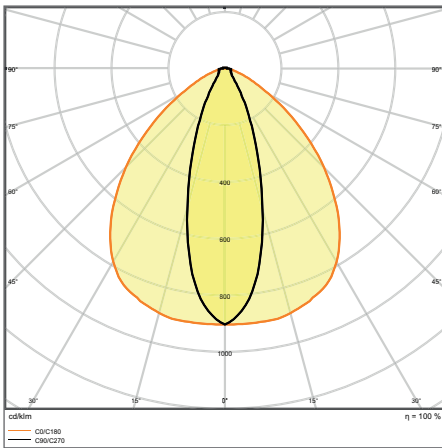
TRUSYS PFM N 70 W 4000 K

<sup>1</sup> The D mark refers exclusively to the switchable luminaire inserts, DALI and emergency light versions (EM) are excluded.

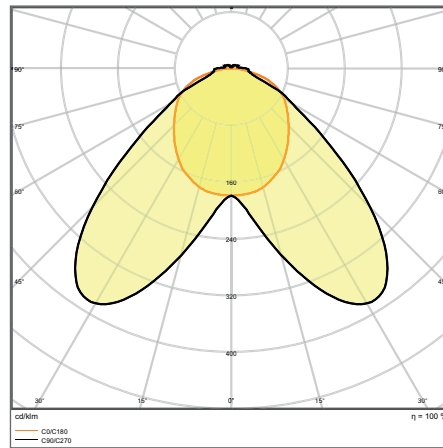
<sup>2</sup> Refer to [www.ledvance.co.uk/guarantee](http://www.ledvance.co.uk/guarantee) for precise conditions

The pictures shown in the catalogue are for illustration purposes only. For information on size and colour, please refer to the product table.

## FURTHER PRODUCT DETAILS



TRUSYS PFM VN 70 W 4000 K



TRUSYS PFM DS 70 W 4000 K

## TRUSYS® PERFORMANCE

Luminaire inserts for trunking system TruSys® Performance

Product name	Segmentation	Static Code	GTIN (EAN)	RE-PLACEMENT FOR	W	lm	lm/W	K	L70	L80	△	⌚
TruSys PFM VW 35 W 4000 K	■	TP3540VW	4058075290921	2x80W FL	35	5600	160	4000	65000	60000	120	-
<b>NEW</b> TruSys PFM VW 50 W 4000 K	■	TP5040VW	4058075398771	-	50	8000	160	4000	65000	60000	120	-
<b>NEW</b> TruSys PFM VW 70 W 4000 K	■	TP7040VW	4058075398818	-	70	11200	160	4000	55000	50000	120	-
TruSys PFM W 35 W 4000 K	■	TP3540W	4058075290839	2x80W FL	35	5600	160	4000	65000	60000	90	-
TruSys PFM W 50 W 4000 K	■	TP5040W	4058075290853	2x80W FL	50	8000	160	4000	65000	60000	90	-
TruSys PFM W 70 W 4000 K	■	TP7040W	4058075290891	2x80W FL	70	11200	160	4000	55000	50000	90	-
<b>NEW</b> TruSys PFM N 35 W 4000 K	■	TP3540N	4058075398719	-	35	5600	160	4000	65000	60000	60	-
TruSys PFM N 50 W 4000 K	■	TP5040N	4058075290945	2x80W FL	50	8000	160	4000	65000	60000	60	-
TruSys PFM N 70 W 4000 K	■	TP7040N	4058075290969	2x80W FL	70	11200	160	4000	55000	50000	60	-
<b>NEW</b> TruSys PFM VN 35 W 4000 K	■	TP3540VN	4058075398696	-	35	5600	160	4000	65000	60000	30	-
<b>NEW</b> TruSys PFM VN 50 W 4000 K	■	TP5040VN	4058075398757	-	50	8000	160	4000	65000	60000	30	-
TruSys PFM VN 70 W 4000 K	■	TP7040VN	4058075290983	2x80W FL	70	11200	160	4000	55000	50000	30	-
<b>NEW</b> TruSys PFM DS 35 W 4000 K	■	TP3540DS	4058075398733	-	35	5600	160	4000	65000	60000	2 x 30	-
<b>NEW</b> TruSys PFM DS 50 W 4000 K	■	TP5040DS	4058075398795	-	50	8000	160	4000	65000	60000	2 x 30	-
<b>NEW</b> TruSys PFM DS 70 W 4000 K	■	TP7040DS	4058075398832	-	70	11200	160	4000	55000	50000	2 x 30	-
TruSys PFM VW 35 W 4000 K DALI	■	TP3540VWDA	4058075291072	2x80W FL	35	5600	160	4000	65000	60000	120	DALI
TruSys PFM W 35 W 4000 K DALI	■	TP3540WDA	4058075291010	2x80W FL	35	5600	160	4000	65000	60000	90	DALI
TruSys PFM W 50 W 4000 K DALI	■	TP50WDA	4058075291034	2x80W FL	50	8000	160	4000	65000	60000	90	DALI
TruSys PFM W 70 W 4000 K DALI	■	TP7040WDA	4058075291058	2x80W FL	70	11200	160	4000	55000	50000	90	DALI
TruSys PFM N 50 W 4000 K DALI	■	TP5040NDA	4058075291096	2x80W FL	50	8000	160	4000	65000	60000	60	DALI
TruSys PFM N 70 W 4000 K DALI	■	TP7040NDA	4058075291119	2x80W FL	70	11200	160	4000	55000	50000	60	DALI
TruSys PFM VN 70 W 4000 K DALI	■	TP7040VNDA	4058075291133	2x80W FL	70	11200	160	4000	55000	50000	30	DALI

Product name	CRI	FLICKER VALUE	9	L x W x H [mm]	∅ x H [mm]
TruSys PFM VW 35 W 4000 K	≥80	<8 %	1660	1500 x 66.8 x 39.4	
<b>NEW</b> TruSys PFM VW 50 W 4000 K	≥80	<8 %	1660	1500 x 66.8 x 39.4	
<b>NEW</b> TruSys PFM VW 70 W 4000 K	≥80	<8 %	1660	1500 x 66.8 x 39.4	
TruSys PFM W 35 W 4000 K	≥80	<8 %	1660	1500 x 66.8 x 39.4	
TruSys PFM W 50 W 4000 K	≥80	<8 %	1660	1500 x 66.8 x 39.4	
TruSys PFM W 70 W 4000 K	≥80	<8 %	1660	1500 x 66.8 x 39.4	
<b>NEW</b> TruSys PFM N 35 W 4000 K	≥80	<8 %	1660	1500 x 66.8 x 39.4	
TruSys PFM N 50 W 4000 K	≥80	<8 %	1660	1500 x 66.8 x 39.4	
TruSys PFM N 70 W 4000 K	≥80	<8 %	1660	1500 x 66.8 x 39.4	
<b>NEW</b> TruSys PFM VN 35 W 4000 K	≥80	<8 %	1660	1500 x 66.8 x 39.4	
<b>NEW</b> TruSys PFM VN 50 W 4000 K	≥80	<8 %	1660	1500 x 66.8 x 39.4	
TruSys PFM VN 70 W 4000 K	≥80	<8 %	1660	1500 x 66.8 x 39.4	
<b>NEW</b> TruSys PFM DS 35 W 4000 K	≥80	<8 %	1660	1500 x 66.8 x 39.4	
<b>NEW</b> TruSys PFM DS 50 W 4000 K	≥80	<8 %	1660	1500 x 66.8 x 39.4	
<b>NEW</b> TruSys PFM DS 70 W 4000 K	≥80	<8 %	1660	1500 x 66.8 x 39.4	
TruSys PFM VW 35 W 4000 K DALI	≥80	<5 %	1660	1500 x 66.8 x 39.4	
TruSys PFM W 35 W 4000 K DALI	≥80	<5 %	1660	1500 x 66.8 x 39.4	
TruSys PFM W 50 W 4000 K DALI	≥80	<5 %	1660	1500 x 66.8 x 39.4	
TruSys PFM W 70 W 4000 K DALI	≥80	<5 %	1660	1500 x 66.8 x 39.4	
TruSys PFM N 50 W 4000 K DALI	≥80	<5 %	1660	1500 x 66.8 x 39.4	
TruSys PFM N 70 W 4000 K DALI	≥80	<5 %	1660	1500 x 66.8 x 39.4	
TruSys PFM VN 70 W 4000 K DALI	≥80	<5 %	1660	1500 x 66.8 x 39.4	

<sup>1</sup> t [h]: L70/B50 @ 25 °C (Ta) / t [h]: L80/B10 @ 25 °C (Ta)



## TRUSYS® PERFORMANCE EMERGENCY

Luminaire inserts for trunking system TruSys® Performance for standard and emergency lighting

Product name	Segmentation	Static Code	GTIN (EAN)	RE-PLACEMENT FOR	W	lm	lm/W	K	L70 <sup>1</sup>	L80 <sup>1</sup>	°
TruSys PFM EM W 35 W 4000 K AT 3H	■	TP3540EEM	4058075291157	2x80W FL	35	5600	160	4000	65000	60000	90
TruSys PFM EM W 50 W 4000 K AT 3H	■	TP5040WEM	4058075291171	2x80W FL	50	8000	160	4000	65000	60000	90
TruSys PFM EM W 70 W 4000 K AT 3H	■	TP7040WEM	4058075291195	2x80W FL	70	11200	160	4000	55000	50000	90
TruSys PFM EM VW 35 W 4000 K AT 3H	■	TP3540WVEM	4058075291218	2x80W FL	35	5600	160	4000	65000	60000	120
TruSys PFM EM N 50 W 4000 K AT 3H	■	TP5040NEM	4058075291232	2x80W FL	50	8000	160	4000	65000	60000	60
TruSys PFM EM N 70 W 4000 K AT 3H	■	TP7040NEM	4058075291256	2x80W FL	70	11200	160	4000	55000	50000	60
TruSys PFM EM VN 70 W 4000 K AT 3H	■	TP7040SEM	4058075291270	2x80W FL	70	11200	160	4000	55000	50000	30



Product name	CRI	Flicker Value	Icon	L x W x H [mm]	Ø x H [mm]
TruSys PFM EM W 35 W 4000 K AT 3H	≥80	<8 %	1660	1500 x 66.8 x 39.4	
TruSys PFM EM W 50 W 4000 K AT 3H	≥80	<8 %	1660	1500 x 66.8 x 39.4	
TruSys PFM EM W 70 W 4000 K AT 3H	≥80	<8 %	1660	1500 x 66.8 x 39.4	
TruSys PFM EM VW 35 W 4000 K AT 3H	≥80	<8 %	1660	1500 x 66.8 x 39.4	
TruSys PFM EM N 50 W 4000 K AT 3H	≥80	<8 %	1660	1500 x 66.8 x 39.4	
TruSys PFM EM N 70 W 4000 K AT 3H	≥80	<8 %	1660	1500 x 66.8 x 39.4	
TruSys PFM EM VN 70 W 4000 K AT 3H	≥80	<8 %	1660	1500 x 66.8 x 39.4	

## EMERGENCY LIGHTING PROPERTIES

Product name	Battery life in emergency operation mode	Type of emergency operation test	Type of emergency light operation	Luminous flux in emergency operation mode	Type of Battery
TruSys PFM EM W 35 W 4000 K AT 3H	3 h	Automatic	Maintained/Non-maintained	600 lm	LiFeP04
TruSys PFM EM W 50 W 4000 K AT 3H	3 h	Automatic	Maintained/Non-maintained	600 lm	LiFeP04
TruSys PFM EM W 70 W 4000 K AT 3H	3 h	Automatic	Maintained/Non-maintained	600 lm	LiFeP04
TruSys PFM EM VW 35 W 4000 K AT 3H	3 h	Automatic	Maintained/Non-maintained	600 lm	LiFeP04
TruSys PFM EM N 50 W 4000 K AT 3H	3 h	Automatic	Maintained/Non-maintained	600 lm	LiFeP04
TruSys PFM EM N 70 W 4000 K AT 3H	3 h	Automatic	Maintained/Non-maintained	600 lm	LiFeP04
TruSys PFM EM VN 70 W 4000 K AT 3H	3 h	Automatic	Maintained/Non-maintained	600 lm	LiFeP04

<sup>1</sup> t [h]: L70/B50 @ 25 °C (Ta) / t [h]: L80/B10 @ 25 °C (Ta)

## TRUSYS® PERFORMANCE

Trunking system - Energy rails



- High flexibility thanks to two available lengths (1500 mm, 3000 mm and 1500 mm end rail)
- Simple installation
- Steel-sheet housing
- Internal power supply at the first luminaire with separate feeder
- Through-wired with 5-pin or 8-pin cable
- End rail without electrical and mechanical connectors

### AREAS OF APPLICATION


- Industry halls, high rack warehouse, garages, hardware stores

### EQUIPMENT / ACCESSORIES

- Various accessories available\*

## TRUSYS® PERFORMANCE ENERGY RAILS

Mounting rails for trunking system TruSys® Performance

Product name	Static Code	GTIN (EAN)	L x W x H [mm] Ø x H [mm]	MATERIAL	COLOUR	
TruSys PFM ENERGY RAIL 5P 1500	TPER5150010X	4058075299443	1650 x 70 x 39	Steel	White	10
TruSys PFM ENERGY RAIL 5P 1500	TPER515001X	4058075299566	1650 x 70 x 39	Steel	White	1
TruSys PFM ENERGY RAIL 5P 1500 END	TPER51500E1X	4058075354753	1500 x 70 x 39	Steel	White	1
TruSys PFM ENERGY RAIL 5P 3000	TPER5300010X	4058075299498	3150 x 70 x 39	Steel	White	10
TruSys PFM ENERGY RAIL 5P 3000	TPER530001X	4058075354777	3150 x 70 x 39	Steel	White	1
TruSys PFM ENERGY RAIL 8P 1500	TPER8150010X	4058075299504	1650 x 70 x 39	Steel	White	10
TruSys PFM ENERGY RAIL 8P 1500	TPER815001X	4058075299573	1650 x 70 x 39	Steel	White	1
TruSys PFM ENERGY RAIL 8P 1500 END	TPER8150010EX	4058075299559	1500 x 70 x 39	Steel	White	10
TruSys PFM ENERGY RAIL 8P 1500 END	TPER815001EX	4058075354760	1500 x 70 x 39	Steel	White	1
TruSys PFM ENERGY RAIL 8P 3000	TPER30001X	4058075354784	3150 x 70 x 39	Steel	White	1
TruSys PFM ENERGY RAIL 8P 3000	TPER300010X	4058075299450	3150 x 70 x 39	Steel	White	10

\* Please note: available = available as an optional accessory.

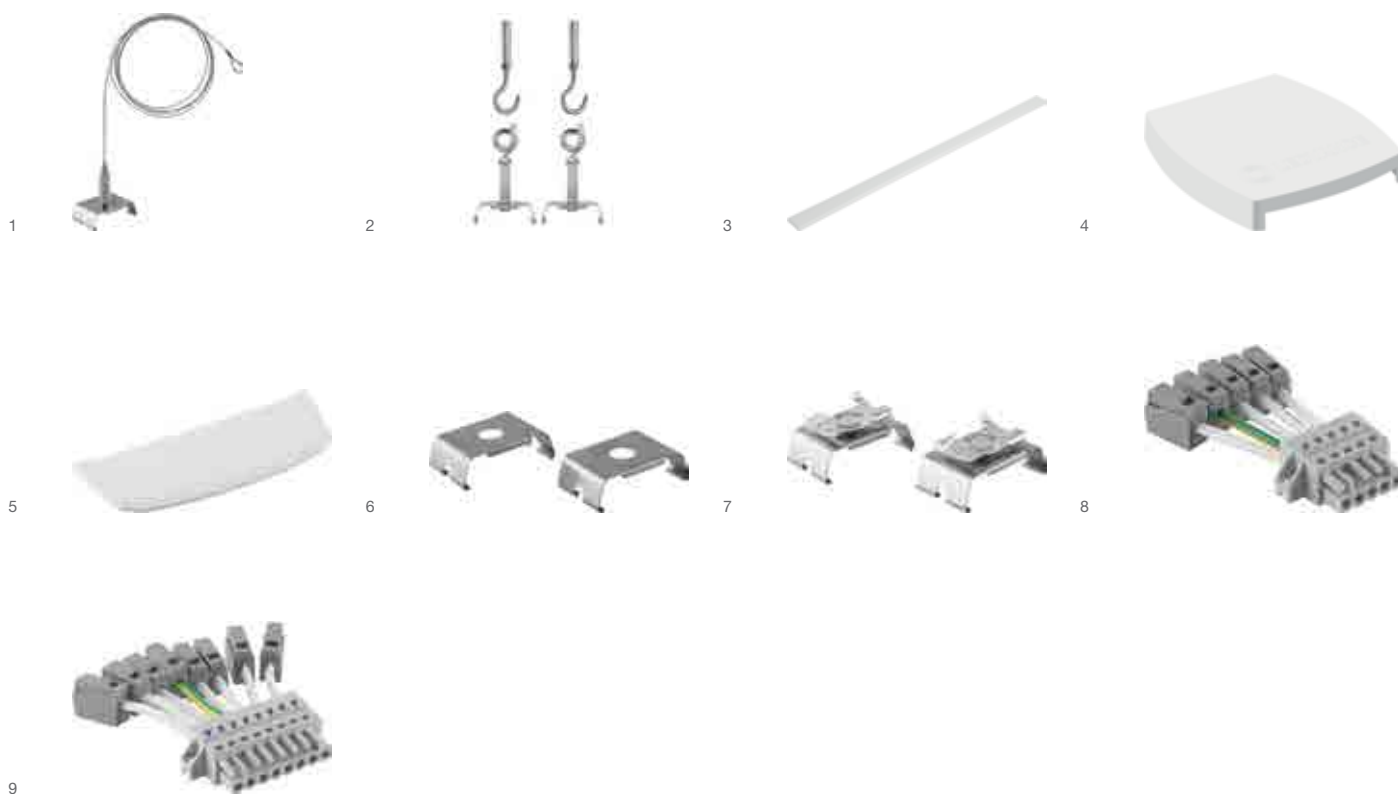
<sup>1</sup> Refer to [www.ledvance.co.uk/guarantee](http://www.ledvance.co.uk/guarantee) for precise conditions

The pictures shown in the catalogue are for illustration purposes only. For information on size and colour, please refer to the product table.



## TRUSYS® PERFORMANCE



Trunking system - Accessories



- Suspension Kit:  
wire suspension with bracket and  
3 m steel cable
- Chain Kit:  
set consists of 2 mounting brackets and  
swing hooks
- End Cap Energy rail:  
End cap for track and luminaire carrier  
in one
- EndCap Low Energy Rail:  
End cap only for track
- Surface Clip:  
set consists of 2 mounting clips for  
ceiling mounting
- Grid Ceiling Clip:  
1 mounting clip for surface mounting  
on grid ceilings

### TRUSYS® PERFORMANCE ACCESSORIES

Mounting accessories for TruSys® Performance

Product name	Static Code	GTIN (EAN)	L × W × H [mm] ∅ × H [mm]	MATERIAL	COLOUR		
TruSys PFM Suspension Kit	TPSUS	4058075284234	3000 x 35 x 65	Steel	White	2	1
TruSys PFM Chain Kit	TPCK	4058075284258	90 x 28 x 10	Steel	White	2	2
TruSys PFM Blind Cover	TPBC	4058075284296	1500 x 73 x 20	Polycarbonate (PC)	White	1	3
TruSys PFM End Cap Energy Rail	TPEREND	4058075284319	78 x 72 x 13	Polycarbonate (PC)	White	2	4
<b>NEW</b> TruSys PFM End Cap Low Energy Rail	TPECLER	4058075464926	27 x 66 x 6	Polycarbonate (PC)	White	2	5
TruSys PFM Surface Clip	TPSURCLIP	4058075284333	57 x 35 x 18	Steel	Silver	2	6
TruSys PFM Grid Ceiling Clip	TPGRID	4058075284609	57 x 35 x 26	Steel	Silver	2	7
TruSys PFM Feed-in 5P	TPFEED5	4058075284623	85 x 55 x 15	Polycarbonate (PC)	Silver	1	8
TruSys PFM Feed-in 8P	TPFEED8	4058075284647	85 x 55 x 15	Polycarbonate (PC)	Silver	1	9

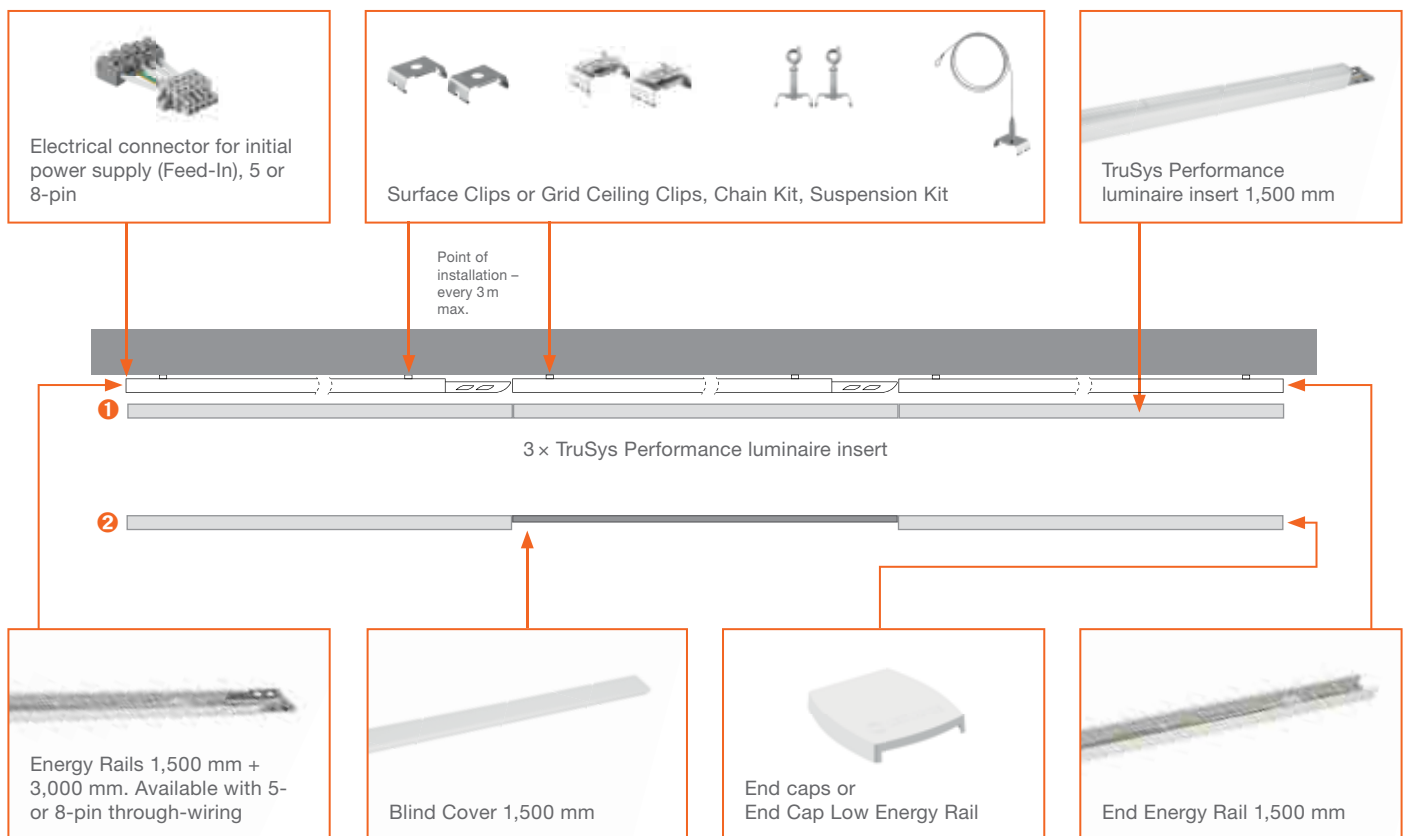
<sup>1</sup> Refer to [www.ledvance.co.uk/guarantee](http://www.ledvance.co.uk/guarantee) for precise conditions

The pictures shown in the catalogue are for illustration purposes only. For information on size and colour, please refer to the product table.

# OUR CHECKLIST FOR YOUR PERFECT TRUSYS PERFORMANCE SOLUTION

**Example installation:** So you can install a tailor-made TruSys Performance lighting system for your customers we have put together a summary of the components you'll need for individual luminaires or strip lighting. With appropriate accessories depending on the type of mounting (surface or suspended). For simple strip lighting the mechanical and electrical connectors are already integrated in the trunking.

## TRUSYS PERFORMANCE INSTALLATION ① WITHOUT AND ② WITH BLIND COVER



For more information on installation and components see the operating instructions for the relevant TruSys Performance model.

### FOR INSTALLATION YOU WILL NEED:

- 1 x TruSys Performance Feed-in (5- or 8-pin)
- X x TruSys Performance Energy Rail 5- or 8-pin (available as a collective (10 x) or single unit)
- 1 x TruSys Performance End Energy Rail
- X x TruSys Performance LED luminaire insert (TruSys Performance Blind Cover as required)
- X x Accessories depending on type of mounting (surface or suspended)
- 1 x Set TruSys Performance End Cap Energy Rail or End Cap Low Energy Rail



# TRUSYS PERFORMANCE REQUIREMENTS TABLE

Requirements table for sample strip lighting when allocating luminaire inserts to every second insert adapter (50 %) or every third insert adapter (33 %) on the mounting rails (Energy Rail).



50 %								
Length of strip lighting	TruSys PFM luminaire insert	Blind cover	3m rail	1.5m rail	End rail	Min. installation points <sup>1</sup>	Feed-in adapter	End caps
4.5m	2	1	1	0	1	2	1	2
7.5m	3	2	2	0	1	3	1	2
10.5m	4	3	3	0	1	4	1	2
13.5m	5	4	4	0	1	5	1	2
16.5m	6	5	5	0	1	6	1	2
19.5m	7	6	6	0	1	7	1	2
22.5m	8	7	7	0	1	8	1	2
25.5m	9	8	8	0	1	9	1	2
28.5m	10	9	9	0	1	10	1	2
31.5m	11	10	10	0	1	11	1	2
34.5m	12	11	11	0	1	12	1	2
37.5m	13	12	12	0	1	13	1	2
40.5m	14	13	13	0	1	14	1	2
43.5m	15	14	14	0	1	15	1	2
46.5m	16	15	15	0	1	16	1	2
49.5m	17	16	16	0	1	17	1	2

33 %								
Length of strip lighting	TruSys PFM luminaire insert	Blind cover	3m rail	1.5m rail	End rail	Min. installation points <sup>1</sup>	Feed-in adapter	End caps
6.0m	2	2	1	1	1	3	1	2
10.5m	3	4	3	0	1	4	1	2
15.0m	4	6	4	1	1	6	1	2
19.5m	5	8	5	0	1	7	1	2
24.0m	6	10	7	1	1	9	1	2
28.5m	7	12	9	0	1	10	1	2
33.0m	8	14	10	1	1	12	1	2
37.5m	9	16	12	0	1	13	1	2
42.0m	10	18	13	1	1	15	1	2
46.5m	11	20	15	0	1	16	1	2
51.0m	12	22	16	1	1	18	1	2

 Luminaire insert 1,500 mm

 Blind cover 1,500 mm

All figures mentioned are based on a single installation; deviations from the content possible as per EAN. For precise light planning for your project, please contact your sales representative.  
<sup>1</sup> Calculation based on a distance of 0.75 m from the start and end of the rail to the first and last installation point. Additional installation points every 3 m max.



# TRUSYS®

High quality trunking system for a wide range of applications



## PRODUCT FEATURES

- Luminaire carrier made of highquality aluminium
- Lifetime (L80/B10): up to 50,000 h (at 25 °C)
- Fixed energy taps for electrical connection
- Mounting clips not visible after installation

## PRODUCT BENEFITS

- Luminous efficacy: up to 135 lm/ W
- Innovative optical design with a rod lense-technology over the entire length of the luminaire
- Rows of up to 81 luminaires and a overall length of 124 m possible
- Energy savings of up to 65 % compared to luminaires with 2 x 80 W T5 lamps
- Flexible application through a wide range of beam angles including asymmetrical optics

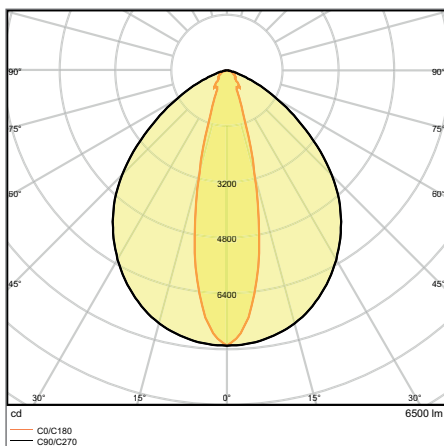
## AREAS OF APPLICATION

- Direct replacement for luminaires with compact fluorescent lamps
- Industry halls, high rack warehouse, garages, hardware stores
- Supermarkets

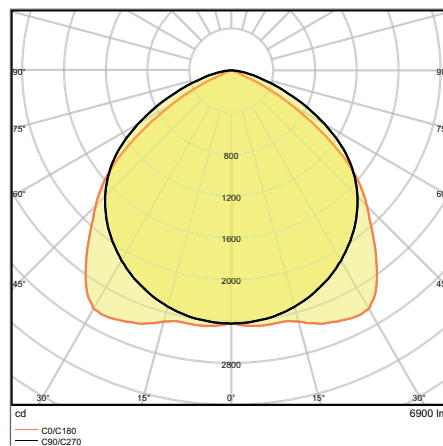
## EQUIPMENT / ACCESSORIES

- Mounting rail with fixed integrated 5- (On-Off) / 7-pole (DALI) cable

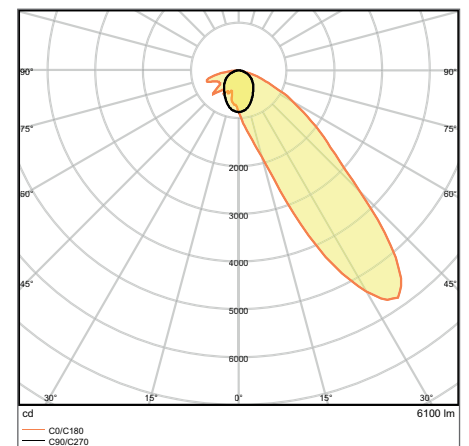
## FURTHER PRODUCT DETAILS



TRUSYS 53 W 6500 K NFL



TRUSYS 53 W 6500 K K



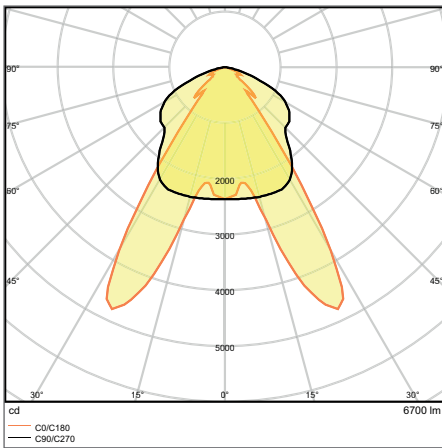
TRUSYS 53 W 6500 K WW

<sup>1</sup> Refer to [www.ledvance.co.uk/guarantee](http://www.ledvance.co.uk/guarantee) for precise conditions

The pictures shown in the catalogue are for illustration purposes only. For information on size and colour, please refer to the product table.



## FURTHER PRODUCT DETAILS



TRUSYS 53 W 6500 K DA

TRUSYS®

Luminaire inserts for trunking system TruSys®: ON/OFF und DALI

Product name	Segmentation	Static Code	GTIN (EAN)	RE-PLACEMENT FOR	W	lm	lm/W	K	L70	L80	△	⌚
TruSys W 53 W 3000 K SI	■	TAT030W	4058075100459	2x80W FL	53	6600	125	3000	75000	50000	105	-
TruSys W 53 W 4000 K SI	■	TAT040W	4058075100473	2x80W FL	53	7200	135	4000	75000	50000	105	-
TruSys W 53 W 6500 K SI	■	TAT065W	4058075100497	2x80W FL	53	6900	130	6500	75000	50000	105	-
TruSys NFL 53 W 3000 K SI	■	TAT030N	4058075100510	2x80W FL	53	6200	115	3000	75000	50000	25	-
TruSys NFL 53 W 4000 K SI	■	TAT040N	4058075100534	2x80W FL	53	6700	125	4000	75000	50000	25	-
TruSys NFL 53 W 6500 K SI	■	TAT065N	4058075100558	2x80W FL	53	6500	125	6500	75000	50000	25	-
TruSys WW 53 W 3000 K SI	■	TAT030WW	4058075100572	2x80W FL	53	5700	110	3000	75000	50000	45	-
TruSys WW 53 W 4000 K SI	■	TAT040WW	4058075100596	2x80W FL	53	6300	120	4000	75000	50000	45	-
TruSys WW 53 W 6500 K SI	■	TAT065WW	4058075100619	2x80W FL	53	6100	115	6500	75000	50000	45	-
TruSys DA 53 W 3000 K SI	■	TAT030SH	4058075100633	2x80W FL	53	6400	120	3000	75000	50000	2 x 35	-
TruSys DA 53 W 4000 K SI	■	TAT040SH	4058075100657	2x80W FL	53	6900	130	4000	75000	50000	2 x 35	-
TruSys DA 53 W 6500 K SI	■	TAT065SH	4058075100671	2x80W FL	53	6700	125	6500	75000	50000	2 x 35	-
TruSys W 53 W 3000 K SI DALI	■	TDALI30W	4058075102460	2x80W FL	53	6600	125	3000	75000	50000	105	DALI
TruSys W 53 W 4000 K SI DALI	■	TDALI40W	4058075102484	2x80W FL	53	7200	135	4000	75000	50000	105	DALI
TruSys W 53 W 6500 K SI DALI	■	TDALI65W	4058075102507	2x80W FL	53	6900	130	6500	75000	50000	105	DALI
TruSys NFL 53 W 3000 K SI DALI	■	TDALI30N	4058075102521	2x80W FL	53	6200	115	3000	75000	50000	25	DALI
TruSys NFL 53 W 4000 K SI DALI	■	TDALI40N	4058075102545	2x80W FL	53	6700	125	4000	75000	50000	25	DALI
TruSys NFL 53 W 6500 K SI DALI	■	TDALI65N	4058075102569	2x80W FL	53	6500	125	6500	75000	50000	25	DALI
TruSys WW 53 W 3000 K SI DALI	■	TDALI30WW	4058075102583	2x80W FL	53	5700	110	3000	75000	50000	45	DALI
TruSys WW 53 W 4000 K SI DALI	■	TDALI40WW	4058075102606	2x80W FL	53	6300	120	4000	75000	50000	45	DALI
TruSys WW 53 W 6500 K SI DALI	■	TADLI65WW	4058075102620	2x80W FL	53	6100	115	6500	75000	50000	45	DALI
TruSys DA 53 W 3000 K SI DALI	■	TDALI30SH	4058075102644	2x80W FL	53	6400	120	3000	75000	50000	2 x 35	DALI
TruSys DA 53 W 4000 K SI DALI	■	TDALI40SH	4058075102668	2x80W FL	53	6900	130	4000	75000	50000	2 x 35	DALI
TruSys DA 53 W 6500 K SI DALI	■	TDALI65SH	4058075102682	2x80W FL	53	6700	125	6500	75000	50000	2 x 35	DALI



Product name	CRI	FLICKER VALUE	IK	Ⓘ	L x W x H [mm] ∅ x H [mm]
TruSys W 53 W 3000 K SI	≥80	<5 %	IK07	1740	1534x71 x 53
TruSys W 53 W 4000 K SI	≥80	<5 %	IK07	1740	1534x71 x 53
TruSys W 53 W 6500 K SI	≥80	<5 %	IK07	1740	1534x71 x 53
TruSys NFL 53 W 3000 K SI	≥80	<5 %	IK07	1740	1534x71 x 53
TruSys NFL 53 W 4000 K SI	≥80	<5 %	IK07	1740	1534x71 x 53
TruSys NFL 53 W 6500 K SI	≥80	<5 %	IK07	1740	1534x71 x 53
TruSys WW 53 W 3000 K SI	≥80	<5 %	IK07	1740	1534x71 x 53
TruSys WW 53 W 4000 K SI	≥80	<5 %	IK07	1740	1534x71 x 53
TruSys WW 53 W 6500 K SI	≥80	<5 %	IK07	1740	1534x71 x 53
TruSys DA 53 W 3000 K SI	≥80	<5 %	IK07	1740	1534x71 x 53
TruSys DA 53 W 4000 K SI	≥80	<5 %	IK07	1740	1534x71 x 53
TruSys DA 53 W 6500 K SI	≥80	<5 %	IK07	1740	1534x71 x 53
TruSys W 53 W 3000 K SI DALI	≥80	<5 %	IK07	1800	1534x71 x 53
TruSys W 53 W 4000 K SI DALI	≥80	<5 %	IK07	1800	1534x71 x 53
TruSys W 53 W 6500 K SI DALI	≥80	<5 %	IK07	1800	1534x71 x 53
TruSys NFL 53 W 3000 K SI DALI	≥80	<5 %	IK07	1800	1534x71 x 53
TruSys NFL 53 W 4000 K SI DALI	≥80	<5 %	IK07	1800	1534x71 x 53
TruSys NFL 53 W 6500 K SI DALI	≥80	<5 %	IK07	1800	1534x71 x 53
TruSys WW 53 W 3000 K SI DALI	≥80	<5 %	IK07	1800	1534x71 x 53
TruSys WW 53 W 4000 K SI DALI	≥80	<5 %	IK07	1800	1534x71 x 53
TruSys WW 53 W 6500 K SI DALI	≥80	<5 %	IK07	1800	1534x71 x 53
TruSys DA 53 W 3000 K SI DALI	≥80	<5 %	IK07	1800	1534x71 x 53
TruSys DA 53 W 4000 K SI DALI	≥80	<5 %	IK07	1800	1534x71 x 53
TruSys DA 53 W 6500 K SI DALI	≥80	<5 %	IK07	1800	1534x71 x 53

<sup>1</sup> t [h]: L70/B50 @ 25 °C (Ta) / t [h]: L80/B10 @ 25 °C (Ta)

# TRUSYS®

Trunking system - Energy rails



- High flexibility thanks to three available lengths (1500 mm, 3000 mm, 4500 mm)
- Simple installation
- Rigid housing made of aluminium
- Internal power supply at the first luminaire with separate feeder
- Through-wired with 5-pin or 7-pin cable

## AREAS OF APPLICATION

- Industry halls, high rack warehouse, garages, hardware stores
- Supermarkets

## EQUIPMENT / ACCESSORIES

- Various accessories available\*

## TRUSYS® ENERGY RAILS

Mounting rails for trunking system TruSys®

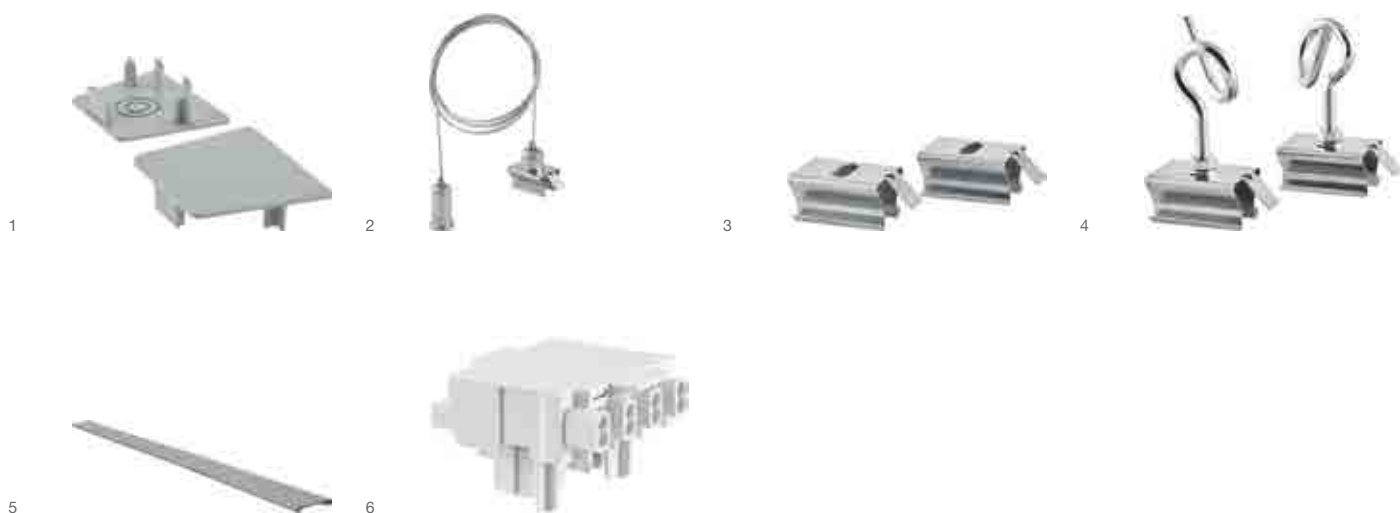
Product name	Static Code	GTIN (EAN)	L x W x H [mm] Ø x H [mm]	MATERIAL	COLOUR	
TruSys ENERGY RAIL 1500 5X2,5	TER15005	4058075100299	1535 x 67 x 44	Aluminium	Silver	1
TruSys ENERGY RAIL 3000 5X2,5	TER30005	4058075100312	3070 x 67 x 44	Aluminium	Silver	1
TruSys ENERGY RAIL 4500 5X2,5	TER45005	4058075100336	4605 x 67 x 44	Aluminium	Silver	1
TruSys ENERGY RAIL DALI 1500 7X2,5	TER15007	4058075103450	1535 x 67 x 44	Aluminium	Silver	1
TruSys ENERGY RAIL DALI 3000 7X2,5	TER30007	4058075103474	3068 x 67 x 44	Aluminium	Silver	1
TruSys ENERGY RAIL DALI 4500 7X2,5	TER45007	4058075103498	4601 x 67 x 44	Aluminium	Silver	1

\* Please note: available = available as an optional accessory.

<sup>1</sup> Refer to [www.ledvance.co.uk/guarantee](http://www.ledvance.co.uk/guarantee) for precise conditions

**TRUSYS®**

## Trunking system - Accessories



- Suspension Kit:  
wire suspension with bracket and  
3 m steel cable
- Blind Cover: 1534 mm
- Electrical Connector:  
for initial power supply

**TRUSYS® ACCESSORIES**

## Mounting accessories for TruSys®

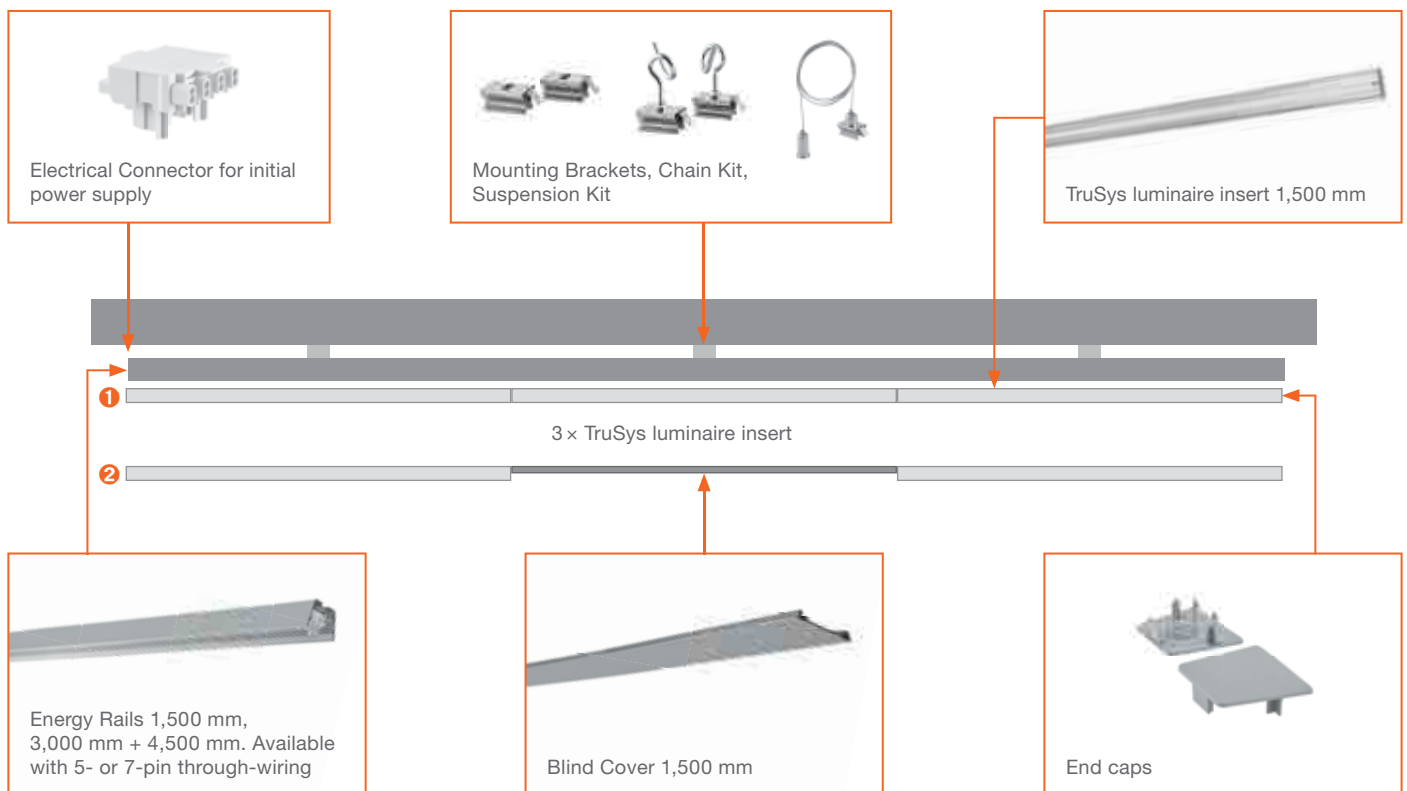
Product name	Static Code	GTIN (EAN)	L x W x H [mm] Ø x H [mm]	MATERIAL	COLOUR		
TruSys End Cap Energy Rail	TEND	4058075100411	12 x 67 x 47	Aluminium	Aluminium	2	1
TruSys Suspension Kit	TSK3000	4058075100350	3000 x - x -	Aluminium	Silver	2	2
TruSys Mounting Brackets	TMBKT	4058075100435	30 x 20 x 15	Aluminium	Aluminium	2	3
TruSys Chain Kit	TCK	4058075100374	44 x 40 x 55	Aluminium	Silver	2	4
TruSys Blind Cover	TBC1500	4058075100398	1534 x 67 x 12	Aluminium	Silver	1	5
TruSys Electrical Connector	TELECON5	4058075155565	42 x 41 x 29	Aluminium	White	1	6
TruSys Electrical Connector DALI	TELECON7	4058075155589	42 x 41 x 29	Aluminium	White	1	6

<sup>1</sup> Refer to [www.ledvance.co.uk/guarantee](http://www.ledvance.co.uk/guarantee) for precise conditions

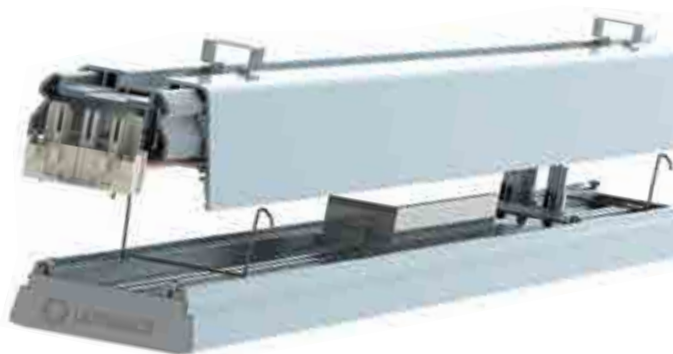
# OUR CHECKLIST FOR YOUR PERFECT TRUSYS SOLUTION

**Example installation:** So you can install a tailor-made TruSys lighting system for your customers we have put together a summary of the components you'll need for individual luminaires or strip lighting. With appropriate accessories depending on the type of mounting (surface or suspended). For simple strip lighting the mechanical and electrical connectors are already integrated in the trunking.

## TRUSYS INSTALLATION ① WITHOUT AND ② WITH BLIND COVER



For more information on installation and components see the operating instructions for the relevant TruSys model.



### FOR INSTALLATION YOU WILL NEED:



- 1 × TruSys Electrical Connector (5 × 2.5 or 7 × 2.5)
- X × TruSys Energy Rail
- X × TruSys LED luminaire insert (TruSys Blind Cover as required)
- X × Accessories depending on type of mounting (surface or suspended)
- 1 × Set TruSys End Cap Energy Rail

# TRUSYS REQUIREMENTS TABLE



Requirements table for sample strip lighting when allocating luminaire inserts to every second insert adapter (50 %) or every third insert adapter (33 %) on the mounting rails (Energy Rail).

50 %								
Length of strip lighting	TruSys luminaire insert	Blind cover	4.5 m rail	3 m rail	1.5 m rail	Min. installation points <sup>1</sup>	Feed-in adapter	End caps
4.5 m	2	1	1	0	1	2	1	2
7.5 m	3	2	1	1	0	3	1	2
10.5 m	4	3	2	0	1	4	1	2
13.5 m	5	4	3	0	0	5	1	2
16.5 m	6	5	3	1	0	6	1	2
19.5 m	7	6	4	0	1	7	1	2
22.5 m	8	7	5	0	0	8	1	2
25.5 m	9	8	5	1	0	9	1	2
28.5 m	10	9	6	0	1	10	1	2
31.5 m	11	10	7	0	0	11	1	2
34.5 m	12	11	7	1	0	12	1	2
37.5 m	13	12	8	0	1	13	1	2
40.5 m	14	13	9	0	0	14	1	2
43.5 m	15	14	9	1	0	15	1	2
46.5 m	16	15	10	0	1	16	1	2
49.5 m	17	16	11	0	0	17	1	2

33 %								
Length of strip lighting	TruSys luminaire insert	Blind cover	4.5 m rail	3 m rail	1.5 m rail	Min. installation points <sup>1</sup>	Feed-in adapter	End caps
6.0 m	2	2	1	0	1	3	1	2
10.5 m	3	4	2	0	1	4	1	2
15.0 m	4	6	3	0	1	6	1	2
19.5 m	5	8	4	0	1	7	1	2
24.0 m	6	10	5	0	1	9	1	2
28.5 m	7	12	6	0	1	10	1	2
33.0 m	8	14	7	0	1	12	1	2
37.5 m	9	16	8	0	1	13	1	2
42.0 m	10	18	9	0	1	15	1	2
46.5 m	11	20	10	0	1	16	1	2
51.0 m	12	22	11	0	1	18	1	2

 Luminaire insert 1,500 mm

 Blind cover 1,500 mm

All figures mentioned are based on a single installation; deviations from the content possible as per EAN. For precise light planning for your project, please contact your sales representative.  
<sup>1</sup> Calculation based on a distance of 0.75 m from the start and end of the rail to the first and last installation point. Additional installation points every 3 m max.



# DAMP-PROOF LUMINAIRES

FIRST-CLASS LIGHTING AND EASY INSTALLATION –  
STANDING OUT IN DEMANDING ENVIRONMENTS

## DAMP PROOF SPECIAL GEN 2

Page 136



PERFORMANCE CLASS



### FOR SPECIAL APPLICATIONS

- Completely sealed for use in agricultural applications
- Also usable in uncovered outdoor areas
- Via the rotatable mounting the luminaire can be fixed in any position for optimal light steering

## DAMP PROOF COMPACT IP66

Page 130



PERFORMANCE CLASS



### MODERN DAMP-PROOF LUMINAIRE

- Easy access to the terminal thanks to the twist-and-lock mechanism on the end cap
- Movable mounting bracket over the full length allows use of old drill holes
- Fast rewiring thanks to integrated through-wiring

## DAMP PROOF

Page 132

DAMP PROOF

DAMP PROOF DALI

DAMP PROOF 5X THROUGHWIRING

DAMP PROOF EMERGENCY



PERFORMANCE CLASS



### CLASSIC DAMP-PROOF LUMINAIRE WITH A VARIETY OF OPTIONS

- Wide range of applications (switchable, DALI, through-wired, battery for safety lighting)
- Flexible use through extensive mounting and suspension accessories (included)
- No risk of electrostatic discharge through integration of the LED module into the luminaire cover

## DAMP PROOF HOUSING

Page 138

PERFORMANCE CLASS



### THE IDEAL CHOICE FOR LAMP FANS

- Sustainable solution thanks to replaceable lamps
- Prewired for easy installation of tubular AC LED lamps
- Robust housing

## DAMP PROOF VALUE

Page 142



VALUE CLASS



### CLASSIC DESIGN WITH PROVEN FUNCTIONALITY

- Uniform distribution of light
- Energy savings of up to 50 % (compared with luminaires that use fluorescent lamps)
- Easy installation and tool-free connection

## DAMP PROOF SLIM VALUE

Page 140



VALUE CLASS



### LOW IN FORM AND PRICE

- Homogeneous quality of light with a wide beam angle
- Simple installation thanks to mounting clips that can be freely positioned on the luminaire
- Easy access to the terminal thanks to the snap-on mechanism on the end cap



# THE RIGHT DAMP-PROOF LUMINAIRE FOR EVERY OCCASION

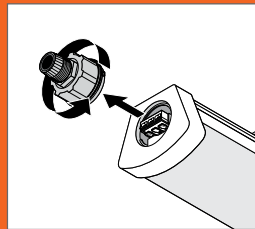
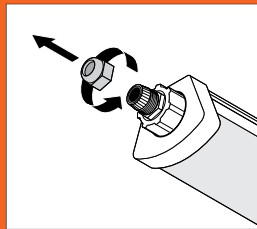
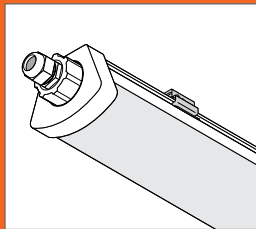
Discover now our broad portfolio which can be used for almost any standard application: In addition to classic versions, our range includes modern design luminaires – both in Performance Class and Value Class. There's also our Damp Proof Special with exceptional performance which is perfect for demanding environments.

## OUR LEDVANCE DAMP PROOFS ARE EASY TO MOUNT

Damp Proof Compact



### INSTALLATION IN NO TIME AT ALL USING THE DAMP PROOF COMPACT AS AN EXAMPLE



The end caps with their “Twist & Lock” mechanism allow for quick tool-free electrical connection.

### THROUGH-WIRING OF DAMP PROOFS AT A GLANCE

	Material	Application	Lifetime <sup>1</sup> Guarantee <sup>2</sup>	One-sided connection	3 x 1.5 mm <sup>2</sup> through-wiring preinstalled	5 x 2.5 mm <sup>2</sup> through-wiring preinstalled	DALI	Emergency lighting function
DP Special	PMMA		50,000 h L80 5 years		✓			
DP Compact	PC, stainless steel		50,000 h L70 5 years		✓			
DP Slim Value	PC, stainless steel		30,000 h L70 3 years	✓				
DP LED	PC, stainless steel		50,000 h L70 5 years	✓	Through-wiring possible <sup>3</sup>	39 W 4,000 K 55 W 4,000 K	✓	✓
DP VALUE	PC, stainless steel		50,000 h L70 3 years	✓	Through-wiring possible <sup>3</sup>	Through-wiring possible <sup>3</sup>		
DP Housing	PC, stainless steel		5 years	✓	Through-wiring possible <sup>3</sup>	Through-wiring possible <sup>3</sup>		

<sup>1</sup> t [h]: L70/B50 @ 25 °C (T<sub>a</sub>) / t [h]: L80/B10 @ 25 °C (T<sub>a</sub>) | <sup>2</sup> For precise terms and conditions go to [www.ledvance.co.uk/guarantee](http://www.ledvance.co.uk/guarantee)

<sup>3</sup> The product is technically equipped for through-wiring. Additional components may be required. Please refer to the operating instructions for accessories included.

## DAMP PROOF COMPACT IP66

Damp-proof luminaire, through-wired (L, N, E)



### PRODUCT FEATURES

- Polycarbonate housing with stainless steel mounting brackets and suspension and anti-theft kit
- Through-wiring cable 3x1.5mm<sup>2</sup> already installed
- Type of protection: IP66
- Ambient temperature in operation: -30...+50 °C
- High luminous efficacy: up to 120 lm/W

### PRODUCT BENEFITS

- Easy access to electrical terminal thanks end caps with twist and lock mechanism
- Movable mounting bracket over the full length allows use of old drill holes
- Fast rewiring thanks to integrated through-wiring
- Tool-free electrical connection due to push button connector
- 5 years guarantee

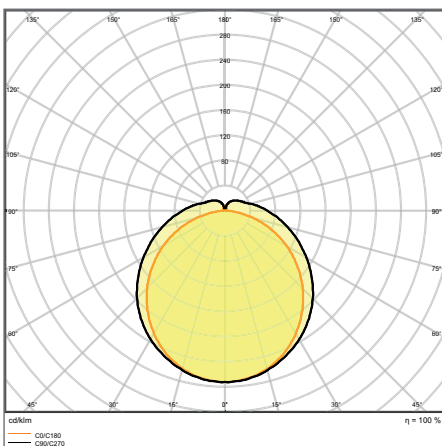
### AREAS OF APPLICATION

- Industrial and storage facilities
- Car parks and underpasses
- Garages
- Workshops, assembly lines

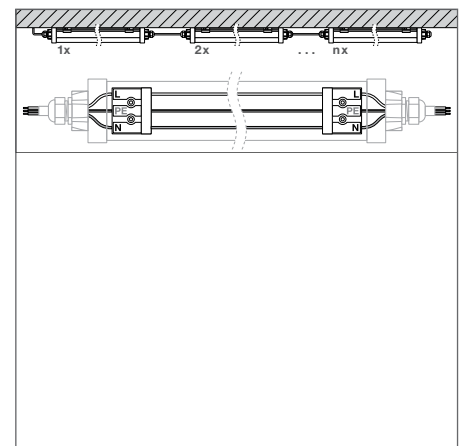
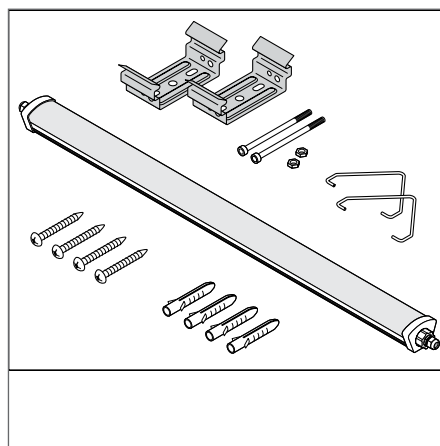
### EQUIPMENT / ACCESSORIES

- Stainless steel clamps with safety screws included
- Mounting accessories included (suspension kit, theft protection kit)

## FURTHER PRODUCT DETAILS



DP COMPACT 1500 55 W 4000K IP66 GR



<sup>1</sup> Refer to [www.ledvance.co.uk/guarantee](http://www.ledvance.co.uk/guarantee) for precise conditions

The pictures shown in the catalogue are for illustration purposes only. For information on size and colour, please refer to the product table.

Product name	Segmentation	Static Code	GTIN (EAN)	RE-PLACE-MENT-FOR	W	lm	lm/W	K	L70 <sup>1</sup>	L80 <sup>1</sup>	°
DP COMPACT 1200 23W/3000K IP66 GR	■	DPC1430	4058075424227	1x36W FL	23	2600	115	3000	50000	35000	120
DP COMPACT 1200 23 W 4000K IP66 GR	■	DPC1440	4058075210028	1x36W FL	23	2800	120	4000	50000	35000	120
DP COMPACT 1200 44W/3000K IP66 GR	■	DPC2430	4058075424241	2x36W FL	44	5100	115	3000	50000	35000	120
DP COMPACT 1200 44 W 4000K IP66 GR	■	DPC2440	4058075210042	2x36W FL	44	5400	120	4000	50000	35000	120
DP COMPACT 1200 44 W 6500K IP66 GR	■	DPC2465	4058075210066	2x36W FL	44	5400	120	6500	50000	35000	120
DP COMPACT 1500 31W/3000K IP66 GR	■	DPC1530	4058075424265	1x58W FL	31	3500	115	3000	50000	35000	120
DP COMPACT 1500 31 W 4000K IP66 GR	■	DPC1540	4058075210080	1x58W FL	31	3800	120	4000	50000	35000	120
DP COMPACT 1500 55W/3000K IP66 GR	■	DPC2530	4058075424289	2x58W FL	55	6300	115	3000	50000	35000	120
DP COMPACT 1500 55 W 4000K IP66 GR	■	DPC2540	4058075210103	2x58W FL	55	6700	120	4000	50000	35000	120
DP COMPACT 1500 55 W 6500K IP66 GR	■	DPC2565	4058075210127	2x58W FL	55	6700	120	6500	50000	35000	120



Product name	CRI	IK	g	L x W x H [mm]	Ø x H [mm]
DP COMPACT 1200 23W/3000K IP66 GR	>80	IK08	1120	1290 x 86 x 68	
DP COMPACT 1200 23 W 4000K IP66 GR	>80	IK08	1120	1290 x 86 x 68	
DP COMPACT 1200 44W/3000K IP66 GR	>80	IK08	1160	1290 x 86 x 68	
DP COMPACT 1200 44 W 4000K IP66 GR	>80	IK08	1160	1290 x 86 x 68	
DP COMPACT 1200 44 W 6500K IP66 GR	>80	IK08	1160	1290 x 86 x 68	
DP COMPACT 1500 31W/3000K IP66 GR	>80	IK08	1350	1590 x 86 x 68	
DP COMPACT 1500 31 W 4000K IP66 GR	>80	IK08	1350	1590 x 86 x 68	
DP COMPACT 1500 55W/3000K IP66 GR	>80	IK08	1380	1590 x 86 x 68	
DP COMPACT 1500 55 W 4000K IP66 GR	>80	IK08	1380	1590 x 86 x 68	
DP COMPACT 1500 55 W 6500K IP66 GR	>80	IK08	1380	1590 x 86 x 68	

<sup>1</sup> t [h]: L70/B50 @ 25 °C (Ta) / t [h]: L80/B10 @ 25 °C (Ta)

# DAMP PROOF

Damp-proof luminaires



## PRODUCT FEATURES

- Polycarbonate housing with stainless steel mounting brackets and suspension and anti-theft kit
- Available as switchable, 5 x 2.5 sqmm through-wired, DALI and emergency 3h battery
- Type of protection: IP65
- Ambient temperature range during operation: -30° C to +40° C
- High luminous efficacy: up to 115 lm/W

## PRODUCT BENEFITS

- Wide range of applications (switchable, DALI, through-wired, battery for safety lighting)
- Flexible use through extensive mounting and suspension accessories (included)
- D-marking for mounting on surfaces with limited surface temperature
- Energy savings of up to 50 % (compared to luminaires that use fluorescent lamps)
- All versions with 5-year guarantee, except emergency version: 3 years (built-in 3h battery)

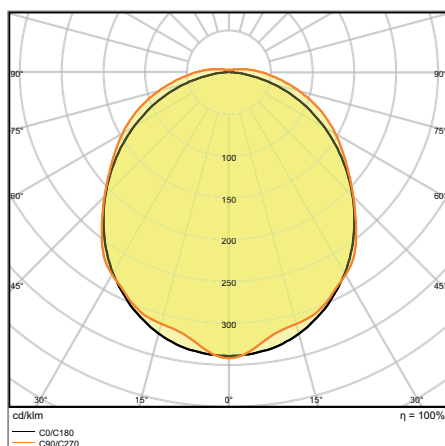
## AREAS OF APPLICATION

- Industrial and storage facilities
- Car parks and underpasses
- Garages
- Workshops, assembly lines

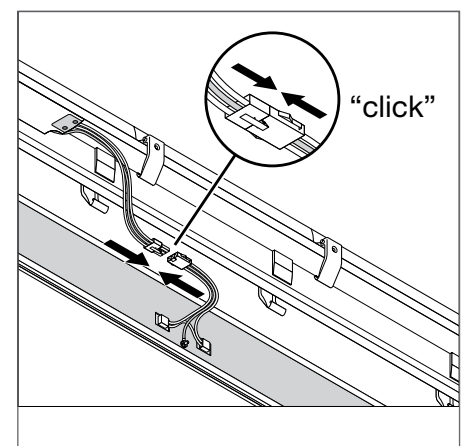
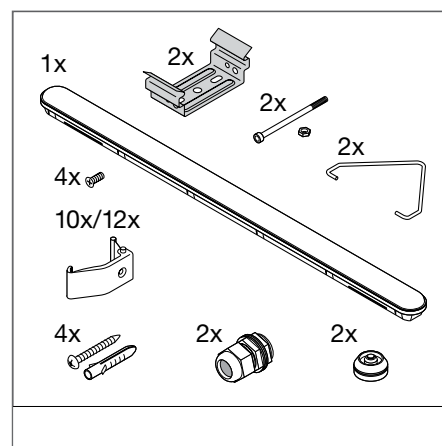
## EQUIPMENT / ACCESSORIES

- Stainless steel clamps with safety screws included
- Mounting accessories included (suspension kit, theft protection kit)

## FURTHER PRODUCT DETAILS



DP 1200 21 W 4000K IP65 GY



<sup>1</sup> The Damp Proof luminaires are certified as follows: On / Off versions and versions for through-wiring: TÜV Süd, DALI versions: ENEC 25, Emergency versions: CE.

<sup>2</sup> 5 years of guarantee apply to all product types with the exception of the emergency version (3-year guarantee).

The pictures shown in the catalogue are for illustration purposes only. For information on size and colour, please refer to the product table.

## DAMP PROOF

Damp-proof luminaires, classic shape

Product name	Segmentation	Static Code	GTIN (EAN)	RE-PLACEMENT FOR	W	lm	lm/W	K	L70 <sup>1</sup>	L80 <sup>1</sup>	°	°
DP 1200 21 W 4000K IP65 GY	■	DP1440	4058075079892	1x36W FL	21	2400	115	4000	50000	35000	105	-
DP 1200 21 W 6500 K IP65 GY	■	DP1465	4058075218024	1x36W FL	21	2400	115	6500	50000	35000	105	-
DP 1200 39 W 4000K IP65 GY	■	DP2440	4058075079915	2x36W FL	39	4400	115	4000	50000	35000	105	-
DP 1200 39 W 6500K IP65 GY	■	DP2465	4058075079854	2x36W FL	39	4400	115	6500	50000	35000	105	-
DP 1500 30 W 4000K IP65 GY	■	DP1540	4058075079939	1x58W FL	30	3500	115	4000	50000	35000	105	-
DP 1500 30 W 6500 K IP65 GY	■	DP1565	4058075218048	1x58W FL	30	3500	115	6500	50000	35000	105	-
DP 1500 55 W 4000K IP65 GY	■	DP2540	4058075079953	2x58W FL	55	6400	115	4000	50000	35000	105	-
DP 1500 55 W 6500K IP65 GY	■	DP2565	4058075079878	2x58W FL	55	6400	115	6500	50000	35000	105	-
DP DALI 1200 21 W 4000 K IP65 GY	■	DPDA1440	4058075130913	1x36W FL	21	2400	115	4000	50000	35000	105	DALI
DP DALI 1200 21 W 6500 K IP65 GY	■	DPDA1465DA	4058075218062	1x36W FL	21	2400	115	6500	50000	35000	105	DALI
DP DALI 1200 39 W 4000 K IP65 GY	■	DPDA2440	4058075130937	2x36W FL	39	4400	115	4000	50000	35000	105	DALI
DP DALI 1200 39 W 6500 K IP65 GY	■	DPDA2465DA	4058075210141	2x36W FL	39	4400	115	6500	50000	35000	105	DALI
DP DALI 1500 30 W 4000 K IP65 GY	■	DPDA1540	4058075130975	1x58W FL	30	3500	115	4000	50000	35000	105	DALI
DP DALI 1500 30 W 6500 K IP65 GY	■	DPDA1565DA	4058075218086	1x58W FL	30	3500	115	6500	50000	35000	105	DALI
DP DALI 1500 55 W 4000 K IP65 GY	■	DPDA2540	4058075130999	2x58W FL	55	6400	115	4000	50000	35000	105	DALI
DP DALI 1500 55 W 6500 K IP65 GY	■	DPDA2565DA	4058075210165	2x58W FL	55	6400	115	6500	50000	35000	105	DALI



Product name	CRI	IK	°	L x W x H [mm]	∅ x H [mm]
DP 1200 21 W 4000K IP65 GY	>80	IK08	1650	1200x95x78	
DP 1200 21 W 6500 K IP65 GY	>80	IK08	1650	1200x95x78	
DP 1200 39 W 4000K IP65 GY	>80	IK08	1650	1200x95x78	
DP 1200 39 W 6500K IP65 GY	>80	IK08	1650	1200x95x78	
DP 1500 30 W 4000K IP65 GY	>80	IK08	2300	1500x95x78	
DP 1500 30 W 6500 K IP65 GY	>80	IK08	2300	1500x95x78	
DP 1500 55 W 4000K IP65 GY	>80	IK08	2300	1500x95x78	
DP 1500 55 W 6500K IP65 GY	>80	IK08	2300	1500x95x78	
DP DALI 1200 21 W 4000 K IP65 GY	>80	IK08	1650	1200x95x78	
DP DALI 1200 21 W 6500 K IP65 GY	>80	IK08	1650	1200x95x78	
DP DALI 1200 39 W 4000 K IP65 GY	>80	IK08	1650	1200x95x78	
DP DALI 1200 39 W 6500 K IP65 GY	>80	IK08	1650	1200x95x78	
DP DALI 1500 30 W 4000 K IP65 GY	>80	IK08	2300	1500x95x78	
DP DALI 1500 30 W 6500 K IP65 GY	>80	IK08	2300	1500x95x78	
DP DALI 1500 55 W 4000 K IP65 GY	>80	IK08	2300	1500x95x78	
DP DALI 1500 55 W 6500 K IP65 GY	>80	IK08	2300	1500x95x78	

## DAMP PROOF 5X THROUGHWIRING

Damp-proof luminaires, classic shape with 5x2.5mm<sup>2</sup> throughwiring

Product name	Segmentation	Static Code	GTIN (EAN)	RE-PLACEMENT FOR	W	lm	lm/W	K	L70 <sup>1</sup>	L80 <sup>1</sup>	°
DP 5x TH 39 W 4000 K IP65 GY	■	DPTW2440	4058075319240	2x36W FL	39	4400	115	4000	50000	35000	105
DP 5x TH 55 W 4000 K IP65 GY	■	DPTW2540	4058075319325	2x58W FL	55	6400	115	4000	50000	35000	105



Product name	CRI	IK	°	L x W x H [mm]	∅ x H [mm]
DP 5x TH 39 W 4000 K IP65 GY	>80	IK08	1839.3	1200x95x78	
DP 5x TH 55 W 4000 K IP65 GY	>80	IK08	2539.3	1500x95x78	

<sup>1</sup> t [h]: L70/B50 @ 25 °C (Ta) / t [h]: L80/B10 @ 25 °C (Ta)

## DAMP PROOF EMERGENCY

Damp-proof luminaires, classic shape with integrated emergency lighting function

Product name	Segmentation	Static Code	GTIN (EAN)	RE-PLACEMENT FOR	W	lm	lm/W	K	L70 <sup>1</sup>	L80 <sup>1</sup>	°
DAMP PROOF EM 1200 21 W 4000 K AT 3H	■	DP1440EM	4058075203969	1x36W FL	21	2400	115	4000	50000	35000	105
DAMP PROOF EM 1200 39 W 4000 K AT 3H	■	DP2440EM	4058075203983	2x36W FL	39	4400	115	4000	50000	35000	105
DAMP PROOF EM 1200 39 W 6500 K AT 3H	■	DP2465EM	4058075204003	2x36W FL	39	4400	115	6500	50000	35000	105
DAMP PROOF EM 1500 30 W 4000 K AT 3H	■	DP1540EM	4058075204027	1x58W FL	30	3500	115	4000	50000	35000	105
DAMP PROOF EM 1500 55 W 4000 K AT 3H	■	DP2540EM	4058075204041	2x58W FL	55	6400	115	4000	50000	35000	105
DAMP PROOF EM 1500 55 W 6500 K AT 3H	■	DP2565EM	4058075204065	2x58W FL	55	6400	115	6500	50000	35000	105



Product name	CRI	IK	g	L x W x H [mm]	Ø x H [mm]
DAMP PROOF EM 1200 21 W 4000 K AT 3H	>80	IK08	2150	1200x95x78	
DAMP PROOF EM 1200 39 W 4000 K AT 3H	>80	IK08	2150	1200x95x78	
DAMP PROOF EM 1200 39 W 6500 K AT 3H	>80	IK08	2150	1200x95x78	
DAMP PROOF EM 1500 30 W 4000 K AT 3H	>80	IK08	2800	1500x95x78	
DAMP PROOF EM 1500 55 W 4000 K AT 3H	>80	IK08	2800	1500x95x78	
DAMP PROOF EM 1500 55 W 6500 K AT 3H	>80	IK08	2800	1500x95x78	

## EMERGENCY LIGHTING PROPERTIES

Product name	Battery life in emergency operation mode	Type of emergency operation test	Type of emergency light operation	Luminous flux in emergency operation mode	Type of Battery
DAMP PROOF EM 1200 21 W 4000 K AT 3H	3 h	Automatic	Maintained/Non-maintained	500 lm	LiFeP04
DAMP PROOF EM 1200 39 W 4000 K AT 3H	3 h	Automatic	Maintained/Non-maintained	500 lm	LiFeP04
DAMP PROOF EM 1200 39 W 6500 K AT 3H	3 h	Automatic	Maintained/Non-maintained	500 lm	LiFeP04
DAMP PROOF EM 1500 30 W 4000 K AT 3H	3 h	Automatic	Maintained/Non-maintained	500 lm	LiFeP04
DAMP PROOF EM 1500 55 W 4000 K AT 3H	3 h	Automatic	Maintained/Non-maintained	500 lm	LiFeP04
DAMP PROOF EM 1500 55 W 6500 K AT 3H	3 h	Automatic	Maintained/Non-maintained	500 lm	LiFeP04

<sup>1</sup> t [h]: L70/B50 @ 25 °C (Ta) / t [h]: L80/B10 @ 25 °C (Ta)



## DAMP PROOF SPECIAL GEN 2

Tubular damp-proof luminaire with extra high IP rating, ammonium-resistant and for outdoor applications



### PRODUCT FEATURES

- Sealed housing made of PMMA
- Ammonium resistant
- Type of protection: IP67 (DIN EN 60529), IP69K (ISO 20653:2013)
- Through-wiring cable already installed in the luminaire

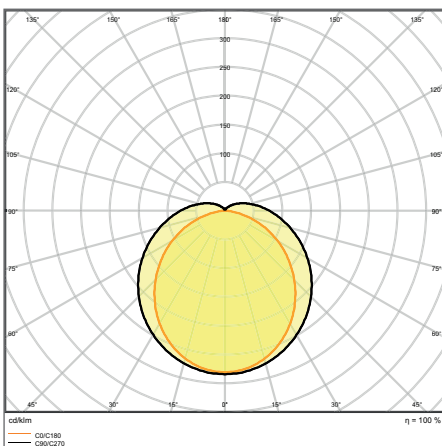
### PRODUCT BENEFITS

- Completely sealed for use in agricultural applications
- Also usable in uncovered outdoor areas
- Via the rotatable mounting the luminaire can be fixed in any position for optimal light steering
- Easy installation as mounting brackets can be positioned freely on the luminaire
- 5 years guarantee

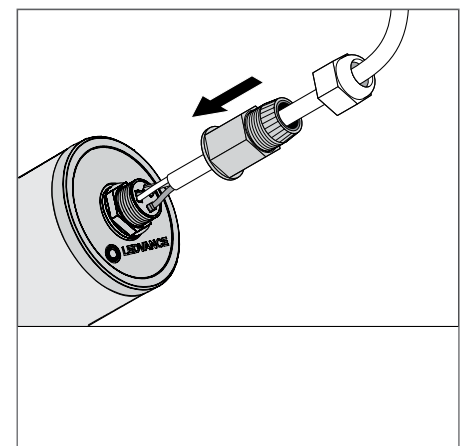
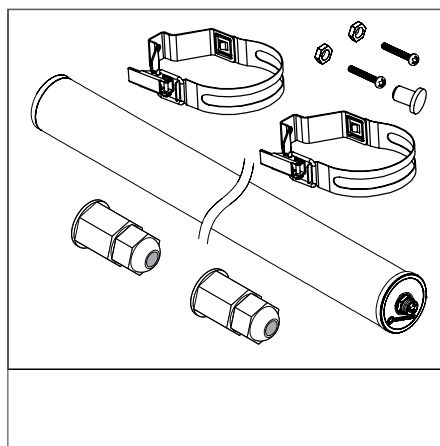
### AREAS OF APPLICATION

- Keeping farm animals except poultry
- Food industry
- Open car parks and underpasses
- Garages
- Workshops, assembly lines

## FURTHER PRODUCT DETAILS



DP SPECIAL 1500 50 W 4000 K WT IP67



<sup>1</sup> Refer to [www.ledvance.co.uk/guarantee](http://www.ledvance.co.uk/guarantee) for precise conditions

The pictures shown in the catalogue are for illustration purposes only. For information on size and colour, please refer to the product table.



Product name	Segmentation	Static Code	GTIN (EAN)	RE-PLACEMENT FOR	W	lm	lm/W	K	L70 <sup>1</sup>	L80 <sup>1</sup>	°
NEW DP SPECIAL 1200 22 W 4000 K WT IP67	■	DPS1440	4058075452114	2x58W FL	22	2800	130	4000	80000	50000	120
NEW DP SPECIAL 1200 42 W 4000 K WT IP67	■	DPS2440	4058075452152	2x58W FL	42	5500	130	4000	80000	50000	120
NEW DP SPECIAL 1500 30 W 4000 K WT IP67	■	DPS1540	4058075452138	2x58W FL	30	3900	130	4000	80000	50000	120
NEW DP SPECIAL 1500 50 W 4000 K WT IP67	■	DPS2540	4058075452176	2x58W FL	50	6500	130	4000	80000	50000	120

Product name	CRI	FLICKER VALUE	IK	9	L x W x H [mm]	Ø x H [mm]
NEW DP SPECIAL 1200 22 W 4000 K WT IP67	≥80	≤1 %	IK06	1130	74 x 82	
NEW DP SPECIAL 1200 42 W 4000 K WT IP67	≥80	≤1 %	IK06	1130	74 x 82	
NEW DP SPECIAL 1500 30 W 4000 K WT IP67	≥80	≤1 %	IK06	1420	74 x 82	
NEW DP SPECIAL 1500 50 W 4000 K WT IP67	≥80	≤1 %	IK06	1460	74 x 82	

<sup>1</sup> t [h]: L70/B50 @ 25 °C (Ta) / t [h]: L80/B10 @ 25 °C (Ta)

## DAMP PROOF HOUSING

Damp-proof luminaire for T8 LED lamps



### PRODUCT FEATURES




- Housing made of robust polycarbonate (PC), grey
- Suitable for SubstiTUBE EM/UN and SubstiTUBE Connected
- Luminaire housing, available for 1 or 2 T8 LED lamps
- Type of protection: IP65
- Impact resistance: IK08

### PRODUCT BENEFITS

- Sustainable solution thanks to exchangeable lamps
- Prewired for easy installation of tubular AC LED lamps
- Robust housing
- Easy and quick installation
- 5 years guarantee

### EQUIPMENT / ACCESSORIES

- All required accessories included

Product name	Segmentation	Static Code	GTIN (EAN)				L x W x H [mm] Ø x H [mm]
DP HOUSING 600 1x Lamp IP65	■	DPH12	4058075312395	105	IK08	600	651 x 64 x 75
DP HOUSING 600 2x Lamp IP65	■	DPH22	4058075312418	105	IK08	850	651 x 103 x 75
DP HOUSING 1200 1x Lamp IP65	■	DPH14	4058075312432	105	IK08	1000	1261 x 64 x 75
DP HOUSING 1200 2x Lamp IP65	■	DPH24	4058075312456	105	IK08	1300	1261 x 103 x 75
DP HOUSING 1500 1x Lamp IP65	■	DPH15	4058075312470	105	IK08	1300	1561 x 64 x 75
DP HOUSING 1500 2x Lamp IP65	■	DPH25	4058075312494	105	IK08	1850	1561 x 103 x 75

<sup>1</sup> Refer to [www.ledvance.co.uk/guarantee](http://www.ledvance.co.uk/guarantee) for precise conditions

The pictures shown in the catalogue are for illustration purposes only. For information on size and colour, please refer to the product table.

■ SUPERIOR CLASS ■ PERFORMANCE CLASS ■ VALUE CLASS



## DAMP PROOF SLIM VALUE

Damp-proof luminaire with slim housing



### PRODUCT FEATURES

- Polycarbonate housing with stainless steel mounting brackets and suspension and anti-theft kit
- Type of protection: IP65
- Wide beam angle: 120°
- High luminous efficacy: up to 110 lm/W

### PRODUCT BENEFITS

- Homogeneous quality of light with a wide beam angle
- Easy installation as mounting brackets can be positioned freely on the luminaire
- Easy access to electrical terminal thanks end caps with clip mechanism
- Elegant, slim design
- Toolfree electrical connection due to push button connector

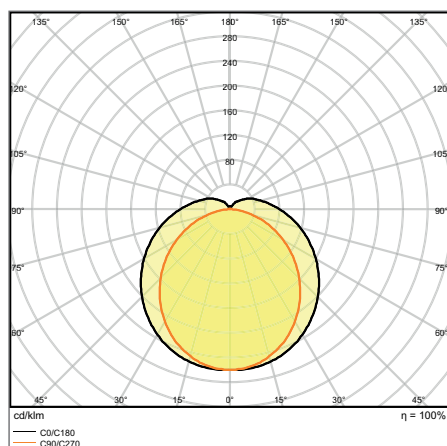
### AREAS OF APPLICATION

- Industrial and storage facilities
- Car parks and underpasses
- Garages
- Workshops, assembly lines

### EQUIPMENT / ACCESSORIES

- Stainless steel clamps with safety screws included
- Mounting accessories included (suspension kit, theft protection kit)

## FURTHER PRODUCT DETAILS



DP SLIM VALUE 1500 50 W 4000 K IP65 GY

<sup>1</sup> Refer to [www.ledvance.co.uk/guarantee](http://www.ledvance.co.uk/guarantee) for precise conditions

The pictures shown in the catalogue are for illustration purposes only. For information on size and colour, please refer to the product table.

Product name	Segmentation	Static Code	GTIN (EAN)	RE-PLACEMENT FOR	W	lm	lm/W	K	L70 <sup>1</sup>	L80 <sup>1</sup>	△
DP SLIM VALUE 1200 36 W 4000 K IP65 GY	■	DPSV440	4058075066458	2x36W FL	36	4000	110	4000	30000	27000	120
DP SLIM VALUE 1200 36 W 6500 K IP65 GY	■	DPSV465	4058075066472	2x36W FL	36	4000	110	6500	30000	27000	120
DP SLIM VALUE 1500 50 W 4000 K IP65 GY	■	DPSV540	4058075066496	2x58W FL	50	5500	110	4000	30000	27000	120
DP SLIM VALUE 1500 50 W 6500 K IP65 GY	■	DPSV565	4058075066519	2x58W FL	50	5500	110	6500	30000	27000	120



Product name	CRI	IK	L x W x H [mm] ∅ x H [mm]
DP SLIM VALUE 1200 36 W 4000 K IP65 GY	>80	IK08	1200 x 35 x 48
DP SLIM VALUE 1200 36 W 6500 K IP65 GY	>80	IK08	1200 x 35 x 48
DP SLIM VALUE 1500 50 W 4000 K IP65 GY	>80	IK08	1500 x 35 x 48
DP SLIM VALUE 1500 50 W 6500 K IP65 GY	>80	IK08	1500 x 35 x 48

<sup>1</sup> t [h]: L70/B50 @ 25 °C (Ta) / t [h]: L80/B10 @ 25 °C (Ta)

## DAMP PROOF VALUE

Damp-proof luminaires, classic shape



### PRODUCT FEATURES

- High luminous efficacy: up to 120 lm/W
- Type of protection: IP65
- Beam angle: 115°
- Through wiring possible
- Polycarbonate housing

### PRODUCT BENEFITS

- Evenly distributed light
- Energy savings of up to 50 % (compared to luminaires that use fluorescent lamps)
- Easy installation, no tools required for connection
- 3 years guarantee

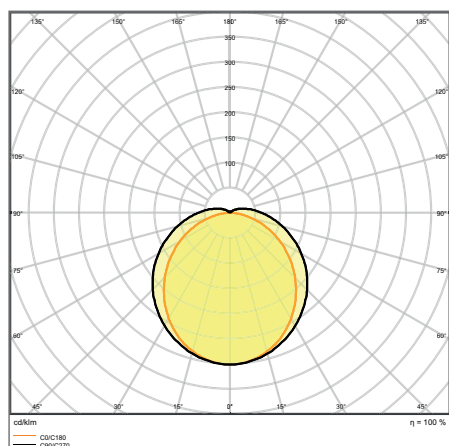
### AREAS OF APPLICATION

- Industrial and storage facilities
- Car parks and underpasses
- Garages
- Workshops, assembly lines

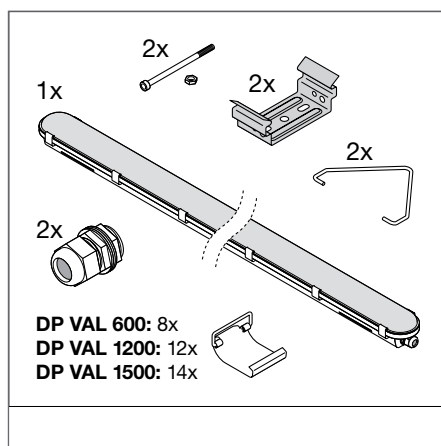
### EQUIPMENT / ACCESSORIES

- Stainless steel clamps with safety screws included
- Mounting accessories included (suspension kit, theft protection kit)

## FURTHER PRODUCT DETAILS



DP VAL 1800 70 W 4000 K IP65



<sup>1</sup> Refer to [www.ledvance.co.uk/guarantee](http://www.ledvance.co.uk/guarantee) for precise conditions

The pictures shown in the catalogue are for illustration purposes only. For information on size and colour, please refer to the product table.

Product name	Segmentation	Static Code	GTIN (EAN)	RE-PLACEMENT FOR	W	lm	lm/W	K	L70 <sup>1</sup>	°
DP VAL 600 9 W 4000 K IP65	■	VDP1240	4058075300705	1x18W FL	9	1080	120	4000	50000	115
DP VAL 600 18 W 4000 K IP65	■	VDP2240	4058075300743	2x18W FL	18	2160	120	4000	50000	115
DP VAL 1200 20 W 4000 K IP65	■	VDP1440	4058075300781	1x36W FL	20	2400	120	4000	50000	115
DP VAL 1200 40 W 4000 K IP65	■	VDP2440	4058075300828	2x36W FL	40	4800	120	4000	50000	115
DP VAL 1500 25 W 4000 K IP65	■	VDP1540	4058075300866	1x58W FL	25	3000	120	4000	50000	115
DP VAL 1500 50 W 4000 K IP65	■	VDP2540	4058075300903	2x58W FL	50	6000	120	4000	50000	115
DP VAL 1800 34 W 4000 K IP65	■	VDP1640	4058075300941	1x70W FL	34	3700	110	4000	30000	115
DP VAL 1800 70 W 4000 K IP65	■	VDP2640	4058075300989	2x70W FL	70	7500	105	4000	30000	115



Product name	CRI	IK	9	L x W x H [mm]	Ø x H [mm]
DP VAL 600 9 W 4000 K IP65	>80	IK08	635	600x77x66	
DP VAL 600 18 W 4000 K IP65	>80	IK08	655	600x77x66	
DP VAL 1200 20 W 4000 K IP65	>80	IK08	1485	1200x77x66	
DP VAL 1200 40 W 4000 K IP65	>80	IK08	1485	1200x77x66	
DP VAL 1500 25 W 4000 K IP65	>80	IK08	2000	1500x77x66	
DP VAL 1500 50 W 4000 K IP65	>80	IK08	2000	1500x77x66	
DP VAL 1800 34 W 4000 K IP65	>80	IK08	2230	1800x96x83	
DP VAL 1800 70 W 4000 K IP65	>80	IK08	2230	1800x96x83	

<sup>1</sup> t [h]: L70/B50 @ 25 °C (Ta) / t [h]: L80/B10 @ 25 °C (Ta)

# HIGH-BAY LUMINAIRES

## HIGH EFFICIENCY AND OPTIMUM QUALITY OF LIGHT

### HIGH BAY DALI

Page 146

HIGH BAY DALI

HIGH BAY DALI CLO



PERFOR-  
MANCE  
CLASS

#### EFFICIENT AND EASY TO INSTALL, DALI WITH CLO\* AVAILABLE

- High compatibility thanks to DALI-2 certification
- D-marking for mounting on surfaces with limited surface temperature
- Low-flicker light thanks to special electronic control gear

\* CLO = Constant Lumen Output

### HIGH BAY DALI ACCESSORIES

Page 150

HIGH BAY DALI BRACKET

HIGH BAY DALI REFLECTOR

HIGH BAY DALI REFRACTOR



#### ACCESSORIES FOR OPTIMUM QUALITY OF LIGHT

- High-quality aluminium reflector or polycarbonate refractor for tool-free mounting with a 70°/80° beam angle
- Sturdy steel bracket; can be swiveled by +/- 90°

### HIGH BAY

Page 152

HIGH BAY GEN 3



PERFOR-  
MANCE  
CLASS

#### FOR HIGH LIGHTING DEMANDS

- High luminous efficacy
- Different versions for ceiling heights from 6 m to 14 m
- Low-flicker light thanks to special electronic control gear

### HIGH BAY ACCESSORIES

Page 154

HIGH BAY BRACKET

HIGH BAY REFLECTOR

HIGH BAY REFRACTOR



#### ACCESSORIES FOR OPTIMUM QUALITY OF LIGHT

- High-quality aluminium reflector or polycarbonate refractor for tool-free mounting with a 65°/90° beam angle
- Sturdy steel bracket; can be swiveled by +/- 90°

### HIGH BAY VALUE

Page 156

HIGH BAY VALUE



VALUE  
CLASS

#### GOOD LIGHTING FOR EVERYDAY APPLICATIONS

- Very homogeneous light distribution thanks to diffuse cover made of tempered glass
- Optimised weight and size
- Modern and exclusive LEDVANCE design

### HIGH BAY VALUE ACCESSORIES

Page 158

HIGH BAY VALUE REFLECTOR

HIGH BAY VALUE BRACKET



#### ACCESSORIES FOR OPTIMUM QUALITY OF LIGHT

- High-quality aluminium reflector for mounting with a 80° beam angle
- Sturdy steel bracket, can be swiveled by +/- 60°



# TRUE PROS – HIGH BAY DALI

## HIGH BAY DALI CLO: HIGH ENERGY EFFICIENCY THROUGH CONSTANT LUMINOUS FLUX

- CLO version with constant luminous flux thanks to lumen maintenance throughout its lifetime
- High compatibility with light management systems, dimmers and sensors thanks to DALI 2.0 interface
- Attractive system efficiency of up to 140 lm/W

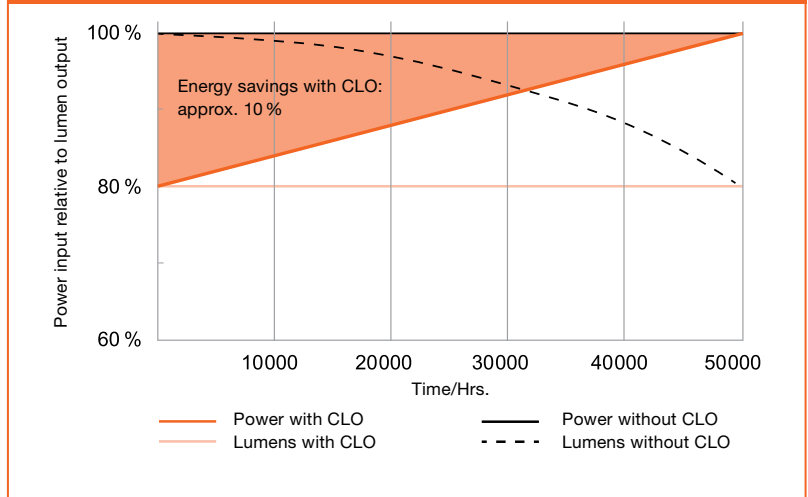


Refractor



Reflector

## CONSTANT LUMEN OUTPUT THROUGHOUT THE ENTIRE LIFE OF 50,000 HOURS – THE HIGH BAY DALI CLO\* VERSION



## USEFUL ACCESSORIES FOR INCREASED QUALITY OF LIGHT:

- Polycarbonate refractor for additional indirect lighting and attractive lighting effect in representative applications (70° or 80° beam angle)
- 80° aluminium reflector for lighting with increased visual comfort; also suitable for high ceiling heights

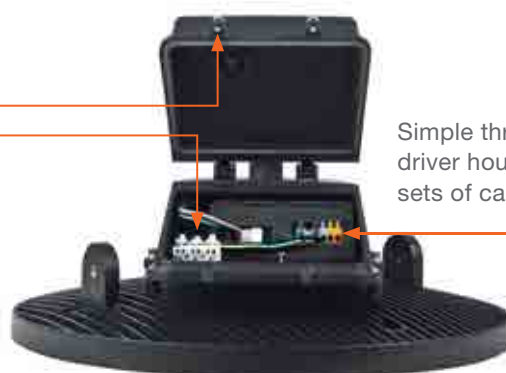
## DID YOU KNOW?

Simple click-in installation for the refractor and reflector

## NEW: SIMPLIFIED INSTALLATION AND THROUGH-WIRING

Simplified installation:

- Only 2 captive screws in the driver cover for opening
- Button connector inside



Simple through-wiring thanks to recess in the driver housing and push-button terminal for two sets of cables

## HIGH BAY DALI

LED high-bay luminaires with DALI interface



### PRODUCT FEATURES

- Robust aluminium housing with integrated connection box, highquality PC cover
- Ambient temperature in operation: -30...+50 °C
- High luminous efficacy: up to 140 lm/W
- Through-wiring possible, second PG screw connection included
- Reflector and refractor available as accessories for optimum directional light

### PRODUCT BENEFITS

- High compatibility thanks to DALI-2 certification
- D-marking for mounting on surfaces with limited surface temperature
- Low flicker light thanks to special electronic control gear
- DALI 2.0 interface for dimming and sensor operations
- Easy electrical connection due to push button connector

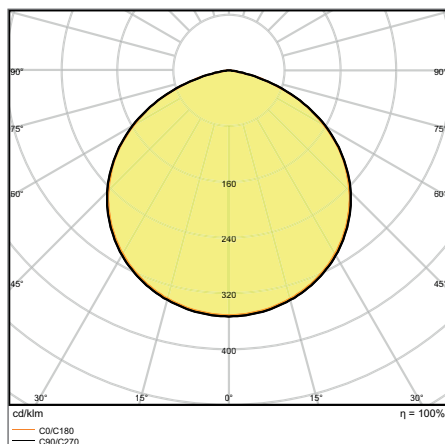
### AREAS OF APPLICATION

- Replacement for high bay luminaires with mercury vapour or metal halide lamps
- Warehouses
- Logistics halls
- Industry
- High ceiling (e.g. in shopping malls, airports, commercial buildings, lobbies)

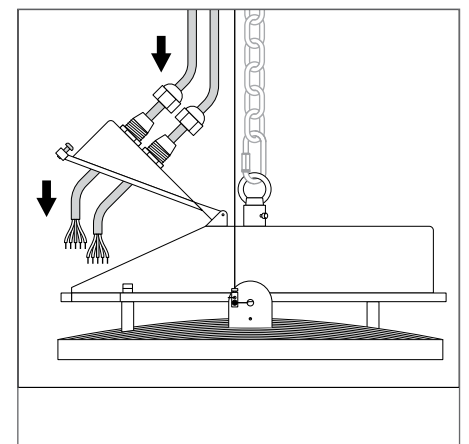
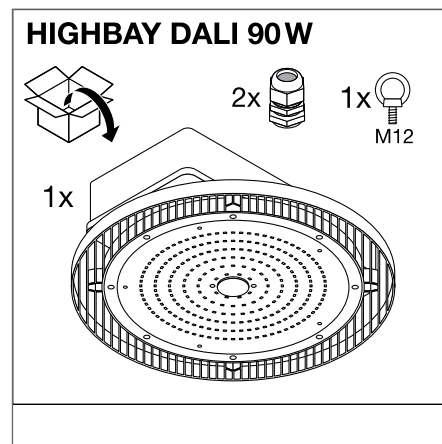
### EQUIPMENT / ACCESSORIES

- Mounting hook included
- Mounting brackets and reflectors as separate accessory available\*

## FURTHER PRODUCT DETAILS



HB DALI 155 W 4000 K 115 DEG IP65 BK



\* Please note: available = available as an optional accessory.  
 † Refer to [www.ledvance.co.uk/guarantee](http://www.ledvance.co.uk/guarantee) for precise conditions

The pictures shown in the catalogue are for illustration purposes only. For information on size and colour, please refer to the product table.

Product name	Segmentation	Static Code	GTIN (EAN)	RE- PLACE- MENT FOR	W	lm	lm/W	K	L70 <sup>1</sup>	L80 <sup>1</sup>	△	⤵
HB DALI 90 W 4000 K 115 DEG IP65 BK	■	HBDA9040	4058075130685	250W HID	90	13000	140	4000	80000	50000	115	DALI
HB DALI 155 W 4000 K 115 DEG IP65 BK	■	HBDA15540	4058075130678	400W HID	155	22000	140	4000	80000	50000	115	DALI



Product name	CRI	FLICKER VALUE	IK	Ⓜ	L × W × H [mm] ∅ × H [mm]
HB DALI 90 W 4000 K 115 DEG IP65 BK	>80	<10 %	IK08	3170	330 x 130
HB DALI 155 W 4000 K 115 DEG IP65 BK	>80	<10 %	IK08	4985	360 x 131

<sup>1</sup> t [h]: L70/B50 @ 25 °C (Ta) / t [h]: L80/B10 @ 25 °C (Ta)

# HIGH BAY DALI CONSTANT LUMEN OUTPUT

LED high-bay luminaires with DALI interface and constant lumen function



## PRODUCT FEATURES

- Robust aluminium housing with integrated connection box, highquality PC cover
- Luminous flux (lumen) is adjusted over the entire life (kept constant)
- Ambient temperature in operation: -30...+50 °C
- Through-wiring possible, second PG screw connection included
- Reflector and refractor available as accessories for optimum directional light

## PRODUCT BENEFITS

- High energy savings due to the same luminous flux throughout the entire lifetime
- Energy savings of up to 90 % compared to conventional high bay luminaires
- D-marking for mounting on surfaces with limited surface temperature
- Low flicker light thanks to special electronic control gear
- DALI 2.0 interface for dimming and sensor operations

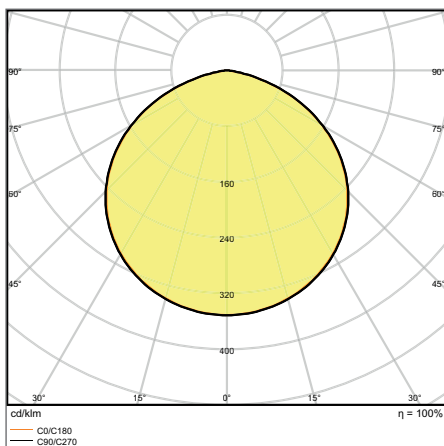
## AREAS OF APPLICATION

- Replacement for high bay luminaires with mercury vapour or metal halide lamps
- Warehouses
- Logistics halls
- Industry
- High ceiling (e.g. in shopping malls, airports, commercial buildings, lobbies)

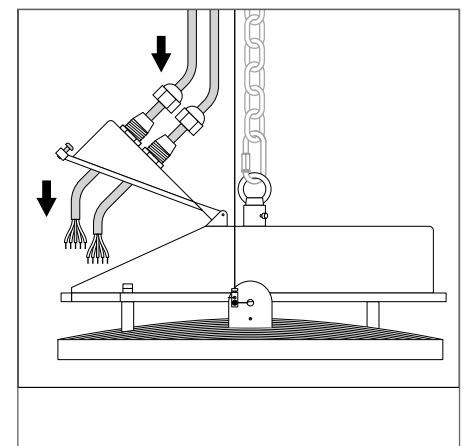
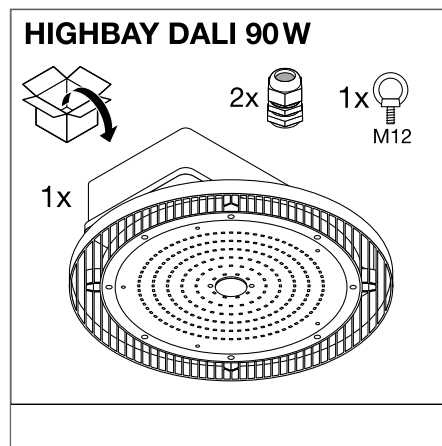
## EQUIPMENT / ACCESSORIES

- Mounting hook included
- Mounting brackets and reflectors as separate accessory available\*

## FURTHER PRODUCT DETAILS



HB DALI CLO 155 W 4000 K 115 DEG  
IP65 BK



\* Please note: available = available as an optional accessory.  
 † Refer to [www.ledvance.co.uk/guarantee](http://www.ledvance.co.uk/guarantee) for precise conditions

The pictures shown in the catalogue are for illustration purposes only. For information on size and colour, please refer to the product table.

Product name	Segmentation	Static Code	GTIN (EAN)	RE-PLACE-MENT-FOR	W	lm	lm/w	K		
HB DALI CLO 90 W 4000 K 115 DEG IP65 BK	■	HBDACL09040	4058075130661	250W HID	75...90	10500	115	4000	115	DALI
HB DALI CLO 155 W 4000 K 115 DEG IP65 BK	■	HBDACL015540	4058075130654	400W HID	125...155	17500	115	4000	115	DALI



Product name	CRI	FLICKER VALUE	IK		L x W x H [mm] Ø x H [mm]
HB DALI CLO 90 W 4000 K 115 DEG IP65 BK	>80	<10 %	IK08	3170	330 x 130
HB DALI CLO 155 W 4000 K 115 DEG IP65 BK	>80	<10 %	IK08	4985	360 x 131

## HIGH BAY DALI ACCESSORIES

Reflectors, refractors and mounting accessory for HIGH BAY DALI luminaires



- DALI Reflector: highquality aluminium reflector with safety cable in 2 diameters
- DALI Refractor: PC refractor with 2 diameters – 413 mm 80° + 480 mm 70°, safety cable included
- DALI Bracket: black steel bracket, adjustable swivel angle +/- 90°

Product name	Static Code	GTIN (EAN)	L x W x H [mm] Ø x H [mm]	MATERIAL	COLOUR			
HB DALI REFLECTOR 90 W 80 DEG SI	HBDA90REF	4058075157453	406 x 204	Aluminium	Silver	80	0	1
HB DALI REFLECTOR 155 W 80 DEG SI	HBDA155REF	4058075157477	472 x 224	Aluminium	Silver	80	0	1
HB DALI REFRACTOR 90 W 80DEG CL	HBDA90REFR	4058075305922	413 x 259	Polycarbonate (PC)	-	80	0	2
HB DALI REFRACTOR 155 W 70DEG CL	HBDA155REFR	4058075305939	480 x 295	Polycarbonate (PC)	-	70	0	2
HB DALI BRACKET 90 W	HBDA90BKT	4058075157484	263 x 213 x 40	Steel	Black	-	1	3
HB DALI BRACKET 155 W	HBDA155BKT	4058075157507	277 x 233 x 40	Steel	Black	-	1	3

<sup>1</sup> Refer to [www.ledvance.co.uk/guarantee](http://www.ledvance.co.uk/guarantee) for precise conditions

The pictures shown in the catalogue are for illustration purposes only. For information on size and colour, please refer to the product table.



## HIGH BAY GEN 3

High-bay luminaires up to 140 lm/W and attractive UGR



### PRODUCT FEATURES

- Robust aluminium housing with 1.5 m connection cable 3 x 1.5 sqmm, high-quality PC cover
- Ambient temperature in operation: -30...+50 °C
- High luminous efficacy: up to 140 lm/W
- Includes mounting hook for suspended installation. Surfacemounting possible via separate bracket.
- Type of protection: IP65

### PRODUCT BENEFITS

- High luminous efficacy
- Usable from 6 m to 14 m ceiling height
- Low flicker light thanks to special electronic control gear
- D-marking for mounting on surfaces with limited surface temperature
- 5 years guarantee

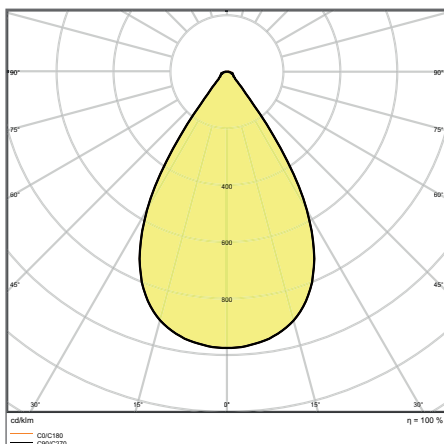
### AREAS OF APPLICATION

- Replacement for high bay luminaires with mercury vapour or metal halide lamps
- Warehouses
- Logistics halls
- Industry
- High ceiling (e.g. in shopping malls, airports, commercial buildings, lobbies)

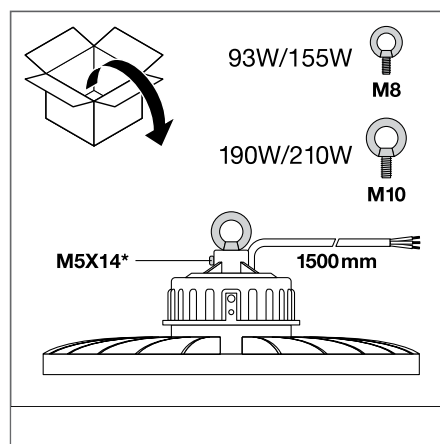
### EQUIPMENT / ACCESSORIES

- Mounting hook included
- Mounting brackets, reflectors and refractors available\* as separate accessory

## FURTHER PRODUCT DETAILS



HB 210 W 4000 K 70DEG IP65



\* Please note: available = available as an optional accessory.

<sup>1</sup> Refer to [www.ledvance.co.uk/guarantee](http://www.ledvance.co.uk/guarantee) for precise conditions

The pictures shown in the catalogue are for illustration purposes only. For information on size and colour, please refer to the product table.



Product name		Segmentation	Static Code	GTIN (EAN)	W	lm	lm/W	K	L70 <sup>1</sup>	L80 <sup>1</sup>	°
NEW	HB 93 W 4000 K 70DEG IP65	■	HB9340/70	4058075452374	93	13000	140	4000	80000	50000	70
NEW	HB 93 W 4000 K 110DEG IP65	■	HB9340/110	4058075452367	93	13000	140	4000	80000	50000	110
NEW	HB 93 W 6500 K 70DEG IP65	■	HB9365/70	4058075452541	93	13000	140	6500	80000	50000	70
NEW	HB 93 W 6500 K 110DEG IP65	■	HB9365/110	4058075452510	93	13000	140	6500	80000	50000	110
NEW	HB 155 W 4000 K 70DEG IP65	■	HB15540/70	4058075452411	155	22000	140	4000	80000	50000	70
NEW	HB 155 W 4000 K 110DEG IP65	■	HB15540/110	4058075452381	155	22000	140	4000	80000	50000	110
NEW	HB 155 W 6500 K 110DEG IP65	■	HB15565/110	4058075452572	155	22000	140	6500	80000	50000	110
NEW	HB 190 W 4000 K 70DEG IP65	■	HB19040/70	4058075452459	190	27000	140	4000	80000	50000	70
NEW	HB 190 W 4000 K 110DEG IP65	■	HB19040/110	4058075452428	190	27000	140	4000	80000	50000	110
NEW	HB 190 W 6500 K 70DEG IP65	■	HB19065/70	4058075452589	190	27000	140	6500	80000	50000	70
NEW	HB 210 W 4000 K 70DEG IP65	■	HB21040/70	4058075452466	210	30000	140	4000	80000	50000	70
NEW	HB 210 W 6500 K 70DEG IP65	■	HB21065/70	4058075452596	210	30000	140	6500	80000	50000	70

Product name		CRI	UGR	FLICKER VALUE	IK	g	CABLE LENGTH	L x W x H [mm] Ø x H [mm]
NEW	HB 93 W 4000 K 70DEG IP65	≥80	<25	<5 %	IK08	1800	1500	280 x 143
NEW	HB 93 W 4000 K 110DEG IP65	≥80	<29	<5 %	IK08	1800	1500	280 x 143
NEW	HB 93 W 6500 K 70DEG IP65	≥80	<25	<5 %	IK08	1800	1500	280 x 143
NEW	HB 93 W 6500 K 110DEG IP65	≥80	<29	<5 %	IK08	1800	1500	280 x 143
NEW	HB 155 W 4000 K 70DEG IP65	≥80	<25	<5 %	IK08	2300	1500	321 x 140
NEW	HB 155 W 4000 K 110DEG IP65	≥80	<29	<5 %	IK08	2300	1500	321 x 140
NEW	HB 155 W 6500 K 110DEG IP65	≥80	<29	<5 %	IK08	2650	1500	321 x 140
NEW	HB 190 W 4000 K 70DEG IP65	≥80	<25	<5 %	IK08	2650	1500	321 x 164
NEW	HB 190 W 4000 K 110DEG IP65	≥80	<29	<5 %	IK08	2650	1500	321 x 164
NEW	HB 190 W 6500 K 70DEG IP65	≥80	<25	<5 %	IK08	2650	1500	321 x 164
NEW	HB 210 W 4000 K 70DEG IP65	≥80	<25	<5 %	IK08	2650	1500	321 x 164
NEW	HB 210 W 6500 K 70DEG IP65	≥80	<25	<5 %	IK08	2650	1500	321 x 164

<sup>1</sup> t [h]: L70/B50 @ 25 °C (Ta) / t [h]: L80/B10 @ 25 °C (Ta)

## HIGH BAY ACCESSORIES

Reflectors, refractors and mounting accessories for HIGH BAY luminaires



- Highquality aluminium reflector
- Highquality polycarbonate refractor
- Bracket: black steel, adjustable swivel angle +/-90°

Product name	Static Code	GTIN (EAN)	L x W x H [mm] Ø x H [mm]	MATERIAL	COLOUR				No.
<b>NEW</b> HB ALU REFLECTOR 93 W	HBALREF93	4058075507043	415 x 205	Aluminium	Silver	65	2	1	
<b>NEW</b> HB ALU REFLECTOR 155 W - 210 W	HBAREF155	4058075507050	500 x 81	Aluminium	Silver	65	2	1	
<b>NEW</b> HB PC REFRACTOR 93 W	HBPCREFR93	4058075507029	309 x 76	Polycarbonate (PC)	-	90	2	2	
<b>NEW</b> HB PC REFRACTOR 155 W - 210 W	HBPCREFR155	4058075507036	414 x 138	Polycarbonate (PC)	-	90	2	2	
<b>NEW</b> HB BRACKET 93 W - 155 W	HBBKT93	4058075505285	- x 150	Steel	Black	-	1	3	
<b>NEW</b> HB BRACKET 190 W - 210 W	HBBKT190	4058075505308	- x 150	Steel	Black	-	1	3	

<sup>1</sup> Refer to [www.ledvance.co.uk/guarantee](http://www.ledvance.co.uk/guarantee) for precise conditions

The pictures shown in the catalogue are for illustration purposes only. For information on size and colour, please refer to the product table.



## HIGH BAY VALUE

High-bay luminaires up to 110 lm/W



### PRODUCT FEATURES

- Housing made of robust aluminium, black, similar to RAL 9017 with 0.5 m connection cable
- Operating temperature: -20...50 °C
- High luminous efficacy: up to 100 lm/W
- Type of protection: IP65
- Glare index: UGR ≤ 25

### PRODUCT BENEFITS

- Replacement for HQI 250/400W
- Compact, attractive design: weight and size optimised, driver integrated
- Good problem solver due to low weight (<2.26 kg)
- 3 years guarantee

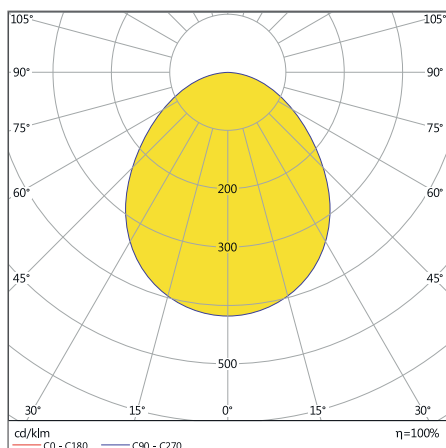
### AREAS OF APPLICATION

- Replacement for high bay luminaires with mercury vapour or metal halide lamps
- Warehouses
- Logistics halls
- Industry
- High ceiling (e.g. in shopping malls, airports, commercial buildings, lobbies)

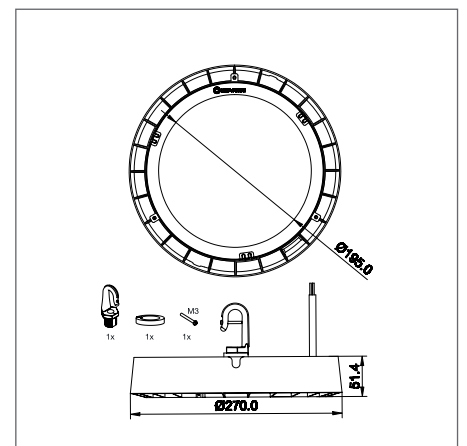
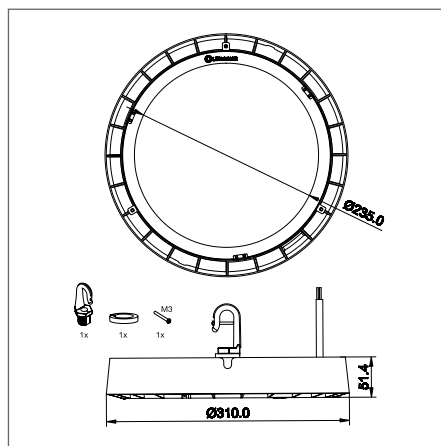
### EQUIPMENT / ACCESSORIES

- Bracket available\*

## FURTHER PRODUCT DETAILS



HIGH BAY VALUE 200 W 4000 K 100 DEG  
IP65 BK



\* Please note: available = available as an optional accessory.  
 † Refer to [www.ledvance.co.uk/guarantee](http://www.ledvance.co.uk/guarantee) for precise conditions

The pictures shown in the catalogue are for illustration purposes only. For information on size and colour, please refer to the product table.

Product name	Segmentation	Static Code	GTIN (EAN)	W	lm	lm/W	K	L70 <sup>1</sup>	L80 <sup>1</sup>	°
HIGH BAY VALUE 100 W 4000 K 100 DEG IP65 BK	■	HBV10040	4058075408395	100	10000	100	4000	50000	32000	100
HIGH BAY VALUE 100 W 6500 K 100 DEG IP65 BK	■	HBV10065	4058075408425	100	10000	100	6500	50000	32000	100
HIGH BAY VALUE 150 W 4000 K 100 DEG IP65 BK	■	HBV15040	4058075408432	150	16000	106	4000	50000	32000	100
HIGH BAY VALUE 150 W 6500 K 100 DEG IP65 BK	■	HBV15065	4058075408449	150	16000	106	6500	50000	32000	100
HIGH BAY VALUE 200 W 4000 K 100 DEG IP65 BK	■	HBV20040	4058075408456	200	20000	100	4000	50000	32000	100
HIGH BAY VALUE 200 W 6500 K 100 DEG IP65 BK	■	HBV20065	4058075408463	200	20000	100	6500	50000	32000	100

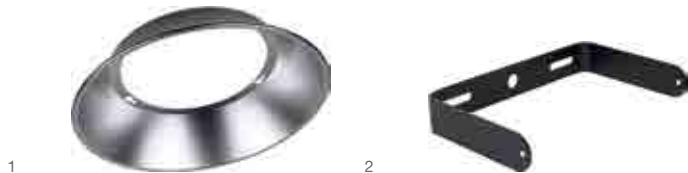


Product name	CRI	IK	g	CABLE LENGTH	L x W x H [mm] ∅ x H [mm]
HIGH BAY VALUE 100 W 4000 K 100 DEG IP65 BK	>80	IK06	1338	500	230x51.4
HIGH BAY VALUE 100 W 6500 K 100 DEG IP65 BK	>80	IK06	1338	500	230x51.4
HIGH BAY VALUE 150 W 4000 K 100 DEG IP65 BK	>80	IK06	1772	500	270x51.4
HIGH BAY VALUE 150 W 6500 K 100 DEG IP65 BK	>80	IK06	1772	500	270x51.4
HIGH BAY VALUE 200 W 4000 K 100 DEG IP65 BK	>80	IK06	2260	500	310x51.4
HIGH BAY VALUE 200 W 6500 K 100 DEG IP65 BK	>80	IK06	2260	500	310x51.4

<sup>1</sup> t [h]: L70/B50 @ 25 °C (Ta) / t [h]: L80/B10 @ 25 °C (Ta)

## HIGH BAY VALUE ACCESSORIES

Reflectors and mounting accessories for  
HIGH BAY VALUE luminaires



- Value Reflector:  
high quality aluminium reflector,  
beam angle 80°
- Value Bracket:  
black steel, adjustable swivel angle +/- 60°

Product name	Static Code	GTIN (EAN)	L x W x H [mm] Ø x H [mm]	MATERIAL	COLOUR			
<b>NEW</b> HIGH BAY VALUE REFLECTOR 100 W 80 DEG SI	HBVREF100	4058075423275	335 x 80	Aluminium	Silver	80	2	1
<b>NEW</b> HIGH BAY VALUE REFLECTOR 150 W 80 DEG SI	HBVREF150	4058075423282	385 x 82	Aluminium	Silver	80	2	1
<b>NEW</b> HIGH BAY VALUE REFLECTOR 200 W 80 DEG SI	HBVREF200	4058075423312	425 x 85	Aluminium	Silver	80	2	1
HIGH BAY VALUE BRACKET 100 W	HBVBKT100	4058075423350	148 x 22 x 110	Steel	Black	-	1	2
HIGH BAY VALUE BRACKET 150 W	HBVBKT150	4058075423374	186 x 35 x 125	Steel	Black	-	1	2
HIGH BAY VALUE BRACKET 200 W	HBVBKT200	4058075423398	229 x 35 x 140	Steel	Black	-	1	2

<sup>1</sup> Refer to [www.ledvance.co.uk/guarantee](http://www.ledvance.co.uk/guarantee) for precise conditions



# FLOODLIGHTS

## FLOODLIGHTS WITH THE RIGHT ILLUMINATION FOR A WIDE VARIETY OF PROJECTS

### FLOODLIGHT PERFORMANCE: POWERFUL AND PRECISE

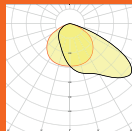
Extremely robust and durable floodlights, available in 3 application-specific light distributions. Thanks to their high luminous flux, the luminaires are ideal for replacing floodlights that use conventional high-pressure discharge lamps.

PERFORMANCE CLASS

Page 162



Distribution of light ASYM 55 × 110



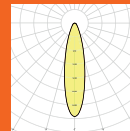
**Asymmetrical wide beam 55° × 110°**  
Illumination of areas, parking lots, sports grounds and facades

Distribution of light ASYM 45 × 140

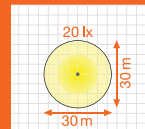
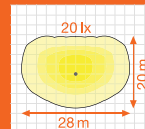
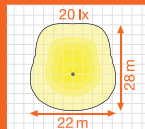
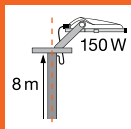


**Asymmetrical extra wide beam 45° × 140°**  
Illumination of areas, parking lots and (industrial) roads with wide mast spacing

Distribution of light SYM R30



**Rotationally symmetrical 30°**  
Illumination of sports grounds and applications that require high illuminance levels



Typical application: area with 20 lx average illuminance per light distribution. At 150 W connected load, 8m mast height, 0° tilt and uniformity of  $U_0 = 0.25$ . Grey dot shows mast position.



### FLOODLIGHT: VERSATILE ALL-ROUNDERS

Broad all-round floodlight portfolio: the nine power levels, three colour temperatures and black or white housings meet a wide range of requirements.

PERFORMANCE CLASS

Page 166



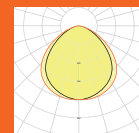
### FLOODLIGHT SENSOR AND PHOTOCELL SENSOR: INTELLIGENT AND EFFICIENT

Luminaires for optimised outdoor lighting by means of daylight and motion sensors.

PERFORMANCE CLASS

Page 170

Distribution of light SYM 100



**Symmetrical light pattern 100° × 100°**  
General outdoor and facade lighting





## FLOODLIGHT PERFORMANCE

IP66 floodlight with lens based light distribution up to 140 lm/W



### PRODUCT FEATURES

- Aluminium die-cast housing, black (similar to RAL 9017) with toughened glass
- Robust design: IP66, IK08, -30° to +50° temperature resistance and surge protection <10kV
- Integrated breather for preventing condensation inside the luminaire
- Suitable for locations with fire hazards according to EN 60598-2-24 (D-mark)
- 2m connection cable with open, crimped wire ends for flexible installation

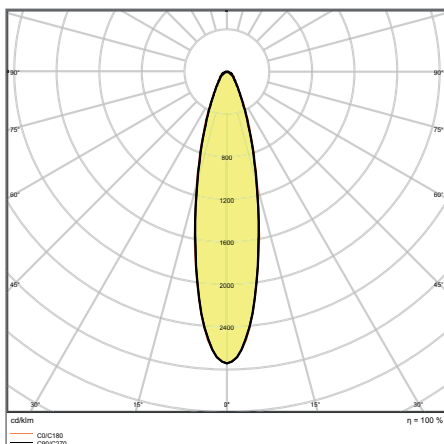
### PRODUCT BENEFITS

- Available in 5 power levels, for replacement of traditional luminaires, up to 2000W (HAL)
- Available in 3 light distributions for optimum illumination of a wide range of applications
- Suitable for wall or mast mounting thanks to angled bracket with a great rotation range
- Highly efficient directional light through single lenses, with up to 140 lm/W luminous efficiency
- 5 years guarantee

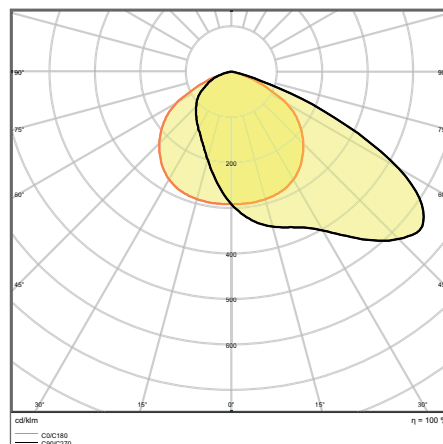
### AREAS OF APPLICATION

- Direct replacement for luminaires using HID lamps
- Outdoor use (IP66)
- Public areas
- Industry
- Sports facilities

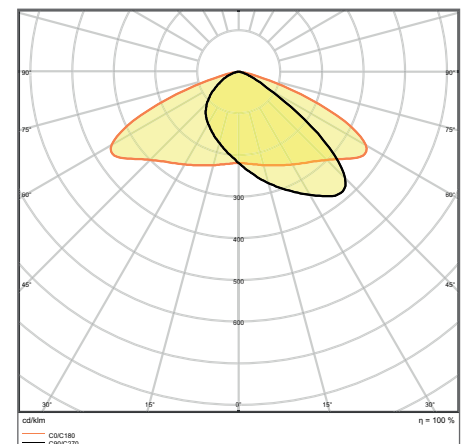
## FURTHER PRODUCT DETAILS



FL PFM SYM R30 290 W 4000 K BK



FL PFM ASYM 55x110 290 W 4000 K BK

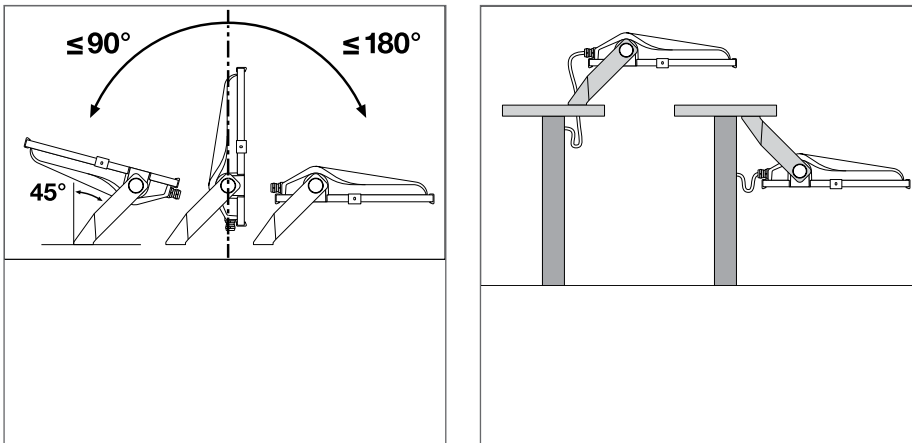


FL PFM ASYM 45x140 290 W 4000 K BK

<sup>1</sup> Refer to [www.ledvance.co.uk/guarantee](http://www.ledvance.co.uk/guarantee) for precise conditions

The pictures shown in the catalogue are for illustration purposes only. For information on size and colour, please refer to the product table.

## FURTHER PRODUCT DETAILS



## FLOODLIGHT PERFORMANCE ASYM 55X110

Floodlight with wide beam, asymmetric light distribution for various application areas

Product name	Segmentation	Static Code	GTIN (EAN)	RE-PLACEMENT FOR	W	lm	lm/W	K	L70 <sup>1</sup>	L80 <sup>1</sup>	°
FL PFM ASYM 55x110 50 W 3000 K BK	■	FP5030AYB	4058075353299	500W HAL	50	5800	115	3000	100000	70000	55 ° x 110
FL PFM ASYM 55x110 50 W 4000 K BK	■	FP5040AYB	4058075353305	500W HAL	50	6300	125	4000	100000	70000	55 ° x 110
FL PFM ASYM 55x110 100 W 3000 K BK	■	FP10030AYB	4058075353312	1000W HAL	100	11900	120	3000	100000	70000	55 ° x 110
FL PFM ASYM 55x110 100 W 4000 K BK	■	FP10040AYB	4058075353527	1000W HAL	100	12900	130	4000	100000	70000	55 ° x 110
FL PFM ASYM 55x110 150 W 3000 K BK	■	FP15030AYB	4058075353534	1500W HAL	150	18400	125	3000	100000	70000	55 ° x 110
FL PFM ASYM 55x110 150 W 4000 K BK	■	FP15040AYB	4058075353541	1500W HAL	150	19900	135	4000	100000	70000	55 ° x 110
FL PFM ASYM 55x110 200 W 3000 K BK	■	FP20030AYB	4058075353558	1500W HAL	200	24400	130	3000	100000	70000	55 ° x 110
FL PFM ASYM 55x110 200 W 4000 K BK	■	FP20040AYB	4058075353565	1500W HAL	200	26400	140	4000	100000	70000	55 ° x 110
FL PFM ASYM 55x110 290 W 3000 K BK	■	FP29030AYB	4058075353572	2000W HAL	290	35600	125	3000	100000	70000	55 ° x 110
FL PFM ASYM 55x110 290 W 4000 K BK	■	FP29040AYB	4058075353602	2000W HAL	290	38500	135	4000	100000	70000	55 ° x 110



Product name	CRI	FLICKER VALUE	IK	9	CABLE LENGTH	L x W x H [mm] Ø x H [mm]
FL PFM ASYM 55x110 50 W 3000 K BK	>80	-	IK08	2600	2000	314x240x63
FL PFM ASYM 55x110 50 W 4000 K BK	>80	-	IK08	2600	2000	314x240x63
FL PFM ASYM 55x110 100 W 3000 K BK	>80	<10 %	IK08	3900	2000	418x330x77
FL PFM ASYM 55x110 100 W 4000 K BK	>80	<10 %	IK08	3900	2000	418x330x77
FL PFM ASYM 55x110 150 W 3000 K BK	>80	<10 %	IK08	4500	2000	451x330x77
FL PFM ASYM 55x110 150 W 4000 K BK	>80	<10 %	IK08	4500	2000	451x330x77
FL PFM ASYM 55x110 200 W 3000 K BK	>80	<10 %	IK08	6300	2000	494x395x87
FL PFM ASYM 55x110 200 W 4000 K BK	>80	<10 %	IK08	6300	2000	494x395x87
FL PFM ASYM 55x110 290 W 3000 K BK	>80	<10 %	IK08	9500	2000	567x465x97
FL PFM ASYM 55x110 290 W 4000 K BK	>80	<10 %	IK08	9500	2000	567x465x97

<sup>1</sup> t [h]: L70/B50 @ 25 °C (Ta) / t [h]: L80/B10 @ 25 °C (Ta)

### FLOODLIGHT PERFORMANCE ASYM 45X140

Floodlight with very wide beam, asymmetric light distribution for area lighting

Product name	Segmentation	Static Code	GTIN (EAN)	RE-PLACEMENT FOR	W	lm	lm/W	K	L70 <sup>1</sup>	L80 <sup>1</sup>	∠
FL PFM ASYM 45x140 50 W 3000 K BK	■	FP5030AYB140	4058075353619	500W HAL	50	5700	115	3000	100000	70000	45 ° x 140
FL PFM ASYM 45x140 50 W 4000 K BK	■	FP5040AYB140	4058075353626	500W HAL	50	6200	125	4000	100000	70000	45 ° x 140
FL PFM ASYM 45x140 100 W 3000 K BK	■	FP10030AYB140	4058075353633	1000W HAL	100	11800	120	3000	100000	70000	45 ° x 140
FL PFM ASYM 45x140 100 W 4000 K BK	■	FP10040AYB140	4058075353688	1000W HAL	100	12800	130	4000	100000	70000	45 ° x 140
FL PFM ASYM 45x140 150 W 3000 K BK	■	FP15030AYB140	4058075353695	1500W HAL	150	18300	120	3000	100000	70000	45 ° x 140
FL PFM ASYM 45x140 150 W 4000 K BK	■	FP15040AYB140	4058075353701	1500W HAL	150	19800	130	4000	100000	70000	45 ° x 140
FL PFM ASYM 45x140 200 W 3000 K BK	■	FP20030AYB140	4058075353718	1500W HAL	200	24200	130	3000	100000	70000	45 ° x 140
FL PFM ASYM 45x140 200 W 4000 K BK	■	FP20040AYB140	4058075353725	1500W HAL	200	26200	140	4000	100000	70000	45 ° x 140
FL PFM ASYM 45x140 290 W 3000 K BK	■	FP29030AYB140	4058075353732	2000W HAL	290	35300	120	3000	100000	70000	45 ° x 140
FL PFM ASYM 45x140 290 W 4000 K BK	■	FP29040AYB140	4058075353749	2000W HAL	290	38200	130	4000	100000	70000	45 ° x 140



Product name	CRI	FLICKER VALUE	IK	g	CABLE LENGTH	L x W x H [mm]	∅ x H [mm]
FL PFM ASYM 45x140 50 W 3000 K BK	>80	-	IK08	2600	2000	314 x 240 x 63	
FL PFM ASYM 45x140 50 W 4000 K BK	>80	-	IK08	2600	2000	314 x 240 x 63	
FL PFM ASYM 45x140 100 W 3000 K BK	>80	<10 %	IK08	3900	2000	418 x 330 x 77	
FL PFM ASYM 45x140 100 W 4000 K BK	>80	<10 %	IK08	3900	2000	418 x 330 x 77	
FL PFM ASYM 45x140 150 W 3000 K BK	>80	<10 %	IK08	4500	2000	451 x 330 x 77	
FL PFM ASYM 45x140 150 W 4000 K BK	>80	<10 %	IK08	4500	2000	451 x 330 x 77	
FL PFM ASYM 45x140 200 W 3000 K BK	>80	<10 %	IK08	6300	2000	494 x 395 x 87	
FL PFM ASYM 45x140 200 W 4000 K BK	>80	<10 %	IK08	6300	2000	494 x 395 x 87	
FL PFM ASYM 45x140 290 W 3000 K BK	>80	<10 %	IK08	9500	2000	567 x 465 x 97	
FL PFM ASYM 45x140 290 W 4000 K BK	>80	<10 %	IK08	9500	2000	567 x 465 x 97	

### FLOODLIGHT PERFORMANCE SYM R30

Floodlight with rotational symmetric light distribution for high mast area lighting

Product name	Segmentation	Static Code	GTIN (EAN)	RE-PLACEMENT FOR	W	lm	lm/W	K	L70 <sup>1</sup>	L80 <sup>1</sup>	∠
FL PFM SYM R30 150 W 3000 K BK	■	FP15030B	4058075353756	1500W HAL	150	18700	125	3000	100000	70000	30
FL PFM SYM R30 150 W 4000 K BK	■	FP15040B	4058075353763	1500W HAL	150	20200	135	4000	100000	70000	30
FL PFM SYM R30 200 W 3000 K BK	■	FP20030B	4058075353770	1500W HAL	200	24800	130	3000	100000	70000	30
FL PFM SYM R30 200 W 4000 K BK	■	FP20040B	4058075353787	1500W HAL	200	26800	140	4000	100000	70000	30
FL PFM SYM R30 290 W 3000 K BK	■	FP29030B	4058075353794	2000W HAL	290	36200	125	3000	100000	70000	30
FL PFM SYM R30 290 W 4000 K BK	■	FP29040B	4058075353800	2000W HAL	290	39100	135	4000	100000	70000	30



Product name	CRI	FLICKER VALUE	IK	g	CABLE LENGTH	L x W x H [mm]	∅ x H [mm]
FL PFM SYM R30 150 W 3000 K BK	>80	<10 %	IK08	4500	2000	451 x 330 x 77	
FL PFM SYM R30 150 W 4000 K BK	>80	<10 %	IK08	4500	2000	451 x 330 x 77	
FL PFM SYM R30 200 W 3000 K BK	>80	<10 %	IK08	6300	2000	494 x 395 x 87	
FL PFM SYM R30 200 W 4000 K BK	>80	<10 %	IK08	6300	2000	494 x 395 x 87	
FL PFM SYM R30 290 W 3000 K BK	>80	<10 %	IK08	9500	2000	567 x 465 x 97	
FL PFM SYM R30 290 W 4000 K BK	>80	<10 %	IK08	9500	2000	567 x 465 x 97	

<sup>1</sup> t [h]: L70/B50 @ 25 °C (Ta) / t [h]: L80/B10 @ 25 °C (Ta)



## FLOODLIGHT, 10 W - 50 W

Floodlight with reflector based, symmetric light distribution up to 120 lm/W



### PRODUCT FEATURES

- Aluminium housing with toughened glass, black or white
- Symmetrical beam angle: 100° x 100°
- Mounting bracket with 30° angle and wide rotation
- Connection via flexible 1 m cable, wiring required
- Surge protection: up to 4 kV (L/N-PE), 2 kV (L-N)

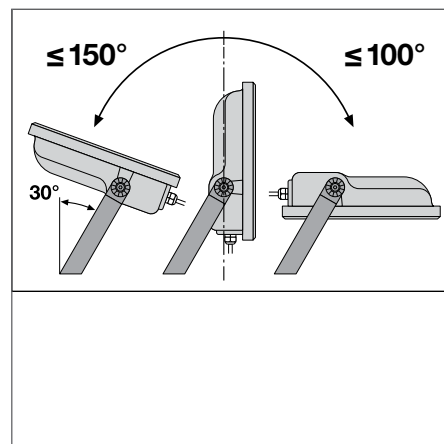
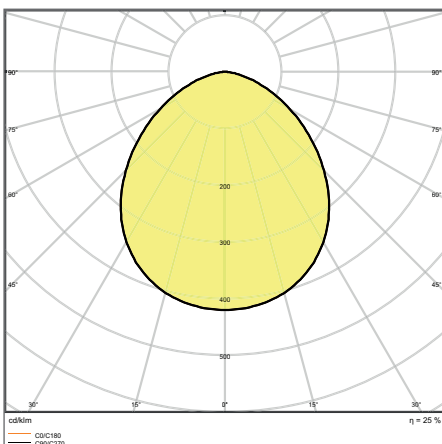
### PRODUCT BENEFITS

- Frosted cover made of tempered glass for uniform illumination
- Energy savings of up to 90 % compared to halogen lamp floodlights
- No upper light output ratio (ULOR 0%) when mounted at 0° tilt
- Impact resistance: IK08
- 5 years guarantee

### AREAS OF APPLICATION

- Replacement for floodlights with halogen lamps
- Outdoor use (IP65)
- Public areas
- Building facades
- Construction areas

## FURTHER PRODUCT DETAILS



FL PFM 50 W 6500 K SYM 100 WT

<sup>1</sup> Refer to [www.ledvance.co.uk/guarantee](http://www.ledvance.co.uk/guarantee) for precise conditions

The pictures shown in the catalogue are for illustration purposes only. For information on size and colour, please refer to the product table.

Product name	Segmentation	Static Code	GTIN (EAN)	RE-PLACEMENT FOR	W	lm	lm/W	K	L70	L80	°
NEW FL PFM 10 W 3000 K SYM 100 BK	■	F1030B	4058075420847	80W HAL	10	1100	110	3000	70000	55000	100 ° x 100
NEW FL PFM 10 W 3000 K SYM 100 WT	■	F1030W	4058075420861	80W HAL	10	1100	110	3000	70000	55000	100 ° x 100
NEW FL PFM 10 W 4000 K SYM 100 BK	■	F1040B	4058075420885	80W HAL	10	1200	120	4000	70000	55000	100 ° x 100
NEW FL PFM 10 W 4000 K SYM 100 WT	■	F1040W	4058075420908	80W HAL	10	1200	120	4000	70000	55000	100 ° x 100
NEW FL PFM 10 W 6500 K SYM 100 BK	■	F1065B	4058075420922	80W HAL	10	1200	120	6500	70000	55000	100 ° x 100
NEW FL PFM 10 W 6500 K SYM 100 WT	■	F1065W	4058075420946	80W HAL	10	1200	120	6500	70000	55000	100 ° x 100
NEW FL PFM 20 W 3000 K SYM 100 BK	■	F2030B	4058075420960	160W HAL	20	2200	110	3000	70000	55000	100 ° x 100
NEW FL PFM 20 W 3000 K SYM 100 WT	■	F2030W	4058075420991	160W HAL	20	2200	110	3000	70000	55000	100 ° x 100
NEW FL PFM 20 W 4000 K SYM 100 BK	■	F2040B	4058075421011	160W HAL	20	2400	120	4000	70000	55000	100 ° x 100
NEW FL PFM 20 W 4000 K SYM 100 WT	■	F2040W	4058075421035	160W HAL	20	2400	120	4000	70000	55000	100 ° x 100
NEW FL PFM 20 W 6500 K SYM 100 BK	■	F2065B	4058075421059	160W HAL	20	2400	120	6500	70000	55000	100 ° x 100
NEW FL PFM 20 W 6500 K SYM 100 WT	■	F2065W	4058075421073	160W HAL	20	2400	120	6500	70000	55000	100 ° x 100
NEW FL PFM 30 W 3000 K SYM 100 BK	■	F3030B	4058075421097	250W HAL	30	3300	110	3000	70000	55000	100 ° x 100
NEW FL PFM 30 W 3000 K SYM 100 WT	■	F3030W	4058075421110	250W HAL	30	3300	110	3000	70000	55000	100 ° x 100
NEW FL PFM 30 W 4000 K SYM 100 BK	■	F3040B	4058075421134	250W HAL	30	3600	120	4000	70000	55000	100 ° x 100
NEW FL PFM 30 W 4000 K SYM 100 WT	■	F3040W	4058075421165	250W HAL	30	3600	120	4000	70000	55000	100 ° x 100
NEW FL PFM 30 W 6500 K SYM 100 BK	■	F3065B	4058075421189	250W HAL	30	3600	120	6500	70000	55000	100 ° x 100
NEW FL PFM 30 W 6500 K SYM 100 WT	■	F3065W	4058075421202	250W HAL	30	3600	120	6500	70000	55000	100 ° x 100
NEW FL PFM 50 W 3000 K SYM 100 BK	■	F5030B	4058075421226	400W HAL	50	5500	110	3000	70000	55000	100 ° x 100
NEW FL PFM 50 W 3000 K SYM 100 WT	■	F5030W	4058075421240	400W HAL	50	5500	110	3000	70000	55000	100 ° x 100
NEW FL PFM 50 W 4000 K SYM 100 BK	■	F5040B	4058075421264	400W HAL	50	6000	120	4000	70000	55000	100 ° x 100
NEW FL PFM 50 W 4000 K SYM 100 WT	■	F5040W	4058075421288	400W HAL	50	6000	120	4000	70000	55000	100 ° x 100
NEW FL PFM 50 W 6500 K SYM 100 BK	■	F5065B	4058075421301	400W HAL	50	6000	120	6500	70000	55000	100 ° x 100
NEW FL PFM 50 W 6500 K SYM 100 WT	■	F5065W	4058075421325	400W HAL	50	6000	120	6500	70000	55000	100 ° x 100



Product name	CRI	IK	CABLE LENGTH	L x W x H [mm]	Ø x H [mm]
NEW FL PFM 10 W 3000 K SYM 100 BK	≥80	IK07	400	1000	122 x 131 x 36
NEW FL PFM 10 W 3000 K SYM 100 WT	≥80	IK07	400	1000	122 x 131 x 36
NEW FL PFM 10 W 4000 K SYM 100 BK	≥80	IK07	400	1000	122 x 131 x 36
NEW FL PFM 10 W 4000 K SYM 100 WT	≥80	IK07	400	1000	122 x 131 x 36
NEW FL PFM 10 W 6500 K SYM 100 BK	≥80	IK07	400	1000	122 x 131 x 36
NEW FL PFM 10 W 6500 K SYM 100 WT	≥80	IK07	400	1000	122 x 131 x 36
NEW FL PFM 20 W 3000 K SYM 100 BK	≥80	IK07	520	1000	144 x 156 x 42
NEW FL PFM 20 W 3000 K SYM 100 WT	≥80	IK07	520	1000	144 x 156 x 42
NEW FL PFM 20 W 4000 K SYM 100 BK	≥80	IK07	520	1000	144 x 156 x 42
NEW FL PFM 20 W 4000 K SYM 100 WT	≥80	IK07	520	1000	144 x 156 x 42
NEW FL PFM 20 W 6500 K SYM 100 BK	≥80	IK07	520	1000	144 x 156 x 42
NEW FL PFM 20 W 6500 K SYM 100 WT	≥80	IK07	520	1000	144 x 156 x 42
NEW FL PFM 30 W 3000 K SYM 100 BK	≥80	IK07	700	1000	177 x 186 x 42
NEW FL PFM 30 W 3000 K SYM 100 WT	≥80	IK07	700	1000	177 x 186 x 42
NEW FL PFM 30 W 4000 K SYM 100 BK	≥80	IK07	700	1000	177 x 186 x 42
NEW FL PFM 30 W 4000 K SYM 100 WT	≥80	IK07	700	1000	177 x 186 x 42
NEW FL PFM 30 W 6500 K SYM 100 BK	≥80	IK07	700	1000	177 x 186 x 42
NEW FL PFM 30 W 6500 K SYM 100 WT	≥80	IK07	700	1000	177 x 186 x 42
NEW FL PFM 50 W 3000 K SYM 100 BK	≥80	IK07	1000	1000	206 x 218 x 46
NEW FL PFM 50 W 3000 K SYM 100 WT	≥80	IK07	1000	1000	206 x 218 x 46
NEW FL PFM 50 W 4000 K SYM 100 BK	≥80	IK07	1000	1000	206 x 218 x 46
NEW FL PFM 50 W 4000 K SYM 100 WT	≥80	IK07	1000	1000	206 x 218 x 46
NEW FL PFM 50 W 6500 K SYM 100 BK	≥80	IK07	1000	1000	206 x 218 x 46
NEW FL PFM 50 W 6500 K SYM 100 WT	≥80	IK07	1000	1000	206 x 218 x 46

<sup>1</sup> t [h]: L70/B50 @ 25 °C (Ta) / t [h]: L80/B10 @ 25 °C (Ta)

## FLOODLIGHT, 65 W - 200 W

Floodlight with reflector based, symmetric light distribution up to 125 lm/W



### PRODUCT FEATURES

- Aluminium housing with toughened glass, black
- Symmetrical beam angle: 100° x 100°
- Mounting bracket with 30° angle and wide rotation
- Connection via flexible 1 m cable, wiring required
- Surge protection: up to 6 kV (L/N-PE), 4 kV (L-N)

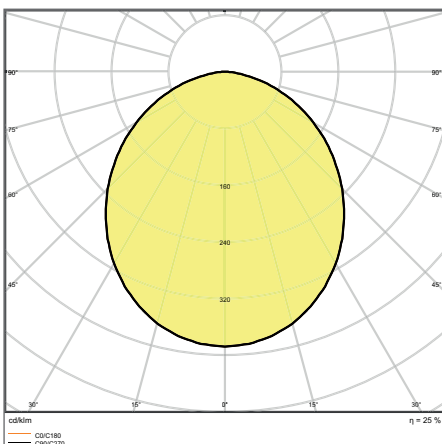
### PRODUCT BENEFITS

- Frosted cover made of tempered glass for uniform illumination
- Energy savings of up to 90 % compared to halogen lamp floodlights
- No upper light output ratio (ULOR 0%) when mounted at 0° tilt
- Impact resistance: IK08
- 5 years guarantee

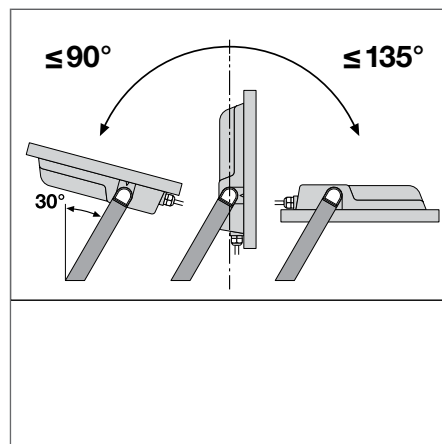
### AREAS OF APPLICATION

- Replacement for floodlights with halogen lamps
- Outdoor use (IP65)
- Industry
- Public areas
- Construction areas

## FURTHER PRODUCT DETAILS



FL PFM 200 W 6500 K SYM 100 BK



<sup>1</sup> Refer to [www.ledvance.co.uk/guarantee](http://www.ledvance.co.uk/guarantee) for precise conditions

The pictures shown in the catalogue are for illustration purposes only. For information on size and colour, please refer to the product table.



Product name	Segmentation	Static Code	GTIN (EAN)	RE-PLACEMENT FOR	W	lm	lm/W	K	L70	L80	°
NEW FL PFM 65 W 3000 K SYM 100 BK	■	F6530B	4058075422445	500W HAL	65	7150	110	3000	70000	55000	100 ° x 100
NEW FL PFM 65 W 4000 K SYM 100 BK	■	F6540B	4058075422469	500W HAL	65	8000	123	4000	70000	55000	100 ° x 100
NEW FL PFM 65 W 6500 K SYM 100 BK	■	F6565B	4058075422483	500W HAL	65	8000	123	6500	70000	55000	100 ° x 100
NEW FL PFM 80 W 3000 K SYM 100 BK	■	F8030B	4058075422506	750W HAL	80	8800	110	3000	70000	55000	100 ° x 100
NEW FL PFM 80 W 4000 K SYM 100 BK	■	F8040B	4058075422520	750W HAL	80	10000	125	4000	70000	55000	100 ° x 100
NEW FL PFM 80 W 6500 K SYM 100 BK	■	F8065B	4058075422544	750W HAL	80	10000	125	6500	70000	55000	100 ° x 100
NEW FL PFM 125 W 3000 K SYM 100 BK	■	F12530B	4058075423695	1000W HAL	125	13750	110	3000	70000	55000	100 ° x 100
NEW FL PFM 125 W 4000 K SYM 100 BK	■	F12540B	4058075423701	1000W HAL	125	15000	120	4000	70000	55000	100 ° x 100
NEW FL PFM 125 W 6500 K SYM 100 BK	■	F12565B	4058075423718	1000W HAL	125	15000	120	6500	70000	55000	100 ° x 100
NEW FL PFM 165 W 3000 K SYM 100 BK	■	F16530B	4058075423725	1500W HAL	165	18150	110	3000	70000	55000	100 ° x 100
NEW FL PFM 165 W 4000 K SYM 100 BK	■	F16540B	4058075423732	1500W HAL	165	20000	121	4000	70000	55000	100 ° x 100
NEW FL PFM 165 W 6500 K SYM 100 BK	■	F16565B	4058075423749	1500W HAL	165	20000	121	6500	70000	55000	100 ° x 100
NEW FL PFM 200 W 3000 K SYM 100 BK	■	F20030B	4058075423756	2000W HAL	200	22000	110	3000	70000	55000	100 ° x 100
NEW FL PFM 200 W 4000 K SYM 100 BK	■	F20040B	4058075423763	2000W HAL	200	25000	125	4000	70000	55000	100 ° x 100
NEW FL PFM 200 W 6500 K SYM 100 BK	■	F20065B	4058075423770	2000W HAL	200	25000	125	6500	70000	55000	100 ° x 100



Product name	CRI	FLICKER VALUE	IK	CABLE LENGTH	L x W x H [mm]	Ø x H [mm]
NEW FL PFM 65 W 3000 K SYM 100 BK	≥80	-	IK08	2100	1000	268x237x49
NEW FL PFM 65 W 4000 K SYM 100 BK	≥80	-	IK08	2100	1000	268x237x49
NEW FL PFM 65 W 6500 K SYM 100 BK	≥80	-	IK08	2100	1000	268x237x49
NEW FL PFM 80 W 3000 K SYM 100 BK	≥80	-	IK08	2800	1000	335x250x55
NEW FL PFM 80 W 4000 K SYM 100 BK	≥80	-	IK08	2800	1000	335x250x55
NEW FL PFM 80 W 6500 K SYM 100 BK	≥80	-	IK08	2800	1000	335x250x55
NEW FL PFM 125 W 3000 K SYM 100 BK	≥80	<5 %	IK08	3800	1000	381x290x59
NEW FL PFM 125 W 4000 K SYM 100 BK	≥80	<5 %	IK08	3800	1000	381x290x59
NEW FL PFM 125 W 6500 K SYM 100 BK	≥80	<5 %	IK08	3800	1000	381x290x59
NEW FL PFM 165 W 3000 K SYM 100 BK	≥80	<5 %	IK08	4800	1000	418x322x60
NEW FL PFM 165 W 4000 K SYM 100 BK	≥80	<5 %	IK08	4800	1000	418x322x60
NEW FL PFM 165 W 6500 K SYM 100 BK	≥80	<5 %	IK08	4800	1000	418x322x60
NEW FL PFM 200 W 3000 K SYM 100 BK	≥80	<5 %	IK08	6000	1000	454x354x62
NEW FL PFM 200 W 4000 K SYM 100 BK	≥80	<5 %	IK08	6000	1000	454x354x62
NEW FL PFM 200 W 6500 K SYM 100 BK	≥80	<5 %	IK08	6000	1000	454x354x62

<sup>1</sup> t [h]: L70/B50 @ 25 °C (Ta) / t [h]: L80/B10 @ 25 °C (Ta)

## FLOODLIGHT SENSOR

Floodlight with flexible motion and daylight sensor



### PRODUCT FEATURES

- Aluminium housing with toughened glass, black or white
- Symmetrical beam angle: 100° x 100°
- Mounting bracket with 30° angle and wide rotation
- PIR motion and daylight sensor
- Connection via flexible 1 m cable, wiring required

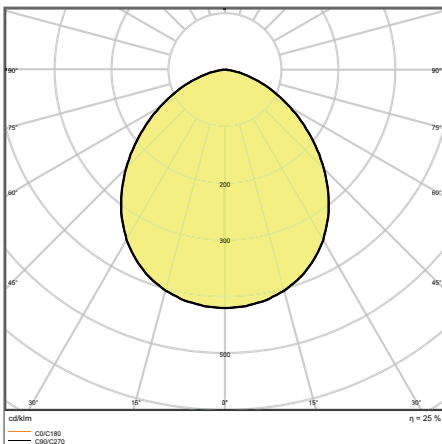
### PRODUCT BENEFITS

- Easy configuration of range, daylight and motion detection via rotary switch
- Demand optimised illumination due to flexible and programmable sensor
- Alwayson override, activated via special mains switching pattern
- No upper light output ratio (ULOR 0%) when mounted at 0° tilt
- 5 years guarantee

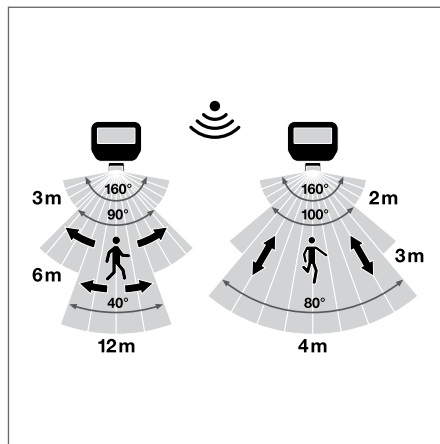
### AREAS OF APPLICATION

- Replacement for floodlights with halogen lamps
- Outdoor use (IP65)
- Public areas
- Building facades
- Construction areas

## FURTHER PRODUCT DETAILS



FL PFM 50 W 4000 K SYM 100 S BK



<sup>1</sup> Versions with integrated sensor available | <sup>2</sup> Refer to [www.ledvance.co.uk/guarantee](http://www.ledvance.co.uk/guarantee) for precise conditions

The pictures shown in the catalogue are for illustration purposes only. For information on size and colour, please refer to the product table.

Product name	Segmentation	Static Code	GTIN (EAN)	RE-PLACEMENT FOR	W	lm	lm/W	K	L70	L80	°
NEW FL PFM 10 W 3000 K SYM 100 S BK	■	F1030BS	4058075460836	80W HAL	10	1100	110	3000	70000	55000	100 ° x 100
NEW FL PFM 10 W 3000 K SYM 100 S WT	■	F1030WS	4058075460850	80W HAL	10	1100	110	3000	70000	55000	100 ° x 100
NEW FL PFM 10 W 4000 K SYM 100 S BK	■	F1040BS	4058075460874	80W HAL	10	1200	120	4000	70000	55000	100 ° x 100
NEW FL PFM 10 W 4000 K SYM 100 S WT	■	F1040WS	4058075460898	80W HAL	10	1200	120	4000	70000	55000	100 ° x 100
NEW FL PFM 20 W 3000 K SYM 100 S BK	■	F2030BS	4058075460911	160W HAL	20	2200	110	3000	70000	55000	100 ° x 100
NEW FL PFM 20 W 3000 K SYM 100 S WT	■	F2030WS	4058075460935	160W HAL	20	2200	110	3000	70000	55000	100 ° x 100
NEW FL PFM 20 W 4000 K SYM 100 S BK	■	F2040BS	4058075460959	160W HAL	20	2400	120	4000	70000	55000	100 ° x 100
NEW FL PFM 20 W 4000 K SYM 100 S WT	■	F2040WS	4058075460973	160W HAL	20	2400	120	4000	70000	55000	100 ° x 100
NEW FL PFM 50 W 3000 K SYM 100 S BK	■	F5030BS	4058075460997	400W HAL	50	5500	110	3000	70000	55000	100 ° x 100
NEW FL PFM 50 W 3000 K SYM 100 S WT	■	F5030WS	4058075461017	400W HAL	50	5500	110	3000	70000	55000	100 ° x 100
NEW FL PFM 50 W 4000 K SYM 100 S BK	■	F5040BS	4058075461031	400W HAL	50	6000	120	4000	70000	55000	100 ° x 100
NEW FL PFM 50 W 4000 K SYM 100 S WT	■	F5040WS	4058075461055	400W HAL	50	6000	120	4000	70000	55000	100 ° x 100



Product name	CRI	IK	CABLE LENGTH	L x W x H [mm]	Ø x H [mm]
NEW FL PFM 10 W 3000 K SYM 100 S BK	≥80	IK07	440	1000	159 x 131 x 53
NEW FL PFM 10 W 3000 K SYM 100 S WT	≥80	IK07	440	1000	159 x 131 x 53
NEW FL PFM 10 W 4000 K SYM 100 S BK	≥80	IK07	440	1000	159 x 131 x 53
NEW FL PFM 10 W 4000 K SYM 100 S WT	≥80	IK07	440	1000	159 x 131 x 53
NEW FL PFM 20 W 3000 K SYM 100 S BK	≥80	IK07	570	1000	176 x 156 x 55
NEW FL PFM 20 W 3000 K SYM 100 S WT	≥80	IK07	570	1000	176 x 156 x 55
NEW FL PFM 20 W 4000 K SYM 100 S BK	≥80	IK07	570	1000	176 x 156 x 55
NEW FL PFM 20 W 4000 K SYM 100 S WT	≥80	IK07	570	1000	176 x 156 x 55
NEW FL PFM 50 W 3000 K SYM 100 S BK	≥80	IK07	1060	1000	225 x 219 x 59
NEW FL PFM 50 W 3000 K SYM 100 S WT	≥80	IK07	1060	1000	225 x 219 x 59
NEW FL PFM 50 W 4000 K SYM 100 S BK	≥80	IK07	1060	1000	225 x 219 x 59
NEW FL PFM 50 W 4000 K SYM 100 S WT	≥80	IK07	1060	1000	225 x 219 x 59

## SENSOR PROPERTIES

Product name	Type of sensor	Sensor technology	Detection threshold of daylight sensor	Detection range of motion sensor	Sensor detection angle	Sensor controlled switching time
FLOODLIGHT SENSOR 10 W	Motion/Light	Passive infrared/Photocell	10...2000 lx	2...12 m	40°...160 °	10 s...12
FLOODLIGHT SENSOR 20 W	Motion/Light	Passive infrared/Photocell	10...2000 lx	2...12 m	40°...160 °	10 s...12
FLOODLIGHT SENSOR 50 W	Motion/Light	Passive infrared/Photocell	10...2000 lx	2...12 m	40°...160 °	10 s...12

<sup>1</sup> t [h]: L70/B50 @ 25 °C (Ta) / t [h]: L80/B10 @ 25 °C (Ta)

## FLOODLIGHT PHOTOCELL

Floodlight with integrated daylight sensor



### PRODUCT FEATURES

- Aluminium housing with toughened glass, black
- Integrated photocell daylight sensor, auto on <35 lx, auto off >95 lx
- Symmetrical beam angle: 100° x 100°
- Mounting bracket with 30° angle and wide rotation
- Connection via flexible 1 m cable, wiring required

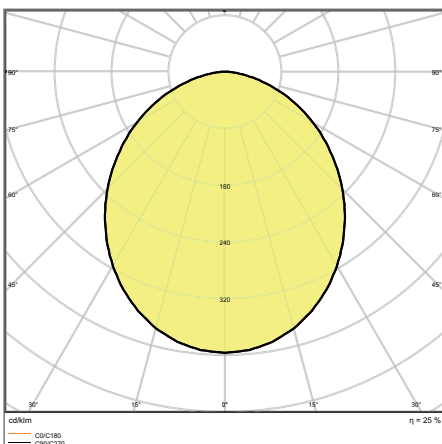
### PRODUCT BENEFITS

- Automatically switches on and off according to available daylight thanks to photocell light sensor
- Always-on override, activated via special mains switching pattern
- No upper light output ratio (ULOR 0%) when mounted at 0° tilt
- Impact resistance: IK08 (IK08 photocell sensor)
- 5 years guarantee

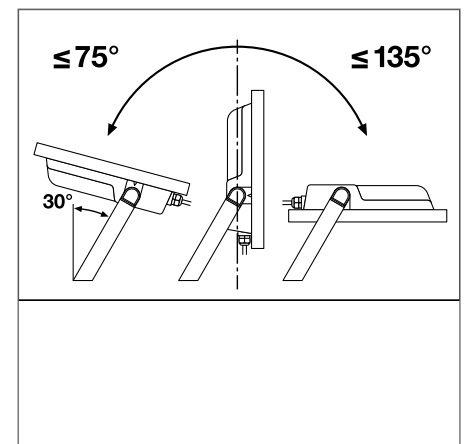
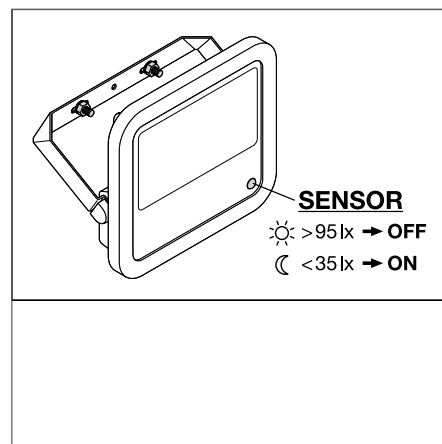
### AREAS OF APPLICATION

- Replacement for floodlights with halogen lamps
- Outdoor use (IP65)
- Industry
- Public areas
- Construction areas

## FURTHER PRODUCT DETAILS



FL PFM 200 W 4000 K SYM 100 SL BK



<sup>1</sup> Versions with integrated sensor available | <sup>2</sup> Refer to [www.ledvance.co.uk/guarantee](http://www.ledvance.co.uk/guarantee) for precise conditions

The pictures shown in the catalogue are for illustration purposes only. For information on size and colour, please refer to the product table.

Product name	Segmentation	Static Code	GTIN (EAN)	RE-PLACEMENT FOR	W	lm	lm/W	K	L70	L80	
NEW FL PFM 65W 4000 K SYM 100 SL BK	■	F6540BP	4058075461093	500W HAL	65	8000	125	4000	70000	55000	100 ° x 100
NEW FL PFM 80 W 4000 K SYM 100 SL BK	■	F8040BP	4058075461130	750W HAL	80	10000	125	4000	70000	55000	100 ° x 100
NEW FL PFM 125 W 4000 K SYM 100 SL BK	■	F12540BP	4058075461161	1000 W HAL	125	15000	125	4000	70000	55000	100 ° x 100
NEW FL PFM 165 W 4000 K SYM 100 SL BK	■	F16540BP	4058075461185	1500W HAL	165	20000	125	4000	70000	55000	100 ° x 100
NEW FL PFM 200 W 4000 K SYM 100 SL BK	■	F20040BP	4058075461208	2000W HAL	200	25000	125	4000	70000	55000	100 ° x 100

Product name	CRI	FLICKER VALUE	IK	g	CABLE LENGTH	L x W x H [mm]	Ø x H [mm]
NEW FL PFM 65W 4000 K SYM 100 SL BK	≥80	-	IK08	2100	1000	268 x 237 x 49	
NEW FL PFM 80 W 4000 K SYM 100 SL BK	≥80	-	IK08	2800	1000	335 x 250 x 55	
NEW FL PFM 125 W 4000 K SYM 100 SL BK	≥80	<5 %	IK08	3800	1000	381 x 290 x 59	
NEW FL PFM 165 W 4000 K SYM 100 SL BK	≥80	<5 %	IK08	4800	1000	418 x 322 x 60	
NEW FL PFM 200 W 4000 K SYM 100 SL BK	≥80	<5 %	IK08	6000	1000	454 x 354 x 62	

## SENSOR PROPERTIES

Product name	Type of sensor	Sensor technology	Detection threshold of daylight sensor
FLOODLIGHT PHOTOCELL 65 W	Light	Photocell	35...95 lx
FLOODLIGHT PHOTOCELL 80 W	Light	Photocell	35...95 lx
FLOODLIGHT PHOTOCELL 125 W	Light	Photocell	35...95 lx
FLOODLIGHT PHOTOCELL 165 W	Light	Photocell	35...95 lx
FLOODLIGHT PHOTOCELL 200 W	Light	Photocell	35...95 lx

<sup>1</sup> t [h]: L70/B50 @ 25 °C (Ta) / t [h]: L80/B10 @ 25 °C (Ta)

# OUTDOOR DECORATIVE LUMINAIRES

BEAUTIFUL LIGHT IS NOT A QUESTION OF SPACE: OUR FACADE AND PATHWAY LUMINAIRES

## OUTDOOR

Page 176

OUTDOOR LANTERN  
OUTDOOR EDGE  
OUTDOOR UPDOWN  
OUTDOOR BELT  
OUTDOOR SPOT  
OUTDOOR ROUND  
OUTDOOR SQUARE  
OUTDOOR INDIRECT

VALUE  
CLASS



### OPTIMUM OUTDOOR LIGHTING

- Attractive design combined with high-quality materials and finishes
- Robust and weatherproof (up to IP54)
- Appealing warm white (3,000 K) illumination for a welcoming atmosphere
- Easy installation, all necessary accessories included

Our facade and directional luminaires stand out for the materials used and their design, and provide pleasant outdoor lighting.



# OUTDOOR

Decorative outdoor luminaires



## PRODUCT FEATURES

- Die-cast aluminium housing
- Type of protection: IP54
- Available as wall, ceiling and bollard luminaires
- Bright and functional outdoor LED luminaires
- Outdoor Facade Edge also available as a sensor version

## PRODUCT BENEFITS

- Energyefficient thanks to LED technology
- Easy and quick installation
- Homogeneous light output
- 5 years guarantee

## AREAS OF APPLICATION

- Outdoor
- Building facades
- Entrance lighting
- Gardens, balconies and other outdoor areas

## EQUIPMENT / ACCESSORIES

- Complete mounting and connecting accessories included

<sup>1</sup> Versions with integrated sensor available | <sup>2</sup> Refer to [www.ledvance.co.uk/guarantee](http://www.ledvance.co.uk/guarantee) for precise conditions

The pictures shown in the catalogue are for illustration purposes only. For information on size and colour, please refer to the product table.



Product name	Segmentation	Static Code	GTIN (EAN)	RE-PLACEMENT FOR	W	lm	lm/W	K	L70 <sup>1</sup>	°
O FACADE SPOT 8 W 3000 K IP54 GY	■	OFS30A	4058075074712	1x40W GLS	8	440	55	3000	30000	110
O FACADE SPOT 8 W 3000 K IP54 WT	■	OFS30W	4058075074736	1x40W GLS	8	460	60	3000	30000	110
O FACADE EDGE 12 W 3000 K IP54 GY	■	OFE30A	4058075074750	1x60W GLS	12	740	60	3000	30000	110
O FACADE EDGE 12 W 3000 K IP54 WT	■	OFE30W	4058075074774	1x60W GLS	12	770	65	3000	30000	107
O FACADE EDGE SENSOR 12 W 3000 K IP54 S GY	■	OFE30AS	4058075074798	1x60W GLS	12	740	60	3000	30000	107
O FACADE EDGE SENSOR 12 W 3000 K IP54 S WT	■	OFE30WS	4058075074811	1x60W GLS	12	770	65	3000	30000	107
O FACADE LANTERN 12 W 3000 K IP54 GY	■	OFL30A	4058075074835	1x40W GLS	12	610	50	3000	30000	210
O BOLLARD 500 LANTERN 12 W 3000 K IP54 GY	■	OBL530A	4058075074859	1x40W GLS	12	610	50	3000	30000	210
O BOLLARD 900 LANTERN 12 W 3000 K IP54 GY	■	OBL930A	4058075074873	1x40W GLS	12	610	50	3000	30000	210
O SURFACE RD 13 W 3000 K IP54 GY	■	OSR30A	4058075074897	1x40W GLS	13	480	35	3000	30000	100
O SURFACE RD 13 W 3000 K IP54 WT	■	OSR30W	4058075074910	1x40W GLS	13	600	45	3000	30000	100
O SURFACE SQ 13 W 3000 K IP54 GY	■	OSS30A	4058075074934	1x40W GLS	13	480	35	3000	30000	100
O SURFACE SQ 13 W 3000 K IP54 WT	■	OSS30W	4058075074958	1x40W GLS	13	600	45	3000	30000	100
O FACADE BELT RD 11 W 3000 K IP54 GY	■	OFR30A	4058075074972	1x40W GLS	11	400	35	3000	30000	335
O FACADE BELT SQ 11 W 3000 K IP54 GY	■	OFA30A	4058075074996	1x40W GLS	11	410	35	3000	30000	340
O FACADE IND RD 13 W 3000 K IP54 GY	■	OFR30A	4058075075016	1x40W GLS	13	480	35	3000	30000	240
LED FACADE INDIRECT 13 W 3000 K RD WT	■	OFR30W	4058075075030	1x60W GLS	13	640	50	3000	30000	240
O FACADE UPDOWN 12 W 3000 K IP54 GY	■	OFU30A	4058075075054	1x60W GLS	12	700	60	3000	30000	280
O FACADE UPDOWN 12 W 3000 K IP54 WT	■	OFU30W	4058075075078	1x60W GLS	12	710	60	3000	30000	280



Product name	CRI	IK	g	L x W x H [mm] Ø x H [mm]	No.
O FACADE SPOT 8 W 3000 K IP54 GY	≥80	IK06	600	135 x 90 x 140	1
O FACADE SPOT 8 W 3000 K IP54 WT	≥80	IK06	600	135 x 90 x 140	-
O FACADE EDGE 12 W 3000 K IP54 GY	≥80	IK06	1300	168 x 100 x 273	2
O FACADE EDGE 12 W 3000 K IP54 WT	≥80	IK06	1300	168 x 100 x 273	-
O FACADE EDGE SENSOR 12 W 3000 K IP54 S GY	≥80	IK06	1300	168 x 100 x 273	3
O FACADE EDGE SENSOR 12 W 3000 K IP54 S WT	≥80	IK06	1300	168 x 100 x 273	-
O FACADE LANTERN 12 W 3000 K IP54 GY	≥80	IK06	1300	176 x 110 x 240	4
O BOLLARD 500 LANTERN 12 W 3000 K IP54 GY	≥80	IK06	1900	110 x 500	5
O BOLLARD 900 LANTERN 12 W 3000 K IP54 GY	≥80	IK06	3100	110 x 900	6
O SURFACE RD 13 W 3000 K IP54 GY	≥80	IK06	770	202 x 45	-
O SURFACE RD 13 W 3000 K IP54 WT	≥80	IK06	770	202 x 45	7
O SURFACE SQ 13 W 3000 K IP54 GY	≥80	IK06	910	202 x 202 x 45	-
O SURFACE SQ 13 W 3000 K IP54 WT	≥80	IK06	910	202 x 202 x 45	8
O FACADE BELT RD 11 W 3000 K IP54 GY	≥80	IK06	720	60 x 240 x 142	-
O FACADE BELT SQ 11 W 3000 K IP54 GY	≥80	IK06	750	60 x 240 x 142	9
O FACADE IND RD 13 W 3000 K IP54 GY	≥80	IK06	790	150 x 118	-
LED FACADE INDIRECT 13 W 3000 K RD WT	≥80	IK06	790	150 x 118	10
O FACADE UPDOWN 12 W 3000 K IP54 GY	≥80	IK06	480	55 x 90 x 160	11
O FACADE UPDOWN 12 W 3000 K IP54 WT	≥80	IK06	480	55 x 90 x 160	-

## SENSOR PROPERTIES

Product name	Type of sensor	Sensor technology	Detection threshold of daylight sensor	Detection range of motion sensor	Sensor detection angle	Sensor controlled switching time
OUTDOOR FACADE EDGE	Motion/Light	Passive infrared (PIR)	10/2000 lx	3/6 m	120 °	5 s/30 s/1 min/3 min/5 min/8

<sup>1</sup> t [h]: L70/B50 @ 25 °C (Ta) / t [h]: L80/B10 @ 25 °C (Ta)

# EMERGENCY LIGHTING

SAFETY: A QUESTION OF LIGHT

Using the right emergency lighting, buildings can be evacuated quickly and safely. It helps prevent panic. This requires the installed luminaires to work even if power supply is interrupted. LEDVANCE offers a wide range of certified single-battery emergency luminaires and emergency lighting components that can be retrofitted:

## 1. LUMINAIRES WITH ADDITIONAL EMERGENCY LIGHTING FUNCTIONALITY

Many standard LEDVANCE luminaires are also available as single-battery luminaires. This allows you to implement the emergency lighting in the same style as your luminaire installation.

## 2. EMERGENCY CONVERSION BOX

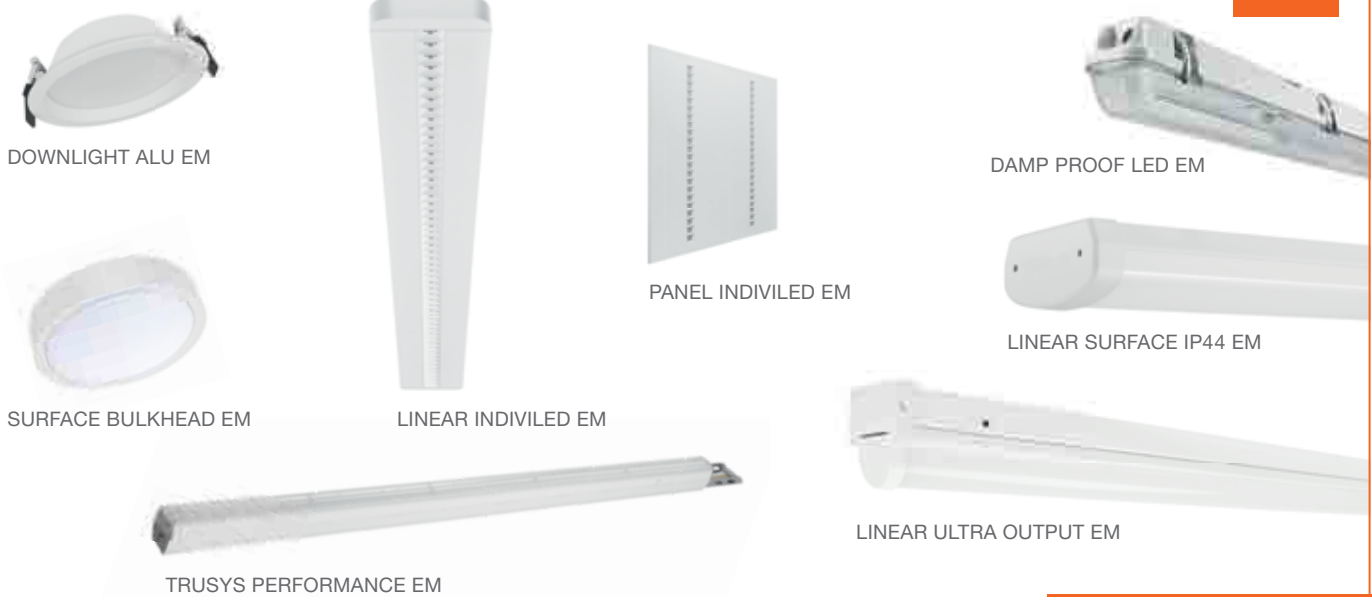
With the Emergency Conversion Box, which is available separately, you can quickly and easily convert a selection of your LEDVANCE Panels and Downlights into single-battery emergency luminaires.

For details go to  
[www.ledvance.co.uk/emergency](http://www.ledvance.co.uk/emergency)



## STANDARD LUMINAIRES WITH EMERGENCY LIGHTING FUNCTIONALITY

1



### LEDVANCE OFFERS AN EXTENSIVE PORTFOLIO OF SINGLE-BATTERY EMERGENCY LUMINAIRES

- Emergency luminaires certified to EN 60598-2-22
- Integrated automatic test function for simple testing of emergency lighting operation
- Emergency lighting and battery status display by means of integrated status LED
- Emergency lighting operated on a long-life LiFePO4 battery (3h discharge time)

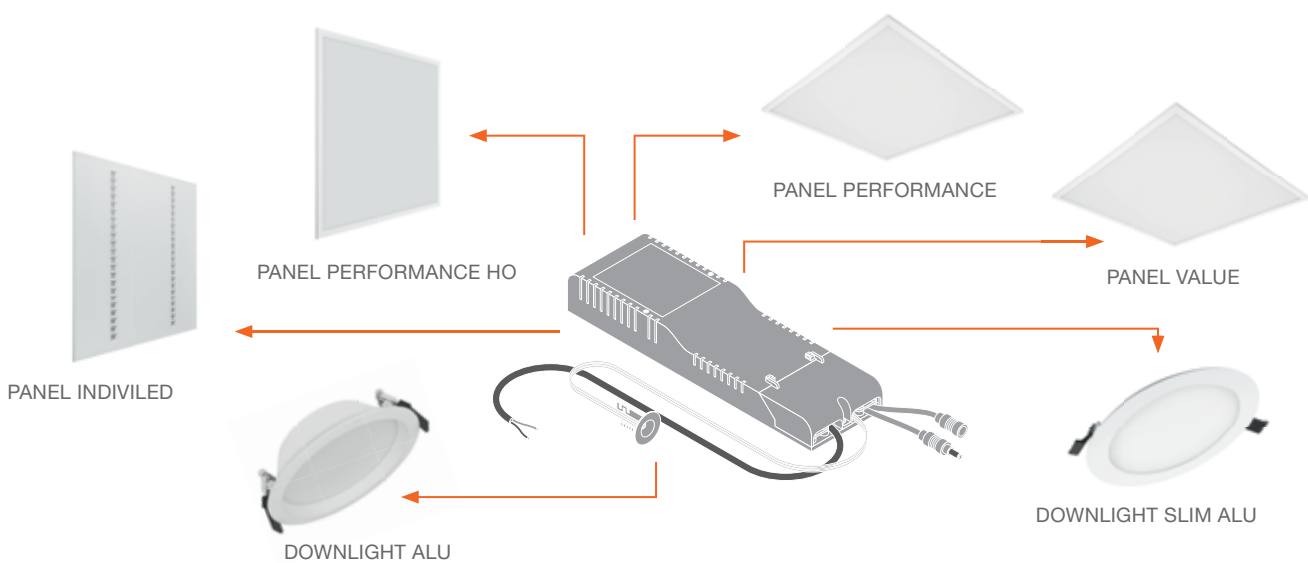
For details of the available EANs see the relevant product sections of the luminaires displayed.

## LUMINAIRE UPGRADES WITH THE EMERGENCY CONVERSION BOX

Page 183

The following selection of LEDVANCE Panels and Downlights can be upgraded to single-battery emergency luminaires with the **Emergency Conversion Box**:

2



### YOUR BENEFITS OF UPGRADING WITH THE EMERGENCY CONVERSION BOX:

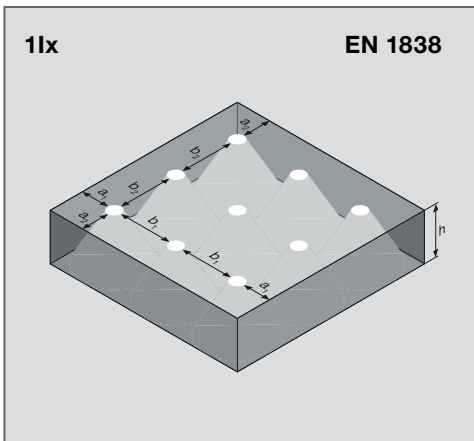
- Plug-and-play system allows easy installation and quick conversion of existing luminaires
- Emergency lighting module reduces warehousing complexity for emergency luminaires
- Integrated automatic test function for simple testing of emergency lighting operation
- Emergency lighting operated on a long-life LiFePO4 battery (3h discharge time)

# DAMP PROOF LED EMERGENCY: PLANNING EXAMPLE FOR ANTI-PANIC AND ESCAPE ROUTE LIGHTING



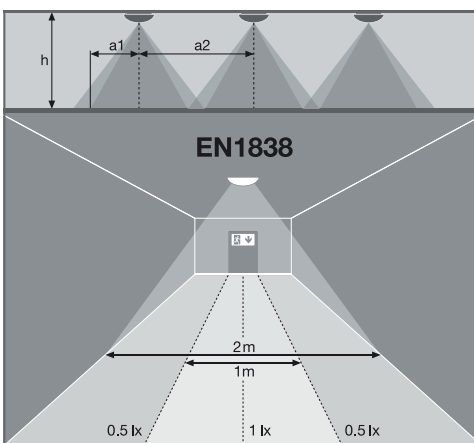
DAMP PROOF LED EM

For more information and planning aids for emergency luminaires see the eCatalog at [www.ledvance.co.uk/professional](http://www.ledvance.co.uk/professional)



## ANTI-PANIC LIGHTING

h [m]	a <sub>1</sub> [m]	b <sub>1</sub> [m]	a <sub>2</sub> [m]	b <sub>2</sub> [m]
2.5	4.0	9.5	4.0	9.0
3.0	4.5	10.0	4.5	9.5
3.5	5.0	10.5	5.0	10.0
4.0	5.5	11.0	5.5	10.5



## ESCAPE ROUTE LIGHTING

h [m]	a <sub>1</sub> [m]	a <sub>2</sub> [m]
2.5	4.0	9.0
3.0	4.5	9.5
3.5	5.0	10.0
4.0	5.5	10.5

## EMERGENCY CONVERSION BOX

Emergency conversion box to convert recessed luminaires to self-contained emergency luminaires



1

- Self-contained emergency conversion unit
- Function test of emergency lighting: automatic (AT)
- Battery technology: LiFePO4
- Recessed ceiling mounting
- Conversion of selected LEDVANCE panels and downlights to emergency luminaires
- Emergency conversion unit reduces stock keeping complexity from emergency lighting
- Plug-and-play system allows easy installation
- Simple testing of luminaires with emergency lighting function thanks to integrated automatic test function
- Operation of integrated emergency lighting function with long life LiFePO4 battery with 3h battery discharge time

Product name	Static Code	GTIN (EAN)	L x W x H [mm] ∅ x H [mm]	MATERIAL	COLOUR		 No.
EM Conversion Box	EMCONVBOX	4058075237025	292 x 81 x 41	-	-	1	1

## EMERGENCY LIGHTING PROPERTIES

Product name	Battery life in emergency operation mode	Type of emergency operation test	Type of emergency light operation	Luminous flux in emergency operation mode	Type of Battery
EM Conversion Box	3h	Automatic	Maintained/Non-maintained	300...480 lm	LiFePO4

<sup>1</sup> Refer to [www.ledvance.co.uk/guarantee](http://www.ledvance.co.uk/guarantee) for precise conditions

The pictures shown in the catalogue are for illustration purposes only. For information on size and colour, please refer to the product table.

# HIGH-QUALITY, COMPACT AND EFFICIENT LEDVANCE LED DRIVERS FOR CONSTANT CURRENT

LEDVANCE also offers the right solution for integration in LED luminaires or operation of independent indoor downlighting/spotlighting with its drivers for constant current (CC).



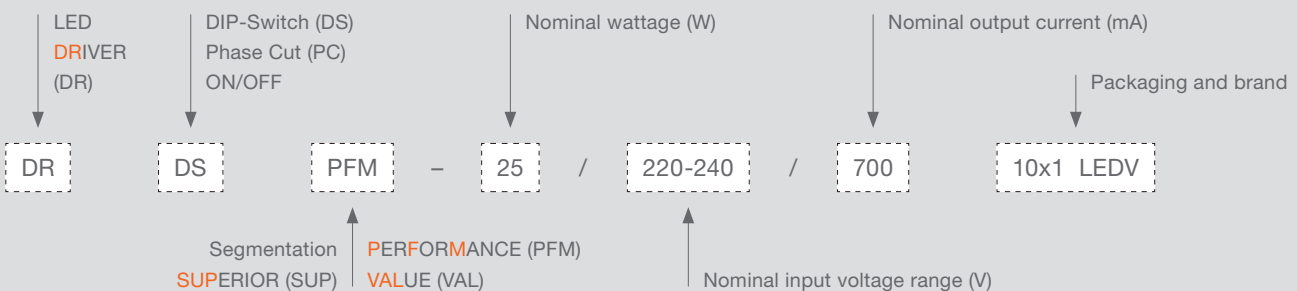
The wide range of high-quality SELV-insulated LEDVANCE constant current LED drivers with output currents of 250 mA to 1,400 mA provides you with solid options for operating virtually all standard LED modules. Flexible power

settings allow for correct integration in different LED luminaires. Leading-edge and trailing-edge phase cut options are available for dimming applications. The compact housing design, optional cable clamps and simple wiring make installa-

tion quick and easy even in tight spaces, reducing your installation time and costs. The life of up to 50,000 hours is another strong argument.

## NAMING OF THE CC DRIVERS

The names of the CC drivers reveal their properties:







PERFORMANCE CLASS

## LED DRIVER DALI PERFORMANCE

Compact constant current LED driver with DALI dimming interface



### PRODUCT BENEFITS

- Low flickering enables high light quality as well as good visual comfort
- Push DIM application for easy control
- Highquality dimming of 1...100 %
- Suitable for emergency lighting
- 5 years guarantee

### AREAS OF APPLICATION

- Suitable for indoor SELV installations
- Suitable for use in emergency lighting systems (DC capable)
- Installation via possible (depending on version of product)
- Linear lighting for office, education, storage areas and retail

Product name	Static Code	GTIN (EAN)	W	V	V <sub>OUT</sub>	Hz	I <sub>MA</sub>	IP
DR DALI-PFM-26/220-240/700	DRDAPFM26	4058075421882	26	220...240	9...52	50/60	150/200/250/300/350/400/450/500/550/600/650/700	+/- 5
DR DALI-PFM-44/220-240/1050	DRDAPFM44	4058075421905	44	220...240	9...52	50/60	700/750/800/850/900/950/1000/1050	+/- 5
DR DALI-PFM-60/220-240/1A4	DRDAPFM60	4058075421929	60	220...240	9...52	50/60	700/750/800/850/900/950/1000/1050/1100/1200/1250/1300/1350/1400	+/- 5

Product name	W	t <sub>in</sub> <sup>2</sup>	T <sub>a</sub>	T <sub>c</sub>	PROTECTION CLASS	L x B x H [mm]	No.
DR DALI-PFM-26/220-240/700	1...100	50000	-20...+50	85	I	90x44x32	1
DR DALI-PFM-44/220-240/1050	1...100	50000	-20...+50	90	I	90x44x32	2
DR DALI-PFM-60/220-240/1A4	1...100	50000	-20...+50	90	I	100x76x32	3

### EQUIPMENT / ACCESSORIES



Product name	DR AY ZB+DALI CLAMP DUO
Description	-
Static Code	DRDUOCLMP
GTIN (EAN)	4058075483125
L x B x H [mm]	52.5x76x32
UVP [EUR] <sup>3</sup>	-



Product name	DR AY CLAMP
Description	-
Static Code	DRDACLAMP
GTIN (EAN)	4058075483149
L x B x H [mm]	50x44x32
UVP [EUR] <sup>3</sup>	-

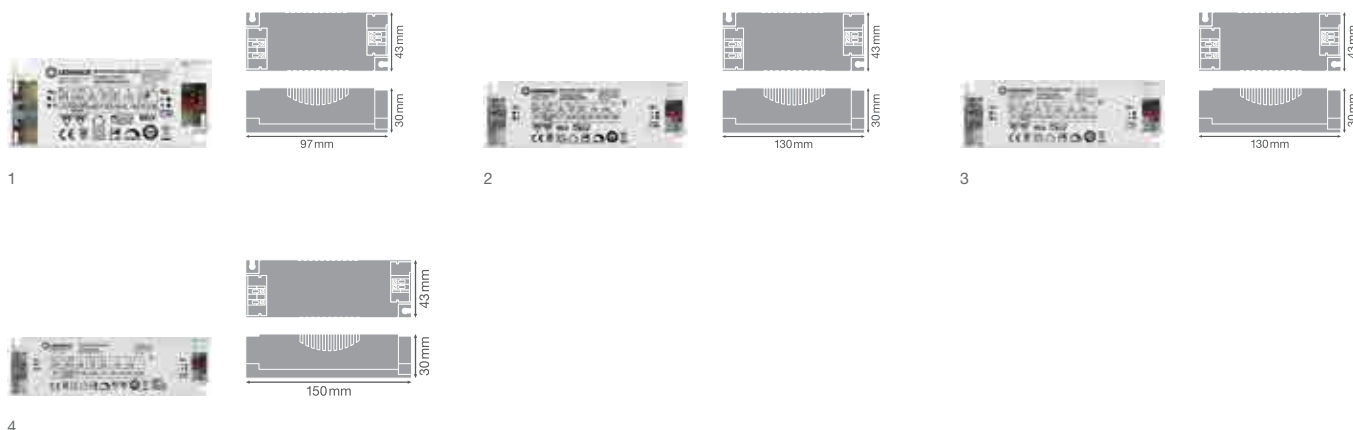
<sup>1</sup> Refer to [www.ledvance.co.uk/guarantee](http://www.ledvance.co.uk/guarantee) for precise conditions | <sup>2</sup> At maximum T<sub>c</sub> / 10% failure rate | <sup>3</sup> Recommended retail price excl. VAT





# LED DRIVER PHASE-CUT PERFORMANCE

Constant current LED driver with phase-cut dimming interface



## PRODUCT BENEFITS

- Enables installation with commonly used leading-edge and trailing-edge dimmers
- 5 years guarantee
- Slim housing for narrow installations
- High efficiency and reliability

## AREAS OF APPLICATION

- Suitable for LED luminaires and LED modules
- Applicable for luminaires of protection classes I and II
- For indoor SELV installations
- Offices, shopping centers, hospitals, restaurants, hotels

Product name	Static Code	GTIN (EAN)	W	V	V <sub>OUT</sub>	Hz	I <sub>[mA]</sub>	IP
DR PC-PFM-13/220-240/350	DRPCPFM13	4058075239814	13	220...240	17...36	50/60	350	< 5
DR PC-PFM-18/220-240/350	DRPCPFM18	4058075239838	18	220...240	32...54	50/60	350	< 5
DR PC-PFM-25/220-240/700	DRPCPFM25	4058075239852	25	220...240	20...36	50/60	700	< 5
DR PC-PFM-35/220-240/700	DRPCPFM35	4058075239876	35	220...240	30...50	50/60	700	< 5

Product name	W	t <sub>th</sub> <sup>2</sup>	T <sub>a</sub>	T <sub>c</sub>	PROTECTION CLASS	L × B × H [mm]	No.
DR PC-PFM-13/220-240/350	10...100	50000 <sup>a)</sup>	-20...+50	75	II	97 x 43 x 30	1
DR PC-PFM-18/220-240/350	10...100	50000 <sup>b)</sup>	-20...+50	70	II	130 x 43 x 30	2
DR PC-PFM-25/220-240/700	10...100	50000 <sup>b)</sup>	-20...+50	75	II	130 x 43 x 30	3
DR PC-PFM-35/220-240/700	10...100	50000 <sup>c)</sup>	-20...+50	85	II	150 x 43 x 30	4

## EQUIPMENT / ACCESSORIES



Product name	DR AY PC-PFM-CLAMP DUO
Description	Cable clamps for Phase-Cut LED Drivers
Static Code	DRPCCLAMP
GTIN (EAN)	4058075313170
L × B × H [mm]	38.3 x 34 x 28.5
UVP [EUR] <sup>3</sup>	-

<sup>1</sup> Refer to [www.ledvance.co.uk/guarantee](http://www.ledvance.co.uk/guarantee) for precise conditions | <sup>2</sup> a) At maximum T<sub>c</sub> = 75°C / 10% failure rate, b) At maximum T<sub>c</sub> = 70°C / 10% failure rate, c) At maximum T<sub>c</sub> = 85°C / 10% failure rate | <sup>3</sup> Recommended retail price excl. VAT



# LED DRIVER DIP-SWITCH PERFORMANCE

Constant current LED driver with dip-switch current setting



LEDVANCE <sup>1</sup>  
**5** year guarantee  
 CC 500–1050 mA  
 IP 20

## PRODUCT BENEFITS

- High flexibility due to adjustable output currents via dip switch
- Low flickering enables high light quality as well as good visual comfort
- 5 years guarantee
- Slim housing for narrow installations
- High efficiency and reliability

## AREAS OF APPLICATION

- Suitable for LED luminaires and LED modules
- Applicable for luminaires of protection classes I and II
- Suitable for built-in luminaires with adjustable current setting
- For indoor SELV installations
- Offices, shopping centers, hospitals, restaurants, hotels

Product name	Static Code	GTIN (EAN)	W	V	V <sub>OUT</sub>	Hz	I <sub>[mA]</sub>	IP
DR DS-PFM-20/220-240/500	DRDSPFM20	4058075239753	20	220...240	25...42	50/60	250/350/450/500	< 5
DR DS-PFM-30/220-240/700	DRDSPFM30	4058075239777	30	220...240	25...42	50/60	500/600/650/700	< 5
DR DS-PFM-40/220-240/1A0	DRDSPFM40	4058075239791	40	220...240	25...40	50/60	800/900/950/1050	< 5

Product name	t <sub>in</sub> <sup>2</sup>	T <sub>a</sub>	T <sub>c</sub>	PROTECTION CLASS	L × B × H [mm]	No.
DR DS-PFM-20/220-240/500	50000	-20...+50	75	II	98 x 44 x 30	1
DR DS-PFM-30/220-240/700	50000	-20...+50	75	II	98 x 44 x 30	2
DR DS-PFM-40/220-240/1A0	50000	-20...+45	75	II	98 x 44 x 30	3

## EQUIPMENT / ACCESSORIES



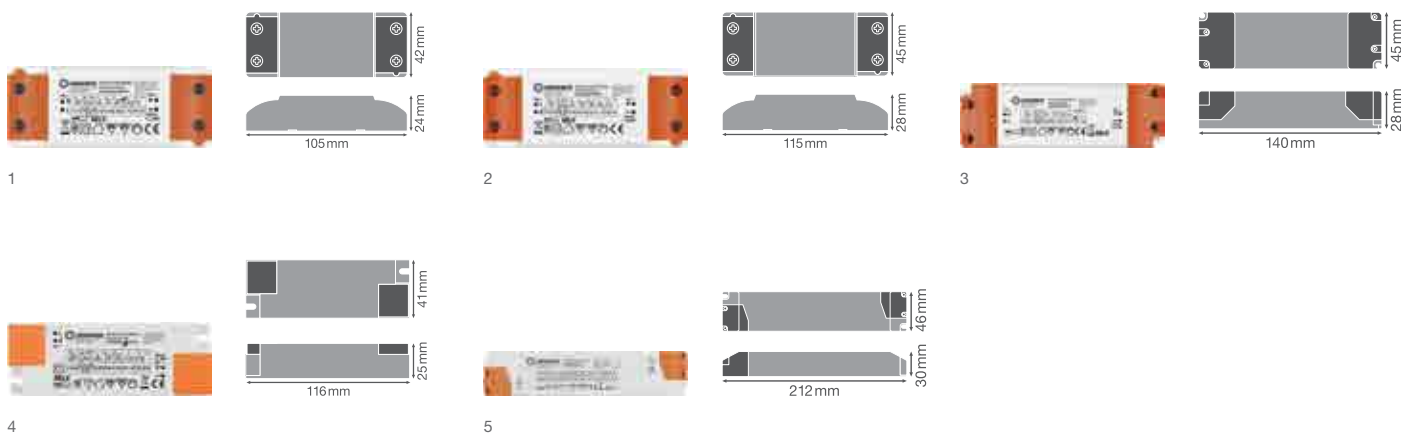
Product name	DR AY DS-PFM-CLAMP DUO
Description	Cable clamps for DIP-Switch LED Drivers
Static Code	DRDSPFMCLAMP
GTIN (EAN)	4058075313200
L × B × H [mm]	35.7 x 35.2 x 28.2
UVP [EUR] <sup>3</sup>	-

<sup>1</sup> Refer to [www.ledvance.co.uk/guarantee](http://www.ledvance.co.uk/guarantee) for precise conditions | <sup>2</sup> At maximum T<sub>c</sub> = 75°C / 10% failure rate | <sup>3</sup> Recommended retail price excl. VAT

# LED DRIVER VALUE



Constant current LED driver with dedicated current



## PRODUCT BENEFITS

- Suitable for operation with many discrete LED and COB LED
- Excellent price/performance ratio
- 3 years guarantee
- Quick and simple installation
- High efficiency and reliability

## AREAS OF APPLICATION

- Suitable for LED luminaires and LED modules
- Applicable for luminaires of protection classes I and II
- For indoor SELV installations
- Offices, shopping centres, hospitals, restaurants, hotels

Product name	Static Code	GTIN (EAN)	W	V	V <sub>OUT</sub>	Hz	I [mA]	IP
DR-VAL-20/220-240/500	DRCCVAL20	4058075240216	20	220...240	28.5...48	50/60	500	< 5
DR-VAL-30/220-240/700	DRCCVAL30	4058075240230	30	220...240	26...43	50/60	700	< 5
DR-VAL-45/220-240/1A0	DRCCVAL45	4058075240254	45	220...240	30...40	50/60	1050	< 5
DR-VAL-60/220-240/1A4	DRCCVAL60	4058075240278	60	220...240	26...43	50/60	1400	< 5

Product name	t <sub>th</sub> <sup>2</sup>	T <sub>a</sub>	T <sub>c</sub>	PROTECTION CLASS	L x B x H [mm]	No.
DR-VAL-20/220-240/500	35000 <sup>b)</sup>	-10...+50	85	II	115x45x28	1
DR-VAL-30/220-240/700	35000 <sup>b)</sup>	-10...+50	85	II	140x45x28	2
DR-VAL-45/220-240/1A0	35000 <sup>b)</sup>	-10...+45	90	II	116x41x25	3
DR-VAL-60/220-240/1A4	35000 <sup>b)</sup>	-10...+45	85	II	212x46x30	4

<sup>1</sup> Refer to [www.ledvance.co.uk/guarantee](http://www.ledvance.co.uk/guarantee) for precise conditions | <sup>2</sup> a) At maximum T<sub>c</sub> = 85°C / 10% failure rate, b) At maximum T<sub>c</sub> = 90°C / 10% failure rate

# LEDVANCE VIVARES LIGHT MANAGEMENT SYSTEMS

## INTELLIGENT LIGHTING CONTROL – SO SIMPLE AND FLEXIBLE

**Strong performance requires good management. What's true for business is also true for lighting. Here's a great example: LEDVANCE VIVARES. Because with our new light management system, intelligently connected lighting control is easier, more convenient and more flexible than ever.**

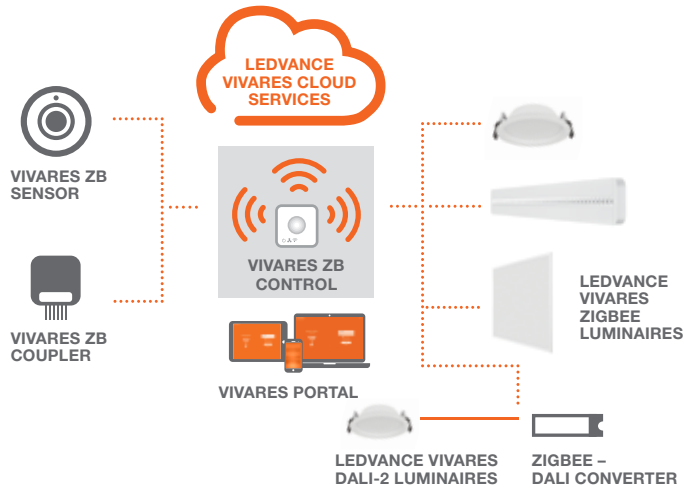
With VIVARES you can fully leverage the benefits and possibilities of modern LED lighting. For example, the lighting adapts to the most diverse requirements in the simplest possible way. This means that by integrating daylight and motion sensors, energy consumption can be reduced by up to 80%. And cloud-based monitoring ensures even greater reliability and security, among other things. Major benefits for lighting professionals include simple, convenient and user-friendly installation, operation and maintenance of VIVARES.

### DEPENDING ON YOUR REQUIREMENTS: VIVARES ZIGBEE OR VIVARES DALI

Depending on the situation and customer requirements, you can choose between the wireless LEDVANCE VIVARES ZIGBEE and VIVARES DALI, the wired DALI-2 system. The former is recommended, for example, if you want to install VIVARES in an existing building without any changes to the fabric of the building. In the case of new buildings or as part of renovation work, on the other hand, the wired version is a sensible option. Both systems can be connected to the services of the VIVARES CLOUD.



## VIVARES ZIGBEE: MODERN, FLEXIBLE & WIRELESS SYSTEM



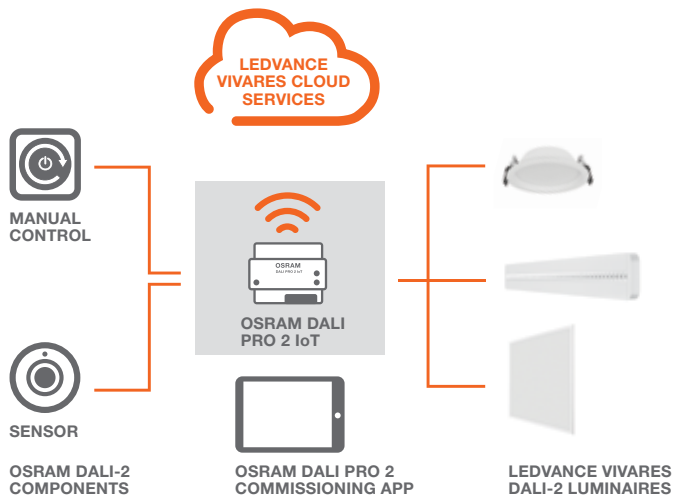
### HOW LEDVANCE VIVARES ZIGBEE SYSTEM WORKS

The key component of the LEDVANCE VIVARES ZIGBEE system is VIVARES ZB Control. The controller featuring gateway functionality enables the use of IoT services, among other things. The VIVARES portal is used to configure, commission and maintain the system and its components. VIVARES ZB Control communicates wirelessly with up to 200 ZigBee-ready devices via ZigBee 3.0. These include VIVARES components such as sensors, pushbutton couplers, ZigBee-DALI converters and VIVARES ZigBee luminaires. As an option, it can be connected to a cloud application. This enables a variety of location-independent monitoring and maintenance functions. A modern security concept ensures that the data is encrypted and therefore transmitted securely.

Available from Spring 2021



## VIVARES DALI: THE WIRED INDUSTRY STANDARD, REDEFINED



### HOW LEDVANCE VIVARES DALI WORKS

At the heart of the LEDVANCE VIVARES DALI system is the OSRAM DALI PRO 2 IoT gateway. Commissioning is self-explanatory – browser-based and location-independent using the OSRAM DALI PRO 2 commissioning app for PCs, tablets and smartphones. Special software is not needed. The system connects numerous OSRAM DALI-2 components – for example sensors, manual controls and the LEDVANCE VIVARES DALI-2 luminaires. Just like the VIVARES ZIGBEE system, the VIVARES DALI system is also IoT-ready. This means that thanks to the DALI-2 LED drivers, various tracking and monitoring functions can be fully utilized. The result is even better energy efficiency, optimised maintenance cycles and greater planning reliability. By the way, VIVARES DALI system is fully DALI-2-certified.

Products of OSRAM GmbH,  
distributed by LEDVANCE



Further information will soon be available in our LEDVANCE VIVARES light management systems brochure.

All luminaires compatible with our VIVARES DALI system can be found in this brochure marked with the VIVARES logo:

- DOWNLIGHT UGR19 pg. 16
- PANEL INDIVILED pg. 68
- PANEL PERFORMANCE GEN 3 pg. 72
- PANEL DIRECT/INDIRECT pg. 84
- LINEAR INDIVILED DIRECT pg. 90

# TAILOR-MADE CALCULATIONS – WITH OUR FAST LIGHT CALCULATION TOOL OR

We have put together our tools and services for achieving accurate calculations for your projects. Do you want quick information from the Fast Light Calculation Tool or detailed professional planning with DIALux and RELUX? We'll give you individual advice and, together with you, we'll plan the optimum lighting for your complete project.

## QUICK & EASY

## FAST LIGHT CALCULATION TOOL

With the handy calculation tool on our website, we offer installers and lighting professionals a quick and easy way to plan lighting projects successfully. The results are compiled in a PDF document which you can attach to your email tenders, for example. For more information go to [ledvance.co.uk/flct](http://ledvance.co.uk/flct)



## THE INFORMATION PROVIDED BY THE TOOL INCLUDES THE FOLLOWING:

- Number of luminaires needed
- Floor plan showing the distribution of the luminaires
- Illuminance, total power (W) and specific load (W/m<sup>2</sup>)
- Light distribution curve for every luminaire

The Fast Light Calculation Tool is no substitute for comprehensive professional planning with DIALux or any other professional light planning software.

## MORE BENEFITS FOR YOU:

- Intuitive operation of the tool
- Preselection of application areas with minimum lux values
- Info boxes explaining the values to be entered
- Generation of a final PDF with the results, including a floor plan showing the distribution of the luminaires

# DIALUX/RELUX

## PROFESSIONAL

## DIALUX AND RELUX

Good news for DIALux and RELUX users: Since the start of 2018 LEDVANCE has been working with the software producers. DIALux and RELUX users can now easily integrate LEDVANCE products in their lighting plans. Our luminaire data is also BIM-compatible. We also support users with customised advice on planning their lighting systems and offer tailored solutions for an extremely wide variety of lighting requirements – all entirely from a single source.

### SAMPLE DIALUX CALCULATION WITH TRUSYS PFM 50 W/4000 K

#### ROOM DEFINITION

Industrial storage

#### ROOM DIMENSIONS

- Floor area: 1,500 m<sup>2</sup>
- Ceiling height: 8 m
- Installation height: 7 m

#### REFLECTANCE

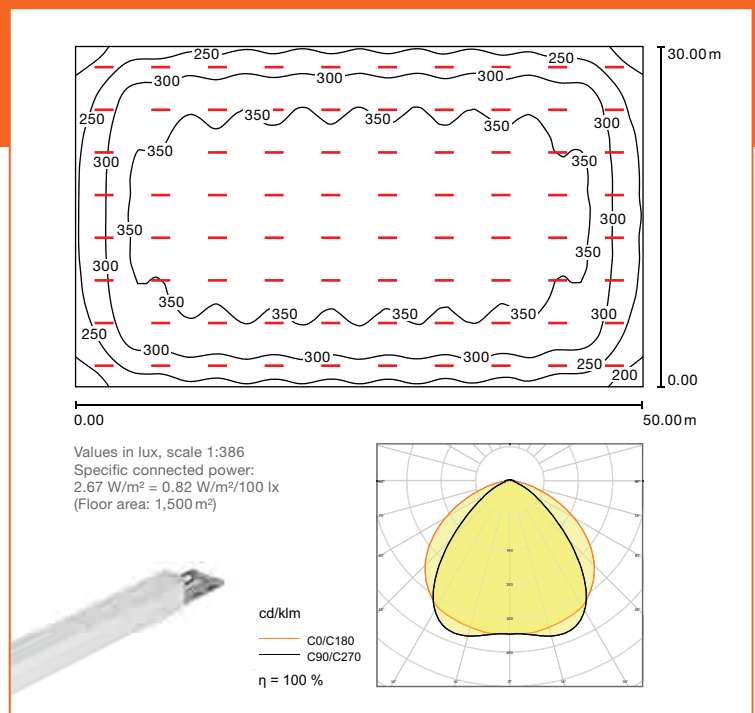
- Ceiling: 70 %
- Walls (4): 50 %
- Flooring: 20 %

#### BASIS FOR CALCULATION

- Relevant standard DIN EN12464-1
- Required illuminance  $E_m$ : 300 lx
- Required uniformity  $E_{min}/E_m$ : 0.40
- Maintenance factor: 0.80
- Boundary zone: 0.00 m

### RESULTS: ILLUMINANCE IN THE STORAGE ROOMS

Area	Average (target)	Min	Max	Uniformity $E_{min}/E_m$ (target)
work level, storage space	325 lx (300 lx)	168 lx	385 lx	0.516 (0.4)



## YOUR BENEFITS AT A GLANCE

Tailored calculation for accurate planning of your project:

- Uniformly good light distribution
- Precise wattage per sqm
- Maximum efficient calculation of required number of luminaires

See for yourself.

# CASE STUDY: TYROL CLINICS MODERN LED SOLUTIONS

## PROJECT:

Upgrade to LED lighting at Innsbruck hospital  
**VERTICAL:** Facility management – Health care  
**APPLICATION:** Lighting for hospitals and clinics  
**TECHNOLOGY:** LED technology

## LEDVANCE PRODUCTS:



LED Panel 625



LED Panel 1200



LED Damp Proof



LED Downlight





# FROM A SINGLE SOURCE

The Tyrol clinics in the Innsbruck, Hall and Hochzirl-Natters hospitals are committed to sustainability – especially in terms of energy management. The lighting at Innsbruck hospital has consequently been upgraded step-by-step to LED technology since 2016. Among other things, about **6,000 modern LED luminaires from LEDVANCE** have been installed in that time, for example in the corridors of the central supply building, in the underground garage, in the lift areas and in the canteen. Patients, visitors and employees benefit not only from better quality of light. The LED luminaires also achieve **energy savings of up to 50 %**. Other advantages for the Tyrol clinics include simple installation, longer **service life for the luminaires of up to 50,000 hours** and hence reduced expenditure for installation and maintenance.

## THE MOST IMPORTANT FACTS AT A GLANCE:

- Around 6,000 new LED luminaires for Innsbruck hospital
- Energy savings for the lighting: up to 50 %
- Cost savings: up to 50 % including light source replacement costs
- Improved quality of light in various areas
- Simple installation, low maintenance

# LEDVANCE: ADVANCING LIGHT

## BAD LIGHT AWAKENS THE BEAST IN YOU? BETTER SWITCH TO LEDVANCE LUMINAIRES.

As a trusted partner for general lighting, all our actions are directed at the fight against bad light. At LEDVANCE we combine traditional and modern, future-oriented lighting technologies. We build on long-term customer relationships and a strong sales network. We are experts in general lighting throughout the world, in technology trends and in the rapidly changing requirements for good light.

As a strong local partner, we are represented in over 140 countries. Our team of specialists focuses on the specific demands of our customers – whether they need luminaires, lamps or electronic components. The extensive LEDVANCE portfolio covers virtually every professional and residential application – from basic to sophisticated lighting.

The LEDVANCE luminaire portfolio is geared toward the wishes of our customers. Every product development is based on our core philosophy of wanting to promote well-being with user-friendly and intelligent lighting solutions. Our LED product range combines a comprehensive selection with technical innovation and reliable performance.

And we always have your requirements as a lighting professional in mind. So we do everything to ensure that our luminaires are particularly easy to plan, install and combine.

Based on these principles, we will continue to develop sophisticated products and provide you with optimum support in your personal fight against bad light.



# GOOD LIGHT ALL ROUND

## THE FULL LEDVANCE RANGE

LEDVANCE is leading the fight against bad light in every area. That's good news for you because when it comes to luminaires and lamps, but also for electronic components and Smart for Residential products you have a competent partner in LEDVANCE on your side for your complex lighting projects. You can always rely on LEDVANCE for excellent brand quality, professional service and a good price/performance ratio.



### AESTHETICALLY FUNCTIONAL LUMINAIRES

The extensive luminaire portfolio from LEDVANCE covers virtually all professional and residential applications and delivers outstanding quality and functionality. What's more, its innovative SCALE design provides instant recognition, trust and flexibility – and was even a winner of the 2019 German Design Award.

### EACH LAMP A LIGHTING SOLUTION

LEDVANCE's lamp portfolio includes a wide choice of outstanding efficiency and durability: different shapes, base sizes, light colours and wattages as well as types with additional functions (e.g. sensors). Alongside a broad range of innovative LED lamps, LEDVANCE will continue to offer conventional halogen, energy saver, fluorescent and gas discharge lamps. A win-win situation for you and every one of your customers.

### FLEXIBLE LED STRIP SYSTEM

In addition to a large selection of flexible LED Strips and drivers, the LEDVANCE LED Strip System includes a

large number of matching profiles, covers, end caps and mounting brackets. In combination with a large range of luminous fluxes and light colours, the system allows bespoke lighting solutions to be created for virtually any indoor or outdoor ambient, cove or general lighting application. Easy to plan, easy to combine and easy to install – that's the principle here.

### SMART FOR RESIDENTIAL

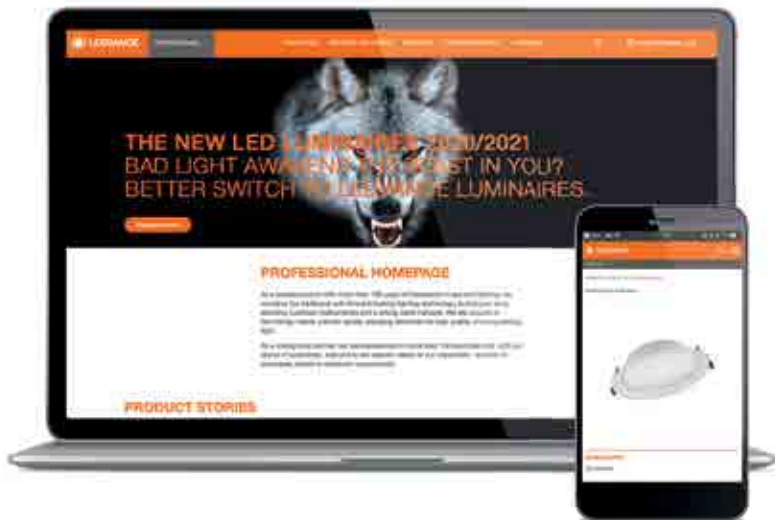
The new Smart for Residential portfolio from LEDVANCE offers the comprehensive combination of innovation, quality, reliability and userfriendliness. LEDVANCE provides a suitable solution for a wide range of different needs for smart lighting.

### MORE INFORMATION AND CLEVER TOOLS

Go to [www.ledvance.co.uk](http://www.ledvance.co.uk) for more information on LEDVANCE's extensive product portfolio, clever apps and tools that will help you in your day-to-day work.

# WHENEVER AND WHEREVER: THE ONLINE PORTAL WITH ALL THE INFORMATION, ADVICE AND EXPERTISE

Are you looking for information about our products and services? LEDVANCE always keeps you up to date: at wholesalers, through our sales employees or via our Customer Service Centre (email: [csc.uk@ledvance.co.uk](mailto:csc.uk@ledvance.co.uk)). Here you'll find an overview of our competencies, databases and tools.



- ▶ **PERFECTLY FILTERED**  
Use the online filters to find precisely what you're looking for in our luminaire portfolio – type of mounting, IP rating, light colour, etc.: [ledvance.co.uk/luminaires](http://ledvance.co.uk/luminaires)
- ▶ **REFERENCES PROVIDE INSPIRATION**  
A selection of some top lighting projects can be found at: [ledvance.co.uk/projects](http://ledvance.co.uk/projects)
- ▶ **LEDVANCE SERVICE-PLUS**  
Our specialised sales department supports and advises our commercial end customers – including face-to-face. Find out all you need to know at [ledvance.co.uk/vam](http://ledvance.co.uk/vam)
- ▶ **DOWNLOAD CENTRE**  
Catalogues, compatibility overviews, brochures, and much more are available for you in our download centre: [ledvance.co.uk/download](http://ledvance.co.uk/download)
- ▶ **OUR TOOLS FOR YOU**  
From the LED strip system configurator to the TCO calculator, you will find all the practical tools you need at [ledvance.co.uk/tools](http://ledvance.co.uk/tools)
- ▶ **SERVICE AT A GLANCE**  
You will find a summary of all of our service offerings at [ledvance.co.uk/services](http://ledvance.co.uk/services)
- ▶ **FIND OUR LATEST NEWS ON:**



## NEW: THE ONLINE TRAINING PLATFORM

A host of application-oriented eLearnings for professional users, practical advice on installation, integrated standards checks, planning tips, and much more.

Register and find out more at [training.ledvance.co.uk](http://training.ledvance.co.uk)



## FAST LIGHT CALCULATOR

Quick and easy calculation of your luminaire project with our Fast Light Calculation Tool\* [ledvance.co.uk/flct](http://ledvance.co.uk/flct)  
For details see page 188.

\*The Fast Light Calculation Tool is no substitute for comprehensive professional planning with DIALux or any other professional light planning software.

# SHEDDING LIGHT, SYMBOLS AND ABBREVIATIONS

	Type of protection		t [h]: L70/B50 @ 25 °C (T <sub>a</sub> )
	Type of protection, back / front		t [h]: L80/B10 @ 25 °C (T <sub>a</sub> )
	IK impact rating		Beam angle in °
	Colour rendering index		Weight
	MacAdam colour consistency		Unit of Packaging
	Dimmable or DALI		Recommended retail price
	Luminous flux in lm		Luminaire with cable and plug
	Power in W		Fig. no.
	Colour temperature in K		Scale design
	Luminous efficacy		Protection class I
	Guarantee		Protection class II
	Sensor versions		ENEC certification
	Ceiling opening		TÜV Süd certification
	Replacement for traditional lamp technology		TÜV Rheinland certification

## LIST OF ABBREVIATIONS

<b>ASYM</b>	Asymmetric
<b>AT</b>	Auto Test
<b>BK</b>	Black
<b>CCT</b>	Correlated Colour Temperature
<b>CLO</b>	Constant Lumen Output
<b>D</b>	Direct
<b>DA</b>	Double Asymmetric
<b>D/I</b>	Direct / Indirect
<b>DEG</b>	Degree (beam angle)
<b>DK</b>	Dark Light (cut-off)
<b>DL</b>	Downlight
<b>DN</b>	Diameter Nominal
<b>DP</b>	Damp Proof
<b>DS</b>	Double Symmetric
<b>EM</b>	Emergency
<b>ER</b>	Energy Rail
<b>FL</b>	Flood (beam angle)
<b>Flood</b>	Floodlight
<b>FP</b>	Fire-Proof (fire rated up to ...)
<b>GY</b>	Grey
<b>HB</b>	High Bay
<b>HO</b>	High Output
<b>IND</b>	Indirect
<b>INDV</b>	IndiviLED
<b>LN</b>	Linear
<b>MT</b>	Manual Test
<b>MP</b>	Microprismatic (= UGR < 19)
<b>N</b>	Narrow (beam angle)
<b>NFL</b>	Narrow Flood (beam angle)
<b>O</b>	Outdoor
<b>OP</b>	Opal
<b>PFM</b>	Performance
<b>RD</b>	Round
<b>S</b>	Sensor
<b>SF</b>	Surface
<b>SI</b>	Silver
<b>SP</b>	Spot
<b>SQ</b>	Square
<b>Surface-C</b>	Surface Circular
<b>SYM</b>	Symmetric
<b>TH</b>	Through-wiring
<b>Track</b>	Tracklight
<b>UGR</b>	Unified Glare Rating
<b>UO</b>	Ultra Output
<b>VAL</b>	Value
<b>VN</b>	Very Narrow Beam Angle
<b>VW</b>	Very Wide Beam Angle
<b>W</b>	Wide (90° beam)
<b>WT</b>	White
<b>WW</b>	Wallwasher = asymmetric

## ABOUT LEDVANCE

With offices in more than 50 countries and business activities in more than 140 countries, LEDVANCE is one of the world's leading general lighting providers for professional users and end consumers. Having emerged from the general lighting business of OSRAM GmbH, LEDVANCE offers a wide-ranging assortment of LED luminaires for a broad spectrum of application areas, intelligent lighting products for Smart Homes and Buildings, one of the largest LED lamps portfolios in the industry as well as traditional light sources.



# LEDVANCE

LEDVANCE Ltd  
Aquila House  
Delta Crescent, Westbrook  
Warrington, WA5 7NR

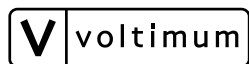
LEDVANCE Ireland  
70 Sir John Rogerson's Quay  
Dublin 2  
Ireland

Telephone: +44 (0) 1925 46 50 00  
Email: [csc.uk@ledvance.co.uk](mailto:csc.uk@ledvance.co.uk)

LEDVANCE is the expert partner for installers and lighting professionals. To match our extensive range of luminaires we also offer a large portfolio of innovative LED lamps in excellent brand quality. Further information about our range of lamps and services is available online at [www.ledvance.co.uk](http://www.ledvance.co.uk)

Use our mobile apps and online tools to calculate the possible savings for your next LED project in no time, find the right lamp or luminaire and scroll through the latest catalogues:  
[www.ledvance.co.uk/tools](http://www.ledvance.co.uk/tools)

Partners:



**LEDVANCE.CO.UK**  
**LEDVANCE.IE**