



# INSTALLATION INSTRUCTIONS

## Product

7160-0356 - 0-90 CLEVIS WITH 4" ARM  
7160-0357 - SINGLE CLAMSHELL WITH SMALL PLATE  
7160-0370 - SINGLE CLAMSHELL WITH LARGE PLATE  
7160-0366 - DUAL CLAMSHELL WITH SMALL PLATE  
7160-0367 - DUAL CLAMSHELL WITH LARGE PLATE  
7160-0371 - SECONDARY CLAM SHELL  
7160-0420 - DUAL CLAMSHELL WITH ARTICULATING ARM AND SMALL PLATE  
7160-0421 - DUAL CLAMSHELL WITH ARTICULATING ARM AND LARGE PLATE

## Revision

Rev. I

## Form

INST-541

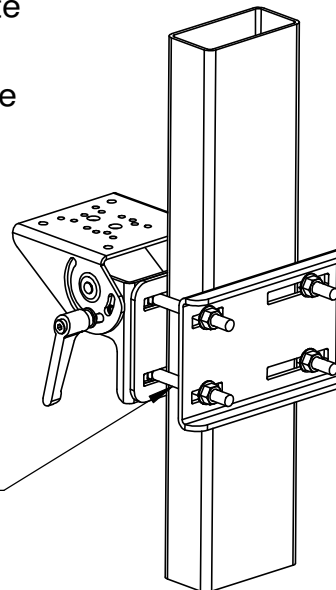
Printing Spec: PS-001

The following instruction sheet is for mounting the part numbers listed above. These mounts are designed to attach to the overhead guard legs of various fork trucks. They can attach to a rectangular overhead guard leg from 1 1/2" to 2 1/2" wide or from 2 1/2" to 5" wide depending on the mount purchased. The mounts are clamped in place with 3/8" dia. carriage bolts.

Figure 1. - Single clamshell (7160-0370 shown below for reference)

7160-0357 = Single clamshell with small back plate  
(fits on 1 1/2" to 2 1/2" wide overhead guard legs)

7160-0370 = Single clamshell with large back plate  
(fits on 2 1/2" to 5" wide overhead guard legs)



Position the 3/8 carriage bolts as close to the overhead guard leg as possible to prevent bowing of the components

### Product Mounting Disclaimer

Gamber-Johnson is not liable under any theory of contract or tort law for any loss, damage, personal injury, special, incidental or consequential damages for personal injury or other damage of any nature arising directly or indirectly as a result of the improper installation or use of its products in vehicle or any other application. In order to safely install and use Gamber-Johnson products full consideration of vehicle occupants, vehicle systems (i.e., the location of fuel lines, brakes lines, electrical, drive train or other systems), air-bags and other safety equipment is required. Gamber-Johnson specifically disclaims any responsibility for the improper use or installation of its products not consistent with the original vehicle manufactures specifications and recommendations, Gamber-Johnson product instruction sheets, or workmanship standards as endorsed through the Gamber-Johnson Certified Installer Program.

© Copyright 2020 Gamber-Johnson, LLC

If you need assistance or have questions, call Gamber-Johnson at 1-800-456-6868

Figure 2. - Dual clamshells (7160-0420 shown below for reference)

7160-0366 = Dual clamshell with small back plate (fits on 1 1/2" to 2 1/2" wide overhead guard legs)

7160-0367 = Dual clamshell with large back plate (fits on 2 1/2" to 5" wide overhead guard legs)

7160-0420 = Dual clamshell with articulating arm and small back plate (fits on 1 1/2" to 2 1/2" wide overhead guard legs)

7160-0421 = Dual clamshell with articulating arm and large back plate (fits on 2 1/2" to 5" wide overhead guard legs)

