



New Yorker Style Awning OWNER'S MANUAL & INSTALLATION INSTRUCTIONS

- ⚠ **WARNING:** Adult Assembly Required
- ⚠ **WARNING:** Assembly Kit Contains Parts with Sharp Points, Sharp Edges, and Small Parts That Can Present Choking Hazards to Children.
- ⚠ **WARNING:** Components Are Packed in Plastic Bags that are a Suffocation Hazard.

NOTE: Please inspect the parts for damage during shipping and/or for any missing items. If you suspect that there may be damage or a shortage, contact us and we will send replacement parts if needed. At this time, visualize how the components fit together and make sure that you have identified the various parts.

Models with Valance:

RN22, EN23, EN24, CN32, CN33, CN34, CN43, CN44, EN2442, EN1836, EN1030

| Awning size | Width in inches | Awning Size | Width to Inches |
|-------------|-----------------|-------------|-----------------|
| 3 | 40.5 | 12 | 148.5 |
| 4 | 52.5 | 13 | 160.5 |
| 5 | 64.5 | 14 | 172.5 |
| 6 | 76.5 | 15 | 184.5 |
| 7 | 88.5 | 16 | 196.5 |
| 8 | 100.5 | 17 | 208.5 |
| 9 | 112.5 | 18 | 220.5 |
| 10 | 124.5 | 19 | 232.5 |
| 11 | 136.5 | 20 | 244.5 |

OUR AWNINGS ARE DESIGNED 4.5" WIDER THAN STANDARD WINDOW/DOOR OPENINGS SO THEY ANCHOR TO THE STUDS AROUND THE WINDOW OR DOOR. EXAMPLE: RR22-5 IS FOR 5'-0" WIDE WINDOW. IT MEASURES 64.5" WIDE, 31" TALL, (24" PLUS 7" VALANCE AND 24" DEEP (PROJECTION))

There is a variety of building wall surfaces; we do not supply the hardware to install your awning. You will need to purchase installation hardware at your local hardware store. We have advised you on different surface applications below:

CONCRETE BLOCK WALLS: 3/8" x 3" Masonry anchor bolts or Tapcon Screws plus Washers (1 per bracket)

WOOD OR SIDING: 3/8" x 3" Lag Screws plus Washers (1 per bracket)

OTHER STRUCTURES: CONSULT A PROFESSIONAL

| Part's List | | | | | | | |
|--------------------------------|-----|---|-----|------|-------|-------|--------|
| Awning Size in Ft. | 3-4 | 5 | 3-7 | 8-10 | 11-12 | 13-18 | Custom |
| (TB) Top Bar – C Channel | 1 | 1 | 2 | 2 | 3 | 3 | |
| (FB) Front Bar | 2 | 2 | 4 | 4 | 6 | 6 | |
| (CNC) Cover Support | 2 | 3 | 3 | 5 | 4 | 7 | |
| (CNP) Projection | 2 | 2 | 2 | 2 | 2 | 2 | |
| (CNPA) Projection Assembly | 2 | 2 | 2 | 2 | 2 | 2 | |
| (CNB) Back Bar | 2 | 2 | 2 | 2 | 2 | 2 | |
| (CPS) Projection Support | 2 | 3 | 3 | 5 | 7 | 7 | |
| (CNPM) Projection Bar Assembly | 0 | 1 | 1 | 3 | 5 | 5 | |

Other parts: Z-Brackets, Self-tapping Screws

All awning sizes over 6' wide come in multiple sections. Example: Size 6' Top Bar (TB) consists of TB1 & TB2 and Front Bar (FB) consist of FB1 & FB2

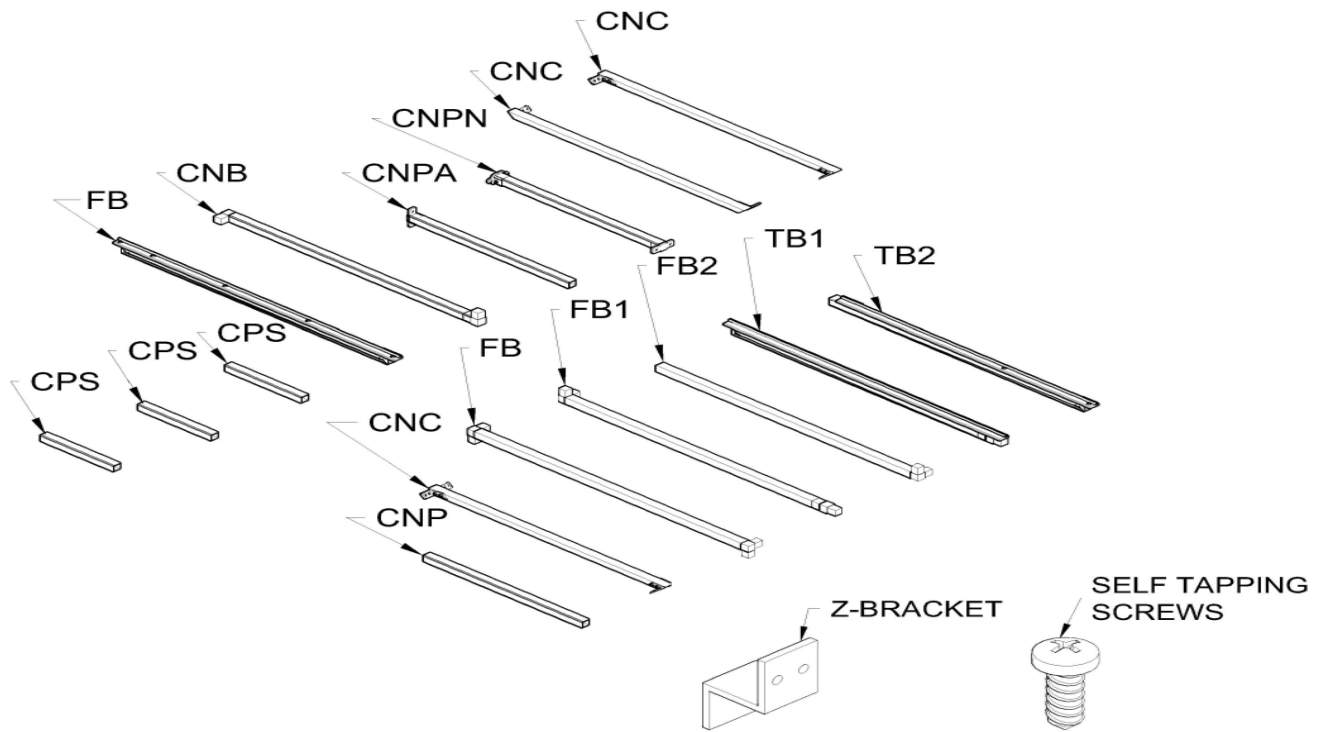
Tools Required: Electric Impact Drill, Installation Anchors (as per your wall type), Tape Measure, Safety Glasses, 4' Level, a Safe Ladder and #2 pencils.

YOU MAY ALSO NEED AN ASSISTANT FOR LARGER AWNINGS. IT DEPENDS ON THE SIZE AND WEIGHT OF THE AWNING.

NOTE: YOU WILL FIND THAT THE FITTINGS HAVE BEEN PRE-INSTALLED, AS WE HAVE PRE-ASSEMBLED AND INSPECTED IT FOR YOU IN THE FACTORY.

New Yorker should be assembled on the ground

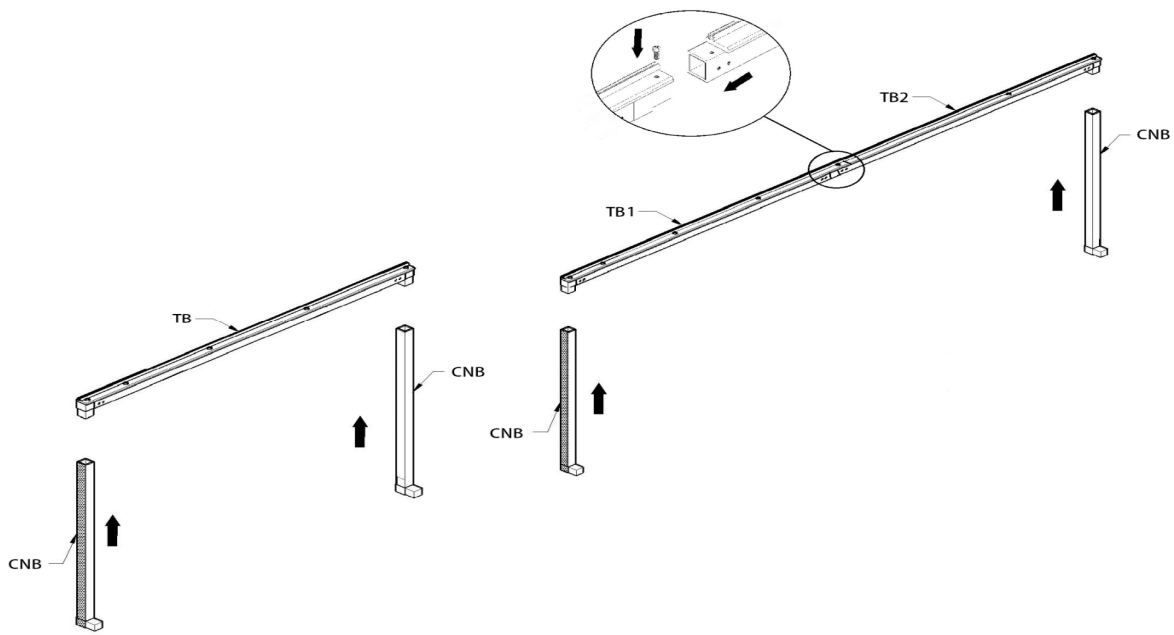
STEP 1: Separate all of the parts, so they will be easy to assemble. Please refer to Parts chart for quantities for each part.



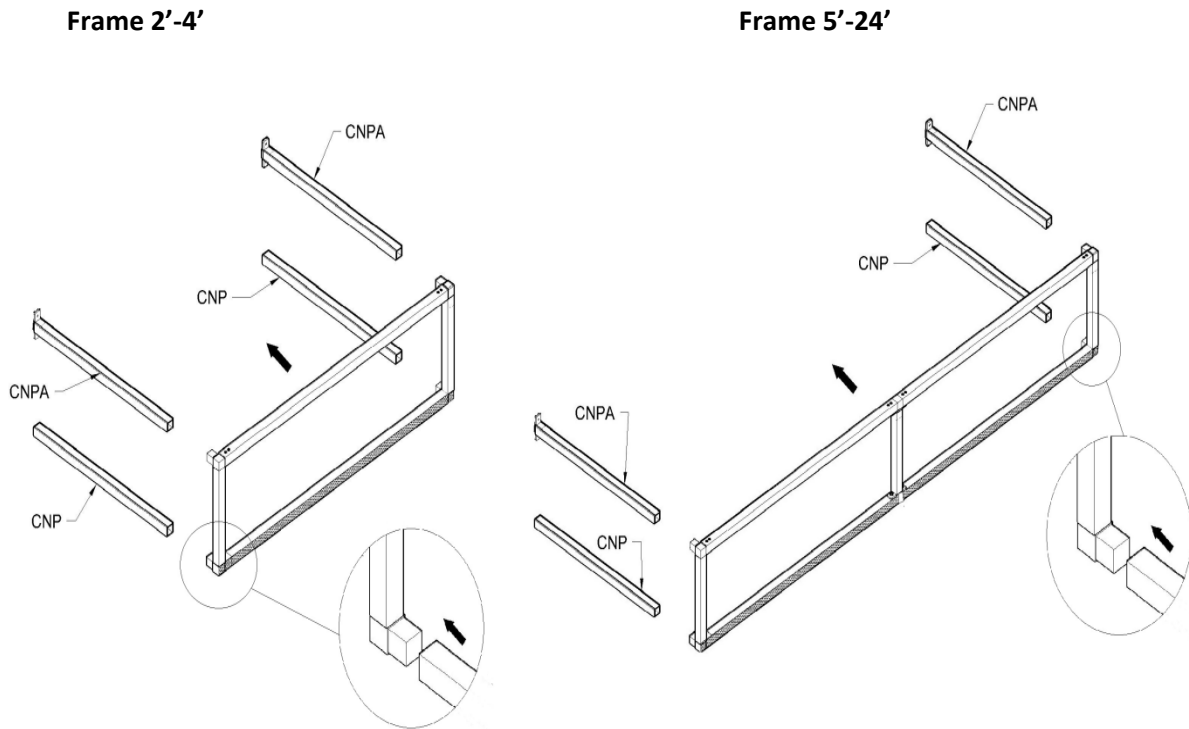
Step 2: Connect Top Bar (TB) to the (2) two back bars (CNB). Make sure the C-Channel is towards the back. The Velcro on the back bars should be facing front. Use a rubber mallet to fully seat the tubing into the fitting. Secure with self-tapping screws.

Frame 2'-4'

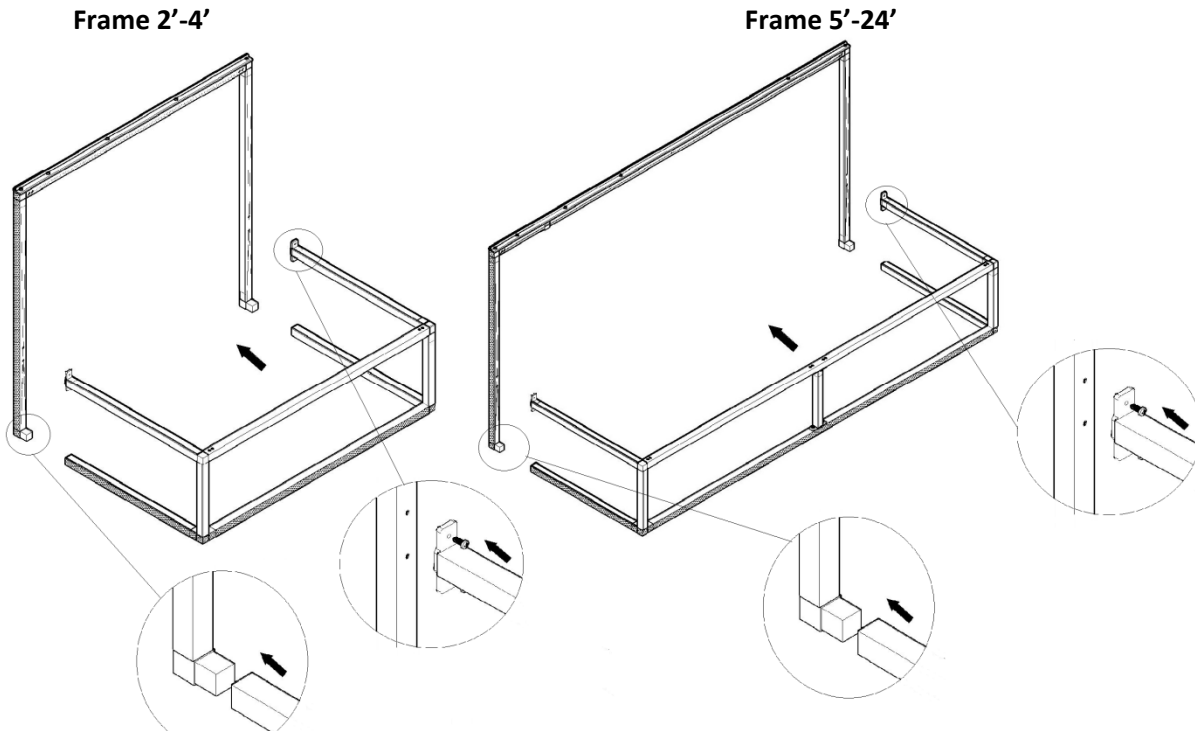
Frame 5'-24'



Step 3: Insert the Projection Bars (CNP) in to the bottom slots Velcro facing up, and insert the Projection assembly (CNPA) in to the top slots of your front bar assembly.

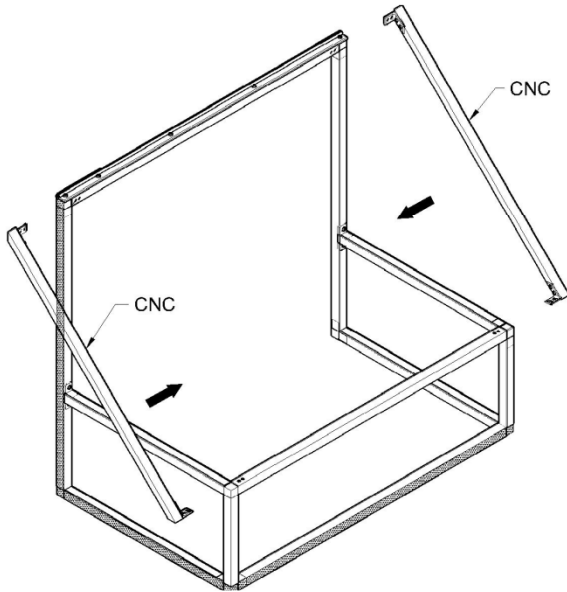


Step 4: Connect the Front Bar Assembly on to the Back Bar Assembly. Secure with Self tapping screws.

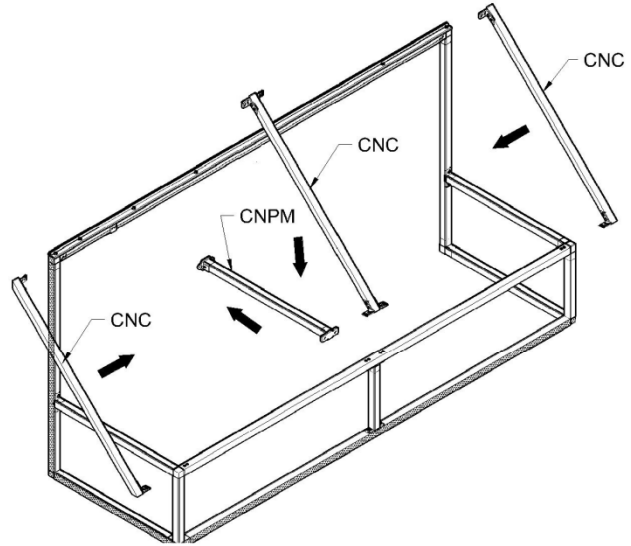


Step 5: Install the Cover Supports (CNC) with arrows pointing upward. Attach both ends to the (TB) and (FB). Larger awnings have added Cover support (CNC) and Wall Support (CNPM). Secure with self tapping screws. There will be pre-drilled holes for your cover supports but no pre-drilled holes for the wall supports. You can decide where to install your wall supports and attach them using self tapping screws to the bottom/back end of your front bar assembly.

Frame 2'-4'

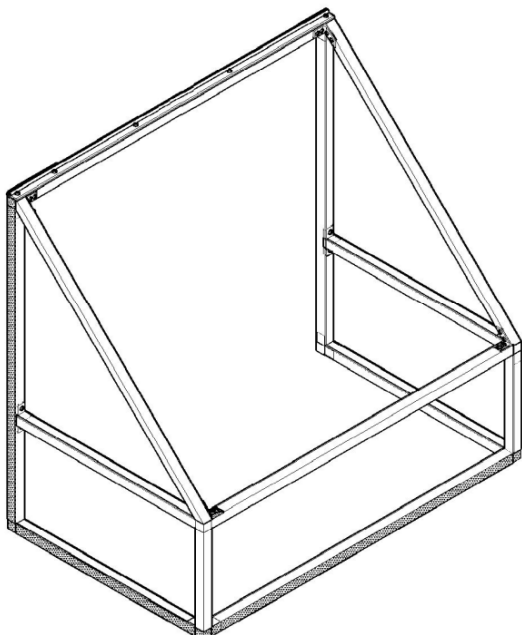


Frame 5'-24'

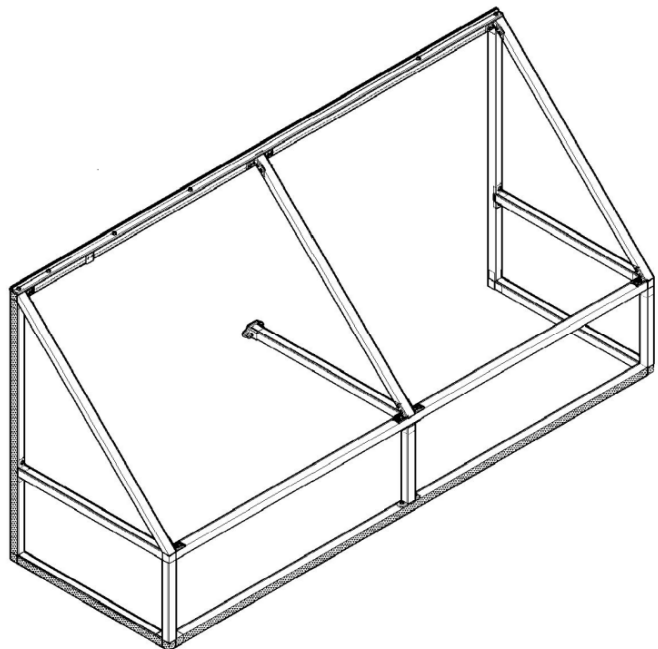


The frame for the New Yorker is complete

Frame 2'-4'

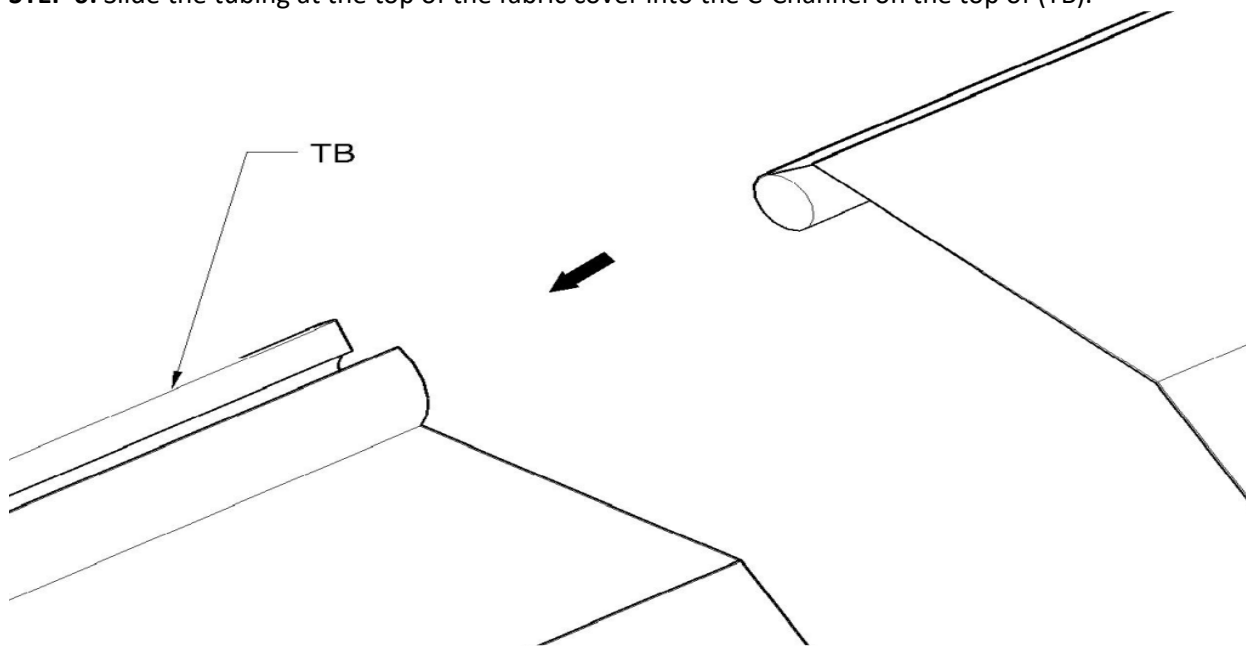


Frame 5'-24'



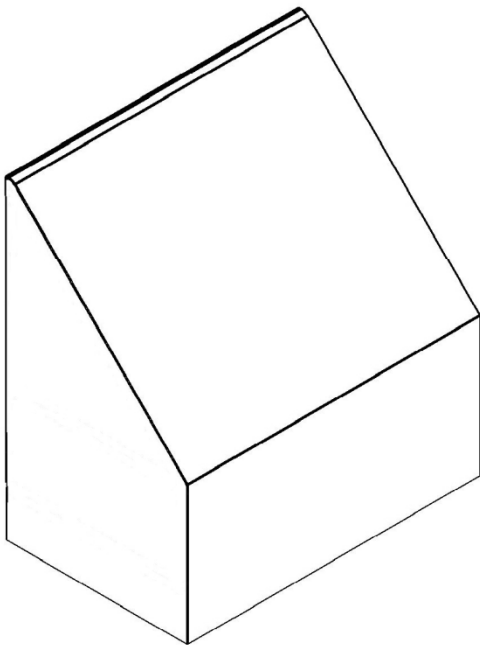
INSTALLING THE COVER

STEP 6: Slide the tubing at the top of the fabric cover into the C-Channel on the top of (TB).

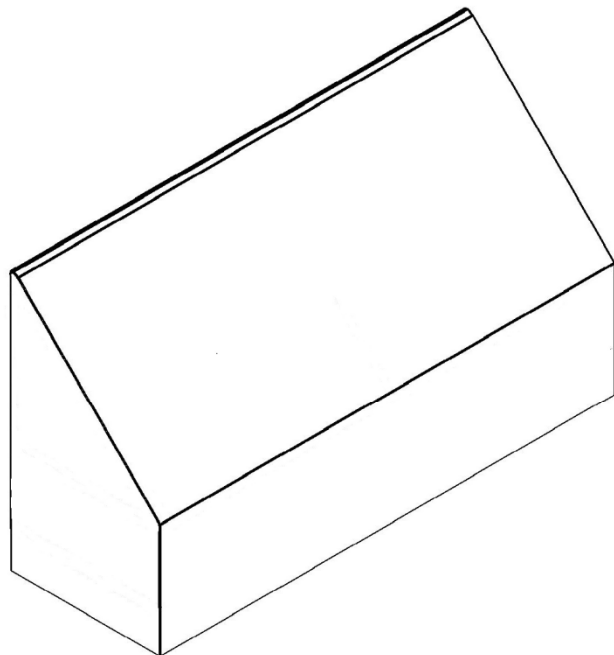


STEP 7: Pull the remainder of fabric over the frame with the valance hanging down below the (NC) and (FB) bars.

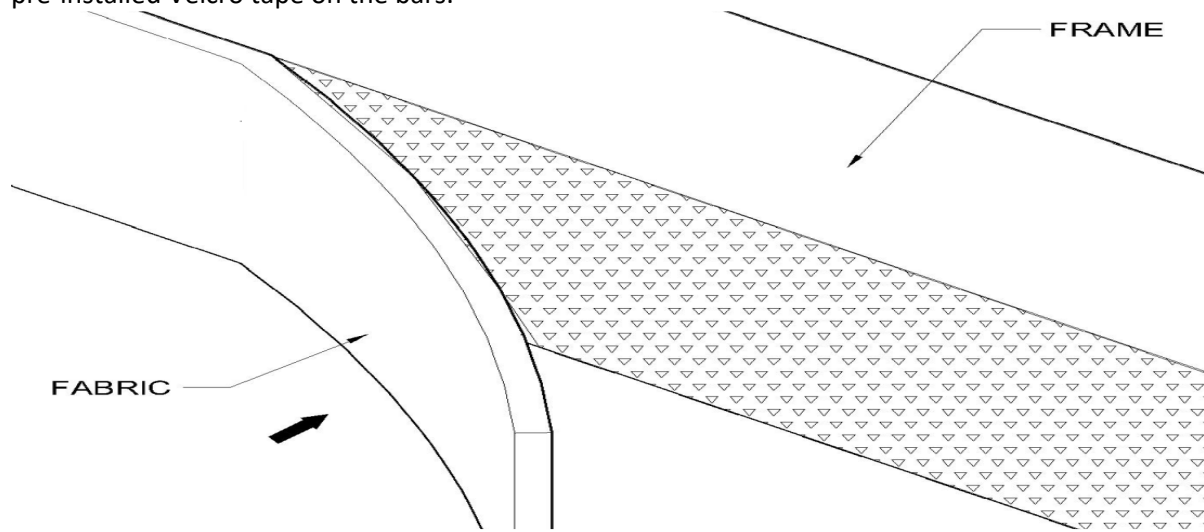
Frame 2'-4'



Frame 5'-24'



STEP 8: Once you are satisfied with the position of the cover, Pull the tabs snugly and attach them to the pre-installed Velcro tape on the bars.

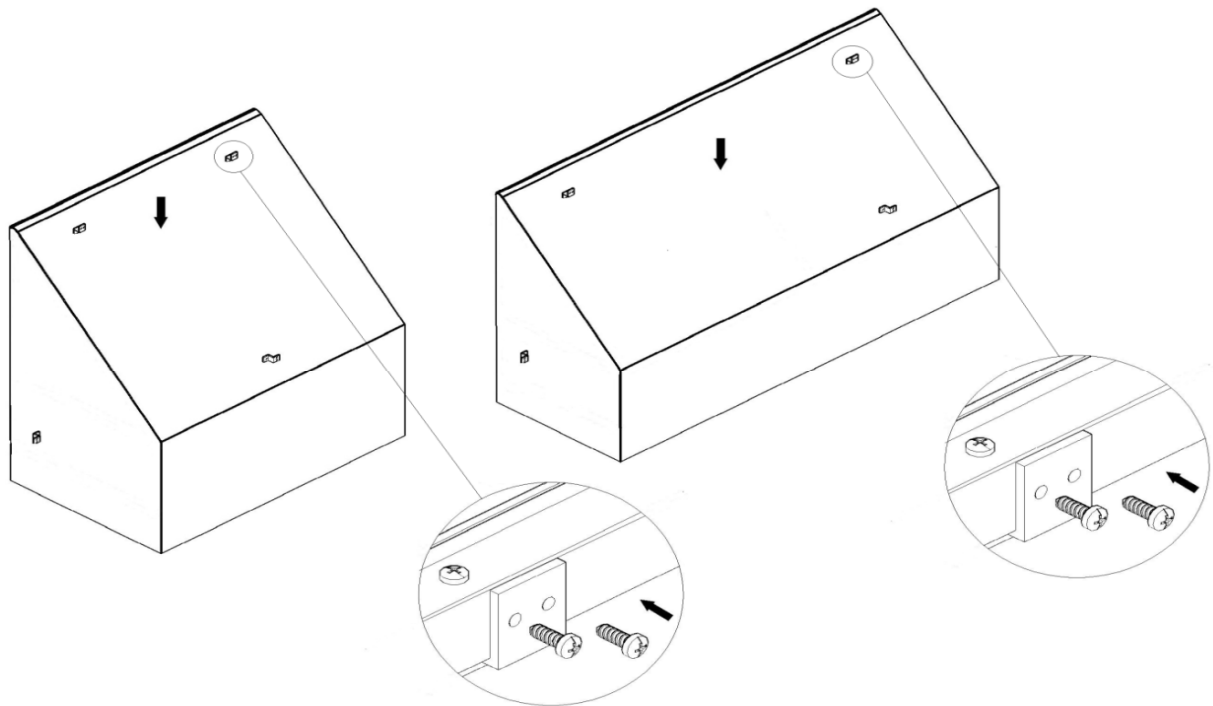


MOUNTING THE AWNING

STEP 9: Place the awning on in desired location. From the inside of the awning make a mark on the wall where the awning touches. (See the chart below for the height measurements)

***all the sizes are in inches

| Model | Space between TB and P | Height incl valance | Projection | Model | Space between TB and P | Height incl valance | Projection |
|--------|------------------------|---------------------|------------|--------|------------------------|---------------------|------------|
| RN22 | 31 | 31 | 24 | NY1618 | 22 | 22 | 18 |
| CN32 | 44 | 44 | 24 | NY1624 | 22 | 22 | 24 |
| CN33 | 44 | 44 | 36 | NY1630 | 22 | 22 | 30 |
| CN34 | 44 | 44 | 48 | NY1818 | 24 | 24 | 18 |
| CN43 | 56 | 56 | 36 | NY1824 | 24 | 24 | 24 |
| CN44 | 56 | 56 | 48 | NY1830 | 24 | 24 | 30 |
| EN2442 | 24 | 24 | 42 | NY2430 | 31 | 24 | 30 |
| EN12 | 12 | 12 | 24 | NY2436 | 31 | 31 | 36 |
| EN1836 | 18 | 18 | 36 | NY3024 | 37 | 37 | 24 |
| EN1230 | 12 | 12 | 30 | NY3030 | 37 | 37 | 30 |
| EN1030 | 16 | 16 | 30 | NY3036 | 37 | 37 | 36 |
| EN23 | 24 | 24 | 36 | NY3048 | 38 | 38 | 48 |
| EN24 | 24 | 24 | 48 | | | | |



Step 10: install the Z-Brackets, temporarily place the awning on the wall to make sure it fits prior to tightening screws. Please keep in mind there are no pre-drilled holes for the Z-Brackets on the frame. You'll use the provided self tapping screws to secure the Z-Bracket to the frame.

Step 11: Remove the awning and tighten wall brackets.

Step 12: Install weather Stripping on the awning outside parameter. Place the awning back on the brackets. Drill two holes for self-tapping screws thru the (TP) use Z-Brackets for guide. Secure with self-tapping screws.

NORMAL WEAR & TEAR:

Certain regions of the country are extremely hard on awnings of any kind. If you live in these areas, (High maintenance areas: FL, TX, NM, AZ, NV or high altitude areas) you probably already know how the sun can take a toll. Normal wear and tear is not covered in our warranty and should be expected. Damages caused by improper anchoring, strong winds, snow or ice are not considered defects. We offer replacement fabric at affordable prices.

CLEANING & CARE:

Awnings should be cleaned at least once a year in low maintenance areas or twice a year in high maintenance areas (see high maintenance areas above). Cleaning consist of brushing off debris with broom, brushing on a non-detergent cleaning compound (such as a solution of 1 part vinegar to 1 part water) allowing it to sit for 20 minutes and rinse. Remember that your awning is an exterior product; you'll need to clean your awning to preserve and extend its beauty and life. Please refer to the cleaning and care chart below if you acquire a stain from one of the ingredients on the list.

CLEANING CHART FOR TYPICAL AWNING STAINS

| STAIN | RECOMMENDED CLEANING SOLUTIONS |
|------------------------|---|
| CHARCOAL | Vacuum, then liquid detergent |
| CHEWING GUM | Acetone |
| SODA | Liquid detergent |
| CAR GREASE | Acetone |
| IRON RUST | Oxalic or citrus acids, water |
| MILDEW | 1 cup of bleach and ¼ mild soap per gallon of water |
| OIL | Acetone |
| PAINT (LATEX) WET | Liquid detergent, water |
| PAINT (LATEX) DRIED | Paint, oil or grease remover |
| PAINT (OIL OR LACQUER) | Paint, oil or grease remover |
| SUNTAN LOTION | Pine Power® or pine oil detergent |
| TREE SAP | Turpentine, liquid detergent |