

2024MY

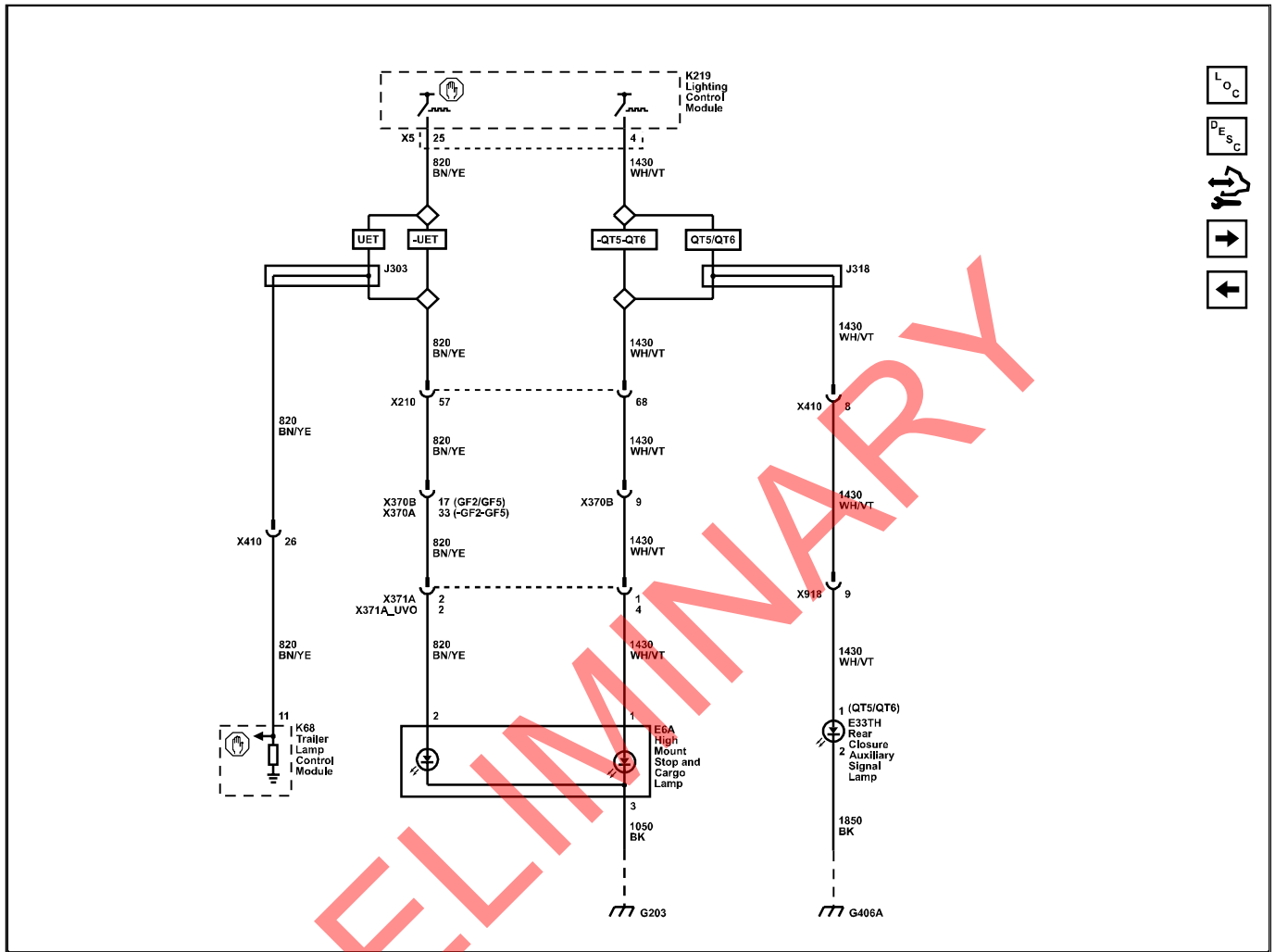
Chevrolet Silverado

2500/3500 HD

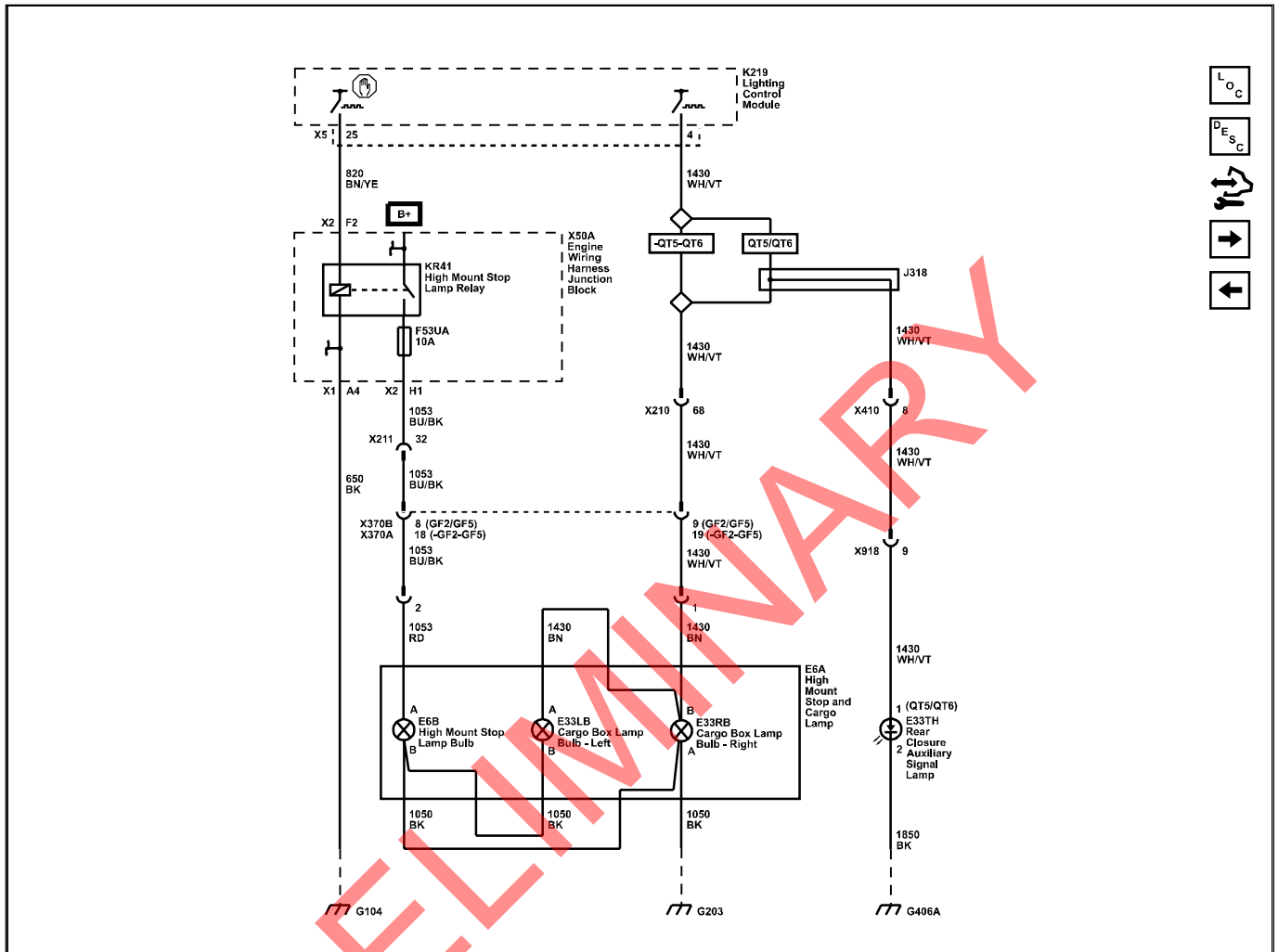
LIGHTING INFORMATION

PRELIMINARY

Center High Mount Stop and Exterior Courtesy Lights - Double Cab/Crew Cab



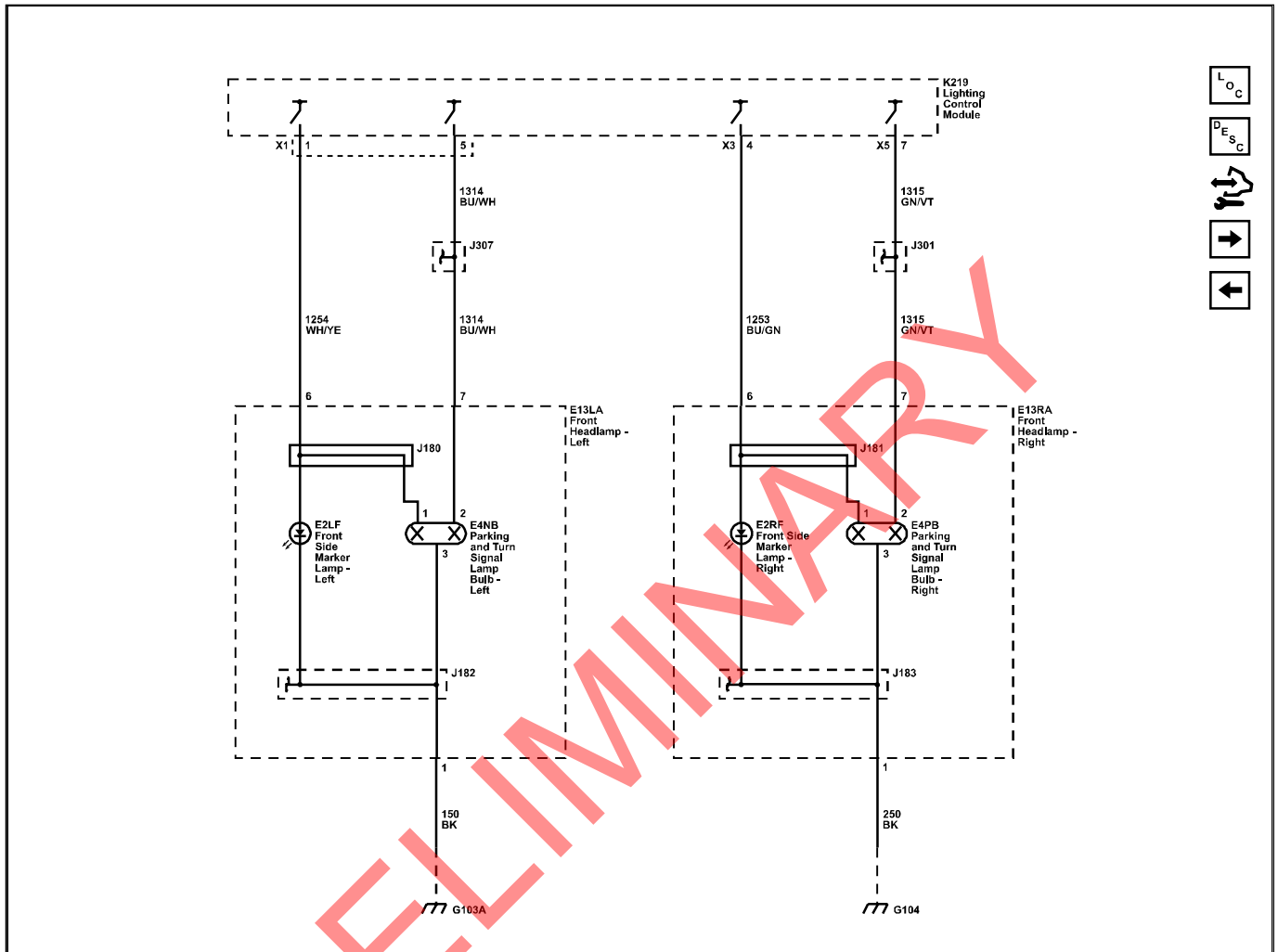
Center High Mount Stop and Exterior Courtesy Lights - Regular Cab



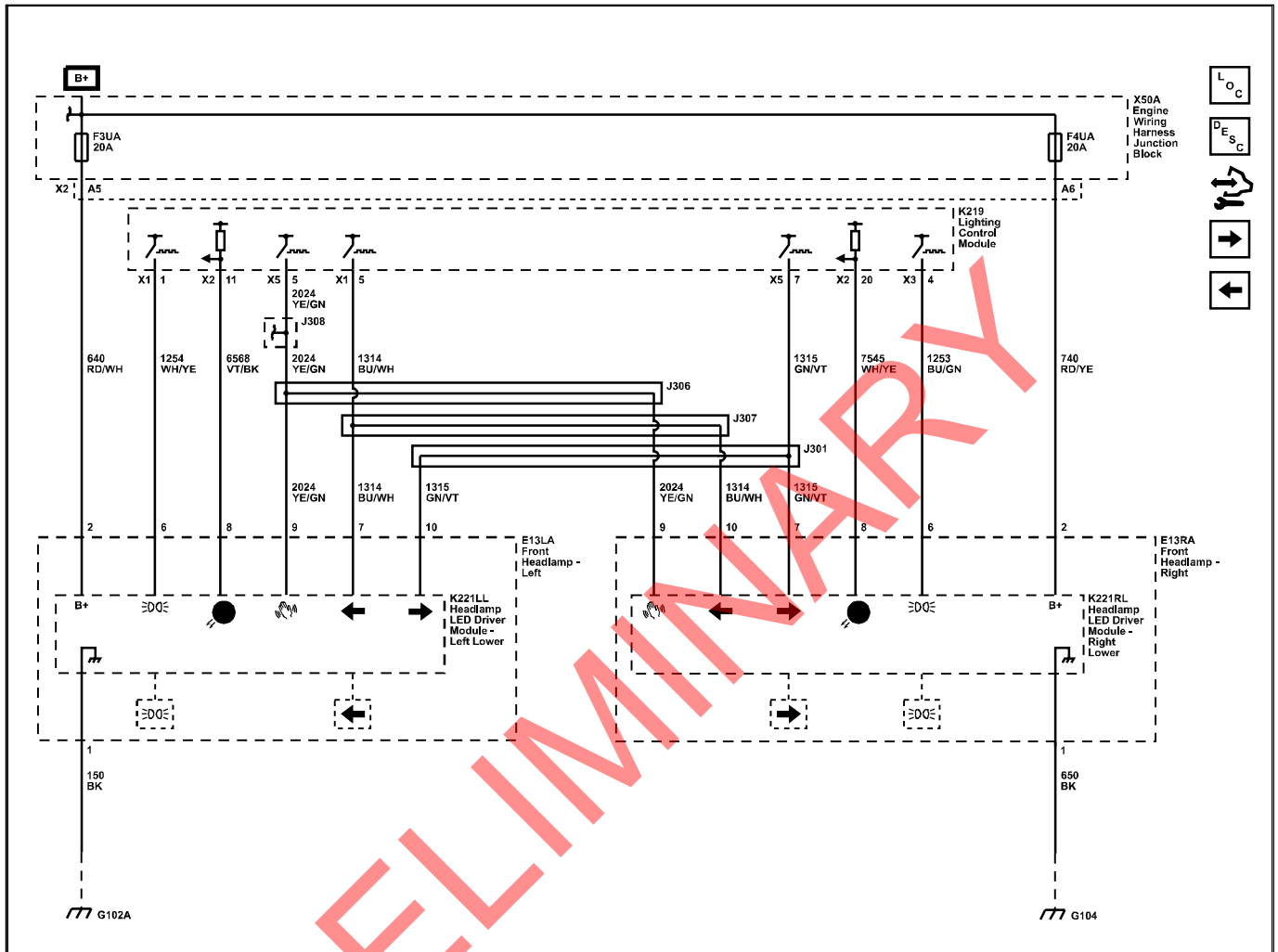
PRELIMINARY



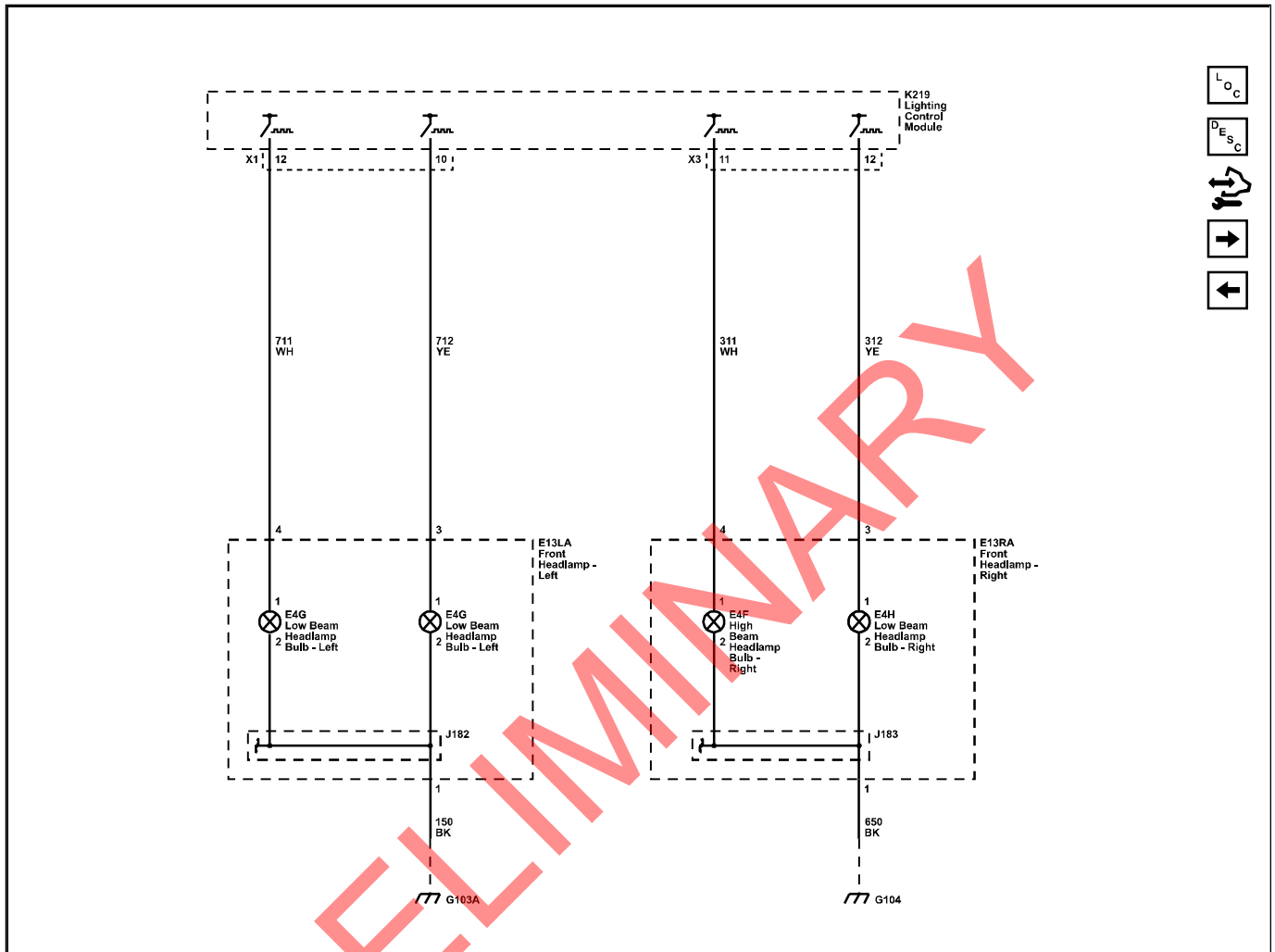
Front Turn Signals, Park Lamps, and Side Marker Lamps (T4A)



Front Turn Signals, Park Lamps, and Side Marker Lamps (T4L)



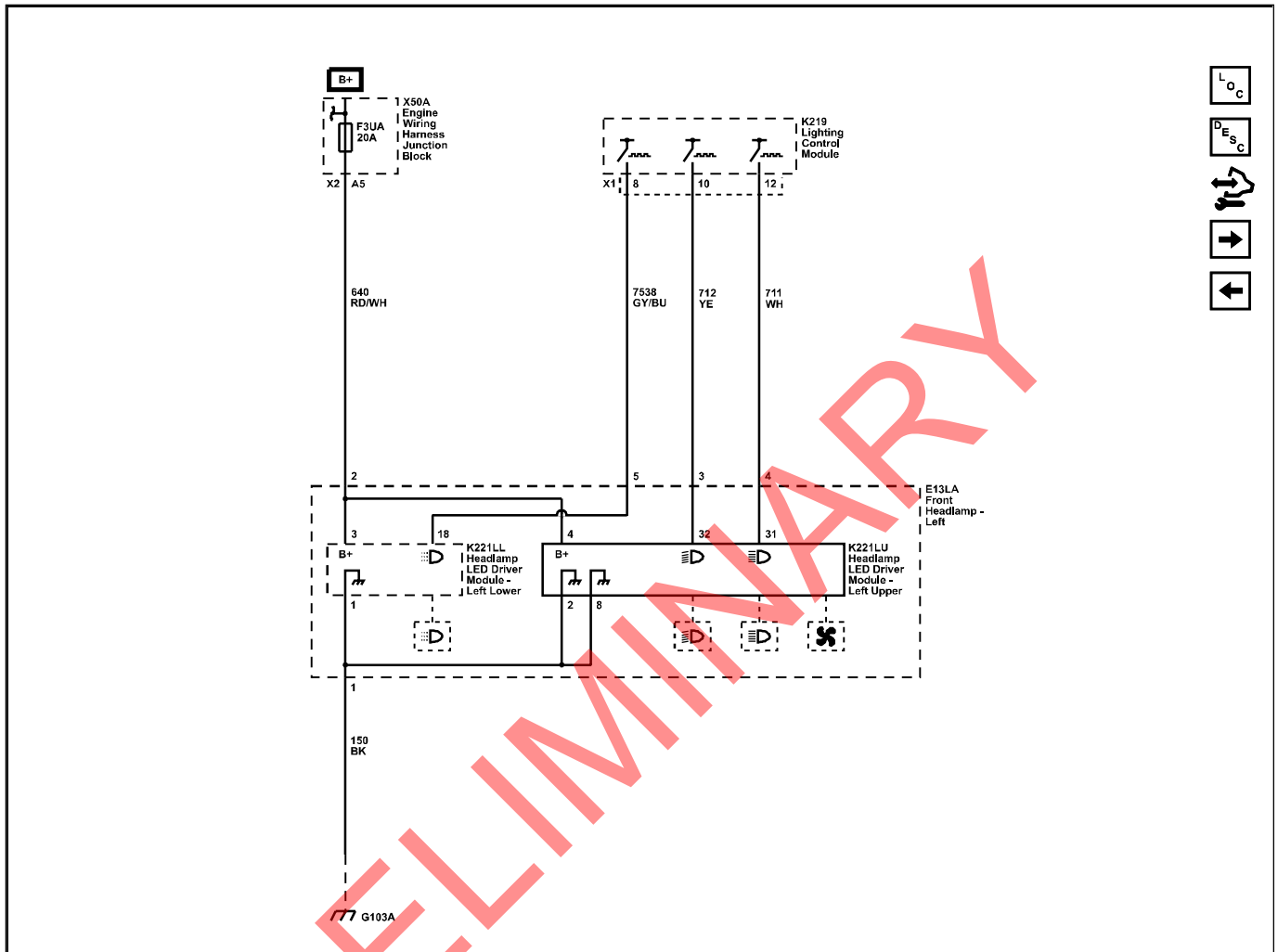
Headlamps (T4A)



PRELIMINARY



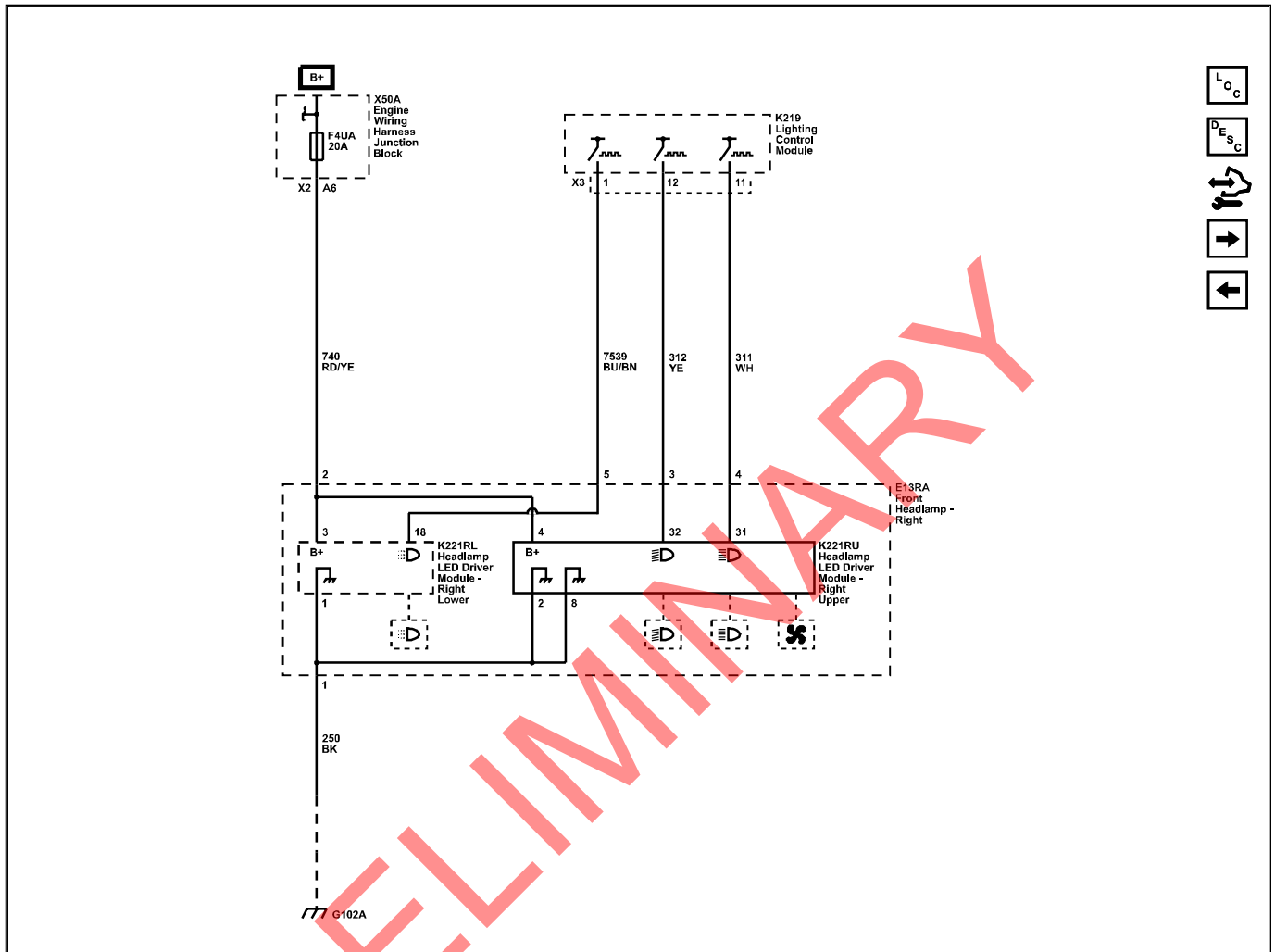
Headlamps and Daytime Running Lamps - Left (T4L)



PRELIMINARY



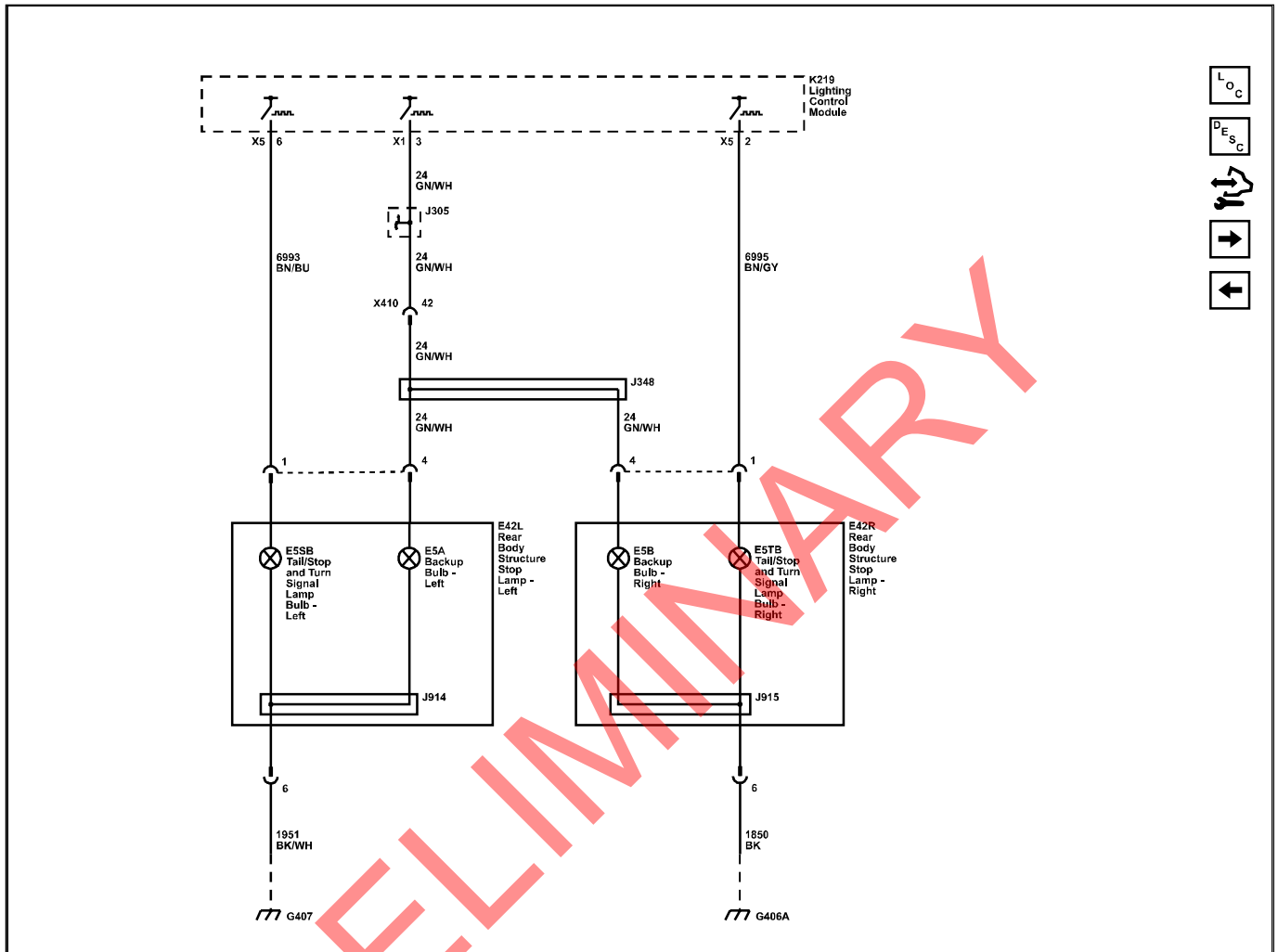
Headlamps and Daytime Running Lamps - Right (T4L)



PRELIMINARY



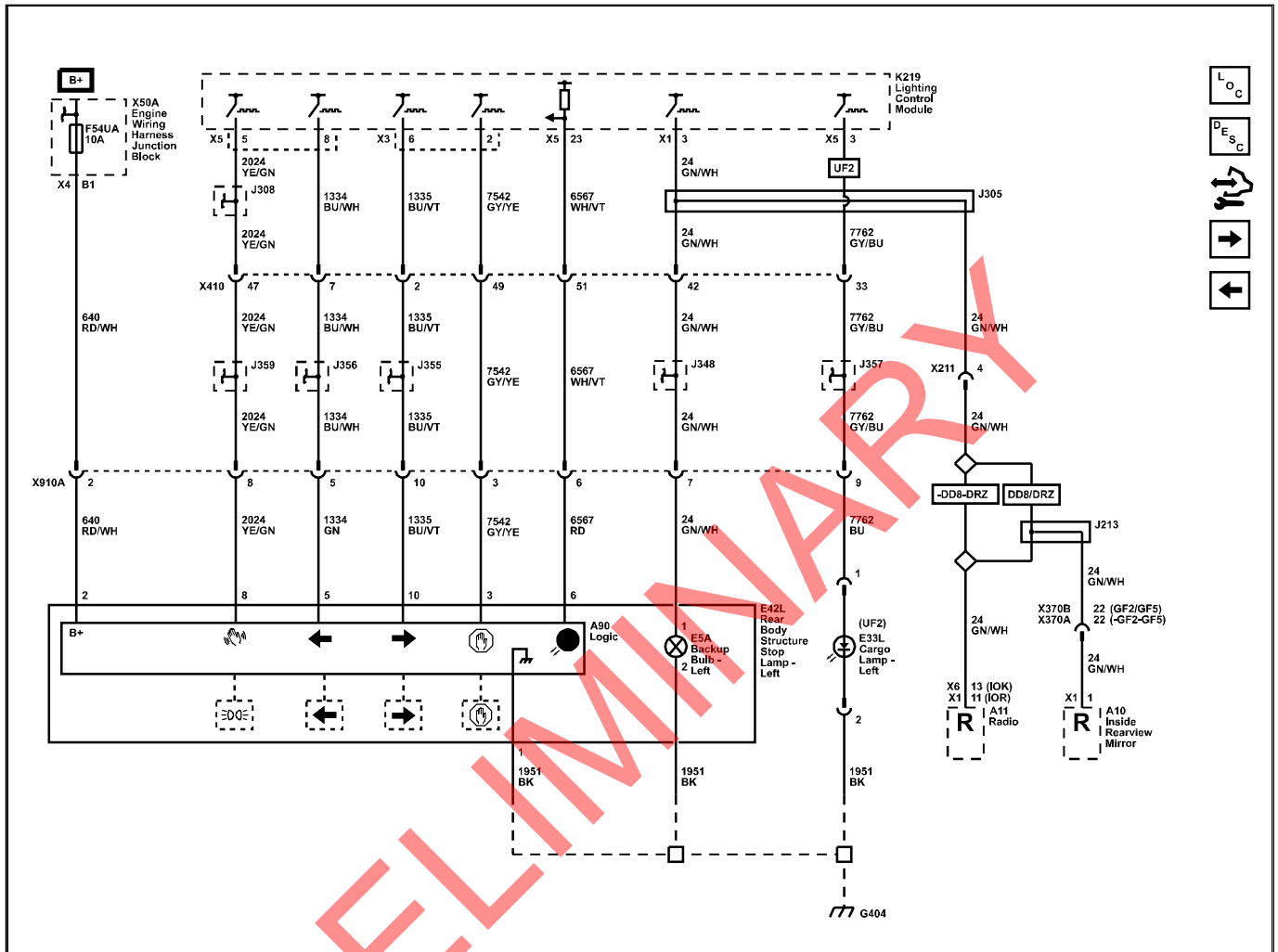
Tail Lamp Assemblies (ZW9)



PRELIMINARY

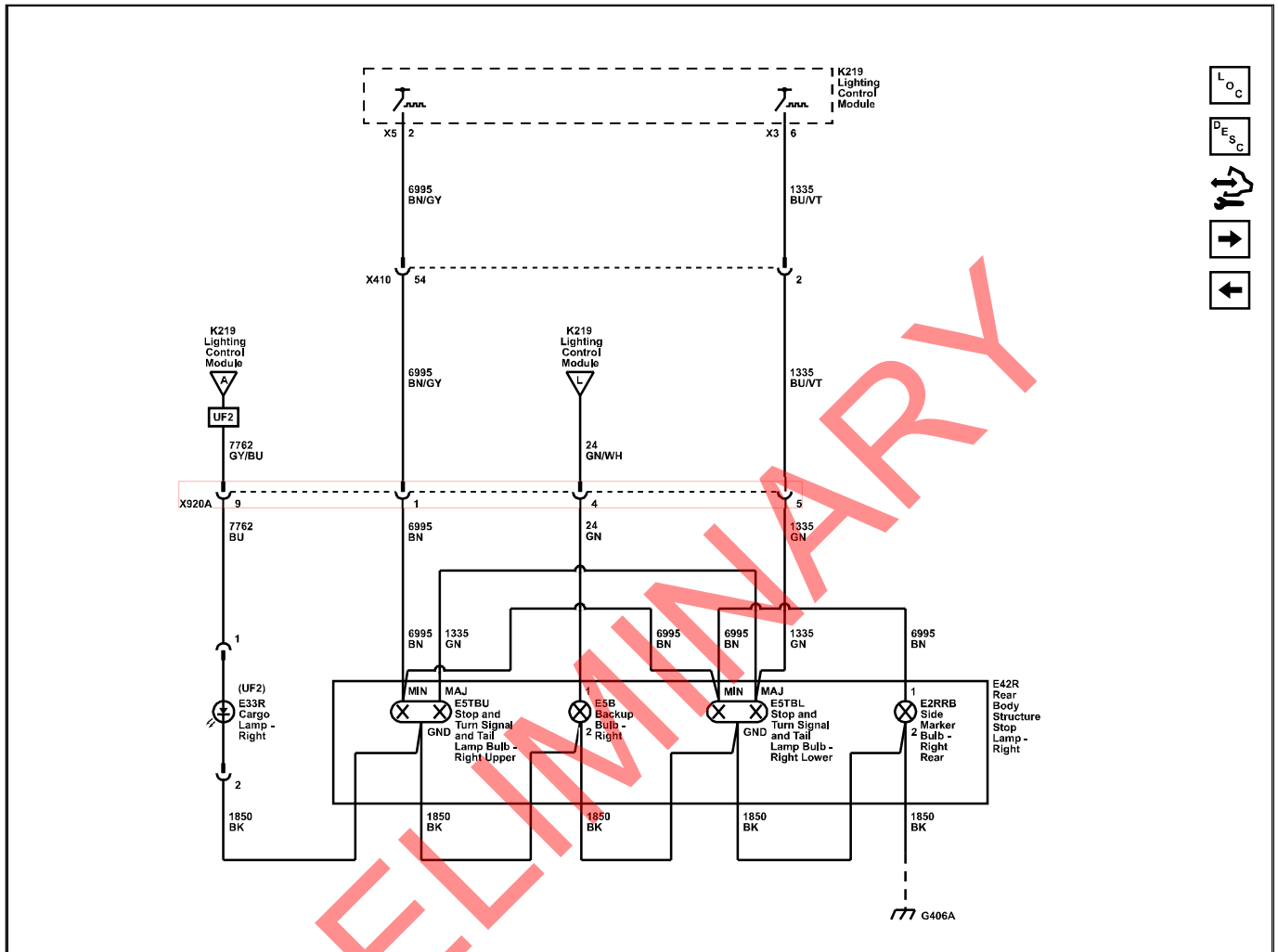


Tail Lamp Assembly - Left (DZW/(GF9/GFD/GRZ)&SRW))



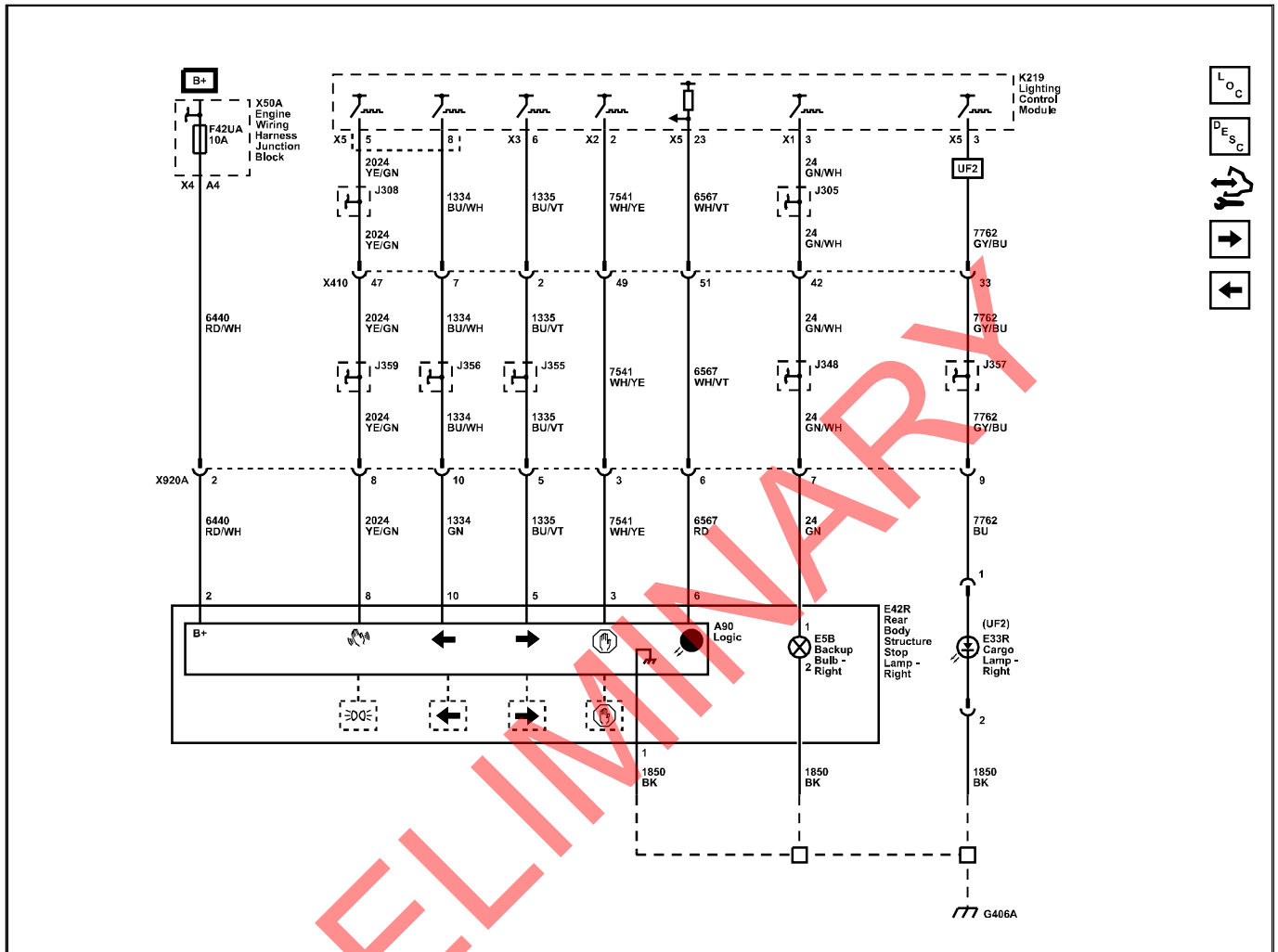
PRELIMINARY

Tail Lamp Assembly - Right ((GF2/GF3/GF5)&SRW)

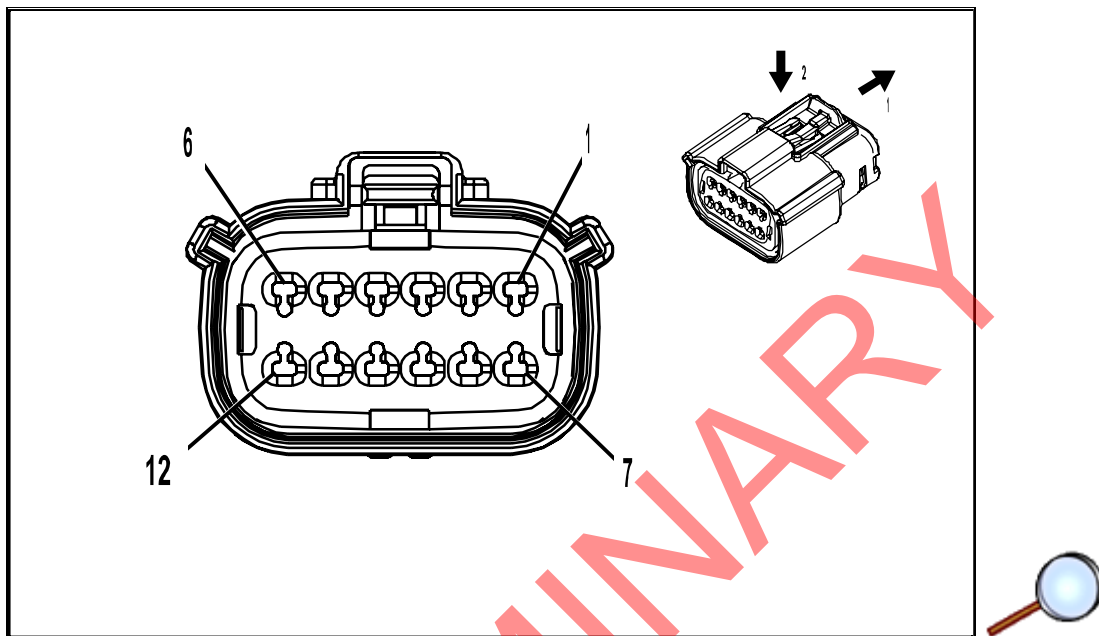


PRELIMINARY

Tail Lamp Assembly - Right (DZW/(GF9/GFD/GRZ)&SRW))



E13LA Front Headlamp - Left



Click Image For Video



Connector Part Information

- Harness Type: Body Wiring Harness
- OEM Connector: 33362189
- Service Connector: 19352907
- Description: 12-Way F 1.5 MX Series, Sealed(BK)

Terminal Part Information

Terminal Type ID	Terminated Lead	Diagnostic Test Probe	Terminal Removal Tool
I	19368973	J-35616-2A (GY)	J-38125-217

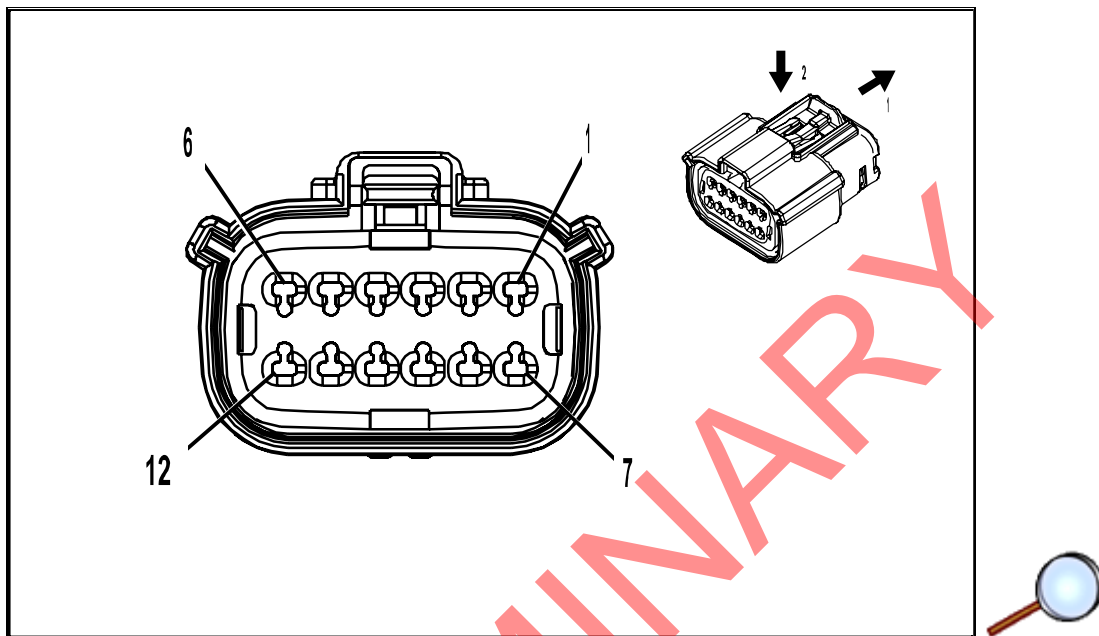
E13LA Front Headlamp - Left

Pin	Size	Color	Circuit	Function	Terminal Type ID	Option

© 2023 General Motors. All rights reserved.

Pin	Size	Color	Circuit	Function	Terminal Type ID	Option
1	1	BK	150	Ground	I	—
2	1.5	RD / WH	640	Battery Positive Voltage	I	—
3	0.5	YE	712	Left Headlamp Low Beam Control	I	—
4	0.5	WH	711	Left Headlamp High Beam Control	I	—
5	0.35	GY / BU	7538	Left Front DRL Control	I	—
6	0.5	WH / YE	1254	Left Front Park Lamp Control	I	—
7	0.5	BU / WH	1314	Left Front Turn Signal Lamp Control	I	—
8	0.35	VT / BK	6568	Front Turn Signal Lamp Feedback Signal	I	—
9	0.5	YE / GN	2024	Animation Lighting Control	I	—
10	0.5	GN / VT	1315	Right Front Turn Signal Lamp Control	I	—
11 - 12	—	—	—	Not Occupied	—	—

E13RA Front Headlamp - Right



Click Image For Video



Connector Part Information

- Harness Type: Body Wiring Harness
- OEM Connector: 33362189
- Service Connector: 19352907
- Description: 12-Way F 1.5 MX Series, Sealed(BK)

Terminal Part Information

Terminal Type ID	Terminated Lead	Diagnostic Test Probe	Terminal Removal Tool
I	19368973	J-35616-2A (GY)	J-38125-217

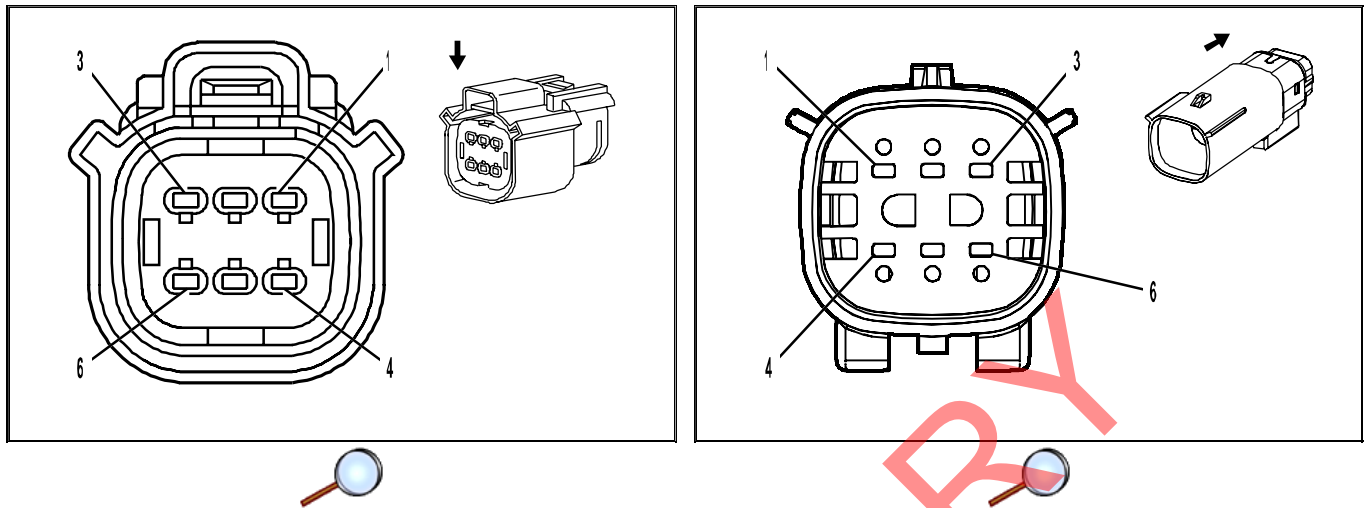
E13RA Front Headlamp - Right

Pin	Size	Color	Circuit	Function	Terminal Type ID	Option

© 2023 General Motors. All rights reserved.

Pin	Size	Color	Circuit	Function	Terminal Type ID	Option
1	1	BK	650	Ground	I	—
2	1.5	RD / YE	740	Battery Positive Voltage	I	—
3	0.5	YE	312	Right Headlamp Low Beam Control	I	—
4	0.5	WH	311	Right Headlamp High Beam Control	I	—
5	0.35	BU / BN	7539	Right Front DRL Control	I	—
6	0.5	BU / GN	1253	Right Front Park Lamp Control	I	—
7	0.5	GN / VT	1315	Right Front Turn Signal Lamp Control	I	—
8	0.35	WH / YE	7545	Right Front Turn Signal Lamp Feedback Signal	I	—
9	0.5	YE / GN	2024	Animation Lighting Control	I	—
10	0.5	BU / WH	1314	Left Front Turn Signal Lamp Control	I	—
11 - 12	—	—	—	Not Occupied	—	—

X910A Tail Lamp Wiring Harness - Left to Chassis Wiring Harness - Chassis Cab



Connector Part Information

- Harness Type: Tail Lamp Wiring Harness - Left
- OEM Connector: Not Available
- Service Connector: Service by Harness - See Part Catalog
- Description: 6-Way F

Connector Part Information

- Harness Type: Chassis Wiring Harness
- OEM Connector: 35073434
- Service Connector: 19367742
- Description: 6-Way M 1.5 MX Series, Sealed(BK)

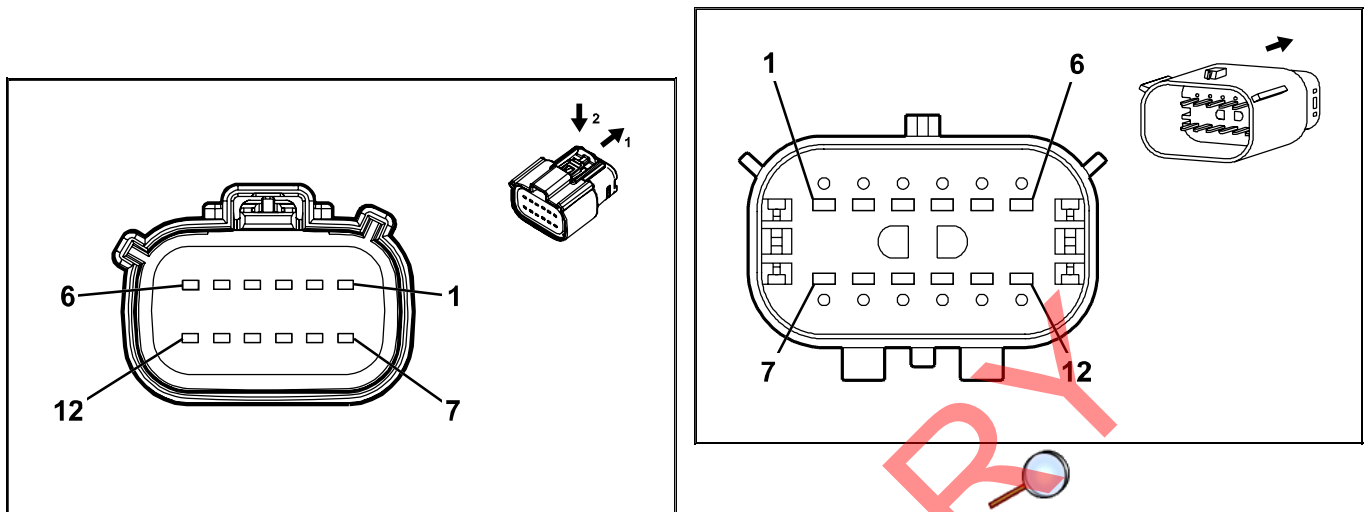
Terminal Part Information

Terminal Type ID	Terminated Lead	Diagnostic Test Probe	Terminal Removal Tool
I	Not required	No Tool Required	No Tool Required
II	Not required	J-35616-3 (GY)	No Tool Required

X910A Tail Lamp Wiring Harness - Left to Chassis Wiring Harness - Chassis Cab

Pin	Size	Color	Circuit	Terminal Type ID	Option	Function	Pin	Size	Color	Circuit	Terminal Type ID	Option
1	0.75	BN / BU	6993	I	—	Left Rear Park Lamp Control	1	0.75	BN / BU	6993	II	—
2 - 3	—	—	—	—	—	Not Occupied	2 - 3	—	—	—	—	—
4	0.5	GN / WH	24	I	—	Backup Lamp Control	4	0.5	GN / WH	24	II	—
5	0.75	BU / WH	1334	I	—	Left Rear Turn Signal Lamp Control 2	5	0.75	BU / WH	1334	II	—
6	1	BK / WH	1951	I	—	Signal Ground	6	1	BK / WH	1951	II	—

X910A Tail Lamp Wiring Harness - Left to Chassis Wiring Harness - without Chassis Cab



Click Image For Video



Connector Part Information

- Harness Type: Tail Lamp Wiring Harness - Left
- OEM Connector: Not Available
- Service Connector: Service by Harness - See Part Catalog
- Description: 12-Way F

Connector Part Information

- Harness Type: Chassis Wiring Harness
- OEM Connector: 33369138
- Service Connector: 19369242
- Description: 12-Way M 1.5 MX Series, Sealed(BK)

Terminal Part Information

Terminal Type ID	Terminated Lead	Diagnostic Test Probe	Terminal Removal Tool
I	Not required	No Tool Required	No Tool Required
II	19119842	J-35616-3 (GY)	J-38125-217

X910A Tail Lamp Wiring Harness - Left to Chassis Wiring Harness - without Chassis Cab

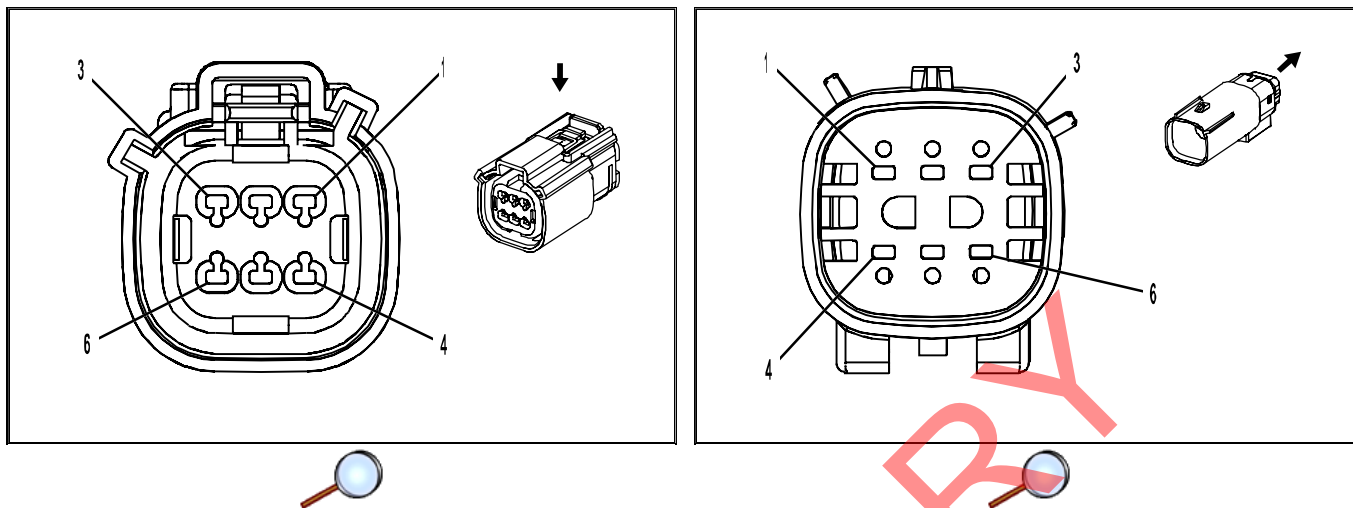
Pin	Size	Color	Circuit	Terminal Type ID	Option	Function	Pin	Size	Color	Circuit	Terminal Type ID	Option
1	1	BK / WH	1951	I	—	Signal Ground	1	1	BK / WH	1951	II	—
2	0.5	RD / WH	640	I	—	Battery Positive Voltage	2	0.5	RD / WH	640	II	—
3	0.75	GY / YE	7542	I	—	Left Rear Stop Lamp Control	3	0.75	GY / YE	7542	II	—
4	0.75	BN / BU	6993	I	—	Left Rear Park Lamp Control	4	0.75	BN / BU	6993	II	—
5	0.75	BU / WH	1334	I	—	Left Rear Turn Signal Lamp Control 2	5	0.75	BU / WH	1334	II	—
6	0.75	WH / VT	6567	I	—	Rear Turn Signal Lamp Feedback Signal	6	0.75	WH / VT	6567	II	—

© 2023 General Motors. All rights reserved.

Pin	Size	Color	Circuit	Terminal Type ID	Option	Function	Pin	Size	Color	Circuit	Terminal Type ID	Option
7	0.5	GN / WH	24	I	—	Backup Lamp Control	7	0.5	GN / WH	24	II	—
8	0.5	YE / GN	2024	I	—	Animation Lighting Control	8	0.5	YE / GN	2024	II	—
9	0.5	GY / BU	7762	I	—	Cargo Lamp Control	9	0.5	GY / BU	7762	II	—
10	0.75	BU / VT	1335	I	—	Right Rear Turn Signal Lamp Control 2	10	0.75	BU / VT	1335	II	—
11	0.5	BN / GN	4246	I	—	Identification Lamp Control	11	0.5	BN / GN	4246	II	—
12	—	—	—	—	—	Not Occupied	12	—	—	—	—	—

PRELIMINARY

X920A Tail Lamp Wiring Harness - Right to Chassis Wiring Harness - Chassis Cab



Connector Part Information

- Harness Type: Tail Lamp Wiring Harness - Right
- OEM Connector: Not Available
- Service Connector: Service by Harness - See Part Catalog
- Description: 6-Way F

Connector Part Information

- Harness Type: Chassis Wiring Harness
- OEM Connector: 35073435
- Service Connector: 19370461
- Description: 6-Way M 1.5 MX Series, Sealed(GY)

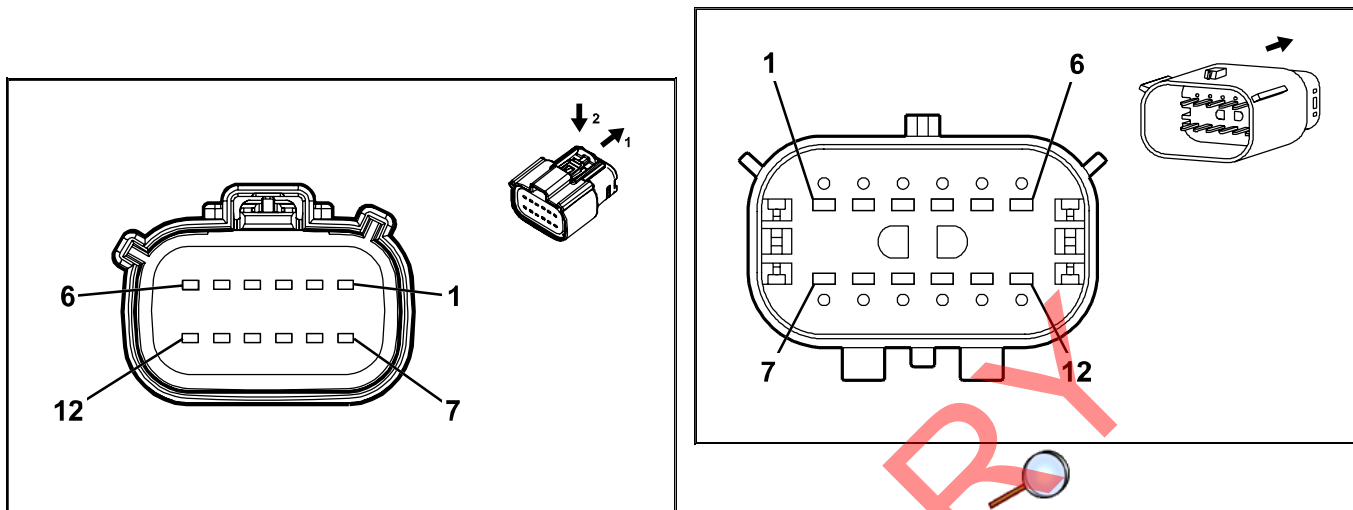
Terminal Part Information

Terminal Type ID	Terminated Lead	Diagnostic Test Probe	Terminal Removal Tool
I	Not required	No Tool Required	No Tool Required
II	Not required	J-35616-3 (GY)	No Tool Required

X920A Tail Lamp Wiring Harness - Right to Chassis Wiring Harness - Chassis Cab

Pin	Size	Color	Circuit	Terminal Type ID	Option	Function	Pin	Size	Color	Circuit	Terminal Type ID	Option
1	0.75	BN / GY	6995	I	—	Right Rear Park Lamp Control	1	0.75	BN / GY	6995	II	—
2 - 3	—	—	—	—	—	Not Occupied	2 - 3	—	—	—	—	—
4	0.5	GN / WH	24	I	—	Backup Lamp Control	4	0.5	GN / WH	24	II	—
5	0.75	BU / VT	1335	I	—	Right Rear Turn Signal Lamp Control 2	5	0.75	BU / VT	1335	II	—
6	1	BK	1850	I	—	Ground	6	1	BK	1850	II	—

X920A Tail Lamp Wiring Harness - Right to Chassis Wiring Harness - without Chassis Cab



Click Image For Video



Connector Part Information

- Harness Type: Tail Lamp Wiring Harness - Right
- OEM Connector: Not Available
- Service Connector: Service by Harness - See Part Catalog
- Description: 12-Way F

Connector Part Information

- Harness Type: Chassis Wiring Harness
- OEM Connector: 33369138
- Service Connector: 19369242
- Description: 12-Way M 1.5 MX Series, Sealed(BK)

Terminal Part Information

Terminal Type ID	Terminated Lead	Diagnostic Test Probe	Terminal Removal Tool
I	Not required	No Tool Required	No Tool Required
II	19119842	J-35616-3 (GY)	J-38125-217

X920A Tail Lamp Wiring Harness - Right to Chassis Wiring Harness - without Chassis Cab

Pin	Size	Color	Circuit	Terminal Type ID	Option	Function	Pin	Size	Color	Circuit	Terminal Type ID	Option
1	1	BK	1850	I	—	Ground	1	1	BK	1850	II	—
2	0.5	RD / WH	6440	I	—	Battery Positive Voltage	2	0.5	RD / WH	6440	II	—
3	0.75	WH / YE	7541	I	—	Right Rear Stop Lamp Control	3	0.75	WH / YE	7541	II	—
4	0.75	BN / GY	6995	I	—	Right Rear Park Lamp Control	4	0.75	BN / GY	6995	II	—
5	0.75	BU / VT	1335	I	—	Right Rear Turn Signal Lamp Control 2	5	0.75	BU / VT	1335	II	—
6	0.75	WH / BK	7544	I	—	Right Rear Turn Signal Lamp Control	6	0.75	WH / BK	7544	II	—

© 2023 General Motors. All rights reserved.

Pin	Size	Color	Circuit	Terminal Type ID	Option	Function	Pin	Size	Color	Circuit	Terminal Type ID	Option
						Feedback Signal						
7	0.5	GN / WH	24	I	—	Backup Lamp Control	7	0.5	GN / WH	24	II	—
8	0.5	YE / GN	2024	I	—	Animation Lighting Control	8	0.5	YE / GN	2024	II	—
9	0.5	GY / BU	7762	I	—	Cargo Lamp Control	9	0.5	GY / BU	7762	II	—
10	0.75	BU / WH	1334	I	—	Left Rear Turn Signal Lamp Control 2	10	0.75	BU / WH	1334	II	—
11	0.5	BN / GN	4246	I	—	Identification Lamp Control	11	0.5	BN / GN	4246	II	—
12	—	—	—	—	—	Not Occupied	12	—	—	—	—	—

PRELIMINARY

2024MY

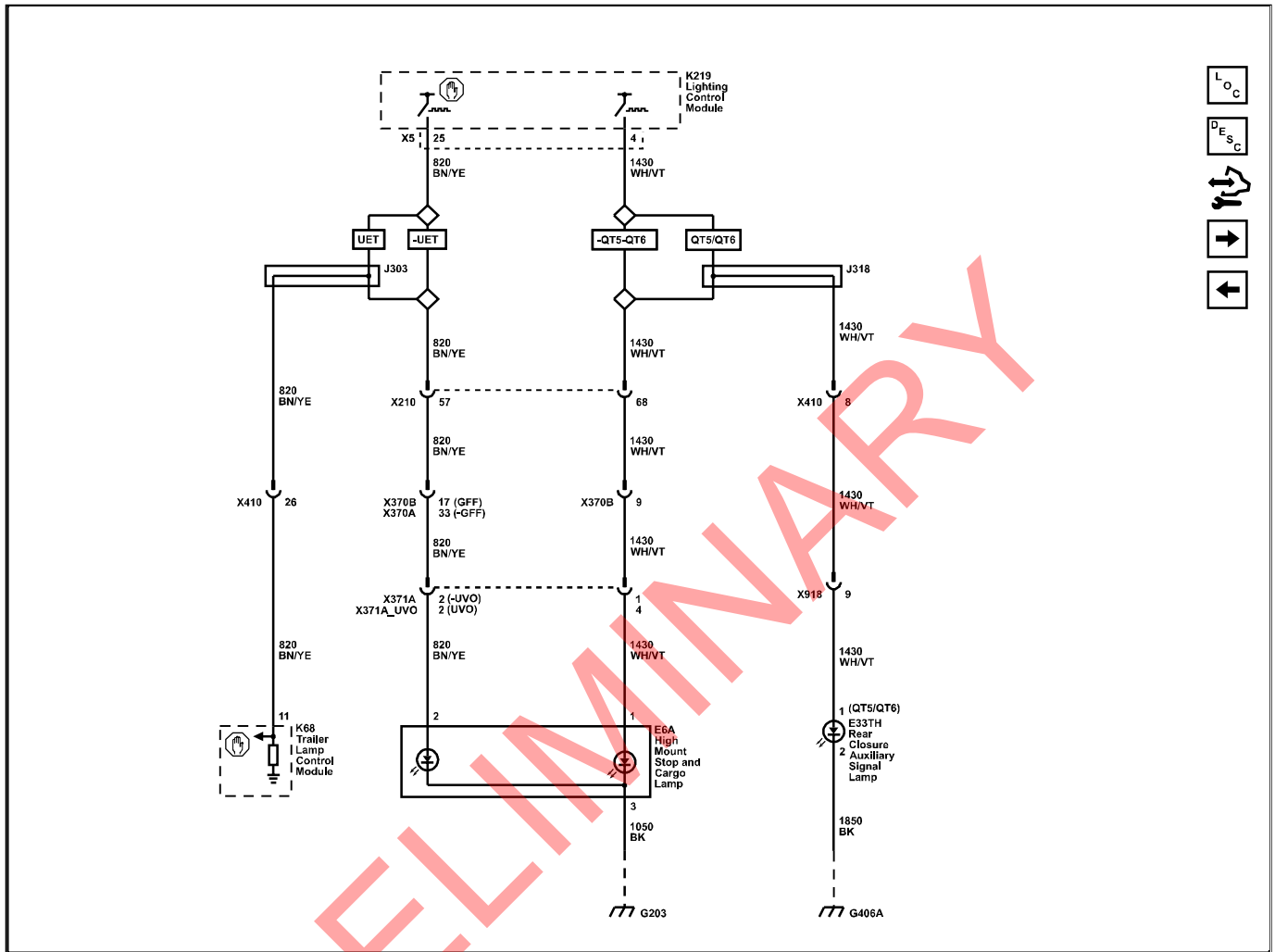
GMC SIERRA

2500/3500 HD

LIGHTING INFORMATION

PRELIMINARY

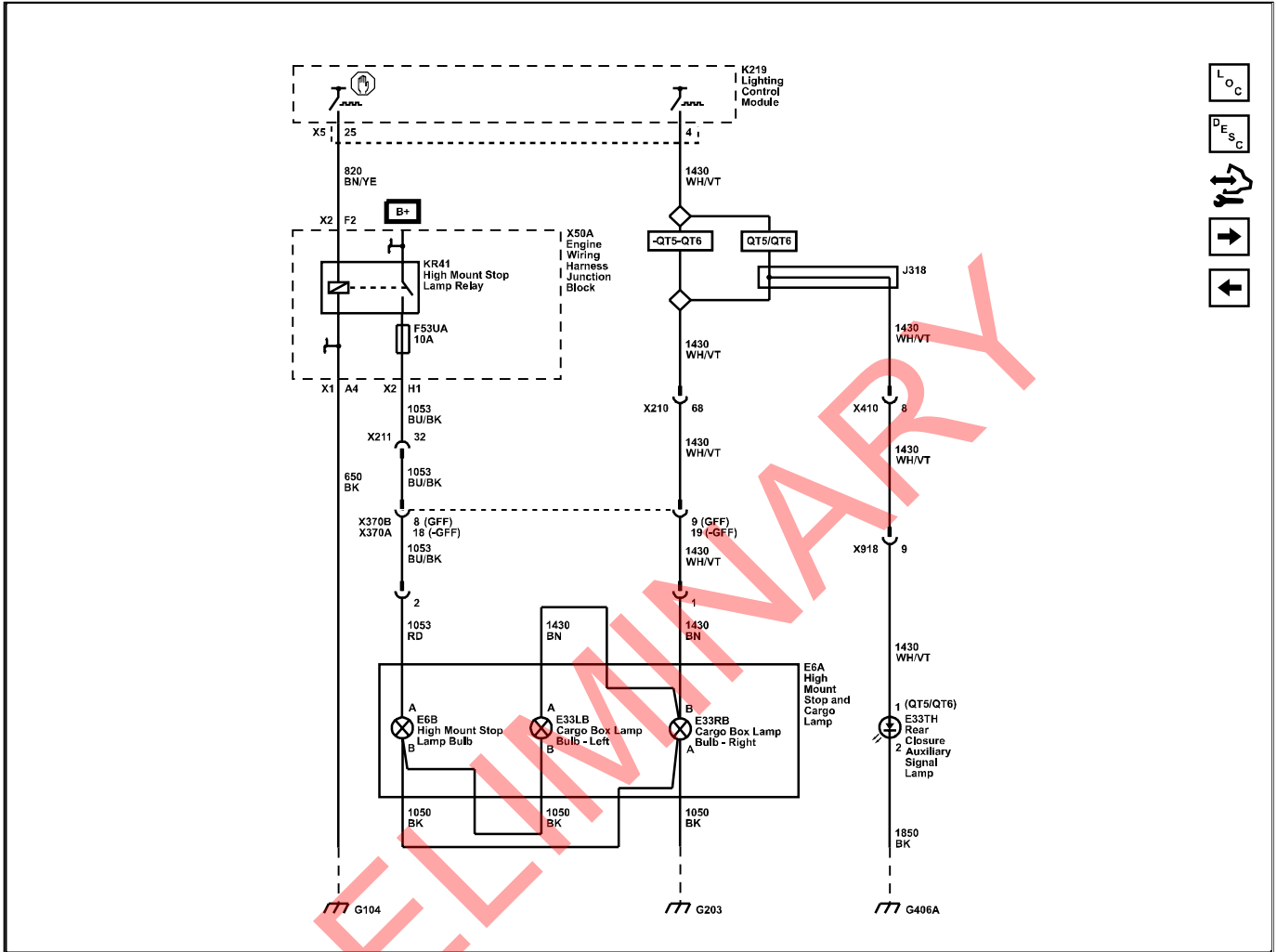
Center High Mount Stop and Exterior Courtesy Lights - Double Cab/Crew Cab



PRELIMINARY



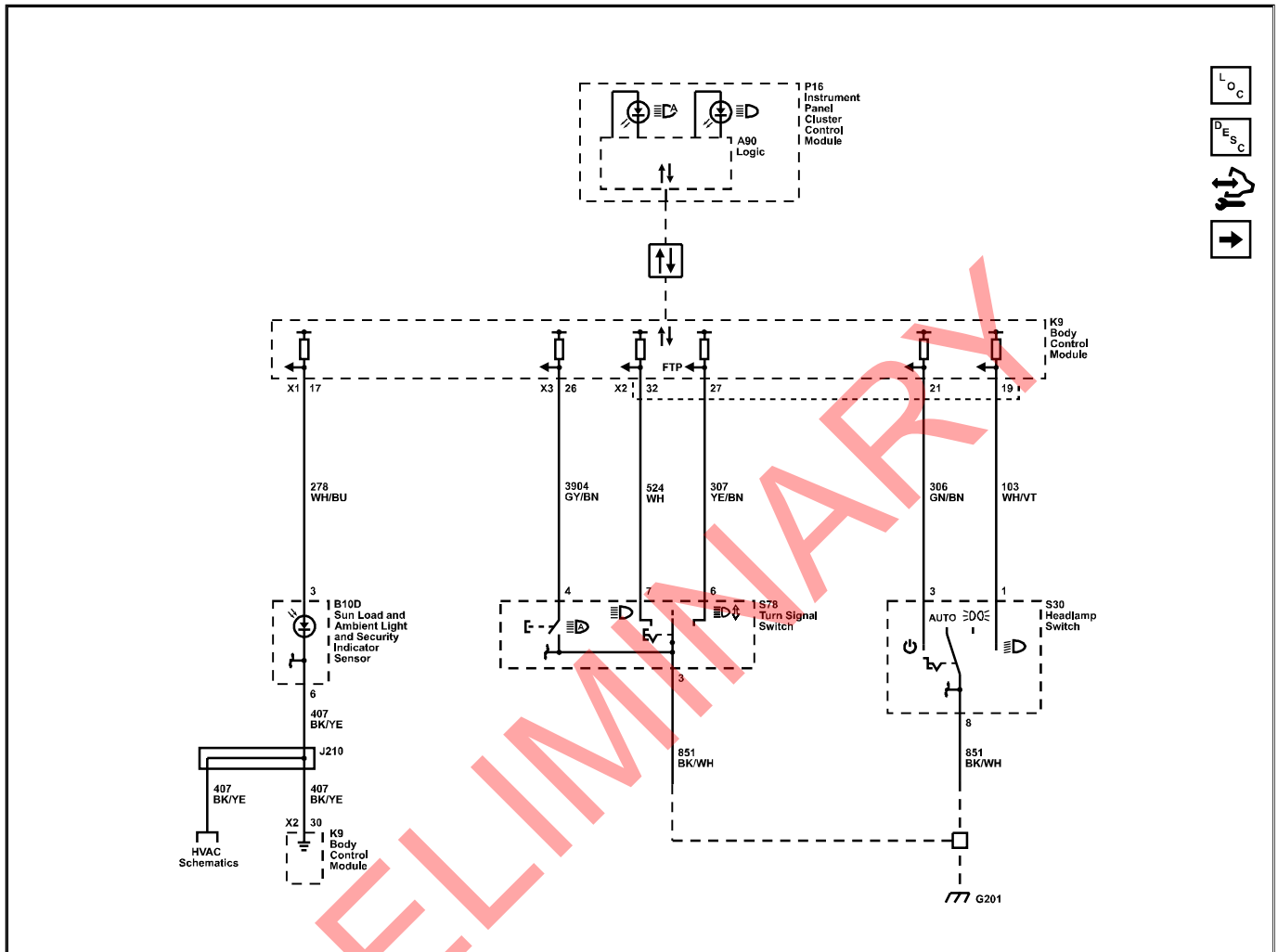
Center High Mount Stop and Exterior Courtesy Lights - Regular Cab



PRELIMINARY

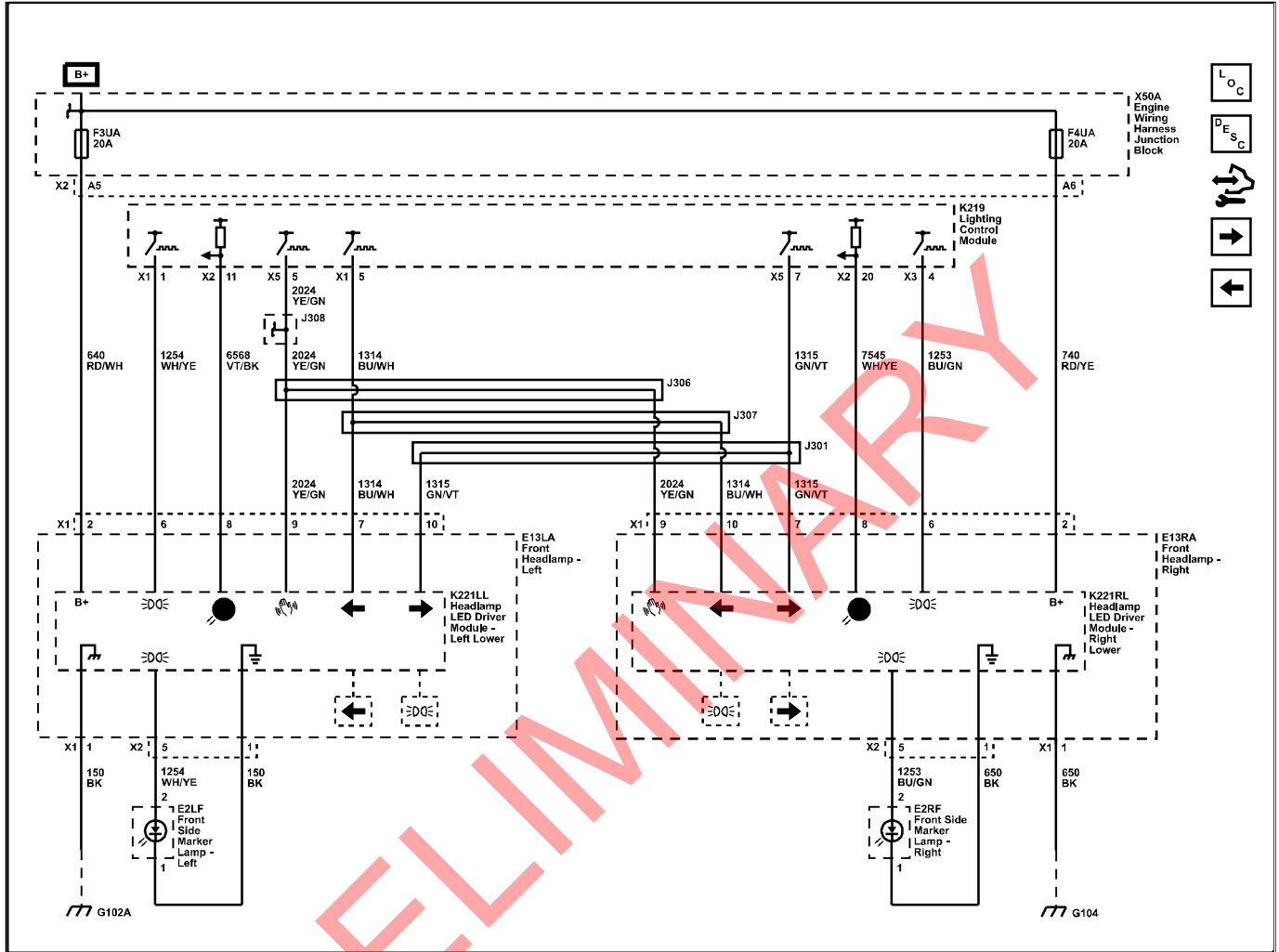


Controls and Indicators



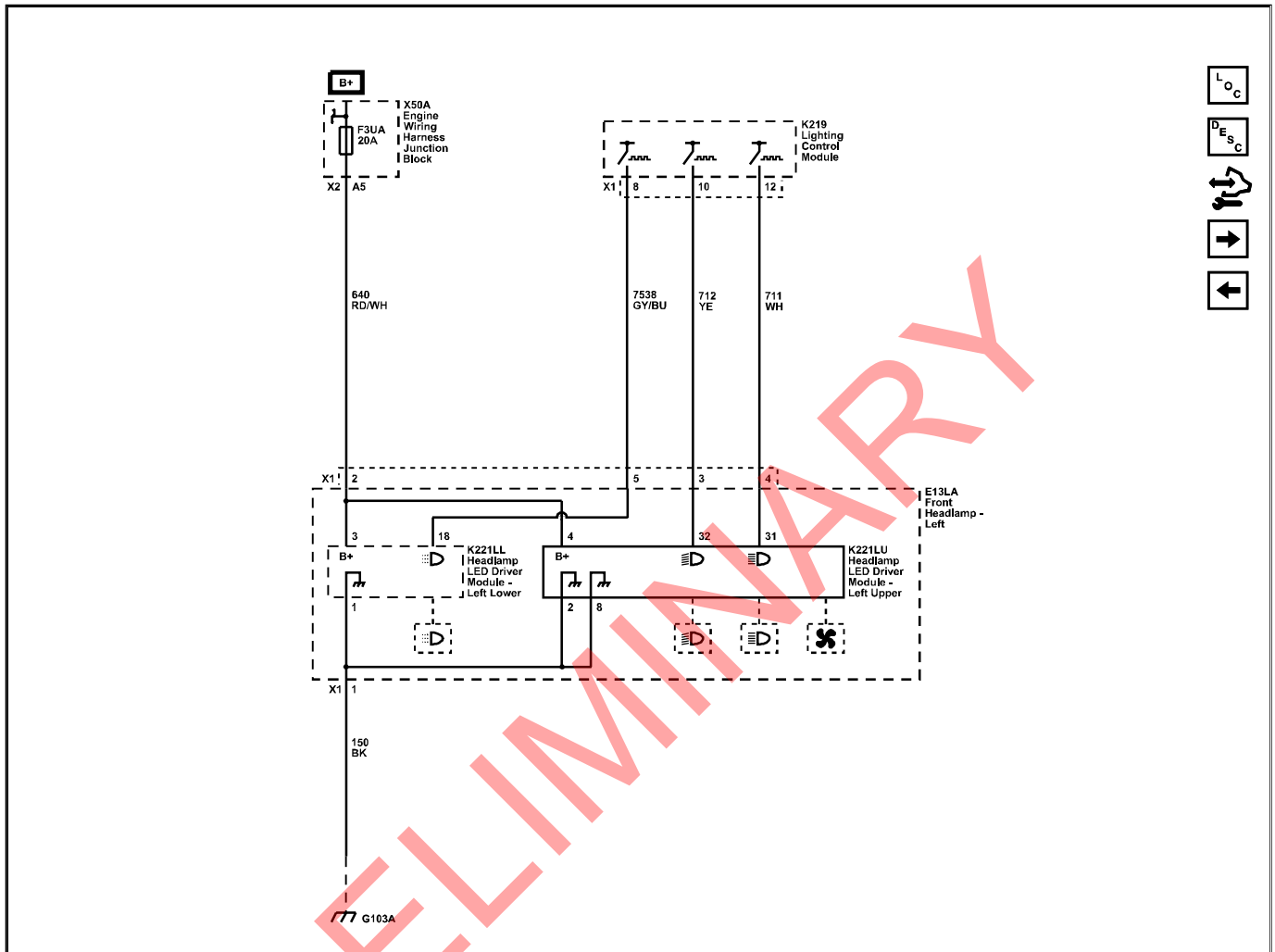
PRELIMINARY

Front Turn Signals, Park Lamps, and Side Marker Lamps



PRELIMINARY

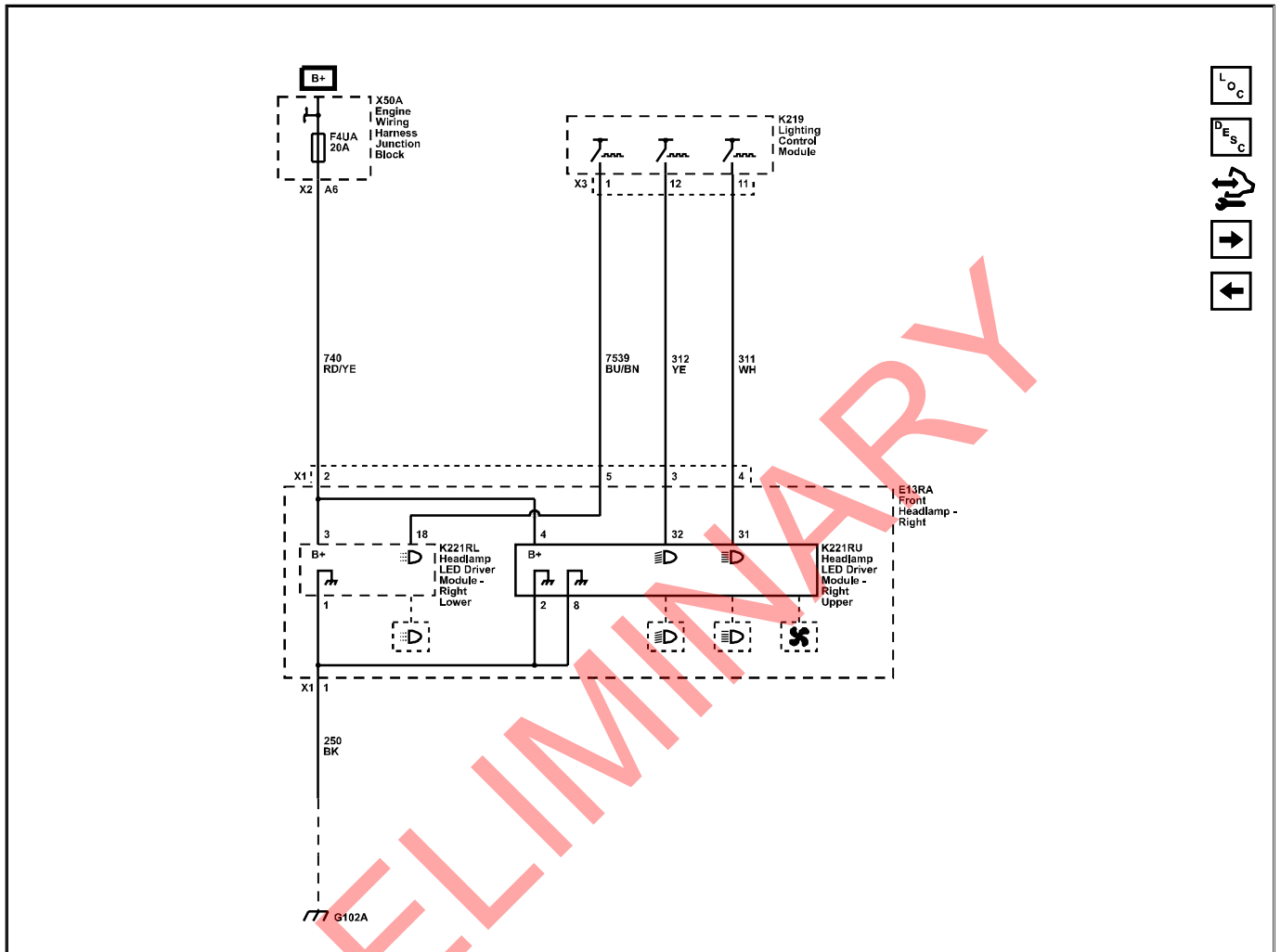
Headlamps and Daytime Running Lamps - Left



PRELIMINARY



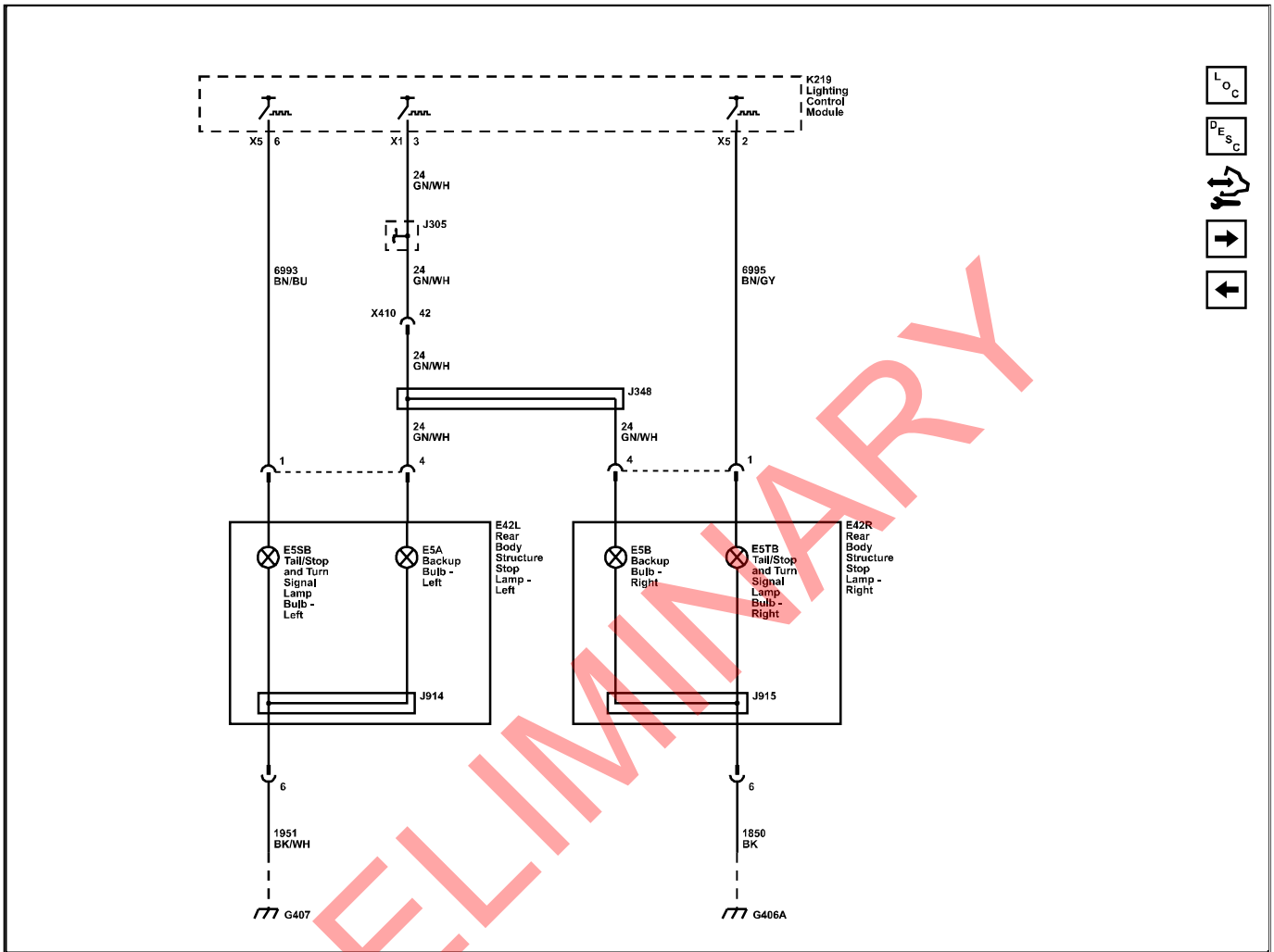
Headlamps and Daytime Running Lamps - Right



PRELIMINARY



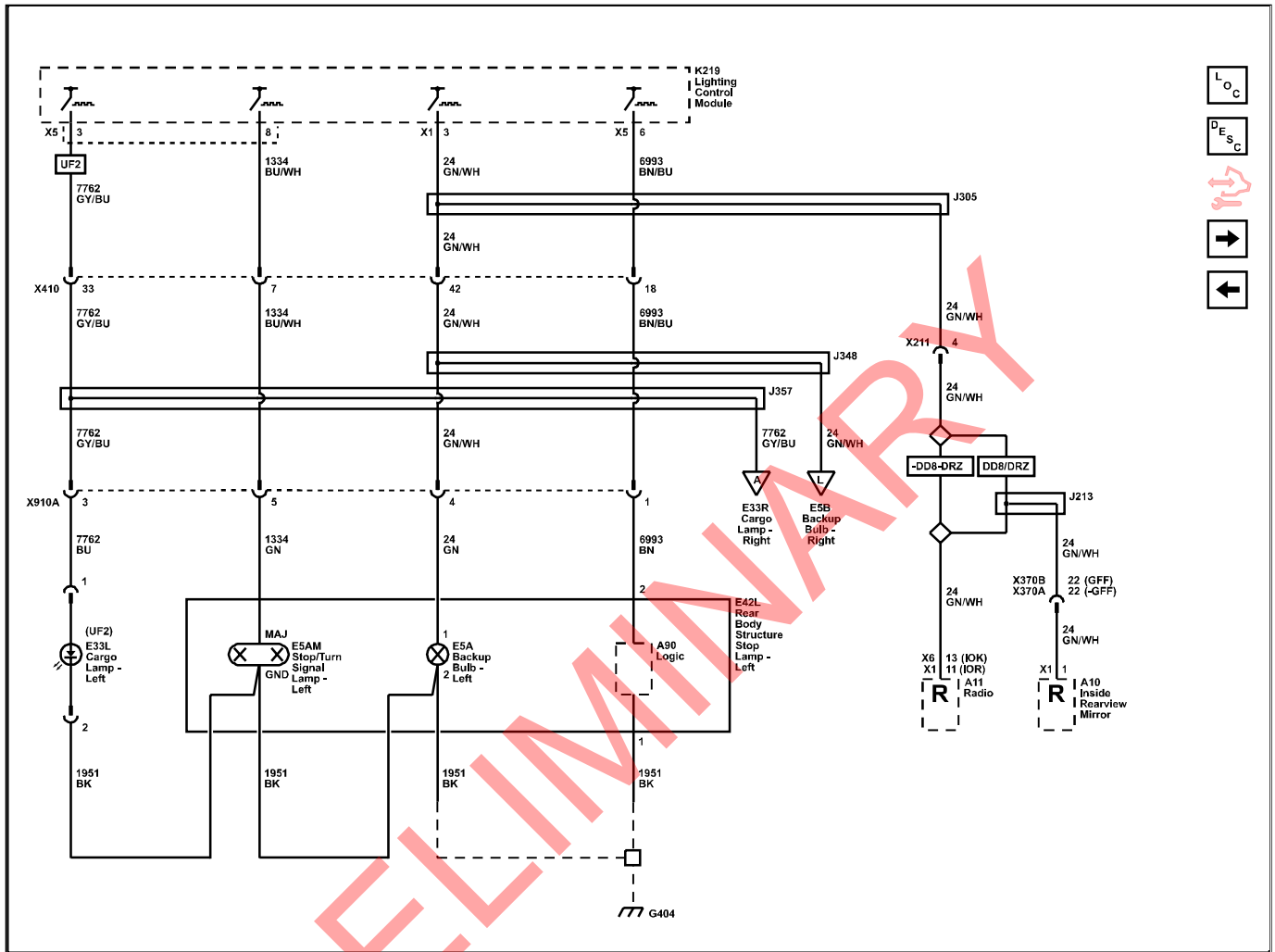
Tail Lamp Assemblies (ZW9)



PRELIMINARY

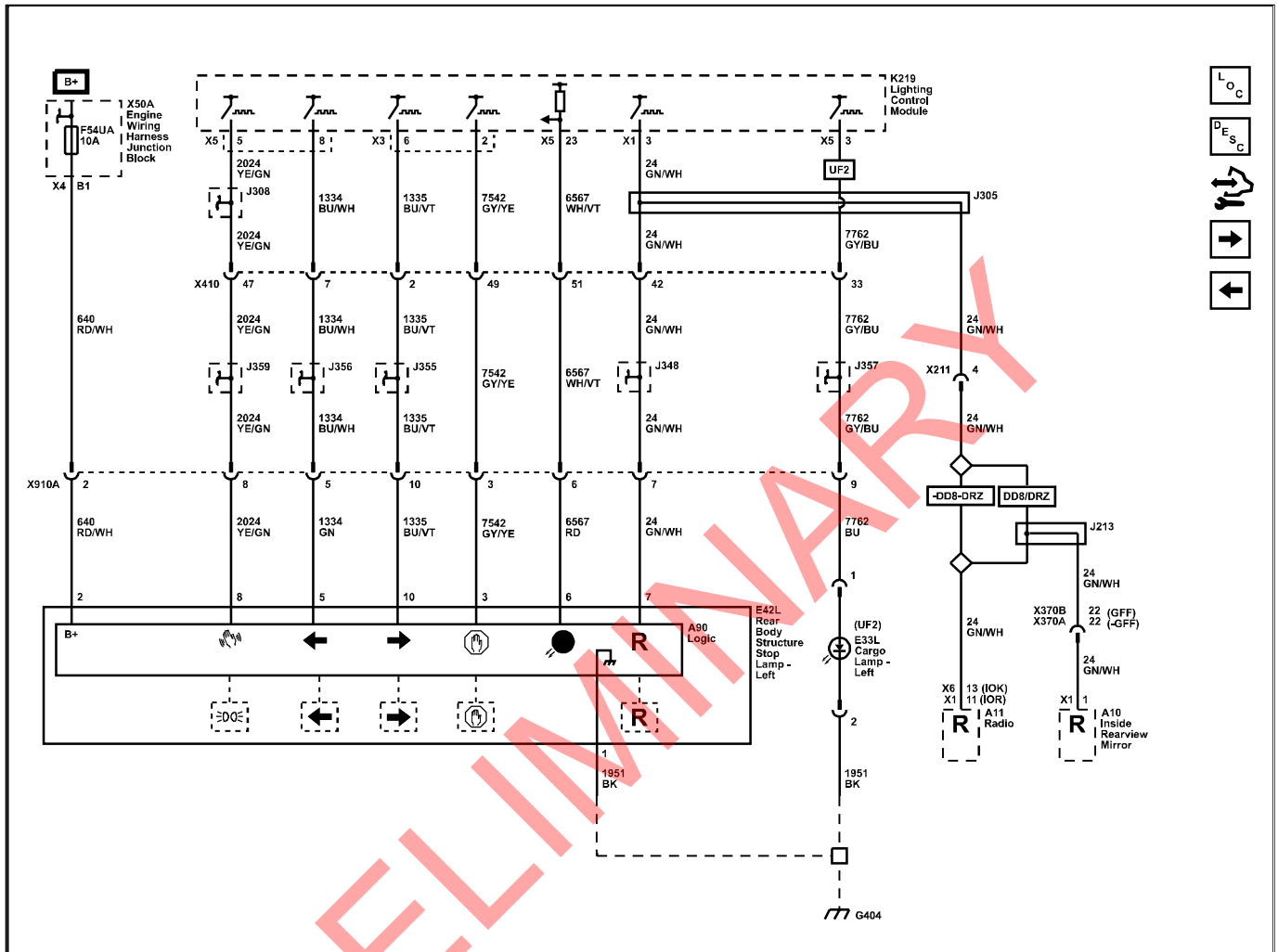


Tail Lamp Assembly - Left ((GFF/GFI)&SRW)



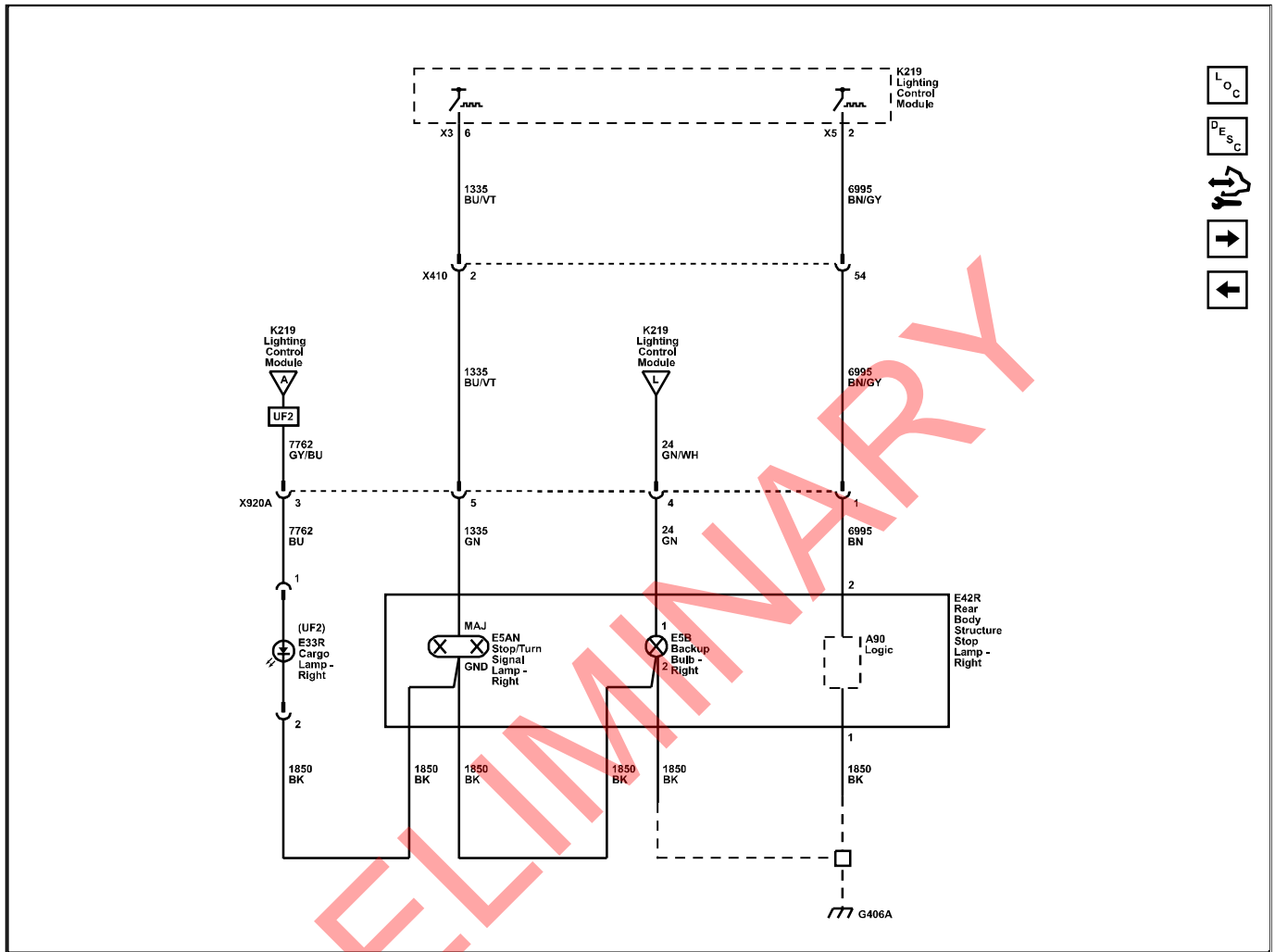
PRELIMINARY

Tail Lamp Assembly - Left (DZW/(GA4/GFG/GFU/GFW/GFY)&SRW)

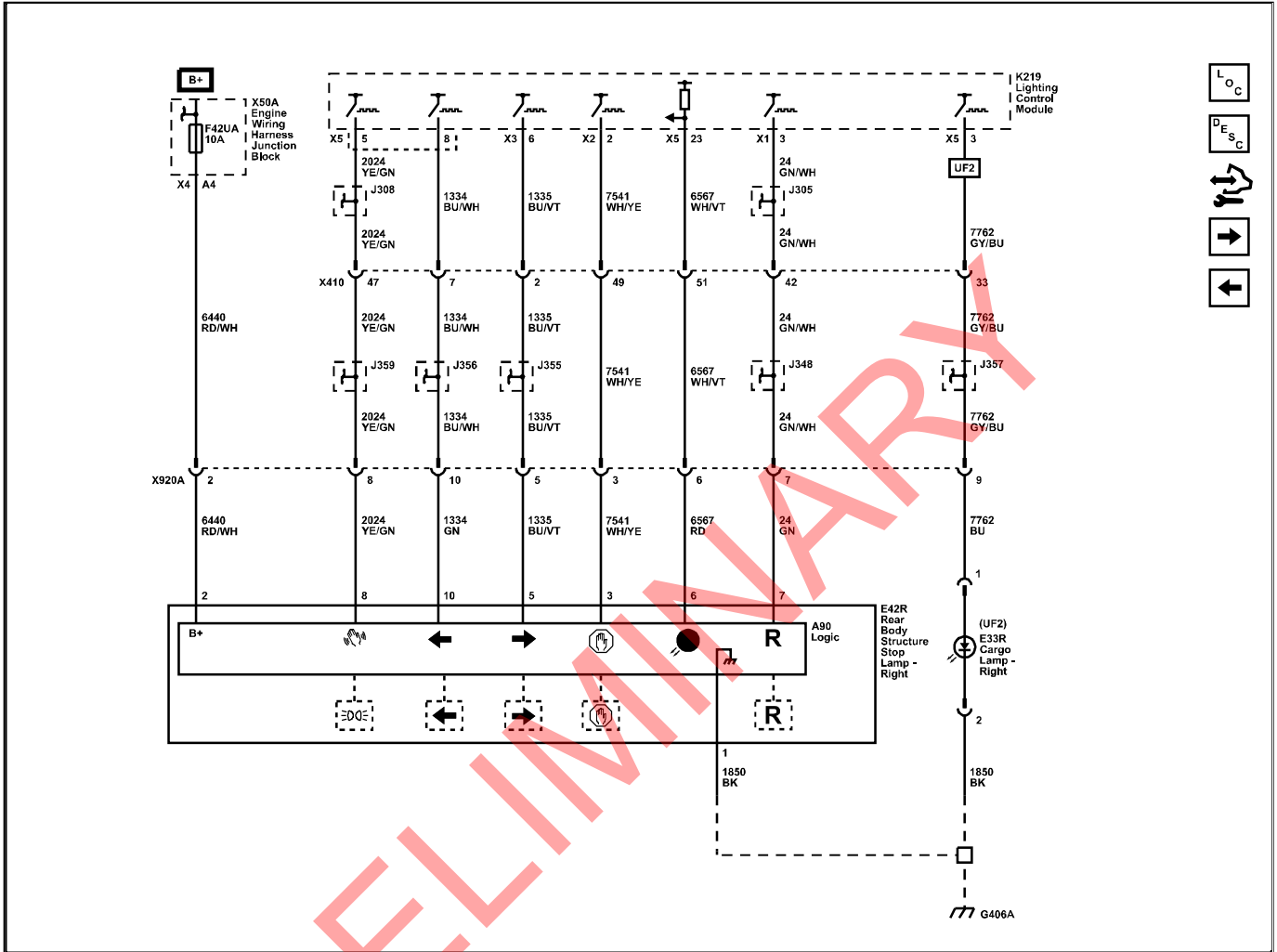


PRELIMINARY

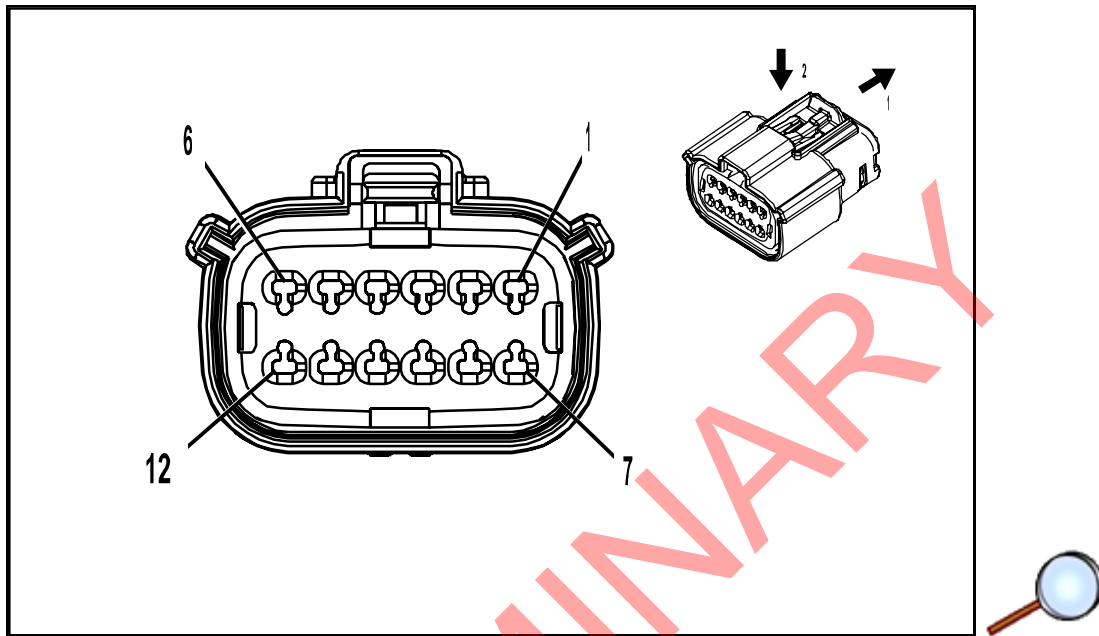
Tail Lamp Assembly - Right ((GFF / GFI) & SRW)



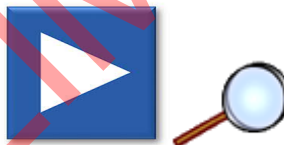
Tail Lamp Assembly - Right (DZW / (GA4 / GFG / GFU / GFW / GFY) & SRW)



E13LA Front Headlamp - Left X1



Click Image For Video



Connector Part Information

- Harness Type: Body Wiring Harness
- OEM Connector: 33362189
- Service Connector: 19352907
- Description: 12-Way F 1.5 MX Series, Sealed(BK)

Terminal Part Information

Terminal Type ID	Terminated Lead	Diagnostic Test Probe	Terminal Removal Tool
I	19368973	J-35616-2A (GY)	J-38125-217

E13LA Front Headlamp - Left X1

Pin	Size	Color	Circuit	Function	Terminal Type ID	Option

© 2023 General Motors. All rights reserved.

Pin	Size	Color	Circuit	Function	Terminal Type ID	Option
1	1	BK	150	Ground	I	—
2	1.5	RD / WH	640	Battery Positive Voltage	I	—
3	0.5	YE	712	Left Headlamp Low Beam Control	I	—
4	0.5	WH	711	Left Headlamp High Beam Control	I	—
5	0.35	GY / BU	7538	Left Front DRL Control	I	—
6	0.5	WH / YE	1254	Left Front Park Lamp Control	I	—
7	0.5	BU / WH	1314	Left Front Turn Signal Lamp Control	I	—
8	0.35	VT / BK	6568	Front Turn Signal Lamp Feedback Signal	I	—
9	0.5	YE / GN	2024	Animation Lighting Control	I	—
10	0.5	GN / VT	1315	Right Front Turn Signal Lamp Control	I	—
11 - 12	—	—	—	Not Occupied	—	—

[2024 GMC Sierra 2500 HD/3500HD Regular Cab](#) | [\[Controlled\] Sierra 2500HD/3500HD Service Manual 16637300](#) | [Power and Signal Distribution](#) | [Electrical Component and Inline Harness Connector End Views](#) | [Component Locator](#) |

Document ID: 6257956

E13LA Front Headlamp - Left X2

Connector Part Information

- Harness Type: Front Side Marker Lamp Wiring Harness
- OEM Connector: 13526832
- Service Connector: Service by Harness - See Part Catalog
- Description: —

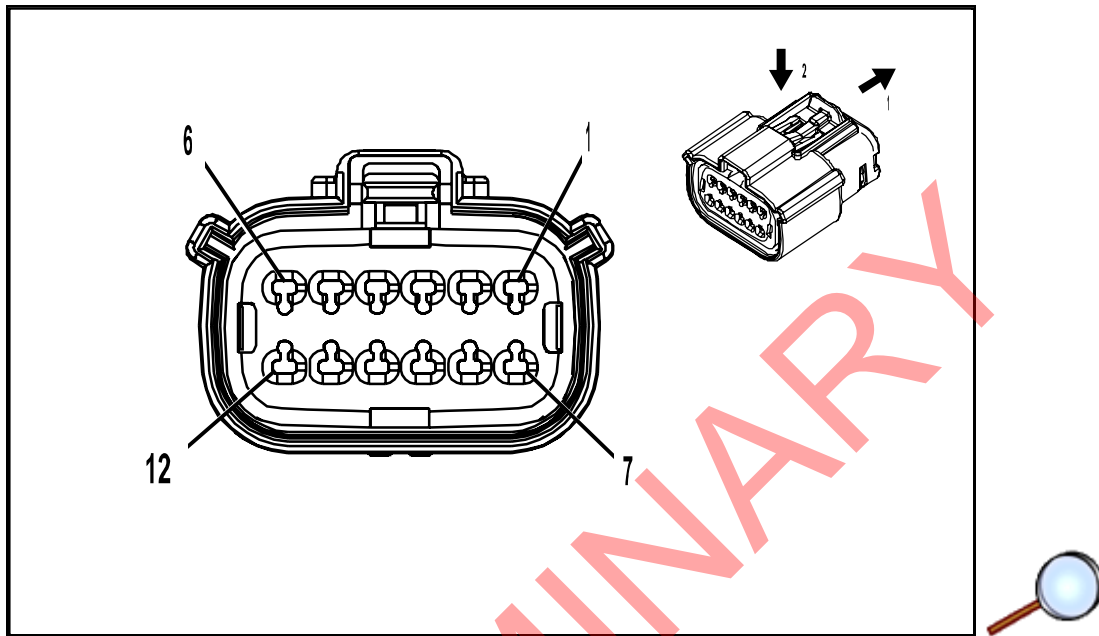
Terminal Part Information

Terminal Type ID	Terminated Lead	Diagnostic Test Probe	Terminal Removal Tool
I	Not required	No Tool Required	No Tool Required

E13LA Front Headlamp - Left X2

Pin	Size	Color	Circuit	Function	Terminal Type ID	Option
1	—	BK	150	Ground	I	—
5	—	WH / YE	1254	Left Front Park Lamp Control	I	—

E13RA Front Headlamp - Right X1



Click Image For Video



Connector Part Information

- Harness Type: Body Wiring Harness
- OEM Connector: 33362189
- Service Connector: 19352907
- Description: 12-Way F 1.5 MX Series, Sealed(BK)

Terminal Part Information

Terminal Type ID	Terminated Lead	Diagnostic Test Probe	Terminal Removal Tool
I	19368973	J-35616-2A (GY)	J-38125-217

E13RA Front Headlamp - Right X1

Pin	Size	Color	Circuit	Function	Terminal Type ID	Option

© 2023 General Motors. All rights reserved.

Pin	Size	Color	Circuit	Function	Terminal Type ID	Option
1	1	BK	650	Ground	I	—
2	1.5	RD / YE	740	Battery Positive Voltage	I	—
3	0.5	YE	312	Right Headlamp Low Beam Control	I	—
4	0.5	WH	311	Right Headlamp High Beam Control	I	—
5	0.35	BU / BN	7539	Right Front DRL Control	I	—
6	0.5	BU / GN	1253	Right Front Park Lamp Control	I	—
7	0.5	GN / VT	1315	Right Front Turn Signal Lamp Control	I	—
8	0.35	WH / YE	7545	Right Front Turn Signal Lamp Feedback Signal	I	—
9	0.5	YE / GN	2024	Animation Lighting Control	I	—
10	0.5	BU / WH	1314	Left Front Turn Signal Lamp Control	I	—
11 - 12	—	—	—	Not Occupied	—	—

[2024 GMC Sierra 2500 HD/3500HD Regular Cab](#) | [\[Controlled\] Sierra 2500HD/3500HD Service Manual 16637300](#) | [Power and Signal Distribution](#) | [Electrical Component and Inline Harness Connector End Views](#) | [Component Locator](#) |

Document ID: 6257957

E13RA Front Headlamp - Right X2

Connector Part Information

- Harness Type: Front Side Marker Lamp Wiring Harness
- OEM Connector: 13526832
- Service Connector: Service by Harness - See Part Catalog
- Description: 2-Way

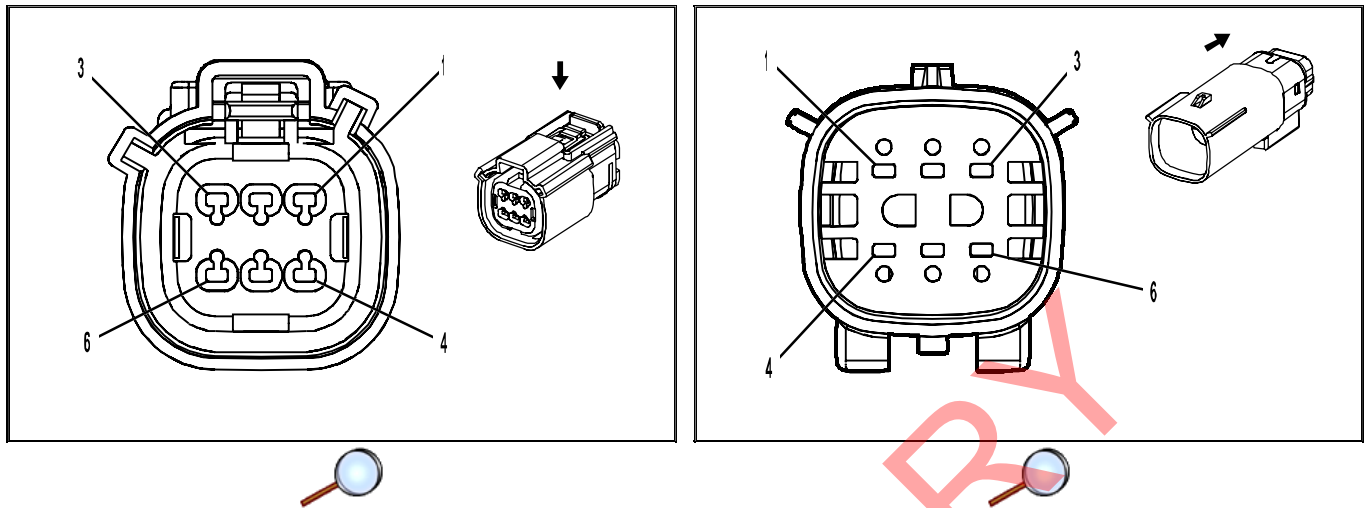
Terminal Part Information

Terminal Type ID	Terminated Lead	Diagnostic Test Probe	Terminal Removal Tool
I	Not required	No Tool Required	No Tool Required

E13RA Front Headlamp - Right X2

Pin	Size	Color	Circuit	Function	Terminal Type ID	Option
1	—	BK	650	Ground	I	—
5	—	BU / GN	1253	Right Front Park Lamp Control	I	—

X910A Tail Lamp Wiring Harness - Left to Chassis Wiring Harness - Chassis Cab



Connector Part Information

- Harness Type: Sunroof Jumper Harness
- OEM Connector: 13503523
- Service Connector: Service by Harness - See Part Catalog
- Description: 6-Way F 1.5 MX Series, Sealed(GY)

Connector Part Information

- Harness Type: Chassis Wiring Harness
- OEM Connector: 35073434
- Service Connector: 19367742
- Description: 6-Way M 1.5 MX Series, Sealed(BK)

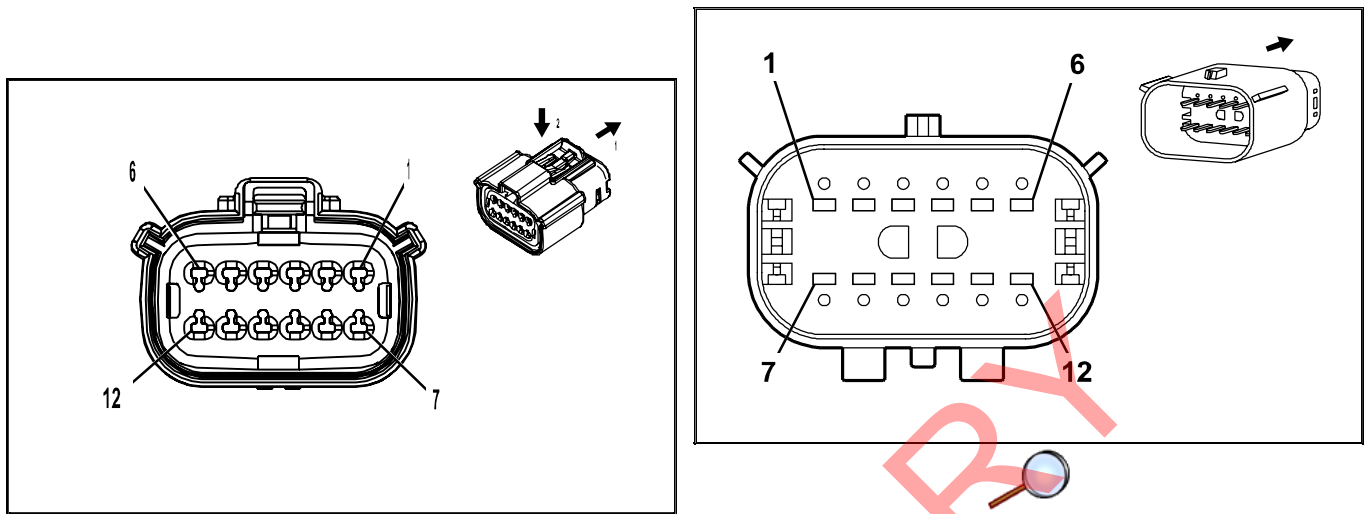
Terminal Part Information

Terminal Type ID	Terminated Lead	Diagnostic Test Probe	Terminal Removal Tool
I	Not required	No Tool Required	No Tool Required
II	Not required	J-35616-3 (GY)	No Tool Required

X910A Tail Lamp Wiring Harness - Left to Chassis Wiring Harness - Chassis Cab

Pin	Size	Color	Circuit	Terminal Type ID	Option	Function	Pin	Size	Color	Circuit	Terminal Type ID	Option
1	0.75	BN / BU	6993	I	—	Left Rear Park Lamp Control	1	0.75	BN / BU	6993	II	—
2 - 3	—	—	—	—	—	Not Occupied	2 - 3	—	—	—	—	—
4	0.5	GN / WH	24	I	—	Backup Lamp Control	4	0.5	GN / WH	24	II	—
5	0.75	BU / WH	1334	I	—	Left Rear Turn Signal Lamp Control 2	5	0.75	BU / WH	1334	II	—
6	1	BK / WH	1951	I	—	Signal Ground	6	1	BK / WH	1951	II	—

X910A Tail Lamp Wiring Harness - Left to Chassis Wiring Harness - without Chassis Cab



Click Image For Video

Connector Part Information

- Harness Type: Sunroof Jumper Harness
- OEM Connector: 13503526
- Service Connector: Service by Harness - See Part Catalog
- Description: 12-Way F 1.5 MX Series, Sealed(BK)

Connector Part Information

- Harness Type: Chassis Wiring Harness
- OEM Connector: 33369138
- Service Connector: 19369242
- Description: 12-Way M 1.5 MX Series, Sealed(BK)

Terminal Part Information

Terminal Type ID	Terminated Lead	Diagnostic Test Probe	Terminal Removal Tool
I	Not required	No Tool Required	No Tool Required
II	19119842	J-35616-3 (GY)	J-38125-217

X910A Tail Lamp Wiring Harness - Left to Chassis Wiring Harness - without Chassis Cab

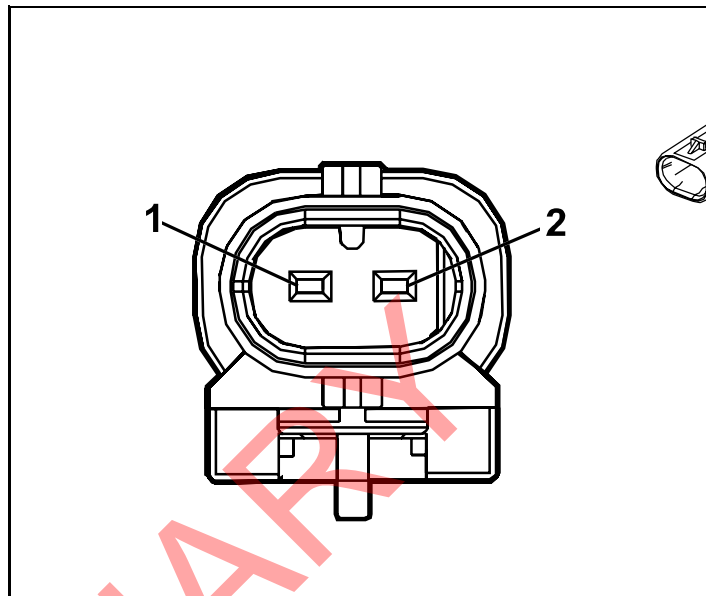
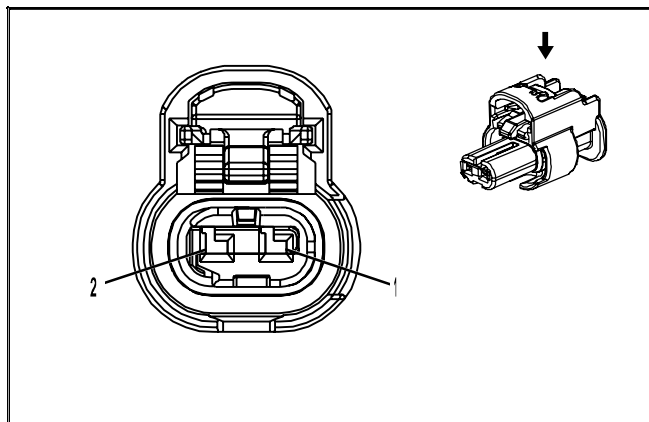
Pin	Size	Color	Circuit	Terminal Type ID	Option	Function	Pin	Size	Color	Circuit	Terminal Type ID	Option
1	1	BK / WH	1951	I	—	Signal Ground	1	1	BK / WH	1951	II	—
2	0.5	RD / WH	640	I	—	Battery Positive Voltage	2	0.5	RD / WH	640	II	—
3	0.75	GY / YE	7542	I	—	Left Rear Stop Lamp Control	3	0.75	GY / YE	7542	II	—
4	0.75	BN / BU	6993	I	—	Left Rear Park Lamp Control	4	0.75	BN / BU	6993	II	—
5	0.75	BU / WH	1334	I	—	Left Rear Turn Signal Lamp Control 2	5	0.75	BU / WH	1334	II	—
6	0.75	WH / VT	6567	I	—	Rear Turn Signal Lamp Feedback Signal	6	0.75	WH / VT	6567	II	—

© 2023 General Motors. All rights reserved.

Pin	Size	Color	Circuit	Terminal Type ID	Option	Function	Pin	Size	Color	Circuit	Terminal Type ID	Option
7	0.5	GN / WH	24	I	—	Backup Lamp Control	7	0.5	GN / WH	24	II	—
8	0.5	YE / GN	2024	I	—	Animation Lighting Control	8	0.5	YE / GN	2024	II	—
9	0.5	GY / BU	7762	I	—	Cargo Lamp Control	9	0.5	GY / BU	7762	II	—
10	0.75	BU / VT	1335	I	—	Right Rear Turn Signal Lamp Control 2	10	0.75	BU / VT	1335	II	—
11	0.5	BN / GN	4246	I	—	Identification Lamp Control	11	0.5	BN / GN	4246	II	—
12	—	—	—	—	—	Not Occupied	12	—	—	—	—	—

PRELIMINARY

X910C Tail Lamp Wiring Harness - Left to Left Side Marker Lamp Harness (DZW)



Connector Part Information

- Harness Type: Sunroof Jumper Harness
- OEM Connector: 13512366
- Service Connector: Service by Harness - See Part Catalog
- Description: 2-Way F 1.2 MCON-CB Series, Sealed(BK)

Connector Part Information

- Harness Type: Sunroof Jumper Harness
- OEM Connector: 13591338
- Service Connector: Service by Harness - See Part Catalog
- Description: 2-Way M 1.2 MCON Series, Sealed(BK)

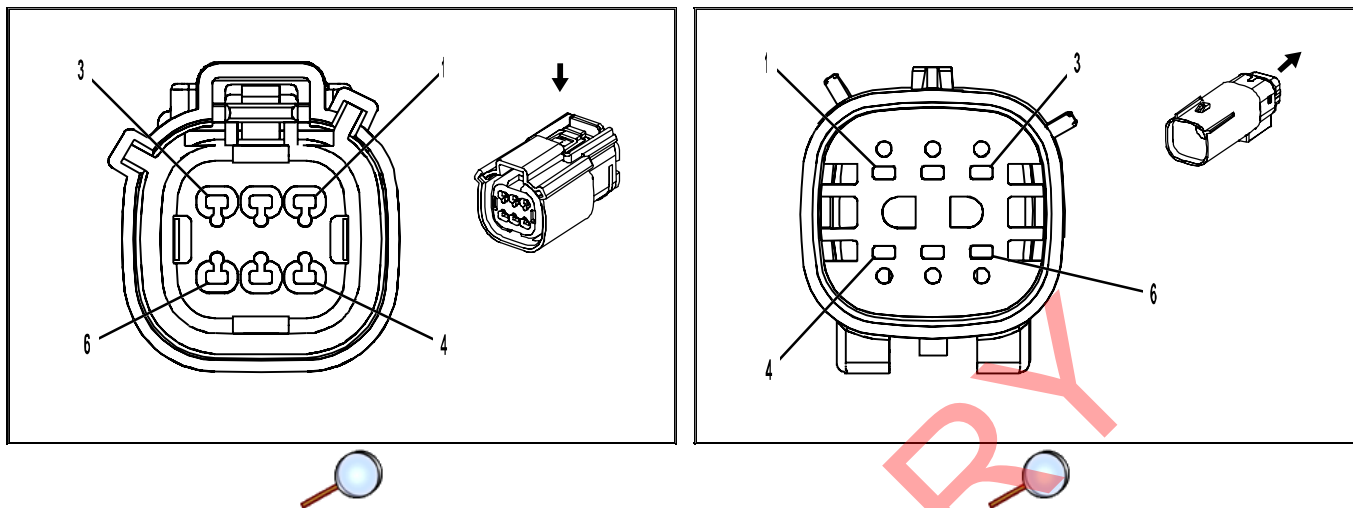
Terminal Part Information

Terminal Type ID	Terminated Lead	Diagnostic Test Probe	Terminal Removal Tool
I	Not required	No Tool Required	No Tool Required
II	Not required	No Tool Required	No Tool Required

X910C Tail Lamp Wiring Harness - Left to Left Side Marker Lamp Harness (DZW)

Pin	Size	Color	Circuit	Terminal Type ID	Option	Function	Pin	Size	Color	Circuit	Terminal Type ID	Option
1	—	BK	1951	I	—	Signal Ground	1	—	BK	1951	II	—
2	—	BN / GN	4246	I	—	Identification Lamp Control	2	—	BN / GN	4246	II	—

X920A Tail Lamp Wiring Harness - Right to Chassis Wiring Harness - Chassis Cab



Connector Part Information

- Harness Type: Sunroof Jumper Harness
- OEM Connector: 13503523
- Service Connector: Service by Harness - See Part Catalog
- Description: 6-Way F 1.5 MX Series, Sealed(GY)

Connector Part Information

- Harness Type: Chassis Wiring Harness
- OEM Connector: 35073435
- Service Connector: 19370461
- Description: 6-Way M 1.5 MX Series, Sealed(GY)

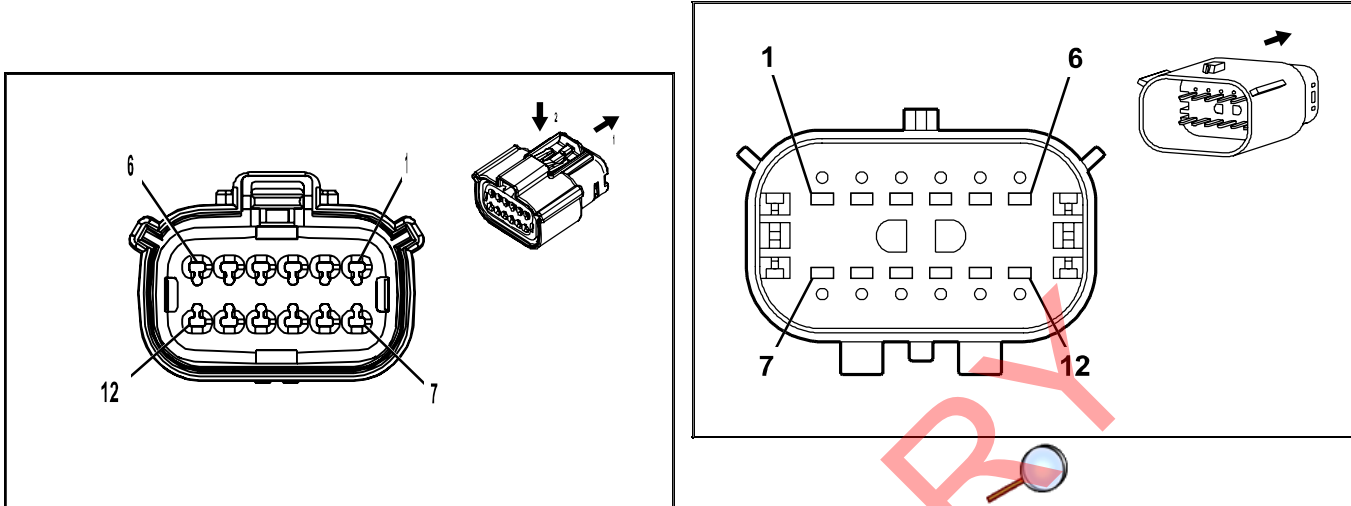
Terminal Part Information

Terminal Type ID	Terminated Lead	Diagnostic Test Probe	Terminal Removal Tool
I	Not required	No Tool Required	No Tool Required
II	Not required	J-35616-3 (GY)	No Tool Required

X920A Tail Lamp Wiring Harness - Right to Chassis Wiring Harness - Chassis Cab

Pin	Size	Color	Circuit	Terminal Type ID	Option	Function	Pin	Size	Color	Circuit	Terminal Type ID	Option
1	0.75	BN / GY	6995	I	—	Right Rear Park Lamp Control	1	0.75	BN / GY	6995	II	—
2 - 3	—	—	—	—	—	Not Occupied	2 - 3	—	—	—	—	—
4	0.5	GN / WH	24	I	—	Backup Lamp Control	4	0.5	GN / WH	24	II	—
5	0.75	BU / VT	1335	I	—	Right Rear Turn Signal Lamp Control 2	5	0.75	BU / VT	1335	II	—
6	1	BK	1850	I	—	Ground	6	1	BK	1850	II	—

X920A Tail Lamp Wiring Harness - Right to Chassis Wiring Harness - without Chassis Cab



Click Image For Video



Connector Part Information

- Harness Type: Sunroof Jumper Harness
- OEM Connector: 13503526
- Service Connector: Service by Harness - See Part Catalog
- Description: 12-Way F 1.5 MX Series, Sealed(BK)

Connector Part Information

- Harness Type: Chassis Wiring Harness
- OEM Connector: 33369138
- Service Connector: 19369242
- Description: 12-Way M 1.5 MX Series, Sealed(BK)

Terminal Part Information

Terminal Type ID	Terminated Lead	Diagnostic Test Probe	Terminal Removal Tool
I	Not required	No Tool Required	No Tool Required
II	19119842	J-35616-3 (GY)	J-38125-217

X920A Tail Lamp Wiring Harness - Right to Chassis Wiring Harness - without Chassis Cab

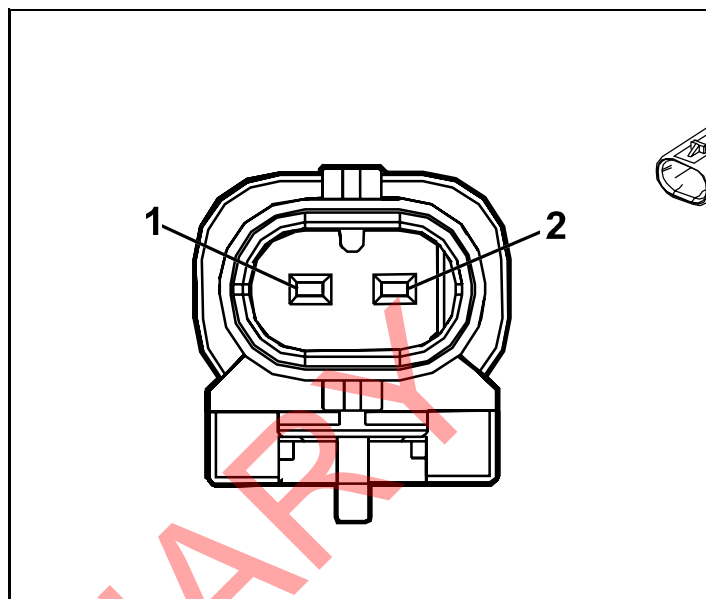
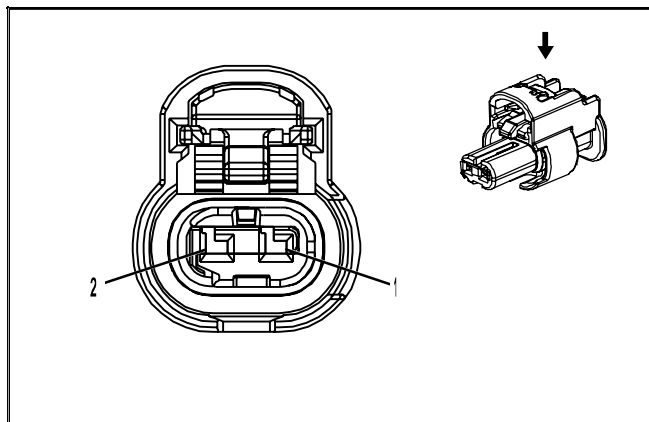
Pin	Size	Color	Circuit	Terminal Type ID	Option	Function	Pin	Size	Color	Circuit	Terminal Type ID	Option
1	1	BK	1850	I	—	Ground	1	1	BK	1850	II	—
2	0.5	RD / WH	6440	I	—	Battery Positive Voltage	2	0.5	RD / WH	6440	II	—
3	0.75	WH / YE	7541	I	—	Right Rear Stop Lamp Control	3	0.75	WH / YE	7541	II	—
4	0.75	BN / GY	6995	I	—	Right Rear Park Lamp Control	4	0.75	BN / GY	6995	II	—
5	0.75	BU / VT	1335	I	—	Right Rear Turn Signal Lamp Control 2	5	0.75	BU / VT	1335	II	—
6	0.75	WH / BK	7544	I	—	Right Rear Turn Signal Lamp Control 1	6	0.75	WH / BK	7544	II	—

© 2023 General Motors. All rights reserved.

Pin	Size	Color	Circuit	Terminal Type ID	Option	Function	Pin	Size	Color	Circuit	Terminal Type ID	Option
						Feedback Signal						
7	0.5	GN / WH	24	I	—	Backup Lamp Control	7	0.5	GN / WH	24	II	—
8	0.5	YE / GN	2024	I	—	Animation Lighting Control	8	0.5	YE / GN	2024	II	—
9	0.5	GY / BU	7762	I	—	Cargo Lamp Control	9	0.5	GY / BU	7762	II	—
10	0.75	BU / WH	1334	I	—	Left Rear Turn Signal Lamp Control 2	10	0.75	BU / WH	1334	II	—
11	0.5	BN / GN	4246	I	—	Identification Lamp Control	11	0.5	BN / GN	4246	II	—
12	—	—	—	—	—	Not Occupied	12	—	—	—	—	—

PRELIMINARY

X920C Tail Lamp Wiring Harness – Right to Right Side Marker Lamp Harness (DZW)



Connector Part Information

- Harness Type: Sunroof Jumper Harness
- OEM Connector: 13512366
- Service Connector: Service by Harness - See Part Catalog
- Description: 2-Way F 1.2 MCON-CB Series, Sealed(BK)

Connector Part Information

- Harness Type: Sunroof Jumper Harness
- OEM Connector: 13591338
- Service Connector: Service by Harness - See Part Catalog
- Description: 2-Way M 1.2 MCON Series, Sealed(BK)

Terminal Part Information

Terminal Type ID	Terminated Lead	Diagnostic Test Probe	Terminal Removal Tool
I	Not required	No Tool Required	No Tool Required
II	Not required	No Tool Required	No Tool Required

X920C Tail Lamp Wiring Harness – Right to Right Side Marker Lamp Harness (DZW)

Pin	Size	Color	Circuit	Terminal Type ID	Option	Function	Pin	Size	Color	Circuit	Terminal Type ID	Option
1	—	BK	1850	I	—	Ground	1	—	BK	1850	II	—
2	—	BN / GN	4246	I	—	Identification Lamp Control	2	—	BN / GN	4246	II	—

Connector Information

Brand	Connector Usage	Service Connector ID	HARNESS SUPPLIER PN	OEM PN	Description	Service P/N	OEM	OEM P/N	Connector Description	NOTE	Service Connector Kit Supplier	Current Inventory	On Order
Chevrolet	LH Front H/L	E13LA	33362189	33472-1266	KEY A - Blocked Cavity - 11&12	19352907	MOLEX	33472-1206	12 way F 1.5 MX Series, Sealed (BK)	Service Part made w/All Open Version	Lear	0	Current: 60 Next Month: 65
	RH Front H/L	E13RA	33362189	33472-1266	KEY A - Blocked Cavity - 11&12	19352907	MOLEX	33472-1206	12 way F 1.5 MX Series, Sealed (BK)	Service Part made w/All Open Version	Lear	0	Current: 60 Next Month: 65
	LH Taillamp	X910A (w/Chassis Cab)	35073434	33482-3646	KEY A - w/clip slot; Blocked Cavity - 2&3	19367742	Molex	33482-3601	6 way M 1.5 MX Series, Sealed (BK)	Service Part made w/All Open Version	Wiric	40	Current: 200
	LH Taillamp	X910A (w/o Chassis Cab)	33369138	33482-3646	KEY A - w/clip slot; Blocked Cavity - 2&3	19369242	Molex	33482-3601	12 way F 1.5 MX Series, Sealed (BK)	Service Part made w/All Open Version	Wiric	40	Current: 200
	RH Taillamp	X920A (w/Chassis Cab)	35073435	33482-3647	KEY B - w/clip slot; Blocked Cavity - 2&3	19370461	Molex	33482-3602	6 way M 1.5 MX Series, Sealed (LT GY)	Service Part made w/All Open Version	Wiric	53	2 Month Order: 100
	RH Taillamp	X920A (w/o Chassis Cab)	33369138	33482-6201	KEY A w/clip slot - All Open	19369242	Molex	33482-6201	12 way F 1.5 MX Series, Sealed (BK)	Service Part made w/All Open Version	Aptiv	0	2 Month Order: 9
GMC	LH Front H/L X1	E13LA	33362189	33472-1266	KEY A - Blocked Cavity - 11&12	19352907	MOLEX	33472-1206	12 way F 1.5 MX Series, Sealed (BK)	Service Part made w/All Open Version	Lear	0	Current: 60 Next Month: 65
	RH Front H/L X1	E13RA	33362189	33472-1266	KEY A - Blocked Cavity - 11&12	19352907	MOLEX	33472-1206	12 way F 1.5 MX Series, Sealed (BK)	Service Part made w/All Open Version	Lear	0	Current: 60 Next Month: 65
	LH Front H/L X2	E13LA	GMPN 13526832	33471-0654 obsoleted to 33471-6054	KEY B - w/CPA; Blocked Cavity - 1,2,4&6	19119946	Molex	33471-6007	6 way M 1.5 MX Series, Sealed (LT GY)	Service Part made w/All Open Version	Wiric	200	N/A
	RH Front H/L X2	E13RA	GMPN 13526832	33471-0654 obsoleted to 33471-6054	KEY B - w/CPA; Blocked Cavity - 1,2,4&6	19119946	Molex	33471-6007	6 way M 1.5 MX Series, Sealed (LT GY)	Service Part made w/All Open Version	Wiric	200	N/A
	LH Taillamp	X910A (w/Chassis Cab)	35073434	33482-3646	KEY A - w/clip slot; Blocked Cavity - 2&3	19367742	Molex	33482-3601	6 way M 1.5 MX Series, Sealed (BK)	Service Part made w/All Open Version	Wiric	40	Current: 200
	LH Taillamp	X910A (w/o Chassis Cab)	33369138	33482-6201	KEY A w/clip slot - All Open	19369242	Molex	33482-6201	12 way F 1.5 MX Series, Sealed (BK)	Service Part made w/All Open Version	Aptiv	0	2 Month Order: 9
	RH Taillamp	X920A (w/Chassis Cab)	35073435	33482-3647	KEY B - w/clip slot; Blocked Cavity - 2&3	19370461	Molex	33482-3602	6 way M 1.5 MX Series, Sealed (LT GY)	Service Part made w/All Open Version	Wiric	53	2 Month Order: 100
	RH Taillamp	X920A (w/o Chassis Cab)	33369138	33482-6201	KEY A w/clip slot - All Open	19369242	Molex	33482-6201	12 way F 1.5 MX Series, Sealed (BK)	Service Part made w/All Open Version	Aptiv	0	2 Month Order: 9