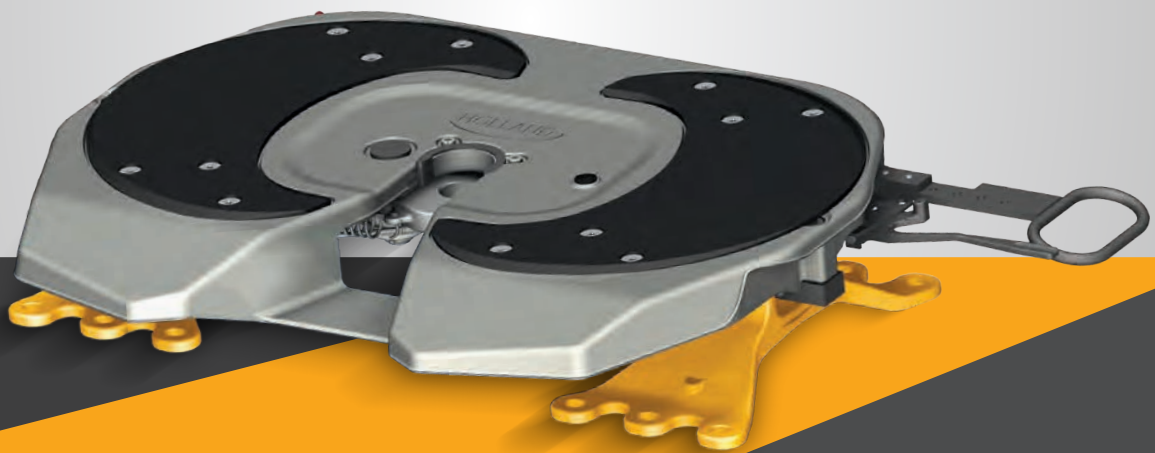




SAF-HOLLAND Group

Fifth Wheels



GC 6

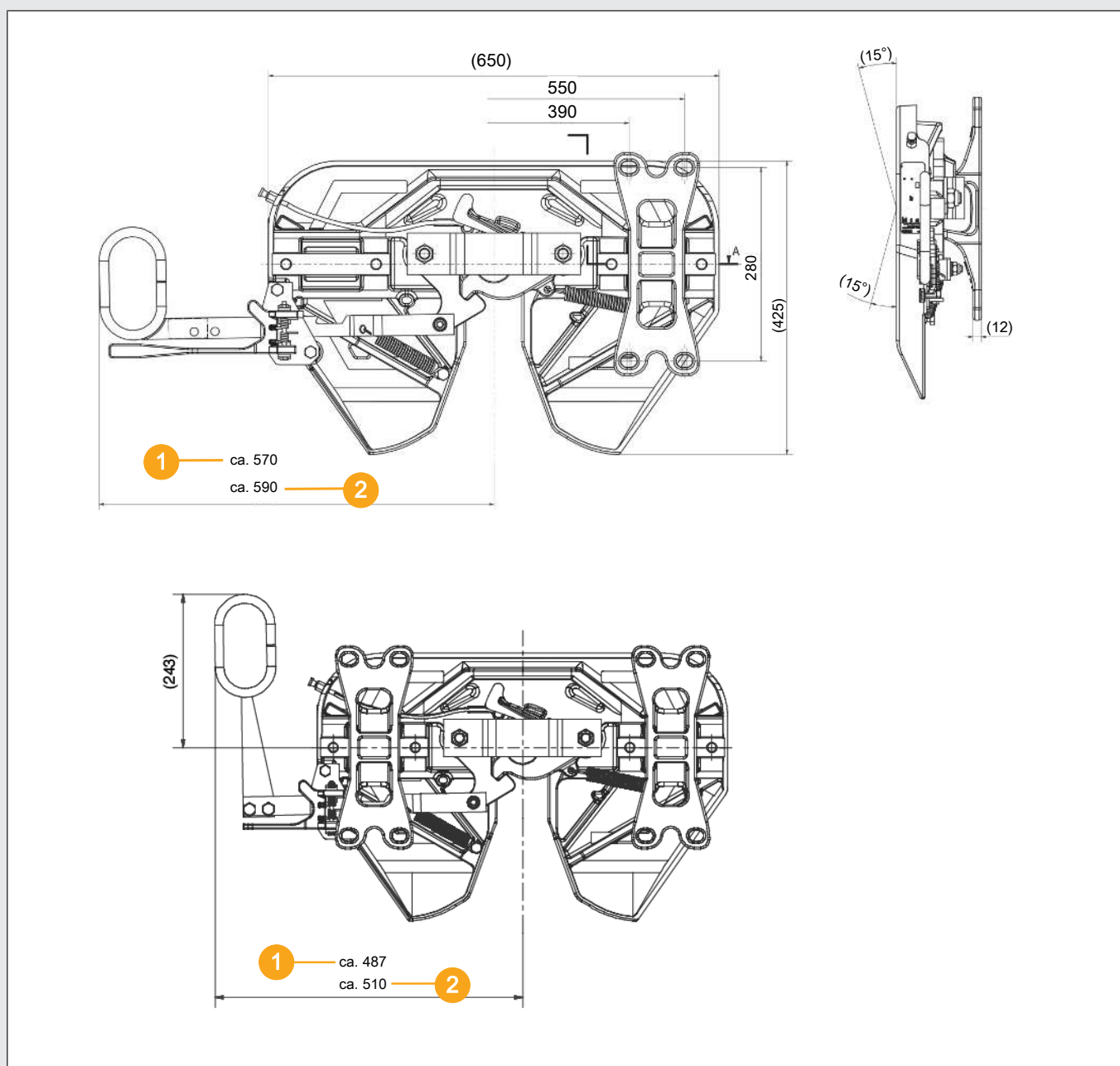


- Not approved for forced steering
- ECE Type Approval no: E11 55R-01 6737
- ECE Type Approval no: E11 55R-01 6737
- No mounting plate required

Technical Data

Type	Lock size [Inch]	Overall height [mm]	Imposed load [t]	D-value [kN]	Weight [kg]	Angle of inclination degree (w1/w2)	Order no.
Standard	2"	120	6	49	45	max.15° / max.15°	662121005
grip	2"	120	6	49	45	max.15° / max.15°	662121006

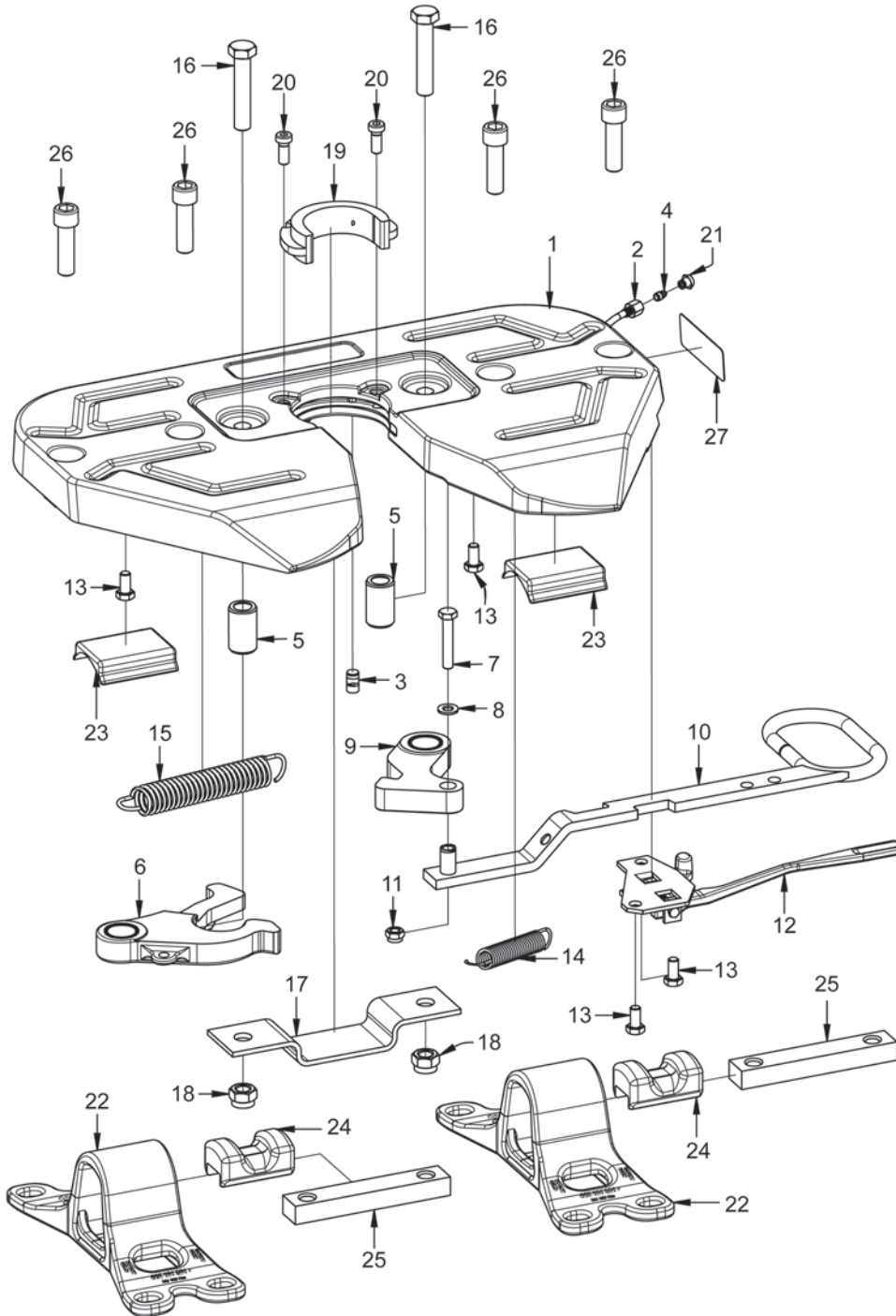
Dimensions



1	In position "locked"
2	In position "unlocked"

Subject to modifications in dimensions and design

Spare Parts GC 6



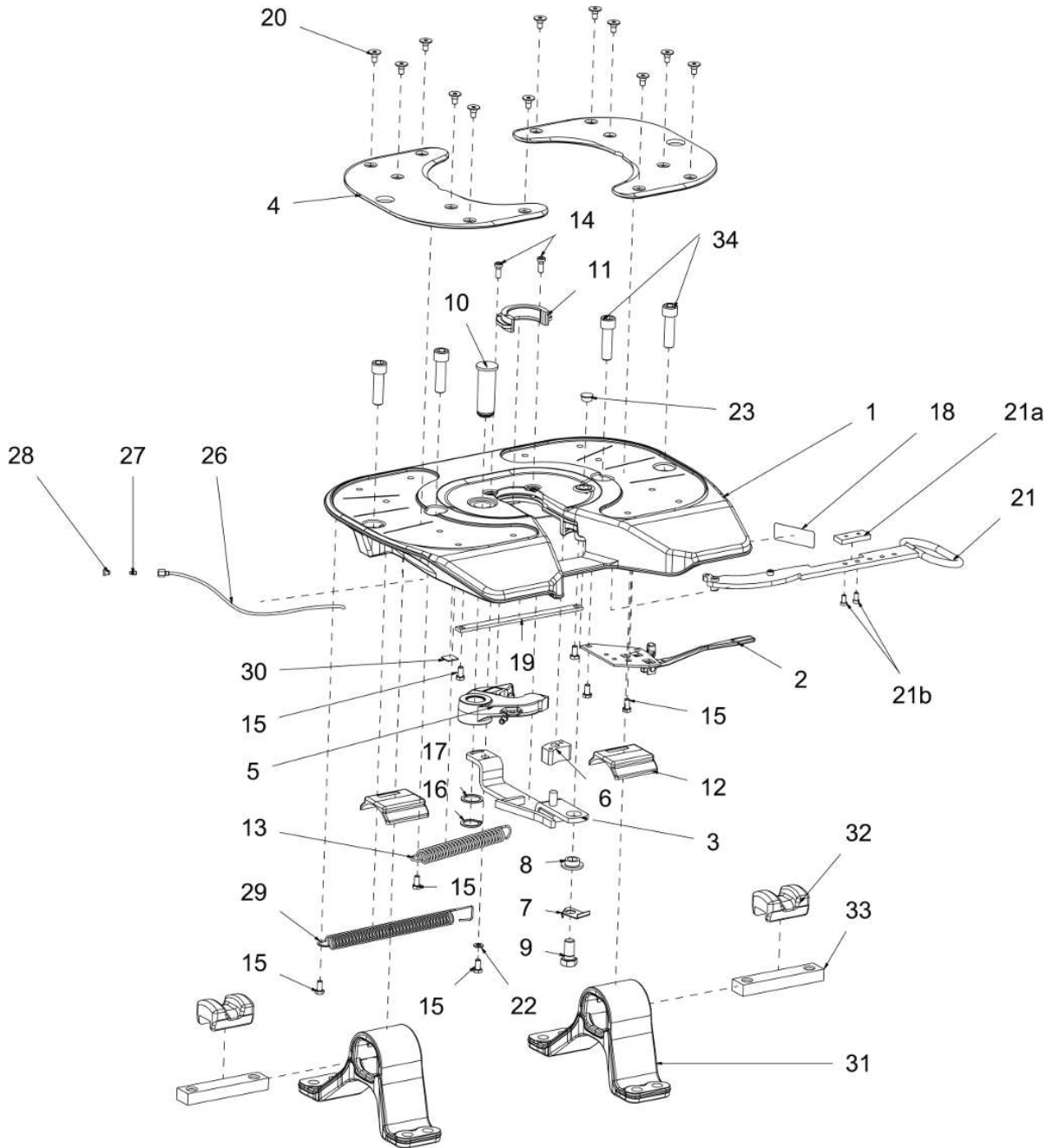
Item	Component	Dimensions	Pcs.	Order no.
	Repair kit wear ring (19, 20)			662101534
	Repair kit locking mechanism (6, 16, 18, 19, 20)			662101739
	Repair kit bearing (23, 24, 25, 26)			662101740
	Coupling plate without mounting bracket			662121010
1	Coupling plate		1	662121020
2	Lubrication tube		1	659144160
3	Plug		1	662129380
4	Grease nipple		1	662126224
5	Pin		2	662119141
6	Coupler jaw cpl.		1	662121026
7	Hex-screw		1	659112655
8	U-washer		1	662126175
9	Locking hook cpl.		1	662119139
10	Operating handle		1	662121027
11	Hex-nut		1	659100036
12	Latch cpl.		1	662121031
13	Hex socket head screw		4	659112359
14	Return spring		1	662121029
15	Return spring		1	662126410
16	Hex socket head screw	M16x80	2	659112355
17	Holder		1	662119142
18	Hex-nut		2	662126152
19	Wear ring		1	662131114
20	Hex-screw	M10x25	2	659112372
21	Grease fitting cap		1	659144142
22	Mounting bracket	120mm	2	662121021
23	Bearing insert		2	662121022
24	Rubber damping		2	662121023
25	Tensioning bar		2	662121024
26	Cylinder screw with hexagon socket		4	659112377
27	Identification plate		1	659120420

FW3214-W



- **Please note:** This fifth wheel is only to be used for the Mercedes-Benz Actros 4 x 2 in certain configurations.
- Ideal concept for Mercedes-Benz Antos and Actros 4 x 2 (18 t) tractors with the following specifications:
Wheel base 3700 mm with fifth wheel lead 600 mm
- The complete fifth wheel and mounting brackets are available from Daimler.
- For automatic lubrication of the lock mechanism, we recommend the use of our grease dispenser with adaptor (Page 162).
- ECE Type Approval no: E11 55R 017836

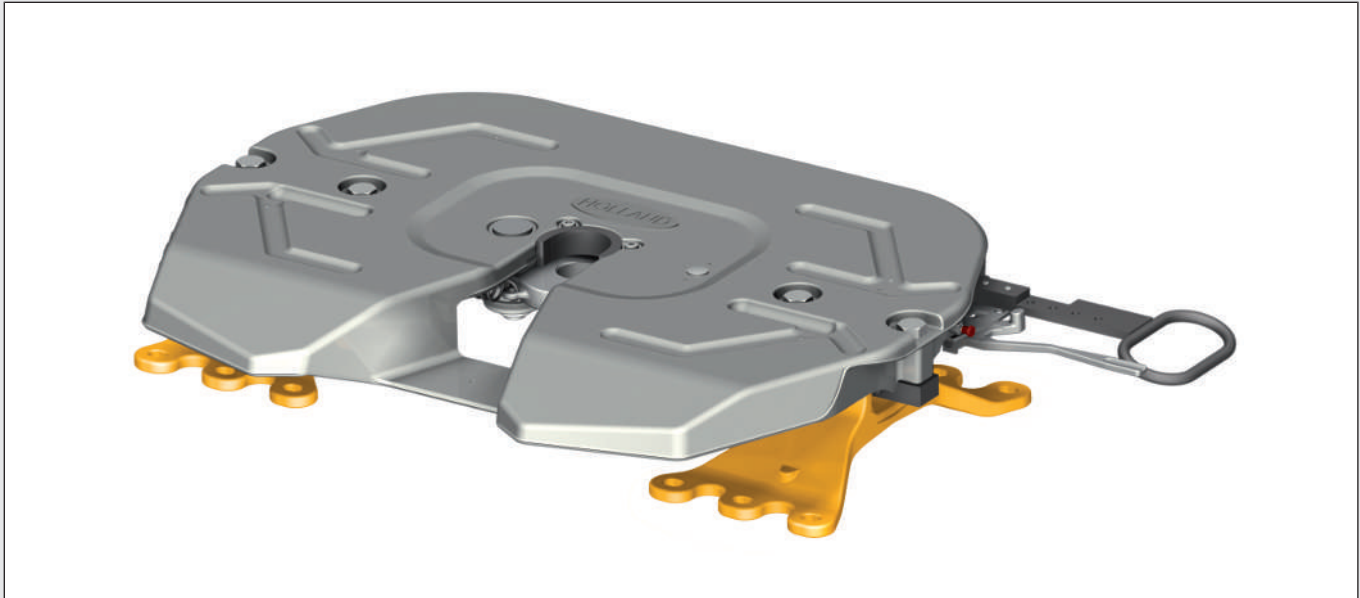
Spare Parts FW3214-W



Item	Component	Dimensions	Pcs.	Order no.
	Repair kit locking mechanism (5, 6, 7, 9, 10, 11, 14, 16, 17)			662101517
	Repair kit bearing (12, 32, 34)			662101518
	Repair kit wear ring (11,14)			662101534
	Repair kit for wear plate (4, 20)			662101656
	Repair kit locking (K)*			662101752
	Repair kit locking (A) (2, 15)			662101748
	Repair kit Operating handle (15, 21, 22, 29)			662101754
	Repair kit locking hock (3, 7, 8, 9, 15, 19)			662101755
	Repair kit Lubrication tube (26, 27, 28)			662101757
	Coupling plate without mounting bracket		1	662134002
1	Coupling plate		1	662129571
2	Automatic latch		1	662129153
3	Locking hook cpl.		1	662134156
4	Slider		2	662134103
5	Coupler jaw cpl.		1	662131107
6	Stopper		1	662129381
7	Locking plate		1	662129387
8	Bush		1	662129374
9	Hex socket head screw	M20x40	1	662129600
10	Pin		1	662129375
11	Wear ring		1	662131114
12	Bearing insert		2	662130101
13	Return spring		1	662126411
14	Hex-screw	M10x25	2	659112372
15	Hex socket head screw	M10x20	7	659112359
16	Circlip		1	659100027
17	Supporting washer		1	659100026
18	Identification plate		1	659120420
19	Guide		1	662129144
20	Flange screw		12	662130114
21	Operating handle		1	662134166
21a	Adjustment plate		1	662129158
21b	Hex-screw	M8x16	2	659112371
22	U-washer	Ø10	1	662126175
23	Plug		1	659140916
24	Protecting cap	6mm	2	662126255
26	Lubrication tube complete		1	659144146
27	Grease nipple	M8x1	1	662126224
28	Grease fitting cap		1	659144142
29	Return spring		1	662134317
30	Mounting base		1	662129168
31	Mounting bracket	Overall height 165mm	2	662134384
	Mounting bracket	Overall height 190mm	2	662111256
	Mounting bracket	Overall height 225mm	2	662134389
32	Rubber damping		2	662114110
33	Tensioning bar		2	662129388
34	Hex-screw	M20x70	4	659112365

* The coupling is delivered from the factory only with an automatic locking device. It can be retrofitted with the carabiner safety hook using kit 662 101 752.

SK-S 36.20 (Standard)



- Approved for forced steering
- ECE Type Approval no: E1 55R-01 0218

RECOSS® – THE PROVEN 3-SENSOR SAFETY SYSTEM

Available ex works and retrofittable for Volvo/Renault and Mercedes-Benz from MP4, spare parts: see Page 158.

Technical Data

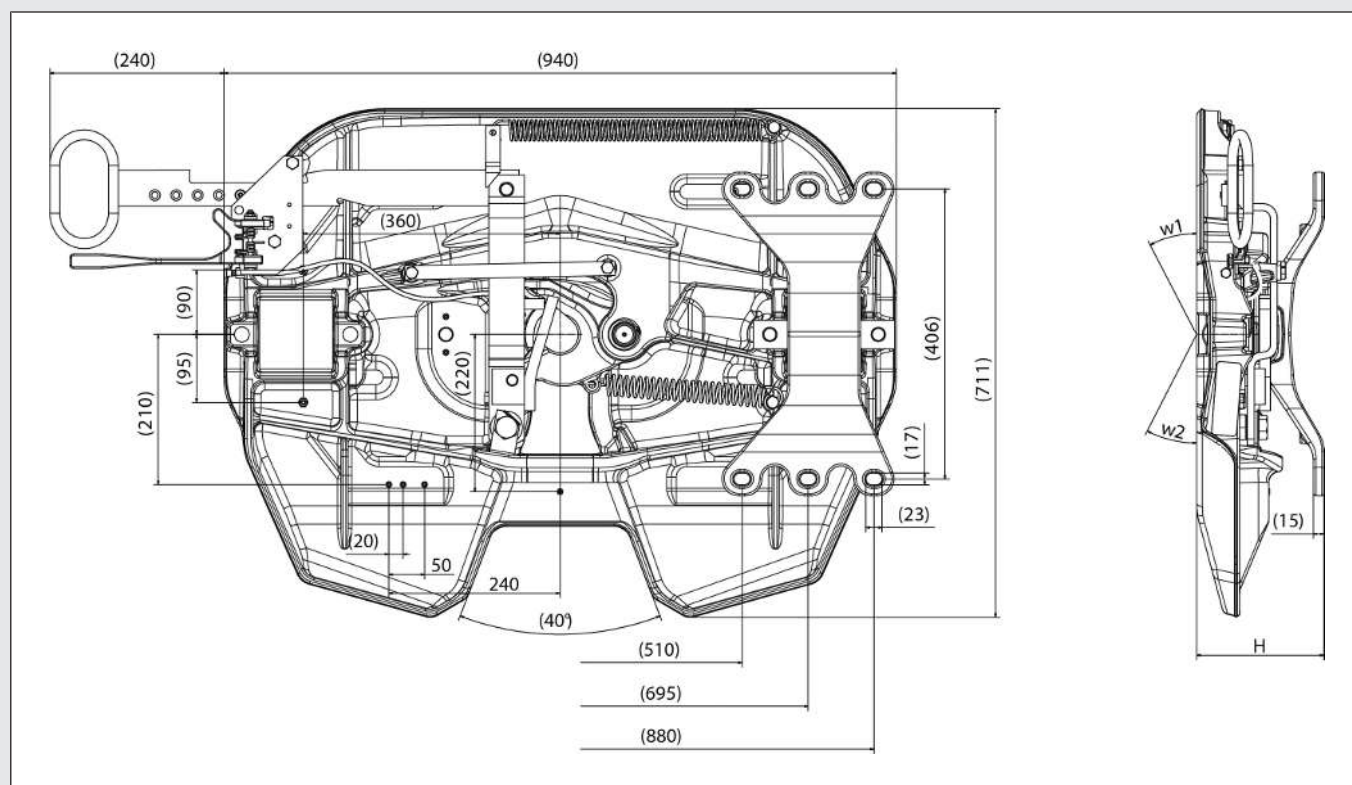
Type	Lock size [inch]	Overall height [mm]	Imposed load [t]	D-value [kN]	Weight [kg]	Angle of inclination degree (w1/w2)	Order no.
SK-S 36.20	2"	128*	20	152	116	8° / 8°	662129046
SK-S 36.20	2"	150	20	152	116	8° / 13°	662129038
SK-S 36.20 - Export** ¹⁾	2"	150	20	152	125	8° / 13°	662129084
SK-S 36.20	2"	185	20	152	119	17° / 26°	662129048
SK-S 36.20 - Export** ¹⁾	2"	185	20	152	123	17° / 26°	662129085
SK-S 36.20	2"	225	20	152	121	23° / 30°	662129031
SK-S 36.20	2"	250	20	152	131	29° / 42°	662129049

* Tilt angle in accordance with ISO 1726 for height 128 mm is only guaranteed with our mounting plate MP 486

** Reinforced mounting brackets for applications outside the European Union

¹⁾ No homologation

Dimensions

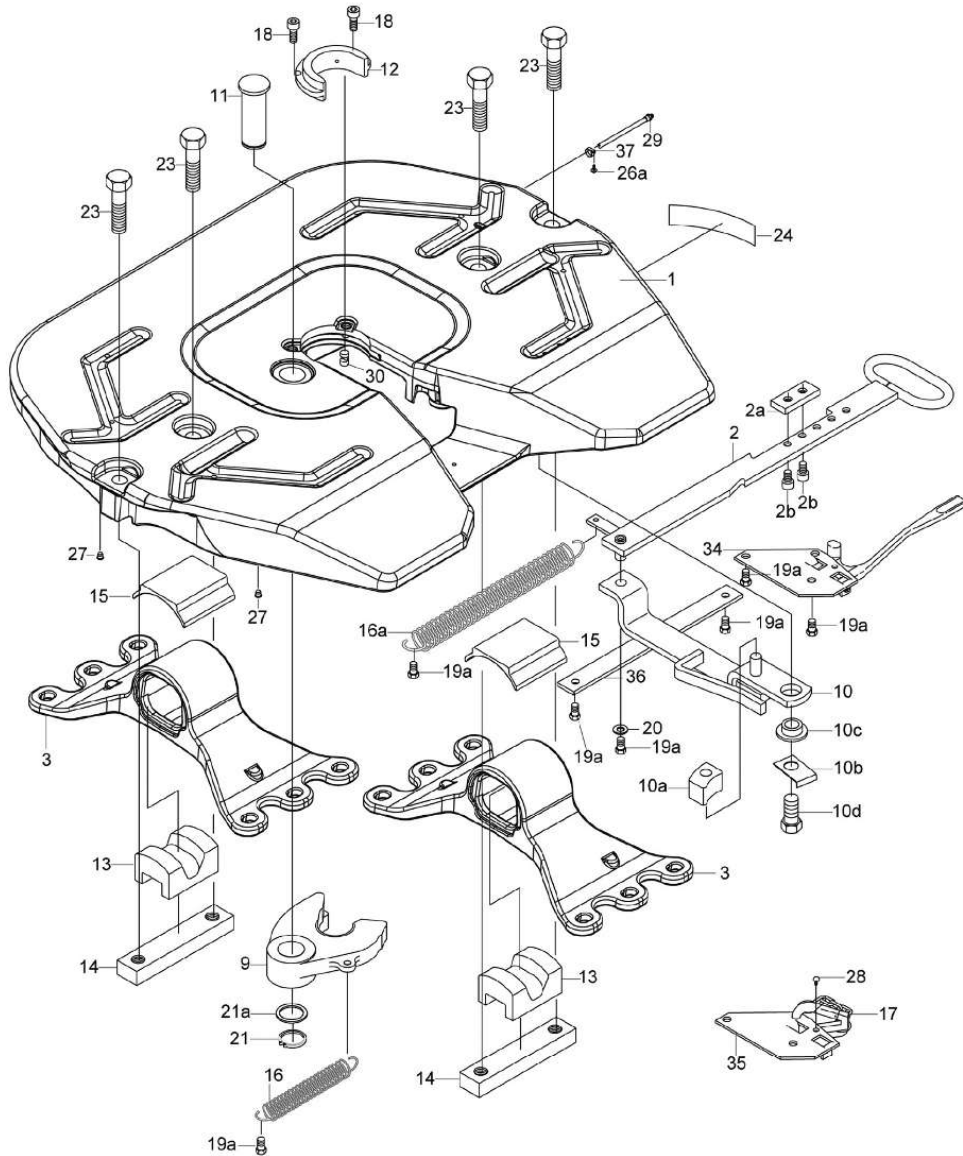


Mounting hole pattern according to DIN 74081

Subject to modifications in dimensions and design

Spare Parts SK-S 36.20

Repair kits also apply to SK-S 36.20 D



Item	Component	Dimensions	Serial no.	Pcs.	Order no.
	Repair kit bearing (13, 15, 23)			1	662101473
	Repair kit locking mechanism (9, 11, 12, 18, 21)		0 - 12999	1	662101475
	Repair kit locking mechanism and bearings (9, 11, 12, 13, 15, 18, 21, 21a, 23)		0 - 12999	1	662101477
	Repair kit locking mechanism (9, 10a, 10b, 10d, 11, 12, 18, 21, 21a)		13000 - ...	1	662101492
	Repair kit locking mechanism and bearings (9, 10a, 10b, 10d, 11, 12, 13, 15, 18, 21, 21a, 23)		13000 - ...	1	662101493
	Repair kit wear ring (19, 20)		0 - 12999	1	662101565
	Repair kit wear ring (12, 18)		13000 - ...	1	662101566
	Repair kit Operating handle			1	662101746

Item	Component	Dimensions	Serial no.	Pcs.	Order no.
	Repair kit locking hock (10, 10b, 10c, 10d, 19a, 36)			1	662101747
	Repair kit locking (A) (19a, 34)			1	662101748
	Repair kit locking (K) (17, 19a, 28, 35)			1	662101749
	Repair kit Lubrication tube (26a, 27, 29, 30, 37, 40, 46, 47)			1	662101750
	Repair kit Return spring (16, 16a)			1	662101751
	Coupling plate without mounting bracket			1	662129003
1	Coupling plate			1	662134571
2*	Operating handle		13000 - ...	1	662129166
2a	Adjustment plate		13000 - ...	1	662129158
2b	Hex-screw	M8x16	13000 - ...	2	659112371
3	Mounting bracket	128mm		2	662129383
3	Mounting bracket	150mm		2	662129584
3	Mounting bracket	150mm - EXPORT		2	662129384
3	Mounting bracket	185mm		2	662129485
3	Mounting bracket	185mm - EXPORT		2	662129385
3	Mounting bracket	225mm		2	662129389
3	Mounting bracket	250mm		2	662129386
9	Coupler jaw cpl.			1	662129134
10*	Locking hook		13000 - ...	1	662129156
10a	Stopper			1	662129381
10b	Locking plate			1	662129387
10c	Bush			1	662129374
10d	Hex socket head screw	M20x40		1	662129600
11	Pin			1	662129375
12	Wear ring		13000 - ...	1	662129377
12	Wear ring		0 - 12999	1	662129373
13	Rubber damping			2	662114110
14	Tensioning bar			2	662129388
15	Bearing insert			2	662130101
16	Return spring			1	662126411
16a	Return spring			1	662129317
17	Clipper with linkage			1	662100574
18	Hex-screw	M10x25	0 - 12999	2	659112372
18	Hex-screw	M10x25	0 - 13000	2	662126155
19a	Hex socket head screw	M10x16	0 - 12999	5	662126172
19a	Hex socket head screw	M10x20	13000 - ...	7	659112359
20	U-washer	Ø10		1	662126175
21	Circlip			1	659100027
21a	Supporting washer			1	659100026
23	Hex socket head screw	M20x80		4	662129606
24	Identification plate			1	659120380
26	Groove pin	3x8		2	662126173
26a	Groove pin	4x10		1	662126179
27	Protecting cap		0 - 12999	2	662129393
27	Protecting cap		13000 - ...	5	662126223
28	Rivet			1	662126151
29	Lubrication tube complete	L=410	0 - 35177	1	659144106
30	Plug		13000 - ...	1	662129380
34	Automatic latch			1	662129153
35	Latch cpl.		0 - 11999	1	662129376
35	Latch cpl.		12000 - ...	1	662129147
36	Guide			1	662129144
37	Mounting			1	659100029
38	Hex socket head screw	M10x25	0 - 12999	2	662111202
	Fixing nut		0 - 12999	1	662126176



SAF-HOLLAND Group

Item	Component	Dimensions	Serial no.	Pcs.	Order no.
	Grease nipple	M8x1	0 - 12999	1	662126224
	Eyebolt		0 - 12999	1	662126465
	Protecting cap (not shown)		0 - 12999	4	662129393
	Central lubrication kit*				659144148

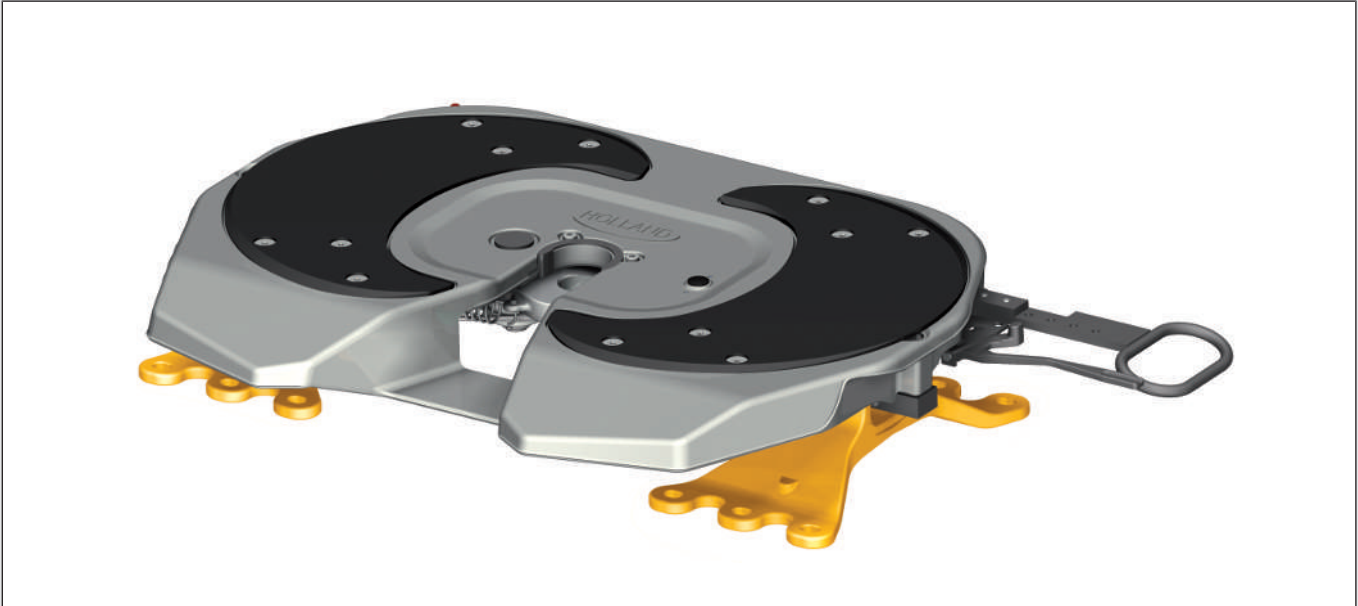
* Serial no. 0-11999: spare part on request.

Serial no. 12000-12999: both components have to be exchanged when changing the operating handle or the locking hook.

** Not usable with Volvo vehicles.

SK-S 36.20 W

Low-Maintenance



- Approved for forced steering
- ECE Type Approval no: E1 55R-01 0218

For automatic lubrication of the locking mechanism we recommend the use of our grease dispenser with adaptor (Page 162).

RECOSS® – THE PROVEN 3-SENSOR SAFETY SYSTEM

Available ex works and retrofittable for Volvo/Renault and Mercedes-Benz from MP4, spare parts: see Page 158.

Technical Data

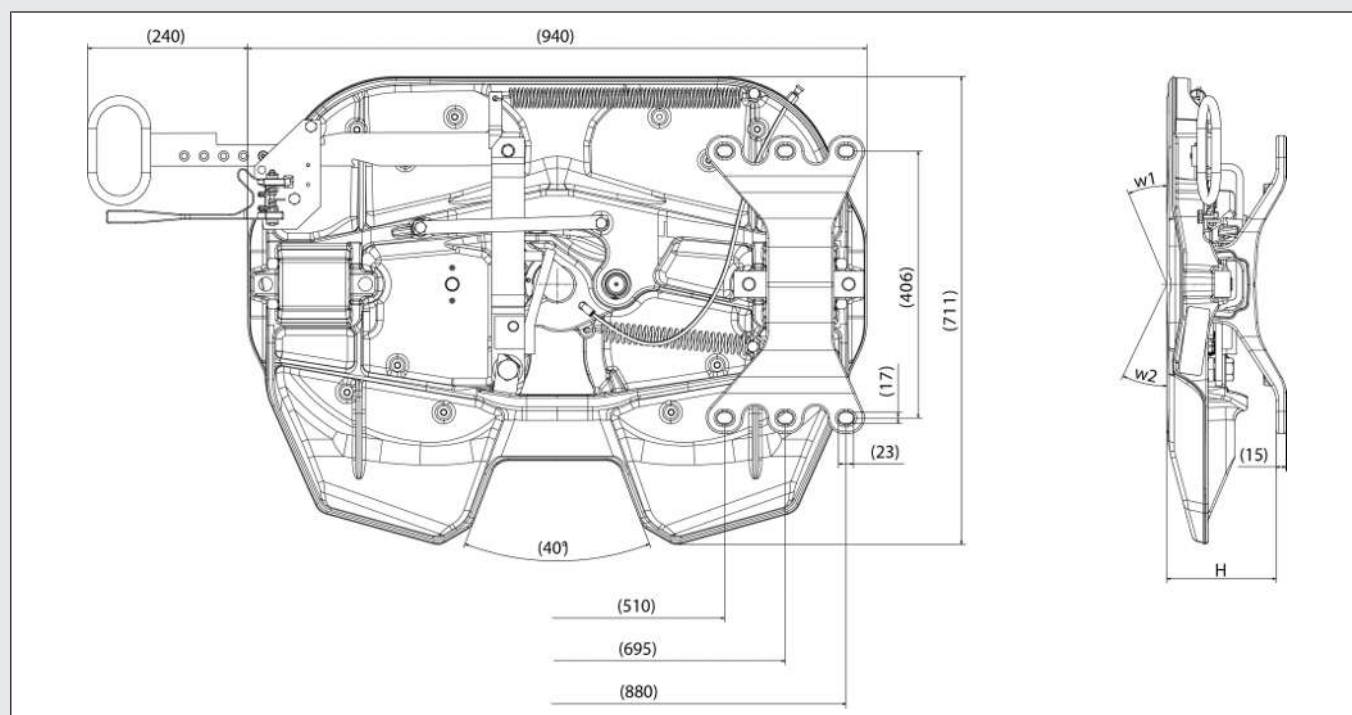
Type	Lock size [Inch]	Overall height [mm]	Imposed load [t]	D-value [kN]	Weight [kg]	Angle of inclination degree (w1/w2)	Order no.
SK-S 36.20 W	2"	128*	20	152	117	8° / 8°	662131011
SK-S 36.20 W	2"	150	20	152	118	8° / 13°	662131088
SK-S 36.20 W - Export** ¹⁾	2"	150	20	152	121	8° / 13°	662131812
SK-S 36.20 W	2"	185	20	152	121	17° / 26°	662131013
SK-S 36.20 W - Export** ¹⁾	2"	185	20	152	124	17° / 26°	662131085
SK-S 36.20 W	2"	225	20	152	124	23° / 30°	662131042
SK-S 36.20 W	2"	250	20	152	134	29° / 42°	662131014

* Tilt angle in accordance with ISO 1726 for height 128 mm is only guaranteed with our mounting plate MP 486

** Reinforced mounting brackets for applications outside the European Union

¹⁾ No homologation

Dimensions

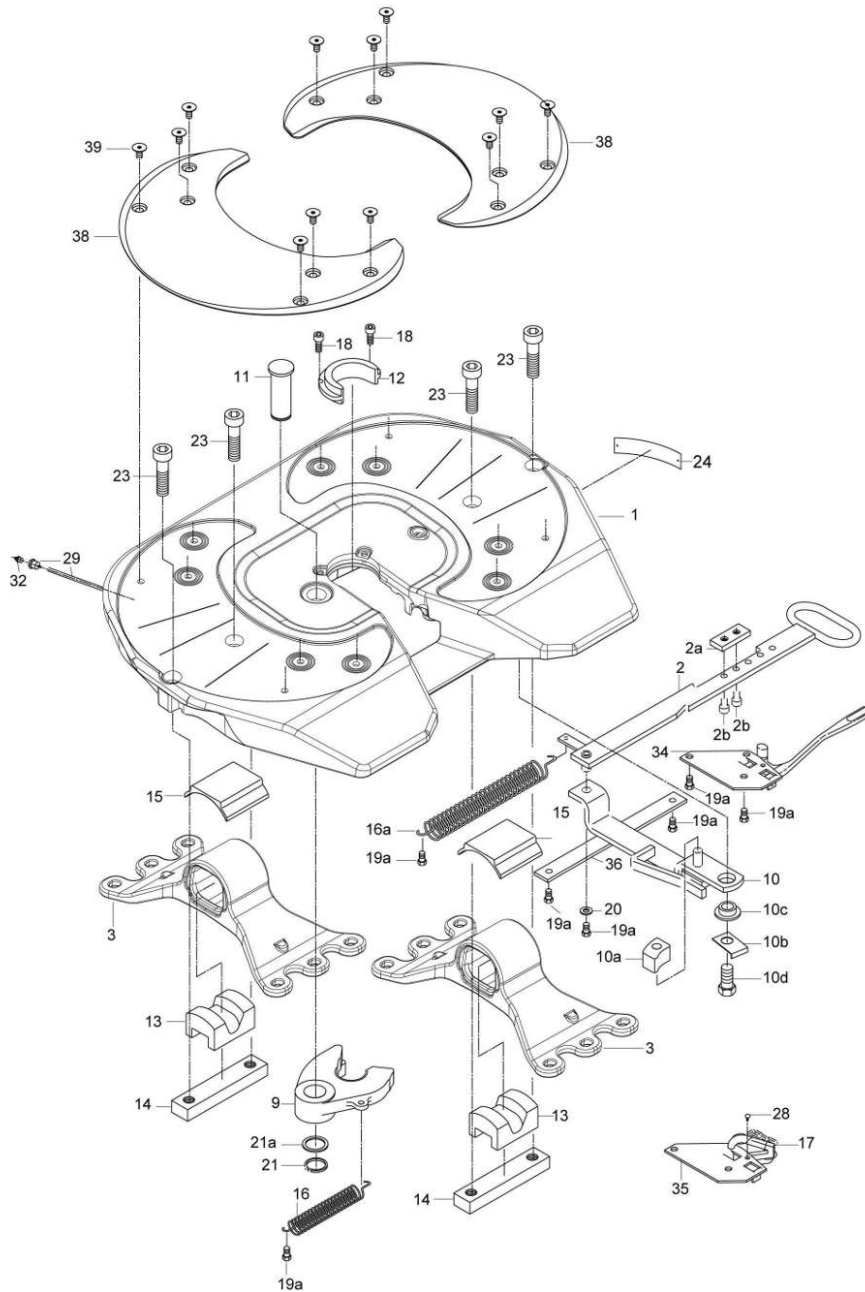


Mounting hole pattern according to DIN 74081

Subject to modifications in dimensions and design

Spare Parts SK-S 36.20 W

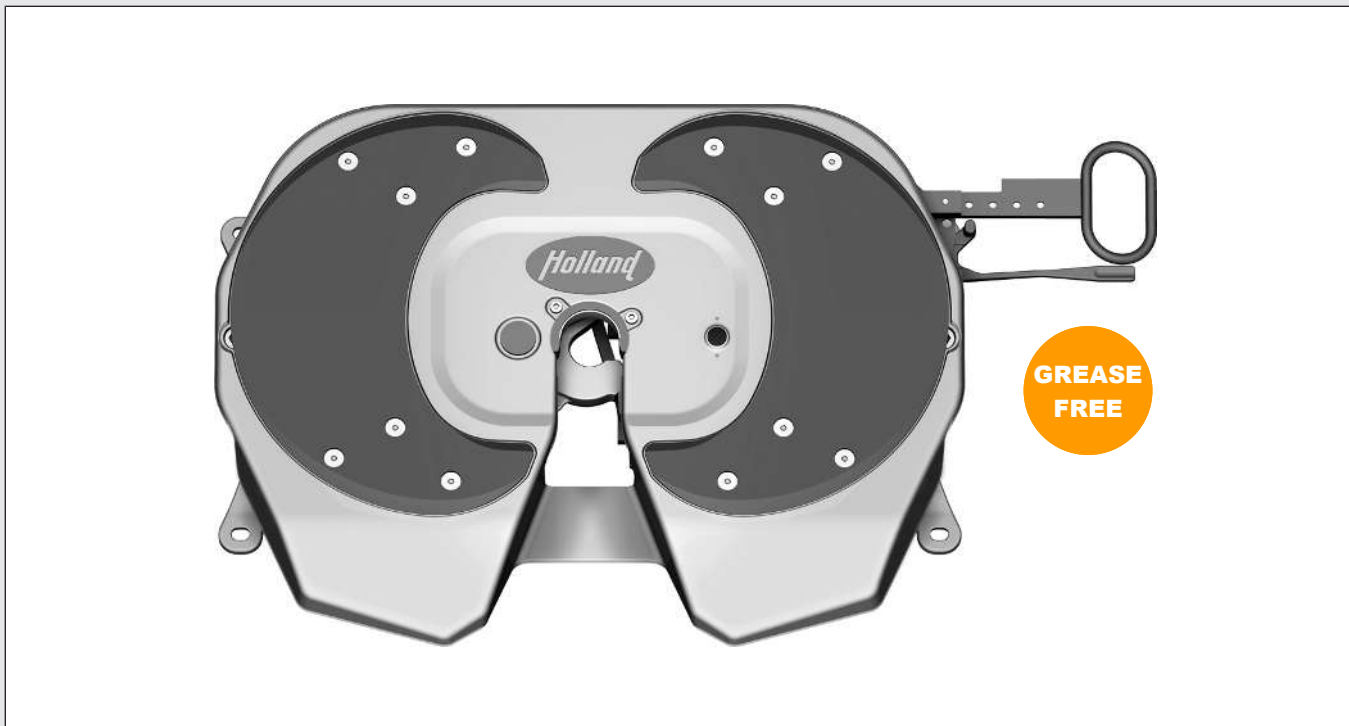
Repair kits also apply to SK-S 36.20 DW



Item	Component	Dimensions	Serial no.	Pcs.	Order no.
	Repair kit for wear plate (38, 39)				662101469
	Repair kit locking mechanism and bearings (9, 10a, 10b, 10d, 11, 12, 13, 15, 18, 21, 21a, 23)				662101516
	Repair kit locking mechanism (9, 10a, 10b, 10d, 11, 12, 18, 21, 21a)				662101517
	Repair kit bearing				662101518
	Repair kit wear ring				662101534

Item	Component	Dimensions	Serial no.	Pcs.	Order no.
	Mounting kit for fifth wheel plate (W) without mounting bracket (13, 14, 15, 23, 38, 39)				662101738
	Repair kit Operating handle			1	662101746
	Repair kit locking hock (10, 10b, 10c, 10d, 19a, 36)			1	662101747
	Repair kit locking (A) (19a, 34)			1	662101748
	Repair kit locking (K) (17, 19a, 28, 35)			1	662101749
	Repair kit Return spring (16, 16a)			1	662101751
	Coupling plate (W) without mounting bracket (assembly kit necessary)				662131002
1	Coupling plate			1	662129571
2*	Operating handle		13000 - ...	1	662129166
2a	Adjustment plate		13000 - ...	1	662129158
2b	Hex-screw	M8x16	13000 - ...	2	659112371
3	Mounting bracket	128mm		2	662129383
3	Mounting bracket	150mm		2	662129584
3	Mounting bracket	150mm - EXPORT		2	662129384
3	Mounting bracket	185mm		2	662129485
3	Mounting bracket	185mm - EXPORT		2	662129385
3	Mounting bracket	225mm		2	662129389
3	Mounting bracket	250mm		2	662129386
9	Coupler jaw cpl.			1	662131107
10	Locking hook			1	662129156
10a	Stopper			1	662129381
10b	Locking plate			1	662129387
10c	Bush			1	662129374
10d	Hex socket head screw	M20x40		1	662129600
11	Pin			1	662129375
12	Wear ring			1	662131114
13	Rubber damping			2	662114110
14	Tensioning bar			2	662129388
15	Bearing insert			2	662130101
16	Return spring			1	662126411
16a	Return spring			1	662129317
17	Clipper with linkage			1	662100574
18	Hex-screw	M10x25	0 - 12999	2	659112372
19a	Hex socket head screw	M10x20	13000 - ...	7	659112359
20	U-washer	Ø10		1	662126175
21	Circlip			1	659100027
21a	Supporting washer			1	659100026
23	Hex-screw	M20x70		4	659112365
24	Identification plate			1	659120380
26	Groove pin	3x8		2	662126173
28	Rivet			1	662126151
29	Lubrication tube complete	L=410	0 - 35177	1	659144106
29	Lubrication tube complete	L=495	35178 - ...	1	659144146
32	Grease nipple	M8x1	0 - 12999	1	662126224
34	Automatic latch			1	662129153
35	Latch cpl.		12000 - ...	1	662129147
36	Guide			1	662129144
38	Slider			1	662131103
39	Flange screw			12	662130114

SK-S 36.20 NoLube



- Permanent, maintenance-free bearings
- Approved for forced steering
- ECE Type Approval no: E1 55R-01 0218

RECOSS® – THE PROVEN 3-SENSOR SAFETY SYSTEM

Available ex works and retrofittable for Volvo/Renault and Mercedes-Benz from MP4, spare parts: see Page 158.

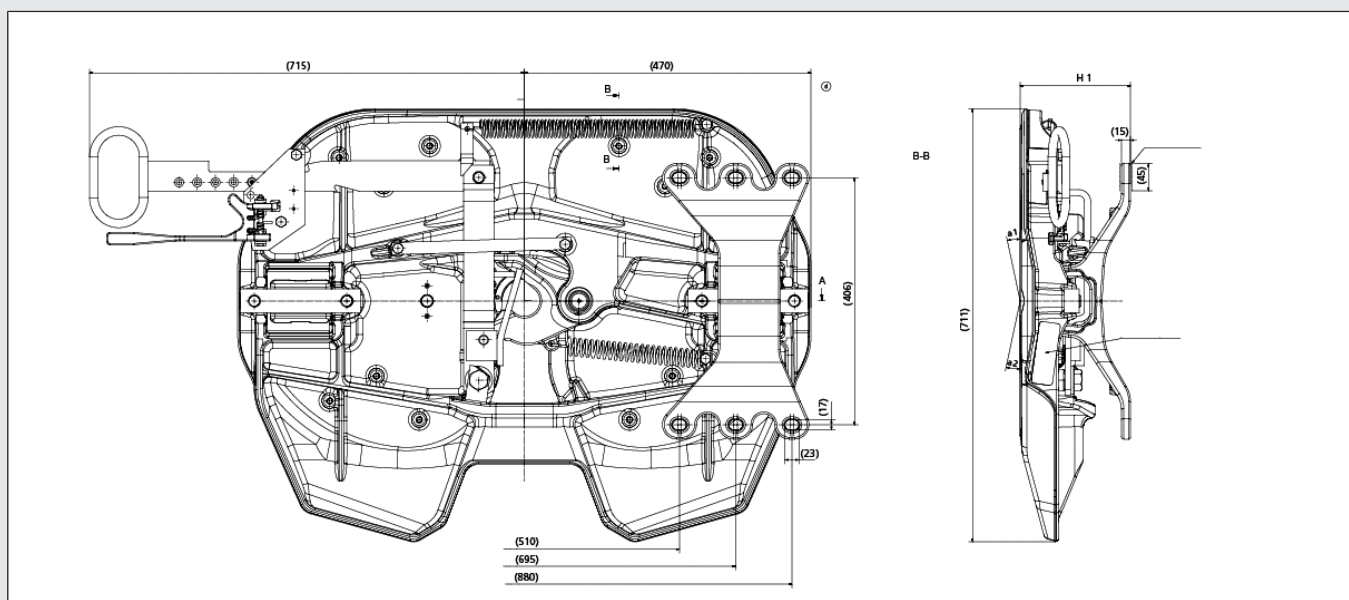
Technical Data

Type	Overall height [mm]	Imposed load [t]	D-value [kN]	Weight [kg]	Angle of inclination degree (w1/w2)	Order no.
SK-S 36.20 NoLube	128*	20	152	117	8° / 8°	662131916
SK-S 36.20 NoLube - Export**	150	20	152	121	8° / 13°	662131918
SK-S 36.20 NoLube	150	20	152	118	8° / 13°	662131921
SK-S 36.20 NoLube - Export**	185	20	152	124	17° / 26°	662131924
SK-S 36.20 NoLube	185	20	152	121	17° / 26°	662131926
SK-S 36.20 NoLube	225	20	152	124	29° / 42°	662131929
SK-S 36.20 NoLube	250	20	152	134	29° / 42°	662131931

* Tilt angle in accordance with ISO 1726 for height 128 mm is only guaranteed with our mounting plate MP 486

** Reinforced mounting brackets for applications outside the European Union

Dimensions



SK-S 36.20 D NoLube



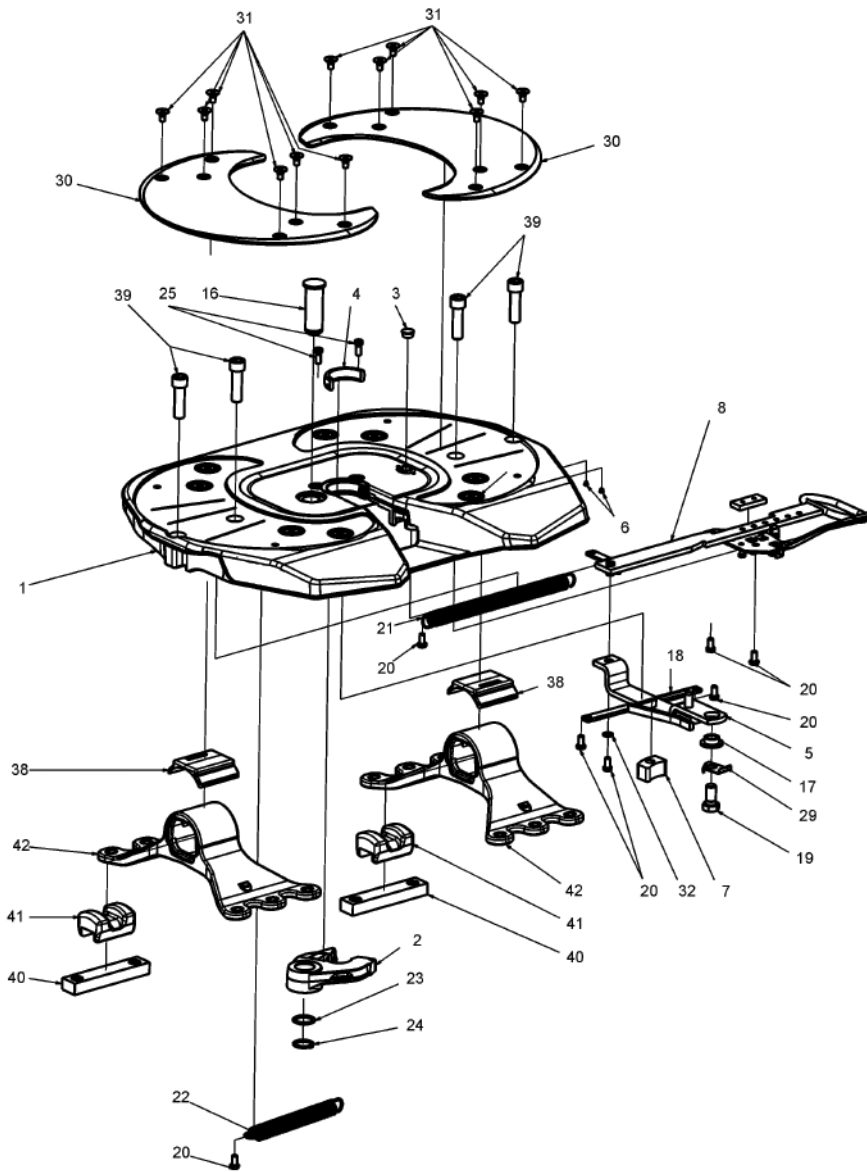
- Permanent, maintenance-free bearings
- Approved for forced steering
- ECE Type Approval no: E1 55R-01 0218

Technical Data

Type	Overall height [mm]	Imposed load [t]	D-value [kN]	Weight [kg]	Angle of inclination degree (w1/w2)	Order no.
Mercedes-Benz (Mounting width 860 mm)						
SK-S 36.20 D NoLube	148*	20	152	126	9.5° / 13°	66213193501
SK-S 36.20 D NoLube	190	20	152	135	19° / 25°	66213193601
SK-S 36.20 D NoLube	225	20	152	143	24° / 30°	66213193701
*Additional vendor specific mounting plate (12 mm / 39 kg)						
MAN						
SK-S 36.20 D NoLube	148*	20	152	126	9.5° / 13°	66213193502
SK-S 36.20 D NoLube	190	20	152	135	19° / 25°	66213193602
SK-S 36.20 D NoLube	225	20	152	143	24° / 30°	66213193702
*Additional vendor specific mounting plate (8 mm / 18 kg)						
Iveco						
SK-S 36.20 D NoLube	148*	20	152	126	9.5° / 13°	66213193503
SK-S 36.20 D NoLube	190	20	152	135	19° / 25°	66213193603
SK-S 36.20 D NoLube	225	20	152	143	24° / 30°	66213193703
*Additional vendor specific mounting plate (8 mm / 40 kg)						
DAF						
SK-S 36.20 D NoLube	190	20	152	135	19° / 25°	66213193604
SK-S 36.20 D NoLube	225*	20	152	143	24° / 30°	66213193704
*For the DAF model 225 mm overall height: cross bar 662131139 is required						

- Use overall heights 190 mm and 225 mm only with cross bars, if the overall heights is changed
- Cross bar required; consisting of
 - tie rod, complete: 662131142
 - cross bar: 662131143

Spare Parts SK-S 36.20 NoLube



Item	Component	Dimensions	Serial no.	Pcs.	Order no.
	Repair kit for wear plate (30, 31)				662101469
	Repair kit bearing (38, 39, 41)				662101518
	Repair kit locking mechanism (2, 4, 7, 16, 19, 23, 24, 25, 29)				662101533
	Repair kit wear ring (4, 25)				662101534
	Repair kit Operating handle (8, 20, 21, 32)				662101746
	Repair kit locking hock (5, 17, 18, 19, 20, 29)				662101747
	Repair kit locking (A) (13, 20)				662101748
	Repair kit locking (K)				662101749
	Repair kit Return spring (21, 22)				662101751

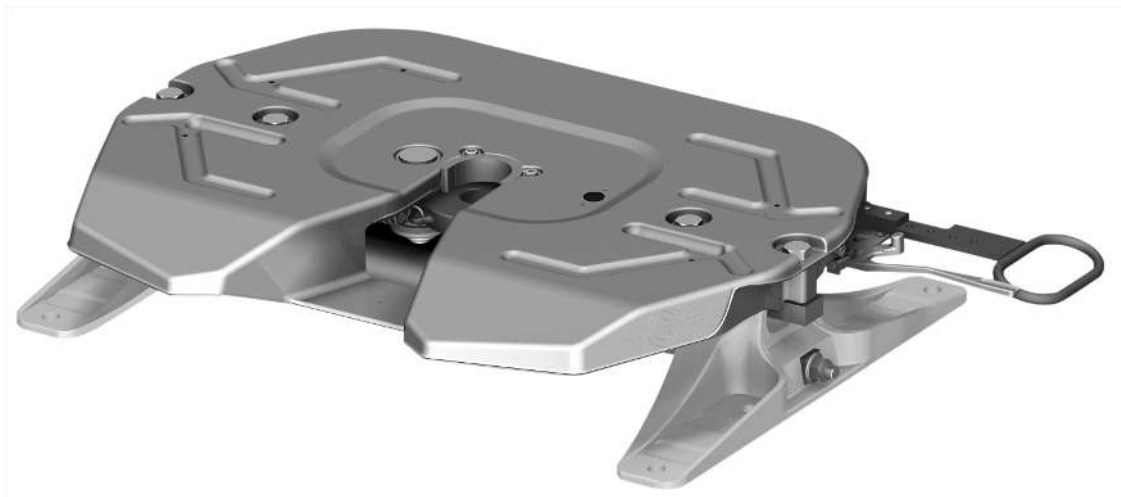
Item	Component	Dimensions	Serial no.	Pcs.	Order no.
	Coupling plate without mounting bracket				662131910
	Coupling plate without mounting bracket				662131911
1	Coupling plate			1	662129571
2	Coupler jaw cpl.			1	662131907
3	Plug			1	659140916
4	Wear ring			1	662131114
5	Locking hook			1	662129156
6	Protecting cap (6mm)			2	662126255
7	Stopper			1	662129381
8	Operating handle			1	662129166
13	Automatic latch			1	662129153
16	Pin			1	662129375
17	Bush			1	662129374
18	Guide			1	662129144
19	Hex socket head screw	M20x40		1	662129600
20	Hex socket head screw	M10x20		7	659112359
21	Return spring			1	662129317
22	Return spring			1	662126411
23	Supporting washer			1	659100026
24	Circlip			1	659100027
25	Hex-screw	M10x25		2	659112372
29	Locking plate			1	662129387
30	Slider			2	662131103
31	Flange screw			12	662130114
32	U-washer	Ø10		1	662126175
38	Bearing insert			2	662130101
39	Hex-screw	M20x70		4	659112365
40	Tensioning bar			2	662129388
41	Rubber damping			2	662114110
42	Mounting bracket	128mm		2	662129383
42	Mounting bracket	150mm		2	662129584
42	Mounting bracket	150mm - EXPORT		2	662129384
42	Mounting bracket	185mm		2	662129485
42	Mounting bracket	185mm - EXPORT		2	662129385
42	Mounting bracket	225mm		2	662129389
42	Mounting bracket	250mm		2	662129386
42	Mounting bracket with pattern of drilling	148mm	Mercedes Benz	2	662131120
42	Mounting bracket with pattern of drilling*	190mm	Mercedes Benz	2	662131125
42	Mounting bracket with pattern of drilling*	225mm	Mercedes Benz	2	662131130
42	Mounting bracket with pattern of drilling	148mm	MAN	2	662131121
42	Mounting bracket with pattern of drilling*	190mm	MAN	2	662131126
42	Mounting bracket with pattern of drilling*	225mm	MAN	2	662131131
42	Mounting bracket with pattern of drilling	148mm	IVECO	2	662131122
42	Mounting bracket with pattern of drilling*	190mm	IVECO	2	662131127
42	Mounting bracket with pattern of drilling*	225mm	IVECO	2	662131132
42	Mounting bracket with pattern of drilling	148mm	DAF	2	662131123
42	Mounting bracket with pattern of drilling*	190mm	DAF	2	662131128
42	Mounting bracket with pattern of drilling**	225mm	DAF	2	662131133

* Cross bar required; consisting of:
tie rod, complete 662131142 and
cross bar D 51 mm 6621311433

** Cross bar required: 662131139

SK-S 36.20 D

Direct Mounting



- Easy to mount directly on the vehicle chassis
- Approved for forced steering
- ECE Type Approval no: E1 55R-01 0218

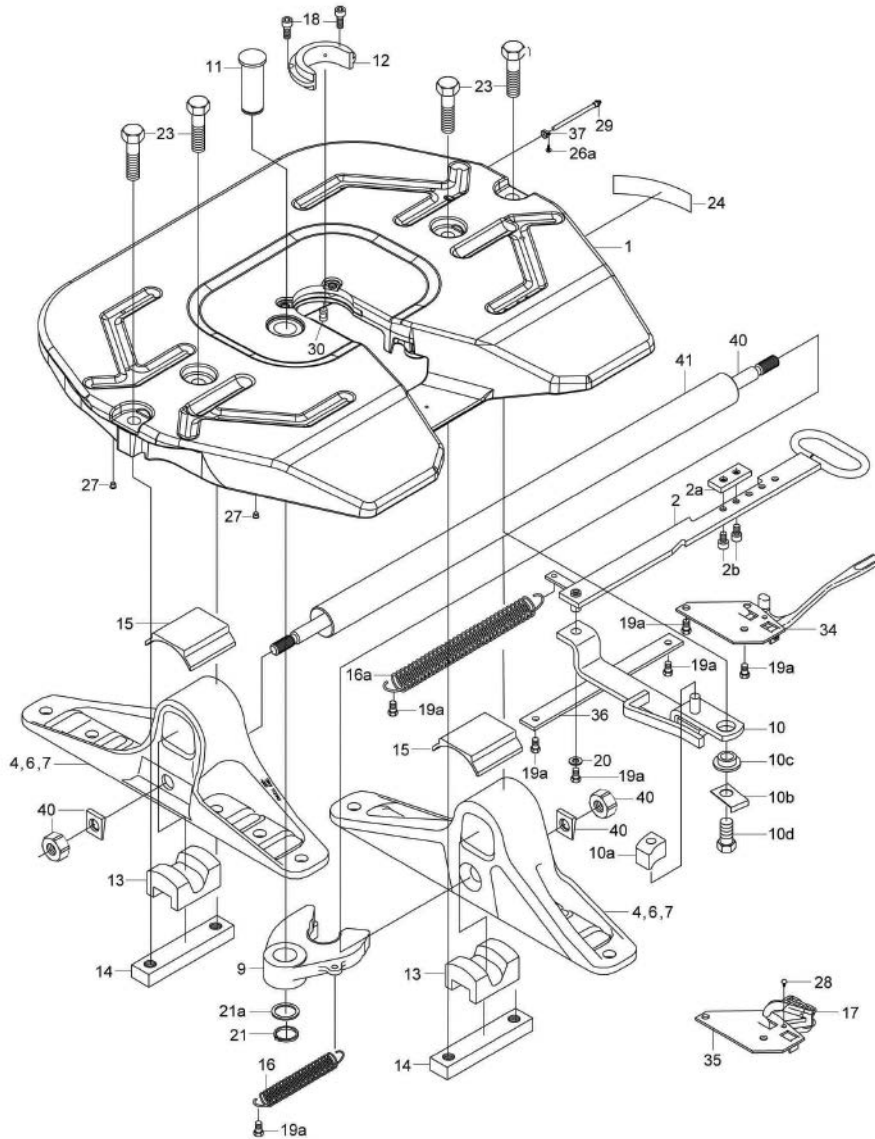
Technical Data

Type	Overall height [mm]	Imposed load [t]	D-value [kN]	Weight [kg]	Angle of inclination degree (w1/w2)	Order no.
Mercedes-Benz (Mounting width 860 mm)						
SK-S 36.20 D	148*	20	152	126*	9.5° / 13°	66212920001
SK-S 36.20 D	190	20	152	135	19° / 15°	66212920101
SK-S 36.20 D	225	20	152	143	24° / 30°	66212920201
*Additional vendor specific mounting plate (12 mm / 39 kg)						
MAN						
SK-S 36.20 D	148*	20	152	126*	9.5° / 13°	66212920002
SK-S 36.20 D	190	20	152	135	19° / 15°	66212920102
SK-S 36.20 D	225	20	152	143	24° / 30°	66212920202
*Additional vendor specific mounting plate (8 mm / 18 kg)						
Iveco						
SK-S 36.20 D	148*	20	152	126*	9.5° / 13°	66212920003
SK-S 36.20 D	190	20	152	135	19° / 15°	66212920103
SK-S 36.20 D	225	20	152	143	24° / 30°	66212920203
*Additional vendor specific mounting plate (8 mm / 40 kg)						
DAF						
SK-S 36.20 D	190	20	152	135	19° / 15°	66212920104
SK-S 36.20 D	225*	20	152	143	24° / 30°	66212920204
*For the DAF model 225 mm overall height: cross bar 662131139 is required						

- Use overall heights 190 mm and 225 mm only with cross bars, if the overall heights is changed
- Cross bar required; consisting of
 - tie rod, complete: 662131142
 - cross bar: 662131143

Spare Parts SK-S 36.20 D

Repair kits also apply to SK-S 36.20



Item	Component	Dimensions	Serial no.	Pcs.	Order no.
	Repair kit bearing (13, 15, 23)			1	662101473
	Repair kit locking mechanism (9, 10a, 10b, 10d, 11, 12, 18, 21, 21a)		13000 - ...	1	662101492
	Repair kit locking mechanism and bearings (9, 10a, 10b, 10d, 11, 12, 13, 15, 18, 21, 21a, 23)		13000 - ...	1	662101493
	Repair kit wear ring (12, 18)		13000 - ...	1	662101566
	Repair kit Operating handle			1	662101746
	Repair kit locking hock (10, 10b, 10c, 10d, 19a, 36)			1	662101747
	Repair kit locking (A) (19a, 34)			1	662101748
	Repair kit locking (K) (17, 19a, 28, 35)			1	662101749
	Repair kit Lubrication tube (26a, 27, 29, 30, 37, 40, 46, 47)			1	662101750
	Repair kit Return spring (16, 16a)			1	662101751
	Coupling plate without mounting bracket			1	662129003

Item	Component	Dimensions	Serial no.	Pcs.	Order no.
1	Coupling plate			1	662129571
2*	Operating handle		13000 - ...	1	662129166
2a	Adjustment plate		13000 - ...	1	662129158
2b	Hex-screw	M8x16	13000 - ...	2	659112371
4	Mounting bracket with pattern of drilling	148mm	Mercedes Benz	2	662131120
4	Mounting bracket with pattern of drilling	148mm	MAN	2	662131121
4	Mounting bracket with pattern of drilling	148mm	IVECO	2	662131122
4	Mounting bracket with pattern of drilling	148mm	DAF	2	662131123
6	Mounting bracket with pattern of drilling	190mm	Mercedes Benz	2	662131125
6	Mounting bracket with pattern of drilling	190mm	MAN	2	662131126
6	Mounting bracket with pattern of drilling	190mm	IVECO	2	662131127
6	Mounting bracket with pattern of drilling	190mm	DAF	2	662131128
7	Mounting bracket with pattern of drilling	225mm	Mercedes Benz	2	662131130
7	Mounting bracket with pattern of drilling	225mm	MAN	2	662131131
7	Mounting bracket with pattern of drilling	225mm	IVECO	2	662131132
7	Mounting bracket with pattern of drilling	225mm	DAF	2	662131133
9	Coupler jaw cpl.			1	662129134
10	Locking hook			1	662129156
10a	Stopper			1	662129381
10b	Locking plate			1	662129387
10c	Bush			1	662129374
10d	Hex socket head screw	M20x40		1	662129600
11	Pin			1	662129375
12	Wear ring		13000 - ...	1	662129377
13	Rubber damping			2	662114110
14	Tensioning bar			2	662129388
15	Bearing insert			2	662130101
16	Return spring			1	662126411
16a	Return spring			1	662129317
17	Clipper with linkage			1	662100574
18	Hex-screw	M10x25	0 - 12999	2	659112372
19a	Hex socket head screw	M10x20	13000 - ...	7	659112359
20	U-washer	Ø10		1	662126175
21	Circlip			1	659100027
21a	Supporting washer			1	659100026
23	Hex socket head screw	M20x80		4	662129606
24	Identification plate			1	659120380
26	Groove pin	3x8		2	662126173
26a	Groove pin	4x10		1	662126179
27	Protecting cap			4	662126223
28	Rivet			1	662126151
29	Lubrication tube complete	L=410	0 - 35177	1	659144106
30	Plug		13000 - ...	1	662129380
34	Automatic latch			1	662129153
35	Hex-nut			1	662129155
36	Guide			1	662129144
37	Mounting			1	659100029
40	Con rod			1	662131142
41	Strut	Ø51		1	662131143
41	Strut	Ø60,3 (DAF - 225mm)		1	662131139
	Central lubrication kit*				659144148

* Not usable with Volvo vehicles.

SK-S 36.20 DW

Direct Mounting, Low-Maintenance



- Approved for forced steering
- ECE Type Approval no: E1 55R-01 0218

For automatic lubrication of the locking mechanism we recommend the use of our grease dispenser with adaptor (Page 162).

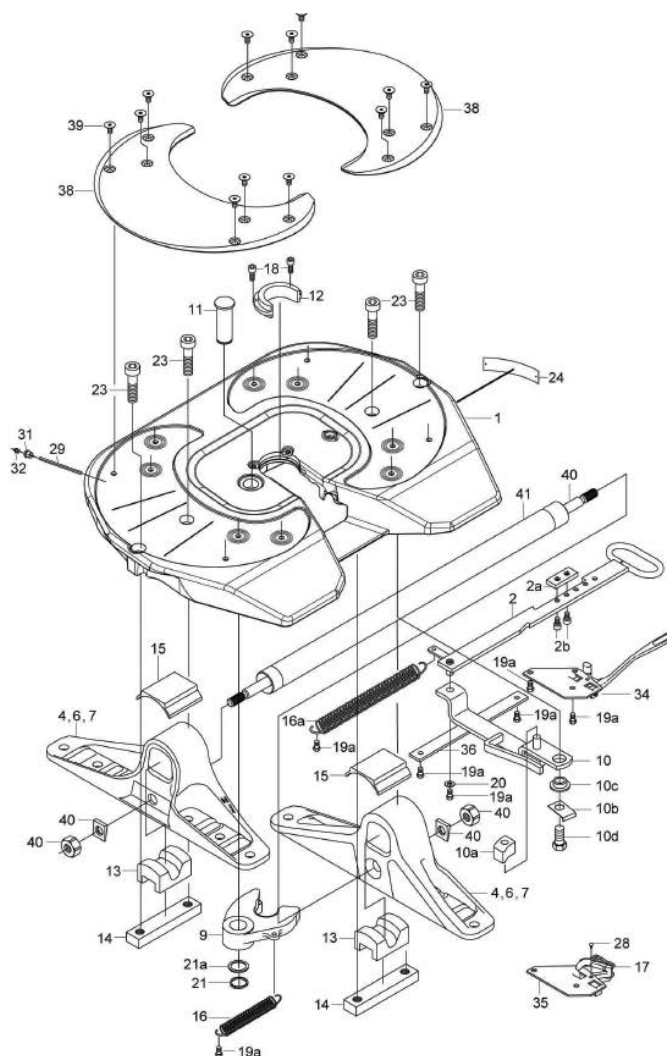
Technical Data

Type	Overall height [mm]	Imposed load [t]	D-value [kN]	Weight [kg]	Angle of inclination degree (w1/w2)	Order no.
Mercedes-Benz (Mounting width 860 mm)						
SK-S 36.20 DW	148*	20	152	126*	9.5° / 13°	66213101601
SK-S 36.20 DW	190	20	152	135	19° / 15°	66213101701
SK-S 36.20 DW	225	20	152	143	24° / 30°	66213101801
*Additional vendor specific mounting plate (12 mm / 39 kg)						
MAN						
SK-S 36.20 DW	148*	20	152	126*	9.5° / 13°	66213101602
SK-S 36.20 DW	190	20	152	135	19° / 15°	66213101702
SK-S 36.20 DW	225	20	152	143	24° / 30°	66213101802
*Additional vendor specific mounting plate (8 mm / 18 kg)						
Iveco						
SK-S 36.20 DW	148*	20	152	126*	9.5° / 13°	66213101603
SK-S 36.20 DW	190	20	152	135	19° / 15°	66213101703
SK-S 36.20 DW	225	20	152	143	24° / 30°	66213101803
*Additional vendor specific mounting plate (8 mm / 40 kg)						
DAF						
SK-S 36.20 DW	190	20	152	135	19° / 15°	66213101704
SK-S 36.20 DW	225*	20	152	143	24° / 30°	66213101804
*For the DAF model 225 mm overall height: cross bar 662131139 is required						

- Use overall heights 190 mm and 225 mm only with cross bars, if the overall heights is changed
- Cross bar required; consisting of
 - tie rod, complete: 662131142
 - cross bar: 662131143

Spare Parts SK-S 36.20 DW

Repair kits also apply to SK-S 36.20 W

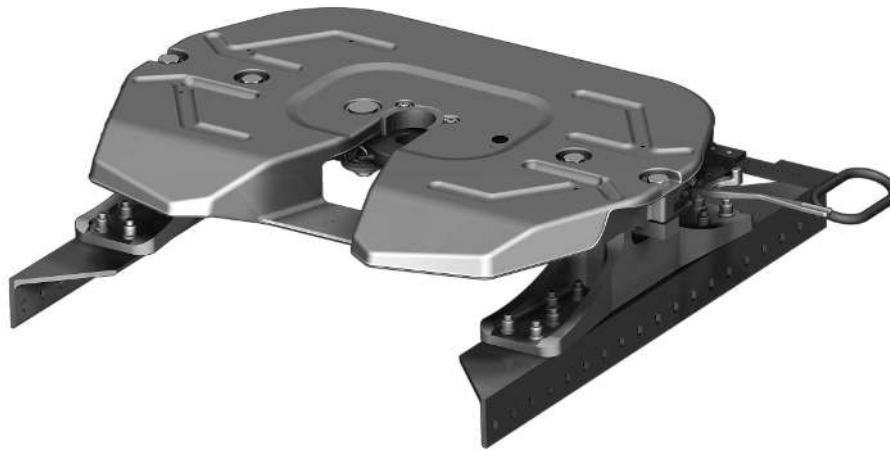


Item	Component	Dimensions	Serial no.	Pcs.	Order no.
	Repair kit for wear plate (38, 39)				662101469
	Repair kit locking mechanism and bearings (9, 10a, 10b, 10d, 11, 12, 13, 15, 18, 21, 21a, 23)				662101516
	Repair kit locking mechanism (9, 10a, 10b, 10d, 11, 12, 18, 21, 21a)				662101517
	Repair kit bearing				662101518
	Repair kit wear ring				662101534
	Mounting kit for fifth wheel plate (W) without mounting bracket (13, 14, 15, 23, 38, 39)				662101738
	Repair kit Operating handle			1	662101746
	Repair kit locking hock (10, 10b, 10c, 10d, 19a, 36)			1	662101747
	Repair kit locking (A) (19a, 34)			1	662101748
	Repair kit locking (K) (17, 19a, 28, 35)			1	662101749
	Repair kit Return spring (16, 16a)			1	662101751
	Coupling plate (W) without mounting bracket (assembly kit necessary)				662131002

Item	Component	Dimensions	Serial no.	Pcs.	Order no.
1	Coupling plate (W) without mounting bracket (assembly kit necessary)			1	662131571
2*	Operating handle		13000 - ...	1	662129166
2a	Adjustment plate		13000 - ...	1	662129158
2b	Hex-screw	M8x16	13000 - ...	2	659112371
4	Mounting bracket with pattern of drilling	148mm	Mercedes Benz	2	662131120
4	Mounting bracket with pattern of drilling	148mm	MAN	2	662131121
4	Mounting bracket with pattern of drilling	148mm	IVECO	2	662131122
4	Mounting bracket with pattern of drilling	148mm	DAF	2	662131123
6	Mounting bracket with pattern of drilling	190mm	Mercedes Benz	2	662131125
6	Mounting bracket with pattern of drilling	190mm	MAN	2	662131126
6	Mounting bracket with pattern of drilling	190mm	IVECO	2	662131127
6	Mounting bracket with pattern of drilling	190mm	DAF	2	662131128
7	Mounting bracket with pattern of drilling	225mm	Mercedes Benz	2	662131130
7	Mounting bracket with pattern of drilling	225mm	MAN	2	662131131
7	Mounting bracket with pattern of drilling	225mm	IVECO	2	662131132
7	Mounting bracket with pattern of drilling	225mm	DAF	2	662131133
9	Coupler jaw cpl.			1	662131107
10	Locking hook			1	662129156
10a	Stopper			1	662129381
10b	Locking plate			1	662129387
10c	Bush			1	662129374
10d	Hex socket head screw	M20x40		1	662129600
11	Pin			1	662129375
12	Wear ring			1	662131114
13	Rubber damping			2	662114110
14	Tensioning bar			2	662129388
15	Bearing insert			2	662130101
16	Return spring			1	662126411
16a	Return spring			1	662129317
17	Clipper with linkage			1	662100574
18	Hex-screw	M10x25	0 - 12999	2	659112372
19a	Hex socket head screw	M10x20		7	659112359
20	U-washer	Ø10		1	662126175
21	Circlip			1	659100027
21a	Supporting washer			1	659100026
23	Hex-screw	M20x70		4	659112365
24	Identification plate			1	659120380
26	Groove pin	3x8		2	662126173
28	Rivet			1	662126151
29	Lubrication tube complete	L=495	35178 - ...	1	659144146
32	Grease nipple	M8x1	0 - 12999	1	662126224
34	Automatic latch			1	662129153
35	Latch cpl.		12000 - ...	1	662129147
36	Guide			1	662129144
38	Slider			1	662131103
39	Flange screw			12	662130114
40	Con rod			1	662131142
41	Strut	Ø60,3 (DAF - 225mm)		1	662131139
41	Strut	Ø51		1	662131143

SK-S 36.20 V

Volvo Mounting Angles



Advantage: no additional mounting plate is required for mounting with mounting angles on Volvo vehicles.

- Angle of inclination in accordance with ISO 1726
- Approved for forced steering
- ECE Type Approval no: E1 55R-01 0218

RECOSS® – THE PROVEN 3-SENSOR SAFETY SYSTEM

Available ex works and retrofittable for Volvo/Renault and Mercedes-Benz from MP4, spare parts: see Page 158.

Technical Data

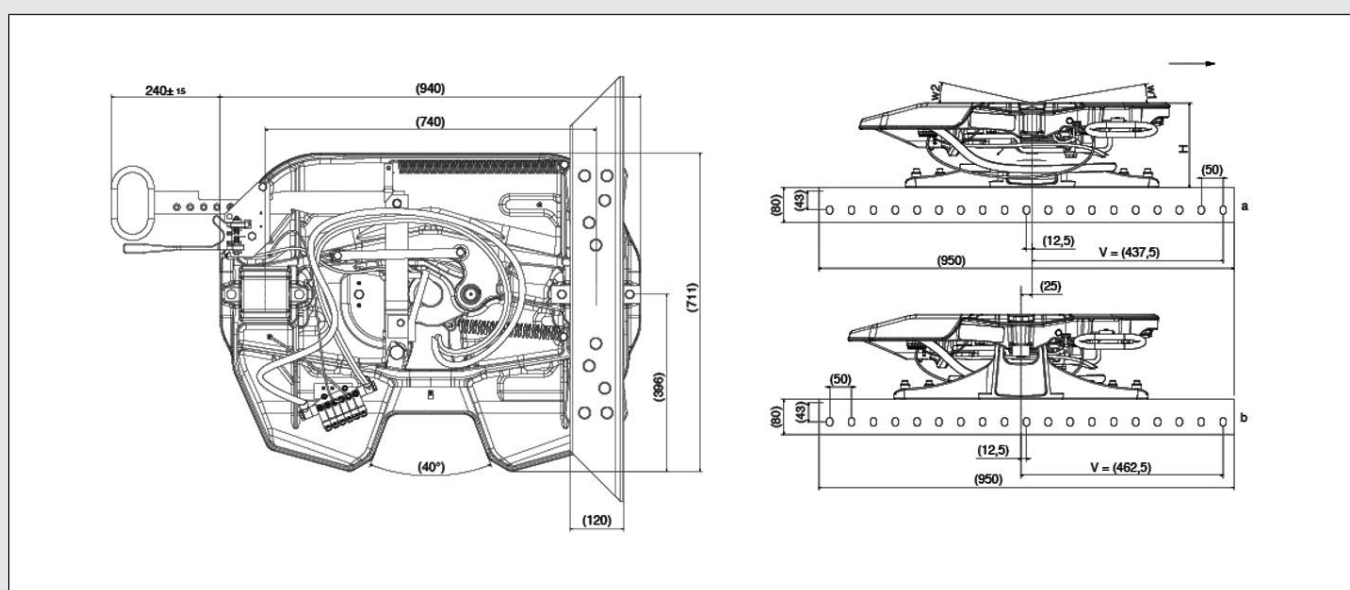
Type	Overall height [mm]	Imposed load [t]	D-value [kN]	Weight [kg]	Angle of inclination degree (w1/w2)	Length [mm]	Order no.
SK-S 36.20 V	140	20	152,3	144	6.5° / 7.2°	V=437,5	662129206
SK-S 36.20 V	140	20	152,3	144	6.5° / 7.2°	V=462,5	662129210
SK-S 36.20 V	160	20	152,3	146	13° / 15°	V=437,5	662129207
SK-S 36.20 V	160	20	152,3	146	13° / 15°	V=462,5	662129211
SK-S 36.20 V	200	20	152,3	150	20° / 23°	V=437,5	662129208
SK-S 36.20 V	200	20	152,3	150	20° / 23°	V=462,5	662129212
SK-S 36.20 V	230	20	152,3	153	24° / 30°	V=437,5	662129209
SK-S 36.20 V	230	20	152,3	153	24° / 30°	V=462,5	662129214

- Central lubrication set 659 144 143 can be ordered for models 662 129 206 – 662 129 214

MODEL WITH CENTRAL LUBRICATION KIT

Type	Overall height [mm]	Imposed load [t]	D-value [kN]	Weight [kg]	Angle of inclination degree (w1/w2)	Length [mm]	Order no.
SK-S 36.20 V	140	20	152,3	145	6.5° / 7.2°	V=462,5	662129215
SK-S 36.20 V	140	20	152,3	145	6.5° / 7.2°	V=437,5	662129219
SK-S 36.20 V	160	20	152,3	147	13° / 15°	V=462,5	662129216
SK-S 36.20 V	160	20	152,3	147	13° / 15°	V=437,5	662129220
SK-S 36.20 V	200	20	152,3	151	20° / 23°	V=462,5	662129217
SK-S 36.20 V	200	20	152,3	151	20° / 23°	V=437,5	662129221
SK-S 36.20 V	230	20	152,3	154	24° / 30°	V=462,5	662129218
SK-S 36.20 V	230	20	152,3	154	24° / 30°	V=437,5	662129222

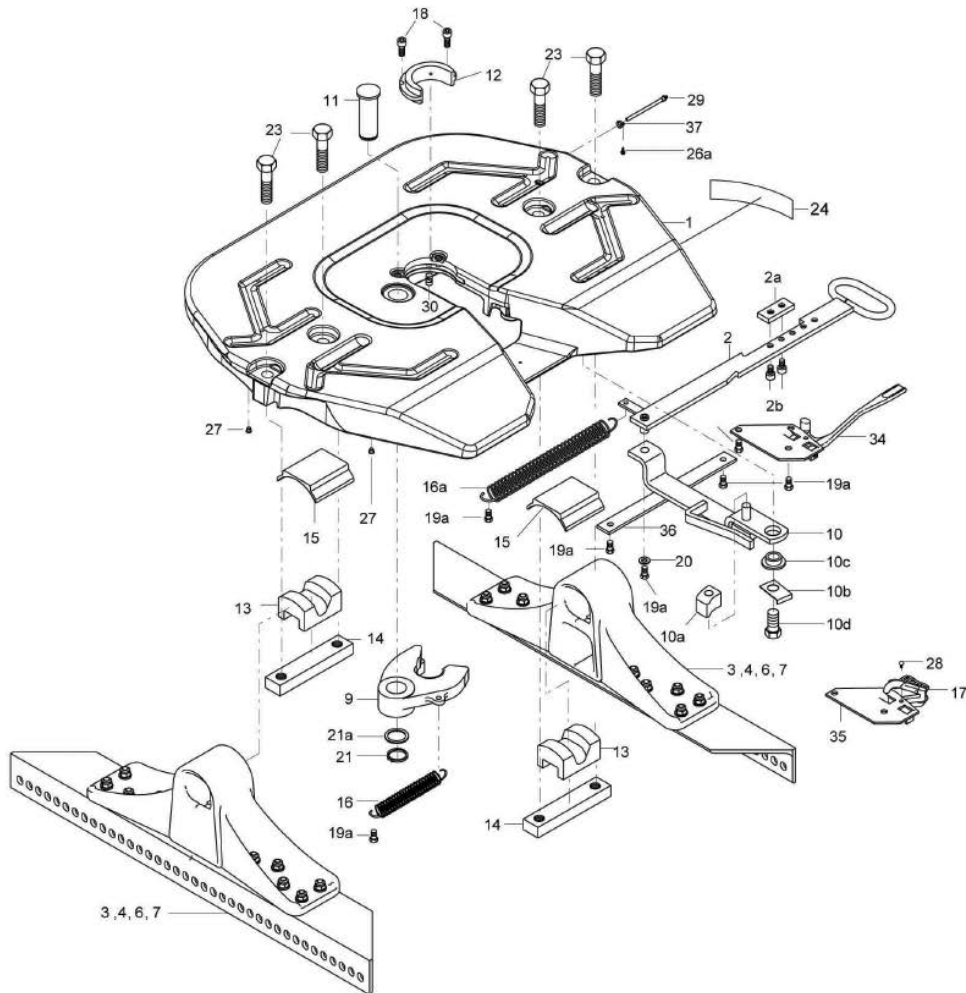
Dimensions



Subject to modifications in dimensions and design

Spare Parts SK-S 36.20 V

Repair kits also apply to SK-S 36.20



Item	Component	Dimensions	Serial no.	Pcs.	Order no.
	Repair kit bearing (13, 15, 23)			1	662101473
	Repair kit locking mechanism (9, 10a, 10b, 10d, 11, 12, 18, 21, 21a)		13000 - ...	1	662101492
	Repair kit locking mechanism and bearings (9, 10a, 10b, 10d, 11, 12, 13, 15, 18, 21, 21a, 23)		13000 - ...	1	662101493
	Repair kit wear ring (19, 20)		0 - 12999	1	662101565
	Repair kit wear ring (12, 18)		13000 - ...	1	662101566
	Repair kit Operating handle			1	662101746
	Repair kit locking hock (10, 10b, 10c, 10d, 19a, 36)			1	662101747
	Repair kit locking (A) (19a, 34)			1	662101748
	Repair kit locking (K) (17, 19a, 28, 35)			1	662101749
	Repair kit Lubrication tube (26a, 27, 29, 30, 37, 40, 46, 47)			1	662101750
	Repair kit Return spring (16, 16a)			1	662101751
	Repair kit sensor**				662129493
	Repair kit locking mechanism** (Page 158)			1	662101768

Item	Component	Dimensions	Serial no.	Pcs.	Order no.
	Repair kit locking mechanism and bearings** (Page 158)			1	662101769
	Coupling plate without mounting bracket			1	662129003
1	Coupling plate			1	662129571
2*	Operating handle		13000 - ...	1	662129166
2a	Adjustment plate		13000 - ...	1	662129158
2b	Hex-screw	M8x16	13000 - ...	2	659112371
3a	Mounting angle	140mm*		1	662129362
3b	Mounting angle*	140mm		1	662129363
4a	Mounting angle*	160mm		1	662129364
4b	Mounting angle*	160mm		1	662129365
6a	Mounting angle*	200mm		1	662129366
6b	Mounting angle*	200mm		1	662129367
7a	Mounting angle*	230mm		1	662129368
7b	Mounting angle*	230mm		1	662129369
9	Coupler jaw cpl.			1	662129134
10	Locking hook			1	662129156
10a	Stopper			1	662129381
10b	Locking plate			1	662129387
10c	Bush			1	662129374
10d	Hex socket head screw	M20x40		1	662129600
11	Pin			1	662129375
12	Wear ring		13000 - ...	1	662129377
13	Rubber damping			2	662114110
14	Tensioning bar			2	662129388
15	Bearing insert			2	662130101
16	Return spring			1	662126411
16a	Return spring			1	662129317
17	Clipper with linkage			1	662100574
18	Hex-screw	M10x25	0 - 12999	2	659112372
19a	Hex socket head screw	M10x20	13000 - ...	7	659112359
20	U-washer	Ø10		1	662126175
21	Circlip			1	659100027
21a	Supporting washer			1	659100026
23	Hex socket head screw	M20x80		4	662129606
24	Identification plate			1	659120380
26	Groove pin	3x8		2	662126173
26a	Groove pin	4x10		1	662126179
27	Protecting cap			4	662126223
28	Rivet			1	662126151
29	Lubrication tube complete	L=410	0 - 35177	1	659144106
30	Plug		13000 - ...	1	662129380
35	Latch cpl.		0 - 11999		662129376
35	Latch cpl.		12000 - ...		662129147
36	Guide			1	662129144
37	Mounting			1	659100029
	Central lubrication kit(not shown)			1	659144143

* Mounting angles are required in pairs, consisting of a+b in the requested height. The indicated measure V is measured during mounting of the brackets on the right hand side in driving direction. A reversal of the mounting angles increases or decreases the coupling point by 25 mm.

** This repair kit is only suitable for sensor fifth wheels fitted with the Volvo/Renault sensor system. The control unit and display in the cab are not SAF-HOLLAND products.

SK-S 36.20 VW

Volvo Mounting Angles, Low-Maintenance



Advantage: no additional mounting plate is required for mounting with mounting angles on Volvo vehicles.

- Angle of inclination in accordance with ISO 1726
- Approved for forced steering
- ECE Type Approval no: E1 55R-01 0218

For automatic lubrication of the locking mechanism we recommend the use of our grease dispenser with adaptor (Page 162).

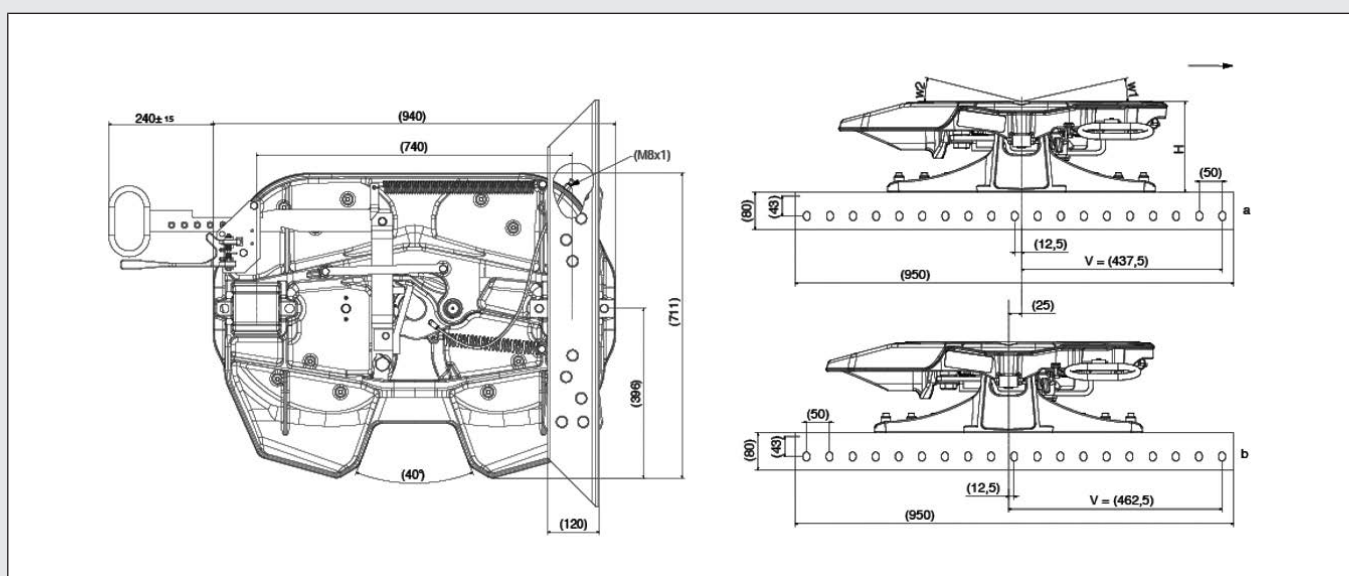
RECOSS® – THE PROVEN 3-SENSOR SAFETY SYSTEM

Available ex works and retrofittable for Volvo/Renault and Mercedes-Benz from MP4, spare parts: see Page 158.

Technical Data

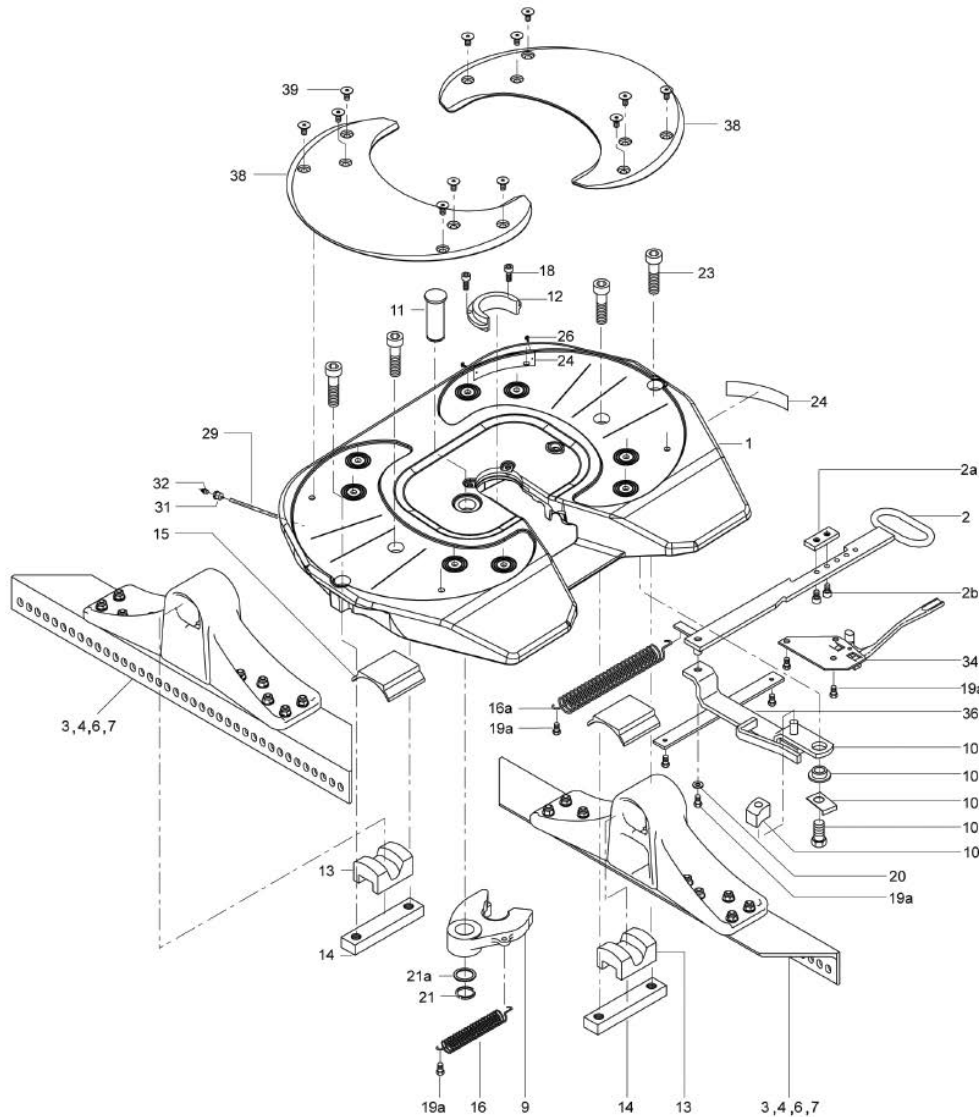
Type	Overall height [mm]	Imposed load [t]	D-value [kN]	Weight [kg]	Angle of inclination degree (w1/w2)	Length [mm]	Order no.
SK-S 36.20 VW	140	20	152,3	144	6.5° / 7.2°	V=462,5	662131050
SK-S 36.20 VW	140	20	152,3	144	6.5° / 7.2°	V=437,5	662131060
SK-S 36.20 VW	160	20	152,3	146	13° / 15°	V=462,5	662131051
SK-S 36.20 VW	160	20	152,3	146	13° / 15°	V=437,5	662131061
SK-S 36.20 VW	200	20	152,3	150	20° / 23°	V=462,5	662131052
SK-S 36.20 VW	200	20	152,3	150	20° / 23°	V=437,5	662131062
SK-S 36.20 VW	230	20	152,3	153	24° / 30°	V=462,5	662131053
SK-S 36.20 VW	230	20	152,3	153	24° / 30°	V=437,5	662131063

Dimensions



Spare Parts SK-S 36.20 VW

Repair kits also apply to SK-S 36.20 W



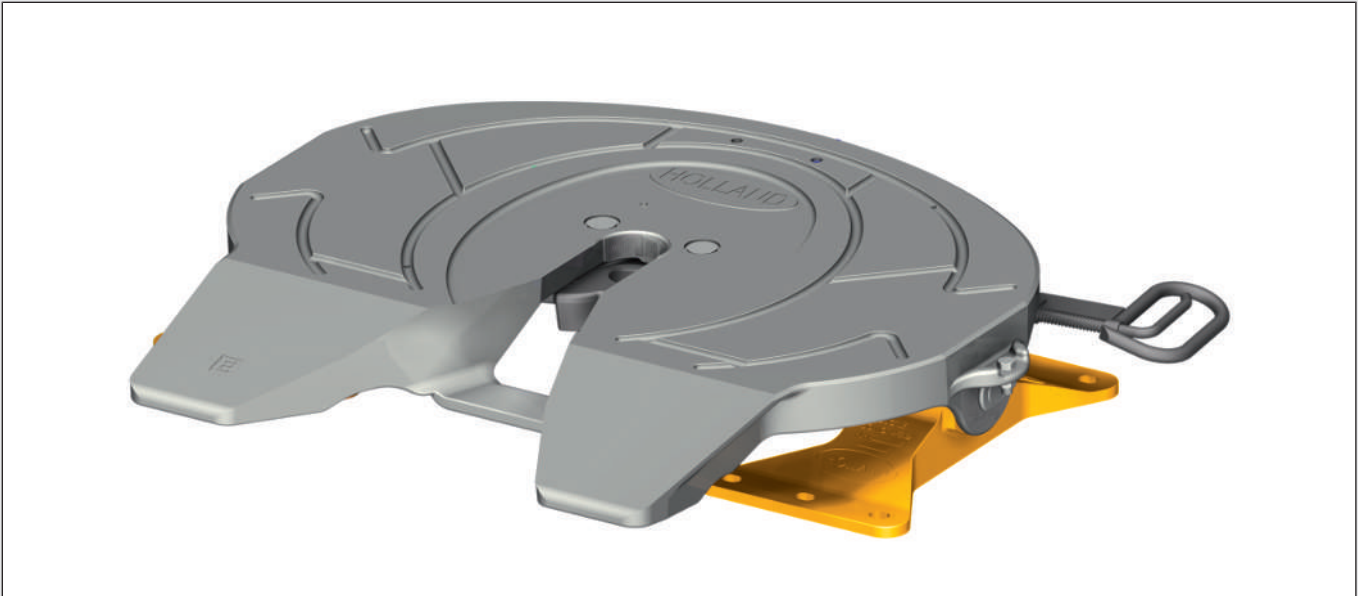
Item	Component	Dimensions	Serial no.	Pcs.	Order no.
	Repair kit for wear plate (38, 39)				662101469
	Repair kit locking mechanism and bearings (9, 10a, 10b, 10d, 11, 12, 13, 15, 18, 21, 21a, 23)				662101516
	Repair kit locking mechanism (9, 10a, 10b, 10d, 11, 12, 18, 21, 21a)				662101517
	Repair kit bearing				662101518
	Repair kit wear ring				662101534
	Mounting kit for fifth wheel plate (W) without mounting bracket (13, 14, 15, 23, 38, 39)				662101738
	Repair kit Operating handle			1	662101746
	Repair kit locking hock (10, 10b, 10c, 10d, 19a, 36)			1	662101747
	Repair kit locking (A) (19a, 34)			1	662101748

Item	Component	Dimensions	Serial no.	Pcs.	Order no.
	Repair kit locking (K) (17, 19a, 28, 35)			1	662101749
	Repair kit Return spring (16, 16a)			1	662101751
	Repair kit sensor**				662129493
	Repair kit locking mechanism** (Page 158)				662101770
	Repair kit locking mechanism and bearings** (Page 158)				662101771
	Coupling plate (W) without mounting bracket (assembly kit necessary)				662131002
1	Coupling plate (W) without mounting bracket (assembly kit necessary)			1	662131571
2*	Operating handle		13000 - ...	1	662129166
2a	Adjustment plate		13000 - ...	1	662129158
2b	Hex-screw	M8x16	13000 - ...	2	659112371
3a	Mounting angle*	140mm		1	662129362
3b	Mounting angle*	140mm		1	662129363
4a	Mounting angle*	160mm		1	662129364
4b	Mounting angle*	160mm		1	662129365
6a	Mounting angle*	200mm		1	662129366
6b	Mounting angle*	200mm		1	662129367
7a	Mounting angle*	230mm		1	662129368
7b	Mounting angle*	230mm		1	662129369
9	Coupler jaw cpl.			1	662131107
10	Locking hook			1	662129156
10a	Stopper			1	662129381
10b	Locking plate			1	662129387
10c	Bush			1	662129374
10d	Hex socket head screw	M20x40		1	662129600
11	Pin			1	662129375
12	Wear ring			1	662131114
13	Rubber damping			2	662114110
14	Tensioning bar			2	662129388
15	Bearing insert			2	662130101
16	Return spring			1	662126411
16a	Return spring			1	662129317
18	Hex-screw	M10x25	0 - 12999	2	659112372
19a	Hex socket head screw	M10x20	13000 - ...	7	659112359
20	U-washer	Ø10		1	662126175
21	Circlip			1	659100027
21a	Supporting washer			1	659100026
23	Hex-screw	M20x70		4	659112365
24	Identification plate			1	659120380
26	Groove pin	3x8		2	662126173
29	Lubrication tube complete	L=410	0 - 35177	1	659144106
29	Lubrication tube complete	L=495	35178 - ...	1	659144146
31	Adaptor			1	659144140
32	Grease nipple	M8x1	0 - 12999	1	662126224
34	Automatic latch			1	662129153
36	Guide			1	662129144
38	Slider			1	662131103
39	Flange screw			12	662130114
	Lubrication tube complete (29, 31) (not shown)				659144146

* Mounting angles are required in pairs, consisting of a+b in the requested height. The indicated measure V is measured during mounting of the brackets on the right hand side in driving direction. A reversal of the mounting angles increases or decreases the coupling point by 25 mm.

** This repair kit is only suitable for sensor fifth wheels fitted with the Volvo/Renault sensor system. The control unit and display in the cab are not SAF-HOLLAND products.

FW3510



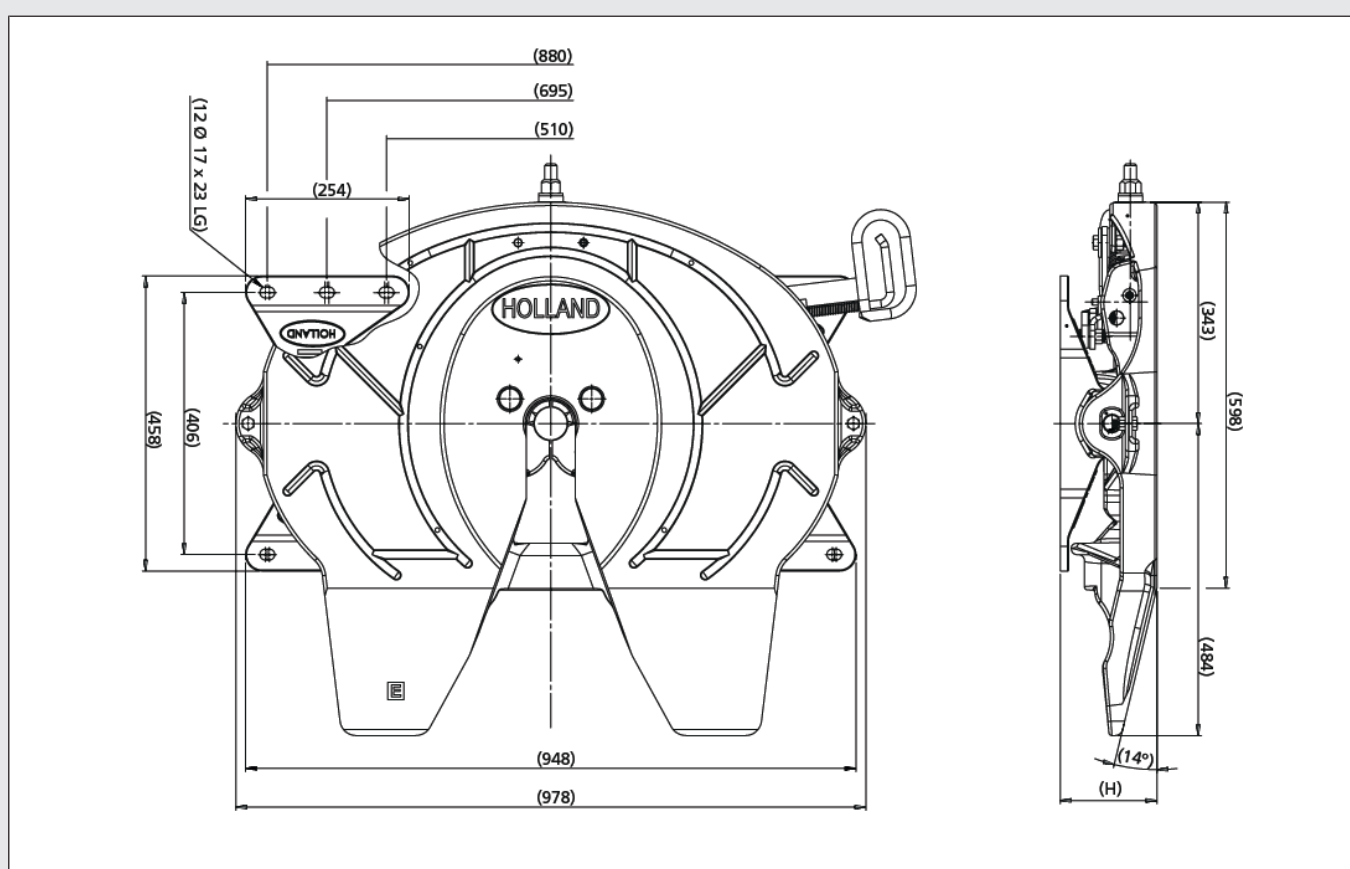
- Bracket mounting
- Available with optional ILS-Slider (Page 136)
- Approved for forced steering
- ECE Type Approval no: E11 55R-01 6172

Technical Data

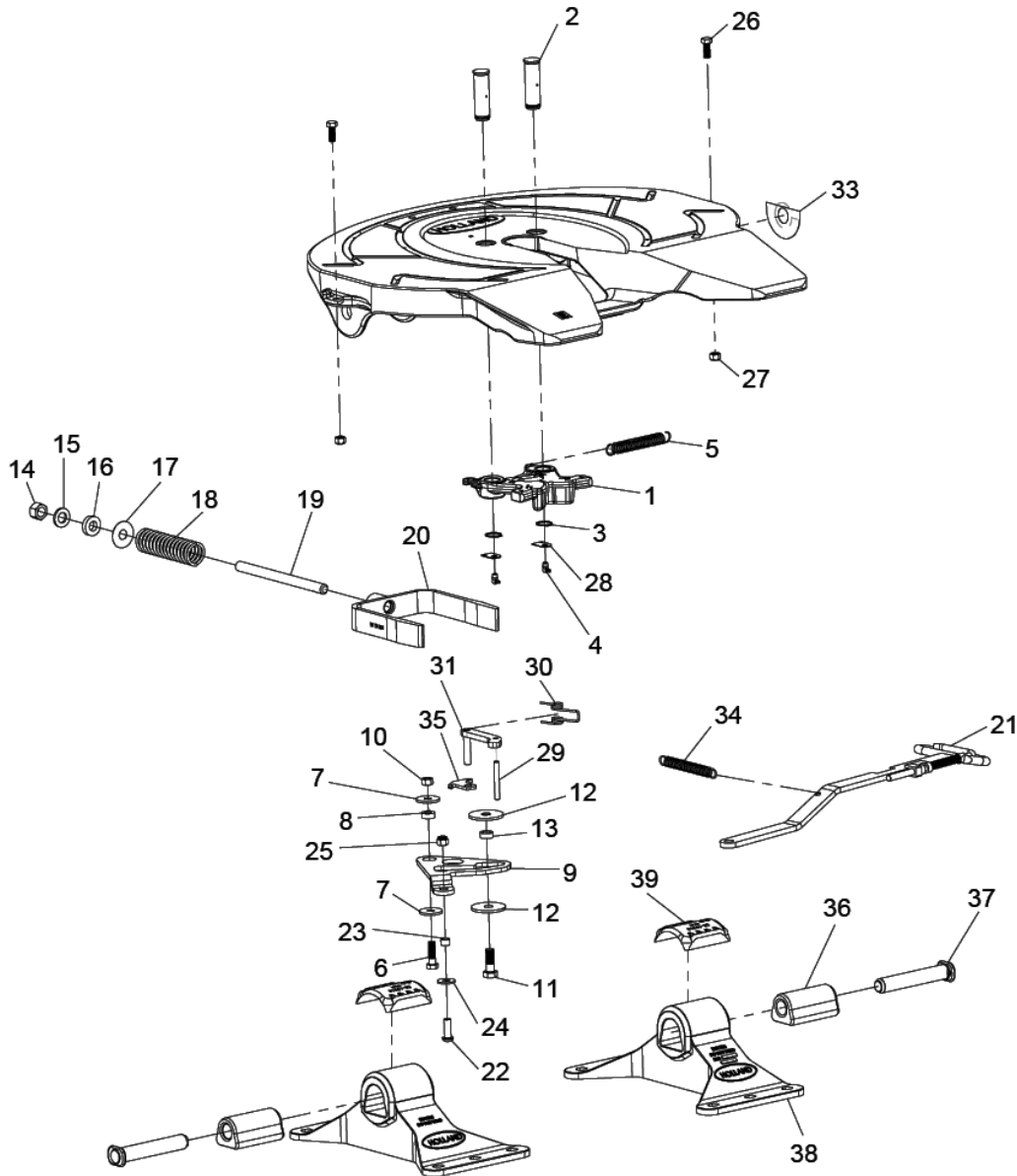
Type	Overall height [mm]	Imposed load [t]	D-value [kN]	Weight [kg]	Order no.
FW3510	150	23	175	135	FW3510-150
FW3510	180	23	175	139	FW3510-180
FW3510	200	23	175	142	FW3510-200

Add suffix -XL on order number for version with long handle

Dimensions



Spare Parts FW 3510



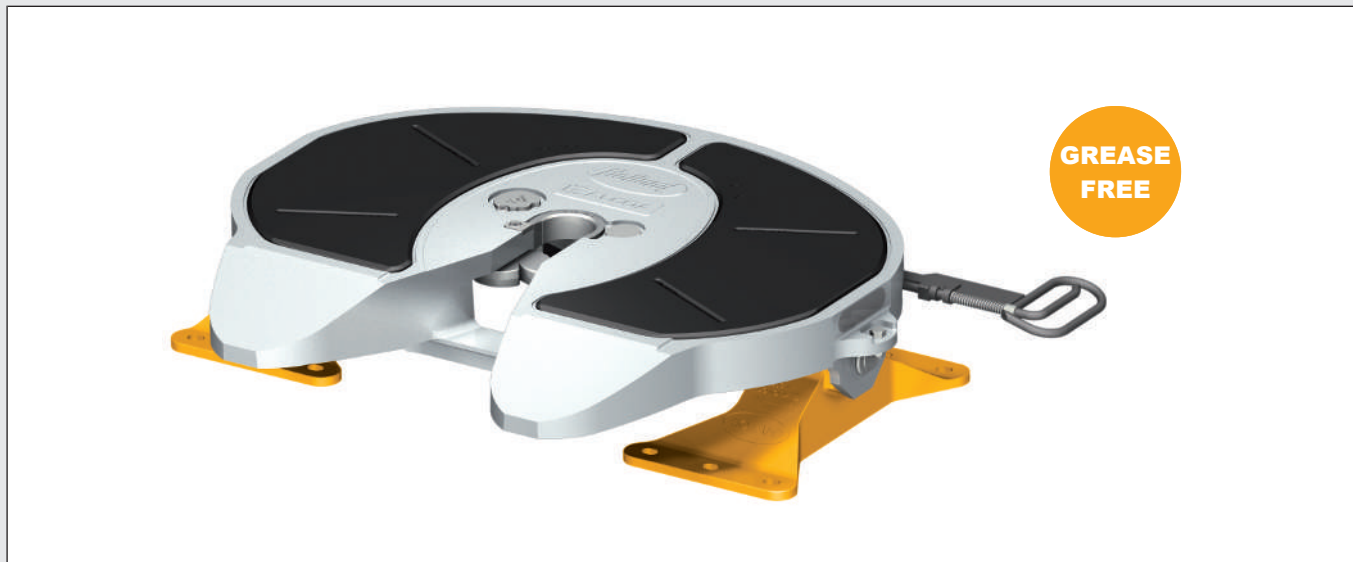
Item	Component	Dimensions	Pcs.	Order no.
	Repair kit fifth wheel cpl.			RK-3510-R
	Repair kit locking mechanism (1, 2, 3, 4)			RS-91089
	Repair kit anchor pin / rubber (26, 27, 36, 37)			RS-91086
	Repair kit anchor pin / rubber (26, 27, 36, 37, 39)			RS-91086-1
	Repair kit anchor pin / bush kit (26, 27, 36A, 37, 39, 40A)			RS-91131-1
	Repair kit operating handle (21, 34, 35)			RS-91093
	Repair kit operating handle - long (21, 34, 35)			RS-91098
	Repair kit			RS-91110
	Coupling plate without mounting bracket			FW3510-TP

Item	Component	Dimensions	Pcs.	Order no.
1	Lock jaw kit		1	XA-07296-KTL
2	Lock pin		2	XA-07292-82
3	Circlip	27x1,2	2	38027
4	Grease nipple	M10x1	2	38028
5	Spring		2	XB-07628-KTL
6	Hex socket head screw	M12x50	1	31036
7	Washer		2	XB-76004
8	Bush		1	XA-1029
9	Cam plate		1	XA-07150-R-P
10	Hex-nut	M12	1	32001
11	Hex-screw		1	XB-CX-58-F-134
12	Washer (Knorr)		2	XB-07431
13	Cam roller		1	XA-1507
14	Hex-nut		1	XB-HNH-34-F
15	Washer	M20	1	33034
16	Rubber washer		1	XB-1127
17	Instruction plate		1	XB-02312-1
18	Spring		1	XB-1505-P
19	Yoke shaft		2	XA-1706-ST
20	Yoke		2	XA-07295-P
21	Standard handle		2	XA-09437
	Operating handle		1	XA-09752
22	Hex socket head screw	M12x40	1	31040
23	Bush		1	XA-03082
24	Washer		1	33031
25	Hex-nut	M12	2	32001
26	Hex socket head screw	M12x30	2	31041
27	Hex-nut	M12	2	32001
28	Holder for lubrication tube		1	XA-E-60234
29	Spiral pin		1	XB-21-S-500-2750
30	Spring, Torsion		1	XB-2149-P
31	Lock bar		4	XA-3542-R-P
32	Grease nipple	M10x1	1	38009
33	Instruction plate		2	XB-07610
34	Return spring		1	XB-05679-2
35	Sprinh holder		1	XA-09645
36	Rubber bush		2	XB-0011-3
36a	Rubber bush		1	XB-10605
37	Bearing bolt		1	XE-06356-KTL
38	Mounting bracket	150mm	2	XD-04942-KTL
38	Mounting bracket	180mm	2	XD-04943-KTL
38	Mounting bracket	200mm	2	XD-04944-KTL
38a	Mounting bracket	180mm - 06.2007-12.2011	2	XD-04943-S-KTL
39	Pocket Insert		1	XB-10210
40	Rubber washer		1	XB-60144
40a	Rubber washer	für 38A, for 38A	2	XB-10605-RW

Pocket inserts: Used on all fifth wheels from February 2002 on

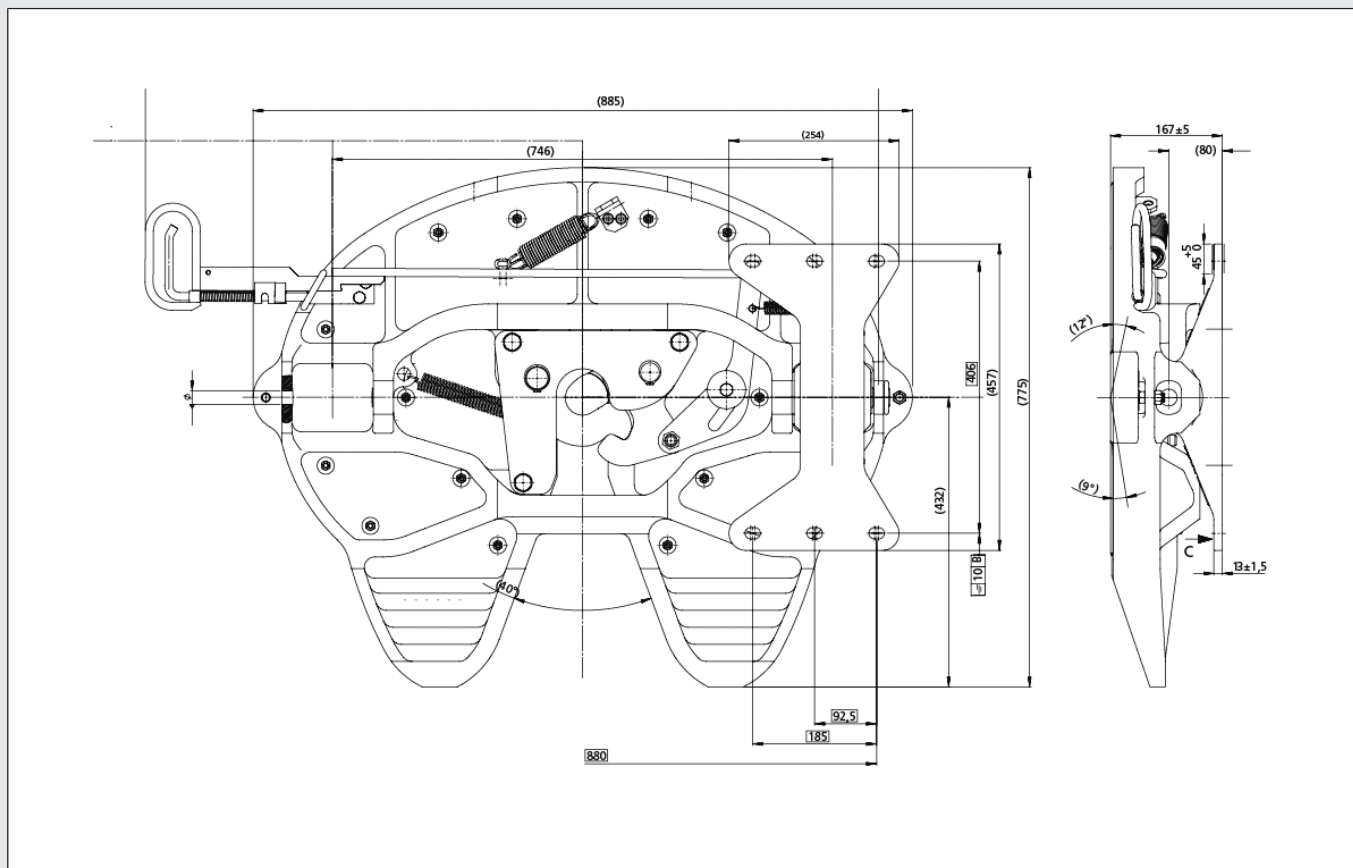
Note: Grease fitting item 32 not required on units fitted with pocket inserts.

FWAL-E

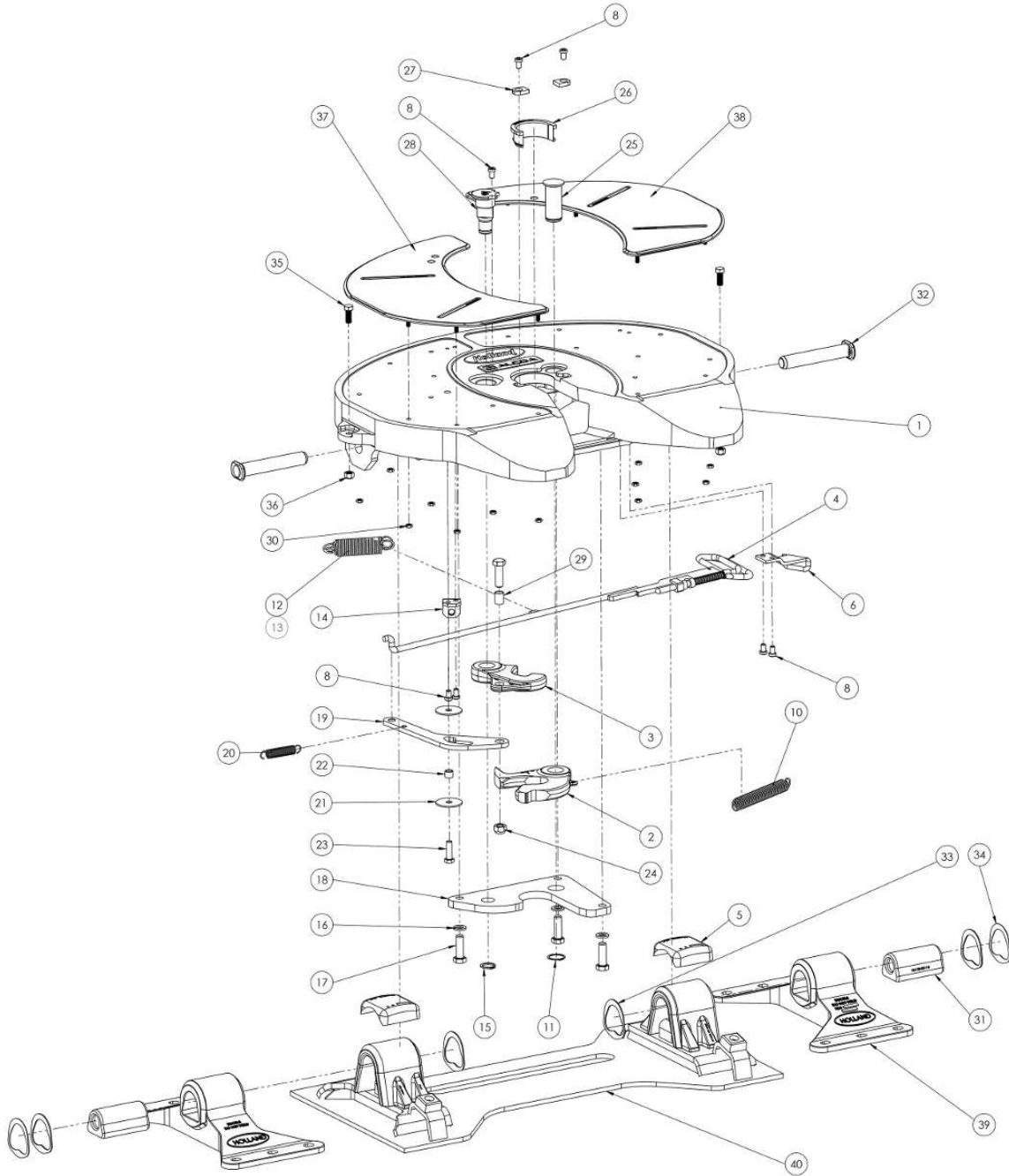


- Imposed load: 20 t
- D-value: 150 kN
- ECE Type Approval no: E11-55R-016168
- Lock size: 2 Inch

Dimensions



Spare Parts FWAL-E



Item	Component	Dimensions	Pcs.	Order no.
	Repair kit fifth wheel cpl. (2, 3, 4, 9, 10, 11, 12, 13, 15, 17, 19, 20, 21, 22, 24, 25, 26, 27, 28, 29)			RK-AL-A-E
	Repair kit wear ring (9, 26, 27)			RK-AL-10680
	Repair kit locking mechanism (2, 3, 9, 10, 11, 15, 25, 26, 27, 28)			RK-AL-10486
	Repair kit for wear plate (30, 37, 38)			RK-331-1
	Repair kit operating handle (4, 12, 13)			RK-AL-10681
	Bracket pins / Rubber bush kit (5, 31, 32, 33, 35, 36)			RK-AL-0011-3
	Coupling plate without mounting bracket			FWAL-E-TP
1	Cam plate		1	XA-AL-R
2	Coupler jaw		1	XA-10486-E-P
3	Lock hook		1	XA-10487-P
4	Operating handle		1	XA-10681
5	Pocket Insert		2	XD-10923
6	Guide-/lever		1	XA-11082
8	Hex socket head screw	M10x25	4	31008
10	Return spring		1	XB-05843-1P
11	Circlip		1	XB-05855
12	Return spring - inside		1	XB-10489-P
13	Return spring - outside		1	XB-10490-P
14	Sprinh holder		1	XA-11083
15	Circlip		1	XB-08905
16	Spring washer	M16	3	XB-LW-M16-Z
17	Hex socket head screw	M16x50	3	XB-HCS-M16-50-Z
18	Brake cylinder support		1	XA-11038
19	Release cam		1	XA-10483-AL
20	Return spring		1	XB-10563-1-P
21	Washer		2	XA-10294
22	Bush		1	XA-10810
23	Hex socket head screw	M12x40	1	31039
24	Hex-nut		1	XB-HLN-M16-Z
25	Lock pin		1	XA-06344-AL
26	Wear ring		1	XD-10680-P
27	Holder plate		1	XA_10706-1-KTL
28	Adjustment Pin		1	XA-10364-3-AL-P
29	Spacer		1	XA-11248
30	Hex-nut	M8	18	XB-08931
31	Rubber bush		2	XB-0011-3
32	Bearing bolt		2	XE-06356-P
33	Clevis crossbar	1mm	2	XB-60144-S2
34	Clevis crossbar	2mm	4	XB-60144-S3
35	Hex socket head screw	M12x30	2	31041
36	Hex-nut	M12	2	32001
37	Wear plate left		1	XA-08125-L
38	Wear plate right		1	XA-08125-R
39	Mounting bracket	165mm	2	XD-04942-KTL
39	Mounting bracket	195mm	2	XD-04943-KTL
39	Mounting bracket	200mm	2	XD-04944-KTL
40	On Request			

Recolube



Vehicles built from April 1, 2017 and from on-board computer version ZBR E8, are equipped with the device required to control the pump.

ALWAYS A RELIABLE COMBINATION – MAN AND SAF-HOLLAND

It is essential that you can rely 100 % on your fifth wheels. They are one of the most important components of a vehicle. SAF-HOLLAND develop and produce innovative, safe and high-quality components that meet the individual specifications of MAN's customers. High-precision manufacturing and strict controls ensure that the high quality standards of both partners are met.

In collaboration with MAN, SAF-HOLLAND responds individually to all sorts of specific and diverse customer requirements : Whether being used in light trucks, heavy all-terrain transport or for abnormal loads – the SAF HOLLAND fifth wheel is the **perfect solution for any transport task**. Its very low system weight and exceptionally long service life and exemplary low maintenance costs contribute significantly to the economic efficiency of the entire vehicle.

ADVANTAGES OF THERECOLUBE GREASE DISPENSER:

- No need for regular manual lubrication
- **Environmentally friendly, optimised lubrication** thanks to automatic dosage
- **High pump capacity** guarantees functionality even in difficult conditions and at low temperatures
- Grease supply sufficient for **1 year of operation** or **100 000 km**
- **Refilling via lubrication nipple** using standard cartridge gun
- **Functionality and fill-level monitoring** via vehicle display

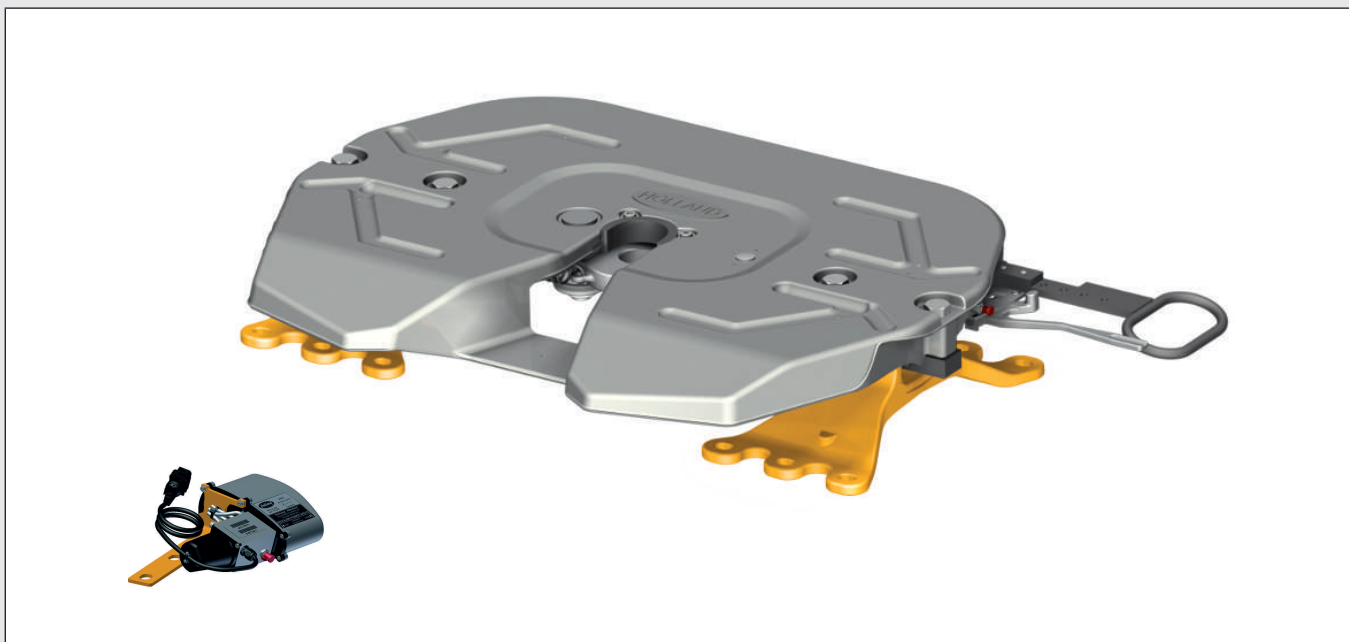
RECOLUBE POWER SKX 372



This high-performance lubricant is ideal for the automatic lubrication of fifth wheels – both at very low and very high temperatures. The special lubricant is capable of withstanding extreme loads, is exceptionally resistant to water and at the same time offers excellent protection against corrosion.

SK-S 36.20

With Recolube



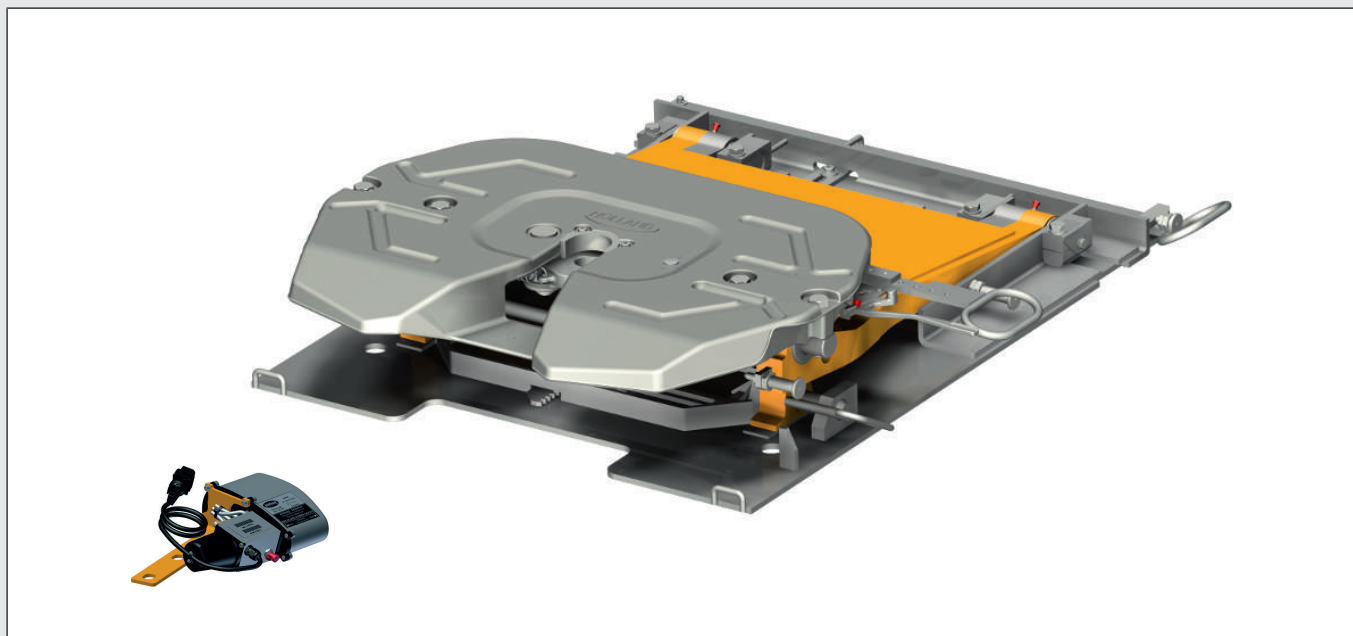
- Five separate pump elements with high output pressure
- Controlled from vehicle's central on-board computer
- Electronic fill-level monitoring in vehicle display
- Monitoring of functions in vehicle display
- Mounted on mounting bracket

Technical Data

Type	Lock size [Inch]	Overall height [mm]	Weight [kg]	MAN Order Code	MAN Part No.	Order no.
SK-S 36.20 Recolube	2	128	119	-	-	662129550
SK-S 36.20 Recolube	2	150	120	491PA	81.42710-6317	662129551
SK-S 36.20 Recolube	2	185	125	491PC	81.42710-6301	662129552
SK-S 36.20 Recolube	2	225	126	-	-	662129553
SK-S 36.20 Recolube	2	250	135	491PF	81.42710-6318	662129554

SK-S 36.20 H

Dual Duty Fifth Wheel, with Recolube



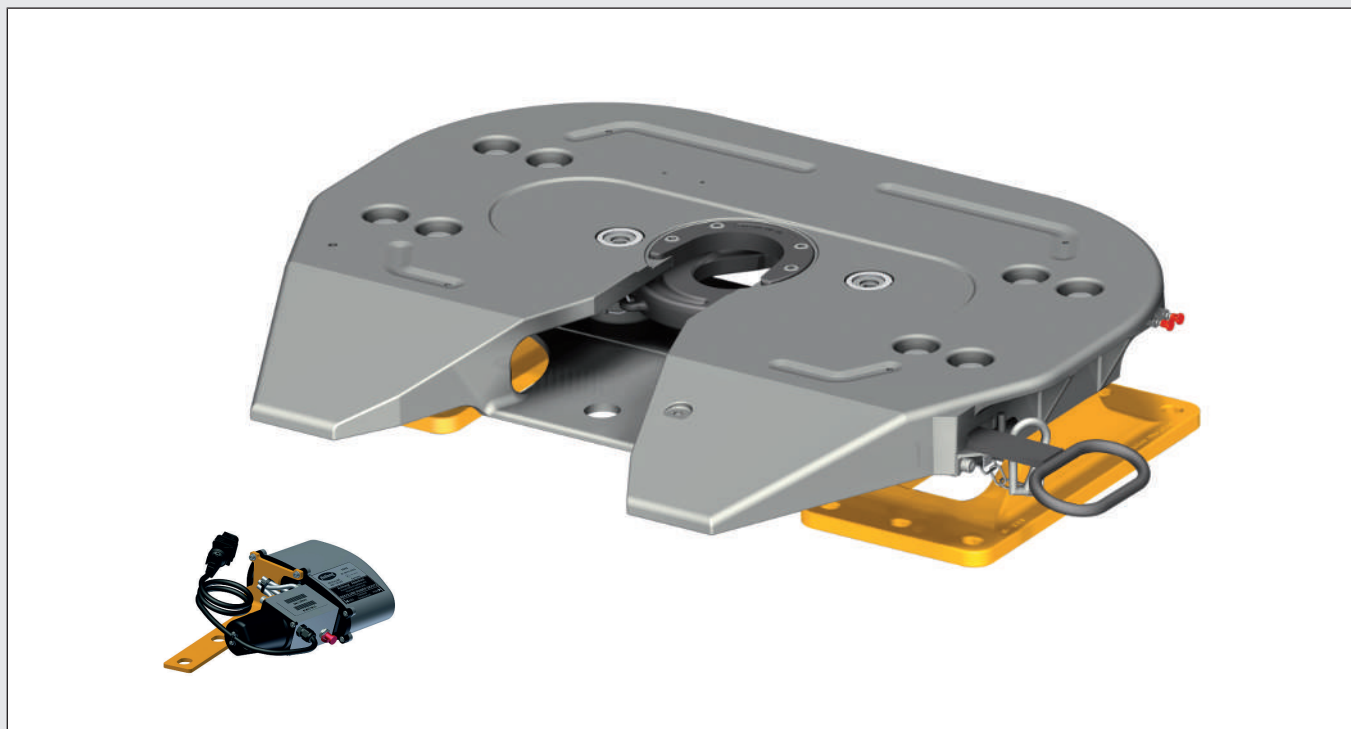
- Extremely robust and user friendly
- Weight optimised model
- Adjustable coupling height
- Simple wear adjustment
- Approved for forced steering

Technical Data

Type	Lock size [Inch]	Overall height [mm]	Weight [kg]	MAN Order Code	MAN Part No.	Order no.
SK-S 36.20 Recolube	2	167-317	333	491HM	81.42710-6327	662132893E

SK-HD 38.36

With Recolube



- Permanent, maintenance-free bearings
- Conversion from 3.5" to 2" and vice versa possible
- Simple adjustment of locking mechanism
- Suitable for steering wedge applications

Technical Data

Type	Lock size [Inch]	Overall height [mm]	Weight [kg]	MAN Order Code	MAN Part No.	Order no.
SK-HD 38.36 Recolube	2	190	194	491NP	81.42710-6321	662111034
SK-HD 38.36 Recolube	3.5	190	193	491PP	81.42710-6320	662111032

Spare Parts Recolube



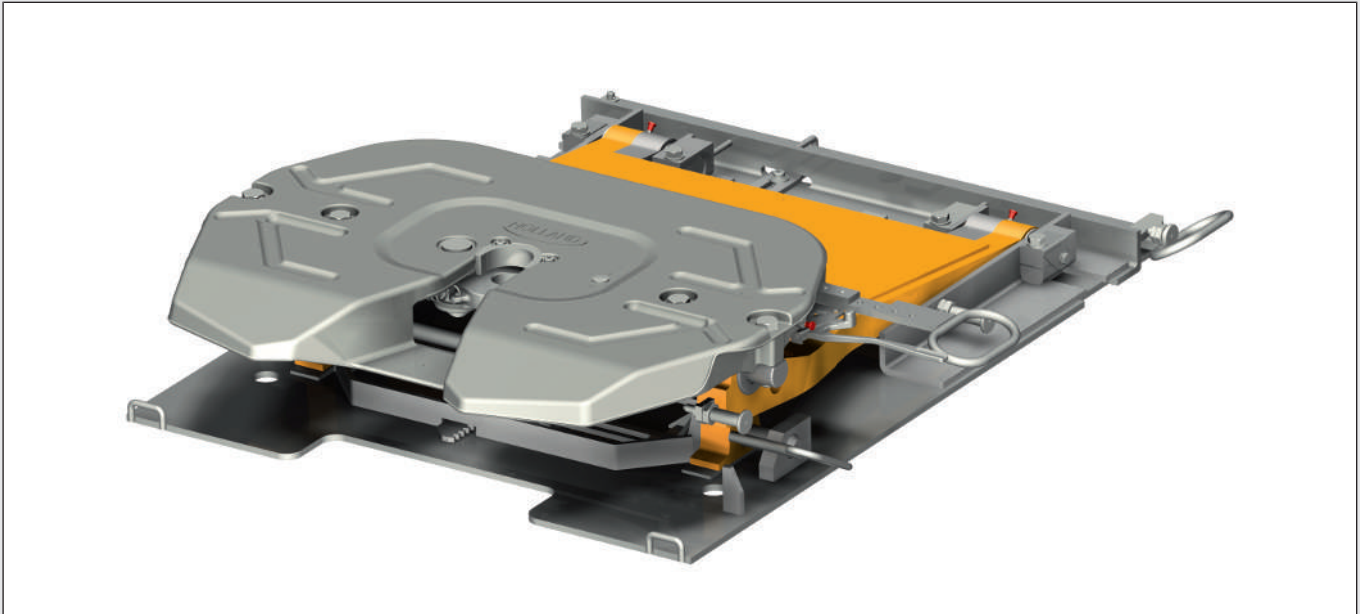
Only for MAN-versions Recolube can be used

Technical Data

FW type	Name	Content	MAN Part No.	SAF Part No.
SK-S 36.20 SK-HD 38.36	RECOLUBE lubrication pump	RECOLUBE lubrication pump with lubrication lines without bracket	81.49101-6081	662 101 781
SK-S 36.20 H	RECOLUBE lubrication pump	RECOLUBE lubrication pump without lubrication lines, without bracket	81.49101-6083	662 101 783
SK-S 36.20	bracket	with screws and washer 3 x M4 x 20 2 x M6 x 20	81.49120-0049	662 101 784
SK-HD 38.36	bracket	with screws and washer 3 x M4 x 20 2 x M6 x 20	81.49120-0050	662 101 785
SK-S 36.20 H	bracket + screw kit	1 x bracket + 2 x M10 x 20 + 2 x washer	81.49120-0051	662 101 787
SK-S 36.20 SK-HD 38.36 SK-S 36.20 H	grease tube pre-filled	2 m tube + 3 push-fit plug D6	81.49501-0067	662 101 786
SK-S 36.20 SK-HD 38.36 SK-S 36.20 H	Holland RECOLUBE POWER SKX 372 refill grease	2 x 400 g cartridge	09.15014-0044	662 101 788
SK-S 36.20 SK-HD 38.36 SK-S 36.20 H	Holland RECOLUBE POWER SKX 372 bulk pack grease	25 kg bucket	09.15014-0043	662 101 789
SK-S 36.20 H	Lubrication kit (only for RECOLUBE)	Lubrication kit with grease tubes	-	662 132 043

SK-S 36.20 H

Dual Duty Fifth Wheel



- Approved for forced steering
- ECE Type Approval no: E11 55R-01 1381

Ordering Instructions

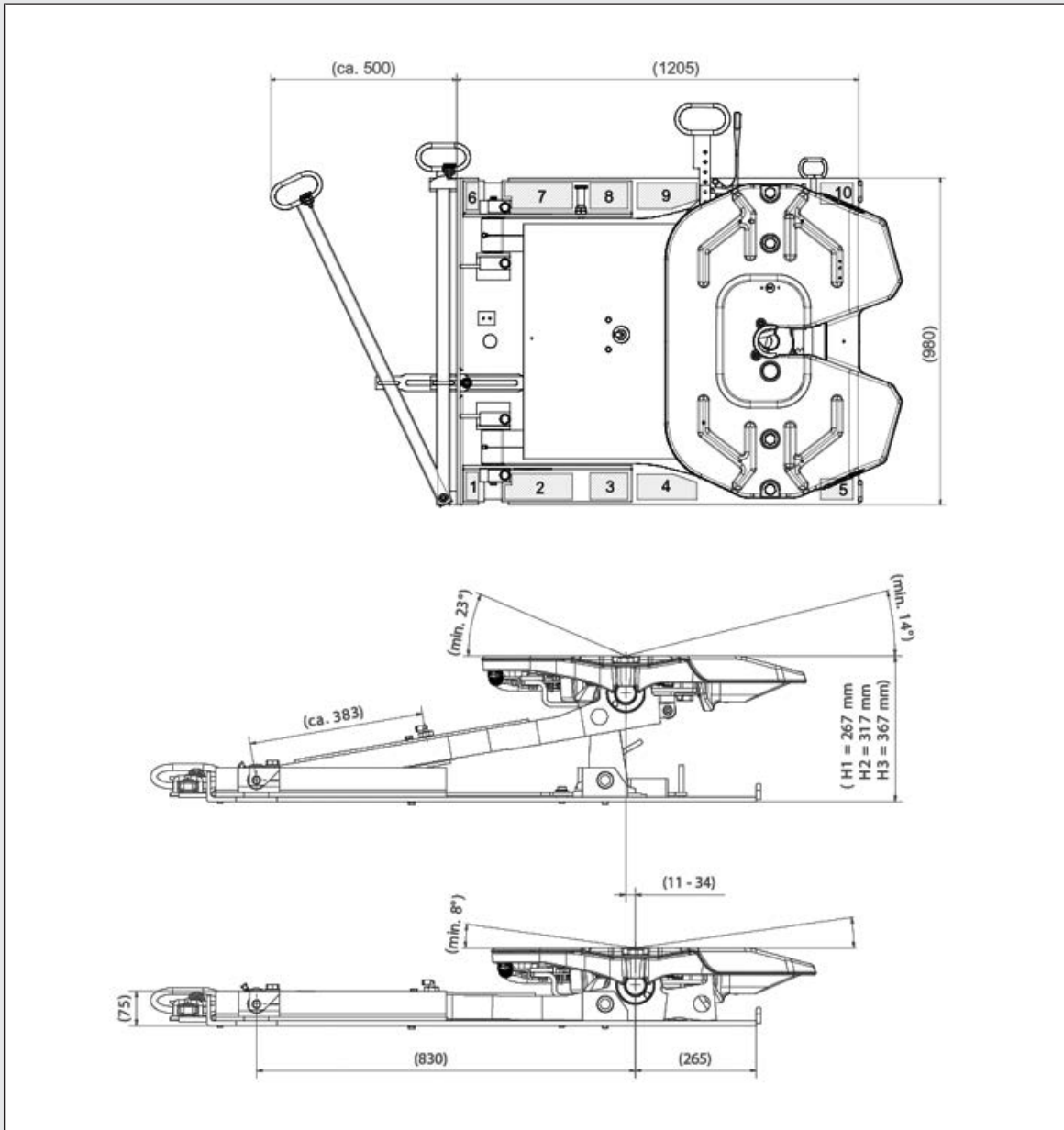
- The standard versions listed are not pre-drilled
- Hole patterns for vehicle mounting* are available on request for DAF, Iveco, MAN, Mercedes-Benz Trucks, Renault, Scania, and Volvo, among others.
- Please specify the tractor vehicle brand when placing your order.
- The use of SAF-HOLLAND mounting kits is recommended for mounting the dual-height fifth wheel.
- SAF-HOLLAND height-adjustable fifth wheels are suitable for 4 x 2 tractor units factory-equipped with a mounting angle for mounting the adjustable height fifth wheel. Other vehicles must be assessed on a case-by-case basis.
- The dual-duty fifth wheel is designed for the use with 4 x 2 Lowliner semitrailer tractors for volume transport.
- The dual-duty fifth wheel is not suitable for tank, silo and tipper vehicles.
- The dual-duty fifth wheel is not suitable for off-road use.
- Dual-duty fifth wheels are mounted directly onto the vehicle subframe without a mounting plate. The subframe must be designed for lift SK mounting. If not all holes are available in the subframe, these must be drilled by the customer.
- Pre-drilled dual-duty fifth wheels are mounted in the lowered position with the standard fifth wheel lead recommended by the vehicle manufacturer. All drilled holes must be used (see assembly instructions).

* The hole patterns for vehicle mounting comply with the EURO standard fifth wheel lead that is specified by the vehicle manufacturers, and recommended in member states of the EU for fifth wheel mounting when the dual-height fifth wheel is in the lowered position. In a 2-axle tractor vehicle, the standard fifth wheel lead is the distance from the middle of the rear axle to the middle of the kingpin.

Technical Specifications

- Movement around lateral axis at basic height 6°
- Operation: adjustable by means of the tractor's compressed air system with pneumatic support (air bellows)
- In raised position, fifth-wheel lead increased by: 11 mm [267] / 24 mm [317] / 34 mm [367]

Dimensions



- The fixing holes may be drilled in these 10 areas
- Increase number of bolts accordingly when using bolts with a smaller diameter

Subject to modifications in dimensions and design

Technical Data

Standard Model / Mounting width up to 930 mm

Type	Overall height [mm]	Imposed load [t]	D-value [kN]	Weight [kg]	Dimensions [mm]	Order no.
SK-S 36.20 H	167-267	15	110	320	1205x980	662132311Z
SK-S 36.20 H	167-317	15	110	324	1205x980	662132312Z
SK-S 36.20 H	167-367	15	110	328	1205x980	662132313Z

Standard Model / Mounting width over 930 mm

Type	Overall height [mm]	Imposed load [t]	D-value [kN]	Weight [kg]	Dimensions [mm]	Order no.
SK-S 36.20 H	167-267	15	110	322	1205x1010	662142311Z
SK-S 36.20 H	167-317	15	110	326	1205x1010	662142312Z
SK-S 36.20 H	167-367	15	110	330	1205x1010	662142313Z

Mounting Kit

Mounting	Dimensions	Order no.
Scania	3550	662101776
Scania	3700	662101777
Ford		662101790

Fixing Kits SK-S 36.20 H

Standard Model

Type	Mounting	Model	Order no.
725	Mercedes Benz, Australia, New Zealand	12xM20	662101725
726	IVECO, MAN, DAF	14xM16	662101726
727	RVI Renault	12xM16	662101727
728	Volvo	20xM14	662101728
729	Scania	14xM18	662101729

Manufacturer-specific standard model lubricated

Type	Overall height [mm]	Imposed load [t]	D-value [kN]	Weight [kg]	Dimensions [mm]	Order no.
MAN						
SK-S 36.20 H	167-267	15	110	320	1205x980	662132605E
SK-S 36.20 H	167-317	15	110	324	1205x980	662132606E
SK-S 36.20 H	167-367	15	110	328	1205x980	662132607E
Mercedes-Benz						
SK-S 36.20 H*	167-267	15	110	320	1205x980	662132405S
SK-S 36.20 H*	167-317	15	110	324	1205x980	662132406S
SK-S 36.20 H*	167-367	15	110	328	1205x980	662132407S
SK-S 36.20 H**	167-267	15	110	322	1205x1010	662142805S
SK-S 36.20 H**	167-317	15	110	326	1205x1010	662142806S
SK-S 36.20 H**	167-367	15	110	330	1205x1010	662142807S
Scania***						
SK-S 36.20 H	167-267	15	110	320	1205x980	662132505D
SK-S 36.20 H	167-317	15	110	324	1205x980	662132506D
SK-S 36.20 H	167-367	15	110	328	1205x980	662132507D
Iveco						
SK-S 36.20 H	167-267	15	110	320	1205x980	662132555Z
SK-S 36.20 H	167-317	15	110	324	1205x980	662132556Z
SK-S 36.20 H	167-367	15	110	328	1205x980	662132557Z
DAF						
SK-S 36.20 H	167-267	15	110	320	1205x980	662132705T
SK-S 36.20 H	167-317	15	110	324	1205x980	662132706T
SK-S 36.20 H	167-367	15	110	328	1205x980	662132707T
Volvo / Renault D & T Modell****						
SK-S 36.20 H	167-267	15	110	320	1205x1010	662142458Z
SK-S 36.20 H	167-317	15	110	324	1205x1010	662142459Z
SK-S 36.20 H	167-367	15	110	328	1205x1010	662142460Z
Renault Magnum						
SK-S 36.20 H	167-267	15	110	322	1205x980	662132755Z
SK-S 36.20 H	167-317	15	110	326	1205x980	662132756Z
SK-S 36.20 H	167-367	15	110	330	1205x980	662132757Z
Renault Premium						
SK-S 36.20 H	167-267	15	110	322	1205x980	662132655Z
SK-S 36.20 H	167-317	15	110	326	1205x980	662132766Z
SK-S 36.20 H	167-367	15	110	330	1205x980	662132767Z
Ford						
SK-S 36.20 H	167-317	15	110	326	1205x1010	662142856

* Not compatible with Mercedes-Benz with holes 942-960 mm apart

** Mounting kit mounting angles 662 101 657 included with delivery

*** Additional mounting angle required for vehicle mounting:

for wheel base 3550 mm: 662 101 735 (up to spring 2012)

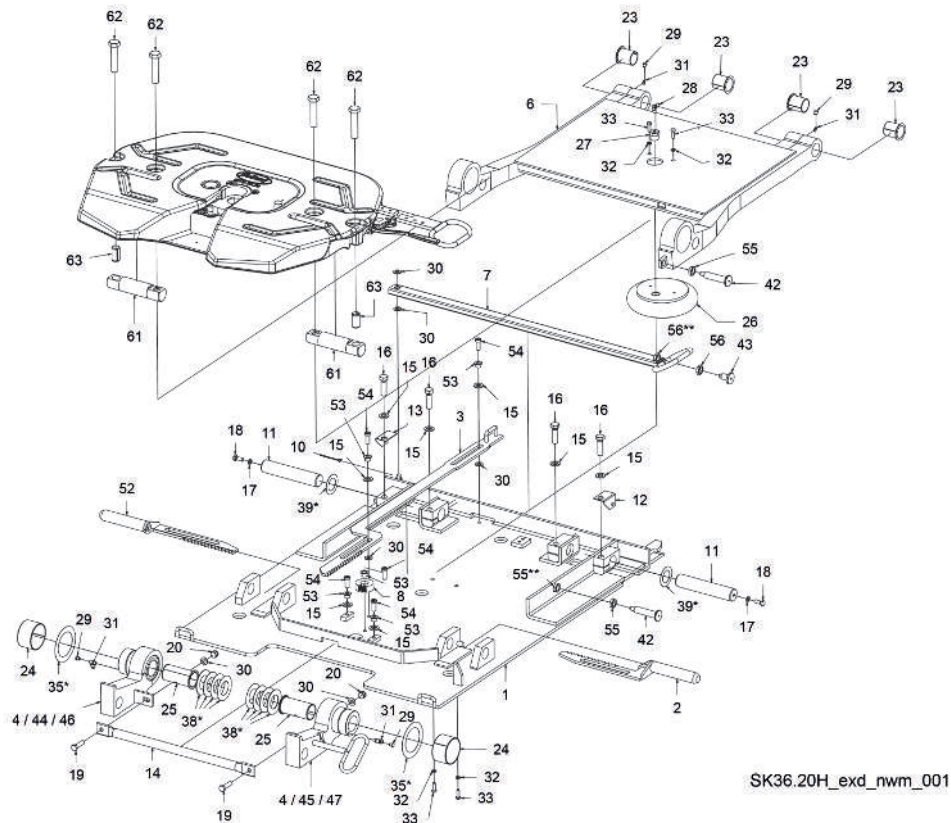
for wheel base 3700 mm: 662 101 734 (up to spring 2012)

for wheel base 3550/3600 mm: 662 101 776 (from spring 2012)

for wheel base 3700/3750 mm: 662 101 777 (from spring 2012)

**** Attention: Drilling pattern Renault D & T model medium duty width 940 mm, single case examination is required

Spare Parts SK-S 36.20 H



Item	Component	Dimensions	Pcs.	Order no.
	Repair kit locking mechanism		1	662101492
	Conversion		1	662101741
	Repair kit air cushion (26, 27, 28, 32, 33)		1	662101742
	Repair kit locking mechanism cpl. (2, 3, 8, 15, 30, 52, 53, 54)		1	662101744
	Repair kit Operating handle		1	662101746
	Repair kit bearing (61, 62, 63)		1	662101758
	Repair kit locking mechanism cpl. (7, 10, 30)		1	662101760
	Repair kit pneumatic valve (48, 49, 50, 57)		1	662101761
	Repair kit Spring plate long (42, 55)		1	662101762
	Repair kit Spring plate short (43, 56)		1	662101763
	Repair kits for rocker bearing (11, 12, 13, 16, 17, 18, 23, 29)		1	662132195
	Repair kits for support bearing (19, 20, 24, 25, 30, 35*, 38*)		1	662132196
	Coupling plate			662132294
	Central lubrication unit (MAN)			662101810
1	Brake cylinder support		1	662132105
2	Lock pin right		1	662132161
3	Actuating rod		1	662132162
4	Support left 100 mm (25, 29, 31)	100mm	1	662132181
5	Support right 100 mm (25, 29, 31)	100mm	1	662132182
6	Rocker cpl.		1	662132165

Item	Component	Dimensions	Pcs.	Order no.
7	Locking lever		1	662132170
8	Toothed wheel		1	662132119
10	Cotter pin		1	662132205
11	Bolt		2	662132110
12	Lock plate right		1	662132111
13	Lock plate left		1	662132155
14	Guide pipe		1	662132120
15	Washer		8	662132206
16	Hex socket head screw	M16x1,5x55	4	662101359
17	Spring washer	F10	2	662132202
18	Hex socket head screw	M10x25	2	662111202
19	Hex socket head screw	M12x30	2	662132211
20	Hex-nut	M12x80	2	659115125
23	Bush	40/44/50	4	662132132
24	Bush	80/85/50	2	662132130
25	Brass bush		2	662132146
26	Air bag	FS200-100	1	662132200
27	Screw		1	662132135
28	90° elbow connector		1	662126493
29	Grease fitting cap		4	659144142
30	Washer	A13	6	662132204
31	Grease nipple	AM8	4	662132214
32	Spring washer		4	662132208
33	Hex socket head screw	M8x25	4	659112657
35*	Compensating disc assembly		2	662132198
38*	Compensating disc assembly		2	662132197
39*	Distance washer kit		2	662132199
42	Spring plate long		2	662132172
43	Spring plate short		1	662132171
44	Support left 150 mm (25, 29, 31)	150mm	1	662132183
45	Support right 150 mm (25, 29, 31)	150mm	1	662132184
46	Support left 200 mm (25, 29, 31)	200mm	1	662132185
47	Support right 200 mm (25, 29, 31)	200mm	1	662132186
48	Holder		1	662132139
49	Control valve	3/2	1	662132156
50	Pneumatic tube		1	662132169
52	Lock pin left		1	662132173
53	Bush		5	662132174
54	Hex-screw	M12x30 8.8	5	659112381
55	Hex-nut	M20x1,5x45	3	659115313
56	Hex-nut	M18X1	2	659115312
57	Hex-nut(not shown)	M28X1,5	1	659115314
61	Spindle		2	662132292
62	Hex-screw	M20X90	4	659112627
63	Spring pin	25x45	2	662132293

35* Set contains spacers D 116 x 80 x 0.5 / D 116 x 80 x 1 / D 116 x 80 x 2

38* Set contains spacers D 80 x 45.5 x 0.5 / D 80 x 45.5 x 1 / D 80 x 45.5 x 2

39* Set contains spacing washers D 65 x 40.5 x 0.5 / D 65 x 40.5 x 1 / D 65 x 40.5 x 2

SK-HD 38.36

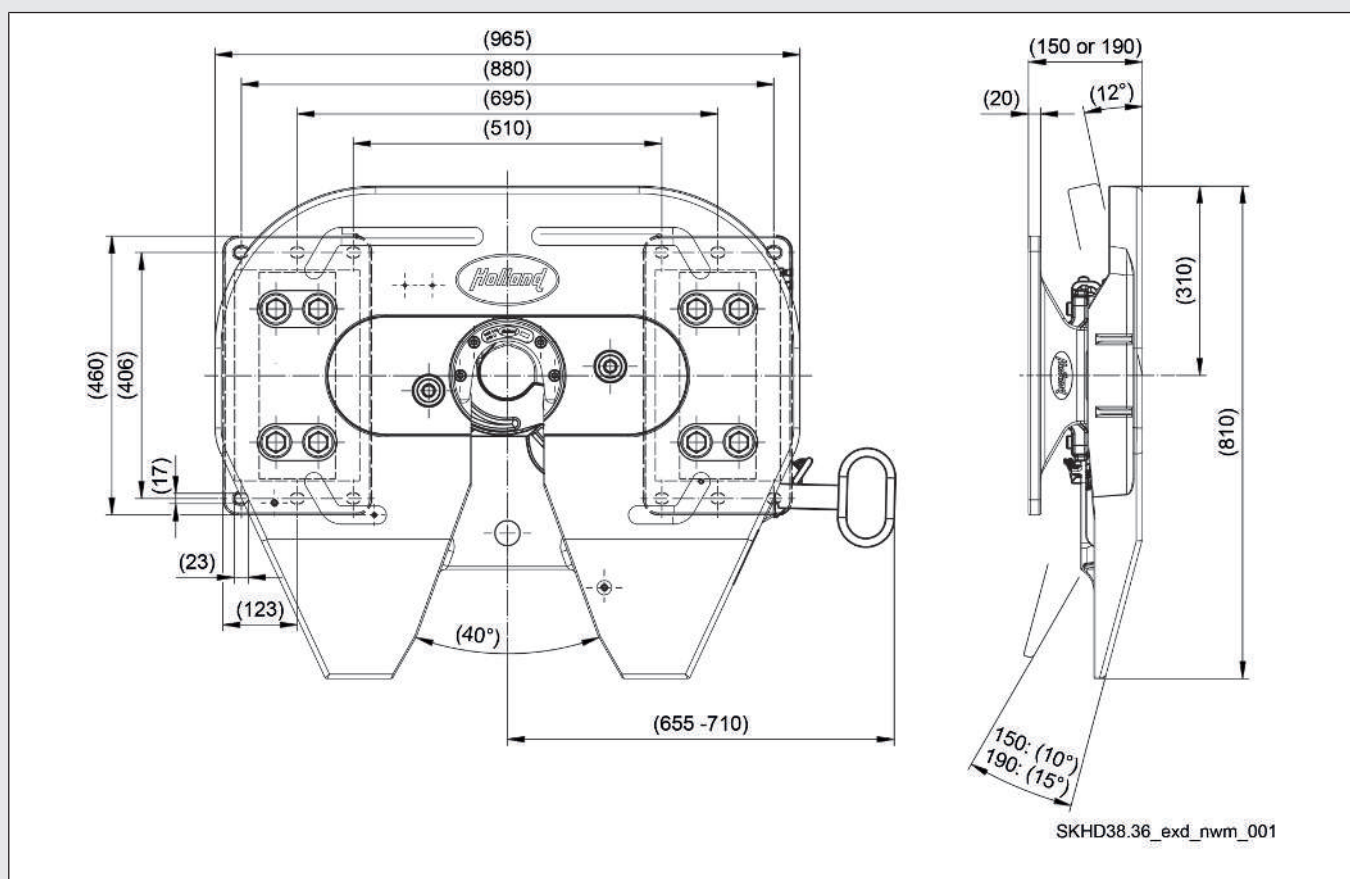


- Conversion from 2" to 3½" and vice versa possible
 - Conversion kit from 3½" to 2" : 662 101 704
 - Conversion kit from 2" to 3½" : 662 101 705
- Approved for forced steering
- Available with optional slider or also in an off-road version with gimbal mounting
- ECE type approval no.: E11-55R-01 8550 (2")
- ECE type approval no.: E11-55R-01 8549 (3½")

Technical Data

Type	Lock size [Inch]	Overall height [mm]	Imposed load [t]	D-value [kN]	Weight [kg]	Angle of inclination degree (w1/w2)	Order no.
2"							
SK-HD 38.36	2"	150	23	162	185	10° / 10°	662111085
SK-HD 38.36	2"	190	23	162	185	15° / 12°	662111074
3,5"							
SK-HD 38.36	3.5"	150	36	260	185	10° / 10°	662111065
SK-HD 38.36	3.5"	190	36	260	185	15° / 12°	662111066

Dimensions

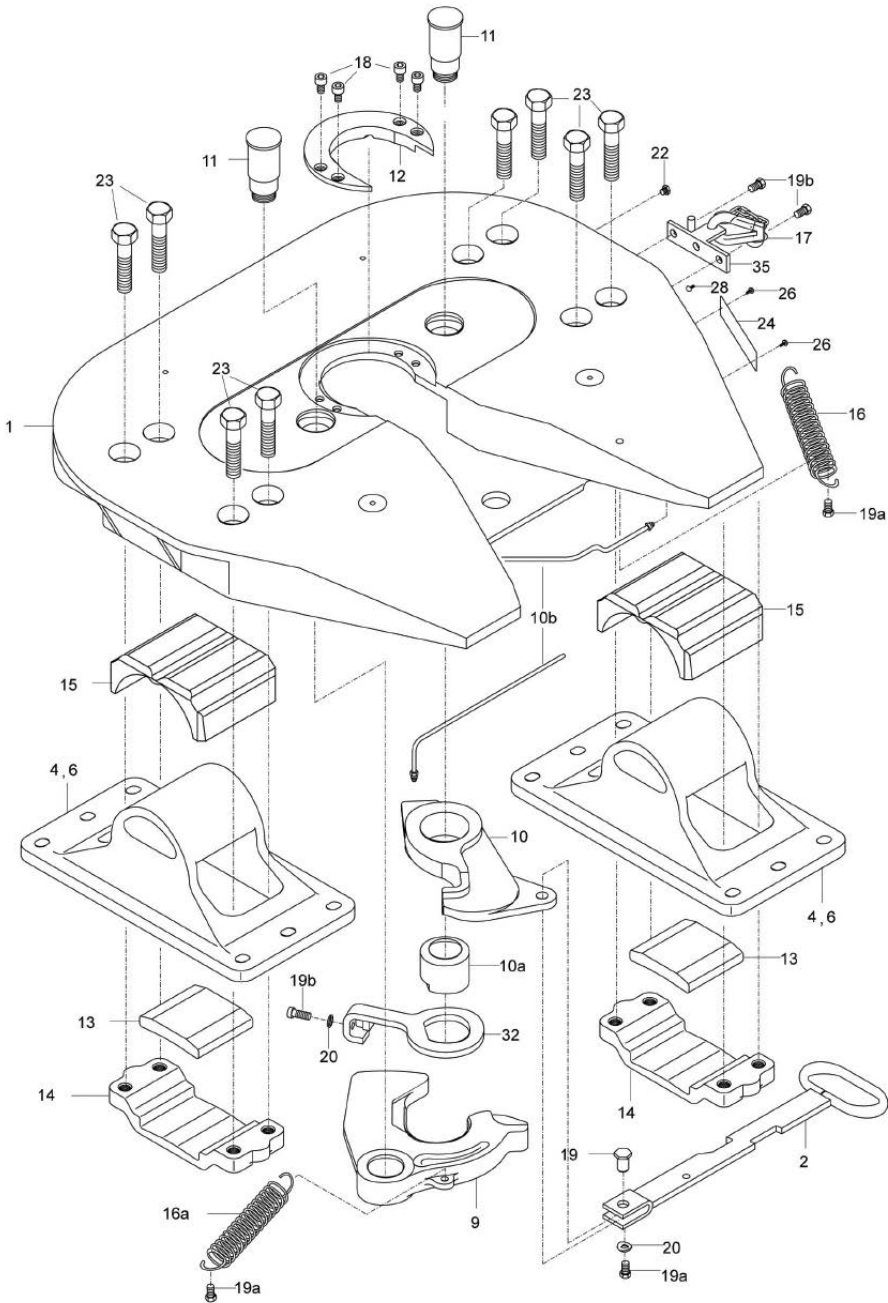


Mounting hole pattern according to DIN 74081

Subject to modifications in dimensions and design

Spare Parts SK-HD 38.36

FROM SERIAL NUMBER 40001301



UP TO SERIAL NUMBER 40001300 PLEASE ASK FOR SPARE PARTS SEPARATELY
 Please note: Also applies for serial numbers 40001055-1144 and 40001195-1216

Item	Component	Dimensions	Pcs.	Order no.
	2" Repair kit bearing (13, 15, 23)*		1	662101457
	3.5" Repair kit bearing (13, 15, 23)*		1	662101457
	Conversion kit 3.5" to 2" (9, 12, 18, 24)		1	662101704
	Conversion kit 2" to 3.5" (9, 12, 18, 24)		1	662101705
	Repair kit locking mechanism and bearings (9, 11, 12, 13, 15, 18, 23)	2"	1	662101706
	Repair kit locking mechanism and bearings (9, 11, 12, 13, 15, 18, 23)	3.5"	1	662101707
	Repair kit locking mechanism (9, 11, 12, 18)	2"	1	662101708
	Repair kit locking mechanism (9, 11, 12, 18)	3.5"	1	662101709
	Repair kit wear ring (12, 18)		1	662101710
	Repair kit wear ring (12, 18)		1	662101711
	Coupling plate without mounting bracket	2"	1	662111092
	Coupling plate without mounting bracket	3.5"	1	662111093
1	Coupling plate		1	662111254
2	Operating handle		1	662111276
4	Mounting bracket	150mm	2	662111293
6	Mounting bracket	190mm	2	662111256
9	Coupler jaw	2"	1	662111249
9	Coupler jaw	3.5"	1	662111247
10	Locking hook		1	662111239
10a	Eccenter		1	662111317
10b	Lubrication tube complete	L=410	2	659144106
11	Pin cpl.		2	662111344
12	Wear ring	2"	1	662111342
12	Wear ring	3.5"	1	662111343
13	Rubber damping		2	662111259
14	Tensioning bar		2	662111258
15	Bearing insert		2	662111264
16	Return spring		1	662126410
16a	Return spring		1	662111130
17	Clipper with linkage		1	662100574
18	Hex-screw	M12x14	4	659112624
19	Bolt		1	662126449
19a	Hex socket head screw	M10x20	3	659112359
19b	Hex-screw	M10x25	3	659112358
20	U-washer	Ø10	2	662126175
22	Grease nipple	M8x1	2	662126224
23	Hex socket head screw	M20x100	8	659112510
24	Identification plate		1	659120380
26	Groove pin	3x8	2	662126173
28	Rivet		1	662126151
32	Yoke		1	662111314
35	Locking plate		1	662111281
	Plug		1	662111346

* Repair kit 2" and 3.5" identical

SK-HD 38.36 G

Off-road Use

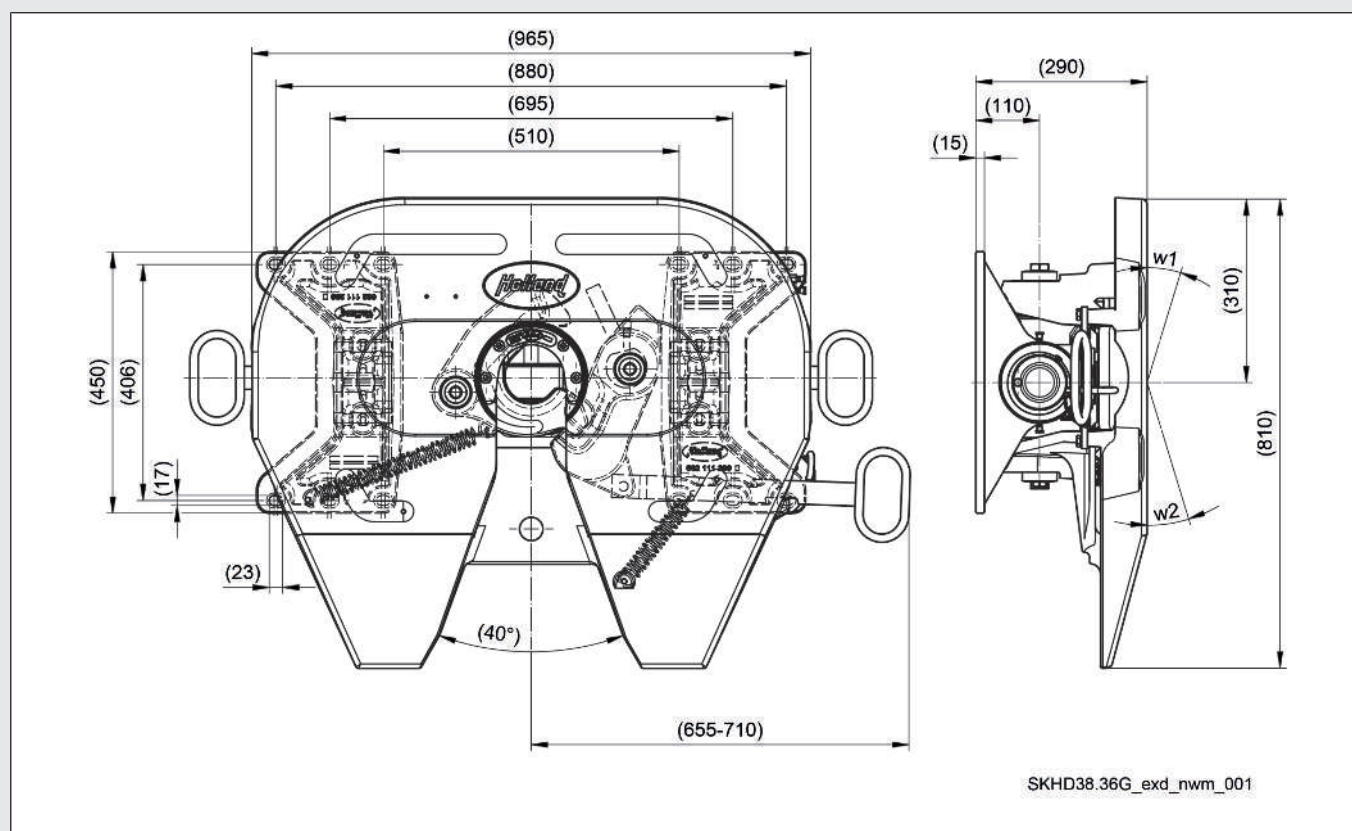


- Conversion from 2" to 3½" and vice versa possible
 - Conversion kit from 3½" to 2": 662 101 704
 - Conversion kit from 2" to 3½": 662 101 705
- Suitable for off-road use with double oscillation
- Suitable for steering wedge applications
- **PLEASE NOTE:** Not authorized for road transport

Technical Data

Type	Lock size [Inch]	Overall height [mm]	Imposed load [t]	D-value [kN]	Weight [kg]	Angle of inclination degree (w1/w2)	Indination degree	Order no.
2"								
SK-HD 38.36.2 G	2"	290	23	162	272	17° / 14°	6,5	662111089
3,5"								
SK-HD 38.36 G	3.5"	290	36	260	272	17° / 14°	6,5	662111088

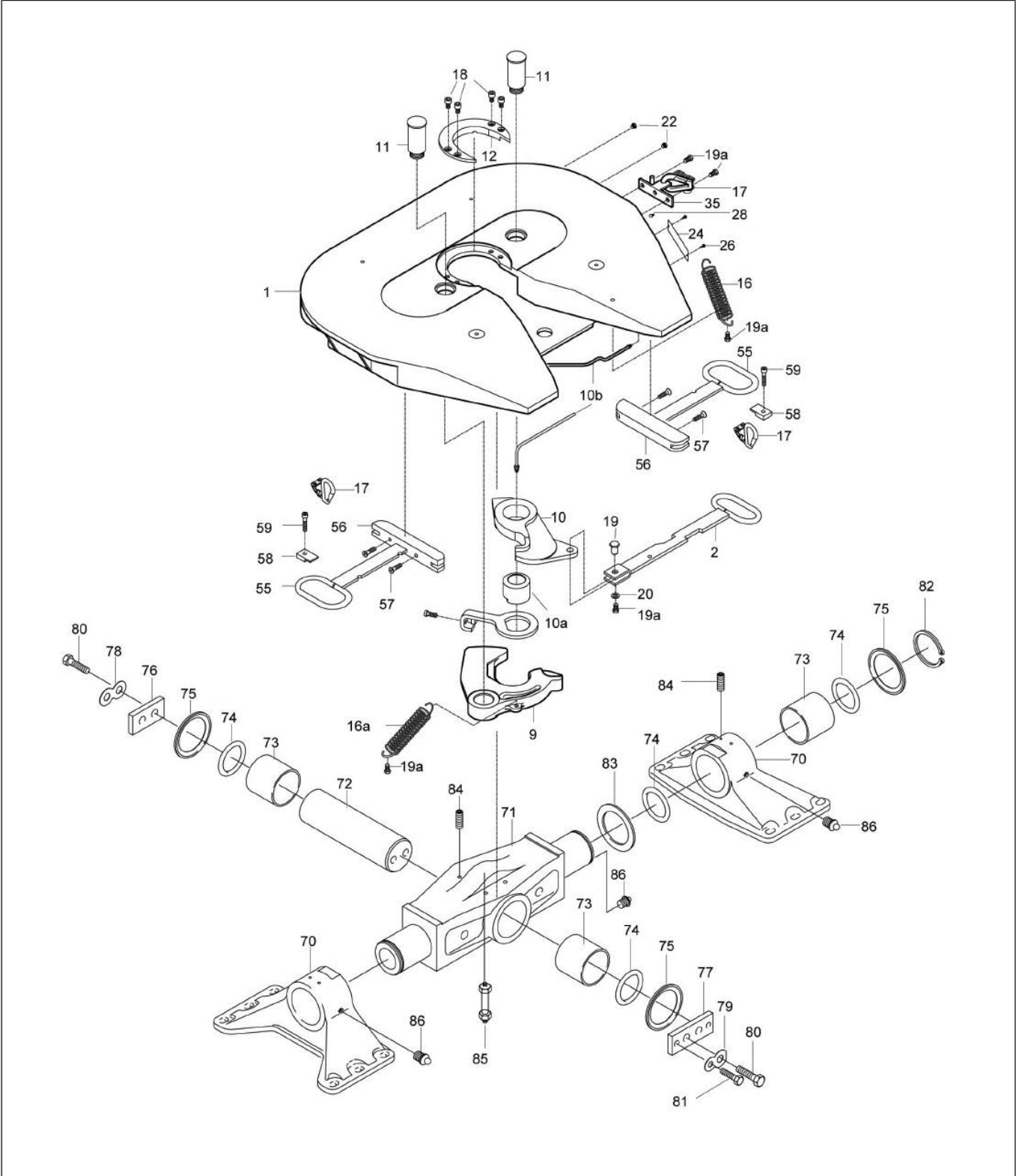
Dimensions



Mounting hole pattern according to DIN 74081
 Subject to modifications in dimensions and design

Spare Parts SK-HD 38.36 G

FROM SERIAL NUMBER 40001301



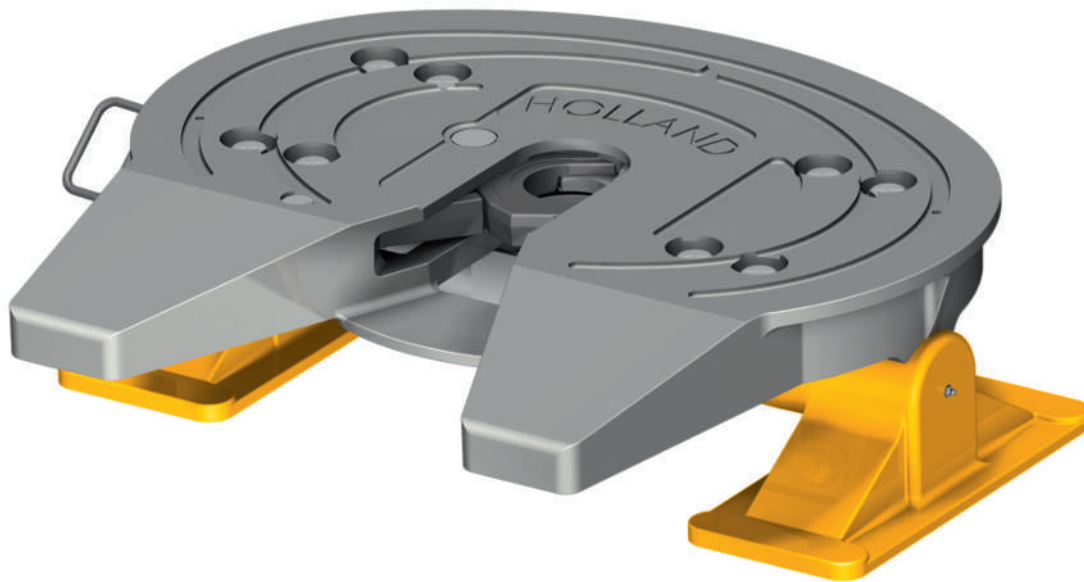
UP TO SERIAL NUMBER 40001300 PLEASE ASK FOR SPARE PARTS SEPARATELY

Please note: Also applies for serial numbers 40001055-1144 and 40001195-1216

Item	Component	Dimensions	Pcs.	Order no.
	2" Repair kit bearing (73, 74, 78, 79, 80, 81, 84, 85, 86 *)*	2", 3.5"	1	662101487
	3,5" Repair kit bearing (73, 74, 78, 79, 80, 81, 84, 85, 86 *)*	2", 3.5"	1	662101487
	Conversion kit 3.5" to 2" (9, 12, 18, 24)		1	662101704
	Conversion kit 2" to 3.5" (9, 12, 18, 24)		1	662101705
	Repair kit locking mechanism (9, 11, 12, 18)	2"	1	662101708
	Repair kit locking mechanism (9, 11, 12, 18)	3.5"	1	662101709
1	Coupling plate		1	662111254
2	Operating handle		1	662111276
9	Coupler jaw	2"	1	662111249
9	Coupler jaw	3.5"	1	662111247
10	Locking hook		1	662111239
10a	Eccenter		1	662111317
10b	Lubrication tube complete	L=410	2	659144106
11	Pin cpl.		2	662111347
12	Wear ring	2"	1	662111342
12	Wear ring	3.5"	1	662111343
16	Return spring		1	662126410
16a	Return spring		1	662111130
17	Clipper with linkage		3	662100574
18	Hex-screw	M12x14	4	659112624
19	Bolt		1	662126449
19a	Hex socket head screw	M10x20	2	659112359
20	U-washer	Ø10	1	662126175
22	Grease nipple	M8x1	2	662126224
24	Identification plate		1	659120380
26	Groove pin	3x8	2	662126173
28	Rivet		1	662126151
35	Locking plate		1	662111281
55	Operating handle		2	662111297
56	Stopper		2	662111296
57	Countersink screw	M10x20	4	662100371
58	Lock plate		2	662111298
59	Hex-screw	M10x25	2	662126155
70	Mounting bracket		2	662111348
71	Rocker		1	662111349
72	Bearing bolt		1	662111306
73	Bearing bush		4	662111300
74	O-ring		6	662111301
75	Distance washer		4	659122075
76	Cam plate		1	662111304
77	Clamping sleeve		1	662111307
78	Locking plate	2"	1	662111305
79	Locking plate	3.5"	2	662111308
80	Hex socket head screw	M20x45	4	662111203
81	Hex socket head screw	M14x30	2	2088100000 050
82	Circlip		2	662111302
83	Distance washer		2	659122074
84	Grooved cylindrical pin		8	662111311
85	Extension		1	662111312
86	Grease nipple	M8x1	6	662126224

* Repair kit 2" and 3.5" identical

FW0100

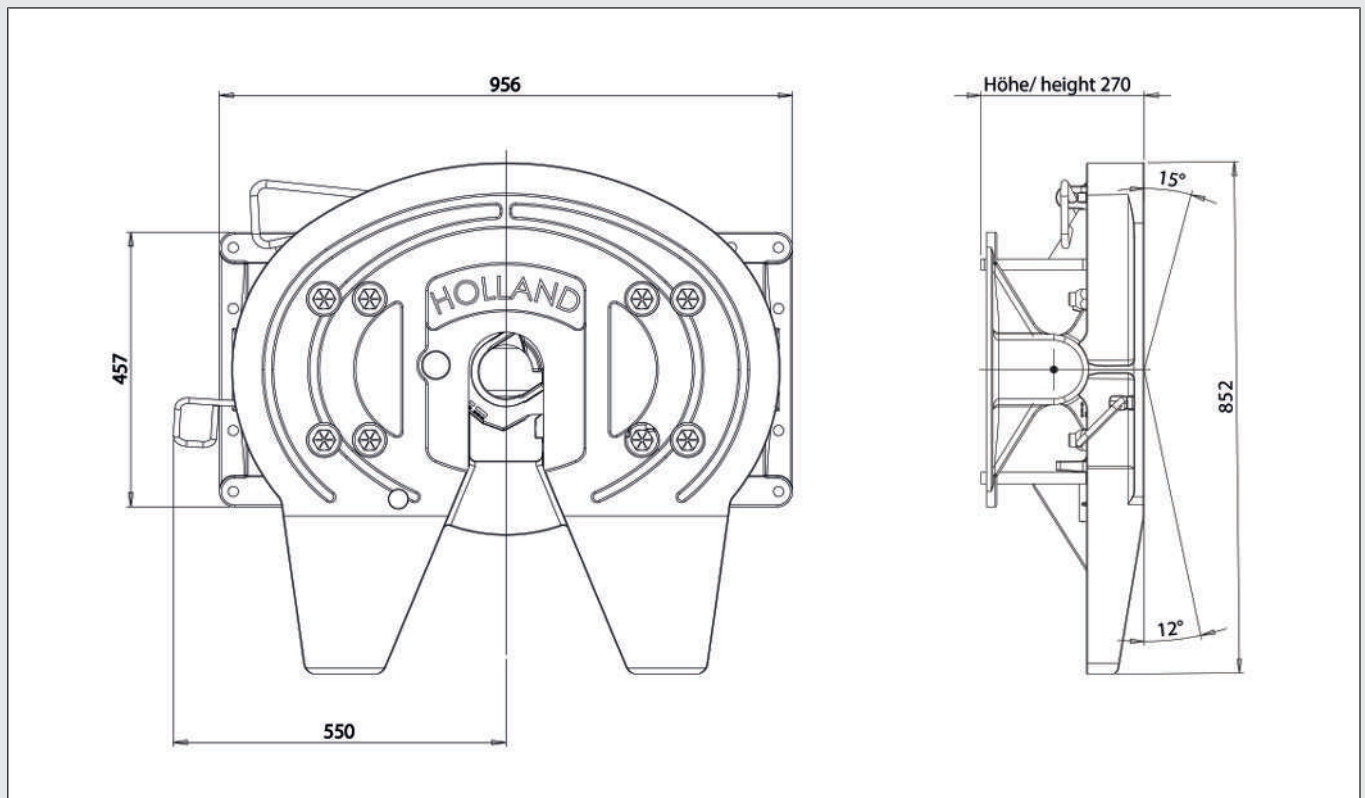


- 3½" extra heavy duty fifth wheel manufactured from high strength cast steel, designed for the most demanding applications
- Minimum operating temperature -40 °C
- Suitable for rear axle steering systems
- **PLEASE NOTE:** Not authorized for road transport

Technical Data

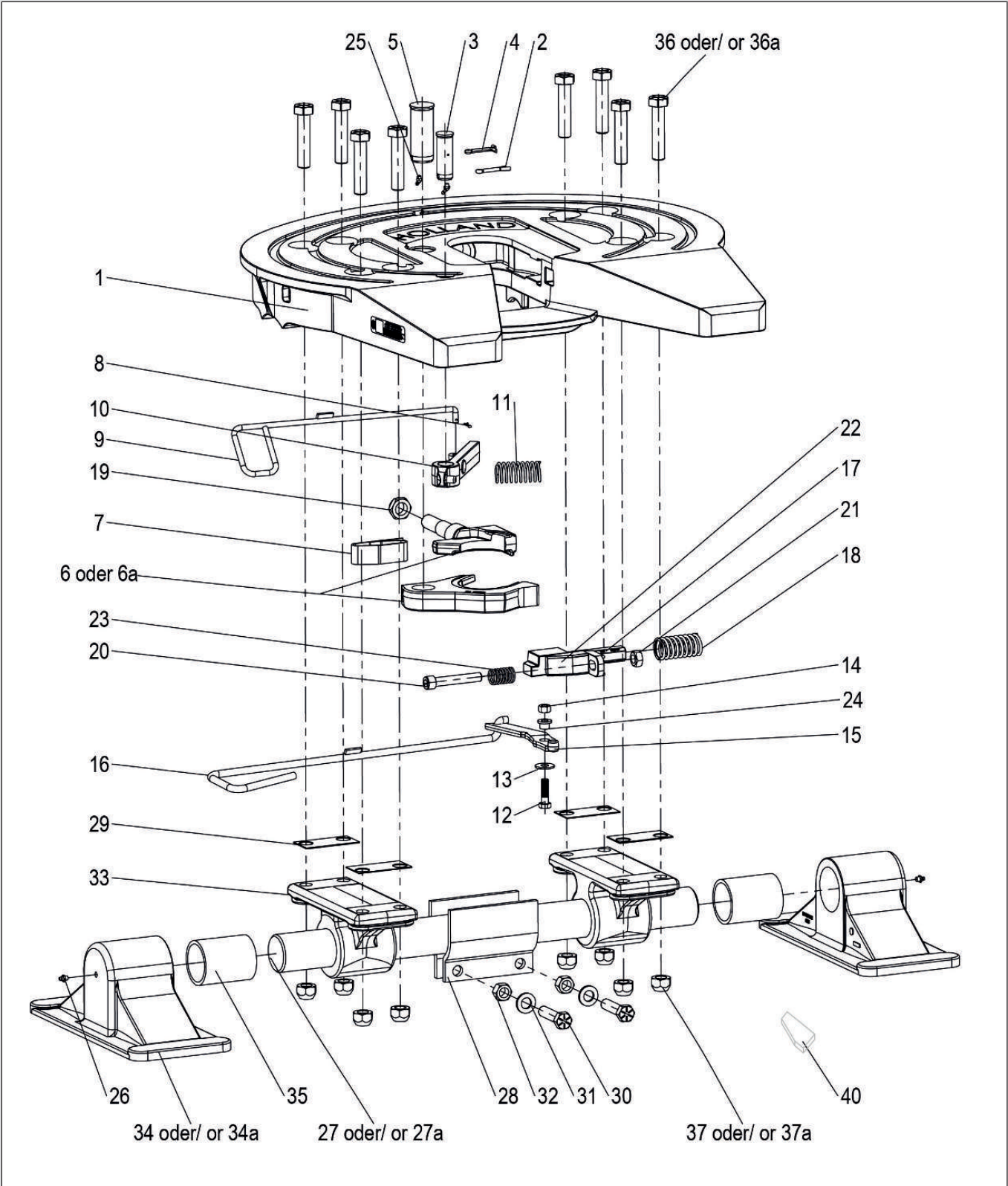
Type	Lock size [Inch]	Overall height [mm]	Imposed load [t]	D-value [kN]	Weight [kg]	Order no.
FW0100-O	3.5"	270	45	240	272	FW0100-O
FW0100-OC	3.5"	230	45	240	268	FW0100-OC

Dimensions



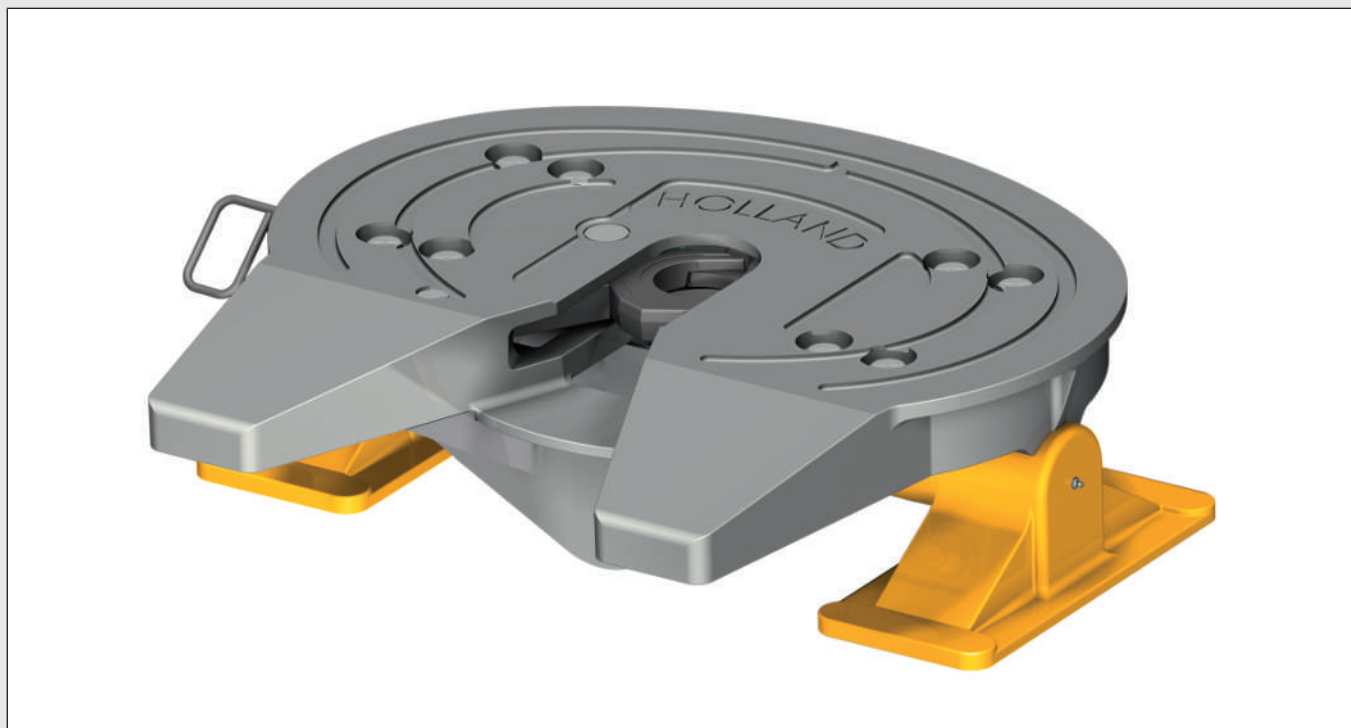
Production of the fifth-wheel according to DIN 74081 and DIN 74084

Spare Parts FW0100



Item	Component	Dimensions	Pcs.	Order no.
	Repair kit fifth wheel cpl. (2-24, 40)	2"	1	RK-65012
	Repair kit fifth wheel cpl. (2-6A, 7-24, 40)	3.5"	1	RK-65013
	Repair kit locking mechanism (4-6, 10, 25, 40)	2"	1	RK-65024
	Repair kit locking mechanism (4-6A, 10, 25, 40)	3.5"	1	RK-65024-1
1	Fifth wheel top plate 2"		1	XA-101-D
1a	Fifth wheel top plate 3.5"		1	XA-101-O
2	Cotter pin	1/4"x2"	1	XB-5
3	Lock pin		1	XA-1016-C
4	Cotter pin	1/4"x2,5"	1	XB-T-60
5	Lock pin		2	XA-FW-108-D-1
6	Lock kit 2"		1	XA-FW-104-D
6a	Lock kit 3.5"		1	XA-FW-104-03
7	Spring		1	XA-FW-128
8	Cotter pin	1/8"x1"	1	XB-16
9	Operating handle with saver		1	XA-FW-138
10	Secondary lock arm		1	XA-FW-137-2-KTL
11	Spring		1	XB-1028-2
12	Hex-screw	1/2 - 20x1,75"	1	XB-2083
13	Washer	1/2"	1	XB-T-49
14	Hex-nut	1/2"-20"	1	XB-T-69-A
15	Lever, Release		1	XA-1005-FDS
16	Operating handle		1	XA-1117-13
17	Repair kit locking mechanism cpl.		1	XA-1104-KTL
18	Spring		2	XB-1007
19	Locknut	1"-14	1	XB-04473
20	Hex socket head screw		1	XB-2001
21	Nut	5/8"-11	1	XB-HNH-38C
22	Adjusting Block		1	XD-3123-1
23	Spring		1	XB-403-KTL
24	Bush		1	XB-02949
25	Grease nipple	45°	2	XB-767-C
26	Grease nipple		2	XB-H-38
27	Axle		1	XA-FW-106
28	Claming piece		2	CA-FW-113-D
29	Spacer		4	XB-03371
30	Hex socket head screw	3/4"-16x3"	2	XB-772
31	Washer		2	XB-PW-1316-112
32	Nut	3/4"-16	2	XB-769
33	Axle bearing		2	XA-FW-103
34	Mounting bracket		2	XA-FW-102
34a	Mounting bracket		2	XA-FW-102-C
35	Bush		2	XA-FW-107
36	Hex socket head screw	7/8"-14x4"	8	XB-08914
36a	Hex socket head screw	1"-8x4"	8	XB-FW-109
37	Hex-nut	7/8"-14	8	XB-T-307
37a	Hex-nut	1"-8	8	XB-C-41
40	Adjusting Block		1	XA-05768

FW0165

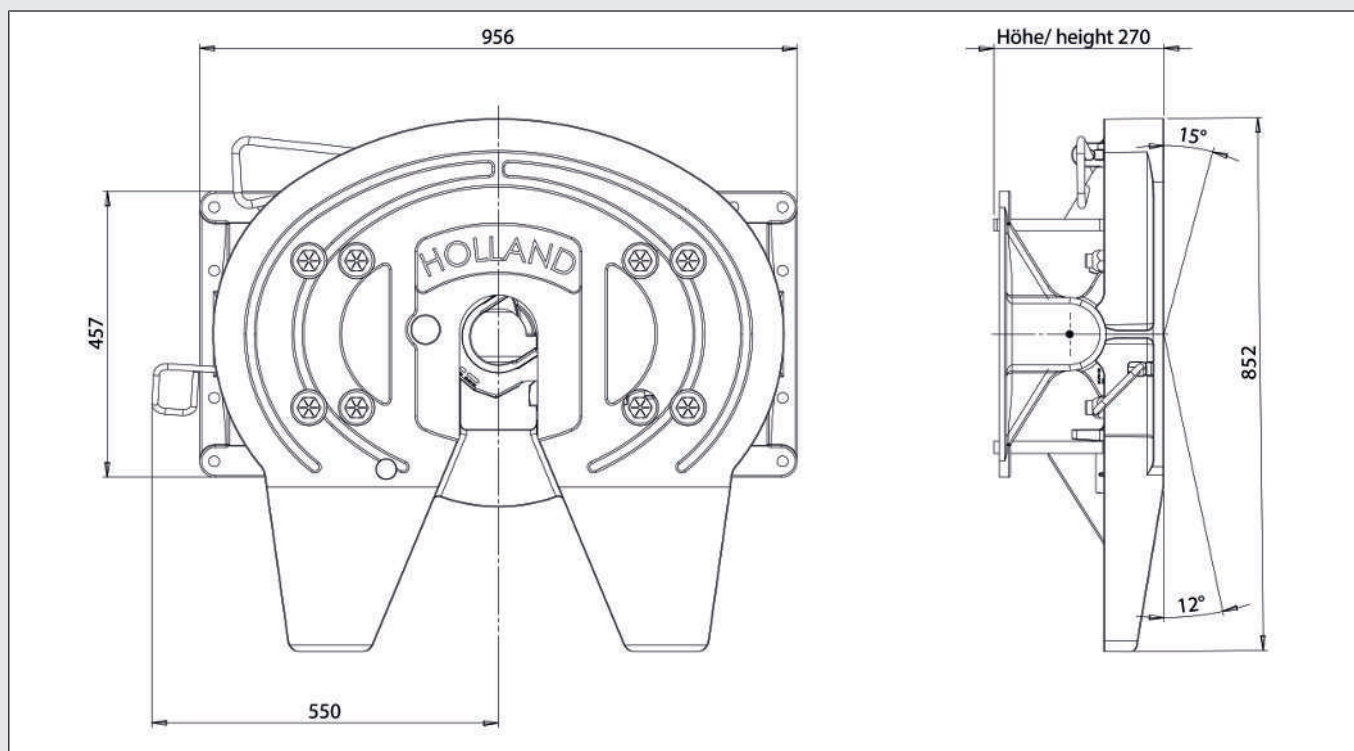


- Cast steel
- **PLEASE NOTE:** Not authorized for road transport

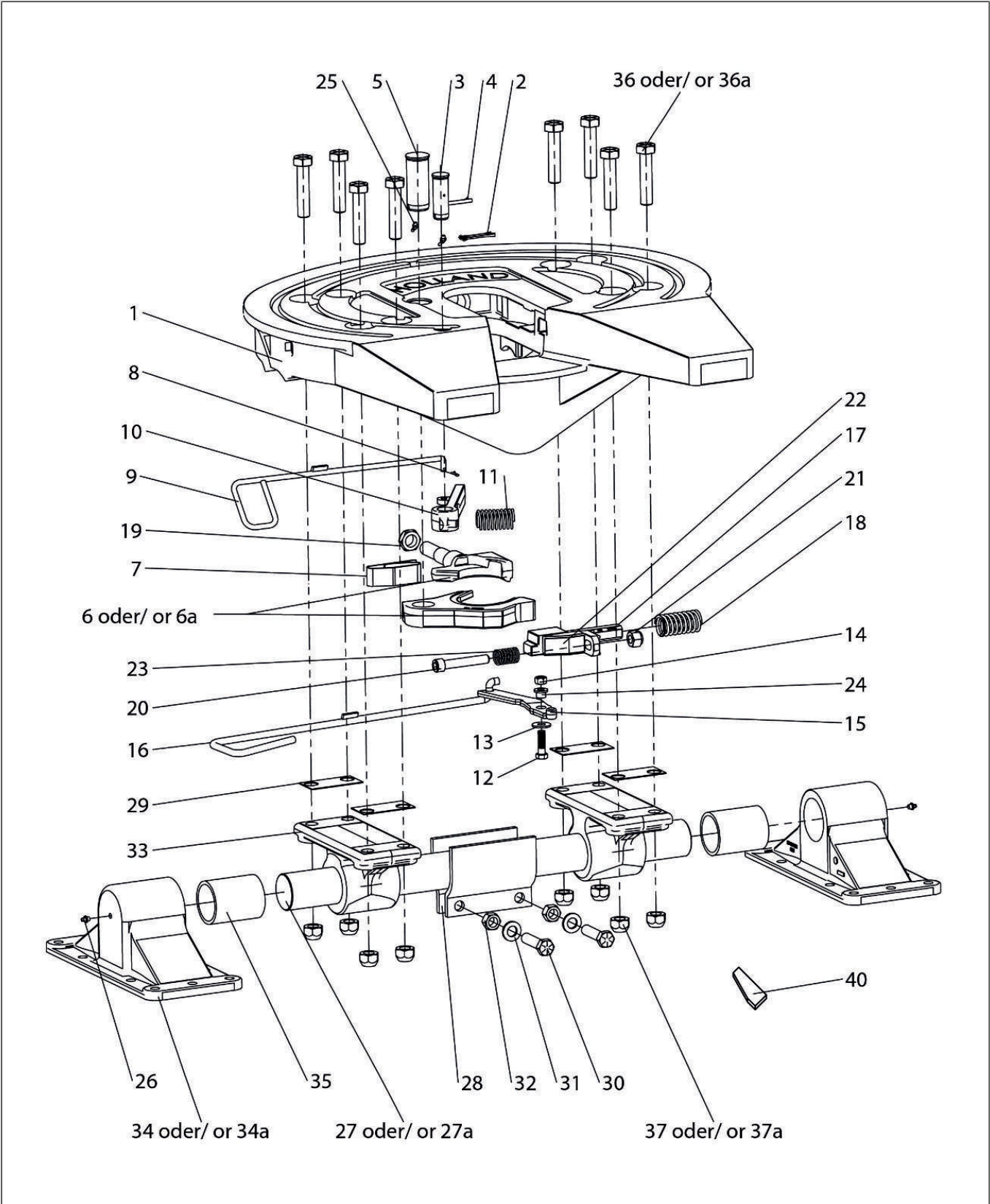
Technical Data

Type	Lock size [Inch]	Overall height [mm]	Imposed load [t]	D-value [kN]	Weight [kg]	Order no.
FW0165-0091	3.5"	270	74	240	302	FW0165-0091

Dimensions

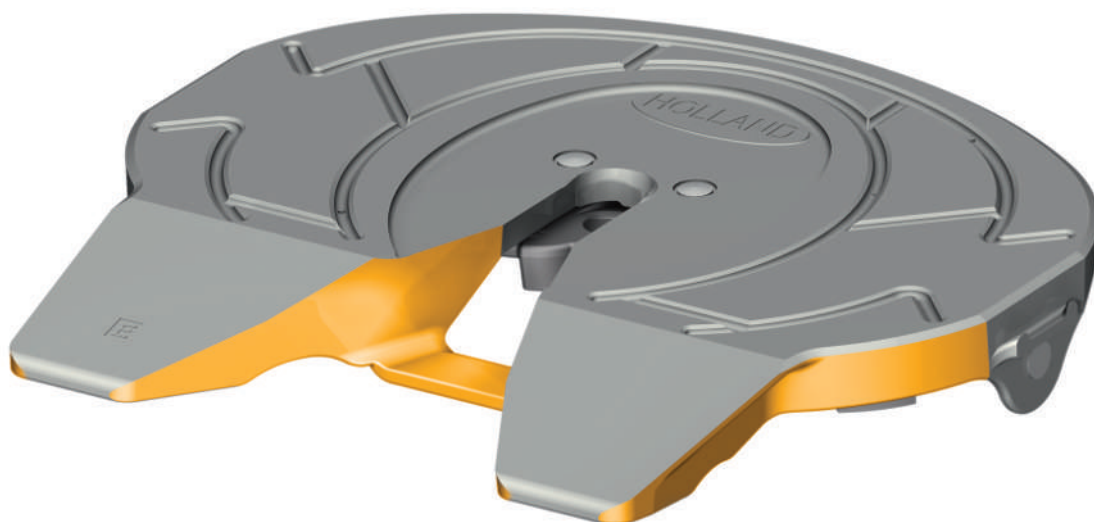


Spare Parts FW0165



Item	Component	Dimensions	Serial no.	Pcs.	Order no.
	Repair kit locking mechanism 2" (4-6, 10, 25, 40)	2"		1	RK-65024
	Repair kit locking mechanism 3.5" (4-6A, 10, 25, 40)	3.5"		1	RK-65024-1
	Repair kit fifth wheel cpl. 2" (2-24, 40)	2"		1	RK-65012
	Repair kit fifth wheel cpl. 3.5" (2-6A, 7-24, 40)	3.5"		1	RK-65013
1	Fifth wheel top plate			1	XA-115-1
2	Cotter pin	1/4"x2"		1	XB-5
3	Lock pin			1	XA-1016-C
4	Cotter pin	1/4"x2,5"		1	XB-T-60
5	Lock pin			1	XA-FW-108-D-1
6	Lock kit 2"			1	XA-FW-104-D
6a	Lock kit 3.5"			1	XA-FW-104-03
7	Spring			1	XA-FW-128
8	Cotter pin	1/8"x1"		1	XB-16
9	Operating handle with saver			1	XA-FW-138
10	Secondary lock arm			1	XA-FW-137-2-KTL
11	Spring			1	XB-1028-2
12	Hex-screw	1/2 - 20x1,75"		1	XB-2083
13	Washer	1/2"		1	XB-T-49
14	Hex-nut	1/2"-20"		1	XB-T-69-A
15	Lever, Release			1	XA-1005-FDS
16	Operating handle			1	XA-1117-13
17	Repair kit locking mechanism cpl.			1	XA-1104-KTL
18	Spring			1	XB-1007
19	Locknut	1"-14		1	XB-04473
20	Hex socket head screw			1	XB-2001
21	Nut	5/8"-11		1	XB-HNH-38C
22	Adjusting Block			1	XD-3123-1
23	Spring			1	XB-403-KTL
24	Bush			1	XB-02949
25	Grease nipple	45°		2	XB-767-C
26	Grease nipple			2	XB-H-38
27	Axle			1	XA-FW-106
28	Claming piece			2	CA-FW-113-D
29	Spacer			4	XB-03371
30	Hex socket head screw	3/4"-16x3"		2	XB-772
31	Washer			2	XB-PW-1316-112
32	Nut	3/4"-16		2	XB-769
33	Axle bearing			2	XA-FW-103
34	Mounting bracket 270 mm			2	XA-FW-102
35	Bush			2	XA-FW-107
36	Hex socket head screw	7/8"-14x4"		8	XB-08914
36a	Hex socket head screw	1"-8x4"		8	XB-FW-109
37	Hex-nut	7/8"-14		8	XB-T-307
37a	Hex-nut	1"-8		8	XB-C-41
40	Adjusting Block			1	XA-05768

FW3510-TR



- Suitable for steering wedge applications
- Not authorized for road transport, only with manual secondary lock
- ECE type approval no.: E11 55R-01 6172

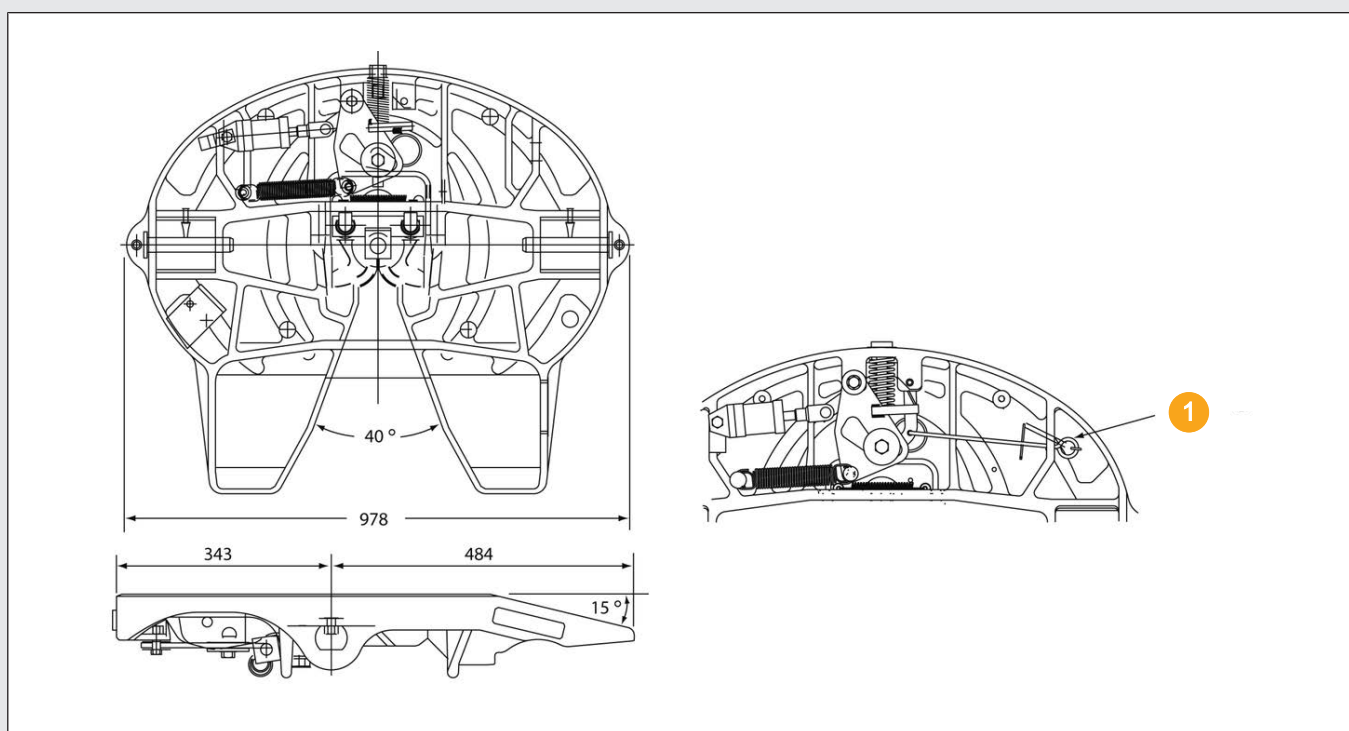
Technical Data

Type	D-value [kN]	Imposed load [t]	Weight [kg]	Order no.
FW3510-TR	-	36	120	FW3510-TR
FW3510-TR-EL*	-	36	120	FW3510-TR-EL
FW3510-TR-EG	175	23	121	FW3510-TR-EG
FW3510-TR-EG-EL*	175	23	121	FW3510-TR-EG-EL

* with sensor

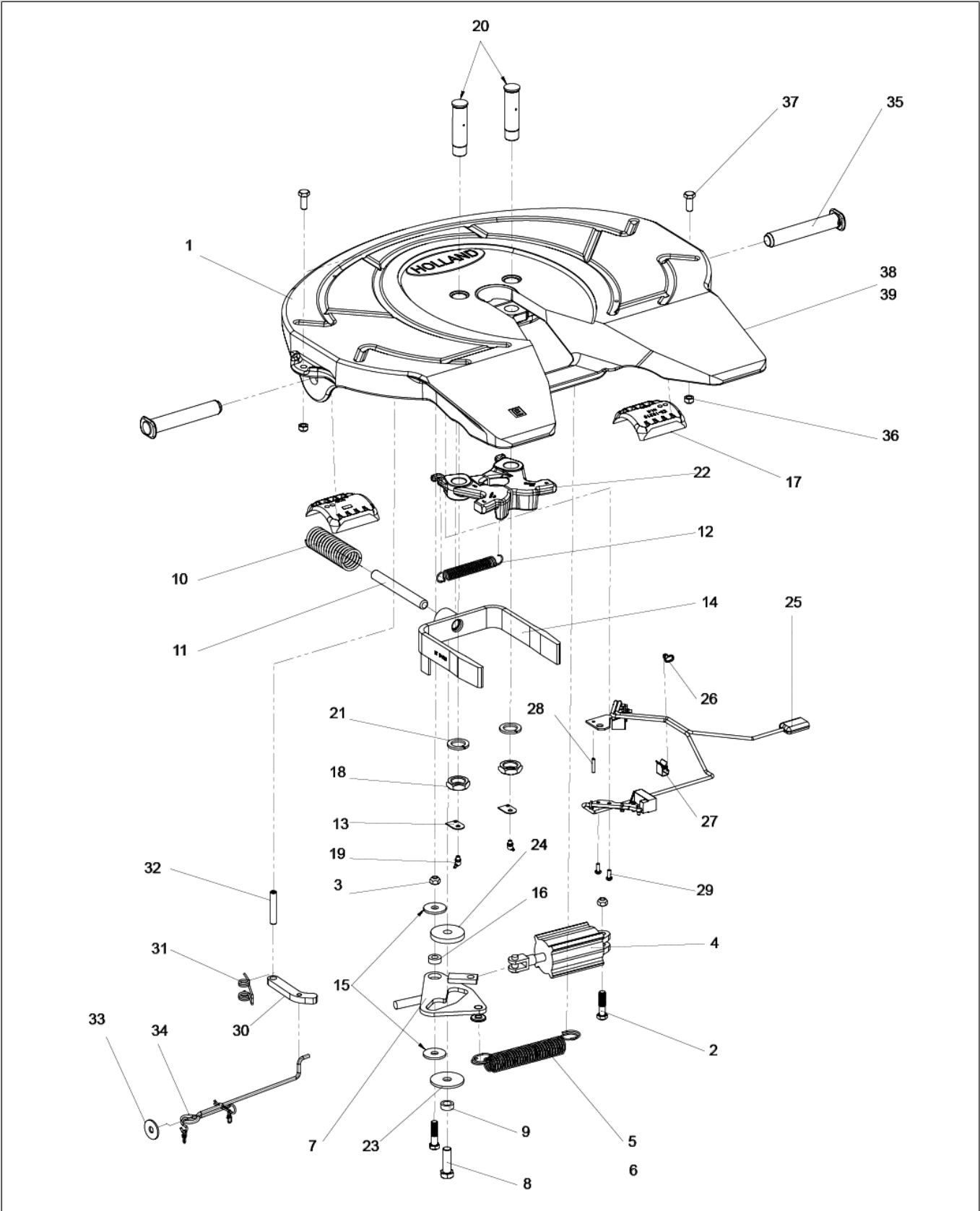
- The load limits given are valid for operation with speed limited to **35 km/h maximum** and for use on well maintained roadways and yards within distribution depots and dockyard areas.
- Specification with optional manual secondary lock for operation on public roads.
- The versions without additional securing have a permissible total towing weight of 100,000 kg.

Dimensions



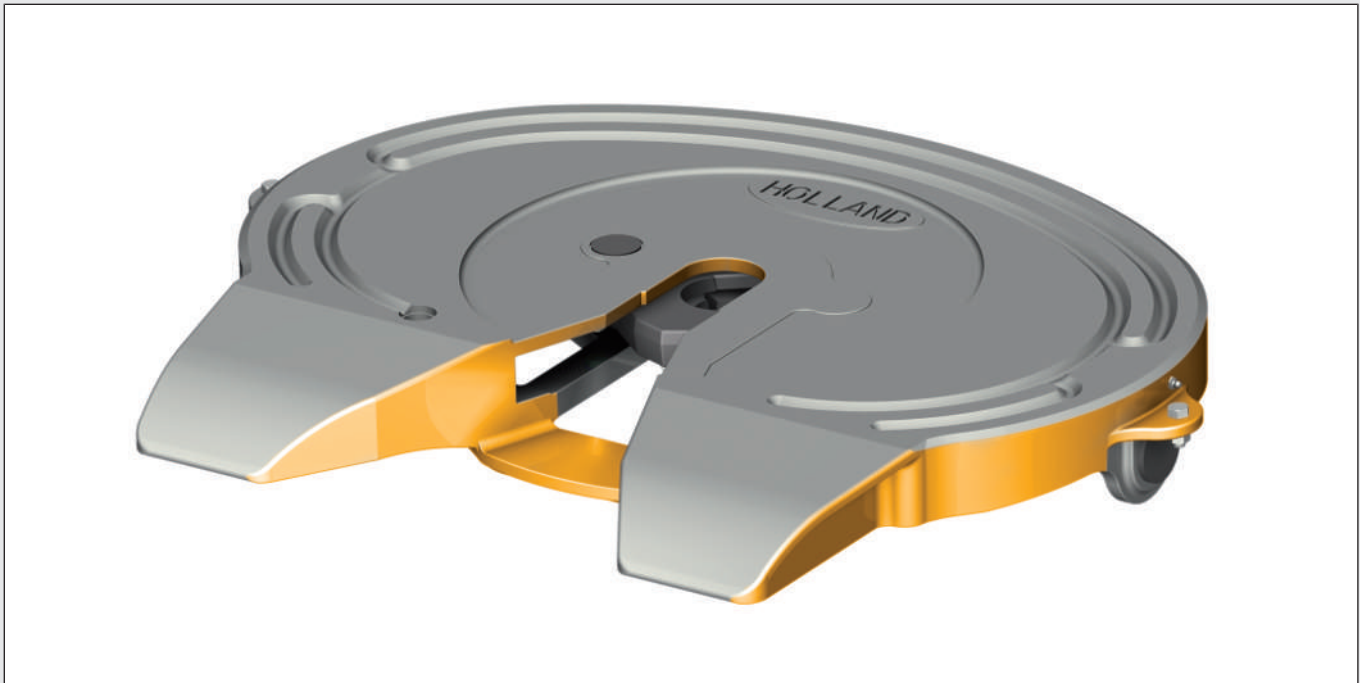
1 | Manual secondary lock

Spare Parts FW3510-TR



Item	Component	Dimensions	Pcs.	Order no.
	Repair kit fifth wheel cpl. (2-3, 5-16, 18, 24)			RK-3510-TR-2
	Repair kit fifth wheel cpl. (2-16, 18-24)			RK-3510-TR
	Repair kit locking mechanism (13, 18-22)			RS-91103
	Repair kit sensor (25-29)			RS-91118
	Repair kit bearing (17, 35-37)			RS-91139
	Lock bar (30-34)			RS-91141
1	Coupling plate without mounting bracket		1	XA-351-E-U2
2	Hex socket head screw	M12x50	2	31036
3	Hex-nut	M12	2	32001
4	Pneumatic cylinder		1	XA-3542-R-T
5	Return spring - outside		1	XB-10088
6	Return spring - inside		1	XB-10087
7	Cam plate		1	XA-10099
8	Hex socket head screw	M12x50	1	XB-10035
9	Cam roller		1	XA-1507
10	Spring		1	XB-1505-P
11	Yoke shaft		1	XA-1706-1
12	Spring		1	XB-07628-P
13	Holder for cable tape		2	XA-10096
14	Yoke		1	XA-10094
15	Washer		2	XB-76004
16	Bush		1	XA-1029
17	Pocket Insert		2	XB-10210
18	Nut	M27	2	32027
19	Grease nipple	45° - M8x1	2	38026
20	Lock pin		2	XA-E-60043
21	Spring washer	M27	1	33027
22	Lock jaw kit		1	XA-08332-1-P
23	Washer (Knorr)		1	XB-07431
24	Distance washer		1	XA-09040
25	Sensor	351 - 24V	1	XA-76204
26	Cable clip		1	XB-01961
27	Holder for sensor		1	XB-09976
28	Bolt		1	XB-76050
29	Hex socket head screw	M6x16	2	XB-76049
30	Lock bar		1	XA-3528
31	Spring, Torsion		1	XB-2149-P
32	Spiral pin		1	XB-21-S-500-2750
33	Washer		1	33031
34	Zuggriff-Manuelle Sicherung		1	XA-3546
35	Bearing bolt		2	XE-06356-KTL
36	Hex-nut	M12	2	32001
37	Hex socket head screw	M12x30	2	31041
38	Identification plate			659120420

FW0E70-T



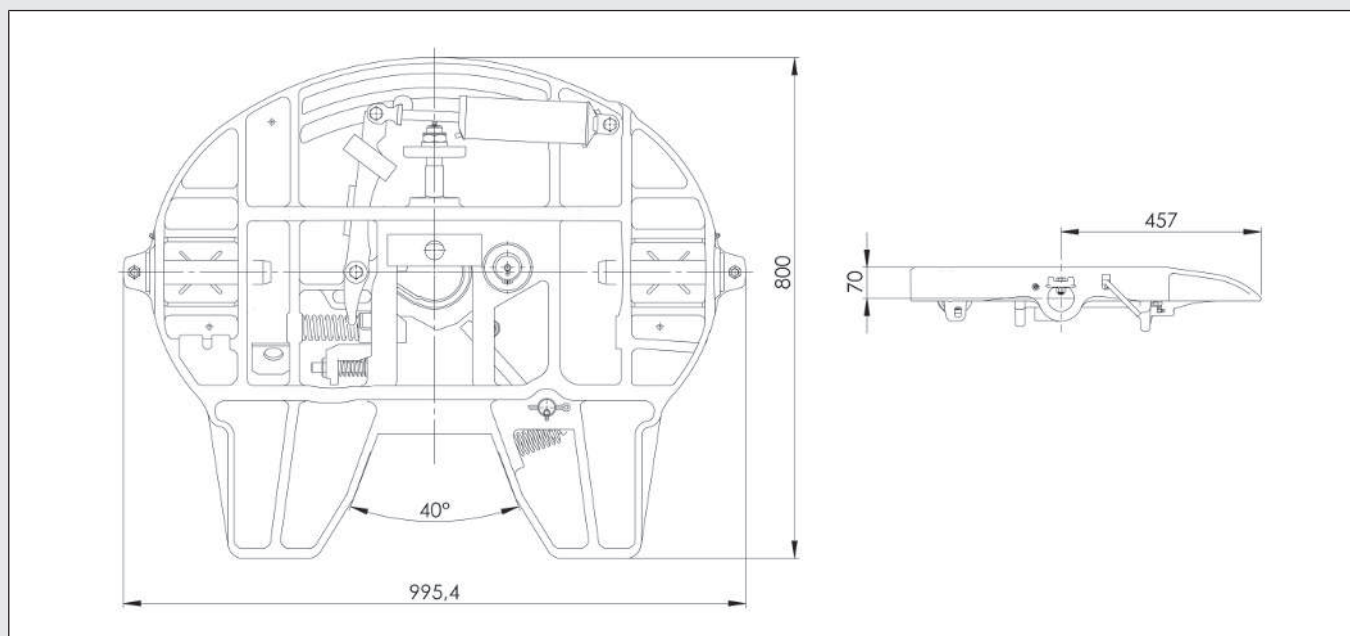
- High strength cast steel construction – permitted operating temperature to -40 °C
- Air operated lock release mechanism
- Gross combined weight (GCW):
 - FW0E70-02-T = 100,000 kg
 - FW0E70-03-T = 120,000 kg
- **PLEASE NOTE:** Not authorized for road transport

Technical Data

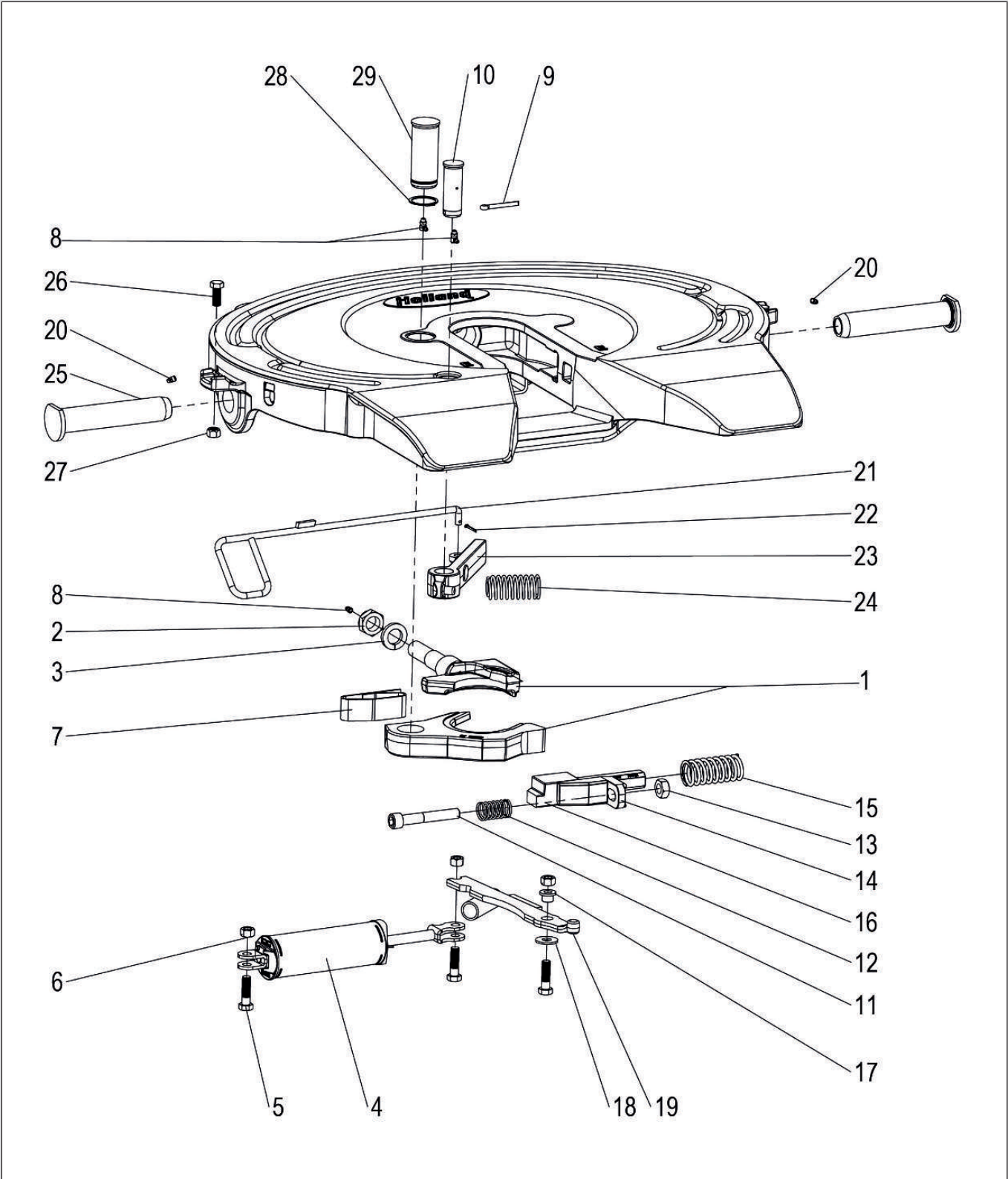
Type	Lock size [Inch]	Imposed load [t]	D-value [kN]	Weight [kg]	Order no.
2"					
FW0E70-02-T	2	45		100	FW0E70-02-T
3,5"					
FW0E70-03-T	3.5	45		120	FW0E70-03-T

- The load limits given are valid for operation with speed limited to **35 km/h maximum** and for use on well maintained road ways and yards within distribution depots and dockyard areas.

Dimensions



Spare Parts FW0E70-T



Item	Component	Dimensions	Pcs.	Order no.
1	Locking kit king pin 2"		1	XA-FW-104-D-T-KTL
	Locking kit king pin 3.5"		1	XA-FW-104-03-T-KTL
2	Locknut	1"-14	1	XB-04473
3	Sprinh washer		1	XB-10327
4	Air cylinder		1	XA11705
5	Hex-screw	1/2 - 20x1,75"	3	XB-2083
6	Hex-nut	1/2"-20"	3	XB-T-69-A
7	Spring		1	XA-FW-128
8	Grease nipple	90°	1	XB-0769
9	Cotter pin	1/4"x2,5"	1	XB-T-60
10	Lock pin		1	XA-FW108-D
11	Hex socket head screw	5/8"-11x4"	1	XB-09407
12	Spring		1	XB-403-KTL
13	Nut	5/8"-11	1	XB-HNH-38C
14	Adjusting Block		1	XD-3123-1-KTL
15	Spring		1	XB-1007
16	Locking lever		1	XA-1104-1-KTL
17	Bush		1	XB-02949
18	Washer	1/2"	1	XB-T-49
19	Lever, Release		1	XA-600200-KTL
20	Grease nipple		2	XB-H-38

Notes
