

Enriching

# URBAN LIFE

FURNITURE





FSC-C016789 . www.fsc.org . The mark of responsible forestry  
Search for FSC® certified products.

Enriching  
URBAN LIFE  
FURNITURE

**GRAPHICS AND LAYOUT:** VEKSØ **FRONT PAGE DRAWING:** shl design  
**PUBLISHER:** VEKSØ A/S, Nordensvej 2, 7000 Fredericia, Denmark, T +45 7921 2200.

[www.veksocom](http://www.veksocom) - [www.youtube.com/veksocom](http://www.youtube.com/veksocom)

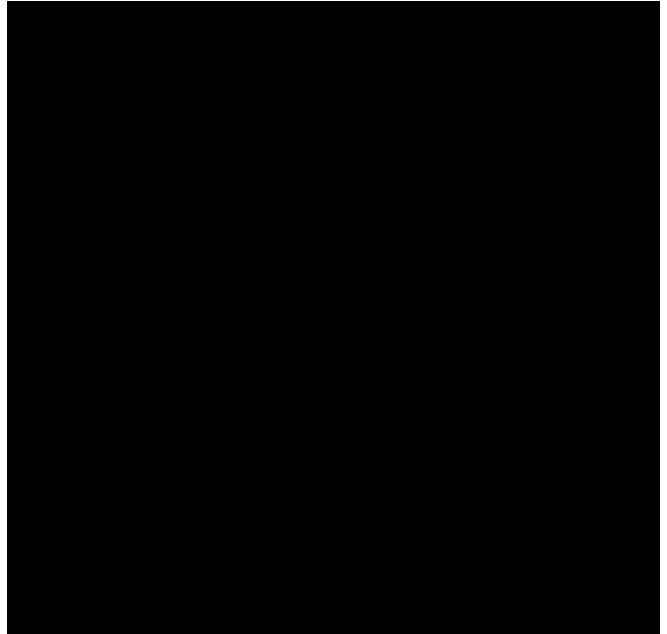
*Subject to change without notice.*

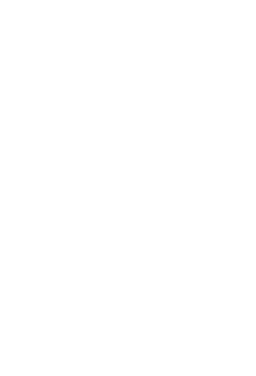
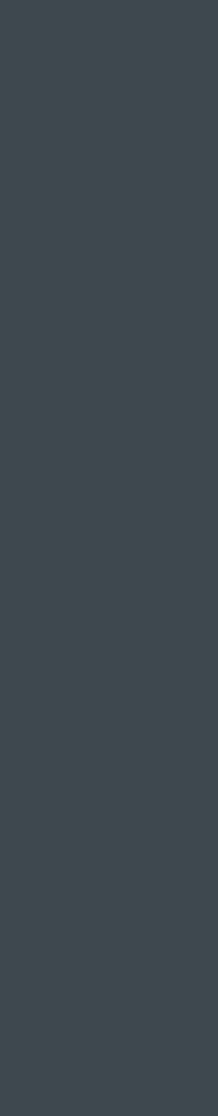


# CONTENTS

Seats and tables .....	4
Litter bins and ashtrays .....	54
Bicycle stands .....	94
Counters and pumps .....	138
Mobility .....	148
Bollards and barriers .....	150
Twinning plant stands .....	180
Tree guards and tree grilles .....	188
Shelters .....	202
Bus shelters .....	230
Bin shelters .....	240
Mail boxes .....	252
Product information .....	258

# SEATS AND TABLES





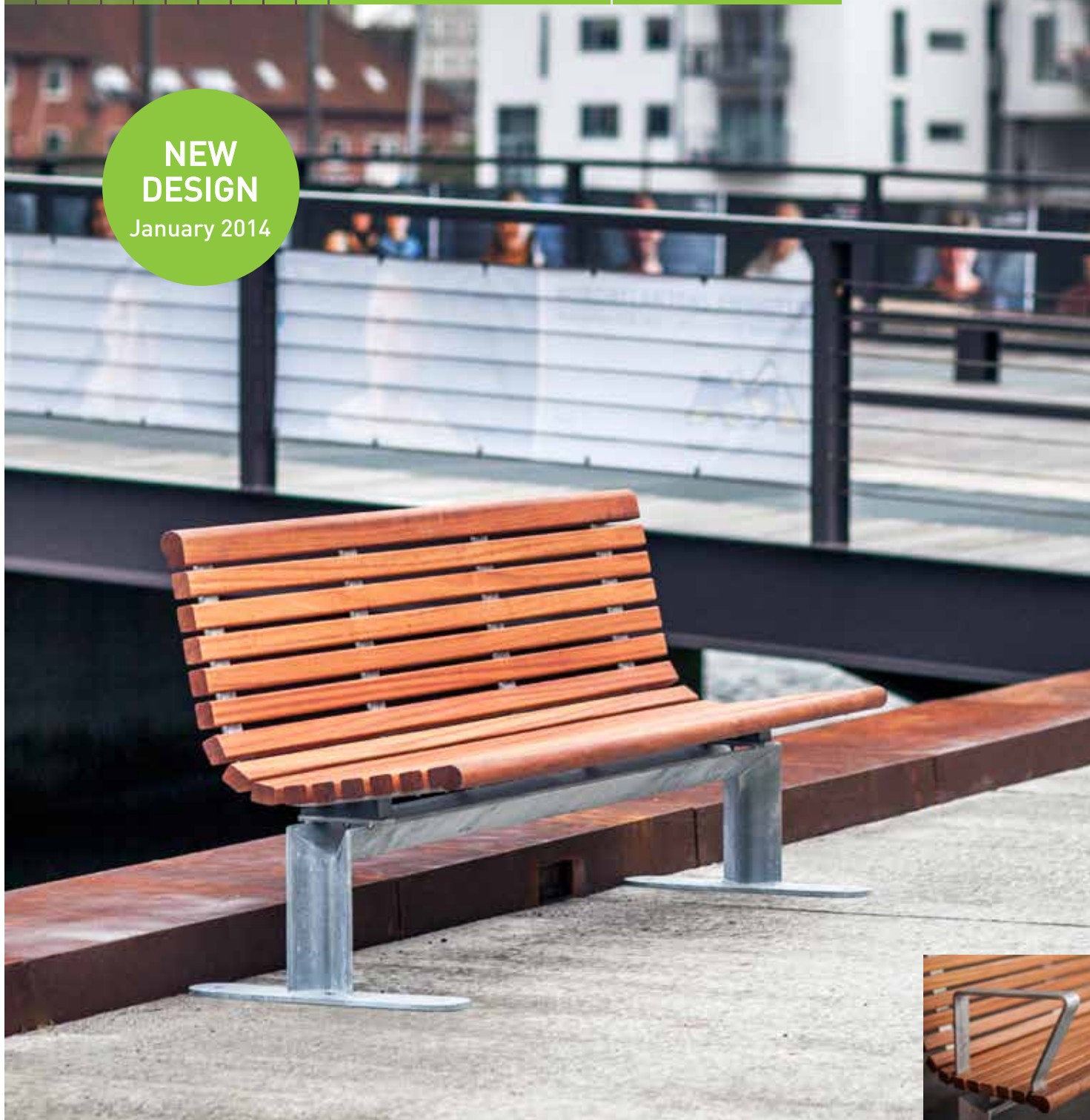
# COMFORT

GINMAN, HARBOE, BORUP

SEATS AND TABLES

**NEW  
DESIGN**

January 2014

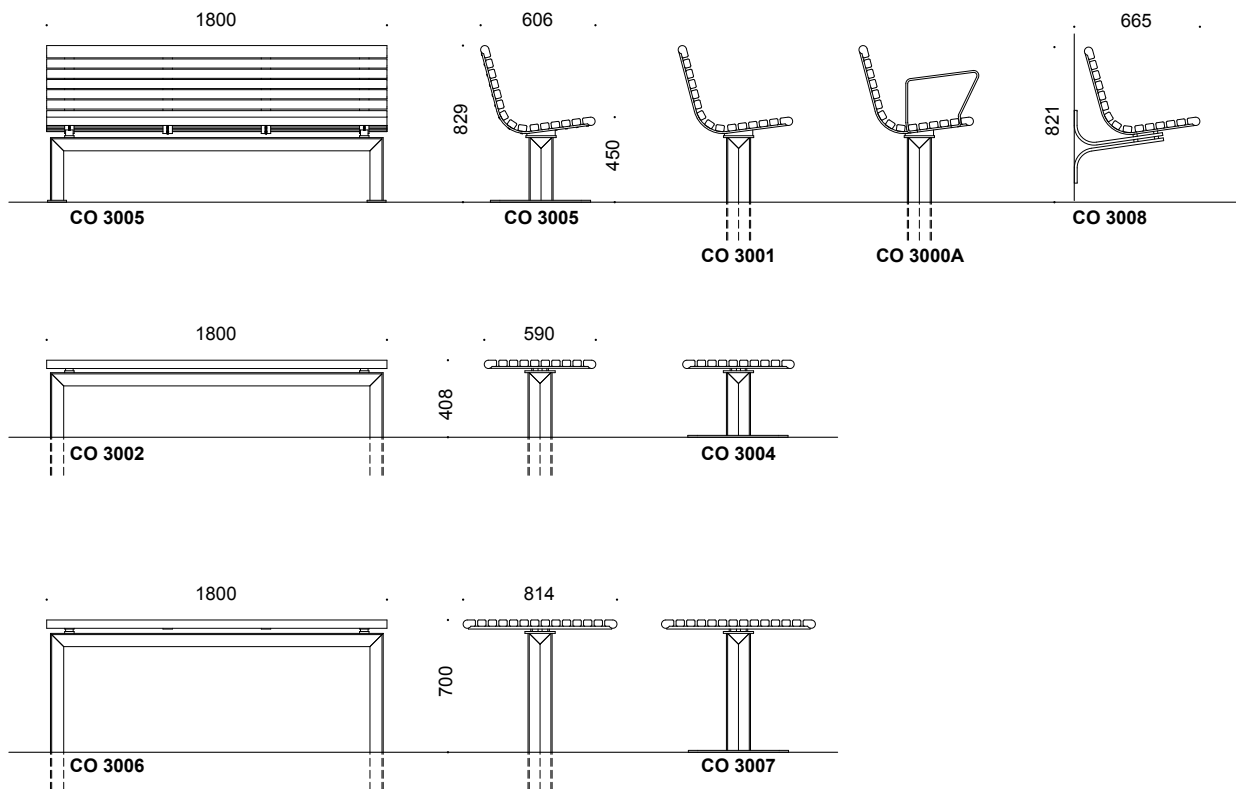




## Comfort

- Frame 90 x 90  
10 x 50 mm
- Wall bracket 65 x 15 mm  
Hot-dip galvanised steel. Can also be powder coated.  
For standard colours, see product info.
- Slats 44 x 33 mm / 44 x 65 mm  
Untreated or oil-treated mahogany  
(FSC certified) or ash.
- Armrests 10 x 50 mm.  
Hot-dip galvanised steel. Can also be powder coated.  
For standard colours, see product info.  
Please state separately when ordering the seat.
- Installation Embedment or surface/wall mounting.

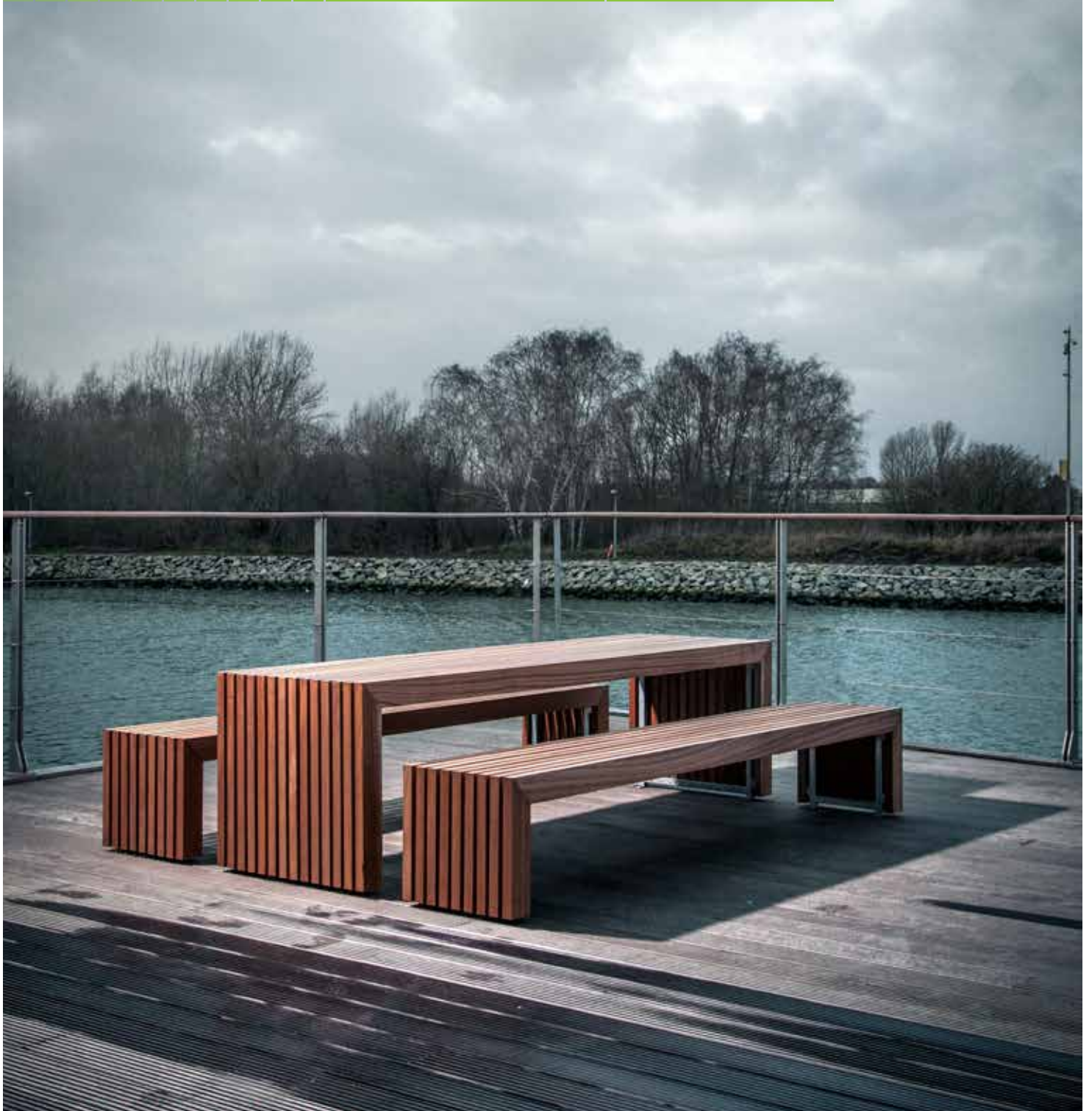
Design: Ginman, Harboe, Borup landscape architects



# REPEAT

SHL DESIGN

SEATS AND TABLES







## Repeat

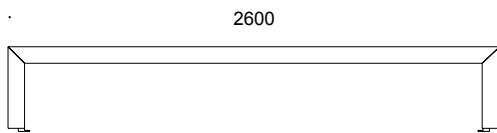
Frame 30 x 30 mm angle steel  
 30 x 30 mm square tube  
 Hot-dip galvanised steel. Can also be powder coated.  
 For standard colours, see product info.

Slats 35 x 55 mm  
 35 x 90 mm  
 Untreated mahogany (FSC certified).

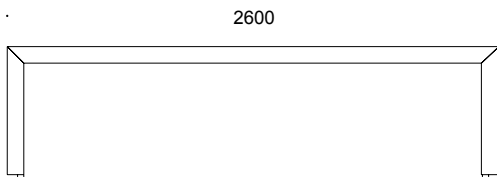
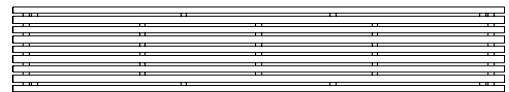
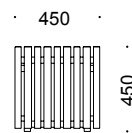
Option Oil-treated mahogany slats

Installation Surface mounting.

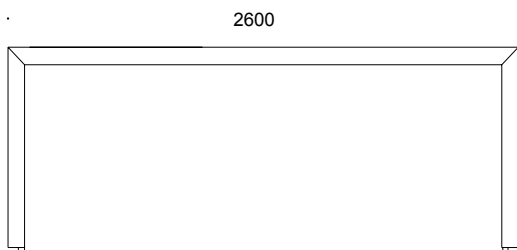
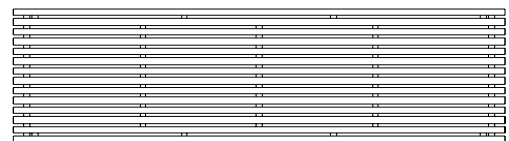
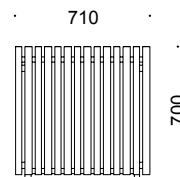
Design: shl design



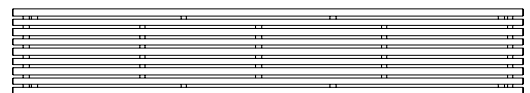
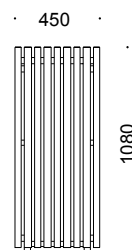
**RE1004**



**RE1007**



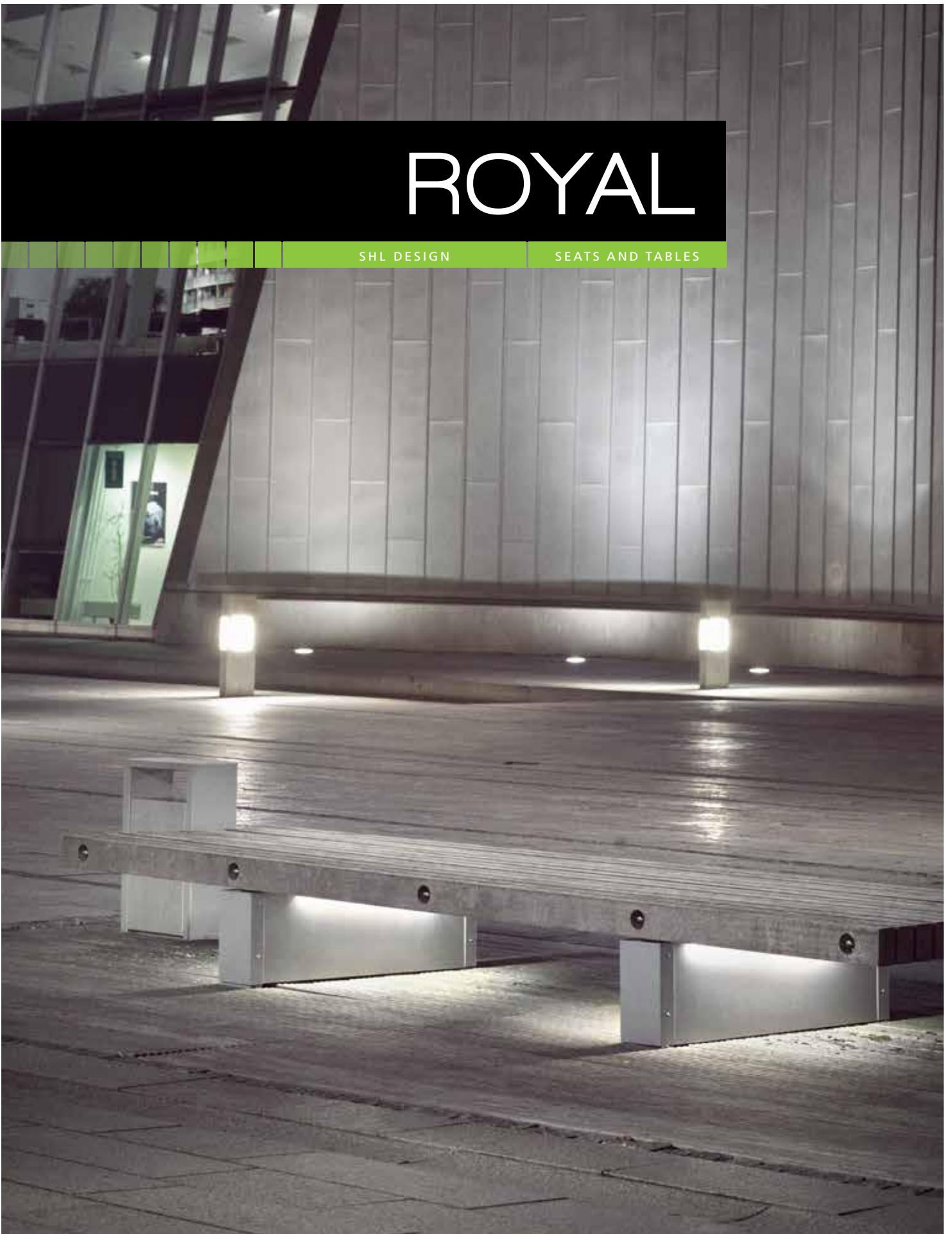
**RE1017**



# ROYAL

SHL DESIGN

SEATS AND TABLES





## Royal

- Frame 50 x 150 mm

Base cover 2 mm

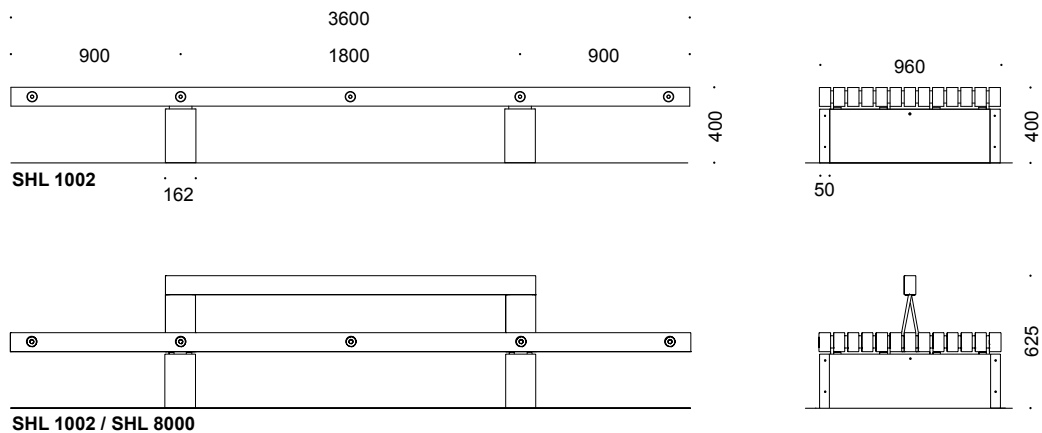
Hot-dip galvanised steel. Can also be powder coated.  
For standard colours, see product info.
- Slats 100 x 60 mm

Oil-treated mahogany (FSC certified) or ash.
- Option Backrest

Lighting: 9 W TC-S, CLASS I, IP64 or 8.2 W LED, CLASS I, IP64.

The light fittings can be built into the inner and/or outer sides of the frame. New benches can be supplied with pre-fitted lighting, and we also offer to retrofit lighting to benches which have already been delivered.
- Installation Embedment or surface mounting.

Design: shl design



# NEW URBAN

3PART

SEATS AND TABLES





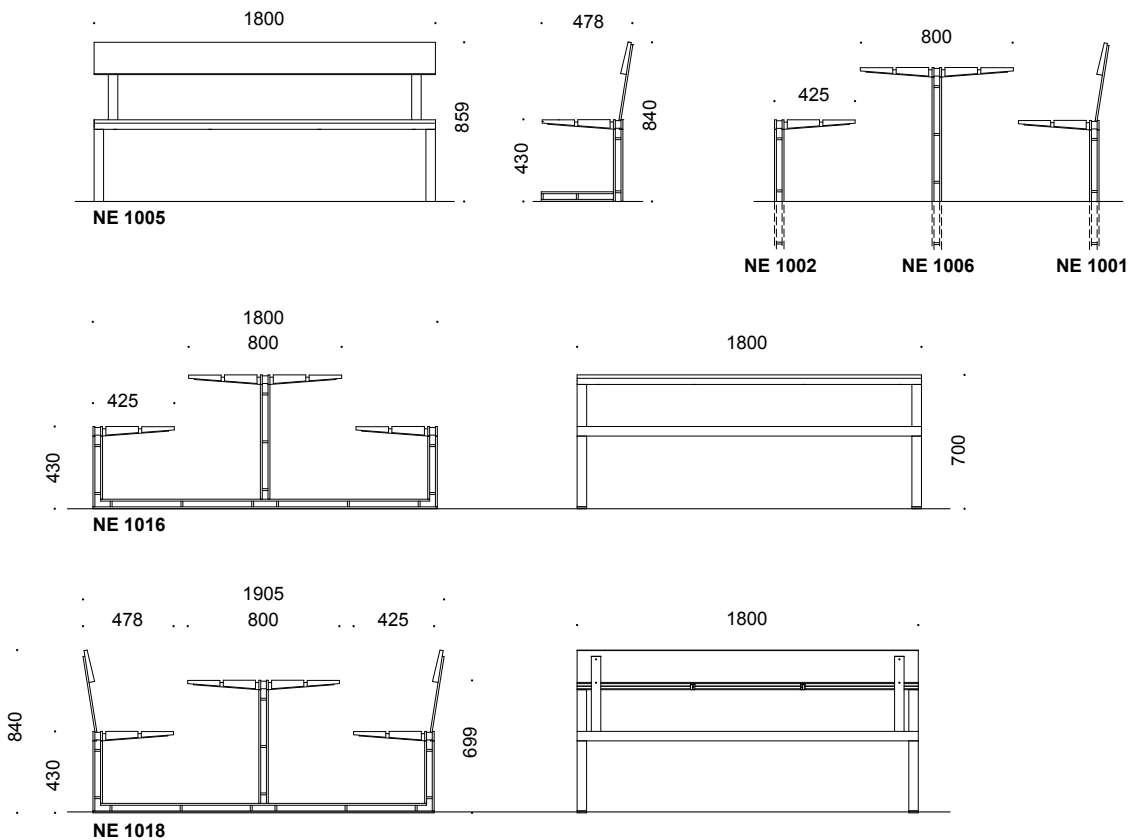
## New Urban

Frame 50 x 10 mm  
 35 x 3 mm  
 Hot-dip galvanised steel. Can also be powder coated.  
 For standard colours, see product info.

Slats 45/32 x 170 mm  
 30/17 x 170 mm  
 Oil-treated mahogany (FSC certified) or ash.

Installation Embedment or surface mounting.

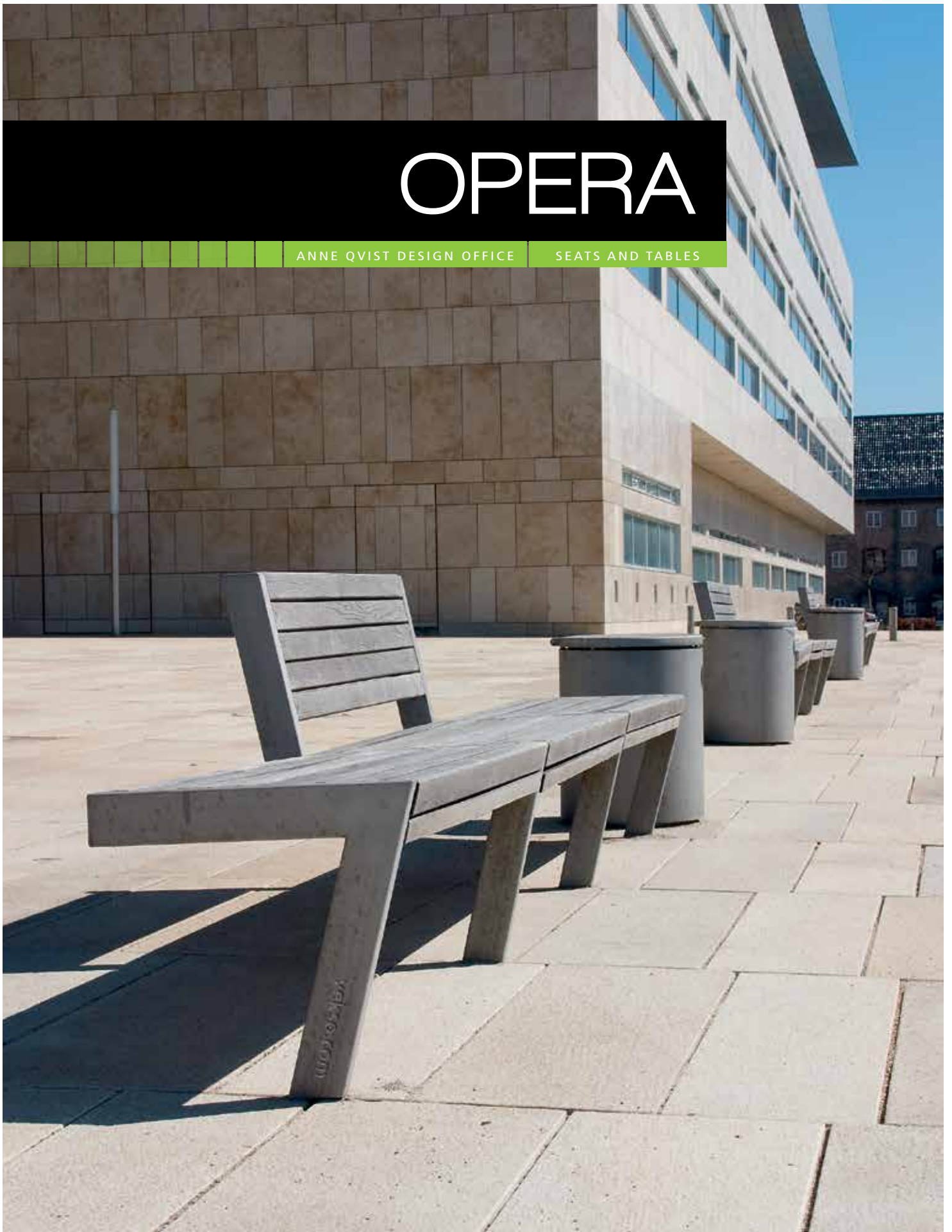
Design: 3PART a/s



# OPERA

ANNE QVIST DESIGN OFFICE

SEATS AND TABLES





## Opera

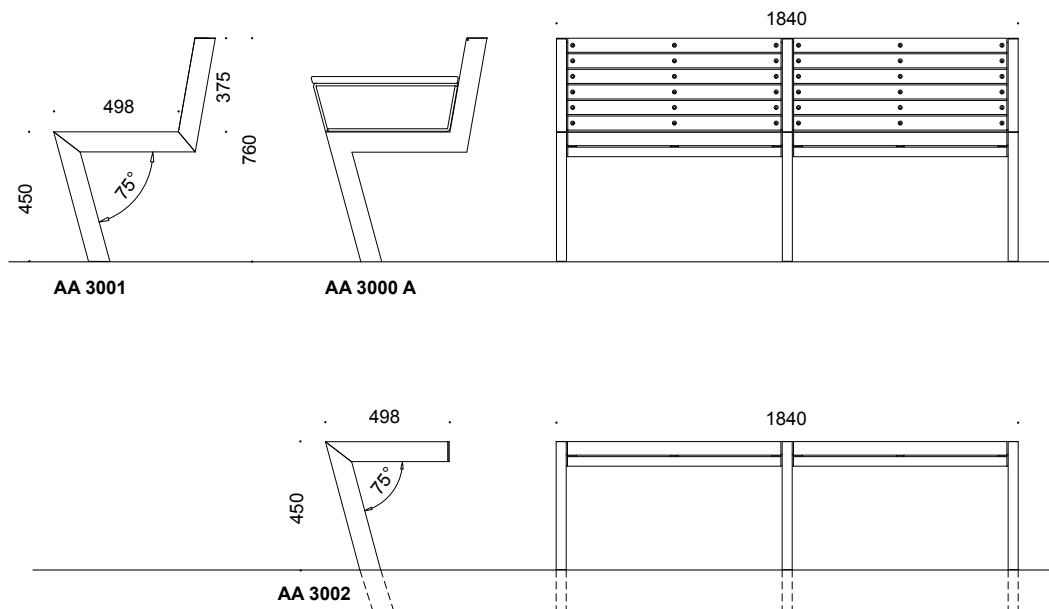
**Frame** 80 x 40 mm  
Hot-dip galvanised steel. Can also be powder coated.  
For standard colours, see product info.

**Slats** 57 x 45 mm  
Oil-treated mahogany (FSC certified) or ash.

**Armrests** Steel and wood as described above.  
Please state separately when ordering the seat.

**Installation** Embedment.

Design: Anne Qvist Design Office



# CUBIC

KNUD W. Ø. LARSEN

SEATS AND TABLES







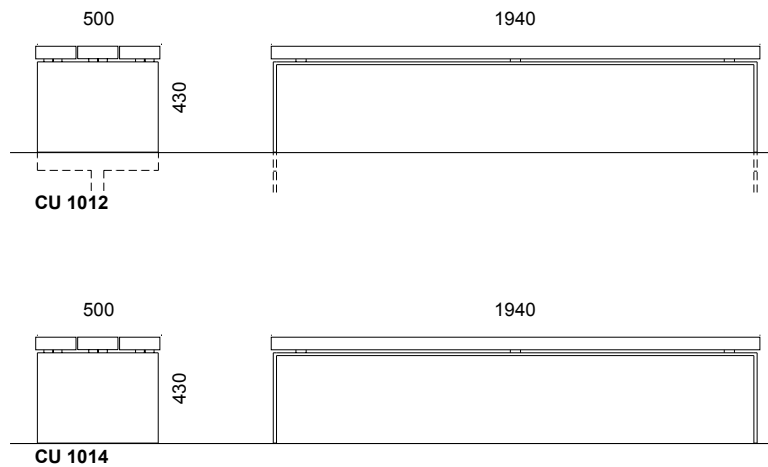
## Cubic

Frame 10 mm  
Hot-dip galvanised steel. Can also be powder coated.  
For standard colours, see product info.

Slats 50 x 160 mm  
Oil-treated mahogany (FSC certified) or ash.

Installation Embedment or surface mounting.

Design: Knud W. Ø. Larsen, landscape architect



# OUTFIT

ANNE QVIST DESIGN OFFICE

SEATS AND TABLES





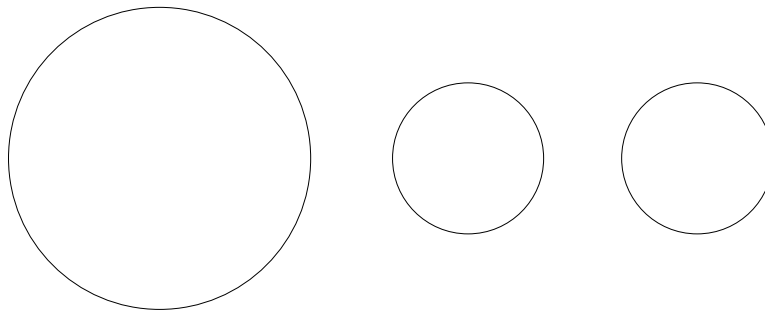
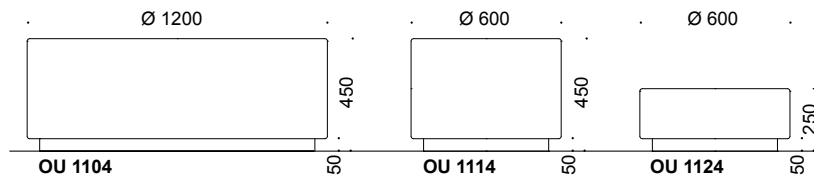
## Outfit

Granite      Ø 600/1200  
 TG 36, grey grinded or jet burned granite.  
 TG 41, black grinded or jet burned granite.

Weight      1085 / 266 / 142 kg

Installation      Placed loose on the ground.

Design: Anne Qvist Design Office



# OUTFIT

ANNE QVIST DESIGN OFFICE

SEATS AND TABLES

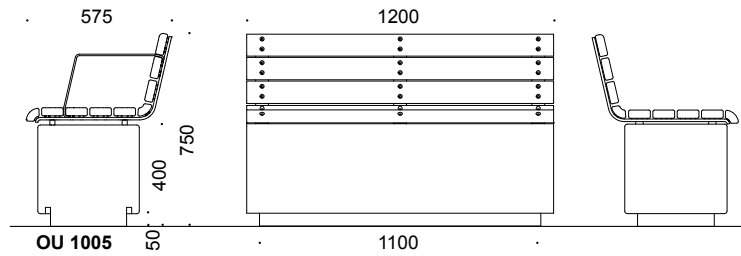




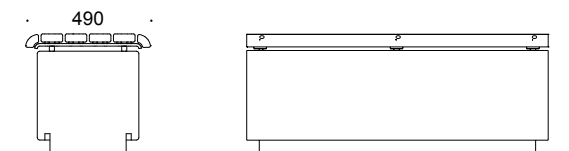
## Outfit

Granite	TG 36, grey grinded or jet burned granite. TG 36, black grinded or jet burned granite.
Frame	50 x 10 mm Hot-dip galvanised steel. Can also be powder coated. For standard colours, see product info.
Slats	32 x 85 mm Oil-treated mahogany (FSC certified) or ash.
Armrests	35 x 6 mm Hot-dip galvanised steel.
Weight	Granite 400 kg
Installation	Placed loose on the ground.

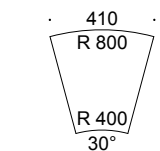
Design: Anne Qvist Design Office



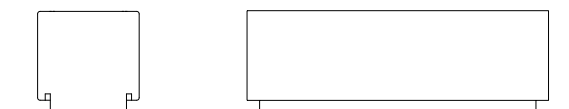
**OU 1005**



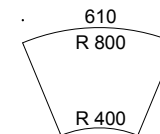
**OU 1004**



**OU 1024**



**OU 1019**



**OU 1034**



# LINK

AART ARCHITECTS

SEATS AND TABLES

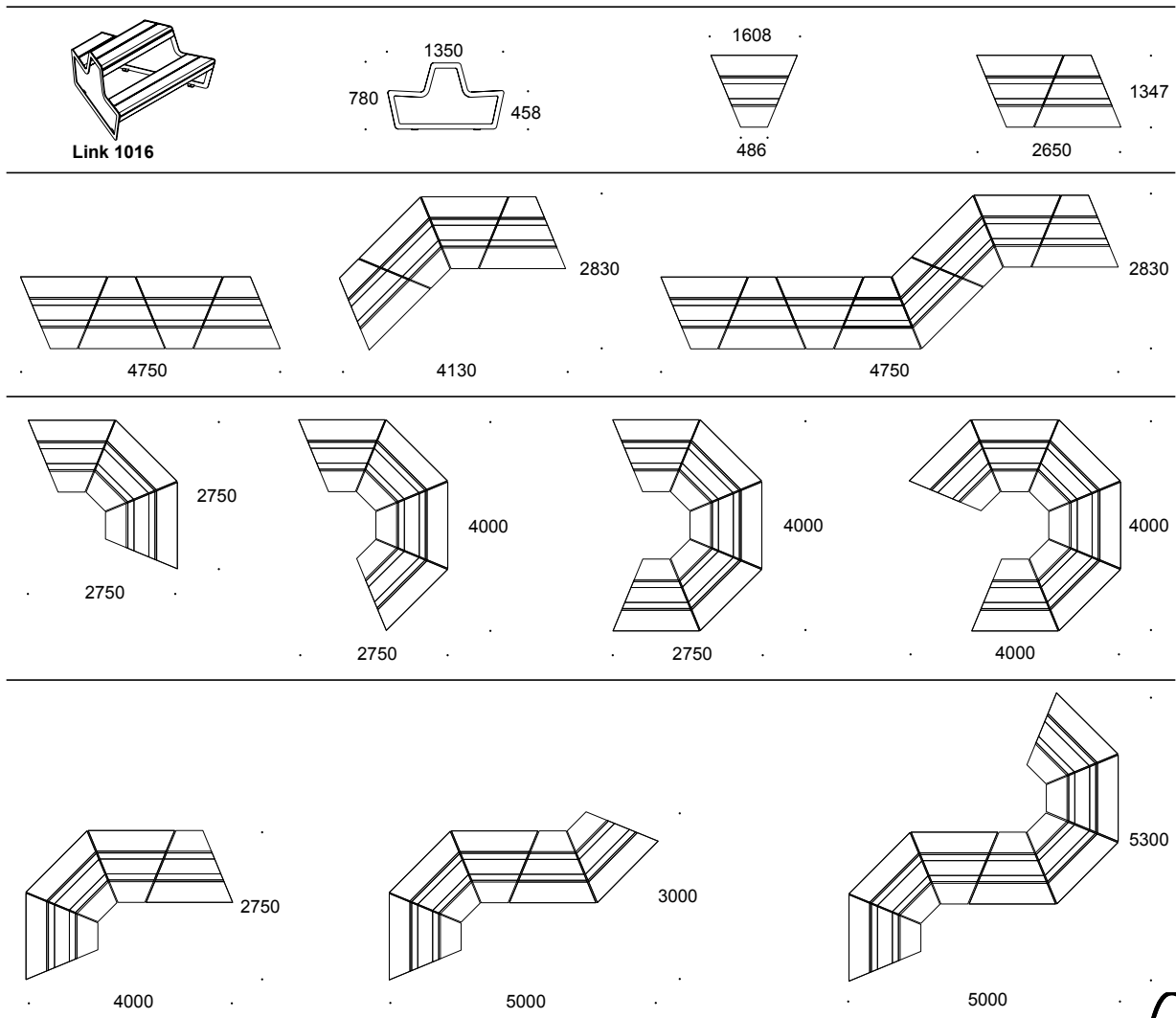




## Link

Frame	60 x 10 mm Hot-dip galvanised steel. Can also be powder coated. For standard colours, see product info.
Slats	40 x 180 mm 40 x 100 mm Oil-treated mahogany (FSC certified).
Weight	70 kg
Installation	Surface mounting. Information for combination of several benches, please see <a href="http://www.veks.com">www.veks.com</a>

Design: AART architects



# SIESTA

VEKSØ

SEATS AND TABLES



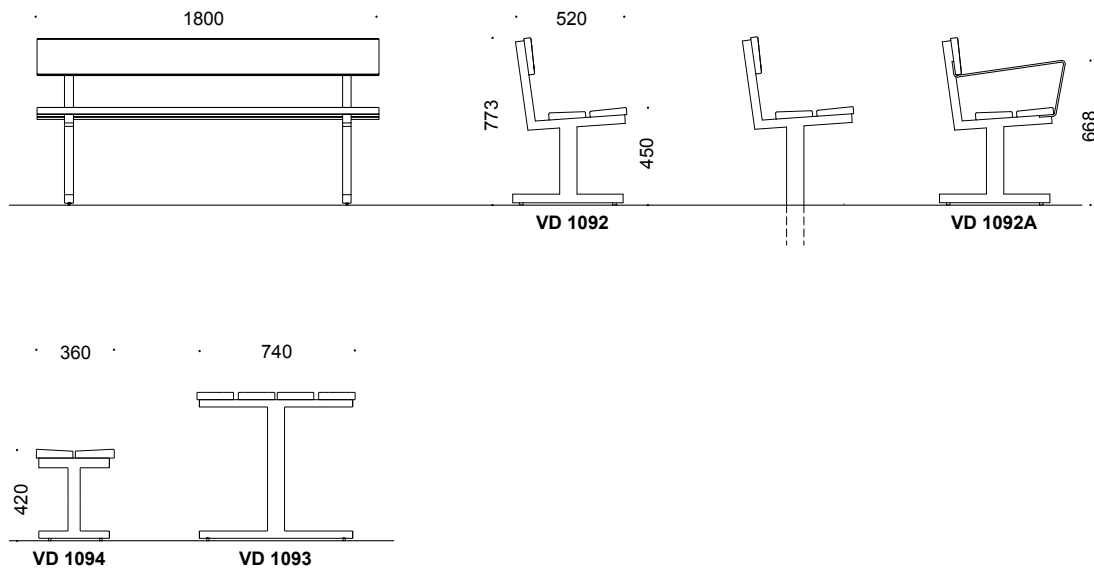




## Siesta

- Frame 40 x 40 mm / 40 x 80 mm  
Hot-dip galvanised steel. Can also be powder coated.  
For standard colours, see product info.
- Slats, seat 170 x 27/33 mm bevelled  
Slats, table 170 x 33 mm  
Oil-treated or untreated mahogany (FSC certified) or ash  
– alternatively pressure-impregnated pine.
- Armrests 40 x 8 mm  
Hot-dip galvanised steel. Can also be powder coated.  
For standard colours, see product info.  
Please state separately when ordering the seat.
- Installation Embedment or surface mounting.

Design: VEKSØ A/S



# SIESTA

VEKSØ

SEATS AND TABLES

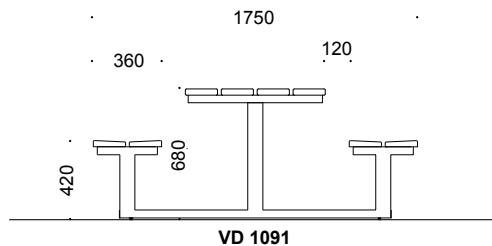
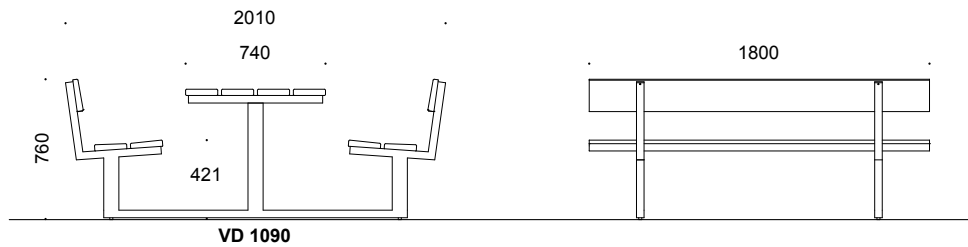




## Siesta

- Frame 40 x 40 mm / 40 x 80 mm  
Hot-dip galvanised steel. Can also be powder coated.  
For standard colours, see product info.
- Slats, seat 170 x 27/33 mm bevelled  
Slats, table 170 x 33 mm  
Oil-treated or untreated mahogany (FSC certified) or ash  
– alternatively pressure-impregnated pine.
- Installation Placed loose on the ground.

Design: VEKSØ A/S



# PAL

VEKSØ

SEATS AND TABLES

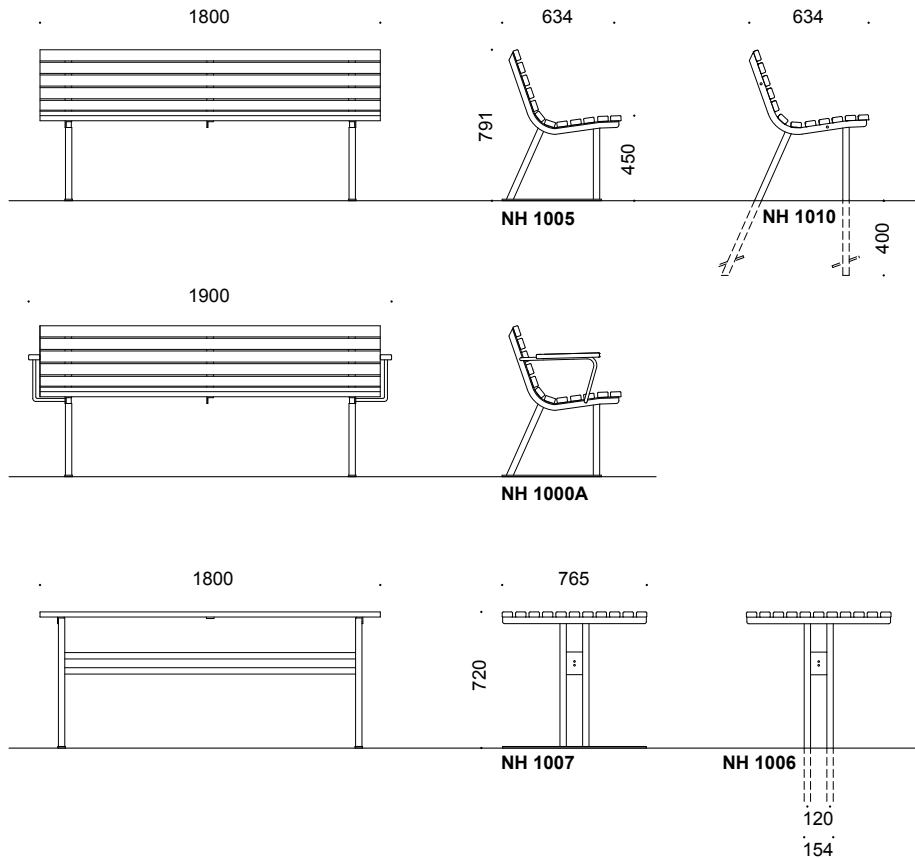




## Pal

- Frame            35 x 35 mm  
                   Ø 33.7 mm  
                   8 x 40 mm  
                   Hot-dip galvanised steel. Can also be powder coated.  
                   For standard colours, see product info.
- Slats             55 x 27 mm  
                   Oil-treated or untreated mahogany (FSC certified) or ash  
                   – alternatively pressure-impregnated pine.
- Armrests        Steel and wood as described above.  
                   Please state separately when ordering the seat.  
                   The seat is 100 mm longer with armrests.
- Installation    Embedment or surface/concrete foundation mounting.  
                   Foundation details, see product info.

Design: VEKSØ A/S



# JIVE

ANNE QVIST DESIGN OFFICE

SEATS AND TABLES

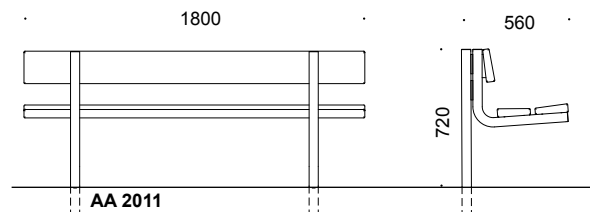




## Jive

Frame	Ø 48 mm Hot-dip galvanised steel. Can also be powder coated. For standard colours, see product info.
Slats, seat	170 x 33/44 mm bevelled
Slats, table	145 x 33 mm Oil-treated or untreated mahogany (FSC certified) or ash – alternatively pressure-impregnated pine.
Option	Also available with armrests.
Installation	Embedment.

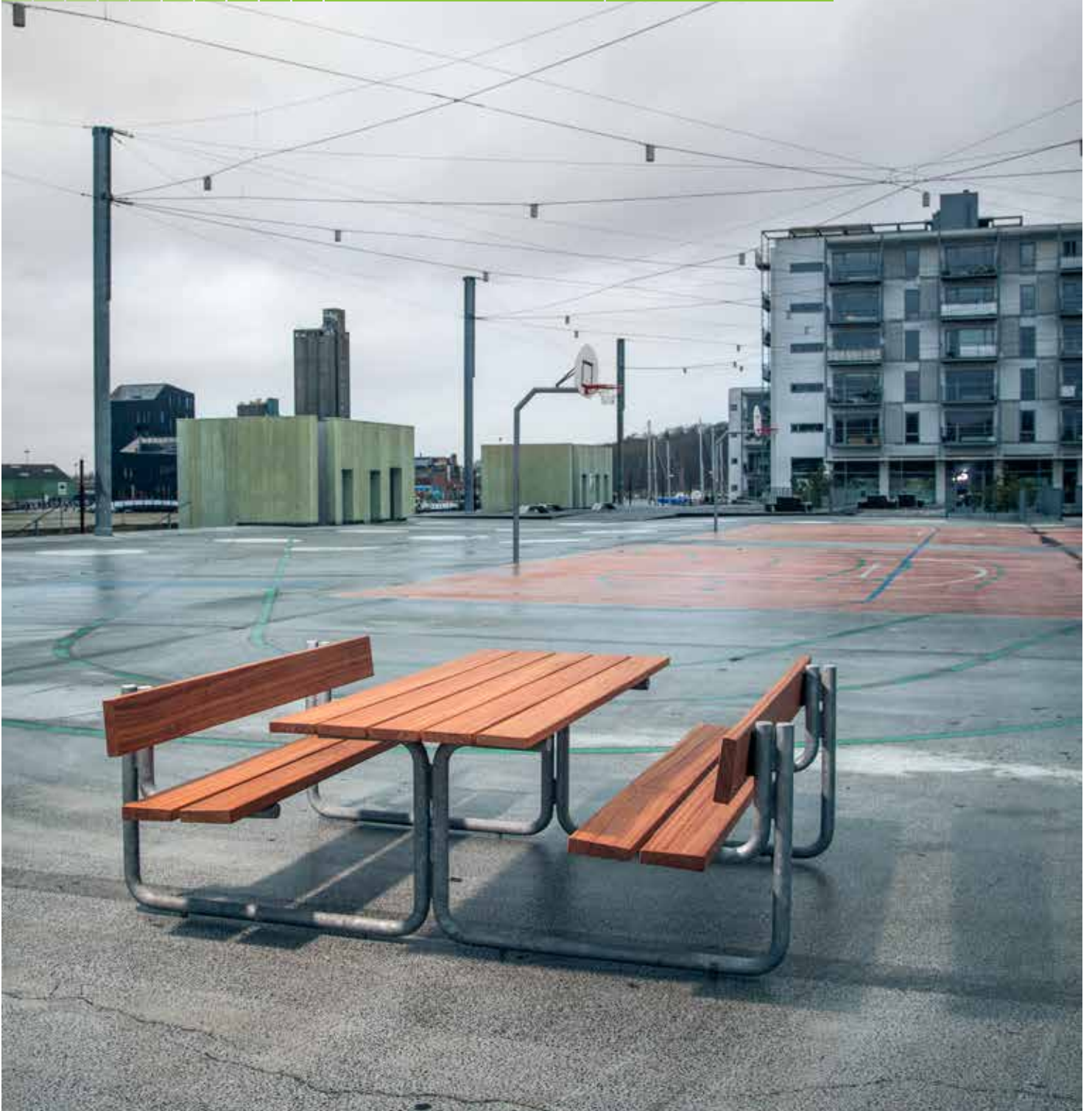
Design: Anne Qvist Design Office



# JIVE

ANNE QVIST DESIGN OFFICE

SEATS AND TABLES



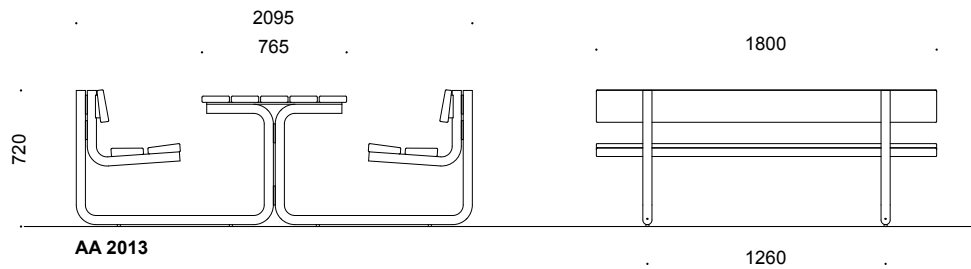




## Jive

- Frame            Ø 48 mm  
 Hot-dip galvanised steel. Can also be powder coated.  
 For standard colours, see product info.
- Slats, seat        170 x 33/44 mm bevelled
- Slats, table       145 x 33 mm  
 Oil-treated or untreated mahogany (FSC certified) or ash  
 – alternatively pressure-impregnated pine.
- Installation      Placed loose on the ground.

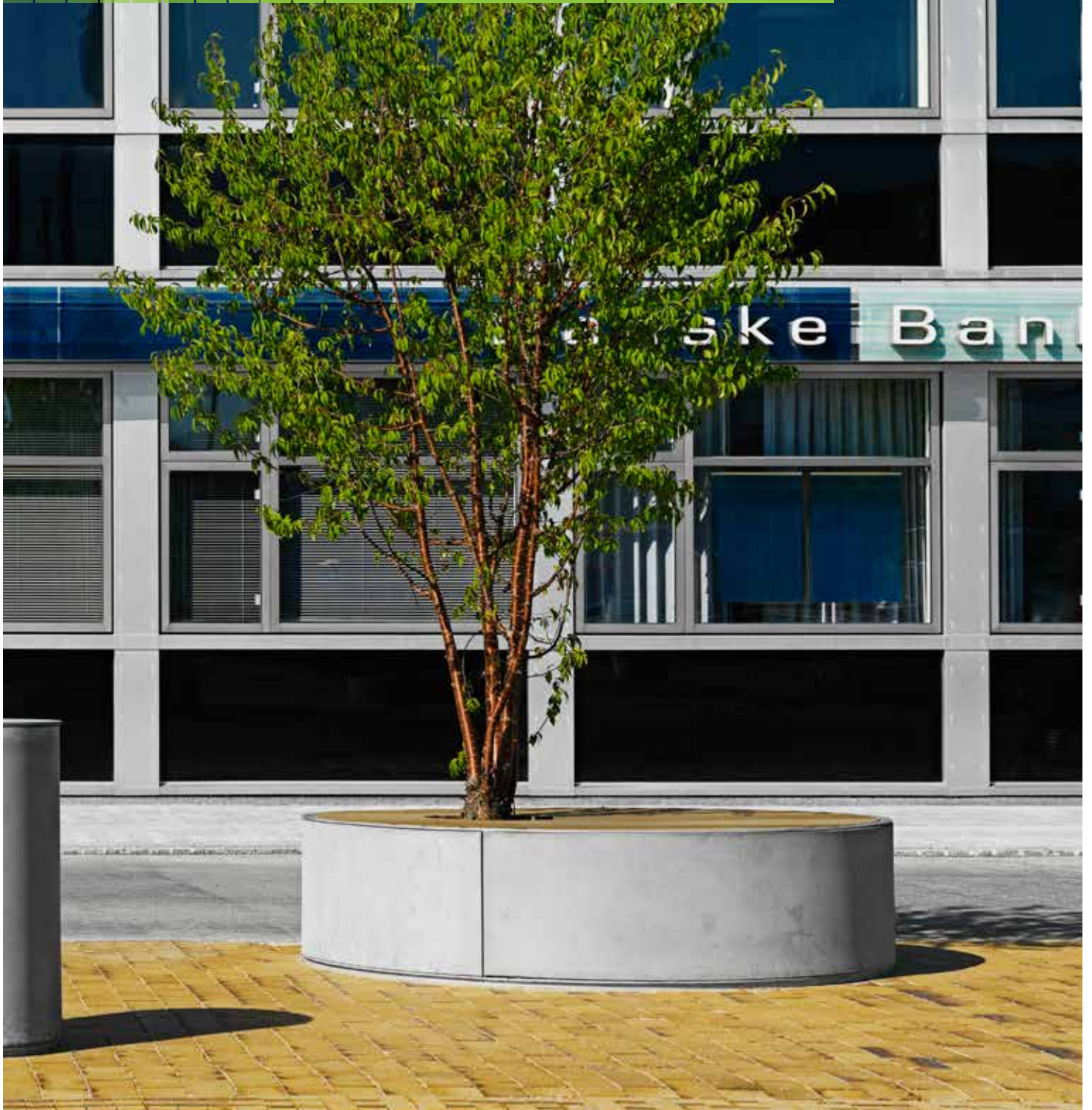
Design: Anne Qvist Design Office



# SOLID

SHL DESIGN

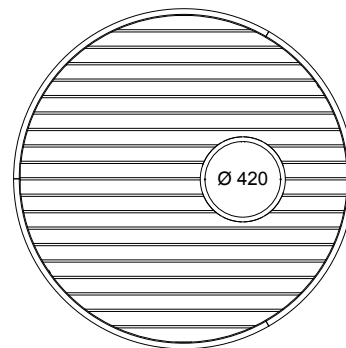
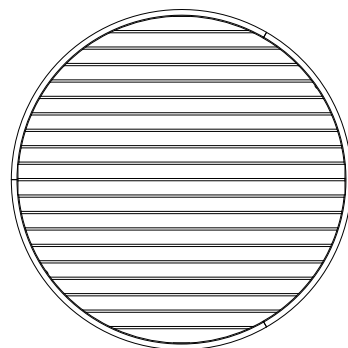
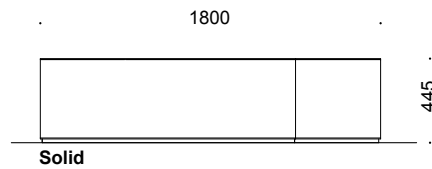
SEATS AND TABLES





## Solid

- Base            Fibre concrete, light grey
  
- Steel            10 mm  
Hot-dip galvanised steel. Can also be powder coated.  
For standard colours, see product info.
  
- Slats            32 x 75 mm  
Oil-treated mahogany (FSC certified) or ash.
  
- Option           Solid is available with or without tree hole.  
NOTE! Tree is planted in the ground beneath the bench.  
All Remove coating, facilitating the removal of graffiti.
  
- Installation    Surface mounting.
  
- Design: shI design



reddot design award  
winner 2009



# UNIFY

C. F. MØLLER DESIGN

SEATS AND TABLES





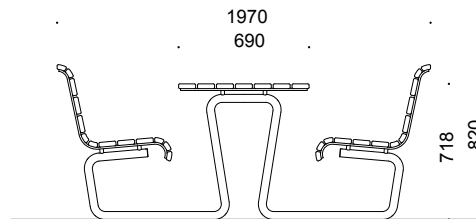
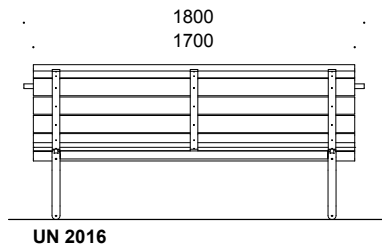
## Unify

Frame            Ø 42 mm / 40 x 10 mm  
 Hot-dip galvanised steel. Can also be powder coated.  
 For standard colours, see product info.

Slats            25 x 90 mm  
 25 x 45 mm  
 Oil-treated mahogany (FSC certified) or ash  
 – alternatively pressure-impregnated pine.

Installation    Placed loose on the ground.

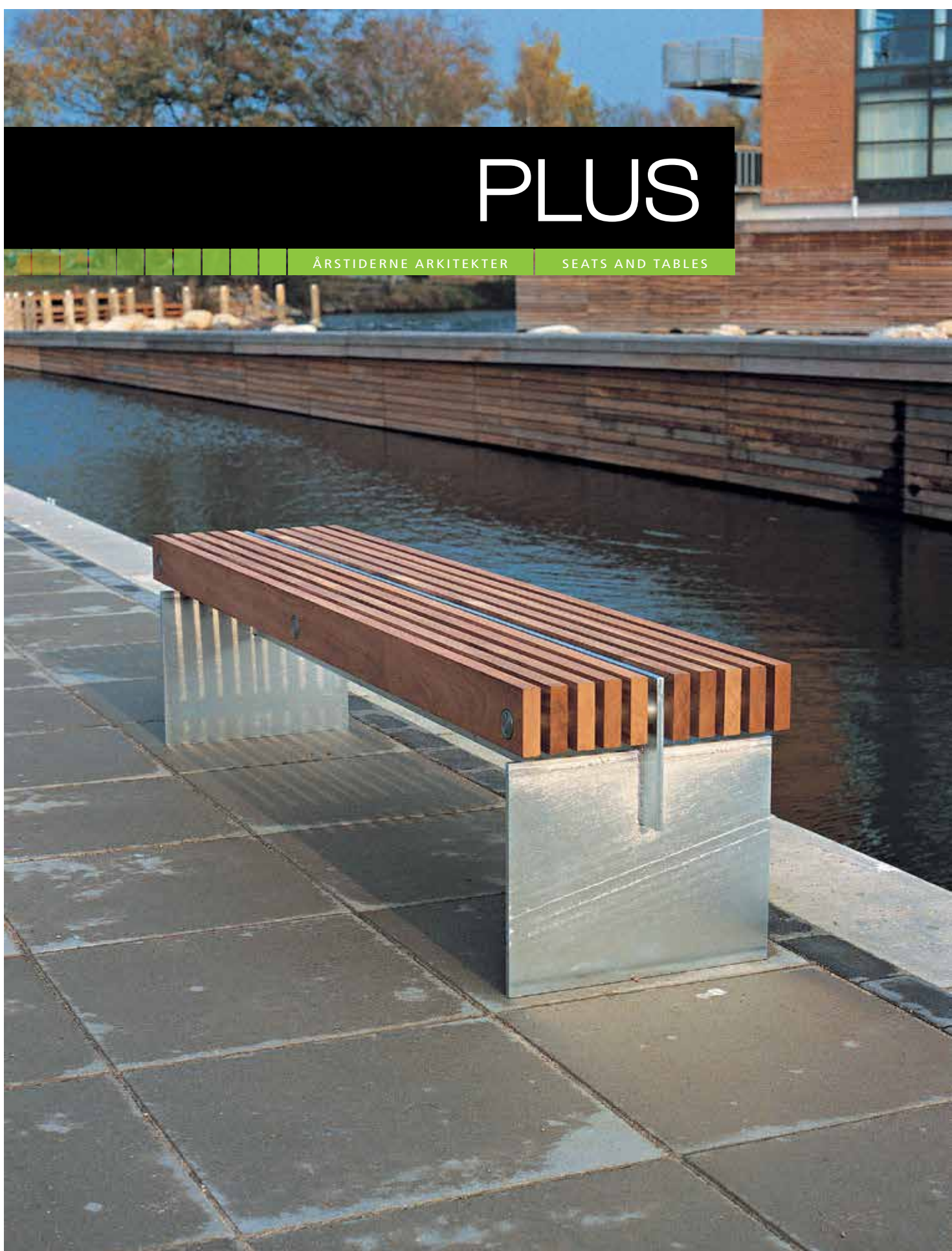
Design: C. F. Møller Design



# PLUS

ÅRSTIDERNE ARKITEKTER

SEATS AND TABLES





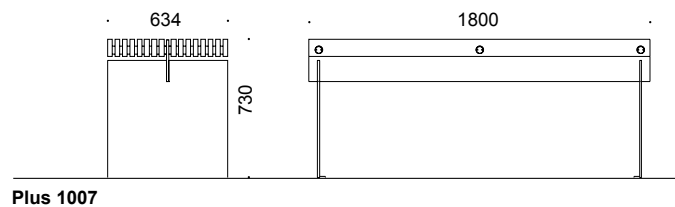
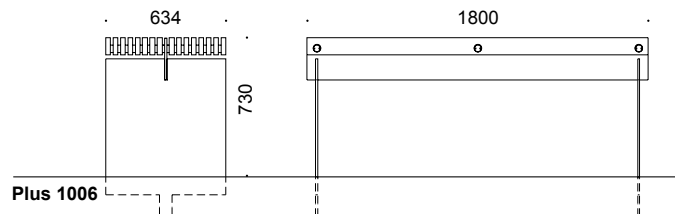
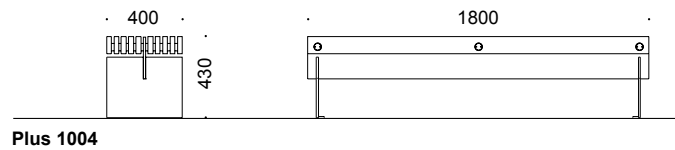
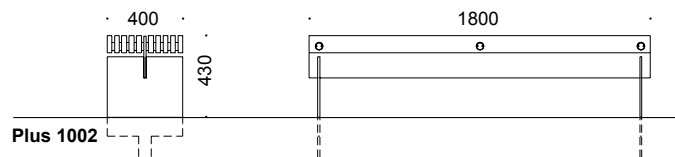
## Plus

Frame 10 mm  
Hot-dip galvanised steel. Can also be powder coated.  
For standard colours, see product info.

Slats 25 x 90 mm  
Oil-treated mahogany (FSC certified) or ash.

Installation Embedment or surface mounting.

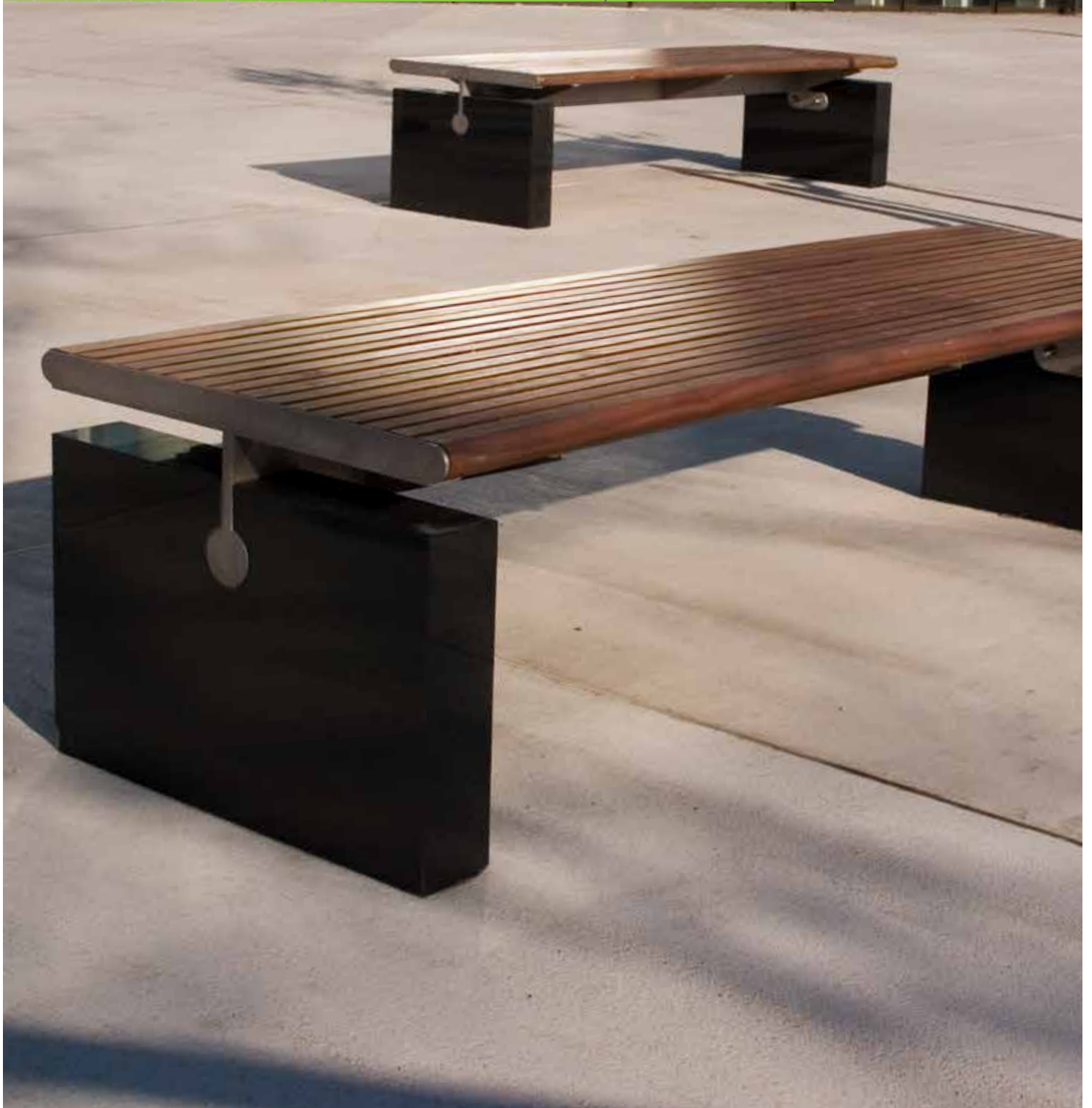
Design: Årstiderne Arkitekter A/S



# DURO

AARHUS ARKITEKTERNE

SEATS AND TABLES



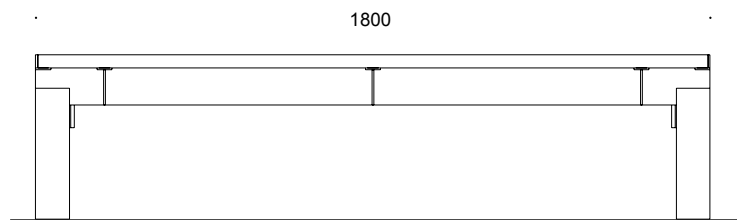




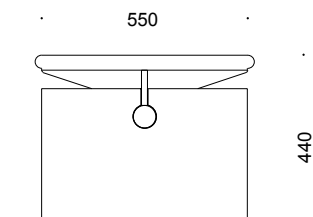
## Duro

Base	Black granite, polished.
Frame	Glass-blasted stainless steel. Can also be powder coated. For standard colours, see product info.
Slats	20 x 35 mm Oil-treated mahogany (FSC certified) or ash.
Weight	100 kg
Installation	Placed loose on the ground.

Design: Aarhus Arkitekterne A/S



**Duro 1004**



# EUROPA

DESIGNIT

SEATS AND TABLES





## Europa

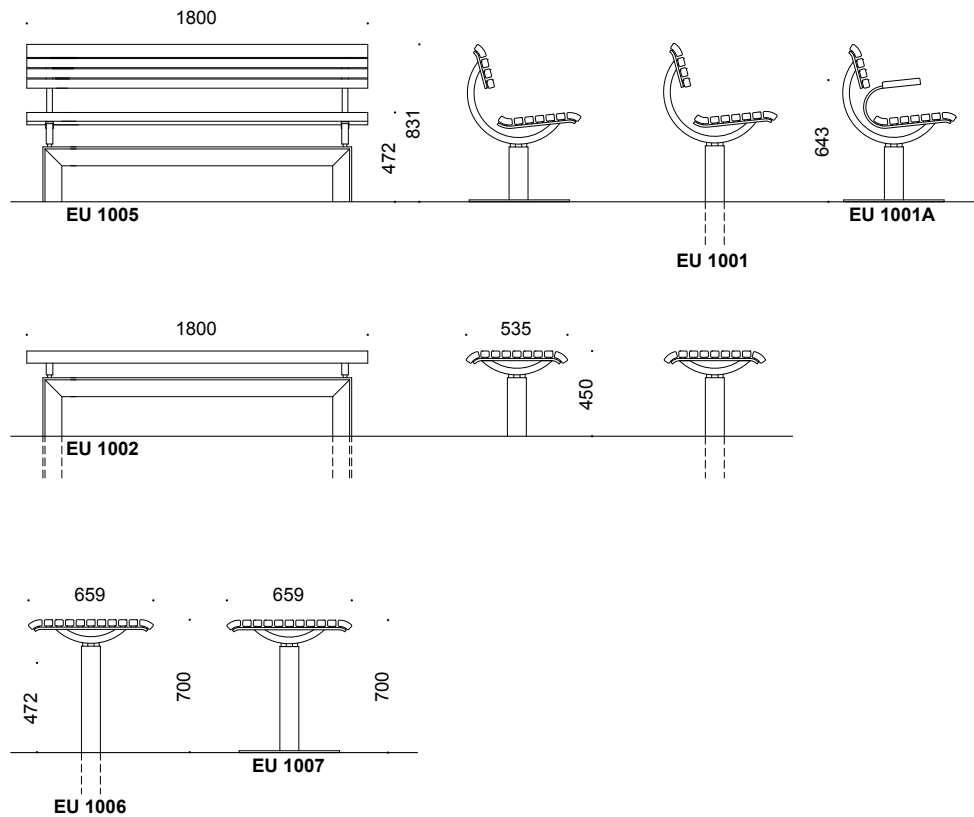
Frame 35 x 35 mm  
 40 x 12 mm  
 100 mm  
 Hot-dip galvanised steel. Can also be powder coated.  
 For standard colours, see product info.

Slats 33 x 44 mm  
 33 x 75 mm  
 Oil-treated mahogany (FSC certified) or ash.

Armrests Steel and wood as described above.  
 Please state separately when ordering the seat.

Installation Embedment or surface mounting.

Design: Designit A/S



# LUNA

PELIKAN COPENHAGEN

SEATS AND TABLES





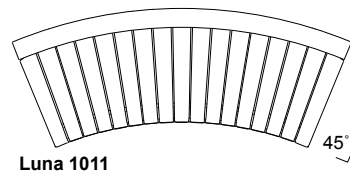
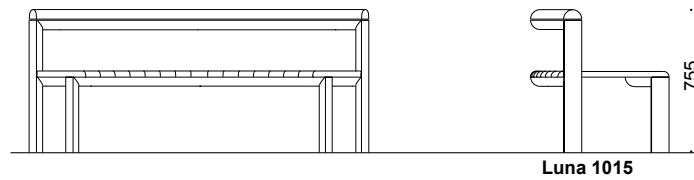
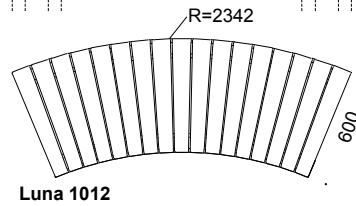
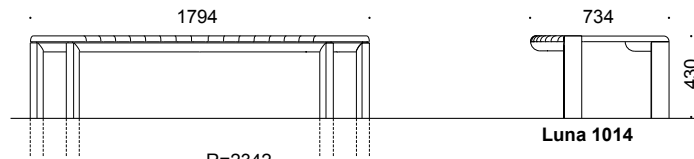
## Luna

Frame 100 x 50 mm D-tube  
Hot-dip galvanised steel. Can also be powder coated.  
For standard colours, see product info.

Slats 30 x 100 mm  
Oil-treated mahogany (FSC certified) or ash.

Installation Embedment or surface mounting.

Design: Pelikan Copenhagen



# DAILY

STEEN ZINCK

SEATS AND TABLES

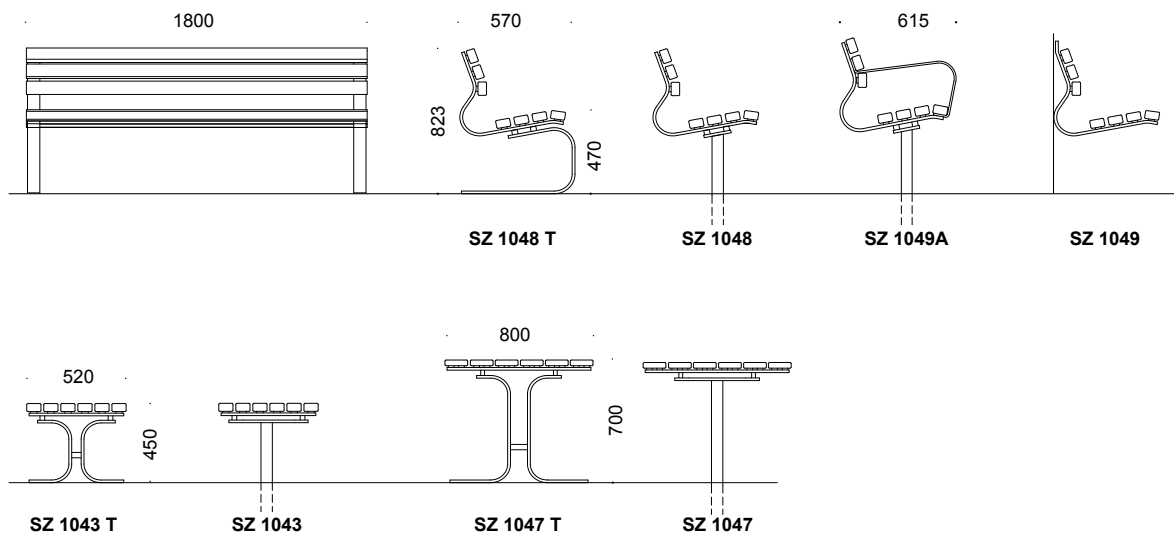




## Daily

- Frame, seat 65 x 15 mm  
Ø 60 mm
- Frame, table 65 x 15 mm  
Ø 60 mm
- Hot-dip galvanised steel. Can also be powder coated.  
For standard colours, see product info.
- Slats, seat 75 x 45 mm
- Slats, table 120 x 33 mm
- Oil-treated mahogany (FSC certified) or ash  
– alternatively pressure-impregnated pine.
- Armrests 50 x 10 mm
- Hot-dip galvanised steel. Can also be powder coated.  
For standard colours, see product info.  
Please state separately when ordering the seat.
- Installation Embedment or surface/concrete foundation mounting.  
Foundation details, see product info.

Design: Steen Zinck, architect



# LILY

LOTTE WESTPHEL

SEATS AND TABLES







## Lily

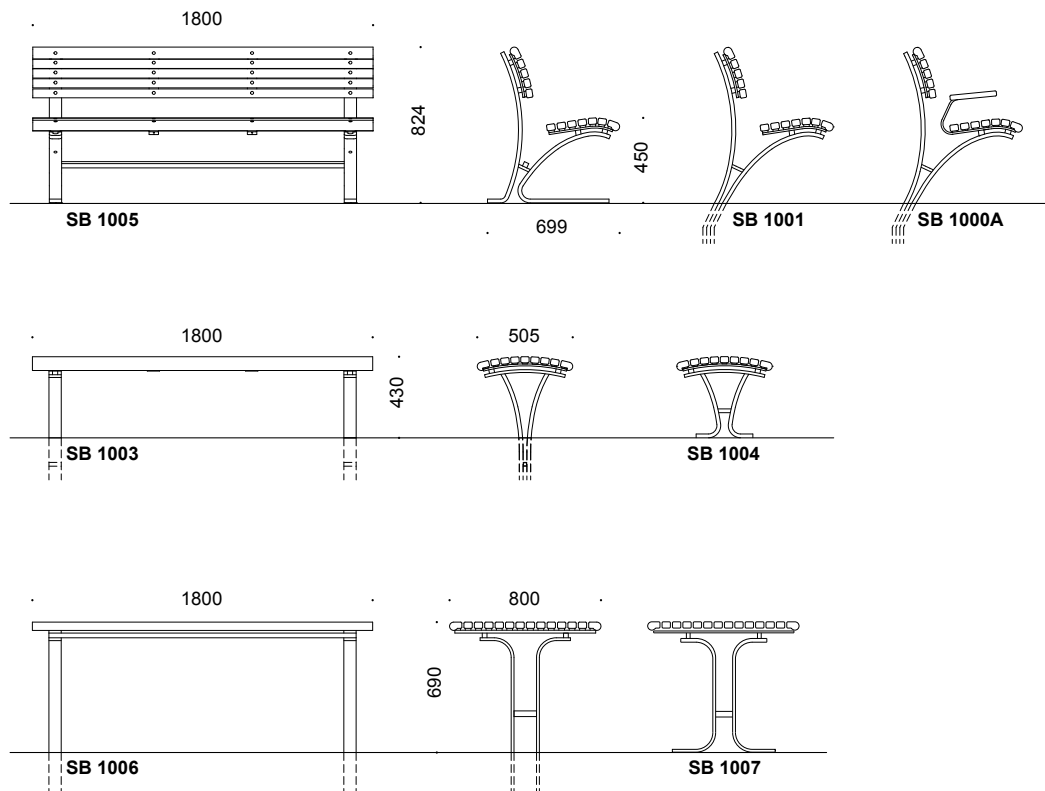
**Frame** 65 x 20 mm  
 50 x 10 mm  
 Hot-dip galvanised steel. Can also be powder coated.  
 For standard colours, see product info.

**Slats** 33 x 44 mm  
 65 x 44 mm  
 Oil-treated mahogany (FSC certified) or ash.

**Armrests** Steel and wood as described above.  
 Please state separately when ordering the seat.

**Installation** Embedment or surface mounting.

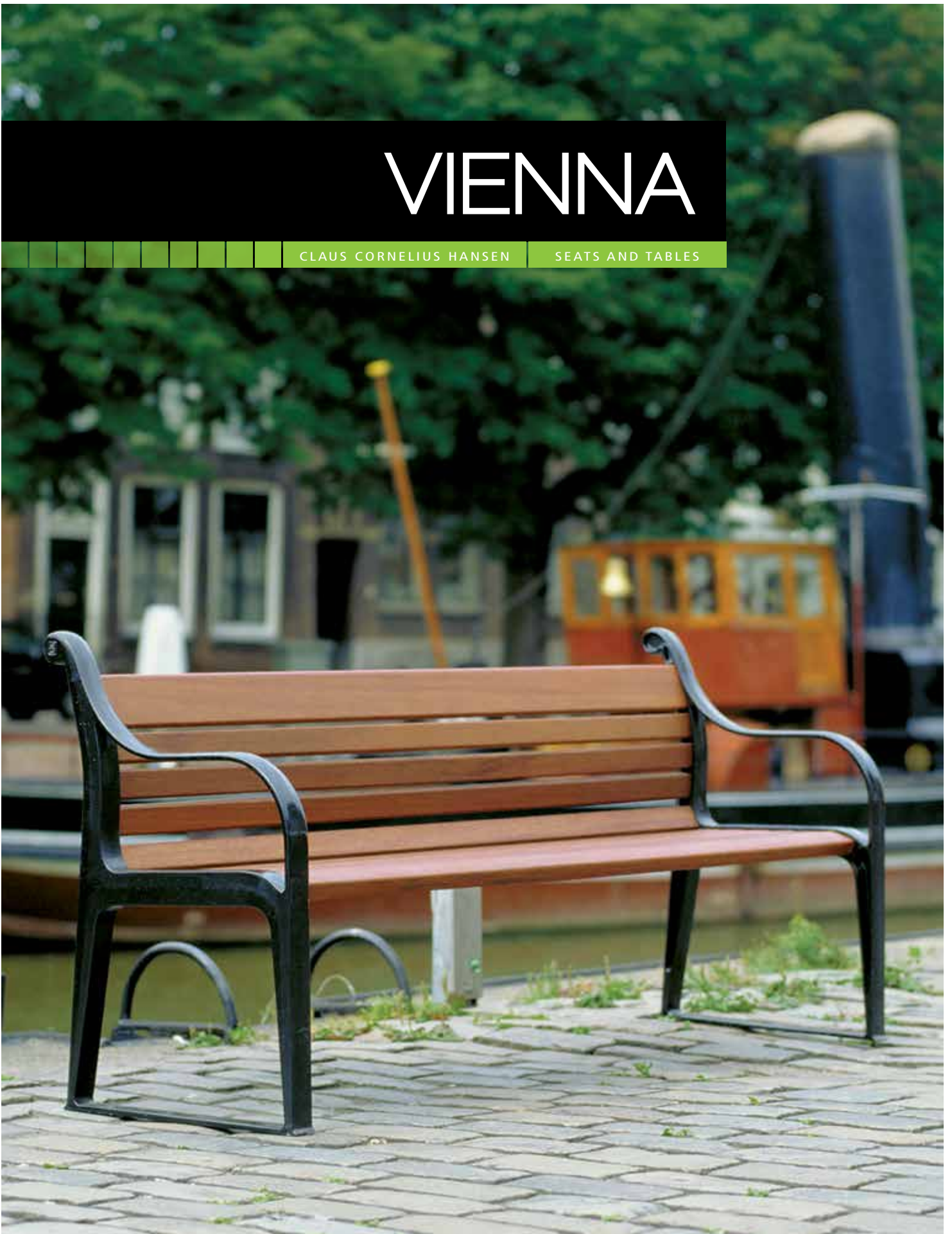
Design: Lotte Westphael, IDD



# VIENNA

CLAUS CORNELIUS HANSEN

SEATS AND TABLES

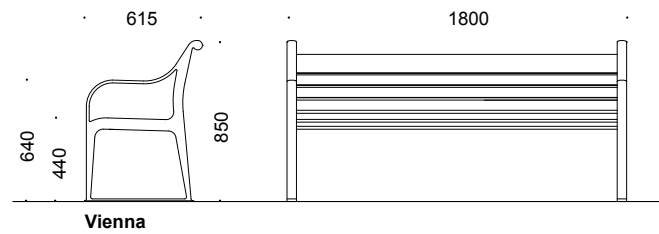




## Vienna

Frame	Cast iron, powder coated RAL 9005 black. Also available powder coated in other standard colours, see product info.
Slats	42 x 54 mm 30 x 100 mm Oil-treated mahogany (FSC certified) or ash.
Weight	57 kg
Installation	Surface or concrete foundation mounting. Foundation details, see product info.

Design: Claus Cornelius Hansen, architect



# COPENHAGEN BENCH

COPENHAGEN MUNICIPALITY

SEATS AND TABLES

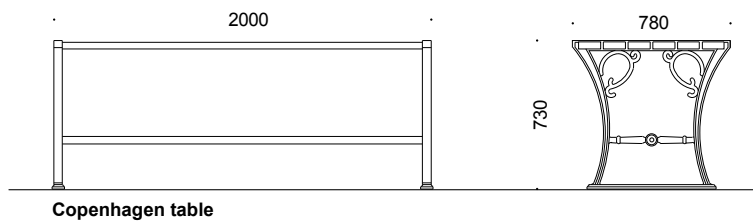
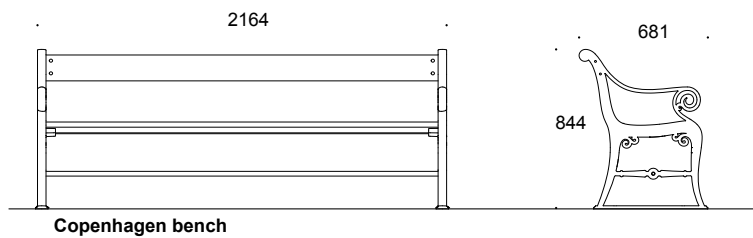




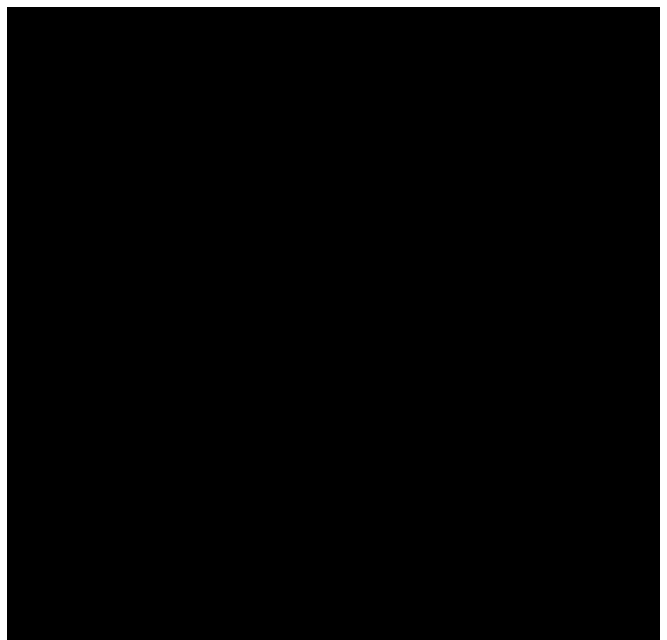
## Copenhagen seat

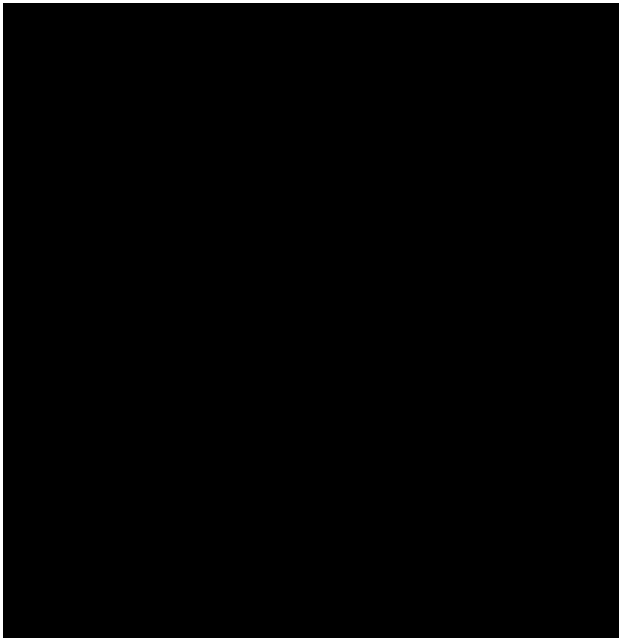
- Frame            Cast iron, powder coated RAL 9005 black.  
Also available powder coated in other standard colours, see product info.
  
- Slats, seat        145 x 28 mm  
                      180 x 34 mm
- Slats, table       33 x 105 mm  
                      Oil-treated mahogany (FSC certified).
  
- Option            Slats can be painted in green RAL 6009.
  
- Weight            100 kg
  
- Installation      Surface or concrete foundation mounting.  
                      Foundation details, see product info.

Design: Copenhagen Municipality



# LITTER BINS AND ASHTRAYS





# PROOF

SHL DESIGN

LITTER BINS AND ASHTRAYS



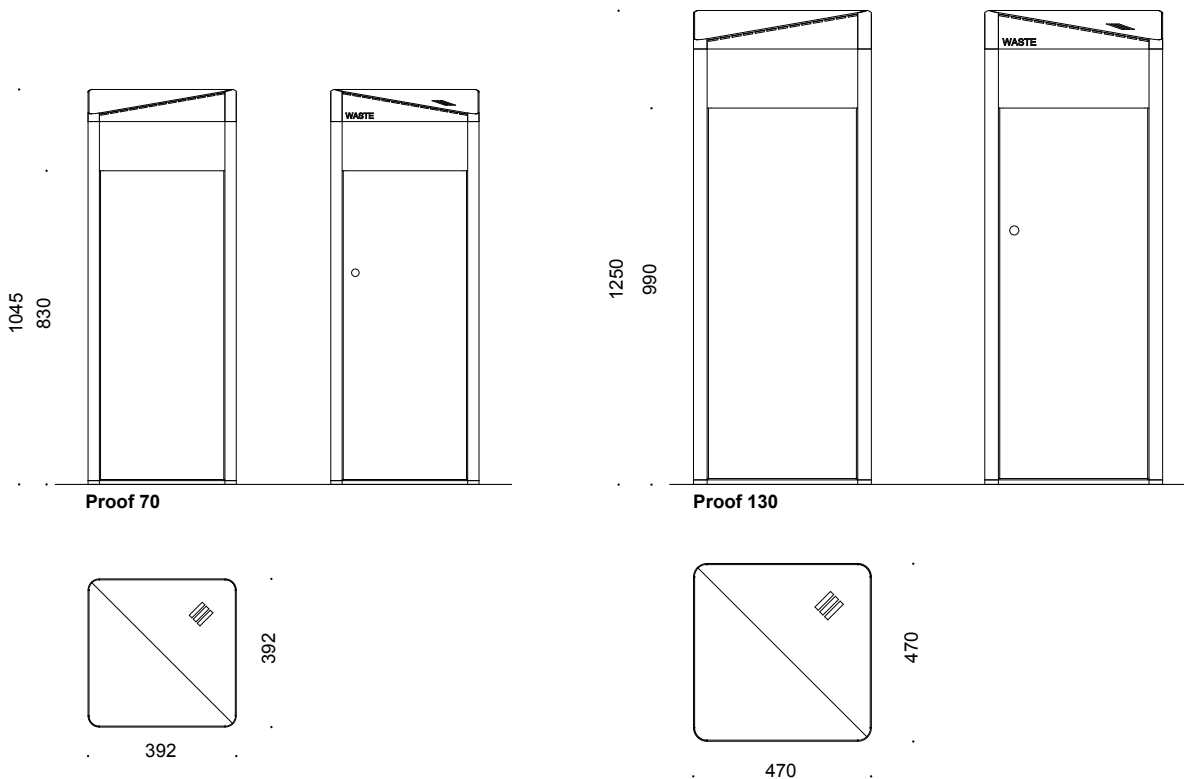




## Proof

Sides/top	3 mm aluminium
Roof	3 mm aluminium
Corners	Extruded aluminium. Powder coated, standard colours, see product info.
Base	Hot-dip galvanised steel.
Inner liner	2 mm aluminium.
Content	70/130 litres.
Lock	Opened by means of a square key. Locks automatically on closing.
Option	Available with ashtray in top.
Installation	Available for surface mounting or with base for embedment/concrete foundation. Foundation details, see product info.

Design: shl design



# AROS

AARHUS MUNICIPALITY

LITTER BINS AND ASHTRAYS

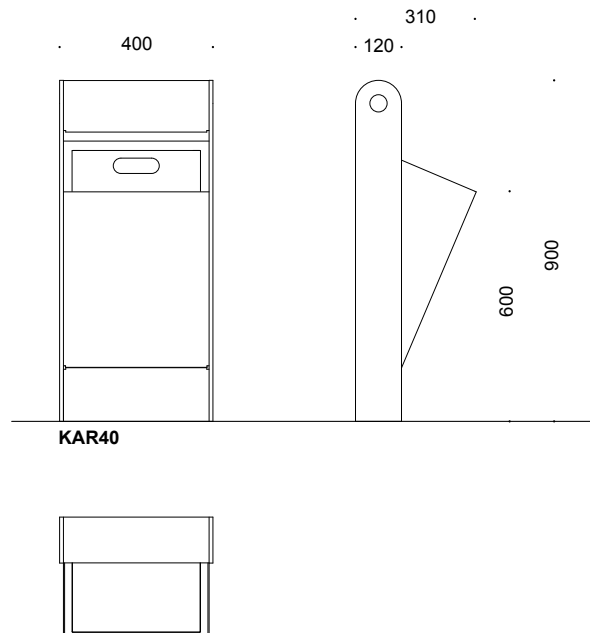




## Aros

Frame	10 mm aluminium, powder coated.
Cover	3 mm aluminium, powder coated. White RAL 9016 / Sable Noir 200.
Inner liner	1 mm galvanised steel.
Content	40 litres.
Lock	Snap lock, no need for a key.
Installation	Embedment or surface mounting.
Option	Other colours: for standard colours, see product info.

Design: Aarhus Municipality, City Architects



# COMFORT

GINMAN, HARBOE, BORUP

LITTER BINS AND ASHTRAYS

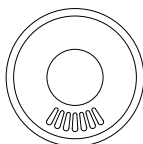
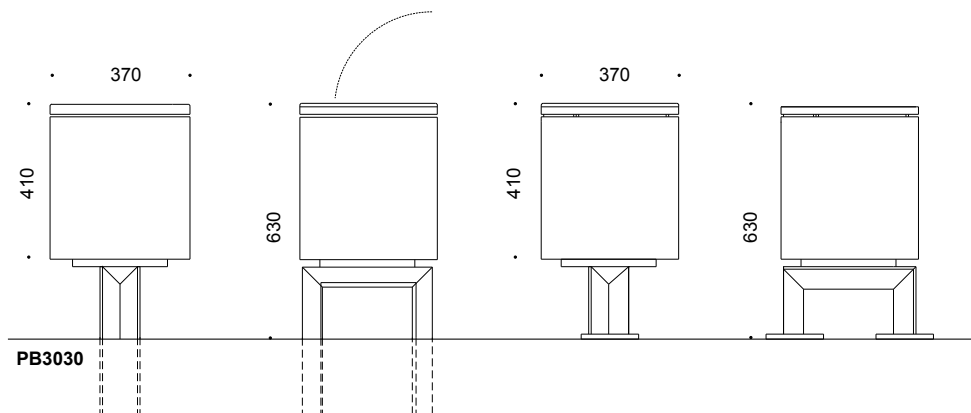




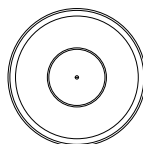
## Comfort

Frame	75 x 75 x 7 mm angle steel
Bin	1.5 mm
Lid	1.25 mm
	Hot-dip galvanised steel. Can also be powder coated. For standard colours, see product info.
Inner liner	Rotational moulded plastic.
Content	30 litres.
Lock	Opened by means of a square key. Locks automatically on closing.
Ashtray	Available with ashtray lid. Please state if required when ordering.
Installation	Embedment or surface mounting.

Design: Ginman, Harboe, Borup landscape architects



**Lid with  
integrated  
ashtray**



**Lid**

# GROUND

VEKSØ

LITTER BINS AND ASHTRAYS

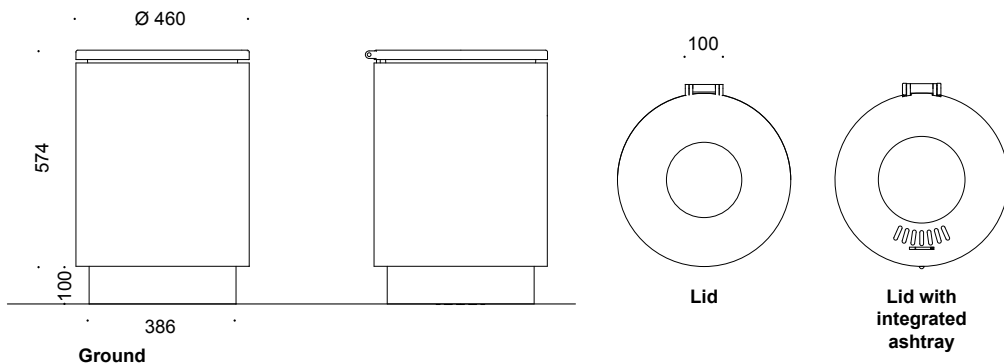




## Ground

Lid/cover	2 mm
Base	4 mm
	Hot-dip galvanised steel. Can also be powder coated.
	Powder coated, standard colours, see product info.
Inner liner	Rotational moulded plastic.
Content	60 litres.
Lock	Opened without a key.
Ashtray	Available with ashtray lid. Please state if required when ordering.
Installation	Available for surface mounting or with base for embedment/concrete foundation. Foundation details, see product info.

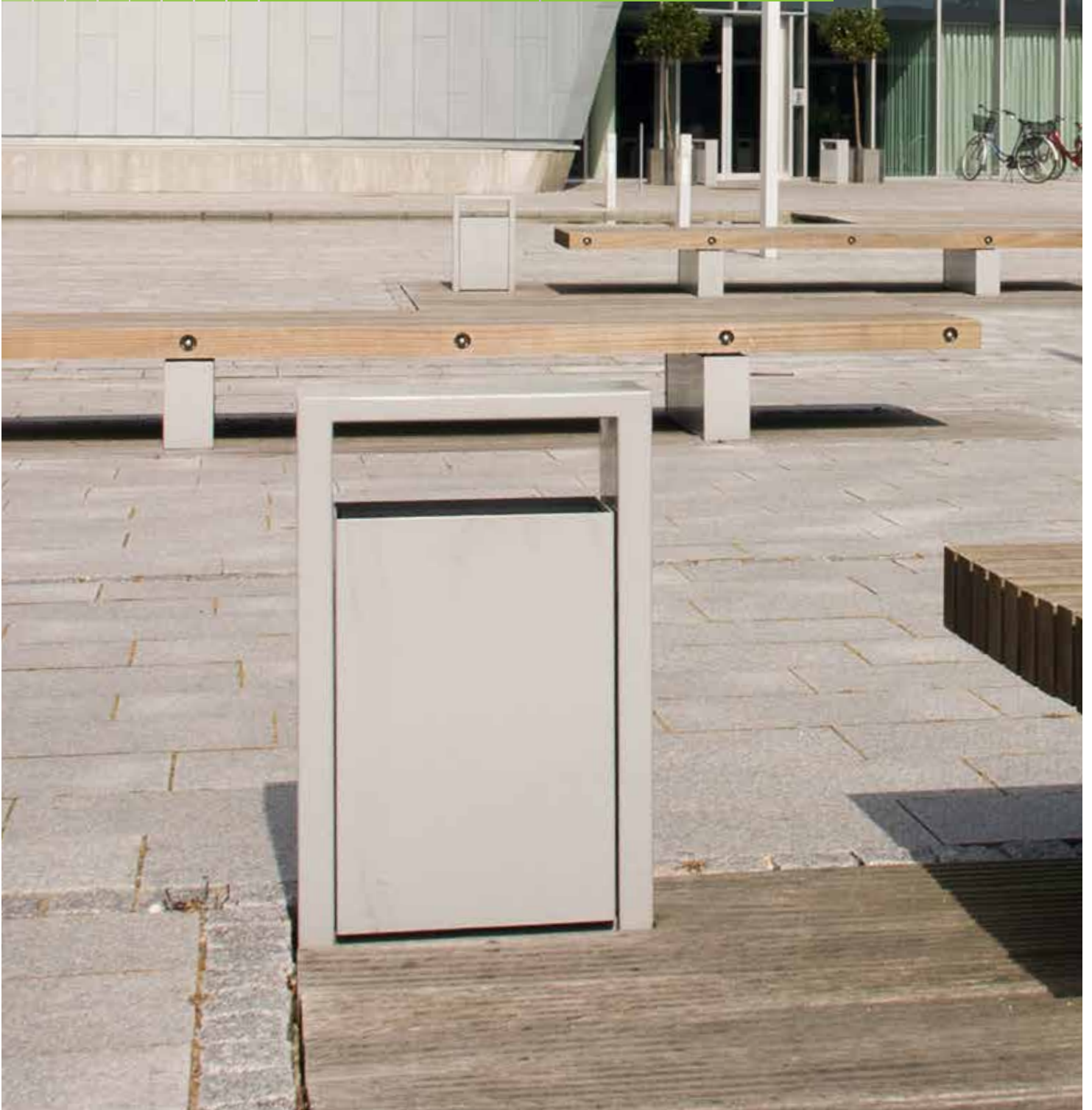
Design: VEKSØ A/S



# ROYAL

SHL DESIGN

LITTER BINS AND ASHTRAYS



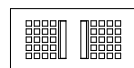
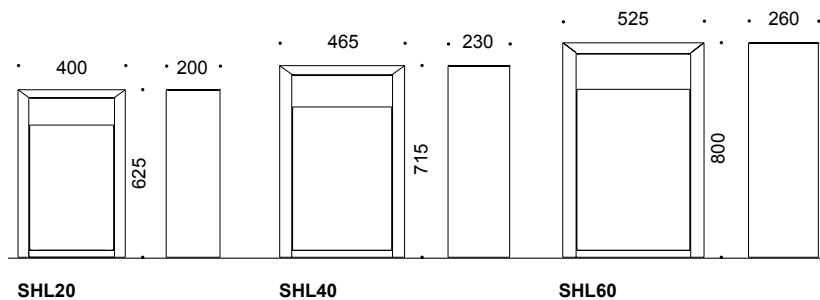




## Royal

Frame	2 mm stainless steel. Glass blasted or glass blasted and powder coated. For standard colours, see product info.
Inner liner	1 mm galvanised steel.
Content	20/40/60 litres.
Lock	Opened and closed by means of a square key. Double-action lock. The ashtray is emptied into the litter bin by turning the key to the left. The bin is tipped out for emptying by turning the key to the right.
Ashtray	Available with ashtray lid. Please state if required when ordering.
Installation	Surface mounting.

Design: shl design



**Lid with integrated ashtray**



**Lid**

# TESTA

VILHELM LAURITZEN ARCHITECTS

LITTER BINS AND ASHTRAYS

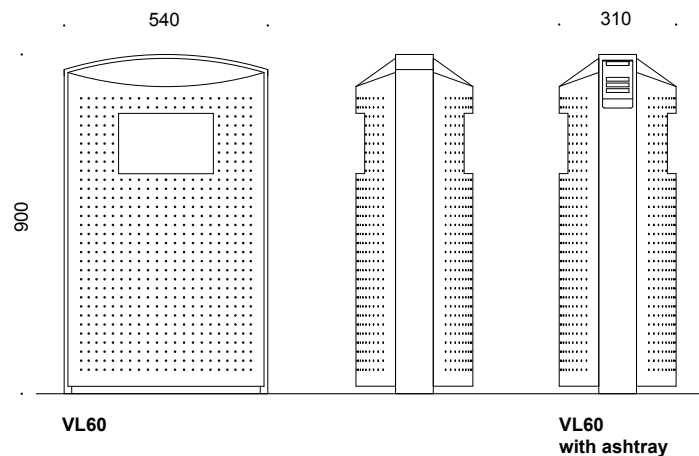




## Testa

Frame	20 x 100 mm Hot-dip galvanised steel. Can also be powder coated. For standard colours, see product info.
Sides	2 mm glass-blasted stainless steel, can also be powder coated. For standard colours, see product info.
Inner liner	2 mm hot-dip galvanised steel.
Content	60 litres.
Lock	Opened by means of an Allen key. Locks automatically on closing.
Ashtray	Available with ashtray. 1 mm hot-dip galvanised steel. Please state if required when ordering.
Installation	Surface mounting.

Design: Vilhelm Lauritzen Architects



# INPUT

GHB LANDSCAPE ARCHITECTS

LITTER BINS AND ASHTRAYS

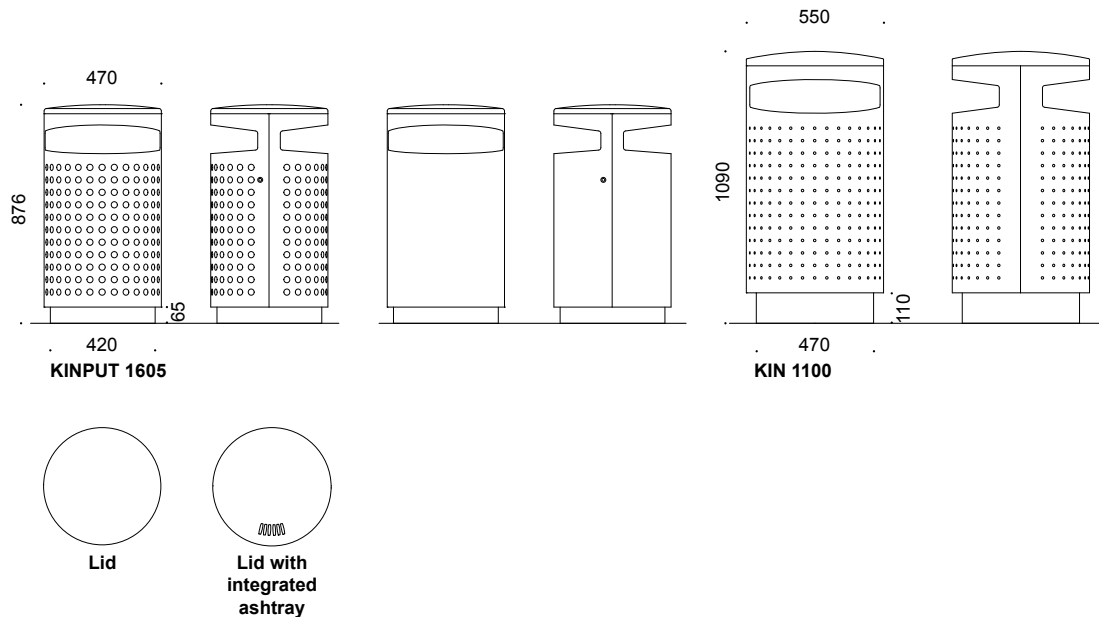




## Input

Lid/cover	2 mm stainless steel.
Base	4 mm stainless steel.
	Glass blasted or glass blasted and powder coated.
	With or without perforation (please state which when ordering).
	For standard colours, see product info.
Inner liner	60 litres: rotational moulded plastic; 100 litres: 1 mm galvanised steel.
Content	60/100 litres.
Lock	Opened by means of a square key. Locks automatically on closing.
Ashtray	Available with ashtray.
Logo	Available with logo/town arms. Please state if required when ordering.
Installation	Available for surface mounting or with base for embedment/concrete foundation. Foundation details, see product info.

Design: GHB landscape architects



# COPENHAGEN

VEKSØ

LITTER BINS AND ASHTRAYS

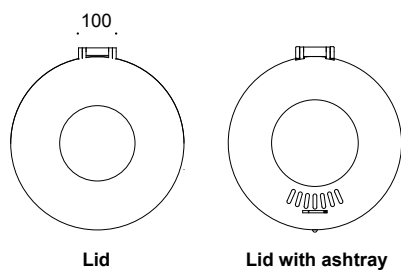
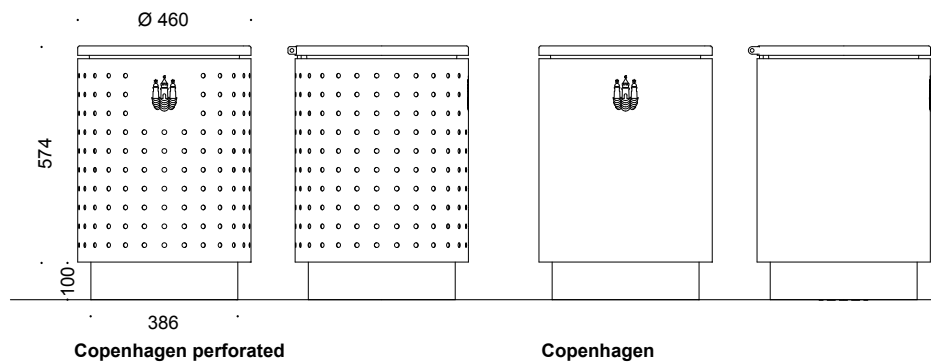




## Copenhagen

Lid/cover	2 mm stainless steel. Glass blasted or glass blasted and powder coated. For standard colours, see product info.
Base	4 mm stainless steel.
Inner liner	Rotational moulded plastic.
Content	60 litres.
Lock	Opened without a key. Vandal-resistant lid can be secured in open position during emptying.
Ashtray	Available with ashtray lid. Please state if required when ordering.
Logo	Available with logo/town arms.
Installation	Available for surface mounting or with base for embedment/concrete foundation. Foundation details, see product info.

Design: VEKSØ A/S



# LOTUS-/MALMÖ

COPENHAGEN MUNICIPALITY

LITTER BINS AND ASHTRAYS



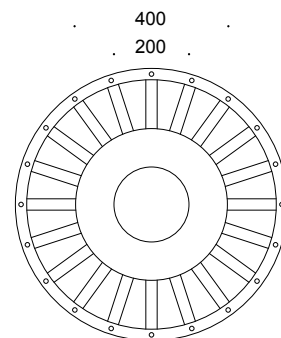
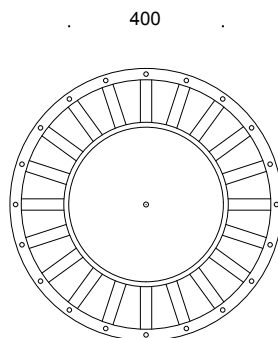
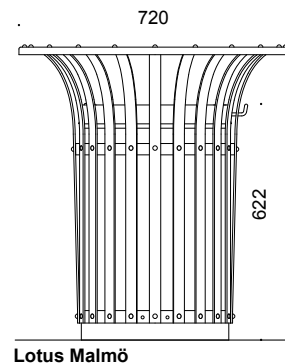
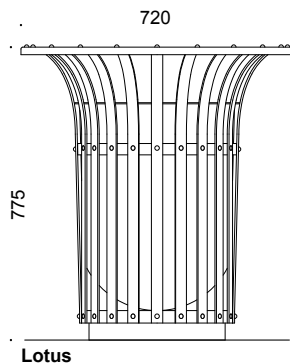




## Lotus / Lotus Malmö

Frame	30 x 5 mm stainless steel.
Lid Malmö	2 mm stainless steel.
Cover Malmö	1 mm stainless steel. Glass blasted and powder coated, standard colours, see product info.
Inner liner	Lotus: rotational moulded plastic, black. Lotus Malmö: glass-blasted stainless steel powder coated in same colour as frame.
Content	Lotus: 60 litres. Lotus Malmö: 70 litres.
Lock	Lotus Malmö: opened by means of a square key.
Installation	Available for surface mounting or with base for embedment/concrete foundation. Foundation details, see product info.

Design: Copenhagen Municipality



# RUFLE

AARHUS MUNICIPALITY

LITTER BINS AND ASHTRAYS

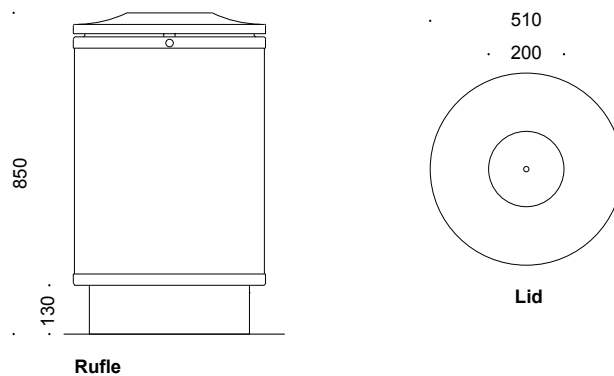




## Rufle

Cover	2.5 mm pyramid steel.
Lid	1.25 mm
Base	4 mm
	Hot-dip galvanised steel. Can also be powder coated. For standard colours, see product info.
Inner liner	Self-elevating bin, 1 mm galvanised steel.
Content	80 litres.
Lock	Opened by means of a square key. Locks automatically on closing.
Installation	Available for surface mounting or with base for embedment/concrete foundation. Foundation details, see product info.

Design: Aarhus Municipality, City Architects



# SOLID

SHL DESIGN

LITTER BINS AND ASHTRAYS

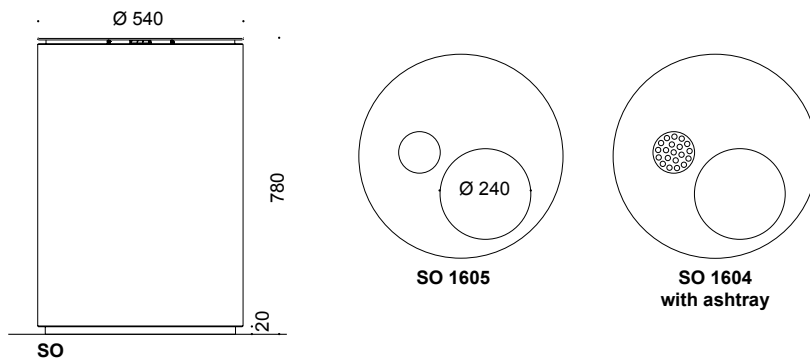




## Solid

Cover	Fibre concrete, light grey.
Lid	5 mm Hot-dip galvanised steel. Can also be powder coated. For standard colours, see product info.
Inner liner	Rotational moulded plastic.
Content	60 litres.
Ashtray	Available with ashtray.
Option	All Remove coating, facilitating the removal of graffiti.
Installation	Available for surface mounting or with base for embedment/ concrete foundation. Foundation details, see product info.

Design: shl design



reddot design award  
winner 2009

# DURO

AARHUS ARCHITECTS

LITTER BINS AND ASHTRAYS

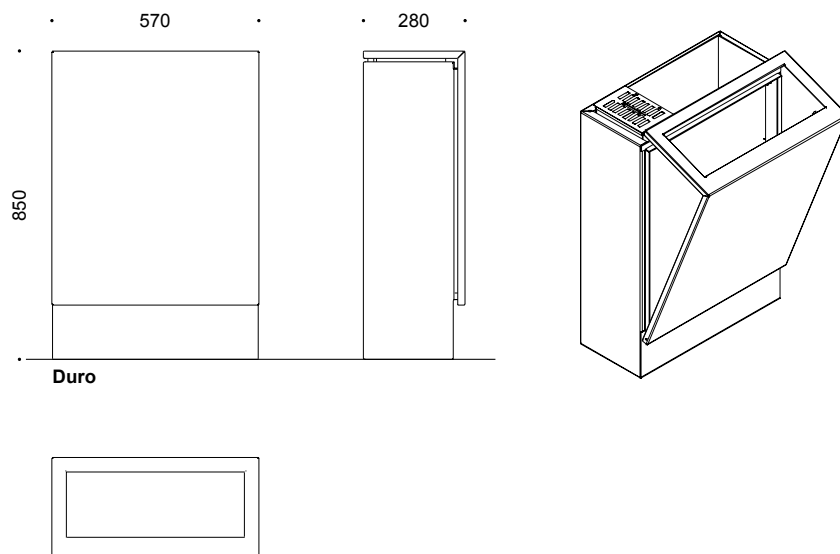




## Duro

Frame	2 mm stainless steel. Glass blasted or glass blasted and powder coated. For standard colours, see product info.
Cover	2 mm stainless steel, glass blasted and powder coated. For standard colours, see product info.
Inner liner	1 mm galvanised steel.
Content	65 litres.
Lock	Opened by means of a square key. Locks automatically on closing.
Ashtray	Available with ashtray. Please state if required when ordering.
Installation	Surface mounting.

Design: Aarhus Architects A/S



# SHINE

GINMAN, HARBOE, BORUP

LITTER BINS AND ASHTRAYS



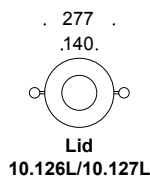
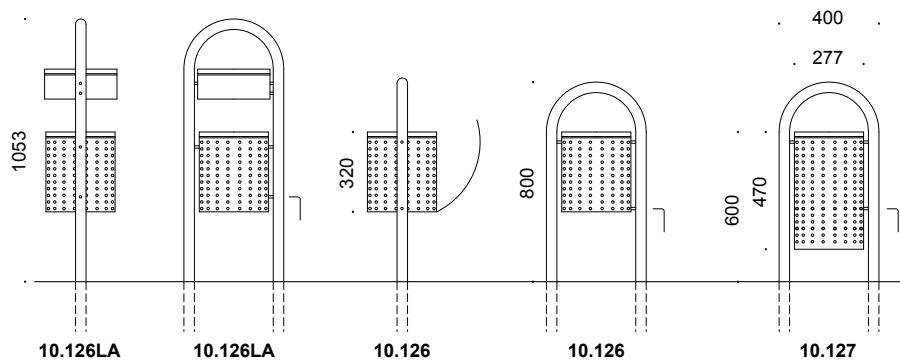




## Shine

Stand	Ø 42 mm
Bin	1.5 mm perforated hot-dip galvanised steel. Can also be powder coated. For standard colours, see product info.
Lid	Available with lid for attachment to bin using steel cable. 2 mm steel, hole diameter 140 mm. Hot-dip galvanised steel. Can also be powder coated. For standard colours, see product info.
Content	10.126: 21 litres. 10.127: 31 litres.
Inner liner	Available with inner liner of rotational moulded plastic, black.
Lock	Opened by means of an Allen key. The bin is secured to the stand by a catch.
Ashtray	Available with ashtray. Please state if required when ordering.
Accessories	Plastic bags for bin.
Installation	Embedment.

Design: Ginman, Harboe, Borup landscape architects



# COLLECT

VEKSØ

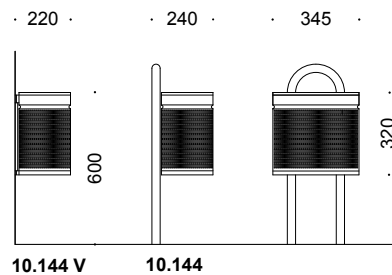
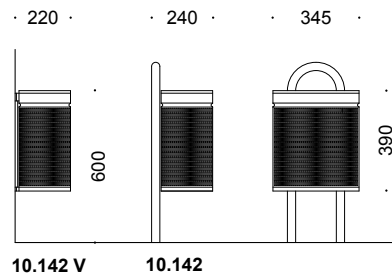
LITTER BINS AND ASHTRAYS





## Collect

Stand	Ø 32 mm
Bin	1.5 mm perforated hot-dip galvanised steel. Can also be powder coated. For standard colours, see product info.
Lid	Available with lid for attachment to bin using steel cable. 2 mm steel, hole diameter 140 mm. Hot-dip galvanised steel. Can also be powder coated. For standard colours, see product info.
Content	10.142: 25 litres. 10.144: 20 litres.
Inner liner	Available with inner liner of rotational moulded plastic, black.
Accessories	Plastic bags for bin.
Installation	Embedment or wall mounting.
Design:	VEKSØ A/S



# DEFINE

JEREMY DEAN

LITTER BINS AND ASHTRAYS

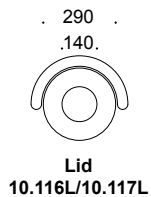
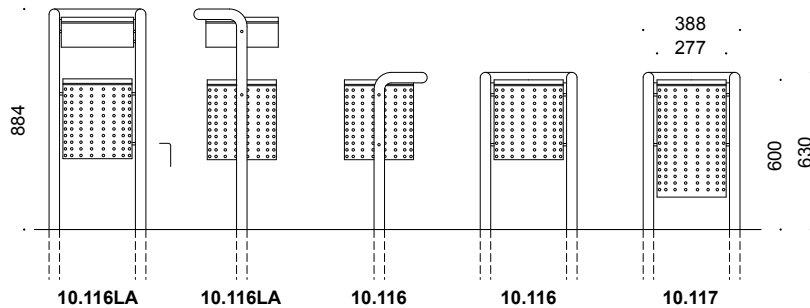




## Define

Stand	Ø 42 mm
Bin	1.5 mm perforated hot-dip galvanised steel. Can also be powder coated. For standard colours, see product info.
Lid	Available with lid for attachment to bin using steel cable. 2 mm steel, hole diameter 140 mm. Hot-dip galvanised steel. Can also be powder coated. For standard colours, see product info.
Content	10.116: 21 litres. 10.117: 31 litres.
Inner liner	Available with inner liner of rotational moulded plastic, black.
Ashtray	Available with ashtray. Please state if required when ordering.
Accessories	Plastic bags for bin.
Installation	Embedment.

Design: Jeremy Dean, landscape architect



# DOGGY

RIE DEJBERG

LITTER BINS AND ASHTRAYS

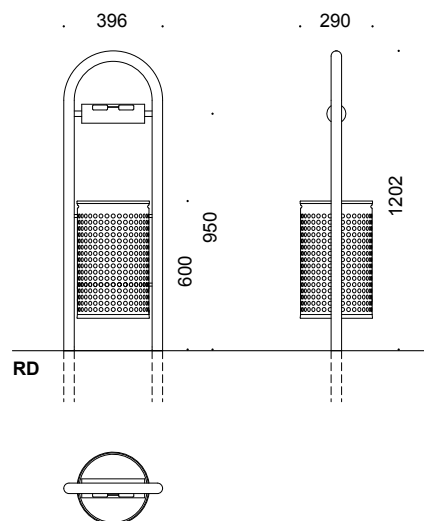




## Doggy waste bag holder

Stand	Ø 42 mm
Bag holder	Ø 76 mm
Bin	1.5 mm perforated steel Hot-dip galvanised steel. Can also be powder coated. For standard colours, see product info.
Lid	Available with lid for attachment to bin using steel cable. 2 mm steel, hole diameter 140 mm. Hot-dip galvanised steel. Can also be powder coated. For standard colours, see product info.
Content	21/31 litres.
Inner liner	Available with inner liner of rotational moulded plastic, black.
Locks	Opened by means of an Allen key. The bin is secured to the stand by a catch.
Accessories	Dog waste bags for dispenser. Plastic bags for bin.
Installation	Embedment.

Design: Rie Dejbjerg, industrial designer



# TETRA

VEKSØ

LITTER BINS AND ASHTRAYS



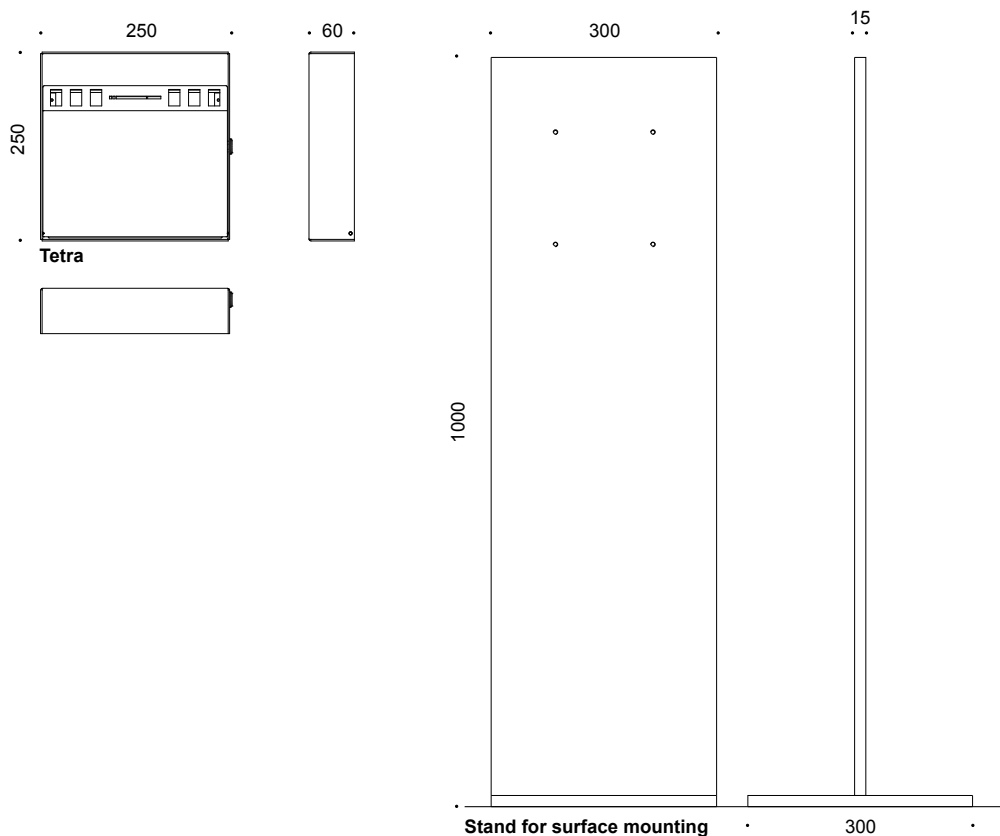




## Tetra ashtray

- Cover            2 mm stainless steel, glass blasted and powder coated.  
For standard colours, see product info.
  
- Front            1 mm stainless steel, directionally polished.
  
- Ash liner        1 mm aluminium
  
- Lock            Opened and closed by means of an Allen key.
  
- Installation    Wall mounting.
  
- Option          Available with stand for embedment or for surface mounting.  
Hot-dip galvanised. Can also be powder coated.  
For standard colours, see product info.

Design: VEKSØ A/S



# COPENHAGEN

VEKSØ

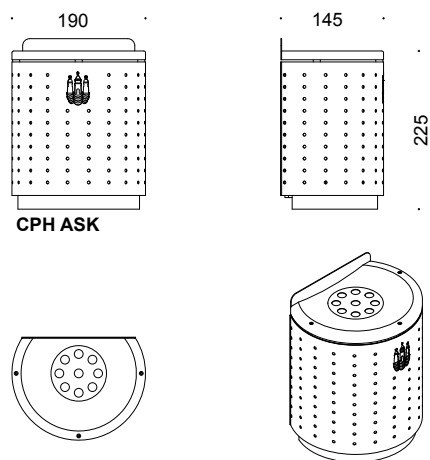
LITTER BINS AND ASHTRAYS





## Copenhagen ashtray

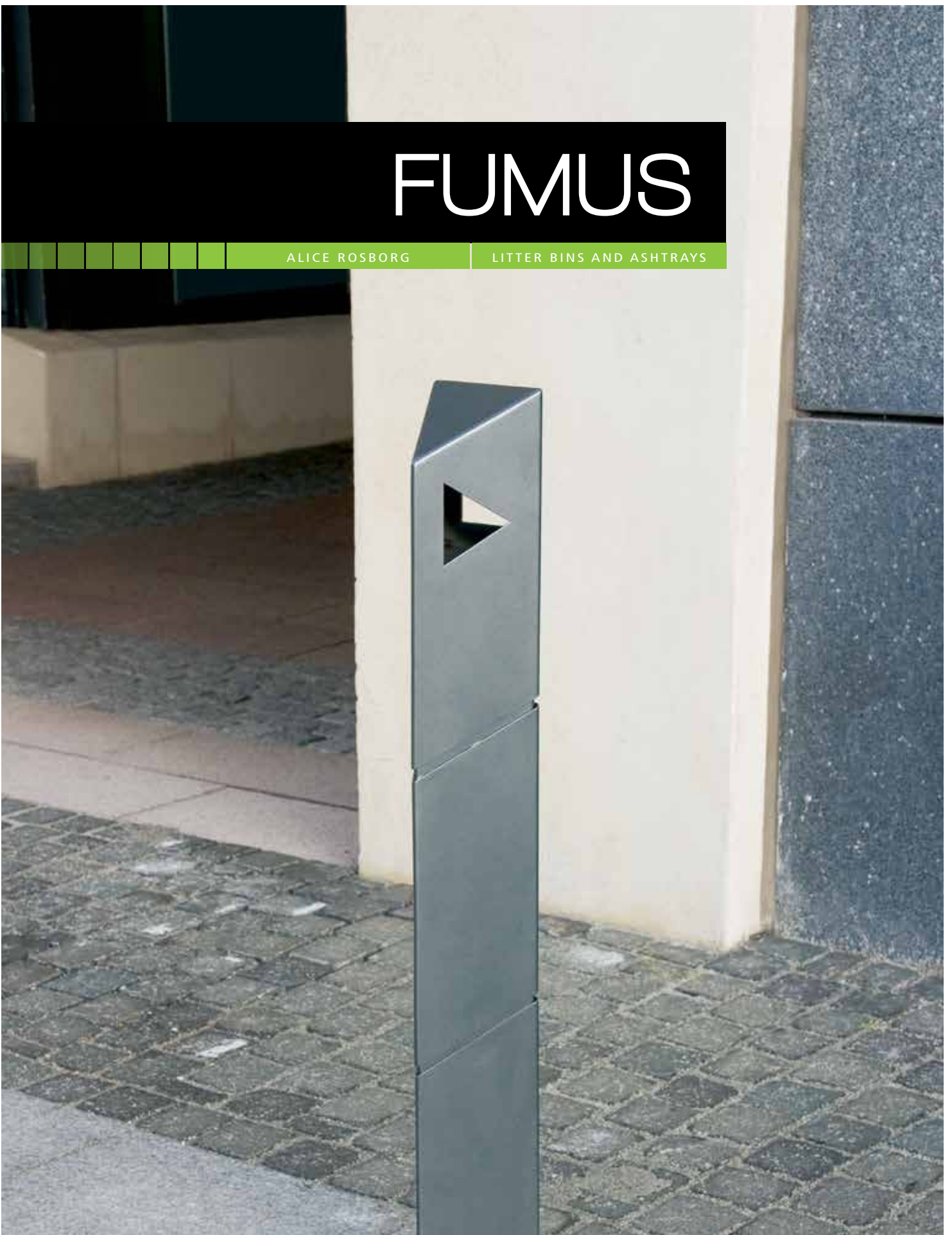
- Cover            1.5 mm  
Stainless steel, glass blasted and powder coated.  
For standard colours, see product info.
  - Lid                0.5 mm  
Polished stainless steel lid, Non powder coated.
  - Inner liner       1.5 mm  
Stainless.
  - Lock              Opened and closed by means of a single hand  
operated keyless lock.
  - Option            Available with logo/town arms.
  - Installation      Wall mounting.
- Design: VEKSØ A/S



# FUMUS

ALICE ROSBORG

LITTER BINS AND ASHTRAYS

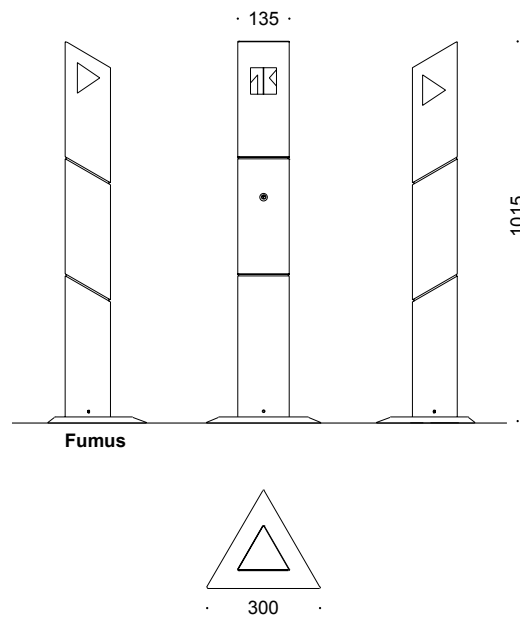




## Fumus ashtray

- Frame                    2 mm  
Hot-dip galvanised steel. Can also be powder coated.  
For standard colours, see product info.
  
- Inner liner            1 mm galvanised steel.
  
- Lock                    Opened by means of a square key.  
Locks automatically on closing.
  
- Installation           Available for surface mounting or with base for embedment.

Design: Alice Rosborg, architect



# BICYCLE STANDS







# NOAH

HJØRRING MUNICIPALITY

BICYCLE STANDS







## Noah

- Bollard (SP 12)    Ø 114 mm
- Bollard (Type 60)    Ø 89 mm
- Strut                    Ø 33 mm
- Wheel holder        Ø 16 mm

Hot-dip galvanised steel. Can also be powder coated.  
 Mechanical forces may cause the powder coating to peel.  
 For standard colours, see product info.

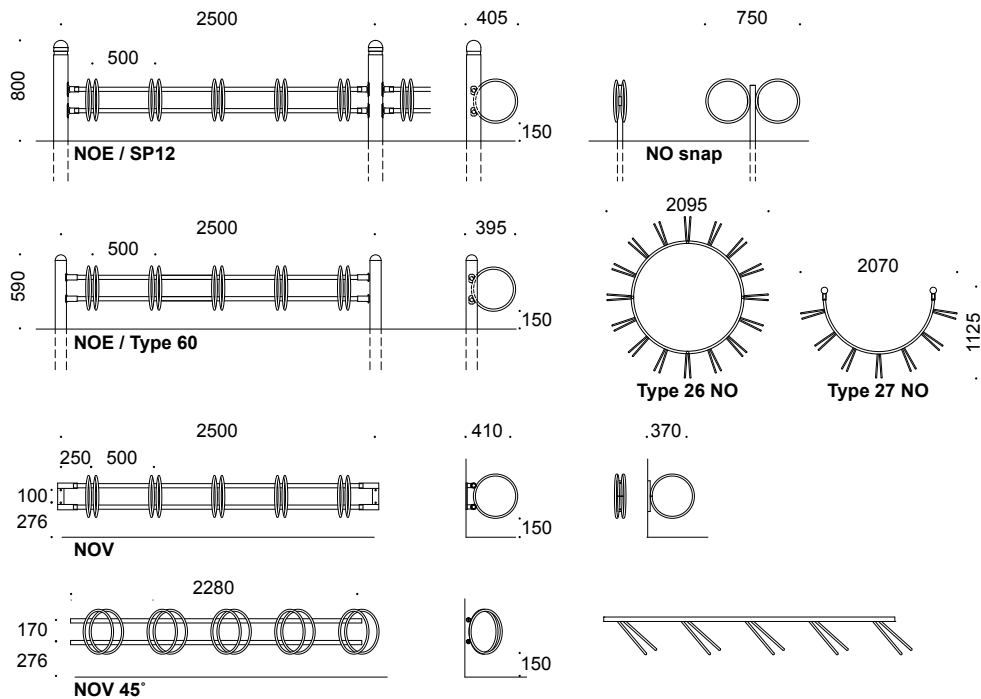
Suitable for        Racing bike tyres, mountain bike tyres and standard bike tyres.

Modular design    Can be built from:  
                           modules with 5 or 6 spaces, single sided  
                           modules with 10 or 12 spaces, double sided

Option                Available with 45° angle.  
                           Single or double sided

Installation        Embedment: SP 12 bollard (800 mm above ground surface) or  
                           SP 13 bollard (removable, 800 mm above ground surface) or  
                           Type 60 bollard (590 mm above ground surface).  
                           Wall mounting: Mounted on wall bracket.  
                           Option: Above-mentioned bollards also available for surface mounting.

Design: City Architects, Hjørring / Ginman, Harboe, Borup landscape architects



# NOLI

HJØRRING MUNICIPALITY

BICYCLE STANDS





## Noli

- Bollard (SP 12) Ø 114 mm
- Bollard (Type 60) Ø 89 mm
- Strut Ø 33 mm
- Wheel holder Ø 16 mm

Hot-dip galvanised steel. Can also be powder coated.  
 Mechanical forces may cause the powder coating to peel.  
 For standard colours, see product info.

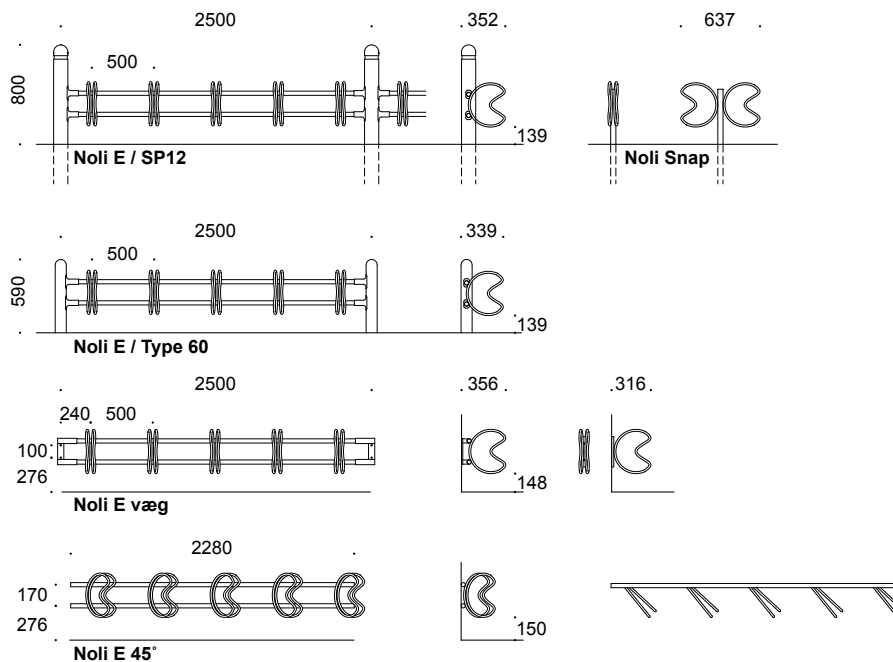
Suitable for Racing bike tyres, mountain bike tyres and standard bike tyres.  
 Bicycles with magnetic induction lights.

Modular design Can be built from:  
 modules with 5 or 6 spaces, single sided  
 modules with 10 or 12 spaces, double sided

Option Available with 45° angle.  
 Single or double sided

Installation Embedment: SP 12 bollard (800 mm above ground surface) or  
 SP 13 bollard (removable, 800 mm above ground surface) or  
 Type 60 bollard (590 mm above ground surface).  
 Wall mounting: Mounted on wall bracket.  
 Option: Above-mentioned bollards also available for surface mounting.

Design: City Architects, Hjørring / Ginman, Harboe, Borup landscape architects



# AROS

AARHUS MUNICIPALITY

BICYCLE STANDS

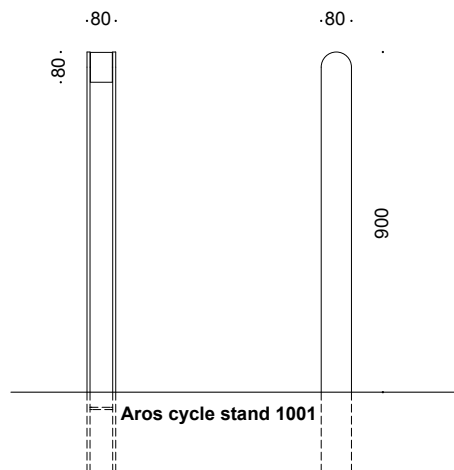




## Aros cycle stand short

Sides	8 x 80 mm Hot-dip galvanised steel. Can also be powder coated. Mechanical forces may cause the powder coating to peel. For standard colours, see product info.
Crossties	3 mm aluminium (extruded) Powder coated black (Sablé Noir 200) Mechanical forces may cause the powder coating to peel.
Installation	Embedment.

Design: Aarhus Municipality, City Architects



# AROS

AARHUS MUNICIPALITY

BICYCLE STANDS

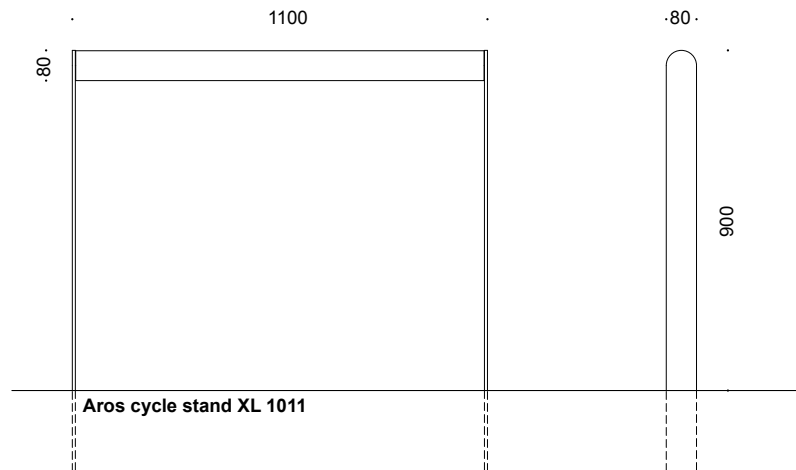




## Aros cycle stand XL

- Sides                    8 x 80 mm  
Hot-dip galvanised steel. Can also be powder coated.  
Mechanical forces may cause the powder coating to peel.  
For standard colours, see product info.
  
- Crossties                3 mm aluminium (extruded)  
Powder coated black (Sablé Noir 200)  
Mechanical forces may cause the powder coating to peel.
  
- Modular design        Can be extended with additional modules.
  
- Installation            Embedment.

Design: Aarhus Municipality, City Architects



# AROS

AARHUS MUNICIPALITY

BICYCLE STANDS



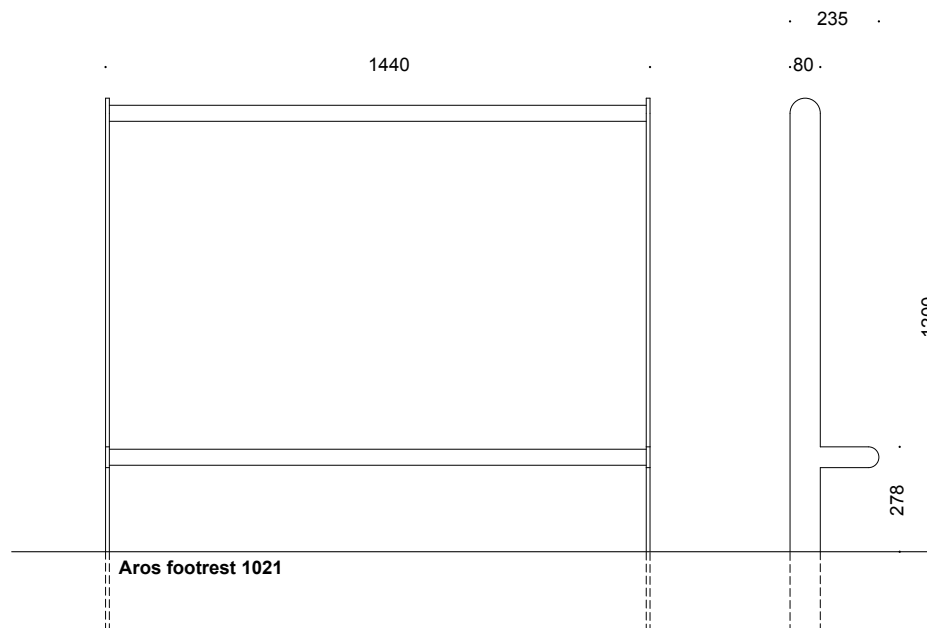




## Aros footrest

Sides	8 x 80 mm Hot-dip galvanised steel. Can also be powder coated. Mechanical forces may cause the powder coating to peel. For standard colours, see product info.
Crossties	Ø 42 mm Powder coated black (Sablé Noir 200) Mechanical forces may cause the powder coating to peel.
Modular design	Can be extended with additional modules.
Installation	Embedment.

Design: Aarhus Municipality, City Architects



# KODA

VEKSØ

BICYCLE STANDS

## NEW MODEL

Now suitable for all  
common bicycle types.  
Can be used with  
existing racks.





## Koda

Strut	Ø 32 mm
Wheel holder	Ø 12 mm
Arch	Ø 32 mm
Upright	40 x 40 mm

Hot-dip galvanised steel. Can also be powder coated.

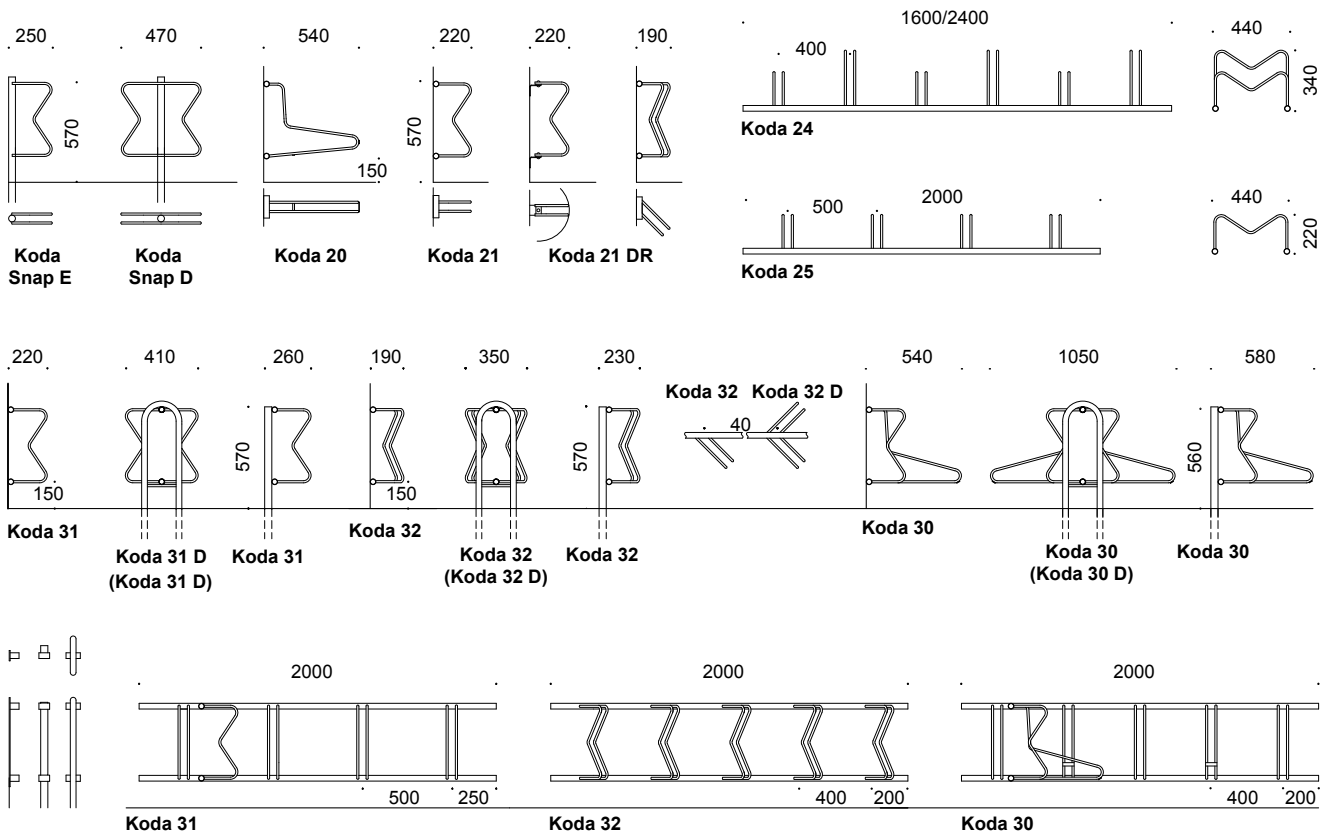
Mechanical forces may cause the powder coating to peel.

For standard colours, see product info.

**Modular design** Koda 24 can be built from modules containing 4 or 6 spaces.  
 Koda 25 can be built from modules containing 4 spaces.  
 Koda 30 and Koda 32 can be built from single sided modules containing 5 spaces or double sided modules containing 10 spaces.  
 Koda 31 can be built from single sided modules containing 4 spaces  
 double sided modules containing 8 spaces.

**Installation** Embedment: Arch or upright.  
 Wall mounting: Mounted on wall bracket Supplied with connection pieces.  
 Order end flanges for end mounting.  
 Types 24 and 25 for placing loose on ground, supplied with connection pieces.  
 Option: Arch available for surface mounting.

Design: VEKSØ A/S



# LARGO

VEKSØ

BICYCLE STANDS



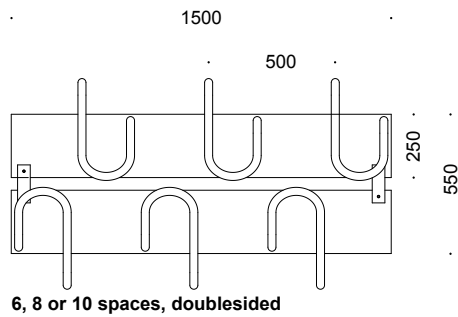
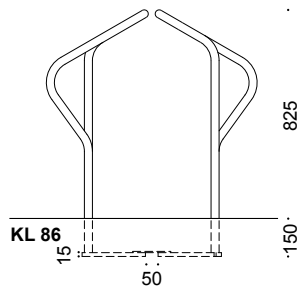
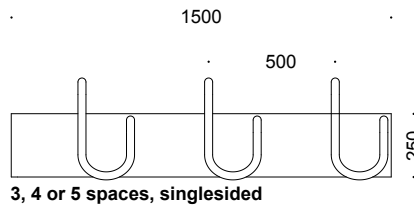
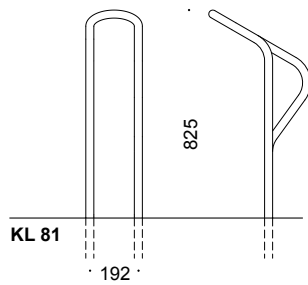


## Largo

Frame            Ø 32 mm  
 Hot-dip galvanised steel. Can also be powder coated.  
 Mechanical forces may cause the powder coating to peel.  
 For standard colours, see product info.

Installation    Embedment.  
 Recommended minimum spacing 50 cm.

Design: VEKSØ A/S



# SILHUET

CREO ARKITEKTER

BICYCLE STANDS

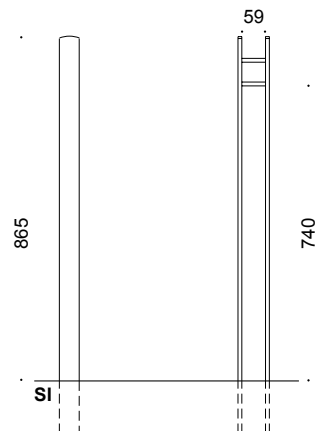




## Silhuett

Frame	50 x 10 mm
Crossties	Ø 10 mm
	Hot-dip galvanised steel. Can also be powder coated. Mechanical forces may cause the powder coating to peel. For standard colours, see product info.
Installation	Embedment. Recommended minimum spacing: single sided 50 cm, double sided 25 cm.

Design: Creo Arkitekter A/S



# LUNA

PELIKAN COPENHAGEN

BICYCLE STANDS

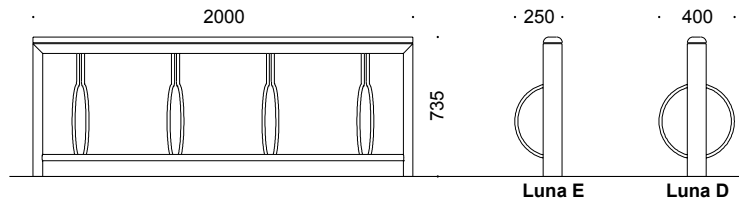






## Luna

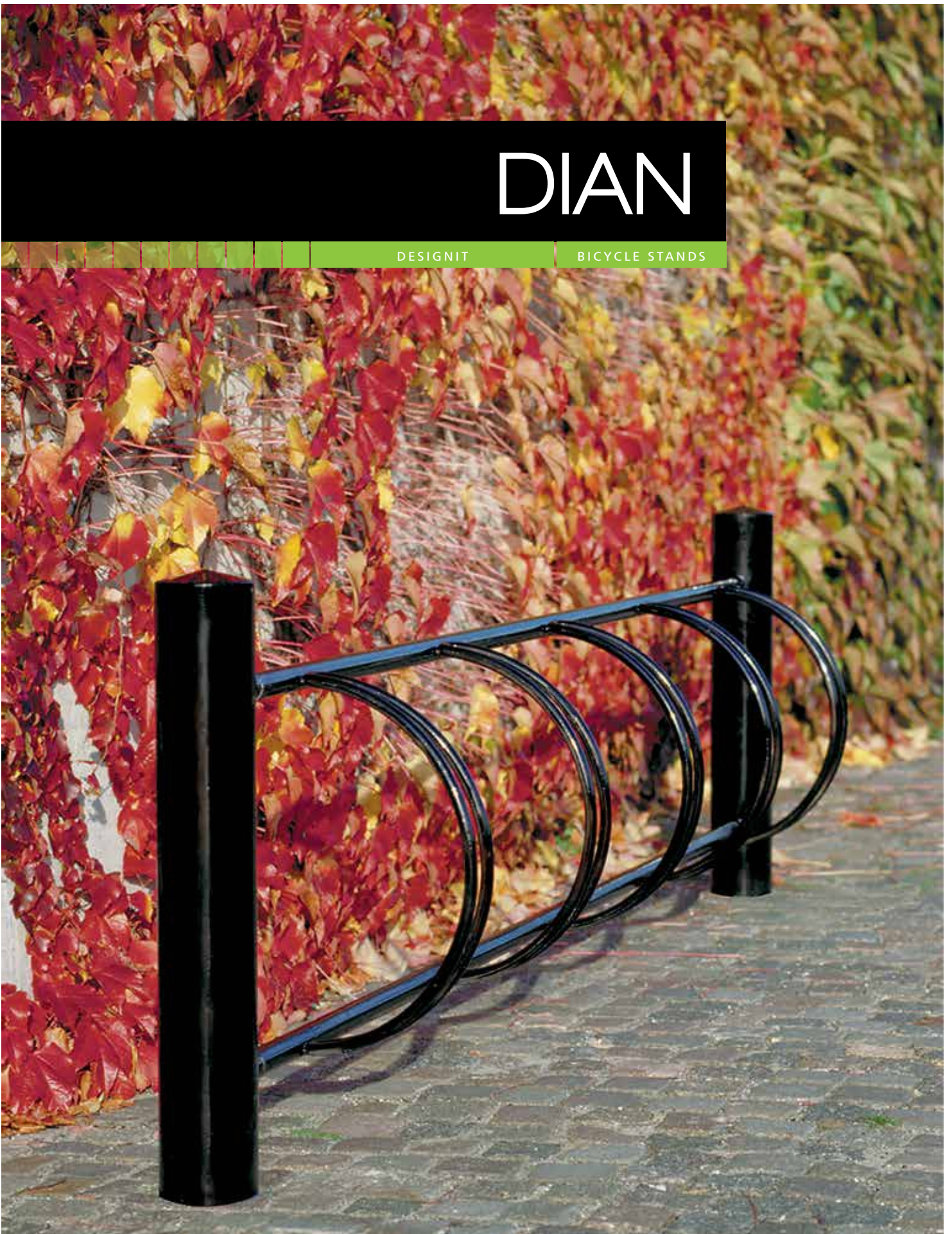
- Frame D-tube 100 x 50 mm
- Wheel holder Ø 16 mm
- Strut Ø 33 mm  
Hot-dip galvanised steel. Can also be powder coated.  
Mechanical forces may cause the powder coating to peel.  
For standard colours, see product info.
- Modules Single sided: 4, 5 or 6 spaces.  
Double sided: 8, 10 or 12 spaces.
- Slat 30 x 100 mm  
Oil-treated mahogany (FSC certified) or ash.
- Suitable for Racing bike tyres, mountain bike tyres and standard bike tyres.
- Installation Embedment.
- Design: Pelikan Copenhagen



# DIAN

DESIGNIT

BICYCLE STANDS





## Dian

- Bollard Ø 114 mm
- Strut Ø 33 mm
- Wheel holder Ø 16 mm

Hot-dip galvanised steel. Can also be powder coated.  
 Mechanical forces may cause the powder coating to peel.  
 For standard colours, see product info.

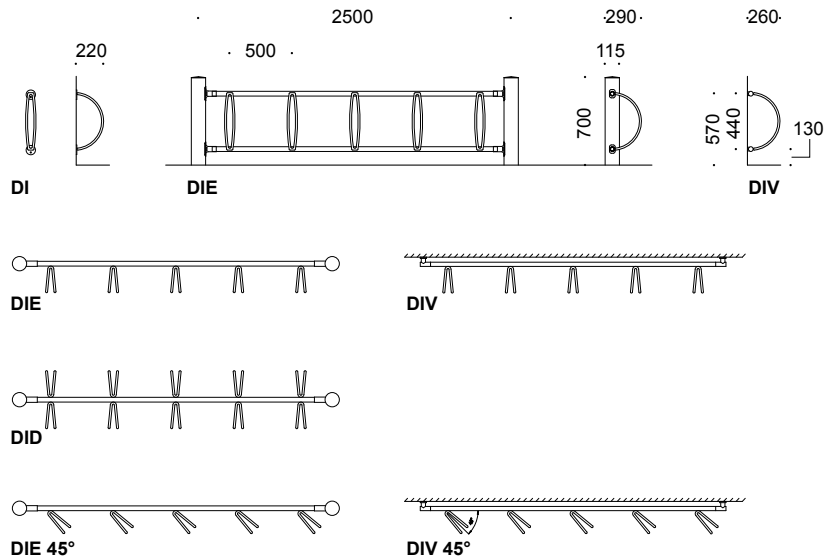
Suitable for Racing bike tyres, mountain bike tyres and standard bike tyres.

Modular design Can be built from:  
 modules with 5 or 6 spaces, single sided  
 modules with 10 or 12 spaces, double sided

Option Available with 45° angle.

Installation Embedment single or doublesided.  
 Wall mounting: Mounted on wall bracket.  
 Option: Bollard available for surface mounting.

Design: Designit A/S



# ANDY

AARHUS MUNICIPALITY

BICYCLE STANDS





# ROYAL

SHL DESIGN

BICYCLE STANDS

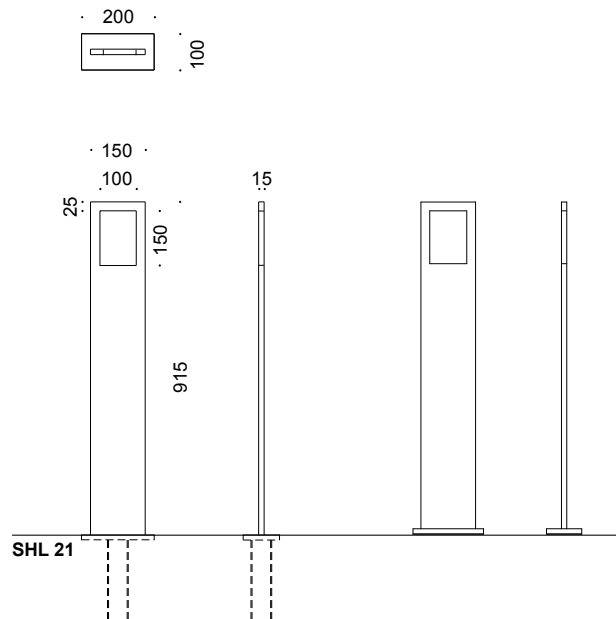




## Royal

- Frame 150 x 15 mm
- Base Ø 60 mm (for embedment)  
Hot-dip galvanised steel. Can also be powder coated.  
Mechanical forces may cause the powder coating to peel.  
For standard colours, see product info.
  
- Option Available in glass-blasted stainless steel.  
Available with logo or symbol.
  
- Installation Embedment or surface mounting.  
Recommended minimum spacing 120 cm.

Design: shl design



# OUTFIT

ANNE QVIST DESIGN OFFICE

BICYCLE STANDS







# SOLID

SHL DESIGN

BICYCLE STANDS

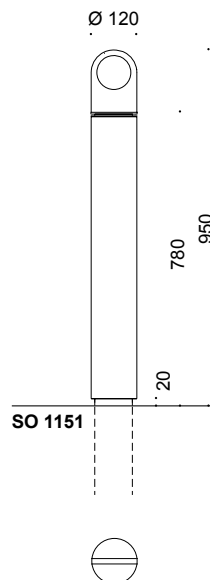




## Solid

Bollard	<p>Ø 120 mm Fibre concrete, light grey</p>
Steel	<p>12 mm / 5 mm Hot-dip galvanised. Can also be powder coated. For standard colours, see product info.</p>
Option	All Remove coating, facilitating the removal of graffiti.
Installation	<p>Embedment. Recommended minimum spacing 120 cm.</p>

Design: shl design

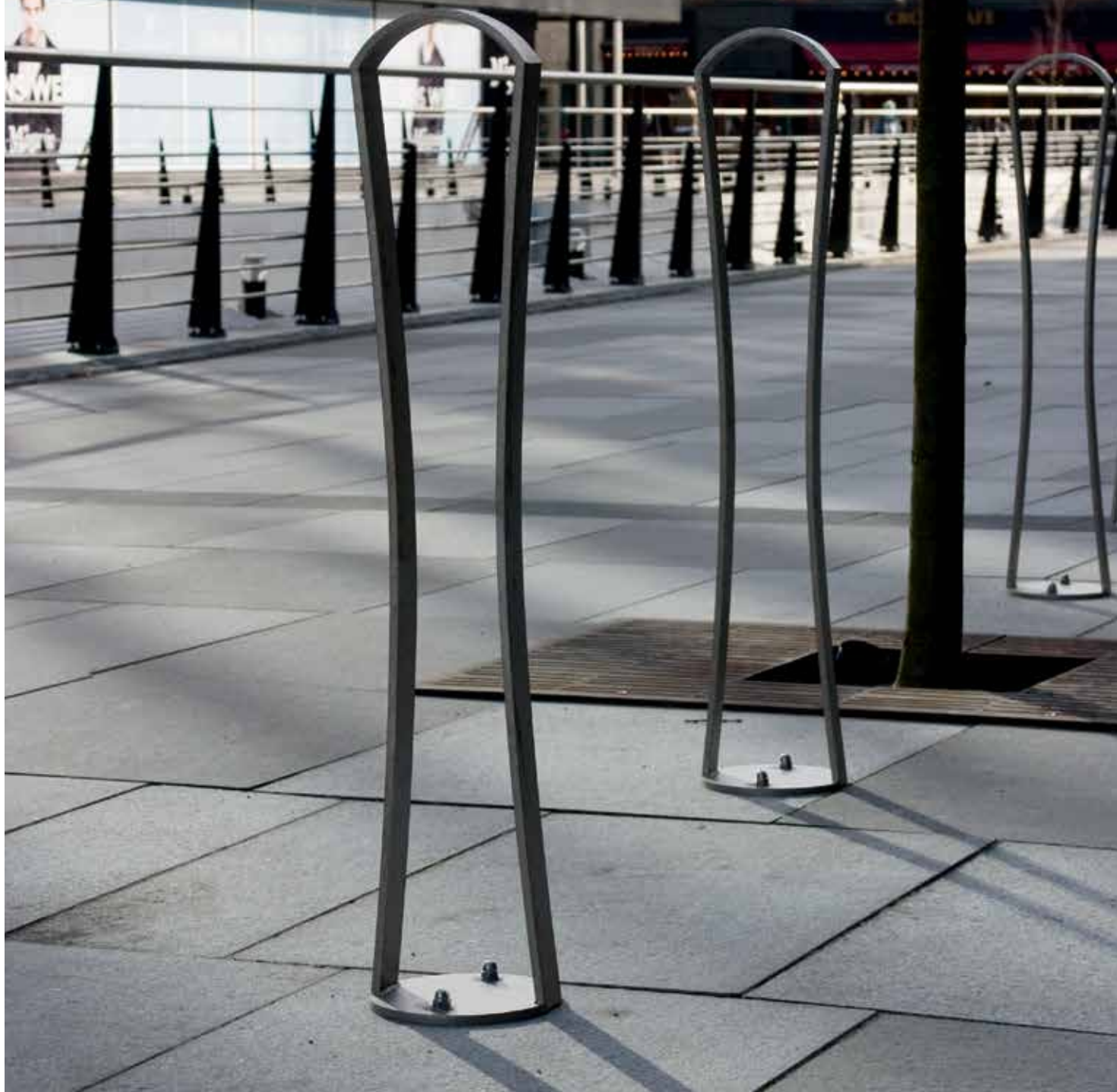


reddot design award  
winner 2009

# TORINO

AARHUS MUNICIPALITY

BICYCLE STANDS



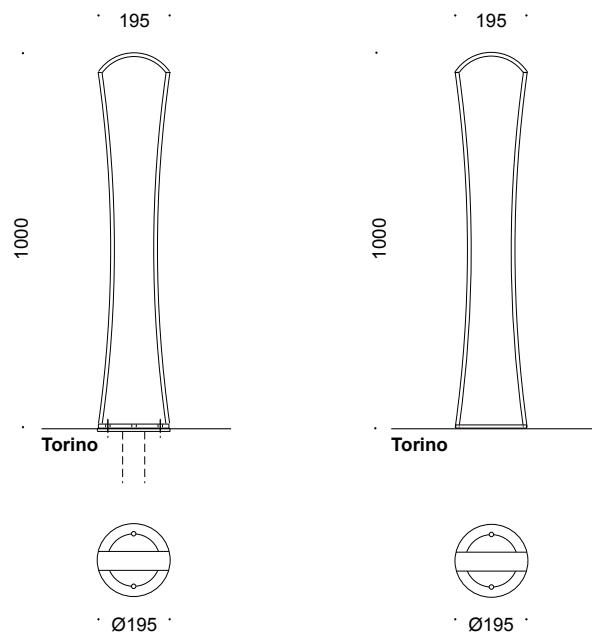


## Torino

Stand 50 x 10 mm  
 Stainless steel, glass blasted or powder coated.  
 Mechanical forces may cause the powder coating to peel.  
 For standard colours, see product info.

Installation Embedment or surface mounting.  
 Recommended minimum spacing 120 cm.

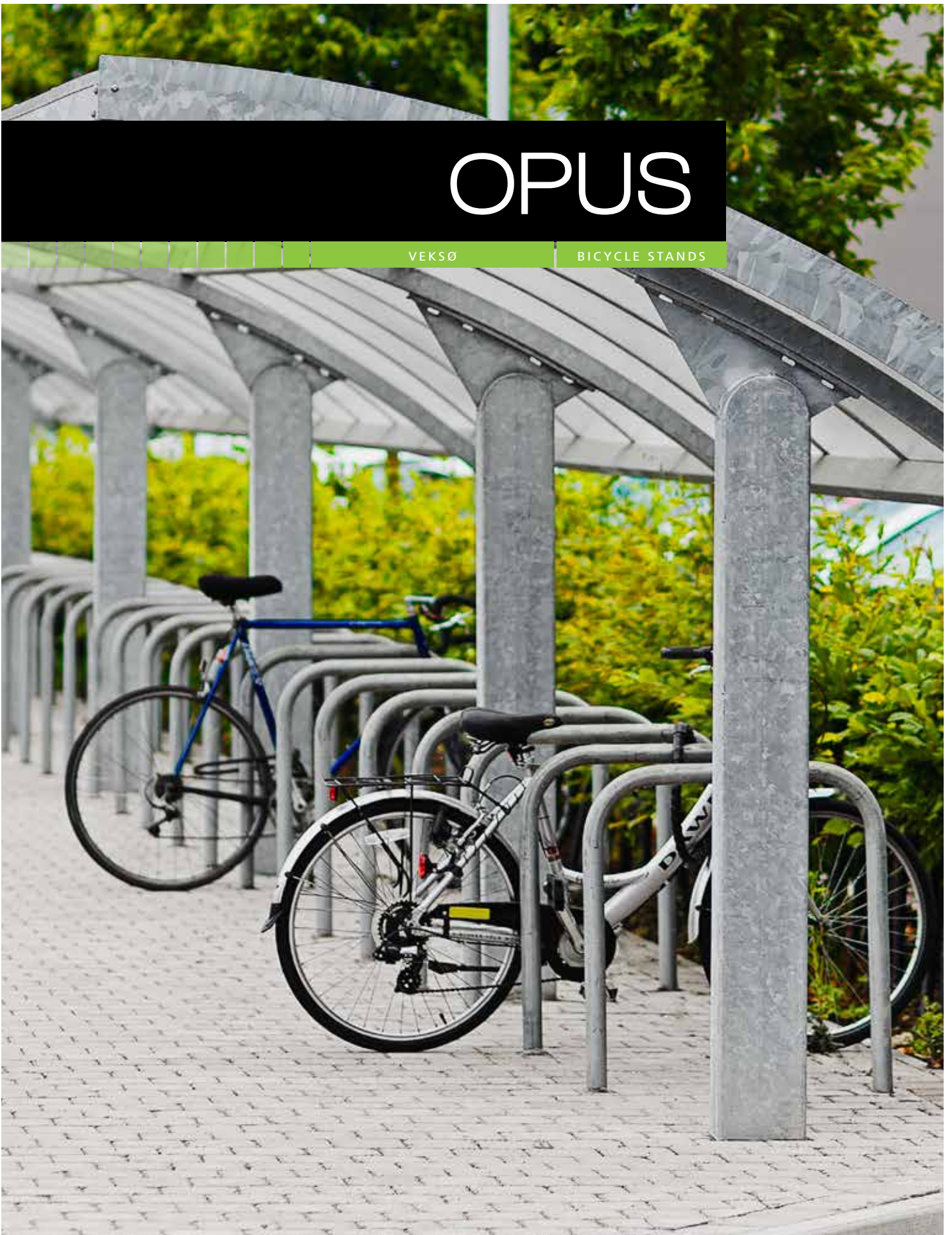
Design: Aarhus Municipality, City Architects



# OPUS

VEKSØ

BICYCLE STANDS



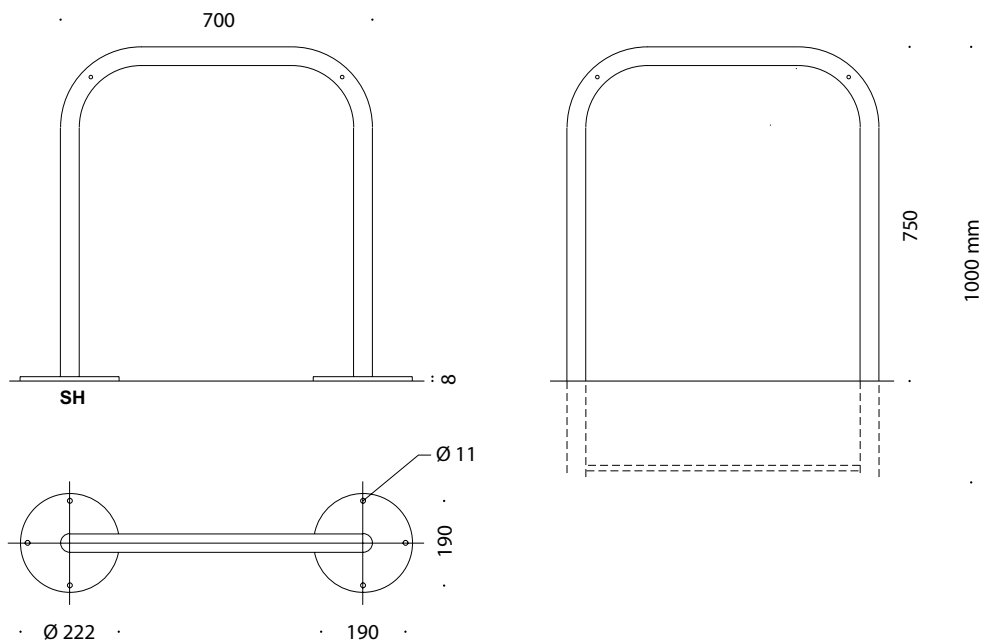


## Opus

Frame             $\varnothing$  42 mm  
 Hot-dip galvanised steel. Can also be powder coated.  
 Mechanical forces may cause the powder coating to peel.  
 For standard colours, see product info.

Installation    Embedment or surface mounting.  
 Recommended minimum spacing 120 cm.

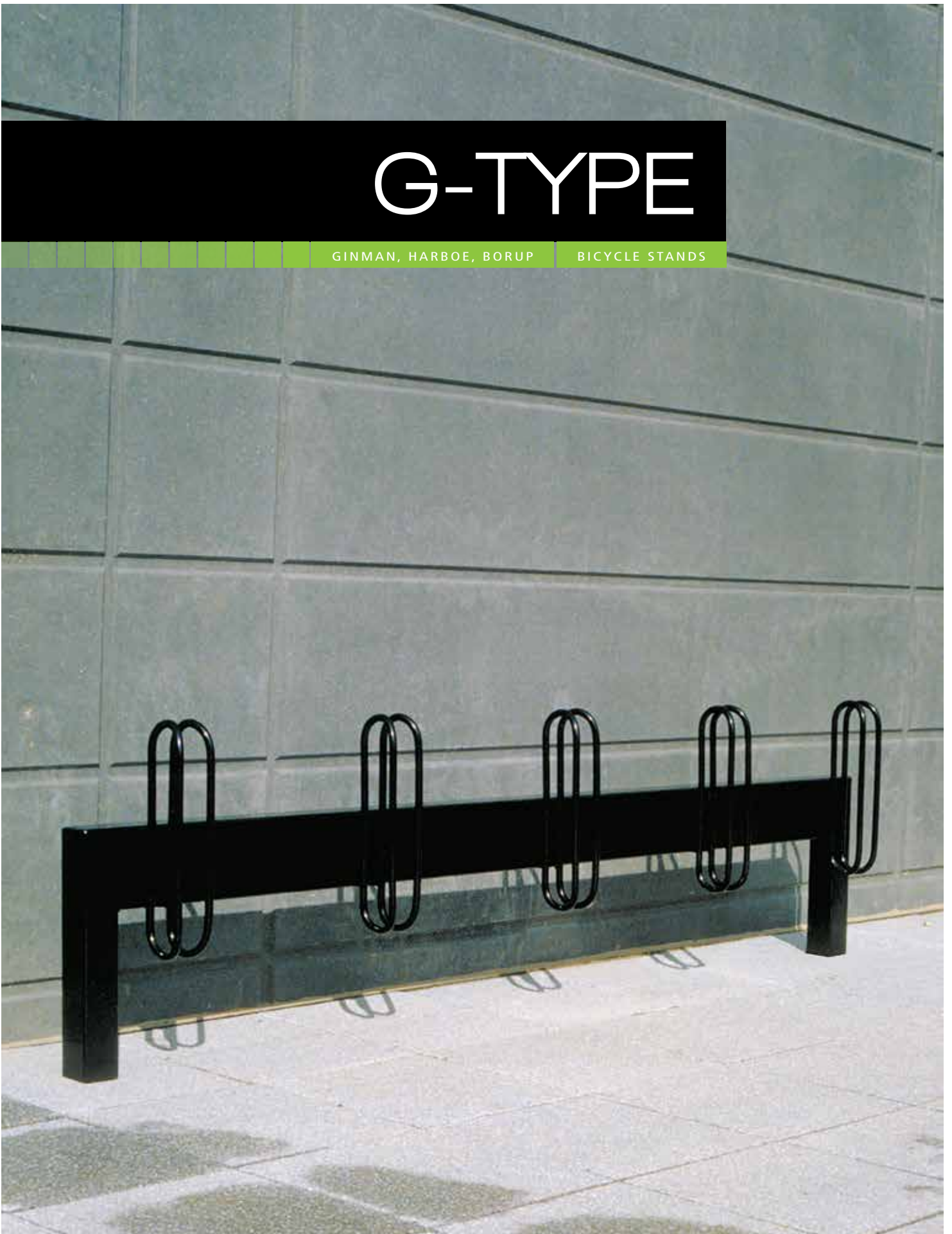
Design: VEKSØ A/S



# G-TYPE

GINMAN, HARBOE, BORUP

BICYCLE STANDS







## G-type

Bollard	SNAP/GER/GDR	Ø 42 mm
Strut	GER/GDR	Ø 42 mm
Frame	GE/GD	140 x 70 mm / 70 x 70 mm
Wheel holder		Ø 14 mm

Hot-dip galvanised steel. Can also be powder coated.  
 Mechanical forces may cause the powder coating to peel.  
 For standard colours, see product info.

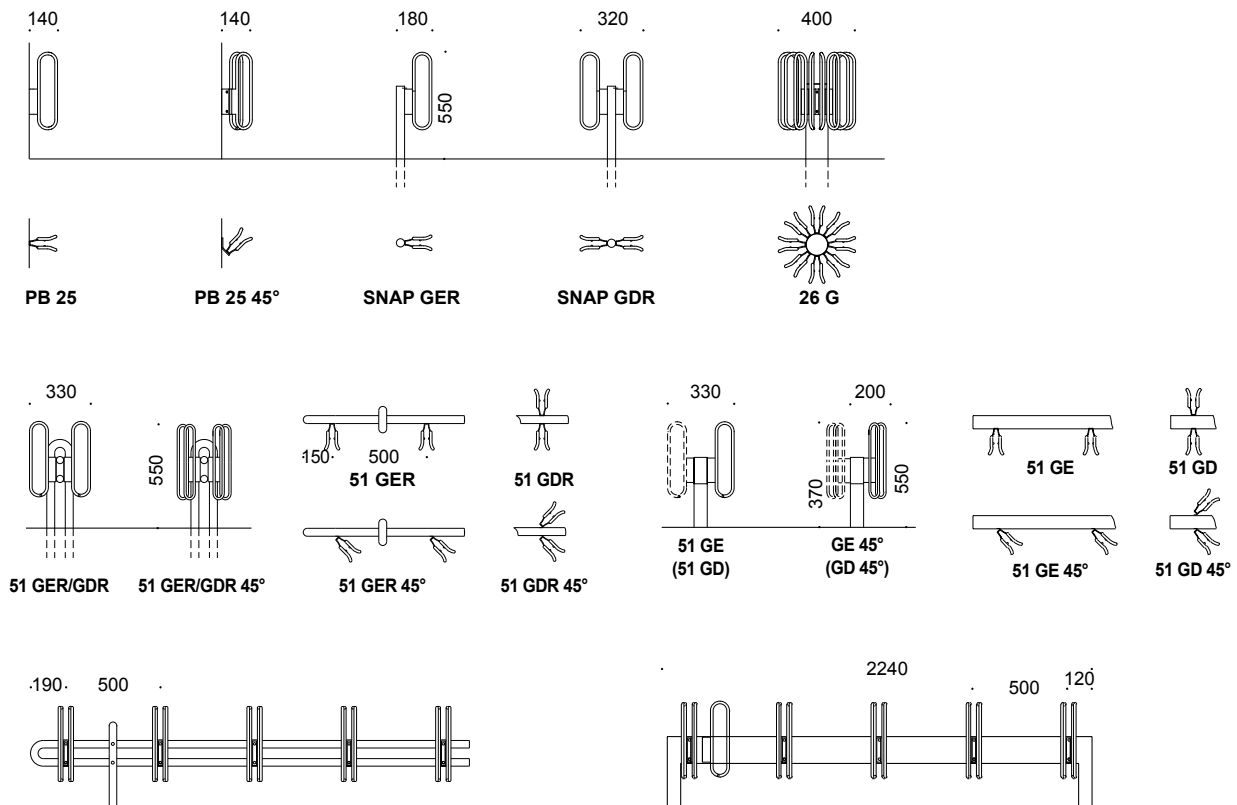
Modular design Can be built from:  
 modules with 5 spaces, single sided (GE)  
 modules with 10 spaces, double sided (GD)  
 modules with 5 or 7 spaces, single sided (GER)  
 modules with 10 or 14 spaces, double sided (GDR)

Suitable for Racing bike tyres, mountain bike tyres and standard bike tyres.

Installation Embedment or wall mounting single stands only.

Option Bollards and frame available for surface mounting.

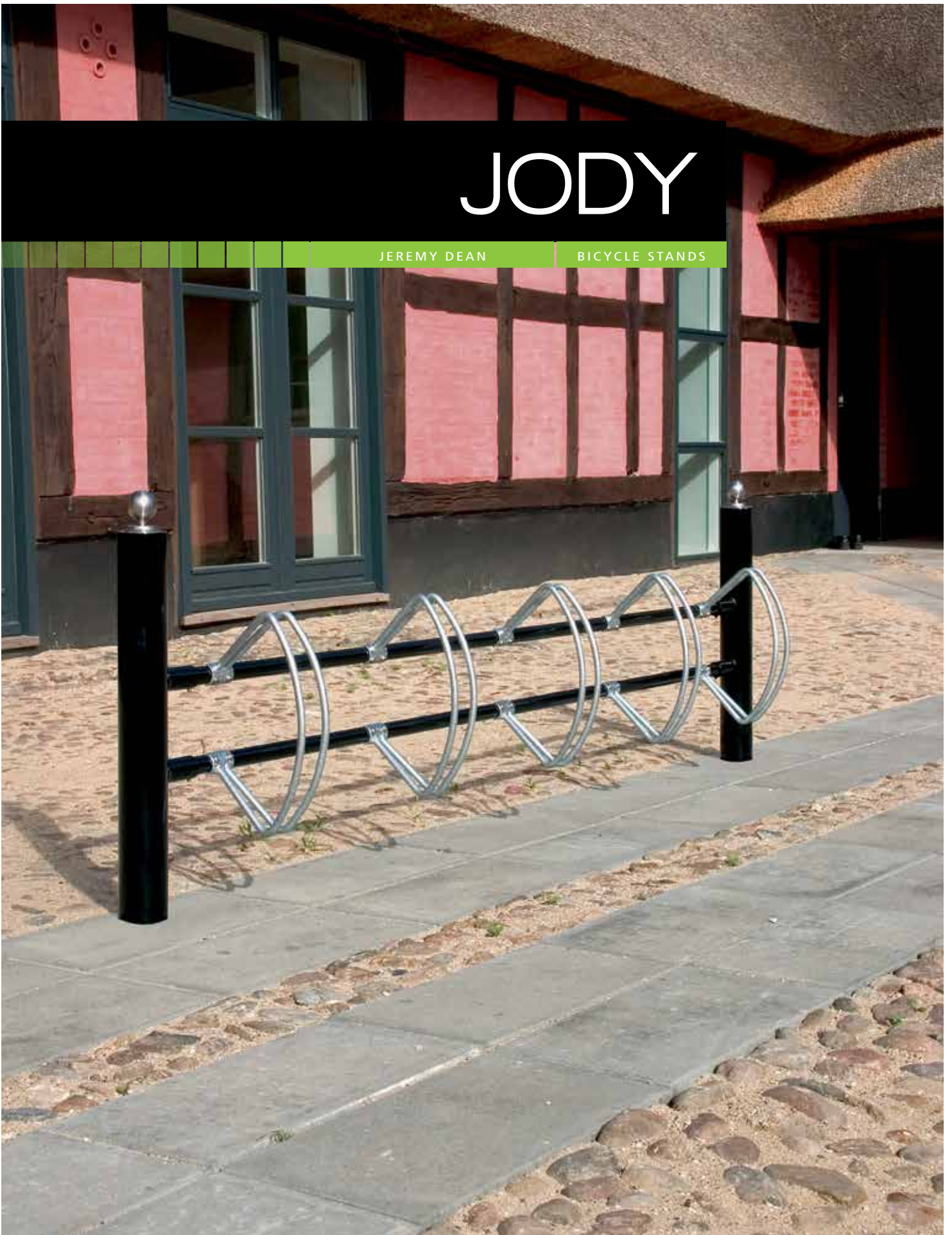
Design: Ginman, Harboe, Borup landscape architects



# JODY

JEREMY DEAN

BICYCLE STANDS





## Jody

Bollard (JD)	Ø 89 mm
Bollard (SP 12)	Ø 114 mm
Bollard (Type 60)	Ø 89 mm
Strut	Ø 33 mm
Wheel holder	Ø 14 mm

Hot-dip galvanised. Can also be powder coated.  
Mechanical forces may cause the powder coating to peel.  
For standard colours, see product info.

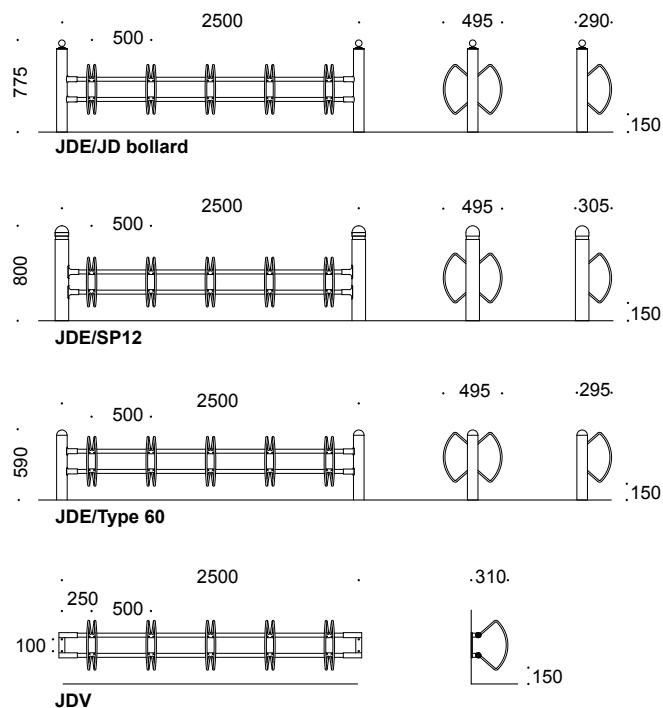
Ball post JD Acid-resistant stainless steel.

Modular design Can be built from:  
modules with 5 or 6 spaces, single sided  
modules with 10 or 12 spaces, double sided

Suitable for Racing bike tyres, mountain bike tyres and standard bike tyres.

Installation Embedment: JD bollard (775 mm above ground surface) or  
SP 12 bollard (800 mm above ground surface) or  
SP 13 bollard (removable, 800 mm above ground surface) or  
Type 60 bollard (590 mm above ground surface).  
Wall mounting: Mounted on wall bracket.  
Option: Above-mentioned bollards also available for surface mounting.

Design: Jeremy Dean, landscape architect



# STRONG

VEKSØ

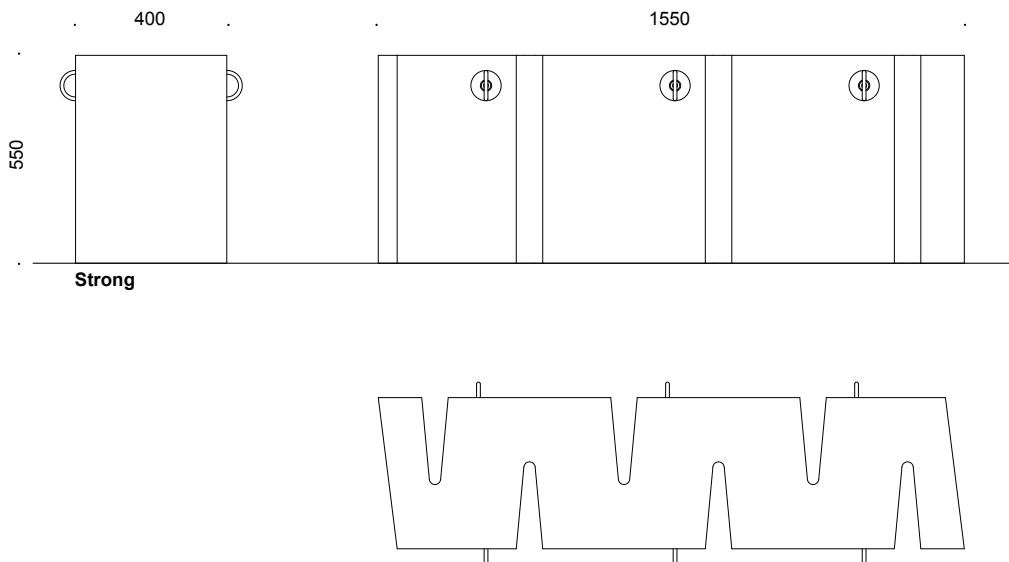
BICYCLE STANDS





## Strong

- Concrete      400 x 1550 x 550 mm
  - Eyebolt      Stainless steel.
  - Weight      approx. 750 kg
  - Option      All Remove coating, facilitating the removal of graffiti.
  - Installation      Placed loose on the ground.
- Design: VEKSØ A/S



# KLO

VEKSØ

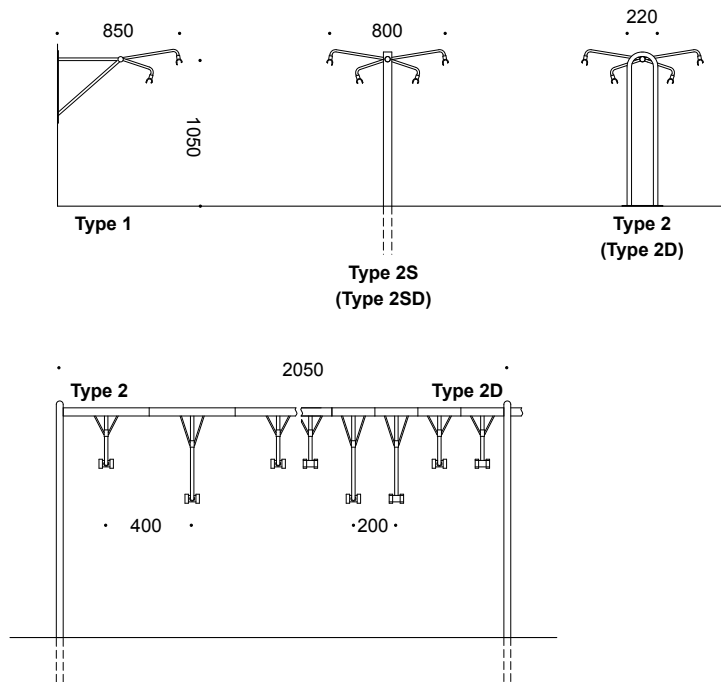
BICYCLE STANDS





## Klo

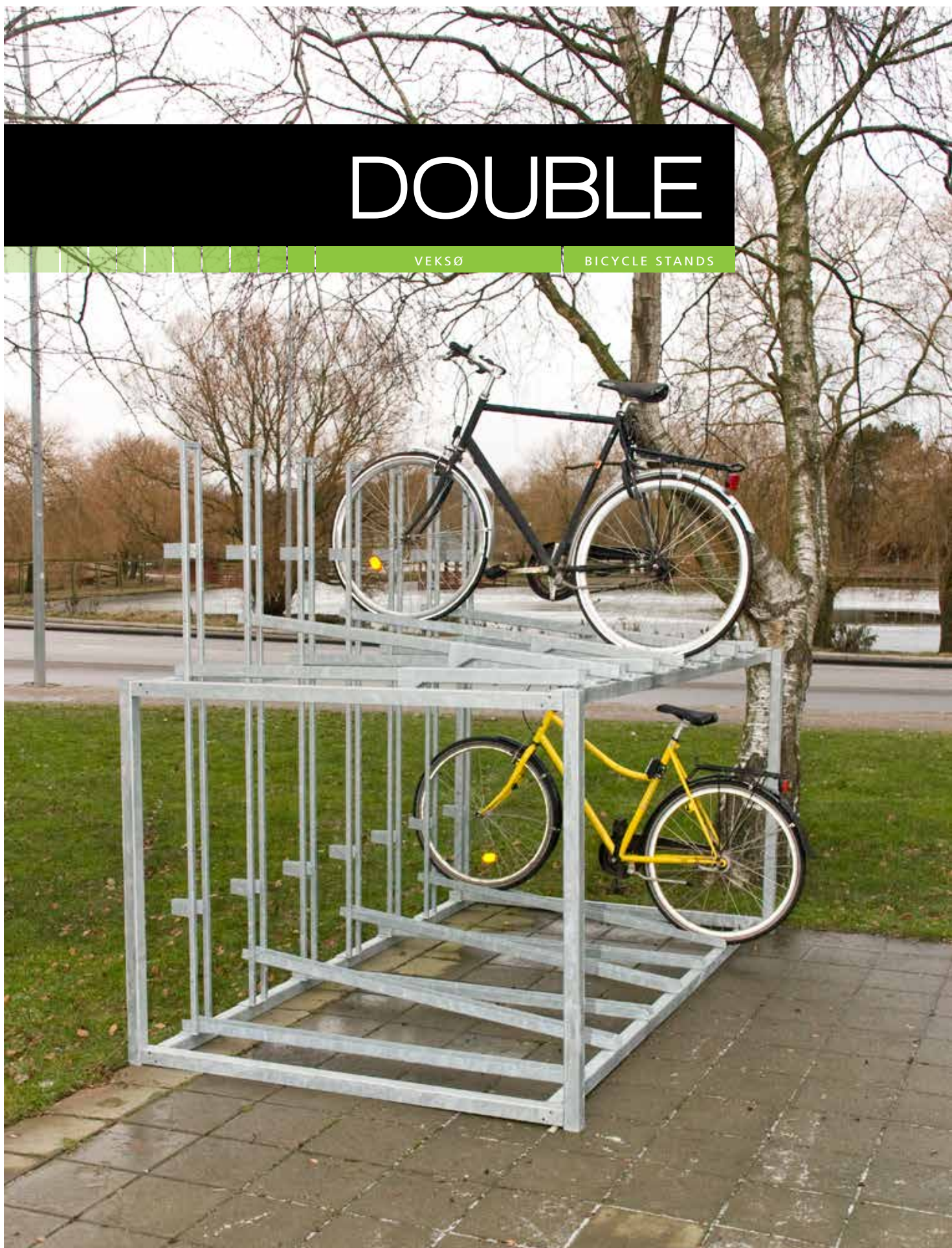
- Arm            Ø 16/38 mm
- Arch           Ø 32 mm  
Hot-dip galvanised steel.
  
- Claw           Impact-resistant nylon, grey.
  
- Option         Post 40 x 60 mm (alternative to arch).  
Bracket 25 x 3 mm / Ø 19 mm (wall mounting).  
Hot-dip galvanised steel.
  
- Installation   Embedment or wall mounting.
  
- Design: VEKSØ A/S



# DOUBLE

VEKSØ

BICYCLE STANDS



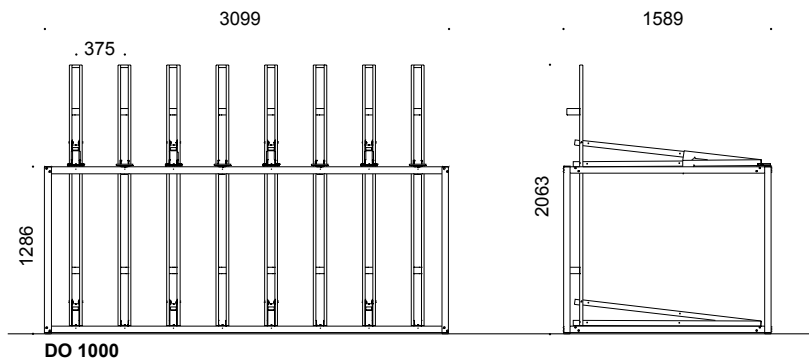




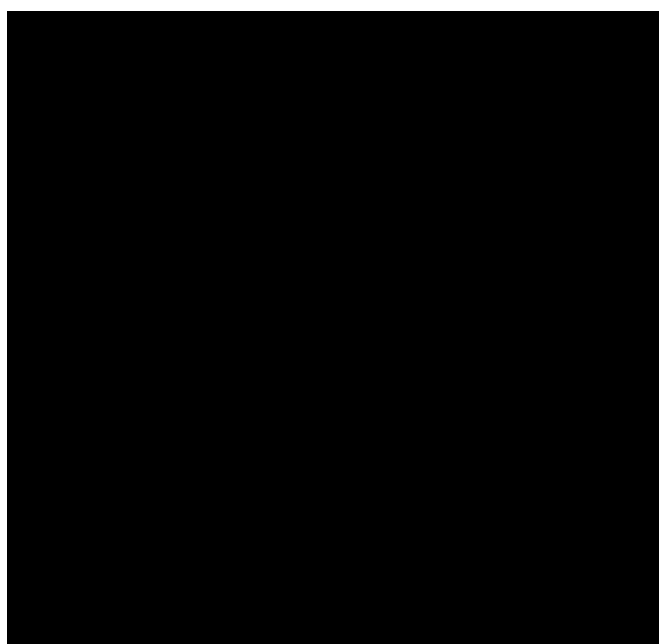
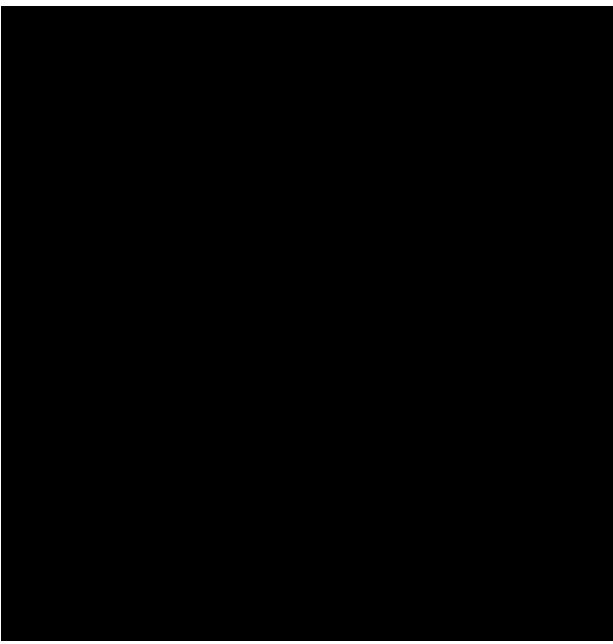
## Double

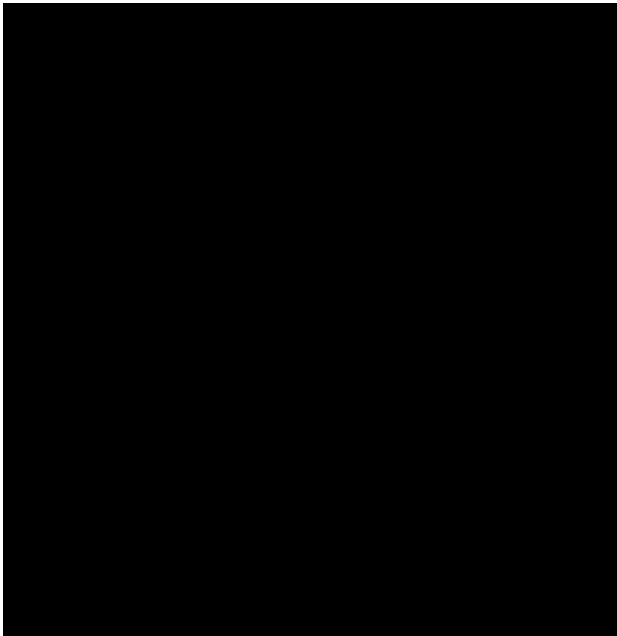
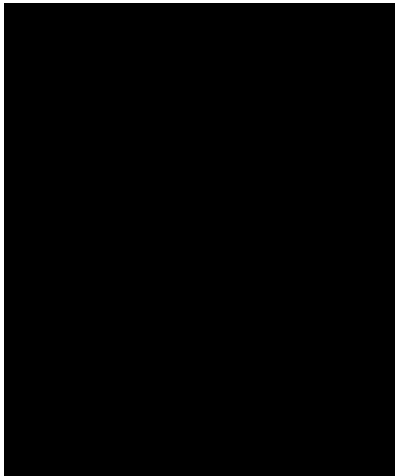
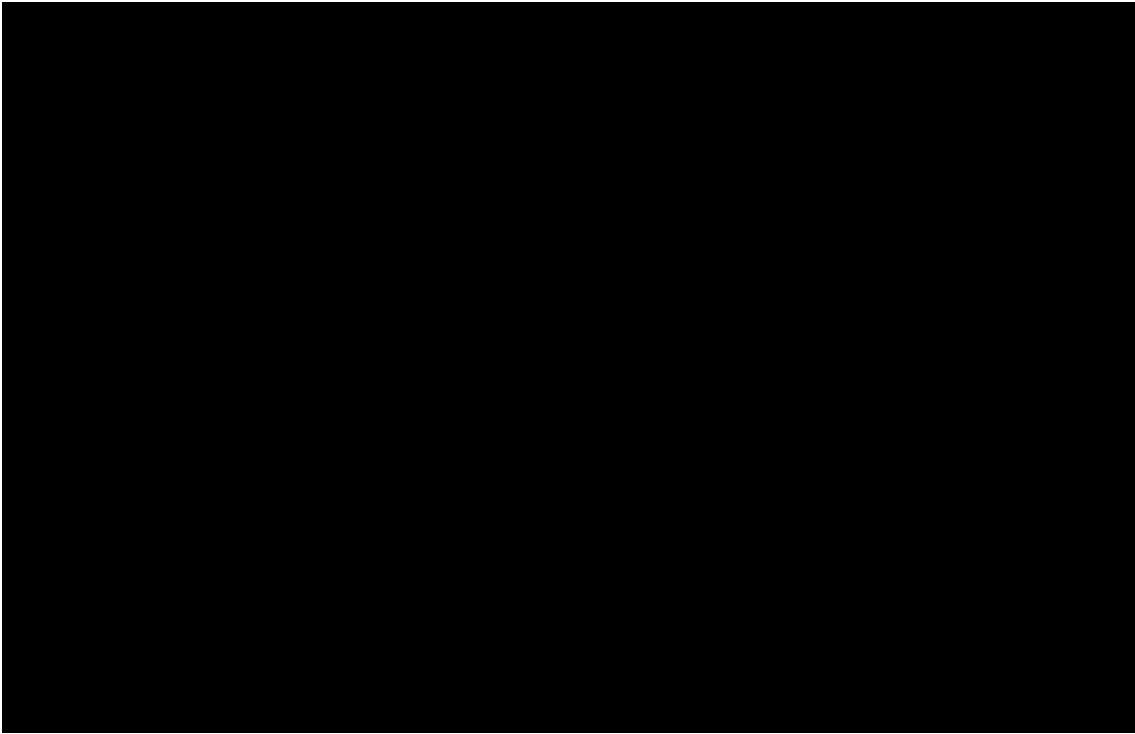
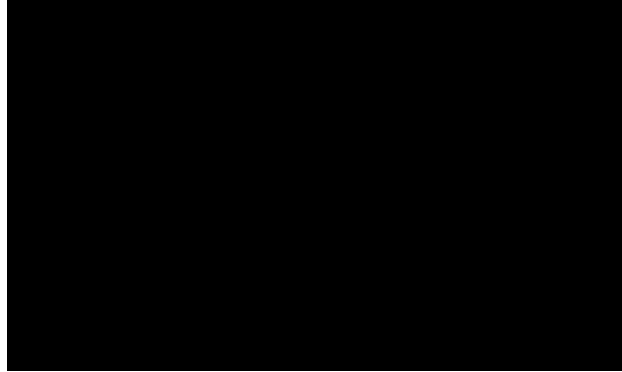
Frame	50 x 50 mm
U-profile	50 x 50 x 3 mm
Wheel holders	40 x 60 x 3 mm
	Hot-dip galvanised steel. Can also be powder coated. Mechanical forces may cause the powder coating to peel. For standard colours, see product info.
Suitable for	Racing bike tyres, mountain bike tyres and standard bike tyres.
Modular design	Can be extended with additional sections. Sections of 4, 6, 8, 10, 12, 14 or 16 spaces.
Option	Available with pull-out rails.
Installation	Surface mounting. Minimum clearance 2600 mm.

Design: VEKSØ A/S



# COUNTERS AND PUMPS MOBILITY

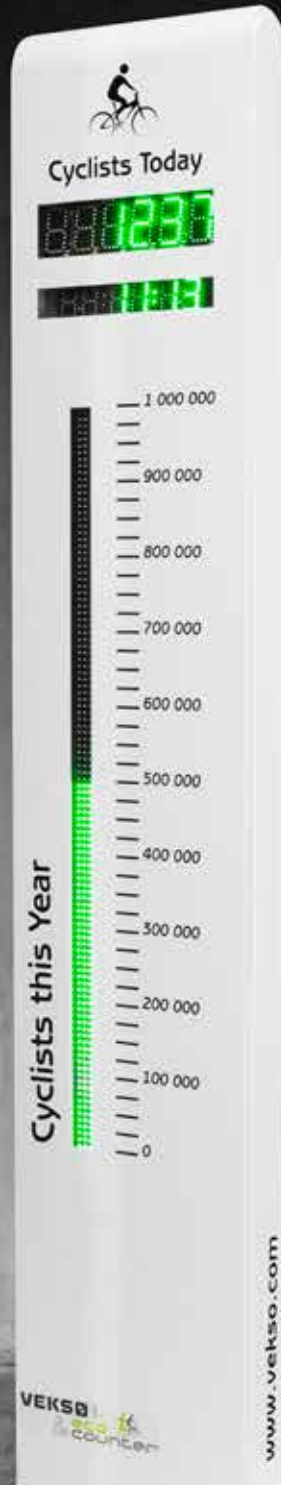




# AROS

AARHUS MUNICIPALITY

COUNTERS AND PUMPS





## Aros cyclist counter

Part of the Aros Design series, available in eight versions. This version displays "Cyclists today" and "Cyclists this year" as well as date, time and temperature.

### Special features

- 95% counting accuracy
- Inductive loop technology, tried and tested since 1999
- Non-reflective glass makes the numbers highly visible in daylight
- Data transfer to website with reporting tools
- Corrosion class (C3/C4)
- Single or double sided display

### Details

Cabinet	3 mm powder coated aluminium
Upper display	Max. 6 digits, 80 mm high, green LED readout
Time/Date/Temperature display	Max. 6 digits, 50 mm high, green LED readout
Barometer scale	Max. number specified by customer, 10 divisions, green LED light
Detection	ECO Counter ZELT inductive loops
Graphics/stickers	Customised as required
Data transfer	GSM data transmission, Eco-Visio analysis and online tools
Power supply	110/230 V, 50/60 Hz, 11.5 W
Power consumption	100 kWh (estimated annual electricity consumption)
Display	Non-reflective 8 mm green acrylic glass
Working temperature	-20°C to +60°C
Weight	70 kg
CE approved	

### Other versions

Aros cyclist counters are available in single or double sided versions suitable for one or two way bicycle paths.

Please contact us for further information.

The Aros counter is also available in an XL version: 3770 mm in height.

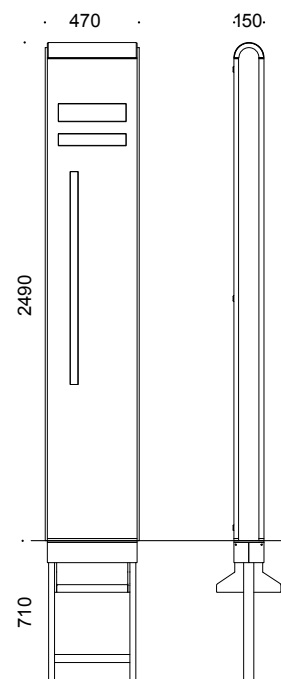
### Installation

Embedment.

Aros cyclist counters must be installed by qualified personnel.

Please contact us for further information.

Design: Aarhus Municipality, City Architects



# AROS

AARHUS MUNICIPALITY

COUNTERS AND PUMPS





## Aros manual pump

Part of the Aros Design series.

### Special features

- Hands-free operation – the handle is attached to the valve
- Unique handle – fits practically all valve types (Dunlop, Schrader and Presta)
- Extremely robust air cylinder
- Steel-reinforced air hose

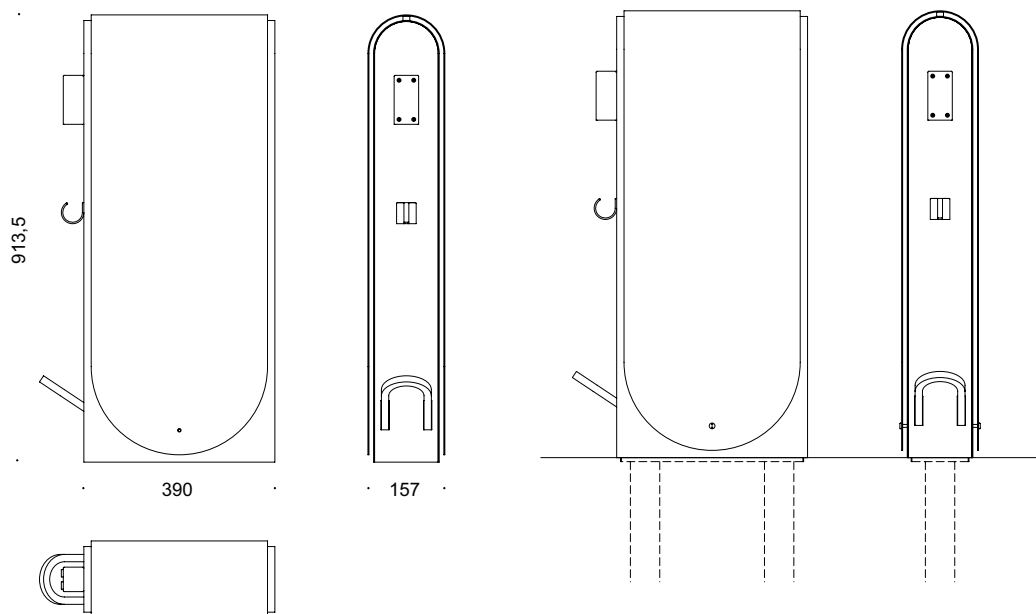
### Details

Cabinet	2 mm stainless steel, powder coated. For standard colours, see product info. Mechanical forces may cause the powder coating to peel.
Graphics/stickers	Customised as required.
Air hose	Steel-reinforced hydraulic hose.
Pump handle	Hands-free operation – the handle is attached to the valve. Fits valves on bicycles, wheelchairs, mopeds and prams.
Max. pressure	8 bar
Working temperature	-20°C to +80°C
Weight	20 kg

### Installation

Embedded securely in concrete foundation.  
Bolted to a firm surface to achieve stability.

Design: Aarhus Municipality, City Architects



# AROS

AARHUS MUNICIPALITY

COUNTERS AND PUMPS







## AROS compressor pump

Part of the Aros Design series.

### Special features

- Vandal-resistant stainless steel handle, fits practically all valve types (Dunlop, Schrader and Presta)
- Oil-free compressor
- Steel-reinforced air hose

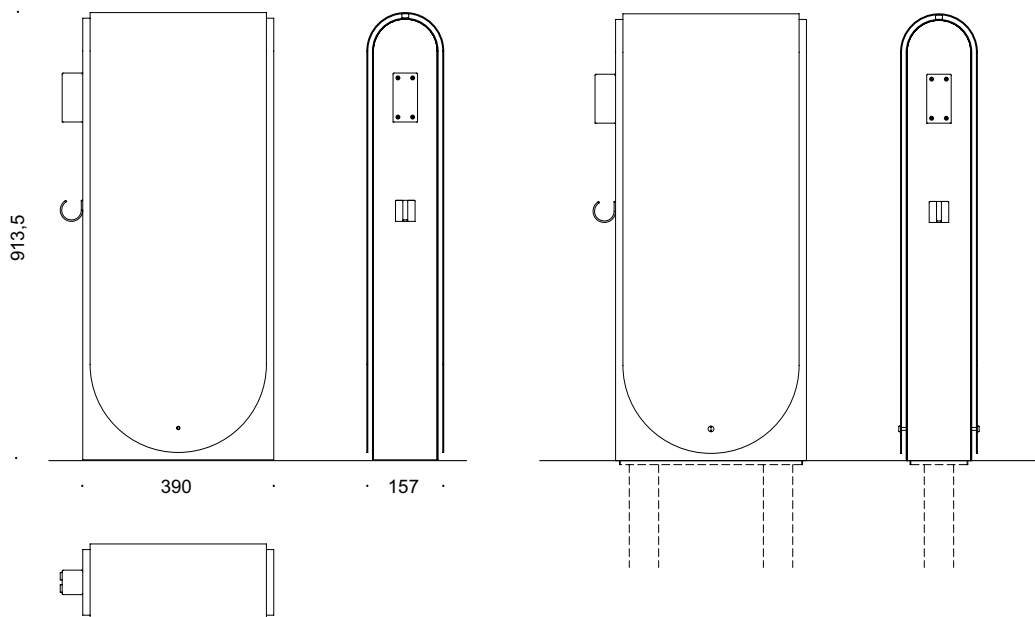
### Details

Cabinet	2 mm stainless steel, powder coated. For standard colours, see product info. Mechanical forces may cause the powder coating to peel.
Graphics/stickers	Customised as required.
Air hose	Steel-reinforced hydraulic hose.
Pump handle	Vandal-resistant stainless steel handle. Fits valves on bicycles, wheelchairs, mopeds and prams.
Power supply	230 V 50/60 HZ
Weight	30 kg

### Installation

Embedded securely in concrete foundation.  
Bolted to a firm surface to achieve stability.

Design: Aarhus Municipality, City Architects



# AIR

VEKSØ

COUNTERS AND PUMPS





## AIR compressor pump

AIR has a built-in tank for compressed air, making it easy to pump up bicycle tyres.

### Special features

- Visual operating status
- Oil-free compressor
- Vandal-resistant stainless steel handle, fits practically all valve types (Dunlop, Schrader and Presta)
- Steel-reinforced air hose
- Automatic compressor shutdown in case of faults or vandalism

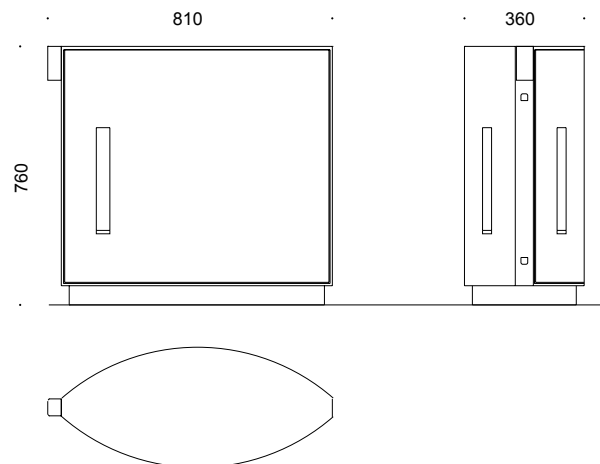
### Details

Cabinet	Aluminium or powder coated. For standard colours, see product info.
Graphics	Customised as required.
Air hose	Steel-reinforced hydraulic hose.
Pump handle	Vandal-resistant stainless steel handle. Fits valves on bicycles, wheelchairs, mopeds and prams.
Power supply	230 V, 3 A, 50 Hz, 690 W
Power consumption	180 kWh (estimated annual electricity consumption)
Compressor	Low noise, approx. 50 dB. The compressor shuts down automatically in case of faults or vandalism. Shutdown time: 5 minutes.
Max. pressure	8 bar (factory setting: 6 bar)
Working temperature	-10°C to +45°C
Weight	48 kg
CE approved	

### Installation

Embedded securely in concrete foundation.  
Bolted to a firm surface to achieve stability.

Design: VEKSØ A/S



# MOBILITY

MANAGEMENT





## Mobility Management

In 2008, VEKSØ supplemented its product range with a new business area: VEKSØ Mobility. VEKSØ Mobility's highly experienced mobility consultants offer advice on promoting sustainable transport forms to public authorities, private companies, organisations and architects.

Our consultants have a variety of educational backgrounds, ranging from **communication** through **anthropology** to **urban design**. They are, however, all experts in Mobility Management: the promotion of alternatives to solo transport in cars, i.e. walking, cycling, public transport, carpooling and the numerous possible combinations of these offer.

Put briefly, Mobility Management is all about influencing people's **transport behaviour**, and thus their demand for the various possible means of transport, rather than simply expanding road capacity.

### Strategy, process and campaigns

Our consultants have extensive experience in helping public authorities and private companies to formulate not only general **strategies** but also more specific **action plans** for the promotion of sustainable mobility and transport forms.

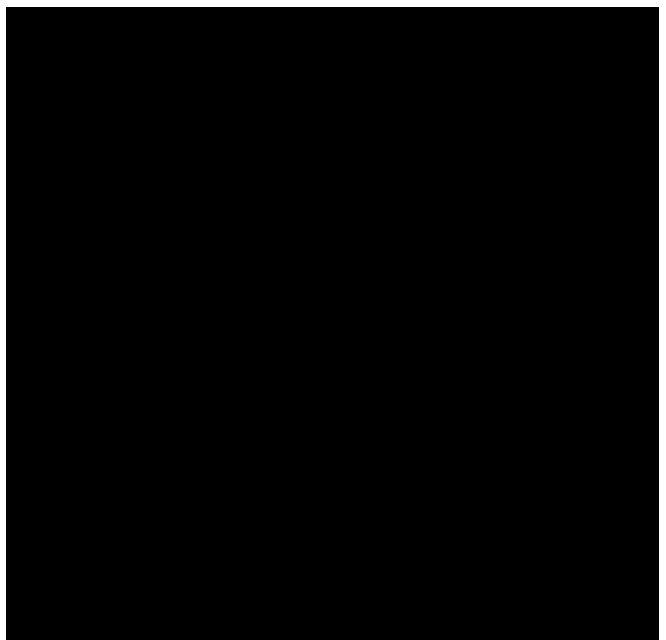
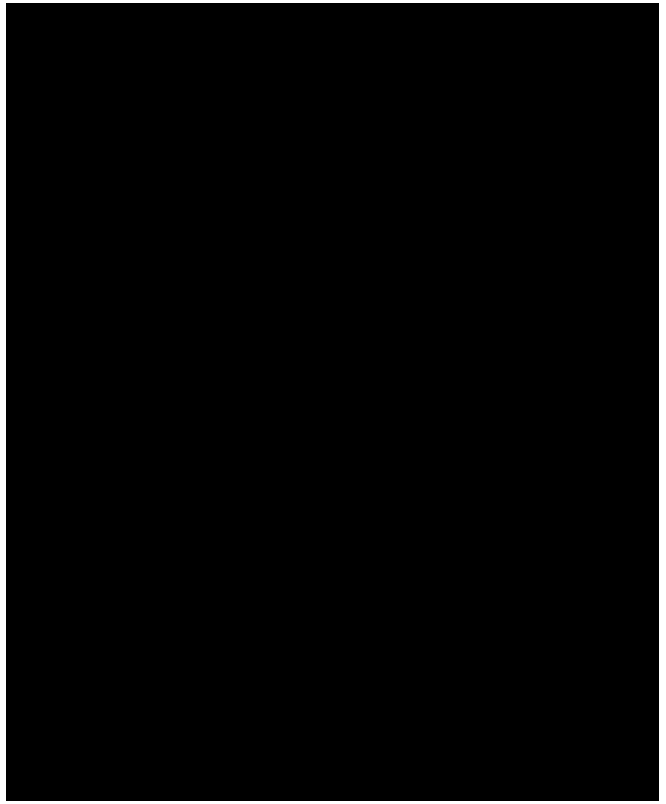
In addition, our consultants help **customise** the process, matching **level of ambition** to resources, ensure that relevant **stakeholders become involved** at the right time, provide advice on the collection of necessary data, perform both **quantitative and qualitative analyses** and draw up the final **documents**.

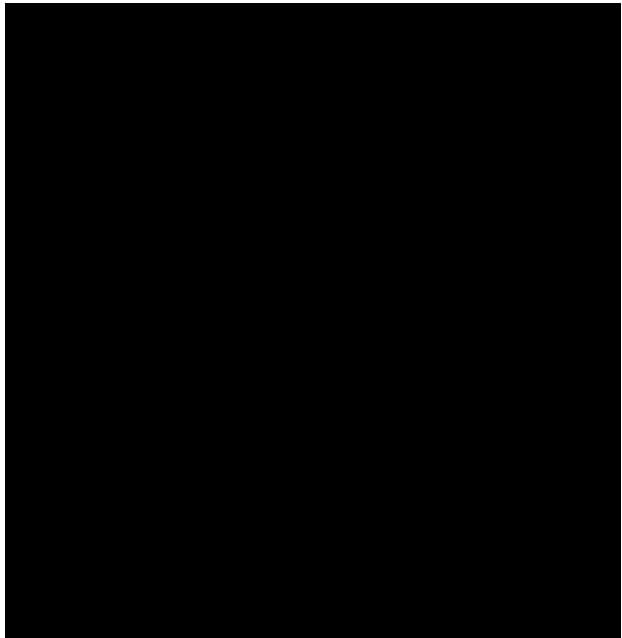
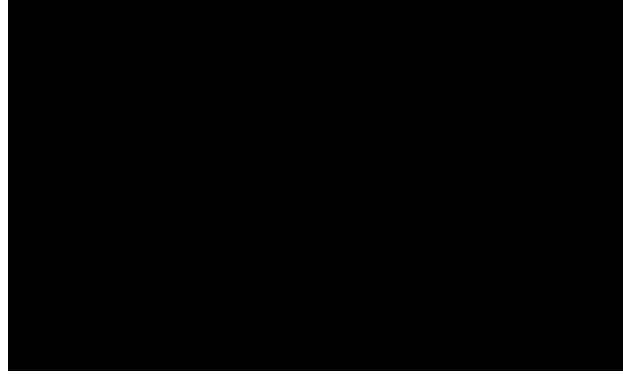
We also have considerable experience in providing **information** for and **communicating** with various target groups on transport and mobility, and in carrying out **behaviour change campaigns**. We have particular experience in campaigns targeting cycling and carpooling, where we among other things employ gamification and tracking as motivating elements.

**For further information, references and quotations, please contact:**

Head of Mobility Marianne Weinreich at [maw@vekso.com](mailto:maw@vekso.com) or +45 2126 9086

# BOLLARDS AND BARRIERS





# LENTA

GINMAN, HARBOE, BORUP

BOLLARDS AND BARRIERS



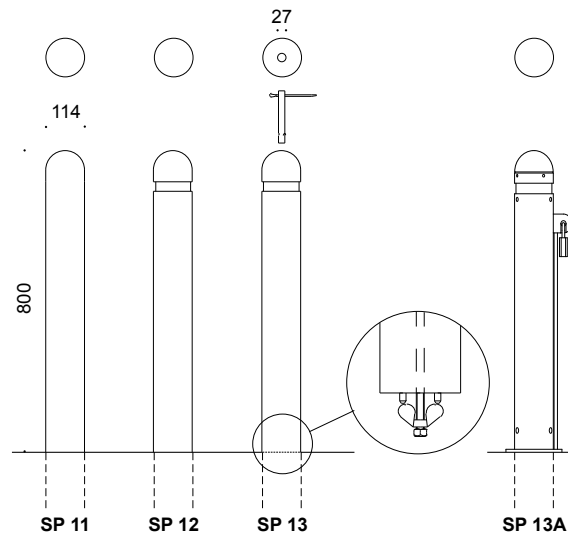




## Lenta

- Bollard**      Ø 114 mm  
 Hot-dip galvanised steel. Can also be powder coated.  
 For standard colours, see product info.
- Reflector**      The groove on SP 12-13 can be furnished with white, red or yellow reflector band.
- Lock**              Removable top, detached using a triangular key (SP 13).  
 SP 13A locked by means of a padlock (not supplied).
- Load**              The top lock of SP 13 breaks at a static load of 350 kg.  
 The top lock is easily replaced.
- Installation**      Embedment.  
 SP 11-12 available with flange for surface mounting.  
 SP 13-13A foundation details, see product info.

Design: Ginman, Harboe, Borup landscape architects



# LENTA

GINMAN, HARBOE, BORUP

BOLLARDS AND BARRIERS

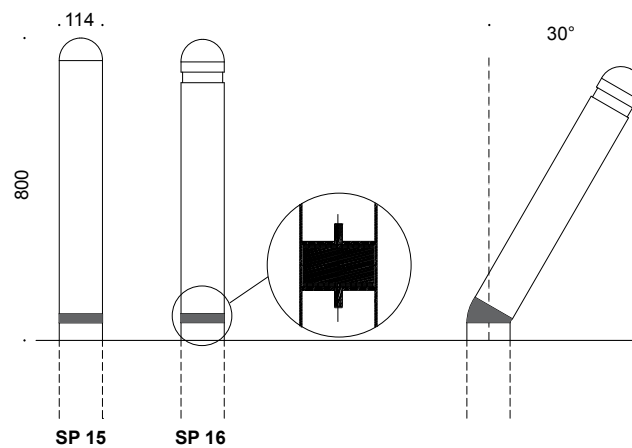




## Lenta

Bollard	<p>Ø 114 mm</p> <p>Hot-dip galvanised steel. Can also be powder coated.</p> <p>For standard colours, see product info.</p>
Reflector	<p>The groove on SP 16 can be furnished with white, red or yellow reflector band.</p>
Flexibility	<p>Flexible joint of vulcanised rubber. The joint allows the bollard to bend through 30° on impact and subsequently return to an upright position.</p>
Installation	<p>Embedment.</p>

Design: Ginman, Harboe, Borup landscape architects



# LENTA

GINMAN, HARBOE, BORUP

BOLLARDS AND BARRIERS

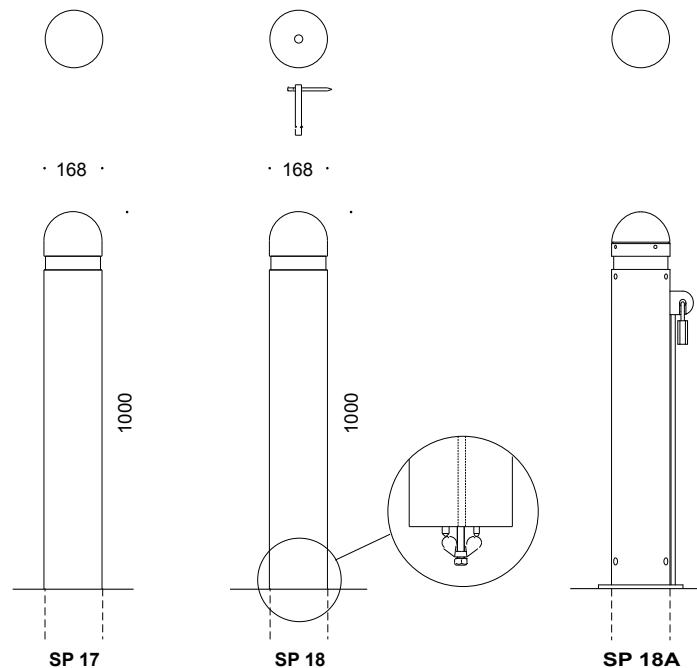




## Lenta

- Bollard      Ø 168 mm  
Hot-dip galvanised steel. Can also be powder coated.  
For standard colours, see product info.
  
- Reflector      The groove on SP 17-18 can be furnished with white, red or yellow reflective tape.
  
- Lock            SP 18 can be detached using a triangular key.  
SP 18A locked by means of a padlock (not supplied).
  
- Load            The top lock of SP 18 breaks at a static load of 350 kg.  
The top lock is easily replaced.
  
- Installation    Embedment.  
SP 17 available with flange for surface mounting.  
SP 18-18A foundation details, see product info.

Design: Ginman, Harboe, Borup landscape architects



# LENTA

VEKSØ

BOLLARDS AND BARRIERS



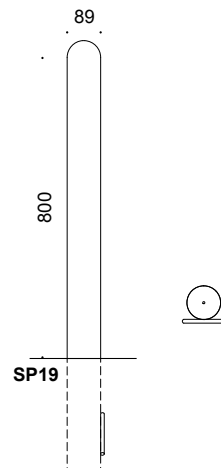


## Lenta

Bollard      Ø 89 mm  
Hot-dip galvanised steel. Can also be powder coated.  
For standard colours, see product info.

Installation      Embedment.

Design: VEKSØ A/S



# DIAN

DESIGNIT

BOLLARDS AND BARRIERS





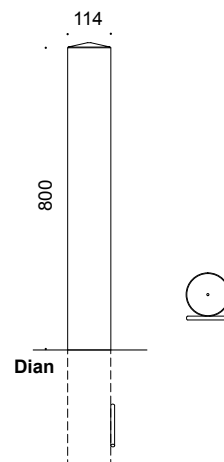


## Dian

Bollard      Ø 114 mm  
Hot-dip galvanised steel. Can also be powder coated.  
For standard colours, see product info.

Installation      Embedment.

Design: Designit



# CLASSIC

BUE BECK

BOLLARDS AND BARRIERS

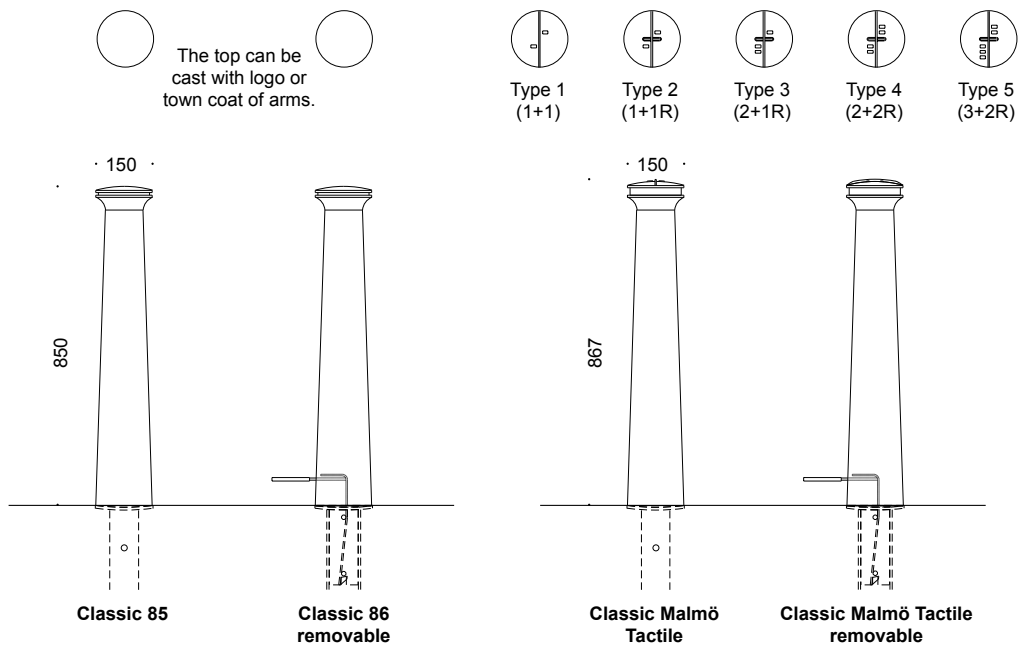




## Classic / Classic Malmö Tactile

- Bollard** Cast iron  
 Supplied as standard powder coated in RAL 9005, black.  
 Also available powder coated in other colours.  
 For standard colours, see product info.
- Lock** Removable top (Classic 86 / Classic Malmö Tactile, removable)  
 detached by means of a special Ø 8 mm key.
- Option** Reflector: The groove on Classic Malmö Tactile can be furnished  
 with white, red or yellow reflector band.
- Tactile top: To assist the blind, five different tactile tops are  
 available for Classic Malmö Tactile. Please state which tops are  
 required when ordering.
- Installation** Embedment.  
 Classic 85/Malmö, anchor tube: Ø 76 mm  
 Classic 86/Malmö, embedment tube: 90 x 90 mm  
 Classic 86/Malmö, inner tube: Ø 76 mm  
 Hot-dip galvanised steel.  
 Foundation details, see product info.

Design: Bue Beck, architect



# ROYAL

SHL DESIGN

BOLLARDS AND BARRIERS

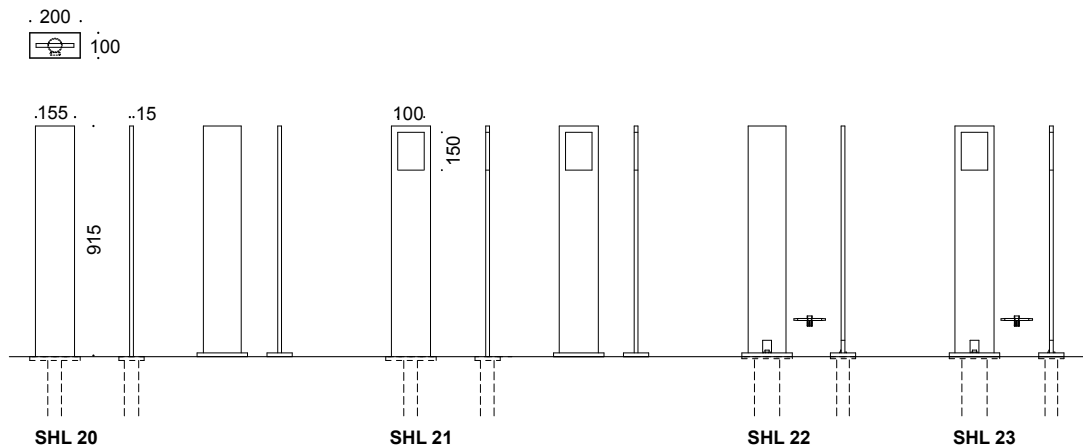




## Royal

- Bollard 150 x 15 mm
- Lower part SHL 20-21: Ø 60 mm  
SHL 22-23: 100 x 50 mm
- Hot-dip galvanised steel. Can also be powder coated.  
For standard colours, see product info.
  
- Lock SHL 22-23 can be detached using a special triangular key.
  
- Option Also available as removable model.
  
- Installation Standard model for embedment or surface mounting (SHL 20-21).  
Removable model (detached using a special triangular key) for embedment (SHL 22-23).

Design: shl design





# SOLID

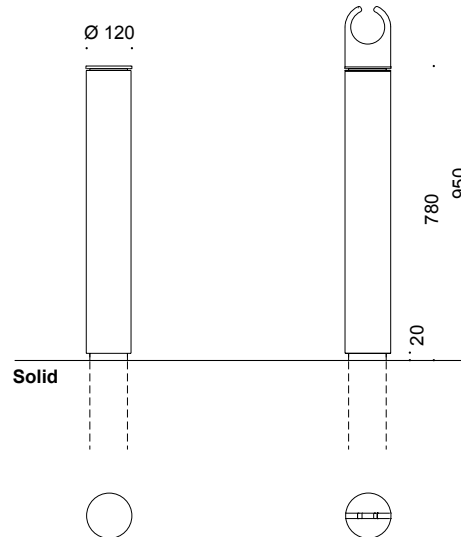
SHL DESIGN

BOLLARDS AND BARRIERS



## Solid

- Bollard      Ø 120 mm  
Fibre concrete, light grey
  
- Steel          12 mm / 5 mm  
Hot-dip galvanised. Can also be powder coated.  
For standard colours, see product info.
  
- Option        Top with hook for dog's leash.  
All Remove coating, facilitating the removal of graffiti.
  
- Installation   Embedment.
  
- Design: shl design



reddot design award  
winner 2009

# TORINO

AARHUS MUNICIPALITY

BOLLARDS AND BARRIERS



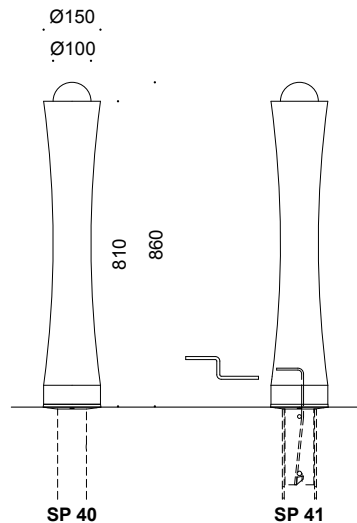




## Torino

Bollard	Cast iron Supplied as standard powder coated in RAL 9005, black. Also available powder coated in other colours. For standard colours, see product info.
Lock	Removable top (SP 41) detached by means of a special $\varnothing$ 8 mm key.
Installation	Embedment. SP 40 anchor tube: $\varnothing$ 76 mm SP 41 base: 90 x 90 mm SP 41 inner tube: $\varnothing$ 76 mm Hot-dip galvanised steel. Foundation details, see product info.

Design: Aarhus Municipality, City Architects



# MIXO

GBL

BOLLARDS AND BARRIERS

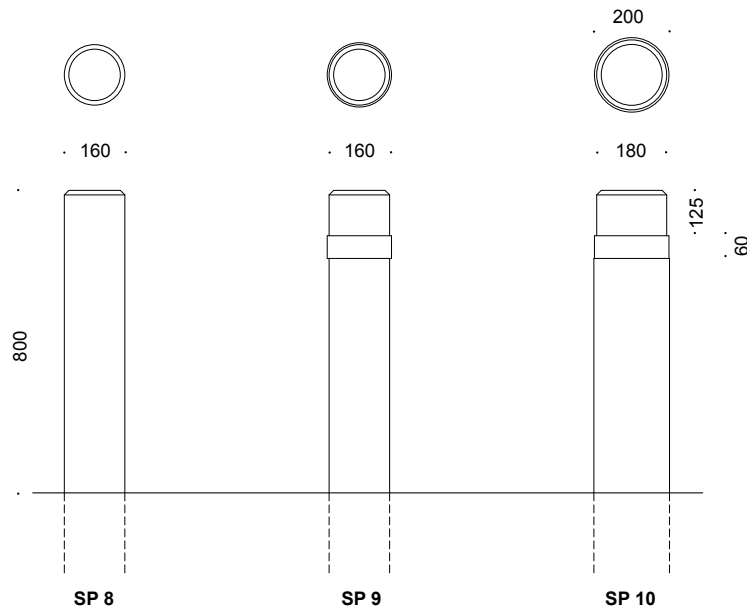




## Mixo

- Bollard       $\varnothing$  160 mm (SP 8-9, chamfered top)  
 $\varnothing$  200 mm (SP 10, lathed and chamfered top)  
 Pressure-impregnated pine.
  
- Ring           $\varnothing$  168 x 60 mm  
 $\varnothing$  194 x 60 mm  
 Hot-dip galvanised steel. Can also be powder coated.  
 See product info.
  
- Reflector     The ring can be furnished with white, red or yellow  
 reflector band.
  
- Installation   Embedment.

Design: GBL A/S, Kolding, MDL



# MARCATO

VEKSØ

BOLLARDS AND BARRIERS





## Marcato

Bollard      Ø 168 mm  
 Ring          Ø 194 mm  
 Hot-dip galvanised steel. Can also be powder coated.  
 For standard colours, see product info.

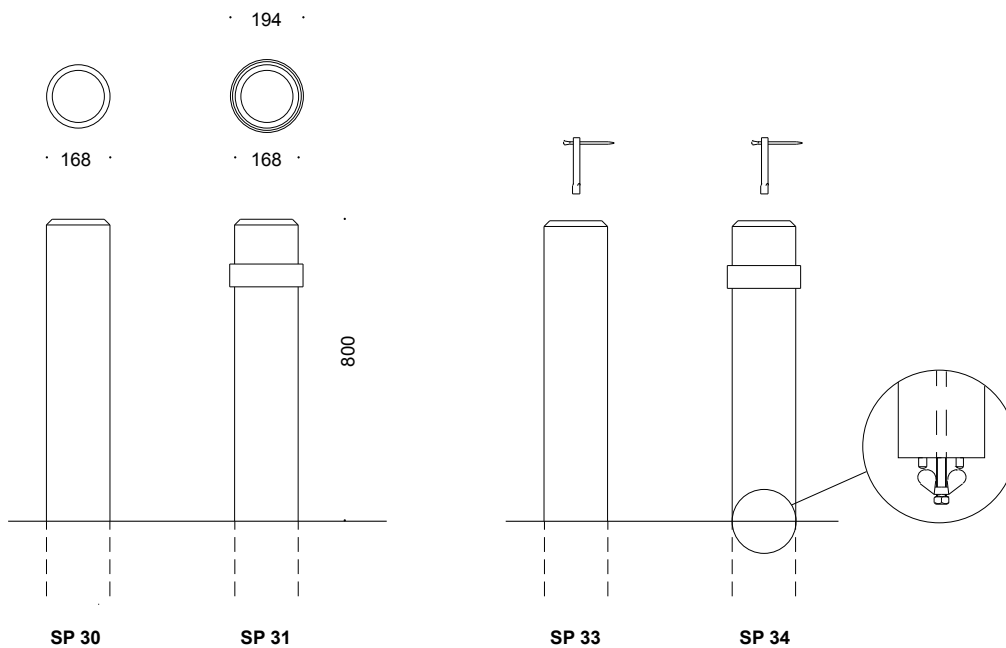
Reflector      The ring can be furnished with white, red or yellow reflector band.

Lock            Removable top, detached using a triangular key (SP 33-34).

Load            The top lock of SP 33-34 breaks at a static load of 350 kg.  
 The top lock is easily replaced.

Installation    Embedment.  
 Foundation details, see product info.

Design: VEKSØ A/S



# GUARD

VEKSØ

BOLLARDS AND BARRIERS





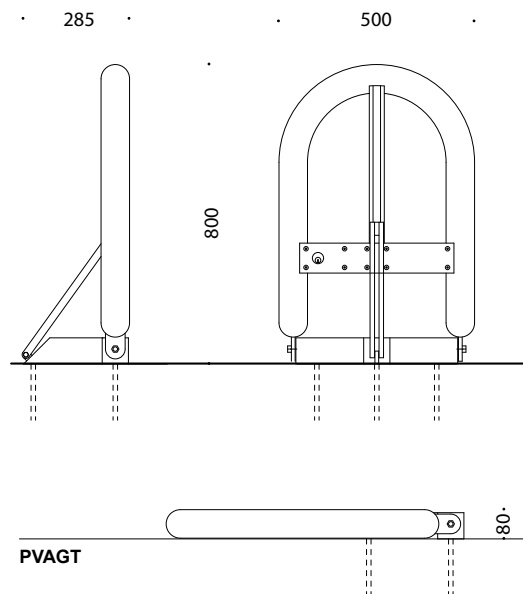
## Guard

Barrier      Ø 76 mm  
 Base        70 x 70 mm  
 Hot-dip galvanised steel.

Lock         Locked as standard with Ruko lock (5-pin).

Installation    Embedment.

Design: VEKSØ A/S



# PAUSA

VEKSØ

BOLLARDS AND BARRIERS







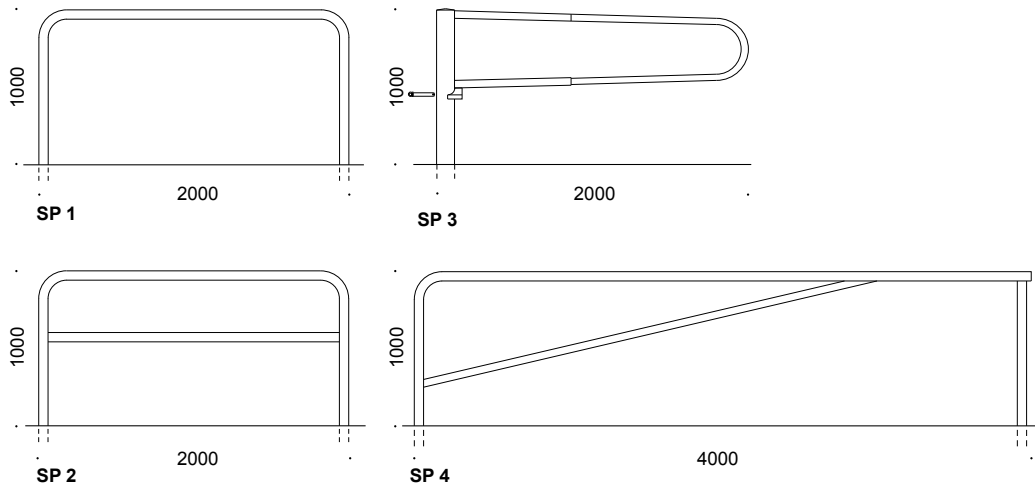
## Pausa

Barrier SP 1-2: Ø 60 mm  
 Upright SP 3: Ø 114 mm, 89 mm inner tube  
 Barrier SP 3: Ø 48/42 mm  
 Upright/barrier SP 4: Ø 60 mm  
 Diagonal brace SP 4: Ø 48 mm  
 Stop post SP 4: Ø 60 mm with padlock fitting  
 Hot-dip galvanised steel. Can also be powder coated.  
 For standard colours, see product info.

Lock SP 3-4: Locked using a padlock (not supplied).  
 SP 3: Barrier rotates in an embedded inner tube, and can be locked in 4 positions/360°.  
 SP 4: Barrier rotates in an embedded inner tube, and can be locked to the stop post.

Installation Embedment.

Design: VEKSØ A/S



# LENTA STOP

GINMAN, HARBOE, BORUP

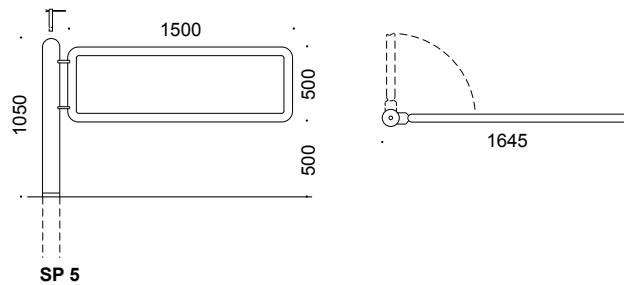
BOLLARDS AND BARRIERS



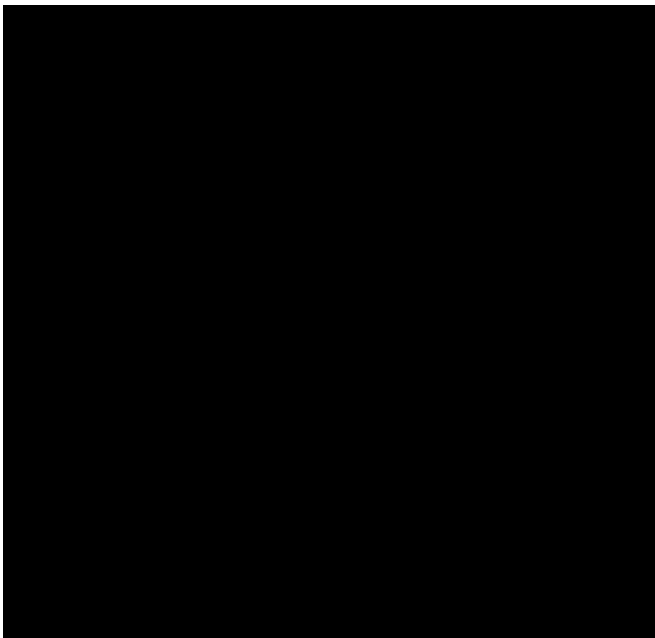


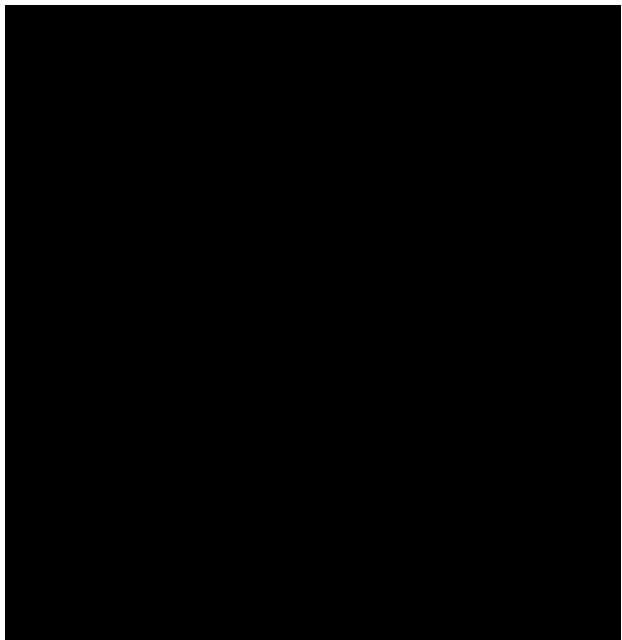
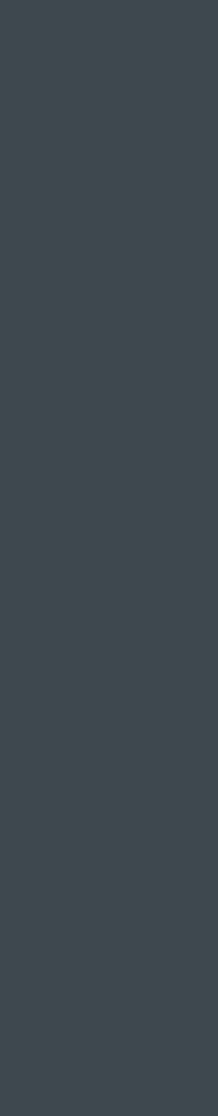
## Lenta stop

- Upright      Ø 114 mm, 89 mm inner tube  
 Barrier      Ø 42 mm  
 Hot-dip galvanised steel. Can also be powder coated.  
 For standard colours, see product info.
- Lock          Top lock: 4 positions/360°. The lock is opened using a triangular key.  
 The barrier rotates in an embedded inner tube.
- Installation    Embedment.
- Design: Ginman, Harboe, Borup landscape architects



# TWINNING PLANT STANDS





# MILANO

GINMAN, HARBOE, BORUP

TWINNING PLANT STANDS





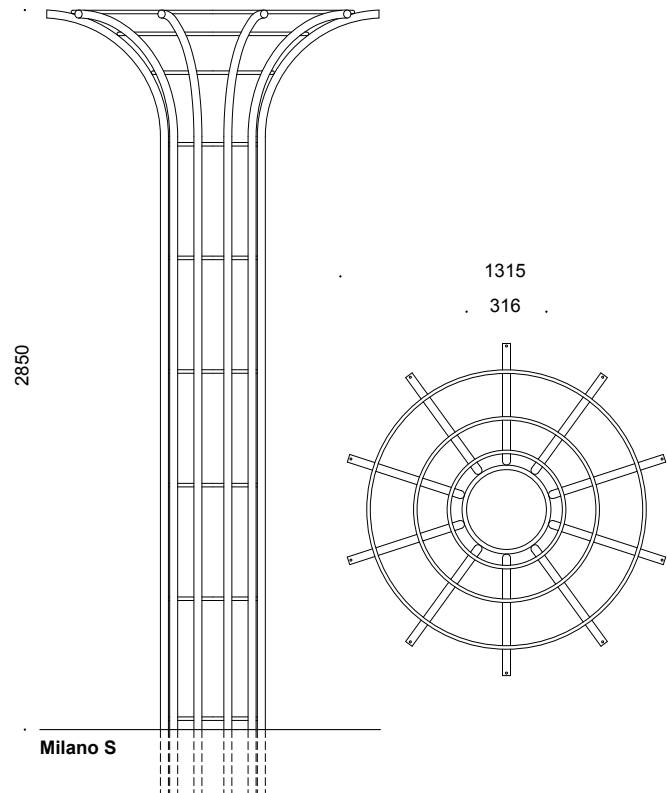
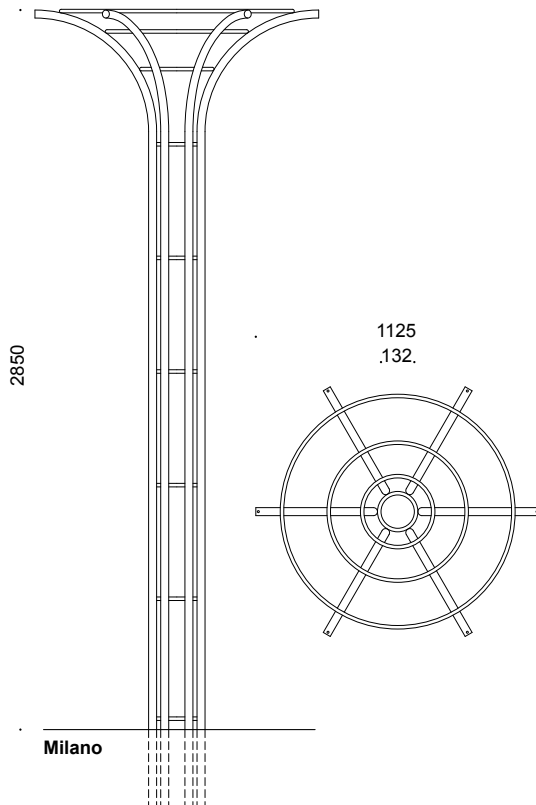
## Milano

Trellis      Ø 32 mm  
                   Ø 14 mm  
 Hot-dip galvanised steel. Can also be powder coated.  
 For standard colours, see product info.

Supplied in one section.

Installation    Embedment.

Design: Ginman, Harboe, Borup landscape architects



# ODENSE

GINMAN, HARBOE, BORUP

TWINNING PLANT STANDS







## Odense

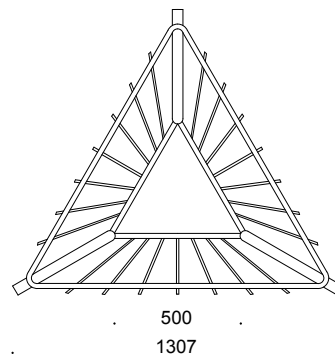
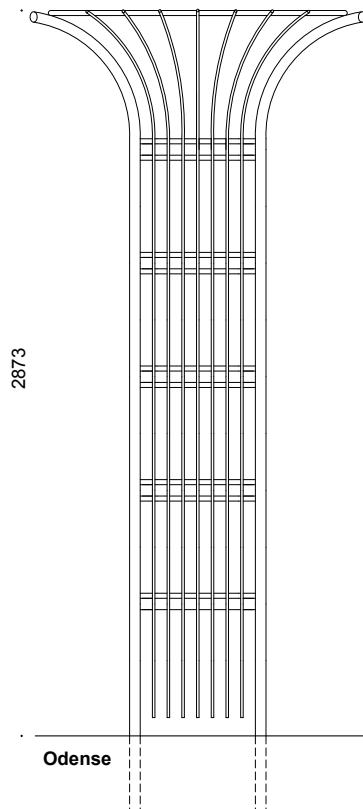
Trellis       $\varnothing$  10 mm  
                   $\varnothing$  19 mm  
                   $\varnothing$  42 mm

Hot-dip galvanised steel. Can also be powder coated.  
 For standard colours, see product info.

Supplied in three sections.

Installation      Embedment.

Design: Ginman, Harboe, Borup landscape architects



# SVENDBORG

GINMAN, HARBOE, BORUP

TWINNING PLANT STANDS





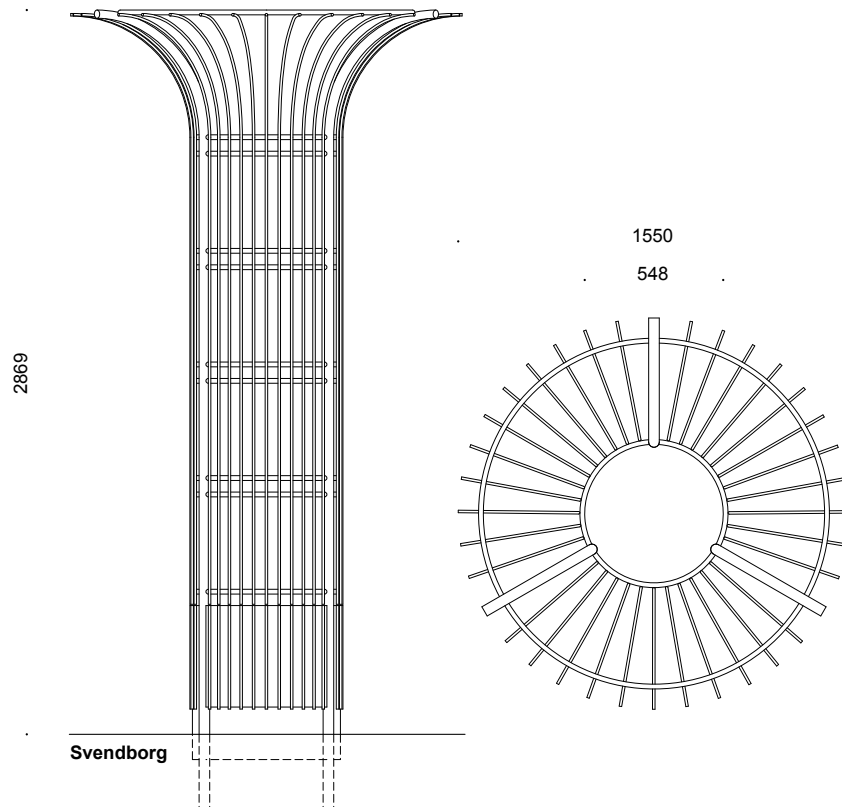
## Svendborg

Trellis            Ø 10 mm  
                       Ø 19 mm  
                       Ø 42 mm  
 Hot-dip galvanised steel. Can also be powder coated.  
 For standard colours, see product info.

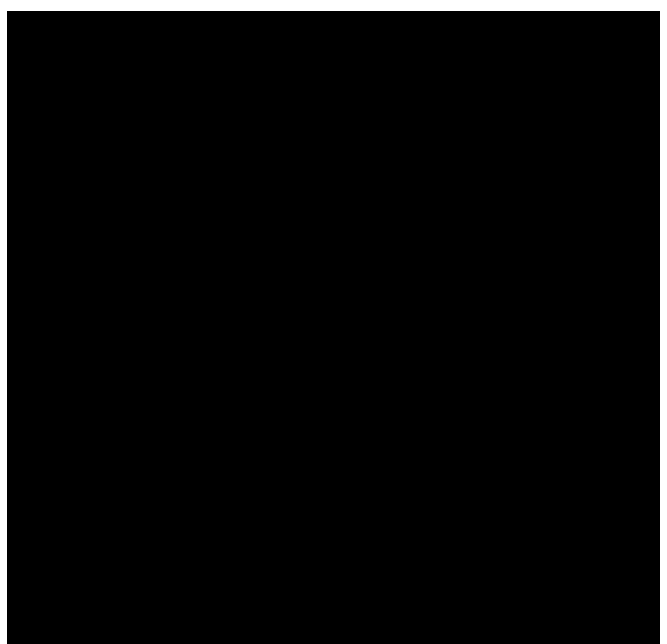
Supplied in three sections.

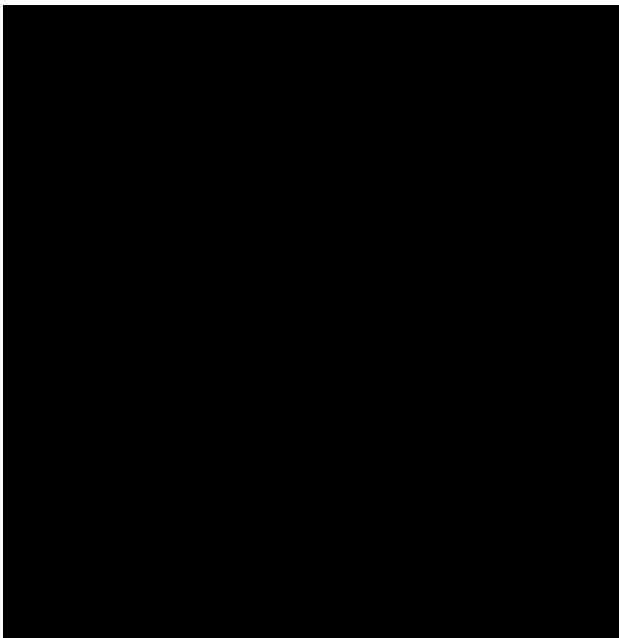
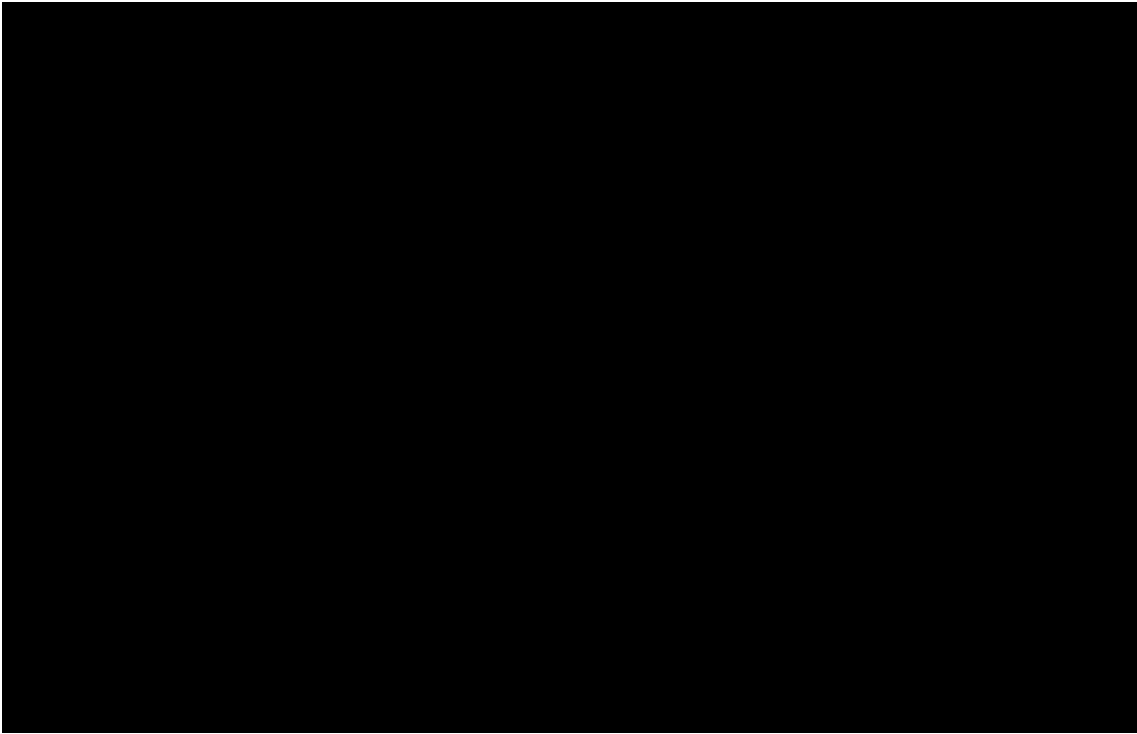
Installation      Embedment.

Design: Ginman, Harboe, Borup landscape architects



# TREE GUARDS & TREE GRILLES

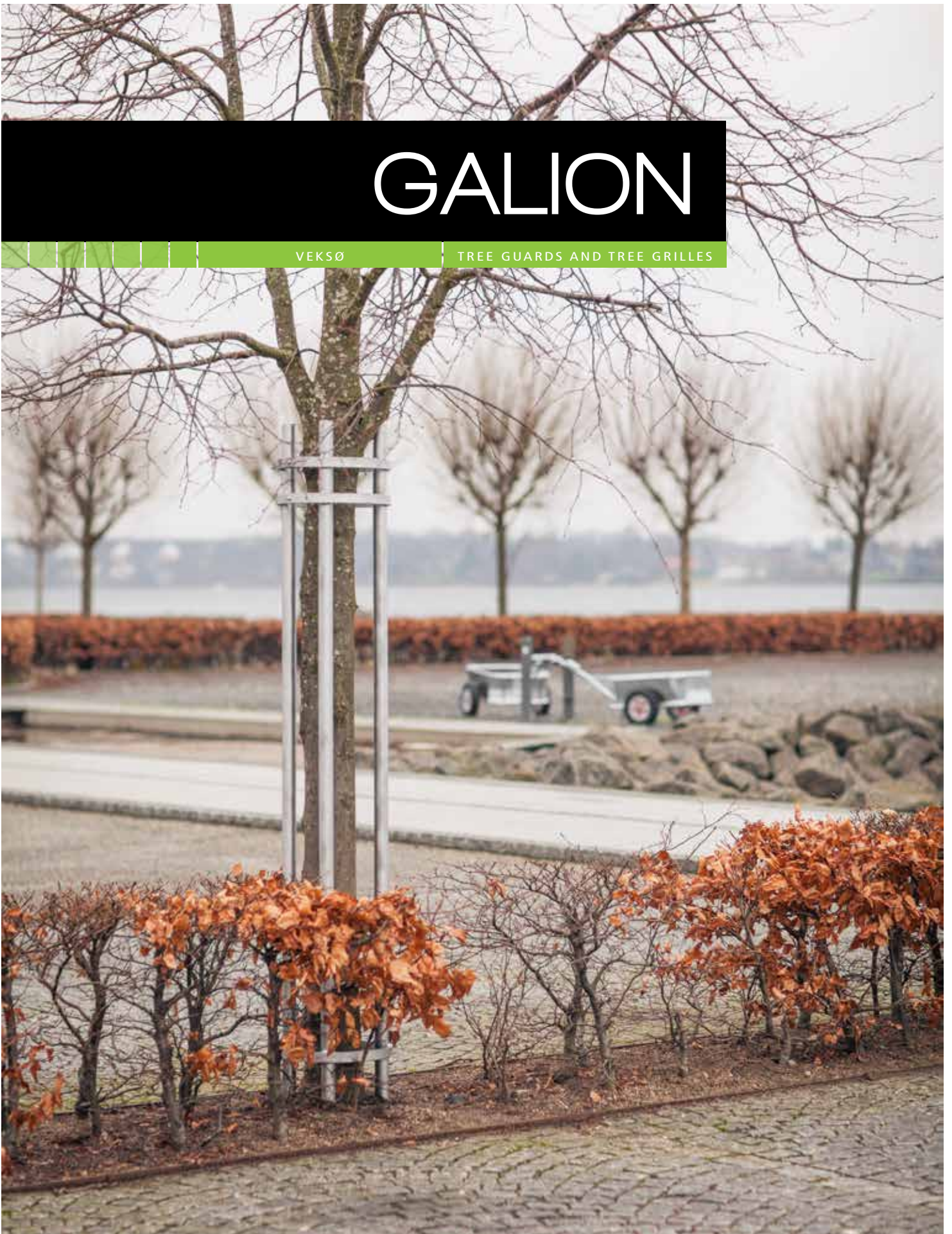




# GALION

VEKSØ

TREE GUARDS AND TREE GRILLES





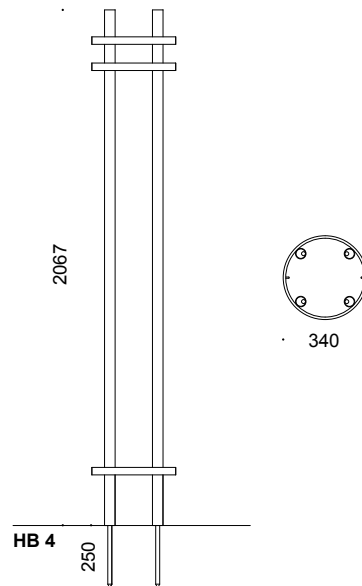
## Galion

Tree guard       $\varnothing$  42 mm /  $\varnothing$  16 mm  
30 x 10 mm  
Hot-dip galvanised steel. Can also be powder coated.  
For standard colours, see product info.

Supplied in two sections.

Installation      Ground spike.

Design: VEKSØ A/S



# PIKE

GINMAN, HARBOE, BORUP

TREE GUARDS AND TREE GRILLES







## Pike

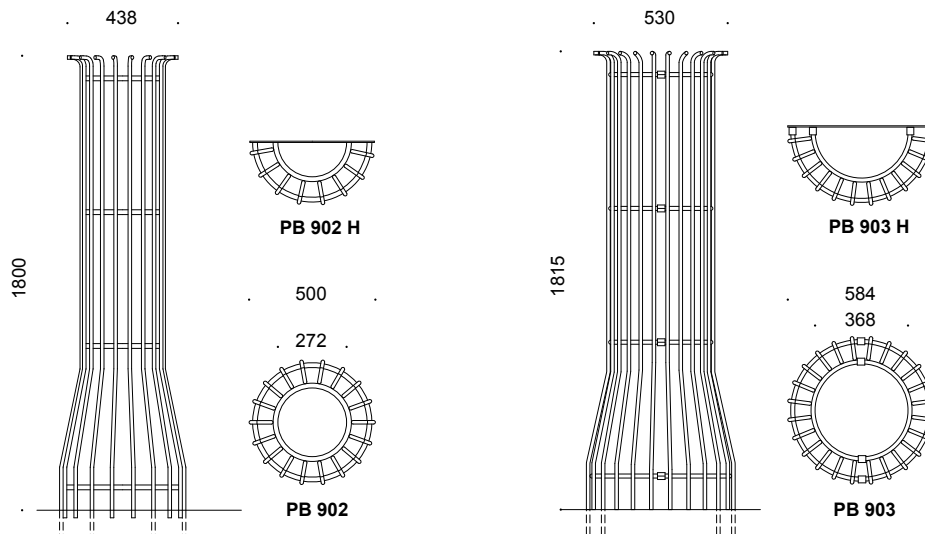
Tree guard    Ø 14 mm  
                   Ø 19 mm  
 Hot-dip galvanised steel. Can also be powder coated.  
 For standard colours, see product info.

Option            PB 902 can be combined with tree grille Cadet.  
                   PB 903 can be combined with tree grille Barrel.

Supplied in two sections.

Installation    Ground spike.

Design: Ginman, Harboe, Borup landscape architects



# FOLIO

VEKSØ

TREE GUARDS AND TREE GRILLES





## Folio

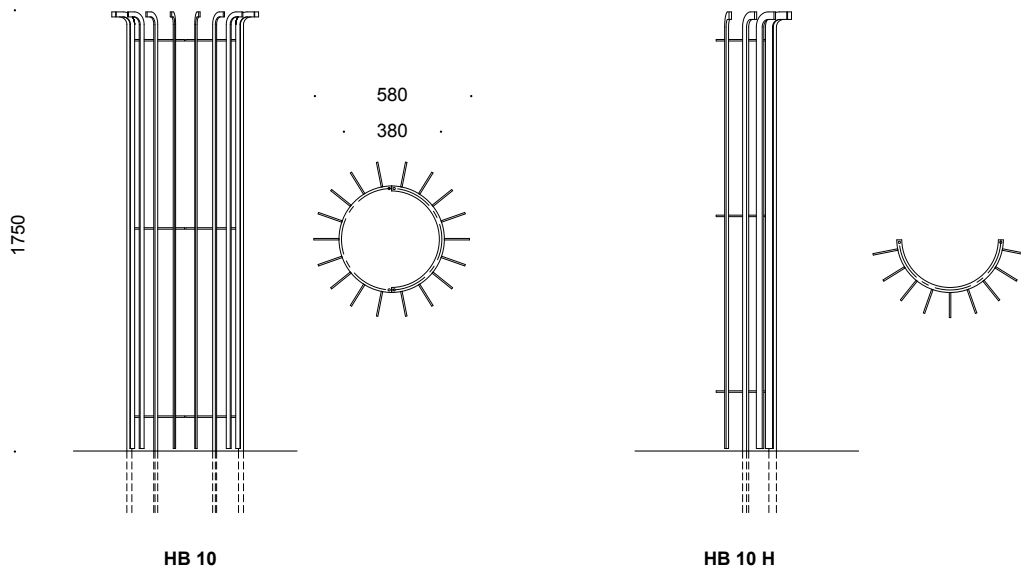
Tree guard 20 x 6 mm  
Hot-dip galvanised steel. Can also be powder coated.  
For standard colours, see product info.

Option Can be combined with tree grille Cadet.

Supplied in two sections.

Installation Ground spike.

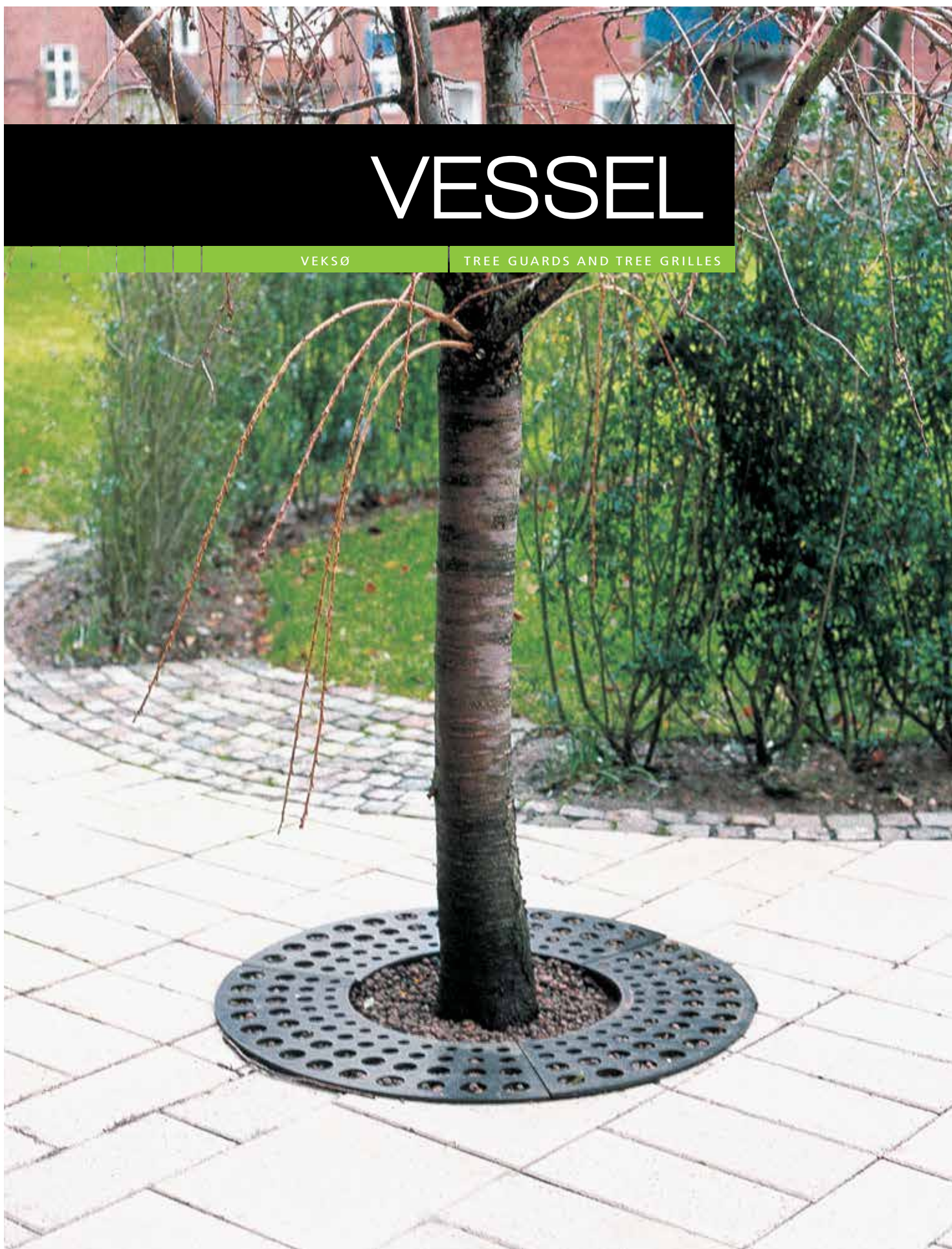
Design: VEKSØ A/S



# VESSEL

VEKSØ

TREE GUARDS AND TREE GRILLES





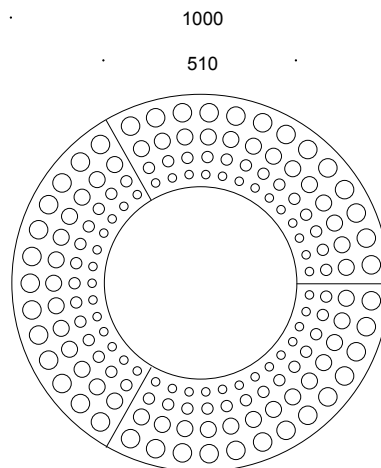
## Vessel

Tree grille      Cast iron.  
Supplied as standard powder coated in RAL 9005, black.

1/3 circle      R: 17 kg cast iron, Ø 1000 mm

Whole circle      RR: 51 kg cast iron, Ø 1000 mm

Design: VEKSØ A/S

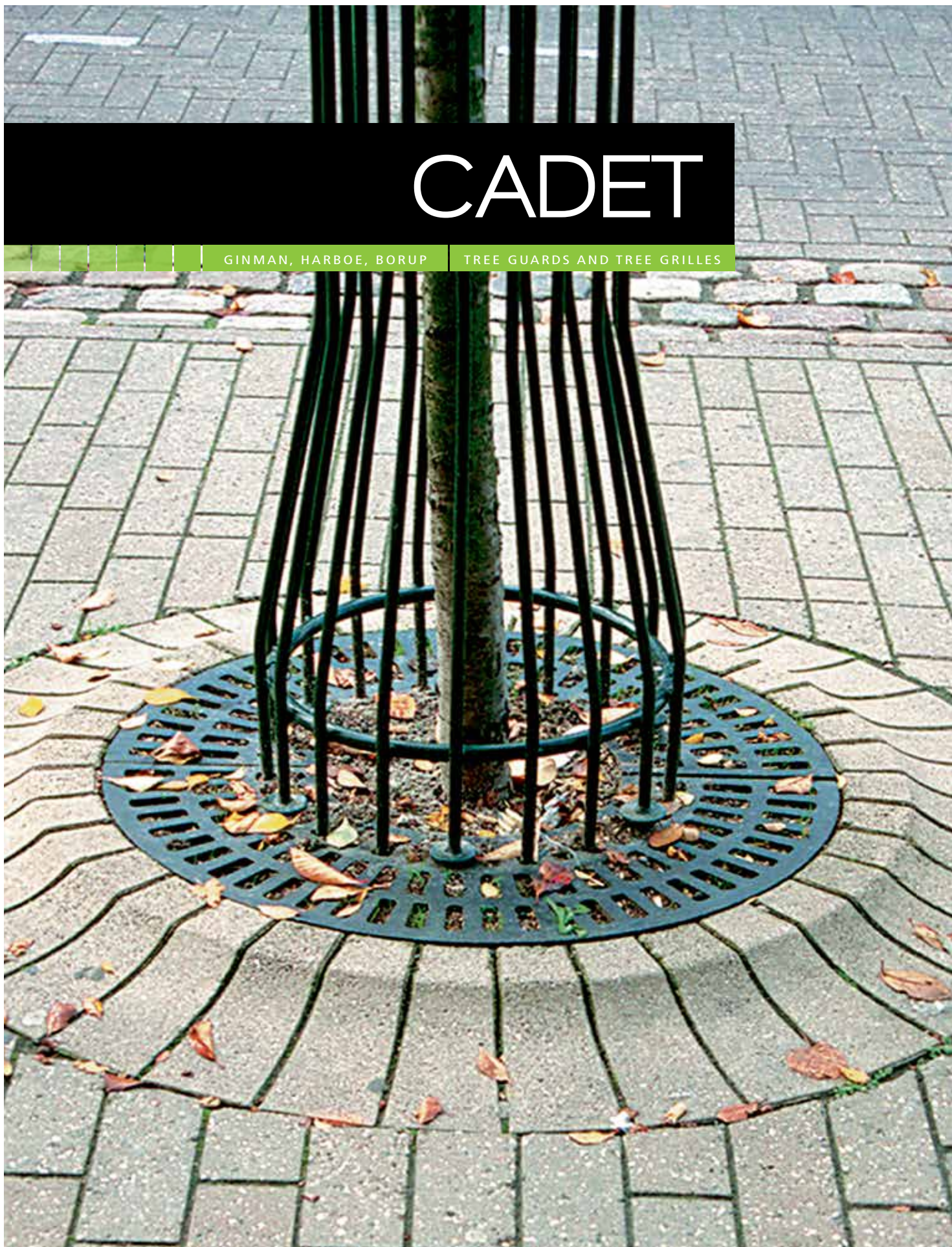


**JL 1000**

# CADET

GINMAN, HARBOE, BORUP

TREE GUARDS AND TREE GRILLES





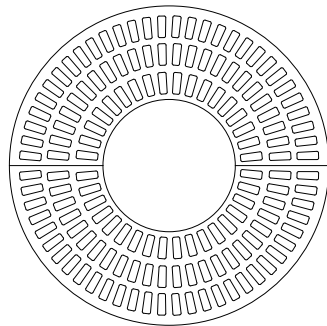
## Cadet

Tree grille                      Cast iron.  
 Supplied as standard powder coated in RAL 9005, black.

Half circle	R: 30 kg cast iron, 845 x 423 mm
Whole circle	RR: 60 kg cast iron, Ø 845 mm
Half square	K: 40 kg cast iron, 845 x 423 mm
Whole square	KK: 80 kg cast iron, 845 x 845 mm
Half circle/half square	RK: 70 kg cast iron, 845 x 845 mm

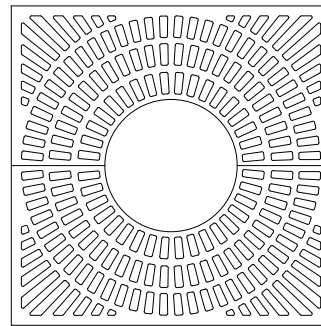
Option                              Can be combined with tree guard Pike or Folio.

Design: Ginman, Harboe, Borup landscape architects



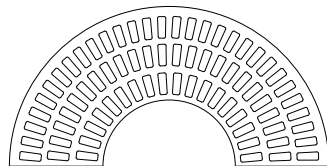
**PB 845 RR**

845



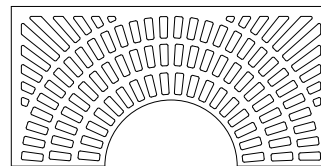
**PB 845 KK**

845



**PB 845 R**

350



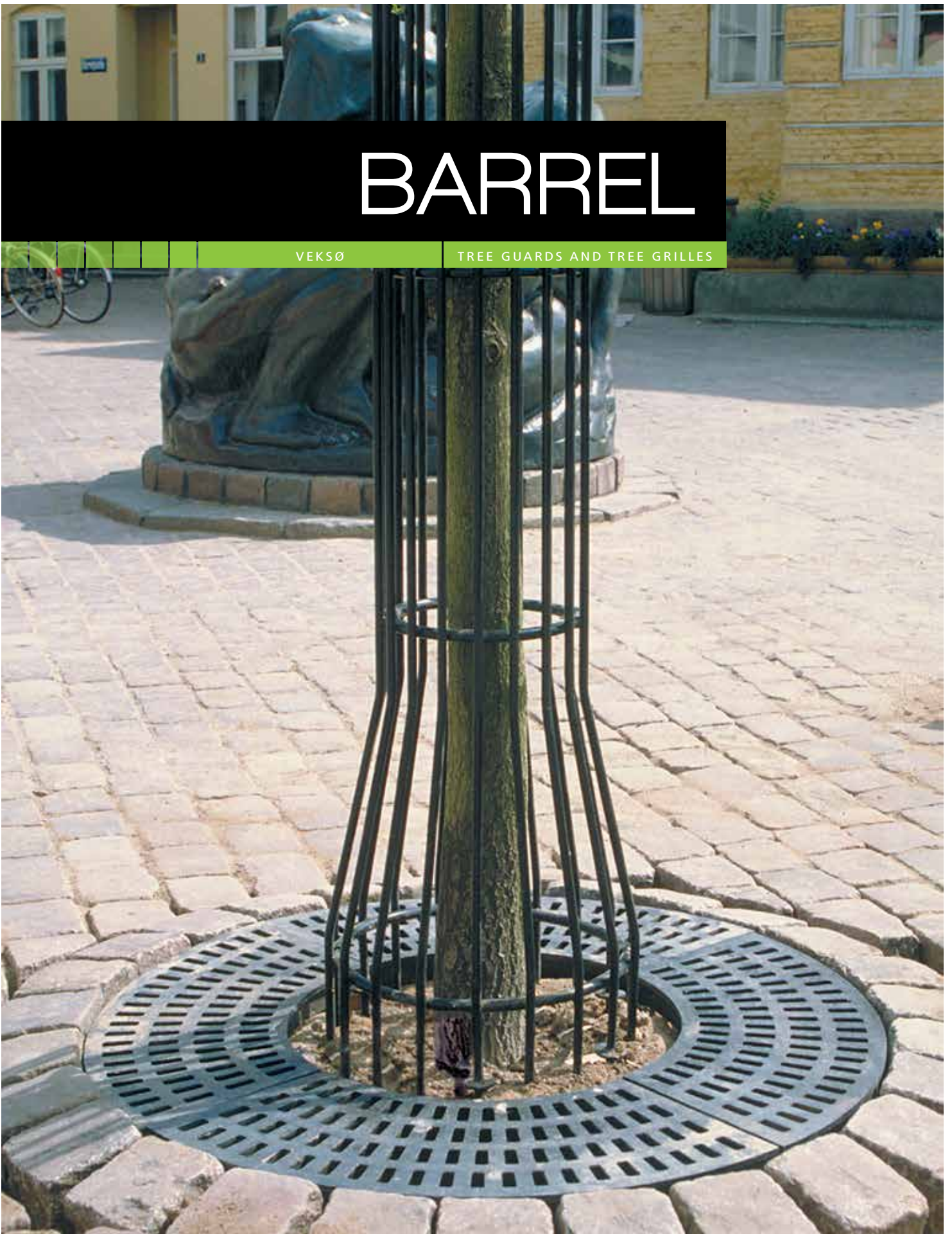
**PB 845 K**

350

# BARREL

VEKSØ

TREE GUARDS AND TREE GRILLES







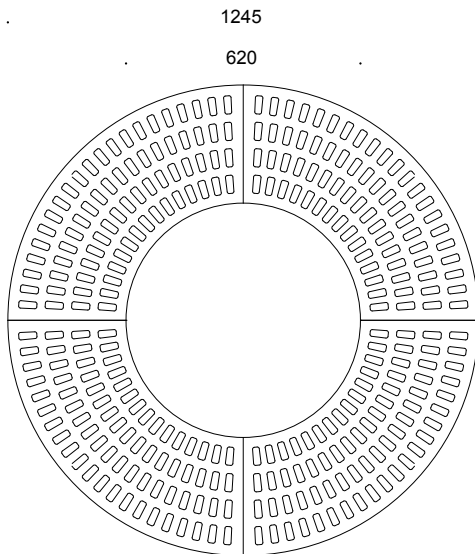
## Barrel

Tree grille                      Cast iron.  
 Supplied as standard powder coated in RAL 9005, black.

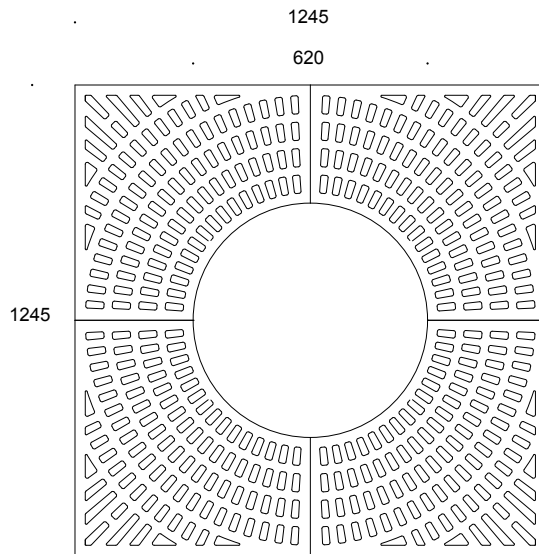
Half circle                      R: 58 kg cast iron, 1235 x 617 mm  
 Whole circle                    RR: 116 kg cast iron, Ø 1235 mm  
 Half square                      K: 75 kg cast iron, 1245 x 623 mm  
 Whole square                    KK: 150 kg cast iron, 1245 x 1245 mm  
 Half circle/half square        RK: 133 kg cast iron, 1245 x 1245 mm

Option                            Available with irrigation hole.  
 Can be combined with tree guard Pike.

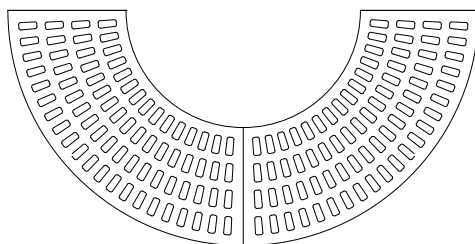
Design: VEKSØ A/S



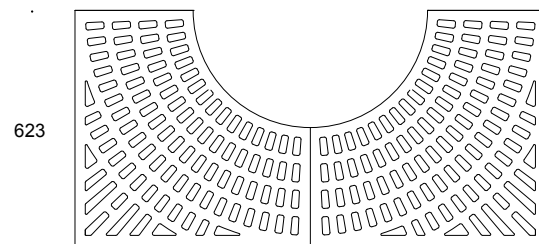
**JL 1245 RR**



**JL 1245 KK**

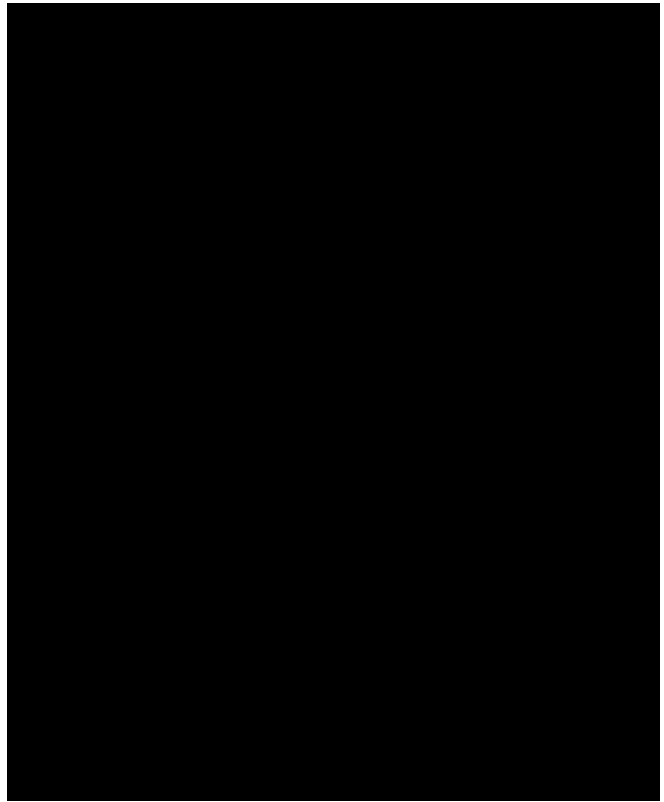


**JL 1245 R**



**JL 1245 K**

# SHELTERS





# AROS

AARHUS MUNICIPALITY

SHELTERS

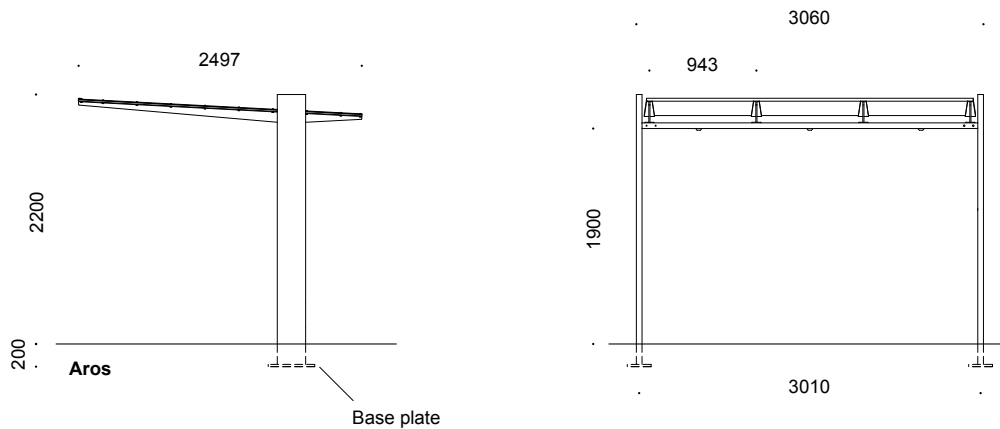




## Aros

Posts & beams	250 x 50 mm
Rafters	10 mm
	Hot-dip galvanised steel. Can also be powder coated. For standard colours, see product info.
Roof	10 mm transparent acrylic sheet.
Modular design	Can be extended with additional bays.
Option	Available with LED lighting built into the supporting beams. Available with 10 mm laminated glass.
Installation	Embedment/mounting on pre-cast base.

Design: Aarhus Municipality, City Architects



# TOKYO E

VEKSØ

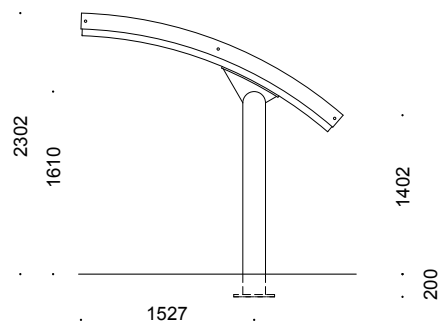
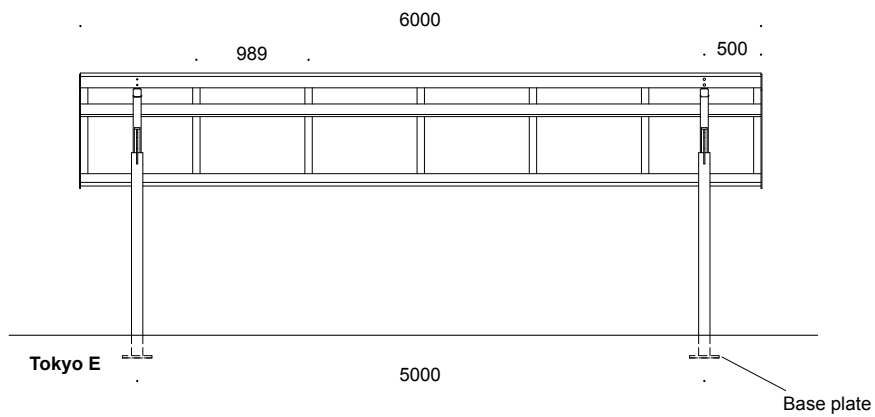
SHELTERS





## Tokyo E

- Posts 200 x 100 mm / 70 x 70 mm
- Beams 100 x 50 mm  
Hot-dip galvanised steel. Can also be powder coated.  
For standard colours, see product info.
- Roof 10 mm transparent PC twin-walled sheet or 4 mm transparent polycarbonate sheet.
- Modular design Can be extended with additional bays.
- Option Available with lighting.
- Installation Embedment/mounting on pre-cast base.
- Design: VEKSØ A/S



# TOKYO D

VEKSØ

SHELTERS



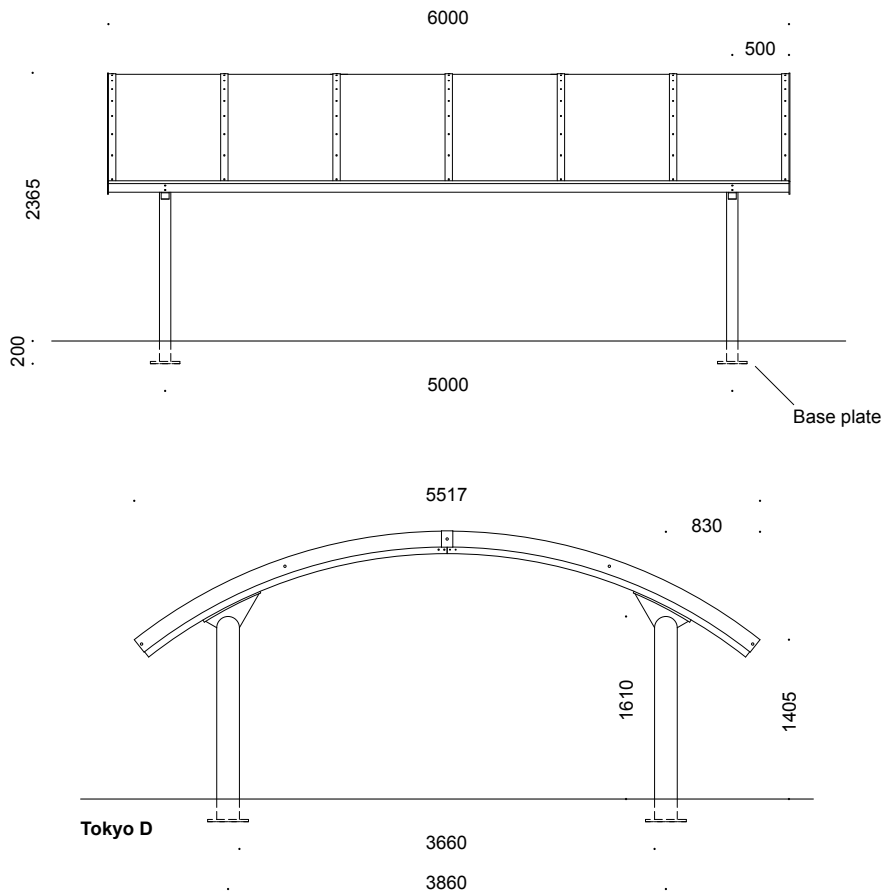




## Tokyo D

- Posts 200 x 100 mm / 70 x 70 mm
- Beams 100 x 50 mm  
Hot-dip galvanised steel. Can also be powder coated.  
For standard colours, see product info.
- Roof 10 mm transparent PC twin-walled sheet or 4 mm transparent polycarbonate sheet.
- Modular design Can be extended with additional bays.
- Option Available with lighting.
- Installation Embedment/mounting on pre-cast base.

Design: VEKSO A/S



# ARCH

PS DESIGN

SHELTERS





## Arch

Posts	Ø 114 mm
Roof frame	Ø 76.1 mm
Roof	1.5 mm steel sheet.
Panel frame	Ø 33.7 mm
Panels	1.5 mm perforated steel sheet.
Steel	Hot-dip galvanised steel. Can also be powder coated. For standard colours, see product info.

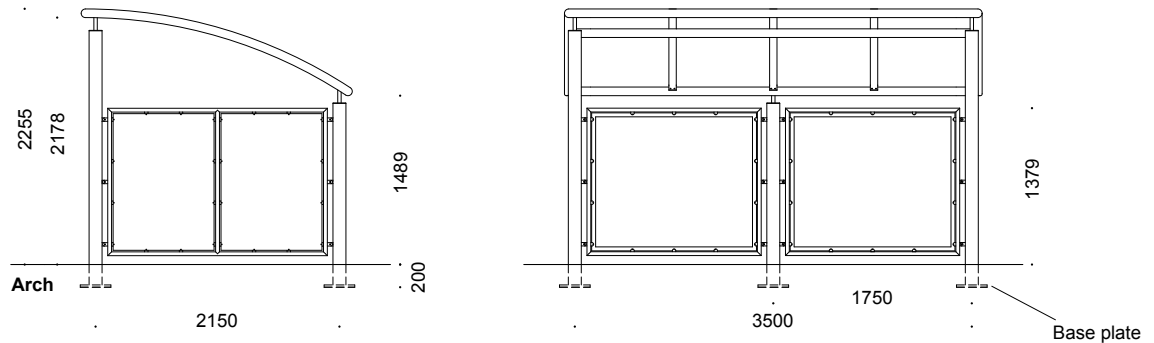
Modular design Can be extended with whole or half bays.

Option Available with roof of 4 mm transparent polycarbonate.  
Available with lighting.

NOTE Arch is supplied as standard without panels.  
Panel should be ordered separately.

Installation Embedment/mounting on pre-cast base.

Design: PS Design



# ROBO

ROSSEELS

SHELTERS





## Robo

Rafters 50 x 50 mm  
 Beams Ø 76.1 mm  
 Roof 1.5 mm steel sheet.  
 Panel frame 40 x 40 mm angle/T-steel  
 Panels 1.5 mm perforated steel sheet.  
 Hot-dip galvanised steel. Can also be powder coated.  
 For standard colours, see product info.

Posts Ø 140 mm  
 Pressure-impregnated pine, painted black.

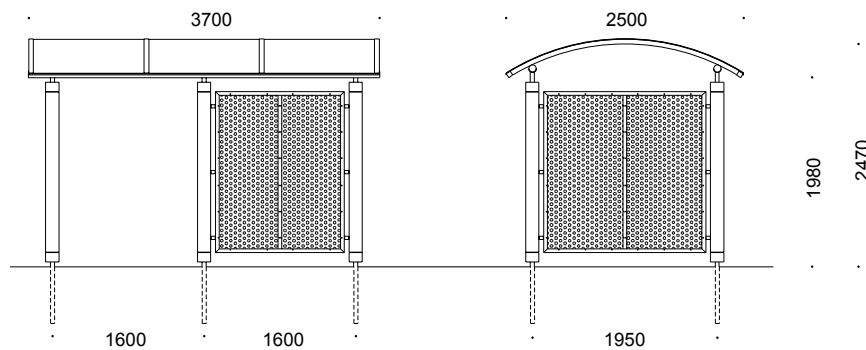
Modular design Can be extended with additional bays.

Option Available with posts of galvanised steel.  
 Available with 1.5 mm perforated steel panel sheets in coffer design.  
 Available with gutter and downpipe to ground surface.  
 Available with lighting.

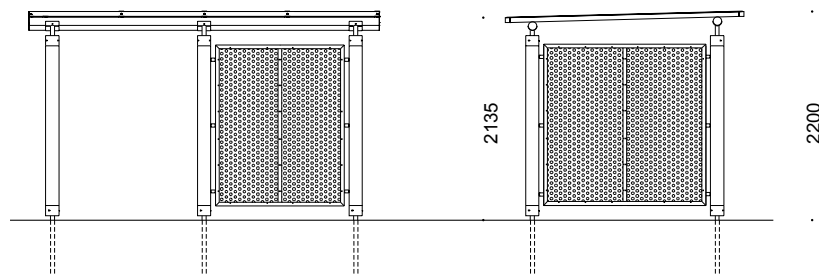
NOTE Robo requires panel on at least one crosswise and one lengthwise section for stability.

Installation Embedment.

Design: Rosseels landscape architect



**R1000 with a curved roof construction**



**R1000 with a flat roof construction**

# KOLDING

JENS ERIK JENSEN

SHELTERS





# SILHUET

CREO ARCHITECTS

SHELTERS



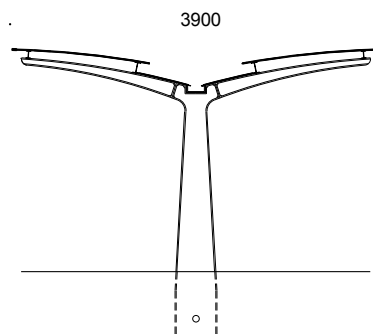
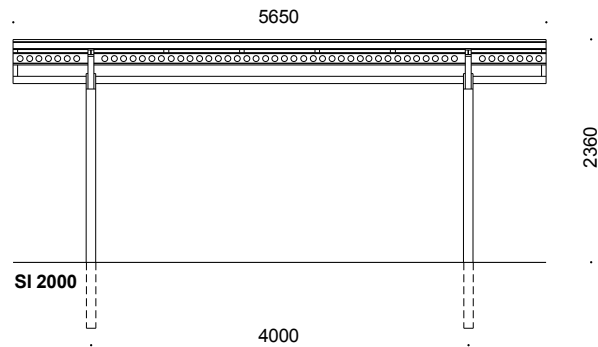




## Silhuet

Posts	8 mm Flanges 12 mm
Beams	IPE 80 / IPE 120
Gutter	U-profile with downpipe to ground surface.
Roof	1.5 mm steel sheet. Hot-dip galvanised steel. Can also be powder coated. For standard colours, see product info.
Modular design	Can be extended with additional bays.
Option	Available with lighting.
Installation	Embedment.

Design: Creo Architects A/S



# LOBBY

EVA & NILS KOPPEL

SHELTERS

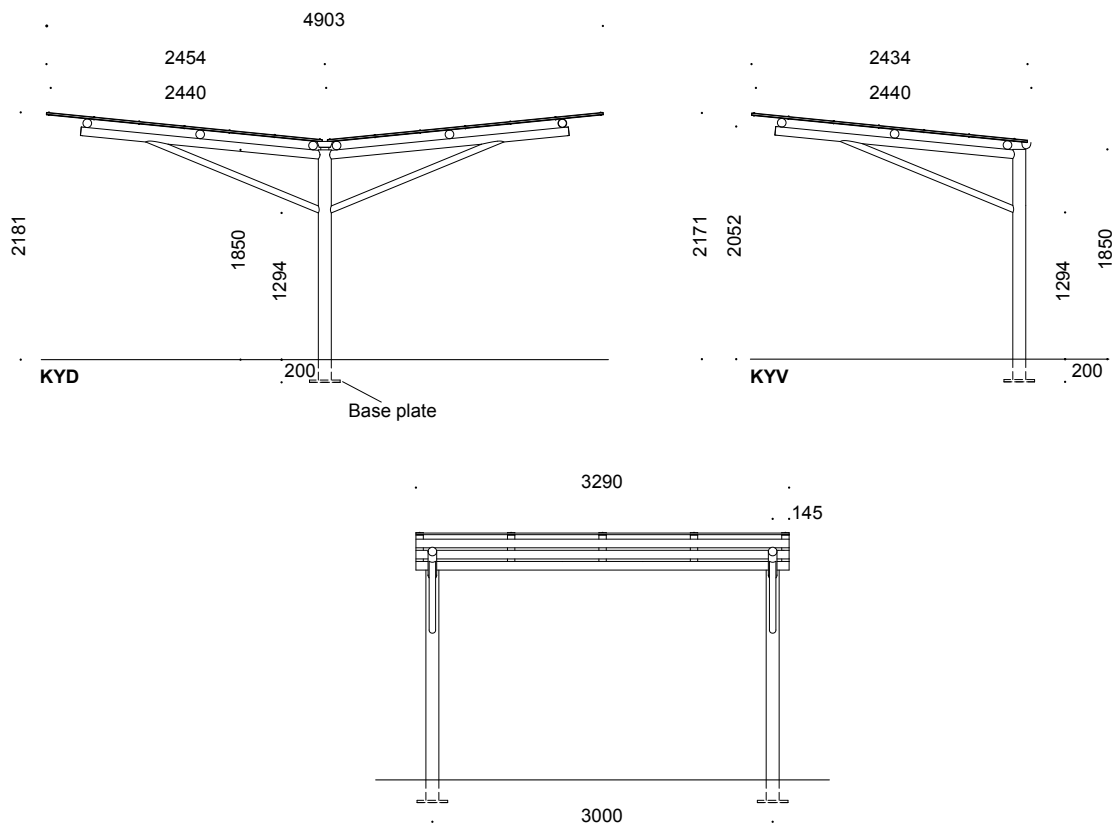




## Lobby

- Posts                    Ø 60 mm / Ø 114 mm
- Beams                   Ø 60 mm  
Hot-dip galvanised steel. Can also be powder coated.  
For standard colours, see product info.
  
- Gutter                   Single sided: hot-dip galvanised steel with downpipe to ground surface.  
Double sided: zinc with downpipe to ground surface.
  
- Roof                     Asbestos-free corrugated fibre cement, type B6, grey; or plastisol coated trapezoidal steel sheet, light grey; or 10 mm transparent PC twin-walled sheet.
  
- Modular design       Can be extended with additional bays.
  
- Option                   Available with 1.5 mm perforated steel panel sheets in coffer design.  
Available with lighting.
  
- Installation           Embedment/mounting on pre-cast base.

Design: Eva & Nils Koppel, architects



# MASCOT

VEKSØ

SHELTERS

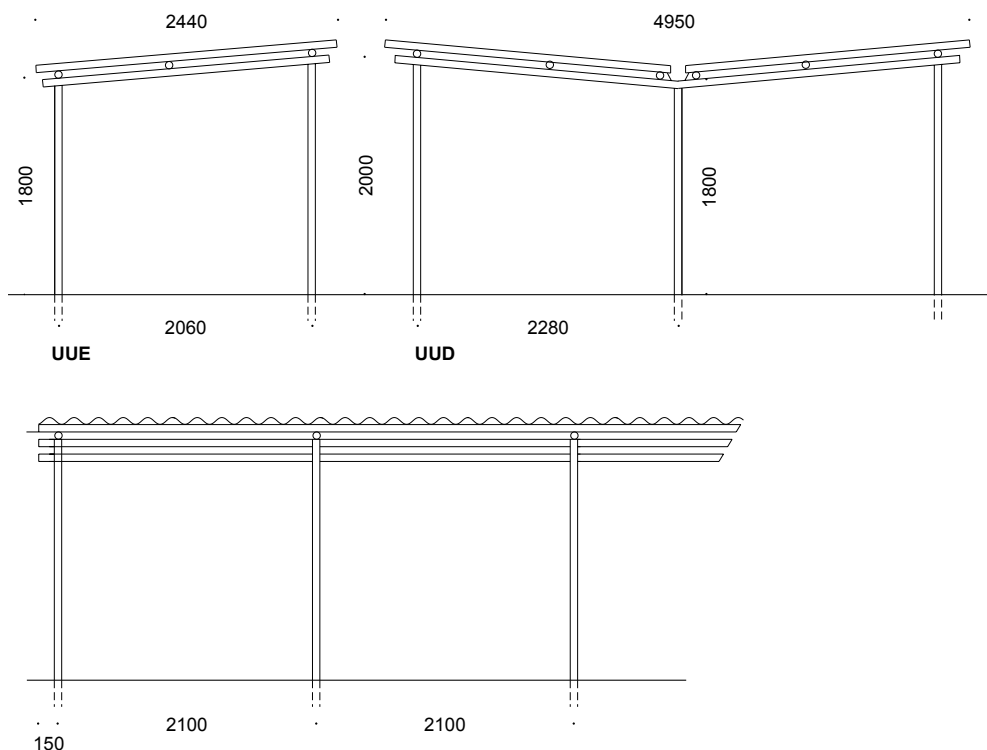




## Mascot

- Posts                    Ø 60 mm
- Beams                    Ø 60 mm  
Hot-dip galvanised steel. Can also be powder coated.  
For standard colours, see product info.
  
- Gutter                    Double sided: zinc with downpipe to ground surface.
  
- Roof                      Asbestos-free corrugated fibre cement, type B6, grey; or plastisol coated trapezoidal steel sheet, light grey; or 10 mm transparent PC twin-walled sheet.
  
- Modular design        Can be extended with additional bays.
  
- Option                    Available with 1.5 mm perforated steel panel sheets in coffer design.  
Single sided version available with hot-dip galvanised steel gutter and downpipe to ground surface.  
Available with lighting.
  
- Installation            Embedment.

Design: VEKSØ A/S



# LIBITIUM

EVA & NIELS KOPPEL

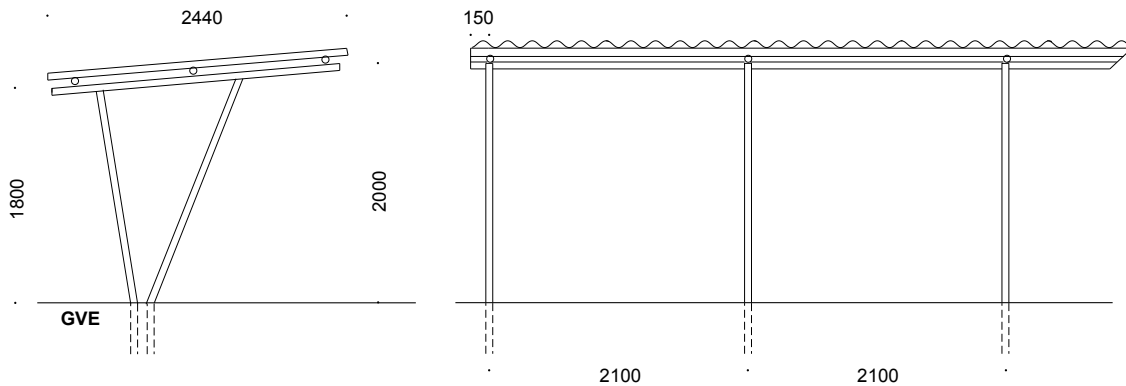
SHELTERS





## Libitum

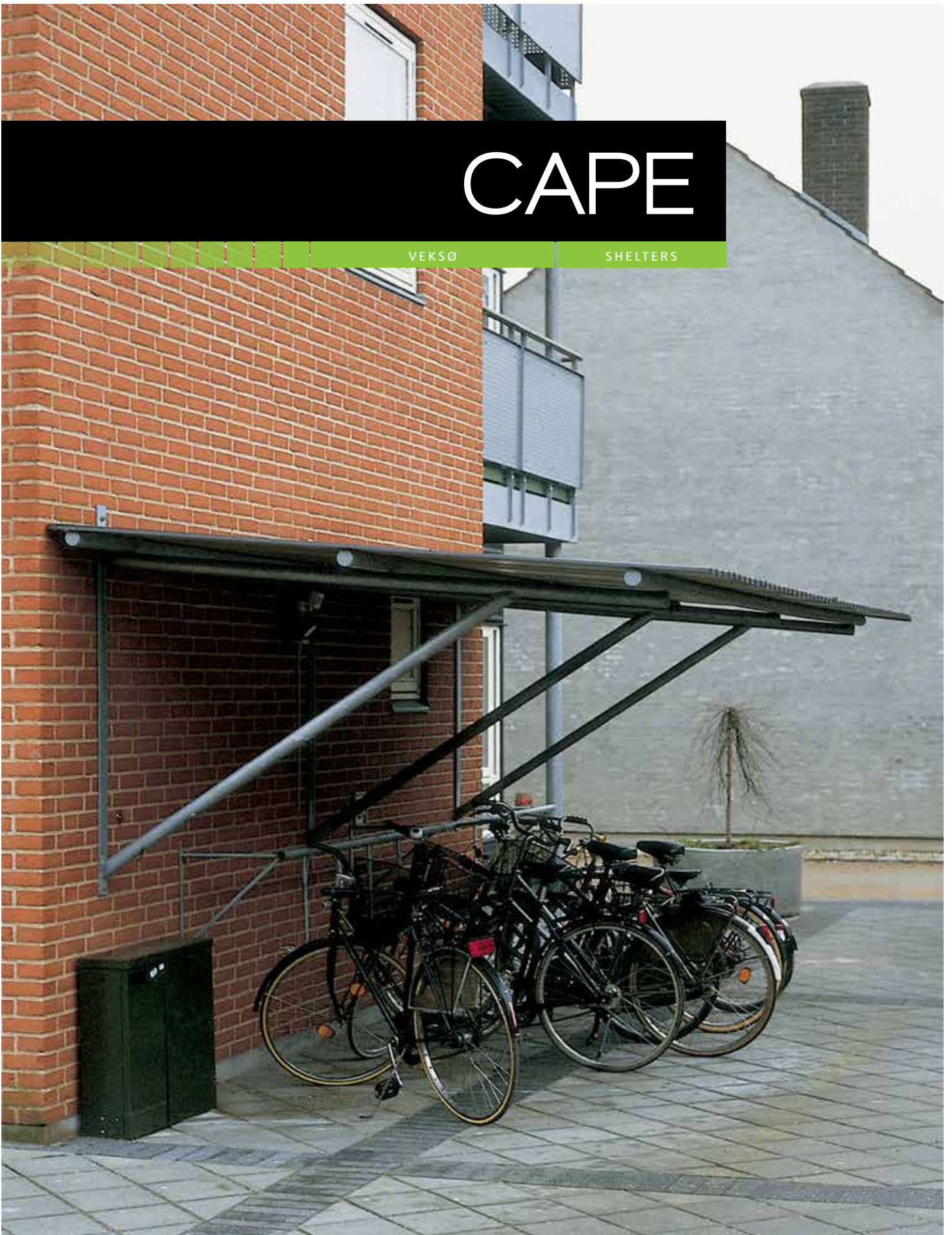
- Posts                    Ø 60 mm
- Beams                    Ø 60 mm
- Hot-dip galvanised steel. Can also be powder coated.
- For standard colours, see product info.
  
- Roof                      Asbestos-free corrugated fibre cement, type B6, grey; or plastisol coated trapezoidal steel sheet, light grey; or 10 mm transparent PC twin-walled sheet.
  
- Modular design        Can be extended with additional bays.
  
- Option                    Available with 1.5 mm perforated steel panel sheets in coffer design.
- Available with hot-dip galvanised gutter and downpipe to ground surface.
- Available with lighting.
  
- Installation            Embedment.
  
- Design: Eva & Nils Koppel, architects



# CAPE

VEKSØ

SHELTERS



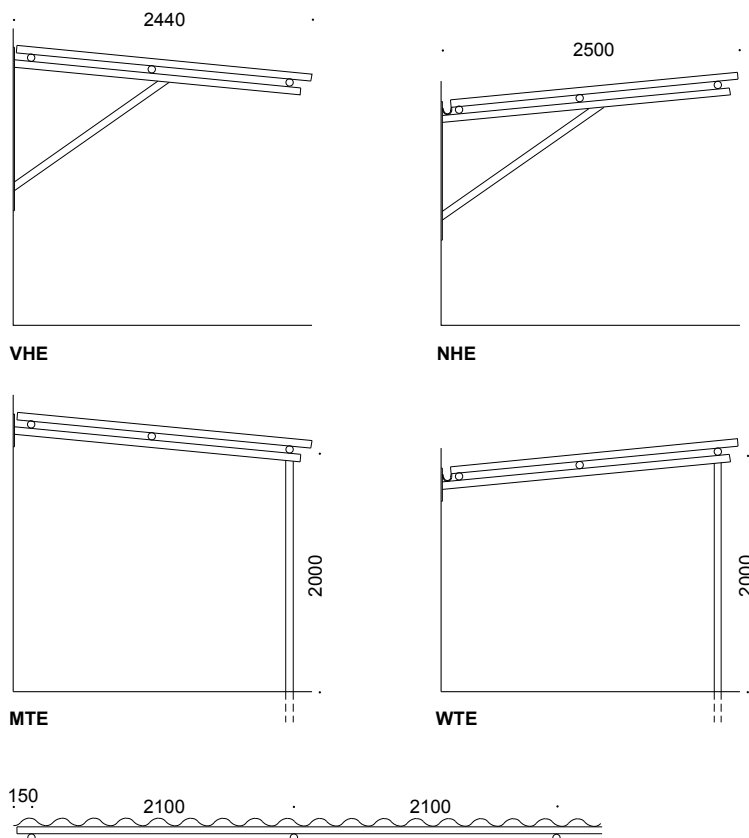




## Cape

- Posts                    Ø 60 mm
- Beams                    Ø 60 mm  
Hot-dip galvanised steel. Can also be powder coated.  
For standard colours, see product info.
  
- Gutter                    Standard on NHE/WTE, hot-dip galvanised with downpipe to ground surface.
  
- Roof                      Asbestos-free corrugated fibre cement, type B6, grey; or plastisol coated trapezoidal steel sheet, light grey; or 10 mm transparent PC twin-walled sheet.
  
- Modular design        Can be extended with additional bays.
  
- Option                    Available with 1.5 mm perforated steel panel sheets in coffer design.  
VHE/MTE available with hot-dip galvanised steel gutter with downpipe to ground surface.  
Available with lighting.
  
- Installation            Embedment/wall mounting.

Design: VEKSØ A/S



# DURO

AARHUS ARCHITECTS

SHELTERS

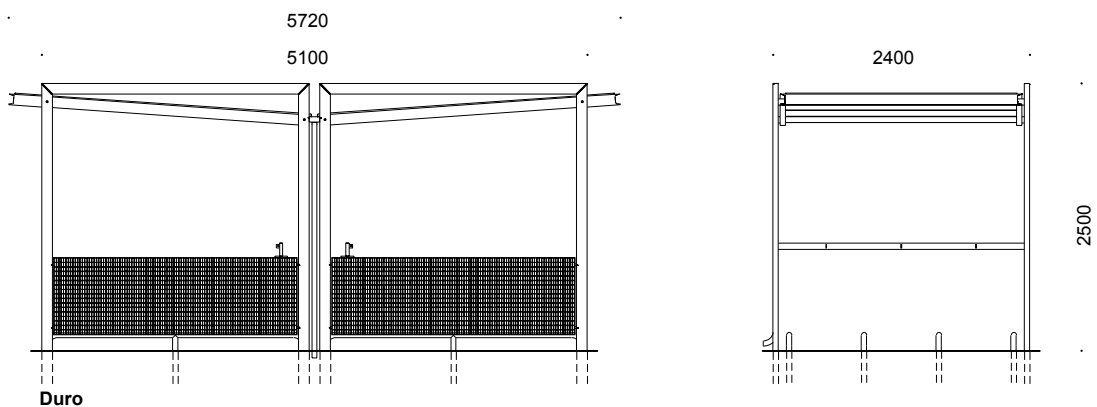




## Duro trolley shelter

Posts	UNP 100
Roof frame	UNP 100
Gutter	UNP 100
Panels	Latticework Hot-dip galvanised steel. Can also be powder coated. For standard colours, see product info.
Roof	Plastisolcoated trapezoidal steel sheet, light grey.
Gutter	Drained from centre of shelter – discharge to ground surface.
Installation	Embedment or surface mounting.  Supplied as standard with guide rails and trolley stop in hot-dip galvanised steel. There is room for a varying number of trolleys, depending on trolley type.
Option	Also available with baseplates for surface mounting. Available with lighting.

Design: Aarhus Architects A/S



# TROLLEY

VEKSØ

SHELTERS

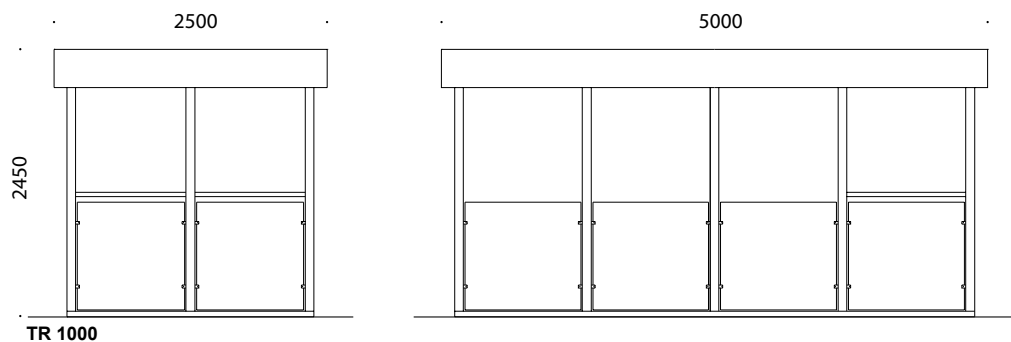




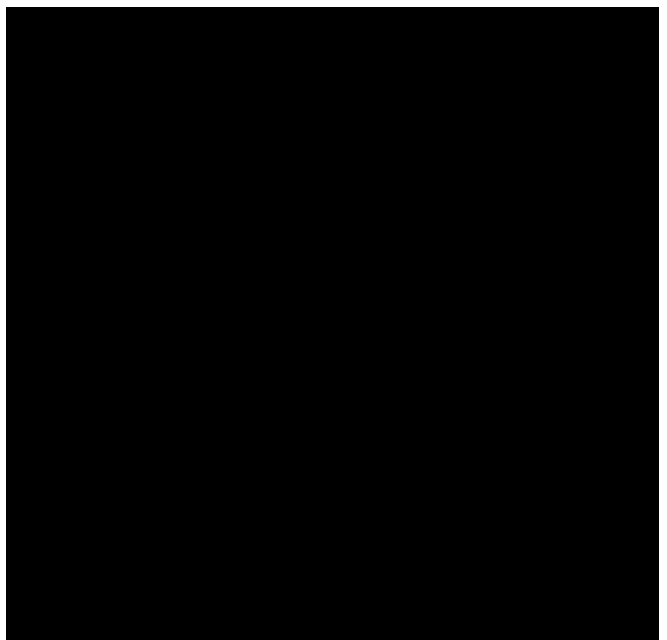
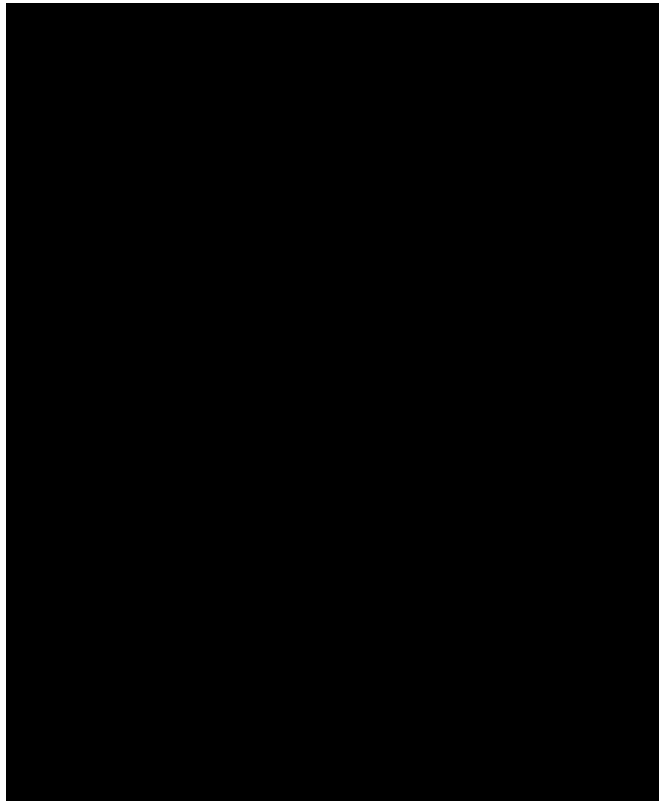
## Trolley trolley shelter

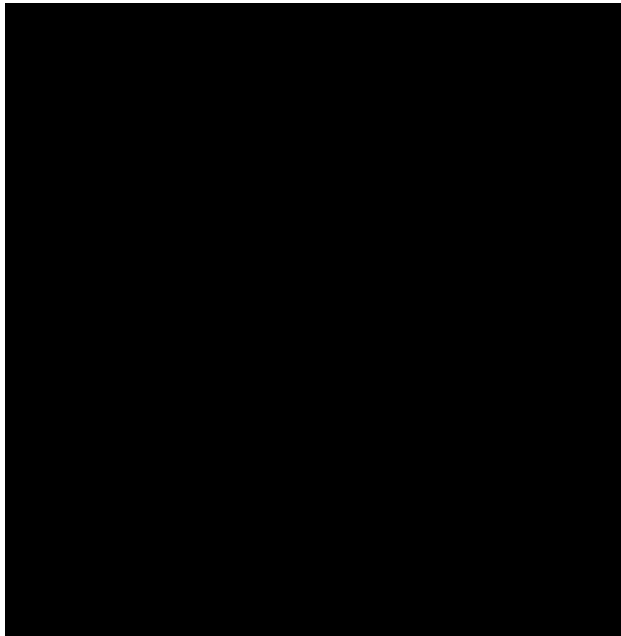
- Posts 80 x 80 mm
- Roof frame 1.5 mm steel sheet.
- Panels 1.5 mm perforated steel sheet.
- Trolley stop 40 x 40 mm  
Hot-dip galvanised steel. Can also be powder coated.  
For standard colours, see product info.
  
- Roof 3 mm transparent acrylic sheet.
  
- Gutter Drained through posts – discharge to ground surface.
  
- Installation Surface mounting.
  
- Supplied as standard with trolley stop in hot-dip galvanised steel.  
There is room for a varying number of trolleys, depending on trolley type.
  
- Option Available with guide rails.  
Available with lighting.

Design: VEKSØ A/S



# BUS SHELTERS





# STAGE

VEKSØ

BUS SHELTERS



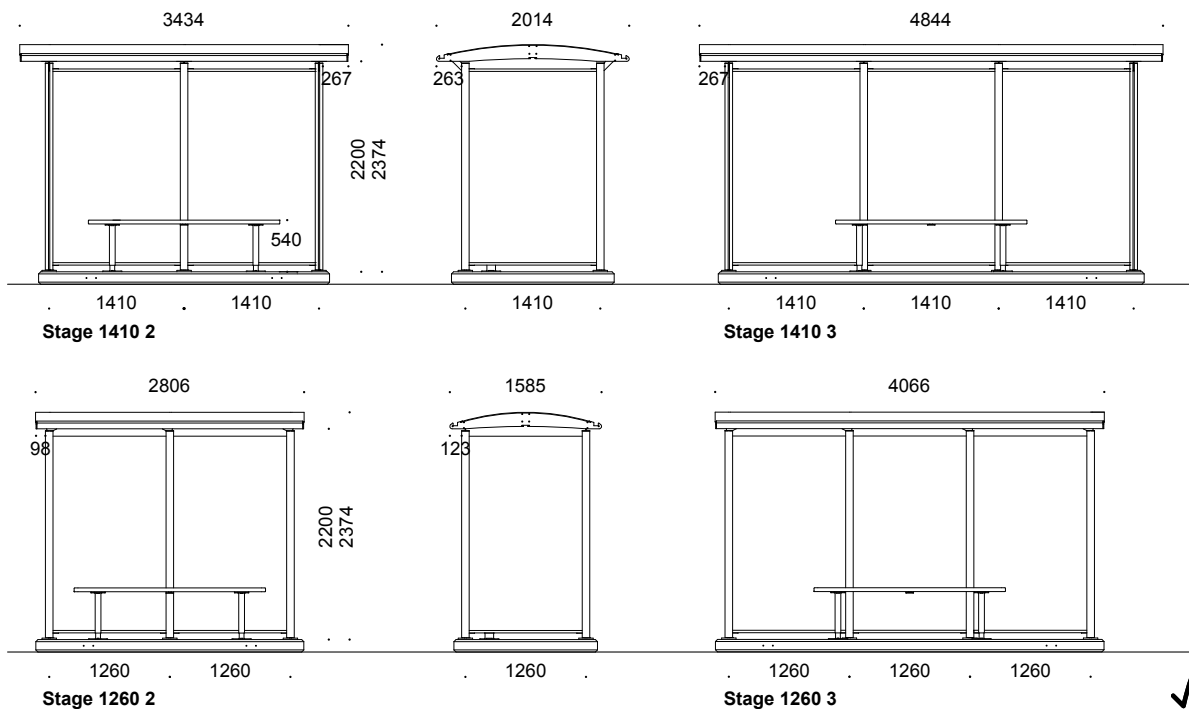




## Stage

Posts/roof profiles	Extruded aluminium
Other profiles	Laser-cut aluminium
	Powder coated, standard colours, see product info.
Roof	4 mm polycarbonate or 1.5 mm steel sheet, powder coated. For standard colours, see product info.
Panels	6 mm tempered glass.
Bench	Hot-dip galvanised steel. Can also be powder coated. For standard colours, see product info. Slats of oil-treated mahogany (FSC certified) or ash, or varnished pine.
Installation	Supplied on pre-cast concrete base 1410 2-bay: 1700 x 3040 x 130 mm 1410 3-bay: 1700 x 4450 x 130 mm 1260 2-bay: 1500 x 2800 x 150 mm 1260 3-bay: 1500 x 4050 x 150 mm
Option	Available with: LED lighting Serigraph on glass Panels at front. Display cabinet, euro size 1185x1759 mm for Stage 1410.

Design: VEKSØ A/S



# ACTUS

FRIIS & MOLTKE DESIGN

BUS SHELTERS

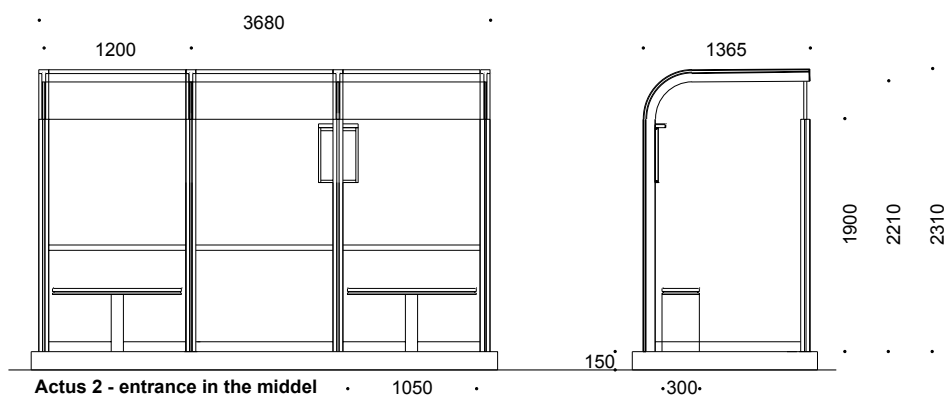
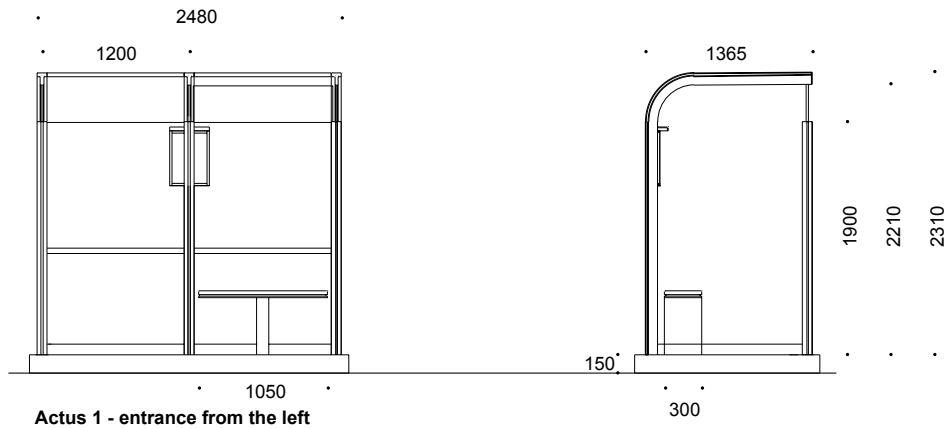




## Actus

Posts	Ø 80 mm
Gantries	100 x 100 mm T-profile
Handrail	Ø 30 mm
	Extruded anodised aluminium
	Surface corresponding to RAL 9006.
Panels	10 mm tempered glass
Fittings	Stainless steel.
Bench	Hot-dip galvanised steel, powder coated in RAL 9006.
	Slats of oil-treated mahogany (FSC certified).
	Supplied as standard with bench (type 2 supplied with two benches).
Installation	Pre-cast concrete base.
	Type 1 - 1450 x 2600 mm, thickness 150 mm
	Type 2 - 1450 x 3800 mm, thickness 150 mm
Option	Timetable board with lamp.
	Available in various lengths and designs, e.g. with display cabinet.
	Panels at front.

Design: Friis & Moltke Design A/S



# ARIO

VEKSØ

BUS SHELTERS

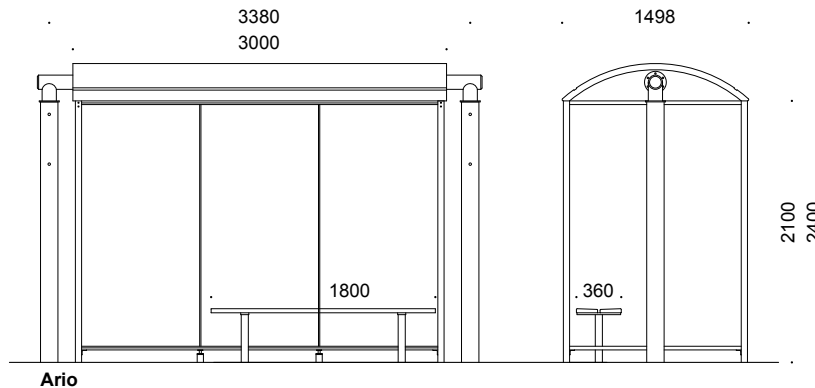




## Ario

- Posts            Ø 140 mm  
                   50 x 50 mm  
                   Hot-dip galvanised steel. Can also be powder coated.  
                   For standard colours, see product info.
- Roof             Coloured fibreglass sandwich.
- Panels          10 mm tempered glass.
- Bench          Hot-dip galvanised steel. Can also be powder coated.  
                   For standard colours, see product info.  
                   Slats of oil-treated mahogany (FSC certified) or ash.
- Installation    Embedment  
                   or pre-cast concrete base 1680 x 3780 x 170 mm.

Design: VEKSØ A/S



Ario



# LANE

VEKSØ

BUS SHELTERS

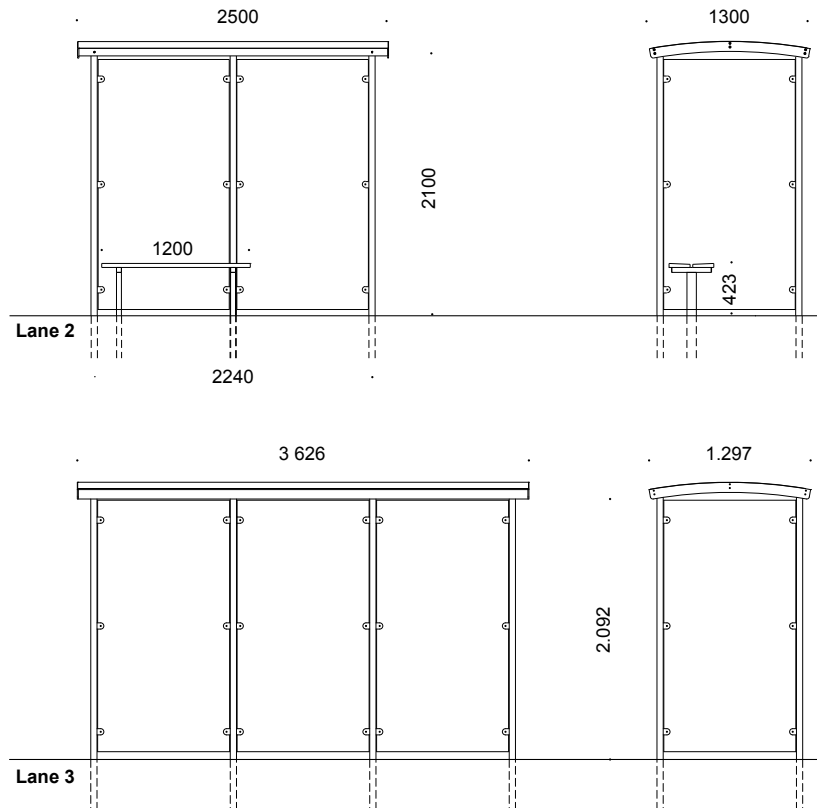




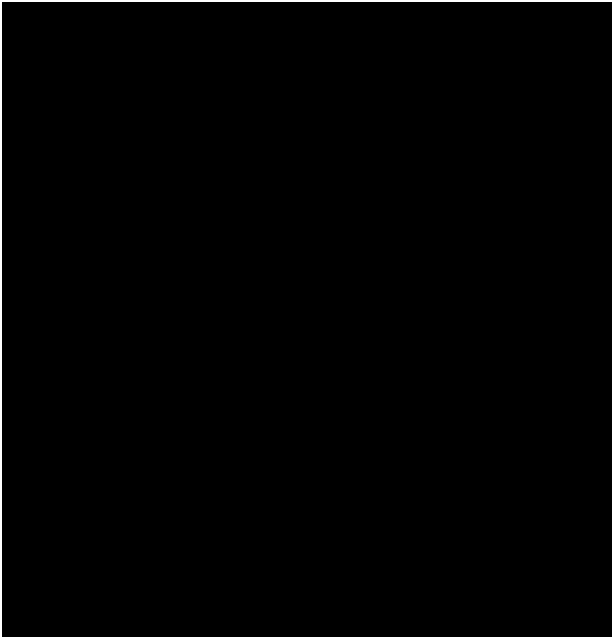
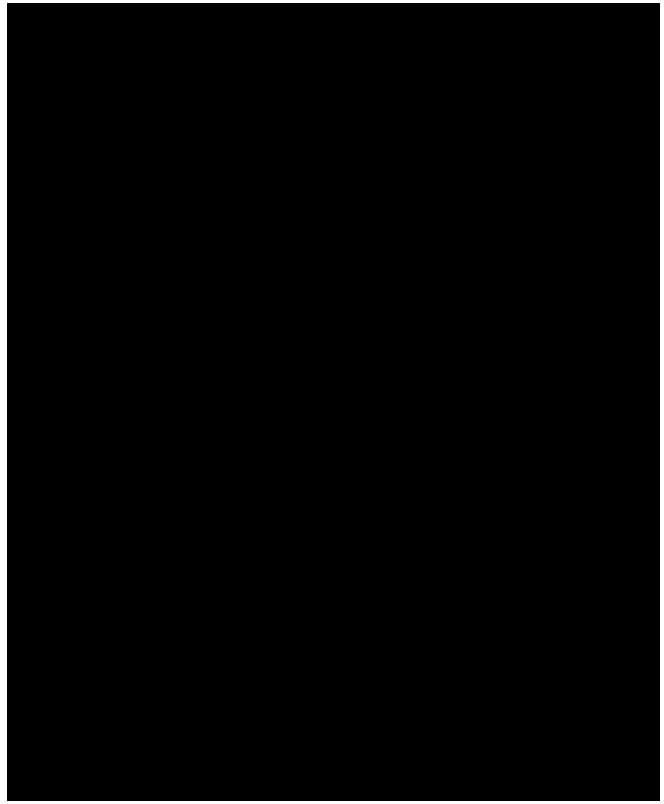
## Lane

Posts	50 x 50 mm
Beam	60 x 30 mm
Roof	1.5 mm steel sheet Hot-dip galvanised steel. Can also be powder coated. For standard colours, see product info.
Panels	10 mm tempered glass.
Bench	Hot-dip galvanised steel. Can also be powder coated. For standard colours, see product info. Slats of oil-treated mahogany (FSC certified). (3-bay bus shelters are supplied with 2 benches).
Installation	Embedment or pre-cast concrete base. Concrete base, 2-bay 1300 x 2500 x 150 mm Concrete base, 3 bay 1300 x 3620 x 150 mm
Option	Panels at front. Panels in expanded metal.

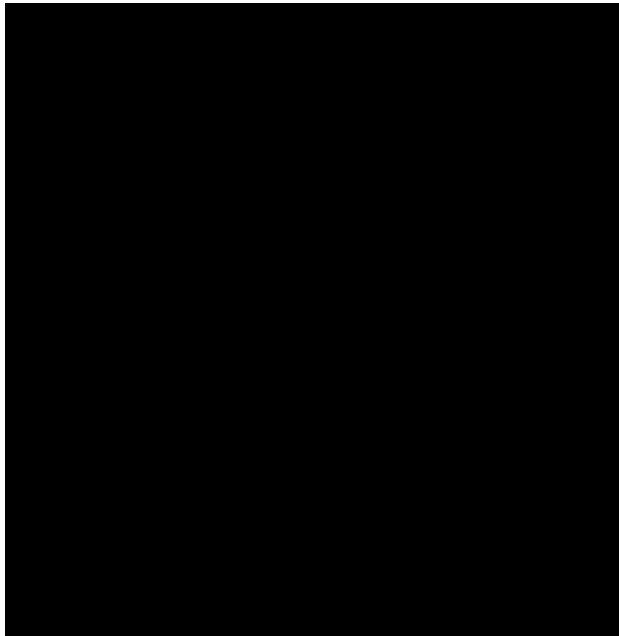
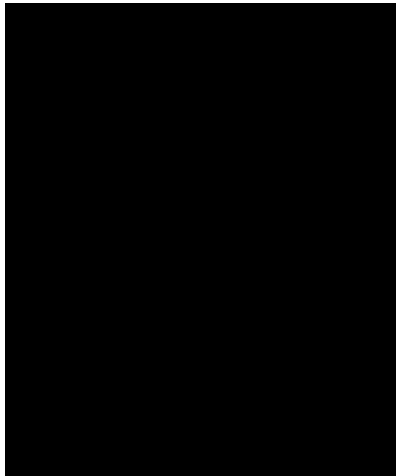
Design: VEKSØ A/S



# BIN SHELTERS







# AULA

VEKSØ

BIN SHELTERS

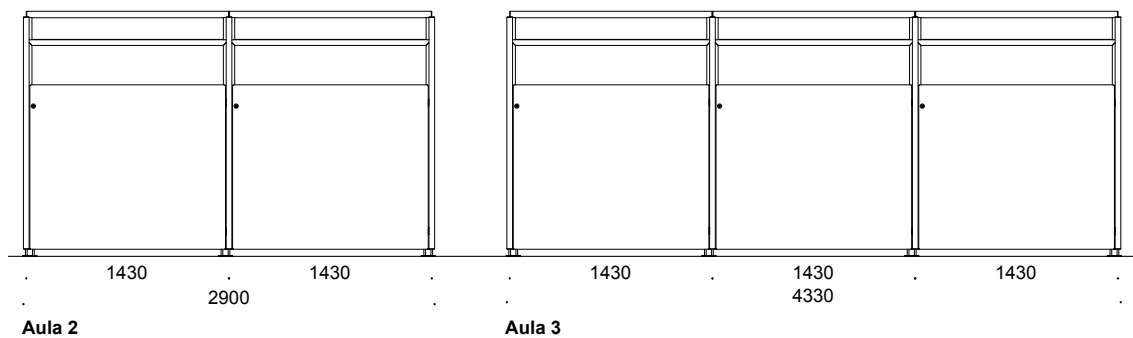
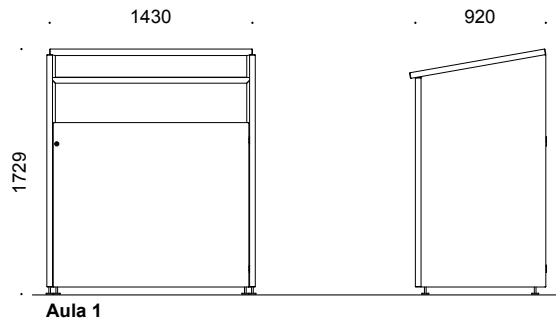




## Aula

- Sides/doors/roof 3 mm steel sheet, coffer design.  
Hot-dip galvanised steel. Can also be powder coated.  
For standard colours, see product info.
  
- Doors Available with right- or left-hinged doors at front.  
Please state which is required when ordering.
  
- Locking system Standard door lock, opened using a square key.  
Locks automatically on closing.
  
- Modular design Can be extended with additional bays.
  
- Installation Surface mounting by means of adjustable baseplates  
of hot-dip galvanised steel.  
Adjustment 0-100 mm.

Design: VEKSØ A/S



# SERVITEL

AARHUS MUNICIPALITY

BIN SHELTERS

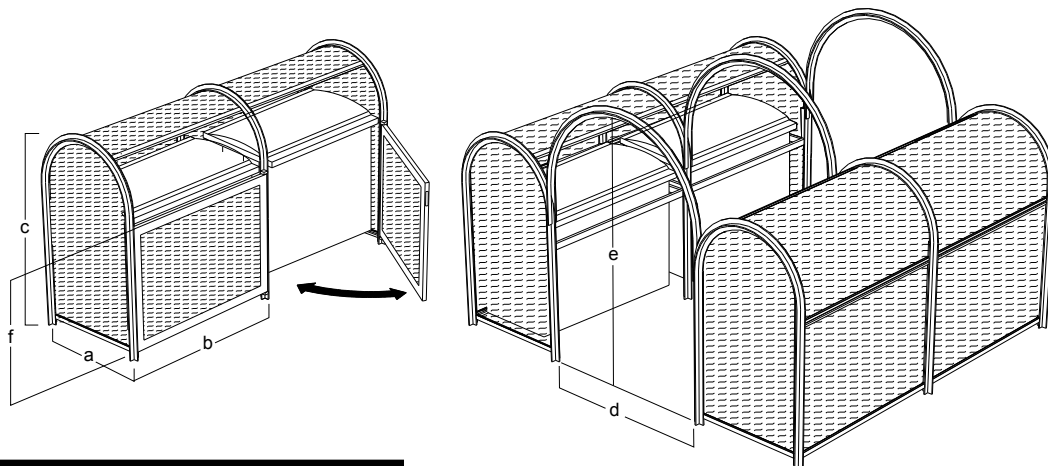




## Servitel

- Arches 86 x 68 mm
- Horizontal struts 33 x 33 mm
- Expanded metal mesh 3 mm  
Aluminium, extruded.  
Powder coated RAL 6005, green.
  
- Doors 55 x 33 mm  
Expanded metal mesh: 3 mm  
Aluminium, extruded.  
Powder coated RAL 6005, green.  
Available with right- or left-hinged doors at front or bars that can be lowered in front of the containers. Please state which is required when ordering.
  
- Locking system Stainless steel. Opened by means of a square key.  
Locks automatically on closing.
  
- Modular design Can be extended with additional bays.
  
- Option For other standard colours, see product info.
  
- Installation Ø 100 mm steel flange.  
Hot-dip galvanised steel tubing for embedment or surface mounting.

Design: Aarhus Municipality, City Architects



mm	M 905	M 1430	M 1610	M 1610XL
a	905	905	905	1300
b	905	1430	1610	1610
c	1700	1700	1700	1900
d	1440	1440	1440	1620
e	2150	2150	2150	2300
f	1100	1100	1100	1100

# ARCH MILJÖ

PS DESIGN

BIN SHELTERS





## Arch miljö

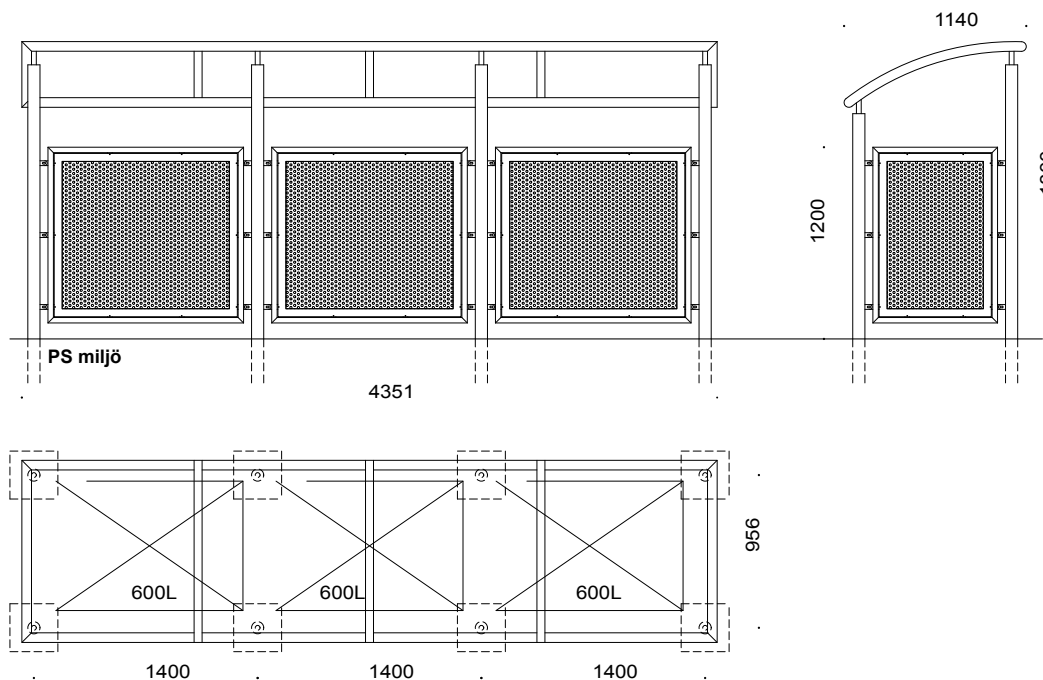
Posts                    Ø 76 mm  
 Roof frame              Ø 60 mm  
 Roof                      1.5 mm steel sheet  
 Panel frame             Ø 33.7 mm  
 Panels                    1.5 mm perforated steel sheet.  
                               Hot-dip galvanised steel. Can also be powder coated.  
                               For standard colours, see product info.

Modular design      Basic module 1400 mm  
                               Can be extended with additional bays.

Option                    Arch miljö is available with doors at the front in the  
                               same material as the panels.

Installation              Embedment.

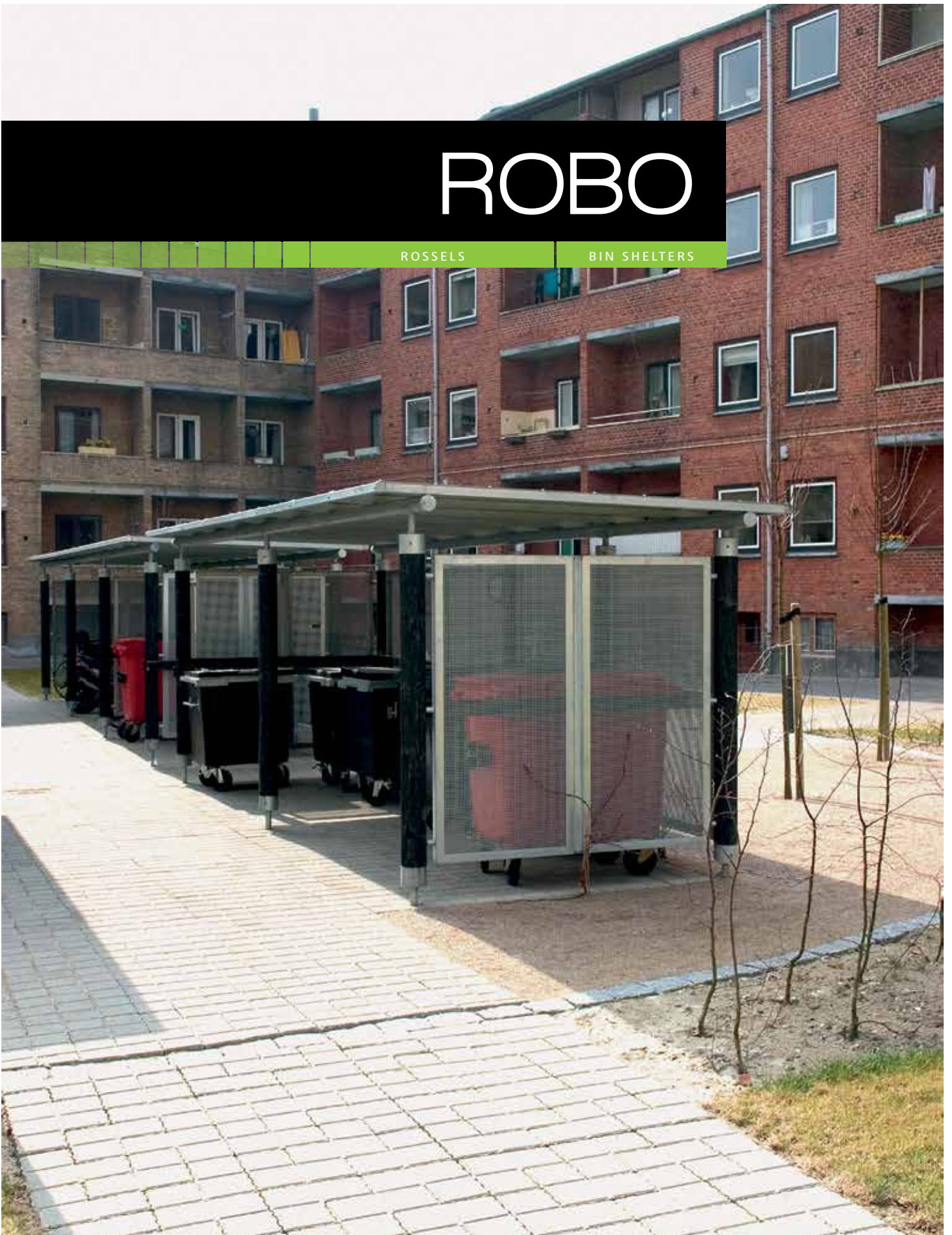
Design: PS Design



# ROBO

ROSSELS

BIN SHELTERS







## Robo

Rafters 50 x 50 mm steel  
 Roof 1.5 mm steel sheet  
 Beams Ø 89 mm steel  
 Panel frame 40 x 40 mm angle/T-steel  
 Panels 1.5 mm perforated steel sheet.  
 Hot-dip galvanised. Can also be powder coated.  
 For standard colours, see product info.

Posts Ø 140 mm  
 Pressure-impregnated pine, painted black.

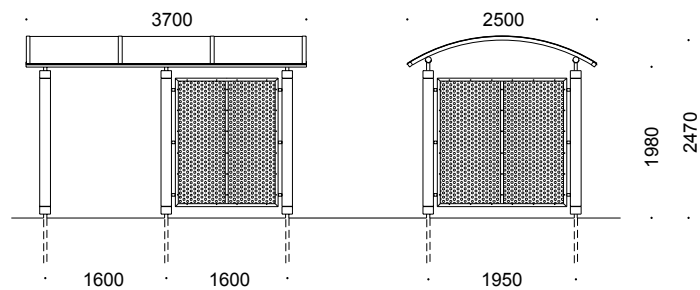
Modular design Can be extended with additional bays.

Option Available with posts of galvanised steel.  
 Available with 1.5 mm perforated steel panel sheets in coffer design.  
 Available with steel gutter and downpipe to ground surface.  
 Available with lighting.

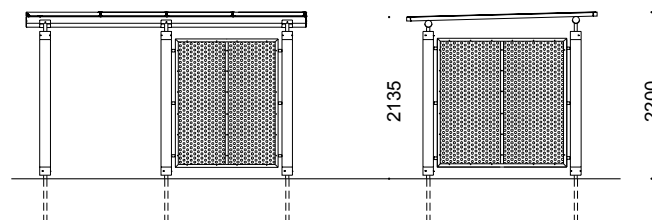
NOTE Robo requires panels on at least one crosswise and one lengthwise section for stability.

Installation Embedment.

Design: Rosseels landscape architects ApS



**R 1000 with a curved roof construction**



**R 1000 with a flat roof construction**

# TENUTO

VEKSØ

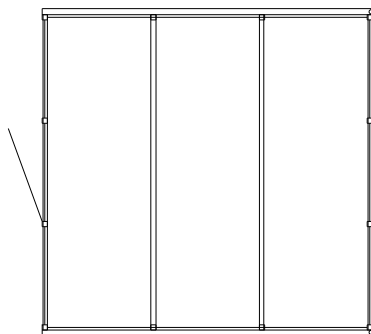
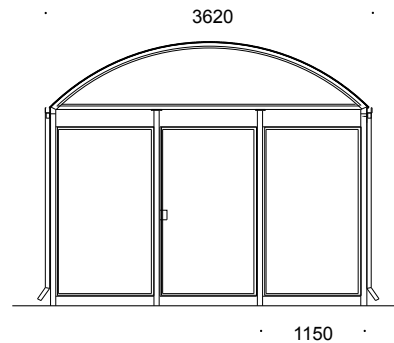
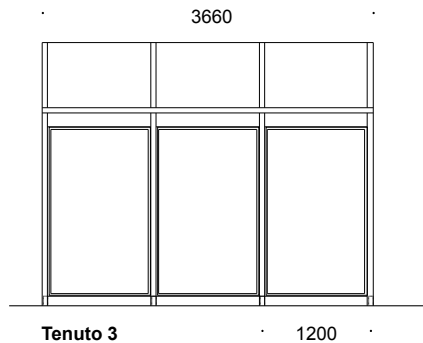
BIN SHELTERS



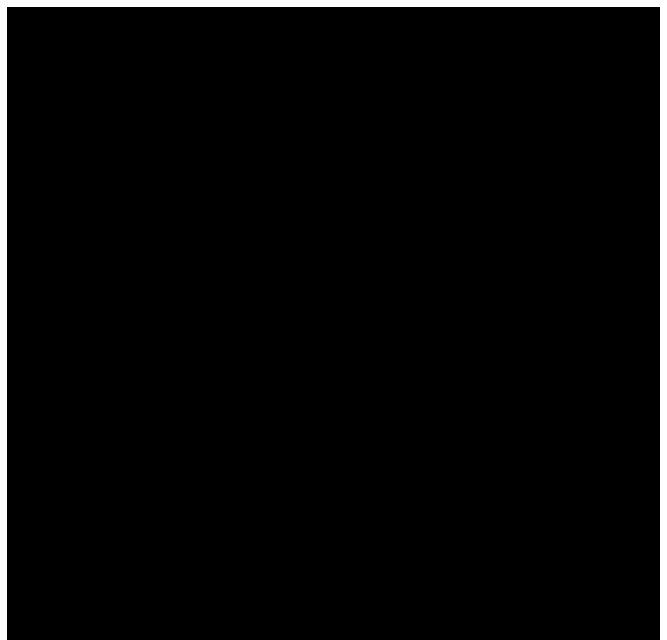
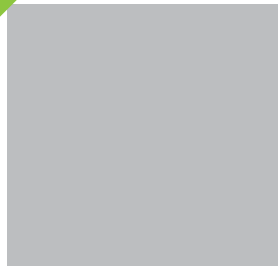


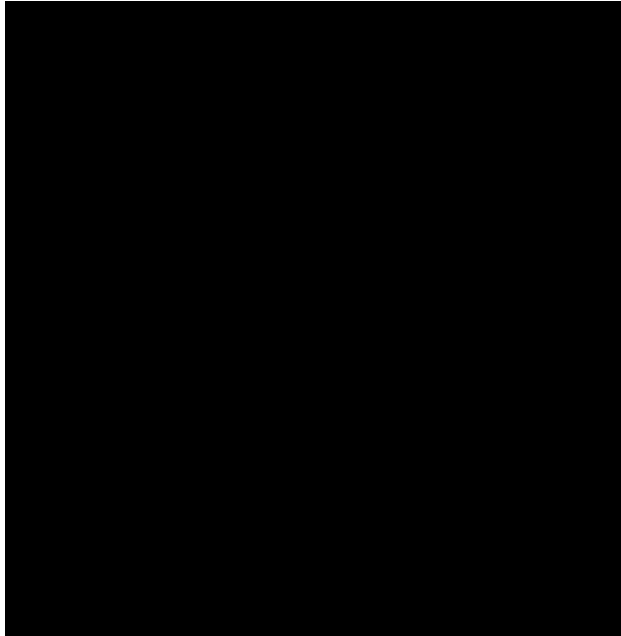
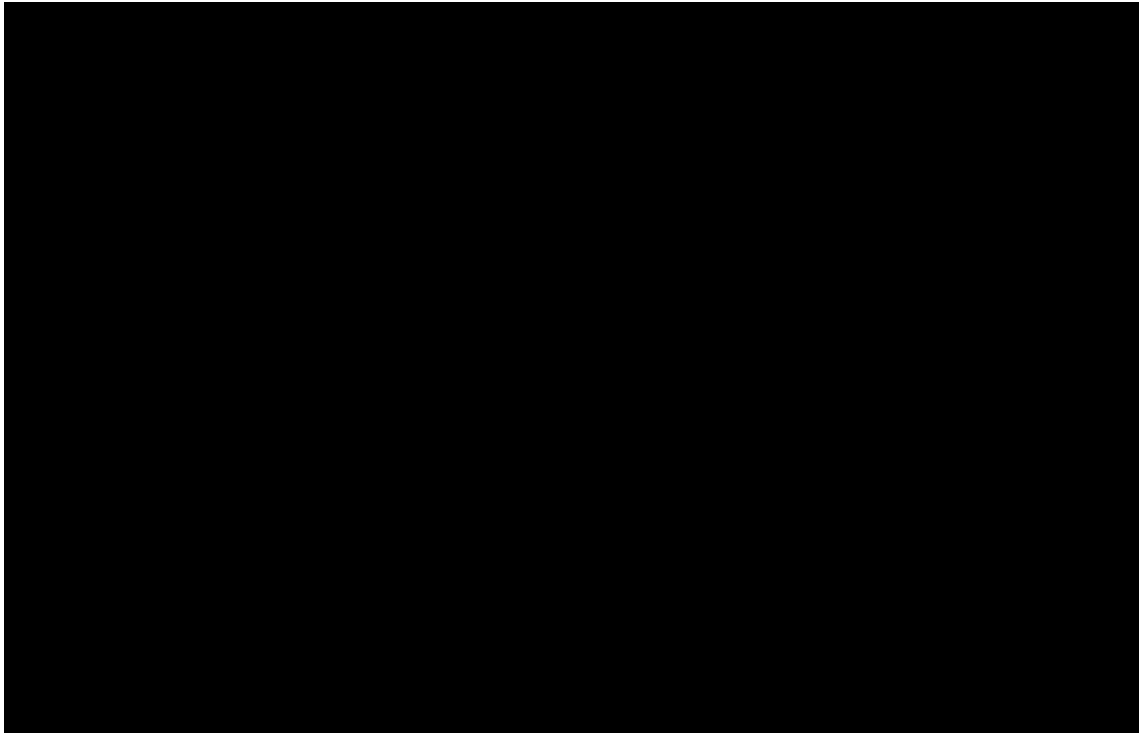
## Tenuto

Posts and rafters	60 x 60 mm
Frames and doors	50 x 50 x 5 mm
Panels	Expanded metal mesh (1342-4525)
Roof and gables	1.5 mm steel sheet. Hot-dip galvanised steel. Can also be powder coated. For standard colours, see product info.
Door	Equipped with Ruko lock and door handle.
Gutter	U-profile, hot-dip galvanised, with downpipe to ground surface.
Modular design	Basic module 3660 mm, can be extended with additional 1200 mm bays.
Installation	Embedment.
Design:	VEKSØ A/S



# MAIL BOXES

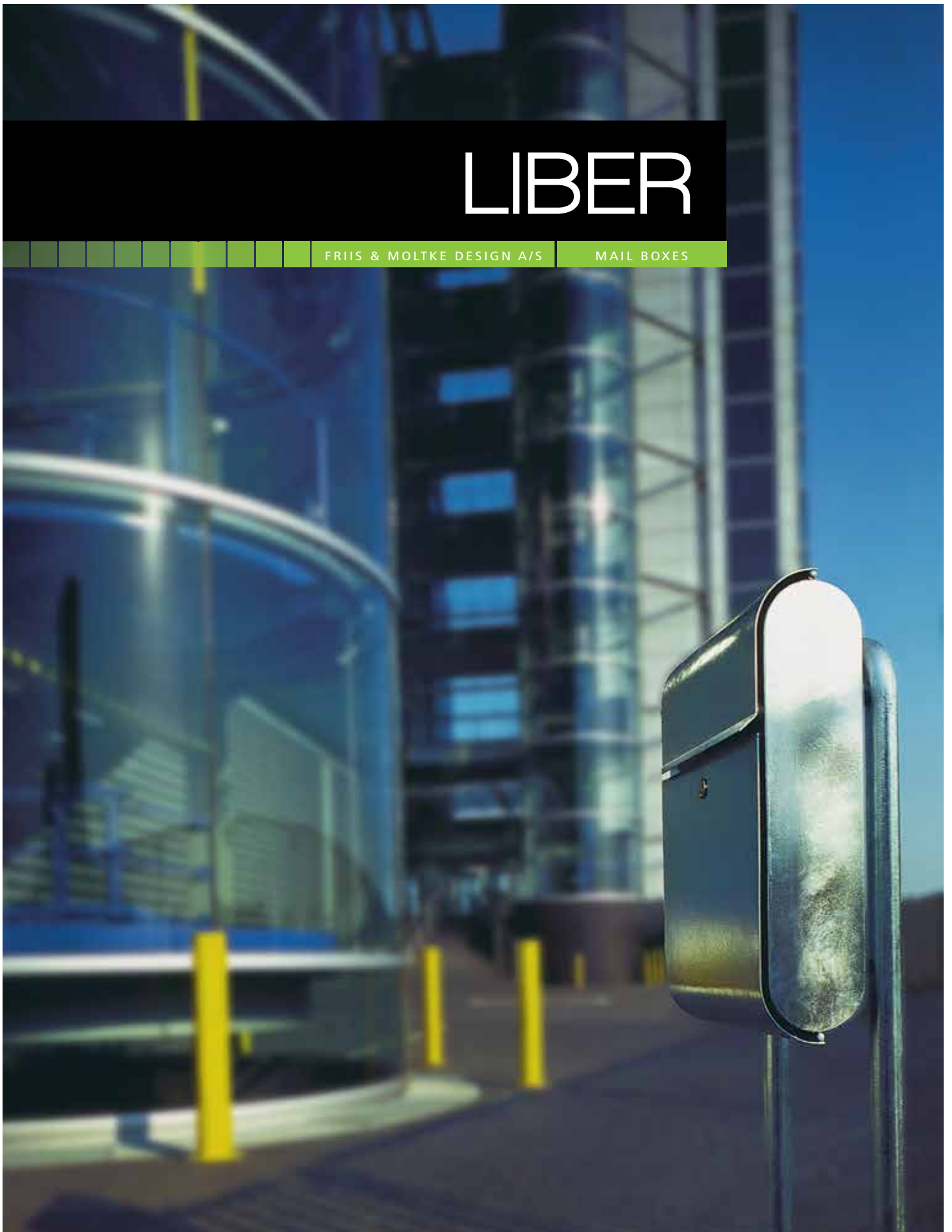




# LIBER

FRIIS & MOLTKE DESIGN A/S

MAIL BOXES





## Liber

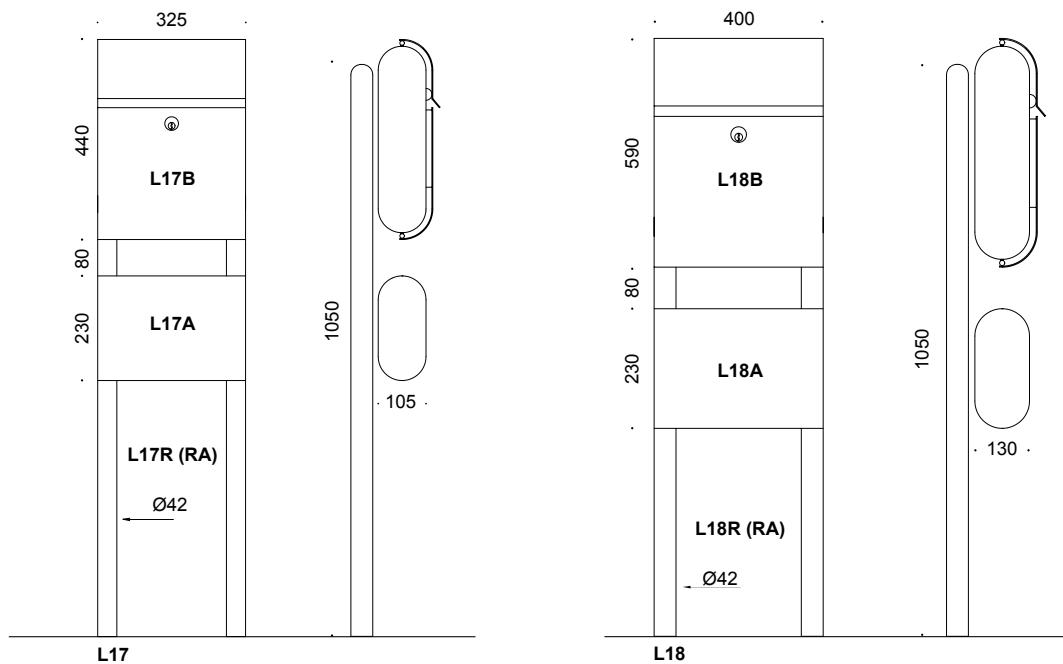
Mail box / newspaper holder 2 mm  
 Support Ø 42 mm  
 Hot-dip galvanised steel or hot-dip galvanised and powder coated steel.  
 For standard colours, see product info.

Lock Ruko lock incl. 2 keys.

Option Available with light fitting / newspaper holder.

Installation Mounting on wall or embedded support.

Design: Friis & Moltke Design A/S



# OUTFIT

ANNE QVIST DESIGN OFFICE

MAIL BOXES







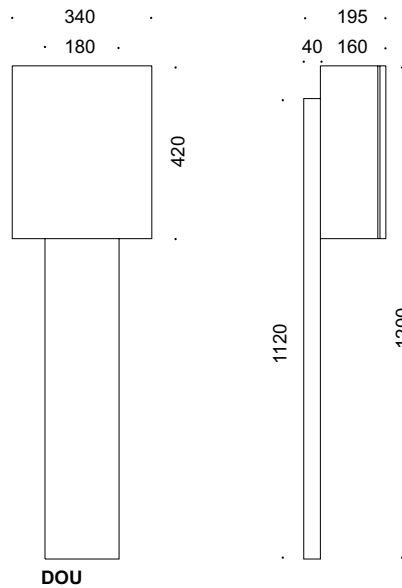
## Outfit

Mail box 2 mm  
Support 40 x 180 mm  
Aluminium, powder coated in standard colours,  
see product info.

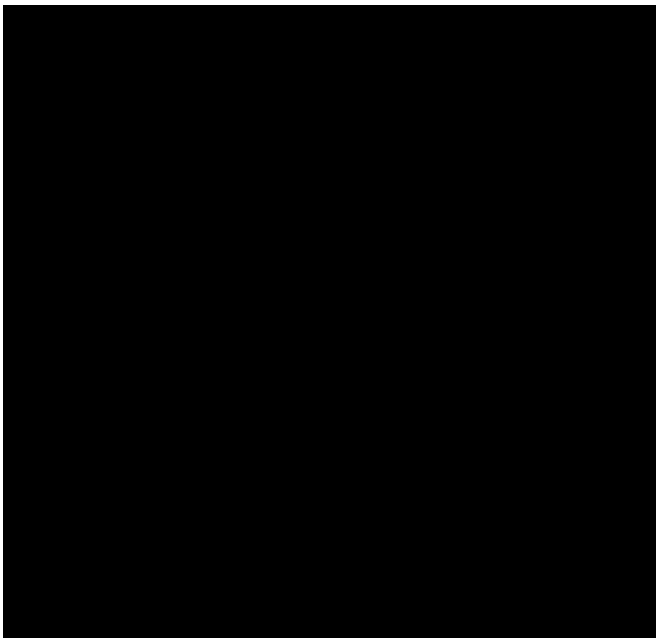
Lock Ruko lock incl. 2 keys.

Installation Mounting on wall or embedded support.

Design: Anne Qvist Design Office



# PRODUCT INFORMATION





## Materials and maintenance

### Materials

#### Steel

VEKSØ's steel products are galvanised according to the DS/ISO 1461/DIN 50976 international standard. The high quality of our galvanised steel guarantees the products a long service life.

All bolts and screws are of stainless steel (A2).

#### Stainless steel

VEKSØ's stainless steel products are of AISI 304/316 quality. The surface is glass-blasted and pickled.

#### Aluminium

VEKSØ's aluminium products are of saltwater-resistant aluminium.

#### Wood

VEKSØ benches are supplied as standard in pressure-impregnated pine, untreated mahogany or oiled mahogany or ash. Pine is impregnated with a recognised preservative to which has been added mould and mildew fungicides. Mahogany and ash are treated twice with oil, and sanded between applications. The oil used is a top-quality, specially formulated product which is extremely water repellent. VEKSØ does everything in its power to obtain high quality wood with utmost consideration for the environment. The mahogany used by VEKSØ is FSC certified. Certificate Registration Code: SW-COC-004323. Other wood types are available on request.

#### Miscellaneous

Customised sizes and finishes available to order.

### Maintenance

#### Steel

Steel galvanised to DS/ISO 1461/DIN 50976 requires a minimum of maintenance. Regular cleaning of galvanised surfaces to remove salt and similar aggressive materials will prolong the lifespan of the product.

#### Stainless steel

VEKSØ recommends cleaning at six-month intervals. The recommended interval is strongly dependent on the environment in which the product is located.

#### Aluminium

Anodised aluminium requires a minimum of maintenance. Regular cleaning will maintain the decorative appearance of aluminium for many years to come.

#### Powder coating

The polyester coating is electrostatically applied to the galvanised surface. The coating is impact resistant and weatherproof.

VEKSØ recommends cleaning at six-month intervals. Ordinary dirt should be removed with a non-abrasive, solvent-free detergent.

Any scratches or damage to the coating can be repaired with a special enamel paint or Autoflex, gloss 60+/-10.

#### Screws/bolts

Should be periodically re-tightened.

#### Wood

Benches should be maintained at six to twelve month intervals or whenever their water repellency is significantly diminished. The seat slats require greatest attention as these are usually subject to most wear.

If the wood is clean, simply wipe it with a cloth soaked in wood oil. If the wood is dirty, poorly maintained, grey and unattractive or stained from dampness, it should be treated with a wood cleaner/freshener before oil is applied.

Should you require further information, please request VEKSØ's maintenance sheet for wood.

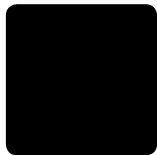
Further information is also available in the instructions for use and maintenance of VEKSØ products available at [www.veksø.com](http://www.veksø.com).



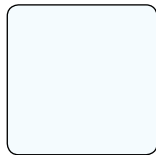
## VEKSØ's standard colours

Steel and aluminium parts are available in a variety of powder coatings.  
 Non standard colours available at extra charge.  
 Some coatings may form a slightly rough surface on galvanised materials.

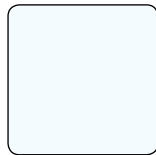
For reasons of printing technique, the colours reproduced here may differ slightly from the true colours.  
 Subject to change without notice.



Black:  
RAL 9005



White:  
RAL 9016



White, texture:  
RAL 9016 - Fiji



Grey:  
RAL 7016



Grey:  
RAL 7021



Grafital



Green:  
RAL 6005



Green:  
RAL 6009



Blue:  
RAL 5011



Blue:  
RAL 5013



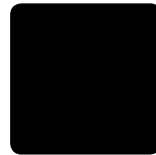
Metallic:  
RAL 9006



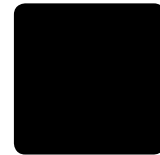
Grey:  
RAL 9007



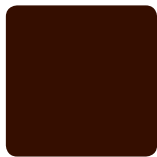
Metallic texture:  
Silver grey



Black, texture:  
Sable noir 100



Black, texture:  
Sable noir 200



Mars, texture:  
Sable 2525  
(like Corten)



## VEKSØ wood types – guide to choice of wood

### Mahogany



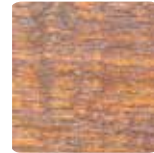
New, untreated



Aged, approx.  
6 months

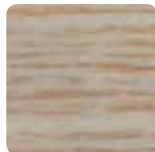


Aged, approx.  
1 year

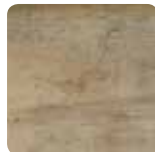


\*Oiled

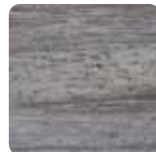
### Ash



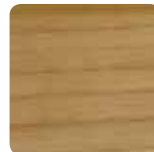
New, untreated



Aged, approx.  
6 months



Aged, approx.  
1 year



\*Oiled

### Pine, pressure impregnated



New, pressure  
impregnated



Aged, approx.  
6 months



Aged, approx.  
5 years

*\*To maintain the appearance of oiled wood, it is important that VEKSØ's maintenance instructions for oil-treated wood are observed. Oiled wood will, however, still weather to a certain extent.*





## Recommended foundation size for embedded VEKSØ products

Foundation size given as surface area x depth in mm.

### Seats and tables

Comfort	300x300x600
Cubic	300x300x600
Daily	400x400x600
Europa	300x300x600
Jive, table and seat set	300x300x600
Jive, seat	300x300x600
Lily	400x400x600
Luna	700x300x600
New Urban	300x300x600
Opera	400x400x600
Pal	300x300x600
Plus	300x300x600
Siesta, table and seat set	300x300x600
Siesta, seat	300x300x600

### Litter bins

Aros	400x300x600
Collect	300x500x400
Comfort	300x500x400
Copenhagen	300x300x600
Define 10.116 - 117	300x500x400
Doggy	400x300x600
Fumus	300x300x600
Ground	300x300x600
Input	300x300x600
Lotus	300x300x600
Royal	300x300x400
Rufle	300x300x400
Shine 10.126 - 127	300x500x400

### Bollards

Classic and Malmø, tactile	300x300x600
Dian	300x300x600
Guard	400x600x600
Lenta 11, 12, 13	300x300x600
Lenta 15, 16	400x400x600
Lenta 17, 18	400x400x600
Lenta 19	300x300x600
Lenta Stop	400x400x700
Marcato	400x400x600
Mixo 8, 9, 10	400x400x700
Pausa SP1 - 2 - 3 - 4	300x300x600
Royal	300x300x600
Solid	300x300x600
Torino	300x300x600

### Bicycle stands

Andy	300x300x600
Aros bicycle stand	300x300x600
Aros bicycle stand XL	300x300x600
Aros footrest	300x300x600
Dian	300x300x600
G-type	300x300x600

Jody	300x300x600
Klo	300x300x600
Koda	300x300x600
Largo	300x300x600
Luna	300x300x600
Noah	300x300x600
Noli	300x300x600
Opus	800x200x600
Outfit	300x300x600
Royal	300x300x600
Silhuet	300x300x600
Solid	300x300x600
Torino	300x300x600

### Cycling

Aros cyclist counter	600x600x900
Aros pump, compressor	400x300x600
Aros pump, manual	400x300x600

### Twinning plant stand

Milano, large	800x800x400
Odense	300x300x300
Svendborg	300x300x400

### Shelters

Arch	900x900x250
Aros	1250x450x1050
Cape	400x400x800
Duro	400x400x800
Kolding	450x1200x800
Libitum	400x900x800
Lobby D	1500x450x1050
Lobby S	1250x450x1050
Mascot D	600x600x900
Mascot S	400x400x800
Robo	400x400x800
Silhuet	500x1000x800
Tokyo D	1500x450x1050
Tokyo S	1250x450x1050

### Bus shelters

Ario	600x600x800/300x300x600
Ikast	400x400x800

### Bin shelters

Arch	300x300x600
Robo	400x400x800
Servitel	300x300x600
Tenuto	500x500x800

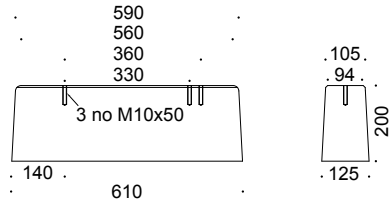
### Mail boxes

Liber	400x300x600
Outfit	400x300x600

## Pre-cast concrete foundations for seats and litter bins

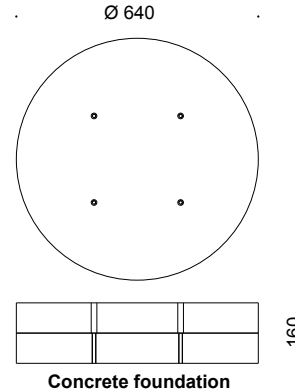
### Seats

Copenhagen seat, Pal, Daily, Vienna



### Litter bins

Input 60 l, Input 100 l, Rufle, Lotus, Copenhagen



## Embedment piece for litter bins and bollards, hot-dip galvanised steel

### Litter bins

Input 60 l, Input 100 l, Copenhagen, Lotus/Lotus Malmö, Fumus, Rufle

### Bollards

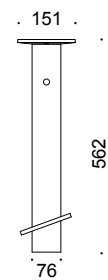
Lenta 18, Marcato

### Bollards

Classic, Torino

### Bollards

Lenta 13



**VEKSØ Street Design Ltd**

15 Hollingworth Court  
Turkey Mill, Ashford Road  
Maidstone  
Kent ME14 5PP

T +44 (0) 1622 609 000

F +44 (0) 1622 609 006

[info@vekso.com](mailto:info@vekso.com)

[www.vekso.com](http://www.vekso.com)