

# DINEX®

# CARLISLE

INNOVATION FOR HEALTHCARE FOODSERVICE



# QUICK REFERENCE GUIDE

## DESIGNER COLOR COLLECTIONS

Home Décor Collection	4 - 5
The Prestige Collection	6 - 7
Traditional Collection	8 - 9

## TRAYTOP WARE

### WARE

Turnbury Insulated Ware	11 - 14
Heritage Insulated Ware	15 - 18
Classic Insulated Ware	19 - 24
Tradition Insulated Ware	25
Tropez High Temp Ware	26 - 28

### DOMES, BASES AND UNDERLINERS

Single Wall Domes	30
Tropez High Temp Domes	31 - 32
Insulated Domes	30 - 31
Perfect-Temp Domes	32
Insul-Bases	33
Underliners	33
Induction Bases	34
Power-Therm® Induction Bases	34

### TUMBLERS, TULIP CUPS AND BOWLS

Juice Cups (Insulated)	36
Tumblers - Juice & Iced Tea	36
Tulip Cup	37
Tulip Bowl	37

### TRAYS & WASHRACKS

Insulated Tray Washracks	38
Carlisle Washrack Cross Reference	39
Flat Trays	41
Room Service Trays	41
Thermal-Aire™ Trays	41
Meals on Command Tray	41

## DISHWARE & DISPOSABLES

### DISHWARE (Reusable)

Dinet® China	44
High Heat China	44
Therma-Cite Dishware (Melamine)	44 - 45

### DISHWARE (Disposable)

Entrée & Side Dishes	45
High Heat Disposable Dishware	46
Soup Bowls & Lids	46

### LIDS (Disposable)

Carlisle Tumbler & Dinex Lid Cross Reference	48
Turnbury Insulated Ware Lids	49
Heritage Insulated Ware Lids	49
Royal Legacy Insulated Ware Lids	49
Classic Insulated Ware Lids	50
Tradition Insulated Ware Lids	50
Tropez High Temp Lids	51
Generic Healthcare Lids	51
Juice Cup & Tumbler Lids	52
Procap Lids	53

## INSULATED TRAY SYSTEMS

Solar	59
Gemini	59
Ultima	60
Omni (Slammer)	60
Insulated Tray Washracks	61
Insulated Tray Racks	61
Stacking Carts - Insulated Tray Systems	61
Suspended Carts - Insulated Tray Systems	62

## DECORATOR PAPER PRODUCTS

### TRAYCOVERS & NAPKINS

Traycovers & Dinner Napkins	64 - 72
Traycovers - Solid Color	72
Napkins	73 - 75
Cutlery Caddies	76

## THE HAPPENINGS HOLIDAY COLLECTION

Fall	78, 82 - 84
Winter	79, 82 - 84
Spring	80, 82 - 84
Summer	81, 82 - 84

## MENUS, DIET CARDS & TRAY TICKETS

Menu Forms	85 - 86
Tray Tickets	87
Dietary Tray Cards	87
Reusable Menu Holders, Table Tents	90 - 91

## DIETARY MEAL KITS

Deluxe Dinet Kits	88
Deluxe Pocket Kits	89
Junior Kits	89
Specialty Kits	89

## DINEX EQUIPMENT SYSTEMS

### INDUCTION HEATING SYSTEMS

#### SMART-THERM® STSI

Smart-Therm® Induction Charger	94 - 95
Induction Bases	95
Induction Charger Tables	96

#### TURBO-TEMP

Turbo-Temp® Induction Charger	97 - 98
Induction Bases	98
Induction Charger Tables	99

#### POWER-THERM®

Power-Therm® Induction Bases	99
------------------------------	----

### SERVING SYSTEMS

#### MEALS ON COMMAND

Hot/Cold Tray Delivery System	101 - 103
-------------------------------	-----------

#### HEATED CABINET

Heated Cabinet	103
----------------	-----

#### HOLD-N-SERV™

Hold-N-Serv™	104 - 105
Hold-N-Serv™ Support Cart	106
Hold-N-Serv™ Transfer Dolly	106

### RETERM EQUIPMENT

#### PERFECT-SERV™ II

Perfect-Serv II™	108 - 109
Perfect-Serv II™ Support Cart	110
Perfect-Serv II™ Transfer Dolly	110

#### THERMAL-AIRE™

Thermal-Aire™ Carts	111 - 112
Thermal-Aire™ Docking Stations	113
Thermal-Aire™ Patient Trays	113

#### BULK RETHERM CABINET

Bulk Retherm Cabinet	114
----------------------	-----

#### PERFECT-TEMP® SERVERS & COVERS / TRAY WARE

Classic	115
Classic II	116
Entrée Domes (Insulated)	116
Soup Domes	116

## DINEXPRESS® COUNTERS

Hot Food Counters	121
Hot Top Counters	122
Specialty Hot Food Counters	123
Hot / Cold Food Counters	124
Carving Table	124
Solid Top Counters	125
Corner Counters	125
Beverage Urn Stand	126
Cashier Stand	126
Cold Food Counters	127 - 128
Frost Top Counters	128
Ice Cream Freezer & Milk Cooler	129
Counter Options and Accessories	130 - 132
Food Protector (Sneeze Guard)	133 - 135
Specialty Counter Tops & Accessories	136

## VALUXPRESS® COUNTERS

Hot Food Counters	140
Cold Food Counters	140
Urn Stands / Beverage Counters	141
Solid Top Counters	141

## REFRIGERATION

Air Curtain Refrigerator	144
Blast Chillers	144
Ice Cream Freezer	145
Milk Cooler	145

## DISPENSERS

### PLATE DISPENSERS

Open Style - Unheated	148
Enclosed Style - Unheated	148
Drop-In Plate Dispensers	149
Open Style - Heated	149
Enclosed Style - Heated	150
Plate Dispenser Accessories	150

### TRAY & WASHRACK DISPENSERS

Mobile Washrack Dispensers	152
Solid Shelf Tray Dispensers	153
Enclosed Tray Dispensers	153
Cantilever Tray Dispensers	153
Tray & Silverware Dispensers	154

## DRYING & STORAGE RACKS

Insulated Tray Racks	157
Flat Tray Racks	157
Induction Base Drying Racks	157
Dome Storage Racks	158

## HEATERS

### WAX BASE HEATERS

Convection Base Heater	161
------------------------	-----

### BASE HEATER ACCESSORIES

Base Lifters	161
Gloves	161
Wax Base	161
General Accessories	161

### PLATE HEATERS

Convection Plate Heater (Colossus)	163
Combination Wax Base & Plate Heater	163

## TRAY DELIVERY CARTS

### CARTS - SUSPENDED & STACKING

Suspended Carts	166
Stacking Carts	167

### CARTS - TRAY DELIVERY

Economy Tray Delivery Carts	168
Value Line Tray Delivery Carts	169 - 170
Specialty Tray Delivery Carts	171 - 172
Deluxe TMP® Tray Delivery Carts	173 - 174
Accessories for TMP® Delivery Carts	174 - 175

## STARTER STATIONS & CONVEYORS

Starter Stations	178
Cantilever Conveyors	178
Skate Wheel Conveyors	178
PVC Roller Conveyors	179
Fabric Belt Conveyors	179
Slat Belt Conveyors	179
Band Belt Conveyors	180
Conveyor Options	180

## TRAYLINE SYSTEM SCHEMATICS

Room Service Trayline	181
Induction System	182
Perfect-Temp® System	183
Wax Base System	184
Pod System	185

## INDEX

Alpha-Numeric by Item Number	186
------------------------------	-----

All implied warranties, including the implied warranties of merchantability and fitness for a particular purpose are excluded.

In no event will Dinex® have liability for any special, incidental, indirect or consequential damages.

The specifications and prices listed in this document are subject to change. Dinex® does not assume responsibility for typographical errors.

© 2009 Dinex-Carlisle

# TABLE OF CONTENTS

## DESIGNER COLOR COLLECTIONS

Home Décor Collection .....	3 - 5
The Prestige Collection .....	3, 6 - 7
Traditional Collection .....	3, 8 - 9

## TRAYTOP PRODUCTS

Turnbury® .....	11 - 14
The Heritage Collection® .....	15 - 18
Dinex® Classic .....	19 - 24
Tradition .....	25
Tropez® High-Temp Ware .....	26 - 28
Domes .....	29 - 32
Insul-Bases, Underliners & Induction Bases .....	29, 33 - 34
Juice Cups, Tumblers, Tulip Cup & Bowl .....	35 - 37
Trays & Washracks .....	38 - 41
Washrack Cross Reference .....	39

## DISHWARE & DISPOSABLES

Dinet® China Dishware .....	43 - 44
High-Heat China Dishware .....	43 - 44
Therma-Cite® (Melamine) Dishware .....	43 - 45
Disposable Dishware .....	43, 45
High-Heat Disposable Dishware .....	43, 46
Disposable Lids .....	47 - 53
Carlisle Tumbler & Dinex Lid Cross Reference .....	48

## INSULATED TRAY SYSTEMS

Solar & Gemini .....	55, 59
Ultima & Omni-“The Slammer” .....	56, 60
Support Equipment .....	57, 61 - 62
Dishware Compatibility Chart .....	58

## DECORATOR PAPER PRODUCTS

Traycovers, Napkins & Cutlery Caddies .....	64 - 76
The Happenings Collection Holiday Catalog .....	77 - 84
Menu Forms, Tray Tickets & Diet Cards .....	85 - 87
Dietary Meal Kits .....	88 - 89
Reusable Menu Holders & Speciality Products .....	90 - 91

## DINEX® EQUIPMENT & SYSTEMS

Smart-Therm STSII® & Turbo-Temp Induction Systems .....	84 - 99
Meals on Command™ .....	101 - 103
Heated Cabinet .....	101, 103
Hold-N-Serv .....	104 - 106
Perfect-Serv® II Bulk Retherm System .....	108 - 110
Thermal-Aire® Convection Retherm System .....	111 - 113
Bulk Retherm Cabinet .....	114
Perfect-Temp® Support Equipment .....	115 - 116
DineXpress® Guest Dining Systems .....	118 - 136
ValuXpress Economical Modular Counter System .....	138 - 141
Refrigeration (Air Curtain Refrigerator, Blast Chillers, Ice Cream Freezer, Milk Cooler) .....	143 - 145
Dispensers (Plate, Washrack, Tray, Silverware) .....	147 - 154
Drying & Storage Racks .....	156 - 158
Plate & Wax Base Heaters .....	160 - 163
Tray Delivery Carts (Stacking, Suspended Tray, Enclosed) .....	165 - 175
Starter Station .....	177 - 178
Conveyors .....	177 - 180

## TRAYLINE SYSTEMS

Room Service Trayline .....	181
Induction System .....	182
Perfect-Temp® System .....	183
Wax Base System .....	184
Pod System .....	185

## PRODUCT INDEX

Alpha-Numeric by Item Number .....	186 - 196
------------------------------------	-----------





*Designer Color Collections*

# DESIGNER COLOR COLLECTIONS

FOR A COORDINATED LOOK TO FIT ANY FACILITIES NEEDS

Introducing contemporary new colors from Dinex! Ask for the popular Turnbury® Insulated Ware in the new designer Home Décor colors, along with the latest additions to the Heritage and Classic traytop ware families.

**NEW**

## HOME DÉCOR ● ● ●

Contemporary new colors in the popular Turnbury® Insulated ware from Dinex. New Sage, Plum and Latte colors, available in mugs, bowls, entrée domes and bases.



## PRESTIGE ● ● ● ●

Stylish and contemporary colors are featured in the Dinex Turnbury and Heritage traytop settings. Industry leaders in onyx, cranberry, midnight blue and hunter green for a designer tray presentation.



## TRADITIONAL ● ●

Classic style... industry standard colors in teal and mauve. Dinex is the traytop leader in patient satisfaction.



CALL TOLL FREE 800.523.9752

sage



turnbury

latte



turnbury

plum



turnbury

# *the Home Décor collection*

**NEW IN  
HERITAGE**



- COMING SOON -  
Heritage in Sage!

*Turnbury  
Traytop*



For a full listing of Turnbury products and colors see page 11.

## Turnbury Traytop



For a full listing of Turnbury products and colors see page 11.



**Orchid Borders** (Sage Pocketfold)



**Vertese**  
also coordinates with ●



**Harmony**



**Retro**  
also coordinates with ● ● ●



**Aztec** (Home Décor Napkin)  
also coordinates with ●



**Safari**

midnight  
blue



turnbury  
heritage  
classic

cranberry



turnbury  
heritage  
classic

hunter  
green



turnbury

onyx



turnbury  
heritage

# *the Prestige collection*

*Turnbury  
Traytop*



For a full listing of Turnbury products and colors see page 11.



# PRESTIGE COLLECTION



**Mosaic (Burgundy Napkin)**  
also coordinates with ●

**Rose Quartz**

**Freesia**  
also coordinates with ●

**Marbled Elegance**

**Filigree**



For a full listing of Heritage products and colors see page 15.

*Classic Traytop*



For a full listing of Classic products and colors see page 19.



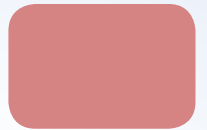
**Avanti II (Black Napkin)**  
also coordinates with ● ●

teal



heritage  
classic

mauve



heritage  
classic

# *the Traditional collection*



For a full listing of Classic products and colors see page 19.



For a full listing of Heritage products and colors see page 15.



**Sage Garden**  
(Ecru Pocketfold)  
also coordinates with ● ● ●

**Botanicals**

**Watercolors**  
also coordinates with  
● ● ● ● ● ●

**Blue Spring**  
(Marina Blue Napkin)  
also coordinates with ● ●

**Animals**

*Contact your Dinex representative for more information on customizing your facility's paper products.*



*Traytop Ware*



## TURNBURY®

CHINA-LIKE ELEGANCE FOR FOOD SERVICE

The distinctive sculptured design adds an air of refinement to patient service by fusing the elegant look of china with the superior temperature retention of foam insulation. Seven popular color choices coordinate beautifully with a wide selection of other Dinetray traytop products, including design coordinated Traycovers, Dinner Napkins and Patient Menus.



*The EZ-Sip disposable drink-through lid, designed exclusively to fit the Turnbury 8oz. cup, features snap-fit styling for safety and better temperature retention. The drink-through slot will also accommodate a straw. Also fits the Turnbury 5oz. bowl.*

### The TURNBURY® line includes:

8 oz. Mug, 5 oz. Bowl, 9 oz. Bowl, Insulated Dome

- Distinctive sculptured design
- Superior temperature retention
- Durable Construction
- Polypropylene material
- Double-wall construction with ozone-safe urethane foam insulation.



**NEW COLORS!**

Introducing the new colors for Dinetray Turnbury ware with coordinated traycovers and napkins. New Plum, Sage and Latte colors add a contemporary style to your tray... for a satisfied patient.



**TURNBURY® INSULATED MUG 8oz.**

Diameter	Height	Capacity	Wt. Per Pcs.	Pack	Case Wt.	Case Dimensions	Cube	Class
3-1/2"	4"	8 oz.	3.5 oz.	48	11.9 lb. (5.4 kg)	20.5" x 14.5" x 9" (52.1cm x 36.8cm x 22.9cm)	1.5	77.5



Spec Sheet: 301

Item No.	Old Item No.	Description	Color	UPC
DX300003	3000/11	Turnbury Insulated 8 oz. Pedestal Base Mug	Onyx	753806313675
DX300008	3000/36	Turnbury Insulated 8 oz. Pedestal Base Mug	Hunter Green	753806311244
DX300015	3000/33*	Turnbury Insulated 8 oz. Pedestal Base Mug	Teal	753806311169
DX300023	3000/27*	Turnbury Insulated 8 oz. Pedestal Base Mug	Gray	753806311152
DX300031	3000/31	Turnbury Insulated 8 oz. Pedestal Base Mug	Latte	753806314221
DX300050	3000/28	Turnbury Insulated 8 oz. Pedestal Base Mug	Midnight Blue	753806311213
DX300056	3000/12*	Turnbury Insulated 8 oz. Pedestal Base Mug	Mauve	753806311183
DX300061	3000/20	Turnbury Insulated 8 oz. Pedestal Base Mug	Cranberry	753806311176
DX300068	3000/68	Turnbury Insulated 8 oz. Pedestal Base Mug	Plum	753806314238
DX300084	3000/84	Turnbury Insulated 8 oz. Pedestal Base Mug	Sage	753806314245

**LIDS**

Item No.	Old Item No.	Description	Pack	Case Wt.	Cube	UPC	Class
DX30008714	3000/8714	Translucent Lid	1,500	7.5 lb. (3.4kg)	2.5	753806460027	250
DX30008775	3000/8775	EZ-Sip™ Lid	1,000	7.5 lb. (3.4kg)	2.3	753806460041	250

The stylish, insulated 8 oz. mug for hot or cold beverages features contemporary “swirl” design with pedestal base and china-like appearance. The heavy-duty handle allows secure, three finger holding with thumb rest. Double-wall insulated with ozone-safe, urethane foam. Not stackable, not microwaveable. Use the EZ-Sip disposable drink-thru lid (DX30008775). Mug height with EZ-Sip lid is 4-3/8”.

**TURNBURY® INSULATED BOWL 5oz.**

Diameter	Height	Capacity	Wt. Per Pcs.	Pack	Case Wt.	Case Dimensions	Cube	Class
3-1/2"	2-3/8"	5 oz.	2.3 oz.	48	7.8 lb. (3.5 kg)	14" x 11" x 10.5" (35.6cm x 27.6cm x 26.7cm)	0.9	77.5



Spec Sheet: 301

Item No.	Old Item No.	Description	Color	UPC
DX320003	3200/11	Turnbury Insulated 5 oz. Pedestal Base Bowl	Onyx	753806313651
DX320008	3200/36	Turnbury Insulated 5 oz. Pedestal Base Bowl	Hunter Green	753806311268
DX320015	3200/33*	Turnbury Insulated 5 oz. Pedestal Base Bowl	Teal	753806311127
DX320023	3200/27*	Turnbury Insulated 5 oz. Pedestal Base Bowl	Gray	753806311220
DX320031	3200/31	Turnbury Insulated 5 oz. Pedestal Base Bowl	Latte	753806314252
DX320050	3200/28	Turnbury Insulated 5 oz. Pedestal Base Bowl	Midnight Blue	753806311206
DX320056	3200/12*	Turnbury Insulated 5 oz. Pedestal Base Bowl	Mauve	753806311145
DX320061	3200/20	Turnbury Insulated 5 oz. Pedestal Base Bowl	Cranberry	753806311138
DX320068	3200/68	Turnbury Insulated 5 oz. Pedestal Base Bowl	Plum	753806314269
DX320084	3200/84	Turnbury Insulated 5 oz. Pedestal Base Bowl	Sage	753806314276

**LIDS**

Item No.	Old Item No.	Description	Pack	Case Wt.	Cube	UPC	Class
DX30008714	3000/8714	Translucent Lid	1,500	7.5 lb. (3.4kg)	2.5	753806460027	250
DX30008775	3000/8775	EZ-Sip™ Lid	1,000	7.5 lb. (3.4kg)	2.3	753806460041	250

The stylish, insulated 5 oz. bowl for hot or cold features contemporary “swirl” design with pedestal base and china-like appearance. Double-wall insulated with ozone-safe, urethane foam. Not stackable, not microwaveable. Will also accept the EZ-Sip disposable drink-thru lid (DX30008775).

\* Indicates discontinued item. Quantities may be limited; call for availability.

## TURNBURY® INSULATED BOWL 9oz.

Diameter	Height	Capacity	Wt. Per Pcs.	Pack	Case Wt.	Case Dimensions	Cube	Class
4-3/8"	2-3/8"	9 oz.	3.3 oz.	48	11.2 lb. (5.0 kg)	17.5" x 13.25" x 10.25" (44.5cm x 33.7cm x 26.0cm)	1.4	77.5



Spec Sheet: 301

Item No.	Old Item No.	Description	Color	UPC
DX330003	3300/11	Turnbury Insulated 9 oz. Pedestal Base Bowl	Onyx	753806313668
DX330008	3300/36	Turnbury Insulated 9 oz. Pedestal Base Bowl	Hunter Green	753806311251
DX330015	3300/33*	Turnbury Insulated 9 oz. Pedestal Base Bowl	Teal	753806311114
DX330023	3300/27*	Turnbury Insulated 9 oz. Pedestal Base Bowl	Gray	753806311237
DX330031	3300/31	Turnbury Insulated 9 oz. Pedestal Base Bowl	Latte	753806314283
DX330050	3300/28	Turnbury Insulated 9 oz. Pedestal Base Bowl	Midnight Blue	753806311190
DX330056	3300/12*	Turnbury Insulated 9 oz. Pedestal Base Bowl	Mauve	753806311091
DX330061	3300/20	Turnbury Insulated 9 oz. Pedestal Base Bowl	Cranberry	753806311107
DX330068	3300/68	Turnbury Insulated 9 oz. Pedestal Base Bowl	Plum	753806314290
DX330084	3300/84	Turnbury Insulated 9 oz. Pedestal Base Bowl	Sage	753806314306

### LIDS

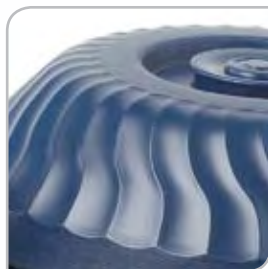
Item No.	Old Item No.	Description	Pack	Case Wt.	Cube	UPC	Class
DX11830174	1183/0174	Clear-view Dome Lid	1,000	7.7 lb. (3.5kg)	1.1	753806010024	150
DX33008714	3300/8714	Translucent Lid	1,000	7.1 lb. (3.2kg)	2.1	753806460034	250

The stylish, insulated 9 oz. bowl for hot or cold features contemporary "swirl" design with pedestal base and china-like appearance. Double-wall insulated with ozone-safe, urethane foam. Not stackable, not microwaveable.

TURNBURY®

## TURNBURY® INSULATED ENTRÉE DOME

Diameter	Height	Wt. Per Pcs.	Pack	Case Wt.	Case Dimensions	Cube	Class
10"	2-7/8"	12 oz.	12	10.0 lb. (4.5 kg)	14.25" x 10.5" x 10.75" (36.2cm x 26.7cm x 27.3cm)	0.9	77.5



Spec Sheet: 370

Item No.	Old Item No.	Description	Color	UPC
DX340003	3400/11	Turnbury Insulated Dome	Onyx	753806191358
DX340008	3400/36	Turnbury Insulated Dome	Hunter Green	753806190399
DX340015	3400/33*	Turnbury Insulated Dome	Teal	753806190351
DX340023	3400/27*	Turnbury Insulated Dome	Gray	753806190382
DX340031	3400/31	Turnbury Insulated Dome	Latte	753806191563
DX340050	3400/28	Turnbury Insulated Dome	Midnight Blue	753806190375
DX340056	3400/12*	Turnbury Insulated Dome	Mauve	753806190337
DX340061	3400/20	Turnbury Insulated Dome	Cranberry	753806190344
DX340068	3400/68	Turnbury Insulated Dome	Plum	753806191570
DX340084	3400/84	Turnbury Insulated Dome	Sage	753806191587

The stylish, insulated dome for 9" plate service features contemporary "swirl" design with molded-in handle and high food clearance. Double-wall insulated with ozone-safe, urethane foam. For use with Dinet Insul-Base (DX1077), Underliner/Wax Base (DX1087) and Induction Base (DX811series).

**Turnbury Dome Serving Height** (measured on standard patient tray)

<b>Dome only:</b> 2-7/8"	<b>with Induction Base:</b> 4-3/8"
<b>with Insul-Base:</b> 4-1/4"	<b>with Power-Therm Base:</b> 3-7/8"
<b>with Wax Base Underliner:</b> 4-3/4"	

\* Indicates discontinued item. Quantities may be limited; call for availability.

**INSUL-BASE**

Diameter	Height	Wt. Per Pcs.	Pack	Case Wt.	Case Dimensions	Cube	Class
9-1/2"	1-3/4"	8.0 oz.	12	6.6 lb. (3kg)	10" x 9.8" x 10" (25.4cm x 25.1cm x 25.4cm)	0.6	77.5



Spec Sheet: 370

Item No.	Old Item No.	Description	Color	UPC
DX107703	1077/11HT	Insul-Base for Classic, Heritage and Turnbury	Onyx	753806857254
DX107708	1077/36HT	Insul-Base for Classic, Heritage and Turnbury	Hunter Green	753806190405
DX107715	1077/33HT	Insul-Base for Classic, Heritage and Turnbury	Teal	753806190054
DX107723	1077/27HT*	Insul-Base for Classic, Heritage and Turnbury	Gray	753806190030
DX107731	1077/31HT	Insul-Base for Classic, Heritage and Turnbury	Latte	753806191594
DX107750	1077/28HT	Insul-Base for Classic, Heritage and Turnbury	Midnight Blue	753806190047
DX107756	1077/12HT	Insul-Base for Classic, Heritage and Turnbury	Mauve	753806190009
DX107761	1077/20HT	Insul-Base for Classic, Heritage and Turnbury	Cranberry	753806190023
DX107768	1077/68HT	Insul-Base for Classic, Heritage and Turnbury	Plum	753806191600
DX107784	1077/84HT	Insul-Base for Classic, Heritage and Turnbury	Sage	753806191617

Insulated base to hold standard 9" plates, fits all Dinex Entrée Domes. Combine with heated plate and Dinex Insulated Dome for extended temperature retention. Double-wall insulated with ozone-safe, urethane foam. The Dinex Insul-Base and Dome combination can also hold 3 Monkey Dishes (DX361514).

**UNDERLINER FOR WAX BASE**

Diameter	Height	Wt. Per Pcs.	Pack	Case Wt.	Case Dimensions	Cube	Class
9-1/2"	1-7/8"	7.9 oz.	12	6.8 lb. (3.1kg)	10.25" x 10.5" x 12" (26.0cm x 26.0cm x 30.5cm)	0.7	77.5



Spec Sheet: 370

Item No.	Old Item No.	Description	Color	UPC
DX108703	1087/11	Pellet Underliner for Classic, Heritage and Turnbury	Onyx	753806313637
DX108708	1087/36	Pellet Underliner for Classic, Heritage and Turnbury	Hunter Green	753806311275
DX108715	1087/33	Pellet Underliner for Classic, Heritage and Turnbury	Teal	753806370067
DX108723	1087/27*	Pellet Underliner for Classic, Heritage and Turnbury	Gray	753806370043
DX108731	1087/31	Pellet Underliner for Classic, Heritage and Turnbury	Latte	753806314313
DX108750	1087/28	Pellet Underliner for Classic, Heritage and Turnbury	Midnight Blue	753806370050
DX108756	1087/12	Pellet Underliner for Classic, Heritage and Turnbury	Mauve	753806370012
DX108761	1087/20	Pellet Underliner for Classic, Heritage and Turnbury	Cranberry	753806370036
DX108768	1087/68	Pellet Underliner for Classic, Heritage and Turnbury	Plum	753806314320
DX108784	1087/84	Pellet Underliner for Classic, Heritage and Turnbury	Sage	753806314337

Non-insulated underliner to hold the Dinex Wax Base. Protects the patient and the tray from the heated base. Helps to shield the cold items on the tray. Fits all Dinex Entrée Domes. Combine with heated plate and Dinex Insulated Dome for maximum temperature retention. One-piece construction, not insulated.

\* Indicates discontinued item. Quantities may be limited; call for availability.





## THE HERITAGE COLLECTION®

CONTEMPORARY STYLING WITH SUPERIOR TEMPERATURE RETENTION

For de-institutionalizing healthcare food service and making patients feel more at home, the Heritage Collection is the #1 choice. Attractive, durable and stackable, Heritage offers the best temperature retention in the industry—as proven in hospitals and nursing homes and verified by The U.S. Testing Laboratories Inc. Like all Dinex insulated products, Heritage traytop ware is manufactured with ozone-safe urethane foam insulation. Available in five contemporary colors.

### The HERITAGE COLLECTION® includes:

8 oz. Mug, 8 oz. Tumbler, 5 oz. Bowl, 9 oz. Bowl, 12 oz. Bowl, Insulated Dome

- Contemporary faceted styling and a china-like appearance.
- Ozone-safe urethane foam insulation
- Stackable
- Durable Construction
- Superior Heat Retention

**NEW COLOR!**



- COMING SOON -  
Heritage in Sage!

**NEW BOWL!**



### NEW 12 oz. BOWL

Dinex introduces the same great temperature retention in the new Heritage 12 oz. bowl. Available in midnight blue, mauve and cranberry.

**HERITAGE INSULATED MUG 8oz.**

Diameter	Height	Capacity	Wt. Per Pcs.	Pack	Case Wt.	Case Dimensions	Cube	Class
Base 3-3/4"- Lip 2-3/4"	3-1/2"	8 oz.	2.8 oz.	48	9.6 lb. (4.4kg)	15" x 12" x 14.5" (38.1cm x 30.5cm x 36.8cm)	1.5	77.5



Spec Sheet: 320

Item No.	Old Item No.	Description	Color	UPC
DX400003	4000/11H	Heritage Stackable 8 oz. Mug, insulated	Onyx	753806310506
DX400015	4000/33H	Heritage Stackable 8 oz. Mug, insulated	Teal	753806310582
DX400023	4000/27H*	Heritage Stackable 8 oz. Mug, insulated	Gray	753806310568
DX400050	4000/28H	Heritage Stackable 8 oz. Mug, insulated	Midnight Blue	753806310575
DX400056	4000/12H	Heritage Stackable 8 oz. Mug, insulated	Mauve	753806310513
DX400061	4000/20H	Heritage Stackable 8 oz. Mug, insulated	Cranberry	753806310551

**LIDS**

Item No.	Old Item No.	Description	Pack	Case Wt.	Cube	UPC	Class
DX40008700	4000/8700	Clear-view Flat Lid	2,000	6.7 lb. (3.0kg)	2.2	753806010284	150
DX40008714	4000/8714	Translucent Lid	2,000	6.4 lb. (2.9kg)	2.2	753806010291	250

High quality, fluted design with elegant china-like finish. Features maximum temperature retention, with sturdy "3-finger" handle. Double-wall insulated with ozone-safe, urethane foam. Stackable, not microwaveable.

**HERITAGE INSULATED TUMBLER 8oz.**

Diameter	Height	Capacity	Wt. Per Pcs.	Pack	Case Wt.	Case Dimensions	Cube	Class
Base 3-3/4"- Lip 2-3/4"	3-1/2"	8 oz.	2.6 oz.	48	8.7 lb. (3.9kg)	15.25" x 12" x 14.5" (38.1cm x 30.5cm x 36.8cm)	1.5	77.5



Spec Sheet: 320

Item No.	Old Item No.	Description	Color	UPC
DX410015	4100/33H*	Heritage Stackable 8 oz. Tumbler, insulated	Teal	753806310650
DX410023	4100/27H*	Heritage Stackable 8 oz. Tumbler, insulated	Gray	753806310643
DX410056	4100/12H*	Heritage Stackable 8 oz. Tumbler, insulated	Mauve	753806310629
DX410061	4100/20H*	Heritage Stackable 8 oz. Tumbler, insulated	Cranberry	753806310889

**LIDS**

Item No.	Old Item No.	Description	Pack	Case Wt.	Cube	UPC	Class
DX40008700	4000/8700	Clear-view Flat Lid	2,000	6.7 lb. (3.0kg)	2.2	753806010284	150
DX40008714	4000/8714	Translucent Lid	2,000	6.4 lb. (2.9kg)	2.2	753806010291	250

High quality, fluted design with elegant china-like finish. Features maximum temperature retention. Double-wall insulated with ozone-safe, urethane foam. Stackable, not microwaveable.

**HERITAGE INSULATED BOWL 5oz.**

Diameter	Height	Capacity	Wt. Per Pcs.	Pack	Case Wt.	Case Dimensions	Cube	Class
Base 3-3/4"- Lip 2-3/4"	2-1/2"	5 oz.	2.0 oz.	48	7.1 lb. (3.2kg)	15.25" x 11.5" x 10.5" (38.7cm x 29.2cm x 27.0cm)	1.1	77.5



Spec Sheet: 320

Item No.	Old Item No.	Description	Color	UPC
DX420003	4200/11H	Heritage Stackable 5 oz. Bowl, insulated	Onyx	753806310681
DX420015	4200/33H	Heritage Stackable 5 oz. Bowl, insulated	Teal	753806310742
DX420023	4200/27H*	Heritage Stackable 5 oz. Bowl, insulated	Gray	753806310728
DX420050	4200/28H	Heritage Stackable 5 oz. Bowl, insulated	Midnight Blue	753806310735
DX420056	4200/12H	Heritage Stackable 5 oz. Bowl, insulated	Mauve	753806310698
DX420061	4200/20H	Heritage Stackable 5 oz. Bowl, insulated	Cranberry	753806310711

**LIDS**

Item No.	Old Item No.	Description	Pack	Case Wt.	Cube	UPC	Class
DX40008700	4000/8700	Clear-view Flat Lid	2,000	6.7 lb. (3.0kg)	2.2	753806010284	150
DX40008714	4000/8714	Translucent Lid	2,000	6.4 lb. (2.9kg)	2.2	753806010291	250

High quality, fluted design with elegant china-like finish. Features maximum temperature retention. Double-wall insulated with ozone-safe, urethane foam. Stackable, not microwaveable.

\* Indicates discontinued item. Quantities may be limited; call for availability.

## HERITAGE INSULATED BOWL 9oz.

Diameter	Height	Capacity	Wt. Per Pcs.	Pack	Case Wt.	Case Dimensions	Cube	Class
Base 4-1/2"- Lip 3-1/2"	2-1/2"	9 oz.	2.6 oz.	48	8.8 lb. (4.0kg)	18" x 13.75" x 10.25" (45.7cm x 34.9cm x 26.0cm)	1.5	77.5



Spec Sheet: 320

Item No.	Old Item No.	Description	Color	UPC
DX430003	4300/11H	Heritage Stackable 9 oz. Bowl, insulated	Onyx	753806310780
DX430015	4300/33H	Heritage Stackable 9 oz. Bowl, insulated	Teal	753806310834
DX430023	4300/27H*	Heritage Stackable 9 oz. Bowl, insulated	Gray	753806310810
DX430050	4300/28H	Heritage Stackable 9 oz. Bowl, insulated	Midnight Blue	753806310827
DX430056	4300/12H	Heritage Stackable 9 oz. Bowl, insulated	Mauve	753806310902
DX430061	4300/20H	Heritage Stackable 9 oz. Bowl, insulated	Cranberry	753806310803

### LIDS

Item No.	Old Item No.	Description	Pack	Case Wt.	Cube	UPC	Class
DX43008700	4300/8700	Clear-view Flat Lid	1,000	4.8 lb. (2.1kg)	1.5	753806010321	150
DX43008714	4300/8714	Translucent Lid	1,000	4.7 lb. (2.1kg)	1.5	753806010338	150

High quality, fluted design with elegant china-like finish features maximum temperature retention. Double-wall insulated with ozone-safe, urethane foam. Stackable, not microwaveable.

## HERITAGE INSULATED BOWL 12oz.

Diameter	Height	Capacity	Wt. Per Pcs.	Pack	Case Wt.	Case Dimensions	Cube	Class
3-3/4"	3"	12 oz.	2.8 oz.	48	11.5 lb. (5.2kg)	18" x 13.625" x 10.75" (45.7cm x 34.6cm x 27.3cm)	1.5	77.5



Spec Sheet: 320

Item No.	Old Item No.	Description	Color	UPC
DX450050	New Item!	Heritage Stackable 12 oz. Bowl, insulated	Midnight Blue	10753806001739
DX450056	New Item!	Heritage Stackable 12 oz. Bowl, insulated	Mauve	10753806001722
DX450061	New Item!	Heritage Stackable 12 oz. Bowl, insulated	Cranberry	10753806001715

### LIDS

Item No.	Old Item No.	Description	Pack	Case Wt.	Cube	UPC	Class
DX11858700	1185/8700	Clear-view Flat Lid	1,000	5.7 lb.	1.4	753806010062	150
DX11858714	1185/8714	Translucent Lid	1,000	5.7 lb.	1.4	753806010079	150

High quality, fluted design with elegant china-like finish features maximum temperature retention. Double-wall insulated with ozone-safe, urethane foam. Stackable, not microwaveable.

## HERITAGE INSULATED ENTRÉE DOME

Diameter	Height	Wt. Per Pcs.	Pack	Case Wt.	Case Dimensions	Cube	Class
10"	2-7/8"	11.6 oz.	12	9.6 lb. (4.4kg)	19.5" x 9.88" x 6.25" (49.5cm x 25.1cm x 15.9cm)	1.0	77.5



Spec Sheet: 320

Item No.	Old Item No.	Description	Color	UPC
DX440003	4400/11H	Heritage Insulated Dome	Onyx	753806191655
DX440015	4400/33H	Heritage Insulated Dome	Teal	753806190269
DX440023	4400/27H*	Heritage Insulated Dome	Gray	753806190245
DX440050	4400/28H	Heritage Insulated Dome	Midnight Blue	753806190252
DX440056	4400/12H	Heritage Insulated Dome	Mauve	753806190214
DX440061	4400/20H	Heritage Insulated Dome	Cranberry	753806190238

The stylish, insulated dome for 9" plate service features contemporary fluted design with molded-in handle and high food clearance. Double-wall insulated with ozone-safe, urethane foam. For use with DineX Insul-Base (DX1077), Underliner/Wax Base (DX1087) and Induction Base (DX811series).

**Heritage Insulated Entrée Dome Serving Height** (measured on standard patient tray)

**Dome only:** 2-3/4" **with Induction Base:** 4-3/8"

**with Insul-Base:** 4-1/4" **with Power-Therm Base:** 3-3/4"

**with Wax Base Underliner:** 4-1/2"

\* Indicates discontinued item. Quantities may be limited; call for availability.

**INSUL-BASE**

Diameter	Height	Wt. Per Pcs.	Pack	Case Wt.	Case Dimensions	Cube	Class
9-1/2"	1-3/4"	8.0 oz.	12	6.6 lb. (3kg)	10" x 9.8" x 10" (25.4cm x 25.1cm x 25.4cm)	0.6	77.5



Spec Sheet: 370

Item No.	Old Item No.	Description	Color	UPC
DX107703	1077/11HT	Insul-Base for Classic, Heritage and Turnbury	Onyx	753806857254
DX107708	1077/36HT	Insul-Base for Classic, Heritage and Turnbury	Hunter Green	753806190405
DX107715	1077/33HT	Insul-Base for Classic, Heritage and Turnbury	Teal	753806190054
DX107723	1077/27HT*	Insul-Base for Classic, Heritage and Turnbury	Gray	753806190030
DX107731	1077/31HT	Insul-Base for Classic, Heritage and Turnbury	Latte	753806191594
DX107750	1077/28HT	Insul-Base for Classic, Heritage and Turnbury	Midnight Blue	753806190047
DX107756	1077/12HT	Insul-Base for Classic, Heritage and Turnbury	Mauve	753806190009
DX107761	1077/20HT	Insul-Base for Classic, Heritage and Turnbury	Cranberry	753806190023
DX107768	1077/68HT	Insul-Base for Classic, Heritage and Turnbury	Plum	753806191600
DX107784	1077/84HT	Insul-Base for Classic, Heritage and Turnbury	Sage	753806191617

Insulated base to hold standard 9" plates, fits all Dinex Entrée Domes. Combine with heated plate and Dinex Insulated Dome for extended temperature retention. Double-wall insulated with ozone-safe, urethane foam. The Dinex Insul-Base and Dome combination can also hold 3 Monkey Dishes (DX361514).

**UNDERLINER FOR WAX BASE**

Diameter	Height	Wt. Per Pcs.	Pack	Case Wt.	Case Dimensions	Cube	Class
9-1/2"	1-7/8"	7.9 oz.	12	6.8 lb. (3.1kg)	10.25" x 10.5" x 12" (26.0cm x 26.0cm x 30.5cm)	0.7	77.5



Spec Sheet: 370

Item No.	Old Item No.	Description	Color	UPC
DX108703	1087/11	Pellet Underliner for Classic, Heritage and Turnbury	Onyx	753806313637
DX108708	1087/36	Pellet Underliner for Classic, Heritage and Turnbury	Hunter Green	753806311275
DX108715	1087/33	Pellet Underliner for Classic, Heritage and Turnbury	Teal	753806370067
DX108723	1087/27*	Pellet Underliner for Classic, Heritage and Turnbury	Gray	753806370043
DX108731	1087/31	Pellet Underliner for Classic, Heritage and Turnbury	Latte	753806314313
DX108750	1087/28	Pellet Underliner for Classic, Heritage and Turnbury	Midnight Blue	753806370050
DX108756	1087/12	Pellet Underliner for Classic, Heritage and Turnbury	Mauve	753806370012
DX108761	1087/20	Pellet Underliner for Classic, Heritage and Turnbury	Cranberry	753806370036
DX108768	1087/68	Pellet Underliner for Classic, Heritage and Turnbury	Plum	753806314320
DX108784	1087/84	Pellet Underliner for Classic, Heritage and Turnbury	Sage	753806314337

Non-insulated underliner to hold the Dinex Wax Base. Protects the patient and the tray from the heated base. Helps to shield the cold items on the tray. Fits all Dinex Entrée Domes. Combine with heated plate and Dinex Insulated Dome for maximum temperature retention. One-piece construction, not insulated.



\* Indicates discontinued item. Quantities may be limited; call for availability.

# DINEX® CLASSIC

UNSURPASSED PERFORMANCE IN A TIMELESS DESIGN

Dinex Classic—traditional style and efficient temperature retention. Classic mugs and bowls are stackable and feature double wall construction insulated with ozone-safe foam (Classic’s outstanding insulation properties have been verified by the U.S. Testing Laboratories, Inc.). As good-looking as it is functional, Classic’s appealing range of colors coordinate with other Dinex traytop products for an inviting mealtime presentation.

**The DINEX® CLASSIC line includes:**

5 oz. Bowl, 9 oz. Bowl, 8 oz. Bowl, 12 oz. Bowl, 8 oz. Tumbler, 8 oz. Mug, Low Profile Dome, Single Wall Dome.

- Traditional Styling
- Superior temperature retention
- Stackable
- Superior Value
- Efficient Temperature Retention
- Double-wall construction



CLASSIC

**CLASSIC INSULATED MUG 8oz.**

Diameter	Height	Capacity	Wt. Per Pcs.	Pack	Case Wt.	Case Dimensions	Cube	Class
2-7/8"	3-1/2"	8 oz.	2.7 oz.	48	9.3 lb. (4.2kg)	13.75" x 11.5" x 13.75" (34.9cm x 28.9cm x 34.9cm)	1.2	77.5



Spec Sheet: 310

Item No.	Old Item No.	Description	Color	UPC
DX119715	1197/33HT	Classic Stackable 8 oz. Mug, insulated	Teal	753806340190
DX119723	1197/27HT*	Classic Stackable 8 oz. Mug, insulated	Gray	753806340176
DX119750	1197/28HT	Classic Stackable 8 oz. Mug, insulated	Midnight Blue	753806340183
DX119756	1197/12HT	Classic Stackable 8 oz. Mug, insulated	Mauve	753806340114
DX119761	1197/20HT	Classic Stackable 8 oz. Mug, insulated	Cranberry	753806340312
DX119769	1197/07HT	Classic Stackable 8 oz. Mug, insulated	Chocolate	753806340305

**LIDS**

Item No.	Old Item No.	Description	Pack	Case Wt.	Cube	UPC	Class
DX11948700	1194/8700	Clear-view Flat Lid	2,000	7.1 lb. (3.2kg)	2.1	753806010123	150
DX11948714	1194/8714	Translucent Lid	2,000	7.4 lb. (3.3kg)	2.1	753806010130	150

The industry standard, insulated 8 oz. mug for hot or cold features popular "Classic" design, with textured finish and sturdy "3-finger" handle. Double-wall insulated with ozone-safe, urethane foam. Stackable, not microwaveable.

**CLASSIC INSULATED TUMBLER 8oz.**

Diameter	Height	Capacity	Wt. Per Pcs.	Pack	Case Wt.	Case Dimensions	Cube	Class
2-7/8"	3-1/2"	8 oz.	2.5 oz.	48	9.1 lb. (4.1kg)	13.75" x 11.75" x 14" (34.9cm x 29.8cm x 35.6cm)	1.2	125



Spec Sheet: 310

Item No.	Old Item No.	Description	Color	UPC
DX119023	1190/27HT*	Classic Stackable 8 oz. Tumbler, insulated	Gray	753806340268
DX119056	1190/12HT*	Classic Stackable 8 oz. Tumbler, insulated	Mauve	753806340237

**LIDS**

Item No.	Old Item No.	Description	Pack	Case Wt.	Cube	UPC	Class
DX11948700	1194/8700	Clear-view Flat Lid	2,000	7.1 lb. (3.2kg)	2.1	753806010123	150
DX11948714	1194/8714	Translucent Lid	2,000	7.4 lb. (3.3kg)	2.1	753806010130	150

The industry standard, insulated 8 oz. tumbler for hot or cold features popular "Classic" design, with textured finish. Double-wall insulated with ozone-safe, urethane foam. Stackable, not microwaveable.

**CLASSIC INSULATED BOWL 5oz.**

Diameter	Height	Capacity	Wt. Per Pcs.	Pack	Case Wt.	Case Dimensions	Cube	Class
2-7/8"	2-1/2"	5 oz.	2.5 oz.	48	6.5 lb. (2.9kg)	13.75" x 11" x 9.5" (34.9cm x 27.9cm x 24.1cm)	0.8	77.5



Spec Sheet: 310

Item No.	Old Item No.	Description	Color	UPC
DX110515	1105/33HT	Classic Stackable 5 oz. Bowl, insulated	Teal	753806310063
DX110550	1105/28HT	Classic Stackable 5 oz. Bowl, insulated	Midnight Blue	753806310056
DX110556	1105/12HT	Classic Stackable 5 oz. Bowl, insulated	Mauve	753806310025
DX110561	1105/20HT	Classic Stackable 5 oz. Bowl, insulated	Cranberry	753806310872

**LIDS**

Item No.	Old Item No.	Description	Pack	Case Wt.	Cube	UPC	Class
DX11948700	1194/8700	Clear-view Flat Lid	2,000	7.1 lb. (3.2kg)	2.1	753806010123	150
DX11948714	1194/8714	Translucent Lid	2,000	7.4 lb. (3.3kg)	2.1	753806010130	150

The industry standard, insulated 5 oz. bowl for hot or cold features popular "Classic" design, with textured finish. Double-wall insulated with ozone-safe, urethane foam. Stackable, not microwaveable.

\* Indicates discontinued item. Quantities may be limited; call for availability.

## CLASSIC INSULATED BOWL 8oz.

Diameter	Height	Capacity	Wt. Per Pcs.	Pack	Case Wt.	Case Dimensions	Cube	Class
1-7/8"	2"	8 oz.	2.5 oz.	48	8.8 lb. (4.0kg)	18.5" x 9.5" x 11" (47.3cm x 24.1cm x 27.9cm)	1.1	77.5



Spec Sheet: 310

Item No.	Old Item No.	Description	Color	UPC
DX118715	1187/33HT*	Classic Stackable 8 oz. Bowl	Teal	753806310414
DX118723	1187/27HT*	Classic Stackable 8 oz. Bowl	Gray	753806310407
DX118756	1187/12HT	Classic Stackable 8 oz. Bowl	Mauve	753806310384

### LIDS

Item No.	Old Item No.	Description	Pack	Case Wt.	Cube	UPC	Class
DX11830174	1183/0174	Clear-view Dome Lid	1,000	7.7 lb. (3.5kg)	1.1	753806010024	77.5
DX11838714	1183/8714	Translucent Lid	1,000	7.0 lb. (3.1kg)	1.7	753806010048	150

The industry standard 8 oz. bowl for hot or cold features popular "Classic" design, with textured finish. Double-wall insulated. Stackable, not microwaveable.

## CLASSIC INSULATED BOWL 9oz.

Diameter	Height	Capacity	Wt. Per Pcs.	Pack	Case Wt.	Case Dimensions	Cube	Class
3-3/4"	2-3/8"	9 oz.	2.7 oz.	48	8.9 lb. (4.0kg)	17.5" x 12.75" x 9.75" (44.5cm x 32.4cm x 24.8cm)	1.3	77.5



Spec Sheet: 310

Item No.	Old Item No.	Description	Color	UPC
DX118515	1185/33HT	Classic Stackable 9 oz. Bowl, insulated	Teal	753806340053
DX118523	1185/27HT*	Classic Stackable 9 oz. Bowl, insulated	Gray	753806340039
DX118550	1185/28HT	Classic Stackable 9 oz. Bowl, insulated	Midnight Blue	753806340046
DX118556	1185/12HT	Classic Stackable 9 oz. Bowl, insulated	Mauve	753806340015
DX118561	1185/20HT	Classic Stackable 9 oz. Bowl, insulated	Cranberry	753806340336

### LIDS

Item No.	Old Item No.	Description	Pack	Case Wt.	Cube	UPC	Class
DX11858700	1185/8700	Clear-view Flat Lid	1,000	5.7 lb. (2.6kg)	1.4	753806010062	150
DX11858714	1185/8714	Translucent Lid	1,000	5.7 lb. (2.6kg)	1.4	753806010079	150

The industry standard, insulated 9 oz. bowl for hot or cold features popular "Classic" design, with textured finish. Double-wall insulated with ozone-safe, urethane foam. Stackable, not microwaveable.

## CLASSIC INSULATED BOWL 12oz.

Diameter	Height	Capacity	Wt. Per Pcs.	Pack	Case Wt.	Case Dimensions	Cube	Class
5"	2-1/4"	12 oz.	3.5 oz.	48	11.2 lb. (5.0kg)	21.25" x 11" x 13.5" (54.0cm x 27.9cm x 34.3cm)	1.8	85



Spec Sheet: 310

Item No.	Old Item No.	Description	Color	UPC
DX118650	1186/28HT*	Classic Stackable 12 oz. Bowl	Midnight Blue	753806310353
DX118661	1186/20HT	Classic Stackable 12 oz. Bowl	Cranberry	753806311084

### LIDS

Item No.	Old Item No.	Description	Pack	Case Wt.	Cube	UPC	Class
DX11868700	1186/8700*	Clear-view Flat Lid	1,000	8.8 lb. (3.9kg)	1.7	753806010093	250
DX11868714	1186/8714	Translucent Lid	1,000	8.8 lb. (3.9kg)	1.7	753806010109	150

The industry standard, 12 oz. bowl for hot or cold features popular "Classic" design, with textured finish. Double-wall insulated. Stackable, not microwaveable.

\* Indicates discontinued item. Quantities may be limited; call for availability.

**MONKEY DISH 4oz.**

Diameter	Height	Capacity	Wt. Per Pcs.	Pack	Case Wt.	Case Dimensions	Cube	Class
3"	1-3/4"	4 oz.	2.2 oz.	24	3.3 lb. (1.5kg)	6.25" x 6.25" x 6.25" (15.9cm x 15.9cm x 15.9cm)	0.1	77.5



Spec Sheet: 500

Item No.	Old Item No.	Description	Color	UPC
DX361502	3615/14	4 oz. Monkey Dish (melamine)	White	753806400009

**LIDS**

Item No.	Old Item No.	Description	Pack	Case Wt.	Cube	UPC	Class
DX11948700	1194/8700	Clear-view Flat Lid	2,000	7.1 lb. (3.2kg)	2.1	753806010123	150
DX11948714	1194/8714	Translucent Lid	2,000	7.4 lb. (3.4kg)	2.1	753806010130	150

Versatile, reusable 4 oz. dessert or puree cup. White Melamine with highly polished finish. Not recommended for oven or microwave.

**JUICE CUP 6 oz. (INSULATED)**

Diameter	Height	Capacity	Wt. Per Pcs.	Pack	Case Wt.	Case Dimensions	Cube	Class
2-5/8"	4-1/8"	6 oz.	1.8 oz.	24	3.0 lb. (1.4kg)	11" x 8.25" x 8.75" (27.9cm x 21.3cm x 22.2cm)	0.5	77.5



Spec Sheet: 310

Item No.	Old Item No.	Description	Color	UPC
DX119215	1192/33H	6 oz. Juice Cup	Teal	753806310483
DX119223	1192/27H*	6 oz. Juice Cup	Gray	753806310476
DX119256	1192/12H	6 oz. Juice Cup	Mauve	753806310452
DX119261	1192/20H	6 oz. Juice Cup	Cranberry	753806311053

**LIDS**

Item No.	Old Item No.	Description	Pack	Case Wt.	Cube	UPC	Class
DX11928714	1192/8714	Translucent Lid	1,000	2.4 lb. (1.1kg)	0.5	753806010116	150

Classic Danish design with double wall (air-void) insulation, features china-like finish with stylish thin lip.



\* Indicates discontinued item. Quantities may be limited; call for availability.



## CLASSIC INSUL-DOME, HIGH PROFILE

Diameter	Height	Wt. Per Pcs.	Pack	Case Wt.	Case Dimensions	Cube	Class
9-7/8"	3-1/4"	12 oz.	12	10.3 lb. (4.7kg)	19.5 x 10.75" x 10.75" (49.5cm x 27.3cm x 27.3cm)	1.3	77.5



Spec Sheet: 370

Item No.	Old Item No.	Description	Color	UPC
DX113856	1138/12HT*	Classic Insul-Dome (High Profile), insulated	Mauve	753806190092
DX113861	1138/20HT	Classic Insul-Dome (High Profile), insulated	Cranberry	753806191303

Insulated dome for 9" plate service, with extra high food clearance. Textured finish, "Classic" design. Features molded-in handle and is double-wall insulated with ozone-safe, urethane foam. For use with Dinex Insul-Base (DX1077), Underliner/Wax Base (DX1087) and Induction Base (DX811series).

**Classic High Profile Dome Serving Height** (measured on standard patient tray)

<b>Dome only:</b> 3-1/4"	<b>with Induction Base:</b> 4-15/16"
<b>with Insul-Base:</b> 4-3/4"	<b>with Power-Therm Base:</b> 4-5/8"
<b>with Wax Base Underliner:</b> 5"	

## CLASSIC INSUL-DOME, LOW PROFILE

Diameter	Height	Wt. Per Pcs.	Pack	Case Wt.	Case Dimensions	Cube	Class
9-7/8"	2-5/8"	11.9 oz.	12	9.5 lb. (4.3kg)	16.5" x 10.5" x 11" (42.5cm x 26.7cm x 27.9cm)	1.1	77.5



Spec Sheet: 370

Item No.	Old Item No.	Description	Color	UPC
DX117315	1173/33HT	Classic Insul-Dome (Low Profile), insulated	Teal	753806190184
DX117323	1173/27HT*	Classic Insul-Dome (Low Profile), insulated	Gray	753806190160
DX117350	1173/28HT	Classic Insul-Dome (Low Profile), insulated	Midnight Blue	753806190177
DX117356	1173/12HT	Classic Insul-Dome (Low Profile), insulated	Mauve	753806190146
DX117361	1173/20HT	Classic Insul-Dome (Low Profile), insulated	Cranberry	753806190368

Insulated dome for 9" plate service. Textured finish, "Classic" design. Features molded-in handle and is double-wall insulated with ozone-safe, urethane foam. For use with Dinex Insul-Base (DX1077), Underliner/Wax Base (DX1087) and Induction Base (DX811series).

**Classic Low Profile Dome Serving Height** (measured on standard patient tray)

<b>Dome only:</b> 2-3/4"	<b>with Induction Base:</b> 4-7/16"
<b>with Insul-Base:</b> 4-1/8"	<b>with Power-Therm Base:</b> 3-7/8"
<b>with Wax Base Underliner:</b> 4-3/8"	

## CLASSIC SINGLE WALL DOME

Diameter	Height	Wt. Per Pcs.	Pack	Case Wt.	Case Dimensions	Cube	Class
10"	2-7/8"	13.6 oz.	12	10.9 lb. (4.9kg)	20" x 10.25" x 9.5" (50.8cm x 26.0cm x 23.8cm)	1.1	77.5



Spec Sheet: 370

Item No.	Old Item No.	Description	Color	UPC
DX112515	1125/33SW*	Single Wall Dome (not insulated)	Teal	753806310179
DX112556	1125/12SW*	Single Wall Dome (not insulated)	Mauve	753806310148

Large entrée dome, non-insulated, fits Dinex Insul-Base (DX1077), Underliner/Wax Base (DX1087) and Induction Base (DX811series). Features heavy duty, single wall construction with maximum serving space.

**Classic Single Wall Dome Serving Height** (measured on standard patient tray)

<b>Dome only:</b> 2-7/8"	<b>with Induction Base:</b> 4-3/8"
<b>with Insul-Base:</b> 4-1/4"	<b>with Power-Therm Base:</b> 3-5/8"
<b>with Wax Base Underliner:</b> 4-1/2"	

\* Indicates discontinued item. Quantities may be limited; call for availability.

CLASSIC

**INSUL-BASE**

Diameter	Height	Wt. Per Pcs.	Pack	Case Wt.	Case Dimensions	Cube	Class
9-1/2"	1-3/4"	8.0 oz.	12	6.6 lb. (3kg)	10" x 9.8" x 10" (25.4cm x 25.1cm x 25.4cm)	0.6	77.5



Spec Sheet: 370

Item No.	Old Item No.	Description	Color	UPC
DX107703	1077/11HT	Insul-Base for Classic, Heritage and Turnbury	Onyx	753806857254
DX107708	1077/36HT	Insul-Base for Classic, Heritage and Turnbury	Hunter Green	753806190405
DX107715	1077/33HT	Insul-Base for Classic, Heritage and Turnbury	Teal	753806190054
DX107723	1077/27HT*	Insul-Base for Classic, Heritage and Turnbury	Gray	753806190030
DX107731	1077/31HT	Insul-Base for Classic, Heritage and Turnbury	Latte	753806191594
DX107750	1077/28HT	Insul-Base for Classic, Heritage and Turnbury	Midnight Blue	753806190047
DX107756	1077/12HT	Insul-Base for Classic, Heritage and Turnbury	Mauve	753806190009
DX107761	1077/20HT	Insul-Base for Classic, Heritage and Turnbury	Cranberry	753806190023
DX107768	1077/68HT	Insul-Base for Classic, Heritage and Turnbury	Plum	753806191600
DX107784	1077/84HT	Insul-Base for Classic, Heritage and Turnbury	Sage	753806191617

Insulated base to hold standard 9" plates, fits all Dinex Entrée Domes. Combine with heated plate and Dinex Insulated Dome for extended temperature retention. Double-wall insulated with ozone-safe, urethane foam. The Dinex Insul-Base and Dome combination can also hold 3 Monkey Dishes (DX361514).

**UNDERLINER FOR WAX BASE**

Diameter	Height	Wt. Per Pcs.	Pack	Case Wt.	Case Dimensions	Cube	Class
9-1/2"	1-7/8"	7.9 oz.	12	6.8 lb. (3.1kg)	10.25" x 10.5" x 12" (26.0cm x 26.0cm x 30.5cm)	0.7	77.5



Spec Sheet: 370

Item No.	Old Item No.	Description	Color	UPC
DX108703	1087/11	Pellet Underliner for Classic, Heritage and Turnbury	Onyx	753806313637
DX108708	1087/36	Pellet Underliner for Classic, Heritage and Turnbury	Hunter Green	753806311275
DX108715	1087/33	Pellet Underliner for Classic, Heritage and Turnbury	Teal	753806370067
DX108723	1087/27*	Pellet Underliner for Classic, Heritage and Turnbury	Gray	753806370043
DX108731	1087/31	Pellet Underliner for Classic, Heritage and Turnbury	Latte	753806314313
DX108750	1087/28	Pellet Underliner for Classic, Heritage and Turnbury	Midnight Blue	753806370050
DX108756	1087/12	Pellet Underliner for Classic, Heritage and Turnbury	Mauve	753806370012
DX108761	1087/20	Pellet Underliner for Classic, Heritage and Turnbury	Cranberry	753806370036
DX108768	1087/68	Pellet Underliner for Classic, Heritage and Turnbury	Plum	753806314320
DX108784	1087/84	Pellet Underliner for Classic, Heritage and Turnbury	Sage	753806314337

Non-insulated underliner to hold the Dinex Wax Base. Protects the patient and the tray from the heated base. Helps to shield the cold items on the tray. Fits all Dinex Entrée Domes. Combine with heated plate and Dinex Insulated Dome for maximum temperature retention. One-piece construction, not insulated.



\* Indicates discontinued item. Quantities may be limited; call for availability.

# TRADITION

AN INDUSTRY STANDARD KNOWN FOR DURABILITY, FUNCTIONALITY & VALUE

It's easy to see why this style has become "a tradition" in many healthcare settings. Its durability and temperature retention capabilities are an industry standard—and its sleek design, available in contemporary colors, offers ease of use as well as traytop appeal.



TRADITION

Spec Sheet: 340

## TRADITION INSULATED MUG 8 oz.

Diameter	Height	Capacity	Wt. Per Pcs.	Pack	Case Wt.	Case Dimensions	Cube	Class
3-3/8" - Lip 3"	3-1/2"	8 oz.	2.6 oz.	48	8.4 lb. (3.8kg)	13.5" x 10.25" x 13.25" (34.3cm x 26.0cm x 33.7cm)	1.1	85



Item No.	Old Item No.	Description	Color	UPC
DX4M56	4M8	Tradition 8 oz. Mug, insulated	Mauve	753806311947
DX4M61	4M17	Tradition 8 oz. Mug, insulated	Cranberry	753806311909

### LIDS

Item No.	Old Item No.	Description	Pack	Case Wt.	Cube	UPC	Class
DXTT59	TT59	Disposable Lid	2,000	9.6 lb. (4.3kg)	1.9	753806460508	150

Insulated 8 oz. mug for hot or cold, with textured finish and sturdy "3-finger" handle. Double-wall insulated with ozone-safe, urethane foam. Stackable, not microwaveable.

## TRADITION INSULATED BOWL 5oz.

Diameter	Height	Capacity	Wt. Per Pcs.	Pack	Case Wt.	Case Dimensions	Cube	Class
3-3/8" - Lip 3"	2-1/2"	8 oz.	1.8 oz.	48	6.3 lb. (2.8kg)	13.75" x 10.5" x 9.25" (34.9cm x 26.7cm x 23.5cm)	0.8	85



Item No.	Old Item No.	Description	Color	UPC
DX45C56	45C8	Tradition 5 oz. Bowl, insulated	Mauve	753806311602

### LIDS

Item No.	Old Item No.	Description	Pack	Case Wt.	Cube	UPC	Class
DXTT59	TT59	Disposable Lid	2,000	9.6 lb. (4.3kg)	1.9	753806460508	150

Insulated 5 oz. bowl for hot or cold, with textured finish. Double-wall insulated with ozone-safe, urethane foam. Stackable, not microwaveable.

## TRADITION INSULATED BOWL 8oz.

Diameter	Height	Capacity	Wt. Per Pcs.	Pack	Case Wt.	Case Dimensions	Cube	Class
4-1/4" - Lip 4"	2-1/2"	8 oz.	3.0 oz.	48	10.1 lb. (4.6kg)	17" x 13" x 9.5" (43.5cm x 33.4cm x 24.1cm)	1.2	85



Item No.	Old Item No.	Description	Color	UPC
DX4B56	4B8	Tradition 8 oz. Soup Bowl, insulated	Mauve	753806311770
DX4B61	4B17	Tradition 8 oz. Soup Bowl, insulated	Cranberry	753806311732

### LIDS

Item No.	Old Item No.	Description	Pack	Case Wt.	Cube	UPC	Class
DXTT39	TT39	Disposable Lid	1,000	8.0 lb. (3.6kg)	1.7	753806460447	150

Insulated 8 oz. bowl for hot or cold, with textured finish. Double-wall insulated with ozone-safe, urethane foam. Stackable, not microwaveable.

CALL TOLL FREE 800.523.9752

# TROPEZ®

HIGH HEAT TRAY-WARE FOR CONVECTION RETHERM & COOK/CHILL SYSTEMS



Tropez mugs, bowls and entrée domes are a specialty line of high temperature, non-insulated ware for patient meal service. Made specifically for convection rethermalization and cook/chill systems, Tropez ware is constructed of special high heat resin to ensure safe and efficient heating. The upscale styling enhances meal presentation and patient satisfaction.



Onyx Tropez



High temperature disposable lids are an important element of the Tropez retherm tray.

**The TROPEZ® line includes:**

8 oz. Mug, 5 oz. Bowl, 9 oz. Bowl, 7-¾" Entrée Dome, 9-½" Entrée Dome and Disposable Lids.

- Constructed of special high heat resin to ensure safe and efficient rethermalization.
- Made specifically for convection retherm and cook/chill systems.
- High-temp lids.

**NEW**

## NEW 5 oz. BOWL & 7-¾" ENTRÉE DOME

Dinex introduces space saving solutions for the hot side of your retherm tray with the new Tropez high heat 5 oz. bowl and 7-¾" dome. Available in onyx, midnight blue and cranberry. All Tropez mugs and bowls feature durable, high heat materials with attractive sculptured design.



High Heat China - Page 44

## TROPEZ® HIGH TEMP REUSABLE CUP 8 oz.

Diameter	Height	Capacity	Wt. Per Pcs.	Pack	Case Wt.	Case Dimensions	Cube	Class
3-3/8"	2-7/8"	8 oz.	2.3 oz.	48	7.9 lb. (3.6kg)	15.25" x 10.75" x 11.5" (38.7cm x 27.3cm x 29.5cm)	1.1	77.5



Spec Sheet: 350

Item No.	Old Item No.	Description	Color	UPC
DX9000B03	9000B/11	Tropez 8 oz. Cup, high-temp	Onyx	753806314177
DX9000B23	9000B/27	Tropez 8 oz. Cup, high-temp	Gray	753806313569
DX9000B50	9000B/28	Tropez 8 oz. Cup, high-temp	Midnight Blue	753806313576
DX9000B61	9000B/20	Tropez 8 oz. Cup, high-temp	Cranberry	753806313552

### LIDS

Item No.	Old Item No.	Description	Pack	Case Wt.	Cube	UPC	Class
DX9000B7000	9000B/7000	Disposable Lid Tropez Cup	1,000	8.3 lb. (3.8kg)	1.4	753806460638	100

Elegant high-temp 8 oz. cup, for convection heating and thermalization systems. Made from specially formulated resins, with stylish fluted design and china-like finish. Features large, sturdy drinking handle.

## TROPEZ® HIGH TEMP REUSABLE BOWL 5 oz.

Diameter	Height	Capacity	Wt. Per Pcs.	Pack	Case Wt.	Case Dimensions	Cube	Class
3-3/8"	1-7/8"	5 oz.	1.25 oz.	48	4.5 lb. (2.0kg)	11.5" x 8" x 7.75" (29.2cm x 20.3cm x 19.7cm)	0.5	77.5



Spec Sheet: 350

Item No.	Old Item No.	Description	Color	UPC
DX9200B03	9200B/11	Tropez 5 oz. Bowl, high-temp	Onyx	753806370579
DX9200B50	9200B/28	Tropez 5 oz. Bowl, high-temp	Midnight Blue	753806370609
DX9200B61	9200B/20	Tropez 5 oz. Bowl, high-temp	Cranberry	753806370586

### LIDS

Item No.	Old Item No.	Description	Pack	Case Wt.	Cube	UPC	Class
DX9000B7000	9000B/7000	Disposable Lid Tropez 5 oz. Bowl	1,000	8.3 lb. (3.8kg)	1.4	753806460638	100

Elegant high-temp 5 oz. bowl, for convection heating and thermalization systems. Made from specially formulated resins, with stylish fluted design and china-like finish.

## TROPEZ® HIGH TEMP REUSABLE BOWL 9 oz.

Diameter	Height	Capacity	Wt. Per Pcs.	Pack	Case Wt.	Case Dimensions	Cube	Class
4-1/2"	2-1/4"	9 oz.	2.8 oz.	48	9.9 lb. (4.5kg)	16.25" x 13.75" x 10.25" (41.3cm x 34.9cm x 26.0cm)	1.3	77.5



Spec Sheet: 350

Item No.	Old Item No.	Description	Color	UPC
DX9300B03	9300B/11	Tropez 9 oz. Bowl, high-temp	Onyx	753806314153
DX9300B23	9300B/27	Tropez 9 oz. Bowl, high-temp	Gray	753806313798
DX9300B50	9300B/28	Tropez 9 oz. Bowl, high-temp	Midnight Blue	753806313804
DX9300B61	9300B/20	Tropez 9 oz. Bowl, high-temp	Cranberry	753806313781

### LIDS

Item No.	Old Item No.	Description	Pack	Case Wt.	Cube	UPC	Class
DX9300B7000	9300B/7000	Disposable Lid Tropez 9 oz. Bowl	1,000	13.1 lb. (5.9kg)	2.1	753806460805	100

Elegant high-temp 9 oz. bowl, for convection heating and thermalization systems. Made from specially formulated resins, with stylish fluted design and china-like finish.

**TROPEZ® HIGH TEMP REUSABLE 7-3/4" ENTRÉE DOME**

Diameter	Height	Wt. Per Pcs.	Pack	Case Wt.	Case Dimensions	Cube	Class
7-3/4"	2-1/2"	5.5 oz.	12	5.25 lb. (2.4kg)	9.75" x 8.5" x 8.5" (24.8cm x 21.6cm x 21.6cm)	0.4	77.5



Spec Sheet: 350

Item No.	Old Item No.	Description	Color	UPC
DX9407B03	9407B/11	Tropez 7-3/4" Entrée Dome, high-temp	Onyx	753806370616
DX9407B50	9407B/28	Tropez 7-3/4" Entrée Dome, high-temp	Midnight Blue	753806370647
DX9407B61	9407B/20	Tropez 7-3/4" Entrée Dome, high-temp	Cranberry	753806370623

Contemporary style entrée dome for convection retherm (7" plate). Made from specially formulated resins, with stylish fluted design and china-like finish.

**Tropez Entrée Dome Serving Height** (measured on standard patient tray)

**Dome only:** 2-1/2" **on 7" china plate:** 3"

**TROPEZ® HIGH TEMP REUSABLE 9-1/2" ENTRÉE DOME**

Diameter	Height	Wt. Per Pcs.	Pack	Case Wt.	Case Dimensions	Cube	Class
9-1/2"	2-1/4"	7.4 oz.	12	6.3 lb. (2.9kg)	19.5" x 10" x 6.25" (49.5cm x 25.1cm x 15.9cm)	0.7	77.5



Spec Sheet: 350

Item No.	Old Item No.	Description	Color	UPC
DX9400B03	9400/11B	Tropez 9-1/2" Entrée Dome, high-temp	Onyx	753806314146
DX9400B23	9400/27B	Tropez 9-1/2" Entrée Dome, high-temp	Gray	753806313477
DX9400B50	9400/28B	Tropez 9-1/2" Entrée Dome, high-temp	Midnight Blue	753806313484
DX9400B61	9400/20B	Tropez 9-1/2" Entrée Dome, high-temp	Cranberry	753806313460

Contemporary style entrée dome for convection retherm (9" plate). Made from specially formulated resins, with stylish fluted design and china-like finish.

**Tropez Entrée Dome Serving Height** (measured on standard patient tray)

**Dome only:** 2-1/4" **on 9" china plate:** 4-1/8"



# DOMES, BASES & UNDERLINERS

CONTEMPORARY STYLING WITH SUPERIOR TEMPERATURE RETENTION

Dinex offers a complete line of Insulated Bases and Underliners with more colors, more choices and more of the features you want. These efficient products are designed to conform to your cart dimensions and food temperature requirements, to ensure a hot meal and patient satisfaction.

The Dinex Insul-Base is used with any of the Dinex insulated domes and a heated 9" china plate and will keep food hot during delivery up to 45 minutes. For delivery times up to 90 minutes, combine the Wax Base Underliner (non-insulated) and Insulated Dome with the Dinex Wax Base.



## INSUL-BASE & UNDERLINERS

### includes:

Insul-Base, Underliner & Wax Base

- Efficient Temperature Retention
- Double-wall construction (Insul-base)
- Underliner protects tray ware



Induction Bases for the Dinex Smart-Therm®, Turbo-Temp heating systems.



The Dinex Wax Base Underliner protects the other meal items on the tray such as chilled foods, and salad plates. Featuring sturdy single-wall construction, the wax base underliner fits all Dinex domes and is available in all Dinex contemporary colors.



The perfect combination—the Dinex Wax Base Underliner with the Dinex Base Lifter.

**CLASSIC INSUL-DOME, HIGH PROFILE**

Diameter	Height	Wt. Per Pcs.	Pack	Case Wt.	Case Dimensions	Cube	Class
9-7/8"	3-1/4"	12 oz.	12	10.3 lb. (4.7kg)	19.5 x 10.75" x 10.75" (49.5cm x 27.3cm x 27.3cm)	1.3	77.5



Spec Sheet: 370

Item No.	Old Item No.	Description	Color	UPC
DX113856	1138/12HT*	Classic Insul-Dome (High Profile), insulated	Mauve	753806190092
DX113861	1138/20HT	Classic Insul-Dome (High Profile), insulated	Cranberry	753806191303

Insulated dome for 9" plate service, with extra high food clearance. Textured finish, "Classic" design. Features molded-in handle and is double-wall insulated with ozone-safe, urethane foam. For use with Dinex Insul-Base (DX1077), Underliner/Wax Base (DX1087) and Induction Base (DX811series).

**Classic High Profile Dome Serving Height** (measured on standard patient tray)

<b>Dome only:</b> 3-1/4"	<b>with Induction Base:</b> 4-15/16"
<b>with Insul-Base:</b> 4-3/4"	<b>with Power-Therm Base:</b> 4-5/8"
<b>with Wax Base Underliner:</b> 5"	

**CLASSIC INSUL-DOME, LOW PROFILE**

Diameter	Height	Wt. Per Pcs.	Pack	Case Wt.	Case Dimensions	Cube	Class
9-7/8"	2-5/8"	11.9 oz.	12	9.5 lb. (4.3kg)	16.5" x 10.5" x 11" (42.5cm x 26.7cm x 27.9cm)	1.1	77.5



Spec Sheet: 370

Item No.	Old Item No.	Description	Color	UPC
DX117315	1173/33HT	Classic Insul-Dome (Low Profile), insulated	Teal	753806190184
DX117323	1173/27HT*	Classic Insul-Dome (Low Profile), insulated	Gray	753806190160
DX117350	1173/28HT	Classic Insul-Dome (Low Profile), insulated	Midnight Blue	753806190177
DX117356	1173/12HT	Classic Insul-Dome (Low Profile), insulated	Mauve	753806190146
DX117361	1173/20HT	Classic Insul-Dome (Low Profile), insulated	Cranberry	753806190368

Insulated dome for 9" plate service. Textured finish, "Classic" design. Features molded-in handle and is double-wall insulated with ozone-safe, urethane foam. For use with Dinex Insul-Base (DX1077), Underliner/Wax Base (DX1087) and Induction Base (DX811series).

**Classic Low Profile Dome Serving Height** (measured on standard patient tray)

<b>Dome only:</b> 2-3/4"	<b>with Induction Base:</b> 4-7/16"
<b>with Insul-Base:</b> 4-1/8"	<b>with Power-Therm Base:</b> 3-7/8"
<b>with Wax Base Underliner:</b> 4-3/8"	

**CLASSIC SINGLE WALL DOME**

Diameter	Height	Wt. Per Pcs.	Pack	Case Wt.	Case Dimensions	Cube	Class
10"	2-7/8"	13.6 oz.	12	10.9 lb. (4.9kg)	20" x 10.25" x 9.5" (50.8cm x 26.0cm x 23.8cm)	1.1	77.5



Spec Sheet: 370

Item No.	Old Item No.	Description	Color	UPC
DX112515	1125/33SW*	Single Wall Dome (not insulated)	Teal	753806310179
DX112556	1125/12SW*	Single Wall Dome (not insulated)	Mauve	753806310148

Large entrée dome, non-insulated, fits Dinex Insul-Base (DX1077), Underliner/Wax Base (DX1087) and Induction Base (DX811series). Features heavy duty, single wall construction with maximum serving space.

**Classic Single Wall Dome Serving Height** (measured on standard patient tray)

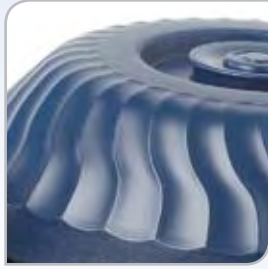
<b>Dome only:</b> 2-7/8"	<b>with Induction Base:</b> 4-3/8"
<b>with Insul-Base:</b> 4-1/4"	<b>with Power-Therm Base:</b> 3-5/8"
<b>with Wax Base Underliner:</b> 4-1/2"	

\* Indicates discontinued item. Quantities may be limited; call for availability.



## TURNBURY® INSULATED ENTRÉE DOME

Diameter	Height	Wt. Per Pcs.	Pack	Case Wt.	Case Dimensions	Cube	Class
10"	2-7/8"	12 oz.	12	10.0 lb. (4.5 kg)	14.25" x 10.5" x 10.75" (36.2cm x 26.7cm x 27.3cm)	0.9	77.5



Spec Sheet: 370

Item No.	Old Item No.	Description	Color	UPC
DX340003	3400/11	Turnbury Insulated Dome	Onyx	753806191358
DX340008	3400/36	Turnbury Insulated Dome	Hunter Green	753806190399
DX340015	3400/33*	Turnbury Insulated Dome	Teal	753806190351
DX340023	3400/27*	Turnbury Insulated Dome	Gray	753806190382
DX340031	3400/31	Turnbury Insulated Dome	Latte	753806191563
DX340050	3400/28	Turnbury Insulated Dome	Midnight Blue	753806190375
DX340056	3400/12*	Turnbury Insulated Dome	Mauve	753806190337
DX340061	3400/20	Turnbury Insulated Dome	Cranberry	753806190344
DX340068	3400/68	Turnbury Insulated Dome	Plum	753806191570
DX340084	3400/84	Turnbury Insulated Dome	Sage	753806191587

The stylish, insulated dome for 9" plate service features contemporary "swirl" design with molded-in handle and high food clearance. Double-wall insulated with ozone-safe, urethane foam. For use with Dinx Insul-Base (DX1077), Underliner/Wax Base (DX1087) and Induction Base (DX811series).

**Turnbury Dome Serving Height** (measured on standard patient tray)

<b>Dome only:</b> 2-7/8"	<b>with Induction Base:</b> 4-3/8"
<b>with Insul-Base:</b> 4-1/4"	<b>with Power-Therm Base:</b> 3-7/8"
<b>with Wax Base Underliner:</b> 4-3/4"	

## HERITAGE INSULATED ENTRÉE DOME

Diameter	Height	Wt. Per Pcs.	Pack	Case Wt.	Case Dimensions	Cube	Class
10"	2-7/8"	11.6 oz.	12	9.6 lb. (4.4kg)	19.5" x 9.88" x 6.25" (49.5cm x 25.1cm x 15.9cm)	1.0	77.5



Spec Sheet: 320

Item No.	Old Item No.	Description	Color	UPC
DX440003	4400/11H	Heritage Insulated Dome	Onyx	753806191655
DX440015	4400/33H	Heritage Insulated Dome	Teal	753806190269
DX440023	4400/27H*	Heritage Insulated Dome	Gray	753806190245
DX440050	4400/28H	Heritage Insulated Dome	Midnight Blue	753806190252
DX440056	4400/12H	Heritage Insulated Dome	Mauve	753806190214
DX440061	4400/20H	Heritage Insulated Dome	Cranberry	753806190238

The stylish, insulated dome for 9" plate service features contemporary fluted design with molded-in handle and high food clearance. Double-wall insulated with ozone-safe, urethane foam. For use with Dinx Insul-Base (DX1077), Underliner/Wax Base (DX1087) and Induction Base (DX811series).

**Heritage Insulated Entrée Dome Serving Height** (measured on standard patient tray)

<b>Dome only:</b> 2-3/4"	<b>with Induction Base:</b> 4-3/8"
<b>with Insul-Base:</b> 4-1/4"	<b>with Power-Therm Base:</b> 3-3/4"
<b>with Wax Base Underliner:</b> 4-1/2"	

## TROPEZ® HIGH TEMP REUSABLE 7-3/4" ENTRÉE DOME

Diameter	Height	Wt. Per Pcs.	Pack	Case Wt.	Case Dimensions	Cube	Class
7-3/4"	2-1/2"	5.5 oz.	12	5.25 lb. (2.4kg)	9.75" x 8.5" x 8.5" (24.8cm x 21.6cm x 21.6cm)	0.4	77.5



Spec Sheet: 350

Item No.	Old Item No.	Description	Color	UPC
DX9407B03	9407B/11	Tropez 7-3/4" Entrée Dome, high-temp	Onyx	753806370616
DX9407B50	9407B/28	Tropez 7-3/4" Entrée Dome, high-temp	Midnight Blue	753806370647
DX9407B61	9407B/20	Tropez 7-3/4" Entrée Dome, high-temp	Cranberry	753806370623

Contemporary style entrée dome for convection retherm (7" plate). Made from specially formulated resins, with stylish fluted design and china-like finish.

**Tropez Entrée Dome Serving Height** (measured on standard patient tray)

<b>Dome only:</b> 2-1/2"	<b>on 7" china plate:</b> 3"
--------------------------	------------------------------

\* Indicates discontinued item. Quantities may be limited; call for availability.



**TROPEZ® HIGH TEMP REUSABLE 9-1/2" ENTRÉE DOME**

Diameter	Height	Wt. Per Pcs.	Pack	Case Wt.	Case Dimensions	Cube	Class
9-1/2"	2-1/4"	7.4 oz.	12	6.3 lb. (2.9kg)	19.5" x 10" x 6.25" (49.5cm x 25.1cm x 15.9cm)	0.7	77.5



Spec Sheet: 350

Item No.	Old Item No.	Description	Color	UPC
DX9400B03	9400/11B	Tropez 9-1/2" Entrée Dome, high-temp	Onyx	753806314146
DX9400B23	9400/27B	Tropez 9-1/2" Entrée Dome, high-temp	Gray	753806313477
DX9400B50	9400/28B	Tropez 9-1/2" Entrée Dome, high-temp	Midnight Blue	753806313484
DX9400B61	9400/20B	Tropez 9-1/2" Entrée Dome, high-temp	Cranberry	753806313460

Contemporary style entrée dome for convection retherm (9" plate). Made from specially formulated resins, with stylish fluted design and china-like finish.

**Tropez Entrée Dome Serving Height** (measured on standard patient tray)

**Dome only:** 2-1/4" **on 9" china plate:** 4-1/8"

**PERFECT•TEMP® INSULATED DOME**

Diameter	Height	Wt. Per Pcs.	Pack	Case Wt.	Case Dimensions	Cube	Class
8-3/16"	2-9/16"	10.4 oz.	20	14.0 lb. (6.4kg)	17" x 8.5" x 14" (43.2cm x 21.6cm x 35.6cm)	1.2	77.5



Item No.	Old Item No.	Description	Color	UPC
DXPTCLED15	PTCLED10	Perfect-Temp Insulated Entrée Dome 7-3/4"	Teal	753806190757
DXPTCLED50	PTCLED12	Perfect-Temp Insulated Entrée Dome 7-3/4"	Midnight Blue	753806190764
DXPTCLED61	PTCLED17	Perfect-Temp Insulated Entrée Dome 7-3/4"	Cranberry	753806190771

Entrée dome for Perfect-Temp Conduction Retherm System.

Spec Sheet: 202

**PERFECT•TEMP® INSULATED DOME**

Length	Width	Height	Wt. Per Pcs.	Pack	Case Wt.	Case Dimensions	Cube	Class
8-3/16"	2-9/16"	10.4 oz.	5.9 oz.	20	9.0 lb. (4.0kg)	12" x 10" x 7.5" (30.5cm x 25.4cm x 19.1cm)	0.5	77.5



Item No.	Old Item No.	Description	Color	UPC
DXPTCLSD15	PTCLSD10	Perfect-Temp Insulated Soup Dome	Teal	753806312852
DXPTCLSD50	PTCLSD12	Perfect-Temp Insulated Soup Dome	Midnight Blue	753806190818
DXPTCLSD61	PTCLSD17	Perfect-Temp Insulated Soup Dome	Cranberry	753806190825

Rectangular soup bowl dome for Perfect-Temp Conduction Retherm System.

Spec Sheet: 202

## INSUL-BASE

Diameter	Height	Wt. Per Pcs.	Pack	Case Wt.	Case Dimensions	Cube	Class
9-1/2"	1-3/4"	8.0 oz.	12	6.6 lb. (3kg)	10" x 9.8" x 10" (25.4cm x 25.1cm x 25.4cm)	0.6	77.5



Spec Sheet: 370

Item No.	Old Item No.	Description	Color	UPC
DX107703	1077/11HT	Insul-Base for Classic, Heritage and Turnbury	Onyx	753806857254
DX107708	1077/36HT	Insul-Base for Classic, Heritage and Turnbury	Hunter Green	753806190405
DX107715	1077/33HT	Insul-Base for Classic, Heritage and Turnbury	Teal	753806190054
DX107723	1077/27HT*	Insul-Base for Classic, Heritage and Turnbury	Gray	753806190030
DX107731	1077/31HT	Insul-Base for Classic, Heritage and Turnbury	Latte	753806191594
DX107750	1077/28HT	Insul-Base for Classic, Heritage and Turnbury	Midnight Blue	753806190047
DX107756	1077/12HT	Insul-Base for Classic, Heritage and Turnbury	Mauve	753806190009
DX107761	1077/20HT	Insul-Base for Classic, Heritage and Turnbury	Cranberry	753806190023
DX107768	1077/68HT	Insul-Base for Classic, Heritage and Turnbury	Plum	753806191600
DX107784	1077/84HT	Insul-Base for Classic, Heritage and Turnbury	Sage	753806191617

Insulated base to hold standard 9" plates, fits all Dinex Entrée Domes. Combine with heated plate and Dinex Insulated Dome for extended temperature retention. Double-wall insulated with ozone-safe, urethane foam. The Dinex Insul-Base and Dome combination can also hold 3 Monkey Dishes (DX361514).

## UNDERLINER FOR WAX BASE

Diameter	Height	Wt. Per Pcs.	Pack	Case Wt.	Case Dimensions	Cube	Class
9-1/2"	1-7/8"	7.9 oz.	12	6.8 lb. (3.1kg)	10.25" x 10.5" x 12" (26.0cm x 26.0cm x 30.5cm)	0.7	77.5



Spec Sheet: 370

Item No.	Old Item No.	Description	Color	UPC
DX108703	1087/11	Pellet Underliner for Classic, Heritage and Turnbury	Onyx	753806313637
DX108708	1087/36	Pellet Underliner for Classic, Heritage and Turnbury	Hunter Green	753806311275
DX108715	1087/33	Pellet Underliner for Classic, Heritage and Turnbury	Teal	753806370067
DX108723	1087/27*	Pellet Underliner for Classic, Heritage and Turnbury	Gray	753806370043
DX108731	1087/31	Pellet Underliner for Classic, Heritage and Turnbury	Latte	753806314313
DX108750	1087/28	Pellet Underliner for Classic, Heritage and Turnbury	Midnight Blue	753806370050
DX108756	1087/12	Pellet Underliner for Classic, Heritage and Turnbury	Mauve	753806370012
DX108761	1087/20	Pellet Underliner for Classic, Heritage and Turnbury	Cranberry	753806370036
DX108768	1087/68	Pellet Underliner for Classic, Heritage and Turnbury	Plum	753806314320
DX108784	1087/84	Pellet Underliner for Classic, Heritage and Turnbury	Sage	753806314337

Non-insulated underliner to hold the Dinex Wax Base. Protects the patient and the tray from the heated base. Helps to shield the cold items on the tray. Fits all Dinex Entrée Domes. Combine with heated plate and Dinex Insulated Dome for maximum temperature retention. One-piece construction, not insulated.

\* Indicates discontinued item. Quantities may be limited; call for availability.



BASES

**INDUCTION BASES**

Item No.	Model No.	Description	Color	Pack	Case Wt.	Cube	Class	UPC
DX811003	811011	Base for Induction Chargers	Onyx	12	18.0 lb. (8.2kg)	0.9	85	753806191471
DX811008	811036	Base for Induction Chargers	Hunter Green	12	18.0 lb. (8.2kg)	0.9	85	753806191525
DX811023	811027*	Base for Induction Chargers	Gray	12	18.0 lb. (8.2kg)	0.9	85	753806191501
DX811031	811031	Base for Induction Chargers	Latte	12	18.0 lb. (8.2kg)	0.9	85	753806191624
DX811050	811028	Base for Induction Chargers	Midnight Blue	12	18.0 lb. (8.2kg)	0.9	85	753806191518
DX811056	811012	Base for Induction Chargers	Mauve	12	18.0 lb. (8.2kg)	0.9	85	753806191488
DX811061	811020	Base for Induction Chargers	Cranberry	12	18.0 lb. (8.2kg)	0.9	85	753806191495
DX811068	811068	Base for Induction Chargers	Plum	12	18.0 lb. (8.2kg)	0.9	85	753806191648
DX811084	811084	Base for Induction Chargers	Sage	12	18.0 lb. (8.2kg)	0.9	85	753806191631

Spec Sheet: 149



Induction Bases designed to fit both the Smart-Therm STSII and NEW Turbo-Temp Induction Systems

**POWER-THERM® INDUCTION BASES**

Item No.	Model No.	Description	Color	Pack	Case Wt.	Cube	Class	UPC
DX4111003	4111011	Base for Power-Therm Induction Charger	Onyx	10	13.2 lb. (6.0kg)	0.5	77.5	753806313699
DX4111008	4111036	Base for Power-Therm Induction Charger	Hunter Green	10	13.2 lb. (6.0kg)	0.5	77.5	753806313040
DX4111015	4111507	Base for Power-Therm Induction Charger	Teal	10	13.2 lb. (6.0kg)	0.5	77.5	753806191228
DX4111023	4111434	Base for Power-Therm Induction Charger	Gray	10	13.2 lb. (6.0kg)	0.5	77.5	753806191198
DX4111050	4111028	Base for Power-Therm Induction Charger	Midnight Blue	10	13.2 lb. (6.0kg)	0.5	77.5	753806313682
DX4111056	4111509*	Base for Power-Therm Induction Charger	Mauve	10	13.2 lb. (6.0kg)	0.5	77.5	753806191242
DX4111061	4111508	Base for Power-Therm Induction Charger	Cranberry	10	13.2 lb. (6.0kg)	0.5	77.5	753806191235
DX4111478	4111478	Base for Power-Therm Induction Charger	Natural	10	13.2 lb. (6.0kg)	0.5	77.5	753806191204
DX4111480	4111480	Base for Power-Therm Charger (Hotel Base accommodates up to 11" china plates)	Natural	10	13.2 lb. (6.0kg)	0.5	77.5	753806191211

Spec Sheet: 112



These bases are designed to fit the discontinued Power-Therm Induction System

\* Indicates discontinued item. Quantities may be limited; call for availability.

# TUMBLERS, TULIP CUPS & BOWLS

THE INDUSTRY STANDARD FROM DINEX®

## ICED TEA TUMBLERS

Dinex non-insulated iced tea or juice tumblers are available in 6, 9 and 12 oz. styles, in a contemporary swirl design. The 9 oz. is also available in the traditional pebble style. Use with the convenient straw-slot lid.



**Insulated**



## TULIP BOWL

INTRODUCING the stylish new Tulip Bowl with disposable lid. Ideal for 12 oz. portions of salad or desserts. A perfect companion to the Tulip Cup.



## TULIP CUP

The stylish Tulip cup with snug-fitting disposable lid. Ideal for 5 oz. portions of fruit or desserts. A perfect companion to the swirl tumblers.

## JUICE CUPS (double-wall insulated)

Another functional design from Dinex that has become a healthcare industry standard is the insulated 6 oz. Juice Cup (DX1192) with disposable lid. Its thin, china-like drinking lip and efficient temperature retention have made it the popular choice in many extended care facilities. The insulated juice cup is available in a wide selection of contemporary colors.

**JUICE CUP 6 oz. (INSULATED)**

Diameter	Height	Capacity	Wt. Per Pcs.	Pack	Case Wt.	Case Dimensions	Cube	Class
2-5/8"	4-1/8"	6 oz.	1.8 oz.	24	3.0 lb. (1.4kg)	11" x 8.25" x 8.75" (27.9cm x 21.3cm x 22.2cm)	0.5	77.5



Spec Sheet: 310

Item No.	Old Item No.	Description	Color	UPC
DX119215	1192/33H	6 oz. Juice Cup	Teal	753806310483
DX119223	1192/27H*	6 oz. Juice Cup	Gray	753806310476
DX119256	1192/12H	6 oz. Juice Cup	Mauve	753806310452
DX119261	1192/20H	6 oz. Juice Cup	Cranberry	753806311053

**LIDS**

Item No.	Old Item No.	Description	Pack	Case Wt.	Cube	UPC	Class
DX11928714	1192/8714	Translucent Lid	1,000	2.4 lb. (1.1kg)	0.5	753806010116	150

Classic Danish design with double wall (air-void) insulation, features china-like finish with stylish thin lip.

**TUMBLERS**

Item No.	Old Item No.	Description	Pack	Diameter	Height	Wt. Per Pcs.	Case Dimensions	Case Wt.	Cube	UPC
DX4GC07	4GC	Pebble Tumbler, 9 oz.	72	3-1/4"	3-5/8"	2.3 oz.	13.25" x 10.25" x 9.75" (33.7cm x 26.0cm x 24.8cm)	10.5 lb. (4.8kg)	0.8	753806400207

Class: 85

DX4GC607	4GC6	Swirl Tumbler, 6 oz.	72	2-5/8"	3-1/4"	1.5 oz.	17.52" x 7" x 12" (43.8cm x 18.0cm x 30.5cm)	10.0 lb. (4.5kg)	1.3	753806313538
----------	------	----------------------	----	--------	--------	---------	---	---------------------	-----	--------------

Class: 125

DX4GC907	4GC9	Swirl Tumbler, 9 oz.	72	3-1/4"	3-3/8"	2.4 oz.	22.25" x 11.25" x 8.5" (56.5cm x 28.6cm x 21.6cm)	14.3 lb. (6.4kg)	1.2	753806312869
----------	------	----------------------	----	--------	--------	---------	--	---------------------	-----	--------------

Class: 92.5

DX4GC1207	4GC12	Swirl Tumbler, 12 oz.	72	3-1/4"	4-1/8"	3.2 oz.	23" x 14" x 8.5" (58.4cm x 35.6cm x 21.6cm)	17.9 lb. (8.0kg)	1.6	753806312876
-----------	-------	-----------------------	----	--------	--------	---------	--	---------------------	-----	--------------

Class: 92.5

**LIDS**

Item No.	Old Item No.	Description	Pack	Case Wt.	Cube	UPC	Class
DXTT58	TT58	Tumbler Lid with straw slot (white lid) for DX4GC, DX4GC9, DX4GC12	1,000	6.3 lb. (2.8kg)	1.2	753806460492	150
DX11968714	1196/8714	Translucent Lid for DX4GC6	1,000	3.0 lb. (1.4kg)	0.9	753806010147	250
DX1196ST8714	1196ST/8714	Translucent Lid, Fits 8 oz. Plastic Tumbler, DX4GC6 Tumbler, Cambro NT8 Carlisle 5526, 5108, Straw Slot - Lid fit may vary on non-Dinex products due to changes in manufacturing specifications.	1,000	3.0 lb. (1.4kg)	0.9	753806460836	250

Contemporary style, high quality tumblers for iced tea, juice or other cold beverages. Clear plastic.



DX4GC07



DX4GC607



DX4GC907



DX4GC1207

Spec Sheet: 570

\* Indicates discontinued item. Quantities may be limited; call for availability.

## MONKEY DISH 4oz.

Diameter	Height	Capacity	Wt. Per Pcs.	Pack	Case Wt.	Case Dimensions	Cube	Class
3"	1-3/4"	4 oz.	2.2 oz.	24	3.3 lb. (1.5kg)	6.25" x 6.25" x 6.25" (15.9cm x 15.9cm x 15.9cm)	0.1	77.5



Spec Sheet: 500

Item No.	Old Item No.	Description	Color	UPC
DX361502	3615/14	4 oz. Monkey Dish (melamine)	White	753806400009

### LIDS

Item No.	Old Item No.	Description	Pack	Case Wt.	Cube	UPC	Class
DX11948700	1194/8700	Clear-view Flat Lid	2,000	7.1 lb. (3.2kg)	2.1	753806010123	150
DX11948714	1194/8714	Translucent Lid	2,000	7.4 lb. (3.4kg)	2.1	753806010130	150

Versatile, reusable 4 oz. dessert or puree cup. White Melamine with highly polished finish. Not recommended for oven or microwave.

## TULIP CUP (SWIRL)

Diameter	Height	Capacity	Wt. Per Pcs.	Pack	Case Wt.	Case Dimensions	Cube	Class
3.75"	2.25"	5 oz.	1.5 oz.	96	10.0 lb. (4.5kg)	17" x 8.3" x 9.3" (43.2cm x 20.9cm x 23.5cm)	0.8	77.5



Item No.	Old Item No.	Description	UPC
DXSWC507	SWC5	Tulip Cup (swirl), 5 oz.	753806314023

### LIDS

Item No.	Old Item No.	Description	Pack	Case Wt.	Cube	UPC	Class
DX11820174	1182/0174	Translucent Lid, fits DXSWC5 5 oz.	1,000	10.9 lb. (5.0kg)	2.0	753806461093	250

## TULIP BOWL (SWIRL)

Diameter	Height	Capacity	Wt. Per Pcs.	Pack	Case Wt.	Case Dimensions	Cube	Class
5.5"	2.25"	12 oz.	2.75 oz.	48	9.5 lb. (4.3kg)	11.5" x 8.75" x 12" (29.2cm x 22.2cm x 30.5cm)	0.4	85



Item No.	Old Item No.	Description	UPC
DXSWC1207	SWC12	Tulip Bowl (swirl), 12 oz.	753806341108

### LIDS

Item No.	Old Item No.	Description	Pack	Case Wt.	Cube	UPC	Class
DX11890174	1189/0174	Translucent Lid, fits DXSWC12 12 oz.	1,000	9.0 lb. (4.1kg)	1.3	753806421710	125

# WASHRACKS

VERSATILE AND DURABLE COMPARTMENT RACKS FOR WASHING AND STORAGE

WASHRACKS

Stackable washracks\* feature molded one-piece construction, easy-grip handles on all four sides, and double wall construction to cushion impact during washing and handling. The open profile design allows for maximum exposure to washing action, while reducing the weight of a loaded washrack. These pre-assembled compartments hold DineX insulated ware, and other washable products.



Carlisle Washrack



\* Carlisle washracks are available in a wide variety of configurations. To order call 800.654.8210 or visit Carlisle on the web at [www.carlislefsp.com](http://www.carlislefsp.com) for more information.



DineX Washrack Dispenser  
 See Page 152



Carlisle Washrack Dollies



Spec Sheet: 021

## WASHRACKS FOR INSULATED TRAYS

Item No.	Old Item No.	Description	Pack	Case Wt.	Cube	Class
DXIWISUS	IWISUS	Washrack, Solar/Ultima Server	2	15.8 lb. (7.2kg)	1.5	250
DXIWISUC	IWISUC	Washrack, Solar Cover	2	13.6 lb. (6.2kg)	1.5	250
DXIWIOGSC	IWIOGSC	Washrack, Omni/Gemini Server-Cover/Ultima Cover	2	13.7 lb. (6.2kg)	1.4	250

Special washrack for DineX insulated trays and covers. Durable two-piece construction of stainless steel wire rack attached to polypropylene base.



## WASHRACK CROSS REFERENCE

Carlisle washracks are the rugged choice for today's foodservice professionals. Use the chart below to determine the best washrack for your Dinex insulated ware and reusable tumblers.

Carlisle washracks are also available for virtually any foodservice system. Contact your Carlisle FoodService Products representative or call 800.654.8210. Visit Carlisle FoodService Products on the web at [www.carlislefsp.com](http://www.carlislefsp.com).



WASHRACKS

Dinex Item No.	Old Item No.	Description	Carlisle Washrack
DX3000Series	3000/Series	Turnbury 8 oz. Insulated Mug	RC20-1
DX3200Series	3200/Series	Turnbury 5 oz. Insulated Bowl	RG25
DX3300Series	3300/Series	Turnbury 9 oz. Insulated Bowl	RG16 or RC16
DX1197Series	1197/SeriesHT	Classic 8 oz. Insulated Mug	RC20-1
DX1190Series	1190/SeriesHT	Classic 8 oz. Insulated Tumbler	RW20-1 or RC20-1
DX1105Series	1105/SeriesHT	Classic 5 oz. Insulated Bowl	RG25
DX1187Series	1187/SeriesHT	Classic 8 oz. Bowl	RG9 or RB
DX1185Series	1185/SeriesHT	Classic 9 oz. Insulated Bowl	RG16 or RC16
DX1186Series	1186/SeriesHT	Classic 12 oz. Bowl	RG9 or RB
DX361502	3615/14	Thermacite 4 oz. Monkey Dish	RW30
DX1192Series	1192/SeriesH	6 oz. Insulated Juice Cup	RW30-1
DX4MSeries	4MSeries	Tradition 8 oz. Insulated Mug	RC20-1
DX45CSSeries	45CSeries	Tradition 5 oz. Insulated Mug	RG25
DX4BSeries	4BSeries	Tradition 8 oz. Insulated Bowl	RG16
DX4000Series	4000/SeriesH	Heritage 8 oz. Insulated Mug	RC20-1
DX4100Series	4100/SeriesH	Heritage 8 oz. Insulated Tumbler	RG20-1 or RC20-1
DX4200Series	4200/SereisH	Heritage 5 oz. Insulated Bowl	RW20-RG20
DX4300Series	4300/SeriesH	Heritage 9 oz. Insulated Bowl	RG16
DX9000BSeries	9000B/Series	Tropez 8 oz. High Heat Mug	RC20-1
DX9200BSeries	9200B/Series	Tropez 5 oz. High Heat Bowl	RG25
DX9300BSeries	9300B/Series	Tropez 9 oz. High Heat Bowl	RG16 or RC16
DX4GC07	4GC	9 oz. Pebble Tumbler	RG25-1
DX4GC607	4GC6	6 oz. Swirl Tumbler	RW30
DX4GC907	4GC9	9 oz. Swirl Tumbler	RG25-1
DX4GC1207	4GC12	12 oz. Swirl Tumbler	RG25-1
DX4GCOF907	4GCOF9	9 oz. Low Profile Squat Pebble Tumbler	RG25
DXSWC507	SWC5	5 oz. Tulip Cup	RG25
DXSWC1207	SWC12	12 oz. Tulip Bowl	RG9 or RB

# PATIENT TRAYS

SUPERIOR RIGIDITY FOR BETTER HANDLING AND DURABILITY

Nothing beats these trays for healthcare meal delivery. These durable serving trays are molded from sturdy fiberglass with steel-band reinforced edging. They are stronger and much more stable than molded plastic serving trays. Flat trays are available in seven decorator colors including midnight blue, cranberry, mauve, ivory, gray, onyx and latte, and are color coordinated with other Dinex products. These trays are dishwasher safe and will not warp or split under normal daily use. Specialty systems such as Thermal·Aire® and Meals On Command use high-quality trays configured specifically for your equipment. Dinex also provides a new, contemporary Room Service tray to enhance the dining experience.



Room Service Tray with Filigree traycover

DX1089 Series



Thermal·Aire Tray

Meals On Command Tray



## FLAT TRAYS

Item No.	Old Item No.	Description	Color	Pack	Case Weight	Cube	Case Dimensions	Class
<b>TRAY SIZE: I 14" x 18"</b>								
DX1089I03	1089I/11	Flat Tray, 14" x 18"	Onyx	12	16.0 lb. (7.0kg)	0.7	18" x 14.75" x 4.5" (46cm x 38cm x 11cm)	70
DX1089I23	1089I/27	Flat Tray, 14" x 18"	Gray	12	16.0 lb. (7.0kg)	0.7	18" x 14.75" x 4.5" (46cm x 38cm x 11cm)	70
DX1089I31	1089I/31	Flat Tray, 14" x 18"	Latte	12	16.0 lb. (7.0kg)	0.7	18" x 14.75" x 4.5" (46cm x 38cm x 11cm)	70
DX1089I42	1089I/15	Flat Tray, 14" x 18"	Ivory	12	16.0 lb. (7.0kg)	0.7	18" x 14.75" x 4.5" (46cm x 38cm x 11cm)	70
DX1089I50	1089I/28	Flat Tray, 14" x 18"	Mid. Blue	12	16.0 lb. (7.0kg)	0.7	18" x 14.75" x 4.5" (46cm x 38cm x 11cm)	70
DX1089I56	1089I/12	Flat Tray, 14" x 18"	Mauve	12	16.0 lb. (7.0kg)	0.7	18" x 14.75" x 4.5" (46cm x 38cm x 11cm)	70
DX1089I61	1089I/20	Flat Tray, 14" x 18"	Cranberry	12	16.0 lb. (7.0kg)	0.7	18" x 14.75" x 4.5" (46cm x 38cm x 11cm)	70
<b>TRAY SIZE: M 15" x 20"</b>								
DX1089M03	1089M/11	Flat Tray, 15" x 20"	Onyx	12	21.4 lb. (10.0kg)	0.8	20.5" x 16" x 4.24" (52cm x 41cm x 11cm)	70
DX1089M23	1089M/27	Flat Tray, 15" x 20"	Gray	12	21.4 lb. (10.0kg)	0.8	20.5" x 16" x 4.24" (52cm x 41cm x 11cm)	70
DX1089M31	1089M/31	Flat Tray, 15" x 20"	Latte	12	21.4 lb. (10.0kg)	0.8	20.5" x 16" x 4.24" (52cm x 41cm x 11cm)	70
DX1089M50	1089M/28	Flat Tray, 15" x 20"	Mid. Blue	12	21.4 lb. (10.0kg)	0.8	20.5" x 16" x 4.24" (52cm x 41cm x 11cm)	70
DX1089M42	1089M/15	Flat Tray, 15" x 20"	Ivory	12	21.4 lb. (10.0kg)	0.8	20.5" x 16" x 4.24" (52cm x 41cm x 11cm)	70
DX1089M56	1089M/12	Flat Tray, 15" x 20"	Mauve	12	21.4 lb. (10.0kg)	0.8	20.5" x 16" x 4.24" (52cm x 41cm x 11cm)	70
DC1089M61	1089M/20	Flat Tray, 15" x 20"	Cranberry	12	21.4 lb. (10.0kg)	0.8	20.5" x 16" x 4.24" (52cm x 41cm x 11cm)	70

## ROOM SERVICE TRAYS

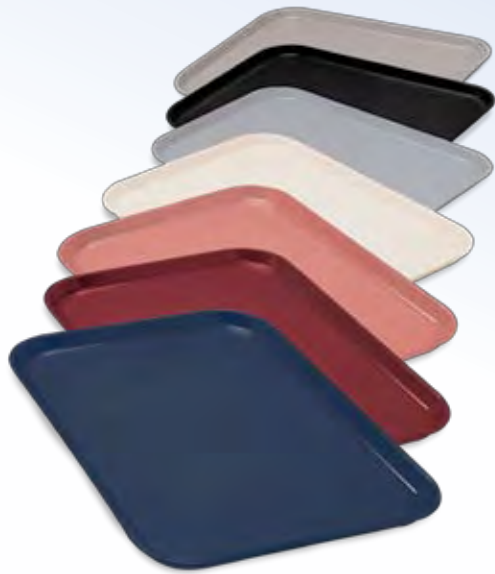
Item No.	Old Item No.	Description	Color	Pack	Case Wt.	Cube	Case Dim.	Class
<b>TRAY SIZE: 21.5" L x 15.5" W x 1.5" H (Tray Surface 13" x 19")</b>								
DX1089RS03	1089RS/11	Room Service Tray	Black	12	35.0 lb. (15.9kg)	1.1	22" x 16" x 5.24" (56cm x 41cm x 13cm)	65
<b>TRAY SIZE: 20" L x 15.5" W x 2" H (Tray Surface 13" x 17.5")</b>								
DX1089RS152003	1089RS1520/11	Room Service Tray	Black	12	34.0 lb. (15.4kg)	1.7	21" x 16" x 8" (53cm x 41cm x 20cm)	65

## PATIENT TRAYS FOR THERMAL•AIRE®

Item No.	Old Item No.	Description	Color	Pack	Case Weight	Cube	Class
<b>FLAT TRAYS</b>							
DXSC1531000	SC1531000	Individual Meal Tray, 12" x 21"	Salmon	24	60.0 lb. (27.0kg)	1.8	70
DXSC1531001	SC1531001	Individual Meal Tray, 12" x 21"	Light Yellow	24	60.0 lb. (27.0kg)	1.8	70
DXSC1531002	SC1531002	Individual Meal Tray, 12" x 21"	Gray	24	60.0 lb. (27.0kg)	1.8	70
<b>DIVIDED TRAYS</b>							
DXSC1530151	SC1530151	Individual Meal Tray, 12" x 21"	Salmon	30	60.0 lb. (27.0kg)	1.8	70
DXSC1530152	SC1530152	Individual Meal Tray, 12" x 21"	Gray	30	60.0 lb. (27.0kg)	1.8	70
DXSC1530189	SC1530189	Individual Meal Tray, 12" x 21"	Light Yellow	30	60.0 lb. (27.0kg)	1.8	70

## SPLIT TRAY FOR MEALS ON COMMAND™

Item No.	Old Item No.	Description	Color	Pack	Case Weight	Cube	Class
DX1089MOC23	1089/MOC	Meals On Command Patient Tray, 23" x 13.5"	Gray	20	39.0 lb. (18.0kg)	2.0	85





*Dishware & Disposables*

## DINET® CHINA DISHWARE

Enhance your patient tray with Dinex China from Dinex, available in a 9" entrée plate, 5-½" Bread/Dessert plate and 6 oz. fruit dish. Dinex China pieces are elegantly embossed in stylish ivory. The perfect choice for room service systems, or simply to increase patient satisfaction. Use with the new, disposable high-dome designed to cover the fruit and dessert dishes.



**DX9CP02** - 9" ENTRÉE PLATE



**DX5CFNB02** - 5.75 oz. FRUIT BOWL



**DX5CBPB02** - 5-½" BREAD & DESSERT PLATE



*Disposable dome lid for fruit bowl and bread plate. DX11880174*



**HIGH HEAT CHINA**  
**DXHHC1002** - 7-¾" Round China Entrée Plate

## THERMA-CITE®

AN ATTRACTIVE AND DURABLE ALTERNATIVE TO CHINA



High quality melamine dishware provides a safe a durable alternative to china for entrée, salad and dessert dishware. Virtually unbreakable and scratch resistant, Dinex Therma-cite dishware maintains its attractive finish through thousands of servings.

## DISPOSABLE DISHWARE

CONTEMPORARY STYLING WITH SUPERIOR TEMPERATURE RETENTION

A cost-saving and efficient alternative to a wide variety of side pieces on the patient tray. Use Dinex high-quality disposables for salad, desserts or light entrees. Increase efficiency while reducing costs for washing and handling. The convenient 4 oz. juice cup (with disposable lid) has a variety of uses on the healthcare tray.



## HIGH-HEAT DISPOSABLE DISHWARE

DISPOSABLE ECONOMY FOR RETHERM



Dinex provides a variety of high temp side dishware for retherm or other heated cart systems. High heat dishware offers the same cost efficiencies and production benefits, and adds a unique convenience to your retherm system.

**DINET® CHINA DISHWARE**

Item No.	Old Item No.	Description	Color	Pack	Case Wt.	Cube	Case Dimensions	UPC	Class
DXSCBPB02	5CBPB	5-1/2" Bread & Dessert Plate	White	36	16.0 lb. (7.3kg)	0.5	12.25" x 9.75" x 6.75" (31.3cm x 24.75cm x 17.13cm)	753806220508	85
DX5CFNB02	5CFNB	5.75 oz. Fruit Bowl	White	36	17.0 lb. (7.8kg)	0.5	12.25" x 11.5" x 6.25" (31.1cm x 29.2cm x 16.0cm)	753806220492	85
DX7CE02	7CE	7-3/4" Entrée Plate (System 7)	White	36	35.0 lb. (16.0kg)	0.7	14" x 9" 8.25" (33.0cm x 22.9cm x 20.9cm)	753806400146	70
DX9CP02	9CP	9" Entrée Plate	White	12	17.0 lb. (7.8kg)	0.5	10" x 8.75" x 10.25" (25.4cm x 22.0cm x 26.0cm)	753806220485	85
<b>LIDS</b>									
DX11880174	1188/0174	Disposable Dome Lid for China Bread Plate & Fruit Bowl		500	11.0 lb. (5.0kg)	3.4	12" x 29" x 17" (30.5cm x 73.6cm x 48.2cm)	753806460959	250

Spec Sheet: 571



**HIGH HEAT CHINA DISHWARE**

Item No.	Old Item No.	Description	Color	Pack	Case Wt.	Cube	Case Dimensions	UPC	Class
DXHHC1002	HHC10	7-3/4" Entrée Plate	White	24	23.0 lb. (10.4kg)	0.6	15.5" x 9" x 8.25" (39.4cm x 22.9cm x 20.9cm)	753806220263	92.5
DXHHC10A02	HHC10A*	7-3/4" Entrée Plate (fits Aladdin Excel)	White	24	23.0 lb. (10.4kg)	0.7	15.5" x 9" x 8.25" (39.4cm x 22.9cm x 20.9cm)	753806220393	92.5

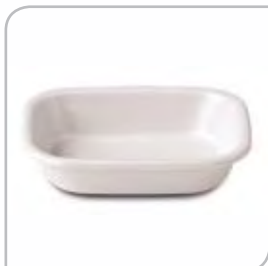
Special high-temp china dishware for conduction retherm systems. Aladdin and Excel are registered trademarks of Aladdin Corporation.

Spec Sheet: 510



**THERMA-CITE® SIDE DISH REUSABLE**

Length	Width	Height	Capacity	Wt. Per Pcs.	Pack	Case Wt.	Case Dimensions	Cube	Class
5"	3-3/4"	1-1/4"	6 oz.	2.9 oz.	72	13.1 lb. (5.9kg)	13.25" x 10.75" x 5.38" (33.7cm x 27.3cm x 13.7cm)	0.4	70
Item No.	Old Item No.	Description	Color	UPC					
DX4T102	4T1W	Side Dish, 6 oz.	White	753806400030					



Spec Sheet: 500

High quality, Melamine dish with china-like finish. Use for individual service or with the Dinet Insulated Tray System.

\* Indicates discontinued item. Quantities may be limited; call for availability.

## THERMA•CITE® RECTANGULAR ENTRÉE

Length	Width	Height	Capacity	Wt. Per Pcs.	Pack	Case Wt.	Case Dimensions	Cube	Class
7-1/2"	5"	1-1/8"	12 oz.	10.0 oz.	36	22.7 lb. (10.2kg)	16.25" x 15.75" x 5" (41.3cm x 40.0cm x 12.7cm)	0.7	70



Spec Sheet: 500

Item No.	Old Item No.	Description	Color	UPC
DX4T802	4T8W	Rectangular Entree Dish Reusable, 12 oz.	White	753806400085

High quality, Melamine dish with china-like finish. Use for individual service or with the Dinex Insulated Tray System.

## THERMA•CITE® 9" ENTRÉE PLATE

Length	Wt. Per Pcs.	Pack	Case Wt.	Case Dimensions	Cube	Class
9"	14 oz.	24	23.2 lb. (10.4kg)	18.25" x 9.25" x 6.25" (46.4cm x 23.5cm x 15.9cm)	0.6	70



Spec Sheet: 500

Item No.	Old Item No.	Description	Color	UPC
DX4T902	4T9W	9" Entrée Plate	White	753806220287

High quality, Melamine plate with china-like finish. Use for individual service or with the Dinex Insulated Tray System.

## DISPOSABLE ENTRÉE & SIDE DISHWARE

Item No.	Old Item No.	Description	Pack	Case Wt.	Cube	Case Dimensions	UPC	Class
DXTT1	TT1	Side Dish, 6 oz. (one compartment)	2,000	15.1 lb. (6.8kg)	1.1	19.75" x 11" x 8.5" (50.2cm x 27.9cm x 21.6cm)	753806460386	70
DXTT6	TT6	Dessert Dish, 4 oz.	4,000	23.5 lb. (10.5kg)	1.4	20.5" x 14" x 8.5" (52.1cm x 35.6cm x 21.6cm)	753806460522	85
DXTT8	TT8	Rectangular Entrée, 12 oz. (one compartment)	1,000	18.2 lb. (8.2kg)	1.2	23" x 11" x 8.25" (58.4cm x 27.9cm x 21.0cm)	753806460553	70
DXTT20	TT20	Rectangular Soup Bowl, 8 oz.	1,000	17.7 lb. (7.9kg)	2.8	24.25" x 19.25" x 10.5" (61.6cm x 48.9cm x 26.7cm)	753806460409	125
DXTT30	TT30	Rectangular Soup Bowl Lid (fits DXTT20)	1,000	10.3 lb. (4.6kg)	2.0	19.5" x 10.5" x 16.5" (49.5cm x 26.7cm x 41.9cm)	753806460430	150
DXTT40	TT40	Juice Cup, 4 oz.	2,500	22.1 lb. (9.9kg)	2.6	15.75" x 15.75" x 18" (40.0cm x 40.0cm x 45.7cm)	753806400412	100
DXTT50	TT50	Juice Cup Lid, 4 oz. (fits DXTT40)	2,500	9.4 lb. (4.2kg)	2.4	16.5" x 16.5" x 15.25" (41.9cm x 41.9cm x 38.7cm)	753806460485	250

Spec Sheet: 391



**DXTT1** – Side Dish  
Translucent, 6 oz.



**DXTT6** – Dessert Dish  
Translucent, 4 oz.



**DXTT8** – Rectangular  
Entrée Dish, 12 oz.



**DXTT20** – Rectangular  
Soup Bowl, 8 oz.



**DXTT30** – Rectangular  
Soup Bowl Lid (fits DXTT20)



**DXTT40** – Juice  
Cup 4 oz.



**DXTT50** – Juice Cup  
Lid (fits DXTT40)

**HIGH HEAT DISPOSABLE PLASTIC DISHWARE**

Item No.	Old Item No.	Description	Pack	Case Wt.	Cube	Case Dimensions	UPC	Class
DXHH1	HH1	Side Dish, 6 oz. (one compartment)	2,000	34.9 lb. (15.6kg)	1.5	16" x 14.25" x 11" (40.6cm x 36.2cm x 27.9cm)	753806460317	70
DXHH5	HH5	Triangular Side Dish, 5 oz.	500	6.0 lb. (2.7kg)	1.0	20" x 8.5" x 10.5" (50.8cm x 21.9cm x 26.7cm)	753806220270	125
DXHH8	HH8	Rectangular Entrée, 12 oz. (one compartment)	1,000	37.9 lb. (17.0kg)	1.3	13" x 11" x 16" (33.0cm x 27.9cm x 40.6cm)	753806460362	70
DXHH10	HH10	7-3/4" Entrée, (one compartment)	500	26.5 lb. (11.9kg)	1.6	15.75" x 15.75" x 11" (40.0cm x 40.0cm x 27.9cm)	753806460324	70
DXHH10A	HH10A	7-3/4" Entrée, one compartment (for Aladdin Excel system)	500	25.3 lb. (11.3kg)	3.4	19.25" x 19" x 16" (48.9cm x 48.3cm x 40.6cm)	753806460683	125
DXHH20	HH20	Rectangular Soup Bowl, 8 oz.	1,000	28.1 lb. (12.6kg)	2.6	24.5" x 15.25" x 12" (62.2cm x 38.7cm x 30.5cm)	753806460331	92.5
DXHH20A	HH20A	Rectangular Soup Bowl, 8 oz. (for Aladdin TempRite II)	1,000	26.0 lb. (11.7kg)	2.2	24.5" x 14.75" x 10.75" (61.9cm x 37.5cm x 30.5cm)	753806460348	92.5
DXHH27B	HH27B	Round Soup Bowl, 6 oz. (substitute for Aladdin B27)	1,000	14.6 lb. (6.5kg)	2.8	20.6" x 16.5" x 14.5" (52.4cm x 41.9cm x 36.5cm)	753806460690	150
DXHH30	HH30	Rectangular Soup Bowl Lid, (fits DXHH20, DXHH20A)	1,000	14.4 lb. (6.5kg)	2.1	20" x 10.25" x 17.5" (50.8cm x 26.0cm x 44.8cm)	753806460355	125
DXHH87	HH87	Round Soup Bowl Lid, (fits DXHH27B)	1,000	10.9 lb. (4.9kg)	1.3	21" x 8.5" x 12.25" (53.3cm x 21.6cm x 31.1cm)	753806460706	100
DXHH97	HH97	Round Soup Bowl Lid, (substitute for Aladdin B97 and fits J450)	1,000	9.3 lb. (4.1kg)	0.8	20.5" x 8.4" x 8" (52.0cm x 21.3cm x 20.7cm)	753806460713	92.5
DXHHSCM	HHSCM	Mug Lid, (fits Aladdin 8 oz. Mug, Kendrick Johnson 8 oz. Mug & 5 oz. Bowl)	2,000	18.2 lb. (8.3kg)	3.9	22.5" x 15.5" x 19.5" (57.1cm x 39.3cm x 49.5cm)	753806460799	150
DXHHSCS	HHSCS	Bowl Lid, (fits Aladdin 5 oz. & 8 oz. Bowl, Kendrick Johnson 8 oz. & 12 oz. Bowl)	1,000	13.0 lb. (5.9kg)	2.3	22.5" x 15.5" x 13.25" (57.1cm x 39.3cm x 33.6cm)	753806460782	150

Special high-temp disposable dishware for conduction and retherm systems.

Aladdin, Excel and TempRite II are registered trademarks of Aladdin Corporation. Kendrick Johnson is a registered name.

**Spec Sheet: 510**



**DXHH1** – Side Dish, 6 oz.



**DXHH5** – Triangular Side Dish, 5 oz.



**DXHH8** – Rectangular Entrée Dish, 12 oz.



**DXHH10** – 7-3/4" Entrée Dish



**DXHH10A** – 7-3/4" Entrée Dish (for Aladdin Excel System)



**DXHH20** – Rectangular Soup Bowl, 8 oz.



**DXHH20A** – Rectangular Soup Bowl 8 oz. (for Aladdin TempRite II)



**DXHH30** – Rectangular Soup Bowl Lid (fits DXHH20A Soup Bowl)



**DXHH27B** – Round Soup Bowl, 6 oz. (substitute for Aladdin B27)



**DXHH87** – Round Soup Bowl Lid (fits DXHH27B)



**DXHH97** – Round Soup Bowl Lid (fits Aladdin B97 & J450)



## DISPOSABLE LIDS

TIGHT FITTING DISPOSABLE LIDS FOR EVERY APPLICATION

Dinex offers a wide assortment of single-use, disposable lids to fit Dinex, as well as a number of other manufacturers' products, including Aladdin (Traditional, Allure), Cambro, Carlisle FoodService (formerly Continental/Silite), Degree, Keepers (Seco Systems), Libbey and many others. Dinex also offers a wide assortment of generic disposable healthcare lids. Dinex disposable lids are manufactured from sturdy, high density material. Several popular styles feature stacking lugs and removal tabs to allow for easy separation. Hot food lids are vented for safety.



*The EZ-Sip disposable drink-through lid, designed exclusively to fit the Turnbury 8 oz. cup, features snug, snap-fit styling for safety and better temperature retention. The drink-through slot will also accommodate a straw. Also fits the Turnbury 5 oz. bowl.*



## PROCAP® GLASSWARE COVERS

FOR IMPROVED PERFORMANCE AND APPEARANCE

The ProCap line of clear plastic beverage lids from Dinex is an attractive alternative to paper glassware covers and plastic wrap. This is the finest universal capping system available on the market today.

Use as a dust cover for in-room glassware or as a lid for beverage delivery. Every clear ProCap lid fits a variety of glassware and container sizes—as small as 1-7/8" to 5" (outside diameter). Lids fit tightly, eliminating spills and the need for messy plastic wrap.



Aladdin (Traditional, Allure), Cambro, Carlisle Food Service, Degree, Keepers (Seco Systems) and Libbey are registered trademarks.

## CARLISLE TUMBLERS & DINEX LIDS CROSS REFERENCE

Use the table below to determine the correct Dinex lid for your Carlisle tumbler. High quality juice tumblers are available in a wide variety of textures and colors from Carlisle FoodService Products. Contact your Carlisle FoodService Products representative or call 800.654.8210. Visit Carlisle FoodService Products on the web at [www.carlislefsp.com](http://www.carlislefsp.com).



LIDS

See the complete listing of all Dinex lids starting on the next page.

Carlisle Tumbler	Description	Dinex Lid
1110	Bistro 10 oz.	DXTT50 (TT50)
1112	Bistro 12 oz.	DX11808714 (1180/8714)
4010	Crystalon SAN 9.5 oz.	DX11948700 (1194/8700), DX11948714 (1194/8714)
4012	Crystalon SAN 12 oz.	DX22259000 (2225/9000)
4016	Crystalon SAN 16 oz.	DXTT58 (TT58)
4029	Old Fashion Crystalon SAN 9 oz.	DX21259000 (2125/9000)
4031	Crystalon PC 8 oz.	DX11988714 (1198/8714), DX1198ST8714 (1198ST/8714)
4032	Cystalon 9.5 oz.	DX11948700 (1194/8700), DX11948714 (1194/8714)
4033	Crystalon PC 12 oz.	DX22259000 (2225/9000)
4034	Crystalon PC 16 oz.	DXTT58 (TT58)
5216	SAN Stackable 16 oz.	DXTT58 (TT58)
5220	SAN Stackable 20 oz.	DX30008714 (3000/8714), DX30008775 (3000/8775)
5224	SAN Stackable 24 oz.	DXTT45 (TT45)
5501	SAN Stackable 5 oz.	DX1193ST8714 (1193ST/8714)
5505	Pebble Optic 5 oz.	DX24019000 (2401/9000)
5506	SAN Stackable 9.5 oz.	DX11988714 (1198/8714), DX1198ST8714 (1198ST/8714)
5508	Pebble Optic 8 oz.	DX63-65 (PC63-65)
5512	Pebble Optic 12 oz.	DX11988714 (1198/8714), DX1198ST8714 (1198ST/8714)
5519	Pebble Optic 20 oz.	DX11948700 (1194/8700), DX11948714 (1194/8714)
5526	SAN Stackable 8 oz.	DX40008714 (4000/8714) - upside down
5529	SAN Old Fashion Stackable 9 oz.	DXTT58 (TT58)
43632	Lafayette 5 oz.	DX24019000 (2401/9000)
43633	Lafayette 8 oz.	DX20029000 (2002/9000)
43636	Lafayette 12 oz.	DX22259000 (2225/9000)
43637	Lafayette Old Fashion 12 oz.	DX21259000 (2125/9000)
43638	Lafayette 16 oz.	DX21259000 (2125/9000)
43648	Lorraine SAN 8 oz.	DXTT65 (TT65), DX40008700 (4000/8700), DX40008714 (4000/8714)
43649	Lorraine SAN 9 oz.	DXTT59 (TT59), DX11808714 (1180/8714)
43653	Lorraine SAN 16 oz.	DX30008714 (3000/8714), DX30008775 (3000/8775)
43663	Swirl 8 oz.	DX20029000 (2002/9000)
5105	PC Stackable 5 oz.	DX11928714 (1192/8714), DX1193ST8714 (1193ST/8714)
0120	Bistro 20 oz.	DX21259000 (2125/9000)
0220	Bistro PC 20 oz.	DX21259000 (2125/9000)
5109	PC Stackable 9.5 oz.	DX11989714 (1198/8714), DX1198ST9714 (1198ST/8714)
5112	PC Stackable 12.5oz	DX11948700 (1194/8700), DX11948714 (1194/8714), DXTT65 (TT65), DXTT50 (TT50)
5116	PC Stackable 16.5 oz.	DX22259000 (2225/9000)

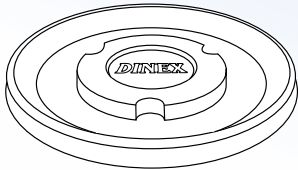
# DISHWARE & DISPOSABLES

LIDS

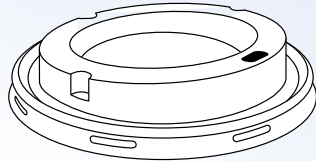
## TURNBURY® DISPOSABLE LIDS

Item No.	Old Item No.	Description	Pack	Case Wt.	Cube	Case Dimensions	UPC	Class
DX11830174	1183/0174	Clear-view Dome Lid (fits DX3300 9 oz. Bowl, DX1187 8 oz. Bowl)	1,000	8.6 lb. (3.9kg)	1.1 (3.9kg)	18" x 10.25" x 10.25" (45.6cm x 26.0cm x 26.0cm)	753806010024	77.5
DX30008714	3000/8714	Translucent Lid (fits DX3000 8 oz. Mug, DX3200 5 oz. Bowl)	1,500	7.5 lb. (3.4kg)	2.5	18.75" x 12.25" x 18.5" (47.6cm x 31.1cm x 47.0cm)	753806460027	250
DX30008775	3000/8775	EZ-Sip™ Lid (fits DX3000 8 oz. Mug, DX3200 5 oz. Bowl)	1,000	7.5 lb. (3.4kg)	2.3	18" x 7.5" x 25.5" (47.5cm x 19.0cm x 64.7cm)	753806460041	250
DX33008714	3300/8714	Translucent Lid (fits DX3300 9 oz. Bowl)	1,000	7.1 lb. (3.2kg)	2.1	22.4" x 9.5" x 17.25" (57.0cm x 23.8cm x 43.8cm)	753806460034	250

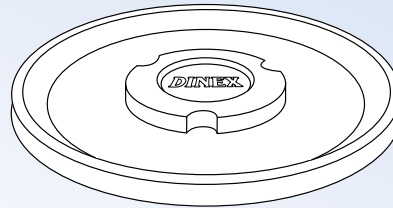
Spec Sheet: 446



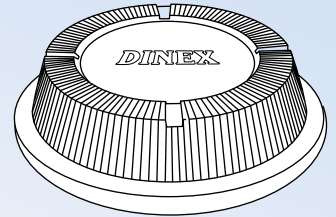
DX30008714



DX30008775  
EZ-Sip Lid



DX33008714

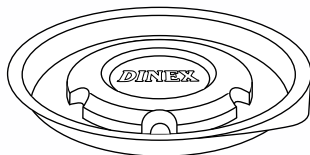


DX11830174

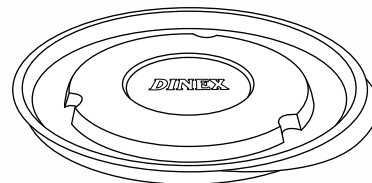
## HERITAGE DISPOSABLE LIDS

Item No.	Old Item No.	Description	Pack	Case Wt.	Cube	Case Dimensions	UPC	Class
DX11858700	1185/8700	Clear-view Flat Lid, (fits DX4500 Bowl, DX1185 Bowl)	1,000	5.7 lb. (2.6kg)	1.4	20.5" x 8.5" x 14" (52.1cm x 21.6cm x 35.6cm)	753806010062	150
DX11858714	1185/8714	Translucent Lid, (fits DX4500 Bowl, DX1185 Bowl)	1,000	5.7 lb. (2.6kg)	1.4	20.5" x 8.5" x 14" (52.1cm x 21.6cm x 35.6cm)	753806010079	150
DX40008700	4000/8700	Clear-view Flat Lid (fits DX4000 Mug, DX4100 Tumbler, DX4200 Bowl)	2,000	6.7 lb. (3.0kg)	2.2	16" X 13.25" X 17.75" (40.6cm x 33.7cm x 45.2cm)	753806010284	150
DX40008714	4000/8714	Translucent Lid (fits DX4000 Mug, DX4100 Tumbler, DX4200 Bowl)	2,000	6.4 lb. (2.9kg)	2.2	16" x 13" x 18" (41.0cm x 33.0cm x 45.7cm)	753806010291	250
DX43008700	4300/8700	Clear-view Flat Lid, (fits DX4300 Bowl)	1,000	4.8 lb. (2.1kg)	1.5	19" x 8.5" x 16.25" (48.3cm x 21.6cm x 41.3cm)	753806010321	150
DX43008714	4300/8714	Translucent Lid (fits DX4300 Bowl)	1,000	4.7 lb. (2.1kg)	1.5	19.25" x 8.25" x 16.5" (48.9cm x 21.0cm x 41.9cm)	753806010338	150

Spec Sheet: 446



DX4000

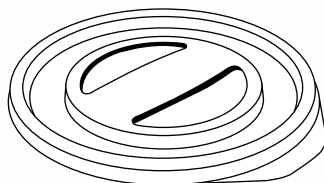


DX4300

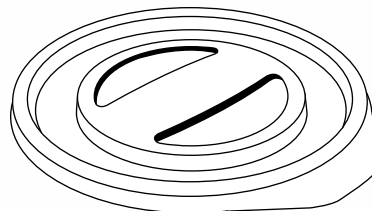
## ROYAL LEGACY DISPOSABLE LIDS

Item No.	Old Item No.	Description	Pack	Case Wt.	Cube	Case Dimensions	UPC	Class
DXTT45	TT45	Disposable Lid, (fits Royal Legacy 8 oz. Bowl)	1,000	6.9 lb. (3.1kg)	1.4	19.25" x 8" x 15" (48.9cm x 20.7cm x 38.1cm)	753806460461	100
DXTT65	TT65	Disposable Lid, (fits Royal Legacy 8 oz. Mug & 5 oz. Bowl)	2,000	8.5 lb. (3.8kg)	1.7	16" x 13" x 14.25" (40.6cm x 33.4cm x 36.2cm)	753806460539	150

Spec Sheet: 446



DXTT65



DXTT45

CALL TOLL FREE 800.523.9752

**CLASSIC DISPOSABLE LIDS**

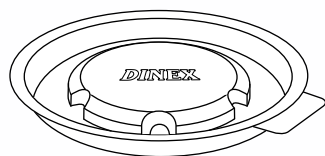
Item No.	Old Item No.	Description	Pack	Case Wt.	Cube	Case Dimensions	UPC	Class
DX11808714	1180/8714	Translucent Lid, (fits DX1180 10 oz. Server)	1,000	4.0 lb. (1.8kg)	0.7	16.5" x 6.75" x 10.75" (41.9cm x 17.1cm x 27.0cm)	753806010017	125
DX11820174	1182/0174	Translucent Lid, (fits DXSWC507 5 oz. Tulip Cup)	1,000	10.9 lb. (5.0kg)	2.0	22" x 9" x 17.3" (55.8cm x 22.8cm x 43.9)	753806461093	125
DX11830174	1183/0174	Clear-view Dome Lid (fits DX3300 9 oz. Bowl, DX1187 8 oz. Bowl)	1,000	7.7 lb. (3.5kg)	1.1	18" x 10.25" x 10.25" (45.6cm x 26.0cm x 26.0cm)	753806010024	77.5
DX11838714	1183/8714	Translucent Lid, (fits DX1187 Bowl)	1,000	7.0 lb. (3.2kg)	1.7	22.74" x 9.5" x 13.75" (57.8cm x 24.1cm x 34.6cm)	753806010048	150
DX11858700	1185/8700	Clear-view Flat Lid, (fits DX1185 Bowl, DX4500 Bowl)	1,000	5.7 lb. (2.6kg)	1.4	20.5" x 8.5" x 14" (52.1cm x 21.6cm x 35.6cm)	753806010062	150
DX11858714	1185/8714	Translucent Lid, (fits DX1185 Bowl, DX4500 Bowl)	1,000	5.7 lb. (2.6kg)	1.4	20.5" x 8.5" x 14" (52.1cm x 21.6cm x 35.6cm)	753806010079	150
DX11868700	1186/8700*	Clear-view Flat Lid, (fits DX1186 Bowl)	1,000	8.8 lb. (4.0kg)	1.7	26" x 10.5" x 11" (66.0cm x 26.7cm x 27.9cm)	753806010093	250
DX11868714	1186/8714	Translucent Lid, (fits DX1186 Bowl)	1,000	8.8 lb. (4.0kg)	1.7	26" x 10.5" x 11" (66.0cm x 26.7cm x 27.9cm)	753806010109	150
DX11880174	1188/0174	Disposable Dome Lid, (fits China Bread Plate & Fruit Bowl)	500	11.0 lb. (5.0kg)	3.4	12" x 29" x 17" (30.5cm x 73.6cm x 48.2cm)	753806460959	250
DX11890174	1189/0174	Translucent Lid, (fits DXSWC1207 12 oz. Tulip Bowl)	1,000	9.0 lb. (4.1kg)	1.3	18" x 11" x 11" (45.7cm x 27.9cm x 27.9cm)	753806421710	125
DX11928714	1192/8714	Translucent Lid, (fits DX1192 Juicer)	1,000	2.4 lb. (1.1kg)	0.5	15" x 7.5" x 7.75" (37.8cm x 19.4cm x 20.0cm)	753806010116	150
DX1193ST8714	1193ST/8714	Translucent Lid, Straw Slot (fits Cambro 500P, Carlisle 5501 & 5105, Sysco 2305)	1,000	2.5 lb. (1.1kg)	0.4	15" x 7.5" x 7.75" (37.8cm x 19.4cm x 20.0cm)	753806460829	125
DX11948700	1194/8700	Clear-view Flat Lid (fits DX1194 & DX1197 Mugs, DX1190 Tumbler, DX1105 Bowl, DX3615 Monkey Dish)	2,000	7.1 lb. (3.2kg)	2.1	16.25" x 13.25" x 16.5" (41.3cm x 33.7cm x 41.9cm)	753806010123	150
DX11948714	1194/8714	Translucent Lid, (fits DX1194 & DX1197 Mugs, DX1190 Tumbler, DX1105 Bowl, DX3615 Monkey Dish)	2,000	7.4 lb. (3.3kg)	2.1	16" x 13" x 16.25" (40.6cm x 33.0cm x 41.3cm)	753806010130	150
DX11998714	1199/8714	Translucent Lid, (fits Keepers style 8 oz. Mug and 5 oz. Bowl)	2,000	6.4 lb. (2.9kg)	1.4	15.5" x 12.5" x 13" (39.4cm x 31.4cm x 33.0cm)	753806010161	150

Lid fit may vary on non-Dinex products due to changes in manufacturing specifications.  
Note: Cambro, Carlisle, Keepers and Sysco are registered trademarks.

Spec Sheet: 446



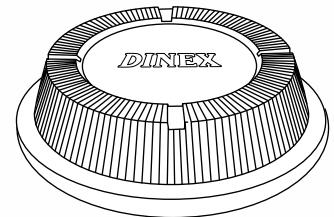
DX11928714



DX11948714



DX11868714

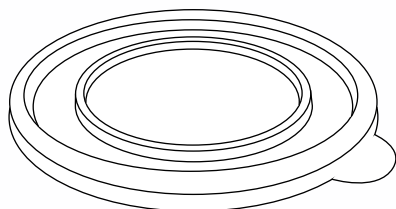


DX11830174

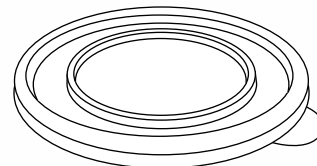
**TRADITION DISPOSABLE LIDS**

Item No.	Old Item No.	Description	Pack	Case Wt.	Cube	Case Dimensions	UPC	Class
DXTT39	TT39	Disposable Lid, (fits Tradition 8 oz. Bowls)	1,000	8.0 lb. (3.6kg)	1.7	24.5" x 9" x 13.5" (61.9cm x 22.9cm x 34.3cm)	753806460447	150
DXTT59	TT59	Disposable Lid, (fits Tradition 8 oz. Mugs & 5 oz. Bowls)	2,000	9.6 lb. (4.3kg)	1.9	17.25" x 13.5" x 13.75" (43.8cm x 34.3cm x 34.9cm)	753806460508	150

Spec Sheet: 446



DXTT39



DXTT59

\* Indicates discontinued item. Quantities may be limited; call for availability.

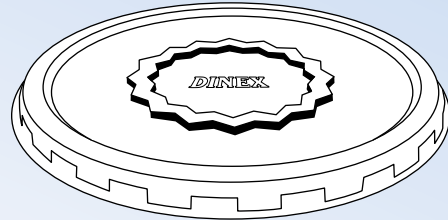
## TROPEZ® HIGH-TEMP DISPOSABLE LIDS

Item No.	Old Item No.	Description	Pack	Case Wt.	Cube	Case Dimensions	UPC	Class
DX9000B7000	9000B/7000	Disposable Lid, high-temp for Tropez Cup	1,000	8.3 lb. (3.8kg)	1.4	18.5" X 7.75" X 16.75" (47.0cm x 19.7cm x 42.5cm)	753806460638	150
DX9300B7000	9300B/7000	Disposable Lid, high-temp for Tropez Bowl	1,000	13.1 lb. (5.9kg)	2.1	24" X 10" X 14.75" (61.0cm x 25.4cm x 37.5cm)	753806460645	125

Spec Sheet: 350



DX9000B7000



DX9300B7000

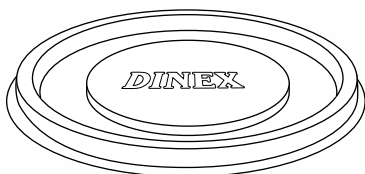
## DINEX® GENERIC HEALTHCARE

Item No.	Old Item No.	Description	Pack	Case Wt.	Cube	Case Dimensions	UPC	Class
DX11968714	1196/8714	Translucent Lid, (fits 8 oz. Plastic Tumbler, DX4GC607 Tumbler)	1,000	3.0 lb. (1.3kg)	0.9	15.25" x 6.5" x 15.25" (38.7cm x 16.5cm x 38.7cm)	753806010147	150
DX1196ST8714	1196ST/8714	Translucent Lid, Straw Slot, (fits 8 oz. Plastic Tumbler, DX4GC607 Tumbler, Cambro NT8, Carlisle, 5526, 5108, Straw Slot)	1,000	3.0 lb. (1.3kg)	0.9	15.25" x 6.5" x 15.25" (38.7cm x 16.5cm x 38.7cm)	753806460836	77.5
DX11988714	1198/8714	Translucent Lid, (fits 9 oz., 9-1/2 oz. & 12 oz. Plastic Tumbler)	1,000	3.5 lb. (1.6kg)	0.8	16" x 9.5" x 9.5" (40.6cm x 23.8cm x 24.1cm)	753806010154	150
DX1198ST8714	1198ST/8714	Translucent Lid, (fits 9 - 12 oz. Tumblers)	1,000	3.5 lb. (1.6kg)	0.1	16" x 9.5" x 9.5" (40.6cm x 23.8cm x 24.1cm)	753806461352	150
DX11998714	1199/8714	Translucent Lid, (fits Keepers style 8 oz. Mug and 5 oz. Bowl)	2,000	6.4 lb. (2.9kg)	1.4	15.5" x 12.5" x 13" (39.4cm x 31.4cm x 33.0cm)	753806010161	150
DX20019000	2001/9000	Translucent Lid, Fits Cambro Style 5 oz. Newport Tumbler	1,500	4.3 lb. (1.9kg)	1.3	18" x 14.25" x 8.75" (45.7cm x 36.2cm x 22.2cm)	753806010178	150
DX20029000	2002/9000	Translucent Lid, (fits Cambro Style 8 oz. Newport Tumbler)	1,500	4.8 lb. (2.2kg)	1.9	14.25 x 18.25 x 12.5" (36.2cm x 46.4cm x 31.8cm)	753806010185	250
DX21259000	2125/9000	Translucent Lid, (fits Aladdin 8 oz. Mug & 5 oz. Bowl)	2,000	9.1 lb. (4.1kg)	2.6	17.75" x 14.5" x 17.25" (45.1cm x 36.8cm x 43.8cm)	753806010208	250
DX21359000	2135/9000	Translucent Lid, (fits Aladdin 8 oz. Bowl)	1,000	9.1 lb. (4.1kg)	2.7	25" x 10.5" x 18.25" (63.5cm x 26.4cm x 46.1cm)	753806010215	250
DX22259000	2225/9000	Translucent Lid, (fits Cambro 8 oz. Squat Tumbler & Degree 8 oz. Mug)	2,000	8.4 lb. (3.8kg)	1.8	17" x 13.75 x 13" (43.5cm x 35.3cm x 33.0cm)	753806010222	150
DX24019000	2401/9000	Translucent Lid, (fits Carlisle 5505 Tumbler)	1,500	3.8 lb. (1.7kg)	1.2	17.75" x 14.25" x 8.5" (45.1cm x 36.2cm x 21.6cm)	753806460005	250

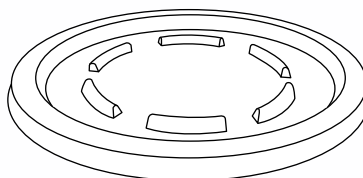
Lid fit may vary on non-Dinex products due to changes in manufacturing specifications.

Note: Aladdin, Cambro, Carlisle, Degree, Keepers, Newport, and Sysco are registered trademarks.

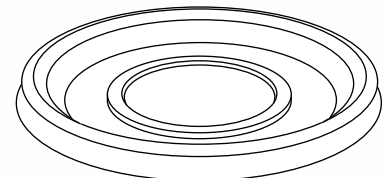
Spec Sheet: 446



DX11988714



DX22259000



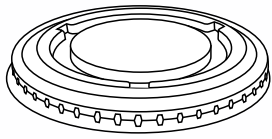
DX20029000

**DISPOSABLE JUICE CUPS & LIDS, TUMBLERS & CHINA LIDS**

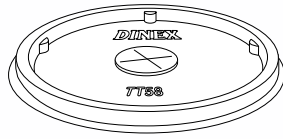
Item No.	Old Item No.	Description	Pack	Case Wt.	Cube	Case Dimensions	UPC	Class
DX11820174	1182/0174	Translucent Lid, (fits DXSWC507 5 oz. Tulip Cup)	1,000	10.9 lb. (5.0kg)	2.0	22" x 9" x 17.3" (55.8cm x 22.8cm x 43.9cm)	753806461093	125
DX11880174	1188/0174	Disposable Dome Lid, (fits China Fruit Bowl and Dessert Plate)	500	11.0 lb. (5.0kg)	3.4	12" x 29" x 17" (30.5cm x 73.6cm x 48.2cm)	753806460959	250
DX11890174	1189/0174	Translucent Lid, (fits DXSWC1207 12 oz. Tulip Bowl)	1,000	9.0 lb. (4.1kg)	1.3	18" x 11" x 11" (45.7cm x 27.9cm x 27.9cm)	753806421710	125
DX11928714	1192/8714	Translucent Lid, (fits DX1192 Juicer)	1,000	2.4 lb. (1.1kg)	0.5	18" x 10.5" x 10.5" (37.8cm x 19.4cm x 20.0cm)	753806010116	150
DX1193ST8714	1193ST/8714	Translucent Lid, Straw Slot (fits 5 oz. Tumbler Cambro 500P, Carlisle 5501 & 5105, Sysco 2305)	1,000	2.5 lb. (1.1kg)	0.4	18" x 10.5" x 10.5" (37.8cm x 19.4cm x 20.0cm)	753806460829	125
DX11968714	1196/8714	Translucent Lid, (fits 8 oz. Plastic Tumbler DX4GC607 Tumbler)	1,000	3.0 lb. (1.3kg)	0.9	15.25" x 6.5" x 15.25" (38.7cm x 16.5cm x 38.7cm)	753806010147	250
DX1196ST8714	1196ST/8714	Translucent Lid, Straw Slot (fits 8 oz. Plastic Tumbler DX4GC607 Tumbler)	1,000	3.0 lb. (1.3kg)	0.9	15.25" x 6.5" x 15.25" (38.7cm x 16.5cm x 38.7cm)	753806460836	250
DX11988714	1198/8714	Translucent Lid, (fits 9 oz., 9-1/2 oz. & 12 oz. Plastic Tumbler)	1,000	3.5 lb. (1.6kg)	0.8	16" x 9.5" x 9.5" (40.6cm x 23.8cm x 24.1cm)	753806010154	150
DXTT40	TT40	Juice Cup, 4 oz.	2,500	22.1 lb. (9.9kg)	2.6	15.75" x 15.75" x 18" (40.0cm x 40.0cm x 45.7cm)	753806400412	100
DXTT50	TT50	Juice Cup Lid, 4 oz. (fits DXTT40)	2,500	9.4 lb. (4.2kg)	2.4	16.5" x 16.5" x 15.25" (41.9cm x 41.9cm x 38.7cm)	753806460485	250
DXTT58	TT58	Disposable Lid, (fits DX4GC07, DX4GC907 & DX4GC1207 Tumblers)	1,000	6.3 lb. (2.8kg)	1.2	17.5" x 7.5" x 16" (44.1cm x 18.7cm x 40.6cm)	753806460492	150

Lid fit may vary on non-Dinex products due to changes in manufacturing specifications.

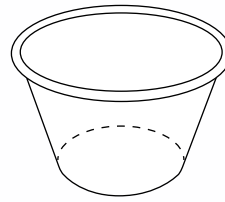
Note: Cambro, Carlisle and Sysco are all registered trademarks.



DXTT50



DXTT58 - with straw slot



DXTT40 - 4 oz.



DX11928714

# DISHWARE & DISPOSABLES

## PROCAP® GLASSWARE LIDS (DISPOSABLE)

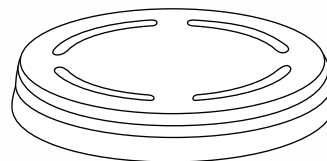
Class: 150

Item No.	Old Item No.	Description	Pack	Case Wt.	Cube	Case Dimensions
DX45-47	PC45-47 †	Clear-view Lid, Fits range 45-47	3,000	4.6 lb. (2.0kg)	1.2	15.25" x 10.75" x 13.5" (38.7cm x 27.3cm x 34.3cm)
DX47-49	PC47-49 †	Clear-view Lid, Fits range 47-49	3,000	4.9 lb. (2.2kg)	1.2	15.25" x 10.75" x 13.5" (38.7cm x 27.3cm x 34.3cm)
DX49-51	PC49-51 †	Clear-view Lid, Fits range 49-51	3,000	5.2 lb. (2.3kg)	1.2	15.25" x 10.75" x 13.5" (38.7cm x 27.3cm x 34.3cm)
DX51-53	PC51-53 †	Clear-view Lid, Fits range 51-53	3,000	7.1 lb. (3.2kg)	1.3	15.25" x 10.75" x 13.5" (39.1cm x 26.7cm x 34.3cm)
DX53-55	PC53-55 †	Clear-view Lid, Fits range 53-55	3,000	7.5 lb. (3.3kg)	1.3	15.5" x 10.5" x 13.5" (39.4cm x 27.3cm x 34.3cm)
DX55-57	PC55-57 †	Clear-view Lid, Fits range 55-57	3,000	7.6 lb. (3.4kg)	1.5	16.5" x 11.75" x 13.5" (41.9cm x 29.5cm x 34.3cm)
DX57-59	PC57-59	Clear-view Lid, Fits range 57-59	3,000	8.3 lb. (3.7kg)	1.5	16.5" x 11.75" x 13.75" (41.9cm x 29.8cm x 34.6cm)
DX59-61	PC59-61	Clear-view Lid, Fits range 59-61	3,000	9.4 lb. (4.2kg)	1.7	17.5" x 12.25" x 13.5" (44.5cm x 31.1cm x 34.3cm)
DX61-63	PC61-63	Clear-view Lid, Fits range 61-63	2,000	5.8 lb. (2.6kg)	1.2	13.5" x 11.5" x 13.5" (34.3cm x 28.9cm x 34.3cm)
DX63-65	PC63-65	Clear-view Lid, Fits range 63-65	2,000	7.1 lb. (3.2kg)	1.3	15.5" x 10.5" x 13.5" (39.1cm x 26.7cm x 34.3cm)
DX65-67	PC65-67	Clear-view Lid, Fits range 65-67	2,000	7.1 lb. (3.2kg)	1.3	15.5" x 10.5" x 13.5" (39.1cm x 26.7cm x 34.3cm)
DX67-69	PC67-69	Clear-view Lid, Fits range 67-69	2,000	7.8 lb. (3.5kg)	1.5	16.5" x 11.5" x 13.5" (41.9cm x 29.2cm x 34.6cm)
DX69-71	PC69-71	Clear-view Lid, Fits range 69-71	2,000	8.5 lb. (3.8kg)	1.5	16.5" x 11.75" x 13.5" (41.6cm x 29.5cm x 34.3cm)
DX71-73	PC71-73	Clear-view Lid, Fits range 71-73	2,000	8.5 lb. (3.8kg)	1.5	16.75" x 11.75" x 13.75" (42.2cm x 29.8cm x 34.9cm)
DX73-75	PC73-75	Clear-view Lid, Fits range 73-75	2,000	8.1 lb. (3.6kg)	1.7	17.5" x 12.5" x 13.5" (44.1cm x 31.4cm x 34.3cm)
DX75-77	PC75-77	Clear-view Lid, Fits range 75-77	2,000	8.8 lb. (3.9kg)	1.7	17.5" x 12.5" x 13.75" (44.1cm x 31.8cm x 34.9cm)
DX77-79	PC77-79	Clear-view Lid, Fits range 77-79	2,000	9.7 lb. (4.4kg)	1.7	17.75" x 12.5" x 13.5" (44.8cm x 31.4cm x 34.3cm)
DX79-81	PC79-81 †	Clear-view Lid, Fits range 79-81	2,000	9.7 lb. (4.4kg)	2.0	19.25" x 13.5" x 13.5" (48.9cm x 34.3cm x 34.3cm)
DX81-83	PC81-83	Clear-view Lid, Fits range 81-83	2,000	9.7 lb. (4.4kg)	2.0	19" x 13.5" x 13.5" (48.3cm x 34.3cm x 34.3cm)
DX83-85	PC83-85	Clear-view Lid, Fits range 83-85	2,000	10.6 lb. (4.7kg)	2.0	19.25" x 13.5" x 13.75" (48.9cm x 34.0cm x 34.6cm)
DX85-87	PC85-87 †	Clear-view Lid, Fits range 85-87	2,000	10.2 lb. (4.6kg)	2.0	19.5" x 13.5" x 13.5" (49.2cm x 34.0cm x 34.3cm)
DX87-89	PC87-89 †	Clear-view Lid, Fits range 87-89	2,000	11.0 lb. (4.9kg)	2.0	19.25" x 13.5" x 13.5" (48.9cm x 34.3cm x 34.3cm)
DX89-91	PC89-91	Clear-view Lid, Fits range 89-91	1,000	5.7 lb. (2.6kg)	1.2	13.5" x 11" x 13.5" (34.3cm x 27.9cm x 34.3cm)
DX91-93	PC91-93 †	Clear-view Lid, Fits range 91-93	1,000	5.5 lb. (2.5kg)	1.2	13.5" x 11" x 13.5" (34.3cm x 27.9cm x 34.3cm)
DX93-95	PC93-95 †	Clear-view Lid, Fits range 93-95	1,000	5.7 lb. (2.6kg)	1.2	13.5" x 11" x 13.5" (34.3cm x 27.9cm x 34.3cm)
DX95-97	PC95-97	Clear-view Lid, Fits range 95-97	1,000	6.7 lb. (3.0kg)	1.2	13.5" x 11.25" x 13.5" (34.3cm x 28.6cm x 34.3cm)
DX97-99	PC97-99 †	Clear-view Lid, Fits range 97-99	1,000	6.7 lb. (3.0kg)	1.2	13.5" x 11.25" x 13.5" (34.3cm x 28.6cm x 34.3cm)
DX99-101	PC99-101 †	Clear-view Lid, Fits range 99-101	1,000	6.3 lb. (2.8kg)	1.2	15.5" x 11" x 13.5" (39.4cm x 28.0cm x 34.3cm)
DX101-103	PC101-103 †	Clear-view Lid, Fits range 101-103	1,000	6.5 lb. (2.9kg)	1.2	15.5" x 11" x 13.5" (39.4cm x 28.0cm x 34.3cm)
DX103-105	PC103-105 †	Clear-view Lid, Fits range 103-105	1,000	6.7 lb. (3.0kg)	1.2	15.5" x 11" x 13.5" (39.4cm x 28.0cm x 34.3cm)
DX105-107	PC105-107 †	Clear-view Lid, Fits range 105-107	1,000	6.9 lb. (3.1kg)	1.3	16.25" x 11.75" x 13.5" (41.3cm x 30.0cm x 34.3cm)
DX107-109	PC107-109 †	Clear-view Lid, Fits range 107-109	1,000	7.1 lb. (3.2kg)	1.3	16.25" x 11.75" x 13.5" (41.3cm x 30.0cm x 34.3cm)
DX109-111	PC109-111 †	Clear-view Lid, Fits range 109-111	1,000	7.3 lb. (3.3kg)	1.3	16.25" x 11.75" x 13.5" (41.3cm x 30.0cm x 34.3cm)
DX111-113	PC111-113 †	Clear-view Lid, Fits range 111-113	1,000	7.7 lb. (3.5kg)	1.5	16.25" x 11.75" x 13.5" (41.3cm x 30.0cm x 34.3cm)
DX113-115	PC113-115 †	Clear-view Lid, Fits range 113-115	1,000	7.8 lb. (3.5kg)	1.5	16.25" x 11.75" x 13.5" (41.3cm x 30.0cm x 34.3cm)
DX115-117	PC115-117 †	Clear-view Lid, Fits range 115-117	1,000	8.0 lb. (3.6kg)	1.5	17.5" x 12.5" x 13.5" (44.5cm x 31.8cm x 34.3cm)
DX117-119	PC117-119 †	Clear-view Lid, Fits range 117-119	1,000	8.3 lb. (3.8kg)	1.5	17.5" x 12.5" x 13.5" (44.5cm x 31.8cm x 34.3cm)
DX119-121	PC119-121 †	Clear-view Lid, Fits range 119-121	1,000	9.3 lb. (4.2kg)	1.7	17.5" x 12.5" x 13.5" (44.5cm x 31.8cm x 34.3cm)
DX121-123	PC121-123 †	Clear-view Lid, Fits range 121-123	1,000	8.6 lb. (3.9kg)	1.5	17.5" x 12.5" x 13.5" (44.5cm x 31.8cm x 34.3cm)

## CLEAR-VIEW® DOME LIDS

DX101-103DM	PCPC101-103 †	Clear-view Lid, Fits range 101-103	1,000	7.0 lb. (3.1kg)	1.2	17.5" x 12.5" x 13.5" (44.5cm x 31.8cm x 34.3cm)
DX121-123DM	PCPC121-123* †	Clear-view Lid, Fits range 121-123	1,000	10.9 lb. (4.9kg)	2.0	17.5" x 12.5" x 13.5" (44.5cm x 31.8cm x 34.3cm)

† Indicates a 50 case minimum order requirement.



Standard ProCap



Custom ProCap with logo  
Contact Dinox for information  
about customized Pro-Cap lids.

\* Indicates discontinued item. Quantities may be limited; call for availability.

CALL TOLL FREE 800.523.9752

PROCAP® GLASS COVERS



*Insulated Tray Systems*



## SOLAR

MAXIMUM FLEXIBILITY WITH FULL THERMAL INSULATION

The Solar Insulated Tray System is designed for facilities that require the maximum flexibility of a fully insulated round plate server. Full thermal insulation between all seven compartments allows trays to be individually suspended without major temperature variation.

See page 58 for insert chart.

DESCRIPTION	ITEM	COLOR
Solar Server	DX1S03D	Ivory
Solar Cover	DX1S13D	Ivory



INSULATED TRAYS

## GEMINI

COMPACT SIZE CONSERVES TRAY MAKE-UP SPACE

The Gemini Tray System offers the most efficient sized server on the market at a surprisingly low cost, without cutting corners on heat retention or serving space. This versatile tray provides full cover protection, portion control dishware, and room for even the most generous menu selection. Gemini servers stack securely making this system ideal for both in-house and satellite serving operations.

See page 58 for insert chart.

DESCRIPTION	ITEM	COLOR
Gemini Server	DX1G03D	Ivory
Gemini Cover	DX1G13D	Ivory



## ULTIMA

OFFERS EXCEPTIONAL STRENGTH AND DURABILITY

The Ultima Tray System offers an appealing meal presentation, combined with exceptional strength, durability and temperature retention. Ultima is designed to project the elegance of traditional round plate dining while providing superior flexibility and efficiency. Ultima's fully compartmentalized servers and covers keep food temperature just right; and its rugged, one-piece blow-molded design is exceptionally durable under even the toughest applications.

See page 58 for insert chart.

DESCRIPTION	ITEM	COLOR
Ultima Server	DX1U04	Malt
Ultima Cover	DX1U13	Ivory



## OMNI "The Slammer"

A PRACTICALLY INDESTRUCTIBLE SERVER

Seamless construction that withstands the toughest handling and transportation requirements has earned Omni its reputation as "The Slammer." Always maintains hot or cold—perfect for correctional facilities, remote wings, satellite facilities and any "Meals on Wheels" type of delivery system. When Omni servers are stacked hot over hot and cold over cold, thermal columns form to extend heat retention up to 60 minutes from meal assembly to delivery. Each stack requires only one cover which means fewer pieces to wash, saving labor and energy.

See page 58 for insert chart.

DESCRIPTION	ITEM	COLOR
Omni Server	DX1O211*	Chocolate
Omni Server	DX1O202	Harvest Gold
Omni Cover	DX1O213	Wheat



Multiple trays can stack under one cover with web belt.



\* Indicates discontinued item. Quantities may be limited; call for availability.

## SUPPORT EQUIPMENT FOR INSULATED TRAY SYSTEMS

Dinex offers an extensive line of high quality support equipment designed to help you create the most efficient insulated tray system possible. Each product offers unique features that reduce labor while maximizing productivity.



### WASHRACKS

Dinex washracks, constructed of rugged molded polypropylene with stainless steel tray frames, hold both covers and servers. Their unique construction is designed for use in all commercial dish washing machines.



### DRYING RACKS

Dinex drying racks are a combination of heavy-duty chromed wire shelving, posts and three-sided enclosure panels. The open wire shelving allows ample ventilation for drying and storage of trays.



### STACKING CARTS

Stacking tray carts are designed to transport the insulated tray from the meal assembly point to the serving area.



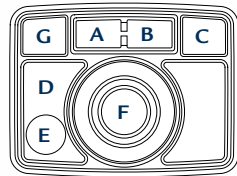
### SUSPENDED CARTS

Insulated tray delivery carts are designed to transport insulated trays to patients in a secure and practical manner. Also for pick-up and return of soiled trays.

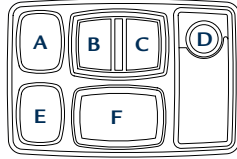
# COMPATIBLE DISHWARE

KEEPS YOUR TRAY DELIVERY SYSTEM OPERATING AT PEAK EFFICIENCY

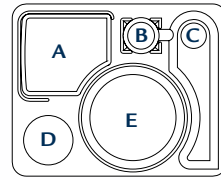
INSULATED TRAYS



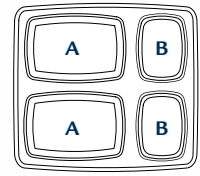
**SOLAR**



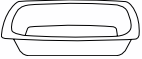
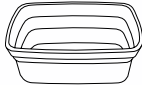

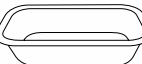

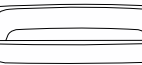
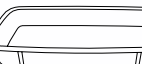


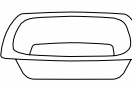
**GEMINI**



**ULTIMA**



**OMNI**

		<b>SOLAR</b>	<b>GEMINI</b>	<b>ULTIMA</b>	<b>OMNI</b>
	DXTT1 Side Dish 6 oz.	<b>A, B</b>	<b>A, E</b>	<b>A</b>	<b>B</b>
	DXTT20 Rect. Soup Bowl - 8 oz.	<b>A, B</b>	<b>A, E</b>	-	-
	DXTT30 Lid	<b>A, B</b>	<b>A, E</b>	-	-
	DX4T102 Side Dish 6 oz.	<b>A, B</b>	<b>A, E</b>	<b>A</b>	-
	DX4T902 or 9CP 9" Plate	<b>F</b>	-	<b>E</b>	-
	DXTT8 Rect. Entrée 12 oz.	-	<b>F</b>	-	<b>A</b>
	DX4T802 Side Dish 12 oz.	-	<b>F</b>	-	-
	Mug & Lid 8 oz.	<b>C</b>	<b>D</b>	<b>C</b>	-
	Bowl & Lid 5 oz. or 9 oz.	<b>E</b>	<b>D</b>	<b>D</b>	-
	DXTT6 Dessert Dish 4 oz.	<b>G</b>	-	<b>A, B</b>	-

# INSULATED TRAY SYSTEMS

INSULATED TRAYS

## SOLAR

DIMENSIONS: Server - 15-1/2" x 21-1/4" x 1-1/2"				Cover - 15-1/2" x 21-1/4" x 4"					
Item No.	Old Item No.	Description	Color	Pack	Case Wt.	Cube	Case Dimensions	UPC	Class
DX1S03D	1S03D	Solar Server	Ivory	10	21.9 lb. (9.8kg)	3.0	21" x 16.25" x 15" (53.3cm x 41.3cm x 38.1cm)	753806313880	85
DX1S13D	1S13D	Solar Cover	Ivory	5	18.3 lb. (8.2kg)	3.5	21.25" x 16" x 18" (54.0cm x 40.6cm x 45.7cm)	753806313897	85

Special self-contained serving system with compartments for dishware and flatware. Trays and covers are foam insulated and stackable for use with transfer carts or off-site delivery systems. Segmented compartments insure efficient temperature retention and sanitary meal service.

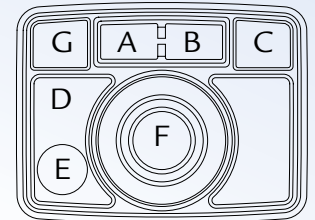


A/B: DXTT20 Soup Bowl  
DXTT30 Lid  
DXTT1  
DX4T102

C: Mug & Lid  
D: DXTT1  
E: Round Soup Bowl  
& Lid DXTT39

F: 9" China entrée  
plate (DX9CP02) or  
9" Thermo-Cite  
entrée plate  
(DX4T902)  
G: Dessert Dish (TT6)

Spec Sheet: 520



## GEMINI

DIMENSIONS: Server - 19-1/4" X 13" X 2-3/8"				Cover - 19-1/4" X 13" X 2-3/4"			Partial Cover - 14" x 13" x 2-1/2"		
Item No.	Old Item No.	Description	Color	Pack	Case Wt.	Cube	Case Dimensions	UPC	Class
DX1G03D	1G03D	Gemini Server	Ivory	10	23.9 lb. (10.8kg)	3.4	20" x 13.75" x 21.38" (50.8cm x 34.9cm x 54.3cm)	753806313903	85
DX1G13D	1G13D	Gemini Cover	Ivory	10	23.9 lb. (10.8kg)	3.4	19" x 13.13" x 27.25" (48.3cm x 33.4cm x 69.2cm)	753806313910	85

Special self-contained serving system with compartments for dishware and flatware. Trays and covers are foam insulated and stackable for use with transfer carts or off-site delivery systems. Segmented compartments insure efficient temperature retention and sanitary meal service.

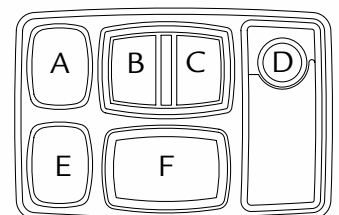


A/E: DXTT1  
DXTT20  
DXTT30  
DX4T102

B: DXTT1  
C: DXTT1  
D: Mug & Lid  
(DXTT59)

F: DXTT8  
DX4T802

Spec Sheet: 520



**ULTIMA**

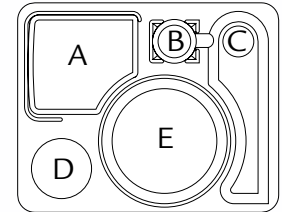
DIMENSIONS:		Server - 18-3/4" x 15-1/8" x 1-1/2"	Cover - 18-3/4" x 15-1/8" x 2-3/4"	Partial Cover - 16-1/4" x 15-1/8" x 2-7/8"					
Item No.	Old Item No.	Description	Color	Pack	Case Wt.	Cube	Case Dimensions	UPC	Class
DX1U04	1U04	Ultima Server	Malt	10	32.1 lb. (14.4kg)	2.9	19" x 15.25" x 17.5" (48.3cm x 38.7cm x 44.5cm)	753806312630	85
DX1U13	1U13	Ultima Cover	Ivory	10	37.6 lb. (16.8kg)	4.6	19" x 15.5" x 27" (48.3cm x 39.4cm x 68.6cm)	753806312654	85

Special self-contained serving system with compartments for dishware and flatware. Trays and covers are foam insulated and stackable for use with transfer carts or off-site delivery systems. Segmented compartments insure efficient temperature retention and sanitary meal service.



A: DXTT1 DXTT6 DXTT30 DX4T102	B: DXTT6 or Mug C: Mug/Cup & Lid DXTT59 D: Soup Bowl & Lid DXTT59	E: 9" China entrée plate (DX9CP02) or 9" Thermo-Cite entrée plate (DX4T902)
--	---	---

Spec Sheet: 520



**OMNI II CORRECTIONAL TRAY**

DIMENSIONS:		Server - 19-1/4" x 13" x 2-3/8"	Cover - 19-1/4" x 13-1/8" x 2-3/4"	Partial Cover - 14" x 13" x 2-1/2"					
Item No.	Old Item No.	Description	Color	Pack	Case Wt.	Cube	Case Dimensions	UPC	Class
DX1O202	1O202	Omni II Server	Harvest Gold	10	24.8 lb. (11.1kg)	3.1	26.25" x 13.75" x 14.75" (66.7cm x 34.9cm x 37.5cm)	753806312609	85
DX1O211	1O211*	Omni II Server	Chocolate	10	24.8 lb. (11.1kg)	3.1	26.25" x 13.75" x 14.75" (66.7cm x 34.9cm x 37.5cm)	753806312616	85
DX1O213	1O213	Omni II Cover	Wheat	10	25.7 lb. (11.5kg)	3.1	15" x 13.5" x 26.13" (38.1cm x 34.3cm x 66.4cm)	753806312623	85

**ACCESSORIES**

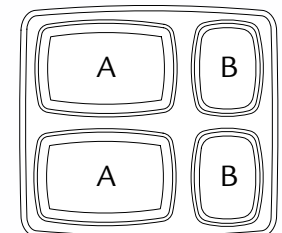
DXWB96	WB96	Tray Strap 96"		1				753806370333	65
--------	------	----------------	--	---	--	--	--	--------------	----

A special insulated tray system for correctional or heavy duty use. Extremely durable construction with temperature efficient, foam insulation. Multiple trays can stack under one cover, and optional tray straps are available for transport (see below).



A: DXTT8
B: DXTT1

Spec Sheet: 520



\* Indicates discontinued item. Quantities may be limited; call for availability.

# INSULATED TRAY SYSTEMS



Spec Sheet: 021

## WASHRACKS FOR INSULATED TRAYS

Item No.	Old Item No.	Description	Pack	Case Wt.	Cube	Class
DXIWISUS	IWISUS	Washrack, Solar/Ultima Server	2	15.8 lb. (7.2kg)	1.5	250
DXIWISUC	IWISUC	Washrack, Solar Cover	2	13.6 lb. (6.2kg)	1.5	250
DXIWIOGSC	IWIOGSC	Washrack, Omni/Gemini Server-Cover/ Ultima Cover	2	13.7 lb. (6.2kg)	1.4	250

Special washrack for Dinx insulated trays and covers. Durable two-piece construction of stainless steel wire rack attached to polypropylene base.

## INSULATED TRAY DRYING RACKS

Item No.	Model No.	Description	L	D	H	Ship Weight	Cube	Class
DXIRDSIF	IRDSI/F	Full Size Drying Rack for Insulated Trays 72" (182.7cm) Wide	72" (182.7cm)	24" (60.9cm)	68" (172.6cm)	195 lb. (88kg)	77.3	250
DXIRDSIH	IRDSI/H	Half Size Drying Rack for Insulated Trays 36"(91.4cm) Wide	36" (91.4cm)	24" (60.9cm)	68" (172.6cm)	124 lb. (56kg)	36.4	250



Spec Sheet: 022

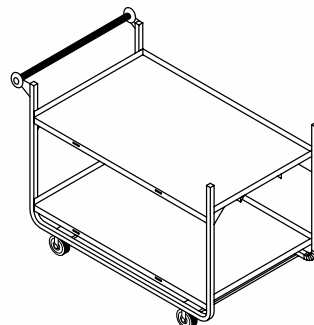
## STACKING CARTS FOR INSULATED TRAY SYSTEMS

Item No.	Model No.	Description	Capacity	L	D	H	Ship Weight	Cube	Class
DXICSTG24	ICSTG/24	Stacking Cart Gemini	24-36	45.19" (114.8cm)	29" (73.7cm)	39.50" (100.3cm)	149 lb. (68kg)	31.6	250
DXICSTO48	ICSTO/48	Stacking Cart Omni	48	36.69" (93.2cm)	30" (76.2cm)	39.50" (100.3cm)	149 lb. (68kg)	26.3	250
DXICSTO84	ICSTO/84	Stacking Cart Omni Extra Long	72-84	55.69" (141.5cm)	30" (76.2cm)	39.50" (100.3cm)	149 lb. (68kg)	42.9	250
DXICSTO104	ICSTO/104	Stacking Cart - Correctional	104	49" (124.4cm)	28" (71.1cm)	47" (119.3cm)	365 lb. (165kg)	44.3	250
DXICSTO136	ICSTO/136	Stacking Cart - Correctional	136	64.50" (163.8cm)	28" (71.1cm)	47" (119.3cm)	455 lb. (206kg)	57.5	250
DXICSTSU24	ICSTSU/24	Stacking Cart Solar/Ultima	24	49.69" (126.6cm)	34" (86.4cm)	39.50" (100.3cm)	149 lb. (68kg)	43.8	250
DXWB96	WB96	Tray Strap 96"							65



DXICSTO - Stacking Cart

Spec Sheet: 048



DXICST - Stacking Cart

Spec Sheet: 015

**SUSPENDED CARTS FOR INSULATED TRAY SYSTEMS**

Item No.	Model No.	Description	Capacity	L	D	H	Ship Weight	Cube	Class
DXICSU152012	ICSU1520/12	Suspended Cart, 15" x 20" (38.1cm x 50.8cm) Tray	12	26.38" (67.0cm)	35.38" (89.9cm)	47" (119.4cm)	145 lb. (66kg)	27.8	250
DXICSU152018	ICSU1520/18	Suspended Cart, 15" x 20" (38.1cm x 50.8cm) Tray	18	26.38" (67.0cm)	35.38" (89.9cm)	60.50" (153.7cm)	165 lb. (75kg)	35.1	250
DXICSU152024	ICSU1520/24	Suspended Cart, 15" x 20" (38.1cm x 50.8cm) Tray	24	51.95" (132.0cm)	35.38" (89.9cm)	47" (119.4cm)	225 lb. (102kg)	58.6	250
DXICSU152036	ICSU1520/36	Suspended Cart, 15" x 20" (38.1cm x 50.8cm) Tray	36	51.95" (132.0cm)	35.38" (89.9cm)	60.50" (153.7cm)	245 lb. (111kg)	73.9	250
DXICSUG12	ICSUG/12	Suspended Cart, Gemini	12	26.38" (67.0cm)	35.38" (89.9cm)	47" (119.4cm)	145 lb. (66kg)	27.8	250
DXICSUG18	ICSUG/18	Suspended Cart, Gemini	18	26.38" (67.0cm)	35.38" (89.9cm)	60.50" (153.7cm)	165 lb. (75kg)	35.1	250
DXICSUG24	ICSUG/24	Suspended Cart, Gemini	24	51.95" (132.0cm)	35.38" (89.9cm)	47" (119.4cm)	225 lb. (102kg)	58.6	250
DXICSUG36	ICSUG/36	Suspended Cart, Gemini	36	51.95" (132.0cm)	35.38" (89.9cm)	60.50" (153.7cm)	245 lb. (111kg)	73.9	250
DXICSUS12	ICSUS/12	Suspended Cart, Solar	12	26.38" (67.0cm)	35.38" (89.9cm)	47" (119.4cm)	145 lb. (66kg)	27.8	250
DXICSUS18	ICSUS/18	Suspended Cart, Solar	18	26.38" (67.0cm)	35.38" (89.9cm)	60.50" (153.7cm)	165 lb. (75kg)	35.1	250
DXICSUS24	ICSUS/24	Suspended Cart, Solar	24	51.95" (132.0cm)	35.38" (89.9cm)	47" (119.4cm)	225 lb. (102kg)	58.6	250
DXICSUS36	ICSUS/36	Suspended Cart, Solar	36	51.95" (132.0cm)	35.38" (89.9cm)	60.50" (153.7cm)	245 lb. (111kg)	73.9	250
DXICSUU12	ICSUU/12	Suspended Cart, Ultima	12	26.38" (67.0cm)	35.38" (89.9cm)	47" (119.4cm)	145 lb. (66kg)	27.8	250
DXICSUU18	ICSUU/18	Suspended Cart, Ultima	18	26.38" (67.0cm)	35.38" (89.9cm)	60.50" (153.7cm)	165 lb. (75kg)	35.1	250
DXICSUU24	ICSUU/24	Suspended Cart, Ultima	24	51.95" (132.0cm)	35.38" (89.9cm)	47" (119.4cm)	225 lb. (102kg)	58.6	250
DXICSUU36	ICSUU/36	Suspended Cart, Ultima	36	51.95" (132.0cm)	35.38" (89.9cm)	60.50" (153.7cm)	245 lb. (111kg)	73.9	250

**SUSPENDED CART ACCESSORIES**

DX0113644	0113644	Locking Bar for 12 and 24 capacity carts (Two for 12 capacity, Four for 24 capacity)
DX0113645	0113645	Locking Bar for 18 and 36 capacity carts (Two for 18 capacity, Four for 36 capacity)
DX0113763	0113763	Locking Bar Bracket
DXICSUCOVER24C	ICSUCOVER/24C	Cover for 24 capacity Suspended Cart
DXICSUCOVER36C	ICSUCOVER/36C	Cover for 36 capacity Suspended Cart
DXICSUCOVER37	ICSUCOVER/37	Cover for 12 capacity Suspended Cart
DXICSUCOVER55	ICSUCOVER/55	Cover for 18 capacity Suspended Cart
DXICSUTS	ICSU/TS	Top Shelf



Spec Sheet: 020





*Decorator Paper Products*

# DECORATOR TRAYCOVERS

## QUALITY TRAYCOVERS AND NAPKINS FOR A STYLISH TRAYTOP

Create an upscale traytop with decorator Traycovers and Napkins, coordinated with the colors and designs of your Dinx insulated ware. Durable and disposable paper products create a welcome setting for your patient or resident, and help to keep the tray clean and organized during meal delivery. Dinx also offers placemats, cutlery caddies, menu forms and dietary meal kits to complete your tray.



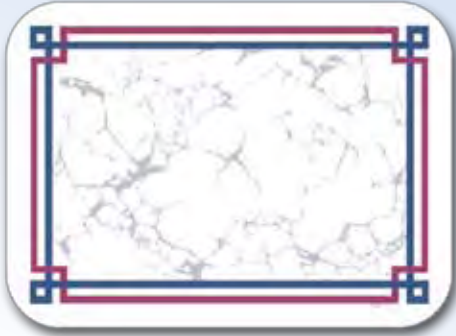
### NON-SKID TRAYCOVERS

The professional's choice, Dinx Non-skid traycovers perform dependably saving you money and making your operation more efficient by holding dinnerware in place. Through doorways, up and down ramps, in and out of elevators, Non-skid traycovers let you say goodbye to spills, broken items, or sudden shifts. Long known as the industry standard, Dinx Non-skid traycovers come in unique designs that coordinate with Dinx insulated ware and matching 2 ply napkins. When used with Dinx lids, trays arrive clean and spill-free. Dinx also offers distinctive Non-skid designs made from 100% recycled paper.



*Dinx Non-skid traycovers are manufactured without using latex.*

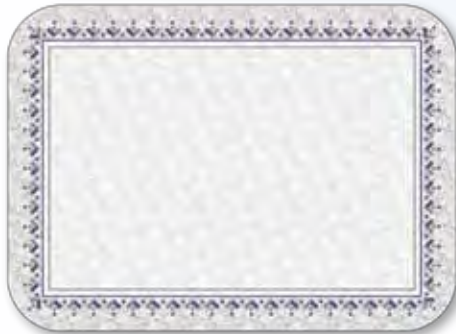
# DECORATOR PAPER PRODUCTS



Avanti



Avanti II



Aztec



Baby Blocks



Balloon Ride



Blue Spring



Botanicals



Carnation Medley



Devonshire American



Filigree



Floret



Freesia



Garden Trellis



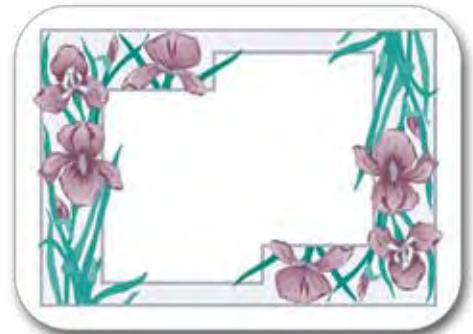
Harmony



Healthy Diet



Illusion



Iris Garden



Jane's Bouquet



Jenny Park



Animals



Marbled Elegance

# DECORATOR PAPER PRODUCTS



Marbled Elegance II



Marisa



Mosaic



Orchid Borders



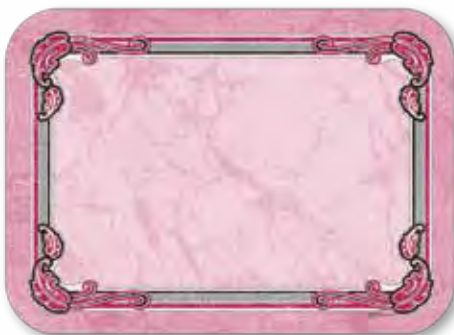
Safari



Sage Garden



Retro



Rose Quartz



Vertese



Watercolors

# SPECIAL SIZES

## STOCK TRAYCOVERS IN SPECIALTY SIZES

TRAYCOVERS



F Size - Carnation Medley



H Size - Watercolors



J Size - Watercolors



S Size - Freesia



T Size - Iris Garden



V Size - Carnation Medley & Marbled Elegance II



W Size - Jane's Bouquet



X Size - Whispering Floral

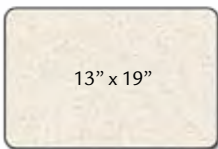
## CUSTOM DESIGNS

Dinex will design a special tray-top, customized exclusively for your facility. Dinex custom printed traycovers feature the same high quality paper and graphics, and are available in most standard or specialty tray configurations. Call your Dinex representative for assistance in designing a custom traycover, napkin and/or menu shell exclusively for your facility.



*Additional die cuts available for customizing your specialty tray.*

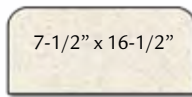
*Special pricing and minimum order quantities may apply to custom designs. Six week lead time needed for production. Contact your Dinex representative for additional information.*



13" x 19"

Q size

Dinex DX1089RS03 & Others

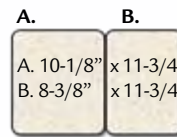


7-1/2" x 16-1/2"

W size - A la Cart

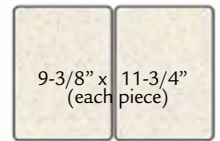


Aladdin TempRite® II  
2 piece



A. 10-1/8" x 11-3/4"  
B. 8-3/8" x 11-3/4"

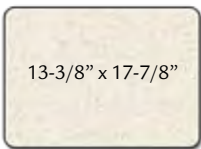
Aladdin  
Convert Rite® III



9-3/8" x 11-3/4"  
(each piece)

J size

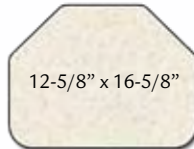
Dinex DX1089MOC23



13-3/8" x 17-7/8"

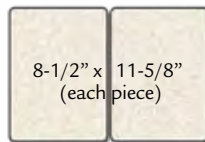
RR size

Dinex DX1089RS152003  
& Others



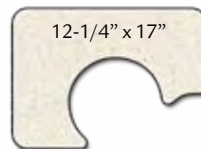
12-5/8" x 16-5/8"

T size - Trapezoid



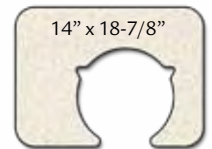
8-1/2" x 11-5/8"  
(each piece)

U size - Useco  
Unित्रon 5 & 7



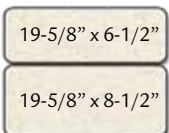
12-1/4" x 17"

S size - Aladdin  
Temp-Rite II Excel Retherm



14" x 18-7/8"

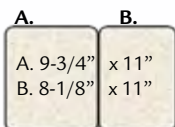
H size - Aladdin  
Heat on Demand®



19-5/8" x 6-1/2"

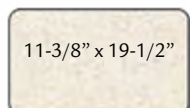
19-5/8" x 8-1/2"

R size  
Useco Unित्रay



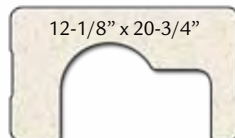
A. 9-3/4" x 11"  
B. 8-1/8" x 11"

F size - Thermal·Aire  
2 piece



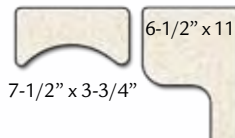
11-3/8" x 19-1/2"

V size - Thermal·Aire



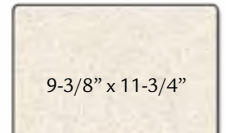
12-1/8" x 20-3/4"

X size - Perfect·Temp  
Classic



6-1/2" x 11"  
7-1/2" x 3-3/4"

Z size - Perfect·Temp  
Classic II - 2 piece



9-3/8" x 11-3/4"

A la Cart Dual-Temp

Temp-Rite II, Excel, Heat on Demand and Convert Rite III are registered trademarks of Aladdin Temp-Rite, LLC. Unित्रon and Unित्रay are trademarks of the Useco Corporation. Dual-Temp is a registered trademark of the A la Cart Corporation.

# DECORATOR PAPER PRODUCTS

TRAYCOVERS

## STANDARD TRAYCOVER SIZES

Code	Traycover Size	Tray Size	Case Dimensions	Description
A	10-7/16" x 18-1/2"	12" x 20"	18.75" x 11.75" x 4.5" (48.0cm x 29.8cm x 11.4cm)	Delta Tray System
E	11" x 18"	12" x 19"	18.75" x 12" x 4.25" (47.6cm x 29.5cm x 10.8cm)	Low-Profile System
G	11" x 20-1/2"	12" x 22"	21.25" x 12" x 4.25" (54.0cm x 30.5cm x 10.8cm)	Low-Profile System
I	12-3/4" x 16-5/8"	14" x 18"	17" x 13" x 5.5" (43.2cm x 33.0cm x 14.0cm)	Regular Tray System
M	13-5/8" x 18-3/4"	15" x 20"	19" x 14" x 4.25" (48.3cm x 35.6cm x 10.8cm)	Regular Tray System
P	14-1/2" x 20"	16" x 22"	20.5" x 15" x 4.25" (52.0cm x 38.0cm x 10.8cm)	Regular Tray System

## TRAYCOVER SIZE: A

Traycover Dimensions	Application	Case Dimensions	Pack	Class
10-7/16" x 18-1/2"	12" x 20" Tray	18.625" x 11.125" x 4.125" (47.3cm x 28.3cm x 10.5cm)	1,000	60

Item No.	Old Item No.	Description	Style	Color	Case Weight	Cube	UPC
DX5081A5	5081A5	Iris Garden	Straight Edge/Round Corner	Cran, Gray, Teal	16.5 lb. (7.5kg)	0.6	753806112520

## NON-SKID TRAYCOVERS

DX5081A202733NS	5081A202733NS	Iris Garden	Scalloped Edge/Round Corner	Cran, Gray, Teal	18.5 lb. (8.4kg)	1.2	753806112513
-----------------	---------------	-------------	-----------------------------	------------------	------------------	-----	--------------

## TRAYCOVER SIZE: E

Traycover Dimensions	Application	Case Dimensions	Pack	Class
11" x 18"	12" x 19" Tray	18.625" x 11.125" x 4.25" (47.3cm x 28.3cm x 10.5cm)	1,000	60

Item No.	Old Item No.	Description	Style	Color	Case Weight	Cube	UPC
DX5081E202733	5081E202733	Iris Garden	Straight Edge/Small Corner	Cran, Gray, Teal	17.6 lb. (8.0kg)	0.6	753806112346
DXR30840E	R30840E	Floret	Straight Edge/Small Corner	Mauve, Gray, Teal	17.6 lb. (8.0kg)	0.6	753806118461

## TRAYCOVER SIZE: F

Traycover Dimensions	Application	Case Dimensions	Pack	Class
Two Piece 8-1/8" x 11" & 9-3/4" x 11"	Thermal-Aire Split Tray	19" x 11.5" x 4.5" (48.3cm x 24.2cm x 11.4cm)	1,000	60

Item No.	Old Item No.	Description	Style	Color	Case Weight	Cube	UPC
DX5319FNS	5319FNS	Carnation Medley	Straight Edge/Round Corner	Cran, Mid Blue, Teal, Gray	18.4 lb. (8.4kg)	0.6	753806118614

## NON-SKID TRAYCOVERS

DX5319FNS	5319FNS	Carnation Medley	Straight Edge/Round Corner	Cran, Mid Blue, Teal, Gray	18.4 lb. (8.4kg)	0.6	753806118614
-----------	---------	------------------	----------------------------	----------------------------	------------------	-----	--------------

## TRAYCOVER SIZE: G

Traycover Dimensions	Application	Case Dimensions	Pack	Class
11" x 20-1/2"	12" x 22" Tray	21.125" x 11.125" x 4.25" (53.7cm x 28.3cm x 10.8cm)	1,000	60

Item No.	Old Item No.	Description	Style	Color	Case Weight	Cube	UPC
DX5081G202733	5081G202733	Iris Garden	Straight Edge/Small Corner	Cran, Gray, Teal	19.5 lb. (8.9kg)	0.6	753806112230

## TRAYCOVER SIZE: H

Traycover Dimensions	Application	Case Dimensions	Pack	Class
14" x 18-7/8"	Aladdin Heat on Demand	16.75" x 12.75" x 4.5" (42.5cm x 32.4cm x 11.4cm)	1,000	60

Item No.	Old Item No.	Description	Style	Color	Case Weight	Cube	UPC
DX5323HNS	5323HNS	Watercolors	Straight Edge/Round Corner	Multi-color	24.3 lb. (11.0kg)	1.4	753806119024

## NON-SKID TRAYCOVERS

DX5323HNS	5323HNS	Watercolors	Straight Edge/Round Corner	Multi-color	24.3 lb. (11.0kg)	1.4	753806119024
-----------	---------	-------------	----------------------------	-------------	-------------------	-----	--------------

**TRAYCOVER SIZE: I**

Traycover Dimensions	Application	Case Dimensions	Pack	Class
12-3/4" x 16-5/8"	14" x 18" Tray	18.625" x 11.125" x 4.125" (47.3cm x 28.3cm x 10.5cm)	1,000	60

Item No.	Old Item No.	Description	Style	Color	Case Weight	Cube	UPC
DXS016I	5016I	Garden Trellis	Straight Edge/Round Corner	Cran, Mid Blue, Gray, Green	18.5 lb. (8.4kg)	0.5	753806118706
DXS055I202833	5055I202833	Jane's Bouquet	Straight Edge/Round Corner	Cran, Teal, Mid Blue	18.5 lb. (8.4kg)	0.5	753806112056
DXS081I202733	5081I202733	Iris Garden	Straight Edge/Round Corner	Cran, Gray, Teal	18.5 lb. (8.4kg)	0.5	753806111387
DXS320I	5320I	Marbled Elegance	Straight Edge/Round Corner	Gray, Black	18.5 lb. (8.4kg)	0.5	753806118799
DXS321I	5321I	Rose Quartz	Straight Edge/Round Corner	Cran, Black, Gray	18.5 lb. (8.4kg)	0.5	753806118805
DXS323I	5323I	Watercolors	Straight Edge/Round Corner	Multi-color	18.5 lb. (8.4kg)	0.5	753806118706
DXS327I	5327I	Botanicals	Straight Edge/Round Corner	Blue, Teal, Ecru	18.5 lb. (8.4kg)	0.5	753806119109
DXS328I	5328I	Blue Spring	Scalloped/Round Corner	Floral Pattern	18.5 lb. (8.4kg)	0.5	753806119079
DXS329I	5329I	Orchid Borders	Straight Edge/Round Corner	Plum, Sage, Latte	18.5 lb. (8.4kg)	0.5	753806119215
DXS331I	5331I	Retro	Straight Edge/Round Corner	Multi-color	18.5 lb. (8.4kg)	0.5	753806119284
DXS332I	5332I	Aztec	Straight Edge/Round Corner	Plum, Sage, Latte	18.5 lb. (8.4kg)	0.5	753806119246
DXS333I	5333I	Vertese	Straight Edge/Round Corner	Multi-color	18.5 lb. (8.4kg)	0.5	753806119291
DXR30842I	R30842I	Floret	Scalloped/Round Corner	Mauve, Gray, Teal	18.5 lb. (8.4kg)	0.5	753806118393

**RECYCLED TRAYCOVERS**

DXS225IR	5225IR	Sage Garden	Straight Edge/Round Corner	Multi-color	18.5 lb. (8.4kg)	0.7	753806119116
----------	--------	-------------	----------------------------	-------------	------------------	-----	--------------

**ECONOMY RECYCLED TRAYCOVERS**

DXS242I	5242I	Marisa	Straight Edge/Round Corner	Cran, Mid Blue, Green, Gray	20.0 lb. (9.1kg)	0.7	753806118621
DXS243I	5243I	Freesia	Straight Edge/Round Corner	Cran, Green, Blue	20.0 lb. (9.1kg)	0.7	753806118843
DXS290I	5290I	Manimals	Straight Edge/Round Corner	Full Color Graphics	20.0 lb. (9.1kg)	0.7	753806119055

**NON-SKID TRAYCOVERS**

DXS081I202733NS	5081I202733NS	Iris Garden	Straight Edge/Round Corner	Cran, Gray, Teal	20.2 lb. (9.2kg)	1.3	753806112285
-----------------	---------------	-------------	----------------------------	------------------	------------------	-----	--------------

**SMALL PACKS**

							<b>Pack: 100</b>
DXHS091I001	101/803	Jenny Park	Straight Edge/Round Corner	Teal, Orange, Black	4.0 lb. (1.8kg)	0.25	753806283763

**TRAYCOVER SIZE: J**

Traycover Dimensions	Application	Case Dimensions	Pack	Class
Two Piece 9-3/8" x 11-3/4" each	DXI089MOC23 Tray (Also Fits A la Cart Dual-Temp)	16.75" x 12.75" x 4.5" (42.5cm x 32.4cm x 11.4cm)	1,000	60

Item No.	Old Item No.	Description	Style	Color	Case Weight	Cube	UPC
DXS323J	5323J	Watercolors	Straight Edge/Round Corner	Multi-color	20.4 lb. (9.3kg)	0.6	753806119048

**TRAYCOVER SIZE: M**

Traycover Dimensions	Application	Case Dimensions	Pack	Class
13-5/8" x 18-3/4"	15" x 20" Tray	19.125" x 14.125" x 4.25" (48.6cm x 35.9cm x 10.8cm)	1,000	60

Item No.	Old Item No.	Description	Style	Color	Case Weight	Cube	UPC
DXS016M	5016M	Garden Trellis	Straight Edge/Round Corner	Cran, Blue, Gray, Green	21.5 lb. (9.8kg)	0.7	753806118713
DXS055M202833	5055M202833	Jane's Bouquet	Straight Edge/Round Corner	Cran, Teal, Mid Blue	21.5 lb. (9.8kg)	0.7	753806112063
DXS081M202733	5081M202733	Iris Garden	Straight Edge/Round Corner	Cran, Gray, Teal	21.5 lb. (9.8kg)	0.7	753806111288
DXS090M0000	5090M0000	Balloon Ride	Straight Edge/Round Corner	Full Color Graphics	21.5 lb. (9.8kg)	0.7	753806111639
DXS091M0000	5091M0000	Jenny Park	Straight Edge/Round Corner	Teal, Orange, Black	21.5 lb. (9.8kg)	0.7	753806118485
DXS092M	5092M	Safari	Straight Edge/Round Corner	Plum, Sage, Latte	21.5 lb. (9.8kg)	0.7	753806119185
DXS320M	5320M	Marbled Elegance	Straight Edge/Round Corner	Gray, Black	21.5 lb. (9.8kg)	0.7	753806118782
DXS321M	5321M	Rose Quartz	Straight Edge/Round Corner	Cran, Black, Gray	21.5 lb. (9.8kg)	0.7	753806118812
DXS323M	5323M	Watercolors	Straight Edge/Round Corner	Multi-color	21.5 lb. (9.8kg)	0.7	753806118928
DXS327M	5327M	Botanicals	Straight Edge/Round Corner	Blue, Teal, Ecru	21.5 lb. (9.8kg)	0.7	753806119093
DXS328M	5328M	Blue Spring	Scalloped/Round Corner	Floral Pattern	21.5 lb. (9.8kg)	0.7	753806119086
DXS329M	5329M	Orchid Borders	Straight Edge/Round Corner	Plum, Sage, Latte	21.5 lb. (9.8kg)	0.7	753806119161
DXS331M	5331M	Retro	Straight Edge/Round Corner	Multi-color	21.5 lb. (9.8kg)	0.7	753806119192
DXS332M	5332M	Aztec	Straight Edge/Round Corner	Plum, Sage, Latte	21.5 lb. (9.8kg)	0.7	753806119239
DXS333M	5333M	Vertese	Straight Edge/Round Corner	Multi-color	21.5 lb. (9.8kg)	0.7	753806119208
DXS350M	5350M	Filigree	Straight Edge/Round Corner	Black, Gold	21.5 lb. (9.8kg)	0.7	753806119130
DXS907M	5907M	Mosaic	Straight Edge/Round Corner	Multi-color	21.5 lb. (9.8kg)	0.7	753806118607



# DECORATOR PAPER PRODUCTS

TRAYCOVERS

## TRAYCOVER SIZE: M continued

Traycover Dimensions	Application	Case Dimensions	Pack	Class
13-5/8" x 18-3/4"	15" x 20" Tray	19.125" x 14.125" x 4.25" (48.6cm x 35.9cm x 10.8cm)	1,000	60

Item No.	Old Item No.	Description	Style	Color	Case Weight	Cube	UPC
DXR30001M	R30001M	Illusion	Scalloped/Round Corner	Cran, Mid Blue, Gray, Teal	21.5 lb. (9.8kg)	0.7	753806118430
DXR30843M	R30843M	Floret	Scalloped/Round Corner	Mauve, Gray, Teal	21.5 lb. (9.8kg)	0.7	753806118409

### RECYCLED TRAYCOVERS

DX5220MR	5220M202728R	Avanti	Straight Edge/Round Corner	Cran, Gray, Mid Blue	21.9 lb. (9.9kg)	0.7	753806112070
DX5224MR	5224MR	Healthy Diet	Straight Edge/Round Corner	Cran, Mid Blue, Green	21.9 lb. (9.9kg)	0.7	753806119873
DX5225MR	5225MR	Sage Garden	Straight Edge/Round Corner	Multi-color	21.9 lb. (9.9kg)	0.7	753806119123

### RECYCLED TRAYCOVERS

DX5242M	5242M	Marisa	Straight Edge/Round Corner	Cran, Mid Blue, Green, Gray	20.0 lb. (9.1kg)	0.7	753806118638
DX5243M	5243M	Freesia	Straight Edge/Round Corner	Cran, Green, Mid Blue	20.0 lb. (9.1kg)	0.7	753806118850
DX5290M	5290M	Manimals	Straight Edge/Round Corner	Full Color Graphics	20.0 lb. (9.1kg)	0.7	753806119062

### NON-SKID TRAYCOVERS

DX5081M202733NS	5081M202733NS	Iris Garden	Straight Edge/Round Corner	Cran, Gray, Teal	24.3 lb. (11.0kg)	1.4	753806112292
DX5320MNS	5320MNS	Marbled Elegance	Straight Edge/Round Corner	Gray, Black	24.3 lb. (11.0kg)	1.4	753806118867

### NON-SKID RECYCLED TRAYCOVERS

DX5220MRNS	5220M202728RNS	Avanti	Straight Edge/Round Corner	Cran, Gray, Mid Blue	24.3 lb. (11.0kg)	1.4	753806112087
------------	----------------	--------	----------------------------	----------------------	-------------------	-----	--------------

### SMALL PACKS

Pack: 100							
DX100751	100/751	Baby Blocks	Straight Edge/Round Corner	Full Color Graphics	4.0 lb. (1.8kg)	0.25	
DXHS090M001	100/800	Balloon Ride	Straight Edge/Round Corner	Full Color Graphics	4.0 lb. (1.8kg)	0.25	753806280335
DXHS091M001	100/803	Jenny Park	Straight Edge/Round Corner	Teal, Orange, Black	4.0 lb. (1.8kg)	0.25	753806283756

## TRAYCOVER SIZE: P

Traycover Dimensions	Application	Case Dimensions	Pack	Class
14-1/2" x 20"	16" x 22" Tray	20.38" x 14.38" x 4.25" (51.8cm x 36.5cm x 10.8cm)	1,000	60

Item No.	Old Item No.	Description	Style	Color	Case Weight	Cube	UPC
----------	--------------	-------------	-------	-------	-------------	------	-----

### RECYCLED TRAYCOVERS

DX5243P	5243P	Freesia	Straight Edge/Round Corner	Cran, Green, Mid Blue	25.0 lb. (11.3kg)	0.7	753806119154
---------	-------	---------	----------------------------	-----------------------	-------------------	-----	--------------

## TRAYCOVER SIZE: Q

Traycover Dimensions	Application	Case Dimensions	Pack	Class
13" x 19"	Dinex DX1089RS03 & Others	19.125" x 14.125" x 4.25" (48.6cm x 35.9cm x 10.8cm)	1,000	60

Item No.	Old Item No.	Description	Style	Color	Case Weight	Cube	UPC
DX5330Q	5330Q	Avanti II	Straight Edge/Small Corner	Black, Plum, Latte	21.5 lb. (9.8kg)	0.7	753806119178
DX5350Q	5350Q	Filigree	Straight Edge/Small Corner	Black, Gold	21.5 lb. (9.8kg)	0.7	753806118959
DX5355Q	5355Q	Harmony	Straight Edge/Small Corner	Plum, Sage, Latte	21.5 lb. (9.8kg)	0.7	753806119277

## TRAYCOVER SIZE: RR

Traycover Dimensions	Application	Case Dimensions	Pack	Class
13-3/8" x 17-7/8"	Dinex DX1089RS152003 & Others	19.125" x 14.125" x 4.25" (48.6cm x 35.9cm x 10.8cm)	1,000	60

Item No.	Old Item No.	Description	Style	Color	Case Weight	Cube	UPC
DX5330RR	5330RR	Avanti II	Straight Edge/Small Corner	Black, Plum, Latte	21.5 lb. (9.8kg)	0.7	753806119222
DX5350RR	5350RR	Filigree	Straight Edge/Small Corner	Black, Gold	21.5 lb. (9.8kg)	0.7	753806119147

## TRAYCOVER SIZE: S

Traycover Dimensions	Application	Case Dimensions	Pack	Class
12-1/4" x 17"	Aladdin Excel Tray	19.125" x 14.125" x 4.25" (48.6cm x 35.9cm x 10.8cm)	1,000	60

Item No.	Old Item No.	Description	Style	Color	Case Weight	Cube	UPC
----------	--------------	-------------	-------	-------	-------------	------	-----

### RECYCLED TRAYCOVERS

DX5243S	5243S	Freesia	Straight Edge/Round Corner	Cran, Green, Mid Blue	18.0 lb. (5.3kg)	0.6	753806118874
---------	-------	---------	----------------------------	-----------------------	------------------	-----	--------------

**TRAYCOVER SIZE: T**

Traycover Dimensions	Application	Case Dimensions	Pack	Class
12-5/8" x 16-5/8"	Trapezoid Tray	16.75" x 12.75" x 4.5" (42.5cm x 32.4cm x 11.4cm)	1,000	60

Item No.	Old Item No.	Description	Style	Color	Case Weight	Cube	UPC
DX5081T	5081T	Iris Garden	Straight Edge/Round Corner	Cran, Gray, Teal	18.0 lb. (8.2kg)	0.5	753806118881

**TRAYCOVER SIZE: V**

Traycover Dimensions	Application	Case Dimensions	Pack	Class
11-3/8" x 19-1/2"	Thermal-Aire Flat Tray	16.75" x 12.75" x 4.25" (42.5cm x 32.4cm x 10.8cm)	1,000	60

Item No.	Old Item No.	Description	Style	Color	Case Weight	Cube	UPC
----------	--------------	-------------	-------	-------	-------------	------	-----

**HEAVY WEIGHT BOND TRAYCOVERS**

DX5319VHW	5319VHW	Carnation Medley	Straight Edge/Round Corner	Cran, Mid Blue, Teal, Gray	18.1 lb. (9.3kg)	0.5	753806118904
DX5322VHW	5322VHW	Marbled Elegance II	Straight Edge/Round Corner	Cran, Mid Blue, Gray	18.1 lb. (9.3kg)	0.5	753806118898

**TRAYCOVER SIZE: W**

Traycover Dimensions	Application	Case Dimensions	Pack	Class
7-1/2" x 16-1/2"	A la Cart Tray	16.75" x 12.75" x 4.5" (42.5cm x 32.4cm x 11.4cm)	2,000	60

Item No.	Old Item No.	Description	Style	Color	Case Weight	Cube	UPC
DX5055W202833	5055W202833	Jane's Bouquet	Straight Edge/Round Corner	Cran, Teal, Mid Blue	18.5 lb. (6.7kg)	0.6	753806118478

**TRAYCOVER SIZE: X**

Traycover Dimensions	Application	Case Dimensions	Pack	Class
12-1/8" x 20-3/4"	Perfect-Temp Classic Tray	21.5" x 13" x 5.25" (54.6cm x 33.0cm x 13.3cm)	1,000	60

Item No.	Old Item No.	Description	Style	Color	Case Weight	Cube	UPC
DX5312X122733	5312X122733	Whispering Floral	Straight Edge/Round Corner	Floral Pattern	18.0 lb. (8.2kg)	0.7	753806114654

**DEVONSHIRE EMBOSSED WHITE TRAYCOVERS**

**TRAYCOVER SIZE: I**

Traycover Dimensions	Application	Case Dimensions	Pack	Class
12-3/4" x 16-5/8"	14" x 18" Tray	16.75" x 12.75" x 4.25" (42.5cm x 32.4cm x 10.8cm)	1,000	60

Item No.	Old Item No.	Description	Style	Color	Case Weight	Cube	UPC
DX5390I0000DA	5390I0000DA	Devonshire / American	Scalloped/Round Corner	White Embossed	18.5 lb. (8.2kg)	0.5	753806111936

**TRAYCOVER SIZE: M**

Traycover Dimensions	Application	Case Dimensions	Pack	Class
13-5/8" x 18-3/4"	15" x 20" Tray	19.125" x 14.125" x 4.25" (48.6cm x 35.9cm x 10.8cm)	1,000	60

Item No.	Old Item No.	Description	Style	Color	Case Weight	Cube	UPC
DX5390M0000DA	5390M0000DA	Devonshire / American	Scalloped/Round Corner	White Embossed	21.5 lb. (9.8kg)	0.7	753806112032

Embossed with decorative design. Solid white, no printing.

**SOLID COLOR TRAYCOVERS**

**TRAYCOVER SIZE: G**

Traycover Dimensions	Application	Case Dimensions	Pack	Class
11" x 20-1/2"	12" x 22" Tray	21.125" x 11.125" x 4.25" (53.7cm x 28.3cm x 10.8cm)	1,000	60

Item No.	Old Item No.	Description	Style	Color	Case Weight	Cube	UPC
DXR30970G	R30970G	Solid Color	Straight Edge/Round Corner	White	19.5 lb. (8.5kg)	0.6	753806118577

## DINNER NAPKINS

The complete range of Dinex facial quality napkins lets you coordinate a colorful and attractive traytop display for every setting. Choose from a rich selection of styles, colors and textures to add a special touch to your dining service.

Dinex decorator 2 ply dinner napkins are a full 15" x 17" with 1/8 fold and coin edge embossed. They feature superior "wet strength" and are design coordinated with the complete Dinex tray-top ensemble.

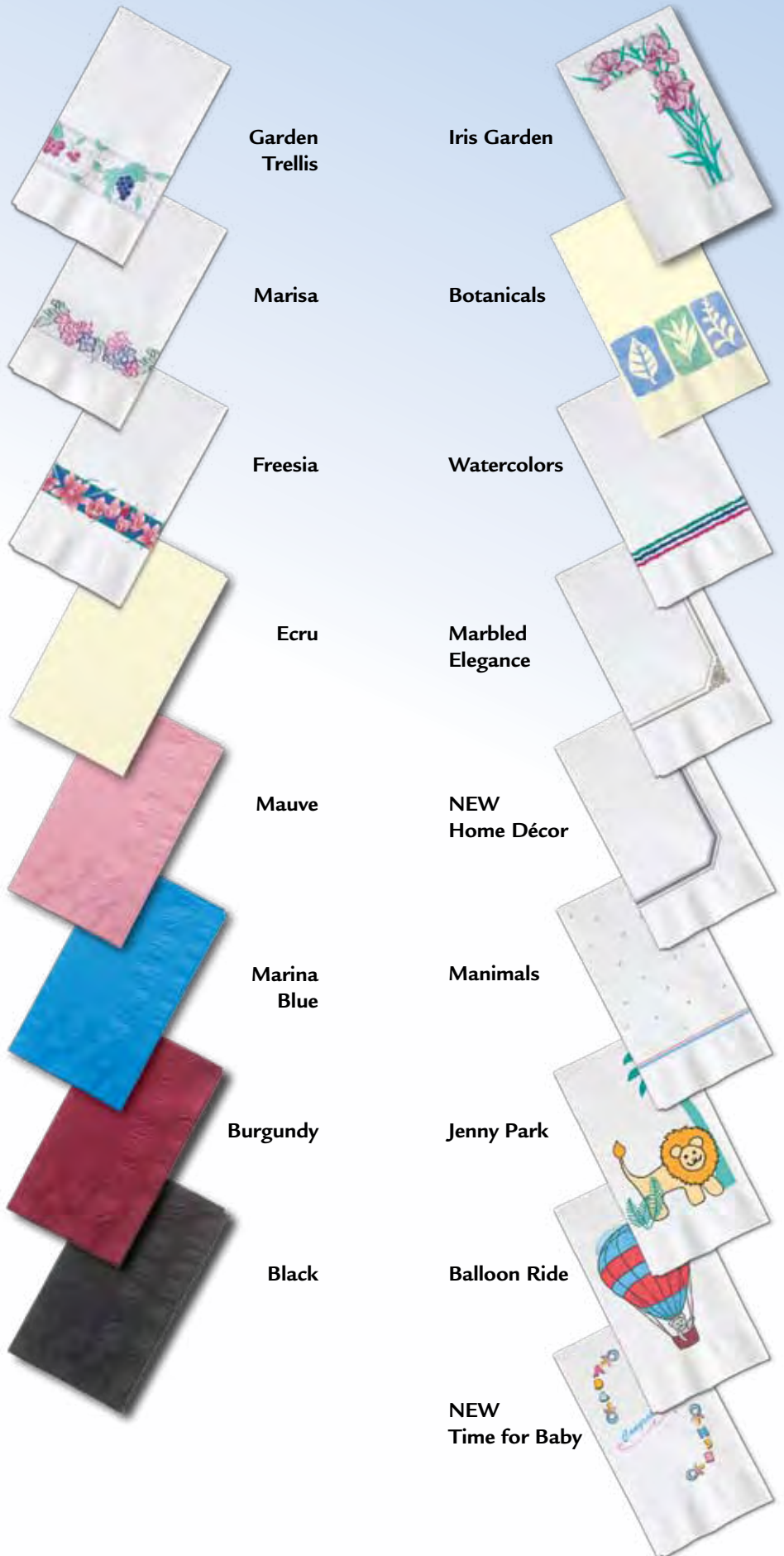


*Pocketfold, beverage, dispenser and other napkin configurations are available upon request. Custom printing is also available from Dinex!*

### Beverage Napkin



**Filigree**



**Garden Trellis**

**Marisa**

**Freesia**

**Ecru**

**Mauve**

**Marina Blue**

**Burgundy**

**Black**

**Iris Garden**

**Botanicals**

**Watercolors**

**Marbled Elegance**

**NEW Home Décor**

**Animals**

**Jenny Park**

**Balloon Ride**

**NEW Time for Baby**

**NAPKINS**

NAPKINS



Filigree



Rose Quartz



White



Sage



Ecru

*Elegant facial quality napkins, in solid colors or designs coordinate with the Dinex Designer Color Collections themes for an elegant traytop.*

**POCKETFOLD NAPKINS**

Keep your serving utensils clean and organized with facial quality, 2 ply dinner napkins featuring the unique “pocketfold” from Dinex. Available in coordinated designs or a variety of solid colors. Additional colors available as run to order.

**SOLID COLOR TRIMLINE NAPKINS**

Dinex solid color Trimline napkins are the perfect choice to bring simple elegance to any traytop. Available in white and cranberry, they coordinate perfectly with Dinex insulated ware. Combined with Dinex printed traycover designs, the possibilities are endless. Trimline napkins come in the efficient 13" x 17" size and are manufactured using 2 ply facial quality tissue.



# DECORATOR PAPER PRODUCTS

NAPKINS

## DINNER NAPKINS

Napkin Size: 15" x 17" 2 Ply, 1/8 Fold		Case Dimensions: 21.75" x 19.5" x 15.25" (55.2cm x 49.5cm x 38.7cm)			Pack: 3,000	Class: 85	
Item No.	Old Item No.	Description	Style	Color	Case Weight	Cube	UPC
DX6081202733	6081/202733	Iris Garden	Dinner Napkin	Cran, Teal, Gray	42.0 lb. (19.1kg)	4.0	753806140394

## SOLID COLOR DINNER NAPKINS

Napkin Size: 15" x 17" 2 Ply, 1/8 Fold		Case Dimensions: 21.5" x 13.75" x 7.625" (54.6cm x 34.9cm x 19.4cm)			Pack: 1,000	Class: 85	
Item No.	Old Item No.	Description	Style	Color	Case Weight	Cube	UPC
DX6999DN0103	6139/11	Solid Color	Dinner Napkin	Black	14.0 lb. (6.4kg)	1.3	753806141599
DX6999DN0114	6134/44	Solid Color	Dinner Napkin	Marina Blue	14.0 lb. (6.4kg)	1.3	753806141728
DX6999DN0156	6132/12	Solid Color	Dinner Napkin	Mauve	14.0 lb. (6.4kg)	1.3	753806141605
DX6999DN0161	6136/20	Solid Color	Dinner Napkin	Burgundy	14.0 lb. (6.4kg)	1.3	753806141582
DX6999DN0242	6130/17	Solid Color, Recycled	Dinner Napkin	Ecru	14.0 lb. (6.4kg)	1.3	753806141704

## RECYCLED DINNER NAPKINS

Napkin Size: 15" x 17" 2 Ply, 1/8 Fold		Case Dimensions: 21.5" x 13.75" x 7.625" (54.6cm x 34.9cm x 19.4cm)			Pack: 1,000	Class: 85	
Item No.	Old Item No.	Description	Style	Color	Case Weight	Cube	UPC
DX6016202836	6016/202836	Garden Trellis	Dinner Napkin	Cran, Blue, Gray, Green	14.0 lb. (6.4kg)	1.3	753806141537
DX6020DN02	New Item!	Home Décor	Dinner Napkin	Plum, Sage, Latte	14.0 lb. (6.4kg)	1.3	753806141766
DX624220272836	6242/20272836	Marisa	Dinner Napkin	Cran, Mid Blue, Gray, Green	14.0 lb. (6.4kg)	1.3	753806141544
DX6243202836	6243/202836	Freesia	Dinner Napkin	Cran, Mid Blue, Green	14.0 lb. (6.4kg)	1.3	753806141629
DX629008093665	6290/08093665	Manimals	Dinner Napkin	Blue, Green, Red, Yellow	14.0 lb. (6.4kg)	1.3	753806141698
DX632029	6320/29	Marbled Elegance	Dinner Napkin	Black	14.0 lb. (6.4kg)	1.3	753806141643
DX6323202836	6323/202836	Watercolors	Dinner Napkin	Cran, Mid Blue, Green	14.0 lb. (6.4kg)	1.3	753806141650
DX63273443	6327/3443	Botanicals (Ecru tissue, printed)	Dinner Napkin	Blue, Green, Teal	14.0 lb. (6.4kg)	1.3	753806141742

## SMALL PACKS

					Pack: 100		
Item No.	Old Item No.	Description	Style	Color	Case Weight	Cube	UPC
DX6093DN01	New Item!	Time for Baby	Dinner Napkin	Pink, Blue, Yellow	2.0 lb. (0.9kg)	0.2	753806141773
DXHS090DN01	200/800	Balloon Ride	Dinner Napkin	Multi-color	2.0 lb. (0.9kg)	0.2	753806280489
DXHS091DN01	200/803	Jenny Park	Dinner Napkin	Teal, Orange, Black	2.0 lb. (0.9kg)	0.2	753806283770

## POCKETFOLD NAPKINS

Napkin Size: 17" x 17" 2 Ply, 1/12 Pocketfold		Case Dimensions: 26.75" x 17.75" x 9.75" (67.9cm x 45.1cm x 24.8cm)			Pack: 1,200	Class: 85	
Item No.	Old Item No.	Description	Style	Color	Case Weight	Cube	UPC
DX63211120	6321/1120	Rose Quartz (Gray tissue, printed)	Pocketfold Napkin	Cranberry, Black	18.6 lb. (8.4kg)	2.8	753806141612
DX63501113	6350/1113	Filigree, Recycled	Pocketfold Napkin	Black, Gold	18.6 lb. (8.4kg)	2.8	753806141636
DX6999PF0184	6332/46	Solid Color	Pocketfold Napkin	Sage	18.6 lb. (8.4kg)	2.8	753806141759
DX6999PF0202	6330/14	Solid Color, Recycled	Pocketfold Napkin	White	18.6 lb. (8.4kg)	2.8	753806141551
DX6999PF0242	6331/17	Solid Color, Recycled	Pocketfold Napkin	Ecru	18.6 lb. (8.4kg)	2.8	753806141735

## BEVERAGE NAPKINS

Napkin Size: 10" x 10" 2 Ply, 1/4 Fold		Case Dimensions: 18" x 10.5" x 5.625" (45.7cm x 26.7cm x 14.3cm)			Pack: 1,000	Class: 85	
Item No.	Old Item No.	Description	Style	Color	Case Weight	Cube	UPC
DX6350B	6350B	Filigree	Beverage Napkin	Black, Gold	5.8 lb. (2.6kg)	0.6	753806141711

## SOLID COLOR TRIMLINE NAPKINS

Napkin Size: 13" x 17" 2 Ply, 1/12 Fold		Case Dimensions: 14.125" x 10.125" x 3.38" (47.3cm x 25.7cm x 10.5cm)			Pack: 1,000	Class: 85	
Item No.	Old Item No.	Description	Style	Color	Case Weight	Cube	UPC
DX6999TL0102	6230/14	Solid Color	Trimline Napkin	White	12.0 lb. (5.4kg)	1.1	753806141339
DX6999TL0161	6236/20	Solid Color	Trimline Napkin	Burgundy	12.0 lb. (5.4kg)	1.1	753806141346

# THE CUTLERY CADDY

## SANITARY PRESENTATION WITH AN UPSCALE LOOK

The Cutlery Caddy is a unique printed sleeve pre-loaded with a 2 ply 16" x 16" Trimline facial quality tissue napkin. Utensils can then be inserted for a clean, sanitary presentation with an upscale look. Two colors are available with the Bon Appetit design, as well as our Filigree pattern. The pediatric "Surprise Kit" is printed with line art and each case contains colored pencils for after meal fun (two prints per case).

The Caddy can be used on the traytop for conventional and room service meal delivery as well as for tabletop use in doctor's dining facilities, cafeteria kiosks, long-term care facilities and catering functions.

**NEW**



**Features and benefits:**

- Cuts labor costs for wrapping utensils
- Increases trayline efficiency
- Room to insert a Junior dietary meal kit or other condiments
- Eliminates loss of utensils and condiments during transport
- Can be used with stainless or plastic utensils



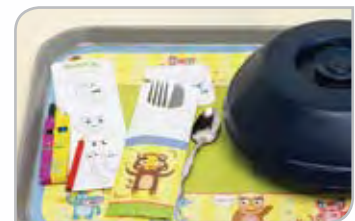
*Bon Appetit - Black*



*Bon Appetit - Cranberry*



*Filigree - Black & Gold*



*Surprise Kit - Includes colored pencils\**

\*Pencil boxes are not pre-inserted in Caddy.

**CUTLERY CADDY**

Contents						Cube	Class
2 ply Trimline Napkin						1.5	77.5
Item No.	Old Item No.	Description	Color	Pack	Case Weight	UPC	
DXCTCAD29000	CUTCAD/5290	Manimals	Multi-color	400	21.0 lb. (9.5kg)	753806141681	
DXCTCAD35000	CUTCAD/5350	Two design combo pack with colored pencils (pencil boxes not pre-inserted in sleeves)					
DXCTCAD80003	CUTCAD/11	Filigree	Black, Gold	600	16.0 lb. (7.3kg)	753806822603	
DXCTCAD80061	CUTCAD/20	Bon Appetit - Black	Black	600	16.0 lb. (7.3kg)	753806141667	
DXCTCAD80061	CUTCAD/20	Bon Appetit - Cranberry	Cranberry	600	16.0 lb. (7.3kg)	753806141674	

## HOLIDAY CALENDAR

### JANUARY

*New Year's Day  
Martin Luther King Day*

### FEBRUARY

*Pride in Food Service Week  
Lincoln's Birthday  
Valentine's Day  
President's Day  
Washington's Birthday*

### MARCH

*National Nutrition Month  
St. Patrick's Day  
Passover*

### APRIL

*Easter*

### MAY

*Mother's Day  
National Hospital Week  
National Nursing Home Week  
Memorial Day*

### JUNE

*Flag Day  
Father's Day*

### JULY

*Independence Day*

### SEPTEMBER

*National 5-A-Day Month  
Labor Day  
Rosh Hashanah  
Yom Kippur  
National Assisted Living Week*

### OCTOBER

*National Health Care  
Food Service Week  
Columbus Day  
Thanksgiving Day (Canada)  
Halloween*

### NOVEMBER

*Veteran's Day  
Thanksgiving*

### DECEMBER

*Hanukkah  
Christmas  
Kwanzaa  
New Year's Eve*

## THE HAPPENINGS HOLIDAY COLLECTION

FOR HOLIDAY AND SPECIAL OCCASIONS

Meeting your needs in a changing food service environment with quality paper products for specialty food service at a competitive price. Dinex makes it easy to plan different themes for holidays and special occasions as well as everyday needs. Product designs covering the four seasons depict cheerful, colorful and traditional designs to make every meal an enjoyable and festive event. Holiday themes make the difficult time away from home and family a little easier.

Coordinated with products from the Dinex tray delivery system, your trayline service will be streamlined and efficient while keeping food presentation interesting and attractive.

## NEW!

## Double Sided Traycover



Turn your everyday  
Room Service Traytop



Into something special for the  
fall and winter seasons!

**NEW**



Enjoy the elegance of Room Service with the versatility of a double sided seasonal traycover. Fall/Winter Eloquence is ideal for smaller facilities!



**Fall/Winter Eloquence** (Double Sided)  
 (fits DX1089RS03 tray)



**Jack-O-Lanterns**



**Harvest**



**Autumn Leaves**  
 (Autumn Leaves Napkin)



**Stars & Stripes**



**Shalom**



# DECORATOR PAPER PRODUCTS

## Winter



**Fall/Winter Eloquence** (Double Sided)  
(fits DX1089RS03 tray)



**Winter Blossom** (Bond & Non-Skid)  
(Poinsettia Blossom Napkin)



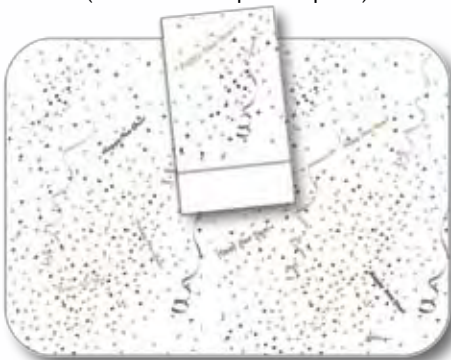
**North Pole**



**Silver & Gold**



**Spirit of the Season** (Recycled)  
(Seasonal Stripes Napkin)



**Confetti & Streamers**





Valentine's Day

*Spring*



St. Patrick's Day



Springtime



National Nutrition Month



Happy Easter  
 (Easter Basket Napkin)



Shalom

*Summer*



**Celebration**



**Garden Bloom**  
(Happy Mother's Day Napkin)



(Napkins coordinate with  
Garden Bloom or Summer Hues)



**Summer Hues**



**Stars & Stripes**



**Father's Day Ties**



**TRAYCOVER SIZE: E**

Traycover Dimensions	Application	Case Dimensions	Class
11" x 18"	12" x 19" Tray	18.625" x 11.125" x 4.25" (47.3cm x 28.3cm x 10.5cm)	60

Item No.	Old Item No.	Description	Color	Pack	Case Weight	Cube	UPC
<b>SMALL PACKS</b>							
DXHS344E001	103/344	Autumn Colors	Multi-color	100	4.0 lb. (1.8kg)	0.25	753806284692

**TRAYCOVER SIZE: I**

Traycover Dimensions	Application	Case Dimensions	Class
12-3/4" x 16-5/8"	14" x 18" Tray	18.625" x 11.125" x 4.125" (47.3cm x 28.3cm x 10.5cm)	60

Item No.	Old Item No.	Description	Color	Pack	Case Weight	Cube	UPC
DXH5455I003	New Item!	Winter Blossom	Gold, Black, Red, Green	1,000	18.5 lb. (8.4kg)	0.5	753806284937
DXHR325I001	R5325I	Jack-O-Lanterns	Orange, Green, Yellow, Black	1,000	18.5 lb. (8.4kg)	0.5	753806282728
DXHR344I001	R5344I	Autumn Colors	Multi-color	1,000	18.5 lb. (8.4kg)	0.5	753806284678
DXHR345I001	R5345I	Harvest	Multi-color	1,000	18.5 lb. (8.4kg)	0.5	753806284654
DXHR601I001	R5601I	Stars & Stripes	Red, Blue	1,000	18.5 lb. (8.4kg)	0.5	753806284340

**RECYCLED TRAYCOVERS**

DXHR457I002	R5457IR	Spirit of the Season	Multi-color	1,000	18.5 lb. (8.4kg)	0.5	753806284746
-------------	---------	----------------------	-------------	-------	------------------	-----	--------------

**NON-SKID TRAYCOVERS**

DXHR455I0NS	R5455INS	Winter Blossom	Gold, Black, Red, Green	1,000	18.5 lb. (8.4kg)	0.5	753806284470
-------------	----------	----------------	-------------------------	-------	------------------	-----	--------------

**SMALL PACKS**

DXHS002I001	101/002	Valentine's Day	Red, Pink, Gold	100	4.0 lb. (1.8kg)	0.25	753806282964
DXHS027I001	101/027	National Nutrition Month	Multi-color	100	4.0 lb. (1.8kg)	0.25	753806282971
DXHS052I001	101/052	St. Patrick's Day	Green	100	4.0 lb. (1.8kg)	0.25	753806282988
DXHS105I001	101/105	Happy Easter	Multi-color	100	4.0 lb. (1.8kg)	0.25	753806284555
DXHS180I001	101/180	Garden Bloom	Multi-color	100	4.0 lb. (1.8kg)	0.25	753806284562
DXHS201I001	101/201	Father's Day Ties	Multi-color	100	4.0 lb. (1.8kg)	0.25	753806118751
DXHS325I001	101/325	Jack-O-Lanterns	Orange, Green, Yellow, Black	100	4.0 lb. (1.8kg)	0.25	753806282506
DXHS344I001	101/344	Autumn Colors	Multi-color	100	4.0 lb. (1.8kg)	0.25	753806284685
DXHS345I001	101/345	Harvest	Multi-color	100	4.0 lb. (1.8kg)	0.25	753806284661
DXHS456I001	101/456	Silver & Gold	Blue, Green, Silver, Gold	100	4.0 lb. (1.8kg)	0.25	753806284647
DXHS458I001	101/458	North Pole	Green, Mid Blue	100	4.0 lb. (1.8kg)	0.25	753806284739
DXHS470I001	101/470	Confetti & Streamers	Silver, Gold, Black	100	4.0 lb. (1.8kg)	0.25	753806284753
DXHS601I001	101/601	Stars & Stripes	Red, Blue	100	4.0 lb. (1.8kg)	0.25	753806283947
DXHS620I001	101/620	Springtime	Purple, Pink, Green, Yellow	100	4.0 lb. (1.8kg)	0.25	753806280229
DXHS642I001	101/642	Summer Hues	Purple, Orange, Yellow, Green	100	4.0 lb. (1.8kg)	0.25	753806284517
DXHS701I001	101/701	Celebration	Red, Blue, Yellow, Green	100	4.0 lb. (1.8kg)	0.25	753806118041
DXHS722I001	101/722	Shalom	Blue	100	4.0 lb. (1.8kg)	0.25	753806284760

**TRAYCOVER SIZE: M**

Traycover Dimensions	Application	Case Dimensions	Class
13-5/8" x 18-3/4"	15" x 20" Tray	19.125" x 14.125" x 4.25" (48.6cm x 35.9cm x 10.8cm)	60

Item No.	Old Item No.	Description	Color	Pack	Case Weight	Cube	UPC
DXH5455M003	New Item!	Winter Blossom	Gold, Black, Red, Green	1,000	21.5 lb. (9.8kg)	0.7	753806284920
DXHR325M001	R5325M	Jack-O-Lanterns	Orange, Green, Yellow, Black	1,000	21.5 lb. (9.8kg)	0.7	753806282735
DXHR344M001	R5344M	Autumn Colors	Multi-color	1,000	21.5 lb. (9.8kg)	0.7	753806284784
DXHR345M001	R5345M	Harvest	Multi-color	1,000	21.5 lb. (9.8kg)	0.7	753806284807
DXHR601M001	R5601M	Stars & Stripes	Red, Blue	1,000	21.5 lb. (9.8kg)	0.7	753806284357

**RECYCLED TRAYCOVERS**

DXHR457M002	R5457MR	Spirit of the Season	Multi-color	1,000	21.5 lb. (9.8kg)	0.7	753806284845
-------------	---------	----------------------	-------------	-------	------------------	-----	--------------

**NON-SKID TRAYCOVERS**

DXHR455M0NS	R5455MNS	Winter Blossom	Gold, Black, Red, Green	1,000	21.5 lb. (9.8kg)	0.7	753806284449
-------------	----------	----------------	-------------------------	-------	------------------	-----	--------------

# DECORATOR PAPER PRODUCTS

## TRAYCOVER SIZE: M continued

Traycover Dimensions		Application	Case Dimensions			Class	
13-5/8" x 18-3/4"		15" x 20" Tray	19.125" x 14.125" x 4.25" (48.6cm x 35.9cm x 10.8cm)			60	
Item No.	Old Item No.	Description	Color	Pack	Case Weight	Cube	UPC
<b>SMALL PACKS</b>							
DXHS002M001	100/002	Valentine's Day	Red, Pink, Gold	100	4.0 lb. (1.8kg)	0.25	753806283022
DXHS027M001	100/027	National Nutrition Month	Multi-color	100	4.0 lb. (1.8kg)	0.25	753806283039
DXHS052M001	100/052	St. Patrick's Day	Green	100	4.0 lb. (1.8kg)	0.25	753806283046
DXHS105M001	100/105	Happy Easter	Multi-color	100	4.0 lb. (1.8kg)	0.25	753806284616
DXHS180M001	100/180	Garden Bloom	Multi-color	100	4.0 lb. (1.8kg)	0.25	753806284548
DXHS201M001	100/201	Father's Day Ties	Multi-color	100	4.0 lb. (1.8kg)	0.25	753806118775
DXHS325M001	100/325	Jack-O-Lanterns	Orange, Green, Yellow, Black	100	4.0 lb. (1.8kg)	0.25	753806282513
DXHS344M001	100/344	Autumn Colors	Multi-color	100	4.0 lb. (1.8kg)	0.25	753806284777
DXHS345M001	100/345	Harvest	Multi-color	100	4.0 lb. (1.8kg)	0.25	753806284791
DXHS456M001	100/456	Silver & Gold	Blue, Green, Silver, Gold	100	4.0 lb. (1.8kg)	0.25	753806284821
DXHS458M001	100/458	North Pole	Red, Green, Mid Blue	100	4.0 lb. (1.8kg)	0.25	753806284828
DXHS470M001	100/470	Confetti & Streamers	Silver, Gold, Black	100	4.0 lb. (1.8kg)	0.25	753806284852
DXHS601M001	100/601	Stars & Stripes	Red, Blue	100	4.0 lb. (1.8kg)	0.25	753806283886
DXHS620M001	100/620	Springtime	Purple, Pink, Green, Yellow	100	4.0 lb. (1.8kg)	0.25	753806280373
DXHS642M001	100/642	Summer Hues	Purple, Orange, Yellow, Green	100	4.0 lb. (1.8kg)	0.25	753806284500
DXHS701M001	100/701	Celebration	Red, Blue, Yellow, Green	100	4.0 lb. (1.8kg)	0.25	753806118027
DXHS722M001	100/722	Shalom	Blue	100	4.0 lb. (1.8kg)	0.25	753806284814

## TRAYCOVER SIZE: Q

Traycover Dimensions		Application	Case Dimensions			Pack	Class
13" x 19"		Dinex DX1089RS03 & Others	19.125" x 14.125" x 4.25" (48.6cm x 35.9cm x 10.8cm)			1,000	60
Item No.	Old Item No.	Description	Color	Pack	Case Weight	Cube	UPC
<b>HEAVY WEIGHT BOND TRAYCOVERS</b>							
DXHS500Q0HW	New Item!	Fall/Winter Eloquence (Double Sided)	Multi-color	1,000	26.0 lb. (11.8kg)	0.7	10753806000619

## TRAYCOVER SIZE: S

Traycover Dimensions		Application	Case Dimensions			Class	
12-1/4" x 17"		Aladdin Excel Tray	19.125" x 14.125" x 4.25" (48.6cm x 35.9cm x 10.8cm)			60	
Item No.	Old Item No.	Description	Color	Pack	Case Weight	Cube	UPC
DXHR027S001	R5027S	National Nutrition Month	Multi-color	1,000	18.0 lb. (8.2kg)	0.6	753806284258
DXHR180S001	R5180S	Garden Bloom	Multi-color	1,000	18.0 lb. (8.2kg)	0.6	753806284609
DXHR601S001	R5601S	Stars & Stripes	Red, Blue	1,000	18.0 lb. (8.2kg)	0.6	753806284364
<b>RECYCLED TRAYCOVERS</b>							
DXHR457S002	R5457SR	Spirit of the Season	Multi-color	1,000	18.0 lb. (8.2kg)	0.6	753806284869

## TRAYCOVER SIZE: U

Traycover Dimensions		Application	Case Dimensions			Class	
Two Piece 8-1/2" x 11-5/8" each		Unitron 5 & 7 Systems	16.75" x 12.75" x 4.5" (42.5cm x 32.4cm x 11.4cm)			60	
Item No.	Old Item No.	Description	Color	Pack	Case Weight	Cube	UPC
<b>NON-SKID TRAYCOVERS</b>							
DXHR180UONS	R5180UNS	Garden Bloom	Multi-color	1,000	18.4 lb. (8.3kg)	0.6	753806119031
DXHR455UONS	R5455UNS	Winter Blossom	Gold, Black, Red, Green	1,000	18.4 lb. (8.3kg)	0.6	753806284494
DXHR601UONS	R5601UNS	Stars & Stripes	Red, Blue	1,000	18.4 lb. (8.3kg)	0.6	753806284371

**PLACEMAT**

Placemat Dimensions			Case Dimensions			Class	
11" x 15"			4.125" x 10.125" x 3.38" (47.3cm x 25.7cm x 10.5cm)			60	
Item No.	Old Item No.	Description	Color	Pack	Case Weight	Cube	UPC
<b>SMALL PACKS</b>							
DXHS002D001	300/002	Valentine's Day	Red, Pink, Gold	100	4.0 lb. (1.8kg)	0.2	753806283145
DXHS052D001	300/052	St. Patrick's Day	Green	100	4.0 lb. (1.8kg)	0.2	753806283152
DXHS105D001	300/105	Happy Easter	Multi-color	100	4.0 lb. (1.8kg)	0.2	753806284623
DXHS180D001	300/180	Garden Bloom	Multi-color	100	4.0 lb. (1.8kg)	0.2	753806284579
DXHS201D001	300/201	Father's Day Ties	Multi-color	100	4.0 lb. (1.8kg)	0.2	753806118744
DXHS325D001	300/325	Jack-O-Lanterns	Orange, Green, Yellow, Black	100	4.0 lb. (1.8kg)	0.2	753806282490
DXHS345D001	300/345	Harvest	Multi-color	100	4.0 lb. (1.8kg)	0.2	753806284630
DXHS456D001	300/456	Silver & Gold	Blue, Green, Silver, Gold	100	4.0 lb. (1.8kg)	0.2	753806284708
DXHS470D001	300/470	Confetti & Streamers	Silver, Gold, Black	100	4.0 lb. (1.8kg)	0.2	753806284715
DXHS601D001	300/601	Stars & Stripes	Red, Blue	100	4.0 lb. (1.8kg)	0.2	753806284074
DXHS620D001	300/620	Springtime	Purple, Pink, Green, Yellow	100	4.0 lb. (1.8kg)	0.2	753806280076
DXHS642D001	300/642	Summer Hues	Purple, Orange, Yellow, Green	100	4.0 lb. (1.8kg)	0.2	753806284531
DXHS701D001	300/701	Celebration	Red, Blue, Yellow, Green	100	4.0 lb. (1.8kg)	0.2	753806118065
DXHS722D001	300/722	Shalom	Blue	100	4.0 lb. (1.8kg)	0.2	753806284722

**HOLIDAY DINNER NAPKINS**

Napkin Size			Case Dimensions			Class	
15" x 17" 2 Ply, 1/8 Fold			21.75" x 19.5" x 15.25" (55.2cm x 49.5cm x 38.7cm)			85	
Item No.	Old Item No.	Description	Color	Pack	Case Weight	Cube	UPC
<b>PRINTED DESIGN</b>							
DXHS455DN01	New Item!	Poinsettia Blossom	Gold, Black, Red, Green	1,000	14.0 lb. (6.4kg)	1.32	10753806000602
DXHR325DN01	R6325	Jack-O-Lanterns	Orange, Green, Yellow, Black	1,000	14.0 lb. (6.4kg)	1.32	753806282742
DXHR431DN01	R6431	Autumn Leaves	Orange, Green, Cranberry, Gold	1,000	14.0 lb. (6.4kg)	1.32	753806283794
DXHR457DN02	R6457	Seasonal Stripes (Ecru tissue, recycled)	Gold, Red, Green	1,000	14.0 lb. (6.4kg)	1.32	753806284906
DXHR601DN01	R6601	Stars & Stripes	Red, Blue	1,000	14.0 lb. (6.4kg)	1.32	753806283367
<b>SMALL PACKS</b>							
DXH6180DN01	New Item!	Happy Mother's Day	Multi-color	100	2.0 lb. (0.9kg)	0.2	10753806000596
DXHS002DN01	200/002	Valentine's Day	Red, Pink, Gold	100	2.0 lb. (0.9kg)	0.2	753806283084
DXHS027DN01	200/027	National Nutrition Month	Multi-color	100	2.0 lb. (0.9kg)	0.2	753806283091
DXHS052DN01	200/052	St. Patrick's Day	Green	100	2.0 lb. (0.9kg)	0.2	753806283107
DXHS104DN01	200/104	Easter Basket	Multi-color	100	2.0 lb. (0.9kg)	0.2	753806283992
DXHS180HDN01	200/180H	National Hospital Week	Green, Orange, Purple	100	2.0 lb. (0.9kg)	0.2	753806284586
DXHS180NDN01	200/180N	National Nursing Home Week	Green, Orange, Purple	100	2.0 lb. (0.9kg)	0.2	753806284893
DXHS201DN01	200/201	Father's Day Ties	Multi-color	100	2.0 lb. (0.9kg)	0.2	753806118768
DXHS325DN01	200/325	Jack-O-Lanterns	Orange, Green, Yellow, Black	100	2.0 lb. (0.9kg)	0.2	753806282520
DXHS341DN01	200/341	Autumn Leaves	Orange, Green, Cranberry, Gold	100	2.0 lb. (0.9kg)	0.2	753806283343
DXHS456DN01	200/456	Silver & Gold	Blue, Green, Silver, Gold	100	2.0 lb. (0.9kg)	0.2	753806284883
DXHS458DN01	200/458	North Pole	Red, Green, Mid Blue	100	2.0 lb. (0.9kg)	0.2	753806284890
DXHS470DN01	200/470	Confetti & Streamers	Silver, Gold, Black	100	2.0 lb. (0.9kg)	0.2	753806284913
DXHS601DN01	200/601	Stars & Stripes	Red, Blue	100	2.0 lb. (0.9kg)	0.2	753806282926
DXHS620DN01	200/620	Springtime	Purple, Pink, Green, Yellow	100	2.0 lb. (0.9kg)	0.2	753806280526
DXHS642DN01	200/642	Summer Hues	Green, Orange, Purple	100	2.0 lb. (0.9kg)	0.2	753806284524
DXHS701DN01	200/701	Celebration	Red, Blue, Yellow, Green	100	2.0 lb. (0.9kg)	0.2	753806141414
DXHS722DN01	200/722	Shalom	Blue	100	2.0 lb. (0.9kg)	0.2	753806284876

## MENU FORMS

The perfect way to complete your traytop presentation. Colorful, graphically coordinated menu forms—printed on bright white 24 lb. stock paper—complement the full range of Dinex Traycovers, Napkins, Trayware and Dietary Meal Kits. Perforated between each panel for easy folding and separation, Dinex stock menu shells come ready to imprint with your daily menu selections. With interior panels printed in seven industry-standard dietary colors, each panel displays daily breakfast, lunch and dinner selections. The paper and ink specifications are compatible with copiers and laser printers. Menu shells are shrink-wrapped in packages of 500 for easy handling.



- |                    |                        |
|--------------------|------------------------|
| (A) Jane's Bouquet | (G) Garden Trellis     |
| (B) Bountiful      | (H) Filigree           |
| (C) Aloha          | (I) Marbled Elegance   |
| (D) Watercolors    | (J) Balloon Ride       |
| (E) Iris Garden    | (K) Jenny Park         |
| (F) Freesia        | (L) Filigree 11" x 17" |



### Tray Tickets & Dietary Cards

Complete your meal selection system with Dinex Tray Tickets. All are available in standard configurations for laser printers and copiers. Specialty sizes are also available from Dinex. Colorful Tray Cards ensure accuracy and communicate special diet information for your patient.



### Custom Menus

Whether you want to save time and simplify meal planning, match your unique decor or simply look your best, Dinex will custom print your organization's name and message on our stock menu shell designs, or produce a complete custom-designed menu exclusively for you.



**PATIENT MENU FORMS**

Menu Size: 8-1/2" X 14" – 3 Panel, Perforated		Case Dimensions: 14" x 8.5" x 10" (35.5cm x 21.6cm x 25.4cm)			Pack: 2,000	Class: 65
Item No.	Old Item No.	Description	Color	Case Weight	Cube	UPC
DX6SM016000	6SM/016/0000	Garden Trellis (Blank - No Headings)	Blank	31.4 lb. (14.2kg)	0.9	753806135956
DX6SM021000	6SM/021/0000	Aloha (Blank - No Headings)	Blank	31.4 lb. (14.2kg)	0.9	753806136540
DX6SM022000	6SM/022/0000	Bountiful (Blank - No Headings)	Blank	31.4 lb. (14.2kg)	0.9	753806136557
DX6SM055000	6SM/055/0000	Jane's Bouquet (Blank - No Headings)	Blank	31.4 lb. (14.2kg)	0.9	753806135574
DX6SM055300	6SM/055/300	Jane's Bouquet (Breakfast, Lunch & Dinner Headings)	Blue	31.4 lb. (14.2kg)	0.9	753806135581
DX6SM055354	6SM/055/354	Jane's Bouquet (Breakfast, Lunch & Dinner Headings)	Green	31.4 lb. (14.2kg)	0.9	753806171428
DX6SM055109	6SM/055/109	Jane's Bouquet (Breakfast, Lunch & Dinner Headings)	Yellow	31.4 lb. (14.2kg)	0.9	753806135598
DX6SM0551585	6SM/055/1585	Jane's Bouquet (Breakfast, Lunch & Dinner Headings)	Orange	31.4 lb. (14.2kg)	0.9	753806135604
DX6SM055190	6SM/055/190	Jane's Bouquet (Breakfast, Lunch & Dinner Headings)	Pink	31.4 lb. (14.2kg)	0.9	753806135611
DX6SM055424	6SM/055/424	Jane's Bouquet (Breakfast, Lunch & Dinner Headings)	Gray	31.4 lb. (14.2kg)	0.9	753806135628
DX6SM055472	6SM/055/472	Jane's Bouquet (Breakfast, Lunch & Dinner Headings)	Tan	31.4 lb. (14.2kg)	0.9	753806135635
DX6SM081000	6SM/081/0000	Iris Garden (Blank - No Headings)	Blank	31.4 lb. (14.2kg)	0.9	753806135499
DX6SM081222	6SM/081/222	Iris Garden (Breakfast, Lunch & Dinner Headings)	Cranberry	31.4 lb. (14.2kg)	0.9	753806135505
DX6SM081300	6SM/081/300	Iris Garden (Breakfast, Lunch & Dinner Headings)	Blue	31.4 lb. (14.2kg)	0.9	753806135642
DX6SM081354	6SM/081/354	Iris Garden (Breakfast, Lunch & Dinner Headings)	Green	31.4 lb. (14.2kg)	0.9	753806171435
DX6SM081109	6SM/081/109	Iris Garden (Breakfast, Lunch & Dinner Headings)	Yellow	31.4 lb. (14.2kg)	0.9	753806135659
DX6SM0811585	6SM/081/1585	Iris Garden (Breakfast, Lunch & Dinner Headings)	Orange	31.4 lb. (14.2kg)	0.9	753806135666
DX6SM081190	6SM/081/190	Iris Garden (Breakfast, Lunch & Dinner Headings)	Pink	31.4 lb. (14.2kg)	0.9	753806135673
DX6SM081424	6SM/081/424	Iris Garden (Breakfast, Lunch & Dinner Headings)	Gray	31.4 lb. (14.2kg)	0.9	753806135680
DX6SM081472	6SM/081/472	Iris Garden (Breakfast, Lunch & Dinner Headings)	Tan	31.4 lb. (14.2kg)	0.9	753806135697
DX6SM243000	6SM/243/0000	Freesia (Blank - No Headings)	Blank	31.4 lb. (14.2kg)	0.9	753806136465
DX6SM243300	6SM/243/300	Freesia (Breakfast, Lunch & Dinner Headings)	Blue	31.4 lb. (14.2kg)	0.9	753806136496
DX6SM243354	6SM/243/354	Freesia (Breakfast, Lunch & Dinner Headings)	Green	31.4 lb. (14.2kg)	0.9	753806136502
DX6SM243109	6SM/243/109	Freesia (Breakfast, Lunch & Dinner Headings)	Yellow	31.4 lb. (14.2kg)	0.9	753806136472
DX6SM2431585	6SM/243/1585	Freesia (Breakfast, Lunch & Dinner Headings)	Orange	31.4 lb. (14.2kg)	0.9	753806136533
DX6SM243190	6SM/243/190	Freesia (Breakfast, Lunch & Dinner Headings)	Pink	31.4 lb. (14.2kg)	0.9	753806136489
DX6SM243424	6SM/243/424	Freesia (Breakfast, Lunch & Dinner Headings)	Gray	31.4 lb. (14.2kg)	0.9	753806136519
DX6SM243472	6SM/243/472	Freesia (Breakfast, Lunch & Dinner Headings)	Tan	31.4 lb. (14.2kg)	0.9	753806136526
DX6SM3200000	6SM/320/0000	Marbled Elegance (Blank - No Headings)	Blank	31.4 lb. (14.2kg)	0.9	753806136564
DX6SM323000	6SM/323/0000	Watercolors (Blank - No Headings)	Blank	31.4 lb. (14.2kg)	0.9	753806136601
DX6SM351000	6SM/351/0000	Filigree (Blank - No Headings)	Blank	31.4 lb. (14.2kg)	0.9	753806136588
DX6SM351111	6SM/351/1113	Filigree (Breakfast, Lunch & Dinner Headings)	Black & Gold	31.4 lb. (14.2kg)	0.9	753806136595
Menu Size: 11" X 17" – 3 Panel, Perforated		Case Dimensions: 17" x 11.38" x 5.25" (43.2cm x 28.9cm x 13.3cm)			Pack: 1,000	Class: 65
Item No.	Old Item No.	Description	Color	Case Weight	Cube	UPC
DX6SM350000	6SM/350/0000	Filigree (Blank - No Headings)	Blank	31.0 lb. (14.1kg)	0.6	753806136571
Large Size Menu Format for Room Service & Rehabilitation Systems						
Menu Size: 8-1/2" X 14" – 3 Panel, Perforated		Case Dimensions: 14" x 8.5" x 10" (35.5cm x 21.6cm x 25.4cm)			Class: 65	
Item No.	Old Item No.	Description	Color	Case Weight	Cube	UPC
<b>BLANK MENUS</b>				<b>Pack: 2,000</b>		
DX6SM0010000	6SM/001/0000	Blank Paper (Unprinted, Both Sides)	Blank	31.4 lb. (14.2kg)	0.9	753806135543
<b>PEDIATRIC MENUS</b>				<b>Pack: 1,000</b>		
DX6SM090000	6SM/090/0000	Balloon Ride (Blank - No Headings)	Blank	16.0 lb. (7.3kg)	0.4	753806135512
DX6SM091000	6SM/091/0000	Jenny Park (Blank- No Headings)	Blank	16.0 lb. (7.7kg)	0.4	753806135901



# DECORATOR PAPER PRODUCTS

## TRAY TICKET FORMS

Item No.	Old Item No.	Description	Case Wt.	Cube	Case Dimensions	UPC
DX6SM0010000	6SM/001/0000	Blank laser-compatible sheets: 8-1/2" x 14" two 8-1/2" perf (3 panel) Unprinted, both sides	31.4 lb. (14.2kg)	0.9	14" x 8.5" x 10" (35.5cm x 21.6cm x 25.4)	753806135543
DX6ST0010000	6ST/001/0000	Blank laser-compatible sheets: 8-1/2" x 11" one 11" perf (2 panel) Unprinted, both sides	25.5 lb. (11.6kg)	0.7	11.75" x 11.25" x 9" (29.8cm x 28.6cm x 22.9cm)	753806136014
DX6ST0030000	6ST/003/0000	Blank laser-compatible sheets: 8-1/2" x 11" one 8-1/2" perf (2 panel) Unprinted, both sides	25.5 lb. (11.6kg)	0.7	11.75" x 11.25" x 9" (29.8cm x 28.6cm x 22.9cm)	753806136175
DX6ST0040000	6ST/004/0000	Blank laser-compatible sheets: 8-1/2" x 11" two 8-1/2" perf (3 panel) Unprinted, both sides	25.5 lb. (11.6kg)	0.7	11.75" x 11.25" x 9" (29.8cm x 28.6cm x 22.9cm)	753806136397

## DIETARY TRAY CARDS - LARGE

Card Size: 3-1/2" x 2-5/8" Case Dimensions: 6.25" x 3.75" x 2" (15.9cm x 9.5cm x 5.4cm) Class: 65



Item No.	Old Item No.	Description	Color	Pack	Case Wt.	Cube	UPC
DX6DCL354	6SDC/L354	Regular Diet	Green	500	0.9 lb. (0.4kg)	0.1	753806136199
DX6DCL472	6SDC/L472	Low Fat Diet	Tan	500	0.9 lb. (0.4kg)	0.1	753806136205
DX6DCL123	6SDC/L123	Salt Free Diet	Orange	500	0.9 lb. (0.4kg)	0.1	753806136212
DX6DCL109	6SDC/L109	Diabetic Diet	Yellow	500	0.9 lb. (0.4kg)	0.1	753806136229
DX6DCL424	6SDC/L424	Low Sodium Diet	Gray	500	0.9 lb. (0.4kg)	0.1	753806136236
DX6DCL239	6SDC/L239	Soft Diet	Purple	500	0.9 lb. (0.4kg)	0.1	753806136243
DX6DCL190	6SDC/L190	Bland Diet	Pink	500	0.9 lb. (0.4kg)	0.1	753806136250
DX6DCL470	6SDC/L470	Liquid Diet	Brown	500	0.9 lb. (0.4kg)	0.1	753806136267
DX6DCL011	6SDC/L011	Special Diet	Black	500	0.9 lb. (0.4kg)	0.1	753806136274
DX6DCL000	6SDC/L000	Blank	Multi-color	500	0.9 lb. (0.4kg)	0.1	753806136281

## DIETARY TRAY CARDS - SMALL

Card Size: 2-5/8" x 2-5/8" Case Dimensions: 6.25" x 3.75" x 2" (15.9cm x 9.5cm x 5.4cm) Class: 65



Item No.	Old Item No.	Description	Color	Pack	Case Wt.	Cube	UPC
DX6DCS354	6SDC/S354	Regular Diet	Green	500	0.7 lb. (0.3kg)	0.1	753806136298
DX6DCS472	6SDC/S472	Low Fat Diet	Tan	500	0.7 lb. (0.3kg)	0.1	753806136304
DX6DCS123	6SDC/S123	Salt Free Diet	Orange	500	0.7 lb. (0.3kg)	0.1	753806136311
DX6DCS109	6SDC/S109	Diabetic Diet	Yellow	500	0.7 lb. (0.3kg)	0.1	753806136328
DX6DCS424	6SDC/S424	Low Sodium Diet	Gray	500	0.7 lb. (0.3kg)	0.1	753806136335
DX6DCS239	6SDC/S239	Soft Diet	Purple	500	0.7 lb. (0.3kg)	0.1	753806136342
DX6DCS190	6SDC/S190	Bland Diet	Pink	500	0.7 lb. (0.3kg)	0.1	753806136359
DX6DCS470	6SDC/S470	Liquid Diet	Brown	500	0.7 lb. (0.3kg)	0.1	753806136366
DX6DCS011	6SDC/S011	Special Diet	Black	500	0.7 lb. (0.3kg)	0.1	753806136373
DX6DCS000	6SDC/S000	Blank	Multi-color	500	0.7 lb. (0.3kg)	0.1	753806136380

# DIETARY MEAL KITS

## COLOR-CODED KITS TO MEET YOUR DIETARY REQUIREMENTS



### Industry standard diet codes

- ◆ Regular
- ◆ Regular 2
- ◆ Bland
- ◆ Sugar Free & Sugar Free (No Sub)
- ◆ Low Sodium & Low Sodium (No Sub)
- ◆ Low Sodium/Sugar Free
- ◆ No Condiments



*Café Kit - A special mix of condiments that includes sugar, sugar sub, creamer, coffee stirrers and a 2 Ply napkin.*



*Utensil Kit - Black utensils, heavy weight knife, fork and teaspoon. Also available w/ white utensils and napkin.*

## Dietary Meal Kits for the coordinated traytop

Dinet specialty wrapped kits ensure a safe and accurate traytop setting, with color-coded diet indicators that improve trayline efficiency and nutritional accuracy for your patient. Condiments, napkins and straws are sealed to guarantee freshness and make specialized dietary food service a more convenient element of your traytop program. Low Sodium kits are packed with Rosebrand all-natural salt substitute. Sugar Free kits contain saccharin sub standard. Sweetener upgrades are available by special order.

Dinet will add plastic cutlery to a Dinet kit to create a customized utensil kit for your meal service. Using a utensil kit can reduce the instance of lost flatware, eliminate washing, and is more sanitary. Both polystyrene and polypropylene cutlery is available in numerous colors and weights.

### DELUXE DINET KITS

Contents		Case Dimension	Pack	Cube	Class	
2 Ply White Napkin, Flex Straw, Condiments		11.25" x 9.5" x 14.5" (28.6cm x 23.8cm x 36.5cm)	250	0.9	77.5	
Item No.	Old Item No.	Description	Diet	Color	Case Wt.	UPC
DX1DKD001	1DKD001	Sugar / Salt / Pepper	Regular	Green	6.4 lb. (2.9kg)	753806160170
DX1DKD002	1DKD002	2 Sugar / Salt / Pepper	Regular 2	Blue 2	6.4 lb. (2.9kg)	753806160194
DX1DKD003	1DKD003	Sugar / Salt	Bland	Pink	6.4 lb. (2.9kg)	753806161313
DX1DKD005	1DKD005	Sugar Sub / Salt / Pepper	Sugar Free	Yellow	5.7 lb. (2.6kg)	753806160231
DX1DKD006	1DKD006	2 Sugar Sub / Salt / Pepper	Sugar Free 2	Yellow 2	5.7 lb. (2.6kg)	753806160248
DX1DKDM07	1DKDM07	Sugar / Rosebrand Salt Sub / Pepper	Low Sodium	Gray	6.7 lb. (3.0kg)	753806160378
DX1DKDM08	1DKDM08	2 Sugar / Rosebrand Salt Sub / Pepper	Low Sodium 2	Gray 2	9.2 lb. (4.2kg)	753806162006
DX1DKDM09	1DKDM09	Sugar Sub/Rosebrand Salt Sub/Pepper	Low Sod/Sugar Free	Orange	5.4 lb. (2.4kg)	753806160392
DX1DKDM10	1DKDM10	2 Sugar Sub / Rosebrand Salt Sub/Pepper	Low Sod/Sugar Free 2	Orange 2	6.2 lb. (2.8kg)	753806161887
DX1DKD011	1DKD011	Salt / Pepper	Sugar Free (No Substitute)	Yellow	6.0 lb. (2.7kg)	753806160293
DX1DKD012	1DKD012	Sugar / Pepper	Low Sodium (No Substitute)	Gray	6.9 lb. (3.1kg)	753806160309
DX1DKD013	1DKD013	2 Sugar / Pepper	Low Sodium 2 (No Substitute)	Gray 2	6.9 lb. (3.1kg)	753806160316
DX1DKD015	1DKD015	Napkin and Straw only	No Condiments	Black	4.2 lb. (1.9kg)	753806160323

Note: One ply napkin available by special quotation.

# DECORATOR PAPER PRODUCTS

## DELUXE POCKET KITS

Contents			Case Dimension	Pack	Cube	Class
2 Ply White Napkin, Flex Straw, Condiments			11.25" x 9.5" x 14.5" (28.6cm x 23.8cm x 36.5cm)	250	0.9	77.5
Item No.	Old Item No.	Description	Diet	Color	Case Wt.	UPC
DX1PKD001	1PKD001	Sugar / Salt / Pepper	Regular	Green	6.8 lb. (3.0kg)	753806160798
DX1PKD002	1PKD002	2 Sugar / Salt / Pepper	Regular 2	Blue 2	8.2 lb. (3.7kg)	753806160811
DX1PKD003	1PKD003	Sugar / Salt	Bland	Pink	6.6 lb. (2.9kg)	753806160835
DX1PKD004	1PKD004	2 Sugar / Salt	Bland 2	Pink 2	8.0 lb. (3.6kg)	753806160859
DX1PKD005	1PKD005	Sugar Sub / Salt / Pepper	Sugar Free	Yellow	5.7 lb. (2.5kg)	753806160873
DX1PKD006	1PKD006	2 Sugar Sub / Salt / Pepper	Sugar Free 2	Yellow 2	6.3 lb. (2.8kg)	753806160897
DX1PKDM07	1PKDM07	Sugar / Rosebrand Salt Sub / Pepper	Low Sodium	Gray	7.2 lb. (3.2kg)	753806161108
DX1PKDM08	1PKDM08	2 Sugar / Rosebrand Salt Sub / Pepper	Low Sodium 2	Gray 2	8.6 lb. (3.9kg)	753806161115
DX1PKDM09	1PKDM09	Sugar Sub/Rosebrand Salt Sub/Pepper	Low Sod/Sugar Free	Orange	6.0 lb. (2.7kg)	753806161139
DX1PKDM10	1PKDM10	2 Sugar Sub /Rosebrand Salt Sub /Pepper	Low Sod/Sugar Free 2	Orange 2	6.1 lb. (2.8kg)	753806161146
DX1PKD011	1PKD011	Salt / Pepper	Sugar Free (No Substitute)	Yellow	5.3 lb. (2.4kg)	753806160798
DX1PKD012	1PKD012	Sugar / Pepper	Low Sodium (No Substitute)	Gray	6.7 lb. (3.0kg)	753806160972
DX1PKD013	1PKD013	2 Sugar / Pepper	Low Sodium 2 (No Substitute)	Gray 2	7.4 lb. (3.3kg)	753806160996
DX1PKD015	1PKD015	Napkin and Straw only	No Condiments	Black	4.6 lb. (2.0kg)	753806161009

Note: One ply napkin available by special quotation.

## JUNIOR MEAL KITS

Contents			Case Dimensions	Pack	Cube	Class
Condiments Only, No Napkin/Straw			11.25" x 9.5" x 14.5" (28.6cm x 23.8cm x 36.5cm)	1,000	0.9	77.5
Item No.	Old Item No.	Description	Diet	Color	Case Wt.	UPC
DX1DKJ001	1DKJ001	Sugar / Salt / Pepper	Regular	Green	9.7 lb. (4.3kg)	753806160408
DX1DKJ002	1DKJ002	2 Sugar / Salt / Pepper	Regular 2	Blue 2	15.2 lb. (6.8kg)	753806160415
DX1DKJ003	1DKJ003	Sugar / Salt	Bland	Pink	8.9 lb. (4.0kg)	753806160422
DX1DKJ004	1DKJ004	2 Sugar / Salt	Bland 2	Pink 2	14.1 lb. (6.3kg)	753806160439
DX1DKJ005	1DKJ005	Sugar Sub / Salt / Pepper	Sugar Free	Yellow	6.0 lb. (2.7kg)	753806160453
DX1DKJ006	1DKJ006	2 Sugar Sub / Salt / Pepper	Sugar Free 2	Yellow 2	9.0 lb. (4.0kg)	753806160460
DX1DKJM07	1DKJM07	Sugar / Rosebrand Salt Sub / Pepper	Low Sodium	Gray	10.8 lb. (4.9kg)	753806160613
DX1DKJM08	1DKJM08	2 Sugar / Rosebrand Salt Sub / Pepper	Low Sodium 2	Gray 2	16.4 lb. (7.4kg)	753806160620
DX1DKJM09	1DKJM09	Sugar Sub / Rosebrand Salt Sub/ Pepper	Low Sodium / Sugar Free	Orange	7.2 lb. (3.2kg)	753806160644
DX1DKJM10	1DKJM10	2 Sugar Sub / Rosebrand Salt Sub / Pepper	Low Sodium / Sugar Free 2	Orange 2	9.0 lb. (4.1kg)	753806160651
DX1DKJ011	1DKJ011	Salt / Pepper	Sugar Free (No Substitute)	Yellow	6.5 lb. (2.9kg)	753806160514
DX1DKJ012	1DKJ012	Sugar / Pepper	Low Sodium (No Substitute)	Gray	8.0 lb. (3.6kg)	753806160521
DX1DKJ013	1DKJ013	2 Sugar / Pepper	Low Sodium 2 (No Substitute)	Gray 2	14.4 lb. (6.5kg)	753806160538

## SPECIALTY KITS

Item No.	Old Item No.	Description	Pack	Case Wt.	Cube	Case Dimension	UPC
<b>CAFÉ KIT For coffee and tea stations, hospitality and room service</b>							
DX1CCKSP02	1CCKSP02	2 Sugar, Dinet Pink Sugar Sub, 2 Non-Dairy Creamer, 2 Stir Sticks, 2 Ply Napkin	250	11.0 lb. (5.0kg)	0.8	11.25" x 9.5" x 14.5" (28.6cm x 23.8cm x 36.5cm)	753806850439
<b>UTENSIL KIT Deluxe Kit, Heavyweight Polystyrene Cutlery</b>							
DX1CUKD1W015	1CUKD1W015	White Knife, Fork, T-spoon, 2 Ply Napkin (No Straw)	250	13.3 lb. (5.0kg)	1.5	11.25" x 9.5" x 14.5" (28.6cm x 23.8cm x 36.5cm)	753806162020
DXZ1CUKD1WBLK	Z1CUKD1WBLK	Black Knife, Fork, T-spoon (No Napkin, No Straw)	250	13.3 lb. (6.0kg)	1.5	11.25" x 9.5" x 14.5" (28.6cm x 23.8cm x 36.5cm)	753806162020

Specialty condiment kits for room service or in-room coffee stations. Custom configurations are also available.

# DELUXE ROOM SERVICE MENU JACKETS

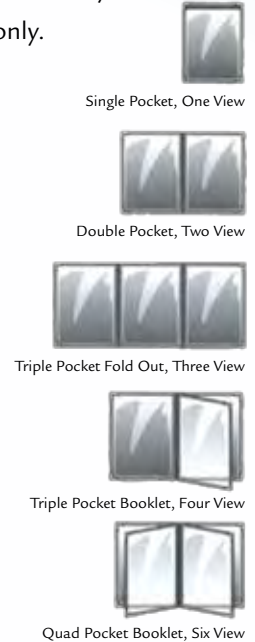
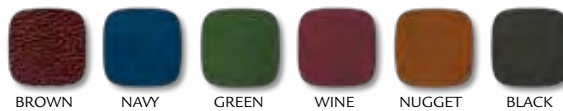
Accent your patient's environment with contemporary, upscale Menu Holders. Available in a variety of styles and configurations, these specialty folders hold the daily menu forms and other informational materials. Ideal for room service applications or any "restaurant" style setting. Menu Holders can be embossed and foil stamped with your logo and other headings. Inside pockets are available in a variety of configurations. Custom orders only.



## SEVILLE - THE LOOK OF LEATHER

Sewn covers have a smooth leather-like feel with a black rigid hard board interior and coordinating trim. Clear pockets hold individual menu sheets. Smooth gold corners standard; silver or black available upon request. Seville Deluxe available with Album Style Corners.

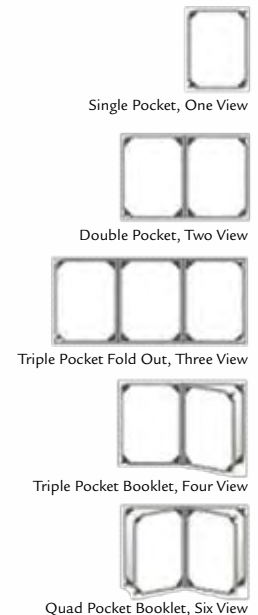
### Seville Colors



## OAKMONT - PADDED MENU COVERS

Reinforced cover material is wrapped around rigid padded board to create a durable product. Covers have soft smooth grain and coordinating interior. Album-style corners hold individual menu sheets. Clear sheet protectors available separately.

### Oakmont Colors



Contact your Dinex representative to see the complete line of Holders and Covers.

# DECORATOR PAPER PRODUCTS



Single Pocket, One View



Double Pocket, Two View



Double Pocket, Three View



Triple Pocket Fold-Out, Three View



Booklet, Four View



Booklet, Six View

## SEWN PAJCO MENU COVERS

Pajco material is heavy weight, coated, and embossed with a textured grain. Stitched menu covers have clear pockets to hold individual menu sheets and coordinating trim color. Smooth gold corners standard, silver corner or black available upon request.



Pajco Colors



GREEN

WINE

BLACK

RED

BLUE



## SEWN MENU COVERS

Leatherette binding is turned and double stitched to clear rigid 10 gauge vinyl. Matching colored thread and square decorative gold corners standard; silver corners available upon request. Individual menu sheets must be used in all sewn covers.



Café Binding Colors



RED

BLACK

BROWN

GREEN

BLUE

MAROON

*Cafe Style menu covers are constructed with clear rigid vinyl.*



Single Pocket, Two View



Double Pocket, Four View



Triple Pocket, Six View with 1/2 size third pocket



Triple Pocket Fold Out, Six View



Triple Pocket Booklet, Six View



Quad Pocket Booklet, Eight View

## TABLE TENTS

Table Tent Size: 4" x 6" Case Dimensions (per 12 pieces): 9" x 6.75" x 2.75" (22.9cm x 17.1cm x 7.0cm) Class: 65

Item No.	Old Item No.	Description	Color	Case Wt. (per 12 pieces)	Cube	UPC
DXTNT4X603	6TNT/4X6/11	Reusable Table Tent Folder	Black	4.0 lb. (1.8kg)	0.1	753806173774
DXTNT4X608	6TNT/4X6/36	Reusable Table Tent Folder	Green	4.0 lb. (1.8kg)	0.1	753806173781
DXTNT4X650	6TNT/4X6/28	Reusable Table Tent Folder	Navy	4.0 lb. (1.8kg)	0.1	753806173712
DXTNT4X661	6TNT/4X6/20	Reusable Table Tent Folder	Wine	4.0 lb. (1.8kg)	0.1	753806173446

Minimum order 12 table tents per single color. Lead time may apply. Additional sizes available by special quotation.



CALL TOLL FREE 800.523.9752

# DINEX®

## DINING EXCELLENCE

For more than 35 years Dinex has been the industry leader of high quality products for healthcare foodservice systems. Dinex equipment systems combine the latest technology in trayline meal preparation and tray delivery systems. From the newest innovations in Induction Heating to high quality Conveyors and Rethermalization systems, Dinex offers the complete system for any foodservice operation.



Dinex has always been the industry standard for maintaining serving temperatures for healthcare food delivery systems. The challenge is not only in keeping meals hot, but also in maintaining the temperatures of cold foods. Today's HACCP regulations and general patient satisfaction demand the most reliable and efficient systems available.

For state-of-the-art technology in specialized retherm systems, room service support equipment and improved trayline efficiency...

*Dinex delivers.*



*Induction Heating Systems*

## SMART•THERM II® INDUCTION BASE HEATING SYSTEM

Dinex introduces the newest generation of induction heating systems. The Smart-Therm STSII is the most innovative system for today's demanding foodservice traylines and Room Service operations.



DX811 Series

The patented Induction Base features a built-in chip that relays information to the heating unit. This protects the base from over-heating or excessive cycling, which causes system failures and downtime for the trayline. A built-in heat deflector minimizes heat loss through the bottom of the base.

### DX611120 120v Smart-Therm



Remove Base locator



Converts instantly to Induction Cook-Top

Versatile 120v power heats bases in 30 seconds



Induction table available with casters or stationary legs.



HEATS BASES IN  
**14**  
SECONDS  
AT 240v

Fluctuation in voltage may affect charging time.

### Smart•Therm II® features:

- Countertop design, stainless steel housing, heavy duty electronic components and high impact ceramic-glass top, engineered for use in commercial kitchens.
- User-friendly LCD display and control panel for ease of use and automatic power control.
- Senses Dinex Base automatically and gives the correct amount of heat to allow consistent temperature every time.
- Microprocessor monitors charging cycle time with Induction Base.
- Automatic pan detection allows for instant energy transmission to pan, and no energy use when pan is not present. (120v only)
- Automatic shut-off feature prohibits overheating.
- Easy-to-clean ceramic-glass top surface.
- Available in single phase 120v, 208v and 240v.



# INDUCTION HEATING SYSTEMS

## SMART-THERM® INDUCTION CHARGER

Item No.	Model No.	Description	Electrical	L	D	H	Ship Wt.	Cube	Class
DX611120	611120	Smart-Therm Induction Charger	120v 1-phase	17.50" (44.4cm)	15" (38.0cm)	10.75" (27.3cm)	23.0 lb. (10.5kg)	1.6	85
DX811208	811208	STS II Induction Charger	208v 1-phase	13.23" (33.8cm)	15.3" (38.9cm)	9.63" (24.5cm)	25.0 lb. (11.3kg)	1.6	100
DX811240	811240	STS II Induction Charger	240v 1-phase	13.23" (33.8cm)	15.3" (38.9cm)	9.63" (24.5cm)	25.0 lb. (11.3kg)	1.6	100

## SMART-THERM® ACCESSORIES

DX511LOCATOR 511LOCATOR Base Locator for 120v Smart-Therm Induction Charger (Item 611120) removable for Cook-Top feature



Spec Sheet: 149

DX811 Series



Spec Sheet: 140

DX611 Series

## INDUCTION BASES

Item No.	Model No.	Description	Color	Pack	Case Wt.	Cube	Class	UPC
DX811003	811011	Base for Induction Chargers	Onyx	12	18.0 lb. (8.2kg)	0.9	85	753806191471
DX811008	811036	Base for Induction Chargers	Hunter Green	12	18.0 lb. (8.2kg)	0.9	85	753806191525
DX811023	811027*	Base for Induction Chargers	Gray	12	18.0 lb. (8.2kg)	0.9	85	753806191501
DX811031	811031	Base for Induction Chargers	Latte	12	18.0 lb. (8.2kg)	0.9	85	753806191624
DX811050	811028	Base for Induction Chargers	Midnight Blue	12	18.0 lb. (8.2kg)	0.9	85	753806191518
DX811056	811012	Base for Induction Chargers	Mauve	12	18.0 lb. (8.2kg)	0.9	85	753806191488
DX811061	811020	Base for Induction Chargers	Cranberry	12	18.0 lb. (8.2kg)	0.9	85	753806191495
DX811068	811068	Base for Induction Chargers	Plum	12	18.0 lb. (8.2kg)	0.9	85	753806191648
DX811084	811084	Base for Induction Chargers	Sage	12	18.0 lb. (8.2kg)	0.9	85	753806191631

Spec Sheet: 149



CALL TOLL FREE 800.523.9752

SMART-THERM II®



**INDUCTION CHARGER TABLE**

Item No.	Model No.	Description	L	D	H	Ship Wt.	Cube	Class
DXICTABLE	ICTABLE	Table for Induction Charger (Stationary with leveling feet)	30" (76.2cm)	24" (61.0cm)	30.12" (76.5cm)	130 lb. (59kg)	11.7	125
DXICTABLEM	ICTABLEM	Table for Induction Charger (Mobile with locking casters)	30" (76.2cm)	24" (61.0cm)	30.12" (76.5cm)	210 lb. (95kg)	14.7	125



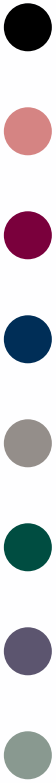
Spec Sheet: 115

**INDUCTION CHARGER TABLE**

Item No.	Model No.	Description	L	D	H	Ship Wt.	Cube	Class
DXIQTEC	IQTEC	Cabinet/Stand (enclosed w/ locking door)	21.75" (55.2cm)	20.50" (52.1cm)	26" (66.0cm)	88 lb. (40kg)	6.3	125



Spec Sheet: 003



## TURBO•TEMP® INDUCTION BASE HEATING SYSTEM



Introducing the revolutionary high power / high efficiency induction base system from Dinex. The Turbo-Temp induction base charger is the new industry standard for base heating technology, providing greater speed and efficiency to any meal delivery system. With the smallest footprint in the industry, this light weight machine boasts faster charging times with 208v 3-phase power, combined with the innovative “smart-base” technology gives extra efficiency to the trayline or room service tray production.



**HEATS  
BASES IN  
10  
SECONDS**  
AT 208v 3ph

Fluctuation in voltage may affect charging time.

TURBO•TEMP

DX811 Series Induction bases for the Turbo-Temp



### Turbo•Temp® features:

- 10 second high power charging at 3-phase 208v
- Fast tray production (heats six bases per minute)
- Maintains food temperatures for approx. 60 minutes
- Automatic base heating control with RFID technology
- Audible and visual cycle signals
- User-friendly LCD control panel

### INDUCTION BASE

The Turbo-Temp induction system uses the interactive DX811 series bases from Dinex. Bases with patented phase change components “communicate” with the system using RFID technology to monitor the charging cycle and maintain accurate base temperatures.

**TURBO•TEMP® INDUCTION CHARGER**

Item No.	Model No.	Description	Electrical	L	D	H	Ship Wt.	Cube	Class
DX1011208	1011208	Turbo•Temp Induction Charger	208v 3-phase	15.26" (38.8cm)	18.30" (46.5cm)	7.01" (17.8cm)	26 lb. (11.8kg)	1.6	85



Spec Sheet: 158

**INDUCTION BASES**

Item No.	Model No.	Description	Color	Pack	Case Wt.	Cube	Class	UPC
DX811003	811011	Base for Induction Chargers	Onyx	12	18.0 lb. (8.2kg)	0.9	85	753806191471
DX811008	811036	Base for Induction Chargers	Hunter Green	12	18.0 lb. (8.2kg)	0.9	85	753806191525
DX811023	811027*	Base for Induction Chargers	Gray	12	18.0 lb. (8.2kg)	0.9	85	753806191501
DX811031	811031	Base for Induction Chargers	Latte	12	18.0 lb. (8.2kg)	0.9	85	753806191624
DX811050	811028	Base for Induction Chargers	Midnight Blue	12	18.0 lb. (8.2kg)	0.9	85	753806191518
DX811056	811012	Base for Induction Chargers	Mauve	12	18.0 lb. (8.2kg)	0.9	85	753806191488
DX811061	811020	Base for Induction Chargers	Cranberry	12	18.0 lb. (8.2kg)	0.9	85	753806191495
DX811068	811068	Base for Induction Chargers	Plum	12	18.0 lb. (8.2kg)	0.9	85	753806191648
DX811084	811084	Base for Induction Chargers	Sage	12	18.0 lb. (8.2kg)	0.9	85	753806191631

Spec Sheet: 149



# INDUCTION HEATING SYSTEMS

## INDUCTION CHARGER TABLE

Item No.	Model No.	Description	L	D	H	Ship Wt.	Cube	Class
DXICTABLE	ICTABLE	Table for Induction Charger (Stationary with leveling feet)	30" (76.2cm)	24" (61.0cm)	30.12" (76.5cm)	130 lb. (59kg)	11.7	125
DXICTABLEM	ICTABLEM	Table for Induction Charger (Mobile with locking casters)	30" (76.2cm)	24" (61.0cm)	30.12" (76.5cm)	210 lb. (95kg)	14.7	125

Spec Sheet: 115

## INDUCTION CHARGER TABLE

Item No.	Model No.	Description	L	D	H	Ship Wt.	Cube	Class
DXIQTEC	IQTEC	Cabinet/Stand (enclosed w/ locking door)	21.75" (55.2cm)	20.50" (52.1cm)	26" (66.0cm)	88 lb. (40kg)	6.3	125

Spec Sheet: 003

## POWER•THERM® INDUCTION BASES

Item No.	Model No.	Description	Color	Pack	Case Wt.	Cube	Class	UPC
DX4111003	4111011	Base for Power-Therm Induction Charger	Onyx	10	13.2 lb. (6.0kg)	0.5	77.5	753806313699
DX4111008	4111036	Base for Power-Therm Induction Charger	Hunter Green	10	13.2 lb. (6.0kg)	0.5	77.5	753806313040
DX4111015	4111507	Base for Power-Therm Induction Charger	Teal	10	13.2 lb. (6.0kg)	0.5	77.5	753806191228
DX4111023	4111434	Base for Power-Therm Induction Charger	Gray	10	13.2 lb. (6.0kg)	0.5	77.5	753806191198
DX4111050	4111028	Base for Power-Therm Induction Charger	Midnight Blue	10	13.2 lb. (6.0kg)	0.5	77.5	753806313682
DX4111056	4111509*	Base for Power-Therm Induction Charger	Mauve	10	13.2 lb. (6.0kg)	0.5	77.5	753806191242
DX4111061	4111508	Base for Power-Therm Induction Charger	Cranberry	10	13.2 lb. (6.0kg)	0.5	77.5	753806191235
DX4111478	4111478	Base for Power-Therm Induction Charger	Natural	10	13.2 lb. (6.0kg)	0.5	77.5	753806191204
DX4111480	4111480	Base for Power-Therm Charger (Hotel Base accommodates up to 11" china plates)	Natural	10	13.2 lb. (6.0kg)	0.5	77.5	753806191211



Spec Sheet: 112



These bases are designed to fit the discontinued Power-Therm Induction System

\* Indicates discontinued item. Quantities may be limited; call for availability.



# *Serving Systems*

## MEALS ON COMMAND™

THE INDUSTRY STANDARD FOR HOT & COLD MEAL SERVICE

### RUNNING HOT AND COLD

Run your trayline in advance and maintain hot and cold foods on one tray for extended delivery times. The new Meals On Command system from DineX combines state of the art technology with the classic Hot/Cold cart tray system. No more hot bases or lukewarm entrées ... the Meals On Command system provides hot entrées while preserving the cold foods on the tray.



Tray Retrieval Cart  
for Meals on Command

- Improve food quality and patient satisfaction!
- Divided tray keeps hot on one side, refrigerated on the other
- Pre-assemble trays for improved efficiency
- 30 – 60 minutes holding time for meals
- Versatile 120v electrical service



*Deliver a stylish presentation with high-quality china dishware and decorator traycovers and napkins. Tropez high-temp mugs, bowls and entrée dome covers ensure hot food, and a satisfied patient.*

 Tropez Ware - Page 26  
 China Dishware - Page 44  
 Traycovers and Paper Products - Page 64



DXHC20  
DXHC24

### HEATED CABINET

Perfect for maintaining consistent temperatures. The DineX Heated Cabinet features a high-performance blower with a 1,600 watt heating element to assure even distribution of heated air throughout the cabinet. All cabinets feature stainless steel construction with heavy-duty push-handles and Fiberglass insulation. Units are available with a maximum capacity of 24 trays or 32 12" x 20" pans.

MEALS ON COMMAND™

**MEALS ON COMMAND™ DIVIDED HOT / COLD CART**

Item No.	Model No.	Description	L	D	H	Ship Wt.	Cube	Class
DXMOC10	MOC10	Meals On Command Cart Hot/Cold Tray Delivery System Holds 10 Divided Trays	34" (86.4cm)	30.88" (78.4cm)	47.02" (119.4cm)	325 lb. (147kg)		100
DXMOC20	MOC20	Meals On Command Cart Hot/Cold Tray Delivery System Holds 20 Divided Trays	34" (86.4cm)	30.88" (78.4cm)	63.63" (161.6cm)	367 lb. (166kg)	41.7	100



Spec Sheet: 144

**MEALS ON COMMAND™ RETRIEVAL CART**

Item No.	Model No.	Description	L	D	H	Ship Wt.	Cube	Class
DXMOC20RC	MOC20RC	Retrieval Cart for Meals On Command Trays 20 Trays, 2 Per Slide	26.50" (67.3cm)	31" (78.7cm)	47.63" (121cm)	295 lb. (134kg)	38.5	100



**TRAY RETRIEVAL CART OPTIONS**

Item No.	Model No.	Description
DXMOCRCCB	MOCRC/CB	Corner Bumpers for MOC Retrieval Cart (Set of 4)
DXMOCRCDRAIN	MOCRC/DRAIN	Drain Assembly for MOC Retrieval Cart
DXMOCRCPH	MOCRC/PH	Push-Handle for MOC Retrieval Cart - with donut bumpers
DXMOCRCTR1	MOCRC/TR1	Top Rail for MOC Retrieval Cart - 1 side
DXMOCRCTR2	MOCRC/TR2	Top Rail for MOC Retrieval Cart - 2 side
DXMOCRCTR3	MOCRC/TR3	Top Rail for MOC Retrieval Cart - 3 side
DXMOCRCTR4	MOCRC/TR4	Top Rail for MOC Retrieval Cart - 4 side
DXMOCR CWB	MOCRC/WB	Wrap-around bumper for MOC Retrieval Cart

Spec Sheet: 147

**PATIENT TRAY FOR MEALS ON COMMAND™**

Item No.	Old Item No.	Description	Color	Pack	Ship Weight	Cube	Class
DX1089MOC23	1089/MOC	Meals On Command Patient Tray, 23" x 13.5"	Gray	20	39 lb. (18kg)	2.0	85







## TRAY DISPENSER FOR MEALS ON COMMAND™

Item No.	Model No.	Description	Ship Weight	Cube	Class
DXMOCTD	MOC/TD	Cantilever Tray Dispenser for Meals On Command Single Stack 13.5" x 23" Tray	178 lb. (81kg)	18.4	92.5

## HEATED CABINET FOR 18" X 26" PANS AND 12" X 20" PANS

Item No.	Model No.	Description	L	D	H	Volts	Watts	AMPS	Ship Wt.	Cube	Class
DXHC20	HC20	Heated Cabinet - 10 Slides 12 pan or 24 tray*	30.63" (77.8cm)	36" (91.4cm)	58" (147.3cm)	120	1650	13.7	305 lb. (139kg)	36.9	100
DXHC24	HC24	Heated Cabinet - 12 Slides 16 pan or 32 tray*	30.63" (77.8cm)	36" (91.4cm)	71" (180.3cm)	120	1650	13.7	350 lb. (159kg)	45.1	100

\* Capacities are based on 2.50" pans

Note: Tray Spacing is adjustable, slots are in 1.75" increments



Heated Cabinets will hold the following:

**DXHC20** - Approx. 16 - 12" x 20" x 4" pans  
Approx. 12 - 12" x 20" x 6" pans

**DXHC24** - Approx. 22 - 12" x 20" x 4" pans  
Approx. 16 - 12" x 20" x 6" pans

**Spec Sheet: 141**

## HEATED CABINET OPTIONS

Item No.	Model No.	Description	Pack
DXHCHANDLES	HCHANDLES	Stainless Steel Push Handles, per pair	2
DXHCLATCH	HCLATCH	Transport Latch, top mounted	1
DXHCMENU	HCMENU	Menu Card Holder	1
DXHCSLIDES	HCSLIDES	Additional Slides, per pair	2

# HOLD-N-SERV®

STYLISH AND FUNCTIONAL HOT FOOD SERVING SYSTEM

**NEW**

HOLD-N-SERV®

## QUALITY BULK FOOD PAN TEMPS FROM THE KITCHEN TO THE SERVING AREA

Serve 40 - 60 hot meals per cart with the new Hold-N-Serv mobile serving cart. With 120v operation and versatile hot top, it's the perfect equipment to maintain hot temperatures for bulk serving pans (an optional cold compartment is also available). With upscale design and multiple features, the Hold-N-Serv cart is both a functional and decorative serving counter. Construction is stainless steel, with a sturdy decorator finish. The Hold-N-Serv is HACCP compliant and features full protector guard with over-head radiant warmer. Wrap-around bumper and 6" heavy-duty casters are standard.

- Operates on standard, economical 120v power
- 16 full-pan capacity (8 pans per cabinet)
- Dual insulated holding cabinets for 16 full-pan capacity
- Air convection for even heat distribution
- Easy access to all serviceable components
- Upscale style for Room Service or other congregate serving
- Simple to operate with single on/off switch.



*The optional food temperature probe ensures accurate heating and uniform meal quality.*



*The Easi-Roll Dolly and Cassette System allows food pans to be setup in the kitchen and transported to the Hold-N-Serv Cart.*



*Consolidate all serving elements on one efficient support cart from Dinex. The support cart holds trays, china, napkins, utensils and beverage dispensers along with all necessary serving supplies.*

## HOLD-N-SERV®

Item No.	Model No.	Description	Ship Wt.	Cube	Class
DXHSIIHA	HSIIHA	Hold-N-Serv Oven / Ambient, 8 Pans Each	One Oven / One Ambient Compartment 315 lb. (143kg)	44.1	100
DXHSIIHH	HSIIHH	Hold-N-Serv Double Ovens, 8 Pans Each	Two Ovens 325 lb. (147kg)	44.1	100
DXHSIIHR	DXHSIIHR	Hold-N-Serv Oven / Refrigerator, 8 Pans Each	One Retherm Oven / One Refrigerator 315 lb. (143kg)	44.1	110



### The Stylish Bulk Food Holding Cart From Dinex

Maintain hot temperatures in bulk serving pans and increase patient satisfaction with quality hot food service. The Dinex Hold-N-Serv mobile counter is designed to maintain serving temperature of pre-cooked food pans using stable convection heating and minimal electricity. The stylish and mobile counter holds up to 16 pans and features a stainless steel top with over-head radiant warmer.

#### Features

- Operates on standard, economical 120v
- 4 full-pan capacity stainless top
- Dual insulated holding cabinets for 16 full-pan capacity
- Air convection for even heat distribution
- 40-60 meal capacity
- Easy access to all serviceable components
- Upscale décor for Room Service or other congregate serving
- Simple to operate with single on/off switch.

Spec Sheet: 139

## HOLD-N-SERV® OPTIONS

Item No.	Model No.	Description
DXDCP	DCP	Cold Pack for Cold in Base
DXPSII8C	PSII8C	Additional Cassette - 8 Compartments
DXPSIIES	PSIIES	Wire End Shelf
DXPSIIGS	PSIIGS	Stainless Steel Anti-tilt 1/1 Grid Shelf
DXPSIITB	PSIITB	Tow Bar & Hitch Assembly
DXPSIITP	PSIITP	On Board Food Probe - All Models
DXPSIITS	PSIITS	Fold Down Tray Slide

**HOLD-N-SERV® TRANSFER DOLLY**

Item No.	Model No.	Description	Class
DXPSIITD	PSIITD	Transfer Dolly Cart with two insert racks	150
<b>TRANSFER DOLLY OPTIONS</b>			
DXPSIITDC	PSIITDC	Vinyl cover for Transfer Dolly Cart	125
DXPSIISRC	PSIISRC	Insulated rack cover for hot side of dolly	
DXPSIITDLD	PSIITDLD	Locking device retro fit with Transfer Dolly	



The Transfer Dolly with Easi-Roll™ cassettes, allows food trays to be prepared in any remote assembly application and transferred to the Hold-N-Serv cart. The dolly features a simple release mechanism to transfer loaded cassettes into the cart bays. An insulated, vinyl cart cover is available (optional).

**Spec Sheet: 126**

**HOLD-N-SERV® SUPPORT CART**

Item No.	Model No.	Description	Class
DXPSSCII	PSSCII	Hold-N-Serv Support Cart (Includes overhead shelf, front enclosure panel, 3 pair of fixed slides, 2 pair of roller slides, laminate front and end panels)	77.5
<b>SUPPORT CART OPTIONS</b>			
DXPSSCIEO	PSSCIEO	120v Electrical outlet	
DXPSSCIIFS	PSSCIIFS	Fixed Interior Slide (adjustable height)	
DXPSSCIIFTS	PSSCIIFTS	Folding Tray Slide	
DXPSSCIIRS	PSSCIIRS	Interior Adjustable Roller Slide	

Maximize space and utility with the Dinex Support Cart.

An important companion to the Dinex Hold-N-Serv bulk retherm cart, the Support Cart provides all the necessary utilities for serving, and an organized system for transporting supplies. Constructed of premium quality, maintenance-free stainless steel with rugged casters and push handle. The Support Cart features on-board electrical connection, drop-shelf and convenient bins and shelving for supplies. Also a generous amount of “working space” on top for trays and urns, etc.



**Spec Sheet: 148**





*Retherm Systems*

# PERFECT•SERV II®

THE NEWEST GENERATION OF BULK FOOD RETHERM SYSTEMS

PERFECT•SERV II®



**NEW**

**Compartment Configurations:**

- Two Retherm Ovens
- One Retherm Oven, One Refrigerator
- Two Chillotherm™ Ovens / Refrigerators
- One Chillotherm™ Oven / Refrigerator, One Refrigerator



*The Easi-Roll Dolly and Cassette System allows food pans to be set up in the kitchen and transported to the Perfect-Serv II Cart.*



## STATE-OF-THE-ART TECHNOLOGY

A stylish and efficient rethermalization oven and refrigerator system that allows cold storage and bulk thermalization on one attractive cart. The Perfect-Serv II cart will hold chilled food at 35°F (2°C) and then rethermalize it with the push of a button, or pre-scheduled on a 7 day timer.

Perfect-Serv II carts provide faster rethermalization, are more ergonomically safe and produce the best quality rethermalization results in its class. The bulk serving system is easy to operate and requires less staff training. Perfect-Serv II carts are energy efficient, cost effective and easy to transport from the kitchen to the serving area. The carts can be restocked remotely using the Transport Dolly and Easi-Roll cassette system.

- Multi-Fan Technology.
- No pre-heat required.
- Fully automatic options.
- Refrigeration carts hold and rethermalize in the same compartments.
- HACCP compliant Data Logging System.
- Conforms to HACCP food safety regulations and recommendations.



*Consolidate all elements for the Perfect-Serv II system on one efficient support cart from Dinex. The support cart holds trays, china, napkins, utensils and beverage dispensers along with all necessary serving supplies.*

## PERFECT•SERV II®

Item No.	Model No.	Description	Ship Wt.	Cube	Class
DXPSIICC	PSIICC	Perfect-Serv II Double Chillotherm™, 8 Pans Each	Two Chillotherm Oven / Refrigerators 295 lb. (133kg)	44.1	150
DXPSIICR	PSIICR	Perfect-Serv II Chillotherm™ / Refrigerator, 8 Pans Each	One Chillotherm Oven / Refrigerator, One Refrigerator 325 lb. (147kg)	44.1	100
DXPSIIGG	PSIIGG	Perfect-Serv II Double Oven, 8 Pans Each	Two Retherm Ovens 315 lb. (143kg)	44.1	100
DXPSIIGR	PSIIGR	Perfect-Serv II Oven / Refrigerator, 8 Pans Each	One Retherm Oven / One Refrigerator 315 lb. (143kg)	44.1	110



### The stylish, bulk food serving cart, with hot & cold capability.

The Perfect-Serv II cart features a combination rethermalization oven and refrigeration system. The cart maintains bulk trays at refrigerated temperatures until the retherm process activates the hot food cycle of the cart. The user-friendly controller allows easy scheduling of retherm cycles, up to four daily preset programs.

At serving time, pans are transferred to the hot-top. The optional on-board probe and HACCP data-logging system monitors and records food temperatures.

#### Features:

- Multi-fan technology
- No pre-heat required for chilled bulk food
- Chillotherm™ models refrigerate and retherm in the same compartment
- HACCP compliant data logging system
- Conforms to HACCP food safety regulations and recommendations

Spec Sheet: 143

PERFECT•SERV II®

## PERFECT•SERV II® OPTIONS

Item No.	Model No.	Description
DXPSII15AC	PSII15AC	Adaptor Cord using included issued plugs
DXPSII8C	PSII8C	Cassette 8 level (for extra quantities)
DXPSIIES	PSIIES	Wire End Shelf
DXPSIIGS	PSIIGS	Grids (for extra quantities)
DXPSIITB	PSIITB	Fold up tow bar with hitch assembly
DXPSIITP	PSIITP	Integral food temp probe with holster - Detachable
DXPSIITS	PSIITS	Fold down tray slide

### SMART-CARD SYSTEM (HACCP)

DXPSIICREAD	PSIICREAD	Card Reader
DXPSIISCB	PSIISCB	iServe Card (Blue Smart Card) - Data transfers from cart
DXPSIISCG	PSIISCG	iServe Card (Green Smart Card) - Programing downloads into cart
DXPSIISOFT	PSIISOFT	Software Program per Cart

**PERFECT•SERV II® TRANSFER DOLLY**

Item No.	Model No.	Description	Class
DXPSIITD	PSIITD	Transfer Dolly Cart with two insert racks	150
<b>TRANSFER DOLLY OPTIONS</b>			
DXPSIITDC	PSIITDC	Vinyl cover for Transfer Dolly Cart	125
DXPSIISRC	PSIISRC	Insulated rack cover for hot side of dolly	
DXPSIITDLD	PSIITDLD	Locking device retro fit with Transfer Dolly	



The Transfer Dolly with Easi-Roll™ cassettes, allows food trays to be prepared in any remote assembly application and transferred to the Perfect-Serv II retherm cart. The dolly features a simple release mechanism to transfer loaded cassettes into the cart bays. An insulated, vinyl cart cover is available (optional).

**Spec Sheet: 126**

**PERFECT•SERV II® SUPPORT CART**

Item No.	Model No.	Description	Class
DXPSSCII	PSSCII	Perfect-Serv Support Cart (Includes overhead shelf, front enclosure panel, 3 pair of fixed slides, 2 pair of roller slides)	77.5
<b>SUPPORT CART OPTIONS</b>			
DXPSSCIEO	PSSCIEO	120v Electrical outlet	
DXPSSCIIFS	PSSCIIFS	Fixed Interior Slide (adjustable height)	
DXPSSCIIFTS	PSSCIIFTS	Folding Tray Slide	
DXPSSCIIRS	PSSCIIRS	Interior Adjustable Roller Slide	

Maximize space and utility with the Dinex Support Cart.

An important companion to the Dinex Perfect-Serv II bulk retherm cart, the Support Cart provides all the necessary utilities for serving, and an organized system for transporting supplies. Constructed of premium quality, maintenance-free stainless steel with rugged casters and push handle. The Support Cart features on-board electrical connection, drop-shelf and convenient bins and shelving for supplies. Also a generous amount of “working space” on top for trays and urns, etc.



**Spec Sheet: 148**





**THERMAL·AIRE®**  
CONVECTION RETHERM SYSTEM

**HOT & COLD RETHERM ON ONE TRAY!**

Sleek design and state-of-the-art technology combine to provide the highest quality retherm system available today. The Thermal·Aire cart and dock system saves time and production cost, using the innovative split-tray and unique “Aire-dam” tray divider. Trays can be assembled and the dock pre-programmed in advance and still maintain strict HACCP standards.

Assemble your patient trays into the mobile cart, attach to the docking station and pre-schedule the retherm cycle. At the designated time, the hot section begins the retherm cycle, while the cold side stays under refrigeration. Safe and consistent convection technology ensures dependable tray service, every time.



THERMAL·AIRE®



*The revolutionary Aire-Dam feature ensures an efficient seal between the hot and cold compartments of the cart. Trays slide easily, and the divider drops down automatically to close the compartment if a tray is removed. No separate divider bars to handle.*



*The Thermal·Aire control pad is the operating “heart” of the system. Used with a secure, hand-held remote the entire system can be easily programmed in advance. There are multiple safety alerts to signal a power outage or other service interruptions.*



*The Thermal·Aire docking station provides hot and cold circulation for energy efficient rethermalization.*

 Tropez Ware - Page 26  
 China Dishware - Page 44  
 Traycovers and Paper Products - Page 64



*Tropez high-heat dome covers, mugs and bowls, china and contemporary traycovers combine with the newly designed retherm tray to provide the complete, state of the art Thermal·Aire retherm system.*

**THERMAL•AIRE® CART**

Item No.	Model No.	Description	Ship Wt.	Cube	Class
<b>THERMAL•AIRE CONVECTION TRAY CARTS (FOR DOCKING) JUNIOR</b>					
DXTA4625020	TA4625020	Retherm Cart, 20 tray Capacity ,JR	276 lb. (125kg)	35.8	85
DXTA4625024	TA4625024	Retherm Cart, 24 tray Capacity ,JR	276 lb. (125kg)	35.8	85
<b>THERMAL•AIRE CONVECTION TRAY CARTS (FOR DOCKING) SENIOR</b>					
DXTA4625026	TA4625026	Retherm Cart, 26 tray Capacity, SR	289 lb. (131kg)	41.0	85
DXTA4625030	TA4625030	Retherm Cart, 30 tray Capacity, SR	289 lb. (131kg)	41.0	85



The Thermal-Aire convection cart is the state-of-the art system for pre-scheduled rethermalization. The compact and mobile carts are designed to maintain cold temperatures on one side of the divided tray, while heating the hot side of the tray. The unique “Aire-Dam” divider provides an insulated wall between the sections to preserve the hot and cold temperatures.

The rethermalization process is pre scheduled, and activated when the carts are connected to the Thermal-Aire Docking Station. Thermal-Aire carts are available in Junior and Senior models. Junior carts hold 20 or 24 trays, while Senior carts hold 26 or 30 trays. Carts are easy to maintain, space efficient and constructed of high quality stainless steel and having no on-board electronics.

[Spec Sheet: 127](#)

**THERMAL•AIRE® CASSETTE / SHUTTLE CART**

Item No.	Model No.	Description	Ship Wt.	Cube	Class
<b>THERMAL•AIRE SHUTTLE CART &amp; INSERT PLUS JUNIOR FOR 20 TO 22 TRAYS</b>					
DXTA4627000	TA4627000	Thermal-Aire Junior Shuttle Cart	265 lb. (120kg)	32.0	85
DXTA4627020	TA4627020	Insert Plus, 20 tray	146 lb. (66kg)	25.6	85
DXTA4627022	TA4627022	Insert Plus, 22 tray	211 lb. (96kg)	25.6	85
<b>THERMAL•AIRE SHUTTLE CART &amp; INSERT PLUS SENIOR FOR 26 TO 30 TRAYS</b>					
DXTA4628000	TA4628000	Thermal-Aire Senior Shuttle Cart	331 lb. (150kg)	38.0	85
DXTA4628026	TA4628026	Insert Plus, 26 tray	224 lb. (102kg)	28.7	85
DXTA4628030	TA4628030	Insert Plus, 30 tray	224 lb. (102kg)	28.7	85



The Thermal-Aire Shuttle/Cassette Cart is a variation of the standard mobile cart. Light-weight shuttles can be loaded with trays and transported to the mobile carts for docking. The ergonomic design of the shuttle cassette allows convenient transport through narrow corridors or other restrictive locations. The shuttle system is also ideal for satellite transport or other remote feeding applications.

[Spec Sheet: 123](#)

## THERMAL•AIRE® DOCKING STATION

Item No.	Model No.	Description	Ship Wt.	Cube	Class
DXTA4615001	TA4615001	Junior Terminal, High Base, Air-Cooled Compressor	375 lb. (170kg)	25.0	150
DXTA4615001R	TA4615001R	Junior Terminal, High Base, Remote Compressor	375 lb. (170kg)	25.0	150
DXTA4615001W	TA4615001W	Junior Terminal, High Base, Water Cooled Compressor	375 lb. (170kg)	25.0	150
DXTA4615002	TA4615002	Senior Terminal, High Base, Air-Cooled Compressor	419 lb. (190kg)	28.0	150
DXTA4615002R	TA4615002R	Senior Terminal, High Base, Remote Compressor	375 lb. (170kg)	25.0	150
DXTA4615002W	TA4615002W	Senior Terminal, High Base, Water Cooled Compressor	375 lb. (170kg)	25.0	150

## THERMAL•AIRE OPTIONS

DXTA4824902	TA4824902	Infrared Programming Box
DXSC4810800	SC4810800	Manual Telescopic Towing Device for Thermal•Aire
DXSC4820110	SC4820110	Folding Work Shelf (Dropping Table)



The Thermal•Aire Docking station is the key element to this state-of-the-art convection retherm system. The dock provides retherm and refrigeration functions simultaneously to the mobile cart. The electronic control panel is easily programmed for pre-scheduled operation. Constructed of high-quality, maintenance free stainless steel.

Spec Sheet: 128

## PATIENT TRAYS FOR THERMAL•AIRE®

Item No.	Old Item No.	Description	Color	Pack	Case Wt.	Cube	Class
<b>FLAT TRAYS</b>							
DXSC1531000	SC1531000	Individual Meal Tray, 12" x 21" Flat Tray	Salmon	24	60 lb. (27kg)	1.8	70
DXSC1531001	SC1531001	Individual Meal Tray, 12" x 21" Flat Tray	Light Yellow	24	60 lb. (27kg)	1.8	70
DXSC1531002	SC1531002	Individual Meal Tray, 12" x 21" Flat Tray	Gray	24	60 lb. (27kg)	1.8	70
<b>DIVIDED TRAYS</b>							
DXSC1530151	SC1530151	Individual Meal Tray, 12" x 21" Divided Tray	Salmon	30	60 lb. (27kg)	1.8	70
DXSC1530152	SC1530152	Individual Meal Tray, 12" x 21" Divided Tray	Gray	30	60 lb. (27kg)	1.8	70
DXSC1530189	SC1530189	Individual Meal Tray, 12" x 21" Divided Tray	Light Yellow	30	60 lb. (27kg)	1.8	70



# BULK RETHERM CABINET

## RETERM AND MAINTAIN HOT FOOD PAN TEMPS

BULK RETHERM CABINET

Perfect for rethermalization and maintaining consistent temperatures. The Dinex Bulk Retherm Cabinet features a high-performance blower with two 2,000 watt coiled heating elements to assure even distribution of heated air throughout the cabinet. Electronic controller with digital display and two button touch pad allows for 12 preset rethermalization and hold modes. The retherm cabinet is capable of heating to 195°F (91°C) and preheating to 225°F (107°C) in approximately 20 minutes.

All cabinets feature stainless steel construction with two recessed pull grips on the sides of the cabinet and high density fiberglass insulation. Units are available with a maximum capacity of 14 trays or 28 12" x 20" pans.



*One-touch programming for up to 12 preset retherm schedules. Optional menu holder ensures accuracy and quality.*

### BULK RETHERM CABINETS FOR 18" X 26" PANS AND 12" X 20" TRAYS

Item No.	Model No.	Description	L	D	H	Volts	Watts	AMPS	Ship Wt.	Cube	Class
DXBRC14	BRC14	Retherm Cabinet - 7 Slides 7 pans or 14 trays*	27.25" (69.2cm)	34.25" (87.0cm)	48.75" (123.8cm)	208	1600	28.8	375 lb. (170kg)	26.4	100
DXBRC28	BRC28	Retherm Cabinet - 14 Slides 14 pans or 28 trays*	27.25" (69.2cm)	34.25" (87.0cm)	73.25" (186.1cm)	208	1600	28.8	450 lb. (204kg)	39.6	100

\* Capacities are based on 2.50" pans

Note: Tray Spacing is adjustable, slots are in 1.75" increments

Spec Sheet: 141

**PERFECT•TEMP®**

SUPPLIES AND TRAYTOP PRODUCTS FOR THE PERFECT-TEMP® CONDUCTION RETHERM SYSTEM



Classic II Server



Classic Server

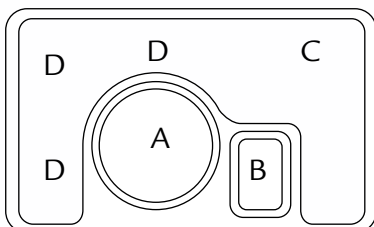
The unique Perfect-Temp tray and insulated dome is the only tray system available to fit the Perfect-Temp retherm cart. Special tray cavities correspond with the Perfect-Temp pad configuration, while the efficient insulated dome provides the final element for delivering hot meals to your patient or resident.



**CLASSIC**

Item No.	Old Item No.	Description	Color	Pack	Case Wt.	Cube	Case Dimensions	Class
DXPTCLS42	PTCLS3	Classic Server	Ivory	20	35.9 lb. (16.3kg)	2.4	21.75" x 13.5" x 14.25" (55.2cm x 34.3cm x 36.2cm)	85

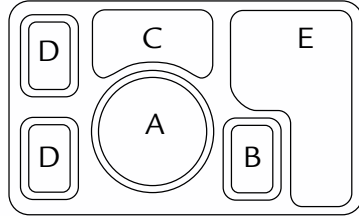
Spec Sheet: 530



A: DXHHC10 DXHH10	B: DXHH1 DXHH20 DXHH30	C: DXHH1 DXHH20 DXHH30 DXHH5 DX4T102 DXTT1 DXTT6	DXTT40 DXTT50 DX110556 DX110561 DX110550 DX110515 DX11948714 (lid)	D: DXTT1 DXTT6 DXTT40 DXTT50 DX4T102 DX119769 DX119756	DX119761 DX119723 DX119750 DX119715 DX11948714 (lid)
----------------------	------------------------------	--	--	--	--



Spec Sheet: 530



A: DXHH10 DXHHC10	C: DXTT40 DXTT50 DXTT6	D: DX4T102 DXTT1 DXTT6 DXTT40 DXTT50	E: DX119769 DX119756 DX119761 DX119723 DX119750 DX119715 DX11948714 (lid)	DXTT1 DXTT6 DXTT40 DXTT50 DX4T102
B: DXHH20 DXHH30				

**CLASSIC II**

							Class	
							85	
Item No.	Old Item No.	Description	Color	Pack	Case Wt.	Cube	Case Dimensions	
DXPTCL2C56	PTCL2C8D	Classic II Full Cover	Mauve	10	28.0 lb. (14.9kg)	4.3 (55.9cm x 3.04cm x 68.9cm)	22" x 13.25" x 27"	
DXPTCL2PC56	PTCL2PC8D	Classic II Partial Cover	Mauve	10	23.0 lb. (10.5kg)	3.8 (48.9cm x 34.0cm x 69.9cm)	19.75" x 13.25" x 27.5"	
DXPTCL2S42	PTCL2S3	Classic II Server	Ivory	20	38.7 lb. (17.6kg)	2.1 (54.6cm x 33.7cm x 32.1cm)	21" x 13.25" x 12.5"	

**PERFECT•TEMP® INSULATED DOME**

Diameter	Height	Wt. Per Pcs.	Pack	Case Wt.	Case Dimensions	Cube	Class
8-3/16"	2-9/16"	10.4 oz.	20	14.0 lb. (6.4kg)	17" x 8.5" x 14" (43.2cm x 21.6cm x 35.6cm)	1.2	77.5



Spec Sheet: 202

Item No.	Old Item No.	Description	Color	UPC
DXPTCLED15	PTCLED10	Perfect-Temp Insulated Entrée Dome 7-3/4"	Teal	753806190757
DXPTCLED50	PTCLED12	Perfect-Temp Insulated Entrée Dome 7-3/4"	Midnight Blue	753806190764
DXPTCLED61	PTCLED17	Perfect-Temp Insulated Entrée Dome 7-3/4"	Cranberry	753806190771

Entrée dome for Perfect-Temp Conduction Retherm System.

**PERFECT•TEMP® INSULATED DOME**

Length	Width	Height	Wt. Per Pcs.	Pack	Case Wt.	Case Dimensions	Cube	Class
8-3/16"	2-9/16"	10.4 oz.	5.9 oz.	20	9.0 lb. (4.0kg)	12" x 10" x 7.50" (30.5cm x 25.4cm x 19.1cm)	0.5	77.5



Spec Sheet: 202

Item No.	Old Item No.	Description	Color	UPC
DXPTCLSD15	PTCLSD10	Perfect-Temp Insulated Soup Dome	Teal	753806312852
DXPTCLSD50	PTCLSD12	Perfect-Temp Insulated Soup Dome	Midnight Blue	753806190818
DXPTCLSD61	PTCLSD17	Perfect-Temp Insulated Soup Dome	Cranberry	753806190825

Rectangular soup bowl dome for Perfect-Temp Conduction Retherm System.



*DineXpress*

# DINEXPRESS®

## MODULAR COUNTER SYSTEM WITH DECORATION OPTIONS

DINEXPRESS®

### DINEX® INTRODUCES THE DESIGNER SERIES OF MODULAR COUNTERS

The newest addition to the DineX family of foodservice equipment, DineXpress modular counters offer unlimited options for customization and design. While DineX counters are available for the conventional trayline and kitchen systems, they can now be completely upgraded for your front-of-the-house serving systems.

DineXpress counters offer a wide variety of options and accessories, from decorative Protector Guards (sneeze guards) to customized shelves, tray slides and cutouts. Counter styles and sizes range from a simple cashier stand to a 91" urn stand, with under-storage.

All DineXpress equipment features a unique, interlocking EZ-Connect system for joining any combination of counters. They also offer the "Easy-Access Drawer"; a drop down panel (removable faceplate) that allows quick access to the heating elements and wiring. An industry first!



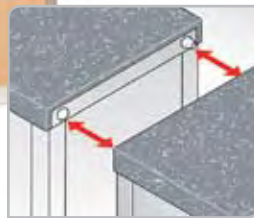
Counter options and laminate panels available. Stainless steel panels standard.



Choose from a virtually unlimited number of panel textures, countertop materials and accessories to create an attractive and functional serving system for your cafeteria, conference area or buffet line.



DineXpress offers unlimited combinations of buffet line systems. "L" shaped and kiosk configurations are also available, with a wide selection of options and accessories.



Counters are configured quickly, using the innovative EZ-Connect latching system. Attach or disconnect with a simple squeeze of the latch.



New optional Induction Counter Cooktop!



A primary feature to the DineXpress counter system is the Easy-Access service panel that allows quick and easy service of all heating elements and electrical connections. No more disassembly for service.



## HOT FOOD COUNTERS

Available from 2 to 6 wells, DineXpress Hot Food Counters offer a wide variety of options and accessories. Counters are mobile with heavy-duty 5" casters (two locking) with stainless steel base-skirting available. Stainless or custom drop-shelves are available for all configurations.

- Stainless or custom coated protector guards (sneeze guards)
- Heat-In-Base available
- Under-shelf available
- Easy Access electrical service panel
- Virtually unlimited choices of panel textures and counter surfaces



*Under-shelf or open storage options for all size Hot Food Counters*



*Easy Access panel; fast and easy service of all heating elements and thermostats*



*Heat-In-Base option for maximum efficiency.*

Counter options and laminate panels available. Stainless steel panels standard.



*Cold Storage installed in the base (optional)*

## COLD FOOD COUNTER

Available from 2 to 6 wells, or larger custom configurations. Cold Food Counters are the most versatile and adaptable accessory on the serving line. Counters are mobile with heavy-duty 5" casters (two locking) with stainless steel base-skirting available. Stainless or custom drop-shelves and tray slides available for all configurations.

- Electric refrigerated and Ice Well units available, and feature 5" or 9-7/16" deep wells (NSF7)
- Stainless or custom coated protector guards (sneeze guards)
- Cold Storage Base available
- Under-shelf options
- Virtually unlimited choices of panel textures and counter surfaces



## HOT TOP COUNTERS WITH HEAT-IN-BASE

The versatile hot top serving counter features extra storage capacity for pans or pre-packaged hot foods with the Heat-In-Base under counter cabinet. Serve hot foods quickly and efficiently on the stainless steel hot top, complete with optional Hatco® gantry heat & light fixture. All DineXpress counters are offered with options for decorator panels, adjustable casters and a variety of accessories.



Counter options and laminate panels available. Stainless steel panels standard.

### CASHIER STANDS/SOLID TOP COUNTERS

Cashier's stand with optional drawer, with open storage compartment, shown with the DineXpress Solid Top Counter. Solid Top Counters are available from 35" to 91" in length, with a wide choice of top surfaces and virtually unlimited selection of panel textures.



### FROST TOP COUNTERS

Ideal for salads, desserts or cold beverage cartons the DineXpress Frost Top counter is a versatile and efficient part of the serving line. Available in 2 to 6 well sizes, with the same unique choices for design and options such as food protectors, Cold Storage base and skirting.



### CARVING COUNTERS

A state-of-the art upgrade to your serving counter system. Ideal for meat carving, with cutting board, roast skewer, drip pan and overhead heat lamp. Undercounter storage and optional shelves available.

Counter options and laminate panels available. Stainless steel panels standard.



### URN STANDS - BEVERAGE COUNTERS

DineXpress Urn Stands from 35" to 91" in length, built to hold any configuration of fountain machines, ice makers and coffee bars. Available with under-counter storage for supplies and custom "bag and box," along with any configuration of tray slides and skirting. All DineXpress counters feature the unique EZ-Connect latching system.



*Let your DineXpress foodservice professional design a DineXpress Counter system for your facility.*

DineXpress counters are available in all configurations for your kitchen and "back of the house" production. Constructed of high quality stainless steel, and offering the same unique features such as the EZ-Access heating element panel, high quality casters and a wide variety of options.

**DINEXPRESS® HOT FOOD COUNTERS**

Item No.	Model No.	Description	L	D	H	Watts	Volts	Phase	AMPS	Ship Weight	Cube	Class
DXDHF2	DHF/2	Hot Food Counter - 2 well	35" (88.9cm)	30" (76.2cm)	36" (91.4cm)	1800	208	1	8.7	415 lb. (188kg)	15.6	100
DXDHF3	DHF/3	Hot Food Counter - 3 well	49" (124.5cm)	30" (76.2cm)	36" (91.4cm)	2700	208	1	13.0	505 lb. (229kg)	23.8	100
DXDHF4	DHF/4	Hot Food Counter - 4 well	63" (160.0cm)	30" (76.2cm)	36" (91.4cm)	3600	208	1	17.3	590 lb. (268kg)	29.9	100
DXDHF5	DHF/5	Hot Food Counter - 5 well	77" (195.6cm)	30" (76.2cm)	36" (91.4cm)	4500	208	1	21.6	665 lb. (302kg)	36.2	100
DXDHF6	DHF/6	Hot Food Counter - 6 well	91" (231.1cm)	30" (76.2cm)	36" (91.4cm)	5400	208	1	26.0	755 lb. (342kg)	42.4	100

Spec Sheet: 403



**DINEXPRESS® HOT FOOD COUNTERS WITH HEAT-IN-BASE**

Item No.	Model No.	Description	L	D	H	Watts	Volts	Phase	AMPS	Ship Weight	Cube	Class
DXDHF2HIB	DHF/2HIB	Hot Food Counter - 2 well with heat-in-base	35" (88.9cm)	30" (76.2cm)	36" (91.4cm)	2150	208	1	10.3	395 lb. (180kg)	15.6	100
DXDHF3HIB	DHF/3HIB	Hot Food Counter - 3 well with heat-in-base	49" (124.5cm)	30" (76.2cm)	36" (91.4cm)	3250	208	1	15.6	500 lb. (227kg)	23.8	100
DXDHF4HIB	DHF/4HIB	Hot Food Counter - 4 well with heat-in-base	63" (160.0cm)	30" (76.2cm)	36" (91.4cm)	4300	208	1	20.7	580 lb. (264kg)	29.9	100
DXDHF5HIB	DHF/5HIB	Hot Food Counter - 5 well with heat-in-base	77" (195.6cm)	30" (76.2cm)	36" (91.4cm)	5400	208	1	26.0	675 lb. (307kg)	36.2	100
DXDHF6HIB	DHF/6HIB	Hot Food Counter - 6 well with heat-in-base	91" (231.1cm)	30" (76.2cm)	36" (91.4cm)	6500	208	1	31.2	755 lb. (343kg)	42.4	100

Spec Sheet: 412

**DINEXPRESS® HOT TOP COUNTERS**

Item No.	Model No.	Description	L	D	H	Watts	Volts	AMPS	Ship Weight	Cube	Class
DXDHT2	DHT/2	Hot Top Counter - 2 well	35" (88.9cm)	30" (76.2cm)	36" (91.4cm)	125	120v	1.1	350 lb. (159kg)	21.9	100
DXDHT3	DHT/3	Hot Top Counter - 3 well	49" (124.5cm)	30" (76.2cm)	36" (91.4cm)	215	120v	1.8	440 lb. (200kg)	30.6	100
DXDHT4	DHT/4	Hot Top Counter - 4 well	63" (160.0cm)	30" (76.2cm)	36" (91.4cm)	300	120v	2.5	440 lb. (200kg)	30.6	100
DXDHT5	DHT/5	Hot Top Counter - 5 well	77" (195.6cm)	30" (76.2cm)	36" (91.4cm)	385	120v	3.2	440 lb. (200kg)	30.6	100
DXDHT6	DHT/6	Hot Top Counter - 6 well	91" (231.1cm)	30" (76.2cm)	36" (91.4cm)	475	120v	4.0	440 lb. (200kg)	30.6	100

**DINEXPRESS® HOT TOP COUNTERS WITH HEAT-IN-BASE**

Item No.	Model No.	Description	L	D	H	Watts	Volts	AMPS	Ship Weight	Cube	Class
DXDHT2HIB	DHT/2HIB	Hot Top Counter - 2 well with heat-in-base	35" (88.9cm)	30" (76.2cm)	36" (91.4cm)	495	208v	2.9	350 lb. (159kg)	21.9	100
DXDHT3HIB	DHT/3HIB	Hot Top Counter - 3 well with heat-in-base	49" (124.5cm)	30" (76.2cm)	36" (91.4cm)	800	208v	4.8	444 lb. (201kg)	30.6	100
DXDHT4HIB	DHT/4HIB	Hot Top Counter - 4 well with heat-in-base	63" (160.0cm)	30" (76.2cm)	36" (91.4cm)	1050	208v	6.3	444 lb. (201kg)	30.6	100
DXDHT5HIB	DHT/5HIB	Hot Top Counter - 5 well with heat-in-base	77" (195.6cm)	30" (76.2cm)	36" (91.4cm)	1250	208v	8.2	444 lb. (201kg)	30.6	100
DXDHT6HIB	DHT/6HIB	Hot Top Counter - 6 well with heat-in-base	91" (231.1cm)	30" (76.2cm)	36" (91.4cm)	1650	208v	10.0	444 lb. (201kg)	30.6	100

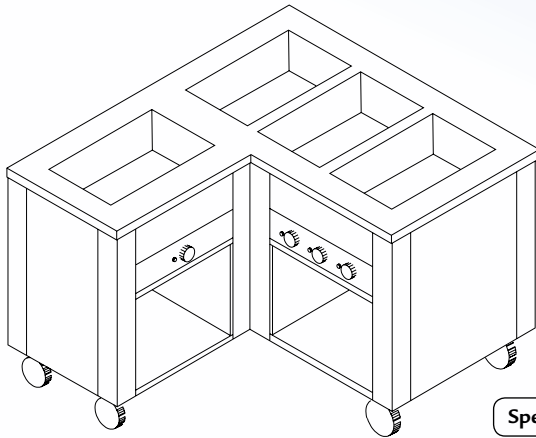
Spec Sheet: 409



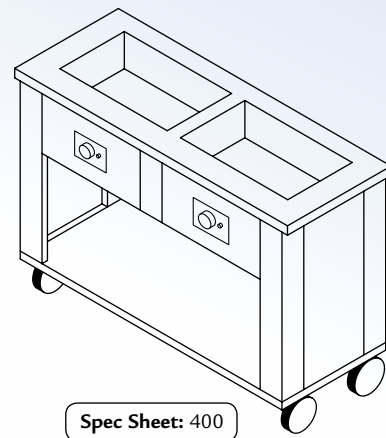
Counter options and laminate panels available. Stainless steel panels standard.

**DINEXPRESS® SPECIALTY COUNTERS**

Item No.	Model No.	Description	L	D	H	Watts	Volts	Phase	AMPS	Ship Weight	Cube	Class
DXDHF2SL	DHF/2SL	Slim Line Hot Food 2 well	53" (134.7cm)	19" (48.3cm)	36" (91.4cm)	1800	208	1	8.7	350 lb. (159 kg)	24.1	100
DXDHF3SL	DHF/3SL	Slim Line Hot Food 3 well	77" (195.6cm)	19" (48.3cm)	36" (91.4cm)	2700	208	1	13.0	375 lb. (170kg)	35.9	100
DXDHF3LL	DHF/3LL	"L" Shape Hot Food 3 well left	35" (88.9cm)	55.25" (140.3cm)	36" (91.4cm)	2700	208	1	13.0	410 lb. (186kg)	24.1	100
DXDHF3LR	DHF/3LR	"L" Shape Hot Food 3 well right	35" (88.9cm)	55.25" (140.3cm)	36" (91.4cm)	2700	208	1	13.0	410 lb. (186kg)	23.6	100
DXDHF4LL	DHF/4LL	"L" Shape Hot Food 4 well left	49" (124.5cm)	55.25" (140.3cm)	36" (91.4cm)	3600	208	1	17.3	420 lb. (191kg)	24.1	100
DXDHF4LR	DHF/4LR	"L" Shape Hot Food 4 well right	49" (124.5cm)	55.25" (140.3cm)	36" (91.4cm)	3600	208	1	17.3	420 lb. (191kg)	29.9	100
DXDHF5LL	DHF/5LL	"L" Shape Hot Food 5 well left	63" (160.0cm)	55.25" (140.3cm)	36" (91.4cm)	4500	208	1	21.6	460 lb. (209kg)	24.1	100
DXDHF5LR	DHF/5LR	"L" Shape Hot Food 5 well right	63" (160.0cm)	55.25" (140.3cm)	36" (91.4cm)	4500	208	1	21.6	460 lb. (209kg)	36.2	100



Spec Sheet: 408



Spec Sheet: 400

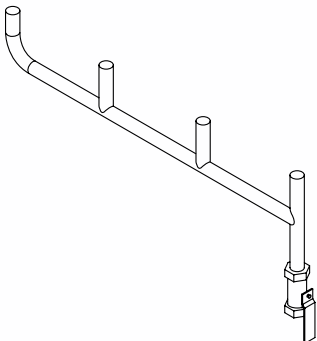
DINEXPRESS® COUNTERS

**DINEXPRESS® FILL ACCESSORIES FOR HOT FOOD COUNTERS**

Item No.	Model No.	Description
DXDHAF	DHAF	Auto-Fill for Hot Food Counters
DXDHFF	DHFF	Fill faucet for Hot Food Counters

**DINEXPRESS® MANIFOLD DRAINS FOR HOT FOOD COUNTERS**

Item No.	Model No.	Description	Ship Wt.
DXMD2	MD/2	Manifold Drain for 2 well	50 lb. (22.7kg)
DXMD3	MD/3	Manifold Drain for 3 well	65 lb. (29.5kg)
DXMD4	MD/4	Manifold Drain for 4 well	70 lb. (31.8kg)
DXMD5	MD/5	Manifold Drain for 5 well	75 lb. (34.0kg)
DXMD6	MD/6	Manifold Drain for 6 well	80 lb. (36.3kg)
DXMDEDRN	MDEDRN	Electric Drain, 208v - For Hot Food Counters	2 lb. (0.9kg)
DXMDID	MDID	Shut-Off Valve for individual drain	



**DINEXPRESS® HOT/COLD FOOD COUNTERS**

Item No.	Model No.	Description	L	D	H	Volts	AMPS		Ship Weight	Cube	Class
							Cold	Hot			
DXDHC2	DHC/2	Hot/Cold Food Counter - 2 well	35" (88.9cm)	30" (76.2cm)	36" (91.4cm)	120/208	7.2	9.6	390 lb. (177kg)	15.6	125
DXDHC3	DHC/3	Hot/Cold Food Counter - 3 well	49" (124.5cm)	30" (76.2cm)	36" (91.4cm)	120/208	7.2	14.4	430 lb. (195kg)	23.8	125
DXDHC4	DHC/4	Hot/Cold Food Counter - 4 well	63" (160.0cm)	30" (76.2cm)	36" (91.4cm)	120/208	7.2	19.2	470 lb. (213kg)	29.9	125
DXDHC5	DHC/5	Hot/Cold Food Counter - 5 well	77" (195.6cm)	30" (76.2cm)	36" (91.4cm)	120/208	8.8	24.0	510 lb. (231kg)	36.2	125
DXDHC6	DHC/6	Hot/Cold Food Counter - 6 well	91" (231.1cm)	30" (76.2cm)	36" (91.4cm)	120/208	8.8	28.8	555 lb. (252kg)	42.4	125

Spec Sheet: 415



Counter options and laminate panels available. Stainless steel panels standard.

**DINEXPRESS® CARVING COUNTER**

Item No.	Model No.	Description	L	D	H	Ship Wt.	Cube	Class
DXDMC2	DMC/2	Meat Carving Counter with cutting board, heat lamp, drip pan	35" (88.9cm)	30" (76.2cm)	36" (91.4cm)	415 lb. (188kg)	21.9	70

Spec Sheet: 414



**DINEXPRESS® CORNER COUNTERS**

Item No.	Model No.	Description	L	D	H	Ship Wt.	Cube	Class
DXDCR45	DCR45	Corner Counter with 45 degree cabinet	30" (76.2cm)	30" (76.2cm)	36" (91.4cm)	260 lb. (118kg)	21.9	125
DXDCR90	DCR90	Corner Counter with 90 degree cabinet	30" (76.2cm)	30" (76.2cm)	36" (91.4cm)	260 lb. (118kg)	21.9	85

**DINEXPRESS® SOLID TOP COUNTERS**

Item No.	Model No.	Description	L	D	H	Ship Wt.	Cube	Class
DXDST2	DST/2	Solid Top Counter	35" (88.9cm)	30" (76.2cm)	36" (91.4cm)	340 lb. (154kg)	15.6	125
DXDST3	DST/3	Solid Top Counter	49" (124.5cm)	30" (76.2cm)	36" (91.4cm)	395 lb. (179kg)	23.8	125
DXDST4	DST/4	Solid Top Counter	63" (160.0cm)	30" (76.2cm)	36" (91.4cm)	455 lb. (206kg)	29.9	125
DXDST5	DST/5	Solid Top Counter	77" (195.6cm)	30" (76.2cm)	36" (91.4cm)	521 lb. (236kg)	36.2	125
DXDST6	DST/6	Solid Top Counter	91" (231.1cm)	30" (76.2cm)	36" (91.4cm)	585 lb. (265kg)	42.4	125

Spec Sheet: 407



Counter options and laminate panels available. Stainless steel panels standard.

**DINEXPRESS® BEVERAGE URN STANDS**

Item No.	Model No.	Description	L	D	H	Ship Wt.	Cube	Class
DXDUS2	DUS/2	Beverage Urn Stand	35" (88.9cm)	30" (76.2cm)	36" (91.4cm)	350 lb. (159kg)	24.8	125
DXDUS3	DUS/3	Beverage Urn Stand	49" (124.5cm)	30" (76.2cm)	36" (91.4cm)	405 lb. (184kg)	37.6	125
DXDUS4	DUS/4	Beverage Urn Stand	63" (160.0cm)	30" (76.2cm)	36" (91.4cm)	465 lb. (211kg)	47.4	125
DXDUS5	DUS/5	Beverage Urn Stand	77" (195.6cm)	30" (76.2cm)	36" (91.4cm)	531 lb. (241kg)	57.4	100
DXDUS6	DUS/6	Beverage Urn Stand	91" (231.1cm)	30" (76.2cm)	36" (91.4cm)	595 lb. (270kg)	67.1	125



Spec Sheet: 401

Counter options and laminate panels available. Stainless steel panels standard.

**DINEXPRESS® CASHIER STANDS**

Item No.	Model No.	Description	L	D	H	Ship Wt.	Cube	Class
DXDCS	DCS	Cashier Stand Without Drawer	30" (76.2cm)	30" (76.2cm)	36" (91.4cm)	160 lb. (73kg)	18.8	125
DXDCSD	DCSD	Cashier Stand With Drawer	30" (76.2cm)	30" (76.2cm)	36" (91.4cm)	165 lb. (75kg)	18.8	125



Spec Sheet: 402

Counter options and laminate panels available. Stainless steel panels standard.



**DINEXPRESS® COLD FOOD COUNTERS WITH 9-7/16" DEEP WALLS**

Item No.	Model No.	Description	L	D	H	Volts	Phase	AMPS	Ship Weight	Cube	Class
DXDCF27	DCF/27	Cold Food NSF7 - 2 well	35" (88.9cm)	30" (76.2cm)	36" (91.4cm)	120	1	7	455 lb. (206kg)	15.6	125
DXDCF37	DCF/37	Cold Food NSF7 - 3 well	49" (124.5cm)	30" (76.2cm)	36" (91.4cm)	120	1	7	525 lb. (238kg)	23.8	125
DXDCF47	DCF/47	Cold Food NSF7 - 4 well	63" (160.0cm)	30" (76.2cm)	36" (91.4cm)	120	1	7	595 lb. (270kg)	29.9	125
DXDCF57	DCF/57	Cold Food NSF7 - 5 well	77" (195.6cm)	30" (76.2cm)	36" (91.4cm)	120	1	7	675 lb. (306kg)	36.2	125
DXDCF67	DCF/67	Cold Food NSF7 - 6 well	91" (231.1cm)	30" (76.2cm)	36" (91.4cm)	120	1	7	745 lb. (338kg)	42.4	125

Spec Sheet: 405



Counter options and laminate panels available. Stainless steel panels standard.

**DINEXPRESS® COLD FOOD COUNTERS WITH 5" DEEP WALLS**

Item No.	Model No.	Description	L	D	H	Volts	Phase	AMPS	Ship Weight	Cube	Class
DXDCF2	DCF/2	Cold Food Counter - 2 well	35" (88.9cm)	30" (76.2cm)	36" (91.4cm)	120	1	7	390 lb. (177kg)	15.6	125
DXDCF3	DCF/3	Cold Food Counter - 3 well	49" (124.5cm)	30" (76.2cm)	36" (91.4cm)	120	1	7	430 lb. (195kg)	23.8	125
DXDCF4	DCF/4	Cold Food Counter - 4 well	63" (160.0cm)	30" (76.2cm)	36" (91.4cm)	120	1	7	470 lb. (213kg)	29.9	125
DXDCF5	DCF/5	Cold Food Counter - 5 well	77" (195.6cm)	30" (76.2cm)	36" (91.4cm)	120	1	7	510 lb. (231kg)	36.2	125
DXDCF6	DCF/6	Cold Food Counter - 6 well	91" (231.1cm)	30" (76.2cm)	36" (91.4cm)	120	1	7	555 lb. (252kg)	42.4	125

Spec Sheet: 404



Counter options and laminate panels available. Stainless steel panels standard.

**DINEXPRESS® COLD FOOD COUNTERS NON REFRIGERATED ICE WELLS**

Item No.	Model No.	Description	L	D	H	Ship Wt.	Cube	Class
DXDCF2NR	DCF/2NR	Cold Food Counter (Ice Well) - 2 well	35" (88.9cm)	30" (76.2cm)	36" (91.4cm)	290 lb. (132kg)	15.6	125
DXDCF3NR	DCF/3NR	Cold Food Counter (Ice Well) - 3 well	49" (124.5cm)	30" (76.2cm)	36" (91.4cm)	330 lb. (149kg)	23.8	125
DXDCF4NR	DCF/4NR	Cold Food Counter (Ice Well) - 4 well	63" (160.0cm)	30" (76.2cm)	36" (91.4cm)	370 lb. (168kg)	29.9	125
DXDCF5NR	DCF/5NR	Cold Food Counter (Ice Well) - 5 well	77" (195.6cm)	30" (76.2cm)	36" (91.4cm)	410 lb. (186kg)	36.2	125
DXDCF6NR	DCF/6NR	Cold Food Counter (Ice Well) - 6 well	91" (231.1cm)	30" (76.2cm)	36" (91.4cm)	450 lb. (204kg)	42.4	125

Spec Sheet: 404



Counter options and laminate panels available. Stainless steel panels standard.

**DINEXPRESS® FROST TOP COUNTERS**

Item No.	Model No.	Description	L	D	H	Volts	Phase	AMPS	Ship Weight	Cube	Class
DXDFT2	DFT/2	Frost Top Cold Food Counter - 2 well	35" (88.9cm)	30" (76.2cm)	36" (91.4cm)	120v	1	7	290 lb. (132kg)	15.6	125
DXDFT3	DFT/3	Frost Top Cold Food Counter - 3 well	49" (124.5cm)	30" (76.2cm)	36" (91.4cm)	120v	1	7	330 lb. (150kg)	23.8	125
DXDFT4	DFT/4	Frost Top Cold Food Counter - 4 well	63" (160.0cm)	30" (76.2cm)	36" (91.4cm)	120v	1	7	370 lb. (168kg)	29.9	125
DXDFT5	DFT/5	Frost Top Cold Food Counter - 5 well	77" (195.6cm)	30" (76.2cm)	36" (91.4cm)	120v	1	7	410 lb. (186kg)	36.2	125
DXDFT6	DFT/6	Frost Top Cold Food Counter - 6 well	91" (231.1cm)	30" (76.2cm)	36" (91.4cm)	120v	1	7	450 lb. (204kg)	42.4	125

Spec Sheet: 406



Counter options and laminate panels available. Stainless steel panels standard.

**ICE CREAM FREEZER**

Item No.	Model No.	Description	L	D	H	Ship Weight
DXDICF	DICF	Ice Cream Freezer, 5.0 Cubic Feet	49" (124.5cm)	30" (76.2cm)	36" (91.4cm)	460 lb. (209kg)



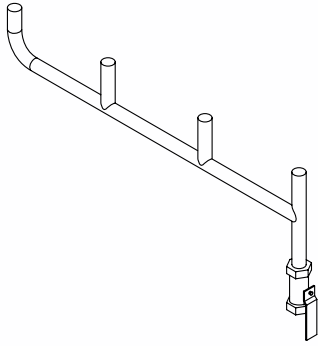
Spec Sheet: 411

**MILK COOLER**

Item No.	Model No.	Description	L	D	H	Ship Weight
DXDMC	DMC	Milk Cooler 5.0 Cubic Feet	49" (124.5cm)	30" (76.2cm)	36" (91.4cm)	460 lb. (209kg)

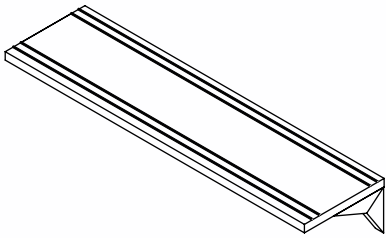


Spec Sheet: 411



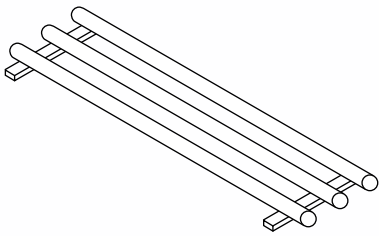
**DINEXPRESS® MANIFOLD DRAINS FOR HOT FOOD COUNTERS**

Item No.	Model No.	Description	Ship Wt.
DXMD2	MD/2	Manifold Drain for 2 well	50 lb. (22.7kg)
DXMD3	MD/3	Manifold Drain for 3 well	65 lb. (29.5kg)
DXMD4	MD/4	Manifold Drain for 4 well	70 lb. (31.8kg)
DXMD5	MD/5	Manifold Drain for 5 well	75 lb. (34.0kg)
DXMD6	MD/6	Manifold Drain for 6 well	80 lb. (36.3kg)
DXMDEDRN	MDEDRN	Electric Drain, 208v - For Hot Food Counters	2 lb. (0.9kg)
DXMDID	MDID	Shut-Off Valve for individual drain	



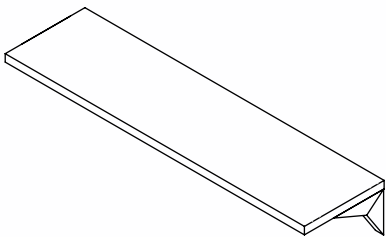
**DINEXPRESS® SOLID RIBBED TRAY SLIDES**

Item No.	Model No.	Description	Ship Wt.
DXTSSR2	TSSR/2	12" Solid Ribbed Tray Slide - 2 well	23 lb. (10.4kg)
DXTSSR3	TSSR/3	12" Solid Ribbed Tray Slide - 3 well	28 lb. (12.7kg)
DXTSSR4	TSSR/4	12" Solid Ribbed Tray Slide - 4 well	33 lb. (15.0kg)
DXTSSR5	TSSR/5	12" Solid Ribbed Tray Slide - 5 well	39 lb. (17.7kg)
DXTSSR6	TSSR/6	12" Solid Ribbed Tray Slide - 6 well	43 lb. (19.5kg)



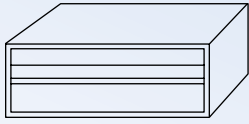
**DINEXPRESS® 3-BAR TRAY SLIDES**

Item No.	Model No.	Description	Ship Wt.
DXTS3B2	TS3B/2	12" 3-Bar Tray Slide - 2 well	20 lb. (9.0kg)
DXTS3B3	TS3B/3	12" 3-Bar Tray Slide - 3 well	22 lb. (10.0kg)
DXTS3B4	TS3B/4	12" 3-Bar Tray Slide - 4 well	25 lb. (11.3kg)
DXTS3B5	TS3B/5	12" 3-Bar Tray Slide - 5 well	29 lb. (13.2kg)
DXTS3B6	TS3B/6	12" 3-Bar Tray Slide - 6 well	32 lb. (14.5kg)



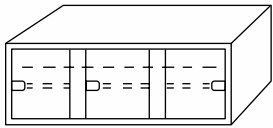
**DINEXPRESS® DROP DOWN WORKSHELF**

Item No.	Model No.	Description	Ship Wt.
DXDDWS2	DDWS/2	8" Drop Down Work Shelf 2-Well	12 lb. (5.4kg)
DXDDWS3	DDWS/3	8" Drop Down Work Shelf 3-Well	16 lb. (7.3kg)
DXDDWS4	DDWS/4	8" Drop Down Work Shelf 4-Well	20 lb. (9.1kg)
DXDDWS5	DDWS/5	8" Drop Down Work Shelf 5-Well	24 lb. (10.9kg)
DXDDWS6	DDWS/6	8" Drop Down Work Shelf 6-Well	29 lb. (13.2kg)



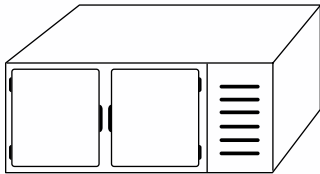
**DINEXPRESS® INTERMEDIATE UNDER SHELF**

Item No.	Model No.	Description	Ship Wt.
DXINTS2	INTS/2	Intermediate Under Shelf - 2 well	47 lb. (21.3kg)
DXINTS3	INTS/3	Intermediate Under Shelf - 3 well	62 lb. (28.1kg)
DXINTS4	INTS/4	Intermediate Under Shelf - 4 well	78 lb. (35.4kg)
DXINTS5	INTS/5	Intermediate Under Shelf - 5 well	94 lb. (42.6kg)
DXINTS6	INTS/6	Intermediate Under Shelf - 6 well	109 lb. (49.4kg)



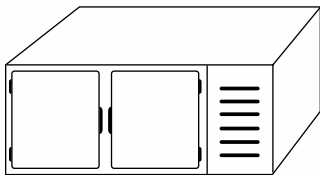
**DINEXPRESS® HINGED DOOR FOR BASE**

Item No.	Model No.	Description	Ship Wt.
DXHD2	HD/2	Hinged Door For Base - 2 well	50 lb. (22.7kg)
DXHD3	HD/3	Hinged Door For Base - 3 well	50 lb. (22.7kg)
DXHD4	HD/4	Hinged Door For Base - 4 well	55 lb. (24.9kg)
DXHD5	HD/5	Hinged Door For Base - 5 well	60 lb. (27.2kg)
DXHD6	HD/6	Hinged Door For Base - 6 well	60 lb. (27.2kg)



**DINEXPRESS® REFRIGERATED BASE FOR COLD FOOD COUNTERS**

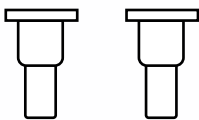
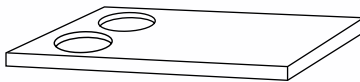
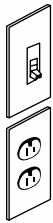
Item No.	Model No.	Description	Ship Wt.
DXRB1D	RB/1D	Refrigerated Base 1-Door fits DXDCF4, DXDCF47, DXDFT4, DXDCF4NR and DXDST4	210 lb. (95kg)
DXRB2D	RB/2D	Refrigerated Base 2-Door fits DXDCF5, DXDCF57, DXDFT5, DXDCF5NR, DXDST5, DXDCF6, DXDCF67, DXDFT6, DXDCF6NR and DXDST6	235 lb. (107kg)



**DINEXPRESS® COLD-IN-BASE FOR COLD FOOD COUNTERS**

Item No.	Model No.	Description	Ship Wt.
DXCIB	CIB	Cold-In-Base with 2 Cold Packs	150 lb. (68kg)

DINEXPRESS® COUNTER OPTIONS



**DINEXPRESS® LAMINATED PANELS**

Item No.	Model No.	Description	Ship Wt.
DXFLP2	FLP/2	Formica Laminate Panels (3 sided) - 2 well	2 lb. (0.9kg)
DXFLP3	FLP/3	Formica Laminate Panels (3 sided) - 3 well	4 lb. (1.8kg)
DXFLP4	FLP/4	Formica Laminate Panels (3 sided) - 4 well	6 lb. (2.7kg)
DXFLP5	FLP/5	Formica Laminate Panels (3 sided) - 5 well	8 lb. (3.6kg)
DXFLP6	FLP/6	Formica Laminate Panels (3 sided) - 6 well	10 lb. (4.5kg)
DXFLP42	FLP4/2	Formica Laminate Panels (4 sided) - 2 well	2 lb. (0.9kg)
DXFLP43	FLP4/3	Formica Laminate Panels (4 sided) - 3 well	5 lb. (2.3kg)
DXFLP44	FLP4/4	Formica Laminate Panels (4 sided) - 4 well	6 lb. (2.7kg)
DXFLP45	FLP4/5	Formica Laminate Panels (4 sided) - 5 well	8 lb. (3.6kg)
DXFLP46	FLP4/6	Formica Laminate Panels (4 sided) - 6 well	10 lb. (4.5kg)

**DINEXPRESS LAMINATED PANELS FOR DOORS**

DXFLPD2	FLPD/2	Formica Laminate Panels for hinged door - 2 well, 1 door	2 lb. (0.9kg)
DXFLPD3	FLPD/3	Formica Laminate Panels for hinged door - 3 well, 2 doors	4 lb. (1.8kg)
DXFLPD4	FLPD/4	Formica Laminate Panels for hinged door - 4 well, 4 doors	8 lb. (3.6kg)
DXFLPD5	FLPD/5	Formica Laminate Panels for hinged door - 5 well, 4 doors	8 lb. (3.6kg)
DXFLPD6	FLPD/6	Formica Laminate Panels for hinged door - 6 well, 4 doors	8 lb. (3.6kg)

**DINEXPRESS® SKIRTING** OPTIONAL BASE PANELS TO HIDE CASTERS OR LEGS

Item No.	Model No.	Description	Ship Wt.
DXSKR2	SKR/2	Skirting (3 sided) - 2 well	22 lb. (10.0kg)
DXSKR3	SKR/3	Skirting (3 sided) - 3 well	27 lb. (12.0kg)
DXSKR4	SKR/4	Skirting (3 sided) - 4 well	32 lb. (14.5kg)
DXSKR5	SKR/5	Skirting (3 sided) - 5well	37 lb. (16.8kg)
DXSKR6	SKR/6	Skirting (3 sided) - 6 well	42 lb. (19.1kg)
DXSKR42	SKR4/2	Skirting (4 sided) - 2 well	29 lb. (13.2kg)
DXSKR43	SKR4/3	Skirting (4 sided) - 3 well	36 lb. (16.3kg)
DXSKR44	SKR4/4	Skirting (4 sided) - 4 well	42 lb. (19.1kg)
DXSKR45	SKR4/5	Skirting (4 sided) - 5 well	49 lb. (22.2kg)
DXSKR46	SKR4/6	Skirting (4 sided) - 6 well	49 lb. (22.2kg)

**DINEXPRESS® DUPLEX OUTLET**

Item No.	Model No.	Description
DXDOUT	DOUT	Duplex Outlet

**DINEXPRESS® CUTOUT FOR DROP-INS**

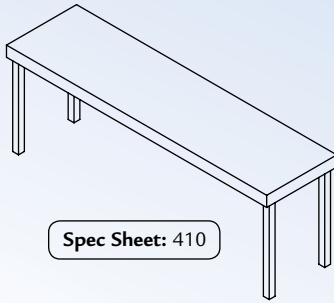
Item No.	Model No.	Description
DXCUT	CUT	Cut Out for Drop-ins

**DINEXPRESS® LEGS FOR STATIONARY COUNTERS**

Item No.	Model No.	Description
DXLEGS	LEGS	6" Legs in Lieu of Casters

**DINEXPRESS® ADJUSTABLE CASTER UPGRADES**

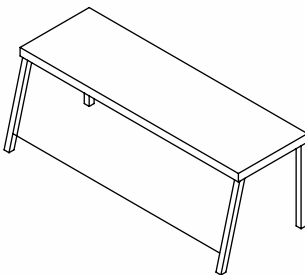
Item No.	Model No.	Description
DXACS4	ACS/4	Adjustable 4 caster upgrade; 2 with brakes 5" - 2-4 well
DXACS6	ACS/6	Adjustable 6 caster upgrade; 2 with brakes 5" - 5-6 well



Spec Sheet: 410

**DINEXPRESS® OVERHEAD SHELF**

Item No.	Model No.	Description	Ship Wt.
DXOHS2	OHS/2	Over Head Shelf - 2 well	20 lb. (9.0kg)
DXOHS3	OHS/3	Over Head Shelf - 3 well	28 lb. (12.7kg)
DXOHS4	OHS/4	Over Head Shelf - 4 well	38 lb. (17.2kg)
DXOHS5	OHS/5	Over Head Shelf - 5 well	48 lb. (21.8kg)
DXOHS6	OHS/6	Over Head Shelf - 6 well	58 lb. (26.3kg)

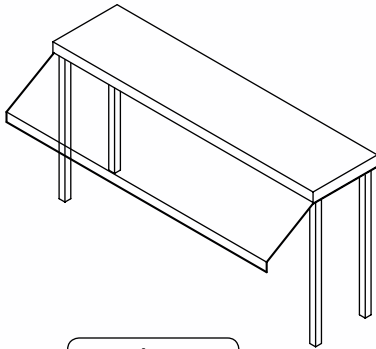


Spec Sheet: 410

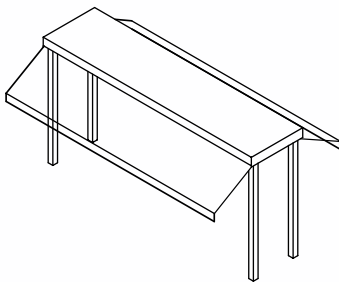
**DINEXPRESS® FOOD PROTECTOR (SNEEZE GUARD) CAFÉ STYLE**

Item No.	Model No.	Description	Ship Wt.
<b>FULL SERVICE PROTECTOR GUARDS (Café Style)</b>			
DXFSG2	FSG/2	Full Service Guard - 2 well	28 lb. (12.7kg)
DXFSG3	FSG/3	Full Service Guard - 3 well	32 lb. (14.5kg)
DXFSG4	FSG/4	Full Service Guard - 4 well	38 lb. (17.2kg)
DXFSG5	FSG/5	Full Service Guard - 5well	42 lb. (19.0kg)
DXFSG6	FSG/6	Full Service Guard -6 well	48 lb. (21.8kg)
<b>FULL SERVICE PROTECTOR GUARDS (Café Style) with Fluorescent Lights</b>			
DXFSGFL2	FSGFL/2	Full Service Guard - 2 well with Fluorescent Lights	30 lb. (13.6kg)
DXFSGFL3	FSGFL/3	Full Service Guard - 3 well with Fluorescent Lights	33 lb. (15.0kg)
DXFSGFL4	FSGFL/4	Full Service Guard - 4 well with Fluorescent Lights	40 lb. (18.1kg)
DXFSGFL5	FSGFL/5	Full Service Guard - 5 well with Fluorescent Lights	46 lb. (20.9kg)
DXFSGFL6	FSGFL/6	Full Service Guard - 6 well with Fluorescent Lights	54 lb. (24.5kg)
<b>FULL SERVICE PROTECTOR GUARDS (Café Style) with Incandescent Lights</b>			
DXFSGL2	FSGL/2	Full Service Guard - 2 well with Incandescent Lights	30 lb. (13.6kg)
DXFSGL3	FSGL/3	Full Service Guard - 3 well with Incandescent Lights	33 lb. (15.0kg)
DXFSGL4	FSGL/4	Full Service Guard - 4 well with Incandescent Lights	40 lb. (18.1kg)
DXFSGL5	FSGL/5	Full Service Guard - 5 well with Incandescent Lights	46 lb. (20.9kg)
DXFSGL6	FSGL/6	Full Service Guard - 6 well with Incandescent Lights	54 lb. (24.5kg)
<b>FULL SERVICE PROTECTOR GUARDS (Café Style) with Heat &amp; Lights</b>			
DXFSGHL2	FSGHL/2	Full Service Guard - 2 well with Heat & Lights	31 lb. (14.0kg)
DXFSGHL3	FSGHL/3	Full Service Guard - 3 well with Heat & Lights	39 lb. (17.7kg)
DXFSGHL4	FSGHL/4	Full Service Guard - 4 well with Heat & Lights	47 lb. (21.3kg)
DXFSGHL5	FSGHL/5	Full Service Guard - 5 well with Heat & Lights	56 lb. (25.4kg)
DXFSGHL6	FSGHL/6	Full Service Guard - 6 well with Heat & Lights	65 lb. (29.5kg)
<b>FULL SERVICE PROTECTOR GUARDS (Café Style) with Heat</b>			
DXFSGH2	FSGH/2	Full Service Guard - 2 well with Heat	30 lb. (13.6kg)
DXFSGH3	FSGH/3	Full Service Guard - 3 well with Heat	38 lb. (17.2kg)
DXFSGH4	FSGH/4	Full Service Guard - 4 well with Heat	46 lb. (20.9kg)
DXFSGH5	FSGH/5	Full Service Guard - 5 well with Heat	54 lb. (24.5kg)
DXFSGH6	FSGH/6	Full Service Guard - 6 well with Heat	63 lb. (28.6kg)
<b>FULL SERVICE PROTECTOR GUARD OPTION</b>			
DXFSEG	FSEG	End Guard for Full Service Protector Guards	

DINEXPRESS® FOOD PROTECTORS



Spec Sheet: 410



Spec Sheet: 410

**DINEXPRESS® SELF SERVICE GUARDS - SINGLE SIDED** BUFFET STYLE

Item No.	Model No.	Description	Ship Wt.
<b>SELF SERVICE GUARDS (BUFFET) SINGLE SIDED</b>			
DXSSG12	SSG1/2	Self Service Guard Single Sided 2 well	46 lb. (20.9kg)
DXSSG13	SSG1/3	Self Service Guard Single Sided 3 well	52 lb. (23.6kg)
DXSSG14	SSG1/4	Self Service Guard Single Sided 4well	64 lb. (29.0kg)
DXSSG15	SSG1/5	Self Service Guard Single Sided 5 well	74 lb. (33.6kg)
DXSSG16	SSG1/6	Self Service Guard Single Sided 6 well	86 lb. (39.0kg)
<b>SELF SERVICE GUARDS (BUFFET) SINGLE SIDED with Fluorescent Lights</b>			
DXSSG1FL2	SSG1FL/2	Self Service Guard Single Sided 2 well with Fluorescent Lights	48 lb. (21.8kg)
DXSSG1FL3	SSG1FL/3	Self Service Guard Single Sided 3 well with Fluorescent Lights	55 lb. (25.0kg)
DXSSG1FL4	SSG1FL/4	Self Service Guard Single Sided 4 well with Fluorescent Lights	66 lb. (30.0kg)
DXSSG1FL5	SSG1FL/5	Self Service Guard Single Sided 5 well with Fluorescent Lights	77 lb. (35.0kg)
DXSSG1FL6	SSG1FL/6	Self Service Guard Single Sided 6 well with Fluorescent Lights	90 lb. (40.8kg)
<b>SELF SERVICE GUARDS (BUFFET) SINGLE SIDED with Incandescent Lights</b>			
DXSSG1L2	SSG1L/2	Self Service Guard Single Sided 2 well with Incandescent Lights	48 lb. (21.8kg)
DXSSG1L3	SSG1L/3	Self Service Guard Single Sided 3 well with Incandescent Lights	55 lb. (25.0kg)
DXSSG1L4	SSG1L/4	Self Service Guard Single Sided 4 well with Incandescent Lights	66 lb. (30.0kg)
DXSSG1L5	SSG1L/5	Self Service Guard Single Sided 5 well with Incandescent Lights	77 lb. (35.0kg)
DXSSG1L6	SSG1L/6	Self Service Guard Single Sided 6 well with Incandescent Lights	90 lb. (40.8kg)
<b>SELF SERVICE GUARD OPTION</b>			
DXSSEG	SSEG	End Guard for Self Service Protector Guards	

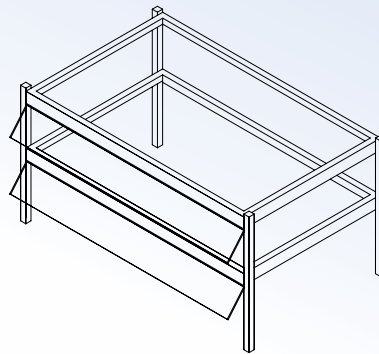
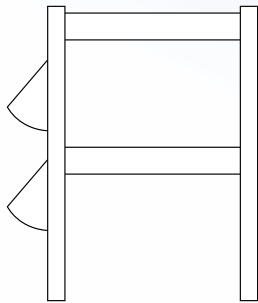
**DINEXPRESS® SELF SERVICE GUARDS - DOUBLE SIDED** BUFFET STYLE

Item No.	Model No.	Description	Ship Wt.
<b>SELF SERVICE GUARDS (BUFFET) 2-SIDED</b>			
DXSSG2	SSG/2	Self Service Guard 2-Sided - 2 well	53 lb. (24.0kg)
DXSSG3	SSG/3	Self Service Guard 2-Sided - 3 well	60 lb. (27.2kg)
DXSSG4	SSG/4	Self Service Guard 2-Sided - 4 well	72 lb. (32.7kg)
DXSSG5	SSG/5	Self Service Guard 2-Sided - 5 well	82 lb. (37.2kg)
DXSSG6	SSG/6	Self Service Guard 2-Sided - 6 well	94 lb. (42.6kg)
<b>SELF SERVICE GUARDS (BUFFET) 2-SIDED with Fluorescent Lights</b>			
DXSSGFL2	SSGFL/2	Self Service Guard 2-Sided - 2 well with Fluorescent Lights	56 lb. (25.4kg)
DXSSGFL3	SSGFL/3	Self Service Guard 2-Sided - 3 well with Fluorescent Lights	63 lb. (28.6kg)
DXSSGFL4	SSGFL/4	Self Service Guard 2-Sided - 4 well with Fluorescent Lights	75 lb. (34.0kg)
DXSSGFL5	SSGFL/5	Self Service Guard 2-Sided - 5 well with Fluorescent Lights	85 lb. (38.6kg)
DXSSGFL6	SSGFL/6	Self Service Guard 2-Sided - 6 well with Fluorescent Lights	98 lb. (44.5kg)
<b>SELF SERVICE GUARDS (BUFFET) 2-SIDED with Incandescent Lights</b>			
DXSSGL2	SSGL/2	Self Service Guard 2-Sided - 2 well with Incandescent Lights	56 lb. (25.4kg)
DXSSGL3	SSGL/3	Self Service Guard 2-Sided - 3 well with Incandescent Lights	63 lb. (28.6kg)
DXSSGL4	SSGL/4	Self Service Guard 2-Sided - 4 well with Incandescent Lights	75 lb. (34.0kg)
DXSSGL5	SSGL/5	Self Service Guard 2-Sided - 5 well with Incandescent Lights	85 lb. (38.6kg)
DXSSGL6	SSGL/6	Self Service Guard 2-Sided - 6 well with Incandescent Lights	98 lb. (44.5kg)



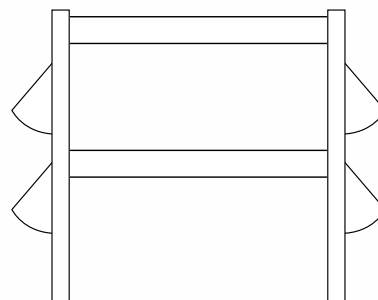
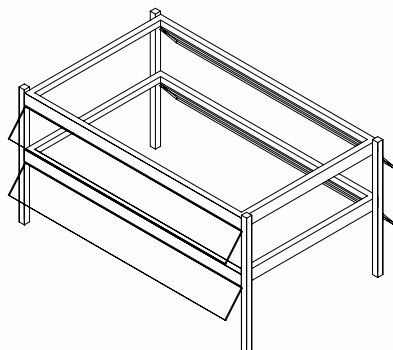
**DINEXPRESS® DOUBLE DISPLAY GUARDS - SINGLE SIDED** BUFFET STYLE

Item No.	Model No.	Description	Ship Wt.
<b>DOUBLE DISPLAY GUARDS SINGLE SIDED</b>			
DXDDG2	DDG/2	Double Display Guard - 2 well	34 lb. (15.4kg)
DXDDG3	DDG/3	Double Display Guard - 3 well	44 lb. (20.0kg)
DXDDG4	DDG/4	Double Display Guard - 4 well	54 lb. (24.5kg)
DXDDG5	DDG/5	Double Display Guard - 5 well	64 lb. (29.0kg)
DXDDG6	DDG/6	Double Display Guard - 6 well	75 lb. (34.0kg)
<b>DOUBLE DISPLAY GUARDS SINGLE SIDED with Fluorescent Lights</b>			
DXDDGFL2	DDGFL/2	Double Display Guard - 2 well with Fluorescent Lights	38 lb. (15.4kg)
DXDDGFL3	DDGFL/3	Double Display Guard - 3 well with Fluorescent Lights	48 lb. (21.8kg)
DXDDGFL4	DDGFL/4	Double Display Guard - 4 well with Fluorescent Lights	58 lb. (26.3kg)
DXDDGFL5	DDGFL/5	Double Display Guard - 5 well with Fluorescent Lights	69 lb. (31.3kg)
DXDDGFL6	DDGFL/6	Double Display Guard - 6 well with Fluorescent Lights	81 lb. (36.7kg)



**DINEXPRESS® DOUBLE DISPLAY GUARDS - DOUBLE SIDED** BUFFET STYLE

Item No.	Model No.	Description	Ship Wt.
<b>DOUBLE DISPLAY GUARDS 2-SIDED</b>			
DXDDG22	DDG2/2	Double Display Guard 2-Sided - 2 well	44 lb. (20.0kg)
DXDDG23	DDG2/3	Double Display Guard 2-Sided - 3 well	54 lb. (24.5kg)
DXDDG24	DDG2/4	Double Display Guard 2-Sided - 4 well	64 lb. (29.0kg)
DXDDG25	DDG2/5	Double Display Guard 2-Sided - 5 well	74 lb. (33.6kg)
DXDDG26	DDG2/6	Double Display Guard 2-Sided - 6 well	85 lb. (39.0kg)
<b>DOUBLE DISPLAY GUARDS 2-SIDED with Fluorescent Lights</b>			
DXDDG2FL2	DDG2FL/2	Double Display Guard 2-Sided - 2 well with Fluorescent Lights	48 lb. (21.8kg)
DXDDG2FL3	DDG2FL/3	Double Display Guard 2-Sided - 3 well with Fluorescent Lights	58 lb. (26.3kg)
DXDDG2FL4	DDG2FL/4	Double Display Guard 2-Sided - 4 well with Fluorescent Lights	68 lb. (30.8kg)
DXDDG2FL5	DDG2FL/5	Double Display Guard 2-Sided - 5 well with Fluorescent Lights	80 lb. (36.3kg)
DXDDG2FL6	DDG2FL/6	Double Display Guard 2-Sided - 6 well with Fluorescent Lights	94 lb. (42.6kg)





## DINEXPRESS® SPECIALTY COUNTER TOPS

Ask about custom counter tops in a wide selection of acrylic or engineered stone. End shelves and tray slides are also available in the same custom materials.

### DINEXPRESS® SPECIALTY COUNTER TOPS ACCESSORIES

Item No.	Model No.	Description
<b>DROP-IN SOUP WELLS</b>		
DXDSW7	DSW7	Drop-in Soup Well, 7 quart
DXDSW7D	DSW7D	Drop-in Soup Well, 7 quart with Drain
DXDSW7T	DSW7T	Drop-in Soup Well, 7 quart Thermostatically Controlled
DXDSW7TD	DSW7TD	Drop-in Soup Well, 7 quart Thermostatically Controlled with Drain
DXDSW11	DSW11	Drop-in Soup Well, 11 quart
DXDSW11D	DSW11D	Drop-in Soup Well, 11 quart with Drain
DXDSW11T	DSW11T	Drop-in Soup Well, 11 quart Thermostatically Controlled
DXDSW11TD	DSW11TD	Drop-in Soup Well, 11 quart Thermostatically Controlled with Drain
<b>SOUP WELL ADAPTORS AND INSERTS</b>		
DXSWA7	SWA7	Adaptor turns 12 x 20 well into 2-7quart
DXSWA711	SWA711	Adaptor turns 12 x 20 well into 1-7 quart and 1-11quart
DXSWI7	SWI7	7quart round insert with lid
DXSWI11	SWI11	11quart round insert with lid
<b>UNIVERSAL TOP FOR HOT FOOD UNITS</b>		
DXRUT3	RUT/3	Recessed Universal Top for 12 x 20 & 18 x 26 pans, 3-well
DXRUT4	RUT/4	Recessed Universal Top for 12 x 20 & 18 x 26 pans, 4-well
DXRUT5	RUT/5	Recessed Universal Top for 12 x 20 & 18 x 26 pans, 5-well
DXRUT6	RUT/6	Recessed Universal Top for 12 x 20 & 18 x 26 pans, 6-well
<b>CORRECTIONAL OPTIONS</b>		
DXLCFC	LCFC	Locking Cover For Controls
DXTPFP	TPFP	Tamper Proof Fastener Package
<b>STAINLESS STEEL PUSH HANDLES</b>		
DXSSPH	SSPH	Stainless Steel Push-Handle for Counters
<b>GENERAL COUNTER ACCESSORIES</b>		
DXCUT	CUT	Cut Out For Drop-ins
DXDOUT	DOUT	Duplex Outlet
DXLEGS	LEGS	6" Legs In lieu of casters
<b>GRAB BARS (WHEELCHAIR ASSIST)</b>		
DXGB2	GB/2	Grab Bar for Counter - 2 well
DXGB3	GB/3	Grab Bar for Counter - 3 well
DXGB4	GB/4	Grab Bar for Counter - 4 well
DXGB5	GB/5	Grab Bar for Counter - 5 well
DXGB6	GB/6	Grab Bar for Counter - 6 well



*ValuXpress*

# VALUXPRESS®

THE ECONOMICAL MODULAR COUNTER SYSTEM

**NEW**

## DINEX® INTRODUCES THE ECONOMICAL SERIES OF MODULAR COUNTERS

This new line of counters is designed to meet the increased demands for high quality and value at a lower price point to meet current market conditions.

ValuXpress equipment is extremely versatile and applicable for patient tray line or as a stylish serving counter in the cafeteria, satellite location, and dining room.

The new ValuXpress counters feature high-quality stainless steel construction, adjustable feet and a variety of options for casters, tray slides, work shelves and protector guards. Solid top and Urn Counters are also available.



*Easy Access panel; fast and easy service of all heating elements and thermostats*

## HOT FOOD COUNTERS

Available with 2 or 3 wells, ValuXpress Hot Food Counters offer a wide variety of options and accessories. Counters are stationary or mobile with heavy-duty 5" casters (two locking). Stainless steel drop-shelves are available for all configurations.

- Stainless steel protector guards (sneeze guards)
- Under-shelf available
- Easy Access electrical service panel



### URN STANDS - BEVERAGE COUNTERS

ValuXpress Urn Stands in 35" or 49" length, built to hold any configuration of fountain machines, ice makers and coffee bars. Available with under-counter storage for supplies and custom "bag and box," along with tray slides.



### SOLID TOP COUNTERS

ValuXpress Solid Top Counters are available from 35" or 49" in length. Work shelf, tray slide, full service guard and overhead shelf are all available options.

### COLD FOOD COUNTERS

Available with 2 or 3 wells. Cold Food Counters are the most versatile and adaptable accessory on the serving line. Counters are stationary or mobile with optional heavy-duty 5" casters (two locking). Stainless drop-shelves and tray slides available for all configurations. Undershelf standard on all models.

- Units feature 9-7/16" deep wells (NSF7)
- Stainless or custom coated protector guards (sneeze guards)
- Counters ensure that food temperatures are always at safe levels.
- Under-shelf options



**VALUXPRESS® VALUE LINE HOT FOOD COUNTERS**

Item No.	Model No.	Description	L	D	H	Watts	Volts	Phase	AMPS	Ship Weight	Cube	Class
DXDVLHF2	DVLHF/2	Hot Food Counter - 2 well	35" (88.9cm)	30" (76.2cm)	36" (91.4cm)	2000	208	1	9.6	145 lb. (66kg)	15.6	100
DXDVLHF3	DVLHF/3	Hot Food Counter - 3 well	49" (124.5cm)	30" (76.2cm)	36" (91.4cm)	3000	208	1	14.4	190 lb. (86kg)	23.8	100



Spec Sheet: 450

**VALUXPRESS® VALUE LINE HOT FOOD COUNTERS - SLIM LINE**

Item No.	Model No.	Description	L	D	H	Watts	Volts	Phase	AMPS	Ship Weight	Cube	Class
DXDVLHF2SL	DVLHF/2SL	Hot Food Counter - 2 well Slim Line	35" (88.9cm)	30" (76.2cm)	36" (91.4cm)	2000	208	1	9.6	145 lb. (66kg)	24.1	100
DXDVLHF3SL	DVLHF/3SL	Hot Food Counter - 3 well Slim Line	49" (124.5cm)	30" (76.2cm)	36" (91.4cm)	3000	208	1	14.4	190 lb. (86kg)	35.9	100

Spec Sheet: 450

**VALUXPRESS® VALUE LINE COLD FOOD COUNTERS**

Item No.	Model No.	Description	L	D	H	Volts	Phase	AMPS	Ship Weight	Cube	Class
DXDVLFC2	DVLFC/2	Cold Food Counter - 2 well	35" (88.9cm)	30" (76.2cm)	36" (91.4cm)	120	1	7.2	145 lb. (66kg)	15.6	100
DXDVLFC3	DVLFC/3	Cold Food Counter - 3 well	49" (124.5cm)	30" (76.2cm)	36" (91.4cm)	120	1	7.2	190 lb. (86kg)	23.8	100



Spec Sheet: 451

**VALUXPRESS® VALUE LINE BEVERAGE URN STANDS**

Item No.	Model No.	Description	L	D	H	Ship Wt.	Cube	Class
DXDVLUS2	DVLUS/2	Beverage Urn Stand	35" (88.9cm)	30" (76.2cm)	36" (91.4cm)	145 lb. (66kg)	15.6	100
DXDVLUS3	DVLUS/3	Beverage Urn Stand	49" (124.5cm)	30" (76.2cm)	36" (91.4cm)	190 lb. (86kg)	23.8	100



Spec Sheet: 452

**VALUXPRESS® SOLID TOP COUNTERS**

Item No.	Model No.	Description	L	D	H	Ship Wt.	Cube	Class
DXDVLST2	DVLST/2	Solid Top Counter	35" (88.9cm)	30" (76.2cm)	36" (91.4cm)	145 lb. (66kg)	15.6	100
DXDVLST3	DVLST/3	Solid Top Counter	49" (124.5cm)	30" (76.2cm)	36" (91.4cm)	190 lb. (86kg)	23.8	100



Spec Sheet: 452

VALUXPRESS® COUNTERS

DINEX

°F



*Refrigeration*



# REFRIGERATION

COLD FOOD EQUIPMENT FOR EFFICIENT TRAYLINE PRODUCTION

## MILK COOLER

Supplying fresh, cold milk for the patient tray line, the Dinex Milk Cooler is available in 8, 12, or 16 crate sizes. Recirculating air maintains 40°F with the lids off, for up to 4 hours. Use with milk, juice or any pre-packaged beverage.

## ICE CREAM FREEZER

Designed for “open” use, the Ice Cream Freezer maintains a 0°F serving temperature for up to 3 hours with the lids off. The stainless steel, frost-free unit is available in 5.4 or 8 cubic foot models.

**ARCTIC**Xpress™

## BLAST CHILLER / SHOCK FREEZER

Meet HACCP regulations and ensure maximum food safety with state-of-the-art Blast Chill/Shock Freeze equipment from Dinex. Machines are available in five sizes; 30 lb., 45 lb., 70 lb., 110 lb. and 175 lb. capacities, all constructed with polished stainless steel and high-density polyurethane insulated. Self-contained refrigeration lowers food temperatures from 160°F (71°C) to 38°F (3.3°C) in less than two hours (chill times may vary depending on food texture and density).

Operator features include solid-state control panel with easy to read display, manual or automatic operation and on-board core temperature probe to monitor chill cycle.



*Reach-in Blast Chiller*

*Roll-in Blast Chiller*



*12 crate Milk Cooler*

## AIR CURTAIN REFRIGERATOR

Ideal for tray assembly lines, the versatile air curtain allows the operator easy, reach-in access to prepared and portioned foods while the refrigerator door remains open.

Temperatures will remain HACCP compliant up to 45 minutes with the door open. Available with glass or stainless steel door, right or left hand open.



*Air Curtain Refrigerator  
with glass door*



**AIR CURTAIN REFRIGERATION**

Item No.	Model No.	Description	L	D	H	Ship Wt.	Cube	Class
DXIRAC15	IRAC15	Air Curtain Refrigerator, 15 Slides Glass Door - Reversible Left or Right Open	31.50" (80.0cm)	39.37" (100.0cm)	78.85" (200.3cm)	607 lb. (275kg)	58.3	110
Voltage	AMPS	Condensing Unit Voltage	Condensing Unit Size		Condensing Unit AMPS	Total AMPS		
120/60/1	15.1	115/60/1	1/2 HP		11.0	15.4		

Spec Sheet: 002

**BLAST CHILLERS**

Item No.	Model No.	Description	Capacity	L	D	H	Ship Weight	Cube	Class
DXDBC30	DBC30	Reach-in Blast Chiller	30 lb. (14kg)	25.25" (64.1cm)	25.88" (65.7cm)	34" (86.4cm)	192 lb. (87kg)	12.9	100
DXDBC45	DBC45	Reach-in Blast Chiller	45 lb. (20kg)	29.50" (74.9cm)	28.25" (71.8cm)	35.50" (90.2cm)	254 lb. (115kg)	17.2	100
DXDBC70	DBC70	Reach-in Blast Chiller	70 lb. (31kg)	32.25" (81.9cm)	36" (91.4cm)	53" (134.6cm)	400 lb. (181kg)	35.6	150
DXDBC110	DBC110	Reach-in Blast Chiller	110 lb. (50kg)	32.25" (81.9cm)	36" (91.4cm)	74" (188.0cm)	540 lb. (245kg)	49.7	150
DXDBC175	DBC175	Roll-in Blast Chiller	175 lb. (79kg)	47.25" (120.0cm)	42" (106.7cm)	93" (236.2cm)	915lb. (415kg)	106.8	150

Above roll-in units specified without POD (self-contained refrigeration system) contact Dinex for POD upgrade options.

**ELECTRICAL**

Model No.	Voltage	AMPS	NEMA (plug)	Compressor (HP)	Spec Sheet
DBC30	120v / 60 Hz / 1-phase	10.0	5-15P	.75	150
DBC45	208v / 60 Hz / 1-phase	7.0	6-15P	1	151
DBC70	208v / 60 Hz / 1-phase	12.0	L6-20P	1.2	152
DBC110	208v / 60 Hz / 3-phase	10.0	L15-20P	1.5	153
DBC175	208v / 60 Hz / 3-phase	19.5	-	1	154



Roll-In Blast Chiller  
Capacity 175 lb.



Reach-In Blast Chiller  
Capacity 110 lb.



Reach-In Blast Chiller  
Capacity 70 lb.



Reach-In Blast Chiller  
Capacity 45 lb.



Reach-In Blast Chiller  
Capacity 30 lb.



## ICE CREAM FREEZERS

Item No.	Model No.	Description	L	D	H	AMPS	Ship Weight	Cube	Class
DXICOCFICF5	ICOCFICF5	Ice Cream Freezer, 5.4 Cubic Feet	51.50" (130.8cm)	28" (71.1cm)	34" (86.4cm)	10.5	475 lb. (216kg)	36.7	125
DXICOCFICF8	ICOCFICF8	Ice Cream Freezer, 8 Cubic Feet	65.50" (166.4cm)	28" (71.1cm)	34" (86.4cm)	10.5	515 lb. (234kg)	45.8	125



Spec Sheet: 017

## MILK COOLERS

Item No.	Model No.	Description	L	D	H	AMPS	Crate Capacity	Individual 1/2 Pints	Interior Dimensions	Ship Weight	Cube	Class
DXICOCFMC8	ICOCFMC8	Milk Cooler	52" (132.1cm)	32.75" (83.2cm)	34" (86.4cm)	10.5	8	400	26-5/8" x 28-3/4" (67.6cm x 73.0cm)	475 lb. (216kg)	42.6	125
DXICOCFMC12	ICOCFMC12	Milk Cooler	66" (167.6cm)	32.75" (83.2cm)	34" (86.4cm)	10.5	12	600	26-5/8" x 43-1/8" (67.6cm x 109.5cm)	515 lb. (234kg)	54.2	125
DXICOCFMC16	ICOCFMC16	Milk Cooler	80" (203.2cm)	32.75" (83.2cm)	34" (86.4cm)	10.5	16	800	26-5/8" x 57-1/2" (67.6cm x 146.1cm)	555 lb. (252kg)	64.8	125



Spec Sheet: 009



*Dispensers*

## PLATE DISPENSERS

DESIGNED TO WITHSTAND HEAVY INSTITUTIONAL USE



*Open style 2 silo plate dispenser*



*Enclosed style 2 silo plate dispenser*

### SILO PLATE DISPENSERS

Open and enclosed Plate Dispensers are offered in 2, 3, and 4 silo configurations. Each has a stainless steel exterior shield and is equipped with 4" heavy duty non-marking swivel casters. All feature the Dinex Spring-Pak™ self-leveling mechanism.

- Plate dispensers come in both heated and unheated styles.
- Approximate capacities are 100 plates for the 2 silo, 150 plates for the 3 silo and 200 plates for the 4 silo unit.

DISPENSERS

## DROP-IN PLATE DISPENSERS

VERSATILE INSERTS FOR PLATE HEATING EQUIPMENT

The drop-in plate dispensers are available to accommodate the full range of plate sizes used in today's foodservice industry. All are constructed from easy-to-clean stainless steel and feature the Dinex self-leveling mechanism.

- Drop-in plate dispensers come in both heated and unheated styles with a capacity of up to 50 plates.



**PLATE DISPENSERS - OPEN STYLE - UNHEATED**

Item No.	Model No.	Description	L	D	H	Ship Weight	Cube	Class
<b>PLATE DISPENSER - OPEN STYLE 2 SILO - UNHEATED - 100 PLATES/72 BOWLS (approx.)</b>								
DXIDP2O0912	IDP2O/0912	Open Style - 2 Silo, 9-1/8" (23.2cm) Plate	35.50" (77.8cm)	17.75" (90.2cm)	39" (45.1cm)	96 lb. (99.1kg)	13.4	92.5
DXIDP2O1012	IDP2O/1012	Open Style - 2 Silo, 10-1/8" (25.7cm) Plate	35.50" (77.8cm)	17.75" (90.2cm)	39" (45.1cm)	98 lb. (99.1kg)	13.4	92.5
DXIDP2O1200	IDP2O/1200	Open Style - 2 Silo, 12" (30.5cm) Plate	35.50" (93.9cm)	17.75" (90.2cm)	39" (45.1cm)	94 lb. (99.1kg)	13.4	92.5
<b>PLATE DISPENSER - OPEN STYLE 3 SILO - UNHEATED - 150 PLATES/108 BOWLS (approx.)</b>								
DXIDP3O0912	IDP3O/0912	Open Style - 3 Silo, 9-1/8" (23.2cm) Plate	45.75" (121.8cm)	17.75" (116.2cm)	39" (45.1cm)	108 lb. (99.1kg)	17.1	92.5
DXIDP3O1012	IDP3O/1012	Open Style - 3 Silo, 10-1/8" (25.7cm) Plate	45.75" (121.8cm)	17.75" (116.2cm)	39" (45.1cm)	114 lb. (99.1kg)	17.1	92.5
DXIDP3O1200	IDP3O/1200	Open Style - 3 Silo, 12" (30.5cm) Plate	52.50" (137.1cm)	17.75" (133.4cm)	39" (45.1cm)	131 lb. (99.1kg)	22.6	92.5

Contact factory for plate sizes not listed. Note: Capacity may vary due to plate thickness.



Spec Sheet: 032

**PLATE DISPENSERS - ENCLOSED STYLE - UNHEATED**

Item No.	Model No.	Description	L	D	H	Ship Weight	Cube	Class
<b>PLATE DISPENSERS - ENCLOSED STYLE 2 SILO - UNHEATED - 100 PLATES / 72 BOWLS (approx.)</b>								
DXIDP2E0912	IDP2E/0912	Enclosed Style - 2 Silo, 9-1/8" (23.2cm) Plate	32" (77.8cm)	18.50" (81.3cm)	36.75" (47.0cm)	161 lb. (93.3kg)	13.5	92.5
DXIDP2E1012	IDP2E/1012	Enclosed Style - 2 Silo, 10-1/8" (25.7cm) Plate	32" (77.8cm)	18.50" (81.3cm)	36.75" (47.0cm)	163 lb. (93.3kg)	13.5	92.5
DXIDP2E1200	IDP2E/1200	Enclosed Style - 2 Silo, 12" (30.5cm) Plate	36.50" (89.2cm)	20.75" (92.7cm)	36.75" (52.7cm)	175 lb. (93.3kg)	13.5	92.5
<b>PLATE DISPENSERS - ENCLOSED STYLE 3 SILO - UNHEATED - 150 PLATES / 108 BOWLS (approx.)</b>								
DXIDP3E0912	IDP3E/0912	Enclosed Style - 3 Silo, 9-1/8" (23.2cm) Plate	46.50" (114.6cm)	18.50" (118.1cm)	36.75" (47.0cm)	188 lb. (93.3kg)	19.7	92.5
DXIDP3E1012	IDP3E/1012	Enclosed Style - 3 Silo, 10-1/8" (25.7cm) Plate	46.50" (114.6cm)	18.50" (118.1cm)	36.75" (47.0cm)	190 lb. (93.3kg)	19.7	92.5
DXIDP3E1200	IDP3E/1200	Enclosed Style - 3 Silo, 12" (30.5cm) Plate	53.25" (137.1cm)	20.75" (135.3cm)	36.75" (52.7cm)	194 lb. (93.3kg)	22.7	92.5

Contact factory for plate sizes not listed. Note: Capacity may vary due to plate thickness.



Spec Sheet: 031

## DROP-IN PLATE DISPENSERS - UNHEATED

Item No.	Model No.	Description	Outside Height	Cut Out Flange Dia.	Maximum Diameter	Ship Plate Size	Weight	Cube	Class
DXIDPDS0912	IDPDS/0912	Drop-In, Shielded	28" (71.1cm)	12-3/8" (31.4cm)	11-9/16" (29.4cm)	9-1/8" (23.2cm)	88 lb. (40kg)	2.8	92.5
DXIDPDS1012	IDPDS/1012	Drop-In, Shielded	28" (71.1cm)	13-3/8" (34.0cm)	12-9/16" (31.9cm)	10-1/8" (25.7cm)	89 lb. (41kg)	3.4	92.5
DXIDPDS1200	IDPDS/1200	Drop-In, Shielded	28" (71.1cm)	15-7/8" (40.3cm)	14-11/16" (37.3cm)	12-1/4" (31.1cm)	94 lb. (43kg)	4.7	92.5



Contact factory for plate sizes not listed.  
**CAPACITY 50 PLATES / 36 BOWLS** (depending on thickness)

Spec Sheet: 030

## DROP-IN PLATE DISPENSERS - HEATED

Item No.	Model No.	Description	Height	Outside Flange Dia.	Cut Out Diameter	Electrical Watts	AMPS	Maximum Plate Size	Ship Weight	Cube	Class
DXIDPHD0912	IDPHD/0912	Drop-In Shielded	28" (71.1cm)	12-3/8" (31.4cm)	11-9/16" (29cm)	450	3.8	9-1/8" (23.2cm)	91 lb. (41kg)	2.8	92.5
DXIDPHD1012	IDPHD/1012	Drop-In Shielded	28" (71.1cm)	13-3/8" (34.0cm)	12-9/16" (32cm)	450	3.8	10-1/8" (25.7cm)	93 lb. (42kg)	3.4	92.5
DXIDPHD1200	IDPHD/1200	Drop-In Shielded	28" (71.1cm)	15-7/8" (40.3cm)	14-11/16" (37cm)	450	3.8	12-1/4" (31.1cm)	97 lb. (44kg)	4.7	92.5



Contact factory for plate sizes not listed.  
**CAPACITY 50 PLATES / 36 BOWLS** (depending on thickness)

Spec Sheet: 030

## PLATE DISPENSERS - OPEN STYLE - HEATED

Item No.	Model No.	Description	L	D	H	Elec. @ 120v	1-PH AMPS	Ship Weight	Cube	Class
DXIDPH2O0912	IDPH2O/0912	Open Style - 2 Silo 9-1/8" (23.2cm) Plate	35.50" (90.2cm)	17.75" (45.1cm)	39" (99.1cm)	1000	8.0	144 lb. (65kg)	31.4	92.5
DXIDPH2O1012	IDPH2O/1012	Open Style - 2 Silo 10-1/8" (25.7cm) Plate	35.50" (90.2cm)	17.75" (45.1cm)	39" (99.1cm)	1000	8.0	148 lb. (67kg)	31.4	92.5
DXIDPH2O1200	IDPH2O/1200	Open Style - 2 Silo 12" (30.5cm) Plate	35.50" (90.2cm)	17.75" (45.1cm)	39" (99.1cm)	1300	11.0	159 lb. (72kg)	31.4	92.5



Contact factory for plate sizes not listed.  
**CAPACITY 100 PLATES / 72 BOWLS** (depending on thickness)

Spec Sheet: 032

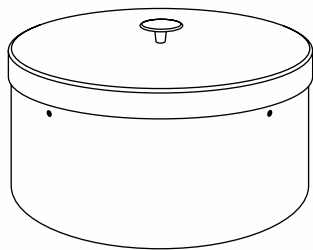
**PLATE DISPENSERS - ENCLOSED STYLE - HEATED**

Item No.	Model No.	Description	L	D	H	Elec. @ 120v	1-PH AMPS	Ship Weight	Cube	Class
<b>PLATE DISPENSER - ENCLOSED STYLE 2 SILO - HEATED - 100 PLATES / 72 BOWLS</b>										
DXIDPH2E0912	IDPH2E/0912	Enclosed Style - 2 Silo 9-1/8" (23.2cm) Plate	32" (81.3cm)	18.50" (47.0cm)	36.75" (93.3kg)	1000	8.4	186 lb. (84kg)	13.5	92.5
DXIDPH2E1012	IDPH2E/1012	Enclosed Style - 2 Silo 10-1/8" (25.7cm) Plate	32" (81.3cm)	18.50" (47.0cm)	36.75" (93.3kg)	1000	8.4	190 lb. (86kg)	13.5	92.5
DXIDPH2E1200	IDPH2E/1200	Enclosed Style - 2 Silo 12-1/4" (31.1cm) Plate	36.50" (92.7cm)	20.75" (52.7cm)	36.75" (93.3kg)	1300	11.0	203 lb. (92kg)	13.5	92.5
<b>PLATE DISPENSER - ENCLOSED STYLE 3 SILO - HEATED - 150 PLATES / 108 BOWLS</b>										
DXIDPH3E0912	IDPH3E/0912	Enclosed Style - 3 Silo 9-1/8" (23.2cm) Plate	46.50" (118.1cm)	18.50" (47.0cm)	36.75" (93.3kg)	1500	12.6	223 lb. (101kg)	19.7	92.5
DXIDPH3E1012	IDPH3E/1012	Enclosed Style - 3 Silo 10-1/8" (25.7cm) Plate	46.50" (118.1cm)	18.50" (47.0cm)	36.75" (93.3kg)	1500	12.6	225 lb. (102kg)	19.7	92.5
DXIDPH3E1200	IDPH3E/1200	Enclosed Style - 3 Silo 12" (30.5cm) Plate	53.25" (135.3cm)	20.75" (52.7cm)	36.75" (93.3kg)	1950	16.5	227 lb. (103kg)	22.7	92.5
<b>PLATE DISPENSER - ENCLOSED STYLE 4 SILO - HEATED - 200 PLATES / 144 BOWLS</b>										
DXIDPH4E0912	IDPH4E/0912	Enclosed Style - 4 Silo 9-1/8" (23.2cm) Plate	32" (81.3cm)	32" (81.3cm)	36.75" (93.3cm)	1800	16.8	247 lb. (112kg)	24.4	92.5
DXIDPH4E1012	IDPH4E/1012	Enclosed Style - 4 Silo 10-1/8" (25.7cm) Plate	32" (81.3cm)	32" (81.3cm)	36.75" (93.3cm)	1800	16.8	250 lb. (113kg)	24.4	92.5
DXIDPH4E1200	IDPH4E/1200	Enclosed Style - 4 Silo 12" (25.7cm) Plate	39" (99.1cm)	36.50" (92.7cm)	36.75" (93.3cm)	1800	22.0	253 lb. (114kg)	29.7	92.5

Contact factory for plate sizes not listed. Note: Capacity may vary due to plate thickness.



Spec Sheet: 031



**PLATE DISPENSER ACCESSORIES**

Item No.	Model No.	Description	Pack	Height	Diameter
DXIACPHC0912	IACPHC/0912	Plate Heater Silo Cover 9-1/8" (23.2cm)	1	5.44" (13.8cm)	9.69" (24.6cm)
DXIACPHC1012	IACPHC/1012	Plate Heater Silo Cover 10-1/8" (25.7cm)	1	5.44" (13.8cm)	10.75" (27.3cm)
DXIACPHC1200	IACPHC/1200	Plate Heater Silo Cover 12" (30.5cm)	1	5.44" (13.8cm)	12.66" (31.9cm)
DXIADW	IADWB	Wrap-around bumper (Not available for open style dispensers)	1	-	-

Contact factory for plate sizes not listed.

Overall height with knob 6.3"

Spec Sheet: 031



## TRAY & WASHRACK DISPENSERS

HIGH QUALITY EQUIPMENT FOR TRAYLINE AND MEAL DELIVERY SYSTEMS

Tray dispensers are offered in a variety of styles—each available in a single or double configuration. All feature the Dinx Spring-Pak™ self-leveling mechanism and are equipped with locking swivel casters.



*Dinx self leveling dispensers increase productivity during meal production. The tray dispenser can be adjusted to accommodate different tray sizes.*



*Washrack dispenser*



*Enclosed tray dispenser*



*Open tray dispenser*

## TRAY & SILVERWARE DISPENSERS

VERSATILE AND EFFICIENT TRAYLINE EQUIPMENT

Combination tray and silverware dispensers are offered in a single stack model with six or eight silverware holders, or double stack with eight or ten silverware holders. Each style can accommodate seven different tray sizes.

- Cantilever style available in single stack configuration with eight or ten silverware holders.
- Solid shelf style available in both single and double stack configurations with six, eight, or ten silverware holders.



*Cantilever style dispenser*



*Solid shelf style dispenser*

**MOBILE RACK DISPENSERS**

Item No.	Model No.	Description	L	D	H	Rack Size	Ship Weight	Cube	Class
DXIDRC1020	IDRC/1020	Mobile Rack Dispenser, Cantilever Style	23.50" (59.7cm)	23.25" (59.1cm)	37.13" (94.3cm)	10" x 20" (25.4cm x 50.8cm)	111 lb. (50kg)	9.2	92.5
DXIDRC2020	IDRC/2020	Mobile Rack Dispenser, Cantilever Style	23.50" (59.7cm)	31.25" (79.4cm)	37.13" (94.3cm)	20" x 20" (50.8cm x 50.8cm)	179 lb. (81kg)	17.5	92.5
DXIDRD1020	IDRD1020	Mobile Rack Dispenser, Drop in	23.25" (59.1cm)	25.19" (64.0cm)	28.25" (71.8cm)	10" x 20" (25.4cm x 50.8cm)	98 lb. (44kg)	8.1	92.5
DXIDRD2020	IDRD2020	Mobile Rack Dispenser, Drop in	23.25" (59.1cm)	25.19" (64.0cm)	28.25" (71.8cm)	20" x 20" (50.8cm x 50.8cm)	105 lb. (48kg)	12.7	92.5
DXIDRE1020	IDRE1020	Mobile Rack Dispenser, Enclosed	25.69" (65.2cm)	23.75" (60.3cm)	36.13" (91.8cm)	10" x 20" (25.4cm x 50.8cm)	159 lb. (72kg)	14.4	92.5
DXIDRE2020	IDRE2020	Mobile Rack Dispenser, Enclosed	25.69" (65.2cm)	23.75" (60.3cm)	36.13" (91.8cm)	20" x 20" (50.8cm x 50.8cm)	159 lb. (72kg)	14.4	92.5
DXIDRS1020	IDRS/1020	Mobile Rack Dispenser, Shelf Style	18.16" (46.1cm)	23.63" (60.0cm)	36.25" (92.1cm)	10" x 20" (25.5cm x 50.8cm)	125 lb. (57kg)	8.4	92.5
DXIDRS2020	IDRS/2020	Mobile Rack Dispenser, Shelf Style	27.16" (69.0cm)	28.35" (72.0cm)	37.15" (94.4cm)	20" x 20" (50.8cm x 50.8cm)	140 lb. (64kg)	14.0	92.5

Note: Capacity may vary due to material thickness.



**DXIDRD**  
 Rack Dispenser - Drop-In

Spec Sheet: 004



**DXIDRC**  
 Mobile Rack Dispenser - Cantilever

Spec Sheet: 036



**DXIDRE**  
 Mobile Rack Dispenser - Enclosed

Spec Sheet: 037



**DXIDRS**  
 Mobile Rack Dispenser - Shelf Style

Spec Sheet: 038



### TRAY DISPENSERS - SOLID SHELF

Item No.	Model No.	Description	L	D	H	Ship Weight	Cube	Class
<b>OPEN SINGLE, SOLID SHELF - 150 TRAY CAPACITY</b>								
DXIDT1S1418	IDT1S/1418	Open Single, Solid Shelf 14" x 18" Tray	18.69" (47.5cm)	21.88" (55.6cm)	36.25" (92.1cm)	133 lb. (60kg)	9.8	92.5
DXIDT1S1520	IDT1S/1520	Open Single, Solid Shelf 15" x 20" Tray	19.69" (50.0cm)	23.88" (60.6cm)	36.25" (92.1cm)	133 lb. (60kg)	11.2	92.5
DXIDT1S1622	IDT1S/1622	Open Single, Solid Shelf 16" x 22" Tray	20.69" (52.5cm)	25.88" (65.7cm)	36.25" (92.1cm)	125 lb. (56kg)	12.8	92.5
<b>OPEN DOUBLE, SOLID SHELF - 300 TRAY CAPACITY</b>								
DXIDT2S1418	IDT2S/1418	Open Double, Solid Shelf 14" x 18" Tray	36.56" (92.8cm)	21.88" (55.6cm)	36.25" (92.1cm)	152 lb. (69kg)	19.1	92.5
DXIDT2S1520	IDT2S/1520	Open Double, Solid Shelf 15" x 20" Tray	38.56" (97.9cm)	23.88" (60.6cm)	36.25" (92.1cm)	170 lb. (77kg)	22.0	92.5
DXIDT2S1622	IDT2S/1622	Open Double, Solid Shelf 16" x 22" Tray	40.56" (103.0cm)	25.88" (65.7cm)	36.25" (92.1cm)	174 lb. (78kg)	25.1	92.5

Spec Sheet: 039



### TRAY DISPENSERS - ENCLOSED

Item No.	Model No.	Description	L	D	H	Ship Weight	Cube	Class
<b>ENCLOSED SINGLE STACK - 150 TRAY CAPACITY</b>								
DXIDT1E1418	IDT1E/1418	Enclosed, Single Stack 14" x 18" Tray	23.25" (59.1cm)	19.38" (49.2cm)	36.63" (93.0cm)	153 lb. (69kg)	11.1	92.5
DXIDT1E1520	IDT1E/1520	Enclosed, Single Stack 15" x 20" Tray	23.25" (59.1cm)	19.38" (49.2cm)	36.63" (93.0cm)	153 lb. (69kg)	11.1	92.5
DXIDT1E1622	IDT1E/1622	Enclosed, Single Stack 16" x 22" Tray	25.75" (65.4cm)	20.88" (53.0cm)	36.63" (93.0cm)	153 lb. (69kg)	11.1	92.5
<b>ENCLOSED DOUBLE STACK - 300 TRAY CAPACITY</b>								
DXIDT2E1418	IDT2E/1418	Enclosed, Double Stack 14" x 18" Tray	24.69" (62.7cm)	35.19" (89.4cm)	34.25" (87.0cm)	120 lb. (55kg)	22.0	92.5
DXIDT2E1520	IDT2E/1520	Enclosed, Double Stack 15" x 20" Tray	31.69" (80.4cm)	35.19" (89.4cm)	34.25" (87.0cm)	160 lb. (83kg)	29.4	92.5
DXIDT2E1622	IDT2E/1622	Enclosed, Double Stack 16" x 22" Tray	31.69" (80.4cm)	35.19" (89.4cm)	34.25" (87.0cm)	160 lb. (83kg)	29.4	92.5

Note: Capacity may vary due to material thickness.

Spec Sheet: 104



### TRAY DISPENSERS - CANTILEVER SINGLE STACK

Item No.	Model No.	Description	L	D	H	Ship Weight	Cube	Class
DXIDT1C1418	IDT1C/1418	Cantilever, Single Stack 14" x 18" Tray	23.50" (59.7cm)	26.50" (67.3cm)	36.25" (92.1cm)	178 lb. (81kg)	14.9	92.5
DXIDT1C1520	IDT1C/1520	Cantilever, Single Stack 15" x 20" Tray	23.50" (59.7cm)	26.50" (67.3cm)	36.25" (92.1cm)	178 lb. (81kg)	14.9	92.5
DXIDT1C1622	IDT1C/1622	Cantilever, Single Stack 16" x 22" Tray	23.50" (59.7cm)	26.50" (67.3cm)	36.25" (92.1cm)	178 lb. (81kg)	18.4	92.5
DXMOCTD	MOC/TD	Cantilever Tray Dispenser for Meals On Command 13.5" x 23" Tray	23.50" (59.7cm)	26.50" (67.3cm)	36.25" (92.1cm)	178 lb. (81kg)	18.4	92.5

**CAPACITY 150 TRAYS** Note: Capacity may vary due to material thickness.

Spec Sheet: 040



DXIDTS1C - Single Stack

**TRAY & SILVERWARE DISPENSERS - CANTILEVER STYLE**

Item No.	Model No.	Description	L	D	H	Ship Weight	Cube	Class
DXIDTS1C1418	IDTS1C/1418	Tray & Silverware, 9 Cylinder Single Stack, Cantilever Style 14" x 18" Tray	23.50" (59.7cm)	26.25" (66.7cm)	54.15" (137.5cm)	220 lb. (100kg)	14.1	92.5
DXIDTS1C1520	IDTS1C/1520	Tray & Silverware, 9 Cylinder Single Stack, Cantilever Style 15" x 20" Tray	23.50" (59.7cm)	26.25" (66.7cm)	54.15" (137.5cm)	237 lb. (108kg)	19.0	92.5
DXIDTS1C1622	IDTS1C/1622	Tray & Silverware, 9 Cylinder Single Stack, Cantilever Style 16" x 22" Tray	23.50" (59.7cm)	31.25" (79.4cm)	54.15" (137.5cm)	237 lb. (108kg)	20.3	92.5

Note: Capacity may vary due to material thickness

Spec Sheet: 044

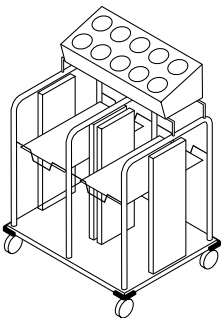


DXIDTS1S - Single Stack

**TRAY & SILVERWARE DISPENSERS - SHELF STYLE**

Item No.	Model No.	Description	L	D	H	Ship Weight	Cube	Class
<b>SINGLE STACK</b>								
DXIDTS1S1418	IDTS1S/1418	Tray & Silverware, 8 Cylinder Single Stack, Shelf Style 14" x 18" Tray	23.19" (58.9cm)	18.69" (47.5cm)	52.63" (133.7cm)	133 lb. (60kg)	13.6	92.5
DXIDTS1S1520	IDTS1S/1520	Tray & Silverware, 8 Cylinder Single Stack, Shelf Style 15" x 20" Tray	23.19" (58.9cm)	19.69" (50.0cm)	52.63" (133.7cm)	133 lb. (60kg)	15.7	92.5
DXIDTS1S1622	IDTS1S/1622	Tray & Silverware, 8 Cylinder Single Stack, Shelf Style 16 x 22" (Tray)	23.19" (58.9cm)	20.69" (52.6cm)	52.63" (133.7cm)	125 lb. (57kg)	17.9	92.5
<b>DOUBLE STACK</b>								
DXIDTS2S1418	IDTS2S/1418	Tray & Silverware, 16 Cylinder Double Stack, Shelf Style 14" x 18" Tray	43.19" (109.7cm)	28.38" (72.1cm)	53.75" (136.5cm)	162 lb. (74kg)	26.7	92.5
DXIDTS2S1520	IDTS2S/1520	Tray & Silverware, 16 Cylinder Double Stack, Shelf Style 15" x 20" Tray	43.19" (109.7cm)	28.38" (72.1cm)	53.75" (136.5cm)	180 lb. (82kg)	30.7	92.5
DXIDTS2S1622	IDTS2S/1622	Tray & Silverware, 16 Cylinder Double Stack, Shelf Style 16 x 22" Tray	43.19" (109.7cm)	28.38" (72.1cm)	53.75" (136.5cm)	184 lb. (83kg)	35.0	92.5

Spec Sheet: 047



DXIDTS2S - Double Stack



*Drying & Storage Racks*

# DRYING & STORAGE RACKS

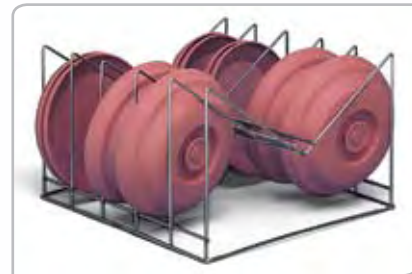
VERSATILE MOBILE RACKS FOR DOMES AND BASES

DRYING & STORAGE RACKS



## DRYING & STORAGE RACKS

Drying and Storage Racks keep your trayline and dishwashing area organized and operating at peak efficiency. The stainless steel cradles are removable for direct dishwasher service.



*Easy carry cradles, made entirely of stainless steel, holds domes and bases securely for easier washing, drying and storage.*

## DRYING & STORAGE RACKS

Dinex Equipment Systems offer racks to accommodate virtually every food service need. Included are dome storage racks for drying and storing entrée domes, underliners and drying racks with open wire shelving for optimum ventilation.



*All racks are constructed of durable, easy to clean stainless steel.*



*Induction Base Drying Racks are designed to efficiently dry, store and transport your Smart·Therm, Turbo·Temp or Power·Therm Induction Bases.*



*Washrack for insulated trays.*

# DRYING & STORAGE RACKS

## TRAY DRYING RACKS

Item No.	Model No.	Description	L	D	H	Ship Weight	Cube	Class
<b>INSULATED TRAY DRYING RACKS</b>								
DXIRDSIF	IRDSI/F	Full Size Drying Rack for Insulated Trays 72" (182.7cm) Wide	72" (182.7cm)	24" (60.9cm)	68" (172.6cm)	195 lb. (88kg)	77.3	250
DXIRDSIH	IRDSI/H	Half Size Drying Rack for Insulated Trays 36" (91.4cm) Wide	36" (91.4cm)	24" (60.9cm)	68" (172.6cm)	124 lb. (56kg)	36.4	25
<b>FLAT TRAY DRYING RACK</b>								
DXIDTDR3	IDTDR/3	Drying rack for 14" x 18" and 15" x 20" flat trays Approx. capacity - 120 trays	63.75" (161.8cm)	28" (71.1cm)	74.50" (189.2cm)	277 lb. (126kg)	87.1	250

### INSULATED TRAY Drying Rack Capacities:

- Solar Covers - 68, 34
- Solar Servers - 156, 78
- Ultima Covers - 96, 48
- Ultima Servers - 156, 78
- Gemini Covers - (Full) 96, 48
- Gemini Covers - (Partial) 192, 96
- Gemini Servers - 112, 56
- Omni Covers - 192, 96
- Omni Servers - 192, 96
- DX1089RS03 - 69, 33

Note: Gemini and Omni Covers are stored 2 per shelf.



Insulated Tray Drying Rack  
**DXIDRSIF**

Spec Sheet: 022



Flat Tray Drying Rack  
**DXIDTDR3**

Spec Sheet: 134

## DRYING & STORAGE RACKS

Item No.	Model No.	Description	L	D	H	Ship Weight	Cube	Class
<b>DOME STORAGE RACKS - 9" DOMES &amp; UNDERLINERS - STAINLESS STEEL</b>								
DX1173X50	1173/X50	Holds 50 domes or 100 bases/underliners	19.50" (49.5cm)	20.25" (51.4cm)	73" (185.3cm)	115 lb. (52kg)	19.2	250
DX1173X80	1173/X80	Holds 80 domes or 160 bases/underliners	40" (101.5cm)	20.25" (51.4cm)	59" (149.8cm)	125 lb. (57kg)	29.9	250
DX1173X100	1173/X100	Holds 100 domes or 200 bases/underliners	40" (101.5cm)	20.25" (51.4cm)	73" (185.3cm)	145 lb. (66kg)	36.3	250
DX1173XC10	1173/XC10	Drying Cradle Insert for 1173 Series	18" (45.7cm)	17.50" (44.4cm)	10.50" (26.7cm)	3.5 lb. (1.6kg)	2.4	250
<b>STORAGE RACKS FOR INDUCTION BASES</b>								
DXIBDRS90	IBDRS/90	Holds 90 Induction Bases	20.50" (52.1cm)	22" (55.9cm)	78" (198.1cm)	158 lb. (71.7kg)	21.7	250
DXIBDRS180	IBDRS/180	Holds 180 Induction Bases	40" (101.6cm)	22" (55.9cm)	78" (198.1cm)	228 lb. (103.4kg)	42.5	250
DXIBDRS270	IBDRS/270	Holds 270 Induction Bases	59.50" (151.1cm)	22" (55.9cm)	78" (198.1cm)	285 lb. (129.4kg)	67.2	250
DX10251	10251	Replacement wire cradle (18 bases per cradle)	17.75" (45.1cm)	18" (45.7cm)	6" (15.2cm)			
<b>STORAGE RACKS FOR POWER-THERM INDUCTION BASES</b>								
DXIBDRP100	IBDRP/100	Holds 100 Induction Base	20.50" (52.1cm)	22" (55.9cm)	78" (198.1cm)	160 lb. (72.6kg)	27.1	250
DXIBDRP200	IBDRP/200	Holds 200 Induction Base	40" (101.6cm)	22" (55.9cm)	78" (198.1cm)	235 lb. (106.6kg)	42.5	250
DXIBDRP300	IBDRP/300	Holds 300 Induction Base	59.50" (151.1cm)	22" (55.9cm)	78" (198.1cm)	290 lb. (131.7kg)	67.2	250
DX0114950	0114950	Replacement wire cradle (20 bases per cradle)	17.75" (45.1cm)	18" (45.7cm)	6" (15.2cm)			
DXIRDSH300	IRDSH/300	Induction Base Rack (for 7" Hotel Base) 300 capacity						250

Spec Sheet: TMP-011

Spec Sheet: 125

**DRYING & STORAGE RACKS**

Item No.	Model No.	Description	L	D	H	Ship Weight	Cube	Class
<b>DOMESTORAGE RACKS - 9" DOMES &amp; UNDERLINERS - STAINLESS STEEL</b>								
DXIRDS950	IRDS9/50	Holds 50 domes or 100 bases/underliners	22.50" (57.1cm)	22" (55.8cm)	78" (198.1cm)	158 lb. (72kg)	23.8	250
DXIRDS9100	IRDS9/100	Holds 100 domes or 200 bases/underliners	44" (111.7cm)	22" (55.8cm)	78" (198.1cm)	228 lb. (103kg)	46.7	250
DXIRDS9150	IRDS9/150	Holds 150 domes or 300 bases/underliners	65.50" (166.2cm)	22" (55.8cm)	78" (198.1cm)	285 lb. (129kg)	73.4	250
<b>DOMESTORAGE RACKS - STAINLESS STEEL - SYSTEM 7</b>								
DXIRDS740	IRDS7/40	7" (17.8cm) Domes 40 Capacity	22.50" (57.1cm)	22" (55.8cm)	78" (198.1cm)	155 lb. (70kg)	23.8	250
DXIRDS780	IRDS7/80	7" (17.8cm) Domes 80 Capacity	44" (111.7cm)	22" (55.8cm)	78" (198.1cm)	205 lb. (93kg)	46.7	250
DXIRDS7120	IRDS7/120	7" (17.8cm) Domes 120 Capacity	65.50" (166.2cm)	22" (55.8cm)	78" (198.1cm)	285 lb. (129kg)	73.4	250
DX10018	10018	Replacement washrack and wire cradle - System 7 Dome, 12 Capacity (each cradle)						
<b>INDUCTION BASE DRYING RACK - 7" HOTEL BASE</b>								
DXIRDSH300	IRDSH/300	Induction Base Rack 300 Capacity - for 7" Hotel Base	38.25" (97.2cm)	18.63" (47.3cm)	67.75" (172.1cm)	155 lb. (70kg)	29.7	250
DX0115847	0115847	Replacement Cradle for Induction Bases, 30 Capacity (each cradle)						
<b>WASHRACK CRADLE</b>								
DX10050	10050	Wire cradle for 9" domes, stainless steel (packed 1)						250
DX10053	10053	Washrack and cradle for 9" domes (packed 2)				11.2 lb. (5.1kg)		250



Dome Storage Rack - Stainless Steel

Spec Sheet: 016



Induction Base Rack

Spec Sheet: 125



Drying Cradle Insert  
**DX1173XC10**





*Heaters*

# CONVECTION WAX BASE HEATERS

THE INDUSTRY STANDARD FOR WAX BASE SYSTEMS

WAX BASE HEATERS



## CONVECTION WAX BASE HEATER

Specifically designed for heating unitized (wax) bases, the convection heater's uniform temperature and even air-flow produce consistent heating throughout the stack. Protective wrap-around bumpers are featured on several models. Also used for heating 7-3/4" wax bases.

## WAX BASE SYSTEM

Designed for superior temperature retention and durability, the stainless steel wax-core base ensures that hot foods stay at their maximum temperature throughout patient tray service.



*The Wax Base is constructed of highly durable 20-gauge, 304 stainless steel. The exclusive specialized wax compound ensures fast heat-up, even distribution of temperature with longer heat retention.*



*Base Lifters are an essential tool for safe handling of heated stainless steel bases. They feature long lasting, durable silicon suction cups and a dependable vacuum release system.*

## CONVECTION BASE HEATER

Item No.	Model No.	Description	L	D	H	208/220-240 60HZ Watts	AMPS	Approx. Capacity	Ship Weight	Cube	Class
DXIDWB20900	IDWB2/0900	9" (22.8cm) Wax Base Dispenser - 2 Silo	34" (86.4cm)	23.75" (60.3cm)	41.38" (105.1cm)	3200	16.3	100	325 lb. (147kg)	21.9	92.5
DXIDWB30900	IDWB3/0900	9" (22.8cm) Wax Base Dispenser - 3 Silo	44" (111.8cm)	23.75" (60.3cm)	41.38" (105.1cm)	3200	16.3	150	365 lb. (165kg)	28.4	92.5



Spec Sheet: 025

## BASE HEATER ACCESSORIES

Item No.	Model No.	Description	Pack	Ship Wt.	Cube	Class
DXTMPHNDLIFT	TMP1097/HNDLIFT	Base Lifter, palm grip	1	0.5 lb. (0.2kg)	0.1	70
DXTMPLIFTER	TMP1097/LIFTER	Base Lifter, wand style	1	1.2 lb. (0.5kg)	0.2	70
DXTMPVACCUP3	TMP1097/VACCUP3	3" (7.6cm) Replacement cup, hand style	1	0.3 lb. (0.1kg)	0.1	70
DXTMPVACCUP4	TMP1097/VACCUP4	4" (10cm) Replacement cup, wand style	1	0.5 lb. (0.2kg)	0.1	70



## BASE HEATER ACCESSORIES

Item No.	Model No.	Description	Pack	Ship Wt.	Cube	Class
DXK335C9	K335C9	Gloves, heat resistant for wax bases and plates	12 pair	2.5 lb. (1.1kg)	0.4	65



## WAX BASE

Item No.	Model No.	Description	Pack	Ship Wt.	Cube	Class
DX4731402	4731402*	Wax Base 7-3/4" (19.7cm) System 7	10	12.4 lb. (5.6kg)	0.3	70
DXTMP1097A	TMP1097A	Wax Base 9" (22.9cm) (Model 4731129)	12	27.0 lb. (12.2kg)	0.6	70



Spec Sheet: TMP-009

## GENERAL ACCESSORIES

Item No.	Model No.	Description	Pack	Ship Wt.	Cube	UPC
DXK335C9	K335C9	Gloves, heat resistant for wax bases and plates	12 pair	2.5 lb. (1.13kg)	0.4	753806640030
DXTMPHNDLIFT	TMP1097/HNDLIFT	Base Lifter, palm grip	1	0.5 lb. (0.23kg)	0.1	753806280007
DXTMPLIFTER	TMP1097/LIFTER	Base Lifter Wand Style	1	1.2 lb. (0.55kg)	0.2	753806580022
DXTMPVACCUP3	TMP1097/VACCUP3	3" Replacement Cup for Palm Grip Style Base Lifter	1	0.3 lb. (0.13kg)	0.1	753806640009
DXTMPVACCUP4	TMP1097/VACCUP4	4" Replacement Cup for Wand Style Base Lifter	1	0.5 lb. (0.23kg)	0.1	753806640016

\* Indicates discontinued item. Quantities may be limited; call for availability.

# PLATE HEATERS

HIGH QUALITY EQUIPMENT FOR TRAY LINE AND MEAL DELIVERY SYSTEMS

PLATE HEATERS

## COLOSSUS™ CONVECTION PLATE HEATER

The Colossus Heated Plate Dispenser is designed with a single thermostat for heating china plates (up to 10" in diameter) to a temperature of 170°F in less than two hours. It's ideal for super heating plates in conjunction with the Dinex Induction Heating System. The Colossus features all stainless steel exterior and is available in 2 and 3 silo configurations—each with heavy duty casters and protective wrap-around bumpers.



## COMBINATION WAX BASE & PLATE HEATER

The versatile Combination Base and Plate Heater is constructed of heavy gauge stainless steel, and is sized for optimal space conservation. The Combo Heater holds fifty wax bases in one silo, and fifty 9" china plates in the other. The plate silo has an adjustable thermostat to adjust for various plate materials.

## COLOSSUS PLATE HEATER

Item No.	Model No.	Description	L	D	H	208/220-240 60HZ		Approx. Capacity	Ship Weight	Cube	Class
						Watts	AMPS				
DXIDPC20120	IDPC2/0120	Colossus Plate Heater - 2 Silo for 9" Plates	34" (86.4cm)	23.75" (60.3cm)	41.38" (105.1cm)	3200	16.3	120 Plates	325 lb. (147kg)	21.9	92.5
DXIDPC30180	IDPC3/0180	Colossus Plate Heater - 3 Silo for 9" Plates	44" (111.8cm)	23.75" (60.3cm)	41.38" (105.1cm)	3200	16.3	180 Plates	365 lb. (166kg)	28.4	92.5

Note: Capacity may vary due to plate thickness.



Spec Sheet: 024

## COMBINATION WAX BASE & PLATE HEATER

Item No.	Model No.	Description	L	D	H	Elec. @ 208v 1-PH		Approx. Capacity	Ship Weight	Cube	Class
						Watts	AMPS				
DXIDPWB20900	IDPWB2/0900	Combo Base & Plate Heater for 9" plates	34" (86.4cm)	23.75" (60.3cm)	41.38" (105.1cm)	3200	15.5	50 per silo	350 lb. (159kg)	23.9	92.5

Note: Capacity may vary due to plate thickness.



Spec Sheet: 103



*Tray Delivery Carts*

## TRAY DELIVERY CARTS

HIGH QUALITY CARTS FOR MEAL SERVICE

### TRAY DELIVERY CARTS

Dinex Tray Delivery Carts are available in a variety of configurations—each designed and built to transport hot meals quickly and quietly while delivering maximum value and efficiency to your facility.

- All Dinex Tray Delivery Carts are field-adjustable to accommodate the most popular tray sizes: 14" x 18", 15" x 20", 12" x 19", and 12" x 20". DX1T2D series carts can also accommodate 16" x 22" trays. Specify tray size when ordering.
- Available accessories include: Menu Holder, Tow Hitch, Floor Drains, and Top Handles (shown).



### ECONOMY DELIVERY CART

Lightweight and versatile delivery cart, open style with optional transport cover. Ideal for room service or any immediate tray delivery system. Aluminum construction with removable solid top.

### SUSPENDED CARTS

Insulated tray delivery carts are designed to transport trays to patients in a secure and practical manner. Also for pick-up and return of soiled trays.

### STACKING CARTS

Stacking tray carts are designed to transport the insulated tray from the meal assembly point to the serving area.

**SUSPENDED CARTS FOR INSULATED TRAY SYSTEMS**

Item No.	Model No.	Description	Capacity	L	D	H	Ship Weight	Cube	Class
DXICSU152012	ICSU1520/12	Suspended Cart, 15" x 20" (38.1cm x 50.8cm) Tray	12	26.38" (67.0cm)	35.38" (89.9cm)	47" (119.4cm)	145 lb. (66kg)	27.8	250
DXICSU152018	ICSU1520/18	Suspended Cart, 15" x 20" (38.1cm x 50.8cm) Tray	18	26.38" (67.0cm)	35.38" (89.9cm)	60.50" (153.7cm)	165 lb. (75kg)	35.1	250
DXICSU152024	ICSU1520/24	Suspended Cart, 15" x 20" (38.1cm x 50.8cm) Tray	24	51.95" (132.0cm)	35.38" (89.9cm)	47" (119.4cm)	225 lb. (102kg)	58.6	250
DXICSU152036	ICSU1520/36	Suspended Cart, 15" x 20" (38.1cm x 50.8cm) Tray	36	51.95" (132.0cm)	35.38" (89.9cm)	60.50" (153.7cm)	245 lb. (111kg)	73.9	250
DXICSUG12	ICSUG/12	Suspended Cart, Gemini	12	26.38" (67.0cm)	35.38" (89.9cm)	47" (119.4cm)	145 lb. (66kg)	27.8	250
DXICSUG18	ICSUG/18	Suspended Cart, Gemini	18	26.38" (67.0cm)	35.38" (89.9cm)	60.50" (153.7cm)	165 lb. (75kg)	35.1	250
DXICSUG24	ICSUG/24	Suspended Cart, Gemini	24	51.95" (132.0cm)	35.38" (89.9cm)	47" (119.4cm)	225 lb. (102kg)	58.6	250
DXICSUG36	ICSUG/36	Suspended Cart, Gemini	36	51.95" (132.0cm)	35.38" (89.9cm)	60.50" (153.7cm)	245 lb. (111kg)	73.9	250
DXICSUS12	ICSUS/12	Suspended Cart, Solar	12	26.38" (67.0cm)	35.38" (89.9cm)	47" (119.4cm)	145 lb. (66kg)	27.8	250
DXICSUS18	ICSUS/18	Suspended Cart, Solar	18	26.38" (67.0cm)	35.38" (89.9cm)	60.50" (153.7cm)	165 lb. (75kg)	35.1	250
DXICSUS24	ICSUS/24	Suspended Cart, Solar	24	51.95" (132.0cm)	35.38" (89.9cm)	47" (119.4cm)	225 lb. (102kg)	58.6	250
DXICSUS36	ICSUS/36	Suspended Cart, Solar	36	51.95" (132.0cm)	35.38" (89.9cm)	60.50" (153.7cm)	245 lb. (111kg)	73.9	250
DXICSUU12	ICSUU/12	Suspended Cart, Ultima	12	26.38" (67.0cm)	35.38" (89.9cm)	47" (119.4cm)	145 lb. (66kg)	27.8	250
DXICSUU18	ICSUU/18	Suspended Cart, Ultima	18	26.38" (67.0cm)	35.38" (89.9cm)	60.50" (153.7cm)	165 lb. (75kg)	35.1	250
DXICSUU24	ICSUU/24	Suspended Cart, Ultima	24	51.95" (132.0cm)	35.38" (89.9cm)	47" (119.4cm)	225 lb. (102kg)	58.6	250
DXICSUU36	ICSUU/36	Suspended Cart, Ultima	36	51.95" (132.0cm)	35.38" (89.9cm)	60.50" (153.7cm)	245 lb. (111kg)	73.9	250

**SUSPENDED CART ACCESSORIES**

DX0113644	0113644	Locking Bar for 12 and 24 capacity carts (Two for 12 capacity, Four for 24 capacity)
DX0113645	0113645	Locking Bar for 18 and 36 capacity carts (Two for 18 capacity, Four for 36 capacity)
DX0113763	0113763	Locking Bar Bracket
DXICSUCOVER24C	ICSUCOVER/24C	Cover for 24 capacity Suspended Cart
DXICSUCOVER36C	ICSUCOVER/36C	Cover for 36 capacity Suspended Cart
DXICSUCOVER37	ICSUCOVER/37	Cover for 12 capacity Suspended Cart
DXICSUCOVER55	ICSUCOVER/55	Cover for 18 capacity Suspended Cart
DXICSUTS	ICSU/TS	Top Shelf



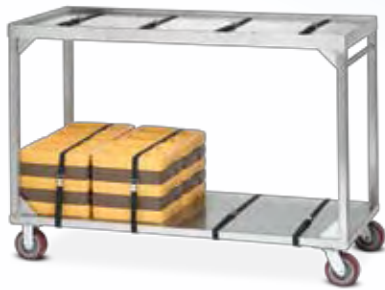
Spec Sheet: 020



# TRAY DELIVERY CARTS

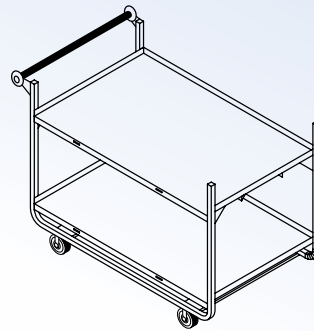
## STACKING CARTS FOR INSULATED TRAY SYSTEMS

Item No.	Model No.	Description	Capacity	L	D	H	Ship Weight	Cube	Class
DXICSTG24	ICSTG/24	Stacking Cart Gemini	24-36	45.19" (114.8cm)	29" (73.7cm)	39.50" (100.3cm)	149 lb. (68kg)	31.6	250
DXICSTO48	ICSTO/48	Stacking Cart Omni	48	36.69" (93.2cm)	30" (76.2cm)	39.50" (100.3cm)	149 lb. (68kg)	26.3	250
DXICSTO84	ICSTO/84	Stacking Cart Omni Extra Long	72-84	55.69" (141.5cm)	30" (76.2cm)	39.50" (100.3cm)	149 lb. (68kg)	42.9	250
DXICSTO104	ICSTO/104	Stacking Cart - Correctional	104	49" (124.4cm)	28" (71.1cm)	47" (119.3cm)	365 lb. (165kg)	44.3	250
DXICSTO136	ICSTO/136	Stacking Cart - Correctional	136	64.50" (163.8cm)	28" (71.1cm)	47" (119.3cm)	455 lb. (206kg)	57.5	250
DXICSTSU24	ICSTSU/24	Stacking Cart Solar/Ultima	24	49.69" (126.6cm)	34" (86.4cm)	39.50" (100.3cm)	149 lb. (68kg)	43.8	250
DXWB96	WB96	Tray Strap 96"							65



**DXICSTO** – Stacking Cart

Spec Sheet: 048



**DXICST** – Stacking Cart

Spec Sheet: 015

STACKING CARTS

**ECONOMY TRAY DELIVERY CARTS FOR ROOM SERVICE**

Item No.	Model No.	Description	Capacity	L	D	H	Ship Weight	Cube	Class
<b>TRAY SIZES 14" x 18", 15" x 20", 16" x 22" and Dinex Room Service Trays DX1089RS03 &amp; DX1089RS152003</b>									
DXDHOR12U	DHOR/12U	Open Aluminum Tray Delivery Cart with Universal Tray Slides	12	25" (63.5cm)	33" (83.8cm)	38.06" (96.7cm)	45 lb. (20.4kg)	18.4	250
DXDHOR20U	DHOR/20U	Open Aluminum Tray Delivery Cart with Universal Tray Slides	20	25" (63.5cm)	33" (83.8cm)	59" (150.0cm)	55 lb. (24.9kg)	28.2	250
DXDHOR24U	DHOR/24U	Open Aluminum Tray Delivery Cart with Universal Tray Slides	24	25" (63.5cm)	33" (83.8cm)	69" (175.3cm)	65 lb. (29.5kg)	32.9	250

These racks accommodate Dinex room service trays DX1089RS03 and the DX1089RS152003, among others.  
 Note: Velcro panels available, contact factory.



**DXDHOR12U**  
 Open Style  
 Tray Delivery Cart  
 Spec Sheet: 161

**ECONOMY TRAY DELIVERY CART COVERS**

Item No.	Model No.	Description	Ship Weight	Cube	Class
DXDHOR12COVER	DHOR/12COVER	Clear vinyl transport cover for DXDHOR12 cart, zippered front panel	4.0 lb. (1.8kg)	14.5	250
DXDHOR12COVER2	DHOR/12COVER2	Clear vinyl transport cover for DXDHOR12 cart, zippered front and rear panel	4.0 lb. (1.8kg)	14.5	77.5
DXDHOR12RSTCR	DHOR/12RSTCOVER	Clear vinyl transport cover for DXDHOR12RST cart, zippered front panel	4.0 lb. (1.8kg)	14.5	250
DXDHOR12RSTCOV	DHOR/12RSTCOVER2	Clear vinyl transport cover for DXDHOR12RST cart, zippered front and rear panel	4.0 lb. (1.8kg)	14.5	77.5
DXDHOR12UCOVR	DHOR/12UCOVR	Clear vinyl transport cover for DXDHOR12U cart, zippered front panel	4.0 lb. (1.8kg)	14.5	250
DXDHOR12UCOVR2	DHOR/12UCOVR2	Clear vinyl transport cover for DXDHOR12U cart, zippered front and rear panel	4.0 lb. (1.8kg)	14.5	77.5
DXDHOR20COVER	DHOR/20COVER	Clear vinyl transport cover for DXDHOR20 cart, zippered front panel	4.0 lb. (1.8kg)	14.5	250
DXDHOR20RSTCR	DHOR/20RSTCOVER	Clear vinyl transport cover for DXDHOR20RST cart, zippered front panel	4.0 lb. (1.8kg)	14.5	250
DXDHOR20RSTCOV	DHOR/20RSTCOVER2	Clear vinyl transport cover for DXDHOR20RST cart, zippered front and rear panel	4.0 lb. (1.8kg)	14.5	77.5
DXDHOR20UCOVR	DHOR/20UCOVR	Clear vinyl transport cover for DXDHOR20U cart, zippered front panel	4.0 lb. (1.8kg)	14.5	250
DXDHOR20UCOVR2	DHOR/20UCOVR2	Clear vinyl transport cover for DXDHOR20U cart, zippered front and rear panel	4.0 lb. (1.8kg)	14.5	77.5
DXDHOR24RSTCR	DHOR/24RSTCOVER	Clear vinyl transport cover for DXDHOR24RST cart, zippered front panel	4.0 lb. (1.8kg)	14.5	250
DXDHOR24RSTCV2	DHOR/24RSTCOVER2	Transport cover for DXDHOR24RST cart, zippered front and rear panel	4.0 lb. (1.8kg)	14.5	77.5
DXDHOR24UCOVR	DHOR/24UCOVR	Clear vinyl transport cover for DXDHOR24U cart, zippered front panel	4.0 lb. (1.8kg)	14.5	250
DXDHOR24UCOVR2	DHOR/24UCOVR2	Clear vinyl transport cover for DXDHOR24U cart, zippered front and rear panel	4.0 lb. (1.8kg)	14.5	77.5

Note: Velcro panels available, contact factory.



**DXDHOR12U**  
 Tray Delivery Cart  
 Cover

# TRAY DELIVERY CARTS

VALUE LINE CARTS



**DXICT10**  
Value Line  
Tray Delivery Cart  
Spec Sheet: 136

## VALUE LINE TRAY DELIVERY CARTS FOR ROOM SERVICE

Item No.	Model No.	Description	Capacity	L	D	H	Ship Weight	Cube	Class
<b>TRAY SIZES 14" x 18", 13" x 21", 15" x 20" and Dinet Room Service Tray DX1089RS03</b>									
DXICT6S	ICT/6S	Room Service Cart, enclosed	6	19.25" (48.9cm)	24.50" (62.2cm)	42.63" (108.3cm)	150 lb. (68kg)	11.6	125
DXICT7S	ICT/7S	Room Service Cart, enclosed	7	19.25" (48.9cm)	24.50" (62.2cm)	48.25" (122.5cm)	185 lb. (84kg)	13.2	125
DXICT8S	ICT/8S	Room Service Cart, enclosed	8	19.25" (48.9cm)	24.50" (62.2cm)	53.88" (136.8cm)	200 lb. (91kg)	14.7	125
DXICT10S	ICT/10S	Room Service Cart, enclosed	10	19.25" (48.9cm)	24.50" (62.2cm)	65.13" (165.4cm)	215 lb. (98kg)	17.8	125
<b>TRAY SIZES 14" x 18", 15" x 20" and Dinet Room Service Tray DX1089RS152003</b>									
DXICT10	ICT/10	Value Line Tray Cart, enclosed	10	23.75" (60.3cm)	34.25" (87.0cm)	37.13" (94.3cm)	215 lb. (98kg)	19.7	125
DXICTPT10	ICTPT/10	Value Line Tray Cart, enclosed Pass Thru	10	23.75" (60.3cm)	34.25" (87.0cm)	37.13" (94.3cm)	220 lb. (100kg)	19.7	125
DXICT12	ICT/12	Value Line Tray Cart, enclosed	12	23.75" (60.3cm)	34.25" (87.0cm)	42.75" (108.6cm)	235 lb. (107kg)	22.4	125
DXICTPT12	ICTPT/12	Value Line Tray Cart, enclosed Pass Thru	12	23.75" (60.3cm)	34.25" (87.0cm)	42.75" (108.6cm)	240 lb. (109kg)	22.4	125

These racks accommodate Dinet room service trays DX1089RS03 and the DX1089RS152003, among others.

## VALUE LINE TRAY DELIVERY CARTS

Item No.	Model No.	Description	Capacity	L	D	H	Ship Weight	Cube	Class
<b>TRAY SIZES 14" x 18", 15" x 20" and Dinet Room Service Tray DX1089RS152003</b>									
DXICT16	ICT/16	Value Line Tray Cart, enclosed	16	23.75" (60.3cm)	34.25" (87.0cm)	54" (137.2cm)	275 lb. (125kg)	27.1	100
DXICTPT16	ICTPT/16	Value Line Tray Cart, enclosed Pass Thru	16	23.75" (60.3cm)	34.25" (87.0cm)	54" (137.2cm)	285 lb. (129kg)	27.1	100
DXICT20	ICT/20	Value Line Tray Cart, enclosed	20	23.75" (60.3cm)	34.25" (87.0cm)	65.25" (165.7cm)	295 lb. (134kg)	32.2	100
DXICTPT20	ICTPT/20	Value Line Tray Cart, enclosed Pass Thru	20	23.75" (60.3cm)	34.25" (87.0cm)	65.25" (165.7cm)	305 lb. (138kg)	32.2	100
DXICT24	ICT/24	Value Line Tray Cart, enclosed	24	23.75" (60.3cm)	34.25" (87.0cm)	76.50" (194.3cm)	315 lb. (143kg)	37.2	100
DXICTPT24	ICTPT/24	Value Line Tray Cart, enclosed Pass Thru	24	23.75" (60.3cm)	34.25" (87.0cm)	76.50" (194.3cm)	325 lb. (147kg)	37.2	125



**DXICT16**  
Value Line  
Tray Delivery Cart  
Spec Sheet: 138

## VALUE LINE TRAY DELIVERY CART OPTIONS

Item No.	Model No.	Description
DXICTCB	ICT/CB	Corner Bumpers, for Value Line Carts
DXICTCC	ICT/CC	Carafe Caddy for Value Line Carts (for all capacity carts)
DXICTDRAIN	ICT/DRAIN	Drain Assembly for Value Line Carts
DXICTPH	ICT/PH	Push handle for Value Line Carts (for 16, 20 and 24 tray carts)
DXICTTOW	ICT/TOW	Tow Hitch for Value Line Carts
DXICTTR1	ICT/TR1	Top rail, one side for Value Line Carts (for 10 to 16 tray carts)
DXICTTR2	ICT/TR2	Top rail, two sides for Value Line Carts (for 10 to 16 tray carts)
DXICTTR3	ICT/TR3	Top rail, three sides for Value Line Carts (for 10 to 16 tray carts)
DXICTTR4	ICT/TR4	Top rail, four side for Value Line Carts (for 10 to 16 tray carts)
DXICTWB	ICT/WB	Wrap-around bumpers, for Value Line Carts

## CASTER UPGRADE PACKAGES

DXICTCAST6	ICT/CAST6	6" Caster Upgrade for ICT Carts
DXICTCAST8	ICT/CAST8	8" Caster Upgrade for ICT Carts

**VALUE LINE TRAY DELIVERY CARTS**

Item No.	Model No.	Description	Capacity	L	D	H	Ship Weight	Cube	Class
<b>TRAY SIZES 14" x 18", 15" x 20" and Dinex Room Service Tray DX1089RS152003</b>									
DXICT202D	ICT/202D	Value Line Tray Cart, enclosed 2 door	20	46.34" (117.7cm)	34.22" (86.9cm)	37.15" (94.4cm)	300 lb. (136kg)	33	250
DXICTPT202D	ICTPT/202D	Value Line Tray Cart, enclosed 2 door, Pass Thru	20	46.34" (117.7cm)	34.22" (86.9cm)	37.15" (94.4cm)	310 lb. (141kg)	33	250
DXICT242D	ICT/242D	Value Line Tray Cart, enclosed 2 door	24	46.34" (117.7cm)	34.22" (86.9cm)	42.75" (108.7cm)	320 lb. (145kg)	38	250
DXICTPT242D	ICTPT/242D	Value Line Tray Cart, enclosed 2 door, Pass Thru	24	46.34" (117.7cm)	34.22" (86.9cm)	42.75" (108.7cm)	330 lb. (150kg)	38	250
DXICT282D	ICT/282D	Value Line Tray Cart, enclosed 2 door	28	46.34" (117.7cm)	34.22" (86.9cm)	48.40" (122.9cm)	330 lb. (150kg)	44.4	250
DXICTPT282D	ICTPT/282D	Value Line Tray Cart, enclosed 2 door, Pass Thru	28	46.34" (117.7cm)	34.22" (86.9cm)	48.40" (122.9cm)	340 lb. (154kg)	44.4	250
DXICT322D	ICT/322D	Value Line Tray Cart, enclosed 2 door	32	46.34" (117.7cm)	34.22" (86.9cm)	54.03" (137.2cm)	340 lb. (154kg)	49.2	250
DXICTPT322D	ICTPT/322D	Value Line Tray Cart, enclosed 2 door, Pass Thru	32	46.34" (117.7cm)	34.22" (86.9cm)	54.03" (137.2cm)	350 lb. (154kg)	49.2	250

**VALUE LINE TRAY DELIVERY CART OPTIONS**

Item No.	Model No.	Description
DXICTCB	ICT/CB	Corner Bumpers, for Value Line Carts
DXICTDRAIN	ICT/DRAIN	Drain Assembly for Value Line Carts
DXICTWB	ICT/WB	Wrap-around bumpers, for Value Line Carts
DXICT2DTR3	ICT/2DTR3	Top rail, three sides for Value Line Carts (for 20 to 32 tray carts)
DXICT3DTR4	ICT/2DTR4	Top rail, four sides for Value Line Carts (for 20 to 32 tray carts)
<b>CASTER UPGRADE PACKAGES</b>		
DXICTCAST6	ICT/CAST6	6" Caster Upgrade for ICT Carts
DXICTCAST8	ICT/CAST8	8" Caster Upgrade for ICT Carts



**DXICT322D**  
 Value Line  
 Tray Delivery Cart

**Spec Sheet: 159**

# TRAY DELIVERY CARTS

## SPECIALTY TRAY DELIVERY CARTS

Item No.	Model No.	Description	Capacity	L	D	H	Ship Weight	Cube	Class
<b>TRAY SIZE 13" x 21" (Retherm) and Dinex Room Service Tray DX1089RS03</b>									
DXPSC10	PSC/10	Value Line Tray Cart, enclosed	10	25.25" (64.1cm)	34.22" (86.9cm)	35.57" (90.3cm)	220 lb. (100kg)	23.7	125
DXPSCPT10	PSCPT/10	Value Line Tray Cart, enclosed Pass Thru	10	25.25" (64.1cm)	34.22" (86.9cm)	35.57" (90.3cm)	225 lb. (102kg)	23.7	125
DXPSC12	PSC/12	Value Line Tray Cart, enclosed	12	25.25" (64.1cm)	34.22" (86.9cm)	40.91" (103.9cm)	240 lb. (109kg)	26.5	125
DXPSCPT12	PSCPT/12	Value Line Tray Cart, enclosed Pass Thru	12	25.25" (64.1cm)	34.22" (86.9cm)	40.91" (103.9cm)	245 lb. (111kg)	26.5	125
DXPSC14	PSC/14	Value Line Tray Cart, enclosed	14	25.25" (64.1cm)	34.22" (86.9cm)	46.25" (117.5cm)	260 lb. (118kg)	29.6	125
DXPSCPT14	PSCPT/14	Value Line Tray Cart, enclosed Pass Thru	14	25.25" (64.1cm)	34.22" (86.9cm)	46.25" (117.5cm)	265 lb. (120kg)	29.6	125

These racks accommodate Dinex room service trays DX1089RS03 and the DX1089RS152003, among others.

## SPECIALTY TRAY DELIVERY CART OPTIONS

Item No.	Model No.	Description
DXPSCCB	PSC/CB	Corner bumpers for Value Line Carts
DXPSCDRAIN	PSC/DRAIN	Drain Assembly for Value Line Carts
DXPSCPH	PSC/PH	Push Handle for Value Line
DXPSCTR1	PSC/TR1	Top rail, one side for Value Line Carts
DXPSCTR2	PSC/TR2	Top rail, two sides for Value Line Carts
DXPSCTR3	PSC/TR3	Top rail, three sides for Value Line Carts
DXPSCTR4	PSC/TR4	Top rail, four sides for Value Line Carts
DXPSCWB	PSC/WB	Wrap-around bumpers for Value Line Carts

## SPECIALTY TRAY DELIVERY CARTS

Item No.	Model No.	Description	Capacity	L	D	H	Ship Weight	Cube	Class
<b>TRAY SIZE 13" x 21" (Retherm) and Architectural Plastics* and Dinex Room Service Tray DX1089RS03</b>									
DXPSC16	PSC/16	Value Line Tray Cart, enclosed	16	25.25" (64.1cm)	34.22" (86.9cm)	52.88" (134.3cm)	275 lb. (125kg)	32.5	125
DXPSCPT16	PSCPT/16	Value Line Tray Cart, enclosed Pass Thru	16	25.25" (64.1cm)	34.22" (86.9cm)	52.88" (134.3cm)	285 lb. (130kg)	32.5	125
DXPSC20	PSC/20	Value Line Tray Cart, enclosed	20	25.25" (64.1cm)	34.22" (86.9cm)	63.56" (161.4cm)	295 lb. (134kg)	38.5	125
DXPSCPT20	PSCPT/20	Value Line Tray Cart, enclosed Pass Thru	20	25.25" (64.1cm)	34.22" (86.9cm)	63.56" (161.4cm)	305 lb. (139kg)	38.5	125
DXPSC24	PSC/24	Value Line Tray Cart, enclosed	24	25.25" (64.1cm)	34.22" (86.9cm)	74.25" (188.6cm)	315 lb. (143kg)	44.5	125
DXPSCPT24	PSCPT/24	Value Line Tray Cart, enclosed Pass Thru	24	25.25" (64.1cm)	34.22" (86.9cm)	74.25" (188.6cm)	325 lb. (147kg)	44.5	125

\* Note: Architectural Plastics is a registered name

## SPECIALTY TRAY DELIVERY CART OPTIONS

Item No.	Model No.	Description
DXPSCCB	PSC/CB	Corner Bumpers, for Specialty Carts
DXPSCDRAIN	PSC/DRAIN	Drain Assembly for Value Line Carts
DXPSCPH	PSC/PH	Push handle, for Specialty Carts (for 16, 20 and 24 tray carts)
DXPSCTR1	PSC/TR1	Top rail, one side for Specialty Carts (for 10 to 14 tray carts)
DXPSCTR2	PSC/TR2	Top rail, two sides for Specialty Carts (for 10 to 14 tray carts)
DXPSCTR3	PSC/TR3	Top rail, three sides for Specialty Carts (for 10 to 14 tray carts)
DXPSCTR4	PSC/TR4	Top rail, four sides for Specialty Carts (for 10 to 14 tray carts)
DXPSCWB	PSC/WB	Wrap-around bumpers, for Specialty Carts

## CASTER UPGRADE PACKAGES

DXPSCCAST6	PSC/CAST6	6" Caster Upgrade for PSC Carts
DXPSCCAST8	PSC/CAST8	8" Caster Upgrade for PSC Carts



**DXPSC16**  
Specialty  
Tray Delivery Cart  
Spec Sheet: 137

SPECIALTY DELIVERY CARTS

**SPECIALTY TRAY DELIVERY CARTS**

Item No.	Model No.	Description	Capacity	L	D	H	Ship Weight	Cube	Class
<b>TRAY SIZES 14" x 18", 15" x 20" and Dinet Room Service Tray DX1089RS152003</b>									
DXPSC202D	PSC/202D	Value Line Tray Cart, enclosed 2 door	20	49.31" (125.2cm)	34.22" (86.9cm)	35.60" (90.4cm)	300 lb. (136kg)	33	250
DXPSCPT202D	PSCPT/202D	Value Line Tray Cart, enclosed 2 door, Pass Thru	20	49.31" (125.2cm)	34.22" (86.9cm)	35.60" (90.4cm)	310 lb. (141kg)	33	250
DXPSC242D	PSC/242D	Value Line Tray Cart, enclosed 2 door	24	49.31" (125.2cm)	34.22" (86.9cm)	40.95" (104.0cm)	320 lb. (145kg)	38	250
DXPSCPT242D	PSCPT/242D	Value Line Tray Cart, enclosed 2 door, Pass Thru	24	49.31" (125.5cm)	34.22" (86.9cm)	40.95" (104.0cm)	330 lb. (150kg)	38	250
DXPSC282D	PSC/282D	Value Line Tray Cart, enclosed 2 door	28	49.31" (125.2cm)	34.22" (86.9cm)	46.29" (117.6cm)	330 lb. (150kg)	44.4	250
DXPSCPT282D	PSCPT/282D	Value Line Tray Cart, enclosed 2 door, Pass Thru	28	49.31" (125.2cm)	34.22" (86.9cm)	46.29" (117.6cm)	340 lb. (154kg)	44.4	250
DXPSC322D	PSC/322D	Value Line Tray Cart, enclosed 2 door	32	49.31" (125.2cm)	34.22" (86.9cm)	51.64" (131.2cm)	340 lb. (154kg)	49.2	250
DXPSCPT322D	PSCPT/322D	Value Line Tray Cart, enclosed 2 door, Pass Thru	32	49.31" (125.2cm)	34.22" (86.9cm)	51.64" (131.2cm)	350 lb. (154kg)	49.2	250

**SPECIALTY TRAY DELIVERY CART OPTIONS**

Item No.	Model No.	Description
DXPSCCB	PSC/CB	Corner Bumpers, for Specialty Carts
DXPSCDRAIN	PSC/DRAIN	Drain Assembly for Value Line Carts
DXPSCWB	PSC/WB	Wrap-around bumpers, for Specialty Carts
DXPSC2DTR3	PSC/2DTR3	Top rail, three sides for Value Line Carts (for 20 to 32 tray carts)
DXPSC3DTR4	PSC/2DTR4	Top rail, four sides for Value Line Carts (for 20 to 32 tray carts)
<b>CASTER UPGRADE PACKAGES</b>		
DXPSCCAST6	PSC/CAST6	6" Caster Upgrade for PSC Carts
DXPSCCAST8	PSC/CAST8	8" Caster Upgrade for PSC Carts



**DXPSC322D**  
 Specialty  
 Tray Delivery Cart  
 Spec Sheet: 160

# TRAY DELIVERY CARTS

## DELUXE TRAY DELIVERY CARTS

Item No.	Model No.	Description	Capacity	L	D	H	Spec Sheet	Ship Weight	Cube	Class
<b>ACCOMMODATES TRAY SIZES 12" x 19", 12" x 20", 12" x 22", 14" x 18", 15" x 20" and 16" x 22"</b>										
DXTSA1T2D14	TSA1T2D14	Two bay, 1 tray per slide, 2 door	14	43.31" (110.0cm)	25.56" (64.9cm)	52.75" (134.1cm)	TMP-003	300 lb. (136kg)	35.1	100
DXTSA1T2D16	TSA1T2D16	Two bay, 1 tray per slide, 2 door	16	43.31" (110.0cm)	25.56" (64.9cm)	52.75" (134.1cm)	TMP-003	300 lb. (136kg)	35.1	100
DXTS1T2D18	TS1T2D18	Two bay, 1 tray per slide, 2 door	18	43.31" (110.0cm)	25.56" (64.9cm)	62.25" (158.2cm)	TMP-003	300 lb. (136kg)	41.2	100
DXTS1T2D20	TS1T2D20	Two bay, 1 tray per slide, 2 door	20	43.31" (110.0cm)	25.56" (64.9cm)	62.25" (158.2cm)	TMP-003	300 lb. (136kg)	40.8	100
<b>ACCOMMODATES TRAY SIZES 14" x 18" and 15" x 20"</b>										
DXTS1T2D3C21	TS1T2D3C21	Three bay, 1 tray per slide, 2 door	21	57.50" (146.1cm)	25.56" (64.9cm)	57.50" (146.1cm)	TMP-004	365 lb. (166kg)	63.5	250
DXTS1T2D3C24	TS1T2D3C24	Three bay, 1 tray per slide, 2 door	24	57.50" (146.1cm)	25.56" (64.9cm)	57.50" (146.1cm)	TMP-004	365 lb. (166kg)	63.5	250
DXTS1T2D3C27	TS1T2D3C27	Three bay, 1 tray per slide, 2 door	27	57.50" (146.1cm)	25.56" (64.9cm)	57.50" (146.1cm)	TMP-004	365 lb. (166kg)	63.5	250
DXTS1T2D3C30	TS1T2D3C30	Three bay, 1 tray per slide, 2 door	30	57.50" (146.1cm)	25.56" (64.9cm)	57.50" (146.1cm)	TMP-004	365 lb. (166kg)	63.5	250
*Tray spacing on the DXTS1T2D3C30 is only 4-1/2" high and will not accommodate a standard base or underliner with a standard dome.										
<b>ACCOMMODATES TRAY SIZES 12" x 19", 12" x 20", 14" x 18" and 15" x 20"</b>										
DXTS2T1D14	TS2T1D14	One bay, 2 trays per slide, 1 door	14	30" (76.2cm)	33.50" (85.1cm)	61.50" (156.2cm)	TMP-005	227 lb. (126kg)	38.5	100
DXTS2T1D16	TS2T1D16	One bay, 2 trays per slide, 1 door	16	30" (76.2cm)	33.50" (85.1cm)	61.50" (156.2cm)	TMP-005	227 lb. (126kg)	38.5	100
DXTS2T1D18	TS2T1D18	One bay, 2 trays per slide, 1 door	18	30" (76.2cm)	33.50" (85.1cm)	61.50" (156.2cm)	TMP-005	227 lb. (126kg)	38.5	100
DXTST21D20	TS2T1D20	One bay, 2 trays per slide, 1 door	20	30" (76.2cm)	33.50" (85.1cm)	61.50" (156.2cm)	TMP-005	227 lb. (126kg)	38.5	100
<b>ACCOMMODATES TRAY SIZES 12" x 19", 12" x 20", 14" x 18" and 15" x 20"</b>										
DXTS2T1DLC10	TS2T1DLC10	Low Profile; 2 trays per slide, 1 door	10	30" (76.2cm)	33.50" (85.1cm)	49.50" (125.7cm)	TMP-006	233 lb. (106kg)	31.6	100
DXTS2T1DLC12	TS2T1DLC12	Low Profile; 2 trays per slide, 1 door	12	30" (76.2cm)	33.50" (85.1cm)	49.50" (125.7cm)	TMP-006	233 lb. (106kg)	31.6	100
DXTS2T1DLC14	TS2T1DLC14	Low Profile; 2 trays per slide, 1 door	14	30" (76.2cm)	33.50" (85.1cm)	4.50" (125.7cm)	TMP-006	233 lb. (106kg)	31.6	100
<b>ACCOMMODATES TRAY SIZES 12" x 19", 12" x 20", 14" x 18" and 15" x 20"</b>										
DXTS2T2D24	TS2T2D24	Two bay, 2 trays per slide, 2 door	24	51.25" (130.2cm)	33.50" (85.1cm)	49.25" (125.1cm)	TMP-007	323 lb. (147kg)	43.5	250
DXTS2T2D28	TS2T2D28	Two bay, 2 trays per slide, 2 door	28	51.25" (130.2cm)	33.50" (85.1cm)	49.25" (125.1cm)	TMP-007	323 lb. (147kg)	43.5	250
DXTS2T2D32	TS2T2D32	Two bay, 2 trays per slide, 2 door	32	51.25" (130.2cm)	33.50" (85.1cm)	57.50" (146.1cm)	TMP-007	331 lb. (150kg)	52.0	250
DXTS2T2D36	TS2T2D36	Two bay, 2 trays per slide, 2 door	36	51.25" (130.2cm)	33.50" (85.1cm)	57.50" (146.1cm)	TMP-007	331 lb. (150kg)	52.0	250

Call DINEX for styles and configurations not shown. Limited availability or lead time may apply.



DELUXE TRAY DELIVERY CARTS

**DELUXE TRAY DELIVERY CARTS FOR ROOM SERVICE**

Item No.	Model No.	Description	Capacity	L	D	H	Ship Weight	Cube	Class
<b>TRAY SIZES 14" x 18", 15" x 20", 12" x 19", and 12" x 20"</b>									
DXTS2T1DLC10	TS2T1DLC10	Low Profile; 2 trays per slide, 1 door	10	30" (76.2cm)	33.50" (85.1cm)	49.50" (125.7cm)	233 lb. (106kg)	31.6	100
DXTS2T1DLC12	TS2T1DLC12	Low Profile; 2 trays per slide, 1 door	12	30" (76.2cm)	33.50" (85.1cm)	49.50" (125.7cm)	233 lb. (106kg)	31.6	100
DXTS2T1DLC14	TS2T1DLC14	Low Profile; 2 trays per slide, 1 door	14	30" (76.2cm)	33.50" (85.1cm)	49.50" (125.7cm)	233 lb. (106kg)	31.6	100



**DXTS2T1DLC10**  
 Deluxe  
 Tray Delivery Cart

Spec Sheet: TMP-006

**DELUXE TRAY DELIVERY CARTS FOR ROOM SERVICE**

Item No.	Model No.	Description	Capacity	L	D	H	Ship Wt.	Cube	Class
<b>TRAY SIZE 13" x 21", Room Service Trays DX1089RS03 and DX1089RS152003</b>									
DXTSA1T2D14RS	TSA1T2D14RS	Room Service; 1 trays per slide, 2 door	14	42.88" (108.9cm)	24.40" (62.0cm)	52.75" (134.0cm)	300 lb. (136kg)	35.1	92.5
DXTSA1T2D16RS	TSA1T2D16RS	Low Profile; 1 trays per slide, 2 door	16	42.88" (108.9cm)	24.40" (62.0cm)	52.75" (134.0cm)	233 lb. (136kg)	35.1	92.5

**DELIVERY CART ACCESSORIES**

Item No.	Model No.	Description	Pack
DXTSBRAKE6	TSBRAKE6	Brakes for 6 inch casters (set of 2)	1 set
DXTSBRAKE8	TSBRAKE8	Brakes for 8 inch casters (set of 2)	1 set
DXTSDRAIN	TSDRAIN	Floor drain (one drain per door)	
DXTSLATCH	TSLATCH	Door latch	1
DXTSMENU	TSMENU	Menu holder	1
DXTSTHRUDR	TSTHRUDR	Pass through doors (not available on 3 bay carts)	
DXTSTOPR31T2D	TSTOPR31T2D	Top rail, 3 sided, 2 inches high for 1T2D Carts	
DXTSTOPR31T2D3C	TSTOPR31T2D3C	Top rail, 3 sided, 2 inches high for 1T2D3C Carts	
DXTSTOPR32T1D	TSTOPR32T1D	Top rail, 3 sided, 2 inches high for 2T1D Carts	
DXTSTOPR32T2D	TSTOPR32T2D	Top rail, 3 sided, 2 inches high for 2T2D Carts	
DXTSTOPR41T2D	TSTOPR41T2D	Top rail, 4 sided, 2 inches high for 1T2D Carts	
DXTSTOPR41T2D3C	TSTOPR41T2D3C	Top rail, 4 sided, 2 inches high for 1T2D3C Carts	
DXTSTOPR42T1D	TSTOPR42T1D	Top rail, 4 sided, 2 inches high for 2T1D Carts	
DXTSTOPR42T2D	TSTOPR42T2D	Top rail, 4 sided, 2 inches high for 2T2D Carts	
DXTSTOW	TSTOW	Tow hitch	1
DXTSWALLSAVER	TSWALLSAVER	Wallsaver bumper for TS delivery carts (set of 4)	1 set



## DELIVERY CART CASTER UPGRADE PACKAGES

Item No.	Model No.	Description
DXTSCA84	TSCAST8/4	8" Poly caster upgrade (set of 4)
DXTSBALCA64	TSBALCAST6/4	6" Balloon caster upgrade (set of 4)
DXTSBALCA84	TSBALCAST8/4	8" Balloon caster upgrade (set of 4)
DXTSCARCA66	TSCARCAST6/4	6" Carpet caster upgrade (set of 4)
DXTSCARCA84	TSCARCAST8/4	8" Carpet caster upgrade (set of 4)
DXTSCA86	TSCAST8/6	8" Caster upgrade to polyurethane - for 3C Carts only (set of 6)
DXTSBALCA66	TSBALCAST6/6	6" Caster upgrade to balloon - for 3C Carts only (set of 6)
DXTSBALCA86	TSBALCAST8/6	8" Balloon caster upgrade - for 3C Carts only (set of 6)
DXTSCARCA66	TSCARCAST6/6	6" Caster upgrade to carpet - for 3C Carts only (set of 6)
DXTSCARCA86	TSCARCAST8/6	8" Carpet caster upgrade - for 3C Carts only (set of 6)
DXTSENDURA64	TSENDURA6/4	6" Endura upgrade (set of 4)
DXTSENDURA66	TSENDURA6/6	6" Endura upgrade (set of 6) - 3C Carts
DXTSENDURA84	TSENDURA8/4	8" Endura upgrade (set of 4)
DXTSENDURA86	TSENDURA8/6	8" Endura upgrade (set of 6) - 3C Carts
DXTSPFMA84	TSPERFORMA8/4	8" Performa upgrade (set of 4)
DXTSPFMA86	TSPERFORMA8/6	8" Performa upgrade (set of 6) - 3C Carts

## DELIVERY CART CASTER UPGRADE PACKAGES

Item No.	Model No.	Description
<b>5TH WHEEL CASTER PACKAGES (5th wheel packages are not available on single door carts) - Upgrade caster style and configuration</b>		
DXTSBP5CNT6	TSBP5CNT6	6" Performa, 5th Wheel Center
DXTSBP5CNT8	TSBP5CNT8	8" Performa, 5th Wheel Center
DXTSBP5FRT6	TSBP5FRT6	6" Performa, 5th Wheel Ahead
DXTSBP5FRT8	TSBP5FRT8	8" Performa, 5th Wheel Ahead
DXTSCNTR5CA6	TSCNTR5CAST6	5th Wheel center pkg. 6" polyurethane (set of 5)
DXTSCNTR5CA8	TSCNTR5CAST8	5th Wheel center pkg. 8" polyurethane (set of 5)
DXTSCNTR5BALCA6	TSCNTR5BALCAST6	5th Wheel center pkg. 6" balloon (set of 5)
DXTSCNTR5BALCA8	TSCNTR5BALCAST8	5th Wheel center pkg. 8" balloon (set of 5)
DXTSCNTR5CARCA6	TSCNTR5CARCAST6	5th Wheel center pkg. 6" carpet (set of 5)
DXTSCNTR5CARCA8	TSCNTR5CARCAST8	5th Wheel center pkg. 8" carpet (set of 5)
DXTSEND5CNT6	TSEND5CNT6	6" Endura, 5th Wheel Center
DXTSEND5CNT8	TSEND5CNT8	8" Endura, 5th Wheel Center
DXTSEND5FRT6	TSEND5FRT6	6" Endura, 5th Wheel Ahead
DXTSEND5FRT8	TSEND5FRT8	8" Endura, 5th Wheel Ahead
DXTSFRNT5CA6	TSFRNT5CAST6	5th Wheel ahead pkg. 6" polyurethane (set of 5)
DXTSFRNT5CA8	TSFRNT5CAST8	5th Wheel ahead pkg. 8" polyurethane (set of 5)
DXTSFRNT5BALCA6	TSFRNT5BALCAST6	5th Wheel ahead pkg. 6" balloon (set of 5)
DXTSFRNT5BALCA8	TSFRNT5BALCAST8	5th Wheel ahead pkg. 8" balloon (set of 5)
DXTSFRNT5CARCA6	TSFRNT5CARCAST6	5th Wheel ahead pkg. 6" carpet (set of 5)
DXTSFRNT5CARCA8	TSFRNT5CARCAST8	5th Wheel ahead pkg. 8" carpet (set of 5)
<b>6TH WHEEL CASTER PACKAGES - Upgrade caster style and configuration</b>		
DXTS6WHLBALCST6	TSSIXWHLBALCST6	6th Wheel pkg. 6" balloon caster (set of 6)
DXTS6WHLBALCST8	TSSIXWHLBALCST8	6th Wheel pkg. 8" balloon caster (set of 6)
DXTS6WHLCA6	TSSIXWHLCAST6	6th Wheel pkg. 6" polyurethane caster (set of 6)
DXTS6WHLCA8	TSSIXWHLCAST8	6th Wheel pkg. 8" polyurethane caster (set of 6)
DXTS6WHLCARCST6	TSSIXWHLCARCST6	6th Wheel pkg. 6" carpet caster (set of 6)
DXTS6WHLCARCST8	TSSIXWHLCARCST8	6th Wheel pkg. 8" carpet caster (set of 6)
DXTSBP66	TSBPSIX6	6" Performa (set of 6)
DXTSBP68	TSBPSIX8	8" Performa (set of 6)
DXTSENSIX6	TSENSIX6	6" Endura (set of 6)
DXTSENSIX8	TSENSIX8	8" Endura (set of 6)



# *Starter Stations & Conveyors*

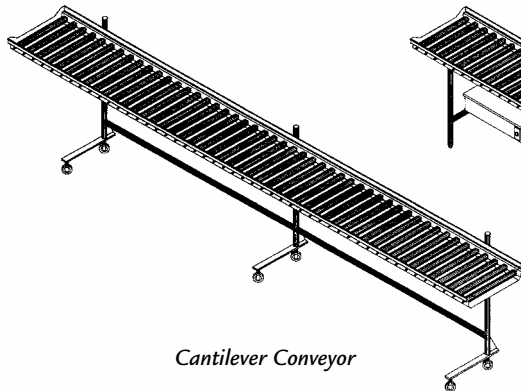
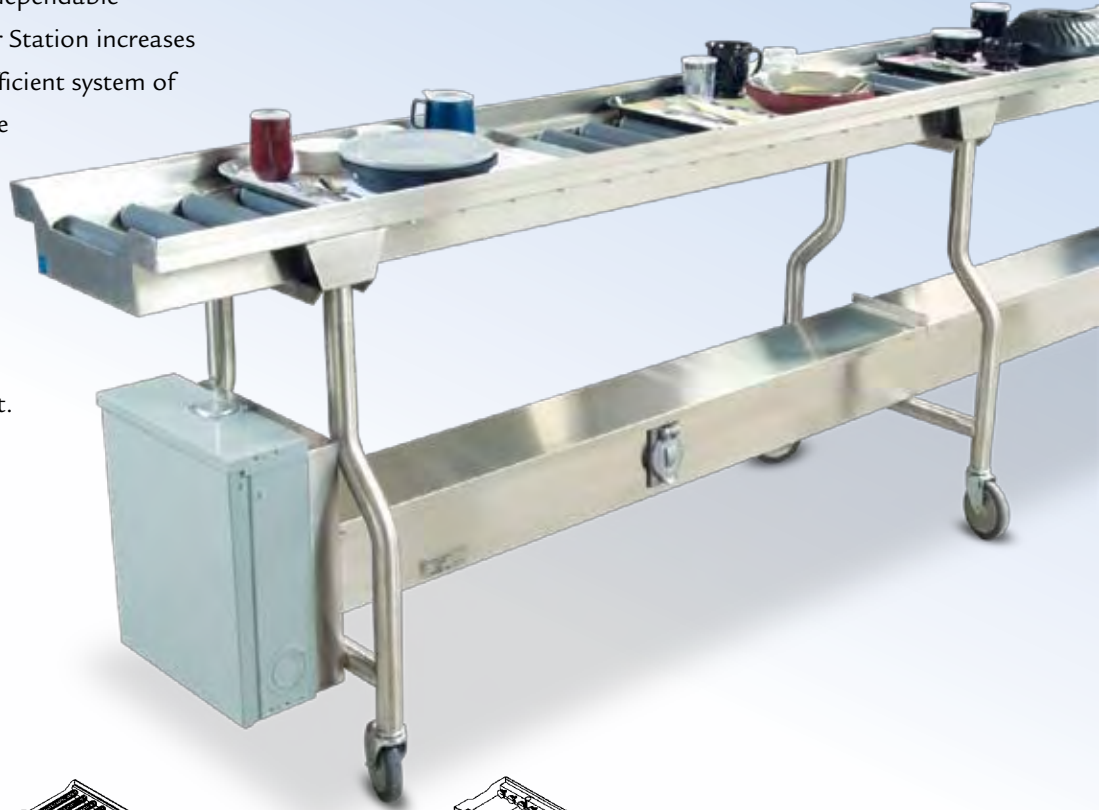
# STARTER STATIONS & CONVEYORS

## STARTER STATIONS & CONVEYORS

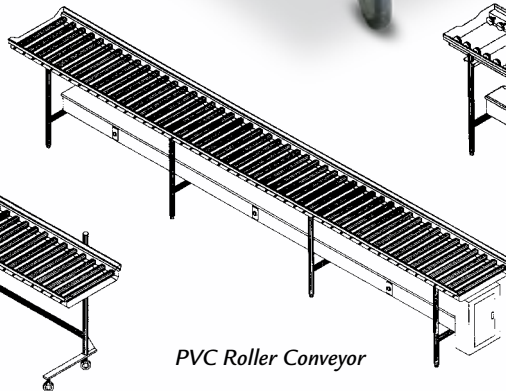
HIGH QUALITY EQUIPMENT FOR TRAY LINE AND MEAL DELIVERY SYSTEMS

Dinex Conveyors provide smooth, dependable trayline operation, while the Starter Station increases productivity by providing a more efficient system of dispensing condiments and flatware onto patient trays. Starter Stations are designed to roll alongside the trayline or cantilever over the top.

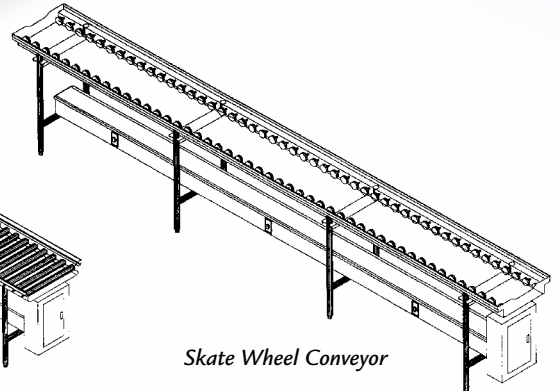
Conveyors come in a variety of raceways: PVC Roller, Skate Wheel, Fabric Belt, Slat Belt, and Band Belt. A wide variety of options and accessories are available.



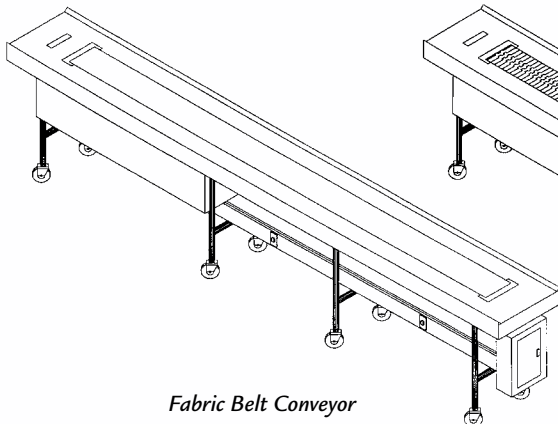
*Cantilever Conveyor*



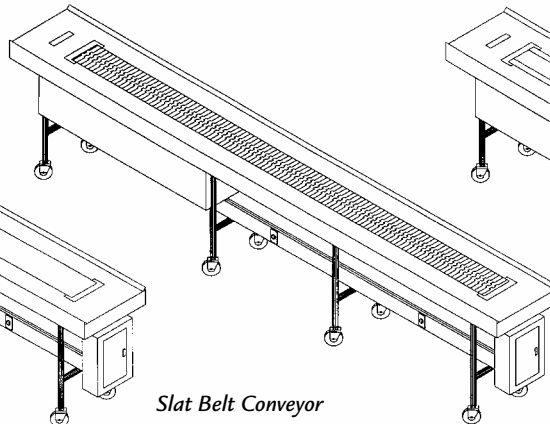
*PVC Roller Conveyor*



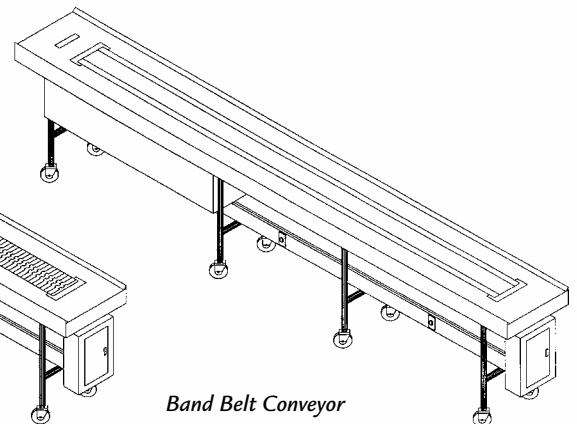
*Skate Wheel Conveyor*



*Fabric Belt Conveyor*



*Slat Belt Conveyor*



*Band Belt Conveyor*

CALL TOLL FREE 800.523.9752

**STARTER STATIONS**

Item No.	Model No.	Description	Ship Weight	Cube	Class
DXISS60	ISS60	Starter Station (straddle style) 7 bins, 60" (152.4cm) long	250 lb. (113kg)	77.6	250
DXISS72	ISS72	Starter Station (straddle style) 8 bins, 72" (182.9cm) long	263 lb. (119kg)	92.4	250
DXTMPSTARTER	TMPSTARTER	Starter Station (cantilever style) 5 bins, 43.75" (111.1cm) long	245 lb. (111kg)	36.5	250

**STARTER STATION ACCESSORIES**

DXTMP30-176	TMP30-176	Plastic Bin Divider	0.4 lb. (0.2kg)	0.1	150
DXTMP30-240	TMP30-240	Plastic Bin	2.0 lb. (1.0kg)	0.5	150



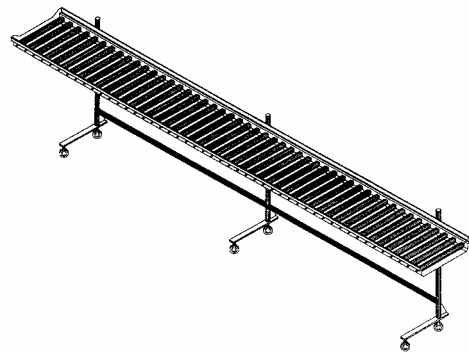
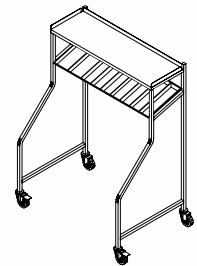
Cantilever Style

Spec Sheet: TMP-010



Straddle Style

Spec Sheet: 119



**CANTILEVER CONVEYORS**

Item No.	Model No.	Description	Size	Ship Weight	Class
DXIESRC4	IESRC4	Cantilever Conveyor PVC Roller	4' foot section (1.2 meters)	90 lb. (41kg)	100
DXIESRC5	IESRC5	Cantilever Conveyor PVC Roller	5' foot section (1.5 meters)	110 lb. (50kg)	100
DXIESRC6	IESRC6	Cantilever Conveyor PVC Roller	6' foot section (1.8 meters)	130 lb. (59kg)	100
DXIESRC7	IESRC7	Cantilever Conveyor PVC Roller	7' foot section (2.1 meters)	150 lb. (68kg)	100
DXIESRC8	IESRC8	Cantilever Conveyor PVC Roller	8' foot section (2.4 meters)	170 lb. (77kg)	100

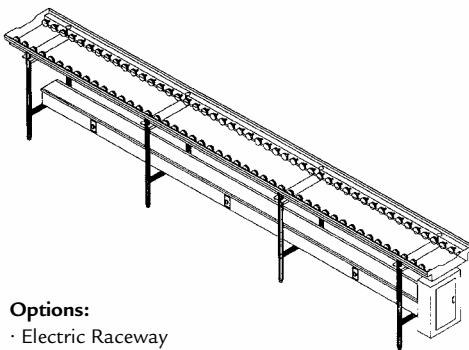
Spec Sheet: 050

**Standard Features:**

- 3" Diameter Casters
- Adjustable Height
- Stainless Steel Upright
- Stainless Steel Frame

**Options:**

- Removable Sections
- Field Joint



**SKATE WHEEL CONVEYORS**

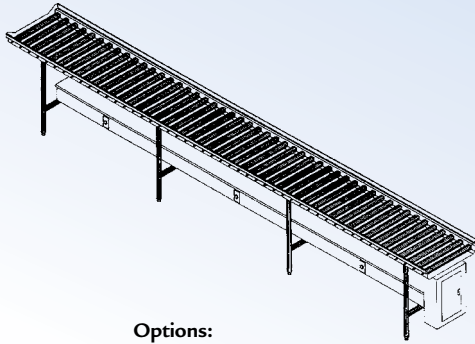
Item No.	Model No.	Description	Size	Ship Weight	Class
DXIESSW10	IESSW10	Skate Wheel Conveyor	10' foot section (3.05 meters)	200 lb. (91kg)	100
DXIESSW12	IESSW12	Skate Wheel Conveyor	12' foot section (3.6 meters)	240 lb. (109kg)	100
DXIESSW14	IESSW14	Skate Wheel Conveyor	14' foot section (4.3 meters)	280 lb. (127kg)	100
DXIESSW16	IESSW16	Skate Wheel Conveyor	16' foot section (4.9 meters)	320 lb. (145kg)	100
DXIESSW18	IESSW18	Skate Wheel Conveyor	18' foot section (5.5 meters)	360 lb. (163kg)	100
DXIESSW20	IESSW20	Skate Wheel Conveyor	20' foot section (6.1 meters)	400 lb. (181kg)	100

Spec Sheet: 052

**Options:**

- Electric Raceway
- Outlets
- Casters
- Field Joint
- Movable Over-Shelf

# STARTER STATIONS & CONVEYORS

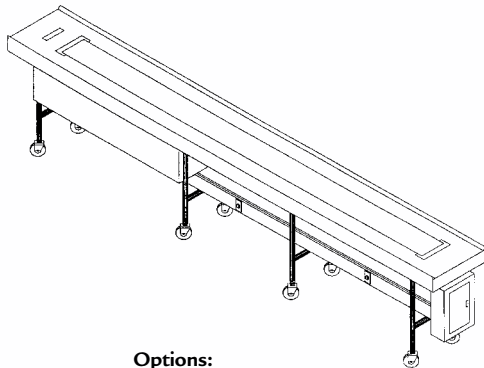


- Options:**
- Electric Raceway
  - Outlets
  - Casters
  - Field Joint
  - Movable Over-Shelf

Spec Sheet: 052

## PVC ROLLER CONVEYORS

Item No.	Model No.	Description	Size	Ship Weight	Class
DXIESR10	IESR10	PVC Roller Conveyor	10' foot section (3.05 meters)	200 lb. (91kg)	100
DXIESR12	IESR12	PVC Roller Conveyor	12' foot section (3.6 meters)	240 lb. (109kg)	100
DXIESR14	IESR14	PVC Roller Conveyor	14' foot section (4.2 meters)	280 lb. (127kg)	100
DXIESR16	IESR16	PVC Roller Conveyor	16' foot section (4.9 meters)	320 lb. (145kg)	100
DXIESR18	IESR18	PVC Roller Conveyor	18' foot section (5.5 meters)	360 lb. (163kg)	100
DXIESR20	IESR20	PVC Roller Conveyor	20' foot section (6.1 meters)	400 lb. (181kg)	100

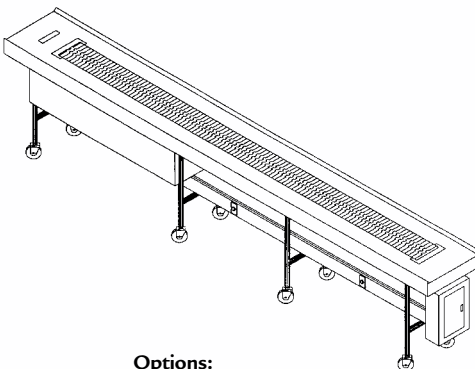


- Options:**
- Electric Raceway
  - Outlets
  - Casters
  - Field Joint
  - Movable Over-Shelf
  - Belt Wash System

Spec Sheet: 050

## FABRIC BELT CONVEYORS

Item No.	Model No.	Description	Size	Ship Weight	Class
DXIESFB8	IESFB8	Fabric Belt Conveyor	8' foot section (2.5 meters)	680 lb. (308kg)	100
DXIESFB10	IESFB10	Fabric Belt Conveyor	10' foot section (3.05 meters)	740 lb. (336kg)	100
DXIESFB12	IESFB12	Fabric Belt Conveyor	12' foot section (3.6 meters)	800 lb. (363kg)	100
DXIESFB14	IESFB14	Fabric Belt Conveyor	14' foot section (4.3 meters)	860 lb. (390kg)	100
DXIESFB16	IESFB16	Fabric Belt Conveyor	16' foot section (4.9 meters)	920 lb. (421kg)	100
DXIESFB18	IESFB18	Fabric Belt Conveyor	18' foot section (5.5 meters)	980 lb. (444kg)	100
DXIESFB20	IESFB20	Fabric Belt Conveyor	20' foot section (6.1 meters)	1040 lb. (667kg)	100



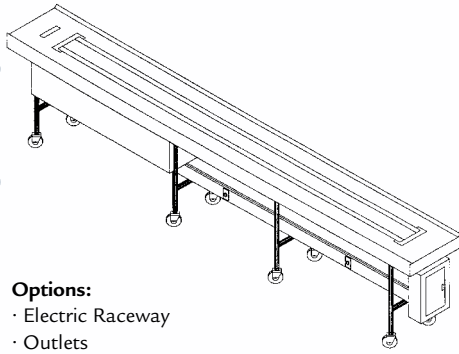
- Options:**
- Electric Raceway
  - Outlets
  - Casters
  - Field Joint
  - Movable Over-Shelf
  - Belt Wash System

Spec Sheet: 049

## SLAT BELT CONVEYORS

Item No.	Model No.	Description	Size	Ship Weight	Class
DXIESSB8	IESSB8	Slat Belt Conveyor	8' foot section (2.4 meters)	600 lb. (272kg)	100
DXIESSB10	IESSB10	Slat Belt Conveyor	10' foot section (3.05 meters)	750 lb. (340kg)	100
DXIESSB12	IESSB12	Slat Belt Conveyor	12' foot section (3.6 meters)	900 lb. (408kg)	100
DXIESSB14	IESSB14	Slat Belt Conveyor	14' foot section (4.3 meters)	960 lb. (435kg)	100
DXIESSB16	IESSB16	Slat Belt Conveyor	16' foot section (4.9 meters)	1020 lb. (462kg)	100
DXIESSB18	IESSB18	Slat Belt Conveyor	18' foot section (5.5 meters)	1080 lb. (489kg)	100
DXIESSB20	IESSB20	Slat Belt Conveyor	20' foot section (6.1 meters)	1140 lb. (517kg)	100

**CONVEYORS**



- Options:**
- Electric Raceway
  - Outlets
  - Casters
  - Field Joint
  - Movable Over-Shelf
  - Belt Wash System

**BAND BELT CONVEYORS**

Item No.	Model No.	Description	Size	Ship Weight	Class
DXIESB8	IESB8	Band Belt Conveyor	8' foot section (2.4 meters)	680 lb. (272kg)	100
DXIESB10	IESB10	Band Belt Conveyor	10' foot section (3.05 meters)	740 lb. (340kg)	100
DXIESB12	IESB12	Band Belt Conveyor	12' foot section (3.6 meters)	800 lb. (408kg)	100
DXIESB14	IESB14	Band Belt Conveyor	14' foot section (4.3meters)	860 lb. (435kg)	100
DXIESB16	IESB16	Band Belt Conveyor	16' foot section (4.9 meters)	920 lb. (462kg)	100
DXIESB18	IESB18	Band Belt Conveyor	18' foot section (5.5meters)	980 lb. (489kg)	100
DXIESB20	IESB20	Band Belt Conveyor	20' foot section (6.1 meters)	1040 lb. (517kg)	100

Spec Sheet: 053

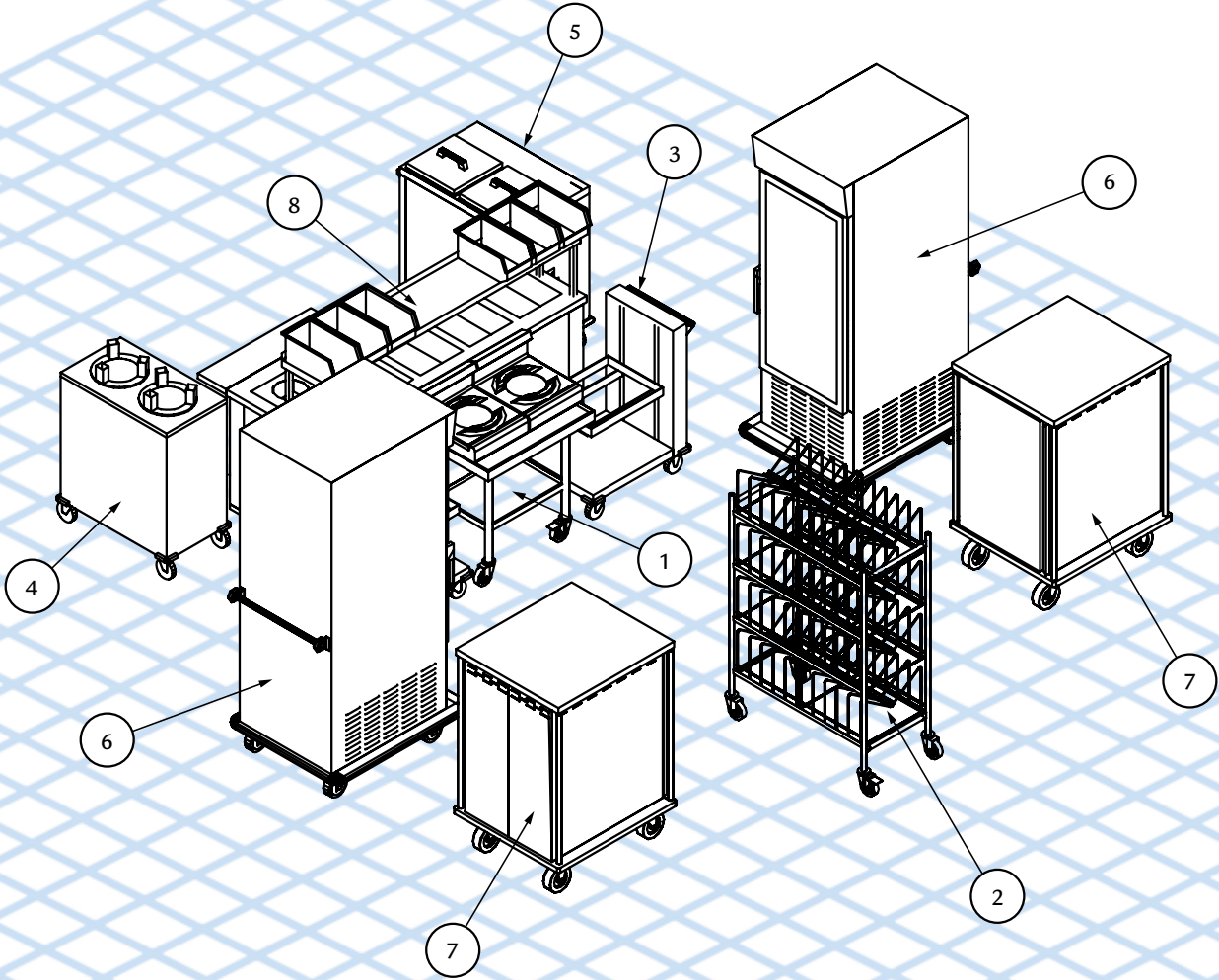
**CONVEYOR OPTIONS**

Item No.	Model No.	Description	Ship Weight
DXIESO1PH	IESO1PH	Single phase outlet	
DXIESO1PHT	IESO1PHT	Single phase outlet with twist lock, each	
DXIESO3PH	IESO3PH	Three phase outlet	
DXIESO3PHT	IESO3PHT	Three phase outlet with twist lock, each	
DXIESOAMP	IESOAMP	125 / 200 Amp Service Upgrade	10 lb. (4.4kg)
DXIESOBW	IESOBW	Belt Wash Station for fabric and slat styles only	
DXIESOCP	IESOCP	Cord & Plug, 100 amp, maximum	
DXIESOCS1	IESOCAST1	Castors 6 Caster set for an 8'-12' (2.5-3.6 meter) unit (not available for 200 amp service or larger)	
DXIESOCS2	IESOCAST2	Castors 8 Caster set for a 14' (4.3 meter) or longer unit (not available for 200 amp service or larger)	
DXIESOFJ	IESOFJ	Field Joint, bolted or field welded, recommended for longer than 10 ft. (3.05 meter) length	
DXIESOOS	IESOOS	Solid Stainless Steel Overhead Shelf Section, Per foot upgrade charge	
DXIESORS4	IESORS4	Removable Section for 4 Foot Conveyor	
DXIESORS5	IESORS5	Removable Section for 5 Foot Conveyor	
DXIESORS6	IESORS6	Removable Section for 6 Foot Conveyor	
DXIESORS7	IESORS7	Removable Section for 7 Foot Conveyor	
DXIESORS8	IESORS8	Removable Section for 8 Foot Conveyor	
DXIESORS9	IESORS9	Removable Section for 9 Foot Conveyor	
DXIESORS10	IESORS10	Removable Section for 10 Foot Conveyor	
DXIESORS12	IESORS12	Removable Section for 12 Foot Conveyor	
DXIESORS14	IESORS14	Removable Section for 14 Foot Conveyor	
DXIESORS16	IESORS16	Removable Section for 16 Foot Conveyor	
DXIESORS18	IESORS18	Removable Section for 18 Foot Conveyor	
DXIESORS20	IESORS20	Removable Section for 20 Foot Conveyor	
DXIESORU	IESORU	Upgrade to Stainless Steel Rollers from PVC, Per foot upgrade charge	
DXIESORW8	IESORW8	Electric Raceway, 8 Foot (2.5 Meter)	80 lb. (36kg)
DXIESORW10	IESORW10	Electric Raceway, 10 Foot (3.05 Meter)	100 lb. (45kg)
DXIESORW12	IESORW12	Electric Raceway, 12 Foot (3.6 Meter)	120 lb. (54kg)
DXIESORW14	IESORW14	Electric Raceway, 14 Foot (4.3 Meter)	140 lb. (64kg)
DXIESORW16	IESORW16	Electric Raceway, 16 Foot (4.9 Meter)	160 lb. (73kg)
DXIESORW18	IESORW18	Electric Raceway, 18 Foot (5.5 Meter)	180 lb. (82kg)
DXIESORW20	IESORW20	Electric Raceway, 20 Foot (6.1 Meter)	200 lb. (91kg)

**ROOM SERVICE SYSTEM**

ROOM SERVICE SYSTEM 200-300 BED FACILITY

ROOM SERVICE SYSTEM



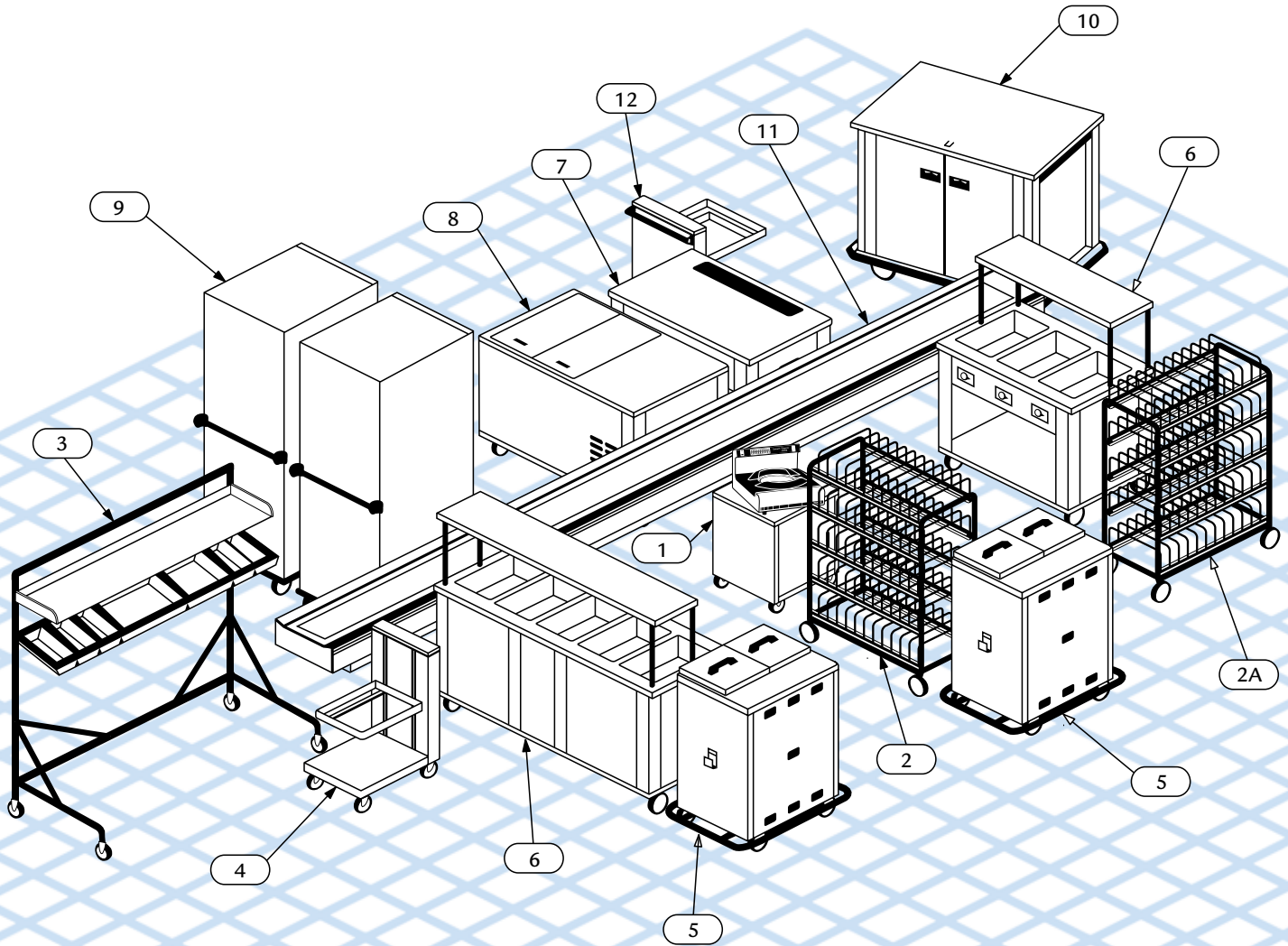
Item No.	Description
1	Induction Heater & Stand
2	Dome & Base Drying Rack
3	Tray Dispenser
4	Plate Dispenser (unheated)

Item No.	Description
5	Colossus Plate Heater
6	Air Curtain Refrigerator
7	Tray Delivery Cart
8	Hot Food Counter with Overshelf

# INDUCTION SYSTEM

## COOK/SERVE INDUCTION SYSTEM 200 BED FACILITY

INDUCTION SYSTEM



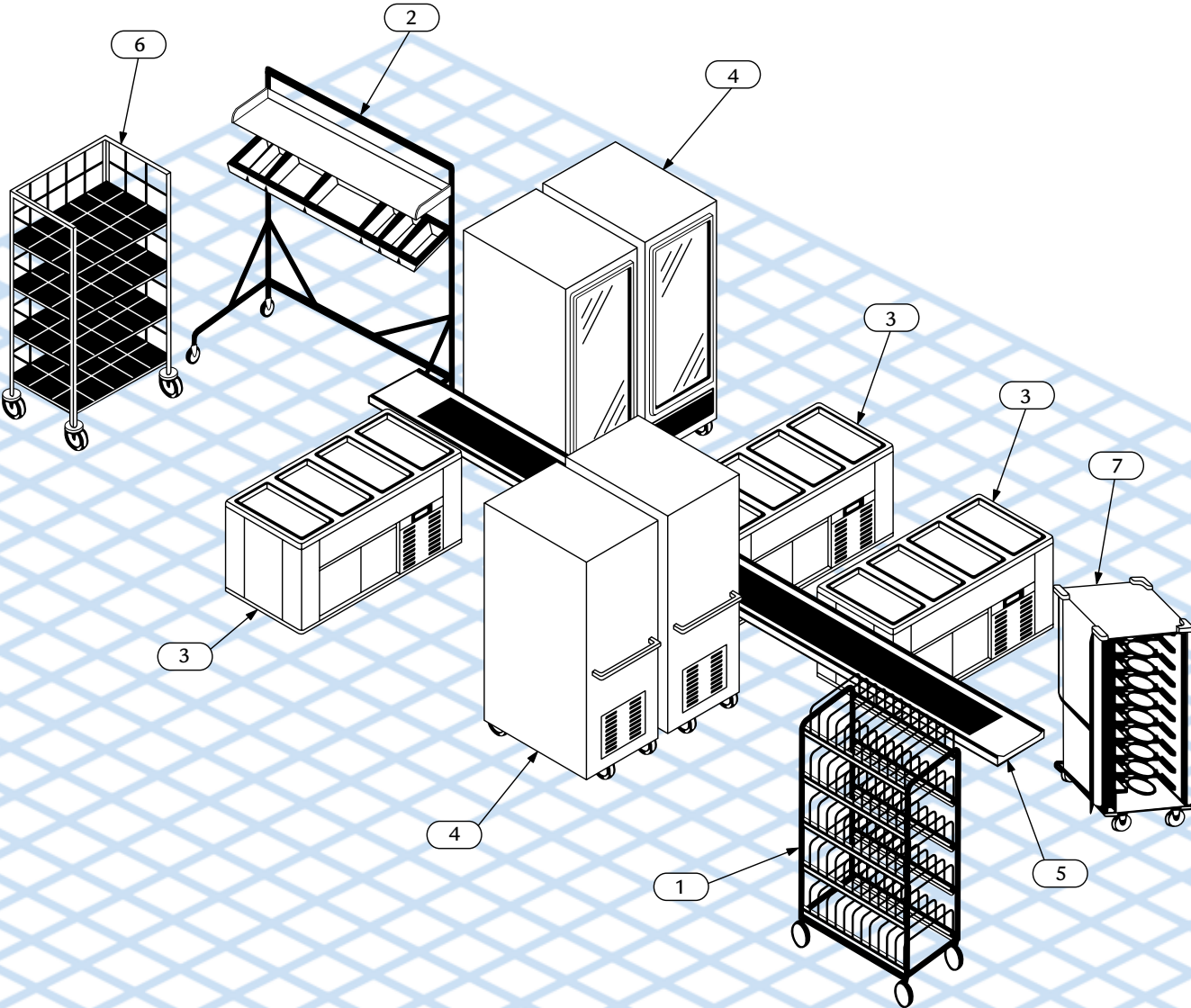
Item No.	Description
1	Induction Heater & Stand
2	Base Storage Cart
2A	Dome Storage Cart
3	Starter Station
4	Tray Dispenser
5	Colossus Plate Heater
6	Hot Food Counter

Item No.	Description
7	Coffee Urn Stand
8	Milk Dispenser
9	Air Curtain Refrigerator
10	Tray Delivery Cart
11	Conveyor
12	Washrack Dispenser



**PERFECT•TEMP® SYSTEM**

COOK/CHILL PERFECT•TEMP® INDUCTION SYSTEM 200-500 BED FACILITY



PERFECT•TEMP® SYSTEM

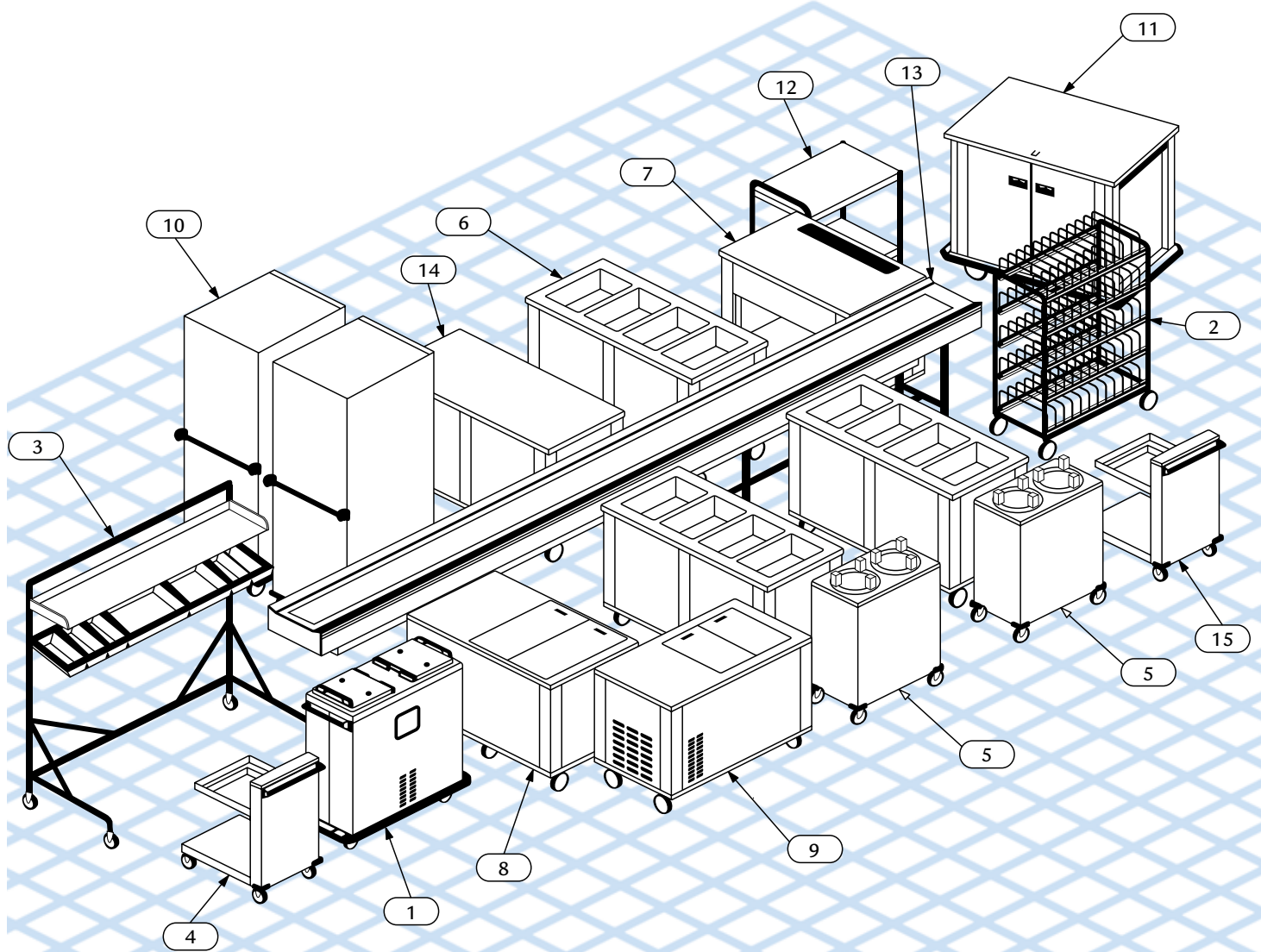
Item No.	Description
1	Dome Storage Cart
2	Starter Station
3	Cold Food Unit
4	Air Curtain Refrigerator

Item No.	Description
5	Conveyor
6	Tray Drying Rack
7	Perfect-Temp Retherm Cart

# WAX BASE SYSTEM

COOK/SERVE STAINLESS STEEL WAX BASE SYSTEM 300-400 BED FACILITY

WAX BASE SYSTEM

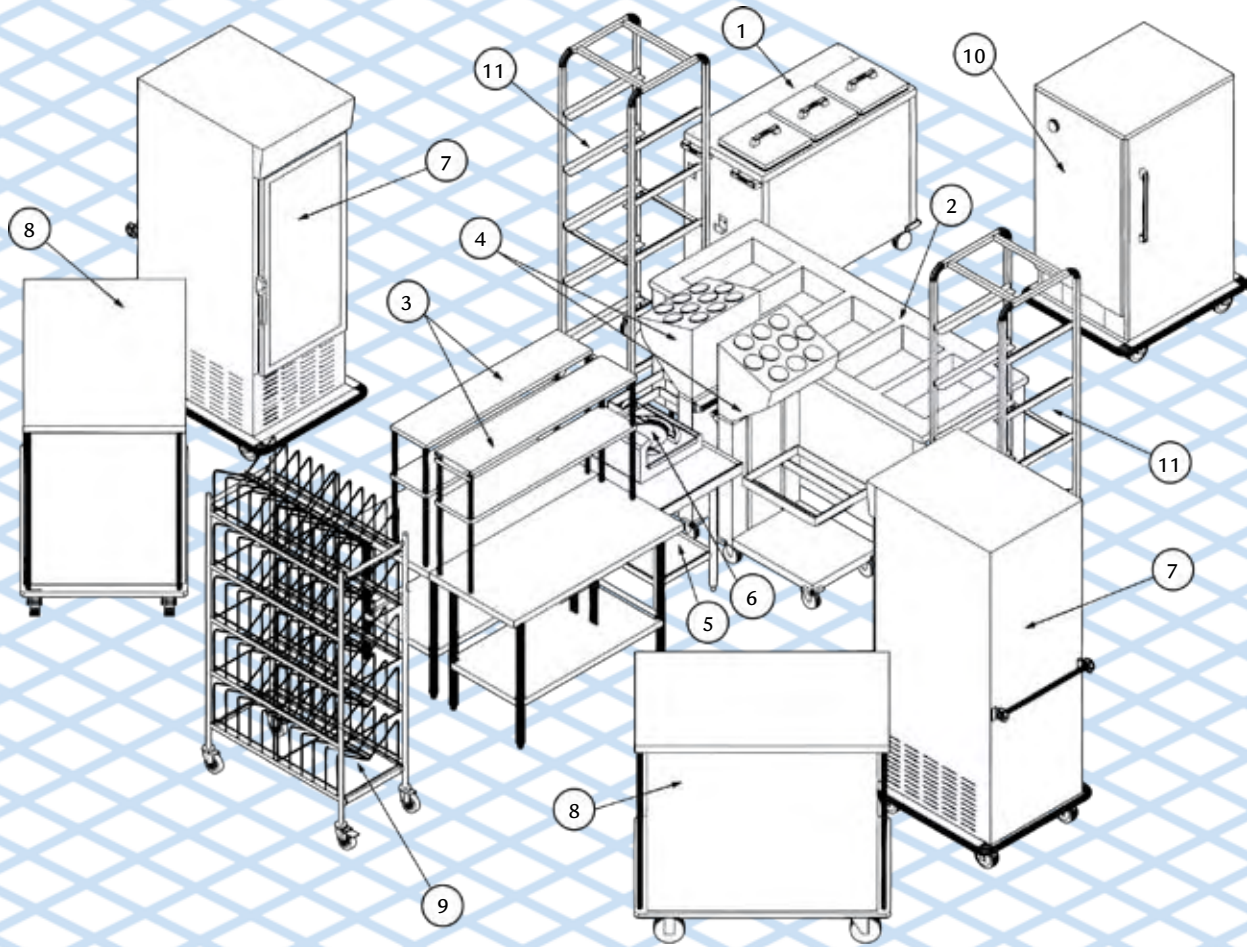


Item No.	Description
1	Wax Base Dispenser
2	Dome Storage Cart
3	Starter Station
4	Tray Dispenser
5	Heated Plate Dispenser
6	Hot Food Unit
7	Coffee Urn Stand
8	Ice Cream Dispenser

Item No.	Description
9	Milk Dispenser
10	Air Curtain Refrigerator
11	Tray Delivery Cart
12	Reject Cart
13	Conveyor
14	Frost Top Unit
15	Washrack Dispenser

**POD SYSTEM**  
TRAYLINE SUPPORT 300 BED FACILITY

POD SYSTEM



Item No.	Description	Quantity
1	Colossus Plate Heater	1
2	5 Well Hot Food Counter	1
3	Worktable with Double Overshelf	2
4	Tray and Silverware Dispenser	2
5	Induction Charger Table	1
6	Smart-Therm Induction Heater	1

Item No.	Description	Quantity
7	Air Curtain Refrigerator	2
8	Tray Delivery Cart	2
9	Dome Storage Rack	1
10	Heated Cabinet	1
11	Smart-Therm Induction Base Rack	2



Item No.	Old Item No.	Product Type	Page	Item No.	Old Item No.	Product Type	Page
DX1DKDM09	1DKDM09	Dietary Kit - Deluxe	88	DX330003	3300/11	Bowl - Turnbury	13
DX1DKDM10	1DKDM10	Dietary Kit - Deluxe	88	DX330008	3300/36	Bowl - Turnbury	13
DX1DKJ001	1DKJ001	Dietary Kit - Junior	89	DX330015	3300/33*	Bowl - Turnbury	13
DX1DKJ002	1DKJ002	Dietary Kit - Junior	89	DX330023	3300/27*	Bowl - Turnbury	13
DX1DKJ003	1DKJ003	Dietary Kit - Junior	89	DX330031	3300/31	Bowl - Turnbury	13
DX1DKJ004	1DKJ004	Dietary Kit - Junior	89	DX330050	3300/28	Bowl - Turnbury	13
DX1DKJ005	1DKJ005	Dietary Kit - Junior	89	DX330056	3300/12*	Bowl - Turnbury	13
DX1DKJ006	1DKJ006	Dietary Kit - Junior	89	DX330061	3300/20	Bowl - Turnbury	13
DX1DKJ011	1DKJ011	Dietary Kit - Junior	89	DX330068	3300/68	Bowl - Turnbury	13
DX1DKJ012	1DKJ012	Dietary Kit - Junior	89	DX330084	3300/84	Bowl - Turnbury	13
DX1DKJ013	1DKJ013	Dietary Kit - Junior	89	DX33008714	3300/8714	Lid - Turnbury	13, 49
DX1DKJM07	1DKJM07	Dietary Kit - Junior	89	DX340003	3400/11	Entrée Dome - Turnbury	13, 31
DX1DKJM08	1DKJM08	Dietary Kit - Junior	89	DX340008	3400/36	Entrée Dome - Turnbury	13, 31
DX1DKJM09	1DKJM09	Dietary Kit - Junior	89	DX340015	3400/33*	Entrée Dome - Turnbury	13, 31
DX1DKJM10	1DKJM10	Dietary Kit - Junior	89	DX340023	3400/27*	Entrée Dome - Turnbury	13, 31
DX1G03D	1G03D	Insulated Tray - Server	59	DX340031	3400/31	Entrée Dome - Turnbury	13, 31
DX1G13D	1G13D	Insulated Tray - Cover	59	DX340050	3400/28	Entrée Dome - Turnbury	13, 31
DX1O202	1O202	Insulated Tray - Server	60	DX340056	3400/12*	Entrée Dome - Turnbury	13, 31
DX1O211	1O211*	Insulated Tray - Server	60	DX340061	3400/20	Entrée Dome - Turnbury	13, 31
DX1O213	1O213	Insulated Tray - Cover	60	DX340068	3400/68	Entrée Dome - Turnbury	13, 31
DX1PKD001	1PKD001	Dietary Kit - Pocket	89	DX340084	3400/84	Entrée Dome - Turnbury	13, 31
DX1PKD002	1PKD002	Dietary Kit - Pocket	89	DX361502	3615/14	Monkey Dish	22, 37
DX1PKD003	1PKD003	Dietary Kit - Pocket	89	DX400003	4000/11H	Mug - Heritage	16
DX1PKD004	1PKD004	Dietary Kit - Pocket	89	DX400015	4000/33H	Mug - Heritage	16
DX1PKD005	1PKD005	Dietary Kit - Pocket	89	DX400023	4000/27H*	Mug - Heritage	16
DX1PKD006	1PKD006	Dietary Kit - Pocket	89	DX400050	4000/28H	Mug - Heritage	16
DX1PKD011	1PKD011	Dietary Kit - Pocket	89	DX400056	4000/12H	Mug - Heritage	16
DX1PKD012	1PKD012	Dietary Kit - Pocket	89	DX400061	4000/20H	Mug - Heritage	16
DX1PKD013	1PKD013	Dietary Kit - Pocket	89	DX40008700	4000/8700	Lid - Heritage	16, 49
DX1PKD015	1PKD015	Dietary Kit - Pocket	89	DX40008714	4000/8714	Lid - Heritage	16, 49
DX1PKDM07	1PKDM07	Dietary Kit - Pocket	89	DX410015	4100/33H*	Tumbler - Heritage	16
DX1PKDM08	1PKDM08	Dietary Kit - Pocket	89	DX410023	4100/27H*	Tumbler - Heritage	16
DX1PKDM09	1PKDM09	Dietary Kit - Pocket	89	DX410056	4100/12H*	Tumbler - Heritage	16
DX1PKDM10	1PKDM10	Dietary Kit - Pocket	89	DX410061	4100/20H*	Tumbler - Heritage	16
DX1S03D	1S03D	Insulated Tray - Server	59	DX4111003	4111011	Base - Power-Therm	34, 99
DX1S13D	1S13D	Insulated Tray - Cover	59	DX4111008	4111036	Base - Power-Therm	34, 99
DX1U04	1U04	Insulated Tray - Server	60	DX4111015	4111507	Base - Power-Therm	34, 99
DX1U13	1U13	Insulated Tray - Cover	60	DX4111023	4111434	Base - Power-Therm	34, 99
DX20019000	2001/9000	Lid - Generic	51	DX4111050	4111028	Base - Power-Therm	34, 99
DX20029000	2002/9000	Lid - Generic	51	DX4111056	4111509*	Base - Power-Therm	34, 99
DX21259000	2125/9000	Lid - Generic	51	DX4111061	4111508	Base - Power-Therm	34, 99
DX21359000	2135/9000	Lid - Generic	51	DX4111478	4111478	Base - Power-Therm	34, 99
DX22259000	2225/9000	Lid - Generic	51	DX4111480	4111480	Base - Power-Therm	34, 99
DX24019000	2401/9000	Lid - Generic	51	DX420003	4200/11H	Bowl - Heritage	16
DX300003	3000/11	Mug - Turnbury	12	DX420015	4200/33H	Bowl - Heritage	16
DX300008	3000/36	Mug - Turnbury	12	DX420023	4200/27H*	Bowl - Heritage	16
DX300015	3000/33*	Mug - Turnbury	12	DX420050	4200/28H	Bowl - Heritage	16
DX300023	3000/27*	Mug - Turnbury	12	DX420056	4200/12H	Bowl - Heritage	16
DX300031	3000/31	Mug - Turnbury	12	DX420061	4200/20H	Bowl - Heritage	16
DX300050	3000/28	Mug - Turnbury	12	DX430003	4300/11H	Bowl - Heritage	17
DX300056	3000/12*	Mug - Turnbury	12	DX430015	4300/33H	Bowl - Heritage	17
DX300061	3000/20	Mug - Turnbury	12	DX430023	4300/27H*	Bowl - Heritage	17
DX300068	3000/68	Mug - Turnbury	12	DX430050	4300/28H	Bowl - Heritage	17
DX300084	3000/84	Mug - Turnbury	12	DX430056	4300/12H	Bowl - Heritage	17
DX30008714	3000/8714	Lid - Turnbury	12, 49	DX430061	4300/20H	Bowl - Heritage	17
DX30008775	3000/8775	Lid - EZ-Sip	12, 49	DX43008700	4300/8700	Lid - Heritage	17, 49
DX320003	3200/11	Bowl - Turnbury	12	DX43008714	4300/8714	Lid - Heritage	17, 49
DX320008	3200/36	Bowl - Turnbury	12	DX440003	4400/11H	Entrée Dome - Heritage	17, 31
DX320015	3200/33*	Bowl - Turnbury	12	DX440015	4400/33H	Entrée Dome - Heritage	17, 31
DX320023	3200/27*	Bowl - Turnbury	12	DX440023	4400/27H*	Entrée Dome - Heritage	17, 31
DX320031	3200/31	Bowl - Turnbury	12	DX440050	4400/28H	Entrée Dome - Heritage	17, 31
DX320050	3200/28	Bowl - Turnbury	12	DX440056	4400/12H	Entrée Dome - Heritage	17, 31
DX320056	3200/12*	Bowl - Turnbury	12	DX440061	4400/20H	Entrée Dome - Heritage	17, 31
DX320061	3200/20	Bowl - Turnbury	12	DX45-47	PC45-47	Lid - Glassware	53
DX320068	3200/68	Bowl - Turnbury	12	DX450050	New Item!	Bowl - Heritage	17
DX320084	3200/84	Bowl - Turnbury	12	DX450056	New Item!	Bowl - Heritage	17

\* Indicates discontinued item. Quantities may be limited; call for availability.



Item No.	Old Item No.	Product Type	Page	Item No.	Old Item No.	Product Type	Page
DX6DCS239	6SDC/S239	Diet Card - Small	87	DX9000B03	9000B/11	Mug - Tropez	27
DX6DCS354	6SDC/S354	Diet Card - Small	87	DX9000B23	9000B/27	Mug - Tropez	27
DX6DCS424	6SDC/S424	Diet Card - Small	87	DX9000B50	9000B/28	Mug - Tropez	27
DX6DCS470	6SDC/S470	Diet Card - Small	87	DX9000B61	9000B/20	Mug - Tropez	27
DX6DCS472	6SDC/S472	Diet Card - Small	8	DX9000B7000	9000B/7000	Lid - Tropez	27, 51
DX6SM0010000	6SM/001/0000	Menu Form - Blank paper	86, 87	DX91-93	PC91-93	Lid - Glassware	53
DX6SM016000	6SM/016/0000	Menu Form - 3 Panel	86	DX9200B03	9200B/11	Bowl - Tropez	27
DX6SM021000	6SM/021/0000	Menu Form - 3 Panel	86	DX9200B50	9200B/28	Bowl - Tropez	27
DX6SM022000	6SM/022/0000	Menu Form - 3 Panel	86	DX9200B61	9200B/20	Bowl - Tropez	27
DX6SM055000	6SM/055/0000	Menu Form - 3 Panel	86	DX93-95	PC93-95	Lid - Glassware	53
DX6SM055109	6SM/055/109	Menu Form - 3 Panel	86	DX9300B03	9300B/11	Bowl - Tropez	27
DX6SM0551585	6SM/055/1585	Menu Form - 3 Panel	86	DX9300B23	9300B/27	Bowl - Tropez	27
DX6SM055190	6SM/055/190	Menu Form - 3 Panel	86	DX9300B50	9300B/28	Bowl - Tropez	27
DX6SM055300	6SM/055/300	Menu Form - 3 Panel	86	DX9300B61	9300B/20	Bowl - Tropez	27
DX6SM055354	6SM/055/354	Menu Form - 3 Panel	86	DX9300B7000	9300B/7000	Lid - Tropez	27, 51
DX6SM055424	6SM/055/424	Menu Form - 3 Panel	86	DX9400B03	9400/11B	Entrée Dome - Tropez	28, 32
DX6SM055472	6SM/055/472	Menu Form - 3 Panel	86	DX9400B23	9400/27B	Entrée Dome - Tropez	28, 32
DX6SM081000	6SM/081/0000	Menu Form - 3 Panel	86	DX9400B50	9400/28B	Entrée Dome - Tropez	28, 32
DX6SM081109	6SM/081/109	Menu Form - 3 Panel	86	DX9400B61	9400/20B	Entrée Dome - Tropez	28, 32
DX6SM0811585	6SM/081/1585	Menu Form - 3 Panel	86	DX9407B03	9407B/11	Entrée Dome - Tropez	28, 31
DX6SM081190	6SM/081/190	Menu Form - 3 Panel	86	DX9407B50	9407B/28	Entrée Dome - Tropez	28, 31
DX6SM081222	6SM/081/222	Menu Form - 3 Panel	86	DX9407B61	9407B/20	Entrée Dome - Tropez	28, 31
DX6SM081300	6SM/081/300	Menu Form - 3 Panel	86	DX95-97	PC95-97	Lid - Glassware	53
DX6SM081354	6SM/081/354	Menu Form - 3 Panel	86	DX97-99	PC97-99	Lid - Glassware	53
DX6SM081424	6SM/081/424	Menu Form - 3 Panel	86	DX99-101	PC99-101	Lid - Glassware	53
DX6SM081472	6SM/081/472	Menu Form - 3 Panel	86	DX9CP02	9CP	Dishware - Reusable	44
DX6SM090000	6SM/090/0000	Menu Form - 3 Panel	86	DXAC54	AC5/4	Counter - Option	132
DX6SM091000	6SM/091/0000	Menu Form - 3 Panel	86	DXAC56	AC5/6	Counter - Option	132
DX6SM243000	6SM/243/0000	Menu Form - 3 Panel	86	DXBRC14	BRC14	Bulk Retherm Cabinet	114
DX6SM243109	6SM/243/109	Menu Form - 3 Panel	86	DXBRC28	BRC28	Bulk Retherm Cabinet	114
DX6SM2431585	6SM/243/1585	Menu Form - 3 Panel	86	DXCIB	CIB	Counter - Cold-In-Base	131
DX6SM243190	6SM/243/190	Menu Form - 3 Panel	86	DXCTCAD29000	CUTCAD/5290	Cutlery Caddy	76
DX6SM243300	6SM/243/300	Menu Form - 3 Panel	86	DXCTCAD35000	CUTCAD/5350	Cutlery Caddy	76
DX6SM243354	6SM/243/354	Menu Form - 3 Panel	86	DXCTCAD80003	CUTCAD/11	Cutlery Caddy	76
DX6SM243424	6SM/243/424	Menu Form - 3 Panel	86	DXCTCAD80061	CUTCAD/20	Cutlery Caddy	76
DX6SM243472	6SM/243/472	Menu Form - 3 Panel	86	DXCUT	CUT	Counter - Option	132, 136
DX6SM3200000	6SM/320/0000	Menu Form - 3 Panel	86	DXDBC30	DBC30	Blast Chiller - Reach-in	144
DX6SM323000	6SM/323/0000	Menu Form - 3 Panel	86	DXDBC45	DBC45	Blast Chiller - Reach-in	144
DX6SM350000	6SM/350/0000	Menu Form - 3 Panel	86	DXDBC70	DBC70	Blast Chiller - Reach-in	144
DX6SM351000	6SM/351/0000	Menu Form - 3 Panel	86	DXDBC110	DBC110	Blast Chiller - Reach-in	144
DX6SM35111	6SM/351/1113	Menu Form - 3 Panel	86	DXDBC175	DBC175	Blast Chiller - Roll-in	144
DX6ST0010000	6ST/001/0000	Tray Ticket	87	DXDCF2	DCF/2	Counter - Cold Food	127
DX6ST0030000	6ST/003/0000	Tray Ticket	87	DXDCF27	DCF/27	Counter - Cold Food	127
DX6ST0040000	6ST/004/0000	Tray Ticket	87	DXDCF2NR	DCF/2NR	Counter - Cold Food	128
DX71-73	PC71-73	Lid - Glassware	53	DXDCF3	DCF/3	Counter - Cold Food	127
DX73-75	PC73-75	Lid - Glassware	53	DXDCF37	DCF/37	Counter - Cold Food	127
DX75-77	PC75-77	Lid - Glassware	53	DXDCF3NR	DCF/3NR	Counter - Cold Food	128
DX77-79	PC77-79	Lid - Glassware	53	DXDCF4	DCF/4	Counter - Cold Food	127
DX79-81	PC79-81	Lid - Glassware	53	DXDCF47	DCF/47	Counter - Cold Food	127
DX7CE02	7CE	Dishware - Reusable	44	DXDCF4NR	DCF/4NR	Counter - Cold Food	128
DX81-83	PC81-83	Lid - Glassware	53	DXDCF5	DCF/5	Counter - Cold Food	127
DX811003	811011	Base - Induction	34, 95, 98	DXDCF57	DCF/57	Counter - Cold Food	127
DX811008	811036	Base - Induction	34, 95, 98	DXDCF5NR	DCF/5NR	Counter - Cold Food	128
DX811023	811027	Base - Induction	34, 95, 98	DXDCF6	DCF/6	Counter - Cold Food	127
DX811031	811031	Base - Induction	34, 95, 98	DXDCF67	DCF/67	Counter - Cold Food	127
DX811050	811028	Base - Induction	34, 95, 98	DXDCF6NR	DCF/6NR	Counter - Cold Food	128
DX811056	811012	Base - Induction	34, 95, 98	DXDCP	DCP	Hold-N-Serv - Option	105
DX811061	811020	Base - Induction	34, 95, 98	DXDCR45	DCR45	Counter - Corner	125
DX811068	811068	Base - Induction	34, 95, 98	DXDCR90	DCR90	Counter - Corner	125
DX811084	811084	Base - Induction	34, 95, 98	DXDCS	DCS	Counter - Cashier Stand	126
DX811208	811208	Charger - Smart-Therm	95	DXDCSD	DCSD	Counter - Cashier Stand	126
DX811240	811240	Charger - Smart-Therm	95	DXDDG2	DDG/2	Counter - Option	135
DX83-85	PC83-85	Lid - Glassware	53	DXDDG22	DDG2/2	Counter - Option	135
DX85-87	PC85-87	Lid - Glassware	53	DXDDG23	DDG2/3	Counter - Option	135
DX87-89	PC87-89	Lid - Glassware	53	DXDDG24	DDG2/4	Counter - Option	135
DX89-91	PC89-91	Lid - Glassware	53	DXDDG25	DDG2/5	Counter - Option	135

\* Indicates discontinued item. Quantities may be limited; call for availability.

Item No.	Old Item No.	Product Type	Page	Item No.	Old Item No.	Product Type	Page
DXDDG26	DDG2/6	Counter - Option	135	DXDHOR20UCOVR2	DHOR/20UCOVR2	Cart - Accessory	168
DXDDG2FL2	DDG2FL/2	Counter - Option	135	DXDHOR24UCOVR	DHOR/24UCOVR	Cart - Accessory	168
DXDDG2FL3	DDG2FL/3	Counter - Option	135	DXDHOR24UCOVR2	DHOR/24UCOVR2	Cart - Accessory	168
DXDDG2FL4	DDG2FL/4	Counter - Option	135	DXDHT2	DHT/2	Counter - Hot Top	122
DXDDG2FL5	DDG2FL/5	Counter - Option	135	DXDHT2HIB	DHT/2HIB	Counter - Hot Top	122
DXDDG2FL6	DDG2FL/6	Counter - Option	135	DXDHT3	DHT/3	Counter - Hot Top	122
DXDDG2	DDG/2	Counter - Option	135	DXDHT3HIB	DHT/3HIB	Counter - Hot Top	122
DXDDG3	DDG/3	Counter - Option	135	DXDHT4	DHT/4	Counter - Hot Top	122
DXDDG4	DDG/4	Counter - Option	135	DXDHT4HIB	DHT/4HIB	Counter - Hot Top	122
DXDDG5	DDG/5	Counter - Option	135	DXDHT5	DHT/5	Counter - Hot Top	122
DXDDG6	DDG/6	Counter - Option	135	DXDHT5HIB	DHT/5HIB	Counter - Hot Top	122
DXDDGFL2	DDGFL/2	Counter - Option	135	DXDHT6	DHT/6	Counter - Hot Top	122
DXDDGFL3	DDGFL/3	Counter - Option	135	DXDHT6HIB	DHT/6HIB	Counter - Hot Top	122
DXDDGFL4	DDGFL/4	Counter - Option	135	DXDICF	DICF	Ice Cream Freezer	129
DXDDGFL5	DDGFL/5	Counter - Option	135	DXDMC2	DMC/2	Counter - Carving	124
DXDDGFL6	DDGFL/6	Counter - Option	135	DXDMC	DMC	Milk Cooler	129
DXDDWS2	DDWS/2	Counter - Shelf	130	DXDOUT	DOUT	Counter - Option	132, 136
DXDDWS3	DDWS/3	Counter - Shelf	130	DXDST2	DST/2	Counter - Solid Top	125
DXDDWS4	DDWS/4	Counter - Shelf	130	DXDST3	DST/3	Counter - Solid Top	125
DXDDWS5	DDWS/5	Counter - Shelf	130	DXDST4	DST/4	Counter - Solid Top	125
DXDDWS6	DDWS/6	Counter - Shelf	130	DXDST5	DST/5	Counter - Solid Top	125
DXDFT2	DFT/2	Counter - Frost Top	128	DXDST6	DST/6	Counter - Solid Top	125
DXDFT3	DFT/3	Counter - Frost Top	128	DXDSW11	DSW11	Counter - Accessory	136
DXDFT4	DFT/4	Counter - Frost Top	128	DXDSW11D	DSW11D	Counter - Accessory	136
DXDFT5	DFT/5	Counter - Frost Top	128	DXDSW11T	DSW11T	Counter - Accessory	136
DXDFT6	DFT/6	Counter - Frost Top	128	DXDSW11TD	DSW11TD	Counter - Accessory	136
DXDHAF	DHAF	Counter - Auto Fill	123	DXDSW7	DSW7	Counter - Accessory	136
DXDHC2	DHC/2	Counter - Hot/Cold	124	DXDSW7D	DSW7D	Counter - Accessory	136
DXDHC3	DHC/3	Counter - Hot/Cold	124	DXDSW7T	DSW7T	Counter - Accessory	136
DXDHC4	DHC/4	Counter - Hot/Cold	124	DXDSW7TD	DSW7TD	Counter - Accessory	136
DXDHC5	DHC/5	Counter - Hot/Cold	124	DXDUS2	DUS/2	Counter - Urn Stand	126
DXDHC6	DHC/6	Counter - Hot/Cold	124	DXDUS3	DUS/3	Counter - Urn Stand	126
DXDHF2	DHF/2	Counter - Hot food	121	DXDUS4	DUS/4	Counter - Urn Stand	126
DXDHF2HIB	DHF/2HIB	Counter - Hot food	121	DXDUS5	DUS/5	Counter - Urn Stand	126
DXDHF2SL	DHF/2SL	Counter - Slimline	123	DXDUS6	DUS/6	Counter - Urn Stand	126
DXDHF3	DHF/3	Counter - Hot food	121	DXDVLCF2	DVLCF/2	Value Line Counter - Cold food	140
DXDHF3HIB	DHF/3HIB	Counter - Hot food	121	DXDVLCF3	DVLCF/3	Value Line Counter - Cold food	140
DXDHF3LL	DHF/3LL	Counter - L-shape	123	DXDVLHF2	DVLHF/2	Value Line Counter - Hot food	140
DXDHF3LR	DHF/3LR	Counter - L-shape	123	DXDVLHF2SL	DVLHF/2SL	Value Line Counter - Hot food	140
DXDHF3SL	DHF/3SL	Counter - Slimline	123	DXDVLHF3	DVLHF/3	Value Line Counter - Hot food	140
DXDHF4	DHF/4	Counter - Hot food	121	DXDVLHF3SL	DVLHF/3SL	Value Line Counter - Hot food	140
DXDHF4HIB	DHF/4HIB	Counter - Hot food	121	DXDVLST2	DVLST/2	Value Line Counter - Solid Top	141
DXDHF4LL	DHF/4LL	Counter - L-shape	123	DXDVLST3	DVLST/3	Value Line Counter - Solid Top	141
DXDHF4LR	DHF/4LR	Counter - L-shape	123	DXDVLUS2	DVLUS/2	Value Line Counter - Urn Stand	141
DXDHF5	DHF/5	Counter - Hot food	121	DXDVLUS3	DVLUS/3	Value Line Counter - Urn Stand	141
DXDHF5HIB	DHF/5HIB	Counter - Hot food	121	DXFLP2	FLP/2	Counter - Panels	132
DXDHF5LL	DHF/5LL	Counter - L-shape	123	DXFLP3	FLP/3	Counter - Panels	132
DXDHF5LR	DHF/5LR	Counter - L-shape	123	DXFLP4	FLP/4	Counter - Panels	132
DXDHF6	DHF/6	Counter - Hot food	121	DXFLP42	FLP4/2	Counter - Panels	132
DXDHF6HIB	DHF/6HIB	Counter - Hot food	121	DXFLP43	FLP4/3	Counter - Panels	132
DXDHF	DHFF	Counter - Fill Faucet	123	DXFLP44	FLP4/4	Counter - Panels	132
DXDHOR12COVER	DHOR/12COVER	Cart - Accessory	168	DXFLP45	FLP4/5	Counter - Panels	132
DXDHOR12COVER2	DHOR/12COVER2	Cart - Accessory	168	DXFLP46	FLP4/6	Counter - Panels	132
DXDHOR12RSTCR	DHOR/12RSTCOVER	Cart - Accessory	168	DXFLP5	FLP/5	Counter - Panels	132
DXDHOR12RSTCOV	DHOR/12RSTCOVER2	Cart - Accessory	168	DXFLP6	FLP/6	Counter - Panels	132
DXDHOR12U	DHOR/12U	Cart - Tray Delivery	168	DXFLPD2	FLPD/2	Counter - Door Panels	132
DXDHOR20COVER	DHOR/20COVER	Cart - Accessory	168	DXFLPD3	FLPD/3	Counter - Door Panels	132
DXDHOR20RSTCR	DHOR/20RSTCOVER	Cart - Accessory	168	DXFLPD4	FLPD/4	Counter - Door Panels	132
DXDHOR20RSTCOV	DHOR/20RSTCOVER2	Cart - Accessory	168	DXFLPD5	FLPD/5	Counter - Door Panels	132
DXDHOR20U	DHOR/20U	Cart - Tray Delivery	168	DXFLPD6	FLPD/6	Counter - Door Panels	132
DXDHOR24RSTCR	DHOR/24RSTCOVER	Cart - Accessory	168	DXFSEG	FSEG	Counter - Option	133
DXDHOR24RSTCV2	DHOR/24RSTCOVER2	Cart - Accessory	168	DXFSG2	FSG/2	Counter - Option	133
DXDHOR24U	DHOR/24U	Cart - Tray Delivery	168	DXFSG3	FSG/3	Counter - Option	133
DXDHOR12UCOVR	DHOR/12UCOVR	Cart - Accessory	168	DXFSG4	FSG/4	Counter - Option	133
DXDHOR12UCOVR2	DHOR/12UCOVR2	Cart - Accessory	168	DXFSG5	FSG/5	Counter - Option	133
DXDHOR20UCOVR	DHOR/20UCOVR	Cart - Accessory	168	DXFSG6	FSG/6	Counter - Option	133

\* Indicates discontinued item. Quantities may be limited; call for availability.



Item No.	Old Item No.	Product Type	Page	Item No.	Old Item No.	Product Type	Page
DXFSGFL2	FSGFL/2	Counter - Option	133	DXHR431DN01	R6431	Holiday Napkin - 1/8 Fold	84
DXFSGFL3	FSGFL/3	Counter - Option	133	DXHR455I0NS	R5455INS	Holiday Traycover - 14" x 18" tray	82
DXFSGFL4	FSGFL/4	Counter - Option	133	DXHR455M0NS	R5455MNS	Holiday Traycover - 15" x 20" tray	82
DXFSGFL5	FSGFL/5	Counter - Option	133	DXHR455U0NS	R5455UNS	Holiday Traycover - Unitron 5 & 7 tray	83
DXFSGFL6	FSGFL/6	Counter - Option	133	DXHR457DN01	R6457	Holiday Napkin - 1/8 Fold	84
DXFSGH2	FSGH/2	Counter - Option	133	DXHR457I002	R5457IR	Holiday Traycover - 14" x 18" tray	82
DXFSGH3	FSGH/3	Counter - Option	133	DXHR457M002	R5457MR	Holiday Traycover - 15" x 20" tray	82
DXFSGH4	FSGH/4	Counter - Option	133	DXHR457S002	R5457SR	Holiday Traycover - Aladdin Excel tray	83
DXFSGH5	FSGH/5	Counter - Option	133	DXHR601DN01	R6601	Holiday Napkin - 1/8 Fold	84
DXFSGH6	FSGH/6	Counter - Option	133	DXHR601I001	R5601I	Holiday Traycover - 14" x 18" tray	82
DXFSGHL2	FSGHL/2	Counter - Option	133	DXHR601M001	R5601M	Holiday Traycover - 15" x 20" tray	82
DXFSGHL3	FSGHL/3	Counter - Option	133	DXHR601S001	R5601S	Holiday Traycover - Aladdin Excel tray	83
DXFSGHL4	FSGHL/4	Counter - Option	133	DXHR601U0NS	R5601UNS	Holiday Traycover - Unitron 5 & 7 tray	83
DXFSGHL5	FSGHL/5	Counter - Option	133	DXHSIIIHA	HSIIIHA	Hold-N-Serv - Cart	105
DXFSGHL6	FSGHL/6	Counter - Option	133	DXHSIIHH	HSIIHH	Hold-N-Serv - Cart	105
DXFSGL2	FSGL/2	Counter - Option	133	DXHSIIHR	HSIIHR	Hold-N-Serv - Cart	105
DXFSGL3	FSGL/3	Counter - Option	133	DXHS002D001	300/002	Holiday Placemat - 10" x 15"	84
DXFSGL4	FSGL/4	Counter - Option	133	DXHS002DN01	200/002	Holiday Napkin - 1/8 Fold	84
DXFSGL5	FSGL/5	Counter - Option	133	DXHS002I001	101/002	Holiday Traycover - 14" x 18" tray	82
DXFSGL6	FSGL/6	Counter - Option	133	DXHS002M001	100/002	Holiday Traycover - 15" x 20" tray	83
DXGB2	GB/2	Counter - Option	136	DXHS027DN01	200/027	Holiday Napkin - 1/8 Fold	84
DXGB3	GB/3	Counter - Option	136	DXHS027I001	101/027	Holiday Traycover - 14" x 18" tray	82
DXGB4	GB/4	Counter - Option	136	DXHS027M001	100/027	Holiday Traycover - 15" x 20" tray	83
DXGB5	GB/5	Counter - Option	136	DXHS052D001	300/052	Holiday Placemat - 10" x 15"	84
DXGB6	GB/6	Counter - Option	136	DXHS052DN01	200/052	Holiday Napkin - 1/8 Fold	84
DXH5455DN01	New Item!	Holiday Napkin - 1/8 Fold	84	DXHS052I001	101/052	Holiday Traycover - 14" x 18" tray	82
DXH5455I003	New Item!	Holiday Traycover - 14" x 18" tray	82	DXHS052M001	100/052	Holiday Traycover - 15" x 20" tray	83
DXH5455M003	New Item!	Holiday Traycover - 15" x 20" tray	82	DXHS090DN01	200/800	Napkin - 1/8 Fold	75
DXH5500Q0HW	New Item!	Holiday Traycover - Dinex Room Serv tray	83	DXHS090M001	100/800	Traycover - 15" x 20" tray	71
DXH6180DN01	New Item!	Holiday Napkin - 1/8 Fold	84	DXHS091DN01	200/803	Napkin - 1/8 Fold	75
DXHC20	HC20	Cabinet - Heated	103	DXHS091I001	101/803	Traycover - 14" x 18" tray	70
DXHC24	HC24	Cabinet - Heated	103	DXHS091M001	100/803	Traycover - 15" x 20" tray	71
DXHCHANDLES	HCHANDLES	Cabinet - Option	103	DXHS104DN01	200/104	Holiday Napkin - 1/8 Fold	84
DXHCLATCH	HCLATCH	Cabinet - Option	103	DXHS105D001	300/105	Holiday Placemat - 10" x 15"	84
DXHCMENU	HCMENU	Cabinet - Option	103	DXHS105I001	101/105	Holiday Traycover - 14" x 18" tray	82
DXHCSLIDES	HCSLIDES	Cabinet - Option	103	DXHS105M001	100/105	Holiday Traycover - 15" x 20" tray	83
DXHD2	HD/2	Counter - Doors	131	DXHS180D001	300/180	Holiday Placemat - 10" x 15"	84
DXHD3	HD/3	Counter - Doors	131	DXHS180HDN01	200/180H	Holiday Napkin - 1/8 Fold	84
DXHD4	HD/4	Counter - Doors	131	DXHS180I001	101/180	Holiday Traycover - 14" x 18" tray	82
DXHD5	HD/5	Counter - Doors	131	DXHS180M001	100/180	Holiday Traycover - 15" x 20" tray	83
DXHD6	HD/6	Counter - Doors	131	DXHS180NDN01	200/180N	Holiday Napkin - 1/8 Fold	84
DXHH1	HH1	Dishware - Disposable	46	DXHS201D001	300/201	Holiday Placemat - 10" x 15"	84
DXHH5	HH5	Dishware - Disposable	46	DXHS201DN01	200/201	Holiday Napkin - 1/8 Fold	84
DXHH8	HH8	Dishware - Disposable	46	DXHS201I001	101/201	Holiday Traycover - 14" x 18" tray	82
DXHH10	HH10	Dishware - Disposable	46	DXHS201M001	100/201	Holiday Traycover - 15" x 20" tray	83
DXHH10A	HH10A	Dishware - Disposable	46	DXHS325D001	300/325	Holiday Placemat - 10" x 15"	84
DXHH20	HH20	Dishware - Disposable	46	DXHS325DN01	200/325	Holiday Napkin - 1/8 Fold	84
DXHH20A	HH20A	Dishware - Disposable	46	DXHS325I001	101/325	Holiday Traycover - 14" x 18" tray	82
DXHH27B	HH27B	Dishware - Disposable	46	DXHS325M001	100/325	Holiday Traycover - 15" x 20" tray	83
DXHH30	HH30	Dishware - Disposable	46	DXHS341DN01	200/341	Holiday Napkin - 1/8 Fold	84
DXHH87	HH87	Lid - Bowl	46	DXHS344E001	103/344	Holiday Traycover - 11" x 18" tray	82
DXHH97	HH97	Lid - Bowl	46	DXHS344I001	101/344	Holiday Traycover - 14" x 18" tray	82
DXHHC1002	HHC10	Dishware - Reusable	44	DXHS344M001	100/344	Holiday Traycover - 15" x 20" tray	83
DXHHC10A02	HHC10A*	Dishware - Reusable	44	DXHS345D001	300/345	Holiday Placemat - 10" x 15"	84
DXHHSCM	HHSCM	Lid - Mug	46	DXHS345I001	101/345	Holiday Traycover - 14" x 18" tray	82
DXHHSCS	HHSCS	Lid - Bowl	46	DXHS345M001	100/345	Holiday Traycover - 15" x 20" tray	83
DXHR027S001	R5027S	Holiday Traycover - Aladdin Excel tray	83	DXHS456D001	300/456	Holiday Placemat - 10" x 15"	84
DXHR180S001	R5180S	Holiday Traycover - Aladdin Excel tray	83	DXHS456DN01	200/456	Holiday Napkin - 1/8 Fold	84
DXHR180U0NS	R5180UNS	Holiday Traycover - Unitron 5 & 7 tray	83	DXHS456I001	101/456	Holiday Traycover - 14" x 18" tray	82
DXHR325DN01	R6325	Holiday Napkin - 1/8 Fold	84	DXHS456M001	100/456	Holiday Traycover - 15" x 20" tray	83
DXHR325I001	R5325I	Holiday Traycover - 14" x 18" tray	82	DXHS458DN01	200/458	Holiday Napkin - 1/8 Fold	84
DXHR325M001	R5325M	Holiday Traycover - 15" x 20" tray	82	DXHS458I001	101/458	Holiday Traycover - 14" x 18" tray	82
DXHR344I001	R5344I	Holiday Traycover - 14" x 18" tray	82	DXHS458M001	100/458	Holiday Traycover - 15" x 20" tray	83
DXHR344M001	R5344M	Holiday Traycover - 15" x 20" tray	82	DXHS470D001	300/470	Holiday Placemat - 10" x 15"	84
DXHR345I001	R5345I	Holiday Traycover - 14" x 18" tray	82	DXHS470DN01	200/470	Holiday Napkin - 1/8 Fold	84
DXHR345M001	R5345M	Holiday Traycover - 15" x 20" tray	82	DXHS470I001	101/470	Holiday Traycover - 14" x 18" tray	82

\* Indicates discontinued item. Quantities may be limited; call for availability.

Item No.	Old Item No.	Product Type	Page	Item No.	Old Item No.	Product Type	Page
DXHS470M001	100/470	Holiday Traycover - 15" x 20" tray	83	DXICT10	ICT/10	Cart - Tray Delivery	169
DXHS601D001	300/601	Holiday Placemat - 10" x 15"	84	DXICT10S	ICT/10S	Cart - Tray Delivery	169
DXHS601DN01	200/601	Holiday Napkin - 1/8 Fold	84	DXICT12	ICT/12	Cart - Tray Delivery	169
DXHS601I001	101/601	Holiday Traycover - 14" x 18" tray	82	DXICT16	ICT/16	Cart - Tray Delivery	169
DXHS601M001	100/601	Holiday Traycover - 15" x 20" tray	83	DXICT20	ICT/20	Cart - Tray Delivery	169
DXHS620D001	300/620	Holiday Placemat - 10" x 15"	84	DXICT202D	ICT/202D	Cart - Tray Delivery	170
DXHS620DN01	200/620	Holiday Napkin - 1/8 Fold	84	DXICT24	ICT/24	Cart - Tray Delivery	169
DXHS620I001	101/620	Holiday Traycover - 14" x 18" tray	82	DXICT242D	ICT/242D	Cart - Tray Delivery	170
DXHS620M001	100/620	Holiday Traycover - 15" x 20" tray	83	DXICT282D	ICT/282D	Cart - Tray Delivery	170
DXHS642D001	300/642	Holiday Placemat - 10" x 15"	84	DXICT2DTR3	ICT/2DTR3	Cart - Option	170
DXHS642DN01	200/642	Holiday Napkin - 1/8 Fold	84	DXICT322D	ICT/322D	Cart - Tray Delivery	170
DXHS642I001	101/642	Holiday Traycover - 14" x 18" tray	82	DXICT3DTR4	ICT/3DTR4	Cart - Option	170
DXHS642M001	100/642	Holiday Traycover - 15" x 20" tray	83	DXICTABLE	ICTABLE	Counter - Induction	96, 99
DXHS701D001	300/701	Holiday Placemat - 10" x 15"	84	DXICTABLEM	ICTABLEM	Counter - Induction	96, 99
DXHS701DN01	200/701	Holiday Napkin - 1/8 Fold	84	DXICTCAST6	ICT/CAST6	Caster Upgrade	169, 170
DXHS701I001	101/701	Holiday Traycover - 14" x 18" tray	82	DXICTCAST8	ICT/CAST8	Caster Upgrade	169, 170
DXHS701M001	100/701	Holiday Traycover - 15" x 20" tray	83	DXICTCB	ICT/CB	Cart Option	169, 170
DXHS722D001	300/722	Holiday Placemat - 10" x 15"	84	DXICTCC	ICT/CC	Cart Option	169
DXHS722DN01	200/722	Holiday Napkin - 1/8 Fold	84	DXICTDRAIN	ICT/DRAIN	Cart Option	169, 170
DXHS722I001	101/722	Holiday Traycover - 14" x 18" tray	82	DXICTPH	ICT/PH	Cart Option	169
DXHS722M001	100/722	Holiday Traycover - 15" x 20" tray	83	DXICTPT10	ICTPT/10	Cart - Tray Delivery	169
DXIACPHC0912	IACPHC/0912	Dispenser - Accessory	150	DXICTPT12	ICTPT/12	Cart - Tray Delivery	169
DXIACPHC1012	IACPHC/1012	Dispenser - Accessory	150	DXICTPT16	ICTPT/16	Cart - Tray Delivery	169
DXIACPHC1200	IACPHC/1200	Dispenser - Accessory	150	DXICTPT20	ICTPT/20	Cart - Tray Delivery	169
DXIADWB	IADWB	Dispenser - Accessory	150	DXICTPT202D	ICTPT/202D	Cart - Tray Delivery	170
DXIBDRP100	IBDRP/100	Drying Rack - Base	157	DXICTPT24	ICTPT/24	Cart - Tray Delivery	169
DXIBDRP200	IBDRP/200	Drying Rack - Base	157	DXICTPT242D	ICTPT/242D	Cart - Tray Delivery	170
DXIBDRP300	IBDRP/300	Drying Rack - Base	157	DXICTPT282D	ICTPT/282D	Cart - Tray Delivery	170
DXIBDRS90	IBDRS/90	Drying Rack - Base	157	DXICTPT322D	ICTPT/322D	Cart - Tray Delivery	170
DXIBDRS180	IBDRS/180	Drying Rack - Base	157	DXICTTOW	ICT/TOW	Cart - Option	169
DXIBDRS270	IBDRS/270	Drying Rack - Base	157	DXICTTR1	ICT/TR1	Cart - Option	169
DXICOCFICF5	ICOCFICF5	Freezer - Ice cream	145	DXICTTR2	ICT/TR2	Cart - Option	169
DXICOCFICF8	ICOCFICF8	Freezer - Ice cream	145	DXICTTR3	ICT/TR3	Cart - Option	169
DXICOCFMC8	ICOCFMC8	Cooler - Milk	145	DXICTTR4	ICT/TR4	Cart - Option	169
DXICOCFMC12	ICOCFMC12	Cooler - Milk	145	DXICTWB	ICT/WB	Cart - Option	169, 170
DXICOCFMC16	ICOCFMC16	Cooler - Milk	145	DXIDP2E0912	IDP2E/0912	Dispenser - Plate	148
DXICSTG24	ICSTG/24	Cart - Stacking	61, 167	DXIDP2E1012	IDP2E/1012	Dispenser - Plate	148
DXICSTO48	ICSTO/48	Cart - Stacking	61, 167	DXIDP2E1200	IDP2E/1200	Dispenser - Plate	148
DXICSTO84	ICSTO/84	Cart - Stacking	61, 167	DXIDP2O0912	IDP2O/0912	Dispenser - Plate	148
DXICSTO104	ICSTO/104	Cart - Stacking	61, 167	DXIDP2O1012	IDP2O/1012	Dispenser - Plate	148
DXICSTO136	ICSTO/136	Cart - Stacking	61, 167	DXIDP2O1200	IDP2O/1200	Dispenser - Plate	148
DXICSTSU24	ICSTSU/24	Cart - Stacking	61, 167	DXIDP3E0912	IDP3E/0912	Dispenser - Plate	148
DXICSU152012	ICSU1520/12	Cart - Suspended	62, 166	DXIDP3E1012	IDP3E/1012	Dispenser - Plate	148
DXICSU152018	ICSU1520/18	Cart - Suspended	62, 166	DXIDP3E1200	IDP3E/1200	Dispenser - Plate	148
DXICSU152024	ICSU1520/24	Cart - Suspended	62, 166	DXIDP3O0912	IDP3O/0912	Dispenser - Plate	148
DXICSU152036	ICSU1520/36	Cart - Suspended	62, 166	DXIDP3O1012	IDP3O/1012	Dispenser - Plate	148
DXICSUSCOVER24C	ICSUCOVER/24C	Cart - Accessory	62, 166	DXIDP3O1200	IDP3O/1200	Dispenser - Plate	148
DXICSUSCOVER36C	ICSUCOVER/36C	Cart - Accessory	62, 166	DXIDPC20120	IDPC2/0120	Heater - Plate	163
DXICSUSCOVER37	ICSUCOVER/37	Cart - Accessory	62, 166	DXIDPC30180	IDPC3/0180	Heater - Plate	163
DXICSUSCOVER55	ICSUCOVER/55	Cart - Accessory	62, 166	DXIDPDS0912	IDPDS/0912	Dispenser - Plate	149
DXICSUG12	ICSUG/12	Cart - Suspended	62, 166	DXIDPDS1012	IDPDS/1012	Dispenser - Plate	149
DXICSUG18	ICSUG/18	Cart - Suspended	62, 166	DXIDPDS1200	IDPDS/1200	Dispenser - Plate	149
DXICSUG24	ICSUG/24	Cart - Suspended	62, 166	DXIDPH2E0912	IDPH2E/0912	Dispenser - Plate	150
DXICSUG36	ICSUG/36	Cart - Suspended	62, 166	DXIDPH2E1012	IDPH2E/1012	Dispenser - Plate	150
DXICSUS12	ICSUS/12	Cart - Suspended	62, 166	DXIDPH2E1200	IDPH2E/1200	Dispenser - Plate	150
DXICSUS18	ICSUS/18	Cart - Suspended	62, 166	DXIDPH2O0912	IDPH2O/0912	Dispenser - Plate	149
DXICSUS24	ICSUS/24	Cart - Suspended	62, 166	DXIDPH2O1012	IDPH2O/1012	Dispenser - Plate	149
DXICSUS36	ICSUS/36	Cart - Suspended	62, 166	DXIDPH2O1200	IDPH2O/1200	Dispenser - Plate	149
DXICSUTS	ICSU/TS	Cart - Accessory	62, 166	DXIDPH3E0912	IDPH3E/0912	Dispenser - Plate	150
DXICSUU12	ICSUU/12	Cart - Suspended	62, 166	DXIDPH3E1012	IDPH3E/1012	Dispenser - Plate	150
DXICSUU18	ICSUU/18	Cart - Suspended	62, 166	DXIDPH3E1200	IDPH3E/1200	Dispenser - Plate	150
DXICSUU24	ICSUU/24	Cart - Suspended	62, 166	DXIDPH4E0912	IDPH4E/0912	Dispenser - Plate	150
DXICSUU36	ICSUU/36	Cart - Suspended	62, 166	DXIDPH4E1012	IDPH4E/1012	Dispenser - Plate	150
DXICT6S	ICT/6S	Cart - Tray Delivery	169	DXIDPH4E1200	IDPH4E/1200	Dispenser - Plate	150
DXICT7S	ICT/7S	Cart - Tray Delivery	169	DXIDPHD0912	IDPHD/0912	Dispenser - Plate	149
DXICT8S	ICT/8S	Cart - Tray Delivery	169	DXIDPHD1012	IDPHD/1012	Dispenser - Plate	149

\* Indicates discontinued item. Quantities may be limited; call for availability.

Item No.	Old Item No.	Product Type	Page	Item No.	Old Item No.	Product Type	Page
DXIDPHD1200	IDPHD/1200	Dispenser - Plate	149	DXIESORS8	IESORS8	Conveyor - Option	180
DXIDPWB20900	IDPWB2/0900	Heater - Plate & Base	163	DXIESORS9	IESORS9	Conveyor - Option	180
DXIDRC1020	IDRC/1020	Dispenser - Washrack	152	DXIESORS10	IESORS10	Conveyor - Option	180
DXIDRC2020	IDRC/2020	Dispenser - Washrack	152	DXIESORS12	IESORS12	Conveyor - Option	180
DXIDRD1020	IDRD1020	Dispenser - Washrack	152	DXIESORS14	IESORS14	Conveyor - Option	180
DXIDRD2020	IDRD2020	Dispenser - Washrack	152	DXIESORS16	IESORS16	Conveyor - Option	180
DXIDRE1020	IDRE1020	Dispenser - Washrack	152	DXIESORS18	IESORS18	Conveyor - Option	180
DXIDRE2020	IDRE2020	Dispenser - Washrack	152	DXIESORS20	IESORS20	Conveyor - Option	180
DXIDRS1020	IDRS/1020	Dispenser - Washrack	152	DXIESORU	IESORU	Conveyor - Option	180
DXIDRS2020	IDRS/2020	Dispenser - Washrack	152	DXIESORW8	IESORW8	Conveyor - Option	180
DXIDT1C1418	IDT1C/1418	Dispenser - Tray	153	DXIESORW10	IESORW10	Conveyor - Option	180
DXIDT1C1520	IDT1C/1520	Dispenser - Tray	153	DXIESORW12	IESORW12	Conveyor - Option	180
DXIDT1C1622	IDT1C/1622	Dispenser - Tray	153	DXIESORW14	IESORW14	Conveyor - Option	180
DXIDT1E1418	IDT1E/1418	Dispenser - Tray	153	DXIESORW16	IESORW16	Conveyor - Option	180
DXIDT1E1520	IDT1E/1520	Dispenser - Tray	153	DXIESORW18	IESORW18	Conveyor - Option	180
DXIDT1E1622	IDT1E/1622	Dispenser - Tray	153	DXIESORW20	IESORW20	Conveyor - Option	180
DXIDT1S1418	IDT1S/1418	Dispenser - Tray	153	DXIESR10	IESR10	Conveyor - PVC Roller	179
DXIDT1S1520	IDT1S/1520	Dispenser - Tray	153	DXIESR12	IESR12	Conveyor - PVC Roller	179
DXIDT1S1622	IDT1S/1622	Dispenser - Tray	153	DXIESR14	IESR14	Conveyor - PVC Roller	179
DXIDT2E1418	IDT2E/1418	Dispenser - Tray	153	DXIESR16	IESR16	Conveyor - PVC Roller	179
DXIDT2E1520	IDT2E/1520	Dispenser - Tray	153	DXIESR18	IESR18	Conveyor - PVC Roller	179
DXIDT2E1622	IDT2E/1622	Dispenser - Tray	153	DXIESR20	IESR20	Conveyor - PVC Roller	179
DXIDT2S1418	IDT2S/1418	Dispenser - Tray	153	DXIESRC4	IESRC4	Conveyor - Cantilever	178
DXIDT2S1520	IDT2S/1520	Dispenser - Tray	153	DXIESRC5	IESRC5	Conveyor - Cantilever	178
DXIDT2S1622	IDT2S/1622	Dispenser - Tray	153	DXIESRC6	IESRC6	Conveyor - Cantilever	178
DXIDTDR3	IDTDR/3	Drying Rack - Flat Tray	157	DXIESRC7	IESRC7	Conveyor - Cantilever	178
DXIDTS1C1418	IDTS1C/1418	Dispenser - Tray/Silverware	154	DXIESRC8	IESRC8	Conveyor - Cantilever	178
DXIDTS1C1520	IDTS1C/1520	Dispenser - Tray/Silverware	154	DXIESSB8	IESSB8	Conveyor - Slat Belt	179
DXIDTS1C1622	IDTS1C/1622	Dispenser - Tray/Silverware	154	DXIESSB10	IESSB10	Conveyor - Slat Belt	179
DXIDTS1S1418	IDTS1S/1418	Dispenser - Tray/Silverware	154	DXIESSB12	IESSB12	Conveyor - Slat Belt	179
DXIDTS1S1520	IDTS1S/1520	Dispenser - Tray/Silverware	154	DXIESSB14	IESSB14	Conveyor - Slat Belt	179
DXIDTS1S1622	IDTS1S/1622	Dispenser - Tray/Silverware	154	DXIESSB16	IESSB16	Conveyor - Slat Belt	179
DXIDTS2S1418	IDTS2S/1418	Dispenser - Tray/Silverware	154	DXIESSB18	IESSB18	Conveyor - Slat Belt	179
DXIDTS2S1520	IDTS2S/1520	Dispenser - Tray/Silverware	154	DXIESSB20	IESSB20	Conveyor - Slat Belt	179
DXIDTS2S1622	IDTS2S/1622	Dispenser - Tray/Silverware	154	DXIESSW10	IESSW10	Conveyor - Skate Wheel	178
DXIDWB20900	IDWB2/0900	Heater - Base	161	DXIESSW12	IESSW12	Conveyor - Skate Wheel	178
DXIDWB30900	IDWB3/0900	Heater - Base	161	DXIESSW14	IESSW14	Conveyor - Skate Wheel	178
DXIESB8	IESB8	Conveyor - Band Belt	180	DXIESSW16	IESSW16	Conveyor - Skate Wheel	178
DXIESB10	IESB10	Conveyor - Band Belt	180	DXIESSW18	IESSW18	Conveyor - Skate Wheel	178
DXIESB12	IESB12	Conveyor - Band Belt	180	DXIESSW20	IESSW20	Conveyor - Skate Wheel	178
DXIESB14	IESB14	Conveyor - Band Belt	180	DXINTS2	INTS/2	Counter - Shelf	131
DXIESB16	IESB16	Conveyor - Band Belt	180	DXINTS3	INTS/3	Counter - Shelf	131
DXIESB18	IESB18	Conveyor - Band Belt	180	DXINTS4	INTS/4	Counter - Shelf	131
DXIESB20	IESB20	Conveyor - Band Belt	180	DXINTS5	INTS/5	Counter - Shelf	131
DXIESFB8	IESFB8	Conveyor - Fabric Belt	179	DXINTS6	INTS/6	Counter - Shelf	131
DXIESFB10	IESFB10	Conveyor - Fabric Belt	179	DXIQTEC	IQTEC	Cabinet - Induction	96, 99
DXIESFB12	IESFB12	Conveyor - Fabric Belt	179	DXIRAC15D	IRAC15	Refrigerator - Air Curtain	144
DXIESFB14	IESFB14	Conveyor - Fabric Belt	179	DXIRDSD740	IRDSD7/40	Drying Rack - 7" Dome	158
DXIESFB16	IESFB16	Conveyor - Fabric Belt	179	DXIRDSD780	IRDSD7/80	Drying Rack - 7" Dome	158
DXIESFB18	IESFB18	Conveyor - Fabric Belt	179	DXIRDSD7120	IRDSD7/120	Drying Rack - 7" Dome	158
DXIESFB20	IESFB20	Conveyor - Fabric Belt	179	DXIRDSD950	IRDSD9/50	Drying Rack - Dome/Underliner	158
DXIESO1PH	IESO1PH	Conveyor - Option	180	DXIRDSD9100	IRDSD9/100	Drying Rack - Dome/Underliner	158
DXIESO1PHT	IESO1PHT	Conveyor - Option	180	DXIRDSD9150	IRDSD9/150	Drying Rack - Dome/Underliner	158
DXIESO3PH	IESO3PH	Conveyor - Option	180	DXIRDSDH300	IRDSDH/300	Drying Rack - Base	157, 158
DXIESO3PHT	IESO3PHT	Conveyor - Option	180	DXIRDSIF	IRDSI/F	Drying Rack - Insulated Tray	61, 157
DXIESOAMP	IESOAMP	Conveyor - Option	180	DXIRDSIH	IRDSI/H	Drying Rack - Insulated Tray	61, 157
DXIESOBW	IESOBW	Conveyor - Option	180	DXISS60	ISS60	Starter Station - Straddle	178
DXIESOCP	IESOCP	Conveyor - Option	180	DXISS72	ISS72	Starter Station - Straddle	178
DXIESOCS1	IESOCAST1	Conveyor - Option	180	DXIWIOGSC	IWIOGSC	Washrack	38, 61
DXIESOCS2	IESOCAST2	Conveyor - Option	180	DXIWISUC	IWISUC	Washrack	38, 61
DXIESOFJ	IESOFJ	Conveyor - Option	180	DXIWISUS	IWISUS	Washrack	38, 61
DXIESOOS	IESOOS	Conveyor - Option	180	DXK335C9	K335C9	Wax Base - Accessory	161
DXIESORS4	IESORS4	Conveyor - Option	180	DXLFCF	LCFC	Counter - Accessory	136
DXIESORS5	IESORS5	Conveyor - Option	180	DXLEGS	LEGS	Counter - Option	132, 136
DXIESORS6	IESORS6	Conveyor - Option	180	DXMD2	MD/2	Counter - Drain	123, 130
DXIESORS7	IESORS7	Conveyor - Option	180	DXMD3	MD/3	Counter - Drain	123, 130

\* Indicates discontinued item. Quantities may be limited; call for availability.

Item No.	Old Item No.	Product Type	Page	Item No.	Old Item No.	Product Type	Page
DXMD4	MD/4	Counter - Drain	123, 130	DXPSCPT282D	PSCPT/282D	Cart - Tray Delivery	172
DXMD5	MD/5	Counter - Drain	123, 130	DXPSCPT322D	PSCPT/322D	Cart - Tray Delivery	172
DXMD6	MD/6	Counter - Drain	123, 130	DXPSCTR1	PSC/TR1	Cart - Option	171
DXMDEDRN	MDEDRN	Counter - Electric Drain	123, 130	DXPSCTR2	PSC/TR2	Cart - Option	171
DXMDID	MDID	Counter - Drain Valve	123, 130	DXPSCTR3	PSC/TR3	Cart - Option	171
DXMOC10	MOC10	Meals on Command Cart	102	DXPSCTR4	PSC/TR4	Cart - Option	171
DXMOC20	MOC20	Meals on Command Cart	102	DXPSCWB	PSC/WB	Cart - Option	171, 172
DXMOC20RC	MOC20RC	Meals on Command Tray Cart	102	DXPSSCII	PSSCII	Perfect-Serv II / Hold-N-Serv Cart	106, 110
DXMOCRCB	MOCRC/CB	Meals on Command - Option	102	DXPSSCIIEO	PSSCIIEO	Perfect-Serv II / Hold-N-Serv Option	106, 110
DXMOCRCDRAIN	MOCRC/DRAIN	Meals on Command - Option	102	DXPSSCIIIFS	PSSCIIIFS	Perfect-Serv II / Hold-N-Serv Option	106, 110
DXMOCRCPH	MOCRC/PH	Meals on Command - Option	102	DXPSSCIIIFTS	PSSCIIIFTS	Perfect-Serv II / Hold-N-Serv Option	106, 110
DXMOCRCRTR1	MOCRC/TR1	Meals on Command - Option	102	DXPSSCIIIRS	PSSCIIIRS	Perfect-Serv II Option	110
DXMOCRCRTR2	MOCRC/TR2	Meals on Command - Option	102	DXPTCL2C56	PTCL2C8D	Server Tray - Perfect-Temp	116
DXMOCRCRTR3	MOCRC/TR3	Meals on Command - Option	102	DXPTCL2PC56	PTCL2PC8D	Server Tray - Perfect-Temp	116
DXMOCRCRTR4	MOCRC/TR4	Meals on Command - Option	102	DXPTCL2S42	PTCL2S3	Server Tray - Perfect-Temp	116
DXMOCRCWB	MOCRC/WB	Meals on Command - Option	102	DXPTCLED15	PTCLED10	Server Dome - Perfect-Temp	32, 116
DXMOCTD	MOC/TD	Meals on Command - Tray Dispenser	103, 153	DXPTCLED50	PTCLED12	Server Dome - Perfect-Temp	32, 116
DXOHS2	OHS/2	Counter - Shelf	133	DXPTCLED61	PTCLED17	Server Dome - Perfect-Temp	32, 116
DXOHS3	OHS/3	Counter - Shelf	133	DXPTCLS42	PTCLS3	Server Tray - Perfect-Temp	115
DXOHS4	OHS/4	Counter - Shelf	133	DXPTCLSD15	PTCLSD10	Entrée Dome - Perfect-Temp	32, 116
DXOHS5	OHS/5	Counter - Shelf	133	DXPTCLSD50	PTCLSD12	Entrée Dome - Perfect-Temp	32, 116
DXOHS6	OHS/6	Counter - Shelf	133	DXPTCLSD61	PTCLSD17	Entrée Dome - Perfect-Temp	32, 116
DXPSII115AC	PSII115AC	Perfect-Serv II - Option	109	DXR30001M	R30001M	Traycover - 15" x 20" tray	71
DXPSII8C	PSII8C	Perfect-Serv II / Hold-N-Serv - Option	105, 109	DXR30840E	R30840E	Traycover - 11" x 18" tray	69
DXPSIIIC	PSIIIC	Perfect-Serv II - Cart	109	DXR30842I	R30842I	Traycover - 14" x 18" tray	70
DXPSIIICR	PSIIICR	Perfect-Serv II - Cart	109	DXR30843M	R30843M	Traycover - 15" x 20" tray	71
DXPSIIICREAD	PSIIICREAD	Retherm Card	109	DXR30970G	R30970G	Traycover - 12" x 22" tray	72
DXPSIIIES	PSIIIES	Perfect-Serv II / Hold-N-Serv - Option	105, 109	DXRB1D	RB/1D	Counter - Refrigerated Base	131
DXPSIIIGG	PSIIIGG	Perfect-Serv II - Cart	109	DXRB2D	RB/2D	Counter - Refrigerated Base	131
DXPSIIIGR	PSIIIGR	Perfect-Serv II - Cart	109	DXRUT3	RUT/3	Counter - Option	136
DXPSIIIGS	PSIIIGS	Perfect-Serv II / Hold-N-Serv - Option	105, 109	DXRUT4	RUT/4	Counter - Option	136
DXPSIIISCB	PSIIISCB	Retherm Card	109	DXRUT5	RUT/5	Counter - Option	136
DXPSIIISCG	PSIIISCG	Retherm Card	109	DXRUT6	RUT/6	Counter - Option	136
DXPSIIISOFT	PSIIISOFT	Retherm Software	109	DXSC1530151	SC1530151	Tray - Thermal/Aire	41, 113
DXPSIIISRC	PSIIISRC	Perfect-Serv II / Hold-N-Serv Dolly - Option	106, 110	DXSC1530152	SC1530152	Tray - Thermal/Aire	41, 113
DXPSIIITB	PSIIITB	Perfect-Serv II / Hold-N-Serv - Option	105, 109	DXSC1530189	SC1530189	Tray - Thermal/Aire	41, 113
DXPSIIITD	PSIIITD	Perfect-Serv II / Hold-N-Serv - Trans. Dolly	106, 110	DXSC1531000	SC1531000	Tray - Thermal/Aire	41, 113
DXPSIIITDC	PSIIITDC	Perfect-Serv II / Hold-N-Serv - Accessory	106, 110	DXSC1531001	SC1531001	Tray - Thermal/Aire	41, 113
DXPSIIITDLD	PSIIITDLD	Perfect-Serv II / Hold-N-Serv Dolly - Option	106, 110	DXSC1531002	SC1531002	Tray - Thermal/Aire	41, 113
DXPSIIITP	PSIIITP	Perfect-Serv II / Hold-N-Serv - Option	105, 109	DXSC4810800	SC4810800	Thermal/Aire - Option	113
DXPSIIITS	PSIIITS	Perfect-Serv II / Hold-N-Serv - Option	105, 109	DXSC4820110	SC4820110	Thermal/Aire - Option	113
DXPSC10	PSC/10	Cart - Tray Delivery	171	DXSKR2	SKR/2	Counter - Skirt	132
DXPSC12	PSC/12	Cart - Tray Delivery	171	DXSKR3	SKR/3	Counter - Skirt	132
DXPSC14	PSC/14	Cart - Tray Delivery	171	DXSKR4	SKR/4	Counter - Skirt	132
DXPSC16	PSC/16	Cart - Tray Delivery	171	DXSKR42	SKR4/2	Counter - Skirt	132
DXPSC20	PSC/20	Cart - Tray Delivery	171	DXSKR43	SKR4/3	Counter - Skirt	132
DXPSC202D	PSC/202D	Cart - Tray Delivery	172	DXSKR44	SKR4/4	Counter - Skirt	132
DXPSC24	PSC/24	Cart - Tray Delivery	171	DXSKR45	SKR4/5	Counter - Skirt	132
DXPSC242D	PSC/242D	Cart - Tray Delivery	172	DXSKR46	SKR4/6	Counter - Skirt	132
DXPSC282D	PSC/282D	Cart - Tray Delivery	172	DXSKR5	SKR/5	Counter - Skirt	132
DXPSC2DTR3	PSC/2DTR	Cart - Option	172	DXSKR6	SKR/6	Counter - Skirt	132
DXPSC322D	PSC/322D	Cart - Tray Delivery	172	DXSSEG	SSEG	Counter - Option	134
DXPSC3DTR4	PSC/3DTR4	Cart - Option	172	DXSSG12	SSG1/2	Counter - Option	134
DXPSCCAST6	PSC/CAST6	Cart - Caster Upgrade	171, 172	DXSSG13	SSG1/3	Counter - Option	134
DXPSCCAST8	PSC/CAST8	Cart - Caster Upgrade	171, 172	DXSSG14	SSG1/4	Counter - Option	134
DXPSCCB	PSC/CB	Cart - Option	171, 172	DXSSG15	SSG1/5	Counter - Option	134
DXPSCDRAIN	PSC/DRAIN	Cart - Option	171, 172	DXSSG16	SSG1/6	Counter - Option	134
DXPSCPH	PSC/PH	Cart - Option	171	DXSSG1FL2	SSG1FL/2	Counter - Option	134
DXPSCPT10	PSCPT/10	Cart - Tray Delivery	171	DXSSG1FL3	SSG1FL/3	Counter - Option	134
DXPSCPT12	PSCPT/12	Cart - Tray Delivery	171	DXSSG1FL4	SSG1FL/4	Counter - Option	134
DXPSCPT14	PSCPT/14	Cart - Tray Delivery	171	DXSSG1FL5	SSG1FL/5	Counter - Option	134
DXPSCPT16	PSCPT/16	Cart - Tray Delivery	171	DXSSG1FL6	SSG1FL/6	Counter - Option	134
DXPSCPT20	PSCPT/20	Cart - Tray Delivery	171	DXSSG1L2	SSG1L/2	Counter - Option	134
DXPSCPT202D	PSCPT/202D	Cart - Tray Delivery	172	DXSSG1L3	SSG1L/3	Counter - Option	134
DXPSCPT24	PSCPT/24	Cart - Tray Delivery	171	DXSSG1L4	SSG1L/4	Counter - Option	134
DXPSCPT242D	PSCPT/242D	Cart - Tray Delivery	172	DXSSG1L5	SSG1L/5	Counter - Option	134

\* Indicates discontinued item. Quantities may be limited; call for availability.

Item No.	Old Item No.	Product Type	Page	Item No.	Old Item No.	Product Type	Page
DXSSG1L6	SSG1L/6	Counter - Option	134	DXTS2T2D24	TS2T2D24	Cart - Tray Delivery	173
DXSSG2	SSG/2	Counter - Option	134	DXTS2T2D28	TS2T2D28	Cart - Tray Delivery	173
DXSSG3	SSG/3	Counter - Option	134	DXTS2T2D32	TS2T2D32	Cart - Tray Delivery	173
DXSSG4	SSG/4	Counter - Option	134	DXTS2T2D36	TS2T2D36	Cart - Tray Delivery	173
DXSSG5	SSG/5	Counter - Option	134	DXTS3B2	TS3B/2	Counter - Tray Slide	130
DXSSG6	SSG/6	Counter - Option	134	DXTS3B3	TS3B/3	Counter - Tray Slide	130
DXSSGFL2	SSGFL/2	Counter - Option	134	DXTS3B4	TS3B/4	Counter - Tray Slide	130
DXSSGFL3	SSGFL/3	Counter - Option	134	DXTS3B5	TS3B/5	Counter - Tray Slide	130
DXSSGFL4	SSGFL/4	Counter - Option	134	DXTS3B6	TS3B/6	Counter - Tray Slide	130
DXSSGFL5	SSGFL/5	Counter - Option	134	DXTS6WHLBALCA6	TSSIXWHLBALCAST6	Cart - Caster Upgrade	175
DXSSGFL6	SSGFL/6	Counter - Option	134	DXTS6WHLBALCA8	TSSIXWHLBALCAST8	Cart - Caster Upgrade	175
DXSSGL2	SSGL/2	Counter - Option	134	DXTS6WHLCARCA6	TSSIXWHLCARCAST6	Cart - Caster Upgrade	175
DXSSGL3	SSGL/3	Counter - Option	134	DXTS6WHLCARCA8	TSSIXWHLCARCAST8	Cart - Caster Upgrade	175
DXSSGL4	SSGL/4	Counter - Option	134	DXTS6WHLCA6	TSSIXWHLCAST6	Cart - Caster Upgrade	175
DXSSGL5	SSGL/5	Counter - Option	134	DXTS6WHLCA8	TSSIXWHLCAST8	Cart - Caster Upgrade	175
DXSSGL6	SSGL/6	Counter - Option	134	DXTSA1T2D14	TSA1T2D14	Cart - Tray Delivery	173
DXSSPH	SSPH	Counter - Accessory	136	DXTSA1T2D14RS	TSA1T2D14RS	Cart - Tray Delivery	174
DXSWA7	SWA7	Counter - Accessory	136	DXTSA1T2D16	TSA1T2D16	Cart - Tray Delivery	173
DXSWA711	SWA711	Counter - Accessory	136	DXTSA1T2D16RS	TSA1T2D16RS	Cart - Tray Delivery	174
DXSWC507	SWC5	Tulip Cup (Swirl) 5 oz.	37	DXTSBALCA64	TSBALCAST6/4	Cart - Caster Upgrade	175
DXSWC1207	SWC12	Tulip Bowl (Swirl) 12 oz.	37	DXTSBALCA66	TSBALCAST6/6	Cart - Caster Upgrade	175
DXSWI7	SWI7	Counter - Accessory	136	DXTSBALCA84	TSBALCAST8/4	Cart - Caster Upgrade	175
DXSWI11	SWI11	Counter - Accessory	136	DXTSBALCA86	TSBALCAST8/6	Cart - Caster Upgrade	175
DXTA4615001	TA4615001	Thermal/Aire Dock	113	DXTSBP5CNT6	TSBP5CNT6	Cart - Caster Upgrade	175
DXTA4615001R	TA4615001R	Thermal/Aire Dock	113	DXTSBP5CNT8	TSBP5CNT8	Cart - Caster Upgrade	175
DXTA4615001W	TA4615001W	Thermal/Aire Dock	113	DXTSBP5FRT6	TSBP5FRT6	Cart - Caster Upgrade	175
DXTA4615002	TA4615002	Thermal/Aire Dock	113	DXTSBP5FRT8	TSBP5FRT8	Cart - Caster Upgrade	175
DXTA4615002R	TA4615002R	Thermal/Aire Dock	113	DXTSBP66	TSBP66	Cart - Caster Upgrade	175
DXTA4615002W	TA4615002W	Thermal/Aire Dock	113	DXTSBP68	TSBP68	Cart - Caster Upgrade	175
DXTA4625020	TA4625020	Thermal/Aire Cart	112	DXTSBRAKE6	TSBRAKE6	Cart - Option	174
DXTA4625024	TA4625024	Thermal/Aire Cart	112	DXTSBRAKE8	TSBRAKE8	Cart - Option	174
DXTA4625026	TA4625026	Thermal/Aire Cart	112	DXTSCA84	TSCAST8/4	Cart - Caster Upgrade	175
DXTA4625030	TA4625030	Thermal/Aire Cart	112	DXTSCA86	TSCAST8/6	Cart - Caster Upgrade	175
DXTA4627000	TA4627000	Thermal/Aire Cart	112	DXTSCARCA64	TSCARCAST6/4	Cart - Caster Upgrade	175
DXTA4627020	TA4627020	Thermal/Aire Accessory	112	DXTSCARCA66	TSCARCAST6/6	Cart - Caster Upgrade	175
DXTA4627022	TA4627022	Thermal/Aire Accessory	112	DXTSCARCA84	TSCARCAST8/4	Cart - Caster Upgrade	175
DXTA4628000	TA4628000	Thermal/Aire Cart	112	DXTSCARCA86	TSCARCAST8/6	Cart - Caster Upgrade	175
DXTA4628026	TA4628026	Thermal/Aire Accessory	112	DXTSCNTR5BALCA6	TSCNTR5BALCAST6	Cart - Caster Upgrade	175
DXTA4628030	TA4628030	Thermal/Aire Accessory	112	DXTSCNTR5BALCA8	TSCNTR5BALCAST8	Cart - Caster Upgrade	175
DXTA4824902	TA4824902	Thermal/Aire Option	113	DXTSCNTR5CA6	TSCNTR5CAST6	Cart - Caster Upgrade	175
DXTMP1097A	TMP1097A	Wax Base	161	DXTSCNTR5CA8	TSCNTR5CAST8	Cart - Caster Upgrade	175
DXTMP30-176	TMP30-176	Starter Station - Accessory	178	DXTSCNTR5CARCA6	TSCNTR5CARCAST6	Cart - Caster Upgrade	175
DXTMP30-240	TMP30-240	Starter Station - Accessory	178	DXTSCNTR5CARCA8	TSCNTR5CARCAST8	Cart - Caster Upgrade	175
DXTMPHNDLIFT	TMP1097/HNDLIFT	Wax Base - Accessory	161	DXTSDRAIN	TSRAIN	Cart - Option	174
DXTMPLIFTER	TMP1097/LIFTER	Wax Base - Accessory	161	DXTSEND5CNT6	TSEND5CNT6	Cart - Caster Upgrade	175
DXTMPSTARTER	TMPSTARTER	Starter Station - Cantilever	178	DXTSEND5CNT8	TSEND5CNT8	Cart - Caster Upgrade	175
DXTMPVACCU3	TMP1097/VACCU3	Wax Base - Accessory	161	DXTSEND5FRT6	TSEND5FRT6	Cart - Caster Upgrade	175
DXTMPVACCU4	TMP1097/VACCU4	Wax Base - Accessory	161	DXTSEND5FRT8	TSEND5FRT8	Cart - Caster Upgrade	175
DXTNT4X603	6TNT/4X6/11	Table Tent	91	DXTENDSIX6	TENDSIX6	Cart - Caster Upgrade	175
DXTNT4X661	6TNT/4X6/20	Table Tent	91	DXTENDSIX8	TENDSIX8	Cart - Caster Upgrade	175
DXTNT4X650	6TNT/4X6/28	Table Tent	91	DXTENDURA64	TENDURA6/4	Cart - Caster Upgrade	175
DXTNT4X608	6TNT/4X6/36	Table Tent	91	DXTENDURA66	TENDURA6/6	Cart - Caster Upgrade	175
DXTPPF	TPFP	Counter - Accessory	136	DXTENDURA84	TENDURA8/4	Cart - Caster Upgrade	175
DXTS1T2D18	TS1T2D18	Cart - Tray Delivery	173	DXTENDURA86	TENDURA8/6	Cart - Caster Upgrade	175
DXTS1T2D20	TS1T2D20	Cart - Tray Delivery	173	DXTSFRNT5BALCA6	TSFRNT5BALCAST6	Cart - Caster Upgrade	175
DXTS1T2D3C21	TS1T2D3C21	Cart - Tray Delivery	173	DXTSFRNT5BALCA8	TSFRNT5BALCAST8	Cart - Caster Upgrade	175
DXTS1T2D3C24	TS1T2D3C24	Cart - Tray Delivery	173	DXTSFRNT5CA6	TSFRNT5CAST6	Cart - Caster Upgrade	175
DXTS1T2D3C27	TS1T2D3C27	Cart - Tray Delivery	173	DXTSFRNT5CA8	TSFRNT5CAST8	Cart - Caster Upgrade	175
DXTS1T2D3C30	TS1T2D3C30	Cart - Tray Delivery	173	DXTSFRNT5CARCA6	TSFRNT5CARCAST6	Cart - Caster Upgrade	175
DXTS2T2D14	TS2T1D14	Cart - Tray Delivery	173	DXTSFRNT5CARCA8	TSFRNT5CARCAST8	Cart - Caster Upgrade	175
DXTS2T2D16	TS2T1D16	Cart - Tray Delivery	173	DXTSLATCH	TSLATCH	Cart - Option	174
DXTS2T2D18	TS2T1D18	Cart - Tray Delivery	173	DXTSMENU	TSMENU	Cart - Option	174
DXTS2T2D20	TS2T1D20	Cart - Tray Delivery	173	DXTSPFMA84	TSPERFORMA8/4	Cart - Caster Upgrade	175
DXTS2T1DLC10	TS2T1DLC10	Cart - Tray Delivery	174, 173	DXTSPFMA86	TSPERFORMA8/6	Cart - Caster Upgrade	175
DXTS2T1DLC12	TS2T1DLC12	Cart - Tray Delivery	174, 173	DXTSSR2	TSSR/2	Counter - Tray Slide	130
DXTS2T1DLC14	TS2T1DLC14	Cart - Tray Delivery	174, 173	DXTSSR3	TSSR/3	Counter - Tray Slide	130

\* Indicates discontinued item. Quantities may be limited; call for availability.

Item No.	Old Item No.	Product Type	Page	Item No.	Old Item No.	Product Type	Page
DXTSSR4	TSSR/4	Counter - Tray Slide	130				
DXTSSR5	TSSR/5	Counter - Tray Slide	130				
DXTSSR6	TSSR/6	Counter - Tray Slide	130				
DXTSTHRUDR	TSTHRUDR	Cart - Option	174				
DXTSTOPR31T2D	TSTOPR31T2D	Cart - Option	174				
DXTSTOPR31T2D3C	TSTOPR31T2D3C	Cart - Option	174				
DXTSTOPR32T1D	TSTOPR32T1D	Cart - Option	174				
DXTSTOPR32T2D	TSTOPR32T2D	Cart - Option	174				
DXTSTOPR41T2D	TSTOPR41T2D	Cart - Option	174				
DXTSTOPR41T2D3C	TSTOPR41T2D3C	Cart - Option	174				
DXTSTOPR42T1D	TSTOPR42T1D	Cart - Option	174				
DXTSTOPR42T2D	TSTOPR42T2D	Cart - Option	174				
DXTSTOW	TSTOW	Cart - Option	174				
DXTSWALLSAVER	TSWALLSAVER	Cart - Option	174				
DXTT1	TT1	Dishware - Disposable	45				
DXTT6	TT6	Dishware - Disposable	45				
DXTT8	TT8	Dishware - Disposable	45				
DXTT20	TT20	Dishware - Disposable	45				
DXTT30	TT30	Lid	45				
DXTT39	TT39	Lid	25, 50				
DXTT40	TT40	Dishware - Disposable	45, 52				
DXTT45	TT45	Lid - Royal Legacy	49				
DXTT50	TT50	Lid	45, 52				
DXTT58	TT58	Lid - Tumbler	36, 52				
DXTT59	TT59	Lid	25, 50				
DXTT65	TT65	Lid - Royal Legacy	49				
DXWB96	WB96	Cart - Tray Strap	60, 61, 167				
DXZ1CUKD1WBLK	Z1CUKD1WBLK	Dietary Kit - Utensil	89				

\* Indicates discontinued item. Quantities may be limited; call for availability.

# WWW.DINEX.COM

Visit the Dinex website for the latest updates, product specs and current events. Find your local Dinex representative or send an email direct to customer service.



The Heritage Collection®

http://www.dinex.com/

**DINEX** | ONLINE

Home Systems **Ware** Equipment Retherm Paper Products Lids/Dishware

search... Go!



**The Heritage Collection®**

For de-institutionalizing healthcare food service and making patients feel more at home, the Heritage Collection is the #1 choice. Attractive, durable, and stackable, it offers the best temperature retention in the industry. Like all Dinex insulated products, Heritage is manufactured with ozone-safe urethane foam insulation.

**Features:**

- » Contemporary faceted styling, and a china-like appearance.
- » Stackable
- » Durable
- » Superior Heat Retention
- » Available in six colors: Mauve, Cranberry, Gray, Midnight Blue and Teal.

**Traytop Ware**

- » Insulated Ware
  - ↳ Turnbury
  - ↳ **The Heritage Collection**
  - ↳ Dinex Classic
  - ↳ Tradition
  - ↳ Insul-Base/Underliner
- » Reusable Dishware
- » Tropez High-Temp Ware
- » Beverage Servers
- » Juice Cups / Tumblers
- » Wash Racks
- » Dinet Trays
- » Insulated Tray Systems

**Spec Sheets**

- » Heritage Specs
- » Domes, Insul-Bases and Underliner Specs

**Info Chart**

- » Heritage Info

© 2006 Dinex International, Inc. | All rights reserved  
Customer Service: 800.523.9752 | fax 860.652.3135



**DINEX**® | **CARLISLE**

628-2 HEBRON AVENUE  
GLASTONBURY, CT 06033  
PHONE 800.523.9752  
FAX 860.652.3135  
WWW.DINEX.COM

