

# HP Designjet Z2100 Photo Printer Series

## Using your printer





# HP Designjet Z2100 Photo printer series

---

Using your printer



**Legal notices**

© 2006 Hewlett-Packard Development Company, L.P.

The information contained herein is subject to change without notice.

The only warranties for HP Products and services are set forth in the express warranty statement accompanying such products and services. Nothing herein should be construed as constituting an additional warranty. HP shall not be liable for technical or editorial errors or omissions contained herein.

**Trademarks**

Adobe®, Acrobat®, Adobe Photoshop®, and Adobe® PostScript® 3™ are trademarks of Adobe Systems Incorporated.

Corel® is a trademark or registered trademark of Corel Corporation or Corel Corporation Limited.

Energy Star® is a U.S. registered mark of the United States Environmental Protection Agency.

Microsoft® and Windows® are U.S. registered trademarks of Microsoft Corporation.

PANTONE® is Pantone, Inc.'s check-standard trademark for color.

---

# Table of contents

## 1 Introduction

Safety precautions .....	2
HP Start-Up Kit .....	2
Using this guide .....	2
Introduction .....	2
Use and maintenance .....	3
Troubleshooting .....	3
Support, accessories, and specifications .....	3
Glossary .....	3
Index .....	3
Warnings and Cautions .....	3
The printer's main features .....	4
The printer's main components .....	4
Front view .....	5
Rear view .....	5
The front panel .....	6
Printer software .....	7
The printer's internal prints .....	7

## 2 Installing the software

Choose which connection method to use .....	10
Connect to a network (Windows) .....	10
Connect directly to a computer (Windows) .....	11
Printer sharing considerations .....	12
Uninstall the printer software (Windows) .....	12
Connect to a network (Mac OS) .....	12
Bonjour/Rendezvous connection .....	12
TCP/IP connection .....	14
Connect directly to a computer (Mac OS) .....	15
Sharing the printer .....	16
Uninstall the printer software (Mac OS) .....	16

## 3 Personalizing the printer

Turn printer on and off .....	18
Change the language of the front-panel display .....	19
Access HP Easy Printer Care (Windows) or HP Printer Utility (Mac OS) .....	19
Access the Embedded Web Server .....	19
Change the language of HP Easy Printer Care (Windows) or HP Printer Utility (Mac OS) .....	20
Change the language of the Embedded Web Server .....	20
Change the sleep mode setting .....	20
Turn the buzzer on and off .....	21
Change the front-panel display contrast .....	21

Change the units of measurement .....	21
Configure network settings .....	21
Change the graphic language setting .....	22

## 4 Paper handling

General advice .....	24
Choose which spindle to use .....	24
Load a roll onto the spindle .....	25
Load a roll into the printer .....	27
Easy loading procedure .....	27
Paper menu procedure .....	29
Unload a roll .....	30
Unload paper key procedure with paper on the roll .....	31
Paper menu procedure with paper on the roll .....	31
Roll out of paper procedure .....	31
Load a single sheet .....	31
Easy loading procedure .....	32
Paper menu procedure .....	33
Unload a single sheet .....	35
Unload paper key procedure .....	35
Paper menu procedure .....	35
View information about the paper .....	36
Paper profiles .....	36
Add a custom paper type .....	37
Maintain paper .....	38
Change the drying time .....	38
Turn the automatic cutter on and off .....	38
Feed and cut the paper .....	39

## 5 Printing

Select print quality .....	42
Select paper size .....	42
Select margins options .....	43
Print with shortcuts .....	43
Rescale a print .....	44
Change the treatment of overlapping lines .....	45
Preview a print .....	45
Print a draft .....	47
High-quality printing .....	48
If you have a high-resolution image .....	48
If you have printhead problems .....	48
Print in gray shades .....	49
Print with no margins .....	49
Reprint an old job .....	49
Use paper economically .....	50
Use ink economically .....	50

## 6 Color management

What is color? .....	52
The problem: color in the computer world .....	52
The solution: color management .....	54
Color and your printer .....	56
HP Embedded Spectrophotometer .....	56

A summary of the color management process .....	57
Color calibration .....	58
Color profiling .....	59
Create your own profile .....	59
Use a third-party profile .....	61
Profile your monitor .....	61
Advanced profiling .....	61
Color management options .....	61
Color emulation modes .....	62
Color adjustment options .....	62
Printing in color .....	63
Printing in grayscale .....	63
Color management scenarios .....	64
Print a color photo for an exhibition (Photoshop, Mac OS) .....	64
Print a black-and-white photo for an exhibition (Photoshop, Mac OS) .....	67
Print a digital album (Aperture, Mac OS) .....	71
Proof a press using the EFI RIP .....	74

## 7 Retrieving printer usage information

Get printer accounting information .....	78
Check printer usage statistics .....	78
Printer statistics with HP Easy Printer Care (Windows) or HP Printer Utility (Mac OS) .....	78
Printer statistics with the Embedded Web Server .....	78
Check ink and paper usage for a job .....	78
Ink and paper statistics with HP Easy Printer Care (Windows) or HP Printer Utility (Mac OS) .....	79
Printer statistics with the Embedded Web Server .....	79

## 8 Handling ink cartridges and printheads

About the ink cartridges .....	82
Check the ink cartridges status .....	82
Ink menu procedure .....	82
HP Easy Printer Care (Windows) or HP Printer Utility (Mac OS) procedures .....	82
Remove an ink cartridge .....	83
Insert an ink cartridge .....	84
About the printheads .....	85
Check the printhead status .....	85
Remove a printhead .....	86
Insert a printhead .....	88

## 9 Maintaining the printer

Check printer status .....	94
Clean the exterior of the printer .....	94
Replace the cutter .....	94
Maintain the ink cartridges .....	99
Move or store the printer .....	99
Update the firmware .....	100
Update the software .....	100
Printer maintenance kits .....	101

## 10 Accessories

How to order supplies and accessories .....	104
---	-----

Order ink supplies .....	104
Order paper .....	104
If you are printing on satin photo paper .....	108
Non-recommended paper types .....	109
Order accessories .....	109
Introduction to the accessories .....	109
Stand .....	109
HP-GL/2 upgrade .....	109
EFI Designer Edition RIP .....	110
HP Advanced Profiling Solution .....	110
Key features .....	111
HP Photosmart Pro print plug-in for Adobe Photoshop .....	111

## 11 Troubleshooting paper issues

The paper cannot be loaded successfully .....	114
Unsuccessful roll load .....	114
Unsuccessful sheet load .....	114
Paper loading error messages .....	115
The paper has jammed .....	116
Prints do not fall nicely into the basket .....	118
The sheet stays in the printer when the print has been completed .....	118
The paper is cut when the print has been completed .....	118
The cutter does not cut well .....	119
The roll is loose on the spindle .....	119
A strip stays on the output tray and generates jams .....	119
Recalibrate the paper advance .....	119
Recalibrating the paper advance procedure .....	120
Return to default calibration .....	121

## 12 Troubleshooting print-quality issues

General advice .....	124
Print quality troubleshooting wizard .....	124
Horizontal lines across the image (banding) .....	125
Lines are too thick, too thin, or missing .....	126
Lines appear stepped or jagged .....	126
Lines print double or in the wrong colors .....	127
Lines are discontinuous .....	128
Lines are blurred .....	128
The whole image is blurry or grainy .....	129
The paper is not flat .....	129
The print is scuffed or scratched .....	130
Ink marks on the paper .....	130
Horizontal smears on the front of coated paper .....	130
Ink marks on the back of the paper .....	131
Edges of objects are stepped or not sharp .....	131
Edges of objects are darker than expected .....	132
Bronzing .....	132
Black and white prints do not look neutral .....	132
Horizontal lines at the end of a cut sheet print .....	132
Vertical lines of different colors .....	132
White spots on the print .....	133
Colors are inaccurate .....	133
Color accuracy using EPS or PDF images in page layout applications .....	133



The image is incomplete (clipped at the bottom) .....	134
The image is clipped .....	134
Some objects are missing from the printed image .....	135
A PDF file is clipped or objects are missing .....	135
The Image Diagnostics Print .....	135
Corrective action .....	137
If you still have a problem .....	137

### 13 Troubleshooting ink cartridge and printhead issues

Cannot insert an ink cartridge .....	140
Ink cartridge status messages .....	140
Cannot insert a printhead .....	140
The front-panel display recommends reseating or replacing a printhead .....	141
Clean the printheads .....	141
Clean the printhead drop detector .....	142
Align the printheads .....	144
Reinsert printheads procedure .....	145
Image Quality Maintenance menu procedure .....	145
Scanning errors during alignment .....	146
Printhead status messages .....	146

### 14 Troubleshooting general printer issues

The printer does not print .....	148
The printer seems slow .....	148
Communication failures between computer and printer .....	148
Cannot access HP Easy Printer Care (Windows) or HP Printer Utility (Mac OS) .....	149
Cannot access the Embedded Web Server .....	149
Automatic file system check .....	150
An AutoCAD 2000 memory allocation error .....	150
No output when printing from Microsoft Visio 2003 .....	151
Unavailable driver features when printing from QuarkXPress .....	151
Printer alerts .....	151

### 15 Front-panel error messages

### 16 HP Customer Care

Introduction .....	158
HP Professional Graphics Services .....	158
Knowledge Center .....	158
HP Start-Up Kit .....	158
HP Care Packs and Warranty Extensions .....	158
HP Installation .....	159
HP Instant Support .....	159
HP Proactive Support .....	159
Contact HP Support .....	160
Telephone numbers .....	160

### 17 Printer specifications

Functional specifications .....	164
Physical specifications .....	165
Memory specifications .....	165
Power specifications .....	165

Ecological specifications .....	165
Environmental specifications .....	166
Acoustic specifications .....	166

<b>Glossary .....</b>	<b>167</b>
-----------------------	------------

<b>Index .....</b>	<b>169</b>
--------------------	------------

---

# 1 Introduction

- [Safety precautions](#)
- [HP Start-Up Kit](#)
- [Using this guide](#)
- [The printer's main features](#)
- [The printer's main components](#)
- [The front panel](#)
- [Printer software](#)
- [The printer's internal prints](#)

## Safety precautions

The following precautions ensure the proper use of the printer and prevent the printer from being damaged. Follow these precautions at all times.

- Use the power supply voltage specified on the nameplate. Avoid overloading the printer's electrical outlet with multiple devices.
- Ensure the printer is well-grounded. Failure to ground the printer may result in electrical shock, fire, and susceptibility to electromagnetic interference.
- Do not disassemble or repair the printer yourself. Contact your local HP Service Representative for service, see [Contact HP Support](#).
- Use only the electrical cord supplied by HP with the printer. Do not damage, cut, or repair the power cord. A damaged power cord has risk of fire and electric shock. Replace a damaged power cord with an HP-approved power cord.
- Do not allow metal or liquids (except those used in HP Cleaning Kits) to touch the internal parts of the printer. Doing so may cause fire, electric shock, or other serious hazards.
- Power OFF the printer and unplug the power cable from the power outlet in any of the following cases:
  - When placing your hands inside the printer
  - If there is smoke or an unusual smell coming from the printer
  - If the printer is making an unusual noise not heard during normal operation
  - A piece of metal or a liquid (not part of cleaning and maintenance routines) touches internal parts of the printer
  - During an electrical (thunder/lightning) storm
  - During a power failure.

## HP Start-Up Kit

The HP Start-Up Kit is the CD or DVD that comes with your printer; it contains the printer's software and documentation, including introductory multimedia tutorials to help you to get a good first print.



---

**NOTE** The HP Start-Up Kit is provided on CD in Japan, and on DVD elsewhere in the world. The rest of this guide will refer to the DVD version only.

---

## Using this guide

*Using your printer* (on DVD) and the *Quick Reference Guide* (on paper) are organized into the following chapters. The most complete source of information is *Using your printer*.

### Introduction

This chapter provides a brief introduction to the printer and its documentation for new users.

## Use and maintenance

These chapters help you carry out normal printer procedures and include the following topics.

- [Installing the software](#)
- [Personalizing the printer](#)
- [Paper handling](#)
- [Printing](#)
- [Color management](#)
- [Retrieving printer usage information](#)
- [Handling ink cartridges and printheads](#)
- [Maintaining the printer](#)

## Troubleshooting

These chapters help you solve problems that may occur while printing and include the following topics.

- [Troubleshooting paper issues](#)
- [Troubleshooting print-quality issues](#)
- [Troubleshooting ink cartridge and printhead issues](#)
- [Troubleshooting general printer issues](#)
- [Front-panel error messages](#)

## Support, accessories, and specifications

These chapters contain reference information, including HP customer care, the specifications of the printer, and the part numbers of paper types, ink supplies, and accessories.

## Glossary

This chapter contains definitions of printing and HP terms used in this documentation.

## Index

In addition to the table of contents, there is an alphabetical index to help you to find topics quickly.

## Warnings and Cautions

The following symbols are used in this manual to ensure the proper use of the printer and to prevent the printer from being damaged. Follow the instructions marked with these symbols.



---

**WARNING!** Failure to follow the guidelines marked with this symbol could result in serious personal injury or death.

---



---

**CAUTION** Failure to follow the guidelines marked with this symbol could result in minor personal injury or damage to the product.

---

## The printer's main features

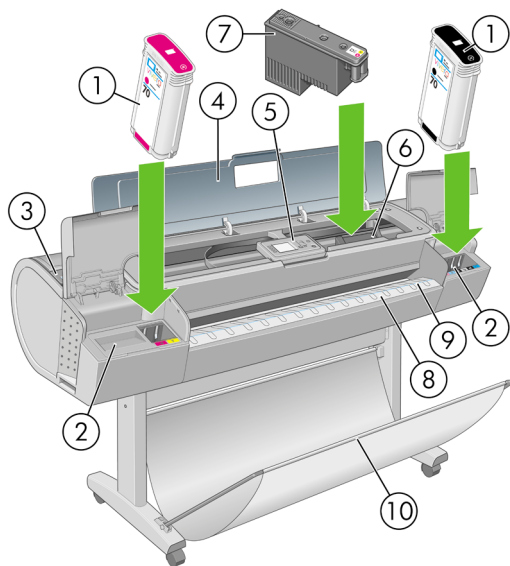
Your printer is a color inkjet printer designed for printing high-quality images on paper up to 44 in (1.12 m) wide. Some major features of the printer are shown below:

- Print resolution of up to 2400 × 1200 optimized dpi, from a 1200 × 1200 dpi input, using the **Best** print-quality option, the **Maximum Detail** option, and photo paper
- HP Easy Printer Care (Windows) and HP Printer Utility (Mac OS), see [Access HP Easy Printer Care \(Windows\) or HP Printer Utility \(Mac OS\)](#), provides an easy-to-use interface including:
  - A single-point for color control
  - Management, installation, and creation of ICC profiles
  - Calibration of printer and display
  - Access to the online HP Printing Knowledge Center
- Accurate and consistent color reproduction with automatic color calibration and profiling
- Eight-ink system providing a wide color range on matte fine art papers and glossy photo papers for photographic and graphic arts prints and complete coverage of ISO and SWOP gamuts for color accuracy in pre-press applications
- Embedded Spectrophotometer for consistent and accurate color, even with paper and environment changes and easy creation of custom ICC profiles, see [HP Embedded Spectrophotometer](#)
- Ink and paper usage information available from the Web from the Embedded Web Server, see [Access the Embedded Web Server](#)
- Paper flexibility and automatic easy load, see [Paper handling](#), with information and profiles accessible from the front panel, HP Easy Printer Care (Windows), and HP Printer Utility (Mac OS)

## The printer's main components

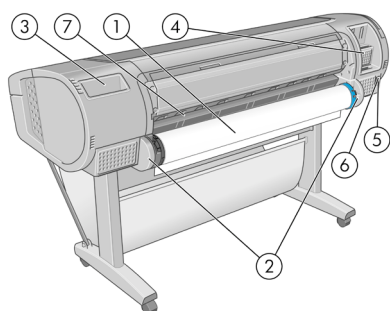
The following front and rear views of the printer illustrate the main components.

## Front view



1. Ink cartridge
2. Ink cartridge slots
3. Blue lever
4. Transparent window
5. Front panel
6. Printhead carriage
7. Printhead
8. Output tray
9. Paper alignment lines
10. Basket

## Rear view



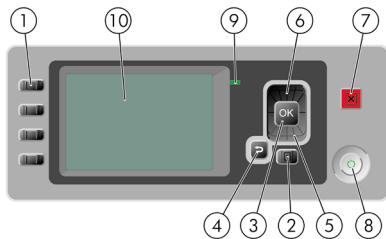
1. Spindle
2. Spindle holders
3. Quick Reference Guide holder
4. Sockets for communication cables and optional accessories

5. Hard power switch
6. Power cord plug in
7. Paper feeder

## The front panel

Your printer's front panel is located on the front of the printer, in the center. It has the following important functions:

- Assists you in troubleshooting issues
- Is used to perform certain procedures, such as cutting and unloading paper
- Displays helpful animations to guide you through procedures
- Displays up-to-date information about the status of the printer such as, the ink cartridges, the printheads, the paper, and the print jobs
- Displays warning and error messages, when appropriate, along with audio alerts to call attention to a warning or message
- Can be used to change the values of printer settings and thus change the operation of the printer. However, settings in the front panel are overridden by settings in the printer drivers, see [Installing the software](#)



The front panel has the following components:

1. **Direct access** keys:
  - First key: View ink levels, see [Check the ink cartridges status](#)
  - Second key: View loaded paper, see [View information about the paper](#)
  - Third key: Unload paper, see [Unload a roll](#) and [Unload a single sheet](#)
  - Fourth key: Form feed and cut, see [Feed and cut the paper](#)
2. **Menu** key - Press to return to the main menu of the front-panel display. If you are already on the main menu it will display the status screen.
3. **OK** key - To confirm an action while in a procedure or interaction. To enter in a submenu in the menu. To select a value when given an option.
4. **Back** key - To go to the previous step in a procedure or interaction. To go to the upper level, or leave the option in the menu, or when given an option.
5. **Down** key - To go down in a menu or option, or to decrease a value, for example when configuring the front-panel display contrast or the IP address.
6. **Up** key - To go up in a menu or option, or to increase a value, for example when configuring the front-panel display contrast or the IP address.



7. **Cancel** key - To abort a procedure or interaction.
8. **Power** key - To turn the printer off or on, it also has a light to indicate the printer's status. If the power key light is off the device is off. If the power key light is blinking green, the device is starting up. If the power key light is green on, the device is on. If the power key light is amber on, the device is in standby. If the power key light is blinking amber, the device needs attention.
9. **LED** light - Indicates the printer's status. If the LED light is solid green, the device is ready. If it is flashing green, the device is busy. If it is solid amber, there is a system error. If it is flashing amber, the printer needs attention.
10. **Front-panel display** - Displays error, warnings, and information on using your printer.

To **highlight** an item in the front-panel display, press the **Up** or **Down** key until the item is highlighted.

To **select** an item in the front-panel display, first highlight it and then press the **OK** key.

When this guide shows a series of front-panel display items like this: **Item1 > Item2 > Item3**, it means that you should select **Item1**, then select **Item2**, then select **Item3**.

Information about specific uses of the front panel can be found throughout this guide.

## Printer software

The following software is provided with your printer:

- The PCL3 raster driver, your main printer driver
- The HP Easy Printer Care (Windows) or HP Printer Utility (Mac OS), see [Access HP Easy Printer Care \(Windows\) or HP Printer Utility \(Mac OS\)](#), allows you to:
  - Manage the printer including color with the HP Color Center
  - View the status of the ink cartridges, the printheads, and the paper
  - View job accounting information, see [Retrieving printer usage information](#)
  - Update the printer's firmware, see [Update the firmware](#)
  - Change various printer settings (in the Settings tab)



**NOTE** Windows XP Professional x64 Edition does not support HP Easy Printer Care, therefore it cannot be installed with your printer's installer.


- The Embedded Web Server, runs in the printer and enables you to use a Web browser on any computer to perform the HP-GL/2 Upgrade and to check ink levels and printer status, see [Access the Embedded Web Server](#).
- The RTL and HP-GL/2 driver for Windows, needed if you have the HP-GL/2 Upgrade

## The printer's internal prints

The internal prints give various kinds of information about your printer. They can be requested from the front panel without using a computer.



**CAUTION** Before requesting any internal print, make sure that paper is loaded (roll or sheet), and that the front panel displays the **Ready** message. The loaded paper should be at least A3 landscape (16.53 in or 42 cm wide); otherwise the print may be clipped.

To print any internal print, press the **Menu** key to return to the main menu, select the Internal Prints menu icon , then select the internal print you want. The following internal prints are available.

- Menu map: shows details of all the front-panel display menus
- Configuration: shows all the current front-panel display settings
- Usage report: shows estimates of the total number of prints, number of prints by paper type, number of prints by print-quality option, and total amount of ink used per color (the accuracy of these estimates is not guaranteed)
- HP-GL/2 palette: shows the color or grayscale definitions in the currently selected color palette, requires the HP-GL/2 Upgrade
- Service information: provides information needed by service engineers

---

## 2 Installing the software

- [Choose which connection method to use](#)
- [Connect to a network \(Windows\)](#)
- [Connect directly to a computer \(Windows\)](#)
- [Uninstall the printer software \(Windows\)](#)
- [Connect to a network \(Mac OS\)](#)
- [Connect directly to a computer \(Mac OS\)](#)
- [Uninstall the printer software \(Mac OS\)](#)

## Choose which connection method to use

The following methods can be used to connect your printer.

Connection type	Speed	Cable length	Other factors
Fast Ethernet	Fast; varies according to network traffic	Long (100 m=328 ft)	Requires extra equipment (switches)
Jetdirect print server (optional accessory)	Moderate; varies according to network traffic	Long (100 m=328 ft)	Requires extra equipment (switches) Provides additional features See <a href="http://www.hp.com/go/jetdirect/">http://www.hp.com/go/jetdirect/</a> for more details
USB 2.0	Very fast	Short (5 m=16 ft)	



**NOTE** The speed of any network connection depends on all components used in the network, which can include network interface cards, hubs, routers, switches, and cables. If any one of these components cannot operate at high speed, you will have a low-speed connection. The speed of your network connection can also be affected by the total amount of traffic from other devices on the network.

## Connect to a network (Windows)

Before you begin, check your equipment:

- The printer should be set up and on.
- The Ethernet hub or router should be on and functioning correctly.
- All computers on the network should be on and connected to the network.
- The printer should be connected to the network.


Now you can proceed to install the printer software and connect your printer:

1. Make a note of the IP address from the status screen on the printer's front panel (192.168.1.1 in this example):

Ready for paper

---

http://XXXX11  
http://192.168.1.1

Press  to enter menu



2. Insert the *HP Start-Up Kit* DVD into your computer. If the DVD does not start automatically, run the *START.EXE* program in the root folder of the DVD.

3. Click **Install**. The printer driver, HP Easy Printer Care, and HP Color Center are installed.
4. Follow the instructions on your screen to set up the printer. The following notes help you to understand the screens and make appropriate choices.
  - When asked how the printer is connected, select **Connected via the network**.
  - The configuration program looks for printers connected to your network. When the search is complete, a list of printers appears. Identify your printer by its IP address and select it from the list.
  - The configuration program analyzes the network and the printer. The program detects the network settings and suggests the settings to use when configuring the printer. It is not normally necessary to change any of these settings, but you can do so if you wish.

If your computer fails to find any printers on the network, the **Printer Not Found** window is displayed, which helps you to try to find your printer. If you have a firewall in operation; you may have to disable it temporarily in order to find the printer. You also have the options of searching for the printer by its URL, IP address, or MAC address.

## Connect directly to a computer (Windows)

You can connect your printer directly to a computer without going through a network, by using the printer's built-in USB 2.0 socket (supported under Windows 2000, XP, and 2003 Server).



**Tip** A USB connection may be faster than a network connection, but the cable is limited in length and it is more difficult to share the printer.

1. **Do not connect the computer to the printer yet.** You must first install the printer driver software on the computer, as follows.
2. Insert the *HP Start-Up Kit* DVD into your DVD drive. If the DVD does not start automatically, run the `START.EXE` program in the root folder of the DVD.
3. Click **Install**. The printer driver, HP Easy Printer Care, and HP Color Center are installed.
4. Follow the instructions on your screen to set up the printer. The following notes help you to understand the screens and make appropriate choices.
  - When asked how the printer is connected, select **Connected directly to this computer**.
  - If you would like to share the printer with other people connected to your network, press the **Printer Properties** button in the **Ready to Install** window, then select the **Sharing** tab and enter the name under which the printer will be shared.
  - When prompted to do so, connect your computer to the printer with a certified USB cable. Ensure that the printer is turned on.



**NOTE** The use of non-certified USB cables can lead to connectivity problems. Only cables certified by the USB Implementor's Forum (<http://www.usb.org/>) should be used with this printer.

## Printer sharing considerations

- HP Easy Printer Care must be installed on a computer before it can be used from that computer.
- Any other users sharing your directly connected printer will be able to send print jobs, but will not be able to receive information from the printer—which affects printer alerts, printer status reports, paper management, printer administration and troubleshooting.
- Any other users sharing your directly connected printer will be unable to use the printer's own print preview facility, although the application's print preview will still be available. See [Preview a print](#).



**Tip** The best way to share the printer over a network is to connect the printer not to any computer, but to the network. See [Connect to a network \(Windows\)](#).

## Uninstall the printer software (Windows)

1. Insert the *HP Start-Up Kit* DVD into your DVD drive. If the DVD does not start automatically, run the START.EXE program in the root folder of the DVD.
2. Select **Install**, and follow the instructions on your screen to uninstall the printer software.

## Connect to a network (Mac OS)

You can connect your printer to a network under Mac OS X by using the following methods:

- Bonjour/Rendezvous
- TCP/IP




**NOTE** The printer does not support AppleTalk.

Before you begin, check your equipment:

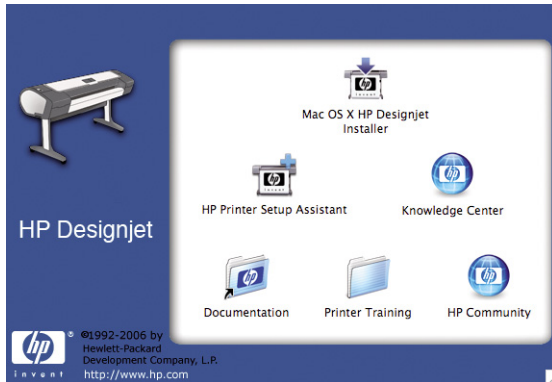
- The printer should be set up and on.
- The Ethernet hub or router should be on and functioning correctly.
- All computers on the network should be on and connected to the network.
- The printer should be connected to the network.

Now you can proceed to install the printer software and connect your printer.

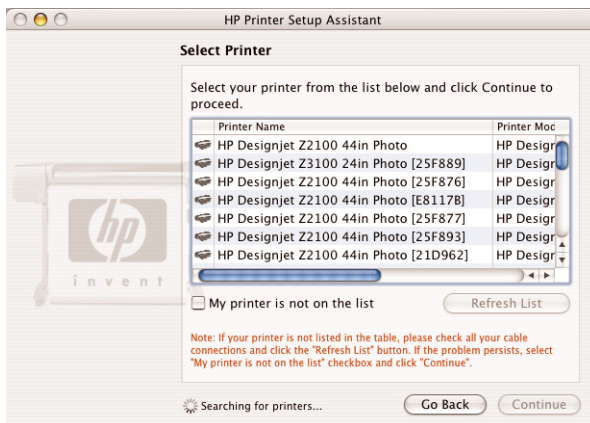
## Bonjour/Rendezvous connection

1. Go to your printer's front panel and select the Connectivity menu icon , then **Fast Ethernet** > **View configuration**. Note the mDNS service name of your printer.
2. Insert the *HP Start-Up Kit* DVD into your DVD drive.

- Open the DVD icon on your desktop.



- Open the **Mac OS X HP Designjet Installer** icon.
- Follow the instructions on your screen. You are recommended to use the **Easy Install** option.
- The printer software is installed, including the printer driver, HP Printer Utility, and HP Color Center.
- When the software has been installed, the HP Printer Setup Assistant starts automatically, to set up a connection to your printer. Follow the instructions on your screen.
- When you reach the Select Printer screen, look for your printer's mDNS service name (which you noted in step 1) in the Printer Name column.



- If you find the right printer name, scroll sideways to see the Connection Type column, and check that it shows **Bonjour/Rendezvous**. Then highlight that line. Otherwise, continue searching further down the list.
- If you cannot find your printer name with a **Bonjour/Rendezvous** connection type, check the box **My printer is not in the list**.

Click **Continue**.

- Continue following the instructions on the screen. When you reach the Printer Queue Created screen, click **Quit** to exit, or **Create New Queue** if you want to connect another printer to the network.
- When the HP Printer Setup Assistant has finished, you can remove the DVD from the DVD drive.

If the printer driver is already installed, the HP Printer Setup Assistant can be run at any time from the DVD.

## TCP/IP connection

1. Go to your printer's front panel and press the **Menu** key until you see the status screen.

Ready for paper

---

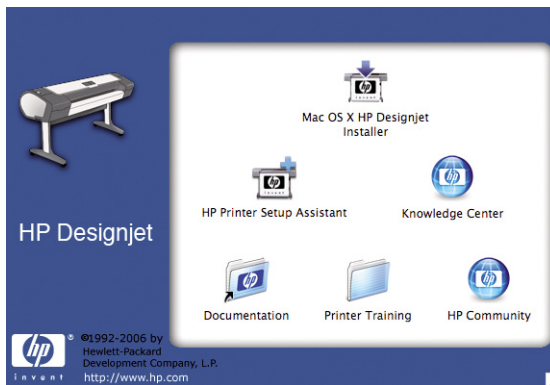
http://XXXX11  
http://192.168.1.1

Press **Menu** to enter  
menu



Note the URL of your printer (http://XXXX11 in this example).

2. Insert the *HP Start-Up Kit* DVD into your DVD drive.
3. Open the DVD icon on your desktop.



4. Open the **Mac OS X HP Designjet Installer** icon.
5. Follow the instructions on your screen. You are recommended to use the **Easy Install** option.
6. The printer software is installed, including the printer driver, HP Printer Utility, and HP Color Center.
7. When the software has been installed, the HP Printer Setup Assistant starts automatically, to set up a connection to your printer. Follow the instructions on your screen.
8. When you reach the Select Printer screen, look for your printer's URL (which you noted in step 1) in the Printer Name column.
  - If you find the right printer name, scroll sideways to see the Connection Type column, and check that it shows **IP Printing**. Then highlight that line. Otherwise, continue searching further down the list.
  - If you cannot find your printer name with an **IP Printing** connection type, check the box **My printer is not in the list**.

Click **Continue**.

9. Continue following the instructions on the screen. When you reach the Printer Queue Created screen, click **Quit** to exit, or **Create New Queue** if you want to connect another printer to the network.
10. When the HP Printer Setup Assistant has finished, you can remove the DVD from the DVD drive.

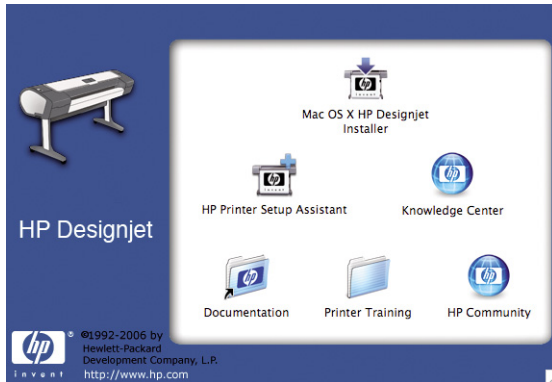


If the printer driver is already installed, the HP Printer Setup Assistant can be run at any time from the DVD.

## Connect directly to a computer (Mac OS)

You can connect your printer directly to a computer without going through a network, by using the printer's built-in USB 2.0 socket.

1. Make sure the printer is either turned off, or disconnected from the computer.
2. Insert the *HP Start-Up Kit* DVD into your DVD drive.
3. Open the DVD icon on your desktop.



4. Open the **Mac OS X HP Designjet Installer** icon.
5. Follow the instructions on your screen. You are recommended to use the **Easy Install** option.
6. The printer software is installed, including the printer driver, HP Printer Utility, and HP Color Center.
7. When the software has been installed, the HP Printer Setup Assistant starts automatically, to set up a connection to your printer.
8. Make sure that the printer is turned on and connected to the computer with a certified USB cable.



**NOTE** The use of non-certified USB cables can lead to connectivity problems. Only cables certified by the USB Implementor's Forum (<http://www.usb.org/>) should be used with this printer.

9. In the HP Printer Setup Assistant, click **Continue**.
10. In the list of printers that appears, select the entry that uses the connection type USB, and click **Continue**.
11. The following screen displays information about your printer's installation, where the name of the printer can be modified. Make any changes you wish to make, and click **Continue**.
12. Your printer is now connected. In the Printer Queue Created screen, click **Quit** to exit, or **Create New Queue** if you want to connect another printer.
13. When the HP Printer Setup Assistant has finished, you can remove the DVD from the DVD drive.

If the printer driver is already installed, the HP Printer Setup Assistant can be run at any time from the DVD.

## Sharing the printer



---

**NOTE** Printer sharing between users is supported under Mac OS X 10.2 and later.

---

If your computer is connected to a network, you can make your directly connected printer available to other computers on the same network.

1. Double-click the System Preferences icon on the Dock menu bar on your desktop.
2. Enable printer sharing by going to **Sharing > Services > Printer Sharing**.
3. Your printer now automatically appears in the list of shared printers displayed by any other computer running Mac OS and connected to your local network.



---

**NOTE** Any other users wishing to share your printer must install the printer software on their own computers.

Any other users sharing your directly connected printer will be able to send print jobs, but will not be able to receive information from the printer—which affects printer alerts, printer status reports, paper management, printer administration and troubleshooting.

Mac OS 10.2 users need to enable the **Show printers connected to other computers** option in the Print Center in order to see shared printers.

You may find that sharing your directly connected printer with other users will slow down your computer unacceptably.



---

**Tip** The best way to share the printer over a network is to connect the printer not to any computer, but to the network. See [Connect to a network \(Mac OS\)](#).

---

## Uninstall the printer software (Mac OS)

1. Insert the *HP Start-Up Kit* DVD into your DVD drive.
2. Open the DVD icon on your desktop.
3. Open the **Mac OS X HP Designjet Installer** icon.
4. Select **Uninstall**, and follow the instructions on your screen to uninstall the printer software.

---

## 3 Personalizing the printer

- [Turn printer on and off](#)
- [Change the language of the front-panel display](#)
- [Access HP Easy Printer Care \(Windows\) or HP Printer Utility \(Mac OS\)](#)
- [Access the Embedded Web Server](#)
- [Change the language of HP Easy Printer Care \(Windows\) or HP Printer Utility \(Mac OS\)](#)
- [Change the language of the Embedded Web Server](#)
- [Change the sleep mode setting](#)
- [Turn the buzzer on and off](#)
- [Change the front-panel display contrast](#)
- [Change the units of measurement](#)
- [Configure network settings](#)
- [Change the graphic language setting](#)

## Turn printer on and off



**Tip** The printer is Energy Star compliant and can be left powered on without wasting energy. Leaving it on improves response time and overall system reliability. When the printer has not been used for a certain period of time (30 minutes by default), it saves power by going into sleep mode. However, any interaction with the printer's front-panel display returns it to active mode, and it can resume printing immediately. To change the sleep mode time, see [Change the sleep mode setting](#)



**NOTE** In sleep mode, the printer wakes up from time to time to do maintenance service to the printheads. This avoids the need of doing long preparation after long idle periods.

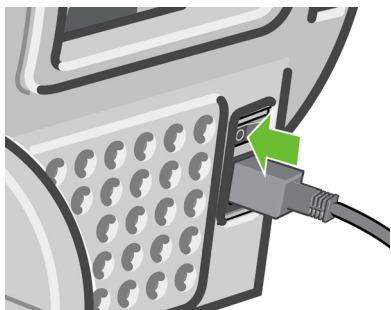
The printer has three levels of power consumption.

- Plugged in: the power cord is plugged into the back of the printer
- Switched on: the switch at the back of the printer is in the on position
- Powered on: the **Power** key on the front panel shows a green light

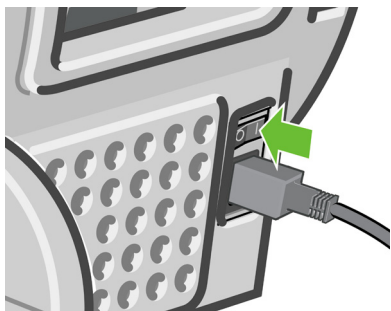
If you wish to turn the printer on or off or reset the printer, the normal and recommended method is to use the **Power** key on the front panel.



However, if you plan to store the printer indefinitely or the **Power** key does not seem to work, you are recommended to power it off using the **Power** key, and then also switch off the power switch at the rear.



To turn it back on, use the power switch at the rear.




When the printer is powered back on, it takes about three minutes to initialize and check and prepare the printheads. Preparing the printheads takes about one minute and 15 seconds. However, if the printer has been off for six weeks or more, preparing the printheads could take up to 45 minutes.



**Tip** It is strongly recommended to leave the printer powered on or in sleep mode to avoid wasting ink and time.

## Change the language of the front-panel display

There are two possible ways to change the language of the front-panel menus and messages.

- If you can understand the current front-panel display language, press the **Menu** key to return to the main menu and select the Setup menu icon , then **Front panel options > Select language**.
- If you cannot understand the current front-panel display language, start with the printer powered off. At the front panel, press the **OK** key and hold it down. While holding the **OK** key down, press the **Power** key and hold it down. Continue to hold down both keys until the green light on the right side of the front-panel display starts flashing, and then release both keys. You can expect a delay of about one second. If the green light starts flashing without any delay, you may need to start again.

Whichever method you used, the language selection menu should now appear on the front-panel display. Highlight your preferred language with the **Up** and **Down** keys, then press the **OK** key.

## Access HP Easy Printer Care (Windows) or HP Printer Utility (Mac OS)

HP Easy Printer Care (Windows) or HP Printer Utility (Mac OS) enables you to manage your printer from a computer with a USB connection and TCP/IP.

- Under Windows, start HP Easy Printer Care from your desktop shortcut or from **Start > All Programs > Hewlett-Packard > HP Easy Printer Care > Start HP Easy Printer Care**. This launches HP Easy Printer Care showing the printers installed.
- Under Mac OS, launch the Mac Printer Utility by selecting **STARTUP\_DISK > Library > Printers > hp > Utilities > HP Printer Utility**. This launches the HP Printer Selector where you need to add your printer by clicking **More Printers**.

Select your printer and click **Launch Utility**. This launches the HP Printer Utility.

If you have followed these instructions but failed to get through to HP Easy Printer Care (Windows) or HP Printer Utility (Mac OS), see [Cannot access HP Easy Printer Care \(Windows\) or HP Printer Utility \(Mac OS\)](#).

## Access the Embedded Web Server

The Embedded Web Server enables you to manage your printer remotely using an ordinary Web browser running on any computer.



**NOTE** To use the Embedded Web Server, you must have a TCP/IP connection to your printer.

The following browsers are known to be compatible with the Embedded Web Server:

- Internet Explorer 5.5 or later, for Windows
- Internet Explorer 5.1 or later, for Mac OS X
- Netscape Navigator 6.01 or later
- Mozilla 1.5 or later


- Mozilla Firefox 1.0 or later
- Safari

To access the Embedded Web Server on any computer, open your Web browser and give the address of your printer. You can find out the address of your printer (starting with **http:**) from the front-panel display, by looking at the status screen.

Ready for paper

---

http://XXXX11  
http://192.168.1.1

Press  to enter  
menu



If you have followed these instructions but failed to get through to the Embedded Web Server, see [Cannot access the Embedded Web Server](#).

## Change the language of HP Easy Printer Care (Windows) or HP Printer Utility (Mac OS)

HP Easy Printer Care (Windows) or HP Printer Utility (Mac OS) can work in the following languages: English, Portuguese, Spanish, Catalan, French, Italian, German, Russian, Simplified Chinese, Traditional Chinese, Korean, and Japanese.

- Under Windows, select **Tools > Set Language** and select a language from the list.
- Under Mac OS, the language is changed as for any other application. In **System Preferences** select **International** and re-launch the application.

## Change the language of the Embedded Web Server


The Embedded Web Server can work in the following languages: English, Portuguese, Spanish, Catalan, French, Italian, German, Russian, Simplified Chinese, Traditional Chinese, Korean, and Japanese. It uses whichever language you have specified in your Web browser's options. If you have specified a language that it cannot support, it works in English.

To change the language, you must change your Web browser's language setting. For example, in Internet Explorer version 6, go to the **Tools** menu and select **Internet Options, Languages**. Then ensure that the language you want is at the top of the list in the dialog box.

To complete the change, you must close and reopen your Web browser.

## Change the sleep mode setting

If the printer is left switched on but unused for a certain period of time, it goes automatically into sleep mode to save power. The default is 30 minutes. To change the time the printer waits before it goes into


sleep mode, press the **Menu** key to return to the main menu and select the Setup menu icon , then **Advanced > Sleep mode wait time**. Highlight the wait time you want and then press the **OK** key. You can set the time to 30, 60, 120, 150, 180, 210, or 240 minutes.

## Turn the buzzer on and off


To turn the printer's buzzer on or off, press the **Menu** key to return to the main menu and select the

Setup menu icon , then **Front panel options** > **Enable buzzer**, and highlight on or off and press the **OK** key. The default buzzer is set to on.

## Change the front-panel display contrast

To change the contrast of the front-panel display, select the Setup menu icon , then **Front panel options** > **Select display contrast**, and enter a value using the **Up** or **Down** key. Press the **OK** key to set the value. The default contrast is set to 50.

## Change the units of measurement

To change the units of measurement in the front-panel display, select the Setup menu icon , then **Advanced** > **Select units**, and select **English** or **Metric**. By default the units are set to metric.

## Configure network settings

To configure the network settings from HP Easy Printer Care (Windows), select **Settings tab** > **Network Settings**. From HP Printer Utility (Mac OS), select **Configuration Group** > **Network Settings**. You can view and configure the following network settings.


- **IP Configuration method:** specify the way to set an IP address between BOOTP, DHCP, Auto IP, and Manual
- **Host name:** specify an IP name for the network device, the name may contain up to 32 ASCII characters
- **IP address:** specify the IP address on the print server, duplicate IP addresses on a TCP/IP network are not allowed



**NOTE** If you change the current IP address and click Apply, the browser loses the current connection to the print server because it is pointing to the old address. To reconnect, browse to the new IP address.

- **Subnet mask:** specify a subnet mask, which is a 32-bit number applied to an IP address to determine which bits specify the network and subnet and which bits uniquely specify the node
- **Default gateway:** specify the IP address of a router or computer that is used to connect to other networks or sub-networks, if none exist, use the IP address of the computer or the IP address of the print server
- **Domain name:** specify the name of the DNS domain that the print server resides in, for example, support.hp.com, note that it does not include the host name; it is not the fully qualified domain name, such as printer1.support.hp.com
- **Idle timeout:** specify the number of seconds that an idle connection is allowed to remain open, 270 is the default value, if set to zero, the timeout is disabled and TCP/IP connections remain open until closed by the other node (such as a workstation) on the network

- **Default IP:** specify the IP address to use when the print server is unable to obtain an IP address from the network when powered on or when reconfigured to use BOOTP or DHCP
- **Send DHCP requests:** specify whether DHCP requests are transmitted when a legacy default IP address or a default Auto IP is assigned

To configure the same network settings from the front panel, press the **Menu** key to go to the main menu and select the Connectivity menu icon , then **Fast Ethernet > Modify configuration**.

## Change the graphic language setting

To be able to change the graphic language setting you must install the HP-GL/2 upgrade.



**WARNING!** You should not need to change the default graphic language setting (**Automatic**), and you are not recommended to do so.


Change the graphic language setting from the HP Easy Printer Care and HP Printer Utility applications with the following steps.

1. Under Windows, select the **Settings** tab then **Printer settings > Printing preferences**.

Under Mac OS, select **Configuration** then **Printer settings > Configure printer settings > Printing preferences**.

2. Select one of the following options.

- Select **Automatic** to let the printer determine which type of file it is receiving. This setting works for most software applications.
- Select **HP-GL/2** only if you are sending a file of the appropriate type directly to the printer, without going through a printer driver.

You can change the graphic language setting from the front panel. Press the **Menu** key to return to the main menu the select the Setup menu icon , then **Select graphics language**. Select the desired option and press the **OK** key to set the value.



**NOTE** The setting selected through the HP Easy Printer Care (Windows) or HP Printer Utility (Mac OS) overrides the setting select by the front pane.



---

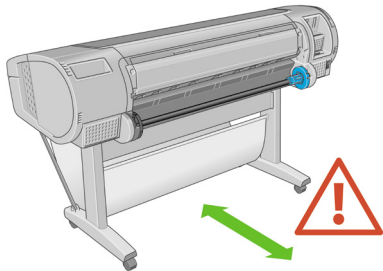
## 4 Paper handling

- [General advice](#)
- [Choose which spindle to use](#)
- [Load a roll onto the spindle](#)
- [Load a roll into the printer](#)
- [Unload a roll](#)
- [Load a single sheet](#)
- [Unload a single sheet](#)
- [View information about the paper](#)
- [Paper profiles](#)
- [Add a custom paper type](#)
- [Maintain paper](#)
- [Change the drying time](#)
- [Turn the automatic cutter on and off](#)
- [Feed and cut the paper](#)

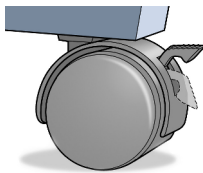
## General advice



**WARNING!** Before starting a paper loading process, ensure you have enough room around the printer, both in front and behind.



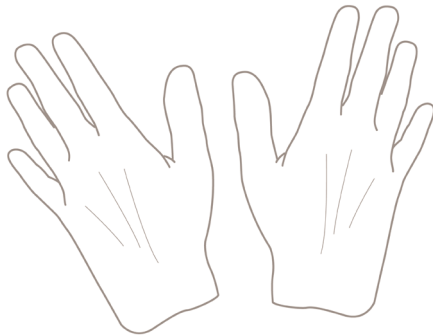
**WARNING!** Make sure the printer wheels are locked (the brake lever is pressed down) to prevent the printer from moving.



**WARNING!** All paper must be 11 inches (28 cm) or longer. A4 and letter paper cannot be loaded landscape.



**Tip** For photo paper wear cotton gloves to avoid transferring oils onto the paper.



**CAUTION** Keep the basket closed throughout the loading process.

## Choose which spindle to use

Ensure you use the correct spindle. The illustrations in the [Load a roll onto the spindle](#) procedure and the [Load a roll into the printer](#) procedure show the black spindle. You must use the gray spindle if you are loading the following categories and types of rolled papers wider than 36 in (91.5 cm).

Paper category	Paper type
Bond and Coated Paper	Plain Paper

Paper category	Paper type
Bond and Coated Paper	Bright White Bond Paper
Bond and Coated Paper	Coated Paper
Technical Paper	Natural Tracing Paper
Technical Paper	Translucent Bond
Technical Paper	Vellum

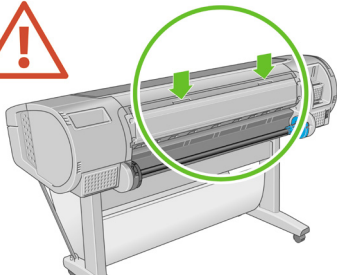


**Tip** If you are a regular user of different paper types, you can change rolls more quickly if you preload rolls of different paper types on different spindles. Extra spindles are available for purchase, see [Accessories](#).

## Load a roll onto the spindle



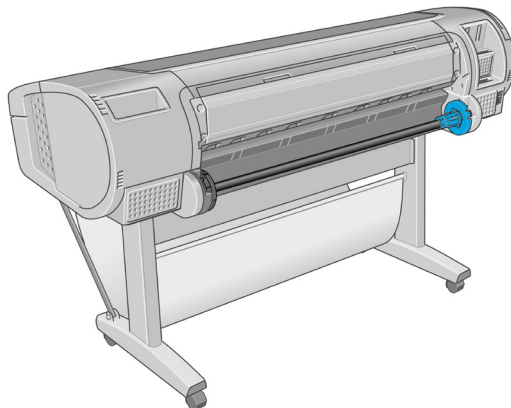
**WARNING!** Ensure the sheet tray is closed.



1. Remove the right-hand end of the spindle from the printer, then the other end.



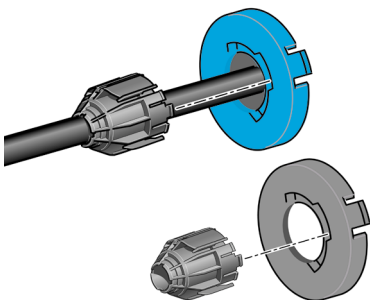
**WARNING!** Do not insert your fingers into the spindle supports during the removal process.



2. The spindle has a stop at each end to keep the roll in position. The blue stop can be removed to mount a new roll; it slides along the spindle to hold rolls of different widths. Remove the blue paper stop from the end of the spindle.



3. If your roll has a three-inch cardboard core, ensure that the core adaptors supplied with the printer have been installed.



4. If the roll is long; rest the spindle horizontally on a table and load the roll on the table.

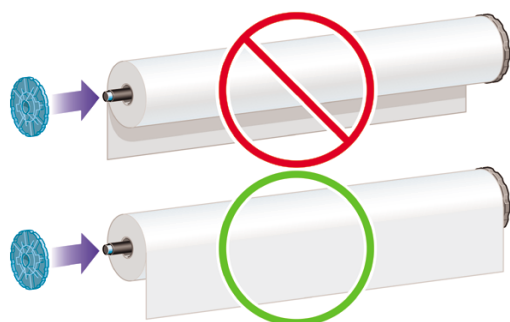


**Tip** You may need two people to handle a large roll.

5. Slide the new roll onto the spindle. Make sure the paper type is oriented as shown. If it is not, remove the roll, turn it 180 degrees and slide it back on to the spindle. There are labels on the spindle showing the correct orientation.

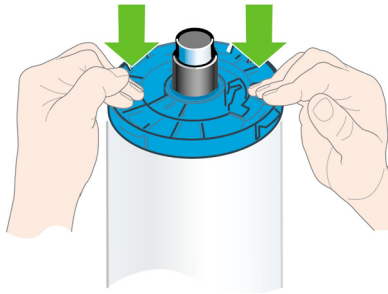


**NOTE** From the back of the printer, the blue stopper is inserted into the right-side holder.



Ensure both ends of the roll are as close to the spindle stops as possible.

- Put the blue paper stop on to the open end of the spindle, and push it towards the end of the roll.



- Ensure the blue paper stop is pushed in as far as it goes; until both ends are against the stoppers.

If you are a regular user of different paper types, you can change rolls more quickly if you preload rolls of different paper types on different spindles. Extra spindles are available for purchase, see [Accessories](#).

## Load a roll into the printer

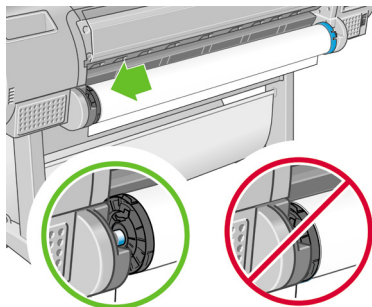
There are two ways to load a roll. The easy loading procedure is recommended.



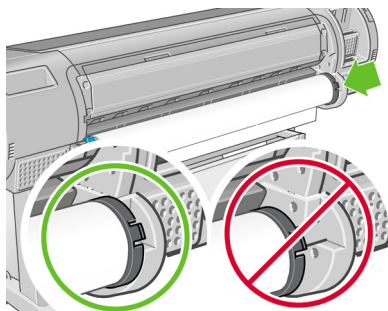
**CAUTION** To start these procedures you must have a roll loaded on the spindle. See [Load a roll onto the spindle](#).

### Easy loading procedure

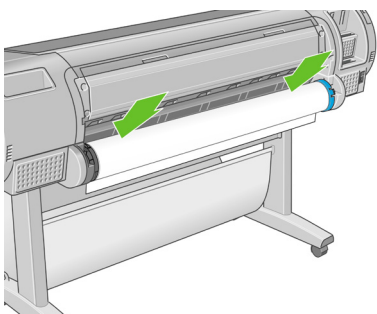
- Check that you are using the correct spindle for your type of paper, see [Choose which spindle to use](#).
- Standing behind the printer, rest the spindle's black end on the left side roll holder. Do not put the end completely into the roll holder.



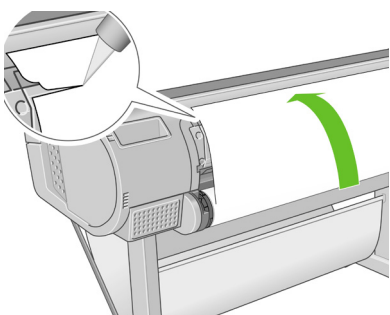
- Rest the blue end of the spindle on the right side roll holder. If you are loading the gray spindle, ensure the rounded side of the spindle top is resting on the roll holder.



4. With both hands, push the spindle into both roll holders at the same time. The spindle snaps in place.



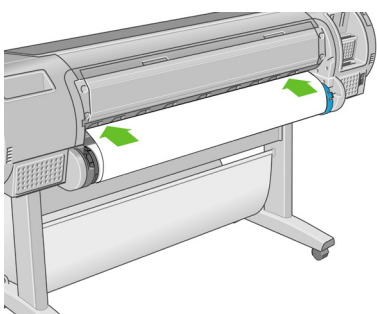
5. If the edge of the roll is torn (sometimes due to tape used to hold end of the roll) or not straight, pull paper slightly beyond the cutting groove and use a cutter to cut a straight edge.



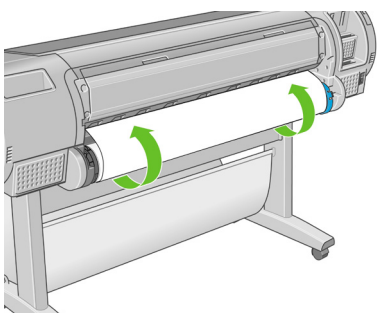
**CAUTION** Cut the paper as straight as possible, as uneven paper does not load correctly.

6. Insert the edge of the paper into the feeder.

**WARNING!** Do not push your fingers inside the printer's paper path, the results may be painful.



7. Roll the spindle into the feeder until you feel resistance. The printer detects the paper and feed it automatically into the printer.



8. Once the paper is fed into the printer, the front-panel display asks if you are loading a roll or a sheet. Select **Roll** with the **Up** and **Down** keys and press **OK**.
9. Select your paper category and type.

Select paper category

⊕ Bond and Coated Paper

⊕ **Photo Paper**

⊕ Proofing Paper

⊕ Fine Art Material

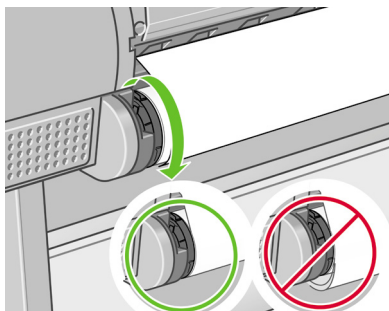
⊕ Film

⊕ Technical Paper



**Tip** If you have loaded a paper type whose name does not appear in the paper list (neither in the driver nor in the front panel), you can choose a generic paper name instead. For example, if you are loading HP Aquarella Art Paper or Epson Smooth Fine Art Paper, and you don't find the exact name in the paper list, you can choose **Fine art paper**.

10. The printer checks the alignment and measures the width.
11. Look at the front panel; you may find some instructions there.
12. When the roll is aligned, the front panel displays the **Ready** message and the printer is ready to print. If the role is not aligned, follow the instructions on the front-panel display.
13. If the paper is loose on the roll, lightly rewind from the end of the spindle until tight.




**NOTE** If you have an unexpected issue at any stage of the paper loading process, see [The paper cannot be loaded successfully](#).



**Tip** When prints fall into the basket, they can be torn or get ink marks from other prints. To avoid this, catch your prints as they are cut from the roll and do not stack prints in the basket or turn off the automatic cutter, see [Turn the automatic cutter on and off](#), and use the **Form feed and cut** key to release your print.

## Paper menu procedure

As an alternative you can use the paper menu to start the paper loading process.

1. Follow steps one through five of the [Easy loading procedure](#).
2. Press the **Menu** key to return to the main menu, select the Paper menu icon .

3. Select **Paper load**.

Paper menu

Paper load

Unload paper

View loaded paper

Paper types list

4. Select **Load roll**.

Paper load

Load roll

Load sheet

5. Select your paper category and type.

Select paper category

Bond and Coated Paper

Photo Paper

Proofing Paper

Fine Art Material

Film

Technical Paper



**Tip** If you have loaded a paper type whose name does not appear in the paper list (neither in the driver nor in the front panel), you can choose a generic paper name instead. For example, if you are loading HP Aquarella Art Paper or Epson Smooth Fine Art Paper, and you don't find the exact name in the paper list, you can choose **Fine art paper**.

6. Continue with step six of the easy loading process, skipping steps eight and nine.



**Tip** When prints fall into the basket, they can be torn or get ink marks from other prints. To avoid this, catch your prints as they are cut from the roll and do not stack prints in the basket or turn off the automatic cutter, see [Turn the automatic cutter on and off](#), and use the **Form feed and cut** key to release your print.

## Unload a roll

Before unloading a roll, check whether there is paper on the roll or if the roll is out of paper, and follow the appropriate procedure as described below.




## Unload paper key procedure with paper on the roll

If there is paper on the roll, use the following procedure.

1. Press the **Unload paper** key on the front panel.
2. When prompted by the front-panel display, lift the blue lever on the left.
3. When prompted by the front-panel display, lightly rewind the paper from the end of the spindle until removed from the printer.
4. When prompted by the front-panel display, lower the blue lever.

## Paper menu procedure with paper on the roll

If there is paper on the roll, you can also start the process from the paper menu in the front panel's main menu.

1. Press the **Menu** key to return to the main menu, select the Paper menu icon .
2. Select **Unload paper**.

```
Paper menu
-----
⊞ Paper load
▶ Unload paper
▶ View loaded paper
⊞ Change loaded paper type
⊞ Paper types list
```

3. Continue from step two of the **Unload paper** key process.

## Roll out of paper procedure

If the end of the paper is no longer attached to the roll use the following procedure.

1. If you have already started the unload process, press the **Cancel** key on the front panel to cancel that procedure.
2. Lift the blue lever on the left. If the front panel displays a warning about the lever, ignore it.
3. Pull out the paper from the printer. Pull from wherever the paper is accessible; the back of the printer is recommended.
4. Lower the blue lever.
5. If the front panel displays a warning message, press the **OK** key to clear it.

## Load a single sheet

There are two ways to load a sheet. The easy loading procedure is recommended.



**CAUTION** Any loaded roll or sheet must be unloaded before loading a sheet, see [Unload a roll](#), and [Unload a single sheet](#).



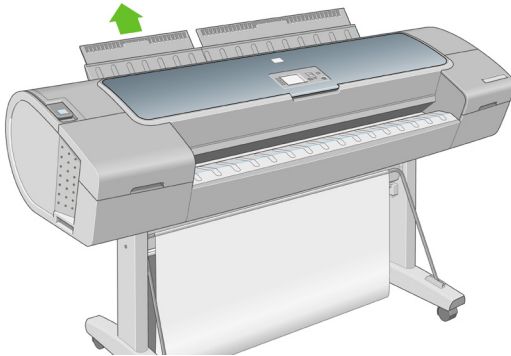
**WARNING!** For sheets thicker than 0.5mm, you must have space behind the printer equal to the length of the sheet.

## Easy loading procedure

1. Standing in front of the printer, open the sheet tray. If the sheet is long, extend the right extension. If the sheet is also wide extend the left extension.

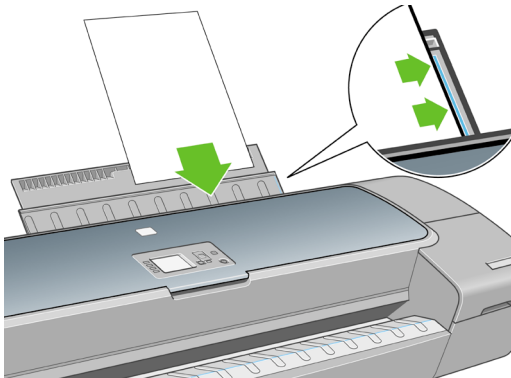


**Tip** If the tray is difficult to open, try opening from behind the printer.



**NOTE** The extensions are seven cm and snap in place.

2. Insert the sheet into the feeder. Load your sheet aligned with the load line and insert until the paper will not continue, with thicker sheets you feel resistance. The printer detects the sheet in three seconds. A countdown begins on the front-panel display.



**WARNING!** Take care not to push your fingers inside the printer's paper path, the results may be painful.

3. After the countdown, the paper feeds into the printer. Guide the sheet into the printer; this is especially important with thicker papers.
4. The front-panel display asks if you are loading a roll or a sheet. Select **Sheet** with the **Up** and **Down** keys.

5. Enter your paper category and type.

Select paper category

⊞ Bond and Coated Paper

⊞ **Photo Paper**

⊞ Proofing Paper

⊞ Fine Art Material

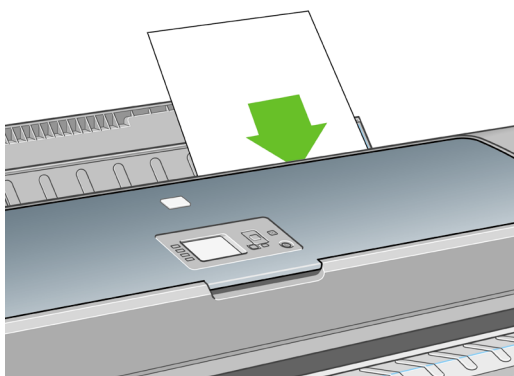
⊞ Film

⊞ Technical Paper



**Tip** If you have loaded a paper type whose name does not appear in the paper list (neither in the driver nor in the front panel), you can choose a generic paper name instead. For example, if you are loading HP Aquarella Art Paper or Epson Smooth Fine Art Paper, and you don't find the exact name in the paper list, you can choose **Fine art paper**.

6. The printer checks the alignment and measures the sheet.



**NOTE** Depending on the length of the sheet, it feeds out the front of the printer.

7. If the paper has been loaded successfully, the front panel displays the **Ready** message and the printer ready to print. If the paper is not straight, follow the instructions on the front-panel display.




**NOTE** When correctly loaded, the sheet is in the back of the printer.

**NOTE** If you have an unexpected problem at any stage of the paper loading process, see [The paper cannot be loaded successfully](#).

## Paper menu procedure

As an alternative you can use the paper menu to start the paper loading process

1. Perform step one of the easy loading procedure.

2. Press the **Menu** key to return to the main menu and select the Paper menu icon .

Main Menu

---



**▣** Paper menu

3. Select **Paper load**.

Paper menu

**▣** Paper load

▣ Unload paper

▣ View loaded paper

▣ Paper types list

4. Select **Load sheet**.

Paper load

---

▣ Load roll

**▣** Load sheet

5. Select your paper category and type.

Select paper category

⊞ Bond and Coated Paper

⊞ Photo Paper

⊞ Proofing Paper

⊞ Fine Art Material

⊞ Film

⊞ Technical Paper



**Tip** If you have loaded a paper type whose name does not appear in the paper list (neither in the driver nor in the front panel), you can choose a generic paper name instead. For example, if you are loading HP Aquarella Art Paper or Epson Smooth Fine Art Paper, and you don't find the exact name in the paper list, you can choose **Fine art paper**.

6. Continue with step two of the easy loading procedure, skipping steps four and five.

## Unload a single sheet


To unload a single sheet after printing, you can simply pull the sheet free from the front of the printer. To unload a sheet without printing, use the **Unload paper** key or the paper menu procedure.

### Unload paper key procedure

1. Press the **Unload paper** key on the front panel.
2. The sheet unloads out the front of the printer, either catch it manually or allow it to fall in the basket.

### Paper menu procedure

You can also unload a sheet from the paper menu.

1. Press the **Menu** key to return to the main menu and select the Paper menu icon .

Main Menu




⊞ Paper menu

2. Select **Unload paper**. The sheet unloads out of the front of the printer, either catch it manually or allow it to fall in the basket.

```
Paper menu
-----
⊞ Paper load
▶ Unload paper
▶ View loaded paper
⊞ Change loaded paper type
⊞ Paper types list
```

## View information about the paper

To view the loaded paper information, press the **View loaded paper** key on the front panel.

You can also select the Paper menu icon  and then **View loaded paper**.

The following information is displayed on the front panel:

- Roll or sheet status
- Paper manufacturer's name
- Paper type you have selected
- Width of the paper in millimeters (estimated)
- Length of the sheet in millimeters (estimated)
- Color calibration status

If no paper is loaded, the message **Out of paper** is displayed.

The same information (apart from the manufacturer's name) is displayed in HP Easy Printer Care and HP Printer Utility on the Supplies page.



---

**NOTE** Photo and coated paper requires careful handling, see [The print is scuffed or scratched.](#)

---

## Paper profiles

Each supported paper type has its own characteristics. For optimum print quality, the printer changes the way it prints on each different paper type. For example, some may need more ink and some may require a longer drying time. So the printer must be given a description of the requirements of each paper type. This description is called the “media” or “paper” profile. The paper profile contains the ICC profile, which describes the color characteristics of the paper; it also contains information on other characteristics and requirements of the paper that are not directly related to color. Existing paper profiles for your printer are already installed in the printer's software.

However, as it is inconvenient to scroll through a list of all paper types available, your printer only contains paper profiles for the most commonly used paper types. If you have a paper type for which your printer has no profile, you cannot select that paper type in the front-panel display.

There are three ways to assign a profile for a new paper type.

- Use a HP factory paper profile by selecting the closest category and type in the front panel, HP Easy Printer Care (Windows), or HP Printer Utility (Mac OS)



**NOTE** Colors may not be accurate. This method is not recommended for high-quality prints.

- Download the correct paper profile from: <http://www.hp.com/support/designjet/profilesz2100/>



**NOTE** HP only provides profiles for HP paper types. If you do not find the paper profile you want on the Web, you may find that it has been added to the latest firmware for your printer. You can check the firmware release notes for information, see [Update the firmware](#).

- Add custom paper type, see [Add a custom paper type](#), and create an ICC profile, this works for both HP and non-HP papers

## Add a custom paper type

Before you can use a custom paper with your printer you must add a custom paper type and allow the printer to run a color calibration. You can add a custom paper using the HP Color Center in HP Easy Printer Care (Windows) or HP Printer Utility (Mac OS).



**NOTE** If you have already selected **Custom paper > Add Custom Paper** from HP Easy Printer Care (Windows) or HP Printer Utility (Mac OS), the first Add New Paper screen appears and you can start this procedure at step four.

1. Go to the Color Center in HP Easy Printer Care (Windows) or HP Printer Utility (Mac OS).
2. Select **Manage Papers**.
3. In Windows, select **Add new paper**. In Mac OS, click **+**.
4. Enter your paper's name.



**NOTE** It is recommended to use the paper's commercial name to avoid confusion for other users.

5. Select a paper category.



**NOTE** The paper category determines the amount of ink used and other basic printing parameters. To obtain satisfactory results, experiment with different categories and use the ones that work best.

6. Load your custom paper, see [Load a roll into the printer](#) or [Load a single sheet](#).
7. Click **Next**. The printer performs a color calibration and prints a calibration chart. This may take ten minutes.



**NOTE** For more information on the processes available in the Color Center, see [A summary of the color management process](#).

8. Once the new calibration parameters are calculated and stored, you are reminded to create an ICC profile. Click **Done**. Your custom paper is added to the paper category you selected.
9. To create an ICC profile, which allows you to print on your paper with the best possible color accuracy, see [Color profiling](#).

## Maintain paper

To maintain paper quality, follow the recommendations below.

- Store rolls covered by another piece of paper or cloth
- Store cut sheets covered and clean or brush them before loading them in the printer
- Clean input and output platens and cut sheet tray
- Always keep the transparent window of your printer closed



---

**NOTE** Photo and coated paper requires careful handling, see [The print is scuffed or scratched](#).

---

## Change the drying time

You may wish to change the drying time setting to suit special printing conditions such as multiple prints where time is of higher importance or when you need to be sure ink is dry before handling.

Select the Setup menu icon , then **Print retrieval > Select drying time**. You can select:

- Extended, to set a longer than recommended time to ensure ink is completely dry
- Optimal, to set the default and recommended time for your selected paper
- Reduced, to set a shorter than recommended time when quality is of lower importance
- None, to disable the drying time and remove your print as soon as it finishes printing



---

**WARNING!** If the ink is not dry when the print is removed it could leave ink in the output tray and marks on the print.

---



---

**NOTE** If you cancel the drying time during a print, the printer may not feed and cut the paper right away due to the printhead maintenance, which runs in parallel. If the dry time is zero, the printer cuts the paper and then performs the printhead maintenance. However, if the dry time is greater than zero, the printer does not cut the paper until after the printhead maintenance has completed, even if the **Form feed and cut** key has been pressed.


---

## Turn the automatic cutter on and off

To turn the printer's paper cutter on or off:

- From HP Easy Printer Care (Windows), select the **Settings** tab and change the **Cutter** option in **Printer Settings > Advanced**.
- From HP Printer Utility (Mac OS), select **Configuration > Printer Settings > Configure Printer Settings** and change the **Cutter** option.



- From the Embedded Web Server, select the **Setup** tab, then **Printer Settings**, and change the **Cutter** option.
- Press the **Menu** key to return to the main menu, select the Setup menu icon , and then **Print retrieval > Enable cutter**.



**NOTE** To cut rolled paper while the automatic cutter is disabled, see [Feed and cut the paper](#).

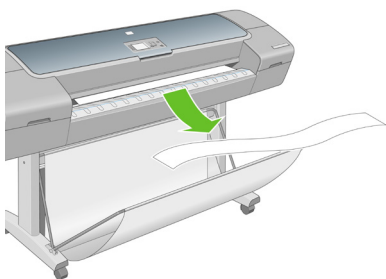
## Feed and cut the paper

To feed and cut the paper when the automatic cutter has been disabled, press the **Form feed and cut** key on the front panel. The paper advances and the printer makes a straight cut on the front edge.



**NOTE** The printer may not cut the paper directly after the **Form feed and cut** key is pressed, as each time a print is printed the printheads are serviced and the paper cannot be cut until the process completes.

Remove the cut piece from the output tray.



**WARNING!** If strips or short prints are left in the output tray the printer could jam.



**NOTE** Photo and coated paper requires careful handling, see [The print is scuffed or scratched](#).



---

# 5 Printing

- [Select print quality](#)
- [Select paper size](#)
- [Select margins options](#)
- [Print with shortcuts](#)
- [Rescale a print](#)
- [Change the treatment of overlapping lines](#)
- [Preview a print](#)
- [Print a draft](#)
- [High-quality printing](#)
- [Print in gray shades](#)
- [Print with no margins](#)
- [Reprint an old job](#)
- [Use paper economically](#)
- [Use ink economically](#)

## Select print quality

The printer has various print-quality options because best-quality printing requires some loss of speed, while fast printing implies some reduction in print quality.


Therefore, the standard print-quality selector is a slider that allows you to choose between quality and speed.

Alternatively, you can select from the custom options: **Best**, **Normal**, and **Fast**. There are also two supplementary custom options that may have an effect on print quality: **Maximum detail** and **More passes**. See [High-quality printing](#).



**NOTE** In the Windows driver dialog, the rendering resolution for your job is displayed in the Custom Print Quality Options dialog box. In the Mac OS Print dialog, it is displayed in the **Summary** panel.

You can select print-quality options in the following ways:

- **In the Windows driver dialog:** go to the **Paper/Quality** tab and look at the Print Quality section. If you select **Standard Options**, you will see a simple slider with which you can select speed or quality. If you select **Custom Options**, you will see the more specific options described above.
- **In the Mac OS Print dialog:** go to the **Paper Type/Quality** panel and select **Paper**. If you select **Standard** quality options, you will see a simple slider with which you can select speed or quality. If you select **Custom** quality options, you will see the more specific options described above.
- **Using the front panel:** select the Setup menu icon , then **Printing preferences > Print quality**. This option is available only with the HP-GL/2 Upgrade.



**NOTE** If the print quality is set from your computer, it overrides the print-quality setting in the front panel.




**NOTE** You cannot change the print quality of pages that the printer is already receiving or has already received (even if they have not started to print yet).

## Select paper size

The paper size can be specified in the following ways.



**NOTE** The paper size specified here should be the paper size in which the document was created. It is possible to rescale the document to a different size for printing. See [Rescale a print](#).

- **In the Windows driver dialog:** select the **Paper/Quality** tab, then **Document Size**.
- **In the Mac OS Page Setup dialog:** select your printer in the **Format for** popup menu, then **Paper Size**.
- **Using the front panel:** select the Setup menu icon , then **Printing preferences > Paper > Select paper size**. This option is available only with the HP-GL/2 Upgrade.



**NOTE** If the paper size is set from your computer, it overrides the paper size setting in the front panel.

To choose a non-standard paper size not shown in the list of paper sizes:

- Under Windows, there are two different ways:
  - In the driver dialog, select **Custom** from the paper size list in the **Paper/Quality** tab, then specify the paper dimensions, then click **Save** to save your new paper size. To see your new custom size in the list of custom sizes, you need to exit the printer properties, then reenter them and use the **More** button.
  - From the **Start** menu, select **Printers and Faxes**, then from the **File** menu select **Server Properties**. In the **Forms** tab, check the **Create a new form** box, specify the name and dimensions of the new form, then click **Save Form**.
- Under Mac OS X 10.4, select **Paper Size > Manage Custom Sizes** in the **Page Setup** dialog.
- Under Mac OS X 10.2 or 10.3, select **Settings > Custom Paper Size** from the **Page Setup** dialog.

## Select margins options

By default, the printer leaves a 5 mm margin between the edges of your image and the edges of the paper (17 mm at the foot of a sheet of paper). However, you can change this behavior in several ways.

- **In the Windows driver dialog:** select the **Paper/Quality** tab and then the **Layout** button.
- **In the Mac OS Print dialog:** select the **Paper Type/Quality** panel and then **Layout**.

You will then see at least some of the following options.



**NOTE** Under Mac OS, the available margins options depend on the paper size selected in the **Page Setup** dialog. For instance, for borderless printing you must select a paper size name that includes the words “no margins”.

- **Standard.** Your image will be printed on a page of the size you have selected, with a narrow margin between the edges of the image and the edges of the paper. The image should be small enough to fit between the margins.
- **Oversize.** Your image will be printed on a page slightly larger than the size you have selected. If you cut off the margins, you will be left with a page of the size you selected, with no margins remaining between your image and the edges of the paper.
- **Clip Contents By Margins.** Your image will be printed on a page of the size you have selected, with a narrow margin between the edges of the image and the edges of the paper. In this case, if the image is the same size as the page, the printer assumes that the extreme edges of the image are either white or unimportant, and do not need to be printed. This may be useful when your image already contains a border.
- **Borderless.** Your image will be printed on a page of the size you have selected, with no margins. The image is slightly enlarged to ensure that no margin is left between the edges of the image and the edges of the paper. If you select **Automatically by Printer**, this enlargement is done automatically. If you select **Manually in Application**, you must select a custom page size slightly larger than the page on which you intend to print. See also [Print with no margins](#).

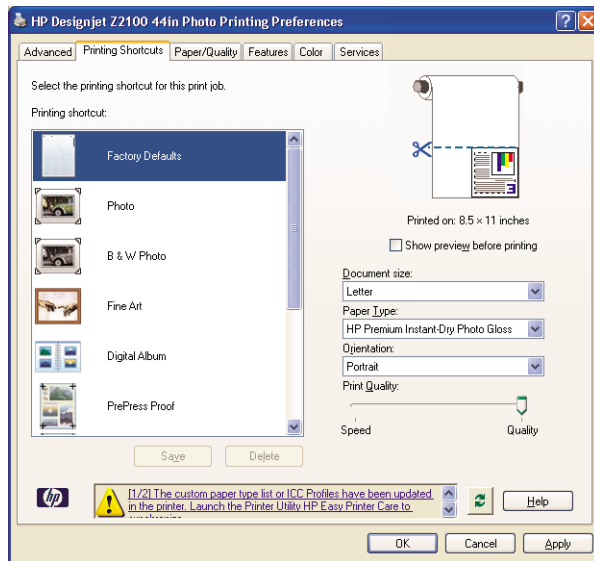
## Print with shortcuts

The printer driver provides many options that can be set to different values when printing a particular job. A printing shortcut stores the values of all these options that are appropriate for a particular kind of job, so that you can set them all with a single click. Some settings (such as paper size, paper source, and orientation) may be overridden by the values provided by your application.

To use a shortcut, select the **Printing Shortcuts** tab in the Windows driver dialog.



**NOTE** Shortcuts are available only under Windows.



You can see a list of available shortcuts; select the one that matches the kind of job you want to print.

The driver options are now adjusted to suit your job. You can either print immediately, or examine the settings to check that you agree with them. If you like, you can select a shortcut and then change some of its settings manually.



**Tip** Check at least the settings that you can see in the **Printing Shortcuts** tab: the document size, orientation, etc.

The Factory Defaults shortcut contains the printer's default settings. When you click on it, it sets all options to their default values.

Printing shortcuts can be customized to your particular needs. To create your own shortcut:

1. Select the shortcut that comes closest to satisfying your requirements.
2. Change any value in the **Printing Shortcuts** tab and/or other tabs.
3. Save the new printing shortcut.


If you decide later that you no longer want a shortcut, you can delete it.

## Rescale a print

You can send an image to the printer at a certain size but tell the printer to rescale it to a different size (normally larger). This may be useful:

- If your software does not support large formats
- If your file is too large for the printer's memory—in this case, if you have the HP-GL/2 Upgrade, you can reduce the paper size in your software and then scale it up again using the front-panel option

You can rescale an image in the following ways:

- **In the Windows driver dialog:** select the **Effects** tab, then **Resizing options**.
  - The **Print document on** option adjusts the image size to the paper size you have selected. For example, if you have selected ISO A2 as the paper size and you print an A4-size image, it is enlarged to fit the A2 paper. If the ISO A3 paper size is selected, the printer reduces a larger image to fit the A3 size.
  - The **% of normal size** option enlarges the printable area of the original paper size (the page minus the margins) by the percentage indicated, then adds the margins to create the output paper size.
- **In the Mac OS Print dialog:** select the **Paper Handling** panel, then **Scale to fit paper size**, and select the paper size to which you want to scale the image. If you want to increase the size of the image, make sure that the **Scale down only** box is unchecked.
- **Using the front panel:** select the Setup menu icon , then **Printing preferences > Paper > Scale**. This option is available only with the HP-GL/2 Upgrade.

If you are printing to a single sheet, you must ensure that the image can actually fit onto the sheet, otherwise the image will be clipped.


## Change the treatment of overlapping lines



**NOTE** This topic applies only when printing an HP-GL/2 job with the HP-GL/2 Upgrade.

The merge option controls the overlapping lines in an image. There are two settings:

- **Off:** where the lines cross, only the color of the top line is printed.
- **On:** where the lines cross, the colors of the two lines merge.

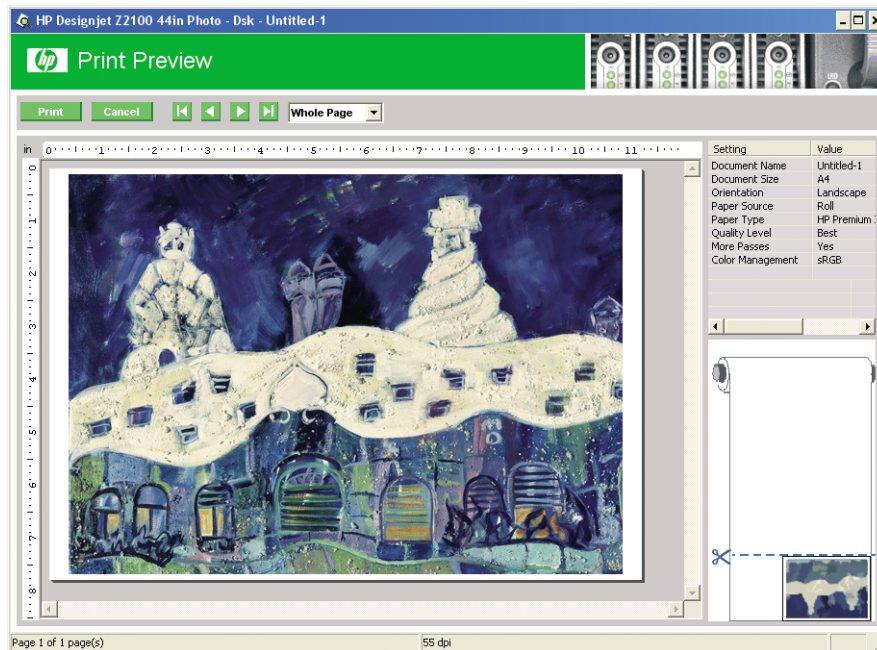
To turn merge on, go to the front panel and select the Setup menu icon , then **Printing preferences > HP-GL/2 > Enable merge**. You can set the merge option from your software in some applications. Settings in your software override the front-panel settings.

## Preview a print

Previewing a print on the screen allows you to check the layout of the print before printing, which may help you to avoid wasting paper and ink on a bad print.

- To preview a print under Windows, you have two options:
  - Use your application's print preview option.

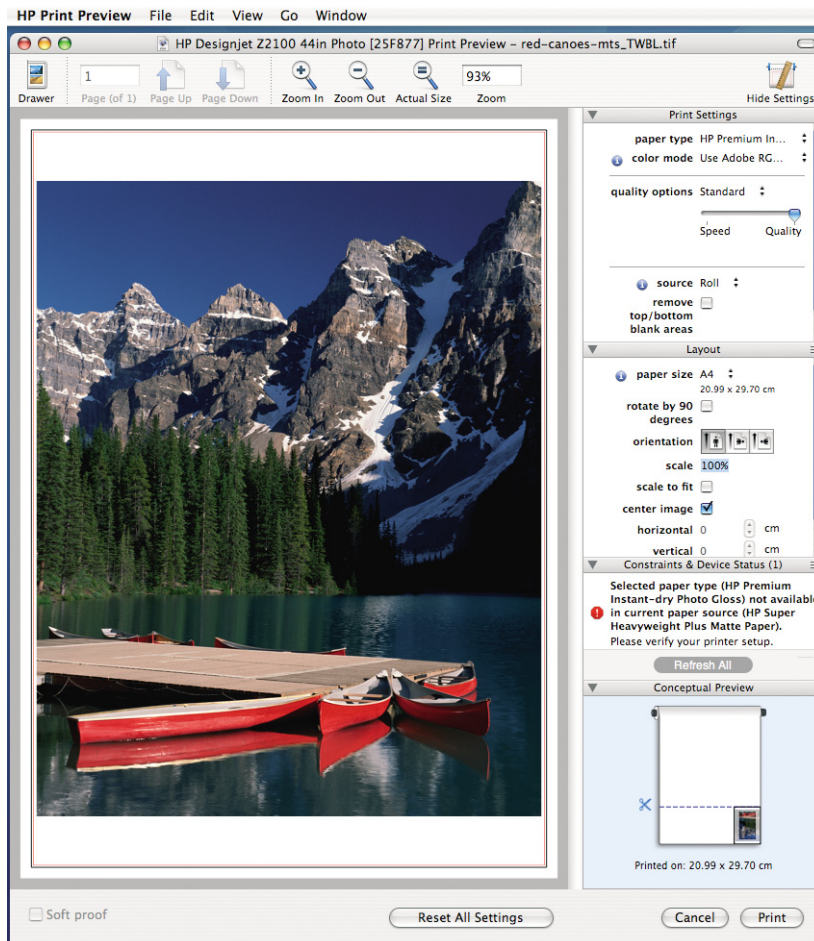
- Check the **Show preview before printing** option, which you can find in the driver's **Printing Shortcuts** tab, **Paper/Quality** tab, and **Features** tab. The preview is shown before printing; you can check the print settings and the layout of the image, and then click **Print** to proceed with printing or **Cancel** to cancel the job.



- To preview a print under Mac OS, you have three options:
  - Use your application's print preview option.
  - Click the **Preview** button at the bottom of the Print dialog box. This is the basic print preview provided by Mac OS.




- Click the **PDF** button at the bottom of the Print dialog box, then click **HP Print Preview**. This provides a preview with more features, such as the ability to change paper size, paper type, and print quality, and to rotate the image. See below:



**NOTE** HP Print Preview is not available if you are using Adobe InDesign, Adobe Illustrator, Adobe Reader, or Apple Aperture.

## Print a draft

You can specify fast draft-quality printing in the following ways:


- **In the Windows driver dialog:** go to the **Paper/Quality** tab and look at the Print Quality section. Move the print-quality slider to the extreme left ('Speed').
- **In the Mac OS Print dialog:** go to the **Paper Type/Quality** panel and select **Paper**, then move the print-quality slider to the extreme left ('Speed').
- **Using the front panel:** select the Setup menu icon , then **Printing preferences > Print quality > Select quality level > Fast**. This option is available only with the HP-GL/2 Upgrade.



**NOTE** If the print quality is set from your computer, it overrides the print-quality setting in the front panel.

## High-quality printing

You can specify high-quality printing in the following ways:


- **In the Windows driver dialog:** go to the **Paper/Quality** tab and look at the Print Quality section. Move the print-quality slider to the extreme right ('Quality').
- **In the Mac OS Print dialog:** go to the **Paper Type/Quality** panel and select **Paper**, then move the print-quality slider to the extreme right ('Quality').
- **Using the front panel:** select the Setup menu icon , then **Printing preferences > Print quality > Select quality level > Best**. This option is available only with the HP-GL/2 Upgrade.



**NOTE** If the print quality is set from your computer, it overrides the print-quality setting in the front panel.

## If you have a high-resolution image

If your image has a resolution greater than the rendering resolution (which you can see in the Custom Print Quality Options box under Windows), print sharpness may be improved by selecting the Maximum Detail option.


- In the driver dialog (Mac OS Print dialog): select Custom instead of Standard print-quality options, then check the **Maximum Detail** box.
- In the front panel: select the Setup menu icon , then **Printing preferences > Print quality > Enable maximum detail**. This option is available only with the HP-GL/2 Upgrade.



**NOTE** The Maximum Detail option results in slower printing with photo papers, but it does not increase the amount of ink used.

## If you have printhead problems

If your printheads have an excessive number of clogged nozzles, print quality is improved by selecting the More Passes option.

- In the driver dialog (Mac OS Print dialog): select Custom instead of Standard print-quality options, then check the **More Passes** box.
- In the front panel: select the Setup menu icon , then **Printing preferences > Print quality > Enable more passes**. This option is available only with the HP-GL/2 Upgrade.



**NOTE** The More Passes option results in slower printing, but it does not increase the amount of ink used.



**Tip** Instead of using this option, consider using the Image Diagnostics Print to identify the printhead or printheads that are causing the problem, and then clean or replace them. See [The Image Diagnostics Print](#).

## Print in gray shades

You can convert all colors in your image to shades of gray in the following ways:

- **In your application program:** many programs provide this option.
- **In the Windows driver dialog:** go to the **Color** tab and look at the Color Options section. Select **Print In Grayscale**.
- **In the Mac OS Print dialog:** go to the **Paper Type/Quality** panel and select **Color**, then select **Print In Grayscale**.

If you select **Print In Grayscale** when using glossy paper, you must also choose between **Gray and Black inks only** and **Full set of inks**.

- **Gray and Black inks only** means that only gray and black inks are used in your grayscale print. This gives the most neutral shades of gray and is selected by default for all paper types.
- **Full set of inks** means that a mix of different colors are used in your grayscale print. This may give a better result if you are experiencing bronzing on glossy paper with the **Gray and Black inks only** option. See [Bronzing](#).

See also [Print a black-and-white photo for an exhibition \(Photoshop, Mac OS\)](#).

## Print with no margins

Printing with no margins (to the edges of the paper) is known as borderless printing. This can be done only on rolls of glossy paper.

In order to be sure of leaving no margins, the printer prints slightly past the edges of the paper. Any ink deposited outside the paper is absorbed by the sponge situated in the platen.

You can request printing with no margins in the following ways:

- **In the Windows driver dialog:** select the **Paper/Quality** tab and press the **Margins/Layout** button. Then select **Borderless**.
- **In the Mac OS Page Setup dialog:** select a paper size name that includes the words “no margins”. Then, in the **Print** dialog, select **Paper Type/Quality > Layout > Borderless**.

When you select **Borderless**, you must also select one of the following Image Enlargement options:

- **Automatically by Printer** means that the printer automatically enlarges your image slightly (normally by a few millimeters in each direction) in order to print over the edges of the paper.
- **Manually in Application** means that you must enlarge the image yourself in your application, and select a custom paper size that is slightly larger than the actual paper size.




**NOTE** If the first print job after loading paper is a borderless job, the printer may trim the leading edge of the paper before printing.

At the end of a borderless print, the printer normally cuts the print slightly inside the image area to ensure that the print is borderless. It then cuts the paper again so that no residual part of the image is included in the next print. However, if the job is cancelled, or if there is white space at the bottom of the image, only a single cut is made.

## Reprint an old job

You can reprint an already-printed job from the front panel, if you have the HP-GL/2 Upgrade and it is an HP-GL/2 job.

Select the Job Queue menu icon , then select the job from the queue, then select **Reprint**.



**NOTE** If you do not have the HP-GL/2 Upgrade, you will not see the Job Queue menu icon



To reprint old jobs that are not HP-GL/2, you may be able to use your operating system's printer spooler, if you have already told the spooler to save old jobs. This facility depends on your operating system.

## Use paper economically

Here are some recommendations for making economical use of paper:

- If you are printing relatively small images, you can print up to 16 of them on one sheet of paper. Use the **Pages per sheet** option in the **Features** tab (Windows driver) or the **Layout** panel (Mac OS driver).



**NOTE** This works for multipage documents only.

- You may be able to save some roll paper by using the following options:
  - **In the Windows driver dialog:** select the **Features** tab and then **Remove Top/Bottom Blank Areas** or **Rotate by 90 degrees**.
  - **In the Mac OS Print dialog:** select the **Paper Type/Quality** panel, then **Paper**, then **Remove Top/Bottom Blank Areas**.
- If you check the print preview on your computer before printing, you can sometimes avoid wasting paper on prints containing obvious mistakes. See [Preview a print](#).

## Use ink economically

Here are some recommendations for making economical use of ink.

- For draft prints, use plain paper and move the print-quality slider to the left end of the scale ('Speed').
- Clean the printheads only when needed, and clean only those printheads that need cleaning. Cleaning the printheads can be useful, but it uses ink.
- Leave the printer permanently turned on so that it can maintain the printheads in good condition automatically. This regular printhead maintenance uses a small amount of ink. However, if it is not done, the printer may need to use much more ink later to restore the health of the printheads.
- Wide prints make more efficient use of ink than narrow prints, because printhead maintenance uses some ink, and its frequency is related to the number of passes made by the printheads.

---

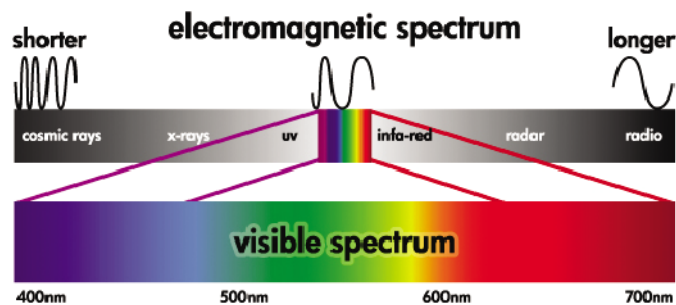
## 6 Color management

- [What is color?](#)
- [The problem: color in the computer world](#)
- [The solution: color management](#)
- [Color and your printer](#)
- [A summary of the color management process](#)
- [Color calibration](#)
- [Color profiling](#)
- [Color management options](#)
- [Color emulation modes](#)
- [Color adjustment options](#)
- [Color management scenarios](#)

## What is color?

We see the world around us as steeped in color, where color is in the first instance simply an aspect of how we experience our environment. Color is therefore subjective. Upon further inspection we find that our color experiences are closely related to brain activity that is triggered by signals sent to it by our eyes. These signals undergo a complex and highly interlinked sequence of processing stages that make the relationship between what our eyes emit and what we experience anything but direct. The signals sent by the eye depend on the light-sensitive cells that line the back of our eyes, and they belong to three types, each sensitive to electromagnetic radiation of different physical properties (wavelengths). Such electromagnetic radiation is called light and objects appear to have certain colors because of how they interact with light (by emission, reflection, absorption, transmission, scattering, etc.).

Our individual experiences of color are also affected by our previous experiences and memories and by the way in which we put our experiences into language. Finally, environmental factors such as changes in lighting, scene content, or the proximity of other colors also have an effect, which makes the way in which we view a given display or print an essential part of the colors we will see. Differences in all these aspects (from physiological differences between people, to differences in their past experiences, memories and linguistic tendencies) can result in people talking about colors differently even in response to the same light reflected from an single object. Nonetheless there are also many similarities between how individuals experience color and it is possible to make very specific judgments about it that others will also agree with when care is taken in the process. In conclusion we can say that color results from the interaction between light, objects, and a viewer, which makes it a very complex and to a large degree subjective phenomenon.



## The problem: color in the computer world

Color imaging devices such as printers, displays, projectors, and televisions create colors by different means and by using different materials (colorants). Displays, for instance, use colorants that emit red (long wavelength), green (medium wavelength) and blue (short wavelength) light, where outputting a white color requires the full use of all three colorants and black requires that none of them be used (i.e. that no light be emitted). Devices that use light emitting colorants are called additive, because the light from them is added together before it enters a viewer's eyes. Printers, on the other hand, use materials that absorb parts of the light that shines on them and because of this absorption, they are called subtractive. Typical prints use cyan (red absorbing), magenta (green absorbing) and yellow (blue absorbing) inks as well as an additional black ink that absorbs light at all wavelengths. To get white using a printer requires not absorbing any of the light that illuminates a piece of paper and to get black, all of the inks need to be used to absorb all of the light that is present.

To control the output of color imaging devices, the following color spaces are normally used:

- **RGB (Red, Green, and Blue)** is the color space typically used for additive devices. A color is represented as a combination of specific quantities of red, green, and blue colorants and all such combinations address the range of colors (color gamut) of the chosen device.



**NOTE** Subtractive devices can also be controlled using RGB data and, especially when you do not require control over how you want to use your printer's black ink, this is an efficient option.

- **CMYK (Cyan, Magenta, Yellow, and Black)** is the color space for subtractive devices, such as printers or presses. A color is represented as a combination of cyan, magenta, yellow, and black (K) inks and all such combinations let you address the entire range of colors of the chosen device.

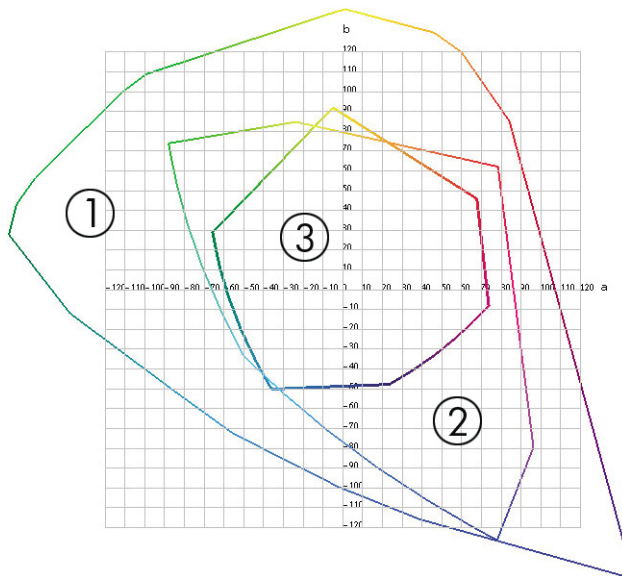
Both of these color spaces are only ways of controlling different color imaging devices and their values do not describe colors directly. The same CMYK values, for example, will give different colors when sent to different printers that use different inks and paper types. For example, consider a printer that can use indoor inks or outdoor inks. The printer (hardware) is the same, but it has two different color gamuts due to the different chemistry of the inks (dye-based versus pigmented). Furthermore, they need to work with different paper types, as ink interaction with the paper depends on its chemistry. Thus, the colors resulting from given CMYK values depend on the types of inks and papers that you use with a printer. If this is the case using the same printer, you can easily imagine how different results can be obtained with printers using different technologies and therefore using different ink chemistry.

The same happens with RGB-controlled devices. For example, imagine that two different monitors from the same manufacturer have their white points at 9600 K and 6500 K respectively. Their colors are going to be different because they will be related to a different white point reference. The situation is even worse when comparing monitors from different manufacturers. As a recommendation, set the white point of your monitor to 5000 K (also called D50), since this is the standard color temperature for the graphic arts industries. If you dislike the appearance of D50 (you may find it too yellowish), the second choice is to set the display to 6500 K (D65).



**NOTE** The white point is the brightest neutral color that a device can reproduce or that is present in an image. The human visual system automatically adapts to the content of an image with respect to its white point.

Furthermore, an RGB image, such as an image obtained from a digital camera and edited on a monitor, needs to be first converted to CMYK for a specific printer before printing. Unfortunately different devices do not give access to the same color gamuts: there are some colors that can be shown on a display that cannot be matched in print and vice versa. The following graphic illustrates how colors visible to the human eye are greater than those reproduced by a typical display or printer using a specific paper type and also how the color gamuts accessible using these two color imaging devices do not match each other.



1. All colors
2. Computer monitor gamut
3. CMYK press gamut

Finally, there are some color spaces that are not device-dependent, but instead represent how a viewer sees colors, such as CIE Lab or CIECAM02 defined by the CIE (Commission Internationale de l'Éclairage). The advantage of these spaces is that, unlike CMYK or RGB, if two objects have the same CIELAB values then they will look the same when viewed under the same conditions. Values in these spaces can be obtained from measuring the light emitted or reflected by an object.

## The solution: color management

There are many colors from an RGB-controlled device that can no be reproduced in a CMYK-controlled device and vice versa. These colors are called “out-of-gamut” colors. The industry uses two steps to reduce color differences as much as possible:

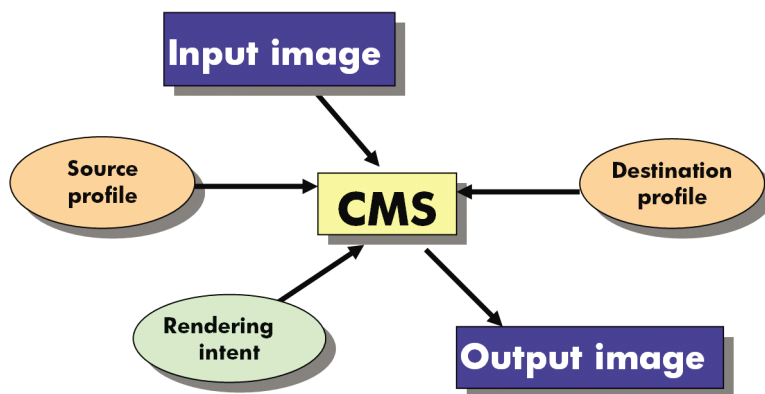
- Describe the color behavior of each device as accurately as possible
- Convert one color gamut to another as effectively as possible

The solution:

1. **Describe the color behavior of a device as accurately as possible using an ICC profile.** By taking various RGB or CMYK combinations, sending them to a device, measuring the resulting output and expressing it in a device-independent color space (e.g. CIE Lab), the color behavior of a device can be described. The resulting relationship is stored in an ICC profile, which is a standard file that acts as a dictionary to translate the device's color space (CMYK or RGB) to a device-independent color space (e.g. CIE Lab). The process of generating an ICC profile is called profiling.
2. **Convert colors as effectively as possible using a Color Management System (CMS).** A CMS is software that uses information from ICC profiles to transform one device's color space (defined by a source profile) into the color space of another device (defined by a destination profile). The difficult part of the job is with those colors that exist in one device's gamut but not in the other. We will explore this in more detail later on.

Briefly, we can describe any CMS by the following 4 settings:





- **CMS:** CMS stands for Color Management System. It is the application that converts the color information stored in the input image, which has the color space defined by a source profile, into an output image that has the color space specified by a destination profile. There are many different CMSs on the market: there are CMSs in applications, in operating systems, and in printing software provided by printer manufacturers (in our case the HP Designjet Z2100 internal RIP).
- **Source profile:** a description of the color behavior of the input device.
- **Destination profile:** a description of the color behavior of the output device.
- **Rendering intent:** the most difficult challenge in color management is when a color in the source gamut does not correspond directly to a color in the destination gamut. As a perfect match is not possible, there are different types of choices that can be made about how to treat gamut differences and these are called rendering intent. There are four different possibilities depending on the final output you want to achieve.
  - Use **Perceptual** for the most pleasing final output from your original RGB image. It is suitable for photographic content.
  - Use **Saturation** for vivid final output. It is suitable for business graphics (charts, presentations, etc.), but is not recommended for color matching.
  - Use **Relative Colorimetric** for press proofing. This rendering intent provides a match for colors that are inside both the source and destination gamuts and minimizes differences when a match is not possible.
  - Use **Absolute Colorimetric** for press proofing (like Relative Colorimetric), when you also want to simulate the color of the source's paper.

The most commonly used device color spaces and, therefore, profiles are:

- RGB mode:
  - **sRGB (sRGB IEC61966-2.1):** for images originating typically from consumer digital cameras and scanners and in general from the Web
  - **Adobe RGB (1998):** for images originating typically from professional digital cameras
  - **Specific RGB device space:** for images coming from or going to a specific RGB device that has been profiled. The HP Designjet Z2100 has the capability to measure itself and generate

an RGB ICC profile, describing its color behavior for the paper that was loaded at the time of measuring.

- CMYK mode:
  - **SWOP:** abbreviation of “Specifications for Web Offset Publications”, a set of press standards defined for a typical US press and for different types of paper stock
  - **ISO 12647-2:** a set of press standards defined by the International Standards Organization for different types of paper (Coated, Uncoated, ...)
  - **Other regional standards:** Euroscale, JMPA, Japan Color
  - **Specific CMYK device space:** for images coming from or going to a specific CMYK device that has been profiled

## Color and your printer

As a creative professional, predictable and dependable results from your printer are essential to getting your job done. Predictability is a key element of an efficient color workflow. You need prints that match your expectations with neutral grays and correct colors on your selected paper. Your prints should be produced consistently print-to-print and printer-to-printer. Dependability ensures that every print is free of print-quality defects and ready to use or send to your customer. You save time and effort and avoid wasting ink and paper, and you can meet demanding production schedules by printing overnight with confidence.

HP Designjet Z2100 printers have been engineered with advanced hardware and driver features to ensure predictable and dependable results, and offer dramatic improvements in efficiency and control for your color workflow.

## HP Embedded Spectrophotometer

HP Designjet Z2100 printers revolutionize professional color workflows by using a built-in spectrophotometer for color calibration and profiling.

A spectrophotometer is a precision instrument that can determine the exact composition of light reflected from a color patch. It splits the reflected light into different wavelength components, just as Newton’s prism splits white light into the colors of the rainbow, and measures the strength of each component. The HP Embedded Spectrophotometer is mounted on the printhead carriage.

The spectrophotometer allows HP Designjet Z2100 printers to generate custom ICC profiles automatically for your preferred paper types and calibrate the printers to deliver print-to-print and printer-to-printer repeatability with less than half the color error of earlier HP Designjets, under all environmental conditions, and even on unknown (not factory-profiled) paper types. A built-in white calibration tile, protected by an automatic shutter, ensures reliable measurements that meet international standards.

The printer, color imaging pipeline, and professional-quality spectrophotometer with GretagMacbeth i1 color technology are integrated with the HP Color Center software for the HP Designjet Z2100. Giving the calibration and profiling processes direct access to the writing system allows precise control of ink levels and color separations for each printed color patch. The automated measurement process eliminates handling the test print, provides repeatable drying times, and allows fast measurements with precise electromechanical positioning of the spectrophotometer over the color patch. This provides unprecedented ease of use and matches or exceeds the performance of more expensive off-line, handheld profiling systems.

## A summary of the color management process

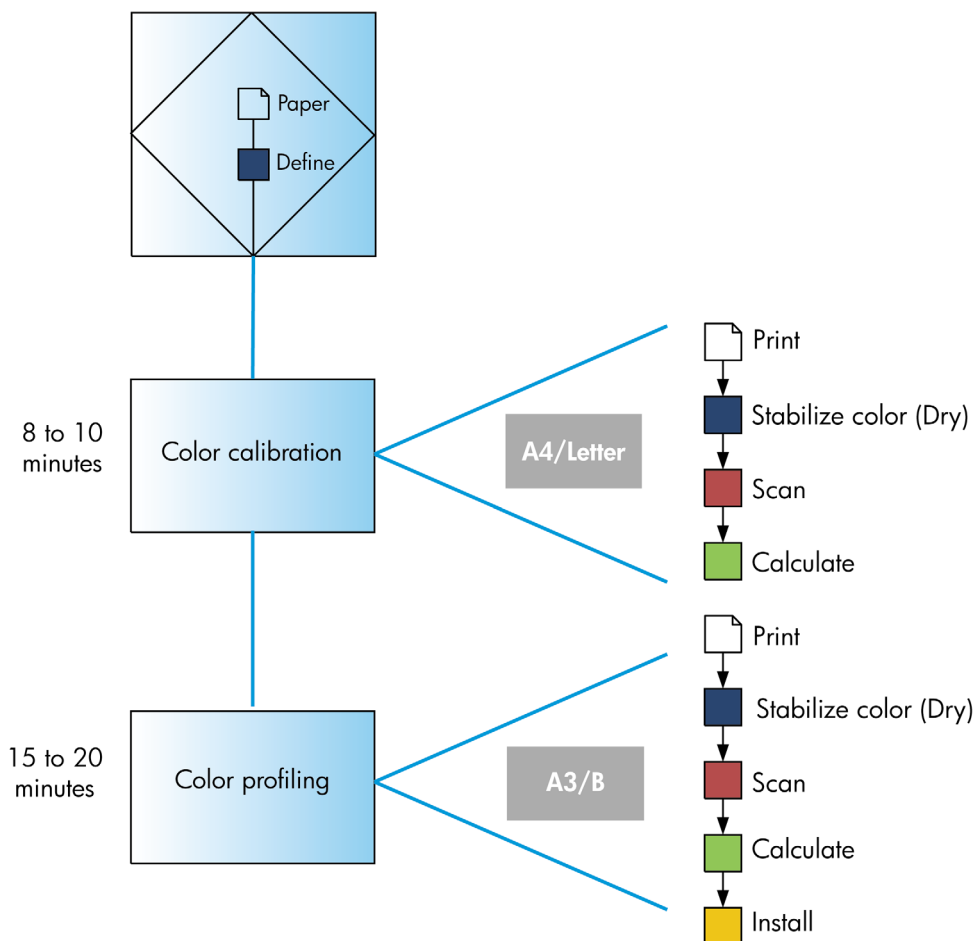
To get the accurate and consistent colors that you want, you should follow these steps for each paper type that you use.

1. If your paper type is not already known to the printer, add it to the printer's list of known papers. Typical users may add a few custom paper types every year.
2. Color-calibrate the paper type, for consistent colors. Calibration should be repeated every now and then, when recommended by a printer alert (typically, every few weeks for each paper type you use). In addition, you may wish to calibrate immediately before a particularly important print job for which color consistency is vital.
3. Color-profile the paper type, for accurate colors. Profiling does not normally need to be repeated: once you have a profile for a particular paper type, you can continue to use it. However, re-profiling does no harm, and some users repeat the profiling process every month to ensure that the profile is up to date.
4. When printing, select the correct color profile for the paper type you are using.

If you use a paper type already defined in the printer, it has a color profile already, but you should at least calibrate it before using it.

If you define a new paper type, you are automatically led through the steps of calibration and profiling.

The following diagram shows the operations handled by the HP Color Center, in the correct order.





**NOTE** You can perform all three operations in sequence as shown, but you can also choose to start with or stop after any of the three operations. With one exception: color calibration is performed automatically after adding a new paper type.

## Color calibration

Color calibration enables your printer to produce consistent colors with the particular printheads, inks, and paper type that you are using, and under your particular environmental conditions. After color calibration, you can expect to get identical prints from any two different printers situated in different geographical locations.

Calibration should be done in any of the following circumstances:

- Whenever a printhead is replaced
- Whenever a new paper type is introduced that has not yet been calibrated with the current set of printheads
- Whenever a certain amount of printing has been done since the last calibration
- Whenever the printer has been turned off for a long period of time
- Whenever the environmental conditions (temperature and humidity) change significantly

The printer usually reminds you with an alert whenever you need to perform color calibration, unless you have disabled the alerts. However, if the environmental conditions change, the printer will not be aware of it.

You can check the color calibration status of the currently loaded paper at any time by pressing the **View loaded paper** key on the front panel. The status may be one of the following:

- **PENDING:** the paper has not been calibrated.



**NOTE** Whenever you update the printer's firmware, the color calibration status of all papers is reset to **PENDING**.

- **OBSOLETE:** the paper has been calibrated, but the calibration is now out of date for one of the reasons mentioned above, and should be repeated.
- **DONE:** the paper has been calibrated, and the calibration is up to date.
- **DISABLED:** this paper cannot be calibrated.




**NOTE** Color calibration cannot be performed on plain paper, nor on any kind of transparent material.

You can also check the color calibration status by using HP Easy Printer Care (Windows) or HP Printer Utility (Mac OS).

You should calibrate a paper type before creating its color profile; however, you can later recalibrate without needing to recreate the color profile.

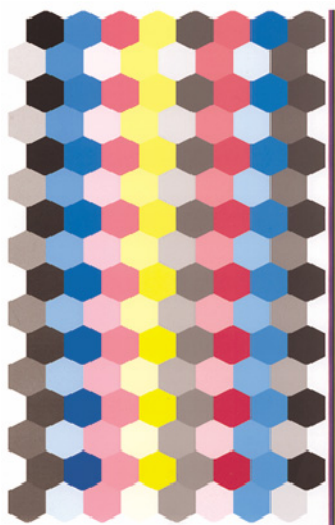
You can start color calibration in the following ways:

- From the printer alert that recommends calibration.
- From the HP Color Center: select **Calibrate Your Printer**.
- From the front panel: select the Image Quality Maintenance menu icon , then **Calibrate color**.

The calibration process is fully automatic and can be performed unattended after you have loaded paper of the type you wish to calibrate—which should be A4, Letter, or any larger size.

The process takes about 8–10 minutes and consists of the following steps.

1. A calibration test chart is printed, which contains patches of each ink used in your printer.



2. The test chart is allowed to dry for a period of time that depends on the paper type, so that the colors have time to stabilize.
3. The test chart is scanned and measured using the HP Embedded Spectrophotometer.
4. From the measurements made by the spectrophotometer, the printer calculates the necessary correction factors to apply for consistent color printing on that paper type. It also calculates the maximum amount of each ink that can be applied to the paper.

## Color profiling

Color calibration provides consistent colors, but consistent colors are not necessarily accurate. For instance, if your printer prints all colors as black, its colors may be consistent but they are not accurate.

In order to print accurate colors, it is necessary to convert the color values in your files to the color values that will produce the correct colors from your printer, your inks, and your paper. An ICC color profile is a description of a printer, ink, and paper combination that contains all the information needed for these color conversions.

When you have defined and calibrated a new paper type, the printer is ready to create a ICC profile for use with your paper, which will allow you to print on it with the best possible color accuracy. Alternatively, if your paper type is already known to the printer, you already have an appropriate ICC profile for use with it.

## Create your own profile

You can create a color profile easily by using the HP Color Center: select **Create and Install ICC Profile**. The printer helps you by prompting for information about the paper, then creates and installs the new profile automatically.

The process takes about 15–20 minutes and consists of the following steps.

1. A profiling test chart is printed, which contains patches of each ink used in your printer. Unlike a calibration test chart, most of the patches contain combinations of more than one ink.

The printer chooses automatically between two profile charts:

- An A3 or B format for cut sheets



- A roll-paper format that minimizes paper use by printing across the full width of the roll



2. The test chart is allowed to dry for a period of time that depends on the paper type, so that the colors have time to stabilize.



**NOTE** If you would like to use a longer drying time, you can ask the HP Color Center to create the test chart without going on to create a profile (Windows: **Print target only**; Mac OS: **Print ICC profiling chart**). Then, later, when the chart is completely dry, you can restart the HP Color Center and ask it to create a profile using the test chart you have already created (Windows: **Create ICC profile from a target that has already been printed**; Mac OS: **Scan ICC profiling chart and create ICC profile**). In this case the spectrophotometer takes a while to warm up before it is ready to scan.

3. The test chart is scanned and measured using the HP Embedded Spectrophotometer.
4. From the measurements made by the spectrophotometer, the printer calculates the ICC profile for your printer, inks, and paper type.
5. The new ICC profile is stored in the correct system folder on your computer, where your application programs can find it.

The profile is also stored in the printer, so that other computers connected to the same printer can copy it. HP Easy Printer Care (Windows) or HP Printer Utility (Mac OS) will notify you if your printer has profiles that are not yet stored on your computer.



**NOTE** Some applications may need to be closed and restarted in order to use a profile that has just been created.

You can profile a photo paper with the gloss enhancer on or off. The two profiles will be different, so you are recommended to save them under different names.

## Use a third-party profile

If you have obtained an ICC profile through other means than using the printer's built-in profiling software, for instance from an Internet download or a third-party profiling software package, you can install it for use with your printer and paper.



**NOTE** The printer requires RGB output profiles.

The printer needs to know which paper type the profile corresponds to, so you must first select a paper type from the list of papers it knows about. When choosing a paper type, try to pick one resembling your actual paper type as closely as possible. The paper type determines the amount of ink to use and other basic printing parameters, so making a good choice here is fundamental to achieving good results later on. If you find that you cannot obtain satisfactory results with the profile and paper type you picked, you can experiment with choosing different types for new paper names corresponding to the same paper, and use the one that works best.

If the paper you are using is not listed, or you cannot find a paper type that resembles yours closely enough, you can define a new type. The printer then calibrates itself for use with your paper, after which you can return to installing the ICC profile.

After you have selected the paper type, browse to the file containing the ICC profile to use with your printer and paper. Normally, ICC profile file names end in the ".icc" (for International Color Consortium) or ".icm" (for Image Color Matching) extension. The profile will be stored in the correct system folder on your computer, and in the printer, as usual.

## Profile your monitor

You are also recommended to calibrate and profile your monitor (display device), so that the colors you see on the screen are more closely related to those you see on your prints. There are two ways to do this:

- Use the facilities provided with your operating system. From the HP Color Center, select **How To Calibrate Your Display** for further information.
- Use the HP Advanced Profiling Solution, which will give more accurate results.

## Advanced profiling

To meet advanced color profiling needs, HP offers an optional Advanced Profiling Solution with software and monitor-calibration hardware at much lower cost than competing solutions.

## Color management options

The aim of color management is to reproduce colors as accurately as possible on all devices: so that, when you print an image, you see very similar colors as when you view the same image on your monitor.

There are two basic approaches to color management for your printer:

- **Application-Managed Colors:** in this case your application program must convert the colors of your image to the color space of your printer and paper type, using the ICC profile embedded in the image and the ICC profile of your printer and paper type.
- **Printer-Managed Colors:** in this case your application program sends your image to the printer without any color conversion, and the printer converts the colors to its own color space using a set of stored color tables. ICC profiles are not used. This method is somewhat less versatile and adaptable than Application-Managed Colors, but it is a little simpler and faster, and can produce good results with standard HP paper types.



**NOTE** There are only two color spaces that the printer can convert to its own color space using the stored color tables: Adobe RGB and sRGB if you are using Windows, Adobe RGB and ColorSync if you are using Mac OS.

ColorSync is the Mac OS built-in Color Management System; so, in fact, when selecting ColorSync it is the built-in color management part of Mac OS that is performing the color management, and it is done based on the ICC profiles of specified paper type.

You are recommended to consult the Knowledge Center at [http://www.hp.com/go/knowledge\\_center/djz2100/](http://www.hp.com/go/knowledge_center/djz2100/) to see how to use the color management options of your particular application.

To choose between **Application-Managed Colors** and **Printer-Managed Colors**:


- **In the Windows driver dialog:** select the **Color** tab.
- **In the Mac OS Print dialog:** select the **Paper Type/Quality** panel, then **Color**.
- **In some applications:** you can make this choice in the application.

## Color emulation modes

If you want to print a particular print job and to see approximately the same colors that you would get from printing the same job on an HP Designjet 500/800 series printer, you can use the emulation mode provided by your printer.



**NOTE** This option is available only when printing an HP-GL/2 job with the HP-GL/2 Upgrade.

- **In the Windows HP-GL/2 driver dialog:** select the **Color** tab, then **Printer Managed Colors**, then select **Printer Emulation** from the Source Profile list. You can then select from the Emulated Printer list.
- **Using the front panel:** select the Setup menu icon , then **Printing preferences > Color > Emulate printer > HP Designjet 500/800 series**.

As well as selecting the emulation mode, you must select the paper type that you intend to use. The available choices are:

- None (no emulation)
- Plain paper (or Bright White Inkjet Paper)
- Coated Paper
- Heavyweight Coated Paper

## Color adjustment options

The aim of color management is to print accurate colors. If you perform color management correctly, then you should be able to print accurate colors with no need of any manual color adjustments.

However, manual adjustments may be useful in the following situations:

- If your color management is not working correctly for some reason
- If you want colors that are subjectively pleasing rather than accurate

The printer driver provides different adjustment facilities depending on whether you are printing in color or in grayscale.

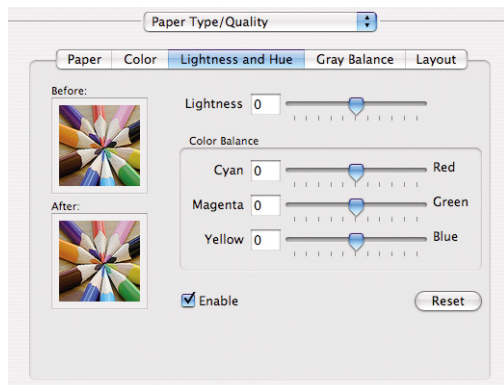


## Printing in color

You can adjust the colors of your print in similar ways under Windows and Mac OS:

- **In the Windows driver dialog:** select the **Color** tab, ensure that the **Advanced Color Adjustments** box is checked, then press the **Settings** button beside it.
- **In the Mac OS Print dialog:** select the **Paper Type/Quality** panel, then **Lightness and Hue**.

Under either operating system, you will then be able to make adjustments using a lightness slider and three color sliders.



- The lightness slider simply makes the whole print lighter or darker.
- The color sliders can be used to fade or emphasize each of the primary colors in the print. The primary colors may be red, green, and blue; or cyan, magenta, and yellow; depending on the color model used in the image.

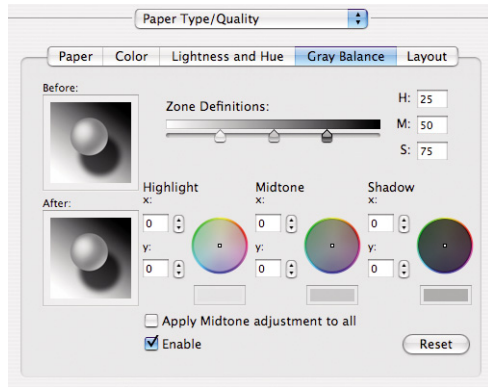
The **Reset** button restores each slider to its default central position.

## Printing in grayscale

You can adjust the gray balance of your print in similar ways under Windows and Mac OS:

- **In the Windows driver dialog:** select the **Color** tab, ensure that the **Advanced Color Adjustments** box is checked, then press the **Settings** button beside it.
- **In the Mac OS Print dialog:** select the **Paper Type/Quality** panel, then **Gray balance**.

Under either operating system, you will then be able to make adjustments using separate controls for highlights, midtones, and shadows.



- The lightness slider simply makes the whole print lighter or darker. This slider is available under Windows in the same window as the other grayscale controls; it is available under Mac OS by selecting **Lightness and Hue**.
- The zone definition sliders can be used to define what you mean by highlight, midtone, and shadow.
- The other controls for highlight, midtone, and shadow can be used to adjust the gray balance of highlights, midtones, and shadows respectively.

The **Reset** button restores each control to its default setting.

## Color management scenarios

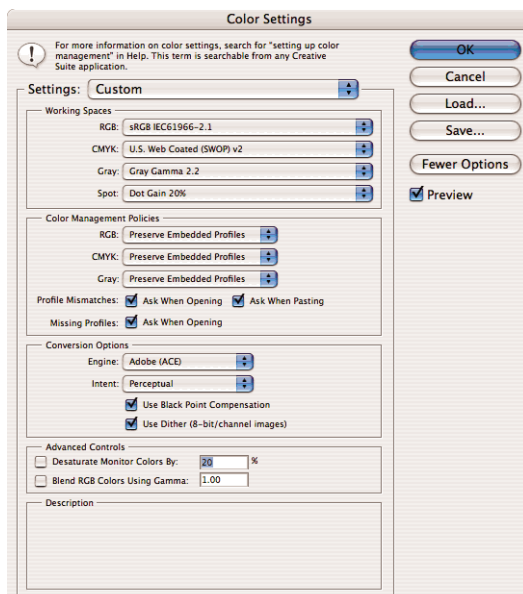
The following step-by-step instructions for specific printing jobs using specific software are similar to those you can find in HP's Knowledge Center on the Web. You are recommended to consult the Knowledge Center at [http://www.hp.com/go/knowledge\\_center/djz2100/](http://www.hp.com/go/knowledge_center/djz2100/) for further examples and for the most up-to-date information.

### Print a color photo for an exhibition (Photoshop, Mac OS)

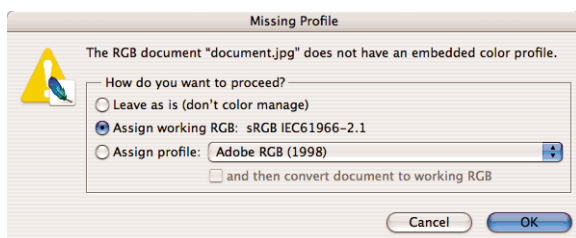
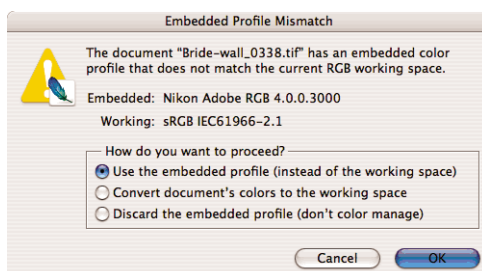
This example uses Adobe Photoshop CS2 under Mac OS X and the color management is done by Photoshop.

1. Initial recommendations:
  - Choose an appropriate paper type for the purpose.
  - The paper type should be calibrated and profiled with the printer and the print-quality level that you intend to use. See [Color calibration](#) and [Color profiling](#).
  - For a correct preview of the printed image, the monitor should also be profiled.
2. Open Adobe Photoshop CS2.
3. From the **Edit** menu, select **Color Settings**.
  - Make sure that **More Options** are displayed.
  - **Color Management Policies**: select **Preserve Embedded Profiles**.
  - **Profile Mismatches**: check **Ask When Opening** and **Ask When Pasting**.
  - **Missing Profiles**: check **Ask When Opening**.

- **Conversion Options > Intent:** select **Perceptual**.

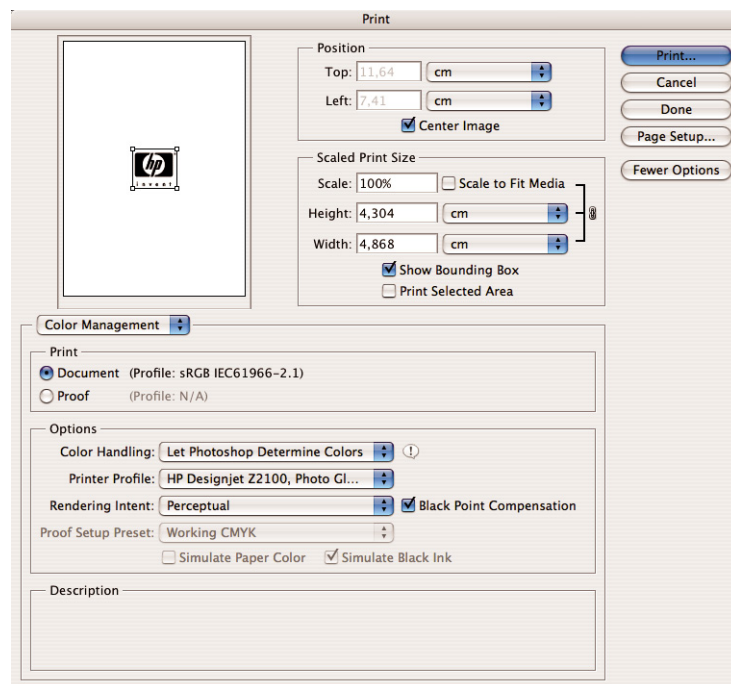


- Click **OK**.
4. From the **File** menu, select **Open** to open the image.
- If the document has an embedded color profile that does not match the current working space, select **Use the embedded profile**. Otherwise, select **Assign working space**; in this case, if the displayed image does not look correct, try assigning it to other color spaces with **Edit > Assign Profile** (try **sRGB**, **Adobe RGB**, **ColorMatch RGB** and others) until you are satisfied.



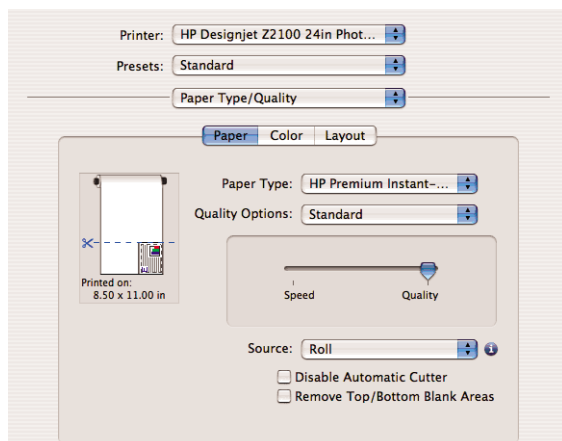
- Click **OK**.
5. From the **File** menu, select **Print with Preview**.
- Select **Page Setup**.
    - **Format for:** select the printer (for example, **HP Designjet Z2100 24in Photo**).
    - **Paper Size:** select the size of the paper that is currently loaded into the printer.

- **Orientation:** select the orientation of your image on the paper.
- Click **OK**.
- Set the **Position** and the **Scaled Print Size** you need.
- Make sure that **More Options** are displayed.
- Select the **Color Management** tab.
  - **Print:** select **Document**.
  - **Options > Color Handling:** select **Let Photoshop Determine Colors**.
  - **Options > Printer Profile:** select the right profile for your printer and paper type.
  - **Options > Rendering Intent:** select **Perceptual**.

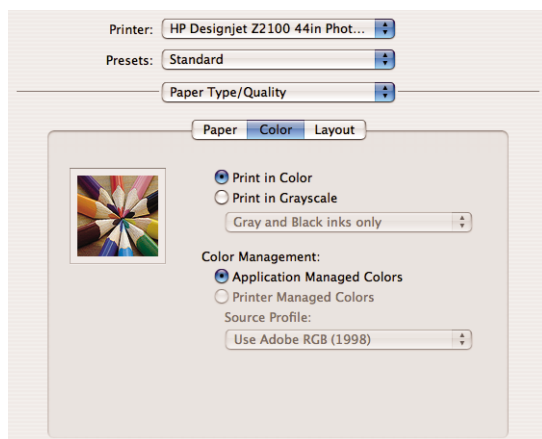


- Click **Print**.
- 6. Choose driver settings.
  - **Printer:** select the printer (for example, **HP Designjet Z2100 24in Photo**).
  - Select **Paper Type/Quality** from the drop-down menu, then select the **Paper** tab.
    - **Paper Type:** select the paper type that is currently loaded into the printer.

- **Quality Options:** select **Standard** and drag the slider to **Quality**.



- Select the **Color** tab.
- Select **Print in Color**.
- Under Color Management, select **Application Managed Colors**.



- Click **Print**.

## Print a black-and-white photo for an exhibition (Photoshop, Mac OS)

This example uses Adobe Photoshop CS2 under Mac OS X and the color management is done by the printer.



**NOTE** Application-managed colors could be used in this example, exactly as in the previous example. However, printer-managed colors will be used this time, in order to illustrate both methods of color management.

The recommended approach to creating a black-and-white image is to take a color image and convert it to grayscale in an image editing program such as Photoshop. In this scenario, however, this conversion

will take place in the printer. If you want to convert a color image to black-and-white in Photoshop CS2, you have to go through the optional step 5.

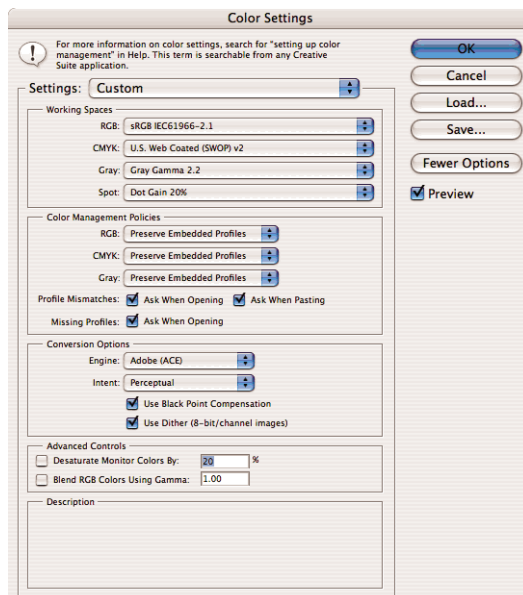
1. Initial recommendations:

- Choose an appropriate paper type for the purpose.
- The paper type should be calibrated and profiled with the printer and the print-quality level that you intend to use. See [Color calibration](#) and [Color profiling](#).
- For a correct preview of the printed image, the monitor should also be profiled.

2. Open Adobe Photoshop CS2.

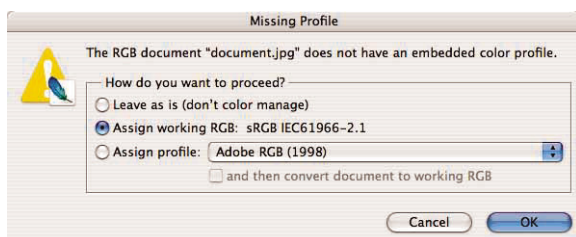
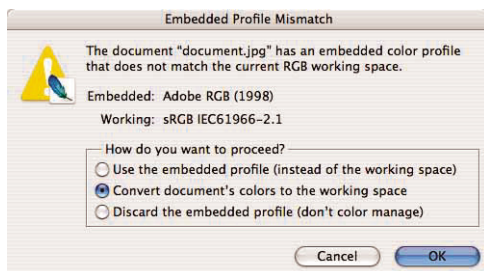
3. From the **Edit** menu, select **Color Settings**.

- Make sure that **More Options** are displayed.
- **Color Management Policies** > **RGB**: select **Preserve Embedded Profiles**.
- **Profile Mismatches**: check **Ask When Opening** and **Ask When Pasting**.
- **Missing Profiles**: check **Ask When Opening**.
- **Conversion Options** > **Intent**: select **Perceptual**.



- Click **OK**.

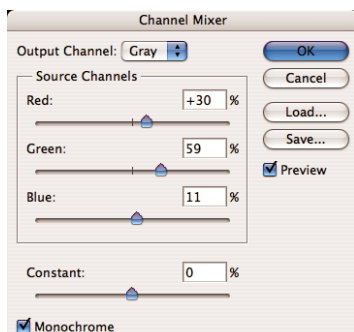
4. From the **File** menu, select **Open** to open the image.
  - If the document has an embedded color profile that does not match the current working space, select **Use the embedded profile**. Otherwise, select **Assign working space**; in this case, if the displayed image does not look correct, try assigning it to other color spaces with **Edit > Assign Profile** (try **sRGB**, **Adobe RGB**, **ColorMatch RGB** and others) until you are satisfied.



- Click **OK**.
5. (Optional) Use Photoshop to convert the image to grayscale. The simple way is to go to the **Image** menu and select **Mode > Grayscale**.

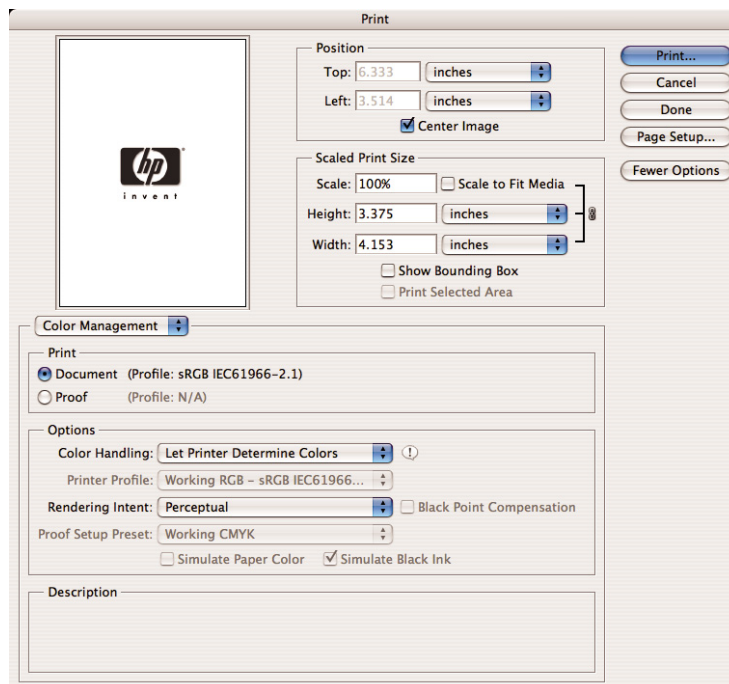
Alternatively, you can go to the **Image** menu and select **Adjustments > Channel Mixer**, to choose the percentage contribution of each color channel to the grayscale image, as follows:

- a. Check **Monochrome**.
- b. Drag any source channel's slider to the left to decrease the channel's contribution to the output channel or to the right to increase it, or enter a value between -200% and +200% in the text box (for example: 30% Red, 59% Green, 11% Blue). Using a negative value inverts the source channel before adding it to the output channel.
- c. Drag the slider or enter a value for the **Constant** option. This option adds a black or white channel of varying opacity: negative values act as a black channel, positive values act as a white channel.



- d. Click **OK**.

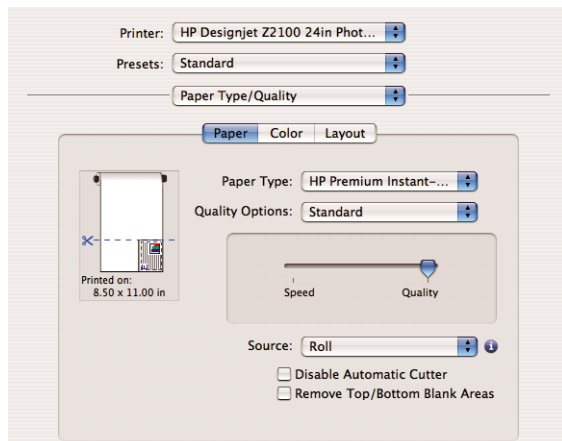
6. From the **File** menu, select **Print with Preview**.
  - Select **Page Setup**.
    - **Format for**: select the printer (for example, **HP Designjet Z2100 24in Photo**).
    - **Paper Size**: select the size of the paper that is currently loaded into the printer.
    - **Orientation**: select the orientation of your image on the paper.
    - Click **OK**.
  - Set the **Position** and the **Scaled Print Size** you need.
  - Make sure that **More Options** are displayed.
  - Select the **Color Management** tab.
    - **Print**: select **Document**.
    - **Options > Color Handling**: select **Let Printer Determine Colors**.
    - **Options > Rendering Intent**: select **Perceptual**.



- Click **Print**.
7. Choose driver settings.
    - **Printer**: select the printer (for example, **HP Designjet Z2100 24in Photo**).
    - Select **Paper Type/Quality** from the drop-down menu, then select the **Paper** tab.
      - **Paper Type**: select the paper type that is currently loaded into the printer.



- **Quality Options:** select **Standard** and drag the slider to **Quality**.

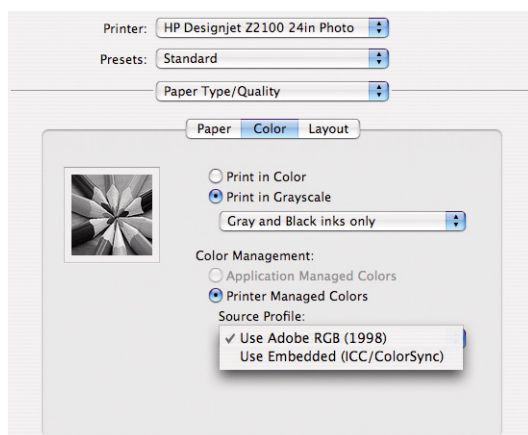


- Select the **Color** tab.
- Select **Print in Grayscale** and **Gray and Black Inks only** (if you are not printing on glossy paper, the latter option is grayed out).



**Tip** If you experience bronzing with these options, see [Bronzing](#).

- Under Color Management, select **Printer Managed Colors**, and then select **Use Adobe RGB (1998)** from the source profile list.



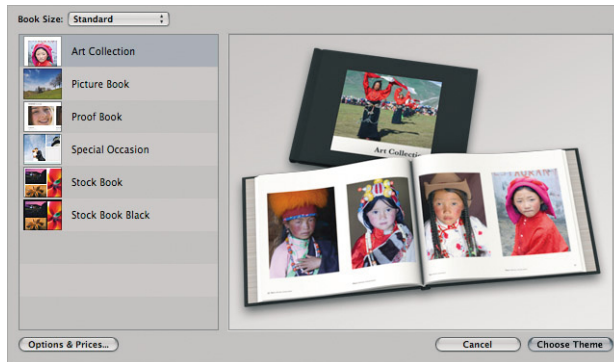
- Click **Print**.


## Print a digital album (Aperture, Mac OS)

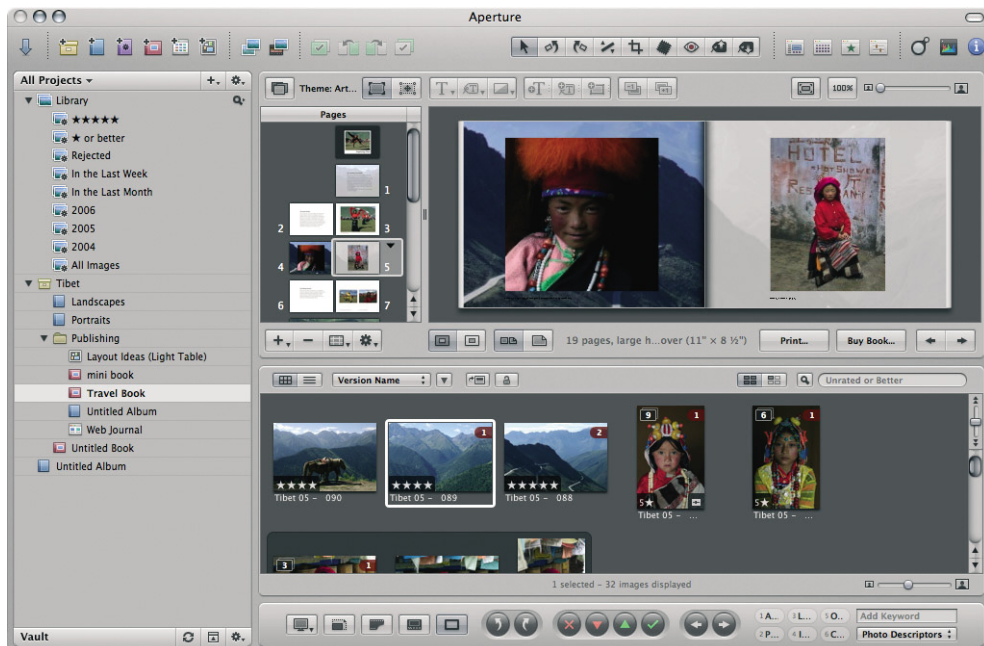
This example uses Apple Aperture under Mac OS X and the color management is done by Aperture.

1. Initial recommendations:
  - Choose an appropriate paper type for the purpose.
  - The paper type should be calibrated and profiled with the printer and the print-quality level that you intend to use. See [Color calibration](#) and [Color profiling](#).
  - For a correct preview of the printed image, the monitor should also be profiled.
2. Open Apple Aperture.

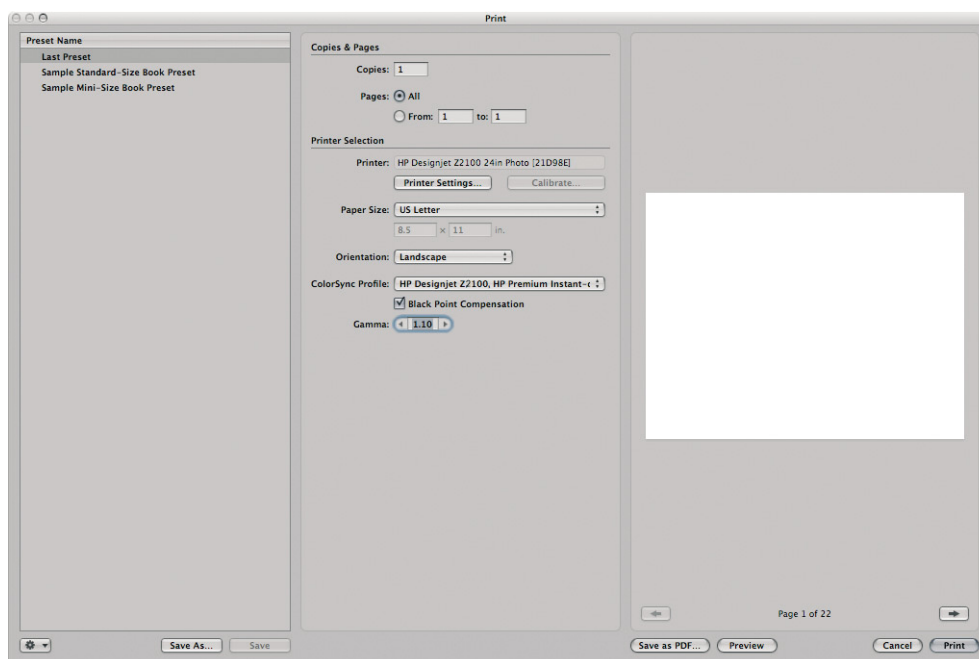
3. If you haven't already created a project for this album, go to the **File** menu and select **New Project**, then name the project. Select the new project in the projects menu (on the left), then go to the **File** menu and select **Import > Folders into a Project**.
4. Select the images you want to use, then go to the **File** menu and select **New From Selection > Book**.
  - **Theme list**: select a theme in the list to see a preview of its design on the right.
  - **Book Size** popup menu: select the physical size of the book.



- Click **Choose Theme**, and rename the book album.
5. If you like, change the page layout and customize it. You can add photo and text boxes, modify the box positions and the text styles.
  6. You can let Aperture place your images into the book automatically (select **Autoflow Unplaced Images** from the **Book Actions** menu ) , or you can place them manually by drag and drop. Furthermore:
    - You can scale, crop, and pan the image.
    - You can set an image as page background and apply wash.

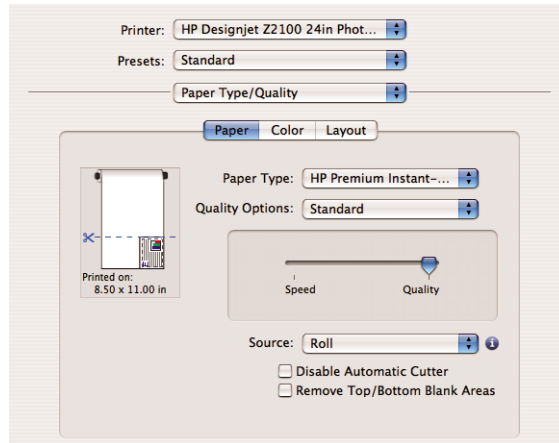


7. Print your book, using the **Print** button in the Book Layout Editor.
- **Presets Name** list: select your book preset.
  - Select **Copies** and **Pages** to print.
  - **Paper Size**: select the paper size on which you want to print the job.
  - **Orientation**: select the orientation of your image on the paper.
  - **ColorSync Profile**: select the correct color profile for the printer and paper that you will use.
  - Select **Black Point Compensation**.
  - **Gamma**: Because computer displays are illuminated, images displayed on computers tend to look more luminous than when printed. Increasing the Gamma from the default of 1.0 can compensate for this. Usually, a setting 1.1 to 1.2 is adequate.

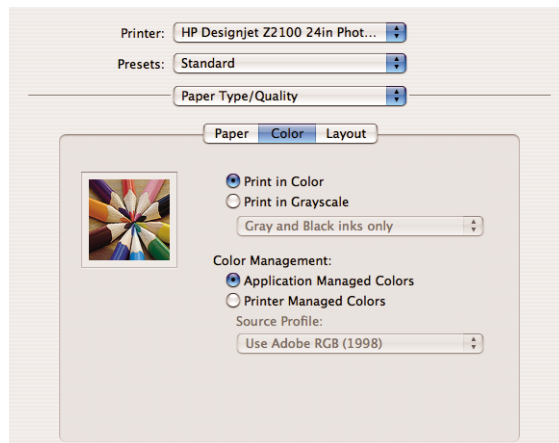


8. Click the **Printer Settings** button.
- **Printer**: select the printer (for example, **HP Designjet Z2100 24in Photo**).
  - Select **Paper Type/Quality** from the drop-down menu, then select the **Paper** tab.
    - **Paper Type**: select the paper type that is currently loaded into the printer.

- **Quality Options:** select **Standard** and drag the slider to **Quality**.



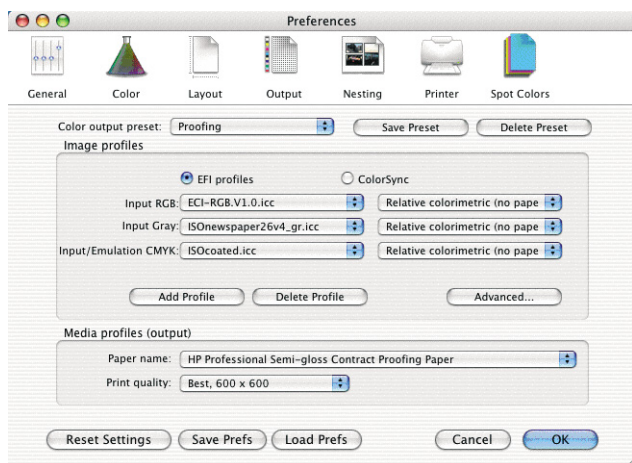
- Select the **Color** tab.
- Select **Print in Color**.
- Under Color Management, select **Application Managed Colors**.



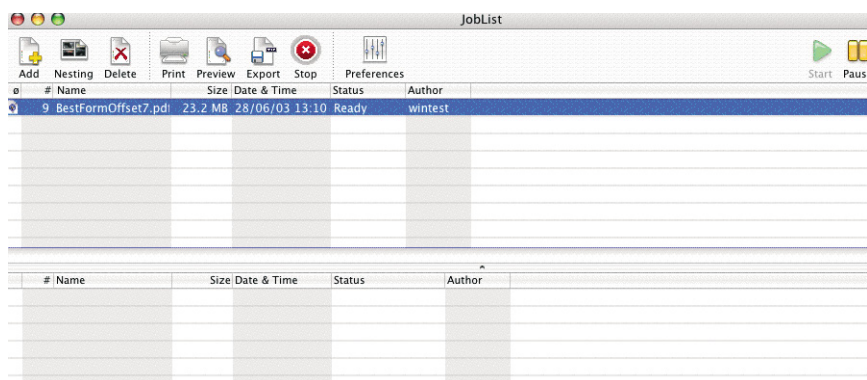
- Click **Print**.

## Proof a press using the EFI RIP

1. Open EFI Designer Edition for HP.
2. Open the RIP **Preferences**, and the **Color** tab will appear by default.
  - Select **Proofing as Color output preset**.
  - Select the input/emulation CMYK profile for the press you want to emulate. For example, **ISOcoated.icc** (for Europe), **Best\_SWOP\_Ref\_Presssheet\_2003.icc** (for US). You can find more information about EFI default profiles in Chapter 4.2.2 “Image profiles” of the RIP manual.
  - If you do not find your desired press profile in the list, just add it by selecting the **Add Profile** button.
  - Press the **Advanced** button and check the setting **Use Embedded Profiles**. It will use the profiles included in the image, if any.
  - Choose the paper and print mode you want to use under **Media profiles**.
  - Click **OK** to close the **Preferences** window.



3. You can select any other layout- or printer-dependent settings in the Printer and Layout settings.
4. Drag and drop the file you want to proof to the RIP queue (see picture).



Remember the supported formats are: PS level 3, PDF 1.7, EPS, TIFF, JPEG, DCS 2.0, PDF/X1a, PDF/X.

5. Click **Print** in the toolbar or in the menu, and that's it!



---

# 7 Retrieving printer usage information

- [Get printer accounting information](#)
- [Check printer usage statistics](#)
- [Check ink and paper usage for a job](#)

## Get printer accounting information

There are various different ways of getting accounting information from your printer.

- View printer usage statistics for the whole lifetime of the printer, see [Check printer usage statistics](#).
- View ink and paper usage for each of your recent jobs by using HP Easy Printer Care (Windows) or HP Printer Utility (Mac OS) or the front panel, see [Check ink and paper usage for a job](#). If HP Easy Printer Care or HP Printer Utility is not available, see [Access HP Easy Printer Care \(Windows\) or HP Printer Utility \(Mac OS\)](#).
- Use a third-party application to request printer status, printer usage, or job accounting data from the printer through the Internet. The printer provides data in XML to the application whenever requested. HP provides a Software Development Kit to facilitate the development of such applications.

## Check printer usage statistics

There are two ways to check your printer's usage statistics.



**NOTE** The accuracy of the usage statistics is not guaranteed.

### Printer statistics with HP Easy Printer Care (Windows) or HP Printer Utility (Mac OS)

1. Access HP Easy Printer Care (Windows) or HP Printer Utility (Mac OS), see [Access HP Easy Printer Care \(Windows\) or HP Printer Utility \(Mac OS\)](#).
2. Go to the **Usage** window to view the total printer usage.
3. Under Windows, go to the **Overview** tab and click on the **Printer usage** link.

Under Mac OS, select **Information** > **Printer Usage** and click on the **Start** button.

### Printer statistics with the Embedded Web Server

1. Access the Embedded Web Server, see [Access the Embedded Web Server](#).
2. Go to the **Main** tab.
3. Select **History** > **Usage**.

## Check ink and paper usage for a job

There are two ways to check ink and paper usage for a job.



**NOTE** The accuracy of the usage statistics is not guaranteed.



## Ink and paper statistics with HP Easy Printer Care (Windows) or HP Printer Utility (Mac OS)

1. Access HP Easy Printer Care (Windows) or HP Printer Utility (Mac OS), see [Access HP Easy Printer Care \(Windows\) or HP Printer Utility \(Mac OS\)](#).
2. Go to the **Accounting** window to view information regarding the most recent jobs.
3. Under Windows, go to the **Job Accounting** tab.

Under Mac OS, select **Information > Job Accounting** and click on the **Look Up** button.

## Printer statistics with the Embedded Web Server

1. Access the Embedded Web Server, see [Access the Embedded Web Server](#).
2. Go to the **Main** tab.
3. Select **History > Accounting**.



---

## 8 Handling ink cartridges and printheads

- [About the ink cartridges](#)
- [Check the ink cartridges status](#)
- [Remove an ink cartridge](#)
- [Insert an ink cartridge](#)
- [About the printheads](#)
- [Check the printhead status](#)
- [Remove a printhead](#)
- [Insert a printhead](#)

## About the ink cartridges

Ink cartridges store the ink and are connected to the printheads, which distribute the ink on the paper. The 24 inch printers come with twelve 69 ml introductory cartridges. The 44 inch printers come with twelve 130 ml cartridges. You can purchase 130 ml ink cartridges for both printers, see [Accessories](#).



**CAUTION** Observe precautions when handling ink cartridges because they are ESD-sensitive devices (see the [Glossary](#)). Avoid touching pins, leads, and circuitry.


## Check the ink cartridges status

To view the ink levels of your ink cartridges, press the **View ink level** key on the front panel.

To get more information on your ink cartridges, you can use the front panel ink menu, HP Easy Printer Care (Windows), or HP Printer Utility (Mac OS).

For an explanation of the ink cartridge status messages, see [Ink cartridge status messages](#).

## Ink menu procedure

1. Press the **Menu** key to return to the main menu and select the Ink menu icon , then **Ink cartridge information**.
2. Select the cartridge on which you want information.
3. The front panel displays:
  - Color
  - Product name
  - Product number
  - Serial number
  - Status
  - Ink level, if known
  - Total ink capacity in milliliters
  - Expiration date
  - Manufacturer
  - Warranty status

## HP Easy Printer Care (Windows) or HP Printer Utility (Mac OS) procedures

- In HP Easy Printer Care (Windows), go to the **Overview** tab, each cartridge's status is under **Supply Status > Cartridges**.
- In HP Printer Utility (Mac OS), select **Information > Printer Status**.

# Remove an ink cartridge

There are three occasions when you need to remove an ink cartridge.

- The ink level in the cartridge is very low and you want to replace it with a full cartridge for unattended printing (you can use up the remaining ink in the first cartridge at a more convenient time).
- The ink cartridge is empty or faulty, and you must replace it to continue printing.
- The ink cartridge has expired.

---

**CAUTION** Do not try to remove an ink cartridge while printing.


---

**CAUTION** Remove an ink cartridge only if you are ready to insert another one.

---

**WARNING!** Make sure the printer wheels are locked (the brake lever is pressed down) to prevent the printer from moving.

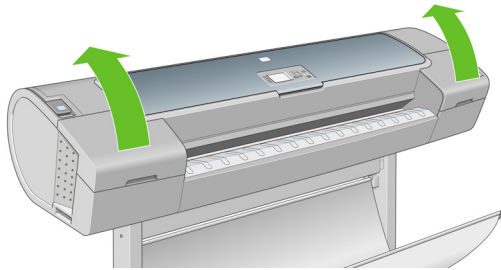
---

1. Press the **Menu** key to return to the main menu and select the Ink menu icon , then **Replace ink cartridges**.

Ink menu

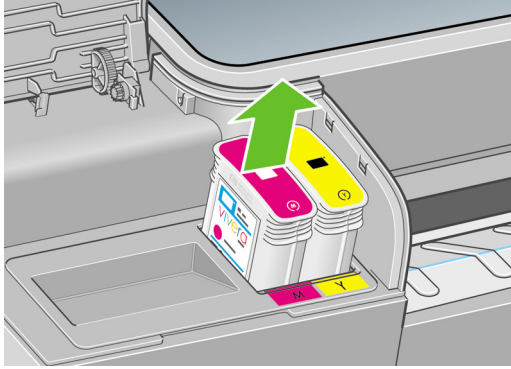
- 
- ▶ View ink levels
  - ▶ **Replace ink cartridges**
  - ▶ Replace printheads
  - ⊞ Ink cartridge information
  - ⊞ Printhead information

2. Open the ink cartridge cover completely. Magenta and yellow are in the left side, while light magenta, light cyan, photo black, light gray, matte black, and cyan are in the right side.



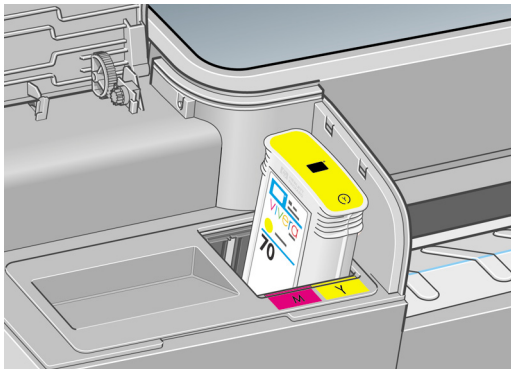
3. Grip the cartridge you wish to remove.

4. Pull the cartridge straight up.



**NOTE** Avoid touching the end of the cartridge that is inserted into the printer, as there may be ink on the connection.

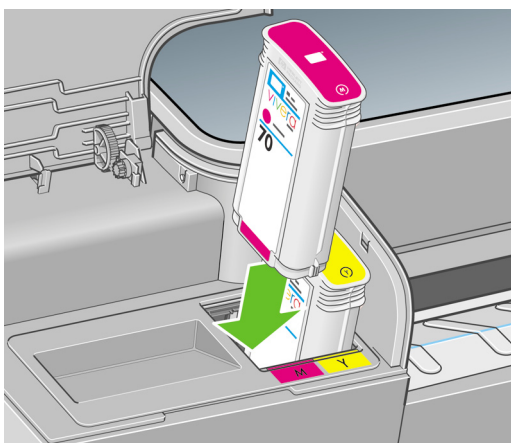
**NOTE** Avoid storing partially used ink cartridges.



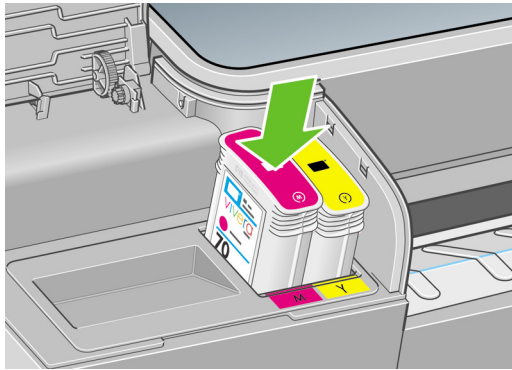
5. The front-panel display identifies the missing ink cartridge.

## Insert an ink cartridge

1. Before removing the cartridge from its wrapping, shake it vigorously.
2. Unwrap the new ink cartridge, find the label identifying the ink color. Check that the letter or letters (in these illustrations, M for magenta) marking the empty slot, matches the letter or letters on the cartridge label.
3. Insert the ink cartridge into its slot.

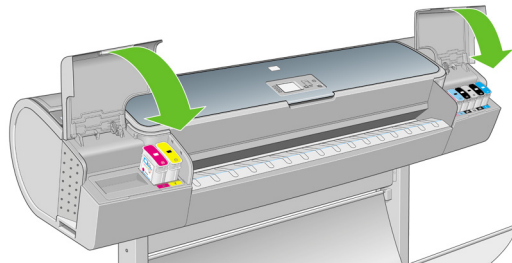


4. Push the cartridge into the slot until it snaps into position. You should hear a beep and see confirmation that the cartridge has been inserted.



If you have difficulty, see [Cannot insert an ink cartridge](#).

5. When all cartridges have been inserted, close the cover.



6. The front-panel display confirms that all cartridges have been correctly inserted, press the **OK** key on the front panel.

## About the printheads


The printhead are connected to the ink cartridges and jet ink onto the paper.



**CAUTION** Observe precautions when handling printheads because they are ESD-sensitive devices (see the [Glossary](#)). Avoid touching pins, leads, and circuitry.

## Check the printhead status

The printer automatically checks and services the printheads after each print. Follow the steps below to get more information on your printheads.

1. Press the **Menu** key to return to the main menu and select the Ink menu icon , then **Printhead information**.
2. Select the printhead on which you want information.
3. The front panel displays:
  - Colors
  - Product name
  - Product number
  - Serial number

- Status, see [Front-panel error messages](#)
- Volume of ink it has used
- Warranty status

You can also get most of this information without leaving your computer by using HP Easy Printer Care (Windows) or HP Printer Utility (Mac OS).

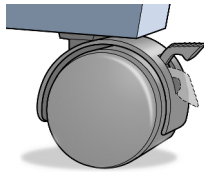
For an explanation of the printhead status messages, see [Printhead status messages](#).

If the warranty status is **See warranty note**, this indicates that non-HP ink is being used. See the HP Legal Information document provided with your printer for details of the warranty implications.

## Remove a printhead




**WARNING!** Make sure the printer wheels are locked (the brake lever is pressed down) to prevent the printer from moving.



**WARNING!** Printhead replacement must be performed with the printer powered on.

1.

Press the **Menu** key to return to the main menu and select the Ink menu icon , then **Replace printheads**.

Ink menu

- 
- ▶ View ink levels
  - ▶ Replace ink cartridges
  - ▶ **Replace printheads**
  - ⊕ Ink cartridge information
  - ⊕ Printhead information

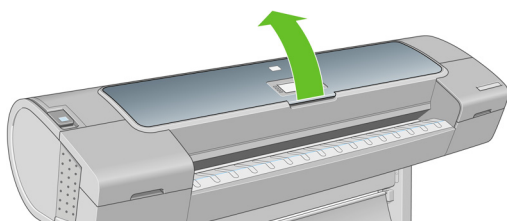
2. The printer moves the carriage into the correct position.



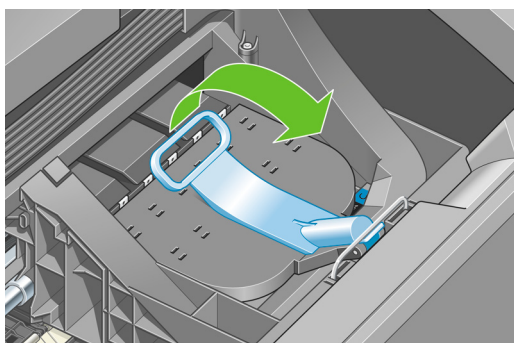
**CAUTION** If the carriage is left in the removal position for more than three minutes without inserting or removing any printheads, it tries to move back to its normal position in the right-hand end.



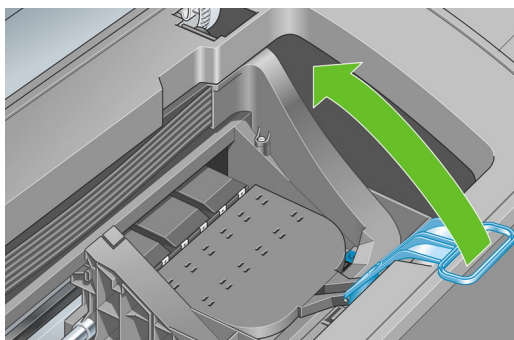
3. When the carriage has stopped moving, the front-panel display asks you to open the window.



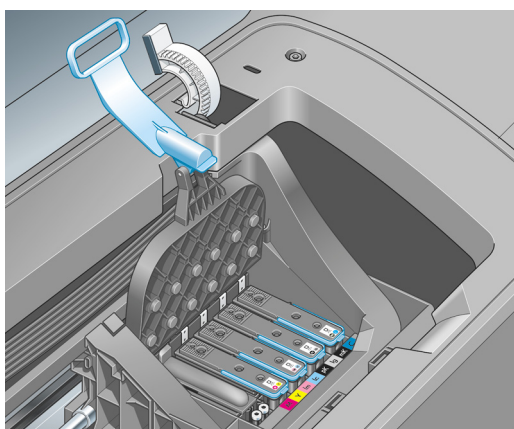
4. Locate the carriage on the right side of the printer.
5. To Pull the handle up and toward you to release the wire loop.



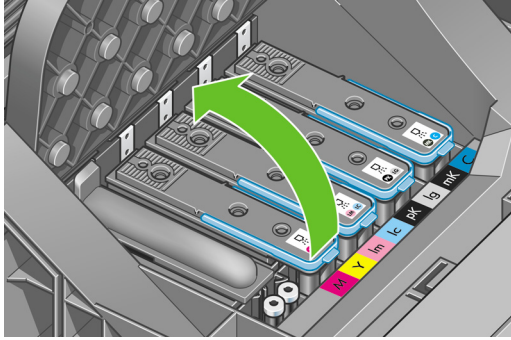
6. Push the handle back to raise the lid.



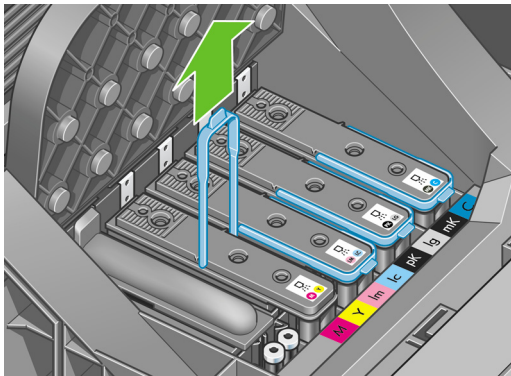
7. This gives you access to the printheads.



- To remove a printhead, lift up the blue handle.



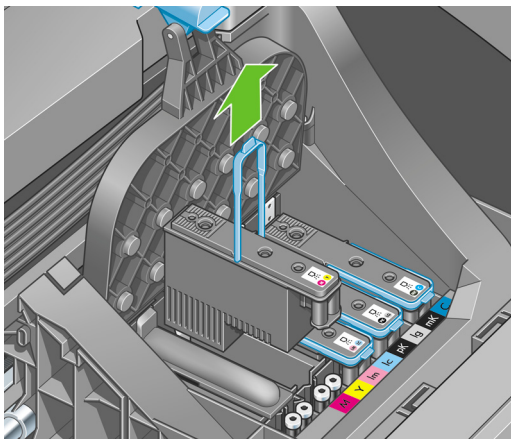
- Using the blue handle, use steady force to disengage the printhead.



- Pull the blue handle upward until the printhead is released from the carriage.



**CAUTION** Do not pull abruptly because this can damage the printhead.

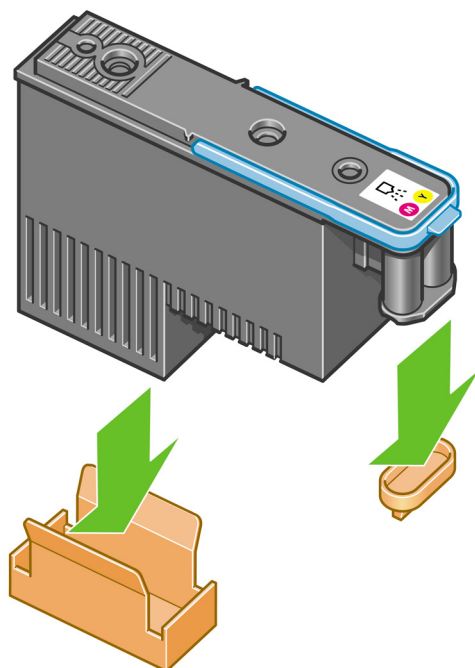


- The front-panel display identifies the missing printhead.

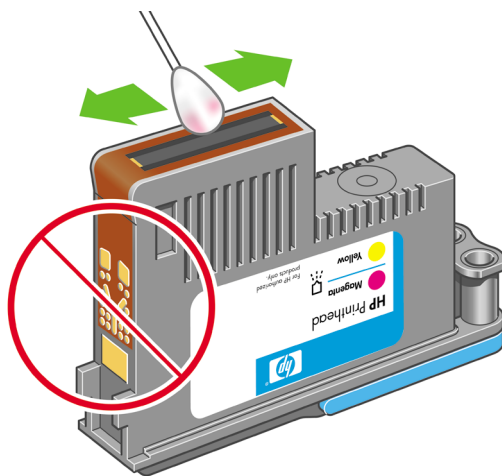
## Insert a printhead


- If the printhead is new, shake the printhead vigorously before removing the protective caps.

2. Remove the orange protective caps by pulling them down.




3. Clean the bottom of the printhead by wiping it with the swab provided or with a cotton swab and de-ionized or distilled water.

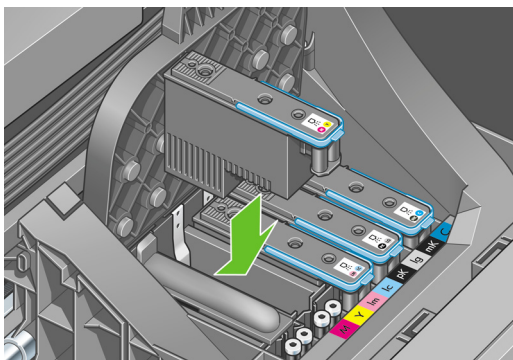


 **WARNING!** Do not touch the electrical connections on the backside of the printhead.

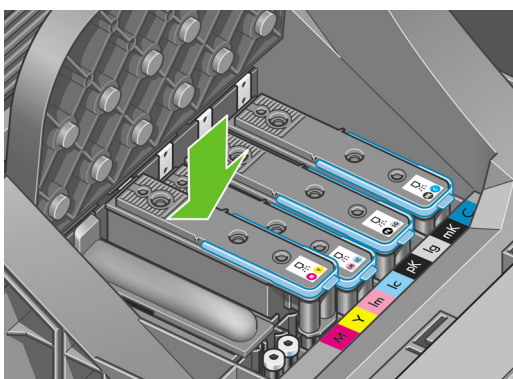
4. The printhead is designed to prevent you from accidentally inserting it into the wrong slot. Check that the colored label on the printhead matches the colored label of the carriage slot into which the printhead is to be inserted.


5. Insert the new printhead into its correct slot in the carriage.

 **CAUTION** Insert the printhead slowly and vertically, straight down. It may be damaged if you insert it too fast, or at an angle, or if you rotate it as you insert it.

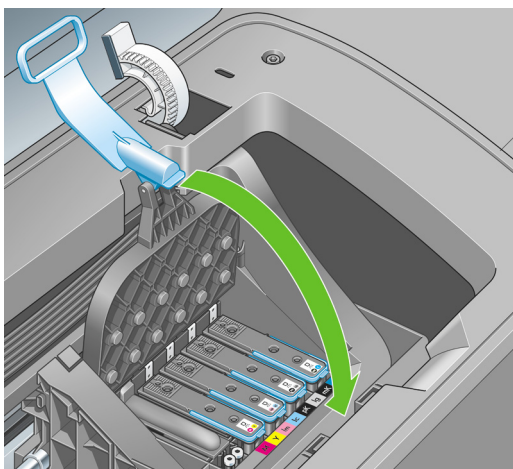


6. Push down as indicated by the arrow shown below.

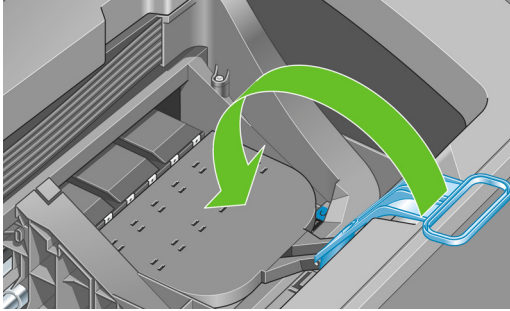


 **CAUTION** When installing the new printhead there may be some resistance, so you need to press it down firmly but smoothly. You should hear a beep and see confirmation on the front-panel display that the printhead has been inserted. If you have difficulty, see [Cannot insert a printhead](#).

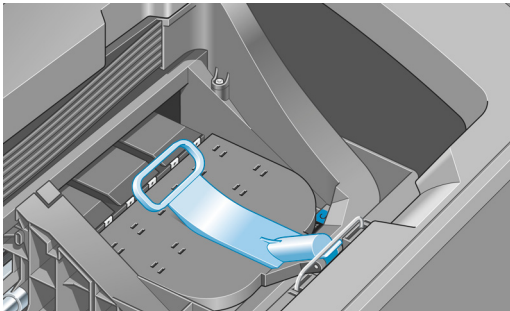
7. Insert any other printheads, that need to be installed, with the same procedure, then close the carriage lid.



8. Ensure the end of the blue handle catches the wire loop on the near side of the carriage.



9. Lower the handle to rest on the carriage cover.

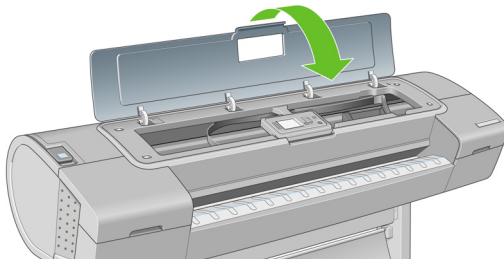


When all the printheads have been inserted correctly and are accepted by the printer, the printer beeps.



**NOTE** If the printer does not beep when you insert the printhead and the **Replace** message appears on the front-panel display, the printhead may need to be reinserted.

10. Close the window.



11. The front-panel display confirms that all printheads are correctly inserted. The printer starts checking and preparing the printheads. The default routine process, when all printheads are changed, takes 25 minutes. If the printer finds problems in preparing the printheads, it takes longer, up to 55 minutes. For a single printhead insertion, the times vary between 20 and 40 minutes. After all printheads are checked and prepared, the printhead realignment procedure runs automatically if paper is loaded, see [Align the printheads](#).





---

## 9 Maintaining the printer

- [Check printer status](#)
- [Clean the exterior of the printer](#)
- [Replace the cutter](#)
- [Maintain the ink cartridges](#)
- [Move or store the printer](#)
- [Update the firmware](#)
- [Update the software](#)
- [Printer maintenance kits](#)

## Check printer status

You can check the current status of the printer in various ways:

- If you start HP Easy Printer Care under Windows or HP Printer Utility under Mac OS, and select your printer, you see a page of information describing the status of the printer and its paper and ink supplies.
- If you access the Embedded Web Server, you see information about the general status of the printer. The Supplies page in the **Main** tab describes the status of the paper and ink supplies.
- The status screen of the printer's front panel notifies you of any current problems affecting the printer as a whole. You can also request information about:
  - The currently loaded paper, with the **View loaded paper** key
  - The ink levels, with the **View ink levels** key
  - The ink cartridges, by selecting the Ink menu icon  and then **Ink cartridge information**
  - The printheads, by selecting the Ink menu icon  and then **Printhead information**

## Clean the exterior of the printer

Clean the outside of the printer and all other parts of the printer that you regularly touch as part of normal operation with a damp sponge or a soft cloth and a mild household cleaner such as non-abrasive liquid soap.



**WARNING!** To avoid an electric shock, make sure that the printer is turned off and unplugged before you clean it. Do not let water get inside the printer.




**CAUTION** Do not use abrasive cleaners on the printer.

## Replace the cutter

The cutter may need to be replaced once or twice during the life of the printer, depending on the total amount and thickness of paper used. The front panel advises when replacement is due. If you do not replace the cutter immediately, the printer continues working normally, but the front panel continues to remind you about the cutter.

To replace the cutter:

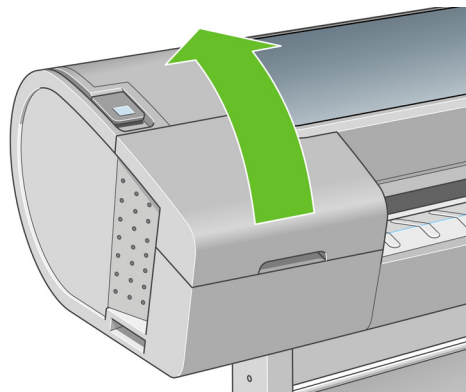
1. If there is paper loaded in the printer, unload it.
2. At the front panel, select the Setup menu icon , then **Advanced > Resets > Reset cutter life counters**.
3. After a brief pause, the printer turns itself off. The printhead carriage is parked on the right-hand side of the printer, and the cutter on the left-hand side.



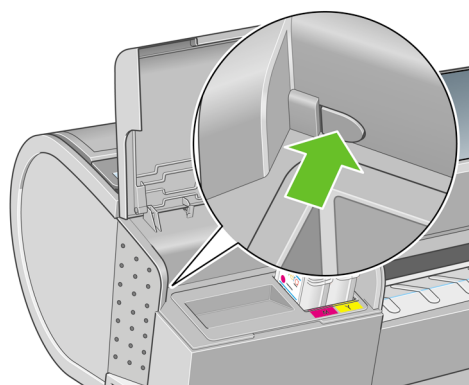
**WARNING!** There is a risk of electric shock if you attempt to replace the cutter with the printer turned on.



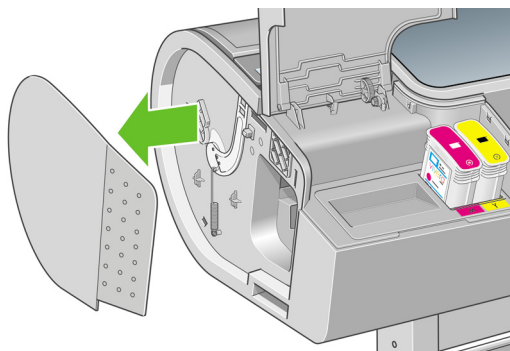
4. Lift the ink cartridge cover on the left-hand side of the printer.



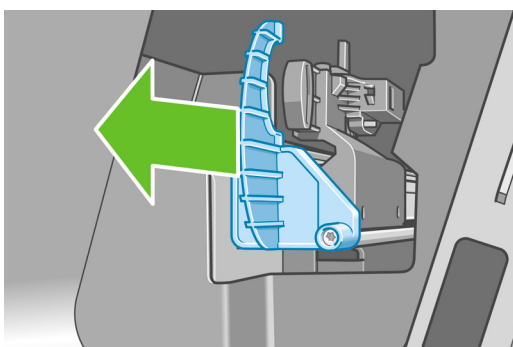
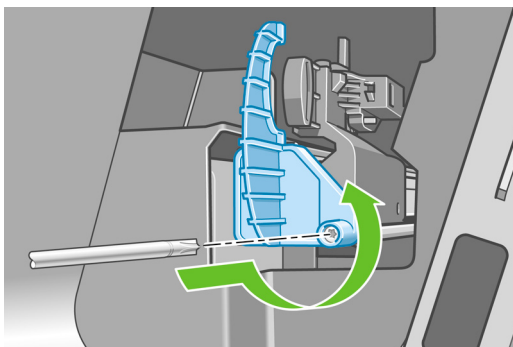
5. Press the button behind the ink cartridges to release the cover of the left-hand end of the printer.



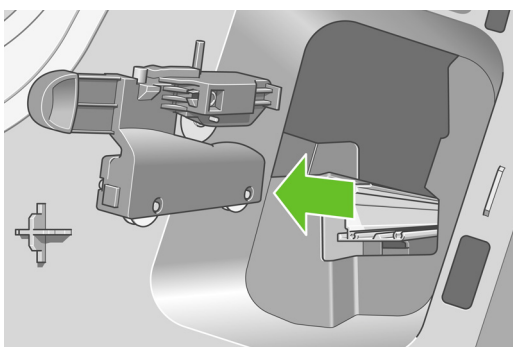
6. Remove the left end cover.



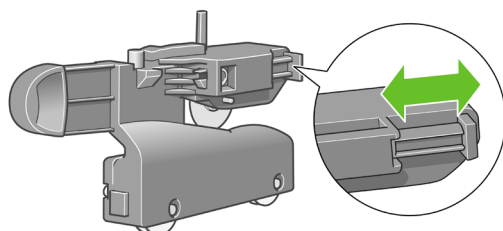
7. Unscrew and remove the cutter stop using the TORX PLUS screwdriver provided with the new cutter. The screw is captive and will not fall out.



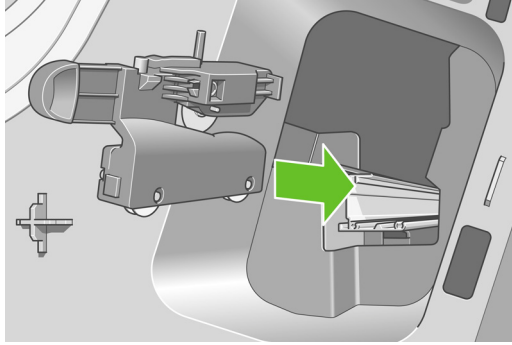
8. Remove the old cutter.



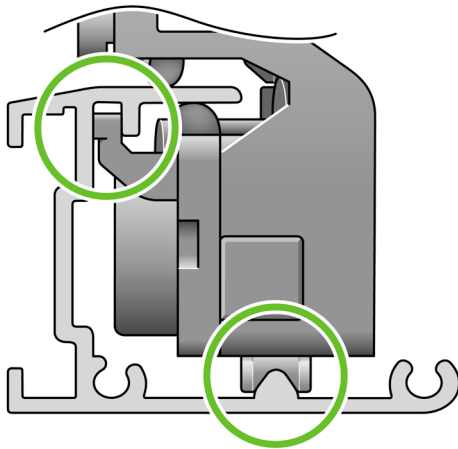
9. Take the new cutter from the maintenance kit and move the plunger at the top slowly back and forth within its housing to check that it moves freely.



10. Slide the new cutter into position on the cutter rail.

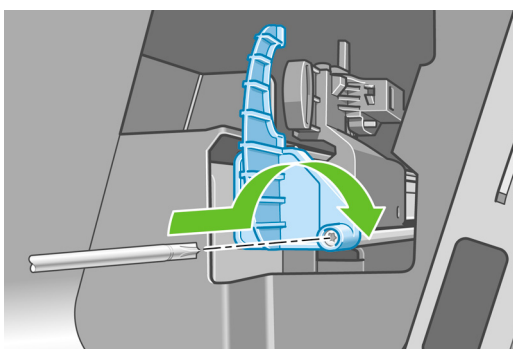
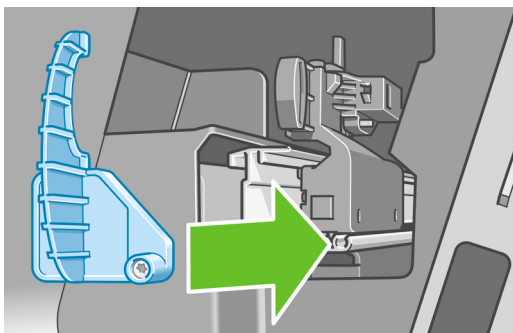


The two wheels on the bottom of the cutter should engage the central ridge on the cutter rail, and the two bushing guides should fit into the groove in the upper part of the cutter rail.

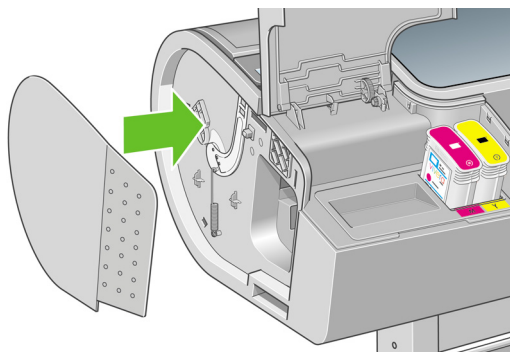


Check that the cutter runs smoothly up and down the rail. You can leave it anywhere on the rail; the printer will park it correctly later.

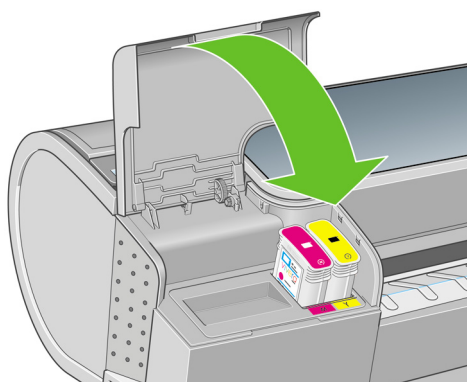
11. Fit the cutter stop onto the end of the cutter rail, holding it there with one hand while you tighten the screw with the screwdriver in your other hand.



12. Put the left end cover back on the printer, aligning the protrusions with the holes in the printer.



13. Close the ink cartridge cover.



14. At the front panel, turn the printer back on. The printer checks that the cutter has been correctly installed. Look at the front panel and follow its instructions if there is any problem.

## Maintain the ink cartridges

During the normal lifetime of a cartridge, no specific maintenance is required. However, in order to maintain the best print quality, replace a cartridge when it reaches its expiration date. The printer's front panel notifies you when any cartridge reaches its expiration date.

You can also check a cartridge's expiration date at any time: see [Check printer status](#).

See also [Handling ink cartridges and printheads](#).

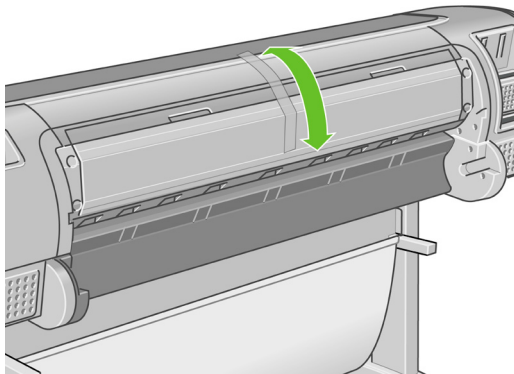
## Move or store the printer

If you need to move or store the printer, prepare it correctly to avoid possible damage to it. To prepare the printer, follow the instructions below.

1. Do not remove the ink cartridges or printheads.
2. Make sure that no paper is loaded.
3. Make sure that the printer is idle.
4. Disconnect any cables connecting the printer to a network or a computer.

If you need to leave the printer turned off for a long time, follow the additional steps below.

1. Turn off the power using the **Power** key on the front panel.
2. Also turn off the power switch at the rear of the printer.
3. Disconnect the printer's power cable.
4. Before transporting the printer, secure the rear tray in the closed position with tape. Otherwise, the tray could open and perhaps break and fall out of the printer.




**CAUTION** If you turn the printer upside down, ink could escape into the printer and cause serious damage.

When the printer is turned back on, it takes about three minutes to initialize itself and to check and prepare the printheads. Preparing the printheads normally takes just over a minute. However, if the printer has been off for a six weeks or more, preparing the printheads could take up to 45 minutes.

**CAUTION** If the printer remains off for a long period of time, the printheads may become unusable. In this case, you need to replace the printheads with new ones.

After a storage period, if maintaining color accuracy is important to you, you are recommended to purge some ink from the printheads before starting the color calibration process. This is in addition to any ink

already used in preparing the printheads. Go to the front panel and select the Image Quality Maintenance menu icon , then **Advanced > Purge ink**.



**Tip** Because preparing and purging the printheads uses both time and ink, you are strongly recommended to leave the printer always on or in sleep mode, whenever possible, to maintain the health of the printheads. In both cases, the printer wakes up from time to time to maintain the printheads. Thus you can avoid going through lengthy preparation processes before using your printer.

## Update the firmware

The printer's various functions are controlled by software that resides in the printer, otherwise known as firmware.

From time to time firmware updates will be available from Hewlett-Packard. These updates increase the printer's functionality and enhance its features.

Firmware updates can be downloaded from the Internet and installed in your printer in the following ways; you can choose whichever you find most convenient.

- Using HP Easy Printer Care under Windows, select your printer, the **Support** tab, and then **Firmware Update**.
- Using HP Printer Utility under Mac OS, select **Support** and then **Firmware Update**.
- Using your printer's Embedded Web Server, select the **Setup** tab and then **Firmware update**.

In each case, follow the instructions on your screen to download the firmware file and store it on your hard disk. Then select the downloaded file and click **Update**.

If you experience very slow progress while uploading the firmware file to the printer, the reason could be that you are using a proxy server. In that case, try bypassing the proxy server and accessing the Embedded Web Server directly.

- In Internet Explorer 6 for Windows, go to **Tools > Internet Options > Connections > LAN Settings**, and check the **Bypass proxy server for local addresses** box. Alternatively, for more precise control, click the **Advanced** button and add the printer's IP address to the list of exceptions, for which the proxy server is not used.
- In Safari for Mac OS, go to **Safari > Preferences > Advanced** and click the **Proxies: Change Settings** button. Add the printer's IP address or its domain name to the list of exceptions, for which the proxy server is not used.

The firmware includes a set of the most commonly used paper profiles. Extra paper profiles can be downloaded separately; see [Paper profiles](#).

## Update the software

To update the printer driver and other software for any HP Designjet printer, go to <http://www.hp.com/go/designjet/> and select **Downloads**, then **Drivers**. Then select your printer, your preferred language, and your operating system.

If your operating system is Windows, HP Software Update regularly offers to update your software automatically. Alternatively, HP Easy Printer Care provides a **Software Update** link in its **Support** tab.

## Printer maintenance kits

Three maintenance kits are available for your printer, containing components that may need to be replaced after long use. When one of them is needed, a message is displayed on the front panel and by HP Easy Printer Care under Windows or HP Printer Utility under Mac OS.

When you see the message, you should contact HP Support (see [Contact HP Support](#)) and request the maintenance kit. Two of the kits are installed by service engineers only; the third consists of a replacement cutter, which you can install yourself (see [Replace the cutter](#)).





---

# 10 Accessories

- [How to order supplies and accessories](#)
- [Introduction to the accessories](#)

## How to order supplies and accessories

There are two alternative ways to order supplies or accessories for your printer:

- Visit [http://www.hp.com/go/designjetz2100\\_order/](http://www.hp.com/go/designjetz2100_order/) on the Web.
- Contact HP Support (see [Contact HP Support](#)).

The rest of this chapter lists the available supplies and accessories, and their part numbers.

### Order ink supplies

The following ink supplies can be ordered for your printer.

**Table 10-1** Ink cartridges

Cartridge	Part number
HP 70 Matte Black 130 ml Ink Cartridge	C9448A
HP 70 Photo Black 130 ml Ink Cartridge	C9449A
HP 70 Light Gray 130 ml Ink Cartridge	C9451A
HP 70 Cyan 130 ml Ink Cartridge	C9452A
HP 70 Magenta 130 ml Ink Cartridge	C9453A
HP 70 Yellow 130 ml Ink Cartridge	C9454A
HP 70 Light Magenta 130 ml Ink Cartridge	C9455A
HP 70 Light Cyan 130 ml Ink Cartridge	C9390A
HP 70 Matte Black 130 ml Ink Cartridge Twin Pack	CB339A
HP 70 Photo Black 130 ml Ink Cartridge Twin Pack	CB340A
HP 70 Light Gray 130 ml Ink Cartridge Twin Pack	CB342A
HP 70 Cyan 130 ml Ink Cartridge Twin Pack	CB343A
HP 70 Magenta 130 ml Ink Cartridge Twin Pack	CB344A
HP 70 Yellow 130 ml Ink Cartridge Twin Pack	CB345A
HP 70 Light Magenta 130 ml Ink Cartridge Twin Pack	CB346A
HP 70 Light Cyan 130 ml Ink Cartridge Twin Pack	CB351A

**Table 10-2** Printheads

Printhead	Part number
HP 70 Matte Black & Cyan Printhead	C9404A
HP 70 Light Magenta & Light Cyan Printhead	C9405A
HP 70 Magenta & Yellow Printhead	C9406A
HP 70 Photo Black & Light Gray Printhead	C9407A

### Order paper

The following paper types are currently provided for use with your printer.



**NOTE** This list is likely to change over the course of time. For the latest information, see <http://www.hp.com/go/designjet/supplies/>.

Key to availability:

- (A) indicates papers available in Asia (excluding Japan)
- (E) indicates papers available in Europe, the Middle East, and Africa
- (J) indicates papers available in Japan
- (L) indicates papers available in Latin America
- (N) indicates papers available in North America

If the part number is not followed by parentheses, the paper is available in all regions.

**Table 10-3** Roll paper

Paper type	g/m <sup>2</sup>	Length	Width	Part numbers
<b>HP Photographic Paper</b>				
HP Professional Satin Photo Paper	300	50 ft = 15.2 m	24 in = 610 mm	Q8759A
HP Premium Instant-Dry Satin Photo Paper	260	50 ft = 15.2 m	18 in = 458 mm	Q8001A
		75 ft = 22.8 m	24 in = 610 mm	Q7992A
		100 ft = 30.5 m	36 in = 914 mm	Q7994A (AEJN)
			42 in = 1067 mm	Q7996A (AEJN)
HP Premium Instant-Dry Gloss Photo Paper	260	50 ft = 15.2 m	18 in = 458 mm	Q7990A
		75 ft = 22.8 m	24 in = 610 mm	Q7991A
		100 ft = 30.5 m	36 in = 914 mm	Q7993A
			42 in = 1067 mm	Q7995A (AEJN)
HP Universal Instant-Dry Photo Gloss	190	100 ft = 30.5 m	24 in = 610 mm	Q6574A
			36 in = 914 mm	Q6575A
			42 in = 1067 mm	Q6576A
HP Universal Instant-Dry Photo Semi-Gloss	190	100 ft = 30.5 m	24 in = 610 mm	Q6579A
			36 in = 914 mm	Q6580A
			42 in = 1067 mm	Q6581A
HP Photo Paper RC Matte	200	100 ft = 30.5 m	36 in = 914 mm	C7946A (AEN)
<b>HP Fine Art Printing Material</b>				
HP Collector Satin Canvas	400	20 ft = 6.1 m	24 in = 610 mm	Q8708A
			36 in = 914 mm	Q8709A
			42 in = 1067 mm	Q8710A
HP Professional Matte Canvas	430	20 ft = 6.1 m	24 in = 610 mm	Q8673A (ELN)
			36 in = 914 mm	Q8761A (ELN)
			42 in = 1067 mm	Q8674A (ELN)

**Table 10-3** Roll paper (continued)

Paper type	g/m <sup>2</sup>	Length	Width	Part numbers
HP Artist Matte Canvas	380	20 ft = 6.1 m	24 in = 610 mm	Q8704A
		50 ft = 15.2 m	36 in = 914 mm	Q8705A
			42 in = 1067 mm	Q8706A
HP Universal Matte Canvas	350	20 ft = 6.1 m	24 in = 610 mm	Q8712A
		50 ft = 15.2 m	36 in = 914 mm	Q8713A
			42 in = 1067 mm	Q8714A
HP Hahnemühle Smooth Fine Art Paper	265	35 ft = 10.7 m	24 in = 610 mm	Q8732A (EN)
			36 in = 914 mm	Q8745A (EN)
			42 in = 1067 mm	Q8733A (EN)
	310	35 ft = 10.7 m	24 in = 610 mm	Q8734A (EN)
			42 in = 1067 mm	Q8735A (EN)
HP Hahnemühle Textured Fine Art Paper	265	35 ft = 10.7 m	24 in = 610 mm	Q8736A (EN)
			36 in = 914 mm	Q8737A (EN)
			42 in = 1067 mm	Q8738A (EN)
	310	35 ft = 10.7 m	24 in = 610 mm	Q8739A (EN)
			42 in = 1067 mm	Q8740A (EN)
HP Hahnemühle Watercolor Paper	210	38 ft = 11.6 m	36 in = 914 mm	Q1984A (EN)
HP Aquarella Art Paper	240	35 ft = 10.7 m	24 in = 610 mm	Q8741A (EN)
			36 in = 914 mm	Q8746A (EN)
HP Canvas Paper 180 gram	180	35 ft = 10.7 m	36 in = 914 mm	Q1724A (EN)
HP Matte Litho-Realistic Paper	270	100 ft = 30.5 m	24 in = 610 mm	Q7972A (EN)
			36 in = 914 mm	Q7973A (EN)
<b>HP Proofing Paper</b>				
HP Professional High-Gloss Contract Proofing Paper	200	100 ft = 30.5 m	18 in = 458 mm	Q8664A (EN)
			24 in = 610 mm	Q8663A (EN)
HP Professional Semi-Gloss Contract Proofing Paper	235	100 ft = 30.5 m	18 in = 458 mm	Q8049A (EN)
			24 in = 610 mm	Q7971A (EN)
HP Proofing Matte	146	100 ft = 30.5 m	18 in = 458 mm	Q7896A (EN)
			24 in = 610 mm	Q1968A (EN)
<b>HP Banner and Sign Material</b>				
HP Durable Display Film	205	50 ft = 15.2 m	36 in = 914 mm	Q6620A (EN)
HP Instant-Dry Indoor Banner, Gloss	195	50 ft = 15.2 m	36 in = 914 mm	Q5482A (N)
			42 in = 1067 mm	Q5483A (AJN)
HP Opaque Scrim	486	50 ft = 15.2 m	36 in = 914 mm	Q1898B (AEN)
			42 in = 1067 mm	Q1899B (AEN)
HP Banners with Tyvek	140	50 ft = 15.2 m	36 in = 914 mm	C6787A (AEN)
HP Outdoor Paper	145	100 ft = 30.5 m	36 in = 914 mm	Q1730A (EN)

**Table 10-3** Roll paper (continued)

Paper type	g/m <sup>2</sup>	Length	Width	Part numbers
HP Outdoor Billboard Paper Blue Back	140	100 ft = 30.5 m	36 in = 914 mm	C7949A (EN)
<b>HP Backlit Material</b>				
HP Colorlucet Backlit UV	205	100 ft = 30.5 m	36 in = 914 mm	C6778A (AEJN)
<b>HP Self-Adhesive Material and Laminate</b>				
HP Polypropylene, Matte — Adhesive Backed	225	70 ft = 21.3 m	36 in = 914 mm	Q1908A (AEN)
HP Colorfast Adhesive Vinyl	328	40 ft = 12.2 m	36 in = 914 mm	C6775A
HP Universal Adhesive Vinyl	290	66 ft = 20.1 m	36 in = 914 mm	Q8676A (EN)
			42 in = 1067 mm	Q8677A (EN)
<b>HP Bond and Coated Paper</b>				
HP Universal Inkjet Bond Paper	80	150 ft = 45.7 m	23.39 in = 594 mm	Q8003A (J)
			24 in = 610 mm	Q1396A
			36 in = 914 mm	Q1397A
			42 in = 1067 mm	Q1398A
		300 ft = 91.4 m	23.39 in = 594 mm	Q8004A (EJ)
			33.11 in = 841 mm	Q8005A (EJ)
HP Bright White Inkjet Bond Paper	90	150 ft = 45.7 m	16.54 in = 420 mm	Q1446A (J)
			23.39 in = 594 mm	Q1445A (EJ)
			24 in = 610 mm	C1860A (LN), C6035A (AEJ)
			33.11 in = 841 mm	Q1444A (EJ)
		300 ft = 91.4 m	36 in = 914 mm	C1861A (LN), C6036A (AEJ)
HP Universal Coated Paper	95	150 ft = 45.7 m	24 in = 610 mm	Q1404A (AEJN)
			36 in = 914 mm	Q1405A (AEJN)
			42 in = 1067 mm	Q1406A
HP Coated Paper	90	150 ft = 45.7 m	16.54 in = 420 mm	Q1443A (J)
			18 in = 458 mm	Q7897A (EN)
			23.39 in = 594 mm	Q1442A (EJ)
			24 in = 610 mm	C6019B
			33.11 in = 841 mm	Q1441A (EJ)
		300 ft = 91.4 m	36 in = 914 mm	C6020B
			42 in = 1067 mm	C6567B
HP Universal Heavyweight Coated Paper	120	100 ft = 30.5 m	24 in = 610 mm	Q1412A (AEJN)
			36 in = 914 mm	Q1413A
			42 in = 1067 mm	Q1414A (AEJN)

**Table 10-3** Roll paper (continued)

Paper type	g/m <sup>2</sup>	Length	Width	Part numbers
HP Heavyweight Coated Paper	131	100 ft = 30.5 m	24 in = 610 mm	C6029C (AEJN)
			36 in = 914 mm	C6030C
			42 in = 1067 mm	C6569C
		225 ft = 67.5 m	42 in = 1067 mm	Q1956A (EN)
HP Super Heavyweight Plus Matte Paper	210	100 ft = 30.5 m	24 in = 610 mm	Q6626A (AEJN)
			36 in = 914 mm	Q6627A (AEJN)
			42 in = 1067 mm	Q6628A (AEJN)

**Table 10-4** Sheet paper

Paper type	g/m <sup>2</sup>	Length	Width	Part numbers
<b>HP Photographic Paper</b>				
HP Photo Matte	196	19 in = 483 mm	13 in = 330 mm	Q5492A
<b>HP Fine Art Printing Material</b>				
HP Artist Matte Canvas	360	19 in = 483 mm	13 in = 330 mm	Q8731A (EN)
HP Hahnemühle Smooth Fine Art Paper	265	19 in = 483 mm	13 in = 330 mm	Q8728A (EN)
HP Hahnemühle Watercolor Paper	210	19 in = 483 mm	13 in = 330 mm	Q8729A (EN)
HP Aquarella Art Paper	240	19 in = 483 mm	13 in = 330 mm	Q8730A (EN)
<b>HP Proofing Paper</b>				
HP Professional High-Gloss Contract Proofing Paper	200	19 in = 483 mm	13 in = 330 mm	Q8662A (EN)
HP Professional Semi-Gloss Contract Proofing Paper	235	19 in = 483 mm	13 in = 330 mm	Q7970A (EJN)
HP Proofing Matte	146	19 in = 483 mm	13 in = 330 mm	Q1967A (AEN)
<b>HP Bond and Coated Paper</b>				
HP Coated Paper	90	24 in = 610 mm	18 in = 457 mm	Q1961A (AEN)
		36 in = 914 mm	24 in = 610 mm	Q1962A (AEN)
HP Premium Inkjet Paper		11 in = 279 mm	8.5 in = 216 mm	51634Y (N)
		17 in = 432 mm	11 in = 279 mm	C1855A (N)

### If you are printing on satin photo paper

Consider using HP Professional Satin Photo Paper, which can offer:

- A wider color gamut
- Better black optical density
- Better PANTONE coverage
- A smoother surface
- Greater robustness

## Non-recommended paper types

In many cases, paper types that HP does not support may nevertheless be compatible with your printer. However, the following paper types are unlikely to give satisfactory results:

- Photo paper that swells
- Brochure paper

## Order accessories

The following accessories can be ordered for your printer.

Name	Product number
HP Designjet Z2100 24in Stand (Asia only)	Q6663A
HP-GL/2 Upgrade	Q6692A
EFI Designjet Edition 5.1 for HP XL International	Q6643D
EFI Designjet Edition 5.1 for HP XL Japan	Q6644D
HP Advanced Profiling Solution	Q6695A
HP Jetdirect 635n IPv6/IPsec Print Server	J7961G

## Introduction to the accessories

### Stand

The printer stand is used to support the printer and the basket, which collects prints as they emerge from the printer. The main alternative to the stand is to put the printer on a desk.

The stand is normally provided with the HP Designjet Z2100. However, the HP Designjet Z2100 24in is sold in Asian countries without the stand, and so the stand for this printer is also available separately as an accessory.

The height of the stand is 668 mm.

The weight of the stand is 12.22 kg (44 inch) or 10.12 kg (24 inch).

### HP-GL/2 upgrade


HP-GL/2 is a standard file format that HP developed for CAD applications. It was designed to preserve line and text quality and minimize network traffic.

The HP-GL/2 Upgrade Kit for the HP Designjet Z2100 Photo series enables your printer to understand and print HP-GL/2 files; and it provides print job management facilities. It has the following advantages.

- **Compatibility** with existing HP-GL/2 files. Some applications (such as CAD applications) produce HP-GL/2 files, or you may have produced HP-GL/2 files for printing on other HP printers.
- **Reliability** when printing over a busy network. HP-GL/2 files are relatively small and pass quickly and easily over the network.
- **Job queuing** means that all HP-GL/2 jobs sent to the printer are added to a queue that you can view and manage. For instance, you can change the order of the jobs, change the number of copies to be printed, cancel jobs in the queue, and reprint jobs that have already been printed.

In order to install the HP-GL/2 Upgrade, follow the instructions that come with the kit.

To check whether your printer already has the HP-GL/2 Upgrade, go to the printer's front panel and press the **Menu** key once or twice until you see the main menu icons. If there are eight icons, you have the HP-GL/2 Upgrade; if there are seven, you do not have it. The HP-GL/2 Upgrade adds the Job Queue

menu icon .

## EFI Designer Edition RIP

The EFI Designer Edition for HP RIP, tailored for HP printers, offers a powerful, cost-effective digital proofing system that allows full control over digital proofing needs and saves time and money. Together, EFI and HP enable designers, photographers, and other creative professionals to easily generate proof-quality prints with sharp detail, color accuracy, and smooth tonal transitions.

EFI Designer Edition comprises an intuitive, easy-to-use interface and an Adobe PostScript 3 engine (Adobe CPSI). It offers PDF/X support, a nesting function, and selectable RIP resolutions. The Adobe CPSI Interpreter supports in-RIP separation, overprinting, and 2-byte font compatibility through a font-download facility.

- Advanced proofing capabilities. EFI Designer Edition produces accurate color proofs at the creation stage, allowing designers to find and fix costly errors early, save time, and accurately simulate final press output.
- Seamless integration with other applications. With Adobe Configurable PostScript 3, EFI Designer Edition integrates effortlessly with other illustration, photo, and layout applications.
- Accurate color. The solution includes several key features for advanced color management in RGB, grayscale, or CMYK workflows. Its Ugra/FOGRA Media Wedge 2.0 allows users to achieve correct color, while Spot Color Editor supports an unlimited number of spot colors and libraries for PANTONE, HKS, and Toyo.
- Extended profile options. The flexible EFI Designer Edition includes reference profiles for selected printing methods, such as offset or newspaper, and paper profiles for EFI and printer manufacturers' paper types. If users prefer to use their own profiles, Profile Connector enables them to integrate them into the workflow.

## HP Advanced Profiling Solution

HP and GretagMacbeth have worked together to develop the HP Advanced Profiling Solution, powered by GretagMacbeth™ technology, which takes advantage of the spectrophotometer built into the printer to provide a revolutionary end-to-end calibrated ICC color workflow.

The HP Advanced Profiling Solution, tailored for HP printers, offers a powerful and automated, yet cost-effective color management system with a fully streamlined workflow that allows you to avoid the cost, hassle, and delay of offline measurement devices. Together, GretagMacbeth and HP provide a new experience to designers, photographers, and other creative professionals, whereby they can generate proofs and photo quality prints accurately and consistently.

The Advanced Profiling Solution includes:

- The HP Colorimeter monitor calibrator, with which you can accurately calibrate and profile all of your monitors: LCD, CRT, and laptop
- An ICC profiling and editing software application providing additional features and functionality beyond those included in the HP Color Center

Using the Advanced Profiling Solution, you can:

- See matching colors on your screen and printed paper
- Generate color profiles for all your paper types, in RGB and (if you are using RIP software) CMYK



- Edit your color profiles visually for maximum control
- Perform all operations easily using a step-by-step software interface—no extra manuals needed

The HP Advanced Profiling Solution is fully supported by HP, so you do not need to deal with various support organizations from different companies.

## Key features

The HP Advanced Profiling Solution lets you take control of your colors:

- Calibrate and profile all of your monitors—LCD, CRT, and laptop
- Automated RGB profiling via HP software drivers to ensure accurate printing (photos, designs, etc.)
- Automated CMYK profiling when your printer is driven by a Raster Image Processor (RIP) for accurate digital prints and proofs
- Easily and visually edit your profiles for ultimate color control

## HP Photosmart Pro print plug-in for Adobe Photoshop

The HP Photosmart Pro print plug-in (ProPrint) is a software module that works directly with Adobe Photoshop. It is used in place of Photoshop's Print with Preview dialog. ProPrint's functionality makes it unnecessary to invoke Photoshop's Print with Preview dialog in most cases. Invoked from Photoshop, ProPrint displays print options similar to those in Photoshop with some significant differences, including the following:

- Synchronized control of printer selection and printer driver settings from the top level of the user interface.
- Easy control of color management, including synchronization with the printer driver.
- Orientation control at the top level of the user interface.
- Friendlier control of image size and placement, including user-definable defaults.
- Exclusion of most settings that are focused on Graphics Design users (for instance, registration marks), making the user interface less cluttered.

This accessory will be available only from the Designjet Online Web site (<http://www.hp.com/go/designjet/>).



---

# 11 Troubleshooting paper issues

- The paper cannot be loaded successfully
- The paper has jammed
- Prints do not fall nicely into the basket
- The sheet stays in the printer when the print has been completed
- The paper is cut when the print has been completed
- The cutter does not cut well
- The roll is loose on the spindle
- A strip stays on the output tray and generates jams
- Recalibrate the paper advance

## The paper cannot be loaded successfully

- Ensure no paper is loaded.
- Ensure the paper is far enough inside the printer, you should feel the printer grab the paper.
- Do not attempt to straighten the paper during the aligning process, unless instructed to do so by the front-panel display. The printer automatically attempts to straighten the paper.
- The paper may be crumpled, or warped, or may have irregular edges.

### Unsuccessful roll load

- If the paper does not load, the leading edge of the paper may not be straight or clean and needs to be trimmed. Remove the initial 2 cm (1 in) from the roll and try again. This may be necessary even with a new roll of paper.
- Ensure the roll ends are tight against the spindle ends.
- Check that the spindle is correctly inserted.
- Check that the paper is correctly loaded on the spindle, and that it loads over the roll towards you.
- Check that all roll stoppers have been removed.
- Check that the paper is wound tightly on the roll.
- Do not touch the roll or paper at during the alignment process.

If the paper has not been inserted straight, the front panel displays the following instructions.

1. When prompted by the front-panel display, lift the blue lever on the left. The printer attempts to straighten the roll.
2. When prompted by the front-panel display, lower the blue lever. The printer checks the alignment. If the roll is aligned, the printer measures the width and you are now ready to print.  
  
If the roll is still not aligned, the front panel displays an error and instructions.
3. When prompted by the front-panel display, lift the blue lever on the left.
4. Rewind the roll from the end of the spindle until the edge is on the blue line.
5. Press **OK**, on the front panel.
6. When prompted by the front-panel display, lower the lever. The printer checks the alignment. If the roll is aligned, the printer measures the width and you are now ready to print.

If the roll is still not aligned, the front panel displays an error and instructions to start again at step three.

If you would like to start the load process again, cancel the process on the front panel and rewind the roll from the end of the spindle until the edge is removed from the printer.

### Unsuccessful sheet load

- Guide the sheet, especially thick papers, when the printer initially feeds the sheet.
- Do not attempt to straighten the sheet during the loading process, unless instructed to by the front-panel display. The printer automatically attempts to straighten the sheet.
- Do not use hand-cut sheets, which may be of irregular shapes. Use only purchased sheets.

If the sheet is not caught by the printer, the front-panel display asks to push paper further into the printer, and tries to feed the paper again.

If the sheet is caught by the printer but is not inserted straight, the front panel displays the following instructions.

1. When prompted by the front-panel display, lift the blue lever on the left.
2. Adjust the sheet to align with the front and right side blue lines.
3. Once the sheet is aligned, press **OK** on the front panel.
4. When prompted by the front-panel display, lower the blue lever. The printer checks the alignment. If the sheet is aligned, the printer measures the sheet and feed it out the back into the roll feed. You are now ready to print.

If the sheet is still not aligned, the front panel displays an error and instructions to start again.

If you would like to start the load process again, cancel the process on the front panel and the printer ejects the sheet out the front.

## Paper loading error messages

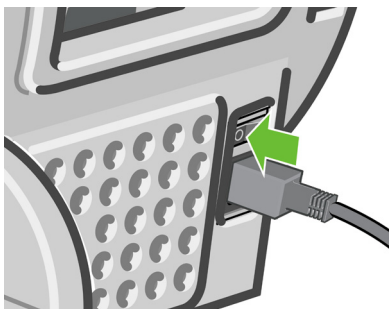
Here is a list of front-panel display messages related to paper loading, with the suggested corrective action.

front-panel display message	Suggested action
Paper incorrectly loaded.	The paper has not been loaded correctly; the edge was not aligned with the load guide. Lift the blue lever, remove paper, and lower lever.
Paper not found.	During the paper load process the printer did not detect any paper. Ensure the paper is inserted fully and is not transparent.
Paper loaded with too much skew.	During the paper load process the printer detected that the paper had too much skew. Follow the instructions on the front-panel display.
Paper too small.	During the load process the printer detected that the paper is too narrow or too short to be loaded in the printer. Press the <b>Cancel</b> key to stop the load process. See <a href="#">Functional specifications</a> .
Paper too big	During the load process the printer has detected that the paper is either too wide or too long (sheet only) to be loaded correctly. Press the <b>Cancel</b> key to stop the load process. See <a href="#">Functional specifications</a> .
Lever lifted.	During the load process the blue lever was lifted. This prevents the printer from loading the paper. Follow the instructions on the front-panel display.

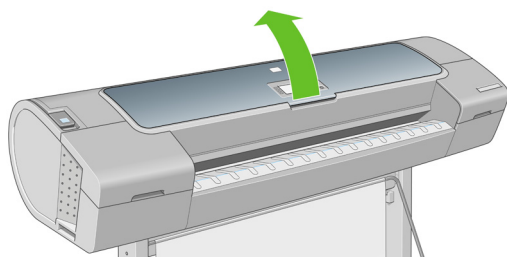
## The paper has jammed

When a paper jam occurs, you normally see the **Possible paper jam** message in the front-panel display.

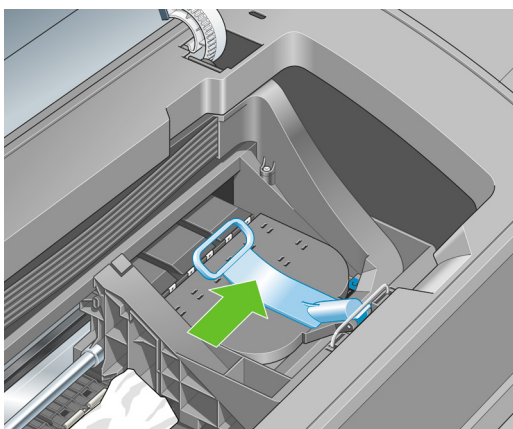
1. Power off the printer at the front panel and also switch it off at the rear.



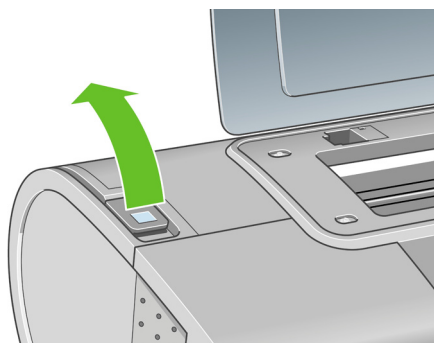
2. Open the window.



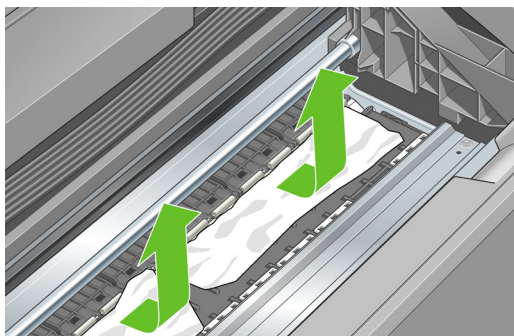
3. Try to move the printhead carriage out of the way.



4. Lift the blue lever as far up as it will go.



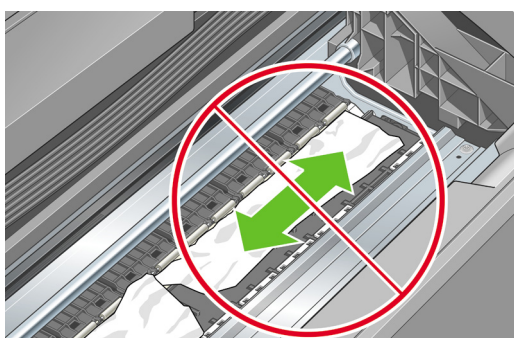
- Carefully remove any of the jammed paper that you can lift up and out from the top of the printer.



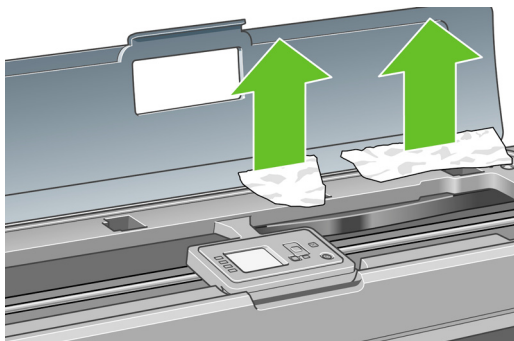
- Standing behind the printer, rewind the roll or pull the cut sheet from the printer. If you cannot see the paper, return to the front of the printer and remove it from the output tray.



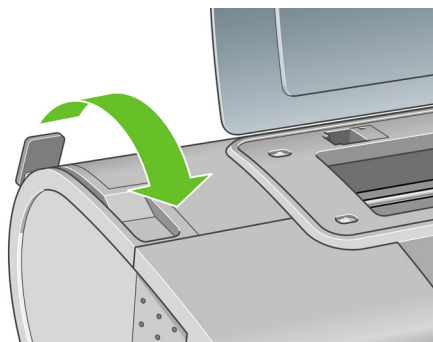
**WARNING!** Do not move the paper sideways, as it could damage the printer.



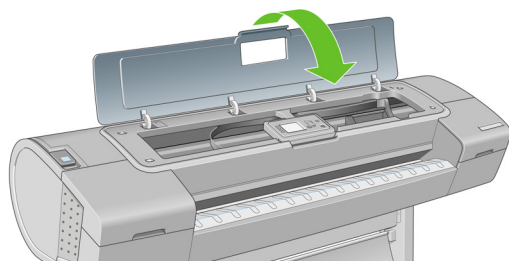
- Carefully remove all small pieces of paper.



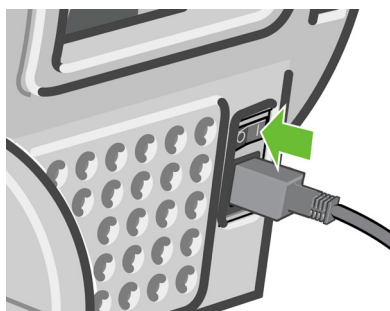
- Lower the blue lever.



9. Close transparent window.



10. Switch on the printer.



11. Reload the roll, or load a new sheet. See Load a roll into the printer or Load a single sheet in Using your printer.




---

**NOTE** If you find that there is still some paper causing an obstruction within the printer, restart the procedure and carefully remove all pieces of paper.

---

## Prints do not fall nicely into the basket

- Ensure the basket is correctly installed.
- Ensure the basket is open.
- Ensure the basket not full.
- Paper often tends to curl near the end of a roll, which can cause output problems. Load a new roll, or remove prints manually as they are completed.

## The sheet stays in the printer when the print has been completed

The printer holds the paper to allow the print to dry after printing, see [Change the drying time](#). If the paper is only partially ejected after the drying time, gently pull the sheet out of the printer. If the automatic cutter is disabled, use the [Form feed and cut](#) key on the front panel, see [Feed and cut the paper](#).

## The paper is cut when the print has been completed

By default the printer cuts the paper after the drying time has been completed, see [Change the drying time](#). You can disable the cutter, see [Turn the automatic cutter on and off](#).



## The cutter does not cut well

By default the printer is set to automatically cut the paper after the drying time has been completed. However, there are some papers that cannot be cut, such as canvas or very thick paper, even when the **Form feed and cut** key is pressed.

If the cutter is turned on but not cutting correctly, check that the cutter rail is clean and clear of any obstacles.

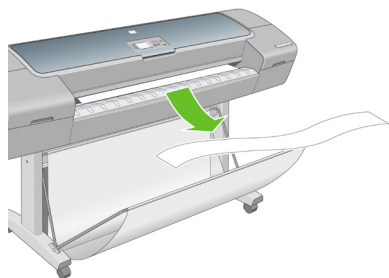
If the cutter is turned off, or the paper selected is canvas, the **Form feed and cut** key only advances the paper. Use this key to move the print far enough out of the front of the printer, until it is convenient to manually cut with a straight edge or scissors.

## The roll is loose on the spindle

The roll may need to be replaced or reloaded. If your roll has a three-inch cardboard core, ensure the core adaptors supplied with the printer have been installed, see [Load a roll onto the spindle](#).

## A strip stays on the output tray and generates jams

If a small piece of paper (200 mm or smaller) has been cut, such as before (if new roll) and after a full-bleed print or after the **Form feed and cut** key has been pressed, the cut strip remains in the output tray. Only when the printer is not working, reach in the tray and remove the strip.



## Recalibrate the paper advance

Accurate paper advance is important to image quality because it is part of controlling the proper placement of dots on the paper. If the paper is not advanced the proper distance between printhead passes, light or dark bands appear in the print and image grain may increase.

The printer is calibrated to advance correctly with all the papers appearing in the front panel. When you select the type of loaded paper, the printer adjusts the rate at which to advance the paper while printing. However, if you are using custom paper or not satisfied with the default calibration of your paper, you may need to recalibrate the rate at which the paper advances. See [Troubleshooting print-quality issues](#) for steps to determine if paper advance calibration will solve your issue.

You can check the paper advance calibration status of the currently loaded paper at any time by pressing the [View loaded paper](#) key on the front panel. The status may be one of the following.

- **DEFAULT:** This status appears when loading an HP paper. HP papers in the Front Panel have been optimized by default and unless you experience image quality problems in your printed image such as banding or graininess it is not recommended to recalibrate the paper advance.
- **RECOMMENDED:** This status appears when a new paper is created. The paper advance values for this paper are inherited from the family type. In these cases it is recommended you perform a paper advance calibration to optimize the values.
- **OK:** This status indicates that the loaded paper has been calibrated before. However you may need to repeat the calibration if you experience image quality problems such as banding or graininess in your printed image.




**NOTE** Whenever you update the printer's firmware, the paper advance calibration values will be reset to factory default, see [Update the firmware](#).



**CAUTION** Transparent papers and films must be calibrated using the Image Quality Maintenance menu, **Advance > Adjust paper advance**, from step four in the Recalibrating the paper advance procedure.


## Recalibrating the paper advance procedure

1. Press the **Menu** key to return to the main menu and select the Image Quality Maintenance menu icon , then **Calibrate paper advance**. The printer automatically recalibrates the paper advance and prints a paper advance calibration image.
2. Wait until the front panel displays the status screen and re-print your print.




**NOTE** The recalibration procedure takes approximately three minutes. Do not worry about the paper advance calibration image. The front-panel display shows any errors in the process.

If you are satisfied with your print continue using this calibration for your paper type. If you see improvement in your print, continue with step three. If you are dissatisfied with the recalibration, return to the default calibration, see [Return to default calibration](#).

3. If you would like to fine-tune the calibration or are using a transparent paper, press the **Menu** key to return to the main menu and select the Image Quality Maintenance menu icon , then **Advance > Adjust paper advance**.
4. Select the percentage of change from -100% to 100%. To correct light banding, decrease the percentage. To correct dark banding, increase the percentage.
5. Press the **OK** key on the front panel, to save the value.
6. Wait until the front panel displays the status screen and re-print your print.

## Return to default calibration

Returning to the default calibration sets all the corrections made by the paper advance calibration to zero. To return to the default paper advance calibration value, you must reset the calibration.

1. Press the **Menu** key to return to the main menu and select the Image Quality Maintenance menu icon , then **Advance > Reset paper advance**
2. Wait until the front panel displays the operation has completed successfully before pressing the **Back** key to return to the main menu.



---

# 12 Troubleshooting print-quality issues

- [General advice](#)
- [Print quality troubleshooting wizard](#)
- [Horizontal lines across the image \(banding\)](#)
- [Lines are too thick, too thin, or missing](#)
- [Lines appear stepped or jagged](#)
- [Lines print double or in the wrong colors](#)
- [Lines are discontinuous](#)
- [Lines are blurred](#)
- [The whole image is blurry or grainy](#)
- [The paper is not flat](#)
- [The print is scuffed or scratched](#)
- [Ink marks on the paper](#)
- [Edges of objects are stepped or not sharp](#)
- [Edges of objects are darker than expected](#)
- [Bronzing](#)
- [Black and white prints do not look neutral](#)
- [Horizontal lines at the end of a cut sheet print](#)
- [Vertical lines of different colors](#)
- [White spots on the print](#)
- [Colors are inaccurate](#)
- [The image is incomplete \(clipped at the bottom\)](#)
- [The image is clipped](#)
- [Some objects are missing from the printed image](#)
- [A PDF file is clipped or objects are missing](#)
- [The Image Diagnostics Print](#)
- [If you still have a problem](#)

## General advice

When you have any print-quality problem:

- To achieve the best performance from your printer, use only genuine manufacturer's supplies and accessories, whose reliability and performance have been thoroughly tested to give trouble-free performance and best-quality prints. For details of recommended papers, see [Order paper](#).
- Make sure that the paper type selected in the front panel is the same as the paper type loaded into the printer. To check this, use the [View loaded paper](#) key on the front panel. At the same time, check that the paper type has been calibrated. Also make sure that the paper type selected in your software is the same as the paper type loaded into the printer.



**CAUTION** If you have the wrong paper type selected, you could experience poor print quality and incorrect colors, and perhaps even damage to the printheads.

- Check that you are using the most appropriate print-quality settings for your purposes (see [Printing](#)). You are likely to see lower print quality if you have moved the print-quality slider to the 'Speed' end of the scale, or set the custom quality level to **Fast**.
- Check that your environmental conditions (temperature, humidity) are in the recommended range. See [Environmental specifications](#).
- Check that your ink cartridges and printheads have not passed their expiration dates: see [Maintain the ink cartridges](#).

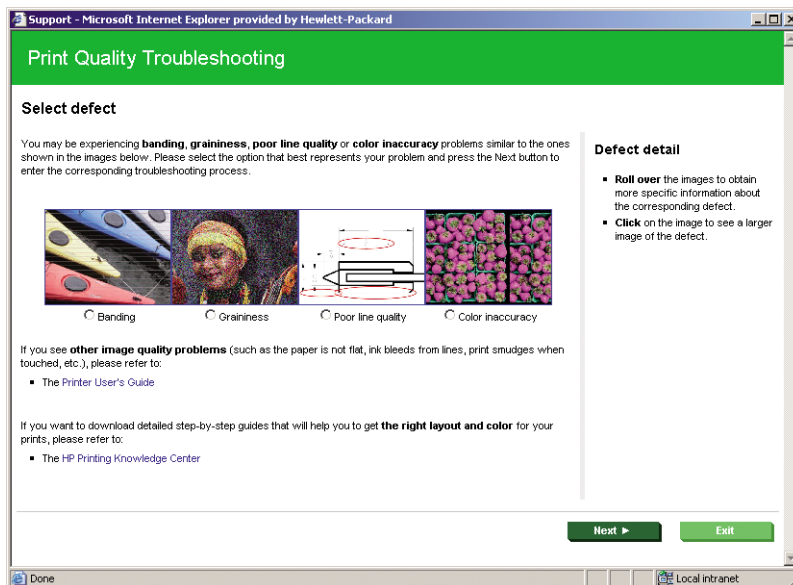
## Print quality troubleshooting wizard

The Print Quality Troubleshooting Wizard can help with the following problems:

- Horizontal lines across the image (banding)
- The whole image is blurry or grainy
- Lines are too thick, too thin, or missing
- Colors are inaccurate

To start the wizard:

- **From HP Easy Printer Care under Windows:** go to the **Support** tab, and select **Print quality troubleshooting**.
- **From HP Printer Utility under Mac OS:** select **Support**, then **Print quality troubleshooting**.
- **From the Mac OS Print dialog:** go to the **Services** panel, select **Device Maintenance**, then select **Print quality troubleshooting** from the list of maintenance tasks.
- **From the Embedded Web Server:** go to the **Support** tab, select **Troubleshooting**, then select **Print quality troubleshooting**.



Alternatively, or if you have other print quality problems, you can continue reading this chapter.

## Horizontal lines across the image (banding)

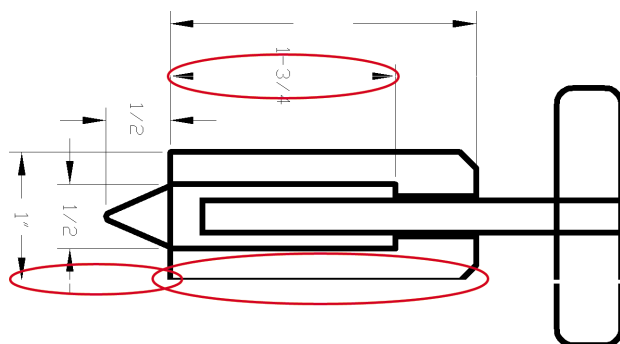
If your printed image suffers from added horizontal lines as shown (the color may vary):




1. Check that the paper type you have loaded corresponds to the paper type selected in the front panel and in your software. To check on the front panel, use the [View loaded paper](#) key.
2. Check that you are using appropriate print-quality settings for your purposes (see [Printing](#)). In some cases, you can overcome a print-quality problem merely by selecting a higher print-quality level. For instance, if you have set the Print Quality slider to **Speed**, try setting it to **Quality**; if you have already set it to **Quality**, try selecting custom options and then **More Passes**. If you change the print-quality settings, you may wish to reprint your job at this point in case the problem has been solved.
3. Print the Image Diagnostics Print. See [The Image Diagnostics Print](#).
4. If the printheads are working correctly, go to the front panel and press the [View loaded paper](#) key to see the paper advance calibration status. If the status is RECOMMENDED, you should perform paper advance calibration: see [Recalibrate the paper advance](#).

If the problem persists despite all the above actions, contact your customer service representative for further support.

## Lines are too thick, too thin, or missing



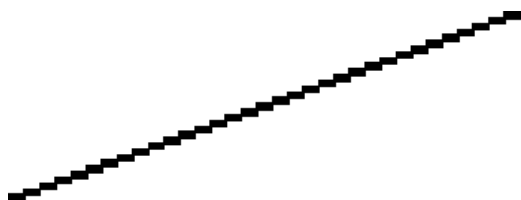
1. Check that the paper type you have loaded corresponds to the paper type selected in the front panel and in your software. To check on the front panel, use the [View loaded paper](#) key.
2. Check that you are using appropriate print-quality settings for your purposes (see [Printing](#)). Select the custom print-quality options in the driver dialog (Mac OS Print dialog), and try turning on the **Maximum detail** option. You may wish to reprint your job at this point in case the problem has been solved.
3. If the resolution of your image is greater than the printing resolution, you may notice a loss of line quality. You can find the **Max. Application Resolution** option in the Windows driver dialog's **Advanced** tab, under **Document Options > Printer Features**. If you change this option, you may wish to reprint your job at this point in case the problem has been solved.
4. If lines are too thin or missing, print the Image Diagnostics Print. See [The Image Diagnostics Print](#).
5. If the problem remains, go to the front panel and select the Ink menu icon , then **Printhead information** to see the printhead alignment status. If the status is PENDING, you should align the printheads. See [Align the printheads](#). After alignment, you may wish to reprint your job in case the problem has been solved.
6. Go to the front panel and press the [View loaded paper](#) key to see the paper advance calibration status. If the status is RECOMMENDED, you should perform paper advance calibration: see [Recalibrate the paper advance](#).

If the problem persists despite all the above actions, contact your customer service representative for further support.

## Lines appear stepped or jagged

If lines in your image appear stepped or jagged when printed:



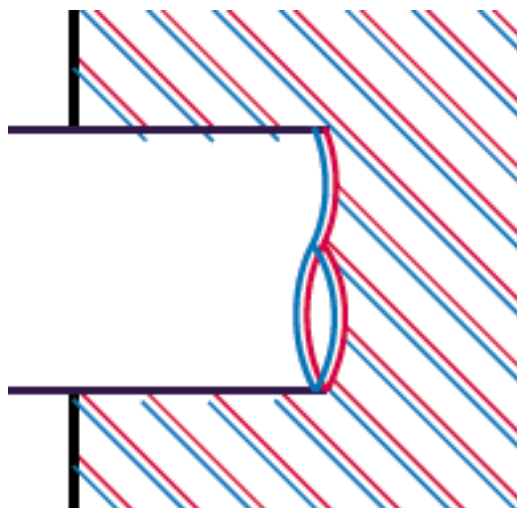


1. The problem may be inherent in the image. Try to improve the image with the application you are using to edit it.
2. Check that you are using appropriate print-quality settings. See [Printing](#).
3. Select the custom print-quality options in the driver dialog (Mac OS Print dialog), and turn on the **Maximum detail** option.
4. Change your image rendering resolution to 300 dpi or 600 dpi depending on your printing needs. You can find the **Max. Application Resolution** option in the Windows driver dialog's **Advanced** tab, under **Document Options > Printer Features**.

## Lines print double or in the wrong colors

This problem can have various visible symptoms:

- Colored lines are printed double, in different colors.



- The borders of colored blocks are wrongly colored.



To correct this kind of problem:

1. Reseat the printheads by removing them and then reinserting them. See [Remove a printhead](#) and [Insert a printhead](#).
2. Align the printheads. See [Align the printheads](#).

## Lines are discontinuous

If your lines are broken in the following way:



1. Check that you are using appropriate print-quality settings. See [Printing](#).
2. Reseat the printheads by removing them and then reinserting them. See [Remove a printhead](#) and [Insert a printhead](#).
3. Align the printheads. See [Align the printheads](#).

## Lines are blurred




Humidity can cause ink to soak into the paper, making the lines blurred and fuzzy. Try the following:

1. Check that your environmental conditions (temperature, humidity) are suitable for high-quality printing. See [Environmental specifications](#).
2. Check that the paper type selected in the front panel is the same as the paper type you are using. To check on the front panel, use the [View loaded paper](#) key.
3. Try changing to a heavier paper type, such as HP Heavyweight Coated Paper, HP Super Heavyweight Coated Paper, or Digital Fine Art paper.
4. If you are using glossy paper, try changing to a different type of glossy paper.

5. Select the custom print-quality options in the driver dialog (Mac OS Print dialog), and turn on the **More passes** option.
6. Align the printheads. See [Align the printheads](#).

## The whole image is blurry or grainy



1. Check that the paper type you have loaded corresponds to the paper type selected in the front panel and in your software. To check on the front panel, use the **View loaded paper** key.
2. Check that you are printing on the correct side of the paper.
3. Check that you are using appropriate print-quality settings (see [Printing](#)). In some cases, you can overcome a print-quality problem merely by selecting a higher print-quality level. For instance, if you have set the Print Quality slider to **Speed**, try setting it to **Quality**; if you have already set it to **Quality**, try selecting custom options and then **More Passes**. If you change the print-quality settings, you may wish to reprint your job at this point in case the problem has been solved.
4. Go to the front panel and select the Ink menu icon , then **Printhead information** to see the printhead alignment status. If the status is PENDING, you should align the printheads. See [Align the printheads](#). After alignment, you may wish to reprint your job in case the problem has been solved.
5. Go to the front panel and press the **View loaded paper** key to see the paper advance calibration status. If the status is RECOMMENDED, you should perform paper advance calibration: see [Recalibrate the paper advance](#).

If the problem persists despite all the above actions, contact your customer service representative for further support.

## The paper is not flat

If the paper does not lie flat when it comes out of the printer, but has shallow waves in it, you are likely to see defects in the printed image, such as vertical stripes. This can happen when you use thin paper that becomes saturated with ink.



1. Check that the paper type you have loaded corresponds to the paper type selected in the front panel and in your software. To check on the front panel, use the [View loaded paper](#) key.
2. Try changing to a thicker paper type, such as HP Heavyweight Coated Paper, HP Super Heavyweight Coated Paper, or thicker Digital Fine Art papers.

## The print is scuffed or scratched

The black ink pigment can be scuffed or scratched when touched by a finger, a pen, or some other object. This is particularly noticeable on coated paper, matte proofing paper, and fine art material.

Glossy paper may be extremely sensitive to the basket or to anything else that it contacts soon after printing, depending on the amount of ink used and the environmental conditions at the time of printing.

To reduce the risk of scuffs and scratches:

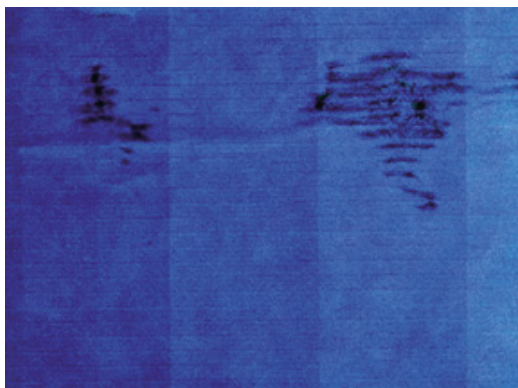
- Handle prints carefully.
- Avoid stacking prints on top of each other.
- Disable the automatic cutter before printing, so that the print will not fall into the basket. See [Turn the automatic cutter on and off](#). Alternatively, leave a sheet of paper in the basket so that freshly printed sheets do not make direct contact with the basket.

## Ink marks on the paper

This problem can occur for several different reasons.

### Horizontal smears on the front of coated paper

If a lot of ink is used on plain or coated paper, the paper absorbs the ink quickly and expands. As the printheads move over the paper, the printheads may come into contact with the paper and smear the printed image. This problem is normally seen only on cut sheets of paper (not on roll paper).



Whenever you notice this problem, cancel the printing job immediately. Press the **Cancel** key and also cancel the job from your computer application. Soaked paper can damage the printheads.

Try the following suggestions to avoid this problem:

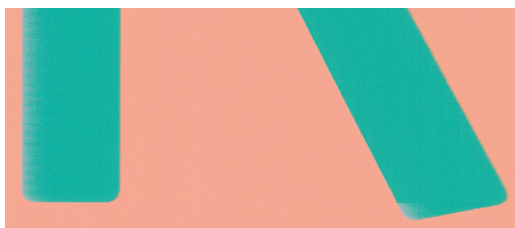
1. Check that the paper type you have loaded corresponds to the paper type selected in the front panel and in your software. To check on the front panel, use the **View loaded paper** key.
2. Use a recommended paper type (see [Order paper](#)) and the correct print settings.
3. If using sheet paper, try rotating the sheet 90 degrees. The orientation of the paper fibers may affect performance.
4. Try changing to a thicker paper type, such as HP Heavyweight Coated Paper, HP Super Heavyweight Coated Paper, or thicker Digital Fine Art papers.
5. Try to increase the margins by relocating the image to the center of the page using your software application.

## Ink marks on the back of the paper

This can happen after a lot of borderless printing, especially with non-standard paper sizes. Ink residues on the platen are likely to mark the back of the paper.

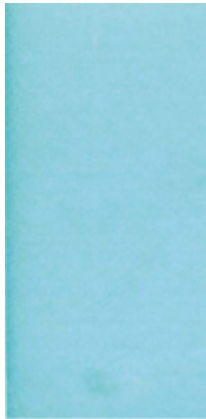
Clean the platen with a soft cloth. Clean each rib separately without touching the foam between the ribs.

## Edges of objects are stepped or not sharp



If edges of objects or lines appear to be poorly defined or lighter in density, and you have already set the print-quality slider to **Quality** in the driver dialog (Mac OS Print dialog), select the custom print-quality options, and try setting the quality level to **Normal**. See [Printing](#).

## Edges of objects are darker than expected



If edges of objects seem darker than expected, and you have already set the print-quality slider to **Quality** in the driver dialog (Mac OS Print dialog), select the custom print-quality options, and try setting the quality level to **Normal**. See [Printing](#).

## Bronzing

If you are printing on photo paper with gray and black ink only, and you experience a gloss differential problem when fluorescent light is directly reflected towards you from the print, producing 'bronzed' reflections from the ink, try one of the following:

- Use the **Full set of inks** option (see [Print in gray shades](#))
- Display the print vertically or behind glass

## Black and white prints do not look neutral

Consider using the **Gray and Black inks only** only. See [Print in gray shades](#).

## Horizontal lines at the end of a cut sheet print

This type of defect affects only the end of a print, within approximately 30 mm of the trailing edge of the paper. You may see some very thin horizontal lines across the print.

To avoid this problem:

1. Print the Image Diagnostics Print. See [The Image Diagnostics Print](#).
2. Consider printing with roll paper.
3. Consider using larger margins around your image.

## Vertical lines of different colors

If your print has vertical bands of different colors along it:

1. Try using thicker paper, choosing from the recommended paper types such as HP Heavyweight Coated Paper and HP Super Heavyweight Paper. See [Order paper](#).
2. Try using higher print-quality settings (see [Printing](#)). For instance, if you have set the Print Quality slider to **Speed**, try setting it to **Quality**; if you have already set it to **Quality**, try selecting custom options and then **More Passes**.

## White spots on the print

You may notice white spots on the print. This is probably due to paper fibers, dust, or loose coating material. To avoid this problem:

1. Try cleaning the paper manually with a brush before printing, to remove any loose fibers or particles.
2. Always keep the cover of your printer closed.
3. Protect your paper rolls and sheets by storing them in bags or boxes.

## Colors are inaccurate



If the colors of your print do not match your expectations, try the following:

1. Check that the paper type you have loaded corresponds to the paper type selected in the front panel and in your software. To check on the front panel, use the [View loaded paper](#) key. At the same time, check the color calibration status. If the status is RECOMMENDED or OBSOLETE, you should perform color calibration: see [Color calibration](#). If you have made any changes, you may wish to reprint your job in case the problem has been solved.
2. Check that you are printing on the correct side of the paper.
3. Check that you are using appropriate print-quality settings (see [Printing](#)). If you have selected the **Speed** or **Fast** options, you may not get the most accurate colors. If you change the print-quality settings, you may wish to reprint your job at this point in case the problem has been solved.
4. If you are using Application Color Management, check that the color profile you are using corresponds to the selected paper type and print-quality settings. If you have doubts about which color settings to use, see [Color management](#). If you need to create a color profile, see [Color profiling](#).
5. If the problem consists of color differences between your print and your monitor, please follow the instructions in the “How to calibrate your monitor” section of the HP Color Center. At this point, you may wish to reprint your job in case the problem has been solved.
6. Print the Image Diagnostics Print. See [The Image Diagnostics Print](#).

If the problem persists despite all the above actions, contact your customer service representative for further support.


## Color accuracy using EPS or PDF images in page layout applications

Page layout applications such as Adobe InDesign and QuarkXPress do not support color management of EPS, PDF, or grayscale files.

If you have to use such files, try to ensure that the EPS, PDF, or grayscale images are already in the same color space that you intend to use later on in Adobe InDesign or QuarkXPress. For instance, if

your final goal is to print the job in a press that follows the SWOP standard, convert the image into SWOP when you create it.

## The image is incomplete (clipped at the bottom)

- Did you press **Cancel** before all the data were received by the printer? If so, you have ended the data transmission and will have to print the page again.
- The **I/O timeout** setting may be too short. This setting determines how long the printer waits for the computer to send more data, before deciding that the job is finished. From the front panel, increase the **I/O timeout** setting to a longer period and then send the print again. From the Connectivity menu , select **Advanced > Select I/O timeout**.
- There may be a communications problem between your computer and the printer. Check your USB or network cable.
- Check to make sure that your software settings are correct for your current page size (for example, long-axis prints).
- If you are using network software, make sure it has not timed out.

## The image is clipped

Clipping normally indicates a discrepancy between the actual printable area on the loaded paper and the printable area as understood by your software. You can often identify this kind of problem before printing by previewing your print (see [Preview a print](#)).

- Check the actual printable area for the paper size you have loaded.  
printable area = paper size – margins
- Check what your software understands to be the printable area (which it may call "printing area" or "imageable area"). For example, some software applications assume standard printable areas that are larger than those used in this printer.
- If you have defined a custom page size with very narrow margins, the printer may impose its own minimal margins, clipping your image slightly. You may want to consider using a larger paper size, or borderless printing (see [Select margins options](#)).
- If your image contains its own margins, you may be able to print it successfully by using the **Clip Contents by Margins** option (see [Select margins options](#)).
- If you are trying to print a very long image on a roll, check that your software is capable of printing an image of that size.
- You may have asked to rotate the page from portrait to landscape on a paper size that is not wide enough.
- If necessary, reduce the size of the image or document in your software application, so it fits between the margins.

There is another possible explanation for a clipped image. Some applications, such as Adobe Photoshop, Adobe Illustrator, and CorelDRAW, use an internal 16-bit coordinate system which means that they cannot handle an image of more than 32,768 pixels. If you try to print an image larger than this from these applications, the bottom of the image will be clipped. In this case, the only way to print the whole image is to reduce the resolution so that the whole image requires fewer than 32,768 pixels. The Windows driver dialog includes an option called **16-bit App. Compatibility**, which can be used to reduce the resolution of such images automatically. You can find this option in the **Advanced** tab, under **Document Options > Printer Features**.



## Some objects are missing from the printed image

Large quantities of data may be necessary to print a high-quality large-format print job, and in some specific workflows there may be issues that can lead to some objects missing from the output. Here are some recommendations for the use of the Windows driver dialog in these cases.

- In the **Advanced** tab, select **Document options**, **Printer features**, and set **Send job as bitmap** to **Enabled** (HP-GL/2 driver only).
- In the **Advanced** tab, select **Document options**, **Printer features**, and set **16-bit App. Compatibility** to **Enabled**.
- In the **Advanced** tab, select **Document options**, **Printer features**, and set **Max. Application resolution** to 300.

The above settings are mentioned for troubleshooting purposes and may adversely affect the final output quality or the time necessary to generate the print job. Therefore, they should be restored to their default values if they do not help to solve the problem.

If you are working under Mac OS, the above settings are not available. Instead, you could try reducing the resolution of bitmap images in your application software.


## A PDF file is clipped or objects are missing

In older versions of Adobe Acrobat or Adobe Reader, large PDF files could be clipped or lose some objects when printing with the HP-GL/2 driver at high resolution. In order to avoid such problems, upgrade your Adobe Acrobat or Adobe Reader software to the latest version. From version 7 onwards, these problems should be solved.

## The Image Diagnostics Print

The Image Diagnostics Print consists of patterns designed to highlight printhead reliability problems. It helps you to check the performance of the printheads that are currently installed in your printer, and whether any printhead suffers from clogging or other problems.

To print the Image Diagnostics Print:

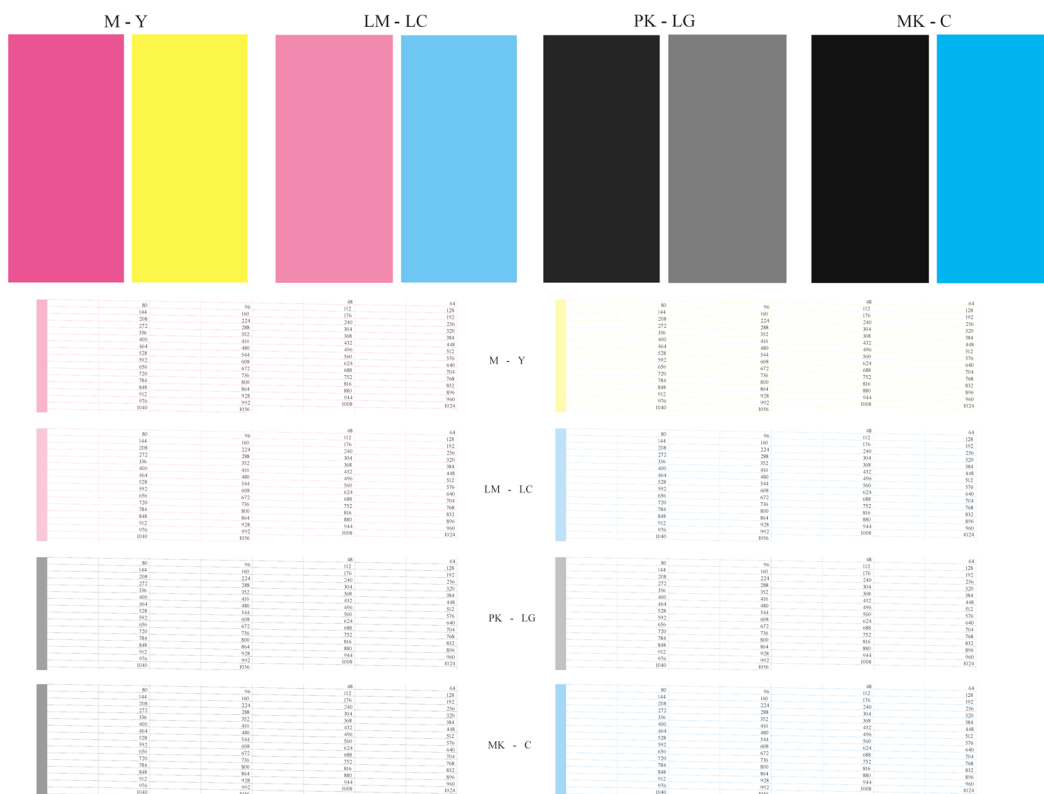
1. Use the same paper type that you were using when you detected a problem.
2. Use the **View loaded paper** key on the front panel to check that the selected paper type is the same as the paper type loaded into the printer.
3. At the printer's front panel, select the Image Quality Maintenance menu icon , then **Print diagnostic image**.

It takes about two minutes to print the Image Diagnostics Print.

The print is divided into two parts, both of which test printhead performance.

- Part 1 (top) consists of rectangles of pure colors, one for each printhead. This part represents the print quality that you will get from each color.
- Part 2 (bottom) consists of small dashes, one for each nozzle on each printhead. This part complements the first, and aims more specifically to detect how many faulty nozzles each printhead has.

Please look carefully at the print. The names of the colors are shown above the rectangles and in the center of the patterns of dashes.



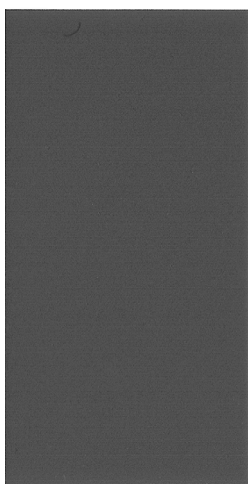
First look at the upper part of the print (part 1). Each colored rectangle should be a uniform color without any horizontal lines across it.

Then look at the bottom part of the print (part 2). For each individual colored pattern, check that most of the dashes are present.

If you see horizontal lines in part 1 and also missing dashes in part 2 for the same color, the printhead responsible needs cleaning. However, if the rectangles look solid, do not worry about just a few missing dashes in part 2; these are acceptable because the printer can compensate for a few clogged nozzles.

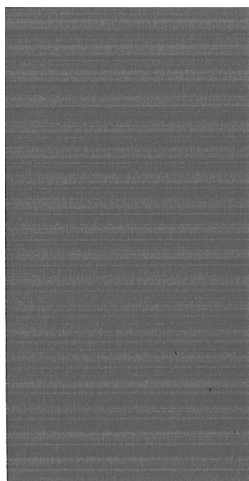
Here is an example of a light gray printhead in a good state:

LG



And here is an example of the same printhead in a bad state:

LG



## Corrective action

1. Clean any faulty printheads (see [Clean the printheads](#)). Then reprint the Image Diagnostics Print to see whether the problem has been solved.
2. If the problem remains, clean the printheads again, and reprint the Image Diagnostics Print to see whether the problem has been solved.
3. If the problem remains, consider cleaning your printheads manually (see [Clean the printheads](#)). You could also try reprinting your current print job, in case it now prints satisfactorily.
4. If the problem still remains, replace any persistently faulty printheads (see [Handling ink cartridges and printheads](#)), or contact HP Support (see [Contact HP Support](#)).

## If you still have a problem

If you still experience print-quality problems after applying the advice in this chapter, here are some further things that you can do:

- Try using a higher print-quality option. See [Printing](#).
- Check the driver you are using to print with. If it is a non-HP driver, consult the driver vendor about the problem. You could also try using the correct HP driver, if feasible. The latest HP drivers can be downloaded from <http://www.hp.com/go/designjet/>.
- If you are using a non-HP RIP, its settings may be incorrect. See the documentation that came with the RIP.
- Check that your printer's firmware is up to date. See [Update the firmware](#).
- Check that you have the right settings in your software application.



---

# 13 Troubleshooting ink cartridge and printhead issues

- [Cannot insert an ink cartridge](#)
- [Ink cartridge status messages](#)
- [Cannot insert a printhead](#)
- [The front-panel display recommends reseating or replacing a printhead](#)
- [Clean the printheads](#)
- [Clean the printhead drop detector](#)
- [Align the printheads](#)
- [Printhead status messages](#)

## Cannot insert an ink cartridge

1. Check that you have the correct type of cartridge (model number).
2. Check that the colored label on the cartridge is the same color as the label on the slot.
3. Check that the cartridge is correctly oriented, with the letter or letters marking the cartridge label right-side up and readable.



**CAUTION** Never clean inside the ink cartridge slots.

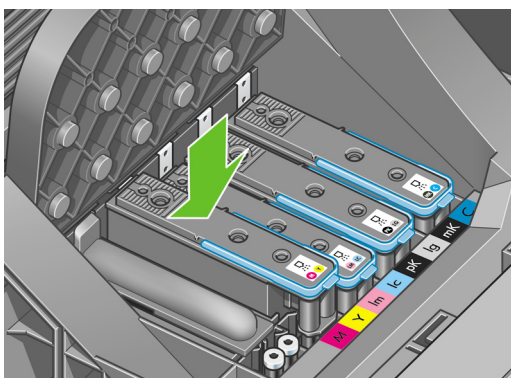
## Ink cartridge status messages

These are the possible ink cartridge status messages:

- **OK:** the cartridge is working normally, with no known problems.
- **Missing:** there is no cartridge present, or it is not correctly connected to the printer.
- **Low:** the ink level is low.
- **Very low:** the ink level is very low.
- **Empty:** the cartridge is empty.
- **Reseat:** you are recommended to remove the cartridge and then reinsert it.
- **Replace:** you are recommended to replace the cartridge with a new cartridge.
- **Altered:** there is something unexpected about the cartridge's status.
- **Expired:** it is past the cartridge's expiration date.

## Cannot insert a printhead

1. Check that you have the correct type of printhead (model number).
2. Check that you have removed the two orange protective caps from the printhead.
3. Check that the colored label on the printhead is the same color as the label on the slot.
4. Check that the printhead is correctly oriented (compare with the others).



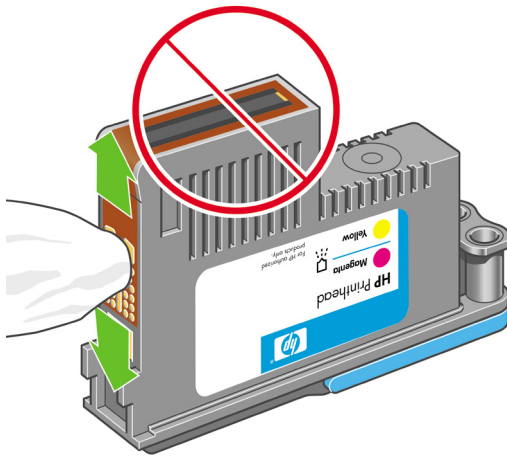
5. Check that you have correctly closed and latched the carriage lid, see [Insert a printhead](#).

## The front-panel display recommends reseating or replacing a printhead

1. From the front panel, turn the power off then on.
2. Check the front-panel display message, if it shows the ready message, the printer is ready to print. If the problem remains continue with the next step.
3. Remove the printhead, see [Remove a printhead](#).
4. Clean the electrical connections on the backside of the printhead with a lint free cloth. You can carefully use de-ionized or distilled water if moisture is needed to remove residue.



**WARNING!** This is a delicate process and may damage the printhead. Do not touch the nozzles on the bottom side of the printhead.




5. Reinsert the printhead, see [Insert a printhead](#).
6. Check the front-panel display message. If the problem remains, try a new printhead.

## Clean the printheads

As long as the printer is kept turned on, an automatic cleaning is performed periodically. This ensures there is fresh ink in the nozzles and prevents nozzle clogs, which ensures color accuracy. If you have not already done so, please see [The Image Diagnostics Print](#) before proceeding.

To clean the printheads, press the **Menu** key to return to the main menu and select the Image Quality

Maintenance menu icon , then **Clean printheads**. If you have gone through the Image Quality Diagnostic print process, you know which colors are failing. Select to the pair of printheads which contain the failing colors. If you are not sure which colors to clean, you can also select to clean all printheads. Cleaning all printheads takes about nine minutes. Cleaning a single pair of printheads takes about six minutes.



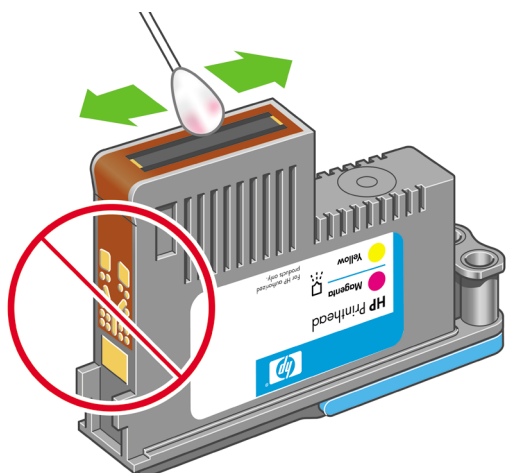
**NOTE** Cleaning all printheads uses more ink than cleaning a single pair.

If you have cleaned the printheads using the Clean printheads procedure from the front panel and are still experiencing image quality problems, you can try cleaning the printhead nozzles manually using the following procedure.



**WARNING!** This is a delicate process and may damage the printhead. Do not touch the electrical connections on the backside of the printhead.


Must remove the printhead (see [Remove a printhead](#)) and using a cotton swab and a little de-ionized or distilled water, clean the bottom of the printhead until the residue is removed.

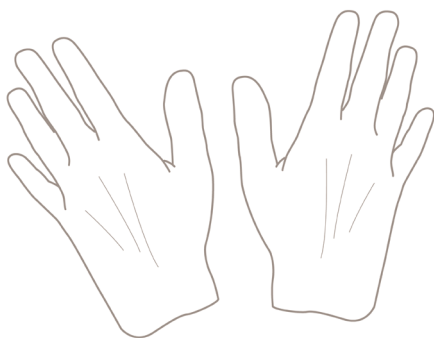


## Clean the printhead drop detector

The printhead drop detector is a sensor that detects which nozzles on the printheads are not printing in order to substitute them for good printing nozzles. If particles, such as fibers, hair, or paper pieces, block the sensor print quality is affected.

When the front panel displays a warning message that the clean process is needed, you are recommended to clean the printhead drop detector. If you do not clean the printhead drop detector immediately, the printer continues working normally, however, the front panel display continues to show the warning.

 **CAUTION** Wear gloves to avoid getting ink on your hands.

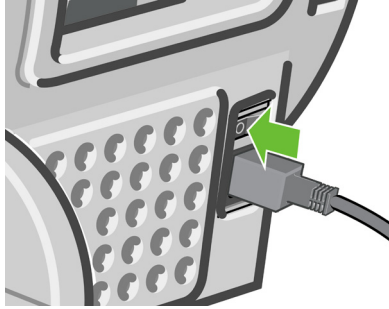


1. Turn off the printer at the front panel.

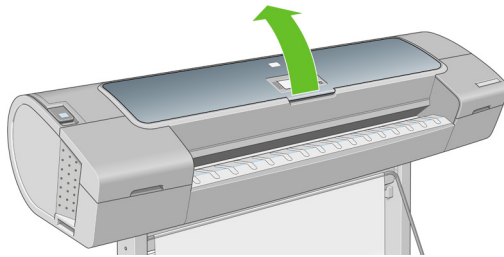




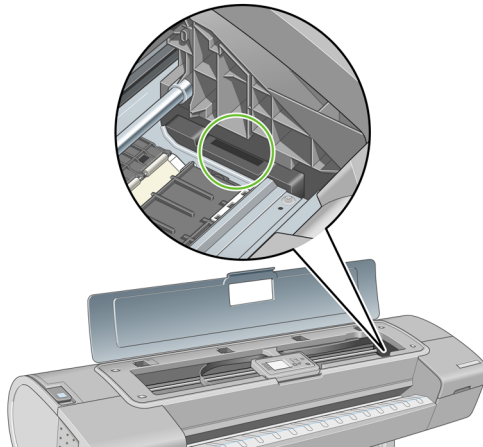
2. To avoid an electric shock, switch the printer off and unplugged it.



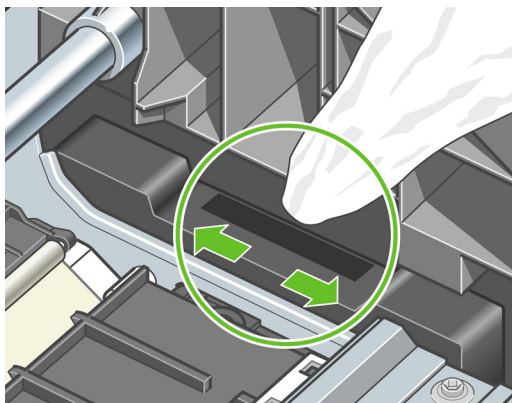
3. Open the transparent window.



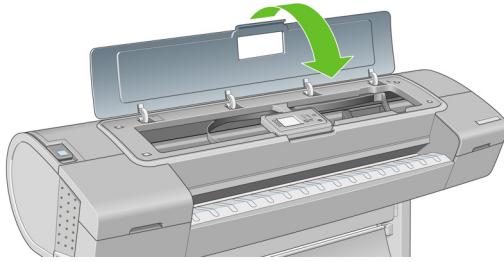
4. Find the printhead drop detector beside the stored printhead carriage.



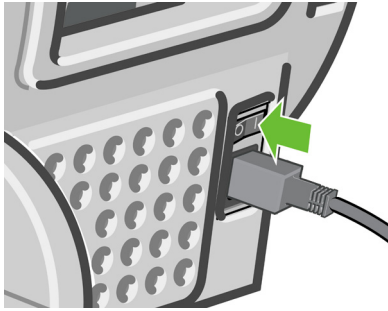
5. Remove any debris blocking the printhead drop detector.
6. With a dry lint free cloth, wipe the surface of the drop detector to remove any non-visible debris.



7. Close the window.



8. Plug in and switch on the printer.



9. Power the printer on at the front panel.




## Align the printheads

Precise alignment between printheads is essential for accurate colors, smooth color transitions, and sharp edges in graphical elements. Your printer has an automatic printhead alignment process which runs whenever a printhead has been accessed or replaced.

In cases where the paper has jammed, you have used a custom paper, or are experiencing problems with color accuracy (see [Color management](#)); you may need to align the printheads.



**NOTE** If the paper has jammed, it is recommended that you reinsert the printheads and initiate the realignment procedure with the Image Quality Maintenance menu .



**Tip** Photo paper is recommended for the best quality; plain, bond and thin coated papers provide acceptable but marginal results.



**WARNING!** Do not use transparent or semi-transparent paper to align the printheads.

## Reinsert printheads procedure

1. If the realignment process is running and the wrong paper is loaded, press the **Cancel** key on the front panel.



**CAUTION** Do not print if the realignment process has been canceled. You can restart the alignment with the Image Quality Maintenance menu procedure.

2. Load the paper you wish to use, see [Paper handling](#). You can use a roll or cut sheet, however, it must be A3 landscape or larger (420 by 297 mm). Photo paper is recommended for the best results.

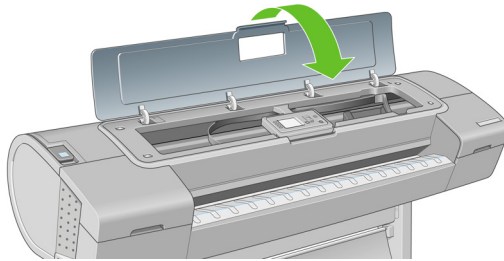


**NOTE** If you are using an A3 cut sheet, ensure it is loaded so the larger side feeds into the printer.



**WARNING!** Do not use transparent or semi-transparent paper to align the printheads.

3. Remove and re-insert all the printheads, see [Remove a printhead](#) and [Insert a printhead](#). This starts the printhead alignment procedure.
4. Ensure the transparent window is closed, as a strong light source near the printer during printhead realignment can affect alignment.



5. The process takes about six minutes. Wait until the front-panel display shows the process complete before using the printer.



**NOTE** The printer prints a calibration image. Do not worry about the image. The front-panel display shows any errors in the process.

## Image Quality Maintenance menu procedure


1. Load the paper you wish to use, see [Paper handling](#). You can use a roll or cut sheet, however, it must be A3 landscape or larger (420 by 297 mm). Photo paper is recommended for the best results; plain, bond and thin coated papers provide acceptable but marginal results.



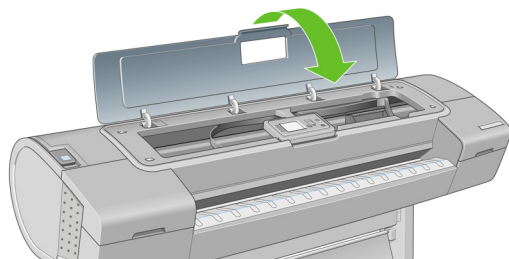
**NOTE** If you are using an A3 cut sheet, ensure it is loaded so the larger side feeds into the printer.



**WARNING!** Do not use transparent or semi-transparent paper to align the printheads.

2. Press the **Menu** key to return to the main menu and select the Image Quality Maintenance menu icon , then **Align printheads**. The printer checks to see if it has enough paper to run the realignment.

3. If the loaded paper is satisfactory, the printer runs the realignment and prints a realignment pattern. Ensure the transparent window is closed, as a strong light source near the printer during printhead realignment can affect alignment.



4. The process takes about five minutes. Wait until the front-panel display shows the process complete before using the printer.

## Scanning errors during alignment

If the alignment process fails, a Scanning problems message appears on the front panel. This means that the alignment has not completed successfully. Therefore the printer is not aligned and the alignment should be repeated before printing with good image quality. The problem may be due to:

- The paper used was not valid, repeat the alignment with valid paper
- Printhead health problems, clean printheads, see [Clean the printheads](#)
- The alignment was done with the transparent window open, repeat the alignment with the window closed

If the problem persists after using valid paper, cleaning the printheads, and keeping the window closed, there may be a failure in the scanning system needing reparation or the printheads, although clean, may not work and need to be replaced.

## Printhead status messages

These are the possible printhead status messages:

- **OK:** the printhead is working normally, with no known problems
- **Missing:** there is no printhead present, or it is not correctly installed in the printer.
- **Test printhead separately:** you are recommended to test the printheads individually to find the failing printhead. Remove all the printheads and insert them alone one by one, closing the latch and the carriage lid after every insertion. The front-panel display indicates the failing one showing the reset or replace message.
- **Reseat:** you are recommended to remove the printhead and then reinsert it. If that fails, clean the electrical connections, see [The front-panel display recommends reseating or replacing a printhead](#). If that fails, replace the printhead with a new printhead, see [Remove a printhead](#) and [Insert a printhead](#).
- **Replace:** the printhead is failing. Replace the printhead with a working printhead, see [Remove a printhead](#) and [Insert a printhead](#).
- **Replacement incomplete:** a printhead replacement process has not completed successfully, re-launch the replacement process and let it finish completely (it is not needed to change the printheads).
- **Remove:** the printhead is not a suitable type for use in printing.

---

# 14 Troubleshooting general printer issues

- [The printer does not print](#)
- [The printer seems slow](#)
- [Communication failures between computer and printer](#)
- [Cannot access HP Easy Printer Care \(Windows\) or HP Printer Utility \(Mac OS\)](#)
- [Cannot access the Embedded Web Server](#)
- [Automatic file system check](#)
- [An AutoCAD 2000 memory allocation error](#)
- [No output when printing from Microsoft Visio 2003](#)
- [Unavailable driver features when printing from QuarkXPress](#)
- [Printer alerts](#)

## The printer does not print

If all is in order (paper loaded, all ink components installed, and no file errors), there are still reasons why a file you have sent from your computer may not start printing when expected:

- You may have an electrical power problem. If there is no activity at all from the printer, and the front panel does not respond, check that the power cable is connected correctly and that there is power available at the socket.
- You may be experiencing unusual electromagnetic phenomena, such as strong electromagnetic fields or severe electrical disturbances, which can cause the printer to behave strangely or even stop working. In this case, turn off the printer using the **Power** key on the front panel and unplug the power cord, wait until the electromagnetic environment has returned to normal, then turn it on again. If you still experience problems, please contact your customer service representative.
- You may have the wrong graphic language setting, see [Change the graphic language setting](#).
- You may not have installed in your computer the correct driver for your printer, see the Setup instructions.
- If you are printing on a sheet, you must specify sheet as the paper source in HP Easy Printer Care (Windows) or HP Printer Utility (Mac OS).
- You may have requested a print preview from your printer driver. This is a function you can use to check that the image is the one you want. In this case, the preview is displayed on your screen, and you must click a button to start printing.

## The printer seems slow

Here are some possible explanations.

- Did you set the print quality to Best or Max Detail? Best-quality and maximum detail prints take longer as they require more passes.
- Did you specify the correct paper type when loading the paper? Photo and coated papers require more drying time between passes. To find out the printer's current paper type setting, see [View information about the paper](#). Some paper types require more time for printing.
- Do you have a network connection to your printer? Check that all components used in the network (network interface cards, hubs, routers, switches, cables) are capable of high-speed operation. Is there a lot of traffic from other devices on the network?
- Did you specify Extended drying time in the front panel? Try changing the drying time to Optimal.

## Communication failures between computer and printer

Some symptoms are:

- The front-panel display does not show the **Receiving** message when you have sent an image to the printer.
- Your computer displays an error message when you are trying to print.
- Your computer or printer hangs (stays idle), while communication is taking place.
- Your printed output shows random or inexplicable errors (mislaid lines, partial graphics etc.)

To solve a communication problem:



- Ensure that you have selected the correct printer in your application, see [Printing](#).
- Ensure that the printer works correctly when printing from other applications.
- Remember that very large prints may take some time to receive, process, and print.
- If the printer is connected to a network, try using it when connected directly to your computer through a USB cable.
- If your printer is connected to your computer through any other intermediate devices, such as switch boxes, buffer boxes, cable adapters, cable converters, etc., try using it when connected directly to your computer.
- Try another interface cable.
- Ensure that the graphic language setting is correct, see [Change the graphic language setting](#).
- If the printer is connected with a USB, try to disconnect and reconnect the USB cable with the computer.

## Cannot access HP Easy Printer Care (Windows) or HP Printer Utility (Mac OS)

If you have not done so already, please read [Access HP Easy Printer Care \(Windows\) or HP Printer Utility \(Mac OS\)](#).



**NOTE** Windows XP Professional x64 Edition does not support HP Easy Printer Care, therefore it cannot be installed by your printer's installer.

1. Press the **Menu** key to return to the main menu and select the Connectivity menu icon .
2. Select **Advanced > Web Services > Printer Utility Software > Enable**.
3. If you have a TCP/IP connection to your printer, press the **Menu** key to return to the main menu and select the Connectivity menu icon  again.
4. Select the type of connection you are using.
5. Select **View Information**.


If you still cannot connect, switch the printer off and back on with the **Power** key on the front panel.


## Cannot access the Embedded Web Server

If you have not done so already, please read [Access the Embedded Web Server](#).



**NOTE** If you connect directly to your printer with a USB cable, use HP Easy Printer Care (Windows) or HP Printer Utility (Mac OS).

1. Press the **Menu** key to return to the main menu and select the Connectivity menu icon .
2. Select **Advanced > Allow EWS > On**.

3. If you have a TCP/IP connection to your printer, press the **Menu** key to return to the main menu and select the Connectivity menu icon  again.
4. Select the type of connection you are using.
5. Select **View Information**.
6. Ensure that you see IP enabled. If not, you may need to use a different connection.

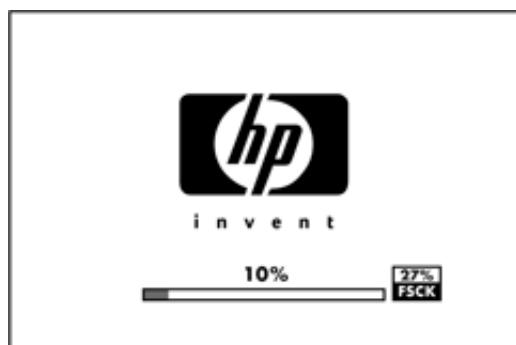
If you are using a proxy server, try bypassing the server and accessing the Web server directly.

- In Internet Explorer 6 for Windows, go to **Tools > Internet Options > Connections > LAN Settings**, and check the **Bypass proxy server for local addresses** box. Alternatively, for more precise control, click the **Advanced** button and add the printer's IP address to the list of exceptions, for which the proxy server is not used.
- In Safari for Mac OS, go to **Safari > Preferences > Advanced** and click the **Proxies: Change Settings** button. Add the printer's IP address or its domain name to the list of exceptions, for which the proxy server is not used.

If you still cannot connect, switch the printer off and back on with the **Power** key on the front panel.

## Automatic file system check

When you turn on the printer, you will occasionally see a front panel display similar to the one shown below.



A file system check is taking place; it can take up to 40 minutes. Please wait until it finishes.



**CAUTION** If you turn the printer off before the file system check has finished, the file system could be seriously damaged, making the printer's hard disk unusable. In any case, the file system check will restart from the beginning whenever you turn the printer on again.

A file system check is scheduled every 90 days, in order to maintain the hard disk's file system integrity.

## An AutoCAD 2000 memory allocation error

After installing the printer driver, when you try to print for the first time from AutoCAD 2000, you may see a message saying **Memory allocation error**, after which your image is not printed.

This is due to a problem in AutoCAD 2000, and it can be fixed by downloading the Plotting Update Patch (**plotupdate.exe**) from the Autodesk Web site, <http://www.autodesk.com/>.

This patch is also worth trying if you have any other strange problems when printing from AutoCAD 2000.



## No output when printing from Microsoft Visio 2003

For more information about problems when printing large images (more than 129 inches long) from Microsoft Visio 2003, see Microsoft's online knowledge base (<http://support.microsoft.com/search/>).

To avoid these problems, it is possible to scale the image down in Visio to a size shorter than 129 inches and then to scale the drawing up in the driver by using the **Scale to** options in the Effects tab of the Windows driver. If the down-scaling in the application and the up-scaling in the driver match, the result is as originally intended.

## Unavailable driver features when printing from QuarkXPress

When you print from QuarkXPress, the following driver features are not available.

- Print Preview
- Rotation
- Scaling
- Office features or paper saving options
- Back to front printing

If you are using the HP-GL/2 driver, the following features are not available.

- Print Preview
- Back to front printing

To get the same results, use the equivalent features available in QuarkXPress.

## Printer alerts

Your printer can communicate are two types of alerts:

- **Errors:** Mainly alerting you to the fact that the printer is unable to print. However, in the driver, errors can also alert you to conditions that could ruin the print, such as clipping, even if the printer is able to print.
- **Warnings:** Alert you when the printer needs attention either for an adjustment, such a calibration or for a possible unprintable situation, such a preventive maintenance or low ink.

There are four different alerts communicators within your printer's system.

- **Front-panel display:** The front panel only shows the most relevant alert at a time. It generally requires the user to press the **OK** key for confirmation, but in the case of a warning, it disappears after a timeout. There are permanent alerts, such as "ink cartridge low on ink", that reappear when the printer becomes idle and there is not another more severe alert.
- **HP Easy Printer Care (Windows) or HP Printer Utility (Mac OS):** These applications have a section in the Overview tab called "Items needing attention". All the alerts currently present in the printer are listed under this section. If alerts are enabled and there is a problem that prevents printing, the user is shown a pop-up window that explains why the printer is not going to print. These pop-up alerts are configurable also as desktop alerts.

- **Embedded Web Server:** The upper-right corner of the EWS screen shows the Printer status. If there is an alert in the printer, the status shows the alert text. Both the front-panel display and the EWS show the same alert.
- **Driver:** The driver shows alerts. The driver warns about job configuration settings that may produce a problem in the final output. If the printer is not ready to print, it displays a warning.

# 15 Front-panel error messages

Occasionally you may see one of the following messages appear on the front-panel display. If so, please follow the advice in the Recommendation column.

If you see an error message that does not appear here, and you feel in doubt about the correct response, contact HP Support. See [Contact HP Support](#).

**Table 15-1** Text messages

Message	Recommendation
[Color] cartridge has expired	Replace the cartridge. See <a href="#">Handling ink cartridges and printheads</a> .
[Color] cartridge is missing	Insert a cartridge of the correct color. See <a href="#">Handling ink cartridges and printheads</a> .
[Color] cartridge is out of ink	Replace the cartridge. See <a href="#">Handling ink cartridges and printheads</a> .
[Color] printhead #[n] error: not present	Insert the correct printhead. See <a href="#">Handling ink cartridges and printheads</a> .
[Color] printhead #[n] error: please remove	Remove the incorrect printhead and insert a new printhead of the correct type (color and number). See <a href="#">Handling ink cartridges and printheads</a> .
[Color] printhead #[n] error: replace	Remove the non-functional printhead and insert a new printhead. See <a href="#">Handling ink cartridges and printheads</a> .
[Color] printhead #[n] error: reseal	Remove and reinsert the same printhead, or try cleaning the electrical connections. If necessary, insert a new printhead. See <a href="#">The front-panel display recommends resealing or replacing a printhead</a> .
[Color] printhead #[n] out of warranty	The printhead's warranty has expired, because of the length of time it has been in operation or because of the volume of ink used.
[Color] printhead #[n] warranty warning	The printhead's warranty may be invalidated by the use of the wrong kind of ink.
IO error	Restart the printer. If the problem persists, contact HP Support. See <a href="#">Contact HP Support</a> .
IO warning	Try again; if the problem persists, contact HP Support. See <a href="#">Contact HP Support</a> .
Paper advance calibration pending	Perform paper advance calibration. See <a href="#">Recalibrate the paper advance</a> .
Paper too small to print paper advance calibration	Unload paper and load larger paper.
Paper too small to scan paper advance calibration	Unload paper and load larger paper.
PDL Error: Ink system not ready	Clean the printheads. See <a href="#">Clean the printheads</a> .

**Table 15-1** Text messages (continued)

Message	Recommendation
PDL Error: Job clipped	The image is too large for the paper or for the printer. Load larger paper if possible, or reduce the image size.
PDL Error: memory full	Restart the printer and try resending the job; if necessary, reduce the complexity of the job.
PDL Error: out of paper	Load more paper.
PDL Error: parsing error	The print job is unintelligible to the printer. Try to recreate and resend it. Check your cable connections.
PDL Error: print mode error	The paper type or print quality specified for the job are incorrect. Change the loaded paper type or the print settings.
PDL Error: printing error	Try sending the job again.
PDL Error: virtual memory full	Restart the printer and try resending the job; if necessary, reduce the complexity of the job.
Printhead alignment error: paper too small	Unload paper and load larger paper.
Replace [color] cartridge	Replace the cartridge. See <a href="#">Handling ink cartridges and printheads</a> .
Reseat [color] cartridge	Remove and reinsert the same cartridge. See <a href="#">Handling ink cartridges and printheads</a> .
Update: failed. Invalid file	Make sure that you have selected the correct firmware update file. Then try again to perform the update.

**Table 15-2** Numerical error codes

Error code	Recommendation	
01.0	Restart the printer. If the problem persists, contact HP Support. See <a href="#">Contact HP Support</a> .	
01.1		
01.2		
21	Restart the printer. If the problem persists, contact HP Support. See <a href="#">Contact HP Support</a> .	
21.1		
22.0		
22.1		
22.2		
22.3		
24	The printer needs internal cleaning. See <a href="#">Clean the printhead drop detector</a> . If the problem persists, contact HP Support. See <a href="#">Contact HP Support</a> .	
52:01		
62		Update your printer's firmware. See <a href="#">Update the firmware</a> .
63		
64		
65		
67	Try the firmware update again. Do not try to use your computer while the update is in progress. If the problem persists, contact HP Support. See <a href="#">Contact HP Support</a> .	
74.1		

**Table 15-2** Numerical error codes (continued)

Error code	Recommendation
79	Restart the printer. If the problem persists, contact HP Support. See <a href="#">Contact HP Support</a> .
94	Restart color calibration. See <a href="#">Color calibration</a> .
94.1	



---

# 16 HP Customer Care

- [Introduction](#)
- [HP Professional Graphics Services](#)
- [HP Instant Support](#)
- [HP Proactive Support](#)
- [Contact HP Support](#)

## Introduction

HP Customer Care offers award-winning support to ensure you get the most from your HP Designjet, providing comprehensive, proven support expertise and new technologies to give you unique end-to-end support. Services include setup and installation, troubleshooting tools, warranty upgrades, repair and exchange services, phone and Web support, software updates, and self-maintenance services. To find out more about HP Customer Care, please visit us at:

<http://www.hp.com/go/designjet/>

or call us on the telephone (see [Contact HP Support](#)).

## HP Professional Graphics Services

For further information on all the services described in this section, please visit <http://www.hp.com/go/pgs/>.

## Knowledge Center

Enjoy a world of dedicated services and resources to ensure you always get the best performance from your HP Designjet products and solutions.

Join the HP community at the Knowledge Center, your large-format printing community at [http://www.hp.com/go/knowledge\\_center/djz2100/](http://www.hp.com/go/knowledge_center/djz2100/) for 24×7 access to:

- Multimedia tutorials
- Step-by-step how-to guides
- Downloads — the latest printer firmware, drivers, software, paper profiles, etc.
- Technical support — online troubleshooting, customer care contacts, and more
- Workflows and detailed advice for completing various printing tasks from particular software applications
- Forums for direct contact with the experts, both HP and your colleagues
- Warranty tracking online, for your peace of mind
- Latest product information — printers, supplies, accessories, software, etc.
- Supplies Center for all you need to know about ink and paper

By customizing your registration for the products you have purchased and your type of business, and by setting your communication preferences, you decide the information you need.

## HP Start-Up Kit

The HP Start-Up Kit is the DVD that comes with your printer; it contains the printer's software and documentation, including introductory multimedia tutorials to help you to get a good first print.

## HP Care Packs and Warranty Extensions

If you would like to extend your printer's warranty beyond the standard period, two methods are available.

- An HP Care Pack provides support for a three-year period. You can buy it when you buy the printer, or for a short time afterwards.
- A one-year Warranty Extension can be bought at any time.



HP Care Packs and Warranty Extensions include remote support. On-site service is also provided if necessary, with two alternative response-time options.

- Next business day
- Same business day, within four hours (may not be available in all countries)

For more information on HP Care Packs, please visit <http://www.hp.com/go/lookuptool/>.

## HP Installation

The HP Installation service unpacks, sets up, and connects the printer for you.

This is one of the HP Care Pack services; for more information, please visit <http://www.hp.com/go/lookuptool/>.

## HP Instant Support

HP Instant Support Professional Edition is HP's suite of troubleshooting tools that collect diagnostic information from your printer and match it with intelligent solutions from HP's knowledge bases, allowing you to resolve problems as quickly as possible.

You can start an HP Instant Support session by clicking on the link provided by your printer's Embedded Web Server. See [Access the Embedded Web Server](#).

To be able to use HP Instant Support:

- You must have a TCP/IP connection to your printer, because HP Instant Support is accessible only through the Embedded Web Server.
- You must have access to the World Wide Web, because HP Instant Support is a Web-based service.

HP Instant Support is currently available in English, Korean, Simplified Chinese, and Traditional Chinese.

You can find more information about HP Instant Support at <http://www.hp.com/go/ispe/>.

## HP Proactive Support

HP Proactive Support helps reduce costly printer downtime by preemptively identifying, diagnosing, and resolving printer issues before they become problems for you. HP's Proactive Support tool is designed to help businesses of all sizes reduce support costs and maximize productivity—all with the click of a mouse.

A component of the HP Imaging and Printing suite of services, Proactive Support helps you gain control of your printing environment—with a clear focus on maximizing the value of your investment, increasing printer uptime, and reducing printer management costs.


HP recommends that you enable Proactive Support right away to save you time and prevent problems before they occur, reducing costly downtime. Proactive Support runs diagnostics and checks for software and firmware updates.

You can enable Proactive Support in HP Easy Printer Care for Windows or HP Printer Utility for Mac OS, where you can specify the frequency of connections between your computer and HP's Web server, and the frequency of diagnostic checks. You can also choose to run the diagnostic checks at any time.

If Proactive Support finds any potential problem, it notifies you with an alert, which will explain the problem and recommend a solution. In some cases, the solution may be applied automatically; in other cases, you may be asked to perform some procedure to solve the problem.

## Contact HP Support

HP Support is available to you by telephone. What to do before you call:

- Review the troubleshooting suggestions in this guide.
- Review the relevant driver documentation.
- If you have installed third-party software drivers and RIPs, see their documentation.
- If you call one of the Hewlett-Packard offices, please have the following information available to help us answer your questions more quickly:
  - The printer you are using (the product number and the serial number, found on the label at the back of the printer)
  - If there is an error code on the front panel, note it down; see [Front-panel error messages](#)
  - The printer's Service ID: at the front panel, select the Information menu icon , then **View printer information**
  - The computer you are using
  - Any special equipment or software you are using (for example, spoolers, networks, switch-boxes, modems, or special software drivers)
  - The cable you are using (by part number) and where you purchased it
  - The type of interface used on your printer (USB or network)
  - The software name and version you are currently using
  - If possible, print out the following reports; you may be asked to fax them to the support center helping you: Configuration, Usage Report, and "all pages above" from Service Information (see [The printer's internal prints](#))

## Telephone numbers

An up-to-date list of HP Support telephone numbers is available on the Web: please visit [http://welcome.hp.com/country/us/en/wwcontact\\_us.html](http://welcome.hp.com/country/us/en/wwcontact_us.html). If you have no access to the Web, try one of the numbers below.

- Algeria: 213 17 63 80
- Argentina: 0 800 777 HP INVENT, local 5411 4778 8380
- Australia: 13 10 47
- Austria: 0810 00 10 00
- Bahrain: 800 171
- Belgium: (0) 78 600 600
- Bolivia: 0 800 1110, local 54 11 4708 1600
- Brazil: 0800 157 751, local 55 11 3747 7799
- Canada: 1 800 HP INVENT
- Caribbean: 1 800 711 2884
- Central America: 1 800 711 2884

- Chile: 800 HP INVENT, 123 800 360 999
- China: 800 810 59 59, 10 6564 59 59
- Colombia: 01 8000 51 HP INVENT, local 571 606 9191
- Czech Republic: 420 261 307 310
- Denmark: 70 11 77 00
- Ecuador: 999 119, 1 800 225 528
- Egypt: 202 532 5222
- Finland: 0203 53232
- France: 08 26 10 49 49
- Germany: 0180 52 58 143
- Greece: 210 6073603, 801 11 22 55 47
- Guadeloupe: 0800 99 00 11, 877 219 8791
- Guatemala: 1 800 999 5105, 1 800 711 2884
- Hong Kong: 852 3002 8555
- Hungary: 06 1 382 1111
- India: 1 600 112 267
- Indonesia: 350 3408
- Ireland: 1 890 946500
- Israel: 09 830 4848
- Italy: 02 3859 1212
- Jamaica: 0 800 711 2884
- Japan: software 0120 014121, hardware 0120 742594
- Korea: 82 1588 3003
- Luxembourg: 27 303 303
- Malaysia: 1 800 80 5405
- Martinique: 0 800 99 00, 877 219 8671
- Mexico: 01 800 472 6684, local 5258 9922
- Middle East: 4 366 2020
- Morocco: 2240 4747
- Netherlands: 0900 1170 000
- New Zealand: 09 365 9805
- Norway: 800 62 800
- Paraguay: 00 811 800, 800 711 2884
- Panama: 001 800 711 2884

- Peru: 0 800 10111
- Philippines: 632 888 6100
- Poland: 22 566 6000
- Portugal: 213 164 164
- Puerto Rico: 1 800 652 6672
- RSA: 27 11 258 9301, local 086 000 1030
- Romania: 40 21 315 4442
- Russia: 095 797 3520, 812 3467 997
- Saudi Arabia: 6272 5300
- Slovakia: 2 50222444
- South Africa: 0800 001 030
- Spain: 902 010 333
- Sweden: 077 130 30 00
- Switzerland: 0848 80 20 20
- Taiwan: 886 2 872 28000
- Thailand: 0 2353 9000
- Tunisia: 71 89 12 22
- Turkey: 216 444 71 71
- UAE: 800 4520, 04 366 2020
- Ukraine: 44 4903520
- United Kingdom: 0870 842 2339
- United States: 1 800 HP INVENT
- Uruguay: 54 11 4708 1600
- Venezuela: 0 800 HP INVENT, local 58 212 278 8000
- Vietnam: 84 8 823 45 30
- West Africa (French): 351 213 17 63 80

---

# 17 Printer specifications

- [Functional specifications](#)
- [Physical specifications](#)
- [Memory specifications](#)
- [Power specifications](#)
- [Ecological specifications](#)
- [Environmental specifications](#)
- [Acoustic specifications](#)

# Functional specifications

**Table 17-1** HP 70 ink supplies

Printheads	Two inks in each printhead: gloss enhancer and gray, blue and green, magenta and yellow, light magenta and light cyan, photo black and light gray, and matte black and red
Ink cartridges	Cartridges containing 130 ml of ink: gloss enhancer, gray, blue, green, magenta, yellow, light magenta, light cyan, photo black, light gray, matte black, and red

**Table 17-2** Paper sizes

	Minimum	Maximum
Roll Width	18 inches (460 mm)	24-inch printer: 24 inches (609 mm) 44-inch printer: 44 inches (1118 mm)
Roll Length		300 feet (91.4 m)
Sheet Width	8.3 inches (210 mm, A4 Portrait)	24-inch printer: 24 inches (609 mm) 44-inch printer: 44 inches (1118 mm)
Sheet Length	11 inches (279 mm, Letter Portrait)	24-inch printer: 36 inches (915 mm) 44-inch printer: 66 inches (1676 mm)

**Table 17-3** Printing resolutions

Print Quality	Maximum detail	Extra passes	Rendering Resolution (dpi)	Printing Resolution (dpi)
Best	On	On	1200 × 1200	2400 × 1200 (glossy media only)*
	On	Off	1200 × 1200	1200 × 1200
	Off	On	600 × 600	600 × 600
	Off	Off	600 × 600	600 × 600
Normal	On		600 × 600	600 × 600
	Off		600 × 600	600 × 600
	Off		300 × 300	300 × 300
Fast	On		600 × 600	600 × 600
	Off		600 × 600	600 × 600
	Off		300 × 300	300 × 300

\* HP Premium ID Gloss, HP Premium ID Satin, HP Professional Satin Photo Paper, Photo Gloss, Photo Semigloss/Satin, HP Contract Proofing Gloss, HP Contract Proofing Satin, Proofing Gloss, Proofing Semigloss/Satin

**Table 17-4** Margins

Top right and left margins	5 mm = 0.2 inches
Bottom margin (trailing edge)	5 mm = 0.2 inches (roll)

---

17 mm = 0.67 inches (sheet)

---

**Table 17-5** Mechanical accuracy

---

±0.2% of the specified vector length or ±0.1 mm (whichever is greater) at 23°C (73°F), 50-60% relative humidity, on E/A0 printing material in Best or Normal mode with HP Matte Film roll feed.

---

**Table 17-6** Graphic languages supported

---

HP Designjet Z2100 Photo Printer Series standard	HP-PCL3 GUI
HP Designjet Z2100 Photo Printer Series with HP-GL/2 upgrade	HP-GL/2 RTL

---

## Physical specifications

**Table 17-7** Printer physical specifications

---

	24 inch printer	24 inch printer (without stand)	44 inch printer
Weight	143 lb (65 kg)	103.6 lb (47 kg)	189 lb (86 kg)
Width	49.7 inches (1262 mm)	49.7 inches (1262 mm)	69.7 inches (1770 mm)
Depth	Minimum: 26 inches (661 mm) Maximum: 28.8 inches (732 mm)	Minimum: 26 inches (661 mm) Maximum: 28.8 inches (732 mm)	Minimum: 26 inches (661 mm) Maximum: 28.8 inches (732 mm)
Height	41.2 inches (1047 mm)	15.4 inches (391 mm)	41.2 inches (1047 mm)

---

## Memory specifications

**Table 17-8** Memory specifications

---

Memory (DRAM) supplied	128 MB
Hard disk	40 GB

---

## Power specifications

**Table 17-9** Printer power specifications

---

Source	100–240 V ac ±10%, auto-ranging
Frequency	50–60 Hz
Current	< 2 A
Consumption	< 200 W

---

## Ecological specifications

For the up-to-date ecological specifications of your printer, please go to <http://www.hp.com/> and search for “ecological specifications”.

# Environmental specifications

**Table 17-10** Printer environmental specifications

	Temperature range	Humidity range
Operating for optimal print quality	22°C to 26°C (72°F to 79°F)	30% to 60%
Operating for standard printing	15°C to 35°C (59°F to 95°F)	20% to 80%
Printer without consumables	5°C to 40°C (41°F to 104°F)	
Non-operating packed consumables and printer:	-40°C to 60°C (-40°F to 140°F)	

# Acoustic specifications

Printer acoustic specifications (declared according to ISO 9296).

**Table 17-11** Printer acoustic specifications

Idle sound power level	4.4 B (A)
Operating sound power level	6.5 B (A)
Idle sound pressure at bystander	44 dB (A)
Operating sound pressure at bystander	29 dB (A)



---

# Glossary

**AppleTalk** A suite of protocols that Apple Computer developed in 1984 for computer networking. Apple now recommends TCP/IP networking instead.

**Bonjour** Apple Computer's trade name for its implementation of the IETF Zeroconf specification framework, a computer network technology used in Apple's Mac OS X from version 10.2 onwards. It is used to discover services available on a local area network. It was originally known as Rendezvous.

**Color accuracy** The ability to print colors that match the original image as closely as possible, bearing in mind that all devices have a limited color gamut and may not be physically capable of matching certain colors precisely.

**Color consistency** The ability to print the same colors from a particular print job from print to print and from printer to printer.

**Color model** A system of representing colors by numbers, such as RGB or CMYK.

**Color space** A color model in which each color is represented by a specific set of numbers. Many different color spaces can use the same color model: for instance, monitors generally use the RGB color model, but they have different color spaces, because a particular set of RGB numbers results in different colors on different monitors.

**Cutter** A printer component that slides back and forth across the platen to cut the paper.

**ESD** ElectroStatic Discharge. Static electricity is common in daily life. It is the spark when touching the car door, or the cling of clothing. Although controlled static electricity has some useful applications, uncontrolled electrostatic discharges are one of the main hazards to the electronics products. Therefore, to prevent damage some precautions are needed when setting up the product, or handling ESD sensitive devices. This type of damage may reduce the life expectancy of the device. One way to minimize uncontrolled ESDs, and therefore reduce this type of damage is by touching any exposed grounded part of the product (mainly metal parts) before handling ESD sensitive devices (such as the printheads or ink cartridges). Additionally, to reduce the generation of electrostatic charge in your body try to avoid working in a carpeted area, and keep your body movements to a minimum when handling ESD sensitive devices. Also, avoid working in low humidity environments.

**Ethernet** A popular computer networking technology for local area networks.

**Firmware** Software that controls your printer's functionality and is stored semi-permanently in the printer (it can be updated).

**Gamut** The range of colors and density values reproducible on an output device, such as a printer or monitor.

**HP-GL/2** Hewlett-Packard Graphics Language 2: a language defined by HP to describe vector graphics.

**I/O** Input/Output: this term describes the passing of data between one device and another.

**ICC** The International Color Consortium, a group of companies that have agreed on a common standard for color profiles.

**Ink cartridge** A removable printer component that stores ink of a particular color and provides it to the printhead.

**IP address** A unique identifier that identifies a particular node on a TCP/IP network. It consists of four integers separated by dots.

**Jetdirect** HP's brand name for its series of print servers that allow a printer to be connected directly to a local area network.

**LED** Light-Emitting Diode: a semiconductor device that emits light when electrically stimulated.

**MAC address** Media Access Control address: a unique identifier used to identify a particular device on a network. It is a lower-level identifier than the IP address. Thus, a device may have both a MAC address and an IP address.

**Nozzle** One of many tiny holes in a printhead through which ink is deposited onto the paper.

**Paper** A thin, flat material made to be written or printed on; most commonly made from fibers of some kind which are pulped, dried, and pressed.

**Platen** The flat surface within the printer over which the paper passes while it is being printed on.

**Printer driver** Software that converts a print job in a generalized format into data suitable for a particular printer.

**Printhead** A removable printer component that takes ink of one or more colors from the corresponding ink cartridge(s) and deposits it on the paper, through a cluster of nozzles. In the HP Designjet Z2100 Photo series, each printhead prints two different colors.

**Rendezvous** Apple Computer's original name for its networking software later known as Bonjour.

**Spindle** A rod that supports a roll of paper while it is being used for printing.

**TCP/IP** Transmission Control Protocol/Internet Protocol: the communications protocols on which the Internet is based.

**USB** Universal Serial Bus: a standard serial bus designed to connect devices to computers.

---

# Index

## A

- accessories
  - order 109
- accounting 78
- acoustic specifications 166
- adding paper types 37
- advance paper 39
- alerts
  - errors 151
- alerts, warnings 151

## B

- banding problems 119
- basket
  - output problems 118
- black and white 49
- blurred lines 128
- buzzer on/off 21

## C

- calibration
  - color 58
- cannot load paper 114
- clean the platen 131
- clean the printer 94
- clipped at bottom 134
- clipped image 134
- color 52
- color calibration 58
- color emulation modes 62
- color management options 61
- color management process 57
- color management scenarios 64
- color profiling 59
- colors inaccurate 133
- communication problems 148
- components of printer 4
- configure 21
- connect the printer
  - choose a method 10
  - Mac OS direct 15
  - Mac OS network 12

- Windows direct 11
- Windows network 10
- contrast in front panel 21
- core adaptors 26
- Customer Care 158
- cutter on/off 38
- cutter, replace 94

## D

- draft printing 47
- Driver features
  - QuarkXPress 151
- drying time
  - change 38

## E

- ecological specifications 165
- economize on ink 50
- economize on paper 50
- EFI Designer Edition RIP 110
- Embedded Web Server
  - access 19
  - cannot access 149
  - ink and paper usage 78
  - language 20
  - printer usage statistics 78
- environmental specifications 166
- error messages, front panel 153

## F

- features of printer 4
- file system check 150
- firmware update 100
- front panel
  - contrast 21
  - language 19
  - units 21
- front panel option
  - adjust paper advance 120
  - align printheads 145
  - allow EWS 149
  - best 48
  - calibrate color 58

- calibrate paper advance 120
- clean printheads 141
- emulate printer 62
- enable buzzer 21
- enable cutter 39
- enable maximum detail 48
- enable merge 45
- enable more passes 48
- fast 47
- HP Designjet 500/800 series 62
- ink cartridge information 82
- internal prints 8
- job queue 50, 110
- load roll 29
- load sheet 33
- modify configuration 22
- print diagnostic image 135
- print quality 42
- printer utility software 149
- printhead information 85, 126, 129
- purge ink 100
- replace ink cartridges 83
- replace printheads 86
- reprint 50
- reset cutter life counters 94
- reset paper advance 121
- scale 45
- select display contrast 21
- select drying time 38
- select graphics language 22
- select I/O timeout 134
- select language 19
- select paper size 42
- select quality level 47, 48
- select units 21
- sleep mode wait time 20
- unload paper 31, 35
- view configuration 12
- view connectivity
  - information 149, 150

- view loaded paper 36
- view printer information 160

functional specifications 164

## G

- graininess 129
- graphic languages 165
- gray shades 49

## H

- hard disk specification 165
- HP Advanced Profiling Solution 110
- HP Care Packs 158
- HP Customer Care 158
- HP Installation 159
- HP Instant Support 159
- HP Photosmart Pro 111
- HP Proactive Support 159
- HP Start-Up Kit 158
- HP Start-Up Kit CD/DVD 2
- HP Support 160
- HP-GL/2 22
- HP-GL/2 upgrade 109

## I

- image diagnostics print 135
- image problems
  - clipped at bottom 134
  - clipped image 134
  - missing objects 135
  - PDF problems 135
  - Visio 2003 151
- ink cartridge
  - about 82
  - cannot insert 140
  - insert 84
  - maintenance 99
  - order 104
  - remove 83
  - specification 164
  - status 82
- ink usage, economize 50
- Instant Support 159
- internal prints 7

## K

- Knowledge Center 158

## L

- language 19
- line thickness 126
- load a sheet 31
- load roll into printer 27

- load roll onto spindle 24, 25
- loading paper problems 114

## M

- maintaining paper 38
- maintenance kits 101
- margins
  - none 49
  - specification 164
- mechanical accuracy 165
- media profiles 36
- memory error (AutoCAD) 150
- memory specifications 165
- misaligned colors 127
- move the printer 99

## N

- Network settings 21

## O

- order
  - accessories 109
  - ink cartridges 104
  - paper 104
  - printheads 104
- overlapping lines 45

## P

- page size 42
- paper
  - advance 119
  - cannot load 114
  - display information 36
- paper advance calibration 119
- paper jam 116
- paper load advice 24
- paper not flat 129
- paper output problems in
  - basket 118
- paper profiles
  - download 36
- paper size 42
- paper sizes (max and min) 164
- paper types 37, 104
- paper usage, economize 50
- PDF clipped 135
- PDF missing objects 135
- physical specifications 165
- platen cleaning 131
- power specifications 165
- preview a print 45
- print job
  - ink usage 78
  - paper usage 78

- print preview 45
- print quality
  - select 42
- print with shortcuts 43
- print-quality problems
  - banding 125
  - black and white not neutral 132
  - blurred lines 128
  - bottom of print 132
  - bronzing 132
  - discontinuous lines 128
  - edges darker than expected 132
  - edges stepped or not sharp 131
  - general 124
  - graininess 129
  - horizontal lines 125
  - ink marks 130
  - line thickness 126
  - misaligned colors 127
  - paper not flat 129
  - scratching 130
  - scuffing 130
  - stepped lines 126
  - vertical lines of different colors 132
  - white spots 133
  - wizard 124
- printer does not print 148
- printer software
  - Mac OS uninstall 16
  - Windows uninstall 12
- printer stand 109
- printer status 94
- Printer Utility
  - access 19
  - cannot access 149
  - language 20
- printer's main components 4
- printer's main features 4
- printhead
  - about 85
  - align 144
  - cannot insert 140
  - clean; purge 141
  - insert 88
  - order 104
  - remove 86
  - replace, reseal 141
  - specification 164
  - status 85

- printhead cleaner
  - specification 164
- printhead drop detector
  - clean 142
- printing resolutions 164
- Proactive Support 159
- profiling, accessory 110
- ProPrint 111

**Q**

- quality, high 48
- QuarkXPress, unavailable driver
  - features 151

**R**

- reprint a job 49
- rescale a print 44
- RIP 110
- roll paper
  - choose spindle 24
  - load into the printer 27
  - load onto the spindle 25
  - unload 30

**S**

- safety precautions 2
- satin photo paper 108
- scale a print 44
- scratched prints 130
- scuffed prints 130
- sheet paper
  - load 31
  - unload 35
- shortcuts 43
- sleep mode wait time 20
- slow printing 148
- software 7
- software update 100
- specifications
  - acoustic 166
  - ecological 165
  - environmental 166
  - functional 164
  - graphic languages 165
  - hard disk 165
  - ink supplies 164
  - margins 164
  - mechanical accuracy 165
  - memory 165
  - paper size 164
  - physical 165
  - power 165
  - printing resolutions 164
- spectrophotometer 56

- stand 109
- statistics
  - ink cartridge 82
  - printer usage 78
- stepped lines 126
- store the printer 99
- support services
  - HP Care Packs 158
  - HP Customer Care 158
  - HP Instant Support 159
  - HP Proactive Support 159
  - HP Start-Up Kit 158
  - HP Support 160
  - Knowledge Center 158
  - printer installation 159
  - warranty extensions 158
- switch the printer on/off 18

**T**

- telephone numbers 160

**U**

- unload a sheet 35
- unload roll from printer 30
- using this guide 2

**V**

- Visio 2003, no output 151

**W**

- warranty extensions 158