



**TRIAX**  
connecting the future

# HTI High Density Universal Headend



# HTI

**HIGH DENSITY AND FLEXIBILITY**  
Up to 32 universal DVB inputs per base  
Up to 32 RF outputs or 256 IPTV outputs per base

**READY FOR IPTV INPUT**  
Up to 32 IPTV inputs per base

**ADVANCED ROUTING MATRIX**  
From any input to any output.  
Decoded in any CAM. No compromises

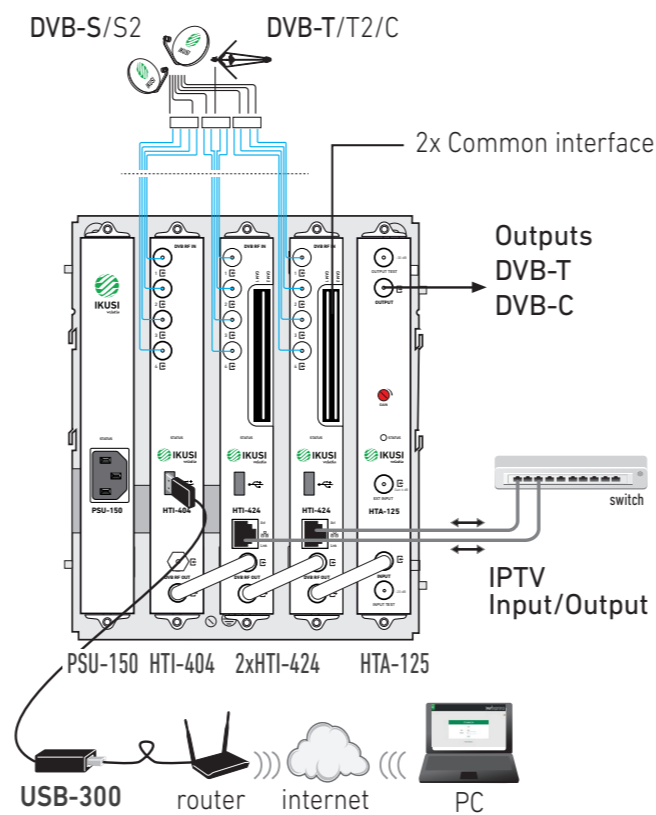
**MULTISTREAM SUPPORTED**  
+ 200 additional TV channels

**PRE-BOOKING OF CHANNELS**  
To prevent a future rescanning  
of the televisions

**SEPARATION OF AUDIOS**  
Generation of one TV channel for each audio

**INDEPENDENT OUTPUT CHANNELS**  
Distributed over any part of the band

**INTERCONNECTED BASE-PLATE  
REDUNDANT POWER SUPPLY**  
Power supplied through the backplane, without bridges



**HTI-404 3864**  
Quad transmodulator  
It receives contents from 4 DVB-T/T2, DVB-S/S2 or DVB-C transponders/muxes and broadcasts them in 4 DVB-T or DVB-C output channels.



**HTA-125 3868**  
Power amplifier  
Amplification of the signal generated by a headend of HTI modules.



**HTI-424 3863**  
Quad transmodulator with IPTV  
Receives contents from 4 DVB-T/T2, DVB-S/S2, DVB-C or IPTV transponders/muxes, decrypts and broadcasts them in 4 DVB-T or DVB-C or on IPTV output channels ; 64 IPTV multicast outputs. Double Common Interface.



**PSU-150 3865**  
Power supply  
Switch mode power supply to feed HTI product range.



**COR-150 4404**

## Accessories



**BACK-500** 3866  
Base-plate for HTI Headend



**SR-HTI** 3867  
Support to install the headend in a  
19" rack



**USB-300** 4284  
USB-Ethernet adapter for local  
or remote control



**TRIAX**

TRIAx DIGITAL SOLUTIONS SL  
Donostia Ibilbidea, 28 · 20115 Astigarraga  
Gipuzkoa · España · Tel.: +34 943 44 89 44  
tds@triax.com · triax.com