



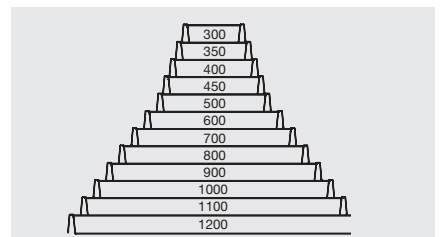
The whole range

The EUROPA-2 drawer has an extensive range to help solve all your bathroom and kitchen organisational needs: high and low drawers; drawer with enclosures, with tubes, modular cutlery holders, pan holders, dividers for organising space, dish holders... The EUROPA-2 drawer is available in: coated steel, stainless



steel or plastic (which can be personalised).


A pre-assembled functional drawer easy to fit, available in 12 sizes and 3 depths (270,480, 600mm).

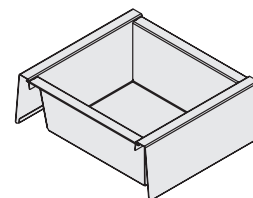


1 COMPONENTS


Drawer: Stainless steel and plastic coated steel

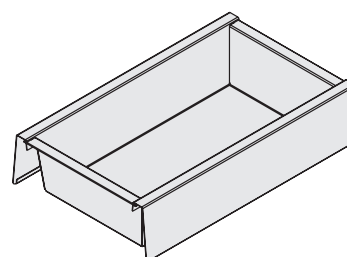
270mm deep steel drawer.

Module	Stainless steel	Grey	
300	678.430.104	678.430.314	10
350	678.435.100	678.435.310	
400	678.440.103	678.440.313	
450	678.445.106	678.445.316	
500	678.450.102	678.450.312	




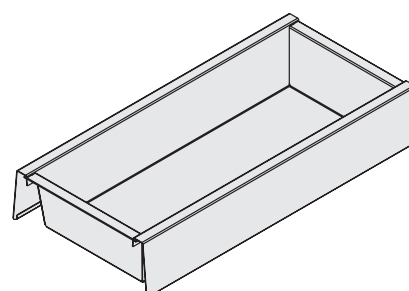
480mm deep steel drawer.

Module	Stainless steel	Grey	
300	678.530.101	678.530.311	10
350	678.535.104	678.535.314	
400	678.540.100	678.540.310	
450	678.545.103	678.545.313	
500	678.550.106	678.550.316	
600	678.560.105	678.560.315	
700	678.570.104	678.570.314	5
800	678.580.103	678.580.313	
900	678.590.102	678.590.312	
1000	678.591.104	678.591.314	
1200	678.599.106	678.599.316	




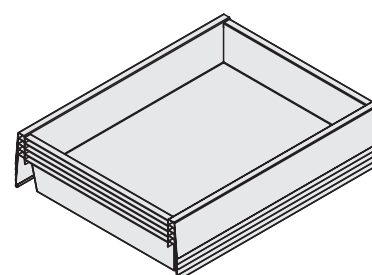
600mm deep steel drawer.

Module	Stainless steel	Grey	
600	678.660.102	678.660.312	5
900	678.690.106	678.690.316	
1200	678.699.103	678.699.313	




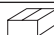
480mm steel drawer in KIT-5.

Module	Stainless steel	Grey	
300	686.630.103	686.630.313	1
350	686.635.106	686.635.316	
400	686.640.102	686.640.312	
450	686.645.105	686.645.315	
500	686.650.101	686.650.311	
600	686.660.100	686.660.310	
800	686.680.105	686.680.315	

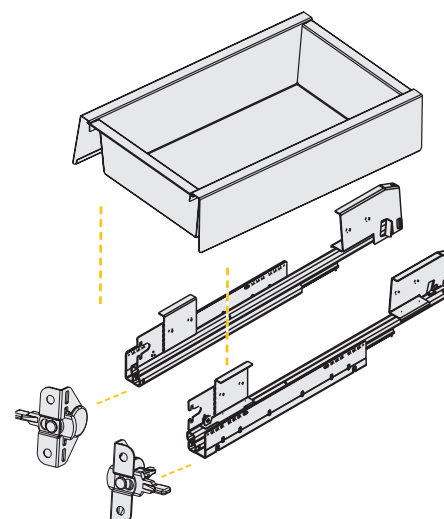


Each box contains 5 drawers with their corresponding runners, front fixing brackets and screws.

480mm steel drawer in KIT-1.

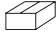
Module	Grey		Module	Grey	
300	686.130.141	20	700	686.170.144	20
350	686.135.144		800	686.180.143	
400	686.140.140		900	686.190.144	
450	686.145.143		1000	686.191.144	
500	686.150.146		1200	686.199.146	
600	686.160.145				

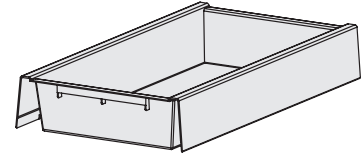
Each box contains 1 drawer with their corresponding runners, front fixing brackets and screws, and a assembly instructions template.




■ *Drawer: Plastic molded*

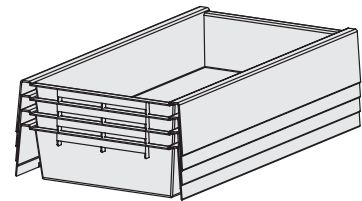
480mm plastic molded drawer.

Module	White RAL 9001	Grey RAL 7040	
300	689.430.000	689.430.313	20
350	689.435.003	689.435.316	
400	689.440.006	689.440.312	
450	689.445.002	689.445.315	
500	689.450.005	689.450.311	
600	689.460.004	689.460.310	
900	689.490.001	689.490.314	10




480mm plastic molded drawer KIT-4.

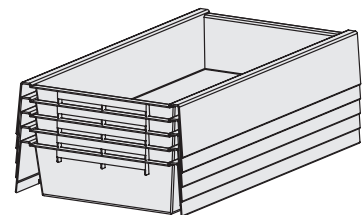
Module	White RAL 9001	Grey RAL 7040	
300	689.530.004	689.530.310	1
350	689.535.000	689.535.313	
400	689.540.003	689.540.316	
450	689.545.006	689.545.312	
500	689.550.002	689.550.315	
600	689.560.001	689.560.314	
900	689.590.005	689.590.311	



Each box contains 4 drawers with their corresponding runners, front fixing brackets and screws.

480mm plastic molded drawer KIT-5.


Module	White RAL 9001	Grey RAL 7040	
300	689.630.001	689.630.314	1
350	689.635.004	689.635.310	
400	689.640.000	689.640.313	
450	689.645.003	689.645.316	
500	689.650.006	689.650.312	
600	689.660.005	689.660.311	
900	689.690.002	689.690.315	

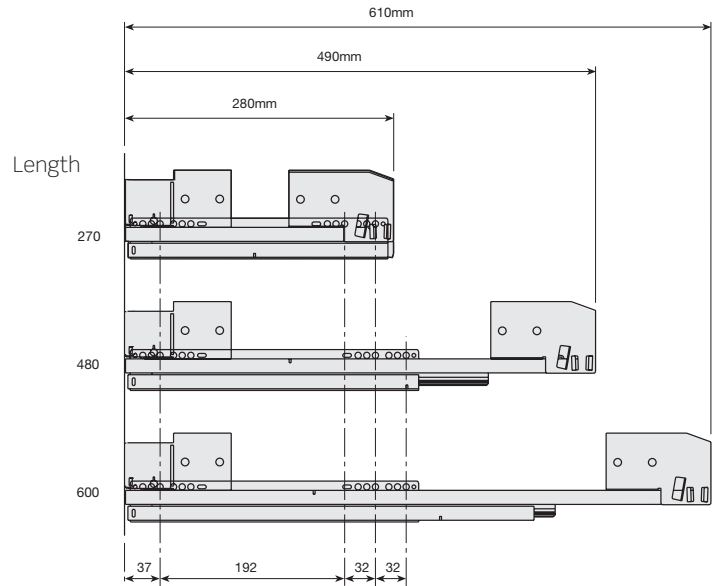
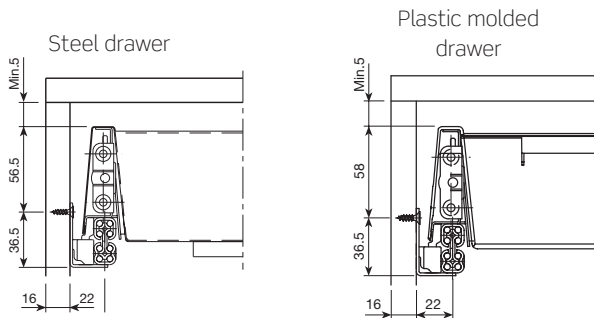
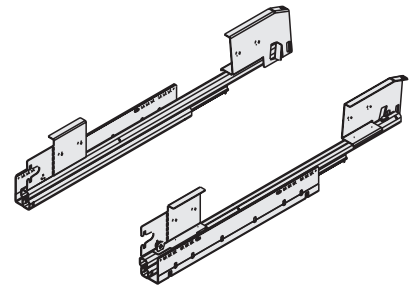


Each box contains 4 drawers with their corresponding runners, front fixing brackets and screws.

Runner range: Full extension

Full extension with self-closing.

Length	Ref. Side	Ref. Side	
	15÷16mm.	18÷19mm.	
270	664.727.033	664.827.030	
480	664.748.033	664.848.030	10
600	664.760.036	664.860.033	

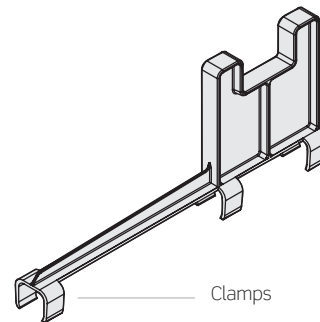


INDAmatic

Runner support bracket

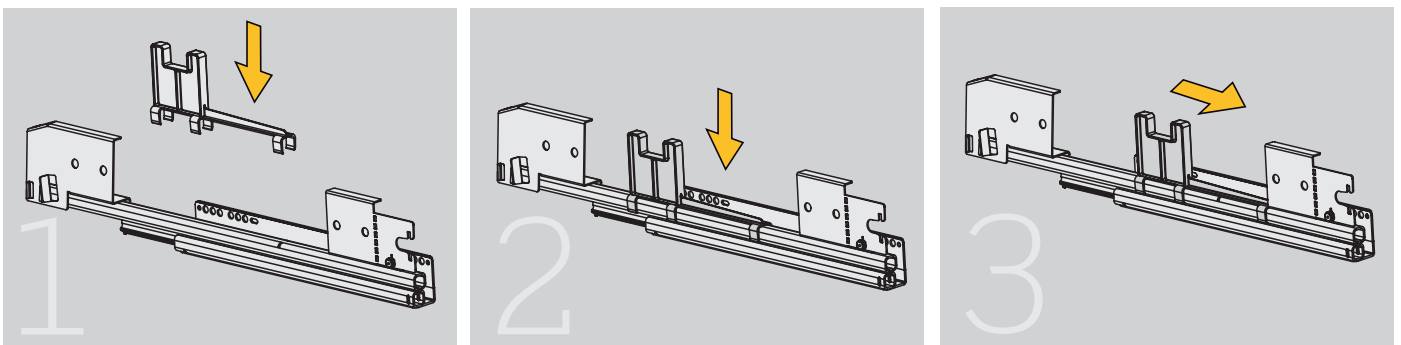
Runner support bracket.

	Length 480 / 600	
Grey RAL 7040	748.700.315	10



Note
Increases the load capacity of the runner from 30 to 45kg.

Assembly



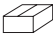
1 Lean the support against the mobile rail.

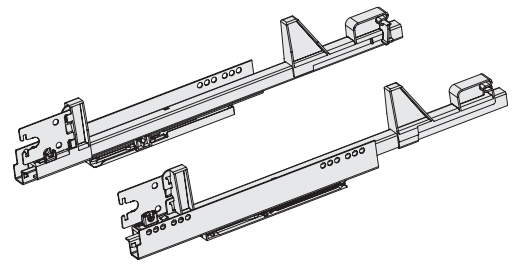
2 Press the support to clip it into the runner.

3 Slide the support till the front metal bracket.

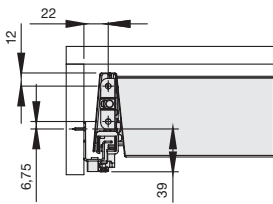
Runner range: *Partial extension*

Partial extension with self-closing.

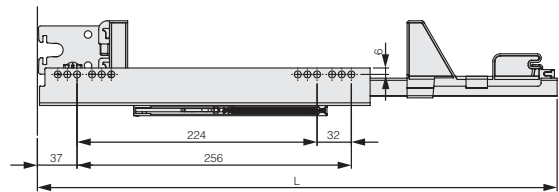
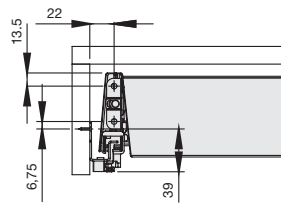
Length	Ref. Side	
	16mm.	
480	663.848.032	10
520	663.852.033	



Steel drawer



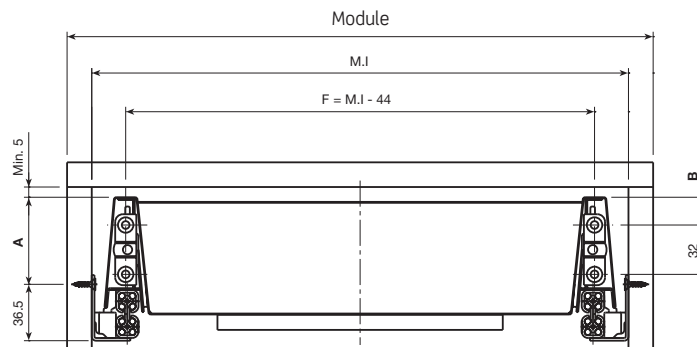
Plastic molded drawer



Depth	L
480	485
520	520

	Full ext.		Partial ext.
	A	B	B
Steel drawer	56.5	18	12
Plastic molded drawer	58	19.5	13.5

INDAmatic




M.I = Inner cabinet width

Module	F
300	224
350	274
400	324
450	374
500	424
600	524
700	624
800	724
900	824
1000	924
1200	1124

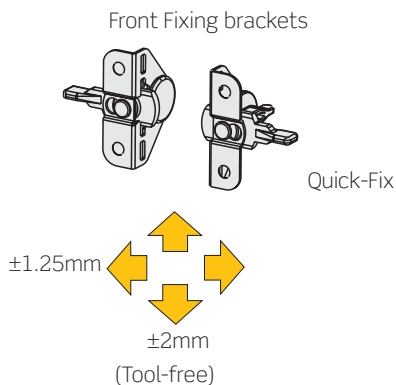
NOTE:
Extension "F" is the same for all the sides
15/16 and 18/19mm of the module.
It is compensated by the runners.

■ Front fixing brackets

Adjustable front fixing brackets.

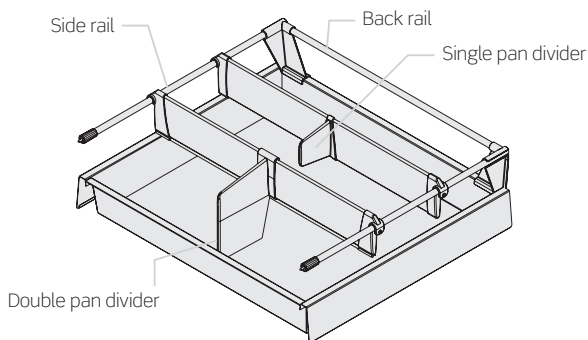
Grey RAL 7040	674.000.316	100
		

Each reference consists of a complete set of fixing brackets.




2 ACCESSORIES

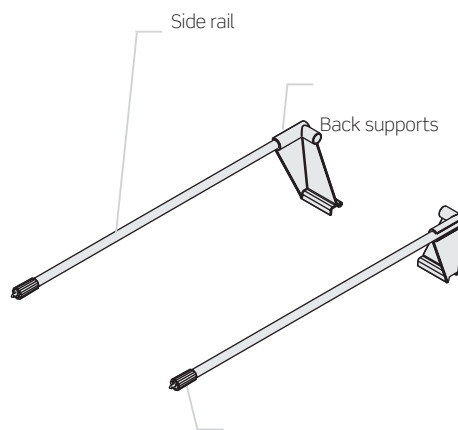
■ Accessories for tubular high front drawers




Side rail.

Depth	Grey RAL 7040	
270	733.927.316	10
480	733.948.316	
600	733.960.312	

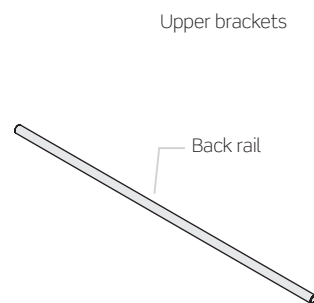
Each reference is made of 1 set of side rails, 1 set of back supports and 1 set of upper brackets. All unassembled.



Back rail.


Module	L	Grey RAL 7040	
300	191	747.130.311	10
350	241	747.135.314	
400	291	747.140.310	
450	341	747.145.313	
500	391	747.150.316	
600	491	747.160.315	
700	591	747.170.314	
800	691	747.180.313	
900	791	747.190.312	
1000	891	747.191.314	
1200	1091	747.199.316	

Tubes needed for different sides.



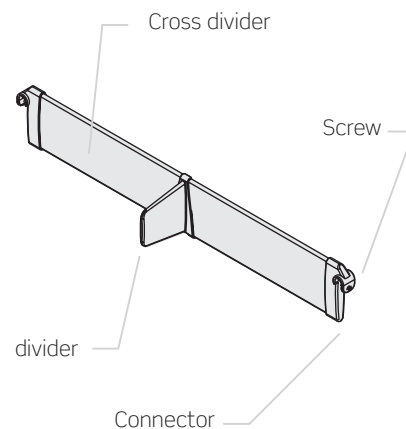
■ Accessories for tubular high front drawers

Single divider for tubular high front drawers

Module	Cross Divider	Connector	Divider	Stainless steel	Grey RAL 7040	
300	3	6	7	648.430.101	648.430.311	
350	3	6	9	648.435.104	648.435.314	
400	3	6	9	648.440.100	648.440.310	
450	3	6	9	648.445.103	648.445.313	
500	2	4	8	648.450.106	648.450.316	10
600	2	4	8	648.460.105	648.460.315	
700	2	4	8	648.470.104	648.470.314	
800	2	4	12	648.480.103	648.480.313	
900	2	4	12	648.490.102	648.490.312	
1000	2	4	16	648.491.104	648.491.314	
1200	2	4	16	648.499.106	648.499.316	

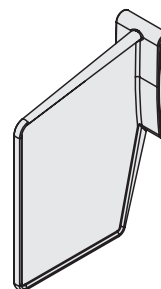
Every ref. has transversal enclosures, connectors, dividers and screws. Everything unassembled.

*10 sets in separate boxes. Each box A contains 10 bags with plastic accessories and a bag of screws. The transversal enclosures are available in boxes of 10 units.

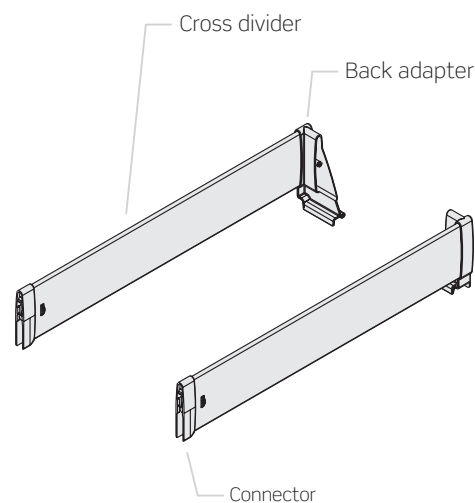
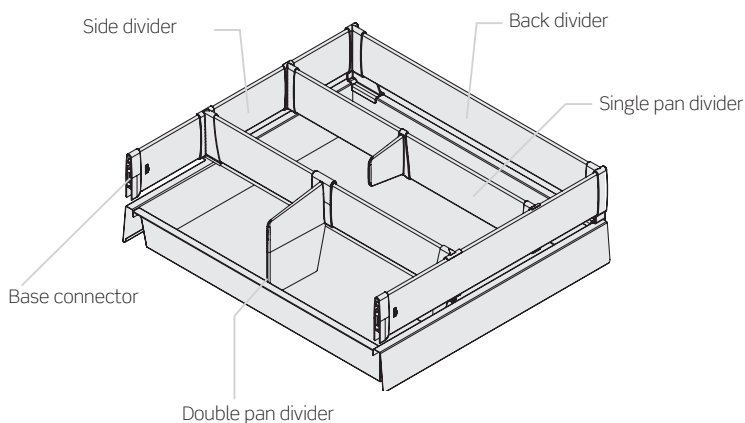


Double divider for tubular front drawers.


	Metal grey
	658.900.141



■ Accessories for high front drawers with dividers




Side divider.

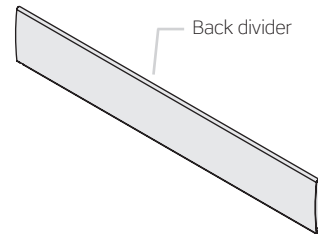
Depth	Stainless steel	Grey RAL 7040	
270	648.327.105	648.327.315	
480	648.348.105	648.348.315	10
600	648.360.101	648.360.311	

Each reference is made up of 2 dividers with fixing brackets and 1 set of back supports. Back supports are unassembled.

■ Accessories for high front drawers with dividers

Back divider.

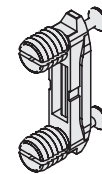
Module	L	Stainless steel	Grey RAL 7040	
300	198	648.230.100	648.230.310	
350	248	648.235.103	648.235.313	
400	298	648.240.106	648.240.316	
450	348	648.245.102	648.245.312	
500	398	648.250.105	648.250.315	
600	498	648.260.104	648.260.314	10
700	598	648.270.103	648.270.313	
800	698	648.280.102	648.280.312	
900	798	648.290.101	648.290.311	
1000	898	648.291.103	648.291.313	
1200	1098	648.299.105	648.299.315	



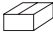
Double walled rail front bracket. Quick assembly.

1 set	658.100.100	100	
-------	-------------	-----	---

Each reference consists of 2 brackets with expand dowels.




Double walled rail front bracket. Screw mounting.

1 set	658.150.102	100	
-------	-------------	-----	---

Each reference consists of 2 brackets.



Single: Cooking utensils & provisions for dividers.

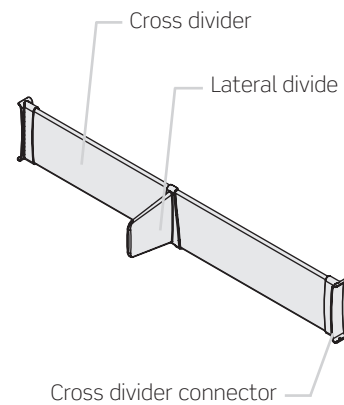
Cabinet width	Sides	Joining bracket	Divider	Stainless steel	Grey RAL 7040	
300	3	6	7	648.630.102	648.630.312	
350	3	6	9	648.635.105	648.635.315	
400	3	6	9	648.640.101	648.640.311	
450	3	6	9	648.645.104	648.645.314	
500	2	4	8	648.650.100	648.650.310	
600	2	4	8	648.660.106	648.660.316	10*
700	2	4	8	648.670.105	648.670.315	
800	2	4	12	648.680.104	648.680.314	
900	2	4	12	648.690.103	648.690.313	
1000	2	4	16	648.691.105	648.691.315	
1200	2	4	16	648.699.100	648.699.310	

Each reference consists of 1 set of cross divider + connectors + lateral dividers. All unassembled.

*10 sets in 2 boxes:

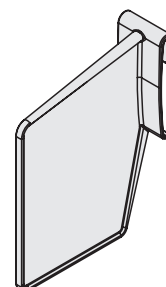
Box a: 10 sets connectors & lateral dividers

Box b: 10 sets of cross dividers



PLEASE NOTE

These accessories are ideal for the storing of pots and pans, as well as storage jars.




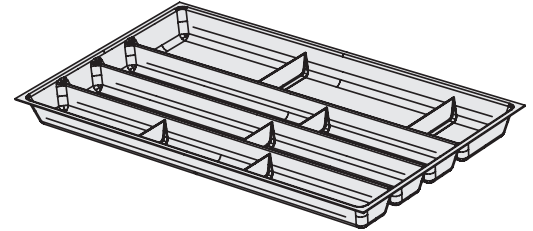
Double divider for front drawers with dividers.

	Metal grey
	658.900.141

■ Cutlery tray

480mm deep cutlery tray with dividers.


Cabinet width	Short divider	Long divider	Metal grey	
300	3	0	664.930.140	10
350	2	2	664.935.143	
400	2	2	664.940.146	
450	3	2	664.945.142	
500	3	2	664.950.145	
600	4	2	664.960.144	
800	9	4	664.980.142	
900	9	4	664.990.141	
1000	9	4	664.991.143	
1200	12	5	664.999.145	

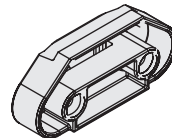


Each reference consists of 1 cutlery tray and a bag of dividers.

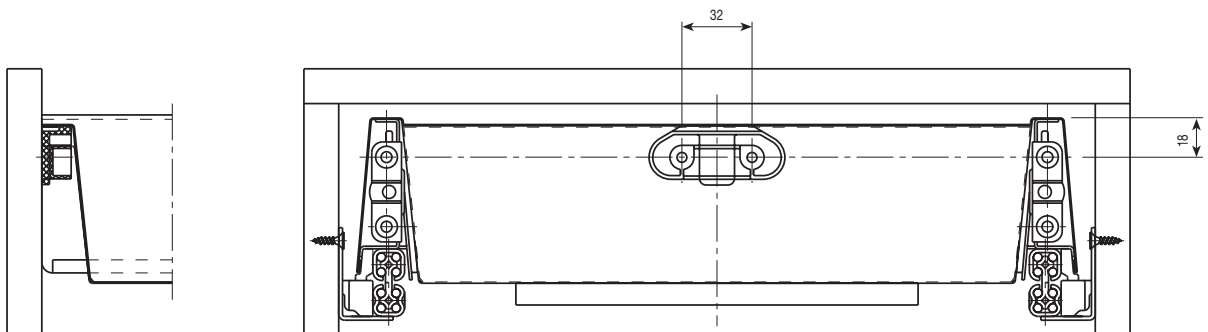
■ Support

Support. metal drawer front fixing bracket.

Grey RAL 7040	748.600.311	
		50



It is recommended to use this bracket for curved front surfaces in case of curved fronts.



Drawer stabiliser


The Drawer stabiliser device neutralizes lateral movement common to all large drawers.

Advisable for use in 800mm cabinets width and more.

Available for 480 and 600mm depths for lower front drawers and pan drawers.

The assistance runner has 2 pivots each side, which fit in the main runner fix rail as a template, providing the correct position.

Stabiliser.

Cabinet width	Grey		
	480mm.	600mm.	
800	650.780.314	650.880.311	10
900	650.790.313	650.890.310	
1000	650.791.315	650.891.312	
1200	650.799.310	650.899.314	

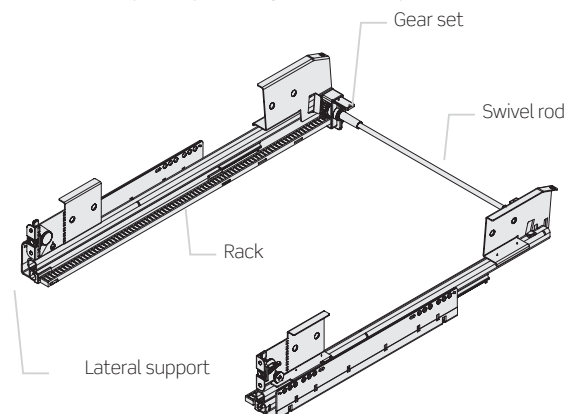
Each ref. is made up of 1 rod, 2 racks, 2 gear sets and 4 lateral supports.

*10 units in 2 boxes:

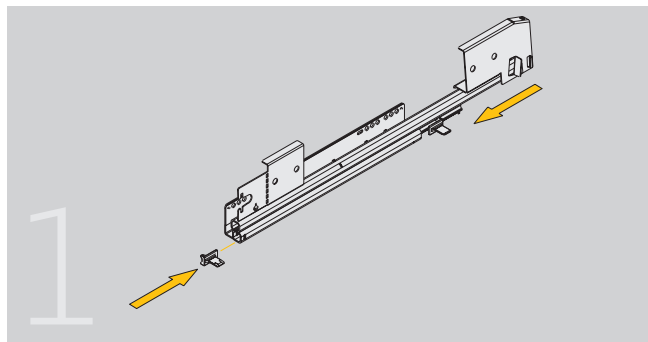
box a: 10 rods and 20 racks.

box b: 20 gear sets and 40 lateral supports.

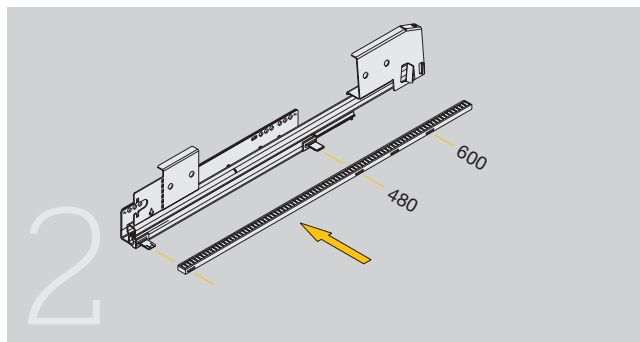
Box B is common to all the references and will include one label indicating said references.



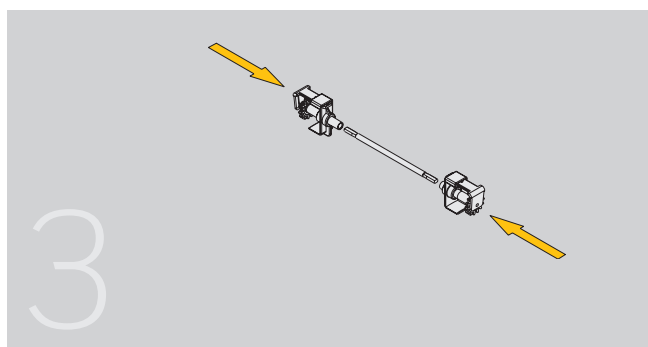
Assembly



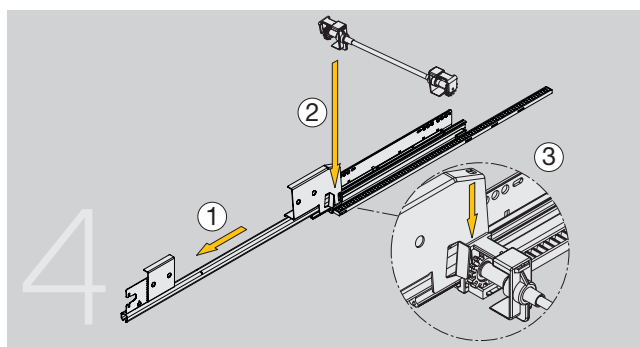
Assemble the lateral supports to the rails of the runner.



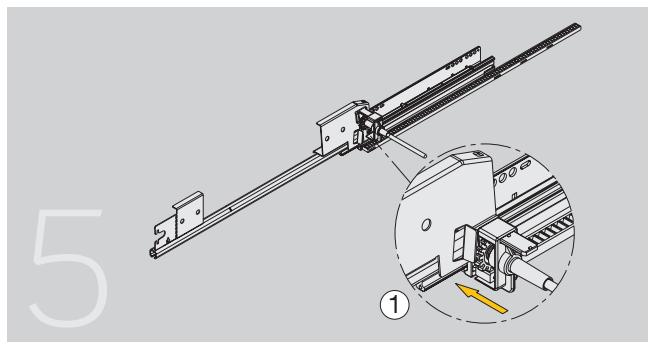
Insert the assistance runner onto the lateral supports.



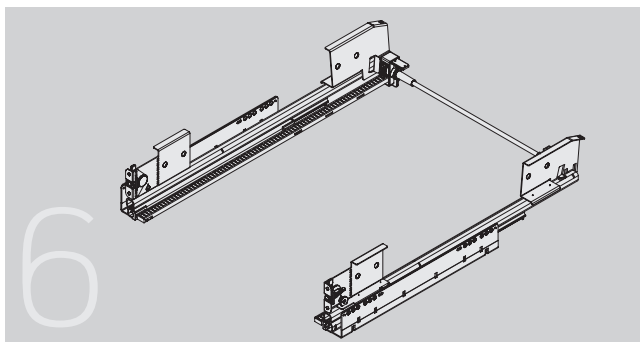
Assemble the gear set into rod by matching the flat sections.



1- Open the runners. 2- Insert the gear set with the rod into the cavity. 3- Adjust the gear with the assistance runner.



Adjust the gear with the assistance runner and adjust the movable support to secure it.

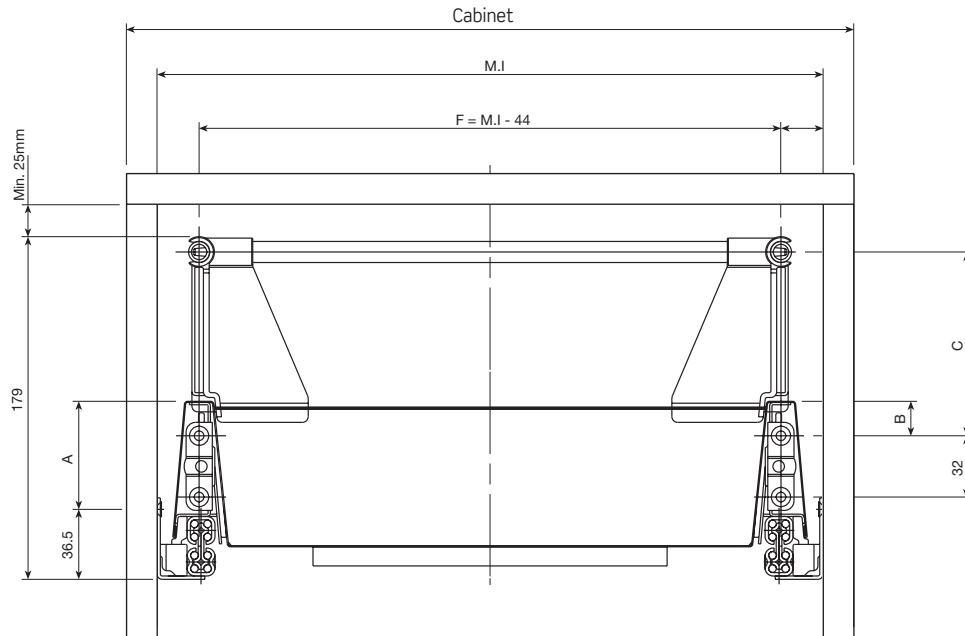


Close the runners.

3 TECHNICAL INFORMATION

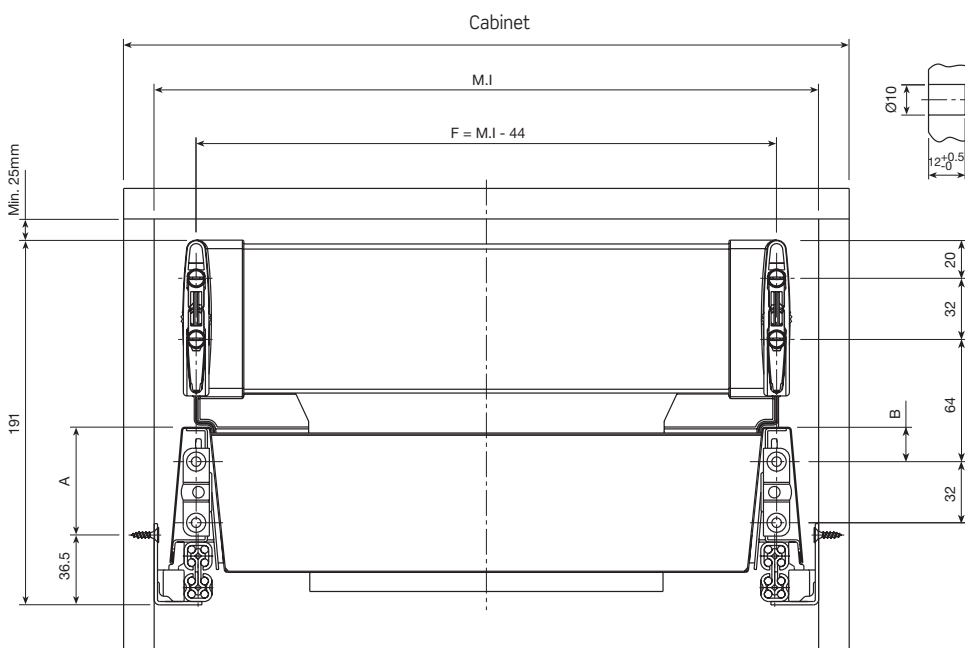
■ Drawer front drilling template

Tubular high front drawers



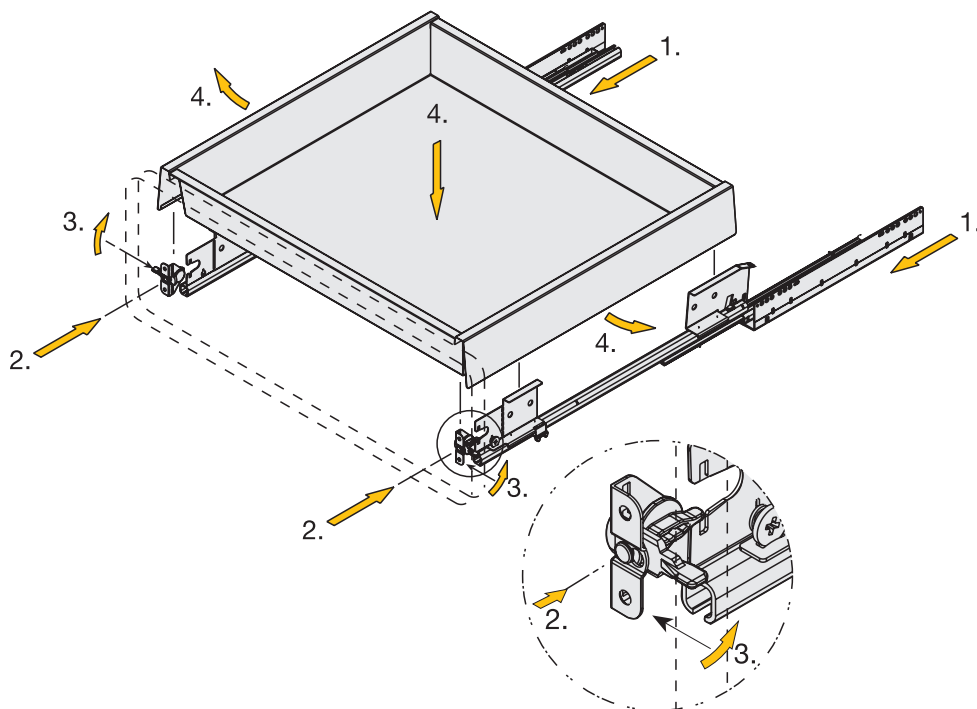
	Full ext.	Partial ext.	
	A	B	C
Steel drawer	56.5	18	96
Plastic molded drawer	58	19.5	90

High front drawers with dividers



	A	B
Steel drawer	56.5	18
Plastic molded drawer	58	19.5

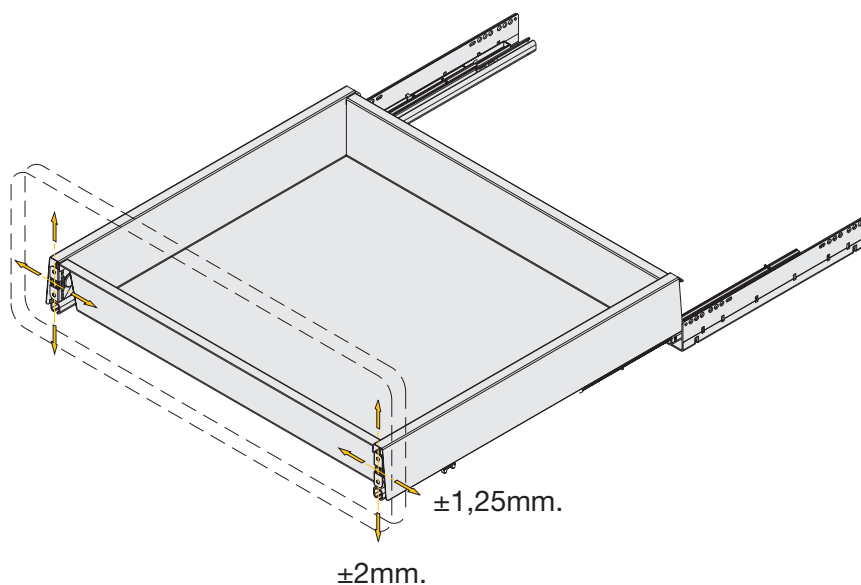
■ Drawer assembly



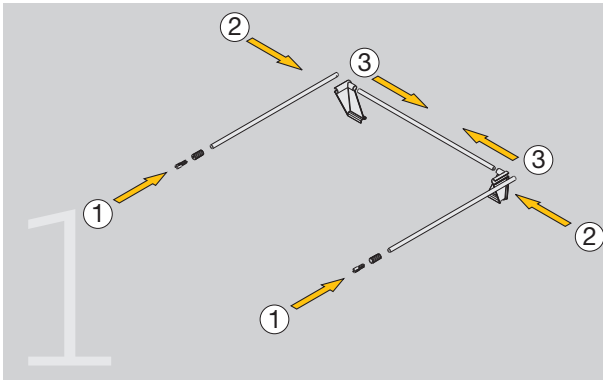
Quick and easy manual assembly.

- 1- Completely extend runners.
- 2- Insert the front brackets into the runners.
- 3- Turn the levers upwards to fix the front to the runners.
- 4- Place the drawer on the runners by opening the drawer sides and clip-on to the runners.

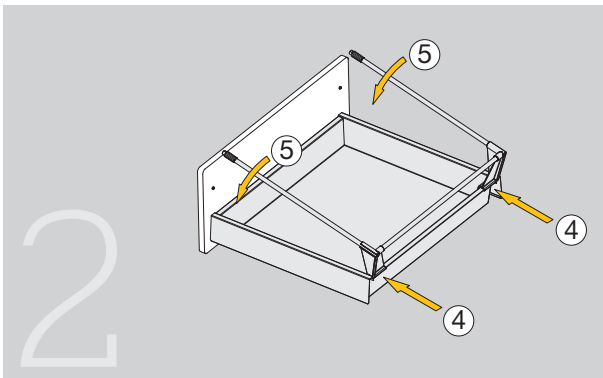
■ Front alignment



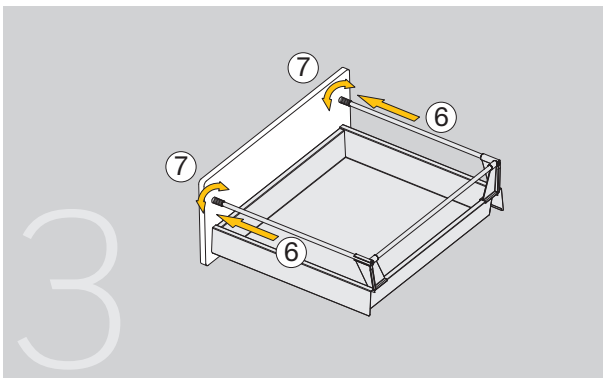
■ Assembly for tubular high front drawers



- 1- Assemble the front brackets in the tube thread.
- 2- Assemble the lateral tubes by applying pressure to the back adapters and lining up the tube hole with the adaptor.
- 3- Assemble the side tubes and adaptors in the back tube.

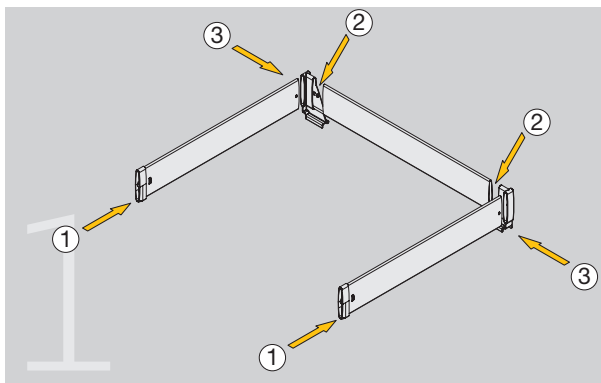


- 4- Insert the back adapters to the drawer wings.
- 5- Rotate the lateral tubes until they are assembled in the screws.

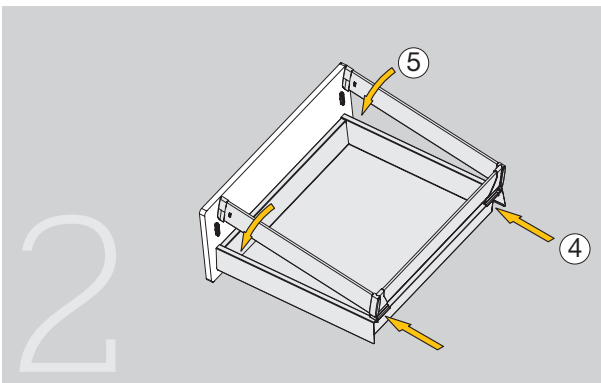


- 6- Move the caps towards the drawer front.
- 7- Move the caps to regulate the drawer front.

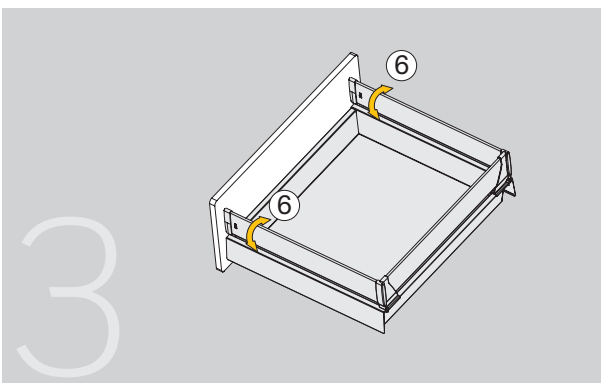
■ High drawer assembly with dividers



- 1- Assemble the side dividers into the back adapters.
- 2- Screw the adapter to the side dividers.
- 3- Join the side dividers to the back divider.



- 4- Insert the rear adapters to the drawer wings.
- 5- Turn the side dividers until they fit into the front brackets.



- 6- Turn the wheel to adjust the drawer front.