

FLAIL MOWER / MULCHER

AGROVISION



Offset Flail Mower

www.indiaagrovision.com

Features



Gear Box with an input speed of 540 RPM.

Three-point linkage of CAT - I & II to connect the various tractor models.



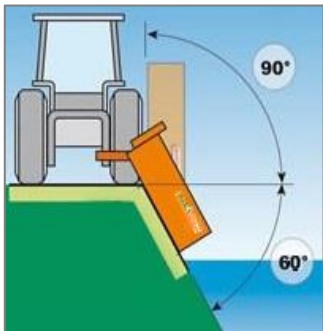
The front safety flaps made of steel allow material to enter the cutting frame but prevent inside objects from being expelled outside at high operating speed.

Features



3 Belts & 4 belts (BX Type) transmission to transfer power to the rotor.

It comes standard “Y” & “I” type blades and as an option Hammer blades.



The mower can operate at 60° decline position.

Specifications

MODEL	A-OFM 160
HITCH	Cat- II
OVERALL WIDTH	1770 mm
WORKING WIDTH	1600 mm
GEAR BOX	Free Wheel Gear Box
PTO INPUT SPEED	540 RPM
SIDE TRANSMISSION TYPE	4 Belts (BX Type)
NO. OF BLADES (Y & I TYPE)	40 + 20
NO. OF HAMMERS	20
APPROX. WEIGHT	660 Kg.
REQUIRED TRACTOR	50 - 110 HP

• Agrovision reserves the right to improve and or modify the technical features of this product without prior notice. The images in this publication are merely illustrative.

Specifications

MODEL	A-OFM 175
HITCH	Cat- II
OVERALL WIDTH	1920 mm
WORKING WIDTH	1750 mm
GEAR BOX	Free Wheel Gear Box
PTO INPUT SPEED	540 RPM
SIDE TRANSMISSION TYPE	4 Belts (BX Type)
NO. OF BLADES (Y & I TYPE)	44 + 22
NO. OF HAMMERS	22
APPROX. WEIGHT	695 Kg.
REQUIRED TRACTOR	70 - 110 HP

• Agrovision reserves the right to improve and or modify the technical features of this product without prior notice. The images in this publication are merely illustrative.

Specifications

MODEL	A-OFM 205
HITCH	Cat- II
OVERALL WIDTH	2220 mm
WORKING WIDTH	2050 mm
GEAR BOX	Free Wheel Gear Box
PTO INPUT SPEED	540 RPM
SIDE TRANSMISSION TYPE	4 Belts (BX Type)
NO. OF BLADES (Y & I TYPE)	52 + 26
NO. OF HAMMERS	26
APPROX. WEIGHT	720 Kg.
REQUIRED TRACTOR	85 - 110 HP

• Agrovision reserves the right to improve and or modify the technical features of this product without prior notice. The images in this publication are merely illustrative.