

Intel[®] Server System R2000SC Family Service Guide

A Guide for Technically Qualified Assemblers of Intel[®] identified Subassemblies/Products

Order Number: G71740-001

Disclaimer

Disclaimer

Information in this document is provided in connection with Intel® products. No license, express or implied, by estoppel or otherwise, to any intellectual property rights is granted by this document. Except as provided in Intel®'s Terms and Conditions of Sale for such products, Intel® assumes no liability whatsoever, and Intel® disclaims any express or implied warranty, relating to sale and/or use of Intel® products including liability or warranties relating to fitness for a particular purpose, merchantability, or infringement of any patent, copyright or other intellectual property right. Intel® products are not designed, intended or authorized for use in any medical, life saving, or life sustaining applications or for any other application in which the failure of the Intel® product could create a situation where personal injury or death may occur. Intel® may make changes to specifications and product descriptions at any time, without notice.

Intel® server boards contain a number of high-density VLSI and power delivery components that need adequate airflow for cooling. Intel®'s own chassis are designed and tested to meet the intended thermal requirements of these components when the fully integrated system is used together. It is the responsibility of the system integrator that chooses not to use Intel® developed server building blocks to consult vendor datasheets and operating parameters to determine the amount of airflow required for their specific application and environmental conditions. Intel Corporation cannot be held responsible if components fail or the server board does not operate correctly when used outside any of their published operating or non-operating limits.

Intel, Intel Pentium, and Intel Xeon are trademarks or registered trademarks of Intel Corporation or its subsidiaries in the United States and other countries.

* Other names and brands may be claimed as the property of others.

Copyright © 2012 Intel Corporation. All Rights Reserved.

Safety Information

Important Safety Instructions

Read all caution and safety statements in this document before performing any of the instructions. See also Intel Server Boards and Server Chassis Safety Information on the Intel® Server Deployment Toolkit 3.0 CD and/or at <http://www.intel.com/support/motherboards/server/sb/cs-010770.htm>.

Wichtige Sicherheitshinweise

Lesen Sie zunächst sämtliche Warnung und Sicherheitshinweise in diesem Dokument, bevor Sie eine der Anweisungen ausführen. Beachten Sie hierzu auch die Sicherheitshinweise zu Intel-Serverplatinen und Servergehäusen auf der Intel® Server Deployment Toolkit 3.0 CD oder unter <http://www.intel.com/support/motherboards/server/sb/cs-010770.htm>.

Consignes de sécurité

Lisez attention toutes les consignes de sécurité et les mises en garde indiquées dans ce document avant de suivre toute instruction. Consultez Intel Server Boards and Server Chassis Safety Information sur le Intel® Server Deployment Toolkit 3.0 CD ou bien rendez-vous sur le site <http://www.intel.com/support/motherboards/server/sb/cs-010770.htm>.

Instrucciones de seguridad importantes

Lea todas las declaraciones de seguridad y precaución de este documento antes de realizar cualquiera de las instrucciones. Vea Intel Server Boards and Server Chassis Safety Information en el Intel® Server Deployment Toolkit 3.0 CD y/o en <http://www.intel.com/support/motherboards/server/sb/cs-010770.htm>.

重要安全指导

在执行任何指令之前，请阅读本文档中的所有注意事项及安全声明。和/或 <http://www.intel.com/support/motherboards/server/sb/cs-010770.htm> 上的 *Intel® Server Boards and Server Chassis Safety Information*（《Intel 服务器主板与服务器机箱安全信息》）。

Warnings

Heed safety instructions: Before working with your server product, whether you are using this guide or any other resource as a reference, pay close attention to the safety instructions. You must adhere to the assembly instructions in this guide to ensure and maintain compliance with existing product certifications and approvals. Use only the described, regulated components specified in this guide. Use of other products/components will void the UL listing and other regulatory approvals of the product and will most likely result in noncompliance with product regulations in the region(s) in which the product is sold.

System power on/off: The power button DOES NOT turn off the system AC power. To remove power from the system, you must unplug the AC power cord from the wall outlet. Make sure the AC power cord is unplugged before you open the chassis, add, or remove any components.

Hazardous conditions, devices and cables: Hazardous electrical conditions may be present on power, telephone, and communication cables. Turn off the server and disconnect the power cord, telecommunications systems, networks, and modems attached to the server before opening it. Otherwise, personal injury or equipment damage can result.

Electrostatic discharge (ESD) and ESD protection: ESD can damage disk drives, boards, and other parts. We recommend that you perform all procedures in this chapter only at an ESD workstation. If one is not available, provide some ESD protection by wearing an antistatic wrist strap attached to chassis ground - any unpainted metal surface - on your server when handling parts.

ESD and handling boards: Always handle boards carefully. They can be extremely sensitive to ESD. Hold boards only by their edges. After removing a board from its protective wrapper or from the server, place the board component side up on a grounded, static free surface. Use a conductive foam pad if available but not the board wrapper. Do not slide board over any surface.

Installing or removing jumpers: A jumper is a small plastic encased conductor that slips over two jumper pins. Some jumpers have a small tab on top that you can grip with your fingertips or with a pair of fine needle nosed pliers. If your jumpers do not have such a tab, take care when using needle nosed pliers to remove or install a jumper; grip the narrow sides of the jumper with the pliers, never the wide sides. Gripping the wide sides can damage the contacts inside the jumper, causing intermittent problems with the function controlled by that jumper. Take care to grip with, but not squeeze, the pliers or other tool you use to remove a jumper, or you may bend or break the pins on the board.

Preface

About this Manual

This manual is written for system technicians who are responsible for troubleshooting, upgrading, and repairing this server system. This document provides a brief overview of the features of the server board/chassis, a list of accessories or other components you may need, troubleshooting information, and instructions on how to add and replace components on the Intel® Server System R2000SC family products. For the latest revision of this manual, go to http://www.intel.com/p/en_US/support/server.

Manual Organization

Chapter 1 provides a brief overview of the Intel® Server System R2000SC family. In this chapter, you will find a list of the server system features, and figures of the system and components to help you identify your system components and their locations.

Chapter 2 provides instructions on adding and replacing components. Use this chapter for step-by-step instructions and diagrams for installing or replacing components such as the fan, power supply, and front panel board, among other components.

Chapter 3 provides instructions on using the utilities that are shipped with the board or that may be required to update the system. This includes information for navigating through the BIOS Setup screens, performing a BIOS update, and resetting the password or BIOS defaults.

The back of this manual provides technical specifications, regulatory information, LED Decoder, "getting help" information, and Intel® Server Issue Report Form.

Additional Information and Software

For additional information about this family of products or any of their supported accessories, refer to the following resources available at http://www.intel.com/p/en_US/support/server.

Table 1. Server System References

For this information or software	Use this Document or Software
For in-depth technical information about this product.	<ol style="list-style-type: none"> 1. <i>Intel® Server System R2000SC Product Family Technical Product Specification</i> 2. <i>Intel® Server Board S2400SC Technical Product Specification</i>
For a quick guide of how to assemble the server system and install components	<i>Intel® Server System R2000SC Product Family Quick Integration Guide</i>
For product list and supported Intel® spares and accessories	Spares and Accessories List and Configuration Guide
For server configuration guidance and compatibility	Intel® Server Configurator tool http://serverconfigurator.intel.com/sct_app.aspx
For system power budget guidance	Power Budget Tool
For system firmware updates and onboard device drivers and software to manage your Intel® Server System.	Intel® Server Deployment & Management DVD
Product Safety and Regulatory document	<i>Intel® Server Products - Product Safety and Regulatory Compliance Document</i>

Table of Contents

Safety Information	iii
Preface	v
1 Server System Features	1
Server System Feature Overview	2
Server System Components.....	4
Hot Swap Hard Drive Bay and Front Panel Options.....	4
Front Panel	5
Back Panel.....	5
Server Board Components.....	6
Intel® Light-Guided Diagnostics	7
System Recovery Jumpers.....	9
Peripheral Devices.....	10
Hard Disk Drive Carriers.....	10
Slimline Optical Drive Support	10
Bezel	11
Hot-Swap SAS/SATA Backplane	11
Advanced Management Options	12
Intel® Remote Management Module 4	12
2 Hardware Installations and Upgrades	13
Before You Begin.....	13
Tools and Supplies Needed	13
System Reference	13
Cable Routing.....	14
For R2308SC2SHFN system with 8 x 3.5" hard drive bay:	14
For R2308SC2SHDR system with 8 x 3.5" hard drive bay:.....	15
For R2312SC2SHGR system with 12 x 3.5" hard drive bay:.....	16
Fan Connections.....	17
Removing and Installing the Front Bezel.....	18
Removing the Front Bezel.....	18
Installing the Front Bezel	18
Removing and Installing the System Cover	19
Removing the System Cover	19
Installing the System Cover.....	20
Removing and Installing the Air Duct.....	21
Removing the Air Duct.....	21
Installing the Air Duct	21
Removing and Installing Processor	22
Removing Processor Heatsink(s).....	22
Installing the Processor.....	23
Installing Processor Heatsink(s)	25
Removing the Processor	26
Installing and Removing Memory.....	26
Installing Memory	26
Removing Memory.....	26

Installing a Hot-swap Hard Disk Drive	27
Installing a Hard Disk Drive into 3.5" Hard Drive Carrier.....	27
Installing and Removing a PCI Add-in Card.....	28
Installing a PCI Add-in Card (Only support half height PCI add-in card)	28
Removing a PCI Add-in Card.....	30
Installing and Removing a Slimline Optical Drive	30
Installing a Slimline Optical Drive	30
Removing a Slimline Optical Drive	31
Installing and Removing the Intel® RAID C600 Upgrade Key.....	31
Installing the Intel® RAID C600 Upgrade Key	31
Removing the Intel® RAID C600 Upgrade Key.....	32
Installing and Removing the Intel® Remote Management Module 4.....	32
Installing the Intel® RMM4 Lite.....	32
Install the Intel® RMM4 NIC	33
Removing the Intel® RMM4 Lite	33
Removing the Intel® RMM4 NIC.....	33
Installing and Removing the Intel® RAID Smart Battery	33
Installing the Intel® RAID Smart Battery	33
Removing the Intel® RAID Smart Battery	34
Replacing the Power Supply	34
Installing and Removing the Server Board	37
Removing the Server Board.....	37
Installing the Server Board.....	38
Replacing the Backup Battery	39
Replacing a System Fan	40
Replacing the Backplane	40
Replacing the 3.5" Hard Drive Backplane.....	40
Installing and Removing the Rack Handles	43
Installing the Rack Handles.....	43
Removing the Rack Handles	43
Installing and Removing the Intel® Local Control Panel	44
Installing the Intel® Local Control Panel.....	44
Removing the Intel® Local Control Panel	45
Installing and Removing the Storage Front Panel	47
Installing the Storage Front Panel.....	47
Removing the Storage Front Panel.....	48
3 Server Utilities	49
Using the BIOS Setup Utility	49
Entering BIOS Setup	49
If You Cannot Access Setup.....	49
Setup Menus	49
Upgrading the BIOS	51
Clearing the Password	51
Restoring the BIOS Defaults	51
Appendix A: Technical Reference.....	52
Power Supply Input Voltages	52
Power Supply Output Voltages	52
System Environmental Specifications	52

Table of Contents

Appendix B: Regulatory and Compliance Information 54

Appendix C: Getting Help..... 55
 Warranty Information 55

Appendix D: Intel® Server Issue Report Form 56

List of Figures

Figure 1. Intel® Server System R2000SC	1
Figure 2. Intel® Server System R2000SC Components	4
Figure 3. 3.5" Hard Drive Bay - 8 Drive Configuration	4
Figure 4. 3.5" Hard Drive Bay - 12 Drive Configuration	4
Figure 5. Front Panel Options	5
Figure 6. Back Panel Feature Identification.....	5
Figure 7. Server Board Connector and Component Locations	6
Figure 8. Intel® Light-Guided Diagnostic LEDs - Server Board	7
Figure 9. Configuration Jumpers	9
Figure 10. Optional Peripherals	10
Figure 11. Front view of Front Bezel.....	11
Figure 12. 8 x 3.5-inch Hard Drive Backplane Components (Front View).....	11
Figure 13. 8 x 3.5-inch Hard Drive Backplane Components (Rear View)	11
Figure 14. 12 x 3.5-inch Hard Drive Backplane Components (Front View).....	12
Figure 15. 12 x 3.5-inch Hard Drive Backplane Components (Rear View)	12
Figure 16. Cable Routing – 8 x 3.5" HDD.....	14
Figure 17. Cable Routing – 12 x 3.5" HDD	15
Figure 18. Cable Routing – 12 x 3.5" HDD	16
Figure 19. System Fan Order	17
Figure 20. Connecting the Fan Power Cables to the motherboard	17
Figure 21. Removing the Front Bezel.....	18
Figure 22. Installing the Front Bezel	18
Figure 23. Installing the badge to the front bezel	19
Figure 24. Removing the badge from the front bezel	19
Figure 25. Removing the System Cover	20
Figure 26. Installing the System Cover.....	20
Figure 27. Removing the Air Duct.....	21
Figure 28. Installing the Air Duct	21
Figure 29. Removing Processor Heatsink.....	22
Figure 30. Installing Processor – Open the Socket Lever	23
Figure 31. Installing Processor – Open the Load Plate.....	23
Figure 32. Installing Processor – Install the Processor	24
Figure 33. Installing Processor – Remove the Cover.....	24
Figure 34. Installing Processor – Close the Load Plate	24
Figure 35. Installing Processor – Latch the Locking Lever	25
Figure 36. Installing Processor Heatsink	25
Figure 37. Installing Memory	26
Figure 38. Installing Hard Disk Drive – Removing 3.5" HDD carrier	27
Figure 39. Installing Hard Disk Drive – Removing 3.5" HDD interface bracket	27
Figure 40. Installing Hard Disk Drive – Installing 3.5" HDD	27
Figure 41. Installing Hard Disk Drive – Installing 2.5" HDD	28
Figure 42. Installing Hard Disk Drive – Inserting 3.5" HDD assembly	28
Figure 43. Installing a PCI Add-In Card.....	29
Figure 44. Installing the Plastic Guide to the Optical Drive	30
Figure 45. Installing an Optical Drive	30
Figure 46. Removing the Slimline Optical Drive	31
Figure 47. Installing the Intel® RAID C600 Upgrade Key	31

List of Figures

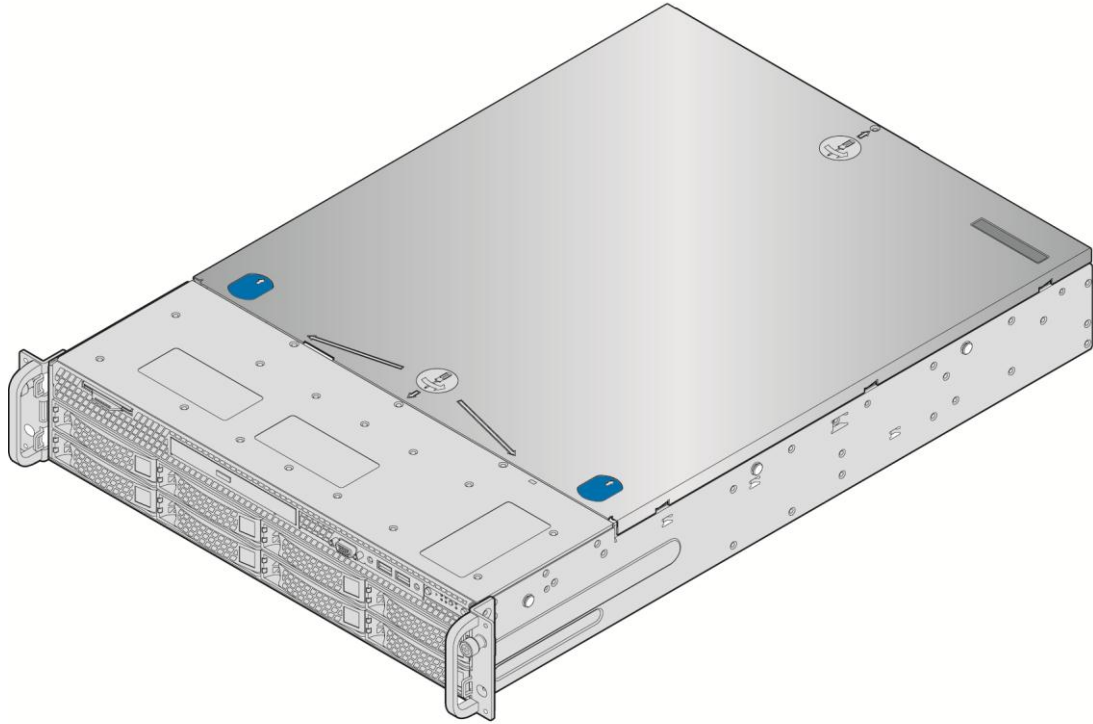
Figure 48. Removing the Intel® RAID C600 Upgrade Key.....	32
Figure 49. Installing the Intel® RMM4 Lite.....	32
Figure 50. Installing the Intel® RMM4 NIC	33
Figure 51. Installing the Intel® RAID Smart Battery	34
Figure 52. Removing the Intel® RAID Smart Battery	34
Figure 53. Removing the filler panel	35
Figure 54. Removing the power supply module	35
Figure 55. Installing the power supply module.....	36
Figure 56. Installing the filler panel.....	36
Figure 57. Removing the Air Duct Side Wall.....	37
Figure 58. Removing the Server Board	37
Figure 59. Installing the Server Board	38
Figure 60. Installing the Air Duct Side Wall	38
Figure 61. Replacing the Backup Battery	39
Figure 62. Replacing a system fan	40
Figure 63. Removing 3.5" Hard Drive Backplane – remove the hard drive cage.....	41
Figure 64. Removing 3.5" Hard Drive Backplane - remove the backplane.....	41
Figure 65. Installing 3.5" Hard Drive Backplane – install the backplane	42
Figure 66. Installing 3.5" Hard Drive Backplane – install the hard drive cage.....	42
Figure 67. Installing 3.5" Hard Drive Backplane – install the stiffener and hard drives	43
Figure 68. Installing the Rack Handle	43
Figure 69. Removing the bracket.....	44
Figure 70. Installing the Intel® Local Control Panel.....	45
Figure 71. Removing the Intel® Local Control Panel	46
Figure 72. Installing the bracket	47
Figure 73. Installing the interposer card	47
Figure 74. Installing the storage front panel	48
Figure 75. Installing the storage front panel	48

List of Tables

Table 1. Server System References.....	v
Table 2. Intel® Server System R2000SC Feature Summary	2
Table 3. Hard Disk Drive Options	10
Table 4. BIOS Setup: Keyboard Command Bar	50
Table 5. Power Supply Output Capability	52
Table 6. System Environmental Limits Summary	52

1 Server System Features

This chapter briefly describes the main features of the Intel® Server System R2000SC family. This includes illustrations of the products, a list of the server system features, and diagrams showing the location of important components and connections on the server systems.



AF005847

Figure 1. Intel® Server System R2000SC

Server System Feature Overview

Table 2 summarizes the features of the the server systems.

Table 2. Intel® Server System R2000SC Feature Summary

Feature	Description
Processor Support	<ul style="list-style-type: none"> Support for one or two Intel® Xeon® processor E5-2400 processor(s) in an FC-LGA 1356 Socket B2 package with Thermal Design Power up to 95W. 6.4 GT/s, 7.2 GT/s and 8.0 GT/s Intel® QuickPath Interconnect (Intel® QPI). EVRD (Enterprise Voltage Regulator-Down) 12.
Memory	<ul style="list-style-type: none"> Six memory channels, eight memory DIMMs (three channels per processor socket; 2:1:1 layout). Support for 1066/1333 MT/s Unbuffered (UDIMM) LVDDR3 or DDR3 memory. Support for 800/1066/1333/1600 MT/s ECC Registered (RDIMM) DDR3 memory. Support for 800/1066/1333 ECC Registered (RDIMM) LVDDR3 memory. No support for mixing of RDIMMs and UDIMMs. No support for LRDIMMs. No support for Quad Rank DIMMs.
Chipset	<ul style="list-style-type: none"> Intel® C602 (-A) chipset with support for storage option upgrade keys.
External I/O connections	<ul style="list-style-type: none"> DB9 serial port A connection. Two RJ-45 NIC connectors for 10/100/1000 Mb connections: Dual GbE through the Intel® 82574L Network Connection. Four USB 2.0 ports at the back of the board. One DB-15 video connector.
Internal I/O connectors/headers	<ul style="list-style-type: none"> One 2x5 pin USB header, providing front panel support for two USB ports. One DH10 serial port B header. One internal Type-A USB 2.0 port. One 9pin USB header for eUSB SSD. One 1x7 pin header for optional Intel® Local Control Panel support. <p>One SSI-compliant 24-pin front control panel header.</p>
System Fans	Three 80 x 80 x 38mm fixed system fans.
Add-in Cards	<p>Support for low profile (half-length and half-height) cards only:</p> <ul style="list-style-type: none"> Slot 6: PCI Express* Gen3 x16 electrical with x16 physical connector, from first processor. Slot 5 PCI Express* Gen3 x8 electrical with x8 open ended physical connector, from second processor, blue connector. Slot 4: PCI Express* Gen3 x4 electrical with x8 physical connector, from first processor. Slot 3: PCI Express* Gen2 x4 electrical with x8 physical connector, from PCH. <p>Note: Slot 3 does not support Intel® Integrated RAID module.</p> <ul style="list-style-type: none"> Slot 2: 32-bit/33 MHz PCI slot, from PCH.
Video	<ul style="list-style-type: none"> Integrated 2D video controller. Dual monitor video mode is supported. 16 MB DDR3 Memory.

Feature	Description
On-board storage controllers and options	<ul style="list-style-type: none"> • Two SATA connectors at 6Gbps and four SATA connectors at 3Gbps. • Up to eight SAS connectors at 3Gbps with optional Intel® C600 RAID Upgrade Keys.
Security	Intel® Trusted Platform Module (TPM) - AXXTPE5 – Accessory Option.
Server Management	<ul style="list-style-type: none"> • Onboard ServerEngines* LLC Pilot III* Controller. • Support for Intel® Remote Management Module 4 solutions (optional). • Support for Intel® Remote Management Module 4 Lite solutions (optional). • Intel® Light-Guided Diagnostics on field replaceable units. • Support for Intel® System Management Software. • Support for Intel® Intelligent Power Node Manager (Need PMBus*-compliant power supply).
Power Supply Options	<ul style="list-style-type: none"> • Redundant power supply option – AC 460W Gold. • Redundant power supply option – AC 750W Platinum. • Fixed power supply option – AC 600W Silver.
Storage Bay Options	<ul style="list-style-type: none"> • 12x3.5" SATA/SAS Hot Swap Hard Drive Bays. • 8x3.5" SATA/SAS Hot Swap Hard Drive Bays.
Supported Rack Mount Kit Accessory Options	<ul style="list-style-type: none"> • Value rack mount rail kit – Intel® Product Code – AXXELVRAIL. • Tool-less rack mount rail kit – Intel® Product Code – AXXPRAIL. • Cable Management Arm – Intel® Product Code – AXX1U2UCMA (*supported with AXXPRAIL only). • Two-post fixed mount bracket kit – Intel® Product Code – AXX2POSTBRCKT.

Caution: THE MAXIMUM RECOMMENDED SERVER WEIGHT FOR THE RACK RAILS CAN BE FOUND at <http://www.intel.com/support/motherboards/server/sb/CS-033655.htm>. EXCEEDING THE MAXIMUM RECOMMENDED WEIGHT OR MISALIGNMENT OF THE SERVER MAY RESULT IN FAILURE OF THE RACK RAILS HOLDING THE SERVER. Use of a mechanical assist to install and align server into the rack rails is recommended.

Server System Components

This section helps you identify the components of your server system. If you are near the system, you can also use the *Quick Reference Label* provided inside the chassis cover to help you in identifying the components.

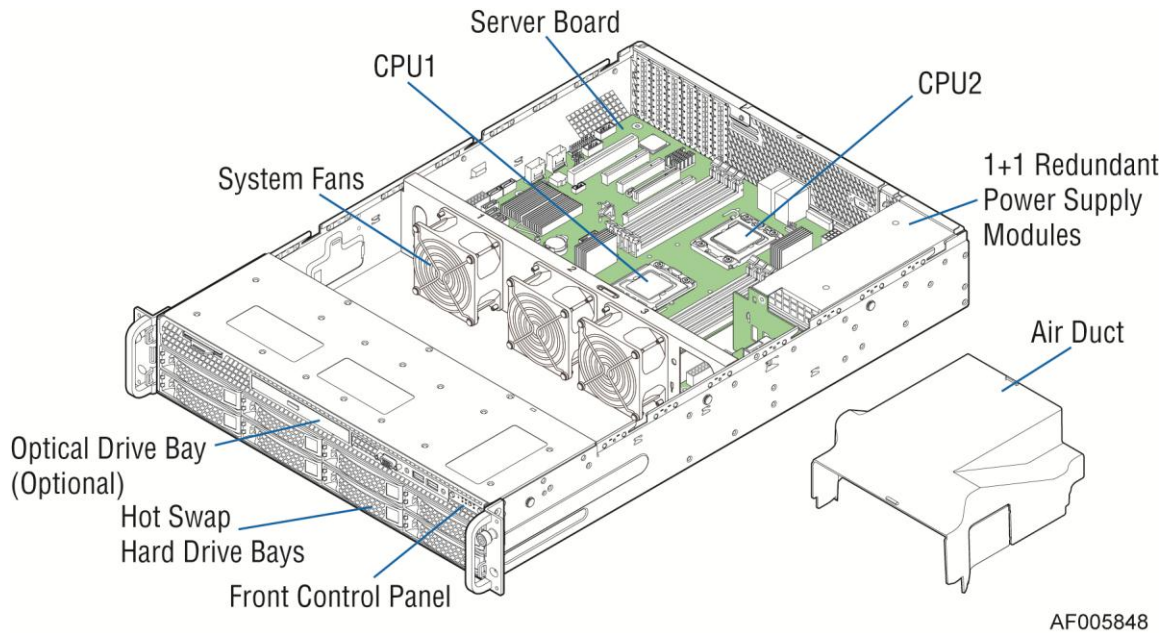


Figure 2. Intel® Server System R2000SC Components

Hot Swap Hard Drive Bay and Front Panel Options

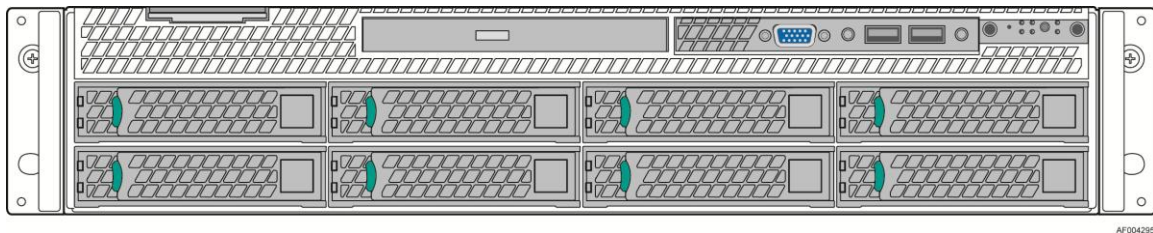


Figure 3. 3.5" Hard Drive Bay - 8 Drive Configuration

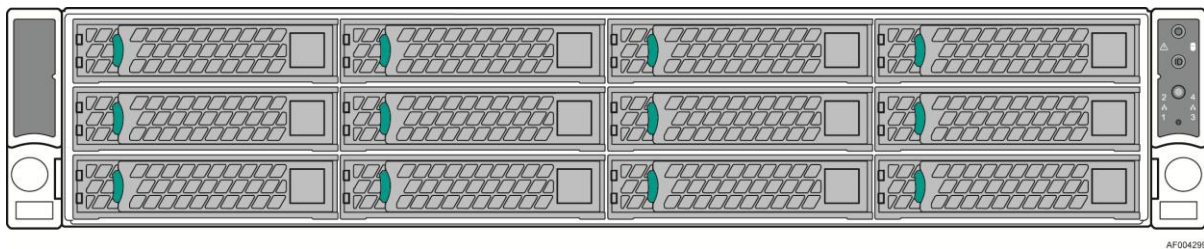


Figure 4. 3.5" Hard Drive Bay - 12 Drive Configuration

Front Panel

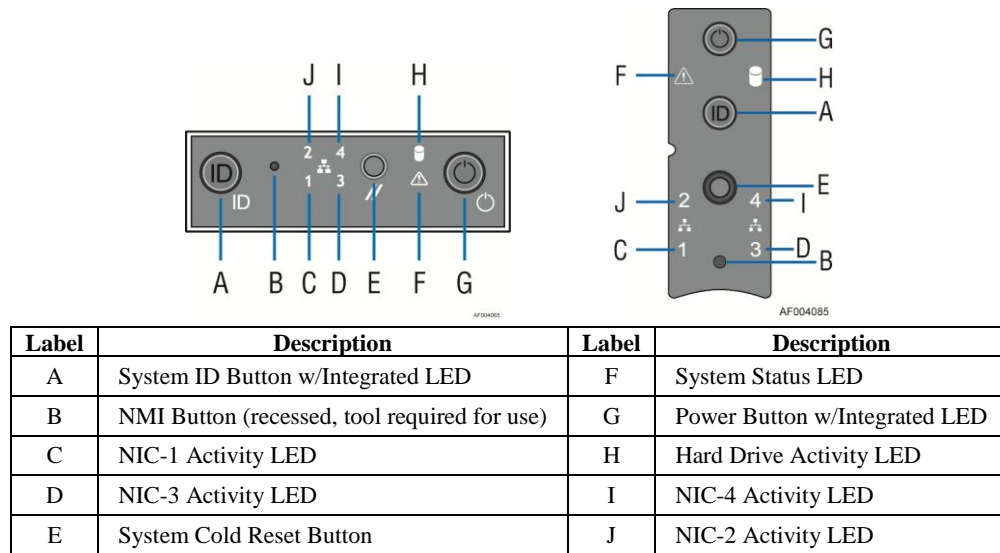
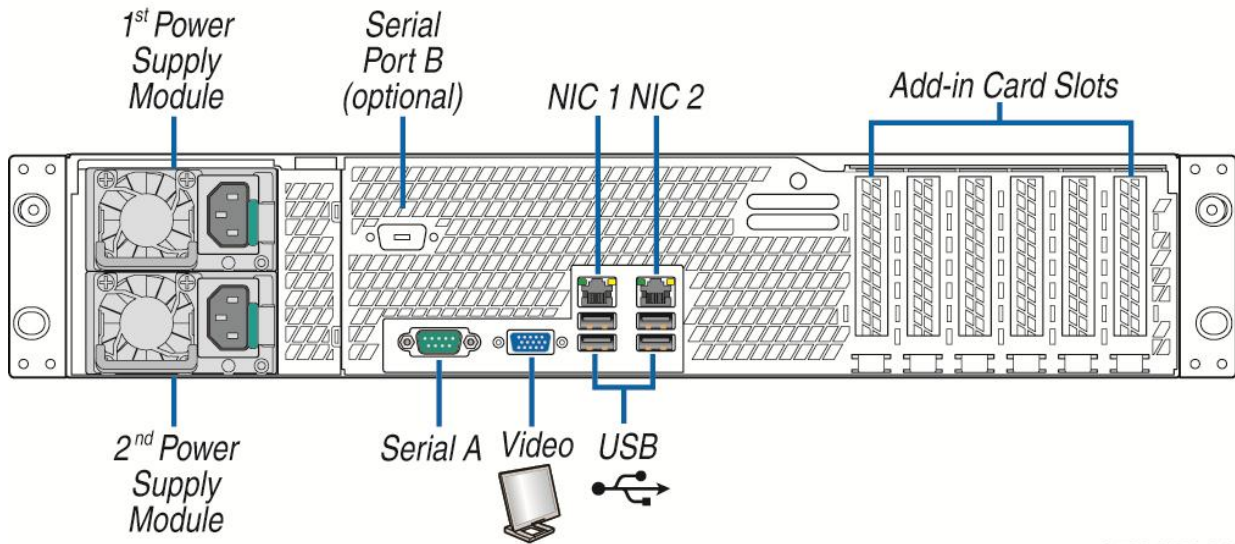


Figure 5. Front Panel Options

Back Panel

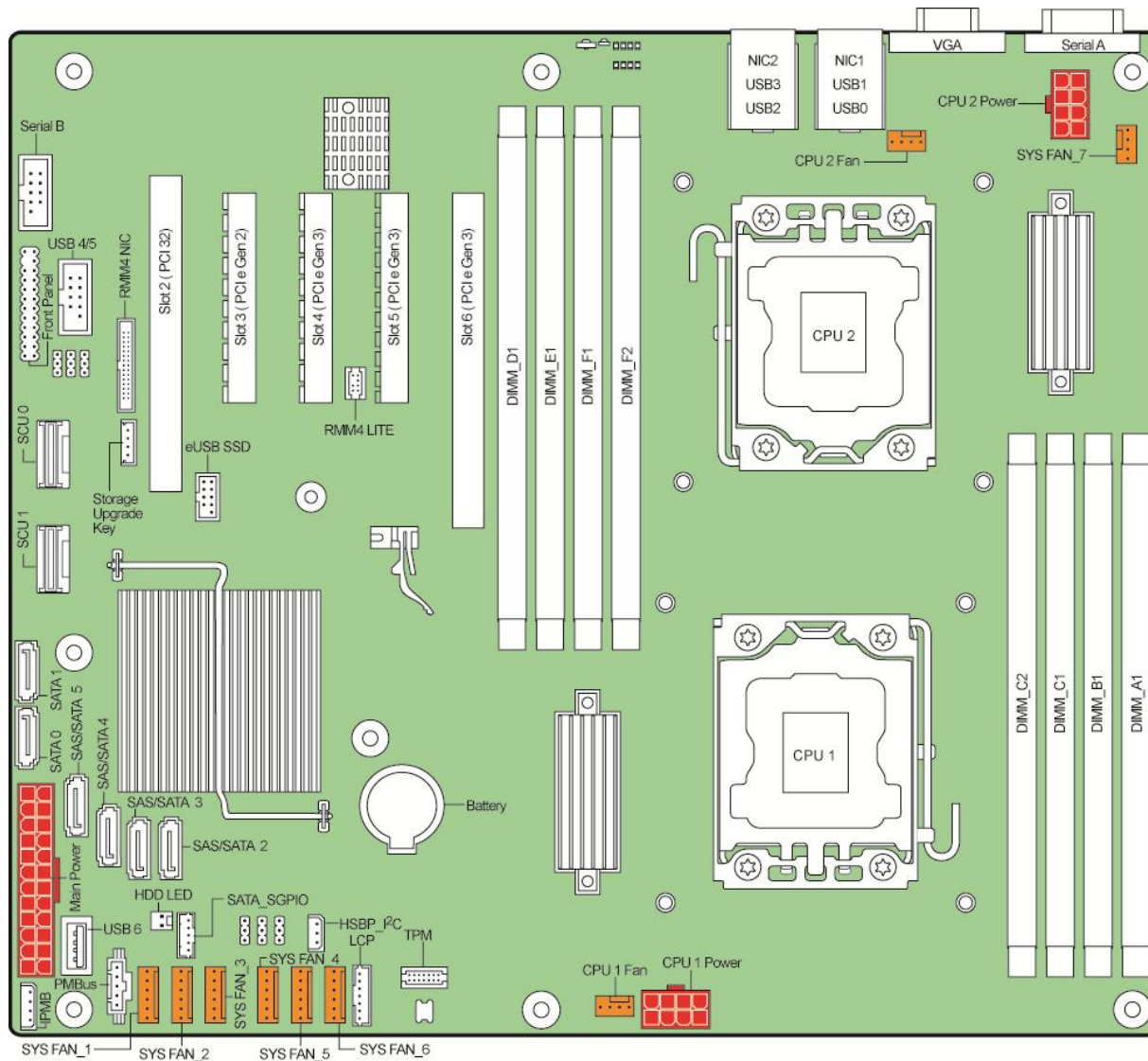


AF005868

Figure 6. Back Panel Feature Identification

Server Board Components

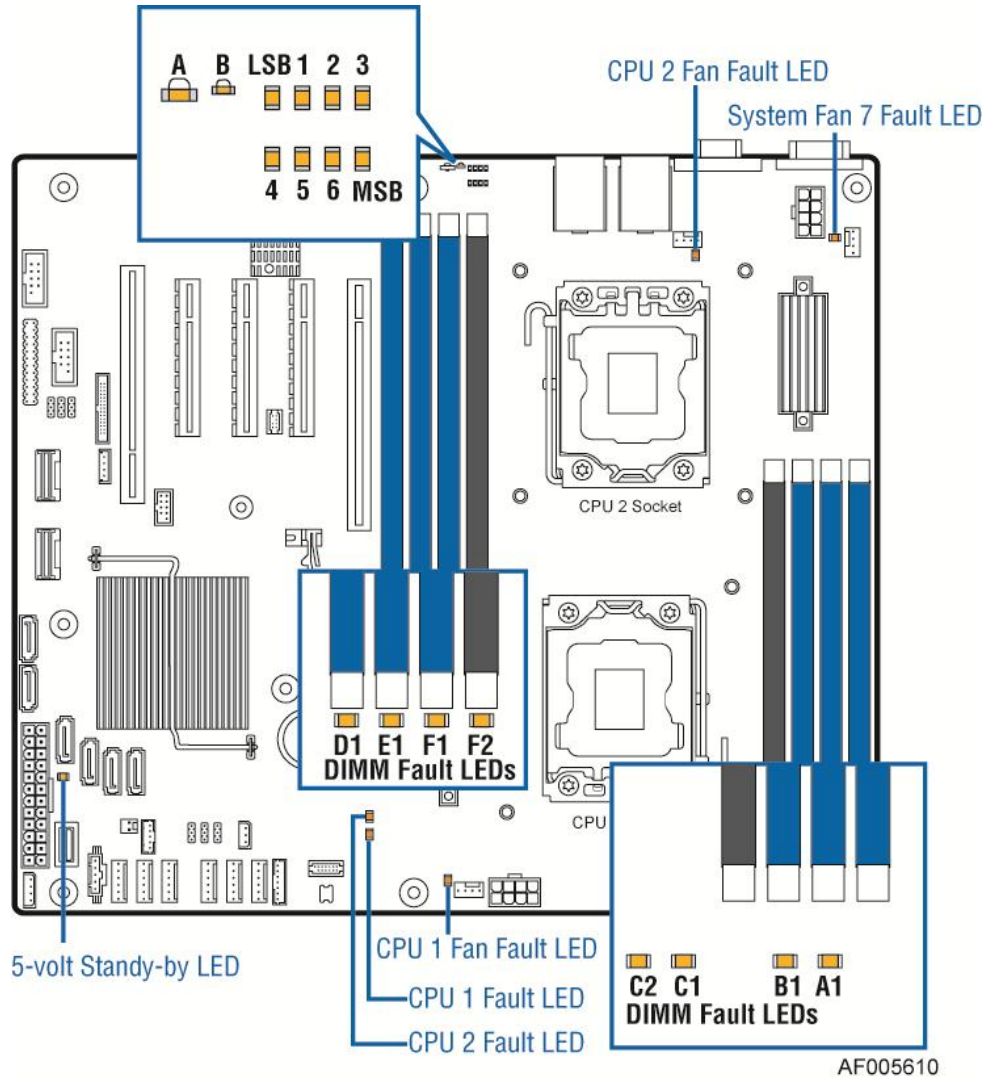
This section helps you identify the components and connectors on the server board.



AF004305

Figure 7. Server Board Connector and Component Locations

Intel® Light-Guided Diagnostics



A	System ID LED	I	System Fan – 5 Fault LED
B	System Status LED	J	System Fan – 4 Fault LED
C	POST Code Diagnostic LEDs	K	System Fan – 3 Fault LED
D	System Power Good LED	L	System Fan – 2 Fault LED
E	CPU-1 Fault LED	M	System Fan – 1 Fault LED
F	12V Standby LED	N	DIMM Fault LEDs
G	DIMM Fault LEDs	O	CPU-2 Fault LED
H	System Fan – 6 Fault LED	P	CATERR LED

Figure 8. Intel® Light-Guided Diagnostic LEDs - Server Board

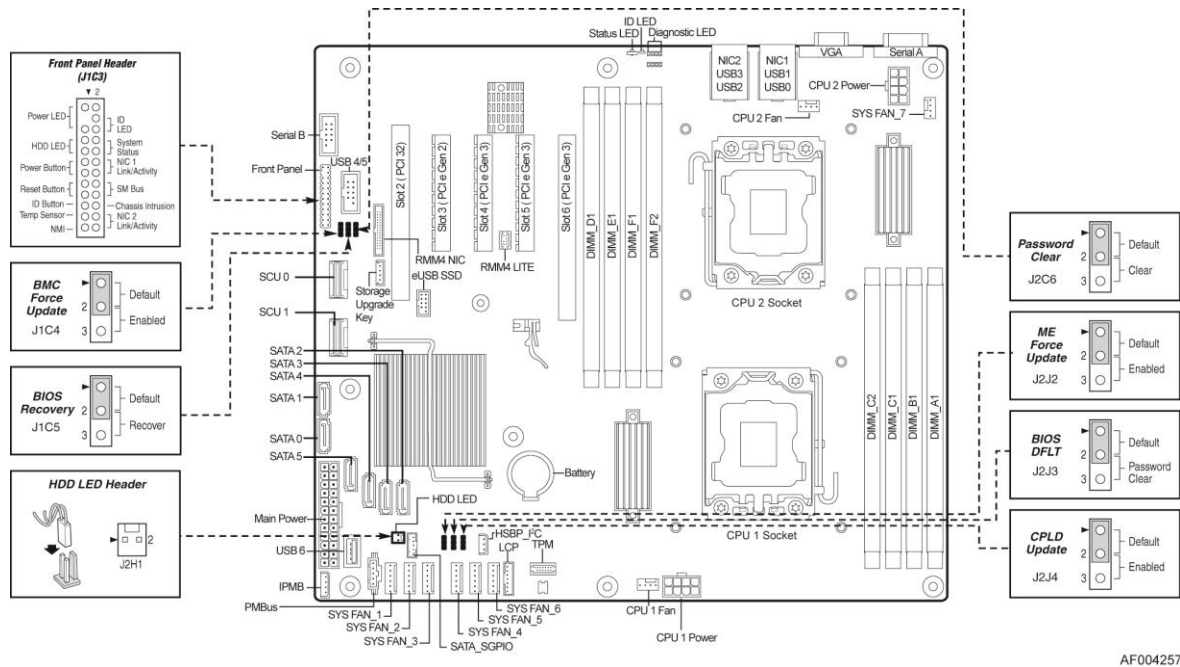
The server system contains the following diagnostic LEDs, each providing the following functions:

1. A - The System Identification LED on the front and back panel helps identify the server from among several servers. The ID LED is off by default, and blue when activated by button or software.

Server System Features

2. B - The System Status LED on the front and back panels shows the overall health of the system (green, blinking green, blinking amber, amber, off).
3. C - POST Code Diagnostic LEDs on the server board change color or state (off, green, red, and amber) according to the POST sequence.
4. D – System power good LED on the server board is illuminated when system power is good.
5. P – CPU CATERR LED is illuminated when CPU CATERR error occurred.
6. F - The 12V-STBY LED on the server board is illuminated (green) when power is applied.
7. M, L, K, J, I and H - Fan Fault LEDs help identify failed and failing fans. The fan fault LEDs turn on (amber) if there is a fan fault.
8. E and O - CPU fault LEDs help identify the failure of CPU. The CPU fault LEDs turn on (amber) if there is a CPU fault.
9. N and G - DIMM Fault LEDs on the server board help identify failed and failing DIMM slots. The DIMM fault LEDs turn on (amber) if there is a DIMM fault.

System Recovery Jumpers



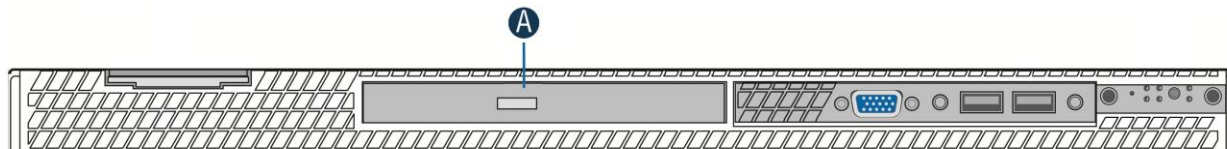
AF004257

Jumper Name	Jumper Purpose
BMC Force Update (J1C4)	If pins 2-3 are selected, the Integrated BMC Force Update Mode is enabled. These pins should be selected on 1-2 for normal system operation.
BIOS Recover (J1C5)	If pins 2-3 are selected, the system can only boot from EFI-bootable recovery media with the recovery BIOS image. The main system BIOS will not boot. These pins should be selected on 1-2 for normal system operation.
Password Clear (J2C6)	If pins 2-3 are selected, administrator and user passwords are cleared within five to ten seconds after the system is powered on. These pins should be selected on 1-2 for normal system operation.
ME Force Update (J2J2)	If pins 2-3 are selected, the ME Force Update Mode is enabled. These pins should be selected on 1-2 for normal system operation.
BIOS Default (J2J3)	If pins 2-3 are selected, the BIOS settings are cleared on the next reset. These pins should be selected on 1-2 for normal system operation.

Figure 9. Configuration Jumpers

Peripheral Devices

The Intel® Server System R2000SC provides locations and hardware for installing hard drives, CD-ROM drive, or DVD-ROM drive. The following figure shows the available options:



Hard Disk Drive Carriers

The Intel® Server System R2000SC ships with 3.5-inch hard disk drive carrier, and with different maximum number of hard disk drives, see the table below for details:

Table 3. Hard Disk Drive Options

Intel® Server System	Supported Hard Drive Type	Maximum Hard Drive Number
R2308SC	3.5-inch or 2.5-inch	8
R2312SC	3.5-inch or 2.5-inch	12

Note: SAS drives are only supported when proper Intel® RAID C600 Upgrade Key or Intel® Integrated RAID Module is installed.

For instructions on installing hard drives, see [Installing a Hot-swap Hard Disk Drive](#).

Note: Drives can consume up to 17 watts of power each. Drives must be specified to run at a maximum ambient temperature of 45°C.

Note: The Intel® Server System R2000SC does not support all SAS or Serial ATA (SATA) hard drives. For a web link to a list of supported hard drives, see [Additional Information and Software](#).

Slimline Optical Drive Support

The system has support for a single optical drive. The optical drive is NOT hot-swappable. The system power must be turned off to insert or remove the slimline optical drive. For instructions on installing an optical drive, see [Installing or Removing a Slimline Optical Drive](#).

Intel® makes the following optical drive accessory kits available for this server system:

- Slimline DVD-ROM Drive: AXXSATADVDRM
- Slimline DVD-RW Drive: AXXSATADVDRWROM

Note: For a complete list of supported peripherals, go to http://serverconfigurator.intel.com/sct_app.aspx.

Bezel

The front bezel is available as optional accessory for the server system:

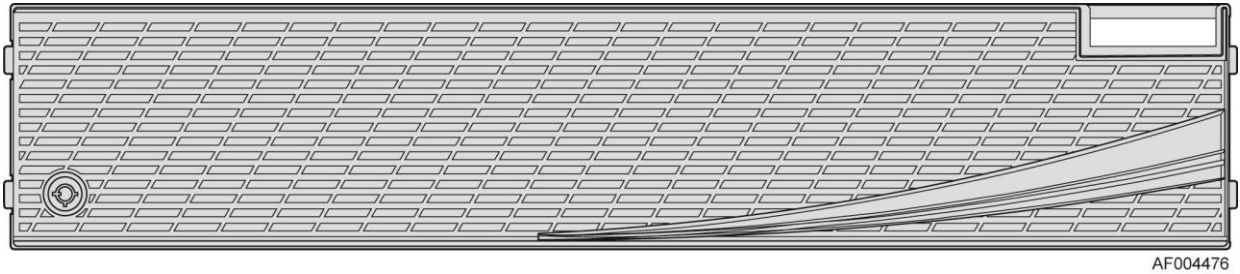


Figure 11. Front view of Front Bezel

Hot-Swap SAS/SATA Backplane

The Hot-Swap SAS/SATA backplane serves as an interface between the motherboard and the system drives. The following diagrams show the location for each connector found on the backplane.

8 x 3.5-inch Hard Drive Backplane

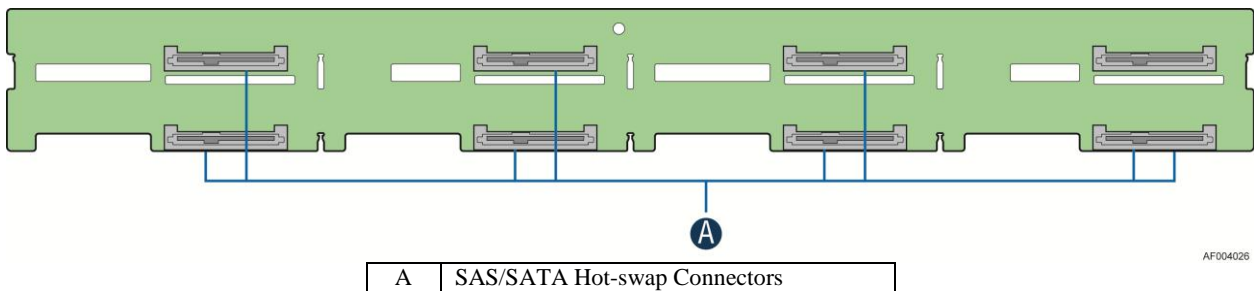


Figure 12. 8 x 3.5-inch Hard Drive Backplane Components (Front View)

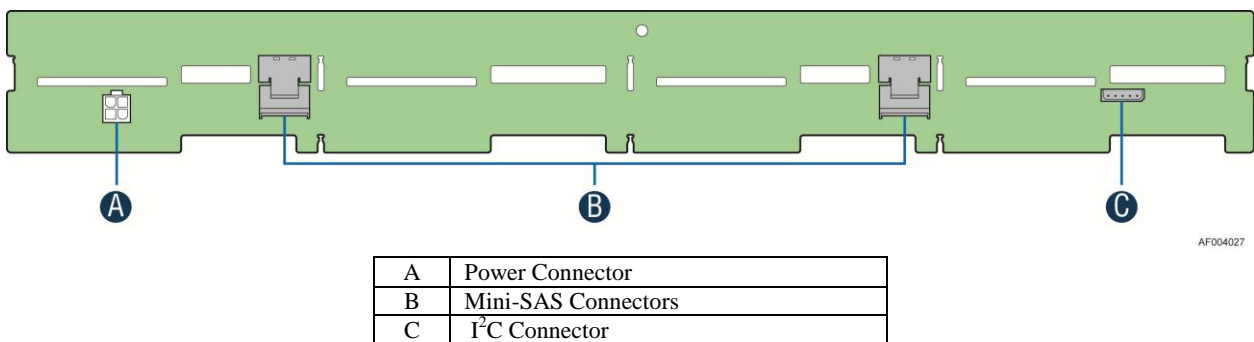


Figure 13. 8 x 3.5-inch Hard Drive Backplane Components (Rear View)

12 x 3.5-inch Hard Drive Backplane

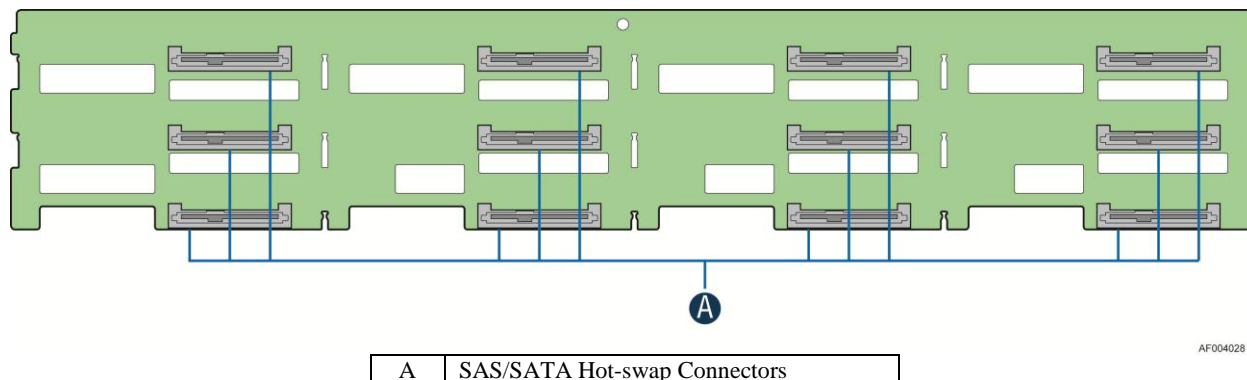


Figure 14. 12 x 3.5-inch Hard Drive Backplane Components (Front View)

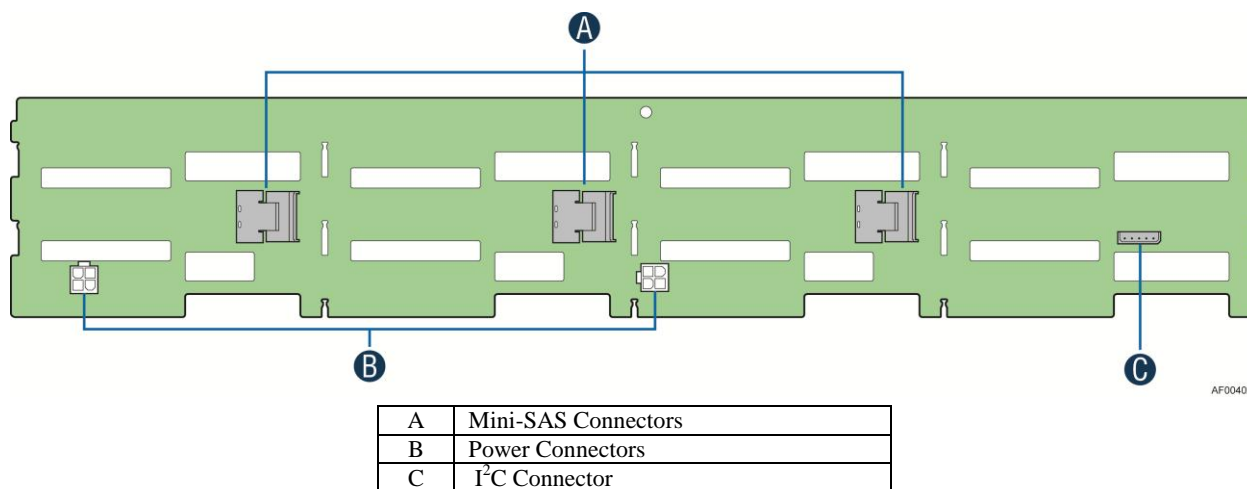


Figure 15. 12 x 3.5-inch Hard Drive Backplane Components (Rear View)

Advanced Management Options

Intel® Remote Management Module 4

The Intel® Remote Management Module 4 plugs into a dedicated connector on the server board and provides additional server management functionality to the server board.

This module provides a dedicated web server for viewing server information and remotely controlling the system. It also provides Remote KVM Redirection and USB Media Redirection allowing USB devices attached to the remote system to be used on the managed server.

For instructions on installing the Intel® Remote Management Module 4, see [Installing and Removing the Intel® Remote Management Module 4](#).

2 Hardware Installations and Upgrades

Before You Begin

Before working with your server product, pay close attention to the [Safety Information](#) at the beginning of this manual.

Note: Whenever you service the system, you must first power down the server and unplug all peripheral devices and the power cord.

Tools and Supplies Needed

- Phillips* (cross head) screwdriver (#2 bit)
- Needle nosed pliers
- Anti-static wrist strap and conductive foam pad (recommended)

System Reference

All references to left, right, front, top, and bottom assume the reader is facing the front of the chassis as it would be positioned for normal operation.

Note: The Intel® Server System R2308SC is shown for illustration purpose only; server components with the product family are identical.

Cable Routing

When you add or remove components from your server system, make sure your cables are routed correctly before reinstalling the server system cover. Use caution to make sure no cables or wires are pinched and that the airflow from the fans is not blocked. Use the figures below to determine the correct cable routing.

Note: Red lines are for power connection, dot lines are for optional device connection.

For R2308SC2SHFN system with 8 x 3.5" hard drive bay:

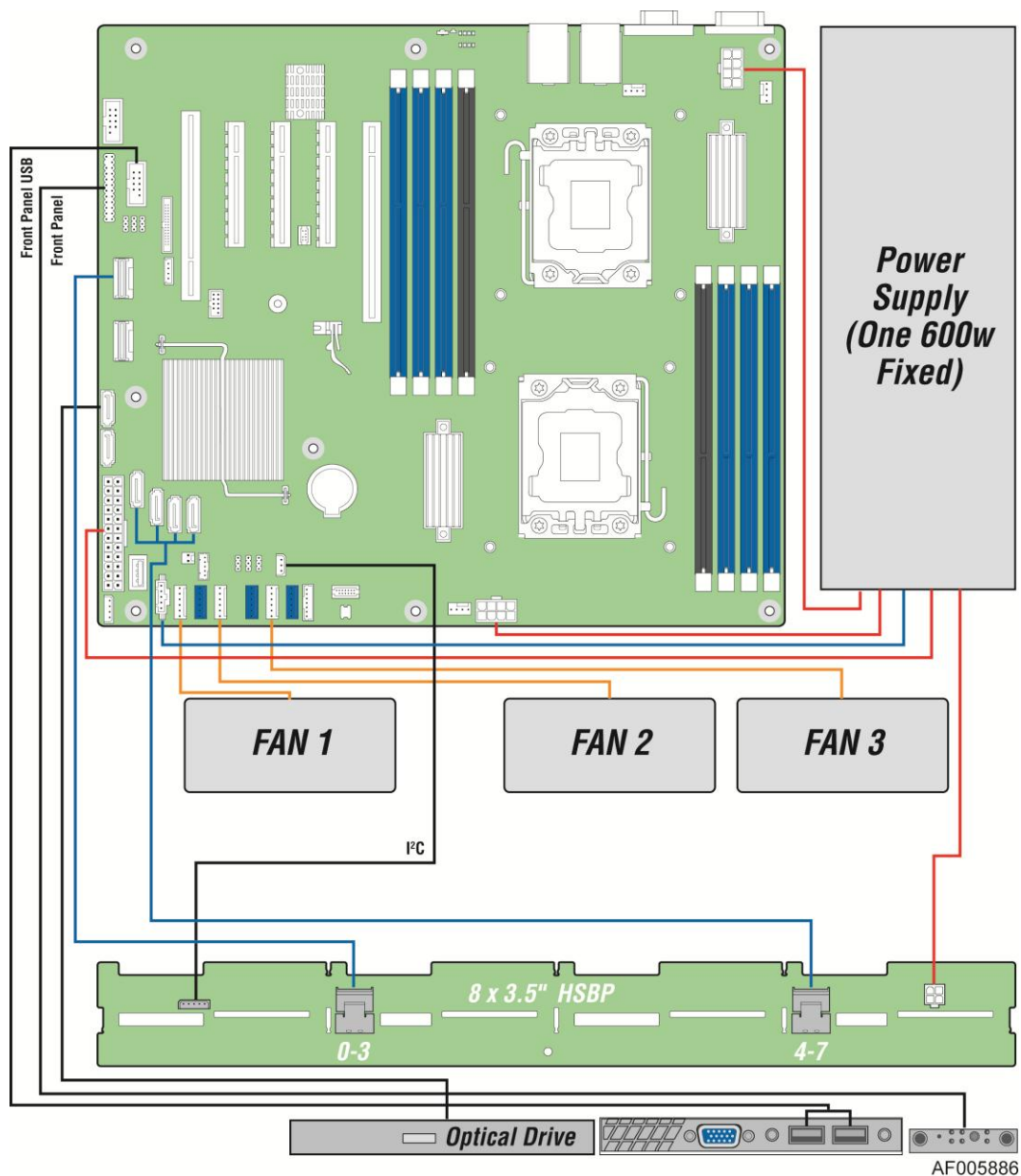


Figure 16. Cable Routing – 8 x 3.5" HDD

For R2308SC2SHDR system with 8 x 3.5" hard drive bay:

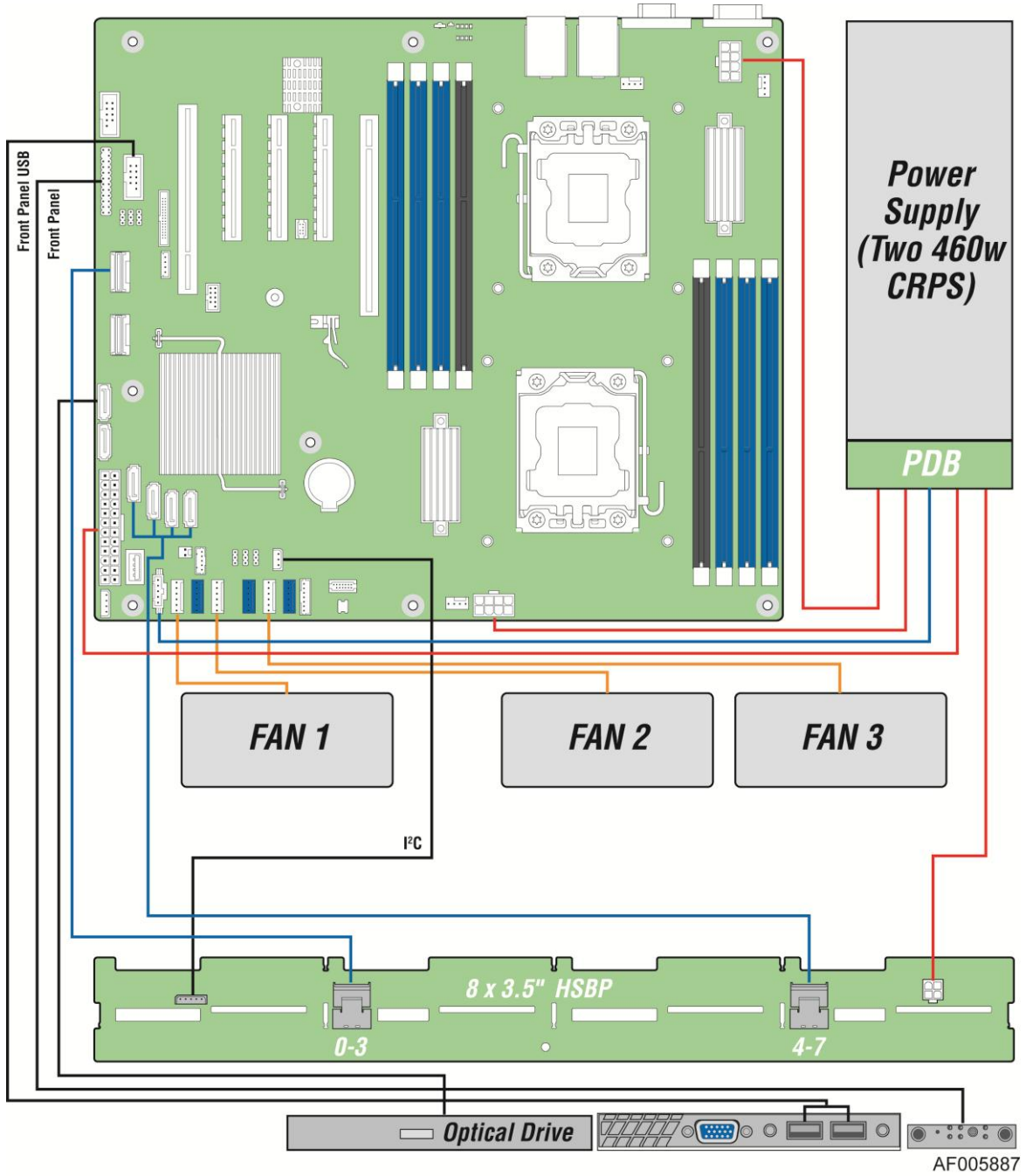


Figure 17. Cable Routing – 12 x 3.5" HDD

For R2312SC2SHGR system with 12 x 3.5" hard drive bay:

Note: To activate the port SCU1 (4-7) on the server board, a proper Intel® RAID C600 Upgrade Key must be installed. For instructions, see Intel® RAID C600 Upgrade Key Installation Guide.

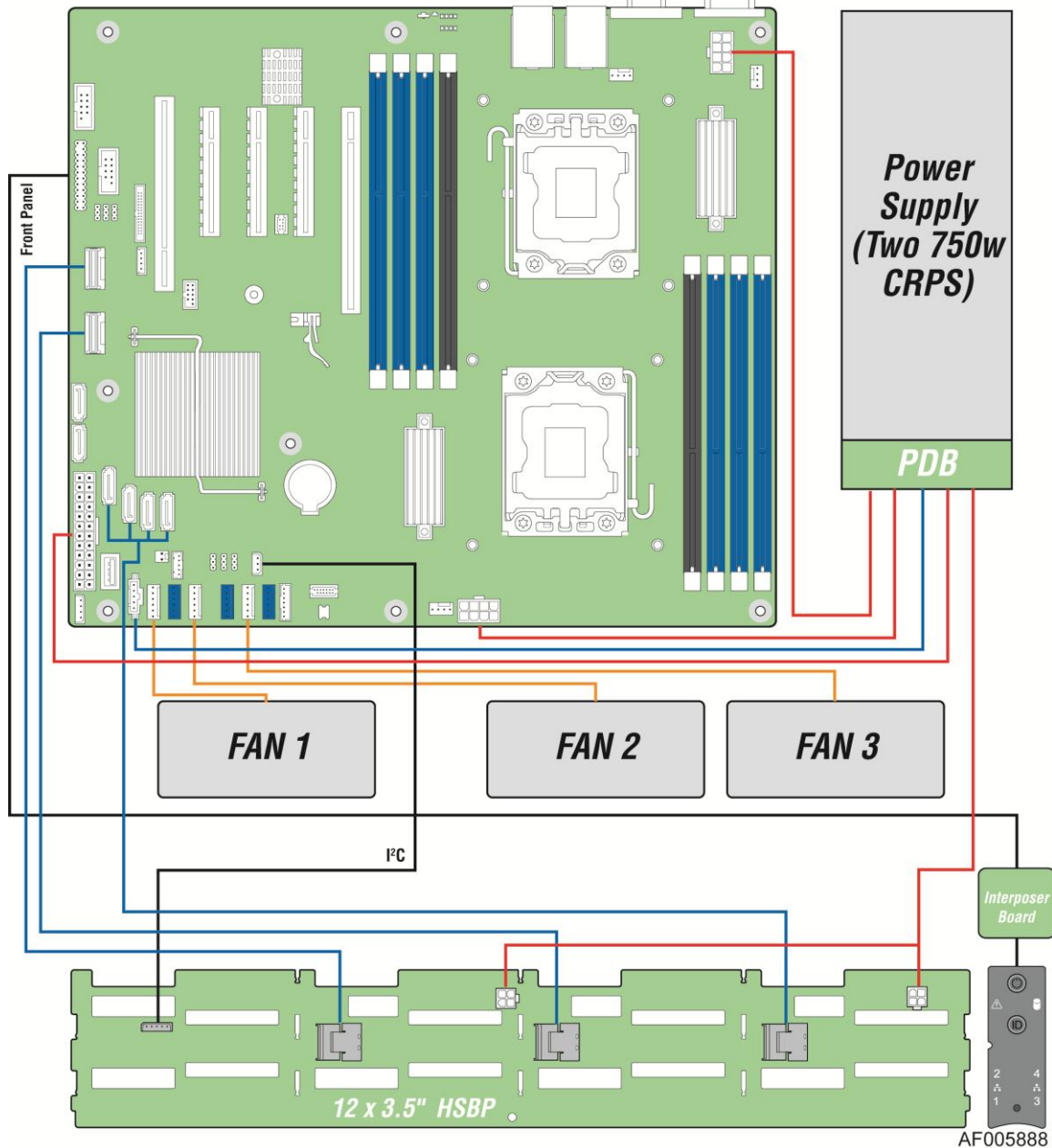
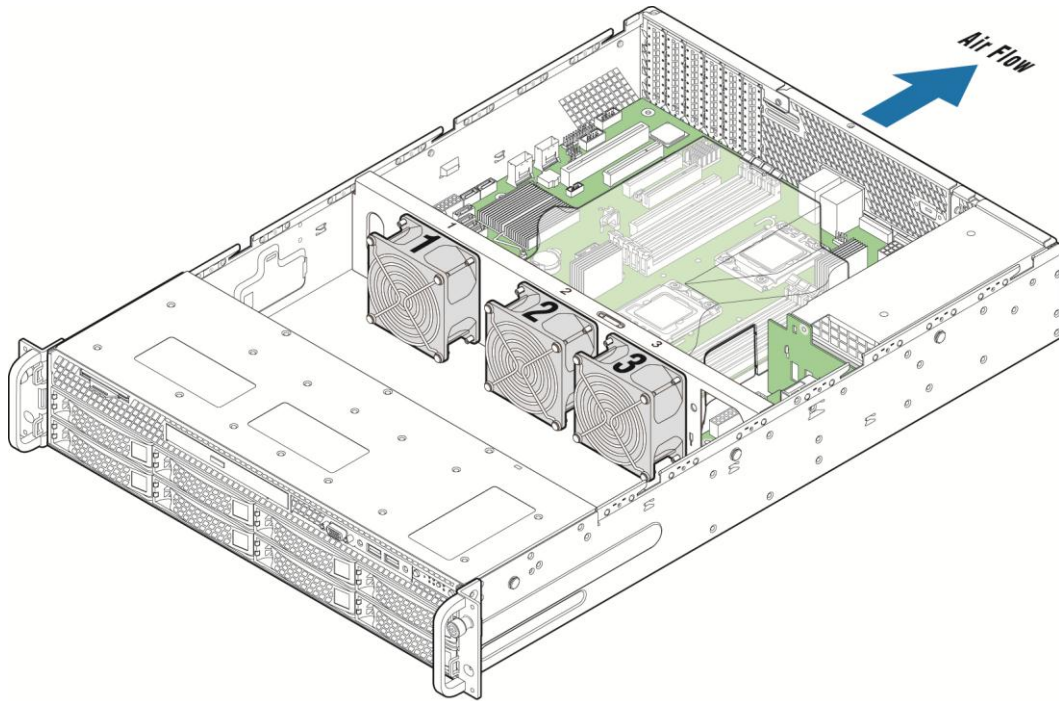


Figure 18. Cable Routing – 12 x 3.5" HDD

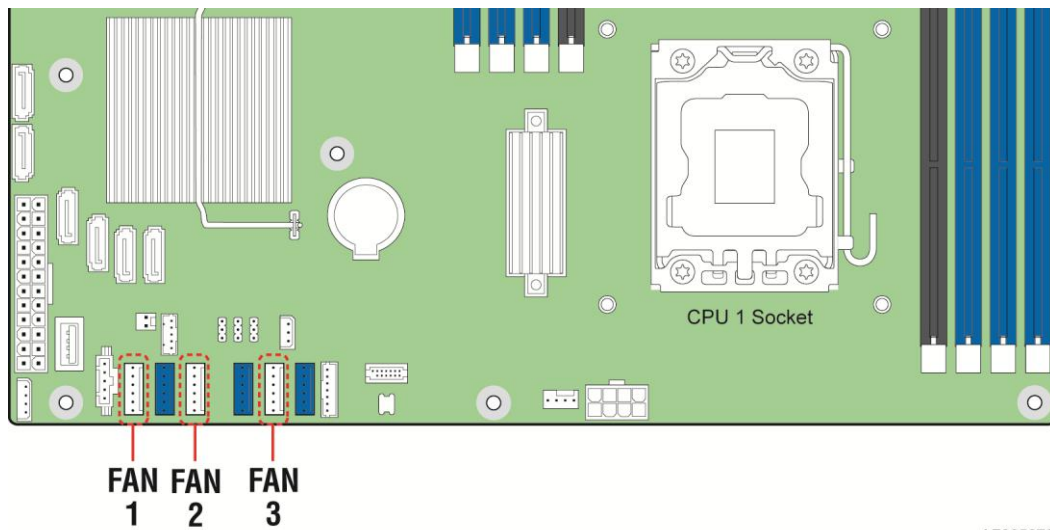
Fan Connections

Use the figures below to determine the proper fan connections:



AF005873

Figure 19. System Fan Order



AF005872

Figure 20. Connecting the Fan Power Cables to the motherboard

Removing and Installing the Front Bezel

Removing the Front Bezel

If your system includes a front bezel, follow these steps to remove the front bezel:

1. Unlock the bezel if it is locked.
2. Remove the left end of front bezel from rack handle (see letter **A**).
3. Rotate the front bezel anticlockwise to release the latches on the right end from the rack handle (see letter **B**).

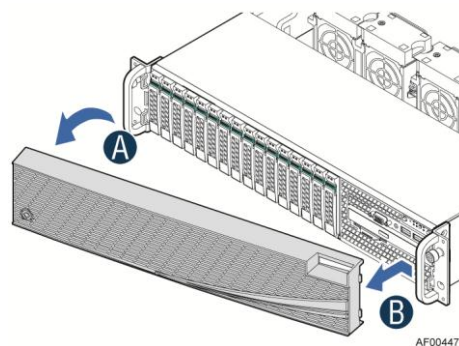


Figure 21. Removing the Front Bezel

Installing the Front Bezel

Note: Before installing the bezel, you must install the rack handles.

1. Lock the right end of the front bezel to the rack handle (see letter **A**).
2. Rotate the front bezel clockwise till the left end clicks into place (see letter **B**).
3. Lock the bezel if needed.

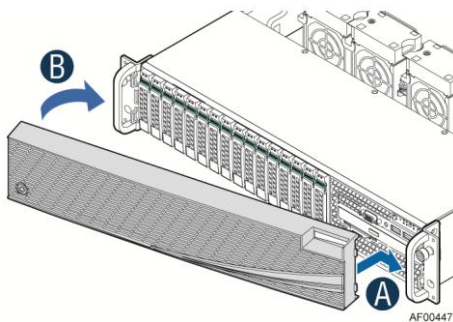


Figure 22. Installing the Front Bezel

Intel® also provides an optional plastic badge for customer to use. To install the badge to the bezel, attach the badge onto the bezel until the hooks at the rear of the badge click into the bezel.

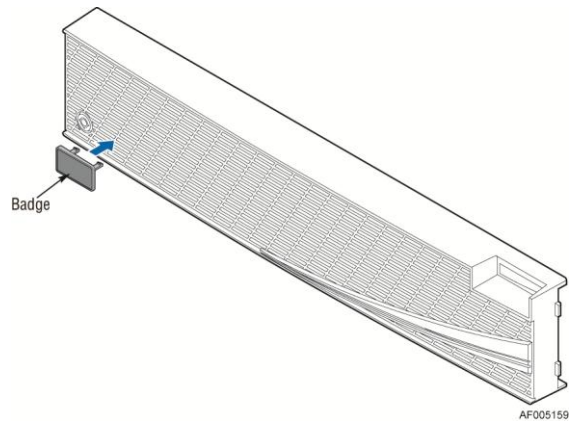


Figure 23. Installing the badge to the front bezel

To remove the badge from the bezel, squeeze the hooks at the rear of the badge to release the badge (see letter **A**) and then remove the badge from the bezel (see letter **B**).

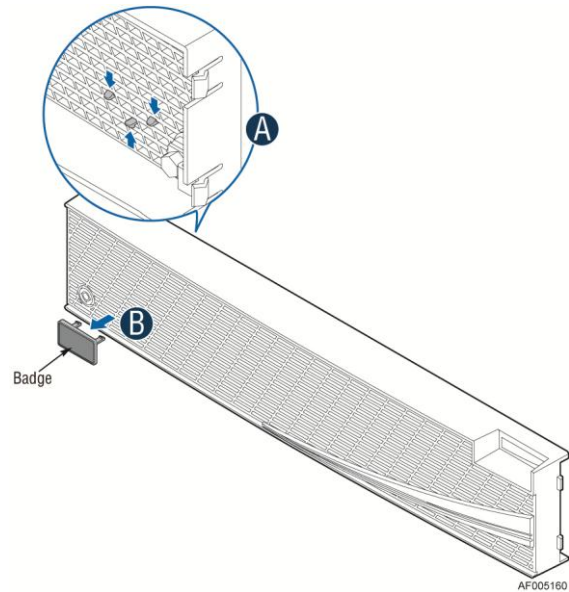


Figure 24. Removing the badge from the front bezel

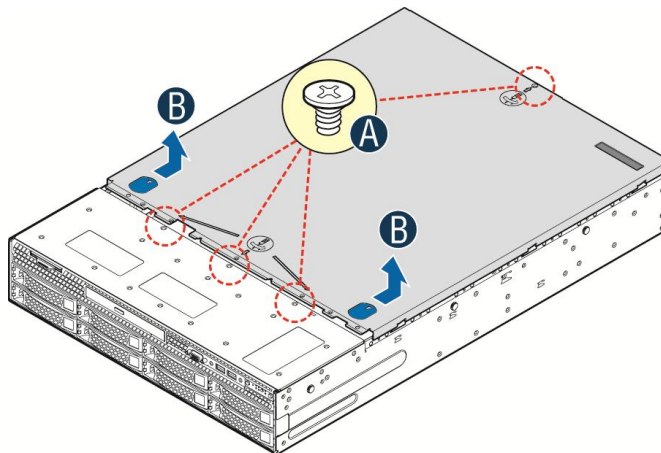
Removing and Installing the System Cover

Removing the System Cover

The server system must be operated with the system cover in place to ensure proper cooling. You will need to remove the top cover to add or replace components inside of the server. Before removing the top cover, power down the server and unplug all peripheral devices and the power cable(s).

Note: A non-skid surface or a stop behind the server system may be needed to prevent the server system from sliding on your work surface.

1. Observe the safety and ESD precautions at the beginning of this book.
2. Turn off all peripheral devices connected to the server. Turn off the server.
3. Disconnect the power cord.
4. Remove the four screws (see letter **A**).
5. Slide cover back and lift upward (see letter **B**).

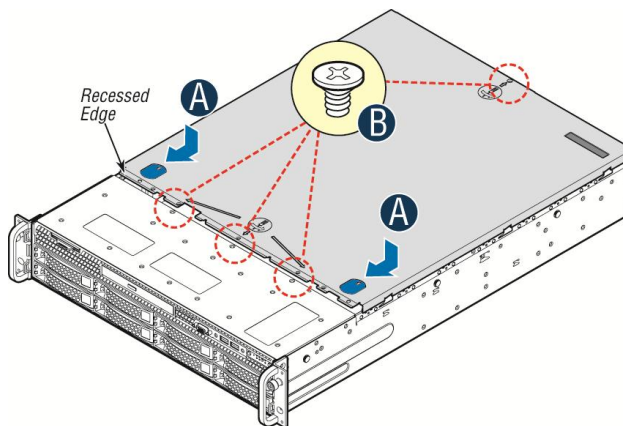


AF005849

Figure 25. Removing the System Cover

Installing the System Cover

1. Place the top cover on system and slide towards the front of chassis until the recessed front edge is fully engaged (see letter **A**).
2. Install the three screws at the front and torque to 7-9in-lbs, then install the screw at the back and torque to 7-9in-lbs (see letter **B**).



AF005867

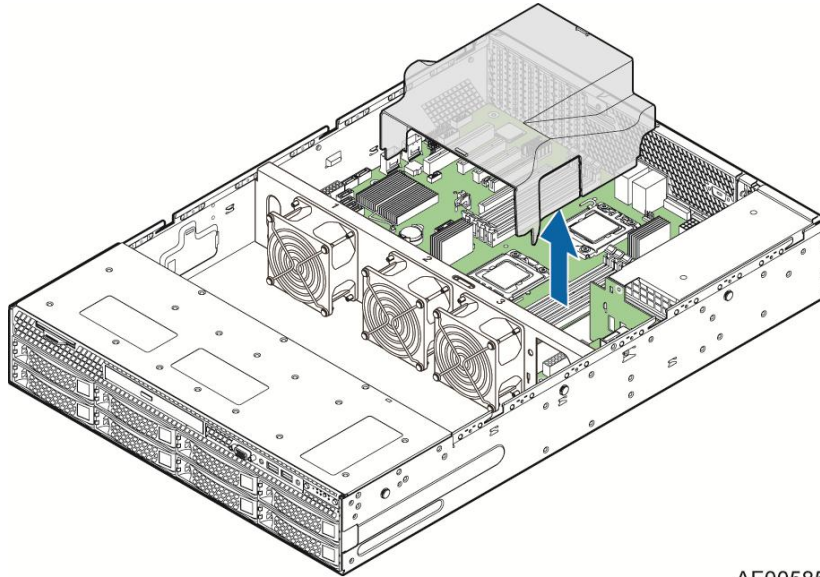
Figure 26. Installing the System Cover

Removing and Installing the Air Duct

Always operate your server system with the air duct in place. The air duct is required for proper airflow within the server system.

Removing the Air Duct

Carefully lift the air duct from the system as shown in below:

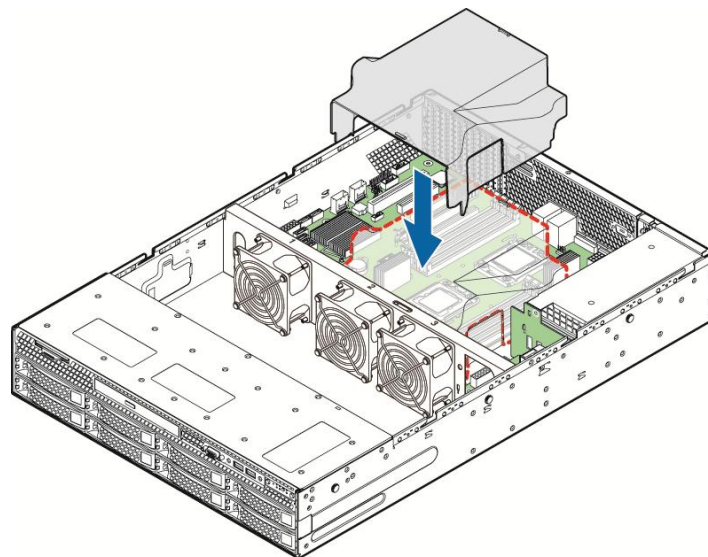


AF005850

Figure 27. Removing the Air Duct

Installing the Air Duct

Push down the air duct till it is fully into place as shown in below:



AF005855

Figure 28. Installing the Air Duct

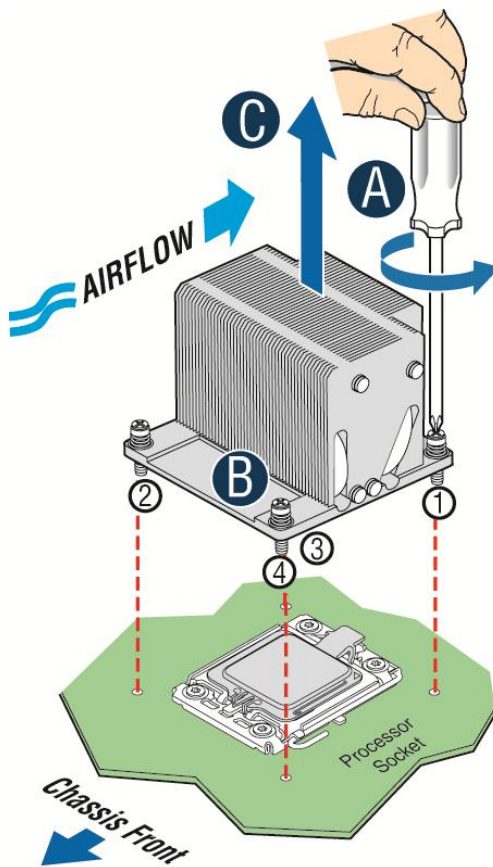
Removing and Installing Processor

The heatsink has Thermal Interface Material (TIM) on the underside of it. Use caution so that you do not damage the thermal interface material. Use gloves to avoid sharp edges.

Removing Processor Heatsink(s)

The heatsink is attached to the server board/processor socket with captive fasteners. Using a #2 Phillips* screwdriver, loosen the four screws located on the heatsink corners in a diagonal manner using the following procedure:

1. Using a #2 Phillips* screwdriver, start with screw 1 and loosen it by giving it two rotations and stop (see letter **A**). (IMPORTANT: Do not fully loosen.)
2. Proceed to screw 2 and loosen it by giving it two rotations and stop (see letter **B**). Similarly, loosen screws 3 and 4. Repeat steps **A** and **B** by giving each screw two rotations each time until all screws are loosened.
3. Lift the heatsink straight up (see letter **C**).



AF005851

Figure 29. Removing Processor Heatsink

Installing the Processor

Cautions:

1. *Processor must be appropriate:* You may damage the server board if you install a processor that is inappropriate for your server. For a web link to the list of compatible processor(s), see “[Additional Information and Software](#)”.
 2. *ESD and handling processors:* Reduce the risk of electrostatic discharge (ESD) damage to the processor by doing the following:
 - i. *Touch the metal chassis before touching the processor or server board. Keep part of your body in contact with the metal chassis to dissipate the static charge while handling the processor.*
 - ii. *Avoid moving around unnecessarily.*
 3. *Protective socket cover needs to be removed for proper cooling of the processor; failure to remove the cover could result in damage to the system.*
1. Push the lever handle down and away from the socket to release it, (see letter **A**). Rotate the lever open all the way (see letter **B**).

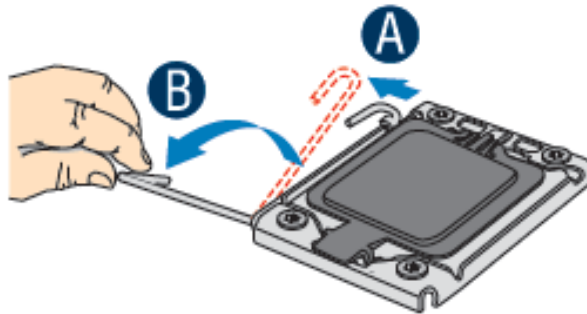


Figure 30. Installing Processor – Open the Socket Lever

2. Open the Load Plate. Press the locking lever slightly to raise the load plate (see letter **A**). Open the load plate all the way (see letter **B**).

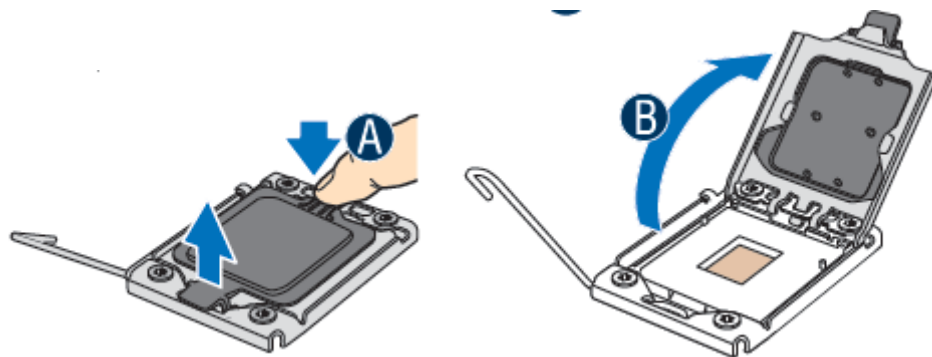


Figure 31. Installing Processor – Open the Load Plate

3. Install the Processor. Take the processor out of the box and remove the protective shipping cover. Orient the processor with the socket so that the orientation notches on the processor align with the two orientation posts on the socket (see letter **A**).

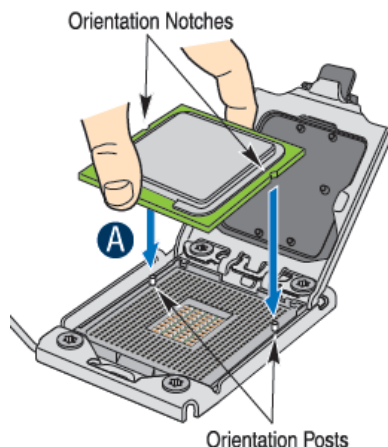


Figure 32. Installing Processor – Install the Processor

Note: The underside of the processor has components that may damage the socket pins if installed improperly. Processor must align correctly with the socket opening before installation. DO NOT DROP the processor into socket!

4. Close the load plate all the way as shown (see letter **A**).

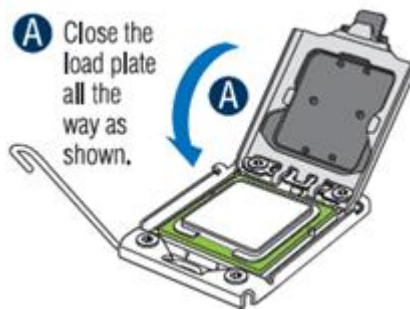


Figure 33. Installing Processor – Remove the Cover

5. Close the Load Plate all the way as shown:

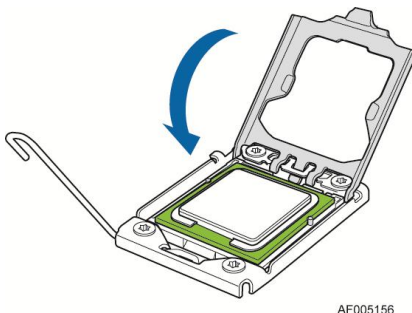


Figure 34. Installing Processor – Close the Load Plate

6. With your finger, push down on the load plate lever as shown. Close the socket lever and ensure that the load plate tab engages under the socket lever when fully closed (see letter **B**). Remove the protection cover after it has been automatically disengaged from the load plate.

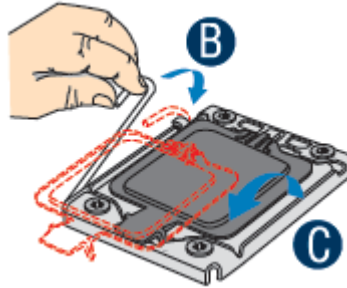


Figure 35. Installing Processor – Latch the Locking Lever

Installing Processor Heatsink(s)

1. Remove the protective film on the TIM if present
2. Align heatsink fins to the front and back of the chassis for correct airflow. Airflow goes from front-to-back of chassis (see letter **A**).

Each heatsink has four captive fasteners and should be tightened in a diagonal manner using the following procedure:

- i. Using a #2 Phillips* screwdriver, start with screw 1 and engage screw threads by giving it two rotations and stop (see letter **B**). (Do not fully tighten.)
- ii. Proceed to screw 2 and engage screw threads by giving it two rotations and stop (see letter **C**). Similarly, engage screws 3 and 4.
- iii. Repeat steps **B** and **C** by giving each screw two rotations each time until each screw is lightly tightened up to a maximum of 8 inch-lbs torque.

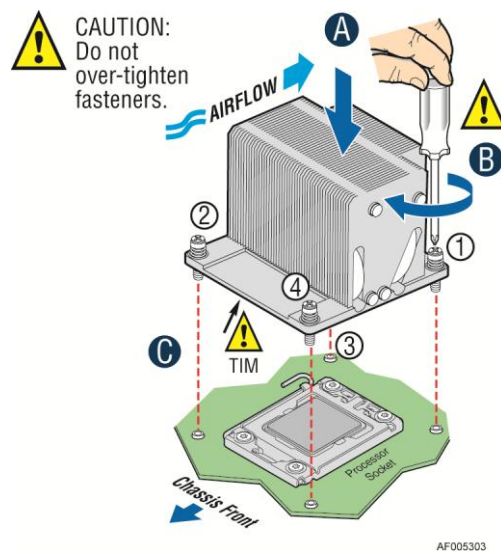


Figure 36. Installing Processor Heatsink

Removing the Processor

1. Remove the processor heatsink, see Figure 29
2. Open the socket lever, see Figure 30.
3. Open the load plate, see Figure 31.
4. Remove the processor.

Installing and Removing Memory

Installing Memory

1. Locate the DIMM sockets. Make sure the clips at either end of the DIMM socket(s) are pushed outward to the open position (see letter **A**).
2. Holding the DIMM by the edges, remove it from its anti-static package. Position the DIMM above the socket. Align the notch on the bottom edge of the DIMM with the key in the DIMM socket (see letter **B**).
3. Insert the bottom edge of the DIMM into the socket (see letter **C**). When the DIMM is inserted, push down on the top edge of the DIMM until the retaining clips snap into place (see letter **D**). Make sure the clips are firmly in place (see letter **E**).

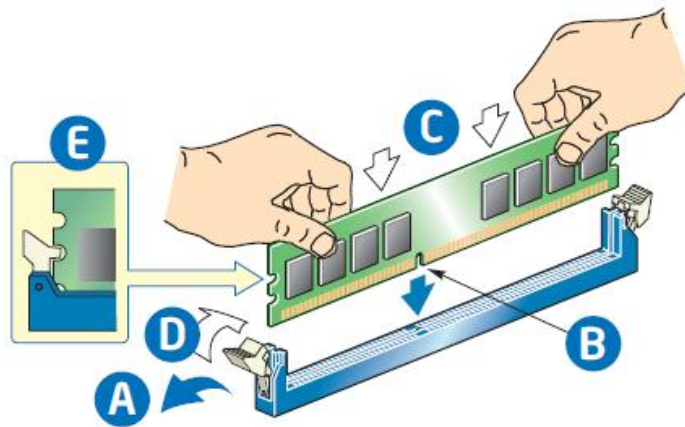


Figure 37. Installing Memory

Removing Memory

1. Locate the DIMM sockets. Gently spread the retaining clips at each end of the socket. The DIMM lifts from the socket.
2. Hold the DIMM by the edges and lift it from the socket and store it in an anti-static package.

Installing a Hot-swap Hard Disk Drive

Caution: If you do not install all drives, empty drive bays must be occupied by carriers with plastic drive blank provided to maintain proper system cooling.

Installing a Hard Disk Drive into 3.5" Hard Drive Carrier

1. Remove the drive carrier by pressing the green button and opening the lever (see letter **A**). Slide the carrier out (see letter **B**).

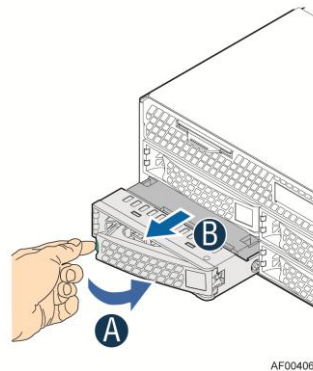


Figure 38. Installing Hard Disk Drive – Removing 3.5" HDD carrier

2. Remove the four screws securing the HDD interface bracket and remove the HDD interface bracket (see letter **C**).

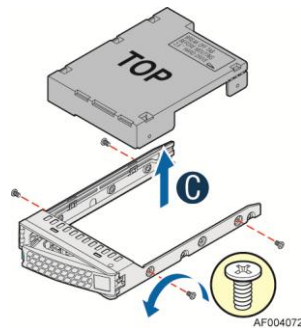


Figure 39. Installing Hard Disk Drive – Removing 3.5" HDD interface bracket

3. Install the hard disk drive using the same four screws as shown. Make sure the connector end of the drive matches the backplane connector (see letter **D**).

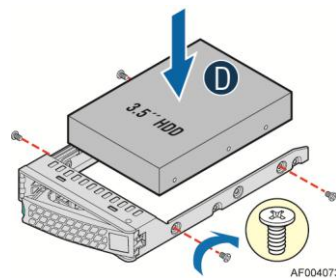


Figure 40. Installing Hard Disk Drive – Installing 3.5" HDD

For installing 2.5" Hard Disk Drive as option:

Break off the tab on the HDD interface bracket (see letter **d1**). Install the HDD interface bracket from top. Secure the bracket with three screws as shown (see letter **d2**). Slide the 2.5" HDD into the bracket to align the screw holes with the right and left rail (see letter **d3**). Secure the hard disk drive using the four screws for 2.5" HDD (see letter **d4**).

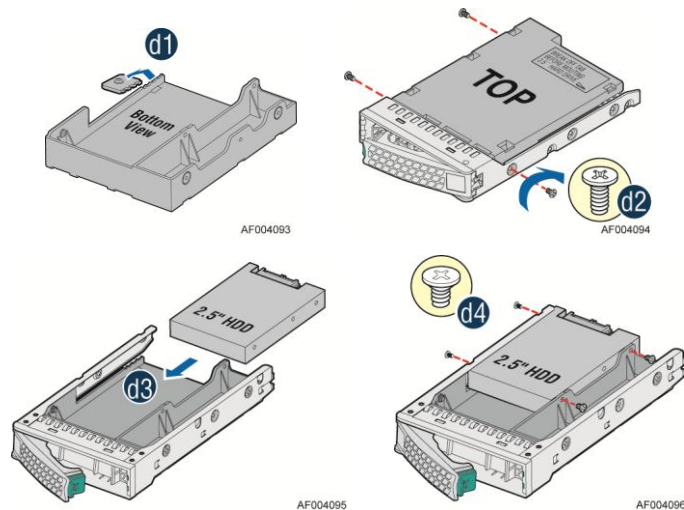


Figure 41. Installing Hard Disk Drive – Installing 2.5" HDD

4. With the lever open, insert the hard disk drive assembly into the chassis (see letter **E**). Push in the lever to lock it into place (see letter **F**).

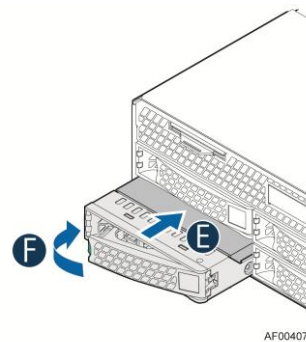


Figure 42. Installing Hard Disk Drive – Inserting 3.5" HDD assembly

Installing and Removing a PCI Add-in Card

Installing a PCI Add-in Card (Only support half height PCI add-in card)

1. Remove the screw on the retention device as shown (see letter **A**).
2. Slide the retention device and lift upward (see letter **B**).
3. Remove the filler panel as shown (see letter **C**).

4. Insert the PCI add-in card as shown (see letter **D**).
5. Tighten the screw (see letter **E**).
6. Install the retention device and tighten the screw (see letter **F** and **G**).

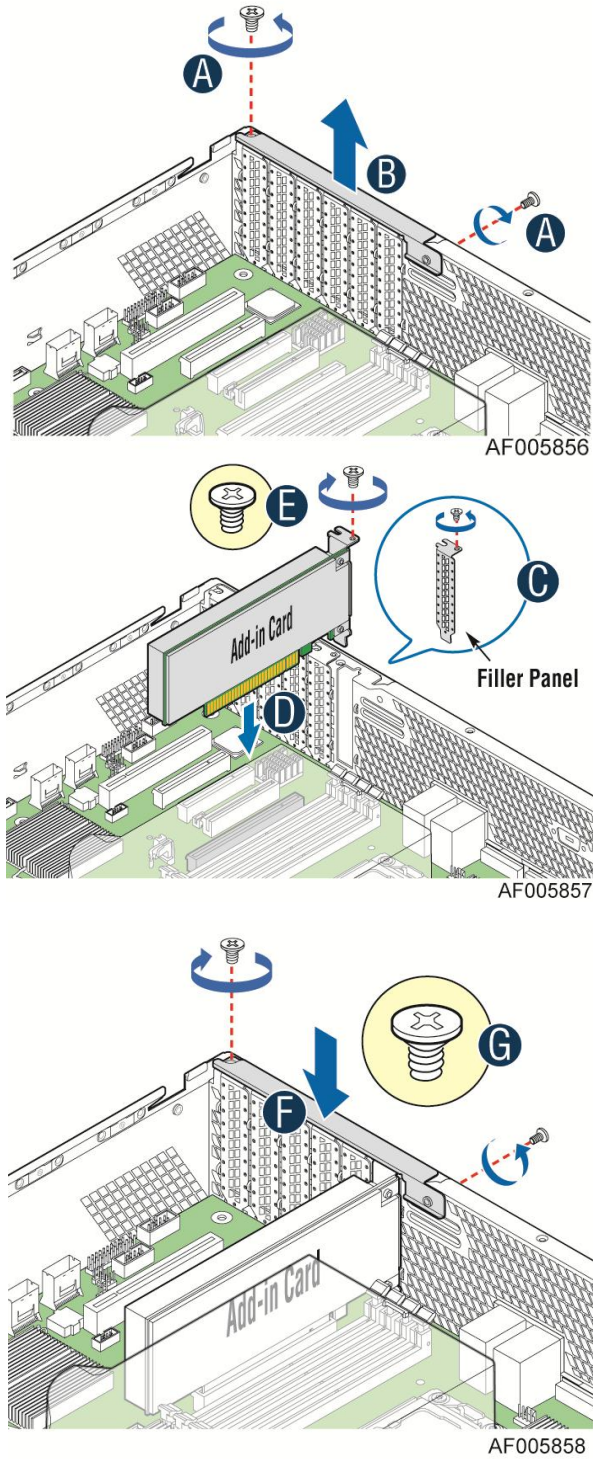


Figure 43. Installing a PCI Add-In Card

Removing a PCI Add-in Card

1. Remove the screw on the retention device, remove the retention device.
2. Remove the PCI add-in card from the PCI slot.
3. Install the filler panel back, insert the retention device and tighten the screw.

Note: Make sure that all empty add-in card slots have filler panels installed.

Installing and Removing a Slimline Optical Drive

Caution: The slimline optical drive is *NOT* hot-swappable. Before removing or replacing the drive, you must first take the server out of service, turn off all peripheral devices connected to the system, turn off the system by pressing the power button, and unplug the power cord from the system or wall outlet.

To maintain proper system cooling, a filler panel must be installed if you do not install a device at this location.

Installing a Slimline Optical Drive

1. Install the plastic guide onto the back of the drive and attach with two screws as shown (see letter **A**).

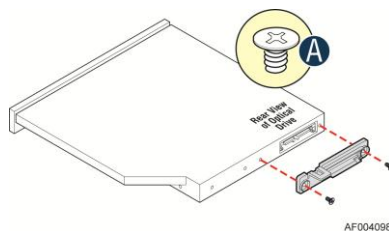


Figure 44. Installing the Plastic Guide to the Optical Drive

2. Insert the optical drive into chassis opening and push all the way until it stops (see letter **B**). Connect the cables as shown (see letter **C**).

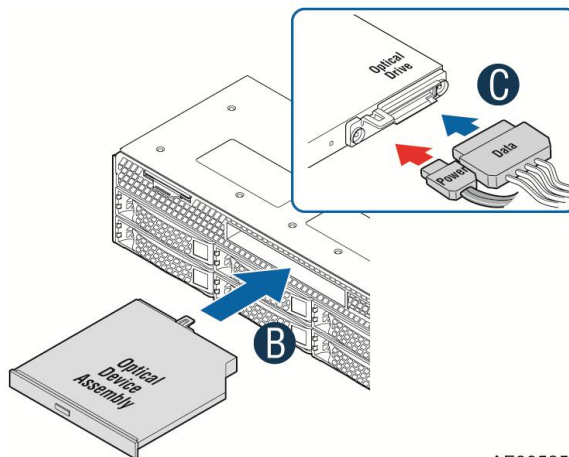


Figure 45. Installing an Optical Drive

Removing a Slimline Optical Drive

1. Remove the cables (see letter **A**).
2. Lift up the blue tab to release the optical drive (see letter **B**).
3. Slide the optical drive out (see letter **C**).

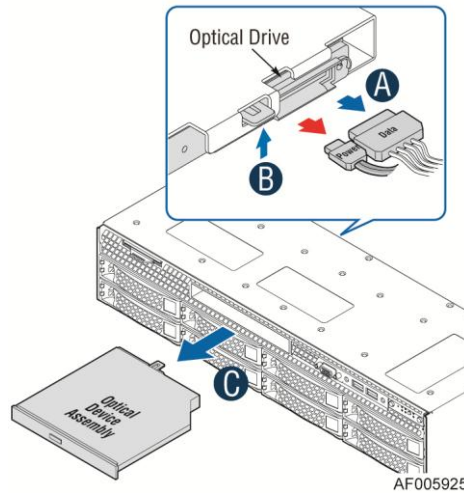


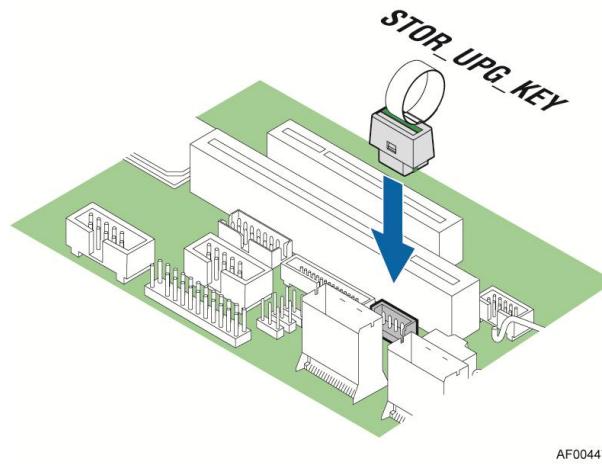
Figure 46. Removing the Slimline Optical Drive

4. If no device is to be installed in this location, install a filler panel in this location.

Installing and Removing the Intel® RAID C600 Upgrade Key

Installing the Intel® RAID C600 Upgrade Key

Locate the white 4-pin key header. Carefully pick up the Intel® RAID C600 Upgrade Key. Match the Key and connector orientation and press down to install.

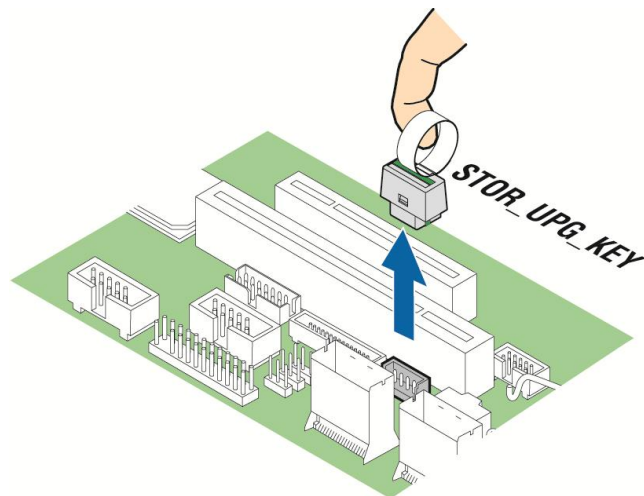


AF004475

Figure 47. Installing the Intel® RAID C600 Upgrade Key

Removing the Intel® RAID C600 Upgrade Key

Pull the key upwards to remove it from the motherboard.



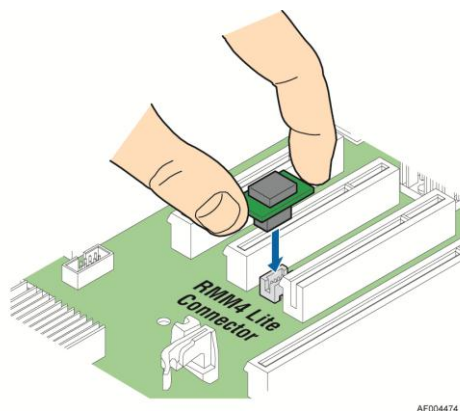
AF004475-1

Figure 48. Removing the Intel® RAID C600 Upgrade Key

Installing and Removing the Intel® Remote Management Module 4

Installing the Intel® RMM4 Lite

Locate the RMM4 Lite connector next to PCIe slot 5, carefully pick up the Intel® RMM4 Lite module, match the alignment pin of the module and the connector on server board, then press to install.



AF004474

Figure 49. Installing the Intel® RMM4 Lite

Install the Intel® RMM4 NIC

1. Remove the retention device and filler panel (see letter **A**).
2. Secure the NIC module with the two screws as shown (see letter **B**).
3. Fix the NIC module bracket onto the chassis (see letter **C**).
4. Connect the cable to the server board connector and the module connector (see letter **D** and **E**).

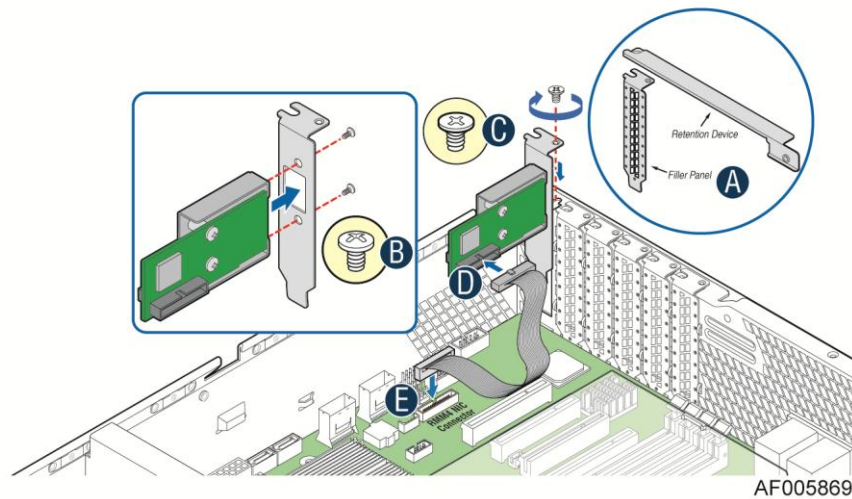


Figure 50. Installing the Intel® RMM4 NIC

Removing the Intel® RMM4 Lite

Pull the RMM4 Lite module upwards to remove it from the motherboard.

Removing the Intel® RMM4 NIC

1. Disconnect the cable to the server board and the NIC module.
2. Remove the RMM4 NIC bracket from the chassis.
3. Remove the RMM4 NIC from the bracket.

Installing and Removing the Intel® RAID Smart Battery

Installing the Intel® RAID Smart Battery

1. Connect the cable between the BBU and the RAID card. For details, see *Intel® RAID Smart Battery User's Guide*.
2. Locate the mounting holes inside the chassis and reposition all cables routed over the fan bulkhead. Position the battery against the side wall and through the opening in the fan bulkhead (see letter **A**).

3. Align the tabs on the plastic battery holder with the mounting holes in the chassis and slide the plastic battery holder toward the front of the system until the tabs engage with the mounting holes (see letter **B**).

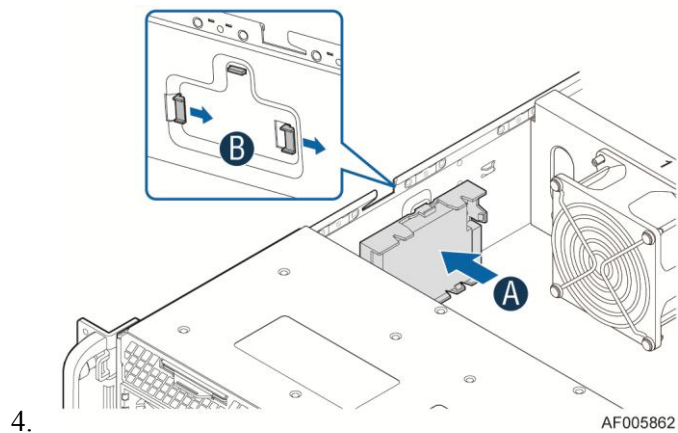


Figure 51. Installing the Intel® RAID Smart Battery

Removing the Intel® RAID Smart Battery

1. Disengage the battery from the server chassis side wall and move it out of the opening in the fan bulkhead (see letter **A**).
2. Lift the battery up to remove it from the server chassis (see letter **B**).

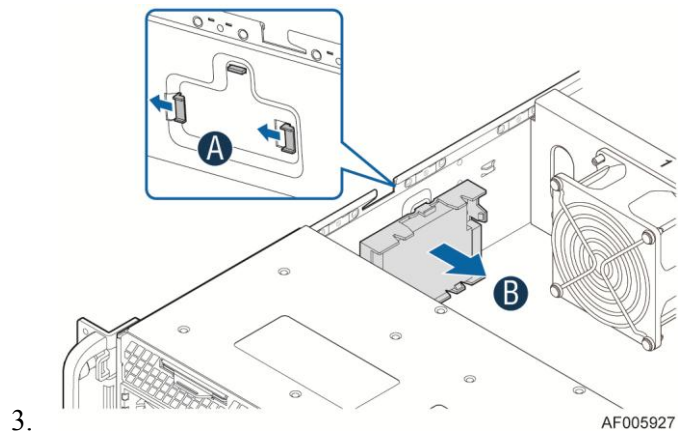


Figure 52. Removing the Intel® RAID Smart Battery

Replacing the Power Supply

Caution: The power supply is only hot-swappable if you have a redundant system with two power supplies installed. If you only have one power supply installed, before removing or replacing the power supply, you must first take the server out of service, turn off all peripheral devices connected to the system, turn off the system by pressing the power button, and unplug the power cord from the system or wall outlet.

The power supply can be replaced if it fails. To replace the power supply, follow these steps:

1. Do one of the following:

- If a filler panel is installed, use the 'finger hole' to remove the filler panel (see letter **A**).

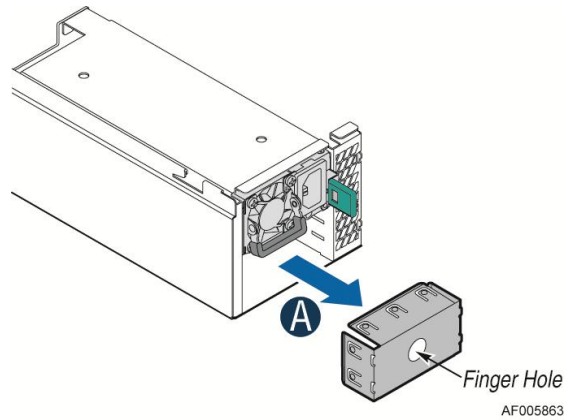


Figure 53. Removing the filler panel

- If a power supply is installed, push the green latch in the direction shown while pulling out of the system by the handle.

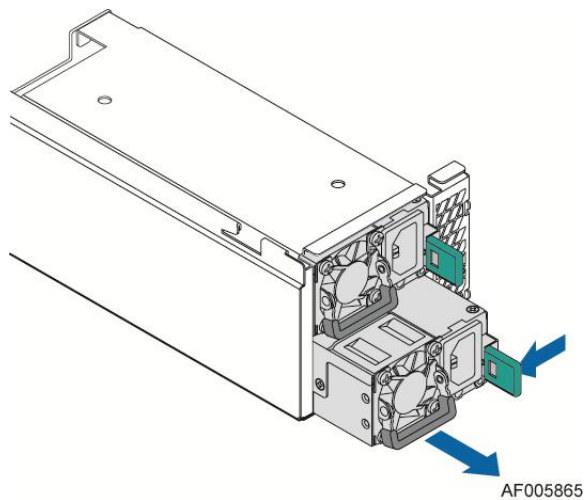


Figure 54. Removing the power supply module

2. Do one of the following:

- Insert the power supply module into the power supply cage and push all the way until it clicks into place (see letter **B**).

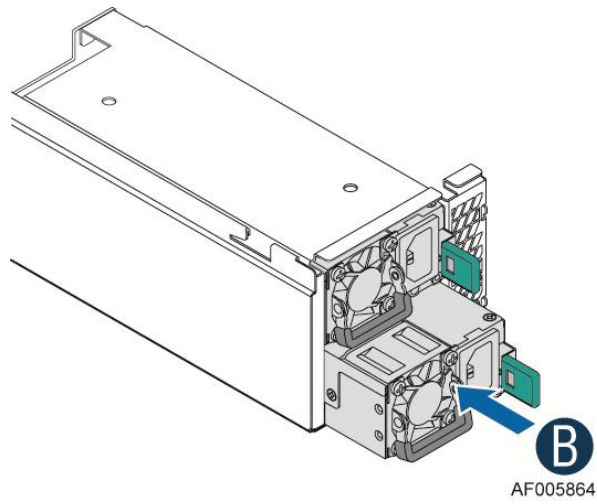


Figure 55. Installing the power supply module

- If no power supply is to be installed, install the filler panel into the power supply cage.

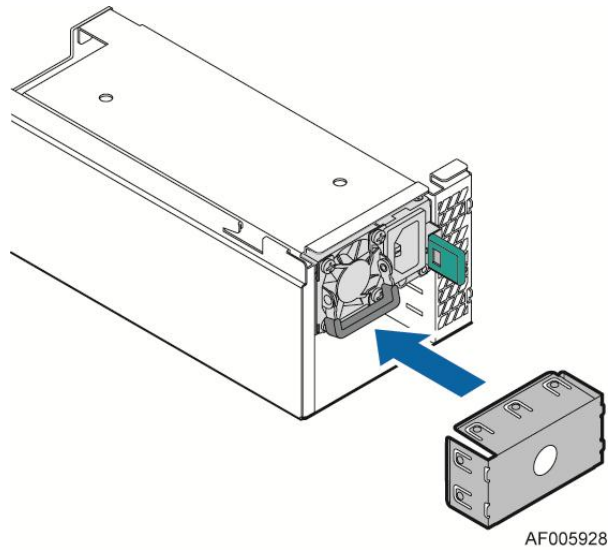
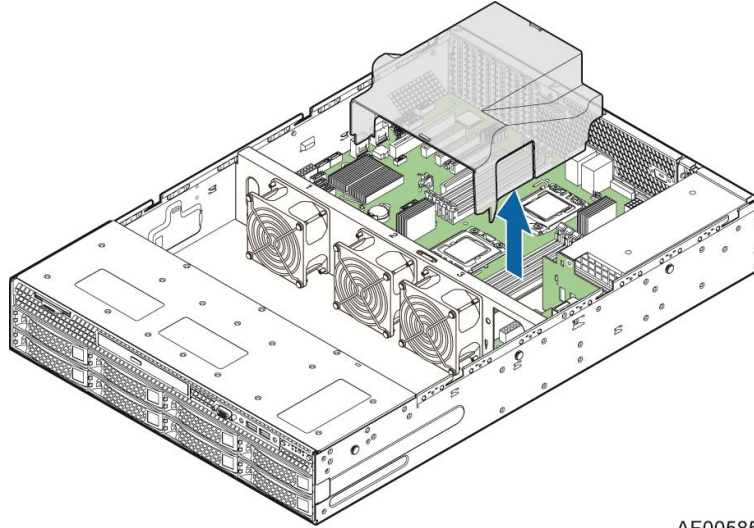


Figure 56. Installing the filler panel

Installing and Removing the Server Board

Removing the Server Board

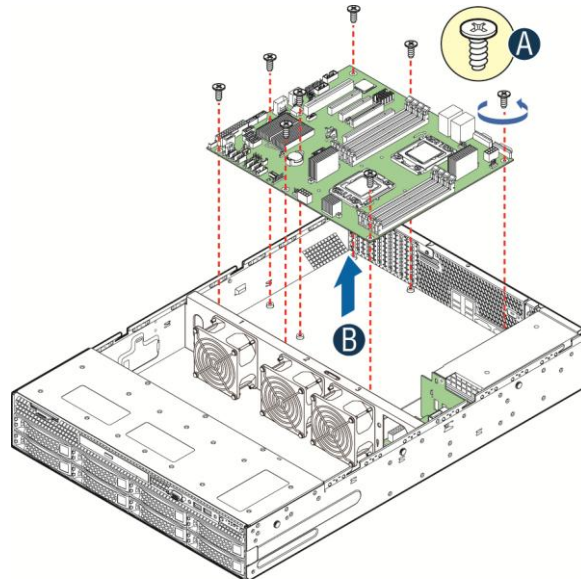
1. Remove the air duct from the server board.
2. Disconnect all cables from the server board.



AF005850

Figure 57. Removing the Air Duct Side Wall

3. Remove the screws from the server board (see letter **A**).
4. Lift the server board from the server system (see letter **B**).

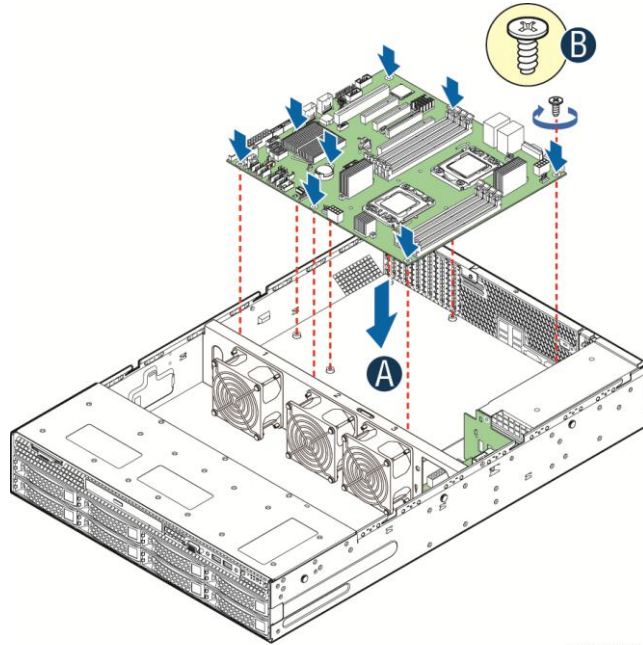


AF005929

Figure 58. Removing the Server Board

Installing the Server Board

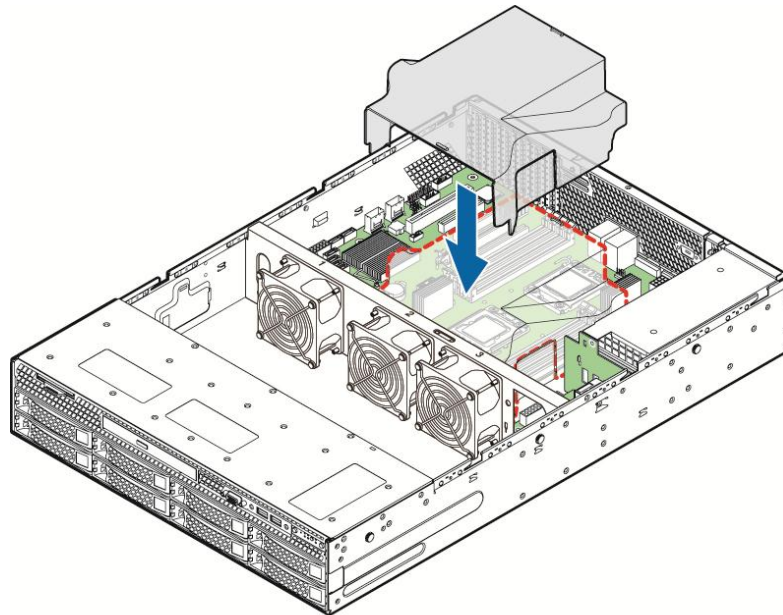
1. Place the server board into the server system (see letter **A**)
2. Secure the server board with screws (see letter **B**).



AF005930

Figure 59. Installing the Server Board

3. Install the air duct.



AF005855

Figure 60. Installing the Air Duct Side Wall

4. Connect all power cables to the server board.

Replacing the Backup Battery

The lithium battery on the server board powers the RTC for up to 10 years in the absence of power. When the battery starts to weaken, it loses voltage, and the server settings stored in CMOS RAM in the RTC (for example, the date and time) may be wrong. Contact your customer service representative or dealer for a list of approved devices.

Warning: *Danger of explosion if battery is incorrectly replaced. Replace only with the same or equivalent type recommended by the equipment manufacturer. Discard used batteries according to manufacturer's instructions.*

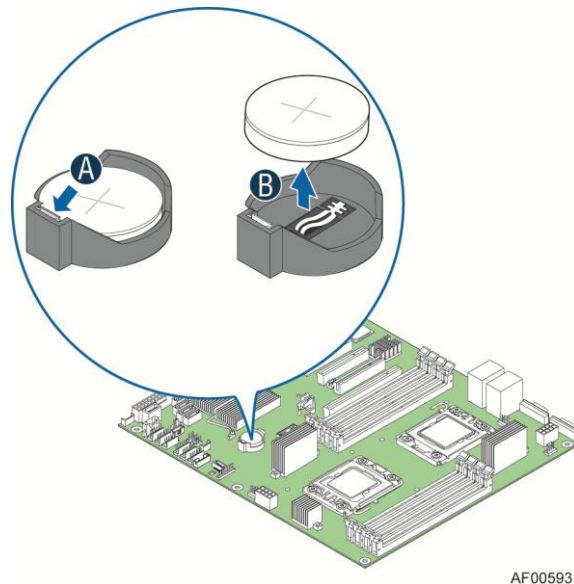
Advarsel: Lithiumbatteri - Eksplosionsfare ved fejlagtig håndtering. Udskiftning må kun ske med batteri af samme fabrikat og type. Levér det brugte batteri tilbage til leverandøren.

Advarsel: Lithiumbatteri - Eksplosjonsfare. Ved utskifting benyttes kun batteri som anbefalt av apparatfabrikanten. Brukt batteri returneres apparatleverandøren.

Varning: Explosionsfara vid felaktigt batteribyte. Använd samma batterityp eller en ekvivalent typ som rekommenderas av apparattillverkaren. Kassera använt batteri enligt fabrikantens instruktion.

Varoitus: Paristo voi räjähtää, jos se on virheellisesti asennettu. Vaihda paristo ainoastaan laitevalmistajan suosittelemaan tyyppiin. Hävitä käytetty paristo valmistajan ohjeiden mukaisesti.

1. Locate the battery on the server board.
2. Gently press the metal clip as shown to release the battery (see letter **A**).
3. Remove the battery from the plastic socket (see letter **B**).



AF005931

Figure 61. Replacing the Backup Battery

4. Dispose of the battery according to local ordinance.
5. Remove the new lithium battery from its package, and, being careful to observe the correct polarity, insert it in the battery socket.

Note: *You will need to run the BIOS Setup to restore the configuration settings to the RTC.*

Replacing a System Fan

1. Disconnect the fan cables from the fan headers on the board.
2. Remove the rivets in an order as shown.
3. Replace the fans and install the fans back onto the fan bracket.

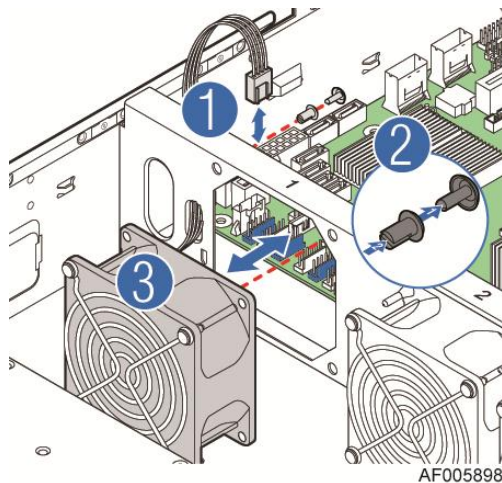


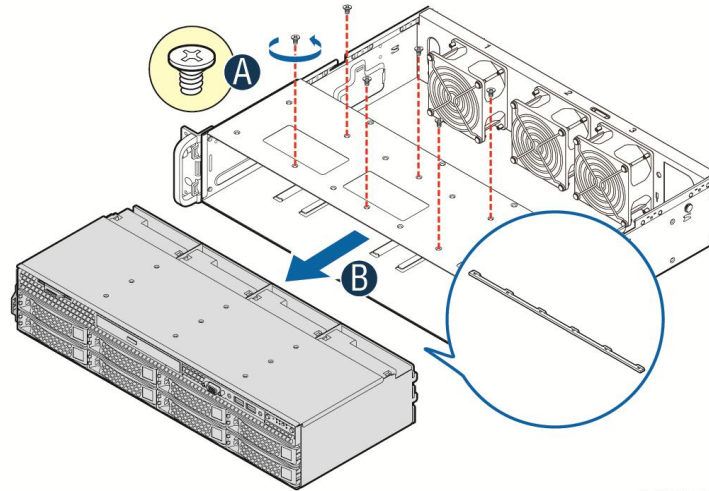
Figure 62. Replacing a system fan

Replacing the Backplane

Replacing the 3.5" Hard Drive Backplane

Removing the 3.5" Hard Drive Backplane:

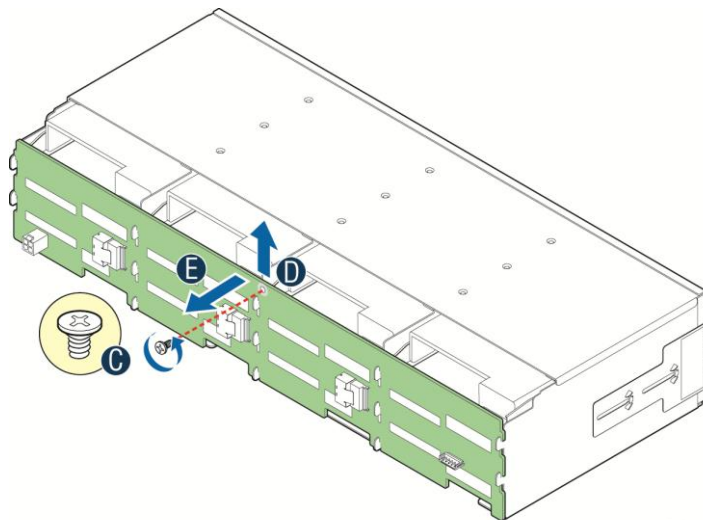
1. Remove all hot-swap drive carriers, regardless of whether or not a drive is installed in the carrier. Disconnect all cables from the backplane.
2. Remove the six screws to release the hard drive cage (see letter **A**).
3. Slide the hard drive cage out of the server chassis, the clip will fall out automatically (see letter **B**).



AF005932

Figure 63. Removing 3.5" Hard Drive Backplane – remove the hard drive cage

4. Remove the screw at the rear of the backplane (see letter **C**);
5. Pull the backplane upwards (see letter **D**). Remove the backplane from the server chassis (see letter **E**).



AF004336

Figure 64. Removing 3.5" Hard Drive Backplane - remove the backplane

Installing the 3.5" Hard Drive Backplane (12x3.5" HDD backplane shown):

1. Hold the backplane only by the edges. Do not push or pull on any components on the backplane. Position the backplane in place at the front of the server system (see letter **A**).
2. Slide the backplane into the server system guides (see letter **B**).
3. Secure the backplane with the screw (see letter **C**).

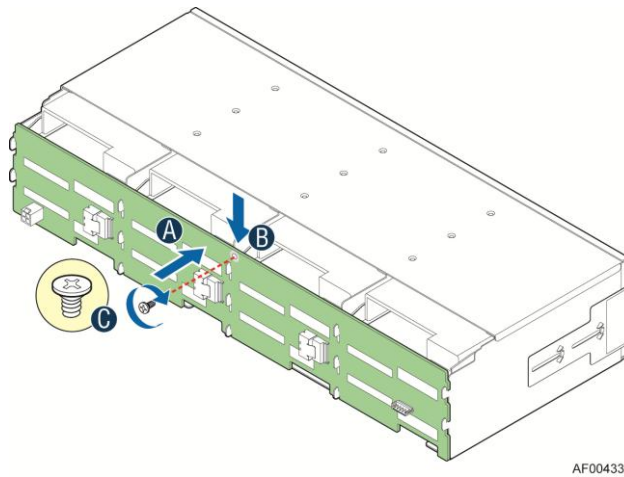


Figure 65. Installing 3.5" Hard Drive Backplane – install the backplane

4. Insert the hard drive cage into server chassis (see letter **D**).
5. Secure the hard drive cage with the six screws (see letter **E**).

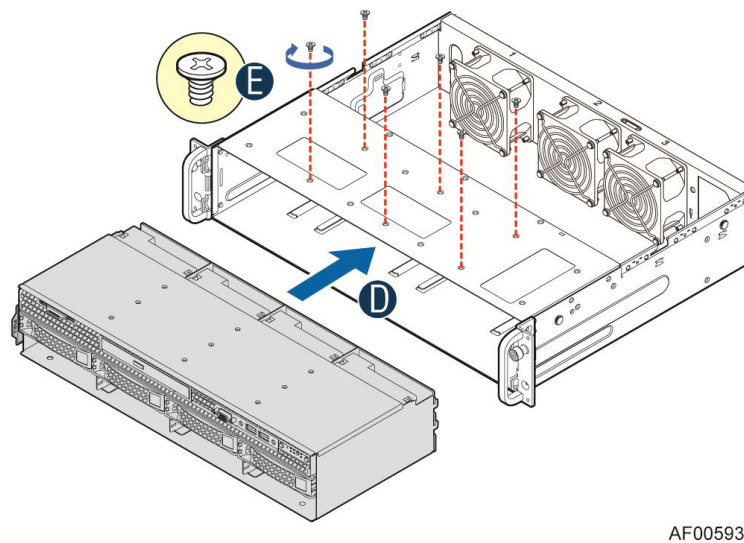
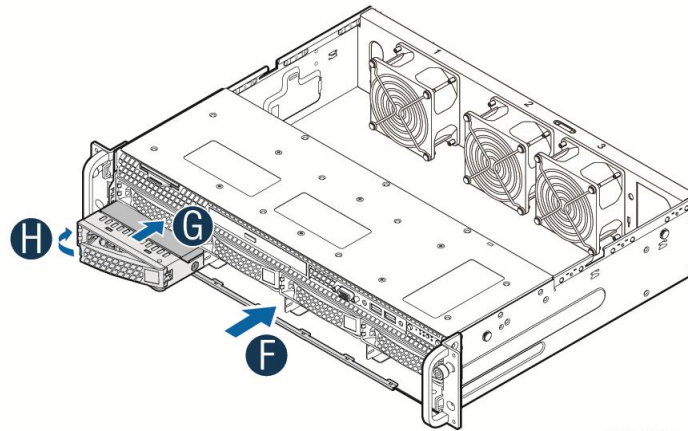


Figure 66. Installing 3.5" Hard Drive Backplane – install the hard drive cage

6. Install the clip to server chassis (see letter **F**).
7. With the lever open, insert the hard disk drive assembly into the chassis (see letter **G**). Push in the lever to lock it into place (see letter **H**).
8. Repeat step **G** and **H** to make sure all hard drive assemblies are in place.



AF005934

Figure 67. Installing 3.5" Hard Drive Backplane – install the stiffener and hard drives

9. Connect cables to the backplane. Please refer to [Cable Routing](#).

Installing and Removing the Rack Handles

Installing the Rack Handles

Align the rack handle with the two holes on the side of the server system and attach the rack handle to the server system with two screws as shown.

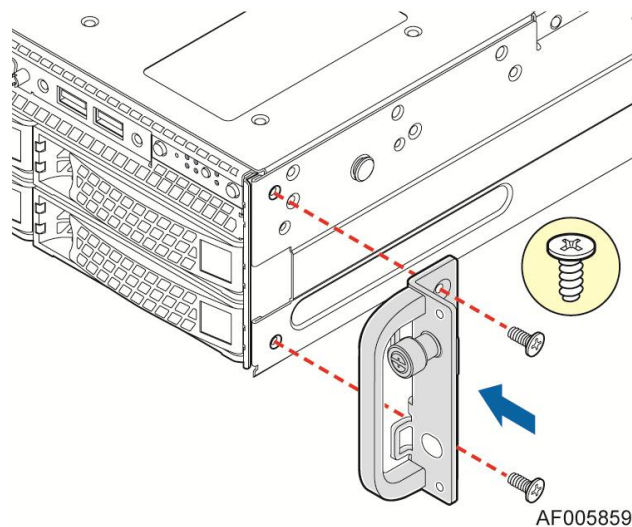


Figure 68. Installing the Rack Handle

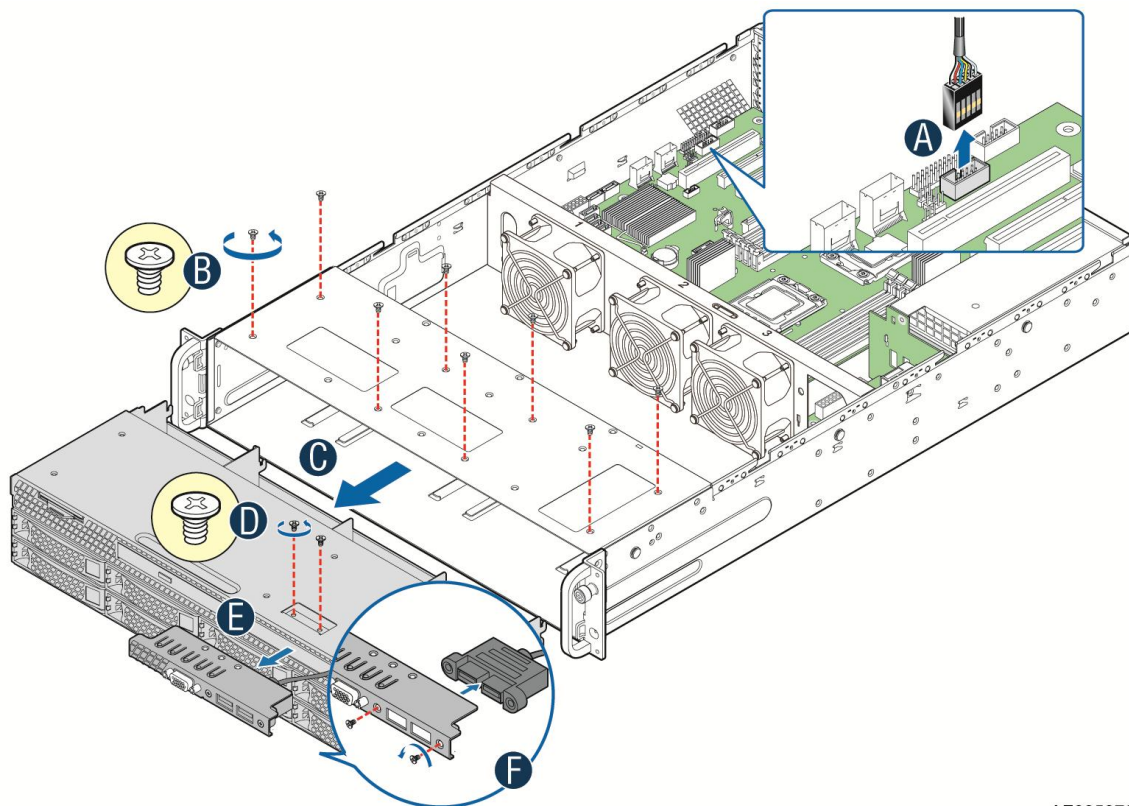
Removing the Rack Handles

Remove the two screws holding the rack handle in place, and remove the rack handle from the server system.

Installing and Removing the Intel® Local Control Panel

Installing the Intel® Local Control Panel

1. Disconnect the front USB cable from the server board (see letter **A**).
2. Remove the screws (see letter **B**).
3. Slide out the hard drive cage assembly from server chassis (see letter **C**).
4. Remove the two screws (see letter **D**).

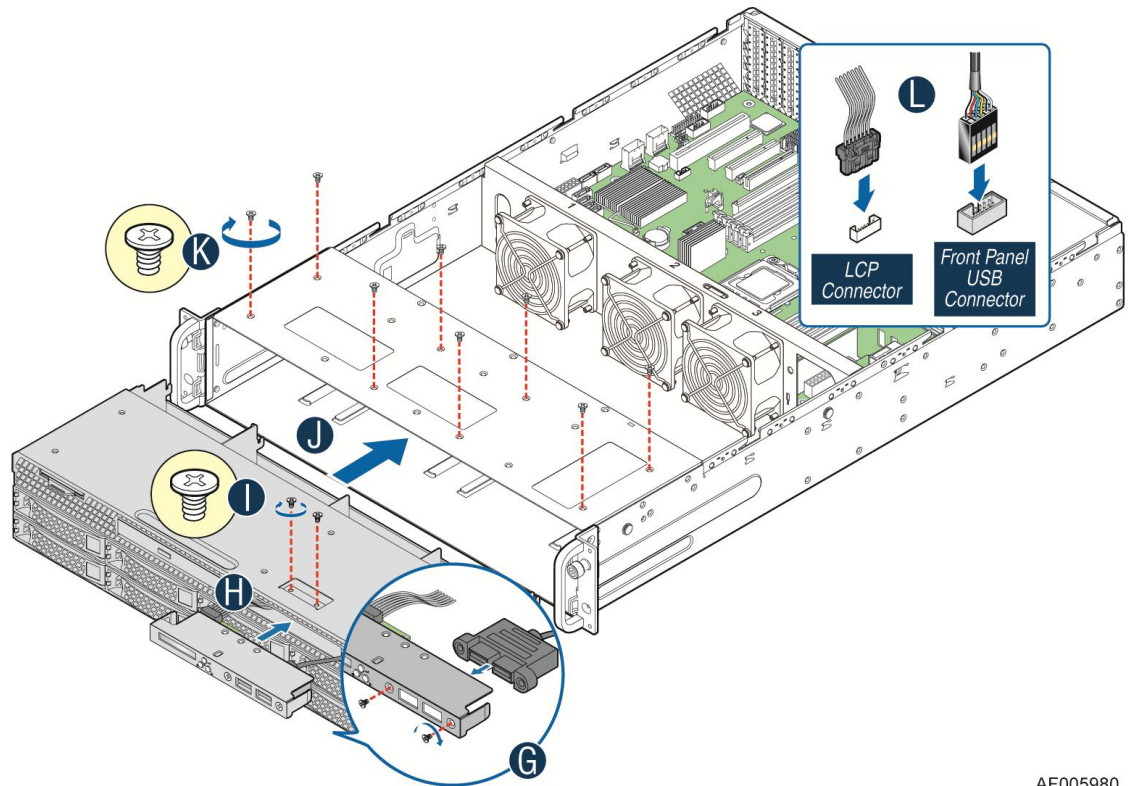


AF005979

Figure 69. Removing the bracket

5. Slide out the bracket from server chassis together with cables (see letter **E**).
6. Remove the two screws and slide out the front USB connector from the bracket (see letter **F**).
7. Install the front USB connector to the Intel® Local Control Panel bracket and secure the two screws (see letter **G**).
8. Connect the xxxmm LCP cable to the LCP board and install the Intel® Local Control Panel bracket into server chassis together with cables (see letter **H**).

9. Secure the two screws (see letter **I**).
10. Slide in the hard drive cage assembly (see letter **J**).
11. Secure the screws (see letter **K**).
12. Connect the LCP cable and the front USB cable to the server board (see letter **L**).

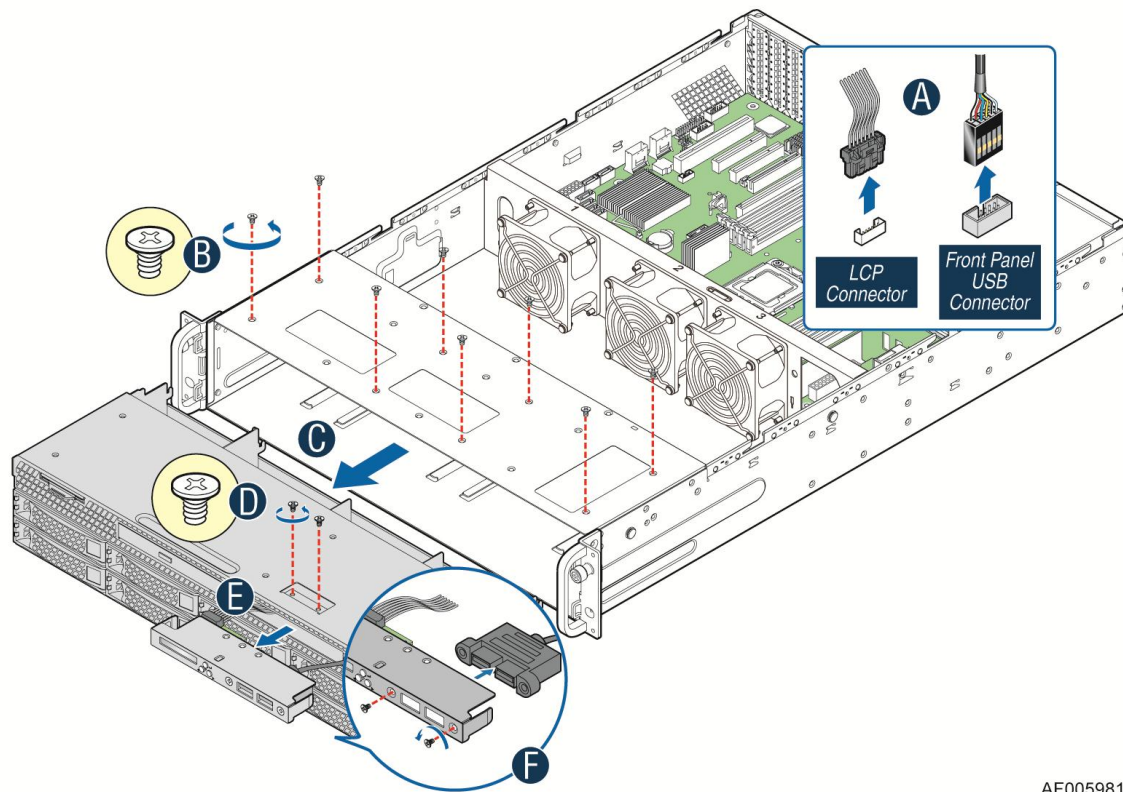


AF005980

Figure 70. Installing the Intel® Local Control Panel

Removing the Intel® Local Control Panel

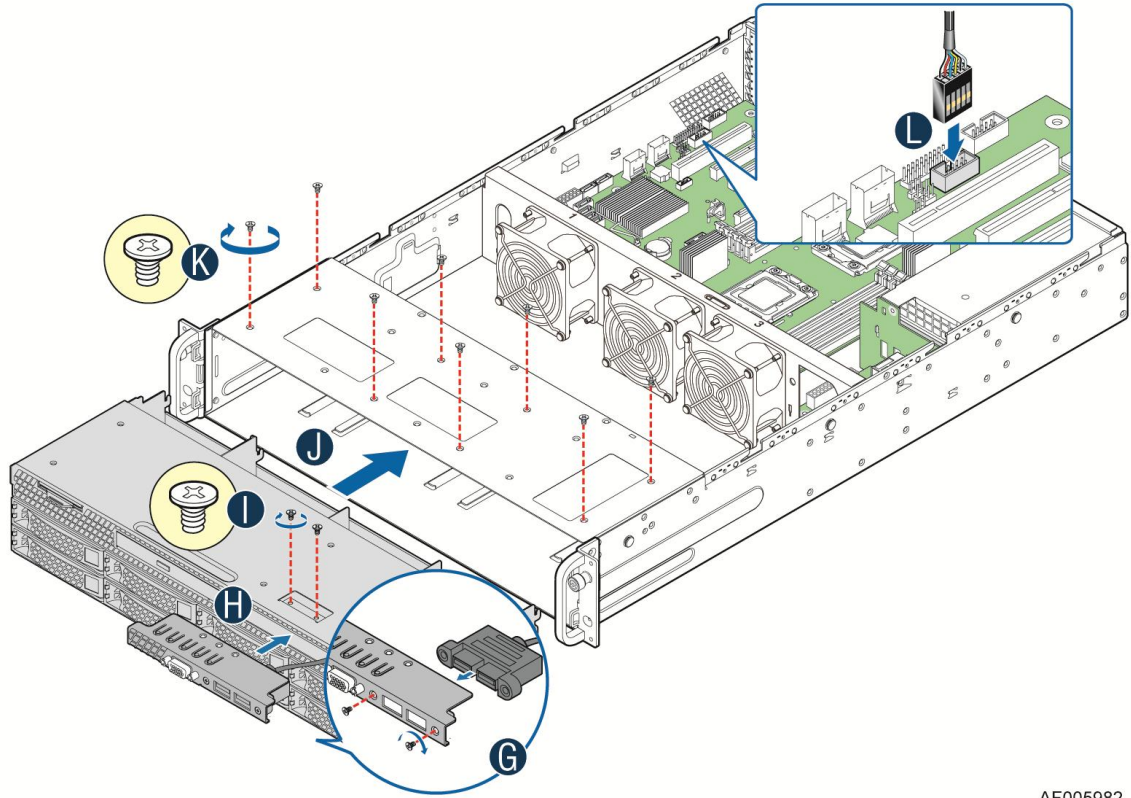
1. Disconnect the Intel® Local Control Panel cable and the front USB cable from the server board (see letter **A**).
2. Remove the screws (see letter **B**).
3. Slide out the hard drive cage assembly from server chassis (see letter **C**).
4. Remove the two screws (see letter **D**).



AF005981

Figure 71. Removing the Intel® Local Control Panel

5. Slide out the Intel® Local Control Panel from server chassis together with cables (see letter **E**).
6. Remove the two screws and slide out the front USB connector from the Intel® Local Control Panel (see letter **F**).
7. Install the front USB connector to the bracket and secure the two screws (see letter **G**).
8. Install the bracket together with cables (see letter **H**).
9. Secure the two screws (see letter **I**).
10. Slide in the hard drive cage assembly (see letter **J**).
11. Secure the screws (see letter **K**).
12. Connect the front USB cable to the server board (see letter **L**).



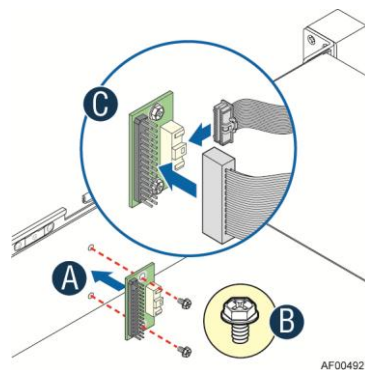
AF005982

Figure 72. Installing the bracket

Installing and Removing the Storage Front Panel

Installing the Storage Front Panel

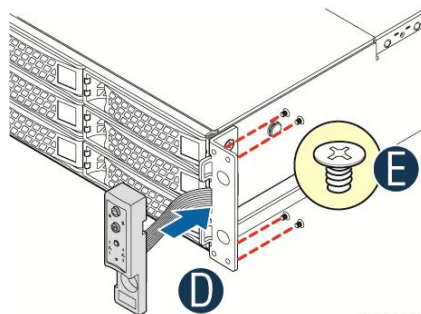
1. Align the interposer card with the two holes on the side wall of server chassis (see letter **A**).
2. Fasten the two screws to secure the interposer card (see letter **B**).
3. Connect cables to the interposer card (see letter **C**). See [Cable Routing](#) for more details.



AF004921

Figure 73. Installing the interposer card

4. Attach the storage front panel to the rack handle on the right side of server chassis (see letter **D**).
5. Fasten the four screws to secure the storage front panel (see letter **E**).

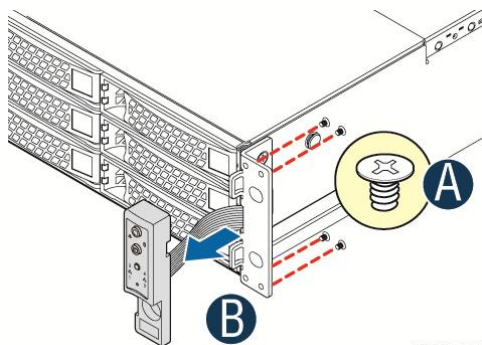


AF005935

Figure 74. Installing the storage front panel

Removing the Storage Front Panel

1. Remove the four screws to release the storage front panel (see letter **A**).
2. Remove the storage front panel from the rack handle (see letter **B**).



AF005936

Figure 75. Installing the storage front panel

3. Disconnect all the cables from the interposer card.
4. Remove the two screws to release the storage front panel.
5. Remove the storage front panel from the side wall of the server chassis.
6. Connect the front panel control cable from motherboard to the standard front control panel if required. See [Cable Routing](#) for more details.

3 Server Utilities

Using the BIOS Setup Utility

This section describes the BIOS Setup utility options, which is used to change server configuration defaults. You can run the BIOS Setup with or without an operating system being present. For information about specific BIOS setup screens, see the *Intel® Server Board S2400SC Technical Product Specification*. For a web link to this document, see [Additional Information and Software](#).

Entering BIOS Setup

To enter the BIOS Setup using a keyboard (or emulated keyboard), press the <F2> function key during boot time when the OEM or Intel® Logo Screen or the POST Diagnostic Screen is displayed.

The following instructional message is displayed on the Diagnostic Screen or under the Quiet Boot Logo Screen:

Press <F2> to enter setup, <F6> Boot Menu, <F12> Network Boot

***Note:** With a USB keyboard, it is important to wait until the BIOS “discovers” the keyboard and beeps – until the USB Controller has been initialized and the USB keyboard activated, key presses will not be read by the system.*

When the Setup Utility is entered, the Main screen is displayed initially. However, serious errors cause the system to display the Error Manager screen instead of the Main screen.

It is also possible to cause a boot directly to Setup using an IPMI 2.0 command “Get/Set System Boot Options”. For details on that capability, see the explanation in the IPMI description.

If You Cannot Access Setup

If you are not able to access the BIOS Setup, you might need to restore the BIOS default settings. For instructions, see [Restoring the BIOS Defaults](#).

Setup Menus

The bottom right portion of the Setup screen provides a list of commands that are used to navigate through the Setup utility. These commands are displayed at all times.

Each Setup menu page contains a number of features. Each feature is associated with a value field, except those used for informative purposes. Each value field contains configurable parameters. Depending on the security option chosen and in effect by the password, a menu feature’s value may or may not be changed. If a value cannot be changed, its field is made inaccessible and appears grayed out.

Table 4. BIOS Setup: Keyboard Command Bar

Key	Option	Description
<Enter>	Execute Command	The <Enter> key is used to activate submenus when the selected feature is a submenu, or to display a pick list if a selected option has a value field, or to select a subfield for multi-valued features like time and date. If a pick list is displayed, the <Enter> key selects the currently highlighted item, undoes the pick list, and returns the focus to the parent menu.
<Esc>	Exit	<p>The <Esc> key provides a mechanism for backing out of any field. When the <Esc> key is pressed while editing any field or selecting features of a menu, the parent menu is re-entered.</p> <p>When the <Esc> key is pressed in any submenu, the parent menu is re-entered. When the <Esc> key is pressed in any major menu, the exit confirmation window is displayed and the user is asked whether changes can be discarded. If “No” is selected and the <Enter> key is pressed, or if the <Esc> key is pressed, the user is returned to where they were before <Esc> was pressed, without affecting any existing settings. If “Yes” is selected and the <Enter> key is pressed, the setup is exited and the BIOS returns to the main System Options Menu screen.</p>
↑	Select Item	The up arrow is used to select the previous value in a pick list, or the previous option in a menu item's option list. The selected item must then be activated by pressing the <Enter> key.
↓	Select Item	The down arrow is used to select the next value in a menu item's option list, or a value field's pick list. The selected item must then be activated by pressing the <Enter> key.
←	Select Menu	The left and right arrow keys are used to move between the major menu pages. The keys have no effect if a sub-menu or pick list is displayed.
<Tab>	Select Field	The <Tab> key is used to move between fields. For example, <Tab> can be used to move from hours to minutes in the time item in the main menu.
-	Change Value	The minus key on the keypad is used to change the value of the current item to the previous value. This key scrolls through the values in the associated pick list without displaying the full list.
+	Change Value	The plus key on the keypad is used to change the value of the current menu item to the next value. This key scrolls through the values in the associated pick list without displaying the full list. On 106-key Japanese keyboards, the plus key has a different scan code than the plus key on the other keyboards, but will have the same effect.
<F9>	Setup Defaults	<p>Pressing the <F9> key causes the following to display:</p> <div style="border: 1px solid black; padding: 10px; text-align: center;"> <p>Load Optimized Defaults?</p> <p>Yes No</p> </div> <p>If “Yes” is highlighted and <Enter> is pressed, all Setup fields are set to their default values. If “No” is highlighted and <Enter> is pressed, or if the <Esc> key is pressed, the user is returned to where they were before <F9> was pressed without affecting any existing field values.</p>
<F10>	Save and Exit	<p>Pressing the <F10> key causes the following message to display:</p> <div style="border: 1px solid black; padding: 10px; text-align: center;"> <p>Save configuration and reset?</p> <p>Yes No</p> </div> <p>If “Yes” is highlighted and <Enter> is pressed, all changes are saved and the Setup is exited. If “No” is highlighted and <Enter> is pressed, or the <Esc> key is pressed, the user is returned to where they were before <F10> was pressed without affecting any existing values.</p>

Upgrading the BIOS

Follow the instructions in the readme file that came with the BIOS upgrade. When the update completes, remove the bootable media from which you performed the upgrade.

Caution: Do not power down the system during the BIOS update process! The system will reset automatically when the BIOS update process is completed.

Note: You may encounter a CMOS Checksum error or other problem after reboot. If this happens, shut down the system and boot it again. CMOS checksum errors require that you enter Setup, load BIOS defaults, check your settings, save your settings, and exit Setup.

Clearing the Password

If the user or administrator password(s) is lost or forgotten, moving the password clear jumper into the "clear" position clears both passwords. The password clear jumper must be restored to its original position before a new password(s) can be set.

1. Power down the system. Do not unplug the power cord.
2. Open the server system. For instructions on removing the system cover, see [Removing the System Cover](#).
3. Locate the Password Clear jumper block at board.
4. Move the jumper from the normal operation position, that is, Password Clear Protect position (covering pins 1 and 2) to the Password Clear Erase position (covering pins 2 and 3). See [System Recovery Jumpers](#).
5. Wait ten seconds.
6. Move the Password Clear jumper back to the Password Clear Protect position (covering pins 1 and 2).
7. Close the server system.
8. Power up the server.

The password is now cleared and can be reset by going into the BIOS setup.

Restoring the BIOS Defaults

If you need to restore the BIOS default settings, the BIOS Default jumper will need to be used.

1. Power down the system; do not disconnect the AC power.
2. Open the server system. For instructions on removing the system cover, see [Removing the System Cover](#).
3. Locate the BIOS Default jumper block at board.
4. Move the jumper from the normal operation position (covering pins 1 and 2) to the Set Default position (covering pins 2 and 3). See [System Recovery Jumpers](#).
5. Wait five seconds.
6. Return the BIOS Default jumper to the normal position (covering pins 1 and 2).
7. Close the server system.
8. Power up the system.

The BIOS defaults settings are now restored and can be reset by going into the BIOS setup.

Appendix A: Technical Reference

Power Supply Input Voltages

460W power supply module:

- 100 - 127 V at 50/60 Hz 5.8 A
- 200 - 240 V at 50/60 Hz 2.9 A

750W power supply module:

- 100 - 127 V at 50/60 Hz 8.2 A
- 200 - 240 V at 50/60 Hz 4.4 A

600W power supply module:

- 100 - 127 V at 50/60 Hz 5.8 A
- 200 - 240 V at 50/60 Hz 2.9 A

Power Supply Output Voltages

The following table lists the total wattage available from the power subsystem for each voltage. For information about calculating the power usage for your configuration, please use the Power Budget Tool.

Table 5. Power Supply Output Capability

Voltage	Maximum Current
12V	62.0A
12VSB	2.1A

System Environmental Specifications

The following table defines the system level operating and non-operating environmental limits.

Table 6. System Environmental Limits Summary

Parameter		Limits
Temperature		
	Operating	ASHRAE Class A2 – Continuous Operation. 10°C to 35°C (50°F to 95°F) with the maximum rate of change not to exceed 10°C per hour.
		ASHRAE Class A3 – Includes operation up to 40°C for up to 900 hrs per year.
		ASHRAE Class A4 – Includes operation up to 45°C for up to 90 hrs per year.
	Shipping	-40°C to 70°C (-40°F to 158°F)
Altitude		
	Operating	Support operation up to 3050m with ASHRAE class deratings.
Humidity		

Parameter		Limits
	Shipping	50% to 90%, non-condensing with a maximum wet bulb of 28°C (at temperatures from 25°C to 35°C).
Shock		
	Operating	Half sine, <u>2g</u> , 11 mSec
	Unpackaged	Trapezoidal, <u>25g</u> , velocity change is based on packaged weight.
	Packaged	Product Weight: ≥ 40 to < 80 Non-palletized Free Fall Height = 18 inches Palletized (single product) Free Fall Height = NA
Vibration		
	Unpackaged	5 Hz to 500 Hz 2.20 g RMS random
	Packaged	5 Hz to 500 Hz 1.09 g RMS random
AC-DC		
	Voltage	90 Hz to 132 V and 180 V to 264 V
	Frequency	47 Hz to 63 Hz
	Source Interrupt	No loss of data for power line drop-out of 12 mSec.
	Surge Non-operating and operating	Unidirectional
	Line to earth Only	AC Leads 2.0 kV I/O Leads 1.0 kV DC Leads 0.5 kV
ESD		
	Air Discharged	12.0 kV
	Contact Discharge	8.0 kV
Acoustics Sound Power Measured		
	Power in Watts	<300 W ≥ 300 W ≥ 600 W ≥ 1000 W
	Servers/Rack Mount BA	7.0 7.0 7.0 7.0

See the *Intel® S2400SC Product Family Power Budget and Thermal Configuration Tool* for system configuration requirements and limitations.

Disclaimer Note: Intel® ensures the unpackaged server board and system meet the shock requirement mentioned above through its own chassis development and system configuration. It is the responsibility of the system integrator to determine the proper shock level of the board and system if the system integrator chooses different system configuration or different chassis. Intel Corporation cannot be held responsible, if components fail or the server board does not operate correctly when used outside any of its published operating or non-operating limits.

Appendix B: Regulatory and Compliance Information

Please refer to the *Server Products Regulatory and Safety* document for the product regulatory compliance reference. The document can be downloaded from http://www.intel.com/p/en_US/support/server.

Appendix C: Getting Help

If you encounter an issue with your server system, follow these steps to obtain support:

1. Visit the following Intel® support web page: http://www.intel.com/p/en_US/support/server. This web page provides 24x7 support when you need it to get the latest and most complete technical support information on all Intel® Enterprise Server and Storage Platforms. Information available at the support site includes:
 - a. Latest BIOS, firmware, drivers and utilities.
 - b. Product documentation, *Installation* and *Quick Start Guides*.
 - c. Full product specifications, technical advisories and errata.
 - d. Compatibility documentation for memory, hardware add-in cards, and chassis support matrix and operating systems.
 - e. Server and chassis accessory parts list for ordering upgrades or spare parts.
 - f. A searchable knowledgebase to search for product information throughout the support site.
2. If you are still unable to obtain a solution to your issue, send an email to Intel®'s technical support center using the online form available at <http://www.intel.com/support/feedback.htm?group=server>.
3. Lastly, you can contact an Intel® support representative using one of the support phone numbers available at <http://www.intel.com/support/feedback.htm?group=server> (charges may apply). Intel® customer support suggests filling out the issue report form available at Appendix D: Intel® Server Issue Report Form to better service the issue.

Intel® also offers Channel Program members around-the-clock 24x7 technical phone support on Intel® server boards, server chassis, server RAID controller cards, and Intel® Server Management at <http://www.intel.com/reseller/>.

Note: You will need to log in to the Reseller site to obtain the 24x7 number.

Warranty Information

To obtain warranty information, visit the following Intel® website:
<http://www.intel.com/support/warranty>.

Appendix D: Intel® Server Issue Report Form

Issue Report Form (Rev 3.6)

Note: Filling out this form completely is required for any escalation.

Customer Contact Information:

Customer Support Case#:

Intel® Server Board or System:

(Example: S2400SC, R2000SC)

Server Chassis:

(Example P4000M. If third-party chassis used, indicate make and model.)

Base Board Information: (some information maybe found by accessing BIOS and going through the Server Management menu > System Information)

Baseboard PBA/TA/AA # (Example: 123456-789):

- can be found on the white sticker label on the baseboard.

System BIOS Version:

Intel® Remote Management Module Firmware Version (if applicable):

BMC Version:

FRU/SDR Version:

Has the latest BIOS been tried? (Yes/No):

Has the latest BMC been tried? (Yes/No):

Has the latest RMM Firmware been tried? (Yes/No):

Has the latest FRU/SDR been tried? (Yes/No):

Processor information:

	Type	Speed	sSpec	Thermal Solution
Processor 1				
Processor 2				

Thermal solution (Heat sink) examples:

(1U, Passive w/air ducting, and so on)

Memory:

Manufacturer	Part Number	DRAM Part Number	On Intel® tested list?

Add-in adapters (Example: NICs, Management Adapters, Serial Expansion Cards, PCI-Express* Adapters, RAID Controllers, SCSI Controllers, and so on):

Type	Slot	Manufacturer	Model	Firmware

Other third party hardware (Example: Example: KVM, Chassis, and so on):

Description/Use	Manufacturer	Model	Firmware

Storage Devices (Example: SCSI, SATA, SAS, USB, Tape, and so on):

Manufacturer	Model	Type	Size	Firmware	In Hot Swap Bay?

Operating System Information (Example: RedHat* Enterprise Linux, Microsoft Windows Server 2003*, Service pack 1, OEM CD):

Manufacturer:

Version:

Language version (English, Arabic, and Chinese (Simplified)):

Service Pack Level or Kernel Revision:

Distribution (OEM/Retail):

Intel® RAID Controller: (Example SRCU42E)

RAID controller part number (PBA number):

RAID controller firmware version:

Has the latest RAID firmware been tried? (Yes/No):

RAID driver version:

Has the latest RAID driver been tried? (Yes/No):

RAID volumes configuration (disks & RAID level):

RAID volume use (Boot device/Data Volume):

Is BBU (Battery Backup Unit) installed? (Yes/No):

BBU part number:

Detailed description of issue:

Troubleshooting tried:

Steps to replicate the issue:

Issue impact statements:

Do you have any potential Intel® system, or component purchases that this issue is holding up? If yes, please provide a brief description below.

Do you have systems already purchased that are not being delivered to your customers because of this issue? If yes, please provide a brief description below.

Have you returned systems or components to your place of purchase because of this issue? If yes, please provide a brief description below.

*All other brands and names are property of their respective owners.