

Intel[®] RAID Smart Battery AXXRSBBU4 User's Guide

Order Number: D92010-001



Warranty Notice: Adding a battery on an Intel RAID controller will limit the warranty of this product. Returns determined to be caused by battery installation damage, stripped screws, or other damage resulting from the battery installation will not be covered. ESD damage to the board will also not be covered by the warranty.

The warranty on the AXXRSBBU4 is 1 year.

Disclaimer

Information in this document is provided in connection with Intel® products. No license, express or implied, by estoppel or otherwise, to any intellectual property rights is granted by this document. Except as provided in Intel's Terms and Conditions of Sale for such products, Intel assumes no liability whatsoever, and Intel disclaims any express or implied warranty, relating to sale and/or use of Intel products including liability or warranties relating to fitness for a particular purpose, merchantability, or infringement of any patent, copyright or other intellectual property right. Intel products are not designed, intended or authorized for use in any medical, life saving, or life sustaining applications or for any other application in which the failure of the Intel product could create a situation where personal injury or death may occur. Intel may make changes to specifications and product descriptions at any time, without notice.

Intel is a registered trademark of Intel Corporation or its subsidiaries in the United States and other countries.

* Other names and brands may be claimed as the property of others.

Copyright © 2007 Intel Corporation. All Rights Reserved.

Copyright © 2005 by LSI Logic Corporation. All rights reserved

Contents

About the Intel® RAID Smart Battery	i
Installing the AXXRSBBU4	3
Important Pre-installation Considerations	4
Step-by-step AXXRSBBU4 Installation	4
Monitoring Battery Backup	7
Monitoring BBUs with the RAID BIOS Configuration Utility.....	7
Using Intel® RAID Web Console 2	8
Replacing Battery Backup Units.....	9
Disposing of Battery Backup Units	9
Battery Backup Unit Specifications.....	10
Battery Life and Data Retention Time	10

Figures and Tables

Figure 2-1: Top and Bottom View of the AXXRSBBU4..... 3

Figure 2-2: Battery alignment on the add-in Intel® RAID Controllers 5

Figure 2-4: Battery board mounting on RAID controller board..... 5

Figure 2-5: Reinserting an add-in RAID Controller 6

Figure 3-1: Battery monitoring with the RAID BIOS Utility 7

Figure 3-2: BBU information in RWC2 8

Table 5.1 BBU Specifications 10

About the Intel® RAID Smart Battery

Intel® RAID Controllers and Intel® Integrated Server RAID Modules provide reliability, high performance, and fault-tolerant disk subsystem management. A complete fault-tolerant strategy requires protection for all data, including the unwritten cached data in the RAM cache. If power is lost, the data in RAM is lost. To avoid this data loss, a battery can be added to supply power to the RAID RAM during an AC power outage or if the AC power cord is removed.

A battery backup unit protects the integrity of the cached data on Intel RAID controllers by providing backup power if there is a complete AC power failure or a brief power outage. The Intel RSBBUs provide an inexpensive alternative to using an uninterruptible power supply (UPS) or act as a second level of fault tolerance when used in conjunction with a UPS.

The cache memory available on Intel controllers can improve overall system performance. Writing data to the controller's cache memory is much faster than writing it to a storage device. Write operations appear to complete very quickly at the software application level. The Intel RAID controller then writes the cached data to the storage device when system activity is low or when the cache is getting full. The risk of using write-back cache is that the cached data can be lost if the AC power fails before it has been written to the storage device. This risk factor is eliminated when the Intel RAID controller has an onboard BBU.

The Intel RSBBUs monitor the voltage level of the DRAM modules installed on the Intel RAID controller. If the voltage drops below a predefined level, the battery backup module switches the memory power source from the Intel RAID controller to the battery pack attached to the Intel RAID Smart Battery Backup Unit (RSBBU). As long as the voltage level stays below the predefined value, the Intel RSBBU provides power for memory. If the voltage level returns to an acceptable level, the RSBBU switches the power source back to the Intel RAID controller, and all pending writes to storage devices are completed with no data loss.

A smart battery backup unit (BBU) has built-in functionality to charge the battery pack automatically and to communicate battery status information such as voltage, temperature, and current to the host computer system.

The AXXRSBBU4 is a smart battery backup module using NiMH technology that is compatible with a backup auxiliary power source. Battery charging and recharging take place automatically.

The AXXRSBBU4, which features NiMH battery cell technology, mounts directly to the following Intel® RAID Controllers using a small board-to-board connector (daughtercard):

- Intel® RAID Controller SRCSATAWB
- Intel® RAID Controller SRCSASRB
- Intel® Server Platform S7000FC4UR SAS Riser Card
- Intel® Server Platform SR1550ALSAS with LSISAS1078 ROC midplane
- Intel® Server Platform SR2500ALLX with LSISAS1078 ROC midplane

Important Safety Instructions

Read all caution and safety statements in this document before performing any of the instructions. See *Intel Server Boards and Server Chassis Safety Information* at <http://support.intel.com/support/motherboards/server/sb/cs-010770.htm>.

Wichtige Sicherheitshinweise

Lesen Sie zunächst sämtliche Warn- und Sicherheitshinweise in diesem Dokument, bevor Sie eine der Anweisungen ausführen. Beachten Sie hierzu auch die Sicherheitshinweise zu Intel-Serverplatinen und -Servergehäusen unter <http://support.intel.com/support/motherboards/server/sb/cs-010770.htm>.

重要安全指导

在执行任何指令之前，请阅读本文档中的所有注意事项及安全声明。和/或<http://support.intel.com/support/motherboards/server/sb/cs-010770.htm> 上的 *Intel Server Boards and Server Chassis Safety Information* (《Intel 服务器主板与服务器机箱安全信息》)。

Important Safety Instructions Consignes de sécurité

Lisez attention toutes les consignes de sécurité et les mises en garde indiquées dans ce document avant de suivre toute instruction. Consultez *Intel Server Boards and Server Chassis Safety Information* rendez-vous sur le site <http://support.intel.com/support/motherboards/server/sb/cs-010770.htm>.

Instrucciones de seguridad importantes

Lea todas las declaraciones de seguridad y precaución de este documento antes de realizar cualquiera de las instrucciones. Vea *Intel Server Boards and Server Chassis Safety Information* en <http://support.intel.com/support/motherboards/server/sb/cs-010770.htm>.



WARNINGS

- Server power on/off:** The push-button on/off power switch on the front panel of the server does not turn off the AC power. To remove AC power from the server, you must unplug the AC power cord from either the power supply or wall outlet.
- Hazardous conditions—power supply: **Hazardous voltage, current, and energy levels are present inside the power supply enclosure. There are no user-serviceable parts inside it; servicing should only be done by technically qualified personnel.**

Installing the AXXRSBBU4

Figure 2.1 displays the top and bottom views of the AXXRSBBU4. The battery pack is mounted on a daughtercard which mounts to the RAID controller. Take note of the location of the J2 connector (5) which plugs into the Intel® RAID Controller and the 3 standoffs (2) and 6 screws (3). Only the top side of the daughtercard will be visible after installation onto the RAID controller.

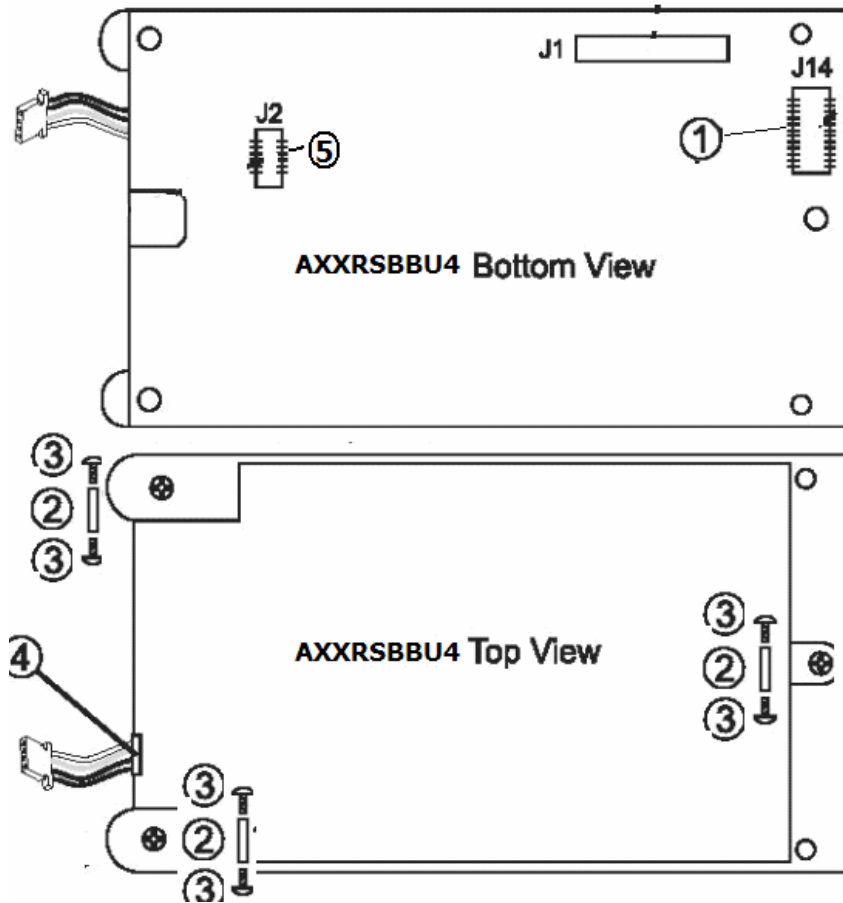


Figure 2-1: Top and Bottom View of the AXXRSBBU4

Important Pre-installation Considerations

Warning: Always ground yourself and/or use a ground strap before touching the RAID controller or the RSBBU. Perform all installation work at an ESD-safe workstation. Use an ESD-safe Phillips screwdriver set to a maximum torque of 2.25 inch pounds, and be sure the screwdriver is centered in the screw to avoid damaging the screw head. If you exceed the maximum torque specification, you may damage the board, connectors, or screws, and you will void the warranty of the board.

The batteries in the RSBBUs must recharge for at least six hours during fast charge under normal operating conditions.

To protect your data, Intel recommends that you set the RAID controller Write Policy to write-through until the battery unit is fully charged. When the battery unit is charged, you can change the Write Policy to write-back to take advantage of the performance improvements of data caching.

The maximum ambient temperature for the battery pack is 45°C. Note: The temperature of the battery pack is generally 15–20 degrees higher than the ambient temperature during fast charge. Therefore, to complete the fast charge cycle, ambient temperature should be less than 45°C. If the ambient temperature exceeds 45°C, the fast charge cycle will terminate prematurely, thus preventing the battery pack from reaching a fully charged state.

Step-by-step AXXRSBBU4 Installation

Follow the steps in this section to install the AXXRSBBU4 on the Intel® RAID Controller SRCSATAWB, SRCSASRB, or SAS Riser card.

A. If the RAID controller is already installed in a computer, follow these steps to remove it before you install the AXXRSBBU4:

- 1 Shut down the computer, turn off the power, and unplug the power cord(s).
- 2 Remove the cover from the computer and ground yourself before touching the RAID controller. Carefully unplug all cables going to the RAID controller. On the data cables, depress the silver spring at the connector end to make sure the 2 tiny catches release.
- 3 Following the instructions in User's Guide for your server, carefully remove the RAID controller from its slot. On the Intel® Server Platform S7000FC4UR, you must remove the processor air baffle and push back on the guide latch while pulling up on the riser card.
- 4 Place the RAID controller on a flat, clean, static-free surface.

B. Follow these steps to install the AXXRSBBU4 on the RAID Controller.

1. Ground yourself, and remove the AXXRSBBU4 from the package.
2. Insert the battery pack harness connector (4 in Figure 2-1) at the end of the colored wires into the 5-pin J2 connector (5 in Figure 2-1) on the backside of the AXXRSBBU4.
3. Make sure the 3 standoffs and 6 screws and the Phillips screwdriver are easily available during the following steps.
4. Remove the protective metal cover from the battery connector on the RAID controller card. (J7 on the Intel® SRCSATAWB and Intel® SRCSASRB.)

5. A. On the Intel® RAID Controller SRC SATAWB and the Intel® RAID Controller SRC SASRB, place the RAID controller with the components facing up

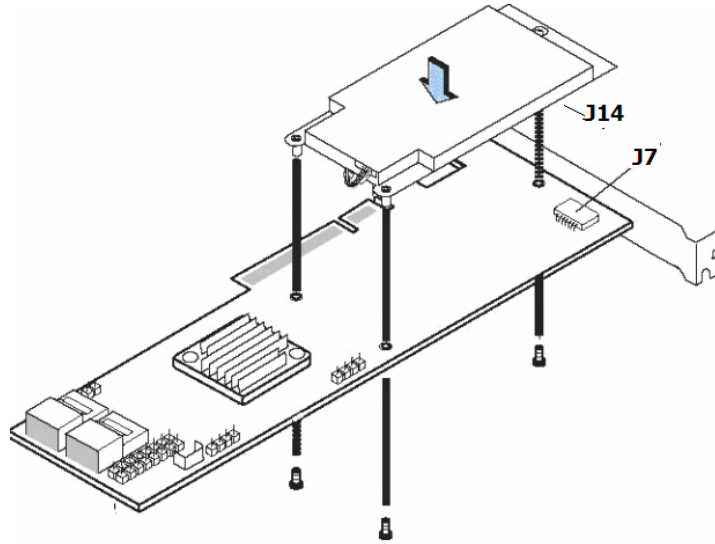


Figure 2-2: Battery alignment on the add-in Intel® RAID Controllers

3. B. On the Intel Server Platform S7000FC4UR SAS Riser Card, place the card with the components facing down so that the battery attaches to the “back” of the riser card.

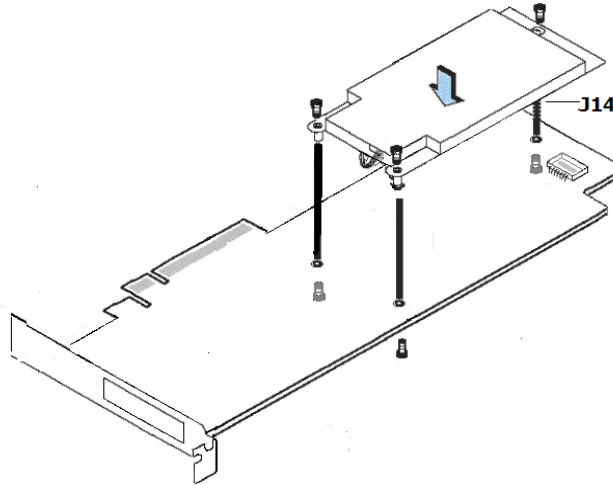


Figure 2-3: Battery alignment on the back of the S7000RC4UR SAS Riser card

4. Hold the AXXRSBBU4 so that the battery side is up and the 3 screw holes align.

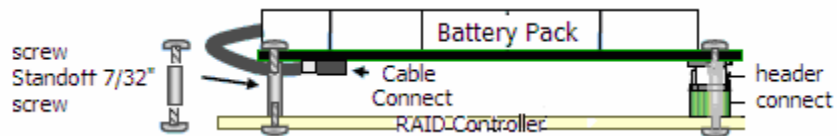


Figure 2-4: Battery board mounting on RAID controller board

5. Place the three standoffs (#2 in Figure 2-1) between the two cards in the three screwholes.

6. Carefully press the AXXRSBBU4 onto the RAID controller, so that the two connectors shown in step 3 are firmly joined.
 - a. On the Intel® RAID Controller SRC SATAWB and the Intel® SRC SASRB, use the J7 connector.
7. Secure the AXXRSBBU4 to the RAID controller with the 6 provided Phillips (2-56) screws (#3 in Figure 2-1). The standoffs are threaded at both ends and a 2-56 screw goes into each end. (Place 3 in from the battery side and 3 in from the RAID controller side.)

Caution: Center the screwdriver carefully to avoid stripping the screwhead. Do not over-tighten the screws. The maximum recommended torque is 2.25 inch pounds.

C. Place the Intel® RAID Controller back into the server

1. Align the RAID controller with the PCI-Express slot. (On the Intel Server Platform S7000FC4UR be sure to install inside the guide.)
2. Press down gently, but firmly, to ensure that the RAID controller is properly seated in the slot. The bottom edge of the RAID controller must be flush with the slot.

Caution: *Never* apply pressure to the AXXRSBBU4 when you insert the RAID controller. Instead, press down only on the top edge of the RAID controller.

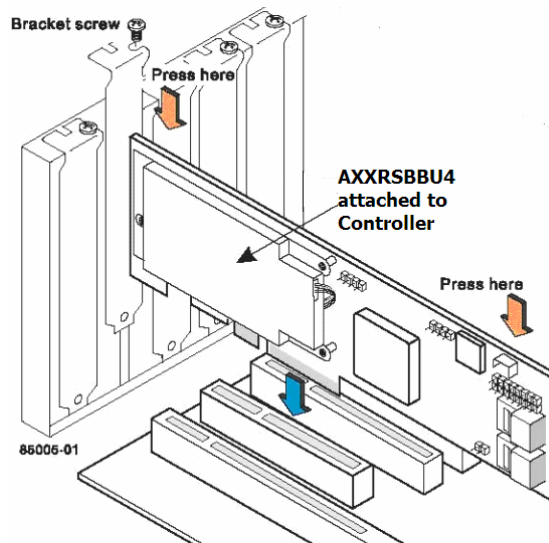


Figure 2-5: Reinserting an add-in RAID Controller

3. Attach the cables, as needed, to the connectors on the Intel RAID controller.
4. (Intel Server Platform S7000FC4UR only: Install the processor air baffle.)
5. Replace the computer cover and reattach the power cord(s).

Monitoring Battery Backup

Multiple utilities are available to display and configure BBU information including recharge count. When you replace a BBU, you should reset this counter to zero. Intel recommends that you replace the BBU once per year or after 500 recharge cycles, whichever comes first.

Note: This chapter describes only the BBU-related features of the Intel utility programs. For complete information on these utilities, see the Intel RAID Software User's Guide.

Monitoring BBUs with the RAID BIOS Configuration Utility

The Intel RAID BIOS Console configures disk arrays and logical drives. It is independent of the operating system and accessed at server start up by pressing <Ctrl> <G>

To view the BBU information, follow these steps:

1. At boot, press <Ctrl><G> when prompted.
2. In the RAID BIOS Console, choose "Adapter Properties" on the main menu.
3. Click Next to view the second Adapter Properties screen.
4. In the Battery Backup field at the top left of the screen, click the word "Present".

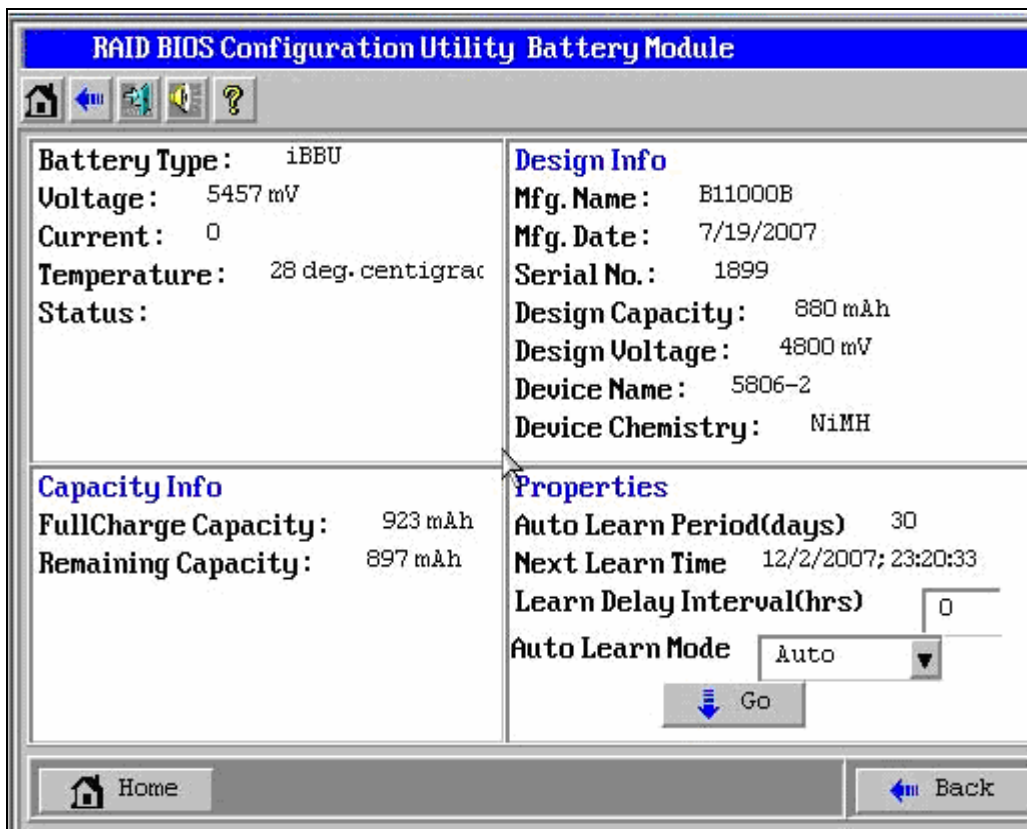


Figure 3-1: Battery monitoring with the RAID BIOS Utility

Most of the Battery Module properties are view-only. In the lower right panel of the RAID BIOS Console there are two properties that can be changed. (Intel recommends that you leave these properties at their default settings.)

- Learn Delay Interval – default 30 days
- Auto Learn Mode – default Auto

Note: The learning cycle is a battery calibration operation performed by the controller periodically to determine the condition of the battery.

Using Intel® RAID Web Console 2

The status of all BBUs connected to controllers in the server is visible in Intel® RAID Web Console 2 by selecting the Physical tab in the left panel. To see the battery, select the Controller. The Battery Backup Unit will appear as the last item on the list under that controller. An icon (small rectangle or red dot) will appear in the left pane to indicate the BBU status. The rectangle indicates normal operation, the red dot indicates the BBU has failed.

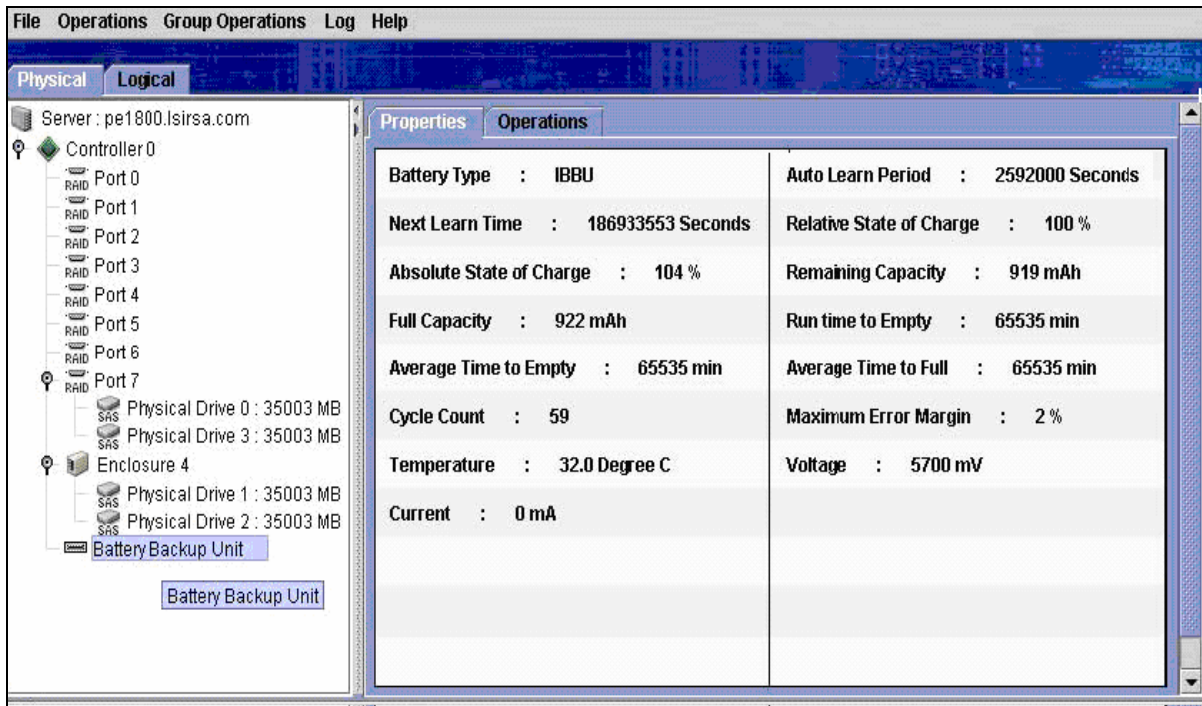


Figure 3-2: BBU information in RWC2

The BBU properties include the following:

- The number of times the BBU has been recharged (Cycle Count)
- The full capacity of the BBU, plus the percentage of its current state of charge, and the estimated time until it will be depleted
- The current BBU temperature, voltage, current, and remaining capacity
- The estimated time until the battery is fully charged (only if the battery is charging)

Replacing Battery Backup Units

Intel recommends that you replace BBUs once a year or after 500 recharging cycles, whichever comes first. The warranty on the battery pack is for one year. After you install a new BBU, use one of the Intel configuration utilities to reset the battery recharge cycle counter to zero. For instructions, see Chapter 3, “Monitoring BBUs with the Intel Configuration Utilities.”

Disposing of Battery Backup Units

- **WARNING:** Do not damage the battery pack in any way. Toxic chemicals can be released if it is damaged.

The material in the battery pack contains heavy metals that can contaminate the environment. Federal, state, and local regulations prohibit the disposal of rechargeable batteries in public landfills. Be sure to recycle the old battery packs properly. Intel reminds you that you must comply with all applicable battery disposal and hazardous material handling laws and regulations in the country or other jurisdiction where you are using the BBU.

Battery Backup Unit Specifications

Table 5.1 BBU Specifications

Battery Technology	NiMH (Nickel Metal Hydride) 4 cell
Battery Operating Environment	10–40°C ambient temperature 20% to 80% humidity non-condensing
Battery Storage Temperature	Depends on storage time, < 30 days: 0–50 °C 30–90 days: 0–40 °C ; > 90 days: 0–30 °C
Fast Charge Rate	350mAH using charge circuitry card
Battery Voltage	Nominal OCV: 4.8 V, 1.45 v max per cell typical Conditioning: < 3.6 V Charging maximum: 7.0 V
Mechanical	3.7” x 2.2”
Battery Capacity	880 mAH
Memory Technology	DDR2 SDRAM (1.8 V)
Battery Charge Time	Typical: ~6 hours to charge from 3.6V OCV to 5.5V OCV Completely depleted: 8 hours
Battery Shelf Life	1 year
Battery Operational Life	Intel provides a 1 year warranty on the AXXRSBBU4.
Supported Cache Memory	128 - 256 Mbytes
Memory	DDR2 SDRAM 667 MHz (1.8V), max 72-bit bus width
MTBF (Electrical Components)	2,471,650 hours at 40° C
Smart Battery Monitoring	Temp monitoring via I2C interface. Supports v1.1 “Smart Battery System Manager”
Auxiliary Power	Ability to detect the presence of an external auxiliary power source. Circuitry automatically chooses aux power, defers discharge until aux power is removed or exhausted. Auxpower increases the DRT ratings

Battery Life and Data Retention Time

The Intel utilities display a counter showing the number of times a BBU has been recharged. When you replace a BBU, you should run the utility program and reset this counter to zero for the new BBU. Intel recommends that you replace the battery pack on the BBU once a year or after 500 recharging cycles, whichever comes first. The warranty on the battery pack is for one year.

The data retention time is 72 hours (low power) if using the RAM shown below. This rating is approximate and can vary based on battery load, ambient temperature, and number of discharge cycles associated with the battery.

- 256 Mb using (5) 32Mx16 DDR2
- 256 Mb using (3) 64Mx16 DDR2
- 128 Mb using (3) 32Mx16 DDR2
- 512Mb using (5) 64Mx16 DDR2