

Intel® Remote Management Module 2

Technical Product Specification

Revision 1.0

March, 2007

Enterprise Platforms and Services Division - Marketing

Revision History

| Date | Revision Number | Modifications |
|-------------|-----------------|---------------|
| March, 2007 | 1.0 | First release |

Disclaimers

Information in this document is provided in connection with Intel® products. No license, express or implied, by estoppel or otherwise, to any intellectual property rights is granted by this document. Except as provided in Intel's Terms and Conditions of Sale for such products, Intel assumes no liability whatsoever, and Intel disclaims any express or implied warranty, relating to sale and/or use of Intel products including liability or warranties relating to fitness for a particular purpose, merchantability, or infringement of any patent, copyright or other intellectual property right. Intel products are not intended for use in medical, life saving, or life sustaining applications. Intel may make changes to specifications and product descriptions at any time, without notice.

Designers must not rely on the absence or characteristics of any features or instructions marked "reserved" or "undefined." Intel reserves these for future definition and shall have no responsibility whatsoever for conflicts or incompatibilities arising from future changes to them.

The Intel® Remote Management Module 2 may contain design defects or errors known as errata which may cause the product to deviate from published specifications. Current characterized errata are available on request.

Intel, Pentium, Itanium, and Xeon are trademarks or registered trademarks of Intel Corporation.

*Other brands and names may be claimed as the property of others.

Copyright © Intel Corporation 2007. All rights reserved.

Table of Contents

| | |
|---|-----------|
| 1. Introduction | 1 |
| 2. Product Overview..... | 1 |
| 2.1 Virtual Presence..... | 1 |
| 2.2 Firmware Feature Set..... | 1 |
| 2.3 Web Front-end..... | 2 |
| 2.4 Virtual Media..... | 2 |
| 2.5 Remote Console..... | 3 |
| 2.6 Hardware Feature Set..... | 3 |
| 2.7 Physical Dimensions..... | 7 |
| 3. Board Architecture..... | 8 |
| 3.1 Media Independent Interface (MII)..... | 8 |
| 3.2 USB 2.0 (high-speed) Interface..... | 9 |
| 3.3 IPMB Connections..... | 9 |
| 3.4 15-bit DVO Video Source..... | 9 |
| 3.5 Intel [®] ASMI Connector..... | 10 |
| 3.5.1 BMC_FML_0 Interface..... | 10 |
| 3.5.2 FML Connection..... | 10 |
| 3.5.3 NIC_FML_1..... | 10 |
| 3.6 8-MB SDRAM Video Frame Buffer Chip..... | 11 |
| 3.7 32-MB SDRAM System Memory..... | 11 |
| 3.8 8-MB Flash..... | 11 |
| 4. Electrical Specifications..... | 12 |
| 4.1 3.3 V Auxiliary Operation..... | 12 |
| 4.2 Power System..... | 12 |
| 4.3 DC Specifications..... | 12 |
| 4.4 FML Bus Specifications..... | 12 |
| 4.4.1 MCL..... | 13 |
| 4.4.2 MDA..... | 13 |
| 4.4.3 SDA..... | 13 |
| 4.4.4 SINTEX..... | 13 |
| 4.5 IPMB Specifications..... | 14 |
| 4.6 16550 UART Interface..... | 14 |

| | | |
|-----------|---|-----------|
| 4.7 | MII Interface | 14 |
| 4.8 | DVO Video and DDC/EDID Specifications | 15 |
| 4.8.1 | DVO Interface | 15 |
| 4.8.2 | Supported Video Resolutions and Refresh Rates | 16 |
| 4.9 | System Reset Control | 17 |
| 5. | Network Connections and Authentication | 18 |
| 5.1 | Network Connectivity | 18 |
| 5.1.1 | Supported Traffic | 18 |
| | Glossary | 19 |

List of Figures

| | | |
|-----------|-------------------------------|----|
| Figure 1. | Frequency Relationships | 16 |
|-----------|-------------------------------|----|

List of Tables

| | | |
|----------|---|----|
| Table 1. | Connector Pin-out, Side A | 4 |
| Table 2. | Connector Pin-out, Side B | 5 |
| Table 3. | FML Bus DC Specifications | 13 |
| Table 4. | I ² C Interface | 14 |
| Table 5. | DVO Bus DC Specifications | 15 |
| Table 6. | Supported Video Resolutions and Refresh Rates | 17 |

1. Introduction

This Technical Product Specification (TPS) provides details about the architecture and feature set of the Intel® Remote Management Module 2 (Intel® RMM2). This document does not replace the Intel RMM2 Users Guide, but provides enhanced information to assist with understanding and learning more about specific features of the board.

2. Product Overview

The Intel RMM2 is a 2.25-inch x 2.75-inch printed circuit board. When installed onto the Intel® RMM connector on Intel® server boards, it provides an increased level of manageability over the basic server management available to the server board.

Designed to work with the Baseboard Management Controller (BMC), this small form-factor mezzanine card enables graphical server control from anywhere, at anytime.

2.1 Virtual Presence

The Intel® RMM2 provides Virtual Presence (Remote Console) at the host server. This presence includes keyboard / video / mouse (KVM) redirection over Transmission Control Protocol / Internet Protocol (TCP/IP) using an Ethernet network port dedicated for remote management.

The keyboard, video, and mouse of the remote server are available to the administrator from any network location, regardless of the state of the server (OS loading, running, or not responding (blue screen), Pre-OS BIOS boot and setup, etc). The dedicated Ethernet controller supports Out Of Band (OOB) access. In other words, it runs separately from the OS and the BIOS. This separation allows the Intel RMM2 to operate continuously, thus supporting 24 X 7 management of the system. The management traffic does not share network bandwidth with the host system software.

2.2 Firmware Feature Set

- Intel® RMM2 Virtual Presence over Remote Console: Keyboard/Video/Mouse (KVM) redirection over TCP/IP
- Intel RMM2 Web server supporting HTTPS or HTTP
- Automatically senses video resolution for best possible screen display
- Intel RMM2 Virtual Media: USB remote storage redirection over TCP/IP, up to two mass storage devices at a time
- Intel RMM2 Virtual Presence over Web Front-end: Power and Reset Control over TCP/IP
- Interaction with the BMC for support of Intelligent Platform Management Interface (IPMI) 2.0
- Support for a dedicated 10/100 Out of Band (OOB) Management LAN channel
- Local and Remote Configuration Utilities for Microsoft Windows* and Linux*
- Firmware upgrade capabilities

- Highest Security Standards using up to 256 bit SSLv3, Certificate Management, Event Logging and State-of-the-Art Authentication Methods

2.3 Web Front-end

The Intel® RMM2 module features an embedded operating system and applications offering a variety of standardized interfaces. The interfaces are accessed using the TCP/IP protocol family, thus they can be accessed using the built-in Ethernet adapter.

The Intel® RMM2 Web Front-end is a Graphical User Interface (GUI). It offers convenient and secure access to

- Open the Remote Console
- Virtual Media
- System Health
- User Management
- KVM Settings
- Device Settings
- Intel RMM2 Maintenance information

Using a standard web browser on the administrator's client computer, the Intel RMM2 Web GUI provides Virtual Presence to the server. It offers the user the ability to:

- Obtain detailed system information
- Perform virtual media transfers
- Control power and reset the server

In addition, the Intel® RMM2 allows the user to open a Remote console, see the screen of the target system and work with all applications as if he/she was seated at the system.

All network communication with the Intel® RMM2 is secured using industry standard authentication, encryption, and access control mechanisms. Access to the Intel RMM2 Web Console is controlled by a user-based security system.

2.4 Virtual Media

The Intel® RMM2 provides Virtual Media, which is USB remote storage redirection over TCP/IP, using the dedicated LAN interface. Administrators use Intel® RMM Virtual Media to:

- Upload a floppy image to the Intel® RMM2, maximum size of 1.44 MB.
- Access a CD-ROM / DVD-ROM image on a Windows Share (SAMBA).
- Redirect CD-ROM / DVD-ROM drives, hard drives, or other mass storage medium, that is physically local to the administrator's client computer, to appear as USB mass storage device on the target server. Additional client software is available for Windows*.

Once mounted, the media that is remote to the server appears local to the server. This allows administrators to install software or drivers on, or boot the server from the remote media.

Intel® RMM2 - Virtual Media can be used to complete these actions:

- Install a new operating system on a target server
- Install an operating system upgrade on a target server
- Repair damaged operating system installs
- Transfer files to and from the target server to a remote location
- Flash BIOS or other firmware by use of bootable DOS storages

The Intel® RMM2 Virtual Media offers to redirect two drives at a time which makes it even more comfortable to perform remote OS installations and allows access to use additional driver disks during OS installation.

The ability to recover from a system hard drive crash to a known good state is also provided by the combination of Intel® RMM2 Virtual Media and Intel RMM2 Virtual Server Control.

2.5 Remote Console

The Remote Console is the redirected screen, keyboard and mouse of the remote host system where the Intel® RMM2 module is installed. To use the Remote Console window of your managed host system, the browser must include a Java* Runtime Environment plug-in. If the browser has no Java support, such as with a small handheld device, the user can maintain the remote host system using the administration forms displayed by the browser.

The Remote Console window is a Java Applet that establishes its own TCP connection to the Intel RMM2 module. The protocol that is run over this connection is RFB (Remote Frame Buffer Protocol), not HTTP nor HTTPS

Starting the Remote Console opens a new window to display the screen content of the host system. The Remote Console acts as if the administrator was sitting directly in front of the screen of his/her remote system. That means keyboard and mouse can be used in the usual way.

2.6 Hardware Feature Set

- KIRA100 ARM 9 Processor at 200 MHz
- Dedicated Out-of-Band (OOB) 10/100Mbit Ethernet Network Interface Chip
- 32 MB CPU SDRAM
- 8 MB VSC SDRAM (Flash Memory)
- USB 2.0 High Speed Interface
- 15-bit DVO Interface Video input at up to 1600 X 1200 Resolution at 60 Hz
- High Speed Fast Management Link (FML) Interface to BMC
- IPMB (Intelligent Platform Management Bus)
- LPC (Low Pin Count)

The Intel® RMM2 connects to the Intel RMM connector on the Intel server board. The Intel RMM connector is based on the Advanced Server Management Interface (Intel® ASMI) specification.

The Intel® RMM2 uses a sub-set of the connector's pins. It connects to the following interfaces:

- IPMB
- DDC
- DVO
- RS232
- FML 0 or FML 1
- MII
- USB

Table 1. Connector Pin-out, Side A

| Pin Side A | Pin | Signal | Intel® RMM |
|------------|-----|---------------------------------|--------------|
| 1 | 1 | NC_RESERVED | NO CONNECT |
| 2 | 3 | LPC_SYSRST_N | SYSRST# |
| 3 | 5 | GND | GND |
| 4 | 7 | NC_RESERVED | NO CONNECT |
| 5 | 9 | NC_RESERVED | NO CONNECT |
| 6 | 11 | GND | GND |
| 7 | 13 | GND | GND |
| 8 | 15 | USB1_P | D+ |
| 9 | 17 | USB1_N | D- |
| 10 | 19 | GND | GND |
| 11 | 21 | VCC 3.3V | +3.3V |
| 12 | 23 | LAD0 | LAD0 |
| 13 | 25 | LAD1 | LAD1 |
| 14 | 27 | VCC 3.3V | +3.3V |
| 15 | 29 | LCLK (33Mhz) | LCLK (33Mhz) |
| 16 | 31 | VCC 3.3V | +3.3V |
| 17 | 33 | NIC_FML1_MDA (Module Master) | NIC_FML1_MDA |
| 18 | 35 | NIC_FML1_SDA (Module Master) | NIC_FML1_SDA |
| 19 | 37 | NIC_FML1_MCL (Module Master) | NIC_FML_MCL |
| 20 | 39 | NIC_FML1_SINTEX (Module Master) | NIC_FML_SNTX |
| 21 | 41 | VCCa 3.3Aux | +3.3V AUX |
| 22 | 43 | EMP/SOL_SERIAL_DSR | RSER_DSR |
| 23 | 45 | EMP/SOL_SERIAL_RTS | RSER_RTS |
| 24 | 47 | EMP/SOL_SERIAL_CTS | RSER_CTS |
| 25 | 49 | EMP/SOL_SERIAL_DCD | RSER_DCD |
| 26 | 51 | EMP/SOL_SERIAL_RI | RSER_RI |
| 27 | 53 | EMP/SOL_SERIAL_TX | RSER_TX |
| 28 | 55 | VCCa 3.3Aux | +3.3V AUX |
| 29 | 57 | LCDCNTL[3] – PIXEL CLK | VDCLK |

| Pin Side A | Pin | Signal | Intel® RMM |
|------------|-----|-------------------------------------|--------------|
| 30 | 59 | GND | GND |
| 31 | 61 | NC RESERVED_3 | NO CONNECT |
| 32 | 63 | NC_RESERVED_4 | NO CONNECT |
| 33 | 65 | GND | GND |
| 34 | 67 | LCDCNTL[0] – DV_VS | VSYNC |
| 35 | 69 | NC_RESERVED_8 | C NO CONNECT |
| 36 | 71 | GND | GND |
| 37 | 73 | LCDDATA23 | LCDDATA23 |
| 38 | 75 | LCDDATA22 | LCDDATA22 |
| 39 | 77 | LCDDATA21 | LCDDATA21 |
| 40 | 79 | LCDDATA20 | LCDDATA20 |
| 41 | 81 | LCDDATA19 | LCDDATA19 |
| 42 | 83 | GND | GND |
| 43 | 85 | MAN LAN type 1 | ML_TYPE1 |
| 44 | 87 | MAN LAN type 2 | ML_TYPE2 |
| 45 | 89 | NC_RESERVED_9 | C_TRST_IN# |
| 46 | 91 | RESERVED for Future Voltage Rail #2 | C_TMS |
| 47 | 93 | MII_MDC | MDC |
| 48 | 95 | MII_COL | COL |
| 49 | 97 | GND | GND |
| 50 | 99 | MII_TXER | TXERR |
| 51 | 101 | MII_MDIO | MDIO |
| 52 | 103 | GND | GND |
| 53 | 105 | MII_RXD3 | RXD3 |
| 54 | 107 | MII_RXD2 | RXD2 |
| 55 | 109 | GND | GND |
| 56 | 111 | MII_RXD1 | RXD1 |
| 57 | 113 | MII_RXD0 | RXD0 |
| 58 | 115 | GND | GND |
| 59 | 117 | MII_RXCLK | RXCLK |
| 60 | 119 | MII_RXDV | RXDV |

Table 2. Connector Pin-out, Side B

| Pin | Pin | Signal | Intel® RMM |
|-----|-----|-------------|------------|
| 1 | 2 | GND | GND |
| 2 | 4 | NC RESERVED | NO CONNECT |
| 3 | 6 | NC RESERVED | NO CONNECT |
| 4 | 8 | GND | GND |
| 5 | 10 | GND | GND |
| 6 | 12 | NC RESERVED | NO CONNECT |
| 7 | 14 | NC RESERVED | NO CONNECT |
| 8 | 16 | GND | GND |

| Pin | Pin | Signal | Intel® RMM |
|-----|-----|-------------------------------------|---------------|
| 9 | 18 | GND | GND |
| 10 | 20 | NC_RESERVED_1 | NO CONNECT |
| 11 | 22 | NC_RESERVED_2 | NO CONNECT |
| 12 | 24 | GND | GND |
| 13 | 26 | LFRAME | LFRAME |
| 14 | 28 | LAD2 | LAD2 |
| 15 | 30 | LAD3 | LAD3 |
| 16 | 32 | VCC 3.3V | +3.3V |
| 17 | 34 | IPMB_SDA | IPMB_SDA |
| 18 | 36 | IPMB_SCL | IPMB_SCL |
| 19 | 38 | BMC_FML0_MCL (Module Slave) | BMC_FML0_MCL |
| 20 | 40 | BMC_FML0_SINTEX (Module Slave) | BMC_FML0_SNTX |
| 21 | 42 | BMC_FML0_MDA (Module Slave) | BMC_FML0_MDA |
| 22 | 44 | BMC_FML0_SDA (Module Slave) | BMC_FML0_SDA |
| 23 | 46 | VCCa 3.3Aux | +3.3V AUX |
| 24 | 48 | ASMI_PRSNT_N | ASMI_PRSNT_N |
| 25 | 50 | EMP/SOL_SERIAL_DTR | SER_DTR |
| 26 | 52 | EMP/SOL_SERIAL_RX | SER_RX |
| 27 | 54 | VCCa 3.3Aux | +3.3V AUX |
| 28 | 56 | LCDDATA7 | LCDDATA7 |
| 29 | 58 | LCDDATA6 | LCDDATA6 |
| 30 | 60 | LCDDATA5 | LCDDATA5 |
| 31 | 62 | LCDDATA4 | LCDDATA4 |
| 32 | 64 | LCDDATA3 | LCDDATA3 |
| 33 | 66 | LCDCNTL[1] - DV_HS | DV_HS |
| 34 | 68 | GND | GND |
| 35 | 70 | LCDDATA15 | LCDDATA15 |
| 36 | 72 | LCDDATA14 | LCDDATA14 |
| 37 | 74 | LCDDATA13 | LCDDATA13 |
| 38 | 76 | LCDDATA12 | LCDDATA12 |
| 39 | 78 | LCDDATA11 | LCDDATA11 |
| 40 | 80 | GND | GND |
| 41 | 82 | LCDCNTL[2] - DV_DE | DV_DE |
| 42 | 84 | DVIDDCDATA (SDA) | DDC_SDA |
| 43 | 86 | DVIDDCCLK | DDC_SCL |
| 44 | 88 | PS_PWRGOOD | PS_PWRGD |
| 45 | 90 | Reserved for Future Voltage Rail #1 | C_TCK |
| 46 | 92 | NC_RESERVED_6 | NO CONNECT |
| 47 | 94 | NC_RESERVED_7 | NO CONNECT |
| 48 | 96 | GND | GND |
| 49 | 98 | MII_CRIS | CRS |
| 50 | 100 | MII_TXCLK | TXCLK |
| 51 | 102 | GND | GND |
| 52 | 104 | MII_TXD3 | TXD3 |

| Pin | Pin | Signal | Intel® RMM |
|-----|-----|----------|------------|
| 53 | 106 | MII_TXD2 | TXD2 |
| 54 | 108 | GND | GND |
| 55 | 110 | MII_TXD1 | TXD1 |
| 56 | 112 | MII_TXD0 | TXD0 |
| 57 | 114 | GND | GND |
| 58 | 116 | MII_TXEN | TXEN |
| 59 | 118 | MII_RXER | RXERR |

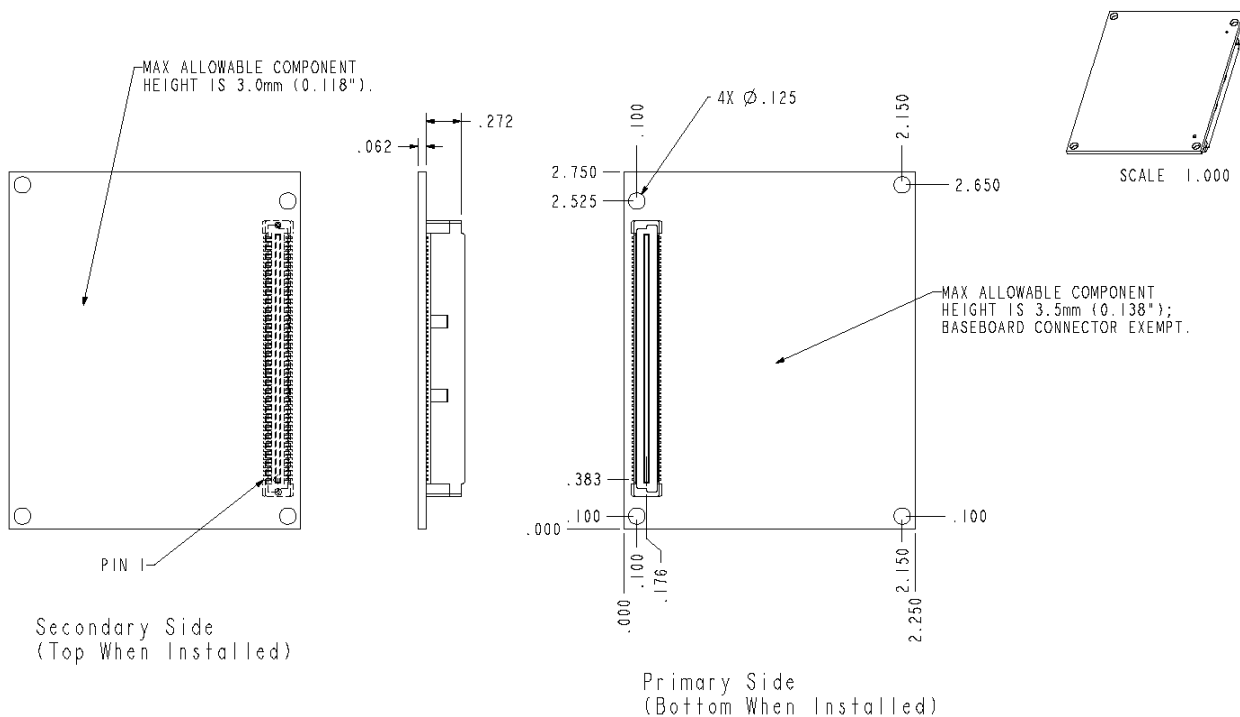
2.7 Physical Dimensions

The 120-pin Intel® RMM server board connector and the corresponding 120-pin Intel RMM2 connector provide a stack height of 8 mm between the server board and the Intel RMM2 with the allowable module component height. The server board to top of module is 13 mm (0.51 inch).

The allowable height is:

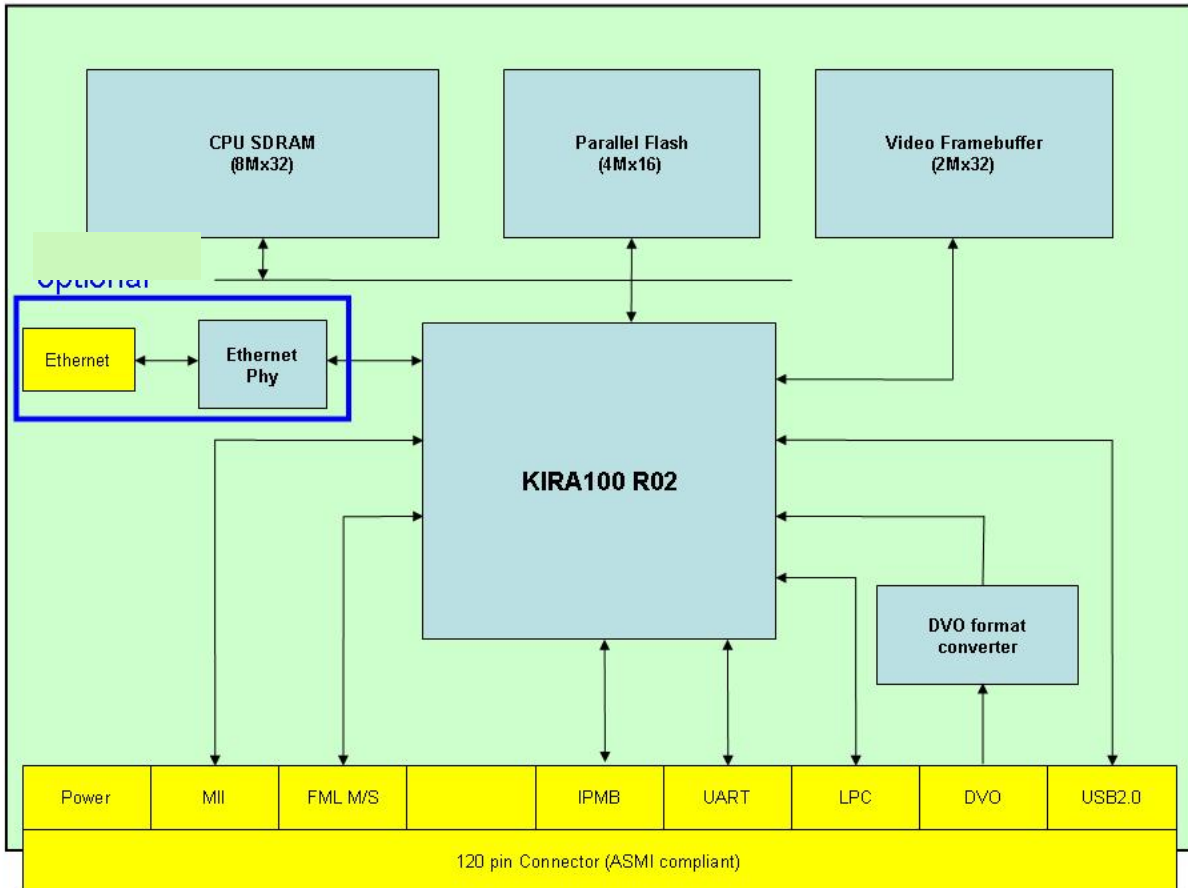
- Typical rack mounted server, is 14.7 mm
- Pedestal server, is 15.24 mm

The Intel® RMM2 thickness is 1.65 mm or 0.065 inch.



3. Board Architecture

The Intel® RMM2 connects to the 120-pin header on the server board at the interfaces shown in the following Intel RMM2 Board Architecture block diagram:



3.1 Media Independent Interface (MII)

A Media Independent Interface (MII) connects the MAC of the dedicated Ethernet NIC of the Intel RMM2 to the Ethernet PHY located on the Intel® GCM3 (NIC Module).

3.2 USB 2.0 (high-speed) Interface

A USB 2.0 (high-speed) interface supports the following:

- Virtual keyboard
- Virtual mouse
- Intel® RMM2 - Virtual Media
- Local utilities

3.3 IPMB Connections

The Intelligent Platform Management Bus (IPMB) connects to the server board RMM header and is connected to a buffered I²C bus interface of the KIRA100 Chip on the Intel® RMM2. This IPMB interface connects the Intel RMM2 to the BMC.

The Intel® RMM2 provides IPMI satellite controller functionality to the BMC. The IPMB of the Intel RMM2 provides bi-directional communication at 100 KHz.

3.4 15-bit DVO Video Source

The 15-bit DVO video source comes from the server board's ATI* graphics controller. The DVO pins are organized as follows:

- Five red
- Five green
- Five blue

The DVO signals from the server board RMM connector are wired to the CPLD on the Intel RMM2. This CPLD chip converts single pixel DVO input to double pixel DVO output. The double pixel DVO output goes to the KIRA100 chip where the Video Sampling Controller (VSC) algorithm completes the following actions to the video stream:

- Captures
- Compresses
- Packetizes
- Encrypts

3.5 Intel® ASMI Connector

The server board RMM connector implements two Fast Management Link (FML) interfaces:

- BMC_FML_0
- NIC_FML_1

Both FML interfaces are wired to the FPGA of the Intel® RMM2. However, only the Intel RMM2 uses the BMC_FML_0.

The FML bus is a high-speed (8 Mb/S) point-to-point interface that utilizes a single master and a single slave. The BMC is the FML master and the Intel® RMM2 is the FML slave.

3.5.1 BMC_FML_0 Interface

BMC_FML_0 provides a high-speed interface between the BMC on the server board and the Intel RMM2. Through this interface, the Intel RMM2 forwards IPMI 2.0 traffic (UDP/IP traffic to specific RMCP ports) to the BMC.

The forwarded traffic is received from the network on the dedicated NIC. IPMI return traffic is transmitted by the BMC to the Intel® RMM NIC on the FML, as well.

3.5.2 FML Connection

The FML connection with the Intel RMM2 resembles a LAN channel to the server board BMC. The Intel® RMM2 acts as an FML slave device to the FML master within the BMC on the server board.

As the FML slave, the Intel® RMM2 controls the SINTEX interrupt line. This interrupt is used to signal the BMC whenever the Intel RMM2 wishes to initiate an FML data transfer of any kind.

3.5.3 NIC_FML_1

NIC_FML_1 is not used by the Intel® RMM2, but it is connected from the server board RMM connector to pins on the FPGA. This could be used to connect the Intel RMM2 to a server board Intel® RMM NIC using the FML bus instead of the MII interface. This scheme is referred to as the FML/TCO management port.

3.6 8-MB SDRAM Video Frame Buffer Chip

The DVC FPGA on the Intel® RMM2 uses an 8 MB SDRAM video frame buffer chip by Micron*. The chip allows support for the DVO video:

- Video capture
- Video compression
- Video encryption
- Video packetization
- Video transmission

3.7 32-MB SDRAM System Memory

The KIRA100* chip uses a 32 MB SDRAM chip (8 MB X 32 b). This chip supports running the embedded Linux* operating system and all other embedded Intel® RMM2 firmware.

3.8 8-MB Flash

The embedded firmware is stored in an 8 MB flash chip. Both of these are attached to the local bus of the KIRA100 chip.

4. Electrical Specifications

4.1 3.3 V Auxiliary Operation

The server board generates the 3.3 V auxiliary supply from the system's 5 V standby power rail when the system is off. Certain other devices on the server board also operate on 5V standby power to provide complete management functionality. When system power is on, the server board generates this power from the 3.3 V system power rail.

The Intel® RMM2 can only be attached and removed when the AC power is disconnected from the server.

4.2 Power System

The Intel® RMM2 is powered from the system's standby power rail. The Intel RMM2 implements its own power-on reset control, with a reset duration sufficient to allow all clocks and PLL circuits to stabilize before the Intel RMM2 comes out of reset.

There is a one-second delay from the time the Intel® RMM2 comes out of reset to its first attempt to communicate with the server board. This allows the server board to come out of its own power-on reset.

The cold reset signal for the Intel RMM2 is called AC present.

4.3 DC Specifications

All pins on the Intel® RMM are 3.3-volt tolerant, except for the USB signals, which are USB compatible.

4.4 FML Bus Specifications

The Fast Management Link (FML) is an Intel standard communication bus for management traffic. It handles all network traffic types and Internet protocols. The FML bus is comprised of four signals:

- MCL
- SINTEX
- MDA
- SDA

The table below summarizes the DC specifications of the bus, which applies for both master and slave:

Table 3. FML Bus DC Specifications

| Symbol | Parameter | Limits | | Units | Comments |
|--------|---------------------------------|---------|---------|-------|--------------|
| | | Minimum | Maximum | | |
| Vil | Data, Clock input low voltage | - | 0.8 | V | |
| Vih | Data, Clock input high voltage | 2.0 | - | V | |
| Vol | Data, clock output low voltage | - | 0.4 | V | |
| Voh | Data, clock output high voltage | 2.4 | - | V | |
| Vdd | Nominal bus voltage | 3.0 | 3.6 | V | 3.3V typical |
| Iih | Input high current | - | 15 | uA | |
| Iil | Input low current | 15 | - | uA | |

4.4.1 MCL

MCL is the FML clock output. This signal is driven by the FML master. In this case, the master is the BMC.

4.4.2 MDA

The MDA signal is the FML Data Out signal. It is driven by the BMC.

4.4.3 SDA

The SDA is the FML Data In signal. This signal is driven by the Intel® RMM2.

4.4.4 SINTEX

The SINTEX line has two uses. The uses are as:

- During transactions on the FML, it is used for cycle elongation (to introduce wait states in the active transaction).
- During times when the FML bus is idle, the SINTEX line acts as an attention interrupt from the Intel® RMM2 to the BMC, to initiate an FML bus Read transaction.

4.5 IPMB Specifications

The Intel® RMM2 IPMB bus uses 3.3 V signalling.

Table 4. I²C Interface

| Symbol | Parameter | Minimum | Maximum | Unit |
|----------|---|---------|---------|------|
| Freq | Operating frequency | | 400 | KHz |
| Tbuf | Bus free time between Stop and Start condition (= Tcyc * (I2C_CLK_DIV+16)) | 4.7 | | us |
| thd:sta | Hold time after (repeated) start condition. After this period, the first clock is generated (= Tcyc * (I2C_CLK_DIV-8)) | 4.0 | | us |
| tsu:sta | Repeated Start condition setup time (= Tcyc * (I2C_CLK_DIV+15)) | 4.0 | | us |
| tsu:sto | Stop condition setup time (= Tcyc * (I2C_CLK_DIV+15)) | 4.0 | | us |
| thd:data | Data hold time from SCL | 300 | | ns |
| tsu:data | Data setup time to SCL | 250 | | ns |
| Tf | Clock/Data fall time into 100 pF capacitance and 4.7K ohm pullup. | | 300 | ns |

4.6 16550 UART Interface

The Intel® RMM2 has one 16550 UART* (RS232) interface for serial communication. By default, the RS232 port is disabled.

4.7 MII Interface

The Media Independent Interface (MII) is an Ethernet (IEEE 802.3) standard for communication between an Ethernet MAC (Media Access Controller) device and an Ethernet PHY (Physical layer interface) device. The MII specification defines 16 pins per port for data and control. The MII allows the KIRA100* chip on the Intel® RMM2 to communicate with the 10/100 Ethernet PHY chip on the Intel® GCM3 card.

The Intel® GCM3 module provides the RJ 45 connector for connection to the LAN via a Category 5 network cable. The RJ45 connector on the Intel® GCM3 module has two LEDs that indicate the LAN connector state. One of the LEDs indicates link activity and the other indicates the LAN speed (10 or 100 Mb/S).

4.8 DVO Video and DDC/EDID Specifications

Table 5. DVO Bus DC Specifications

| Parameter | Condition | Minimum | Maximum |
|--------------------------------|--|---------|----------|
| VIL- Low level input voltage | Vout \geq VOH(Minimum) or Vout \leq VOL(Maximum) | -0.3 V | 1.0 V |
| VIH- High level input voltage | Vout \geq VOH(Minimum) or Vout \leq VOL(Maximum) | 2.5 V | 3.6 V |
| IIN- Input current | Vin =0 or Vin = 3.3 V | | +/-10 uA |
| VOL- Low level output voltage | VDD=3.1V, IOL=2mA | | 0.4 V |
| VOH- High level output voltage | VDD=3.1V, IOH=-2mA | 3.1 V | |

4.8.1 DVO Interface

The DVO interface consists of three groups of five signals that represent standard digital video data. The groups are:

- Red signals
- Green signals
- Blue signals

In addition to the 15 video data signals, the ATI* graphics controller on the server board generates these signals:

- Clock
- Data enable
- Horizontal sync signals
- Vertical sync signals

The relationship of the clock, data enable, RGB data and horizontal sync are shown below (The vertical sync is not shown). The clock frequency varies for different resolutions and refresh rates.

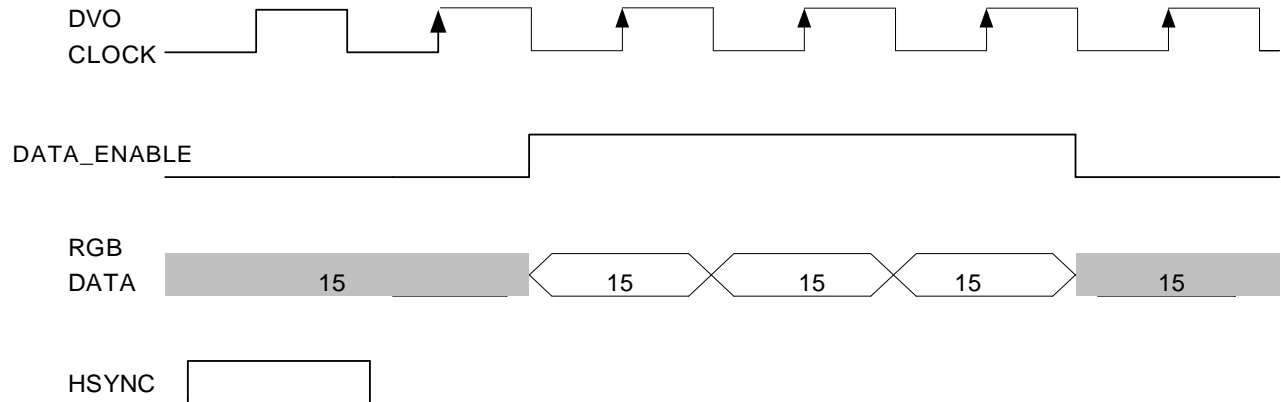


Figure 1. Frequency Relationships

These signals are inputs to the CPLD on the Intel® RMM2.

4.8.2 Supported Video Resolutions and Refresh Rates

The Intel® RMM2 supports the Extended Display Identification Data (EDID) standard data format, version 1.3. The EDID is a VESA standard that contains basic information about monitors and capabilities. The information includes:

- Vendor information
- Maximum image size
- Color characteristics
- Factory pre-sets
- Frequency range limits
- Character strings for the monitor name
- Serial number

The Intel® RMM2 emulates a monitor by supporting the EDID information with an on-board EEPROM. System software uses this information for configuration purposes to allow the graphics controller to work with the Intel RMM2. The Intel RMM2 EDID communicates:

- Allowable resolutions
- Color depths
- Refresh rates

The information within the EDID ROM is communicated from the Intel® RMM2 and the server board's graphics controller via the Display Data Channel (DDC) interface. The DDC uses an I²C protocol.

Table 6. Supported Video Resolutions and Refresh Rates

| Resolution | Refresh Rate |
|-------------|--------------|
| 640 X 480 | 60Hz |
| | 72Hz |
| | 75Hz |
| | 85Hz |
| 640 X 480 | 100Hz |
| 800 X 600 | 60Hz |
| | 72Hz |
| | 75Hz |
| | 85Hz |
| 1024 X 768 | 60Hz |
| | 72Hz |
| | 75Hz |
| | 85Hz |
| 1280 X 960 | 60Hz |
| 1280 X 1024 | 60Hz |

4.9 System Reset Control

The Intel® RMM2 receives an indication of a system reset via the LPC reset signal. The LPC reset is a hard reset that resets the following:

- CPU
- Chipset
- I/O subsystem

The BIOS takes control of the system after the reset and performs system initialization. This reset signal does not reset the Intel® RMM2.

5. Network Connections and Authentication

5.1 Network Connectivity

The Intel® RMM2 requires Ethernet connectivity. Therefore, the Intel RMM2 is connected to the GCM3 card. An alternative staffing option is available on the Intel RMM2 in which an Ethernet PHY is installed on the Intel RMM2. Either approach enables the Intel® RMM2 to manage these network functions:

- Dynamic Host Configuration Protocol (DHCP)
- Address Resolution Protocol (ARP)
- Internet Control Message Protocol (ICMP)
- TCP/IP

5.1.1 Supported Traffic

All Intel® RMM2 Virtual Presence Features (Web GUI, Virtual Media, etc) are supported on the dedicated 10/100 Ethernet interface. IPMI traffic to the BMC is supported over two LAN channels embedded in the BMC, if enabled.

Glossary

| Word / Acronym | Definition |
|----------------|--|
| ARP | Address resolution protocol |
| BMC | Baseboard Management Controller |
| CLI | command line interface |
| DDC | Display Data Channel |
| DHCP | Dynamic Host Configuration Protocol |
| DVC | Dambrackas Video Compression |
| DVO | Dynamic Visual Output |
| EDID | Extended Display Identification Data |
| FML | Fast Management Link |
| FPGA | Field Programable Gate Array |
| ICMP | Internet Control Message Protocol |
| Intel® ASMI | Intel® Advanced Server Management Interface |
| Intel® RMM2 | Intel® Remote Management Module 2 |
| IPMI | Intelligent Platform Management Interface |
| ITE | Information Technology Equipment |
| KVM | keyboard, video and mouse |
| MAC | Media Access Controller |
| MII | Media Independent Interface |
| OOB | Out Of Band- No operating system interaction on Server |
| PBDE | Polybrominated Biphenyls Diphenyl Ethers |
| RMI | Reduced Media Independent Interface |
| RTC | Real-Time Clock |
| TCP/IP | Transmission Control Protocol / Internet Protocol |
| TPS | Technical Product Specification |
| UART | Universal asynchronous receiver transmitter |
| UDP | User Datagram Protocol |