



ADSL2+ Router

High-speed ADSL2+ internet connection

Secure & easy configuration

Share the Internet connection



BRIEF INTRODUCTION ❖❖

D840R ADSL2+ Router complies with ADSL, ADSL2 and ADSL2+ standards. Supporting up to 24Mbps downstream rate and 1Mbps upstream rate, it supports multiple network protocols and provides NAT Router, Bridge and switch functions. Built-in 4-port switch can add more end users without purchasing hub or switch. In addition, the intelligent software, Setup Wizard, can assist you to access the Internet fast and easily. It is the best choice for small office to share the Internet.

PRODUCT FEATURES ❖❖

- ▶ Provides up to 24Mbps downstream rate and 1Mbps upstream rate;
- ▶ Compatible with all mainstream DSLAM (CO);
- ▶ Supports Internet Multi Media;
- ▶ Up to 6.5km transmission distance;
- ▶ High-speed transmission and stable performance;

WHAT THIS PRODUCT DOES

By connected your computer to the Internet via Tenda high-speed ADSL2/2+ modem, you'll own the highest-speed Internet speeds of up to 24Mbps, and it's ideal for on-line games, streaming multimedia and voice communication over the Internet, as well as download of large files, photos, music and video.

BENEFITS

- Provides PPPOE, PPOA, CLIP protocols;
- Supports DHCP, NAT, IGMP, ICMP, ARP;
- Provides NAT Router, Bridge and switch functions;
- Supports firewall and hacker attack prevention;
- Provides Web-based management and firmware upgrade;

PACKAGE CONTENTS

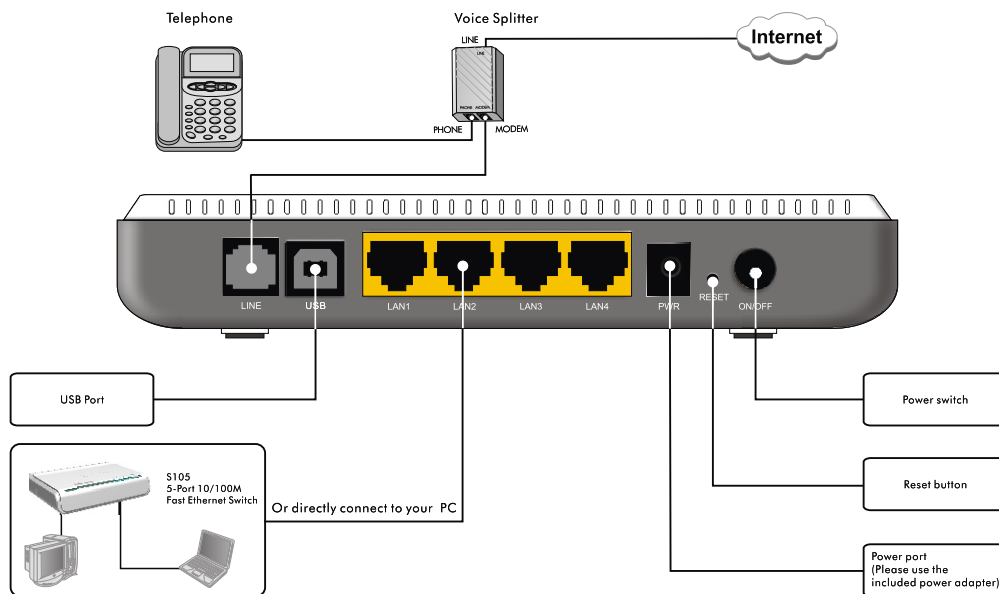
- D840R ADSL2+ Router
- Power Adapter
- CD-ROM
- Quick Installaiton Guide
- Voice splitter
- Telephone line
- Network cable
- USB Cable

TECHNICAL SPECIFICATIONS

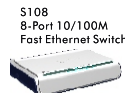
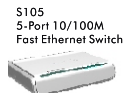
Standards	IEEE 802.3, IEEE 802.3u, TCP/IP, DHCP, ICMP, NAT, PPPoE, PPOA ANSI T1. 413 Issue 2, ITU-T G. 992. 1 (G. dmt), ITU-T G. 992. 2 (G. Lite), ITU-T G. 992. 3, ITU-T G. 992. 5
Interface	4 10/100M Auto-negotiation RJ-45 ports(Auto MDI/MDIX) 1 RJ-11 port, 1 USB port (support for connecting PC's USB port)
Transmission Media	10Base-T: Cat.3 or 3e UTP; 100Base-TX: Cat.5 UTP; USB CABLE
Housing Material	Plastic
Packet Buffer	2Mb
Power Rating	AC 9V,1A
Operating Temperature	32 to 104°F (0 to 40°C)
Operating Humidity	10 to 90% Noncondensing
Storage Temperature	-40 to 158°F (-40 to 70°C)
Storage Humidity	5 to 90% Noncondensing
Dimension (WxDxH)	160mmx102mmx30mm (6.3"x4.0"x1.2")
Gross Weight	0.95Kg
Certificate	CE, RoHS

MINIMUM REQUIREMENTS

- Internet Explorer 5.5 or Firefox 1.0
- Network Adapter



Related Networking Products:



Model No.:D840R

● Obligation-free statement

The maximum performance for wireless is derived from IEEE Standard 802.11 specifications. Actual performance can vary, including lower wireless network capacity, data throughput rate, range and coverage. Performance depends on many factors, conditions and variables, including distance from the access point, volume of network traffic, building materials and construction, operating system used, mix of wireless products used, interference and other adverse conditions. Check the product package and contents for specific features supported. Specifications are subject to change without notice.

● Copyright statement

Tenda is the registered trademark of Shenzhen Tenda Technology Co., LTD in CHINA and certain other countries. Copyright © 2007 Shenzhen Tenda Technology Co., LTD All rights reserved. Other brands and product name are trademarks or registered trademarks of their respective holders.

● Contact us

Shenzhen Tenda Technology Co., Ltd.
Address:Tenda Industrial Park, No. 34-1, Shilong Rd.,Shiyuan Town,
Bao'an District, Shenzhen, P.R. China 518108
Tel: 0086.755.2765.7180 Fax: 0086.755.2765.7178
E-mail: sales@tenda.com.cn Http: www.tenda.cn