



Recommendation ITU-R M.1457-8
(05/2009)

**Detailed specifications of the radio
interfaces of International Mobile
Telecommunications-2000
(IMT-2000)**

M Series
**Mobile, radiodetermination amateur
and related satellite services**

Foreword

The role of the Radiocommunication Sector is to ensure the rational, equitable, efficient and economical use of the radio-frequency spectrum by all radiocommunication services, including satellite services, and carry out studies without limit of frequency range on the basis of which Recommendations are adopted.

The regulatory and policy functions of the Radiocommunication Sector are performed by World and Regional Radiocommunication Conferences and Radiocommunication Assemblies supported by Study Groups.

Policy on Intellectual Property Right (IPR)

ITU-R policy on IPR is described in the Common Patent Policy for ITU-T/ITU-R/ISO/IEC referenced in Annex 1 of Resolution ITU-R 1. Forms to be used for the submission of patent statements and licensing declarations by patent holders are available from <http://www.itu.int/ITU-R/go/patents/en> where the Guidelines for Implementation of the Common Patent Policy for ITU-T/ITU-R/ISO/IEC and the ITU-R patent information database can also be found.

Series of ITU-R Recommendations

(Also available online at <http://www.itu.int/publications/R-REC/en>)

Series	Title
BO	Satellite delivery
BR	Recording for production, archival and play-out; film for television
BS	Broadcasting service (sound)
BT	Broadcasting service (television)
F	Fixed service
M	Mobile, radiodetermination, amateur and related satellite services
P	Radiowave propagation
RA	Radio astronomy
RS	Remote sensing systems
S	Fixed-satellite service
SA	Space applications and meteorology
SF	Frequency sharing and coordination between fixed-satellite and fixed service systems
SM	Spectrum management
SNG	Satellite news gathering
TF	Time signals and frequency standards emissions
V	Vocabulary and related subjects

Note: This ITU-R Recommendation was approved in English under the procedure detailed in Resolution ITU-R 1.

Electronic Publication
Geneva, 2010

© ITU 2010

All rights reserved. No part of this publication may be reproduced, by any means whatsoever, without written permission of ITU.

RECOMMENDATION ITU-R M.1457-8^{*,**}**Detailed specifications of the radio interfaces of International
Mobile Telecommunications-2000 (IMT-2000)^{***}**

(2000-2001-2004-2005-2006-2007-2009)

CONTENTS

	<i>Page</i>
1 Introduction.....	3
2 Scope.....	3
3 Related Recommendations.....	4
4 Considerations.....	5
4.1 Radio interfaces for IMT-2000.....	5
4.2 Incorporation of externally developed specification material.....	5
4.3 Satellite component interfaces.....	6
4.3.1 Radio interfaces.....	6
4.3.2 Other interfaces.....	7
5 Recommendations (terrestrial component).....	8
5.1 IMT-2000 CDMA Direct Spread.....	9
5.1.1 Overview of the radio interface.....	9
5.1.2 Detailed specification of the radio interface.....	29
5.2 IMT-2000 CDMA Multi-Carrier.....	191
5.2.1 Overview of the radio interface.....	191
5.2.2 Detailed specification of the radio interface.....	208

* The Administration of China did not agree to the approval of the revision of this Recommendation for inclusion of OFDMA TDD WMAN during the Radiocommunication Assembly (Geneva, 2007) (RA-07). The reasons can be found in the summary record of RA-07.

** *Note by the BR Secretariat* – Section 5.3.2.3.33 was amended editorially in July 2009. Sections 5.2.2.1 and 5.3.2.1 were amended editorially in May 2010.

*** The recommended detailed specifications of the radio interfaces of IMT-2000 are contained in the core global specifications which form part of this Recommendation by means of references to uniform resource locators (URLs) at the ITU Web site. For those cases where recognized external organizations have converted these core global specifications or parts thereof into their own approved standards, a reference to the corresponding external text is included in this Recommendation by means of URLs at their Web sites. Such references do not give the external texts the status, as stand-alone texts, of ITU Recommendations. Any reference to an external text is accurate at the time of approval of this Recommendation. Since the external text may be revised, users of this Recommendation are advised to contact the source of the external text to determine whether the reference is still current. This Recommendation will be subject to periodic updates that will be coordinated with the appropriate recognized external organizations responsible for the external texts that are referenced.

	<i>Page</i>
5.3	IMT-2000 CDMA TDD 254
5.3.1	Overview of the radio interface 254
5.3.2	Detailed specification of the radio interface 281
5.4	IMT-2000 TDMA Single-Carrier 408
5.4.1	Overview of the radio interface 408
5.4.2	Detailed specification of the radio interface 424
5.5	IMT-2000 FDMA/TDMA 561
5.5.1	Overview of the radio interface 561
5.5.2	Detailed specification of the radio interface 571
5.6	IMT-2000 OFDMA TDD WMAN 576
5.6.1	Overview of the radio interface 576
5.6.2	Detailed specification of the radio interface 584
6	Recommendations (satellite component) 647
6.1	Core network interface 647
6.2	Satellite/terrestrial terminal interface 647
6.3	Satellite radio interface specifications 647
6.3.1	Satellite radio interface A specifications 648
6.3.2	Satellite radio interface B specifications 659
6.3.3	Satellite radio interface C specifications 677
6.3.4	Satellite radio interface D (SRI-D) specifications 719
6.3.5	Satellite radio interface E specifications 732
6.3.6	Satellite radio interface F specifications 743
6.3.7	Satellite radio interface G specifications 753
7	Recommendations on unwanted emission limits 790
7.1	Terrestrial radio interfaces 790
7.2	Satellite radio interfaces 790
Annex 1 – Abbreviations 791	

1 Introduction¹

IMT-2000's are third generation mobile systems which are scheduled to start service around the year 2000, subject to market considerations. They will provide access, by means of one or more radio links, to a wide range of telecommunications services supported by the fixed telecommunication networks (e.g. PSTN/ISDN/Internet protocol (IP)), and to other services which are specific to mobile users.

A range of mobile terminal types is encompassed, linking to terrestrial and/or satellite-based networks, and the terminals may be designed for mobile or fixed use.

Key features of IMT-2000 are:

- high degree of commonality of design worldwide;
- compatibility of services within IMT-2000 and with the fixed networks;
- high quality;
- small terminal for worldwide use;
- worldwide roaming capability;
- capability for multimedia applications, and a wide range of services and terminals.

IMT-2000 are defined by a set of interdependent Recommendations of which this one is part of.

Recommendation ITU-R M.1455 defines the original key characteristics of the IMT-2000 radio interfaces, and represents the results of the evaluation process by the ITU-R on IMT-2000 radio interface proposals submitted to the ITU to a set of defined requirements.

This Recommendation forms the final part of the process of specifying the radio interfaces of IMT-2000, as defined in Recommendation ITU-R M.1225. It identifies the detailed specifications for the IMT-2000 radio interfaces.

This Recommendation has been developed based on consideration of the evaluation results and consensus building, continuing from the IMT-2000 key characteristics defined in Recommendation ITU-R M.1455 and recognizing the need to minimize the number of different radio interfaces and maximize their commonality, while incorporating the best possible performance capabilities in the various IMT-2000 radio operating environments.

Revisions to this Recommendation have been developed jointly by the ITU and the radio interface technology proponent organizations, global partnership projects and regional standards development organizations. Updates and enhancements to the radio interfaces incorporated in this Recommendation have undergone a defined process of development and review to ensure consistency with the original goals and objectives established for IMT-2000 while acknowledging the obligation to accommodate the changing requirements of the global marketplace.

By updating the existing technologies, harmonizing existing interfaces, and entertaining new mechanisms, IMT-2000 remains at the forefront of mobile radio technology.

2 Scope

This Recommendation identifies the IMT-2000 terrestrial and satellite radio interface specifications, originally based on the key characteristics identified in Recommendation ITU-R M.1455 and output of activities outside ITU.

These radio interfaces support the features and design parameters of IMT-2000, including the capability to ensure worldwide compatibility, international roaming, and access to high-speed data services.

¹ Abbreviations used in this Recommendation are listed in Annex 1.

3 Related Recommendations

The existing IMT-2000 Recommendations that are considered to be of importance in the development of this particular Recommendation are as follows:

Recommendation ITU-R M.687:	International Mobile Telecommunications-2000 (IMT-2000)
Recommendation ITU-R M.816:	Framework for services supported on International Mobile Telecommunications-2000 (IMT-2000)
Recommendation ITU-R M.817:	International Mobile Telecommunications-2000 (IMT-2000) – <i>Network architectures</i>
Recommendation ITU-R M.818:	Satellite operation within International Mobile Telecommunications-2000 (IMT-2000)
Recommendation ITU-R M.819:	International Mobile Telecommunications-2000 (IMT-2000) for developing countries
Recommendation ITU-R M.1034:	Requirements for the radio interface(s) for International Mobile Telecommunications-2000 (IMT-2000)
Recommendation ITU-R M.1035:	Framework for the radio interface(s) and radio sub-system functionality for International Mobile Telecommunications-2000 (IMT-2000)
Recommendation ITU-R M.1036:	Spectrum considerations for implementation of International Mobile Telecommunications-2000 (IMT-2000) in the bands 1 885-2 025 MHz and 2 110-2 200 MHz
Recommendation ITU-R M.1167:	Framework for the satellite component of International Mobile Telecommunications-2000 (IMT-2000)
Recommendation ITU-R M.1224:	Vocabulary of terms for International Mobile Telecommunications-2000 (IMT-2000)
Recommendation ITU-R M.1225:	Guidelines for evaluation of radio transmission technologies for IMT-2000
Recommendation ITU-R M.1308:	Evolution of land mobile systems towards IMT-2000
Recommendation ITU-R M.1311:	Framework for modularity and radio commonality within IMT-2000
Recommendation ITU-R M.1343:	Essential technical requirements of mobile earth stations for global non-geostationary mobile-satellite service systems in the bands 1-3 GHz
Recommendation ITU-R M.1455:	Key characteristics for the International Mobile Telecommunications-2000 (IMT-2000) radio interfaces
Recommendation ITU-R M.1480:	Essential technical requirements of mobile earth stations of geostationary mobile-satellite systems that are implementing the global mobile personal communications by satellite (GMPCS) – Memorandum of Understanding arrangements in parts of the frequency band 1-3 GHz
Recommendation ITU-R SM.329:	Spurious emissions
ITU-T Recommendation Q.1701:	Framework of IMT-2000 networks
ITU-T Recommendation Q.1711:	Network functional model for IMT-2000
ITU-T Recommendation Q.1721:	Information flows for IMT-2000 capability set 1
ITU-T Recommendation Q.1731:	Radio-technology independent requirements for IMT-2000 layer 2 radio interface
Handbook on Land Mobile (including Wireless Access), Volume 2: Principles and Approaches on Evolution to IMT-2000/FPLMTS.	

4 Considerations

4.1 Radio interfaces for IMT-2000

IMT-2000 consists of both terrestrial component and satellite component radio interfaces. All of the radio interfaces for IMT-2000 both terrestrial and satellite are fully encompassed by this Recommendation. In particular, the terrestrial radio interfaces are fully defined by information supplied within this Recommendation and by information incorporated by reference to external materials. The satellite radio interfaces are fully defined by information supplied with this Recommendation.

Recommendation ITU-R M.1455 lists the key characteristics of six radio interfaces for the satellite component of IMT-2000. As highlighted in that Recommendation, due to the constraints on satellite system design and deployment, several satellite radio interfaces will be required for IMT-2000 (see Recommendation ITU-R M.1167 for further considerations).

A satellite system is severely resource limited (e.g. power and spectrum limited), its radio interfaces are therefore specified primarily based on a whole system optimization process, driven by the market needs and business objectives. It is generally not technically feasible or viable from a business point-of-view to have a radio interface common to satellite and terrestrial IMT-2000 components. Nevertheless, it is desirable to achieve as much commonality as possible with the terrestrial component when designing and developing an IMT-2000 satellite system.

The strong dependency between technical design and business objectives of an IMT-2000 satellite system requires a large scope of flexibility in the satellite radio interface specifications. Future modifications and updates of these specifications may nevertheless be needed in order to adapt to changes in market demands, business objectives, technology developments, and operational needs, as well as to maximize the commonality with terrestrial IMT-2000 systems as appropriate.

The radio interfaces for the terrestrial and satellite components are described in detail in § 5 and 6, respectively.

4.2 Incorporation of externally developed specification material

IMT-2000 is a system with global development activity and the IMT-2000 radio interface specifications identified in this Recommendation have been developed by the ITU in collaboration with the radio interface technology proponent organizations, global partnership projects and regional standards development organizations (SDOs). The ITU has provided the global and overall framework and requirements, and has developed the core global specifications jointly with these organizations. The detailed standardization has been undertaken within the recognized external organization (see Note 1), which operate in concert with the radio interface technology proponent organizations and global partnership projects. This Recommendation therefore makes extensive use of references to externally developed specifications.

NOTE 1 – A “recognized organization” in this context is defined to be a recognized SDO that has legal capacity, a permanent secretariat, a designated representative, and open, fair, and well-documented working methods.

This approach was considered to be the most appropriate solution to enable completion of this Recommendation within the aggressive schedules set by the ITU and by the needs of administrations, operators and manufacturers.

This Recommendation has therefore been constructed to take full advantage of this method of work and to allow the global standardization time-scales to be maintained. The main body of this Recommendation has been developed by the ITU, with references within each radio interface pointing to the location of the more detailed information. The sub-sections containing this detailed information have been developed by the ITU and the recognized external organizations. Such use of referencing has enabled timely completion of the high-level elements of this Recommendation, with change control procedures, transposition (conversion of the core specifications into SDO deliverables) and public enquiry procedures being undertaken within the recognized external organization.

The structure of the detailed specifications received from the recognized external organization has generally been adopted unchanged, recognizing the need to minimize duplication of work, and the need to facilitate and support an on-going maintenance and update process.

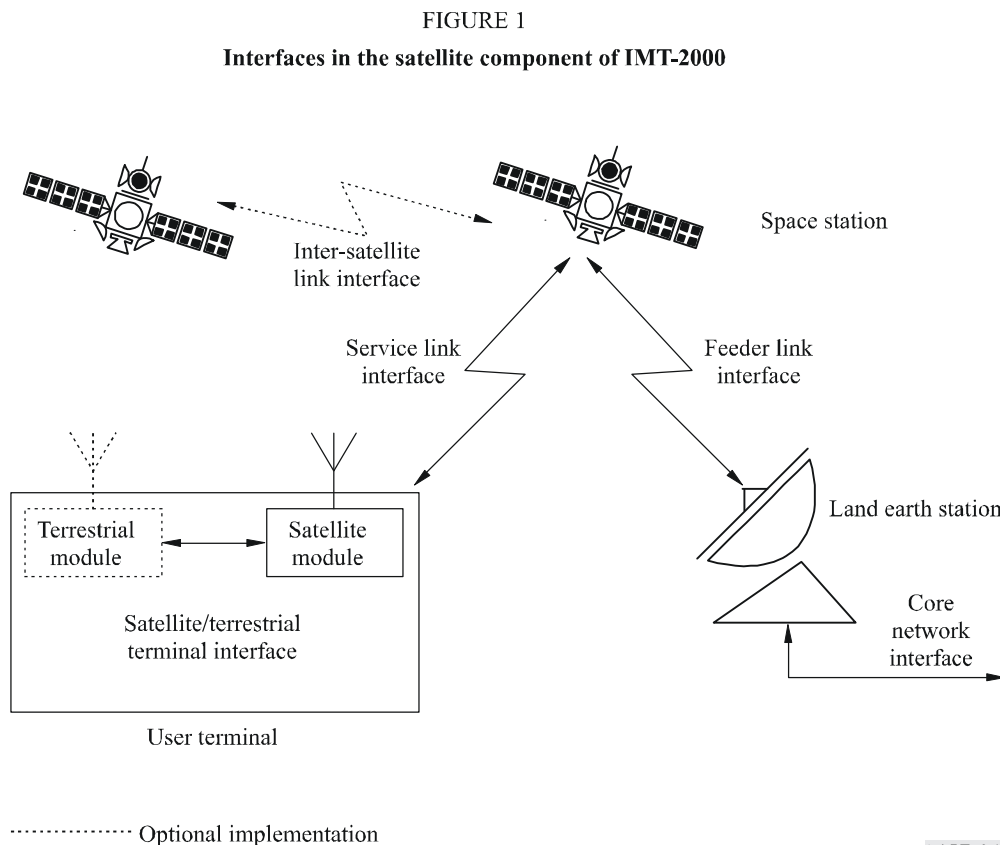
This general agreement, that the detailed specifications of the radio interface should to a large extent be achieved by reference to the work of recognized external organizations, highlights not only the ITU's significant role as a catalyst in stimulating, coordinating and facilitating the development of advanced telecommunications technologies, but also its forward-looking and flexible approach to the development of this and other telecommunications standards for the 21st century.

4.3 Satellite component interfaces

The terrestrial and satellite components are complementary, with the terrestrial component providing coverage over areas of land mass with population density considered to be large enough for economic provision of terrestrially-based systems, and the satellite component providing service elsewhere by a virtually global coverage. The ubiquitous coverage of IMT-2000 can only therefore be realized using a combination of satellite and terrestrial radio interfaces.

To fulfil the scope given in § 2, this Recommendation describes those elements needed for worldwide compatibility of operation noting that international use is inherently ensured through the global coverage of a satellite system. This description includes consideration of all the satellite component interfaces.

Figure 1, which has been developed from Fig. 1 of Recommendation ITU-R M.818, shows the various interfaces in the IMT-2000 satellite component.



4.3.1 Radio interfaces

4.3.1.1 Service link interface

The service link interface is the radio interface between a mobile earth station (MES) (the satellite module of a user terminal (UT)) and a space station.

4.3.1.2 Feeder link interface

The feeder link interface is the radio interface between space stations and land earth stations (LESs). Feeder links are analogous to the radio interfaces used on back-haul fixed links to carry traffic to/from terrestrial base stations (BSs). When designing a satellite system, system specific implementations for feeder links result since:

- feeder links can operate in any of a number of frequency bands, which are outside those bands identified for IMT-2000;
- each individual feeder link presents its own issues, some of which are related to satellite system architecture, while others are related to the frequency band of operation.

The feeder link interface is therefore largely an intra-system specification, and can be viewed as an implementation issue. This has been addressed in Recommendation ITU-R M.1167, which states that “The radio interfaces between the satellites and the LESs (i.e. the feeder links) are not subject to IMT-2000 standardization”. The specification of this interface is therefore outside the scope of this Recommendation.

4.3.1.3 Inter-satellite link interface

The inter-satellite link interface is the interface between two space stations, noting that some systems may not implement this interface. The issues discussed above under feeder link interface are also applicable here, and the inter-satellite link interface is therefore largely an intra-system specification, and can be viewed as an implementation issue. The specification of this interface is therefore outside the scope of this Recommendation.

4.3.2 Other interfaces

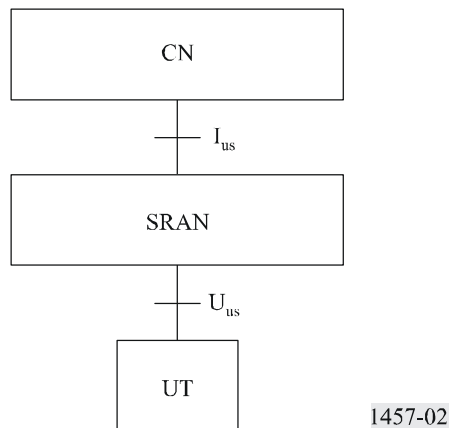
It is recognized that the core network (CN) and satellite/terrestrial terminal interfaces described below are not radio interfaces. However, it is also recognized that they have a direct impact on the design and specification of satellite radio interfaces and on the worldwide compatibility of operation. Other IMT-2000 Recommendations also make reference to these interfaces.

4.3.2.1 CN interface

The CN interface is the interface between the radio access part of a LES and the CN.

The following describes one possible architecture for the satellite component to interface to the CN, as shown in Fig. 2. This architecture would provide some compatibility with the terrestrial component. In this example, the CN interface for the satellite component is called the Ius. The Ius interface performs similar functions as the Iu interface described in § 5.1 and 5.3, and will be designed to achieve as much commonality as possible with the Iu interface, so as to be compatible with the Iu interface.

FIGURE 2
Example of a satellite network interface architecture



The satellite radio access network (SRAN) consists of the LES and the satellite, together with the feeder link and inter-satellite links (if any). The SRAN uses the I_{us} interface for communicating with the CN and U_{us} interface for communicating with the UT for satellite service provision. The U_{us} interface is the satellite service link radio interface which is specified in § 6.3.

Since the satellite component of IMT-2000 is generally global in nature, it is not necessary to provide an interface from the SRAN of one satellite network to the SRAN of another satellite network. Also, the interface between LESs of the same satellite network is an internal implementation issue of the satellite network, thus there is no need for standardization of this interface.

4.3.2.2 Satellite/terrestrial terminal interface

The satellite/terrestrial terminal interface is the interface between the satellite and terrestrial modules within a user terminal. For terminals incorporating both the satellite and terrestrial components of IMT-2000, there is a requirement to identify both how the two components operate together and any interfacing necessary between them.

For example, Recommendation ITU-R M.818 highlights “that a protocol be developed to establish whether a terrestrial or satellite component should be used for a given call”. Recommendation ITU-R M.1167 also recognizes that “An IMT-2000 user should not necessarily need to request the terminal to access the satellite or the terrestrial component” and also that “In order to facilitate roaming, it is important that the user can be reached by dialling a single number, regardless of whether the mobile terminal is accessing the terrestrial or the satellite component at the time”.

5 Recommendations (terrestrial component)

The Radiocommunication Assembly recommends that the radio interfaces given in § 5.1 to 5.6 should be those of the terrestrial component of IMT-2000.

The terrestrial radio interface sections are identified as:

- IMT-2000 CDMA Direct Spread
- IMT-2000 CDMA Multi-Carrier
- IMT-2000 CDMA TDD
- IMT-2000 TDMA Single-Carrier
- IMT-2000 FDMA/TDMA.
- IMT-2000 OFDMA TDD WMAN.

An overview of each radio interface is provided in § 5.1.1, 5.2.1, 5.3.1, 5.4.1, 5.5.1 and 5.6.1.

The detailed information provided and/or referenced in § 5.1.2, 5.2.2, 5.3.2, 5.4.2, 5.5.2 and 5.6.2 is recommended as the complete definition of the radio interfaces of the terrestrial component of IMT-2000.

5.1 IMT-2000 CDMA Direct Spread

5.1.1 Overview of the radio interface

5.1.1.1 Introduction

The IMT-2000 radio-interface specifications for CDMA Direct Spread technology are developed by a partnership of SDOs (see Note 1). This radio interface is called Universal Terrestrial Radio Access (UTRA) FDD or Wideband CDMA (WCDMA).

NOTE 1 – Currently, these specifications are developed within the third generation partnership project (3GPP) where the participating SDOs are the Association of Radio Industries and Businesses (ARIB), China Communications Standards Association (CCSA), the European Telecommunications Standards Institute (ETSI), Alliance for Telecommunications Industry Solutions (ATIS Committee T1P1), Telecommunications Technology Association (TTA) and Telecommunication Technology Committee (TTC).

These radio-interface specifications have been developed with the strong objective of harmonization with the TDD component (see § 5.3) to achieve maximum commonality. This was achieved by harmonization of important parameters of the physical layer. Furthermore, a common set of protocols in the higher layers is specified for both FDD and TDD.

In the development of this radio interface the CN specifications are based on an evolved GSM-MAP. However, the specifications include the necessary capabilities for operation with an evolved ANSI-41-based CN.

The radio-access scheme is Direct-Sequence CDMA (DS-SS) with information spread over approximately 5 MHz bandwidth using a chip rate of 3.84 Mcchip/s. The radio interface is defined to carry a wide range of services to efficiently support both circuit-switched services (e.g. PSTN- and ISDN-based networks) as well as packet-switched services (e.g. IP-based networks). A flexible radio protocol has been designed where several different services such as speech, data and multimedia can simultaneously be used by a user and multiplexed on a single carrier. The defined radio-bearer services provide support for both real time and non-real-time services by employing transparent and/or non-transparent data transport. The quality of service (QoS) can be adjusted in terms such as delay, bit error probability, and frame error ratio (FER).

The radio-interface specification includes enhanced features for High-Speed Downlink Packet Access (HSDPA), Multiple Input Multiple Output Antennas (MIMO), higher order modulation (64-QAM) and improved L2 support for high data rates allowing for downlink packet-data transmission with peak data rates approaching 42 Mbit/s and simultaneous high-speed packet data and other services such as speech on the single carrier. In particular, features for enhanced uplink have been introduced, allowing for improved capacity and coverage, higher data rates than the current uplink maximum, and reduced delay and delay variance for the uplink. The addition of higher order modulation (16-QAM) for the enhanced uplink, allows for peak data rates up to 11 Mbit/s. For efficient support of always-on connectivity whilst enabling battery saving in the UE and further increasing the air interface capacity, the specifications also include the Continuous Packet Connectivity feature (CPC). Similar to the downlink, the improved L2 support for uplink is supported to allow efficient support of high data rates and reduced L2 overhead. For fast state transitions between different states, the specifications also include Enhanced CELL_FACH state. The CS voice services are supported over HSPA.

The radio access network architecture also provides support for multimedia broadcast and multicast services, i.e. allowing for multimedia content distribution to groups of users over a point-to-multipoint bearer. More efficient provision of MBMS is supported by Single Frequency Network (SFN) operation with MBSFN.

CDMA Direct Spread was originally specified for the IMT-2000 bands identified in WARC-92 and using 1 920-1 980 MHz as uplink and 2 110-2 170 MHz as downlink. At WRC-2000 additional spectrum for IMT-2000 was identified and subsequently as a complement to 3GPP Release 99 the relevant specifications have been updated to also include the 2.6 GHz, 1 900 MHz, 1 800 MHz, 1 700 MHz, 1 500 MHz, 900 MHz, 850 MHz, and 800 MHz bands as well as a pairing of parts, or whole, of 1 710-1 770 MHz as uplink with

whole, or parts, of 2 110-2 170 MHz as downlink. In addition a more general study has been performed considering the viable deployment of CDMA Direct Spread in additional and diverse spectrum arrangements.

E-UTRAN has been introduced for the evolution of the radio-access technology towards a high-data-rate, low-latency and packet-optimized radio-access technology.

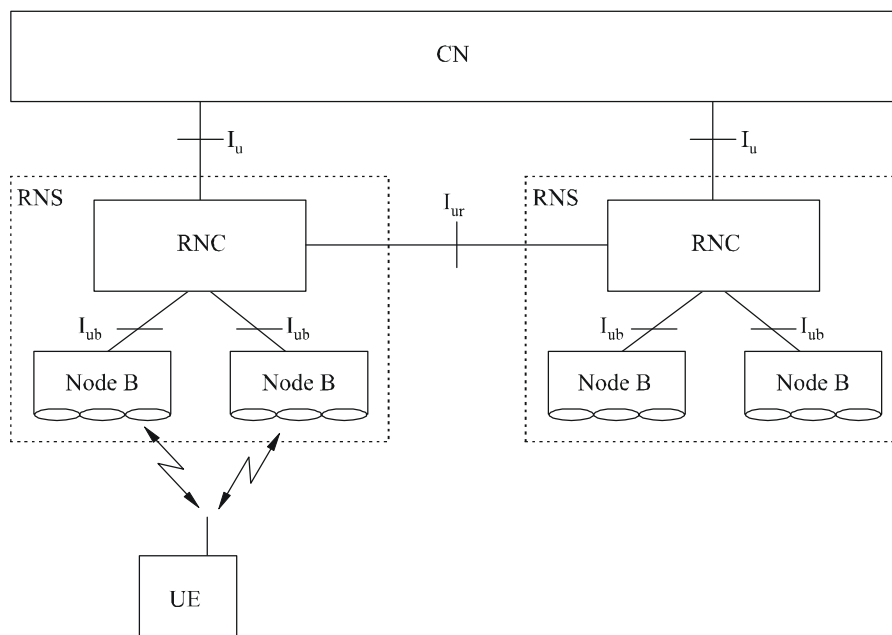
E-UTRAN supports scalable bandwidth operation below 5 MHz bandwidth options up to 20 MHz in both the uplink and downlink. Harmonization of paired and unpaired operation is highly considered to avoid unnecessary fragmentation of technologies.

The radio access network architecture of E-UTRAN consists of the evolved UTRAN Node Bs (eNBs). eNBs host the functions for radio resource management, IP header compression and encryption of user data stream, etc. eNBs are interconnected with each other and connected to an Evolved Packet Core (EPC).

5.1.1.2 Radio access network architecture

The overall architecture of the radio access network is shown in Fig. 3.

FIGURE 3
Radio access network architecture
(Cells are indicated by ellipses)

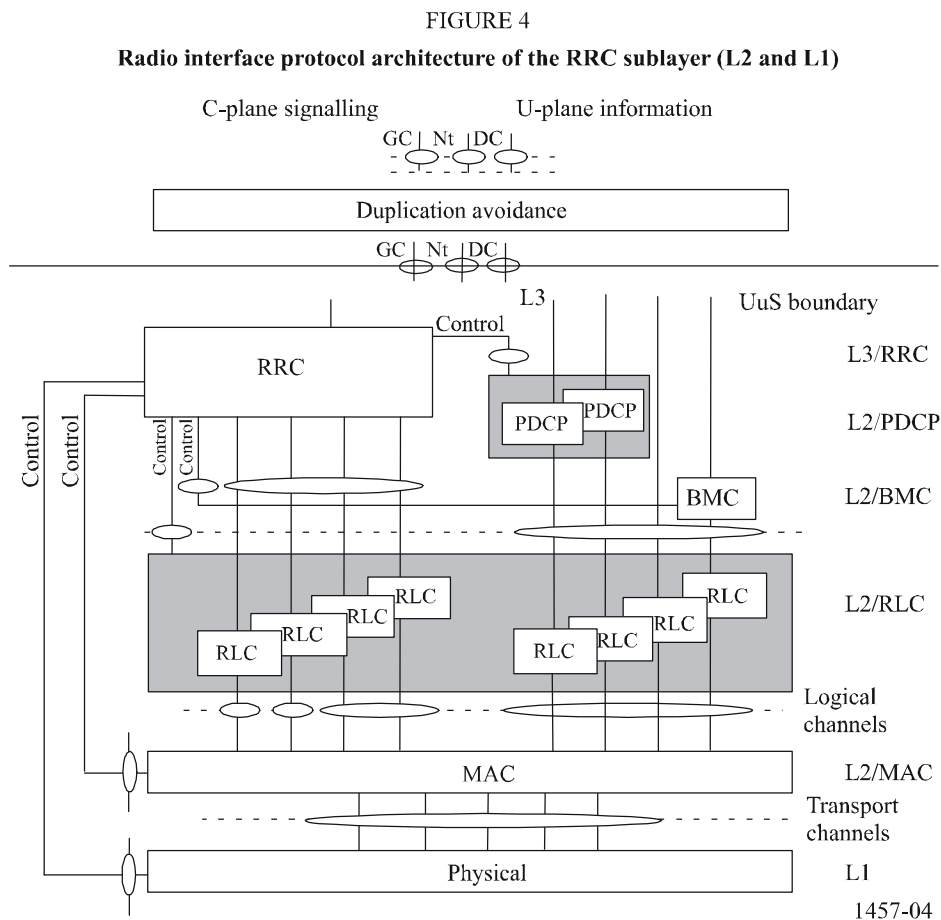


1457-03

The architecture of this radio interface consists of a set of radio network subsystems (RNS) connected to the CN through the I_u interface. An RNS consists of a radio network controller (RNC) and one or more entities called Node B. Node B is connected to the RNC through the I_{ub} interface. Each Node B can handle one or more cells. The RNC is responsible for the handover decisions that require signalling to the user equipment (UE). In case macro diversity between different Node Bs is to be supported, the RNC comprises a combining/splitting function to support this. Node B can comprise an optional combining/splitting function to support macro diversity within a Node B. The RNCs of the RNS can be interconnected through the I_{ur} interface. I_u and I_{ur} are logical interfaces, i.e. the I_{ur} interface can be conveyed over a direct physical connection between RNCs or via any suitable transport network.

Figure 4 shows the radio interface protocol architecture for the radio access network. On a general level, the protocol architecture is similar to the current ITU-R protocol architecture as described in Recommendation ITU-R M.1035. Layer 2 (L2) is split into the following sub-layers; radio link control (RLC), medium access control (MAC), Packet Data Convergence Protocol (PDCP) and Broadcast/Multicast Control (BMC). Layer 3 (L3) and RLC are divided into control (C-plane) and user (U-plane) planes. In the C-plane, L3 is partitioned into sub-layers where the lowest sub-layer, denoted as radio resource control (RRC), interfaces with L2. The higher-layer signalling such as mobility management (MM) and call control (CC) are assumed to belong to the CN. There are no L3 elements in this radio interface for the U-plane.

Each block in Fig. 4 represents an instance of the respective protocol. Service access points (SAPs) for peer-to-peer communication are marked with circles at the interface between sub-layers. The SAP between MAC and the physical layer provides the transport channels. A transport channel is characterized by how the information is transferred over the radio interface (see § 5.1.1.3.1 for an overview of the types of transport channels defined). The SAPs between RLC and the MAC sub-layer provide the logical channels. The logical channels are divided into control channels and traffic channels. The different types of logical channels are not further described in this overview. In the C-plane, the interface between RRC and higher L3 sub-layers (CC, MM) is defined by the general control (GC), notification (Nt) and dedicated control (DC) SAPs. These SAPs are not further discussed in this overview.



Also shown in Fig. 4 are connections between RRC and MAC as well as RRC and L1 providing local inter-layer control services (including measurement results). An equivalent control interface exists between RRC and the RLC sub-layer. These interfaces allow the RRC to control the configuration of the lower layers. For this purpose separate control SAPs are defined between RRC and each lower layer (RLC, MAC, and L1).

Figure 5 shows the general structure and some additional terminology definitions of the channel formats at the various sub-layer interfaces indicated in Fig. 4. The figure indicates how higher layer service data units (SDUs) and protocol data units (PDUs) are segmented and multiplexed to transport blocks to be further treated by the physical layer (e.g. CRC handling). The transmission chain of the physical layer is exemplified in the next section.

The E-UTRAN radio access network consists of eNBs, providing the user plane (PDCP/RLC/MAC/PHY) and control plane (RRC) protocol terminations towards the UE. The eNBs are interconnected with each other by means of the X2 interface. The eNBs are also connected by means of the S1 interface to the EPC (Evolved Packet Core), and more specifically to the MME (Mobility Management Entity) by means of the S1-MME and to the S-GW (Serving Gateway) by means of the S1-U. The S1 interface supports a many-to-many relation between MMEs/Serving Gateways and eNBs.

The E-UTRAN radio access network architecture is illustrated in Fig. 6.

FIGURE 5
Data flow for a service using a non-transparent RLC and non-transparent MAC
 (see § 5.1.1.4.1 and 5.1.1.4.2 for further definitions of the MAC and RLC services and functionality)

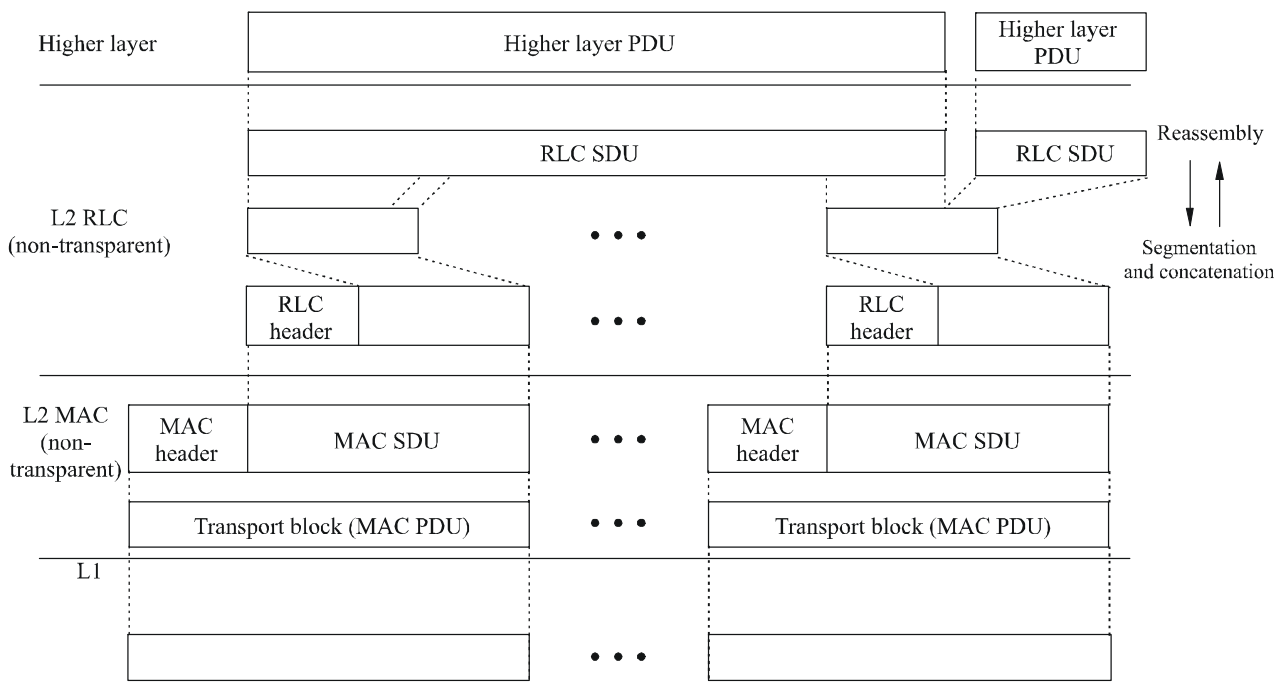
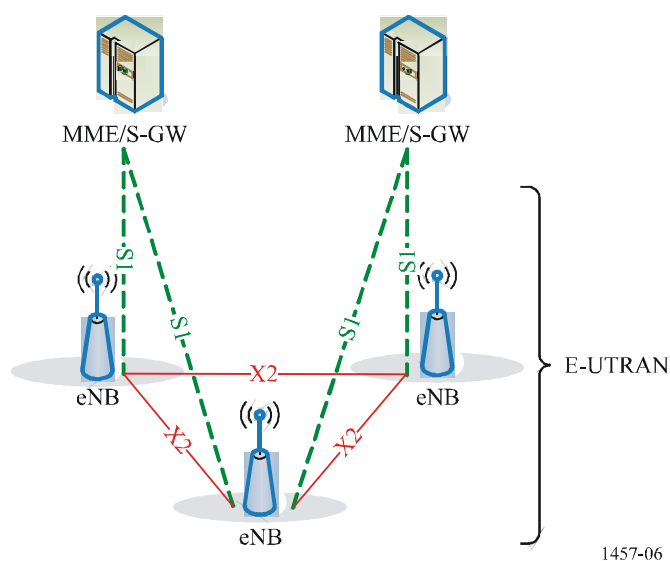


FIGURE 6
Overall architecture



The eNB hosts the following functions:

- functions for Radio Resource Management: Radio Bearer Control, Radio Admission Control, Connection Mobility Control, Dynamic allocation of resources to UEs in both uplink and downlink (scheduling);
- IP header compression and encryption of user data stream;
- selection of an MME at UE attachment;
- routing of User Plane data towards S-GW;
- scheduling and transmission of paging messages (originated from the MME);
- scheduling and transmission of broadcast information (originated from the MME or O&M);
- measurement and measurement reporting configuration for mobility and scheduling.

The MME hosts the following functions:

- NAS signalling;
- NAS signalling security;
- Inter CN node signalling for mobility between 3GPP access networks;
- Idle mode UE Reachability (including control and execution of paging retransmission);
- Tracking Area list management (for UE in idle and active mode);
- PDN GW and Serving GW selection;
- MME selection for handovers with MME change;
- SGSN selection for handovers to 2G or 3G 3GPP access networks;
- Roaming;
- Authentication;
- Bearer management functions including dedicated bearer establishment.

The S-GW hosts the following functions:

- The local Mobility Anchor point for inter-eNB handover;
- Mobility anchoring for inter-3GPP mobility;
- E-UTRAN idle mode downlink packet buffering and initiation of network triggered service request procedure;

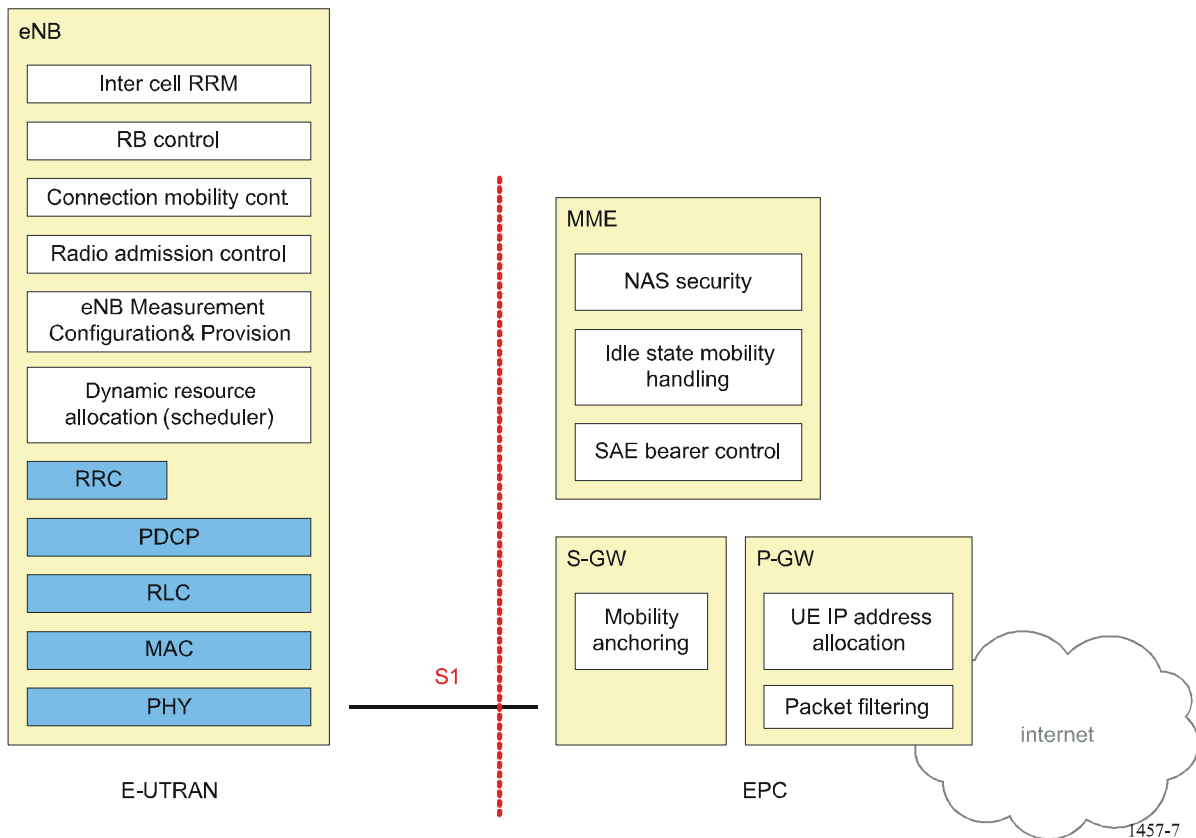
- Lawful Interception;
- Packet routing and forwarding;
- Transport level packet marking in the uplink and the downlink;
- Accounting on user and QCI granularity for inter-operator charging;
- UL and DL charging per UE, PDN, and QCI.

The PDN Gateway (P-GW) hosts the following functions:

- Per-user based packet filtering (by e.g. deep packet inspection);
- Lawful Interception;
- UE IP address allocation;
- Transport level packet marking in the downlink;
- UL and DL service level charging, gating and rate enforcement;
- DL rate enforcement based on AMBR.

This is summarized in the Fig. 7 where yellow boxes depict the logical nodes, white boxes depict the functional entities of the control plane and blue boxes depict the radio protocol layers.

FIGURE 7
Overall architecture of the E-UTRAN radio access network



5.1.1.3 Physical layer

5.1.1.3.1 Transport Channels

Transport channels are the services offered by the physical layer to MAC and higher layers. The general classification of transport channels is into two groups:

- Common transport channels where there is a need for explicit UE identification when a particular UE is addressed or a particular group of UEs are addressed.
- Dedicated transport channels where a UE is implicitly identified by the physical channel, i.e. code and frequency.

Common transport channel types are:

- **Random Access Channel (RACH)**
A contention based uplink channel used for transmission of relatively small amounts of data, e.g. for initial access or non-real-time dedicated control or traffic data.
- **Common Packet Channel (CPCH)***
A contention based uplink channel used for transmission of bursty data traffic. The common packet channel is shared by the UEs in a cell and therefore, it is a common resource. The CPCH is fast power controlled.
- **Forward Access Channel (FACH)**
A common downlink channel without closed-loop power control used for transmission of relatively small amount of data.
- **Downlink Shared Channel (DSCH)**
A downlink channel shared by several UEs carrying dedicated control or traffic data.
- **High-speed Downlink Shared Channel (HS-DSCH)**
A downlink channel served by several UEs carrying dedicated control or traffic data. HS-DSCH offers the possibility for high-speed downlink packet access through the support of higher-order modulation, adaptive modulation and coding, fast channel-dependent scheduling, and hybrid ARQ with soft combining.
- **Broadcast Channel (BCH)**
A downlink channel used for broadcast of system information into an entire cell.
- **Paging Channel (PCH)**
A downlink channel used for broadcast of control information into an entire cell allowing efficient UE sleep mode procedures. Currently identified information types are paging and notification. Another use could be UTRAN notification of change of BCCH information.

Dedicated transport channel types are:

- **Dedicated Channel (DCH)**
A channel dedicated to one UE used in uplink or downlink.
- **Enhanced Dedicated Channel (E-DCH)**
A channel dedicated to one UE used in uplink, supporting hybrid ARQ and scheduling to provide high data rates.

On each transport channel, a number of *Transport Blocks* are delivered to/from the physical layer once every *Transmission Time Interval* (TTI). To each transport channel, there is an associated *Transport Format* or set of transport formats. The transport format describes the physical properties of the transport channel, such as

* Available only in 3GPP Rel99 and Rel4 Specifications.

the TTI, the number of transport blocks per TTI, the number of bits per transport blocks, the coding scheme and coding rate, and the modulation scheme.

For E-UTRAN, the following transport channels are defined.

Downlink transport channel types are:

- **Broadcast Channel (BCH)** characterized by:
 - fixed, pre-defined transport format;
 - requirement to be broadcast in the entire coverage area of the cell.
- **Downlink Shared Channel (DL-SCH)** characterized by:
 - support for HARQ;
 - support for dynamic link adaptation by varying the modulation, coding and transmit power;
 - possibility to be broadcast in the entire cell;
 - possibility to use beamforming;
 - support for both dynamic and semi-static resource allocation;
 - support for UE discontinuous reception (DRX) to enable UE power saving;
 - support for MBMS transmission (FFS).
- **Paging Channel (PCH)** characterized by:
 - support for UE discontinuous reception (DRX) to enable UE power saving (DRX cycle is indicated by the network to the UE);
 - requirement to be broadcast in the entire coverage area of the cell;
 - mapped to physical resources which can be used dynamically also for traffic/other control channels.
- **Multicast Channel (MCH)** characterized by:
 - requirement to be broadcast in the entire coverage area of the cell;
 - support for SFN combining of MBMS transmission on multiple cells;
 - support for semi-static resource allocation e.g. with a time-frame of a long cyclic prefix.

Uplink transport channel types are:

- **Uplink Shared Channel (UL-SCH)** characterized by:
 - possibility to use beamforming (likely no impact on specifications);
 - support for dynamic link adaptation by varying the transmit power and potentially modulation and coding;
 - support for HARQ;
 - support for both dynamic and semi-static resource allocation.
- **Random Access Channel(s) (RACH)** characterized by:
 - limited control information;
 - collision risk.

5.1.1.3.2 Physical layer functionality and building blocks

The physical layer includes the following functionality:

- error detection on transport channels and indication to higher layers;
- forward error correction (FEC) encoding/decoding of transport channels;
- multiplexing of transport channels and demultiplexing of coded composite transport channels;

- rate matching;
- mapping of coded composite transport channels on physical channels;
- data modulation and demodulation of physical channels;
- spreading and de-spreading of physical channels;
- radio characteristics measurements including FER, Signal-to-Interference (SIR), Interference Power Level, etc., and indication to higher layers;
- frequency and time (chip, bit, slot, frame) synchronization;
- power weighting and combining of physical channels;
- closed-loop power control;
- RF processing;
- support of UE positioning methods;
 - beamforming;
 - MIMO antenna processing;
- macro-diversity distribution/combining and soft handover execution (excluding E-UTRAN).

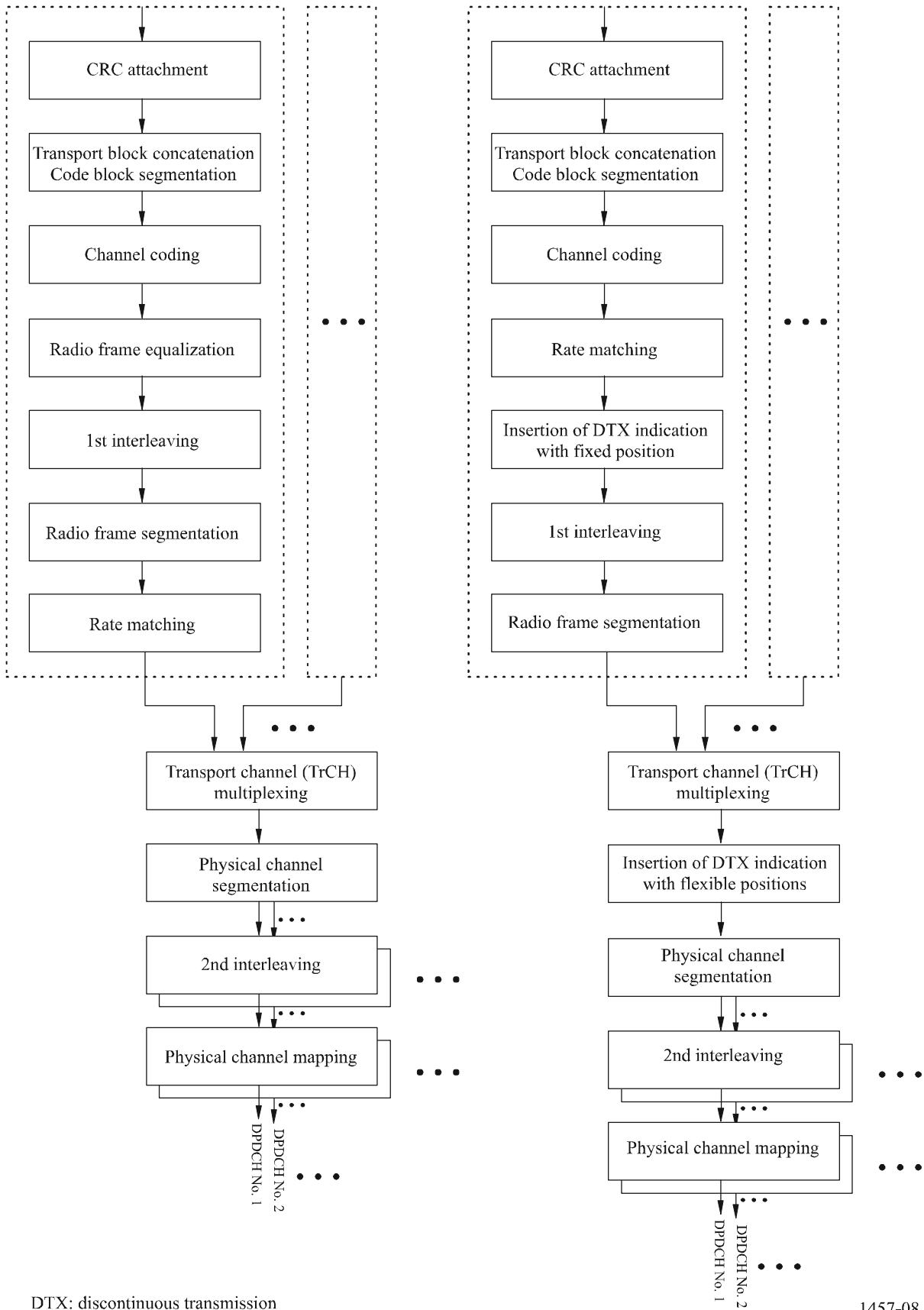
For E-UTRAN, the following functionalities are included in addition:

- frequency domain multiplexing with users;
- single frequency combining from multiple cells.

Figure 8 gives the physical layer transmission chain for the DCH transport channel. The figure shows how several transport channels can be multiplexed onto one or more dedicated physical data channels (DPDCH).

FIGURE 8

DCH transport channel multiplexing structure (left: uplink; right: downlink)



DTX: discontinuous transmission

The cyclic redundancy check (CRC) provides for error detection of the transport blocks for the particular transport channel. The CRC can take the length zero (no CRC), 8, 12, 16 or 24 bits depending on the service requirements.

The transport block concatenation and code block segmentation functionality performs serial concatenation of those transport blocks that will be sent in one transmission time interval and any code block segmentation if necessary.

The types of channel coding defined are convolutional coding, turbo coding and no coding. Real-time services use only FEC encoding while non-real-time services uses a combination of FEC and ARQ. The ARQ functionality resides in the RLC sub-layer of Layer 2. The convolutional coding rates are 1/2 or 1/3 while the rate is 1/3 for turbo codes. The possible interleaving depths are 10, 20, 40 or 80 ms.

The radio frame segmentation performs padding of bits. The rate matching adapts any remaining differences of the bit rate so the number of outgoing bits fit to the available bit rates of the physical channels. Repetition coding and/or puncturing is used for this purpose.

The transport channel multiplexing stage combines transport channels in a serial fashion. This is done every 10 ms. The output of this operation is also called coded composite transport channels.

If several physical channels will be used to transmit the data, the split is made in the physical channel segmentation unit.

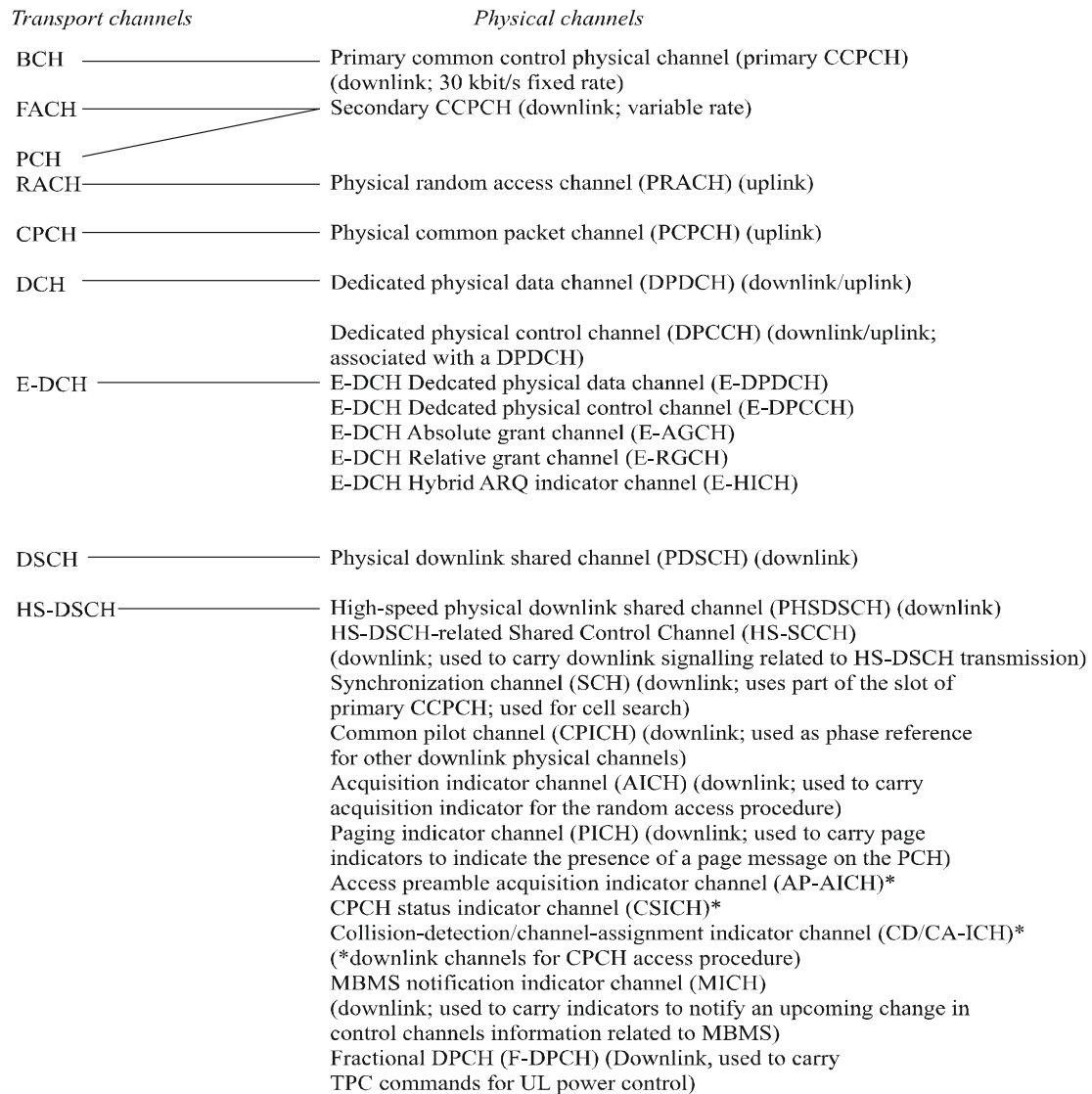
The downlink can use DTX on a slot-to-slot basis for variable rate transmission. The insertions could either be at fixed or at flexible positions.

For other transport-channel types, the physical-layer transmission chain is similar although not necessarily identical to that of DCH in Fig. 8.

5.1.1.3.3 Transport channels to physical channel mapping

The transport channels are mapped onto the physical channels. Figure 9 shows the different physical channels and summarizes the mapping of transport channels onto physical channels. Each physical channel has its tailored slot content. The slot content for the uplink and downlink DPDCH/DPCCH, on to which the uplink and downlink DCH is mapped, is shown in § 5.1.1.3.4.

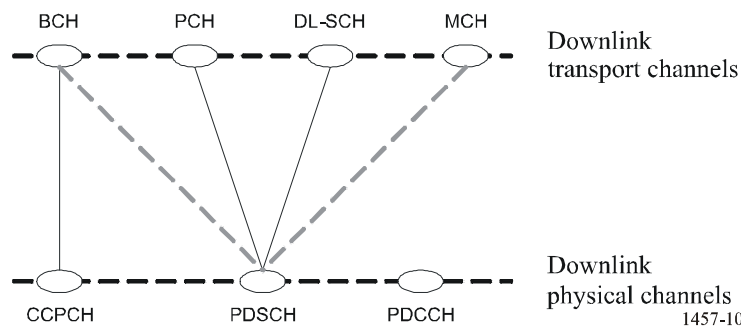
FIGURE 9
Transport channels, physical channels and their mapping



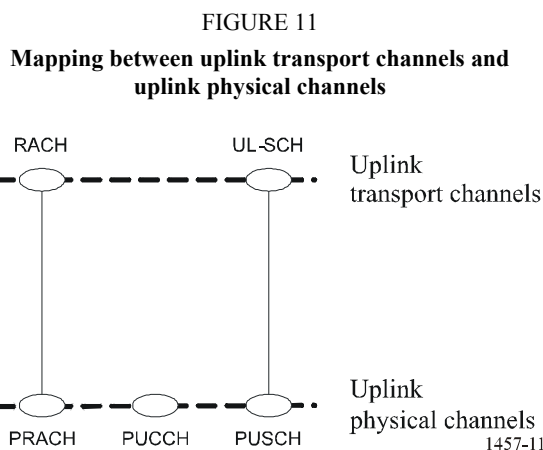
1457-09

Figures 10 and 11 depict the mapping between transport and physical channels for E-UTRAN:

FIGURE 10
Mapping between downlink transport channels and downlink physical channels



1457-10



5.1.1.3.4 Physical frame structure

The basic physical frame rate is 10 ms with 15 slots. Figure 12 shows the frame structure.

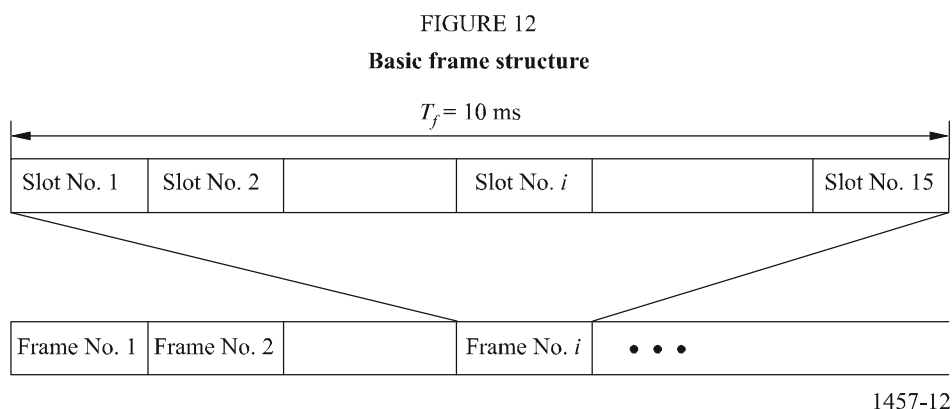


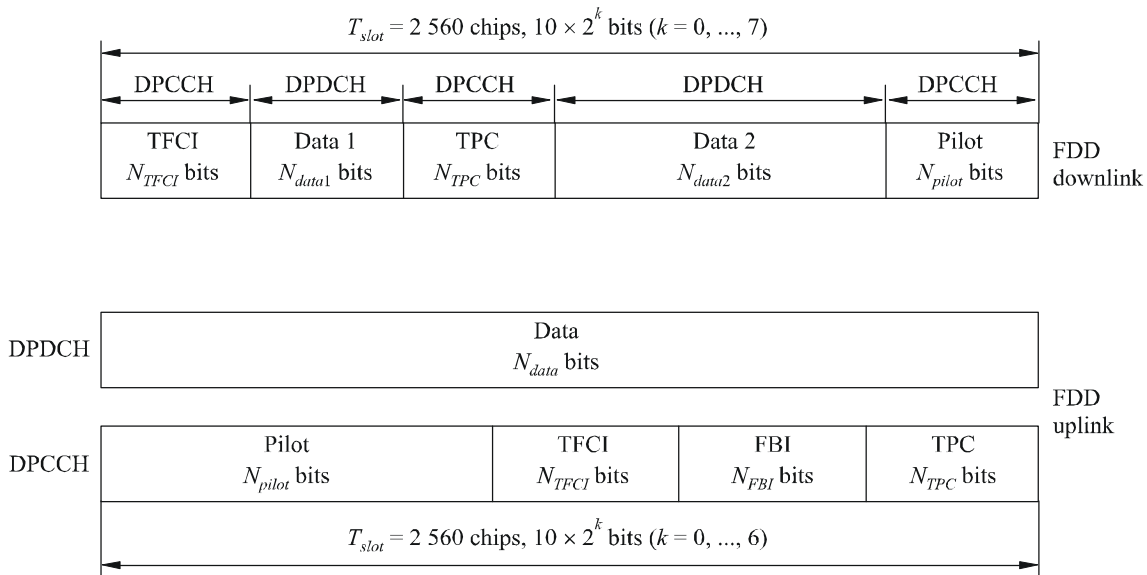
Figure 13 shows the content for a slot used by the DCH. The uplink physical channels DPDCH and DPCCH are I/Q multiplexed while the downlink channels are time multiplexed. The DPDCH, the channel where the user data is transmitted on, is always associated with a DPCCH containing Layer 1 control information. The transport format combination indicator (TFCI) field is used for indicating the demultiplexing scheme of the data stream. The TFCI field does not exist for combinations that are static (i.e. fixed bit rate allocations) or blind transport format detection is employed. The feedback information (FBI) field is used for transmit and site diversity functions. The transmit power control (TPC) bits are used for power control. HSDPA has a 2 ms frame structure and E-DCH supports both a 2 ms and 10 ms frame structure with corresponding TTIs.

For the uplink, the DPDCH bit rate can vary between 15 up to 960 kbit/s using spreading factors (SFs) 256 down to 4. To obtain higher bit rates for a user several physical channels can be used. The bit rate of the DPCCH is fixed to 15 kbit/s. For the downlink the DPDCH bit rate is variable between 15 up to 1 920 kbit/s with a SF ranging from 512 down to 4. Note that the symbol bit rate is equal to the channel bit rate for the uplink while it is half of the channel bit rate for the downlink.

A CPICH is defined. It is an unmodulated downlink channel, that is the phase reference for other downlink physical channels. There is always one primary CPICH in each cell. There may also be additional secondary CPICHs in a cell.

To be able to support inter-frequency handover as well as measurements on other carrier frequencies or carriers of other systems, like GSM, a compressed mode of operation is defined. The function is implemented by having some slots empty, but without deleting any user data. Instead the user data is transmitted in the remaining slots. The number of slots that is not used can be variable with a minimum of three slots (giving minimum idle lengths of at least 1.73 ms). The slots can be empty either in the middle of a frame or at the end and in the beginning of the consecutive frame. If and how often is controlled by the RRC functionality in Layer 3.

FIGURE 13
Slot content for the DPDCH/DPCCH

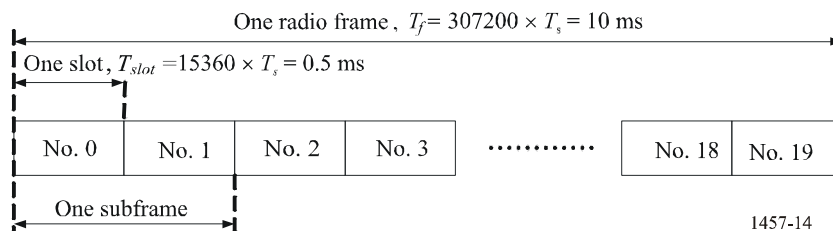


1457-13

E-UTRAN FDD uses a frame structure type 1. Frame structure type 1 is applicable to both full duplex and half duplex FDD. Each radio frame is $T_f = 307200 \times T_s = 10$ ms long and consists of 20 slots of length $T_{slot} = 15360 \times T_s = 0.5$ ms, numbered from 0 to 19. A subframe is defined as two consecutive slots where subframe i consists of slots $2i$ and $2i+1$.

For FDD, 10 subframes are available for downlink transmission and 10 subframes are available for uplink transmissions in each 10 ms interval. Uplink and downlink transmissions are separated in the frequency domain.

FIGURE 14
Frame structure type 1



5.1.1.3.5 Spreading, modulation and pulse shaping

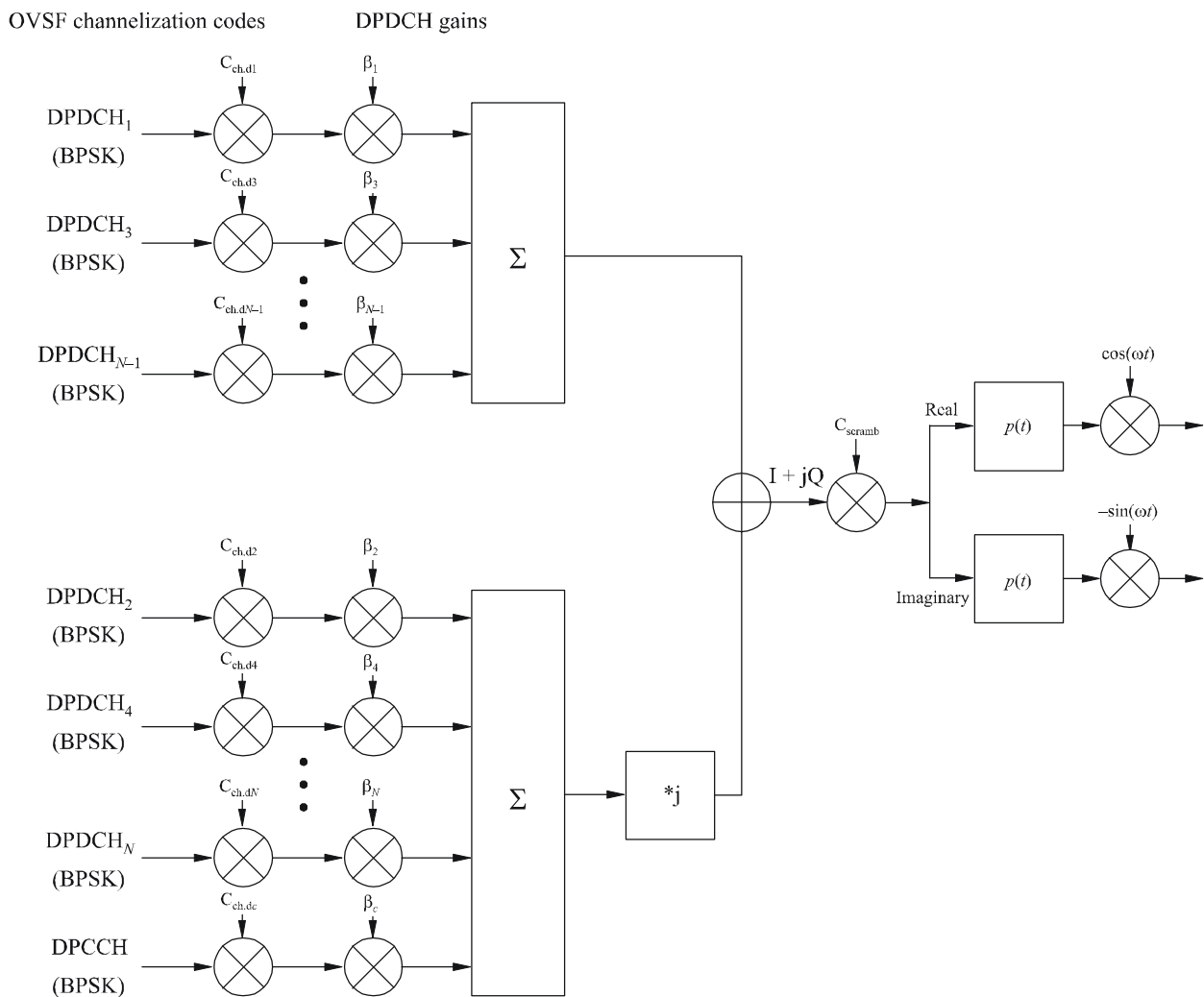
Uplink

Spreading consists of two operations. The first is the channelization operation, which transforms every data symbol into a number of chips, thus increasing the bandwidth of the signal. The number of chips per data symbol is called the SF. The second operation is the scrambling operation, where a scrambling code is applied to the spread signal.

In the channelization operation, data symbol on so-called I- and Q-branches are independently multiplied with a code. The channelization codes are orthogonal variable spreading factor (OVSF) codes that preserve the orthogonality between a user's different physical channels. With the scrambling operation, the resultant signals on the I- and Q-branches are further multiplied by complex-valued scrambling code, where I and Q denote real and imaginary parts, respectively. Note that before complex multiplication binary values 0 and 1

are mapped to +1 and -1, respectively. Figure 15 illustrates the spreading and modulation for the case of multiple uplink DPDCHs. Note that this figure only shows the principle, and does not necessarily describe an actual implementation. Modulation is dual-channel QPSK (i.e. separate BPSK on I- and Q-channel), where the uplink DPDCH and DPCCH are mapped to the I and Q branch respectively. The I and Q branches are then spread to the chip rate with two different channelization codes and subsequently complex scrambled by a UE specific complex scrambling code C_{scramb} . There are 2^{24} uplink-scrambling codes. Either short (256 chips from the family of S(2) codes) or long (38 400 chips equal to one frame length, gold code-based) scrambling codes is used on the uplink. The short scrambling code is typically used in cells where the BS is equipped with an advanced receiver, such as a multi-user detector or interference canceller whereas the long codes gives better interference averaging properties.

FIGURE 15
Spreading/modulation for uplink DPDCH/DPCCH



1457-15

The pulse-shaping filters are root-raised cosine with roll-off $\alpha = 0.22$ in the frequency domain.

The modulation of both DPCCH and DPDCH is BPSK. The modulated DPCCH is mapped to the Q-branch, while the first DPDCH is mapped to the I-branch. Subsequently added DPDCHs are mapped alternatively to the I- or Q-branches. For the E-DPDCH, higher order modulation is supported.

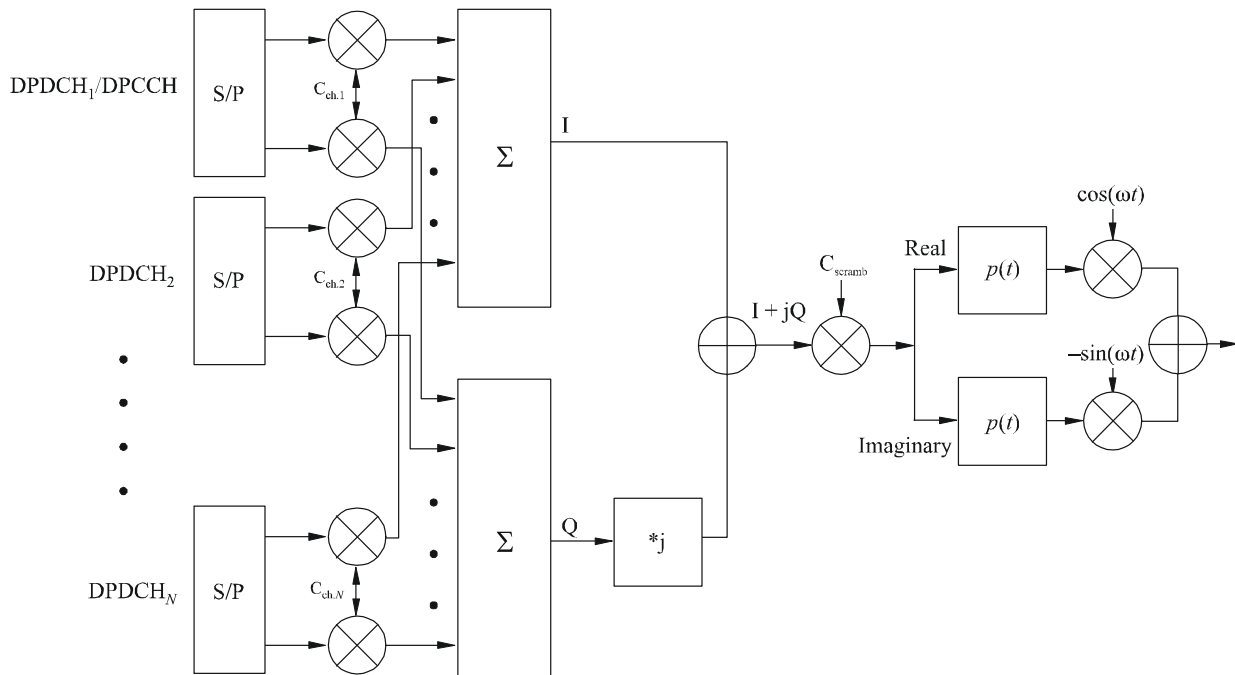
In E-UTRAN, the uplink radio access scheme is based on single carrier FDMA, more specifically, DFTS-OFDM. The sub-carrier spacing is 15 kHz. The baseline antenna configuration is MU-MIMO. The modulation scheme for the uplink is up to 16-QAM and optionally 64-QAM.

Downlink

Figure 16 illustrates the spreading and modulation for the downlink DPDCH/DPCCH. Data modulation is QPSK where each pair of two bits are serial-to-parallel (S/P) converted and mapped to the I- and Q-branch respectively. The I- and Q-branch are then spread to the chip rate with the same channelization code C_{ch} (real spreading) and subsequently scrambled by the scrambling code C_{scramb} (complex scrambling).

FIGURE 16

Spreading/modulation for downlink DPDCH/DPCCH



1457-16

The channelization codes are the same codes as used in the uplink that preserve the orthogonality between downlink channels of different rates and SFs. There are a total of $512 \times 512 = 262\,144$ scrambling codes, numbered 0 to 262 143. The scrambling codes are divided into 512 sets each of a primary scrambling code and 511 secondary scrambling codes. Each cell is allocated one and only one primary scrambling code. The primary CCPCH is always transmitted using the primary scrambling code. The other downlink physical channels can be transmitted with either the primary scrambling code or a secondary scrambling code from the set associated with the primary scrambling code of the cell.

The pulse-shaping filters are root-raised cosine with roll-off $\alpha = 0.22$ in the frequency domain.

Downlink spreading for downlink physical channels other than the downlink DPCH is very similar. For the physical channel to which HS-DSCH is mapped, higher-order data modulation can be used in addition to QPSK.

The downlink radio access scheme of E-UTRAN is based on conventional OFDM using cyclic prefix. The OFDM sub-carrier spacing is 15 kHz. In addition, there is also a reduced sub-carrier spacing of 7.5 kHz only for MBMS-dedicated cell. Single-User MIMO and Multi-User MIMO with 2 and 4 transmit antennas are supported. Peak data rates of more than 300 Mbit/s can be achieved with 20 MHz bandwidth, MIMO and higher order modulation up to 64-QAM.

5.1.1.4 Layer 2

5.1.1.4.1 MAC sub-layer

The MAC sub-layer is responsible for the handling of the data streams coming from the RLC and RRC sub-layers. It provides an unacknowledged transfer mode service to the upper layers. The interface to the RLC

sub-layer is through logical channel service access points. It also re-allocates radio resources on request by the RRC sub-layer as well as provides measurements to the upper layers. The logical channels are divided into control channels and traffic channels. Thus, the functionality handles issues like:

- mapping of the different logical channels to the appropriate transport channels and selection of appropriate transport format for the transport channels based on the instantaneous source bit rate, and optimization of the HS-DSCH, DL-SCH (E-UTRA) and UL-SCH (E-UTRA) transport channel;
- multiplexing/demultiplexing of the PDUs to/from transport blocks which are thereafter further treated by the physical layer;
- dynamic switching between common and dedicated transport channels based on information from the RRC sub-layer;
- priority issues for services to one UE according to information from higher layers and physical layer (e.g. available transmit power level) as well as priority handling between UEs by means of dynamic scheduling in order to increase spectrum efficiency;
- monitoring of traffic volume that can be used by the RRC sub-layer;
- hybrid ARQ with soft combining in case of the HS-DSCH, DL-SCH (E-UTRA) or UL-SCH (E-UTRA) transport channel;
- segmentation in case improved L2 support for high data rates is used;
- Padding (E-UTRA).

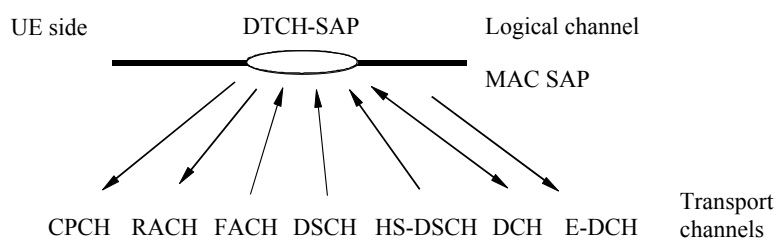
Figure 17 shows the possibilities of mapping the logical dedicated traffic channel (DTCH) onto transport channels. There are possibilities to map onto common transport channels as well as dedicated transport channels. The choice of mapping could be determined on e.g. the DTCH traffic intensity.

FIGURE 17

The possible transport channel mappings of the dedicated traffic channel (DTCH)

(The arrows show the direction of the channel (UE side).

The directions are reversed from the network side)



Figures 18 and 19 similarly show the possibilities of mapping the logical channels onto transport channels for E-UTRA.

FIGURE 18

Possible transport channel mappings of the common control channel (CCCH), dedicated control channel (DCCH) and dedicated traffic channel (DTCH)

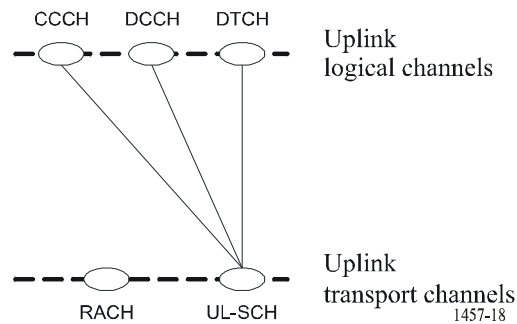
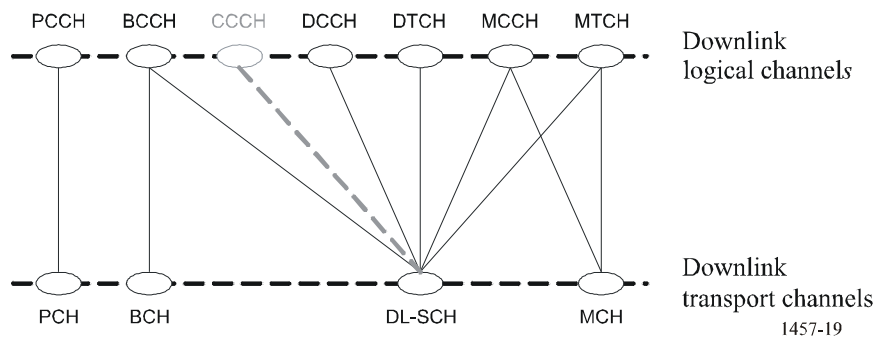


FIGURE 19

Possible transport channel mappings of Paging Control Channel (PCCH), Broadcast Control Channel (BCCH), Common Control Channel (CCCH), Dedicated Control Channel (DCCH), Dedicated Traffic Channel (DTCH), Multicast Control Channel (MCCH), Multicast Traffic Channel (MTCH)



5.1.1.4.2 RLC sub-layer

The RLC sub-layer provides three different types of data transfer modes:

- *Transparent data transfer.* This service transmits higher layer PDUs without adding any protocol information, possibly including segmentation/reassemble functionality.
- *Unacknowledged data transfer.* This service transmits higher layer PDUs without guaranteeing delivery to the peer entity. The unacknowledged data transfer mode has the following characteristics:
 - a) *Detection of erroneous data:* The RLC sub-layer shall deliver only those SDUs to the receiving higher layer that are free of transmission errors by using the sequence-number check function;
 - b) *Unique delivery:* The RLC sub-layer shall deliver each SDU only once to the receiving upper layer using duplication detection function;
 - c) *Immediate delivery:* The receiving RLC sub-layer entity shall deliver a SDU to the higher layer receiving entity as soon as it arrives at the receiver.
- *Acknowledged data transfer.* This service transmits higher layer PDUs and guarantees delivery to the peer entity. In case RLC is unable to deliver the data correctly, the user of RLC at the transmitting side is notified. For this service, both in-sequence and out-of-sequence delivery are supported. In many cases a higher layer protocol can restore the order of its PDUs. As long as the out-of-sequence properties of the lower layer are known and controlled (i.e. the higher layer protocol will not immediately request retransmission of a missing PDU) allowing out-of-sequence

delivery can save memory space in the receiving RLC. The acknowledged data transfer mode has the following characteristics:

- a) *Error-free delivery*: error-free delivery is ensured by means of retransmission. The receiving RLC entity delivers only error-free SDUs to the higher layer;
- b) *Unique delivery*: the RLC sub-layer shall deliver each SDU only once to the receiving upper layer using duplication detection function;
- c) *In-sequence delivery*: RLC sub-layer shall provide support for in-order delivery of SDUs, i.e. RLC sub-layer should deliver SDUs to the receiving higher layer entity in the same order as the transmitting higher layer entity submits them to the RLC sub-layer;
- d) *Out-of-sequence delivery*: alternatively to in-sequence delivery, it shall also be possible to allow that the receiving RLC entity delivers SDUs to higher layer in different order than submitted to RLC sub-layer at the transmitting side.

It also provides for RLC connection establishment/release. As well as QoS setting and notification to higher layers in case of unrecoverable errors.

An example of the data flow for non-transparent (acknowledged/unacknowledged) data transfer is shown in Fig. 5.

5.1.1.4.3 PDCP sub-layer

PDCP provides transmission and reception of Network PDUs in acknowledged, unacknowledged and transparent RLC mode.

It is responsible for the mapping of Network PDUs from one network protocol to one RLC entity and it provides compression in the transmitting entity and decompression in the receiving entity of redundant Network PDU control information (header compression/ decompression).

For E-UTRAN, PDCP is also responsible for in-sequence delivery of upper layer PDUs at hand-over, duplicate detection of lower layer SDUs and retransmission of PDCP SDUs at handover.

5.1.1.4.4 BMC sub-layer

The BMC provides a broadcast/multicast transmission service in the user plane on the radio interface for common user data in transparent or unacknowledged mode.

It can handle functionalities such as storage, scheduling and transmission of BMC messages.

5.1.1.5 Layer 3 (RRC sub-layer)

The RRC sub-layer handles the control plane signalling of Layer 3 between the UEs and the radio interface. In addition to the relation with the upper layers (such as CN) the following main functions are performed:

- *Broadcast of information provided by the non-access stratum (CN)* – The RRC layer performs system information broadcasting from the network to all UEs. The system information is normally repeated on a regular basis. This function supports broadcast of higher layer (above RRC) information. This information may be cell specific or not. As an example RRC may broadcast CN location service area information related to some specific cells.
- *Broadcast of information related to the access stratum* – The RRC layer performs system information broadcasting from the network to all UEs. This function supports broadcast of typically cell-specific information.
- *Establishment, maintenance and release of an RRC connection between the UE and the radio access network* – The establishment of an RRC connection is initiated by a request from higher layers at the UE side to establish the first signalling connection for the UE. The establishment of an RRC connection includes an optional cell re-selection, an admission control, and a Layer 2 signalling link establishment.
- *Establishment, reconfiguration and release of radio access bearers* – The RRC layer will, on request from higher layers, perform the establishment, reconfiguration and release of radio access bearers in the user plane. A number of radio access bearers can be established to an UE at the same time. At establishment and reconfiguration, the RRC layer performs admission control and selects

parameters describing the radio access bearer processing in Layer 2 and Layer 1, based on information from higher layers.

- *Assignment, reconfiguration and release of radio resources for the RRC connection* – The RRC layer handles the assignment of radio resources (e.g. codes) needed for the RRC connection including needs from both the control and user plane. The RRC layer may reconfigure radio resources during an established RRC connection. This function includes coordination of the radio resource allocation between multiple radio bearers related to the same RRC connection. RRC controls the radio resources in the uplink and downlink such that UE and the radio access network can communicate using unbalanced radio resources (asymmetric uplink and downlink). RRC signals to the UE to indicate resource allocations for purposes of handover to GSM or other radio systems.
- *RRC connection mobility functions* – The RRC layer performs evaluation, decision and execution related to RRC connection mobility during an established RRC connection, such as handover, preparation of handover to GSM or other systems, cell re-selection and cell/paging area update procedures, based on e.g. measurements done by the UE.
- *Paging/notification* – The RRC layer can broadcast paging information from the network to selected UEs. The RRC layer can also initiate paging during an established RRC connection.
- *Control of requested QoS* – This function ensures that the QoS requested for the radio access bearers can be met. This includes the allocation of a sufficient number of radio resources.
- *UE measurement reporting and control of the reporting* – The measurements performed by the UE are controlled by the RRC layer, in terms of what to measure, when to measure and how to report, including both this radio interface and other systems. The RRC layer also performs the reporting of the measurements from the UE to the network.
- *Outer loop power control* – The RRC layer controls setting of the target of the closed-loop power control.
- *Control of ciphering* – The RRC layer provides procedures for setting of ciphering (on/off) between the UE and the radio access network.
- *Initial cell selection and re-selection in idle mode* – Selection of the most suitable cell based on idle mode measurements and cell selection criteria.
- *Arbitration of the radio resource allocation between the cells* – This function shall ensure optimal performance of the overall radio access network capacity.

5.1.1.6 Summary of major technical parameters

Parameter	Value	Reference to § 5.1.2
Multiple access technique and duplexing scheme	Multiple access: DS-CDMA (E-UTRAN) OFDM in DL. SC-FDMA in UL Duplexing: FDD	5.1.2.1.1 5.1.2.3.1
Chip rate (Mchip/s)	3.84	5.1.2.1.4
Frame length and structure	Frame length: 10 ms (E-UTRAN) Sub-frame length; 1 ms Slot length: 10/15 ms (E-UTRAN) 0.5 ms TTI: 10 ms, 20 ms, 40 ms, 80 ms, 2 ms (E-UTRAN) 1 ms	5.1.2.1.2 5.1.2.3.1
Occupied bandwidth	Less than 5 MHz (E-UTRAN) 1.4 MHz, 3 MHz, 5 MHz, 10 MHz, 15 MHz and 20 MHz	5.1.2.5.1, 5.1.2.5.4 5.1.2.3.1

Parameter	Value	Reference to § 5.1.2
Adjacent channel leakage power ratio (ACLR) (transmitter side)	UE (UE power class: +21 dBm and +24 dBm): ACLR (5 MHz) = 33 dB ACLR (10 MHz) = 43 dB BS:ACLR (5 MHz) = 45 dB ACLR (10 MHz) = 50 dB	5.1.2.5.1 5.1.2.5.4
Adjacent channel selectivity (ACS) (receiver side)	UE: ACS (5 MHz) = 33 dB BS: ACS (5 MHz) = 45 dB	5.1.2.5.1 5.1.2.5.4
Random access mechanism	Acquisition indication based random-access mechanism with power ramping on preamble followed by message	5.1.2.1.2 5.1.2.1.5
Pilot structure	Uplink: dedicated pilots Downlink: common and/or dedicated pilots	5.1.2.1.2
Inter-base station asynchronous/synchronous operation	Asynchronous; synchronous	5.1.2.1.5 5.1.2.5.4

5.1.2 Detailed specification of the radio interface

The standards contained in this section are derived from the global core specifications for IMT-2000 contained at <http://ties.itu.int/u/itu-r/ede/rsg5/IMT-2000/GCS/GCSrev8/>. The following notes apply to the sections below, where indicated:

- (1) The relevant SDOs should make their reference material available from their Web site.
- (2) This information was supplied by the recognized external organizations and relates to their own deliverables of the transposed global core specification.

5.1.2.1

25.200 series

5.1.2.1.1 TS 25.201

Physical layer – General description

This specification gives a general description of the physical layer of the UTRA radio interface.

SDO (2)	Document No.	Version	Status	Issued date	Location (1)
Release 99					
ARIB	ARIB STD-T63-25.201	3.4.0	Approved	Sep 08	http://www.arib.or.jp/IMT-2000/ARIB-STD/ITU-R_Rev8/R99/A25201-340.pdf
ATIS	T1.3GPP.25.201V340-2003	3.4.0	Approved	Mar 03	https://www.atis.org/docstore/default.aspx
ETSI	ETSI TS 125 201	3.4.0	Published	Jul 02	http://pda.etsi.org/pda/home.asp?wkr=RTS/TSGR-0125201v340
TTA	TTAT.3G-25.201(R99-3.4.0)	3.4.0	Approved	Mar 03	http://www.tta.or.kr/standardDB/stnfile/TTAT.3G-25.201(R99-3.4.0).zip
Release 4					
ARIB	ARIB STD-T63-25.201	4.3.0	Approved	Sep 08	http://www.arib.or.jp/IMT-2000/ARIB-STD/ITU-R_Rev8/Rel4/A25201-430.pdf
ATIS	T1.3GPP.25.201V430-2003	4.3.0	Approved	Mar 03	https://www.atis.org/docstore/default.aspx
ETSI	ETSI TS 125 201	4.3.0	Published	Jul 02	http://pda.etsi.org/pda/home.asp?wkr=RTS/TSGR-0125201v430
TTA	TTAT.3G-25.201(R4-4.3.0)	4.3.0	Approved	Mar 03	http://www.tta.or.kr/standardDB/stnfile/TTAT.3G-25.201(R4-4.3.0).zip
Release 5					
ARIB	ARIB STD-T63-25.201	5.3.0	Approved	Sep 08	http://www.arib.or.jp/IMT-2000/ARIB-STD/ITU-R_Rev8/Rel5/A25201-530.pdf
ATIS	ATIS.3GPP.25.201V530-2006	5.3.0	Approved	Apr 06	https://www.atis.org/docstore/default.aspx
ETSI	ETSI TS 125 201	5.3.0	Published	Jul 05	http://pda.etsi.org/pda/home.asp?wkr=RTS/TSGR-0125201v530
TTA	TTAT.3G-25.201(R5-5.3.0)	5.3.0	Approved	Apr 06	http://www.tta.or.kr/standardDB/stnfile/TTAT.3G-25.201(R5-5.3.0).zip
Release 6					
ARIB	ARIB STD-T63-25.201	6.2.0	Approved	Sep 08	http://www.arib.or.jp/IMT-2000/ARIB-STD/ITU-R_Rev8/Rel6/A25201-620.pdf
ATIS	ATIS.3GPP.25.201V620-2006	6.2.0	Approved	Apr 06	https://www.atis.org/docstore/default.aspx
ETSI	ETSI TS 125 201	6.2.0	Published	Jul 05	http://pda.etsi.org/pda/home.asp?wkr=RTS/TSGR-0125201v620
TTA	TTAT.3G-25.201(R6-6.2.0)	6.2.0	Approved	Apr 06	http://www.tta.or.kr/standardDB/stnfile/TTAT.3G-25.201(R6-6.2.0).zip
Release 7					
ARIB	ARIB STD-T63-25.201	7.5.0	Approved	Sep 08	http://www.arib.or.jp/IMT-2000/ARIB-STD/ITU-R_Rev8/Rel7/A25201-750.pdf
ATIS	ATIS.3GPP.25.201V750-2008	7.5.0	Approved	Oct 08	https://www.atis.org/docstore/default.aspx
ETSI	ETSI TS 125 201	7.5.0	Awaiting publication		http://pda.etsi.org/pda/home.asp?wkr=RTS/TSGR-0125201v750
TTA	TTAT.3G-25.201(R7-7.5.0)	7.5.0	Approved	Oct 08	http://www.tta.or.kr/standardDB/stnfile/TTAT.3G-25.201(R7-7.5.0).zip

Release 8

ARIB	ARIB STD-T63-25.201	8.1.0	Approved	Sep 08	http://www.arib.or.jp/IMT-2000/ARIB-STD/ITU-R_Rev8/Rel8/A25201-810.pdf
ATIS	ATIS.3GPP.25.201V810-2008	8.1.0	Approved	Oct 08	https://www.atis.org/docstore/default.aspx
TTA	TTAT.3G-25.201(R8-8.1.0)	8.1.0	Approved	Oct 08	http://www.tta.or.kr/standardDB/stnfile/TTAT.3G-25.201(R8-8.1.0).zip

5.1.2.1.2 TS 25.211**Physical channels and mapping of transport channels onto physical channels (FDD)**

This specification describes the characteristics of the Layer 1 transport channels and physical channels in the FDD mode of UTRA. The main objectives of the specification are to be a part of the full description of the UTRA Layer 1, and to serve as a basis for the drafting of the actual technical specification (TS).

SDO (2)	Document No.	Version	Status	Issued date	Location (1)
Release 99					
ARIB	ARIB STD-T63-25.211	3.12.0	Approved	Sep 08	http://www.arib.or.jp/IMT-2000/ARIB-STD/ITU-R_Rev8/R99/A25211-3c0.pdf
ATIS	T1.3GPP.25.211V3120-2003	3.12.0	Approved	Mar 03	https://www.atis.org/docstore/default.aspx
ETSI	ETSI TS 125 211	3.12.0	Published	Oct 02	http://pda.etsi.org/pda/home.asp?wkr=RTS/TSGR-0125211v3c0
TTA	TTAT.3G-25.211(R99F-3120)	3.12.0	Approved	Mar 03	http://www.tta.or.kr/standardDB/stnfile/TTAT.3G-25.211(R99F-3120).zip
Release 4					
ARIB	ARIB STD-T63-25.211	4.6.0	Approved	Sep 08	http://www.arib.or.jp/IMT-2000/ARIB-STD/ITU-R_Rev8/Rel4/A25211-460.pdf
ATIS	T1.3GPP.25.211V460-2003	4.6.0	Approved	Mar 03	https://www.atis.org/docstore/default.aspx
ETSI	ETSI TS 125 211	4.6.0	Published	Oct 02	http://pda.etsi.org/pda/home.asp?wkr=RTS/TSGR-0125211v460
TTA	TTAT.3G-25.211(R4F-4.6.0)	4.6.0	Approved	Mar 03	http://www.tta.or.kr/standardDB/stnfile/TTAT.3G-25.211(R4F-4.6.0).zip
Release 5					
ARIB	ARIB STD-T63-25.211	5.8.0	Approved	Sep 08	http://www.arib.or.jp/IMT-2000/ARIB-STD/ITU-R_Rev8/Rel5/A25211-580.pdf
ATIS	ATIS.3GPP.25.211V580-2006	5.8.0	Approved	Apr 06	https://www.atis.org/docstore/default.aspx
ETSI	ETSI TS 125 211	5.8.0	Published	Jan 06	http://pda.etsi.org/pda/home.asp?wkr=RTS/TSGR-0125211v580
TTA	TTAT.3G-25.211(R5F-5.8.0)	5.8.0	Approved	Apr 06	http://www.tta.or.kr/standardDB/stnfile/TTAT.3G-25.211(R5F-5.8.0).zip
Release 6					
ARIB	ARIB STD-T63-25.211	6.9.0	Approved	Sep 08	http://www.arib.or.jp/IMT-2000/ARIB-STD/ITU-R_Rev8/Rel6/A25211-690.pdf
ATIS	ATIS.3GPP.25.211V690-2008	6.9.0	Approved	Oct 08	https://www.atis.org/docstore/default.aspx
ETSI	ETSI TS 125 211	6.9.0	Awaiting publication		http://pda.etsi.org/pda/home.asp?wkr=RTS/TSGR-0125211v690
TTA	TTAT.3G-25.211(R6F-6.9.0)	6.9.0	Approved	Oct 08	http://www.tta.or.kr/standardDB/stnfile/TTAT.3G-25.211(R6F-6.9.0).zip
Release 7					
ARIB	ARIB STD-T63-25.211	7.6.0	Approved	Sep 08	http://www.arib.or.jp/IMT-2000/ARIB-STD/ITU-R_Rev8/Rel7/A25211-760.pdf
ATIS	ATIS.3GPP.25.211V760-2008	7.6.0	Approved	Oct 08	https://www.atis.org/docstore/default.aspx
ETSI	ETSI TS 125 211	7.4.0	Awaiting publication		http://pda.etsi.org/pda/home.asp?wkr=RTS/TSGR-0125211v740
TTA	TTAT.3G-25.211(R7F-7.6.0)	7.6.0	Approved	Oct 08	http://www.tta.or.kr/standardDB/stnfile/TTAT.3G-25.211(R7F-7.6.0).zip

Release 8

ARIB	ARIB STD-T63-25.211	8.1.0	Approved	Sep 08	http://www.arib.or.jp/IMT-2000/ARIB-STD/ITU-R_Rev8/Rel8/A25211-810.pdf
ATIS	ATIS.3GPP.25.211V810-2008	8.1.0	Approved	Oct 08	https://www.atis.org/docstore/default.aspx
TTA	TTAT.3G-25.211(R8F-8.1.0)	8.1.0	Approved	Oct 08	http://www.tta.or.kr/standardDB/stnfile/TTAT.3G-25.211(R8F-8.1.0).zip

5.1.2.1.3 TS 25.212**Multiplexing and channel coding (FDD)**

This specification describes the characteristics of the Layer 1 multiplexing and channel coding in the FDD mode of UTRA.

SDO (2)	Document No.	Version	Status	Issued date	Location (1)
Release 99					
ARIB	ARIB STD-T63-25.212	3.11.0	Approved	Sep 08	http://www.arib.or.jp/IMT-2000/ARIB-STD/ITU-R_Rev8/R99/A25212-3b0.pdf
ATIS	T1.3GPP.25.212V3110-2003	3.11.0	Approved	Mar 03	https://www.atis.org/docstore/default.aspx
ETSI	ETSI TS 125 212	3.11.0	Published	Oct 02	http://pda.etsi.org/pda/home.asp?wkr=RTS/TSGR-0125212v3b0
TTA	TTAT.3G-25.212(R99F-3110)	3.11.0	Approved	Mar 03	http://www.tta.or.kr/standardDB/stnfile/TTAT.3G-25.212(R99F-3110).zip
Release 4					
ARIB	ARIB STD-T63-25.212	4.6.0	Approved	Sep 08	http://www.arib.or.jp/IMT-2000/ARIB-STD/ITU-R_Rev8/Rel4/A25212-460.pdf
ATIS	T1.3GPP.25.212V460-2003	4.6.0	Approved	Mar 03	https://www.atis.org/docstore/default.aspx
ETSI	ETSI TS 125 212	4.6.0	Published	Oct 02	http://pda.etsi.org/pda/home.asp?wkr=RTS/TSGR-0125212v460
TTA	TTAT.3G-25.212(R4F-4.6.0)	4.6.0	Approved	Mar 03	http://www.tta.or.kr/standardDB/stnfile/TTAT.3G-25.212(R4F-4.6.0).zip
Release 5					
ARIB	ARIB STD-T63-25.212	5.10.0	Approved	Sep 08	http://www.arib.or.jp/IMT-2000/ARIB-STD/ITU-R_Rev8/Rel5/A25212-5a0.pdf
ATIS	ATIS.3GPP.25.212V5100-2006	5.10.0	Approved	Apr 06	https://www.atis.org/docstore/default.aspx
ETSI	ETSI TS 125 212	5.10.0	Published	Jul 05	http://pda.etsi.org/pda/home.asp?wkr=RTS/TSGR-0125212v5a0
TTA	TTAT.3G-25.212(R5F-5.10.0)	5.10.0	Approved	Apr 06	http://www.tta.or.kr/standardDB/stnfile/TTAT.3G-25.212(R5F-5.10.0).zip
Release 6					
ARIB	ARIB STD-T63-25.212	6.10.0	Approved	Sep 08	http://www.arib.or.jp/IMT-2000/ARIB-STD/ITU-R_Rev8/Rel6/A25212-6a0.pdf
ATIS	ATIS.3GPP.25.212V6100-2007	6.10.0	Approved	Oct 07	https://www.atis.org/docstore/default.aspx
ETSI	ETSI TS 125 212	6.10.0	Published	Jan 07	http://pda.etsi.org/pda/home.asp?wkr=RTS/TSGR-0125212v6a0
TTA	TTAT.3G-25.212(R6F-6.10.0)	6.10.0	Approved	Dec 07	http://www.tta.or.kr/standardDB/stnfile/TTAT.3G-25.212(R6F-6.10.0).zip
Release 7					
ARIB	ARIB STD-T63-25.212	7.8.0	Approved	Sep 08	http://www.arib.or.jp/IMT-2000/ARIB-STD/ITU-R_Rev8/Rel7/A25212-780.pdf
ATIS	ATIS.3GPP.25.212V780-2008	7.8.0	Approved	Oct 08	https://www.atis.org/docstore/default.aspx
ETSI	ETSI TS 125 212	7.7.0	Awaiting publication		http://pda.etsi.org/pda/home.asp?wkr=RTS/TSGR-0125212v770
TTA	TTAT.3G-25.212(R7F-7.8.0)	7.8.0	Approved	Oct 08	http://www.tta.or.kr/standardDB/stnfile/TTAT.3G-25.212(R7F-7.8.0).zip

Release 8

ARIB	ARIB STD-T63-25.212	8.2.0	Approved	Sep 08	http://www.arib.or.jp/IMT-2000/ARIB-STD/ITU-R_Rev8/Rel8/A25212-820.pdf
ATIS	ATIS.3GPP.25.212V820-2008	8.2.0	Approved	Oct 08	https://www.atis.org/docstore/default.aspx
ETSI	ETSI	8.0.0	Awaiting publication		
TTA	TTAT.3G-25.212(R8F-8.2.0)	8.2.0	Approved	Oct 08	http://www.tta.or.kr/standardDB/stnfile/TTAT.3G-25.212(R8F-8.2.0).zip

5.1.2.1.4 TS 25.213**Spreading and modulation (FDD)**

This specification describes spreading and modulation for UTRA physical layer FDD mode.

SDO (2)	Document No.	Version	Status	Issued date	Location (1)
Release 99					
ARIB	ARIB STD-T63-25.213	3.9.0	Approved	Sep 08	http://www.arib.or.jp/IMT-2000/ARIB-STD/ITU-R_Rev8/R99/A25213-390.pdf
ATIS	T1.3GPP.25.213V390-2004	3.9.0	Approved	May 04	https://www.atis.org/docstore/default.aspx
ETSI	ETSI TS 125 213	3.9.0	Published	Jan 04	http://pda.etsi.org/pda/home.asp?wkr=RTS/TSGR-0125213v390
TTA	TTAT.3G-25.213(R99F-3.9.0)	3.9.0	Approved	May 04	http://www.tta.or.kr/standardDB/stnfile/TTAT.3G-25.213(R99F-3.9.0).zip
Release 4					
ARIB	ARIB STD-T63-25.213	4.4.0	Approved	Sep 08	http://www.arib.or.jp/IMT-2000/ARIB-STD/ITU-R_Rev8/Rel4/A25213-440.pdf
ATIS	T1.3GPP.25.213V440-2004	4.4.0	Approved	May 04	https://www.atis.org/docstore/default.aspx
ETSI	ETSI TS 125 213	4.4.0	Published	Jan 04	http://pda.etsi.org/pda/home.asp?wkr=RTS/TSGR-0125213v440
TTA	TTAT.3G-25.213(R4F-4.4.0)	4.4.0	Approved	May 04	http://www.tta.or.kr/standardDB/stnfile/TTAT.3G-25.213(R4F-4.4.0).zip
Release 5					
ARIB	ARIB STD-T63-25.213	5.6.0	Approved	Sep 08	http://www.arib.or.jp/IMT-2000/ARIB-STD/ITU-R_Rev8/Rel5/A25213-560.pdf
ATIS	ATIS.3GPP.25.213V560-2006	5.6.0	Approved	Apr 06	https://www.atis.org/docstore/default.aspx
ETSI	ETSI TS 125 213	5.6.0	Published	Jul 05	http://pda.etsi.org/pda/home.asp?wkr=RTS/TSGR-0125213v560
TTA	TTAT.3G-25.213(R5F-5.6.0)	5.6.0	Approved	Apr 06	http://www.tta.or.kr/standardDB/stnfile/TTAT.3G-25.213(R5F-5.6.0).zip
Release 6					
ARIB	ARIB STD-T63-25.213	6.5.0	Approved	Sep 08	http://www.arib.or.jp/IMT-2000/ARIB-STD/ITU-R_Rev8/Rel6/A25213-650.pdf
ATIS	ATIS.3GPP.25.213V650-2007	6.5.0	Approved	Oct 07	https://www.atis.org/docstore/default.aspx
ETSI	ETSI TS 125 213	6.5.0	Published	May 06	http://pda.etsi.org/pda/home.asp?wkr=RTS/TSGR-0125213v650
TTA	TTAT.3G-25.213(R6F-6.5.0)	6.5.0	Approved	Dec 07	http://www.tta.or.kr/standardDB/stnfile/TTAT.3G-25.213(R6F-6.5.0).zip
Release 7					
ARIB	ARIB STD-T63-25.213	7.5.0	Approved	Sep 08	http://www.arib.or.jp/IMT-2000/ARIB-STD/ITU-R_Rev8/Rel7/A25213-750.pdf
ATIS	ATIS.3GPP.25.213V750-2008	7.5.0	Approved	Oct 08	https://www.atis.org/docstore/default.aspx
ETSI	ETSI TS 125 213	7.4.0	Awaiting publication		http://pda.etsi.org/pda/home.asp?wkr=RTS/TSGR-0125213v740
TTA	TTAT.3G-25.213(R7F-7.5.0)	7.5.0	Approved	Oct 08	http://www.tta.or.kr/standardDB/stnfile/TTAT.3G-25.213(R7F-7.5.0).zip

Release 8

ARIB	ARIB STD-T63-25.213	8.1.0	Approved	Sep 08	http://www.arib.or.jp/IMT-2000/ARIB-STD/ITU-R_Rev8/Rel8/A25213-810.pdf
ATIS	ATIS.3GPP.25.213V810-2008	8.1.0	Approved	Oct 08	https://www.atis.org/docstore/default.aspx
TTA	TTAT.3G-25.213(R8F-8.1.0)	8.1.0	Approved	Oct 08	http://www.tta.or.kr/standardDB/stnfile/TTAT.3G-25.213(R8F-8.1.0).zip

5.1.2.1.5 TS 25.214**Physical layer procedures (FDD)**

This specification describes and establishes the characteristics of the physical layer procedures in the FDD mode of UTRA.

SDO (2)	Document No.	Version	Status	Issued date	Location (1)
Release 99					
ARIB	ARIB STD-T63-25.214	3.12.0	Approved	Sep 08	http://www.arib.or.jp/IMT-2000/ARIB-STD/ITU-R_Rev8/R99/A25214-3c0.pdf
ATIS	T1.3GPP.25.214V3120-2004	3.12.0	Approved	May 04	https://www.atis.org/docstore/default.aspx
ETSI	ETSI TS 125 214	3.12.0	Published	Apr 03	http://pda.etsi.org/pda/home.asp?wkr=RTS/TSGR-0125214v3c0
TTA	TTAT.3G-25.214(R99F-3.12.0)	3.12.0	Approved	May 04	http://www.tta.or.kr/standardDB/stnfile/TTAT.3G-25.214(R99F-3.12.0).zip
Release 4					
ARIB	ARIB STD-T63-25.214	4.6.0	Approved	Sep 08	http://www.arib.or.jp/IMT-2000/ARIB-STD/ITU-R_Rev8/Rel4/A25214-460.pdf
ATIS	T1.3GPP.25.214V460-2004	4.6.0	Approved	May 04	https://www.atis.org/docstore/default.aspx
ETSI	ETSI TS 125 214	4.6.0	Published	Apr 03	http://pda.etsi.org/pda/home.asp?wkr=RTS/TSGR-0125214v460
TTA	TTAT.3G-25.214(R4F-4.6.0)	4.6.0	Approved	May 04	http://www.tta.or.kr/standardDB/stnfile/TTAT.3G-25.214(R4F-4.6.0).zip
Release 5					
ARIB	ARIB STD-T63-25.214	5.11.0	Approved	Sep 08	http://www.arib.or.jp/IMT-2000/ARIB-STD/ITU-R_Rev8/Rel5/A25214-5b0.pdf
ATIS	ATIS.3GPP.25.214V5110-2006	5.11.0	Approved	Apr 06	https://www.atis.org/docstore/default.aspx
ETSI	ETSI TS 125 214	5.11.0	Published	Jul 05	http://pda.etsi.org/pda/home.asp?wkr=RTS/TSGR-0125214v5b0
TTA	TTAT.3G-25.214(R5F-5.11.0)	5.11.0	Approved	Apr 06	http://www.tta.or.kr/standardDB/stnfile/TTAT.3G-25.214(R5F-5.11.0).zip
Release 6					
ARIB	ARIB STD-T63-25.214	6.11.0	Approved	Sep 08	http://www.arib.or.jp/IMT-2000/ARIB-STD/ITU-R_Rev8/Rel6/A25214-6b0.pdf
ATIS	ATIS.3GPP.25.214V6110-2007	6.11.0	Approved	Oct 07	https://www.atis.org/docstore/default.aspx
ETSI	ETSI TS 125 214	6.11.0	Published	Dec 06	http://pda.etsi.org/pda/home.asp?wkr=RTS/TSGR-0125214v6b0
TTA	TTAT.3G-25.214(R6F-6.11.0)	6.11.0	Approved	Dec 07	http://www.tta.or.kr/standardDB/stnfile/TTAT.3G-25.214(R6F-6.11.0).zip
Release 7					
ARIB	ARIB STD-T63-25.214	7.9.0	Approved	Sep 08	http://www.arib.or.jp/IMT-2000/ARIB-STD/ITU-R_Rev8/Rel7/A25214-790.pdf
ATIS	ATIS.3GPP.25.214V790-2008	7.9.0	Approved	Oct 08	https://www.atis.org/docstore/default.aspx
ETSI	ETSI TS 125 214	7.7.0	Awaiting publication		http://pda.etsi.org/pda/home.asp?wkr=RTS/TSGR-0125214v770
TTA	TTAT.3G-25.214(R7F-7.9.0)	7.9.0	Approved	Oct 08	http://www.tta.or.kr/standardDB/stnfile/TTAT.3G-25.214(R7F-7.9.0).zip

Release 8

ARIB	ARIB STD-T63-25.214	8.2.0	Approved	Sep 08	http://www.arib.or.jp/IMT-2000/ARIB-STD/ITU-R_Rev8/Rel8/A25214-820.pdf
ATIS	ATIS.3GPP.25.214V820-2008	8.2.0	Approved	Oct 08	https://www.atis.org/docstore/default.aspx
ETSI	ETSI	8.0.0	Awaiting publication		
TTA	TTAT.3G-25.214(R8F-8.2.0)	8.2.0	Approved	Oct 08	http://www.tta.or.kr/standardDB/stnfile/TTAT.3G-25.214(R8F-8.2.0).zip

5.1.2.1.6 TS 25.215**Physical layer – Measurements (FDD)**

This specification describes the measurements done at the UE and network in order to support operation in idle mode and connected mode for FDD mode.

SDO (2)	Document No.	Version	Status	Issued date	Location (1)
Release 99					
ARIB	ARIB STD-T63-25.215	3.13.0	Approved	Sep 08	http://www.arib.or.jp/IMT-2000/ARIB-STD/ITU-R_Rev8/R99/A25215-3d0.pdf
ATIS	ATIS.3GPP.25.215V3130-2006	3.13.0	Approved	Apr 06	https://www.atis.org/docstore/default.aspx
ETSI	ETSI TS 125 215	3.13.0	Published	Apr 05	http://pda.etsi.org/pda/home.asp?wkr=RTS/TSGR-0125215v3d0
TTA	TTAT.3G-25.215(R99F-3.13.0)	3.13.0	Approved	Apr 06	http://www.tta.or.kr/standardDB/stnfile/TTAT.3G-25.215(R99F-3.13.0).zip
Release 4					
ARIB	ARIB STD-T63-25.215	4.8.0	Approved	Sep 08	http://www.arib.or.jp/IMT-2000/ARIB-STD/ITU-R_Rev8/Rel4/A25215-480.pdf
ATIS	ATIS.3GPP.25.215V480-2005	4.8.0	Approved	Apr 06	https://www.atis.org/docstore/default.aspx
ETSI	ETSI TS 125 215	4.8.0	Published	Apr 05	http://pda.etsi.org/pda/home.asp?wkr=RTS/TSGR-0125215v480
TTA	TTAT.3G-25.215(R4F-4.8.0)	4.8.0	Approved	Apr 06	http://www.tta.or.kr/standardDB/stnfile/TTAT.3G-25.215(R4F-4.8.0).zip
Release 5					
ARIB	ARIB STD-T63-25.215	5.7.0	Approved	Sep 08	http://www.arib.or.jp/IMT-2000/ARIB-STD/ITU-R_Rev8/Rel5/A25215-570.pdf
ATIS	ATIS.3GPP.25.215V570-2006	5.7.0	Approved	Apr 06	https://www.atis.org/docstore/default.aspx
ETSI	ETSI TS 125 215	5.7.0	Published	Jul 05	http://pda.etsi.org/pda/home.asp?wkr=RTS/TSGR-0125215v570
TTA	TTAT.3G-25.215(R5F-5.7.0)	5.7.0	Approved	Apr 06	http://www.tta.or.kr/standardDB/stnfile/TTAT.3G-25.215(R5F-5.7.0).zip
Release 6					
ARIB	ARIB STD-T63-25.215	6.4.0	Approved	Sep 08	http://www.arib.or.jp/IMT-2000/ARIB-STD/ITU-R_Rev8/Rel6/A25215-640.pdf
ATIS	ATIS.3GPP.25.215V640-2006	6.4.0	Approved	Apr 06	https://www.atis.org/docstore/default.aspx
ETSI	ETSI TS 125 215	6.4.0	Published	Oct 05	http://pda.etsi.org/pda/home.asp?wkr=RTS/TSGR-0125215v640
TTA	TTAT.3G-25.215(R6F-6.4.0)	6.4.0	Approved	Apr 06	http://www.tta.or.kr/standardDB/stnfile/TTAT.3G-25.215(R6F-6.4.0).zip
Release 7					
ARIB	ARIB STD-T63-25.215	7.3.0	Approved	Sep 08	http://www.arib.or.jp/IMT-2000/ARIB-STD/ITU-R_Rev8/Rel7/A25215-740.pdf
ATIS	ATIS.3GPP.25.215V740-2008	7.4.0	Approved	Oct 08	https://www.atis.org/docstore/default.aspx
ETSI	ETSI TS 125 215	7.4.0	Awaiting publication		http://pda.etsi.org/pda/home.asp?wkr=RTS/TSGR-0125215v740
TTA	TTAT.3G-25.215(R7F-7.4.0)	7.4.0	Approved	Oct 08	http://www.tta.or.kr/standardDB/stnfile/TTAT.3G-25.215(R7F-7.4.0).zip

Release 8

SDO	Document No.	Version	Status	Issued date	Location (1)
ARIB	ARIB STD-T63-25.215	8.1.0	Approved	Sep 08	http://www.arib.or.jp/IMT-2000/ARIB-STD/ITU-R_Rev8/Rel8/A25215-810.pdf
ATIS	ATIS.3GPP.25.215V810-2008	8.1.0	Approved	Oct 08	https://www.atis.org/docstore/default.aspx
TTA	TTAT.3G-25.215(R8F-8.1.0)	8.1.0	Approved	Oct 08	http://www.tta.or.kr/standardDB/stnfile/TTAT.3G-25.215(R8F-8.1.0).zip

5.1.2.2**25.300 series****5.1.2.2.1 TS 25.301****Radio interface protocol architecture**

This specification describes an overview and overall description of the UE-UTRAN radio interface protocol architecture. Details of the radio protocols will be specified in companion documents.

SDO (2)	Document No.	Version	Status	Issued date	Location (1)
Release 99					
ARIB	ARIB STD-T63-25.301	3.11.0	Approved	Sep 08	http://www.arib.or.jp/IMT-2000/ARIB-STD/ITU-R_Rev8/R99/A25301-3b0.pdf
ATIS	T1.3GPP.25.301V3110-2003	3.11.0	Approved	Mar 03	https://www.atis.org/docstore/default.aspx
ETSI	ETSI TS 125 301	3.11.0	Published	Oct 02	http://pda.etsi.org/pda/home.asp?wkr=RTS/TSGR-0225301v3b0
TTA	TTAT.3G-25.301(R99-3.11.0)	3.11.0	Approved	Mar 03	http://www.tta.or.kr/standardDB/stnfile/TTAT.3G-25.301(R99-3.11.0).zip
Release 4					
ARIB	ARIB STD-T63-25.301	4.4.0	Approved	Sep 08	http://www.arib.or.jp/IMT-2000/ARIB-STD/ITU-R_Rev8/Rel4/A25301-440.pdf
ATIS	T1.3GPP.25.301V440-2003	4.4.0	Approved	Mar 03	https://www.atis.org/docstore/default.aspx
ETSI	ETSI TS 125 301	4.4.0	Published	Oct 02	http://pda.etsi.org/pda/home.asp?wkr=RTS/TSGR-0225301v440
TTA	TTAT.3G-25.301(R4-4.4.0)	4.4.0	Approved	Mar 03	http://www.tta.or.kr/standardDB/stnfile/TTAT.3G-25.301(R4-4.4.0).zip
Release 5					
ARIB	ARIB STD-T63-25.301	5.6.0	Approved	Sep 08	http://www.arib.or.jp/IMT-2000/ARIB-STD/ITU-R_Rev8/Rel5/A25301-560.pdf
ATIS	ATIS.3GPP.25.301V560-2006	5.6.0	Approved	Apr 06	https://www.atis.org/docstore/default.aspx
ETSI	ETSI TS 125 301	5.6.0	Published	Oct 05	http://pda.etsi.org/pda/home.asp?wkr=RTS/TSGR-0225301v560
TTA	TTAT.3G-25.301(R5-5.6.0)	5.6.0	Approved	Apr 06	http://www.tta.or.kr/standardDB/stnfile/TTAT.3G-25.301(R5-5.6.0).zip
Release 6					
ARIB	ARIB STD-T63-25.301	6.5.0	Approved	Sep 08	http://www.arib.or.jp/IMT-2000/ARIB-STD/ITU-R_Rev8/Rel6/A25301-660.pdf
ATIS	ATIS.3GPP.25.301V660-2008	6.6.0	Approved	Oct 08	https://www.atis.org/docstore/default.aspx
ETSI	ETSI TS 125 301	6.5.0	Published	Oct 07	http://pda.etsi.org/pda/home.asp?wkr=RTS/TSGR-0225301v650
TTA	TTAT.3G-25.301(R6-6.6.0)	6.6.0	Approved	Oct 08	http://www.tta.or.kr/standardDB/stnfile/TTAT.3G-25.301(R6-6.6.0).zip

Release 7

ARIB	ARIB STD-T63-25.301	7.3.0	Approved	Sep 08	http://www.arib.or.jp/IMT-2000/ARIB-STD/ITU-R_Rev8/Rel7/A25301-740.pdf
ATIS	ATIS.3GPP.25.301V740-2008	7.4.0	Approved	Oct 08	https://www.atis.org/docstore/default.aspx
ETSI	ETSI TS 125 301	7.3.0	Published	Oct 07	http://pda.etsi.org/pda/home.asp?wkr=RTS/TSGR-0225301v730
TTA	TTAT.3G-25.301(R7-7.4.0)	7.4.0	Approved	Oct 08	http://www.tta.or.kr/standardDB/stnfile/TTAT.3G-25.301(R7-7.4.0).zip

Release 8

ARIB	ARIB STD-T63-25.301	8.2.0	Approved	Sep 08	http://www.arib.or.jp/IMT-2000/ARIB-STD/ITU-R_Rev8/Rel8/A25301-820.pdf
ATIS	ATIS.3GPP.25.301V820-2008	8.2.0	Approved	Oct 08	https://www.atis.org/docstore/default.aspx
ETSI	ETSI	8.0.0	Awaiting publication		
TTA	TTAT.3G-25.301(R8-8.2.0)	8.2.0	Approved	Oct 08	http://www.tta.or.kr/standardDB/stnfile/TTAT.3G-25.301(R8-8.2.0).zip

5.1.2.2.2 TS 25.302**Services provided by the physical layer**

This specification describes a technical specification of the services provided by the physical layer of UTRA to upper layers.

SDO (2)	Document No.	Version	Status	Issued date	Location (1)
Release 99					
ARIB	ARIB STD-T63-25.302	3.16.0	Approved	Sep 08	http://www.arib.or.jp/IMT-2000/ARIB-STD/ITU-R_Rev8/R99/A25302-3g0.pdf
ATIS	T1.3GPP.25.302V3160-2004	3.16.0	Approved	May 04	https://www.atis.org/docstore/default.aspx
ETSI	ETSI TS 125 302	3.16.0	Published	Oct 03	http://pda.etsi.org/pda/home.asp?wkr=RTS/TSGR-0225302v3g0
TTA	TTAT.3G-25.302(R99-3.16.0)	3.16.0	Approved	May 04	http://www.tta.or.kr/standardDB/stnfile/TTAT.3G-25.302(R99-3.16.0).zip
Release 4					
ARIB	ARIB STD-T63-25.302	4.8.0	Approved	Sep 08	http://www.arib.or.jp/IMT-2000/ARIB-STD/ITU-R_Rev8/Rel4/A25302-480.pdf
ATIS	T1.3GPP.25.302V480-2004	4.8.0	Approved	May 04	https://www.atis.org/docstore/default.aspx
ETSI	ETSI TS 125 302	4.8.0	Published	Oct 03	http://pda.etsi.org/pda/home.asp?wkr=RTS/TSGR-0225302v480
TTA	TTAT.3G-25.302(R4-4.8.0)	4.8.0	Approved	May 04	http://www.tta.or.kr/standardDB/stnfile/TTAT.3G-25.302(R4-4.8.0).zip
Release 5					
ARIB	ARIB STD-T63-25.302	5.9.0	Approved	Sep 08	http://www.arib.or.jp/IMT-2000/ARIB-STD/ITU-R_Rev8/Rel5/A25302-590.pdf
ATIS	ATIS.3GPP.25.302V590-2006	5.9.0	Approved	Apr 06	https://www.atis.org/docstore/default.aspx
ETSI	ETSI TS 125 302	5.9.0	Published	Oct 05	http://pda.etsi.org/pda/home.asp?wkr=RTS/TSGR-0225302v590
TTA	TTAT.3G-25.302(R5-5.9.0)	5.9.0	Approved	Apr 06	http://www.tta.or.kr/standardDB/stnfile/TTAT.3G-25.302(R5-5.9.0).zip
Release 6					
ARIB	ARIB STD-T63-25.302	6.8.0	Approved	Sep 08	http://www.arib.or.jp/IMT-2000/ARIB-STD/ITU-R_Rev8/Rel6/A25302-680.pdf
ATIS	ATIS.3GPP.25.302V680-2007	6.8.0	Approved	Oct 07	https://www.atis.org/docstore/default.aspx
ETSI	ETSI TS 125 302	6.8.0	Published	Oct 06	http://pda.etsi.org/pda/home.asp?wkr=RTS/TSGR-0225302v680
TTA	TTAT.3G-25.302(R6-6.8.0)	6.8.0	Approved	Dec 07	http://www.tta.or.kr/standardDB/stnfile/TTAT.3G-25.302(R6-6.8.0).zip

Release 7

ARIB	ARIB STD-T63-25.302	7.5.0	Approved	Sep 08	http://www.arib.or.jp/IMT-2000/ARIB-STD/ITU-R_Rev8/Rel7/A25302-760.pdf
ATIS	ATIS.3GPP.25.302V760-2008	7.6.0	Approved	Oct 08	https://www.atis.org/docstore/default.aspx
ETSI	ETSI TS 125 302	7.6.0	Published	Jan 08	http://pda.etsi.org/pda/home.asp?wkr=RTS/TSGR-0225302v760
TTA	TTAT.3G-25.302(R7-7.6.0)	7.6.0	Approved	Oct 08	http://www.tta.or.kr/standardDB/stnfile/TTAT.3G-25.302(R7-7.6.0).zip

Release 8

ARIB	ARIB STD-T63-25.302	8.0.0	Approved	Sep 08	http://www.arib.or.jp/IMT-2000/ARIB-STD/ITU-R_Rev8/Rel8/A25302-800.pdf
ATIS	ATIS.3GPP.25.302V800-2008	8.0.0	Approved	Oct 08	https://www.atis.org/docstore/default.aspx
ETSI	ETSI	8.0.0	Awaiting publication		
TTA	TTAT.3G-25.302(R8-8.0.0)	8.0.0	Approved	Oct 08	http://www.tta.or.kr/standardDB/stnfile/TTAT.3G-25.302(R8-8.0.0).zip

5.1.2.2.3 TS 25.303**Interlayer procedures in connected mode**

This specification describes informative interlayer procedures to perform the required tasks. This specification attempts to provide a comprehensive overview of the different states and transitions within the connected mode of universal mobile telecommunications system (UMTS) terminal.

SDO (2)	Document No.	Version	Status	Issued date	Location (1)
Release 99					
ARIB	ARIB STD-T63-25.303	3.12.0	Approved	Sep 08	http://www.arib.or.jp/IMT-2000/ARIB-STD/ITU-R_Rev8/R99/A25303-3c0.pdf
ATIS	T1.3GPP.25.303V3120-2003	3.12.0	Approved	Mar 03	https://www.atis.org/docstore/default.aspx
ETSI	ETSI TS 125 303	3.12.0	Published	Jun 02	http://pda.etsi.org/pda/home.asp?wkr=RTS/TSGR-0225303v3c0
TTA	TTAT.3G-25.303(R99-3.12.0)	3.12.0	Approved	Mar 03	http://www.tta.or.kr/standardDB/stnfile/TTAT.3G-25.303(R99-3.12.0).zip
Release 4					
ARIB	ARIB STD-T63-25.303	4.5.0	Approved	Sep 08	http://www.arib.or.jp/IMT-2000/ARIB-STD/ITU-R_Rev8/Rel4/A25303-450.pdf
ATIS	T1.3GPP.25.303V450-2003	4.5.0	Approved	Mar 03	https://www.atis.org/docstore/default.aspx
ETSI	ETSI TS 125 303	4.5.0	Published	Jun 02	http://pda.etsi.org/pda/home.asp?wkr=RTS/TSGR-0225303v450
TTA	TTAT.3G-25.303(R4-4.5.0)	4.5.0	Approved	Mar 03	http://www.tta.or.kr/standardDB/stnfile/TTAT.3G-25.303(R4-4.5.0).zip
Release 5					
ARIB	ARIB STD-T63-25.303	5.3.0	Approved	Sep 08	http://www.arib.or.jp/IMT-2000/ARIB-STD/ITU-R_Rev8/Rel5/A25303-530.pdf
ATIS	ATIS.3GPP.25.303V530-2006	5.3.0	Approved	Apr 06	https://www.atis.org/docstore/default.aspx
ETSI	ETSI TS 125 303	5.3.0	Published	Jul 05	http://pda.etsi.org/pda/home.asp?wkr=RTS/TSGR-0225303v530
TTA	TTAT.3G-25.303(R5-5.3.0)	5.3.0	Approved	Apr 06	http://www.tta.or.kr/standardDB/stnfile/TTAT.3G-25.303(R5-5.3.0).zip

Release 6

ARIB	ARIB STD-T63-25.303	6.3.0	Approved	Sep 08	http://www.arib.or.jp/IMT-2000/ARIB-STD/ITU-R_Rev8/Rel6/A25303-630.pdf
ATIS	ATIS.3GPP.25.303V630-2006	6.3.0	Approved	Apr 06	https://www.atis.org/docstore/default.aspx
ETSI	ETSI TS 125 303	6.3.0	Published	Jul 05	http://pda.etsi.org/pda/home.asp?wkr=RTS/TSGR-0225303v630
TTA	TTAT.3G-25.303(R6-6.3.0)	6.3.0	Approved	Apr 06	http://www.tta.or.kr/standardDB/stnfile/TTAT.3G-25.303(R6-6.3.0).zip

Release 7

ARIB	ARIB STD-T63-25.303	7.0.0	Approved	Sep 08	http://www.arib.or.jp/IMT-2000/ARIB-STD/ITU-R_Rev8/Rel7/A25303-700.pdf
ATIS	ATIS.3GPP.25.303V700-2007	7.0.0	Approved	Oct 07	https://www.atis.org/docstore/default.aspx
ETSI	ETSI TS 125 303	7.0.0	Published	Jun 06	http://pda.etsi.org/pda/home.asp?wkr=RTS/TSGR-0225303v700
TTA	TTAT.3G-25.303(R7-7.0.0)	7.0.0	Approved	Dec 07	http://www.tta.or.kr/standardDB/stnfile/TTAT.3G-25.303(R7-7.0.0).zip

Release 8

ARIB	ARIB STD-T63-25.303	8.0.0	Approved	Sep 08	http://www.arib.or.jp/IMT-2000/ARIB-STD/ITU-R_Rev8/Rel8/A25303-800.pdf
ATIS	ATIS.3GPP.25.303V800-2008	8.0.0	Approved	Oct 08	https://www.atis.org/docstore/default.aspx
ETSI	ETSI	8.0.0	Awaiting publication		
TTA	TTAT.3G-25.303(R8-8.0.0)	8.0.0	Approved	Oct 08	http://www.tta.or.kr/standardDB/stnfile/TTAT.3G-25.303(R8-8.0.0).zip

5.1.2.2.4 TS 25.304**UE procedures in idle mode and procedures for cell reselection in connected mode**

This specification describes the overall idle mode process for the UE and the functional division between the non-access stratum and access stratum in the UE. The UE is in idle mode when the connection of the UE is closed on all layers, e.g. there is neither an MM connection nor an RRC connection. This specification presents also examples of inter-layer procedures related to the idle mode processes and describes idle mode functionality of a dual mode UMTS/GSM UE.

SDO (2) Document No. Version Status Issued date Location (1)**Release 99**

ARIB	ARIB STD-T63-25.304	3.14.0	Approved	Sep 08	http://www.arib.or.jp/IMT-2000/ARIB-STD/ITU-R_Rev8/R99/A25304-3e0.pdf
ATIS	ATIS.3GPP.25.304V3140-2005	3.14.0	Approved	Apr 05	https://www.atis.org/docstore/default.aspx
ETSI	ETSI TS 125 304	3.14.0	Published	Jun 04	http://pda.etsi.org/pda/home.asp?wkr=RTS/TSGR-0225304v3e0
TTA	TTAT.3G-25.304(R99-3.14.0)	3.14.0	Approved	May 05	http://www.tta.or.kr/standardDB/stnfile/TTAT.3G-25.304(R99-3.14.0).zip

Release 4

ARIB	ARIB STD-T63-25.304	4.8.0	Approved	Sep 08	http://www.arib.or.jp/IMT-2000/ARIB-STD/ITU-R_Rev8/Rel4/A25304-480.pdf
ATIS	ATIS.3GPP.25.304V480-2005	4.8.0	Approved	Apr 05	https://www.atis.org/docstore/default.aspx
ETSI	ETSI TS 125 304	4.8.0	Published	Apr 04	http://pda.etsi.org/pda/home.asp?wkr=RTS/TSGR-0225304v480
TTA	TTAT.3G-25.304(R4-4.8.0)	4.8.0	Approved	May 05	http://www.tta.or.kr/standardDB/stnfile/TTAT.3G-25.304(R4-4.8.0).zip

Release 5

ARIB	ARIB STD-T63-25.304	5.9.0	Approved	Sep 08	http://www.arib.or.jp/IMT-2000/ARIB-STD/ITU-R_Rev8/Rel5/A25304-590.pdf
ATIS	ATIS.3GPP.25.304V590-2006	5.9.0	Approved	Apr 06	https://www.atis.org/docstore/default.aspx
ETSI	ETSI TS 125 304	5.9.0	Published	Oct 05	http://pda.etsi.org/pda/home.asp?wkr=RTS/TSGR-0225304v590
TTA	TTAT.3G-25.304(R5-5.9.0)	5.9.0	Approved	Apr 06	http://www.tta.or.kr/standardDB/stnfile/TTAT.3G-25.304(R5-5.9.0).zip

Release 6

ARIB	ARIB STD-T63-25.304	6.10.0	Approved	Sep 08	http://www.arib.or.jp/IMT-2000/ARIB-STD/ITU-R_Rev8/Rel6/A25304-6a0.pdf
ATIS	ATIS.3GPP.25.304V6100-2008	6.10.0	Approved	Oct 08	https://www.atis.org/docstore/default.aspx
ETSI	ETSI TS 125 304	6.9.0	Published	Jun 06	http://pda.etsi.org/pda/home.asp?wkr=RTS/TSGR-0225304v690
TTA	TTAT.3G-25.304(R6-6.10.0)	6.10.0	Approved	Oct 08	http://www.tta.or.kr/standardDB/stnfile/TTAT.3G-25.304(R6-6.10.0).zip

Release 7

ARIB	ARIB STD-T63-25.304	7.3.0	Approved	Sep 08	http://www.arib.or.jp/IMT-2000/ARIB-STD/ITU-R_Rev8/Rel7/A25304-760.pdf
ATIS	ATIS.3GPP.25.304V760-2008	7.6.0	Approved	Oct 08	https://www.atis.org/docstore/default.aspx
ETSI	ETSI TS 125 304	7.4.0	Published	Jan 08	http://pda.etsi.org/pda/home.asp?wkr=RTS/TSGR-0225304v740
TTA	TTAT.3G-25.304(R7-7.6.0)	7.6.0	Approved	Oct 08	http://www.tta.or.kr/standardDB/stnfile/TTAT.3G-25.304(R7-7.6.0).zip

Release 8

ARIB	ARIB STD-T63-25.304	8.2.0	Approved	Sep 08	http://www.arib.or.jp/IMT-2000/ARIB-STD/ITU-R_Rev8/Rel8/A25304-820.pdf
ATIS	ATIS.3GPP.25.304V820-2008	8.2.0	Approved	Oct 08	https://www.atis.org/docstore/default.aspx
ETSI	ETSI	8.0.0	Awaiting publication		
TTA	TTAT.3G-25.304(R8-8.2.0)	8.2.0	Approved	Oct 08	http://www.tta.or.kr/standardDB/stnfile/TTAT.3G-25.304(R8-8.2.0).zip

5.1.2.2.5 TS 25.305**Stage 2 Functional Specification of UE positioning in UTRAN (LCS)**

This document specifies the Stage 2 of the UE Positioning function of UTRAN, which provides the mechanisms to support the calculation of the geographical position of a UE.

SDO (2)	Document No.	Version	Status	Issued date	Location (1)
Release 99					
ARIB	ARIB STD-T63-25.305	3.11.0	Approved	Sep 08	http://www.arib.or.jp/IMT-2000/ARIB-STD/ITU-R_Rev8/R99/A25305-3b0.pdf
ATIS	T1.3GPP.25.305V3110-2004	3.11.0	Approved	May 04	https://www.atis.org/docstore/default.aspx
ETSI	ETSI TS 125 305	3.11.0	Published	Jan 04	http://pda.etsi.org/pda/home.asp?wkr=RTS/TSGR-0225305v3b0
TTA	TTAT.3G-25.305(R99-3.11.0)	3.11.0	Approved	May 04	http://www.tta.or.kr/standardDB/stnfile/TTAT.3G-25.305(R99-3.11.0).zip
Release 4					
ARIB	ARIB STD-T63-25.305	4.7.0	Approved	Sep 08	http://www.arib.or.jp/IMT-2000/ARIB-STD/ITU-R_Rev8/Rel4/A25305-470.pdf
ATIS	T1.3GPP.25.305V470-2004	4.7.0	Approved	May 04	https://www.atis.org/docstore/default.aspx
ETSI	ETSI TS 125 305	4.7.0	Published	Jan 04	http://pda.etsi.org/pda/home.asp?wkr=RTS/TSGR-0225305v470
TTA	TTAT.3G-25.305(R4-4.7.0)	4.7.0	Approved	May 04	http://www.tta.or.kr/standardDB/stnfile/TTAT.3G-25.305(R4-4.7.0).zip

Release 5

ARIB	ARIB STD-T63-25.305	5.9.0	Approved	Sep 08	http://www.arib.or.jp/IMT-2000/ARIB-STD/ITU-R_Rev8/Rel5/A25305-590.pdf
ATIS	ATIS.3GPP.25.305V590-2005	5.9.0	Approved	Apr 05	https://www.atis.org/docstore/default.aspx
ETSI	ETSI TS 125 305	5.9.0	Published	Jul 04	http://pda.etsi.org/pda/home.asp?wkr=RTS/TSGR-0225305v590
TTA	TTAT.3G-25.305(R5-5.9.0)	5.9.0	Approved	May 05	http://www.tta.or.kr/standardDB/stnfile/TTAT.3G-25.305(R5-5.9.0).zip

Release 6

ARIB	ARIB STD-T63-25.305	6.1.0	Approved	Sep 08	http://www.arib.or.jp/IMT-2000/ARIB-STD/ITU-R_Rev8/Rel6/A25305-610.pdf
ATIS	ATIS.3GPP.25.305V610-2005	6.1.0	Approved	Apr 05	https://www.atis.org/docstore/default.aspx
ETSI	ETSI TS 125 305	6.1.0	Published	Jul 04	http://pda.etsi.org/pda/home.asp?wkr=RTS/TSGR-0225305v610
TTA	TTAT.3G-25.305(R6-6.1.0)	6.1.0	Approved	May 05	http://www.tta.or.kr/standardDB/stnfile/TTAT.3G-25.305(R6-6.1.0).zip

Release 7

ARIB	ARIB STD-T63-25.305	7.4.0	Approved	Sep 08	http://www.arib.or.jp/IMT-2000/ARIB-STD/ITU-R_Rev8/Rel7/A25305-740.pdf
ATIS	ATIS.3GPP.25.305V740-2007	7.4.0	Approved	Oct 07	https://www.atis.org/docstore/default.aspx
ETSI	ETSI TS 125 305	7.4.0	Published	Oct 07	http://pda.etsi.org/pda/home.asp?wkr=RTS/TSGR-0225305v740
TTA	TTAT.3G-25.305(R7-7.4.0)	7.4.0	Approved	Oct 08	http://www.tta.or.kr/standardDB/stnfile/TTAT.3G-25.305(R7-7.4.0).zip

Release 8

ARIB	ARIB STD-T63-25.305	8.0.0	Approved	Sep 08	http://www.arib.or.jp/IMT-2000/ARIB-STD/ITU-R_Rev8/Rel8/A25305-800.pdf
ATIS	ATIS.3GPP.25.305V800-2008	8.0.0	Approved	Oct 08	https://www.atis.org/docstore/default.aspx
ETSI	ETSI	8.0.0	Awaiting publication		
TTA	TTAT.3G-25.305(R8-8.0.0)	8.0.0	Approved	Oct 08	http://www.tta.or.kr/standardDB/stnfile/TTAT.3G-25.305(R8-8.0.0).zip

5.1.2.2.6 TS 25.306**UE Radio Access capabilities definition**

This document identifies the parameters of the access stratum part of the UE radio access capabilities. Furthermore, some reference configurations of these values are defined. The intention is that these configurations will be used for test specifications.

SDO (2)	Document No.	Version	Status	Issued date	Location (1)
Release 99					
ARIB	ARIB STD-T63-25.306	3.10.0	Approved	Sep 08	http://www.arib.or.jp/IMT-2000/ARIB-STD/ITU-R_Rev8/R99/A25306-3a0.pdf
ATIS	T1.3GPP.25.306V3100-2004	3.10.0	Approved	May 04	https://www.atis.org/docstore/default.aspx
ETSI	ETSI TS 125 306	3.10.0	Published	Jan 04	http://pda.etsi.org/pda/home.asp?wkr=RTS/TSGR-0225306v3a0
TTA	TTAT.3G-25.306(R99-3.10.0)	3.10.0	Approved	May 04	http://www.tta.or.kr/standardDB/stnfile/TTAT.3G-25.306(R99-3.10.0).zip
Release 4					
ARIB	ARIB STD-T63-25.306	4.10.0	Approved	Sep 08	http://www.arib.or.jp/IMT-2000/ARIB-STD/ITU-R_Rev8/Rel4/A25306-4a0.pdf
ATIS	ATIS.3GPP.25.306V4100-2006	4.10.0	Approved	Apr 06	https://www.atis.org/docstore/default.aspx
ETSI	ETSI TS 125 306	4.10.0	Published	Apr 05	http://pda.etsi.org/pda/home.asp?wkr=RTS/TSGR-0225306v4a0
TTA	TTAT.3G-25.306(R4-4.10.0)	4.10.0	Approved	Apr 06	http://www.tta.or.kr/standardDB/stnfile/TTAT.3G-25.306(R4-4.10.0).zip

Release 5

ARIB	ARIB STD-T63-25.306	5.14.0	Approved	Sep 08	http://www.arib.or.jp/IMT-2000/ARIB-STD/ITU-R_Rev8/Rel5/A25306-5e0.pdf
ATIS	ATIS.3GPP.25.306V5140-2007	5.14.0	Approved	Oct 07	https://www.atis.org/docstore/default.aspx
ETSI	ETSI TS 125 306	5.14.0	Published	Apr 07	http://pda.etsi.org/pda/home.asp?wkr=RTS/TSGR-0225306v5e0
TTA	TTAT.3G-25.306(R5-5.14.0)	5.14.0	Approved	Dec 07	http://www.tta.or.kr/standardDB/stnfile/TTAT.3G-25.306(R5-5.14.0).zip

Release 6

ARIB	ARIB STD-T63-25.306	6.12.0	Approved	Sep 08	http://www.arib.or.jp/IMT-2000/ARIB-STD/ITU-R_Rev8/Rel6/A25306-6c0.pdf
ATIS	ATIS.3GPP.25.306V6120-2007	6.12.0	Approved	Oct 07	https://www.atis.org/docstore/default.aspx
ETSI	ETSI TS 125 306	6.12.0	Published	Oct 07	http://pda.etsi.org/pda/home.asp?wkr=RTS/TSGR-0225306v6c0
TTA	TTAT.3G-25.306(R6-6.12.0)	6.12.0	Approved	Oct 08	http://www.tta.or.kr/standardDB/stnfile/TTAT.3G-25.306(R6-6.12.0).zip

Release 7

ARIB	ARIB STD-T63-25.306	7.7.0	Approved	Sep 08	http://www.arib.or.jp/IMT-2000/ARIB-STD/ITU-R_Rev8/Rel7/A25306-770.pdf
ATIS	ATIS.3GPP.25.306V770-2008	7.7.0	Approved	Oct 08	https://www.atis.org/docstore/default.aspx
ETSI	ETSI TS 125 306	7.6.0	Published	Jan 08	http://pda.etsi.org/pda/home.asp?wkr=RTS/TSGR-0225306v760
TTA	TTAT.3G-25.306(R7-7.7.0)	7.7.0	Approved	Oct 08	http://www.tta.or.kr/standardDB/stnfile/TTAT.3G-25.306(R7-7.7.0).zip

Release 8

ARIB	ARIB STD-T63-25.306	8.3.0	Approved	Sep 08	http://www.arib.or.jp/IMT-2000/ARIB-STD/ITU-R_Rev8/Rel8/A25306-830.pdf
ATIS	ATIS.3GPP.25.306V830-2008	8.3.0	Approved	Oct 08	https://www.atis.org/docstore/default.aspx
ETSI	ETSI TS 125 306	8.1.0	Awaiting publication		http://pda.etsi.org/pda/home.asp?wkr=RTS/TSGR-0225306v810
TTA	TTAT.3G-25.306(R8-8.3.0)	8.3.0	Approved	Oct 08	http://www.tta.or.kr/standardDB/stnfile/TTAT.3G-25.306(R8-8.3.0).zip

5.1.2.2.7 TS 25.307**Requirements on UE supporting a release-independent frequency band**

This document specifies requirements on UEs supporting a frequency band that is independent of release.

SDO (2)	Document No.	Version	Status	Issued date	Location (1)
Release 99					
ARIB	ARIB STD-T63-25.307	3.11.0	Approved	Sep 08	http://www.arib.or.jp/IMT-2000/ARIB-STD/ITU-R_Rev8/R99/A25307-3b0.pdf
ATIS	ATIS.3GPP.25.307V3110-2008	3.11.0	Approved	Oct 08	https://www.atis.org/docstore/default.aspx
ETSI	ETSI TS 125 307	3.10.0	Published	Oct 07	http://pda.etsi.org/pda/home.asp?wkr=RTS/TSGR-0225307v3a0
TTA	TTAT.3G-25.307(R99-3.11.0)	3.11.0	Approved	Oct 08	http://www.tta.or.kr/standardDB/stnfile/TTAT.3G-25.307(R99-3.11.0).zip

Release 4

ARIB	ARIB STD-T63-25.307	4.11.0	Approved	Sep 08	http://www.arib.or.jp/IMT-2000/ARIB-STD/ITU-R_Rev8/Rel4/A25307-4b0.pdf
ATIS	ATIS.3GPP.25.307V4110-2008	4.11.0	Approved	Oct 08	https://www.atis.org/docstore/default.aspx
ETSI	ETSI TS 125 307	4.10.0	Published	Oct 07	http://pda.etsi.org/pda/home.asp?wkr=RTS/TSGR-0225307v4a0
TTA	TTAT.3G-25.307(R4-4.11.0)	4.11.0	Approved	Oct 08	http://www.tta.or.kr/standardDB/stnfile/TTAT.3G-25.307(R4-4.11.0).zip

Release 5

ARIB	ARIB STD-T63-25.307	5.10.0	Approved	Sep 08	http://www.arib.or.jp/IMT-2000/ARIB-STD/ITU-R_Rev8/Rel5/A25307-5a0.pdf
ATIS	ATIS.3GPP.25.307V5100-2008	5.10.0	Approved	Oct 08	https://www.atis.org/docstore/default.aspx
ETSI	ETSI TS 125 307	5.9.0	Published	Oct 07	http://pda.etsi.org/pda/home.asp?wkr=RTS/TSGR-0225307v590
TTA	TTAT.3G-25.307(R5-5.10.0)	5.10.0	Approved	Oct 08	http://www.tta.or.kr/standardDB/stnfile/TTAT.3G-25.307(R5-5.10.0).zip

Release 6

ARIB	ARIB STD-T63-25.307	6.7.0	Approved	Sep 08	http://www.arib.or.jp/IMT-2000/ARIB-STD/ITU-R_Rev8/Rel6/A25307-670.pdf
ATIS	ATIS.3GPP.25.307V670-2008	6.7.0	Approved	Oct 08	https://www.atis.org/docstore/default.aspx
ETSI	ETSI TS 125 307	6.6.0	Published	Oct 07	http://pda.etsi.org/pda/home.asp?wkr=RTS/TSGR-0225307v660
TTA	TTAT.3G-25.307(R6-6.7.0)	6.7.0	Approved	Oct 08	http://www.tta.or.kr/standardDB/stnfile/TTAT.3G-25.307(R6-6.7.0).zip

Release 7

ARIB	ARIB STD-T63-25.307	7.3.0	Approved	Sep 08	http://www.arib.or.jp/IMT-2000/ARIB-STD/ITU-R_Rev8/Rel7/A25307-730.pdf
ATIS	ATIS.3GPP.25.307V730-2008	7.3.0	Approved	Oct 08	https://www.atis.org/docstore/default.aspx
ETSI	ETSI TS 125 307	7.2.0	Published	Oct 07	http://pda.etsi.org/pda/home.asp?wkr=RTS/TSGR-0225307v720
TTA	TTAT.3G-25.307(R7-7.3.0)	7.3.0	Approved	Oct 08	http://www.tta.or.kr/standardDB/stnfile/TTAT.3G-25.307(R7-7.3.0).zip

Release 8

ARIB	ARIB STD-T63-25.307	8.1.0	Approved	Sep 08	http://www.arib.or.jp/IMT-2000/ARIB-STD/ITU-R_Rev8/Rel8/A25307-810.pdf
ATIS	ATIS.3GPP.25.307V810-2008	8.1.0	Approved	Oct 08	https://www.atis.org/docstore/default.aspx
ETSI	ETSI TS 125 307	8.0.0	Awaiting publication		http://pda.etsi.org/pda/home.asp?wkr=RTS/TSGR-0225307v800
TTA	TTAT.3G-25.307(R8-8.1.0)	8.1.0	Approved	Oct 08	http://www.tta.or.kr/standardDB/stnfile/TTAT.3G-25.307(R8-8.1.0).zip

5.1.2.2.8 TS 25.308**UTRA High Speed Downlink Packet Access – Overall Description (Stage 2)**

This document is a technical specification of the overall support of High Speed Downlink Packet Access in UTRA.

SDO (2)	Document No.	Version	Status	Issued date	Location (1)
Release 5					
ARIB	ARIB STD-T63-25.308	5.7.0	Approved	Sep 08	http://www.arib.or.jp/IMT-2000/ARIB-STD/ITU-R_Rev8/Rel5/A25308-570.pdf
ATIS	ATIS.3GPP.25.308V570-2005	5.7.0	Approved	Apr 05	https://www.atis.org/docstore/default.aspx
ETSI	ETSI TS 125 308	5.7.0	Published	Jan 05	http://pda.etsi.org/pda/home.asp?wkr=RTS/TSGR-0225308v570
TTA	TTAT.3G-25.308(R5-5.7.0)	5.7.0	Approved	May 05	http://www.tta.or.kr/standardDB/stnfile/TTAT.3G-25.308(R5-5.7.0).zip
Release 6					
ARIB	ARIB STD-T63-25.308	6.4.0	Approved	Sep 08	http://www.arib.or.jp/IMT-2000/ARIB-STD/ITU-R_Rev8/Rel6/A25308-640.pdf
ATIS	ATIS.3GPP.25.308V640-2007	6.4.0	Approved	Oct 07	https://www.atis.org/docstore/default.aspx
ETSI	ETSI TS 125 308	6.4.0	Published	Apr 07	http://pda.etsi.org/pda/home.asp?wkr=RTS/TSGR-0225308v640
TTA	TTAT.3G-25.308(R6-6.4.0)	6.4.0	Approved	Dec 07	http://www.tta.or.kr/standardDB/stnfile/TTAT.3G-25.308(R6-6.4.0).zip
Release 7					
ARIB	ARIB STD-T63-25.308	7.7.0	Approved	Sep 08	http://www.arib.or.jp/IMT-2000/ARIB-STD/ITU-R_Rev8/Rel7/A25308-770.pdf
ATIS	ATIS.3GPP.25.308V770-2008	7.7.0	Approved	Oct 08	https://www.atis.org/docstore/default.aspx
ETSI	ETSI TS 125 308	7.5.0	Published	Jan 08	http://pda.etsi.org/pda/home.asp?wkr=RTS/TSGR-0225308v750
TTA	TTAT.3G-25.308(R7-7.7.0)	7.7.0	Approved	Oct 08	http://www.tta.or.kr/standardDB/stnfile/TTAT.3G-25.308(R7-7.7.0).zip
Release 8					
ARIB	ARIB STD-T63-25.308	8.2.0	Approved	Sep 08	http://www.arib.or.jp/IMT-2000/ARIB-STD/ITU-R_Rev8/Rel8/A25308-820.pdf
ATIS	ATIS.3GPP.25.308V820-2008	8.2.0	Approved	Oct 08	https://www.atis.org/docstore/default.aspx
ETSI	ETSI	8.0.0	Awaiting publication		
TTA	TTAT.3G-25.308(R8-8.2.0)	8.2.0	Approved	Oct 08	http://www.tta.or.kr/standardDB/stnfile/TTAT.3G-25.308(R8-8.2.0).zip

5.1.2.2.9 TS 25.319

Enhanced Uplink – Overall Description (Stage 2)

This document is a technical specification of the overall support of FDD and TDD Enhanced Uplink in UTRA.

SDO (2)	Document No.	Version	Status	Issued date	Location (1)
Release 6					
ATIS	ATIS.3GPP.25.309V660-2007	6.6.0	Approved	Oct 07	https://www.atis.org/docstore/default.aspx
Release 7					
ARIB	ARIB STD-T63-25.319	7.6.0	Approved	Sep 08	http://www.arib.or.jp/IMT-2000/ARIB-STD/ITU-R_Rev8/Rel7/A25319-760.pdf
ATIS	ATIS.3GPP.25.319V760-2008	7.6.0	Approved	Oct 08	https://www.atis.org/docstore/default.aspx
ETSI	ETSI TS 125 319	7.4.0	Published	Jan 08	http://pda.etsi.org/pda/home.asp?wkr=RTS/TSGR-0225319v740
TTA	TTAT.3G-25.319(R7-7.6.0)	7.6.0	Approved	Oct 08	http://www.tta.or.kr/standardDB/stnfile/TTAT.3G-25.319(R7-7.6.0).zip

Release 8

ARIB	ARIB STD-T63-25.319	8.2.0	Approved	Sep 08	http://www.arib.or.jp/IMT-2000/ARIB-STD/ITU-R_Rev8/Rel8/A25319-820.pdf
ATIS	ATIS.3GPP.25.319V820-2008	8.2.0	Approved	Oct 08	https://www.atis.org/docstore/default.aspx
ETSI	ETSI	8.0.0	Awaiting publication		
TTA	TTAT.3G-25.319(R8-8.2.0)	8.2.0	Approved	Oct 08	http://www.tta.or.kr/standardDB/stnfile/TTAT.3G-25.319(R8-8.2.0).zip

5.1.2.2.10 TS 25.321**Medium access control (MAC) protocol specification**

This specification describes the MAC protocol.

SDO (2)	Document No.	Version	Status	Issued date	Location (1)
Release 99					
ARIB	ARIB STD-T63-25.321	3.17.0	Approved	Sep 08	http://www.arib.or.jp/IMT-2000/ARIB-STD/ITU-R_Rev8/R99/A25321-3h0.pdf
ATIS	ATIS.3GPP.25.321V3170-2005	3.17.0	Approved	Apr 05	https://www.atis.org/docstore/default.aspx
ETSI	ETSI TS 125 321	3.17.0	Published	Jul 04	http://pda.etsi.org/pda/home.asp?wkr=RTS/TSGR-0225321v3h0
TTA	TTAT.3G-25.321(R99-3.17.0)	3.17.0	Approved	May 05	http://www.tta.or.kr/standardDB/stnfile/TTAT.3G-25.321(R99-3.17.0).zip
Release 4					
ARIB	ARIB STD-T63-25.321	4.10.0	Approved	Sep 08	http://www.arib.or.jp/IMT-2000/ARIB-STD/ITU-R_Rev8/Rel4/A25321-4a0.pdf
ATIS	ATIS.3GPP.25.321V4100-2005	4.10.0	Approved	Apr 05	https://www.atis.org/docstore/default.aspx
ETSI	ETSI TS 125 321	4.10.0	Published	Jul 04	http://pda.etsi.org/pda/home.asp?wkr=RTS/TSGR-0225321v4a0
TTA	TTAT.3G-25.321(R4-4.10.0)	4.10.0	Approved	May 05	http://www.tta.or.kr/standardDB/stnfile/TTAT.3G-25.321(R4-4.10.0).zip
Release 5					
ARIB	ARIB STD-T63-25.321	5.13.0	Approved	Sep 08	http://www.arib.or.jp/IMT-2000/ARIB-STD/ITU-R_Rev8/Rel5/A25321-5d0.pdf
ATIS	ATIS.3GPP.25.321V5130-2007	5.13.0	Approved	Oct 07	https://www.atis.org/docstore/default.aspx
ETSI	ETSI TS 125 321	5.13.0	Published	Apr 07	http://pda.etsi.org/pda/home.asp?wkr=RTS/TSGR-0225321v5d0
TTA	TTAT.3G-25.321(R5-5.13.0)	5.13.0	Approved	Dec 07	http://www.tta.or.kr/standardDB/stnfile/TTAT.3G-25.321(R5-5.13.0).zip
Release 6					
ARIB	ARIB STD-T63-25.321	6.15.0	Approved	Sep 08	http://www.arib.or.jp/IMT-2000/ARIB-STD/ITU-R_Rev8/Rel6/A25321-6f0.pdf
ATIS	ATIS.3GPP.25.321V6150-2008	6.15.0	Approved	Oct 08	https://www.atis.org/docstore/default.aspx
ETSI	ETSI TS 125 321	6.14.0	Published	Oct 07	http://pda.etsi.org/pda/home.asp?wkr=RTS/TSGR-0225321v6e0
TTA	TTAT.3G-25.321(R6-6.15.0)	6.15.0	Approved	Oct 08	http://www.tta.or.kr/standardDB/stnfile/TTAT.3G-25.321(R6-6.15.0).zip
Release 7					
ARIB	ARIB STD-T63-25.321	7.9.0	Approved	Sep 08	http://www.arib.or.jp/IMT-2000/ARIB-STD/ITU-R_Rev8/Rel7/A25321-790.pdf
ATIS	ATIS.3GPP.25.321V790-2008	7.9.0	Approved	Oct 08	https://www.atis.org/docstore/default.aspx
ETSI	ETSI TS 125 321	7.7.0	Published	Jan 08	http://pda.etsi.org/pda/home.asp?wkr=RTS/TSGR-0225321v770
TTA	TTAT.3G-25.321(R7-7.9.0)	7.9.0	Approved	Oct 08	http://www.tta.or.kr/standardDB/stnfile/TTAT.3G-25.321(R7-7.9.0).zip

Release 8

ARIB	ARIB STD-T63-25.321	8.2.0	Approved	Sep 08	http://www.arib.or.jp/IMT-2000/ARIB-STD/ITU-R_Rev8/Rel8/A25321-820.pdf
ATIS	ATIS.3GPP.25.321V820-2008	8.2.0	Approved	Oct 08	https://www.atis.org/docstore/default.aspx
ETSI	ETSI	8.0.0	Awaiting publication		
TTA	TTAT.3G-25.321(R8-8.2.0)	8.2.0	Approved	Oct 08	http://www.tta.or.kr/standardDB/stnfile/TTAT.3G-25.321(R8-8.2.0).zip

5.1.2.2.11 TS 25.322**Radio link control (RLC) protocol specification**

This specification describes the RLC protocol.

SDO (2)	Document No.	Version	Status	Issued date	Location (1)
Release 99					
ATIS	ATIS.3GPP.25.322V3180-2005	3.18.0	Approved	Apr 05	https://www.atis.org/docstore/default.aspx
ETSI	ETSI TS 125 322	3.18.0	Published	Jul 04	http://pda.etsi.org/pda/home.asp?wkr=RTS/TSGR-0225322v3i0
TTA	TTAT.3G-25.322(R99-3.18.0)	3.18.0	Approved	May 05	http://www.tta.or.kr/standardDB/stnfile/TTAT.3G-25.322(R99-3.18.0).zip
TTC	TS-3GA-25.322(R99)v3.18.0	3.18.0 R1	Published	Aug 04	http://www.ttc.or.jp/imt/ts/ts25322r99v3i0.pdf
Release 4					
ATIS	ATIS.3GPP.25.322V4120-2005	4.12.0	Approved	Apr 05	https://www.atis.org/docstore/default.aspx
ETSI	ETSI TS 125 322	4.12.0	Published	Jul 04	http://pda.etsi.org/pda/home.asp?wkr=RTS/TSGR-0225322v4c0
TTA	TTAT.3G-25.322(R4-4.12.0)	4.12.0	Approved	May 05	http://www.tta.or.kr/standardDB/stnfile/TTAT.3G-25.322(R4-4.12.0).zip
TTC	TS-3GA-25.322(Rel4)v4.12.0	4.12.0 R1	Published	Aug 04	http://www.ttc.or.jp/imt/ts/ts25322rel4v4c0.pdf
Release 5					
ATIS	ATIS.3GPP.25.322V5130-2006	5.13.0	Approved	Apr 06	https://www.atis.org/docstore/default.aspx
ETSI	ETSI TS 125 322	5.13.0	Published	Jan 06	http://pda.etsi.org/pda/home.asp?wkr=RTS/TSGR-0225322v5d0
TTA	TTAT.3G-25.322(R5-5.13.0)	5.13.0	Approved	Apr 06	http://www.tta.or.kr/standardDB/stnfile/TTAT.3G-25.322(R5-5.13.0).zip
TTC	TS-3GA-25.322(Rel5)v5.13.0	5.13.0 R1	Published	Feb 06	http://www.ttc.or.jp/imt/ts/ts25322rel5v5d0.pdf
Release 6					
ATIS	ATIS.3GPP.25.322V6120-2008	6.12.0	Approved	Oct 08	https://www.atis.org/docstore/default.aspx
ETSI	ETSI TS 125 322	6.10.0	Published	Aug 07	http://pda.etsi.org/pda/home.asp?wkr=RTS/TSGR-0225322v6a0
TTA	TTAT.3G-25.322(R6-6.12.0)	6.12.0	Approved	Oct 08	http://www.tta.or.kr/standardDB/stnfile/TTAT.3G-25.322(R6-6.12.0).zip
TTC	TS-3GA-25.322(Rel6)v6.12.0	6.12.0 R1	Approved	Oct 08	http://www.ttc.or.jp/imt/ts/ts25322rel6v6c0.pdf

Release 7

ATIS	ATIS.3GPP.25.322V770-2008	7.7.0	Approved	Oct 08	https://www.atis.org/docstore/default.aspx
ETSI	ETSI TS 125 322	7.5.0	Published	Jan 08	http://pda.etsi.org/pda/home.asp?wkr=RTS/TSGR-0225322v750
TTA	TTAT.3G-25.322(R7-7.7.0)	7.7.0	Approved	Oct 08	http://www.tta.or.kr/standardDB/stnfile/TTAT.3G-25.322(R7-7.7.0).zip
TTC	TS-3GA-25.322(Rel7)v7.7.0	7.7.0 R1	Approved	Oct 08	http://www.ttc.or.jp/imt/ts/ts25322rel7v770.pdf

Release 8

ATIS	ATIS.3GPP.25.322V820-2008	8.2.0	Approved	Oct 08	https://www.atis.org/docstore/default.aspx
ETSI	ETSI	8.0.0	Awaiting publication		
TTA	TTAT.3G-25.322(R8-8.2.0)	8.2.0	Approved	Oct 08	http://www.tta.or.kr/standardDB/stnfile/TTAT.3G-25.322(R8-8.2.0).zip
TTC	TS-3GA-25.322(Rel8)v8.2.0	8.2.0 R1	Approved	Oct 08	http://www.ttc.or.jp/imt/ts/ts25322rel8v820.pdf

5.1.2.2.12 TS 25.323**Packet Data Convergence Protocol (PDCP) protocol**

This document provides the description of the Packet Data Convergence Protocol (PDCP). PDCP provides its services to the NAS at the UE or the relay at the Radio Network Controller (RNC). PDCP uses the services provided by the Radio Link Control (RLC) sublayer.

SDO (2)	Document No.	Version	Status	Issued date	Location (1)
Release 99					
ATIS	T1.3GPP.25.323V3100-2003	3.10.0	Approved	Mar 03	https://www.atis.org/docstore/default.aspx
ETSI	ETSI TS 125 323	3.10.0	Published	Oct 02	http://pda.etsi.org/pda/home.asp?wkr=RTS/TSGR-0225323v3a0
TTA	TTAT.3G-25.323(R99-3.10.0)	3.10.0	Approved	Mar 03	http://www.tta.or.kr/standardDB/stnfile/TTAT.3G-25.323(R99-3.10.0).zip
TTC	TS-3GA-25.323(R99)v3.10.0	3.10.0 R1	Published	Nov 02	http://www.ttc.or.jp/imt/ts/ts25323r99v3a0.pdf
Release 4					
ATIS	T1.3GPP.25.323V460-2003	4.6.0	Approved	Mar 03	https://www.atis.org/docstore/default.aspx
ETSI	ETSI TS 125 323	4.6.0	Published	Oct 02	http://pda.etsi.org/pda/home.asp?wkr=RTS/TSGR-0225323v460
TTA	TTAT.3G-25.323(R4-4.6.0)	4.6.0	Approved	Mar 03	http://www.tta.or.kr/standardDB/stnfile/TTAT.3G-25.323(R4-4.6.0).zip
TTC	TS-3GA-25.323(Rel4)v4.6.0	4.6.0 R1	Published	Nov 02	http://www.ttc.or.jp/imt/ts/ts25323rel4v460.pdf
Release 5					
ATIS	ATIS.3GPP.25.323V5100-2008	5.10.0	Approved	Oct 08	https://www.atis.org/docstore/default.aspx
ETSI	ETSI TS 125 323	5.10.0	Awaiting publication		http://pda.etsi.org/pda/home.asp?wkr=RTS/TSGR-0225323v5a0
TTA	TTAT.3G-25.323(R5-5.10.0)	5.10.0	Approved	Oct 08	http://www.tta.or.kr/standardDB/stnfile/TTAT.3G-25.323(R5-5.10.0).zip
TTC	TS-3GA-25.323(Rel5)v5.10.0	5.10.0 R1	Approved	Oct 08	http://www.ttc.or.jp/imt/ts/ts25323rel5v5a0.pdf

Release 6

ATIS	ATIS.3GPP.25.323V6110-2008	6.11.0	Approved	Oct 08	https://www.atis.org/docstore/default.aspx
ETSI	ETSI TS 125 323	6.11.0	Awaiting publication		http://pda.etsi.org/pda/home.asp?wkr=RTS/TSGR-0225323v6b0
TTA	TTAT.3G-25.323(R6-6.11.0)	6.11.0	Approved	Oct 08	http://www.tta.or.kr/standardDB/stnfile/TTAT.3G-25.323(R6-6.11.0).zip
TTC	TS-3GA-25.323(Rel6)v6.11.0	6.11.0 R1	Approved	Oct 08	http://www.ttc.or.jp/imt/ts/ts25323rel6v6b0.pdf

Release 7

ATIS	ATIS.3GPP.25.323V770-2008	7.7.0	Approved	Oct 08	https://www.atis.org/docstore/default.aspx
ETSI	ETSI TS 125 323	7.7.0	Awaiting publication		http://pda.etsi.org/pda/home.asp?wkr=RTS/TSGR-0225323v770
TTA	TTAT.3G-25.323(R7-7.7.0)	7.7.0	Approved	Oct 08	http://www.tta.or.kr/standardDB/stnfile/TTAT.3G-25.323(R7-7.7.0).zip
TTC	TS-3GA-25.323(Rel7)v7.7.0	7.7.0 R1	Approved	Oct 08	http://www.ttc.or.jp/imt/ts/ts25323rel7v770.pdf

Release 8

ATIS	ATIS.3GPP.25.323V810-2008	8.1.0	Approved	Oct 08	https://www.atis.org/docstore/default.aspx
ETSI	ETSI	8.0.0	Awaiting publication		
TTA	TTAT.3G-25.323(R8-8.1.0)	8.1.0	Approved	Oct 08	http://www.tta.or.kr/standardDB/stnfile/TTAT.3G-25.323(R8-8.1.0).zip
TTC	TS-3GA-25.323(Rel8)v8.1.0	8.1.0 R1	Approved	Oct 08	http://www.ttc.or.jp/imt/ts/ts25323rel8v810.pdf

5.1.2.2.13 TS 25.324**Broadcast/Multicast Control (BMC) Services**

This document provides the description of the Broadcast/Multicast Control Protocol (BMC). This protocol adapts broadcast and multicast services on the radio interface.

SDO (2)	Document No.	Version	Status	Issued date	Location (1)
Release 99					
ATIS	ATIS.3GPP.25.324V390-2005	3.9.0	Approved	Apr 05	https://www.atis.org/docstore/default.aspx
ETSI	ETSI TS 125 324	3.9.0	Published	Jan 05	http://pda.etsi.org/pda/home.asp?wkr=RTS/TSGR-0225324v390
TTA	TTAT.3G-25.324(R99-3.9.0)	3.9.0	Approved	May 05	http://www.tta.or.kr/standardDB/stnfile/TTAT.3G-25.324(R99-3.9.0).zip
TTC	TS-3GA-25.324(R99)v3.9.0	3.9.0 R1	Published	Mar 05	http://www.ttc.or.jp/imt/ts/ts25324r99v390.pdf
Release 4					
ATIS	ATIS.3GPP.25.324V450-2005	4.5.0	Approved	Apr 05	https://www.atis.org/docstore/default.aspx
ETSI	ETSI TS 125 324	4.5.0	Published	Jan 05	http://pda.etsi.org/pda/home.asp?wkr=RTS/TSGR-0225324v450
TTA	TTAT.3G-25.324(R4-4.5.0)	4.5.0	Approved	May 05	http://www.tta.or.kr/standardDB/stnfile/TTAT.3G-25.324(R4-4.5.0).zip
TTC	TS-3GA-25.324(Rel4)v4.5.0	4.5.0 R1	Published	Mar 05	http://www.ttc.or.jp/imt/ts/ts25324rel4v450.pdf

Release 5

ATIS	ATIS.3GPP.25.324V560-2006	5.6.0	Approved	Apr 06	https://www.atis.org/docstore/default.aspx
ETSI	ETSI TS 125 324	5.6.0	Published	Oct 05	http://pda.etsi.org/pda/home.asp?wkr=RTS/TSGR-0225324v560
TTA	TTAT.3G-25.324(R5-5.6.0)	5.6.0	Approved	Apr 06	http://www.tta.or.kr/standardDB/stnfile/TTAT.3G-25.324(R5-5.6.0).zip
TTC	TS-3GA-25.324(Rel5)v5.6.0	5.6.0 R1	Published	Nov 05	http://www.ttc.or.jp/imt/ts/ts25324rel5v560.pdf

Release 6

ATIS	ATIS.3GPP.25.324V660-2007	6.6.0	Approved	Oct 07	https://www.atis.org/docstore/default.aspx
ETSI	ETSI TS 125 324	6.6.0	Published	Jul 06	http://pda.etsi.org/pda/home.asp?wkr=RTS/TSGR-0225324v660
TTA	TTAT.3G-25.324(R6-6.6.0)	6.6.0	Approved	Dec 07	http://www.tta.or.kr/standardDB/stnfile/TTAT.3G-25.324(R6-6.6.0).zip
TTC	TS-3GA-25.324(Rel6)v6.6.0	6.6.0 R1	Published	Mar 07	http://www.ttc.or.jp/imt/ts/ts25324rel6v660.pdf

Release 7

ATIS	ATIS.3GPP.25.324V710-2007	7.1.0	Approved	Oct 07	https://www.atis.org/docstore/default.aspx
ETSI	ETSI TS 125 324	7.1.0	Published	Jul 06	http://pda.etsi.org/pda/home.asp?wkr=RTS/TSGR-0225324v710
TTA	TTAT.3G-25.324(R7-7.1.0)	7.1.0	Approved	Dec 07	http://www.tta.or.kr/standardDB/stnfile/TTAT.3G-25.324(R7-7.1.0).zip
TTC	TS-3GA-25.324(Rel7)v7.1.0	7.1.0 R1	Published	Jan 08	http://www.ttc.or.jp/imt/ts/ts25324rel7v710.pdf

Release 8

ATIS	ATIS.3GPP.25.324V800-2008	8.0.0	Approved	Oct 08	https://www.atis.org/docstore/default.aspx
ETSI	ETSI	8.0.0	Awaiting publication		
TTA	TTAT.3G-25.324(R8-8.0.0)	8.0.0	Approved	Oct 08	http://www.tta.or.kr/standardDB/stnfile/TTAT.3G-25.324(R8-8.0.0).zip
TTC	TS-3GA-25.324(Rel8)v8.0.0	8.0.0 R1	Approved	Oct 08	http://www.ttc.or.jp/imt/ts/ts25324rel8v800.pdf

5.1.2.2.14 TS 25.331**Radio resource control (RRC) protocol specification**

This specification describes the RRC protocol for the radio system. The scope of this specification contains also the information to be transported in a transparent container between source RNC and target RNC in connection to SRNC relocation.

SDO (2)	Document No.	Version	Status	Issued date	Location (1)
Release 99					
ATIS	ATIS.3GPP.25.331V3210-2005	3.21.0	Approved	Apr 05	https://www.atis.org/docstore/default.aspx
ETSI	ETSI TS 125 331	3.21.0	Published	Jan 05	http://pda.etsi.org/pda/home.asp?wkr=RTS/TSGR-0225331v310
TTA	TTAT.3G-25.331(R99-3.21.0)	3.21.0	Approved	May 05	http://www.tta.or.kr/standardDB/stnfile/TTAT.3G-25.331(R99-3.21.0).zip
TTC	TS-3GA-25.331(R99)v3.21.0	3.21.0 R1	Published	Mar 05	http://www.ttc.or.jp/imt/ts/ts25331r99v310.pdf

50**Rec. ITU-R M.1457-8****Release 4**

ATIS	ATIS.3GPP.25.331V4190-2008	4.19.0	Approved	Oct 08	https://www.atis.org/docstore/default.aspx
ETSI	ETSI TS 125 331	4.18.0	Awaiting publication		http://pda.etsi.org/pda/home.asp?wkr=RTS/TSGR-0225331v4I0
TTA	TTAT.3G-25.331(R4-4.19.0)	4.19.0	Approved	Oct 08	http://www.tta.or.kr/standardDB/stnfile/TTAT.3G-25.331(R4-4.19.0).zip
TTC	TS-3GA-25.331(Rel4)v4.19.0	4.19.0 R1	Approved	Oct 08	http://www.ttc.or.jp/imt/ts/ts25331rel4v4j0.pdf

Release 5

ATIS	ATIS.3GPP.25.331V5221-2008	5.22.1	Approved	Oct 08	https://www.atis.org/docstore/default.aspx
ETSI	ETSI TS 125 331	5.21.0	Awaiting publication		http://pda.etsi.org/pda/home.asp?wkr=RTS/TSGR-0225331v5I0
TTA	TTAT.3G-25.331(R5-5.22.0)	5.22.0	Approved	Oct 08	http://www.tta.or.kr/standardDB/stnfile/TTAT.3G-25.331(R5-5.22.0).zip
TTC	TS-3GA-25.331(Rel5)v5.22.1	5.22.1 R1	Approved	Oct 08	http://www.ttc.or.jp/imt/ts/ts25331rel5v5m1.pdf

Release 6

ATIS	ATIS.3GPP.25.331V6181-2008	6.18.1	Approved	Oct 08	https://www.atis.org/docstore/default.aspx
ETSI	ETSI TS 125 331	6.16.0	Awaiting publication		http://pda.etsi.org/pda/home.asp?wkr=RTS/TSGR-0225331v6g0
TTA	TTAT.3G-25.331(R6-6.18.0)	6.18.0	Approved	Oct 08	http://www.tta.or.kr/standardDB/stnfile/TTAT.3G-25.331(R6-6.18.0).zip
TTC	TS-3GA-25.331(Rel6)v6.18.1	6.18.1 R1	Approved	Oct 08	http://www.ttc.or.jp/imt/ts/ts25331rel6v6i1.pdf
TTC	TS-3GA-25.331(Rel7)v7.9.1	7.9.1 R1	Approved	Oct 08	http://www.ttc.or.jp/imt/ts/ts25331rel7v791.pdf

Release 7

ATIS	ATIS.3GPP.25.331V791-2008	7.9.1	Approved	Oct 08	https://www.atis.org/docstore/default.aspx
ETSI	ETSI TS 125 331	7.7.0	Awaiting publication		http://pda.etsi.org/pda/home.asp?wkr=RTS/TSGR-0225331v770
TTA	TTAT.3G-25.331(R7-7.9.0)	7.9.0	Approved	Oct 08	http://www.tta.or.kr/standardDB/stnfile/TTAT.3G-25.331(R7-7.9.0).zip

Release 8

ATIS	ATIS.3GPP.25.331V831-2008	8.3.1	Approved	Oct 08	https://www.atis.org/docstore/default.aspx
ETSI	ETSI TS 125 331	8.1.0	Awaiting publication		http://pda.etsi.org/pda/home.asp?wkr=RTS/TSGR-0225331v8I0
TTA	TTAT.3G-25.331(R8-8.3.0)	8.3.0	Approved	Oct 08	http://www.tta.or.kr/standardDB/stnfile/TTAT.3G-25.331(R8-8.3.0).zip
TTC	TS-3GA-25.331(Rel8)v8.3.1	8.3.1 R1	Approved	Oct 08	http://www.ttc.or.jp/imt/ts/ts25331rel8v831.pdf

5.1.2.2.15 TS 25.346**Introduction of the Multimedia Broadcast Multicast Service (MBMS) in the Radio Access Network**

This document is a technical specification of the overall support of Multimedia Broadcast and Multicast Services in UTRA.

SDO (2)	Document No.	Version	Status	Issued date	Location (1)
Release 6					
ATIS	ATIS.3GPP.25.346V6130-2008	6.13.0	Approved	Oct 08	https://www.atis.org/docstore/default.aspx
ETSI	ETSI TS 125 346	6.12.0	Published	Oct 07	http://pda.etsi.org/pda/home.asp?wkr=RTS/TSGR-0225346v6c0
TTA	TTAT.3G-25.346(R6-6.13.0)	6.13.0	Approved	Oct 08	http://www.tta.or.kr/standardDB/stnfile/TTAT.3G-25.346(R6-6.13.0).zip
TTC	TS-3GA-25.346(Rel6)v6.13.0	6.13.0 R1	Approved	Oct 08	http://www.ttc.or.jp/imt/ts/ts25346rel6v6d0.pdf

Release 7

ATIS	ATIS.3GPP.25.346V770-2008	7.7.0	Approved	Oct 08	https://www.atis.org/docstore/default.aspx
ETSI	ETSI TS 125 346	7.6.0	Awaiting publication		http://pda.etsi.org/pda/home.asp?wkr=RTS/TSGR-0225346v760
TTA	TTAT.3G-25.346(R7-7.7.0)	7.7.0	Approved	Oct 08	http://www.tta.or.kr/standardDB/stnfile/TTAT.3G-25.346(R7-7.7.0).zip
TTC	TS-3GA-25.346(Rel7)v7.7.0	7.7.0 R1	Approved	Oct 08	http://www.ttc.or.jp/imt/ts/25346rel7v770.pdf

Release 8

ATIS	ATIS.3GPP.25.346V810-2008	8.1.0	Approved	Oct 08	https://www.atis.org/docstore/default.aspx
ETSI	ETSI	8.0.0	Awaiting publication		
TTA	TTAT.3G-25.346(R8-8.1.0)	8.1.0	Approved	Oct 08	http://www.tta.or.kr/standardDB/stnfile/TTAT.3G-25.346(R8-8.1.0).zip
TTC	TS-3GA-25.346(Rel8)v8.1.0	8.1.0 R1	Approved	Oct 08	http://www.ttc.or.jp/imt/ts/25346rel8v810.pdf

5.1.2.3**25.400 series****5.1.2.3.1 TS 25.401****UTRAN overall description**

This specification describes the overall architecture of the UTRAN, including internal interfaces and assumptions on the radio and Iu interfaces.

SDO (2)	Document No.	Version	Status	Issued date	Location (1)
Release 99					
ARIB	ARIB STD-T63-25.401	3.10.0	Approved	Sep 08	http://www.arib.or.jp/IMT-2000/ARIB-STD/ITU-R_Rev8/R99/A25401-3a0.pdf
ATIS	T1.3GPP.25.401V3100-2003	3.10.0	Approved	Mar 03	https://www.atis.org/docstore/default.aspx
ETSI	ETSI TS 125 401	3.10.0	Published	Jul 02	http://pda.etsi.org/pda/home.asp?wkr=RTS/TSGR-0325401v3a0
TTA	TTAT.3G-25.401(R99-3.10.0)	3.10.0	Approved	Mar 03	http://www.tta.or.kr/standardDB/stnfile/TTAT.3G-25.401(R99-3.10.0).zip
Release 4					
ARIB	ARIB STD-T63-25.401	4.6.0	Approved	Sep 08	http://www.arib.or.jp/IMT-2000/ARIB-STD/ITU-R_Rev8/Rel4/A25401-460.pdf
ATIS	T1.3GPP.25.401V460-2003	4.6.0	Approved	Mar 03	https://www.atis.org/docstore/default.aspx
ETSI	ETSI TS 125 401	4.6.0	Published	Jan 03	http://pda.etsi.org/pda/home.asp?wkr=RTS/TSGR-0325401v460
TTA	TTAT.3G-25.401(R4-4.6.0)	4.6.0	Approved	Mar 03	http://www.tta.or.kr/standardDB/stnfile/TTAT.3G-25.401(R4-4.6.0).zip
Release 5					
ARIB	ARIB STD-T63-25.401	5.10.0	Approved	Sep 08	http://www.arib.or.jp/IMT-2000/ARIB-STD/ITU-R_Rev8/Rel5/A25401-5a0.pdf
ATIS	ATIS.3GPP.25.401V5100-2006	5.10.0	Approved	Apr 06	https://www.atis.org/docstore/default.aspx
ETSI	ETSI TS 125 401	5.10.0	Published	Jul 05	http://pda.etsi.org/pda/home.asp?wkr=RTS/TSGR-0325401v5a0
TTA	TTAT.3G-25.401(R5-5.10.0)	5.10.0	Approved	Apr 06	http://www.tta.or.kr/standardDB/stnfile/TTAT.3G-25.401(R5-5.10.0).zip

Release 6

ARIB	ARIB STD-T63-25.401	6.9.0	Approved	Sep 08	http://www.arib.or.jp/IMT-2000/ARIB-STD/ITU-R_Rev8/Rel6/A25401-690.pdf
ATIS	ATIS.3GPP.25.401V690-2007	6.9.0	Approved	Oct 07	https://www.atis.org/docstore/default.aspx
ETSI	ETSI TS 125 401	6.9.0	Published	Dec 06	http://pda.etsi.org/pda/home.asp?wkr=RTS/TSGR-0325401v690
TTA	TTAT.3G-25.401(R6-6.9.0)	6.9.0	Approved	Dec 07	http://www.tta.or.kr/standardDB/stnfile/TTAT.3G-25.401(R6-6.9.0).zip

Release 7

ARIB	ARIB STD-T63-25.401	7.6.0	Approved	Sep 08	http://www.arib.or.jp/IMT-2000/ARIB-STD/ITU-R_Rev8/Rel7/A25401-760.pdf
ATIS	ATIS.3GPP.25.401V750-2007	7.5.0	Approved	Oct 07	https://www.atis.org/docstore/default.aspx
ETSI	ETSI TS 125 401	7.5.0	Published	Oct 07	http://pda.etsi.org/pda/home.asp?wkr=RTS/TSGR-0325401v750
TTA	TTAT.3G-25.401(R7-7.6.0)	7.6.0	Approved	Oct 08	http://www.tta.or.kr/standardDB/stnfile/TTAT.3G-25.401(R7-7.6.0).zip

Release 8

ARIB	ARIB STD-T63-25.401	8.0.0	Approved	Sep 08	http://www.arib.or.jp/IMT-2000/ARIB-STD/ITU-R_Rev8/Rel8/A25401-800.pdf
ATIS	ATIS.3GPP.25.401V800-2008	8.0.0	Approved	Oct 08	https://www.atis.org/docstore/default.aspx
TTA	TTAT.3G-25.401(R8-8.0.0)	8.0.0	Approved	Oct 08	http://www.tta.or.kr/standardDB/stnfile/TTAT.3G-25.401(R8-8.0.0).zip

5.1.2.3.2 TS 25.402**Synchronization in UTRAN Stage 2**

This document constitutes the Stage 2 specification of different synchronization mechanisms in UTRAN and on Uu.

SDO (2)	Document No.	Version	Status	Issued date	Location (1)
Release 99					
ARIB	ARIB STD-T63-25.402	3.10.0	Approved	Sep 08	http://www.arib.or.jp/IMT-2000/ARIB-STD/ITU-R_Rev8/R99/A25402-3a0.pdf
ATIS	T1.3GPP.25.402V3100-2003	3.10.0	Approved	Mar 03	https://www.atis.org/docstore/default.aspx
ETSI	ETSI TS 125 402	3.10.0	Published	Jul 02	http://pda.etsi.org/pda/home.asp?wkr=RTS/TSGR-0325402v3a0
TTA	TTAT.3G-25.402(R99-3.10.0)	3.10.0	Approved	Mar 03	http://www.tta.or.kr/standardDB/stnfile/TTAT.3G-25.402(R99-3.10.0).zip
Release 4					
ARIB	ARIB STD-T63-25.402	4.6.0	Approved	Sep 08	http://www.arib.or.jp/IMT-2000/ARIB-STD/ITU-R_Rev8/Rel4/A25402-460.pdf
ATIS	T1.3GPP.25.402V460-2003	4.6.0	Approved	Mar 03	https://www.atis.org/docstore/default.aspx
ETSI	ETSI TS 125 402	4.6.0	Published	Jan 03	http://pda.etsi.org/pda/home.asp?wkr=RTS/TSGR-0325402v460
TTA	TTAT.3G-25.402(R4-4.6.0)	4.6.0	Approved	Mar 03	http://www.tta.or.kr/standardDB/stnfile/TTAT.3G-25.402(R4-4.6.0).zip
Release 5					
ARIB	ARIB STD-T63-25.402	5.4.0	Approved	Sep 08	http://www.arib.or.jp/IMT-2000/ARIB-STD/ITU-R_Rev8/Rel5/A25402-540.pdf
ATIS	ATIS.3GPP.25.402V540-2006	5.4.0	Approved	Apr 06	https://www.atis.org/docstore/default.aspx
ETSI	ETSI TS 125 402	5.4.0	Published	Jul 05	http://pda.etsi.org/pda/home.asp?wkr=RTS/TSGR-0325402v540
TTA	TTAT.3G-25.402(R5-5.4.0)	5.4.0	Approved	Apr 06	http://www.tta.or.kr/standardDB/stnfile/TTAT.3G-25.402(R5-5.4.0).zip

Release 6

ARIB	ARIB STD-T63-25.402	6.5.0	Approved	Sep 08	http://www.arib.or.jp/IMT-2000/ARIB-STD/ITU-R_Rev8/Rel6/A25402-650.pdf
ATIS	ATIS.3GPP.25.402V650-2007	6.5.0	Approved	Oct 07	https://www.atis.org/docstore/default.aspx
ETSI	ETSI TS 125 402	6.5.0	Published	Jan 07	http://pda.etsi.org/pda/home.asp?wkr=RTS/TSGR-0325402v650
TTA	TTAT.3G-25.402(R6-6.5.0)	6.5.0	Approved	Dec 07	http://www.tta.or.kr/standardDB/stnfile/TTAT.3G-25.402(R6-6.5.0).zip

Release 7

ARIB	ARIB STD-T63-25.402	7.5.0	Approved	Sep 08	http://www.arib.or.jp/IMT-2000/ARIB-STD/ITU-R_Rev8/Rel7/A25402-750.pdf
ATIS	ATIS.3GPP.25.402V740-2007	7.4.0	Approved	Oct 07	https://www.atis.org/docstore/default.aspx
ETSI	ETSI TS 125 402	7.5.0	Published	Jan 08	http://pda.etsi.org/pda/home.asp?wkr=RTS/TSGR-0325402v750
TTA	TTAT.3G-25.402(R7-7.5.0)	7.5.0	Approved	Oct 08	http://www.tta.or.kr/standardDB/stnfile/TTAT.3G-25.402(R7-7.5.0).zip

5.1.2.3.3 TS 25.410**UTRAN Iu interface: general aspects and principles**

This specification describes an introduction to the 25.41x series of technical specifications that define the Iu interface for the interconnection of RNC component of the UTRAN to the CN.

SDO (2)	Document No.	Version	Status	Issued date	Location (1)
ARIB	Sep 08				
Release 99					
ATIS	T1.3GPP.25.410V380-2003	3.8.0	Approved	Mar 03	https://www.atis.org/docstore/default.aspx
ETSI	ETSI TS 125 410	3.8.0	Published	Oct 02	http://pda.etsi.org/pda/home.asp?wkr=RTS/TSGR-0325410v380
TTA	TTAT.3G-25.410(R99-3.8.0)	3.8.0	Approved	Mar 03	http://www.tta.or.kr/standardDB/stnfile/TTAT.3G-25.410(R99-3.8.0).zip
TTC	TS-3GA-25.410(R99)v3.8.0	3.8.0 R1	Published	Nov 02	http://www.ttc.or.jp/imt/ts/ts25410r99v380.pdf
Release 4					
ATIS	T1.3GPP.25.410V450-2003	4.5.0	Approved	Mar 03	https://www.atis.org/docstore/default.aspx
ETSI	ETSI TS 125 410	4.5.0	Published	Oct 02	http://pda.etsi.org/pda/home.asp?wkr=RTS/TSGR-0325410v450
TTA	TTAT.3G-25.410(R4-4.5.0)	4.5.0	Approved	Mar 03	http://www.tta.or.kr/standardDB/stnfile/TTAT.3G-25.410(R4-4.5.0).zip
TTC	TS-3GA-25.410(Rel4)v4.5.0	4.5.0 R1	Published	Nov 02	http://www.ttc.or.jp/imt/ts/ts25410rel4v450.pdf
Release 5					
ATIS	ATIS.3GPP.25.410V540-2005	5.4.0	Approved	Apr 05	https://www.atis.org/docstore/default.aspx
ETSI	ETSI TS 125 410	5.4.0	Published	Jul 04	http://pda.etsi.org/pda/home.asp?wkr=RTS/TSGR-0325410v540
TTA	TTAT.3G-25.410(R5-5.4.0)	5.4.0	Approved	May 05	http://www.tta.or.kr/standardDB/stnfile/TTAT.3G-25.410(R5-5.4.0).zip
TTC	TS-3GA-25.410(Rel5)v5.4.0	5.4.0 R1	Published	Aug 04	http://www.ttc.or.jp/imt/ts/ts25410rel5v540.pdf

54

Rec. ITU-R M.1457-8

Release 6

ATIS	ATIS.3GPP.25.410V650-2007	6.5.0	Approved	Oct 07	https://www.atis.org/docstore/default.aspx
ETSI	ETSI TS 125 410	6.5.0	Published	May 06	http://pda.etsi.org/pda/home.asp?wkr=RTS/TSGR-0325410v650
TTA	TTAT.3G-25.410(R6-6.5.0)	6.5.0	Approved	Dec 07	http://www.tta.or.kr/standardDB/stnfile/TTAT.3G-25.410(R6-6.5.0).zip
TTC	TS-3GA-25.410(Rel6)v6.5.0	6.5.0 R1	Published	Mar 07	http://www.ttc.or.jp/imt/ts/ts25410rel6v650.pdf

Release 7

ATIS	ATIS.3GPP.25.410V700-2007	7.0.0	Approved	Oct 07	https://www.atis.org/docstore/default.aspx
ETSI	ETSI TS 125 410	7.0.0	Published	May 06	http://pda.etsi.org/pda/home.asp?wkr=RTS/TSGR-0325410v700
TTA	TTAT.3G-25.410(R7-7.0.0)	7.0.0	Approved	Dec 07	http://www.tta.or.kr/standardDB/stnfile/TTAT.3G-25.410(R7-7.0.0).zip
TTC	TS-3GA-25.410(Rel7)v7.0.0	7.0.0 R1	Published	Jan 08	http://www.ttc.or.jp/imt/ts/ts25410rel7v700.pdf

5.1.2.3.4 TS 25.411

UTRAN Iu interface Layer 1

This specification describes the standards allowed to implement Layer 1 on the Iu interface. The specification of transmission delay requirements and O&M requirements are not in the scope of this specification.

SDO (2)	Document No.	Version	Status	Issued date	Location (1)
ARIB	Sep 08				
Release 99					
ATIS	T1.3GPP.25.411V350-2002	3.5.0	Approved	May 02	https://www.atis.org/docstore/default.aspx
ETSI	ETSI TS 125 411	3.5.0	Published	Aug 01	http://pda.etsi.org/pda/home.asp?wkr=RTS/TSGR-0325411UR4
TTA	TTAE.3G-25.411(R99-3.5.0)	3.5.0	Approved	May 02	http://www.tta.or.kr/standardDB/stnfile/TTAE.3G-25.411(R99-3.5.0).zip
TTC	TS-3GA-25.411(R99)v3.5.0	3.5.0 R1	Published	Aug 01	http://www.ttc.or.jp/imt/ts/ts25411r99v350.pdf
Release 4					
ATIS	T1.3GPP.25.411V410-2002	4.1.0	Approved	May 02	https://www.atis.org/docstore/default.aspx
ETSI	ETSI TS 125 411	4.1.0	Published	Aug 01	http://pda.etsi.org/pda/home.asp?wkr=RTS/TSGR-0325411Uv4R1
TTA	TTAE.3G-25.411(R4-4.1.0)	4.1.0	Approved	May 02	http://www.tta.or.kr/standardDB/stnfile/TTAE.3G-25.411(R4-4.1.0).zip
TTC	TS-3GA-25.411(Rel4)v4.1.0	4.1.0 R1	Published	Aug 01	http://www.ttc.or.jp/imt/ts/ts25411rel4v410.pdf
Release 5					
ATIS	ATIS.3GPP.25.411V510-2005	5.1.0	Approved	Apr 05	https://www.atis.org/docstore/default.aspx
ETSI	ETSI TS 125 411	5.1.0	Published	Oct 04	http://pda.etsi.org/pda/home.asp?wkr=RTS/TSGR-0325411v510
TTA	TTAT.3G-25.411(R5-5.1.0)	5.1.0	Approved	May 05	http://www.tta.or.kr/standardDB/stnfile/TTAT.3G-25.411(R5-5.1.0).zip
TTC	TS-3GA-25.411(Rel5)v5.1.0	5.1.0 R1	Published	Nov 04	http://www.ttc.or.jp/imt/ts/ts25411rel5v510.pdf

Release 6

ATIS	ATIS.3GPP.25.411V610-2005	6.1.0	Approved	Apr 05	https://www.atis.org/docstore/default.aspx
ETSI	ETSI TS 125 411	6.1.0	Published	Oct 04	http://pda.etsi.org/pda/home.asp?wkr=RTS/TSGR-0325411v610
TTA	TTAT.3G-25.411(R6-6.1.0)	6.1.0	Approved	May 05	http://www.tta.or.kr/standardDB/stnfile/TTAT.3G-25.411(R6-6.1.0).zip
TTC	TS-3GA-25.411(Rel6)v6.1.0	6.1.0 R1	Published	Nov 04	http://www.ttc.or.jp/imt/ts/ts25411rel6v610.pdf

Release 7

ATIS	ATIS.3GPP.25.411V710-2007	7.1.0	Approved	Oct 07	https://www.atis.org/docstore/default.aspx
ETSI	ETSI TS 125 411	7.1.0	Published	Oct 07	http://pda.etsi.org/pda/home.asp?wkr=RTS/TSGR-0325411v710
TTA	TTAT.3G-25.411(R7-7.1.0)	7.1.0	Approved	Dec 07	http://www.tta.or.kr/standardDB/stnfile/TTAT.3G-25.411(R7-7.1.0).zip
TTC	TS-3GA-25.411(Rel7)v7.1.0	7.1.0 R1	Published	Jan 08	http://www.ttc.or.jp/imt/ts/ts25411rel7v710.pdf

5.1.2.3.5 TS 25.412**UTRAN Iu interface signalling transport**

This specification describes the standards for Signalling Transport to be used across Iu Interface.

SDO (2)	Document No.	Version	Status	Issued date	Location (1)
ARIB	Sep 08				
Release 99					
ATIS	T1.3GPP.25.412V360-2002	3.6.0	Approved	May 02	https://www.atis.org/docstore/default.aspx
ETSI	ETSI TS 125 412	3.6.0	Published	Feb 01	http://pda.etsi.org/pda/home.asp?wkr=RTS/TSGR-0325412UR4
TTA	TTAE.3G-25.412(R99-3.6.0)	3.6.0	Approved	May 02	http://www.tta.or.kr/standardDB/stnfile/TTAE.3G-25.412(R99-3.6.0).zip
TTC	JP-3GA-25.412(R99)v3.6.0	3.6.0 R3	Published	May 01	http://www.ttc.or.jp/imt/ts/ts25412r99v360.pdf
Release 4					
ATIS	T1.3GPP.25.412V410-2003	4.1.0	Approved	Mar 03	https://www.atis.org/docstore/default.aspx
ETSI	ETSI TS 125 412	4.1.0	Published	Oct 02	http://pda.etsi.org/pda/home.asp?wkr=RTS/TSGR-0325412v410
TTA	TTAT.3G-25.412(R4-4.1.0)	4.1.0	Approved	Mar 03	http://www.tta.or.kr/standardDB/stnfile/TTAT.3G-25.412(R4-4.1.0).zip
TTC	TS-3GA-25.412(Rel4)v4.1.0	4.1.0 R1	Published	Nov 02	http://www.ttc.or.jp/imt/ts/ts25412rel4v410.pdf
Release 5					
ATIS	ATIS.3GPP.25.412V520-2005	5.2.0	Approved	Apr 05	https://www.atis.org/docstore/default.aspx
ETSI	ETSI TS 125 412	5.2.0	Published	Jan 05	http://pda.etsi.org/pda/home.asp?wkr=RTS/TSGR-0325412v520
TTA	TTAT.3G-25.412(R5-5.2.0)	5.2.0	Approved	May 05	http://www.tta.or.kr/standardDB/stnfile/TTAT.3G-25.412(R5-5.2.0).zip
TTC	TS-3GA-25.412(Rel5)v5.2.0	5.2.0 R1	Published	Mar 05	http://www.ttc.or.jp/imt/ts/ts25412rel5v520.pdf

Release 6

ATIS	ATIS.3GPP.25.412V640-2007	6.4.0	Approved	Oct 07	https://www.atis.org/docstore/default.aspx
ETSI	ETSI TS 125 412	6.4.0	Published	Jul 06	http://pda.etsi.org/pda/home.asp?wkr=RTS/TSGR-0325412v640
TTA	TTAT.3G-25.412(R6-6.4.0)	6.4.0	Approved	Dec 07	http://www.tta.or.kr/standardDB/stnfile/TTAT.3G-25.412(R6-6.4.0).zip
TTC	TS-3GA-25.412(Rel6)v6.4.0	6.4.0 R1	Published	Mar 07	http://www.ttc.or.jp/imt/ts/25412rel6v640.pdf

Release 7

ATIS	ATIS.3GPP.25.412V710-2007	7.1.0	Approved	Oct 07	https://www.atis.org/docstore/default.aspx
ETSI	ETSI TS 125 412	7.1.0	Published	Jul 06	http://pda.etsi.org/pda/home.asp?wkr=RTS/TSGR-0325412v710
TTA	TTAT.3G-25.412(R7-7.1.0)	7.1.0	Approved	Dec 07	http://www.tta.or.kr/standardDB/stnfile/TTAT.3G-25.412(R7-7.1.0).zip
TTC	TS-3GA-25.412(Rel7)v7.1.0	7.1.0 R1	Published	Jan 08	http://www.ttc.or.jp/imt/ts/25412rel7v710.pdf

5.1.2.3.6 TS 25.413**UTRAN Iu interface RANAP signalling**

This specification describes the signalling between the CN and the UTRAN over the Iu interface.

SDO (2)	Document No.	Version	Status	Issued date	Location (1)
ARIB	Sep 08				
Release 99					
ATIS	T1.3GPP.25.413V3140-2004	3.14.0	Approved	May 04	https://www.atis.org/docstore/default.aspx
ETSI	ETSI TS 125 413	3.14.0	Published	Oct 03	http://pda.etsi.org/pda/home.asp?wkr=RTS/TSGR-0325413v3e0
TTA	TTAT.3G-25.413(R99-3.14.0)	3.14.0	Approved	May 04	http://www.tta.or.kr/standardDB/stnfile/TTAT.3G-25.413(R99-3.14.0).zip
TTC	TS-3GA-25.413(R99)v3.14.0	3.14.0 R1	Published	Nov 03	http://www.ttc.or.jp/imt/ts/25413r99v3e0.pdf
Release 4					
ATIS	ATIS.3GPP.25.413V4120-2005	4.12.0	Approved	Apr 05	https://www.atis.org/docstore/default.aspx
ETSI	ETSI TS 125 413	4.12.0	Published	Apr 04	http://pda.etsi.org/pda/home.asp?wkr=RTS/TSGR-0325413v4c0
TTA	TTAT.3G-25.413(R4-4.12.0)	4.12.0	Approved	May 05	http://www.tta.or.kr/standardDB/stnfile/TTAT.3G-25.413(R4-4.12.0).zip
TTC	TS-3GA-25.413(Rel4)v4.12.0	4.12.0 R1	Published	May 04	http://www.ttc.or.jp/imt/ts/25413rel4v4c0.pdf
Release 5					
ATIS	ATIS.3GPP.25.413V5120-2006	5.12.0	Approved	Apr 06	https://www.atis.org/docstore/default.aspx
ETSI	ETSI TS 125 413	5.12.0	Published	Jul 05	http://pda.etsi.org/pda/home.asp?wkr=RTS/TSGR-0325413v5c0
TTA	TTAT.3G-25.413(R5-5.12.0)	5.12.0	Approved	Apr 06	http://www.tta.or.kr/standardDB/stnfile/TTAT.3G-25.413(R5-5.12.0).zip
TTC	TS-3GA-25.413(Rel5)v5.11.0	5.11.0 R1	Published	May 05	http://www.ttc.or.jp/imt/ts/25413rel5v5b0.pdf

Release 6

ATIS	ATIS.3GPP.25.413V6160-2008	6.16.0	Approved	Oct 08	https://www.atis.org/docstore/default.aspx
ETSI	ETSI TS 125 413	6.16.0	Awaiting publication		http://pda.etsi.org/pda/home.asp?wkr=RTS/TSGR-0325413v6g0
TTA	TTAT.3G-25.413(R6-6.16.0)	6.16.0	Approved	Oct 08	http://www.tta.or.kr/standardDB/stnfile/TTAT.3G-25.413(R6-6.16.0).zip
TTC	TS-3GA-25.413(Rel6)v6.16.0	6.16.0 R1	Approved	Oct 08	http://www.ttc.or.jp/imt/ts/ts25413rel6v6g0.pdf

Release 7

ATIS	ATIS.3GPP.25.413V790-2008	7.9.0	Approved	Oct 08	https://www.atis.org/docstore/default.aspx
ETSI	ETSI TS 125 413	7.8.0	Awaiting publication		http://pda.etsi.org/pda/home.asp?wkr=RTS/TSGR-0325413v780
TTA	TTAT.3G-25.413(R7-7.9.0)	7.9.0	Approved	Oct 08	http://www.tta.or.kr/standardDB/stnfile/TTAT.3G-25.413(R7-7.9.0).zip
TTC	TS-3GA-25.413(Rel7)v7.9.0	7.9.0 R1	Approved	Oct 08	http://www.ttc.or.jp/imt/ts/ts25413rel7v790.pdf

5.1.2.3.7 TS 25.414**UTRAN Iu interface data transport and transport signalling**

This specification describes the standards for user data transport protocols and related signalling protocols to establish user plane transport bearers over the Iu interface.

SDO (2)	Document No.	Version	Status	Issued date	Location (1)
ARIB	Sep 08				
Release 99					
ATIS	T1.3GPP.25.414V3130-2004	3.13.0	Approved	May 04	https://www.atis.org/docstore/default.aspx
ETSI	ETSI TS 125 414	3.13.0	Published	Apr 03	http://pda.etsi.org/pda/home.asp?wkr=RTS/TSGR-0325414v3d0
TTA	TTAT.3G-25.414(R99-3.13.0)	3.13.0	Approved	May 04	http://www.tta.or.kr/standardDB/stnfile/TTAT.3G-25.414(R99-3.13.0).zip
TTC	TS-3GA-25.414(R99)v3.13.0	3.13.0 R1	Published	May 03	http://www.ttc.or.jp/imt/ts/ts25414r99v3d0.pdf
Release 4					
ATIS	T1.3GPP.25.414V470-2004	4.7.0	Approved	May 04	https://www.atis.org/docstore/default.aspx
ETSI	ETSI TS 125 414	4.7.0	Published	Jan 04	http://pda.etsi.org/pda/home.asp?wkr=RTS/TSGR-0325414v470
TTA	TTAT.3G-25.414(R4-4.7.0)	4.7.0	Approved	May 04	http://www.tta.or.kr/standardDB/stnfile/TTAT.3G-25.414(R4-4.7.0).zip
TTC	TS-3GA-25.414(Rel4)v4.7.0	4.7.0 R1	Published	Feb 04	http://www.ttc.or.jp/imt/ts/ts25414rel4v470.pdf
Release 5					
ATIS	ATIS.3GPP.25.414V570-2005	5.7.0	Approved	Apr 05	https://www.atis.org/docstore/default.aspx
ETSI	ETSI TS 125 414	5.7.0	Published	Oct 04	http://pda.etsi.org/pda/home.asp?wkr=RTS/TSGR-0325414v570
TTA	TTAT.3G-25.414(R5-5.7.0)	5.7.0	Approved	May 05	http://www.tta.or.kr/standardDB/stnfile/TTAT.3G-25.414(R5-5.7.0).zip
TTC	TS-3GA-25.414(Rel5)v5.7.0	5.7.0 R1	Published	Nov 04	http://www.ttc.or.jp/imt/ts/ts25414rel5v570.pdf

Release 6

ATIS	ATIS.3GPP.25.414V640-2007	6.4.0	Approved	Oct 07	https://www.atis.org/docstore/default.aspx
ETSI	ETSI TS 125 414	6.4.0	Published	Oct 06	http://pda.etsi.org/pda/home.asp?wkr=RTS/TSGR-0325414v640
TTA	TTAT.3G-25.414(R6-6.4.0)	6.4.0	Approved	Dec 07	http://www.tta.or.kr/standardDB/stnfile/TTAT.3G-25.414(R6-6.4.0).zip
TTC	TS-3GA-25.414(Rel6)v6.4.0	6.4.0 R1	Published	Mar 07	http://www.ttc.or.jp/imt/ts/ts25414rel6v640.pdf

Release 7

ATIS	ATIS.3GPP.25.414V710-2007	7.1.0	Approved	Oct 07	https://www.atis.org/docstore/default.aspx
ETSI	ETSI TS 125 414	7.1.0	Published	Oct 06	http://pda.etsi.org/pda/home.asp?wkr=RTS/TSGR-0325414v710
TTA	TTAT.3G-25.414(R7-7.1.0)	7.1.0	Approved	Dec 07	http://www.tta.or.kr/standardDB/stnfile/TTAT.3G-25.414(R7-7.1.0).zip
TTC	TS-3GA-25.414(Rel7)v7.1.0	7.1.0 R1	Published	Jan 08	http://www.ttc.or.jp/imt/ts/ts25414rel7v710.pdf

5.1.2.3.8 TS 25.415**UTRAN Iu interface user plane protocols**

This specification describes the protocols being used to transport and control over the Iu interface, the Iu user data streams.

SDO (2)	Document No.	Version	Status	Issued date	Location (1)
ARIB	Sep 08				

Release 99

ATIS	T1.3GPP.25.415V3120-2003	3.12.0	Approved	Mar 03	https://www.atis.org/docstore/default.aspx
ETSI	ETSI TS 125 415	3.12.0	Published	Oct 02	http://pda.etsi.org/pda/home.asp?wkr=RTS/TSGR-0325415v3c0
TTA	TTAT.3G-25.415(R99-3.12.0)	3.12.0	Approved	Mar 03	http://www.tta.or.kr/standardDB/stnfile/TTAT.3G-25.415(R99-3.12.0).zip
TTC	TS-3GA-25.415(R99)v3.12.0	3.12.0 R1	Published	Nov 02	http://www.ttc.or.jp/imt/ts/ts25415r99v3c0.pdf

Release 4

ATIS	T1.3GPP.25.415V470-2003	4.7.0	Approved	Mar 03	https://www.atis.org/docstore/default.aspx
ETSI	ETSI TS 125 415	4.7.0	Published	Jan 03	http://pda.etsi.org/pda/home.asp?wkr=RTS/TSGR-0325415v470
TTA	TTAT.3G-25.415(R4-4.7.0)	4.7.0	Approved	Mar 03	http://www.tta.or.kr/standardDB/stnfile/TTAT.3G-25.415(R4-4.7.0).zip
TTC	TS-3GA-25.415(Rel4)v4.7.0	4.7.0 R1	Published	Feb 03	http://www.ttc.or.jp/imt/ts/ts25415rel4v470.pdf

Release 5

ATIS	ATIS.3GPP.25.415V550-2006	5.5.0	Approved	Apr 06	https://www.atis.org/docstore/default.aspx
ETSI	ETSI TS 125 415	5.5.0	Published	Apr 05	http://pda.etsi.org/pda/home.asp?wkr=RTS/TSGR-0325415v550
TTA	TTAT.3G-25.415(R5-5.5.0)	5.5.0	Approved	Apr 06	http://www.tta.or.kr/standardDB/stnfile/TTAT.3G-25.415(R5-5.5.0).zip
TTC	TS-3GA-25.415(Rel5)v5.5.0	5.5.0 R1	Published	May 05	http://www.ttc.or.jp/imt/ts/ts25415rel5v550.pdf

Release 6

ATIS	ATIS.3GPP.25.415V630-2007	6.3.0	Approved	Oct 07	https://www.atis.org/docstore/default.aspx
ETSI	ETSI TS 125 415	6.3.0	Published	Jul 06	http://pda.etsi.org/pda/home.asp?wkr=RTS/TSGR-0325415v630
TTA	TTAT.3G-25.415(R6-6.3.0)	6.3.0	Approved	Dec 07	http://www.tta.or.kr/standardDB/stnfile/TTAT.3G-25.415(R6-6.3.0).zip
TTC	TS-3GA-25.415(Rel6)v6.3.0	6.3.0 R1	Published	Mar 07	http://www.ttc.or.jp/imt/ts/ts25415rel6v630.pdf

Release 7

ATIS	ATIS.3GPP.25.415V730-2007	7.3.0	Approved	Oct 07	https://www.atis.org/docstore/default.aspx
ETSI	ETSI TS 125 415	7.3.0	Published	Jan 07	http://pda.etsi.org/pda/home.asp?wkr=RTS/TSGR-0325415v730
TTA	TTAT.3G-25.415(R7-7.3.0)	7.3.0	Approved	Dec 07	http://www.tta.or.kr/standardDB/stnfile/TTAT.3G-25.415(R7-7.3.0).zip
TTC	TS-3GA-25.415(Rel7)v7.3.0	7.3.0 R1	Published	Jan 08	http://www.ttc.or.jp/imt/ts/ts25415rel7v730.pdf

5.1.2.3.9 TS 25.419**UTRAN Iu-bc interface: Cell broadcast protocols between CBC and RNC**

This document specifies the Service Area Broadcast Protocol (SABP) between the Cell Broadcast Centre (CBC) and the Radio Network Controller (RNC).

SDO (2)	Document No.	Version	Status	Issued date	Location (1)
ARIB	Sep 08				

Release 99

ATIS	T1.3GPP.25.419V3110-2004	3.11.0	Approved	May 04	https://www.atis.org/docstore/default.aspx
ETSI	ETSI TS 125 419	3.11.0	Published	Jun 03	http://pda.etsi.org/pda/home.asp?wkr=RTS/TSGR-0325419v3b0
TTA	TTAT.3G-25.419(R99-3.11.0)	3.11.0	Approved	May 04	http://www.tta.or.kr/standardDB/stnfile/TTAT.3G-25.419(R99-3.11.0).zip
TTC	TS-3GA-25.419(R99)v3.11.0	3.11.0 R1	Published	Aug 03	http://www.ttc.or.jp/imt/ts/ts25419r99v3b0.pdf

Release 4

ATIS	T1.3GPP.25.419V4100-2004	4.10.0	Approved	May 04	https://www.atis.org/docstore/default.aspx
ETSI	ETSI TS 125 419	4.10.0	Published	Jan 04	http://pda.etsi.org/pda/home.asp?wkr=RTS/TSGR-0325419v4a0
TTA	TTAT.3G-25.419(R4-4.10.0)	4.10.0	Approved	May 04	http://www.tta.or.kr/standardDB/stnfile/TTAT.3G-25.419(R4-4.10.0).zip
TTC	TS-3GA-25.419(Rel4)v4.10.0	4.10.0 R1	Published	Feb 04	http://www.ttc.or.jp/imt/ts/ts25419rel4v4a0.pdf

Release 5

ATIS	ATIS.3GPP.25.419V570-2005	5.7.0	Approved	Apr 05	https://www.atis.org/docstore/default.aspx
ETSI	ETSI TS 125 419	5.7.0	Published	Apr 04	http://pda.etsi.org/pda/home.asp?wkr=RTS/TSGR-0325419v570
TTA	TTAT.3G-25.419(R5-5.7.0)	5.7.0	Approved	May 05	http://www.tta.or.kr/standardDB/stnfile/TTAT.3G-25.419(R5-5.7.0).zip
TTC	TS-3GA-25.419(Rel5)v5.7.0	5.7.0 R1	Published	May 04	http://www.ttc.or.jp/imt/ts/ts25419rel5v570.pdf

Release 6

ATIS	ATIS.3GPP.25.419V620-2005	6.2.0	Approved	Apr 05	https://www.atis.org/docstore/default.aspx
ETSI	ETSI TS 125 419	6.2.0	Published	Jan 05	http://pda.etsi.org/pda/home.asp?wkr=RTS/TSGR-0325419v620
TTA	TTAT.3G-25.419(R6-6.2.0)	6.2.0	Approved	May 05	http://www.tta.or.kr/standardDB/stnfile/TTAT.3G-25.419(R6-6.2.0).zip
TTC	TS-3GA-25.419(Rel6)v6.2.0	6.2.0 R1	Published	Mar 05	http://www.ttc.or.jp/imt/ts/ts25419rel6v620.pdf

Release 7

ATIS	ATIS.3GPP.25.419V700-2007	7.0.0	Approved	Oct 07	https://www.atis.org/docstore/default.aspx
ETSI	ETSI TS 125 419	7.0.0	Published	May 06	http://pda.etsi.org/pda/home.asp?wkr=RTS/TSGR-0325419v700
TTA	TTAT.3G-25.419(R7-7.0.0)	7.0.0	Approved	Dec 07	http://www.tta.or.kr/standardDB/stnfile/TTAT.3G-25.419(R7-7.0.0).zip
TTC	TS-3GA-25.419(Rel7)v7.0.0	7.0.0 R1	Published	Jan 08	http://www.ttc.or.jp/imt/ts/ts25419rel7v700.pdf

5.1.2.3.10 TS 25.420**UTRAN Iur interface: general aspects and principles**

This specification describes an introduction to the TSG RAN TS 25.42x series of technical specifications that define the Iur interface. It is a logical interface for the interconnection of two RNC components of the UTRAN.

SDO (2)	Document No.	Version	Status	Issued date	Location (1)
Release 99					
ARIB	ARIB STD-T63-25.420	3.5.0	Approved	Sep 08	http://www.arib.or.jp/IMT-2000/ARIB-STD/ITU-R_Rev8/R99/A25420-350.pdf
ATIS	T1.3GPP.25.420V350-2002	3.5.0	Approved	May 02	https://www.atis.org/docstore/default.aspx
ETSI	ETSI TS 125 420	3.5.0	Published	Apr 02	http://pda.etsi.org/pda/home.asp?wkr=RTS/TSGR-0325420UR5
TTA	TTAE.3G-25.420(R99-3.5.0)	3.5.0	Approved	May 02	http://www.tta.or.kr/standardDB/stnfile/TTAE.3G-25.420(R99-3.5.0).zip
Release 4					
ARIB	ARIB STD-T63-25.420	4.2.0	Approved	Sep 08	http://www.arib.or.jp/IMT-2000/ARIB-STD/ITU-R_Rev8/Rel4/A25420-420.pdf
ATIS	T1.3GPP.25.420V420-2002	4.2.0	Approved	May 02	https://www.atis.org/docstore/default.aspx
ETSI	ETSI TS 125 420	4.2.0	Published	Apr 02	http://pda.etsi.org/pda/home.asp?wkr=RTS/TSGR-0325420Uv4R2
TTA	TTAE.3G-25.420(R4-4.2.0)	4.2.0	Approved	May 02	http://www.tta.or.kr/standardDB/stnfile/TTAE.3G-25.420(R4-4.2.0).zip
Release 5					
ARIB	ARIB STD-T63-25.420	5.3.0	Approved	Sep 08	http://www.arib.or.jp/IMT-2000/ARIB-STD/ITU-R_Rev8/Rel5/A25420-530.pdf
ATIS	ATIS.3GPP.25.420V530-2006	5.3.0	Approved	Apr 06	https://www.atis.org/docstore/default.aspx
ETSI	ETSI TS 125 420	5.3.0	Published	Jul 05	http://pda.etsi.org/pda/home.asp?wkr=RTS/TSGR-0325420v530
TTA	TTAT.3G-25.420(R5-5.3.0)	5.3.0	Approved	Apr 06	http://www.tta.or.kr/standardDB/stnfile/TTAT.3G-25.420(R5-5.3.0).zip

Release 6

ARIB	ARIB STD-T63-25.420	6.4.0	Approved	Sep 08	http://www.arib.or.jp/IMT-2000/ARIB-STD/ITU-R_Rev8/Rel6/A25420-640.pdf
ATIS	ATIS.3GPP.25.420V640-2006	6.4.0	Approved	Apr 06	https://www.atis.org/docstore/default.aspx
ETSI	ETSI TS 125 420	6.4.0	Published	Jul 05	http://pda.etsi.org/pda/home.asp?wkr=RTS/TSGR-0325420v640
TTA	TTAT.3G-25.420(R6-6.4.0)	6.4.0	Approved	Apr 06	http://www.tta.or.kr/standardDB/stnfile/TTAT.3G-25.420(R6-6.4.0).zip

Release 7

ARIB	ARIB STD-T63-25.420	7.3.0	Approved	Sep 08	http://www.arib.or.jp/IMT-2000/ARIB-STD/ITU-R_Rev8/Rel7/A25420-730.pdf
ATIS	ATIS.3GPP.25.420V730-2007	7.3.0	Approved	Oct 07	https://www.atis.org/docstore/default.aspx
ETSI	ETSI TS 125 420	7.3.0	Published	Mar 07	http://pda.etsi.org/pda/home.asp?wkr=RTS/TSGR-0325420v730
TTA	TTAT.3G-25.420(R7-7.3.0)	7.3.0	Approved	Dec 07	http://www.tta.or.kr/standardDB/stnfile/TTAT.3G-25.420(R7-7.3.0).zip

5.1.2.3.11 TS 25.421**UTRAN Iur interface Layer 1**

This specification describes the standards allowed to implement Layer 1 on the Iur interface. The specification of transmission delay requirements and O&M requirements are not in the scope of this specification.

SDO (2)	Document No.	Version	Status	Issued date	Location (1)
Release 99					
ARIB	ARIB STD-T63-25.421	3.1.0	Approved	Sep 08	http://www.arib.or.jp/IMT-2000/ARIB-STD/ITU-R_Rev8/R99/A25421-310.pdf
ATIS	T1.3GPP.25.421V310-2002	3.1.0	Approved	May 02	https://www.atis.org/docstore/default.aspx
ETSI	ETSI TS 125 421	3.1.0	Published	Apr 01	http://pda.etsi.org/pda/home.asp?wkr=RTS/TSGR-0325421UR1
TTA	TTAE.3G-25.421(R99-3.1.0)	3.1.0	Approved	May 02	http://www.tta.or.kr/standardDB/stnfile/TTAE.3G-25.421(R99-3.1.0).zip
Release 4					
ARIB	ARIB STD-T63-25.421	4.0.0	Approved	Sep 08	http://www.arib.or.jp/IMT-2000/ARIB-STD/ITU-R_Rev8/Rel4/A25421-400.pdf
ATIS	T1.3GPP.25.421V400-2002	4.0.0	Approved	May 02	https://www.atis.org/docstore/default.aspx
ETSI	ETSI TS 125 421	4.0.0	Published	Apr 01	http://pda.etsi.org/pda/home.asp?wkr=RTS/TSGR-0325421Uv4
TTA	TTAE.3G-25.421(R4-4.0.0)	4.0.0	Approved	May 02	http://www.tta.or.kr/standardDB/stnfile/TTAE.3G-25.421(R4-4.0.0).zip
Release 5					
ARIB	ARIB STD-T63-25.421	5.0.0	Approved	Sep 08	http://www.arib.or.jp/IMT-2000/ARIB-STD/ITU-R_Rev8/Rel5/A25421-500.pdf
ATIS	T1.3GPP.25.421V500-2002	5.0.0	Approved	May 02	https://www.atis.org/docstore/default.aspx
ETSI	ETSI TS 125 421	5.0.0	Published	Apr 02	http://pda.etsi.org/pda/home.asp?wkr=RTS/TSGR-0325421Uv5
TTA	TTAE.3G-25.421(R5-5.0.0)	5.0.0	Approved	May 02	http://www.tta.or.kr/standardDB/stnfile/TTAE.3G-25.421(R5-5.0.0).zip

62

Rec. ITU-R M.1457-8

Release 6

ARIB	ARIB STD-T63-25.421	6.0.0	Approved	Sep 08	http://www.arib.or.jp/IMT-2000/ARIB-STD/ITU-R_Rev8/Rel6/A25421-600.pdf
ATIS	T1.3GPP.25.421V600-2004	6.0.0	Approved	May 04	https://www.atis.org/docstore/default.aspx
ETSI	ETSI TS 125 421	6.0.0	Published	Jan 04	http://pda.etsi.org/pda/home.asp?wkr=RTS/TSGR-0325421v600
TTA	TTAT.3G-25.421(R6-6.0.0)	6.0.0	Approved	May 04	http://www.tta.or.kr/standardDB/stnfile/TTAT.3G-25.421(R6-6.0.0).zip

Release 7

ARIB	ARIB STD-T63-25.421	7.0.0	Approved	Sep 08	http://www.arib.or.jp/IMT-2000/ARIB-STD/ITU-R_Rev8/Rel7/A25421-700.pdf
ATIS	ATIS.3GPP.25.421V700-2007	7.0.0	Approved	Oct 07	https://www.atis.org/docstore/default.aspx
ETSI	ETSI TS 125 421	7.0.0	Published	May 06	http://pda.etsi.org/pda/home.asp?wkr=RTS/TSGR-0325421v700
TTA	TTAT.3G-25.421(R7-7.0.0)	7.0.0	Approved	Dec 07	http://www.tta.or.kr/standardDB/stnfile/TTAT.3G-25.421(R7-7.0.0).zip

5.1.2.3.12 TS 25.422

UTRAN Iur interface signalling transport

This specification describes the standards for Signalling Transport to be used across Iur Interface.

SDO (2)	Document No.	Version	Status	Issued date	Location (1)
Release 99					
ARIB	ARIB STD-T63-25.422	3.6.1	Approved	Sep 08	http://www.arib.or.jp/IMT-2000/ARIB-STD/ITU-R_Rev8/R99/A25422-361.pdf
ATIS	T1.3GPP.25.422V361-2002	3.6.1	Approved	May 02	https://www.atis.org/docstore/default.aspx
ETSI	ETSI TS 125 422	3.6.1	Published	Apr 02	http://pda.etsi.org/pda/home.asp?wkr=RTS/TSGR-0325422UR6
TTA	TTAT.3G-25.422(R99-3.6.1)	3.6.1	Approved	Mar 03	http://www.tta.or.kr/standardDB/stnfile/TTAT.3G-25.422(R99-3.6.1).zip
Release 4					
ARIB	ARIB STD-T63-25.422	4.2.0	Approved	Sep 08	http://www.arib.or.jp/IMT-2000/ARIB-STD/ITU-R_Rev8/Rel4/A25422-420.pdf
ATIS	T1.3GPP.25.422V420-2003	4.2.0	Approved	Mar 03	https://www.atis.org/docstore/default.aspx
ETSI	ETSI TS 125 422	4.2.0	Published	Oct 02	http://pda.etsi.org/pda/home.asp?wkr=RTS/TSGR-0325422v420
TTA	TTAT.3G-25.422(R4-4.2.0)	4.2.0	Approved	Mar 03	http://www.tta.or.kr/standardDB/stnfile/TTAT.3G-25.422(R4-4.2.0).zip
Release 5					
ARIB	ARIB STD-T63-25.422	5.1.0	Approved	Sep 08	http://www.arib.or.jp/IMT-2000/ARIB-STD/ITU-R_Rev8/Rel5/A25422-510.pdf
ATIS	T1.3GPP.25.422V510-2003	5.1.0	Approved	Mar 03	https://www.atis.org/docstore/default.aspx
ETSI	ETSI TS 125 422	5.1.0	Published	Oct 02	http://pda.etsi.org/pda/home.asp?wkr=RTS/TSGR-0325422v510
TTA	TTAT.3G-25.422(R5-5.1.0)	5.1.0	Approved	Mar 03	http://www.tta.or.kr/standardDB/stnfile/TTAT.3G-25.422(R5-5.1.0).zip

Release 6

ARIB	ARIB STD-T63-25.422	6.2.0	Approved	Sep 08	http://www.arib.or.jp/IMT-2000/ARIB-STD/ITU-R_Rev8/Rel6/A25422-620.pdf
ATIS	ATIS.3GPP.25.422V620-2006	6.2.0	Approved	Apr 06	https://www.atis.org/docstore/default.aspx
ETSI	ETSI TS 125 422	6.2.0	Published	Jan 06	http://pda.etsi.org/pda/home.asp?wkr=RTS/TSGR-0325422v620
TTA	TTAT.3G-25.422(R6-6.2.0)	6.2.0	Approved	Apr 06	http://www.tta.or.kr/standardDB/stnfile/TTAT.3G-25.422(R6-6.2.0).zip

Release 7

ARIB	ARIB STD-T63-25.422	7.1.0	Approved	Sep 08	http://www.arib.or.jp/IMT-2000/ARIB-STD/ITU-R_Rev8/Rel7/A25422-710.pdf
ATIS	ATIS.3GPP.25.422V710-2007	7.1.0	Approved	Oct 07	https://www.atis.org/docstore/default.aspx
ETSI	ETSI TS 125 422	7.1.0	Published	Oct 07	http://pda.etsi.org/pda/home.asp?wkr=RTS/TSGR-0325422v710
TTA	TTAT.3G-25.422(R7-7.1.0)	7.1.0	Approved	Dec 07	http://www.tta.or.kr/standardDB/stnfile/TTAT.3G-25.422(R7-7.1.0).zip

5.1.2.3.13 TS 25.423**UTRAN Iur interface RNSAP signalling**

This specification describes the radio network layer signalling procedures between RNCs in UTRAN.

SDO (2)	Document No.	Version	Status	Issued date	Location (1)
Release 99					
ARIB	ARIB STD-T63-25.423	3.14.2	Approved	Sep 08	http://www.arib.or.jp/IMT-2000/ARIB-STD/ITU-R_Rev8/R99/A25423-3e2.pdf
ATIS	ATIS.3GPP.25.423V3142-2005	3.14.2	Approved	Apr 05	https://www.atis.org/docstore/default.aspx
ETSI	ETSI TS 125 423	3.14.2	Published	Jul 04	http://pda.etsi.org/pda/home.asp?wkr=RTS/TSGR-0325423v3e2
TTA	TTAT.3G-25.423(R99-3.14.2)	3.14.2	Approved	May 05	http://www.tta.or.kr/standardDB/stnfile/TTAT.3G-25.423(R99-3.14.2).zip
Release 4					
ARIB	ARIB STD-T63-25.423	4.13.0	Approved	Sep 08	http://www.arib.or.jp/IMT-2000/ARIB-STD/ITU-R_Rev8/Rel4/A25423-4d0.pdf
ATIS	ATIS.3GPP.25.423V4130-2006	4.13.0	Approved	Apr 06	https://www.atis.org/docstore/default.aspx
ETSI	ETSI TS 125 423	4.13.0	Published	Jan 06	http://pda.etsi.org/pda/home.asp?wkr=RTS/TSGR-0325423v4d0
TTA	TTAT.3G-25.423(R4-4.13.0)	4.13.0	Approved	Apr 06	http://www.tta.or.kr/standardDB/stnfile/TTAT.3G-25.423(R4-4.13.0).zip
Release 5					
ARIB	ARIB STD-T63-25.423	5.17.0	Approved	Sep 08	http://www.arib.or.jp/IMT-2000/ARIB-STD/ITU-R_Rev8/Rel5/A25423-5h0.pdf
ATIS	ATIS.3GPP.25.423V5170-2007	5.17.0	Approved	Oct 07	https://www.atis.org/docstore/default.aspx
ETSI	ETSI TS 125 423	5.17.0	Published	May 06	http://pda.etsi.org/pda/home.asp?wkr=RTS/TSGR-0325423v5h0
TTA	TTAT.3G-25.423(R5-5.17.0)	5.17.0	Approved	Dec 07	http://www.tta.or.kr/standardDB/stnfile/TTAT.3G-25.423(R5-5.17.0).zip

Release 6

ARIB	ARIB STD-T63-25.423	6.17.0	Approved	Sep 08	http://www.arib.or.jp/IMT-2000/ARIB-STD/ITU-R_Rev8/Rel6/A25423-6h0.pdf
ATIS	ATIS.3GPP.25.423V6170-2008	6.17.0	Approved	Oct 08	https://www.atis.org/docstore/default.aspx
ETSI	ETSI TS 125 423	6.15.0	Published	Oct 07	http://pda.etsi.org/pda/home.asp?wkr=RTS/TSGR-0325423v6f0
TTA	TTAT.3G-25.423(R6-6.17.0)	6.17.0	Approved	Oct 08	http://www.tta.or.kr/standardDB/stnfile/TTAT.3G-25.423(R6-6.17.0).zip

Release 7

ARIB	ARIB STD-T63-25.423	7.9.0	Approved	Sep 08	http://www.arib.or.jp/IMT-2000/ARIB-STD/ITU-R_Rev8/Rel7/A25423-790.pdf
ATIS	ATIS.3GPP.25.423V790-2008	7.9.0	Approved	Oct 08	https://www.atis.org/docstore/default.aspx
ETSI	ETSI TS 125 423	7.7.0	Published	Jan 08	http://pda.etsi.org/pda/home.asp?wkr=RTS/TSGR-0325423v770
TTA	TTAT.3G-25.423(R7-7.9.0)	7.9.0	Approved	Oct 08	http://www.tta.or.kr/standardDB/stnfile/TTAT.3G-25.423(R7-7.9.0).zip

Release 8

ARIB	ARIB STD-T63-25.423	8.1.0	Approved	Sep 08	http://www.arib.or.jp/IMT-2000/ARIB-STD/ITU-R_Rev8/Rel8/A25423-810.pdf
ATIS	ATIS.3GPP.25.423V810-2008	8.1.0	Approved	Oct 08	https://www.atis.org/docstore/default.aspx
TTA	TTAT.3G-25.423(R8-8.1.0)	8.1.0	Approved	Oct 08	http://www.tta.or.kr/standardDB/stnfile/TTAT.3G-25.423(R8-8.1.0).zip

5.1.2.3.14 TS 25.424**UTRAN Iur interface data transport and transport signalling for common transport channel data streams**

This specification describes the UTRAN RNS-RNS (Iur) interface data transport and transport signalling for common transport channel data streams.

SDO (2)	Document No.	Version	Status	Issued date	Location (1)
Release 99					
ARIB	ARIB STD-T63-25.424	3.9.0	Approved	Sep 08	http://www.arib.or.jp/IMT-2000/ARIB-STD/ITU-R_Rev8/R99/A25424-390.pdf
ATIS	T1.3GPP.25.424V390-2003	3.9.0	Approved	Mar 03	https://www.atis.org/docstore/default.aspx
ETSI	ETSI TS 125 424	3.9.0	Published	Jul 02	http://pda.etsi.org/pda/home.asp?wkr=RTS/TSGR-0325424v390
TTA	TTAT.3G-25.424(R99-3.9.0)	3.9.0	Approved	Mar 03	http://www.tta.or.kr/standardDB/stnfile/TTAT.3G-25.424(R99-3.9.0).zip
Release 4					
ARIB	ARIB STD-T63-25.424	4.3.0	Approved	Sep 08	http://www.arib.or.jp/IMT-2000/ARIB-STD/ITU-R_Rev8/Rel4/A25424-430.pdf
ATIS	T1.3GPP.25.424V430-2003	4.3.0	Approved	Mar 03	https://www.atis.org/docstore/default.aspx
ETSI	ETSI TS 125 424	4.3.0	Published	Jul 02	http://pda.etsi.org/pda/home.asp?wkr=RTS/TSGR-0325424v430
TTA	TTAT.3G-25.424(R4-4.3.0)	4.3.0	Approved	Mar 03	http://www.tta.or.kr/standardDB/stnfile/TTAT.3G-25.424(R4-4.3.0).zip

Release 5

ARIB	ARIB STD-T63-25.424	5.6.0	Approved	Sep 08	http://www.arib.or.jp/IMT-2000/ARIB-STD/ITU-R_Rev8/Rel5/A25424-560.pdf
ATIS	ATIS.3GPP.25.424V560-2006	5.6.0	Approved	Apr 06	https://www.atis.org/docstore/default.aspx
ETSI	ETSI TS 125 424	5.6.0	Published	Oct 05	http://pda.etsi.org/pda/home.asp?wkr=RTS/TSGR-0325424v560
TTA	TTAT.3G-25.424(R5-5.6.0)	5.6.0	Approved	Apr 06	http://www.tta.or.kr/standardDB/stnfile/TTAT.3G-25.424(R5-5.6.0).zip

Release 6

ARIB	ARIB STD-T63-25.424	6.3.0	Approved	Sep 08	http://www.arib.or.jp/IMT-2000/ARIB-STD/ITU-R_Rev8/Rel6/A25424-630.pdf
ATIS	ATIS.3GPP.25.424V630-2006	6.3.0	Approved	Apr 06	https://www.atis.org/docstore/default.aspx
ETSI	ETSI TS 125 424	6.3.0	Published	Oct 05	http://pda.etsi.org/pda/home.asp?wkr=RTS/TSGR-0325424v630
TTA	TTAT.3G-25.424(R6-6.3.0)	6.3.0	Approved	Apr 06	http://www.tta.or.kr/standardDB/stnfile/TTAT.3G-25.424(R6-6.3.0).zip

Release 7

ARIB	ARIB STD-T63-25.424	7.1.0	Approved	Sep 08	http://www.arib.or.jp/IMT-2000/ARIB-STD/ITU-R_Rev8/Rel7/A25424-710.pdf
ATIS	ATIS.3GPP.25.424V710-2007	7.1.0	Approved	Oct 07	https://www.atis.org/docstore/default.aspx
ETSI	ETSI TS 125 424	7.1.0	Published	Jan 07	http://pda.etsi.org/pda/home.asp?wkr=RTS/TSGR-0325424v710
TTA	TTAT.3G-25.424(R7-7.1.0)	7.1.0	Approved	Dec 07	http://www.tta.or.kr/standardDB/stnfile/TTAT.3G-25.424(R7-7.1.0).zip

5.1.2.3.15 TS 25.425**UTRAN Iur interface user plane protocols for common transport channel data streams**

This specification describes the UTRAN RNS-RNS (Iur) interface user plane protocols for common transport channel data streams.

SDO (2) **Document No.** **Version** **Status** **Issued date** **Location (1)**

Release 99

ARIB	ARIB STD-T63-25.425	3.8.0	Approved	Sep 08	http://www.arib.or.jp/IMT-2000/ARIB-STD/ITU-R_Rev8/R99/A25425-380.pdf
ATIS	T1.3GPP.25.425V380-2004	3.8.0	Approved	May 04	https://www.atis.org/docstore/default.aspx
ETSI	ETSI TS 125 425	3.8.0	Published	Jan 04	http://pda.etsi.org/pda/home.asp?wkr=RTS/TSGR-0325425v380
TTA	TTAT.3G-25.425(R99-3.8.0)	3.8.0	Approved	May 04	http://www.tta.or.kr/standardDB/stnfile/TTAT.3G-25.425(R99-3.8.0).zip

Release 4

ARIB	ARIB STD-T63-25.425	4.4.0	Approved	Sep 08	http://www.arib.or.jp/IMT-2000/ARIB-STD/ITU-R_Rev8/Rel4/A25425-440.pdf
ATIS	T1.3GPP.25.425V440-2004	4.4.0	Approved	May 04	https://www.atis.org/docstore/default.aspx
ETSI	ETSI TS 125 425	4.4.0	Published	Jan 04	http://pda.etsi.org/pda/home.asp?wkr=RTS/TSGR-0325425v440
TTA	TTAT.3G-25.425(R4-4.4.0)	4.4.0	Approved	May 04	http://www.tta.or.kr/standardDB/stnfile/TTAT.3G-25.425(R4-4.4.0).zip

Release 5

ARIB	ARIB STD-T63-25.425	5.8.0	Approved	Sep 08	http://www.arib.or.jp/IMT-2000/ARIB-STD/ITU-R_Rev8/Rel5/A25425-580.pdf
ATIS	ATIS.3GPP.25.425V580-2006	5.8.0	Approved	Apr 06	https://www.atis.org/docstore/default.aspx
ETSI	ETSI TS 125 425	5.8.0	Published	Jul 05	http://pda.etsi.org/pda/home.asp?wkr=RTS/TSGR-0325425v580
TTA	TTAT.3G-25.425(R5-5.8.0)	5.8.0	Approved	Apr 06	http://www.tta.or.kr/standardDB/stnfile/TTAT.3G-25.425(R5-5.8.0).zip

Release 6

ATIS	ATIS.3GPP.25.425V640-2007	6.4.0	Approved	Oct 07	https://www.atis.org/docstore/default.aspx
ETSI	ETSI TS 125 425	6.4.0	Published	Jan 07	http://pda.etsi.org/pda/home.asp?wkr=RTS/TSGR-0325425v640
TTA	TTAT.3G-25.425(R6-6.4.0)	6.4.0	Approved	Dec 07	http://www.tta.or.kr/standardDB/stnfile/TTAT.3G-25.425(R6-6.4.0).zip

Release 7

ARIB	ARIB STD-T63-25.425	7.7.0	Approved	Sep 08	http://www.arib.or.jp/IMT-2000/ARIB-STD/ITU-R_Rev8/Rel7/A25425-770.pdf
ATIS	ATIS.3GPP.25.425V770-2008	7.7.0	Approved	Oct 08	https://www.atis.org/docstore/default.aspx
ETSI	ETSI TS 125 425	7.6.0	Published	Jan 08	http://pda.etsi.org/pda/home.asp?wkr=RTS/TSGR-0325425v760
TTA	TTAT.3G-25.425(R7-7.7.0)	7.7.0	Approved	Oct 08	http://www.tta.or.kr/standardDB/stnfile/TTAT.3G-25.425(R7-7.7.0).zip

5.1.2.3.16 TS 25.426**UTRAN Iur and Iub interface data transport and transport signalling for DCH data streams**

This specification describes the transport bearers for the DCH data streams on UTRAN Iur and Iub interfaces. The corresponding transport network control plane is also specified. The physical layer for the transport bearers is outside the scope of this TS.

SDO (2)	Document No.	Version	Status	Issued date	Location (1)
Release 99					
ARIB	ARIB STD-T63-25.426	3.9.0	Approved	Sep 08	http://www.arib.or.jp/IMT-2000/ARIB-STD/ITU-R_Rev8/R99/A25426-390.pdf
ATIS	T1.3GPP.25.426V390-2003	3.9.0	Approved	Mar 03	https://www.atis.org/docstore/default.aspx
ETSI	ETSI TS 125 426	3.9.0	Published	Jul 02	http://pda.etsi.org/pda/home.asp?wkr=RTS/TSGR-0325426v390
TTA	TTAT.3G-25.426(R99-3.9.0)	3.9.0	Approved	Mar 03	http://www.tta.or.kr/standardDB/stnfile/TTAT.3G-25.426(R99-3.9.0).zip
Release 4					
ARIB	ARIB STD-T63-25.426	4.4.0	Approved	Sep 08	http://www.arib.or.jp/IMT-2000/ARIB-STD/ITU-R_Rev8/Rel4/A25426-440.pdf
ATIS	T1.3GPP.25.426V440-2003	4.4.0	Approved	Mar 03	https://www.atis.org/docstore/default.aspx
ETSI	ETSI TS 125 426	4.4.0	Published	Oct 02	http://pda.etsi.org/pda/home.asp?wkr=RTS/TSGR-0325426v440
TTA	TTAT.3G-25.426(R4-4.4.0)	4.4.0	Approved	Mar 03	http://www.tta.or.kr/standardDB/stnfile/TTAT.3G-25.426(R4-4.4.0).zip

Release 5

ARIB	ARIB STD-T63-25.426	5.6.0	Approved	Sep 08	http://www.arib.or.jp/IMT-2000/ARIB-STD/ITU-R_Rev8/Rel5/A25426-560.pdf
ATIS	ATIS.3GPP.25.426V560-2005	5.6.0	Approved	Apr 05	https://www.atis.org/docstore/default.aspx
ETSI	ETSI TS 125 426	5.6.0	Published	Oct 04	http://pda.etsi.org/pda/home.asp?wkr=RTS/TSGR-0325426v560
TTA	TTAT.3G-25.426(R5-5.6.0)	5.6.0	Approved	May 05	http://www.tta.or.kr/standardDB/stnfile/TTAT.3G-25.426(R5-5.6.0).zip

Release 6

ARIB	ARIB STD-T63-25.426	6.5.0	Approved	Sep 08	http://www.arib.or.jp/IMT-2000/ARIB-STD/ITU-R_Rev8/Rel6/A25426-650.pdf
ARIB	ARIB STD-T63-25.425	6.4.0	Approved	Sep 08	http://www.arib.or.jp/IMT-2000/ARIB-STD/ITU-R_Rev8/Rel6/A25425-640.pdf
ATIS	ATIS.3GPP.25.426V650-2007	6.5.0	Approved	Oct 07	https://www.atis.org/docstore/default.aspx
ETSI	ETSI TS 125 426	6.5.0	Published	Jul 06	http://pda.etsi.org/pda/home.asp?wkr=RTS/TSGR-0325426v650
TTA	TTAT.3G-25.426(R6-6.5.0)	6.5.0	Approved	Dec 07	http://www.tta.or.kr/standardDB/stnfile/TTAT.3G-25.426(R6-6.5.0).zip

Release 7

ARIB	ARIB STD-T63-25.426	7.1.0	Approved	Sep 08	http://www.arib.or.jp/IMT-2000/ARIB-STD/ITU-R_Rev8/Rel7/A25426-710.pdf
ATIS	ATIS.3GPP.25.426V710-2007	7.1.0	Approved	Oct 07	https://www.atis.org/docstore/default.aspx
ETSI	ETSI TS 125 426	7.1.0	Published	Jul 06	http://pda.etsi.org/pda/home.asp?wkr=RTS/TSGR-0325426v710
TTA	TTAT.3G-25.426(R7-7.1.0)	7.1.0	Approved	Dec 07	http://www.tta.or.kr/standardDB/stnfile/TTAT.3G-25.426(R7-7.1.0).zip

5.1.2.3.17 TS 25.427**UTRAN Iur and Iub interface user plane protocols for DCH data streams**

This specification describes the UTRAN Iur and Iub interfaces user plane protocols for dedicated transport channel data streams.

SDO (2)	Document No.	Version	Status	Issued date	Location (1)
Release 99					
ARIB	ARIB STD-T63-25.427	3.11.0	Approved	Sep 08	http://www.arib.or.jp/IMT-2000/ARIB-STD/ITU-R_Rev8/R99/A25427-3b0.pdf
ATIS	T1.3GPP.25.427V3110-2004	3.11.0	Approved	May 04	https://www.atis.org/docstore/default.aspx
ETSI	ETSI TS 125 427	3.11.0	Published	Jan 04	http://pda.etsi.org/pda/home.asp?wkr=RTS/TSGR-0325427v3b0
TTA	TTAT.3G-25.427(R99-3.11.0)	3.11.0	Approved	May 04	http://www.tta.or.kr/standardDB/stnfile/TTAT.3G-25.427(R99-3.11.0).zip
Release 4					
ARIB	ARIB STD-T63-25.427	4.5.0	Approved	Sep 08	http://www.arib.or.jp/IMT-2000/ARIB-STD/ITU-R_Rev8/Rel4/A25427-450.pdf
ATIS	T1.3GPP.25.427V450-2004	4.5.0	Approved	May 04	https://www.atis.org/docstore/default.aspx
ETSI	ETSI TS 125 427	4.5.0	Published	Jan 04	http://pda.etsi.org/pda/home.asp?wkr=RTS/TSGR-0325427v450
TTA	TTAT.3G-25.427(R4-4.5.0)	4.5.0	Approved	May 04	http://www.tta.or.kr/standardDB/stnfile/TTAT.3G-25.427(R4-4.5.0).zip

68

Rec. ITU-R M.1457-8

Release 5

ARIB	ARIB STD-T63-25.427	5.5.0	Approved	Sep 08	http://www.arib.or.jp/IMT-2000/ARIB-STD/ITU-R_Rev8/Rel5/A25427-550.pdf
ATIS	ATIS.3GPP.25.427V550-2006	5.5.0	Approved	Apr 06	https://www.atis.org/docstore/default.aspx
ETSI	ETSI TS 125 427	5.5.0	Published	Jul 05	http://pda.etsi.org/pda/home.asp?wkr=RTS/TSGR-0325427v550
TTA	TTAT.3G-25.427(R5-5.5.0)	5.5.0	Approved	Apr 06	http://www.tta.or.kr/standardDB/stnfile/TTAT.3G-25.427(R5-5.5.0).zip

Release 6

ARIB	ARIB STD-T63-25.427	6.8.0	Approved	Sep 08	http://www.arib.or.jp/IMT-2000/ARIB-STD/ITU-R_Rev8/Rel6/A25427-680.pdf
ATIS	ATIS.3GPP.25.427V680-2007	6.8.0	Approved	Oct 07	https://www.atis.org/docstore/default.aspx
ETSI	ETSI TS 125 427	6.8.0	Published	Jan 07	http://pda.etsi.org/pda/home.asp?wkr=RTS/TSGR-0325427v680
TTA	TTAT.3G-25.427(R6-6.8.0)	6.8.0	Approved	Dec 07	http://www.tta.or.kr/standardDB/stnfile/TTAT.3G-25.427(R6-6.8.0).zip

Release 7

ARIB	ARIB STD-T63-25.427	7.5.0	Approved	Sep 08	http://www.arib.or.jp/IMT-2000/ARIB-STD/ITU-R_Rev8/Rel7/A25427-750.pdf
ATIS	ATIS.3GPP.25.427V750-2007	7.5.0	Approved	Oct 07	https://www.atis.org/docstore/default.aspx
ETSI	ETSI TS 125 427	7.5.0	Published	Oct 07	http://pda.etsi.org/pda/home.asp?wkr=RTS/TSGR-0325427v750
TTA	TTAT.3G-25.427(R7-7.5.0)	7.5.0	Approved	Dec 07	http://www.tta.or.kr/standardDB/stnfile/TTAT.3G-25.427(R7-7.5.0).zip

Release 8

ARIB	ARIB STD-T63-25.427	8.0.0	Approved	Sep 08	http://www.arib.or.jp/IMT-2000/ARIB-STD/ITU-R_Rev8/Rel8/A25427-800.pdf
ATIS	ATIS.3GPP.25.427V800-2008	8.0.0	Approved	Oct 08	https://www.atis.org/docstore/default.aspx
TTA	TTAT.3G-25.427(R8-8.0.0)	8.0.0	Approved	Oct 08	http://www.tta.or.kr/standardDB/stnfile/TTAT.3G-25.427(R8-8.0.0).zip

5.1.2.3.18 TS 25.430

UTRAN Iub interface: general aspects and principles

This specification describes the TSG RAN TS 25.43x series of UMTS technical specifications that define the Iub interface. The Iub interface is a logical interface for the interconnection of Node B and RNC components of the UTRAN.

SDO (2)	Document No.	Version	Status	Issued date	Location (1)
Release 99					
ARIB	ARIB STD-T63-25.430	3.8.0	Approved	Sep 08	http://www.arib.or.jp/IMT-2000/ARIB-STD/ITU-R_Rev8/R99/A25430-380.pdf
ATIS	T1.3GPP.25.430V380-2003	3.8.0	Approved	Mar 03	https://www.atis.org/docstore/default.aspx
ETSI	ETSI TS 125 430	3.8.0	Published	Jul 02	http://pda.etsi.org/pda/home.asp?wkr=RTS/TSGR-0325430v380
TTA	TTAT.3G-25.430(R99-3.8.0)	3.8.0	Approved	Mar 03	http://www.tta.or.kr/standardDB/stnfile/TTAT.3G-25.430(R99-3.8.0).zip

Release 4

ARIB	ARIB STD-T63-25.430	4.4.0	Approved	Sep 08	http://www.arib.or.jp/IMT-2000/ARIB-STD/ITU-R_Rev8/Rel4/A25430-440.pdf
ATIS	T1.3GPP.25.430V440-2003	4.4.0	Approved	Mar 03	https://www.atis.org/docstore/default.aspx
ETSI	ETSI TS 125 430	4.4.0	Published	Oct 02	http://pda.etsi.org/pda/home.asp?wkr=RTS/TSGR-0325430v440
TTA	TTAT.3G-25.430(R4-4.4.0)	4.4.0	Approved	Mar 03	http://www.tta.or.kr/standardDB/stnfile/TTAT.3G-25.430(R4-4.4.0).zip

Release 5

ARIB	ARIB STD-T63-25.430	5.5.0	Approved	Sep 08	http://www.arib.or.jp/IMT-2000/ARIB-STD/ITU-R_Rev8/Rel5/A25430-550.pdf
ATIS	ATIS.3GPP.25.430V550-2006	5.5.0	Approved	Apr 06	https://www.atis.org/docstore/default.aspx
ETSI	ETSI TS 125 430	5.5.0	Published	Jul 05	http://pda.etsi.org/pda/home.asp?wkr=RTS/TSGR-0325430v550
TTA	TTAT.3G-25.430(R5-5.5.0)	5.5.0	Approved	Apr 06	http://www.tta.or.kr/standardDB/stnfile/TTAT.3G-25.430(R5-5.5.0).zip

Release 6

ARIB	ARIB STD-T63-25.430	6.5.0	Approved	Sep 08	http://www.arib.or.jp/IMT-2000/ARIB-STD/ITU-R_Rev8/Rel6/A25430-650.pdf
ATIS	ATIS.3GPP.25.430V650-2006	6.5.0	Approved	Apr 06	https://www.atis.org/docstore/default.aspx
ETSI	ETSI TS 125 430	6.5.0	Published	Jul 05	http://pda.etsi.org/pda/home.asp?wkr=RTS/TSGR-0325430v650
TTA	TTAT.3G-25.430(R6-6.5.0)	6.5.0	Approved	Apr 06	http://www.tta.or.kr/standardDB/stnfile/TTAT.3G-25.430(R6-6.5.0).zip

Release 7

ARIB	ARIB STD-T63-25.430	7.5.0	Approved	Sep 08	http://www.arib.or.jp/IMT-2000/ARIB-STD/ITU-R_Rev8/Rel7/A25430-750.pdf
ATIS	ATIS.3GPP.25.430V750-2007	7.5.0	Approved	Oct 07	https://www.atis.org/docstore/default.aspx
ETSI	ETSI TS 125 430	7.5.0	Published	Oct 07	http://pda.etsi.org/pda/home.asp?wkr=RTS/TSGR-0325430v750
TTA	TTAT.3G-25.430(R7-7.5.0)	7.5.0	Approved	Dec 07	http://www.tta.or.kr/standardDB/stnfile/TTAT.3G-25.430(R7-7.5.0).zip

5.1.2.3.19 TS 25.431**UTRAN Iub interface: Layer 1**

This specification describes the standards allowed to implement Layer 1 on the Iub interface. The specification of transmission delay requirements and O&M requirements is not in the scope of this specification.

SDO (2)	Document No.	Version	Status	Issued date	Location (1)
Release 99					
ARIB	ARIB STD-T63-25.431	3.1.0	Approved	Sep 08	http://www.arib.or.jp/IMT-2000/ARIB-STD/ITU-R_Rev8/R99/A25431-310.pdf
ATIS	T1.3GPP.25.431V310-2002	3.1.0	Approved	May 02	https://www.atis.org/docstore/default.aspx
ETSI	ETSI TS 125 431	3.1.0	Published	Apr 01	http://pda.etsi.org/pda/home.asp?wkr=RTS/TSGR-0325431UR1
TTA	TTAE.3G-25.431(R99-3.1.0)	3.1.0	Approved	May 02	http://www.tta.or.kr/standardDB/stnfile/TTAE.3G-25.431(R99-3.1.0).zip

70

Rec. ITU-R M.1457-8

Release 4

ARIB	ARIB STD-T63-25.431	4.0.0	Approved	Sep 08	http://www.arib.or.jp/IMT-2000/ARIB-STD/ITU-R_Rev8/Rel4/A25431-400.pdf
ATIS	T1.3GPP.25.431V400-2002	4.0.0	Approved	May 02	https://www.atis.org/docstore/default.aspx
ETSI	ETSI TS 125 431	4.0.0	Published	Apr 01	http://pda.etsi.org/pda/home.asp?wkr=RTS/TSGR-0325431Uv4
TTA	TTAE.3G-25.431(R4-4.0.0)	4.0.0	Approved	May 02	http://www.tta.or.kr/standardDB/stnfile/TTAE.3G-25.431(R4-4.0.0).zip

Release 5

ARIB	ARIB STD-T63-25.431	5.0.0	Approved	Sep 08	http://www.arib.or.jp/IMT-2000/ARIB-STD/ITU-R_Rev8/Rel5/A25431-500.pdf
ATIS	T1.3GPP.25.431V500-2002	5.0.0	Approved	May 02	https://www.atis.org/docstore/default.aspx
ETSI	ETSI TS 125 431	5.0.0	Published	Apr 02	http://pda.etsi.org/pda/home.asp?wkr=RTS/TSGR-0325431Uv5
TTA	TTAE.3G-25.431(R5-5.0.0)	5.0.0	Approved	May 02	http://www.tta.or.kr/standardDB/stnfile/TTAE.3G-25.431(R5-5.0.0).zip

Release 6

ARIB	ARIB STD-T63-25.431	6.0.0	Approved	Sep 08	http://www.arib.or.jp/IMT-2000/ARIB-STD/ITU-R_Rev8/Rel6/A25431-600.pdf
ATIS	T1.3GPP.25.431V600-2004	6.0.0	Approved	May 04	https://www.atis.org/docstore/default.aspx
ETSI	ETSI TS 125 431	6.0.0	Published	Jan 04	http://pda.etsi.org/pda/home.asp?wkr=RTS/TSGR-0325431v600
TTA	TTAT.3G-25.431(R6-6.0.0)	6.0.0	Approved	May 04	http://www.tta.or.kr/standardDB/stnfile/TTAT.3G-25.431(R6-6.0.0).zip

Release 7

ARIB	ARIB STD-T63-25.431	7.0.0	Approved	Sep 08	http://www.arib.or.jp/IMT-2000/ARIB-STD/ITU-R_Rev8/Rel7/A25431-700.pdf
ATIS	ATIS.3GPP.25.431V700-2007	7.0.0	Approved	Oct 07	https://www.atis.org/docstore/default.aspx
ETSI	ETSI TS 125 431	7.0.0	Published	May 06	http://pda.etsi.org/pda/home.asp?wkr=RTS/TSGR-0325431v700
TTA	TTAT.3G-25.431(R7-7.0.0)	7.0.0	Approved	Dec 07	http://www.tta.or.kr/standardDB/stnfile/TTAT.3G-25.431(R7-7.0.0).zip

5.1.2.3.20 TS 25.432

UTRAN Iub interface: signalling transport

This specification describes the signalling transport related to the Node B application part (NBAP) signalling to be used across the Iub interface. The Iub interface is a logical interface for the interconnection of Node B and RNC components of the UTRAN. The RNC signalling between these nodes is based on NBAP.

SDO (2)	Document No.	Version	Status	Issued date	Location (1)
---------	--------------	---------	--------	-------------	--------------

Release 99

ARIB	ARIB STD-T63-25.432	3.1.0	Approved	Sep 08	http://www.arib.or.jp/IMT-2000/ARIB-STD/ITU-R_Rev8/R99/A25432-310.pdf
ATIS	T1.3GPP.25.432V310-2002	3.1.0	Approved	May 02	https://www.atis.org/docstore/default.aspx
ETSI	ETSI TS 125 432	3.1.0	Published	Feb 00	http://pda.etsi.org/pda/home.asp?wkr=DTS/TSGR-0325432U
TTA	TTAE.3G-25.432(F)	3.1.0	Approved	Mar 00	http://www.tta.or.kr/standardDB/stnfile/TTAE.3G-25.432(F).zip

Release 4

ARIB	ARIB STD-T63-25.432	4.0.0	Approved	Sep 08	http://www.arib.or.jp/IMT-2000/ARIB-STD/ITU-R_Rev8/Rel4/A25432-400.pdf
ATIS	T1.3GPP.25.432V400-2002	4.0.0	Approved	May 02	https://www.atis.org/docstore/default.aspx
ETSI	ETSI TS 125 432	4.0.0	Published	Apr 01	http://pda.etsi.org/pda/home.asp?wkr=RTS/TSGR-0325432Uv4
TTA	TTAE.3G-25.432(R4-4.0.0)	4.0.0	Approved	May 02	http://www.tta.or.kr/standardDB/stnfile/TTAE.3G-25.432(R4-4.0.0).zip

Release 5

ARIB	ARIB STD-T63-25.432	5.1.0	Approved	Sep 08	http://www.arib.or.jp/IMT-2000/ARIB-STD/ITU-R_Rev8/Rel5/A25432-510.pdf
ATIS	T1.3GPP.25.432V510-2003	5.1.0	Approved	Mar 03	https://www.atis.org/docstore/default.aspx
ETSI	ETSI TS 125 432	5.1.0	Published	Oct 02	http://pda.etsi.org/pda/home.asp?wkr=RTS/TSGR-0325432v510
TTA	TTAT.3G-25.432(R5-5.1.0)	5.1.0	Approved	Mar 03	http://www.tta.or.kr/standardDB/stnfile/TTAT.3G-25.432(R5-5.1.0).zip

Release 6

ARIB	ARIB STD-T63-25.432	6.0.0	Approved	Sep 08	http://www.arib.or.jp/IMT-2000/ARIB-STD/ITU-R_Rev8/Rel6/A25432-600.pdf
ATIS	T1.3GPP.25.432V600-2004	6.0.0	Approved	May 04	https://www.atis.org/docstore/default.aspx
ETSI	ETSI TS 125 432	6.0.0	Published	Jan 04	http://pda.etsi.org/pda/home.asp?wkr=RTS/TSGR-0325432v600
TTA	TTAT.3G-25.432(R6-6.0.0)	6.0.0	Approved	May 04	http://www.tta.or.kr/standardDB/stnfile/TTAT.3G-25.432(R6-6.0.0).zip

Release 7

ARIB	ARIB STD-T63-25.432	7.1.0	Approved	Sep 08	http://www.arib.or.jp/IMT-2000/ARIB-STD/ITU-R_Rev8/Rel7/A25432-710.pdf
ATIS	ATIS.3GPP.25.432V710-2007	7.1.0	Approved	Oct 07	https://www.atis.org/docstore/default.aspx
ETSI	ETSI TS 125 432	7.1.0	Published	Mar 07	http://pda.etsi.org/pda/home.asp?wkr=RTS/TSGR-0325432v710
TTA	TTAT.3G-25.432(R7-7.1.0)	7.1.0	Approved	Dec 07	http://www.tta.or.kr/standardDB/stnfile/TTAT.3G-25.432(R7-7.1.0).zip

5.1.2.3.21 TS 25.433**UTRAN Iub interface: NBAP signalling**

This specification describes the standards for NBAP specification to be used over Iub interface.

SDO (2)	Document No.	Version	Status	Issued date	Location (1)
Release 99					
ARIB	ARIB STD-T63-25.433	3.14.2	Approved	Sep 08	http://www.arib.or.jp/IMT-2000/ARIB-STD/ITU-R_Rev8/R99/A25433-3e2.pdf
ATIS	ATIS.3GPP.25.433V3142-2005	3.14.2	Approved	Apr 05	https://www.atis.org/docstore/default.aspx
ETSI	ETSI TS 125 433	3.14.2	Published	Oct 04	http://pda.etsi.org/pda/home.asp?wkr=RTS/TSGR-0325433v3e2
TTA	TTAT.3G-25.433(R99-3.14.2)	3.14.2	Approved	May 05	http://www.tta.or.kr/standardDB/stnfile/TTAT.3G-25.433(R99-3.14.2).zip

Release 4

ARIB	ARIB STD-T63-25.433	4.13.0	Approved	Sep 08	http://www.arib.or.jp/IMT-2000/ARIB-STD/ITU-R_Rev8/Rel4/A25433-4d0.pdf
ATIS	ATIS.3GPP.25.433V4130-2005	4.13.0	Approved	Apr 05	https://www.atis.org/docstore/default.aspx
ETSI	ETSI TS 125 433	4.13.0	Published	Oct 04	http://pda.etsi.org/pda/home.asp?wkr=RTS/TSGR-0325433v4d0
TTA	TTAT.3G-25.433(R4-4.13.0)	4.13.0	Approved	May 05	http://www.tta.or.kr/standardDB/stnfile/TTAT.3G-25.433(R4-4.13.0).zip

Release 5

ARIB	ARIB STD-T63-25.433	5.16.0	Approved	Sep 08	http://www.arib.or.jp/IMT-2000/ARIB-STD/ITU-R_Rev8/Rel5/A25433-5g0.pdf
ATIS	ATIS.3GPP.25.433V5160-2007	5.16.0	Approved	Oct 07	https://www.atis.org/docstore/default.aspx
ETSI	ETSI TS 125 433	5.16.0	Published	Oct 06	http://pda.etsi.org/pda/home.asp?wkr=RTS/TSGR-0325433v5g0
TTA	TTAT.3G-25.433(R5-5.16.0)	5.16.0	Approved	Dec 07	http://www.tta.or.kr/standardDB/stnfile/TTAT.3G-25.433(R5-5.16.0).zip

Release 6

ARIB	ARIB STD-T63-25.433	6.17.0	Approved	Sep 08	http://www.arib.or.jp/IMT-2000/ARIB-STD/ITU-R_Rev8/Rel6/A25433-6h0.pdf
ATIS	ATIS.3GPP.25.433V6170-2008	6.17.0	Approved	Oct 08	https://www.atis.org/docstore/default.aspx
ETSI	ETSI TS 125 433	6.15.0	Published	Oct 07	http://pda.etsi.org/pda/home.asp?wkr=RTS/TSGR-0325433v6f0
TTA	TTAT.3G-25.433(R6-6.17.0)	6.17.0	Approved	Oct 08	http://www.tta.or.kr/standardDB/stnfile/TTAT.3G-25.433(R6-6.17.0).zip

Release 7

ARIB	ARIB STD-T63-25.433	7.9.0	Approved	Sep 08	http://www.arib.or.jp/IMT-2000/ARIB-STD/ITU-R_Rev8/Rel7/A25433-790.pdf
ATIS	ATIS.3GPP.25.433V790-2008	7.9.0	Approved	Oct 08	https://www.atis.org/docstore/default.aspx
ETSI	ETSI TS 125 433	7.7.0	Awaiting publication		http://pda.etsi.org/pda/home.asp?wkr=RTS/TSGR-0325433v770
TTA	TTAT.3G-25.433(R7-7.9.0)	7.9.0	Approved	Oct 08	http://www.tta.or.kr/standardDB/stnfile/TTAT.3G-25.433(R7-7.9.0).zip

Release 8

ARIB	ARIB STD-T63-25.433	8.1.0	Approved	Sep 08	http://www.arib.or.jp/IMT-2000/ARIB-STD/ITU-R_Rev8/Rel8/A25433-810.pdf
ATIS	ATIS.3GPP.25.433V810-2008	8.1.0	Approved	Oct 08	https://www.atis.org/docstore/default.aspx
TTA	TTAT.3G-25.433(R8-8.1.0)	8.1.0	Approved	Oct 08	http://www.tta.or.kr/standardDB/stnfile/TTAT.3G-25.433(R8-8.1.0).zip

5.1.2.3.22 TS 25.434**UTRAN Iub interface data transport and transport signalling for common transport channel data streams**

This specification describes the UTRAN RNC-Node B (Iub) interface data transport and transport signalling for CCH data streams.

SDO (2)	Document No.	Version	Status	Issued date	Location (1)
Release 99					
ARIB	ARIB STD-T63-25.434	3.8.0	Approved	Sep 08	http://www.arib.or.jp/IMT-2000/ARIB-STD/ITU-R_Rev8/R99/A25434-380.pdf
ATIS	T1.3GPP.25.434V380-2003	3.8.0	Approved	Mar 03	https://www.atis.org/docstore/default.aspx
ETSI	ETSI TS 125 434	3.8.0	Published	Jul 02	http://pda.etsi.org/pda/home.asp?wkr=RTS/TSGR-0325434v380
TTA	TTAT.3G-25.434(R99-3.8.0)	3.8.0	Approved	Mar 03	http://www.tta.or.kr/standardDB/stnfile/TTAT.3G-25.434(R99-3.8.0).zip

Release 4

ARIB	ARIB STD-T63-25.434	4.4.0	Approved	Sep 08	http://www.arib.or.jp/IMT-2000/ARIB-STD/ITU-R_Rev8/Rel4/A25434-440.pdf
ATIS	T1.3GPP.25.434V440-2003	4.4.0	Approved	Mar 03	https://www.atis.org/docstore/default.aspx
ETSI	ETSI TS 125 434	4.4.0	Published	Jul 02	http://pda.etsi.org/pda/home.asp?wkr=RTS/TSGR-0325434v440
TTA	TTAT.3G-25.434(R4-4.4.0)	4.4.0	Approved	Mar 03	http://www.tta.or.kr/standardDB/stnfile/TTAT.3G-25.434(R4-4.4.0).zip

Release 5

ARIB	ARIB STD-T63-25.434	5.5.0	Approved	Sep 08	http://www.arib.or.jp/IMT-2000/ARIB-STD/ITU-R_Rev8/Rel5/A25434-550.pdf
ATIS	ATIS.3GPP.25.434V550-2006	5.5.0	Approved	Apr 06	https://www.atis.org/docstore/default.aspx
ETSI	ETSI TS 125 434	5.5.0	Published	Jul 05	http://pda.etsi.org/pda/home.asp?wkr=RTS/TSGR-0325434v550
TTA	TTAT.3G-25.434(R5-5.5.0)	5.5.0	Approved	Apr 06	http://www.tta.or.kr/standardDB/stnfile/TTAT.3G-25.434(R5-5.5.0).zip

Release 6

ARIB	ARIB STD-T63-25.434	6.2.0	Approved	Sep 08	http://www.arib.or.jp/IMT-2000/ARIB-STD/ITU-R_Rev8/Rel6/A25434-620.pdf
ATIS	ATIS.3GPP.25.434V620-2006	6.2.0	Approved	Apr 06	https://www.atis.org/docstore/default.aspx
ETSI	ETSI TS 125 434	6.2.0	Published	Jul 05	http://pda.etsi.org/pda/home.asp?wkr=RTS/TSGR-0325434v620
TTA	TTAT.3G-25.434(R6-6.2.0)	6.2.0	Approved	Apr 06	http://www.tta.or.kr/standardDB/stnfile/TTAT.3G-25.434(R6-6.2.0).zip

Release 7

ARIB	ARIB STD-T63-25.434	7.2.0	Approved	Sep 08	http://www.arib.or.jp/IMT-2000/ARIB-STD/ITU-R_Rev8/Rel7/A25434-720.pdf
ATIS	ATIS.3GPP.25.434V720-2008	7.2.0	Approved	Oct 08	https://www.atis.org/docstore/default.aspx
ETSI	ETSI TS 125 434	7.2.0	Awaiting publication		http://pda.etsi.org/pda/home.asp?wkr=RTS/TSGR-0325434v720
TTA	TTAT.3G-25.434(R7-7.2.0)	7.2.0	Approved	Oct 08	http://www.tta.or.kr/standardDB/stnfile/TTAT.3G-25.434(R7-7.2.0).zip

5.1.2.3.23 TS 25.435**UTRAN Iub interface user plane protocols for common transport channel data streams**

This specification describes the UTRAN RNC-Node B (Iub) interface user plane protocols for common transport channel data streams.

SDO (2)	Document No.	Version	Status	Issued date	Location (1)
Release 99					
ARIB	ARIB STD-T63-25.435	3.11.0	Approved	Sep 08	http://www.arib.or.jp/IMT-2000/ARIB-STD/ITU-R_Rev8/R99/A25435-3b0.pdf
ATIS	T1.3GPP.25.435V3110-2004	3.11.0	Approved	May 04	https://www.atis.org/docstore/default.aspx
ETSI	ETSI TS 125 435	3.11.0	Published	Jan 04	http://pda.etsi.org/pda/home.asp?wkr=RTS/TSGR-0325435v3b0
TTA	TTAT.3G-25.435(R99-3.11.0)	3.11.0	Approved	May 04	http://www.tta.or.kr/standardDB/stnfile/TTAT.3G-25.435(R99-3.11.0).zip

Release 4

ARIB	ARIB STD-T63-25.435	4.6.0	Approved	Sep 08	http://www.arib.or.jp/IMT-2000/ARIB-STD/ITU-R_Rev8/Rel4/A25435-460.pdf
ATIS	T1.3GPP.25.435V460-2004	4.6.0	Approved	May 04	https://www.atis.org/docstore/default.aspx
ETSI	ETSI TS 125 435	4.6.0	Published	Jan 04	http://pda.etsi.org/pda/home.asp?wkr=RTS/TSGR-0325435v460
TTA	TTAT.3G-25.435(R4-4.6.0)	4.6.0	Approved	May 04	http://www.tta.or.kr/standardDB/stnfile/TTAT.3G-25.435(R4-4.6.0).zip

Release 5

ARIB	ARIB STD-T63-25.435	5.9.0	Approved	Sep 08	http://www.arib.or.jp/IMT-2000/ARIB-STD/ITU-R_Rev8/Rel5/A25435-590.pdf
ATIS	ATIS.3GPP.25.435V590-2007	5.9.0	Approved	Oct 07	https://www.atis.org/docstore/default.aspx
ETSI	ETSI TS 125 435	5.9.0	Published	Oct 06	http://pda.etsi.org/pda/home.asp?wkr=RTS/TSGR-0325435v590
TTA	TTAT.3G-25.435(R5-5.9.0)	5.9.0	Approved	Dec 07	http://www.tta.or.kr/standardDB/stnfile/TTAT.3G-25.435(R5-5.9.0).zip

Release 6

ARIB	ARIB STD-T63-25.435	6.4.0	Approved	Sep 08	http://www.arib.or.jp/IMT-2000/ARIB-STD/ITU-R_Rev8/Rel6/A25435-640.pdf
ATIS	ATIS.3GPP.25.435V640-2007	6.4.0	Approved	Oct 07	https://www.atis.org/docstore/default.aspx
ETSI	ETSI TS 125 435	6.4.0	Published	Oct 06	http://pda.etsi.org/pda/home.asp?wkr=RTS/TSGR-0325435v640
TTA	TTAT.3G-25.435(R6-6.4.0)	6.4.0	Approved	Dec 07	http://www.tta.or.kr/standardDB/stnfile/TTAT.3G-25.435(R6-6.4.0).zip

Release 7

ARIB	ARIB STD-T63-25.435	7.8.0	Approved	Sep 08	http://www.arib.or.jp/IMT-2000/ARIB-STD/ITU-R_Rev8/Rel7/A25435-780.pdf
ATIS	ATIS.3GPP.25.435V780-2008	7.8.0	Approved	Oct 08	https://www.atis.org/docstore/default.aspx
ETSI	ETSI TS 125 435	7.7.0	Awaiting publication		http://pda.etsi.org/pda/home.asp?wkr=RTS/TSGR-0325435v770
TTA	TTAT.3G-25.435(R7-7.8.0)	7.8.0	Approved	Oct 08	http://www.tta.or.kr/standardDB/stnfile/TTAT.3G-25.435(R7-7.8.0).zip

5.1.2.3.24 TS 25.442**UTRAN implementation specific O&M transport**

This specification describes the transport of implementation specific O&M signalling between Node B and the management platform in case that the transport is routed via the RNC.

SDO (2)	Document No.	Version	Status	Issued date	Location (1)
Release 99					
ARIB	ARIB STD-T63-25.442	3.1.0	Approved	Sep 08	http://www.arib.or.jp/IMT-2000/ARIB-STD/ITU-R_Rev8/R99/A25442-310.pdf
ATIS	T1.3GPP.25.442V310-2002	3.1.0	Approved	May 02	https://www.atis.org/docstore/default.aspx
ETSI	ETSI TS 125 442	3.1.0	Published	May 00	http://pda.etsi.org/pda/home.asp?wkr=RTS/TSGR-0325442UR1
TTA	TTAE.3G-25.442(R99-3.1.0)	3.1.0	Approved	May 02	http://www.tta.or.kr/standardDB/stnfile/TTAE.3G-25.442(R99-3.1.0).zip

Release 4

ARIB	ARIB STD-T63-25.442	4.0.0	Approved	Sep 08	http://www.arib.or.jp/IMT-2000/ARIB-STD/ITU-R_Rev8/Rel4/A25442-400.pdf
ATIS	T1.3GPP.25.442V400-2002	4.0.0	Approved	May 02	https://www.atis.org/docstore/default.aspx
ETSI	ETSI TS 125 442	4.0.0	Published	Apr 01	http://pda.etsi.org/pda/home.asp?wkr=RTS/TSGR-0325442Uv4
TTA	TTAE.3G-25.442(R4-4.0.0)	4.0.0	Approved	May 02	http://www.tta.or.kr/standardDB/stnfile/TTAE.3G-25.442(R4-4.0.0).zip

Release 5

ARIB	ARIB STD-T63-25.442	5.1.0	Approved	Sep 08	http://www.arib.or.jp/IMT-2000/ARIB-STD/ITU-R_Rev8/Rel5/A25442-510.pdf
ATIS	T1.3GPP.25.442V510-2003	5.1.0	Approved	Mar 03	https://www.atis.org/docstore/default.aspx
ETSI	ETSI TS 125 442	5.1.0	Published	Oct 02	http://pda.etsi.org/pda/home.asp?wkr=RTS/TSGR-0325442v510
TTA	TTAT.3G-25.442(R5-5.1.0)	5.1.0	Approved	Mar 03	http://www.tta.or.kr/standardDB/stnfile/TTAT.3G-25.442(R5-5.1.0).zip

Release 6

ARIB	ARIB STD-T63-25.442	6.0.0	Approved	Sep 08	http://www.arib.or.jp/IMT-2000/ARIB-STD/ITU-R_Rev8/Rel6/A25442-600.pdf
ATIS	T1.3GPP.25.442V600-2004	6.0.0	Approved	May 04	https://www.atis.org/docstore/default.aspx
ETSI	ETSI TS 125 442	6.0.0	Published	Jan 04	http://pda.etsi.org/pda/home.asp?wkr=RTS/TSGR-0325442v600
TTA	TTAT.3G-25.442(R6-6.0.0)	6.0.0	Approved	May 04	http://www.tta.or.kr/standardDB/stnfile/TTAT.3G-25.442(R6-6.0.0).zip

Release 7

ARIB	ARIB STD-T63-25.442	7.0.0	Approved	Sep 08	http://www.arib.or.jp/IMT-2000/ARIB-STD/ITU-R_Rev8/Rel7/A25442-700.pdf
ATIS	ATIS.3GPP.25.442V700-2007	7.0.0	Approved	Oct 07	https://www.atis.org/docstore/default.aspx
ETSI	ETSI TS 125 442	7.0.0	Published	May 06	http://pda.etsi.org/pda/home.asp?wkr=RTS/TSGR-0325442v700
TTA	TTAT.3G-25.442(R7-7.0.0)	7.0.0	Approved	Dec 07	http://www.tta.or.kr/standardDB/stnfile/TTAT.3G-25.442(R7-7.0.0).zip

5.1.2.3.25 TS 25.450**UTRAN Iupc interface general aspects and principles**

The present document is an introduction to the TSG RAN TS 25.45z series of UMTS Technical Specifications that define the Iupc Interface. The Iupc interface is a logical interface for the interconnection of Standalone SMLC (SAS) and Radio Network Controller (RNC) components of the Universal Terrestrial Radio Access Network (UTRAN) for the UMTS system.

SDO (2)	Document No.	Version	Status	Issued date	Location (1)
Release 5					
ARIB	ARIB STD-T63-25.450	5.2.0	Approved	Sep 08	http://www.arib.or.jp/IMT-2000/ARIB-STD/ITU-R_Rev8/Rel5/A25450-520.pdf
ATIS	ATIS.3GPP.25.450V520-2006	5.2.0	Approved	Apr 06	https://www.atis.org/docstore/default.aspx
ETSI	ETSI TS 125 450	5.2.0	Published	Jul 05	http://pda.etsi.org/pda/home.asp?wkr=RTS/TSGR-0325450v520
TTA	TTAE.3G-25.450(R5-5.2.0)	5.2.0	Approved	Apr 06	http://www.tta.or.kr/standardDB/stnfile/TTAE.3G-25.450(R5-5.2.0).zip

76**Rec. ITU-R M.1457-8****Release 6**

ARIB	ARIB STD-T63-25.450	6.2.0	Approved	Sep 08	http://www.arib.or.jp/IMT-2000/ARIB-STD/ITU-R_Rev8/Rel6/A25450-620.pdf
ATIS	ATIS.3GPP.25.450V620-2006	6.2.0	Approved	Apr 06	https://www.atis.org/docstore/default.aspx
ETSI	ETSI TS 125 450	6.2.0	Published	Oct 05	http://pda.etsi.org/pda/home.asp?wkr=RTS/TSGR-0325450v620
TTA	TTAT.3G-25.450(R6-6.2.0)	6.2.0	Approved	Apr 06	http://www.tta.or.kr/standardDB/stnfile/TTAT.3G-25.450(R6-6.2.0).zip

Release 7

ARIB	ARIB STD-T63-25.450	7.2.0	Approved	Sep 08	http://www.arib.or.jp/IMT-2000/ARIB-STD/ITU-R_Rev8/Rel7/A25450-720.pdf
ATIS	ATIS.3GPP.25.450V720-2007	7.2.0	Approved	Oct 07	https://www.atis.org/docstore/default.aspx
ETSI	ETSI TS 125 450	7.2.0	Published	Oct 07	http://pda.etsi.org/pda/home.asp?wkr=RTS/TSGR-0325450v720
TTA	TTAT.3G-25.450(R7-7.2.0)	7.2.0	Approved	Dec 07	http://www.tta.or.kr/standardDB/stnfile/TTAT.3G-25.450(R7-7.2.0).zip

5.1.2.3.26 TS 25.451**UTRAN Iupc Interface Layer 1**

The present document specifies the standards allowed to implement Layer 1 on the Iupc interface.

SDO (2)	Document No.	Version	Status	Issued date	Location (1)
Release 5					
ARIB	ARIB STD-T63-25.451	5.0.1	Approved	Sep 08	http://www.arib.or.jp/IMT-2000/ARIB-STD/ITU-R_Rev8/Rel5/A25451-501.pdf
ATIS	T1.3GPP.25.451V501-2002	5.0.1	Approved	May 02	https://www.atis.org/docstore/default.aspx
ETSI	ETSI TS 125 451	5.0.1	Published	Apr 02	http://pda.etsi.org/pda/home.asp?wkr=DTS/TSGR-0325451Uv5
TTA	TTAT.3G-25.451(R5-5.0.1)	5.0.1	Approved	Mar 03	http://www.tta.or.kr/standardDB/stnfile/TTAT.3G-25.451(R5-5.0.1).zip
Release 6					
ARIB	ARIB STD-T63-25.451	6.0.0	Approved	Sep 08	http://www.arib.or.jp/IMT-2000/ARIB-STD/ITU-R_Rev8/Rel6/A25451-600.pdf
ATIS	T1.3GPP.25.451V600-2004	6.0.0	Approved	May 04	https://www.atis.org/docstore/default.aspx
ETSI	ETSI TS 125 451	6.0.0	Published	Jan 04	http://pda.etsi.org/pda/home.asp?wkr=RTS/TSGR-0325451v600
TTA	TTAT.3G-25.451(R6-6.0.0)	6.0.0	Approved	May 05	http://www.tta.or.kr/standardDB/stnfile/TTAT.3G-25.451(R6-6.0.0).zip
Release 7					
ARIB	ARIB STD-T63-25.451	7.0.0	Approved	Sep 08	http://www.arib.or.jp/IMT-2000/ARIB-STD/ITU-R_Rev8/Rel7/A25451-700.pdf
ATIS	ATIS.3GPP.25.451V700-2007	7.0.0	Approved	Oct 07	https://www.atis.org/docstore/default.aspx
ETSI	ETSI TS 125 451	7.0.0	Published	May 06	http://pda.etsi.org/pda/home.asp?wkr=RTS/TSGR-0325451v700
TTA	TTAT.3G-25.451(R7-7.0.0)	7.0.0	Approved	Dec 07	http://www.tta.or.kr/standardDB/stnfile/TTAT.3G-25.451(R7-7.0.0).zip

5.1.2.3.27 TS 25.452**UTRAN Iupc Interface: Signalling Transport**

The present document specifies the signalling transport related to PCAP signalling to be used across the Iupc interface.

SDO (2)	Document No.	Version	Status	Issued date	Location (1)
Release 5					
ARIB	ARIB STD-T63-25.452	5.0.0	Approved	Sep 08	http://www.arib.or.jp/IMT-2000/ARIB-STD/ITU-R_Rev8/Rel5/A25452-500.pdf
ATIS	T1.3GPP.25.452V500-2002	5.0.0	Approved	May 02	https://www.atis.org/docstore/default.aspx
ETSI	ETSI TS 125 452	5.0.0	Published	Apr 02	http://pda.etsi.org/pda/home.asp?wkr=DTS/TSGR-0325452Uv5
TTA	TTAE.3G-25.452(R5-5.0.0)	5.0.0	Approved	May 02	http://www.tta.or.kr/standardDB/stnfile/TTAE.3G-25.452(R5-5.0.0).zip
Release 6					
ARIB	ARIB STD-T63-25.452	6.0.0	Approved	Sep 08	http://www.arib.or.jp/IMT-2000/ARIB-STD/ITU-R_Rev8/Rel6/A25452-600.pdf
ATIS	T1.3GPP.25.452V600-2004	6.0.0	Approved	May 04	https://www.atis.org/docstore/default.aspx
ETSI	ETSI TS 125 452	6.0.0	Published	Jan 04	http://pda.etsi.org/pda/home.asp?wkr=RTS/TSGR-0325452v600
TTA	TTAT.3G-25.452(R6-6.0.0)	6.0.0	Approved	May 04	http://www.tta.or.kr/standardDB/stnfile/TTAT.3G-25.452(R6-6.0.0).zip
Release 7					
ARIB	ARIB STD-T63-25.452	7.1.0	Approved	Sep 08	http://www.arib.or.jp/IMT-2000/ARIB-STD/ITU-R_Rev8/Rel7/A25452-710.pdf
ATIS	ATIS.3GPP.25.452V710-2007	7.1.0	Approved	Oct 07	https://www.atis.org/docstore/default.aspx
ETSI	ETSI TS 125 452	7.1.0	Published	Oct 07	http://pda.etsi.org/pda/home.asp?wkr=RTS/TSGR-0325452v710
TTA	TTAT.3G-25.452(R7-7.1.0)	7.1.0	Approved	Dec 07	http://www.tta.or.kr/standardDB/stnfile/TTAT.3G-25.452(R7-7.1.0).zip

5.1.2.3.28 TS 25.453**UTRAN Iupc interface PCAP signalling**

The present document specifies the Positioning Calculation Application Part (PCAP) between the Radio Network Controller (RNC) and the Stand-alone SMLC (SAS).

SDO (2)	Document No.	Version	Status	Issued date	Location (1)
Release 5					
ARIB	ARIB STD-T63-25.453	5.12.0	Approved	Sep 08	http://www.arib.or.jp/IMT-2000/ARIB-STD/ITU-R_Rev8/Rel5/A25453-5c0.pdf
ATIS	ATIS.3GPP.25.453V5120-2007	5.12.0	Approved	Oct 07	https://www.atis.org/docstore/default.aspx
ETSI	ETSI TS 125 453	5.12.0	Published	Mar 07	http://pda.etsi.org/pda/home.asp?wkr=RTS/TSGR-0325453v5c0
TTA	TTAT.3G-25.453(R5-5.12.0)	5.12.0	Approved	Dec 07	http://www.tta.or.kr/standardDB/stnfile/TTAT.3G-25.453(R5-5.12.0).zip

Release 6

ARIB	ARIB STD-T63-25.453	6.11.0	Approved	Sep 08	http://www.arib.or.jp/IMT-2000/ARIB-STD/ITU-R_Rev8/Rel6/A25453-6b0.pdf
ATIS	ATIS.3GPP.25.453V6110-2007	6.11.0	Approved	Oct 07	https://www.atis.org/docstore/default.aspx
ETSI	ETSI TS 125 453	6.11.0	Published	Mar 07	http://pda.etsi.org/pda/home.asp?wkr=RTS/TSGR-0325453v6b0
TTA	TTAT.3G-25.453(R6-6.11.0)	6.11.0	Approved	Dec 07	http://www.tta.or.kr/standardDB/stnfile/TTAT.3G-25.453(R6-6.11.0).zip

Release 7

ARIB	ARIB STD-T63-25.453	7.11.0	Approved	Sep 08	http://www.arib.or.jp/IMT-2000/ARIB-STD/ITU-R_Rev8/Rel7/A25453-7b0.pdf
ATIS	ATIS.3GPP.25.453V7110-2008	7.11.0	Approved	Oct 08	https://www.atis.org/docstore/default.aspx
ETSI	ETSI TS 125 453	7.9.0	Awaiting publication		http://pda.etsi.org/pda/home.asp?wkr=RTS/TSGR-0325453v790
TTA	TTAT.3G-25.453(R7-7.11.0)	7.11.0	Approved	Oct 08	http://www.tta.or.kr/standardDB/stnfile/TTAT.3G-25.453(R7-7.11.0).zip

5.1.2.3.29 TS 25.460**UTRAN Iuant Interface: General Aspects and Principles**

This document is an introduction to the TSG RAN TS 25.46x series of UMTS Technical Specifications that define the Iuant Interface. The logical Iuant interface is a Node B internal interface between the implementation specific O&M function and the Remote Electrical Tilting (RET) Antenna Control unit function of the Node B.

SDO (2)	Document No.	Version	Status	Issued date	Location (1)
Release 6					
ATIS	ATIS.3GPP.25.460V620-2006	6.2.0	Approved	Apr 06	https://www.atis.org/docstore/default.aspx
ETSI	ETSI TS 125 460	6.2.0	Published	Apr 05	http://pda.etsi.org/pda/home.asp?wkr=RTS/TSGR-0325460v620
TTA	TTAT.3G-25.460(R6-6.2.0)	6.2.0	Approved	Apr 06	http://www.tta.or.kr/standardDB/stnfile/TTAT.3G-25.460(R6-6.2.0).zip
Release 7					
ATIS	ATIS.3GPP.25.460V710-2007	7.1.0	Approved	Oct 07	https://www.atis.org/docstore/default.aspx
ETSI	ETSI TS 125 460	7.1.0	Published	Mar 07	http://pda.etsi.org/pda/home.asp?wkr=RTS/TSGR-0325460v710
TTA	TTAT.3G-25.460(R7-7.1.0)	7.1.0	Approved	Dec 07	http://www.tta.or.kr/standardDB/stnfile/TTAT.3G-25.460(R7-7.1.0).zip
Release 8					
ATIS	ATIS.3GPP.25.460V800-2008	8.0.0	Approved	Oct 08	https://www.atis.org/docstore/default.aspx
TTA	TTAT.3G-25.460(R8-8.0.0)	8.0.0	Approved	Oct 08	http://www.tta.or.kr/standardDB/stnfile/TTAT.3G-25.460(R8-8.0.0).zip

5.1.2.3.30 TS 25.461**UTRAN Iuant Interface: Layer 1**

This document specifies the standards allowed to implement Layer 1 on the Iuant interface. The specification of transmission delay requirements and O&M requirements are not in the scope of the present document.

SDO (2)	Document No.	Version	Status	Issued date	Location (1)
Release 6					
ATIS	ATIS.3GPP.25.461V650-2006	6.5.0	Approved	Apr 06	https://www.atis.org/docstore/default.aspx
ETSI	ETSI TS 125 461	6.5.0	Published	Jan 06	http://pda.etsi.org/pda/home.asp?wkr=RTS/TSGR-0325461v650
TTA	TTAT.3G-25.461(R6-6.5.0)	6.5.0	Approved	Apr 06	http://www.tta.or.kr/standardDB/stnfile/TTAT.3G-25.461(R6-6.5.0).zip
Release 7					
ATIS	ATIS.3GPP.25.461V750-2007	7.5.0	Approved	Oct 07	https://www.atis.org/docstore/default.aspx
ETSI	ETSI TS 125 461	7.5.0	Published	Jul 07	http://pda.etsi.org/pda/home.asp?wkr=RTS/TSGR-0325461v750
TTA	TTAT.3G-25.461(R7-7.5.0)	7.5.0	Approved	Dec 07	http://www.tta.or.kr/standardDB/stnfile/TTAT.3G-25.461(R7-7.5.0).zip
Release 8					
ATIS	ATIS.3GPP.25.461V810-2008	8.1.0	Approved	Oct 08	https://www.atis.org/docstore/default.aspx
ETSI	ETSI TS 125 461	8.0.0	Awaiting publication		http://pda.etsi.org/pda/home.asp?wkr=RTS/TSGR-0325461v800
TTA	TTAT.3G-25.461(R8-8.1.0)	8.1.0	Approved	Oct 08	http://www.tta.or.kr/standardDB/stnfile/TTAT.3G-25.461(R8-8.1.0).zip

5.1.2.3.31 TS 25.462**UTRAN Iuant Interface: Signalling Transport**

This document specifies the signalling transport related to RETAP signalling to be used across the Iuant interface.

SDO (2)	Document No.	Version	Status	Issued date	Location (1)
Release 6					
ATIS	ATIS.3GPP.25.462V651-2007	6.5.1	Approved	Oct 07	https://www.atis.org/docstore/default.aspx
ETSI	ETSI TS 125 462	6.5.1	Published	Jul 07	http://pda.etsi.org/pda/home.asp?wkr=RTS/TSGR-0325462v651
TTA	TTAT.3G-25.462(R6-6.5.1)	6.5.1	Approved	Dec 07	http://www.tta.or.kr/standardDB/stnfile/TTAT.3G-25.462(R6-6.5.1).zip
Release 7					
ATIS	ATIS.3GPP.25.462V740-2007	7.4.0	Approved	Oct 07	https://www.atis.org/docstore/default.aspx
ETSI	ETSI TS 125 462	7.4.0	Published	Oct 07	http://pda.etsi.org/pda/home.asp?wkr=RTS/TSGR-0325462v740
TTA	TTAT.3G-25.462(R7-7.4.0)	7.4.0	Approved	Dec 07	http://www.tta.or.kr/standardDB/stnfile/TTAT.3G-25.462(R7-7.4.0).zip
Release 8					
ATIS					

5.1.2.3.32 TS 25.463**UTRAN Iuant Interface: Remote Electrical Tilting (RET) Antennas Application Part (RETAP) Signalling**

This document specifies the Remote Electrical Tilting Application Part (RETAP) between the implementation specific O&M function and the RET Antenna Control unit function of the Node B. It defines the Iuant interface and its associated signalling procedures.

SDO (2)	Document No.	Version	Status	Issued date	Location (1)
Release 6					
ATIS	ATIS.3GPP.25.463V670-2007	6.7.0	Approved	Oct 07	https://www.atis.org/docstore/default.aspx
ETSI	ETSI TS 125 463	6.7.0	Published	Jul 07	http://pda.etsi.org/pda/home.asp?wkr=RTS/TSGR-0325463v670
TTA	TTAT.3G-25.463(R6-6.7.0)	6.7.0	Approved	Dec 07	http://www.tta.or.kr/standardDB/stnfile/TTAT.3G-25.463(R6-6.7.0).zip
Release 7					
ATIS	ATIS.3GPP.25.463V750-2007	7.5.0	Approved	Oct 07	https://www.atis.org/docstore/default.aspx
ETSI	ETSI TS 125 463	7.5.0	Published	Apr 07	http://pda.etsi.org/pda/home.asp?wkr=RTS/TSGR-0325463v750
TTA	TTAT.3G-25.463(R7-7.5.0)	7.5.0	Approved	Dec 07	http://www.tta.or.kr/standardDB/stnfile/TTAT.3G-25.463(R7-7.5.0).zip

5.1.2.3.33 TS 25.466**UTRAN Iuant Interface: Application Part**

This document specifies the Remote Electrical Tilting Application Part (RETAP) between the implementation specific O&M transport function and the RET Antenna Control unit function of the Node B. The document also specifies the Tower Mounted Amplifier Application Part (TMAAP) between the implementation specific O&M transport function and the TMA control function of the Node B. It defines the Iuant interface and its associated signalling procedures.

SDO (2)	Document No.	Version	Status	Issued date	Location (1)
Release 7					
ATIS	ATIS.3GPP.25.466V730-2008	7.3.0	Approved	Oct 08	https://www.atis.org/docstore/default.aspx
ETSI	ETSI TS 125 466	7.3.0	Awaiting publication		http://pda.etsi.org/pda/home.asp?wkr=RTS/TSGR-0325466v730
TTA	TTAT.3G-25.466(R7-7.3.0)	7.3.0	Approved	Oct 08	http://www.tta.or.kr/standardDB/stnfile/TTAT.3G-25.466(R7-7.3.0).zip
Release 8					
ATIS	ATIS.3GPP.25.466V820-2008	8.2.0	Approved	Oct 08	https://www.atis.org/docstore/default.aspx
ETSI	ETSI TS 125 466	8.1.0	Awaiting publication		http://pda.etsi.org/pda/home.asp?wkr=RTS/TSGR-0325466v810
TTA	TTAT.3G-25.466(R8-8.2.0)	8.2.0	Approved	Oct 08	http://www.tta.or.kr/standardDB/stnfile/TTAT.3G-25.466(R8-8.2.0).zip

5.1.2.4**25.100 series****5.1.2.4.1** TS 25.101**UE radio transmission and reception (FDD)**

This document establishes the minimum RF characteristics of the UTRA User Equipment (UE) operating in the FDD mode. The values in the TS make no allowance for measurement uncertainty in conformance testing. Test limits to be used for conformance testing are specified separately in the UE conformance test specifications TS 34.121.

SDO (2)	Document No.	Version	Status	Issued date	Location (1)
Release 99					
ARIB	ARIB STD-T63-25.101	3.19.0	Approved	Sep 08	http://www.arib.or.jp/IMT-2000/ARIB-STD/ITU-R_Rev8/R99/A25101-3j0.pdf
ATIS	ATIS.3GPP.25.101V3190-2007	3.19.0	Approved	Oct 07	https://www.atis.org/docstore/default.aspx
ETSI	ETSI TS 125 101	3.19.0	Published	Jan 07	http://pda.etsi.org/pda/home.asp?wkr=RTS/TSGR-0425101v3j0
TTA	TTAT.3G-25.101(R99F-3.19.0)	3.19.0	Approved	Dec 07	http://www.tta.or.kr/standardDB/stnfile/TTAT.3G-25.101(R99F-3.19.0).zip
Release 4					
ARIB	ARIB STD-T63-25.101	4.13.0	Approved	Sep 08	http://www.arib.or.jp/IMT-2000/ARIB-STD/ITU-R_Rev8/Rel4/A25101-4d0.pdf
ATIS	ATIS.3GPP.25.101V4130-2007	4.13.0	Approved	Oct 07	https://www.atis.org/docstore/default.aspx
ETSI	ETSI TS 125 101	4.13.0	Published	Jan 07	http://pda.etsi.org/pda/home.asp?wkr=RTS/TSGR-0425101v4d0
TTA	TTAT.3G-25.101(R4F-4.13.0)	4.13.0	Approved	Dec 07	http://www.tta.or.kr/standardDB/stnfile/TTAT.3G-25.101(R4F-4.13.0).zip
Release 5					
ARIB	ARIB STD-T63-25.101	5.20.0	Approved	Sep 08	http://www.arib.or.jp/IMT-2000/ARIB-STD/ITU-R_Rev8/Rel5/A25101-5k0.pdf
ATIS	ATIS.3GPP.25.101V5200-2007	5.20.0	Approved	Oct 07	https://www.atis.org/docstore/default.aspx
ETSI	ETSI TS 125 101	5.20.0	Published	Jan 07	http://pda.etsi.org/pda/home.asp?wkr=RTS/TSGR-0425101v5k0
TTA	TTAT.3G-25.101(R5F-5.20.0)	5.20.0	Approved	Dec 07	http://www.tta.or.kr/standardDB/stnfile/TTAT.3G-25.101(R5F-5.20.0).zip
Release 6					
ARIB	ARIB STD-T63-25.101	6.17.0	Approved	Sep 08	http://www.arib.or.jp/IMT-2000/ARIB-STD/ITU-R_Rev8/Rel6/A25101-6h0.pdf
ATIS	ATIS.3GPP.25.101V6170-2008	6.17.0	Approved	Oct 08	https://www.atis.org/docstore/default.aspx
ETSI	ETSI TS 125 101	6.15.0	Published	Oct 07	http://pda.etsi.org/pda/home.asp?wkr=RTS/TSGR-0425101v6f0
TTA	TTAT.3G-25.101(R6F-6.17.0)	6.17.0	Approved	Oct 08	http://www.tta.or.kr/standardDB/stnfile/TTAT.3G-25.101(R6F-6.17.0).zip
Release 7					
ARIB	ARIB STD-T63-25.101	7.12.0	Approved	Sep 08	http://www.arib.or.jp/IMT-2000/ARIB-STD/ITU-R_Rev8/Rel7/A25101-7c0.pdf
ATIS	ATIS.3GPP.25.101V7120-2008	7.12.0	Approved	Oct 08	https://www.atis.org/docstore/default.aspx
ETSI	ETSI TS 125 101	7.10.0	Awaiting publication		http://pda.etsi.org/pda/home.asp?wkr=RTS/TSGR-0425101v7a0
TTA	TTAT.3G-25.101(R7F-7.12.0)	7.12.0	Approved	Oct 08	http://www.tta.or.kr/standardDB/stnfile/TTAT.3G-25.101(R7F-7.12.0).zip

Release 8

ARIB	ARIB STD-T63-25.101	8.3.0	Approved	Sep 08	http://www.arib.or.jp/IMT-2000/ARIB-STD/ITU-R_Rev8/Rel8/A25101-830.pdf
ATIS	ATIS.3GPP.25.101V830-2008	8.3.0	Approved	Oct 08	https://www.atis.org/docstore/default.aspx
ETSI	ETSI TS 125 101	8.1.0	Awaiting publication		http://pda.etsi.org/pda/home.asp?wkr=RTS/TSGR-0425101v810
TTA	TTAT.3G-25.101(R8F-8.3.0)	8.3.0	Approved	Oct 08	http://www.tta.or.kr/standardDB/stnfile/TTAT.3G-25.101(R8F-8.3.0).zip

5.1.2.4.2 TS 25.106**UTRA Repeater; Radio Transmission and Reception**

The present document establishes the minimum radio frequency performance of UTRA repeaters.

SDO (2)	Document No.	Version	Status	Issued date	Location (1)
Release 4					
ATIS	ATIS.3GPP.25.106V4100-2007	4.10.0	Approved	Oct 07	https://www.atis.org/docstore/default.aspx
ETSI	ETSI TS 125 106	4.10.0	Published	Jun 07	http://pda.etsi.org/pda/home.asp?wkr=RTS/TSGR-0425106v4a0
TTA	TTAT.3G-25.106(R4-4.10.0)	4.10.0	Approved	Dec 07	http://www.tta.or.kr/standardDB/stnfile/TTAT.3G-25.106(R4-4.10.0).zip
Release 5					
ATIS	ATIS.3GPP.25.106V5130-2007	5.13.0	Approved	Oct 07	https://www.atis.org/docstore/default.aspx
ETSI	ETSI TS 125 106	5.13.0	Published	Jun 07	http://pda.etsi.org/pda/home.asp?wkr=RTS/TSGR-0425106v5d0
TTA	TTAT.3G-25.106(R5-5.13.0)	5.13.0	Approved	Dec 07	http://www.tta.or.kr/standardDB/stnfile/TTAT.3G-25.106(R5-5.13.0).zip
Release 6					
ATIS	ATIS.3GPP.25.106V670-2007	6.7.0	Approved	Oct 07	https://www.atis.org/docstore/default.aspx
ETSI	ETSI TS 125 106	6.7.0	Published	Jul 07	http://pda.etsi.org/pda/home.asp?wkr=RTS/TSGR-0425106v670
TTA	TTAT.3G-25.106(R6-6.7.0)	6.7.0	Approved	Dec 07	http://www.tta.or.kr/standardDB/stnfile/TTAT.3G-25.106(R6-6.7.0).zip
Release 7					
ATIS	ATIS.3GPP.25.106V730-2007	7.3.0	Approved	Oct 07	https://www.atis.org/docstore/default.aspx
ETSI	ETSI TS 125 106	7.3.0	Published	Jun 07	http://pda.etsi.org/pda/home.asp?wkr=RTS/TSGR-0425106v730
TTA	TTAT.3G-25.106(R7-7.3.0)	7.3.0	Approved	Dec 07	http://www.tta.or.kr/standardDB/stnfile/TTAT.3G-25.106(R7-7.3.0).zip
Release 8					
ATIS	ATIS.3GPP.25.106V802-2008	8.0.2	Approved	Oct 08	https://www.atis.org/docstore/default.aspx
TTA	TTAT.3G-25.106(R8-8.0.2)	8.0.2	Approved	Oct 08	http://www.tta.or.kr/standardDB/stnfile/TTAT.3G-25.106(R8-8.0.2).zip

5.1.2.4.3 TS 25.133**Requirements for support of radio resource management (FDD)**

This specification describes the requirements for support of radio resource management for FDD including requirements on measurements in UTRAN and the UE as well as on node dynamic behaviour and interaction, in terms of delay and response characteristics.

SDO (2)	Document No.	Version	Status	Issued date	Location (1)
Release 99					
ARIB	ARIB STD-T63-25.133	3.22.0	Approved	Sep 08	http://www.arib.or.jp/IMT-2000/ARIB-STD/ITU-R_Rev8/R99/A25133-3m0.pdf
ATIS	ATIS.3GPP.25.133V3220-2006	3.22.0	Approved	Apr 06	https://www.atis.org/docstore/default.aspx
ETSI	ETSI TS 125 133	3.22.0	Published	Oct 05	http://pda.etsi.org/pda/home.asp?wkr=RTS/TSGR-0425133v3m0
TTA	TTAT.3G-25.133(R99F-3.22.0)	3.22.0	Approved	Apr 06	http://www.tta.or.kr/standardDB/stnfile/TTAT.3G-25.133(R99F-3.22.0).zip
Release 4					
ARIB	ARIB STD-T63-25.133	4.17.0	Approved	Sep 08	http://www.arib.or.jp/IMT-2000/ARIB-STD/ITU-R_Rev8/Rel4/A25133-4h0.pdf
ATIS	ATIS.3GPP.25.133V4170-2007	4.17.0	Approved	Oct 07	https://www.atis.org/docstore/default.aspx
ETSI	ETSI TS 125 133	4.17.0	Published	Jun 06	http://pda.etsi.org/pda/home.asp?wkr=RTS/TSGR-0425133v4h0
TTA	TTAT.3G-25.133(R4F-4.17.0)	4.17.0	Approved	Dec 07	http://www.tta.or.kr/standardDB/stnfile/TTAT.3G-25.133(R4F-4.17.0).zip
Release 5					
ARIB	ARIB STD-T63-25.133	5.18.0	Approved	Sep 08	http://www.arib.or.jp/IMT-2000/ARIB-STD/ITU-R_Rev8/Rel5/A25133-5i0.pdf
ATIS	ATIS.3GPP.25.133V5180-2007	5.18.0	Approved	Oct 07	https://www.atis.org/docstore/default.aspx
ETSI	ETSI TS 125 133	5.18.0	Published	Oct 07	http://pda.etsi.org/pda/home.asp?wkr=RTS/TSGR-0425133v5I0
TTA	TTAT.3G-25.133(R5F-5.18.0)	5.18.0	Approved	Dec 07	http://www.tta.or.kr/standardDB/stnfile/TTAT.3G-25.133(R5F-5.18.0).zip
Release 6					
ARIB	ARIB STD-T63-25.133	6.22.0	Approved	Sep 08	http://www.arib.or.jp/IMT-2000/ARIB-STD/ITU-R_Rev8/Rel6/A25133-6m0.pdf
ATIS	ATIS.3GPP.25.133V6220-2008	6.22.0	Approved	Oct 08	https://www.atis.org/docstore/default.aspx
ETSI	ETSI TS 125 133	6.20.0	Awaiting publication		http://pda.etsi.org/pda/home.asp?wkr=RTS/TSGR-0425133v6k0
TTA	TTAT.3G-25.133(R6F-6.22.0)	6.22.0	Approved	Oct 08	http://www.tta.or.kr/standardDB/stnfile/TTAT.3G-25.133(R6F-6.22.0).zip
Release 7					
ARIB	ARIB STD-T63-25.133	7.12.0	Approved	Sep 08	http://www.arib.or.jp/IMT-2000/ARIB-STD/ITU-R_Rev8/Rel7/A25133-7c0.pdf
ATIS	ATIS.3GPP.25.133V7120-2008	7.12.0	Approved	Oct 08	https://www.atis.org/docstore/default.aspx
ETSI	ETSI TS 125 133	7.10.0	Awaiting publication		http://pda.etsi.org/pda/home.asp?wkr=RTS/TSGR-0425133v7a0
TTA	TTAT.3G-25.133(R7F-7.12.0)	7.12.0	Approved	Oct 08	http://www.tta.or.kr/standardDB/stnfile/TTAT.3G-25.133(R7F-7.12.0).zip

Release 8

ARIB	ARIB STD-T63-25.133	8.3.0	Approved	Sep 08	http://www.arib.or.jp/IMT-2000/ARIB-STD/ITU-R_Rev8/Rel8/A25133-830.pdf
ATIS	ATIS.3GPP.25.133V830-2008	8.3.0	Approved	Oct 08	https://www.atis.org/docstore/default.aspx
ETSI	ETSI TS 125 133	8.1.0	Awaiting publication		http://pda.etsi.org/pda/home.asp?wkr=RTS/TSGR-0425133v810
TTA	TTAT.3G-25.133(R8F-8.3.0)	8.3.0	Approved	Oct 08	http://www.tta.or.kr/standardDB/stnfile/TTAT.3G-25.133(R8F-8.3.0).zip

5.1.2.4.4 TS 25.104**BTS radio transmission and reception (FDD)**

This specification describes the base station minimum RF characteristics of the FDD mode of UTRA. The values in the TS make no allowance for measurements uncertainties in conformance testing. Test limit to be used for conformance testing are specified separately in the BS conformance test Specification TS 25.141.

SDO (2)	Document No.	Version	Status	Issued date	Location (1)
Release 99					
ARIB	ARIB STD-T63-25.104	3.14.0	Approved	Sep 08	http://www.arib.or.jp/IMT-2000/ARIB-STD/ITU-R_Rev8/R99/A25104-3e0.pdf
ATIS	ATIS.3GPP.25.104V3140-2007	3.14.0	Approved	Oct 07	https://www.atis.org/docstore/default.aspx
ETSI	ETSI TS 125 104	3.14.0	Published	Mar 07	http://pda.etsi.org/pda/home.asp?wkr=RTS/TSGR-0425104v3e0
TTA	TTAT.3G-25.104(R99F-3.14.0)	3.14.0	Approved	Dec 07	http://www.tta.or.kr/standardDB/stnfile/TTAT.3G-25.104(R99F-3.14.0).zip
Release 4					
ARIB	ARIB STD-T63-25.104	4.9.0	Approved	Sep 08	http://www.arib.or.jp/IMT-2000/ARIB-STD/ITU-R_Rev8/Rel4/A25104-490.pdf
ATIS	ATIS.3GPP.25.104V490-2007	4.9.0	Approved	Oct 07	https://www.atis.org/docstore/default.aspx
ETSI	ETSI TS 125 104	4.9.0	Published	Mar 07	http://pda.etsi.org/pda/home.asp?wkr=RTS/TSGR-0425104v490
TTA	TTAT.3G-25.104(R4F-4.9.0)	4.9.0	Approved	Dec 07	http://www.tta.or.kr/standardDB/stnfile/TTAT.3G-25.104(R4F-4.9.0).zip
Release 5					
ARIB	ARIB STD-T63-25.104	5.13.0	Approved	Sep 08	http://www.arib.or.jp/IMT-2000/ARIB-STD/ITU-R_Rev8/Rel5/A25104-5d0.pdf
ATIS	ATIS.3GPP.25.104V5130-2007	5.13.0	Approved	Oct 07	https://www.atis.org/docstore/default.aspx
ETSI	ETSI TS 125 104	5.13.0	Published	Mar 07	http://pda.etsi.org/pda/home.asp?wkr=RTS/TSGR-0425104v5d0
TTA	TTAT.3G-25.104(R5F-5.13.0)	5.13.0	Approved	Dec 07	http://www.tta.or.kr/standardDB/stnfile/TTAT.3G-25.104(R5F-5.13.0).zip
Release 6					
ARIB	ARIB STD-T63-25.104	6.17.0	Approved	Sep 08	http://www.arib.or.jp/IMT-2000/ARIB-STD/ITU-R_Rev8/Rel6/A25104-6h0.pdf
ATIS	ATIS.3GPP.25.104V6170-2008	6.17.0	Approved	Oct 08	https://www.atis.org/docstore/default.aspx
ETSI	ETSI TS 125 104	6.16.0	Published	Oct 07	http://pda.etsi.org/pda/home.asp?wkr=RTS/TSGR-0425104v6g0
TTA	TTAT.3G-25.104(R6F-6.17.0)	6.17.0	Approved	Oct 08	http://www.tta.or.kr/standardDB/stnfile/TTAT.3G-25.104(R6F-6.17.0).zip

Release 7

ARIB	ARIB STD-T63-25.104	7.10.0	Approved	Sep 08	http://www.arib.or.jp/IMT-2000/ARIB-STD/ITU-R_Rev8/Rel7/A25104-7a0.pdf
ATIS	ATIS.3GPP.25.104V7100-2008	7.10.0	Approved	Oct 08	https://www.atis.org/docstore/default.aspx
ETSI	ETSI TS 125 104	7.9.0	Awaiting publication		http://pda.etsi.org/pda/home.asp?wkr=RTS/TSGR-0425104v790
TTA	TTAT.3G-25.104(R7F-7.10.0)	7.10.0	Approved	Oct 08	http://www.tta.or.kr/standardDB/stnfile/TTAT.3G-25.104(R7F-7.10.0).zip

Release 8

ARIB	ARIB STD-T63-25.104	8.3.0	Approved	Sep 08	http://www.arib.or.jp/IMT-2000/ARIB-STD/ITU-R_Rev8/Rel8/A25104-830.pdf
ATIS	ATIS.3GPP.25.104V830-2008	8.3.0	Approved	Oct 08	https://www.atis.org/docstore/default.aspx
ETSI	ETSI TS 125 104	8.1.0	Awaiting publication		http://pda.etsi.org/pda/home.asp?wkr=RTS/TSGR-0425104v810
TTA	TTAT.3G-25.104(R8F-8.3.0)	8.3.0	Approved	Oct 08	http://www.tta.or.kr/standardDB/stnfile/TTAT.3G-25.104(R8F-8.3.0).zip

5.1.2.4.5 TS 25.141**Base station conformance testing (FDD)**

This specification describes the RF test methods and conformance requirements for UTRA base transceiver stations (BTS) operating in the FDD mode. These have been derived from, and are consistent with, the core UTRA specifications specified in the requirements reference subclause of each test. The maximum acceptable measurement uncertainty is specified in the TS for each test, where appropriate.

SDO (2)	Document No.	Version	Status	Issued date	Location (1)
Release 99					
ARIB	ARIB STD-T63-25.141	3.15.0	Approved	Sep 08	http://www.arib.or.jp/IMT-2000/ARIB-STD/ITU-R_Rev8/R99/A25141-3f0.pdf
ATIS	ATIS.3GPP.25.141V3150-2007	3.15.0	Approved	Oct 07	https://www.atis.org/docstore/default.aspx
ETSI	ETSI TS 125 141	3.15.0	Published	Mar 07	http://pda.etsi.org/pda/home.asp?wkr=RTS/TSGR-0425141v3f0
TTA	TTAT.3G-25.141(R99F-3.15.0)	3.15.0	Approved	Dec 07	http://www.tta.or.kr/standardDB/stnfile/TTAT.3G-25.141(R99F-3.15.0).zip
Release 4					
ARIB	ARIB STD-T63-25.141	4.10.0	Approved	Sep 08	http://www.arib.or.jp/IMT-2000/ARIB-STD/ITU-R_Rev8/Rel4/A25141-4a0.pdf
ATIS	ATIS.3GPP.25.141V4100-2007	4.10.0	Approved	Oct 07	https://www.atis.org/docstore/default.aspx
ETSI	ETSI TS 125 141	4.10.0	Published	Mar 07	http://pda.etsi.org/pda/home.asp?wkr=RTS/TSGR-0425141v4a0
TTA	TTAT.3G-25.141(R4F-4.10.0)	4.10.0	Approved	Dec 07	http://www.tta.or.kr/standardDB/stnfile/TTAT.3G-25.141(R4F-4.10.0).zip
Release 5					
ARIB	ARIB STD-T63-25.141	5.15.0	Approved	Sep 08	http://www.arib.or.jp/IMT-2000/ARIB-STD/ITU-R_Rev8/Rel5/A25141-5f0.pdf
ATIS	ATIS.3GPP.25.141V5150-2007	5.15.0	Approved	Oct 07	https://www.atis.org/docstore/default.aspx
ETSI	ETSI TS 125 141	5.15.0	Published	Oct 07	http://pda.etsi.org/pda/home.asp?wkr=RTS/TSGR-0425141v5f0
TTA	TTAT.3G-25.141(R5F-5.15.0)	5.15.0	Approved	Dec 07	http://www.tta.or.kr/standardDB/stnfile/TTAT.3G-25.141(R5F-5.15.0).zip

Release 6

ARIB	ARIB STD-T63-25.141	6.19.0	Approved	Sep 08	http://www.arib.or.jp/IMT-2000/ARIB-STD/ITU-R_Rev8/Rel6/A25141-6j0.pdf
ATIS	ATIS.3GPP.25.141V6190-2008	6.19.0	Approved	Oct 08	https://www.atis.org/docstore/default.aspx
ETSI	ETSI TS 125 141	6.18.0	Published	Oct 07	http://pda.etsi.org/pda/home.asp?wkr=RTS/TSGR-0425141v6I0
TTA	TTAT.3G-25.141(R6F-6.19.0)	6.19.0	Approved	Oct 08	http://www.tta.or.kr/standardDB/stnfile/TTAT.3G-25.141(R6F-6.19.0).zip

Release 7

ARIB	ARIB STD-T63-25.141	7.11.0	Approved	Sep 08	http://www.arib.or.jp/IMT-2000/ARIB-STD/ITU-R_Rev8/Rel7/A25141-7b0.pdf
ATIS	ATIS.3GPP.25.141V7110-2008	7.11.0	Approved	Oct 08	https://www.atis.org/docstore/default.aspx
ETSI	ETSI TS 125 141	7.10.0	Awaiting publication		http://pda.etsi.org/pda/home.asp?wkr=RTS/TSGR-0425141v7a0
TTA	TTAT.3G-25.141(R7F-7.11.0)	7.11.0	Approved	Oct 08	http://www.tta.or.kr/standardDB/stnfile/TTAT.3G-25.141(R7F-7.11.0).zip

Release 8

ARIB	ARIB STD-T63-25.141	8.3.0	Approved	Sep 08	http://www.arib.or.jp/IMT-2000/ARIB-STD/ITU-R_Rev8/Rel8/A25141-830.pdf
ATIS	ATIS.3GPP.25.141V830-2008	8.3.0	Approved	Oct 08	https://www.atis.org/docstore/default.aspx
ETSI	ETSI TS 125 141	8.1.0	Awaiting publication		http://pda.etsi.org/pda/home.asp?wkr=RTS/TSGR-0425141v810
TTA	TTAT.3G-25.141(R8F-8.3.0)	8.3.0	Approved	Oct 08	http://www.tta.or.kr/standardDB/stnfile/TTAT.3G-25.141(R8F-8.3.0).zip

5.1.2.4.6 TS 25.113**Base station EMC (see Note 1)**

This specification describes the assessment of base stations and associated ancillary equipment in respect of EMC.

SDO (2)	Document No.	Version	Status	Issued date	Location (1)
Release 99					
ARIB	ARIB STD-T63-25.113	3.5.0	Approved	Sep 08	http://www.arib.or.jp/IMT-2000/ARIB-STD/ITU-R_Rev8/R99/A25113-350.pdf
ATIS	T1.3GPP.25.113V350-2002	3.5.0	Approved	May 02	https://www.atis.org/docstore/default.aspx
ETSI	ETSI TS 125 113	3.5.0	Published	May 01	http://pda.etsi.org/pda/home.asp?wkr=RTS/TSGR-0425113UR5
TTA	TTAE.3G-25.113(R99-3.5.0)	3.5.0	Approved	May 02	http://www.tta.or.kr/standardDB/stnfile/TTAE.3G-25.113(R99-3.5.0).zip
Release 4					
ARIB	ARIB STD-T63-25.113	4.4.0	Approved	Sep 08	http://www.arib.or.jp/IMT-2000/ARIB-STD/ITU-R_Rev8/Rel4/A25113-440.pdf
ATIS	T1.3GPP.25.113V440-2003	4.4.0	Approved	Mar 03	https://www.atis.org/docstore/default.aspx
ETSI	ETSI TS 125 113	4.4.0	Published	Jan 03	http://pda.etsi.org/pda/home.asp?wkr=RTS/TSGR-0425113v440
TTA	TTAT.3G-25.113(R4-4.4.0)	4.4.0	Approved	Mar 03	http://www.tta.or.kr/standardDB/stnfile/TTAT.3G-25.113(R4-4.4.0).zip

Release 5

ARIB	ARIB STD-T63-25.113	5.5.0	Approved	Sep 08	http://www.arib.or.jp/IMT-2000/ARIB-STD/ITU-R_Rev8/Rel5/A25113-550.pdf
ATIS	T1.3GPP.25.113V550-2004	5.5.0	Approved	May 04	https://www.atis.org/docstore/default.aspx
ETSI	ETSI TS 125 113	5.5.0	Published	Jan 04	http://pda.etsi.org/pda/home.asp?wkr=RTS/TSGR-0425113v550
TTA	TTAT.3G-25.113(R5-5.5.0)	5.5.0	Approved	May 04	http://www.tta.or.kr/standardDB/stnfile/TTAT.3G-25.113(R5-5.5.0).zip

Release 6

ARIB	ARIB STD-T63-25.113	6.4.0	Approved	Sep 08	http://www.arib.or.jp/IMT-2000/ARIB-STD/ITU-R_Rev8/Rel6/A25113-640.pdf
ATIS	ATIS.3GPP.25.113V640-2007	6.4.0	Approved	Oct 07	https://www.atis.org/docstore/default.aspx
ETSI	ETSI TS 125 113	6.4.0	Published	Jun 06	http://pda.etsi.org/pda/home.asp?wkr=RTS/TSGR-0425113v640
TTA	TTAT.3G-25.113(R6-6.4.0)	6.4.0	Approved	Dec 07	http://www.tta.or.kr/standardDB/stnfile/TTAT.3G-25.113(R6-6.4.0).zip

Release 7

ARIB	ARIB STD-T63-25.113	7.6.0	Approved	Sep 08	http://www.arib.or.jp/IMT-2000/ARIB-STD/ITU-R_Rev8/Rel7/A25113-760.pdf
ATIS	ATIS.3GPP.25.113V760-2007	7.6.0	Approved	Oct 07	https://www.atis.org/docstore/default.aspx
ETSI	ETSI TS 125 113	7.6.0	Published	Mar 07	http://pda.etsi.org/pda/home.asp?wkr=RTS/TSGR-0425113v760
TTA	TTAT.3G-25.113(R7-7.6.0)	7.6.0	Approved	Dec 07	http://www.tta.or.kr/standardDB/stnfile/TTAT.3G-25.113(R7-7.6.0).zip

Release 8

ARIB	ARIB STD-T63-25.113	8.2.0	Approved	Sep 08	http://www.arib.or.jp/IMT-2000/ARIB-STD/ITU-R_Rev8/Rel8/A25113-820.pdf
ATIS	ATIS.3GPP.25.113V820-2008	8.2.0	Approved	Oct 08	https://www.atis.org/docstore/default.aspx
ETSI	ETSI TS 125 113	8.0.0	Awaiting publication		http://pda.etsi.org/pda/home.asp?wkr=RTS/TSGR-0425113v800
TTA	TTAT.3G-25.113(R8-8.2.0)	8.2.0	Approved	Oct 08	http://www.tta.or.kr/standardDB/stnfile/TTAT.3G-25.113(R8-8.2.0).zip

5.1.2.4.7 TS 25.143**UTRA Repeater; Conformance Testing**

The present document specifies the Radio Frequency (RF) test methods and Minimum Requirements for UTRA Repeaters. These have been derived from, and are consistent with the UTRA Repeater specifications defined in TS 25.106.

SDO (2)	Document No.	Version	Status	Issued date	Location (1)
Release 4					
ATIS	ATIS.3GPP.25.143V4120-2007	4.12.0	Approved	Oct 07	https://www.atis.org/docstore/default.aspx
ETSI	ETSI TS 125 143	4.12.0	Published	Jun 07	http://pda.etsi.org/pda/home.asp?wkr=RTS/TSGR-0425143v4c0
TTA	TTAT.3G-25.143(R4-4.12.0)	4.12.0	Approved	Dec 07	http://www.tta.or.kr/standardDB/stnfile/TTAT.3G-25.143(R4-4.12.0).zip
Release 5					
ATIS	ATIS.3GPP.25.143V5130-2007	5.13.0	Approved	Oct 07	https://www.atis.org/docstore/default.aspx
ETSI	ETSI TS 125 143	5.13.0	Published	Jun 07	http://pda.etsi.org/pda/home.asp?wkr=RTS/TSGR-0425143v5d0
TTA	TTAT.3G-25.143(R5-5.13.0)	5.13.0	Approved	Dec 07	http://www.tta.or.kr/standardDB/stnfile/TTAT.3G-25.143(R5-5.13.0).zip

Release 6

ATIS	ATIS.3GPP.25.143V670-2007	6.7.0	Approved	Oct 07	https://www.atis.org/docstore/default.aspx
ETSI	ETSI TS 125 143	6.7.0	Published	Jun 07	http://pda.etsi.org/pda/home.asp?wkr=RTS/TSGR-0425143v670
TTA	TTAT.3G-25.143(R6-6.7.0)	6.7.0	Approved	Dec 07	http://www.tta.or.kr/standardDB/stnfile/TTAT.3G-25.143(R6-6.7.0).zip

Release 7

ATIS	ATIS.3GPP.25.143V730-2007	7.3.0	Approved	Oct 07	https://www.atis.org/docstore/default.aspx
ETSI	ETSI TS 125 143	7.3.0	Published	Jun 07	http://pda.etsi.org/pda/home.asp?wkr=RTS/TSGR-0425143v730
TTA	TTAT.3G-25.143(R7-7.3.0)	7.3.0	Approved	Dec 07	http://www.tta.or.kr/standardDB/stnfile/TTAT.3G-25.143(R7-7.3.0).zip

Release 8

ATIS	ATIS.3GPP.25.143V800-2008	8.0.0	Approved	Oct 08	https://www.atis.org/docstore/default.aspx
TTA	TTAT.3G-25.143(R8-8.0.0)	8.0.0	Approved	Oct 08	http://www.tta.or.kr/standardDB/stnfile/TTAT.3G-25.143(R8-8.0.0).zip

5.1.2.4.8 TS 25.171**Requirements for support of A-GPS (FDD)**

The present document establishes the minimum performance requirements for A-GPS for FDD mode of UTRA for the User Equipment (UE).

SDO (2)	Document No.	Version	Status	Issued date	Location (1)
Release 6					
ARIB	ARIB STD-T63-25.171	6.3.0	Approved	Sep 08	http://www.arib.or.jp/IMT-2000/ARIB-STD/ITU-R_Rev8/Rel6/A25171-630.pdf
ATIS	ATIS.3GPP.25.171V630-2007	6.3.0	Approved	Oct 07	https://www.atis.org/docstore/default.aspx
ETSI	ETSI TS 125 171	6.3.0	Published	Jul 06	http://pda.etsi.org/pda/home.asp?wkr=RTS/TSGR-0425171v630
TTA	TTAT.3G-25.171(R6F-6.3.0)	6.3.0	Approved	Dec 07	http://www.tta.or.kr/standardDB/stnfile/TTAT.3G-25.171(R6F-6.3.0).zip
Release 7					
ARIB	ARIB STD-T63-25.171	7.1.0	Approved	Sep 08	http://www.arib.or.jp/IMT-2000/ARIB-STD/ITU-R_Rev8/Rel7/A25171-710.pdf
ATIS	ATIS.3GPP.25.171V710-2007	7.1.0	Approved	Oct 07	https://www.atis.org/docstore/default.aspx
ETSI	ETSI TS 125 171	7.1.0	Published	Jul 06	http://pda.etsi.org/pda/home.asp?wkr=RTS/TSGR-0425171v710
TTA	TTAT.3G-25.171(R7F-7.1.0)	7.1.0	Approved	Dec 07	http://www.tta.or.kr/standardDB/stnfile/TTAT.3G-25.171(R7F-7.1.0).zip

5.1.2.5**34.100 series****5.1.2.5.1** TS 34.108**Common Test Environments for User Equipment (UE) Conformance Testing**

This document contains definitions of reference conditions and test signals, default parameters, reference Radio Bearer configurations, common requirements for test equipment and generic set-up procedures for use in UE conformance tests.

SDO (2)	Document No.	Version	Status	Issued date	Location (1)
Release 99					
ARIB	ARIB STD-T63-34.108	3.16.0	Approved	Sep 08	http://www.arib.or.jp/IMT-2000/ARIB-STD/ITU-R_Rev8/R99/A34108-3g0.pdf
ATIS	ATIS.3GPP.34.108V3160-2005	3.16.0	Approved	Apr 05	https://www.atis.org/docstore/default.aspx
ETSI	ETSI TS 134 108	3.16.0	Published	Jul 04	http://pda.etsi.org/pda/home.asp?wkr=RTS/TSGT-0134108v3g0
TTA	TTAT.3G-34.108(R99-3.16.0)	3.16.0	Approved	May 05	http://www.tta.or.kr/standardDB/stnfile/TTAT.3G-34.108(R99-3.16.0).zip
Release 4					
ARIB	ARIB STD-T63-34.108	4.11.0	Approved	Sep 08	http://www.arib.or.jp/IMT-2000/ARIB-STD/ITU-R_Rev8/Rel4/A34108-4b0.pdf
ATIS	ATIS.3GPP.34.108V4110-2005	4.11.0	Approved	Apr 05	https://www.atis.org/docstore/default.aspx
ETSI	ETSI TS 134 108	4.11.0	Published	Jul 04	http://pda.etsi.org/pda/home.asp?wkr=RTS/TSGT-0134108v4b0
TTA	TTAT.3G-34.108(R4-4.11.0)	4.11.0	Approved	May 05	http://www.tta.or.kr/standardDB/stnfile/TTAT.3G-34.108(R4-4.11.0).zip
Release 5					
ARIB	ARIB STD-T63-34.108	5.6.0	Approved	Sep 08	http://www.arib.or.jp/IMT-2000/ARIB-STD/ITU-R_Rev8/Rel5/A34108-560.pdf
ATIS	ATIS.3GPP.34.108V560-2006	5.6.0	Approved	Apr 06	https://www.atis.org/docstore/default.aspx
ETSI	ETSI TS 134 108	5.6.0	Published	Oct 05	http://pda.etsi.org/pda/home.asp?wkr=RTS/TSGR-0534108v560
TTA	TTAT.3G-34.108(R5-5.6.0)	5.6.0	Approved	Apr 06	http://www.tta.or.kr/standardDB/stnfile/TTAT.3G-34.108(R5-5.6.0).zip
Release 6					
ARIB	ARIB STD-T63-34.108	6.6.0	Approved	Sep 08	http://www.arib.or.jp/IMT-2000/ARIB-STD/ITU-R_Rev8/Rel6/A34108-660.pdf
ATIS	ATIS.3GPP.34.108V660-2007	6.6.0	Approved	Oct 07	https://www.atis.org/docstore/default.aspx
ETSI	ETSI TS 134 108	6.6.0	Published	Mar 07	http://pda.etsi.org/pda/home.asp?wkr=RTS/TSGR-0534108v660
TTA	TTAT.3G-34.108(R6-6.6.0)	6.6.0	Approved	Dec 07	http://www.tta.or.kr/standardDB/stnfile/TTAT.3G-34.108(R6-6.6.0).zip
Release 7					
ARIB	ARIB STD-T63-34.108	7.2.0	Approved	Sep 08	http://www.arib.or.jp/IMT-2000/ARIB-STD/ITU-R_Rev8/Rel7/A34108-720.pdf
ATIS	ATIS.3GPP.34.108V720-2007	7.2.0	Approved	Oct 07	https://www.atis.org/docstore/default.aspx
ETSI	ETSI TS 134 108	7.2.0	Published	Oct 07	http://pda.etsi.org/pda/home.asp?wkr=RTS/TSGR-0534108v720
TTA	TTAT.3G-34.108(R7-7.2.0)	7.2.0	Approved	Dec 07	http://www.tta.or.kr/standardDB/stnfile/TTAT.3G-34.108(R7-7.2.0).zip
Release 8					
ARIB	ARIB STD-T63-34.108	8.3.0	Approved	Sep 08	http://www.arib.or.jp/IMT-2000/ARIB-STD/ITU-R_Rev8/Rel8/A34108-830.zip
ATIS	ATIS.3GPP.34.108V830-2008	8.3.0	Approved	Oct 08	https://www.atis.org/docstore/default.aspx
ETSI	ETSI TS 134 108	8.1.0	Awaiting publication		http://pda.etsi.org/pda/home.asp?wkr=RTS/TSGR-0534108v810
TTA	TTAT.3G-34.108(R8-8.3.0)	8.3.0	Approved	Oct 08	http://www.tta.or.kr/standardDB/stnfile/TTAT.3G-34.108(R8-8.3.0).zip

5.1.2.5.2 TS 34.109

Logical Test Interface (TDD and FDD)

This document specifies for User Equipment (UE), in UMTS system, for FDD and TDD modes, those UE functions that are required for conformance testing purposes.

SDO (2)	Document No.	Version	Status	Issued date	Location (1)
Release 99					
ARIB	ARIB STD-T63-34.109	3.10.0	Approved	Sep 08	http://www.arib.or.jp/IMT-2000/ARIB-STD/ITU-R_Rev8/R99/A34109-3a0.pdf
ATIS	ATIS.3GPP.34.109V3100-2005	3.10.0	Approved	Apr 05	https://www.atis.org/docstore/default.aspx
ETSI	ETSI TS 134 109	3.10.0	Published	Oct 04	http://pda.etsi.org/pda/home.asp?wkr=RTS/TSGR-0234109v3a0
TTA	TTAT.3G-34.109(R99-3.10.0)	3.10.0	Approved	May 05	http://www.tta.or.kr/standardDB/stnfile/TTAT.3G-34.109(R99-3.10.0).zip
Release 4					
ARIB	ARIB STD-T63-34.109	4.6.0	Approved	Sep 08	http://www.arib.or.jp/IMT-2000/ARIB-STD/ITU-R_Rev8/Rel4/A34109-460.pdf
ATIS	ATIS.3GPP.34.109V460-2005	4.6.0	Approved	Apr 05	https://www.atis.org/docstore/default.aspx
ETSI	ETSI TS 134 109	4.6.0	Published	Oct 04	http://pda.etsi.org/pda/home.asp?wkr=RTS/TSGR-0234109v460
TTA	TTAT.3G-34.109(R4-4.6.0)	4.6.0	Approved	May 05	http://www.tta.or.kr/standardDB/stnfile/TTAT.3G-34.109(R4-4.6.0).zip
Release 5					
ARIB	ARIB STD-T63-34.109	5.5.0	Approved	Sep 08	http://www.arib.or.jp/IMT-2000/ARIB-STD/ITU-R_Rev8/Rel5/A34109-550.pdf
ATIS	ATIS.3GPP.34.109V550-2006	5.5.0	Approved	Apr 06	https://www.atis.org/docstore/default.aspx
ETSI	ETSI TS 134 109	5.5.0	Published	Jul 05	http://pda.etsi.org/pda/home.asp?wkr=RTS/TSGR-0234109v550
TTA	TTAT.3G-34.109(R5-5.5.0)	5.5.0	Approved	Apr 06	http://www.tta.or.kr/standardDB/stnfile/TTAT.3G-34.109(R5-5.5.0).zip
Release 6					
ARIB	ARIB STD-T63-34.109	6.4.0	Approved	Sep 08	http://www.arib.or.jp/IMT-2000/ARIB-STD/ITU-R_Rev8/Rel6/A34109-640.pdf
ATIS	ATIS.3GPP.34.109V640-2007	6.4.0	Approved	Oct 07	https://www.atis.org/docstore/default.aspx
ETSI	ETSI TS 134 109	6.4.0	Published	Apr 07	http://pda.etsi.org/pda/home.asp?wkr=RTS/TSGR-0234109v640
TTA	TTAT.3G-34.109(R6-6.4.0)	6.4.0	Approved	Dec 07	http://www.tta.or.kr/standardDB/stnfile/TTAT.3G-34.109(R6-6.4.0).zip
Release 7					
ARIB	ARIB STD-T63-34.109	7.2.0	Approved	Sep 08	http://www.arib.or.jp/IMT-2000/ARIB-STD/ITU-R_Rev8/Rel7/A34109-720.pdf
ATIS	ATIS.3GPP.34.109V720-2007	7.2.0	Approved	Oct 07	https://www.atis.org/docstore/default.aspx
ETSI	ETSI TS 134 109	7.2.0	Published	Apr 07	http://pda.etsi.org/pda/home.asp?wkr=RTS/TSGR-0234109v720
TTA	TTAT.3G-34.109(R7-7.2.0)	7.2.0	Approved	Dec 07	http://www.tta.or.kr/standardDB/stnfile/TTAT.3G-34.109(R7-7.2.0).zip

5.1.2.5.3 TS 34.121**Terminal Conformance Specification, Radio Transmission and Reception (FDD)**

This document specifies the Radio Frequency (RF) test methods and conformance requirements for UTRA User Equipment (UE) operating in the FDD mode. These have been derived from, and are consistent with, the core UTRA specifications. The maximum acceptable measurement uncertainty is specified in the TS for each test, where appropriate.

SDO (2)	Document No.	Version	Status	Issued date	Location (1)
Release 99					
ARIB	ARIB STD-T63-34.121	3.14.0	Approved	Sep 08	http://www.arib.or.jp/IMT-2000/ARIB-STD/ITU-R_Rev8/R99/A34121-3e0.pdf
ATIS	T1.3GPP.34.121V3140-2004	3.14.0	Approved	May 04	https://www.atis.org/docstore/default.aspx
ETSI	ETSI TS 134 121	3.14.0	Published	Oct 03	http://pda.etsi.org/pda/home.asp?wkr=RTS/TSGT-0134121v3e0
TTA	TTAT.3G-34.121(R99F-3.14.0)	3.14.0	Approved	May 04	http://www.tta.or.kr/standardDB/stnfile/TTAT.3G-34.121(R99F-3.14.0).zip
Release 4					
ARIB	ARIB STD-T63-34.121	4.1.0	Approved	Sep 08	http://www.arib.or.jp/IMT-2000/ARIB-STD/ITU-R_Rev8/Rel4/A34121-410.pdf
ATIS	T1.3GPP.34.121V410-2004	4.1.0	Approved	May 04	https://www.atis.org/docstore/default.aspx
ETSI	ETSI TS 134 121	4.1.0	Published	Oct 03	http://pda.etsi.org/pda/home.asp?wkr=RTS/TSGT-0134121v410
TTA	TTAT.3G-34.121(R4F-4.1.0)	4.1.0	Approved	May 04	http://www.tta.or.kr/standardDB/stnfile/TTAT.3G-34.121(R4F-4.1.0).zip
Release 5					
ARIB	ARIB STD-T63-34.121	5.7.0	Approved	Sep 08	http://www.arib.or.jp/IMT-2000/ARIB-STD/ITU-R_Rev8/Rel5/A34121-570.pdf
ATIS	ATIS.3GPP.34.121V570-2006	5.7.0	Approved	Apr 06	https://www.atis.org/docstore/default.aspx
ETSI	ETSI TS 134 121	5.7.0	Published	Apr 05	http://pda.etsi.org/pda/home.asp?wkr=RTS/TSGR-0534121v570
TTA	TTAT.3G-34.121(R5F-5.7.0)	5.7.0	Approved	Apr 06	http://www.tta.or.kr/standardDB/stnfile/TTAT.3G-34.121(R5F-5.7.0).zip
Release 6					
ARIB	ARIB STD-T63-34.121	6.4.0	Approved	Sep 08	http://www.arib.or.jp/IMT-2000/ARIB-STD/ITU-R_Rev8/Rel6/A34121-640.pdf
ATIS	ATIS.3GPP.34.121V640-2007	6.4.0	Approved	Oct 07	https://www.atis.org/docstore/default.aspx
ETSI	ETSI TS 134 121	6.4.0	Published	Jun 06	http://pda.etsi.org/pda/home.asp?wkr=RTS/TSGR-0534121v640
TTA	TTAT.3G-34.121(R6F-6.4.0)	6.4.0	Approved	Dec 07	http://www.tta.or.kr/standardDB/stnfile/TTAT.3G-34.121(R6F-6.4.0).zip

5.1.2.5.4 TS 34.123-1**UE Conformance Specification, Part 1 – Conformance specification**

This document specifies the protocol conformance testing for the 3rd Generation User Equipment (UE). This is the first part of a multi-part test specification.

Rec. ITU-R M.1457-8

SDO (2)	Document No.	Version	Status	Issued date	Location (1)
Release 99					
ARIB	ARIB STD-T63-34.123-1	3.5.0	Approved	Sep 08	http://www.arib.or.jp/IMT-2000/ARIB-STD/ITU-R_Rev8/R99/A34123-1-350.pdf
ATIS	T1.3GPP.34.123-1V350-2002	3.5.0	Approved	May 02	https://www.atis.org/docstore/default.aspx
ETSI	ETSI TS 134 123-1	3.5.0	Published	Oct 01	http://pda.etsi.org/pda/home.asp?wkr=RTS/TSGT-0134123-1UR6
TTA	TTAE.3G-34.123-1(R99350)	3.5.0	Approved	May 02	http://www.tta.or.kr/standardDB/stnfile/TTAE.3G-34.123-1(R99350).zip
Release 4					
ARIB	ARIB STD-T63-34.123-1	4.3.0	Approved	Sep 08	http://www.arib.or.jp/IMT-2000/ARIB-STD/ITU-R_Rev8/Rel4/A34123-1-430.pdf
ATIS	T1.3GPP.34.123-1V430-2003	4.3.0	Approved	Mar 03	https://www.atis.org/docstore/default.aspx
ETSI	ETSI TS 134 123-1	4.3.0	Published	Jul 02	http://pda.etsi.org/pda/home.asp?wkr=RTS/TSGT-0134123-1v430
TTA	TTAT.3G-34.123-1(R4-4.3.0)	4.3.0	Approved	Mar 03	http://www.tta.or.kr/standardDB/stnfile/TTAT.3G-34.123-1(R4-4.3.0).zip
Release 5					
ARIB	ARIB STD-T63-34.123-1	5.13.1	Approved	Sep 08	http://www.arib.or.jp/IMT-2000/ARIB-STD/ITU-R_Rev8/Rel5/A34123-1-5d1.pdf
ATIS	ATIS.3GPP.34.123-1V5131-2006	5.13.1	Approved	Apr 06	https://www.atis.org/docstore/default.aspx
ETSI	ETSI TS 134 123-1	5.13.1	Published	Oct 05	http://pda.etsi.org/pda/home.asp?wkr=RTS/TSGR-0534123-1v5d1
TTA	TTAT.3G-34.123-1(R5-5.13.1)	5.13.1	Approved	Apr 06	http://www.tta.or.kr/standardDB/stnfile/TTAT.3G-34.123-1(R5-5.13.1).zip
Release 6					
ARIB	ARIB STD-T63-34.123-1	6.7.0	Approved	Sep 08	http://www.arib.or.jp/IMT-2000/ARIB-STD/ITU-R_Rev8/Rel6/A34123-1-670.pdf
ATIS	ATIS.3GPP.34.123-1V670-2007	6.7.0	Approved	Oct 07	https://www.atis.org/docstore/default.aspx
ETSI	ETSI TS 134 123-1	6.7.0	Published	Jul 07	http://pda.etsi.org/pda/home.asp?wkr=RTS/TSGR-0534123-1v670
TTA	TTAT.3G-34.123-1(R6-6.7.0)	6.7.0	Approved	Dec 07	http://www.tta.or.kr/standardDB/stnfile/TTAT.3G-34.123-1(R6-6.7.0).zip
Release 7					
ARIB	ARIB STD-T63-34.123-1	7.1.0	Approved	Sep 08	http://www.arib.or.jp/IMT-2000/ARIB-STD/ITU-R_Rev8/Rel7/A34123-1-710.pdf
ATIS	ATIS.3GPP.34.123-1V710-2007	7.1.0	Approved	Oct 07	https://www.atis.org/docstore/default.aspx
ETSI	ETSI TS 134 123-1	7.1.0	Published	Oct 07	http://pda.etsi.org/pda/home.asp?wkr=RTS/TSGR-0534123-1v710
TTA	TTAT.3G-34.123-1(R7-7.1.0)	7.1.0	Approved	Dec 07	http://www.tta.or.kr/standardDB/stnfile/TTAT.3G-34.123-1(R7-7.1.0).zip
Release 8					
ARIB	ARIB STD-T63-34.123-1	8.3.0	Approved	Sep 08	http://www.arib.or.jp/IMT-2000/ARIB-STD/ITU-R_Rev8/Rel8/A34123-1-830.zip
ATIS	ATIS.3GPP.34.123-1V830-2008	8.3.0	Approved	Oct 08	https://www.atis.org/docstore/default.aspx
ETSI	ETSI TS 134 123-1	8.1.0	Awaiting publication		http://pda.etsi.org/pda/home.asp?wkr=RTS/TSGR-0534123-1v810
TTA	TTAT.3G-34.123-1(R8-8.3.0)	8.3.0	Approved	Oct 08	http://www.tta.or.kr/standardDB/stnfile/TTAT.3G-34.123-1(R8-8.3.0).zip

5.1.2.5.5 TS 34.123-2**UE Conformance Specification, Part 2 – ICS**

This document provides the Implementation Conformance Statement (ICS) proforma for 3rd Generation User Equipment (UE), in compliance with the relevant requirements, and in accordance with the relevant guidance given in ISO/IEC 9646-7 and ETS 300 406. This document also specifies a recommended applicability statement for the test cases included in TS 34.123-1. These applicability statements are based on the features implemented in the UE.

SDO (2)	Document No.	Version	Status	Issued date	Location (1)
Release 99					
ARIB	ARIB STD-T63-34.123-2	3.5.0	Approved	Sep 08	http://www.arib.or.jp/IMT-2000/ARIB-STD/ITU-R_Rev8/R99/A34123-2-350.pdf
ATIS	T1.3GPP.34.123-2V350-2002	3.5.0	Approved	May 02	https://www.atis.org/docstore/default.aspx
ETSI	ETSI TS 134 123-2	3.5.0	Published	Oct 01	http://pda.etsi.org/pda/home.asp?wkr=RTS/TSGT-0134123-2UR4
TTA	TTAE.3G-34.123-2(R99350)	3.5.0	Approved	May 02	http://www.tta.or.kr/standardDB/stnfile/TTAE.3G-34.123-2(R99350).zip
Release 4					
ARIB	ARIB STD-T63-34.123-2	4.3.0	Approved	Sep 08	http://www.arib.or.jp/IMT-2000/ARIB-STD/ITU-R_Rev8/Rel4/A34123-2-430.pdf
ATIS	T1.3GPP.34.123-2V430-2003	4.3.0	Approved	Mar 03	https://www.atis.org/docstore/default.aspx
ETSI	ETSI TS 134 123-2	4.3.0	Published	Jun 02	http://pda.etsi.org/pda/home.asp?wkr=RTS/TSGT-0134123-2v430
TTA	TTAT.3G-34.123-2(R4-4.3.0)	4.3.0	Approved	Mar 03	http://www.tta.or.kr/standardDB/stnfile/TTAT.3G-34.123-2(R4-4.3.0).zip
Release 5					
ARIB	ARIB STD-T63-34.123-2	5.13.0	Approved	Sep 08	http://www.arib.or.jp/IMT-2000/ARIB-STD/ITU-R_Rev8/Rel5/A34123-2-5d0.pdf
ATIS	ATIS.3GPP.34.123-2V5130-2006	5.13.0	Approved	Apr 06	https://www.atis.org/docstore/default.aspx
ETSI	ETSI TS 134 123-2	5.13.0	Published	Oct 05	http://pda.etsi.org/pda/home.asp?wkr=RTS/TSGR-0534123-2v5d0
TTA	TTAT.3G-34.123-2(R5-5.10.0)	5.13.0	Approved	Apr 06	http://www.tta.or.kr/standardDB/stnfile/TTAT.3G-34.123-2(R5-5.10.0).zip
Release 6					
ARIB	ARIB STD-T63-34.123-2	6.7.0	Approved	Sep 08	http://www.arib.or.jp/IMT-2000/ARIB-STD/ITU-R_Rev8/Rel6/A34123-2-670.pdf
ATIS	ATIS.3GPP.34.123-2V670-2007	6.7.0	Approved	Oct 07	https://www.atis.org/docstore/default.aspx
ETSI	ETSI TS 134 123-2	6.7.0	Published	Jul 07	http://pda.etsi.org/pda/home.asp?wkr=RTS/TSGR-0534123-2v670
TTA	TTAT.3G-34.123-2(R6-6.7.0)	6.7.0	Approved	Dec 07	http://www.tta.or.kr/standardDB/stnfile/TTAT.3G-34.123-2(R6-6.7.0).zip
Release 7					
ARIB	ARIB STD-T63-34.123-2	7.1.0	Approved	Sep 08	http://www.arib.or.jp/IMT-2000/ARIB-STD/ITU-R_Rev8/Rel7/A34123-2-710.pdf
ATIS	ATIS.3GPP.34.123-2V710-2007	7.1.0	Approved	Oct 07	https://www.atis.org/docstore/default.aspx
ETSI	ETSI TS 134 123-2	7.1.0	Published	Oct 07	http://pda.etsi.org/pda/home.asp?wkr=RTS/TSGR-0534123-2v710
TTA	TTAT.3G-34.123-2(R7-7.1.0)	7.1.0	Approved	Dec 07	http://www.tta.or.kr/standardDB/stnfile/TTAT.3G-34.123-2(R7-7.1.0).zip

Release 8

ARIB	ARIB STD-T63-34.123-2	8.3.0	Approved	Sep 08	http://www.arib.or.jp/IMT-2000/ARIB-STD/ITU-R_Rev8/Rel8/A34123-2-830.zip
ATIS	ATIS.3GPP.34.123-2V830-2008	8.3.0	Approved	Oct 08	https://www.atis.org/docstore/default.aspx
ETSI	ETSI TS 134 123-2	8.1.0	Awaiting publication		http://pda.etsi.org/pda/home.asp?wkr=RTS/TSGR-0534123-2v810
TTA	TTAT.3G-34.123-2(R8-8.3.0)	8.3.0	Approved	Oct 08	http://www.tta.or.kr/standardDB/stnfile/TTAT.3G-34.123-2(R8-8.3.0).zip

5.1.2.5.6 TS 34.124

Electromagnetic compatibility (EMC) requirements for Mobile terminals and ancillary This document establishes the essential EMC requirements for “3rd generation” digital cellular mobile terminal equipment and ancillary accessories in combination with a 3GPP user equipment (UE).

SDO (2)	Document No.	Version	Status	Issued date	Location (1)
Release 99					
ARIB	ARIB STD-T63-34.124	3.4.0	Approved	Sep 08	http://www.arib.or.jp/IMT-2000/ARIB-STD/ITU-R_Rev8/R99/A34124-340.pdf
ATIS	T1.3GPP.34.124V340-2004	3.4.0	Approved	May 04	https://www.atis.org/docstore/default.aspx
ETSI	ETSI TS 134 124	3.4.0	Published	Apr 03	http://pda.etsi.org/pda/home.asp?wkr=RTS/TSGR-0434124v340
TTA	TTAT.3G-34.124(R99-3.4.0)	3.4.0	Approved	May 03	http://www.tta.or.kr/standardDB/stnfile/TTAT.3G-34.124(R99-3.4.0).zip
Release 4					
ARIB	ARIB STD-T63-34.124	4.2.0	Approved	Sep 08	http://www.arib.or.jp/IMT-2000/ARIB-STD/ITU-R_Rev8/Rel4/A34124-420.pdf
ATIS	T1.3GPP.34.124V420-2004	4.2.0	Approved	May 04	https://www.atis.org/docstore/default.aspx
ETSI	ETSI TS 134 124	4.2.0	Published	Apr 03	http://pda.etsi.org/pda/home.asp?wkr=RTS/TSGR-0434124v420
TTA	TTAT.3G-34.124(R4-4.2.0)	4.2.0	Approved	May 04	http://www.tta.or.kr/standardDB/stnfile/TTAT.3G-34.124(R4-4.2.0).zip
Release 5					
ARIB	ARIB STD-T63-34.124	5.4.0	Approved	Sep 08	http://www.arib.or.jp/IMT-2000/ARIB-STD/ITU-R_Rev8/Rel5/A34124-540.pdf
ATIS	ATIS.3GPP.34.124V540-2005	5.4.0	Approved	Apr 05	https://www.atis.org/docstore/default.aspx
ETSI	ETSI TS 134 124	5.4.0	Published	Apr 04	http://pda.etsi.org/pda/home.asp?wkr=RTS/TSGR-0434124v540
TTA	TTAT.3G-34.124(R5-5.4.0)	5.4.0	Approved	May 05	http://www.tta.or.kr/standardDB/stnfile/TTAT.3G-34.124(R5-5.4.0).zip
Release 6					
ARIB	ARIB STD-T63-34.124	6.2.0	Approved	Sep 08	http://www.arib.or.jp/IMT-2000/ARIB-STD/ITU-R_Rev8/Rel6/A34124-620.pdf
ATIS	ATIS.3GPP.34.124V620-2007	6.2.0	Approved	Oct 07	https://www.atis.org/docstore/default.aspx
ETSI	ETSI TS 134 124	6.2.0	Published	Jun 06	http://pda.etsi.org/pda/home.asp?wkr=RTS/TSGR-0434124v620
TTA	TTAT.3G-34.124(R6-6.2.0)	6.2.0	Approved	Dec 07	http://www.tta.or.kr/standardDB/stnfile/TTAT.3G-34.124(R6-6.2.0).zip

Release 7

ARIB	ARIB STD-T63-34.124	7.5.0	Approved	Sep 08	http://www.arib.or.jp/IMT-2000/ARIB-STD/ITU-R_Rev8/Rel7/A34124-750.pdf
ATIS	ATIS.3GPP.34.124V750-2007	7.5.0	Approved	Oct 07	https://www.atis.org/docstore/default.aspx
ETSI	ETSI TS 134 124	7.5.0	Published	Jan 07	http://pda.etsi.org/pda/home.asp?wkr=RTS/TSGR-0434124v750
TTA	TTAT.3G-34.124(R7-7.5.0)	7.5.0	Approved	Dec 07	http://www.tta.or.kr/standardDB/stnfile/TTAT.3G-34.124(R7-7.5.0).zip

Release 8

ARIB	ARIB STD-T63-34.124	8.2.0	Approved	Sep 08	http://www.arib.or.jp/IMT-2000/ARIB-STD/ITU-R_Rev8/Rel8/A34124-820.pdf
ATIS	ATIS.3GPP.34.124V820-2008	8.2.0	Approved	Oct 08	https://www.atis.org/docstore/default.aspx
ETSI	ETSI TS 134 124	8.0.0	Awaiting publication		http://pda.etsi.org/pda/home.asp?wkr=RTS/TSGR-0434124v800
TTA	TTAT.3G-34.124(R8-8.2.0)	8.2.0	Approved	Oct 08	http://www.tta.or.kr/standardDB/stnfile/TTAT.3G-34.124(R8-8.2.0).zip

5.1.2.6

36.200 series

5.1.2.6.1 TS 36.201

Evolved Universal Terrestrial Radio Access (E-UTRA); Long Term Evolution (LTE) physical layer; General description.

This specification describes an overview of the physical layer of the EUTRA radio interface.

SDO (2)	Document No.	Version	Status	Issued date	Location (1)
Release 8					
ARIB	ARIB STD-T63-34.201	8.1.0	Approved	Sep 08	http://www.arib.or.jp/IMT-2000/ARIB-STD/ITU-R_Rev8/Rel8/A36201-810.pdf
ATIS	ATIS.3GPP.36.201V810-2008	8.1.0	Approved	Oct 08	https://www.atis.org/docstore/default.aspx
ETSI	ETSI TS 136.201 v8.1.0	8.1.0	Published	Nov 08	http://pda.etsi.org/pda/queryform.asp
TTA	TTAT.3G-36.201(R8-8.1.0)	8.1.0	Approved	Oct 08	http://www.tta.or.kr/standardDB/stnfile/TTAT.3G-36.201(R8-8.1.0).zip

5.1.2.6.2 TS 36.211

Evolved Universal Terrestrial Radio Access (E-UTRA); Physical channels and modulation.

This specification describes the physical channels for evolved UTRA.

SDO (2)	Document No.	Version	Status	Issued date	Location (1)
Release 8					
ARIB	ARIB STD-T63-34.211	8.3.0	Approved	Sep 08	http://www.arib.or.jp/IMT-2000/ARIB-STD/ITU-R_Rev8/Rel8/A36211-830.pdf
ATIS	ATIS.3GPP.36.211V830-2008	8.3.0	Approved	Oct 08	https://www.atis.org/docstore/default.aspx
ETSI	ETSI TS 136.211	8.3.0	Published	Nov 08	http://pda.etsi.org/pda/queryform.asp
TTA	TTAT.3G-36.211(R8-8.3.0)	8.3.0	Approved	Oct 08	http://www.tta.or.kr/standardDB/stnfile/TTAT.3G-36.211(R8-8.3.0).zip

5.1.2.6.3 TS 36.212**Evolved Universal Terrestrial Radio Access (E-UTRA); Multiplexing and channel coding.**

This specification describes the coding, multiplexing and mapping to physical channels for E-UTRA.

SDO (2)	Document No.	Version	Status	Issued date	Location (1)
Release 8					
ARIB	ARIB STD-T63-34.212	8.3.0	Approved	Sep 08	http://www.arib.or.jp/IMT-2000/ARIB-STD/ITU-R_Rev8/Rel8/A36212-830.pdf
ATIS	ATIS.3GPP.36.212V830-2008	8.3.0	Approved	Oct 08	https://www.atis.org/docstore/default.aspx
ETSI	ETSI TS 136.212	8.3.0	Published	Nov 08	http://pda.etsi.org/pda/queryform.asp
TTA	TTAT.3G-36.212(R8-8.3.0)	8.3.0	Approved	Oct 08	http://www.tta.or.kr/standardDB/stnfile/TTAT.3G-36.212(R8-8.3.0).zip

5.1.2.6.4 TS 36.213**Evolved Universal Terrestrial Radio Access (E-UTRA); Physical layer procedures.**

This specification describes the characteristics of the physical layer procedures of E-UTRA.

SDO (2)	Document No.	Version	Status	Issued date	Location (1)
Release 8					
ARIB	ARIB STD-T63-34.213	8.3.0	Approved	Sep 08	http://www.arib.or.jp/IMT-2000/ARIB-STD/ITU-R_Rev8/Rel8/A36213-830.pdf
ATIS	ATIS.3GPP.36.213V830-2008	8.3.0	Approved	Oct 08	https://www.atis.org/docstore/default.aspx
ETSI	ETSI TS 126.213	8.3.0	Published	Nov 08	http://pda.etsi.org/pda/queryform.asp
TTA	TTAT.3G-36.213(R8-8.3.0)	8.3.0	Approved	Oct 08	http://www.tta.or.kr/standardDB/stnfile/TTAT.3G-36.213(R8-8.3.0).zip

5.1.2.6.5 TS 36.214**Evolved Universal Terrestrial Radio Access (E-UTRA); Physical layer; Measurements**

This specification describes the measurements done at the UE and network in order to support operation in idle mode and connected mode.

SDO (2)	Document No.	Version	Status	Issued date	Location (1)
Release 8					
ARIB	ARIB STD-T63-34.214	8.3.0	Approved	Sep 08	http://www.arib.or.jp/IMT-2000/ARIB-STD/ITU-R_Rev8/Rel8/A36214-830.pdf
ATIS	ATIS.3GPP.36.214V830-2008	8.3.0	Approved	Oct 08	https://www.atis.org/docstore/default.aspx
ETSI	ETSI TS 136.214	8.3.0	Published	Nov 08	http://pda.etsi.org/pda/queryform.asp
TTA	TTAT.3G-36.214(R8-8.3.0)	8.3.0	Approved	Oct 08	http://www.tta.or.kr/standardDB/stnfile/TTAT.3G-36.214(R8-8.3.0).zip

5.1.2.7**36.300 series****5.1.2.7.1** TS 36.300**Evolved Universal Terrestrial Radio Access (E-UTRA) and Evolved Universal Terrestrial Radio Access Network (E-UTRAN); Overall description (Stage 2)**

This specification describes an overview and overall description of the E-UTRA radio interface and E-UTRAN architecture and radio interface protocol architecture.

SDO (2)	Document No.	Version	Status	Issued date	Location (1)
Release 8					
ARIB	ARIB STD-T63-36.300	8.5.0	Approved	Sep 08	http://www.arib.or.jp/IMT-2000/ARIB-STD/ITU-R_Rev8/Rel8/A36300-850.pdf
ATIS	ATIS.3GPP.36.300V850-2008	8.5.0	Approved	Oct 08	https://www.atis.org/docstore/default.aspx
ETSI	ETSI TS 136 300	8.6.0	Published	Oct 08	http://pda.etsi.org/pda/home.asp?wkr=RTS/TSGR-0236300v860
TTA	TTAT.3G-36.300(R8-8.5.0)	8.5.0	Approved	Oct 08	http://www.tta.or.kr/standardDB/stnfile/TTAT.3G-36.300(R8-8.5.0).zip

5.1.2.7.2 TS 36.302**Evolved Universal Terrestrial Radio Access (E-UTRA); Services provided by the physical layer**

This specification describes the services provided by the physical layer of E-UTRA to upper layers.

SDO (2)	Document No.	Version	Status	Issued date	Location (1)
Release 8					
ARIB	ARIB STD-T63-36.302	8.0.0	Approved	Sep 08	http://www.arib.or.jp/IMT-2000/ARIB-STD/ITU-R_Rev8/Rel8/A36302-800.pdf
ATIS	ATIS.3GPP.36.302V800-2008	8.0.0	Approved	Oct 08	https://www.atis.org/docstore/default.aspx
ETSI	ETSI TS 136.302	8.0.0	Published	Nov 08	http://pda.etsi.org/pda/queryform.asp
TTA	TTAT.3G-36.302(R8-8.0.0)	8.0.0	Approved	Oct 08	http://www.tta.or.kr/standardDB/stnfile/TTAT.3G-36.302(R8-8.0.0).zip

5.1.2.7.3 TS 36.304**Evolved Universal Terrestrial Radio Access (E-UTRA); User Equipment (UE) procedures in idle mode**

This specification describes the Access Stratum (AS) part of the Idle Mode procedures applicable to a UE and the model for the functional division between the NAS and AS in a UE.

SDO (2)	Document No.	Version	Status	Issued date	Location (1)
Release 8					
ARIB	ARIB STD-T63-36.304	8.2.0	Approved	Sep 08	http://www.arib.or.jp/IMT-2000/ARIB-STD/ITU-R_Rev8/Rel8/A36304-820.pdf
ATIS	ATIS.3GPP.36.304V820-2008	8.2.0	Approved	Oct 08	https://www.atis.org/docstore/default.aspx
ETSI	ETSI TS 136.304	8.3.0	Awaiting publication	Nov 08	http://pda.etsi.org/pda/queryform.asp
TTA	TTAT.3G-36.304(R8-8.2.0)	8.2.0	Approved	Oct 08	http://www.tta.or.kr/standardDB/stnfile/TTAT.3G-36.304(R8-8.2.0).zip

5.1.2.7.4 TS 36.306

Evolved Universal Terrestrial Radio Access (E-UTRA); UE Radio Access Capabilities

This specification defines the E-UTRA UE Radio Access Capability Parameters.

SDO (2)	Document No.	Version	Status	Issued date	Location (1)
Release 8					
ARIB	ARIB STD-T63-36.306	8.2.0	Approved	Sep 08	http://www.arib.or.jp/IMT-2000/ARIB-STD/ITU-R_Rev8/Rel8/A36306-820.pdf
ATIS	ATIS.3GPP.36.306V820-2008	8.2.0	Approved	Oct 08	https://www.atis.org/docstore/default.aspx
TSI	ETSI TS	8.2.0	Published	Nov 08	http://pda.etsi.org/pda/queryform.asp
TTA	TTAT.3G-36.306(R8-8.2.0)	8.2.0	Approved	Oct 08	http://www.tta.or.kr/standardDB/stnfile/TTAT.3G-36.306(R8-8.2.0).zip

5.1.2.7.5 TS 36.321

Evolved Universal Terrestrial Radio Access (E-UTRA); Medium Access Control (MAC) protocol specification

This specification describes the E-UTRA MAC protocol.

SDO (2)	Document No.	Version	Status	Issued date	Location (1)
Release 8					
ARIB	ARIB STD-T63-36.321	8.2.0	Approved	Sep 08	http://www.arib.or.jp/IMT-2000/ARIB-STD/ITU-R_Rev8/Rel8/A36321-820.pdf
ATIS	ATIS.3GPP.36.321V820-2008	8.2.0	Approved	Oct 08	https://www.atis.org/docstore/default.aspx
ETSI	ETSI TS 136.321	8.3.0	Published	Nov 08	http://pda.etsi.org/pda/queryform.asp
TTA	TTAT.3G-36.321(R8-8.2.0)	8.2.0	Approved	Oct 08	http://www.tta.or.kr/standardDB/stnfile/TTAT.3G-36.321(R8-8.2.0).zip

5.1.2.7.6 TS 36.322

Evolved Universal Terrestrial Radio Access (E-UTRA); Radio Link Control (RLC) protocol specification

This specification describes the E-UTRA Radio Link Control (RLC) protocol.

SDO (2)	Document No.	Version	Status	Issued date	Location (1)
Release 8					
ARIB	ARIB STD-T63-36.322	8.2.0	Approved	Sep 08	http://www.arib.or.jp/IMT-2000/ARIB-STD/ITU-R_Rev8/Rel8/A36322-820.pdf
ATIS	ATIS.3GPP.36.322V820-2008	8.2.0	Approved	Oct 08	https://www.atis.org/docstore/default.aspx
ETSI	ETSI TS 136.322	8.3.0	Published	Nov 08	http://pda.etsi.org/pda/queryform.asp
TTA	TTAT.3G-36.322(R8-8.2.0)	8.2.0	Approved	Oct 08	http://www.tta.or.kr/standardDB/stnfile/TTAT.3G-36.322(R8-8.2.0).zip

5.1.2.7.7 TS 36.323

Evolved Universal Terrestrial Radio Access (E-UTRA); Packet Data Convergence Protocol (PDCP) specification

This specification describes the Packet Data Convergence Protocol (PDCP).

SDO (2)	Document No.	Version	Status	Issued date	Location (1)
Release 8					
ARIB	ARIB STD-T63-36.323	8.2.1	Approved	Sep 08	http://www.arib.or.jp/IMT-2000/ARIB-STD/ITU-R_Rev8/Rel8/A36323-821.pdf
ATIS	ATIS.3GPP.36.323V821-2008	8.2.1	Approved	Oct 08	https://www.atis.org/docstore/default.aspx
ETSI	ETSI TS 136.323	8.3.0	Published	Nov 08	http://pda.etsi.org/pda/queryform.asp
TTA	TTAT.3G-36.323(R8-8.2.1)	8.2.1	Approved	Oct 08	http://www.tta.or.kr/standardDB/stnfile/TTAT.3G-36.323(R8-8.2.1).zip

5.1.2.7.8 TS 36.331

Evolved Universal Terrestrial Radio Access (E-UTRA); Radio Resource Control (RRC) protocol specification

This specification describes the Radio Resource Control protocol for the UE-eUTRAN radio interface.

SDO (2)	Document No.	Version	Status	Issued date	Location (1)
Release 8					
ARIB	ARIB STD-T63-36.331	8.2.0	Approved	Sep 08	http://www.arib.or.jp/IMT-2000/ARIB-STD/ITU-R_Rev8/Rel8/A36331-820.pdf
ATIS	ATIS.3GPP.36.331V820-2008	8.2.0	Approved	Oct 08	https://www.atis.org/docstore/default.aspx
ETSI	ETSI TS 136.331	8.3.0	Published	Nov 08	http://pda.etsi.org/pda/queryform.asp
TTA	TTAT.3G-36.331(R8-8.2.0)	8.2.0	Approved	Oct 08	http://www.tta.or.kr/standardDB/stnfile/TTAT.3G-36.331(R8-8.2.0).zip

5.1.2.8**36.400 series****5.1.2.8.1** TS 36.401**Evolved Universal Terrestrial Radio Access Network (E-UTRAN); Architecture description**

This specification describes the overall architecture of the EUTRAN, including internal interfaces and assumptions on the radio, S1 and X2 interfaces.

SDO (2)	Document No.	Version	Status	Issued date	Location (1)
Release 8					
ARIB	ARIB STD-T63-36.401	8.2.0	Approved	Sep 08	http://www.arib.or.jp/IMT-2000/ARIB-STD/ITU-R_Rev8/Rel8/A36401-820.pdf
ATIS	ATIS.3GPP.36.401V820-2008	8.2.0	Approved	Oct 08	https://www.atis.org/docstore/default.aspx
ETSI	ETSI TS 136.401	8.3.0	Published	Nov 08	http://pda.etsi.org/pda/queryform.asp
TTA	TTAT.3G-36.401(R8-8.2.0)	8.2.0	Approved	Oct 08	http://www.tta.or.kr/standardDB/stnfile/TTAT.3G-36.401(R8-8.2.0).zip

5.1.2.8.2 TS 36.410**Evolved Universal Terrestrial Radio Access Network (E-UTRAN); S1 general aspects and principles**

This specification provides an introduction to the 3GPP TS 36.41x series of technical specifications that define the S1 interface.

SDO (2)	Document No.	Version	Status	Issued date	Location (1)
Release 8					
ARIB	ARIB STD-T63-36.410	8.0.0	Approved	Sep 08	http://www.arib.or.jp/IMT-2000/ARIB-STD/ITU-R_Rev8/Rel8/A36410-800.pdf
ATIS	ATIS.3GPP.36.410V800-2008	8.0.0	Approved	Oct 08	https://www.atis.org/docstore/default.aspx
ETSI	ETSI TS 136.410	8.0.0	Published	Nov 08	http://pda.etsi.org/pda/queryform.asp
TTA	TTAT.3G-36.410(R8-8.0.0)	8.0.0	Approved	Oct 08	http://www.tta.or.kr/standardDB/stnfile/TTAT.3G-36.410(R8-8.0.0).zip

5.1.2.8.3 TS 36.411**Evolved Universal Terrestrial Radio Access Network (E-UTRAN); S1 layer 1**

This specification describes the standards allowed to implement Layer 1 on the S1 interface.

SDO (2)	Document No.	Version	Status	Issued date	Location (1)
Release 8					
ARIB	ARIB STD-T63-36.411	8.0.0	Approved	Sep 08	http://www.arib.or.jp/IMT-2000/ARIB-STD/ITU-R_Rev8/Rel8/A36411-800.pdf
ATIS	ATIS.3GPP.36.411V800-2008	8.0.0	Approved	Oct 08	https://www.atis.org/docstore/default.aspx
ETSI	ETSI TS 136.411	8.0.0	Published	Nov 08	http://pda.etsi.org/pda/queryform.asp
TTA	TTAT.3G-36.411(R8-8.0.0)	8.0.0	Approved	Oct 08	http://www.tta.or.kr/standardDB/stnfile/TTAT.3G-36.411(R8-8.0.0).zip

5.1.2.8.4 TS 36.412**Evolved Universal Terrestrial Radio Access Network (E-UTRAN); S1 signalling transport**

This specification describes the Signalling Transport to be used across S1 interface.

SDO (2)	Document No.	Version	Status	Issued date	Location (1)
Release 8					
ARIB	ARIB STD-T63-36.412	8.2.0	Approved	Sep 08	http://www.arib.or.jp/IMT-2000/ARIB-STD/ITU-R_Rev8/Rel8/A36412-820.pdf
ATIS	ATIS.3GPP.36.412V820-2008	8.2.0	Approved	Oct 08	https://www.atis.org/docstore/default.aspx
ETSI	ETSI TS 136.412	8.2.0	Published	Nov 08	http://pda.etsi.org/pda/queryform.asp
TTA	TTAT.3G-36.412(R8-8.2.0)	8.2.0	Approved	Oct 08	http://www.tta.or.kr/standardDB/stnfile/TTAT.3G-36.412(R8-8.2.0).zip

5.1.2.8.5 TS 36.413**Evolved Universal Terrestrial Access (E-UTRA) ; S1 Application Protocol (S1 AP)**

This specification describes the E-UTRAN radio network layer signalling protocol for the S1 interface.

SDO (2)	Document No.	Version	Status	Issued date	Location (1)
Release 8					
ARIB	ARIB STD-T63-36.413	8.2.0	Approved	Sep 08	http://www.arib.or.jp/IMT-2000/ARIB-STD/ITU-R_Rev8/Rel8/A36413-820.pdf
ATIS	ATIS.3GPP.36.413V820-2008	8.2.0	Approved	Oct 08	https://www.atis.org/docstore/default.aspx
ETSI	ETSI TS 136.413	8.2.0	Published	Nov 08	http://pda.etsi.org/pda/queryform.asp
TTA	TTAT.3G-36.413(R8-8.2.0)	8.2.0	Approved	Oct 08	http://www.tta.or.kr/standardDB/stnfile/TTAT.3G-36.413(R8-8.2.0).zip

5.1.2.8.6 TS 36.414**Evolved Universal Terrestrial Radio Access Network (E-UTRAN); S1 data transport**

This specification describes the standards for user data transport protocols and related signalling protocols to establish user plane transport bearers over the S1 interface.

SDO (2)	Document No.	Version	Status	Issued date	Location (1)
Release 8					
ARIB	ARIB STD-T63-36.414	8.2.0	Approved	Sep 08	http://www.arib.or.jp/IMT-2000/ARIB-STD/ITU-R_Rev8/Rel8/A36414-820.pdf
ATIS	ATIS.3GPP.36.414V820-2008	8.2.0	Approved	Oct 08	https://www.atis.org/docstore/default.aspx
ETSI	ETSI TS 136.414	8.2.0	Published	Nov 08	http://pda.etsi.org/pda/queryform.asp
TTA	TTAT.3G-36.414(R8-8.2.0)	8.2.0	Approved	Oct 08	http://www.tta.or.kr/standardDB/stnfile/TTAT.3G-36.414(R8-8.2.0).zip

5.1.2.8.7 TS 36.420**Evolved Universal Terrestrial Radio Access Network (E-UTRAN); X2 general aspects and principles**

This specification provides an introduction to the TSG RAN TS 36.42x series of UMTS Technical Specifications that define the X2 interface.

SDO (2)	Document No.	Version	Status	Issued date	Location (1)
Release 8					
ARIB	ARIB STD-T63-36.420	8.0.0	Approved	Sep 08	http://www.arib.or.jp/IMT-2000/ARIB-STD/ITU-R_Rev8/Rel8/A36420-800.pdf
ATIS	ATIS.3GPP.36.420V800-2008	8.0.0	Approved	Oct 08	https://www.atis.org/docstore/default.aspx
ETSI	ETSI TS 136.420	8.0.0	Published	Nov 08	http://pda.etsi.org/pda/queryform.asp
TTA	TTAT.3G-36.414(R8-8.0.0)	8.0.0	Approved	Oct 08	http://www.tta.or.kr/standardDB/stnfile/TTAT.3G-36.414(R8-8.0.0).zip

5.1.2.8.8 TS 36.421**Evolved Universal Terrestrial Radio Access Network (E-UTRAN); X2 layer 1**

This specification describes the standards allowed to implement Layer 1 on the X2 interface.

SDO (2)	Document No.	Version	Status	Issued date	Location (1)
Release 8					
ARIB	ARIB STD-T63-36.421	8.0.0	Approved	Sep 08	http://www.arib.or.jp/IMT-2000/ARIB-STD/ITU-R_Rev8/Rel8/A36421-800.pdf
ATIS	ATIS.3GPP.36.421V800-2008	8.0.0	Approved	Oct 08	https://www.atis.org/docstore/default.aspx
ETSI	ETSI TS 136.421	8.0.0	Published	Nov 08	http://pda.etsi.org/pda/queryform.asp
TTA	TTAT.3G-36.421(R8-8.0.0)	8.0.0	Approved	Oct 08	http://www.tta.or.kr/standardDB/stnfile/TTAT.3G-36.421(R8-8.0.0).zip

5.1.2.8.9 TS 36.422**Evolved Universal Terrestrial Radio Access Network (E-UTRAN); X2 signalling transport**

This specification describes the Signalling Transport to be used across X2 interface.

SDO (2)	Document No.	Version	Status	Issued date	Location (1)
Release 8					
ARIB	ARIB STD-T63-36.422	8.2.0	Approved	Sep 08	http://www.arib.or.jp/IMT-2000/ARIB-STD/ITU-R_Rev8/Rel8/A36422-820.pdf
ATIS	ATIS.3GPP.36.422V820-2008	8.2.0	Approved	Oct 08	https://www.atis.org/docstore/default.aspx
ETSI	ETSI TS 422	8.2.0	Published	Nov 08	http://pda.etsi.org/pda/queryform.asp
TTA	TTAT.3G-36.422(R8-8.2.0)	8.2.0	Approved	Oct 08	http://www.tta.or.kr/standardDB/stnfile/TTAT.3G-36.422(R8-8.2.0).zip

5.1.2.8.10 TS 36.423**Evolved Universal Terrestrial Radio Access Network (E-UTRAN); X2 Application Protocol (X2AP)**

This specification describes the E-UTRAN radio network layer signalling protocol for the X2 interface.

SDO (2)	Document No.	Version	Status	Issued date	Location (1)
Release 8					
ARIB	ARIB STD-T63-36.423	8.2.0	Approved	Sep 08	http://www.arib.or.jp/IMT-2000/ARIB-STD/ITU-R_Rev8/Rel8/A36423-820.pdf
ATIS	ATIS.3GPP.36.423V820-2008	8.2.0	Approved	Oct 08	https://www.atis.org/docstore/default.aspx
ETSI	ETSI TS 136.423	8.2.0	Published	Nov 08	http://pda.etsi.org/pda/queryform.asp
TTA	TTAT.3G-36.423(R8-8.2.0)	8.2.0	Approved	Oct 08	http://www.tta.or.kr/standardDB/stnfile/TTAT.3G-36.423(R8-8.2.0).zip

5.1.2.8.11 TS 36.424

Evolved Universal Terrestrial Radio Access Network (E-UTRAN); X2 data transport

This specification describes the standards for user data transport protocols and related signalling protocols to establish user plane transport bearers over the X2 interface.

SDO (2)	Document No.	Version	Status	Issued date	Location (1)
Release 8					
ARIB	ARIB STD-T63-36.424	8.2.0	Approved	Sep 08	http://www.arib.or.jp/IMT-2000/ARIB-STD/ITU-R_Rev8/Rel8/A36424-820.pdf
ATIS	ATIS.3GPP.36.424V820-2008	8.2.0	Approved	Oct 08	https://www.atis.org/docstore/default.aspx
ETSI	ETSI TS 136.424	8.2.0	Published	Nov 08	http://pda.etsi.org/pda/queryform.asp
TTA	TTAT.3G-36.424(R8-8.2.0)	8.2.0	Approved	Oct 08	http://www.tta.or.kr/standardDB/stnfile/TTAT.3G-36.424(R8-8.2.0).zip

5.1.2.9

36.100 series

5.1.2.9.1 TS 36.101

Evolved Universal Terrestrial Radio Access (E-UTRA); User Equipment (UE) radio transmission and reception

This specification describes the User Equipment (UE) minimum RF characteristics of E-UTRA for both FDD and TDD modes.

SDO (2)	Document No.	Version	Status	Issued date	Location (1)
Release 8					
ATIS	ATIS.3GPP.36.101V820-2008	8.2.0	Approved	Oct 08	https://www.atis.org/docstore/default.aspx
ETSI	ETSI TS 136.301	8.2.0	Published	Nov 08	http://pda.etsi.org/pda/queryform.asp
TTA	TTAT.3G-36.101(R8-8.2.0)	8.2.0	Approved	Oct 08	http://www.tta.or.kr/standardDB/stnfile/TTAT.3G-36.101(R8-8.2.0).zip

5.1.2.9.2 TS 36.104

Evolved Universal Terrestrial Radio Access (E-UTRA); Base Station (BS) radio transmission and reception

This specification describes the Base Station minimum RF characteristics of E-UTRA in paired and unpaired bands.

104

Rec. ITU-R M.1457-8

SDO (2)	Document No.	Version	Status	Issued date	Location (1)
Release 8					
ATIS	ATIS.3GPP.36.104V820-2008	8.2.0	Approved	Oct 08	https://www.atis.org/docstore/default.aspx
ETSI	ETSI TS 136.104	8.2.0	Published	Nov 08	http://pda.etsi.org/pda/queryform.asp
TTA	TTAT.3G-36.104(R8-8.2.0)	8.2.0	Approved	Oct 08	http://www.tta.or.kr/standardDB/stnfile/TTAT.3G-36.104(R8-8.2.0).zip

5.1.2.9.3 TS 36.133

Evolved Universal Terrestrial Radio Access (E-UTRA); Requirements for support of radio resource management

This specification specifies requirements for support of Radio Resource Management for the FDD and TDD modes of Evolved UTRA. These requirements include requirements on measurements in UTRAN and the UE as well as requirements on node dynamical behaviour and interaction, in terms of delay and response characteristics.

SDO (2)	Document No.	Version	Status	Issued date	Location (1)
Release 8					
ATIS	ATIS.3GPP.36.133V820-2008	8.2.0	Approved	Oct 08	https://www.atis.org/docstore/default.aspx
ETSI	ETSI TS 136.133	8.2.0	Published	Nov 08	http://pda.etsi.org/pda/queryform.asp
TTA	TTAT.3G-36.133(R8-8.2.0)	8.2.0	Approved	Oct 08	http://www.tta.or.kr/standardDB/stnfile/TTAT.3G-36.133(R8-8.2.0).zip

5.1.2.10

Core network aspects

5.1.2.10.1 TS 23.108

Mobile radio interface Layer 3 specification core network protocols – Stage 2

This specification describes the procedures used at the radio interface for Call Control (CC), Mobility Management (MM) and Session Management (SM). It contains examples of the structured procedures.

SDO (2)	Document No.	Version	Status	Issued date	Location (1)
Release 99					
ATIS	T1.3GPP.23.108V320-2002	3.2.0	Approved	May 02	https://www.atis.org/docstore/default.aspx
ETSI	ETSI TS 123 108	3.2.0	Published	May 00	http://pda.etsi.org/pda/home.asp?wkr=RTS/TSGN-0123108UR1
TTA	TTAE.3G-23.108(R99)	3.2.0	Approved	Dec 01	http://www.tta.or.kr/standardDB/stnfile/TTAE.3G-23.108(R99).zip
TTC	JP-3GA-23.108(R99)v3.2.0	3.2.0 R2	Published	Oct 00	http://www.ttc.or.jp/imt/ts/ts23108r99v320.pdf
Release 4					
ATIS	T1.3GPP.23.108V401-2004	4.0.1	Approved	May 04	https://www.atis.org/docstore/default.aspx
ETSI	ETSI TS 123 108	4.0.1	Published	Jul 02	http://pda.etsi.org/pda/home.asp?wkr=RTS/TSGN-0123108v401
TTA	TTAT.3G-23.108(R4-4.0.1)	4.0.1	Approved	May 04	http://www.tta.or.kr/standardDB/stnfile/TTAT.3G-23.108(R4-4.0.1).zip
TTC	TS-3GA-23.108(Rel4)v4.0.0	4.0.0 R1	Published	Oct 00	http://www.ttc.or.jp/imt/ts/ts23108rel4v400.pdf

Release 5

ATIS	T1.3GPP.23.108V500-2003	5.0.0	Approved	Mar 03	https://www.atis.org/docstore/default.aspx
ETSI	ETSI TS 123 108	5.0.0	Published	Jul 02	http://pda.etsi.org/pda/home.asp?wkr=RTS/TSGN-0123108v500
TTA	TTAT.3G-23.108(R5-5.0.0)	5.0.0	Approved	Mar 03	http://www.tta.or.kr/standardDB/stnfile/TTAT.3G-23.108(R5-5.0.0).zip
TTC	TS-3GA-23.108(Rel5)v5.0.0	5.0.0 R1	Published	Aug 02	http://www.ttc.or.jp/imt/ts/ts23108rel5v500.pdf

Release 6

ATIS	ATIS.3GPP.23.108V600-2005	6.0.0	Approved	Apr 05	https://www.atis.org/docstore/default.aspx
ETSI	ETSI TS 123 108	6.0.0	Published	Jan 05	http://pda.etsi.org/pda/home.asp?wkr=RTS/TSGN-0123108v600
TTA	TTAT.3G-23.108(R6-6.0.0)	6.0.0	Approved	May 05	http://www.tta.or.kr/standardDB/stnfile/TTAT.3G-23.108(R6-6.0.0).zip
TTC	TS-3GA-23.108(Rel6)v6.0.0	6.0.0 R1	Published	Mar 05	http://www.ttc.or.jp/imt/ts/ts23108rel6v600.pdf

Release 7

ATIS	ATIS.3GPP.23.108V700-2007	7.0.0	Approved	Oct 07	https://www.atis.org/docstore/default.aspx
ETSI	ETSI TS 123 108	7.0.0	Published	Jul 07	http://pda.etsi.org/pda/home.asp?wkr=RTS/TSGC-0123108v700
TTA	TTAT.3G-23.108(R7-7.0.0)	7.0.0	Approved	Dec 07	http://www.tta.or.kr/standardDB/stnfile/TTAT.3G-23.108(R7-7.0.0).zip
TTC	TS-3GA-23.108(Rel7)v7.0.0	7.0.0 R1	Published	Jan 08	http://www.ttc.or.jp/imt/ts/ts23108rel7v700.pdf

5.1.2.10.2 TS 23.110**UMTS access stratum services and functions**

This specification describes the detailed specifications of the protocols which rule the information flows, both control and user data, between the access stratum and the parts of UMTS outside the access stratum, and of the detailed specifications of the UTRAN. These detailed specifications are to be found in other technical specifications.

SDO (2)	Document No.	Version	Status	Issued date	Location (1)
Release 99					
ATIS	T1.3GPP.23.110V340-2002	3.4.0	Approved	May 02	https://www.atis.org/docstore/default.aspx
ETSI	ETSI TS 123 110	3.4.0	Published	May 00	http://pda.etsi.org/pda/home.asp?wkr=RTS/TSGS-0223110UR1
TTA	TTAE.3G-23.110(R99)	3.4.0	Approved	Dec 01	http://www.tta.or.kr/standardDB/stnfile/TTAE.3G-23.110(R99).zip
TTC	JP-3GA-23.110(R99)v3.4.0	3.4.0 R2	Published	Oct 00	http://www.ttc.or.jp/imt/ts/ts23110r99v340.pdf
Release 4					
ATIS	T1.3GPP.23.110V400-2002	4.0.0	Approved	May 02	https://www.atis.org/docstore/default.aspx
ETSI	ETSI TS 123 110	4.0.0	Published	Apr 01	http://pda.etsi.org/pda/home.asp?wkr=RTS/TSGS-0223110Uv4
TTA	TTAE.3G-23.110(R4)	4.0.0	Approved	Dec 01	http://www.tta.or.kr/standardDB/stnfile/TTAE.3G-23.110(R4).zip
TTC	TS-3GA-23.110(Rel4)v4.0.0	4.0.0 R1	Published	May 01	http://www.ttc.or.jp/imt/ts/ts23110rel4v400.pdf

106

Rec. ITU-R M.1457-8

Release 5

ATIS	T1.3GPP.23.110V500-2004	5.0.0	Approved	May 04	https://www.atis.org/docstore/default.aspx
ETSI	ETSI TS 123 110	5.0.0	Published	Dec 03	http://pda.etsi.org/pda/home.asp?wkr=RTS/TSGS-0223110v500
TTA	TTAT.3G-23.110(R5-5.0.0)	5.0.0	Approved	May 04	http://www.tta.or.kr/standardDB/stnfile/TTAT.3G-23.110(R5-5.0.0).zip
TTC	TS-3GA-23.110(Rel5)v5.0.0	5.0.0 R1	Published	Feb 04	http://www.ttc.or.jp/imt/ts/ts23110rel5v500.pdf

Release 6

ATIS	ATIS.3GPP.23.110V600-2005	6.0.0	Approved	Apr 05	https://www.atis.org/docstore/default.aspx
ETSI	ETSI TS 123 110	6.0.0	Published	Jan 05	http://pda.etsi.org/pda/home.asp?wkr=RTS/TSGS-0223110v600
TTA	TTAT.3G-23.110(R6-6.0.0)	6.0.0	Approved	May 05	http://www.tta.or.kr/standardDB/stnfile/TTAT.3G-23.110(R6-6.0.0).zip
TTC	TS-3GA-23.110(Rel6)v6.0.0	6.0.0 R1	Published	Mar 05	http://www.ttc.or.jp/imt/ts/ts23110rel6v600.pdf

Release 7

ATIS	ATIS.3GPP.23.110V700-2007	7.0.0	Approved	Oct 07	https://www.atis.org/docstore/default.aspx
ETSI	ETSI TS 123 110	7.0.0	Published	Jun 07	http://pda.etsi.org/pda/home.asp?wkr=RTS/TSGS-0223110v700
TTA	TTAT.3G-23.110(R7-7.0.0)	7.0.0	Approved	Dec 07	http://www.tta.or.kr/standardDB/stnfile/TTAT.3G-23.110(R7-7.0.0).zip
TTC	TS-3GA-23.110(Rel7)v7.0.0	7.0.0 R1	Published	Jan 08	http://www.ttc.or.jp/imt/ts/ts23110rel7v700.pdf

5.1.2.10.3 TS 23.122

Functions related to Mobile Stations (MS) in idle mode and group receive mode

This specification provides an overview of the tasks undertaken by a Mobile Station (MS) when in idle mode, that is, switched on but not having a dedicated channel allocated, e.g. not making or receiving a call, or when in group receive mode, that is, receiving a group call or broadcast call but not having a dedicated connection. It also describes the corresponding network functions.

SDO (2)	Document No.	Version	Status	Issued date	Location (1)
Release 99					
ATIS	T1.3GPP.23.122V3100-2004	3.10.0	Approved	May 04	https://www.atis.org/docstore/default.aspx
ETSI	ETSI TS 123 122	3.10.0	Published	Oct 03	http://pda.etsi.org/pda/home.asp?wkr=RTS/TSGN-0123122v3a0
TTA	TTAT.3G-23.122(R99-3.10.0)	3.10.0	Approved	May 04	http://www.tta.or.kr/standardDB/stnfile/TTAT.3G-23.122(R99-3.10.0).zip
TTC	TS-3GA-23.122(R99)v3.10.0	3.10.0 R1	Published	Nov 03	http://www.ttc.or.jp/imt/ts/ts23122r99v3a0.pdf
Release 4					
ATIS	T1.3GPP.23.122V440-2004	4.4.0	Approved	May 04	https://www.atis.org/docstore/default.aspx
ETSI	ETSI TS 123 122	4.4.0	Published	Oct 03	http://pda.etsi.org/pda/home.asp?wkr=RTS/TSGN-0123122v440
TTA	TTAT.3G-23.122(R4-4.4.0)	4.4.0	Approved	May 04	http://www.tta.or.kr/standardDB/stnfile/TTAT.3G-23.122(R4-4.4.0).zip
TTC	TS-3GA-23.122(Rel4)v4.4.0	4.4.0 R1	Published	Nov 03	http://www.ttc.or.jp/imt/ts/ts23122rel4v440.pdf

Release 5

ATIS	TTAT.3GPP.23.122V530-2004	5.3.0	Approved	May 04	https://www.atis.org/docstore/default.aspx
ETSI	ETSI TS 123 122	5.3.0	Published	Oct 03	http://pda.etsi.org/pda/home.asp?wkr=RTS/TSGN-0123122v530
TTA	TTAT.3G-23.122(R5-5.3.0)	5.3.0	Approved	May 04	http://www.tta.or.kr/standardDB/stnfile/TTAT.3G-23.122(R5-5.3.0).zip
TTC	TS-3GA-23.122(Rel5)v5.3.0	5.3.0 R1	Published	Nov 03	http://www.ttc.or.jp/imt/ts/ts23122rel5v530.pdf

Release 6

ATIS	ATIS.3GPP.23.122V650-2006	6.5.0	Approved	Apr 06	https://www.atis.org/docstore/default.aspx
ETSI	ETSI TS 123 122	6.5.0	Published	Jun 05	http://pda.etsi.org/pda/home.asp?wkr=RTS/TSGC-0123122v650
TTA	TTAT.3G-23.122(R6-6.5.0)	6.5.0	Approved	Apr 06	http://www.tta.or.kr/standardDB/stnfile/TTAT.3G-23.122(R6-6.5.0).zip
TTC	TS-3GA-23.122(Rel6)v6.5.0	6.5.0 R1	Published	Jul 05	http://www.ttc.or.jp/imt/ts/ts23122rel6v650.pdf

Release 7

ATIS	ATIS.3GPP.23.122V7121-2008	7.12.1	Approved	Oct 08	https://www.atis.org/docstore/default.aspx
ETSI	ETSI TS 123 122	7.11.0	Published	Jan 08	http://pda.etsi.org/pda/home.asp?wkr=RTS/TSGC-0123122v7b0
TTA	TTAT.3G-23.122(R7-7.12.1)	7.12.1	Approved	Oct 08	http://www.tta.or.kr/standardDB/stnfile/TTAT.3G-23.122(R7-7.12.1).zip
TTC	TS-3GA-23.122(Rel7)v7.12.1	7.12.1 R1	Approved	Oct 08	http://www.ttc.or.jp/imt/ts/ts23122rel7v7c1.pdf

Release 8

ATIS	ATIS.3GPP.23.122V820-2008	8.2.0	Approved	Oct 08	https://www.atis.org/docstore/default.aspx
ETSI	ETSI	8.0.0	Awaiting publication		
TTA	TTAT.3G-23.122(R8-8.2.0)	8.2.0	Approved	Oct 08	http://www.tta.or.kr/standardDB/stnfile/TTAT.3G-23.122(R8-8.2.0).zip
TTC	TS-3GA-23.122(Rel8)v8.2.0	8.2.0 R1	Approved	Oct 08	http://www.ttc.or.jp/imt/ts/ts23122rel8v820.pdf

5.1.2.10.4 TS 24.007**Mobile radio interface signalling Layer 3 – general aspects**

This specification describes the principal architecture of Layer 3 and its sub-layers on the GSM Um interface, i.e. the interface between mobile station (MS) and network; for the CM sub-layer, the description is restricted to paradigmatic examples, CC, supplementary services, and short message services for non-general packet radio service (GPRS) services. It also defines the basic message format and error handling applied by the Layer 3 protocols.

SDO (2)	Document No.	Version	Status	Issued date	Location (1)
---------	--------------	---------	--------	-------------	--------------

Release 99

ATIS	ATIS.3GPP.24.007V3100-2005	3.10.0	Approved	Apr 05	https://www.atis.org/docstore/default.aspx
ETSI	ETSI TS 124 007	3.10.0	Published	Jun 04	http://pda.etsi.org/pda/home.asp?wkr=RTS/TSGN-0124007v3a0
TTA	TTAT.3G-24.007(R99-3.10.0)	3.10.0	Approved	May 05	http://www.tta.or.kr/standardDB/stnfile/TTAT.3G-24.007(R99-3.10.0).zip
TTC	TS-3GA-24.007(R99)v3.10.0	3.10.0 R1	Published	Aug 04	http://www.ttc.or.jp/imt/ts/ts24007r99v3a0.pdf

108**Rec. ITU-R M.1457-8****Release 4**

ATIS	ATIS.3GPP.24.007V440-2005	4.4.0	Approved	Apr 05	https://www.atis.org/docstore/default.aspx
ETSI	ETSI TS 124 007	4.4.0	Published	Jan 05	http://pda.etsi.org/pda/home.asp?wkr=RTS/TSGN-0124007v440
TTA	TTAT.3G-24.007(R4-4.4.0)	4.4.0	Approved	May 05	http://www.tta.or.kr/standardDB/stnfile/TTAT.3G-24.007(R4-4.4.0).zip
TTC	TS-3GA-24.007(Rel4)v4.4.0	4.4.0 R1	Published	Mar 05	http://www.ttc.or.jp/imt/ts/ts24007rel4v440.pdf

Release 5

ATIS	ATIS.3GPP.24.007V540-2006	5.4.0	Approved	Apr 06	https://www.atis.org/docstore/default.aspx
ETSI	ETSI TS 124 007	5.4.0	Published	Apr 05	http://pda.etsi.org/pda/home.asp?wkr=RTS/TSGC-0124007v540
TTA	TTAT.3G-24.007(R5-5.4.0)	5.4.0	Approved	Apr 06	http://www.tta.or.kr/standardDB/stnfile/TTAT.3G-24.007(R5-5.4.0).zip
TTC	TS-3GA-24.007(Rel5)v5.4.0	5.4.0 R1	Published	May 05	http://www.ttc.or.jp/imt/ts/ts24007rel5v540.pdf

Release 6

ATIS	ATIS.3GPP.24.007V650-2006	6.5.0	Approved	Apr 06	https://www.atis.org/docstore/default.aspx
ETSI	ETSI TS 124 007	6.5.0	Published	Oct 05	http://pda.etsi.org/pda/home.asp?wkr=RTS/TSGC-0124007v650
TTA	TTAT.3G-24.007(R6-6.5.0)	6.5.0	Approved	Apr 06	http://www.tta.or.kr/standardDB/stnfile/TTAT.3G-24.007(R6-6.5.0).zip
TTC	TS-3GA-24.007(Rel6)v6.5.0	6.5.0 R1	Published	Nov 05	http://www.ttc.or.jp/imt/ts/ts24007rel6v650.pdf

Release 7

ATIS	ATIS.3GPP.24.007V700-2007	7.0.0	Approved	Oct 07	https://www.atis.org/docstore/default.aspx
ETSI	ETSI TS 124 007	7.0.0	Published	Jan 06	http://pda.etsi.org/pda/home.asp?wkr=RTS/TSGC-0124007v700
TTA	TTAT.3G-24.007(R7-7.0.0)	7.0.0	Approved	Apr 06	http://www.tta.or.kr/standardDB/stnfile/TTAT.3G-24.007(R7-7.0.0).zip
TTC	TS-3GA-24.007(Rel7)v7.0.0	7.0.0 R1	Published	Jan 08	http://www.ttc.or.jp/imt/ts/ts24007rel7v700.pdf

5.1.2.10.5 TS 24.008**Mobile radio interface Layer 3 specification; core network protocols – Stage 3**

This specification describes the procedures used at the radio interface for Call Control, Mobility Management and Session Management. The procedures currently described are for the CC of circuit-switched connections, SM for GPRS services, MM and radio resource management for circuit-switched and GPRS services. MBMS is also added.

SDO (2)	Document No.	Version	Status	Issued date	Location (1)
Release 99					
ATIS	ATIS.3GPP.24.008V3200-2006	3.20.0	Approved	Apr 06	https://www.atis.org/docstore/default.aspx
ETSI	ETSI TS 124 008	3.20.0	Published	Jan 06	http://pda.etsi.org/pda/home.asp?wkr=RTS/TSGC-0124008v3k0
TTA	TTAT.3G-24.008(R99-3.20.0)	3.20.0	Approved	Apr 06	http://www.tta.or.kr/standardDB/stnfile/TTAT.3G-24.008(R99-3.20.0).zip
TTC	TS-3GA-24.008(R99)v3.20.0	3.20.0 R1	Published	Feb 06	http://www.ttc.or.jp/imt/ts/ts24008r99v3k0.pdf
Release 4					
ATIS	ATIS.3GPP.24.008V4170-2007	4.17.0	Approved	Oct 07	https://www.atis.org/docstore/default.aspx
ETSI	ETSI TS 124 008	4.17.0	Published	Oct 07	http://pda.etsi.org/pda/home.asp?wkr=RTS/TSGC-0124008v4h0
TTA	TTAT.3G-24.008(R4-4.17.0)	4.17.0	Approved	Dec 07	http://www.tta.or.kr/standardDB/stnfile/TTAT.3G-24.008(R4-4.17.0).zip
TTC	TS-3GA-24.008(Rel4)v4.17.0	4.17.0 R1	Published	Jan 08	http://www.ttc.or.jp/imt/ts/ts24008rel4v4h0.pdf

Release 5

ATIS	ATIS.3GPP.24.008V5160-2007	5.16.0	Approved	Oct 07	https://www.atis.org/docstore/default.aspx
ETSI	ETSI TS 124 008	5.16.0	Published	Aug 06	http://pda.etsi.org/pda/home.asp?wkr=RTS/TSGC-0124008v5g0
TTA	TTAT.3G-24.008(R5-5.16.0)	5.16.0	Approved	Dec 07	http://www.tta.or.kr/standardDB/stnfile/TTAT.3G-24.008(R5-5.16.0).zip
TTC	TS-3GA-24.008(Rel5)v5.16.0	5.16.0 R1	Published	Mar 07	http://www.ttc.or.jp/imt/ts/24008rel5v5g0.pdf

Release 6

ATIS	ATIS.3GPP.24.008V6190-2008	6.19.0	Approved	Oct 08	https://www.atis.org/docstore/default.aspx
ETSI	ETSI TS 124 008	6.17.0	Awaiting publication		http://pda.etsi.org/pda/home.asp?wkr=RTS/TSGC-0124008v6h0
TTA	TTAT.3G-24.008(R6-6.19.0)	6.19.0	Approved	Oct 08	http://www.tta.or.kr/standardDB/stnfile/TTAT.3G-24.008(R6-6.19.0).zip
TTC	TS-3GA-24.008(Rel6)v6.19.0	6.19.0 R1	Approved	Oct 08	http://www.ttc.or.jp/imt/ts/24008rel6v6j0.pdf

Release 7

ATIS	ATIS.3GPP.24.008V7120-2008	7.12.0	Approved	Oct 08	https://www.atis.org/docstore/default.aspx
ETSI	ETSI TS 124 008	7.10.0	Awaiting publication		http://pda.etsi.org/pda/home.asp?wkr=RTS/TSGC-0124008v7a0
TTA	TTAT.3G-24.008(R7-7.12.0)	7.12.0	Approved	Oct 08	http://www.tta.or.kr/standardDB/stnfile/TTAT.3G-24.008(R7-7.12.0).zip
TTC	TS-3GA-24.008(Rel7)v7.12.0	7.12.0 R1	Approved	Oct 08	http://www.ttc.or.jp/imt/ts/24008rel7v7c0.pdf

Release 8

ATIS	ATIS.3GPP.24.008V820-2008	8.2.0	Approved	Oct 08	https://www.atis.org/docstore/default.aspx
ETSI	ETSI	8.0.0	Awaiting publication		
TTA	TTAT.3G-24.008(R8-8.2.0)	8.2.0	Approved	Oct 08	http://www.tta.or.kr/standardDB/stnfile/TTAT.3G-24.008(R8-8.2.0).zip
TTC	TS-3GA-24.008(Rel8)v8.2.0	8.2.0 R1	Approved	Oct 08	http://www.ttc.or.jp/imt/ts/24008rel8v820.pdf

5.1.2.10.6 TS 24.011**Point-to-point short message service (SMS) support on mobile radio interface**

This specification describes the procedures used across the mobile radio interface by the signalling Layer 3 function short message control (SMC) and short message relay (SM-RL) function for both circuit-switched GSM and GPRS.

SDO (2)	Document No.	Version	Status	Issued date	Location (1)
Release 99					
ATIS	3.6.0		Approved	May 02	https://www.atis.org/docstore/default.aspx
ETSI	ETSI TS 124 011	3.6.0	Published	Apr 01	http://pda.etsi.org/pda/home.asp?wkr=RTS/TSGN-0124011UR5
TTA	TTAE.3G-24.011(R99F)	3.6.0	Approved	Dec 01	http://www.tta.or.kr/standardDB/stnfile/TTAE.3G-24.011(R99F).zip
TTC	TS-3GA-24.011(R99)v3.6.0	3.6.0 R1	Published	May 01	http://www.ttc.or.jp/imt/ts/24011r99v360.pdf
Release 4					
ATIS	T1.3GPP.24.011V411-2003	4.1.1	Approved	Mar 03	https://www.atis.org/docstore/default.aspx
ETSI	ETSI TS 124 011	4.1.1	Published	Jul 02	http://pda.etsi.org/pda/home.asp?wkr=RTS/TSGN-0124011v411
TTA	TTAT.3G-24.011(R4-4.1.1)	4.1.1	Approved	Mar 03	http://www.tta.or.kr/standardDB/stnfile/TTAT.3G-24.011(R4-4.1.1).zip
TTC	TS-3GA-24.011(Rel4)v4.1.0	4.1.0 R1	Published	May 02	http://www.ttc.or.jp/imt/ts/24011rel4v410.pdf

110

Rec. ITU-R M.1457-8

Release 5

ATIS	TTAT.3GPP.24.011V520-2004	5.2.0	Approved	May 04	https://www.atis.org/docstore/default.aspx
ETSI	ETSI TS 124 011	5.2.0	Published	Jul 03	http://pda.etsi.org/pda/home.asp?wkr=RTS/TSGN-0124011v520
TTA	TTAT.3G-24.011(R5-5.2.0)	5.2.0	Approved	May 04	http://www.tta.or.kr/standardDB/stnfile/TTAT.3G-24.011(R5-5.2.0).zip
TTC	TS-3GA-24.011(Rel5)v5.2.0	5.2.0 R1	Published	Aug 03	http://www.ttc.or.jp/imt/ts/ts24011rel5v520.pdf

Release 6

ATIS	ATIS.3GPP.24.011V610-2006	6.1.0	Approved	Apr 06	https://www.atis.org/docstore/default.aspx
ETSI	ETSI TS 124 011	6.1.0	Published	Jun 05	http://pda.etsi.org/pda/home.asp?wkr=RTS/TSGC-0124011v610
TTA	TTAT.3G-24.011(R6-6.1.0)	6.1.0	Approved	Apr 06	http://www.tta.or.kr/standardDB/stnfile/TTAT.3G-24.011(R6-6.1.0).zip
TTC	TS-3GA-24.011(Rel6)v6.1.0	6.1.0 R1	Published	Jul 05	http://www.ttc.or.jp/imt/ts/ts24011rel6v610.pdf

Release 7

ATIS	ATIS.3GPP.24.011V700-2007	7.0.0	Approved	Oct 07	https://www.atis.org/docstore/default.aspx
ETSI	ETSI TS 124 011	7.0.0	Published	Jul 07	http://pda.etsi.org/pda/home.asp?wkr=RTS/TSGC-0124011v700
TTA	TTAT.3G-24.011(R7-7.0.0)	7.0.0	Approved	Dec 07	http://www.tta.or.kr/standardDB/stnfile/TTAT.3G-24.011(R7-7.0.0).zip
TTC	TS-3GA-24.011(Rel7)v7.0.0	7.0.0 R1	Published	Jan 08	http://www.ttc.or.jp/imt/ts/ts24011rel7v700.pdf

5.1.2.10.7 TS 24.341

Support of SMS over IP networks; Stage 3

This specification provides the protocol details for SMS over IP functionality within the IP Multimedia (IM) Core Network (CN) subsystem based on the Session Initiation Protocol (SIP). The architecture for the SMS over IP functionality is specified in 3GPP TS 23.204.

SDO (2)	Document No.	Version	Status	Issued date	Location (1)
Release 7					
ATIS	ATIS.3GPP.24.341V720-2008	7.2.0	Approved	Oct 08	https://www.atis.org/docstore/default.aspx
ETSI	ETSI TS 124 341	7.2.0	Published	Jan 08	http://pda.etsi.org/pda/home.asp?wkr=RTS/TSGC-0124341v720
TTA	TTAT.3G-24.341(R7-7.2.0)	7.2.0	Approved	Oct 08	http://www.tta.or.kr/standardDB/stnfile/TTAT.3G-24.341(R7-7.2.0).zip

5.1.2.10.8 TS 23.060

General packet radio service (GPRS) service description – Stage 2

This specification describes a general overview over the GPRS architecture as well as a more detailed overview of the MS – CN protocol architecture. Details of the protocols will be specified in companion documents.

SDO (2)	Document No.	Version	Status	Issued date	Location (1)
Release 99					
ATIS	T1.3GPP.23.060V3170-2007	3.17.0	Approved	Oct 07	https://www.atis.org/docstore/default.aspx
ETSI	ETSI TS 123 060	3.17.0	Published	Dec 06	http://pda.etsi.org/pda/home.asp?wkr=RTS/TSGS-0223060v3h0
TTA	TTAT.3G-23.060(R99-3.17.0)	3.17.0	Approved	Dec 07	http://www.tta.or.kr/standardDB/stnfile/TTAT.3G-23.060(R99-3.17.0).zip
Release 4					
ATIS	ATIS.3GPP.23.060V4110-2007	4.11.0	Approved	Oct 07	https://www.atis.org/docstore/default.aspx
ETSI	ETSI TS 123 060	4.11.0	Published	Dec 06	http://pda.etsi.org/pda/home.asp?wkr=RTS/TSGS-0223060v4b0
TTA	TTAT.3G-23.060(R4-4.11.0)	4.11.0	Approved	Dec 07	http://www.tta.or.kr/standardDB/stnfile/TTAT.3G-23.060(R4-4.11.0).zip
Release 5					
ATIS	ATIS.3GPP.23.060V5130-2007	5.13.0	Approved	Oct 07	https://www.atis.org/docstore/default.aspx
ETSI	ETSI TS 123 060	5.13.0	Published	Dec 06	http://pda.etsi.org/pda/home.asp?wkr=RTS/TSGS-0223060v5d0
TTA	TTAT.3G-23.060(R5-5.13.0)	5.13.0	Approved	Dec 07	http://www.tta.or.kr/standardDB/stnfile/TTAT.3G-23.060(R5-5.13.0).zip
Release 6					
ATIS	ATIS.3GPP.23.060V6150-2007	6.15.0	Approved	Oct 07	https://www.atis.org/docstore/default.aspx
ETSI	ETSI TS 123 060	6.15.0	Published	Dec 06	http://pda.etsi.org/pda/home.asp?wkr=RTS/TSGS-0223060v6f0
TTA	TTAT.3G-23.060(R6-6.15.0)	6.15.0	Approved	Dec 07	http://www.tta.or.kr/standardDB/stnfile/TTAT.3G-23.060(R6-6.15.0).zip
Release 7					
ATIS	ATIS.3GPP.23.060V770-2008	7.7.0	Approved	Oct 08	https://www.atis.org/docstore/default.aspx
ETSI	ETSI TS 123 060	7.6.0	Awaiting publication		http://pda.etsi.org/pda/home.asp?wkr=RTS/TSGS-0223060v760
TTA	TTAT.3G-23.060(R7-7.7.0)	7.7.0	Approved	Oct 08	http://www.tta.or.kr/standardDB/stnfile/TTAT.3G-23.060(R7-7.7.0).zip
Release 8					
ATIS	ATIS.3GPP.23.060V810-2008	8.1.0	Approved	Oct 08	https://www.atis.org/docstore/default.aspx
TTA	TTAT.3G-23.060(R8-8.1.0)	8.1.0	Approved	Oct 08	http://www.tta.or.kr/standardDB/stnfile/TTAT.3G-23.060(R8-8.1.0).zip

5.1.2.10.9 TS 24.022

Radio link protocol (RLP) for circuit switched bearer and teleservices

This specification describes the RLP for data transmission over the UMTS public land mobile network (PLMN). RLP covers the Layer 2 functionality of the ISO OSI reference model (IS 7498). It is based on ideas contained in IS 3309, IS 4335 and IS 7809 (HDLC of ISO) as well as ITU-T Recommendations X.25, Q.921 and Q.922 (LAP-B and LAP-D, respectively). RLP has been tailored to the special needs of digital radio transmission. RLP provides to its users the OSI data link service (IS 8886).

SDO (2)	Document No.	Version	Status	Issued date	Location (1)
Release 99					
ATIS	T1.3GPP.24.022V350-2004	3.5.0	Approved	May 04	https://www.atis.org/docstore/default.aspx
ETSI	ETSI TS 124 022	3.5.0	Published	Jul 03	http://pda.etsi.org/pda/home.asp?wkr=RTS/TSGN-0324022v350
TTA	TTAT.3G-24.022(R99-3.5.0)	3.5.0	Approved	May 04	http://www.tta.or.kr/standardDB/stnfile/TTAT.3G-24.022(R99-3.5.0).zip
TTC	TS-3GA-24.022(R99)v3.5.0	3.5.0 R1	Published	Aug 03	http://www.ttc.or.jp/imt/ts/24022r99v350.pdf

112**Rec. ITU-R M.1457-8****Release 4**

ATIS	T1.3GPP.24.022V410-2004	4.1.0	Approved	May 04	https://www.atis.org/docstore/default.aspx
ETSI	ETSI TS 124 022	4.1.0	Published	Jul 03	http://pda.etsi.org/pda/home.asp?wkr=RTS/TSGN-0324022v410
TTA	TTAT.3G-24.022(R4-4.1.0)	4.1.0	Approved	May 04	http://www.tta.or.kr/standardDB/stnfile/TTAT.3G-24.022(R4-4.1.0).zip
TTC	TS-3GA-24.022(Rel4)v4.1.0	4.1.0 R1	Published	Aug 03	http://www.ttc.or.jp/imt/ts/24022rel4v410.pdf

Release 5

ATIS	T1.3GPP.24.022V550-2004	5.5.0	Approved	May 04	https://www.atis.org/docstore/default.aspx
ETSI	ETSI TS 124 022	5.5.0	Published	Jan 04	http://pda.etsi.org/pda/home.asp?wkr=RTS/TSGN-0324022v550
TTA	TTAT.3G-24.022(R5-5.5.0)	5.5.0	Approved	May 04	http://www.tta.or.kr/standardDB/stnfile/TTAT.3G-24.022(R5-5.5.0).zip
TTC	TS-3GA-24.022(Rel5)v5.5.0	5.5.0 R1	Published	Feb 04	http://www.ttc.or.jp/imt/ts/24022rel5v550.pdf

Release 6

ATIS	ATIS.3GPP.24.022V600-2005	6.0.0	Approved	Apr 05	https://www.atis.org/docstore/default.aspx
ETSI	ETSI TS 124 022	6.0.0	Published	Jan 05	http://pda.etsi.org/pda/home.asp?wkr=RTS/TSGN-0324022v600
TTA	TTAT.3G-24.022(R6-6.0.0)	6.0.0	Approved	May 05	http://www.tta.or.kr/standardDB/stnfile/TTAT.3G-24.022(R6-6.0.0).zip
TTC	TS-3GA-24.022(Rel6)v6.0.0	6.0.0 R1	Published	Mar 05	http://www.ttc.or.jp/imt/ts/24022rel6v600.pdf

Release 7

ATIS	ATIS.3GPP.24.022V700-2007	7.0.0	Approved	Oct 07	https://www.atis.org/docstore/default.aspx
ETSI	ETSI TS 124 022	7.0.0	Published	Jul 07	http://pda.etsi.org/pda/home.asp?wkr=RTS/TSGC-0324022v700
TTA	TTAT.3G-24.022(R7-7.0.0)	7.0.0	Approved	Dec 07	http://www.tta.or.kr/standardDB/stnfile/TTAT.3G-24.022(R7-7.0.0).zip
TTC	TS-3GA-24.022(Rel7)v7.0.0	7.0.0 R1	Published	Jan 08	http://www.ttc.or.jp/imt/ts/24022rel7v700.pdf

5.1.2.10.10 TS 24.010**Mobile radio interface Layer 3 – supplementary services specification – general aspects**

This specification describes the general aspects of the specification of supplementary services at the Layer 3 radio interface. Details are specified in other TS.

SDO (2)	Document No.	Version	Status	Issued date	Location (1)
Release 99					
ATIS	T1.3GPP.24.010V320-2002	3.2.0	Approved	May 02	https://www.atis.org/docstore/default.aspx
ETSI	ETSI TS 124 010	3.2.0	Published	Jan 02	http://pda.etsi.org/pda/home.asp?wkr=RTS/TSGN-0424010UR2
TTA	TTAE.3G-24.010(R99-3.2.0)	3.2.0	Approved	May 02	http://www.tta.or.kr/standardDB/stnfile/TTAE.3G-24.010(R99-3.2.0).zip
TTC	TS-3GA-24.010(R99)v3.2.0	3.2.0 R1	Published	Feb 02	http://www.ttc.or.jp/imt/ts/24010r99v320.pdf

Release 4

ATIS	T1.3GPP.24.010V420-2002	4.2.0	Approved	May 02	https://www.atis.org/docstore/default.aspx
ETSI	ETSI TS 124 010	4.2.0	Published	Jan 02	http://pda.etsi.org/pda/home.asp?wkr=RTS/TSGN-0424010Uv4R2
TTA	TTAE.3G-24.010(R4-4.2.0)	4.2.0	Approved	May 02	http://www.tta.or.kr/standardDB/stnfile/TTAE.3G-24.010(R4-4.2.0).zip
TTC	TS-3GA-24.010(Rel4)v4.2.0	4.2.0 R1	Published	Feb 02	http://www.ttc.or.jp/imt/ts/ts24010rel4v420.pdf

Release 5

ATIS	T1.3GPP.24.010V500-2003	5.0.0	Approved	Mar 03	https://www.atis.org/docstore/default.aspx
ETSI	ETSI TS 124 010	5.0.0	Published	Jul 02	http://pda.etsi.org/pda/home.asp?wkr=RTS/TSGN-0424010v500
TTA	TTAT.3G-24.010(R5-5.0.0)	5.0.0	Approved	Mar 03	http://www.tta.or.kr/standardDB/stnfile/TTAT.3G-24.010(R5-5.0.0).zip
TTC	TS-3GA-24.010(Rel5)v5.0.0	5.0.0 R1	Published	Aug 02	http://www.ttc.or.jp/imt/ts/ts24010rel5v500.pdf

Release 6

ATIS	ATIS.3GPP.24.010V600-2005	6.0.0	Approved	Apr 05	https://www.atis.org/docstore/default.aspx
ETSI	ETSI TS 124 010	6.0.0	Published	Jan 05	http://pda.etsi.org/pda/home.asp?wkr=RTS/TSGN-0424010v600
TTA	TTAT.3G-24.010(R6-6.0.0)	6.0.0	Approved	May 05	http://www.tta.or.kr/standardDB/stnfile/TTAT.3G-24.010(R6-6.0.0).zip
TTC	TS-3GA-24.010(Rel6)v6.0.0	6.0.0 R1	Published	Mar 05	http://www.ttc.or.jp/imt/ts/ts24010rel6v600.pdf

Release 7

ATIS	ATIS.3GPP.24.010V700-2007	7.0.0	Approved	Oct 07	https://www.atis.org/docstore/default.aspx
ETSI	ETSI TS 124 010	7.0.0	Published	Jul 07	http://pda.etsi.org/pda/home.asp?wkr=RTS/TSGC-0424010v700
TTA	TTAT.3G-24.010(R7-7.0.0)	7.0.0	Approved	Dec 07	http://www.tta.or.kr/standardDB/stnfile/TTAT.3G-24.010(R7-7.0.0).zip
TTC	TS-3GA-24.010(Rel7)v7.0.0	7.0.0 R1	Published	Jan 08	http://www.ttc.or.jp/imt/ts/ts24010rel7v700.pdf

5.1.2.10.11 TS 24.080**Mobile radio interface Layer 3 – supplementary services specification – formats and coding**

This specification describes the coding of information necessary for support of supplementary service operation on the mobile radio interface L3. Details are specified in other TS.

SDO (2)	Document No.	Version	Status	Issued date	Location (1)
Release 99					
ATIS	T1.3GPP.24.080V371-2004	3.7.1	Approved	May 04	https://www.atis.org/docstore/default.aspx
ETSI	ETSI TS 124 080	3.7.1	Published	Oct 03	http://pda.etsi.org/pda/home.asp?wkr=RTS/TSGN-0424080v371
TTA	TTAT.3G-24.080(R99-3.7.1)	3.7.1	Approved	May 04	http://www.tta.or.kr/standardDB/stnfile/TTAT.3G-24.080(R99-3.7.1).zip
TTC	TS-3GA-24.080(R99)v3.7.0	3.7.0 R1	Published	Aug 02	http://www.ttc.or.jp/imt/ts/ts24080r99v370.pdf

114**Rec. ITU-R M.1457-8****Release 4**

ATIS	ATIS.3GPP.24.080V440-2005	4.4.0	Approved	Apr 05	https://www.atis.org/docstore/default.aspx
ETSI	ETSI TS 124 080	4.4.0	Published	Jan 05	http://pda.etsi.org/pda/home.asp?wkr=RTS/TSGN-0424080v440
TTA	TTAT.3G-24.080(R4-4.4.0)	4.4.0	Approved	May 05	http://www.tta.or.kr/standardDB/stnfile/TTAT.3G-24.080(R4-4.4.0).zip
TTC	TS-3GA-24.080(Rel4)v4.4.0	4.4.0 R1	Published	Mar 05	http://www.ttc.or.jp/imt/ts/ts24080rel4v440.pdf

Release 5

ATIS	ATIS.3GPP.24.080V550-2005	5.5.0	Approved	Apr 05	https://www.atis.org/docstore/default.aspx
ETSI	ETSI TS 124 080	5.5.0	Published	Jan 05	http://pda.etsi.org/pda/home.asp?wkr=RTS/TSGN-0424080v550
TTA	TTAT.3G-24.080(R5-5.5.0)	5.5.0	Approved	May 05	http://www.tta.or.kr/standardDB/stnfile/TTAT.3G-24.080(R5-5.5.0).zip
TTC	TS-3GA-24.080(Rel5)v5.5.0	5.5.0 R1	Published	Mar 05	http://www.ttc.or.jp/imt/ts/ts24080rel5v550.pdf

Release 6

ATIS	ATIS.3GPP.24.080V630-2006	6.3.0	Approved	Apr 06	https://www.atis.org/docstore/default.aspx
ETSI	ETSI TS 124 080	6.3.0	Published	Apr 05	http://pda.etsi.org/pda/home.asp?wkr=RTS/TSGC-0424080v630
TTA	TTAT.3G-24.080(R6-6.3.0)	6.3.0	Approved	Apr 06	http://www.tta.or.kr/standardDB/stnfile/TTAT.3G-24.080(R6-6.3.0).zip
TTC	TS-3GA-24.080(Rel6)v6.3.0	6.3.0 R1	Published	May 05	http://www.ttc.or.jp/imt/ts/ts24080rel6v630.pdf

Release 7

ATIS	ATIS.3GPP.24.080V740-2007	7.4.0	Approved	Oct 07	https://www.atis.org/docstore/default.aspx
ETSI	ETSI TS 124 080	7.4.0	Published	Oct 07	http://pda.etsi.org/pda/home.asp?wkr=RTS/TSGC-0424080v740
TTA	TTAT.3G-24.080(R7-7.4.0)	7.4.0	Approved	Dec 07	http://www.tta.or.kr/standardDB/stnfile/TTAT.3G-24.080(R7-7.4.0).zip
TTC	TS-3GA-24.080(Rel7)v7.4.0	7.4.0 R1	Published	Jan 08	http://www.ttc.or.jp/imt/ts/ts24080rel7v740.pdf

5.1.2.10.12 TS 24.173**IMS Multimedia telephony service and supplementary services; Stage 3**

This specification provides the protocol details for multimedia telephony communication service and associated supplementary services in the IP Multimedia (IM) Core Network (CN) subsystem based on the requirements from 3GPP TS 22.173. Multimedia telephony and supplementary services allow users to establish communications between them and enrich that by enabling supplementary services.

SDO (2)	Document No.	Version	Status	Issued date	Location (1)
Release 7					
ATIS	ATIS.3GPP.24.173V750-2008	7.5.0	Approved	Oct 08	https://www.atis.org/docstore/default.aspx
ETSI	ETSI TS 124 173	7.3.0	Published	Jan 08	http://pda.etsi.org/pda/home.asp?wkr=RTS/TSGC-0124173v730
TTA	TTAT.3G-24.173(R7-7.5.0)	7.5.0	Approved	Oct 08	http://www.tta.or.kr/standardDB/stnfile/TTAT.3G-24.173(R7-7.5.0).zip
Release 8					
ATIS	ATIS.3GPP.24.173V810-2008	8.1.0	Approved	Oct 08	https://www.atis.org/docstore/default.aspx
TTA	TTAT.3G-24.173(R8-8.1.0)	8.1.0	Approved	Oct 08	http://www.tta.or.kr/standardDB/stnfile/TTAT.3G-24.173(R8-8.1.0).zip

5.1.2.10.13 TS 24.206**Voice call continuity between Circuit Switched (CS) and IP Multimedia Subsystem (IMS); Stage**

This specification provides the protocol details for voice call continuity between the IP Multimedia (IM) Core Network (CN) subsystem based on the Session Initiation Protocol (SIP) and the Session Description Protocol (SDP) and the protocols of the 3GPP Circuit-Switched (CS) domain (CAP, MAP, ISUP, BICC and the NAS call control protocol for the CS access).

SDO (2)	Document No.	Version	Status	Issued date	Location (1)
Release 7					
ATIS	ATIS.3GPP.24.206V750-2008	7.5.0	Approved	Oct 08	https://www.atis.org/docstore/default.aspx
ETSI	ETSI TS 124 206	7.4.0	Published	Jan 08	http://pda.etsi.org/pda/home.asp?wkr=RTS/TSGC-0124206v740
TTA	TTAT.3G-24.206(R7-7.5.0)	7.5.0	Approved	Oct 08	http://www.tta.or.kr/standardDB/stnfile/TTAT.3G-24.206(R7-7.5.0).zip

5.1.2.10.14 TS 24.279**Combining Circuit Switched (CS) and IP Multimedia Subsystem (IMS) services; Stage 3**

This specification provides the technical realization for the combination of Circuit Switched calls and IM sessions when using them simultaneously between the same two users. It also describes the use of CS and IM services in combination, using the existing procedures that have been defined for CS and IMS. It includes the necessary function as adding an IM session to an ongoing CS call, adding a CS call to an ongoing IM session, supplementary services as they relate to CSICS and supporting capability exchange.

SDO (2)	Document No.	Version	Status	Issued date	Location (1)
Release 7					
ATIS	ATIS.3GPP.24.279V770-2008	7.7.0	Approved	Oct 08	https://www.atis.org/docstore/default.aspx
ETSI	ETSI TS 124 279	7.7.0	Published	Jan 08	http://pda.etsi.org/pda/home.asp?wkr=RTS/TSGC-0124279v770
TTA	TTAT.3G-24.279(R7-7.7.0)	7.7.0	Approved	Oct 08	http://www.tta.or.kr/standardDB/stnfile/TTAT.3G-24.279(R7-7.7.0).zip
Release 8					
ATIS	ATIS.3GPP.24.279V800-2008	8.0.0	Approved	Oct 08	https://www.atis.org/docstore/default.aspx
ETSI	ETSI	8.0.0	Awaiting publication		
TTA	TTAT.3G-24.279(R8-8.0.0)	8.0.0	Approved	Oct 08	http://www.tta.or.kr/standardDB/stnfile/TTAT.3G-24.279(R8-8.0.0).zip

5.1.2.10.15 TS 24.229**IP Multimedia Call Control Protocol based on Session Initiation Protocol (SIP) and Session Description Protocol (SDP); Stage 3**

This specification defines a call control protocol for use in the IP Multimedia (IM) Core Network (CN) subsystem based on the Session Initiation Protocol (SIP), and the associated Session Description Protocol (SDP).

116**Rec. ITU-R M.1457-8**

SDO (2)	Document No.	Version	Status	Issued date	Location (1)
Release 5					
ATIS	ATIS.3GPP.24.229V5210-2008	5.21.0	Approved	Oct 08	https://www.atis.org/docstore/default.aspx
ETSI	ETSI TS 124 229	5.21.0	Awaiting publication		http://pda.etsi.org/pda/home.asp?wkr=RTS/TSGC-0124229v5l0
TTA	TTAT.3G-24.229(R5-5.21.0)	5.21.0	Approved	Oct 08	http://www.tta.or.kr/standardDB/stnfile/TTAT.3G-24.229(R5-5.21.0).zip
Release 6					
ATIS	ATIS.3GPP.24.229V6180-2008	6.18.0	Approved	Oct 08	https://www.atis.org/docstore/default.aspx
ETSI	ETSI TS 124 229	6.17.0	Awaiting publication		http://pda.etsi.org/pda/home.asp?wkr=RTS/TSGC-0124229v6h0
TTA	TTAT.3G-24.229(R6-6.18.0)	6.18.0	Approved	Oct 08	http://www.tta.or.kr/standardDB/stnfile/TTAT.3G-24.229(R6-6.18.0).zip
Release 7					
ATIS	ATIS.3GPP.24.229V7120-2008	7.12.0	Approved	Oct 08	https://www.atis.org/docstore/default.aspx
ETSI	ETSI TS 124 229	7.10.0	Awaiting publication		http://pda.etsi.org/pda/home.asp?wkr=RTS/TSGC-0124229v7a0
TTA	TTAT.3G-24.229(R7-7.12.0)	7.12.0	Approved	Oct 08	http://www.tta.or.kr/standardDB/stnfile/TTAT.3G-24.229(R7-7.12.0).zip
Release 8					
ATIS	ATIS.3GPP.24.229V841-2008	8.4.1	Approved	Oct 08	https://www.atis.org/docstore/default.aspx
ETSI	ETSI TS 124 229	8.2.0	Awaiting publication		http://pda.etsi.org/pda/home.asp?wkr=RTS/TSGC-0124229v820
TTA	TTAT.3G-24.229(R8-8.4.1)	8.4.1	Approved	Oct 08	http://www.tta.or.kr/standardDB/stnfile/TTAT.3G-24.229(R8-8.4.1).zip

5.1.2.10.16 TS 24.141**Presence service using the IP Multimedia (IM) Core Network (CN) subsystem; Stage 3**

This specification provides the protocol details for the presence service within the IP Multimedia (IM) Core Network (CN) subsystem based on the Session Initiation Protocol (SIP) and SIP Events as defined in 3GPP TS 24.229.

SDO (2)	Document No.	Version	Status	Issued date	Location (1)
Release 6					
ATIS	ATIS.3GPP.24.141V6100-2008	6.10.0	Approved	Oct 08	https://www.atis.org/docstore/default.aspx
ETSI	ETSI TS 124 141	6.9.0	Published	Oct 07	http://pda.etsi.org/pda/home.asp?wkr=RTS/TSGC-0124141v690
TTA	TTAT.3G-24.141(R6-6.10.0)	6.10.0	Approved	Oct 08	http://www.tta.or.kr/standardDB/stnfile/TTAT.3G-24.141(R6-6.10.0).zip
TTC	TS-3GA-24.141(Rel6)v6.10.0	6.10.0 R1	Approved	Oct 08	http://www.ttc.or.jp/imt/ts/ts24141rel6v6a0.pdf
Release 7					
ATIS	ATIS.3GPP.24.141V750-2008	7.5.0	Approved	Oct 08	https://www.atis.org/docstore/default.aspx
ETSI	ETSI TS 124 141	7.4.0	Published	Oct 07	http://pda.etsi.org/pda/home.asp?wkr=RTS/TSGC-0124141v740
TTA	TTAT.3G-24.141(R7-7.5.0)	7.5.0	Approved	Oct 08	http://www.tta.or.kr/standardDB/stnfile/TTAT.3G-24.141(R7-7.5.0).zip

Release 8

ATIS	ATIS.3GPP.24.141V810-2008	8.1.0	Approved	Oct 08	https://www.atis.org/docstore/default.aspx
TTA	TTAT.3G-24.141(R8-8.1.0)	8.1.0	Approved	Oct 08	http://www.tta.or.kr/standardDB/stnfile/TTAT.3G-24.141(R8-8.1.0).zip

5.1.2.10.17 TS 24.147**Conferencing using the IP Multimedia (IM) Core Network (CN) subsystem; Stage 3**

This specification provides the protocol details for conferencing within the IP Multimedia Core Network subsystem (IMS) based on the Session Initiation Protocol (SIP), SIP Events, the Session Description Protocol (SDP) and the Binary Floor Control Protocol (BFCP).

SDO (2)	Document No.	Version	Status	Issued date	Location (1)
Release 6					
ATIS	ATIS.3GPP.24.147V690-2008	6.9.0	Approved	Oct 08	https://www.atis.org/docstore/default.aspx
ETSI	ETSI TS 124 147	6.7.0	Published	Jun 07	http://pda.etsi.org/pda/home.asp?wkr=RTS/TSGC-0124147v670
TTA	TTAT.3G-24.147(R6-6.9.0)	6.9.0	Approved	Oct 08	http://www.tta.or.kr/standardDB/stnfile/TTAT.3G-24.147(R6-6.9.0).zip
TTC	TS-3GA-24.147(Rel6)v6.9.0	6.9.0 R1	Approved	Oct 08	http://www.ttc.or.jp/imt/ts/24147rel6v690.pdf
Release 7					
ATIS	ATIS.3GPP.24.147V790-2008	7.9.0	Approved	Oct 08	https://www.atis.org/docstore/default.aspx
ETSI	ETSI TS 124 147	7.7.0	Published	Jan 08	http://pda.etsi.org/pda/home.asp?wkr=RTS/TSGC-0124147v770
TTA	TTAT.3G-24.147(R7-7.9.0)	7.9.0	Approved	Oct 08	http://www.tta.or.kr/standardDB/stnfile/TTAT.3G-24.147(R7-7.9.0).zip
TTC	TS-3GA-24.147(Rel7)v7.9.0	7.9.0 R1	Approved	Oct 08	http://www.ttc.or.jp/imt/ts/24147rel7v790.pdf
Release 8					
ATIS	ATIS.3GPP.24.147V810-2008	8.1.0	Approved	Oct 08	https://www.atis.org/docstore/default.aspx
ETSI	ETSI	8.0.0	Awaiting publication		
TTA	TTAT.3G-24.147(R7-8.1.0)	8.1.0	Approved	Oct 08	http://www.tta.or.kr/standardDB/stnfile/TTAT.3G-24.147(R7-8.1.0).zip
TTC	TS-3GA-24.147(Rel8)v8.1.0	8.1.0 R1	Approved	Oct 08	http://www.ttc.or.jp/imt/ts/24147rel8v810.pdf

5.1.2.10.18 TS 24.247**Messaging service using the IP Multimedia (IM) Core Network (CN) subsystem; Stage 3**

This specification provides the protocol details for the messaging service within the IP Multimedia CN Subsystem (IMS) based on the Session Initiation Protocol (SIP), the Session Description Protocol (SDP) and, the Message Session Relay Protocol (MSRP).

SDO (2)	Document No.	Version	Status	Issued date	Location (1)
---------	--------------	---------	--------	-------------	--------------

118**Rec. ITU-R M.1457-8****Release 6**

ATIS	ATIS.3GPP.24.247V690-2008	6.9.0	Approved	Oct 08	https://www.atis.org/docstore/default.aspx
ETSI	ETSI TS 124 247	6.9.0	Published	Jan 08	http://pda.etsi.org/pda/home.asp?wkr=RTS/TSGC-0124247v690
TTA	TTAT.3G-24.247(R6-6.9.0)	6.9.0	Approved	Oct 08	http://www.tta.or.kr/standardDB/stnfile/TTAT.3G-24.247(R6-6.9.0).zip
TTC	TS-3GA-24.247(Rel6)v6.9.0	6.9.0 R1	Approved	Oct 08	http://www.ttc.or.jp/imt/ts/ts24247rel6v690.pdf

Release 7

ATIS	ATIS.3GPP.24.247V730-2008	7.3.0	Approved	Oct 08	https://www.atis.org/docstore/default.aspx
ETSI	ETSI TS 124 247	7.3.0	Published	Jan 08	http://pda.etsi.org/pda/home.asp?wkr=RTS/TSGC-0124247v730
TTA	TTAT.3G-24.247(R7-7.3.0)	7.3.0	Approved	Oct 08	http://www.tta.or.kr/standardDB/stnfile/TTAT.3G-24.247(R7-7.3.0).zip
TTC	TS-3GA-24.247(Rel7)v7.3.0	7.3.0 R1	Approved	Oct 08	http://www.ttc.or.jp/imt/ts/ts24247rel7v730.pdf

Release 8

ATIS	ATIS.3GPP.24.247V810-2008	8.1.0	Approved	Oct 08	https://www.atis.org/docstore/default.aspx
ETSI	ETSI	8.0.0	Awaiting publication		
TTA	TTAT.3G-24.247(R8-8.1.0)	8.1.0	Approved	Oct 08	http://www.tta.or.kr/standardDB/stnfile/TTAT.3G-24.247(R8-8.1.0).zip
TTC	TS-3GA-24.247(Rel8)v8.1.0	8.1.0 R1	Approved	Oct 08	http://www.ttc.or.jp/imt/ts/ts24247rel8v810.pdf

5.1.2.10.19 TS 29.228**IP Multimedia (IM) Subsystem Cx and Dx interfaces; Signalling flows and message contents**

This 3GPP Technical Specification (TS) specifies the interactions between the HSS (Home Subscriber Server) and the CSCF (Call Session Control Functions), referred to as the Cx interface, and the interactions between the CSCF and the SLF (Server Locator Function), referred to as the Dx interface.

SDO (2) Document No. Version Status Issued date Location (1)

Release 5

ATIS	ATIS.3GPP.29.228V5200-2007	5.20.0	Approved	Oct 07	https://www.atis.org/docstore/default.aspx
ETSI	ETSI TS 129 228	5.20.0	Published	Oct 07	http://pda.etsi.org/pda/home.asp?wkr=RTS/TSGC-0429228v5k0
TTA	TTAT.3G-24.228(R5-5.15.0)	5.15.0	Approved	Dec 07	http://www.tta.or.kr/standardDB/stnfile/TTAT.3G-24.228(R5-5.15.0).zip
TTC	TS-3GA-29.228(Rel5)v5.20.0	5.20.0 R1	Published	Jan 08	http://www.ttc.or.jp/imt/ts/ts29228rel5v5k0.pdf

Release 6

ATIS	ATIS.3GPP.29.228V6150-2007	6.15.0	Approved	Oct 07	https://www.atis.org/docstore/default.aspx
ETSI	ETSI TS 129 228	6.15.0	Published	Oct 07	http://pda.etsi.org/pda/home.asp?wkr=RTS/TSGC-0429228v6f0
TTC	TS-3GA-29.228(Rel6)v6.15.0	6.15.0 R1	Published	Jan 08	http://www.ttc.or.jp/imt/ts/ts29228rel6v6f0.pdf

Release 7

ATIS	ATIS.3GPP.29.228V790-2008	7.9.0	Approved	Oct 08	https://www.atis.org/docstore/default.aspx
ETSI	ETSI TS 129 228	7.8.0	Awaiting publication		http://pda.etsi.org/pda/home.asp?wkr=RTS/TSGC-0429228v780
TTC	TS-3GA-29.228(Rel7)v7.9.0	7.9.0 R1	Approved	Oct 08	http://www.ttc.or.jp/imt/ts/ts29228rel7v790.pdf

Release 8

ATIS	ATIS.3GPP.29.228V820-2008	8.2.0	Approved	Oct 08	https://www.atis.org/docstore/default.aspx
ETSI	ETSI	8.0.0	Awaiting publication		
TTC	TS-3GA-29.228(Rel8)v8.2.0	8.2.0 R1	Approved	Oct 08	http://www.ttc.or.jp/imt/ts/ts29228rel7v820.pdf

5.1.2.10.20 TS 29.229**Cx and Dx interfaces based on the Diameter protocol; Protocol details**

This specification defines a transport protocol for use in the IP multimedia (IM) Core Network (CN) subsystem based on Diameter.

SDO (2)	Document No.	Version	Status	Issued date	Location (1)
Release 5					
ATIS	ATIS.3GPP.29.229V5130-2007	5.13.0	Approved	Oct 07	https://www.atis.org/docstore/default.aspx
ETSI	ETSI TS 129 229	5.13.0	Published	Oct 07	http://pda.etsi.org/pda/home.asp?wkr=RTS/TSGC-0429229v5d0
TTA	TTAT.3G-29.229(R5-5.13.0)	5.13.0	Approved	Dec 07	http://www.tta.or.kr/standardDB/stnfile/TTAT.3G-29.229(R5-5.13.0).zip
TTC	TS-3GA-29.229(Rel5)v5.13.0	5.13.0 R1	Published	Jan 08	http://www.ttc.or.jp/imt/ts/ts29229rel5v5d0.pdf
Release 6					
ATIS	ATIS.3GPP.29.229V6100-2007	6.10.0	Approved	Oct 07	https://www.atis.org/docstore/default.aspx
ETSI	ETSI TS 129 229	6.10.0	Published	Oct 07	http://pda.etsi.org/pda/home.asp?wkr=RTS/TSGC-0429229v6a0
TTA	TTAT.3G-29.229(R6-6.10.0)	6.10.0	Approved	Dec 07	http://www.tta.or.kr/standardDB/stnfile/TTAT.3G-29.229(R6-6.10.0).zip
TTC	TS-3GA-29.229(Rel6)v6.10.0	6.10.0 R1	Published	Jan 08	http://www.ttc.or.jp/imt/ts/ts29229rel6v6a0.pdf
Release 7					
ATIS	ATIS.3GPP.29.229V770-2008	7.7.0	Approved	Oct 08	https://www.atis.org/docstore/default.aspx
ETSI	ETSI TS 129 229	7.7.0	Awaiting publication		http://pda.etsi.org/pda/home.asp?wkr=RTS/TSGC-0429229v770
TTA	TTAT.3G-29.229(R7-7.7.0)	7.7.0	Approved	Oct 08	http://www.tta.or.kr/standardDB/stnfile/TTAT.3G-29.229(R7-7.7.0).zip
TTC	TS-3GA-29.229(Rel7)v7.7.0	7.7.0 R1	Approved	Oct 08	http://www.ttc.or.jp/imt/ts/ts29229rel7v770.pdf
Release 8					
ATIS	ATIS.3GPP.29.229V820-2008	8.2.0	Approved	Oct 08	https://www.atis.org/docstore/default.aspx
ETSI	ETSI	8.0.0	Awaiting publication		
TTA	TTAT.3G-29.229(R8-8.2.0)	8.2.0	Approved	Oct 08	http://www.tta.or.kr/standardDB/stnfile/TTAT.3G-29.229(R8-8.2.0).zip
TTC	TS-3GA-29.229(Rel8)v8.2.0	8.2.0 R1	Approved	Oct 08	http://www.ttc.or.jp/imt/ts/ts29229rel8v820.pdf

5.1.2.11

Terminal aspects

5.1.2.11.1 TS 21.111

USIM and IC card requirements

This specification describes the requirements of the USIM and the USIM IC card (UICC). These are derived from the service and security requirements defined in the respective specifications. The document is the basis for the detailed specification of the USIM and the UICC, and the interface to the terminal.

SDO (2)	Document No.	Version	Status	Issued date	Location (1)
Release 99					
ARIB	ARIB STD-T63-21.111	3.5.0	Approved	Sep 08	http://www.arib.or.jp/IMT-2000/ARIB-STD/ITU-R_Rev8/R99/A21111-350.pdf
ATIS	ATIS.3GPP.21.111V350-2006	3.5.0	Approved	Apr 06	https://www.atis.org/docstore/default.aspx
ETSI	ETSI TS 121 111	3.5.0	Published	Jun 05	http://pda.etsi.org/pda/home.asp?wkr=RTS/TSGC-0621111v350
TTA	TTAT.3G-21.111(R99-3.5.0)	3.5.0	Approved	Apr 06	http://www.tta.or.kr/standardDB/stnfile/TTAT.3G-21.111(R99-3.5.0).zip
Release 4					
ARIB	ARIB STD-T63-21.111	4.2.0	Approved	Sep 08	http://www.arib.or.jp/IMT-2000/ARIB-STD/ITU-R_Rev8/Rel4/A21111-420.pdf
ATIS	ATIS.3GPP.21.111V420-2006	4.2.0	Approved	Apr 06	https://www.atis.org/docstore/default.aspx
ETSI	ETSI TS 121 111	4.2.0	Published	Jun 05	http://pda.etsi.org/pda/home.asp?wkr=RTS/TSGC-0621111v420
TTA	TTAT.3G-21.111(R4-4.2.0)	4.2.0	Approved	Apr 06	http://www.tta.or.kr/standardDB/stnfile/TTAT.3G-21.111(R4-4.2.0).zip
Release 5					
ARIB	ARIB STD-T63-21.111	5.2.0	Approved	Sep 08	http://www.arib.or.jp/IMT-2000/ARIB-STD/ITU-R_Rev8/Rel5/A21111-520.pdf
ATIS	ATIS.3GPP.21.111V520-2006	5.2.0	Approved	Apr 06	https://www.atis.org/docstore/default.aspx
ETSI	ETSI TS 121 111	5.2.0	Published	Jun 05	http://pda.etsi.org/pda/home.asp?wkr=RTS/TSGC-0621111v520
TTA	TTAT.3G-21.111(R5-5.2.0)	5.2.0	Approved	Apr 06	http://www.tta.or.kr/standardDB/stnfile/TTAT.3G-21.111(R5-5.2.0).zip
Release 6					
ARIB	ARIB STD-T63-21.111	6.3.0	Approved	Sep 08	http://www.arib.or.jp/IMT-2000/ARIB-STD/ITU-R_Rev8/Rel6/A21111-630.pdf
ATIS	ATIS.3GPP.21.111V630-2007	6.3.0	Approved	Oct 07	https://www.atis.org/docstore/default.aspx
ETSI	ETSI TS 121 111	6.3.0	Published	Jul 06	http://pda.etsi.org/pda/home.asp?wkr=RTS/TSGC-0621111v630
TTA	TTAT.3G-21.111(R6-6.3.0)	6.3.0	Approved	Dec 07	http://www.tta.or.kr/standardDB/stnfile/TTAT.3G-21.111(R6-6.3.0).zip
Release 7					
ARIB	ARIB STD-T63-21.111	7.1.0	Approved	Sep 08	http://www.arib.or.jp/IMT-2000/ARIB-STD/ITU-R_Rev8/Rel7/A21111-710.pdf
ATIS	ATIS.3GPP.21.111V710-2008	7.1.0	Approved	Oct 08	https://www.atis.org/docstore/default.aspx
ETSI	ETSI TS 121 111	7.0.0	Published	Apr 07	http://pda.etsi.org/pda/home.asp?wkr=RTS/TSGC-0621111v700
TTA	TTAT.3G-21.111(R7-7.1.0)	7.1.0	Approved	Oct 08	http://www.tta.or.kr/standardDB/stnfile/TTAT.3G-21.111(R7-7.1.0).zip

Release 8

ARIB	ARIB STD-T63-21.111	8.2.0	Approved	Sep 08	http://www.arib.or.jp/IMT-2000/ARIB-STD/ITU-R_Rev8/Rel7/A21111-710.pdf
ATIS	ATIS.3GPP.21.111V820-2008	8.2.0	Approved	Oct 08	https://www.atis.org/docstore/default.aspx
ETSI	ETSI TS 121 111	8.1.0	Awaiting publication		http://pda.etsi.org/pda/home.asp?wkr=RTS/TSGC-0621111v810
TTA	TTAT.3G-21.111(R8-8.2.0)	8.2.0	Approved	Oct 08	http://www.tta.or.kr/standardDB/stnfile/TTAT.3G-21.111(R8-8.2.0).zip

5.1.2.11.2 TS 22.112**USAT-Interpreter – Stage 1**

This specification specifies a system to make Mobile Operator services, based on USAT functionality and USIM based security functionality, available to an internet environment. This is achieved by specifying the necessary components and protocols for a secure narrow-band channel between the internet application and an USAT Interpreter on the USIM.

SDO (2)	Document No.	Version	Status	Issued date	Location (1)
Release 4					
TTA	TTAE.3G-22.112(R4)	4.0.0	Approved	Dec 01	http://www.tta.or.kr/standardDB/stnfile/TTAE.3G-22.112(R4).zip
Release 5					
ARIB	ARIB STD-T63-22.112	5.0.0	Approved	Sep 08	http://www.arib.or.jp/IMT-2000/ARIB-STD/ITU-R_Rev8/Rel8/A21111-820.pdf
ATIS	T1.3GPP.22.112V500-2004	5.0.0	Approved	May 04	https://www.atis.org/docstore/default.aspx
ETSI	ETSI TS 122 112	5.0.0	Published	Aug 02	http://pda.etsi.org/pda/home.asp?wkr=RTS/TSGT-0322112v500
TTA	TTAT.3G-22.112(R5-5.0.0)	5.0.0	Approved	May 03	http://www.tta.or.kr/standardDB/stnfile/TTAT.3G-22.112(R5-5.0.0).zip
Release 6					
ARIB	ARIB STD-T63-22.112	6.0.0	Approved	Sep 08	http://www.arib.or.jp/IMT-2000/ARIB-STD/ITU-R_Rev8/Rel6/A22112-600.pdf
ATIS	ATIS.3GPP.22.112V600-2006	6.0.0	Approved	Apr 06	https://www.atis.org/docstore/default.aspx
ETSI	ETSI TS 122 112	6.0.0	Published	Jan 05	http://pda.etsi.org/pda/home.asp?wkr=RTS/TSGT-0322112v600
TTA	TTAT.3G-22.112(R6-6.0.0)	6.0.0	Approved	May 05	http://www.tta.or.kr/standardDB/stnfile/TTAT.3G-22.112(R6-6.0.0).zip
Release 7					
ARIB	ARIB STD-T63-22.112	7.0.0	Approved	Sep 08	http://www.arib.or.jp/IMT-2000/ARIB-STD/ITU-R_Rev8/Rel7/A22112-700.pdf
ATIS	ATIS.3GPP.22.112V700-2007	7.0.0	Approved	Oct 07	https://www.atis.org/docstore/default.aspx
ETSI	ETSI TS 122 112	7.0.0	Published	Jun 07	http://pda.etsi.org/pda/home.asp?wkr=RTS/TSGC-0622112v700
TTA	TTAT.3G-22.112(R7-7.0.0)	7.0.0	Approved	Dec 07	http://www.tta.or.kr/standardDB/stnfile/TTAT.3G-22.112(R7-7.0.0).zip

5.1.2.11.3 TS 31.101**UICC-Terminal Interface; Physical and Logical Characteristics**

This specification specifies the interface between the UICC and the Terminal for 3G telecom network operation. This includes the requirements for the physical characteristics of the UICC, the electrical interface between the UICC and the Terminal, the initial communication establishment and the transport protocols, the communication commands and the procedures and the application independent files and protocols.

SDO (2)	Document No.	Version	Status	Issued date	Location (1)
Release 99					
ARIB	ARIB STD-T63-31.101	3.3.1	Approved	Sep 08	http://www.arib.or.jp/IMT-2000/ARIB-STD/ITU-R_Rev8/R99/A31101-331.pdf
ATIS	ATIS.3GPP.31.101V331-2006	3.3.1	Approved	Apr 06	https://www.atis.org/docstore/default.aspx
ETSI	ETSI TS 131 101	3.3.1	Published	Jan 05	http://pda.etsi.org/pda/home.asp?wkr=RTS/TSGT-0331101v331
TTA	TTAE.3G-31.101(R99-3.3.1)	3.3.1	Approved	Apr 06	http://www.tta.or.kr/standardDB/stnfile/TTAE.3G-31.101(R99-3.3.1).zip
Release 4					
ARIB	ARIB STD-T63-31.101	4.2.1	Approved	Sep 08	http://www.arib.or.jp/IMT-2000/ARIB-STD/ITU-R_Rev8/Rel4/A31101-421.pdf
ATIS	ATIS.3GPP.31.101V421-2006	4.2.1	Approved	Apr 06	https://www.atis.org/docstore/default.aspx
ETSI	ETSI TS 131 101	4.2.1	Published	Jan 05	http://pda.etsi.org/pda/home.asp?wkr=RTS/TSGT-0331101v421
TTA	TTAT.3G-31.101(R4-4.2.1)	4.2.1	Approved	Apr 06	http://www.tta.or.kr/standardDB/stnfile/TTAT.3G-31.101(R4-4.2.1).zip
Release 5					
ARIB	ARIB STD-T63-31.101	5.2.1	Approved	Sep 08	http://www.arib.or.jp/IMT-2000/ARIB-STD/ITU-R_Rev8/Rel5/A31101-521.pdf
ATIS	ATIS.3GPP.31.101V521-2006	5.2.1	Approved	Apr 06	https://www.atis.org/docstore/default.aspx
ETSI	ETSI TS 131 101	5.2.1	Published	Jan 05	http://pda.etsi.org/pda/home.asp?wkr=RTS/TSGT-0331101v521
TTA	TTAT.3G-31.101(R5-5.2.1)	5.2.1	Approved	Apr 06	http://www.tta.or.kr/standardDB/stnfile/TTAT.3G-31.101(R5-5.2.1).zip
Release 6					
ARIB	ARIB STD-T63-31.101	6.5.1	Approved	Sep 08	http://www.arib.or.jp/IMT-2000/ARIB-STD/ITU-R_Rev8/Rel6/A31101-651.pdf
ATIS	ATIS.3GPP.31.101V651-2007	6.5.1	Approved	Oct 07	https://www.atis.org/docstore/default.aspx
ETSI	ETSI TS 131 101	6.5.1	Published	Jan 06	http://pda.etsi.org/pda/home.asp?wkr=RTS/TSGC-0631101v651
TTA	TTAT.3G-31.101(R6-6.5.1)	6.5.1	Approved	Apr 06	http://www.tta.or.kr/standardDB/stnfile/TTAT.3G-31.101(R6-6.5.1).zip
Release 7					
ARIB	ARIB STD-T63-31.101	7.0.1	Approved	Sep 08	http://www.arib.or.jp/IMT-2000/ARIB-STD/ITU-R_Rev8/Rel7/A31101-701.pdf
ATIS	ATIS.3GPP.31.101V701-2007	7.0.1	Approved	Oct 07	https://www.atis.org/docstore/default.aspx
ETSI	ETSI TS 131 101	7.0.1	Published	Jul 07	http://pda.etsi.org/pda/home.asp?wkr=RTS/TSGC-0631101v701
TTA	TTAT.3G-31.101(R7-7.0.1)	7.0.1	Approved	Dec 07	http://www.tta.or.kr/standardDB/stnfile/TTAT.3G-31.101(R7-7.0.1).zip

5.1.2.11.4 TS 31.102

Characteristics of the USIM Application

This specification defines the USIM application for 3G telecom network operation. This specification specifies, command parameters, file structures and content, security functions and the application protocol to be used on the interface between UICC (USIM) and ME.

SDO (2)	Document No.	Version	Status	Issued date	Location (1)
Release 99					
ARIB	ARIB STD-T63-31.102	3.18.0	Approved	Sep 08	http://www.arib.or.jp/IMT-2000/ARIB-STD/ITU-R_Rev8/R99/A31102-3i0.pdf
ATIS	ATIS.3GPP.31.102V3180-2006	3.18.0	Approved	Apr 06	https://www.atis.org/docstore/default.aspx
ETSI	ETSI TS 131 102	3.18.0	Published	Jun 05	http://pda.etsi.org/pda/home.asp?wkr=RTS/TSGC-0631102v3i0
TTA	TTAT.3G-31.102(R99-3.18.0)	3.18.0	Approved	Apr 06	http://www.tta.or.kr/standardDB/stnfile/TTAT.3G-31.102(R99-3.18.0).zip
Release 4					
ARIB	ARIB STD-T63-31.102	4.15.0	Approved	Sep 08	http://www.arib.or.jp/IMT-2000/ARIB-STD/ITU-R_Rev8/Rel4/A31102-4f0.pdf
ATIS	ATIS.3GPP.31.102V4150-2006	4.15.0	Approved	Apr 06	https://www.atis.org/docstore/default.aspx
ETSI	ETSI TS 131 102	4.15.0	Published	Jun 05	http://pda.etsi.org/pda/home.asp?wkr=RTS/TSGC-0631102v4f0
TTA	TTAT.3G-31.102(R4-4.15.0)	4.15.0	Approved	Apr 06	http://www.tta.or.kr/standardDB/stnfile/TTAT.3G-31.102(R4-4.15.0).zip
Release 5					
ARIB	ARIB STD-T63-31.102	5.14.0	Approved	Sep 08	http://www.arib.or.jp/IMT-2000/ARIB-STD/ITU-R_Rev8/Rel5/A31102-5e0.pdf
ATIS	ATIS.3GPP.31.102V5140-2006	5.14.0	Approved	Apr 06	https://www.atis.org/docstore/default.aspx
ETSI	ETSI TS 131 102	5.14.0	Published	Oct 05	http://pda.etsi.org/pda/home.asp?wkr=RTS/TSGC-0631102v5e0
TTA	TTAT.3G-31.102(R5-5.14.0)	5.14.0	Approved	Apr 06	http://www.tta.or.kr/standardDB/stnfile/TTAT.3G-31.102(R5-5.14.0).zip
Release 6					
ARIB	ARIB STD-T63-31.102	6.20.0	Approved	Sep 08	http://www.arib.or.jp/IMT-2000/ARIB-STD/ITU-R_Rev8/Rel6/A31102-6k0.pdf
ATIS	ATIS.3GPP.31.102V6200-2008	6.20.0	Approved	Oct 08	https://www.atis.org/docstore/default.aspx
ETSI	ETSI TS 131 102	6.19.0	Published	Oct 07	http://pda.etsi.org/pda/home.asp?wkr=RTS/TSGC-0631102v6j0
TTA	TTAT.3G-31.102(R6-6.20.0)	6.20.0	Approved	Oct 08	http://www.tta.or.kr/standardDB/stnfile/TTAT.3G-31.102(R6-6.20.0).zip
Release 7					
ARIB	ARIB STD-T63-31.102	7.10.0	Approved	Sep 08	http://www.arib.or.jp/IMT-2000/ARIB-STD/ITU-R_Rev8/Rel7/A31102-7c0.pdf
ATIS	ATIS.3GPP.31.102V7120-2008	7.12.0	Approved	Oct 08	https://www.atis.org/docstore/default.aspx
ETSI	ETSI TS 131 102	7.11.0	Awaiting publication		http://pda.etsi.org/pda/home.asp?wkr=RTS/TSGC-0631102v7b0
TTA	TTAT.3G-31.102(R7-7.12.0)	7.12.0	Approved	Oct 08	http://www.tta.or.kr/standardDB/stnfile/TTAT.3G-31.102(R7-7.12.0).zip
Release 8					
ARIB	ARIB STD-T63-31.102	8.2.0	Approved	Sep 08	http://www.arib.or.jp/IMT-2000/ARIB-STD/ITU-R_Rev8/Rel8/A31102-820.pdf
ATIS	ATIS.3GPP.31.102V820-2008	8.2.0	Approved	Oct 08	https://www.atis.org/docstore/default.aspx
ETSI	ETSI	8.0.0	Awaiting publication		
TTA	TTAT.3G-31.102(R8-8.2.0)	8.2.0	Approved	Oct 08	http://www.tta.or.kr/standardDB/stnfile/TTAT.3G-31.102(R8-8.2.0).zip

5.1.2.11.5 TS 31.103**Characteristics of the ISIM Application**

This specification defines the ISIM application for 3G telecom network operation. This specification specifies, command parameters, file structures and content, security functions and the application protocol to be used on the interface between UICC (ISIM) and ME.

SDO (2)	Document No.	Version	Status	Issued date	Location (1)
Release 5					
ARIB	ARIB STD-T63-31.103	5.13.1	Approved	Sep 08	http://www.arib.or.jp/IMT-2000/ARIB-STD/ITU-R_Rev8/Rel5/A31103-5d1.pdf
ATIS	ATIS.3GPP.31.103V5131-2007	5.13.1	Approved	Oct 07	https://www.atis.org/docstore/default.aspx
ETSI	ETSI TS 131 103	5.13.1	Published	Jul 07	http://pda.etsi.org/pda/home.asp?wkr=RTS/TSGC-0631103v5d1
TTA	TTAT.3G-31.103(R5-5.13.1)	5.13.1	Approved	Dec 07	http://www.tta.or.kr/standardDB/stnfile/TTAT.3G-31.103(R5-5.13.1).zip
Release 6					
ARIB	ARIB STD-T63-31.103	6.12.1	Approved	Sep 08	http://www.arib.or.jp/IMT-2000/ARIB-STD/ITU-R_Rev8/Rel6/A31103-6c1.pdf
ATIS	ATIS.3GPP.31.103V6121-2007	6.12.1	Approved	Oct 07	https://www.atis.org/docstore/default.aspx
ETSI	ETSI TS 131 103	6.12.1	Published	Jul 07	http://pda.etsi.org/pda/home.asp?wkr=RTS/TSGC-0631103v6c1
TTA	TTAT.3G-31.103(R6-6.12.1)	6.12.1	Approved	Dec 07	http://www.tta.or.kr/standardDB/stnfile/TTAT.3G-31.103(R6-6.12.1).zip
Release 7					
ARIB	ARIB STD-T63-31.103	7.3.0	Approved	Sep 08	http://www.arib.or.jp/IMT-2000/ARIB-STD/ITU-R_Rev8/Rel7/A31103-730.pdf
ATIS	ATIS.3GPP.31.103V730-2007	7.3.0	Approved	Oct 07	https://www.atis.org/docstore/default.aspx
ETSI	ETSI TS 131 103	7.3.0	Published	Oct 07	http://pda.etsi.org/pda/home.asp?wkr=RTS/TSGC-0631103v730
TTA	TTAT.3G-31.103(R7-7.3.0)	7.3.0	Approved	Dec 07	http://www.tta.or.kr/standardDB/stnfile/TTAT.3G-31.103(R7-7.3.0).zip

5.1.2.11.6 TS 31.133**ISIM Application Programming Interface (API)**

This specification defines the ISIM Application Programming Interface extending the "UICC API for Java Card™".

SDO (2)	Document No.	Version	Status	Issued date	Location (1)
Release 7					
ARIB	ARIB STD-T63-31.133	7.2.0	Approved	Sep 08	http://www.arib.or.jp/IMT-2000/ARIB-STD/ITU-R_Rev8/Rel7/A31133-720.pdf
ETSI	ETSI TS 131 133	7.2.0	Awaiting publication		http://pda.etsi.org/pda/home.asp?wkr=RTS/TSGC-0631133v720
TTA	TTAT.3G-31.133(R7-7.2.0)	7.2.0	Approved	Oct 08	http://www.tta.or.kr/standardDB/stnfile/TTAT.3G-31.133(R7-7.2.0).zip

5.1.2.11.7 TS 31.110**Numbering system for telecommunication IC card applications**

This specification describes the numbering system for Application IDentifiers (AID) for 3G telecommunication Integrated Circuits (IC) card applications. The numbering system provides a means for an application and related services offered by a provider to identify if a given card contains the elements required by its application and related services.

SDO (2)	Document No.	Version	Status	Issued date	Location (1)
Release 99					
ARIB	ARIB STD-T63-31.110	3.2.0	Approved	Sep 08	http://www.arib.or.jp/IMT-2000/ARIB-STD/ITU-R_Rev8/R99/A31110-320.pdf
ATIS	T1.3GPP.31.110V320-2002	3.2.0	Approved	May 02	https://www.atis.org/docstore/default.aspx
ETSI	ETSI TS 131 110	3.2.0	Published	Nov 00	http://pda.etsi.org/pda/home.asp?wkr=RTS/TSGT-0331110UR2
TTA	TTAE.3G-31.110(R99)	3.2.0	Approved	Dec 01	http://www.tta.or.kr/standardDB/stnfile/TTAE.3G-31.110(R99).zip
Release 4					
ARIB	ARIB STD-T63-31.110	4.1.0	Approved	Sep 08	http://www.arib.or.jp/IMT-2000/ARIB-STD/ITU-R_Rev8/Rel4/A31110-410.pdf
ATIS	T1.3GPP.31.110V410-2002	4.1.0	Approved	May 02	https://www.atis.org/docstore/default.aspx
ETSI	ETSI TS 131 110	4.1.0	Published	Jan 02	http://pda.etsi.org/pda/home.asp?wkr=RTS/TSGT-0331110Uv4R1
TTA	TTAE.3G-31.110(R4-4.1.0)	4.1.0	Approved	May 02	http://www.tta.or.kr/standardDB/stnfile/TTAE.3G-31.110(R4-4.1.0).zip

5.1.2.11.8 TS 31.111**USIM application toolkit (USAT)**

This specification defines the interface between the UICC and the Mobile Equipment (ME), and mandatory ME procedures, specifically for “USIM Application Toolkit”. USAT is a set of commands and procedures for use during the network operation phase of 3G, in addition to those defined in TS 31.101.

SDO (2)	Document No.	Version	Status	Issued date	Location (1)
Release 99					
ARIB	ARIB STD-T63-31.111	3.14.0	Approved	Sep 08	http://www.arib.or.jp/IMT-2000/ARIB-STD/ITU-R_Rev8/R99/A31111-3e0.pdf
ATIS	ATIS.3GPP.31.111V3140-2007	3.14.0	Approved	Oct 07	https://www.atis.org/docstore/default.aspx
ETSI	ETSI TS 131 111	3.14.0	Published	Jun 07	http://pda.etsi.org/pda/home.asp?wkr=RTS/TSGC-0631111v3e0
TTA	TTAT.3G-31.111(R99-3.14.0)	3.14.0	Approved	Dec 07	http://www.tta.or.kr/standardDB/stnfile/TTAT.3G-31.111(R99-3.14.0).zip
Release 4					
ARIB	ARIB STD-T63-31.111	4.16.0	Approved	Sep 08	http://www.arib.or.jp/IMT-2000/ARIB-STD/ITU-R_Rev8/Rel4/A31111-4g0.pdf
ATIS	ATIS.3GPP.31.111V4160-2007	4.16.0	Approved	Oct 07	https://www.atis.org/docstore/default.aspx
ETSI	ETSI TS 131 111	4.16.0	Published	Jun 07	http://pda.etsi.org/pda/home.asp?wkr=RTS/TSGC-0631111v4g0
TTA	TTAT.3G-31.111(R4-4.16.0)	4.16.0	Approved	Dec 07	http://www.tta.or.kr/standardDB/stnfile/TTAT.3G-31.111(R4-4.16.0).zip

126**Rec. ITU-R M.1457-8****Release 5**

ARIB	ARIB STD-T63-31.111	5.11.0	Approved	Sep 08	http://www.arib.or.jp/IMT-2000/ARIB-STD/ITU-R_Rev8/Rel5/A31111-5b0.pdf
ATIS	ATIS.3GPP.31.111V5110-2007	5.11.0	Approved	Oct 07	https://www.atis.org/docstore/default.aspx
ETSI	ETSI TS 131 111	5.11.0	Published	Jun 07	http://pda.etsi.org/pda/home.asp?wkr=RTS/TSGC-0631111v5b0
TTA	TTAT.3G-31.111(R5-5.11.0)	5.11.0	Approved	Dec 07	http://www.tta.or.kr/standardDB/stnfile/TTAT.3G-31.111(R5-5.11.0).zip

Release 6

ARIB	ARIB STD-T63-31.111	6.11.0	Approved	Sep 08	http://www.arib.or.jp/IMT-2000/ARIB-STD/ITU-R_Rev8/Rel6/A31111-6b0.pdf
ATIS	ATIS.3GPP.31.111V6110-2007	6.11.0	Approved	Oct 07	https://www.atis.org/docstore/default.aspx
ETSI	ETSI TS 131 111	6.11.0	Published	Oct 07	http://pda.etsi.org/pda/home.asp?wkr=RTS/TSGC-0631111v6b0
TTA	TTAT.3G-31.111(R6-6.11.0)	6.11.0	Approved	Dec 07	http://www.tta.or.kr/standardDB/stnfile/TTAT.3G-31.111(R6-6.11.0).zip

Release 7

ARIB	ARIB STD-T63-31.111	7.9.0	Approved	Sep 08	http://www.arib.or.jp/IMT-2000/ARIB-STD/ITU-R_Rev8/Rel7/A31111-790.pdf
ATIS	ATIS.3GPP.31.111V790-2008	7.9.0	Approved	Oct 08	https://www.atis.org/docstore/default.aspx
ETSI	ETSI TS 131 111	7.8.0	Published	Oct 07	http://pda.etsi.org/pda/home.asp?wkr=RTS/TSGC-0631111v780
TTA	TTAT.3G-31.111(R7-7.9.0)	7.9.0	Approved	Oct 08	http://www.tta.or.kr/standardDB/stnfile/TTAT.3G-31.111(R7-7.9.0).zip

Release 8

ARIB	ARIB STD-T63-31.111	8.2.0	Approved	Sep 08	http://www.arib.or.jp/IMT-2000/ARIB-STD/ITU-R_Rev8/Rel8/A31111-820.pdf
ATIS	ATIS.3GPP.31.111V820-2008	8.2.0	Approved	Oct 08	https://www.atis.org/docstore/default.aspx
ETSI	ETSI	8.0.0	Awaiting publication		
TTA	TTAT.3G-31.111(R8-8.2.0)	8.2.0	Approved	Oct 08	http://www.tta.or.kr/standardDB/stnfile/TTAT.3G-31.111(R8-8.2.0).zip

5.1.2.11.9 TS 31.112**USIM Application Toolkit (USAT) interpreter architecture**

This specification defines the overall architecture for the USAT Interpreter system including the role models, system architecture and information flow.

SDO (2)	Document No.	Version	Status	Issued date	Location (1)
Release 5					
ARIB	ARIB STD-T63-31.112	5.2.0	Approved	Sep 08	http://www.arib.or.jp/IMT-2000/ARIB-STD/ITU-R_Rev8/Rel5/A31112-520.pdf
ATIS	T1.3GPP.31.112V520-2003	5.2.0	Approved	Mar 03	https://www.atis.org/docstore/default.aspx
ETSI	ETSI TS 131 112	5.2.0	Published	Jun 02	http://pda.etsi.org/pda/home.asp?wkr=RTS/TSGT-0331112v520
TTA	TTAT.3G-31.112(R5-5.2.0)	5.2.0	Approved	Mar 03	http://www.tta.or.kr/standardDB/stnfile/TTAT.3G-31.112(R5-5.2.0).zip

Release 6

ARIB	ARIB STD-T63-31.112	6.0.0	Approved	Sep 08	http://www.arib.or.jp/IMT-2000/ARIB-STD/ITU-R_Rev8/Rel6/A31112-600.pdf
ATIS	ATIS.3GPP.31.112V600-2005	6.0.0	Approved	Apr 05	https://www.atis.org/docstore/default.aspx
ETSI	ETSI TS 131 112	6.0.0	Published	Jan 05	http://pda.etsi.org/pda/home.asp?wkr=RTS/TSGT-0331112v600
TTA	TTAT.3G-31.112(R6-6.0.0)	6.0.0	Approved	May 05	http://www.tta.or.kr/standardDB/stnfile/TTAT.3G-31.112(R6-6.0.0).zip

Release 7

ARIB	ARIB STD-T63-31.112	7.0.0	Approved	Sep 08	http://www.arib.or.jp/IMT-2000/ARIB-STD/ITU-R_Rev8/Rel7/A31112-700.pdf
ATIS	ATIS.3GPP.31.112V700-2007	7.0.0	Approved	Oct 07	https://www.atis.org/docstore/default.aspx
ETSI	ETSI TS 131 112	7.0.0	Published	Jun 07	http://pda.etsi.org/pda/home.asp?wkr=RTS/TSGC-0631112v700
TTA	TTAT.3G-31.112(R7-7.0.0)	7.0.0	Approved	Dec 07	http://www.tta.or.kr/standardDB/stnfile/TTAT.3G-31.112(R7-7.0.0).zip

5.1.2.11.10 TS 31.113**USAT Interpreter Byte Codes**

This specification specifies the byte codes that are recognized by an USAT Interpreter. The primary purpose of the byte codes is to provide efficient programmatic access to the SIM Application Toolkit commands.

SDO (2)	Document No.	Version	Status	Issued date	Location (1)
Release 5					
ARIB	ARIB STD-T63-31.113	5.6.0	Approved	Sep 08	http://www.arib.or.jp/IMT-2000/ARIB-STD/ITU-R_Rev8/Rel5/A31113-560.pdf
ATIS	ATIS.3GPP.31.113V560-2005	5.6.0	Approved	Apr 05	https://www.atis.org/docstore/default.aspx
ETSI	ETSI TS 131 113	5.6.0	Published	Jan 05	http://pda.etsi.org/pda/home.asp?wkr=RTS/TSGT-0331113v560
TTA	TTAT.3G-31.113(R5-5.6.0)	5.6.0	Approved	May 05	http://www.tta.or.kr/standardDB/stnfile/TTAT.3G-31.113(R5-5.6.0).zip
Release 6					
ARIB	ARIB STD-T63-31.113	6.3.0	Approved	Sep 08	http://www.arib.or.jp/IMT-2000/ARIB-STD/ITU-R_Rev8/Rel6/A31113-630.pdf
ATIS	ATIS.3GPP.31.113V630-2005	6.3.0	Approved	Apr 05	https://www.atis.org/docstore/default.aspx
ETSI	ETSI TS 131 113	6.3.0	Published	Jan 05	http://pda.etsi.org/pda/home.asp?wkr=RTS/TSGT-0331113v630
TTA	TTAT.3G-31.113(R6-6.3.0)	6.3.0	Approved	May 05	http://www.tta.or.kr/standardDB/stnfile/TTAT.3G-31.113(R6-6.3.0).zip
Release 7					
ARIB	ARIB STD-T63-31.113	7.0.0	Approved	Sep 08	http://www.arib.or.jp/IMT-2000/ARIB-STD/ITU-R_Rev8/Rel7/A31113-700.pdf
ATIS	ATIS.3GPP.31.113V700-2007	7.0.0	Approved	Oct 07	https://www.atis.org/docstore/default.aspx
ETSI	ETSI TS 131 113	7.0.0	Published	Jun 07	http://pda.etsi.org/pda/home.asp?wkr=RTS/TSGC-0631113v700
TTA	TTAT.3G-31.113(R7-7.0.0)	7.0.0	Approved	Dec 07	http://www.tta.or.kr/standardDB/stnfile/TTAT.3G-31.113(R7-7.0.0).zip

5.1.2.11.11 TS 31.220**Contact Manager for 3GPP UICC applications – external interface aspects**

This specification defines the Contact Manager for 3GPP UICC applications based on OMA DS, also specifies the external interface between the Contact Manager Server in the UICC and the Contact Manager External Client in the ME.

SDO (2)	Document No.	Version	Status	Issued date	Location (1)
ETSI	ETSI				
Release 8					
ARIB	ARIB STD-T63-31.220	8.0.0	Approved	Sep 08	http://www.arib.or.jp/IMT-2000/ARIB-STD/ITU-R_Rev8/Rel8/A31220-800.pdf
ATIS	ATIS.3GPP.31.220V800-2008	8.0.0	Approved	Oct 08	https://www.atis.org/docstore/default.aspx
ATIS	ATIS.3GPP.31.220V800-2008	8.0.0	Approved	Oct 08	https://www.atis.org/docstore/default.aspx
TTA	TTAT.3G-31.220(R8-8.0.0)	8.0.0	Approved	Oct 08	http://www.tta.or.kr/standardDB/stnfile/TTAT.3G-31.220(R8-8.0.0).zip

5.1.2.11.12 TS 31.120**Physical, Electrical and Logical Test Specification**

This specification tests the physical, electrical and logical requirements as specified in TS 31.101.

SDO (2)	Document No.	Version	Status	Issued date	Location (1)
Release 99					
ARIB	ARIB STD-T63-31.120	3.1.0	Approved	Sep 08	http://www.arib.or.jp/IMT-2000/ARIB-STD/ITU-R_Rev8/R99/A31120-310.pdf
ATIS	ATIS.3GPP.31.120V310-2005	3.1.0	Approved	Apr 05	https://www.atis.org/docstore/default.aspx
ETSI	ETSI TS 131 120	3.1.0	Published	Jan 05	http://pda.etsi.org/pda/home.asp?wkr=RTS/TSGT-0331120v310
TTA	TTAT.3G-31.120(R99-3.1.0)	3.1.0	Approved	May 05	http://www.tta.or.kr/standardDB/stnfile/TTAT.3G-31.120(R99-3.1.0).zip
Release 4					
ARIB	ARIB STD-T63-31.120	4.0.0	Approved	Sep 08	http://www.arib.or.jp/IMT-2000/ARIB-STD/ITU-R_Rev8/Rel4/A31120-400.pdf
ATIS	ATIS.3GPP.31.120V400-2006	4.0.0	Approved	Apr 06	https://www.atis.org/docstore/default.aspx
ETSI	ETSI TS 131 120	4.0.0	Published	Jan 05	http://pda.etsi.org/pda/home.asp?wkr=RTS/TSGT-0331120v400
TTA	TTAT.3G-31.120(R4-4.0.0)	4.0.0	Approved	Apr 06	http://www.tta.or.kr/standardDB/stnfile/TTAT.3G-31.120(R4-4.0.0).zip
Release 5					
ARIB	ARIB STD-T63-31.120	5.0.0	Approved	Sep 08	http://www.arib.or.jp/IMT-2000/ARIB-STD/ITU-R_Rev8/Rel5/A31120-500.pdf
ATIS	ATIS.3GPP.31.120V500-2006	5.0.0	Approved	Apr 06	https://www.atis.org/docstore/default.aspx
ETSI	ETSI TS 131 120	5.0.0	Published	Jan 05	http://pda.etsi.org/pda/home.asp?wkr=RTS/TSGT-0331120v500
TTA	TTAT.3G-31.120(R5-5.0.0)	5.0.0	Approved	Apr 06	http://www.tta.or.kr/standardDB/stnfile/TTAT.3G-31.120(R5-5.0.0).zip

Release 6

ARIB	ARIB STD-T63-31.120	6.0.0	Approved	Sep 08	http://www.arib.or.jp/IMT-2000/ARIB-STD/ITU-R_Rev8/Rel6/A31120-600.pdf
ATIS	ATIS.3GPP.31.120V600-2005	6.0.0	Approved	Apr 05	https://www.atis.org/docstore/default.aspx
ETSI	ETSI TS 131 120	6.0.0	Published	Jan 05	http://pda.etsi.org/pda/home.asp?wkr=RTS/TSGT-0331120v600
TTA	TTAT.3G-31.120(R6-6.0.0)	6.0.0	Approved	May 05	http://www.tta.or.kr/standardDB/stnfile/TTAT.3G-31.120(R6-6.0.0).zip

Release 7

ARIB	ARIB STD-T63-31.120	7.0.0	Approved	Sep 08	http://www.arib.or.jp/IMT-2000/ARIB-STD/ITU-R_Rev8/Rel7/A31120-700.pdf
ATIS	ATIS.3GPP.31.120V700-2007	7.0.0	Approved	Oct 07	https://www.atis.org/docstore/default.aspx
ETSI	ETSI TS 131 120	7.0.0	Published	Jun 07	http://pda.etsi.org/pda/home.asp?wkr=RTS/TSGC-0631120v700
TTA	TTAT.3G-31.120(R7-7.0.0)	7.0.0	Approved	Dec 07	http://www.tta.or.kr/standardDB/stnfile/TTAT.3G-31.120(R7-7.0.0).zip

5.1.2.11.13 TS 31.121**UICC-Terminal Interface; USIM Application Test specification**

This specification provides the UICC-Terminal Interface Conformance Test Specification between the 3G Terminal and USIM (Universal Subscriber Identity Module) as an application on the UICC and the Terminal for 3G telecom network operation.

SDO (2)	Document No.	Version	Status	Issued date	Location (1)
Release 99					
ARIB	ARIB STD-T63-31.121	3.15.1	Approved	Sep 08	http://www.arib.or.jp/IMT-2000/ARIB-STD/ITU-R_Rev8/R99/A31121-3f1.pdf
ATIS	ATIS.3GPP.31.121V3151-2006	3.15.1	Approved	Apr 06	https://www.atis.org/docstore/default.aspx
ETSI	ETSI TS 131 121	3.15.1	Published	Jan 06	http://pda.etsi.org/pda/home.asp?wkr=RTS/TSGC-0631121v3f1
TTA	TTAT.3G-31.121(R99-3.15.1)	3.15.1	Approved	Apr 06	http://www.tta.or.kr/standardDB/stnfile/TTAT.3G-31.121(R99-3.15.1).zip
Release 4					
ARIB	ARIB STD-T63-31.121	4.14.1	Approved	Sep 08	http://www.arib.or.jp/IMT-2000/ARIB-STD/ITU-R_Rev8/Rel4/A31121-4e1.pdf
ATIS	ATIS.3GPP.31.121V4141-2006	4.14.1	Approved	Apr 06	https://www.atis.org/docstore/default.aspx
ETSI	ETSI TS 131 121	4.14.1	Published	Jan 06	http://pda.etsi.org/pda/home.asp?wkr=RTS/TSGC-0631121v4e1
TTA	TTAT.3G-31.121(R4-4.14.1)	4.14.1	Approved	Apr 06	http://www.tta.or.kr/standardDB/stnfile/TTAT.3G-31.121(R4-4.14.1).zip
Release 5					
ARIB	ARIB STD-T63-31.121	5.4.1	Approved	Sep 08	http://www.arib.or.jp/IMT-2000/ARIB-STD/ITU-R_Rev8/Rel5/A31121-541.pdf
ATIS	ATIS.3GPP.31.121V541-2006	5.4.1	Approved	Apr 06	https://www.atis.org/docstore/default.aspx
ETSI	ETSI TS 131 121	5.4.1	Published	Jan 06	http://pda.etsi.org/pda/home.asp?wkr=RTS/TSGC-0631121v541
TTA	TTAT.3G-31.121(R5-5.4.1)	5.4.1	Approved	Apr 06	http://www.tta.or.kr/standardDB/stnfile/TTAT.3G-31.121(R5-5.4.1).zip

130**Rec. ITU-R M.1457-8****Release 6**

ARIB	ARIB STD-T63-31.121	6.8.0	Approved	Sep 08	http://www.arib.or.jp/IMT-2000/ARIB-STD/ITU-R_Rev8/Rel6/A31121-680.pdf
ATIS	ATIS.3GPP.31.121V680-2007	6.8.0	Approved	Oct 07	https://www.atis.org/docstore/default.aspx
ETSI	ETSI TS 131 121	6.8.0	Published	Oct 07	http://pda.etsi.org/pda/home.asp?wkr=RTS/TSGC-0631121v680
TTA	TTAT.3G-31.121(R6-6.8.0)	6.8.0	Approved	Dec 07	http://www.tta.or.kr/standardDB/stnfile/TTAT.3G-31.121(R6-6.8.0).zip

Release 7

ARIB	ARIB STD-T63-31.121	7.4.0	Approved	Sep 08	http://www.arib.or.jp/IMT-2000/ARIB-STD/ITU-R_Rev8/Rel7/A31121-740.pdf
ATIS	ATIS.3GPP.31.121V740-2008	7.4.0	Approved	Oct 08	https://www.atis.org/docstore/default.aspx
ETSI	ETSI TS 131 121	7.2.0	Awaiting publication		http://pda.etsi.org/pda/home.asp?wkr=RTS/TSGC-0631121v720
TTA	TTAT.3G-31.121(R7-7.4.0)	7.4.0	Approved	Oct 08	http://www.tta.or.kr/standardDB/stnfile/TTAT.3G-31.121(R7-7.4.0).zip

5.1.2.11.14 TS 31.122**USIM Conformance Test Specification**

This specification provides the Conformance Test Specification for a UICC defined in TS 31.101 with Universal Subscriber Identity Module (USIM) defined in 3G TS 31.102.

SDO (2)	Document No.	Version	Status	Issued date	Location (1)
Release 99					
ARIB	ARIB STD-T63-31.122	3.10.0	Approved	Sep 08	http://www.arib.or.jp/IMT-2000/ARIB-STD/ITU-R_Rev8/R99/A31122-3a0.pdf
ATIS	ATIS.3GPP.31.122V3100-2007	3.10.0	Approved	Oct 07	https://www.atis.org/docstore/default.aspx
ETSI	ETSI TS 131 122	3.10.0	Published	Mar 07	http://pda.etsi.org/pda/home.asp?wkr=RTS/TSGC-0631122v3a0
TTA	TTAT.3G-31.122(R99-3.10.0)	3.10.0	Approved	Dec 07	http://www.tta.or.kr/standardDB/stnfile/TTAT.3G-31.122(R99-3.10.0).zip
Release 4					
ARIB	ARIB STD-T63-31.122	4.2.1	Approved	Sep 08	http://www.arib.or.jp/IMT-2000/ARIB-STD/ITU-R_Rev8/Rel4/A31122-421.pdf
ATIS	ATIS.3GPP.31.122V421-2007	4.2.1	Approved	Oct 07	https://www.atis.org/docstore/default.aspx
ETSI	ETSI TS 131 122	4.2.1	Published	Apr 07	http://pda.etsi.org/pda/home.asp?wkr=RTS/TSGC-0631122v421
TTA	TTAT.3G-31.122(R4-4.2.1)	4.2.1	Approved	Dec 07	http://www.tta.or.kr/standardDB/stnfile/TTAT.3G-31.122(R4-4.2.1).zip
Release 5					
ARIB	ARIB STD-T63-31.122	5.0.1	Approved	Sep 08	http://www.arib.or.jp/IMT-2000/ARIB-STD/ITU-R_Rev8/Rel5/A31122-501.pdf
ATIS	ATIS.3GPP.31.122V501-2007	5.0.1	Approved	Oct 07	https://www.atis.org/docstore/default.aspx
ETSI	ETSI TS 131 122	5.0.1	Published	Apr 07	http://pda.etsi.org/pda/home.asp?wkr=RTS/TSGC-0631122v501
TTA	TTAT.3G-31.122(R5-5.0.1)	5.0.1	Approved	Dec 07	http://www.tta.or.kr/standardDB/stnfile/TTAT.3G-31.122(R5-5.0.1).zip

Release 6

SDO (2)	Document No.	Version	Status	Issued date	Location (1)
ARIB	ARIB STD-T63-31.122	6.5.0	Approved	Sep 08	http://www.arib.or.jp/IMT-2000/ARIB-STD/ITU-R_Rev8/Rel6/A31122-650.pdf
ATIS	ATIS.3GPP.31.122V650-2007	6.5.0	Approved	Oct 07	https://www.atis.org/docstore/default.aspx
ETSI	ETSI TS 131 122	6.5.0	Published	Oct 07	http://pda.etsi.org/pda/home.asp?wkr=RTS/TSGC-0631122v650
TTA	TTAT.3G-31.122(R6-6.5.0)	6.5.0	Approved	Dec 07	http://www.tta.or.kr/standardDB/stnfile/TTAT.3G-31.122(R6-6.5.0).zip

Release 7

ARIB	ARIB STD-T63-31.122	7.1.0	Approved	Sep 08	http://www.arib.or.jp/IMT-2000/ARIB-STD/ITU-R_Rev8/Rel7/A31122-710.pdf
ATIS	ATIS.3GPP.31.122V710-2007	7.1.0	Approved	Oct 07	https://www.atis.org/docstore/default.aspx
ETSI	ETSI TS 131 122	7.1.0	Published	Oct 07	http://pda.etsi.org/pda/home.asp?wkr=RTS/TSGC-0631122v710
TTA	TTAT.3G-31.122(R7-7.1.0)	7.1.0	Approved	Dec 07	http://www.tta.or.kr/standardDB/stnfile/TTAT.3G-31.122(R7-7.1.0).zip

5.1.2.11.15 TS 31.130**(U)SIM API for Java Card**

This specification defines the (U)SIM Application Programming Interface extending the “UICC API for Java Card™”. This API allows to develop a (U)SAT application running together with a (U)SIM application and using GSM/3G network features.

SDO (2)	Document No.	Version	Status	Issued date	Location (1)
Release 6					
ARIB	ARIB STD-T63-31.130	6.6.0	Approved	Sep 08	http://www.arib.or.jp/IMT-2000/ARIB-STD/ITU-R_Rev8/Rel6/A31130-660.pdf
ATIS	ATIS.3GPP.31.130V660-2007	6.6.0	Approved	Oct 07	https://www.atis.org/docstore/default.aspx
ETSI	ETSI TS 131 130	6.6.0	Published	Jun 07	http://pda.etsi.org/pda/home.asp?wkr=RTS/TSGC-0631130v660
TTA	TTAT.3G-31.130(R6-6.6.0)	6.6.0	Approved	Dec 07	http://www.tta.or.kr/standardDB/stnfile/TTAT.3G-31.130(R6-6.6.0).zip
Release 7					
ARIB	ARIB STD-T63-31.130	7.7.0	Approved	Sep 08	http://www.arib.or.jp/IMT-2000/ARIB-STD/ITU-R_Rev8/Rel7/A31130-770.pdf
ATIS	ATIS.3GPP.31.130V771-2008	7.7.1	Approved	Oct 08	https://www.atis.org/docstore/default.aspx
ETSI	ETSI TS 131 130	7.7.0	Awaiting publication		http://pda.etsi.org/pda/home.asp?wkr=RTS/TSGC-0631130v770
TTA	TTAT.3G-31.130(R7-7.7.0)	7.7.0	Approved	Oct 08	http://www.tta.or.kr/standardDB/stnfile/TTAT.3G-31.130(R7-7.7.0).zip

5.1.2.11.16 TS 31.115**Secured packet structure for (U)SIM Toolkit applications**

This specification specifies the structure of the Secured Packets in implementations using Short Message Service and Cell Broadcast Service. It is applicable to the exchange of secured packets between an entity in a 3G or GSM PLMN and an entity in the (U)SIM.

SDO (2)	Document No.	Version	Status	Issued date	Location (1)
Release 6					
ARIB	ARIB STD-T63-31.115	6.5.0	Approved	Sep 08	http://www.arib.or.jp/IMT-2000/ARIB-STD/ITU-R_Rev8/Rel6/A31115-650.pdf
ATIS	ATIS.3GPP.31.115V650-2006	6.5.0	Approved	Apr 06	https://www.atis.org/docstore/default.aspx
ETSI	ETSI TS 131 115	6.5.0	Published	Jun 05	http://pda.etsi.org/pda/home.asp?wkr=RTS/TSGC-0631115v650
TTA	TTAT.3G-31.115(R6-6.5.0)	6.5.0	Approved	Apr 06	http://www.tta.or.kr/standardDB/stnfile/TTAT.3G-31.115(R6-6.5.0).zip
Release 7					
ARIB	ARIB STD-T63-31.115	7.1.0	Approved	Sep 08	http://www.arib.or.jp/IMT-2000/ARIB-STD/ITU-R_Rev8/Rel7/A31115-710.pdf
ATIS	ATIS.3GPP.31.115V710-2007	7.1.0	Approved	Oct 07	https://www.atis.org/docstore/default.aspx
ETSI	ETSI TS 131 115	7.1.0	Published	Jul 07	http://pda.etsi.org/pda/home.asp?wkr=RTS/TSGC-0631115v710
TTA	TTAT.3G-31.115(R7-7.1.0)	7.1.0	Approved	Dec 07	http://www.tta.or.kr/standardDB/stnfile/TTAT.3G-31.115(R7-7.1.0).zip

5.1.2.11.17 TS 31.116

APDU Structure for (U)SIM Toolkit applications

This specification defines the remote management of files and applets on the SIM/USIM.

SDO (2)	Document No.	Version	Status	Issued date	Location (1)
Release 6					
ARIB	ARIB STD-T63-31.116	6.8.0	Approved	Sep 08	http://www.arib.or.jp/IMT-2000/ARIB-STD/ITU-R_Rev8/Rel6/A31116-680.pdf
ATIS	ATIS.3GPP.31.116V680-2006	6.8.0	Approved	Apr 06	https://www.atis.org/docstore/default.aspx
ETSI	ETSI TS 131 116	6.8.0	Published	Jun 05	http://pda.etsi.org/pda/home.asp?wkr=RTS/TSGC-0631116v680
TTA	TTAT.3G-31.116(R6-6.8.0)	6.8.0	Approved	Apr 06	http://www.tta.or.kr/standardDB/stnfile/TTAT.3G-31.116(R6-6.8.0).zip
Release 7					
ARIB	ARIB STD-T63-31.116	7.0.0	Approved	Sep 08	http://www.arib.or.jp/IMT-2000/ARIB-STD/ITU-R/Rel7/A31116-700.pdf
ATIS	ATIS.3GPP.31.116V700-2007	7.0.0	Approved	Oct 07	https://www.atis.org/docstore/default.aspx
ETSI	ETSI TS 131 116	7.0.0	Published	Jul 07	http://pda.etsi.org/pda/home.asp?wkr=RTS/TSGC-0631116v700
TTA	TTAT.3G-31.116(R7-7.0.0)	7.0.0	Approved	Dec 07	http://www.tta.or.kr/standardDB/stnfile/TTAT.3G-31.116(R7-7.0.0).zip

5.1.2.11.18 TS 31.131

'C' Language Binding to USIM API

This specification includes information applicable to (U)SIM toolkit application developers creating applications using the C programming language ISO/IEC 9899. This specification describes an interface between toolkit applications written in the C programming language and the (U)SIM in order to realize the cooperation set forth in TS 42.019. In particular, the API described herein provides the service of assembling proactive commands and disassembling the responses to these commands for the application programmer.

SDO (2)	Document No.	Version	Status	Issued date	Location (1)
Release 6					
ARIB	ARIB STD-T63-31.131	6.1.0	Approved	Sep 08	http://www.arib.or.jp/IMT-2000/ARIB-STD/ITU-R_Rev8/Rel6/A31131-610.pdf
ATIS	T1.3GPP.31.131V610-2004	6.1.0	Approved	May 04	https://www.atis.org/docstore/default.aspx
ETSI	ETSI TS 131 131	6.1.0	Published	Jan 05	http://pda.etsi.org/pda/home.asp?wkr=DTS/TSGT-0331131v610
TTA	TTAT.3G-31.131(R6-6.1.0)	6.1.0	Approved	May 04	http://www.tta.or.kr/standardDB/stnfile/TTAT.3G-31.131(R6-6.1.0).zip
Release 7					
ARIB	ARIB STD-T63-31.131	7.0.0	Approved	Sep 08	http://www.arib.or.jp/IMT-2000/ARIB-STD/ITU-R_Rev8/Rel7/A31131-700.pdf
ATIS	ATIS.3GPP.31.131V700-2007	7.0.0	Approved	Oct 07	https://www.atis.org/docstore/default.aspx
ETSI	ETSI TS 131 131	7.0.0	Published	Jun 07	http://pda.etsi.org/pda/home.asp?wkr=RTS/TSGC-0631131v700
TTA	TTAT.3G-31.131(R7-7.0.0)	7.0.0	Approved	Dec 07	http://www.tta.or.kr/standardDB/stnfile/TTAT.3G-31.131(R7-7.0.0).zip

5.1.2.11.19 TS 34.131

Test Specification for ‘C’-language binding to (U)SIM API

This specification covers the minimum characteristics considered necessary in order to provide compliance to 3GPP TS 31.131 “‘C’-language binding to (U)SIM API”.

SDO (2)	Document No.	Version	Status	Issued date	Location (1)
Release 6					
ARIB	ARIB STD-T63-34.131	6.0.1	Approved	Sep 08	http://www.arib.or.jp/IMT-2000/ARIB-STD/ITU-R_Rev8/Rel6/A34131-601.pdf
ATIS	ATIS.3GPP.34.131V601-2006	6.0.1	Approved	Apr 06	https://www.atis.org/docstore/default.aspx
ETSI	ETSI TS 134 131	6.0.1	Published	Jan 05	http://pda.etsi.org/pda/home.asp?wkr=DTS/TSGT-0334131v601
TTA	TTAT.3G-34.131(R6-6.0.1)	6.0.1	Approved	Apr 06	http://www.tta.or.kr/standardDB/stnfile/TTAT.3G-34.131(R6-6.0.1).zip
Release 7					
ARIB	ARIB STD-T63-34.131	7.0.0	Approved	Sep 08	http://www.arib.or.jp/IMT-2000/ARIB-STD/ITU-R_Rev8/Rel7/A34131-700.pdf
ATIS	ATIS.3GPP.34.131V700-2007	7.0.0	Approved	Oct 07	https://www.atis.org/docstore/default.aspx
ETSI	ETSI TS 134 131	7.0.0	Published	Jun 07	http://pda.etsi.org/pda/home.asp?wkr=RTS/TSGC-0634131v700
TTA	TTAT.3G-34.131(R6-7.0.0)	7.0.0	Approved	Dec 07	http://www.tta.or.kr/standardDB/stnfile/TTAT.3G-34.131(R6-7.0.0).zip

5.1.2.11.20 TS 22.048

Security mechanisms for (U)SIM application toolkit – Stage 1

This specification provides standardized security mechanisms in conjunction with the SIM Application Toolkit for the interface between a 3G or GSM PLMN Entity and a UICC at the functional level.

134**Rec. ITU-R M.1457-8**

SDO (2)	Document No.	Version	Status	Issued date	Location (1)
Release 4					
ARIB	ARIB STD-T63-22.048	4.0.0	Approved	Sep 08	http://www.arib.or.jp/IMT-2000/ARIB-STD/ITU-R_Rev8/Rel4/A22048-400.pdf
ATIS	T1.3GPP.22.048V400-2002	4.0.0	Approved	May 02	https://www.atis.org/docstore/default.aspx
ETSI	ETSI TS 122 048	4.0.0	Published	Jul 01	http://pda.etsi.org/pda/home.asp?wkr=DTS/TSGT-0322048Uv4
TTA	TTAE.3G-22.048(R4)	4.0.0	Approved	Dec 01	http://www.tta.or.kr/standardDB/stnfile/TTAE.3G-22.048(R4).zip
Release 5					
ATIS	T1.3GPP.22.048V500-2004	5.0.0	Approved	May 04	https://www.atis.org/docstore/default.aspx
ETSI	ETSI TS 122 048	5.0.0	Published	Jul 03	http://pda.etsi.org/pda/home.asp?wkr=RTS/TSGT-0322048v500
TTA	TTAT.3G-22.048(R5-5.0.0)	5.0.0	Approved	May 04	http://www.tta.or.kr/standardDB/stnfile/TTAT.3G-22.048(R5-5.0.0).zip

5.1.2.11.21 TS 23.048**Security mechanisms for (U)SIM application toolkit – Stage 2**

This specification specifies the structure of the Secured Packets in a general format and in implementations using Short Message Service Point to Point (SMS-PP) and Short Message Service Cell Broadcast (SMS-CB).

SDO (2)	Document No.	Version	Status	Issued date	Location (1)
Release 4					
ARIB	ARIB STD-T63-23.048	4.5.0	Approved	Sep 08	http://www.arib.or.jp/IMT-2000/ARIB-STD/ITU-R_Rev8/Rel4/A23048-450.pdf
ATIS	ATIS.3GPP.23.048V450-2006	4.5.0	Approved	Apr 06	https://www.atis.org/docstore/default.aspx
ETSI	ETSI TS 123 048	4.5.0	Published	Jun 05	http://pda.etsi.org/pda/home.asp?wkr=RTS/TSGC-0623048v450
TTA	TTAT.3G-23.048(R4-4.5.0)	4.5.0	Approved	Apr 06	http://www.tta.or.kr/standardDB/stnfile/TTAT.3G-23.048(R4-4.5.0).zip
Release 5					
ARIB	ARIB STD-T63-23.048	5.9.0	Approved	Sep 08	http://www.arib.or.jp/IMT-2000/ARIB-STD/ITU-R_Rev8/Rel5/A23048-590.pdf
ATIS	ATIS.3GPP.23.048V590-2006	5.9.0	Approved	Apr 06	https://www.atis.org/docstore/default.aspx
ETSI	ETSI TS 123 048	5.9.0	Published	Jun 05	http://pda.etsi.org/pda/home.asp?wkr=RTS/TSGC-0623048v590
TTA	TTAT.3G-23.048(R5-5.9.0)	5.9.0	Approved	Apr 06	http://www.tta.or.kr/standardDB/stnfile/TTAT.3G-23.048(R5-5.9.0).zip

5.1.2.11.22 TS 23.038**Alphabets and language specific information**

This specification describes the language specific requirements for the terminals including character coding.

SDO (2)	Document No.	Version	Status	Issued date	Location (1)
Release 99					
ARIB	ARIB STD-T63-23.038	3.3.0	Approved	Sep 08	http://www.arib.or.jp/IMT-2000/ARIB-STD/ITU-R_Rev8/R99/A23038-330.pdf
ATIS	T1.3GPP.23.038V330-2002	3.3.0	Approved	May 02	https://www.atis.org/docstore/default.aspx
ETSI	ETSI TS 123 038	3.3.0	Published	Feb 00	http://pda.etsi.org/pda/home.asp?wkr=DTS/TSGT-0223038U
TTA	TTAE.3G-23.038(R99)	3.3.0	Approved	Dec 01	http://www.tta.or.kr/standardDB/stnfile/TTAE.3G-23.038(R99).zip
Release 4					
ARIB	ARIB STD-T63-23.038	4.5.0	Approved	Sep 08	http://www.arib.or.jp/IMT-2000/ARIB-STD/ITU-R_Rev8/Rel4/A23038-450.pdf
ATIS	ATIS.3GPP.23.038V450-2005	4.5.0	Approved	Apr 05	https://www.atis.org/docstore/default.aspx
ETSI	ETSI TS 123 038	4.5.0	Published	Oct 04	http://pda.etsi.org/pda/home.asp?wkr=RTS/TSGT-0223038v450
TTA	TTAT.3G-23.038(R4-4.5.0)	4.5.0	Approved	May 05	http://www.tta.or.kr/standardDB/stnfile/TTAT.3G-23.038(R4-4.5.0).zip
Release 5					
ARIB	ARIB STD-T63-23.038	5.1.0	Approved	Sep 08	http://www.arib.or.jp/IMT-2000/ARIB-STD/ITU-R_Rev8/Rel5/A23038-510.pdf
ATIS	ATIS.3GPP.23.038V510-2005	5.1.0	Approved	Apr 05	https://www.atis.org/docstore/default.aspx
ETSI	ETSI TS 123 038	5.1.0	Published	Oct 04	http://pda.etsi.org/pda/home.asp?wkr=RTS/TSGT-0223038v510
TTA	TTAT.3G-23.038(R5-5.1.0)	5.1.0	Approved	May 05	http://www.tta.or.kr/standardDB/stnfile/TTAT.3G-23.038(R5-5.1.0).zip
Release 6					
ARIB	ARIB STD-T63-23.038	6.1.0	Approved	Sep 08	http://www.arib.or.jp/IMT-2000/ARIB-STD/ITU-R_Rev8/Rel6/A23038-610.pdf
ATIS	ATIS.3GPP.23.038V610-2005	6.1.0	Approved	Apr 05	https://www.atis.org/docstore/default.aspx
ETSI	ETSI TS 123 038	6.1.0	Published	Jan 05	http://pda.etsi.org/pda/home.asp?wkr=RTS/TSGT-0223038v610
TTA	TTAT.3G-23.038(R6-6.1.0)	6.1.0	Approved	May 05	http://www.tta.or.kr/standardDB/stnfile/TTAT.3G-23.038(R6-6.1.0).zip
Release 7					
ARIB	ARIB STD-T63-23.038	7.0.0	Approved	Sep 08	http://www.arib.or.jp/IMT-2000/ARIB-STD/ITU-R_Rev8/Rel7/A23038-700.pdf
ATIS	ATIS.3GPP.23.038V700-2007	7.0.0	Approved	Oct 07	https://www.atis.org/docstore/default.aspx
ETSI	ETSI TS 123 038	7.0.0	Published	Apr 07	http://pda.etsi.org/pda/home.asp?wkr=RTS/TSGC-0123038v700
TTA	TTAT.3G-23.038(R7-7.0.0)	7.0.0	Approved	Dec 07	http://www.tta.or.kr/standardDB/stnfile/TTAT.3G-23.038(R7-7.0.0).zip
Release 8					
ARIB	ARIB STD-T63-23.038	8.1.0	Approved	Sep 08	http://www.arib.or.jp/IMT-2000/ARIB-STD/ITU-R_Rev8/Rel8/A23038-810.pdf
ATIS	ATIS.3GPP.23.038V810-2008	8.1.0	Approved	Oct 08	https://www.atis.org/docstore/default.aspx
TTA	TTAT.3G-23.038(R8-8.1.0)	8.1.0	Approved	Oct 08	http://www.tta.or.kr/standardDB/stnfile/TTAT.3G-23.038(R8-8.1.0).zip

5.1.2.11.23 TS 23.040

Technical realization of SMS point-to-point

This specification describes the point-to-point SMS.

SDO (2)	Document No.	Version	Status	Issued date	Location (1)
Release 99					
ARIB	ARIB STD-T63-23.040	3.11.0	Approved	Sep 08	http://www.arib.or.jp/IMT-2000/ARIB-STD/ITU-R_Rev8/R99/A23040-3b0.pdf
ATIS	ATIS.3GPP.23.040V3110-2008	3.11.0	Approved	Oct 08	https://www.atis.org/docstore/default.aspx
ETSI	ETSI TS 123 040	3.10.0	Published	Jul 03	http://pda.etsi.org/pda/home.asp?wkr=RTS/TSGT-0223040v3a0
TTA	TTAT.3G-23.040(R99-3.11.0)	3.11.0	Approved	Oct 08	http://www.tta.or.kr/standardDB/stnfile/TTAT.3G-23.040(R99-3.11.0).zip
Release 4					
ARIB	ARIB STD-T63-23.040	4.10.0	Approved	Sep 08	http://www.arib.or.jp/IMT-2000/ARIB-STD/ITU-R_Rev8/Rel4/A23040-4a0.pdf
ATIS	ATIS.3GPP.23.040V4100-2008	4.10.0	Approved	Oct 08	https://www.atis.org/docstore/default.aspx
ETSI	ETSI TS 123 040	4.9.0	Published	Oct 04	http://pda.etsi.org/pda/home.asp?wkr=RTS/TSGT-0223040v490
TTA	TTAT.3G-23.040(R4-4.10.0)	4.10.0	Approved	Oct 08	http://www.tta.or.kr/standardDB/stnfile/TTAT.3G-23.040(R4-4.10.0).zip
Release 5					
ARIB	ARIB STD-T63-23.040	5.9.0	Approved	Sep 08	http://www.arib.or.jp/IMT-2000/ARIB-STD/ITU-R_Rev8/Rel5/A23040-590.pdf
ATIS	ATIS.3GPP.23.040V590-2008	5.9.0	Approved	Oct 08	https://www.atis.org/docstore/default.aspx
ETSI	ETSI TS 123 040	5.8.1	Published	Oct 04	http://pda.etsi.org/pda/home.asp?wkr=RTS/TSGT-0223040v581
TTA	TTAT.3G-23.040(R5-5.9.0)	5.9.0	Approved	Oct 08	http://www.tta.or.kr/standardDB/stnfile/TTAT.3G-23.040(R5-5.9.0).zip
Release 6					
ARIB	ARIB STD-T63-23.040	6.9.0	Approved	Sep 08	http://www.arib.or.jp/IMT-2000/ARIB-STD/ITU-R_Rev8/Rel6/A23040-690.pdf
ATIS	ATIS.3GPP.23.040V690-2008	6.9.0	Approved	Oct 08	https://www.atis.org/docstore/default.aspx
ETSI	ETSI TS 123 040	6.8.1	Published	Oct 06	http://pda.etsi.org/pda/home.asp?wkr=RTS/TSGC-0123040v681
TTA	TTAT.3G-23.040(R6-6.9.0)	6.9.0	Approved	Oct 08	http://www.tta.or.kr/standardDB/stnfile/TTAT.3G-23.040(R6-6.9.0).zip
Release 7					
ARIB	ARIB STD-T63-23.040	7.1.0	Approved	Sep 08	http://www.arib.or.jp/IMT-2000/ARIB-STD/ITU-R_Rev8/Rel7/A23040-710.pdf
ATIS	ATIS.3GPP.23.040V710-2008	7.1.0	Approved	Oct 08	https://www.atis.org/docstore/default.aspx
ETSI	ETSI TS 123 040	7.0.1	Published	Apr 07	http://pda.etsi.org/pda/home.asp?wkr=RTS/TSGC-0123040v701
TTA	TTAT.3G-23.040(R7-7.1.0)	7.1.0	Approved	Oct 08	http://www.tta.or.kr/standardDB/stnfile/TTAT.3G-23.040(R7-7.1.0).zip
Release 8					
ARIB	ARIB STD-T63-23.040	8.2.0	Approved	Sep 08	http://www.arib.or.jp/IMT-2000/ARIB-STD/ITU-R_Rev8/Rel8/A23040-820.pdf
ATIS	ATIS.3GPP.23.040V820-2008	8.2.0	Approved	Oct 08	https://www.atis.org/docstore/default.aspx
ETSI	ETSI	8.0.0	Awaiting publication		
TTA	TTAT.3G-23.040(R8-8.2.0)	8.2.0	Approved	Oct 08	http://www.tta.or.kr/standardDB/stnfile/TTAT.3G-23.040(R8-8.2.0).zip

5.1.2.11.24 TS 23.041**Technical realization of cell broadcast service (CBS)**

This specification describes the point-to-multipoint CBS.

SDO (2)	Document No.	Version	Status	Issued date	Location (1)
Release 99					
ARIB	ARIB STD-T63-23.041	3.5.0	Approved	Sep 08	http://www.arib.or.jp/IMT-2000/ARIB-STD/ITU-R_Rev8/R99/A23041-350.pdf
ATIS	T1.3GPP.23.041V350-2003	3.5.0	Approved	Mar 03	https://www.atis.org/docstore/default.aspx
ETSI	ETSI TS 123 041	3.5.0	Published	Jul 02	http://pda.etsi.org/pda/home.asp?wkr=RTS/TSGT-0223041v350
TTA	TTAT.3G-23.041(R99-3.5.0)	3.5.0	Approved	Mar 03	http://www.tta.or.kr/standardDB/stnfile/TTAT.3G-23.041(R99-3.5.0).zip
Release 4					
ARIB	ARIB STD-T63-23.041	4.4.0	Approved	Sep 08	http://www.arib.or.jp/IMT-2000/ARIB-STD/ITU-R_Rev8/Rel4/A23041-440.pdf
ATIS	T1.3GPP.23.041V440-2004	4.4.0	Approved	May 04	https://www.atis.org/docstore/default.aspx
ETSI	ETSI TS 123 041	4.4.0	Published	Apr 03	http://pda.etsi.org/pda/home.asp?wkr=RTS/TSGT-0223041v440
TTA	TTAT.3G-23.041(R4-4.4.0)	4.4.0	Approved	May 04	http://www.tta.or.kr/standardDB/stnfile/TTAT.3G-23.041(R4-4.4.0).zip
Release 5					
ARIB	ARIB STD-T63-23.041	5.2.0	Approved	Sep 08	http://www.arib.or.jp/IMT-2000/ARIB-STD/ITU-R_Rev8/Rel5/A23041-520.pdf
ATIS	T1.3GPP.23.041V520-2004	5.2.0	Approved	May 04	https://www.atis.org/docstore/default.aspx
ETSI	ETSI TS 123 041	5.2.0	Published	Jan 04	http://pda.etsi.org/pda/home.asp?wkr=RTS/TSGT-0223041v520
TTA	TTAT.3G-23.041(R5-5.2.0)	5.2.0	Approved	May 04	http://www.tta.or.kr/standardDB/stnfile/TTAT.3G-23.041(R5-5.2.0).zip
Release 6					
ARIB	ARIB STD-T63-23.041	6.2.0	Approved	Sep 08	http://www.arib.or.jp/IMT-2000/ARIB-STD/ITU-R_Rev8/Rel6/A23041-620.pdf
ATIS	T1.3GPP.23.041V620-2004	6.2.0	Approved	May 04	https://www.atis.org/docstore/default.aspx
ETSI	ETSI TS 123 041	6.2.0	Published	May 05	http://pda.etsi.org/pda/home.asp?wkr=RTS/TSGT-0223041v620
TTA	TTAT.3G-23.041(R6-6.2.0)	6.2.0	Approved	May 04	http://www.tta.or.kr/standardDB/stnfile/TTAT.3G-23.041(R6-6.2.0).zip
Release 7					
ARIB	ARIB STD-T63-23.041	7.0.0	Approved	Sep 08	http://www.arib.or.jp/IMT-2000/ARIB-STD/ITU-R_Rev8/Rel7/A23041-700.pdf
ATIS	ATIS.3GPP.23.041V700-2007	7.0.0	Approved	Oct 07	https://www.atis.org/docstore/default.aspx
ETSI	ETSI TS 123 041	7.0.0	Published	Apr 07	http://pda.etsi.org/pda/home.asp?wkr=RTS/TSGC-0123041v700
TTA	TTAT.3G-23.041(R7-7.0.0)	7.0.0	Approved	Dec 07	http://www.tta.or.kr/standardDB/stnfile/TTAT.3G-23.041(R7-7.0.0).zip

5.1.2.11.25 TS 23.042**Compression algorithm for text messaging services**

This specification describes the compression algorithm for text messaging services.

SDO (2)	Document No.	Version	Status	Issued date	Location (1)
Release 99					
ARIB	ARIB STD-T63-23.042	3.1.0	Approved	Sep 08	http://www.arib.or.jp/IMT-2000/ARIB-STD/ITU-R_Rev8/R99/A23042-310.pdf
ATIS	T1.3GPP.23.042V310-2002	3.1.0	Approved	May 02	https://www.atis.org/docstore/default.aspx
ETSI	ETSI TS 123 042	3.1.0	Published	Feb 00	http://pda.etsi.org/pda/home.asp?wkr=DTS/TSGT-0223042U
TTA	TTAE.3G-23.042(F)	3.1.0	Approved	Mar 00	http://www.tta.or.kr/standardDB/stnfile/TTAE.3G-23.042(F).zip
Release 4					
ARIB	ARIB STD-T63-23.042	4.0.1	Approved	Sep 08	http://www.arib.or.jp/IMT-2000/ARIB-STD/ITU-R_Rev8/Rel4/A23042-401.zip
ATIS	T1.3GPP.23.042V401-2002	4.0.1	Approved	May 02	https://www.atis.org/docstore/default.aspx
ETSI	ETSI TS 123 042	4.0.1	Published	Oct 01	http://pda.etsi.org/pda/home.asp?wkr=RTS/TSGT-0223042Uv4R1
TTA	TTAE.3G-23.042(R4-4.0.1)	4.0.1	Approved	May 02	http://www.tta.or.kr/standardDB/stnfile/TTAE.3G-23.042(R4-4.0.1).zip
Release 5					
ARIB	ARIB STD-T63-23.042	5.0.0	Approved	Sep 08	http://www.arib.or.jp/IMT-2000/ARIB-STD/ITU-R_Rev8/Rel5/A23042-500.pdf
ATIS	T1.3GPP.23.042V500-2003	5.0.0	Approved	Mar 03	https://www.atis.org/docstore/default.aspx
ETSI	ETSI TS 123 042	5.0.0	Published	Jul 02	http://pda.etsi.org/pda/home.asp?wkr=RTS/TSGT-0223042v500
TTA	TTAT.3G-23.042(R5-5.0.0)	5.0.0	Approved	Mar 03	http://www.tta.or.kr/standardDB/stnfile/TTAT.3G-23.042(R5-5.0.0).zip
Release 6					
ARIB	ARIB STD-T63-23.042	6.0.0	Approved	Sep 08	http://www.arib.or.jp/IMT-2000/ARIB-STD/ITU-R_Rev8/Rel6/A23042-600.pdf
ATIS	ATIS.3GPP.23.042V600-2005	6.0.0	Approved	Apr 05	https://www.atis.org/docstore/default.aspx
ETSI	ETSI TS 123 042	6.0.0	Published	Jan 05	http://pda.etsi.org/pda/home.asp?wkr=RTS/TSGT-0223042v600
TTA	TTAT.3G-23.042(R6-6.0.0)	6.0.0	Approved	May 05	http://www.tta.or.kr/standardDB/stnfile/TTAT.3G-23.042(R6-6.0.0).zip
Release 7					
ARIB	ARIB STD-T63-23.042	7.0.0	Approved	Sep 08	http://www.arib.or.jp/IMT-2000/ARIB-STD/ITU-R_Rev8/Rel7/A23042-700.pdf
ATIS	ATIS.3GPP.23.042V700-2007	7.0.0	Approved	Oct 07	https://www.atis.org/docstore/default.aspx
ETSI	ETSI TS 123 042	7.0.0	Published	Jul 07	http://pda.etsi.org/pda/home.asp?wkr=RTS/TSGC-0123042v700
TTA	TTAT.3G-23.042(R7-7.0.0)	7.0.0	Approved	Dec 07	http://www.tta.or.kr/standardDB/stnfile/TTAT.3G-23.042(R7-7.0.0).zip

5.1.2.11.26 TS 23.057

Mobile Execution Environment (MExE) – Stage 2

This TS describes the functional capabilities and the security architecture of the Mobile Execution Environment.

SDO (2)	Document No.	Version	Status	Issued date	Location (1)
Release 99					
ARIB	ARIB STD-T63-23.057	3.4.0	Approved	Sep 08	http://www.arib.or.jp/IMT-2000/ARIB-STD/ITU-R_Rev8/R99/A23057-340.pdf
ATIS	T1.3GPP.23.057V340-2002	3.4.0	Approved	May 02	https://www.atis.org/docstore/default.aspx
ETSI	ETSI TS 123 057	3.4.0	Published	Apr 01	http://pda.etsi.org/pda/home.asp?wkr=RTS/TSGT-0223057UR4
TTA	TTAE.3G-23.057(R99)	3.4.0	Approved	Dec 01	http://www.tta.or.kr/standardDB/stnfile/TTAE.3G-23.057(R99).zip
Release 4					
ARIB	ARIB STD-T63-23.057	4.5.0	Approved	Sep 08	http://www.arib.or.jp/IMT-2000/ARIB-STD/ITU-R_Rev8/Rel4/A23057-450.pdf
ATIS	T1.3GPP.23.057V450-2002	4.5.0	Approved	May 02	https://www.atis.org/docstore/default.aspx
ETSI	ETSI TS 123 057	4.5.0	Published	Apr 02	http://pda.etsi.org/pda/home.asp?wkr=RTS/TSGT-0223057Uv4R4
TTA	TTAE.3G-23.057(R4-4.5.0)	4.5.0	Approved	May 02	http://www.tta.or.kr/standardDB/stnfile/TTAE.3G-23.057(R4-4.5.0).zip
Release 5					
ARIB	ARIB STD-T63-23.057	5.1.0	Approved	Sep 08	http://www.arib.or.jp/IMT-2000/ARIB-STD/ITU-R_Rev8/Rel5/A23057-510.pdf
ATIS	T1.3GPP.23.057V510-2003	5.1.0	Approved	Mar 03	https://www.atis.org/docstore/default.aspx
ETSI	ETSI TS 123 057	5.1.0	Published	Oct 02	http://pda.etsi.org/pda/home.asp?wkr=RTS/TSGT-0223057v510
TTA	TTAT.3G-23.057(R5-5.1.0)	5.1.0	Approved	Mar 03	http://www.tta.or.kr/standardDB/stnfile/TTAT.3G-23.057(R5-5.1.0).zip
Release 6					
ARIB	ARIB STD-T63-23.057	6.2.0	Approved	Sep 08	http://www.arib.or.jp/IMT-2000/ARIB-STD/ITU-R_Rev8/Rel6/A23057-620.pdf
ATIS	T1.3GPP.23.057V620-2004	6.2.0	Approved	May 04	https://www.atis.org/docstore/default.aspx
ETSI	ETSI TS 123 057	6.2.0	Published	May 05	http://pda.etsi.org/pda/home.asp?wkr=RTS/TSGT-0223057v620
TTA	TTAT.3G-23.057(R6-6.2.0)	6.2.0	Approved	May 04	http://www.tta.or.kr/standardDB/stnfile/TTAT.3G-23.057(R6-6.2.0).zip
Release 7					
ARIB	ARIB STD-T63-23.057	7.0.0	Approved	Sep 08	http://www.arib.or.jp/IMT-2000/ARIB-STD/ITU-R_Rev8/Rel7/A23057-700.pdf
ATIS	ATIS.3GPP.23.057V700-2007	7.0.0	Approved	Oct 07	https://www.atis.org/docstore/default.aspx
ETSI	ETSI TS 123 057	7.0.0	Published	Jun 07	http://pda.etsi.org/pda/home.asp?wkr=RTS/TSGS-0223057v700
TTA	TTAT.3G-23.057(R7-7.0.0)	7.0.0	Approved	Dec 07	http://www.tta.or.kr/standardDB/stnfile/TTAT.3G-23.057(R7-7.0.0).zip

5.1.2.11.27 TS 24.216

Communication Continuity Management Object (MO)

This specification defines the Communication Continuity Management Object which consists of relevant parameters that can be managed for Communication Continuity capabilities.

SDO (2)	Document No.	Version	Status	Issued date	Location (1)
Release 7					
ETSI	ETSI TS 124 216	7.2.0	Published	Oct 07	http://pda.etsi.org/pda/home.asp?wkr=RTS/TSGC-0124216v720
TTA	TTAT.3G-24.216(R7-7.2.0)	7.2.0	Approved	Oct 08	http://www.tta.or.kr/standardDB/stnfile/TTAT.3G-24.216(R7-7.2.0).zip

5.1.2.11.28 TS 24.305

Selective Disabling of UE Capabilities (SDoUE) Management Object (MO)

This specification defines a mobile device Selective Disabling of 3GPP UE Capabilities Management Object and the rules and corresponding behaviour of the UE with regard to the selective disabling of 3GPP UE capabilities, for example, when services or functions are disabled/enabled.

SDO (2)	Document No.	Version	Status	Issued date	Location (1)
Release 7					
ETSI	ETSI TS 124 305	7.2.0	Published	Jul 07	http://pda.etsi.org/pda/home.asp?wkr=RTS/TSGC-0124305v720
TTA	TTAT.3G-24.305(R7-7.3.0)	7.3.0	Approved	Oct 08	http://www.tta.or.kr/standardDB/stnfile/TTAT.3G-24.305(R7-7.3.0).zip
TTC	TS-3GA-24.305(Rel7)v7.3.0	7.3.0 R1	Approved	Oct 08	http://www.ttc.or.jp/imt/ts/24305rel7v730.pdf

5.1.2.11.29 TS 27.005

Use of data terminal equipment – data circuit terminating equipment (DTE – DCE) interface for cell broadcast service (CBS)

This specification describes three interface protocols for control of SMS functions within a GSM mobile telephone from a remote terminal via an asynchronous interface.

SDO (2)	Document No.	Version	Status	Issued date	Location (1)
Release 99					
ARIB	ARIB STD-T63-27.005	3.2.0	Approved	Sep 08	http://www.arib.or.jp/IMT-2000/ARIB-STD/ITU-R_Rev8/R99/A27005-320.pdf
ATIS	T1.3GPP.27.005V320-2003	3.2.0	Approved	Mar 03	https://www.atis.org/docstore/default.aspx
ETSI	ETSI TS 127 005	3.2.0	Published	Jul 02	http://pda.etsi.org/pda/home.asp?wkr=RTS/TSGT-0227005v320
TTA	TTAT.3G-27.005(R99-3.2.0)	3.2.0	Approved	Mar 03	http://www.tta.or.kr/standardDB/stnfile/TTAT.3G-27.005(R99-3.2.0).zip
Release 4					
ARIB	ARIB STD-T63-27.005	4.2.1	Approved	Sep 08	http://www.arib.or.jp/IMT-2000/ARIB-STD/ITU-R_Rev8/Rel4/A27005-421.pdf
ATIS	ATIS.3GPP.27.005V421-2006	4.2.1	Approved	Apr 06	https://www.atis.org/docstore/default.aspx
ETSI	ETSI TS 127 005	4.2.1	Published	Jan 05	http://pda.etsi.org/pda/home.asp?wkr=RTS/TSGT-0227005v421
TTA	TTAT.3G-27.005(R4-4.2.1)	4.2.1	Approved	Apr 06	http://www.tta.or.kr/standardDB/stnfile/TTAT.3G-27.005(R4-4.2.1).zip

Release 5

ARIB	ARIB STD-T63-27.005	5.0.1	Approved	Sep 08	http://www.arib.or.jp/IMT-2000/ARIB-STD/ITU-R_Rev8/Rel5/A27005-501.pdf
ATIS	ATIS.3GPP.27.005V501-2006	5.0.1	Approved	Apr 06	https://www.atis.org/docstore/default.aspx
ETSI	ETSI TS 127 005	5.0.1	Published	Jan 05	http://pda.etsi.org/pda/home.asp?wkr=RTS/TSGT-0227005v501
TTA	TTAT.3G-27.005(R5-5.0.1)	5.0.1	Approved	Apr 06	http://www.tta.or.kr/standardDB/stnfile/TTAT.3G-27.005(R5-5.0.1).zip

Release 6

ARIB	ARIB STD-T63-27.005	6.0.1	Approved	Sep 08	http://www.arib.or.jp/IMT-2000/ARIB-STD/ITU-R_Rev8/Rel6/A27005-601.pdf
ATIS	ATIS.3GPP.27.005V601-2006	6.0.1	Approved	Apr 06	https://www.atis.org/docstore/default.aspx
ETSI	ETSI TS 127 005	6.0.1	Published	Jan 05	http://pda.etsi.org/pda/home.asp?wkr=RTS/TSGT-0227005v601
TTA	TTAT.3G-27.005(R6-6.0.1)	6.9.0	Approved	May 05	http://www.tta.or.kr/standardDB/stnfile/TTAT.3G-27.005(R6-6.0.1).zip

Release 7

ARIB	ARIB STD-T63-27.005	7.0.0	Approved	Sep 08	http://www.arib.or.jp/IMT-2000/ARIB-STD/ITU-R_Rev8/Rel7/A27005-700.pdf
ATIS	ATIS.3GPP.27.005V700-2007	7.0.0	Approved	Oct 07	https://www.atis.org/docstore/default.aspx
ETSI	ETSI TS 127 005	7.0.0	Published	Apr 07	http://pda.etsi.org/pda/home.asp?wkr=RTS/TSGC-0127005v700
TTA	TTAT.3G-27.005(R7-7.0.0)	7.0.0	Approved	Dec 07	http://www.tta.or.kr/standardDB/stnfile/TTAT.3G-27.005(R7-7.0.0).zip

Release 8

ARIB	ARIB STD-T63-27.005	8.0.0	Approved	Sep 08	http://www.arib.or.jp/IMT-2000/ARIB-STD/ITU-R_Rev8/Rel8/A27005-800.pdf
ARIB	ARIB STD-T63-27.007	8.4.1	Approved	Sep 08	http://www.arib.or.jp/IMT-2000/ARIB-STD/ITU-R_Rev8/Rel8/A27007-841.pdf
ATIS	ATIS.3GPP.27.005V800-2008	8.0.0	Approved	Oct 08	https://www.atis.org/docstore/default.aspx
TTA	TTAT.3G-27.005(R8-8.0.0)	8.0.0	Approved	Oct 08	http://www.tta.or.kr/standardDB/stnfile/TTAT.3G-27.005(R8-8.0.0).zip

5.1.2.11.30 TS 27.007**AT command set for the user equipment (UE)**

This specification describes a profile of AT commands and recommends that this profile be used for controlling mobile equipment (ME) functions and GSM network services from a terminal equipment (TE) through terminal adaptor (TA).

SDO (2)	Document No.	Version	Status	Issued date	Location (1)
Release 99					
ARIB	ARIB STD-T63-27.007	3.13.0	Approved	Sep 08	http://www.arib.or.jp/IMT-2000/ARIB-STD/ITU-R_Rev8/R99/A27007-3d0.pdf
ATIS	T1.3GPP.27.007V3130-2004	3.13.0	Approved	May 04	https://www.atis.org/docstore/default.aspx
ETSI	ETSI TS 127 007	3.13.0	Published	Apr 03	http://pda.etsi.org/pda/home.asp?wkr=RTS/TSGT-0227007v3d0
TTA	TTAT.3G-27.007(R99-3.13.0)	3.13.0	Approved	May 04	http://www.tta.or.kr/standardDB/stnfile/TTAT.3G-27.007(R99-3.13.0).zip

142**Rec. ITU-R M.1457-8****Release 4**

ARIB	ARIB STD-T63-27.007	4.6.0	Approved	Sep 08	http://www.arib.or.jp/IMT-2000/ARIB-STD/ITU-R_Rev8/Rel4/A27007-460.pdf
ATIS	T1.3GPP.27.007V460-2004	4.6.0	Approved	May 04	https://www.atis.org/docstore/default.aspx
ETSI	ETSI TS 127 007	4.6.0	Published	Apr 03	http://pda.etsi.org/pda/home.asp?wkr=RTS/TSGT-0227007v460
TTA	TTAT.3G-27.007(R4-4.6.0)	4.6.0	Approved	May 04	http://www.tta.or.kr/standardDB/stnfile/TTAT.3G-27.007(R4-4.6.0).zip

Release 5

ARIB	ARIB STD-T63-27.007	5.6.0	Approved	Sep 08	http://www.arib.or.jp/IMT-2000/ARIB-STD/ITU-R_Rev8/Rel5/A27007-560.pdf
ATIS	ATIS.3GPP.27.007V560-2006	5.6.0	Approved	Apr 06	https://www.atis.org/docstore/default.aspx
ETSI	ETSI TS 127 007	5.6.0	Published	Apr 05	http://pda.etsi.org/pda/home.asp?wkr=RTS/TSGC-0127007v560
TTA	TTAT.3G-24.007(R5-5.6.0)	5.6.0	Approved	Apr 06	http://www.tta.or.kr/standardDB/stnfile/TTAT.3G-24.007(R5-5.6.0).zip

Release 6

ARIB	ARIB STD-T63-27.007	6.9.0	Approved	Sep 08	http://www.arib.or.jp/IMT-2000/ARIB-STD/ITU-R_Rev8/Rel6/A27007-690.pdf
ATIS	ATIS.3GPP.27.007V690-2007	6.9.0	Approved	Oct 07	https://www.atis.org/docstore/default.aspx
ETSI	ETSI TS 127 007	6.9.0	Published	Jun 07	http://pda.etsi.org/pda/home.asp?wkr=RTS/TSGC-0127007v690
TTA	TTAT.3G-24.007(R6-6.8.0)	6.9.0	Approved	Dec 07	http://www.tta.or.kr/standardDB/stnfile/TTAT.3G-24.007(R6-6.8.0).zip

Release 7

ARIB	ARIB STD-T63-27.007	7.4.0	Approved	Sep 08	http://www.arib.or.jp/IMT-2000/ARIB-STD/ITU-R_Rev8/Rel7/A27007-740.pdf
ATIS	ATIS.3GPP.27.007V740-2007	7.4.0	Approved	Oct 07	https://www.atis.org/docstore/default.aspx
ETSI	ETSI TS 127 007	7.4.0	Published	Jun 07	http://pda.etsi.org/pda/home.asp?wkr=RTS/TSGC-0127007v740
TTA	TTAT.3G-24.007(R7-7.4.0)	7.4.0	Approved	Dec 07	http://www.tta.or.kr/standardDB/stnfile/TTAT.3G-24.007(R7-7.4.0).zip

Release 8

ATIS	ATIS.3GPP.27.007V841-2008	8.4.1	Approved	Oct 08	https://www.atis.org/docstore/default.aspx
ETSI	ETSI TS 127 007	8.2.0	Awaiting publication		http://pda.etsi.org/pda/home.asp?wkr=RTS/TSGC-0127007v820
TTA	TTAT.3G-24.007(R8-8.4.1)	8.4.1	Approved	Oct 08	http://www.tta.or.kr/standardDB/stnfile/TTAT.3G-27.007(R8-8.4.1).zip

5.1.2.11.31 TS 27.010**Terminal equipment to mobile station (TE-MS) multiplexer protocol**

This specification describes a multiplexing protocol between a mobile station and an external data terminal for the purposes of enabling multiple channels to be established for different purposes (e.g. simultaneous SMS and data call).

SDO (2)	Document No.	Version	Status	Issued date	Location (1)
Release 99					
ARIB	ARIB STD-T63-27.010	3.4.0	Approved	Sep 08	http://www.arib.or.jp/IMT-2000/ARIB-STD/ITU-R_Rev8/R99/A27010-340.pdf
ATIS	T1.3GPP.27.010V340-2002	3.4.0	Approved	May 02	https://www.atis.org/docstore/default.aspx
ETSI	ETSI TS 127 010	3.4.0	Published	Apr 02	http://pda.etsi.org/pda/home.asp?wkr=RTS/TSGT-0227010UR2
TTA	TTAE.3G-27.010(R99-3.4.0)	3.4.0	Approved	May 02	http://www.tta.or.kr/standardDB/stnfile/TTAE.3G-27.010(R99-3.4.0).zip
Release 4					
ARIB	ARIB STD-T63-27.010	4.2.0	Approved	Sep 08	http://www.arib.or.jp/IMT-2000/ARIB-STD/ITU-R_Rev8/Rel4/A27010-420.pdf
ATIS	T1.3GPP.27.010V420-2002	4.2.0	Approved	May 02	https://www.atis.org/docstore/default.aspx
ETSI	ETSI TS 127 010	4.2.0	Published	Apr 02	http://pda.etsi.org/pda/home.asp?wkr=RTS/TSGT-0227010Uv4R2
TTA	TTAE.3G-27.010(R4-4.2.0)	4.2.0	Approved	May 02	http://www.tta.or.kr/standardDB/stnfile/TTAE.3G-27.010(R4-4.2.0).zip
Release 5					
ARIB	ARIB STD-T63-27.010	5.0.0	Approved	Sep 08	http://www.arib.or.jp/IMT-2000/ARIB-STD/ITU-R_Rev8/Rel5/A27010-500.pdf
ATIS	T1.3GPP.27.010V500-2003	5.0.0	Approved	Mar 03	https://www.atis.org/docstore/default.aspx
ETSI	ETSI TS 127 010	5.0.0	Published	Jul 02	http://pda.etsi.org/pda/home.asp?wkr=RTS/TSGT-0227010v500
TTA	TTAT.3G-27.010(R5-5.0.0)	5.0.0	Approved	Mar 03	http://www.tta.or.kr/standardDB/stnfile/TTAT.3G-27.010(R5-5.0.0).zip
Release 6					
ARIB	ARIB STD-T63-27.010	6.0.0	Approved	Sep 08	http://www.arib.or.jp/IMT-2000/ARIB-STD/ITU-R_Rev8/Rel6/A27010-600.pdf
ATIS	ATIS.3GPP.27.010V600-2005	6.0.0	Approved	Apr 05	https://www.atis.org/docstore/default.aspx
ETSI	ETSI TS 127 010	6.0.0	Published	Jan 05	http://pda.etsi.org/pda/home.asp?wkr=RTS/TSGT-0227010v600
TTA	TTAT.3G-27.010(R6-6.0.0)	6.0.0	Approved	May 05	http://www.tta.or.kr/standardDB/stnfile/TTAT.3G-27.010(R6-6.0.0).zip
Release 7					
ARIB	ARIB STD-T63-27.010	7.0.0	Approved	Sep 08	http://www.arib.or.jp/IMT-2000/ARIB-STD/ITU-R_Rev8/Rel7/A27010-700.pdf
ATIS	ATIS.3GPP.27.010V700-2007	7.0.0	Approved	Oct 07	https://www.atis.org/docstore/default.aspx
ETSI	ETSI TS 127 010	7.0.0	Published	Jul 07	http://pda.etsi.org/pda/home.asp?wkr=RTS/TSGC-0327010v700
TTA	TTAT.3G-27.010(R7-7.0.0)	7.0.0	Approved	Dec 07	http://www.tta.or.kr/standardDB/stnfile/TTAT.3G-27.010(R7-7.0.0).zip

5.1.2.11.32 TS 27.103

Wide area network synchronization standard

This specification describes a definition of a wide area synchronization protocol. The synchronization protocol is based upon infrared mobile communication (IrMC) Level 4 for Release 99. The synchronization protocol is based upon SyncML from Release 4 onwards.

SDO (2)	Document No.	Version	Status	Issued date	Location (1)
Release 99					
ARIB	ARIB STD-T63-27.103	3.1.0	Approved	Sep 08	http://www.arib.or.jp/IMT-2000/ARIB-STD/ITU-R_Rev8/R99/A27103-310.pdf
ATIS	T1.3GPP.27.103V310-2002	3.1.0	Approved	May 02	https://www.atis.org/docstore/default.aspx
ETSI	ETSI TS 127 103	3.1.0	Published	Nov 00	http://pda.etsi.org/pda/home.asp?wkr=RTS/TSGT-0227103UR1
TTA	TTAE.3G-27.103(R99F)	3.1.0	Approved	Dec 01	http://www.tta.or.kr/standardDB/stnfile/TTAE.3G-27.103(R99F).zip
Release 4					
ARIB	ARIB STD-T63-27.103	4.0.0	Approved	Sep 08	http://www.arib.or.jp/IMT-2000/ARIB-STD/ITU-R_Rev8/Rel4/A27103-400.pdf
ATIS	T1.3GPP.27.103V400-2002	4.0.0	Approved	May 02	https://www.atis.org/docstore/default.aspx
ETSI	ETSI TS 127 103	4.0.0	Published	Apr 01	http://pda.etsi.org/pda/home.asp?wkr=RTS/TSGT-0227103Uv4
TTA	TTAE.3G-27.103(R4-4.0.0)	4.0.0	Approved	May 02	http://www.tta.or.kr/standardDB/stnfile/TTAE.3G-27.103(R4-4.0.0).zip
Release 5					
ARIB	ARIB STD-T63-27.103	5.0.0	Approved	Sep 08	http://www.arib.or.jp/IMT-2000/ARIB-STD/ITU-R_Rev8/Rel5/A27103-500.pdf
ATIS	T1.3GPP.27.103V500-2003	5.0.0	Approved	Mar 03	https://www.atis.org/docstore/default.aspx
ETSI	ETSI TS 127 103	5.0.0	Published	Jul 02	http://pda.etsi.org/pda/home.asp?wkr=RTS/TSGT-0227103v500
TTA	TTAT.3G-27.103(R5-5.0.0)	5.0.0	Approved	Mar 03	http://www.tta.or.kr/standardDB/stnfile/TTAT.3G-27.103(R5-5.0.0).zip

5.1.2.11.33 TS 23.227

Application and user interaction in the UE; Principles and specific requirements

This Technical Specification defines the principles for scheduling resources between applications in different application execution environment (e.g. MExE, USAT etc.) and internal and external peripherals (e.g. infra-red, Bluetooth, USIM, radio interface, MMI, memory, etc.).

SDO (2)	Document No.	Version	Status	Issued date	Location (1)
Release 4					
ARIB	ARIB STD-T63-23.227	4.2.0	Approved	Sep 08	http://www.arib.or.jp/IMT-2000/ARIB-STD/ITU-R_Rev8/Rel4/A23227-420.pdf
ATIS	T1.3GPP.23.227V420-2002	4.2.0	Approved	May 02	https://www.atis.org/docstore/default.aspx
ETSI	ETSI TS 123 227	4.2.0	Published	Apr 02	http://pda.etsi.org/pda/home.asp?wkr=RTS/TSGT-0223227Uv4R2
TTA	TTAE.3G-23.227(R4-4.2.0)	4.2.0	Approved	May 02	http://www.tta.or.kr/standardDB/stnfile/TTAE.3G-23.227(R4-4.2.0).zip
Release 5					
ARIB	ARIB STD-T63-23.227	5.1.0	Approved	Sep 08	http://www.arib.or.jp/IMT-2000/ARIB-STD/ITU-R_Rev8/Rel5/A23227-510.pdf
ATIS	T1.3GPP.23.227V510-2002	5.1.0	Approved	May 02	https://www.atis.org/docstore/default.aspx
ETSI	ETSI TS 123 227	5.1.0	Published	Apr 02	http://pda.etsi.org/pda/home.asp?wkr=RTS/TSGT-0223227Uv5
TTA	TTAE.3G-23.227(R5-5.1.0)	5.1.0	Approved	May 02	http://www.tta.or.kr/standardDB/stnfile/TTAE.3G-23.227(R5-5.1.0).zip

5.1.2.11.34 TS 23.333**Multimedia Resource Function Controller - Multimedia Resource Function Processor Mp interface; Procedures descriptions**

This specification describes the functional requirements and information flows that generate procedures between the Multimedia Resource Function Controller (MRFC) and the Multimedia Resource Function Processor (MRFP), limited to information flows relevant to the Mp Interface.

SDO (2)	Document No.	Version	Status	Issued date	Location (1)
Release 7					
ETSI	ETSI TS 123 333	7.3.0	Awaiting publication		http://pda.etsi.org/pda/home.asp?wkr=RTS/TSGC-0423333v730
TTA	TTAT.3G-23.333(R7-7.3.1)	7.3.1	Approved	Oct 08	http://www.tta.or.kr/standardDB/stnfile/TTAT.3G-23.333(R7-7.3.1).zip
TTC	TS-3GA-23.333(Rel7)v7.3.1	7.3.1 R1	Approved	Oct 08	http://www.ttc.or.jp/imt/ts/ts23333rel7v731.pdf
Release 8					
ATIS	ATIS.3GPP.23.333V810-2008	8.1.0	Approved	Oct 08	https://www.atis.org/docstore/default.aspx
TTA	TTAT.3G-23.333(R8-8.1.0)	8.1.0	Approved	Oct 08	http://www.tta.or.kr/standardDB/stnfile/TTAT.3G-23.333(R8-8.1.0).zip
TTC	TS-3GA-23.333(Rel8)v8.1.0	8.1.0 R1	Approved	Oct 08	http://www.ttc.or.jp/imt/ts/ts23333rel8v810.pdf

5.1.2.11.35 TS 29.212**Policy and charging control over Gx reference point**

This specification provides the stage 3 specification of the Gx reference point that lies between the Policy and Charging Rule Function and the Policy and Charging Enforcement Function.

SDO (2)	Document No.	Version	Status	Issued date	Location (1)
Release 7					
ETSI	ETSI TS 129 212	7.3.0	Awaiting publication		http://pda.etsi.org/pda/home.asp?wkr=RTS/TSGC-0329212v730
TTA	TTAT.3G-29.212(R7-7.5.0)	7.5.0	Approved	Oct 08	http://www.tta.or.kr/standardDB/stnfile/TTAT.3G-29.212(R7-7.5.0).zip
TTC	TS-3GA-29.212(Rel7)v7.5.0	7.5.0 R1	Approved	Oct 08	http://www.ttc.or.jp/imt/ts/ts29212rel7v750.pdf
Release 8					
ATIS	ATIS.3GPP.29.212V800-2008	8.0.0	Approved	Oct 08	https://www.atis.org/docstore/default.aspx
TTA	TTAT.3G-29.212(R8-8.0.0)	8.0.0	Approved	Oct 08	http://www.tta.or.kr/standardDB/stnfile/TTAT.3G-29.212(R8-8.0.0).zip
TTC	TS-3GA-29.212(Rel8)v8.0.0	8.0.0 R1	Approved	Oct 08	http://www.ttc.or.jp/imt/ts/ts29212rel8v800.pdf

5.1.2.11.36 TS 29.213**Policy and charging control signalling flows and Quality of Service parameter mapping**

This specification adds detailed flows of Policy and Charging Control over the Rx and Gx reference points and their relationship with the bearer level signalling flows over the Gn interface. The present specification also describes the binding and the mapping of QoS parameters among SDP, UMTS QoS parameters, and QoS authorization parameters.

SDO (2)	Document No.	Version	Status	Issued date	Location (1)
Release 7					
ETSI	ETSI TS 129 213	7.3.1	Awaiting publication		http://pda.etsi.org/pda/home.asp?wkr=RTS/TSGC-0329213v731
TTA	TTAT.3G-29.213(R7-7.5.0)	7.5.0	Approved	Oct 08	http://www.tta.or.kr/standardDB/stnfile/TTAT.3G-29.213(R7-7.5.0).zip
TTC	TS-3GA-29.213(Rel7)v7.5.0	7.5.0 R1	Approved	Oct 08	http://www.ttc.or.jp/imt/ts/ts29213rel7v750.pdf
Release 8					
ATIS	ATIS.3GPP.29.213V800-2008	8.0.0	Approved	Oct 08	https://www.atis.org/docstore/default.aspx
TTA	TTAT.3G-29.213(R8-8.0.0)	8.0.0	Approved	Oct 08	http://www.tta.or.kr/standardDB/stnfile/TTAT.3G-29.213(R8-8.0.0).zip
TTC	TS-3GA-29.213(Rel8)v8.0.0	8.0.0 R1	Approved	Oct 08	http://www.ttc.or.jp/imt/ts/ts29213rel8v800.pdf

5.1.2.11.37 TS 29.214

Policy and charging control over Rx reference point

This specification provides the stage 3 specification of the Rx reference point that lies between the Application Function and the Policy and Charging Rule Function.

SDO (2)	Document No.	Version	Status	Issued date	Location (1)
Release 7					
ETSI	ETSI TS 129 214	7.3.0	Awaiting publication		http://pda.etsi.org/pda/home.asp?wkr=RTS/TSGC-0329214v730
TTA	TTAT.3G-29.214(R7-7.5.0)	7.5.0	Approved	Oct 08	http://www.tta.or.kr/standardDB/stnfile/TTAT.3G-29.214(R7-7.5.0).zip
TTC	TS-3GA-29.214(Rel7)v7.5.0	7.5.0 R1	Approved	Oct 08	http://www.ttc.or.jp/imt/ts/ts29214rel7v750.pdf
Release 8					
ATIS	ATIS.3GPP.29.214V810-2008	8.1.0	Approved	Oct 08	https://www.atis.org/docstore/default.aspx
TTA	TTAT.3G-29.214(R8-8.0.0)	8.1.0	Approved	Oct 08	http://www.tta.or.kr/standardDB/stnfile/TTAT.3G-29.214(R8-8.0.0).zip
TTC	TS-3GA-29.214(Rel8)v8.1.0	8.1.0 R1	Approved	Oct 08	http://www.ttc.or.jp/imt/ts/ts29214rel8v810.pdf

5.1.2.11.38 TS 24.259

Personal Network Management (PNM); Procedures and information flows

This specifications provides the protocol details for enabling Personal Network management services in the IP Multimedia Core Network subsystem based on the protocols of SIP and the SDP. The present document is applicable to UEs and AS providing PNM capabilities.

5.1.2.11.39 TS 23.231

SIP-I based circuit-switched core network; Stage 2

This specification defines the stage 2 description for the SIP-I based CS core network. This stage 2 shall cover the information flows between the GMSC server, MSC server and media gateways that are required to support a SIP-I based Nc interface. The present document shall show the CS core network termination of the Iu and A interfaces in order to cover the information flow stimulus to the core network and describe the interaction with the supplementary and value added services and capabilities.

SDO (2)	Document No.	Version	Status	Issued date	Location (1)
Release 8					
ATIS	ATIS.3GPP.23.231V800-2008	8.0.0	Approved	Oct 08	https://www.atis.org/docstore/default.aspx
TTA	TTAT.3G-23.231(R8-8.0.0)	8.0.0	Approved	Oct 08	http://www.tta.or.kr/standardDB/stnfile/TTAT.3G-23.231(R8-8.0.0).zip
TTC	TS-3GA-23.231(Rel8)v8.0.0	8.0.0 R1	Approved	Oct 08	http://www.ttc.or.jp/imt/ts/ts23231rel8v800.pdf

5.1.2.11.40 TS 29.231**Application of SIP-I Protocols to Circuit Switched (CS) core network architecture; Stage 3**

This specification describes the protocols to be used when SIP-I is optionally used as call control protocol in a 3GPP CS core network on Nc interface. The SIP-I protocol operates between (G)MSC servers. The SIP-I architecture consists of a number of protocols. The following types of protocols are described: call control protocol, resource control protocols and user plane protocol for this architecture.

5.1.2.11.41 TS 29.164**Interworking between the 3GPP Cs domain with BICC or ISUP as signalling protocol and external SIP-I networks**

This specification defines interworking procedures between a 3GPP CS domain which applies either BICC or ISUP as signalling protocol, and external networks that use SIP-I as signalling protocol. The document also describes the related interworking architecture. The present specification also defines stage 2 procedures for the control of the MGW.

SDO (2)	Document No.	Version	Status	Issued date	Location (1)
Release 7					
ETSI	ETSI TS 129 164	7.0.0	Published	Jul 07	http://pda.etsi.org/pda/home.asp?wkr=RTS/TSGC-0329164v700
TTA	TTAT.3G-29.164(R7-7.0.0)	7.0.0	Approved	Apr 08	http://www.tta.or.kr/standardDB/stnfile/TTAT.3G-29.164(R7-7.0.0).zip

5.1.2.11.42 TS 29.235**Interworking between SIP-I based circuit-switched core network and other networks**

This specification defines the interworking between SIP-I based circuit-switched core network with out-of-band transcoder control related procedures and: – an external SIP-I based signalling network; – an ISUP based network such as an ISUP based 3GPP CS Domain or an PSTN; – an BICC based network such as an BICC based 3GPP CS Domain; – an Internet Multimedia Subsystem.

SDO (2)	Document No.	Version	Status	Issued date	Location (1)
ETSI	ETSI				

5.1.2.11.43 TS 29.204**Signalling System No. 7 (SS7) security gateway; Architecture, functional description and protocol details**

This specification provides functional description of the SS7 Security Gateway. The document covers also network architecture, routing considerations, and protocol details.

SDO (2)	Document No.	Version	Status	Issued date	Location (1)
Release 7					
ETSI	ETSI TS 129 204		7.1.0	Published	Apr 07 http://pda.etsi.org/pda/home.asp?wkr=DTS/TSGC-0429204v710
TTA	TTAT.3G-29.204(R7-7.1.0)		7.1.0	Approved	Apr 08 http://www.tta.or.kr/standardDB/stnfile/TTAT.3G-29.204(R7-7.1.0).zip

5.1.2.12

System aspects

IMT-2000 CDMA Direct Spread specification also includes the following documents which are useful and related to this Recommendation.

5.1.2.12.1 TS 23.002

Network Architecture

This specification describes the possible architectures of the mobile system.

SDO (2)	Document No.	Version	Status	Issued date	Location (1)
Release 99					
ETSI	ETSI TS 123 002		3.6.0	Published	Oct 02 http://pda.etsi.org/pda/home.asp?wkr=RTS/TSGS-0223002v360
TTC	TS-3GA-23.002(R99)v3.6.0		3.6.0 R1	Published	Nov 02 http://www.ttc.or.jp/imt/ts/ts23002r99v360.pdf
Release 4					
ETSI	ETSI TS 123 002		4.8.0	Published	Jul 03 http://pda.etsi.org/pda/home.asp?wkr=RTS/TSGS-0223002v480
TTC	TS-3GA-23.002(Rel4)v4.8.0		4.8.0 R1	Published	Aug 03 http://www.ttc.or.jp/imt/ts/ts23002rel4v480.pdf
Release 5					
ETSI	ETSI TS 123 002		5.12.0	Published	Oct 03 http://pda.etsi.org/pda/home.asp?wkr=RTS/TSGS-0223002v5c0
TTC	TS-3GA-23.002(Rel5)v5.12.0		5.12.0 R1	Published	Nov 03 http://www.ttc.or.jp/imt/ts/ts23002rel5v5c0.pdf
Release 6					
ETSI	ETSI TS 123 002		6.10.0	Published	Jan 06 http://pda.etsi.org/pda/home.asp?wkr=RTS/TSGS-0223002v6a0
TTC	TS-3GA-23.002(Rel6)v6.10.0		6.10.0 R1	Published	Feb 06 http://www.ttc.or.jp/imt/ts/ts23002rel6v6a0.pdf
Release 7					
ETSI	ETSI TS 123 002		7.4.0	Awaiting publication	http://pda.etsi.org/pda/home.asp?wkr=RTS/TSGS-0223002v740
TTC	TS-3GA-23.002(Rel7)v7.4.0		7.4.0 R1	Approved	Oct 08 http://www.ttc.or.jp/imt/ts/ts23002rel7v740.pdf
Release 8					
ETSI	ETSI TS 123 002		8.2.0	Awaiting publication	http://pda.etsi.org/pda/home.asp?wkr=RTS/TSGS-0223002v820
TTC	TS-3GA-23.002(Rel8)v8.2.0		8.2.0 R1	Approved	Oct 08 http://www.ttc.or.jp/imt/ts/ts23002rel8v820.pdf

5.1.2.12.2 TS 23.101**General UMTS architecture**

This specification describes the basic physical and functional separation of UMTS. The content of this specification is limited to those features that are common to all UMTS networks independent of their origin. It identifies and names the reference points and functional groupings appearing at this level.

SDO (2)	Document No.	Version	Status	Issued date	Location (1)
Release 99					
ETSI	ETSI TS 123 101	3.1.0	Published	Feb 01	http://pda.etsi.org/pda/home.asp?wkr=RTS/TSGS-0223101UR1
TTC	JP-3GA-23.101(R99)v3.1.0	3.1.0 R2	Published	May 01	http://www.ttc.or.jp/imt/ts/23101r99v310.pdf
Release 4					
ETSI	ETSI TS 123 101	4.0.0	Published	Apr 01	http://pda.etsi.org/pda/home.asp?wkr=RTS/TSGS-0223101Uv4
TTC	TS-3GA-23.101(Rel4)v4.0.0	4.0.0 R1	Published	May 01	http://www.ttc.or.jp/imt/ts/23101rel4v400.pdf
Release 5					
ETSI	ETSI TS 123 101	5.0.1	Published	Jan 04	http://pda.etsi.org/pda/home.asp?wkr=RTS/TSGS-0223101v501
TTC	TS-3GA-23.101(Rel5)v5.0.1	5.0.1 R1	Published	Jan 08	http://www.ttc.or.jp/imt/ts/23101rel5v501.pdf
Release 6					
ETSI	ETSI TS 123 101	6.0.0	Published	Jan 05	http://pda.etsi.org/pda/home.asp?wkr=RTS/TSGS-0223101v600
TTC	TS-3GA-23.101(Rel6)v6.0.0	6.0.0 R1	Published	Jan 08	http://www.ttc.or.jp/imt/ts/23101rel6v600.pdf
Release 7					
ETSI	ETSI TS 123 101	7.0.0	Published	Jun 07	http://pda.etsi.org/pda/home.asp?wkr=RTS/TSGS-0223101v700
TTC	TS-3GA-23.101(Rel7)v7.0.0	7.0.0 R1	Published	Jan 08	http://www.ttc.or.jp/imt/ts/23101rel7v700.pdf

5.1.2.12.3 TS 23.107**QoS concept and architecture**

This specification describes the framework for QoS in UMTS. The document shall be used as a living document which will cover all issues related QoS in UMTS.

SDO (2)	Document No.	Version	Status	Issued date	Location (1)
Release 99					
ARIB	ARIB STD-T63-23.107	3.9.0	Approved	Sep 08	http://www.arib.or.jp/IMT-2000/ARIB-STD/ITU-R_Rev8/R99/A23107-390.pdf
ETSI	ETSI TS 123 107	3.9.0	Published	Oct 02	http://pda.etsi.org/pda/home.asp?wkr=RTS/TSGS-0223107v390
Release 4					
ARIB	ARIB STD-T63-23.107	4.6.0	Approved	Sep 08	http://www.arib.or.jp/IMT-2000/ARIB-STD/ITU-R_Rev8/Rel4/A23107-460.pdf
ETSI	ETSI TS 123 107	4.6.0	Published	Jan 03	http://pda.etsi.org/pda/home.asp?wkr=RTS/TSGS-0223107v460
Release 5					
ARIB	ARIB STD-T63-23.107	5.13.0	Approved	Sep 08	http://www.arib.or.jp/IMT-2000/ARIB-STD/ITU-R_Rev8/Rel5/A23107-5d0.pdf
ETSI	ETSI TS 123 107	5.13.0	Published	Jan 05	http://pda.etsi.org/pda/home.asp?wkr=RTS/TSGS-0223107v5d0

150

Rec. ITU-R M.1457-8

Release 6

ARIB	ARIB STD-T63-23.107	6.4.0	Approved	Sep 08	http://www.arib.or.jp/IMT-2000/ARIB-STD/ITU-R_Rev8/Rel6/A23107-640.pdf
ETSI	ETSI TS 123 107	6.4.0	Published	May 06	http://pda.etsi.org/pda/home.asp?wkr=RTS/TSGS-0223107v640

Release 7

ARIB	ARIB STD-T63-23.107	7.1.0	Approved	Sep 08	http://www.arib.or.jp/IMT-2000/ARIB-STD/ITU-R_Rev8/Rel7/A23107-710.pdf
ETSI	ETSI TS 123 107	7.1.0	Published	Oct 07	http://pda.etsi.org/pda/home.asp?wkr=RTS/TSGS-0223107v710

5.1.2.12.4 TS 23.121

Architectural requirements for release 1999

This specification describes architectural requirements for release 1999 related to the evolution of the GSM platform towards UMTS with the overall goal of fulfilling the UMTS service requirements, support of roaming and support of new functionality, signalling systems and interfaces.

SDO (2)	Document No.	Version	Status	Issued date	Location (1)
---------	--------------	---------	--------	-------------	--------------

Release 99

ETSI	ETSI TS 123 121	3.6.0	Published	Jun 02	http://pda.etsi.org/pda/home.asp?wkr=RTS/TSGS-0223121v360
TTC	TS-3GA-23.121(R99)v3.6.0	3.6.0 R1	Published	Aug 02	http://www.ttc.or.jp/imt/ts/23121r99v360.pdf

5.1.2.12.5 TS 23.228

IP Multimedia Subsystem Stage 2

This specifications describes the architectural requirement for an IP Multimedia Components incorporated in an UMTS System as well as second generation systems for GSM inside the core network and identify relevant interfaces to the existing system and the new one in between the new components incorporated.

SDO (2)	Document No.	Version	Status	Issued date	Location (1)
---------	--------------	---------	--------	-------------	--------------

Release 5

ARIB	ARIB STD-T63-23.228	5.15.0	Approved	Sep 08	http://www.arib.or.jp/IMT-2000/ARIB-STD/ITU-R_Rev8/Rel5/A23228-5f0.pdf
ETSI	ETSI TS 123 228	5.15.0	Published	Aug 06	http://pda.etsi.org/pda/home.asp?wkr=RTS/TSGS-0223228v5f0

Release 6

ARIB	ARIB STD-T63-23.228	6.16.0	Approved	Sep 08	http://www.arib.or.jp/IMT-2000/ARIB-STD/ITU-R_Rev8/Rel6/A23228-6g0.pdf
ETSI	ETSI TS 123 228	6.16.0	Published	Mar 07	http://pda.etsi.org/pda/home.asp?wkr=RTS/TSGS-0223228v6g0

Release 7

ARIB	ARIB STD-T63-23.228	7.12.0	Approved	Sep 08	http://www.arib.or.jp/IMT-2000/ARIB-STD/ITU-R_Rev8/Rel7/A23228-7c0.pdf
ETSI	ETSI TS 123 228	7.10.0	Awaiting publication		http://pda.etsi.org/pda/home.asp?wkr=RTS/TSGS-0223228v7a0

Release 8

ARIB	ARIB STD-T63-23.228	8.5.0	Approved	Sep 08	http://www.arib.or.jp/IMT-2000/ARIB-STD/ITU-R_Rev8/Rel8/A23228-850.pdf
ETSI	ETSI TS 123 228	8.3.0	Awaiting publication		http://pda.etsi.org/pda/home.asp?wkr=RTS/TSGS-0223228v830

5.1.2.12.6 TS 23.401**GPRS enhancements for E-UTRAN access**

This Technical Specification defines the stage 2 service description for the Evolved 3GPP Packet Switched Domain – also called the Evolved Packet System (EPS) in this document. The Evolved 3GPP Packet Switched Domain provides IP connectivity using the Evolved Universal Terrestrial Radio Access Network (E-UTRAN). The specification also covers mobility between E-UTRAN and pre-E-UTRAN 3GPP radio access technologies.

SDO (2)	Document No.	Version	Status	Issued date	Location (1)
Release 99					
ETSI	ETSI TR 123 930	3.0.0	Published	Feb 00	http://pda.etsi.org/pda/home.asp?wkr=DTR/TSGS-0223930U
TTC	TS-3GA-23.930(R99)v3.0.0	3.0.0 R1	Published	Feb 02	http://www.ttc.or.jp/imt/tr/tr23930r99v300.pdf
Release 4					
ETSI	ETSI TR 123 930	4.0.0	Published	Apr 01	http://pda.etsi.org/pda/home.asp?wkr=RTR/TSGS-0223930Uv4
TTC	TS-3GA-23.930(Rel4)v4.0.0	4.0.0 R1	Published	May 01	http://www.ttc.or.jp/imt/tr/tr23930rel4v400.pdf

5.1.2.12.7 TS 23.402**Architecture Enhancements for non-3GPP accesses**

This Technical Specification defines the stage 2 service description for providing IP connectivity using non-3GPP accesses to the Evolved 3GPP Packet Switched domain. In addition, for E-UTRAN and non-3GPP accesses, the specification describes the Evolved 3GPP PS Domain where the protocols between its Core Network elements are IETF based.

SDO (2)	Document No.	Version	Status	Issued date	Location (1)
Release 99					
ARIB	ARIB STD-T63-22.002	3.6.0	Approved	Sep 08	http://www.arib.or.jp/IMT-2000/ARIB-STD/ITU-R_Rev8/R99/A22002-360.pdf
ETSI	ETSI TS 122 002	3.6.0	Published	Apr 01	http://pda.etsi.org/pda/home.asp?wkr=RTS/TSGS-0122002UR4
Release 4					
ARIB	ARIB STD-T63-22.002	4.2.0	Approved	Sep 08	http://www.arib.or.jp/IMT-2000/ARIB-STD/ITU-R_Rev8/Rel4/A22002-420.pdf
ETSI	ETSI TS 122 002	4.2.0	Published	Jul 01	http://pda.etsi.org/pda/home.asp?wkr=RTS/TSGS-0122002Uv4R1
Release 5					
ARIB	ARIB STD-T63-22.002	5.0.0	Approved	Sep 08	http://www.arib.or.jp/IMT-2000/ARIB-STD/ITU-R_Rev8/Rel5/A22002-500.pdf
ETSI	ETSI TS 122 002	5.0.0	Published	Jul 02	http://pda.etsi.org/pda/home.asp?wkr=RTS/TSGS-0122002v500
Release 6					
ARIB	ARIB STD-T63-22.002	6.0.0	Approved	Sep 08	http://www.arib.or.jp/IMT-2000/ARIB-STD/ITU-R_Rev8/Rel6/A22002-600.pdf
ETSI	ETSI TS 122 002	6.0.0	Published	Jan 05	http://pda.etsi.org/pda/home.asp?wkr=RTS/TSGS-0122002v600

Release 7

ARIB	ARIB STD-T63-22.002	7.0.0	Approved	Sep 08	http://www.arib.or.jp/IMT-2000/ARIB-STD/ITU-R_Rev8/Rel7/A22002-700.pdf
ETSI	ETSI TS 122 002	7.0.0	Published	Jun 07	http://pda.etsi.org/pda/home.asp?wkr=RTS/TSGS-0122002v700

5.1.2.12.8 TR 23.930**Iu principles**

This specification describes the requirements on the Iu and studies relevant principles to guide further standardization of the related interface(s).

SDO (2)	Document No.	Version	Status	Issued date	Location (1)
Release 99					
ETSI	ETSI TS 122 004	3.3.0	Published	Jul 02	http://pda.etsi.org/pda/home.asp?wkr=RTS/TSGS-0122004v330
TTC	TS-3GA-22.004(R99)v3.3.0	3.3.0 R1	Published	Aug 02	http://www.ttc.or.jp/imt/ts/ts22004r99v330.pdf
Release 4					
ETSI	ETSI TS 122 004	4.3.0	Published	Jun 04	http://pda.etsi.org/pda/home.asp?wkr=RTS/TSGS-0122004v430
TTC	TS-3GA-22.004(Rel4)v4.3.0	4.3.0 R1	Published	Aug 04	http://www.ttc.or.jp/imt/ts/ts22004rel4v430.pdf
Release 5					
ETSI	ETSI TS 122 004	5.1.0	Published	Jun 04	http://pda.etsi.org/pda/home.asp?wkr=RTS/TSGS-0122004v510
TTC	TS-3GA-22.004(Rel5)v5.1.0	5.1.0 R1	Published	Aug 04	http://www.ttc.or.jp/imt/ts/ts22004rel5v510.pdf
Release 6					
ETSI	ETSI TS 122 004	6.0.0	Published	Jan 05	http://pda.etsi.org/pda/home.asp?wkr=RTS/TSGS-0122004v600
TTC	TS-3GA-22.004(Rel6)v6.0.0	6.0.0 R1	Published	Mar 05	http://www.ttc.or.jp/imt/ts/ts22004rel6v600.pdf
Release 7					
ETSI	ETSI TS 122 004	7.0.0	Published	Apr 07	http://pda.etsi.org/pda/home.asp?wkr=RTS/TSGS-0122004v700
TTC	TS-3GA-22.004(Rel7)v7.0.0	7.0.0 R1	Published	Jan 08	http://www.ttc.or.jp/imt/ts/ts22004rel7v700.pdf
Release 8					
ETSI	ETSI TS 122 004	8.0.0	Awaiting publication		http://pda.etsi.org/pda/home.asp?wkr=RTS/TSGS-0122004v800
TTC	TS-3GA-22.004(Rel8)v8.0.0	8.0.0 R1	Approved	Oct 08	http://www.ttc.or.jp/imt/ts/ts22004rel8v800.pdf

5.1.2.12.9 TS 22.002**Bearer services supported by a GSM PLMN**

This 3G specification describes a set of bearer services to be provided to 3G subscribers by a 3G network itself and in connection with other networks. This document is also be used as a reference for defining the corresponding required mobile network capabilities which are specified by means of the connection type concept.

SDO (2)	Document No.	Version	Status	Issued date	Location (1)
Release 99					
ETSI	ETSI TS 122 011	3.8.0	Published	Sep 02	http://pda.etsi.org/pda/home.asp?wkr=RTS/TSGS-0122011v380
TTC	TS-3GA-22.011(R99)v3.8.0	3.8.0 R1	Published	Nov 02	http://www.ttc.or.jp/imt/ts/ts22011r99v380.pdf
Release 4					
ETSI	ETSI TS 122 011	4.8.0	Published	Sep 02	http://pda.etsi.org/pda/home.asp?wkr=RTS/TSGS-0122011v480
TTC	TS-3GA-22.011(Rel4)v4.8.0	4.8.0 R1	Published	Nov 02	http://www.ttc.or.jp/imt/ts/ts22011rel4v480.pdf
Release 5					
ETSI	ETSI TS 122 011	5.1.0	Published	Sep 02	http://pda.etsi.org/pda/home.asp?wkr=RTS/TSGS-0122011v510
TTC	TS-3GA-22.011(Rel5)v5.1.0	5.1.0 R1	Published	Nov 02	http://www.ttc.or.jp/imt/ts/ts22011rel5v510.pdf
Release 6					
ETSI	ETSI TS 122 011	6.4.0	Published	Jan 05	http://pda.etsi.org/pda/home.asp?wkr=RTS/TSGS-0122011v640
TTC	TS-3GA-22.011(Rel6)v6.4.0	6.4.0 R1	Published	Mar 05	http://www.ttc.or.jp/imt/ts/ts22011rel6v640.pdf
Release 7					
ETSI	ETSI TS 122 011	7.8.0	Awaiting publication		http://pda.etsi.org/pda/home.asp?wkr=RTS/TSGS-0122011v780
TTC	TS-3GA-22.011(Rel7)v7.9.0	7.9.0 R1	Approved	Oct 08	http://www.ttc.or.jp/imt/ts/ts22011rel7v790.pdf
Release 8					
ETSI	ETSI TS 122 011	8.2.0	Awaiting publication		http://pda.etsi.org/pda/home.asp?wkr=RTS/TSGS-0122011v820
TTC	TS-3GA-22.011(Rel8)v8.4.1	8.4.1 R1	Approved	Oct 08	http://www.ttc.or.jp/imt/ts/ts22011rel8v841.pdf

5.1.2.12.10 TS 22.004

General on supplementary services

This specification describes a recommended set of supplementary services to the teleservices and bearer services which will be supported by a 3G network in connection with other networks as a basis for the definition of the network capabilities required.

SDO (2)	Document No.	Version	Status	Issued date	Location (1)
Release 99					
ARIB	ARIB STD-T63-22.016	3.3.0	Approved	Sep 08	http://www.arib.or.jp/IMT-2000/ARIB-STD/ITU-R_Rev8/R99/A22016-330.pdf
ETSI	ETSI TS 122 016	3.3.0	Published	Jul 02	http://pda.etsi.org/pda/home.asp?wkr=RTS/TSGS-0122016v330
Release 4					
ARIB	ARIB STD-T63-22.016	4.2.1	Approved	Sep 08	http://www.arib.or.jp/IMT-2000/ARIB-STD/ITU-R_Rev8/Rel4/A22016-421.pdf
ETSI	ETSI TS 122 016	4.2.1	Published	Jul 02	http://pda.etsi.org/pda/home.asp?wkr=RTS/TSGS-0122016v421
Release 5					
ARIB	ARIB STD-T63-22.016	5.0.0	Approved	Sep 08	http://www.arib.or.jp/IMT-2000/ARIB-STD/ITU-R_Rev8/Rel5/A22016-500.pdf
ETSI	ETSI TS 122 016	5.0.0	Published	Jul 02	http://pda.etsi.org/pda/home.asp?wkr=RTS/TSGS-0122016v500

154

Rec. ITU-R M.1457-8

Release 6

ARIB	ARIB STD-T63-22.016	6.0.0	Approved	Sep 08	http://www.arib.or.jp/IMT-2000/ARIB-STD/ITU-R_Rev8/Rel6/A22016-600.pdf
ETSI	ETSI TS 122 016	6.0.0	Published	Jan 05	http://pda.etsi.org/pda/home.asp?wkr=RTS/TSGS-0122016v600

Release 7

ARIB	ARIB STD-T63-22.016	7.0.1	Approved	Sep 08	http://www.arib.or.jp/IMT-2000/ARIB-STD/ITU-R_Rev8/Rel7/A22016-701.pdf
ETSI	ETSI TS 122 016	7.0.1	Published	Jun 07	http://pda.etsi.org/pda/home.asp?wkr=RTS/TSGS-0122016v701

5.1.2.12.11 TS 22.011

Service accessibility

This specification describes the service access procedures as presented to the user. The document contains definitions and procedures are provided for international roaming, national roaming and regionally provided service. These are mandatory in relation to the technical realization of the UE.

SDO (2)	Document No.	Version	Status	Issued date	Location (1)
Release 99					
ARIB	ARIB STD-T63-22.022	3.2.1	Approved	Sep 08	http://www.arib.or.jp/IMT-2000/ARIB-STD/ITU-R_Rev8/R99/A22022-321.pdf
ETSI	ETSI TS 122 022	3.2.1	Published	Jun 02	http://pda.etsi.org/pda/home.asp?wkr=RTS/TSGS-0322022v321
Release 4					
ARIB	ARIB STD-T63-22.022	4.1.0	Approved	Sep 08	http://www.arib.or.jp/IMT-2000/ARIB-STD/ITU-R_Rev8/Rel4/A22022-410.pdf
ETSI	ETSI TS 122 022	4.1.0	Published	Jun 02	http://pda.etsi.org/pda/home.asp?wkr=RTS/TSGS-0322022v410
Release 5					
ARIB	ARIB STD-T63-22.022	5.0.0	Approved	Sep 08	http://www.arib.or.jp/IMT-2000/ARIB-STD/ITU-R_Rev8/Rel5/A22022-500.pdf
ETSI	ETSI TS 122 022	5.0.0	Published	Oct 02	http://pda.etsi.org/pda/home.asp?wkr=RTS/TSGS-0322022v500
Release 6					
ARIB	ARIB STD-T63-22.022	6.0.0	Approved	Sep 08	http://www.arib.or.jp/IMT-2000/ARIB-STD/ITU-R_Rev8/Rel6/A22022-600.pdf
ETSI	ETSI TS 122 022	6.0.0	Published	Jan 05	http://pda.etsi.org/pda/home.asp?wkr=RTS/TSGS-0322022v600
Release 7					
ARIB	ARIB STD-T63-22.022	7.2.0	Approved	Sep 08	http://www.arib.or.jp/IMT-2000/ARIB-STD/ITU-R_Rev8/Rel7/A22022-720.pdf
ETSI	ETSI TS 122 022	7.0.0	Published	Jun 07	http://pda.etsi.org/pda/home.asp?wkr=RTS/TSGS-0322022v700

5.1.2.12.12 TS 22.016

International mobile equipment identities (IMEI)

This specification describes the principal purpose and use of unique equipment identities.

SDO (2)	Document No.	Version	Status	Issued date	Location (1)
Release 99					
ETSI	ETSI TS 122 024	3.0.1	Published	Feb 00	http://pda.etsi.org/pda/home.asp?wkr=DTS/TSGS-0122024U
TTC	JP-3GA-22.024(R99)v3.0.1	3.0.1 R1	Published	Mar 00	http://www.ttc.or.jp/imt/ts/ts22024r99v301.pdf
Release 4					
ETSI	ETSI TS 122 024	4.0.0	Published	Apr 01	http://pda.etsi.org/pda/home.asp?wkr=RTS/TSGS-0122024Uv4
TTC	TS-3GA-22.024(Rel4)v4.0.0	4.0.0 R1	Published	May 01	http://www.ttc.or.jp/imt/ts/ts22024rel4v400.pdf
Release 5					
ETSI	ETSI TS 122 024	5.1.0	Published	Jul 05	http://pda.etsi.org/pda/home.asp?wkr=RTS/TSGS-0122024v510
TTC	TS-3GA-22.024(Rel5)v5.1.0	5.1.0 R1	Published	Jul 05	http://www.ttc.or.jp/imt/ts/ts22024rel5v510.pdf
Release 6					
ETSI	ETSI TS 122 024	6.1.0	Published	Jul 05	http://pda.etsi.org/pda/home.asp?wkr=RTS/TSGS-0122024v610
TTC	TS-3GA-22.024(Rel6)v6.1.0	6.1.0 R1	Published	Jul 05	http://www.ttc.or.jp/imt/ts/ts22024rel6v610.pdf
Release 7					
ETSI	ETSI TS 122 024	7.0.0	Published	Jul 07	http://pda.etsi.org/pda/home.asp?wkr=RTS/TSGS-0122024v700
TTC	TS-3GA-22.024(Rel7)v7.0.0	7.0.0 R1	Published	Jan 08	http://www.ttc.or.jp/imt/ts/ts22024rel7v700.pdf

5.1.2.12.13 TS 22.022

Personalization of GSM ME mobile functionality specification – Stage 1

This specification describes functional specifications of five features to personalize UE. These features are called: – network personalization; – network subset personalization; – service provider (SP) personalization; – corporate personalization; – UMTS subscriber identity module (USIM) personalization. This specification describes requirements for UE, which provide these personalization features.

SDO (2)	Document No.	Version	Status	Issued date	Location (1)
Release 99					
ARIB	ARIB STD-T63-22.030	3.4.0	Approved	Sep 08	http://www.arib.or.jp/IMT-2000/ARIB-STD/ITU-R_Rev8/R99/A22030-340.pdf
ETSI	ETSI TS 122 030	3.4.0	Published	Nov 00	http://pda.etsi.org/pda/home.asp?wkr=RTS/TSGS-0122030UR2
Release 4					
ARIB	ARIB STD-T63-22.030	4.1.0	Approved	Sep 08	http://www.arib.or.jp/IMT-2000/ARIB-STD/ITU-R_Rev8/Rel4/A22030-410.pdf
ETSI	ETSI TS 122 030	4.1.0	Published	Apr 02	http://pda.etsi.org/pda/home.asp?wkr=RTS/TSGS-0122030Uv4R1
Release 5					
ARIB	ARIB STD-T63-22.030	5.0.0	Approved	Sep 08	http://www.arib.or.jp/IMT-2000/ARIB-STD/ITU-R_Rev8/Rel5/A22030-500.pdf
ETSI	ETSI TS 122 030	5.0.0	Published	Jul 02	http://pda.etsi.org/pda/home.asp?wkr=RTS/TSGS-0122030v500

156

Rec. ITU-R M.1457-8

Release 6

ARIB	ARIB STD-T63-22.030	6.0.1	Approved	Sep 08	http://www.arib.or.jp/IMT-2000/ARIB-STD/ITU-R_Rev8/Rel6/A22030-601.pdf
ETSI	ETSI TS 122 030	6.0.1	Published	Apr 05	http://pda.etsi.org/pda/home.asp?wkr=RTS/TSGS-0122030v601

Release 7

ARIB	ARIB STD-T63-22.030	7.0.1	Approved	Sep 08	http://www.arib.or.jp/IMT-2000/ARIB-STD/ITU-R_Rev8/Rel7/A22030-701.pdf
ETSI	ETSI TS 122 030	7.0.1	Published	Jan 06	http://pda.etsi.org/pda/home.asp?wkr=RTS/TSGS-0122030v701

Release 8

ARIB	ARIB STD-T63-22.030	8.1.0	Approved	Sep 08	http://www.arib.or.jp/IMT-2000/ARIB-STD/ITU-R_Rev8/Rel8/A22030-810.pdf
------	---------------------	-------	----------	--------	---

5.1.2.12.14 TS 22.024

Description of charge advice information (CAI)

This specification describes an overall view of how the charging advice supplementary service shall operate both in the network and within the UE. The charging supplementary service is described in TS 22.086.

SDO (2)	Document No.	Version	Status	Issued date	Location (1)
Release 99					
ARIB	ARIB STD-T63-22.034	3.2.1	Approved	Sep 08	http://www.arib.or.jp/IMT-2000/ARIB-STD/ITU-R_Rev8/R99/A22034-321.pdf
ETSI	ETSI TS 122 034	3.2.1	Published	May 00	http://pda.etsi.org/pda/home.asp?wkr=RTS/TSGS-0122034UR1
Release 4					
ARIB	ARIB STD-T63-22.034	4.1.0	Approved	Sep 08	http://www.arib.or.jp/IMT-2000/ARIB-STD/ITU-R_Rev8/Rel4/A22034-410.pdf
ETSI	ETSI TS 122 034	4.1.0	Published	Jul 02	http://pda.etsi.org/pda/home.asp?wkr=RTS/TSGS-0122034v410
Release 5					
ARIB	ARIB STD-T63-22.034	5.0.0	Approved	Sep 08	http://www.arib.or.jp/IMT-2000/ARIB-STD/ITU-R_Rev8/Rel5/A22034-500.pdf
ETSI	ETSI TS 122 034	5.0.0	Published	Jul 02	http://pda.etsi.org/pda/home.asp?wkr=RTS/TSGS-0122034v500
Release 6					
ARIB	ARIB STD-T63-22.034	6.0.0	Approved	Sep 08	http://www.arib.or.jp/IMT-2000/ARIB-STD/ITU-R_Rev8/Rel6/A22034-600.pdf
ETSI	ETSI TS 122 034	6.0.0	Published	Jan 05	http://pda.etsi.org/pda/home.asp?wkr=RTS/TSGS-0122034v600
Release 7					
ARIB	ARIB STD-T63-22.034	7.0.0	Approved	Sep 08	http://www.arib.or.jp/IMT-2000/ARIB-STD/ITU-R_Rev8/Rel7/A22034-700.pdf
ETSI	ETSI TS 122 034	7.0.0	Published	Jul 07	http://pda.etsi.org/pda/home.asp?wkr=RTS/TSGS-0122034v700

5.1.2.12.15 TS 22.030

Man-machine interface (MMI) of the mobile station

This specification describes the requirements for and gives guidelines on the MMI for calls on the 3G UE. This includes the requirements of the user procedures for call control and supplementary service control, the requirements on the physical input media and the output, such as indications and displayed information.

SDO (2)	Document No.	Version	Status	Issued date	Location (1)
Release 99					
ARIB	ARIB STD-T63-22.038	3.4.0	Approved	Sep 08	http://www.arib.or.jp/IMT-2000/ARIB-STD/ITU-R_Rev8/R99/A22038-340.pdf
ETSI	ETSI TS 122 038	3.4.0	Published	Jan 04	http://pda.etsi.org/pda/home.asp?wkr=RTS/TSGS-0122038v340
Release 4					
ARIB	ARIB STD-T63-22.038	4.3.0	Approved	Sep 08	http://www.arib.or.jp/IMT-2000/ARIB-STD/ITU-R_Rev8/Rel4/A22038-430.pdf
ETSI	ETSI TS 122 038	4.3.0	Published	Jan 04	http://pda.etsi.org/pda/home.asp?wkr=RTS/TSGS-0122038v430
Release 5					
ARIB	ARIB STD-T63-22.038	5.4.0	Approved	Sep 08	http://www.arib.or.jp/IMT-2000/ARIB-STD/ITU-R_Rev8/Rel5/A22038-540.pdf
ETSI	ETSI TS 122 038	5.4.0	Published	Jan 04	http://pda.etsi.org/pda/home.asp?wkr=RTS/TSGS-0122038v540
Release 6					
ARIB	ARIB STD-T63-22.038	6.5.0	Approved	Sep 08	http://www.arib.or.jp/IMT-2000/ARIB-STD/ITU-R_Rev8/Rel6/A22038-650.pdf
ETSI	ETSI TS 122 038	6.5.0	Published	Oct 05	http://pda.etsi.org/pda/home.asp?wkr=RTS/TSGS-0122038v650
Release 7					
ARIB	ARIB STD-T63-22.038	7.5.0	Approved	Sep 08	http://www.arib.or.jp/IMT-2000/ARIB-STD/ITU-R_Rev8/Rel7/A22038-750.pdf
ETSI	ETSI TS 122 038	7.5.0	Published	Jan 06	http://pda.etsi.org/pda/home.asp?wkr=RTS/TSGS-0122038v750
Release 8					
ARIB	ARIB STD-T63-22.038	8.0.1	Approved	Sep 08	http://www.arib.or.jp/IMT-2000/ARIB-STD/ITU-R_Rev8/Rel8/A22038-801.pdf

5.1.2.12.16 TS 22.034

High speed circuit switched data (HSCSD) – Stage 1

This specification describes the Stage 1 description of HSCSD. HSCSD is a feature that allows users subscribing to the general bearer services to access user rates that can be achieved with one or more traffic channel. HSCSD also defines a flexible use of air interface resources, which makes efficient and flexible use of higher user rates feasible.

SDO (2)	Document No.	Version	Status	Issued date	Location (1)
Release 99					
ETSI	ETSI TS 122 041	3.3.1	Published	Jun 01	http://pda.etsi.org/pda/home.asp?wkr=RTS/TSGS-0122041UR2
TTC	TS-3GA-22.041(R99)v3.3.1	3.3.1 R1	Published	May 01	http://www.ttc.or.jp/imt/ts/ts22041r99v331.pdf
Release 4					
ETSI	ETSI TS 122 041	4.1.0	Published	Apr 01	http://pda.etsi.org/pda/home.asp?wkr=RTS/TSGS-0122041Uv4
TTC	TS-3GA-22.041(Rel4)v4.1.0	4.1.0 R1	Published	May 01	http://www.ttc.or.jp/imt/ts/ts22041rel4v410.pdf
Release 5					
ETSI	ETSI TS 122 041	5.0.0	Published	Jul 02	http://pda.etsi.org/pda/home.asp?wkr=RTS/TSGS-0122041v500
TTC	TS-3GA-22.041(Rel5)v5.0.0	5.0.0 R1	Published	Aug 02	http://www.ttc.or.jp/imt/ts/ts22041rel5v500.pdf

158**Rec. ITU-R M.1457-8****Release 6**

ETSI	ETSI TS 122 041	6.2.0	Published	Jan 05	http://pda.etsi.org/pda/home.asp?wkr=RTS/TSGS-0122041v620
TTC	TS-3GA-22.041(Rel6)v6.2.0	6.2.0 R1	Published	Mar 05	http://www.ttc.or.jp/imt/ts/ts22041rel6v620.pdf

Release 7

ETSI	ETSI TS 122 041	7.0.0	Published	Apr 07	http://pda.etsi.org/pda/home.asp?wkr=RTS/TSGS-0122041v700
TTC	TS-3GA-22.041(Rel7)v7.0.0	7.0.0 R1	Published	Jan 08	http://www.ttc.or.jp/imt/ts/ts22041rel7v700.pdf

Release 8

ETSI	ETSI TS 122 041	8.1.0	Awaiting publication		http://pda.etsi.org/pda/home.asp?wkr=RTS/TSGS-0122041v810
TTC	TS-3GA-22.041(Rel8)v8.1.0	8.1.0 R1	Approved	Oct 08	http://www.ttc.or.jp/imt/ts/ts22041rel8v810.pdf

5.1.2.12.17 TS 22.038**SIM application toolkit (SAT) – Stage 1**

This specification describes the Stage 1 description of the SAT primarily from the subscriber's and serving environment's points of view, and does not deal with the details of the human interface itself. It includes information applicable to network operators, serving environments and terminal, switch and database manufacturers and contains the core requirements for a SAT which are sufficient to provide a complete service.

SDO (2)	Document No.	Version	Status	Issued date	Location (1)
Release 99					
ETSI	ETSI TS 122 042	3.0.1	Published	Feb 00	http://pda.etsi.org/pda/home.asp?wkr=DTS/TSGS-0122042U
TTC	JP-3GA-22.042(R99)v3.0.1	3.0.1 R1	Published	Mar 00	http://www.ttc.or.jp/imt/ts/ts22042r99v301.pdf
Release 4					
ETSI	ETSI TS 122 042	4.2.1	Published	Jul 03	http://pda.etsi.org/pda/home.asp?wkr=RTS/TSGS-0122042v421
Release 5					
ETSI	ETSI TS 122 042	5.1.0	Published	Jul 03	http://pda.etsi.org/pda/home.asp?wkr=RTS/TSGS-0122042v510
Release 6					
ETSI	ETSI TS 122 042	6.0.0	Published	Jan 05	http://pda.etsi.org/pda/home.asp?wkr=RTS/TSGS-0122042v600
Release 7					
ETSI	ETSI TS 122 042	7.0.0	Published	Jul 07	http://pda.etsi.org/pda/home.asp?wkr=RTS/TSGS-0122042v700

5.1.2.12.18 TS 22.041**Operator determined call barring**

The feature operator determined barring (ODB) allows the network operator or service provider to regulate, by means of an exceptional procedure, access by the subscribers to 3G services, by the barring of certain categories of outgoing or incoming calls or of roaming. ODB shall take effect immediately and shall terminate ongoing calls and bar future calls. The purpose of this network feature is to be able to limit the service provider's financial exposure to new subscribers, or to those who have not promptly paid their bills. It may only be applied to the service provider's own subscribers.

SDO (2)	Document No.	Version	Status	Issued date	Location (1)
Release 99					
ARIB	ARIB STD-T63-22.057	3.0.1	Approved	Sep 08	http://www.arib.or.jp/IMT-2000/ARIB-STD/ITU-R_Rev8/R99/A22057-301.pdf
ETSI	ETSI TS 122 057	3.0.1	Published	Feb 00	http://pda.etsi.org/pda/home.asp?wkr=DTS/TSGS-0122057U
Release 4					
ARIB	ARIB STD-T63-22.057	4.1.0	Approved	Sep 08	http://www.arib.or.jp/IMT-2000/ARIB-STD/ITU-R_Rev8/Rel4/A22057-410.pdf
ETSI	ETSI TS 122 057	4.1.0	Published	Apr 02	http://pda.etsi.org/pda/home.asp?wkr=RTS/TSGS-0122057Uv4R1
Release 5					
ARIB	ARIB STD-T63-22.057	5.4.0	Approved	Sep 08	http://www.arib.or.jp/IMT-2000/ARIB-STD/ITU-R_Rev8/Rel5/A22057-540.pdf
ETSI	ETSI TS 122 057	5.4.0	Published	Jul 02	http://pda.etsi.org/pda/home.asp?wkr=RTS/TSGS-0122057v540
Release 6					
ARIB	ARIB STD-T63-22.057	6.0.0	Approved	Sep 08	http://www.arib.or.jp/IMT-2000/ARIB-STD/ITU-R_Rev8/Rel6/A22057-600.pdf
ETSI	ETSI TS 122 057	6.0.0	Published	Jan 05	http://pda.etsi.org/pda/home.asp?wkr=RTS/TSGS-0122057v600
Release 7					
ARIB	ARIB STD-T63-22.057	7.0.0	Approved	Sep 08	http://www.arib.or.jp/IMT-2000/ARIB-STD/ITU-R_Rev8/Rel7/A22057-700.pdf
ETSI	ETSI TS 122 057	7.0.0	Published	Jul 07	http://pda.etsi.org/pda/home.asp?wkr=RTS/TSGS-0122057v700

5.1.2.12.19 TS 22.042

Network identity and time zone (NITZ) – Stage 1

The feature NITZ provides the means for serving networks to transfer current identity, time, daylight saving time and the local time zone to user equipment storage and use.

SDO (2)	Document No.	Version	Status	Issued date	Location (1)
Release 99					
ETSI	ETSI TS 122 060	3.5.0	Published	Nov 00	http://pda.etsi.org/pda/home.asp?wkr=RTS/TSGS-0122060UR3
TTC	JP-3GA-22.060(R99)v3.5.0	3.5.0 R3	Published	May 01	http://www.ttc.or.jp/imt/ts/22060r99v350.pdf
Release 4					
ETSI	ETSI TS 122 060	4.4.0	Published	Jul 02	http://pda.etsi.org/pda/home.asp?wkr=RTS/TSGS-0122060v440
TTC	TS-3GA-22.060(Rel4)v4.4.0	4.4.0 R1	Published	Aug 02	http://www.ttc.or.jp/imt/ts/22060rel4v440.pdf
Release 5					
ETSI	ETSI TS 122 060	5.3.0	Published	Apr 03	http://pda.etsi.org/pda/home.asp?wkr=RTS/TSGS-0122060v530
TTC	TS-3GA-22.060(Rel5)v5.3.0	5.3.0 R1	Published	May 03	http://www.ttc.or.jp/imt/ts/22060rel5v530.pdf
Release 6					
ETSI	ETSI TS 122 060	6.0.0	Published	Jan 05	http://pda.etsi.org/pda/home.asp?wkr=RTS/TSGS-0122060v600
TTC	TS-3GA-22.060(Rel6)v6.0.0	6.0.0 R1	Published	Jan 08	http://www.ttc.or.jp/imt/ts/22060rel6v600.pdf

160**Rec. ITU-R M.1457-8****Release 7**

ETSI	ETSI TS 122 060	7.0.0	Published	Jul 07	http://pda.etsi.org/pda/home.asp?wkr=RTS/TSGS-0122060v700
TTC	TS-3GA-22.060(Rel7)v7.0.0	7.0.0 R1	Published	Jan 08	http://www.ttc.or.jp/imt/ts/ts22060rel7v700.pdf

5.1.2.12.20 TS 22.057**Mobile station application execution environment (MExE) – Stage 1**

This specification describes the Stage 1 description of the MExE.

SDO (2)	Document No.	Version	Status	Issued date	Location (1)
Release 99					
ETSI	ETSI TS 122 066	3.2.0	Published	Aug 00	http://pda.etsi.org/pda/home.asp?wkr=RTS/TSGS-0122066UR2
TTC	JP-3GA-22.066(R99)v3.2.0	3.2.0 R2	Published	Nov 00	http://www.ttc.or.jp/imt/ts/ts22066r99v320.pdf
Release 4					
ETSI	ETSI TS 122 066	4.0.0	Published	Apr 01	http://pda.etsi.org/pda/home.asp?wkr=RTS/TSGS-0122066Uv4
TTC	TS-3GA-22.066(Rel4)v4.0.0	4.0.0 R1	Published	May 01	http://www.ttc.or.jp/imt/ts/ts22066rel4v400.pdf
Release 5					
ETSI	ETSI TS 122 066	5.1.0	Published	Jul 03	http://pda.etsi.org/pda/home.asp?wkr=RTS/TSGS-0122066v510
TTC	TS-3GA-22.066(Rel5)v5.1.0	5.1.0 R1	Published	Aug 03	http://www.ttc.or.jp/imt/ts/ts22066rel5v510.pdf
Release 6					
ETSI	ETSI TS 122 066	6.1.0	Published	Jan 05	http://pda.etsi.org/pda/home.asp?wkr=RTS/TSGS-0122066v610
TTC	TS-3GA-22.066(Rel6)v6.1.0	6.1.0 R1	Published	Mar 05	http://www.ttc.or.jp/imt/ts/ts22066rel6v610.pdf
Release 7					
ETSI	ETSI TS 122 066	7.0.0	Published	Jul 07	http://pda.etsi.org/pda/home.asp?wkr=RTS/TSGS-0122066v700
TTC	TS-3GA-22.066(Rel7)v7.0.0	7.0.0 R1	Published	Jan 08	http://www.ttc.or.jp/imt/ts/ts22066rel7v700.pdf

5.1.2.12.21 TS 22.060**General packet radio service (GPRS) – Stage 1**

This specification describes the Stage 1 description of the GPRS.

SDO (2)	Document No.	Version	Status	Issued date	Location (1)
Release 99					
ARIB	ARIB STD-T63-22.067	3.0.1	Approved	Sep 08	http://www.arib.or.jp/IMT-2000/ARIB-STD/ITU-R_Rev8/R99/A22067-301.pdf
ETSI	ETSI TS 122 067	3.0.1	Published	Feb 00	http://pda.etsi.org/pda/home.asp?wkr=DTS/TSGS-0122067U
Release 4					
ARIB	ARIB STD-T63-22.067	4.1.0	Approved	Sep 08	http://www.arib.or.jp/IMT-2000/ARIB-STD/ITU-R_Rev8/Rel4/A22067-410.pdf
ETSI	ETSI TS 122 067	4.1.0	Published	Apr 02	http://pda.etsi.org/pda/home.asp?wkr=RTS/TSGS-0122067Uv4R1

Release 5					
ARIB	ARIB STD-T63-22.067	5.0.0	Approved	Sep 08	http://www.arib.or.jp/IMT-2000/ARIB-STD/ITU-R_Rev8/Rel5/A22067-500.pdf
ETSI	ETSI TS 122 067	5.0.0	Published	Jul 02	http://pda.etsi.org/pda/home.asp?wkr=RTS/TSGS-0122067v500
Release 6					
ARIB	ARIB STD-T63-22.067	6.1.0	Approved	Sep 08	http://www.arib.or.jp/IMT-2000/ARIB-STD/ITU-R_Rev8/Rel6/A22067-610.pdf
ETSI	ETSI TS 122 067	6.1.0	Published	Jan 05	http://pda.etsi.org/pda/home.asp?wkr=RTS/TSGS-0122067v610
Release 7					
ARIB	ARIB STD-T63-22.067	7.0.0	Approved	Sep 08	http://www.arib.or.jp/IMT-2000/ARIB-STD/ITU-R_Rev8/Rel7/A22067-700.pdf
ETSI	ETSI TS 122 067	7.0.0	Published	Apr 07	http://pda.etsi.org/pda/home.asp?wkr=RTS/TSGS-0122067v700
Release 8					
ARIB	ARIB STD-T63-22.067	8.0.0	Approved	Sep 08	http://www.arib.or.jp/IMT-2000/ARIB-STD/ITU-R_Rev8/Rel8/A22067-800.pdf
ETSI	ETSI TS 122 067	8.0.0	Awaiting publication		http://pda.etsi.org/pda/home.asp?wkr=RTS/TSGS-0122067v800

5.1.2.12.22 TS 22.066

Support of mobile number portability (MNP) – Stage 1

This specification describes the Stage 1 description of the support of MNP between networks in the same country. It is in response to a study mandate agreed between the European Commission and ETSI under order voucher ETSI/97/M-251.

SDO (2)	Document No.	Version	Status	Issued date	Location (1)
Release 99					
ARIB	ARIB STD-T63-22.071	3.5.0	Approved	Sep 08	http://www.arib.or.jp/IMT-2000/ARIB-STD/ITU-R_Rev8/R99/A22071-350.pdf
ETSI	ETSI TS 122 071	3.5.0	Published	Apr 04	http://pda.etsi.org/pda/home.asp?wkr=RTS/TSGS-0122071v350
Release 4					
ARIB	ARIB STD-T63-22.071	4.6.0	Approved	Sep 08	http://www.arib.or.jp/IMT-2000/ARIB-STD/ITU-R_Rev8/Rel4/A22071-460.pdf
ETSI	ETSI TS 122 071	4.6.0	Published	Apr 04	http://pda.etsi.org/pda/home.asp?wkr=RTS/TSGS-0122071v460
Release 5					
ARIB	ARIB STD-T63-22.071	5.4.0	Approved	Sep 08	http://www.arib.or.jp/IMT-2000/ARIB-STD/ITU-R_Rev8/Rel5/A22071-540.pdf
ETSI	ETSI TS 122 071	5.4.0	Published	Apr 04	http://pda.etsi.org/pda/home.asp?wkr=RTS/TSGS-0122071v540
Release 6					
ARIB	ARIB STD-T63-22.071	6.7.0	Approved	Sep 08	http://www.arib.or.jp/IMT-2000/ARIB-STD/ITU-R_Rev8/Rel6/A22071-670.pdf
ETSI	ETSI TS 122 071	6.7.0	Published	Jan 05	http://pda.etsi.org/pda/home.asp?wkr=RTS/TSGS-0122071v670
Release 7					
ARIB	ARIB STD-T63-22.071	7.4.0	Approved	Sep 08	http://www.arib.or.jp/IMT-2000/ARIB-STD/ITU-R_Rev8/Rel7/A22071-740.pdf
ETSI	ETSI TS 122 071	7.4.0	Published	Jan 06	http://pda.etsi.org/pda/home.asp?wkr=RTS/TSGS-0122071v740

Release 8

ARIB	ARIB STD-T63-22.071	8.0.0	Approved	Sep 08	http://www.arib.or.jp/IMT-2000/ARIB-STD/ITU-R_Rev8/Rel8/A22071-800.pdf
ETSI	ETSI	8.0.0	Awaiting publication		

5.1.2.12.23 TS 22.067**Priority set-up service – Stage 1 (ASCI spec)**

This specification describes the Stage 1 description of the enhanced multi-level precedence and pre-emption (eMLPP) service. This service has two parts: precedence and pre-emption. Precedence involves assigning a priority level to a call in combination with fast call set-up. Pre-emption involves the seizing of resources, which are in use by a call of a lower precedence, by a higher level precedence call in the absence of idle resources. Pre-emption can also involve the disconnection of an on-going call of lower precedence to accept an incoming call of higher precedence.

SDO (2)	Document No.	Version	Status	Issued date	Location (1)
Release 99					
ETSI	ETSI TS 122 072	3.0.1	Published	Feb 00	http://pda.etsi.org/pda/home.asp?wkr=DTS/TSGS-0122072U
TTC	JP-3GA-22.072(R99)v3.0.1	3.0.1 R1	Published	Mar 00	http://www.ttc.or.jp/imt/ts/ts22072r99v301.pdf
Release 4					
ETSI	ETSI TS 122 072	4.0.0	Published	May 01	http://pda.etsi.org/pda/home.asp?wkr=RTS/TSGS-0122072Uv4
TTC	TS-3GA-22.072(Rel4)v4.0.0	4.0.0 R1	Published	May 01	http://www.ttc.or.jp/imt/ts/ts22072rel4v400.pdf
Release 5					
ETSI	ETSI TS 122 072	5.0.0	Published	Jul 02	http://pda.etsi.org/pda/home.asp?wkr=RTS/TSGS-0122072v500
TTC	TS-3GA-22.072(Rel5)v5.0.0	5.0.0 R1	Published	Aug 02	http://www.ttc.or.jp/imt/ts/ts22072rel5v500.pdf
Release 6					
ETSI	ETSI TS 122 072	6.0.0	Published	Jan 05	http://pda.etsi.org/pda/home.asp?wkr=RTS/TSGS-0122072v600
TTC	TS-3GA-22.072(Rel6)v6.0.0	6.0.0 R1	Published	Mar 05	http://www.ttc.or.jp/imt/ts/ts22072rel6v600.pdf
Release 7					
ETSI	ETSI TS 122 072	7.0.0	Published	Jul 07	http://pda.etsi.org/pda/home.asp?wkr=RTS/TSGS-0122072v700
TTC	TS-3GA-22.072(Rel7)v7.0.0	7.0.0 R1	Published	Jan 08	http://www.ttc.or.jp/imt/ts/ts22072rel7v700.pdf

5.1.2.12.24 TS 22.071**Location services (LCS) – Stage 1**

LCS is a network provided enabling technology consisting of standardized service capabilities which enables the provision of location applications. This application may be service provider specific. The description of the numerous and varied possible location applications which are enabled by this technology are outside the scope of this specification. However, clarifying examples of how the functionality being specified may be used to provide specific LCS is included in various sections of the specification.

SDO (2)	Document No.	Version	Status	Issued date	Location (1)
Release 99					
ETSI	ETSI TS 122 078	3.9.0	Published	Apr 02	http://pda.etsi.org/pda/home.asp?wkr=RTS/TSGS-0122078UR7
TTC	TS-3GA-22.078(R99)v3.9.0	3.9.0 R1	Published	May 02	http://www.ttc.or.jp/imt/ts/ts22078r99v390.pdf
Release 4					
ETSI	ETSI TS 122 078	4.5.0	Published	Apr 02	http://pda.etsi.org/pda/home.asp?wkr=RTS/TSGS-0122078Uv4R3
TTC	TS-3GA-22.078(Rel4)v4.5.0	4.5.0 R1	Published	May 02	http://www.ttc.or.jp/imt/ts/ts22078rel4v450.pdf
Release 5					
ETSI	ETSI TS 122 078	5.15.0	Published	Apr 05	http://pda.etsi.org/pda/home.asp?wkr=RTS/TSGS-0122078v5f0
TTC	TS-3GA-22.078(Rel5)v5.15.0	5.15.0 R1	Published	May 05	http://www.ttc.or.jp/imt/ts/ts22078rel5v5f0.pdf
Release 6					
ETSI	ETSI TS 122 078	6.9.0	Published	Oct 05	http://pda.etsi.org/pda/home.asp?wkr=RTS/TSGS-0122078v690
TTC	TS-3GA-22.078(Rel6)v6.9.0	6.9.0 R1	Published	Nov 05	http://www.ttc.or.jp/imt/ts/ts22078rel6v690.pdf
Release 7					
ETSI	ETSI TS 122 078	7.6.0	Published	Jan 06	http://pda.etsi.org/pda/home.asp?wkr=RTS/TSGS-0122078v760
TTC	TS-3GA-22.078(Rel7)v7.6.0	7.6.0 R1	Published	Jan 08	http://www.ttc.or.jp/imt/ts/ts22078rel7v760.pdf

5.1.2.12.25 TS 22.072

Call deflection (CD) – Stage 1

CD enables the served mobile subscriber to respond to an incoming call offered by the network by requesting redirection of this call to another number specified in the response. The CD supplementary service can only be invoked before the connection is established by the served mobile subscriber, i.e. in response to the offered call, or during the period that the served subscriber is being informed of the call. The served subscriber's ability to originate calls is unaffected by the CD supplementary service.

SDO (2)	Document No.	Version	Status	Issued date	Location (1)
Release 99					
ETSI	ETSI TS 122 079	3.0.1	Published	Feb 00	http://pda.etsi.org/pda/home.asp?wkr=DTS/TSGS-0122079U
TTC	JP-3GA-22.079(R99)v3.0.1	3.0.1 R2	Published	Mar 00	http://www.ttc.or.jp/imt/ts/ts22079r99v301.pdf
Release 4					
ETSI	ETSI TS 122 079	4.0.0	Published	Apr 01	http://pda.etsi.org/pda/home.asp?wkr=RTS/TSGS-0122079Uv4
TTC	TS-3GA-22.079(Rel4)v4.0.0	4.0.0 R1	Published	May 01	http://www.ttc.or.jp/imt/ts/ts22079rel4v400.pdf
Release 5					
ETSI	ETSI TS 122 079	5.0.0	Published	Jul 02	http://pda.etsi.org/pda/home.asp?wkr=RTS/TSGS-0122079v500
TTC	TS-3GA-22.079(Rel5)v5.0.0	5.0.0 R1	Published	Aug 02	http://www.ttc.or.jp/imt/ts/ts22079rel5v500.pdf

Release 6

ETSI	ETSI TS 122 079	6.0.0	Published	Jan 05	http://pda.etsi.org/pda/home.asp?wkr=RTS/TSGS-0122079v600
TTC	TS-3GA-22.079(Rel6)v6.0.0	6.0.0 R1	Published	Mar 05	http://www.ttc.or.jp/imt/ts/ts22079rel6v600.pdf

Release 7

ETSI	ETSI TS 122 079	7.0.0	Published	Jul 07	http://pda.etsi.org/pda/home.asp?wkr=RTS/TSGS-0122079v700
TTC	TS-3GA-22.079(Rel7)v7.0.0	7.0.0 R1	Published	Jan 08	http://www.ttc.or.jp/imt/ts/ts22079rel7v700.pdf

5.1.2.12.26 TS 22.078**Customized applications for mobile network enhanced logic (CAMEL) – Stage 1**

This specification describes the Stage 1 description for CAMEL feature which provides the mechanisms to support services consistently independently of the serving network. The CAMEL features shall facilitate service control of operator specific services external from the serving network. The CAMEL feature is a network feature and not a supplementary service. It is a tool to help the network operator to provide the subscribers with the operator specific services even when roaming outside the home network.

SDO (2)	Document No.	Version	Status	Issued date	Location (1)
Release 99					
ETSI	ETSI TS 122 081	3.2.0	Published	Aug 00	http://pda.etsi.org/pda/home.asp?wkr=RTS/TSGS-0122081UR1
TTC	JP-3GA-22.081(R99)v3.2.0	3.2.0 R1	Published	Nov 00	http://www.ttc.or.jp/imt/ts/ts22081r99v320.pdf
Release 4					
ETSI	ETSI TS 122 081	4.1.0	Published	Apr 02	http://pda.etsi.org/pda/home.asp?wkr=RTS/TSGS-0122081Uv4R1
TTC	TS-3GA-22.081(Rel4)v4.1.0	4.1.0 R1	Published	May 02	http://www.ttc.or.jp/imt/ts/ts22081rel4v410.pdf
Release 5					
ETSI	ETSI TS 122 081	5.0.0	Published	Jul 02	http://pda.etsi.org/pda/home.asp?wkr=RTS/TSGS-0122081v500
TTC	TS-3GA-22.081(Rel5)v5.0.0	5.0.0 R1	Published	Aug 02	http://www.ttc.or.jp/imt/ts/ts22081rel5v500.pdf
Release 6					
ETSI	ETSI TS 122 081	6.0.0	Published	Jan 05	http://pda.etsi.org/pda/home.asp?wkr=RTS/TSGS-0122081v600
TTC	TS-3GA-22.081(Rel6)v6.0.0	6.0.0 R1	Published	Mar 05	http://www.ttc.or.jp/imt/ts/ts22081rel6v600.pdf
Release 7					
ETSI	ETSI TS 122 081	7.0.0	Published	Jul 07	http://pda.etsi.org/pda/home.asp?wkr=RTS/TSGS-0122081v700
TTC	TS-3GA-22.081(Rel7)v7.0.0	7.0.0 R1	Published	Jan 08	http://www.ttc.or.jp/imt/ts/ts22081rel7v700.pdf

5.1.2.12.27 TS 22.079**Support of optimal routing – Stage 1**

Support of optimal routing is a network feature to reduce the number of unnecessary inter-network call legs when the subscriber is roaming.

SDO (2)	Document No.	Version	Status	Issued date	Location (1)
Release 99					
ETSI	ETSI TS 122 082	3.0.2	Published	Apr 04	http://pda.etsi.org/pda/home.asp?wkr=RTS/TSGS-0122082v302
TTC	JP-3GA-22.082(R99)v3.0.2	3.0.2 R1	Published	Mar 00	http://www.ttc.or.jp/imt/ts/ts22082r99v302.pdf
Release 4					
ETSI	ETSI TS 122 082	4.2.0	Published	Apr 02	http://pda.etsi.org/pda/home.asp?wkr=RTS/TSGS-0122082Uv4R2
TTC	TS-3GA-22.082(Rel4)v4.2.0	4.2.0 R1	Published	May 02	http://www.ttc.or.jp/imt/ts/ts22082rel4v420.pdf
Release 5					
ETSI	ETSI TS 122 082	5.0.0	Published	Jul 02	http://pda.etsi.org/pda/home.asp?wkr=RTS/TSGS-0122082v500
TTC	TS-3GA-22.082(Rel5)v5.0.0	5.0.0 R1	Published	Aug 02	http://www.ttc.or.jp/imt/ts/ts22082rel5v500.pdf
Release 6					
ETSI	ETSI TS 122 082	6.0.0	Published	Jan 05	http://pda.etsi.org/pda/home.asp?wkr=RTS/TSGS-0122082v600
TTC	TS-3GA-22.082(Rel6)v6.0.0	6.0.0 R1	Published	Mar 05	http://www.ttc.or.jp/imt/ts/ts22082rel6v600.pdf
Release 7					
ETSI	ETSI TS 122 082	7.0.0	Published	Jul 07	http://pda.etsi.org/pda/home.asp?wkr=RTS/TSGS-0122082v700
TTC	TS-3GA-22.082(Rel7)v7.0.0	7.0.0 R1	Published	Jan 08	http://www.ttc.or.jp/imt/ts/ts22082rel7v700.pdf

5.1.2.12.28 TS 22.081

Line identification supplementary services – Stage 1

This specification describes the supplementary services belonging to the group line identification supplementary services. The group of line identification supplementary services is divided into the following four supplementary services: CLIP: calling line identification presentation (§ 1); CLIR: calling line identification restriction (§ 2); COLP: connected line identification presentation (§ 3); COLR: connected line identification restriction (§ 4).

SDO (2)	Document No.	Version	Status	Issued date	Location (1)
Release 99					
ETSI	ETSI TS 122 083	3.0.1	Published	Feb 00	http://pda.etsi.org/pda/home.asp?wkr=DTS/TSGS-0122083U
TTC	TS-3GA-22.083(R99)v3.0.1	3.0.1 R1	Published	Mar 00	http://www.ttc.or.jp/imt/ts/ts22083r99v301.pdf
Release 4					
ETSI	ETSI TS 122 083	4.1.0	Published	Apr 02	http://pda.etsi.org/pda/home.asp?wkr=RTS/TSGS-0122083Uv4R1
TTC	TS-3GA-22.083(Rel4)v4.1.0	4.1.0 R1	Published	May 02	http://www.ttc.or.jp/imt/ts/ts22083rel4v410.pdf
Release 5					
ETSI	ETSI TS 122 083	5.0.0	Published	Jul 02	http://pda.etsi.org/pda/home.asp?wkr=RTS/TSGS-0122083v500
TTC	TS-3GA-22.083(Rel5)v5.0.0	5.0.0 R1	Published	Aug 02	http://www.ttc.or.jp/imt/ts/ts22083rel5v500.pdf

166**Rec. ITU-R M.1457-8****Release 6**

ETSI	ETSI TS 122 083	6.0.0	Published	Jan 05	http://pda.etsi.org/pda/home.asp?wkr=RTS/TSGS-0122083v600
TTC	TS-3GA-22.083(Rel6)v6.0.0	6.0.0 R1	Published	Mar 05	http://www.ttc.or.jp/imt/ts/ts22083rel6v600.pdf

Release 7

ETSI	ETSI TS 122 083	7.0.0	Published	Jul 07	http://pda.etsi.org/pda/home.asp?wkr=RTS/TSGS-0122083v700
TTC	TS-3GA-22.083(Rel7)v7.0.0	7.0.0 R1	Published	Jan 08	http://www.ttc.or.jp/imt/ts/ts22083rel7v700.pdf

5.1.2.12.29 TS 22.082**Call forwarding (CF) supplementary services – Stage 1**

This specification describes the supplementary services belonging to the group call offering supplementary services. The group of supplementary services call offering supplementary services is divided into four different supplementary services: – call forwarding unconditional (§ 1); – call forwarding on mobile subscriber busy (§ 2); – call forwarding on no reply (§ 3); – call forwarding on mobile subscriber not reachable (§ 4).

SDO (2)	Document No.	Version	Status	Issued date	Location (1)
Release 99					
ETSI	ETSI TS 122 084	3.0.1	Published	Feb 00	http://pda.etsi.org/pda/home.asp?wkr=DTS/TSGS-0122084U
TTC	JP-3GA-22.084(R99)v3.0.1	3.0.1 R1	Published	Mar 00	http://www.ttc.or.jp/imt/ts/ts22084r99v301.pdf
Release 4					
ETSI	ETSI TS 122 084	4.1.0	Published	Apr 02	http://pda.etsi.org/pda/home.asp?wkr=RTS/TSGS-0122084Uv4R1
TTC	TS-3GA-22.084(Rel4)v4.1.0	4.1.0 R1	Published	May 02	http://www.ttc.or.jp/imt/ts/ts22084rel4v410.pdf
Release 5					
ETSI	ETSI TS 122 084	5.0.0	Published	Jul 02	http://pda.etsi.org/pda/home.asp?wkr=RTS/TSGS-0122084v500
TTC	TS-3GA-22.084(Rel5)v5.0.0	5.0.0 R1	Published	Aug 02	http://www.ttc.or.jp/imt/ts/ts22084rel5v500.pdf
Release 6					
ETSI	ETSI TS 122 084	6.0.0	Published	Jan 05	http://pda.etsi.org/pda/home.asp?wkr=RTS/TSGS-0122084v600
TTC	TS-3GA-22.084(Rel6)v6.0.0	6.0.0 R1	Published	Mar 05	http://www.ttc.or.jp/imt/ts/ts22084rel6v600.pdf
Release 7					
ETSI	ETSI TS 122 084	7.0.0	Published	Jul 07	http://pda.etsi.org/pda/home.asp?wkr=RTS/TSGS-0122084v700
TTC	TS-3GA-22.084(Rel7)v7.0.0	7.0.0 R1	Published	Jan 08	http://www.ttc.or.jp/imt/ts/ts22084rel7v700.pdf

5.1.2.12.30 TS 22.083**Call waiting (CW) and call hold (HOLD) supplementary services – Stage 1**

This specification describes the supplementary services belonging to the group call completion supplementary services which are divided into the following two supplementary services: – call waiting (§ 1); – call hold (§ 2).

SDO (2)	Document No.	Version	Status	Issued date	Location (1)
Release 99					
ETSI	ETSI TS 122 085	3.1.0	Published	Feb 00	http://pda.etsi.org/pda/home.asp?wkr=DTS/TSGS-0122085U
TTC	JP-3GA-22.085(R99)v3.1.0	3.1.0 R1	Published	Mar 00	http://www.ttc.or.jp/imt/ts/ts22085r99v310.pdf
Release 4					
ETSI	ETSI TS 122 085	4.1.0	Published	Apr 02	http://pda.etsi.org/pda/home.asp?wkr=RTS/TSGS-0122085Uv4R1
TTC	TS-3GA-22.085(Rel4)v4.1.0	4.1.0 R1	Published	May 02	http://www.ttc.or.jp/imt/ts/ts22085rel4v410.pdf
Release 5					
ETSI	ETSI TS 122 085	5.0.0	Published	Jul 02	http://pda.etsi.org/pda/home.asp?wkr=RTS/TSGS-0122085v500
TTC	TS-3GA-22.085(Rel5)v5.0.0	5.0.0 R1	Published	Aug 02	http://www.ttc.or.jp/imt/ts/ts22085rel5v500.pdf
Release 6					
ETSI	ETSI TS 122 085	6.0.0	Published	Jan 05	http://pda.etsi.org/pda/home.asp?wkr=RTS/TSGS-0122085v600
TTC	TS-3GA-22.085(Rel6)v6.0.0	6.0.0 R1	Published	Mar 05	http://www.ttc.or.jp/imt/ts/ts22085rel6v600.pdf
Release 7					
ETSI	ETSI TS 122 085	7.0.0	Published	Jul 07	http://pda.etsi.org/pda/home.asp?wkr=RTS/TSGS-0122085v700
TTC	TS-3GA-22.085(Rel7)v7.0.0	7.0.0 R1	Published	Jan 08	http://www.ttc.or.jp/imt/ts/ts22085rel7v700.pdf

5.1.2.12.31 TS 22.084

Multiparty (MPTY) supplementary service – Stage 1

This supplementary service provides a mobile subscriber with the ability to have a multi-connection call, i.e. a simultaneous communication with more than one party.

SDO (2)	Document No.	Version	Status	Issued date	Location (1)
Release 99					
ETSI	ETSI TS 122 086	3.1.0	Published	May 00	http://pda.etsi.org/pda/home.asp?wkr=DTS/TSGS-0122086U
TTC	JP-3GA-22.086(R99)v3.1.0	3.1.0 R1	Published	Mar 00	http://www.ttc.or.jp/imt/ts/ts22086r99v310.pdf
Release 4					
ETSI	ETSI TS 122 086	4.0.0	Published	Apr 01	http://pda.etsi.org/pda/home.asp?wkr=RTS/TSGS-0122086Uv4
TTC	TS-3GA-22.086(Rel4)v4.0.0	4.0.0 R1	Published	May 01	http://www.ttc.or.jp/imt/ts/ts22086rel4v400.pdf
Release 5					
ETSI	ETSI TS 122 086	5.1.0	Published	Jul 05	http://pda.etsi.org/pda/home.asp?wkr=RTS/TSGS-0122086v510
TTC	TS-3GA-22.086(Rel5)v5.1.0	5.1.0 R1	Published	Jul 05	http://www.ttc.or.jp/imt/ts/ts22086rel5v510.pdf
Release 6					
ETSI	ETSI TS 122 086	6.1.0	Published	Jul 05	http://pda.etsi.org/pda/home.asp?wkr=RTS/TSGS-0122086v610
TTC	TS-3GA-22.086(Rel6)v6.1.0	6.1.0 R1	Published	Jul 05	http://www.ttc.or.jp/imt/ts/ts22086rel6v610.pdf

Release 7

ETSI	ETSI TS 122 086	7.0.0	Published	Jul 07	http://pda.etsi.org/pda/home.asp?wkr=RTS/TSGS-0122086v700
TTC	TS-3GA-22.086(Rel7)v7.0.0	7.0.0 R1	Published	Jan 08	http://www.ttc.or.jp/imt/ts/ts22086rel7v700.pdf

5.1.2.12.32 TS 22.085**Closed user group (CUG) supplementary services – Stage 1**

The CUG supplementary service enables subscribers, connected to a network and possibly also other networks, to form CUGs to and from which access is restricted. A specific user may be a member of one or more CUGs. Members of a specific CUG can communicate among each other but not, in general, with users outside the group.

SDO (2)	Document No.	Version	Status	Issued date	Location (1)
Release 99					
ETSI	ETSI TS 122 087	3.1.0	Published	May 00	http://pda.etsi.org/pda/home.asp?wkr=RTS/TSGS-0122087UR1
TTC	JP-3GA-22.087(R99)v3.1.0	3.1.0 R2	Published	Nov 00	http://www.ttc.or.jp/imt/ts/ts22087r99v310.pdf
Release 4					
ETSI	ETSI TS 122 087	4.0.0	Published	Apr 01	http://pda.etsi.org/pda/home.asp?wkr=RTS/TSGS-0122087Uv4
TTC	TS-3GA-22.087(Rel4)v4.0.0	4.0.0 R1	Published	May 01	http://www.ttc.or.jp/imt/ts/ts22087rel4v400.pdf
Release 5					
ETSI	ETSI TS 122 087	5.0.0	Published	Jul 02	http://pda.etsi.org/pda/home.asp?wkr=RTS/TSGS-0122087v500
TTC	TS-3GA-22.087(Rel5)v5.0.0	5.0.0 R1	Published	Aug 02	http://www.ttc.or.jp/imt/ts/ts22087rel5v500.pdf
Release 6					
ETSI	ETSI TS 122 087	6.0.0	Published	Jan 05	http://pda.etsi.org/pda/home.asp?wkr=RTS/TSGS-0122087v600
TTC	TS-3GA-22.087(Rel6)v6.0.0	6.0.0 R1	Published	Mar 05	http://www.ttc.or.jp/imt/ts/ts22087rel6v600.pdf
Release 7					
ETSI	ETSI TS 122 087	7.0.0	Published	Jul 07	http://pda.etsi.org/pda/home.asp?wkr=RTS/TSGS-0122087v700
TTC	TS-3GA-22.087(Rel7)v7.0.0	7.0.0 R1	Published	Jan 08	http://www.ttc.or.jp/imt/ts/ts22087rel7v700.pdf

5.1.2.12.33 TS 22.086**Advice of charge (AoC) supplementary services – Stage 1**

These services are designed to supply to a mobile user sufficient information to allow a real-time estimate to be made of the bill which will eventually be levied in the home public land mobile network (PLMN) on the mobile station subscriber.

SDO (2)	Document No.	Version	Status	Issued date	Location (1)
Release 99					
ETSI	ETSI TS 122 088	3.0.2	Published	Apr 01	http://pda.etsi.org/pda/home.asp?wkr=RTS/TSGS-0122088UR1
TTC	TS-3GA-22.088(R99)v3.0.2	3.0.2 R2	Published	May 01	http://www.ttc.or.jp/imt/ts/ts22088r99v302.pdf

Release 4

ETSI	ETSI TS 122 088	4.1.0	Published	Apr 02	http://pda.etsi.org/pda/home.asp?wkr=RTS/TSGS-0122088Uv4R1
TTC	TS-3GA-22.088(Rel4)v4.1.0	4.1.0 R1	Published	May 02	http://www.ttc.or.jp/imt/ts/ts22088rel4v410.pdf

Release 5

ETSI	ETSI TS 122 088	5.0.0	Published	Jul 02	http://pda.etsi.org/pda/home.asp?wkr=RTS/TSGS-0122088v500
TTC	TS-3GA-22.088(Rel5)v5.0.0	5.0.0 R1	Published	Aug 02	http://www.ttc.or.jp/imt/ts/ts22088rel5v500.pdf

Release 6

ETSI	ETSI TS 122 088	6.0.0	Published	Jan 05	http://pda.etsi.org/pda/home.asp?wkr=RTS/TSGS-0122088v600
TTC	TS-3GA-22.088(Rel6)v6.0.0	6.0.0 R1	Published	Mar 05	http://www.ttc.or.jp/imt/ts/ts22088rel6v600.pdf

Release 7

ETSI	ETSI TS 122 088	7.0.0	Published	Jul 07	http://pda.etsi.org/pda/home.asp?wkr=RTS/TSGS-0122088v700
TTC	TS-3GA-22.088(Rel7)v7.0.0	7.0.0 R1	Published	Jan 08	http://www.ttc.or.jp/imt/ts/ts22088rel7v700.pdf

5.1.2.12.34 TS 22.087**User-to-user signalling (UUS) – Stage 1**

The UUS supplementary service allows a mobile subscriber to send/receive a limited amount of information to/from another network or ISDN subscriber over the signalling channel in association with a call to the other subscriber.

SDO (2)	Document No.	Version	Status	Issued date	Location (1)
Release 99					
ETSI	ETSI TS 122 090	3.1.0	Published	May 00	http://pda.etsi.org/pda/home.asp?wkr=RTS/TSGS-0122090UR1
TTC	TS-3GA-22.090(R99)v3.1.0	3.1.0 R2	Published	Nov 00	http://www.ttc.or.jp/imt/ts/ts22090r99v310.pdf
Release 4					
ETSI	ETSI TS 122 090	4.0.0	Published	Apr 01	http://pda.etsi.org/pda/home.asp?wkr=RTS/TSGS-0122090Uv4
TTC	TS-3GA-22.090(Rel4)v4.0.0	4.0.0 R1	Published	May 01	http://www.ttc.or.jp/imt/ts/ts22090rel4v400.pdf
Release 5					
ETSI	ETSI TS 122 090	5.0.0	Published	Jul 02	http://pda.etsi.org/pda/home.asp?wkr=RTS/TSGS-0122090v500
TTC	TS-3GA-22.090(Rel5)v5.0.0	5.0.0 R1	Published	Aug 02	http://www.ttc.or.jp/imt/ts/ts22090rel5v500.pdf
Release 6					
ETSI	ETSI TS 122 090	6.0.0	Published	Jan 05	http://pda.etsi.org/pda/home.asp?wkr=RTS/TSGS-0122090v600
TTC	TS-3GA-22.090(Rel6)v6.0.0	6.0.0 R1	Published	Mar 05	http://www.ttc.or.jp/imt/ts/ts22090rel6v600.pdf
Release 7					
ETSI	ETSI TS 122 090	7.0.0	Published	Sep 06	http://pda.etsi.org/pda/home.asp?wkr=RTS/TSGS-0122090v700
TTC	TS-3GA-22.090(Rel7)v7.0.0	7.0.0 R1	Published	Jan 08	http://www.ttc.or.jp/imt/ts/ts22090rel7v700.pdf

5.1.2.12.35 TS 22.088**Call barring (CB) supplementary services – Stage 1**

The call restriction supplementary services allow the possibility for a mobile subscriber to have barring of certain categories of outgoing or incoming calls at the mobile subscribers access. The group of call restriction services includes two supplementary services: – barring of outgoing calls; – barring of incoming calls. By use of subscription options, the mobile subscriber can at provision time select a set of one or more barring programs to determine the categories of calls to be barred. The following categories are defined: – all outgoing calls; – outgoing international calls; – outgoing international calls except those directed to the home PLMN country; – all incoming calls; – incoming calls when roaming outside the home PLMN country.

SDO (2)	Document No.	Version	Status	Issued date	Location (1)
Release 99					
ETSI	ETSI TS 122 091	3.1.0	Published	Nov 00	http://pda.etsi.org/pda/home.asp?wkr=RTS/TSGS-0122091UR1
TTC	TS-3GA-22.091(R99)v3.1.0	3.1.0 R2	Published	May 01	http://www.ttc.or.jp/imt/ts/22091r99v310.pdf
Release 4					
ETSI	ETSI TS 122 091	4.0.0	Published	Apr 01	http://pda.etsi.org/pda/home.asp?wkr=RTS/TSGS-0122091Uv4
TTC	TS-3GA-22.091(Rel4)v4.0.0	4.0.0 R1	Published	May 01	http://www.ttc.or.jp/imt/ts/22091rel4v400.pdf
Release 5					
ETSI	ETSI TS 122 091	5.0.0	Published	Jul 02	http://pda.etsi.org/pda/home.asp?wkr=RTS/TSGS-0122091v500
TTC	TS-3GA-22.091(Rel5)v5.0.0	5.0.0 R1	Published	Aug 02	http://www.ttc.or.jp/imt/ts/22091rel5v500.pdf
Release 6					
ETSI	ETSI TS 122 091	6.0.0	Published	Jan 05	http://pda.etsi.org/pda/home.asp?wkr=RTS/TSGS-0122091v600
TTC	TS-3GA-22.091(Rel6)v6.0.0	6.0.0 R1	Published	Mar 05	http://www.ttc.or.jp/imt/ts/22091rel6v600.pdf
Release 7					
ETSI	ETSI TS 122 091	7.0.0	Published	Jul 07	http://pda.etsi.org/pda/home.asp?wkr=RTS/TSGS-0122091v700
TTC	TS-3GA-22.091(Rel7)v7.0.0	7.0.0 R1	Published	Jan 08	http://www.ttc.or.jp/imt/ts/22091rel7v700.pdf

5.1.2.12.36 TS 22.090**Unstructured supplementary service data (USSD) – Stage 1**

There are two modes of USSD: MMI-mode and application mode. MMI-mode USSD is for the transparent transport of MMI strings entered by the user to the network and for the transparent transport of text strings from the network that are displayed by the mobile for user information. Application mode USSD is for the transparent transport of data between the network and the mobile station. Application mode USSD is intended to be used by applications in the network and their peer applications in the UE. The communication over the radio interface takes place on the signalling channels using short dialogues with peak data throughput rate capabilities of up to approximately 600 bit/s outside of a call and 1 000 bit/s during a call.

SDO (2)	Document No.	Version	Status	Issued date	Location (1)
Release 99					
ETSI	ETSI TS 122 093	3.0.1	Published	Feb 00	http://pda.etsi.org/pda/home.asp?wkr=DTS/TSGS-0122093U
TTC	TS-3GA-22.093(R99)v3.0.1	3.0.1 R1	Published	Mar 00	http://www.ttc.or.jp/imt/ts/ts22093r99v301.pdf
Release 4					
ETSI	ETSI TS 122 093	4.0.0	Published	Apr 01	http://pda.etsi.org/pda/home.asp?wkr=RTS/TSGS-0122093Uv4
TTC	TS-3GA-22.093(Rel4)v4.0.0	4.0.0 R1	Published	May 01	http://www.ttc.or.jp/imt/ts/ts22093rel4v400.pdf
Release 5					
ETSI	ETSI TS 122 093	5.0.0	Published	Jul 02	http://pda.etsi.org/pda/home.asp?wkr=RTS/TSGS-0122093v500
TTC	TS-3GA-22.093(Rel5)v5.0.0	5.0.0 R1	Published	Aug 02	http://www.ttc.or.jp/imt/ts/ts22093rel5v500.pdf
Release 6					
ETSI	ETSI TS 122 093	6.0.0	Published	Jan 05	http://pda.etsi.org/pda/home.asp?wkr=RTS/TSGS-0122093v600
TTC	TS-3GA-22.093(Rel6)v6.0.0	6.0.0 R1	Published	Mar 05	http://www.ttc.or.jp/imt/ts/ts22093rel6v600.pdf
Release 7					
ETSI	ETSI TS 122 093	7.0.0	Published	Jul 07	http://pda.etsi.org/pda/home.asp?wkr=RTS/TSGS-0122093v700
TTC	TS-3GA-22.093(Rel7)v7.0.0	7.0.0 R1	Published	Jan 08	http://www.ttc.or.jp/imt/ts/ts22093rel7v700.pdf

5.1.2.12.37 TS 22.091

Explicit call transfer (ECT) supplementary service – Stage 1

The ECT supplementary service enables the served mobile subscriber (subscriber A) who has two calls, each of which can be an incoming or outgoing call, to connect the other parties in the two calls and release the served mobile subscribers own connection.

SDO (2)	Document No.	Version	Status	Issued date	Location (1)
Release 99					
ETSI	ETSI TS 122 096	3.0.1	Published	Feb 00	http://pda.etsi.org/pda/home.asp?wkr=DTS/TSGS-0122096U
TTC	TS-3GA-22.096(R99)v3.0.1	3.0.1 R1	Published	Mar 00	http://www.ttc.or.jp/imt/ts/ts22096r99v301.pdf
Release 4					
ETSI	ETSI TS 122 096	4.0.0	Published	Apr 01	http://pda.etsi.org/pda/home.asp?wkr=RTS/TSGS-0122096Uv4
TTC	TS-3GA-22.096(Rel4)v4.0.0	4.0.0 R1	Published	May 01	http://www.ttc.or.jp/imt/ts/ts22096rel4v400.pdf
Release 5					
ETSI	ETSI TS 122 096	5.0.0	Published	Jul 02	http://pda.etsi.org/pda/home.asp?wkr=RTS/TSGS-0122096v500
TTC	TS-3GA-22.096(Rel5)v5.0.0	5.0.0 R1	Published	Aug 02	http://www.ttc.or.jp/imt/ts/ts22096rel5v500.pdf
Release 6					
ETSI	ETSI TS 122 096	6.0.0	Published	Jan 05	http://pda.etsi.org/pda/home.asp?wkr=RTS/TSGS-0122096v600
TTC	TS-3GA-22.096(Rel6)v6.0.0	6.0.0 R1	Published	Mar 05	http://www.ttc.or.jp/imt/ts/ts22096rel6v600.pdf

Release 7

ETSI	ETSI TS 122 096	7.0.0	Published	Jul 07	http://pda.etsi.org/pda/home.asp?wkr=RTS/TSGS-0122096v700
TTC	TS-3GA-22.096(Rel7)v7.0.0	7.0.0 R1	Published	Jan 08	http://www.ttc.or.jp/imt/ts/22096rel7v700.pdf

5.1.2.12.38 TS 22.093**Call completion to busy subscriber (CCBS) – Stage 1**

In the situation when subscriber A encounters a network determined user busy (NDUB) destination B, the subscriber A can request the CCBS supplementary service (i.e. activate a CCBS request against destination B). The network will then monitor the wanted destination B for becoming idle. When the wanted destination B becomes idle, then the network will wait a short time in order to allow destination B to make an outgoing call. If destination B does not make any outgoing call within this time, then the network shall automatically recall subscriber A.

SDO (2)	Document No.	Version	Status	Issued date	Location (1)
Release 99					
ETSI	ETSI TS 122 097	3.2.0	Published	Nov 00	http://pda.etsi.org/pda/home.asp?wkr=RTS/TSGS-0122097UR1
TTC	TS-3GA-22.097(R99)v3.2.0	3.2.0 R2	Published	May 01	http://www.ttc.or.jp/imt/ts/22097r99v320.pdf
Release 4					
ETSI	ETSI TS 122 097	4.1.0	Published	Apr 02	http://pda.etsi.org/pda/home.asp?wkr=RTS/TSGS-0122097Uv4R1
TTC	TS-3GA-22.097(Rel4)v4.1.0	4.1.0 R1	Published	May 02	http://www.ttc.or.jp/imt/ts/22097rel4v410.pdf
Release 5					
ETSI	ETSI TS 122 097	5.0.0	Published	Jul 02	http://pda.etsi.org/pda/home.asp?wkr=RTS/TSGS-0122097v500
TTC	TS-3GA-22.097(Rel5)v5.0.0	5.0.0 R1	Published	Aug 02	http://www.ttc.or.jp/imt/ts/22097rel5v500.pdf
Release 6					
ETSI	ETSI TS 122 097	6.0.0	Published	Jan 05	http://pda.etsi.org/pda/home.asp?wkr=RTS/TSGS-0122097v600
TTC	TS-3GA-22.097(Rel6)v6.0.0	6.0.0 R1	Published	Mar 05	http://www.ttc.or.jp/imt/ts/22097rel6v600.pdf
Release 7					
ETSI	ETSI TS 122 097	7.0.0	Published	Jul 07	http://pda.etsi.org/pda/home.asp?wkr=RTS/TSGS-0122097v700
TTC	TS-3GA-22.097(Rel7)v7.0.0	7.0.0 R1	Published	Jan 08	http://www.ttc.or.jp/imt/ts/22097rel7v700.pdf

5.1.2.12.39 TS 22.096**Calling name presentation (CNAP) – Stage 1**

The CNAP supplementary service enables the called party to receive the calling name information of the calling party.

SDO (2)	Document No.	Version	Status	Issued date	Location (1)
Release 99					
ARIB	ARIB STD-T63-22.100	3.7.0	Approved	Sep 08	http://www.arib.or.jp/IMT-2000/ARIB-STD/ITU-R_Rev8/R99/A22100-370.pdf
ETSI	ETSI TS 122 100	3.7.0	Published	Oct 01	http://pda.etsi.org/pda/home.asp?wkr=RTS/TSGS-0122100UR2

5.1.2.12.40 TS 22.097**Multiple subscriber profile (MSP) – Stage 1**

MSP is an optional service to enable mobile subscribers to have several profiles associated with a single subscriber identity (SIM) and a single international mobile subscriber identity (IMSI), with each profile being a subscription option. Each profile may be used for mobile originated and mobile terminated calls. Up to four different profiles can be provisioned against a subscriber using the MSP feature. This will allow the subscriber to separate her telecommunication service needs into different identities (e.g. business and home).

SDO (2)	Document No.	Version	Status	Issued date	Location (1)
Release 99					
ARIB	ARIB STD-T63-22.101	3.17.0	Approved	Sep 08	http://www.arib.or.jp/IMT-2000/ARIB-STD/ITU-R_Rev8/R99/A22101-3h0.pdf
ETSI	ETSI TS 122 101	3.17.0	Published	Apr 04	http://pda.etsi.org/pda/home.asp?wkr=RTS/TSGS-0122101v3h0
Release 4					
ARIB	ARIB STD-T63-22.101	4.10.0	Approved	Sep 08	http://www.arib.or.jp/IMT-2000/ARIB-STD/ITU-R_Rev8/Rel4/A22101-4a0.pdf
ETSI	ETSI TS 122 101	4.10.0	Published	Apr 04	http://pda.etsi.org/pda/home.asp?wkr=RTS/TSGS-0122101v4a0
Release 5					
ARIB	ARIB STD-T63-22.101	5.14.0	Approved	Sep 08	http://www.arib.or.jp/IMT-2000/ARIB-STD/ITU-R_Rev8/Rel5/A22101-5e0.pdf
ETSI	ETSI TS 122 101	5.14.0	Published	Jul 07	http://pda.etsi.org/pda/home.asp?wkr=RTS/TSGS-0122101v5e0
Release 6					
ARIB	ARIB STD-T63-22.101	6.12.0	Approved	Sep 08	http://www.arib.or.jp/IMT-2000/ARIB-STD/ITU-R_Rev8/Rel6/A22101-6c0.pdf
ETSI	ETSI TS 122 101	6.12.0	Published	Jul 07	http://pda.etsi.org/pda/home.asp?wkr=RTS/TSGS-0122101v6c0
Release 7					
ARIB	ARIB STD-T63-22.101	7.10.0	Approved	Sep 08	http://www.arib.or.jp/IMT-2000/ARIB-STD/ITU-R_Rev8/Rel7/A22101-7a0.pdf
ETSI	ETSI TS 122 101	7.10.0	Awaiting publication		http://pda.etsi.org/pda/home.asp?wkr=RTS/TSGS-0122101v7a0
Release 8					
ARIB	ARIB STD-T63-22.101	8.9.0	Approved	Sep 08	http://www.arib.or.jp/IMT-2000/ARIB-STD/ITU-R_Rev8/Rel8/A22101-890.pdf
ETSI	ETSI TS 122 101	8.7.0	Awaiting publication		http://pda.etsi.org/pda/home.asp?wkr=RTS/TSGS-0122101v870

5.1.2.12.41 TS 22.100**UMTS phase 1 capabilities**

This specification describes contains how the definition of the UMTS system will be achieved in a phased approach. This document also specifies the requirements for release 99 of UMTS. Some requirements which are necessary to ensure a smooth transition to later releases are also indicated. This document should, however, be read in conjunction with the other 22.000 series documents which provide a complete description of the requirements for UMTS release 1999 and beyond.

SDO (2)	Document No.	Version	Status	Issued date	Location (1)
Release 99					
ARIB	ARIB STD-T63-22.105	3.10.0	Approved	Sep 08	http://www.arib.or.jp/IMT-2000/ARIB-STD/ITU-R_Rev8/R99/A22105-3a0.pdf
ETSI	ETSI TS 122 105	3.10.0	Published	Feb 01	http://pda.etsi.org/pda/home.asp?wkr=RTS/TSGS-0122105UR3
Release 4					
ARIB	ARIB STD-T63-22.105	4.3.0	Approved	Sep 08	http://www.arib.or.jp/IMT-2000/ARIB-STD/ITU-R_Rev8/Rel4/A22105-430.pdf
ETSI	ETSI TS 122 105	4.3.0	Published	Apr 02	http://pda.etsi.org/pda/home.asp?wkr=RTS/TSGS-0122105Uv4R1
Release 5					
ARIB	ARIB STD-T63-22.105	5.2.0	Approved	Sep 08	http://www.arib.or.jp/IMT-2000/ARIB-STD/ITU-R/Rel5/A22105-520.pdf
ETSI	ETSI TS 122 105	5.2.0	Published	Jul 02	http://pda.etsi.org/pda/home.asp?wkr=RTS/TSGS-0122105v520
Release 6					
ARIB	ARIB STD-T63-22.105	6.4.0	Approved	Sep 08	http://www.arib.or.jp/IMT-2000/ARIB-STD/ITU-R_Rev8/Rel6/A22105-640.pdf
ETSI	ETSI TS 122 105	6.4.0	Published	Oct 05	http://pda.etsi.org/pda/home.asp?wkr=RTS/TSGS-0122105v640
Release 7					
ARIB	ARIB STD-T63-22.105	7.1.0	Approved	Sep 08	http://www.arib.or.jp/IMT-2000/ARIB-STD/ITU-R_Rev8/Rel7/A22105-710.pdf
ETSI	ETSI TS 122 105	7.1.0	Published	Apr 07	http://pda.etsi.org/pda/home.asp?wkr=RTS/TSGS-0122105v710
Release 8					
ARIB	ARIB STD-T63-22.105	8.4.0	Approved	Sep 08	http://www.arib.or.jp/IMT-2000/ARIB-STD/ITU-R_Rev8/Rel8/A22105-840.pdf
ETSI	ETSI TS 122 105	8.4.0	Awaiting publication		http://pda.etsi.org/pda/home.asp?wkr=RTS/TSGS-0122105v840

5.1.2.12.42 TS 22.101

UMTS service principles

This specification describes the service principles of the UMTS.

SDO (2)	Document No.	Version	Status	Issued date	Location (1)
Release 99					
ETSI	ETSI TS 122 115	3.4.0	Published	Jan 04	http://pda.etsi.org/pda/home.asp?wkr=RTS/TSGS-0122115v340
TTC	TS-3GA-22.115(R99)v3.4.0	3.4.0 R1	Published	Feb 04	http://www.ttc.or.jp/imt/ts22115r99v340.pdf
Release 4					
ETSI	ETSI TS 122 115	4.1.0	Published	Jan 04	http://pda.etsi.org/pda/home.asp?wkr=RTS/TSGS-0122115v410
TTC	TS-3GA-22.115(Rel4)v4.1.0	4.1.0 R1	Published	Feb 04	http://www.ttc.or.jp/imt/ts22115rel4v410.pdf

Release 5

ETSI	ETSI TS 122 115	5.5.0	Published	Oct 07	http://pda.etsi.org/pda/home.asp?wkr=RTS/TSGS-0122115v550
TTC	TS-3GA-22.115(Rel5)v5.5.0	5.5.0 R1	Published	Jan 08	http://www.ttc.or.jp/imt/ts/ts22115rel5v550.pdf

Release 6

ETSI	ETSI TS 122 115	6.8.0	Published	Oct 07	http://pda.etsi.org/pda/home.asp?wkr=RTS/TSGS-0122115v680
TTC	TS-3GA-22.115(Rel6)v6.8.0	6.8.0 R1	Published	Jan 08	http://www.ttc.or.jp/imt/ts/ts22115rel6v680.pdf

Release 7

ETSI	ETSI TS 122 115	7.1.0	Published	Oct 07	http://pda.etsi.org/pda/home.asp?wkr=RTS/TSGS-0122115v710
TTC	TS-3GA-22.115(Rel7)v7.1.0	7.1.0 R1	Published	Jan 08	http://www.ttc.or.jp/imt/ts/ts22115rel7v710.pdf

Release 8

ETSI	ETSI TS 122 115	8.2.0	Awaiting publication		http://pda.etsi.org/pda/home.asp?wkr=RTS/TSGS-0122115v820
TTC	TS-3GA-22.115(Rel8)v8.3.0	8.3.0 R1	Approved	Oct 08	http://www.ttc.or.jp/imt/ts/ts22115rel8v830.pdf

5.1.2.12.43 TS 22.105**Services and service capabilities**

Pre-UMTS systems have largely standardized the complete sets of bearer services, teleservices and supplementary services which they provide. One major difference between UMTS and pre-UMTS systems is that service capabilities rather than services are standardized for UMTS, allowing service differentiation and system continuity. This document describes how and what kind of services the UMTS user has access to.

SDO (2)	Document No.	Version	Status	Issued date	Location (1)
Release 99					
ETSI	ETSI TR 122 121	3.3.1	Published	Jul 02	http://pda.etsi.org/pda/home.asp?wkr=RTR/TSGS-0122121v331
TTC	TR-3GA-22.121(R99)v3.3.1	3.3.1 R1	Published	Aug 02	http://www.ttc.or.jp/imt/tr/tr22121r99v331.pdf
Release 4					
ETSI	ETSI TR 122 121	4.1.1	Published	Jul 02	http://pda.etsi.org/pda/home.asp?wkr=RTR/TSGS-0122121v411
TTC	TR-3GA-22.121(Rel4)v4.1.1	4.1.1 R1	Published	Aug 02	http://www.ttc.or.jp/imt/tr/tr22121rel4v411.pdf
Release 5					
ETSI	ETSI TR 122 121	5.3.1	Published	Jul 02	http://pda.etsi.org/pda/home.asp?wkr=RTR/TSGS-0122121v531
TTC	TR-3GA-22.121(Rel5)v5.3.1	5.3.1 R1	Published	Aug 02	http://www.ttc.or.jp/imt/tr/tr22121rel5v531.pdf

5.1.2.12.44 TS 22.115**Service aspects: charging and billing**

This specification describes the service aspects of charging and billing of the UMTS. This standard is not intended to duplicate existing standards or standards being developed by other groups on these topics, and will reference these where appropriate. This standard will elaborate on the charging requirements described

in the charging principles in TS 22.101 UMTS service principles. It will allow the generation of accurate charging information to be used in the commercial and contractual relationships between the parties concerned.

SDO (2)	Document No.	Version	Status	Issued date	Location (1)
Release 99					
ETSI	ETSI TS 122 129	3.6.0	Published	Jan 02	http://pda.etsi.org/pda/home.asp?wkr=RTS/TSGS-0122129UR4
TTC	TS-3GA-22.129(R99)v3.6.0	3.6.0 R1	Published	Feb 02	http://www.ttc.or.jp/imt/ts/ts22129r99v360.pdf
Release 4					
ETSI	ETSI TS 122 129	4.4.0	Published	Jan 02	http://pda.etsi.org/pda/home.asp?wkr=RTS/TSGS-0122129Uv4R2
TTC	TS-3GA-22.129(Rel4)v4.4.0	4.4.0 R1	Published	Feb 02	http://www.ttc.or.jp/imt/ts/ts22129rel4v440.pdf
Release 5					
ETSI	ETSI TS 122 129	5.2.0	Published	Jul 02	http://pda.etsi.org/pda/home.asp?wkr=RTS/TSGS-0122129v520
TTC	TS-3GA-22.129(Rel5)v5.2.0	5.2.0 R1	Published	Aug 02	http://www.ttc.or.jp/imt/ts/ts22129rel5v520.pdf
Release 6					
ETSI	ETSI TS 122 129	6.1.0	Published	Jan 05	http://pda.etsi.org/pda/home.asp?wkr=RTS/TSGS-0122129v610
TTC	TS-3GA-22.129(Rel6)v6.1.0	6.1.0 R1	Published	Mar 05	http://www.ttc.or.jp/imt/ts/ts22129rel6v610.pdf
Release 7					
ETSI	ETSI TS 122 129	7.0.0	Published	Apr 07	http://pda.etsi.org/pda/home.asp?wkr=RTS/TSGS-0122129v700
TTC	TS-3GA-22.129(Rel7)v7.0.0	7.0.0 R1	Published	Jan 08	http://www.ttc.or.jp/imt/ts/ts22129rel7v700.pdf
Release 8					
ETSI	ETSI TS 122 129	8.1.0	Awaiting publication		http://pda.etsi.org/pda/home.asp?wkr=RTS/TSGS-0122129v810
TTC	TS-3GA-22.129(Rel8)v8.1.0	8.1.0 R1	Approved	Oct 08	http://www.ttc.or.jp/imt/ts/ts22129rel8v810.pdf

5.1.2.12.45 TR 22.121

Virtual home environment (VHE)

This specification describes the content of the Stage 1 requirement for realization of VHE. VHE is defined as a concept for personal service environment (PSE) portability across network boundaries and between terminals. The concept of the VHE is such that users are consistently presented with the same personalized features, user interface customization and services in whatever network and whatever terminal (within the capabilities of the terminal and the network), wherever the user may be located. A key feature to support VHE is the ability to build services using a standardized application interface.

SDO (2)	Document No.	Version	Status	Issued date	Location (1)
Release 99					
ETSI	ETSI TS 122 135	3.4.0	Published	Nov 00	http://pda.etsi.org/pda/home.asp?wkr=RTS/TSGS-0122135UR3
TTC	TS-3GA-22.135(R99)v3.4.0	3.4.0 R3	Published	May 01	http://www.ttc.or.jp/imt/ts/ts22135r99v340.pdf

Release 4

ETSI	ETSI TS 122 135	4.2.0	Published	Dec 02	http://pda.etsi.org/pda/home.asp?wkr=RTS/TSGS-0122135v420
ETSI	ETSI TS 122 135	4.2.0	Published	Dec 02	http://pda.etsi.org/pda/home.asp?wkr=RTS/TSGS-0122135v420
TTC	TS-3GA-22.135(Rel4)v4.2.0	4.2.0 R1	Published	Feb 03	http://www.ttc.or.jp/imt/ts/ts22135rel4v420.pdf

Release 5

ETSI	ETSI TS 122 135	5.0.0	Published	Jul 02	http://pda.etsi.org/pda/home.asp?wkr=RTS/TSGS-0122135v500
TTC	TS-3GA-22.135(Rel5)v5.0.0	5.0.0 R1	Published	Feb 02	http://www.ttc.or.jp/imt/ts/ts22135rel5v500.pdf

Release 6

ETSI	ETSI TS 122 135	6.0.0	Published	Jan 05	http://pda.etsi.org/pda/home.asp?wkr=RTS/TSGS-0122135v600
TTC	TS-3GA-22.135(Rel6)v6.0.0	6.0.0 R1	Published	Mar 05	http://www.ttc.or.jp/imt/ts/ts22135rel6v600.pdf

Release 7

ETSI	ETSI TS 122 135	7.0.0	Published	Jul 07	http://pda.etsi.org/pda/home.asp?wkr=RTS/TSGS-0122135v700
TTC	TS-3GA-22.135(Rel7)v7.0.0	7.0.0 R1	Published	Jan 08	http://www.ttc.or.jp/imt/ts/ts22135rel7v700.pdf

5.1.2.12.46 TS 22.129**Handover requirements between UMTS and GSM or other radio systems**

This specification describes service requirements for handover (terms are defined below) within UMTS systems and between UMTS, other IMT-2000 family members and second generation systems. Particular emphasis has been placed on the description of requirements for handover between UMTS and GSM but requirements specific to other systems are incorporated as required.

SDO (2)	Document No.	Version	Status	Issued date	Location (1)
Release 5					
ARIB	ARIB STD-T63-22.228	5.7.0	Approved	Sep 08	http://www.arib.or.jp/IMT-2000/ARIB-STD/ITU-R_Rev8/Rel5/A22228-570.pdf
ETSI	ETSI TS 122 228	5.7.0	Published	Apr 06	http://pda.etsi.org/pda/home.asp?wkr=RTS/TSGS-0122228v570
Release 6					
ARIB	ARIB STD-T63-22.228	6.11.0	Approved	Sep 08	http://www.arib.or.jp/IMT-2000/ARIB-STD/ITU-R_Rev8/Rel6/A22228-6b0.pdf
ETSI	ETSI TS 122 228	6.11.0	Published	Apr 06	http://pda.etsi.org/pda/home.asp?wkr=RTS/TSGS-0122228v6b0
Release 7					
ARIB	ARIB STD-T63-22.228	7.6.0	Approved	Sep 08	http://www.arib.or.jp/IMT-2000/ARIB-STD/ITU-R_Rev8/Rel7/A22228-760.pdf
ETSI	ETSI TS 122 228	7.6.0	Published	Oct 07	http://pda.etsi.org/pda/home.asp?wkr=RTS/TSGS-0122228v760
Release 8					
ARIB	ARIB STD-T63-22.228	8.5.0	Approved	Sep 08	http://www.arib.or.jp/IMT-2000/ARIB-STD/ITU-R_Rev8/Rel8/A22228-850.pdf
ETSI	ETSI TS 122 228	8.3.0	Awaiting publication		http://pda.etsi.org/pda/home.asp?wkr=RTS/TSGS-0122228v830

5.1.2.12.47 TS 22.135**Multicall**

This specification describes multicall scenarios and requirements for UMTS phase 1 release 1999. Multicall feature specifies functionality and interactions related to usage of several simultaneous bearers between a terminal and a network. Multicall features allows both circuit-switched call(s) and packet session(s) to exist simultaneously.

SDO (2)	Document No.	Version	Status	Issued date	Location (1)
Release 99					
ETSI	ETSI TR 122 971	3.1.1	Published	Feb 00	http://pda.etsi.org/pda/home.asp?wkr=DTR/TSGS-0122971U
TTC	TR-3GA-22.971(R99)v3.1.1	3.1.1 R1	Published	Feb 02	http://www.ttc.or.jp/imt/tr/tr22971r99v311.pdf

5.1.2.12.48 TS 22.228**IP Multimedia Subsystem Stage 1**

This specification describes all IP Multimedia services offered by UMTS Systems and second generation systems.

SDO (2)	Document No.	Version	Status	Issued date	Location (1)
Release 99					
ETSI	ETSI TR 122 975	3.1.0	Published	Feb 00	http://pda.etsi.org/pda/home.asp?wkr=DTR/TSGS-0122975U
TTC	TR-3GA-22.975(R99)v3.1.0	3.1.0 R1	Published	Feb 02	http://www.ttc.or.jp/imt/tr/tr22975r99v310.pdf

5.1.2.12.49 TR 22.971**Automatic establishment of roaming relations**

This report describes a proposed framework for commercial and technical interworking between UMTS home environments and serving networks who have no direct prior commercial agreements with each other. This text is applicable to UMTS standardization within ETSI, and is produced with the intent to clarify the concepts involved, and identify those areas which require standardization.

SDO (2)	Document No.	Version	Status	Issued date	Location (1)
Release 99					
ARIB	ARIB STD-T63-21.133	3.2.0	Approved	Sep 08	http://www.arib.or.jp/IMT-2000/ARIB-STD/ITU-R_Rev8/R99/A21133-320.pdf
ETSI	ETSI TS 121 133	3.2.0	Published	Jan 02	http://pda.etsi.org/pda/home.asp?wkr=RTS/TSGS-0321133UR1
Release 4					
ARIB	ARIB STD-T63-21.133	4.1.0	Approved	Sep 08	http://www.arib.or.jp/IMT-2000/ARIB-STD/ITU-R_Rev8/Rel4/A21133-410.pdf
ETSI	ETSI TS 121 133	4.1.0	Published	Jan 02	http://pda.etsi.org/pda/home.asp?wkr=RTS/TSGS-0321133Uv4R1

5.1.2.12.50 TR 22.975**Advanced addressing**

This report describes the requirements for numbering and addressing for UMTS. This technical report is aimed at generating discussion and should be agreed with ETSI WG NA2. The responsibility for developing of numbering and addressing schemes for all networks being in ETSI NA2.

SDO (2)	Document No.	Version	Status	Issued date	Location (1)
Release 99					
ARIB	ARIB STD-T63-33.102	3.13.0	Approved	Sep 08	http://www.arib.or.jp/IMT-2000/ARIB-STD/ITU-R_Rev8/R99/A33102-3d0.pdf
ETSI	ETSI TS 133 102	3.13.0	Published	Jan 03	http://pda.etsi.org/pda/home.asp?wkr=RTS/TSGS-0333102v3d0
Release 4					
ARIB	ARIB STD-T63-33.102	4.5.0	Approved	Sep 08	http://www.arib.or.jp/IMT-2000/ARIB-STD/ITU-R_Rev8/Rel4/A33102-450.pdf
ETSI	ETSI TS 133 102	4.5.0	Published	Jan 03	http://pda.etsi.org/pda/home.asp?wkr=RTS/TSGS-0333102v450
Release 5					
ARIB	ARIB STD-T63-33.102	5.7.0	Approved	Sep 08	http://www.arib.or.jp/IMT-2000/ARIB-STD/ITU-R_Rev8/Rel5/A33102-570.pdf
ETSI	ETSI TS 133 102	5.7.0	Published	Jan 06	http://pda.etsi.org/pda/home.asp?wkr=RTS/TSGS-0333102v570
Release 6					
ARIB	ARIB STD-T63-33.102	6.5.0	Approved	Sep 08	http://www.arib.or.jp/IMT-2000/ARIB-STD/ITU-R_Rev8/Rel6/A33102-650.pdf
ETSI	ETSI TS 133 102	6.5.0	Published	Jan 06	http://pda.etsi.org/pda/home.asp?wkr=RTS/TSGS-0333102v650
Release 7					
ARIB	ARIB STD-T63-33.102	7.1.0	Approved	Sep 08	http://www.arib.or.jp/IMT-2000/ARIB-STD/ITU-R_Rev8/Rel7/A33102-710.pdf
ETSI	ETSI TS 133 102	7.1.0	Published	Dec 06	http://pda.etsi.org/pda/home.asp?wkr=RTS/TSGS-0333102v710
Release 8					
ARIB	ARIB STD-T63-33.102	8.0.0	Approved	Sep 08	http://www.arib.or.jp/IMT-2000/ARIB-STD/ITU-R_Rev8/Rel8/A33102-800.pdf

5.1.2.12.51 TS 21.133**Security threats and requirements**

Detailed security requirements.

SDO (2)	Document No.	Version	Status	Issued date	Location (1)
Release 99					
ARIB	ARIB STD-T63-33.103	3.7.0	Approved	Sep 08	http://www.arib.or.jp/IMT-2000/ARIB-STD/ITU-R_Rev8/R99/A33103-370.pdf
ETSI	ETSI TS 133 103	3.7.0	Published	Oct 01	http://pda.etsi.org/pda/home.asp?wkr=RTS/TSGS-0333103UR6
Release 4					
ARIB	ARIB STD-T63-33.103	4.2.0	Approved	Sep 08	http://www.arib.or.jp/IMT-2000/ARIB-STD/ITU-R_Rev8/Rel4/A33103-420.pdf
ETSI	ETSI TS 133 103	4.2.0	Published	Oct 01	http://pda.etsi.org/pda/home.asp?wkr=RTS/TSGS-0333103Uv4R2

5.1.2.12.52 TS 33.102**Security architecture**

Provides a specification of all security mechanisms and protocols, except algorithms.

SDO (2)	Document No.	Version	Status	Issued date	Location (1)
Release 99					
ARIB	ARIB STD-T63-33.105	3.8.0	Approved	Sep 08	http://www.arib.or.jp/IMT-2000/ARIB-STD/ITU-R_Rev8/R99/A33105-380.pdf
ETSI	ETSI TS 133 105	3.8.0	Published	Jul 01	http://pda.etsi.org/pda/home.asp?wkr=RTS/TSGS-0333105UR6
Release 4					
ARIB	ARIB STD-T63-33.105	4.2.0	Approved	Sep 08	http://www.arib.or.jp/IMT-2000/ARIB-STD/ITU-R_Rev8/Rel4/A33105-420.pdf
ETSI	ETSI TS 133 105	4.2.0	Published	Jul 04	http://pda.etsi.org/pda/home.asp?wkr=RTS/TSGS-0333105v420
Release 5					
ARIB	ARIB STD-T63-33.105	5.0.0	Approved	Sep 08	http://www.arib.or.jp/IMT-2000/ARIB-STD/ITU-R_Rev8/Rel5/A33105-500.pdf
ETSI	ETSI TS 133 105	5.0.0	Published	Jul 04	http://pda.etsi.org/pda/home.asp?wkr=RTS/TSGS-0333105v500
Release 6					
ARIB	ARIB STD-T63-33.105	6.0.0	Approved	Sep 08	http://www.arib.or.jp/IMT-2000/ARIB-STD/ITU-R_Rev8/Rel6/A33105-600.pdf
ETSI	ETSI TS 133 105	6.0.0	Published	Jan 05	http://pda.etsi.org/pda/home.asp?wkr=RTS/TSGS-0333105v600
Release 7					
ARIB	ARIB STD-T63-33.105	7.0.0	Approved	Sep 08	http://www.arib.or.jp/IMT-2000/ARIB-STD/ITU-R_Rev8/Rel7/A33105-700.pdf
ETSI	ETSI TS 133 105	7.0.0	Published	Jul 07	http://pda.etsi.org/pda/home.asp?wkr=RTS/TSGS-0333105v700

5.1.2.12.53 TS 33.103**Security integration guidelines**

SDO (2)	Document No.	Version	Status	Issued date	Location (1)
Release 99					
ARIB	ARIB STD-T63-33.106	3.1.0	Approved	Sep 08	http://www.arib.or.jp/IMT-2000/ARIB-STD/ITU-R_Rev8/R99/A33106-310.pdf
ETSI	ETSI TS 133 106	3.1.0	Published	Feb 00	http://pda.etsi.org/pda/home.asp?wkr=DTS/TSGS-0333106U
Release 4					
ARIB	ARIB STD-T63-33.106	4.0.0	Approved	Sep 08	http://www.arib.or.jp/IMT-2000/ARIB-STD/ITU-R_Rev8/Rel4/A33106-400.pdf
ETSI	ETSI TS 133 106	4.0.0	Published	Apr 01	http://pda.etsi.org/pda/home.asp?wkr=RTS/TSGS-0333106Uv4
Release 5					
ARIB	ARIB STD-T63-33.106	5.1.0	Approved	Sep 08	http://www.arib.or.jp/IMT-2000/ARIB-STD/ITU-R_Rev8/Rel5/A33106-510.pdf
ETSI	ETSI TS 133 106	5.1.0	Published	Oct 02	http://pda.etsi.org/pda/home.asp?wkr=RTS/TSGS-0333106v510

Release 6

ARIB	ARIB STD-T63-33.106	6.1.0	Approved	Sep 08	http://www.arib.or.jp/IMT-2000/ARIB-STD/ITU-R_Rev8/Rel6/A33106-610.pdf
ETSI	ETSI TS 133 106	6.1.0	Published	Jan 05	http://pda.etsi.org/pda/home.asp?wkr=RTS/TSGS-0333106v610

Release 7

ARIB	ARIB STD-T63-33.106	7.0.1	Approved	Sep 08	http://www.arib.or.jp/IMT-2000/ARIB-STD/ITU-R_Rev8/Rel7/A33106-701.pdf
ETSI	ETSI TS 133 106	7.0.1	Published	Apr 06	http://pda.etsi.org/pda/home.asp?wkr=RTS/TSGS-0333106v701

Release 8

ARIB	ARIB STD-T63-33.106	8.1.0	Approved	Sep 08	http://www.arib.or.jp/IMT-2000/ARIB-STD/ITU-R_Rev8/Rel8/A33106-810.pdf
ETSI	ETSI	8.0.0	Awaiting publication		

5.1.2.12.54 TS 33.105**Cryptographic algorithm requirements**

Defines requirements for standard cipher and integrity algorithm.

SDO (2)	Document No.	Version	Status	Issued date	Location (1)
Release 99					
ARIB	ARIB STD-T63-33.120	3.0.0	Approved	Sep 08	http://www.arib.or.jp/IMT-2000/ARIB-STD/ITU-R_Rev8/R99/A33120-300.pdf
ETSI	ETSI TS 133 120	3.0.0	Published	Feb 00	http://pda.etsi.org/pda/home.asp?wkr=DTS/TSGS-0333120U
Release 4					
ARIB	ARIB STD-T63-33.120	4.0.0	Approved	Sep 08	http://www.arib.or.jp/IMT-2000/ARIB-STD/ITU-R_Rev8/Rel4/A33120-400.pdf
ETSI	ETSI TS 133 120	4.0.0	Published	Apr 01	http://pda.etsi.org/pda/home.asp?wkr=RTS/TSGS-0333120Uv4

5.1.2.12.55 TS 33.106**Lawful interception requirements**

Defines all requirements for network based lawful interception.

SDO (2)	Document No.	Version	Status	Issued date	Location (1)
Release 99					
ARIB	ARIB TR-T12-33.901	3.0.0	Approved	Sep 08	http://www.arib.or.jp/IMT-2000/ARIB-STD/ITU-R_Rev8/R99/A33901-300.pdf
ETSI	ETSI TR 133 901	3.0.0	Published	Feb 00	http://pda.etsi.org/pda/home.asp?wkr=DTR/TSGS-0333901U
Release 4					
ARIB	ARIB TR-T12-33.901	4.0.0	Approved	Sep 08	http://www.arib.or.jp/IMT-2000/ARIB-STD/ITU-R_Rev8/Rel4/A33901-400.pdf
ETSI	ETSI TR 133 901	4.0.0	Published	Oct 01	http://pda.etsi.org/pda/home.asp?wkr=RTR/TSGS-0333901Uv4

5.1.2.12.56 TS 33.120**Security objectives and principles**

Elaborates on the basic principles underlying the security.

SDO (2)	Document No.	Version	Status	Issued date	Location (1)
Release 99					
ARIB	ARIB TR-T12-33.902	3.1.0	Approved	Sep 08	http://www.arib.or.jp/IMT-2000/ARIB-STD/ITU-R_Rev8/R99/A33902-310.zip
ETSI	ETSI TR 133 902	3.1.0	Published	Feb 00	http://pda.etsi.org/pda/home.asp?wkr=DTR/TSGS-0333902U
Release 4					
ARIB	ARIB TR-T12-33.902	4.0.0	Approved	Sep 08	http://www.arib.or.jp/IMT-2000/ARIB-STD/ITU-R_Rev8/Rel4/A33902-400.zip
ETSI	ETSI TR 133 902	4.0.0	Published	Oct 01	http://pda.etsi.org/pda/home.asp?wkr=RTR/TSGS-0333902Uv4

5.1.2.12.57 TR 33.901**Criteria for cryptographic algorithm design process**

This report describes the process used to design cipher and integrity algorithm.

SDO (2)	Document No.	Version	Status	Issued date	Location (1)
Release 99					
ARIB	ARIB STD-T63-26.071	3.0.1	Approved	Sep 08	http://www.arib.or.jp/IMT-2000/ARIB-STD/ITU-R_Rev8/R99/A26071-301.pdf
ETSI	ETSI TS 126 071	3.0.1	Published	Feb 00	http://pda.etsi.org/pda/home.asp?wkr=DTS/TSGS-0426071U
Release 4					
ARIB	ARIB STD-T63-26.071	4.0.0	Approved	Sep 08	http://www.arib.or.jp/IMT-2000/ARIB-STD/ITU-R_Rev8/Rel4/A26071-400.pdf
ETSI	ETSI TS 126 071	4.0.0	Published	Apr 01	http://pda.etsi.org/pda/home.asp?wkr=RTS/TSGS-0426071Uv4
Release 5					
ARIB	ARIB STD-T63-26.071	5.0.0	Approved	Sep 08	http://www.arib.or.jp/IMT-2000/ARIB-STD/ITU-R_Rev8/Rel5/A26071-500.pdf
ETSI	ETSI TS 126 071	5.0.0	Published	Jul 02	http://pda.etsi.org/pda/home.asp?wkr=RTS/TSGS-0426071v500
Release 6					
ARIB	ARIB STD-T63-26.071	6.0.0	Approved	Sep 08	http://www.arib.or.jp/IMT-2000/ARIB-STD/ITU-R_Rev8/Rel6/A26071-600.pdf
ETSI	ETSI TS 126 071	6.0.0	Published	Jan 05	http://pda.etsi.org/pda/home.asp?wkr=RTS/TSGS-0426071v600
Release 7					
ARIB	ARIB STD-T63-26.071	7.0.1	Approved	Sep 08	http://www.arib.or.jp/IMT-2000/ARIB-STD/ITU-R_Rev8/Rel7/A26071-701.pdf
ETSI	ETSI TS 126 071	7.0.1	Published	Jul 07	http://pda.etsi.org/pda/home.asp?wkr=RTS/TSGS-0426071v701

5.1.2.12.58 TR 33.902**Formal analysis of the 3G authentication protocol with modified sequence number management**

Formal analysis using BAN and temporal logic of authentication mechanism.

SDO (2)	Document No.	Version	Status	Issued date	Location (1)
Release 99					
ARIB	ARIB STD-T63-26.090	3.1.0	Approved	Sep 08	http://www.arib.or.jp/IMT-2000/ARIB-STD/ITU-R_Rev8/R99/A26090-310.pdf
ETSI	ETSI TS 126 090	3.1.0	Published	Feb 00	http://pda.etsi.org/pda/home.asp?wkr=DTS/TSGS-0426090U
Release 4					
ARIB	ARIB STD-T63-26.090	4.0.0	Approved	Sep 08	http://www.arib.or.jp/IMT-2000/ARIB-STD/ITU-R_Rev8/Rel4/A26090-400.pdf
ETSI	ETSI TS 126 090	4.0.0	Published	Apr 01	http://pda.etsi.org/pda/home.asp?wkr=RTS/TSGS-0426090Uv4
Release 5					
ARIB	ARIB STD-T63-26.090	5.0.0	Approved	Sep 08	http://www.arib.or.jp/IMT-2000/ARIB-STD/ITU-R_Rev8/Rel5/A26090-500.pdf
ETSI	ETSI TS 126 090	5.0.0	Published	Jul 02	http://pda.etsi.org/pda/home.asp?wkr=RTS/TSGS-0426090v500
Release 6					
ARIB	ARIB STD-T63-26.090	6.0.0	Approved	Sep 08	http://www.arib.or.jp/IMT-2000/ARIB-STD/ITU-R_Rev8/Rel6/A26090-600.pdf
ETSI	ETSI TS 126 090	6.0.0	Published	Jan 05	http://pda.etsi.org/pda/home.asp?wkr=RTS/TSGS-0426090v600
Release 7					
ARIB	ARIB STD-T63-26.090	7.0.0	Approved	Sep 08	http://www.arib.or.jp/IMT-2000/ARIB-STD/ITU-R_Rev8/Rel7/A26090-700.pdf
ETSI	ETSI TS 126 090	7.0.0	Published	Jun 07	http://pda.etsi.org/pda/home.asp?wkr=RTS/TSGS-0426090v700

5.1.2.12.59 TS 26.071**AMR speech codec: general description**

This specification describes an introduction to the set of the adaptive multi-rate (AMR) specifications.

SDO (2)	Document No.	Version	Status	Issued date	Location (1)
Release 99					
ARIB	ARIB STD-T63-26.091	3.1.0	Approved	Sep 08	http://www.arib.or.jp/IMT-2000/ARIB-STD/ITU-R_Rev8/R99/A26091-310.pdf
ETSI	ETSI TS 126 091	3.1.0	Published	Feb 00	http://pda.etsi.org/pda/home.asp?wkr=DTS/TSGS-0426091U
Release 4					
ARIB	ARIB STD-T63-26.091	4.0.0	Approved	Sep 08	http://www.arib.or.jp/IMT-2000/ARIB-STD/ITU-R_Rev8/Rel4/A26091-400.pdf
ETSI	ETSI TS 126 091	4.0.0	Published	Apr 01	http://pda.etsi.org/pda/home.asp?wkr=RTS/TSGS-0426091Uv4
Release 5					
ARIB	ARIB STD-T63-26.091	5.0.0	Approved	Sep 08	http://www.arib.or.jp/IMT-2000/ARIB-STD/ITU-R_Rev8/Rel5/A26091-500.pdf
ETSI	ETSI TS 126 091	5.0.0	Published	Jul 02	http://pda.etsi.org/pda/home.asp?wkr=RTS/TSGS-0426091v500

Release 6

ARIB	ARIB STD-T63-26.091	6.0.0	Approved	Sep 08	http://www.arib.or.jp/IMT-2000/ARIB-STD/ITU-R_Rev8/Rel6/A26091-600.pdf
ETSI	ETSI TS 126 091	6.0.0	Published	Jan 05	http://pda.etsi.org/pda/home.asp?wkr=RTS/TSGS-0426091v600

Release 7

ARIB	ARIB STD-T63-26.091	7.0.0	Approved	Sep 08	http://www.arib.or.jp/IMT-2000/ARIB-STD/ITU-R_Rev8/Rel7/A26091-700.pdf
ETSI	ETSI TS 126 091	7.0.0	Published	Jun 07	http://pda.etsi.org/pda/home.asp?wkr=RTS/TSGS-0426091v700

5.1.2.12.60 TS 26.090**AMR speech codec: transcoding functions**

This specification describes a detailed description of the AMR speech codec transcoding functions.

SDO (2)	Document No.	Version	Status	Issued date	Location (1)
Release 99					
ARIB	ARIB STD-T63-26.092	3.0.1	Approved	Sep 08	http://www.arib.or.jp/IMT-2000/ARIB-STD/ITU-R_Rev8/R99/A26092-301.pdf
ETSI	ETSI TS 126 092	3.0.1	Published	Feb 00	http://pda.etsi.org/pda/home.asp?wkr=DTS/TSGS-0426092U
Release 4					
ARIB	ARIB STD-T63-26.092	4.0.0	Approved	Sep 08	http://www.arib.or.jp/IMT-2000/ARIB-STD/ITU-R_Rev8/Rel4/A26092-400.pdf
ETSI	ETSI TS 126 092	4.0.0	Published	Apr 01	http://pda.etsi.org/pda/home.asp?wkr=RTS/TSGS-0426092Uv4
Release 5					
ARIB	ARIB STD-T63-26.092	5.0.0	Approved	Sep 08	http://www.arib.or.jp/IMT-2000/ARIB-STD/ITU-R_Rev8/Rel5/A26092-500.pdf
ETSI	ETSI TS 126 092	5.0.0	Published	Jul 02	http://pda.etsi.org/pda/home.asp?wkr=RTS/TSGS-0426092v500
Release 6					
ARIB	ARIB STD-T63-26.092	6.0.0	Approved	Sep 08	http://www.arib.or.jp/IMT-2000/ARIB-STD/ITU-R_Rev8/Rel6/A26092-600.pdf
ETSI	ETSI TS 126 092	6.0.0	Published	Jan 05	http://pda.etsi.org/pda/home.asp?wkr=RTS/TSGS-0426092v600
Release 7					
ARIB	ARIB STD-T63-26.092	7.0.0	Approved	Sep 08	http://www.arib.or.jp/IMT-2000/ARIB-STD/ITU-R_Rev8/Rel7/A26092-700.pdf
ETSI	ETSI TS 126 092	7.0.0	Published	Jun 07	http://pda.etsi.org/pda/home.asp?wkr=RTS/TSGS-0426092v700

5.1.2.12.61 TS 26.091**AMR speech codec: error concealment of lost frames**

This specification describes example procedures for the error concealment, also called frame substitution or muting procedure, of lost speech or silence indicator frames.

SDO (2)	Document No.	Version	Status	Issued date	Location (1)
Release 99					
ARIB	ARIB STD-T63-26.093	3.3.0	Approved	Sep 08	http://www.arib.or.jp/IMT-2000/ARIB-STD/ITU-R_Rev8/R99/A26093-330.pdf
ETSI	ETSI TS 126 093	3.3.0	Published	Feb 01	http://pda.etsi.org/pda/home.asp?wkr=RTS/TSGS-0426093UR2
Release 4					
ARIB	ARIB STD-T63-26.093	4.0.0	Approved	Sep 08	http://www.arib.or.jp/IMT-2000/ARIB-STD/ITU-R_Rev8/Rel4/A26093-400.pdf
ETSI	ETSI TS 126 093	4.0.0	Published	Aug 02	http://pda.etsi.org/pda/home.asp?wkr=RTS/TSGS-0426093v400
Release 5					
ARIB	ARIB STD-T63-26.093	5.2.0	Approved	Sep 08	http://www.arib.or.jp/IMT-2000/ARIB-STD/ITU-R_Rev8/Rel5/A26093-520.pdf
ETSI	ETSI TS 126 093	5.2.0	Published	Jan 03	http://pda.etsi.org/pda/home.asp?wkr=RTS/TSGS-0426093v520
Release 6					
ARIB	ARIB STD-T63-26.093	6.1.0	Approved	Sep 08	http://www.arib.or.jp/IMT-2000/ARIB-STD/ITU-R_Rev8/Rel6/A26093-610.pdf
ETSI	ETSI TS 126 093	6.1.0	Published	Jul 06	http://pda.etsi.org/pda/home.asp?wkr=RTS/TSGS-0426093v610
Release 7					
ARIB	ARIB STD-T63-26.093	7.0.0	Approved	Sep 08	http://www.arib.or.jp/IMT-2000/ARIB-STD/ITU-R_Rev8/Rel7/A26093-700.pdf
ETSI	ETSI TS 126 093	7.0.0	Published	Jun 07	http://pda.etsi.org/pda/home.asp?wkr=RTS/TSGS-0426093v700

5.1.2.12.62 TS 26.092

AMR speech codec: comfort noise aspects

This specification describes the detailed requirements for the correct operation of the background acoustic noise evaluation, noise parameter encoding/decoding and comfort noise generation for the AMR speech codec during source controlled rate (SCR) operation.

SDO (2)	Document No.	Version	Status	Issued date	Location (1)
Release 99					
ARIB	ARIB STD-T63-26.094	3.0.0	Approved	Sep 08	http://www.arib.or.jp/IMT-2000/ARIB-STD/ITU-R_Rev8/R99/A26094-300.pdf
ETSI	ETSI TS 126 094	3.0.0	Published	Feb 00	http://pda.etsi.org/pda/home.asp?wkr=DTS/TSGS-0426094U
Release 4					
ARIB	ARIB STD-T63-26.094	4.0.0	Approved	Sep 08	http://www.arib.or.jp/IMT-2000/ARIB-STD/ITU-R_Rev8/Rel4/A26094-400.pdf
ETSI	ETSI TS 126 094	4.0.0	Published	Apr 01	http://pda.etsi.org/pda/home.asp?wkr=RTS/TSGS-0426094Uv4
Release 5					
ARIB	ARIB STD-T63-26.094	5.0.0	Approved	Sep 08	http://www.arib.or.jp/IMT-2000/ARIB-STD/ITU-R_Rev8/Rel5/A26094-500.pdf
ETSI	ETSI TS 126 094	5.0.0	Published	Jul 02	http://pda.etsi.org/pda/home.asp?wkr=RTS/TSGS-0426094v500

186**Rec. ITU-R M.1457-8****Release 6**

ARIB	ARIB STD-T63-26.094	6.1.0	Approved	Sep 08	http://www.arib.or.jp/IMT-2000/ARIB-STD/ITU-R_Rev8/Rel6/A26094-610.pdf
ETSI	ETSI TS 126 094	6.1.0	Published	Jul 06	http://pda.etsi.org/pda/home.asp?wkr=RTS/TSGS-0426094v610

Release 7

ARIB	ARIB STD-T63-26.094	7.0.0	Approved	Sep 08	http://www.arib.or.jp/IMT-2000/ARIB-STD/ITU-R_Rev8/Rel7/A26094-700.pdf
ETSI	ETSI TS 126 094	7.0.0	Published	Jun 07	http://pda.etsi.org/pda/home.asp?wkr=RTS/TSGS-0426094v700

5.1.2.12.63 TS 26.093**AMR speech codec: source controlled rate (SCR) operation**

This specification describes the operation of the AMR speech codec during SCR operation.

SDO (2)	Document No.	Version	Status	Issued date	Location (1)
Release 99					
ARIB	ARIB STD-T63-26.110	3.1.0	Approved	Sep 08	http://www.arib.or.jp/IMT-2000/ARIB-STD/ITU-R_Rev8/R99/A26110-310.pdf
ETSI	ETSI TS 126 110	3.1.0	Published	Apr 01	http://pda.etsi.org/pda/home.asp?wkr=RTS/TSGS-0426110UR1
Release 4					
ARIB	ARIB STD-T63-26.110	4.1.0	Approved	Sep 08	http://www.arib.or.jp/IMT-2000/ARIB-STD/ITU-R_Rev8/Rel4/A26110-410.pdf
ETSI	ETSI TS 126 110	4.1.0	Published	Apr 01	http://pda.etsi.org/pda/home.asp?wkr=RTS/TSGS-0426110Uv4
Release 5					
ARIB	ARIB STD-T63-26.110	5.0.0	Approved	Sep 08	http://www.arib.or.jp/IMT-2000/ARIB-STD/ITU-R_Rev8/Rel5/A26110-500.pdf
ETSI	ETSI TS 126 110	5.0.0	Published	Jul 02	http://pda.etsi.org/pda/home.asp?wkr=RTS/TSGS-0426110v500
Release 6					
ARIB	ARIB STD-T63-26.110	6.0.0	Approved	Sep 08	http://www.arib.or.jp/IMT-2000/ARIB-STD/ITU-R_Rev8/Rel6/A26110-600.pdf
ETSI	ETSI TS 126 110	6.0.0	Published	Jan 05	http://pda.etsi.org/pda/home.asp?wkr=RTS/TSGS-0426110v600
Release 7					
ARIB	ARIB STD-T63-26.110	7.0.0	Approved	Sep 08	http://www.arib.or.jp/IMT-2000/ARIB-STD/ITU-R_Rev8/Rel7/A26110-700.pdf
ETSI	ETSI TS 126 110	7.0.0	Published	Jul 07	http://pda.etsi.org/pda/home.asp?wkr=RTS/TSGS-0426110v700

5.1.2.12.64 TS 26.094**AMR speech codec: voice activity detector (VAD)**

This specification describes two alternatives for the VAD to be used during SCR operation in conjunction with the AMR codec.

SDO (2)	Document No.	Version	Status	Issued date	Location (1)
Release 99					
ARIB	ARIB STD-T63-26.111	3.4.0	Approved	Sep 08	http://www.arib.or.jp/IMT-2000/ARIB-STD/ITU-R_Rev8/R99/A26111-340.pdf
ETSI	ETSI TS 126 111	3.4.0	Published	Feb 01	http://pda.etsi.org/pda/home.asp?wkr=RTS/TSGS-0426111UR3

Release 4

ARIB	ARIB STD-T63-26.111	4.0.0	Approved	Sep 08	http://www.arib.or.jp/IMT-2000/ARIB-STD/ITU-R_Rev8/Rel4/A26111-400.pdf
ETSI	ETSI TS 126 111	4.0.0	Published	Apr 01	http://pda.etsi.org/pda/home.asp?wkr=RTS/TSGS-0426111Uv4

Release 5

ARIB	ARIB STD-T63-26.111	5.1.0	Approved	Sep 08	http://www.arib.or.jp/IMT-2000/ARIB-STD/ITU-R_Rev8/Rel5/A26111-510.pdf
ETSI	ETSI TS 126 111	5.1.0	Published	Jul 03	http://pda.etsi.org/pda/home.asp?wkr=RTS/TSGS-0426111v510

Release 6

ARIB	ARIB STD-T63-26.111	6.2.0	Approved	Sep 08	http://www.arib.or.jp/IMT-2000/ARIB-STD/ITU-R_Rev8/Rel6/A26111-620.pdf
ETSI	ETSI TS 126 111	6.1.0	Published	Jan 05	http://pda.etsi.org/pda/home.asp?wkr=RTS/TSGS-0426111v610

Release 7

ARIB	ARIB STD-T63-26.111	7.1.0	Approved	Sep 08	http://www.arib.or.jp/IMT-2000/ARIB-STD/ITU-R_Rev8/Rel7/A26111-710.pdf
ETSI	ETSI TS 126 111	7.0.0	Published	Jul 07	http://pda.etsi.org/pda/home.asp?wkr=RTS/TSGS-0426111v700

5.1.2.12.65 TS 26.110**Codec for circuit-switched multimedia telephony service: general description**

This specification describes an introduction to the set of specifications for the support of circuit-switched 3G-324M multimedia telephony service.

SDO (2)	Document No.	Version	Status	Issued date	Location (1)
Release 99					
ARIB	ARIB TR-T12-26.911	3.4.0	Approved	Sep 08	http://www.arib.or.jp/IMT-2000/ARIB-STD/ITU-R_Rev8/R99/A26911-340.pdf
ETSI	ETSI TR 126 911	3.4.0	Published	Apr 03	http://pda.etsi.org/pda/home.asp?wkr=RTR/TSGS-0426911v340
Release 4					
ARIB	ARIB TR-T12-26.911	4.2.0	Approved	Sep 08	http://www.arib.or.jp/IMT-2000/ARIB-STD/ITU-R_Rev8/Rel4/A26911-420.pdf
ETSI	ETSI TR 126 911	4.2.0	Published	Apr 03	http://pda.etsi.org/pda/home.asp?wkr=RTR/TSGS-0426911v420
Release 5					
ARIB	ARIB TR-T12-26.911	5.1.0	Approved	Sep 08	http://www.arib.or.jp/IMT-2000/ARIB-STD/ITU-R_Rev8/Rel5/A26911-510.pdf
ETSI	ETSI TR 126 911	5.1.0	Published	Apr 03	http://pda.etsi.org/pda/home.asp?wkr=RTR/TSGS-0426911v510
Release 6					
ARIB	ARIB TR-T12-26.911	6.0.0	Approved	Sep 08	http://www.arib.or.jp/IMT-2000/ARIB-STD/ITU-R_Rev8/Rel6/A26911-600.pdf
ETSI	ETSI TR 126 911	6.0.0	Published	Jan 05	http://pda.etsi.org/pda/home.asp?wkr=RTR/TSGS-0426911v600
Release 7					
ARIB	ARIB TR-T12-26.911	7.1.0	Approved	Sep 08	http://www.arib.or.jp/IMT-2000/ARIB-STD/ITU-R_Rev8/Rel7/A26911-710.pdf
ETSI	ETSI TR 126 911	7.1.0	Published	Oct 06	http://pda.etsi.org/pda/home.asp?wkr=RTR/TSGS-0426911v710
Release 8					
ETSI	ETSI	8.0.0	Awaiting publication		

5.1.2.12.66 TS 26.111**Codec for circuit-switched multimedia telephony service: modifications to ITU-T Recommendation H.324**

This specification describes the modifications applicable to the ITU-T Recommendation H.324, Annex C for the support of circuit-switched 3G-324M multimedia telephony service.

SDO (2)	Document No.	Version	Status	Issued date	Location (1)
---------	--------------	---------	--------	-------------	--------------

Release 8

ETSI	ETSI	8.0.0	Awaiting publication		
ETSI	ETSI	8.0.0	Awaiting publication		

5.1.2.12.67 TR 26.911**Codec for circuit-switched multimedia telephony service: terminal implementor's guide**

This report describes non-mandatory Recommendations for the use of the different codec implementation options for the circuit-switched 3G-324M multimedia telephony service based on ITU-T Recommendation H.324, Annex C. These Recommendations address issues specific to the third generation operating environment, including guaranteeing sufficient error resilience and inter-working between terminals.

SDO (2)	Document No.	Version	Status	Issued date	Location (1)
---------	--------------	---------	--------	-------------	--------------

Release 8

ETSI	ETSI	8.0.0	Awaiting publication		
------	------	-------	----------------------	--	--

5.1.2.13**Vocabulary****5.1.2.13.1** TR 21.905**Vocabulary**

Document 21.905 is a collection of terms, definitions and abbreviations related to the baseline documents defining the objectives and systems framework. This document provides a tool for further work on the technical documentation and facilitates their understanding.

SDO (2)	Document No.	Version	Status	Issued date	Location (1)
---------	--------------	---------	--------	-------------	--------------

Release 99

ARIB	ARIB TR-T12-21.905	3.3.0	Approved	Sep 08	http://www.arib.or.jp/IMT-2000/ARIB-STD/ITU-R_Rev8/R99/A21905-330.pdf
ATIS	T1.3GPP.21.905V330-2002	3.3.0	Approved	May 02	https://www.atis.org/docstore/default.aspx
ETSI	ETSI TR 121 905	3.3.0	Published	Oct 01	http://pda.etsi.org/pda/home.asp?wkr=RTR/TSGS-0121905UR3
TTA	TTAE.3G-21.905(R99-3.3.0)	3.3.0	Approved	May 02	http://www.tta.or.kr/standardDB/stnfile/TTAE.3G-21.905(R99-3.3.0).zip
TTC	TR-3GA-21.905(R99)v3.3.0	3.3.0 R1	Published	Nov 01	http://www.ttc.or.jp/imt/tr/21905r99v330.pdf

Release 4

ARIB	ARIB TR-T12-21.905	4.5.0	Approved	Sep 08	http://www.arib.or.jp/IMT-2000/ARIB-STD/ITU-R_Rev8/Rel4/A21905-450.pdf
ATIS	T1.3GPP.21.905V450-2004	4.5.0	Approved	May 04	https://www.atis.org/docstore/default.aspx
ETSI	ETSI TR 121 905	4.5.0	Published	Jul 03	http://pda.etsi.org/pda/home.asp?wkr=RTR/TSGS-0121905v450
TTA	TTAT.3G-21.905(R4-4.5.0)	4.5.0	Approved	May 04	http://www.tta.or.kr/standardDB/stnfile/TTAT.3G-21.905(R4-4.5.0).zip
TTC	TR-3GA-21.905(Rel4)v4.5.0	4.5.0 R1	Published	Aug 03	http://www.ttc.or.jp/imt/tr/tr21905rel4v450.pdf

Release 5

ARIB	ARIB TR-T12-21.905	5.10.0	Approved	Sep 08	http://www.arib.or.jp/IMT-2000/ARIB-STD/ITU-R_Rev8/Rel5/A21905-5a0.pdf
ATIS	ATIS.3GPP.21.905V5100-2006	5.10.0	Approved	Apr 06	https://www.atis.org/docstore/default.aspx
ETSI	ETSI TR 121 905	5.10.0	Published	Oct 05	http://pda.etsi.org/pda/home.asp?wkr=RTR/TSGS-0121905v5a0
TTA	TTAT.3G-21.905(R5-5.10.0)	5.10.0	Approved	Apr 06	http://www.tta.or.kr/standardDB/stnfile/TTAT.3G-21.905(R5-5.10.0).zip
TTC	TR-3GA-21.905(Rel5)v5.10.0	5.10.0 R1	Published	Nov 05	http://www.ttc.or.jp/imt/tr/tr21905rel5v5a0.pdf

Release 6

ARIB	ARIB TR-T12-21.905	6.10.0	Approved	Sep 08	http://www.arib.or.jp/IMT-2000/ARIB-STD/ITU-R_Rev8/Rel6/A21905-6a0.pdf
ATIS	ATIS.3GPP.21.905V6100-2006	6.10.0	Approved	Apr 06	https://www.atis.org/docstore/default.aspx
ETSI	ETSI TR 121 905	6.10.0	Published	Oct 05	http://pda.etsi.org/pda/home.asp?wkr=RTR/TSGS-0121905v6a0
TTA	TTAT.3G-21.905(R6-6.10.0)	6.10.0	Approved	Apr 06	http://www.tta.or.kr/standardDB/stnfile/TTAT.3G-21.905(R6-6.10.0).zip
TTC	TR-3GA-21.905(Rel6)v6.10.0	6.10.0 R1	Published	Nov 05	http://www.ttc.or.jp/imt/tr/tr21905rel6v6a0.pdf

Release 7

ARIB	ARIB TR-T12-21.905	7.4.0	Approved	Sep 08	http://www.arib.or.jp/IMT-2000/ARIB-STD/ITU-R_Rev8/Rel7/A21905-740.pdf
ATIS	ATIS.3GPP.21.905V740-2007	7.4.0	Approved	Oct 07	https://www.atis.org/docstore/default.aspx
ETSI	ETSI TR 121 905	7.4.0	Published	Jul 07	http://pda.etsi.org/pda/home.asp?wkr=RTR/TSGS-0121905v740
TTA	TTAT.3G-21.905(R7-7.4.0)	7.4.0	Approved	Dec 07	http://www.tta.or.kr/standardDB/stnfile/TTAT.3G-21.905(R7-7.4.0).zip
TTC	TR-3GA-21.905(Rel7)v7.4.0	7.4.0 R1	Published	Jan 08	http://www.ttc.or.jp/imt/tr/tr21905rel7v740.pdf

Release 8

ARIB	ARIB TR-T12-21.905	8.5.0	Approved	Sep 08	http://www.arib.or.jp/IMT-2000/ARIB-STD/ITU-R_Rev8/Rel8/A21905-850.pdf
ATIS	ATIS.3GPP.21.905V850-2008	8.5.0	Approved	Oct 08	https://www.atis.org/docstore/default.aspx
ETSI	ETSI TR 121 905	8.3.0	Awaiting publication		http://pda.etsi.org/pda/home.asp?wkr=RTR/TSGS-0121905v830
TTA	TTAT.3G-21.905(R8-8.5.0)	8.5.0	Approved	Oct 08	http://www.tta.or.kr/standardDB/stnfile/TTAT.3G-21.905(R8-8.5.0).zip
TTC	TR-3GA-21.905(Rel8)v8.5.0	8.5.0 R1	Approved	Oct 08	http://www.ttc.or.jp/imt/tr/tr21905rel8v850.pdf

5.1.2.14 SDO's complete system standard**SDO Location**

ARIB	http://www.arib.or.jp/IMT-2000/ARIB-STD.html
ATIS	https://www.atis.org/docstore/default.aspx
CCSA	http://www.ccsa.org.cn/english/tc/files.php?docpath=/ITU-R/M.1457
ETSI	http://www.etsi.org
TTA	http://www.tta.or.kr/English/new/standardization/eng_ttastdlist.jsp

5.2 IMT-2000 CDMA Multi-Carrier

5.2.1 Overview of the radio interface

5.2.1.1 Introduction

The IMT-2000 radio interface specifications for CDMA multi-carrier (MC) technology are developed by a partnership of SDOs (see Note 1). This radio interface is called cdma2000.

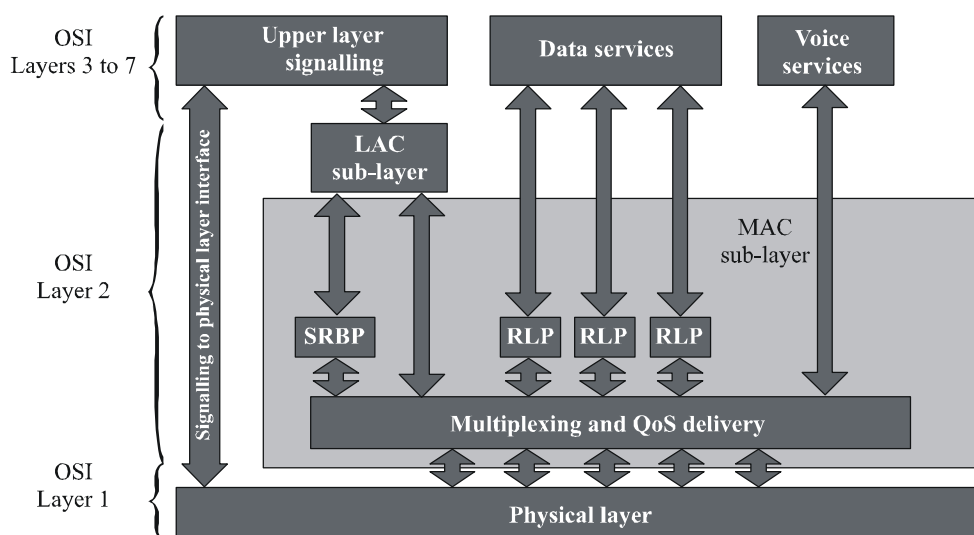
NOTE 1 – Currently, these specifications are developed within the third generation partnership project 2 (3GPP2), where the participating SDOs are ARIB, CCSA, TTA and TTC.

In the development of this radio interface the CN specifications are based on an evolved ANSI-41 and IP network, but the specifications include the necessary capabilities for operation with an evolved GSM-MAP-based CN or a CN based on IETF protocols.

This radio interface is a wideband spread spectrum radio interface that utilizes CDMA technology in order to meet the needs of the 3G wireless communication systems and to meet the requirements for the 3G evolution of the current 2G TIA/EIA-95-B family of standards.

As shown in Fig. 20, this radio interface has a layered structure that provides a combination of voice, packet data, and circuit data services, according to the ISO/OSI reference model (i.e. Layer 1 – the physical layer, and Layer 2 – the link layer). Layer 2 is further subdivided into the link access control (LAC) sub-layer and the MAC sub-layer. Applications and upper layer protocols corresponding to OSI Layers 3 through 7 utilize the services provided by the LAC services, e.g. signalling services, voice services, data services (packet data and circuit data).

FIGURE 20
General radio interface architecture



1457-20

In this radio interface a generalized multimedia service model is supported. This allows any combination of voice, packet data, and circuit data services to be operated. The radio interface also includes a QoS control mechanism to balance the varying QoS requirements of multiple concurrent services (e.g. to support ISDN or RSVP network layer QoS capabilities).

The physical layer supports RF channel bandwidths of $N \times 1.25$ MHz, where N is the spreading rate number. The data rates, channel encoding, and modulation parameters supported on the traffic channels are specified by radio configurations. For Spreading rates 1 and 3, there are seven radio configurations for the reverse link and there are ten radio configurations for the forward link. Collectively, these radio configurations form the radio interface, which consists of the 1X and 3X components. Spreading rate 1 corresponds to 1X. Spreading

rate 3 corresponds to 3X. Radio configurations 1 and 2 are specified to be backward compatible with TIA/EIA-95-B systems. The radio interface also supports a class of operational band plans as specified in the TIA/EIA/IS-2000 standard.

This family of standards supports multi-carrier systems in contiguous and non-contiguous operation with two or more carriers each with bandwidths of up to 20 MHz.

This specification includes a flexible and efficient MAC sub-layer that supports multiple data service state machine instances, one for each active packet or circuit data service instance. Along with the multiplexing QoS control entity, the MAC realizes the complex multimedia, multi-service capabilities of 3G wireless systems with QoS management capabilities for each active service.

This specification also introduces a LAC sub-layer to provide reliable transmission over the air for signalling services. To provide flexible voice services, this radio interface provides the framework and the services to transport encoded voice data in the form of packet data or circuit data traffic, as well as in a manner that is backward compatible with the TIA/EIA-95-B family of standards (i.e. the encoded voice data is transported directly by the physical layer). In the latter case, the LAC and MAC services are null. The LAC sub-layer provides an ARQ (retransmission) protocol.

5.2.1.2 Physical layer

5.2.1.2.1 Reverse link (uplink)

5.2.1.2.1.1 Radio configurations 1 through 6

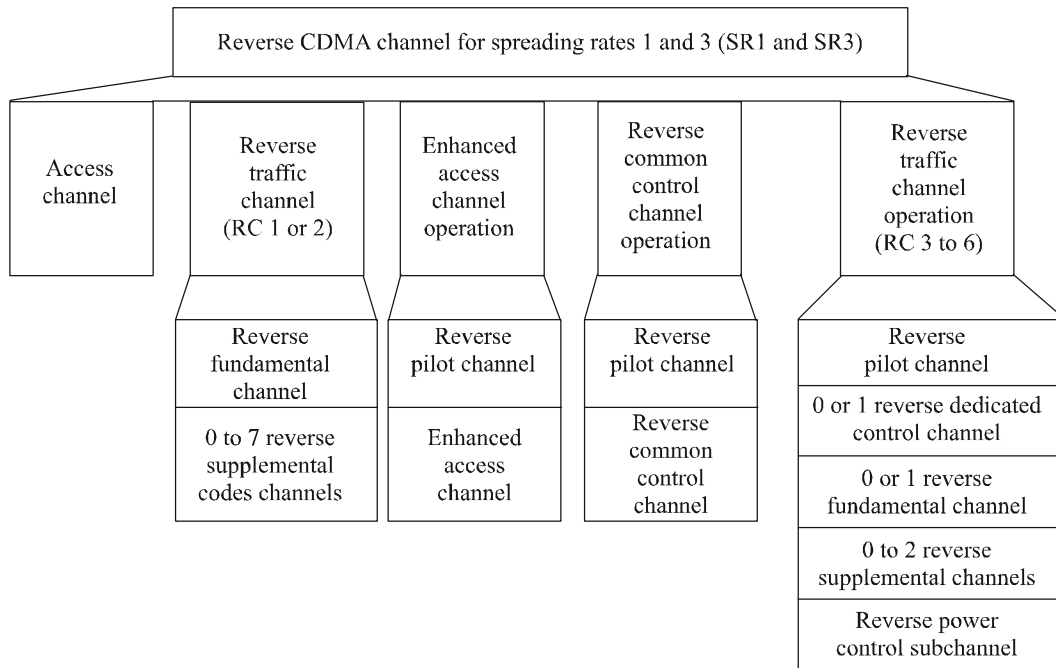
Figure 21 shows the reverse CDMA Channels received at the BS. The reverse pilot channel is an unmodulated spread spectrum signal used to assist the BS in detecting the mobile station transmission. The mobile station also inserts a reverse power control subchannel in the reverse pilot channel. The reverse power control subchannel is used to transmit forward power control commands. The access channel is used by the mobile station to initiate communication with the BS and to respond to paging channel messages. The enhanced access channel is used by the mobile station to initiate communication with the BS or to respond to a mobile station directed message. The reverse common control channel is used for the transmission of user and signalling information to the BS when reverse traffic channels are not in use. The reverse traffic channels with radio configurations 1 and 2 include the reverse fundamental channel and reverse supplemental code channel. The reverse traffic channels with radio configurations 3 through 6 include the reverse dedicated control channel, reverse fundamental channel, and reverse supplemental channel. The reverse dedicated control channel and reverse fundamental channel are used for the transmission of user and signalling information to the BS during a call. The reverse supplemental channel and reverse supplemental code channel are used for the transmission of user information to the BS during a call.

Figure 22 shows the reverse channel structure (except the pilot channel). Channel encoded symbols are repeated and punctured to match a nominal value of data rate. Block interleaving is used on the access channel, the enhanced access channel, the reverse common control channel, and the reverse traffic channels. The channel encoded and interleaved symbols are modulated and are direct spread prior to transmission. The spreading chip rate is $N \times 1.2288$ Mchip/s (N is the spreading rate number described above). Figure 23 shows the uplink spreading and the modulation operation for radio configurations 3 through 6.

The mobile station supports three types of forward link power control based upon: 800 Hz feedback; the erasure indicator bits (EIB); and the quality indicator bits (QIB). The feedback is on the reverse power control subchannel. For the 800 Hz feedback mode, the outer loop estimates the setpoint value based on E_b/N_t to achieve the target FER on each assigned forward traffic channel. The inner loop compares the E_b/N_t of the received forward traffic channel with the corresponding outer loop setpoint to determine the value of the power control bit to be sent on the reverse power control subchannel every 1.25 ms.

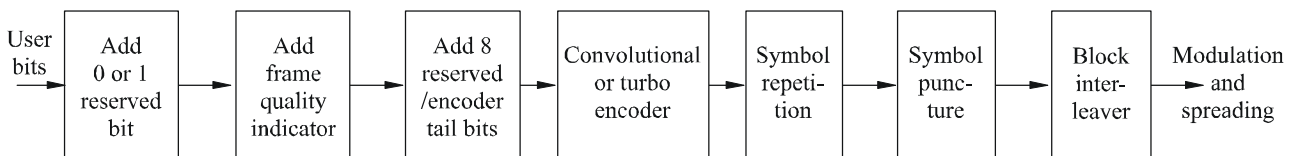
Uplink soft handoff is achieved by performing diversity or selection combining at the BS.

FIGURE 21
Reverse CDMA channels received at the Base Station



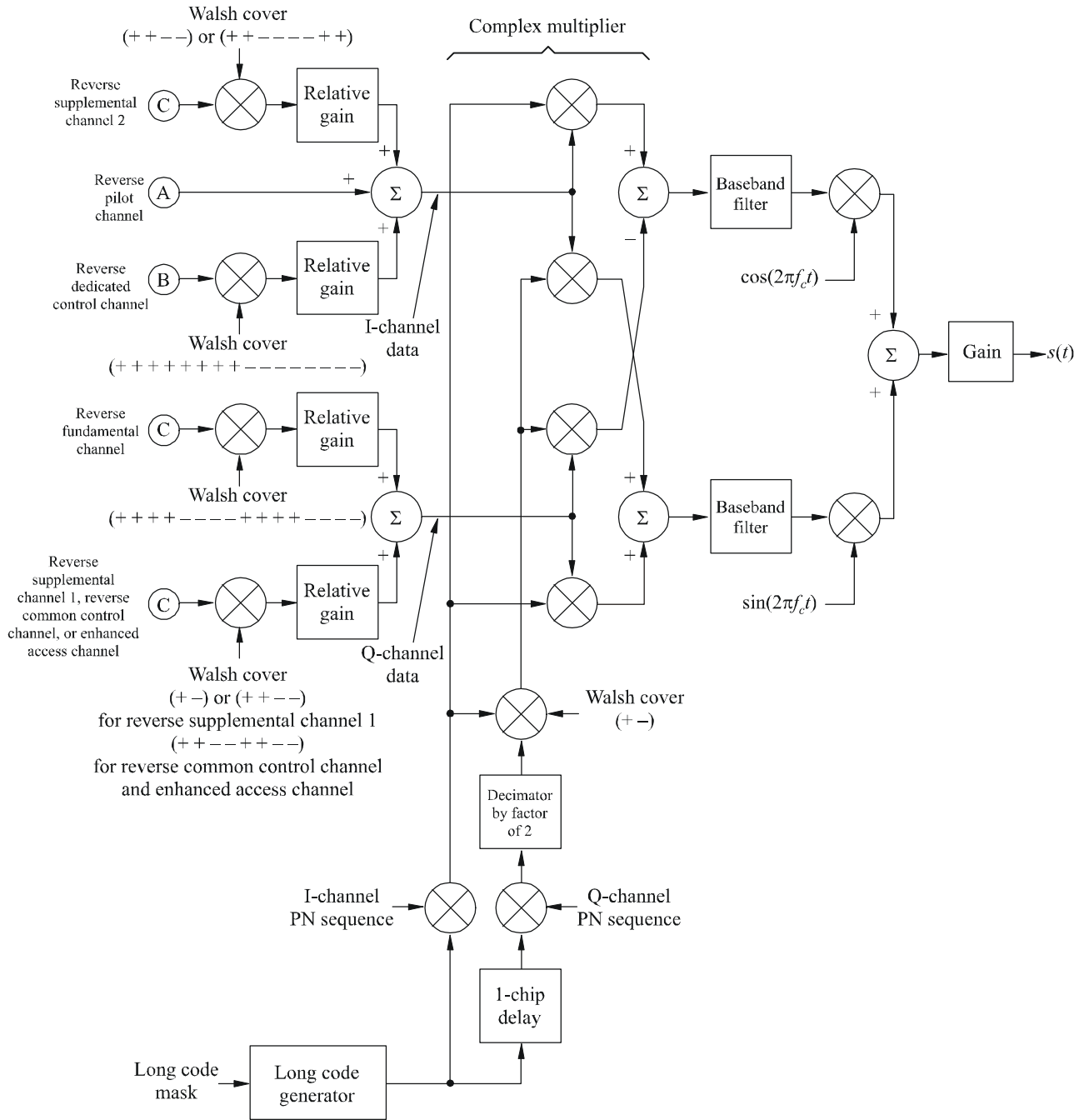
1457-21

FIGURE 22
Reverse channels structure (except the pilot channel)



1457-22

FIGURE 23
Uplink spreading and modulation for radio configurations 3 and above



1457-23

5.2.1.2.1.2 High Rate Packet Data (HRPD) Access

The High Rate Packet Date Access family of standards, also known as Evolution Data Optimized (EV-DO), provide full QoS and efficient support for a wide variety of applications, backward compatible multi-carrier support, broadcast/multicast, flexible duplex and hybrid frequency reuse.

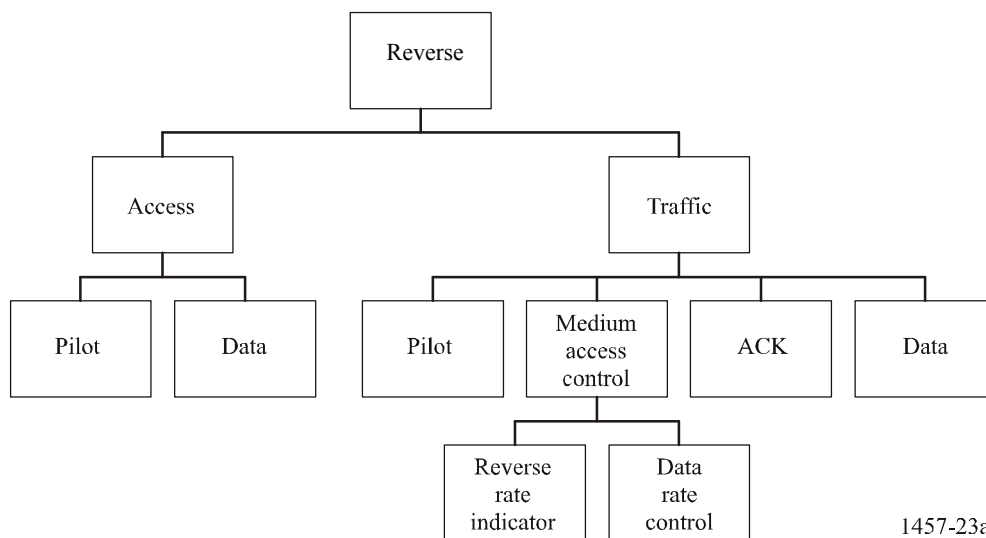
5.2.1.2.1.2.1 High Rate Packet Data Release 0 and Revision A

The Release 0 and Revision A standards deploy a Reverse CDMA Channel on a dedicated 1X RF Channel. This Reverse CDMA Channel consists of the Access Channel and the Reverse Traffic Channel as shown in Fig. 23a. The Access Channel is used by the access terminal to initiate communication with the access network or to respond to an access terminal directed message. The Access Channel consists of a Pilot

Channel and a Data Channel. The Reverse Traffic Channel is used by the mobile station to transmit user-specific traffic or signalling information to the access network. The Reverse Traffic Channel comprises a Pilot Channel, a Reverse Rate Indicator (RRI) Channel, a Data Rate Control (DRC) Channel, an Acknowledgement (ACK) Channel, and a Data Channel. The RRI Channel is used to indicate the data rate transmitted on the Reverse Traffic Channel. The RRI Channel is time-multiplexed with the Pilot Channel. The DRC Channel is used by the mobile station to indicate to the access network the supportable Forward Traffic Channel data rate and the best serving sector on the Forward CDMA Channel. The ACK Channel is used by the access terminal to inform the access network whether or not the data packet transmitted on the Forward Traffic Channel has been received successfully.

For the enhanced HRPD access, physical layer H-ARQ (Hybrid Automatic Repeat Request), shorter frame sizes, fast scheduling/rate-control, and adaptive modulation and coding are implemented to increase the peak data rate and system throughput of the reverse link.

FIGURE 23a
Reverse CDMA channel for high rate packet data access



5.2.1.2.1.2.2 High Rate Packet Data Revision B

The High Rate Packet Data Revision B standard specifies a multi-carrier system with a bandwidth of up to 20 MHz. Each carrier is 1.25 MHz wide and terminals may support one or more carriers. Non-contiguous CDMA carrier operation is also supported. Revision B is compatible with Revision A systems, and Release 0 and Revision A terminals can operate on Revision B networks. A peak terminal transmit data rate of 27.6 Mbit/s is supported in a 20 MHz bandwidth.

5.2.1.2.1.3 High Rate Packet Data with Voice

The High Rate Packet Data with Voice (1xEV-DV) includes enhanced features allowing for high-speed packet data transmission, higher spectral efficiency, and simultaneous high-speed packet data and real-time services, such as voice, on a single 1.25 MHz RF carrier. The high data rates are achieved with the support of key features, such as adaptive modulation and coding, higher-order modulation, fast scheduling, and hybrid ARQ (Automatic Repeat Request).

For the enhanced 1xEV-DV access, physical layer hybrid ARQ, shorter frames, fast scheduling/rate-control, and adaptive modulation and coding are also used to increase the peak data rate and system throughput of the reverse link.

5.2.1.2.1.4 Ultra Mobile Broadband (UMB) System

Compared to the High Data Rate Revision B system, the UMB system provides higher peak data rates, better spectral efficiency, lower latency, improved terminal battery life, higher capacity and enhanced user experience for delay-sensitive applications such as VoIP and video telephony.

The UMB system provides a unified design for full- and half-duplex FDD modes of operation with support for scalable bandwidths. The system is designed for robust mobile broadband access, and is optimized for high spectral efficiency and short latencies using advanced modulation, link adaptation, and multi-antenna transmission techniques. Fast handoff, fast power control, and inter-sector interference management are used. Adaptive coding and modulation with synchronous H-ARQ and turbo coding are used for achieving high spectral efficiencies. Sub-band scheduling provides enhanced performance on the reverse link by exploiting multi-user diversity gains for latency-sensitive traffic. The reverse link retransmission latency is approximately 7 ms and the peak data rate is over 70 Mbit/s in a 20 MHz bandwidth.

The reverse link is quasi-orthogonal. That is, it employs orthogonal transmission based on OFDMA, together with non-orthogonal user multiplexing with layered superposition or multiple receive antennas (SDMA). The reverse link also includes optional CDMA transmission for low-rate traffic. Interference management is obtained through fractional frequency reuse. An optimized throughput/fairness trade-off is obtained through distributed power control based on other-cell interference. The reverse link employs a CDMA control segment and OFDMA control segments. The system employs fast access with reduced overhead and fast requests. The reverse link employs a broadband reference signal for power control, handoff decisions, and sub-band scheduling. Efficient handoff support is also provided.

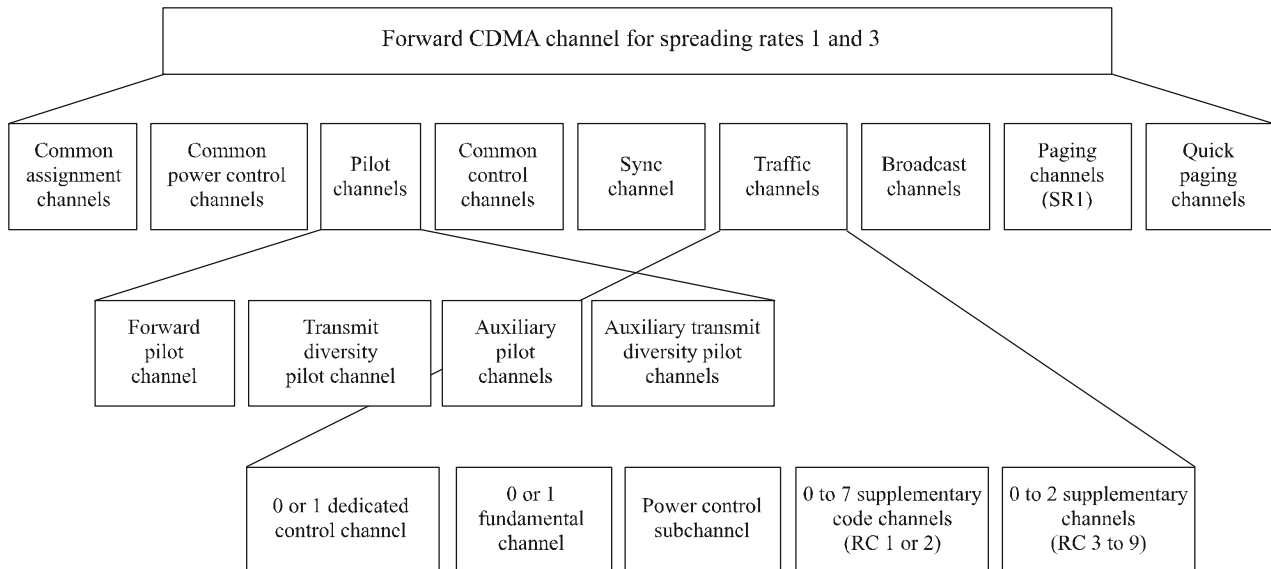
5.2.1.2.2 Forward Link (Downlink)

5.2.1.2.2.1 Radio Configurations 1 Through 9

Figure 24 shows the forward CDMA channels received at the mobile station. The forward pilot channel, the transmit diversity pilot channel, the auxiliary pilot channels, and the auxiliary transmit diversity pilot channels are unmodulated spread spectrum signals used for synchronization by a mobile station operating within the coverage area of the BS. The forward pilot channel is transmitted at all times by the BS on each active forward CDMA channel. The auxiliary pilot channel is transmitted in a beamforming application. The transmit diversity pilot channel and the auxiliary transmit diversity pilot channel are transmitted when transmit diversity is used. The sync channel is used by mobile stations operating within the coverage area of the BS to acquire initial time synchronization. The paging channel is used by the BS to transmit system overhead information and mobile station specific messages. The broadcast channel is used by the BS to transmit system overhead information. The quick paging channel is used by the BS to inform mobile stations, operating in the slotted mode while in the idle state, whether or not to receive the forward common control channel, the broadcast channel, or the paging channel. The common power control channel is used by the BS for transmitting common power control sub channels (one bit per subchannel) for the power control of multiple reverse common control channels and enhanced access channels. The common power control sub channels are time multiplexed on the common power control channel. Each common power control subchannel controls a reverse common control channel or an enhanced access channel. The common assignment channel is used by the BS to provide quick assignment of the reverse common control channel. The forward common control channel is used by the BS to transmit mobile station-specific messages. For radio configurations 1 and 2, the forward traffic channels include the forward fundamental channel and forward supplemental code channel. For radio configurations 3 through 9, the forward traffic channels include the forward dedicated control channel, forward fundamental channel, and forward supplemental channel. Similar to the corresponding reverse traffic channels, these channels are used for transmission of user and/or signalling information to a specific mobile station during a call. The forward traffic channels also include the forward power control subchannel. It is used to transmit reverse power control commands and is transmitted either on the forward fundamental channel or on the forward dedicated control channel.

The channel structure of the forward link is similar to that of the reverse link shown in Fig. 24, except that the sync channel and the paging channel do not use the frame quality indicator, and that the quick paging channel and the common power control channel do not use channel coding or interleaving. Block interleaving is used on the sync channel, the paging channels, the broadcast channel, the common assignment channel, the forward common control channel, and the forward traffic channels.

FIGURE 24
Forward CDMA channels received at the mobile station



1457-24

Figure 25 shows an example of scrambling, power control symbol puncturing, and demultiplexer structure for the forward traffic channels with radio configurations 3 through 9. The channel encoded and interleaved output symbols are scrambled by the long code. The power control symbols are punctured on the forward fundamental channel and forward dedicated control channel only. The DEMUX functions distribute the scrambled and punctured symbols sequentially from the top to the bottom, forming pairs of quadrature modulation symbols. When operating in SR 1 (1X) without transmit diversity (TD), each modulation symbol in a quadrature pair is spread by the appropriate Walsh or quasi-orthogonal function and is then spread by a quadrature pair of PN sequences at a fixed chip rate of 1.2288 Mchip/s. When operating in SR 1 (1X) with transmit diversity, each modulation symbol in two quadrature pairs is spread by the appropriate Walsh or quasi-orthogonal function and a quadrature pair of PN sequences to a chip rate of 1.2288 Mchip/s. Then the two quadrature pairs are transmitted on two separate antennas. When operating in the SR N multi-carrier mode, each modulation symbol in N quadrature pairs is spread by the appropriate Walsh or quasi-orthogonal function and a quadrature pair of PN sequences to a chip rate of 1.2288 Mchip/s. Then the N quadrature pairs are transmitted on N adjacent 1.25 MHz carriers. Figure 26 shows the downlink spreading and modulation for SR 1 (1X) without transmit diversity as an example, which also shows each downlink modulation carrier for SR N multi-carrier operation. The system described in this sub-section can be deployed as an overlay on up to N carriers of TIA/EIA-95-B family of systems. This system can also be deployed in clear spectrum.

The reverse traffic channels utilize an 800 Hz feedback power control mechanism similar to that for the forward traffic channel. In addition, the mobile station supports open loop power control.

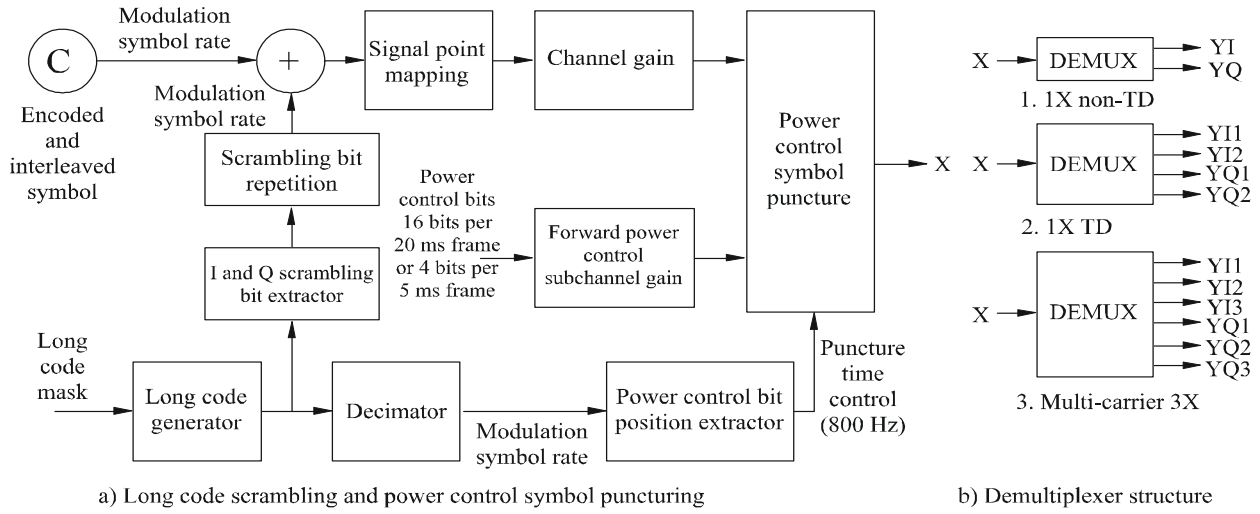
Downlink soft handoff is achieved by performing diversity combining at the mobile station. Transmit diversity is achieved by transmitting modulation symbols on separate transmit antennas or by transmitting separate carriers on separate antennas.

5.2.1.2.2.2 High Rate Packet Data Access

The High Rate Packet Data Access family of standards, also known as Evolution Data Optimized (EV-DO), provide full QoS and efficient support for a wide variety of applications, backward compatible multi-carrier support, broadcast/multicast, flexible duplex, and hybrid frequency reuse.

FIGURE 25

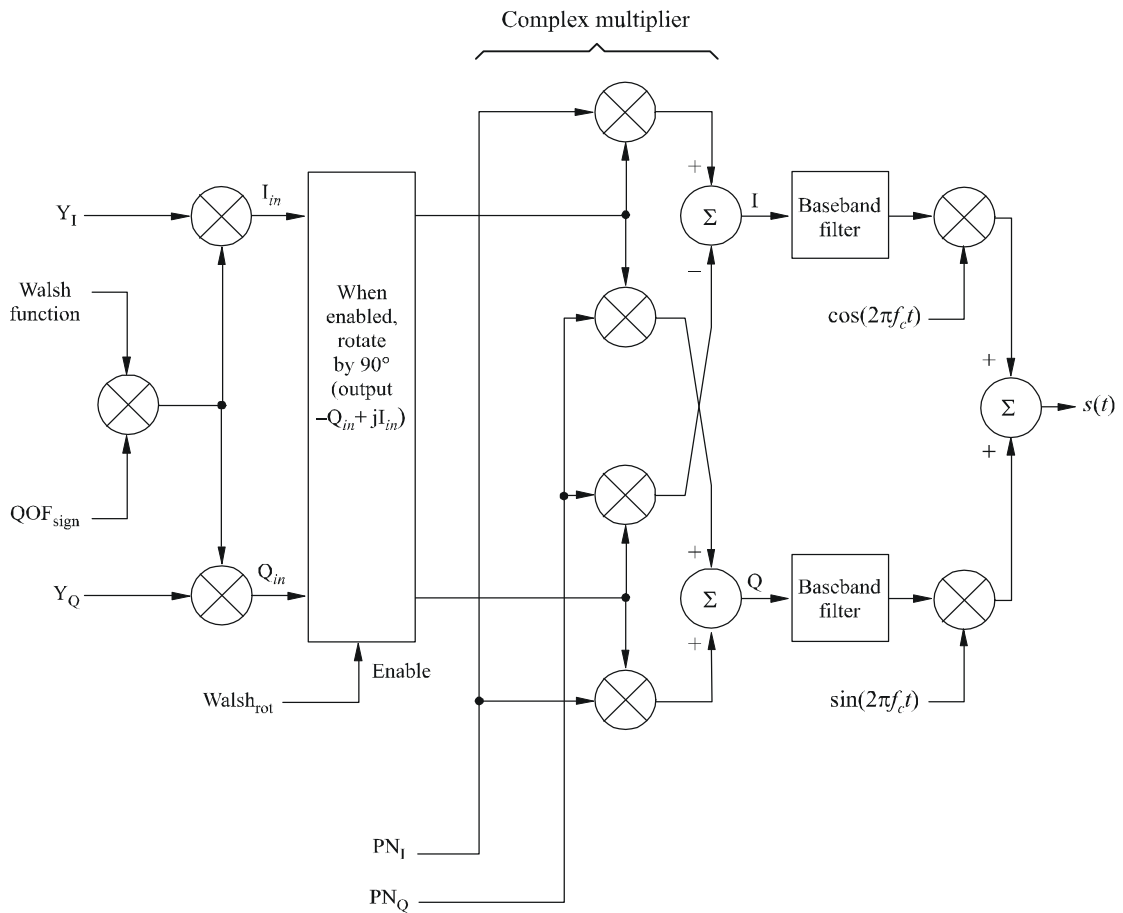
Example of scrambling, power control symbol puncturing and demultiplexing



1457-25

FIGURE 26

Downlink spreading and modulation for 1X without transmit diversity



1457-26

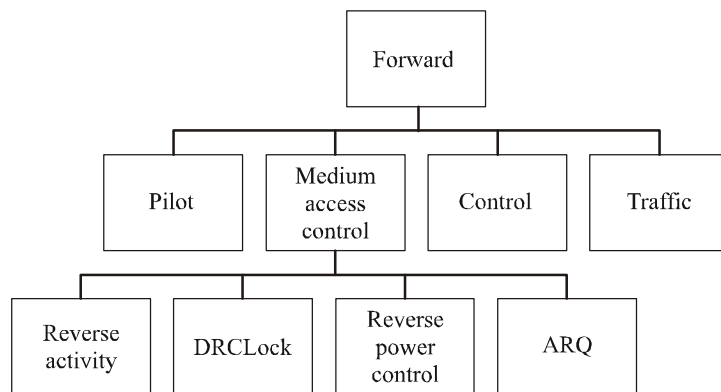
5.2.1.2.2.2.1 High Rate Packet Data Release 0 and Revision A

The Release 0 and Revision A standards deploy a Forward CDMA Channel on a dedicated 1X RF Channel. This Forward CDMA Channel consists of the following time-multiplexed channels: the Pilot Channel, the Forward Medium Access Control (MAC) Channel, the Control Channel and the Forward Traffic Channel as shown in Fig. 27. The Forward Traffic Channel carries user data packets. The Control Channel carries control messages, and it may also carry user traffic. Each channel is further decomposed into code-division-multiplexed quadrature Walsh channels.

The MAC Channel consists of two sub channels: the Reverse Power Control (RPC) Channel and the Reverse Activity (RA) Channel. The RA Channel transmits a reverse link activity bit (RAB) stream. In Release 0, each MAC Channel symbol is BPSK modulated on one of sixty-four 64-ary Walsh codewords. In Revision A, each MAC Channel symbol is BPSK or OOK modulated on the in-phase or quadrature-phase of one of 128 128-ary Walsh codewords.

The Forward Traffic Channel is a packet-based, variable-rate channel. The user data for an access terminal is transmitted at a data rate that varies from 38.4 kbit/s to 2.4576 Mbit/s with Release 0 and from 38.4 kbit/s to 3.1 Mbit/s with Revision A.

FIGURE 27
Forward CDMA channel for high rate packet data access



The Forward Traffic Channel and Control Channel data are encoded, scrambled and interleaved. The output of the channel interleaver is fed into a QPSK/8-PSK/16-QAM modulator. The modulated symbol sequences are repeated and punctured, as necessary. Then, the resulting sequences of modulation symbols are demultiplexed to form 16 pairs (in-phase and quadrature) of parallel streams. Each of the parallel streams are covered with a distinct 16-ary Walsh function at a chip rate to yield Walsh symbols at 76.8 ksymbol/s. The Walsh-coded symbols of all the streams are summed together to form a single in-phase stream and a single quadrature stream at a chip rate of 1.2288 Mchip/s. The resulting chips are time-division multiplexed with the preamble, Pilot Channel, and MAC Channel chips to form the resultant sequence of chips for the quadrature spreading operation.

Forward Traffic Channel physical layer packets can be transmitted in 1 to 16 slots. When more than one slot is allocated, the transmitted slots use a 4-slot interlacing. That is, the transmitted slots of a packet are separated by three intervening slots, and slots of other packets are transmitted in the slots between those transmit slots. If a positive acknowledgement is received on the reverse link ACK Channel that the physical layer packet has been received on the Forward Traffic Channel before all of the allocated slots have been transmitted, the remaining untransmitted slots are not transmitted and the next allocated slot is used for the first slot of the next physical layer packet transmission.

The Control Channel is transmitted at a data rate of 76.8 kbit/s or 38.4 kbit/s. The modulation characteristics for the Control Channel are the same as those of the Forward Traffic Channel transmitted at the corresponding rate.

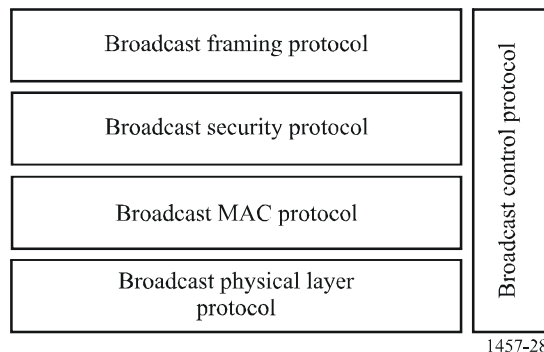
5.2.1.2.2.2.2 High Rate Packet Data Revision B

The High Rate Packet Data Revision B standard specifies a multi-carrier system with a bandwidth of up to 20 MHz. Each carrier is 1.25-MHz wide and terminals may support one or more carriers. Non-contiguous CDMA carrier operation is also supported. Revision B is compatible with Revision A systems, and Release 0 and Revision A terminals can operate on Revision B networks. The user data for an access terminal is transmitted at a data rate that varies from 38.4 kbit/s to 4.9152 Mbit/s for each 1.25-MHz carrier with the peak data rate achieved using 64-QAM modulation. The forward link peak data rate is therefore 73.7 Mbit/s.

5.2.1.2.2.2.3 Broadcast and Multicast Services (BCMCS)

The air interface of the high rate broadcast packet data system is comprised of a group of protocols that are collectively called the broadcast protocol suite. Figure 28 shows the protocols that comprise the broadcast protocol suite.

FIGURE 28
Broadcast protocol suite



1457-28

The Broadcast Framing Protocol fragments higher layer packets at the access network and helps the access terminal in determining higher layer packet boundaries. The Broadcast Framing Protocol also validates the integrity of higher layer packets by discarding erroneous packets with very high probability. The Broadcast Security Protocol provides encryption of Framing Packets. The Broadcast MAC Protocol defines procedures used to transmit over the Broadcast Channel. The Broadcast MAC Protocol also provides forward error correction (FEC) and multiplexing to reduce the radio link error rate as seen by the higher layers. The Broadcast Physical Layer provides the channel structure for the Broadcast Channel. The Broadcast Control Protocol defines procedures used to control various aspects of the operation of the broadcast packet data system.

The framing protocol fragments higher layer packets and packs them into framing packets. The framing protocol helps the access terminal in determining higher layer packet boundaries. The broadcast system uses a segment-based framing protocol that has lower deframing complexity and requires a lower bandwidth expansion margin than octet-based HDLC-like framing.

Encryption of the broadcast content and distribution of decryption key only to authorized subscribers of the channel work to counter the threat of an unauthorized user getting free and convenient access to the broadcast content.

The Broadcast Security Protocol encrypts Framing packets to form Broadcast Security packets. The access network generates a Short Term Key and uses the AES (also known as Rijndael) encryption procedures to generate an encryption mask that is exclusive-ORed with the Framing packets. The Short Term Key, which changes frequently, is generated by running a hash function on a longer-term key called the Broadcast Access Key and a random number called RandomSeed. Each broadcast channel has its own Broadcast Access Key. The Broadcast Access Key is provisioned into secure memory in the access terminal when the user subscribes to the broadcast channel. The Broadcast Access Key is changed over a longer period, which is equivalent to the subscription period to the broadcast channel. All users that subscribe to a broadcast channel share the same Broadcast Access Key. The access network broadcasts RandomSeed in the clear along with the encrypted content.

The access terminal uses the RandomSeed received with the encrypted content and the Broadcast Access Key provisioned into secure memory to compute the Short Term Key. The access terminal then uses the Short Term Key to decrypt the broadcast content.

The Broadcast MAC Protocol receives packets from the Security Protocol and adds an outer code, which in conjunction with the Physical Layer Turbo code, forms a product code. A Reed-Solomon block code is used as the outer code. Multiple Reed-Solomon Error Control Blocks are multiplexed before transmission on the Physical Layer. Each Error Control Block is made of N octet rows and $125 \times M$ octet columns.

BCMCS uses the Reed-Solomon code as an erasure code (and not as an error-correcting code) because the Cyclic Redundancy Check (CRC) provided by the Physical Layer is used to detect and erase damaged Physical Layer packets. By relying on the CRC to provide error detection, the entire power of the Reed-Solomon code is used to recover erased octets. Also, erasure decoding is simpler than error correction because the position of the erased octets is known *a priori*.

The Broadcast Physical Channel is divided into several time-division-multiplexed sub-channels called interlace-multiplex pairs. An Error Control Block is transported as payload on one or more sub-channels of the Physical Layer. Thus, data from multiple Error Control Blocks is multiplexed onto the Broadcast Physical Channel. The Broadcast MAC Protocol provides the outer Reed-Solomon code, while the Physical Layer provides an inner Turbo code. Soft combining is allowed on the forward link during high speed broadcast service transmission because multiple sectors may transmit the same data.

5.2.1.2.2.2.4 Enhanced Broadcast and Multicast Services (E-BCMCS)

The E-BCMCS transmits an OFDM-based waveform within the High Rate Packet Data structure while maintaining the same MAC and upper-layer designs as the basic BCMCS. In the enhanced mode, broadcast data are transmitted from all sectors with identical PN spreading and they are combined at the receiver as virtual multipath components. The maximum supportable rates are on the order of 1.2 to 1.5 Mbit/s based on a typical deployment scenario with a site-to-site distance of 1.9 km over a transmission bandwidth of 1.25 MHz.

The OFDM broadcast symbols are punctured into the High Rate Packet Data slot formats without changing the legacy pilot and MAC portion of the slot structure.

In order to optimize the broadcast transmission efficiency for different deployment scenarios, different OFDM formats with different cyclic prefix lengths and numbers of pilot tones are specified. The OFDM mode with a longer cyclic prefix and more pilot tones can be deployed in a network with larger cell-to-cell distance or in a network with repeaters with large delays.

In order to support heterogeneous cell layouts with spatially non-uniform broadcast coverage, as well as to support acceptable coverage near the boundaries of broadcast areas, the access network may be configured so that different sectors broadcasting the same broadcast channel are allowed to use different transmit data rates within the same rate set. The transmission time of the first slot of each packet is synchronized across all sectors transmitting that broadcast channel. Subsequently, packets are early terminated after a different number of slots by different sectors, consistent with their transmission rates. The broadcast overhead message from each sector is used to specify the actual data rate of the broadcast channel. The access terminals attempt to decode the broadcast channel after each slot of transmission until the CRC passes, up to the data rate specified by the broadcast overhead message.

To enable HARQ, the High Rate Packet Data forward link is time division multiplexed into four interlaces, each with a duration of one slot. One or more interlaces can be occupied by different broadcast and multicast streams. This allows flexible distribution of the system resources among unicast and broadcast services.

Two OFDM formats and six rate sets are defined. The first format is designed to provide robust coverage even in a network with large repeater delays and severe adjacent channel interference, while the second OFDM format is designed with less overhead to provide higher data rates in networks without long repeater delays.

For each OFDM format, three different rate sets are defined with payload sizes ranging from 2 K to 5 K. Turbo coding is used for all the rate sets with a code rate of 1/3 for the 4 K and 5 K payload sizes and of 1/5 for the 2 K and 3 K payload sizes. The output of the Turbo channel encoder is scrambled to randomize the

data prior to modulation. The scrambling sequence is generated by a 17-tap shift register with feedback. The initial seed depends on the rate set. The channel interleaver consists of a symbol-reordering stage and a matrix-interleaving stage. The interleaved sequence is then truncated/repeated to the map payload size into the OFDM transmission format. 16-QAM is used for modulation for all the rate sets. The guard tones and pilot tones are inserted according to the transmission format and staggering pattern. Frequency domain spreading is applied to randomize the pilots and data for different logic channels. The output sequence then goes through an IFFT engine and a cyclic prefix block.

5.2.1.2.2.3 Ultra Mobile Broadband (UMB) System

Compared to the High Data Rate Revision B system, the UMB system provides higher peak data rates, better spectral efficiency, lower latency, improved terminal battery life, and higher capacity and enhanced user experience for delay-sensitive applications such as VoIP and video telephony.

The UMB system provides a unified design for full- and half-duplex FDD modes of operation with support for scalable bandwidths. The system is designed for robust mobile broadband access, and is optimized for high spectral efficiency and short latencies using advanced modulation, link adaptation, and multi-antenna transmission techniques. Fast handoff, fast power control, and inter-sector interference management are used. Adaptive coding and modulation with synchronous H-ARQ and turbo coding are used for achieving high spectral efficiencies. Sub-band scheduling provides enhanced performance on both the forward link by exploiting multi-user diversity gains for latency-sensitive traffic.

The forward link retransmission latency is approximately 5.5 ms and the peak data rate is over 260 Mbit/s in a 20-MHz bandwidth.

The system employs an orthogonal frequency division multiple access (OFDMA) forward link with support for multiple-input multiple-output (MIMO) and spatial division multiple access (SDMA) antenna techniques. The system employs fast access with reduced overhead and fast requests. Efficient handoff support is also provided. The system employs beacons for early detection of in-band and out-of-band carrier for improved sector detection in single carrier or multi-carrier deployments.

5.2.1.3 Layer 2 – MAC

5.2.1.3.1 Introduction

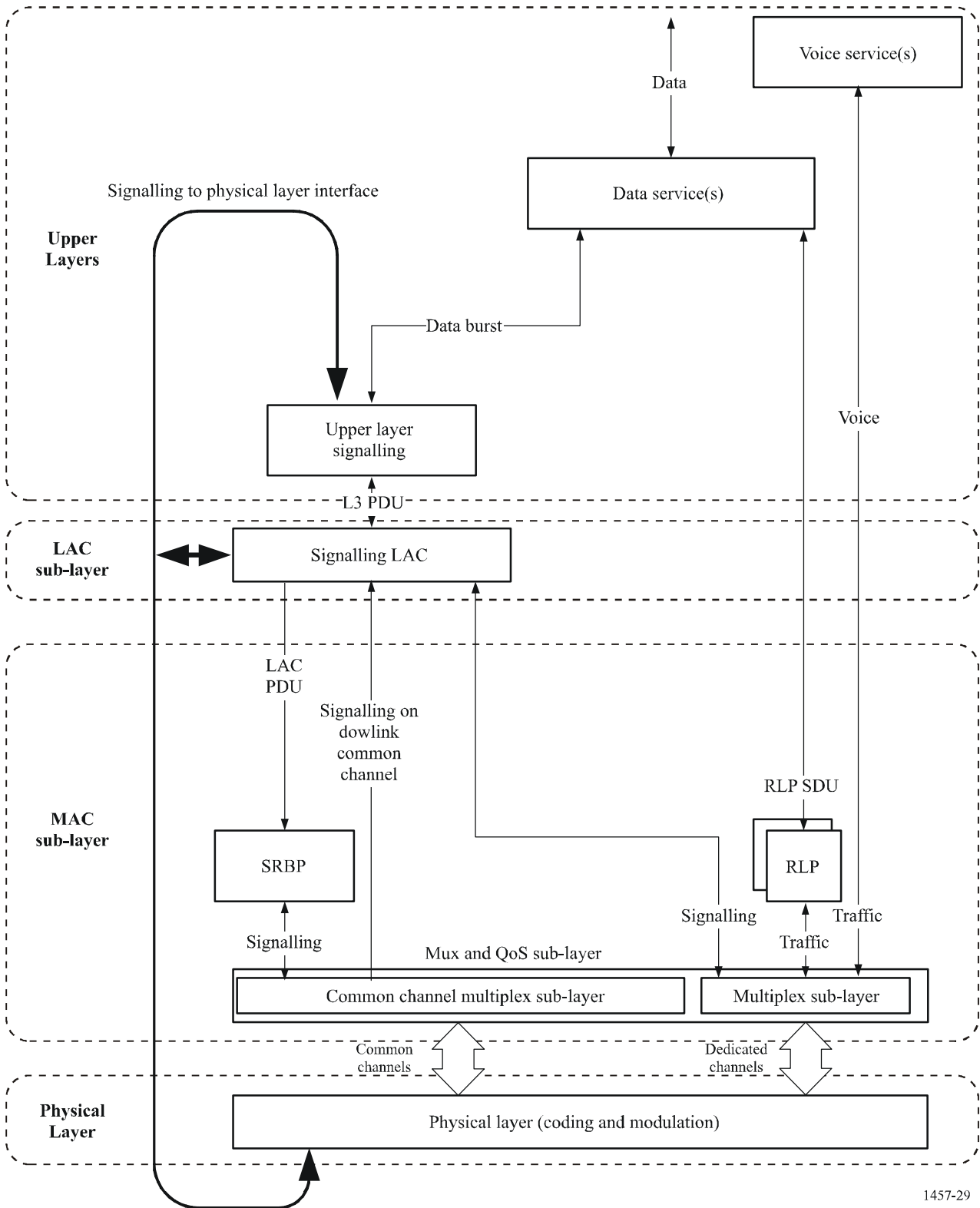
The MAC sub-layer provides the following important functions:

- Best effort delivery – reasonably reliable transmission over the radio link with a RLP that provides a “best effort” level of reliability.
- Rules governing access terminal transmission timing, power characteristics, and rate selection on the Access Channel.
- Rate control on both uplink and downlink traffic channels.
- Multiplexing and QoS control – enforcement of negotiated QoS levels by mediating conflicting requests from competing services and the appropriate prioritization of access requests.

5.2.1.3.2 Layering structure and entities

The layering structure of this radio interface is shown in Fig. 29.

FIGURE 29
Layering structure and service interfaces (Mobile stations)



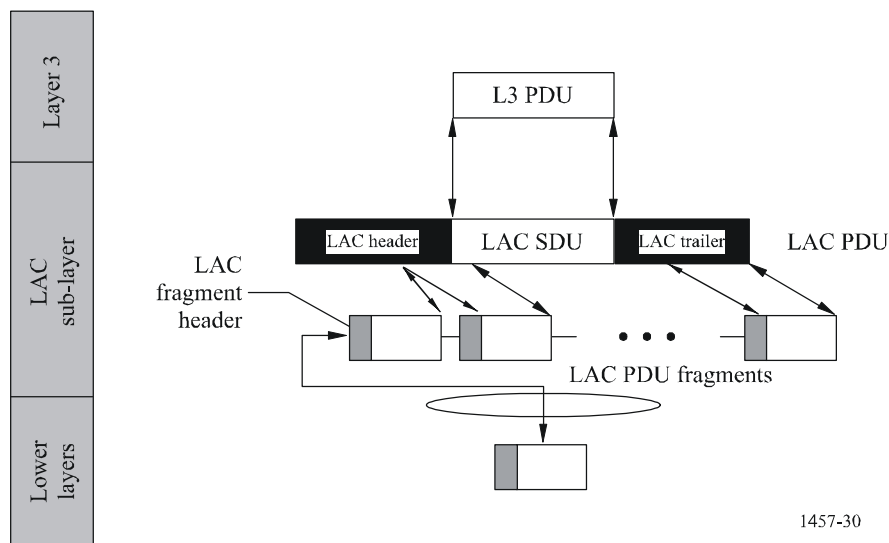
5.2.1.4 Layer 2 – LAC

The LAC sub-layer performs the following important functions:

- Delivery of SDUs to Layer 3 entity using ARQ techniques, when needed, to provide reliability.
- Building and validating well-formed PDUs appropriate for carrying the SDUs.
- Segmentation of encapsulated PDUs into LAC PDU fragments of sizes suitable for transfer by the MAC Sub-layer and re-assembly of LAC PDU fragments into encapsulated PDUs.
- Access control through global challenge authentication. Conceptually, some messages failing authentication on a common channel should not be delivered to the upper layers for processing.
- Address control for delivery of PDUs based on addresses that identify particular mobile stations.

As a generated or received data unit traverses the protocol stack, it is processed by various protocol sub-layers in sequence. Each sub-layer processes only specific fields of the data unit that are associated with the sub-layer-defined functionality. The general processing of data units by the LAC sub-layer and its sub-layers is shown in Fig. 30. The LAC sub-layer provides services to Layer 3 in the data plane. SDUs are passed between Layer 3 and the LAC sub-layer. The LAC sub-layer provides the proper encapsulation of the SDUs into LAC PDUs, which are subject to segmentation and re-assembly and are transferred as LAC PDU fragments to the MAC sub-layer.

FIGURE 30
LAC data unit processing



1457-30

In the data plane, Layer 3 and the LAC sub-layer send and receive signalling information on *logical channels*, thus avoiding the need to be sensitive to the radio characteristics of the physical channels. The system described in this sub-section uses the following types of logical channel to carry signalling information:

- f-csch/r-csch (forward and reverse common signalling channel, respectively),
- f-dsch/r-dsch (forward and reverse dedicated signalling channel, respectively).

Logical channels are defined for the purposes of synchronization, broadcast, general signalling, access, and dedicated signalling. Multiple instances of the same logical channel may be deployed. Figures 31 and 32 show the logical channels on the forward and reverse links, respectively.

FIGURE 31
Downlink logical channel architecture

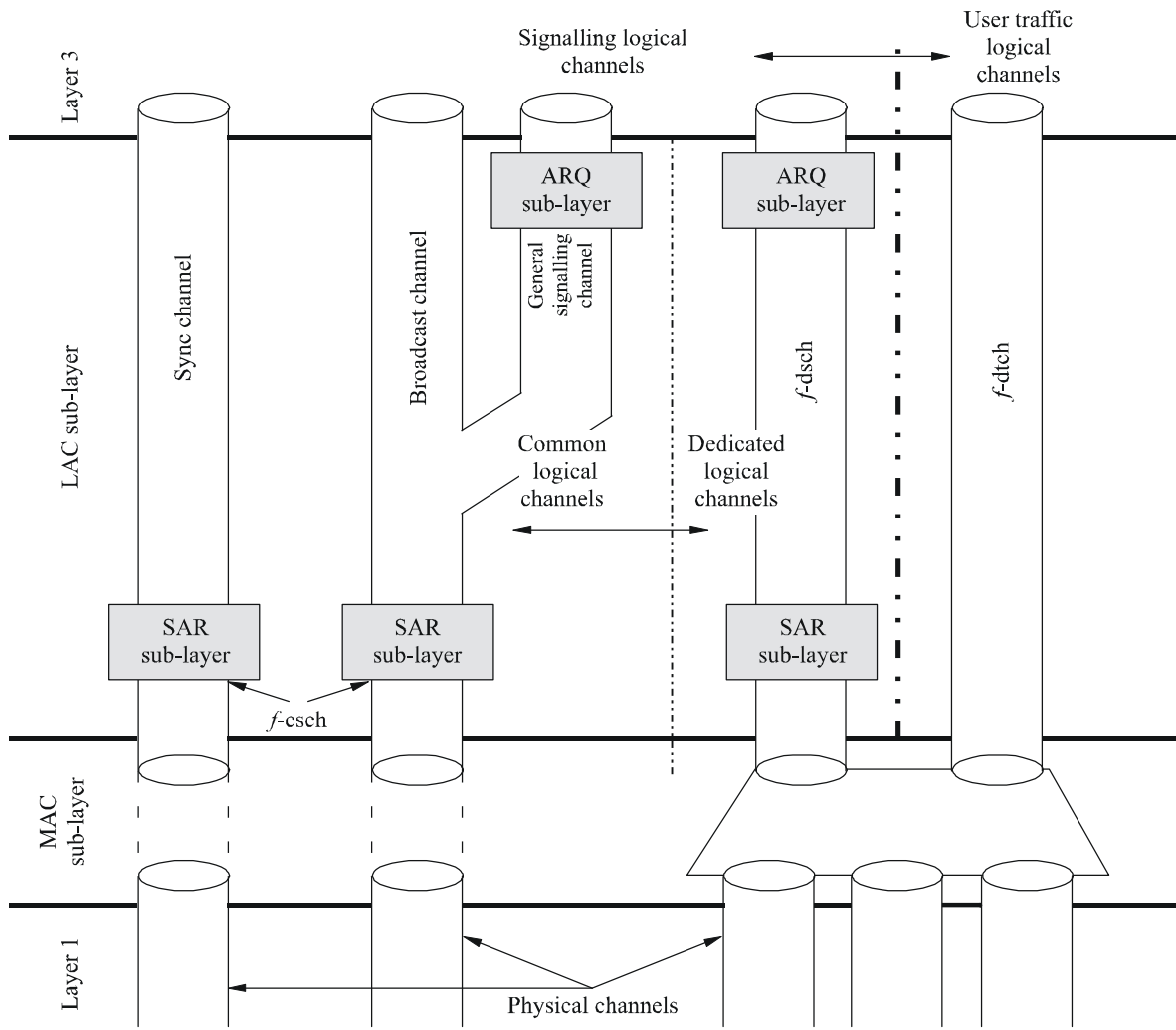
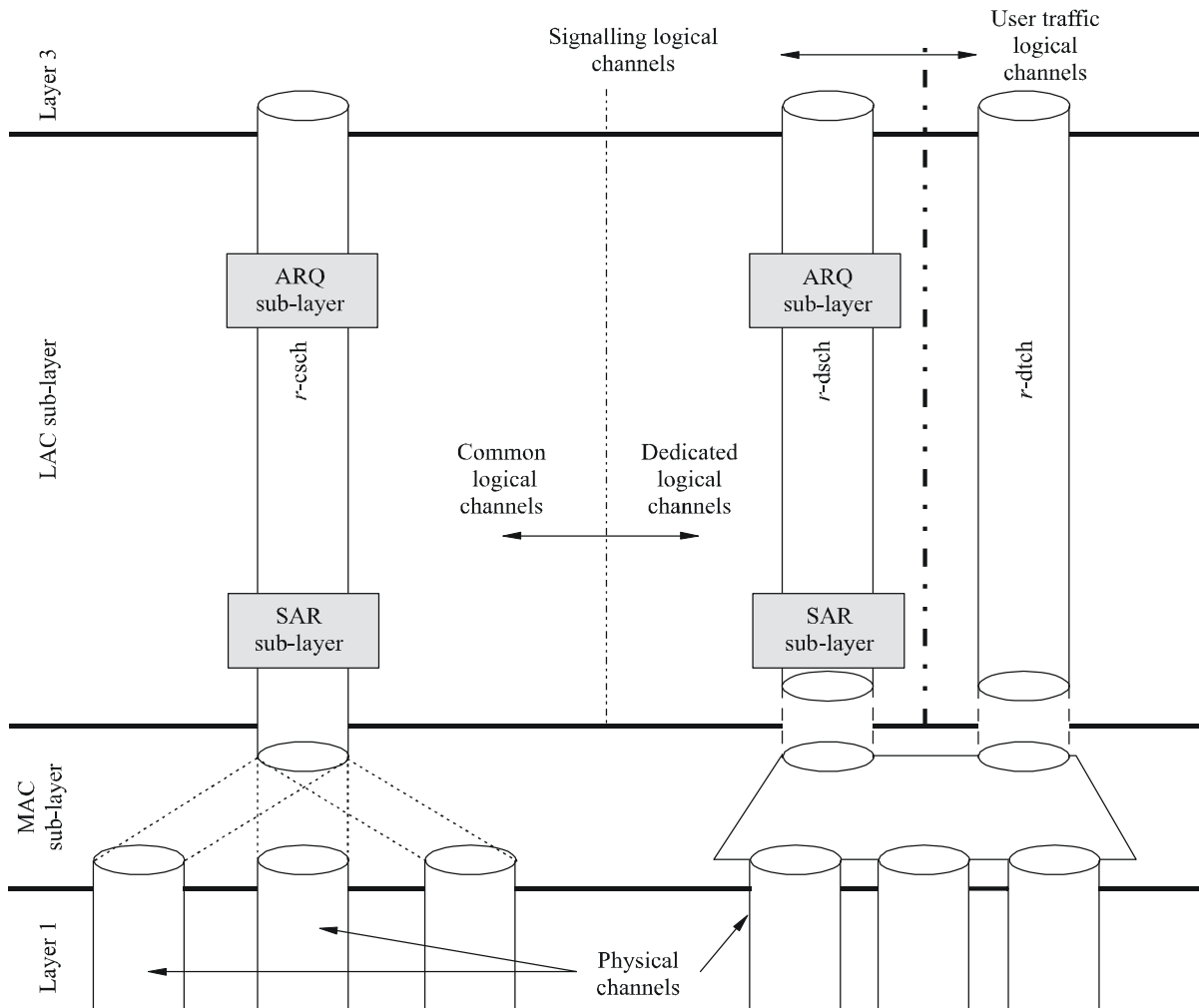


FIGURE 32
Uplink logical channel architecture



1457-32

5.2.1.5 Layer 3 signalling

Layer 3 signalling provides a flexible structure designed to support a wide range of radio interface signalling alternatives:

- backward compatible to TIA/EIA-95-B Layer 3 signalling in the IS-2000 mode;
- the native upper layer signalling for this radio interface; and
- other existing or future upper layer signalling entities.

In addition to supporting the standard cellular and PCS features, Layer 3 signalling also supports the following radio related features and capabilities:

- Radio configuration negotiation
- Quick paging operation (to improve battery life)
- Handoff capabilities (i.e. soft handoff, hard handoff, idle handoff, access probe handoff, and access handoff)
- Power control
- High-speed data
- Enhanced access
- Broadcast control operation
- Auxiliary pilot support, and
- MAC state transitions.

5.2.1.6 Summary of major technical parameters

Parameter	Value	Reference to § 5.2.2
Multiple access technique and duplexing scheme	Multiple access technique: CDMA, TDMA, OFDM, OFDMA Duplexing scheme: Full Duplex FDD, Half Duplex FDD	5.2.2.1.2, 5.2.2.1.23 and 5.2.2.1.54
Chip rate and bandwidth	$N \times 1.2288$ Mchip/s (currently $N = 1$ and 3 is specified, and N can be easily extended to $N = 6, 9, 12$) HRPD Rev. B: M carriers of 1.2288 Mchip/s can be aggregated in a multi-carrier operation, where $M = 2, 3, 4, \dots, 15$ UMB System: Native bandwidth can fit deployment of 1.25 to 20 MHz ($1.2288 + N \times 0.3072$ MHz, $N = 0, \dots, 60$) Multi-carrier configurations can be used to aggregate two or more carriers of possibly different native bandwidths and operating in non-contiguous spectral allocation	5.2.2.1.2, 5.2.2.1.23 and 5.2.2.1.54
Inter-BS asynchronous/synchronous operation	Synchronous and Asynchronous operation supported	5.2.2.1.2, 5.2.2.1.23 and 5.2.2.1.54
Pilot structure	Code division dedicated pilot, frequency domain dedicated pilot (UL); code division common pilot; code division common or dedicated auxiliary pilot; frequency domain common or dedicated pilot; time division common pilot (DL)	5.2.2.1.2, 5.2.2.1.23 and 5.2.2.1.54
Frame length and interleaving	~0.91 to ~1.07, 5, 10, 20, ~23.70 to ~27.76, ~26.67, 40, 80 ms frame and channel interleaving	5.2.2.1.2, 5.2.2.1.23 and 5.2.2.1.54
Modulation and detection	Data modulation: BPSK; QPSK, 8-PSK, 16-QAM and 64-QAM Spreading modulation: HPSK (UL); QPSK (DL) Detection: Pilot aided coherent detection	5.2.2.1.2, 5.2.2.1.23 and 5.2.2.1.54
Channelization code	Walsh codes and PN spreading codes (UL) Walsh codes, PN spreading codes, or quasi-orthogonal codes (DL)	5.2.2.1.2, 5.2.2.1.23 and 5.2.2.1.54
Scrambling (spreading) code	Long code, short PN code, and other pseudo-random codes	5.2.2.1.2, 5.2.2.1.23 and 5.2.2.1.54

Parameter	Value	Reference to § 5.2.2
Channel coding	Convolutional code with $K = 9$, $R = 1/2$, $1/3$, $1/4$, or $1/6$ base code rates; Turbo code with $K = 4$, $R = 2/3$, $1/2$, $1/3$, $1/4$, or $1/5$ base code rates	5.2.2.1.2, 5.2.2.1.23 and 5.2.2.1.54
Access scheme (uplink)	Basic (random) access; power controlled access; reservation access; or designated access	5.2.2.1.2, 5.2.2.1.23 and 5.2.2.1.54
Power control	Open loop Closed loop (800, 600, 150, 50 or $274/N$ Hz update rate, $N = 1, 2, 4, 8$) Power control steps: $0.25 \times N$, $N = 1, 2, 3, \dots, 8$ dB	5.2.2.1.2, 5.2.2.1.23 and 5.2.2.1.54

5.2.2 Detailed specification of the radio interface

The standards contained in this section are derived from the global core specifications for IMT-2000 contained at <http://ties.itu.int/u/itu-r/ede/rsg5/IMT-2000/GCS/GCSrev8/>. The following notes apply to the sections below, where indicated:

- (1) The relevant SDOs should make their reference material available from their Web site.
- (2) This information was supplied by the recognized external organizations and relates to their own deliverables of the transposed global core specification.

5.2.2.1

cdma2000® radio aspects specifications

5.2.2.1.1 C.S0001

Introduction to cdma2000 Spread Spectrum Systems

This volume provides an overview of cdma2000 standards. The general architecture of cdma2000 and its relation to TIA/EIA-95-B family of standards is described. This volume also defines some common aspects such as channel naming convention used in the standard.

SDO (2)	Document No.	Version	Status	Issued date	Location (1)
Revision 0					
ARIB	ARIB_STD-T64-C.S0001-0	3.0	Approved	Dec 07	http://www.arib.or.jp/IMT-2000/ARIB-STD/ITU-R-7/STD-T64R-7.html
Revision A					
ARIB	ARIB_STD-T64-C.S0001-A v 5.0	5.0	Approved	Dec 07	http://www.arib.or.jp/IMT-2000/ARIB-STD/ITU-R-7/STD-T64R-7.html
CCSA	CCSA-TSD-MC-C.S0001-A	5.0	Approved	Dec 07	http://www.ccsa.org.cn/english/files.php?docpath=/ITU-R/M.1457
TIA	TIA/EIA/IS-2000.1-A-2	5.0	Published	Apr 02	http://www.tiaonline.org/standards/technology/cdma2000/cdma2000table.cfm
TTA	TTAE.3G-C.S0001-A v5.0	5.0	Approved	May 02	http://www.tta.or.kr/English/new/external_relations/imt2000_EngStnList.jsp?gubun=3GP
Revision B					
ARIB	ARIB_STD-T64-C.S0001-B	1.0	Approved	Dec 07	http://www.arib.or.jp/IMT-2000/ARIB-STD/ITU-R-7/STD-T64R-7.html
CCSA	CCSA-TSD-MC-C.S0001-B	1.0	Approved	Dec 07	http://www.ccsa.org.cn/english/files.php?docpath=/ITU-R/M.1457
TIA	TIA/EIA/IS-2000.1-B	1.0	Published	May 02	http://www.tiaonline.org/standards/technology/cdma2000/cdma2000table.cfm
TTA	TTAE.3G-C.S0001-B	1.0	Approved	May 02	http://www.tta.or.kr/English/new/external_relations/imt2000_EngStnList.jsp?gubun=3GP
Revision C					
ARIB	ARIB_STD-T64-C.S0001-C v1.0	1.0	Approved	Dec 07	http://www.arib.or.jp/IMT-2000/ARIB-STD/ITU-R-7/STD-T64R-7.html
CCSA	CCSA-TSD-MC-C.S0001-C	2.0	Approved	Dec 07	http://www.ccsa.org.cn/english/files.php?docpath=/ITU-R/M.1457
TIA	TIA/EIA/IS-2000.1-C	1.0	Published	May 02	http://www.tiaonline.org/standards/technology/cdma2000/cdma2000table.cfm
TIA	TIA-2000.1-C-1[E]	2.0	Published	Jun 05	http://www.tiaonline.org/standards/technology/cdma2000/cdma2000table.cfm
TTA	TTAT.3G-C.S0001-C v2.0	2.0	Approved	May 05	http://www.tta.or.kr/English/new/external_relations/imt2000_EngStnList.jsp?gubun=3GP
Revision D					
ARIB	ARIB_STD-T64-C.S0001-D v2.0	2.0	Approved	Dec 07	http://www.arib.or.jp/IMT-2000/ARIB-STD/ITU-R-7/STD-T64R-7.html
TIA	TIA-2000.1-D	1.0	Published	Mar 04	http://www.tiaonline.org/standards/technology/cdma2000/cdma2000table.cfm
TIA	TIA-2000.1-D-1[E]	2.0	Published	Jan 06	http://www.tiaonline.org/standards/technology/cdma2000/cdma2000table.cfm
TTA	TTAT.3G-C.S0001-D v2.0	2.0	Approved	Apr 06	http://www.tta.or.kr/English/new/external_relations/imt2000_EngStnList.jsp?gubun=3GP

5.2.2.1.2 C.S0002

Physical layer standard for cdma2000 Spread Spectrum Systems

This volume defines the physical layer of the cdma2000 standard, including the requirements for the mobile station and the BS CDMA operation. Section 1 defines the terms and numeric indications used in this document. This section also describes the time reference used in the CDMA system and the tolerances used throughout the document. Section 2 describes the physical layer requirements for mobile stations operating in the CDMA mode. Section 3 describes the requirements for CDMA base stations.

SDO (2)	Document No.	Version	Status	Issued date	Location (1)
Revision 0					
ARIB	ARIB STD-T64-C.S0002-0 v3.0	3.0	Approved	Dec 07	http://www.arib.or.jp/IMT-2000/ARIB-STD/ITU-R-7/STD-T64R-7.html
Revision A					
ARIB	ARIB STD-T64-C.S0002-A	6.0	Approved	Dec 07	http://www.arib.or.jp/IMT-2000/ARIB-STD/ITU-R-7/STD-T64R-7.html
CCSA	CCSA-TSD-MC-C.S0002-A	6.0	Approved	Dec 07	http://www.ccsa.org.cn/english/files.php?docpath=/ITU-R/M.1457
TIA	TIA/EIA/IS-2000.2-A-2	6.0	Published	Apr 02	http://www.tiaonline.org/standards/technology/cdma2000/cdma2000table.cfm
TTA	TTAE.3G-C.S0002-A v6.0	6.0	Approved	May 02	http://www.tta.or.kr/English/new/external_relations/imt2000_EngStnList.jsp?gubun=3GP
Revision B					
ARIB	ARIB STD-T64-C.S0002-B	1.0	Approved	Dec 07	http://www.arib.or.jp/IMT-2000/ARIB-STD/ITU-R-7/STD-T64R-7.html
CCSA	CCSA-TSD-MC-C.S0002-B	1.0	Approved	Dec 07	http://www.ccsa.org.cn/english/files.php?docpath=/ITU-R/M.1457
TIA	TIA/EIA/IS-2000.2-B	1.0	Published	May 02	http://www.tiaonline.org/standards/technology/cdma2000/cdma2000table.cfm
TTA	TTAE.3G-C.S0002-B v1.0	1.0	Approved	May 02	http://www.tta.or.kr/English/new/external_relations/imt2000_EngStnList.jsp?gubun=3GP
Revision C					
ARIB	ARIB STD-T64-C.S0002-C	2.0	Approved	Dec 07	http://www.arib.or.jp/IMT-2000/ARIB-STD/ITU-R-7/STD-T64R-7.html
CCSA	CCSA-TSD-MC-C.S0002-C	2.0	Approved	Dec 07	http://www.ccsa.org.cn/english/files.php?docpath=/ITU-R/M.1457
TIA	TIA-2000.2-C-1[E]	2.0	Published	Jun 05	http://www.tiaonline.org/standards/technology/cdma2000/cdma2000table.cfm
TIA	TIA/EIA/IS-2000.2-C	1.0	Published	May 02	http://www.tiaonline.org/standards/technology/cdma2000/cdma2000table.cfm
TTA	TTAT.3G-C.S0002-C v2.0	2.0	Approved	May 05	http://www.tta.or.kr/English/new/external_relations/imt2000_EngStnList.jsp?gubun=3GP
Revision D					
ARIB	ARIB STD-T64-C.S0002-D	2.0	Approved	Dec 07	http://www.arib.or.jp/IMT-2000/ARIB-STD/ITU-R-7/STD-T64R-7.html
TIA	TIA-2000.2-D-1[E]	2.0	Published	Jan 06	http://www.tiaonline.org/standards/technology/cdma2000/cdma2000table.cfm
TIA	TIA-2000.2-D	1.0	Published	Mar 04	http://www.tiaonline.org/standards/technology/cdma2000/cdma2000table.cfm
TTA	TTAT.3G-C.S0002-D v2.0	2.0	Approved	Apr 06	http://www.tta.or.kr/English/new/external_relations/imt2000_EngStnList.jsp?gubun=3GP

5.2.2.1.3 C.S0003

Medium access control (MAC) standard for cdma2000 Spread Spectrum Systems

This volume provides the detailed definitions of all component entities within the cdma2000 MAC layer, the service interfaces and primitives exchanged between entities within the MAC layer, and the service interfaces and primitives exchanged between the MAC layer and other cdma2000 layers. Section 1 contains the

definitions of terms and an overview of this standard. Section 2 defines the normative behavior of the cdma2000 MAC sub-layer by describing the precise processing rules for each of the MAC sub-layer entities. Section 3 describes the service interfaces between the MAC sub-layer and other entities that are defined outside of this standards document (i.e. upper layer signalling and the physical layer). Section 4 contains a set of informative flow diagrams, which demonstrate the steps that the mobile station and the BS have to follow to make certain state transitions.

SDO (2)	Document No.	Version	Status	Issued date	Location (1)
Revision 0					
ARIB	ARIB STD-T64-C.S0003-0 v3.0	3.0	Approved	Dec 07	http://www.arib.or.jp/IMT-2000/ARIB-STD/ITU-R-7/STD-T64R-7.html
Revision A					
ARIB	ARIB STD-T64-C.S0003-A-2	6.0	Approved	Dec 07	http://www.arib.or.jp/IMT-2000/ARIB-STD/ITU-R-7/STD-T64R-7.html
CCSA	CCSA-TSD-MC-C.S0003-A	6.0	Approved	Dec 07	http://www.ccsa.org.cn/english/files.php?docpath=/ITU-R/M.1457
TIA	TIA/EIA/IS-2000.3-A-2	6.0	Published	Apr 02	http://www.tiaonline.org/standards/technology/cdma2000/cdma2000table.cfm
TTA	TTAE.3G-C.S0003-A v6.0	6.0	Approved	May 02	http://www.tta.or.kr/English/new/external_relations/imt2000_EngStnList.jsp?gubun=3GP
Revision B					
ARIB	ARIB STD-T64-C.S0003-B	1.0	Approved	Dec 07	http://www.arib.or.jp/IMT-2000/ARIB-STD/ITU-R-7/STD-T64R-7.html
CCSA	CCSA-TSD-MC-C.S0003-B	1.0	Approved	Dec 07	http://www.ccsa.org.cn/english/files.php?docpath=/ITU-R/M.1457
TIA	TIA/EIA/IS-2000.3-B	1.0	Published	May 02	http://www.tiaonline.org/standards/technology/cdma2000/cdma2000table.cfm
TTA	TTAE.3G-C.S0003-B v1.0	1.0	Approved	May 02	http://www.tta.or.kr/English/new/external_relations/imt2000_EngStnList.jsp?gubun=3GP
Revision C					
ARIB	ARIB STD-T64-C.S0003-C	2.0	Approved	Dec 07	http://www.arib.or.jp/IMT-2000/ARIB-STD/ITU-R-7/STD-T64R-7.html
CCSA	CCSA-TSD-MC-C.S0003-C	2.0	Approved	Dec 07	http://www.ccsa.org.cn/english/files.php?docpath=/ITU-R/M.1457
TIA	TIA-2000.3-C-1[E]	2.0	Published	Jun 05	http://www.tiaonline.org/standards/technology/cdma2000/cdma2000table.cfm
TIA	TIA/EIA/IS-2000.3-C	1.0	Published	May 02	http://www.tiaonline.org/standards/technology/cdma2000/cdma2000table.cfm
TTA	TTAT.3G-C.S0003-C v2.0	2.0	Approved	May 05	http://www.tta.or.kr/English/new/external_relations/imt2000_EngStnList.jsp?gubun=3GP
Revision D					
ARIB	ARIB STD-T64-C.S0003-D	2.0	Approved	Dec 07	http://www.arib.or.jp/IMT-2000/ARIB-STD/ITU-R-7/STD-T64R-7.html
TIA	TIA-2000.3-D-1[E]	2.0	Published	Jan 06	http://www.tiaonline.org/standards/technology/cdma2000/cdma2000table.cfm
TIA	TIA-2000.3-D	1.0	Published	Mar 04	http://www.tiaonline.org/standards/technology/cdma2000/cdma2000table.cfm
TTA	TTAT.3G-C.S0003-D v2.0	2.0	Approved	Apr 06	http://www.tta.or.kr/English/new/external_relations/imt2000_EngStnList.jsp?gubun=3GP

5.2.2.1.4 C.S0004

Signalling link access control (LAC) standard for cdma2000 Spread Spectrum Systems

This volume describes the LAC signalling protocol architecture and functionality used to provide the transport and delivery of Layer 3 signalling messages over cdma2000 radio channels. Section 1 defines the terms and numeric information used in this standard. Section 2 describes the requirements for cdma2000 mobile stations. Section 3 describes the requirements for cdma2000 BSs. Annex A describes the architectural and functional model used to develop cdma2000 LAC signalling. Annex B contains tables that give specific values for the constant identifiers found in Section 2 and Section 3.

SDO (2)	Document No.	Version	Status	Issued date	Location (1)
Revision 0					
ARIB	ARIB_STD-T64-C.S0004-0	3.0	Approved	Dec 07	http://www.arib.or.jp/IMT-2000/ARIB-STD/ITU-R-7/STD-T64R-7.html
Revision A					
ARIB	ARIB_STD-T64-C.S0004-A-2 v1.1	1.1	Approved	Dec 07	http://www.arib.or.jp/IMT-2000/ARIB-STD/ITU-R-7/STD-T64R-7.html
CCSA	CCSA-TSD-MC-C.S0004-A	6.0	Approved	Dec 07	http://www.ccsa.org.cn/english/files.php?docpath=/ITU-R/M.1457
TIA	TIA/EIA/IS-2000.4-A-2	6.0	Published	Apr 02	http://www.tiaonline.org/standards/technology/cdma2000/cdma2000table.cfm
TTA	TTAE.3G-C.S0004-A v6.0	6.0	Approved	May 02	http://www.tta.or.kr/English/new/external_relations/imt2000_EngStnList.jsp?gubun=3GP
Revision B					
ARIB	ARIB_STD-T64-C.S0004-B v1.0	1.0	Approved	Dec 07	http://www.arib.or.jp/IMT-2000/ARIB-STD/ITU-R-7/STD-T64R-7.html
CCSA	CCSA-TSD-MC-C.S0004-B	1.0	Approved	Dec 07	http://www.ccsa.org.cn/english/files.php?docpath=/ITU-R/M.1457
TIA	TIA/EIA/IS-2000.4-B	1.0	Published	May 02	http://www.tiaonline.org/standards/technology/cdma2000/cdma2000table.cfm
TTA	TTAE.3G-C.S0004-B v1.0	1.0	Approved	May 02	http://www.tta.or.kr/English/new/external_relations/imt2000_EngStnList.jsp?gubun=3GP
Revision C					
ARIB	ARIB_STD-T64-C.S0004-C v2.0	2.0	Approved	Dec 07	http://www.arib.or.jp/IMT-2000/ARIB-STD/ITU-R-7/STD-T64R-7.html
CCSA	CCSA-TSD-MC-C.S0004-C	2.0	Approved	Dec 07	http://www.ccsa.org.cn/english/files.php?docpath=/ITU-R/M.1457
TIA	TIA/EIA/IS-2000.4-C	1.0	Published	May 02	http://www.tiaonline.org/standards/technology/cdma2000/cdma2000table.cfm
TIA	TIA-2000.4-C-1[E]	2.0	Published	Jun 05	http://www.tiaonline.org/standards/technology/cdma2000/cdma2000table.cfm
TTA	TTAT.3G-C.S0004-C v2.0	2.0	Approved	May 05	http://www.tta.or.kr/English/new/external_relations/imt2000_EngStnList.jsp?gubun=3GP
Revision D					
ARIB	ARIB_STD-T64-C.S0004-D v2.0	2.0	Approved	Dec 07	http://www.arib.or.jp/IMT-2000/ARIB-STD/ITU-R-7/STD-T64R-7.html
TIA	TIA-2000.4-D-1[E]	2.0	Published	Jan 06	http://www.tiaonline.org/standards/technology/cdma2000/cdma2000table.cfm
TIA	TIA-2000.4-D	1.0	Published	Mar 04	http://www.tiaonline.org/standards/technology/cdma2000/cdma2000table.cfm
TTA	TTAT.3G-C.S0004-D v2.0	2.0	Approved	Apr 06	http://www.tta.or.kr/English/new/external_relations/imt2000_EngStnList.jsp?gubun=3GP

5.2.2.1.5 C.S0005

Upper layer (Layer 3) signalling standard for cdma2000 Spread Spectrum Systems

This volume details the Layer 3 call processing and procedures, including the requirements for the mobile station and the BS CDMA operation. Section 1 defines the terms and numeric indications used in this document. Section 2 defines requirements that are specific to CDMA mobile station equipment and operation. Section 3 defines requirements that are specific to CDMA BS equipment and operation.

SDO (2)	Document No.	Version	Status	Issued date	Location (1)
Revision 0					
ARIB	ARIB_STD-T64-C.S0005-0	3.0	Approved	Dec 07	http://www.arib.or.jp/IMT-2000/ARIB-STD/ITU-R-7/STD-T64R-7.html

Revision A

ARIB	ARIB_STD-T64-C.S0005-A v6.0	6.0	Approved	Dec 07	http://www.arib.or.jp/IMT-2000/ARIB-STD/ITU-R-7/STD-T64R-7.html
CCSA	CCSA-TSD-MC-C.S0005-A	6.0	Approved	Dec 07	http://www.ccsa.org.cn/english/files.php?docpath=/ITU-R/M.1457
TIA	TIA/EIA/IS-2000.5-A-2	6.0	Published	Apr 02	http://www.tiaonline.org/standards/technology/cdma2000/cdma2000table.cfm
TTA	TTAE.3G-C.S0005-A v6.0	6.0	Approved	May 02	http://www.tta.or.kr/English/new/external_relations/imt2000_EngStnList.jsp?gubun=3GP

Revision B

ARIB	C.S0005-B v1.0	1.0	Approved	Dec 07	http://www.arib.or.jp/IMT-2000/ARIB-STD/ITU-R-7/STD-T64R-7.html
CCSA	CCSA-TSD-MC-C.S0005-B	1.0	Approved	Dec 07	http://www.ccsa.org.cn/english/files.php?docpath=/ITU-R/M.1457
TIA	TIA/EIA/IS-2000.5-B	1.0	Published	May 02	http://www.tiaonline.org/standards/technology/cdma2000/cdma2000table.cfm
TTA	TTAE.3G-C.S0005-B v1.0	1.0	Approved	May 02	http://www.tta.or.kr/English/new/external_relations/imt2000_EngStnList.jsp?gubun=3GP

Revision C

ARIB	C.S0005-C v2.0	2.0	Approved	Dec 07	http://www.arib.or.jp/IMT-2000/ARIB-STD/ITU-R-7/STD-T64R-7.html
CCSA	CCSA-TSD-MC-C.S0005-C	2.0	Approved	Dec 07	http://www.ccsa.org.cn/english/files.php?docpath=/ITU-R/M.1457
TIA	TIA/EIA/IS-2000.5-C	1.0	Published	May 02	http://www.tiaonline.org/standards/technology/cdma2000/cdma2000table.cfm
TIA	TIA-2000.5-C-1[E]	2.0	Published	Jun 05	http://www.tiaonline.org/standards/technology/cdma2000/cdma2000table.cfm
TTA	TTAT.3G-C.S0005-C v2.0	2.0	Approved	May 05	http://www.tta.or.kr/English/new/external_relations/imt2000_EngStnList.jsp?gubun=3GP

Revision D

ARIB	C.S0005-D v2.0	2.0	Approved	Dec 07	http://www.arib.or.jp/IMT-2000/ARIB-STD/ITU-R-7/STD-T64R-7.html
TIA	TIA-2000.5-D	1.0	Published	Mar 04	http://www.tiaonline.org/standards/technology/cdma2000/cdma2000table.cfm
TTA	TTAT.3G-C.S0005-D v2.0	2.0	Approved	Apr 06	http://www.tta.or.kr/English/new/external_relations/imt2000_EngStnList.jsp?gubun=3GP

5.2.2.1.6 C.S0006**Analogue Signalling standard for cdma2000 Spread Spectrum Systems**

This volume specifies analogue operation at 800 MHz based upon the standard TIA/EIA-553-A. This standard provides the differences within TIA/EIA-553-A, which are used by dual-mode mobile stations. Section 1 defines the terms and numeric indications used in this document. Section 2 describes the requirements for CDMA-analogue dual-mode mobile stations operating in the analogue mode. Section 3 describes the requirements for analogue BSs. Section 4 describes the requirements for CDMA-analogue dual-mode mobile stations, which use the 32-digit dialing option on the reverse analogue control channel. In addition, this section describes mobile station requirements for use of the optional extended protocol. Section 5 describes the BS requirements for using the 32-digit dialing option on the reverse analogue control channel. In addition, this section describes BS requirements for use of the optional extended protocol.

SDO (2) Document No. Version Status Issued date Location (1)**Revision A**

CCSA	CCSA-TSD-MC-C.S0006-A	6.0	Approved	Dec 07	http://www.ccsa.org.cn/english/files.php?docpath=/ITU-R/M.1457
TIA	TIA/EIA/IS-2000.6-A-2	6.0	Published	Apr 02	http://www.tiaonline.org/standards/technology/cdma2000/cdma2000table.cfm
TTA	TTAE.3G-C.S0006-A v6.0	6.0	Approved	May 02	http://www.tta.or.kr/English/new/external_relations/imt2000_EngStnList.jsp?gubun=3GP

Revision B

CCSA	CCSA-TSD-MC-C.S0006-B	1.0	Approved	Dec 07	http://www.ccsa.org.cn/english/files.php?docpath=/ITU-R/M.1457
TIA	TIA/EIA/IS-2000.6-B	1.0	Published	May 02	http://www.tiaonline.org/standards/technology/cdma2000/cdma2000table.cfm
TTA	TTAE.3G-C.S0006-B v1.0	1.0	Approved	May 02	http://www.tta.or.kr/English/new/external_relations/imt2000_EngStnList.jsp?gubun=3GP

Revision C

CCSA	CCSA-TSD-MC-C.S0006-C	2.0	Approved	Dec 07	http://www.ccsa.org.cn/english/files.php?docpath=/ITU-R/M.1457
TIA	TIA-2000.6-C-1[E]	2.0	Published	Jun 05	http://www.tiaonline.org/standards/technology/cdma2000/cdma2000table.cfm
TIA	TIA/EIA/IS-2000.6-C	1.0	Published	May 02	http://www.tiaonline.org/standards/technology/cdma2000/cdma2000table.cfm
TTA	TTAT.3G-C.S0006-C v2.0	2.0	Approved	May 05	http://www.tta.or.kr/English/new/external_relations/imt2000_EngStnList.jsp?gubun=3GP

Revision D

TIA	TIA-2000.6-D	1.0	Published	Mar 04	http://www.tiaonline.org/standards/technology/cdma2000/cdma2000table.cfm
TIA	TIA-2000.6-D-1[E]	2.0	Published	Jan 06	http://www.tiaonline.org/standards/technology/cdma2000/cdma2000table.cfm
TTA	TTAT.3G-C.S0006-D v2.0	2.0	Approved	Apr 06	http://www.tta.or.kr/English/new/external_relations/imt2000_EngStnList.jsp?gubun=3GP

5.2.2.1.7 C.S0007**Direct Spread Specification for Spread Spectrum Systems on ANSI-41 (DS-41) (Upper Layers Air Interface)**

This specification covers upper layers signalling protocols and procedures for the DS-41 (IMT-2000 CDMA-DS on ANSI-41) radio interface which support functionality customarily classified as pertaining to CC and MM.

SDO (2)	Document No.	Version	Status	Issued date	Location (1)
TIA	TIA/EIA/IS-834	2.0	Published	Mar 00	http://www.tiaonline.org/standards/technology/cdma2000/cdma2000table.cfm

Revision 0

CCSA	CCSA-TSD-MC-C.S0007-0	2.0	Approved	Dec 07	http://www.ccsa.org.cn/english/files.php?docpath=/ITU-R/M.1457
TTA	TTAT.3G-C.S0007-0 v2.0	2.0	Approved	May 05	http://www.tta.or.kr/English/new/external_relations/imt2000_EngStnList.jsp?gubun=3GP

5.2.2.1.8 C.S0008**Multi-Carrier Specification for Spread Spectrum Systems on GSM MAP (MC-MAP)**

This specification covers lower layers (Layer 3 RRC, Layer 2, Layer 1) protocols and procedures for the MC-MAP (IMT-2000 CDMA-MC on GSM-MAP) radio interface.

SDO (2)	Document No.	Version	Status	Issued date	Location (1)
TIA	TIA/EIA/IS-833	2.0	Published	Mar 00	http://www.tiaonline.org/standards/technology/cdma2000/cdma2000table.cfm

Revision 0

CCSA	CCSA-TSD-MC-C.S0008-0	1.0	Approved	Dec 07	http://www.ccsa.org.cn/english/files.php?docpath=/ITU-R/M.1457
TTA	TTAT.3G-C.S0008-0 v2.0	2.0	Approved	May 05	http://www.tta.or.kr/English/new/external_relations/imt2000_EngStnList.jsp?gubun=3GP

5.2.2.1.9 C.S0009**Standard for Wideband Spread Spectrum Systems**

This Specification defines the original variable rate speech codec which has a full rate of 8 kbit/s.

SDO (2)	Document No.	Version	Status	Issued date	Location (1)
Revision 0					
ARIB	ARIB STD-T64-C.S0009-0		Approved	Dec 07	http://www.arib.or.jp/IMT-2000/ARIB-STD/ITU-R-7/STD-T64R-7.html
CCSA	CCSA-TSD-MC-C.S0009-0	1.0	Approved	Dec 07	http://www.ccsa.org.cn/english/files.php?docpath=/ITU-R/M.1457
TTA	TTAE.3G-C.S0009	1.0	Approved	Jul 00	http://www.tta.or.kr/English/new/external_relations/imt2000_EngStnList.jsp?gubun=3GP
Revision C					
TIA	TIA/EIA-96-C	1.0	Published	Aug 98	http://www.tiaonline.org/standards/technology/cdma2000/cdma2000table.cfm

5.2.2.1.10 C.S0010**Recommended Minimum Performance Standards for Base Stations Supporting Dual Mode Spread Spectrum Systems**

This Specification provides definitions, methods of measurement, and minimum performance requirements for CDMA base stations.

SDO (2)	Document No.	Version	Status	Issued date	Location (1)
Revision 0					
TTA	TTAE.3G-C.S0010	1.0	Approved	Jul 00	http://www.tta.or.kr/English/new/external_relations/imt2000_EngStnList.jsp?gubun=3GP
Revision A					
ARIB	ARIB STD-T64-C.S0010-A	1.0	Approved	Dec 07	http://www.arib.or.jp/IMT-2000/ARIB-STD/ITU-R-7/STD-T64R-7.html
CCSA	CCSA-TSD-MC-C.S0010-A	1.0	Approved	Dec 07	http://www.ccsa.org.cn/english/files.php?docpath=/ITU-R/M.1457
TTA	TTAE.3G-C.S0010-A	1.0	Approved	Dec 01	http://www.tta.or.kr/English/new/external_relations/imt2000_EngStnList.jsp?gubun=3GP
Revision B					
ARIB	ARIB STD-T64-C.S0010-B	2.0	Approved	Dec 07	http://www.arib.or.jp/IMT-2000/ARIB-STD/ITU-R-7/STD-T64R-7.html
TTA	TTAT.3G-C.S0010-B v2.0	2.0	Approved	May 05	http://www.tta.or.kr/English/new/external_relations/imt2000_EngStnList.jsp?gubun=3GP
Revision C					
ARIB	ARIB STD-T64-C.S0010-C	2.0	Approved	Dec 07	http://www.arib.or.jp/IMT-2000/ARIB-STD/ITU-R-7/STD-T64R-7.html
TTA	TTAT.3G-C.S0010-C v2.0	2.0	Approved	Dec 07	http://www.tta.or.kr/English/new/external_relations/imt2000_EngStnList.jsp?gubun=3GP
Revision D					
TIA	TIA/EIA-97-D	1.0	Published	Jun 01	http://www.tiaonline.org/standards/technology/cdma2000/cdma2000table.cfm
Revision E					
TIA	TIA-97-E-1[E]	2.0	Published	Mar 04	http://www.tiaonline.org/standards/technology/cdma2000/cdma2000table.cfm
TIA	TIA-97-E	1.0	Published	Feb 03	http://www.tiaonline.org/standards/technology/cdma2000/cdma2000table.cfm

Revision F

TIA	TIA--97-F-1	2.0	Published	Jun 06	http://www.tiaonline.org/standards/technology/cdma2000/cdma2000table.cfm
TIA	TIA-97-F	1.0	Published	Mar 05	http://www.tiaonline.org/standards/technology/cdma2000/cdma2000table.cfm

5.2.2.1.11 C.S0011**Recommended Minimum Performance Standards for cdma2000 Spread Spectrum Mobile Stations**

This Specification provides definitions, methods of measurement, and minimum performance requirements for CDMA mobile stations.

SDO (2)	Document No.	Version	Status	Issued date	Location (1)
Revision 0					
TTA	TTAE.3G-C.S0011	1.0	Approved	Jul 00	http://www.tta.or.kr/English/new/external_relations/imt2000_EngStnList.jsp?gubun=3GP
Revision A					
ARIB	ARIB STD-T64-C.S0011-A		Approved	Dec 07	http://www.arib.or.jp/IMT-2000/ARIB-STD/ITU-R-7/STD-T64R-7.html
CCSA	CCSA-TSD-MC-C.S0011-A	2.0	Approved	Dec 07	http://www.ccsa.org.cn/english/files.php?docpath=/ITU-R/M.1457
TTA	TTAE.3G-C.S0011-A	2.0	Approved	Dec 01	http://www.tta.or.kr/English/new/external_relations/imt2000_EngStnList.jsp?gubun=3GP
Revision B					
ARIB	ARIB STD-T64-C.S0011-B	1.0	Approved	Dec 07	http://www.arib.or.jp/IMT-2000/ARIB-STD/ITU-R-7/STD-T64R-7.html
TTA	TTAT.3G-C.S0011-B V1.0	1.0	Approved	May 03	http://www.tta.or.kr/English/new/external_relations/imt2000_EngStnList.jsp?gubun=3GP
Revision C					
ARIB	ARIB STD-T64-C.S0011-C	2.0	Approved	Dec 07	http://www.arib.or.jp/IMT-2000/ARIB-STD/ITU-R-7/STD-T64R-7.html
TTA	TTAT.3G-C.S0011-C v2.0	2.0	Approved	Dec 07	http://www.tta.or.kr/English/new/external_relations/imt2000_EngStnList.jsp?gubun=3GP
Revision D					
TIA	TIA/EIA-98-D	2.0	Published	Jun 01	http://www.tiaonline.org/standards/technology/cdma2000/cdma2000table.cfm
Revision E					
TIA	TIA-98-E	1.0	Published	Feb 03	http://www.tiaonline.org/standards/technology/cdma2000/cdma2000table.cfm
Revision F					
TIA	TIA-98-F-1	2.0	Published	Jun 06	http://www.tiaonline.org/standards/technology/cdma2000/cdma2000table.cfm
TIA	TIA-98-F	1.0	Published	Jul 05	http://www.tiaonline.org/standards/technology/cdma2000/cdma2000table.cfm

5.2.2.1.12 C.S0012**Minimum Performance Standard for Speech Service Option 1**

This Specification provides definitions, methods of measurement, and minimum performance requirements for the 8 kbit/s speech codec, C.S0009 (see § 5.2.2.1.9).

SDO (2)	Document No.	Version	Status	Issued date	Location (1)
Revision 0					
ARIB	C.S0012-0 v1.0	1.0	Approved	Dec 07	http://www.arib.or.jp/IMT-2000/ARIB-STD/ITU-R-7/STD-T64R-7.html
CCSA	CCSA-TSD-MC-C.S0012-0	1.0	Approved	Dec 07	http://www.ccsa.org.cn/english/files.php?docpath=/ITU-R/M.1457
TTA	TTAE.3G-C.S0012	1.0	Approved	Jul 00	http://www.tta.or.kr/English/new/external_relations/imt2000_EngStnList.jsp?gubun=3GP
Revision A					
TIA	TIA/EIA-125-A	1.0	Published	Aug 00	http://www.tiaonline.org/standards/technology/cdma2000/cdma2000table.cfm

5.2.2.1.13 C.S0013

Loopback Service Options (LSO) for cdma2000 Spread Spectrum System

This Specification defines loopback mechanism used for testing CDMA mobile stations and base stations.

SDO (2)	Document No.	Version	Status	Issued date	Location (1)
Revision 0					
TTA	TTAE.3G-C.S0013	1.0	Approved	Jul 00	http://www.tta.or.kr/English/new/external_relations/imt2000_EngStnList.jsp?gubun=3GP
Revision A					
ARIB	ARIB STD-T64-C.S0013-A		Approved	Dec 07	http://www.arib.or.jp/IMT-2000/ARIB-STD/ITU-R-7/STD-T64R-7.html
CCSA	CCSA-TSD-MC-C.S0013-A	1.0	Approved	Dec 07	http://www.ccsa.org.cn/english/files.php?docpath=/ITU-R/M.1457
TTA	TTAE.3G-C.S0013-A	1.0	Approved	Dec 01	http://www.tta.or.kr/English/new/external_relations/imt2000_EngStnList.jsp?gubun=3GP
Revision C					
TIA	TIA/EIA-126-C		Published	Aug 00	http://www.tiaonline.org/standards/technology/cdma2000/cdma2000table.cfm
Revision D					
TIA	TIA/EIA-126-D		Published	Jun 01	http://www.tiaonline.org/standards/technology/cdma2000/cdma2000table.cfm

5.2.2.1.14 C.S0014

Enhanced Variable Rate Codec Speech Service Option 3 for Wideband Speech Digital Systems – Addendum 3

This Specification defines the Enhanced Variable Rate Speech codec (EVRC) which has a full rate of 8 kbit/s.

SDO (2)	Document No.	Version	Status	Issued date	Location (1)
TIA	TIA/EIA/IS-127	1.0	Published	Jan 97	http://www.tiaonline.org/standards/technology/cdma2000/cdma2000table.cfm
TIA	TIA/EIA/IS-127-1	1	Published	Aug 98	http://www.tiaonline.org/standards/technology/cdma2000/cdma2000table.cfm
TIA	TIA/EIA/IS-127-2	2	Published	Sep 99	http://www.tiaonline.org/standards/technology/cdma2000/cdma2000table.cfm
TIA	TIA/EIA/IS-127-3	3 v1.0	Published	Sep 01	http://www.tiaonline.org/standards/technology/cdma2000/cdma2000table.cfm

Revision 0

ARIB	ARIB STD-T64-C.S0014-0-1		Approved	Dec 07	http://www.arib.or.jp/IMT-2000/ARIB-STD/ITU-R-7/STD-T64R-7.html
ARIB	ARIB STD-T64-C.S0014-0 v1.0	1.0	Approved	Dec 07	http://www.arib.or.jp/IMT-2000/ARIB-STD/ITU-R-7/STD-T64R-7.html
CCSA	CCSA-TSD-MC-C.S0014-0-3	1.0	Approved	Dec 07	http://www.ccsa.org.cn/english/files.php?docpath=/ITU-R/M.1457
TTA	TTAE.3G-C.S0014	1.0	Approved	Jul 00	http://www.tta.or.kr/English/new/external_relations/imt2000_EngStnList.jsp?gubun=3GP

Revision A

ARIB	ARIB STD-T64-C.S0014-A	1.0	Approved	Dec 07	http://www.arib.or.jp/IMT-2000/ARIB-STD/ITU-R-7/STD-T64R-7.html
TIA	TIA-127-A	1.0	Published	May 04	http://www.tiaonline.org/standards/technology/cdma2000/cdma2000table.cfm
TTA	TTAT.3G-C.S0014-A v1.0	1.0	Approved	May 05	http://www.tta.or.kr/English/new/external_relations/imt2000_EngStnList.jsp?gubun=3GP

Revision B

ARIB	ARIB STD-T64-C.S0014-B	1.0	Approved	Dec 07	http://www.arib.or.jp/IMT-2000/ARIB-STD/ITU-R-7/STD-T64R-7.html
TTA	TTAT.3G-C.S0014-B v1.0	1.0	Approved	Dec 07	http://www.tta.or.kr/English/new/external_relations/imt2000_EngStnList.jsp?gubun=3GP

Revision C

ARIB	ARIB STD-T64-C.S0014-C	1.0	Approved	Dec 07	http://www.arib.or.jp/IMT-2000/ARIB-STD/ITU-R-7/STD-T64R-7.html
TIA	TIA-127-C	1.0	Published	Feb 07	http://www.tiaonline.org/standards/technology/cdma2000/cdma2000table.cfm
TTA	TTAT.3G-C.S0014-C v1.0	1.0	Approved	Dec 07	http://www.tta.or.kr/English/new/external_relations/imt2000_EngStnList.jsp?gubun=3GP

5.2.2.1.15 C.S0015**Short Message Services for Wideband Spread Spectrum Systems**

This Specification defines the short message service feature and related procedures.

SDO (2)	Document No.	Version	Status	Issued date	Location (1)
Revision 0					
TTA	TTAE.3G-C.S0015	1.0	Approved	Jul 00	http://www.tta.or.kr/English/new/external_relations/imt2000_EngStnList.jsp?gubun=3GP
Revision A					
ARIB	ARIB STD-T64-C.S0015-A	2.0	Approved	Dec 07	http://www.arib.or.jp/IMT-2000/ARIB-STD/ITU-R-7/STD-T64R-7.html
CCSA	CCSA-TSD-MC-C.S0015-A	2.0	Approved	Dec 07	http://www.ccsa.org.cn/english/files.php?docpath=/ITU-R/M.1457
TIA	TIA/EIA-637-A	1.0	Published	Sep 99	http://www.tiaonline.org/standards/technology/cdma2000/cdma2000table.cfm
TTA	TTAT.3G-C.S0015-A v2.0	2.0	Approved	Dec 07	http://www.tta.or.kr/English/new/external_relations/imt2000_EngStnList.jsp?gubun=3GP
Revision B					
ARIB	ARIB STD-T64-C.S0015-B	2.0	Approved	Dec 07	http://www.arib.or.jp/IMT-2000/ARIB-STD/ITU-R-7/STD-T64R-7.html
TTA	TTAT.3G-C.S0015-B v2.0	2.0	Approved	Dec 07	http://www.tta.or.kr/English/new/external_relations/imt2000_EngStnList.jsp?gubun=3GP
Revision C					
TIA	TIA-637-C-1[E]	2.0	Published	Feb 07	http://www.tiaonline.org/standards/technology/cdma2000/cdma2000table.cfm

5.2.2.1.16 C.S0016

Over-the Air Provisioning of Mobile Stations in Spread Spectrum Systems

This Specification defines the over-the-air service provisioning (OTASP) feature and related procedures. This includes over-the-air provisioning of operational parameters, system selection for preferred roaming, and service programming locks.

SDO (2)	Document No.	Version	Status	Issued date	Location (1)
Revision 0					
TTA	TTAE.3G-C.S0016	1.0	Approved	Jul 00	http://www.tta.or.kr/English/new/external_relations/imt2000_EngStnList.jsp?gubun=3GP
Revision A					
ARIB	ARIB STD-T64-C.S0016-A	2.0	Approved	Dec 07	http://www.arib.or.jp/IMT-2000/ARIB-STD/ITU-R-7/STD-T64R-7.html
CCSA	CCSA-TSD-MC-C.S0016-A	2.0	Approved	Dec 07	http://www.ccsa.org.cn/english/files.php?docpath=/ITU-R/M.1457
TTA	TTAE.3G-C.S0016-A v2.0	2.0	Approved	Dec 01	http://www.tta.or.kr/English/new/external_relations/imt2000_EngStnList.jsp?gubun=3GP
Revision B					
ARIB	ARIB STD-T64-C.S0016-B	2.0	Approved	Dec 07	http://www.arib.or.jp/IMT-2000/ARIB-STD/ITU-R-7/STD-T64R-7.html
TIA	TIA/EIA-683-B	2.0	Published	Dec 01	http://www.tiaonline.org/standards/technology/cdma2000/cdma2000table.cfm
TTA	TTAT.3G-C.S0016-B v1.0	1.0	Approved	May 05	http://www.tta.or.kr/English/new/external_relations/imt2000_EngStnList.jsp?gubun=3GP
Revision C					
ARIB	ARIB STD-T64-C.S0016-C	1.0	Approved	Dec 07	http://www.arib.or.jp/IMT-2000/ARIB-STD/ITU-R-7/STD-T64R-7.html
TIA	TIA-683-C	1.0	Published	Mar 03	http://www.tiaonline.org/standards/technology/cdma2000/cdma2000table.cfm
TTA	TTAT.3G-C.S0016-C v1.0	1.0	Approved	May 05	http://www.tta.or.kr/English/new/external_relations/imt2000_EngStnList.jsp?gubun=3GP
Revision D					
TIA	TIA-683-D	1.0	Published	May 06	http://www.tiaonline.org/standards/technology/cdma2000/cdma2000table.cfm

5.2.2.1.17 C.S0017

Data Service Options for Spread Spectrum Systems

This Specification defines the CDMA data services, which include asynchronous and synchronous circuit switched data, packet data, and analog fax. This Specification includes the definition of the protocol stack, and specifications for the various protocol layers.

SDO (2)	Document No.	Version	Status	Issued date	Location (1)
Revision 0					
ARIB	ARIB STD-T64-C.S0017-0-2	2.0	Approved		http://www.arib.or.jp/IMT-2000/ARIB-STD/ITU-R-7/STD-T64R-7.html
ARIB	ARIB STD-T64-C.S0017-0-1		Approved		http://www.arib.or.jp/IMT-2000/ARIB-STD/ITU-R-7/STD-T64R-7.html
ARIB	ARIB STD-T64-C.S0017-0 v5.0		Approved	Dec 07	http://www.arib.or.jp/IMT-2000/ARIB-STD/ITU-R-7/STD-T64R-7.html
ARIB	ARIB STD-T64-C.S0017-0		Approved	Dec 07	http://www.arib.or.jp/IMT-2000/ARIB-STD/ITU-R-7/STD-T64R-7.html
CCSA	CCSA-TSD-MC-C.S0017-0-2	2.0	Approved	Dec 07	http://www.ccsa.org.cn/english/files.php?docpath=/ITU-R/M.1457
TTA	TTAT.3G-C.S0017-0 v5.0	5.0	Approved	May 04	http://www.tta.or.kr/English/new/external_relations/imt2000_EngStnList.jsp?gubun=3GP

Revision A

ARIB	ARIB STD-T64-C.S0017-003-A v1.0	1.0	Approved	Dec 07	http://www.arib.or.jp/IMT-2000/ARIB-STD/ITU-R-7/STD-T64R-7.html
ARIB	ARIB STD-T64-C.S0017-001-A v1.0	1.0	Approved	Dec 07	http://www.arib.or.jp/IMT-2000/ARIB-STD/ITU-R-7/STD-T64R-7.html
ARIB	ARIB STD-T64-C.S0017-011-A v1.0	1.0	Approved	Dec 07	http://www.arib.or.jp/IMT-2000/ARIB-STD/ITU-R-7/STD-T64R-7.html
ARIB	ARIB STD-T64-C.S0017-007-A v1.0	1.0	Approved	Dec 07	http://www.arib.or.jp/IMT-2000/ARIB-STD/ITU-R-7/STD-T64R-7.html
ARIB	ARIB STD-T64-C.S0017-010-A v2.0	2.0	Approved	Dec 07	http://www.arib.or.jp/IMT-2000/ARIB-STD/ITU-R-7/STD-T64R-7.html
ARIB	ARIB STD-T64-C.S0017.012-A v2.0	2.0	Approved	Dec 07	http://www.arib.or.jp/IMT-2000/ARIB-STD/ITU-R-7/STD-T64R-7.html
ARIB	ARIB STD-T64-C.S0017-009-A v1.0	1.0	Approved	Dec 07	http://www.arib.or.jp/IMT-2000/ARIB-STD/ITU-R-7/STD-T64R-7.html
ARIB	ARIB STD-T64-C.S0017-005-A v1.0	1.0	Approved	Dec 07	http://www.arib.or.jp/IMT-2000/ARIB-STD/ITU-R-7/STD-T64R-7.html
ARIB	ARIB STD-T64-C.S0017-004-A v1.0	1.0	Approved	Dec 07	http://www.arib.or.jp/IMT-2000/ARIB-STD/ITU-R-7/STD-T64R-7.html
TIA	TIA/EIA/IS-707-A-2	2.0	Published	Feb 03	http://www.tiaonline.org/standards/technology/cdma2000/cdma2000table.cfm
TIA	TIA/IS-707-A-3	5.0	Published	Feb 03	http://www.tiaonline.org/standards/technology/cdma2000/cdma2000table.cfm
TIA	TIA/EIA/IS-707-A-1 version	no 3GPP2	Published	Dec 99	http://www.tiaonline.org/standards/technology/cdma2000/cdma2000table.cfm
TIA	TIA/EIA/IS-707 version	no 3GPP2	Published	Feb 98	http://www.tiaonline.org/standards/technology/cdma2000/cdma2000table.cfm
TIA	TIA/EIA/IS-707-A version	no 3GPP2	Published	Apr 99	http://www.tiaonline.org/standards/technology/cdma2000/cdma2000table.cfm
TTA	TTAT.3G-C.S0017-001-A v1.0	1.0	Approved	May 05	http://www.tta.or.kr/English/new/external_relations/imt2000_EngStnList.jsp?gubun=3GP
Revision B					
TIA	TIA-707-10-B-1[E]	2.0	Published	Jun 06	http://www.tiaonline.org/standards/technology/cdma2000/cdma2000table.cfm

5.2.2.1.18 C.S0018**Minimum Performance Specification for Enhanced Variable Rate Codec (EVRC) Speech Option 3 for Spread Spectrum Systems**

This Specification provides definitions, methods of measurement, and minimum performance requirements for the EVRC speech codec, C.S0014 (see § 5.2.2.1.14).

SDO (2)	Document No.	Version	Status	Issued date	Location (1)
TIA	TIA/EIA/IS-718	1.0	Published	Jul 98	http://www.tiaonline.org/standards/technology/cdma2000/cdma2000table.cfm

Revision 0

ARIB	ARIB STD-T64-C.S0018-0 v1.0	1.0	Approved	Dec 07	http://www.arib.or.jp/IMT-2000/ARIB-STD/ITU-R-7/STD-T64R-7.html
CCSA	CCSA-TSD-MC-C.S0018-0	1.0	Approved	Dec 07	http://www.ccsa.org.cn/english/files.php?docpath=/ITU-R/M.1457
TTA	TTAE.3G-C.S0018	1.0	Approved	Jul 00	http://www.tta.or.kr/English/new/external_relations/imt2000_EngStnList.jsp?gubun=3GP

Revision B

ARIB	ARIB STD-T64-C.S0018-B	1.0	Approved	Dec 07	http://www.arib.or.jp/IMT-2000/ARIB-STD/ITU-R-7/STD-T64R-7.html
TTA	TTAT.3G-C.S0018-B v1.0	1.0	Approved	Dec 07	http://www.tta.or.kr/English/new/external_relations/imt2000_EngStnList.jsp?gubun=3GP

5.2.2.1.19 C.S0020**High Rate Speech Service Option 17 for Wideband Spread Spectrum Communication Systems – Addendum 2**

This Specification defines the high rate variable rate speech codec which has a full rate of 13 kbit/s.

SDO (2)	Document No.	Version	Status	Issued date	Location (1)
TIA	TIA/EIA/IS-733-2	2	Published	Sep 01	http://www.tiaonline.org/standards/technology/cdma2000/cdma2000table.cfm
TIA	TIA/EIA/IS-733		Published	Mar 98	http://www.tiaonline.org/standards/technology/cdma2000/cdma2000table.cfm
TIA	TIA/EIA/IS-733-1	1	Published	Sep 99	http://www.tiaonline.org/standards/technology/cdma2000/cdma2000table.cfm

Revision 0

ARIB	ARIB STD-T64-C.S0020-0		Approved	Dec 07	http://www.arib.or.jp/IMT-2000/ARIB-STD/ITU-R-7/STD-T64R-7.html
CCSA	CCSA-TSD-MC-C.S0020-0-2	2.0	Approved	Dec 07	http://www.ccsa.org.cn/english/files.php?docpath=/ITU-R/M.1457
TTA	TTAT.3G-C.S0020-0-2 V1.0	1.0	Approved	May 03	http://www.tta.or.kr/English/new/external_relations/imt2000_EngStnList.jsp?gubun=3GP

Revision A

ARIB	ARIB STD-T64-C.S0020-A	1.0	Approved	Dec 07	http://www.arib.or.jp/IMT-2000/ARIB-STD/ITU-R-7/STD-T64R-7.html
TIA	TIA-733-A	1.0	Published	May 04	http://www.tiaonline.org/standards/technology/cdma2000/cdma2000table.cfm
TTA	TTAT.3G-C.S0020-A v1.0	1.0	Approved	May 05	http://www.tta.or.kr/English/new/external_relations/imt2000_EngStnList.jsp?gubun=3GP

5.2.2.1.20 C.S0021**Recommended Minimum Performance Standard for the High Rate Speech Option 17 for Wideband Spread Spectrum Communication Systems**

This Specification provides definitions, methods of measurement, and minimum performance requirements for the 13 kbit/s variable-rate speech codec, C.S0020 (see § 5.2.2.1.19).

SDO (2)	Document No.	Version	Status	Issued date	Location (1)
ARIB	ARIB STD-T64-C.S0021-0 v1.0	1.0	Approved	Dec 07	http://www.arib.or.jp/IMT-2000/ARIB-STD/ITU-R-7/STD-T64R-7.html
CCSA	CCSA-TSD-MC-C.S0021-0	1.0	Approved	Dec 07	http://www.ccsa.org.cn/english/files.php?docpath=/ITU-R/M.1457
TTA	TTAE.3G-C.S0021	1.0	Approved	Jul 00	http://www.tta.or.kr/English/new/external_relations/imt2000_EngStnList.jsp?gubun=3GP

Revision A

TIA	TIA/EIA-736-A	1.0	Published	Aug 00	http://www.tiaonline.org/standards/technology/cdma2000/cdma2000table.cfm
-----	---------------	-----	-----------	--------	---

5.2.2.1.21 C.S0022**Position Determination Service Standard for Dual Mode Spread Spectrum Systems**

This Specification defines the position location feature which provides the capability to locate the mobile station. This specification supports automatic forward link triangulation and GPS position location mechanisms.

SDO (2)	Document No.	Version	Status	Issued date	Location (1)
TIA	TIA/EIA/IS-801	1.0	Published	Nov 99	http://www.tiaonline.org/standards/technology/cdma2000/cdma2000table.cfm
TIA	TIA/EIA/IS-801-1	3.0	Published	Mar 01	http://www.tiaonline.org/standards/technology/cdma2000/cdma2000table.cfm
Revision 0					
ARIB	ARIB STD-T64-C.S0022-0 v3.0	3.0	Approved	Dec 07	http://www.arib.or.jp/IMT-2000/ARIB-STD/ITU-R-7/STD-T64R-7.html
CCSA	CCSA-TSD-MC-C.S0022-0	3.0	Approved	Dec 07	http://www.ccsa.org.cn/english/files.php?docpath=/ITU-R/M.1457
TTA	TTAT.3G-C.S0022-0 v3.0	3.0	Approved	May 04	http://www.tta.or.kr/English/new/external_relations/imt2000_EngStnList.jsp?gubun=3GP
Revision A					
ARIB	ARIB STD-T64-C.S0022-A	1.0	Approved	Dec 07	http://www.arib.or.jp/IMT-2000/ARIB-STD/ITU-R-7/STD-T64R-7.html
TIA	TIA-801-A	1.0	Published	Apr 04	http://www.tiaonline.org/standards/technology/cdma2000/cdma2000table.cfm
TTA	TTAT.3G-C.S0022-A v1.0	1.0	Approved	May 05	http://www.tta.or.kr/English/new/external_relations/imt2000_EngStnList.jsp?gubun=3GP

5.2.2.1.22 C.S0023**Removable User Identity Module (R-UIM) for cdma2000 Spread Spectrum Systems**

This Specification provides requirements for removable user identity modules (R-UIM).

SDO (2)	Document No.	Version	Status	Issued date	Location (1)
TIA	TIA/EIA/IS-820-1	4.0	Published	Jun 01	http://www.tiaonline.org/standards/technology/cdma2000/cdma2000table.cfm
TIA	TIA-820-A-2	3.0	Published	Feb 05	http://www.tiaonline.org/standards/technology/cdma2000/cdma2000table.cfm
TIA	TIA/EIA/IS-820	2.0	Published	May 00	http://www.tiaonline.org/standards/technology/cdma2000/cdma2000table.cfm
Revision 0					
ARIB	ARIB STD-T64-C.S0023-0 v4.0	4.0	Approved	Dec 07	http://www.arib.or.jp/IMT-2000/ARIB-STD/ITU-R-7/STD-T64R-7.html
Revision A					
ARIB	ARIB STD-T64-C.S0023-A	3.0	Approved	Dec 07	http://www.arib.or.jp/IMT-2000/ARIB-STD/ITU-R-7/STD-T64R-7.html
CCSA	CCSA-TSD-MC-C.S0023-A	3.0	Approved	Dec 07	http://www.ccsa.org.cn/english/files.php?docpath=/ITU-R/M.1457
TIA	TIA-820-A-1	2.0	Published	Mar 04	http://www.tiaonline.org/standards/technology/cdma2000/cdma2000table.cfm
TIA	TIA/IS-820-A	1.0	Published	Sep 02	http://www.tiaonline.org/standards/technology/cdma2000/cdma2000table.cfm
TTA	TTAT.3G-C.S0023-A v3.0	3.0	Approved	May 05	http://www.tta.or.kr/English/new/external_relations/imt2000_EngStnList.jsp?gubun=3GP

Revision B

ARIB	ARIB STD-T64-C.S0023-B	1.0	Approved	Dec 07	http://www.arib.or.jp/IMT-2000/ARIB-STD/ITU-R-7/STD-T64R-7.html
TIA	TIA-820-B	1.0	Published	May 04	http://www.tiaonline.org/standards/technology/cdma2000/cdma2000table.cfm
TTA	TTAT.3G-C.S0023-B v1.0	1.0	Approved	May 05	http://www.tta.or.kr/English/new/external_relations/imt2000_EngStnList.jsp?gubun=3GP

Revision C

ARIB	ARIB STD-T64-C.S0023-C	1.0	Approved	Dec 07	http://www.arib.or.jp/IMT-2000/ARIB-STD/ITU-R-7/STD-T64R-7.html
TIA	TIA-820-C	1.0	Published	Dec 06	http://www.tiaonline.org/standards/technology/cdma2000/cdma2000table.cfm
TTA	TTAT.3G-C.S0023-C v1.0	1.0	Approved	Dec 07	http://www.tta.or.kr/English/new/external_relations/imt2000_EngStnList.jsp?gubun=3GP

5.2.2.1.23 C.S0024**cdma2000 High Rate Packet Data Air Interface Specification**

This Specification provides description for high speech packet access.

SDO (2)	Document No.	Version	Status	Issued date	Location (1)
TIA	TIA/EIA/IS-856	2.0	Published	Nov 00	http://www.tiaonline.org/standards/technology/cdma2000/cdma2000table.cfm
TIA	TIA-856-2[E]	4.0	Published	Mar 04	http://www.tiaonline.org/standards/technology/cdma2000/cdma2000table.cfm
TIA	TIA-856-A-2	3.0	Published	Aug 07	http://www.tiaonline.org/standards/technology/cdma2000/cdma2000table.cfm
TIA	TIA/EIA/IS-856-1	3.0	Published	Jan 02	http://www.tiaonline.org/standards/technology/cdma2000/cdma2000table.cfm
TIA	TIA-856-A-1	2.0	Published	Feb 07	http://www.tiaonline.org/standards/technology/cdma2000/cdma2000table.cfm
Revision 0					
ARIB	ARIB STD-T64-C.S0024-0 v4.0	4.0	Approved	Dec 07	http://www.arib.or.jp/IMT-2000/ARIB-STD/ITU-R-7/STD-T64R-7.html
CCSA	CCSA-TSD-MC-C.S0024-0	4.0	Approved	Dec 07	http://www.ccsa.org.cn/english/files.php?docpath=/ITU-R/M.1457
TTA	TTAT.3G-C.S0024-0 V4.0	4.0	Approved	May 03	http://www.tta.or.kr/English/new/external_relations/imt2000_EngStnList.jsp?gubun=3GP
Revision A					
ARIB	ARIB STD-T64-C.S0024-A	3.0	Approved	Dec 07	http://www.arib.or.jp/IMT-2000/ARIB-STD/ITU-R-7/STD-T64R-7.html
TIA	TIA-856-A	1.0	Published	Apr 04	http://www.tiaonline.org/standards/technology/cdma2000/cdma2000table.cfm
TTA	TTAT.3G-C.S0024-A v3.0	3.0	Approved	Dec 07	http://www.tta.or.kr/English/new/external_relations/imt2000_EngStnList.jsp?gubun=3GP
Revision B					
TIA	TIA-856-B	1.0	Published	Dec 07	http://www.tiaonline.org/standards/technology/cdma2000/cdma2000table.cfm
TIA	TIA-856-B-1	2.0	Published	Dec 07	http://www.tiaonline.org/standards/technology/cdma2000/cdma2000table.cfm
TTA	TTAT.3G-C.S0024-B v2.0	2.0	Approved	Dec 07	http://www.tta.or.kr/English/new/external_relations/imt2000_EngStnList.jsp?gubun=3GP

5.2.2.1.24 C.S0025**Markov Service Option (MSO) for cdma2000 Spread Spectrum Systems**

This document specifies procedures for the Markov Service Option (MSO).

SDO (2)	Document No.	Version	Status	Issued date	Location (1)
TIA	TIA/EIA/IS-871		Published	Apr 01	http://www.tiaonline.org/standards/technology/cdma2000/cdma2000table.cfm
Revision 0					
ARIB	ARIB STD-T64-C.S0025		Approved	Dec 07	http://www.arib.or.jp/IMT-2000/ARIB-STD/ITU-R-7/STD-T64R-7.html
ARIB	ARIB STD-T64-C.S0026-1		Approved	Dec 07	http://www.arib.or.jp/IMT-2000/ARIB-STD/ITU-R-7/STD-T64R-7.html
CCSA	CCSA-TSD-MC-C.S0025-0	2.0	Approved	Dec 07	http://www.ccsa.org.cn/english/files.php?docpath=/ITU-R/M.1457
TTA	TTAT.3G-C.S0025-0 v2.0	2.0	Approved	Dec 07	http://www.tta.or.kr/English/new/external_relations/imt2000_EngStnList.jsp?gubun=3GP

5.2.2.1.25 C.S0026**Test Data Service Option (TDSO) for cdma2000 Spread Spectrum Systems**

This document specifies procedures for the Test Data Service Option (TDSO).

SDO (2)	Document No.	Version	Status	Issued date	Location (1)
TIA	TIA/EIA/IS-870		Published	Apr 01	http://www.tiaonline.org/standards/technology/cdma2000/cdma2000table.cfm
TIA	TIA-870-1[E]	2.0	Published	Jan 04	http://www.tiaonline.org/standards/technology/cdma2000/cdma2000table.cfm
Revision 0					
CCSA	CCSA-TSD-MC-C.S0026-0	2.0	Approved	Dec 07	http://www.ccsa.org.cn/english/files.php?docpath=/ITU-R/M.1457
TTA	TTAT.3G-C.S0026-0 v2.0	2.0	Approved	Mar 03	http://www.tta.or.kr/English/new/external_relations/imt2000_EngStnList.jsp?gubun=3GP
Revision A					
ARIB	ARIB STD-T64-C.S0026-A	1.0	Approved	Dec 07	http://www.arib.or.jp/IMT-2000/ARIB-STD/ITU-R-7/STD-T64R-7.html
TIA	TIA-870-A	1.0	Published	Mar 05	http://www.tiaonline.org/standards/technology/cdma2000/cdma2000table.cfm
TTA	TTAT.3G-C.S0026-A v1.0	1.0	Approved	May 05	http://www.tta.or.kr/English/new/external_relations/imt2000_EngStnList.jsp?gubun=3GP

5.2.2.1.26 C.S0028**CDMA TTY/TDD Minimum Performance Specification**

This Specification defines the CDMA TTY/TDD Minimum Performance Specification.

SDO (2)	Document No.	Version	Status	Issued date	Location (1)
TIA	TIA/IS-889	2.0	Published	Sep 02	http://www.tiaonline.org/standards/technology/cdma2000/cdma2000table.cfm
Revision 0					
CCSA	CCSA-TSD-MC-C.S0028-0	2.0	Approved	Dec 07	http://www.ccsa.org.cn/english/files.php?docpath=/ITU-R/M.1457
TTA	TTAT.3G-C.S0028-0 v2.0	2.0	Approved	Mar 03	http://www.tta.or.kr/English/new/external_relations/imt2000_EngStnList.jsp?gubun=3GP

Revision A

TIA	TIA-889-A	1.0	Published	Dec 03	http://www.tiaonline.org/standards/technology/cdma2000/cdma2000table.cfm
TTA	TTAT.3G-C.S0028-A v1.0	1.0	Approved	May 05	http://www.tta.or.kr/English/new/external_relations/imt2000_EngStnList.jsp?gubun=3GP

5.2.2.1.27 C.S0029**Test Application Specification (TAS) for High Rate Packet Data Air Interface**

These technical requirements form a compatibility standard for test applications in cdma2000 high rate packet data systems.

SDO (2)	Document No.	Version	Status	Issued date	Location (1)
TIA	TIA-890-1[E]	3.0	Published	Jan 04	http://www.tiaonline.org/standards/technology/cdma2000/cdma2000table.cfm
TIA	TIA/EIA/IS-890	2.0	Published	Jul 01	http://www.tiaonline.org/standards/technology/cdma2000/cdma2000table.cfm
Revision 0					
ARIB	ARIB STD-T64-C.S0029-0 v3.0	3.0	Approved	Dec 07	http://www.arib.or.jp/IMT-2000/ARIB-STD/ITU-R-7/STD-T64R-7.html
CCSA	CCSA-TSD-MC-C.S0029-0	3.0	Approved	Dec 07	http://www.ccsa.org.cn/english/files.php?docpath=/ITU-R/M.1457
TTA	TTAT.3G-C.S0029-0 v3.0	3.0	Approved	May 04	http://www.tta.or.kr/English/new/external_relations/imt2000_EngStnList.jsp?gubun=3GP
Revision A					
ARIB	ARIB STD-T64-C.S0029-A	1.0	Approved	Dec 07	http://www.arib.or.jp/IMT-2000/ARIB-STD/ITU-R-7/STD-T64R-7.html
TIA	TIA-890-A	1.0	Published	Apr 07	http://www.tiaonline.org/standards/technology/cdma2000/cdma2000table.cfm
TTA	TTAT.3G-C.S0029-A v1.0	1.0	Approved	Apr 06	http://www.tta.or.kr/English/new/external_relations/imt2000_EngStnList.jsp?gubun=3GP

5.2.2.1.28 C.S0030**Selectable Mode Vocoder Service Option for Wideband Spread Spectrum Communication Systems**

This Specification defines the Selectable Mode Vocoder Service Option for Wideband Spread Spectrum Communication Systems.

SDO (2)	Document No.	Version	Status	Issued date	Location (1)
TIA	TIA-893	2.0	Published	May 04	http://www.tiaonline.org/standards/technology/cdma2000/cdma2000table.cfm
TIA	TIA-893-1[E]	3.0	Published	Jul 05	http://www.tiaonline.org/standards/technology/cdma2000/cdma2000table.cfm
Revision 0					
ARIB	ARIB STD-T64-C.S0030-0 v3.0	3.0	Approved	Dec 07	http://www.arib.or.jp/IMT-2000/ARIB-STD/ITU-R-7/STD-T64R-7.html
CCSA	CCSA-TSD-MC-C.S0030-0	3.0	Approved	Dec 07	http://www.ccsa.org.cn/english/files.php?docpath=/ITU-R/M.1457
TTA	TTAT.3G-C.S0030-0 v3.0	3.0	Approved	May 04	http://www.tta.or.kr/English/new/external_relations/imt2000_EngStnList.jsp?gubun=3GP

5.2.2.1.29 C.S0031**Signalling Conformance Tests for cdma2000 Spread Spectrum Systems**

This document facilitates interoperability testing between CDMA infrastructure and CDMA mobile station manufacturers.

SDO (2)	Document No.	Version	Status	Issued date	Location (1)
Revision 0					
ARIB	ARIB STD-T64-C.S0031-0 v2.0	2.0	Approved	Dec 07	http://www.arib.or.jp/IMT-2000/ARIB-STD/ITU-R-7/STD-T64R-7.html
CCSA	CCSA-TSD-MC-C.S0031-0	2.0	Approved	Dec 07	http://www.ccsa.org.cn/english/files.php?docpath=/ITU-R/M.1457
TTA	TTAT.3G-C.S0031-0 v2.0	2.0	Approved	Mar 03	http://www.tta.or.kr/English/new/external_relations/imt2000_EngStnList.jsp?gubun=3GP

5.2.2.1.30 C.S0032

Recommended Minimum Performance Standards for cmda2000 High Rate Packet Data Access Network

This document details definitions, methods of measurement, and minimum performance requirements for access networks.

SDO (2)	Document No.	Version	Status	Issued date	Location (1)
TIA	TIA-864	1.0	Published	Feb 02	http://www.tiaonline.org/standards/technology/cdma2000/cdma2000table.cfm
TIA	TIA-864-1[E]	2.0	Published	Jan 04	http://www.tiaonline.org/standards/technology/cdma2000/cdma2000table.cfm
Revision 0					
ARIB	ARIB STD-T64-C.S0032-0 v2.0	2.0	Approved	Dec 07	http://www.arib.or.jp/IMT-2000/ARIB-STD/ITU-R-7/STD-T64R-7.html
CCSA	CCSA-TSD-MC-C.S0032-0	2.0	Approved	Dec 07	http://www.ccsa.org.cn/english/files.php?docpath=/ITU-R/M.1457
TTA	TTAT.3G-C.S0032-0 v2.0	2.0	Approved	May 04	http://www.tta.or.kr/English/new/external_relations/imt2000_EngStnList.jsp?gubun=3GP
Revision A					
ARIB	ARIB STD-T64-C.S0032-A	2.0	Approved	Dec 07	http://www.arib.or.jp/IMT-2000/ARIB-STD/ITU-R-7/STD-T64R-7.html
TIA	TIA-864-A	1.0	Published	Jan 06	http://www.tiaonline.org/standards/technology/cdma2000/cdma2000table.cfm
TIA	TIA-864-A-1	2.0	Published	Aug 07	http://www.tiaonline.org/standards/technology/cdma2000/cdma2000table.cfm
TTA	TTAT.3G-C.S0032-A v2.0	2.0	Approved	Dec 07	http://www.tta.or.kr/English/new/external_relations/imt2000_EngStnList.jsp?gubun=3GP

5.2.2.1.31 C.S0033

Recommended Minimum Performance Standards for cmda2000 High Rate Packet Data Access Terminal

This document details definitions, methods of measurement, and minimum performance characteristics for access terminals.

SDO (2)	Document No.	Version	Status	Issued date	Location (1)
TIA	TIA-866	1.0	Published	Feb 02	http://www.tiaonline.org/standards/technology/cdma2000/cdma2000table.cfm
TIA	TIA-866-1[E]	2.0	Published	Jan 04	http://www.tiaonline.org/standards/technology/cdma2000/cdma2000table.cfm
Revision 0					
ARIB	ARIB STD-T64-C.S0033-0 v2.0	2.0	Approved	Dec 07	http://www.arib.or.jp/IMT-2000/ARIB-STD/ITU-R-7/STD-T64R-7.html
CCSA	CCSA-TSD-MC-C.S0033-0	2.0	Approved	Dec 07	http://www.ccsa.org.cn/english/files.php?docpath=/ITU-R/M.1457
TTA	TTAT.3G-C.S0033-0 v2.0	2.0	Approved	May 04	http://www.tta.or.kr/English/new/external_relations/imt2000_EngStnList.jsp?gubun=3GP

Revision A

ARIB	ARIB STD-T64-C.S0033-A	2.0	Approved	Dec 07	http://www.arib.or.jp/IMT-2000/ARIB-STD/ITU-R-7/STD-T64R-7.html
TIA	TIA-866-A	1.0	Published	Jan 06	http://www.tiaonline.org/standards/technology/cdma2000/cdma2000table.cfm
TTA	TTAT.3G-C.S0033-A v2.0	2.0	Approved	Dec 07	http://www.tta.or.kr/English/new/external_relations/imt2000_EngStnList.jsp?gubun=3GP

5.2.2.1.32 C.S0034**Minimum Performance Specification for the Selectable Mode Vocoder (SMV), Speech Service Option 56 for Wideband Spread Spectrum Digital Systems**

This standard details definitions, methods of measurement, verification of bit-exactness, and minimum performance characteristics of C.S0030-0 Selectable Mode Vocoder (SMV) for digital cellular wideband spread spectrum mobile stations and base stations.

SDO (2)	Document No.	Version	Status	Issued date	Location (1)
TIA	TIA-894	1.0	Published	Aug 05	http://www.tiaonline.org/standards/technology/cdma2000/cdma2000table.cfm

Revision 0

ARIB	ARIB STD-T64-C.S0034-0 v1.0	1.0	Approved	Dec 07	http://www.arib.or.jp/IMT-2000/ARIB-STD/ITU-R-7/STD-T64R-7.html
CCSA	CCSA-TSD-MC-C.S0034-0	1.0	Approved	Dec 07	http://www.ccsa.org.cn/english/files.php?docpath=/ITU-R/M.1457
TTA	TTAT.3G-C.S0034-0 v1.0	1.0	Approved	May 05	http://www.tta.or.kr/English/new/external_relations/imt2000_EngStnList.jsp?gubun=3GP

5.2.2.1.33 C.S0035**CDMA Card Application Toolkit (CCAT)**

This document contains the requirements for CDMA Card Application Toolkit (CCAT). CCAT is a set of commands and procedures for use during the network operation phase of CDMA. Specifying the interface is to ensure interoperability between an R-UIM and an ME independently of the respective manufacturers and operators. CCAT will allow Service Providers to offer unique services to their subscribers by placing applications they have designed (or third party applications) on the R-UIM that would function on any particular manufacturer's ME that supports the Toolkit features.

SDO (2)	Document No.	Version	Status	Issued date	Location (1)
TIA	TIA-915	1.0	Published	Feb 03	http://www.tiaonline.org/standards/technology/cdma2000/cdma2000table.cfm

Revision 0

ARIB	ARIB STD-T64-C.S0035-0 v1.0	1.0	Approved	Dec 07	http://www.arib.or.jp/IMT-2000/ARIB-STD/ITU-R-7/STD-T64R-7.html
CCSA	CCSA-TSD-MC-C.S0035-0	1.0	Approved	Dec 07	http://www.ccsa.org.cn/english/files.php?docpath=/ITU-R/M.1457
TTA	TTAT.3G-C.S0035-0 v1.0	1.0	Approved	May 04	http://www.tta.or.kr/English/new/external_relations/imt2000_EngStnList.jsp?gubun=3GP

Revision A

ARIB	ARIB STD-T64-C.S0035-A	2.0	Approved	Dec 07	http://www.arib.or.jp/IMT-2000/ARIB-STD/ITU-R-7/STD-T64R-7.html
TIA	TIA-915-A-1	2.0	Published	Aug 07	http://www.tiaonline.org/standards/technology/cdma2000/cdma2000table.cfm
TIA	TIA-915-A	1.0	Published	Apr 06	http://www.tiaonline.org/standards/technology/cdma2000/cdma2000table.cfm
TTA	TTAT.3G-C.S0035-A v2.0	2.0	Approved	Dec 07	http://www.tta.or.kr/English/new/external_relations/imt2000_EngStnList.jsp?gubun=3GP

5.2.2.1.34 C.S0036**Recommended Minimum Performance Specification for C.S0022-0 Spread Spectrum Mobile Stations**

This document details definitions, methods of measurement, and minimum performance characteristics for Position Location Capable Code Division Multiple Access (CDMA) mobile stations.

SDO (2)	Document No.	Version	Status	Issued date	Location (1)
TIA	TIA-916	1.0	Published	Apr 02	http://www.tiaonline.org/standards/technology/cdma2000/cdma2000table.cfm
Revision 0					
ARIB	ARIB STD-T64-C.S0036-0 v1.0	1.0	Approved	Dec 07	http://www.arib.or.jp/IMT-2000/ARIB-STD/ITU-R-7/STD-T64R-7.html
CCSA	CCSA-TSD-MC-C.S0036-0	1.0	Approved	Dec 07	http://www.ccsa.org.cn/english/files.php?docpath=/ITU-R/M.1457
TTA	TTAT.3G-C.S0036-0 v1.0	1.0	Approved	Mar 03	http://www.tta.or.kr/English/new/external_relations/imt2000_EngStnList.jsp?gubun=3GP

5.2.2.1.35 C.S0037**Signalling Conformance Specification for cdma2000 Wireless IP Networks**

This document is designed to facilitate the interoperability testing between mobile stations and infrastructure, as well as provide network specific test cases. Definitions, recommended methods of measurement, and minimum standards are provided.

SDO (2)	Document No.	Version	Status	Issued date	Location (1)
TIA	TIA-918	1.0	Published	May 02	http://www.tiaonline.org/standards/technology/cdma2000/cdma2000table.cfm
Revision 0					
ARIB	ARIB STD-T64-C.S0037 v1.0	1.0	Approved	Dec 07	http://www.arib.or.jp/IMT-2000/ARIB-STD/ITU-R-7/STD-T64R-7.html
CCSA	CCSA-TSD-MC-C.S0037-0	1.0	Approved	Dec 07	http://www.ccsa.org.cn/english/files.php?docpath=/ITU-R/M.1457
TTA	TTAT.3G-C.S0037-0 v1.0	1.0	Approved	Mar 03	http://www.tta.or.kr/English/new/external_relations/imt2000_EngStnList.jsp?gubun=3GP

5.2.2.1.36 C.S0038**Signalling Conformance Specification for High Rate Packet Data Air Interface**

These technical requirements form a document for signalling conformance in cdma2000 high rate packet data systems. These requirements ensure that compliant access terminals and compliant access networks can execute tests in meeting the objectives.

SDO (2)	Document No.	Version	Status	Issued date	Location (1)
TIA	TIA-919	1.0	Published	May 02	http://www.tiaonline.org/standards/technology/cdma2000/cdma2000table.cfm
Revision 0					
ARIB	ARIB STD-T64-C.S0038 v1.0	1.0	Approved	Dec 07	http://www.arib.or.jp/IMT-2000/ARIB-STD/ITU-R-7/STD-T64R-7.html
CCSA	CCSA-TSD-MC-C.S0038-0	1.0	Approved	Dec 07	http://www.ccsa.org.cn/english/files.php?docpath=/ITU-R/M.1457
TTA	TTAT.3G-C.S0038-0 v1.0	1.0	Approved	Mar 03	http://www.tta.or.kr/English/new/external_relations/imt2000_EngStnList.jsp?gubun=3GP

Revision A

ARIB	ARIB STD-T64-C.S0038-A	2.0	Approved	Dec 07	http://www.arib.or.jp/IMT-2000/ARIB-STD/ITU-R-7/STD-T64R-7.html
TIA	TIA-919-A	1.0	Published	Feb 06	http://www.tiaonline.org/standards/technology/cdma2000/cdma2000table.cfm
TIA	TIA-919-A-1	1.0	Published	Sep 07	http://www.tiaonline.org/standards/technology/cdma2000/cdma2000table.cfm
TTA	TTAT.3G-C.S0038-A v2.0	2.0	Approved	Dec 07	http://www.tta.or.kr/English/new/external_relations/imt2000_EngStnList.jsp?gubun=3GP

5.2.2.1.37 C.S0039**Enhanced Subscriber Privacy for cdma2000 High Rate Packet Data**

Enhanced Subscriber Privacy for HRPD is provided by the use of Advance Encryption Algorithm (AES) by encrypting the air interface to protect subscriber traffic and certain signalling messages from unauthorized disclosure.

SDO (2)	Document No.	Version	Status	Issued date	Location (1)
TIA	TIA-925	1.0	Published	Sep 02	http://www.tiaonline.org/standards/technology/cdma2000/cdma2000table.cfm

Revision 0

ARIB	ARIB STD-T64-C.S0039-0 v2.0	2.0	Approved	Dec 07	http://www.arib.or.jp/IMT-2000/ARIB-STD/ITU-R-7/STD-T64R-7.html
CCSA	CCSA-TSD-MC-C.S0039-0	2.0	Approved	Dec 07	http://www.ccsa.org.cn/english/files.php?docpath=/ITU-R/M.1457
TTA	TTAT.3G-C.S0039-0 v2.0	2.0	Approved	Dec 07	http://www.tta.or.kr/English/new/external_relations/imt2000_EngStnList.jsp?gubun=3GP

5.2.2.1.38 C.S0040**IP-Based Over-the-Air Handset Configuration Management (IOTA-HCM)**

These technical requirements form a standard for Over-the-Air Service Provisioning of mobile stations using Internet Protocol (IP).

SDO (2)	Document No.	Version	Status	Issued date	Location (1)
TIA	TIA-1010	1.0	Published	Aug 03	http://www.tiaonline.org/standards/technology/cdma2000/cdma2000table.cfm

Revision 0

ARIB	ARIB STD-T64-C.S0040 v1.0	1.0	Approved	Dec 07	http://www.arib.or.jp/IMT-2000/ARIB-STD/ITU-R-7/STD-T64R-7.html
TTA	TTAT.3G-C.S0040-0 v1.0	1.0	Approved	May 04	http://www.tta.or.kr/English/new/external_relations/imt2000_EngStnList.jsp?gubun=3GP

5.2.2.1.39 C.S0042**Circuit-Switched Video Conferencing Services**

This specification defines the functional characteristics and requirements of the circuit-switched video conferencing services. The service features and system requirements are defined to provide video conferencing services in 3GPP2 wireless telecommunications networks.

SDO (2)	Document No.	Version	Status	Issued date	Location (1)
TIA	TIA-926	1.0	Published	Dec 02	http://www.tiaonline.org/standards/technology/cdma2000/cdma2000table.cfm

Revision 0

ARIB	ARIB STD-T64-C.S0042 v1.0	1.0	Approved	Dec 07	http://www.arib.or.jp/IMT-2000/ARIB-STD/ITU-R-7/STD-T64R-7.html
CCSA	CCSA-TSD-MC-C.S0042-0	1.0	Approved	Dec 07	http://www.ccsa.org.cn/english/files.php?docpath=/ITU-R/M.1457
TTA	TTAT.3G-C.S0042-0 v1.0	1.0	Approved	Mar 03	http://www.tta.or.kr/English/new/external_relations/imt2000_EngStnList.jsp?gubun=3GP

5.2.2.1.40 C.S0043**Signalling Conformance Test Specification for cdma2000 Spread Spectrum Systems**

This specification defines air interface signalling conformance tests for CDMA base stations and mobile stations.

SDO (2)	Document No.	Version	Status	Issued date	Location (1)
TIA	TIA-1035	1.0	Published	Feb 05	http://www.tiaonline.org/standards/technology/cdma2000/cdma2000table.cfm

Revision 0

ARIB	ARIB STD-T64-C.S0043-0 v1.0	1.0	Approved	Dec 07	http://www.arib.or.jp/IMT-2000/ARIB-STD/ITU-R-7/STD-T64R-7.html
CCSA	CCSA-TSD-MC-C.S0043-0	1.0	Approved	Dec 07	http://www.ccsa.org.cn/english/files.php?docpath=/ITU-R/M.1457
TTA	TTAT.3G-C.S0043-0 v1.0	1.0	Approved	Apr 06	http://www.tta.or.kr/English/new/external_relations/imt2000_EngStnList.jsp?gubun=3GP

5.2.2.1.41 C.S0044**Interoperability Specification for cdma2000 Air Interface**

This specification defines air interface interoperability tests for CDMA/HRPD mobile stations/access terminals.

SDO (2)	Document No.	Version	Status	Issued date	Location (1)
TIA	TIA-1036	1.0	Published	Jan 05	http://www.tiaonline.org/standards/technology/cdma2000/cdma2000table.cfm

Revision 0

ARIB	ARIB STD-T64-C.S0044-0 v1.0	1.0	Approved	Dec 07	http://www.arib.or.jp/IMT-2000/ARIB-STD/ITU-R-7/STD-T64R-7.html
TTA	TTAT.3G-C.S0044-0 v1.0	1.0	Approved	Apr 06	http://www.tta.or.kr/English/new/external_relations/imt2000_EngStnList.jsp?gubun=3GP

Revision A

ARIB	ARIB STD-T64-C.S0044-A	1.0	Approved	Dec 07	http://www.arib.or.jp/IMT-2000/ARIB-STD/ITU-R-7/STD-T64R-7.html
TIA	TIA-1036-A	1.0	Published	Aug 07	http://www.tiaonline.org/standards/technology/cdma2000/cdma2000table.cfm
TTA	TTAT.3G-C.S0044-A v1.0	1.0	Approved	Dec 07	http://www.tta.or.kr/English/new/external_relations/imt2000_EngStnList.jsp?gubun=3GP

5.2.2.1.42 C.S0045**Multimedia Messaging Service (MMS) Media Format and Codecs for cdma2000 Spread Spectrum Systems**

This document defines content types, media formats and codecs for the non-real time Multimedia Messaging Service (MMS).

SDO (2)	Document No.	Version	Status	Issued date	Location (1)
Revision 0					
CCSA	CCSA-TSD-MC-C.S0045-0	2.0	Approved	Dec 07	http://www.ccsa.org.cn/english/files.php?docpath=/ITU-R/M.1457
TTA	TTAT.3G-C.S0045-0 v2.0	2.0	Approved	Dec 07	http://www.tta.or.kr/English/new/external_relations/imt2000_EngStnList.jsp?gubun=3GP
Revision A					
CCSA	CCSA-TSD-MC-C.S0045-A	1.0	Approved	Dec 07	http://www.ccsa.org.cn/english/files.php?docpath=/ITU-R/M.1457
TTA	TTAT.3G-C.S0045-A v1.0	1.0	Approved	Dec 07	http://www.tta.or.kr/English/new/external_relations/imt2000_EngStnList.jsp?gubun=3GP

5.2.2.1.43 C.S0046

3G Multimedia Streaming Services

This document defines content types, media formats, codecs, and delivery support for multimedia streaming service (MSS).

SDO (2)	Document No.	Version	Status	Issued date	Location (1)
Revision 0					
CCSA	CCSA-TSD-MC-C.S0046-0	1.0	Approved	Dec 07	http://www.ccsa.org.cn/english/files.php?docpath=/ITU-R/M.1457
TTA	TTAT.3G-C.S0046-0 v1.0	1.0	Approved	Dec 07	http://www.tta.or.kr/English/new/external_relations/imt2000_EngStnList.jsp?gubun=3GP

5.2.2.1.44 C.S0047

Link-Layer Assisted Service Options for Voice-Over-IP: Header Removal (SO60) and Robust Header Compression (SO61)

These technical requirements form a standard for the Link-Layer Assisted (LLA) Service Options. Service Option 60 (SO60) defines a variable rate Voice-over-IP (VoIP) service option for transport of header-removed IP/UDP/RTP packets carrying speech frames. Service Option 61 (SO61) defines a variable rate Voice-over-IP (VoIP) service option for transport of header-compressed IP/UDP/RTP packets carrying speech frames.

SDO (2)	Document No.	Version	Status	Issued date	Location (1)
TIA	TIA-923	1.0	Published	May 03	http://www.tiaonline.org/standards/technology/cdma2000/cdma2000table.cfm
Revision 0					
ARIB	ARIB STD-T64-C.S0047-0 v1.0	1.0	Approved	Dec 07	http://www.arib.or.jp/IMT-2000/ARIB-STD/ITU-R-7/STD-T64R-7.html
CCSA	CCSA-TSD-MC-C.S0047-0	1.0	Approved	Dec 07	http://www.ccsa.org.cn/english/files.php?docpath=/ITU-R/M.1457
TTA	TTAT.3G-C.S0047-0 v1.0	1.0	Approved	May 04	http://www.tta.or.kr/English/new/external_relations/imt2000_EngStnList.jsp?gubun=3GP

5.2.2.1.45 C.S0048

Mobile Equipment (ME) Conformance Testing for cdma2000 Spread Spectrum Standards

The present document provides the Conformance Test Specification for Removable User Identity Module (R-UIM) enabled Mobile Equipment (ME) terminals.

SDO (2)	Document No.	Version	Status	Issued date	Location (1)
TIA	TIA-1013	1.0	Published	Dec 03	http://www.tiaonline.org/standards/technology/cdma2000/cdma2000table.cfm

Revision 0

ARIB	ARIB STD-T64-C.S0048-0 v1.0	1.0	Approved	Dec 07	http://www.arib.or.jp/IMT-2000/ARIB-STD/ITU-R-7/STD-T64R-7.html
TTA	TTAT.3G-C.S0048-0 v1.0	1.0	Approved	May 05	http://www.tta.or.kr/English/new/external_relations/imt2000_EngStnList.jsp?gubun=3GP

5.2.2.1.46 C.S0049**Removable User Identity Module Conformance Testing for Spread Spectrum Systems**

The present document provides the test cases for the Removable User Identity Module (R-UIM) Conformance Test Specification.

SDO (2)	Document No.	Version	Status	Issued date	Location (1)
TIA	TIA-1014-1[E]	2.0	Published	Nov 06	http://www.tiaonline.org/standards/technology/cdma2000/cdma2000table.cfm
TIA	TIA-1014	1.0	Published	Mar 04	http://www.tiaonline.org/standards/technology/cdma2000/cdma2000table.cfm

Revision 0

ARIB	ARIB STD-T64-C.S0049-0 v2.0	2.0	Approved	Dec 07	http://www.arib.or.jp/IMT-2000/ARIB-STD/ITU-R-7/STD-T64R-7.html
TTA	TTAT.3G-C.S0049-0 v2.0	2.0	Approved	Dec 07	http://www.tta.or.kr/English/new/external_relations/imt2000_EngStnList.jsp?gubun=3GP

5.2.2.1.47 C.S0050**3GPP2 File Formats for Multimedia Services**

The purpose of this standard is to define a set of file formats to be used with 3GPP2 multimedia services.

SDO (2)	Document No.	Version	Status	Issued date	Location (1)
TIA	TIA-1015	1.0	Published	Dec 03	http://www.tiaonline.org/standards/technology/cdma2000/cdma2000table.cfm

Revision 0

ARIB	ARIB STD-T64-C.S0050-0 v1.0	1.0	Approved	Dec 07	http://www.arib.or.jp/IMT-2000/ARIB-STD/ITU-R-7/STD-T64R-7.html
TTA	TTAT.3G-C.S0050-0 v1.0	1.0	Approved	May 05	http://www.tta.or.kr/English/new/external_relations/imt2000_EngStnList.jsp?gubun=3GP

Revision A

ARIB	ARIB STD-T64-C.S0050-A	1.0	Approved	Dec 07	http://www.arib.or.jp/IMT-2000/ARIB-STD/ITU-R-7/STD-T64R-7.html
TTA	TTAT.3G-C.S0050-A v1.0	1.0	Approved	Dec 07	http://www.tta.or.kr/English/new/external_relations/imt2000_EngStnList.jsp?gubun=3GP

Revision B

ARIB	ARIB STD-T64-C.S0050-B	1.0	Approved	Dec 07	http://www.arib.or.jp/IMT-2000/ARIB-STD/ITU-R-7/STD-T64R-7.html
TTA	TTAT.3G-C.S0050-B v1.0	1.0	Approved	Dec 07	http://www.tta.or.kr/English/new/external_relations/imt2000_EngStnList.jsp?gubun=3GP

5.2.2.1.48 C.S0051**Recommended Minimum Performance Standards for cdma2000 Repeaters**

This specification details definitions, methods of measurement, and minimum performance requirements for CDMA repeaters.

SDO (2)	Document No.	Version	Status	Issued date	Location (1)
Revision 0					
CCSA	CCSA-TSD-MC-C.S0051-0	1.0	Approved	Dec 07	http://www.ccsa.org.cn/english/files.php?docpath=/ITU-R/M.1457
TTA	TTAT.3G-C.S0051-0 v1.0	1.0	Approved	Dec 07	http://www.tta.or.kr/English/new/external_relations/imt2000_EngStnList.jsp?gubun=3GP

5.2.2.1.49 C.S0052

Source-Controlled Variable-Rate Multimode Wideband Speech Codec (VMR-WB) Service Option 62 for Spread Spectrum

These technical requirements form a standard for Service Option 62, source-controlled variable-rate multimode two-way wideband speech Service Option (VMR-WB).

SDO (2)	Document No.	Version	Status	Issued date	Location (1)
TIA	TIA-1016	1.0	Published	Oct 04	http://www.tiaonline.org/standards/technology/cdma2000/cdma2000table.cfm
Revision 0					
ARIB	ARIB STD-T64-C.S0052-0 v1.0	1.0	Approved	Dec 07	http://www.arib.or.jp/IMT-2000/ARIB-STD/ITU-R-7/STD-T64R-7.html
TTA	TTAT.3G-C.S0052-0 v1.0	1.0	Approved	May 05	http://www.tta.or.kr/English/new/external_relations/imt2000_EngStnList.jsp?gubun=3GP
Revision A					
ARIB	ARIB STD-T64-C.S0052-A	1.0	Approved	Dec 07	http://www.arib.or.jp/IMT-2000/ARIB-STD/ITU-R-7/STD-T64R-7.html
TIA	TIA-1016-A	1.0	Published	Jan 06	http://www.tiaonline.org/standards/technology/cdma2000/cdma2000table.cfm
TTA	TTAT.3G-C.S0052-A v1.0	1.0	Approved	Apr 06	http://www.tta.or.kr/English/new/external_relations/imt2000_EngStnList.jsp?gubun=3GP

5.2.2.1.50 C.S0053

Minimum Performance Specification for the Source-Controlled Variable-Rate Multimode Wideband Speech Codec (VMR-WB), Service Option 62 for Spread Spectrum Systems

This specification details definitions, methods of measurement, verification of bit-exactness, and minimum performance characteristics of C.S0052-0 cdma2000® wideband speech codec (VMR-WB) Service Option 62 for digital cellular wideband spread spectrum mobile stations and base stations.

SDO (2)	Document No.	Version	Status	Issued date	Location (1)
TIA	TIA-1017	1.0	Published	Oct 05	http://www.tiaonline.org/standards/technology/cdma2000/cdma2000table.cfm
Revision 0					
ARIB	ARIB STD-T64-C.S0053-0 v1.0	1.0	Approved	Dec 07	http://www.arib.or.jp/IMT-2000/ARIB-STD/ITU-R-7/STD-T64R-7.html
TTA	TTAT.3G-C.S0053-0 v1.0	1.0	Approved	Apr 06	http://www.tta.or.kr/English/new/external_relations/imt2000_EngStnList.jsp?gubun=3GP
Revision A					
ARIB	ARIB STD-T64-C.S0053-A	1.0	Approved	Dec 07	http://www.arib.or.jp/IMT-2000/ARIB-STD/ITU-R-7/STD-T64R-7.html
TIA	TIA-1017-A	1.0	Published	Oct 05	http://www.tiaonline.org/standards/technology/cdma2000/cdma2000table.cfm
TTA	TTAT.3G-C.S0053-A v1.0	1.0	Approved	Apr 06	http://www.tta.or.kr/English/new/external_relations/imt2000_EngStnList.jsp?gubun=3GP

5.2.2.1.51 C.S0054**cdma2000 High Rate Broadcast-Multicast Packet Data Air Interface Specification**

These technical requirements form the compatibility standard for CDMA2000 broadcast high rate packet data systems.

SDO (2)	Document No.	Version	Status	Issued date	Location (1)
TIA	TIA-1006	1.0	Published	Feb 04	http://www.tiaonline.org/standards/technology/cdma2000/cdma2000table.cfm
TIA	TIA-1006-1[E]	2.0	Published	Nov 05	http://www.tiaonline.org/standards/technology/cdma2000/cdma2000table.cfm
Revision 0					
ARIB	ARIB STD-T64-C.S0054-0 v2.0	2.0	Approved	Dec 07	http://www.arib.or.jp/IMT-2000/ARIB-STD/ITU-R-7/STD-T64R-7.html
TTA	TTAT.3G-C.S0054-0 v2.0	2.0	Approved	Apr 06	http://www.tta.or.kr/English/new/external_relations/imt2000_EngStnList.jsp?gubun=3GP
Revision A					
TTA	TTAT.3G-C.S0054-A v1.0	1.0	Approved	Dec 07	http://www.tta.or.kr/English/new/external_relations/imt2000_EngStnList.jsp?gubun=3GP

5.2.2.1.52 C.S0055**Packet Switched Video Telephony Services (PSVT/MCS)**

This document specifies the end-to-end protocols and procedures for support of Packet Switched Video Telephony (PSVT) Services over cdma2000 networks.

SDO (2)	Document No.	Version	Status	Issued date	Location (1)
TIA	TIA-1042	1.0	Published	Nov 05	http://www.tiaonline.org/standards/technology/cdma2000/cdma2000table.cfm
Revision 0					
ARIB	ARIB STD-T64-C.S0055-0 v1.0	1.0	Approved	Dec 07	http://www.arib.or.jp/IMT-2000/ARIB-STD/ITU-R-7/STD-T64R-7.html
CCSA	CCSA-TSD-MC-C.S0055-0	1.0	Approved	Dec 07	http://www.ccsa.org.cn/english/files.php?docpath=/ITU-R/M.1457
TTA	TTAT.3G-C.S0055-0 v1.0	1.0	Approved	Dec 07	http://www.tta.or.kr/English/new/external_relations/imt2000_EngStnList.jsp?gubun=3GP

5.2.2.1.53 C.S0056**Electro-Acoustic Recommended Minimum Performance Specification for cdma2000 Mobile Stations**

This specification details definitions, methods of measurement, and minimum electro-acoustic performance characteristics for CDMA mobile stations.

SDO (2)	Document No.	Version	Status	Issued date	Location (1)
TIA	TIA-1030	1.0	Published	Mar 04	http://www.tiaonline.org/standards/technology/cdma2000/cdma2000table.cfm
Revision 0					
ARIB	ARIB STD-T64-C.S0056-0 v1.0	1.0	Approved	Dec 07	http://www.arib.or.jp/IMT-2000/ARIB-STD/ITU-R-7/STD-T64R-7.html
CCSA	CCSA-TSD-MC-C.S0056-0	1.0	Approved	Dec 07	http://www.ccsa.org.cn/english/files.php?docpath=/ITU-R/M.1457
TTA	TTAT.3G-C.S0056-0 v1.0	1.0	Approved	Dec 07	http://www.tta.or.kr/English/new/external_relations/imt2000_EngStnList.jsp?gubun=3GP
Revision A					
TIA	TIA-1030-A	1.0	Published	Aug 06	http://www.tiaonline.org/standards/technology/cdma2000/cdma2000table.cfm

Revision B

TIA	TIA-1030-B	1.0	Published	Dec 06	http://www.tiaonline.org/standards/technology/cdma2000/cdma2000table.cfm
-----	------------	-----	-----------	--------	---

5.2.2.1.54 C.S0057**Band Class Specification for cdma2000 Spread Spectrum Systems**

This volume defines the band classes of the CDMA Spreading Rate 1 and Spreading Rate 3 multi-carrier air interface standard.

SDO (2)	Document No.	Version	Status	Issued date	Location (1)
Revision 0					
ARIB	ARIB STD-T64-C.S0057-0 v1.0	1.0	Approved	Dec 07	http://www.arib.or.jp/IMT-2000/ARIB-STD/ITU-R-7/STD-T64R-7.html
TTA	TTAT.3G-C.S0057-0 v1.0	1.0	Approved	May 05	http://www.tta.or.kr/English/new/external_relations/imt2000_EngStnList.jsp?gubun=3GP
Revision A					
ARIB	ARIB STD-T64-C.S0057-A	1.0	Approved	Dec 07	http://www.arib.or.jp/IMT-2000/ARIB-STD/ITU-R-7/STD-T64R-7.html
TTA	TTAT.3G-C.S0057-A v1.0	1.0	Approved	Apr 06	http://www.tta.or.kr/English/new/external_relations/imt2000_EngStnList.jsp?gubun=3GP
Revision B					
ARIB	ARIB STD-T64-C.S0057-B	1.0	Approved	Dec 07	http://www.arib.or.jp/IMT-2000/ARIB-STD/ITU-R-7/STD-T64R-7.html
TTA	TTAT.3G-C.S0057-B v1.0	1.0	Approved	Dec 07	http://www.tta.or.kr/English/new/external_relations/imt2000_EngStnList.jsp?gubun=3GP

5.2.2.1.55 C.S0058**Over the Air Interoperability Specification for cdma2000 Air Interface**

This specification defines air interface interoperability tests for CDMA mobile stations or access terminals.

SDO (2)	Document No.	Version	Status	Issued date	Location (1)
TIA	TIA-1044	1.0	Published	Feb 06	http://www.tiaonline.org/standards/technology/cdma2000/cdma2000table.cfm
Revision 0					
ARIB	ARIB STD-T64-C.S0058-0 v1.0	1.0	Approved	Dec 07	http://www.arib.or.jp/IMT-2000/ARIB-STD/ITU-R-7/STD-T64R-7.html
ARIB	ARIB STD-T64-C.S0060-0 v1.0	1.0	Approved	Dec 07	http://www.arib.or.jp/IMT-2000/ARIB-STD/ITU-R-7/STD-T64R-7.html
CCSA	CCSA-TSD-MC-C.S0058-0	1.0	Approved	Dec 07	http://www.ccsa.org.cn/english/files.php?docpath=/ITU-R/M.1457
TTA	TTAT.3G-C.S0058-0 v1.0	1.0	Approved	Dec 07	http://www.tta.or.kr/English/new/external_relations/imt2000_EngStnList.jsp?gubun=3GP

5.2.2.1.56 C.S0060**Signalling Conformance Test Specification for Over-the-Air Service Provisioning**

This specification defines mobile station and base station compliance tests for over-the-air messaging and protocol requirements in the cdma2000 family of standards.

SDO (2)	Document No.	Version	Status	Issued date	Location (1)
TIA	TIA-1045	1.0	Published	Sep 05	http://www.tiaonline.org/standards/technology/cdma2000/cdma2000table.cfm
Revision 0					
ARIB	ARIB STD-T64-C.S0061-0 v1.0	1.0	Approved	Dec 07	http://www.arib.or.jp/IMT-2000/ARIB-STD/ITU-R-7/STD-T64R-7.html
CCSA	CCSA-TSD-MC-C.S0060-0	1.0	Approved	Dec 07	http://www.ccsa.org.cn/english/files.php?docpath=/ITU-R/M.1457
TTA	TTAT.3G-C.S0060-0 v1.0	1.0	Approved	Dec 07	http://www.tta.or.kr/English/new/external_relations/imt2000_EngStnList.jsp?gubun=3GP

5.2.2.1.57 C.S0061

Signalling Conformance Test Specification for Short Message Service

This specification defines SMS signalling conformance tests for CDMA base stations and mobile stations.

SDO (2)	Document No.	Version	Status	Issued date	Location (1)
TIA	TIA-1054	1.0	Published	May 06	http://www.tiaonline.org/standards/technology/cdma2000/cdma2000table.cfm
Revision 0					
ARIB	ARIB STD-T64-C.S0063-0 v2.0	2.0	Approved	Dec 07	http://www.arib.or.jp/IMT-2000/ARIB-STD/ITU-R-7/STD-T64R-7.html
TTA	TTAT.3G-C.S0061-0 v1.0	1.0	Approved	Apr 06	http://www.tta.or.kr/English/new/external_relations/imt2000_EngStnList.jsp?gubun=3GP
TTC	TS-3GB-A.S0011-0v2.0	2.0	Published	Aug 02	http://www.ttc.or.jp/imt/ts/tsas0011-0v2.0.pdf
Revision A					
ARIB	ARIB STD-T64-C.S0063-A	2.0	Approved	Dec 07	http://www.arib.or.jp/IMT-2000/ARIB-STD/ITU-R-7/STD-T64R-7.html
TIA	TIA-1054-A-1[E]	2.0	Published	Aug 07	http://www.tiaonline.org/standards/technology/cdma2000/cdma2000table.cfm
TIA	TIA-1054-A	1.0	Published	Sep 07	http://www.tiaonline.org/standards/technology/cdma2000/cdma2000table.cfm
TTC	TS-3GB-A.S0011-Av2.0	2.0.1	Published	Nov 03	http://www.ttc.or.jp/imt/ts/tsas0011-Av2.0.pdf
Revision B					
TIA	TIA/EIA/IS-2001.1-B	2.0	Published	May 02	http://www.tiaonline.org/standards/technology/cdma2000/cdma2000table.cfm
TTC	TS-3GB-A.S0011-Bv1.0	1.0	Published	Sep 04	http://www.ttc.or.jp/imt/ts/tsas0011-Bv1.0.pdf
Revision C					
TIA	TIA-2001-C-1	1.0	Published	Oct 03	http://www.tiaonline.org/standards/technology/cdma2000/cdma2000table.cfm
TIA	TIA-2001-C	2.0.1	Published	Sep 03	http://www.tiaonline.org/standards/technology/cdma2000/cdma2000table.cfm
TTC	TS-3GB-A.S0011-Cv2.0	2.0	Published	Mar 06	http://www.ttc.or.jp/imt/ts/tsas0011-Cv2.0.pdf
Revision D					
TIA	TIA-2001-D	1.0	Published	Jul 07	http://www.tiaonline.org/standards/technology/cdma2000/cdma2000table.cfm
TTC	TS-3GB-A.S0011-Dv1.0	1.0	Published	Sep 07	http://www.ttc.or.jp/imt/ts/tsas0011-Dv1.0.pdf

5.2.2.1.58 C.S0063

cdma2000 High Rate Packet Data Supplemental Services

These technical requirements form a compatibility standard for supplemental services on cdma2000 high rate packet data systems.

SDO (2)	Document No.	Version	Status	Issued date	Location (1)
Revision 0					
ARIB	ARIB STD-T64-C.S0064-0 v1.0	1.0	Approved	Dec 07	http://www.arib.or.jp/IMT-2000/ARIB-STD/ITU-R-7/STD-T64R-7.html
TTA	TTAT.3G-C.S0063-0 v2.0	2.0	Approved	Dec 07	http://www.tta.or.kr/English/new/external_relations/imt2000_EngStnList.jsp?gubun=3GP
TTC	TS-3GB-A.S0012-0v2.0	2.0	Published	Aug 02	http://www.ttc.or.jp/imt/ts/tsas0012-0v2.0.pdf
Revision A					
TTA	TTAT.3G-C.S0057-A v2.0	2.0	Approved	Dec 07	http://www.tta.or.kr/English/new/external_relations/imt2000_EngStnList.jsp?gubun=3GP
TTC	TS-3GB-A.S0012-Av2.0	2.0	Published	Nov 03	http://www.ttc.or.jp/imt/ts/tsas0012-Av2.0.pdf
Revision B					
TIA	TIA/EIA/IS-2001.2-B	2.0	Published	May 02	http://www.tiaonline.org/standards/technology/cdma2000/cdma2000table.cfm
TTC	TS-3GB-A.S0012-Bv1.0	1.0	Published	Sep 04	http://www.ttc.or.jp/imt/ts/tsas0012-Bv1.0.pdf
Revision C					
TIA	TIA-2001-C-1	1.0	Published	Oct 03	http://www.tiaonline.org/standards/technology/cdma2000/cdma2000table.cfm
TIA	TIA-2001-C	2.0.1	Published	Sep 03	http://www.tiaonline.org/standards/technology/cdma2000/cdma2000table.cfm
TTC	TS-3GB-A.S0012-Cv2.0	2.0	Published	Mar 06	http://www.ttc.or.jp/imt/ts/tsas0012-Cv2.0.pdf
Revision D					
TIA	TIA-2001-D	1.0	Published	Jul 07	http://www.tiaonline.org/standards/technology/cdma2000/cdma2000table.cfm
TTC	TS-3GB-A.S0012-Dv1.0	1.0	Published	Sep 07	http://www.ttc.or.jp/imt/ts/tsas0012-Dv1.0.pdf

5.2.2.1.59 C.S0064

IP Based Over-the-Air Device Management (IOTA-DM) for cdma2000 Systems

This specification describes IP based Over-the-Air device management of mobile stations compliant with cdma2000 standards.

SDO (2)	Document No.	Version	Status	Issued date	Location (1)
Revision 0					
ARIB	ARIB STD-T64-C.S0065-0 v1.0	1.0	Approved	Dec 07	http://www.arib.or.jp/IMT-2000/ARIB-STD/ITU-R-7/STD-T64R-7.html
CCSA	CCSA-TSD-MC-C.S0064-0	1.0	Approved	Dec 07	http://www.ccsa.org.cn/english/files.php?docpath=/ITU-R/M.1457
TTA	TTAT.3G-C.S0064-0 v1.0	1.0	Approved	Dec 07	http://www.tta.or.kr/English/new/external_relations/imt2000_EngStnList.jsp?gubun=3GP
TTC	TS-3GB-A.S0013-0v2.0	2.0	Published	Aug 02	http://www.ttc.or.jp/imt/ts/tsas0013-0v2.0.pdf
Revision A					
TTC	TS-3GB-A.S0013-Av2.0	2.0	Published	Nov 03	http://www.ttc.or.jp/imt/ts/tsas0013-Av2.0.pdf
Revision B					
TIA	TIA/EIA/IS-2001.3-B	2.0	Published	May 02	http://www.tiaonline.org/standards/technology/cdma2000/cdma2000table.cfm
TTC	TS-3GB-A.S0013-Bv1.0	1.0	Published	Sep 04	http://www.ttc.or.jp/imt/ts/tsas0013-Bv1.0.pdf

Revision C

TIA	TIA-2001-C	2.0.1	Published	Sep 03	http://www.tiaonline.org/standards/technology/cdma2000/cdma2000table.cfm
TIA	TIA-2001-C-1	1.0	Published	Oct 03	http://www.tiaonline.org/standards/technology/cdma2000/cdma2000table.cfm
TTC	TS-3GB-A.S0013-Cv2.0	2.0	Published	Mar 06	http://www.ttc.or.jp/imt/ts/tsas0013-Cv2.0.pdf

Revision D

TTC	TS-3GB-A.S0013-Dv1.0	1.0	Published	Sep 07	http://www.ttc.or.jp/imt/ts/tsas0013-Dv1.0.pdf
-----	----------------------	-----	-----------	--------	---

5.2.2.1.60 C.S0065**cdma2000 Application on UICC for Spread Spectrum Systems**

This specification defines the cdma2000 subscriber identify module (CSIM) application.

SDO (2)	Document No.	Version	Status	Issued date	Location (1)
TIA	TIA-158	1.0	Published	Jan 05	http://www.tiaonline.org/standards/technology/cdma2000/cdma2000table.cfm
Revision 0					
ARIB	ARIB STD-T64-C.S0066-0 v1.0	1.0	Approved	Dec 07	http://www.arib.or.jp/IMT-2000/ARIB-STD/ITU-R-7/STD-T64R-7.html
ARIB	ARIB STD-T64-C.S0067-0 v1.0	1.0	Approved	Dec 07	http://www.arib.or.jp/IMT-2000/ARIB-STD/ITU-R-7/STD-T64R-7.html
CCSA	CCSA-TSD-MC-C.S0065-0	1.0	Approved	Dec 07	http://www.ccsa.org.cn/english/files.php?docpath=/ITU-R/M.1457
TTA	TTAT.3G-C.S0065-0 v1.0	1.0	Approved	Dec 07	http://www.tta.or.kr/English/new/external_relations/imt2000_EngStnList.jsp?gubun=3GP
TTC	TS-3GB-A.S0014-0v2.0	2.0	Published	Aug 02	http://www.ttc.or.jp/imt/ts/tsas0014-0v2.0.pdf
Revision A					
TTC	TS-3GB-A.S0014-Av2.0	2.0	Published	Nov 03	http://www.ttc.or.jp/imt/ts/tsas0014-Av2.0.pdf
Revision B					
TIA	TIA/EIA/IS-2001.4-B	2.0	Published	May 02	http://www.tiaonline.org/standards/technology/cdma2000/cdma2000table.cfm
TTC	TS-3GB-A.S0014-Bv1.0	1.0	Published	Sep 04	http://www.ttc.or.jp/imt/ts/tsas0014-Bv1.0.pdf
Revision C					
TIA	TIA-2001-C	2.0.1	Published	Sep 03	http://www.tiaonline.org/standards/technology/cdma2000/cdma2000table.cfm
TIA	TIA-2001-C-1	1.0	Published	Oct 03	http://www.tiaonline.org/standards/technology/cdma2000/cdma2000table.cfm
TTC	TS-3GB-A.S0014-Cv2.0	2.0	Published	Mar 06	http://www.ttc.or.jp/imt/ts/tsas0014-Cv2.0.pdf
Revision D					
TIA	TIA-2001-D	1.0	Published	Jul 07	http://www.tiaonline.org/standards/technology/cdma2000/cdma2000table.cfm
TTC	TS-3GB-A.S0014-Dv1.0	1.0	Published	Sep 07	http://www.ttc.or.jp/imt/ts/tsas0014-Dv1.0.pdf

5.2.2.1.61 C.S0066**Over-the-Air Service Provisioning for MEID-Equipped Mobile Stations in Spread Spectrum Systems**

This specification presents recommendations for supporting a mobile station equipped with a Mobile Equipment Identifier (MEID).

SDO (2)	Document No.	Version	Status	Issued date	Location (1)
Revision 0					
TTA	TTAT.3G-C.S0066-0 v1.0	1.0	Approved	Apr 06	http://www.tta.or.kr/English/new/external_relations/imt2000_EngStnList.jsp?gubun=3GP
TTC	TS-3GB-A.S0015-0v2.0	2.0	Published	Aug 02	http://www.ttc.or.jp/imt/ts/tsas0015-0v2.0.pdf
Revision A					
TTC	TS-3GB-A.S0015-Av2.0	2.0	Published	Nov 03	http://www.ttc.or.jp/imt/ts/tsas0015-Av2.0.pdf
Revision B					
TIA	TIA/EIA/IS-2001.5-B	2.0	Published	May 02	http://www.tiaonline.org/standards/technology/cdma2000/cdma2000table.cfm
TTC	TS-3GB-A.S0015-Bv1.0	1.0	Published	Sep 04	http://www.ttc.or.jp/imt/ts/tsas0015-Bv1.0.pdf
Revision C					
TIA	TIA-2001-C	2.0.1	Published	Jul 03	http://www.tiaonline.org/standards/technology/cdma2000/cdma2000table.cfm
TIA	TIA-2001-C-1	1.0	Published	Oct 03	http://www.tiaonline.org/standards/technology/cdma2000/cdma2000table.cfm
TTC	TS-3GB-A.S0015-Cv2.0	2.0	Published	Mar 06	http://www.ttc.or.jp/imt/ts/tsas0015-Cv2.0.pdf
Revision D					
TIA	TIA-2001-D	1.0	Published	Jul 07	http://www.tiaonline.org/standards/technology/cdma2000/cdma2000table.cfm
TTC	TS-3GB-A.S0015-Dv1.0	1.0	Published	Sep 07	http://www.ttc.or.jp/imt/ts/tsas0015-Dv1.0.pdf

5.2.2.1.62 C.S0067

Generic Key Exchange Protocol for cdma2000 High Rate Packet Data Air Interface

This specification defines the generic key exchange protocol for the cdma2000 high rate packet data air interface.

SDO (2)	Document No.	Version	Status	Issued date	Location (1)
TIA	TIA-1009	1.0	Published	Oct 06	http://www.tiaonline.org/standards/technology/cdma2000/cdma2000table.cfm
Revision 0					
ARIB	ARIB STD-T64-C.S0068-0 v1.0	1.0	Approved	Dec 07	http://www.arib.or.jp/IMT-2000/ARIB-STD/ITU-R-7/STD-T64R-7.html
ARIB	ARIB STD-T64-C.S0069-0 v1.0	1.0	Approved	Dec 07	http://www.arib.or.jp/IMT-2000/ARIB-STD/ITU-R-7/STD-T64R-7.html
CCSA	CCSA-TSD-MC-C.S0067-0	1.0	Approved	Dec 07	http://www.ccsa.org.cn/english/files.php?docpath=/ITU-R/M.1457
TTA	TTAT.3G-C.S0067-0 v1.0	1.0	Approved	Dec 07	http://www.tta.or.kr/English/new/external_relations/imt2000_EngStnList.jsp?gubun=3GP
TTC	TS-3GB-A.S0016-0v2.0	2.0	Published	Aug 02	http://www.ttc.or.jp/imt/ts/tsas0016-0v2.0.pdf
Revision A					
TTC	TS-3GB-A.S0016-Av2.0	2.0	Published	Nov 03	http://www.ttc.or.jp/imt/ts/tsas0016-Av2.0.pdf
Revision B					
TIA	TIA/EIA/IS-2001.6-B	2.0	Published	May 02	http://www.tiaonline.org/standards/technology/cdma2000/cdma2000table.cfm
TTC	TS-3GB-A.S0016-Bv1.0	1.0	Published	Sep 04	http://www.ttc.or.jp/imt/ts/tsas0016-Bv1.0.pdf

Revision C

TIA	TIA-2001-C	2.0.1	Published	Jul 03	http://www.tiaonline.org/standards/technology/cdma2000/cdma2000table.cfm
TIA	TIA-2001-C-1	1.0	Published	Oct 03	http://www.tiaonline.org/standards/technology/cdma2000/cdma2000table.cfm
TTC	TS-3GB-A.S0016-Cv2.0	2.0	Published	Mar 06	http://www.ttc.or.jp/imt/ts/tsas0016-Cv2.0.pdf

Revision D

TIA	TIA-2001-D	1.0	Published	Jul 07	http://www.tiaonline.org/standards/technology/cdma2000/cdma2000table.cfm
TTC	TS-3GB-A.S0016-Dv1.0	1.0	Published	Sep 07	http://www.ttc.or.jp/imt/ts/tsas0016-Dv1.0.pdf

5.2.2.1.63 C.S0068**ME Personalization for cdma2000 Spread Spectrum Systems**

This specification defines the mobile equipment personalization feature.

SDO (2)	Document No.	Version	Status	Issued date	Location (1)
Revision 0					
CCSA	CCSA-TSD-MC-C.S0068-0	1.0	Approved	Dec 07	http://www.ccsa.org.cn/english/files.php?docpath=/ITU-R/M.1457
TTA	TTAT.3G-C.S0068-0 v1.0	1.0	Approved	Dec 07	http://www.tta.or.kr/English/new/external_relations/imt2000_EngStnList.jsp?gubun=3GP
TTC	TS-3GB-A.S0017-0v2.0	2.0	Published	Aug 02	http://www.ttc.or.jp/imt/ts/tsas0017-0v2.0.pdf
Revision A					
TTC	TS-3GB-A.S0017-Av2.0	2.0	Published	Nov 03	http://www.ttc.or.jp/imt/ts/tsas0017-Av2.0.pdf
Revision B					
TIA	TIA/EIA/IS-2001.7-B	2.0	Published	May 02	http://www.tiaonline.org/standards/technology/cdma2000/cdma2000table.cfm
TTC	TS-3GB-A.S0017-Bv1.0	1.0	Published	Sep 04	http://www.ttc.or.jp/imt/ts/tsas0017-Bv1.0.pdf
Revision C					
TIA	TIA-2001-C-1	1.0	Published	Oct 03	http://www.tiaonline.org/standards/technology/cdma2000/cdma2000table.cfm
TIA	TIA-2001-C	2.0.1	Published	Jul 03	http://www.tiaonline.org/standards/technology/cdma2000/cdma2000table.cfm
TTC	TS-3GB-A.S0017-Cv2.0	2.0	Published	Mar 06	http://www.ttc.or.jp/imt/ts/tsas0017-Cv2.0.pdf
Revision D					
TTC	TS-3GB-A.S0017-Dv1.0	1.0	Published	Sep 07	http://www.ttc.or.jp/imt/ts/tsas0017-Dv1.0.pdf

5.2.2.1.64 C.S0069**ISIM Application on UICC for cdma2000 Spread Spectrum Systems**

This specification defines the IP multimedia services identity module (ISIM) application.

SDO (2)	Document No.	Version	Status	Issued date	Location (1)
TIA	TIA-1082	1.0	Published	Sep 05	http://www.tiaonline.org/standards/technology/cdma2000/cdma2000table.cfm

Revision 0

ARIB	ARIB STD-T64-C.S0072-0 v1.0	1.0	Approved	Dec 07	http://www.arib.or.jp/IMT-2000/ARIB-STD/ITU-R-7/STD-T64R-7.html
CCSA	CCSA-TSD-MC-C.S0069-0	1.0	Approved	Dec 07	http://www.ccsa.org.cn/english/files.php?docpath=/ITU-R/M.1457
TTA	TTAT.3G-C.S0069-0 v1.0	1.0	Approved	Dec 07	http://www.tta.or.kr/English/new/external_relations/imt2000_EngStnList.jsp?gubun=3GP

5.2.2.1.65 C.S0072**Mobile Station Equipment Identifier (MEID) Support for cdma2000 Spread Spectrum Systems**

This specification defines the air interface requirements for implementing MEID and enhanced private long code mask (PLCM) features in Revision 0 through Revision C mobile stations and base stations.

SDO (2)	Document No.	Version	Status	Issued date	Location (1)
---------	--------------	---------	--------	-------------	--------------

Revision 0

ARIB	ARIB STD-T64-C.S0073-0 v1.0	1.0	Approved	Dec 07	http://www.arib.or.jp/IMT-2000/ARIB-STD/ITU-R-7/STD-T64R-7.html
CCSA	CCSA-TSD-MC-C.S0072-0	1.0	Approved	Dec 07	http://www.ccsa.org.cn/english/files.php?docpath=/ITU-R/M.1457
TTA	TTAT.3G-C.S0072-0 v1.0	1.0	Approved	Dec 07	http://www.tta.or.kr/English/new/external_relations/imt2000_EngStnList.jsp?gubun=3GP

5.2.2.1.66 C.S0073**Signalling Test Specification for Mobile Station Equipment Identifier (MEID) Support for cdma2000 Spread Spectrum Systems**

This specification defines air interface signalling conformance and interoperability tests for CDMA base stations and mobile stations implementing MEID.

SDO (2)	Document No.	Version	Status	Issued date	Location (1)
---------	--------------	---------	--------	-------------	--------------

Revision 0

ARIB	ARIB STD-T64-C.S0074-0 v1.0	1.0	Approved	Dec 07	http://www.arib.or.jp/IMT-2000/ARIB-STD/ITU-R-7/STD-T64R-7.html
CCSA	CCSA-TSD-MC-C.S0073-0	1.0	Approved	Dec 07	http://www.ccsa.org.cn/english/files.php?docpath=/ITU-R/M.1457
TTA	TTAT.3G-C.S0073-0 v1.0	1.0	Approved	Dec 07	http://www.tta.or.kr/English/new/external_relations/imt2000_EngStnList.jsp?gubun=3GP

5.2.2.1.67 C.S0074**UICC-Terminal interface Physical and Logical characteristics for cdma2000 Spread Spectrum Systems**

This specification specifies the interface between the UICC and the Terminal for cdma2000 network operation.

SDO (2)	Document No.	Version	Status	Issued date	Location (1)
---------	--------------	---------	--------	-------------	--------------

TIA	TIA-1094	1.0	Published	Sep 07	http://www.tiaonline.org/standards/technology/cdma2000/cdma2000table.cfm
-----	----------	-----	-----------	--------	---

Revision 0

ARIB	ARIB STD-T64-C.S0075-0 v1.0	1.0	Approved	Dec 07	http://www.arib.or.jp/IMT-2000/ARIB-STD/ITU-R-7/STD-T64R-7.html
CCSA	CCSA-TSD-MC-C.S0074-0	1.0	Approved	Dec 07	http://www.ccsa.org.cn/english/files.php?docpath=/ITU-R/M.1457
TTA	TTAT.3G-C.S0074-0 v1.0	1.0	Approved	Dec 07	http://www.tta.or.kr/English/new/external_relations/imt2000_EngStnList.jsp?gubun=3GP

5.2.2.1.68 C.S0075**Interworking Specification for cdma2000 1x and High Rate Packet Data Systems**

This specification contains the air interface requirements for facilitating interworking between cdma2000 HRPD and 1x systems.

SDO (2)	Document No.	Version	Status	Issued date	Location (1)
TIA	TIA-1095	1.0	Published	Apr 06	http://www.tiaonline.org/standards/technology/cdma2000/cdma2000table.cfm
Revision 0					
ARIB	ARIB STD-T64-C.S0076-0 v1.0	1.0	Approved	Dec 07	http://www.arib.or.jp/IMT-2000/ARIB-STD/ITU-R-7/STD-T64R-7.html
CCSA	CCSA-TSD-MC-C.S0075-0	1.0	Approved	Dec 07	http://www.ccsa.org.cn/english/files.php?docpath=/ITU-R/M.1457
TTA	TTAT.3G-C.S0075-0 v1.0	1.0	Approved	Dec 07	http://www.tta.or.kr/English/new/external_relations/imt2000_EngStnList.jsp?gubun=3GP

5.2.2.1.69 C.S0076**Discontinuous Transmission (DTX) of Speech in cdma2000 Systems**

This specification provides requirements for source controlled variable rate vocoders to implement DTX.

SDO (2)	Document No.	Version	Status	Issued date	Location (1)
TIA	TIA-1101	1.0	Published	Aug 06	http://www.tiaonline.org/standards/technology/cdma2000/cdma2000table.cfm
Revision 0					
ARIB	ARIB STD-T64-C.S0077-0 v1.0	1.0	Approved	Dec 07	http://www.arib.or.jp/IMT-2000/ARIB-STD/ITU-R-7/STD-T64R-7.html
CCSA	CCSA-TSD-MC-C.S0076-0	1.0	Approved	Dec 07	http://www.ccsa.org.cn/english/files.php?docpath=/ITU-R/M.1457
TTA	TTAT.3G-C.S0076-0 v1.0	1.0	Approved	Dec 07	http://www.tta.or.kr/English/new/external_relations/imt2000_EngStnList.jsp?gubun=3GP

5.2.2.1.70 C.S0077**Broadcast Multicast Service for cdma2000 1x Systems**

This specification defines requirements for support of the Broadcast/Multicast Service (BCMCS) capability on cdma2000 1x spread spectrum systems.

SDO (2)	Document No.	Version	Status	Issued date	Location (1)
TIA	TIA-1106	1.0	Published	May 07	http://www.tiaonline.org/standards/technology/cdma2000/cdma2000table.cfm
Revision 0					
ARIB	ARIB STD-T64-C.S0078-0 v1.0	1.0	Approved	Dec 07	http://www.arib.or.jp/IMT-2000/ARIB-STD/ITU-R-7/STD-T64R-7.html
CCSA	CCSA-TSD-MC-C.S0077-0	1.0	Approved	Dec 07	http://www.ccsa.org.cn/english/files.php?docpath=/ITU-R/M.1457
TTA	TTAT.3G-C.S0077-0 v1.0	1.0	Approved	Dec 07	http://www.tta.or.kr/English/new/external_relations/imt2000_EngStnList.jsp?gubun=3GP

5.2.2.1.71 C.S0078**Secured Packet Structure for CDMA Card Application Toolkit (CCAT) Applications**

This specification specifies the bearer specific part of secured packets structure.

SDO (2)	Document No.	Version	Status	Issued date	Location (1)
Revision 0					
ARIB	ARIB STD-T64-C.S0079-0 v1.0	1.0	Approved	Dec 07	http://www.arib.or.jp/IMT-2000/ARIB-STD/ITU-R-7/STD-T64R-7.html
CCSA	CCSA-TSD-MC-C.S0078-0	1.0	Approved	Dec 07	http://www.ccsa.org.cn/english/files.php?docpath=/ITU-R/M.1457
TTA	TTAT.3G-C.S0078-0 v1.0	1.0	Approved	Dec 07	http://www.tta.or.kr/English/new/external_relations/imt2000_EngStnList.jsp?gubun=3GP

5.2.2.1.72 C.S0079

Remote APDU Structure for CDMA Card Application Toolkit (CCAT) Applications

This specification specifies the bearer specific part of Remote APDU (Application Protocol Data Unit) structure.

SDO (2)	Document No.	Version	Status	Issued date	Location (1)
TIA	TIA-1110	1.0	Published	Sep 07	http://www.tiaonline.org/standards/technology/cdma2000/cdma2000table.cfm
Revision 0					
ARIB	ARIB STD-T64-C.S0082-0 v1.0	1.0	Approved	Dec 07	http://www.arib.or.jp/IMT-2000/ARIB-STD/ITU-R-7/STD-T64R-7.html
CCSA	CCSA-TSD-MC-C.S0079-0	1.0	Approved	Dec 07	http://www.ccsa.org.cn/english/files.php?docpath=/ITU-R/M.1457
TTA	TTAT.3G-C.S0079-0 v1.0	1.0	Approved	Dec 07	http://www.tta.or.kr/English/new/external_relations/imt2000_EngStnList.jsp?gubun=3GP

5.2.2.1.73 C.S0082

Circuit Services Notification Application Specification for cdma2000 High Rate Packet Data

These technical requirements form a compatibility standard for 3G1X Circuit Services Notification services on cdma2000 high rate packet data systems.

SDO (2)	Document No.	Version	Status	Issued date	Location (1)
TIA	TIA-1121.000	2.0	Published	Dec 07	http://www.tiaonline.org/standards/technology/cdma2000/cdma2000table.cfm
Revision 0					
CCSA	CCSA-TSD-MC-C.S0082-0	1.0	Approved	Dec 07	http://www.ccsa.org.cn/english/files.php?docpath=/ITU-R/M.1457
TTA	TTAT.3G-C.S0082-0 v1.0	1.0	Approved	Dec 07	http://www.tta.or.kr/English/new/external_relations/imt2000_EngStnList.jsp?gubun=3GP

5.2.2.1.74 C.S0084-000

Overview for Ultra Mobile Broadband (UMB) Air Interface Specification

This volume provides an overview of the UMB air interface standard.

SDO (2)	Document No.	Version	Status	Issued date	Location (1)
CCSA	CCSA-TSD-MC-C.S0084-000	1.0	Approved	Dec 07	http://www.ccsa.org.cn/english/files.php?docpath=/ITU-R/M.1457
TIA	TIA-1121.001	2.0	Published	Dec 07	http://www.tiaonline.org/standards/technology/cdma2000/cdma2000table.cfm
Revision 0					
TTA	TTAT.3G-C.S0084-000 v2.0	2.0	Approved	Dec 07	http://www.tta.or.kr/English/new/external_relations/imt2000_EngStnList.jsp?gubun=3GP

5.2.2.1.75 C.S0084-001**Physical Layer for Ultra Mobile Broadband (UMB) Air Interface Specification**

This volume defines the physical layer of the UMB air interface standard.

SDO (2)	Document No.	Version	Status	Issued date	Location (1)
CCSA	CCSA-TSD-MC-C.S0084-001	1.0	Approved	Dec 07	http://www.ccsa.org.cn/english/files.php?docpath=/ITU-R/M.1457
TIA	TIA-1121.002	2.0	Published	Dec 07	http://www.tiaonline.org/standards/technology/cdma2000/cdma2000table.cfm
Revision 0					
TTA	TTAT.3G-C.S0084-001 v2.0	2.0	Approved	Dec 07	http://www.tta.or.kr/English/new/external_relations/imt2000_EngStnList.jsp?gubun=3GP

5.2.2.1.76 C.S0084-002**MAC Layer for Ultra Mobile Broadband (UMB) Air Interface Specification**

This volume defines the medium access control layer of the UMB air interface standard.

SDO (2)	Document No.	Version	Status	Issued date	Location (1)
CCSA	CCSA-TSD-MC-C.S0084-002	1.0	Approved	Dec 07	http://www.ccsa.org.cn/english/files.php?docpath=/ITU-R/M.1457
TIA	TIA-1121.003	2.0	Published	Dec 07	http://www.tiaonline.org/standards/technology/cdma2000/cdma2000table.cfm
Revision 0					
TTA	TTAT.3G-C.S0084-002 v2.0	2.0	Approved	Dec 07	http://www.tta.or.kr/English/new/external_relations/imt2000_EngStnList.jsp?gubun=3GP

5.2.2.1.77 C.S0084-003**Radio Link Layer for Ultra Mobile Broadband (UMB) Air Interface Specification**

This volume defines the radio link layer of the UMB air interface standard.

SDO (2)	Document No.	Version	Status	Issued date	Location (1)
CCSA	CCSA-TSD-MC-C.S0084-003	1.0	Approved	Dec 07	http://www.ccsa.org.cn/english/files.php?docpath=/ITU-R/M.1457
TIA	TIA-1121.004	2.0	Published	Dec 07	http://www.tiaonline.org/standards/technology/cdma2000/cdma2000table.cfm
Revision 0					
TTA	TTAT.3G-C.S0084-003 v2.0	2.0	Approved	Dec 07	http://www.tta.or.kr/English/new/external_relations/imt2000_EngStnList.jsp?gubun=3GP

5.2.2.1.78 C.S0084-004**Application Layer for Ultra Mobile Broadband (UMB) Air Interface Specification**

This volume defines the application layer of the UMB air interface standard.

SDO (2)	Document No.	Version	Status	Issued date	Location (1)
CCSA	CCSA-TSD-MC-C.S0084-004	1.0	Approved	Dec 07	http://www.ccsa.org.cn/english/files.php?docpath=/ITU-R/M.1457
TIA	TIA-1121.005	2.0	Published	Dec 07	http://www.tiaonline.org/standards/technology/cdma2000/cdma2000table.cfm
Revision 0					
TTA	TTAT.3G-C.S0084-004 v2.0	2.0	Approved	Dec 07	http://www.tta.or.kr/English/new/external_relations/imt2000_EngStnList.jsp?gubun=3GP

5.2.2.1.79 C.S0084-005**Security Functions for Ultra Mobile Broadband (UMB) Air Interface Specification**

This volume defines the security functions of the UMB air interface standard.

SDO (2)	Document No.	Version	Status	Issued date	Location (1)
CCSA	CCSA-TSD-MC-C.S0084-005	1.0	Approved	Dec 07	http://www.ccsa.org.cn/english/files.php?docpath=/ITU-R/M.1457
TIA	TIA-1121.006	2.0	Published	Dec 07	http://www.tiaonline.org/standards/technology/cdma2000/cdma2000table.cfm

Revision 0

TTA	TTAT.3G-C.S0084-005 v2.0	2.0	Approved	Dec 07	http://www.tta.or.kr/English/new/external_relations/imt2000_EngStnList.jsp?gubun=3GP
-----	--------------------------	-----	----------	--------	---

5.2.2.1.80 C.S0084-006**Connection Control Plane for Ultra Mobile Broadband (UMB) Air Interface Specification**

This volume defines the connection control plane of the UMB air interface standard.

SDO (2)	Document No.	Version	Status	Issued date	Location (1)
TIA	TIA-1121.007	2.0	Published	Dec 07	http://www.tiaonline.org/standards/technology/cdma2000/cdma2000table.cfm

Revision 0

TTA	TTAT.3G-C.S0084-006 v2.0	2.0	Approved	Dec 07	http://www.tta.or.kr/English/new/external_relations/imt2000_EngStnList.jsp?gubun=3GP
-----	--------------------------	-----	----------	--------	---

5.2.2.1.81 C.S0084-007**Session Control Plane for Ultra Mobile Broadband (UMB) Air Interface Specification**

This volume defines the session control plane of the UMB air interface standard.

SDO (2)	Document No.	Version	Status	Issued date	Location (1)
CCSA	CCSA-TSD-MC-C.S0084-007	1.0	Approved	Dec 07	http://www.ccsa.org.cn/english/files.php?docpath=/ITU-R/M.1457
TIA	TIA-1121.008	2.0	Published	Dec 07	http://www.tiaonline.org/standards/technology/cdma2000/cdma2000table.cfm

Revision 0

TTA	TTAT.3G-C.S0084-007 v2.0	2.0	Approved	Dec 07	http://www.tta.or.kr/English/new/external_relations/imt2000_EngStnList.jsp?gubun=3GP
-----	--------------------------	-----	----------	--------	---

5.2.2.1.82 C.S0084-008**Route Control Plane for Ultra Mobile Broadband (UMB) Air Interface Specification**

This volume defines the route control plane of the UMB air interface standard.

SDO (2)	Document No.	Version	Status	Issued date	Location (1)
CCSA	CCSA-TSD-MC-C.S0084-008	1.0	Approved	Dec 07	http://www.ccsa.org.cn/english/files.php?docpath=/ITU-R/M.1457
TIA	TIA-1121.009	2.0	Published	Dec 07	http://www.tiaonline.org/standards/technology/cdma2000/cdma2000table.cfm

Revision 0

TTA	TTAT.3G-C.S0084-008 v2.0	2.0	Approved	Dec 07	http://www.tta.or.kr/English/new/external_relations/imt2000_EngStnList.jsp?gubun=3GP
-----	--------------------------	-----	----------	--------	---

5.2.2.1.83 C.S0084-009**Broadcast-Multicast Upper Layers for Ultra Mobile Broadband (UMB) Air Interface Specification**

This volume defines the broadcast multicast upper layers of the UMB air interface standard.

SDO (2)	Document No.	Version	Status	Issued date	Location (1)
CCSA	CCSA-TSD-MC-C.S0084-009	1.0	Approved	Dec 07	http://www.ccsa.org.cn/english/files.php?docpath=/ITU-R/M.1457
Revision 0					
TTA	TTAT.3G-C.S0084-009 v2.0	2.0	Approved	Dec 07	http://www.tta.or.kr/English/new/external_relations/imt2000_EngStnList.jsp?gubun=3GP
Revision A					
TIA	TIA/EIA/IS-2001-A	2.0	Published	Aug 01	http://www.tiaonline.org/standards/technology/cdma2000/cdma2000table.cfm
TTC	TS-3GB-A.S0001-A		Published	May 01	http://www.ttc.or.jp/imt/ts/tsas0001-A.pdf

5.2.2.1.84 A.S0001**3GPP2 Access Network Interfaces Interoperability Specification (3G-IOS V4.0.0)**

This Specification defines the interfaces within the radio access network and the interfaces from the radio access network to the core network and the packet network. This includes the “A” interface.

SDO (2)	Document No.	Version	Status	Issued date	Location (1)
Revision 0					
TTC	TS-3GB-A.S0003v1.0	1.0	Published	Aug 01	http://www.ttc.or.jp/imt/ts/tsas0003v1.0.pdf
Revision A					
CCSA	CCSA-TSD-MC-A.S0001-A	2.0	Approved	Dec 07	http://www.ccsa.org.cn/english/files.php?docpath=/ITU-R/M.1457
TIA	TIA/EIA-828	2.0	Published	Nov 01	http://www.tiaonline.org/standards/technology/cdma2000/cdma2000table.cfm
TTA	TTAT.3G-A.S0001-A v2.0	2.0	Approved	Mar 03	http://www.tta.or.kr/English/new/external_relations/imt2000_EngStnList.jsp?gubun=3GP

5.2.2.1.85 A.S0003**BTS-BSC Inter-operability (Abis Interface)**

This Specification defines the BTS-BSC Inter-operability (Abis Interface).

SDO (2)	Document No.	Version	Status	Issued date	Location (1)
TIA	TIA/EIA-895	2.0	Published	Feb 02	http://www.tiaonline.org/standards/technology/cdma2000/cdma2000table.cfm
Revision A					
CCSA	CCSA-TSD-MC-A.S0003-A	2.0	Approved	Dec 07	http://www.ccsa.org.cn/english/files.php?docpath=/ITU-R/M.1457
TIA	TIA-895-A	2.0	Published	Oct 02	http://www.tiaonline.org/standards/technology/cdma2000/cdma2000table.cfm
TTA	TTAT.3G-A.S0003-A v2.0	2.0	Approved	Mar 03	http://www.tta.or.kr/English/new/external_relations/imt2000_EngStnList.jsp?gubun=3GP
TTC	TS-3GB-A.S0004-Av2.0	2.0	Published	Aug 02	http://www.ttc.or.jp/imt/ts/tsas0004-Av2.0.pdf
Revision B					
TTC	TS-3GB-A.S0004-Bv2.0	2.0	Published	Nov 02	http://www.ttc.or.jp/imt/ts/tsas0004-Bv2.0.pdf

5.2.2.1.86 A.S0004**CDMA Tandem Free Operation**

This Specification defines the CDMA Tandem Free Operation.

SDO (2)	Document No.	Version	Status	Issued date	Location (1)
TIA	TIA-1070	1.0	Published	Aug 06	http://www.tiaonline.org/standards/technology/cdma2000/cdma2000table.cfm
Revision 0					
TTA	TTAE.3G-A.S0004	1.0	Approved	Jul 00	http://www.tta.or.kr/English/new/external_relations/imt2000_EngStnList.jsp?gubun=3GP
TTC	TS-3GB-A.S0006-0v1.0	1.0	Published	Mar 05	http://www.ttc.or.jp/imt/ts/tsas0006-0v1.0.pdf
Revision A					
CCSA	CCSA-TSD-MC-A.S0004-A	2.0	Approved	Dec 07	http://www.ccsa.org.cn/english/files.php?docpath=/ITU-R/M.1457
TTA	TTAT.3G-A.S0004-A v2.0	2.0	Approved	Mar 03	http://www.tta.or.kr/English/new/external_relations/imt2000_EngStnList.jsp?gubun=3GP
Revision B					
TTA	TTAT.3G-A.S0004-B V2.0	2.0	Approved	May 03	http://www.tta.or.kr/English/new/external_relations/imt2000_EngStnList.jsp?gubun=3GP

5.2.2.1.87 A.S0006**Interoperability Specification (IOS) for Hybrid Mobile Station/Access Terminal (HAT) Authentication, Using the CAVE Algorithm**

This document provides alternative procedures that allow a properly configured Hybrid mobile station/Access Terminal (HAT) to use its cdma2000@1 1x access network authentication credentials and the Cellular Authentication and Voice Encryption (CAVE) algorithm when accessing an HRPD network that requires HRPD network access authentication.

SDO (2)	Document No.	Version	Status	Issued date	Location (1)
TIA	TIA/EIA-878	2.0	Published	Dec 01	http://www.tiaonline.org/standards/technology/cdma2000/cdma2000table.cfm
TIA	TIA-878	2.0	Published	May 03	http://www.tiaonline.org/standards/technology/cdma2000/cdma2000table.cfm
Revision 0					
TTA	TTAE.3G-A.S0006-0 v1.0	1.0	Approved	Apr 06	http://www.tta.or.kr/English/new/external_relations/imt2000_EngStnList.jsp?gubun=3GP
Revision A					
TTC	TS-3GB-A.S0007-Av3.0	3.0	Published	Sep 07	http://www.ttc.or.jp/imt/ts/tsas0007-Av3.0.pdf

5.2.2.1.88 A.S0007**Inter-Operability Specification (IOS) for HRPD**

This Specification defines the Inter-Operability Specification (IOS) for High Rate Packet Data (HRPD) Access Network Interfaces.

SDO (2)	Document No.	Version	Status	Issued date	Location (1)
TIA	TIA-878-1	3.0	Published	May 03	http://www.tiaonline.org/standards/technology/cdma2000/cdma2000table.cfm

Revision 0

CCSA	CCSA-TSD-MC-A.S0007-0	2.0	Approved	Dec 07	http://www.ccsa.org.cn/english/files.php?docpath=/ITU-R/M.1457
TTA	TTAT.3G-A.S0007-0 v2.0	2.0	Approved	May 04	http://www.tta.or.kr/English/new/external_relations/imt2000_EngStnList.jsp?gubun=3GP
TTC	TS-3GB-A.S0008-0v4.0	4.0	Published	Sep 07	http://www.ttc.or.jp/imt/ts/tsas0008-0v4.0.pdf

Revision A

TTA	TTAT.3G-A.S0007-A v3.0	3.0	Approved	Dec 07	http://www.tta.or.kr/English/new/external_relations/imt2000_EngStnList.jsp?gubun=3GP
TTC	TS-3GB-A.S0008-Av2.0	2.0	Published	Sep 07	http://www.ttc.or.jp/imt/ts/tsas0008-Av2.0.pdf

Revision B

TTC	TS-3GB-A.S0008-Bv1.0	1.0	Published	Dec 06	http://www.ttc.or.jp/imt/ts/tsas0008-Bv1.0.pdf
-----	----------------------	-----	-----------	--------	---

5.2.2.1.89 A.S0008**Inter-Operability Specification (IOS) for HRPD**

This specification defines the Inter-Operability Specification (IOS) for High Rate Packet Data (HRPD) Access Network Interfaces.

SDO (2)	Document No.	Version	Status	Issued date	Location (1)
Revision 0					
TTA	TTAT.3G-A.S0008-0 v4.0	4.0	Approved	Dec 07	http://www.tta.or.kr/English/new/external_relations/imt2000_EngStnList.jsp?gubun=3GP
Revision A					
TTA	TTAT.3G-A.S0008-A v2.0	2.0	Approved	Dec 07	http://www.tta.or.kr/English/new/external_relations/imt2000_EngStnList.jsp?gubun=3GP
Revision B					
TTA	TTAT.3G-A.S0008-B v1.0	1.0	Approved	Dec 07	http://www.tta.or.kr/English/new/external_relations/imt2000_EngStnList.jsp?gubun=3GP
Revision C					
TTA	TTAT.3G-A.S0008-C v1.0	1.0	Approved	Dec 07	http://www.tta.or.kr/English/new/external_relations/imt2000_EngStnList.jsp?gubun=3GP

5.2.2.1.90 A.S0009-A**Interoperability Specification (IOS) for High Rate Packet Data (HRPD) Radio Access Network Interfaces with Session Control in the Packet Control Function**

This specification defines the interoperation of the HRPD RAN system interfaces with session control in the packet control function.

SDO (2)	Document No.	Version	Status	Issued date	Location (1)
Revision A					
CCSA	CCSA-TSD-MC-A.S0009-A	2.0	Approved	Dec 07	http://www.ccsa.org.cn/english/files.php?docpath=/ITU-R/M.1457
TTA	TTAT.3G-A.S0009-A v2.0	2.0	Approved	Dec 07	http://www.tta.or.kr/English/new/external_relations/imt2000_EngStnList.jsp?gubun=3GP

5.2.2.1.91 A.S0011**Access Network Interfaces (3G-IOS)**

This Specification defines the Interoperability Specification (IOS) for CDMA 2000 Access Network Interfaces – Part 1 Overview.

SDO (2)	Document No.	Version	Status	Issued date	Location (1)
Revision 0					
TTA	TTAT.3G-A.S0011-0 v2.0	2.0	Approved	Mar 03	http://www.tta.or.kr/English/new/external_relations/imt2000_EngStnList.jsp?gubun=3GP
Revision A					
CCSA	CCSA-TSD-MC-A.S0011-A	1.0	Approved	Dec 07	http://www.ccsa.org.cn/english/files.php?docpath=/ITU-R/M.1457
TTA	TTAT.3G-A.S0011-A v2.0.1	2.0.1	Approved	May 05	http://www.tta.or.kr/English/new/external_relations/imt2000_EngStnList.jsp?gubun=3GP
Revision B					
TTA	TTAT.3G-A.S0011-B v1.0	1.0	Approved	May 05	http://www.tta.or.kr/English/new/external_relations/imt2000_EngStnList.jsp?gubun=3GP
Revision C					
TTA	TTAT.3G-A.S0011-C v2.0	2.0	Approved	Apr 06	http://www.tta.or.kr/English/new/external_relations/imt2000_EngStnList.jsp?gubun=3GP
Revision D					
TTA	TTAT.3G-A.S0011-D v1.0	1.0	Approved	Dec 07	http://www.tta.or.kr/English/new/external_relations/imt2000_EngStnList.jsp?gubun=3GP

5.2.2.1.92 A.S0012**Access Network Interfaces (3G-IOS)**

This specification defines the Interoperability Specification (IOS) for CDMA 2000 Access Network Interfaces – Part 2 Transport.

SDO (2)	Document No.	Version	Status	Issued date	Location (1)
Revision 0					
TTA	TTAT.3G-A.S0012-0 v2.0	2.0	Approved	Mar 03	http://www.tta.or.kr/English/new/external_relations/imt2000_EngStnList.jsp?gubun=3GP
Revision A					
CCSA	CCSA-TSD-MC-A.S0012-A	1.0	Approved	Dec 07	http://www.ccsa.org.cn/english/files.php?docpath=/ITU-R/M.1457
TTA	TTAT.3G-A.S0012-A v2.0.1	2.0.1	Approved	May 05	http://www.tta.or.kr/English/new/external_relations/imt2000_EngStnList.jsp?gubun=3GP
Revision B					
TTA	TTAT.3G-A.S0012-B v1.0	1.0	Approved	May 05	http://www.tta.or.kr/English/new/external_relations/imt2000_EngStnList.jsp?gubun=3GP
Revision C					
TTA	TTAT.3G-A.S0012-C v2.0	2.0	Approved	Apr 06	http://www.tta.or.kr/English/new/external_relations/imt2000_EngStnList.jsp?gubun=3GP
Revision D					
TTA	TTAT.3G-A.S0012-D v1.0	1.0	Approved	Dec 07	http://www.tta.or.kr/English/new/external_relations/imt2000_EngStnList.jsp?gubun=3GP

5.2.2.1.93 A.S0013**Access Network Interfaces (3G-IOS)**

This Specification defines the Interoperability Specification (IOS) for CDMA 2000 Access Network Interfaces – Part 3 Features.

SDO (2)	Document No.	Version	Status	Issued date	Location (1)
Revision 0					
TTA	TTAT.3G-A.S0013-0 v2.0	2.0	Approved	Mar 03	http://www.tta.or.kr/English/new/external_relations/imt2000_EngStnList.jsp?gubun=3GP
Revision A					
CCSA	CCSA-TSD-MC-A.S0013-A	1.0	Approved	Dec 07	http://www.ccsa.org.cn/english/files.php?docpath=/ITU-R/M.1457
TTA	TTAT.3G-A.S0013-A v2.0.1	2.0.1	Approved	May 05	http://www.tta.or.kr/English/new/external_relations/imt2000_EngStnList.jsp?gubun=3GP
Revision B					
TTA	TTAT.3G-A.S0013-B v1.0	1.0	Approved	May 05	http://www.tta.or.kr/English/new/external_relations/imt2000_EngStnList.jsp?gubun=3GP
Revision C					
TTA	TTAT.3G-A.S0013-C v2.0	2.0	Approved	Apr 06	http://www.tta.or.kr/English/new/external_relations/imt2000_EngStnList.jsp?gubun=3GP
Revision D					
TTA	TTAT.3G-A.S0013-D v1.0	1.0	Approved	Dec 07	http://www.tta.or.kr/English/new/external_relations/imt2000_EngStnList.jsp?gubun=3GP

5.2.2.1.94 A.S0014**Access Network Interfaces (3G-IOS)**

This Specification defines the Interoperability Specification (IOS) for CDMA 2000 Access Network Interfaces – Part 4 (A1, A2 and A5 Interfaces).

SDO (2)	Document No.	Version	Status	Issued date	Location (1)
Revision 0					
TTA	TTAT.3G-A.S0014-0 v2.0	2.0	Approved	Mar 03	http://www.tta.or.kr/English/new/external_relations/imt2000_EngStnList.jsp?gubun=3GP
Revision A					
CCSA	CCSA-TSD-MC-A.S0014-A	1.0	Approved	Dec 07	http://www.ccsa.org.cn/english/files.php?docpath=/ITU-R/M.1457
TTA	TTAT.3G-A.S0014-A v2.0.1	2.0.1	Approved	May 05	http://www.tta.or.kr/English/new/external_relations/imt2000_EngStnList.jsp?gubun=3GP
Revision B					
TTA	TTAT.3G-A.S0014-B v1.0	1.0	Approved	May 05	http://www.tta.or.kr/English/new/external_relations/imt2000_EngStnList.jsp?gubun=3GP
Revision C					
TTA	TTAT.3G-A.S0014-C v2.0	2.0	Approved	Apr 06	http://www.tta.or.kr/English/new/external_relations/imt2000_EngStnList.jsp?gubun=3GP
Revision D					
TTA	TTAT.3G-A.S0014-D v1.0	1.0	Approved	Dec 07	http://www.tta.or.kr/English/new/external_relations/imt2000_EngStnList.jsp?gubun=3GP

5.2.2.1.95 A.S0015**Access Network Interfaces (3G-IOS)**

This Specification defines the Interoperability Specification (IOS) for CDMA 2000 Access Network Interfaces – Part 5 (A3 and A7).

SDO (2)	Document No.	Version	Status	Issued date	Location (1)
Revision 0					
TTA	TTAT.3G-A.S0015-0 v2.0	2.0	Approved	Mar 03	http://www.tta.or.kr/English/new/external_relations/imt2000_EngStnList.jsp?gubun=3GP
Revision A					
CCSA	CCSA-TSD-MC-A.S0015-A	1.0	Approved	Dec 07	http://www.ccsa.org.cn/english/files.php?docpath=/ITU-R/M.1457
TTA	TTAT.3G-A.S0015-A v2.0.1	2.0.1	Approved	May 05	http://www.tta.or.kr/English/new/external_relations/imt2000_EngStnList.jsp?gubun=3GP
Revision B					
TTA	TTAT.3G-A.S0015-B v1.0	1.0	Approved	May 05	http://www.tta.or.kr/English/new/external_relations/imt2000_EngStnList.jsp?gubun=3GP
Revision C					
TTA	TTAT.3G-A.S0015-C v2.0	2.0	Approved	Apr 06	http://www.tta.or.kr/English/new/external_relations/imt2000_EngStnList.jsp?gubun=3GP
Revision D					
TTA	TTAT.3G-A.S0015-D v1.0	1.0	Approved	Dec 07	http://www.tta.or.kr/English/new/external_relations/imt2000_EngStnList.jsp?gubun=3GP

5.2.2.1.96 A.S0016**Access Network Interfaces (3G-IOS)**

This Specification defines the Interoperability Specification (IOS) for CDMA 2000 Access Network Interfaces – Part 6 (A8 and A9).

SDO (2)	Document No.	Version	Status	Issued date	Location (1)
Revision 0					
TTA	TTAT.3G-A.S0016-0 v2.0	2.0	Approved	Mar 03	http://www.tta.or.kr/English/new/external_relations/imt2000_EngStnList.jsp?gubun=3GP
Revision A					
CCSA	CCSA-TSD-MC-A.S0016-A	1.0	Approved	Dec 07	http://www.ccsa.org.cn/english/files.php?docpath=/ITU-R/M.1457
TTA	TTAT.3G-A.S0016-A v2.0.1	2.0.1	Approved	May 05	http://www.tta.or.kr/English/new/external_relations/imt2000_EngStnList.jsp?gubun=3GP
Revision B					
TTA	TTAT.3G-A.S0016-B v1.0	1.0	Approved	May 05	http://www.tta.or.kr/English/new/external_relations/imt2000_EngStnList.jsp?gubun=3GP
Revision C					
TTA	TTAT.3G-A.S0016-C v2.0	2.0	Approved	Apr 06	http://www.tta.or.kr/English/new/external_relations/imt2000_EngStnList.jsp?gubun=3GP
Revision D					
TTA	TTAT.3G-A.S0016-D v1.0	1.0	Approved	Dec 07	http://www.tta.or.kr/English/new/external_relations/imt2000_EngStnList.jsp?gubun=3GP

5.2.2.1.97 A.S0017**Access Network Interfaces (3G-IOS)**

This Specification defines the Interoperability Specification (IOS) for CDMA 2000 Access Network Interfaces – Part 7 (A10 and A11 Interfaces).

SDO (2)	Document No.	Version	Status	Issued date	Location (1)
Revision 0					
TTA	TTAT.3G-A.S0017-0 v2.0	2.0	Approved	Mar 03	http://www.tta.or.kr/English/new/external_relations/imt2000_EngStnList.jsp?gubun=3GP
Revision A					
CCSA	CCSA-TSD-MC-A.S0017-A	1.0	Approved	Dec 07	http://www.ccsa.org.cn/english/files.php?docpath=/ITU-R/M.1457
TTA	TTAT.3G-A.S0017-A v2.0.1	2.0.1	Approved	May 05	http://www.tta.or.kr/English/new/external_relations/imt2000_EngStnList.jsp?gubun=3GP
Revision B					
TTA	TTAT.3G-A.S0017-B v1.0	1.0	Approved	May 05	http://www.tta.or.kr/English/new/external_relations/imt2000_EngStnList.jsp?gubun=3GP
Revision C					
TTA	TTAT.3G-A.S0017-C v2.0	2.0	Approved	Apr 06	http://www.tta.or.kr/English/new/external_relations/imt2000_EngStnList.jsp?gubun=3GP
Revision D					
TTA	TTAT.3G-A.S0017-D v1.0	1.0	Approved	Dec 07	http://www.tta.or.kr/English/new/external_relations/imt2000_EngStnList.jsp?gubun=3GP

5.2.2.1.98 A.S0019**Interoperability Specification (IOS) for Broadcast Multicast Services (BCMCS)**

This document provides user level descriptions and access network call flows and messages designed to assist in the understanding of BCMCS operation.

SDO (2)	Document No.	Version	Status	Issued date	Location (1)
Revision 0					
TTA	TTAT.3G-A.S0019-0 v2.0	2.0	Approved	Dec 07	http://www.tta.or.kr/English/new/external_relations/imt2000_EngStnList.jsp?gubun=3GP
Revision A					
TTA	TTAT.3G-A.S0019-A v1.0	1.0	Approved	Dec 07	http://www.tta.or.kr/English/new/external_relations/imt2000_EngStnList.jsp?gubun=3GP

5.2.2.2**cdma2000 System and Service Aspects Specifications**

SDO (2)	Document No.	Version	Status	Issued date	Location (1)
---------	--------------	---------	--------	-------------	--------------

5.2.2.2.1 S.R0005**3GPP2 Network Reference Model**

This document describes the network entities and associated reference points that comprise a wireless network.

SDO (2)	Document No.	Version	Status	Issued date	Location (1)
Revision A					
TTA	TTAT.3G-S.R0005-A v1.0	1.0	Approved	Dec 07	http://www.tta.or.kr/English/new/external_relations/imt2000_EngStnList.jsp?gubun=3GP
Revision B					
TTA	TTAT.3G-S.R0005-B v2.0	2.0	Approved	Dec 07	http://www.tta.or.kr/English/new/external_relations/imt2000_EngStnList.jsp?gubun=3GP

5.2.2.3

cdma2000 Core Network Specifications

SDO (2)	Document No.	Version	Status	Issued date	Location (1)
---------	--------------	---------	--------	-------------	--------------

5.2.2.3.1 N.S0003

User Identity Module

This Specification defines the enhancements required to support mobile stations equipped with UIMs.

SDO (2)	Document No.	Version	Status	Issued date	Location (1)
Revision 0					
TTA	TTAE.3G-N.S0003	1.0	Approved	Jul 00	http://www.tta.or.kr/English/new/external_relations/imt2000_EngStnList.jsp?gubun=3GP
Revision E					
TIA	TIA-41-E	Numerous sections	Published	Apr 04	http://www.tiaonline.org/standards/technology/cdma2000/cdma2000table.cfm

5.2.2.3.2 N.S0004

WIN Phase 2

This Specification defines the enhancements for wireless intelligent network (WIN) which includes trigger for preferred language, advice of charge, rejection of undesired annoying calls, premium rate charging, and freephone service.

SDO (2)	Document No.	Version	Status	Issued date	Location (1)
Revision 0					
TTA	TTAE.3G-N.S0004	1.0	Approved	Jul 00	http://www.tta.or.kr/English/new/external_relations/imt2000_EngStnList.jsp?gubun=3GP

5.2.2.3.3 X.S0004

Mobile Application Part

This specification describes procedures necessary to provide to wireless radio telephone subscribers certain services requiring interaction between different wireless systems.

5.3 IMT-2000 CDMA TDD

5.3.1 Overview of the radio interface

5.3.1.1 Introduction

The IMT-2000 radio interface specifications for CDMA TDD technology are developed by a partnership of standards development organizations (SDOs) (see Note 1). This radio interface is called the Universal Terrestrial Radio Access (UTRA) time division duplex (TDD), where three options, called 1.28 Mchip/s TDD (TD-SCDMA – see Note 2), 3.84 Mchip/s TDD and 7.68 Mchip/s TDD can be distinguished.

The UTRA TDD specifications have been developed with the strong objective of harmonization with the FDD component (see § 5.1) to achieve maximum commonality. This was achieved by harmonization of important parameters of the physical layer and a common set of protocols in the higher layers are specified for both FDD and TDD, where 1.28 Mchip/s TDD has significant commonality with 3.84 Mchip/s TDD and 7.68 Mchip/s TDD. UTRA TDD with the three options accommodates the various needs of the different Regions in a flexible way and is specified in a common set of specifications.

In the development of this radio interface the core network specifications are based on an evolved GSM-MAP. However, the specifications include the necessary capabilities for operation with an evolved ANSI-41-based core network.

The radio access scheme is direct-sequence code division multiple access. There are three chip rate options: the 3.84 Mchip/s TDD option, with information spread over approximately 5 MHz bandwidth and a chip rate of 3.84 Mchip/s, the 7.68 Mchip/s TDD option with information spread over approximately 10 MHz bandwidth and a chip rate of 7.68 Mchip/s and the 1.28 Mchip/s TDD option, with information spread over approximately 1.6 MHz bandwidth and a chip rate of 1.28 Mchip/s. The radio interface is defined to carry a wide range of services to efficiently support both circuit-switched services (e.g. PSTN- and ISDN-based networks) as well as packet-switched services (e.g. IP-based networks). A flexible radio protocol has been designed where several different services such as speech, data and multimedia can simultaneously be used by a user and multiplexed on a single carrier. The defined radio bearer services provide support for both real-time and non-real-time services by employing transparent and/or non-transparent data transport. The QoS can be adjusted in terms such as delay, BER and FER.

The radio-interface specification includes enhanced features for High-Speed Downlink Packet Access (HSDPA) and improved L2 support for high data rates, allowing for downlink packet-data transmission with peak data rates of 2.8 Mbit/s, 10.2 Mbit/s and 20.4 Mbit/s for the 1.28 Mchip/s, 3.84 Mchip/s and 7.68 Mchip/s modes respectively, and for simultaneous high-speed packet data and other services such as speech on the single carrier. Features for enhanced uplink have been introduced, allowing for improved capacity and coverage, higher data rates, and reduced delay and delay variance for the uplink. The addition of Higher Order Modulation (16-QAM) for the enhanced uplink, allows for peak data rates up to 2.2 Mbit/s, 9.2 Mbit/s and 17.7 Mbit/s for the 1.28 Mchip/s, 3.84 Mchip/s and 7.68 Mchip/s modes respectively. The TDD radio interface is able to support enhanced uplink and high-speed downlink packet data services efficiently without the need for UE-dedicated radio resources thus allowing for low-overhead always-on connectivity and battery savings in the UE. Support has been added for multi-frequency operation for the 1.28 Mchip/s UTRA TDD mode.

The radio access network architecture also provides support for Multimedia Broadcast and Multicast Services, i.e. allowing for multimedia content distribution to groups of users over a point-to-multipoint bearer. A transmission method for broadcast services using time-synchronised common waveform transmission from multiple cells and exhibiting high spectral efficiency has been introduced for the 1.28 Mchip/s, 3.84 Mchip/s and 7.68 Mchip/s TDD modes. QPSK and 16-QAM modulation are supported for this method. It is possible to time multiplex such point to multipoint transmissions with other (e.g. unicast) transmissions within the same TDD carrier, or to dedicate an entire TDD carrier for broadcast transmission.

CDMA TDD was originally specified for the IMT-2000 bands identified in WARC-92 and using 1 900-1 920 MHz and 2 010-2 025 MHz for both uplink and downlink operation. At WRC-2000 additional spectrum for IMT-2000 was also identified and then the relevant 3GPP specifications have been updated to also include the bands of 1 850-1 910 MHz; 1 910-1 930 MHz and 1 930-1 990 MHz for CDMA TDD.

E-UTRAN has been introduced for the evolution of the radio-access technology towards a high-data-rate, low-latency and packet-optimized radio-access technology.

E-UTRAN supports scalable bandwidth operation below 5 MHz bandwidth options up to 20 MHz in both the uplink and downlink. Harmonization of paired and unpaired operation is highly considered to avoid unnecessary fragmentation of technologies.

The radio access network architecture of E-UTRAN consists of the evolved UTRAN NodeBs (eNBs). eNBs host the functions for Radio Resource Management, IP header compression and encryption of user data stream, etc. eNBs are interconnected with each other and connected to an Evolved Packet Core(EPC).

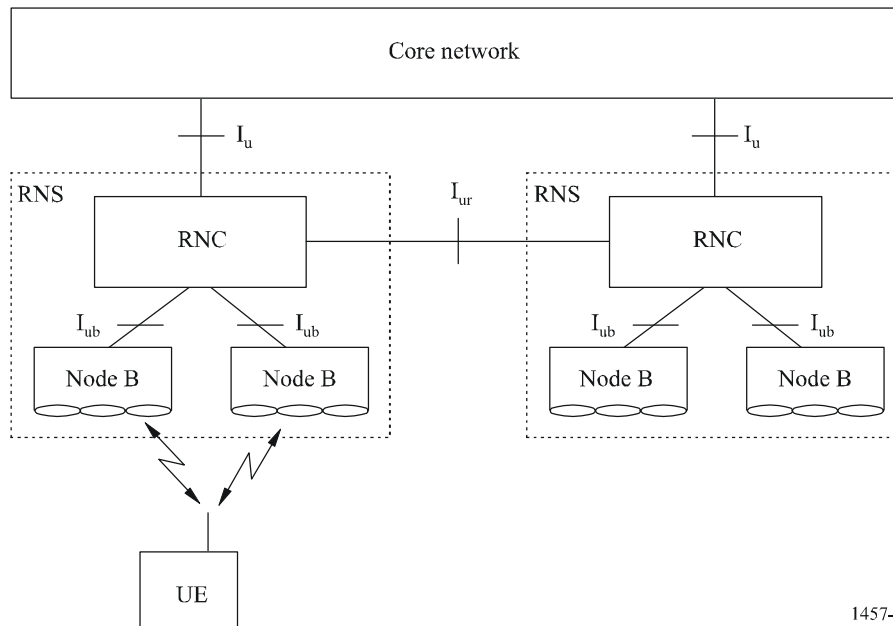
NOTE 1 – Currently, these specifications are developed within the third generation partnership project (3GPP) where the participating SDOs are ARIB, ATIS, CCSA, ETSI, TTA and TTC.

NOTE 2 – The same name TD-SCDMA was previously used for one of the original proposals that was further refined following the harmonization process.

5.3.1.2 Radio access network architecture

The overall architecture of the radio access network is shown in Fig. 33.

FIGURE 33
Radio access network architecture
(Cells are indicated by ellipses)



1457-33

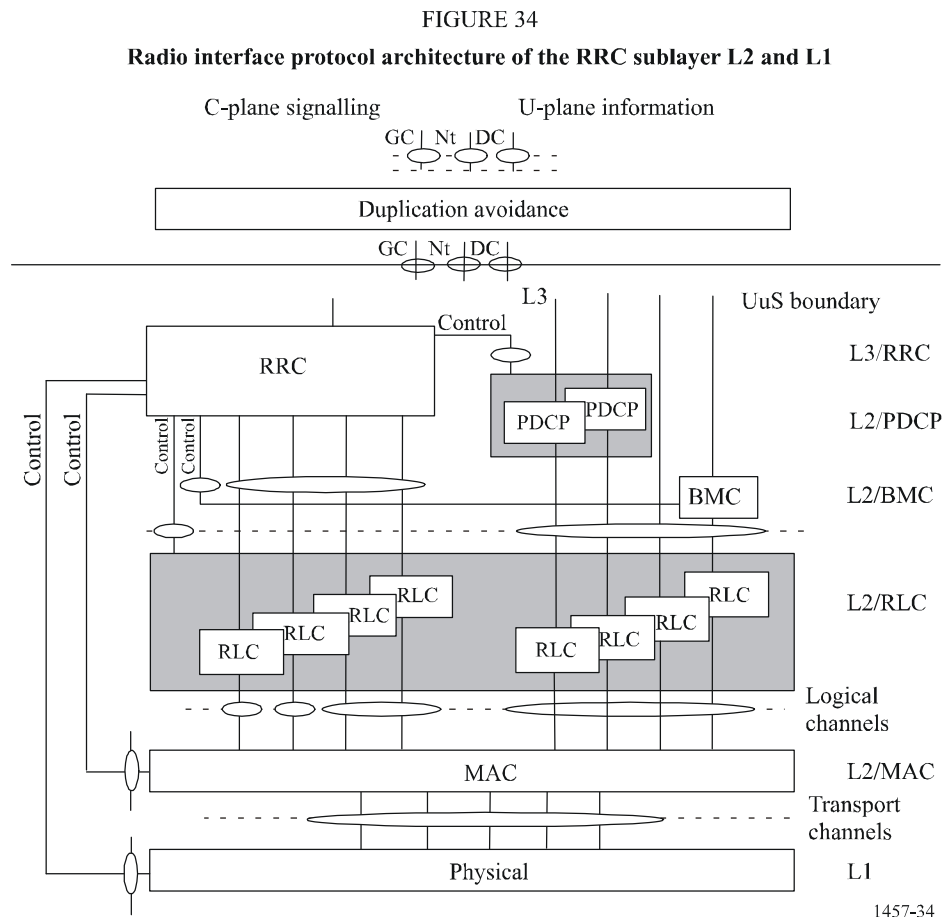
The architecture of the radio access network consists of a set of radio network subsystems (RNS) connected to the core network through the I_u interface.

An RNS consists of a radio network controller (RNC) and one or more entities called Node B. The Node B is connected to the RNC through the I_{ub} interface. Node B can handle one or more cells.

The RNC is responsible for the handover decisions that require signalling to the user equipment (UE).

The RNCs of the RNS can be interconnected together through the Iur interface. Iu and Iur are logical interfaces, i.e. the Iur interface can be conveyed over a direct physical connection between RNCs or via any suitable transport network.

Figure 34 shows the radio interface protocol architecture for the radio access network. On a general level, the protocol architecture is similar to the current ITU-R protocol architecture as described in Recommendation ITU-R M.1035. Layer 2 (L2) is split into the following sub-layers; RLC, MAC, Packet Data Convergence Protocol (PDCP) and Broadcast/Multicast Control (BMC). Layer 3 (L3) and RLC are divided into Control (C-) and User (U-) planes.



In the C-plane, L3 is partitioned into sub-layers where the lowest sub-layer, denoted as RRC, interfaces with L2. The higher layer signalling such as MM and CC are assumed to belong to the core network. There are no L3 elements in UTRAN for the U-plane.

Each block in Fig. 34 represents an instance of the respective protocol. Service access points (SAPs) for peer-to-peer communication are marked with circles at the interface between sub-layers.

The SAP between MAC and the physical layer provides the transport channels. A transport channel is characterized by how the information is transferred over the radio interface (see § 5.3.1.3.1.2 and 5.3.1.3.2.2 for an overview of the types of transport channels defined).

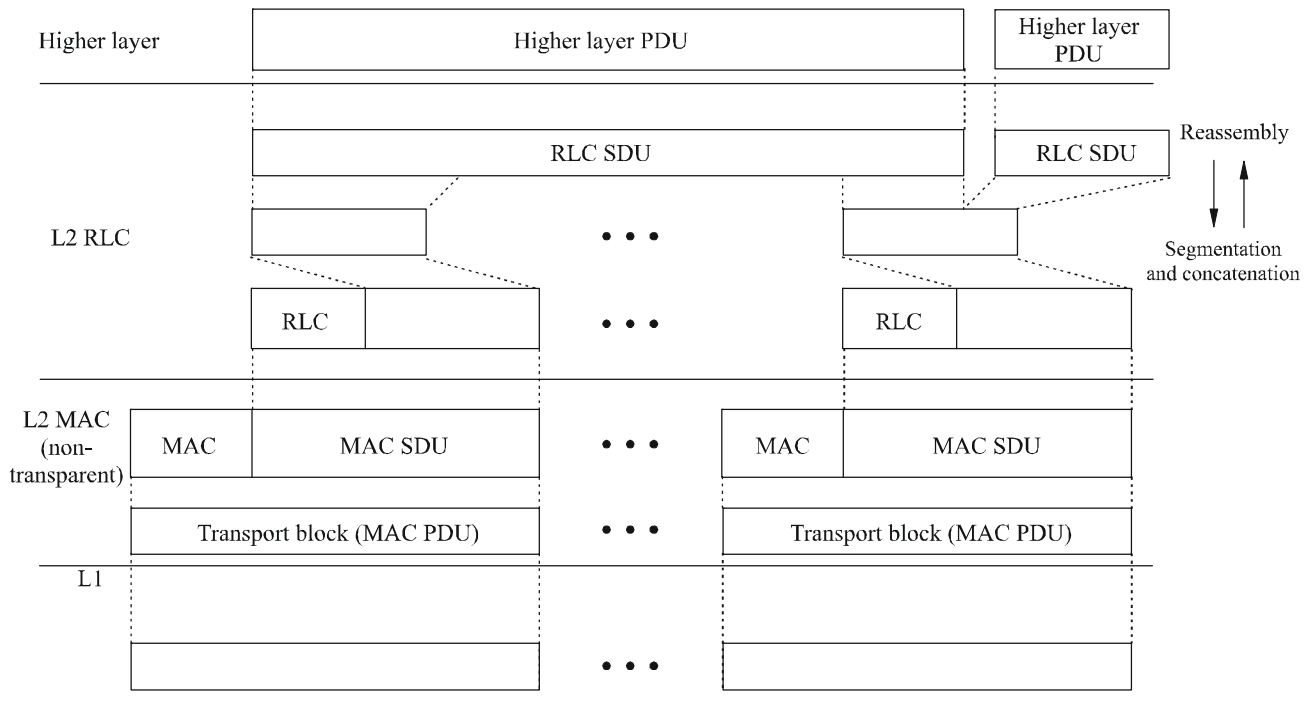
The SAPs between RLC and the MAC sub-layer provide the logical channels. A logical channel is characterized by the type of information that is transferred over the radio interface. The logical channels are divided into control channels and traffic channels. The different types of logical channels are not further described in this overview. The physical layer generates the physical channels that will be transmitted over the air. The physical channel in each TDD option (1.28 Mchip/s, 3.84 Mchip/s, 7.68 Mchip/s) is defined by carrier frequency, code, time slot and multi-frame information. In the C-plane, the interface between RRC and higher L3 sub-layers (CC, MM) is defined by the GC, Nt and DC SAPs. These SAPs are not further discussed in this overview.

Also shown in the figure are connections between RRC and MAC as well as RRC and L1 providing local inter-layer control services (including measurement results). An equivalent control interface exists between RRC and the RLC sub-layer. These interfaces allow the RRC to control the configuration of the lower layers. For this purpose separate control SAPs are defined between RRC and each lower layer (RLC, MAC, and L1).

Figure 35 shows the general structure and some additional terminology definitions of the channel formats at the various sub-layer interfaces indicated in Fig. 34. The figure indicates how higher layer SDUs and PDUs are segmented and multiplexed to transport blocks to be further treated by the physical layer (e.g. CRC handling). The transmission chain of the physical layer is exemplified in the next section.

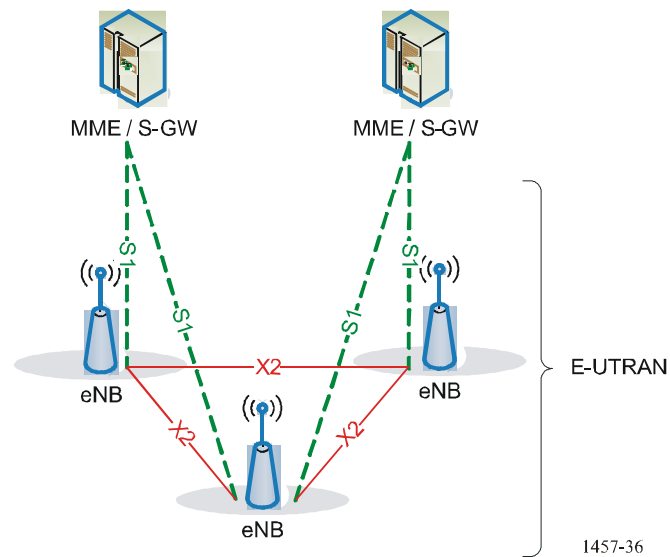
The E-UTRAN radio access network consists of eNBs, providing the user plane (PDCP/RLC/MAC/PHY) and control plane (RRC) protocol terminations towards the UE. The eNBs are interconnected with each other by means of the X2 interface. The eNBs are also connected by means of the S1 interface to the EPC (Evolved Packet Core), more specifically to the MME (Mobility Management Entity) by means of the S1-MME and to the SAE Gateway by means of the S1-U. The S1 interface supports a many-to-many relation between MMEs/SAE Gateways and eNBs.

FIGURE 35
Data flow for a service using a non-transparent RLC and non-transparent MAC
 (see § 5.3.1.4.1 and 5.3.1.4.2 for further definitions of the MAC and RLC services and functionality)



The E-UTRAN radio access network architecture is illustrated in Fig. 36.

FIGURE 36
Overall architecture



The eNB hosts the following functions:

- functions for Radio Resource Management: Radio Bearer Control, Radio Admission Control, Connection Mobility Control, Dynamic allocation of resources to UEs in both uplink and downlink (scheduling);
- IP header compression and encryption of user data stream;
- selection of an MME at UE attachment;
- routing of User Plane data towards SAE Gateway;
- scheduling and transmission of paging messages (originated from the MME);
- scheduling and transmission of broadcast information (originated from the MME or O&M);
- measurement and measurement reporting configuration for mobility and scheduling.

The MME hosts the following functions:

- NAS signalling;
- NAS signalling security;
- Inter CN node signalling for mobility between 3GPP access networks;
- Idle mode UE Reachability (including control and execution of paging retransmission);
- Tracking Area list management (for UE in idle and active mode);
- PDN GW and Serving GW selection;
- MME selection for handovers with MME change;
- SGSN selection for handovers to 2G or 3G 3GPP access networks;
- Roaming;
- Authentication;
- Bearer management functions including dedicated bearer establishment.

The S-GW hosts the following functions:

- The local Mobility Anchor point for inter-eNB handover;
- Mobility anchoring for inter-3GPP mobility;
- E-UTRAN idle mode downlink packet buffering and initiation of network triggered service request procedure;
- Lawful Interception;

- Packet routing and forwarding;
- Transport level packet marking in the uplink and the downlink;
- Accounting on user and QCI granularity for inter-operator charging;
- UL and DL charging per UE, PDN, and QCI.

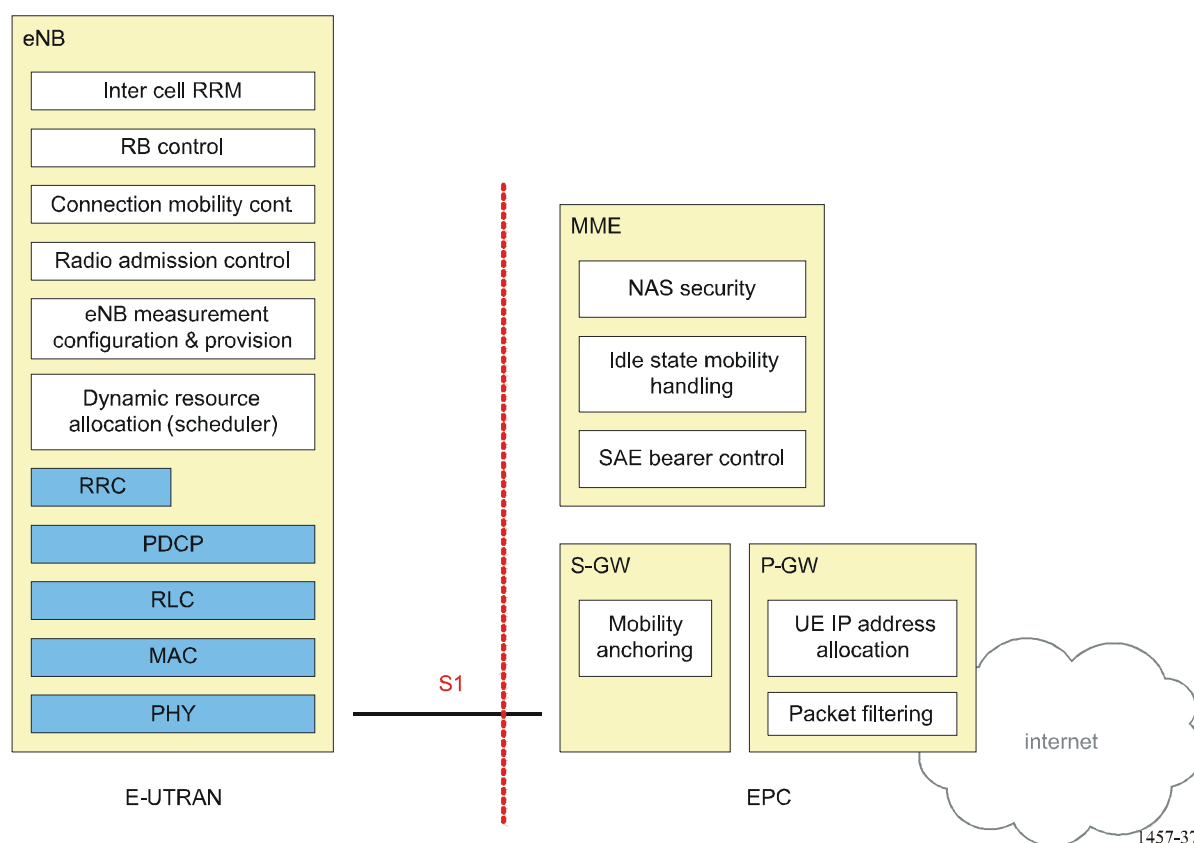
The PDN Gateway (P-GW) hosts the following functions (see 3GPP TS 23.401 [17]):

- Per-user based packet filtering (by e.g. deep packet inspection);
- Lawful Interception;
- UE IP address allocation;
- Transport level packet marking in the downlink;
- UL and DL service level charging, gating and rate enforcement;
- DL rate enforcement based on AMBR.

This is summarized in the Fig. 37 where yellow boxes depict the logical nodes, white boxes depict the functional entities of the control plane and blue boxes depict the radio protocol layers.

FIGURE 37

Overall architecture of the E-UTRAN radio access network



5.3.1.3 Physical layer

5.3.1.3.1 UTRA TDD (3.84 Mchip/s and 7.68 Mchip/s TDD options)

5.3.1.3.1.1 Physical layer functionality and building blocks

The physical layer includes the following functionality:

- Error detection on transport channels and indication to higher layers.
- FEC encoding/decoding of transport channels.

- Multiplexing of transport channels and demultiplexing of coded composite transport channels.
- Rate matching (data multiplexed on dedicated and shared channels).
- Mapping of coded composite transport channels on physical channels.
- Modulation and demodulation of physical channels.
- Spreading and despreading of physical channels.
- Radio characteristics measurements including FER, signal-to-interference (SIR), interference power level etc., and indication to higher layers.
- Frequency and time (chip, bit, slot, frame) synchronization.
- Power weighting and combining of physical channels.
- Closed-loop power control for downlink.
- RF processing.
- Support of UE positioning methods.
- Beamforming.
- Support of timing advance on uplink channels.
- Support of a Node B synchronization method over the air (not supported for the 7.68 Mchip/s option).

For E-UTRAN, the following functionality are included in addition,

- frequency domain multiplexing with users;
- single frequency combining from multiple cells.

Figure 38 gives the physical layer transmission chain for the user plane data, i.e. from the level of transport channels down to the level of physical channel. The figure shows how several transport channels can be multiplexed onto one or more DPDCH.

The CRC provides for error detection of the transport blocks for the particular transport channel. The CRC can take the length zero (no CRC), 8, 12, 16 or 24 bits depending on the service requirements.

The transport block concatenation and code block segmentation functionality performs serial concatenation of those transport blocks that will be sent in one transmission time interval and any code block segmentation if necessary.

The types of channel coding defined are convolutional coding, turbo coding and no coding. Realtime services use only FEC encoding while non-real-time services uses a combination of FEC and ARQ. The ARQ functionality resides in the RLC sub-layer of Layer 2. The convolutional coding rates are 1/2 or 1/3 while the rate is 1/3 for turbo codes.

The possible interleaving depths are 10, 20, 40 or 80 ms.

The radio frame segmentation performs padding of bits. The rate matching adapts any remaining differences of the bit rate so the number of outgoing bits fit to the available bit rates of the physical channels. Repetition coding and/or puncturing is used for this purpose.

The TrCH multiplexing stage combines transport channels in a serial fashion. This is done every 10 ms. The output of this operation is also called coded composite transport channels.

If several physical channels will be used to transmit the data, the split is made in the physical channel segmentation unit.

5.3.1.3.1.2 Transport channels

The interface to the MAC sub-layer is the transport channels, see Fig. 34. The transport channels define how and with which type of characteristics the data is transferred by the physical layer. They are categorized into dedicated channels or common channels where many UEs are sharing the latter type. Introducing an information field containing the address then does the address resolution, if needed. The physical channel itself defines a dedicated channel. Thus no specific address is needed for the UE. Table 1 summarizes the different types of available transport channels.

FIGURE 38

Transport channel multiplexing structure

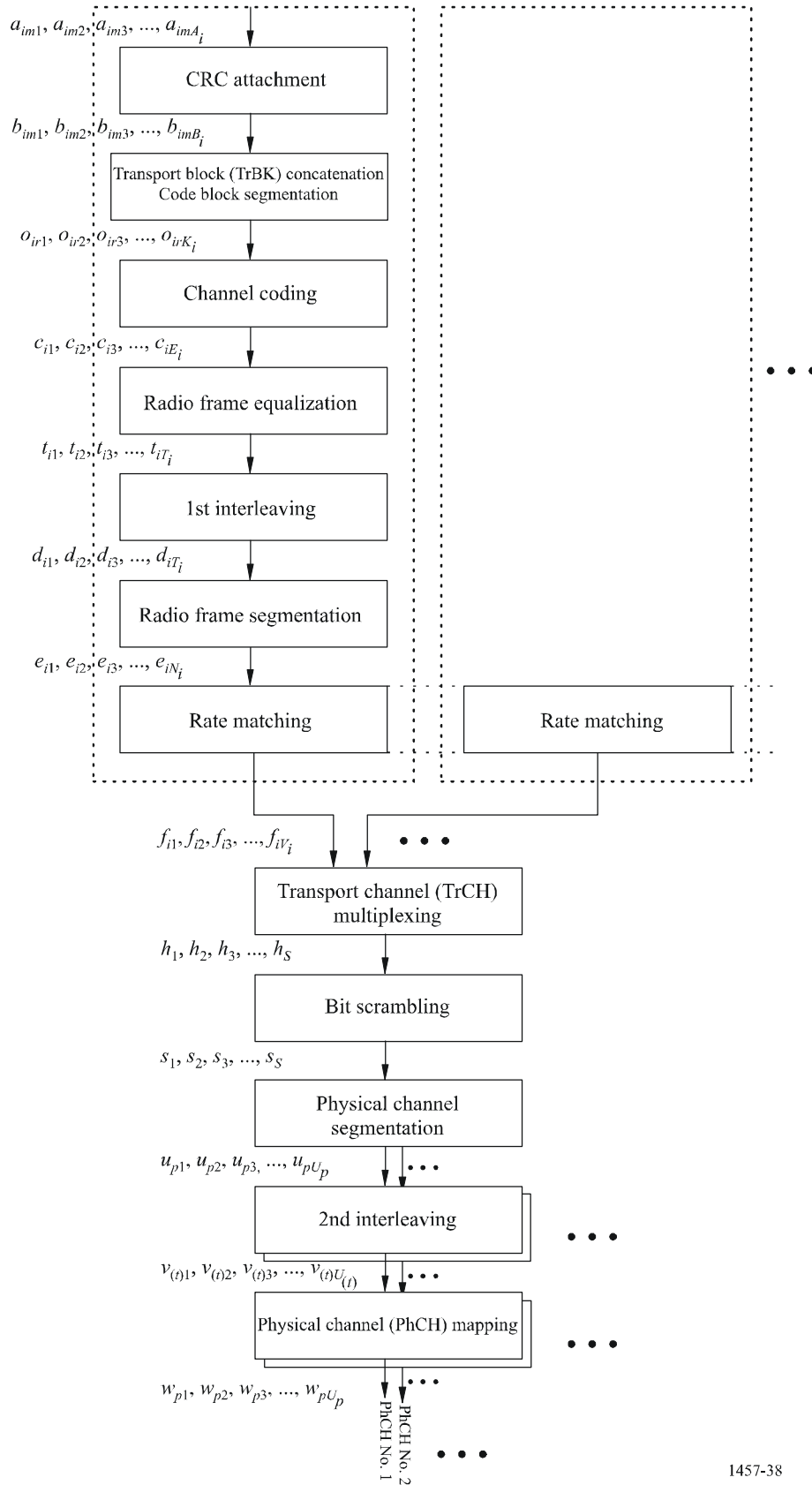


TABLE 1

The defined transport channels

Transport channel	Type and direction	Used for
DCH (Dedicated channel)	Dedicated; uplink and downlink	User or control information to a UE (entire cell or part of cell (lobe-forming))
BCH (Broadcast channel)	Common; downlink	Broadcast system and cell specific information
FACH (Forward access channel)	Common; downlink	Control information when system knows UE location or short user packets to a UE
PCH (Paging channel)	Common; downlink	Control information to UEs when good sleep mode properties are needed, e.g. idle mode operation
RACH (Random access channel)	Common; uplink	Control information or short user packets from an UE
USCH (Uplink shared channel)	Common; uplink	Carries dedicated user data and control information using a shared channel
E-DCH	Common; uplink	An uplink channel serving several UEs carrying dedicated control or traffic data. E-DCH offers the possibility for high-speed uplink packet access through the support of higher-order modulation, adaptive modulation and coding, fast scheduling, and hybrid ARQ with soft combining
DSCH (Downlink shared channel)	Common; downlink	Carries dedicated user data and control information using a shared channel.
HS-DSCH (High Speed Downlink shared channel)	Common; downlink	A downlink channel serving several UEs carrying dedicated control or traffic data. HS-DSCH offers the possibility for high-speed downlink packet access through the support of higher-order modulation, adaptive modulation and coding, fast channel-dependent scheduling, and hybrid ARQ with soft combining

The RACH on the uplink is contention-based while the DCH is reservation-based.

On each transport channel, a number of *Transport Blocks* are delivered to/from the physical layer once every *Transmission Time Interval* (TTI). To each transport channel, there is an associated *Transport Format* or set of transport formats. The transport format describes the physical properties of the transport channel, such as the TTI, the number of transport blocks per TTI, the number of bits per transport blocks, the coding scheme and coding rate, and the modulation scheme.

For E-UTRAN, the following transport channels are defined.

Downlink transport channel types are:

- **Broadcast Channel (BCH)** characterized by:
 - fixed, pre-defined transport format;
 - requirement to be broadcast in the entire coverage area of the cell.

- **Downlink Shared Channel (DL-SCH)** characterized by:
 - support for HARQ;
 - support for dynamic link adaptation by varying the modulation, coding and transmit power;
 - possibility to be broadcast in the entire cell;
 - possibility to use beamforming;
 - support for both dynamic and semi-static resource allocation;
 - support for UE discontinuous reception (DRX) to enable UE power saving;
 - support for MBMS transmission (FFS).
- **Paging Channel (PCH)** characterized by:
 - support for UE discontinuous reception (DRX) to enable UE power saving (DRX cycle is indicated by the network to the UE);
 - requirement to be broadcast in the entire coverage area of the cell;
 - mapped to physical resources which can be used dynamically also for traffic/other control channels.
- **Multicast Channel (MCH)** characterized by:
 - requirement to be broadcast in the entire coverage area of the cell;
 - support for SFN combining of MBMS transmission on multiple cells;
 - support for semi-static resource allocation e.g. with a time-frame of a long cyclic prefix.

Uplink transport channel types are:

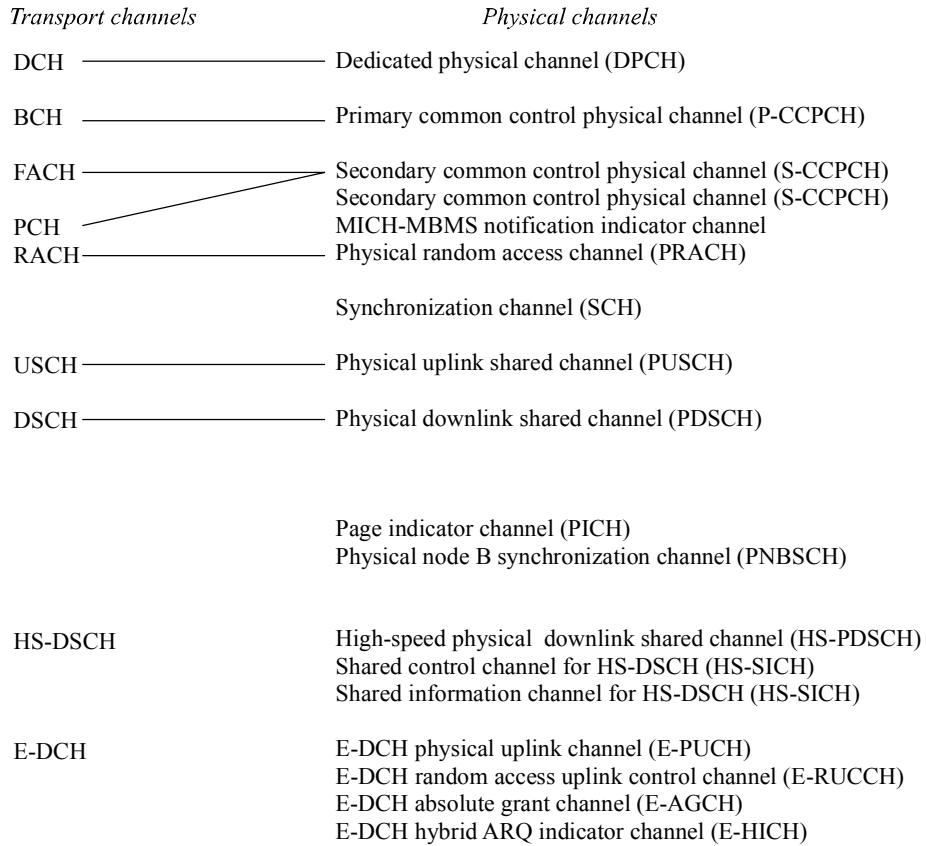
- **Uplink Shared Channel (UL-SCH)** characterized by:
 - possibility to use beamforming (likely no impact on specifications);
 - support for dynamic link adaptation by varying the transmit power and potentially modulation and coding;
 - support for HARQ;
 - support for both dynamic and semi-static resource allocation.
- **Random Access Channel(s) (RACH)** characterized by:
 - limited control information;
 - collision risk.

5.3.1.3.1.3 Transport channels to physical channel mapping

The transport channels are mapped onto the physical channels and Fig. 39 shows the different physical channels and summarizes the mapping of transport channels onto physical channels. Each physical channel has its tailored slot content. The DCH is shown in § 5.3.1.3.1.4.

FIGURE 39

Transport channels, physical channels and their mapping

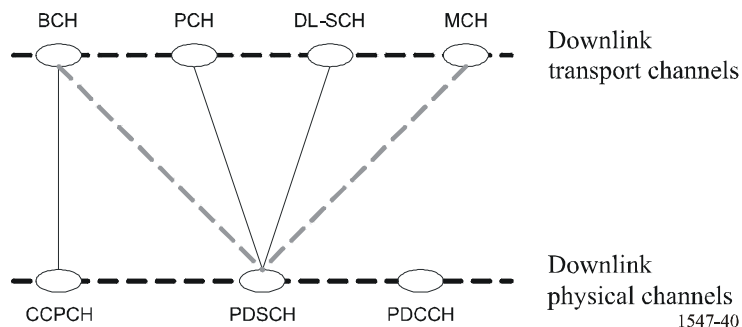


1457-39

Figures 40 and 41 depict the mapping between transport and physical channels for E-UTRAN:

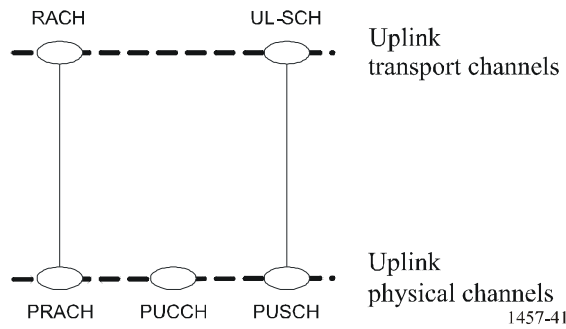
FIGURE 40

Mapping between downlink transport channels and downlink physical channels



1547-40

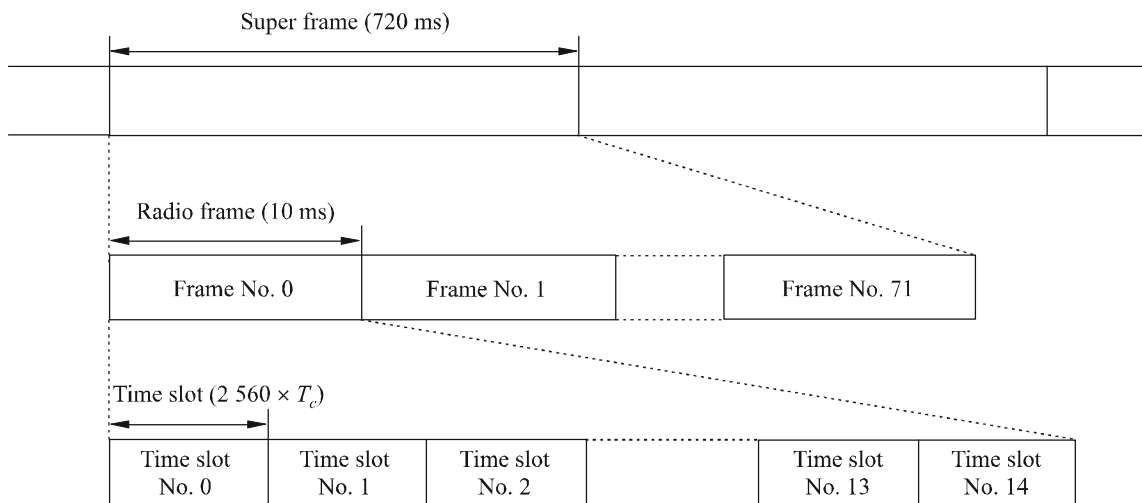
FIGURE 41
Mapping between uplink transport channels and uplink physical channels



5.3.1.3.1.4 Physical frame structure

The basic physical frame rate is 10 ms with 15 slots. Fig. 42 shows the frame structure.

FIGURE 42
Basic frame structure

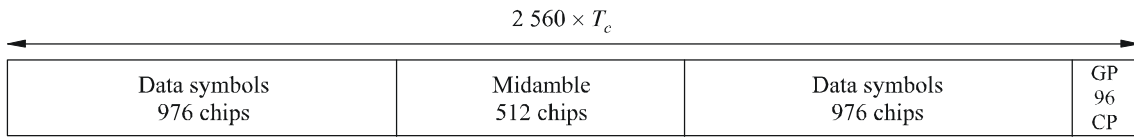


1457-42

Each 10 ms frame consists of 15 time slots, each allocated to either the uplink or the downlink. With such a flexibility, this radio interface can be adapted to different environments and deployment scenarios. In any configuration at least one time slot has to be allocated for the downlink and at least one time slot has to be allocated for the uplink.

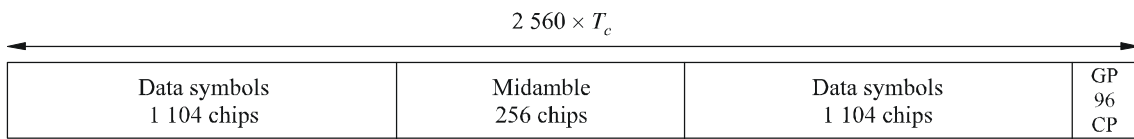
Figures 43, 44 and 45 show the three burst formats stating the content for a slot used by a DCH for 3.84 Mchip/s TDD. The usage of either burst format 1, 2 or 3 is depending on the application for UL or DL type 3 for uplink only) and the number of allocated users per time slot.

FIGURE 43
Burst structure of the burst type 1
 (GP denotes the guard period and CP the chip periods)



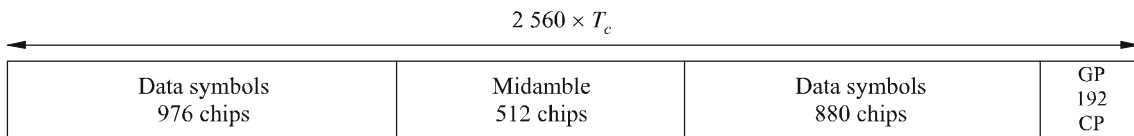
1457-43

FIGURE 44
Burst structure of the burst type 2
 (GP denotes the guard period and CP the chip periods)



1457-44

FIGURE 45
Burst structure of the burst type 3
 (GP denotes the guard period and CP the chip periods)



1457-45

In both cases data bits are QPSK or 16-QAM modulated and the resulting symbols are spread with a channelization code of length 1 to 16 (for the DL, only 1 and 16 apply). Due to this variable spreading factor, each burst provides the number of symbols as shown in Table 2 for the 3.84 Mchip/s option.

TABLE 2
Number of data symbols in TDD bursts in 3.84 Mchip/s TDD option

Spreading factor, Q	Number of symbols, N , for Burst type 1	Number of symbols, N , for Burst type 2	Number of symbols, N , for Burst type 3
1	1 952	2 208	1 856
2	976	1 104	928
4	488	552	464
8	244	276	232
16	122	138	116

Thus, the number of bits per TDD burst in the 3.84 Mchip/s TDD option is two or four times the number shown in Table 2 depending on the applied modulation. Usage of multicode and multiple time slots can be applied.

For the 7.68 Mchip/s TDD option, the same burst structures as for the 3.84 Mchip/s option are employed but with a corresponding doubling in the number of chips per field within the burst. Additionally, the range of spreading factors is extended to provide for spreading factor 32. Thus, channelization codes with lengths ranging between 1 and 32 are used to spread the modulation symbols (for the DL, only 1 and 32). The

number of bits per TDD burst in the 7.68 Mchip/s TDD option is shown in Table 3. As for the 3.84 Mchip/s option, usage of multicode and multiple time slots can be applied.

TABLE 3

Number of data symbols in TDD bursts in the 7.68 Mchip/s TDD option

Spreading factor, Q	Number of symbols, N , for Burst type 1	Number of symbols, N , for Burst type 2	Number of symbols, N , for Burst type 3
1	3 904	4 416	3 712
2	1 952	2 208	1 856
4	976	1 104	928
8	488	552	464
16	244	276	232
32	122	138	116

Downlink and uplink transmissions are organized into radio frames with $T_f = 307200 \times T_s = 10$ ms duration.

Frame structure type 2 is applicable to TDD. Each radio frame consists of two half-frames of length $T_f = 153600 \times T_s = 5$ ms each. Each half-frame consists of eight slots of length $T_{slot} = 15360 \times T_s = 0.5$ ms and three special fields, DwPTS, GP, and UpPTS. The lengths of DwPTS and UpPTS are configurable subject to the total length of DwPTS, GP and UpPTS being equal to $30720 \times T_s = 1$ ms. Subframe 1 and 6 consists of DwPTS, GP and UpPTS, all other subframes are defined as two slots where subframe i consists of slots $2i$ and $2i+1$.

Subframes 0 and 5 and DwPTS are always reserved for downlink transmission.

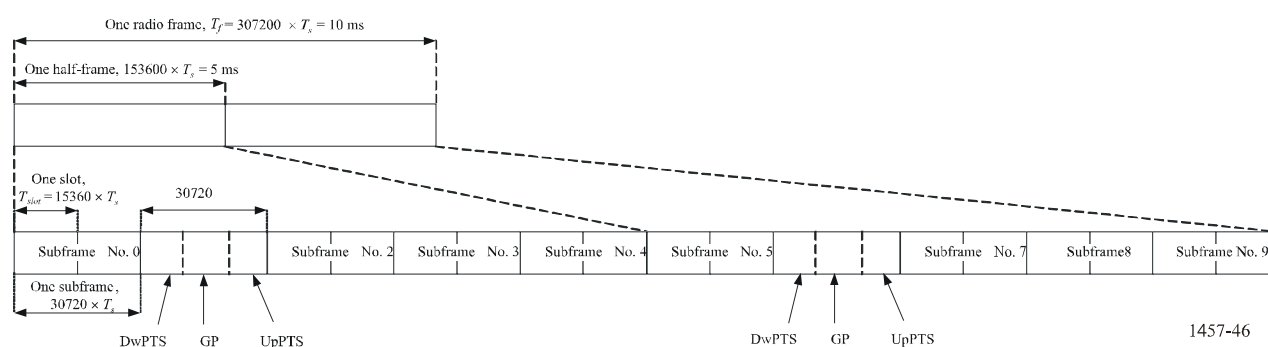
Both 5 ms and 10 ms switch-point periodicity is supported.

In case of 5 ms switch-point periodicity, UpPTS and subframes 2 and 7 are reserved for uplink transmission.

In case of 10 ms switch-point periodicity, DwPTS exist in both half-frames while GP and UpPTS only exist in the first half-frame and DwPTS in the second half-frame has a length equal to $30720 \times T_s = 1$ ms.. UpPTS and subframe 2 are reserved for uplink transmission and subframes 7 to 9 are reserved for downlink transmission.

FIGURE 46

Frame structure type 2



5.3.1.3.1.5 Spreading, modulation and pulse shaping

Spreading is applied after modulation and before pulse shaping. It consists of two operations. The first is the channelization operation, which transforms every data symbol into a number of chips, thus increasing the bandwidth of the signal. The number of chips per data symbol is called the spreading factor (SF) and is in the range of 1 to 16 for 3.84 Mchip/s TDD and in the range 1 to 32 for 7.68 Mchip/s TDD. The second operation is the scrambling operation, where a scrambling code is applied to the spread signal. This procedure is similar to the radio interface specified in § 5.1, but it should be noted that the midamble part in TDD bursts (see Figs. 43, 44 and 45) is not spread.

The applied channelization codes are OVSF-codes that preserve the distinguishability of different users. The applied scrambling code is cell-specific and 128 different scrambling codes are available.

In the uplink, the applied midamble is user specific and derived from a cell-specific basic midamble sequence. In the downlink, the applied midamble is either user specific, code specific (default) or common for the whole cell. In each case 128 different basic midamble sequences are available.

After spreading the same pulse-shaping is applied as in FDD mode, i.e. the filters are root-raised cosine with roll-off $\alpha = 0.22$ in the frequency domain.

In E-UTRAN, the uplink radio access scheme is based on single carrier FDMA, more specifically, DFTS-OFDM. The sub-carrier spacing is 15 kHz. The baseline antenna configuration is MU-MIMO. The modulation scheme for the uplink is up to 16-QAM and optionally 64-QAM.

Downlink spreading for downlink physical channels other than the downlink DPCH is very similar. For the physical channel to which HS-DSCH and E-DCH are mapped, 16-QAM can be used in addition to QPSK.

The downlink radio access scheme of E-UTRAN is based on conventional OFDM using cyclic prefix. The OFDM sub-carrier spacing is 15 kHz. In addition, there is also a reduced sub-carrier spacing of 7.5 kHz only for MBMS-dedicated cell. Single-User MIMO and Multi-User MIMO with 2 and 4 transmit antennas are supported. Peak data rate of more than 100 Mbit/s can be achieved with 20 MHz bandwidth, MIMO and higher order modulation up to 64-QAM.

5.3.1.3.2 UTRA TDD (1.28 Mchip/s TDD option)

5.3.1.3.2.1 Physical layer functionality and building blocks

The physical layer includes the following functionality:

- Error detection on transport channels and indication to higher layers.
- Forward error control (FEC) encoding/decoding of transport channels.
- Multiplexing of transport channels and demultiplexing of coded composite transport channels.
- Rate matching (data multiplexed on dedicated and shared channels).
- Mapping of coded composite transport channels on physical channels.
- Modulation and demodulation of physical channels.
- Spreading and despreading of physical channels.
- Radio characteristics measurements including FER, SIR, DOA, timing advance, handover measurements, etc.
- Frequency and time (chip, bit, time slot, subframe) synchronization.
- Power weighting and combining of physical channels.
- Power control.
- RF processing.
- UE location/positioning (smart antenna).
- Beamforming for both uplink and downlink (Smart antenna).
- Macrodiversity distribution/combining and handover execution (excluding E-UTRAN).
- Uplink synchronization.
- Random access process.
- Subframe segmentation.

For E-UTRAN, the following functionality are included in addition:

- frequency domain multiplexing with users;
- single frequency combining from multiple cells.

Figure 47 gives the physical layer transmission chain for the user plane data, i.e. from the level of transport channels down to the level of physical channel. Figure 47 shows how several transport channels can be multiplexed onto one or more dedicated physical channels (DPCH).

The CRC provides for error detection of the transport blocks for the particular transport channel. The CRC can take the length zero (no CRC), 8, 12, 16 or 24 bits depending on the service requirements.

The transport block concatenation and code block segmentation functionality performs serial concatenation of those transport blocks that will be sent in one transmission time interval and any code block segmentation if necessary.

The types of channel coding defined are convolutional coding, turbo coding and no coding. Real-time services use only FEC encoding while non-real-time services use a combination of FEC and ARQ. The ARQ functionality resides in the RLC sub-layer of Layer 2. The convolutional coding rates are 1/2 or 1/3 while the rate is 1/3 for turbo codes.

The possible interleaving depths are 10, 20, 40 or 80 ms, for the RACH also 5 ms may apply.

The radio frame equalization performs padding of bits. The rate matching adapts any remaining differences of the bit rate so the number of outgoing bits fit to the available bit rates of the physical channels. Repetition coding and/or puncturing is used for this purpose.

The TrCH multiplexing stage combines transport channels in a serial fashion. This is done every 10 ms. The output of this operation is also called coded composite transport channels.

If several physical channels will be used to transmit the data, the split is made in the physical channel segmentation unit.

5.3.1.3.2.2 Transport channels

The interface to the MAC sub-layer is the transport channels, see Fig. 38. The transport channels define how and with which type of characteristics the data is transferred by the physical layer. They are categorized into DCH or common channels where many UEs are sharing the latter type. Introducing an information field containing the address then does the address resolution, if needed. The physical channel itself defines a DCH. Thus no specific address is needed for the UE. Table 4 summarizes the different types of available transport channels.

FIGURE 47

Transport channel multiplexing structure

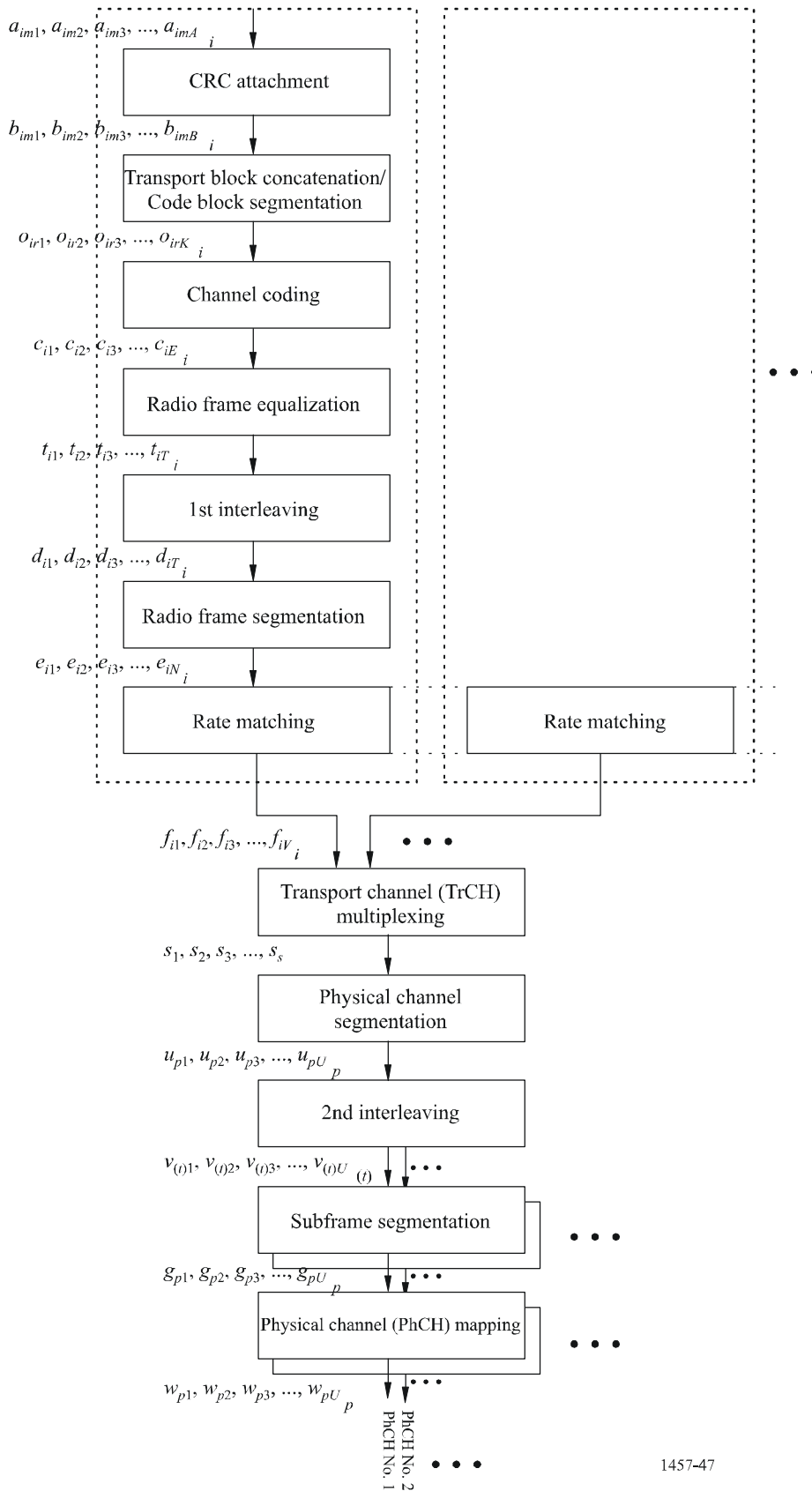


TABLE 4
The defined transport channels

Transport channel	Type and direction	Used for
DCH (dedicated channel)	Dedicated; uplink and downlink	User or control information to a UE (entire cell or part of cell (lobe-forming))
BCH (broadcast channel)	Common; downlink	Broadcast system and cell specific information
FACH (forward access channel)	Common; downlink	Control information when system knows UE location or short user packets to a UE
PCH (paging channel)	Common; downlink	Control information to UEs when good sleep mode properties are needed, e.g. idle mode operation
RACH (random access channel)	Common; uplink	Control information or short user packets from an UE
DSCH (downlink shared channel)	Common; downlink	Carries dedicated user data and control information using a shared channel
HS-DSCH (high Speed Downlink shared channel)	Common; downlink	A downlink channel serving several Ues carrying dedicated control or traffic data. HS-DSCH offers the possibility for high-speed downlink packet access through the support of higher-order modulation, adaptive modulation and coding, fast channel-dependent scheduling, and hybrid ARQ with soft combining
USCH (uplink shared channel)	Common; uplink	Carries dedicated user data and control information using a shared channel
E-DCH	Common; uplink	An uplink channel serving several UEs carrying dedicated control or traffic data. E-DCH offers the possibility for high-speed uplink packet access through the support of higher-order modulation, adaptive modulation and coding, fast scheduling, and hybrid ARQ with soft combining

The RACH on the uplink is contention-based while the DCH is reservation-based.

On each transport channel, a number of *Transport Blocks* are delivered to/from the physical layer once every *Transmission Time Interval* (TTI). To each transport channel, there is an associated *Transport Format* or set of transport formats. The transport format describes the physical properties of the transport channel, such as the TTI, the number of transport blocks per TTI, the number of bits per transport blocks, the coding scheme and coding rate, and the modulation scheme.

5.3.1.3.2.3 Transport channels to physical channel mapping

The transport channels are mapped onto the physical channels and Fig. 48 shows the different physical channels and summarizes the mapping of transport channels onto physical channels. Each physical channel has its tailored slot content. The DCH is shown in § 5.3.1.3.2.4.

FIGURE 48

Transport channel, physical channel and their mapping

Transport channels	Physical channels
DCH	Dedicated physical channel (DPCH)
BCH	Primary common control physical channels (P-CCPCH)
PCH	Secondary common control physical channels (S-CCPCH)
FACH	Secondary common control physical channels (S-CCPCH)
	MBMS notification indicator channel (MICH)
RACH	Physical random access channel (PRACH)
USCH	Physical uplink shared channel (PUSCH)
DSCH	Physical downlink shared channel (PDSCH)
HS-DSCH	High-speed-physical downlink shared channel (HS-PDSCH)
	Shared control channel for HS-DSCH (HS-SCCH)
	Shared information channel for HS-DSCH (HS-SICH)
	Downlink pilot channel (DwPCH)
	Uplink pilot channel (UpPCH)
	Fast physical access channel (FPACH)
	Paging indicator channel (PICH)
E-DCH	E-DCH physical uplink channel (E-PUCH)
	E-DCH random access uplink control channel (E-RUCCH)
	E-DCH absolute grant channel (E-AGCH)
	E-DCH hybrid ARQ indicator channel (E-HICH)

1457-48

5.3.1.3.2.4 Frame structure

Physical channels take four-layer structure of multi-frames, radio frames, sub-frames and time slots/codes. The radio frame has a duration of 10 ms and is subdivided into 2 sub-frames of 5 ms each, and each sub-frame is then subdivided into 7 traffic time slots of 675 μ s duration each and 3 special time slots: DwPTS (downlink pilot timeslot), GP (guard period) and UpPTS (uplink pilot timeslot).

For E-UTRAN, following transport channels are defined.

Downlink transport channel types are:

- **Broadcast Channel (BCH)** characterized by:
 - fixed, pre-defined transport format;
 - requirement to be broadcast in the entire coverage area of the cell.
- **Downlink Shared Channel (DL-SCH)** characterized by:
 - support for HARQ;
 - support for dynamic link adaptation by varying the modulation, coding and transmit power;
 - possibility to be broadcast in the entire cell;
 - possibility to use beamforming;

- support for both dynamic and semi-static resource allocation;
- support for UE discontinuous reception (DRX) to enable UE power saving;
- support for MBMS transmission (FFS).
- **Paging Channel (PCH)** characterized by:
 - support for UE discontinuous reception (DRX) to enable UE power saving (DRX cycle is indicated by the network to the UE);
 - requirement to be broadcast in the entire coverage area of the cell;
 - mapped to physical resources which can be used dynamically also for traffic/other control channels.
- **Multicast Channel (MCH)** characterized by:
 - requirement to be broadcast in the entire coverage area of the cell;
 - support for SFN combining of MBMS transmission on multiple cells;
 - support for semi-static resource allocation e.g. with a time-frame of a long cyclic prefix.

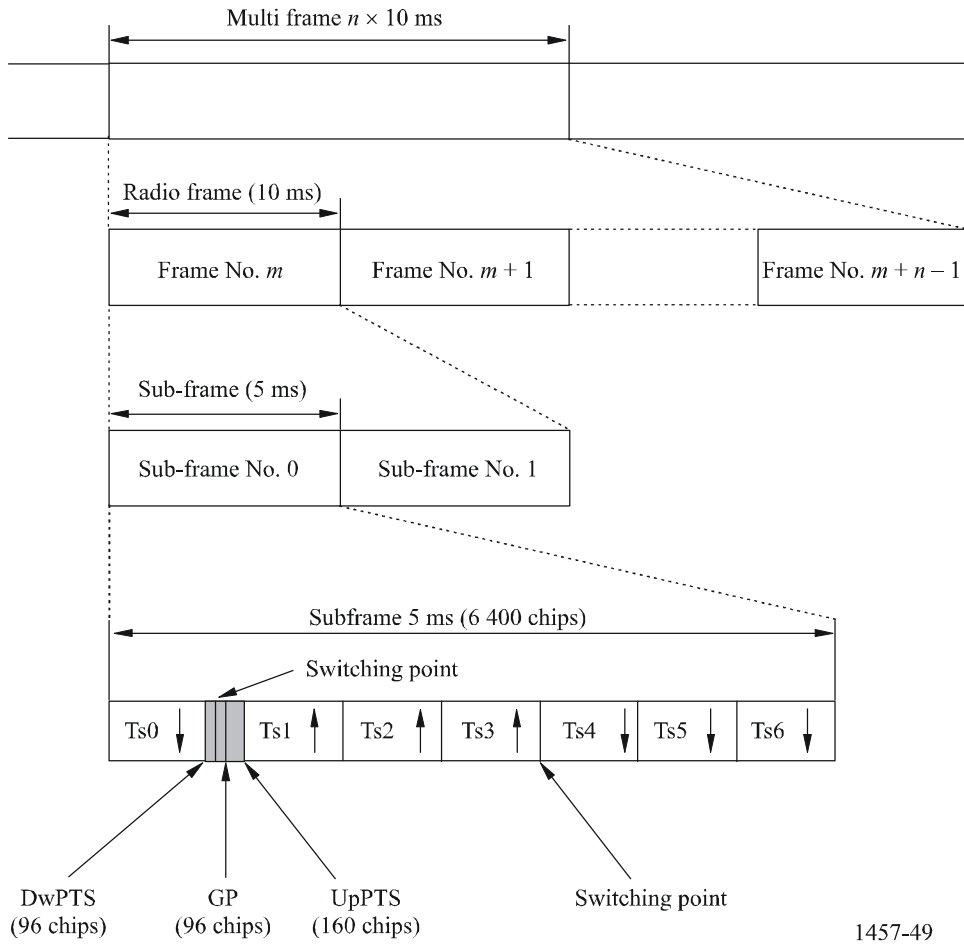
Uplink transport channel types are:

- **Uplink Shared Channel (UL-SCH)** characterized by:
 - possibility to use beamforming (likely no impact on specifications);
 - support for dynamic link adaptation by varying the transmit power and potentially modulation and coding;
 - support for HARQ;
 - support for both dynamic and semi-static resource allocation.
- **Random Access Channel(s) (RACH)** characterized by:
 - limited control information;
 - collision risk.

The burst structure is shown in Fig. 50. The burst type consists of two data symbol fields, a midamble of 144 chips and a guard period of 16 chips. The data fields of the burst type are 704 chips long. The data bits in the burst are QPSK modulated and are spread by the spreading factor of 1 to 16 in the UL and with the spreading factors 1 or 16 in the DL. The guard period is 16 chips long. 8-PSK and 16-QAM modulation may optionally be applied.

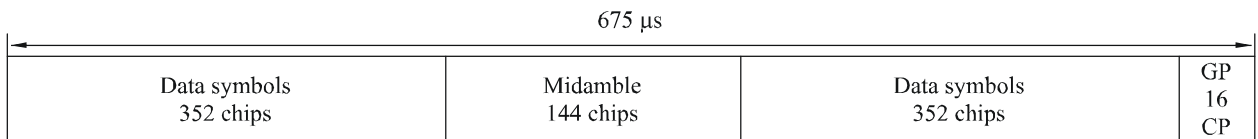
The corresponding number of symbols depends on the spreading factor as indicated in Table 5.

FIGURE 49
Frame and burst structure



1457-49

FIGURE 50
Burst structure



1457-50

TABLE 5
Number of data symbols in one burst with different SF
in the 1.28 Mchip/s TDD option

Spreading factor, Q	Number of symbols, N , per data field in the burst
1	352
2	176
4	88
8	44
16	22

5.3.1.3.2.5 Spreading, modulation and pulse shaping

Spreading is applied after modulation and before pulse shaping. It consists of two operations. The first is the channelization operation, which transforms every data symbol into a number of chips, thus increasing the bandwidth of the signal. The number of chips per data symbol is called the SF and is in the range of 1 to 16. The second operation is the scrambling operation, where a scrambling code is applied to the spread signal. It should be noted that the midamble part in TDD bursts is not spread.

The applied channelization codes are OVFSF-codes that preserve the distinguishability of different users. The applied scrambling code is cell-specific.

In the uplink, the applied midamble is user specific and derived from a cell-specific basic midamble sequence. In the downlink, the applied midamble is either user specific, code specific (default) or common for the whole cell.

After spreading, pulse-shaping is applied, i.e. the filters are root-raised cosine with roll-off $\alpha = 0.22$ in the frequency domain.

In E-UTRAN, the uplink radio access scheme is based on single carrier FDMA, more specifically, DFTS-OFDM. The sub-carrier spacing is 15 kHz. The baseline antenna configuration is MU-MIMO. Modulation scheme for the uplink is up to 16-QAM and optionally 64-QAM.

Downlink spreading for downlink physical channels other than the downlink DPCH is very similar. For the physical channel to which HS-DSCH and E-DCH are mapped, higher-order data modulation can be used in addition to QPSK.

The downlink radio access scheme of E-UTRAN is based on conventional OFDM using cyclic prefix. The OFDM sub-carrier spacing is 15 kHz. In addition, there is also a reduced sub-carrier spacing of 7.5 kHz only for MBMS-dedicated cell. Single-User MIMO and Multi-User MIMO with 2 and 4 transmit antennas are supported. Peak data rate of more than 100 Mbit/s can be achieved with 20 MHz bandwidth, MIMO and higher order modulation up to 64-QAM.

5.3.1.3.2.6 Transmission and reception

The frequency bands assumed for operation are unpaired frequency bands at 2 GHz. Also the system can work in other frequency bands available. Several Tx power classes for UE are being defined currently.

5.3.1.4 Layer 2

5.3.1.4.1 MAC layer

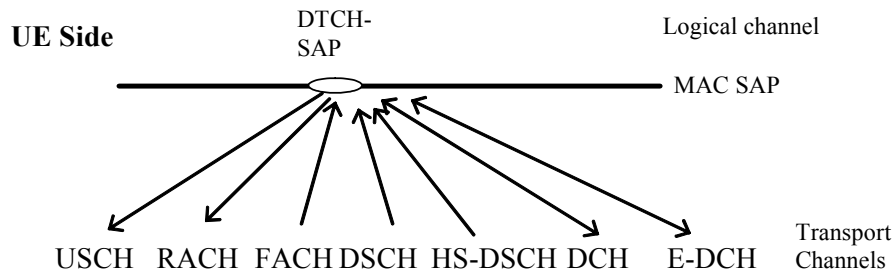
The MAC sub-layer is responsible for the handling of the data streams coming from the RLC and RRC sub-layers. It provides an unacknowledged transfer mode service to the upper layers. The interface to the RLC sub-layer is through logical channel service access points. It also re-allocates radio resources on request by the RRC sub-layer as well as provides measurements to the upper layers. The logical channels are divided into control channels and traffic channels. Thus, the functionality handles issues like:

- mapping of the different logical channels to the appropriate transport channels, selection of appropriate transport format for the transport channels based on the instantaneous source bit rate, and optimization of the HS-DSCH, DL-SCH (E-UTRA) and UL-SCH (E-UTRA) transport channel;
- multiplexing/demultiplexing of the PDUs to/from transport blocks which are thereafter further treated by the physical layer;
- dynamic switching between common and dedicated transport channels based on information from the RRC sub-layer;
- priority issues for services to one UE according to information from higher layers and physical layer (e.g. available transmit power level) as well as priority handling between UEs by means of dynamic scheduling in order to increase spectrum efficiency;
- monitoring of traffic volume that can be used by the RRC sub-layer;

- hybrid ARQ with soft combining in case of the HS-DSCH, DL-SCH (E-UTRA) or UL-SCH (E-UTRA) transport channel;
- segmentation in the case that improved L2 support for high data rates is used;
- padding (E-UTRA).

Figure 51 shows the possibilities of mapping the logical channel DTCH onto transport channels. There are possibilities to map onto common transport channels as well as dedicated transport channels. The choice of mapping could be determined on e.g. amount of traffic a user creates.

FIGURE 51



Figures 52 and 53 similarly show the possibilities of mapping the logical channels onto transport channels for E-UTRA.

FIGURE 52

Possible transport channel mappings of the common control channel (CCCH), dedicated control channel (DCCH) and dedicated traffic channel (DTCH)

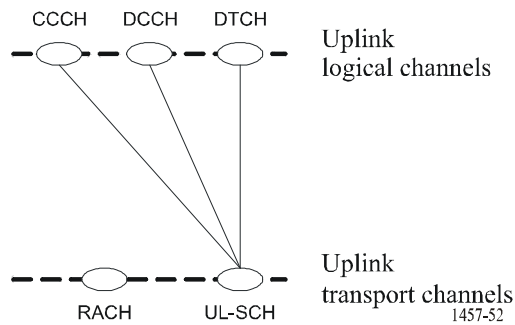
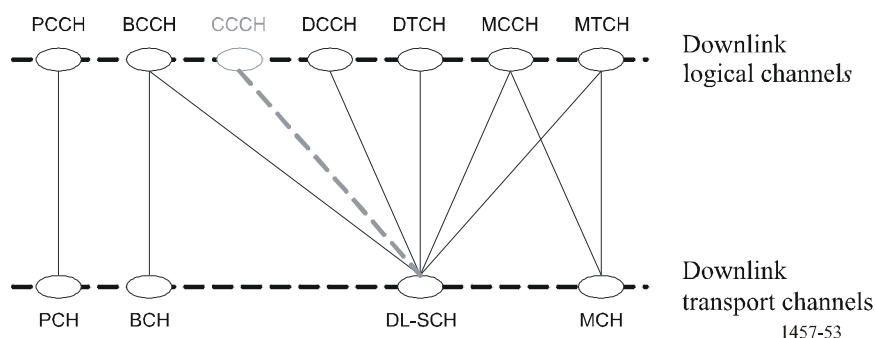


FIGURE 53

Possible transport channel mappings of Paging Control Channel (PCCH), Broadcast Control Channel (BCCH), Common Control Channel (CCCH), Dedicated Control Channel (DCCH), Dedicated Traffic Channel (DTCH), Multicast Control Channel (MCCH), Multicast Traffic Channel (MTCH)



5.3.1.4.2 RLC sub-layer

The RLC sub-layer provides three different types of data transfer modes:

- *Transparent data transfer* – This service transmits higher layer PDUs without adding any protocol information, possibly including segmentation/reassemble functionality.
- *Unacknowledged data transfer* – This service transmits higher layer PDUs without guaranteeing delivery to the peer entity. The unacknowledged data transfer mode has the following characteristics:
 - a) *Detection of erroneous data*: The RLC sub-layer shall deliver only those SDUs to the receiving higher layer that are free of transmission errors by using the sequence-number check function.
 - b) *Unique delivery*: The RLC sub-layer shall deliver each SDU only once to the receiving upper layer using duplication detection function.
 - c) *Immediate delivery*: The receiving RLC sub-layer entity shall deliver a SDU to the higher layer receiving entity as soon as it arrives at the receiver.
- *Acknowledged data transfer* – This service transmits higher layer PDUs and guarantees delivery to the peer entity. In case RLC is unable to deliver the data correctly, the user of RLC at the transmitting side is notified. For this service, both in-sequence and out-of-sequence delivery are supported. In many cases a higher layer protocol can restore the order of its PDUs. As long as the out-of-sequence properties of the lower layer are known and controlled (i.e. the higher layer protocol will not immediately request retransmission of a missing PDU) allowing out-of-sequence delivery can save memory space in the receiving RLC. The acknowledged data transfer mode has the following characteristics:
 - a) *Error-free delivery*: Error-free delivery is ensured by means of retransmission. The receiving RLC entity delivers only error-free SDUs to the higher layer.
 - b) *Unique delivery*: The RLC sub-layer shall deliver each SDU only once to the receiving upper layer using duplication detection function.
 - c) *In-sequence delivery*: RLC sub-layer shall provide support for in-order delivery of SDUs, i.e. RLC sub-layer should deliver SDUs to the receiving higher layer entity in the same order as the transmitting higher layer entity submits them to the RLC sub-layer.
 - d) *Out-of-sequence delivery*: Alternatively to in-sequence delivery, it shall also be possible to allow that the receiving RLC entity delivers SDUs to higher layer in different order than submitted to RLC sub-layer at the transmitting side.

It also provides for RLC connection establishment/release. As well as QoS setting and notification to higher layers in case of unrecoverable errors.

An example of the data flow for non-transparent (acknowledged/unacknowledged) data transfer is shown in Fig. 35.

5.3.1.4.3 PDCP sub-layer

PDCP provides transmission and reception of Network PDUs in acknowledged, unacknowledged and transparent RLC mode.

It is responsible for the mapping of Network PDUs from one network protocol to one RLC entity and it provides compression in the transmitting entity and decompression in the receiving entity of redundant Network PDU control information (header compression/ decompression).

For E-UTRAN, PDCP is also responsible for in-sequence delivery of upper layer PDUs at hand-over, duplicate detection of lower layer SDUs and retransmission of PDCP SDUs at handover.

5.3.1.4.4 BMC sub-layer

The BMC provides a broadcast/multicast transmission service in the user plane on the radio interface for common user data in transparent or unacknowledged mode.

It can handle functionalities such as storage, scheduling and transmission of BMC messages.

5.3.1.5 Layer 3 (radio resource control sub-layer)

The radio resource control (RRC) sub-layer handles the control plane signalling of Layer 3 between the UEs and the radio access network. In addition to the relation with the upper layers (such as core network) the following main functions are performed:

- *Broadcast of information provided by the non-access stratum (core network)* – The RRC layer performs system information broadcasting from the network to all UEs. The system information is normally repeated on a regular basis. This function supports broadcast of higher layer (above RRC) information. This information may be cell specific or not. As an example RRC may broadcast core network location service area information related to some specific cells.
- *Broadcast of information related to the access stratum* – The RRC layer performs system information broadcasting from the network to all UEs. This function supports broadcast of typically cell-specific information.
- *Establishment, maintenance and release of an RRC connection between the UE and this radio interface* – The establishment of an RRC connection is initiated by a request from higher layers at the UE side to establish the first signalling connection for the UE. The establishment of an RRC connection includes an optional cell re-selection, an admission control, and a Layer 2 signalling link establishment.
- *Establishment, reconfiguration and release of radio access bearers* – The RRC layer will, on request from higher layers, perform the establishment, reconfiguration and release of radio access bearers in the user plane. A number of radio access bearers can be established to an UE at the same time. At establishment and reconfiguration, the RRC layer performs admission control and selects parameters describing the radio access bearer processing in Layer 2 and Layer 1, based on information from higher layers.
- *Assignment, reconfiguration and release of radio resources for the RRC connection* – The RRC layer handles the assignment of radio resources (e.g. codes and, for TDD only, time slots) needed for the RRC connection including needs from both the control and user plane. The RRC layer may reconfigure radio resources during an established RRC connection. This function includes coordination of the radio resource allocation between multiple radio bearers related to the same RRC connection. RRC controls the radio resources in the uplink and downlink such that UE and the radio access network can communicate using unbalanced radio resources (asymmetric uplink and downlink). RRC signals to the UE to indicate resource allocations for purposes of handover to GSM or other radio systems.
- *RRC connection mobility functions* – The RRC layer performs evaluation, decision and execution related to RRC connection mobility during an established RRC connection, such as handover, preparation of handover to GSM or other systems, cell re-selection and cell/ paging area update procedures, based on e.g. measurements done by the UE.
- *Paging/notification* – The RRC layer can broadcast paging information from the network to selected UEs. The RRC layer can also initiate paging during an established RRC connection.

- *Control of requested QoS* – This function ensures that the QoS requested for the radio access bearers can be met. This includes the allocation of a sufficient number of radio resources.
- *UE measurement reporting and control of the reporting* – The measurements performed by the UE are controlled by the RRC layer, in terms of what to measure, when to measure and how to report, including both this radio interface and other systems. The RRC layer also performs the reporting of the measurements from the UE to the network.
- *Outer loop power control* – The RRC layer controls setting of the target of the closed-loop power control.
- *Control of ciphering* – The RRC layer provides procedures for setting of ciphering (on/off) between the UE and the radio access network.
- *Initial cell selection and re-selection in idle mode* – Selection of the most suitable cell based on idle mode measurements and cell selection criteria.
- *Arbitration of the radio resource allocation between the cells* – This function shall ensure optimal performance of the overall radio access network capacity.
- *Slow DCA* – Allocation of preferred radio resources based on long-term decision criteria.
- *Timing advance control* – The RRC controls the operation of timing advance.

5.3.1.6 Summary of major technical parameters

Parameter	Value	Reference to § 5.3.2
Multiple access technique and duplexing scheme	Multiple access: TDMA/CDMA (E-UTRAN) OFDM in DL. SC-FDMA in UL Duplexing: TDD	5.3.2.1.1 5.3.2.3.1
Chip rate (Mchip/s)	3.84 Mchip/s TDD option: 3.84 7.68 Mchip/s TDD option: 7.68 1.28 Mchip/s TDD option: 1.28	5.3.2.1.4
Frame length and structure	3.84 Mchip/s TDD option: Frame length: 10 ms 15 slots per frame, each 666.666 µs 7.68 Mchip/s TDD option: Frame length: 10 ms 15 slots per frame, each 666.666 µs 1.28 Mchip/s TDD option: Frame length: 10 ms Sub-frame length: 5 ms 7 main slots per sub-frame, each 675 µs (E-UTRAN) Sub-frame length; 1 ms (E-UTRAN) Slot length 0.5 ms TTI: 10 ms, 20 ms, 40 ms, 80 ms, 5 ms (HS-DSCH, E-DCH and PRACH, 1.28 Mchip/s option only) (E-UTRAN) 1 ms	5.3.2.1.2 5.3.2.3.1

Parameter	Value	Reference to § 5.3.2
Occupied bandwidth (MHz)	3.84 Mchip/sTDD option: Less than 5 7.68 Mchip/s TDD option: Less than 10 1.28 Mchip/sTDD option: Less than 1.6 (E-UTRAN) 1.4 MHz, 3 MHz, 10 MHz, 15 MHz and 20 MHz	5.3.2.5.1 5.3.2.5.3 5.3.2.3.1
Adjacent channel leakage power ratio (ACLR) (transmitter side)	3.84 Mchip/sTDD option: UE (UE power class: +21 dBm, +24 dBm) ACLR (5 MHz) = 33 dB ACLR (10 MHz) = 43 dB BS: ACLR (5 MHz) = 45 dB ACLR (10 MHz) = 55 dB 7.68 Mchip/s TDD option: UE (UE power class: +21 dBm, +24 dBm) ACLR (10 MHz) = 33 dB ACLR (20 MHz) = 43 dB BS: ACLR (10 MHz) = 45 dB ACLR (20 MHz) = 55 dB 1.28 Mchip/sTDD option: UE (UE power class: +21 dBm, +24 dBm) ACLR (1.6 MHz) = 33 dB ACLR (3.2 MHz) = 43 dB BS: ACLR (1.6 MHz) = 40 dB ACLR (3.2 MHz) = 45 dB	5.3.2.5.1 5.3.2.5.3
Adjacent channel selectivity (ACS) (receiver side)	3.84 Mchip/s TDD option: UE: (UE power class: +21 dBm, +24 dBm) ACS(5 MHz) = 33 dB BS: ACS(5 MHz) = 45 dB 7.68 Mchip/s TDD option: UE: (UE power class: +21 dBm, +24 dBm) ACS (10 MHz) = 33 dB BS: ACS (10 MHz) = 45 dB 1.28 Mchip/sTDD option: UE: (UE power class: +21 dBm, +24 dBm) ACS(1.6 MHz) = 33 dB BS: ACS(1.6 MHz) = 45 dB	5.3.2.5.1 5.3.2.5.3
Random access mechanism	3.84 Mchip/s and 7.68 Mchip/s TDD options: RACH burst on dedicated uplink slot(s) 1.28 Mchip/sTDD option: Two step random-access with fast physical layer signalling	5.3.2.1.2, 5.3.2.1.5
Channel estimation	Midambles are used for channel estimation	5.3.2.1.2
Inter-base station asynchronous/ synchronous operation	Synchronous operation	5.3.2.1.5 5.3.2.5.3

5.3.2 Detailed specification of the radio interface

The standards contained in this section are derived from the global core specifications for IMT-2000 contained at <http://ties.itu.int/u/itu-r/ede/rsg5/IMT-2000/GCS/GCSrev8/>. The following notes apply to the sections below, where indicated:

- (1) The relevant SDOs should make their reference material available from their Web site.
- (2) This information was supplied by the recognized external organizations and relates to their own deliverables of the transposed global core specification.

5.3.2.1

25.200 series

5.3.2.1.1 TS 25.201

Physical layer – General description

This specification gives a general description of the physical layer of the UTRA radio interface.

SDO (2)	Document No.	Version	Status	Issued date	Location (1)
Release 99					
ARIB	ARIB STD-T63-25.201	3.4.0	Approved	Sep 08	http://www.arib.or.jp/IMT-2000/ARIB-STD/ITU-R_Rev8/R99/A25201-340.pdf
ATIS	T1.3GPP.25.201V340-2003	3.4.0	Approved	Mar 03	https://www.atis.org/docstore/default.aspx
ETSI	ETSI TS 125 201	3.4.0	Published	Jul 02	http://pda.etsi.org/pda/home.asp?wkr=RTS/TSGR-0125201v340
Release 4					
ARIB	ARIB STD-T63-25.201	4.3.0	Approved	Sep 08	http://www.arib.or.jp/IMT-2000/ARIB-STD/ITU-R_Rev8/Rel4/A25201-430.pdf
ATIS	T1.3GPP.25.201V430-2003	4.3.0	Approved	Mar 03	https://www.atis.org/docstore/default.aspx
ETSI	ETSI TS 125 201	4.3.0	Published	Jul 02	http://pda.etsi.org/pda/home.asp?wkr=RTS/TSGR-0125201v430
Release 5					
ARIB	ARIB STD-T63-25.201	5.3.0	Approved	Sep 08	http://www.arib.or.jp/IMT-2000/ARIB-STD/ITU-R_Rev8/Rel5/A25201-530.pdf
ATIS	ATIS.3GPP.25.201V530-2006	5.3.0	Approved	Apr 06	https://www.atis.org/docstore/default.aspx
ETSI	ETSI TS 125 201	5.3.0	Published	Jul 05	http://pda.etsi.org/pda/home.asp?wkr=RTS/TSGR-0125201v530
Release 6					
ARIB	ARIB STD-T63-25.201	6.2.0	Approved	Sep 08	http://www.arib.or.jp/IMT-2000/ARIB-STD/ITU-R_Rev8/Rel6/A25201-620.pdf
ATIS	ATIS.3GPP.25.201V620-2006	6.2.0	Approved	Apr 06	https://www.atis.org/docstore/default.aspx
ETSI	ETSI TS 125 201	6.2.0	Published	Jul 05	http://pda.etsi.org/pda/home.asp?wkr=RTS/TSGR-0125201v620
Release 7					
ARIB	ARIB STD-T63-25.201	7.5.0	Approved	Sep 08	http://www.arib.or.jp/IMT-2000/ARIB-STD/ITU-R_Rev8/Rel7/A25201-750.pdf
ATIS	ATIS.3GPP.25.201V740-2007	7.4.0	Approved	Oct 07	https://www.atis.org/docstore/default.aspx
ETSI	ETSI TS 125 201	7.5.0	Awaiting publication		http://pda.etsi.org/pda/home.asp?wkr=RTS/TSGR-0125201v750
Release 8					
ARIB	ARIB STD-T63-25.201	8.1.0	Approved	Sep 08	http://www.arib.or.jp/IMT-2000/ARIB-STD/ITU-R_Rev8/Rel8/A25201-810.pdf
ATIS	ATIS.3GPP.25.201V810-2008	8.1.0	Approved	Oct 08	https://www.atis.org/docstore/default.aspx

5.3.2.1.2 TS 25.221**Physical channels and mapping of transport channels onto physical channels (TDD)**

This specification describes the characteristics of the Layer 1 transport channels and physical channel in the TDD mode of UTRA. The main objectives of the document are to be a part of the full description of the UTRA Layer 1, and to serve as a basis for the drafting of the actual technical specification (TS).

SDO (2)	Document No.	Version	Status	Issued date	Location (1)
Release 99					
ARIB	ARIB STD-T63-25.221	3.11.0	Approved	Sep 08	http://www.arib.or.jp/IMT-2000/ARIB-STD/ITU-R_Rev8/R99/A25221-3b0.pdf
ATIS	ATIS.3GPP.25.221V3120-2006	3.12.0	Approved	Apr 06	https://www.atis.org/docstore/default.aspx
ETSI	ETSI TS 125 221	3.11.0	Published	Oct 02	http://pda.etsi.org/pda/home.asp?wkr=RTS/TSGR-0125221v3b0
Release 4					
ARIB	ARIB STD-T63-25.221	4.8.0	Approved	Sep 08	http://www.arib.or.jp/IMT-2000/ARIB-STD/ITU-R_Rev8/Rel4/A25221-480.pdf
ATIS	ATIS.3GPP.25.221V480-2006	4.8.0	Approved	Apr 06	https://www.atis.org/docstore/default.aspx
ETSI	ETSI TS 125 221	4.8.0	Published	Jul 05	http://pda.etsi.org/pda/home.asp?wkr=RTS/TSGR-0125221v480
Release 5					
ARIB	ARIB STD-T63-25.221	5.6.0	Approved	Sep 08	http://www.arib.or.jp/IMT-2000/ARIB-STD/ITU-R_Rev8/Rel5/A25221-560.pdf
ATIS	ATIS.3GPP.25.221V560-2006	5.6.0	Approved	Apr 06	https://www.atis.org/docstore/default.aspx
ETSI	ETSI TS 125 221	5.6.0	Published	Jul 05	http://pda.etsi.org/pda/home.asp?wkr=RTS/TSGR-0125221v560
Release 6					
ARIB	ARIB STD-T63-25.221	6.5.0	Approved	Sep 08	http://www.arib.or.jp/IMT-2000/ARIB-STD/ITU-R_Rev8/Rel6/A25221-650.pdf
ATIS	ATIS.3GPP.25.221V650-2006	6.5.0	Approved	Apr 06	https://www.atis.org/docstore/default.aspx
ETSI	ETSI TS 125 221	6.5.0	Published	Oct 05	http://pda.etsi.org/pda/home.asp?wkr=RTS/TSGR-0125221v650
Release 7					
ARIB	ARIB STD-T63-25.221	7.7.0	Approved	Sep 08	http://www.arib.or.jp/IMT-2000/ARIB-STD/ITU-R_Rev8/Rel7/A25221-770.pdf
ATIS	ATIS.3GPP.25.221V770-2008	7.7.0	Approved	Oct 08	https://www.atis.org/docstore/default.aspx
ETSI	ETSI TS 125 221	7.5.0	Awaiting publication		http://pda.etsi.org/pda/home.asp?wkr=RTS/TSGR-0125221v750
Release 8					
ATIS	ATIS.3GPP.25.221V810-2008	8.1.0	Approved	Oct 08	https://www.atis.org/docstore/default.aspx

5.3.2.1.3 TS 25.222**Multiplexing and channel coding (TDD)**

This specification describes multiplexing, channel coding and interleaving for UTRA physical layer TDD mode.

SDO (2)	Document No.	Version	Status	Issued date	Location (1)
Release 99					
ARIB	ARIB STD-T63-25.222	3.10.0	Approved	Sep 08	http://www.arib.or.jp/IMT-2000/ARIB-STD/ITU-R_Rev8/R99/A25222-3a0.pdf
ATIS	T1.3GPP.25.222V3100-2003	3.10.0	Approved	Mar 03	https://www.atis.org/docstore/default.aspx
ETSI	ETSI TS 125 222	3.10.0	Published	Oct 02	http://pda.etsi.org/pda/home.asp?wkr=RTS/TSGR-0125222v3a0
Release 4					
ARIB	ARIB STD-T63-25.222	4.8.0	Approved	Sep 08	http://www.arib.or.jp/IMT-2000/ARIB-STD/ITU-R_Rev8/Rel4/A25222-480.pdf
ATIS	ATIS.3GPP.25.222V480-2005	4.8.0	Approved	Apr 05	https://www.atis.org/docstore/default.aspx
ETSI	ETSI TS 125 222	4.8.0	Published	Oct 04	http://pda.etsi.org/pda/home.asp?wkr=RTS/TSGR-0125222v480
Release 5					
ARIB	ARIB STD-T63-25.222	5.7.0	Approved	Sep 08	http://www.arib.or.jp/IMT-2000/ARIB-STD/ITU-R_Rev8/Rel5/A25222-570.pdf
ATIS	ATIS.3GPP.25.222V570-2005	5.7.0	Approved	Apr 05	https://www.atis.org/docstore/default.aspx
ETSI	ETSI TS 125 222	5.7.0	Published	Oct 04	http://pda.etsi.org/pda/home.asp?wkr=RTS/TSGR-0125222v570
Release 6					
ARIB	ARIB STD-T63-25.222	6.2.0	Approved	Sep 08	http://www.arib.or.jp/IMT-2000/ARIB-STD/ITU-R_Rev8/Rel6/A25222-620.pdf
ATIS	ATIS.3GPP.25.222V620-2005	6.2.0	Approved	Apr 05	https://www.atis.org/docstore/default.aspx
ETSI	ETSI TS 125 222	6.2.0	Published	Jan 05	http://pda.etsi.org/pda/home.asp?wkr=RTS/TSGR-0125222v620
Release 7					
ARIB	ARIB STD-T63-25.222	7.7.0	Approved	Sep 08	http://www.arib.or.jp/IMT-2000/ARIB-STD/ITU-R_Rev8/Rel7/A25222-770.pdf
ATIS	ATIS.3GPP.25.222V770-2008	7.7.0	Approved	Oct 08	https://www.atis.org/docstore/default.aspx
ETSI	ETSI TS 125 222	7.5.0	Awaiting publication		http://pda.etsi.org/pda/home.asp?wkr=RTS/TSGR-0125222v750
Release 8					
ATIS	ATIS.3GPP.25.222V810-2008	8.1.0	Approved	Oct 08	https://www.atis.org/docstore/default.aspx

5.3.2.1.4 TS 25.223

Spreading and modulation (TDD)

This specification describes the characteristics of the spreading and modulation in the TDD mode. The main objectives of the document are to be a part of the full description of the Layer 1, and to serve as a basis for the drafting of the actual technical specification (TS).

SDO (2)	Document No.	Version	Status	Issued date	Location (1)
Release 99					
ARIB	ARIB STD-T63-25.223	3.8.0	Approved	Sep 08	http://www.arib.or.jp/IMT-2000/ARIB-STD/ITU-R_Rev8/R99/A25223-380.pdf
ATIS	T1.3GPP.25.223V380-2002	3.8.0	Approved	May 02	https://www.atis.org/docstore/default.aspx
ETSI	ETSI TS 125 223	3.8.0	Published	Apr 02	http://pda.etsi.org/pda/home.asp?wkr=RTS/TSGR-0125223UR7

Release 4

ARIB	ARIB STD-T63-25.223	4.5.0	Approved	Sep 08	http://www.arib.or.jp/IMT-2000/ARIB-STD/ITU-R_Rev8/Rel4/A25223-450.pdf
ATIS	T1.3GPP.25.223V450-2003	4.5.0	Approved	Mar 03	https://www.atis.org/docstore/default.aspx
ETSI	ETSI TS 125 223	4.5.0	Published	Jan 03	http://pda.etsi.org/pda/home.asp?wkr=RTS/TSGR-0125223v450

Release 5

ARIB	ARIB STD-T63-25.223	5.3.0	Approved	Sep 08	http://www.arib.or.jp/IMT-2000/ARIB-STD/ITU-R_Rev8/Rel5/A25223-530.pdf
ATIS	T1.3GPP.25.223V530-2004	5.3.0	Approved	May 04	https://www.atis.org/docstore/default.aspx
ETSI	ETSI TS 125 223	5.3.0	Published	Apr 03	http://pda.etsi.org/pda/home.asp?wkr=RTS/TSGR-0125223v530

Release 6

ARIB	ARIB STD-T63-25.223	6.1.0	Approved	Sep 08	http://www.arib.or.jp/IMT-2000/ARIB-STD/ITU-R_Rev8/Rel6/A25223-610.pdf
ATIS	ATIS.3GPP.25.223V610-2006	6.1.0	Approved	Apr 06	https://www.atis.org/docstore/default.aspx
ETSI	ETSI TS 125 223	6.1.0	Published	Jan 06	http://pda.etsi.org/pda/home.asp?wkr=RTS/TSGR-0125223v610

Release 7

ARIB	ARIB STD-T63-25.223	7.7.0	Approved	Sep 08	http://www.arib.or.jp/IMT-2000/ARIB-STD/ITU-R_Rev8/Rel7/A25223-770.pdf
ATIS	ATIS.3GPP.25.223V770-2008	7.7.0	Approved	Oct 08	https://www.atis.org/docstore/default.aspx
ETSI	ETSI TS 125 223	7.6.0	Awaiting publication		http://pda.etsi.org/pda/home.asp?wkr=RTS/TSGR-0125223v760

Release 8

ATIS	ATIS.3GPP.25.223V810-2008	8.1.0	Approved	Oct 08	https://www.atis.org/docstore/default.aspx
------	---------------------------	-------	----------	--------	---

5.3.2.1.5 TS 25.224**Physical layer procedures (TDD)**

This specification describes the physical layer procedures in the TDD mode of UTRA.

SDO (2)	Document No.	Version	Status	Issued date	Location (1)
Release 99					
ARIB	ARIB STD-T63-25.224	3.13.0	Approved	Sep 08	http://www.arib.or.jp/IMT-2000/ARIB-STD/ITU-R_Rev8/R99/A25224-3d0.pdf
ATIS	T1.3GPP.25.224V3130-2004	3.13.0	Approved	May 04	https://www.atis.org/docstore/default.aspx
ETSI	ETSI TS 125 224	3.13.0	Published	Oct 03	http://pda.etsi.org/pda/home.asp?wkr=RTS/TSGR-0125224v3d0
Release 4					
ARIB	ARIB STD-T63-25.224	4.11.0	Approved	Sep 08	http://www.arib.or.jp/IMT-2000/ARIB-STD/ITU-R_Rev8/Rel4/A25224-4b0.pdf
ATIS	ATIS.3GPP.25.224V4110-2005	4.11.0	Approved	Apr 05	https://www.atis.org/docstore/default.aspx
ETSI	ETSI TS 125 224	4.11.0	Published	Oct 04	http://pda.etsi.org/pda/home.asp?wkr=RTS/TSGR-0125224v4b0
Release 5					
ARIB	ARIB STD-T63-25.224	5.9.0	Approved	Sep 08	http://www.arib.or.jp/IMT-2000/ARIB-STD/ITU-R_Rev8/Rel5/A25224-590.pdf
ATIS	ATIS.3GPP.25.224V590-2006	5.9.0	Approved	Apr 06	https://www.atis.org/docstore/default.aspx
ETSI	ETSI TS 125 224	5.9.0	Published	Jan 06	http://pda.etsi.org/pda/home.asp?wkr=RTS/TSGR-0125224v590

Release 6

ARIB	ARIB STD-T63-25.224	6.7.0	Approved	Sep 08	http://www.arib.or.jp/IMT-2000/ARIB-STD/ITU-R_Rev8/Rel6/A25224-670.pdf
ATIS	ATIS.3GPP.25.224V670-2007	6.7.0	Approved	Oct 07	https://www.atis.org/docstore/default.aspx
ETSI	ETSI TS 125 224	6.7.0	Published	Mar 07	http://pda.etsi.org/pda/home.asp?wkr=RTS/TSGR-0125224v670

Release 7

ARIB	ARIB STD-T63-25.224	7.7.0	Approved	Sep 08	http://www.arib.or.jp/IMT-2000/ARIB-STD/ITU-R_Rev8/Rel7/A25224-770.pdf
ATIS	ATIS.3GPP.25.224V770-2008	7.7.0	Approved	Oct 08	https://www.atis.org/docstore/default.aspx
ETSI	ETSI TS 125 224	7.5.0	Awaiting publication		http://pda.etsi.org/pda/home.asp?wkr=RTS/TSGR-0125224v750

Release 8

ATIS	ATIS.3GPP.25.224V800-2008	8.0.0	Approved	Oct 08	https://www.atis.org/docstore/default.aspx
------	---------------------------	-------	----------	--------	---

5.3.2.1.6 TS 25.225**Physical layer – Measurements (TDD)**

This specification describes the description of the measurements done at the UE and network in order to support operation in idle mode and connected mode for TDD mode.

SDO (2)	Document No.	Version	Status	Issued date	Location (1)
Release 99					
ARIB	ARIB STD-T63-25.225	3.12.0	Approved	Sep 08	http://www.arib.or.jp/IMT-2000/ARIB-STD/ITU-R_Rev8/R99/A25225-3c0.pdf
ATIS	T1.3GPP.25.225V3120-2004	3.12.0	Approved	May 04	https://www.atis.org/docstore/default.aspx
ETSI	ETSI TS 125 225	3.12.0	Published	Jul 03	http://pda.etsi.org/pda/home.asp?wkr=RTS/TSGR-0125225v3c0
Release 4					
ARIB	ARIB STD-T63-25.225	4.8.0	Approved	Sep 08	http://www.arib.or.jp/IMT-2000/ARIB-STD/ITU-R_Rev8/Rel4/A25225-480.pdf
ATIS	ATIS.3GPP.25.225V480-2005	4.8.0	Approved	Apr 05	https://www.atis.org/docstore/default.aspx
ETSI	ETSI TS 125 225	4.8.0	Published	May 04	http://pda.etsi.org/pda/home.asp?wkr=RTS/TSGR-0125225v480
Release 5					
ARIB	ARIB STD-T63-25.225	5.7.0	Approved	Sep 08	http://www.arib.or.jp/IMT-2000/ARIB-STD/ITU-R_Rev8/Rel5/A25225-570.pdf
ATIS	ATIS.3GPP.25.225V570-2005	5.7.0	Approved	Apr 05	https://www.atis.org/docstore/default.aspx
ETSI	ETSI TS 125 225	5.7.0	Published	May 04	http://pda.etsi.org/pda/home.asp?wkr=RTS/TSGR-0125225v570
Release 6					
ARIB	ARIB STD-T63-25.225	6.3.0	Approved	Sep 08	http://www.arib.or.jp/IMT-2000/ARIB-STD/ITU-R_Rev8/Rel6/A25225-630.pdf
ATIS	ATIS.3GPP.25.225V630-2007	6.3.0	Approved	Oct 07	https://www.atis.org/docstore/default.aspx
ETSI	ETSI TS 125 225	6.3.0	Published	Mar 07	http://pda.etsi.org/pda/home.asp?wkr=RTS/TSGR-0125225v630

Release 7

ARIB	ARIB STD-T63-25.225	7.4.0	Approved	Sep 08	http://www.arib.or.jp/IMT-2000/ARIB-STD/ITU-R_Rev8/Rel7/A25225-740.pdf
ATIS	ATIS.3GPP.25.225V740-2007	7.4.0	Approved	Oct 07	https://www.atis.org/docstore/default.aspx
ETSI	ETSI TS 125 225	7.4.0	Published	Oct 07	http://pda.etsi.org/pda/home.asp?wkr=RTS/TSGR-0125225v740

Release 8

ATIS	ATIS.3GPP.25.225V800-2008	8.0.0	Approved	Oct 08	https://www.atis.org/docstore/default.aspx
------	---------------------------	-------	----------	--------	---

5.3.2.2**25.300 series****5.3.2.2.1 TS 25.301****Radio interface protocol architecture**

This specification describes an overview and overall description of the UE-UTRAN radio interface protocol architecture. Details of the radio protocols will be specified in companion documents.

SDO (2)	Document No.	Version	Status	Issued date	Location (1)
Release 99					
ARIB	ARIB STD-T63-25.301	3.11.0	Approved	Sep 08	http://www.arib.or.jp/IMT-2000/ARIB-STD/ITU-R_Rev8/R99/A25301-3b0.pdf
ATIS	T1.3GPP.25.301V3110-2003	3.11.0	Approved	Mar 03	https://www.atis.org/docstore/default.aspx
ETSI	ETSI TS 125 301	3.11.0	Published	Oct 02	http://pda.etsi.org/pda/home.asp?wkr=RTS/TSGR-0225301v3b0
Release 4					
ARIB	ARIB STD-T63-25.301	4.4.0	Approved	Sep 08	http://www.arib.or.jp/IMT-2000/ARIB-STD/ITU-R_Rev8/Rel4/A25301-440.pdf
ATIS	T1.3GPP.25.301V440-2003	4.4.0	Approved	Mar 03	https://www.atis.org/docstore/default.aspx
ETSI	ETSI TS 125 301	4.4.0	Published	Oct 02	http://pda.etsi.org/pda/home.asp?wkr=RTS/TSGR-0225301v440
Release 5					
ARIB	ARIB STD-T63-25.301	5.6.0	Approved	Sep 08	http://www.arib.or.jp/IMT-2000/ARIB-STD/ITU-R_Rev8/Rel5/A25301-560.pdf
ATIS	ATIS.3GPP.25.301V560-2006	5.6.0	Approved	Apr 06	https://www.atis.org/docstore/default.aspx
ETSI	ETSI TS 125 301	5.6.0	Published	Oct 05	http://pda.etsi.org/pda/home.asp?wkr=RTS/TSGR-0225301v560
Release 6					
ARIB	ARIB STD-T63-25.301	6.6.0	Approved	Sep 08	http://www.arib.or.jp/IMT-2000/ARIB-STD/ITU-R_Rev8/Rel6/A25301-660.pdf
ATIS	ATIS.3GPP.25.301V660-2008	6.6.0	Approved	Oct 08	https://www.atis.org/docstore/default.aspx
ETSI	ETSI TS 125 301	6.5.0	Published	Oct 07	http://pda.etsi.org/pda/home.asp?wkr=RTS/TSGR-0225301v650
Release 7					
ARIB	ARIB STD-T63-25.301	7.4.0	Approved	Sep 08	http://www.arib.or.jp/IMT-2000/ARIB-STD/ITU-R_Rev8/Rel7/A25301-740.pdf
ATIS	ATIS.3GPP.25.301V740-2008	7.4.0	Approved	Oct 08	https://www.atis.org/docstore/default.aspx
ETSI	ETSI TS 125 301	7.3.0	Published	Oct 07	http://pda.etsi.org/pda/home.asp?wkr=RTS/TSGR-0225301v730

Release 8

ARIB	ARIB STD-T63-25.301	8.2.0	Approved	Sep 08	http://www.arib.or.jp/IMT-2000/ARIB-STD/ITU-R_Rev8/Rel8/A25301-820.pdf
ATIS	ATIS.3GPP.25.301V820-2008	8.2.0	Approved	Oct 08	https://www.atis.org/docstore/default.aspx
ETSI	ETSI	8.0.0	Awaiting publication		

5.3.2.2.2 TS 25.302**Services provided by the physical layer**

This specification describes a technical specification of the services provided by the physical layer of UTRA to upper layers.

SDO (2)	Document No.	Version	Status	Issued date	Location (1)
Release 99					
ARIB	ARIB STD-T63-25.302	3.16.0	Approved	Sep 08	http://www.arib.or.jp/IMT-2000/ARIB-STD/ITU-R_Rev8/R99/A25302-3g0.pdf
ATIS	T1.3GPP.25.302V3160-2004	3.16.0	Approved	May 04	https://www.atis.org/docstore/default.aspx
ETSI	ETSI TS 125 302	3.16.0	Published	Oct 03	http://pda.etsi.org/pda/home.asp?wkr=RTS/TSGR-0225302v3g0
Release 4					
ARIB	ARIB STD-T63-25.302	4.8.0	Approved	Sep 08	http://www.arib.or.jp/IMT-2000/ARIB-STD/ITU-R_Rev8/Rel4/A25302-480.pdf
ATIS	T1.3GPP.25.302V480-2004	4.8.0	Approved	May 04	https://www.atis.org/docstore/default.aspx
ETSI	ETSI TS 125 302	4.8.0	Published	Oct 03	http://pda.etsi.org/pda/home.asp?wkr=RTS/TSGR-0225302v480
Release 5					
ARIB	ARIB STD-T63-25.302	5.9.0	Approved	Sep 08	http://www.arib.or.jp/IMT-2000/ARIB-STD/ITU-R_Rev8/Rel5/A25302-590.pdf
ATIS	ATIS.3GPP.25.302V590-2006	5.9.0	Approved	Apr 06	https://www.atis.org/docstore/default.aspx
ETSI	ETSI TS 125 302	5.9.0	Published	Oct 05	http://pda.etsi.org/pda/home.asp?wkr=RTS/TSGR-0225302v590
Release 6					
ARIB	ARIB STD-T63-25.302	6.8.0	Approved	Sep 08	http://www.arib.or.jp/IMT-2000/ARIB-STD/ITU-R_Rev8/Rel6/A25302-680.pdf
ATIS	ATIS.3GPP.25.302V680-2007	6.8.0	Approved	Oct 07	https://www.atis.org/docstore/default.aspx
ETSI	ETSI TS 125 302	6.8.0	Published	Oct 06	http://pda.etsi.org/pda/home.asp?wkr=RTS/TSGR-0225302v680
Release 7					
ARIB	ARIB STD-T63-25.302	7.6.0	Approved	Sep 08	http://www.arib.or.jp/IMT-2000/ARIB-STD/ITU-R_Rev8/Rel7/A25302-760.pdf
ATIS	ATIS.3GPP.25.302V760-2008	7.6.0	Approved	Oct 08	https://www.atis.org/docstore/default.aspx
ETSI	ETSI TS 125 302	7.6.0	Published	Jan 08	http://pda.etsi.org/pda/home.asp?wkr=RTS/TSGR-0225302v760
Release 8					
ARIB	ARIB STD-T63-25.302	8.0.0	Approved	Sep 08	http://www.arib.or.jp/IMT-2000/ARIB-STD/ITU-R_Rev8/Rel8/A25302-800.pdf
ATIS	ATIS.3GPP.25.302V800-2008	8.0.0	Approved	Oct 08	https://www.atis.org/docstore/default.aspx
ETSI	ETSI	8.0.0	Awaiting publication		

5.3.2.2.3 TS 25.303**Interlayer procedures in connected mode**

This specification describes informative interlayer procedures to perform the required tasks. This specification attempts to provide a comprehensive overview of the different states and transitions within the connected mode of universal mobile telecommunications system (UMTS) terminal.

SDO (2)	Document No.	Version	Status	Issued date	Location (1)
Release 99					
ARIB	ARIB STD-T63-25.303	3.12.0	Approved	Sep 08	http://www.arib.or.jp/IMT-2000/ARIB-STD/ITU-R_Rev8/R99/A25303-3c0.pdf
ATIS	T1.3GPP.25.303V3120-2003	3.12.0	Approved	Mar 03	https://www.atis.org/docstore/default.aspx
ETSI	ETSI TS 125 303	3.12.0	Published	Jun 02	http://pda.etsi.org/pda/home.asp?wkr=RTS/TSGR-0225303v3c0
Release 4					
ARIB	ARIB STD-T63-25.303	4.5.0	Approved	Sep 08	http://www.arib.or.jp/IMT-2000/ARIB-STD/ITU-R_Rev8/Rel4/A25303-450.pdf
ATIS	T1.3GPP.25.303V450-2003	4.5.0	Approved	Mar 03	https://www.atis.org/docstore/default.aspx
ETSI	ETSI TS 125 303	4.5.0	Published	Jun 02	http://pda.etsi.org/pda/home.asp?wkr=RTS/TSGR-0225303v450
Release 5					
ARIB	ARIB STD-T63-25.303	5.3.0	Approved	Sep 08	http://www.arib.or.jp/IMT-2000/ARIB-STD/ITU-R_Rev8/Rel5/A25303-530.pdf
ATIS	ATIS.3GPP.25.303V530-2006	5.3.0	Approved	Apr 06	https://www.atis.org/docstore/default.aspx
ETSI	ETSI TS 125 303	5.3.0	Published	Jul 05	http://pda.etsi.org/pda/home.asp?wkr=RTS/TSGR-0225303v530
Release 6					
ARIB	ARIB STD-T63-25.303	6.3.0	Approved	Sep 08	http://www.arib.or.jp/IMT-2000/ARIB-STD/ITU-R_Rev8/Rel6/A25303-630.pdf
ATIS	ATIS.3GPP.25.303V630-2006	6.3.0	Approved	Apr 06	https://www.atis.org/docstore/default.aspx
ETSI	ETSI TS 125 303	6.3.0	Published	Jul 05	http://pda.etsi.org/pda/home.asp?wkr=RTS/TSGR-0225303v630
Release 7					
ARIB	ARIB STD-T63-25.303	7.0.0	Approved	Sep 08	http://www.arib.or.jp/IMT-2000/ARIB-STD/ITU-R_Rev8/Rel7/A25303-700.pdf
ATIS	ATIS.3GPP.25.303V700-2007	7.0.0	Approved	Oct 07	https://www.atis.org/docstore/default.aspx
ETSI	ETSI TS 125 303	7.0.0	Published	Jun 06	http://pda.etsi.org/pda/home.asp?wkr=RTS/TSGR-0225303v700
Release 8					
ARIB	ARIB STD-T63-25.303	8.0.0	Approved	Sep 08	http://www.arib.or.jp/IMT-2000/ARIB-STD/ITU-R_Rev8/Rel8/A25303-800.pdf
ATIS	ATIS.3GPP.25.303V800-2008	8.0.0	Approved	Oct 08	https://www.atis.org/docstore/default.aspx
ETSI	ETSI	8.0.0	Awaiting publication		

5.3.2.2.4 TS 25.304**UE procedures in idle mode and procedures for cell reselection in connected mode**

This specification describes the overall idle mode process for the UE and the functional division between the non-access stratum and access stratum in the UE. The UE is in idle mode when the connection of the UE is closed on all layers, e.g. there is neither an MM connection nor an RRC connection. This specification presents also examples of inter-layer procedures related to the idle mode processes and describes idle mode functionality of a dual mode UMTS/GSM UE.

SDO (2)	Document No.	Version	Status	Issued date	Location (1)
Release 99					
ARIB	ARIB STD-T63-25.304	3.14.0	Approved	Sep 08	http://www.arib.or.jp/IMT-2000/ARIB-STD/ITU-R_Rev8/R99/A25304-3e0.pdf
ATIS	ATIS.3GPP.25.304V3140-2005	3.14.0	Approved	Apr 05	https://www.atis.org/docstore/default.aspx
ETSI	ETSI TS 125 304	3.14.0	Published	Jun 04	http://pda.etsi.org/pda/home.asp?wkr=RTS/TSGR-0225304v3e0
Release 4					
ARIB	ARIB STD-T63-25.304	4.8.0	Approved	Sep 08	http://www.arib.or.jp/IMT-2000/ARIB-STD/ITU-R_Rev8/Rel4/A25304-480.pdf
ATIS	ATIS.3GPP.25.304V480-2005	4.8.0	Approved	Apr 05	https://www.atis.org/docstore/default.aspx
ETSI	ETSI TS 125 304	4.8.0	Published	Apr 04	http://pda.etsi.org/pda/home.asp?wkr=RTS/TSGR-0225304v480
Release 5					
ARIB	ARIB STD-T63-25.304	5.9.0	Approved	Sep 08	http://www.arib.or.jp/IMT-2000/ARIB-STD/ITU-R_Rev8/Rel5/A25304-590.pdf
ATIS	ATIS.3GPP.25.304V590-2006	5.9.0	Approved	Apr 06	https://www.atis.org/docstore/default.aspx
ETSI	ETSI TS 125 304	5.9.0	Published	Oct 05	http://pda.etsi.org/pda/home.asp?wkr=RTS/TSGR-0225304v590
Release 6					
ARIB	ARIB STD-T63-25.304	6.10.0	Approved	Sep 08	http://www.arib.or.jp/IMT-2000/ARIB-STD/ITU-R_Rev8/Rel6/A25304-6a0.pdf
ATIS	ATIS.3GPP.25.304V6100-2008	6.10.0	Approved	Oct 08	https://www.atis.org/docstore/default.aspx
ETSI	ETSI TS 125 304	6.9.0	Published	Jun 06	http://pda.etsi.org/pda/home.asp?wkr=RTS/TSGR-0225304v690
Release 7					
ARIB	ARIB STD-T63-25.304	7.6.0	Approved	Sep 08	http://www.arib.or.jp/IMT-2000/ARIB-STD/ITU-R_Rev8/Rel7/A25304-760.pdf
ATIS	ATIS.3GPP.25.304V760-2008	7.6.0	Approved	Oct 08	https://www.atis.org/docstore/default.aspx
ETSI	ETSI TS 125 304	7.4.0	Published	Jan 08	http://pda.etsi.org/pda/home.asp?wkr=RTS/TSGR-0225304v740
Release 8					
ARIB	ARIB STD-T63-25.304	8.2.0	Approved	Sep 08	http://www.arib.or.jp/IMT-2000/ARIB-STD/ITU-R_Rev8/Rel8/A25304-820.pdf
ATIS	ATIS.3GPP.25.304V820-2008	8.2.0	Approved	Oct 08	https://www.atis.org/docstore/default.aspx
ETSI	ETSI	8.0.0	Awaiting publication		

5.3.2.2.5 TS 25.305

Stage 2 Functional Specification of UE positioning in UTRAN (LCS)

This document specifies the Stage 2 of the UE Positioning function of UTRAN, which provides the mechanisms to support the calculation of the geographical position of a UE.

SDO (2)	Document No.	Version	Status	Issued date	Location (1)
Release 99					
ARIB	ARIB STD-T63-25.305	3.11.0	Approved	Sep 08	http://www.arib.or.jp/IMT-2000/ARIB-STD/ITU-R_Rev8/R99/A25305-3b0.pdf
ATIS	T1.3GPP.25.305V3110-2004	3.11.0	Approved	May 04	https://www.atis.org/docstore/default.aspx
ETSI	ETSI TS 125 305	3.11.0	Published	Jan 04	http://pda.etsi.org/pda/home.asp?wkr=RTS/TSGR-0225305v3b0

Release 4

ARIB	ARIB STD-T63-25.305	4.7.0	Approved	Sep 08	http://www.arib.or.jp/IMT-2000/ARIB-STD/ITU-R_Rev8/Rel4/A25305-470.pdf
ATIS	T1.3GPP.25.305V470-2004	4.7.0	Approved	May 04	https://www.atis.org/docstore/default.aspx
ETSI	ETSI TS 125 305	4.7.0	Published	Jan 04	http://pda.etsi.org/pda/home.asp?wkr=RTS/TSGR-0225305v470

Release 5

ATIS	ATIS.3GPP.25.305V590-2005	5.9.0	Approved	Apr 05	https://www.atis.org/docstore/default.aspx
ETSI	ETSI TS 125 305	5.9.0	Published	Jul 04	http://pda.etsi.org/pda/home.asp?wkr=RTS/TSGR-0225305v590

Release 6

ARIB	ARIB STD-T63-25.305	6.1.0	Approved	Sep 08	http://www.arib.or.jp/IMT-2000/ARIB-STD/ITU-R_Rev8/Rel6/A25305-610.pdf
ATIS	ATIS.3GPP.25.305V610-2005	6.1.0	Approved	Apr 05	https://www.atis.org/docstore/default.aspx
ETSI	ETSI TS 125 305	6.1.0	Published	Jul 04	http://pda.etsi.org/pda/home.asp?wkr=RTS/TSGR-0225305v610

Release 7

ARIB	ARIB STD-T63-25.305	7.4.0	Approved	Sep 08	http://www.arib.or.jp/IMT-2000/ARIB-STD/ITU-R_Rev8/Rel7/A25305-740.pdf
ATIS	ATIS.3GPP.25.305V740-2007	7.4.0	Approved	Oct 07	https://www.atis.org/docstore/default.aspx
ETSI	ETSI TS 125 305	7.4.0	Published	Oct 07	http://pda.etsi.org/pda/home.asp?wkr=RTS/TSGR-0225305v740

Release 8

ARIB	ARIB STD-T63-25.305	8.0.0	Approved	Sep 08	http://www.arib.or.jp/IMT-2000/ARIB-STD/ITU-R_Rev8/Rel8/A25305-800.pdf
ATIS	ATIS.3GPP.25.305V800-2008	8.0.0	Approved	Oct 08	https://www.atis.org/docstore/default.aspx
ETSI	ETSI	8.0.0	Awaiting publication		

5.3.2.2.6 TS 25.306**UE Radio Access capabilities definition**

This document identifies the parameters of the access stratum part of the UE radio access capabilities. Furthermore, some reference configurations of these values are defined. The intention is that these configurations will be used for test specifications.

SDO (2)	Document No.	Version	Status	Issued date	Location (1)
Release 99					
ARIB	ARIB STD-T63-25.306	3.10.0	Approved	Sep 08	http://www.arib.or.jp/IMT-2000/ARIB-STD/ITU-R_Rev8/R99/A25306-3a0.pdf
ATIS	T1.3GPP.25.306V3100-2004	3.10.0	Approved	May 04	https://www.atis.org/docstore/default.aspx
ETSI	ETSI TS 125 306	3.10.0	Published	Jan 04	http://pda.etsi.org/pda/home.asp?wkr=RTS/TSGR-0225306v3a0
Release 4					
ARIB	ARIB STD-T63-25.306	4.10.0	Approved	Sep 08	http://www.arib.or.jp/IMT-2000/ARIB-STD/ITU-R_Rev8/Rel4/A25306-4a0.pdf
ATIS	ATIS.3GPP.25.306V4100-2006	4.10.0	Approved	Apr 06	https://www.atis.org/docstore/default.aspx
ETSI	ETSI TS 125 306	4.10.0	Published	Apr 05	http://pda.etsi.org/pda/home.asp?wkr=RTS/TSGR-0225306v4a0

Release 5

ARIB	ARIB STD-T63-25.306	5.14.0	Approved	Sep 08	http://www.arib.or.jp/IMT-2000/ARIB-STD/ITU-R_Rev8/Rel5/A25306-5e0.pdf
ATIS	ATIS.3GPP.25.306V5140-2007	5.14.0	Approved	Oct 07	https://www.atis.org/docstore/default.aspx
ETSI	ETSI TS 125 306	5.14.0	Published	Apr 07	http://pda.etsi.org/pda/home.asp?wkr=RTS/TSGR-0225306v5e0

Release 6

ARIB	ARIB STD-T63-25.306	6.12.0	Approved	Sep 08	http://www.arib.or.jp/IMT-2000/ARIB-STD/ITU-R_Rev8/Rel6/A25306-6c0.pdf
ATIS	ATIS.3GPP.25.306V6120-2007	6.12.0	Approved	Oct 07	https://www.atis.org/docstore/default.aspx
ETSI	ETSI TS 125 306	6.12.0	Published	Oct 07	http://pda.etsi.org/pda/home.asp?wkr=RTS/TSGR-0225306v6c0

Release 7

ARIB	ARIB STD-T63-25.306	7.7.0	Approved	Sep 08	http://www.arib.or.jp/IMT-2000/ARIB-STD/ITU-R_Rev8/Rel7/A25306-770.pdf
ATIS	ATIS.3GPP.25.306V770-2008	7.7.0	Approved	Oct 08	https://www.atis.org/docstore/default.aspx
ETSI	ETSI TS 125 306	7.6.0	Published	Jan 08	http://pda.etsi.org/pda/home.asp?wkr=RTS/TSGR-0225306v760

Release 8

ARIB	ARIB STD-T63-25.306	8.3.0	Approved	Sep 08	http://www.arib.or.jp/IMT-2000/ARIB-STD/ITU-R_Rev8/Rel8/A25306-830.pdf
ATIS	ATIS.3GPP.25.306V830-2008	8.3.0	Approved	Oct 08	https://www.atis.org/docstore/default.aspx
ETSI	ETSI TS 125 306	8.1.0	Awaiting publication		http://pda.etsi.org/pda/home.asp?wkr=RTS/TSGR-0225306v810

5.3.2.2.7 TS 25.307**Requirements on UE supporting a release-independent frequency band**

This document specifies requirements on UEs supporting a frequency band that is independent of release.

SDO (2)	Document No.	Version	Status	Issued date	Location (1)
Release 99					
ARIB	ARIB STD-T63-25.307	3.11.0	Approved	Sep 08	http://www.arib.or.jp/IMT-2000/ARIB-STD/ITU-R_Rev8/R99/A25307-3b0.pdf
ATIS	ATIS.3GPP.25.307V3110-2008	3.11.0	Approved	Oct 08	https://www.atis.org/docstore/default.aspx
ETSI	ETSI TS 125 307	3.10.0	Published	Oct 07	http://pda.etsi.org/pda/home.asp?wkr=RTS/TSGR-0225307v3a0
Release 4					
ARIB	ARIB STD-T63-25.307	4.11.0	Approved	Sep 08	http://www.arib.or.jp/IMT-2000/ARIB-STD/ITU-R_Rev8/Rel4/A25307-4b0.pdf
ATIS	ATIS.3GPP.25.307V4110-2008	4.11.0	Approved	Oct 08	https://www.atis.org/docstore/default.aspx
ETSI	ETSI TS 125 307	4.10.0	Published	Oct 07	http://pda.etsi.org/pda/home.asp?wkr=RTS/TSGR-0225307v4a0
Release 5					
ARIB	ARIB STD-T63-25.307	5.10.0	Approved	Sep 08	http://www.arib.or.jp/IMT-2000/ARIB-STD/ITU-R_Rev8/Rel5/A25307-5a0.pdf
ATIS	ATIS.3GPP.25.307V5100-2008	5.10.0	Approved	Oct 08	https://www.atis.org/docstore/default.aspx
ETSI	ETSI TS 125 307	5.9.0	Published	Oct 07	http://pda.etsi.org/pda/home.asp?wkr=RTS/TSGR-0225307v590

Release 6

ARIB	ARIB STD-T63-25.307	6.7.0	Approved	Sep 08	http://www.arib.or.jp/IMT-2000/ARIB-STD/ITU-R_Rev8/Rel6/A25307-670.pdf
ATIS	ATIS.3GPP.25.307V670-2008	6.7.0	Approved	Oct 08	https://www.atis.org/docstore/default.aspx
ETSI	ETSI TS 125 307	6.6.0	Published	Oct 07	http://pda.etsi.org/pda/home.asp?wkr=RTS/TSGR-0225307v660

Release 7

ARIB	ARIB STD-T63-25.307	7.3.0	Approved	Sep 08	http://www.arib.or.jp/IMT-2000/ARIB-STD/ITU-R_Rev8/Rel7/A25307-730.pdf
ATIS	ATIS.3GPP.25.307V730-2008	7.3.0	Approved	Oct 08	https://www.atis.org/docstore/default.aspx
ETSI	ETSI TS 125 307	7.2.0	Published	Oct 07	http://pda.etsi.org/pda/home.asp?wkr=RTS/TSGR-0225307v720

Release 8

ARIB	ARIB STD-T63-25.307	8.1.0	Approved	Sep 08	http://www.arib.or.jp/IMT-2000/ARIB-STD/ITU-R_Rev8/Rel8/A25307-810.pdf
ATIS	ATIS.3GPP.25.307V810-2008	8.1.0	Approved	Oct 08	https://www.atis.org/docstore/default.aspx
ETSI	ETSI TS 125 307	8.0.0	Awaiting publication		http://pda.etsi.org/pda/home.asp?wkr=RTS/TSGR-0225307v800

5.3.2.2.8 TS 25.308**UTRA High Speed Downlink Packet Access – Overall Description (Stage 2)**

This document is a technical specification of the overall support of High Speed Downlink Packet Access in UTRA.

SDO (2)	Document No.	Version	Status	Issued date	Location (1)
Release 5					
ARIB	ARIB STD-T63-25.308	5.7.0	Approved	Sep 08	http://www.arib.or.jp/IMT-2000/ARIB-STD/ITU-R_Rev8/Rel5/A25308-570.pdf
ATIS	ATIS.3GPP.25.308V570-2005	5.7.0	Approved	Apr 05	https://www.atis.org/docstore/default.aspx
ETSI	ETSI TS 125 308	5.7.0	Published	Jan 05	http://pda.etsi.org/pda/home.asp?wkr=RTS/TSGR-0225308v570
Release 6					
ARIB	ARIB STD-T63-25.308	6.4.0	Approved	Sep 08	http://www.arib.or.jp/IMT-2000/ARIB-STD/ITU-R_Rev8/Rel6/A25308-640.pdf
ATIS	ATIS.3GPP.25.308V640-2007	6.4.0	Approved	Oct 07	https://www.atis.org/docstore/default.aspx
ETSI	ETSI TS 125 308	6.4.0	Published	Apr 07	http://pda.etsi.org/pda/home.asp?wkr=RTS/TSGR-0225308v640
Release 7					
ARIB	ARIB STD-T63-25.308	7.7.0	Approved	Sep 08	http://www.arib.or.jp/IMT-2000/ARIB-STD/ITU-R_Rev8/Rel7/A25308-770.pdf
ATIS	ATIS.3GPP.25.308V770-2008	7.7.0	Approved	Oct 08	https://www.atis.org/docstore/default.aspx
ETSI	ETSI TS 125 308	7.5.0	Published	Jan 08	http://pda.etsi.org/pda/home.asp?wkr=RTS/TSGR-0225308v750
Release 8					
ARIB	ARIB STD-T63-25.308	8.2.0	Approved	Sep 08	http://www.arib.or.jp/IMT-2000/ARIB-STD/ITU-R_Rev8/Rel8/A25308-820.pdf
ATIS	ATIS.3GPP.25.308V820-2008	8.2.0	Approved	Oct 08	https://www.atis.org/docstore/default.aspx
ETSI	ETSI	8.0.0	Awaiting publication		

5.3.2.2.9 TS 25.319**UTRA Enhanced Uplink; Overall Description; Stage 2**

This document is a technical specification of the overall support of FDD and TDD Enhanced Uplink in UTRA.

SDO (2)	Document No.	Version	Status	Issued date	Location (1)
Release 4					
ATIS	ATIS.3GPP.25.321V4100-2005	4.10.0	Approved	Apr 05	https://www.atis.org/docstore/default.aspx
Release 7					
ATIS	ATIS.3GPP.25.319V760-2008	7.6.0	Approved	Oct 08	https://www.atis.org/docstore/default.aspx
ETSI	ETSI TS 125 319	7.4.0	Published	Jan 08	http://pda.etsi.org/pda/home.asp?wkr=RTS/TSGR-0225319v740
Release 8					
ATIS	ATIS.3GPP.25.319V820-2008	8.2.0	Approved	Oct 08	https://www.atis.org/docstore/default.aspx
ETSI	ETSI	8.0.0	Awaiting publication		

5.3.2.2.10 TS 25.321**Medium access control (MAC) protocol specification**

This specification describes the MAC protocol.

SDO (2)	Document No.	Version	Status	Issued date	Location (1)
Release 99					
ARIB	ARIB STD-T63-25.321	3.17.0	Approved	Sep 08	http://www.arib.or.jp/IMT-2000/ARIB-STD/ITU-R_Rev8/R99/A25321-3h0.pdf
ATIS	ATIS.3GPP.25.321V3170-2005	3.17.0	Approved	Apr 05	https://www.atis.org/docstore/default.aspx
ETSI	ETSI TS 125 321	3.17.0	Published	Jul 04	http://pda.etsi.org/pda/home.asp?wkr=RTS/TSGR-0225321v3h0
Release 4					
ARIB	ARIB STD-T63-25.321	4.10.0	Approved	Sep 08	http://www.arib.or.jp/IMT-2000/ARIB-STD/ITU-R_Rev8/Rel4/A25321-4a0.pdf
ETSI	ETSI TS 125 321	4.10.0	Published	Jul 04	http://pda.etsi.org/pda/home.asp?wkr=RTS/TSGR-0225321v4a0
Release 5					
ARIB	ARIB STD-T63-25.321	5.13.0	Approved	Sep 08	http://www.arib.or.jp/IMT-2000/ARIB-STD/ITU-R_Rev8/Rel5/A25321-5d0.pdf
ATIS	ATIS.3GPP.25.321V5130-2007	5.13.0	Approved	Oct 07	https://www.atis.org/docstore/default.aspx
ETSI	ETSI TS 125 321	5.13.0	Published	Apr 07	http://pda.etsi.org/pda/home.asp?wkr=RTS/TSGR-0225321v5d0
Release 6					
ATIS	ATIS.3GPP.25.321V6150-2008	6.15.0	Approved	Oct 08	https://www.atis.org/docstore/default.aspx
ETSI	ETSI TS 125 321	6.14.0	Published	Oct 07	http://pda.etsi.org/pda/home.asp?wkr=RTS/TSGR-0225321v6e0

Release 7

ARIB	ARIB STD-T63-25.321	7.9.0	Approved	Sep 08	http://www.arib.or.jp/IMT-2000/ARIB-STD/ITU-R_Rev8/Rel7/A25321-790.pdf
ATIS	ATIS.3GPP.25.321V790-2008	7.9.0	Approved	Oct 08	https://www.atis.org/docstore/default.aspx
ETSI	ETSI TS 125 321	7.7.0	Published	Jan 08	http://pda.etsi.org/pda/home.asp?wkr=RTS/TSGR-0225321v770

Release 8

ARIB	ARIB STD-T63-25.321	8.2.0	Approved	Sep 08	http://www.arib.or.jp/IMT-2000/ARIB-STD/ITU-R_Rev8/Rel8/A25321-820.pdf
ATIS	ATIS.3GPP.25.321V820-2008	8.2.0	Approved	Oct 08	https://www.atis.org/docstore/default.aspx
ETSI	ETSI 8.0.0		Awaiting publication		

5.3.2.2.11 TS 25.322**Radio link control (RLC) protocol specification**

This specification describes the RLC protocol.

SDO (2)	Document No.	Version	Status	Issued date	Location (1)
Release 99					
ATIS	ATIS.3GPP.25.322V3180-2005	3.18.0	Approved	Apr 05	https://www.atis.org/docstore/default.aspx
ETSI	ETSI TS 125 322	3.18.0	Published	Jul 04	http://pda.etsi.org/pda/home.asp?wkr=RTS/TSGR-0225322v3i0
Release 4					
ATIS	ATIS.3GPP.25.322V4120-2005	4.12.0	Approved	Apr 05	https://www.atis.org/docstore/default.aspx
ETSI	ETSI TS 125 322	4.12.0	Published	Jul 04	http://pda.etsi.org/pda/home.asp?wkr=RTS/TSGR-0225322v4c0
Release 5					
ATIS	ATIS.3GPP.25.322V5130-2006	5.13.0	Approved	Apr 06	https://www.atis.org/docstore/default.aspx
ETSI	ETSI TS 125 322	5.13.0	Published	Jan 06	http://pda.etsi.org/pda/home.asp?wkr=RTS/TSGR-0225322v5d0
Release 6					
ATIS	ATIS.3GPP.25.322V6120-2008	6.12.0	Approved	Oct 08	https://www.atis.org/docstore/default.aspx
ETSI	ETSI TS 125 322	6.10.0	Published	Aug 07	http://pda.etsi.org/pda/home.asp?wkr=RTS/TSGR-0225322v6a0
Release 7					
ATIS	ATIS.3GPP.25.322V770-2008	7.7.0	Approved	Oct 08	https://www.atis.org/docstore/default.aspx
ETSI	ETSI TS 125 322	7.5.0	Published	Jan 08	http://pda.etsi.org/pda/home.asp?wkr=RTS/TSGR-0225322v750
Release 8					
ATIS	ATIS.3GPP.25.322V820-2008	8.2.0	Approved	Oct 08	https://www.atis.org/docstore/default.aspx
ETSI	ETSI	8.0.0	Awaiting publication		

5.3.2.2.12 TS 25.323**Packet Data Convergence Protocol (PDCP) protocol**

This document provides the description of the Packet Data Convergence Protocol (PDCP). PDCP provides its services to the NAS at the UE or the relay at the Radio Network Controller (RNC). PDCP uses the services provided by the Radio Link Control (RLC) sublayer.

SDO (2)	Document No.	Version	Status	Issued date	Location (1)
Release 99					
ATIS	T1.3GPP.25.323V3100-2003	3.10.0	Approved	Mar 03	https://www.atis.org/docstore/default.aspx
ETSI	ETSI TS 125 323	3.10.0	Published	Oct 02	http://pda.etsi.org/pda/home.asp?wkr=RTS/TSGR-0225323v3a0
Release 4					
ATIS	T1.3GPP.25.323V460-2003	4.6.0	Approved	Mar 03	https://www.atis.org/docstore/default.aspx
ETSI	ETSI TS 125 323	4.6.0	Published	Oct 02	http://pda.etsi.org/pda/home.asp?wkr=RTS/TSGR-0225323v460
Release 5					
ATIS	ATIS.3GPP.25.323V5100-2008	5.10.0	Approved	Oct 08	https://www.atis.org/docstore/default.aspx
ETSI	ETSI TS 125 323	5.10.0	Awaiting publication		http://pda.etsi.org/pda/home.asp?wkr=RTS/TSGR-0225323v5a0
Release 6					
ATIS	ATIS.3GPP.25.323V6110-2008	6.11.0	Approved	Oct 08	https://www.atis.org/docstore/default.aspx
ETSI	ETSI TS 125 323	6.11.0	Awaiting publication		http://pda.etsi.org/pda/home.asp?wkr=RTS/TSGR-0225323v6b0
Release 7					
ATIS	ATIS.3GPP.25.323V770-2008	7.7.0	Approved	Oct 08	https://www.atis.org/docstore/default.aspx
ETSI	ETSI TS 125 323	7.7.0	Awaiting publication		http://pda.etsi.org/pda/home.asp?wkr=RTS/TSGR-0225323v770
Release 8					
ATIS	ATIS.3GPP.25.323V810-2008	8.1.0	Approved	Oct 08	https://www.atis.org/docstore/default.aspx
ETSI	ETSI	8.0.0	Awaiting publication		

5.3.2.2.13 TS 25.324**Broadcast/Multicast Control (BMC) Services**

This document provides the description of the Broadcast/Multicast Control Protocol (BMC). This protocol adapts broadcast and multicast services on the radio interface.

SDO (2)	Document No.	Version	Status	Issued date	Location (1)
Release 99					
ATIS	ATIS.3GPP.25.324V390-2005	3.9.0	Approved	Apr 05	https://www.atis.org/docstore/default.aspx
ETSI	ETSI TS 125 324	3.9.0	Published	Jan 05	http://pda.etsi.org/pda/home.asp?wkr=RTS/TSGR-0225324v390
Release 4					
ATIS	ATIS.3GPP.25.324V450-2005	4.5.0	Approved	Apr 05	https://www.atis.org/docstore/default.aspx
ETSI	ETSI TS 125 324	4.5.0	Published	Jan 05	http://pda.etsi.org/pda/home.asp?wkr=RTS/TSGR-0225324v450

Release 5

ATIS	ATIS.3GPP.25.324V560-2006	5.6.0	Approved	Apr 06	https://www.atis.org/docstore/default.aspx
ETSI	ETSI TS 125 324	5.6.0	Published	Oct 05	http://pda.etsi.org/pda/home.asp?wkr=RTS/TSGR-0225324v560

Release 6

ATIS	ATIS.3GPP.25.324V660-2007	6.6.0	Approved	Oct 07	https://www.atis.org/docstore/default.aspx
ETSI	ETSI TS 125 324	6.6.0	Published	Jul 06	http://pda.etsi.org/pda/home.asp?wkr=RTS/TSGR-0225324v660

Release 7

ATIS	ATIS.3GPP.25.324V710-2007	7.1.0	Approved	Oct 07	https://www.atis.org/docstore/default.aspx
ETSI	ETSI TS 125 324	7.1.0	Published	Jul 06	http://pda.etsi.org/pda/home.asp?wkr=RTS/TSGR-0225324v710

Release 8

ATIS	ATIS.3GPP.25.324V800-2008	8.0.0	Approved	Oct 08	https://www.atis.org/docstore/default.aspx
ETSI	ETSI	8.0.0	Awaiting publication		

5.3.2.2.14 TS 25.331**Radio resource control (RRC) protocol specification**

This specification describes the RRC protocol for the radio system. The scope of this specification contains also the information to be transported in a transparent container between source RNC and target RNC in connection to SRNC relocation.

SDO (2)	Document No.	Version	Status	Issued date	Location (1)
Release 99					
ATIS	ATIS.3GPP.25.331V3210-2005	3.21.0	Approved	Apr 05	https://www.atis.org/docstore/default.aspx
ETSI	ETSI TS 125 331	3.21.0	Published	Jan 05	http://pda.etsi.org/pda/home.asp?wkr=RTS/TSGR-0225331v310
Release 4					
ATIS	ATIS.3GPP.25.331V4190-2008	4.19.0	Approved	Oct 08	https://www.atis.org/docstore/default.aspx
ETSI	ETSI TS 125 331	4.18.0	Awaiting publication		http://pda.etsi.org/pda/home.asp?wkr=RTS/TSGR-0225331v410
Release 5					
ATIS	ATIS.3GPP.25.331V5221-2008	5.22.1	Approved	Oct 08	https://www.atis.org/docstore/default.aspx
ETSI	ETSI TS 125 331	5.21.0	Awaiting publication		http://pda.etsi.org/pda/home.asp?wkr=RTS/TSGR-0225331v510
Release 6					
ATIS	ATIS.3GPP.25.331V6181-2008	6.18.1	Approved	Oct 08	https://www.atis.org/docstore/default.aspx
ETSI	ETSI TS 125 331	6.16.0	Awaiting publication		http://pda.etsi.org/pda/home.asp?wkr=RTS/TSGR-0225331v6g0
Release 7					
ATIS	ATIS.3GPP.25.331V791-2008	7.9.1	Approved	Oct 08	https://www.atis.org/docstore/default.aspx
ETSI	ETSI TS 125 331	7.7.0	Awaiting publication		http://pda.etsi.org/pda/home.asp?wkr=RTS/TSGR-0225331v770

Release 8

ATIS	ATIS.3GPP.25.331V831-2008	8.3.1	Approved	Oct 08	https://www.atis.org/docstore/default.aspx
ETSI	ETSI TS 125 331	8.1.0	Awaiting publication		http://pda.etsi.org/pda/home.asp?wkr=RTS/TSGR-0225331v810

5.3.2.2.15 TS 25.346**Introduction of the Multimedia Broadcast Multicast Service (MBMS) in the Radio Access Network**

This document is a technical specification of the overall support of Multimedia Broadcast and Multicast Services in UTRA.

SDO (2)	Document No.	Version	Status	Issued date	Location (1)
Release 6					
ATIS	ATIS.3GPP.25.346V6130-2008	6.13.0	Approved	Oct 08	https://www.atis.org/docstore/default.aspx
ETSI	ETSI TS 125 346	6.12.0	Published	Oct 07	http://pda.etsi.org/pda/home.asp?wkr=RTS/TSGR-0225346v6c0
Release 7					
ATIS	ATIS.3GPP.25.346V770-2008	7.7.0	Approved	Oct 08	https://www.atis.org/docstore/default.aspx
ETSI	ETSI TS 125 346	7.6.0	Awaiting publication		http://pda.etsi.org/pda/home.asp?wkr=RTS/TSGR-0225346v760
Release 8					
ATIS	ATIS.3GPP.25.346V810-2008	8.1.0	Approved	Oct 08	https://www.atis.org/docstore/default.aspx
ETSI	ETSI	8.0.0	Awaiting publication		

5.3.2.3**25.400 series****5.3.2.3.1** TS 25.401**UTRAN overall description**

This specification describes the overall architecture of the UTRAN, including internal interfaces and assumptions on the radio and Iu interfaces.

SDO (2)	Document No.	Version	Status	Issued date	Location (1)
Release 99					
ARIB	ARIB STD-T63-25.401	3.10.0	Approved	Sep 08	http://www.arib.or.jp/IMT-2000/ARIB-STD/ITU-R_Rev8/R99/A25401-3a0.pdf
ATIS	T1.3GPP.25.401V3100-2003	3.10.0	Approved	Mar 03	https://www.atis.org/docstore/default.aspx
ETSI	ETSI TS 125 401	3.10.0	Published	Jul 02	http://pda.etsi.org/pda/home.asp?wkr=RTS/TSGR-0325401v3a0
Release 4					
ARIB	ARIB STD-T63-25.401	4.6.0	Approved	Sep 08	http://www.arib.or.jp/IMT-2000/ARIB-STD/ITU-R_Rev8/Rel4/A25401-460.pdf
ATIS	T1.3GPP.25.401V460-2003	4.6.0	Approved	Mar 03	https://www.atis.org/docstore/default.aspx
ETSI	ETSI TS 125 401	4.6.0	Published	Jan 03	http://pda.etsi.org/pda/home.asp?wkr=RTS/TSGR-0325401v460

Release 5

ARIB	ARIB STD-T63-25.401	5.10.0	Approved	Sep 08	http://www.arib.or.jp/IMT-2000/ARIB-STD/ITU-R_Rev8/Rel5/A25401-5a0.pdf
ATIS	ATIS.3GPP.25.401V5100-2006	5.10.0	Approved	Apr 06	https://www.atis.org/docstore/default.aspx
ETSI	ETSI TS 125 401	5.10.0	Published	Jul 05	http://pda.etsi.org/pda/home.asp?wkr=RTS/TSGR-0325401v5a0

Release 6

ARIB	ARIB STD-T63-25.401	6.9.0	Approved	Sep 08	http://www.arib.or.jp/IMT-2000/ARIB-STD/ITU-R_Rev8/Rel6/A25401-690.pdf
ATIS	ATIS.3GPP.25.401V690-2007	6.9.0	Approved	Oct 07	https://www.atis.org/docstore/default.aspx
ETSI	ETSI TS 125 401	6.9.0	Published	Dec 06	http://pda.etsi.org/pda/home.asp?wkr=RTS/TSGR-0325401v690

Release 7

ARIB	ARIB STD-T63-25.401	7.6.0	Approved	Sep 08	http://www.arib.or.jp/IMT-2000/ARIB-STD/ITU-R_Rev8/Rel7/A25401-760.pdf
ATIS	ATIS.3GPP.25.401V750-2007	7.5.0	Approved	Oct 07	https://www.atis.org/docstore/default.aspx
ETSI	ETSI TS 125 401	7.5.0	Published	Oct 07	http://pda.etsi.org/pda/home.asp?wkr=RTS/TSGR-0325401v750

Release 8

ARIB	ARIB STD-T63-25.401	8.00	Approved	Sep 08	http://www.arib.or.jp/IMT-2000/ARIB-STD/ITU-R_Rev8/Rel8/A25401-800.pdf
ATIS	ATIS.3GPP.25.401V800-2008	8.0.0	Approved	Oct 08	https://www.atis.org/docstore/default.aspx

5.3.2.3.2 TS 25.402**Synchronization in UTRAN Stage 2**

This document constitutes the Stage 2 specification of different synchronization mechanisms in UTRAN and on Uu.

SDO (2)	Document No.	Version	Status	Issued date	Location (1)
Release 99					
ARIB	ARIB STD-T63-25.402	3.10.0	Approved	Sep 08	http://www.arib.or.jp/IMT-2000/ARIB-STD/ITU-R_Rev8/R99/A25402-3a0.pdf
ATIS	T1.3GPP.25.402V3100-2003	3.10.0	Approved	Mar 03	https://www.atis.org/docstore/default.aspx
ETSI	ETSI TS 125 402	3.10.0	Published	Jul 02	http://pda.etsi.org/pda/home.asp?wkr=RTS/TSGR-0325402v3a0
Release 4					
ARIB	ARIB STD-T63-25.402	4.6.0	Approved	Sep 08	http://www.arib.or.jp/IMT-2000/ARIB-STD/ITU-R_Rev8/Rel4/A25402-460.pdf
ATIS	T1.3GPP.25.402V460-2003	4.6.0	Approved	Mar 03	https://www.atis.org/docstore/default.aspx
ETSI	ETSI TS 125 402	4.6.0	Published	Jan 03	http://pda.etsi.org/pda/home.asp?wkr=RTS/TSGR-0325402v460
Release 5					
ARIB	ARIB STD-T63-25.402	5.4.0	Approved	Sep 08	http://www.arib.or.jp/IMT-2000/ARIB-STD/ITU-R_Rev8/Rel5/A25402-540.pdf
ATIS	ATIS.3GPP.25.402V540-2006	5.4.0	Approved	Apr 06	https://www.atis.org/docstore/default.aspx
ETSI	ETSI TS 125 402	5.4.0	Published	Jul 05	http://pda.etsi.org/pda/home.asp?wkr=RTS/TSGR-0325402v540

300

Rec. ITU-R M.1457-8

Release 6

ARIB	ARIB STD-T63-25.402	6.5.0	Approved	Sep 08	http://www.arib.or.jp/IMT-2000/ARIB-STD/ITU-R_Rev8/Rel6/A25402-650.pdf
ATIS	ATIS.3GPP.25.402V650-2007	6.5.0	Approved	Oct 07	https://www.atis.org/docstore/default.aspx
ETSI	ETSI TS 125 402	6.5.0	Published	Jan 07	http://pda.etsi.org/pda/home.asp?wkr=RTS/TSGR-0325402v650

Release 7

ARIB	ARIB STD-T63-25.402	7.5.0	Approved	Sep 08	http://www.arib.or.jp/IMT-2000/ARIB-STD/ITU-R_Rev8/Rel7/A25402-750.pdf
ATIS	ATIS.3GPP.25.402V740-2007	7.4.0	Approved	Oct 07	https://www.atis.org/docstore/default.aspx
ETSI	ETSI TS 125 402	7.5.0	Published	Jan 08	http://pda.etsi.org/pda/home.asp?wkr=RTS/TSGR-0325402v750

5.3.2.3.3 TS 25.410

UTRAN Iu interface: general aspects and principles

This specification describes an introduction to the 25.41x series of technical specifications that define the Iu interface for the interconnection of RNC component of the UTRAN to the CN.

SDO (2)	Document No.	Version	Status	Issued date	Location (1)
Release 99					
ATIS	T1.3GPP.25.410V380-2003	3.8.0	Approved	Mar 03	https://www.atis.org/docstore/default.aspx
ETSI	ETSI TS 125 410	3.8.0	Published	Oct 02	http://pda.etsi.org/pda/home.asp?wkr=RTS/TSGR-0325410v380
Release 4					
ATIS	T1.3GPP.25.410V450-2003	4.5.0	Approved	Mar 03	https://www.atis.org/docstore/default.aspx
ETSI	ETSI TS 125 410	4.5.0	Published	Oct 02	http://pda.etsi.org/pda/home.asp?wkr=RTS/TSGR-0325410v450
Release 5					
ATIS	ATIS.3GPP.25.410V540-2005	5.4.0	Approved	Apr 05	https://www.atis.org/docstore/default.aspx
ETSI	ETSI TS 125 410	5.4.0	Published	Jul 04	http://pda.etsi.org/pda/home.asp?wkr=RTS/TSGR-0325410v540
Release 6					
ETSI	ETSI TS 125 410	6.5.0	Published	May 06	http://pda.etsi.org/pda/home.asp?wkr=RTS/TSGR-0325410v650
Release 7					
ATIS	ATIS.3GPP.25.410V700-2007	7.0.0	Approved	Oct 07	https://www.atis.org/docstore/default.aspx
ETSI	ETSI TS 125 410	7.0.0	Published	May 06	http://pda.etsi.org/pda/home.asp?wkr=RTS/TSGR-0325410v700

5.3.2.3.4 TS 25.411

UTRAN Iu interface Layer 1

This specification describes the standards allowed to implement Layer 1 on the Iu interface. The specification of transmission delay requirements and O&M requirements are not in the scope of this specification.

SDO (2)	Document No.	Version	Status	Issued date	Location (1)
Release 99					
ATIS	T1.3GPP.25.411V350-2002	3.5.0	Approved	May 02	https://www.atis.org/docstore/default.aspx
ETSI	ETSI TS 125 411	3.5.0	Published	Aug 01	http://pda.etsi.org/pda/home.asp?wkr=RTS/TSGR-0325411UR4
Release 4					
ATIS	T1.3GPP.25.411V410-2002	4.1.0	Approved	May 02	https://www.atis.org/docstore/default.aspx
ETSI	ETSI TS 125 411	4.1.0	Published	Aug 01	http://pda.etsi.org/pda/home.asp?wkr=RTS/TSGR-0325411Uv4R1
Release 5					
ATIS	ATIS.3GPP.25.411V510-2005	5.1.0	Approved	Apr 05	https://www.atis.org/docstore/default.aspx
ETSI	ETSI TS 125 411	5.1.0	Published	Oct 04	http://pda.etsi.org/pda/home.asp?wkr=RTS/TSGR-0325411v510
Release 6					
ATIS	ATIS.3GPP.25.411V610-2005	6.1.0	Approved	Apr 05	https://www.atis.org/docstore/default.aspx
ETSI	ETSI TS 125 411	6.1.0	Published	Oct 04	http://pda.etsi.org/pda/home.asp?wkr=RTS/TSGR-0325411v610
Release 7					
ATIS	ATIS.3GPP.25.411V710-2007	7.1.0	Approved	Oct 07	https://www.atis.org/docstore/default.aspx
ETSI	ETSI TS 125 411	7.1.0	Published	Oct 07	http://pda.etsi.org/pda/home.asp?wkr=RTS/TSGR-0325411v710

5.3.2.3.5 TS 25.412

UTRAN Iu interface signalling transport

This specification describes the standards for Signalling Transport to be used across Iu Interface.

SDO (2)	Document No.	Version	Status	Issued date	Location (1)
Release 99					
ATIS	T1.3GPP.25.412V360-2002	3.6.0	Approved	May 02	https://www.atis.org/docstore/default.aspx
ETSI	ETSI TS 125 412	3.6.0	Published	Feb 01	http://pda.etsi.org/pda/home.asp?wkr=RTS/TSGR-0325412UR4
Release 4					
ATIS	T1.3GPP.25.412V410-2003	4.1.0	Approved	Mar 03	https://www.atis.org/docstore/default.aspx
ETSI	ETSI TS 125 412	4.1.0	Published	Oct 02	http://pda.etsi.org/pda/home.asp?wkr=RTS/TSGR-0325412v410
Release 5					
ATIS	ATIS.3GPP.25.412V520-2005	5.2.0	Approved	Apr 05	https://www.atis.org/docstore/default.aspx
ETSI	ETSI TS 125 412	5.2.0	Published	Jan 05	http://pda.etsi.org/pda/home.asp?wkr=RTS/TSGR-0325412v520
Release 6					
ATIS	ATIS.3GPP.25.412V640-2007	6.4.0	Approved	Oct 07	https://www.atis.org/docstore/default.aspx
ETSI	ETSI TS 125 412	6.4.0	Published	Jul 06	http://pda.etsi.org/pda/home.asp?wkr=RTS/TSGR-0325412v640

Release 7

ATIS	ATIS.3GPP.25.412V710-2007	7.1.0	Approved	Oct 07	https://www.atis.org/docstore/default.aspx
ETSI	ETSI TS 125 412	7.1.0	Published	Jul 06	http://pda.etsi.org/pda/home.asp?wkr=RTS/TSGR-0325412v710

5.3.2.3.6 TS 25.413**UTRAN Iu interface RANAP signalling**

This specification describes the signalling between the CN and the UTRAN over the Iu interface.

SDO (2)	Document No.	Version	Status	Issued date	Location (1)
Release 99					
ATIS	T1.3GPP.25.413V3140-2004	3.14.0	Approved	May 04	https://www.atis.org/docstore/default.aspx
ETSI	ETSI TS 125 413	3.14.0	Published	Oct 03	http://pda.etsi.org/pda/home.asp?wkr=RTS/TSGR-0325413v3e0
Release 4					
ETSI	ETSI TS 125 413	4.12.0	Published	Apr 04	http://pda.etsi.org/pda/home.asp?wkr=RTS/TSGR-0325413v4c0
Release 5					
ATIS	ATIS.3GPP.25.413V5120-2006	5.12.0	Approved	Apr 06	https://www.atis.org/docstore/default.aspx
ETSI	ETSI TS 125 413	5.12.0	Published	Jul 05	http://pda.etsi.org/pda/home.asp?wkr=RTS/TSGR-0325413v5c0
Release 6					
ATIS	ATIS.3GPP.25.413V6160-2008	6.16.0	Approved	Oct 08	https://www.atis.org/docstore/default.aspx
ETSI	ETSI TS 125 413	6.16.0	Awaiting publication		http://pda.etsi.org/pda/home.asp?wkr=RTS/TSGR-0325413v6g0
Release 7					
ATIS	ATIS.3GPP.25.413V790-2008	7.9.0	Approved	Oct 08	https://www.atis.org/docstore/default.aspx
ETSI	ETSI TS 125 413	7.8.0	Awaiting publication		http://pda.etsi.org/pda/home.asp?wkr=RTS/TSGR-0325413v780

5.3.2.3.7 TS 25.414**UTRAN Iu interface data transport and transport signalling**

This specification describes the standards for user data transport protocols and related signalling protocols to establish user plane transport bearers over the Iu interface.

SDO (2)	Document No.	Version	Status	Issued date	Location (1)
Release 99					
ATIS	T1.3GPP.25.414V3130-2004	3.13.0	Approved	May 04	https://www.atis.org/docstore/default.aspx
ETSI	ETSI TS 125 414	3.13.0	Published	Apr 03	http://pda.etsi.org/pda/home.asp?wkr=RTS/TSGR-0325414v3d0
Release 4					
ATIS	T1.3GPP.25.414V470-2004	4.7.0	Approved	May 04	https://www.atis.org/docstore/default.aspx
ETSI	ETSI TS 125 414	4.7.0	Published	Jan 04	http://pda.etsi.org/pda/home.asp?wkr=RTS/TSGR-0325414v470

Release 5

ATIS	ATIS.3GPP.25.414V570-2005	5.7.0	Approved	Apr 05	https://www.atis.org/docstore/default.aspx
ETSI	ETSI TS 125 414	5.7.0	Published	Oct 04	http://pda.etsi.org/pda/home.asp?wkr=RTS/TSGR-0325414v570

Release 6

ATIS	ATIS.3GPP.25.414V640-2007	6.4.0	Approved	Oct 07	https://www.atis.org/docstore/default.aspx
ETSI	ETSI TS 125 414	6.4.0	Published	Oct 06	http://pda.etsi.org/pda/home.asp?wkr=RTS/TSGR-0325414v640

Release 7

ATIS	ATIS.3GPP.25.414V710-2007	7.1.0	Approved	Oct 07	https://www.atis.org/docstore/default.aspx
ETSI	ETSI TS 125 414	7.1.0	Published	Oct 06	http://pda.etsi.org/pda/home.asp?wkr=RTS/TSGR-0325414v710

5.3.2.3.8 TS 25.415**UTRAN Iu interface user plane protocols**

This specification describes the protocols being used to transport and control over the Iu interface, the Iu user data streams.

SDO (2)	Document No.	Version	Status	Issued date	Location (1)
Release 99					
ATIS	T1.3GPP.25.415V3120-2003	3.12.0	Approved	Mar 03	https://www.atis.org/docstore/default.aspx
ETSI	ETSI TS 125 415	3.12.0	Published	Oct 02	http://pda.etsi.org/pda/home.asp?wkr=RTS/TSGR-0325415v3c0
Release 4					
ATIS	T1.3GPP.25.415V470-2003	4.7.0	Approved	Mar 03	https://www.atis.org/docstore/default.aspx
ETSI	ETSI TS 125 415	4.7.0	Published	Jan 03	http://pda.etsi.org/pda/home.asp?wkr=RTS/TSGR-0325415v470
Release 5					
ATIS	ATIS.3GPP.25.415V550-2006	5.5.0	Approved	Apr 06	https://www.atis.org/docstore/default.aspx
ETSI	ETSI TS 125 415	5.5.0	Published	Apr 05	http://pda.etsi.org/pda/home.asp?wkr=RTS/TSGR-0325415v550
Release 6					
ATIS	ATIS.3GPP.25.415V630-2007	6.3.0	Approved	Oct 07	https://www.atis.org/docstore/default.aspx
ETSI	ETSI TS 125 415	6.3.0	Published	Jul 06	http://pda.etsi.org/pda/home.asp?wkr=RTS/TSGR-0325415v630
Release 7					
ATIS	ATIS.3GPP.25.415V730-2007	7.3.0	Approved	Oct 07	https://www.atis.org/docstore/default.aspx
ETSI	ETSI TS 125 415	7.3.0	Published	Jan 07	http://pda.etsi.org/pda/home.asp?wkr=RTS/TSGR-0325415v730

5.3.2.3.9 TS 25.419**UTRAN Iu-bc interface: Cell broadcast protocols between CBC and RNC**

This document specifies the Service Area Broadcast Protocol (SABP) between the Cell Broadcast Centre (CBC) and the Radio Network Controller (RNC).

SDO (2)	Document No.	Version	Status	Issued date	Location (1)
Release 99					
ATIS	T1.3GPP.25.419V3110-2004	3.11.0	Approved	May 04	https://www.atis.org/docstore/default.aspx
ETSI	ETSI TS 125 419	3.11.0	Published	Jun 03	http://pda.etsi.org/pda/home.asp?wkr=RTS/TSGR-0325419v3b0
Release 4					
ATIS	T1.3GPP.25.419V4100-2004	4.10.0	Approved	May 04	https://www.atis.org/docstore/default.aspx
ETSI	ETSI TS 125 419	4.10.0	Published	Jan 04	http://pda.etsi.org/pda/home.asp?wkr=RTS/TSGR-0325419v4a0
Release 5					
ATIS	ATIS.3GPP.25.419V570-2005	5.7.0	Approved	Apr 05	https://www.atis.org/docstore/default.aspx
ETSI	ETSI TS 125 419	5.7.0	Published	Apr 04	http://pda.etsi.org/pda/home.asp?wkr=RTS/TSGR-0325419v570
Release 6					
ATIS	ATIS.3GPP.25.419V620-2005	6.2.0	Approved	Apr 05	https://www.atis.org/docstore/default.aspx
ETSI	ETSI TS 125 419	6.2.0	Published	Jan 05	http://pda.etsi.org/pda/home.asp?wkr=RTS/TSGR-0325419v620
Release 7					
ATIS	ATIS.3GPP.25.419V700-2007	7.0.0	Approved	Oct 07	https://www.atis.org/docstore/default.aspx
ETSI	ETSI TS 125 419	7.0.0	Published	May 06	http://pda.etsi.org/pda/home.asp?wkr=RTS/TSGR-0325419v700

5.3.2.3.10 TS 25.420

UTRAN Iur interface: general aspects and principles

This specification describes an introduction to the TSG RAN TS 25.42x series of technical specifications that define the Iur interface. It is a logical interface for the interconnection of two RNC components of the UTRAN.

SDO (2)	Document No.	Version	Status	Issued date	Location (1)
Release 99					
ARIB	ARIB STD-T63-25.420	3.5.0	Approved	Sep 08	http://www.arib.or.jp/IMT-2000/ARIB-STD/ITU-R_Rev8/R99/A25420-350.pdf
ATIS	T1.3GPP.25.420V350-2002	3.5.0	Approved	May 02	https://www.atis.org/docstore/default.aspx
ETSI	ETSI TS 125 420	3.5.0	Published	Apr 02	http://pda.etsi.org/pda/home.asp?wkr=RTS/TSGR-0325420UR5
Release 4					
ARIB	ARIB STD-T63-25.420	4.2.0	Approved	Sep 08	http://www.arib.or.jp/IMT-2000/ARIB-STD/ITU-R_Rev8/Rel4/A25420-420.pdf
ATIS	T1.3GPP.25.420V420-2002	4.2.0	Approved	May 02	https://www.atis.org/docstore/default.aspx
ETSI	ETSI TS 125 420	4.2.0	Published	Apr 02	http://pda.etsi.org/pda/home.asp?wkr=RTS/TSGR-0325420Uv4R2
Release 5					
ARIB	ARIB STD-T63-25.420	5.3.0	Approved	Sep 08	http://www.arib.or.jp/IMT-2000/ARIB-STD/ITU-R_Rev8/Rel5/A25420-530.pdf
ATIS	ATIS.3GPP.25.420V530-2006	5.3.0	Approved	Apr 06	https://www.atis.org/docstore/default.aspx
ETSI	ETSI TS 125 420	5.3.0	Published	Jul 05	http://pda.etsi.org/pda/home.asp?wkr=RTS/TSGR-0325420v530

Release 6

ARIB	ARIB STD-T63-25.420	6.4.0	Approved	Sep 08	http://www.arib.or.jp/IMT-2000/ARIB-STD/ITU-R_Rev8/Rel6/A25420-640.pdf
ATIS	ATIS.3GPP.25.420V640-2006	6.4.0	Approved	Apr 06	https://www.atis.org/docstore/default.aspx
ETSI	ETSI TS 125 420	6.4.0	Published	Jul 05	http://pda.etsi.org/pda/home.asp?wkr=RTS/TSGR-0325420v640

Release 7

ARIB	ARIB STD-T63-25.420	7.3.0	Approved	Sep 08	http://www.arib.or.jp/IMT-2000/ARIB-STD/ITU-R_Rev8/Rel7/A25420-730.pdf
ATIS	ATIS.3GPP.25.420V730-2007	7.3.0	Approved	Oct 07	https://www.atis.org/docstore/default.aspx
ETSI	ETSI TS 125 420	7.3.0	Published	Mar 07	http://pda.etsi.org/pda/home.asp?wkr=RTS/TSGR-0325420v730

5.3.2.3.11 TS 25.421**UTRAN Iur interface Layer 1**

This specification describes the standards allowed to implement Layer 1 on the Iur interface. The specification of transmission delay requirements and O&M requirements are not in the scope of this specification.

SDO (2)	Document No.	Version	Status	Issued date	Location (1)
Release 99					
ARIB	ARIB STD-T63-25.421	3.1.0	Approved	Sep 08	http://www.arib.or.jp/IMT-2000/ARIB-STD/ITU-R_Rev8/R99/A25421-310.pdf
ATIS	T1.3GPP.25.421V310-2002	3.1.0	Approved	May 02	https://www.atis.org/docstore/default.aspx
ETSI	ETSI TS 125 421	3.1.0	Published	Apr 01	http://pda.etsi.org/pda/home.asp?wkr=RTS/TSGR-0325421UR1
Release 4					
ARIB	ARIB STD-T63-25.421	4.0.0	Approved	Sep 08	http://www.arib.or.jp/IMT-2000/ARIB-STD/ITU-R_Rev8/Rel4/A25421-400.pdf
ATIS	T1.3GPP.25.421V400-2002	4.0.0	Approved	May 02	https://www.atis.org/docstore/default.aspx
ETSI	ETSI TS 125 421	4.0.0	Published	Apr 01	http://pda.etsi.org/pda/home.asp?wkr=RTS/TSGR-0325421Uv4
Release 5					
ARIB	ARIB STD-T63-25.421	5.0.0	Approved	Sep 08	http://www.arib.or.jp/IMT-2000/ARIB-STD/ITU-R_Rev8/Rel5/A25421-500.pdf
ATIS	T1.3GPP.25.421V500-2002	5.0.0	Approved	May 02	https://www.atis.org/docstore/default.aspx
ETSI	ETSI TS 125 421	5.0.0	Published	Apr 02	http://pda.etsi.org/pda/home.asp?wkr=RTS/TSGR-0325421Uv5
Release 6					
ARIB	ARIB STD-T63-25.421	6.0.0	Approved	Sep 08	http://www.arib.or.jp/IMT-2000/ARIB-STD/ITU-R_Rev8/Rel6/A25421-600.pdf
ATIS	T1.3GPP.25.421V600-2004	6.0.0	Approved	May 04	https://www.atis.org/docstore/default.aspx
ETSI	ETSI TS 125 421	6.0.0	Published	Jan 04	http://pda.etsi.org/pda/home.asp?wkr=RTS/TSGR-0325421v600
Release 7					
ARIB	ARIB STD-T63-25.421	7.0.0	Approved	Sep 08	http://www.arib.or.jp/IMT-2000/ARIB-STD/ITU-R_Rev8/Rel7/A25421-700.pdf
ATIS	ATIS.3GPP.25.421V700-2007	7.0.0	Approved	Oct 07	https://www.atis.org/docstore/default.aspx
ETSI	ETSI TS 125 421	7.0.0	Published	May 06	http://pda.etsi.org/pda/home.asp?wkr=RTS/TSGR-0325421v700
Release 8					
ATIS					

5.3.2.3.12 TS 25.422**UTRAN Iur interface signalling transport**

This specification describes the standards for Signalling Transport to be used across Iur Interface.

SDO (2)	Document No.	Version	Status	Issued date	Location (1)
Release 99					
ARIB	ARIB STD-T63-25.422	3.6.1	Approved	Sep 08	http://www.arib.or.jp/IMT-2000/ARIB-STD/ITU-R_Rev8/R99/A25422-361.pdf
ATIS	T1.3GPP.25.422V361-2002	3.6.1	Approved	May 02	https://www.atis.org/docstore/default.aspx
ETSI	ETSI TS 125 422	3.6.1	Published	Apr 02	http://pda.etsi.org/pda/home.asp?wkr=RTS/TSGR-0325422UR6
Release 4					
ARIB	ARIB STD-T63-25.422	4.2.0	Approved	Sep 08	http://www.arib.or.jp/IMT-2000/ARIB-STD/ITU-R_Rev8/Rel4/A25422-420.pdf
ATIS	T1.3GPP.25.422V420-2003	4.2.0	Approved	Mar 03	https://www.atis.org/docstore/default.aspx
ETSI	ETSI TS 125 422	4.2.0	Published	Oct 02	http://pda.etsi.org/pda/home.asp?wkr=RTS/TSGR-0325422v420
Release 5					
ARIB	ARIB STD-T63-25.422	5.1.0	Approved	Sep 08	http://www.arib.or.jp/IMT-2000/ARIB-STD/ITU-R_Rev8/Rel5/A25422-510.pdf
ATIS	T1.3GPP.25.422V510-2003	5.1.0	Approved	Mar 03	https://www.atis.org/docstore/default.aspx
ETSI	ETSI TS 125 422	5.1.0	Published	Oct 02	http://pda.etsi.org/pda/home.asp?wkr=RTS/TSGR-0325422v510
Release 6					
ARIB	ARIB STD-T63-25.422	6.2.0	Approved	Sep 08	http://www.arib.or.jp/IMT-2000/ARIB-STD/ITU-R_Rev8/Rel6/A25422-620.pdf
ATIS	ATIS.3GPP.25.422V620-2006	6.2.0	Approved	Apr 06	https://www.atis.org/docstore/default.aspx
ETSI	ETSI TS 125 422	6.2.0	Published	Jan 06	http://pda.etsi.org/pda/home.asp?wkr=RTS/TSGR-0325422v620
Release 7					
ARIB	ARIB STD-T63-25.422	7.1.0	Approved	Sep 08	http://www.arib.or.jp/IMT-2000/ARIB-STD/ITU-R_Rev8/Rel7/A25422-710.pdf
ATIS	ATIS.3GPP.25.422V710-2007	7.1.0	Approved	Oct 07	https://www.atis.org/docstore/default.aspx
ETSI	ETSI TS 125 422	7.1.0	Published	Oct 07	http://pda.etsi.org/pda/home.asp?wkr=RTS/TSGR-0325422v710

5.3.2.3.13 TS 25.423**UTRAN Iur interface RNSAP signalling**

This specification describes the radio network layer signalling procedures between RNCs in UTRAN.

SDO (2)	Document No.	Version	Status	Issued date	Location (1)
Release 99					
ARIB	ARIB STD-T63-25.423	3.14.2	Approved	Sep 08	http://www.arib.or.jp/IMT-2000/ARIB-STD/ITU-R_Rev8/R99/A25423-3e2.pdf
ATIS	ATIS.3GPP.25.423V3142-2005	3.14.2	Approved	Apr 05	https://www.atis.org/docstore/default.aspx
ETSI	ETSI TS 125 423	3.14.2	Published	Jul 04	http://pda.etsi.org/pda/home.asp?wkr=RTS/TSGR-0325423v3e2

Release 4

ARIB	ARIB STD-T63-25.423	4.13.0	Approved	Sep 08	http://www.arib.or.jp/IMT-2000/ARIB-STD/ITU-R_Rev8/Rel4/A25423-4d0.pdf
ATIS	ATIS.3GPP.25.423V4130-2006	4.13.0	Approved	Apr 06	https://www.atis.org/docstore/default.aspx
ETSI	ETSI TS 125 423	4.13.0	Published	Jan 06	http://pda.etsi.org/pda/home.asp?wkr=RTS/TSGR-0325423v4d0

Release 5

ARIB	ARIB STD-T63-25.423	5.17.0	Approved	Sep 08	http://www.arib.or.jp/IMT-2000/ARIB-STD/ITU-R_Rev8/Rel5/A25423-5h0.pdf
ATIS	ATIS.3GPP.25.423V5170-2007	5.17.0	Approved	Oct 07	https://www.atis.org/docstore/default.aspx
ETSI	ETSI TS 125 423	5.17.0	Published	May 06	http://pda.etsi.org/pda/home.asp?wkr=RTS/TSGR-0325423v5h0

Release 6

ARIB	ARIB STD-T63-25.423	6.17.0	Approved	Sep 08	http://www.arib.or.jp/IMT-2000/ARIB-STD/ITU-R_Rev8/Rel6/A25423-6h0.pdf
ATIS	ATIS.3GPP.25.423V6170-2008	6.17.0	Approved	Oct 08	https://www.atis.org/docstore/default.aspx
ETSI	ETSI TS 125 423	6.15.0	Published	Oct 07	http://pda.etsi.org/pda/home.asp?wkr=RTS/TSGR-0325423v6f0

Release 7

ARIB	ARIB STD-T63-25.423	7.9.0	Approved	Sep 08	http://www.arib.or.jp/IMT-2000/ARIB-STD/ITU-R_Rev8/Rel7/A25423-790.pdf
ATIS	ATIS.3GPP.25.423V790-2008	7.9.0	Approved	Oct 08	https://www.atis.org/docstore/default.aspx
ETSI	ETSI TS 125 423	7.7.0	Published	Jan 08	http://pda.etsi.org/pda/home.asp?wkr=RTS/TSGR-0325423v770

Release 8

ARIB	ARIB STD-T63-25.423	8.1.0	Approved	Sep 08	http://www.arib.or.jp/IMT-2000/ARIB-STD/ITU-R_Rev8/Rel8/A25423-810.pdf
ATIS	ATIS.3GPP.25.423V810-2008	8.1.0	Approved	Oct 08	https://www.atis.org/docstore/default.aspx

5.3.2.3.14 TS 25.424**UTRAN Iur interface data transport and transport signalling for common transport channel data streams**

This specification describes the UTRAN RNS-RNS (Iur) interface data transport and transport signalling for common transport channel data streams.

SDO (2)	Document No.	Version	Status	Issued date	Location (1)
Release 99					
ARIB	ARIB STD-T63-25.424	3.9.0	Approved	Sep 08	http://www.arib.or.jp/IMT-2000/ARIB-STD/ITU-R_Rev8/R99/A25424-390.pdf
ATIS	T1.3GPP.25.424V390-2003	3.9.0	Approved	Mar 03	https://www.atis.org/docstore/default.aspx
ETSI	ETSI TS 125 424	3.9.0	Published	Jul 02	http://pda.etsi.org/pda/home.asp?wkr=RTS/TSGR-0325424v390
Release 4					
ARIB	ARIB STD-T63-25.424	4.3.0	Approved	Sep 08	http://www.arib.or.jp/IMT-2000/ARIB-STD/ITU-R_Rev8/Rel4/A25424-430.pdf
ATIS	T1.3GPP.25.424V430-2003	4.3.0	Approved	Mar 03	https://www.atis.org/docstore/default.aspx
ETSI	ETSI TS 125 424	4.3.0	Published	Jul 02	http://pda.etsi.org/pda/home.asp?wkr=RTS/TSGR-0325424v430

Release 5

ARIB	ARIB STD-T63-25.424	5.6.0	Approved	Sep 08	http://www.arib.or.jp/IMT-2000/ARIB-STD/ITU-R_Rev8/Rel5/A25424-560.pdf
ATIS	ATIS.3GPP.25.424V560-2006	5.6.0	Approved	Apr 06	https://www.atis.org/docstore/default.aspx
ETSI	ETSI TS 125 424	5.6.0	Published	Oct 05	http://pda.etsi.org/pda/home.asp?wkr=RTS/TSGR-0325424v560

Release 6

ARIB	ARIB STD-T63-25.424	6.3.0	Approved	Sep 08	http://www.arib.or.jp/IMT-2000/ARIB-STD/ITU-R_Rev8/Rel6/A25424-630.pdf
ATIS	ATIS.3GPP.25.424V630-2006	6.3.0	Approved	Apr 06	https://www.atis.org/docstore/default.aspx
ETSI	ETSI TS 125 424	6.3.0	Published	Oct 05	http://pda.etsi.org/pda/home.asp?wkr=RTS/TSGR-0325424v630

Release 7

ARIB	ARIB STD-T63-25.424	7.1.0	Approved	Sep 08	http://www.arib.or.jp/IMT-2000/ARIB-STD/ITU-R_Rev8/Rel7/A25424-710.pdf
ATIS	ATIS.3GPP.25.424V710-2007	7.1.0	Approved	Oct 07	https://www.atis.org/docstore/default.aspx
ETSI	ETSI TS 125 424	7.1.0	Published	Jan 07	http://pda.etsi.org/pda/home.asp?wkr=RTS/TSGR-0325424v710

5.3.2.3.15 TS 25.425**UTRAN Iur interface user plane protocols for common transport channel data streams**

This specification describes the UTRAN RNS-RNS (Iur) interface user plane protocols for common transport channel data streams.

SDO (2)	Document No.	Version	Status	Issued date	Location (1)
Release 99					
ARIB	ARIB STD-T63-25.425	3.8.0	Approved	Sep 08	http://www.arib.or.jp/IMT-2000/ARIB-STD/ITU-R_Rev8/R99/A25425-380.pdf
ATIS	T1.3GPP.25.425V380-2004	3.8.0	Approved	May 04	https://www.atis.org/docstore/default.aspx
ETSI	ETSI TS 125 425	3.8.0	Published	Jan 04	http://pda.etsi.org/pda/home.asp?wkr=RTS/TSGR-0325425v380
Release 4					
ARIB	ARIB STD-T63-25.425	4.4.0	Approved	Sep 08	http://www.arib.or.jp/IMT-2000/ARIB-STD/ITU-R_Rev8/Rel4/A25425-440.pdf
ATIS	T1.3GPP.25.425V440-2004	4.4.0	Approved	May 04	https://www.atis.org/docstore/default.aspx
ETSI	ETSI TS 125 425	4.4.0	Published	Jan 04	http://pda.etsi.org/pda/home.asp?wkr=RTS/TSGR-0325425v440
Release 5					
ARIB	ARIB STD-T63-25.425	5.8.0	Approved	Sep 08	http://www.arib.or.jp/IMT-2000/ARIB-STD/ITU-R_Rev8/Rel5/A25425-580.pdf
ATIS	ATIS.3GPP.25.425V580-2006	5.8.0	Approved	Apr 06	https://www.atis.org/docstore/default.aspx
ETSI	ETSI TS 125 425	5.8.0	Published	Jul 05	http://pda.etsi.org/pda/home.asp?wkr=RTS/TSGR-0325425v580
Release 6					
ARIB	ARIB STD-T63-25.425	6.4.0	Approved	Sep 08	http://www.arib.or.jp/IMT-2000/ARIB-STD/ITU-R_Rev8/Rel6/A25425-640.pdf
ATIS	ATIS.3GPP.25.425V640-2007	6.4.0	Approved	Oct 07	https://www.atis.org/docstore/default.aspx
ETSI	ETSI TS 125 425	6.4.0	Published	Jan 07	http://pda.etsi.org/pda/home.asp?wkr=RTS/TSGR-0325425v640

Release 7

ARIB	ARIB STD-T63-25.425	7.7.0	Approved	Sep 08	http://www.arib.or.jp/IMT-2000/ARIB-STD/ITU-R_Rev8/Rel7/A25425-770.pdf
ATIS	ATIS.3GPP.25.425V770-2008	7.7.0	Approved	Oct 08	https://www.atis.org/docstore/default.aspx
ETSI	ETSI TS 125 425	7.6.0	Published	Jan 08	http://pda.etsi.org/pda/home.asp?wkr=RTS/TSGR-0325425v760

5.3.2.3.16 TS 25.426**UTRAN Iur and Iub interface data transport and transport signalling for DCH data streams**

This specification describes the transport bearers for the DCH data streams on UTRAN Iur and Iub interfaces. The corresponding transport network control plane is also specified. The physical layer for the transport bearers is outside the scope of this TS.

SDO (2)	Document No.	Version	Status	Issued date	Location (1)
Release 99					
ARIB	ARIB STD-T63-25.426	3.9.0	Approved	Sep 08	http://www.arib.or.jp/IMT-2000/ARIB-STD/ITU-R_Rev8/R99/A25426-390.pdf
ATIS	T1.3GPP.25.426V390-2003	3.9.0	Approved	Mar 03	https://www.atis.org/docstore/default.aspx
ETSI	ETSI TS 125 426	3.9.0	Published	Jul 02	http://pda.etsi.org/pda/home.asp?wkr=RTS/TSGR-0325426v390
Release 4					
ARIB	ARIB STD-T63-25.426	4.4.0	Approved	Sep 08	http://www.arib.or.jp/IMT-2000/ARIB-STD/ITU-R_Rev8/Rel4/A25426-440.pdf
ATIS	T1.3GPP.25.426V440-2003	4.4.0	Approved	Mar 03	https://www.atis.org/docstore/default.aspx
ETSI	ETSI TS 125 426	4.4.0	Published	Oct 02	http://pda.etsi.org/pda/home.asp?wkr=RTS/TSGR-0325426v440
Release 5					
ARIB	ARIB STD-T63-25.426	5.6.0	Approved	Sep 08	http://www.arib.or.jp/IMT-2000/ARIB-STD/ITU-R_Rev8/Rel5/A25426-560.pdf
ATIS	ATIS.3GPP.25.426V560-2005	5.6.0	Approved	Apr 05	https://www.atis.org/docstore/default.aspx
ETSI	ETSI TS 125 426	5.6.0	Published	Oct 04	http://pda.etsi.org/pda/home.asp?wkr=RTS/TSGR-0325426v560
Release 6					
ARIB	ARIB STD-T63-25.426	6.5.0	Approved	Sep 08	http://www.arib.or.jp/IMT-2000/ARIB-STD/ITU-R_Rev8/Rel6/A25426-650.pdf
ATIS	ATIS.3GPP.25.426V650-2007	6.5.0	Approved	Oct 07	https://www.atis.org/docstore/default.aspx
ETSI	ETSI TS 125 426	6.5.0	Published	Jul 06	http://pda.etsi.org/pda/home.asp?wkr=RTS/TSGR-0325426v650
Release 7					
ARIB	ARIB STD-T63-25.426	7.1.0	Approved	Sep 08	http://www.arib.or.jp/IMT-2000/ARIB-STD/ITU-R_Rev8/Rel7/A25426-710.pdf
ATIS	ATIS.3GPP.25.426V710-2007	7.1.0	Approved	Oct 07	https://www.atis.org/docstore/default.aspx
ETSI	ETSI TS 125 426	7.1.0	Published	Jul 06	http://pda.etsi.org/pda/home.asp?wkr=RTS/TSGR-0325426v710

5.3.2.3.17 TS 25.427**UTRAN Iur and Iub interface user plane protocols for DCH data streams**

This specification describes the UTRAN Iur and Iub interfaces user plane protocols for dedicated transport channel data streams.

SDO (2)	Document No.	Version	Status	Issued date	Location (1)
Release 99					
ARIB	ARIB STD-T63-25.427	3.11.0	Approved	Sep 08	http://www.arib.or.jp/IMT-2000/ARIB-STD/ITU-R_Rev8/R99/A25427-3b0.pdf
ATIS	T1.3GPP.25.427V3110-2004	3.11.0	Approved	May 04	https://www.atis.org/docstore/default.aspx
ETSI	ETSI TS 125 427	3.11.0	Published	Jan 04	http://pda.etsi.org/pda/home.asp?wkr=RTS/TSGR-0325427v3b0
Release 4					
ARIB	ARIB STD-T63-25.427	4.5.0	Approved	Sep 08	http://www.arib.or.jp/IMT-2000/ARIB-STD/ITU-R_Rev8/Rel4/A25427-450.pdf
ATIS	T1.3GPP.25.427V450-2004	4.5.0	Approved	May 04	https://www.atis.org/docstore/default.aspx
ETSI	ETSI TS 125 427	4.5.0	Published	Jan 04	http://pda.etsi.org/pda/home.asp?wkr=RTS/TSGR-0325427v450
Release 5					
ARIB	ARIB STD-T63-25.427	5.5.0	Approved	Sep 08	http://www.arib.or.jp/IMT-2000/ARIB-STD/ITU-R_Rev8/Rel5/A25427-550.pdf
ATIS	ATIS.3GPP.25.427V550-2006	5.5.0	Approved	Apr 06	https://www.atis.org/docstore/default.aspx
ETSI	ETSI TS 125 427	5.5.0	Published	Jul 05	http://pda.etsi.org/pda/home.asp?wkr=RTS/TSGR-0325427v550
Release 6					
ARIB	ARIB STD-T63-25.427	6.8.0	Approved	Sep 08	http://www.arib.or.jp/IMT-2000/ARIB-STD/ITU-R_Rev8/Rel6/A25427-680.pdf
ATIS	ATIS.3GPP.25.427V680-2007	6.8.0	Approved	Oct 07	https://www.atis.org/docstore/default.aspx
ETSI	ETSI TS 125 427	6.8.0	Published	Jan 07	http://pda.etsi.org/pda/home.asp?wkr=RTS/TSGR-0325427v680
Release 7					
ARIB	ARIB STD-T63-25.427	7.5.0	Approved	Sep 08	http://www.arib.or.jp/IMT-2000/ARIB-STD/ITU-R_Rev8/Rel7/A25427-750.pdf
ATIS	ATIS.3GPP.25.427V750-2007	7.5.0	Approved	Oct 07	https://www.atis.org/docstore/default.aspx
ETSI	ETSI TS 125 427	7.5.0	Published	Oct 07	http://pda.etsi.org/pda/home.asp?wkr=RTS/TSGR-0325427v750
Release 8					
ARIB	ARIB STD-T63-25.427	8.0.0	Approved	Sep 08	http://www.arib.or.jp/IMT-2000/ARIB-STD/ITU-R_Rev8/Rel8/A25427-800.pdf
ATIS	ATIS.3GPP.25.427V800-2008	8.0.0	Approved	Oct 08	https://www.atis.org/docstore/default.aspx

5.3.2.3.18 TS 25.430

UTRAN Iub interface: general aspects and principles

This specification describes the TSG RAN TS 25.43x series of UMTS technical specifications that define the Iub interface. The Iub interface is a logical interface for the interconnection of Node B and RNC components of the UTRAN.

SDO (2)	Document No.	Version	Status	Issued date	Location (1)
Release 99					
ARIB	ARIB STD-T63-25.430	3.8.0	Approved	Sep 08	http://www.arib.or.jp/IMT-2000/ARIB-STD/ITU-R_Rev8/R99/A25430-380.pdf
ATIS	T1.3GPP.25.430V380-2003	3.8.0	Approved	Mar 03	https://www.atis.org/docstore/default.aspx
ETSI	ETSI TS 125 430	3.8.0	Published	Jul 02	http://pda.etsi.org/pda/home.asp?wkr=RTS/TSGR-0325430v380

Release 4

ARIB	ARIB STD-T63-25.430	4.4.0	Approved	Sep 08	http://www.arib.or.jp/IMT-2000/ARIB-STD/ITU-R_Rev8/Rel4/A25430-440.pdf
ATIS	T1.3GPP.25.430V440-2003	4.4.0	Approved	Mar 03	https://www.atis.org/docstore/default.aspx
ETSI	ETSI TS 125 430	4.4.0	Published	Oct 02	http://pda.etsi.org/pda/home.asp?wkr=RTS/TSGR-0325430v440

Release 5

ARIB	ARIB STD-T63-25.430	5.5.0	Approved	Sep 08	http://www.arib.or.jp/IMT-2000/ARIB-STD/ITU-R_Rev8/Rel5/A25430-550.pdf
ATIS	ATIS.3GPP.25.430V550-2006	5.5.0	Approved	Apr 06	https://www.atis.org/docstore/default.aspx
ETSI	ETSI TS 125 430	5.5.0	Published	Jul 05	http://pda.etsi.org/pda/home.asp?wkr=RTS/TSGR-0325430v550

Release 6

ARIB	ARIB STD-T63-25.430	6.5.0	Approved	Sep 08	http://www.arib.or.jp/IMT-2000/ARIB-STD/ITU-R_Rev8/Rel6/A25430-650.pdf
ATIS	ATIS.3GPP.25.430V650-2006	6.5.0	Approved	Apr 06	https://www.atis.org/docstore/default.aspx
ETSI	ETSI TS 125 430	6.5.0	Published	Jul 05	http://pda.etsi.org/pda/home.asp?wkr=RTS/TSGR-0325430v650

Release 7

ARIB	ARIB STD-T63-25.430	7.5.0	Approved	Sep 08	http://www.arib.or.jp/IMT-2000/ARIB-STD/ITU-R_Rev8/Rel7/A25430-750.pdf
ATIS	ATIS.3GPP.25.430V750-2007	7.5.0	Approved	Oct 07	https://www.atis.org/docstore/default.aspx
ETSI	ETSI TS 125 430	7.5.0	Published	Oct 07	http://pda.etsi.org/pda/home.asp?wkr=RTS/TSGR-0325430v750

5.3.2.3.19 TS 25.431**UTRAN Iub interface: Layer 1**

This specification describes the standards allowed to implement Layer 1 on the Iub interface. The specification of transmission delay requirements and O&M requirements is not in the scope of this specification.

SDO (2)	Document No.	Version	Status	Issued date	Location (1)
Release 99					
ARIB	ARIB STD-T63-25.431	3.1.0	Approved	Sep 08	http://www.arib.or.jp/IMT-2000/ARIB-STD/ITU-R_Rev8/R99/A25431-310.pdf
ATIS	T1.3GPP.25.431V310-2002	3.1.0	Approved	May 02	https://www.atis.org/docstore/default.aspx
ETSI	ETSI TS 125 431	3.1.0	Published	Apr 01	http://pda.etsi.org/pda/home.asp?wkr=RTS/TSGR-0325431UR1
Release 4					
ARIB	ARIB STD-T63-25.431	4.0.0	Approved	Sep 08	http://www.arib.or.jp/IMT-2000/ARIB-STD/ITU-R_Rev8/Rel4/A25431-400.pdf
ATIS	T1.3GPP.25.431V400-2002	4.0.0	Approved	May 02	https://www.atis.org/docstore/default.aspx
ETSI	ETSI TS 125 431	4.0.0	Published	Apr 01	http://pda.etsi.org/pda/home.asp?wkr=RTS/TSGR-0325431Uv4
Release 5					
ARIB	ARIB STD-T63-25.431	5.0.0	Approved	Sep 08	http://www.arib.or.jp/IMT-2000/ARIB-STD/ITU-R_Rev8/Rel5/A25431-500.pdf
ATIS	T1.3GPP.25.431V500-2002	5.0.0	Approved	May 02	https://www.atis.org/docstore/default.aspx
ETSI	ETSI TS 125 431	5.0.0	Published	Apr 02	http://pda.etsi.org/pda/home.asp?wkr=RTS/TSGR-0325431Uv5

Release 6

ARIB	ARIB STD-T63-25.431	6.0.0	Approved	Sep 08	http://www.arib.or.jp/IMT-2000/ARIB-STD/ITU-R_Rev8/Rel6/A25431-600.pdf
ATIS	T1.3GPP.25.431V600-2004	6.0.0	Approved	May 04	https://www.atis.org/docstore/default.aspx
ETSI	ETSI TS 125 431	6.0.0	Published	Jan 04	http://pda.etsi.org/pda/home.asp?wkr=RTS/TSGR-0325431v600

Release 7

ARIB	ARIB STD-T63-25.431	7.0.0	Approved	Sep 08	http://www.arib.or.jp/IMT-2000/ARIB-STD/ITU-R_Rev8/Rel7/A25431-700.pdf
ATIS	ATIS.3GPP.25.431V700-2007	7.0.0	Approved	Oct 07	https://www.atis.org/docstore/default.aspx
ETSI	ETSI TS 125 431	7.0.0	Published	May 06	http://pda.etsi.org/pda/home.asp?wkr=RTS/TSGR-0325431v700

Release 8

ATIS

5.3.2.3.20 TS 25.432**UTRAN Iub interface: signalling transport**

This specification describes the signalling transport related to the Node B application part (NBAP) signalling to be used across the Iub interface. The Iub interface is a logical interface for the interconnection of Node B and RNC components of the UTRAN. The RNC signalling between these nodes is based on NBAP.

SDO (2)	Document No.	Version	Status	Issued date	Location (1)
Release 99					
ARIB	ARIB STD-T63-25.432	3.1.0	Approved	Sep 08	http://www.arib.or.jp/IMT-2000/ARIB-STD/ITU-R_Rev8/R99/A25432-310.pdf
ATIS	T1.3GPP.25.432V310-2002	3.1.0	Approved	May 02	https://www.atis.org/docstore/default.aspx
ETSI	ETSI TS 125 432	3.1.0	Published	Feb 00	http://pda.etsi.org/pda/home.asp?wkr=DTS/TSGR-0325432U
Release 4					
ARIB	ARIB STD-T63-25.432	4.0.0	Approved	Sep 08	http://www.arib.or.jp/IMT-2000/ARIB-STD/ITU-R_Rev8/Rel4/A25432-400.pdf
ATIS	T1.3GPP.25.432V400-2002	4.0.0	Approved	May 02	https://www.atis.org/docstore/default.aspx
ETSI	ETSI TS 125 432	4.0.0	Published	Apr 01	http://pda.etsi.org/pda/home.asp?wkr=RTS/TSGR-0325432Uv4
Release 5					
ARIB	ARIB STD-T63-25.432	5.1.0	Approved	Sep 08	http://www.arib.or.jp/IMT-2000/ARIB-STD/ITU-R_Rev8/Rel5/A25432-510.pdf
ATIS	T1.3GPP.25.432V510-2003	5.1.0	Approved	Mar 03	https://www.atis.org/docstore/default.aspx
ETSI	ETSI TS 125 432	5.1.0	Published	Oct 02	http://pda.etsi.org/pda/home.asp?wkr=RTS/TSGR-0325432v510
Release 6					
ARIB	ARIB STD-T63-25.432	6.0.0	Approved	Sep 08	http://www.arib.or.jp/IMT-2000/ARIB-STD/ITU-R_Rev8/Rel6/A25432-600.pdf
ATIS	T1.3GPP.25.432V600-2004	6.0.0	Approved	May 04	https://www.atis.org/docstore/default.aspx
ETSI	ETSI TS 125 432	6.0.0	Published	Jan 04	http://pda.etsi.org/pda/home.asp?wkr=RTS/TSGR-0325432v600

Release 7

ARIB	ARIB STD-T63-25.432	7.1.0	Approved	Sep 08	http://www.arib.or.jp/IMT-2000/ARIB-STD/ITU-R_Rev8/Rel7/A25432-710.pdf
ATIS	ATIS.3GPP.25.432V710-2004	7.1.0	Approved	Oct 07	https://www.atis.org/docstore/default.aspx
ETSI	ETSI TS 125 432	7.1.0	Published	Mar 07	http://pda.etsi.org/pda/home.asp?wkr=RTS/TSGR-0325432v710

5.3.2.3.21 TS 25.433**UTRAN Iub interface: NBAP signalling**

This specification describes the standards for NBAP specification to be used over Iub interface.

SDO (2)	Document No.	Version	Status	Issued date	Location (1)
Release 99					
ARIB	ARIB STD-T63-25.433	3.14.2	Approved	Sep 08	http://www.arib.or.jp/IMT-2000/ARIB-STD/ITU-R_Rev8/R99/A25433-3e2.pdf
ATIS	ATIS.3GPP.25.433V3142-2005	3.14.2	Approved	Apr 05	https://www.atis.org/docstore/default.aspx
ETSI	ETSI TS 125 433	3.14.2	Published	Oct 04	http://pda.etsi.org/pda/home.asp?wkr=RTS/TSGR-0325433v3e2
Release 4					
ARIB	ARIB STD-T63-25.433	4.13.0	Approved	Sep 08	http://www.arib.or.jp/IMT-2000/ARIB-STD/ITU-R_Rev8/Rel4/A25433-4d0.pdf
ATIS	ATIS.3GPP.25.433V4130-2005	4.13.0	Approved	Apr 05	https://www.atis.org/docstore/default.aspx
ETSI	ETSI TS 125 433	4.13.0	Published	Oct 04	http://pda.etsi.org/pda/home.asp?wkr=RTS/TSGR-0325433v4d0
Release 5					
ARIB	ARIB STD-T63-25.433	5.16.0	Approved	Sep 08	http://www.arib.or.jp/IMT-2000/ARIB-STD/ITU-R_Rev8/Rel5/A25433-5g0.pdf
ATIS	ATIS.3GPP.25.433V5160-2007	5.16.0	Approved	Oct 07	https://www.atis.org/docstore/default.aspx
ETSI	ETSI TS 125 433	5.16.0	Published	Oct 06	http://pda.etsi.org/pda/home.asp?wkr=RTS/TSGR-0325433v5g0
Release 6					
ARIB	ARIB STD-T63-25.433	6.17.0	Approved	Sep 08	http://www.arib.or.jp/IMT-2000/ARIB-STD/ITU-R_Rev8/Rel6/A25433-6h0.pdf
ATIS	ATIS.3GPP.25.433V6170-2008	6.17.0	Approved	Oct 08	https://www.atis.org/docstore/default.aspx
ETSI	ETSI TS 125 433	6.15.0	Published	Oct 07	http://pda.etsi.org/pda/home.asp?wkr=RTS/TSGR-0325433v6f0
Release 7					
ARIB	ARIB STD-T63-25.433	7.9.0	Approved	Sep 08	http://www.arib.or.jp/IMT-2000/ARIB-STD/ITU-R_Rev8/Rel7/A25433-790.pdf
ATIS	ATIS.3GPP.25.433V790-2008	7.9.0	Approved	Oct 08	https://www.atis.org/docstore/default.aspx
ETSI	ETSI TS 125 433	7.7.0	Awaiting publication		http://pda.etsi.org/pda/home.asp?wkr=RTS/TSGR-0325433v770
Release 8					
ARIB	ARIB STD-T63-25.433	8.1.0	Approved	Sep 08	http://www.arib.or.jp/IMT-2000/ARIB-STD/ITU-R_Rev8/Rel8/A25433-810.pdf
ATIS	ATIS.3GPP.25.433V810-2008	8.1.0	Approved	Oct 08	https://www.atis.org/docstore/default.aspx

5.3.2.3.22 TS 25.434**UTRAN Iub interface data transport and transport signalling for common transport channel data streams**

This specification describes the UTRAN RNC-Node B (Iub) interface data transport and transport signalling for CCH data streams.

SDO (2)	Document No.	Version	Status	Issued date	Location (1)
Release 99					
ARIB	ARIB STD-T63-25.434	3.8.0	Approved	Sep 08	http://www.arib.or.jp/IMT-2000/ARIB-STD/ITU-R_Rev8/R99/A25434-380.pdf
ATIS	T1.3GPP.25.434V380-2003	3.8.0	Approved	Mar 03	https://www.atis.org/docstore/default.aspx
ETSI	ETSI TS 125 434	3.8.0	Published	Jul 02	http://pda.etsi.org/pda/home.asp?wkr=RTS/TSGR-0325434v380
Release 4					
ARIB	ARIB STD-T63-25.434	4.4.0	Approved	Sep 08	http://www.arib.or.jp/IMT-2000/ARIB-STD/ITU-R_Rev8/Rel4/A25434-440.pdf
ATIS	T1.3GPP.25.434V440-2003	4.4.0	Approved	Mar 03	https://www.atis.org/docstore/default.aspx
ETSI	ETSI TS 125 434	4.4.0	Published	Jul 02	http://pda.etsi.org/pda/home.asp?wkr=RTS/TSGR-0325434v440
Release 5					
ARIB	ARIB STD-T63-25.434	5.5.0	Approved	Sep 08	http://www.arib.or.jp/IMT-2000/ARIB-STD/ITU-R_Rev8/Rel5/A25434-550.pdf
ATIS	ATIS.3GPP.25.434V550-2006	5.5.0	Approved	Apr 06	https://www.atis.org/docstore/default.aspx
ETSI	ETSI TS 125 434	5.5.0	Published	Jul 05	http://pda.etsi.org/pda/home.asp?wkr=RTS/TSGR-0325434v550
Release 6					
ARIB	ARIB STD-T63-25.434	6.2.0	Approved	Sep 08	http://www.arib.or.jp/IMT-2000/ARIB-STD/ITU-R_Rev8/Rel6/A25434-620.pdf
ATIS	ATIS.3GPP.25.434V620-2006	6.2.0	Approved	Apr 06	https://www.atis.org/docstore/default.aspx
ETSI	ETSI TS 125 434	6.2.0	Published	Jul 05	http://pda.etsi.org/pda/home.asp?wkr=RTS/TSGR-0325434v620
Release 7					
ARIB	ARIB STD-T63-25.434	7.2.0	Approved	Sep 08	http://www.arib.or.jp/IMT-2000/ARIB-STD/ITU-R_Rev8/Rel7/A25434-720.pdf
ATIS	ATIS.3GPP.25.434V720-2008	7.2.0	Approved	Oct 08	https://www.atis.org/docstore/default.aspx
ETSI	ETSI TS 125 434	7.2.0	Awaiting publication		http://pda.etsi.org/pda/home.asp?wkr=RTS/TSGR-0325434v720

5.3.2.3.23 TS 25.435**UTRAN Iub interface user plane protocols for common transport channel data streams**

This specification describes the UTRAN RNC-Node B (Iub) interface user plane protocols for common transport channel data streams.

SDO (2)	Document No.	Version	Status	Issued date	Location (1)
Release 99					
ARIB	ARIB STD-T63-25.435	3.11.0	Approved	Sep 08	http://www.arib.or.jp/IMT-2000/ARIB-STD/ITU-R_Rev8/R99/A25435-3b0.pdf
ATIS	T1.3GPP.25.435V3110-2004	3.11.0	Approved	May 04	https://www.atis.org/docstore/default.aspx
ETSI	ETSI TS 125 435	3.11.0	Published	Jan 04	http://pda.etsi.org/pda/home.asp?wkr=RTS/TSGR-0325435v3b0

Release 4

ARIB	ARIB STD-T63-25.435	4.6.0	Approved	Sep 08	http://www.arib.or.jp/IMT-2000/ARIB-STD/ITU-R_Rev8/Rel4/A25435-460.pdf
ATIS	T1.3GPP.25.435V460-2004	4.6.0	Approved	May 04	https://www.atis.org/docstore/default.aspx
ETSI	ETSI TS 125 435	4.6.0	Published	Jan 04	http://pda.etsi.org/pda/home.asp?wkr=RTS/TSGR-0325435v460

Release 5

ARIB	ARIB STD-T63-25.435	5.9.0	Approved	Sep 08	http://www.arib.or.jp/IMT-2000/ARIB-STD/ITU-R_Rev8/Rel5/A25435-590.pdf
ATIS	ATIS.3GPP.25.435V590-2007	5.9.0	Approved	Oct 07	https://www.atis.org/docstore/default.aspx
ETSI	ETSI TS 125 435	5.9.0	Published	Oct 06	http://pda.etsi.org/pda/home.asp?wkr=RTS/TSGR-0325435v590

Release 6

ARIB	ARIB STD-T63-25.435	6.4.0	Approved	Sep 08	http://www.arib.or.jp/IMT-2000/ARIB-STD/ITU-R_Rev8/Rel6/A25435-640.pdf
ATIS	ATIS.3GPP.25.435V640-2007	6.4.0	Approved	Oct 07	https://www.atis.org/docstore/default.aspx
ETSI	ETSI TS 125 435	6.4.0	Published	Oct 06	http://pda.etsi.org/pda/home.asp?wkr=RTS/TSGR-0325435v640

Release 7

ARIB	ARIB STD-T63-25.435	7.8.0	Approved	Sep 08	http://www.arib.or.jp/IMT-2000/ARIB-STD/ITU-R_Rev8/Rel7/A25435-780.pdf
ATIS	ATIS.3GPP.25.435V780-2008	7.8.0	Approved	Oct 08	https://www.atis.org/docstore/default.aspx
ETSI	ETSI TS 125 435	7.7.0	Awaiting publication		http://pda.etsi.org/pda/home.asp?wkr=RTS/TSGR-0325435v770

5.3.2.3.24 TS 25.442**UTRAN implementation specific O&M transport**

This specification describes the transport of implementation specific O&M signalling between Node B and the management platform in case that the transport is routed via the RNC.

SDO (2)	Document No.	Version	Status	Issued date	Location (1)
Release 99					
ARIB	ARIB STD-T63-25.442	3.1.0	Approved	Sep 08	http://www.arib.or.jp/IMT-2000/ARIB-STD/ITU-R_Rev8/R99/A25442-310.pdf
ATIS	T1.3GPP.25.442V310-2002	3.1.0	Approved	May 02	https://www.atis.org/docstore/default.aspx
ETSI	ETSI TS 125 442	3.1.0	Published	May 00	http://pda.etsi.org/pda/home.asp?wkr=RTS/TSGR-0325442UR1
Release 4					
ARIB	ARIB STD-T63-25.442	4.0.0	Approved	Sep 08	http://www.arib.or.jp/IMT-2000/ARIB-STD/ITU-R_Rev8/Rel4/A25442-400.pdf
ATIS	T1.3GPP.25.442V400-2002	4.0.0	Approved	May 02	https://www.atis.org/docstore/default.aspx
ETSI	ETSI TS 125 442	4.0.0	Published	Apr 01	http://pda.etsi.org/pda/home.asp?wkr=RTS/TSGR-0325442Uv4
Release 5					
ARIB	ARIB STD-T63-25.442	5.1.0	Approved	Sep 08	http://www.arib.or.jp/IMT-2000/ARIB-STD/ITU-R_Rev8/Rel5/A25442-510.pdf
ATIS	T1.3GPP.25.442V510-2003	5.1.0	Approved	Mar 03	https://www.atis.org/docstore/default.aspx
ETSI	ETSI TS 125 442	5.1.0	Published	Oct 02	http://pda.etsi.org/pda/home.asp?wkr=RTS/TSGR-0325442v510

Release 6

ARIB	ARIB STD-T63-25.442	6.0.0	Approved	Sep 08	http://www.arib.or.jp/IMT-2000/ARIB-STD/ITU-R_Rev8/Rel6/A25442-600.pdf
ATIS	T1.3GPP.25.442V600-2004	6.0.0	Approved	May 04	https://www.atis.org/docstore/default.aspx
ETSI	ETSI TS 125 442	6.0.0	Published	Jan 04	http://pda.etsi.org/pda/home.asp?wkr=RTS/TSGR-0325442v600

Release 7

ARIB	ARIB STD-T63-25.442	7.0.0	Approved	Sep 08	http://www.arib.or.jp/IMT-2000/ARIB-STD/ITU-R_Rev8/Rel7/A25442-700.pdf
ATIS	ATIS.3GPP.25.442V700-2007	7.0.0	Approved	Oct 07	https://www.atis.org/docstore/default.aspx
ETSI	ETSI TS 125 442	7.0.0	Published	May 06	http://pda.etsi.org/pda/home.asp?wkr=RTS/TSGR-0325442v700

5.3.2.3.25 TS 25.450**UTRAN Iupc interface general aspects and principles**

The present document is an introduction to the TSG RAN TS 25.45z series of UMTS Technical Specifications that define the Iupc Interface. The Iupc interface is a logical interface for the interconnection of Standalone SMLC (SAS) and Radio Network Controller (RNC) components of the Universal Terrestrial Radio Access Network (UTRAN) for the UMTS system.

SDO (2)	Document No.	Version	Status	Issued date	Location (1)
Release 5					
ARIB	ARIB STD-T63-25.450	5.2.0	Approved	Sep 08	http://www.arib.or.jp/IMT-2000/ARIB-STD/ITU-R_Rev8/Rel5/A25450-520.pdf
ATIS	ATIS.3GPP.25.450V520-2006	5.2.0	Approved	Apr 06	https://www.atis.org/docstore/default.aspx
ETSI	ETSI TS 125 450	5.2.0	Published	Jul 05	http://pda.etsi.org/pda/home.asp?wkr=RTS/TSGR-0325450v520
Release 6					
ARIB	ARIB STD-T63-25.450	6.2.0	Approved	Sep 08	http://www.arib.or.jp/IMT-2000/ARIB-STD/ITU-R_Rev8/Rel6/A25450-620.pdf
ATIS	ATIS.3GPP.25.450V620-2006	6.2.0	Approved	Apr 06	https://www.atis.org/docstore/default.aspx
ETSI	ETSI TS 125 450	6.2.0	Published	Oct 05	http://pda.etsi.org/pda/home.asp?wkr=RTS/TSGR-0325450v620
Release 7					
ARIB	ARIB STD-T63-25.450	7.2.0	Approved	Sep 08	http://www.arib.or.jp/IMT-2000/ARIB-STD/ITU-R_Rev8/Rel7/A25450-720.pdf
ATIS	ATIS.3GPP.25.450V720-2007	7.2.0	Approved	Oct 07	https://www.atis.org/docstore/default.aspx
ETSI	ETSI TS 125 450	7.2.0	Published	Oct 07	http://pda.etsi.org/pda/home.asp?wkr=RTS/TSGR-0325450v720

5.3.2.3.26 TS 25.451**UTRAN Iupc Interface Layer 1**

The present document specifies the standards allowed to implement Layer 1 on the Iupc interface.

SDO (2)	Document No.	Version	Status	Issued date	Location (1)
---------	--------------	---------	--------	-------------	--------------

Release 5

ARIB	ARIB STD-T63-25.451	5.0.1	Approved	Sep 08	http://www.arib.or.jp/IMT-2000/ARIB-STD/ITU-R_Rev8/Rel5/A25451-501.pdf
ATIS	T1.3GPP.25.451V501-2002	5.0.1	Approved	May 02	https://www.atis.org/docstore/default.aspx
ETSI	ETSI TS 125 451	5.0.1	Published	Apr 02	http://pda.etsi.org/pda/home.asp?wkr=DTS/TSGR-0325451Uv5

Release 6

ARIB	ARIB STD-T63-25.451	6.0.0	Approved	Sep 08	http://www.arib.or.jp/IMT-2000/ARIB-STD/ITU-R_Rev8/Rel6/A25451-600.pdf
ATIS	T1.3GPP.25.451V600-2004	6.0.0	Approved	May 04	https://www.atis.org/docstore/default.aspx
ETSI	ETSI TS 125 451	6.0.0	Published	Jan 04	http://pda.etsi.org/pda/home.asp?wkr=RTS/TSGR-0325451v600

Release 7

ARIB	ARIB STD-T63-25.451	7.0.0	Approved	Sep 08	http://www.arib.or.jp/IMT-2000/ARIB-STD/ITU-R_Rev8/Rel7/A25451-700.pdf
ATIS	ATIS.3GPP.25.451V700-2007	7.0.0	Approved	Oct 07	https://www.atis.org/docstore/default.aspx
ETSI	ETSI TS 125 451	7.0.0	Published	May 06	http://pda.etsi.org/pda/home.asp?wkr=RTS/TSGR-0325451v700

5.3.2.3.27 TS 25.452**UTRAN Iupc Interface: Signalling Transport**

The present document specifies the signalling transport related to PCAP signalling to be used across the Iupc interface.

SDO (2)	Document No.	Version	Status	Issued date	Location (1)
Release 5					
ARIB	ARIB STD-T63-25.452	5.0.0	Approved	Sep 08	http://www.arib.or.jp/IMT-2000/ARIB-STD/ITU-R_Rev8/Rel5/A25452-500.pdf
ATIS	T1.3GPP.25.452V500-2002	5.0.0	Approved	May 02	https://www.atis.org/docstore/default.aspx
ETSI	ETSI TS 125 452	5.0.0	Published	Apr 02	http://pda.etsi.org/pda/home.asp?wkr=DTS/TSGR-0325452Uv5
Release 6					
ARIB	ARIB STD-T63-25.452	6.0.0	Approved	Sep 08	http://www.arib.or.jp/IMT-2000/ARIB-STD/ITU-R_Rev8/Rel6/A25452-600.pdf
ARIB	ARIB STD-T63-25.453	6.11.0	Approved	Sep 08	http://www.arib.or.jp/IMT-2000/ARIB-STD/ITU-R_Rev8/Rel6/A25453-6b0.pdf
ATIS	T1.3GPP.25.452V600-2004	6.0.0	Approved	May 04	https://www.atis.org/docstore/default.aspx
ETSI	ETSI TS 125 452	6.0.0	Published	Jan 04	http://pda.etsi.org/pda/home.asp?wkr=RTS/TSGR-0325452v600
Release 7					
ARIB	ARIB STD-T63-25.452	7.1.0	Approved	Sep 08	http://www.arib.or.jp/IMT-2000/ARIB-STD/ITU-R_Rev8/Rel7/A25452-710.pdf
ATIS	ATIS.3GPP.25.452V710-2007	7.1.0	Approved	Oct 07	https://www.atis.org/docstore/default.aspx
ETSI	ETSI TS 125 452	7.1.0	Published	Oct 07	http://pda.etsi.org/pda/home.asp?wkr=RTS/TSGR-0325452v710

5.3.2.3.28 TS 25.453**UTRAN Iupc interface PCAP signalling**

The present document specifies the Positioning Calculation Application Part (PCAP) between the Radio Network Controller (RNC) and the Stand-alone SMLC (SAS).

SDO (2)	Document No.	Version	Status	Issued date	Location (1)
Release 5					
ARIB	ARIB STD-T63-25.453	5.12.0	Approved	Sep 08	http://www.arib.or.jp/IMT-2000/ARIB-STD/ITU-R_Rev8/Rel5/A25453-5c0.pdf
ATIS	ATIS.3GPP.25.453V5120-2007	5.12.0	Approved	Oct 07	https://www.atis.org/docstore/default.aspx
ETSI	ETSI TS 125 453	5.12.0	Published	Mar 07	http://pda.etsi.org/pda/home.asp?wkr=RTS/TSGR-0325453v5c0
Release 6					
ATIS	ATIS.3GPP.25.453V6110-2007	6.11.0	Approved	Oct 07	https://www.atis.org/docstore/default.aspx
ETSI	ETSI TS 125 453	6.11.0	Published	Mar 07	http://pda.etsi.org/pda/home.asp?wkr=RTS/TSGR-0325453v6b0
Release 7					
ARIB	ARIB STD-T63-25.453	7.11.0	Approved	Sep 08	http://www.arib.or.jp/IMT-2000/ARIB-STD/ITU-R_Rev8/Rel7/A25453-7b0.pdf
ATIS	ATIS.3GPP.25.453V7110-2008	7.11.0	Approved	Oct 08	https://www.atis.org/docstore/default.aspx
ETSI	ETSI TS 125 453	7.9.0	Awaiting publication		http://pda.etsi.org/pda/home.asp?wkr=RTS/TSGR-0325453v790

5.3.2.3.29 TS 25.460**UTRAN Iuant Interface: General Aspects and Principles**

This document is an introduction to the TSG RAN TS 25.46x series of UMTS Technical Specifications that define the Iuant Interface. The logical Iuant interface is a Node B internal interface between the implementation specific O&M function and the Remote Electrical Tilting (RET) Antenna Control unit function of the Node B.

SDO (2)	Document No.	Version	Status	Issued date	Location (1)
Release 6					
ATIS	ATIS.3GPP.25.460V620-2006	6.2.0	Approved	Apr 06	https://www.atis.org/docstore/default.aspx
ETSI	ETSI TS 125 460	6.2.0	Published	Apr 05	http://pda.etsi.org/pda/home.asp?wkr=RTS/TSGR-0325460v620
Release 7					
ATIS	ATIS.3GPP.25.460V710-2007	7.1.0	Approved	Oct 07	https://www.atis.org/docstore/default.aspx
ETSI	ETSI TS 125 460	7.1.0	Published	Mar 07	http://pda.etsi.org/pda/home.asp?wkr=RTS/TSGR-0325460v710
Release 8					
ATIS	ATIS.3GPP.25.460V800-2008	8.0.0	Approved	Oct 08	https://www.atis.org/docstore/default.aspx

5.3.2.3.30 TS 25.461**UTRAN Iuant Interface: Layer 1**

This document specifies the standards allowed to implement Layer 1 on the Iuant interface. The specification of transmission delay requirements and O&M requirements are not in the scope of the present document.

SDO (2)	Document No.	Version	Status	Issued date	Location (1)
Release 6					
ATIS	ATIS.3GPP.25.461V650-2006	6.5.0	Approved	Apr 06	https://www.atis.org/docstore/default.aspx
ETSI	ETSI TS 125 461	6.5.0	Published	Jan 06	http://pda.etsi.org/pda/home.asp?wkr=RTS/TSGR-0325461v650
Release 7					
ATIS	ATIS.3GPP.25.461V750-2007	7.5.0	Approved	Oct 07	https://www.atis.org/docstore/default.aspx
ETSI	ETSI TS 125 461	7.5.0	Published	Jul 07	http://pda.etsi.org/pda/home.asp?wkr=RTS/TSGR-0325461v750
Release 8					
ATIS	ATIS.3GPP.25.461V810-2008	8.1.0	Approved	Oct 08	https://www.atis.org/docstore/default.aspx
ETSI	ETSI TS 125 461	8.0.0	Awaiting publication		http://pda.etsi.org/pda/home.asp?wkr=RTS/TSGR-0325461v800

5.3.2.3.31 TS 25.462**UTRAN Iuant Interface: Signalling Transport**

This document specifies the signalling transport related to RETAP signalling to be used across the Iuant interface.

SDO (2)	Document No.	Version	Status	Issued date	Location (1)
Release 6					
ATIS	ATIS.3GPP.25.462V630-2006	6.3.0	Approved	Apr 06	https://www.atis.org/docstore/default.aspx
ETSI	ETSI TS 125 462	6.5.1	Published	Jul 07	http://pda.etsi.org/pda/home.asp?wkr=RTS/TSGR-0325462v651
Release 7					
ATIS	ATIS.3GPP.25.462V740-2007	7.4.0	Approved	Oct 07	https://www.atis.org/docstore/default.aspx
ETSI	ETSI TS 125 462	7.4.0	Published	Oct 07	http://pda.etsi.org/pda/home.asp?wkr=RTS/TSGR-0325462v740

5.3.2.3.32 TS 25.463**UTRAN Iuant Interface: Remote Electrical Tilting (RET) Antennas Application Part (RETAP) Signaling**

This document specifies the Remote Electrical Tilting Application Part (RETAP) between the implementation specific O&M function and the RET Antenna Control unit function of the Node B. It defines the Iuant interface and its associated signalling procedures.

SDO (2)	Document No.	Version	Status	Issued date	Location (1)
Release 6					
ATIS	ATIS.3GPP.25.463V640-2006	6.4.0	Approved	Apr 06	https://www.atis.org/docstore/default.aspx
ETSI	ETSI TS 125 463	6.7.0	Published	Jul 07	http://pda.etsi.org/pda/home.asp?wkr=RTS/TSGR-0325463v670
Release 7					
ATIS	ATIS.3GPP.25.463V750-2007	7.5.0	Approved	Oct 07	https://www.atis.org/docstore/default.aspx
ETSI	ETSI TS 125 463	7.5.0	Published	Apr 07	http://pda.etsi.org/pda/home.asp?wkr=RTS/TSGR-0325463v750

5.3.2.4

25.100 series

5.3.2.4.1 TS 25.102

UE radio transmission and reception (TDD)

This document establishes the minimum RF characteristics of the UTRA User Equipment (UE) operating in the TDD mode. The values in the TS make no allowance for measurement uncertainty in conformance testing. Test limits to be used for conformance testing are specified separately in the UE conformance test specifications TS 34.122.

SDO (2)	Document No.	Version	Status	Issued date	Location (1)
Release 99					
ARIB	ARIB STD-T63-25.102	3.13.0	Approved	Sep 08	http://www.arib.or.jp/IMT-2000/ARIB-STD/ITU-R_Rev8/R99/A25102-3d0.pdf
ATIS	ATIS.3GPP.25.102V3130-2007	3.13.0	Approved	Oct 07	https://www.atis.org/docstore/default.aspx
ETSI	ETSI TS 125 102	3.13.0	Published	Oct 06	http://pda.etsi.org/pda/home.asp?wkr=RTS/TSGR-0425102v3d0
Release 4					
ARIB	ARIB STD-T63-25.102	4.10.0	Approved	Sep 08	http://www.arib.or.jp/IMT-2000/ARIB-STD/ITU-R_Rev8/Rel4/A25102-4a0.pdf
ATIS	ATIS.3GPP.25.102V4100-2007	4.10.0	Approved	Oct 07	https://www.atis.org/docstore/default.aspx
ETSI	ETSI TS 125 102	4.10.0	Published	Oct 07	http://pda.etsi.org/pda/home.asp?wkr=RTS/TSGR-0425102v4a0
Release 5					
ARIB	ARIB STD-T63-25.102	5.12.0	Approved	Sep 08	http://www.arib.or.jp/IMT-2000/ARIB-STD/ITU-R_Rev8/Rel5/A25102-5c0.pdf
ATIS	ATIS.3GPP.25.102V5120-2007	5.12.0	Approved	Oct 07	https://www.atis.org/docstore/default.aspx
ETSI	ETSI TS 125 102	5.12.0	Published	Oct 07	http://pda.etsi.org/pda/home.asp?wkr=RTS/TSGR-0425102v5c0
Release 6					
ARIB	ARIB STD-T63-25.102	6.10.0	Approved	Sep 08	http://www.arib.or.jp/IMT-2000/ARIB-STD/ITU-R_Rev8/Rel6/A25102-6a0.pdf
ATIS	ATIS.3GPP.25.102V6100-2008	6.10.0	Approved	Oct 08	https://www.atis.org/docstore/default.aspx
ETSI	ETSI TS 125 102	6.9.0	Published	Oct 07	http://pda.etsi.org/pda/home.asp?wkr=RTS/TSGR-0425102v690

Release 7

ARIB	ARIB STD-T63-25.102	7.11.0	Approved	Sep 08	http://www.arib.or.jp/IMT-2000/ARIB-STD/ITU-R_Rev8/Rel7/A25102-7b0.pdf
ATIS	ATIS.3GPP.25.102V7110-2008	7.11.0	Approved	Oct 08	https://www.atis.org/docstore/default.aspx
ETSI	ETSI TS 125 102	7.9.0	Awaiting publication		http://pda.etsi.org/pda/home.asp?wkr=RTS/TSGR-0425102v790

Release 8

ATIS	ATIS.3GPP.25.102V800-2008	8.0.0	Approved	Oct 08	https://www.atis.org/docstore/default.aspx
------	---------------------------	-------	----------	--------	---

5.3.2.4.2 TS 25.123**Requirements for support of radio resource management (TDD)**

This specification describes the requirements for support of radio resource management for TDD including requirements on measurements in UTRAN and the UE as well as on node dynamic behaviour and interaction, in terms of delay and response characteristics.

SDO (2)	Document No.	Version	Status	Issued date	Location (1)
Release 99					
ARIB	ARIB STD-T63-25.123	3.14.0	Approved	Sep 08	http://www.arib.or.jp/IMT-2000/ARIB-STD/ITU-R_Rev8/R99/A25123-3e0.pdf
ATIS	T1.3GPP.25.123V3140-2004	3.14.0	Approved	May 04	https://www.atis.org/docstore/default.aspx
ETSI	ETSI TS 125 123	3.14.0	Published	Jan 04	http://pda.etsi.org/pda/home.asp?wkr=RTS/TSGR-0425123v3e0
Release 4					
ARIB	ARIB STD-T63-25.123	4.15.0	Approved	Sep 08	http://www.arib.or.jp/IMT-2000/ARIB-STD/ITU-R_Rev8/Rel4/A25123-4f0.pdf
ATIS	ATIS.3GPP.25.123V4150-2007	4.15.0	Approved	Oct 07	https://www.atis.org/docstore/default.aspx
ETSI	ETSI TS 125 123	4.15.0	Published	Jan 07	http://pda.etsi.org/pda/home.asp?wkr=RTS/TSGR-0425123v4f0
Release 5					
ARIB	ARIB STD-T63-25.123	5.12.0	Approved	Sep 08	http://www.arib.or.jp/IMT-2000/ARIB-STD/ITU-R_Rev8/Rel5/A25123-5c0.pdf
ATIS	ATIS.3GPP.25.123V5120-2007	5.12.0	Approved	Oct 07	https://www.atis.org/docstore/default.aspx
ETSI	ETSI TS 125 123	5.12.0	Published	Jan 07	http://pda.etsi.org/pda/home.asp?wkr=RTS/TSGR-0425123v5c0
Release 6					
ARIB	ARIB STD-T63-25.123	6.11.0	Approved	Sep 08	http://www.arib.or.jp/IMT-2000/ARIB-STD/ITU-R_Rev8/Rel6/A25123-6b0.pdf
ATIS	ATIS.3GPP.25.123V6110-2007	6.11.0	Approved	Oct 07	https://www.atis.org/docstore/default.aspx
ETSI	ETSI TS 125 123	6.11.0	Published	Oct 07	http://pda.etsi.org/pda/home.asp?wkr=RTS/TSGR-0425123v6b0

Release 7

ARIB	ARIB STD-T63-25.123	7.7.0	Approved	Sep 08	http://www.arib.or.jp/IMT-2000/ARIB-STD/ITU-R_Rev8/Rel7/A25123-770.pdf
ATIS	ATIS.3GPP.25.123V770-2008	7.7.0	Approved	Oct 08	https://www.atis.org/docstore/default.aspx
ETSI	ETSI TS 125 123	7.7.0	Awaiting publication		http://pda.etsi.org/pda/home.asp?wkr=RTS/TSGR-0425123v770

5.3.2.4.3 TS 25.105**BTS radio transmission and reception (TDD)**

This specification describes the minimum RF characteristics of the TDD mode of UTRA. The values in the TS make no allowance for measurements uncertainties in conformance testing. Test limit to be used for conformance testing are specified separately in the base station conformance test Specification TS 25.142.

SDO (2)	Document No.	Version	Status	Issued date	Location (1)
Release 99					
ARIB	ARIB STD-T63-25.105	3.16.0	Approved	Sep 08	http://www.arib.or.jp/IMT-2000/ARIB-STD/ITU-R_Rev8/R99/A25105-3g0.pdf
ATIS	ATIS.3GPP.25.105V3160-2008	3.16.0	Approved	Oct 08	https://www.atis.org/docstore/default.aspx
ETSI	ETSI TS 125 105	3.15.0	Published	Jun 07	http://pda.etsi.org/pda/home.asp?wkr=RTS/TSGR-0425105v3f0
Release 4					
ARIB	ARIB STD-T63-25.105	4.11.0	Approved	Sep 08	http://www.arib.or.jp/IMT-2000/ARIB-STD/ITU-R_Rev8/Rel4/A25105-4b0.pdf
ATIS	ATIS.3GPP.25.105V4110-2008	4.11.0	Approved	Oct 08	https://www.atis.org/docstore/default.aspx
ETSI	ETSI TS 125 105	4.10.0	Published	Jun 07	http://pda.etsi.org/pda/home.asp?wkr=RTS/TSGR-0425105v4a0
Release 5					
ARIB	ARIB STD-T63-25.105	5.9.0	Approved	Sep 08	http://www.arib.or.jp/IMT-2000/ARIB-STD/ITU-R_Rev8/Rel5/A25105-590.pdf
ATIS	ATIS.3GPP.25.105V590-2008	5.9.0	Approved	Oct 08	https://www.atis.org/docstore/default.aspx
ETSI	ETSI TS 125 105	5.8.0	Published	Jun 07	http://pda.etsi.org/pda/home.asp?wkr=RTS/TSGR-0425105v580
Release 6					
ARIB	ARIB STD-T63-25.105	6.6.0	Approved	Sep 08	http://www.arib.or.jp/IMT-2000/ARIB-STD/ITU-R_Rev8/Rel6/A25105-660.pdf
ATIS	ATIS.3GPP.25.105V660-2008	6.6.0	Approved	Oct 08	https://www.atis.org/docstore/default.aspx
ATIS	ATIS.3GPP.25.410V650-2007	6.5.0	Approved	Oct 07	https://www.atis.org/docstore/default.aspx
ETSI	ETSI TS 125 105	6.5.0	Published	Jun 07	http://pda.etsi.org/pda/home.asp?wkr=RTS/TSGR-0425105v650
Release 7					
ARIB	ARIB STD-T63-25.105	7.9.0	Approved	Sep 08	http://www.arib.or.jp/IMT-2000/ARIB-STD/ITU-R_Rev8/Rel7/A25105-790.pdf
ATIS	ATIS.3GPP.25.105V790-2008	7.9.0	Approved	Oct 08	https://www.atis.org/docstore/default.aspx
ETSI	ETSI TS 125 105	7.7.0	Published	Oct 07	http://pda.etsi.org/pda/home.asp?wkr=RTS/TSGR-0425105v770
Release 8					
ATIS	ATIS.3GPP.25.105V800-2008	8.0.0	Approved	Oct 08	https://www.atis.org/docstore/default.aspx

5.3.2.4.4 TS 25.142**Base station conformance testing (TDD)**

This specification describes the radio frequency (RF) test methods and conformance requirements for UTRA base transceiver stations (BTS) operating in the TDD mode. These have been derived from, and are consistent with, the core UTRA specifications specified in the requirements reference sub-clause of each test. The maximum acceptable measurement uncertainty is specified in the TS for each test, where appropriate.

SDO (2)	Document No.	Version	Status	Issued date	Location (1)
Release 99					
ARIB	ARIB STD-T63-25.142	3.15.0	Approved	Sep 08	http://www.arib.or.jp/IMT-2000/ARIB-STD/ITU-R_Rev8/R99/A25142-3f0.pdf
ATIS	ATIS.3GPP.25.142V3150-2007	3.15.0	Approved	Oct 07	https://www.atis.org/docstore/default.aspx
ETSI	ETSI TS 125 142	3.15.0	Published	Jun 07	http://pda.etsi.org/pda/home.asp?wkr=RTS/TSGR-0425142v3f0
Release 4					
ARIB	ARIB STD-T63-25.142	4.12.0	Approved	Sep 08	http://www.arib.or.jp/IMT-2000/ARIB-STD/ITU-R_Rev8/Rel4/A25142-4c0.pdf
ETSI	ETSI TS 125 142	4.12.0	Published	Jun 07	http://pda.etsi.org/pda/home.asp?wkr=RTS/TSGR-0425142v4c0
Release 5					
ARIB	ARIB STD-T63-25.142	5.10.0	Approved	Sep 08	http://www.arib.or.jp/IMT-2000/ARIB-STD/ITU-R_Rev8/Rel5/A25142-5a0.pdf
ATIS	ATIS.3GPP.25.142V5100-2007	5.10.0	Approved	Oct 07	https://www.atis.org/docstore/default.aspx
ETSI	ETSI TS 125 142	5.10.0	Published	Jun 07	http://pda.etsi.org/pda/home.asp?wkr=RTS/TSGR-0425142v5a0
Release 6					
ARIB	ARIB STD-T63-25.142	6.8.0	Approved	Sep 08	http://www.arib.or.jp/IMT-2000/ARIB-STD/ITU-R_Rev8/Rel6/A25142-680.pdf
ATIS	ATIS.3GPP.25.142V680-2008	6.8.0	Approved	Oct 08	https://www.atis.org/docstore/default.aspx
ETSI	ETSI TS 125 142	6.7.0	Published	Jun 07	http://pda.etsi.org/pda/home.asp?wkr=RTS/TSGR-0425142v670
Release 7					
ARIB	ARIB STD-T63-25.142	7.9.0	Approved	Sep 08	http://www.arib.or.jp/IMT-2000/ARIB-STD/ITU-R_Rev8/Rel7/A25142-790.pdf
ATIS	ATIS.3GPP.25.142V790-2008	7.9.0	Approved	Oct 08	https://www.atis.org/docstore/default.aspx
ETSI	ETSI TS 125 142	7.7.0	Published	Oct 07	http://pda.etsi.org/pda/home.asp?wkr=RTS/TSGR-0425142v770
Release 8					
ATIS	ATIS.3GPP.25.142V800-2008	8.0.0	Approved	Oct 08	https://www.atis.org/docstore/default.aspx

5.3.2.4.5 TS 25.113**Base station EMC (see Note 1)**

This specification describes the assessment of base stations and associated ancillary equipment in respect of EMC. NOTE 1 – This specification does not include the antenna port immunity and emissions.

SDO (2)	Document No.	Version	Status	Issued date	Location (1)
Release 99					
ARIB	ARIB STD-T63-25.113	3.5.0	Approved	Sep 08	http://www.arib.or.jp/IMT-2000/ARIB-STD/ITU-R_Rev8/R99/A25113-350.pdf
ATIS	T1.3GPP.25.113V350-2002	3.5.0	Approved	May 02	https://www.atis.org/docstore/default.aspx
ETSI	ETSI TS 125 113	3.5.0	Published	May 01	http://pda.etsi.org/pda/home.asp?wkr=RTS/TSGR-0425113UR5
Release 4					
ARIB	ARIB STD-T63-25.113	4.4.0	Approved	Sep 08	http://www.arib.or.jp/IMT-2000/ARIB-STD/ITU-R_Rev8/Rel4/A25113-440.pdf
ATIS	T1.3GPP.25.113V440-2003	4.4.0	Approved	Mar 03	https://www.atis.org/docstore/default.aspx
ETSI	ETSI TS 125 113	4.4.0	Published	Jan 03	http://pda.etsi.org/pda/home.asp?wkr=RTS/TSGR-0425113v440
Release 5					
ARIB	ARIB STD-T63-25.113	5.5.0	Approved	Sep 08	http://www.arib.or.jp/IMT-2000/ARIB-STD/ITU-R_Rev8/Rel5/A25113-550.pdf
ATIS	T1.3GPP.25.113V550-2004	5.5.0	Approved	May 04	https://www.atis.org/docstore/default.aspx
ETSI	ETSI TS 125 113	5.5.0	Published	Jan 04	http://pda.etsi.org/pda/home.asp?wkr=RTS/TSGR-0425113v550
Release 6					
ARIB	ARIB STD-T63-25.113	6.4.0	Approved	Sep 08	http://www.arib.or.jp/IMT-2000/ARIB-STD/ITU-R_Rev8/Rel6/A25113-640.pdf
ATIS	ATIS.3GPP.25.113V640-2007	6.4.0	Approved	Oct 07	https://www.atis.org/docstore/default.aspx
ETSI	ETSI TS 125 113	6.4.0	Published	Jun 06	http://pda.etsi.org/pda/home.asp?wkr=RTS/TSGR-0425113v640
Release 7					
ARIB	ARIB STD-T63-25.113	7.6.0	Approved	Sep 08	http://www.arib.or.jp/IMT-2000/ARIB-STD/ITU-R_Rev8/Rel7/A25113-760.pdf
ATIS	ATIS.3GPP.25.113V760-2007	7.6.0	Approved	Oct 07	https://www.atis.org/docstore/default.aspx
ETSI	ETSI TS 125 113	7.6.0	Published	Mar 07	http://pda.etsi.org/pda/home.asp?wkr=RTS/TSGR-0425113v760
Release 8					
ARIB	ARIB STD-T63-25.113	8.2.0	Approved	Sep 08	http://www.arib.or.jp/IMT-2000/ARIB-STD/ITU-R_Rev8/Rel8/A25113-820.pdf
ATIS	ATIS.3GPP.25.113V820-2008	8.2.0	Approved	Oct 08	https://www.atis.org/docstore/default.aspx
ETSI	ETSI TS 125 113	8.0.0	Awaiting publication		http://pda.etsi.org/pda/home.asp?wkr=RTS/TSGR-0425113v800

5.3.2.5

34.100 series

5.3.2.5.1 TS 34.108

Common Test Environments for User Equipment (UE) Conformance Testing

This document contains definitions of reference conditions and test signals, default parameters, reference Radio Bearer configurations, common requirements for test equipment and generic set-up procedures for use in UE conformance tests.

SDO (2)	Document No.	Version	Status	Issued date	Location (1)
Release 99					
ARIB	ARIB STD-T63-34.108	3.16.0	Approved	Sep 08	http://www.arib.or.jp/IMT-2000/ARIB-STD/ITU-R_Rev8/R99/A34108-3g0.pdf
ATIS	ATIS.3GPP.34.108V3160-2005	3.16.0	Approved	Apr 05	https://www.atis.org/docstore/default.aspx
ETSI	ETSI TS 134 108	3.16.0	Published	Jul 04	http://pda.etsi.org/pda/home.asp?wkr=RTS/TSGT-0134108v3g0
Release 4					
ARIB	ARIB STD-T63-34.108	4.11.0	Approved	Sep 08	http://www.arib.or.jp/IMT-2000/ARIB-STD/ITU-R_Rev8/Rel4/A34108-4b0.pdf
ATIS	ATIS.3GPP.34.108V4110-2005	4.11.0	Approved	Apr 05	https://www.atis.org/docstore/default.aspx
ETSI	ETSI TS 134 108	4.11.0	Published	Jul 04	http://pda.etsi.org/pda/home.asp?wkr=RTS/TSGT-0134108v4b0
Release 5					
ARIB	ARIB STD-T63-34.108	5.6.0	Approved	Sep 08	http://www.arib.or.jp/IMT-2000/ARIB-STD/ITU-R_Rev8/Rel5/A34108-560.pdf
ATIS	ATIS.3GPP.34.108V560-2006	5.6.0	Approved	Apr 06	https://www.atis.org/docstore/default.aspx
ETSI	ETSI TS 134 108	5.6.0	Published	Oct 05	http://pda.etsi.org/pda/home.asp?wkr=RTS/TSGR-0534108v560
Release 6					
ARIB	ARIB STD-T63-34.108	6.6.0	Approved	Sep 08	http://www.arib.or.jp/IMT-2000/ARIB-STD/ITU-R_Rev8/Rel6/A34108-660.pdf
ATIS	ATIS.3GPP.34.108V660-2007	6.6.0	Approved	Oct 07	https://www.atis.org/docstore/default.aspx
ETSI	ETSI TS 134 108	6.6.0	Published	Mar 07	http://pda.etsi.org/pda/home.asp?wkr=RTS/TSGR-0534108v660
Release 7					
ARIB	ARIB STD-T63-34.108	7.2.0	Approved	Sep 08	http://www.arib.or.jp/IMT-2000/ARIB-STD/ITU-R_Rev8/Rel7/A34108-720.pdf
ATIS	ATIS.3GPP.34.108V720-2007	7.2.0	Approved	Oct 07	https://www.atis.org/docstore/default.aspx
ETSI	ETSI TS 134 108	7.2.0	Published	Oct 07	http://pda.etsi.org/pda/home.asp?wkr=RTS/TSGR-0534108v720
Release 8					
ARIB	ARIB STD-T63-34.108	8.3.0	Approved	Sep 08	http://www.arib.or.jp/IMT-2000/ARIB-STD/ITU-R_Rev8/Rel8/A34108-830.zip
ATIS	ATIS.3GPP.34.108V830-2008	8.3.0	Approved	Oct 08	https://www.atis.org/docstore/default.aspx
ETSI	ETSI TS 134 108	8.1.0	Awaiting publication		http://pda.etsi.org/pda/home.asp?wkr=RTS/TSGR-0534108v810

5.3.2.5.2 TS 34.109

Logical Test Interface (TDD and FDD)

This document specifies for User Equipment (UE), in UMTS system, for FDD and TDD modes, those UE functions that are required for conformance testing purposes.

SDO (2)	Document No.	Version	Status	Issued date	Location (1)
Release 99					
ARIB	ARIB STD-T63-34.109	3.10.0	Approved	Sep 08	http://www.arib.or.jp/IMT-2000/ARIB-STD/ITU-R_Rev8/R99/A34109-3a0.pdf
ATIS	ATIS.3GPP.34.109V3100-2005	3.10.0	Approved	Apr 05	https://www.atis.org/docstore/default.aspx
ETSI	ETSI TS 134 109	3.10.0	Published	Oct 04	http://pda.etsi.org/pda/home.asp?wkr=RTS/TSGR-0234109v3a0

Release 4

ARIB	ARIB STD-T63-34.109	4.6.0	Approved	Sep 08	http://www.arib.or.jp/IMT-2000/ARIB-STD/ITU-R_Rev8/Rel4/A34109-460.pdf
ATIS	ATIS.3GPP.34.109V460-2005	4.6.0	Approved	Apr 05	https://www.atis.org/docstore/default.aspx
ETSI	ETSI TS 134 109	4.6.0	Published	Oct 04	http://pda.etsi.org/pda/home.asp?wkr=RTS/TSGR-0234109v460

Release 5

ARIB	ARIB STD-T63-34.109	5.5.0	Approved	Sep 08	http://www.arib.or.jp/IMT-2000/ARIB-STD/ITU-R_Rev8/Rel5/A34109-550.pdf
ATIS	ATIS.3GPP.34.109V550-2006	5.5.0	Approved	Apr 06	https://www.atis.org/docstore/default.aspx
ETSI	ETSI TS 134 109	5.5.0	Published	Jul 05	http://pda.etsi.org/pda/home.asp?wkr=RTS/TSGR-0234109v550

Release 6

ARIB	ARIB STD-T63-34.109	6.4.0	Approved	Sep 08	http://www.arib.or.jp/IMT-2000/ARIB-STD/ITU-R_Rev8/Rel6/A34109-640.pdf
ATIS	ATIS.3GPP.34.109V640-2007	6.4.0	Approved	Oct 07	https://www.atis.org/docstore/default.aspx
ETSI	ETSI TS 134 109	6.4.0	Published	Apr 07	http://pda.etsi.org/pda/home.asp?wkr=RTS/TSGR-0234109v640

Release 7

ARIB	ARIB STD-T63-34.109	7.2.0	Approved	Sep 08	http://www.arib.or.jp/IMT-2000/ARIB-STD/ITU-R_Rev8/Rel7/A34109-720.pdf
ATIS	ATIS.3GPP.34.109V720-2007	7.2.0	Approved	Oct 07	https://www.atis.org/docstore/default.aspx
ETSI	ETSI TS 134 109	7.2.0	Published	Apr 07	http://pda.etsi.org/pda/home.asp?wkr=RTS/TSGR-0234109v720

5.3.2.5.3 TS 34.122**Terminal Conformance Specification, Radio Transmission and Reception (TDD)**

This document specifies the Radio Frequency (RF) test methods and conformance requirements for UTRA User Equipment (UE) operating in the TDD mode. These have been derived from, and are consistent with, the core UTRA specifications. The maximum acceptable measurement uncertainty is specified in the TS for each test, where appropriate.

SDO (2)	Document No.	Version	Status	Issued date	Location (1)
Release 99					
ARIB	ARIB STD-T63-34.122	3.12.0	Approved	Sep 08	http://www.arib.or.jp/IMT-2000/ARIB-STD/ITU-R_Rev8/R99/A34122-3c0.pdf
ATIS	T1.3GPP.34.122V3120-2004	3.12.0	Approved	May 04	https://www.atis.org/docstore/default.aspx
ETSI	ETSI TS 134 122	3.12.0	Published	Jan 04	http://pda.etsi.org/pda/home.asp?wkr=RTS/TSMT-0134122v3c0
Release 4					
ARIB	ARIB STD-T63-34.122	4.10.0	Approved	Sep 08	http://www.arib.or.jp/IMT-2000/ARIB-STD/ITU-R_Rev8/Rel4/A34122-4a0.pdf
ATIS	T1.3GPP.34.122V4100-2004	4.10.0	Approved	May 04	https://www.atis.org/docstore/default.aspx
ETSI	ETSI TS 134 122	4.10.0	Published	Jan 04	http://pda.etsi.org/pda/home.asp?wkr=RTS/TSMT-0134122v4a0
Release 5					
ARIB	ARIB STD-T63-34.122	5.7.0	Approved	Sep 08	http://www.arib.or.jp/IMT-2000/ARIB-STD/ITU-R_Rev8/Rel5/A34122-570.pdf
ATIS	ATIS.3GPP.34.122V570-2007	5.7.0	Approved	Oct 07	https://www.atis.org/docstore/default.aspx
ETSI	ETSI TS 134 122	5.7.0	Published	Mar 07	http://pda.etsi.org/pda/home.asp?wkr=RTS/TSMT-0534122v570

Release 6

ARIB	ARIB STD-T63-34.122	6.0.0	Approved	Sep 08	http://www.arib.or.jp/IMT-2000/ARIB-STD/ITU-R_Rev8/Rel6/A34122-600.pdf
ATIS	ATIS.3GPP.34.122V600-2007	6.0.0	Approved	Oct 07	https://www.atis.org/docstore/default.aspx
ETSI	ETSI TS 134 122	6.0.0	Published	Mar 07	http://pda.etsi.org/pda/home.asp?wkr=RTS/TSGR-0534122v600

Release 7

ARIB	ARIB STD-T63-34.122	7.5.0	Approved	Sep 08	http://www.arib.or.jp/IMT-2000/ARIB-STD/ITU-R_Rev8/Rel7/A34122-750.zip
ATIS	ATIS.3GPP.34.122V720-2007	7.2.0	Approved	Oct 07	https://www.atis.org/docstore/default.aspx
ATIS	ATIS.3GPP.34.122V750-2008	7.5.0	Approved	Oct 08	https://www.atis.org/docstore/default.aspx
ETSI	ETSI TS 134 122	7.3.0	Awaiting publication		http://pda.etsi.org/pda/home.asp?wkr=RTS/TSGR-0534122v730

5.3.2.5.4 TS 34.123-1**UE Conformance Specification, Part 1- Conformance specification**

This document specifies the protocol conformance testing for the 3rd Generation User Equipment (UE). This is the first part of a multi-part test specification.

SDO (2) **Document No.** **Version** **Status** **Issued date** **Location (1)**

Release 99

ARIB	ARIB STD-T63-34.123-1	3.5.0	Approved	Sep 08	http://www.arib.or.jp/IMT-2000/ARIB-STD/ITU-R_Rev8/R99/A34123-1-350.pdf
ATIS	T1.3GPP.34.123-1V350-2002	3.5.0	Approved	May 02	https://www.atis.org/docstore/default.aspx
ETSI	ETSI TS 134 123-1	3.5.0	Published	Oct 01	http://pda.etsi.org/pda/home.asp?wkr=RTS/TSGT-0134123-1UR6

Release 4

ARIB	ARIB STD-T63-34.123-1	4.3.0	Approved	Sep 08	http://www.arib.or.jp/IMT-2000/ARIB-STD/ITU-R_Rev8/Rel4/A34123-1-430.pdf
ATIS	T1.3GPP.34.123-1V430-2003	4.3.0	Approved	Mar 03	https://www.atis.org/docstore/default.aspx
ETSI	ETSI TS 134 123-1	4.3.0	Published	Jul 02	http://pda.etsi.org/pda/home.asp?wkr=RTS/TSGT-0134123-1v430

Release 5

ARIB	ARIB STD-T63-34.123-1	5.13.1	Approved	Sep 08	http://www.arib.or.jp/IMT-2000/ARIB-STD/ITU-R_Rev8/Rel5/A34123-1-5d1.pdf
ATIS	ATIS.3GPP.34.123-1V5131-2006	5.13.1	Approved	Apr 06	https://www.atis.org/docstore/default.aspx
ETSI	ETSI TS 134 123-1	5.13.1	Published	Oct 05	http://pda.etsi.org/pda/home.asp?wkr=RTS/TSGR-0534123-1v5d1

Release 6

ARIB	ARIB STD-T63-34.123-1	6.7.0	Approved	Sep 08	http://www.arib.or.jp/IMT-2000/ARIB-STD/ITU-R_Rev8/Rel6/A34123-1-670.pdf
ATIS	ATIS.3GPP.34.123-1V670-2007	6.7.0	Approved	Oct 07	https://www.atis.org/docstore/default.aspx
ETSI	ETSI TS 134 123-1	6.7.0	Published	Jul 07	http://pda.etsi.org/pda/home.asp?wkr=RTS/TSGR-0534123-1v670

Release 7

ARIB	ARIB STD-T63-34.123-1	7.1.0	Approved	Sep 08	http://www.arib.or.jp/IMT-2000/ARIB-STD/ITU-R_Rev8/Rel7/A34123-1-710.pdf
ATIS	ATIS.3GPP.34.123-1V710-2007	7.1.0	Approved	Oct 07	https://www.atis.org/docstore/default.aspx
ETSI	ETSI TS 134 123-1	7.1.0	Published	Oct 07	http://pda.etsi.org/pda/home.asp?wkr=RTS/TSGR-0534123-1v710

Release 8

ARIB	ARIB STD-T63-34.123-1	8.3.0	Approved	Sep 08	http://www.arib.or.jp/IMT-2000/ARIB-STD/ITU-R_Rev8/Rel8/A34123-1-830.zip
ATIS	ATIS.3GPP.34.123-1V830-2008	8.3.0	Approved	Oct 08	https://www.atis.org/docstore/default.aspx
ETSI	ETSI TS 134 123-1	8.1.0	Awaiting publication		http://pda.etsi.org/pda/home.asp?wkr=RTS/TSGR-0534123-1v810

5.3.2.5.5 TS 34.123-2**UE Conformance Specification, Part 2- ICS**

This document provides the Implementation Conformance Statement (ICS) proforma for 3rd Generation User Equipment (UE), in compliance with the relevant requirements, and in accordance with the relevant guidance given in ISO/IEC 9646-7 and ETS 300 406. This document also specifies a recommended applicability statement for the test cases included in TS 34.123-1. These applicability statements are based on the features implemented in the UE.

SDO (2)	Document No.	Version	Status	Issued date	Location (1)
Release 99					
ARIB	ARIB STD-T63-34.123-2	3.5.0	Approved	Sep 08	http://www.arib.or.jp/IMT-2000/ARIB-STD/ITU-R_Rev8/R99/A34123-2-350.pdf
ATIS	T1.3GPP.34.123-2V350-2002	3.5.0	Approved	May 02	https://www.atis.org/docstore/default.aspx
ETSI	ETSI TS 134 123-2	3.5.0	Published	Oct 01	http://pda.etsi.org/pda/home.asp?wkr=RTS/TSGT-0134123-2UR4
Release 4					
ARIB	ARIB STD-T63-34.123-2	4.3.0	Approved	Sep 08	http://www.arib.or.jp/IMT-2000/ARIB-STD/ITU-R_Rev8/Rel4/A34123-2-430.pdf
ATIS	T1.3GPP.34.123-2V430-2003	4.3.0	Approved	Mar 03	https://www.atis.org/docstore/default.aspx
ETSI	ETSI TS 134 123-2	4.3.0	Published	Jun 02	http://pda.etsi.org/pda/home.asp?wkr=RTS/TSGT-0134123-2v430
Release 5					
ARIB	ARIB STD-T63-34.123-2	5.13.0	Approved	Sep 08	http://www.arib.or.jp/IMT-2000/ARIB-STD/ITU-R_Rev8/Rel5/A34123-2-5d0.pdf
ATIS	ATIS.3GPP.34.123-2V5130-2006	5.13.0	Approved	Apr 06	https://www.atis.org/docstore/default.aspx
ETSI	ETSI TS 134 123-2	5.13.0	Published	Oct 05	http://pda.etsi.org/pda/home.asp?wkr=RTS/TSGR-0534123-2v5d0
Release 6					
ARIB	ARIB STD-T63-34.123-2	6.7.0	Approved	Sep 08	http://www.arib.or.jp/IMT-2000/ARIB-STD/ITU-R_Rev8/Rel6/A34123-2-670.pdf
ATIS	ATIS.3GPP.34.123-2V670-2007	6.7.0	Approved	Oct 07	https://www.atis.org/docstore/default.aspx
ETSI	ETSI TS 134 123-2	6.7.0	Published	Jul 07	http://pda.etsi.org/pda/home.asp?wkr=RTS/TSGR-0534123-2v670
Release 7					
ARIB	ARIB STD-T63-34.123-2	7.1.0	Approved	Sep 08	http://www.arib.or.jp/IMT-2000/ARIB-STD/ITU-R_Rev8/Rel7/A34123-2-710.pdf
ATIS	ATIS.3GPP.34.123-2V710-2007	7.1.0	Approved	Oct 07	https://www.atis.org/docstore/default.aspx
ETSI	ETSI TS 134 123-2	7.1.0	Published	Oct 07	http://pda.etsi.org/pda/home.asp?wkr=RTS/TSGR-0534123-2v710
Release 8					
ARIB	ARIB STD-T63-34.123-2	8.3.0	Approved	Sep 08	http://www.arib.or.jp/IMT-2000/ARIB-STD/ITU-R_Rev8/Rel8/A34123-2-830.zip
ATIS	ATIS.3GPP.34.123-2V830-2008	8.3.0	Approved	Oct 08	https://www.atis.org/docstore/default.aspx
ETSI	ETSI TS 134 123-2	8.1.0	Awaiting publication		http://pda.etsi.org/pda/home.asp?wkr=RTS/TSGR-0534123-2v810

5.3.2.5.6 TS 34.124**Electromagnetic compatibility (EMC) requirements for Mobile terminals and ancillary equipment**

This document establishes the essential EMC requirements for “3rd generation” digital cellular mobile terminal equipment and ancillary accessories in combination with a 3GPP user equipment (UE).

SDO (2)	Document No.	Version	Status	Issued date	Location (1)
Release 99					
ARIB	ARIB STD-T63-34.124	3.4.0	Approved	Sep 08	http://www.arib.or.jp/IMT-2000/ARIB-STD/ITU-R_Rev8/R99/A34124-340.pdf
ATIS	T1.3GPP.34.124V340-2004	3.4.0	Approved	May 04	https://www.atis.org/docstore/default.aspx
ETSI	ETSI TS 134 124	3.4.0	Published	Apr 03	http://pda.etsi.org/pda/home.asp?wkr=RTS/TSGR-0434124v340
Release 4					
ARIB	ARIB STD-T63-34.124	4.2.0	Approved	Sep 08	http://www.arib.or.jp/IMT-2000/ARIB-STD/ITU-R_Rev8/Rel4/A34124-420.pdf
ATIS	T1.3GPP.34.124V420-2004	4.2.0	Approved	May 04	https://www.atis.org/docstore/default.aspx
ETSI	ETSI TS 134 124	4.2.0	Published	Apr 03	http://pda.etsi.org/pda/home.asp?wkr=RTS/TSGR-0434124v420
Release 5					
ARIB	ARIB STD-T63-34.124	5.4.0	Approved	Sep 08	http://www.arib.or.jp/IMT-2000/ARIB-STD/ITU-R_Rev8/Rel5/A34124-540.pdf
ATIS	ATIS.3GPP.34.124V540-2005	5.4.0	Approved	Apr 05	https://www.atis.org/docstore/default.aspx
ETSI	ETSI TS 134 124	5.4.0	Published	Apr 04	http://pda.etsi.org/pda/home.asp?wkr=RTS/TSGR-0434124v540
Release 6					
ARIB	ARIB STD-T63-34.124	6.2.0	Approved	Sep 08	http://www.arib.or.jp/IMT-2000/ARIB-STD/ITU-R_Rev8/Rel6/A34124-620.pdf
ATIS	ATIS.3GPP.34.124V620-2007	6.2.0	Approved	Oct 07	https://www.atis.org/docstore/default.aspx
ETSI	ETSI TS 134 124	6.2.0	Published	Jun 06	http://pda.etsi.org/pda/home.asp?wkr=RTS/TSGR-0434124v620
Release 7					
ARIB	ARIB STD-T63-34.124	7.5.0	Approved	Sep 08	http://www.arib.or.jp/IMT-2000/ARIB-STD/ITU-R_Rev8/Rel7/A34124-750.pdf
ATIS	ATIS.3GPP.34.124V750-2007	7.5.0	Approved	Oct 07	https://www.atis.org/docstore/default.aspx
ETSI	ETSI TS 134 124	7.5.0	Published	Jan 07	http://pda.etsi.org/pda/home.asp?wkr=RTS/TSGR-0434124v750
Release 8					
ARIB	ARIB STD-T63-34.124	8.2.0	Approved	Sep 08	http://www.arib.or.jp/IMT-2000/ARIB-STD/ITU-R_Rev8/Rel8/A34124-820.pdf
ATIS	ATIS.3GPP.34.124V820-2008	8.2.0	Approved	Oct 08	https://www.atis.org/docstore/default.aspx
ETSI	ETSI TS 134 124	8.0.0	Awaiting publication		http://pda.etsi.org/pda/home.asp?wkr=RTS/TSGR-0434124v800

5.3.2.6**36.200 series****5.3.2.6.1** TS 36.201**Evolved Universal Terrestrial Radio Access (E-UTRA); Long Term Evolution (LTE) physical layer; General description**

This specification describes an overview of the physical layer of the EUTRA radio interface.

SDO (2)	Document No.	Version	Status	Issued date	Location (1)
Release 8					
ARIB	ARIB STD-T63-36.201	8.1.0	Approved	Sep 08	http://www.arib.or.jp/IMT-2000/ARIB-STD/ITU-R_Rev8/Rel8/A36201-810.pdf
ATIS	ATIS.3GPP.36.201V810-2008	8.1.0	Approved	Oct 08	https://www.atis.org/docstore/default.aspx
ETSI	ETSI	8.1.0	Awaiting publication		

5.3.2.6.2 TS 36.211

Evolved Universal Terrestrial Radio Access (E-UTRA); Physical channels and modulation

This specification describes the physical channels for evolved UTRA.

SDO (2)	Document No.	Version	Status	Issued date	Location (1)
Release 8					
ARIB	ARIB STD-T63-36.211	8.3.0	Approved	Sep 08	http://www.arib.or.jp/IMT-2000/ARIB-STD/ITU-R_Rev8/Rel8/A36211-830.pdf
ATIS	ATIS.3GPP.36.211V830-2008	8.3.0	Approved	Oct 08	https://www.atis.org/docstore/default.aspx
ETSI	ETSI	8.1.0	Awaiting publication		

5.3.2.6.3 TS 36.212

Evolved Universal Terrestrial Radio Access (E-UTRA); Multiplexing and channel coding

This specification describes the coding, multiplexing and mapping to physical channels for E-UTRA.

SDO (2)	Document No.	Version	Status	Issued date	Location (1)
Release 8					
ARIB	ARIB STD-T63-36.212	8.3.0	Approved	Sep 08	http://www.arib.or.jp/IMT-2000/ARIB-STD/ITU-R_Rev8/Rel8/A36212-830.pdf
ATIS	ATIS.3GPP.36.212V830-2008	8.3.0	Approved	Oct 08	https://www.atis.org/docstore/default.aspx
ETSI	ETSI	8.1.0	Awaiting publication		

5.3.2.6.4 TS 36.213

Evolved Universal Terrestrial Radio Access (E-UTRA); Physical layer procedures

This specification describes the characteristics of the physical layer procedures of E-UTRA.

SDO (2)	Document No.	Version	Status	Issued date	Location (1)
Release 8					
ARIB	ARIB STD-T63-36.213	8.3.0	Approved	Sep 08	http://www.arib.or.jp/IMT-2000/ARIB-STD/ITU-R_Rev8/Rel8/A36213-830.pdf
ATIS	ATIS.3GPP.36.213V830-2008	8.3.0	Approved	Oct 08	https://www.atis.org/docstore/default.aspx
ETSI	ETSI	8.1.0	Awaiting publication		

5.3.2.6.5 TS 36.214**Evolved Universal Terrestrial Radio Access (E-UTRA); Physical layer; Measurements**

This specification describes the measurements done at the UE and network in order to support operation in idle mode and connected

SDO (2)	Document No.	Version	Status	Issued date	Location (1)
Release 8					
ARIB	ARIB STD-T63-36.214	8.3.0	Approved	Sep 08	http://www.arib.or.jp/IMT-2000/ARIB-STD/ITU-R_Rev8/Rel8/A36214-830.pdf
ATIS	ATIS.3GPP.36.214V830-2008	8.3.0	Approved	Oct 08	https://www.atis.org/docstore/default.aspx
ETSI	ETSI	8.1.0	Awaiting publication		

5.3.2.7**36.300 series****5.3.2.7.1** TS 36.300**Evolved Universal Terrestrial Radio Access (E-UTRA) and Evolved Universal Terrestrial Radio Access Network (E-UTRAN); Overall description (Stage 2)**

This specification describes an overview and overall description of the E-UTRA radio interface and E-UTRAN architecture and radio interface protocol architecture.

SDO (2)	Document No.	Version	Status	Issued date	Location (1)
Release 8					
ARIB	ARIB STD-T63-36.300	8.5.0	Approved	Sep 08	http://www.arib.or.jp/IMT-2000/ARIB-STD/ITU-R_Rev8/Rel8/A36300-850.pdf
ATIS	ATIS.3GPP.36.300V850-2008	8.5.0	Approved	Oct 08	https://www.atis.org/docstore/default.aspx
ETSI	ETSI TS 136 300	8.3.0	Awaiting publication		http://pda.etsi.org/pda/home.asp?wkr=RTS/TSGR-0236300v830

5.3.2.7.2 TS 36.302**Evolved Universal Terrestrial Radio Access (E-UTRA); Services provided by the physical layer**

This specification describes the services provided by the physical layer of E-UTRA to upper layers.

SDO (2)	Document No.	Version	Status	Issued date	Location (1)
Release 8					
ARIB	ARIB STD-T63-36.302	8.0.0	Approved	Sep 08	http://www.arib.or.jp/IMT-2000/ARIB-STD/ITU-R_Rev8/Rel8/A36302-800.pdf
ATIS	ATIS.3GPP.36.302V800-2008	8.0.0	Approved	Oct 08	https://www.atis.org/docstore/default.aspx
ETSI	ETSI	8.0.0	Awaiting publication		

5.3.2.7.3 TS 36.304**Evolved Universal Terrestrial Radio Access (E-UTRA); User Equipment (UE) procedures in idle mode**

This specification describes the Access Stratum (AS) part of the Idle Mode procedures applicable to a UE and the model for the functional division between the NAS and AS in a UE.

SDO (2)	Document No.	Version	Status	Issued date	Location (1)
Release 8					
ARIB	ARIB STD-T63-36.304	8.2.0	Approved	Sep 08	http://www.arib.or.jp/IMT-2000/ARIB-STD/ITU-R_Rev8/Rel8/A36304-820.pdf
ATIS	ATIS.3GPP.36.304V820-2008	8.2.0	Approved	Oct 08	https://www.atis.org/docstore/default.aspx
ETSI	ETSI	8.0.0	Awaiting publication		

5.3.2.7.4 TS 36.306**Evolved Universal Terrestrial Radio Access (E-UTRA); UE Radio Access Capabilities**

This specification defines the E-UTRA UE Radio Access Capability Parameters.

SDO (2)	Document No.	Version	Status	Issued date	Location (1)
Release 8					
ARIB	ARIB STD-T63-36.306	8.2.0	Approved	Sep 08	http://www.arib.or.jp/IMT-2000/ARIB-STD/ITU-R_Rev8/Rel8/A36306-820.pdf
ATIS	ATIS.3GPP.36.306V820-2008	8.2.0	Approved	Oct 08	https://www.atis.org/docstore/default.aspx
ETSI	ETSI	8.0.0	Awaiting publication		

5.3.2.7.5 TS 36.321**Evolved Universal Terrestrial Radio Access (E-UTRA); Medium Access Control (MAC) protocol specification**

This specification describes the E-UTRA MAC protocol.

SDO (2)	Document No.	Version	Status	Issued date	Location (1)
Release 8					
ARIB	ARIB STD-T63-36.321	8.2.0	Approved	Sep 08	http://www.arib.or.jp/IMT-2000/ARIB-STD/ITU-R_Rev8/Rel8/A36321-820.pdf
ATIS	ATIS.3GPP.36.321V820-2008	8.2.0	Approved	Oct 08	https://www.atis.org/docstore/default.aspx
ETSI	ETSI	8.0.0	Awaiting publication		

5.3.2.7.6 TS 36.322**Evolved Universal Terrestrial Radio Access (E-UTRA); Radio Link Control (RLC) protocol specification**

This specification describes the E-UTRA Radio Link Control (RLC) protocol.

SDO (2)	Document No.	Version	Status	Issued date	Location (1)
Release 8					
ARIB	ARIB STD-T63-36.322	8.2.0	Approved	Sep 08	http://www.arib.or.jp/IMT-2000/ARIB-STD/ITU-R_Rev8/Rel8/A36322-820.pdf
ATIS	ATIS.3GPP.36.322V820-2008	8.2.0	Approved	Oct 08	https://www.atis.org/docstore/default.aspx
ETSI	ETSI	8.0.0	Awaiting publication		

5.3.2.7.7 TS 36.323

Evolved Universal Terrestrial Radio Access (E-UTRA); Packet Data Convergence Protocol (PDCP) specification

This specification describes the Packet Data Convergence Protocol (PDCP).

SDO (2)	Document No.	Version	Status	Issued date	Location (1)
Release 8					
ARIB	ARIB STD-T63-36.323	8.2.1	Approved	Sep 08	http://www.arib.or.jp/IMT-2000/ARIB-STD/ITU-R_Rev8/Rel8/A36323-821.pdf
ATIS	ATIS.3GPP.36.323V821-2008	8.2.1	Approved	Oct 08	https://www.atis.org/docstore/default.aspx
ETSI	ETSI	8.0.0	Awaiting publication		

5.3.2.7.8 TS 36.331

Evolved Universal Terrestrial Radio Access (E-UTRA); Radio Resource Control (RRC) protocol specification

This specification describes the Radio Resource Control protocol for the UE-eUTRAN radio interface.

SDO (2)	Document No.	Version	Status	Issued date	Location (1)
Release 8					
ARIB	ARIB STD-T63-36.331	8.2.0	Approved	Sep 08	http://www.arib.or.jp/IMT-2000/ARIB-STD/ITU-R_Rev8/Rel8/A36331-820.pdf
ATIS	ATIS.3GPP.36.331V820-2008	8.2.0	Approved	Oct 08	https://www.atis.org/docstore/default.aspx
ETSI	ETSI	8.0.0	Awaiting publication		

5.3.2.8

36.400 series

5.3.2.8.1 TS 36.401

Evolved Universal Terrestrial Radio Access Network (E-UTRAN); Architecture description

This specification describes the overall architecture of the EUTRAN, including internal interfaces and assumptions on the radio, S1 and X2 interfaces.

SDO (2)	Document No.	Version	Status	Issued date	Location (1)
Release 8					
ARIB	ARIB STD-T63-36.401	8.2.0	Approved	Sep 08	http://www.arib.or.jp/IMT-2000/ARIB-STD/ITU-R_Rev8/Rel8/A36401-820.pdf
ATIS	ATIS.3GPP.36.401V820-2008	8.2.0	Approved	Oct 08	https://www.atis.org/docstore/default.aspx
ETSI	ETSI	8.0.0	Awaiting publication		

5.3.2.8.2 TS 36.410

Evolved Universal Terrestrial Radio Access Network (E-UTRAN); S1 general aspects and principles

This specification provides an introduction to the 3GPP TS 36.41x series of technical specifications that define the S1 interface.

SDO (2)	Document No.	Version	Status	Issued date	Location (1)
Release 8					
ARIB	ARIB STD-T63-36.410	8.0.0	Approved	Sep 08	http://www.arib.or.jp/IMT-2000/ARIB-STD/ITU-R_Rev8/Rel8/A36410-800.pdf
ATIS	ATIS.3GPP.36.410V800-2008	8.0.0	Approved	Oct 08	https://www.atis.org/docstore/default.aspx
ETSI	ETSI	8.0.0	Awaiting publication		

5.3.2.8.3 TS 36.411

Evolved Universal Terrestrial Radio Access Network (E-UTRAN); S1 layer 1

This specification describes the standards allowed to implement Layer 1 on the S1 interface.

SDO (2)	Document No.	Version	Status	Issued date	Location (1)
Release 8					
ARIB	ARIB STD-T63-36.411	8.0.0	Approved	Sep 08	http://www.arib.or.jp/IMT-2000/ARIB-STD/ITU-R_Rev8/Rel8/A36411-800.pdf
ATIS	ATIS.3GPP.36.411V800-2008	8.0.0	Approved	Oct 08	https://www.atis.org/docstore/default.aspx
ETSI	ETSI	8.0.0	Awaiting publication		

5.3.2.8.4 TS 36.412

Evolved Universal Terrestrial Radio Access Network (E-UTRAN); S1 signalling transport

This specification describes the Signalling Transport to be used across S1 interface.

SDO (2)	Document No.	Version	Status	Issued date	Location (1)
Release 8					
ARIB	ARIB STD-T63-36.412	8.2.0	Approved	Sep 08	http://www.arib.or.jp/IMT-2000/ARIB-STD/ITU-R_Rev8/Rel8/A36412-820.pdf
ATIS	ATIS.3GPP.36.412V820-2008	8.2.0	Approved	Oct 08	https://www.atis.org/docstore/default.aspx
ETSI	ETSI	8.0.0	Awaiting publication		

5.3.2.8.5 TS 36.413**Evolved Universal Terrestrial Access (E-UTRA) ; S1 Application Protocol (S1 AP)**

This specification describes the E-UTRAN radio network layer signalling protocol for the S1 interface.

SDO (2)	Document No.	Version	Status	Issued date	Location (1)
Release 8					
ARIB	ARIB STD-T63-36.413	8.2.0	Approved	Sep 08	http://www.arib.or.jp/IMT-2000/ARIB-STD/ITU-R_Rev8/Rel8/A36413-820.pdf
ATIS	ATIS.3GPP.36.413V820-2008	8.2.0	Approved	Oct 08	https://www.atis.org/docstore/default.aspx
ETSI	ETSI	8.0.0	Awaiting publication		

5.3.2.8.6 TS 36.414**Evolved Universal Terrestrial Radio Access Network (E-UTRAN); S1 data transport**

This specification describes the standards for user data transport protocols and related signalling protocols to establish user plane transport bearers over the S1 interface.

SDO (2)	Document No.	Version	Status	Issued date	Location (1)
Release 8					
ARIB	ARIB STD-T63-36.414	8.2.0	Approved	Sep 08	http://www.arib.or.jp/IMT-2000/ARIB-STD/ITU-R_Rev8/Rel8/A36414-820.pdf
ATIS	ATIS.3GPP.36.414V820-2008	8.2.0	Approved	Oct 08	https://www.atis.org/docstore/default.aspx
ETSI	ETSI	8.0.0	Awaiting publication		

5.3.2.8.7 TS 36.420**Evolved Universal Terrestrial Radio Access Network (E-UTRAN); X2 general aspects and principles**

This specification provides an introduction to the TSG RAN TS 36.42x series of UMTS Technical Specifications that define the X2 interface.

SDO (2)	Document No.	Version	Status	Issued date	Location (1)
Release 8					
ARIB	ARIB STD-T63-36.420	8.0.0	Approved	Sep 08	http://www.arib.or.jp/IMT-2000/ARIB-STD/ITU-R_Rev8/Rel8/A36420-800.pdf
ATIS	ATIS.3GPP.36.420V800-2008	8.0.0	Approved	Oct 08	https://www.atis.org/docstore/default.aspx
ETSI	ETSI	8.0.0	Awaiting publication		

5.3.2.8.8 TS 36.421**Evolved Universal Terrestrial Radio Access Network (E-UTRAN); X2 layer 1**

This specification describes the standards allowed to implement Layer 1 on the X2 interface.

SDO (2)	Document No.	Version	Status	Issued date	Location (1)
Release 8					
ARIB	ARIB STD-T63-36.421	8.0.0	Approved	Sep 08	http://www.arib.or.jp/IMT-2000/ARIB-STD/ITU-R_Rev8/Rel8/A36421-800.pdf
ATIS	ATIS.3GPP.36.421V800-2008	8.0.0	Approved	Oct 08	https://www.atis.org/docstore/default.aspx
ETSI	ETSI	8.0.0	Awaiting publication		

5.3.2.8.9 TS 36.422

Evolved Universal Terrestrial Radio Access Network (E-UTRAN); X2 signalling transport

This specification describes the Signalling Transport to be used across X2 interface.

SDO (2)	Document No.	Version	Status	Issued date	Location (1)
Release 8					
ARIB	ARIB STD-T63-36.422	8.2.0	Approved	Sep 08	http://www.arib.or.jp/IMT-2000/ARIB-STD/ITU-R_Rev8/Rel8/A36422-820.pdf
ATIS	ATIS.3GPP.36.422V820-2008	8.2.0	Approved	Oct 08	https://www.atis.org/docstore/default.aspx
ETSI	ETSI	8.0.0	Awaiting publication		

5.3.2.8.10 TS 36.423

Evolved Universal Terrestrial Radio Access Network (E-UTRAN); X2 Application Protocol (X2AP)

This specification describes the E-UTRAN radio network layer signalling protocol for the X2 interface.

SDO (2)	Document No.	Version	Status	Issued date	Location (1)
Release 8					
ARIB	ARIB STD-T63-36.423	8.2.0	Approved	Sep 08	http://www.arib.or.jp/IMT-2000/ARIB-STD/ITU-R_Rev8/Rel8/A36423-820.pdf
ATIS	ATIS.3GPP.36.423V820-2008	8.2.0	Approved	Oct 08	https://www.atis.org/docstore/default.aspx
ETSI	ETSI	8.0.0	Awaiting publication		

5.3.2.8.11 TS 36.424

Evolved Universal Terrestrial Radio Access Network (E-UTRAN); X2 data transport

This specification describes the standards for user data transport protocols and related signalling protocols to establish user plane transport bearers over the X2 interface.

SDO (2)	Document No.	Version	Status	Issued date	Location (1)
Release 8					
ARIB	ARIB STD-T63-36.424	8.2.0	Approved	Sep 08	http://www.arib.or.jp/IMT-2000/ARIB-STD/ITU-R_Rev8/Rel8/A36424-820.pdf
ATIS	ATIS.3GPP.36.424V820-2008	8.2.0	Approved	Oct 08	https://www.atis.org/docstore/default.aspx
ETSI	ETSI	8.0.0	Awaiting publication		

5.3.2.9**36.100 series****5.3.2.9.1** TS 36.101**Evolved Universal Terrestrial Radio Access (E-UTRA); User Equipment (UE) radio transmission and reception**

This specification describes the User Equipment (UE) minimum RF characteristics of E-UTRA for both FDD and TDD modes.

SDO (2)	Document No.	Version	Status	Issued date	Location (1)
Release 8					
ATIS	ATIS.3GPP.36.101V820-2008	8.2.0	Approved	Oct 08	https://www.atis.org/docstore/default.aspx
ETSI	ETSI	8.0.0	Awaiting publication		

5.3.2.9.2 TS 36.104**Evolved Universal Terrestrial Radio Access (E-UTRA); Base Station (BS) radio transmission and reception**

This specification describes the Base Station minimum RF characteristics of E-UTRA in paired and unpaired bands.

SDO (2)	Document No.	Version	Status	Issued date	Location (1)
Release 8					
ATIS	ATIS.3GPP.36.104V820-2008	8.2.0	Approved	Oct 08	https://www.atis.org/docstore/default.aspx
ETSI	ETSI	8.0.0	Awaiting publication		

5.3.2.9.3 TS 36.133**Evolved Universal Terrestrial Radio Access (E-UTRA); Requirements for support of radio resource management**

This specification specifies requirements for support of Radio Resource Management for the FDD and TDD modes of Evolved UTRA. These requirements include requirements on measurements in UTRAN and the UE as well as requirements on node dynamical behaviour and interaction, in terms of delay and response characteristics.

SDO (2)	Document No.	Version	Status	Issued date	Location (1)
Release 8					
ATIS	ATIS.3GPP.36.133V820-2008	8.2.0	Approved	Oct 08	https://www.atis.org/docstore/default.aspx
ETSI	ETSI	8.0.0	Awaiting publication		

5.3.2.10**Core network aspects****5.3.2.10.1** TS 23.108**Mobile radio interface Layer 3 specification core network protocols – Stage 2**

This specification describes the procedures used at the radio interface for Call Control (CC), Mobility Management (MM) and Session Management (SM). It contains examples of the structured procedures.

SDO (2)	Document No.	Version	Status	Issued date	Location (1)
Release 99					
ATIS	T1.3GPP.23.108V320-2002	3.2.0	Approved	May 02	https://www.atis.org/docstore/default.aspx
ETSI	ETSI TS 123 108	3.2.0	Published	May 00	http://pda.etsi.org/pda/home.asp?wkr=RTS/TSGN-0123108UR1
Release 4					
ATIS	T1.3GPP.23.108V401-2004	4.0.1	Approved	May 04	https://www.atis.org/docstore/default.aspx
ETSI	ETSI TS 123 108	4.0.1	Published	Jul 02	http://pda.etsi.org/pda/home.asp?wkr=RTS/TSGN-0123108v401
Release 5					
ATIS	T1.3GPP.23.108V500-2003	5.0.0	Approved	Mar 03	https://www.atis.org/docstore/default.aspx
ETSI	ETSI TS 123 108	5.0.0	Published	Jul 02	http://pda.etsi.org/pda/home.asp?wkr=RTS/TSGN-0123108v500
Release 6					
ATIS	ATIS.3GPP.23.108V600-2005	6.0.0	Approved	Apr 05	https://www.atis.org/docstore/default.aspx
ETSI	ETSI TS 123 108	6.0.0	Published	Jan 05	http://pda.etsi.org/pda/home.asp?wkr=RTS/TSGN-0123108v600
Release 7					
ATIS	ATIS.3GPP.23.108V700-2007	7.0.0	Approved	Oct 07	https://www.atis.org/docstore/default.aspx
ETSI	ETSI TS 123 108	7.0.0	Published	Jul 07	http://pda.etsi.org/pda/home.asp?wkr=RTS/TSGC-0123108v700

5.3.2.10.2 TS 23.110**UMTS access stratum services and functions**

This specification describes the detailed specifications of the protocols which rule the information flows, both control and user data, between the access stratum and the parts of UMTS outside the access stratum, and of the detailed specifications of the UTRAN. These detailed specifications are to be found in other technical specifications.

SDO (2)	Document No.	Version	Status	Issued date	Location (1)
Release 99					
ATIS	T1.3GPP.23.110V340-2002	3.4.0	Approved	May 02	https://www.atis.org/docstore/default.aspx
ETSI	ETSI TS 123 110	3.4.0	Published	May 00	http://pda.etsi.org/pda/home.asp?wkr=RTS/TSGS-0223110UR1

Release 4

ETSI	ETSI TS 123 110	4.0.0	Published	Apr 01	http://pda.etsi.org/pda/home.asp?wkr=RTS/TSGS-0223110Uv4
------	-----------------	-------	-----------	--------	---

Release 5

ATIS	T1.3GPP.23.110V500-2004	5.0.0	Approved	May 04	https://www.atis.org/docstore/default.aspx
ETSI	ETSI TS 123 110	5.0.0	Published	Dec 03	http://pda.etsi.org/pda/home.asp?wkr=RTS/TSGS-0223110v500

Release 6

ATIS	ATIS.3GPP.23.110V600-2005	6.0.0	Approved	Apr 05	https://www.atis.org/docstore/default.aspx
ETSI	ETSI TS 123 110	6.0.0	Published	Jan 05	http://pda.etsi.org/pda/home.asp?wkr=RTS/TSGS-0223110v600

Release 7

ATIS	ATIS.3GPP.23.110V700-2007	7.0.0	Approved	Oct 07	https://www.atis.org/docstore/default.aspx
ETSI	ETSI TS 123 110	7.0.0	Published	Jun 07	http://pda.etsi.org/pda/home.asp?wkr=RTS/TSGS-0223110v700

5.3.2.10.3 TS 23.122**Functions related to Mobile Stations (MS) in idle mode and group receive mode**

This specification provides an overview of the tasks undertaken by a Mobile Station (MS) when in idle mode (that is, switched on but not having a dedicated channel allocated, e.g. not making or receiving a call; or when in group receive mode, that is, receiving a group call or broadcast call but not having a dedicated connection). It also describes the corresponding network functions.

SDO (2)	Document No.	Version	Status	Issued date	Location (1)
Release 99					
ATIS	T1.3GPP.23.122V3100-2004	3.10.0	Approved	May 04	https://www.atis.org/docstore/default.aspx
ETSI	ETSI TS 123 122	3.10.0	Published	Oct 03	http://pda.etsi.org/pda/home.asp?wkr=RTS/TSGN-0123122v3a0
Release 4					
ATIS	T1.3GPP.23.122V440-2004	4.4.0	Approved	May 04	https://www.atis.org/docstore/default.aspx
ETSI	ETSI TS 123 122	4.4.0	Published	Oct 03	http://pda.etsi.org/pda/home.asp?wkr=RTS/TSGN-0123122v440
Release 5					
ATIS	T1.3GPP.23.122V530-2004	5.3.0	Approved	May 04	https://www.atis.org/docstore/default.aspx
ETSI	ETSI TS 123 122	5.3.0	Published	Oct 03	http://pda.etsi.org/pda/home.asp?wkr=RTS/TSGN-0123122v530
Release 6					
ATIS	ATIS.3GPP.23.122V650-2006	6.5.0	Approved	Apr 06	https://www.atis.org/docstore/default.aspx
ETSI	ETSI TS 123 122	6.5.0	Published	Jun 05	http://pda.etsi.org/pda/home.asp?wkr=RTS/TSGC-0123122v650
Release 7					
ATIS	ATIS.3GPP.23.122V7100-2007	7.10.0	Approved	Oct 07	https://www.atis.org/docstore/default.aspx
ETSI	ETSI TS 123 122	7.11.0	Published	Jan 08	http://pda.etsi.org/pda/home.asp?wkr=RTS/TSGC-0123122v7b0
Release 8					
ATIS	ATIS.3GPP.23.122V820-2008	8.2.0	Approved	Oct 08	https://www.atis.org/docstore/default.aspx
ETSI	ETSI	8.0.0	Awaiting publication		

5.3.2.10.4 TS 24.007**Mobile radio interface signalling Layer 3 – general aspects**

This specification describes the principal architecture of Layer 3 and its sub-layers on the GSM Um interface, i.e. the interface between mobile station (MS) and network; for the CM sub-layer, the description is restricted to paradigmatic examples, CC, supplementary services, and short message services for non-general packet radio service (GPRS) services. It also defines the basic message format and error handling applied by the Layer 3 protocols.

SDO (2)	Document No.	Version	Status	Issued date	Location (1)
Release 99					
ATIS	ATIS.3GPP.24.007V3100-2005	3.10.0	Approved	Apr 05	https://www.atis.org/docstore/default.aspx
ETSI	ETSI TS 124 007	3.10.0	Published	Jun 04	http://pda.etsi.org/pda/home.asp?wkr=RTS/TSGN-0124007v3a0
Release 4					
ATIS	ATIS.3GPP.24.007V440-2005	4.4.0	Approved	Apr 05	https://www.atis.org/docstore/default.aspx
ETSI	ETSI TS 124 007	4.4.0	Published	Jan 05	http://pda.etsi.org/pda/home.asp?wkr=RTS/TSGN-0124007v440
Release 5					
ATIS	ATIS.3GPP.24.007V540-2006	5.4.0	Approved	Apr 06	https://www.atis.org/docstore/default.aspx
ETSI	ETSI TS 124 007	5.4.0	Published	Apr 05	http://pda.etsi.org/pda/home.asp?wkr=RTS/TSGC-0124007v540
Release 6					
ATIS	ATIS.3GPP.24.007V650-2006	6.5.0	Approved	Apr 06	https://www.atis.org/docstore/default.aspx
ETSI	ETSI TS 124 007	6.5.0	Published	Oct 05	http://pda.etsi.org/pda/home.asp?wkr=RTS/TSGC-0124007v650
Release 7					
ATIS	ATIS.3GPP.24.007V700-2007	7.0.0	Approved	Oct 07	https://www.atis.org/docstore/default.aspx
ETSI	ETSI TS 124 007	7.0.0	Published	Jan 06	http://pda.etsi.org/pda/home.asp?wkr=RTS/TSGC-0124007v700

5.3.2.10.5 TS 24.008**Mobile radio interface Layer 3 specification; core network protocols – Stage 3**

This specification describes the procedures used at the radio interface for Call Control, Mobility Management and Session Management. The procedures currently described are for the CC of circuit-switched connections, SM for GPRS services, MM and radio resource management for circuit-switched and GPRS services. MBMS is also added.

SDO (2)	Document No.	Version	Status	Issued date	Location (1)
Release 99					
ATIS	ATIS.3GPP.24.008V3200-2006	3.20.0	Approved	Apr 06	https://www.atis.org/docstore/default.aspx
ETSI	ETSI TS 124 008	3.20.0	Published	Jan 06	http://pda.etsi.org/pda/home.asp?wkr=RTS/TSGC-0124008v3k0
Release 4					
ATIS	ATIS.3GPP.24.008V4170-2007	4.17.0	Approved	Oct 07	https://www.atis.org/docstore/default.aspx
ETSI	ETSI TS 124 008	4.17.0	Published	Oct 07	http://pda.etsi.org/pda/home.asp?wkr=RTS/TSGC-0124008v4h0

Release 5

ATIS	ATIS.3GPP.24.008V5160-2007	5.16.0	Approved	Oct 07	https://www.atis.org/docstore/default.aspx
ETSI	ETSI TS 124 008	5.16.0	Published	Aug 06	http://pda.etsi.org/pda/home.asp?wkr=RTS/TSGC-0124008v5g0

Release 6

ATIS	ATIS.3GPP.24.008V6190-2008	6.19.0	Approved	Oct 08	https://www.atis.org/docstore/default.aspx
ETSI	ETSI TS 124 008	6.17.0	Awaiting publication		http://pda.etsi.org/pda/home.asp?wkr=RTS/TSGC-0124008v6h0

Release 7

ATIS	ATIS.3GPP.24.008V7120-2008	7.12.0	Approved	Oct 08	https://www.atis.org/docstore/default.aspx
ETSI	ETSI TS 124 008	7.10.0	Awaiting publication		http://pda.etsi.org/pda/home.asp?wkr=RTS/TSGC-0124008v7a0

Release 8

ATIS	ATIS.3GPP.24.008V820-2008	8.2.0	Approved	Oct 08	https://www.atis.org/docstore/default.aspx
ETSI	ETSI	8.0.0	Awaiting publication		

5.3.2.10.6 TS 24.011**Point-to-point short message service (SMS) support on mobile radio interface**

This specification describes the procedures used across the mobile radio interface by the signalling Layer 3 function short message control (SMC) and short message relay (SM-RL) function for both circuit-switched GSM and GPRS.

SDO (2)	Document No.	Version	Status	Issued date	Location (1)
Release 99					
ATIS	T1.3GPP.24.011V360-2002	3.6.0	Approved	May 02	https://www.atis.org/docstore/default.aspx
ETSI	ETSI TS 124 011	3.6.0	Published	Apr 01	http://pda.etsi.org/pda/home.asp?wkr=RTS/TSGN-0124011UR5
Release 4					
ATIS	T1.3GPP.24.011V411-2003	4.1.1	Approved	Mar 03	https://www.atis.org/docstore/default.aspx
ETSI	ETSI TS 124 011	4.1.1	Published	Jul 02	http://pda.etsi.org/pda/home.asp?wkr=RTS/TSGN-0124011v411
Release 5					
ATIS	T1.3GPP.24.011V520-2004	5.2.0	Approved	May 04	https://www.atis.org/docstore/default.aspx
ETSI	ETSI TS 124 011	5.2.0	Published	Jul 03	http://pda.etsi.org/pda/home.asp?wkr=RTS/TSGN-0124011v520
Release 6					
ATIS	ATIS.3GPP.24.011V610-2006	6.1.0	Approved	Apr 06	https://www.atis.org/docstore/default.aspx
ETSI	ETSI TS 124 011	6.1.0	Published	Jun 05	http://pda.etsi.org/pda/home.asp?wkr=RTS/TSGC-0124011v610
Release 7					
ATIS	ATIS.3GPP.24.011V700-2007	7.0.0	Approved	Oct 07	https://www.atis.org/docstore/default.aspx
ETSI	ETSI TS 124 011	7.0.0	Published	Jul 07	http://pda.etsi.org/pda/home.asp?wkr=RTS/TSGC-0124011v700

5.3.2.10.7 TS 24.341**Support of SMS over IP networks; Stage 3**

This specification provides the protocol details for SMS over IP functionality within the IP Multimedia (IM) Core Network (CN) subsystem based on the Session Initiation Protocol (SIP). The architecture for the SMS over IP functionality is specified in 3GPP TS 23.204.

SDO (2)	Document No.	Version	Status	Issued date	Location (1)
Release 7					
ATIS	ATIS.3GPP.24.341V720-2008	7.2.0	Approved	Oct 08	https://www.atis.org/docstore/default.aspx
ETSI	ETSI TS 124 341	7.2.0	Published	Jan 08	http://pda.etsi.org/pda/home.asp?wkr=RTS/TSGC-0124341v720

5.3.2.10.8 TS 23.060**General packet radio service (GPRS) service description – Stage 2**

This specification describes a general overview over the GPRS architecture as well as a more detailed overview of the MS – CN protocol architecture. Details of the protocols will be specified in companion documents.

SDO (2)	Document No.	Version	Status	Issued date	Location (1)
Release 99					
ATIS	T1.3GPP.23.060V3170-2007	3.17.0	Approved	Oct 07	https://www.atis.org/docstore/default.aspx
ETSI	ETSI TS 123 060	3.17.0	Published	Dec 06	http://pda.etsi.org/pda/home.asp?wkr=RTS/TSGS-0223060v3h0
Release 4					
ATIS	ATIS.3GPP.23.060V4110-2007	4.11.0	Approved	Oct 07	https://www.atis.org/docstore/default.aspx
ETSI	ETSI TS 123 060	4.11.0	Published	Dec 06	http://pda.etsi.org/pda/home.asp?wkr=RTS/TSGS-0223060v4b0
Release 5					
ATIS	ATIS.3GPP.23.060V5130-2007	5.13.0	Approved	Oct 07	https://www.atis.org/docstore/default.aspx
ETSI	ETSI TS 123 060	5.13.0	Published	Dec 06	http://pda.etsi.org/pda/home.asp?wkr=RTS/TSGS-0223060v5d0
Release 6					
ATIS	ATIS.3GPP.23.060V6150-2007	6.15.0	Approved	Oct 07	https://www.atis.org/docstore/default.aspx
ETSI	ETSI TS 123 060	6.15.0	Published	Dec 06	http://pda.etsi.org/pda/home.asp?wkr=RTS/TSGS-0223060v6f0
Release 7					
ATIS	ATIS.3GPP.23.060V770-2008	7.7.0	Approved	Oct 08	https://www.atis.org/docstore/default.aspx
ETSI	ETSI TS 123 060	7.6.0	Awaiting publication		http://pda.etsi.org/pda/home.asp?wkr=RTS/TSGS-0223060v760
Release 8					
ATIS	ATIS.3GPP.23.060V810-2008	8.1.0	Approved	Oct 08	https://www.atis.org/docstore/default.aspx

5.3.2.10.9 TS 24.022**Radio link protocol (RLP) for circuit switched bearer and teleservices**

This specification describes the RLP for data transmission over the UMTS public land mobile network (PLMN). RLP covers the Layer 2 functionality of the ISO OSI reference model (IS 7498). It is based on ideas contained in IS 3309, IS 4335 and IS 7809 (HDLC of ISO) as well as ITU-T Recommendations X.25, Q.921 and Q.922 (LAP-B and LAP-D, respectively). RLP has been tailored to the special needs of digital radio transmission. RLP provides to its users the OSI data link service (IS 8886).

SDO (2)	Document No.	Version	Status	Issued date	Location (1)
Release 99					
ATIS	T1.3GPP.24.022V350-2004	3.5.0	Approved	May 04	https://www.atis.org/docstore/default.aspx
ETSI	ETSI TS 124 022	3.5.0	Published	Jul 03	http://pda.etsi.org/pda/home.asp?wkr=RTS/TSGN-0324022v350
Release 4					
ATIS	T1.3GPP.24.022V410-2004	4.1.0	Approved	May 04	https://www.atis.org/docstore/default.aspx
ETSI	ETSI TS 124 022	4.1.0	Published	Jul 03	http://pda.etsi.org/pda/home.asp?wkr=RTS/TSGN-0324022v410
Release 5					
ATIS	T1.3GPP.24.022V550-2004	5.5.0	Approved	May 04	https://www.atis.org/docstore/default.aspx
ETSI	ETSI TS 124 022	5.5.0	Published	Jan 04	http://pda.etsi.org/pda/home.asp?wkr=RTS/TSGN-0324022v550
Release 6					
ATIS	ATIS.3GPP.24.022V600-2005	6.0.0	Approved	Apr 05	https://www.atis.org/docstore/default.aspx
ETSI	ETSI TS 124 022	6.0.0	Published	Jan 05	http://pda.etsi.org/pda/home.asp?wkr=RTS/TSGN-0324022v600
Release 7					
ATIS	ATIS.3GPP.24.022V700-2007	7.0.0	Approved	Oct 07	https://www.atis.org/docstore/default.aspx
ETSI	ETSI TS 124 022	7.0.0	Published	Jul 07	http://pda.etsi.org/pda/home.asp?wkr=RTS/TSGC-0324022v700

5.3.2.10.10 TS 24.010**Mobile radio interface Layer 3 – supplementary services specification – general aspects**

This specification describes the general aspects of the specification of supplementary services at the Layer 3 radio interface. Details are specified in other TS.

SDO (2)	Document No.	Version	Status	Issued date	Location (1)
Release 99					
ATIS	T1.3GPP.24.010V320-2002	3.2.0	Approved	May 02	https://www.atis.org/docstore/default.aspx
ETSI	ETSI TS 124 010	3.2.0	Published	Jan 02	http://pda.etsi.org/pda/home.asp?wkr=RTS/TSGN-0424010UR2
Release 4					
ATIS	T1.3GPP.24.010V420-2002	4.2.0	Approved	May 02	https://www.atis.org/docstore/default.aspx
ETSI	ETSI TS 124 010	4.2.0	Published	Jan 02	http://pda.etsi.org/pda/home.asp?wkr=RTS/TSGN-0424010Uv4R2

Release 5

ATIS	T1.3GPP.24.010V500-2003	5.0.0	Approved	Mar 03	https://www.atis.org/docstore/default.aspx
ETSI	ETSI TS 124 010	5.0.0	Published	Jul 02	http://pda.etsi.org/pda/home.asp?wkr=RTS/TSGN-0424010v500

Release 6

ATIS	ATIS.3GPP.24.010V600-2005	6.0.0	Approved	Apr 05	https://www.atis.org/docstore/default.aspx
ETSI	ETSI TS 124 010	6.0.0	Published	Jan 05	http://pda.etsi.org/pda/home.asp?wkr=RTS/TSGN-0424010v600

Release 7

ATIS	ATIS.3GPP.24.010V700-2007	7.0.0	Approved	Oct 07	https://www.atis.org/docstore/default.aspx
ETSI	ETSI TS 124 010	7.0.0	Published	Jul 07	http://pda.etsi.org/pda/home.asp?wkr=RTS/TSGC-0424010v700

5.3.2.10.11 TS 24.080**Mobile radio interface Layer 3 – supplementary services specification – formats and coding**

This specification describes the coding of information necessary for support of supplementary service operation on the mobile radio interface L3. Details are specified in other TS.

SDO (2)	Document No.	Version	Status	Issued date	Location (1)
Release 99					
ATIS	T1.3GPP.24.080V371-2004	3.7.1	Approved	May 04	https://www.atis.org/docstore/default.aspx
ETSI	ETSI TS 124 080	3.7.1	Published	Oct 03	http://pda.etsi.org/pda/home.asp?wkr=RTS/TSGN-0424080v371
Release 4					
ATIS	ATIS.3GPP.24.080V440-2005	4.4.0	Approved	Apr 05	https://www.atis.org/docstore/default.aspx
ETSI	ETSI TS 124 080	4.4.0	Published	Jan 05	http://pda.etsi.org/pda/home.asp?wkr=RTS/TSGN-0424080v440
Release 5					
ATIS	ATIS.3GPP.24.080V550-2005	5.5.0	Approved	Apr 05	https://www.atis.org/docstore/default.aspx
ETSI	ETSI TS 124 080	5.5.0	Published	Jan 05	http://pda.etsi.org/pda/home.asp?wkr=RTS/TSGN-0424080v550
Release 6					
ATIS	ATIS.3GPP.24.080V630-2006	6.3.0	Approved	Apr 06	https://www.atis.org/docstore/default.aspx
ETSI	ETSI TS 124 080	6.3.0	Published	Apr 05	http://pda.etsi.org/pda/home.asp?wkr=RTS/TSGC-0424080v630
Release 7					
ATIS	ATIS.3GPP.24.080V740-2007	7.4.0	Approved	Oct 07	https://www.atis.org/docstore/default.aspx
ETSI	ETSI TS 124 080	7.4.0	Published	Oct 07	http://pda.etsi.org/pda/home.asp?wkr=RTS/TSGC-0424080v740
Release 8					
ATIS					

5.3.2.10.12 TS TS 24.173**IMS Multimedia telephony service and supplementary services; Stage 3**

This specification provides the protocol details for multimedia telephony communication service and associated supplementary services in the IP Multimedia (IM) Core Network (CN) subsystem based on the requirements from 3GPP TS 22.173. Multimedia telephony and supplementary services allow users to establish communications between them and enrich that by enabling supplementary services.

SDO (2)	Document No.	Version	Status	Issued date	Location (1)
Release 7					
ATIS	ATIS.3GPP.24.206V750-2008	7.5.0	Approved	Oct 08	https://www.atis.org/docstore/default.aspx
ATIS	ATIS.3GPP.24.173V750-2008	7.5.0	Approved	Oct 08	https://www.atis.org/docstore/default.aspx
ETSI	ETSI TS 124 173	7.3.0	Published	Jan 08	http://pda.etsi.org/pda/home.asp?wkr=RTS/TSGC-0124173v730
Release 8					
ATIS	ATIS.3GPP.24.173V810-2008	8.1.0	Approved	Oct 08	https://www.atis.org/docstore/default.aspx

5.3.2.10.13 TS TS 24.206**Voice call continuity between Circuit Switched (CS) and IP Multimedia Subsystem (IMS); Stage 3**

This specification provides the protocol details for voice call continuity between the IP Multimedia (IM) Core Network (CN) subsystem based on the Session Initiation Protocol (SIP) and the Session Description Protocol (SDP) and the protocols of the 3GPP Circuit-Switched (CS) domain (CAP, MAP, ISUP, BICC and the NAS call control protocol for the CS access).

SDO (2)	Document No.	Version	Status	Issued date	Location (1)
Release 7					
ETSI	ETSI TS 124 206	7.4.0	Published	Jan 08	http://pda.etsi.org/pda/home.asp?wkr=RTS/TSGC-0124206v740

5.3.2.10.14 TS TS 24.279**Combining Circuit Switched (CS) and IP Multimedia Subsystem (IMS) services; Stage 3**

This specification provides the technical realization for the combination of Circuit Switched calls and IM sessions when using them simultaneously between the same two users. It also describes the use of CS and IM services in combination, using the existing procedures that have been defined for CS and IMS. It includes the necessary function as adding an IM session to an ongoing CS call, adding a CS call to an ongoing IM session, supplementary services as they relate to CSICS and supporting capability exchange.

SDO (2)	Document No.	Version	Status	Issued date	Location (1)
Release 7					
ATIS	ATIS.3GPP.24.279V770-2008	7.7.0	Approved	Oct 08	https://www.atis.org/docstore/default.aspx
ETSI	ETSI TS 124 279	7.7.0	Published	Jan 08	http://pda.etsi.org/pda/home.asp?wkr=RTS/TSGC-0124279v770
Release 8					
ATIS	ATIS.3GPP.24.279V800-2008	8.0.0	Approved	Oct 08	https://www.atis.org/docstore/default.aspx
ETSI	ETSI	8.0.0	Awaiting publication		

5.3.2.10.15 TS 24.229**IP Multimedia Call Control Protocol based on Session Initiation Protocol (SIP) and Session Description Protocol (SDP); Stage 3**

This specification defines a call control protocol for use in the IP Multimedia (IM) Core Network (CN) subsystem based on the Session Initiation Protocol (SIP), and the associated Session Description Protocol (SDP).

SDO (2)	Document No.	Version	Status	Issued date	Location (1)
Release 5					
ATIS	ATIS.3GPP.24.229V5210-2008	5.21.0	Approved	Oct 08	https://www.atis.org/docstore/default.aspx
ETSI	ETSI TS 124 229	5.21.0	Awaiting publication		http://pda.etsi.org/pda/home.asp?wkr=RTS/TSGC-0124229v510
Release 6					
ATIS	ATIS.3GPP.24.229V6180-2008	6.18.0	Approved	Oct 08	https://www.atis.org/docstore/default.aspx
ETSI	ETSI TS 124 229	6.17.0	Awaiting publication		http://pda.etsi.org/pda/home.asp?wkr=RTS/TSGC-0124229v6h0
Release 7					
ATIS	ATIS.3GPP.24.229V7120-2008	7.12.0	Approved	Oct 08	https://www.atis.org/docstore/default.aspx
ETSI	ETSI TS 124 229	7.10.0	Awaiting publication		http://pda.etsi.org/pda/home.asp?wkr=RTS/TSGC-0124229v7a0
Release 8					
ATIS	ATIS.3GPP.24.229V841-2008	8.4.1	Approved	Oct 08	https://www.atis.org/docstore/default.aspx
ETSI	ETSI TS 124 229	8.2.0	Awaiting publication		http://pda.etsi.org/pda/home.asp?wkr=RTS/TSGC-0124229v820

5.3.2.10.16 TS 24.141**Presence service using the IP Multimedia (IM) Core Network (CN) subsystem; Stage 3**

This specification provides the protocol details for the presence service within the IP Multimedia (IM) Core Network (CN) subsystem based on the Session Initiation Protocol (SIP) and SIP Events as defined in 3GPP TS 24.229.

SDO (2)	Document No.	Version	Status	Issued date	Location (1)
Release 6					
ATIS	ATIS.3GPP.24.141V6100-2008	6.10.0	Approved	Oct 08	https://www.atis.org/docstore/default.aspx
ETSI	ETSI TS 124 141	6.9.0	Published	Oct 07	http://pda.etsi.org/pda/home.asp?wkr=RTS/TSGC-0124141v690
Release 7					
ATIS	ATIS.3GPP.24.141V750-2008	7.5.0	Approved	Oct 08	https://www.atis.org/docstore/default.aspx
ETSI	ETSI TS 124 141	7.4.0	Published	Oct 07	http://pda.etsi.org/pda/home.asp?wkr=RTS/TSGC-0124141v740
Release 8					
ATIS	ATIS.3GPP.24.141V810-2008	8.1.0	Approved	Oct 08	https://www.atis.org/docstore/default.aspx

5.3.2.10.17 TS 24.147**Conferencing using the IP Multimedia (IM) Core Network (CN) subsystem; Stage 3**

This specification provides the protocol details for conferencing within the IP Multimedia Core Network subsystem (IMS) based on the Session Initiation Protocol (SIP), SIP Events, the Session Description Protocol (SDP) and the Binary Floor Control Protocol (BFCP).

SDO (2)	Document No.	Version	Status	Issued date	Location (1)
Release 6					
ATIS	ATIS.3GPP.24.147V690-2008	6.9.0	Approved	Oct 08	https://www.atis.org/docstore/default.aspx
ETSI	ETSI TS 124 147	6.7.0	Published	Jun 07	http://pda.etsi.org/pda/home.asp?wkr=RTS/TSGC-0124147v670
Release 7					
ATIS	ATIS.3GPP.24.147V790-2008	7.9.0	Approved	Oct 08	https://www.atis.org/docstore/default.aspx
ETSI	ETSI TS 124 147	7.7.0	Published	Jan 08	http://pda.etsi.org/pda/home.asp?wkr=RTS/TSGC-0124147v770
Release 8					
ATIS	ATIS.3GPP.24.147V810-2008	8.1.0	Approved	Oct 08	https://www.atis.org/docstore/default.aspx
ETSI	ETSI	8.0.0	Awaiting publication		

5.3.2.10.18 TS 24.247**Messaging service using the IP Multimedia (IM) Core Network (CN) subsystem; Stage 3**

This specification provides the protocol details for the messaging service within the IP Multimedia CN Subsystem (IMS) based on the Session Initiation Protocol (SIP), the Session Description Protocol (SDP) and, the Message Session Relay Protocol (MSRP).

SDO (2)	Document No.	Version	Status	Issued date	Location (1)
Release 6					
ATIS	ATIS.3GPP.24.247V690-2008	6.9.0	Approved	Oct 08	https://www.atis.org/docstore/default.aspx
ETSI	ETSI TS 124 247	6.9.0	Published	Jan 08	http://pda.etsi.org/pda/home.asp?wkr=RTS/TSGC-0124247v690
Release 7					
ATIS	ATIS.3GPP.24.247V730-2008	7.3.0	Approved	Oct 08	https://www.atis.org/docstore/default.aspx
ETSI	ETSI TS 124 247	7.3.0	Published	Jan 08	http://pda.etsi.org/pda/home.asp?wkr=RTS/TSGC-0124247v730
Release 8					
ATIS	ATIS.3GPP.24.247V810-2008	8.1.0	Approved	Oct 08	https://www.atis.org/docstore/default.aspx
ETSI	ETSI	8.0.0	Awaiting publication		

5.3.2.10.19 TS 29.228**IP Multimedia (IM) Subsystem Cx and Dx interfaces; Signalling flows and message contents**

This 3GPP Technical Specification (TS) specifies the interactions between the HSS (Home Subscriber Server) and the CSCF (Call Session Control Functions), referred to as the Cx interface, and the interactions between the CSCF and the SLF (Server Locator Function), referred to as the Dx interface.

SDO (2)	Document No.	Version	Status	Issued date	Location (1)
Release 5					
ATIS	ATIS.3GPP.29.228V5200-2007	5.20.0	Approved	Oct 07	https://www.atis.org/docstore/default.aspx
ETSI	ETSI TS 129 228	5.20.0	Published	Oct 07	http://pda.etsi.org/pda/home.asp?wkr=RTS/TSGC-0429228v5k0
Release 6					
ATIS	ATIS.3GPP.29.228V6150-2007	6.15.0	Approved	Oct 07	https://www.atis.org/docstore/default.aspx
ETSI	ETSI TS 129 228	6.15.0	Published	Oct 07	http://pda.etsi.org/pda/home.asp?wkr=RTS/TSGC-0429228v6f0
Release 7					
ATIS	ATIS.3GPP.29.228V790-2008	7.9.0	Approved	Oct 08	https://www.atis.org/docstore/default.aspx
ETSI	ETSI TS 129 228	7.8.0	Awaiting publication		http://pda.etsi.org/pda/home.asp?wkr=RTS/TSGC-0429228v780
Release 8					
ATIS	ATIS.3GPP.29.228V820-2008	8.2.0	Approved	Oct 08	https://www.atis.org/docstore/default.aspx
ETSI	ETSI	8.0.0	Awaiting publication		

5.3.2.10.20 TS 29.229

Cx and Dx interfaces based on the Diameter protocol; Protocol details

This specification defines a transport protocol for use in the IP multimedia (IM) Core Network (CN) subsystem based on Diameter.

SDO (2)	Document No.	Version	Status	Issued date	Location (1)
Release 5					
ATIS	ATIS.3GPP.29.229V5130-2007	5.13.0	Approved	Oct 07	https://www.atis.org/docstore/default.aspx
ETSI	ETSI TS 129 229	5.13.0	Published	Oct 07	http://pda.etsi.org/pda/home.asp?wkr=RTS/TSGC-0429229v5d0
Release 6					
ATIS	ATIS.3GPP.29.229V6100-2007	6.10.0	Approved	Oct 07	https://www.atis.org/docstore/default.aspx
ETSI	ETSI TS 129 229	6.10.0	Published	Oct 07	http://pda.etsi.org/pda/home.asp?wkr=RTS/TSGC-0429229v6a0
Release 7					
ATIS	ATIS.3GPP.29.229V770-2008	7.7.0	Approved	Oct 08	https://www.atis.org/docstore/default.aspx
ETSI	ETSI TS 129 229	7.7.0	Awaiting publication		http://pda.etsi.org/pda/home.asp?wkr=RTS/TSGC-0429229v770
Release 8					
ATIS	ATIS.3GPP.29.229V820-2008	8.2.0	Approved	Oct 08	https://www.atis.org/docstore/default.aspx
ETSI	ETSI	8.0.0	Awaiting publication		

5.3.2.11**Terminal aspects****5.3.2.11.1 TS 21.111****USIM and IC card requirements**

This specification describes the requirements of the USIM and the USIM IC card (UICC). These are derived from the service and security requirements defined in the respective specifications. The document is the basis for the detailed specification of the USIM and the UICC, and the interface to the terminal.

SDO (2)	Document No.	Version	Status	Issued date	Location (1)
Release 99					
ARIB	ARIB STD-T63-21.111	3.5.0	Approved	Sep 08	http://www.arib.or.jp/IMT-2000/ARIB-STD/ITU-R_Rev8/R99/A21111-350.pdf
ATIS	ATIS.3GPP.21.111V350-2006	3.5.0	Approved	Apr 06	https://www.atis.org/docstore/default.aspx
ETSI	ETSI TS 121 111	3.5.0	Published	Jun 05	http://pda.etsi.org/pda/home.asp?wkr=RTS/TSGC-0621111v350
Release 4					
ARIB	ARIB STD-T63-21.111	4.2.0	Approved	Sep 08	http://www.arib.or.jp/IMT-2000/ARIB-STD/ITU-R_Rev8/Rel4/A21111-420.pdf
ATIS	ATIS.3GPP.21.111V420-2006	4.2.0	Approved	Apr 06	https://www.atis.org/docstore/default.aspx
ETSI	ETSI TS 121 111	4.2.0	Published	Jun 05	http://pda.etsi.org/pda/home.asp?wkr=RTS/TSGC-0621111v420
Release 5					
ARIB	ARIB STD-T63-21.111	5.2.0	Approved	Sep 08	http://www.arib.or.jp/IMT-2000/ARIB-STD/ITU-R_Rev8/Rel5/A21111-520.pdf
ATIS	ATIS.3GPP.21.111V520-2006	5.2.0	Approved	Apr 06	https://www.atis.org/docstore/default.aspx
ETSI	ETSI TS 121 111	5.2.0	Published	Jun 05	http://pda.etsi.org/pda/home.asp?wkr=RTS/TSGC-0621111v520
Release 6					
ARIB	ARIB STD-T63-21.111	6.3.0	Approved	Sep 08	http://www.arib.or.jp/IMT-2000/ARIB-STD/ITU-R_Rev8/Rel6/A21111-630.pdf
ATIS	ATIS.3GPP.21.111V630-2007	6.3.0	Approved	Oct 07	https://www.atis.org/docstore/default.aspx
ETSI	ETSI TS 121 111	6.3.0	Published	Jul 06	http://pda.etsi.org/pda/home.asp?wkr=RTS/TSGC-0621111v630
Release 7					
ARIB	ARIB STD-T63-21.111	7.1.0	Approved	Sep 08	http://www.arib.or.jp/IMT-2000/ARIB-STD/ITU-R_Rev8/Rel7/A21111-710.pdf
ATIS	ATIS.3GPP.21.111V710-2008	7.1.0	Approved	Oct 08	https://www.atis.org/docstore/default.aspx
ETSI	ETSI TS 121 111	7.0.0	Published	Apr 07	http://pda.etsi.org/pda/home.asp?wkr=RTS/TSGC-0621111v700
Release 8					
ARIB	ARIB STD-T63-21.111	8.2.0	Approved	Sep 08	http://www.arib.or.jp/IMT-2000/ARIB-STD/ITU-R_Rev8/Rel8/A21111-820.pdf
ATIS	ATIS.3GPP.21.111V820-2008	8.2.0	Approved	Oct 08	https://www.atis.org/docstore/default.aspx
ETSI	ETSI TS 121 111	8.1.0	Awaiting publication		http://pda.etsi.org/pda/home.asp?wkr=RTS/TSGC-0621111v810

5.3.2.11.2 TS 22.112**USAT-Interpreter – Stage 1**

This specification specifies a system to make Mobile Operator services, based on USAT functionality and USIM based security functionality, available to an internet environment. This is achieved by specifying the necessary components and protocols for a secure narrow band channel between the internet application and an USAT Interpreter on the USIM.

SDO (2)	Document No.	Version	Status	Issued date	Location (1)
Release 5					
ARIB	ARIB STD-T63-22.112	5.0.0	Approved	Sep 08	http://www.arib.or.jp/IMT-2000/ARIB-STD/ITU-R_Rev8/Rel5/A22112-500.pdf
ATIS	T1.3GPP.22.112V500-2004	5.0.0	Approved	May 04	https://www.atis.org/docstore/default.aspx
ETSI	ETSI TS 122 112	5.0.0	Published	Aug 02	http://pda.etsi.org/pda/home.asp?wkr=RTS/TSGT-0322112v500
Release 6					
ARIB	ARIB STD-T63-22.112	6.0.0	Approved	Sep 08	http://www.arib.or.jp/IMT-2000/ARIB-STD/ITU-R_Rev8/Rel6/A22112-600.pdf
ATIS	ATIS.3GPP.22.112V600-2006	6.0.0	Approved	Apr 06	https://www.atis.org/docstore/default.aspx
ETSI	ETSI TS 122 112	6.0.0	Published	Jan 05	http://pda.etsi.org/pda/home.asp?wkr=RTS/TSGT-0322112v600
Release 7					
ARIB	ARIB STD-T63-22.112	7.0.0	Approved	Sep 08	http://www.arib.or.jp/IMT-2000/ARIB-STD/ITU-R_Rev8/Rel7/A22112-700.pdf
ATIS	ATIS.3GPP.22.112V700-2007	7.0.0	Approved	Oct 07	https://www.atis.org/docstore/default.aspx
ETSI	ETSI TS 122 112	7.0.0	Published	Jun 07	http://pda.etsi.org/pda/home.asp?wkr=RTS/TSGC-0622112v700

5.3.2.11.3 TS 31.101**UICC-Terminal Interface; Physical and Logical Characteristics**

This specification specifies the interface between the UICC and the Terminal for 3G telecom network operation. This includes the requirements for the physical characteristics of the UICC, the electrical interface between the UICC and the Terminal, the initial communication establishment and the transport protocols, the communication commands and the procedures and the application independent files and protocols.

SDO (2)	Document No.	Version	Status	Issued date	Location (1)
Release 99					
ARIB	ARIB STD-T63-31.101	3.3.1	Approved	Sep 08	http://www.arib.or.jp/IMT-2000/ARIB-STD/ITU-R_Rev8/R99/A31101-331.pdf
ATIS	ATIS.3GPP.31.101V331-2006	3.3.1	Approved	Apr 06	https://www.atis.org/docstore/default.aspx
ETSI	ETSI TS 131 101	3.3.1	Published	Jan 05	http://pda.etsi.org/pda/home.asp?wkr=RTS/TSGT-0331101v331
Release 4					
ARIB	ARIB STD-T63-31.101	4.2.1	Approved	Sep 08	http://www.arib.or.jp/IMT-2000/ARIB-STD/ITU-R_Rev8/Rel4/A31101-421.pdf
ATIS	ATIS.3GPP.31.101V421-2006	4.2.1	Approved	Apr 06	https://www.atis.org/docstore/default.aspx
ETSI	ETSI TS 131 101	4.2.1	Published	Jan 05	http://pda.etsi.org/pda/home.asp?wkr=RTS/TSGT-0331101v421

Release 5

ARIB	ARIB STD-T63-31.101	5.2.1	Approved	Sep 08	http://www.arib.or.jp/IMT-2000/ARIB-STD/ITU-R_Rev8/Rel5/A31101-521.pdf
ATIS	ATIS.3GPP.31.101V521-2006	5.2.1	Approved	Apr 06	https://www.atis.org/docstore/default.aspx
ETSI	ETSI TS 131 101	5.2.1	Published	Jan 05	http://pda.etsi.org/pda/home.asp?wkr=RTS/TSGT-0331101v521

Release 6

ARIB	ARIB STD-T63-31.101	6.5.1	Approved	Sep 08	http://www.arib.or.jp/IMT-2000/ARIB-STD/ITU-R_Rev8/Rel6/A31101-651.pdf
ATIS	ATIS.3GPP.31.101V651-2007	6.5.1	Approved	Oct 07	https://www.atis.org/docstore/default.aspx
ETSI	ETSI TS 131 101	6.5.1	Published	Jan 06	http://pda.etsi.org/pda/home.asp?wkr=RTS/TSGC-0631101v651

Release 7

ARIB	ARIB STD-T63-31.101	7.0.1	Approved	Sep 08	http://www.arib.or.jp/IMT-2000/ARIB-STD/ITU-R_Rev8/Rel7/A31101-701.pdf
ATIS	ATIS.3GPP.31.101V701-2007	7.0.1	Approved	Oct 07	https://www.atis.org/docstore/default.aspx
ETSI	ETSI TS 131 101	7.0.1	Published	Jul 07	http://pda.etsi.org/pda/home.asp?wkr=RTS/TSGC-0631101v701

5.3.2.11.4 TS 31.102**Characteristics of the USIM Application**

This specification defines the USIM application for 3G telecom network operation. This specification specifies, command parameters, file structures and content, security functions and the application protocol to be used on the interface between UICC (USIM) and ME.

SDO (2)	Document No.	Version	Status	Issued date	Location (1)
Release 99					
ARIB	ARIB STD-T63-31.102	3.18.0	Approved	Sep 08	http://www.arib.or.jp/IMT-2000/ARIB-STD/ITU-R_Rev8/R99/A31102-3i0.pdf
ATIS	ATIS.3GPP.31.102V3180-2006	3.18.0	Approved	Apr 06	https://www.atis.org/docstore/default.aspx
ETSI	ETSI TS 131 102	3.18.0	Published	Jun 05	http://pda.etsi.org/pda/home.asp?wkr=RTS/TSGC-0631102v3i0
Release 4					
ARIB	ARIB STD-T63-31.102	4.15.0	Approved	Sep 08	http://www.arib.or.jp/IMT-2000/ARIB-STD/ITU-R_Rev8/Rel4/A31102-4f0.pdf
ATIS	ATIS.3GPP.31.102V4150-2006	4.15.0	Approved	Apr 06	https://www.atis.org/docstore/default.aspx
ETSI	ETSI TS 131 102	4.15.0	Published	Jun 05	http://pda.etsi.org/pda/home.asp?wkr=RTS/TSGC-0631102v4f0
Release 5					
ARIB	ARIB STD-T63-31.102	5.14.0	Approved	Sep 08	http://www.arib.or.jp/IMT-2000/ARIB-STD/ITU-R_Rev8/Rel5/A31102-5e0.pdf
ATIS	ATIS.3GPP.31.102V5140-2006	5.14.0	Approved	Apr 06	https://www.atis.org/docstore/default.aspx
ETSI	ETSI TS 131 102	5.14.0	Published	Oct 05	http://pda.etsi.org/pda/home.asp?wkr=RTS/TSGC-0631102v5e0
Release 6					
ARIB	ARIB STD-T63-31.102	6.20.0	Approved	Sep 08	http://www.arib.or.jp/IMT-2000/ARIB-STD/ITU-R_Rev8/Rel6/A31102-6k0.pdf
ATIS	ATIS.3GPP.31.102V6200-2008	6.20.0	Approved	Oct 08	https://www.atis.org/docstore/default.aspx
ETSI	ETSI TS 131 102	6.19.0	Published	Oct 07	http://pda.etsi.org/pda/home.asp?wkr=RTS/TSGC-0631102v6j0

Release 7

ARIB	ARIB STD-T63-31.102	7.12.0	Approved	Sep 08	http://www.arib.or.jp/IMT-2000/ARIB-STD/ITU-R_Rev8/Rel7/A31102-7c0.pdf
ATIS	ATIS.3GPP.31.102V7120-2008	7.12.0	Approved	Oct 08	https://www.atis.org/docstore/default.aspx
ETSI	ETSI TS 131 102	7.11.0	Awaiting publication		http://pda.etsi.org/pda/home.asp?wkr=RTS/TSGC-0631102v7b0

Release 8

ARIB	ARIB STD-T63-31.102	8.2.0	Approved	Sep 08	http://www.arib.or.jp/IMT-2000/ARIB-STD/ITU-R_Rev8/Rel8/A31102-820.pdf
ATIS	ATIS.3GPP.31.102V820-2008	8.2.0	Approved	Oct 08	https://www.atis.org/docstore/default.aspx
ETSI	ETSI	8.0.0	Awaiting publication		

5.3.2.11.5 TS 31.103**Characteristics of the ISIM Application**

This specification defines the ISIM application for 3G telecom network operation. This specification specifies command parameters, file structures and content, security functions and the application protocol to be used on the interface between UICC (ISIM) and ME.

SDO (2)	Document No.	Version	Status	Issued date	Location (1)
Release 5					
ARIB	ARIB STD-T63-31.103	5.13.1	Approved	Sep 08	http://www.arib.or.jp/IMT-2000/ARIB-STD/ITU-R_Rev8/Rel5/A31103-5d1.pdf
ATIS	ATIS.3GPP.31.103V5131-2007	5.13.1	Approved	Oct 07	https://www.atis.org/docstore/default.aspx
ETSI	ETSI TS 131 103	5.13.1	Published	Jul 07	http://pda.etsi.org/pda/home.asp?wkr=RTS/TSGC-0631103v5d1
Release 6					
ARIB	ARIB STD-T63-31.103	6.12.1	Approved	Sep 08	http://www.arib.or.jp/IMT-2000/ARIB-STD/ITU-R_Rev8/Rel6/A31103-6c1.pdf
ATIS	ATIS.3GPP.31.103V6121-2007	6.12.1	Approved	Oct 07	https://www.atis.org/docstore/default.aspx
ETSI	ETSI TS 131 103	6.12.1	Published	Jul 07	http://pda.etsi.org/pda/home.asp?wkr=RTS/TSGC-0631103v6c1
Release 7					
ARIB	ARIB STD-T63-31.103	7.3.0	Approved	Sep 08	http://www.arib.or.jp/IMT-2000/ARIB-STD/ITU-R_Rev8/Rel7/A31103-730.pdf
ATIS	ATIS.3GPP.31.103V730-2007	7.3.0	Approved	Oct 07	https://www.atis.org/docstore/default.aspx
ETSI	ETSI TS 131 103	7.3.0	Published	Oct 07	http://pda.etsi.org/pda/home.asp?wkr=RTS/TSGC-0631103v730

5.3.2.11.6 TS 31.133**ISIM Application Programming Interface (API)**

This specification defines the ISIM Application Programming Interface extending the "UICC API for Java Card™". This API allows to develop an application running together with a ISIM application. The present document includes information applicable to network operators, service providers, server, ISIM and database manufacturers.

SDO (2)	Document No.	Version	Status	Issued date	Location (1)
Release 7					
ARIB	ARIB STD-T63-31.133	7.2.0	Approved	Sep 08	http://www.arib.or.jp/IMT-2000/ARIB-STD/ITU-R_Rev8/Rel7/A31133-720.pdf
ETSI	ETSI TS 131 133	7.2.0	Awaiting publication		http://pda.etsi.org/pda/home.asp?wkr=RTS/TSGC-0631133v720
Release 8					
ATIS	ATIS.3GPP.31.133V800-2008	8.0.0	Approved		https://www.atis.org/docstore/default.aspx

5.3.2.11.7 TS 31.110

Numbering system for telecommunication IC card applications

This specification describes the numbering system for Application IDentifiers (AID) for 3G telecommunication Integrated Circuits (IC) card applications. The numbering system provides a means for an application and related services offered by a provider to identify if a given card contains the elements required by its application and related services.

SDO (2)	Document No.	Version	Status	Issued date	Location (1)
Release 99					
ARIB	ARIB STD-T63-31.110	3.2.0	Approved	Sep 08	http://www.arib.or.jp/IMT-2000/ARIB-STD/ITU-R_Rev8/R99/A31110-320.pdf
ATIS	T1.3GPP.31.110V320-2002	3.2.0	Approved	May 02	https://www.atis.org/docstore/default.aspx
ETSI	ETSI TS 131 110	3.2.0	Published	Nov 00	http://pda.etsi.org/pda/home.asp?wkr=RTS/TSGT-0331110UR2
Release 4					
ARIB	ARIB STD-T63-31.110	4.1.0	Approved	Sep 08	http://www.arib.or.jp/IMT-2000/ARIB-STD/ITU-R_Rev8/Rel4/A31110-410.pdf
ATIS	T1.3GPP.31.110V410-2002	4.1.0	Approved	May 02	https://www.atis.org/docstore/default.aspx
ETSI	ETSI TS 131 110	4.1.0	Published	Jan 02	http://pda.etsi.org/pda/home.asp?wkr=RTS/TSGT-0331110Uv4R1

5.3.2.11.8 TS 31.111

USIM application toolkit (USAT)

This specification defines the interface between the UICC and the Mobile Equipment (ME), and mandatory ME procedures, specifically for “USIM Application Toolkit”. USAT is a set of commands and procedures for use during the network operation phase of 3G, in addition to those defined in TS 31.101.

SDO (2)	Document No.	Version	Status	Issued date	Location (1)
Release 99					
ARIB	ARIB STD-T63-31.111	3.14.0	Approved	Sep 08	http://www.arib.or.jp/IMT-2000/ARIB-STD/ITU-R_Rev8/R99/A31111-3e0.pdf
ATIS	ATIS.3GPP.31.111V3140-2007	3.14.0	Approved	Oct 07	https://www.atis.org/docstore/default.aspx
ETSI	ETSI TS 131 111	3.14.0	Published	Jun 07	http://pda.etsi.org/pda/home.asp?wkr=RTS/TSGC-0631111v3e0
Release 4					
ARIB	ARIB STD-T63-31.111	4.16.0	Approved	Sep 08	http://www.arib.or.jp/IMT-2000/ARIB-STD/ITU-R_Rev8/Rel4/A31111-4g0.pdf
ATIS	ATIS.3GPP.31.111V4160-2007	4.16.0	Approved	Oct 07	https://www.atis.org/docstore/default.aspx
ETSI	ETSI TS 131 111	4.16.0	Published	Jun 07	http://pda.etsi.org/pda/home.asp?wkr=RTS/TSGC-0631111v4g0

Release 5

ARIB	ARIB STD-T63-31.111	5.11.0	Approved	Sep 08	http://www.arib.or.jp/IMT-2000/ARIB-STD/ITU-R_Rev8/Rel5/A31111-5b0.pdf
ATIS	ATIS.3GPP.31.111V5110-2007	5.11.0	Approved	Oct 07	https://www.atis.org/docstore/default.aspx
ETSI	ETSI TS 131 111	5.11.0	Published	Jun 07	http://pda.etsi.org/pda/home.asp?wkr=RTS/TSGC-0631111v5b0

Release 6

ARIB	ARIB STD-T63-31.111	6.11.0	Approved	Sep 08	http://www.arib.or.jp/IMT-2000/ARIB-STD/ITU-R_Rev8/Rel6/A31111-6b0.pdf
ATIS	ATIS.3GPP.31.111V6110-2007	6.11.0	Approved	Oct 07	https://www.atis.org/docstore/default.aspx
ETSI	ETSI TS 131 111	6.11.0	Published	Oct 07	http://pda.etsi.org/pda/home.asp?wkr=RTS/TSGC-0631111v6b0

Release 7

ARIB	ARIB STD-T63-31.111	7.9.0	Approved	Sep 08	http://www.arib.or.jp/IMT-2000/ARIB-STD/ITU-R_Rev8/Rel7/A31111-790.pdf
ATIS	ATIS.3GPP.31.111V790-2008	7.9.0	Approved	Oct 08	https://www.atis.org/docstore/default.aspx
ETSI	ETSI TS 131 111	7.8.0	Published	Oct 07	http://pda.etsi.org/pda/home.asp?wkr=RTS/TSGC-0631111v780

Release 8

ARIB	ARIB STD-T63-31.111	8.2.0	Approved	Sep 08	http://www.arib.or.jp/IMT-2000/ARIB-STD/ITU-R_Rev8/Rel8/A31111-820.pdf
ATIS	ATIS.3GPP.31.111V820-2008	8.2.0	Approved	Oct 08	https://www.atis.org/docstore/default.aspx
ETSI	ETSI	8.0.0	Awaiting publication		

5.3.2.11.9 TS 31.112**USIM Application Toolkit (USAT) interpreter architecture**

This specification defines the overall architecture for the USAT Interpreter system including the role models, system architecture and information flow.

SDO (2)	Document No.	Version	Status	Issued date	Location (1)
Release 5					
ARIB	ARIB STD-T63-31.112	5.2.0	Approved	Sep 08	http://www.arib.or.jp/IMT-2000/ARIB-STD/ITU-R_Rev8/Rel5/A31112-520.pdf
ATIS	T1.3GPP.31.112V520-2003	5.2.0	Approved	Mar 03	https://www.atis.org/docstore/default.aspx
ETSI	ETSI TS 131 112	5.2.0	Published	Jun 02	http://pda.etsi.org/pda/home.asp?wkr=RTS/TSGT-0331112v520
Release 6					
ARIB	ARIB STD-T63-31.112	6.0.0	Approved	Sep 08	http://www.arib.or.jp/IMT-2000/ARIB-STD/ITU-R_Rev8/Rel6/A31112-600.pdf
ATIS	ATIS.3GPP.31.112V600-2005	6.0.0	Approved	Apr 05	https://www.atis.org/docstore/default.aspx
ETSI	ETSI TS 131 112	6.0.0	Published	Jan 05	http://pda.etsi.org/pda/home.asp?wkr=RTS/TSGT-0331112v600
Release 7					
ARIB	ARIB STD-T63-31.112	7.0.0	Approved	Sep 08	http://www.arib.or.jp/IMT-2000/ARIB-STD/ITU-R_Rev8/Rel7/A31112-700.pdf
ATIS	ATIS.3GPP.31.112V700-2007	7.0.0	Approved	Oct 07	https://www.atis.org/docstore/default.aspx
ETSI	ETSI TS 131 112	7.0.0	Published	Jun 07	http://pda.etsi.org/pda/home.asp?wkr=RTS/TSGC-0631112v700

5.3.2.11.10 TS 31.113**USAT Interpreter Byte Codes**

This specification specifies the byte codes that are recognized by an USAT Interpreter. The primary purpose of the byte codes is to provide efficient programmatic access to the SIM Application Toolkit commands.

SDO (2)	Document No.	Version	Status	Issued date	Location (1)
Release 5					
ARIB	ARIB STD-T63-31.113	5.6.0	Approved	Sep 08	http://www.arib.or.jp/IMT-2000/ARIB-STD/ITU-R_Rev8/Rel5/A31113-560.pdf
ATIS	ATIS.3GPP.31.113V560-2005	5.6.0	Approved	Apr 05	https://www.atis.org/docstore/default.aspx
ETSI	ETSI TS 131 113	5.6.0	Published	Jan 05	http://pda.etsi.org/pda/home.asp?wkr=RTS/TSGT-0331113v560
Release 6					
ARIB	ARIB STD-T63-31.113	6.3.0	Approved	Sep 08	http://www.arib.or.jp/IMT-2000/ARIB-STD/ITU-R_Rev8/Rel6/A31113-630.pdf
ATIS	ATIS.3GPP.31.113V630-2005	6.3.0	Approved	Apr 05	https://www.atis.org/docstore/default.aspx
ETSI	ETSI TS 131 113	6.3.0	Published	Jan 05	http://pda.etsi.org/pda/home.asp?wkr=RTS/TSGT-0331113v630
Release 7					
ARIB	ARIB STD-T63-31.113	7.0.0	Approved	Sep 08	http://www.arib.or.jp/IMT-2000/ARIB-STD/ITU-R_Rev8/Rel7/A31113-700.pdf
ATIS	ATIS.3GPP.31.113V700-2007	7.0.0	Approved	Oct 07	https://www.atis.org/docstore/default.aspx
ETSI	ETSI TS 131 113	7.0.0	Published	Jun 07	http://pda.etsi.org/pda/home.asp?wkr=RTS/TSGC-0631113v700

5.3.2.11.11 TS 31.220**Contact Manager for 3GPP UICC applications – external interface aspects**

This specification defines the Contact Manager for 3GPP UICC applications based on OMA DS, also specifies the external interface between the Contact Manager Server in the UICC and the Contact Manager External Client in the ME.

SDO (2)	Document No.	Version	Status	Issued date	Location (1)
Release 8					
ARIB	ARIB STD-T63-31.220	8.0.0	Approved	Sep 08	http://www.arib.or.jp/IMT-2000/ARIB-STD/ITU-R_Rev8/Rel8/A31220-800.pdf

5.3.2.11.12 TS 31.115**Secured packet structure for (U)SIM Toolkit applications**

This specification specifies the structure of the Secured Packets in implementations using Short Message Service and Cell Broadcast Service. It is applicable to the exchange of secured packets between an entity in a 3G or GSM PLMN and an entity in the (U)SIM.

SDO (2)	Document No.	Version	Status	Issued date	Location (1)
Release 6					
ARIB	ARIB STD-T63-31.115	6.5.0	Approved	Sep 08	http://www.arib.or.jp/IMT-2000/ARIB-STD/ITU-R_Rev8/Rel6/A31115-650.pdf
ATIS	ATIS.3GPP.31.115V650-2006	6.5.0	Approved	Apr 06	https://www.atis.org/docstore/default.aspx
ETSI	ETSI TS 131 115	6.5.0	Published	Jun 05	http://pda.etsi.org/pda/home.asp?wkr=RTS/TSGC-0631115v650
Release 7					
ARIB	ARIB STD-T63-31.115	7.1.0	Approved	Sep 08	http://www.arib.or.jp/IMT-2000/ARIB-STD/ITU-R_Rev8/Rel7/A31115-710.pdf
ATIS	ATIS.3GPP.31.115V710-2007	7.1.0	Approved	Oct 07	https://www.atis.org/docstore/default.aspx
ETSI	ETSI TS 131 115	7.1.0	Published	Jul 07	http://pda.etsi.org/pda/home.asp?wkr=RTS/TSGC-0631115v710

5.3.2.11.13 TS 31.116

Remote APDU Structure for (U)SIM Toolkit applications

This specification defines the remote management of files and applets on the SIM/USIM.

SDO (2)	Document No.	Version	Status	Issued date	Location (1)
Release 6					
ARIB	ARIB STD-T63-31.116	6.8.0	Approved	Sep 08	http://www.arib.or.jp/IMT-2000/ARIB-STD/ITU-R_Rev8/Rel6/A31116-680.pdf
ATIS	ATIS.3GPP.31.116V680-2006	6.8.0	Approved	Apr 06	https://www.atis.org/docstore/default.aspx
ETSI	ETSI TS 131 116	6.8.0	Published	Jun 05	http://pda.etsi.org/pda/home.asp?wkr=RTS/TSGC-0631116v680
Release 7					
ARIB	ARIB STD-T63-31.116	7.0.0	Approved	Sep 08	http://www.arib.or.jp/IMT-2000/ARIB-STD/ITU-R/Rel7/A31116-700.pdf
ATIS	ATIS.3GPP.31.116V700-2007	7.0.0	Approved	Oct 07	https://www.atis.org/docstore/default.aspx
ETSI	ETSI TS 131 116	7.0.0	Published	Jul 07	http://pda.etsi.org/pda/home.asp?wkr=RTS/TSGC-0631116v700

5.3.2.11.14 TS 31.120

Physical, Electrical and Logical Test Specification

This specification tests the physical, electrical and logical requirements as specified in TS 31.101.

SDO (2)	Document No.	Version	Status	Issued date	Location (1)
Release 99					
ARIB	ARIB STD-T63-31.120	3.1.0	Approved	Sep 08	http://www.arib.or.jp/IMT-2000/ARIB-STD/ITU-R_Rev8/R99/A31120-310.pdf
ATIS	ATIS.3GPP.31.120V310-2005	3.1.0	Approved	Apr 05	https://www.atis.org/docstore/default.aspx
ETSI	ETSI TS 131 120	3.1.0	Published	Jan 05	http://pda.etsi.org/pda/home.asp?wkr=RTS/TSGT-0331120v310
Release 4					
ARIB	ARIB STD-T63-31.120	4.0.0	Approved	Sep 08	http://www.arib.or.jp/IMT-2000/ARIB-STD/ITU-R_Rev8/Rel4/A31120-400.pdf
ATIS	ATIS.3GPP.31.120V400-2006	4.0.0	Approved	Apr 06	https://www.atis.org/docstore/default.aspx
ETSI	ETSI TS 131 120	4.0.0	Published	Jan 05	http://pda.etsi.org/pda/home.asp?wkr=RTS/TSGT-0331120v400

Release 5

ARIB	ARIB STD-T63-31.120	5.0.0	Approved	Sep 08	http://www.arib.or.jp/IMT-2000/ARIB-STD/ITU-R_Rev8/Rel5/A31120-500.pdf
ATIS	ATIS.3GPP.31.120V500-2006	5.0.0	Approved	Apr 06	https://www.atis.org/docstore/default.aspx
ETSI	ETSI TS 131 120	5.0.0	Published	Jan 05	http://pda.etsi.org/pda/home.asp?wkr=RTS/TSGT-0331120v500

Release 6

ARIB	ARIB STD-T63-31.120	6.0.0	Approved	Sep 08	http://www.arib.or.jp/IMT-2000/ARIB-STD/ITU-R_Rev8/Rel6/A31120-600.pdf
ATIS	ATIS.3GPP.31.120V600-2005	6.0.0	Approved	Apr 05	https://www.atis.org/docstore/default.aspx
ETSI	ETSI TS 131 120	6.0.0	Published	Jan 05	http://pda.etsi.org/pda/home.asp?wkr=RTS/TSGT-0331120v600

Release 7

ARIB	ARIB STD-T63-31.120	7.0.0	Approved	Sep 08	http://www.arib.or.jp/IMT-2000/ARIB-STD/ITU-R_Rev8/Rel7/A31120-700.pdf
ATIS	ATIS.3GPP.31.120V700-2007	7.0.0	Approved	Oct 07	https://www.atis.org/docstore/default.aspx
ETSI	ETSI TS 131 120	7.0.0	Published	Jun 07	http://pda.etsi.org/pda/home.asp?wkr=RTS/TSGC-0631120v700

5.3.2.11.15 TS 31.121**UICC-Terminal Interface; USIM Application Test specification**

This specification provides the UICC-Terminal Interface Conformance Test Specification between the 3G Terminal and USIM (Universal Subscriber Identity Module) as an application on the UICC and the Terminal for 3G telecom network operation.

SDO (2) Document No. Version Status Issued date Location (1)

Release 99

ARIB	ARIB STD-T63-31.121	3.15.1	Approved	Sep 08	http://www.arib.or.jp/IMT-2000/ARIB-STD/ITU-R_Rev8/R99/A31121-3f1.pdf
ATIS	ATIS.3GPP.31.121V3151-2006	3.15.1	Approved	Apr 06	https://www.atis.org/docstore/default.aspx
ETSI	ETSI TS 131 121	3.15.1	Published	Jan 06	http://pda.etsi.org/pda/home.asp?wkr=RTS/TSGC-0631121v3f1

Release 4

ARIB	ARIB STD-T63-31.121	4.14.1	Approved	Sep 08	http://www.arib.or.jp/IMT-2000/ARIB-STD/ITU-R_Rev8/Rel4/A31121-4e1.pdf
ATIS	ATIS.3GPP.31.121V4141-2006	4.14.1	Approved	Apr 06	https://www.atis.org/docstore/default.aspx
ETSI	ETSI TS 131 121	4.14.1	Published	Jan 06	http://pda.etsi.org/pda/home.asp?wkr=RTS/TSGC-0631121v4e1

Release 5

ARIB	ARIB STD-T63-31.121	5.4.1	Approved	Sep 08	http://www.arib.or.jp/IMT-2000/ARIB-STD/ITU-R_Rev8/Rel5/A31121-541.pdf
ATIS	ATIS.3GPP.31.121V541-2006	5.4.1	Approved	Apr 06	https://www.atis.org/docstore/default.aspx
ETSI	ETSI TS 131 121	5.4.1	Published	Jan 06	http://pda.etsi.org/pda/home.asp?wkr=RTS/TSGC-0631121v541

Release 6

ARIB	ARIB STD-T63-31.121	6.8.0	Approved	Sep 08	http://www.arib.or.jp/IMT-2000/ARIB-STD/ITU-R_Rev8/Rel6/A31121-680.pdf
ATIS	ATIS.3GPP.31.121V680-2007	6.8.0	Approved	Oct 07	https://www.atis.org/docstore/default.aspx
ETSI	ETSI TS 131 121	6.8.0	Published	Oct 07	http://pda.etsi.org/pda/home.asp?wkr=RTS/TSGC-0631121v680

Release 7

ARIB	ARIB STD-T63-31.121	7.4.0	Approved	Sep 08	http://www.arib.or.jp/IMT-2000/ARIB-STD/ITU-R_Rev8/Rel7/A31121-740.pdf
ATIS	ATIS.3GPP.31.121V740-2008	7.4.0	Approved	Oct 08	https://www.atis.org/docstore/default.aspx
ETSI	ETSI TS 131 121	7.2.0	Awaiting publication		http://pda.etsi.org/pda/home.asp?wkr=RTS/TSGC-0631121v720

5.3.2.11.16 TS 31.122**USIM Conformance Test Specification**

This specification provides the Conformance Test Specification for a UICC defined in TS 31.101 with Universal Subscriber Identity Module (USIM) defined in 3G TS 31.102.

SDO (2)	Document No.	Version	Status	Issued date	Location (1)
Release 99					
ARIB	ARIB STD-T63-31.122	3.10.0	Approved	Sep 08	http://www.arib.or.jp/IMT-2000/ARIB-STD/ITU-R_Rev8/R99/A31122-3a0.pdf
ATIS	ATIS.3GPP.31.122V3100-2007	3.10.0	Approved	Oct 07	https://www.atis.org/docstore/default.aspx
ETSI	ETSI TS 131 122	3.10.0	Published	Mar 07	http://pda.etsi.org/pda/home.asp?wkr=RTS/TSGC-0631122v3a0
Release 4					
ARIB	ARIB STD-T63-31.122	4.2.1	Approved	Sep 08	http://www.arib.or.jp/IMT-2000/ARIB-STD/ITU-R_Rev8/Rel4/A31122-421.pdf
ATIS	ATIS.3GPP.31.122V421-2007	4.2.1	Approved	Oct 07	https://www.atis.org/docstore/default.aspx
ETSI	ETSI TS 131 122	4.2.1	Published	Apr 07	http://pda.etsi.org/pda/home.asp?wkr=RTS/TSGC-0631122v421
Release 5					
ARIB	ARIB STD-T63-31.122	5.0.1	Approved	Sep 08	http://www.arib.or.jp/IMT-2000/ARIB-STD/ITU-R_Rev8/Rel5/A31122-501.pdf
ATIS	ATIS.3GPP.31.122V501-2007	5.0.1	Approved	Oct 07	https://www.atis.org/docstore/default.aspx
ETSI	ETSI TS 131 122	5.0.1	Published	Apr 07	http://pda.etsi.org/pda/home.asp?wkr=RTS/TSGC-0631122v501
Release 6					
ARIB	ARIB STD-T63-31.122	6.5.0	Approved	Sep 08	http://www.arib.or.jp/IMT-2000/ARIB-STD/ITU-R_Rev8/Rel6/A31122-650.pdf
ATIS	ATIS.3GPP.31.122V650-2007	6.5.0	Approved	Oct 07	https://www.atis.org/docstore/default.aspx
ETSI	ETSI TS 131 122	6.5.0	Published	Oct 07	http://pda.etsi.org/pda/home.asp?wkr=RTS/TSGC-0631122v650
Release 7					
ARIB	ARIB STD-T63-31.122	7.1.0	Approved	Sep 08	http://www.arib.or.jp/IMT-2000/ARIB-STD/ITU-R_Rev8/Rel7/A31122-710.pdf
ATIS	ATIS.3GPP.31.122V710-2007	7.1.0	Approved	Oct 07	https://www.atis.org/docstore/default.aspx
ETSI	ETSI TS 131 122	7.1.0	Published	Oct 07	http://pda.etsi.org/pda/home.asp?wkr=RTS/TSGC-0631122v710

5.3.2.11.17 TS 31.130**(U)SIM API for Java Card**

This specification defines the (U)SIM Application Programming Interface extending the “UICC API for Java Card™”. This API allows to develop a (U)SAT application running together with a (U)SIM application and using GSM/3G network features.

SDO (2)	Document No.	Version	Status	Issued date	Location (1)
Release 6					
ARIB	ARIB STD-T63-31.130	6.6.0	Approved	Sep 08	http://www.arib.or.jp/IMT-2000/ARIB-STD/ITU-R_Rev8/Rel6/A31130-660.pdf
ATIS	ATIS.3GPP.31.130V660-2007	6.6.0	Approved	Oct 07	https://www.atis.org/docstore/default.aspx
ETSI	ETSI TS 131 130	6.6.0	Published	Jun 07	http://pda.etsi.org/pda/home.asp?wkr=RTS/TSGC-0631130v660
Release 7					
ARIB	ARIB STD-T63-31.130	7.7.0	Approved	Sep 08	http://www.arib.or.jp/IMT-2000/ARIB-STD/ITU-R_Rev8/Rel7/A31130-770.pdf
ATIS	ATIS.3GPP.31.130V771-2008	7.7.1	Approved	Oct 08	https://www.atis.org/docstore/default.aspx
ETSI	ETSI TS 131 130	7.7.0	Awaiting publication		http://pda.etsi.org/pda/home.asp?wkr=RTS/TSGC-0631130v770

5.3.2.11.18 TS 31.131**‘C’ Language Binding to USIM API**

This specification includes information applicable to (U)SIM toolkit application developers creating applications using the C programming language ISO/IEC 9899. This specification describes an interface between toolkit applications written in the C programming language and the (U)SIM in order to realize the co-operation set forth in TS 42.019. In particular, the API described herein provides the service of assembling proactive commands and disassembling the responses to these commands for the application programmer.

SDO (2)	Document No.	Version	Status	Issued date	Location (1)
Release 6					
ARIB	ARIB STD-T63-31.131	6.1.0	Approved	Sep 08	http://www.arib.or.jp/IMT-2000/ARIB-STD/ITU-R_Rev8/Rel6/A31131-610.pdf
ATIS	T1.3GPP.31.131V610-2004	6.1.0	Approved	May 04	https://www.atis.org/docstore/default.aspx
ETSI	ETSI TS 131 131	6.1.0	Published	Jan 05	http://pda.etsi.org/pda/home.asp?wkr=DTS/TSMT-0331131v610
Release 7					
ARIB	ARIB STD-T63-31.131	7.0.0	Approved	Sep 08	http://www.arib.or.jp/IMT-2000/ARIB-STD/ITU-R_Rev8/Rel7/A31131-700.pdf
ATIS	ATIS.3GPP.31.131V700-2007	7.0.0	Approved	Oct 07	https://www.atis.org/docstore/default.aspx
ETSI	ETSI TS 131 131	7.0.0	Published	Jun 07	http://pda.etsi.org/pda/home.asp?wkr=RTS/TSGC-0631131v700

5.3.2.11.19 TS 34.131**Test Specification for ‘C’-language binding to (U)SIM API**

This specification covers the minimum characteristics considered necessary in order to provide compliance to 3GPP TS 31.131 “‘C’-language binding to (U)SIM API”.

SDO (2)	Document No.	Version	Status	Issued date	Location (1)
Release 6					
ARIB	ARIB STD-T63-34.131	6.0.1	Approved	Sep 08	http://www.arib.or.jp/IMT-2000/ARIB-STD/ITU-R_Rev8/Rel6/A34131-601.pdf
ATIS	ATIS.3GPP.34.131V601-2006	6.0.1	Approved	Apr 06	https://www.atis.org/docstore/default.aspx
ETSI	ETSI TS 134 131	6.0.1	Published	Jan 05	http://pda.etsi.org/pda/home.asp?wkr=DTS/TSGT-0334131v601
Release 7					
ARIB	ARIB STD-T63-34.131	7.0.0	Approved	Sep 08	http://www.arib.or.jp/IMT-2000/ARIB-STD/ITU-R_Rev8/Rel7/A34131-700.pdf
ATIS	ATIS.3GPP.34.131V700-2007	7.0.0	Approved	Oct 07	https://www.atis.org/docstore/default.aspx
ETSI	ETSI TS 134 131	7.0.0	Published	Jun 07	http://pda.etsi.org/pda/home.asp?wkr=RTS/TSGC-0634131v700

5.3.2.11.20 TS 22.048

Security mechanisms for (U)SIM application toolkit – Stage 1

This specification provides standardized security mechanisms in conjunction with the SIM Application Toolkit for the interface between a 3G or GSM PLMN Entity and a UICC at the functional level.

SDO (2)	Document No.	Version	Status	Issued date	Location (1)
Release 4					
ARIB	ARIB STD-T63-22.048	4.0.0	Approved	Sep 08	http://www.arib.or.jp/IMT-2000/ARIB-STD/ITU-R_Rev8/Rel4/A22048-400.pdf
ATIS	T1.3GPP.22.048V400-2002	4.0.0	Approved	May 02	https://www.atis.org/docstore/default.aspx
ETSI	ETSI TS 122 048	4.0.0	Published	Jul 01	http://pda.etsi.org/pda/home.asp?wkr=DTS/TSGT-0322048Uv4
Release 5					
ATIS	T1.3GPP.22.048V500-2004	5.0.0	Approved	May 04	https://www.atis.org/docstore/default.aspx
ETSI	ETSI TS 122 048	5.0.0	Published	Jul 03	http://pda.etsi.org/pda/home.asp?wkr=RTS/TSGT-0322048v500

5.3.2.11.21 TS 23.048

Security mechanisms for (U)SIM application toolkit – Stage 2

This specification specifies the structure of the Secured Packets in a general format and in implementations using Short Message Service Point to Point (SMS-PP) and Short Message Service Cell Broadcast (SMS-CB).

SDO (2)	Document No.	Version	Status	Issued date	Location (1)
Release 4					
ARIB	ARIB STD-T63-23.048	4.5.0	Approved	Sep 08	http://www.arib.or.jp/IMT-2000/ARIB-STD/ITU-R_Rev8/Rel4/A23048-450.pdf
ATIS	ATIS.3GPP.23.048V450-2006	4.5.0	Approved	Apr 06	https://www.atis.org/docstore/default.aspx
ETSI	ETSI TS 123 048	4.5.0	Published	Jun 05	http://pda.etsi.org/pda/home.asp?wkr=RTS/TSGC-0623048v450
Release 5					
ARIB	ARIB STD-T63-23.048	5.9.0	Approved	Sep 08	http://www.arib.or.jp/IMT-2000/ARIB-STD/ITU-R_Rev8/Rel5/A23048-590.pdf
ATIS	ATIS.3GPP.23.048V590-2006	5.9.0	Approved	Apr 06	https://www.atis.org/docstore/default.aspx
ETSI	ETSI TS 123 048	5.9.0	Published	Jun 05	http://pda.etsi.org/pda/home.asp?wkr=RTS/TSGC-0623048v590

5.3.2.11.22 TS 23.038**Alphabets and language specific information**

This specification describes the language specific requirements for the terminals including character coding.

SDO (2)	Document No.	Version	Status	Issued date	Location (1)
Release 99					
ARIB	ARIB STD-T63-23.038	3.3.0	Approved	Sep 08	http://www.arib.or.jp/IMT-2000/ARIB-STD/ITU-R_Rev8/R99/A23038-330.pdf
ATIS	T1.3GPP.23.038V330-2002	3.3.0	Approved	May 02	https://www.atis.org/docstore/default.aspx
ETSI	ETSI TS 123 038	3.3.0	Published	Feb 00	http://pda.etsi.org/pda/home.asp?wkr=DTS/TSGT-0223038U
Release 4					
ARIB	ARIB STD-T63-23.038	4.5.0	Approved	Sep 08	http://www.arib.or.jp/IMT-2000/ARIB-STD/ITU-R_Rev8/Rel4/A23038-450.pdf
ATIS	ATIS.3GPP.23.038V450-2005	4.5.0	Approved	Apr 05	https://www.atis.org/docstore/default.aspx
ETSI	ETSI TS 123 038	4.5.0	Published	Oct 04	http://pda.etsi.org/pda/home.asp?wkr=RTS/TSGT-0223038v450
Release 5					
ARIB	ARIB STD-T63-23.038	5.1.0	Approved	Sep 08	http://www.arib.or.jp/IMT-2000/ARIB-STD/ITU-R_Rev8/Rel5/A23038-510.pdf
ATIS	ATIS.3GPP.23.038V510-2005	5.1.0	Approved	Apr 05	https://www.atis.org/docstore/default.aspx
ETSI	ETSI TS 123 038	5.1.0	Published	Oct 04	http://pda.etsi.org/pda/home.asp?wkr=RTS/TSGT-0223038v510
Release 6					
ARIB	ARIB STD-T63-23.038	6.1.0	Approved	Sep 08	http://www.arib.or.jp/IMT-2000/ARIB-STD/ITU-R_Rev8/Rel6/A23038-610.pdf
ATIS	ATIS.3GPP.23.038V610-2005	6.1.0	Approved	Apr 05	https://www.atis.org/docstore/default.aspx
ETSI	ETSI TS 123 038	6.1.0	Published	Jan 05	http://pda.etsi.org/pda/home.asp?wkr=RTS/TSGT-0223038v610
Release 7					
ARIB	ARIB STD-T63-23.038	7.0.0	Approved	Sep 08	http://www.arib.or.jp/IMT-2000/ARIB-STD/ITU-R_Rev8/Rel7/A23038-700.pdf
ATIS	ATIS.3GPP.23.038V700-2007	7.0.0	Approved	Oct 07	https://www.atis.org/docstore/default.aspx
ETSI	ETSI TS 123 038	7.0.0	Published	Apr 07	http://pda.etsi.org/pda/home.asp?wkr=RTS/TSGC-0123038v700
Release 8					
ARIB	ARIB STD-T63-23.038	8.1.0	Approved	Sep 08	http://www.arib.or.jp/IMT-2000/ARIB-STD/ITU-R_Rev8/Rel8/A23038-810.pdf
ATIS	ATIS.3GPP.23.038V810-2008	8.1.0	Approved	Oct 08	https://www.atis.org/docstore/default.aspx

5.3.2.11.23 TS 23.040**Technical realization of SMS point-to-point**

This specification describes the point-to-point SMS.

SDO (2)	Document No.	Version	Status	Issued date	Location (1)
Release 99					
ARIB	ARIB STD-T63-23.040	3.11.0	Approved	Sep 08	http://www.arib.or.jp/IMT-2000/ARIB-STD/ITU-R_Rev8/R99/A23040-3b0.pdf
ATIS	ATIS.3GPP.23.040V3110-2008	3.11.0	Approved	Oct 08	https://www.atis.org/docstore/default.aspx
ETSI	ETSI TS 123 040	3.10.0	Published	Jul 03	http://pda.etsi.org/pda/home.asp?wkr=RTS/TSGT-0223040v3a0
Release 4					
ARIB	ARIB STD-T63-23.040	4.10.0	Approved	Sep 08	http://www.arib.or.jp/IMT-2000/ARIB-STD/ITU-R_Rev8/Rel4/A23040-4a0.pdf
ATIS	ATIS.3GPP.23.040V4100-2008	4.10.0	Approved	Oct 08	https://www.atis.org/docstore/default.aspx
ETSI	ETSI TS 123 040	4.9.0	Published	Oct 04	http://pda.etsi.org/pda/home.asp?wkr=RTS/TSGT-0223040v490
Release 5					
ARIB	ARIB STD-T63-23.040	5.9.0	Approved	Sep 08	http://www.arib.or.jp/IMT-2000/ARIB-STD/ITU-R_Rev8/Rel5/A23040-590.pdf
ATIS	ATIS.3GPP.23.040V590-2008	5.9.0	Approved	Oct 08	https://www.atis.org/docstore/default.aspx
ETSI	ETSI TS 123 040	5.8.1	Published	Oct 04	http://pda.etsi.org/pda/home.asp?wkr=RTS/TSGT-0223040v581
Release 6					
ARIB	ARIB STD-T63-23.040	6.9.0	Approved	Sep 08	http://www.arib.or.jp/IMT-2000/ARIB-STD/ITU-R_Rev8/Rel6/A23040-690.pdf
ATIS	ATIS.3GPP.23.040V690-2008	6.9.0	Approved	Oct 08	https://www.atis.org/docstore/default.aspx
ETSI	ETSI TS 123 040	6.8.1	Published	Oct 06	http://pda.etsi.org/pda/home.asp?wkr=RTS/TSGC-0123040v681
Release 7					
ARIB	ARIB STD-T63-23.040	7.1.0	Approved	Sep 08	http://www.arib.or.jp/IMT-2000/ARIB-STD/ITU-R_Rev8/Rel7/A23040-710.pdf
ATIS	ATIS.3GPP.23.040V710-2008	7.1.0	Approved	Oct 08	https://www.atis.org/docstore/default.aspx
ETSI	ETSI TS 123 040	7.0.1	Published	Apr 07	http://pda.etsi.org/pda/home.asp?wkr=RTS/TSGC-0123040v701
Release 8					
ARIB	ARIB STD-T63-23.040	8.2.0	Approved	Sep 08	http://www.arib.or.jp/IMT-2000/ARIB-STD/ITU-R_Rev8/Rel8/A23040-820.pdf
ATIS	ATIS.3GPP.23.040V820-2008	8.2.0	Approved	Oct 08	https://www.atis.org/docstore/default.aspx
ETSI	ETSI	8.0.0	Awaiting publication		

5.3.2.11.24 TS 23.041

Technical realization of cell broadcast service (CBS)

This specification describes the point-to-multipoint CBS.

SDO (2)	Document No.	Version	Status	Issued date	Location (1)
Release 99					
ARIB	ARIB STD-T63-23.041	3.5.0	Approved	Sep 08	http://www.arib.or.jp/IMT-2000/ARIB-STD/ITU-R_Rev8/R99/A23041-350.pdf
ATIS	T1.3GPP.23.041V350-2003	3.5.0	Approved	Mar 03	https://www.atis.org/docstore/default.aspx
ETSI	ETSI TS 123 041	3.5.0	Published	Jul 02	http://pda.etsi.org/pda/home.asp?wkr=RTS/TSGT-0223041v350

Release 4

ARIB	ARIB STD-T63-23.041	4.4.0	Approved	Sep 08	http://www.arib.or.jp/IMT-2000/ARIB-STD/ITU-R_Rev8/Rel4/A23041-440.pdf
ATIS	T1.3GPP.23.041V440-2004	4.4.0	Approved	May 04	https://www.atis.org/docstore/default.aspx
ETSI	ETSI TS 123 041	4.4.0	Published	Apr 03	http://pda.etsi.org/pda/home.asp?wkr=RTS/TSGT-0223041v440

Release 5

ARIB	ARIB STD-T63-23.041	5.2.0	Approved	Sep 08	http://www.arib.or.jp/IMT-2000/ARIB-STD/ITU-R_Rev8/Rel5/A23041-520.pdf
ATIS	T1.3GPP.23.041V520-2004	5.2.0	Approved	May 04	https://www.atis.org/docstore/default.aspx
ETSI	ETSI TS 123 041	5.2.0	Published	Jan 04	http://pda.etsi.org/pda/home.asp?wkr=RTS/TSGT-0223041v520

Release 6

ARIB	ARIB STD-T63-23.041	6.2.0	Approved	Sep 08	http://www.arib.or.jp/IMT-2000/ARIB-STD/ITU-R_Rev8/Rel6/A23041-620.pdf
ATIS	T1.3GPP.23.041V620-2004	6.2.0	Approved	May 04	https://www.atis.org/docstore/default.aspx
ETSI	ETSI TS 123 041	6.2.0	Published	May 05	http://pda.etsi.org/pda/home.asp?wkr=RTS/TSGT-0223041v620

Release 7

ARIB	ARIB STD-T63-23.041	7.0.0	Approved	Sep 08	http://www.arib.or.jp/IMT-2000/ARIB-STD/ITU-R_Rev8/Rel7/A23041-700.pdf
ATIS	ATIS.3GPP.23.041V700-2007	7.0.0	Approved	Oct 07	https://www.atis.org/docstore/default.aspx
ETSI	ETSI TS 123 041	7.0.0	Published	Apr 07	http://pda.etsi.org/pda/home.asp?wkr=RTS/TSGC-0123041v700

5.3.2.11.25 TS 23.042**Compression algorithm for text messaging services**

This specification describes the compression algorithm for text messaging services.

SDO (2)	Document No.	Version	Status	Issued date	Location (1)
Release 99					
ARIB	ARIB STD-T63-23.042	3.1.0	Approved	Sep 08	http://www.arib.or.jp/IMT-2000/ARIB-STD/ITU-R_Rev8/R99/A23042-310.pdf
ATIS	T1.3GPP.23.042V310-2002	3.1.0	Approved	May 02	https://www.atis.org/docstore/default.aspx
ETSI	ETSI TS 123 042	3.1.0	Published	Feb 00	http://pda.etsi.org/pda/home.asp?wkr=DTS/TSGT-0223042U
Release 4					
ARIB	ARIB STD-T63-23.042	4.0.1	Approved	Sep 08	http://www.arib.or.jp/IMT-2000/ARIB-STD/ITU-R_Rev8/Rel4/A23042-401.zip
ATIS	T1.3GPP.23.042V401-2002	4.0.1	Approved	May 02	https://www.atis.org/docstore/default.aspx
ETSI	ETSI TS 123 042	4.0.1	Published	Oct 01	http://pda.etsi.org/pda/home.asp?wkr=RTS/TSGT-0223042Uv4R1
Release 5					
ARIB	ARIB STD-T63-23.042	5.0.0	Approved	Sep 08	http://www.arib.or.jp/IMT-2000/ARIB-STD/ITU-R_Rev8/Rel5/A23042-500.pdf
ATIS	T1.3GPP.23.042V500-2003	5.0.0	Approved	Mar 03	https://www.atis.org/docstore/default.aspx
ETSI	ETSI TS 123 042	5.0.0	Published	Jul 02	http://pda.etsi.org/pda/home.asp?wkr=RTS/TSGT-0223042v500

Release 6

ARIB	ARIB STD-T63-23.042	6.0.0	Approved	Sep 08	http://www.arib.or.jp/IMT-2000/ARIB-STD/ITU-R_Rev8/Rel6/A23042-600.pdf
ATIS	ATIS.3GPP.23.042V600-2005	6.0.0	Approved	Apr 05	https://www.atis.org/docstore/default.aspx
ETSI	ETSI TS 123 042	6.0.0	Published	Jan 05	http://pda.etsi.org/pda/home.asp?wkr=RTS/TSGT-0223042v600

Release 7

ARIB	ARIB STD-T63-23.042	7.0.0	Approved	Sep 08	http://www.arib.or.jp/IMT-2000/ARIB-STD/ITU-R_Rev8/Rel7/A23042-700.pdf
ATIS	ATIS.3GPP.23.042V700-2007	7.0.0	Approved	Oct 07	https://www.atis.org/docstore/default.aspx
ETSI	ETSI TS 123 042	7.0.0	Published	Jul 07	http://pda.etsi.org/pda/home.asp?wkr=RTS/TSGC-0123042v700

5.3.2.11.26 TS 23.057**Mobile Execution Environment (MExE) – Stage 2**

This TS describes the functional capabilities and the security architecture of the Mobile Execution Environment.

SDO (2)	Document No.	Version	Status	Issued date	Location (1)
Release 99					
ARIB	ARIB STD-T63-23.057	3.4.0	Approved	Sep 08	http://www.arib.or.jp/IMT-2000/ARIB-STD/ITU-R_Rev8/R99/A23057-340.pdf
ATIS	T1.3GPP.23.057V340-2002	3.4.0	Approved	May 02	https://www.atis.org/docstore/default.aspx
ETSI	ETSI TS 123 057	3.4.0	Published	Apr 01	http://pda.etsi.org/pda/home.asp?wkr=RTS/TSGT-0223057UR4
Release 4					
ARIB	ARIB STD-T63-23.057	4.5.0	Approved	Sep 08	http://www.arib.or.jp/IMT-2000/ARIB-STD/ITU-R_Rev8/Rel4/A23057-450.pdf
ATIS	T1.3GPP.23.057V450-2002	4.5.0	Approved	May 02	https://www.atis.org/docstore/default.aspx
ETSI	ETSI TS 123 057	4.5.0	Published	Apr 02	http://pda.etsi.org/pda/home.asp?wkr=RTS/TSGT-0223057Uv4R4
Release 5					
ARIB	ARIB STD-T63-23.057	5.1.0	Approved	Sep 08	http://www.arib.or.jp/IMT-2000/ARIB-STD/ITU-R_Rev8/Rel5/A23057-510.pdf
ATIS	T1.3GPP.23.057V510-2003	5.1.0	Approved	Mar 03	https://www.atis.org/docstore/default.aspx
ETSI	ETSI TS 123 057	5.1.0	Published	Oct 02	http://pda.etsi.org/pda/home.asp?wkr=RTS/TSGT-0223057v510
Release 6					
ARIB	ARIB STD-T63-23.057	6.2.0	Approved	Sep 08	http://www.arib.or.jp/IMT-2000/ARIB-STD/ITU-R_Rev8/Rel6/A23057-620.pdf
ATIS	T1.3GPP.23.057V620-2004	6.2.0	Approved	May 04	https://www.atis.org/docstore/default.aspx
ETSI	ETSI TS 123 057	6.2.0	Published	May 05	http://pda.etsi.org/pda/home.asp?wkr=RTS/TSGT-0223057v620
Release 7					
ARIB	ARIB STD-T63-23.057	7.0.0	Approved	Sep 08	http://www.arib.or.jp/IMT-2000/ARIB-STD/ITU-R_Rev8/Rel7/A23057-700.pdf
ATIS	ATIS.3GPP.23.057V700-2007	7.0.0	Approved	Oct 07	https://www.atis.org/docstore/default.aspx
ETSI	ETSI TS 123 057	7.0.0	Published	Jun 07	http://pda.etsi.org/pda/home.asp?wkr=RTS/TSGS-0223057v700

5.3.2.11.27 TS 24.216**Communication Continuity Management Object (MO)**

This specification defines the Communication Continuity Management Object which consists of relevant parameters that can be managed for Communication Continuity capabilities.

SDO (2)	Document No.	Version	Status	Issued date	Location (1)
Release 7					
ETSI	ETSI TS 124 216	7.2.0	Published	Oct 07	http://pda.etsi.org/pda/home.asp?wkr=RTS/TSGC-0124216v720

5.3.2.11.28 TS 24.305**Selective Disabling of UE Capabilities (SDoUE) Management Object (MO)**

This specification defines a mobile device Selective Disabling of 3GPP UE Capabilities Management Object and the rules and corresponding behaviour of the UE with regard to the selective disabling of 3GPP UE capabilities, for example, when services or functions are disabled/enabled.

SDO (2)	Document No.	Version	Status	Issued date	Location (1)
Release 7					
ETSI	ETSI TS 124 305	7.2.0	Published	Jul 07	http://pda.etsi.org/pda/home.asp?wkr=RTS/TSGC-0124305v720

5.3.2.11.29 TS 27.005**Use of data terminal equipment – data circuit terminating equipment (DTE – DCE) interface for cell broadcast service (CBS)**

This specification describes three interface protocols for control of SMS functions within a GSM mobile telephone from a remote terminal via an asynchronous interface.

SDO (2)	Document No.	Version	Status	Issued date	Location (1)
Release 99					
ARIB	ARIB STD-T63-27.005	3.2.0	Approved	Sep 08	http://www.arib.or.jp/IMT-2000/ARIB-STD/ITU-R_Rev8/R99/A27005-320.pdf
ATIS	T1.3GPP.27.005V320-2003	3.2.0	Approved	Mar 03	https://www.atis.org/docstore/default.aspx
ETSI	ETSI TS 127 005	3.2.0	Published	Jul 02	http://pda.etsi.org/pda/home.asp?wkr=RTS/TSGT-0227005v320
Release 4					
ARIB	ARIB STD-T63-27.005	4.2.1	Approved	Sep 08	http://www.arib.or.jp/IMT-2000/ARIB-STD/ITU-R_Rev8/Rel4/A27005-421.pdf
ATIS	ATIS.3GPP.27.005V421-2006	4.2.1	Approved	Apr 06	https://www.atis.org/docstore/default.aspx
ETSI	ETSI TS 127 005	4.2.1	Published	Jan 05	http://pda.etsi.org/pda/home.asp?wkr=RTS/TSGT-0227005v421
Release 5					
ARIB	ARIB STD-T63-27.005	5.0.1	Approved	Sep 08	http://www.arib.or.jp/IMT-2000/ARIB-STD/ITU-R_Rev8/Rel5/A27005-501.pdf
ATIS	ATIS.3GPP.27.005V501-2006	5.0.1	Approved	Apr 06	https://www.atis.org/docstore/default.aspx
ETSI	ETSI TS 127 005	5.0.1	Published	Jan 05	http://pda.etsi.org/pda/home.asp?wkr=RTS/TSGT-0227005v501

Release 6

ARIB	ARIB STD-T63-27.005	6.0.1	Approved	Sep 08	http://www.arib.or.jp/IMT-2000/ARIB-STD/ITU-R_Rev8/Rel6/A27005-601.pdf
ATIS	ATIS.3GPP.27.005V601-2006	6.0.1	Approved	Apr 06	https://www.atis.org/docstore/default.aspx
ETSI	ETSI TS 127 005	6.0.1	Published	Jan 05	http://pda.etsi.org/pda/home.asp?wkr=RTS/TSGT-0227005v601

Release 7

ARIB	ARIB STD-T63-27.005	7.0.0	Approved	Sep 08	http://www.arib.or.jp/IMT-2000/ARIB-STD/ITU-R_Rev8/Rel7/A27005-700.pdf
ATIS	ATIS.3GPP.27.005V700-2007	7.0.0	Approved	Oct 07	https://www.atis.org/docstore/default.aspx
ETSI	ETSI TS 127 005	7.0.0	Published	Apr 07	http://pda.etsi.org/pda/home.asp?wkr=RTS/TSGC-0127005v700

Release 8

ARIB	ARIB STD-T63-27.005	8.0.0	Approved	Sep 08	http://www.arib.or.jp/IMT-2000/ARIB-STD/ITU-R_Rev8/Rel8/A27005-800.pdf
ATIS	ATIS.3GPP.27.005V800-2008	8.0.0	Approved	Oct 08	https://www.atis.org/docstore/default.aspx

5.3.2.11.30 TS 27.007**AT command set for the user equipment (UE)**

This specification describes a profile of AT commands and recommends that this profile be used for controlling mobile equipment (ME) functions and GSM network services from a terminal equipment (TE) through terminal adaptor (TA).

SDO (2) Document No. Version Status Issued date Location (1)

Release 99

ARIB	ARIB STD-T63-27.007	3.13.0	Approved	Sep 08	http://www.arib.or.jp/IMT-2000/ARIB-STD/ITU-R_Rev8/R99/A27007-3d0.pdf
ATIS	T1.3GPP.27.007V3130-2004	3.13.0	Approved	May 04	https://www.atis.org/docstore/default.aspx
ETSI	ETSI TS 127 007	3.13.0	Published	Apr 03	http://pda.etsi.org/pda/home.asp?wkr=RTS/TSGT-0227007v3d0

Release 4

ARIB	ARIB STD-T63-27.007	4.6.0	Approved	Sep 08	http://www.arib.or.jp/IMT-2000/ARIB-STD/ITU-R_Rev8/Rel4/A27007-460.pdf
ATIS	T1.3GPP.27.007V460-2004	4.6.0	Approved	May 04	https://www.atis.org/docstore/default.aspx
ETSI	ETSI TS 127 007	4.6.0	Published	Apr 03	http://pda.etsi.org/pda/home.asp?wkr=RTS/TSGT-0227007v460

Release 5

ARIB	ARIB STD-T63-27.007	5.6.0	Approved	Sep 08	http://www.arib.or.jp/IMT-2000/ARIB-STD/ITU-R_Rev8/Rel5/A27007-560.pdf
ATIS	ATIS.3GPP.27.007V560-2006	5.6.0	Approved	Apr 06	https://www.atis.org/docstore/default.aspx
ETSI	ETSI TS 127 007	5.6.0	Published	Apr 05	http://pda.etsi.org/pda/home.asp?wkr=RTS/TSGC-0127007v560

Release 6

ARIB	ARIB STD-T63-27.007	6.9.0	Approved	Sep 08	http://www.arib.or.jp/IMT-2000/ARIB-STD/ITU-R_Rev8/Rel6/A27007-690.pdf
ATIS	ATIS.3GPP.27.007V690-2007	6.9.0	Approved	Oct 07	https://www.atis.org/docstore/default.aspx
ETSI	ETSI TS 127 007	6.9.0	Published	Jun 07	http://pda.etsi.org/pda/home.asp?wkr=RTS/TSGC-0127007v690

Release 7

ARIB	ARIB STD-T63-27.007	7.4.0	Approved	Sep 08	http://www.arib.or.jp/IMT-2000/ARIB-STD/ITU-R_Rev8/Rel7/A27007-740.pdf
ATIS	ATIS.3GPP.27.007V740-2007	7.4.0	Approved	Oct 07	https://www.atis.org/docstore/default.aspx
ETSI	ETSI TS 127 007	7.4.0	Published	Jun 07	http://pda.etsi.org/pda/home.asp?wkr=RTS/TSGC-0127007v740

Release 8

ARIB	ARIB STD-T63-27.007	8.4.1	Approved	Sep 08	http://www.arib.or.jp/IMT-2000/ARIB-STD/ITU-R_Rev8/Rel8/A27007-841.pdf
ATIS	ATIS.3GPP.27.007V841-2008	8.4.1	Approved	Oct 08	https://www.atis.org/docstore/default.aspx
ETSI	ETSI TS 127 007	8.2.0	Awaiting publication		http://pda.etsi.org/pda/home.asp?wkr=RTS/TSGC-0127007v820

5.3.2.11.31 TS 27.010**Terminal equipment to mobile station (TE-MS) multiplexer protocol**

This specification describes a multiplexing protocol between a mobile station and an external data terminal for the purposes of enabling multiple channels to be established for different purposes (e.g. simultaneous SMS and data call).

SDO (2)	Document No.	Version	Status	Issued date	Location (1)
Release 99					
ARIB	ARIB STD-T63-27.010	3.4.0	Approved	Sep 08	http://www.arib.or.jp/IMT-2000/ARIB-STD/ITU-R_Rev8/R99/A27010-340.pdf
ATIS	T1.3GPP.27.010V340-2002	3.4.0	Approved	May 02	https://www.atis.org/docstore/default.aspx
ETSI	ETSI TS 127 010	3.4.0	Published	Apr 02	http://pda.etsi.org/pda/home.asp?wkr=RTS/TSGT-0227010UR2
Release 4					
ARIB	ARIB STD-T63-27.010	4.2.0	Approved	Sep 08	http://www.arib.or.jp/IMT-2000/ARIB-STD/ITU-R_Rev8/Rel4/A27010-420.pdf
ETSI	ETSI TS 127 010	4.2.0	Published	Apr 02	http://pda.etsi.org/pda/home.asp?wkr=RTS/TSGT-0227010Uv4R2
Release 5					
ARIB	ARIB STD-T63-27.010	5.0.0	Approved	Sep 08	http://www.arib.or.jp/IMT-2000/ARIB-STD/ITU-R_Rev8/Rel5/A27010-500.pdf
ATIS	T1.3GPP.27.010V500-2003	5.0.0	Approved	Mar 03	https://www.atis.org/docstore/default.aspx
ETSI	ETSI TS 127 010	5.0.0	Published	Jul 02	http://pda.etsi.org/pda/home.asp?wkr=RTS/TSGT-0227010v500
Release 6					
ARIB	ARIB STD-T63-27.010	6.0.0	Approved	Sep 08	http://www.arib.or.jp/IMT-2000/ARIB-STD/ITU-R_Rev8/Rel6/A27010-600.pdf
ATIS	ATIS.3GPP.27.010V600-2005	6.0.0	Approved	Apr 05	https://www.atis.org/docstore/default.aspx
ETSI	ETSI TS 127 010	6.0.0	Published	Jan 05	http://pda.etsi.org/pda/home.asp?wkr=RTS/TSGT-0227010v600
Release 7					
ARIB	ARIB STD-T63-27.010	7.0.0	Approved	Sep 08	http://www.arib.or.jp/IMT-2000/ARIB-STD/ITU-R_Rev8/Rel7/A27010-700.pdf
ATIS	ATIS.3GPP.27.010V700-2007	7.0.0	Approved	Oct 07	https://www.atis.org/docstore/default.aspx
ETSI	ETSI TS 127 010	7.0.0	Published	Jul 07	http://pda.etsi.org/pda/home.asp?wkr=RTS/TSGC-0327010v700

5.3.2.11.32 TS 27.103**Wide area network synchronization standard**

This specification describes a definition of a wide area synchronization protocol. The synchronization protocol is based upon infrared mobile communication (IrMC) Level 4 for Release 99. The synchronization protocol is based upon SyncML from Release 4 onwards.

SDO (2)	Document No.	Version	Status	Issued date	Location (1)
Release 99					
ARIB	ARIB STD-T63-27.103	3.1.0	Approved	Sep 08	http://www.arib.or.jp/IMT-2000/ARIB-STD/ITU-R_Rev8/R99/A27103-310.pdf
ATIS	T1.3GPP.27.103V310-2002	3.1.0	Approved	May 02	https://www.atis.org/docstore/default.aspx
ETSI	ETSI TS 127 103	3.1.0	Published	Nov 00	http://pda.etsi.org/pda/home.asp?wkr=RTS/TSGT-0227103UR1
Release 4					
ARIB	ARIB STD-T63-27.103	4.0.0	Approved	Sep 08	http://www.arib.or.jp/IMT-2000/ARIB-STD/ITU-R_Rev8/Rel4/A27103-400.pdf
ATIS	T1.3GPP.27.103V400-2002	4.0.0	Approved	May 02	https://www.atis.org/docstore/default.aspx
ETSI	ETSI TS 127 103	4.0.0	Published	Apr 01	http://pda.etsi.org/pda/home.asp?wkr=RTS/TSGT-0227103Uv4
Release 5					
ARIB	ARIB STD-T63-27.103	5.0.0	Approved	Sep 08	http://www.arib.or.jp/IMT-2000/ARIB-STD/ITU-R_Rev8/Rel5/A27103-500.pdf
ATIS	T1.3GPP.27.103V500-2003	5.0.0	Approved	Mar 03	https://www.atis.org/docstore/default.aspx
ETSI	ETSI TS 127 103	5.0.0	Published	Jul 02	http://pda.etsi.org/pda/home.asp?wkr=RTS/TSGT-0227103v500

5.3.2.11.33 TS 23.227**Application and user interaction in the UE; Principles and specific requirements**

This Technical Specification defines the principles for scheduling resources between applications in different application execution environment (e.g. MEXE, USAT etc.) and internal and external peripherals (e.g. infra-red, Bluetooth, USIM, radio interface, MMI, memory etc.).

SDO (2)	Document No.	Version	Status	Issued date	Location (1)
Release 4					
ARIB	ARIB STD-T63-23.227	4.2.0	Approved	Sep 08	http://www.arib.or.jp/IMT-2000/ARIB-STD/ITU-R_Rev8/Rel4/A23227-420.pdf
ATIS	T1.3GPP.23.227V420-2002	4.2.0	Approved	May 02	https://www.atis.org/docstore/default.aspx
ETSI	ETSI TS 123 227	4.2.0	Published	Apr 02	http://pda.etsi.org/pda/home.asp?wkr=RTS/TSGT-0223227Uv4R2
Release 5					
ARIB	ARIB STD-T63-23.227	5.1.0	Approved	Sep 08	http://www.arib.or.jp/IMT-2000/ARIB-STD/ITU-R_Rev8/Rel5/A23227-510.pdf
ATIS	T1.3GPP.23.227V510-2002	5.1.0	Approved	May 02	https://www.atis.org/docstore/default.aspx
ETSI	ETSI TS 123 227	5.1.0	Published	Apr 02	http://pda.etsi.org/pda/home.asp?wkr=RTS/TSGT-0223227Uv5

5.3.2.11.34 TS 23.333**Multimedia Resource Function Controller - Multimedia Resource Function Processor Mp interface; Procedures descriptions**

This specification describes the functional requirements and information flows that generate procedures between the Multimedia Resource Function Controller (MRFC) and the Multimedia Resource Function Processor (MRFP), limited to information flows relevant to the Mp Interface.

SDO (2)	Document No.	Version	Status	Issued date	Location (1)
Release 7					
ETSI	ETSI TS 123 333	7.3.0	Awaiting publication		http://pda.etsi.org/pda/home.asp?wkr=RTS/TSGC-0423333v730
Release 8					
ATIS	ATIS.3GPP.23.333V810-2008	8.1.0	Approved	Oct 08	https://www.atis.org/docstore/default.aspx

5.3.2.11.35 TS 29.212**Policy and charging control over Gx reference point**

This specification provides the stage 3 specification of the Gx reference point that lies between the Policy and Charging Rule Function and the Policy and Charging Enforcement Function.

SDO (2)	Document No.	Version	Status	Issued date	Location (1)
Release 7					
ETSI	ETSI TS 129 212	7.3.0	Awaiting publication		http://pda.etsi.org/pda/home.asp?wkr=RTS/TSGC-0329212v730
Release 8					
ATIS	ATIS.3GPP.29.212V800-2008	8.0.0	Approved	Oct 08	https://www.atis.org/docstore/default.aspx

5.3.2.11.36 TS 29.213**Policy and charging control signalling flows and Quality of Service parameter mapping**

This specification adds detailed flows of Policy and Charging Control over the Rx and Gx reference points and their relationship with the bearer level signalling flows over the Gn interface. The present specification also describes the binding and the mapping of QoS parameters among SDP, UMTS QoS parameters, and QoS authorization parameters.

SDO (2)	Document No.	Version	Status	Issued date	Location (1)
Release 7					
ETSI	ETSI TS 129 213	7.3.1	Awaiting publication		http://pda.etsi.org/pda/home.asp?wkr=RTS/TSGC-0329213v731
Release 8					
ATIS	ATIS.3GPP.29.213V800-2008	8.0.0	Approved	Oct 08	https://www.atis.org/docstore/default.aspx

5.3.2.11.37 TS 29.214**Policy and charging control over Rx reference point**

This specification provides the stage 3 specification of the Rx reference point that lies between the Application Function and the Policy and Charging Rule Function.

SDO (2)	Document No.	Version	Status	Issued date	Location (1)
Release 7					
ETSI	ETSI TS 129 214	7.3.0	Awaiting publication		http://pda.etsi.org/pda/home.asp?wkr=RTS/TSGC-0329214v730
Release 8					
ATIS	ATIS.3GPP.29.214V810-2008	8.1.0	Approved	Oct 08	https://www.atis.org/docstore/default.aspx

5.3.2.11.38 TS 24.259**Personal Network Management (PNM); Procedures and information flows**

This specifications provides the protocol details for enabling Personal Network management services in the IP Multimedia Core Network subsystem based on the protocols of SIP and the SDP. The present document is applicable to UEs and AS providing PNM capabilities.

5.3.2.11.39 TS 23.231**SIP-I based circuit-switched core network; Stage 2**

This specification defines the stage 2 description for the SIP-I based CS core network. This stage 2 shall cover the information flows between the GMSC server, MSC server and media gateways that are required to support a SIP-I based Nc interface. The present document shall show the CS core network termination of the Iu and A interfaces in order to cover the information flow stimulus to the core network and describe the interaction with the supplementary and value added services and capabilities.

SDO (2)	Document No.	Version	Status	Issued date	Location (1)
Release 8					
ATIS	ATIS.3GPP.23.231V800-2008	8.0.0	Approved	Oct 08	https://www.atis.org/docstore/default.aspx

5.3.2.11.40 TS 29.231**Application of SIP-I Protocols to Circuit Switched (CS) core network architecture; Stage 3**

This specification describes the protocols to be used when SIP-I is optionally used as call control protocol in a 3GPP CS core network on Nc interface. The SIP-I protocol operates between (G)MSC servers. The SIP-I architecture consists of a number of protocols. The following types of protocols are described: call control protocol, resource control protocols and user plane protocol for this architecture.

5.3.2.11.41 TS 29.164**Interworking between the 3GPP Cs domain with BICC or ISUP as signalling protocol and external SIP-I networks**

This specification defines interworking procedures between a 3GPP CS domain which applies either BICC or ISUP as signalling protocol, and external networks that use SIP-I as signalling protocol. The document also describes the related interworking architecture. The present specification also defines stage 2 procedures for the control of the MGW.

SDO (2)	Document No.	Version	Status	Issued date	Location (1)
Release 7					
ETSI	ETSI TS 129 164	7.0.0	Published	Jul 07	http://pda.etsi.org/pda/home.asp?wkr=RTS/TSGC-0329164v700

5.3.2.11.42 TS 29.235**Interworking between SIP-I based circuit-switched core network and other networks**

This specification defines the interworking between SIP-I based circuit-switched core network with out-of-band transcoder control related procedures and: - an external SIP-I based signalling network; - an ISUP based network such as an ISUP based 3GPP CS Domain or an PSTN; - an BICC based network such as an BICC based 3GPP CS Domain; - an Internet Multimedia Subsystem.

5.3.2.11.43 TS 29.204**Signalling System No. 7 (SS7) security gateway; Architecture, functional description and protocol details**

This specification provides functional description of the SS7 Security Gateway. The document covers also network architecture, routing considerations, and protocol details.

SDO (2)	Document No.	Version	Status	Issued date	Location (1)
Release 7					
ETSI	ETSI TS 129 204	7.1.0	Published	Apr 07	http://pda.etsi.org/pda/home.asp?wkr=DTS/TSGC-0429204v710

5.3.2.12**System aspects**

IMT-2000 CDMA TDD specification also includes the following documents which are useful and related to this Recommendation.

5.3.2.12.1 TS 23.002**Network architecture**

This specification describes the possible architectures of the mobile system.

SDO (2)	Document No.	Version	Status	Issued date	Location (1)
Release 99					
ETSI	ETSI TS 123 002	3.6.0	Published	Oct 02	http://pda.etsi.org/pda/home.asp?wkr=RTS/TSGS-0223002v360

Release 4

ETSI	ETSI TS 123 002	4.8.0	Published	Jul 03	http://pda.etsi.org/pda/home.asp?wkr=RTS/TSGS-0223002v480
------	-----------------	-------	-----------	--------	---

Release 5

ETSI	ETSI TS 123 002	5.12.0	Published	Oct 03	http://pda.etsi.org/pda/home.asp?wkr=RTS/TSGS-0223002v5c0
------	-----------------	--------	-----------	--------	---

Release 6

ETSI	ETSI TS 123 002	6.10.0	Published	Jan 06	http://pda.etsi.org/pda/home.asp?wkr=RTS/TSGS-0223002v6a0
------	-----------------	--------	-----------	--------	---

Release 7

ETSI	ETSI TS 123 002	7.4.0	Awaiting publication		http://pda.etsi.org/pda/home.asp?wkr=RTS/TSGS-0223002v740
------	-----------------	-------	----------------------	--	---

Release 8

ETSI	ETSI TS 123 002	8.2.0	Awaiting publication		http://pda.etsi.org/pda/home.asp?wkr=RTS/TSGS-0223002v820
------	-----------------	-------	----------------------	--	---

5.3.2.12.2 TS 23.101**General UMTS architecture**

This specification describes the basic physical and functional separation of UMTS. The content of this specification is limited to those features that are common to all UMTS networks independent of their origin. It identifies and names the reference points and functional groupings appearing at this level.

SDO (2)	Document No.	Version	Status	Issued date	Location (1)
Release 99					
ETSI	ETSI TS 123 101	3.1.0	Published	Feb 01	http://pda.etsi.org/pda/home.asp?wkr=RTS/TSGS-0223101UR1
Release 4					
ETSI	ETSI TS 123 101	4.0.0	Published	Apr 01	http://pda.etsi.org/pda/home.asp?wkr=RTS/TSGS-0223101Uv4
Release 5					
ETSI	ETSI TS 123 101	5.0.1	Published	Jan 04	http://pda.etsi.org/pda/home.asp?wkr=RTS/TSGS-0223101v501
Release 6					
ETSI	ETSI TS 123 101	6.0.0	Published	Jan 05	http://pda.etsi.org/pda/home.asp?wkr=RTS/TSGS-0223101v600
Release 7					
ETSI	ETSI TS 123 101	7.0.0	Published	Jun 07	http://pda.etsi.org/pda/home.asp?wkr=RTS/TSGS-0223101v700

5.3.2.12.3 TS 23.107**QoS concept and architecture**

This specification describes the framework for QoS in UMTS. The document shall be used as a living document which will cover all issues related QoS in UMTS.

SDO (2)	Document No.	Version	Status	Issued date	Location (1)
Release 99					
ARIB	ARIB STD-T63-23.107	3.9.0	Approved	Sep 08	http://www.arib.or.jp/IMT-2000/ARIB-STD/ITU-R_Rev8/R99/A23107-390.pdf
ETSI	ETSI TS 123 107	3.9.0	Published	Oct 02	http://pda.etsi.org/pda/home.asp?wkr=RTS/TSGS-0223107v390

Release 4

ARIB	ARIB STD-T63-23.107	4.6.0	Approved	Sep 08	http://www.arib.or.jp/IMT-2000/ARIB-STD/ITU-R_Rev8/Rel4/A23107-460.pdf
ETSI	ETSI TS 123 107	4.6.0	Published	Jan 03	http://pda.etsi.org/pda/home.asp?wkr=RTS/TSGS-0223107v460

Release 5

ARIB	ARIB STD-T63-23.107	5.13.0	Approved	Sep 08	http://www.arib.or.jp/IMT-2000/ARIB-STD/ITU-R_Rev8/Rel5/A23107-5d0.pdf
ETSI	ETSI TS 123 107	5.13.0	Published	Jan 05	http://pda.etsi.org/pda/home.asp?wkr=RTS/TSGS-0223107v5d0

Release 6

ARIB	ARIB STD-T63-23.107	6.4.0	Approved	Sep 08	http://www.arib.or.jp/IMT-2000/ARIB-STD/ITU-R_Rev8/Rel6/A23107-640.pdf
ETSI	ETSI TS 123 107	6.4.0	Published	May 06	http://pda.etsi.org/pda/home.asp?wkr=RTS/TSGS-0223107v640

Release 7

ARIB	ARIB STD-T63-23.107	7.1.0	Approved	Sep 08	http://www.arib.or.jp/IMT-2000/ARIB-STD/ITU-R_Rev8/Rel7/A23107-710.pdf
ETSI	ETSI TS 123 107	7.1.0	Published	Oct 07	http://pda.etsi.org/pda/home.asp?wkr=RTS/TSGS-0223107v710

5.3.2.12.4 TS 23.121**Architectural requirements for release 1999**

This specification describes architectural requirements for release 1999 related to the evolution of the GSM platform towards UMTS with the overall goal of fulfilling the UMTS service requirements, support of roaming and support of new functionality, signalling systems and interfaces.

SDO (2)	Document No.	Version	Status	Issued date	Location (1)
Release 99					
ETSI	ETSI TS 123 121	3.6.0	Published	Jun 02	http://pda.etsi.org/pda/home.asp?wkr=RTS/TSGS-0223121v360

5.3.2.12.5 TS 23.228**IP Multimedia Subsystem Stage 2**

This specifications describes the architectural requirement for an IP Multimedia Components incorporated in an UMTS System as well as second generation systems for GSM inside the core network and identify relevant interfaces to the existing system and the new one in between the new components incorporated.

SDO (2)	Document No.	Version	Status	Issued date	Location (1)
Release 5					
ARIB	ARIB STD-T63-23.228	5.15.0	Approved	Sep 08	http://www.arib.or.jp/IMT-2000/ARIB-STD/ITU-R_Rev8/Rel5/A23228-5f0.pdf
ETSI	ETSI TS 123 228	5.15.0	Published	Aug 06	http://pda.etsi.org/pda/home.asp?wkr=RTS/TSGS-0223228v5f0
Release 6					
ARIB	ARIB STD-T63-23.228	6.16.0	Approved	Sep 08	http://www.arib.or.jp/IMT-2000/ARIB-STD/ITU-R_Rev8/Rel6/A23228-6g0.pdf
ETSI	ETSI TS 123 228	6.16.0	Published	Mar 07	http://pda.etsi.org/pda/home.asp?wkr=RTS/TSGS-0223228v6g0
Release 7					
ARIB	ARIB STD-T63-23.228	7.12.0	Approved	Sep 08	http://www.arib.or.jp/IMT-2000/ARIB-STD/ITU-R_Rev8/Rel7/A23228-7c0.pdf
ETSI	ETSI TS 123 228	7.10.0	Awaiting publication		http://pda.etsi.org/pda/home.asp?wkr=RTS/TSGS-0223228v7a0

Release 8

ARIB	ARIB STD-T63-23.228	8.5.0	Approved	Sep 08	http://www.arib.or.jp/IMT-2000/ARIB-STD/ITU-R_Rev8/Rel8/A23228-850.pdf
ETSI	ETSI TS 123 228	8.3.0	Awaiting publication		http://pda.etsi.org/pda/home.asp?wkr=RTS/TSGS-0223228v830

5.3.2.12.6 TS 23.401**GPRS enhancements for E-UTRAN access**

This Technical Specification defines the stage 2 service description for the Evolved 3GPP Packet Switched Domain – also called the Evolved Packet System (EPS) in this document. The Evolved 3GPP Packet Switched Domain provides IP connectivity using the Evolved Universal Terrestrial Radio Access Network (E-UTRAN). The specification also covers mobility between E-UTRAN and pre-E-UTRAN 3GPP radio access technologies.

SDO (2)	Document No.	Version	Status	Issued date	Location (1)
Release 99					
ETSI	ETSI TR 123 930	3.0.0	Published	Feb 00	http://pda.etsi.org/pda/home.asp?wkr=DTR/TSGS-0223930U
Release 4					
ETSI	ETSI TR 123 930	4.0.0	Published	Apr 01	http://pda.etsi.org/pda/home.asp?wkr=RTR/TSGS-0223930Uv4

5.3.2.12.7 TS 23.402**Architecture Enhancements for non-3GPP accesses**

This Technical Specification defines the stage 2 service description for providing IP connectivity using non-3GPP accesses to the Evolved 3GPP Packet Switched domain. In addition, for E-UTRAN and non-3GPP accesses, the specification describes the Evolved 3GPP PS Domain where the protocols between its Core Network elements are IETF based.

SDO (2)	Document No.	Version	Status	Issued date	Location (1)
Release 99					
ARIB	ARIB STD-T63-22.002	3.6.0	Approved	Sep 08	http://www.arib.or.jp/IMT-2000/ARIB-STD/ITU-R_Rev8/R99/A22002-360.pdf
ETSI	ETSI TS 122 002	3.6.0	Published	Apr 01	http://pda.etsi.org/pda/home.asp?wkr=RTS/TSGS-0122002UR4
Release 4					
ARIB	ARIB STD-T63-22.002	4.2.0	Approved	Sep 08	http://www.arib.or.jp/IMT-2000/ARIB-STD/ITU-R_Rev8/Rel4/A22002-420.pdf
ETSI	ETSI TS 122 002	4.2.0	Published	Jul 01	http://pda.etsi.org/pda/home.asp?wkr=RTS/TSGS-0122002Uv4R1
Release 5					
ARIB	ARIB STD-T63-22.002	5.0.0	Approved	Sep 08	http://www.arib.or.jp/IMT-2000/ARIB-STD/ITU-R_Rev8/Rel5/A22002-500.pdf
ETSI	ETSI TS 122 002	5.0.0	Published	Jul 02	http://pda.etsi.org/pda/home.asp?wkr=RTS/TSGS-0122002v500
Release 6					
ARIB	ARIB STD-T63-22.002	6.0.0	Approved	Sep 08	http://www.arib.or.jp/IMT-2000/ARIB-STD/ITU-R_Rev8/Rel6/A22002-600.pdf
ETSI	ETSI TS 122 002	6.0.0	Published	Jan 05	http://pda.etsi.org/pda/home.asp?wkr=RTS/TSGS-0122002v600
Release 7					
ARIB	ARIB STD-T63-22.002	7.0.0	Approved	Sep 08	http://www.arib.or.jp/IMT-2000/ARIB-STD/ITU-R_Rev8/Rel7/A22002-700.pdf
ETSI	ETSI TS 122 002	7.0.0	Published	Jun 07	http://pda.etsi.org/pda/home.asp?wkr=RTS/TSGS-0122002v700

5.3.2.12.8 TR 23.930**Iu principles**

This specification describes the requirements on the Iu and studies relevant principles to guide further standardization of the related interface(s).

SDO (2)	Document No.	Version	Status	Issued date	Location (1)
Release 99					
ETSI	ETSI TS 122 004	3.3.0	Published	Jul 02	http://pda.etsi.org/pda/home.asp?wkr=RTS/TSGS-0122004v330
Release 4					
ETSI	ETSI TS 122 004	4.3.0	Published	Jun 04	http://pda.etsi.org/pda/home.asp?wkr=RTS/TSGS-0122004v430
Release 5					
ETSI	ETSI TS 122 004	5.1.0	Published	Jun 04	http://pda.etsi.org/pda/home.asp?wkr=RTS/TSGS-0122004v510
Release 6					
ETSI	ETSI TS 122 004	6.0.0	Published	Jan 05	http://pda.etsi.org/pda/home.asp?wkr=RTS/TSGS-0122004v600
Release 7					
ETSI	ETSI TS 122 004	7.0.0	Published	Apr 07	http://pda.etsi.org/pda/home.asp?wkr=RTS/TSGS-0122004v700
Release 8					
ETSI	ETSI TS 122 004	8.0.0	Awaiting publication		http://pda.etsi.org/pda/home.asp?wkr=RTS/TSGS-0122004v800

5.3.2.12.9 TS 22.002**Bearer services supported by a GSM PLMN**

This 3G specification describes a set of bearer services to be provided to 3G subscribers by a 3G network itself and in connection with other networks. This document is also be used as a reference for defining the corresponding required mobile network capabilities which are specified by means of the connection type concept.

SDO (2)	Document No.	Version	Status	Issued date	Location (1)
Release 99					
ETSI	ETSI TS 122 011	3.8.0	Published	Sep 02	http://pda.etsi.org/pda/home.asp?wkr=RTS/TSGS-0122011v380
Release 4					
ETSI	ETSI TS 122 011	4.8.0	Published	Sep 02	http://pda.etsi.org/pda/home.asp?wkr=RTS/TSGS-0122011v480
Release 5					
ETSI	ETSI TS 122 011	5.1.0	Published	Sep 02	http://pda.etsi.org/pda/home.asp?wkr=RTS/TSGS-0122011v510
Release 6					
ETSI	ETSI TS 122 011	6.4.0	Published	Jan 05	http://pda.etsi.org/pda/home.asp?wkr=RTS/TSGS-0122011v640
Release 7					
ETSI	ETSI TS 122 011	7.8.0	Awaiting publication		http://pda.etsi.org/pda/home.asp?wkr=RTS/TSGS-0122011v780
Release 8					
ETSI	ETSI TS 122 011	8.2.0	Awaiting publication		http://pda.etsi.org/pda/home.asp?wkr=RTS/TSGS-0122011v820

5.3.2.12.10 TS 22.004**General on supplementary services**

This specification describes a recommended set of supplementary services to the teleservices and bearer services which will be supported by a 3G network in connection with other networks as a basis for the definition of the network capabilities required.

SDO (2)	Document No.	Version	Status	Issued date	Location (1)
Release 99					
ARIB	ARIB STD-T63-22.016	3.3.0	Approved	Sep 08	http://www.arib.or.jp/IMT-2000/ARIB-STD/ITU-R_Rev8/R99/A22016-330.pdf
ETSI	ETSI TS 122 016	3.3.0	Published	Jul 02	http://pda.etsi.org/pda/home.asp?wkr=RTS/TSGS-0122016v330
Release 4					
ARIB	ARIB STD-T63-22.016	4.2.1	Approved	Sep 08	http://www.arib.or.jp/IMT-2000/ARIB-STD/ITU-R_Rev8/Rel4/A22016-421.pdf
ETSI	ETSI TS 122 016	4.2.1	Published	Jul 02	http://pda.etsi.org/pda/home.asp?wkr=RTS/TSGS-0122016v421
Release 5					
ARIB	ARIB STD-T63-22.016	5.0.0	Approved	Sep 08	http://www.arib.or.jp/IMT-2000/ARIB-STD/ITU-R_Rev8/Rel5/A22016-500.pdf
ETSI	ETSI TS 122 016	5.0.0	Published	Jul 02	http://pda.etsi.org/pda/home.asp?wkr=RTS/TSGS-0122016v500
Release 6					
ARIB	ARIB STD-T63-22.016	6.0.0	Approved	Sep 08	http://www.arib.or.jp/IMT-2000/ARIB-STD/ITU-R_Rev8/Rel6/A22016-600.pdf
ETSI	ETSI TS 122 016	6.0.0	Published	Jan 05	http://pda.etsi.org/pda/home.asp?wkr=RTS/TSGS-0122016v600
Release 7					
ARIB	ARIB STD-T63-22.016	7.0.1	Approved	Sep 08	http://www.arib.or.jp/IMT-2000/ARIB-STD/ITU-R_Rev8/Rel7/A22016-701.pdf
ETSI	ETSI TS 122 016	7.0.1	Published	Jun 07	http://pda.etsi.org/pda/home.asp?wkr=RTS/TSGS-0122016v701

5.3.2.12.11 TS 22.011**Service accessibility**

This specification describes the service access procedures as presented to the user. The document contains definitions and procedures are provided for international roaming, national roaming and regionally provided service. These are mandatory in relation to the technical realization of the UE.

SDO (2)	Document No.	Version	Status	Issued date	Location (1)
Release 99					
ARIB	ARIB STD-T63-22.022	3.2.1	Approved	Sep 08	http://www.arib.or.jp/IMT-2000/ARIB-STD/ITU-R_Rev8/R99/A22022-321.pdf
ETSI	ETSI TS 122 022	3.2.1	Published	Jun 02	http://pda.etsi.org/pda/home.asp?wkr=RTS/TSGS-0322022v321
Release 4					
ARIB	ARIB STD-T63-22.022	4.1.0	Approved	Sep 08	http://www.arib.or.jp/IMT-2000/ARIB-STD/ITU-R_Rev8/Rel4/A22022-410.pdf
ETSI	ETSI TS 122 022	4.1.0	Published	Jun 02	http://pda.etsi.org/pda/home.asp?wkr=RTS/TSGS-0322022v410

Release 5

ARIB	ARIB STD-T63-22.022	5.0.0	Approved	Sep 08	http://www.arib.or.jp/IMT-2000/ARIB-STD/ITU-R_Rev8/Rel5/A22022-500.pdf
ETSI	ETSI TS 122 022	5.0.0	Published	Oct 02	http://pda.etsi.org/pda/home.asp?wkr=RTS/TSGS-0322022v500

Release 6

ARIB	ARIB STD-T63-22.022	6.0.0	Approved	Sep 08	http://www.arib.or.jp/IMT-2000/ARIB-STD/ITU-R_Rev8/Rel6/A22022-600.pdf
ETSI	ETSI TS 122 022	6.0.0	Published	Jan 05	http://pda.etsi.org/pda/home.asp?wkr=RTS/TSGS-0322022v600

Release 7

ARIB	ARIB STD-T63-22.022	7.2.0	Approved	Sep 08	http://www.arib.or.jp/IMT-2000/ARIB-STD/ITU-R_Rev8/Rel7/A22022-720.pdf
ETSI	ETSI TS 122 022	7.0.0	Published	Jun 07	http://pda.etsi.org/pda/home.asp?wkr=RTS/TSGS-0322022v700

5.3.2.12.12 TS 22.016**International mobile equipment identities (IMEI)**

This specification describes the principal purpose and use of unique equipment identities.

SDO (2)	Document No.	Version	Status	Issued date	Location (1)
Release 99					
ETSI	ETSI TS 122 024	3.0.1	Published	Feb 00	http://pda.etsi.org/pda/home.asp?wkr=DTS/TSGS-0122024U
Release 4					
ETSI	ETSI TS 122 024	4.0.0	Published	Apr 01	http://pda.etsi.org/pda/home.asp?wkr=RTS/TSGS-0122024Uv4
Release 5					
ETSI	ETSI TS 122 024	5.1.0	Published	Jul 05	http://pda.etsi.org/pda/home.asp?wkr=RTS/TSGS-0122024v510
Release 6					
ETSI	ETSI TS 122 024	6.1.0	Published	Jul 05	http://pda.etsi.org/pda/home.asp?wkr=RTS/TSGS-0122024v610
Release 7					
ETSI	ETSI TS 122 024	7.0.0	Published	Jul 07	http://pda.etsi.org/pda/home.asp?wkr=RTS/TSGS-0122024v700

5.3.2.12.13 TS 22.022**Personalization of GSM ME mobile functionality specification – Stage 1**

This specification describes functional specifications of five features to personalize UE. These features are called: – network personalization; – network subset personalization; – service provider (SP) personalization; – corporate personalization; – UMTS subscriber identity module (USIM) personalization. This specification describes requirements for UE, which provide these personalization.

SDO (2)	Document No.	Version	Status	Issued date	Location (1)
Release 99					
ARIB	ARIB STD-T63-22.030	3.4.0	Approved	Sep 08	http://www.arib.or.jp/IMT-2000/ARIB-STD/ITU-R_Rev8/R99/A22030-340.pdf
ETSI	ETSI TS 122 030	3.4.0	Published	Nov 00	http://pda.etsi.org/pda/home.asp?wkr=RTS/TSGS-0122030UR2

Release 4

ARIB	ARIB STD-T63-22.030	4.1.0	Approved	Sep 08	http://www.arib.or.jp/IMT-2000/ARIB-STD/ITU-R_Rev8/Rel4/A22030-410.pdf
ETSI	ETSI TS 122 030	4.1.0	Published	Apr 02	http://pda.etsi.org/pda/home.asp?wkr=RTS/TSGS-0122030Uv4R1

Release 5

ARIB	ARIB STD-T63-22.030	5.0.0	Approved	Sep 08	http://www.arib.or.jp/IMT-2000/ARIB-STD/ITU-R_Rev8/Rel5/A22030-500.pdf
ETSI	ETSI TS 122 030	5.0.0	Published	Jul 02	http://pda.etsi.org/pda/home.asp?wkr=RTS/TSGS-0122030v500

Release 6

ARIB	ARIB STD-T63-22.030	6.0.1	Approved	Sep 08	http://www.arib.or.jp/IMT-2000/ARIB-STD/ITU-R_Rev8/Rel6/A22030-601.pdf
ETSI	ETSI TS 122 030	6.0.1	Published	Apr 05	http://pda.etsi.org/pda/home.asp?wkr=RTS/TSGS-0122030v601

Release 7

ARIB	ARIB STD-T63-22.030	7.0.1	Approved	Sep 08	http://www.arib.or.jp/IMT-2000/ARIB-STD/ITU-R_Rev8/Rel7/A22030-701.pdf
ETSI	ETSI TS 122 030	7.0.1	Published	Jan 06	http://pda.etsi.org/pda/home.asp?wkr=RTS/TSGS-0122030v701

Release 8

ARIB	ARIB STD-T63-22.030	8.1.0	Approved	Sep 08	http://www.arib.or.jp/IMT-2000/ARIB-STD/ITU-R_Rev8/Rel8/A22030-810.pdf
------	---------------------	-------	----------	--------	---

5.3.2.12.14 TS 22.024**Description of charge advice information (CAI)**

This specification describes an overall view of how the charging advice supplementary service shall operate both in the network and within the UE. The charging supplementary service is described in TS 22.086.

SDO (2)	Document No.	Version	Status	Issued date	Location (1)
Release 99					
ARIB	ARIB STD-T63-22.034	3.2.1	Approved	Sep 08	http://www.arib.or.jp/IMT-2000/ARIB-STD/ITU-R_Rev8/R99/A22034-321.pdf
ETSI	ETSI TS 122 034	3.2.1	Published	May 00	http://pda.etsi.org/pda/home.asp?wkr=RTS/TSGS-0122034UR1
Release 4					
ARIB	ARIB STD-T63-22.034	4.1.0	Approved	Sep 08	http://www.arib.or.jp/IMT-2000/ARIB-STD/ITU-R_Rev8/Rel4/A22034-410.pdf
ETSI	ETSI TS 122 034	4.1.0	Published	Jul 02	http://pda.etsi.org/pda/home.asp?wkr=RTS/TSGS-0122034v410
Release 5					
ARIB	ARIB STD-T63-22.034	5.0.0	Approved	Sep 08	http://www.arib.or.jp/IMT-2000/ARIB-STD/ITU-R_Rev8/Rel5/A22034-500.pdf
ETSI	ETSI TS 122 034	5.0.0	Published	Jul 02	http://pda.etsi.org/pda/home.asp?wkr=RTS/TSGS-0122034v500
Release 6					
ARIB	ARIB STD-T63-22.034	6.0.0	Approved	Sep 08	http://www.arib.or.jp/IMT-2000/ARIB-STD/ITU-R_Rev8/Rel6/A22034-600.pdf
ETSI	ETSI TS 122 034	6.0.0	Published	Jan 05	http://pda.etsi.org/pda/home.asp?wkr=RTS/TSGS-0122034v600
Release 7					
ARIB	ARIB STD-T63-22.034	7.0.0	Approved	Sep 08	http://www.arib.or.jp/IMT-2000/ARIB-STD/ITU-R_Rev8/Rel7/A22034-700.pdf
ETSI	ETSI TS 122 034	7.0.0	Published	Jul 07	http://pda.etsi.org/pda/home.asp?wkr=RTS/TSGS-0122034v700

5.3.2.12.15 TS 22.030**Man-machine interface (MMI) of the mobile station**

This specification describes the requirements for and gives guidelines on the MMI for calls on the 3G UE. This includes the requirements of the user procedures for call control and supplementary service control, the requirements on the physical input media and the output, such as indications and displayed information.

SDO (2)	Document No.	Version	Status	Issued date	Location (1)
Release 99					
ARIB	ARIB STD-T63-22.038	3.4.0	Approved	Sep 08	http://www.arib.or.jp/IMT-2000/ARIB-STD/ITU-R_Rev8/R99/A22038-340.pdf
ETSI	ETSI TS 122 038	3.4.0	Published	Jan 04	http://pda.etsi.org/pda/home.asp?wkr=RTS/TSGS-0122038v340
Release 4					
ARIB	ARIB STD-T63-22.038	4.3.0	Approved	Sep 08	http://www.arib.or.jp/IMT-2000/ARIB-STD/ITU-R_Rev8/Rel4/A22038-430.pdf
ETSI	ETSI TS 122 038	4.3.0	Published	Jan 04	http://pda.etsi.org/pda/home.asp?wkr=RTS/TSGS-0122038v430
Release 5					
ARIB	ARIB STD-T63-22.038	5.4.0	Approved	Sep 08	http://www.arib.or.jp/IMT-2000/ARIB-STD/ITU-R_Rev8/Rel5/A22038-540.pdf
ETSI	ETSI TS 122 038	5.4.0	Published	Jan 04	http://pda.etsi.org/pda/home.asp?wkr=RTS/TSGS-0122038v540
Release 6					
ARIB	ARIB STD-T63-22.038	6.5.0	Approved	Sep 08	http://www.arib.or.jp/IMT-2000/ARIB-STD/ITU-R_Rev8/Rel6/A22038-650.pdf
ETSI	ETSI TS 122 038	6.5.0	Published	Oct 05	http://pda.etsi.org/pda/home.asp?wkr=RTS/TSGS-0122038v650
Release 7					
ARIB	ARIB STD-T63-22.038	7.5.0	Approved	Sep 08	http://www.arib.or.jp/IMT-2000/ARIB-STD/ITU-R_Rev8/Rel7/A22038-750.pdf
ETSI	ETSI TS 122 038	7.5.0	Published	Jan 06	http://pda.etsi.org/pda/home.asp?wkr=RTS/TSGS-0122038v750
Release 8					
ARIB	ARIB STD-T63-22.038	8.0.1	Approved	Sep 08	http://www.arib.or.jp/IMT-2000/ARIB-STD/ITU-R_Rev8/Rel8/A22038-801.pdf

5.3.2.12.16 TS 22.034**High speed circuit switched data (HSCSD) – Stage 1**

This specification describes the Stage 1 description of HSCSD. HSCSD is a feature that allows users subscribing to the general bearer services to access user rates that can be achieved with one or more traffic channel. HSCSD also defines a flexible use of air interface resources, which makes efficient and flexible use of higher user rates feasible.

SDO (2)	Document No.	Version	Status	Issued date	Location (1)
Release 99					
ETSI	ETSI TS 122 041	3.3.1	Published	Jun 01	http://pda.etsi.org/pda/home.asp?wkr=RTS/TSGS-0122041UR2
Release 4					
ETSI	ETSI TS 122 041	4.1.0	Published	Apr 01	http://pda.etsi.org/pda/home.asp?wkr=RTS/TSGS-0122041Uv4

Release 5

ETSI	ETSI TS 122 041	5.0.0	Published	Jul 02	http://pda.etsi.org/pda/home.asp?wkr=RTS/TSGS-0122041v500
------	-----------------	-------	-----------	--------	---

Release 6

ETSI	ETSI TS 122 041	6.2.0	Published	Jan 05	http://pda.etsi.org/pda/home.asp?wkr=RTS/TSGS-0122041v620
------	-----------------	-------	-----------	--------	---

Release 7

ETSI	ETSI TS 122 041	7.0.0	Published	Apr 07	http://pda.etsi.org/pda/home.asp?wkr=RTS/TSGS-0122041v700
------	-----------------	-------	-----------	--------	---

Release 8

ETSI	ETSI TS 122 041	8.1.0	Awaiting publication		http://pda.etsi.org/pda/home.asp?wkr=RTS/TSGS-0122041v810
------	-----------------	-------	----------------------	--	---

5.3.2.12.17 TS 22.038**SIM application toolkit (SAT) – Stage 1**

This specification describes the Stage 1 description of the SAT primarily from the subscriber's and serving environment's points of view, and does not deal with the details of the human interface itself. It includes information applicable to network operators, serving environments and terminal, switch and database manufacturers and contains the core requirements for a SAT.

SDO (2)	Document No.	Version	Status	Issued date	Location (1)
Release 99					
ETSI	ETSI TS 122 042	3.0.1	Published	Feb 00	http://pda.etsi.org/pda/home.asp?wkr=DTS/TSGS-0122042U
Release 4					
ETSI	ETSI TS 122 042	4.2.1	Published	Jul 03	http://pda.etsi.org/pda/home.asp?wkr=RTS/TSGS-0122042v421
Release 5					
ETSI	ETSI TS 122 042	5.1.0	Published	Jul 03	http://pda.etsi.org/pda/home.asp?wkr=RTS/TSGS-0122042v510
Release 6					
ETSI	ETSI TS 122 042	6.0.0	Published	Jan 05	http://pda.etsi.org/pda/home.asp?wkr=RTS/TSGS-0122042v600
Release 7					
ETSI	ETSI TS 122 042	7.0.0	Published	Jul 07	http://pda.etsi.org/pda/home.asp?wkr=RTS/TSGS-0122042v700

5.3.2.12.18 TS 22.041**Operator determined call barring**

The feature operator determined barring (ODB) allows the network operator or service provider to regulate, by means of an exceptional procedure, access by the subscribers to 3G services, by the barring of certain categories of outgoing or incoming calls or of roaming. ODB shall take effect immediately and shall terminate ongoing calls and bar future calls. The purpose of this network feature is to be able to limit the service provider's financial exposure to new subscribers, or to those who have not promptly paid their bills. It may only be applied to the service provider's own subscribers.

SDO (2)	Document No.	Version	Status	Issued date	Location (1)
Release 99					
ARIB	ARIB STD-T63-22.057	3.0.1	Approved	Sep 08	http://www.arib.or.jp/IMT-2000/ARIB-STD/ITU-R_Rev8/R99/A22057-301.pdf
ETSI	ETSI TS 122 057	3.0.1	Published	Feb 00	http://pda.etsi.org/pda/home.asp?wkr=DTS/TSGS-0122057U
Release 4					
ARIB	ARIB STD-T63-22.057	4.1.0	Approved	Sep 08	http://www.arib.or.jp/IMT-2000/ARIB-STD/ITU-R_Rev8/Rel4/A22057-410.pdf
ETSI	ETSI TS 122 057	4.1.0	Published	Apr 02	http://pda.etsi.org/pda/home.asp?wkr=RTS/TSGS-0122057Uv4R1
Release 5					
ARIB	ARIB STD-T63-22.057	5.4.0	Approved	Sep 08	http://www.arib.or.jp/IMT-2000/ARIB-STD/ITU-R_Rev8/Rel5/A22057-540.pdf
ETSI	ETSI TS 122 057	5.4.0	Published	Jul 02	http://pda.etsi.org/pda/home.asp?wkr=RTS/TSGS-0122057v540
Release 6					
ARIB	ARIB STD-T63-22.057	6.0.0	Approved	Sep 08	http://www.arib.or.jp/IMT-2000/ARIB-STD/ITU-R_Rev8/Rel6/A22057-600.pdf
ETSI	ETSI TS 122 057	6.0.0	Published	Jan 05	http://pda.etsi.org/pda/home.asp?wkr=RTS/TSGS-0122057v600
Release 7					
ARIB	ARIB STD-T63-22.057	7.0.0	Approved	Sep 08	http://www.arib.or.jp/IMT-2000/ARIB-STD/ITU-R_Rev8/Rel7/A22057-700.pdf
ETSI	ETSI TS 122 057	7.0.0	Published	Jul 07	http://pda.etsi.org/pda/home.asp?wkr=RTS/TSGS-0122057v700

5.3.2.12.19 TS 22.042

Network identity and time zone (NITZ) – Stage 1

The feature NITZ provides the means for serving networks to transfer current identity, time, daylight saving time and the local time zone to user equipment storage and use.

SDO (2)	Document No.	Version	Status	Issued date	Location (1)
Release 99					
ETSI	ETSI TS 122 060	3.5.0	Published	Nov 00	http://pda.etsi.org/pda/home.asp?wkr=RTS/TSGS-0122060UR3
Release 4					
ETSI	ETSI TS 122 060	4.4.0	Published	Jul 02	http://pda.etsi.org/pda/home.asp?wkr=RTS/TSGS-0122060v440
Release 5					
ETSI	ETSI TS 122 060	5.3.0	Published	Apr 03	http://pda.etsi.org/pda/home.asp?wkr=RTS/TSGS-0122060v530
Release 6					
ETSI	ETSI TS 122 060	6.0.0	Published	Jan 05	http://pda.etsi.org/pda/home.asp?wkr=RTS/TSGS-0122060v600
Release 7					
ETSI	ETSI TS 122 060	7.0.0	Published	Jul 07	http://pda.etsi.org/pda/home.asp?wkr=RTS/TSGS-0122060v700

5.3.2.12.20 TS 22.057**Mobile station application execution environment (MExE) – Stage 1**

This specification describes the Stage 1 description of the MExE.

SDO (2)	Document No.	Version	Status	Issued date	Location (1)
Release 99					
ETSI	ETSI TS 122 066	3.2.0	Published	Aug 00	http://pda.etsi.org/pda/home.asp?wkr=RTS/TSGS-0122066UR2
Release 4					
ETSI	ETSI TS 122 066	4.0.0	Published	Apr 01	http://pda.etsi.org/pda/home.asp?wkr=RTS/TSGS-0122066Uv4
Release 5					
ETSI	ETSI TS 122 066	5.1.0	Published	Jul 03	http://pda.etsi.org/pda/home.asp?wkr=RTS/TSGS-0122066v510
Release 6					
ETSI	ETSI TS 122 066	6.1.0	Published	Jan 05	http://pda.etsi.org/pda/home.asp?wkr=RTS/TSGS-0122066v610
Release 7					
ETSI	ETSI TS 122 066	7.0.0	Published	Jul 07	http://pda.etsi.org/pda/home.asp?wkr=RTS/TSGS-0122066v700

5.3.2.12.21 TS 22.060**General packet radio service (GPRS) – Stage 1**

This specification describes the Stage 1 description of the GPRS.

SDO (2)	Document No.	Version	Status	Issued date	Location (1)
Release 99					
ARIB	ARIB STD-T63-22.067	3.0.1	Approved	Sep 08	http://www.arib.or.jp/IMT-2000/ARIB-STD/ITU-R_Rev8/R99/A22067-301.pdf
ETSI	ETSI TS 122 067	3.0.1	Published	Feb 00	http://pda.etsi.org/pda/home.asp?wkr=DTS/TSGS-0122067U
Release 4					
ARIB	ARIB STD-T63-22.067	4.1.0	Approved	Sep 08	http://www.arib.or.jp/IMT-2000/ARIB-STD/ITU-R_Rev8/Rel4/A22067-410.pdf
ETSI	ETSI TS 122 067	4.1.0	Published	Apr 02	http://pda.etsi.org/pda/home.asp?wkr=RTS/TSGS-0122067Uv4R1
Release 5					
ARIB	ARIB STD-T63-22.067	5.0.0	Approved	Sep 08	http://www.arib.or.jp/IMT-2000/ARIB-STD/ITU-R_Rev8/Rel5/A22067-500.pdf
ETSI	ETSI TS 122 067	5.0.0	Published	Jul 02	http://pda.etsi.org/pda/home.asp?wkr=RTS/TSGS-0122067v500
Release 6					
ARIB	ARIB STD-T63-22.067	6.1.0	Approved	Sep 08	http://www.arib.or.jp/IMT-2000/ARIB-STD/ITU-R_Rev8/Rel6/A22067-610.pdf
ETSI	ETSI TS 122 067	6.1.0	Published	Jan 05	http://pda.etsi.org/pda/home.asp?wkr=RTS/TSGS-0122067v610
Release 7					
ARIB	ARIB STD-T63-22.067	7.0.0	Approved	Sep 08	http://www.arib.or.jp/IMT-2000/ARIB-STD/ITU-R_Rev8/Rel7/A22067-700.pdf
ETSI	ETSI TS 122 067	7.0.0	Published	Apr 07	http://pda.etsi.org/pda/home.asp?wkr=RTS/TSGS-0122067v700

Release 8

ARIB	ARIB STD-T63-22.067	8.0.0	Approved	Sep 08	http://www.arib.or.jp/IMT-2000/ARIB-STD/ITU-R_Rev8/Rel8/A22067-800.pdf
ETSI	ETSI TS 122 067	8.0.0	Awaiting publication		http://pda.etsi.org/pda/home.asp?wkr=RTS/TSGS-0122067v800

5.3.2.12.22 TS 22.066**Support of mobile number portability (MNP) – Stage 1**

This specification describes the Stage 1 description of the support of MNP between networks in the same country. It is in response to a study mandate agreed between the European Commission and ETSI under order voucher ETSI/97/M-251.

SDO (2)	Document No.	Version	Status	Issued date	Location (1)
Release 99					
ARIB	ARIB STD-T63-22.071	3.5.0	Approved	Sep 08	http://www.arib.or.jp/IMT-2000/ARIB-STD/ITU-R_Rev8/R99/A22071-350.pdf
ETSI	ETSI TS 122 071	3.5.0	Published	Apr 04	http://pda.etsi.org/pda/home.asp?wkr=RTS/TSGS-0122071v350
Release 4					
ARIB	ARIB STD-T63-22.071	4.6.0	Approved	Sep 08	http://www.arib.or.jp/IMT-2000/ARIB-STD/ITU-R_Rev8/Rel4/A22071-460.pdf
ETSI	ETSI TS 122 071	4.6.0	Published	Apr 04	http://pda.etsi.org/pda/home.asp?wkr=RTS/TSGS-0122071v460
Release 5					
ARIB	ARIB STD-T63-22.071	5.4.0	Approved	Sep 08	http://www.arib.or.jp/IMT-2000/ARIB-STD/ITU-R_Rev8/Rel5/A22071-540.pdf
ETSI	ETSI TS 122 071	5.4.0	Published	Apr 04	http://pda.etsi.org/pda/home.asp?wkr=RTS/TSGS-0122071v540
Release 6					
ARIB	ARIB STD-T63-22.071	6.7.0	Approved	Sep 08	http://www.arib.or.jp/IMT-2000/ARIB-STD/ITU-R_Rev8/Rel6/A22071-670.pdf
ETSI	ETSI TS 122 071	6.7.0	Published	Jan 05	http://pda.etsi.org/pda/home.asp?wkr=RTS/TSGS-0122071v670
Release 7					
ARIB	ARIB STD-T63-22.071	7.4.0	Approved	Sep 08	http://www.arib.or.jp/IMT-2000/ARIB-STD/ITU-R_Rev8/Rel7/A22071-740.pdf
ETSI	ETSI TS 122 071	7.4.0	Published	Jan 06	http://pda.etsi.org/pda/home.asp?wkr=RTS/TSGS-0122071v740
Release 8					
ARIB	ARIB STD-T63-22.071	8.0.0	Approved	Sep 08	http://www.arib.or.jp/IMT-2000/ARIB-STD/ITU-R_Rev8/Rel8/A22071-800.pdf
ETSI	ETSI	8.0.0	Awaiting publication		

5.3.2.12.23 TS 22.067**Priority set-up service – Stage 1 (ASCI spec)**

This specification describes the Stage 1 description of the enhanced multi-level precedence and pre-emption (eMLPP) service. This service has two parts: precedence and pre-emption. Precedence involves assigning a priority level to a call in combination with fast call set-up. Pre-emption involves the seizing of resources, which are in use by a call of a lower precedence, by a higher level precedence call in the absence of idle resources. Pre-emption can also involve the disconnection of an on-going call of lower precedence to accept an incoming call of higher precedence.

SDO (2)	Document No.	Version	Status	Issued date	Location (1)
Release 99					
ETSI	ETSI TS 122 072	3.0.1	Published	Feb 00	http://pda.etsi.org/pda/home.asp?wkr=DTS/TSGS-0122072U
Release 4					
ETSI	ETSI TS 122 072	4.0.0	Published	May 01	http://pda.etsi.org/pda/home.asp?wkr=RTS/TSGS-0122072Uv4
Release 5					
ETSI	ETSI TS 122 072	5.0.0	Published	Jul 02	http://pda.etsi.org/pda/home.asp?wkr=RTS/TSGS-0122072v500
Release 6					
ETSI	ETSI TS 122 072	6.0.0	Published	Jan 05	http://pda.etsi.org/pda/home.asp?wkr=RTS/TSGS-0122072v600
Release 7					
ETSI	ETSI TS 122 072	7.0.0	Published	Jul 07	http://pda.etsi.org/pda/home.asp?wkr=RTS/TSGS-0122072v700

5.3.2.12.24 TS 22.071

Location services (LCS) – Stage 1

LCS is a network provided enabling technology consisting of standardized service capabilities which enables the provision of location applications. This application may be service provider specific. The description of the numerous and varied possible location applications which are enabled by this technology are outside the scope of this specification. However, clarifying examples of how the functionality being specified may be used to provide specific LCS is included in various sections of the specification.

SDO (2)	Document No.	Version	Status	Issued date	Location (1)
Release 99					
ETSI	ETSI TS 122 078	3.9.0	Published	Apr 02	http://pda.etsi.org/pda/home.asp?wkr=RTS/TSGS-0122078UR7
Release 4					
ETSI	ETSI TS 122 078	4.5.0	Published	Apr 02	http://pda.etsi.org/pda/home.asp?wkr=RTS/TSGS-0122078Uv4R3
Release 5					
ETSI	ETSI TS 122 078	5.15.0	Published	Apr 05	http://pda.etsi.org/pda/home.asp?wkr=RTS/TSGS-0122078v5f0
Release 6					
ETSI	ETSI TS 122 078	6.9.0	Published	Oct 05	http://pda.etsi.org/pda/home.asp?wkr=RTS/TSGS-0122078v690
Release 7					
ETSI	ETSI TS 122 078	7.6.0	Published	Jan 06	http://pda.etsi.org/pda/home.asp?wkr=RTS/TSGS-0122078v760

5.3.2.12.25 TS 22.072

Call deflection (CD) – Stage 1

CD enables the served mobile subscriber to respond to an incoming call offered by the network by requesting redirection of this call to another number specified in the response. The CD supplementary service can only be invoked before the connection is established by the served mobile subscriber, i.e. in response to the offered call, or during the period that the served subscriber is being informed of the call. The served subscriber's ability to originate calls is unaffected by the CD supplementary service.

SDO (2)	Document No.	Version	Status	Issued date	Location (1)
Release 99					
ETSI	ETSI TS 122 079	3.0.1	Published	Feb 00	http://pda.etsi.org/pda/home.asp?wkr=DTS/TSGS-0122079U
Release 4					
ETSI	ETSI TS 122 079	4.0.0	Published	Apr 01	http://pda.etsi.org/pda/home.asp?wkr=RTS/TSGS-0122079Uv4
Release 5					
ETSI	ETSI TS 122 079	5.0.0	Published	Jul 02	http://pda.etsi.org/pda/home.asp?wkr=RTS/TSGS-0122079v500
Release 6					
ETSI	ETSI TS 122 079	6.0.0	Published	Jan 05	http://pda.etsi.org/pda/home.asp?wkr=RTS/TSGS-0122079v600
Release 7					
ETSI	ETSI TS 122 079	7.0.0	Published	Jul 07	http://pda.etsi.org/pda/home.asp?wkr=RTS/TSGS-0122079v700

5.3.2.12.26 TS 22.078

Customized applications for mobile network enhanced logic (CAMEL) – Stage 1

This specification describes the Stage 1 description for CAMEL feature which provides the mechanisms to support services consistently independently of the serving network. The CAMEL features shall facilitate service control of operator specific services external from the serving network. The CAMEL feature is a network feature and not a supplementary service. It is a tool to help the network operator to provide the subscribers with the operator specific services even when roaming outside the home network.

SDO (2)	Document No.	Version	Status	Issued date	Location (1)
Release 99					
ETSI	ETSI TS 122 081	3.2.0	Published	Aug 00	http://pda.etsi.org/pda/home.asp?wkr=RTS/TSGS-0122081UR1
Release 4					
ETSI	ETSI TS 122 081	4.1.0	Published	Apr 02	http://pda.etsi.org/pda/home.asp?wkr=RTS/TSGS-0122081Uv4R1
Release 5					
ETSI	ETSI TS 122 081	5.0.0	Published	Jul 02	http://pda.etsi.org/pda/home.asp?wkr=RTS/TSGS-0122081v500
Release 6					
ETSI	ETSI TS 122 081	6.0.0	Published	Jan 05	http://pda.etsi.org/pda/home.asp?wkr=RTS/TSGS-0122081v600
Release 7					
ETSI	ETSI TS 122 081	7.0.0	Published	Jul 07	http://pda.etsi.org/pda/home.asp?wkr=RTS/TSGS-0122081v700

5.3.2.12.27 TS 22.079

Support of optimal routing – Stage 1

Support of optimal routing is a network feature to reduce the number of unnecessary inter-network call legs when the subscriber is roaming.

SDO (2)	Document No.	Version	Status	Issued date	Location (1)
Release 99					
ETSI	ETSI TS 122 082	3.0.2	Published	Apr 04	http://pda.etsi.org/pda/home.asp?wkr=RTS/TSGS-0122082v302
Release 4					
ETSI	ETSI TS 122 082	4.2.0	Published	Apr 02	http://pda.etsi.org/pda/home.asp?wkr=RTS/TSGS-0122082Uv4R2
Release 5					
ETSI	ETSI TS 122 082	5.0.0	Published	Jul 02	http://pda.etsi.org/pda/home.asp?wkr=RTS/TSGS-0122082v500
Release 6					
ETSI	ETSI TS 122 082	6.0.0	Published	Jan 05	http://pda.etsi.org/pda/home.asp?wkr=RTS/TSGS-0122082v600
Release 7					
ETSI	ETSI TS 122 082	7.0.0	Published	Jul 07	http://pda.etsi.org/pda/home.asp?wkr=RTS/TSGS-0122082v700

5.3.2.12.28 TS 22.081

Line identification supplementary services – Stage 1

This specification describes the supplementary services belonging to the group line identification supplementary services. The group of line identification supplementary services is divided into the following four supplementary services: CLIP: calling line identification presentation (§ 1); CLIR: calling line identification restriction (§ 2); COLP: connected line identification presentation (§ 3); COLR: connected line identification restriction (§ 4).

SDO (2)	Document No.	Version	Status	Issued date	Location (1)
Release 99					
ETSI	ETSI TS 122 083	3.0.1	Published	Feb 00	http://pda.etsi.org/pda/home.asp?wkr=DTS/TSGS-0122083U
Release 4					
ETSI	ETSI TS 122 083	4.1.0	Published	Apr 02	http://pda.etsi.org/pda/home.asp?wkr=RTS/TSGS-0122083Uv4R1
Release 5					
ETSI	ETSI TS 122 083	5.0.0	Published	Jul 02	http://pda.etsi.org/pda/home.asp?wkr=RTS/TSGS-0122083v500
Release 6					
ETSI	ETSI TS 122 083	6.0.0	Published	Jan 05	http://pda.etsi.org/pda/home.asp?wkr=RTS/TSGS-0122083v600
Release 7					
ETSI	ETSI TS 122 083	7.0.0	Published	Jul 07	http://pda.etsi.org/pda/home.asp?wkr=RTS/TSGS-0122083v700

5.3.2.12.29 TS 22.082

Call forwarding (CF) supplementary services – Stage 1

This specification describes the supplementary services belonging to the group call offering supplementary services. The group of supplementary services call offering supplementary services is divided into four different supplementary services: – call forwarding unconditional (§ 1); – call forwarding on mobile subscriber busy (§ 2); – call forwarding on no reply (§ 3); – call forwarding on mobile subscriber not reachable (§ 4).

SDO (2)	Document No.	Version	Status	Issued date	Location (1)
Release 99					
ETSI	ETSI TS 122 084	3.0.1	Published	Feb 00	http://pda.etsi.org/pda/home.asp?wkr=DTS/TSGS-0122084U
Release 4					
ETSI	ETSI TS 122 084	4.1.0	Published	Apr 02	http://pda.etsi.org/pda/home.asp?wkr=RTS/TSGS-0122084Uv4R1
Release 5					
ETSI	ETSI TS 122 084	5.0.0	Published	Jul 02	http://pda.etsi.org/pda/home.asp?wkr=RTS/TSGS-0122084v500
Release 6					
ETSI	ETSI TS 122 084	6.0.0	Published	Jan 05	http://pda.etsi.org/pda/home.asp?wkr=RTS/TSGS-0122084v600
Release 7					
ETSI	ETSI TS 122 084	7.0.0	Published	Jul 07	http://pda.etsi.org/pda/home.asp?wkr=RTS/TSGS-0122084v700

5.3.2.12.30 TS 2.083

Call waiting (CW) and call hold (HOLD) supplementary services – Stage 1

This specification describes the supplementary services belonging to the group call completion supplementary services which are divided into the following two supplementary services: – call waiting (§ 1); – call hold (§ 2).

SDO (2)	Document No.	Version	Status	Issued date	Location (1)
Release 99					
ETSI	ETSI TS 122 085	3.1.0	Published	Feb 00	http://pda.etsi.org/pda/home.asp?wkr=DTS/TSGS-0122085U
Release 4					
ETSI	ETSI TS 122 085	4.1.0	Published	Apr 02	http://pda.etsi.org/pda/home.asp?wkr=RTS/TSGS-0122085Uv4R1
Release 5					
ETSI	ETSI TS 122 085	5.0.0	Published	Jul 02	http://pda.etsi.org/pda/home.asp?wkr=RTS/TSGS-0122085v500
Release 6					
ETSI	ETSI TS 122 085	6.0.0	Published	Jan 05	http://pda.etsi.org/pda/home.asp?wkr=RTS/TSGS-0122085v600
Release 7					
ETSI	ETSI TS 122 085	7.0.0	Published	Jul 07	http://pda.etsi.org/pda/home.asp?wkr=RTS/TSGS-0122085v700

5.3.2.12.31 TS 22.084

Multiparty (MPTY) supplementary service – Stage 1

This supplementary service provides a mobile subscriber with the ability to have a multi-connection call, i.e. a simultaneous communication with more than one party.

SDO (2)	Document No.	Version	Status	Issued date	Location (1)
Release 99					
ETSI	ETSI TS 122 086	3.1.0	Published	May 00	http://pda.etsi.org/pda/home.asp?wkr=DTS/TSGS-0122086U
Release 4					
ETSI	ETSI TS 122 086	4.0.0	Published	Apr 01	http://pda.etsi.org/pda/home.asp?wkr=RTS/TSGS-0122086Uv4
Release 5					
ETSI	ETSI TS 122 086	5.1.0	Published	Jul 05	http://pda.etsi.org/pda/home.asp?wkr=RTS/TSGS-0122086v510
Release 6					
ETSI	ETSI TS 122 086	6.1.0	Published	Jul 05	http://pda.etsi.org/pda/home.asp?wkr=RTS/TSGS-0122086v610
Release 7					
ETSI	ETSI TS 122 086	7.0.0	Published	Jul 07	http://pda.etsi.org/pda/home.asp?wkr=RTS/TSGS-0122086v700

5.3.2.12.32 TS 22.085

Closed user group (CUG) supplementary services – Stage 1

The CUG supplementary service enables subscribers, connected to a network and possibly also other networks, to form CUGs to and from which access is restricted. A specific user may be a member of one or more CUGs. Members of a specific CUG can communicate among each other but not, in general, with users outside the group.

SDO (2)	Document No.	Version	Status	Issued date	Location (1)
Release 99					
ETSI	ETSI TS 122 087	3.1.0	Published	May 00	http://pda.etsi.org/pda/home.asp?wkr=RTS/TSGS-0122087UR1
Release 4					
ETSI	ETSI TS 122 087	4.0.0	Published	Apr 01	http://pda.etsi.org/pda/home.asp?wkr=RTS/TSGS-0122087Uv4
Release 5					
ETSI	ETSI TS 122 087	5.0.0	Published	Jul 02	http://pda.etsi.org/pda/home.asp?wkr=RTS/TSGS-0122087v500
Release 6					
ETSI	ETSI TS 122 087	6.0.0	Published	Jan 05	http://pda.etsi.org/pda/home.asp?wkr=RTS/TSGS-0122087v600
Release 7					
ETSI	ETSI TS 122 087	7.0.0	Published	Jul 07	http://pda.etsi.org/pda/home.asp?wkr=RTS/TSGS-0122087v700

5.3.2.12.33 TS 22.086

Advice of charge (AoC) supplementary services – Stage 1

These services are designed to supply to a mobile user sufficient information to allow a real-time estimate to be made of the bill which will eventually be levied in the home public land mobile network (PLMN) on the mobile station subscriber.

SDO (2)	Document No.	Version	Status	Issued date	Location (1)
Release 99					
ETSI	ETSI TS 122 088	3.0.2	Published	Apr 01	http://pda.etsi.org/pda/home.asp?wkr=RTS/TSGS-0122088UR1
Release 4					
ETSI	ETSI TS 122 088	4.1.0	Published	Apr 02	http://pda.etsi.org/pda/home.asp?wkr=RTS/TSGS-0122088Uv4R1
Release 5					
ETSI	ETSI TS 122 088	5.0.0	Published	Jul 02	http://pda.etsi.org/pda/home.asp?wkr=RTS/TSGS-0122088v500
Release 6					
ETSI	ETSI TS 122 088	6.0.0	Published	Jan 05	http://pda.etsi.org/pda/home.asp?wkr=RTS/TSGS-0122088v600
Release 7					
ETSI	ETSI TS 122 088	7.0.0	Published	Jul 07	http://pda.etsi.org/pda/home.asp?wkr=RTS/TSGS-0122088v700

5.3.2.12.34 TS 22.087

User-to-user signalling (UUS) – Stage 1

The UUS supplementary service allows a mobile subscriber to send/receive a limited amount of information to/from another network or ISDN subscriber over the signalling channel in association with a call to the other subscriber.

SDO (2)	Document No.	Version	Status	Issued date	Location (1)
Release 99					
ETSI	ETSI TS 122 090	3.1.0	Published	May 00	http://pda.etsi.org/pda/home.asp?wkr=RTS/TSGS-0122090UR1
Release 4					
ETSI	ETSI TS 122 090	4.0.0	Published	Apr 01	http://pda.etsi.org/pda/home.asp?wkr=RTS/TSGS-0122090Uv4
Release 5					
ETSI	ETSI TS 122 090	5.0.0	Published	Jul 02	http://pda.etsi.org/pda/home.asp?wkr=RTS/TSGS-0122090v500
Release 6					
ETSI	ETSI TS 122 090	6.0.0	Published	Jan 05	http://pda.etsi.org/pda/home.asp?wkr=RTS/TSGS-0122090v600
Release 7					
ETSI	ETSI TS 122 090	7.0.0	Published	Sep 06	http://pda.etsi.org/pda/home.asp?wkr=RTS/TSGS-0122090v700

5.3.2.12.35 TS 22.088

Call barring (CB) supplementary services – Stage 1

The call restriction supplementary services allow the possibility for a mobile subscriber to have barring of certain categories of outgoing or incoming calls at the mobile subscribers access. The group of call restriction services includes two supplementary services: – barring of outgoing calls; – barring of incoming calls. By use of subscription options, the mobile subscriber can at provision time select a set of one or more barring programs to determine the categories of calls to be barred. The following categories are defined: – all outgoing calls; – outgoing international calls; – outgoing international calls except those directed to the home PLMN country; – all incoming calls; – incoming calls when roaming outside the home PLMN country.

390

Rec. ITU-R M.1457-8

SDO (2)	Document No.	Version	Status	Issued date	Location (1)
Release 99					
ETSI	ETSI TS 122 091	3.1.0	Published	Nov 00	http://pda.etsi.org/pda/home.asp?wkr=RTS/TSGS-0122091UR1
Release 4					
ETSI	ETSI TS 122 091	4.0.0	Published	Apr 01	http://pda.etsi.org/pda/home.asp?wkr=RTS/TSGS-0122091Uv4
Release 5					
ETSI	ETSI TS 122 091	5.0.0	Published	Jul 02	http://pda.etsi.org/pda/home.asp?wkr=RTS/TSGS-0122091v500
Release 6					
ETSI	ETSI TS 122 091	6.0.0	Published	Jan 05	http://pda.etsi.org/pda/home.asp?wkr=RTS/TSGS-0122091v600
Release 7					
ETSI	ETSI TS 122 091	7.0.0	Published	Jul 07	http://pda.etsi.org/pda/home.asp?wkr=RTS/TSGS-0122091v700

5.3.2.12.36 TS 22.090

Unstructured supplementary service data (USSD) – Stage 1

There are two modes of USSD: MMI-mode and application mode. MMI-mode USSD is for the transparent transport of MMI strings entered by the user to the network and for the transparent transport of text strings from the network that are displayed by the mobile for user information. Application mode USSD is for the transparent transport of data between the network and the mobile station. Application mode USSD is intended to be used by applications in the network and their peer applications in the UE. The communication over the radio interface takes place on the signalling channels using short dialogues with peak data throughput rate capabilities of up to approximately 600 bit/s outside of a call and 1 000 bit/s during a call.

SDO (2)	Document No.	Version	Status	Issued date	Location (1)
Release 99					
ETSI	ETSI TS 122 093	3.0.1	Published	Feb 00	http://pda.etsi.org/pda/home.asp?wkr=DTS/TSGS-0122093U
Release 4					
ETSI	ETSI TS 122 093	4.0.0	Published	Apr 01	http://pda.etsi.org/pda/home.asp?wkr=RTS/TSGS-0122093Uv4
Release 5					
ETSI	ETSI TS 122 093	5.0.0	Published	Jul 02	http://pda.etsi.org/pda/home.asp?wkr=RTS/TSGS-0122093v500
Release 6					
ETSI	ETSI TS 122 093	6.0.0	Published	Jan 05	http://pda.etsi.org/pda/home.asp?wkr=RTS/TSGS-0122093v600
Release 7					
ETSI	ETSI TS 122 093	7.0.0	Published	Jul 07	http://pda.etsi.org/pda/home.asp?wkr=RTS/TSGS-0122093v700

5.3.2.12.37 TS 22.091

Explicit call transfer (ECT) supplementary service – Stage 1

The ECT supplementary service enables the served mobile subscriber (subscriber A) who has two calls, each of which can be an incoming or outgoing call, to connect the other parties in the two calls and release the served mobile subscribers own connection.

SDO (2)	Document No.	Version	Status	Issued date	Location (1)
Release 99					
ETSI	ETSI TS 122 096	3.0.1	Published	Feb 00	http://pda.etsi.org/pda/home.asp?wkr=DTS/TSGS-0122096U
Release 4					
ETSI	ETSI TS 122 096	4.0.0	Published	Apr 01	http://pda.etsi.org/pda/home.asp?wkr=RTS/TSGS-0122096Uv4
Release 5					
ETSI	ETSI TS 122 096	5.0.0	Published	Jul 02	http://pda.etsi.org/pda/home.asp?wkr=RTS/TSGS-0122096v500
Release 6					
ETSI	ETSI TS 122 096	6.0.0	Published	Jan 05	http://pda.etsi.org/pda/home.asp?wkr=RTS/TSGS-0122096v600
Release 7					
ETSI	ETSI TS 122 096	7.0.0	Published	Jul 07	http://pda.etsi.org/pda/home.asp?wkr=RTS/TSGS-0122096v700

5.3.2.12.38 TS 22.093

Call completion to busy subscriber (CCBS) – Stage 1

In the situation when subscriber A encounters a network determined user busy (NDUB) destination B, the subscriber A can request the CCBS supplementary service (i.e. activate a CCBS request against destination B). The network will then monitor the wanted destination B for becoming idle. When the wanted destination B becomes idle, then the network will wait a short time in order to allow destination B to make an outgoing call. If destination B does not make any outgoing call within this time, then the network shall automatically recall.

SDO (2)	Document No.	Version	Status	Issued date	Location (1)
Release 99					
ETSI	ETSI TS 122 097	3.2.0	Published	Nov 00	http://pda.etsi.org/pda/home.asp?wkr=RTS/TSGS-0122097UR1
Release 4					
ETSI	ETSI TS 122 097	4.1.0	Published	Apr 02	http://pda.etsi.org/pda/home.asp?wkr=RTS/TSGS-0122097Uv4R1
Release 5					
ETSI	ETSI TS 122 097	5.0.0	Published	Jul 02	http://pda.etsi.org/pda/home.asp?wkr=RTS/TSGS-0122097v500
Release 6					
ETSI	ETSI TS 122 097	6.0.0	Published	Jan 05	http://pda.etsi.org/pda/home.asp?wkr=RTS/TSGS-0122097v600
Release 7					
ETSI	ETSI TS 122 097	7.0.0	Published	Jul 07	http://pda.etsi.org/pda/home.asp?wkr=RTS/TSGS-0122097v700

5.3.2.12.39 TS 22.096

Calling name presentation (CNAP) – Stage 1

The CNAP supplementary service enables the called party to receive the calling name information of the calling party.

SDO (2)	Document No.	Version	Status	Issued date	Location (1)
Release 99					
ARIB	ARIB STD-T63-22.100	3.7.0	Approved	Sep 08	http://www.arib.or.jp/IMT-2000/ARIB-STD/ITU-R_Rev8/R99/A22100-370.pdf
ETSI	ETSI TS 122 100	3.7.0	Published	Oct 01	http://pda.etsi.org/pda/home.asp?wkr=RTS/TSGS-0122100UR2

5.3.2.12.40 TS 22.097

Multiple subscriber profile (MSP) – Stage 1

MSP is an optional service to enable mobile subscribers to have several profiles associated with a single subscriber identity (SIM) and a single international mobile subscriber identity (IMSI), with each profile being a subscription option. Each profile may be used for mobile originated and mobile terminated calls. Up to four different profiles can be provisioned against a subscriber using the MSP feature. This will allow the subscriber to separate her telecommunication service needs into different identities (e.g. business and home).

SDO (2)	Document No.	Version	Status	Issued date	Location (1)
Release 99					
ARIB	ARIB STD-T63-22.101	3.17.0	Approved	Sep 08	http://www.arib.or.jp/IMT-2000/ARIB-STD/ITU-R_Rev8/R99/A22101-3h0.pdf
ETSI	ETSI TS 122 101	3.17.0	Published	Apr 04	http://pda.etsi.org/pda/home.asp?wkr=RTS/TSGS-0122101v3h0
Release 4					
ARIB	ARIB STD-T63-22.101	4.10.0	Approved	Sep 08	http://www.arib.or.jp/IMT-2000/ARIB-STD/ITU-R_Rev8/Rel4/A22101-4a0.pdf
ETSI	ETSI TS 122 101	4.10.0	Published	Apr 04	http://pda.etsi.org/pda/home.asp?wkr=RTS/TSGS-0122101v4a0
Release 5					
ARIB	ARIB STD-T63-22.101	5.14.0	Approved	Sep 08	http://www.arib.or.jp/IMT-2000/ARIB-STD/ITU-R_Rev8/Rel5/A22101-5e0.pdf
ETSI	ETSI TS 122 101	5.14.0	Published	Jul 07	http://pda.etsi.org/pda/home.asp?wkr=RTS/TSGS-0122101v5e0
Release 6					
ARIB	ARIB STD-T63-22.101	6.12.0	Approved	Sep 08	http://www.arib.or.jp/IMT-2000/ARIB-STD/ITU-R_Rev8/Rel6/A22101-6c0.pdf
ETSI	ETSI TS 122 101	6.12.0	Published	Jul 07	http://pda.etsi.org/pda/home.asp?wkr=RTS/TSGS-0122101v6c0
Release 7					
ARIB	ARIB STD-T63-22.101	7.10.0	Approved	Sep 08	http://www.arib.or.jp/IMT-2000/ARIB-STD/ITU-R_Rev8/Rel7/A22101-7a0.pdf
ETSI	ETSI TS 122 101	7.10.0	Awaiting publication		http://pda.etsi.org/pda/home.asp?wkr=RTS/TSGS-0122101v7a0
Release 8					
ARIB	ARIB STD-T63-22.101	8.9.0	Approved	Sep 08	http://www.arib.or.jp/IMT-2000/ARIB-STD/ITU-R_Rev8/Rel8/A22101-890.pdf
ETSI	ETSI TS 122 101	8.7.0	Awaiting publication		http://pda.etsi.org/pda/home.asp?wkr=RTS/TSGS-0122101v870

5.3.2.12.41 TS 22.100

UMTS phase 1 capabilities

This specification describes contains how the definition of the UMTS system will be achieved in a phased approach. This document also specifies the requirements for release 99 of UMTS. Some requirements which are necessary to ensure a smooth transition to later releases are also indicated. This document

should, however, be read in conjunction with the other 22.000 series documents which provide a complete description of the requirements for UMTS release 1999 and beyond.

SDO (2)	Document No.	Version	Status	Issued date	Location (1)
Release 99					
ARIB	ARIB STD-T63-22.105	3.10.0	Approved	Sep 08	http://www.arib.or.jp/IMT-2000/ARIB-STD/ITU-R_Rev8/R99/A22105-3a0.pdf
ETSI	ETSI TS 122 105	3.10.0	Published	Feb 01	http://pda.etsi.org/pda/home.asp?wkr=RTS/TSGS-0122105UR3
Release 4					
ARIB	ARIB STD-T63-22.105	4.3.0	Approved	Sep 08	http://www.arib.or.jp/IMT-2000/ARIB-STD/ITU-R_Rev8/Rel4/A22105-430.pdf
ETSI	ETSI TS 122 105	4.3.0	Published	Apr 02	http://pda.etsi.org/pda/home.asp?wkr=RTS/TSGS-0122105Uv4R1
Release 5					
ARIB	ARIB STD-T63-22.105	5.2.0	Approved	Sep 08	http://www.arib.or.jp/IMT-2000/ARIB-STD/ITU-R/Rel5/A22105-520.pdf
ETSI	ETSI TS 122 105	5.2.0	Published	Jul 02	http://pda.etsi.org/pda/home.asp?wkr=RTS/TSGS-0122105v520
Release 6					
ARIB	ARIB STD-T63-22.105	6.4.0	Approved	Sep 08	http://www.arib.or.jp/IMT-2000/ARIB-STD/ITU-R_Rev8/Rel6/A22105-640.pdf
ETSI	ETSI TS 122 105	6.4.0	Published	Oct 05	http://pda.etsi.org/pda/home.asp?wkr=RTS/TSGS-0122105v640
Release 7					
ARIB	ARIB STD-T63-22.105	7.1.0	Approved	Sep 08	http://www.arib.or.jp/IMT-2000/ARIB-STD/ITU-R_Rev8/Rel7/A22105-710.pdf
ETSI	ETSI TS 122 105	7.1.0	Published	Apr 07	http://pda.etsi.org/pda/home.asp?wkr=RTS/TSGS-0122105v710
Release 8					
ARIB	ARIB STD-T63-22.105	8.4.0	Approved	Sep 08	http://www.arib.or.jp/IMT-2000/ARIB-STD/ITU-R_Rev8/Rel8/A22105-840.pdf
ETSI	ETSI TS 122 105	8.4.0	Awaiting publication		http://pda.etsi.org/pda/home.asp?wkr=RTS/TSGS-0122105v840

5.3.2.12.42 TS 22.101

UMTS service principles

This specification describes the service principles of the UMTS.

SDO (2)	Document No.	Version	Status	Issued date	Location (1)
Release 99					
ETSI	ETSI TS 122 115	3.4.0	Published	Jan 04	http://pda.etsi.org/pda/home.asp?wkr=RTS/TSGS-0122115v340
Release 4					
ETSI	ETSI TS 122 115	4.1.0	Published	Jan 04	http://pda.etsi.org/pda/home.asp?wkr=RTS/TSGS-0122115v410
Release 5					
ETSI	ETSI TS 122 115	5.5.0	Published	Oct 07	http://pda.etsi.org/pda/home.asp?wkr=RTS/TSGS-0122115v550
Release 6					
ETSI	ETSI TS 122 115	6.8.0	Published	Oct 07	http://pda.etsi.org/pda/home.asp?wkr=RTS/TSGS-0122115v680

Release 7

ETSI	ETSI TS 122 115	7.1.0	Published	Oct 07	http://pda.etsi.org/pda/home.asp?wkr=RTS/TSGS-0122115v710
------	-----------------	-------	-----------	--------	---

Release 8

ETSI	ETSI TS 122 115	8.2.0	Awaiting publication		http://pda.etsi.org/pda/home.asp?wkr=RTS/TSGS-0122115v820
------	-----------------	-------	----------------------	--	---

5.3.2.12.43 TS 22.105**Services and service capabilities**

Pre-UMTS systems have largely standardized the complete sets of bearer services, teleservices and supplementary services which they provide. One major difference between UMTS and pre-UMTS systems is that service capabilities rather than services are standardized for UMTS, allowing service differentiation and system continuity.

SDO (2)	Document No.	Version	Status	Issued date	Location (1)
Release 99					
ETSI	ETSI TR 122 121	3.3.1	Published	Jul 02	http://pda.etsi.org/pda/home.asp?wkr=RTR/TSGS-0122121v331
Release 4					
ETSI	ETSI TR 122 121	4.1.1	Published	Jul 02	http://pda.etsi.org/pda/home.asp?wkr=RTR/TSGS-0122121v411
Release 5					
ETSI	ETSI TR 122 121	5.3.1	Published	Jul 02	http://pda.etsi.org/pda/home.asp?wkr=RTR/TSGS-0122121v531

5.3.2.12.44 TS 22.115**Service aspects: charging and billing**

This specification describes the service aspects of charging and billing of the UMTS. This standard is not intended to duplicate existing standards or standards being developed by other groups on these topics, and will reference these where appropriate. This standard will elaborate on the charging requirements described in the charging principles in TS 22.101 UMTS service principles. It will allow the generation of accurate charging information to be used in the commercial and contractual relationships between the parties concerned.

SDO (2)	Document No.	Version	Status	Issued date	Location (1)
Release 99					
ETSI	ETSI TS 122 129	3.6.0	Published	Jan 02	http://pda.etsi.org/pda/home.asp?wkr=RTS/TSGS-0122129UR4
Release 4					
ETSI	ETSI TS 122 129	4.4.0	Published	Jan 02	http://pda.etsi.org/pda/home.asp?wkr=RTS/TSGS-0122129Uv4R2
Release 5					
ETSI	ETSI TS 122 129	5.2.0	Published	Jul 02	http://pda.etsi.org/pda/home.asp?wkr=RTS/TSGS-0122129v520
Release 6					
ETSI	ETSI TS 122 129	6.1.0	Published	Jan 05	http://pda.etsi.org/pda/home.asp?wkr=RTS/TSGS-0122129v610
Release 7					
ETSI	ETSI TS 122 129	7.0.0	Published	Apr 07	http://pda.etsi.org/pda/home.asp?wkr=RTS/TSGS-0122129v700

Release 8

ETSI	ETSI TS 122 129	8.1.0	Awaiting publication	http://pda.etsi.org/pda/home.asp?wkr=RTS/TSGS-0122129v810
------	-----------------	-------	----------------------	---

5.3.2.12.45 TR 22.121**Virtual home environment (VHE)**

This specification describes the content of the Stage 1 requirement for realization of VHE. VHE is defined as a concept for personal service environment (PSE) portability across network boundaries and between terminals. The concept of the VHE is such that users are consistently presented with the same personalized features, user interface customization and services in whatever network and whatever terminal (within the capabilities of the terminal and the network), wherever the user may be located. A key feature to support VHE is the ability to build services using a standardized application interface.

SDO (2)	Document No.	Version	Status	Issued date	Location (1)
Release 99					
ETSI	ETSI TS 122 135	3.4.0	Published	Nov 00	http://pda.etsi.org/pda/home.asp?wkr=RTS/TSGS-0122135UR3
Release 4					
ETSI	ETSI TS 122 135	4.2.0	Published	Dec 02	http://pda.etsi.org/pda/home.asp?wkr=RTS/TSGS-0122135v420
ETSI	ETSI TS 122 135	4.2.0	Published	Dec 02	http://pda.etsi.org/pda/home.asp?wkr=RTS/TSGS-0122135v420
Release 5					
ETSI	ETSI TS 122 135	5.0.0	Published	Jul 02	http://pda.etsi.org/pda/home.asp?wkr=RTS/TSGS-0122135v500
Release 6					
ETSI	ETSI TS 122 135	6.0.0	Published	Jan 05	http://pda.etsi.org/pda/home.asp?wkr=RTS/TSGS-0122135v600
Release 7					
ETSI	ETSI TS 122 135	7.0.0	Published	Jul 07	http://pda.etsi.org/pda/home.asp?wkr=RTS/TSGS-0122135v700

5.3.2.12.46 TS 22.129**Handover requirements between UMTS and GSM or other radio systems**

This specification describes service requirements for handover (terms are defined below) within UMTS systems and between UMTS, other IMT_2000 family members and second generation systems. Particular emphasis has been placed on the description of requirements for handover between UMTS and GSM but requirements specific to other systems are incorporated as required.

SDO (2)	Document No.	Version	Status	Issued date	Location (1)
Release 5					
ARIB	ARIB STD-T63-22.228	5.7.0	Approved	May 06	http://www.arib.or.jp/IMT-2000/ARIB-STD/ITU-R_Rev8/Rel5/A22228-570.pdf
ETSI	ETSI TS 122 228	5.7.0	Published	Apr 06	http://pda.etsi.org/pda/home.asp?wkr=RTS/TSGS-0122228v570
Release 6					
ARIB	ARIB STD-T63-22.228	6.11.0	Approved	May 06	http://www.arib.or.jp/IMT-2000/ARIB-STD/ITU-R_Rev8/Rel6/A22228-6b0.pdf
ETSI	ETSI TS 122 228	6.11.0	Published	Apr 06	http://pda.etsi.org/pda/home.asp?wkr=RTS/TSGS-0122228v6b0

Release 7

ARIB	ARIB STD-T63-22.228	7.6.0	Approved	May 06	http://www.arib.or.jp/IMT-2000/ARIB-STD/ITU-R_Rev8/Rel7/A22228-760.pdf
ETSI	ETSI TS 122 228	7.6.0	Published	Oct 07	http://pda.etsi.org/pda/home.asp?wkr=RTS/TSGS-0122228v760

Release 8

ARIB	ARIB STD-T63-22.228	8.5.0	Approved	May 06	http://www.arib.or.jp/IMT-2000/ARIB-STD/ITU-R_Rev8/Rel8/A22228-850.pdf
ETSI	ETSI TS 122 228	8.3.0	Awaiting publication		http://pda.etsi.org/pda/home.asp?wkr=RTS/TSGS-0122228v830

5.3.2.12.47 TS 22.135**Multicall**

This specification describes multicall scenarios and requirements for UMTS phase 1 release 1999. Multicall feature specifies functionality and interactions related to usage of several simultaneous bearers between a terminal and a network. Multicall features allows both circuit-switched call(s) and packet session(s) to exist simultaneously.

SDO (2)	Document No.	Version	Status	Issued date	Location (1)
---------	--------------	---------	--------	-------------	--------------

Release 99

ETSI	ETSI TR 122 971	3.1.1	Published	Feb 00	http://pda.etsi.org/pda/home.asp?wkr=DTR/TSGS-0122971U
------	-----------------	-------	-----------	--------	---

5.3.2.12.48 TS 22.228**IP Multimedia Subsystem Stage 1**

This specification describes all IP Multimedia services offered by UMTS Systems and second generation systems.

SDO (2)	Document No.	Version	Status	Issued date	Location (1)
---------	--------------	---------	--------	-------------	--------------

Release 99

ETSI	ETSI TR 122 975	3.1.0	Published	Feb 00	http://pda.etsi.org/pda/home.asp?wkr=DTR/TSGS-0122975U
------	-----------------	-------	-----------	--------	---

5.3.2.12.49 TR 22.971**Automatic establishment of roaming relations**

This report describes a proposed framework for commercial and technical interworking between UMTS home environments and serving networks who have no direct prior commercial agreements with each other. This text is applicable to UMTS standardization within ETSI, and is produced with the intent to clarify the concepts involved, and identify those areas which require standardization.

SDO (2)	Document No.	Version	Status	Issued date	Location (1)
---------	--------------	---------	--------	-------------	--------------

Release 99

ARIB	ARIB STD-T63-21.133	3.2.0	Approved	Sep 08	http://www.arib.or.jp/IMT-2000/ARIB-STD/ITU-R_Rev8/R99/A21133-320.pdf
ETSI	ETSI TS 121 133	3.2.0	Published	Jan 02	http://pda.etsi.org/pda/home.asp?wkr=RTS/TSGS-0321133UR1

Release 4

ARIB	ARIB STD-T63-21.133	4.1.0	Approved	Sep 08	http://www.arib.or.jp/IMT-2000/ARIB-STD/ITU-R_Rev8/Rel4/A21133-410.pdf
ETSI	ETSI TS 121 133	4.1.0	Published	Jan 02	http://pda.etsi.org/pda/home.asp?wkr=RTS/TSGS-0321133Uv4R1

5.3.2.12.50 TR 22.975**Advanced addressing**

This report describes the requirements for numbering and addressing for UMTS. This technical report is aimed at generating discussion and should be agreed with ETSI WG NA2. The responsibility for developing of numbering and addressing schemes for all networks being in ETSI NA2.

SDO (2)	Document No.	Version	Status	Issued date	Location (1)
Release 99					
ARIB	ARIB STD-T63-33.102	3.13.0	Approved	Sep 08	http://www.arib.or.jp/IMT-2000/ARIB-STD/ITU-R_Rev8/R99/A33102-3d0.pdf
ETSI	ETSI TS 133 102	3.13.0	Published	Jan 03	http://pda.etsi.org/pda/home.asp?wkr=RTS/TSGS-0333102v3d0
Release 4					
ARIB	ARIB STD-T63-33.102	4.5.0	Approved	Sep 08	http://www.arib.or.jp/IMT-2000/ARIB-STD/ITU-R_Rev8/Rel4/A33102-450.pdf
ETSI	ETSI TS 133 102	4.5.0	Published	Jan 03	http://pda.etsi.org/pda/home.asp?wkr=RTS/TSGS-0333102v450
Release 5					
ARIB	ARIB STD-T63-33.102	5.7.0	Approved	Sep 08	http://www.arib.or.jp/IMT-2000/ARIB-STD/ITU-R_Rev8/Rel5/A33102-570.pdf
ETSI	ETSI TS 133 102	5.7.0	Published	Jan 06	http://pda.etsi.org/pda/home.asp?wkr=RTS/TSGS-0333102v570
Release 6					
ARIB	ARIB STD-T63-33.102	6.5.0	Approved	Sep 08	http://www.arib.or.jp/IMT-2000/ARIB-STD/ITU-R_Rev8/Rel6/A33102-650.pdf
ETSI	ETSI TS 133 102	6.5.0	Published	Jan 06	http://pda.etsi.org/pda/home.asp?wkr=RTS/TSGS-0333102v650
Release 7					
ARIB	ARIB STD-T63-33.102	7.1.0	Approved	Sep 08	http://www.arib.or.jp/IMT-2000/ARIB-STD/ITU-R_Rev8/Rel7/A33102-710.pdf
ETSI	ETSI TS 133 102	7.1.0	Published	Dec 06	http://pda.etsi.org/pda/home.asp?wkr=RTS/TSGS-0333102v710
Release 8					
ARIB	ARIB STD-T63-33.102	8.0.0	Approved	Sep 08	http://www.arib.or.jp/IMT-2000/ARIB-STD/ITU-R_Rev8/Rel8/A33102-800.pdf

5.3.2.12.51 TS 21.133**Security threats and requirements**

Detailed security requirements.

SDO (2)	Document No.	Version	Status	Issued date	Location (1)
Release 99					
ARIB	ARIB STD-T63-33.103	3.7.0	Approved	Sep 08	http://www.arib.or.jp/IMT-2000/ARIB-STD/ITU-R_Rev8/R99/A33103-370.pdf
ETSI	ETSI TS 133 103	3.7.0	Published	Oct 01	http://pda.etsi.org/pda/home.asp?wkr=RTS/TSGS-0333103UR6

Release 4

ARIB	ARIB STD-T63-33.103	4.2.0	Approved	Sep 08	http://www.arib.or.jp/IMT-2000/ARIB-STD/ITU-R_Rev8/Rel4/A33103-420.pdf
ETSI	ETSI TS 133 103	4.2.0	Published	Oct 01	http://pda.etsi.org/pda/home.asp?wkr=RTS/TSGS-0333103Uv4R2

5.3.2.12.52 TS 33.102**Security architecture**

Provides a specification of all security mechanisms and protocols, except algorithms.

SDO (2)	Document No.	Version	Status	Issued date	Location (1)
Release 99					
ARIB	ARIB STD-T63-33.105	3.8.0	Approved	Sep 08	http://www.arib.or.jp/IMT-2000/ARIB-STD/ITU-R_Rev8/R99/A33105-380.pdf
ETSI	ETSI TS 133 105	3.8.0	Published	Jul 01	http://pda.etsi.org/pda/home.asp?wkr=RTS/TSGS-0333105UR6
Release 4					
ARIB	ARIB STD-T63-33.105	4.2.0	Approved	Sep 08	http://www.arib.or.jp/IMT-2000/ARIB-STD/ITU-R_Rev8/Rel4/A33105-420.pdf
ETSI	ETSI TS 133 105	4.2.0	Published	Jul 04	http://pda.etsi.org/pda/home.asp?wkr=RTS/TSGS-0333105v420
Release 5					
ARIB	ARIB STD-T63-33.105	5.0.0	Approved	Sep 08	http://www.arib.or.jp/IMT-2000/ARIB-STD/ITU-R_Rev8/Rel5/A33105-500.pdf
ETSI	ETSI TS 133 105	5.0.0	Published	Jul 04	http://pda.etsi.org/pda/home.asp?wkr=RTS/TSGS-0333105v500
Release 6					
ARIB	ARIB STD-T63-33.105	6.0.0	Approved	Sep 08	http://www.arib.or.jp/IMT-2000/ARIB-STD/ITU-R_Rev8/Rel6/A33105-600.pdf
ETSI	ETSI TS 133 105	6.0.0	Published	Jan 05	http://pda.etsi.org/pda/home.asp?wkr=RTS/TSGS-0333105v600
Release 7					
ARIB	ARIB STD-T63-33.105	7.0.0	Approved	Sep 08	http://www.arib.or.jp/IMT-2000/ARIB-STD/ITU-R_Rev8/Rel7/A33105-700.pdf
ETSI	ETSI TS 133 105	7.0.0	Published	Jul 07	http://pda.etsi.org/pda/home.asp?wkr=RTS/TSGS-0333105v700

5.3.2.12.53 TS 33.103**Security integration guidelines**

SDO (2)	Document No.	Version	Status	Issued date	Location (1)
Release 99					
ARIB	ARIB STD-T63-33.106	3.1.0	Approved	Sep 08	http://www.arib.or.jp/IMT-2000/ARIB-STD/ITU-R_Rev8/R99/A33106-310.pdf
ETSI	ETSI TS 133 106	3.1.0	Published	Feb 00	http://pda.etsi.org/pda/home.asp?wkr=DTS/TSGS-0333106U
Release 4					
ARIB	ARIB STD-T63-33.106	4.0.0	Approved	Sep 08	http://www.arib.or.jp/IMT-2000/ARIB-STD/ITU-R_Rev8/Rel4/A33106-400.pdf
ETSI	ETSI TS 133 106	4.0.0	Published	Apr 01	http://pda.etsi.org/pda/home.asp?wkr=RTS/TSGS-0333106Uv4

Release 5

ARIB	ARIB STD-T63-33.106	5.1.0	Approved	Sep 08	http://www.arib.or.jp/IMT-2000/ARIB-STD/ITU-R_Rev8/Rel5/A33106-510.pdf
ETSI	ETSI TS 133 106	5.1.0	Published	Oct 02	http://pda.etsi.org/pda/home.asp?wkr=RTS/TSGS-0333106v510

Release 6

ARIB	ARIB STD-T63-33.106	6.1.0	Approved	Sep 08	http://www.arib.or.jp/IMT-2000/ARIB-STD/ITU-R_Rev8/Rel6/A33106-610.pdf
ETSI	ETSI TS 133 106	6.1.0	Published	Jan 05	http://pda.etsi.org/pda/home.asp?wkr=RTS/TSGS-0333106v610

Release 7

ARIB	ARIB STD-T63-33.106	7.0.1	Approved	Sep 08	http://www.arib.or.jp/IMT-2000/ARIB-STD/ITU-R_Rev8/Rel7/A33106-701.pdf
ETSI	ETSI TS 133 106	7.0.1	Published	Apr 06	http://pda.etsi.org/pda/home.asp?wkr=RTS/TSGS-0333106v701

Release 8

ARIB	ARIB STD-T63-33.106	8.1.0	Approved	Sep 08	http://www.arib.or.jp/IMT-2000/ARIB-STD/ITU-R_Rev8/Rel8/A33106-810.pdf
ETSI	ETSI	8.0.0	Awaiting publication		

5.3.2.12.54 TS 33.105**Cryptographic algorithm requirements**

Defines requirements for standard cipher and integrity algorithm.

SDO (2)	Document No.	Version	Status	Issued date	Location (1)
---------	--------------	---------	--------	-------------	--------------

Release 99

ARIB	ARIB STD-T63-33.120	3.0.0	Approved	Sep 08	http://www.arib.or.jp/IMT-2000/ARIB-STD/ITU-R_Rev8/R99/A33120-300.pdf
ETSI	ETSI TS 133 120	3.0.0	Published	Feb 00	http://pda.etsi.org/pda/home.asp?wkr=DTS/TSGS-0333120U

Release 4

ARIB	ARIB STD-T63-33.120	4.0.0	Approved	Sep 08	http://www.arib.or.jp/IMT-2000/ARIB-STD/ITU-R_Rev8/Rel4/A33120-400.pdf
ETSI	ETSI TS 133 120	4.0.0	Published	Apr 01	http://pda.etsi.org/pda/home.asp?wkr=RTS/TSGS-0333120Uv4

5.3.2.12.55 TS 33.106**Lawful interception requirements**

Defines all requirements for network based lawful interception.

SDO (2)	Document No.	Version	Status	Issued date	Location (1)
---------	--------------	---------	--------	-------------	--------------

Release 99

ARIB	ARIB TR-T12-33.901	3.0.0	Approved	Sep 08	http://www.arib.or.jp/IMT-2000/ARIB-STD/ITU-R_Rev8/R99/A33901-300.pdf
ETSI	ETSI TR 133 901	3.0.0	Published	Feb 00	http://pda.etsi.org/pda/home.asp?wkr=DTR/TSGS-0333901U

Release 4

ARIB	ARIB TR-T12-33.901	4.0.0	Approved	Sep 08	http://www.arib.or.jp/IMT-2000/ARIB-STD/ITU-R_Rev8/Rel4/A33901-400.pdf
ETSI	ETSI TR 133 901	4.0.0	Published	Oct 01	http://pda.etsi.org/pda/home.asp?wkr=RTR/TSGS-0333901Uv4

5.3.2.12.56 TS 33.120**Security objectives and principles**

Elaborates on the basic principles underlying the security.

SDO (2)	Document No.	Version	Status	Issued date	Location (1)
Release 99					
ARIB	ARIB TR-T12-33.902	3.1.0	Approved	Sep 08	http://www.arib.or.jp/IMT-2000/ARIB-STD/ITU-R_Rev8/R99/A33902-310.zip
ETSI	ETSI TR 133 902	3.1.0	Published	Feb 00	http://pda.etsi.org/pda/home.asp?wkr=DTR/TSGS-0333902U
Release 4					
ARIB	ARIB TR-T12-33.902	4.0.0	Approved	Sep 08	http://www.arib.or.jp/IMT-2000/ARIB-STD/ITU-R_Rev8/Rel4/A33902-400.zip
ETSI	ETSI TR 133 902	4.0.0	Published	Oct 01	http://pda.etsi.org/pda/home.asp?wkr=RTR/TSGS-0333902Uv4

5.3.2.12.57 TR 33.901**Criteria for cryptographic algorithm design process**

This report describes the process used to design cipher and integrity algorithm.

SDO (2)	Document No.	Version	Status	Issued date	Location (1)
Release 99					
ARIB	ARIB STD-T63-26.071	3.0.1	Approved	Sep 08	http://www.arib.or.jp/IMT-2000/ARIB-STD/ITU-R_Rev8/R99/A26071-301.pdf
ETSI	ETSI TS 126 071	3.0.1	Published	Feb 00	http://pda.etsi.org/pda/home.asp?wkr=DTS/TSGS-0426071U
Release 4					
ARIB	ARIB STD-T63-26.071	4.0.0	Approved	Sep 08	http://www.arib.or.jp/IMT-2000/ARIB-STD/ITU-R_Rev8/Rel4/A26071-400.pdf
ETSI	ETSI TS 126 071	4.0.0	Published	Apr 01	http://pda.etsi.org/pda/home.asp?wkr=RTS/TSGS-0426071Uv4
Release 5					
ARIB	ARIB STD-T63-26.071	5.0.0	Approved	Sep 08	http://www.arib.or.jp/IMT-2000/ARIB-STD/ITU-R_Rev8/Rel5/A26071-500.pdf
ETSI	ETSI TS 126 071	5.0.0	Published	Jul 02	http://pda.etsi.org/pda/home.asp?wkr=RTS/TSGS-0426071v500
Release 6					
ARIB	ARIB STD-T63-26.071	6.0.0	Approved	Sep 08	http://www.arib.or.jp/IMT-2000/ARIB-STD/ITU-R_Rev8/Rel6/A26071-600.pdf
ETSI	ETSI TS 126 071	6.0.0	Published	Jan 05	http://pda.etsi.org/pda/home.asp?wkr=RTS/TSGS-0426071v600
Release 7					
ARIB	ARIB STD-T63-26.071	7.0.1	Approved	Sep 08	http://www.arib.or.jp/IMT-2000/ARIB-STD/ITU-R_Rev8/Rel7/A26071-701.pdf
ETSI	ETSI TS 126 071	7.0.1	Published	Jul 07	http://pda.etsi.org/pda/home.asp?wkr=RTS/TSGS-0426071v701

5.3.2.12.58 TR 33.902**Formal analysis of the 3G authentication protocol with modified sequence number management**

Formal analysis using BAN and temporal logic of authentication mechanism.

SDO (2)	Document No.	Version	Status	Issued date	Location (1)
Release 99					
ARIB	ARIB STD-T63-26.090	3.1.0	Approved	Sep 08	http://www.arib.or.jp/IMT-2000/ARIB-STD/ITU-R_Rev8/R99/A26090-310.pdf
ETSI	ETSI TS 126 090	3.1.0	Published	Feb 00	http://pda.etsi.org/pda/home.asp?wkr=DTS/TSGS-0426090U
Release 4					
ARIB	ARIB STD-T63-26.090	4.0.0	Approved	Sep 08	http://www.arib.or.jp/IMT-2000/ARIB-STD/ITU-R_Rev8/Rel4/A26090-400.pdf
ETSI	ETSI TS 126 090	4.0.0	Published	Apr 01	http://pda.etsi.org/pda/home.asp?wkr=RTS/TSGS-0426090Uv4
Release 5					
ARIB	ARIB STD-T63-26.090	5.0.0	Approved	Sep 08	http://www.arib.or.jp/IMT-2000/ARIB-STD/ITU-R_Rev8/Rel5/A26090-500.pdf
ETSI	ETSI TS 126 090	5.0.0	Published	Jul 02	http://pda.etsi.org/pda/home.asp?wkr=RTS/TSGS-0426090v500
Release 6					
ARIB	ARIB STD-T63-26.090	6.0.0	Approved	Sep 08	http://www.arib.or.jp/IMT-2000/ARIB-STD/ITU-R_Rev8/Rel6/A26090-600.pdf
ETSI	ETSI TS 126 090	6.0.0	Published	Jan 05	http://pda.etsi.org/pda/home.asp?wkr=RTS/TSGS-0426090v600
Release 7					
ARIB	ARIB STD-T63-26.090	7.0.0	Approved	Sep 08	http://www.arib.or.jp/IMT-2000/ARIB-STD/ITU-R_Rev8/Rel7/A26090-700.pdf
ETSI	ETSI TS 126 090	7.0.0	Published	Jun 07	http://pda.etsi.org/pda/home.asp?wkr=RTS/TSGS-0426090v700

5.3.2.12.59 TS 26.071

AMR speech codec: general description

This specification describes an introduction to the set of the adaptive multi-rate (AMR) specifications.

SDO (2)	Document No.	Version	Status	Issued date	Location (1)
Release 99					
ARIB	ARIB STD-T63-26.091	3.1.0	Approved	Sep 08	http://www.arib.or.jp/IMT-2000/ARIB-STD/ITU-R_Rev8/R99/A26091-310.pdf
ETSI	ETSI TS 126 091	3.1.0	Published	Feb 00	http://pda.etsi.org/pda/home.asp?wkr=DTS/TSGS-0426091U
Release 4					
ARIB	ARIB STD-T63-26.091	4.0.0	Approved	Sep 08	http://www.arib.or.jp/IMT-2000/ARIB-STD/ITU-R_Rev8/Rel4/A26091-400.pdf
ETSI	ETSI TS 126 091	4.0.0	Published	Apr 01	http://pda.etsi.org/pda/home.asp?wkr=RTS/TSGS-0426091Uv4
Release 5					
ARIB	ARIB STD-T63-26.091	5.0.0	Approved	Sep 08	http://www.arib.or.jp/IMT-2000/ARIB-STD/ITU-R_Rev8/Rel5/A26091-500.pdf
ETSI	ETSI TS 126 091	5.0.0	Published	Jul 02	http://pda.etsi.org/pda/home.asp?wkr=RTS/TSGS-0426091v500
Release 6					
ARIB	ARIB STD-T63-26.091	6.0.0	Approved	Sep 08	http://www.arib.or.jp/IMT-2000/ARIB-STD/ITU-R_Rev8/Rel6/A26091-600.pdf
ETSI	ETSI TS 126 091	6.0.0	Published	Jan 05	http://pda.etsi.org/pda/home.asp?wkr=RTS/TSGS-0426091v600

Release 7

ARIB	ARIB STD-T63-26.091	7.0.0	Approved	Sep 08	http://www.arib.or.jp/IMT-2000/ARIB-STD/ITU-R_Rev8/Rel7/A26091-700.pdf
ETSI	ETSI TS 126 091	7.0.0	Published	Jun 07	http://pda.etsi.org/pda/home.asp?wkr=RTS/TSGS-0426091v700

5.3.2.12.60 TS 26.090**AMR speech codec: transcoding functions**

This specification describes a detailed description of the AMR speech codec transcoding functions.

SDO (2)	Document No.	Version	Status	Issued date	Location (1)
Release 99					
ARIB	ARIB STD-T63-26.092	3.0.1	Approved	Sep 08	http://www.arib.or.jp/IMT-2000/ARIB-STD/ITU-R_Rev8/R99/A26092-301.pdf
ETSI	ETSI TS 126 092	3.0.1	Published	Feb 00	http://pda.etsi.org/pda/home.asp?wkr=DTS/TSGS-0426092U
Release 4					
ARIB	ARIB STD-T63-26.092	4.0.0	Approved	Sep 08	http://www.arib.or.jp/IMT-2000/ARIB-STD/ITU-R_Rev8/Rel4/A26092-400.pdf
ETSI	ETSI TS 126 092	4.0.0	Published	Apr 01	http://pda.etsi.org/pda/home.asp?wkr=RTS/TSGS-0426092Uv4
Release 5					
ARIB	ARIB STD-T63-26.092	5.0.0	Approved	Sep 08	http://www.arib.or.jp/IMT-2000/ARIB-STD/ITU-R_Rev8/Rel5/A26092-500.pdf
ETSI	ETSI TS 126 092	5.0.0	Published	Jul 02	http://pda.etsi.org/pda/home.asp?wkr=RTS/TSGS-0426092v500
Release 6					
ARIB	ARIB STD-T63-26.092	6.0.0	Approved	Sep 08	http://www.arib.or.jp/IMT-2000/ARIB-STD/ITU-R_Rev8/Rel6/A26092-600.pdf
ETSI	ETSI TS 126 092	6.0.0	Published	Jan 05	http://pda.etsi.org/pda/home.asp?wkr=RTS/TSGS-0426092v600
Release 7					
ARIB	ARIB STD-T63-26.092	7.0.0	Approved	Sep 08	http://www.arib.or.jp/IMT-2000/ARIB-STD/ITU-R_Rev8/Rel7/A26092-700.pdf
ETSI	ETSI TS 126 092	7.0.0	Published	Jun 07	http://pda.etsi.org/pda/home.asp?wkr=RTS/TSGS-0426092v700

5.3.2.12.61 TS 26.091**AMR speech codec: error concealment of lost frames**

This specification describes example procedures for the error concealment, also called frame substitution or muting procedure, of lost speech or silence indicator frames.

SDO (2)	Document No.	Version	Status	Issued date	Location (1)
Release 99					
ARIB	ARIB STD-T63-26.093	3.3.0	Approved	Sep 08	http://www.arib.or.jp/IMT-2000/ARIB-STD/ITU-R_Rev8/R99/A26093-330.pdf
ETSI	ETSI TS 126 093	3.3.0	Published	Feb 01	http://pda.etsi.org/pda/home.asp?wkr=RTS/TSGS-0426093UR2

Release 4

ARIB	ARIB STD-T63-26.093	4.0.0	Approved	Sep 08	http://www.arib.or.jp/IMT-2000/ARIB-STD/ITU-R_Rev8/Rel4/A26093-400.pdf
ETSI	ETSI TS 126 093	4.0.0	Published	Aug 02	http://pda.etsi.org/pda/home.asp?wkr=RTS/TSGS-0426093v400

Release 5

ARIB	ARIB STD-T63-26.093	5.2.0	Approved	Sep 08	http://www.arib.or.jp/IMT-2000/ARIB-STD/ITU-R_Rev8/Rel5/A26093-520.pdf
ETSI	ETSI TS 126 093	5.2.0	Published	Jan 03	http://pda.etsi.org/pda/home.asp?wkr=RTS/TSGS-0426093v520

Release 6

ARIB	ARIB STD-T63-26.093	6.1.0	Approved	Sep 08	http://www.arib.or.jp/IMT-2000/ARIB-STD/ITU-R_Rev8/Rel6/A26093-610.pdf
ETSI	ETSI TS 126 093	6.1.0	Published	Jul 06	http://pda.etsi.org/pda/home.asp?wkr=RTS/TSGS-0426093v610

Release 7

ARIB	ARIB STD-T63-26.093	7.0.0	Approved	Sep 08	http://www.arib.or.jp/IMT-2000/ARIB-STD/ITU-R_Rev8/Rel7/A26093-700.pdf
ETSI	ETSI TS 126 093	7.0.0	Published	Jun 07	http://pda.etsi.org/pda/home.asp?wkr=RTS/TSGS-0426093v700

5.3.2.12.62 TS 26.092**AMR speech codec: comfort noise aspects**

This specification describes the detailed requirements for the correct operation of the background acoustic noise evaluation, noise parameter encoding/decoding and comfort noise generation for the AMR speech codec during source controlled rate (SCR) operation.

SDO (2)	Document No.	Version	Status	Issued date	Location (1)
Release 99					
ARIB	ARIB STD-T63-26.094	3.0.0	Approved	Sep 08	http://www.arib.or.jp/IMT-2000/ARIB-STD/ITU-R_Rev8/R99/A26094-300.pdf
ETSI	ETSI TS 126 094	3.0.0	Published	Feb 00	http://pda.etsi.org/pda/home.asp?wkr=DTS/TSGS-0426094U
Release 4					
ARIB	ARIB STD-T63-26.094	4.0.0	Approved	Sep 08	http://www.arib.or.jp/IMT-2000/ARIB-STD/ITU-R_Rev8/Rel4/A26094-400.pdf
ETSI	ETSI TS 126 094	4.0.0	Published	Apr 01	http://pda.etsi.org/pda/home.asp?wkr=RTS/TSGS-0426094Uv4
Release 5					
ARIB	ARIB STD-T63-26.094	5.0.0	Approved	Sep 08	http://www.arib.or.jp/IMT-2000/ARIB-STD/ITU-R_Rev8/Rel5/A26094-500.pdf
ETSI	ETSI TS 126 094	5.0.0	Published	Jul 02	http://pda.etsi.org/pda/home.asp?wkr=RTS/TSGS-0426094v500
Release 6					
ARIB	ARIB STD-T63-26.094	6.1.0	Approved	Sep 08	http://www.arib.or.jp/IMT-2000/ARIB-STD/ITU-R_Rev8/Rel6/A26094-610.pdf
ETSI	ETSI TS 126 094	6.1.0	Published	Jul 06	http://pda.etsi.org/pda/home.asp?wkr=RTS/TSGS-0426094v610
Release 7					
ARIB	ARIB STD-T63-26.094	7.0.0	Approved	Sep 08	http://www.arib.or.jp/IMT-2000/ARIB-STD/ITU-R_Rev8/Rel7/A26094-700.pdf
ETSI	ETSI TS 126 094	7.0.0	Published	Jun 07	http://pda.etsi.org/pda/home.asp?wkr=RTS/TSGS-0426094v700

5.3.2.12.63 TS 26.093**AMR speech codec: source controlled rate (SCR) operation**

This specification describes the operation of the AMR speech codec during SCR operation.

SDO (2)	Document No.	Version	Status	Issued date	Location (1)
Release 99					
ARIB	ARIB STD-T63-26.110	3.1.0	Approved	Sep 08	http://www.arib.or.jp/IMT-2000/ARIB-STD/ITU-R_Rev8/R99/A26110-310.pdf
ETSI	ETSI TS 126 110	3.1.0	Published	Apr 01	http://pda.etsi.org/pda/home.asp?wkr=RTS/TSGS-0426110UR1
Release 4					
ARIB	ARIB STD-T63-26.110	4.1.0	Approved	Sep 08	http://www.arib.or.jp/IMT-2000/ARIB-STD/ITU-R_Rev8/Rel4/A26110-410.pdf
ETSI	ETSI TS 126 110	4.1.0	Published	Apr 01	http://pda.etsi.org/pda/home.asp?wkr=RTS/TSGS-0426110Uv4
Release 5					
ARIB	ARIB STD-T63-26.110	5.0.0	Approved	Sep 08	http://www.arib.or.jp/IMT-2000/ARIB-STD/ITU-R_Rev8/Rel5/A26110-500.pdf
ETSI	ETSI TS 126 110	5.0.0	Published	Jul 02	http://pda.etsi.org/pda/home.asp?wkr=RTS/TSGS-0426110v500
Release 6					
ARIB	ARIB STD-T63-26.110	6.0.0	Approved	Sep 08	http://www.arib.or.jp/IMT-2000/ARIB-STD/ITU-R_Rev8/Rel6/A26110-600.pdf
ETSI	ETSI TS 126 110	6.0.0	Published	Jan 05	http://pda.etsi.org/pda/home.asp?wkr=RTS/TSGS-0426110v600
Release 7					
ARIB	ARIB STD-T63-26.110	7.0.0	Approved	Sep 08	http://www.arib.or.jp/IMT-2000/ARIB-STD/ITU-R_Rev8/Rel7/A26110-700.pdf
ETSI	ETSI TS 126 110	7.0.0	Published	Jul 07	http://pda.etsi.org/pda/home.asp?wkr=RTS/TSGS-0426110v700

5.3.2.12.64 TS 26.094**AMR speech codec: voice activity detector (VAD)**

This specification describes two alternatives for the VAD to be used during SCR operation in conjunction with the AMR codec.

SDO (2)	Document No.	Version	Status	Issued date	Location (1)
Release 99					
ARIB	ARIB STD-T63-26.111	3.4.0	Approved	Sep 08	http://www.arib.or.jp/IMT-2000/ARIB-STD/ITU-R_Rev8/R99/A26111-340.pdf
ETSI	ETSI TS 126 111	3.4.0	Published	Feb 01	http://pda.etsi.org/pda/home.asp?wkr=RTS/TSGS-0426111UR3
Release 4					
ARIB	ARIB STD-T63-26.111	4.0.0	Approved	Sep 08	http://www.arib.or.jp/IMT-2000/ARIB-STD/ITU-R_Rev8/Rel4/A26111-400.pdf
ETSI	ETSI TS 126 111	4.0.0	Published	Apr 01	http://pda.etsi.org/pda/home.asp?wkr=RTS/TSGS-0426111Uv4
Release 5					
ARIB	ARIB STD-T63-26.111	5.1.0	Approved	Sep 08	http://www.arib.or.jp/IMT-2000/ARIB-STD/ITU-R_Rev8/Rel5/A26111-510.pdf
ETSI	ETSI TS 126 111	5.1.0	Published	Jul 03	http://pda.etsi.org/pda/home.asp?wkr=RTS/TSGS-0426111v510

Release 6

ARIB	ARIB STD-T63-26.111	6.2.0	Approved	Sep 08	http://www.arib.or.jp/IMT-2000/ARIB-STD/ITU-R_Rev8/Rel6/A26111-620.pdf
ETSI	ETSI TS 126 111	6.1.0	Published	Jan 05	http://pda.etsi.org/pda/home.asp?wkr=RTS/TSGS-0426111v610

Release 7

ARIB	ARIB STD-T63-26.111	7.1.0	Approved	Sep 08	http://www.arib.or.jp/IMT-2000/ARIB-STD/ITU-R_Rev8/Rel7/A26111-710.pdf
ETSI	ETSI TS 126 111	7.0.0	Published	Jul 07	http://pda.etsi.org/pda/home.asp?wkr=RTS/TSGS-0426111v700

5.3.2.12.65 TS 26.110**Codec for circuit-switched multimedia telephony service: general description**

This specification describes an introduction to the set of specifications for the support of circuit-switched 3G-324M multimedia telephony service.

SDO (2)	Document No.	Version	Status	Issued date	Location (1)
Release 99					
ARIB	ARIB TR-T12-26.911	3.4.0	Approved	Sep 08	http://www.arib.or.jp/IMT-2000/ARIB-STD/ITU-R_Rev8/R99/A26911-340.pdf
ETSI	ETSI TR 126 911	3.4.0	Published	Apr 03	http://pda.etsi.org/pda/home.asp?wkr=RTR/TSGS-0426911v340
Release 4					
ARIB	ARIB TR-T12-26.911	4.2.0	Approved	Sep 08	http://www.arib.or.jp/IMT-2000/ARIB-STD/ITU-R_Rev8/Rel4/A26911-420.pdf
ETSI	ETSI TR 126 911	4.2.0	Published	Apr 03	http://pda.etsi.org/pda/home.asp?wkr=RTR/TSGS-0426911v420
Release 5					
ARIB	ARIB TR-T12-26.911	5.1.0	Approved	Sep 08	http://www.arib.or.jp/IMT-2000/ARIB-STD/ITU-R_Rev8/Rel5/A26911-510.pdf
ETSI	ETSI TR 126 911	5.1.0	Published	Apr 03	http://pda.etsi.org/pda/home.asp?wkr=RTR/TSGS-0426911v510
Release 6					
ARIB	ARIB TR-T12-26.911	6.0.0	Approved	Sep 08	http://www.arib.or.jp/IMT-2000/ARIB-STD/ITU-R_Rev8/Rel6/A26911-600.pdf
ETSI	ETSI TR 126 911	6.0.0	Published	Jan 05	http://pda.etsi.org/pda/home.asp?wkr=RTR/TSGS-0426911v600
Release 7					
ARIB	ARIB TR-T12-26.911	7.1.0	Approved	Sep 08	http://www.arib.or.jp/IMT-2000/ARIB-STD/ITU-R_Rev8/Rel7/A26911-710.pdf
ETSI	ETSI TR 126 911	7.1.0	Published	Oct 06	http://pda.etsi.org/pda/home.asp?wkr=RTR/TSGS-0426911v710

5.3.2.12.66 TS 26.111**Codec for circuit-switched multimedia telephony service: modifications to ITU-T Recommendation H.324**

This specification describes the modifications applicable to the ITU-T Recommendation H.324, Annex C for the support of circuit-switched 3G_324M multimedia telephony service.

5.3.2.12.67 TR 26.911**Codec for circuit-switched multimedia telephony service: terminal implementor's guide**

This report describes non-mandatory Recommendations for the use of the different codec implementation options for the circuit-switched 3G-324M multimedia telephony service based on ITU-T Recommendation H.324, Annex C. These Recommendations address issues specific to the third generation operating environment, including guaranteeing sufficient error resilience and inter-working.

5.3.2.13**Vocabulary****5.3.2.13.1** TR 21.905**Vocabulary**

Document 21.905 is a collection of terms, definitions and abbreviations related to the baseline documents defining the objectives and systems framework. This document provides a tool for further work on the technical documentation and facilitates their understanding.

SDO (2)	Document No.	Version	Status	Issued date	Location (1)
Release 99					
ARIB	ARIB TR-T12-21.905	3.3.0	Approved	Sep 08	http://www.arib.or.jp/IMT-2000/ARIB-STD/ITU-R_Rev8/R99/A21905-330.pdf
ATIS	T1.3GPP.21.905V330-2002	3.3.0	Approved	May 02	https://www.atis.org/docstore/default.aspx
ETSI	ETSI TR 121 905	3.3.0	Published	Oct 01	http://pda.etsi.org/pda/home.asp?wkr=RTR/TSGS-0121905UR3
Release 4					
ARIB	ARIB TR-T12-21.905	4.5.0	Approved	Sep 08	http://www.arib.or.jp/IMT-2000/ARIB-STD/ITU-R_Rev8/Rel4/A21905-450.pdf
ATIS	T1.3GPP.21.905V450-2004	4.5.0	Approved	May 04	https://www.atis.org/docstore/default.aspx
ETSI	ETSI TR 121 905	4.5.0	Published	Jul 03	http://pda.etsi.org/pda/home.asp?wkr=RTR/TSGS-0121905v450
Release 5					
ARIB	ARIB TR-T12-21.905	5.10.0	Approved	Sep 08	http://www.arib.or.jp/IMT-2000/ARIB-STD/ITU-R_Rev8/Rel5/A21905-5a0.pdf
ATIS	ATIS.3GPP.21.905V5100-2006	5.10.0	Approved	Apr 06	https://www.atis.org/docstore/default.aspx
ETSI	ETSI TR 121 905	5.10.0	Published	Oct 05	http://pda.etsi.org/pda/home.asp?wkr=RTR/TSGS-0121905v5a0
Release 6					
ARIB	ARIB TR-T12-21.905	6.10.0	Approved	Sep 08	http://www.arib.or.jp/IMT-2000/ARIB-STD/ITU-R_Rev8/Rel6/A21905-6a0.pdf
ATIS	ATIS.3GPP.21.905V6100-2006	6.10.0	Approved	Apr 06	https://www.atis.org/docstore/default.aspx
ETSI	ETSI TR 121 905	6.10.0	Published	Oct 05	http://pda.etsi.org/pda/home.asp?wkr=RTR/TSGS-0121905v6a0
Release 7					
ARIB	ARIB TR-T12-21.905	7.4.0	Approved	Sep 08	http://www.arib.or.jp/IMT-2000/ARIB-STD/ITU-R_Rev8/Rel7/A21905-740.pdf
ATIS	ATIS.3GPP.21.905V740-2007	7.4.0	Approved	Oct 07	https://www.atis.org/docstore/default.aspx
ETSI	ETSI TR 121 905	7.4.0	Published	Jul 07	http://pda.etsi.org/pda/home.asp?wkr=RTR/TSGS-0121905v740

Release 8

ARIB	ARIB TR-T12-21.905	8.5.0	Approved	Sep 08	http://www.arib.or.jp/IMT-2000/ARIB-STD/ITU-R_Rev8/Rel8/A21905-850.pdf
ATIS	ATIS.3GPP.21.905V850-2008	8.5.0	Approved	Oct 08	https://www.atis.org/docstore/default.aspx
ETSI	ETSI TR 121 905	8.3.0	Awaiting publication		http://pda.etsi.org/pda/home.asp?wkr=RTR/TSGS-0121905v830

5.3.2.14 SDO's complete system standard**SDO Location**

ARIB	http://www.arib.or.jp/IMT-2000/ARIB-STD.html
ATIS	https://www.atis.org/docstore/default.aspx
CCSA	http://www.ccsa.org.cn/english/tc/files.php?docpath=/ITU-R/M.1457
ETSI	http://www.etsi.org
TTA	http://www.tta.or.kr/English/new/standardization/eng_ttastdlist.jsp

5.4 IMT-2000 TDMA Single-Carrier

5.4.1 Overview of the radio interface

5.4.1.1 Introduction

The IMT-2000 TDMA Single-Carrier radio interface specifications contain two variations depending on whether a TIA/EIA-41 circuit switched network component or a GSM evolved UMTS circuit switched network component is used. In either case, a common enhanced GSM General Packet Radio Service (GPRS) packet switched network component is used. The initial focus of the following sections has been to provide an evolution path for the TIA/EIA-136 pre-IMT-2000 radio interface to evolve to IMT-2000. As WRC 2000 identified additional frequency bands for IMT-2000, another pre-IMT-2000 radio interface (GSM/GPRS) is provided with an evolution path to TDMA Single-Carrier by incorporating common components of the IMT-2000 TDMA Single-Carrier radio interface. This application furthers the objective of maximum commonality between TIA/EIA-136 and GSM/EDGE GPRS.

5.4.1.1.1 Radio interface used with TIA/EIA-41 Circuit Switched Network Component

The IMT-2000 radio interface specifications for TDMA Single-Carrier technology utilizing the TIA/EIA-41 circuit switched network component are developed by TIA TR45.3 with input from the Universal Wireless Communications Consortium. This radio interface is called Universal Wireless Communication-136 (UWC-136), which is specified by American National Standard TIA/EIA-136. It has been developed with the objective of maximum commonality between TIA/EIA-136 and GSM EDGE GPRS.

This radio interface was designed to provide a TIA/EIA-136 (designated as 136) based radio transmission technology that meets ITU-R's requirements for IMT-2000. It maintains the TDMA community's philosophy of evolution from 1st to 3rd generation systems while addressing the specific desires and goals of the TDMA community for a 3rd generation system.

This radio interface is an attractive and powerful evolutionary step for 136. The technology presented provides for future IMT-2000 services to existing operators, as well as providing new operators competitive features, services and technology. Additionally, the technology provides these same features and services in other bands around the world where regulatory approval has been granted to offer such services.

UWC-136 used a three component strategy for evolving the 136 technology to 3rd generation. The initial strategy consisted of enhancing the voice and data capabilities of the 30 kHz channels (designated as 136+), adding a 200 kHz carrier (EDGE) component for high speed data (384 kbit/s) accommodating high mobility (designated as 136HS Outdoor), and adding a 1.6 MHz carrier component for very high speed data (2 Mbit/s) in low mobility applications (designated as 136HS Indoor). The second phase update further enhanced the voice capabilities of the 30 kHz channel (designated as 136+), and added an additional alternative 200 kHz carrier EDGE component for high speed data (384 kbit/s) (designated as 136EHS).

The third phase update added support for GSM EDGE Release 5 services and the IP multimedia subsystem (IMS) as well as incorporation of the harmonised Mobile Equipment Identifier (MEID). Additionally, an alternative for the circuit switched network component is added. The combined result constitutes this radio interface specification.

The fourth phase update added support for GERAN Release 6 services which include Multimedia Broadcast/Multicast Service (MBMS), Wideband AMR voice coder, and Packet Switched handoff. Additional improvements include Flexible Layer One (FLO) and downlink receiver performance.

This update adds support for GERAN Release 7 services which include improved location services utilizing UTDOA and Galileo systems, latency reductions, and conversational services over the A/Gb interface. Additional improvements include dual carrier capability along with Enhanced GPRS phase 2 (EGPRS2) which includes higher order modulation, turbo codes, and reduced symbol period. Receiver diversity and Generic Access Network support enhancements are also included.

The 136HS Outdoor and Indoor components were developed to satisfy the requirements for an IMT-2000 radio transmission technology, with the additional requirement for the consideration of commercially effective evolution and deployment in current 136 networks. Such considerations include flexible spectrum

allocation, spectrum efficiency, compatibility with 136 and 136+, and support of macrocellular performance at higher mobile speeds. 136EHS provided compatibility with GSM EGPRS, while this update provides a common EDGE enhanced GPRS phase 2 packet switched component with GSM EDGE Release 7 functionality thus providing commercially effective evolution and global roaming.

The TDMA community continues to enhance UWC-136, regularly providing revisions to the standards.

5.4.1.1.2 Radio interface used with GSM evolved UMTS circuit switched network component

This radio interface provides an evolution path for an additional pre-IMT-2000 technology (GSM/GPRS) to IMT-2000 TDMA Single-Carrier. The IMT-2000 radio interface specifications for TDMA Single-Carrier technology utilizing the GSM evolved UMTS circuit switched network component are developed by 3GPP and transposed by ATIS Wireless Technologies and Systems Committee (WTSC). The circuit switched component uses a common 200 kHz carrier as does the GSM EDGE enhanced GPRS phase packet switched component, as used by 136EHS, to provide high speed data (384 kbit/s). In addition a new dual carrier configuration is supported.

5.4.1.2 Services

UWC-136 builds on the mature and powerful TIA/EIA-136 standard, which has evolved over many years. Thus, all TIA/EIA-136 services are included, and the capabilities of 384 kbit/s, and 2 Mbit/s high speed data are added. Through TIA/EIA-136, this technology supports both full-rate (3 users/30 kHz) and half-rate (6 users/30 kHz) voice services. Utilizing the GSM evolved UMTS circuit switched network component, all the circuit switched services of the GSM system are provided by TDMA Single-Carrier. Additionally, the GAIT interoperability function provides interoperability between the two circuit switched networks.

5.4.1.2.1 Voice Services

5.4.1.2.1.1 TIA/EIA-41 circuit switched network component

Four full-rate voice coders are presently defined: VSELP, ACELP, US1, and AMR. Additionally, one half-rate voice coder is presently defined: AMR. Enhancements to voice services entail a more robust full-rate voice service using DQPSK modulation, and a low delay and improved tandeming codec for wireless office applications using 8-PSK modulation. An additional slot format for DQPSK results in a link budget improvement of 4 dB in robustness for ACELP.

The AMR voice coder supports 3 users per RF carrier (Full Rate) and 6 users per RF carrier (Half-Rate), utilizing slot sharing and enhanced interleaving to achieve diversity gains and lower delay. RF carriers support both DQPSK and 8-PSK modulation formats so that mobiles supporting either modulation can exist on the same carrier to maximize trunking efficiency.

Voice services are supported with robust error correction coding and link quality improvement techniques such as per slot power control. Enhanced reporting mechanisms for Frame Error Rate, real-time C/I, and BER are also defined to aid in RF system engineering.

5.4.1.2.1.2 GSM evolved UMTS circuit switched network component

The AMR voice coder supports 8 users per 200 kHz RF carrier (Full Rate) and 16 users per RF carrier (Half-Rate), utilizing the common coding and adaptation technology used in the UWC-136 AMR. This update provides an additional voice coder known as Wideband AMR (AMR-WB).

Wideband coding brings quality improvement over the existing narrowband telephony through the use of extended audio bandwidth. The AMR codec, standardised for Release 98 and Release 99, provides good performance for telephone bandwidth speech (audio bandwidth limited to 3.4 kHz). However, the introduction of a wideband speech service (audio bandwidth extended to 7 kHz) brings improved voice quality especially in terms of increased voice naturalness. Wideband coding brings speech quality exceeding wireline quality to GERAN systems.

The wideband codec was developed as a multi-rate codec consisting of several codec modes like the AMR codec. Consequently, similar to the existing AMR codec, in the AMR-WB codec, the codec mode is chosen based on the operating conditions on the radio channel. Adapting coding depending on the channel quality provides high robustness against transmission errors. The codec also includes a source controlled rate

operation mechanism, which allows it to encode speech at a lower average rate by taking into account speech inactivity.

The AMR-WB codec provides the following capabilities:

- Voice quality equal to ITU-T G.722-56k in a GSM full-rate traffic channel.
- Voice quality equal to ITU-T G.722-64K in a GERAN 8-PSK Radio Channel.

The codec mode can be changed every 40 ms in GERAN channels.

Extended AMR Wideband codec

This update adds an extension to the AMR-WB codec which adds the detailed mapping from input blocks of monophonic or stereophonic audio samples in 16 bit uniform PCM format to encoded blocks and from encoded blocks to output blocks of reconstructed monophonic or stereophonic audio samples. The coding scheme is an extension of the AMR-WB coding scheme and is referred to as extended AMR-WB or AMR-WB+ codec. It comprises all AMR-WB speech codec modes including VAD/DTX as well as extended functionality for encoding general audio signals such as music, speech, mixed, and other signals. AMR-WB+ extends the AMR-WB codec by adding transform coded excitation (TCX), bandwidth extension, and stereo.

The AMR-WB+ audio codec processes input frames equal to 2 048 samples at an internal sampling frequency F_s . The internal sampling frequency is limited to the range 12 800-38 400 Hz. The 2 048-sample frames are split into two critically sampled equal frequency bands. This results in two superframes of a 1 024 samples corresponding to the low frequency (LF) and high frequency (HF) band. Each superframe is divided into four 256-samples frames. Sampling at the internal sampling rate is obtained by using a variable sampling conversion scheme, which re-samples the input signal.

The LF and HF signals are then encoded using two different approaches: the LF is encoded and decoded using the "core" encoder/decoder, based on switched ACELP and transform coded excitation (TCX). In ACELP mode, the standard AMR-WB codec is used. The HF signal is encoded with relatively few bits (16 bits/frame) using a bandwidth extension (BWE) method.

Enhanced aacPlus General audio codec

This update adds an additional codec known as the Enhanced Advanced Audio Coding Plus (aacPlus) general audio codec. The Enhanced aacPlus audio codec is based on the Advanced Audio coding (AAC), Spectral Band Replication (SBR) and Parametric Stereo coding tools defined in the MPEG-4 Audio standard. In addition it includes further tools such as error concealment, spline resampler, and stereo-to-mono downmix. Also described is the detailed mapping from a PCM sample input to an MPEG-4 bitstream containing Enhanced aacPlus coded audio.

5.4.1.2.2 Data Services

A scalable packet data service having data rates from 11.2 kbit/s to greater than 2 Mbit/s is supported. For 136+, 136HS Outdoor, and 136HS Indoor, this packet data service is referred to as GPRS-136. For 136EHS this packet data service is referred to as EGPRS-136. Both use the GPRS backbone network. Packet switched services are integrated with existing circuit switched services while maintaining TIA/EIA-136 capabilities. A Mobile Station in operation on the packet network may automatically move to the circuit network to place and receive calls, then return to the packet network upon completion of a circuit call. Mobile Stations in operation on the packet network are also able to support services such as Short Message Service (SMS) and message waiting indications.

The user can access two forms of data network; X.25 and Internet Protocol (IP) based. For IP based networks the user may have dynamic or static IP allocation. Differing Quality of Service requirements are supported for any data session and multiple simultaneous data sessions are supported. Only the user's subscription and system engineering limit the number of data sessions that are open for a user. The general approach of this integrated data model is to overlay the circuit switched network nodes with packet data network nodes for service provisioning, registration, mobility management, and accounting. Interworking is provided between the circuit switched and packet data networks for mobiles capable of both services. This allows a user engaged in an active data transfer to pause/resume operation should they wish to make or receive a circuit call.

Conversational services

Conversational services are used for real-time applications, such as IP-telephony (VoIP) and video-conferencing. Support for conversational services is necessary to maintain compatibility with legacy systems and should be implemented with a minimum of impact to existing systems and standards. This requires maintaining the current functional split of the protocol architecture between the core and radio access network. Implementing conversational services in the PS domain in A/Gb mode requires consideration of the following GERAN packet service characteristics:

- Minimizing the transfer delay between the SGSN and the MS.
- Improving the feedback reporting mechanism.
- Defining a suitable RLC mode to allow retransmissions for delay-sensitive applications.
- Defining radio resource management functions to efficiently support Conversational Services.

For instance, conversational services need a reduced transfer delay and a fast acknowledgement procedure over the radio interface. In addition, support of Packet-switched Handover for GERAN A/Gb mode is a prerequisite to achieve support for conversational services.

5.4.1.2.3 Ancillary Services

A host of services are offered, some of which are: portable subscriptions through Removable User Identity Modules (R-UIM), short messaging, message waiting indication, calling name indication, extended standby time via “sleep mode”, wireless office (private systems), circuit switched data, over-the-air activation, over-the-air programming, encryption, broadcast teleservice transport, general UDP transport, and authentication.

The second update also provided location services capabilities through System Assisted Mobile Positioning through Satellite (SAMPS).

The third phase update added a rich broadcast or point to multipoint service known as Multimedia Broadcast/Multicast Service (MBMS). Point to multipoint services exist today which allow data from a single source entity to be transmitted to multiple endpoints. MBMS efficiently provides this capability for such broadcast/multicast services provided by the home environment and other Value Added Service Providers (VASPs).

The MBMS is a unidirectional point to multipoint bearer service in which data is transmitted from a single source entity to multiple recipients. It will also be capable of expanding to support other services with these bearer capabilities.

It will support two modes of operation:

- the broadcast mode;
- the multicast mode.

MBMS broadcast mode

MBMS data transmission will adapt to different RAN capabilities or different radio resource availability, e.g. by reducing the bitrate of the MBMS data.

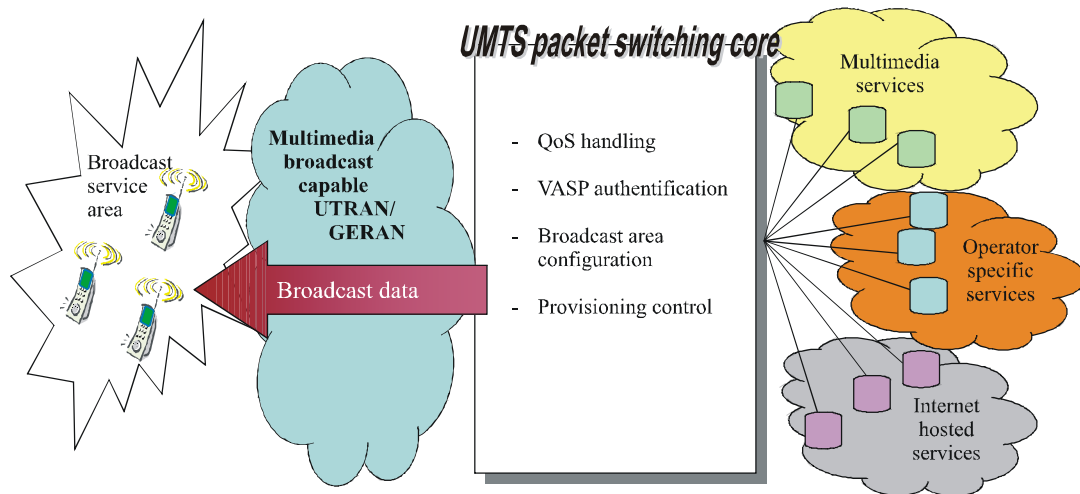
Figure 54 gives an example of how a network can be configured to broadcast a variety of high bit rate services to users within the associated broadcast service area.

A broadcast service received by the MS, involves one or more successive broadcast sessions. A broadcast service might, for example, consist of a single on-going session (e.g. a media stream) or may involve several intermittent sessions over an extended period of time (e.g. messages).

An example of a service using the broadcast mode could be advertising or a welcome message to the network. As not all users attached to the network may wish to receive these messages then the user shall be able to enable/disable the reception of these broadcast service on his MS.

FIGURE 54

Example of MBMS broadcast mode network

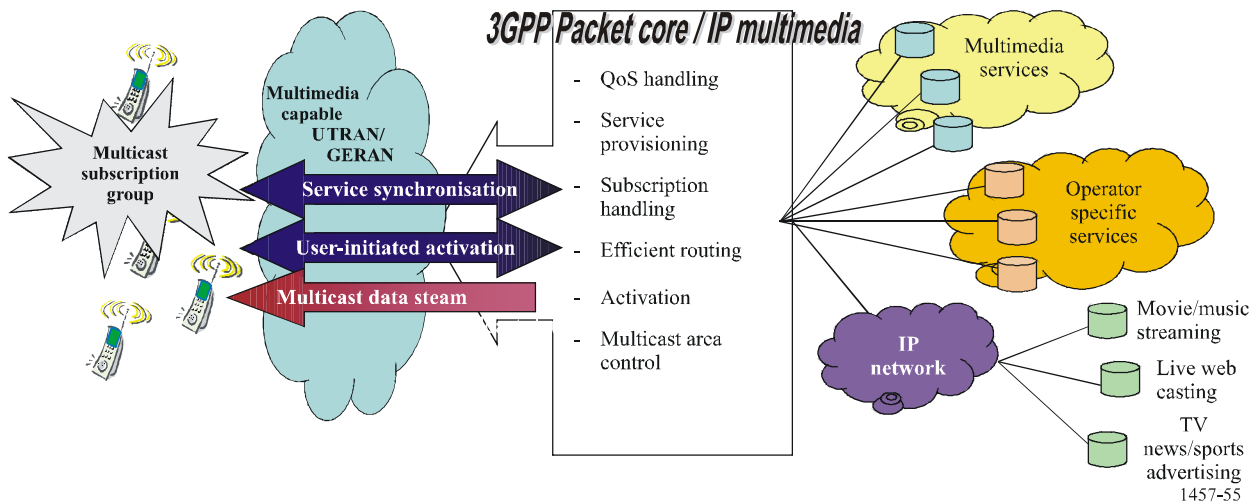


MBMS multicast mode

The multicast mode allows the unidirectional point-to-multipoint transmission of multimedia data (e.g. text, audio, picture, video) from a single source point to a multicast group in a multicast service area. The multicast mode will efficiently use radio/network resources e.g. data is transmitted over a common radio channel. Data is transmitted in the multicast service area as defined by the network (Home environment). In the multicast mode there is the possibility for the network to selectively transmit to cells within the multicast service area which contain members of a multicast group.

FIGURE 55

Example of MBMS multicast mode network



MBMS data transmission will adapt to different RAN capabilities or different radio resource availability, e.g. by reducing the bitrate of the MBMS data.

A multicast service received by the MS, involves one or more successive multicast sessions. A multicast service could, for example, consist of a single on-going session (e.g. a multimedia stream) or may involve several intermittent multicast sessions over an extended period of time (e.g. messages).

An example of a service using the multicast mode could be a football results service for which a subscription is required.

Unlike the broadcast mode, the multicast mode generally requires a subscription to the multicast subscription group and then the user joining the corresponding multicast group. The subscription and group joining may be made by the operator, the user or a third party on their behalf (e.g. company).

Reception of multicast services cannot be guaranteed over the access network. For many applications and services guaranteed data reception may be carried out by higher layer services or applications which make use of MBMS.

Multicast mode should allow terminals to minimise their power consumption.

Multicast mode shall be inter-operable with IETF IP Multicast. This will allow the best use of IP service platforms to help maximize the availability of applications and content so that current and future services can be delivered in a more resource efficient manner. Figure 55 above shows a general high level overview of multicast mode network.

Location Services Enhancements

The 3GPP GERAN specifications include support for various location technologies, such as Cell-ID, E-OTD and A-GPS positioning. Following the decision from the European Union to develop the GALILEO Global Navigation Satellite System, it was decided to add support for GALILEO in 3GPP GERAN Release 7 specifications. GALILEO will consist of a constellation of 30 satellites in three orbit planes. It is based on the same technology as GPS and provides a similar degree of precision. Using GPS and GALILEO constellations together provides real advantage in terms of accuracy, service availability and reliability, since essentially twice the number of satellites with interoperable signals will be available for position calculation and navigation. In addition, GALILEO specific signal characteristics (e.g., new modulation formats and dataless ranging channels) are expected to bring themselves significant enhancements. Consequently, 3GPP introduced the concept of Assisted Global Navigation Satellite System (A-GNSS) in Release 7. In this concept, different Global Navigation Satellite Systems (GNSS) (currently GPS and GALILEO) can be used separately or in combination to perform the location of a mobile station. GALILEO support has been added to Release 7 specifications in such a way, that additional Global Navigation Satellite Systems can be added in the future without requiring major changes to the specifications. The concept of GANSS (GALILEO and Additional Navigation Satellite Systems) has been introduced by defining GANSS common assistance data (applicable to any GNSS) and GANSS specific assistance data. The GANSS specific assistance data are identified by a certain GANSS-ID. Currently, GANSS includes support for GALILEO only. In the future, additional GANSS-IDs may be defined for additional constellations and the GANSS specific assistance data formats may be used for these additional GNSS in the future as well. Hence, the Assisted-GNSS concept combines Assisted-GPS (defined since Release 98) and Assisted-GANSS (new defined in Release 7). All interfaces supporting the transport of information for localization have been modified to incorporate the transport of the new GANSS elements.

Support for GNSS Extended Orbits:

In order to compute a location in the MS based on GNSS (GPS and GANSS) signal measurements, the MS must determine with good precision the position and clock bias of the GNSS satellites. For that purpose Navigation Model assistance (ephemeris and clock corrections) are delivered to the MS in assistance data information elements. The Navigation Model assistance (as also provided in the broadcast message of each individual GNSS satellite) usually has a lifespan of four hours. There are various commercial services available that produce satellite ephemeris and clock corrections predictions with extended lifespan of several days. GERAN Release 7 includes the option to extend the satellite orbits beyond that provided by the individual GNSS. Extended Navigation Model assistance can be provided for the all satellites in a GNSS constellation with a validity period of typically between 1 and 7 days in advance. The MS may download the extended orbit data regularly (e.g., once a week) and therefore, valid navigation model assistance data would already be available in the MS when it receives a position request from the network. This usually also reduces the time to report a location estimate since most data required to calculate a location in the MS would already be available in the MS. In addition, Extended Orbits enable A-GNSS like benefits outside network/service coverage as ephemeris data for the full constellation may be already available in the MS, and hence, can achieve faster time to first fix with greater sensitivity than otherwise possible with standalone GNSS receivers.

Since the data needed to describe ephemeris and clock corrections for a period of e.g., 7 days is rather huge, the navigation model data is differentially encoded before delivered to the MS. The orbit data are divided into periods of 4-6 h, and the difference between adjacent orbit model data are sent to the MS. This compression technique reduces the message size of the extended orbit data significantly.

Support for Extended Orbits has been added for GPS and GANSS.

5.4.1.3 Layer 1

The basic premise of operation is spectrum on demand. The amount of spectrum allocated at a given time is a function of the service mix that is required. It allows for incremental channels to be allocated and de-allocated as required. The bandwidth associated with each service is tailored to that service. By aggressively managing the spectrum, high spectral efficiency performance is supported as well as underlay cells which can “steal” spectrum from the overlay network to provide even more capacity in a given geographical region.

The 136+ bearer supports both voice and data service on a 30 kHz RF channel. Two modulation types are specified: mandatory $\pi/4$ -DQPSK and optional 8-PSK at a common channel symbol rate of 24.3 ksymbols/s. Channels are spaced 30 kHz apart, centre to centre. Both the voice and data services can operate on either modulation to allow for service differentiation and channel robustness.

EDGE Bearer

The 136HS Outdoor bearer and the 136EHS bearer use a 200 kHz RF carrier, known as EDGE, to enable the deployment of the high speed data services. Two mandatory modulations are specified: GMSK and 8-PSK at a common channel symbol rate of 270.833 ksymbols/s. The channel coding and modulation can be varied to provide an optimal adaptation of throughput versus channel robustness. Channels are spaced 200 kHz apart, centre to centre.

Dual Carrier Configuration

In this update, which adds GERAN Release 7 functionality, two 200 kHz carriers are supported in the Mobile station which is known as “Downlink Dual Carrier”. In a downlink dual carrier configuration, one or more PDCHs are assigned to a single MS on each of two different radio frequency channels on either the uplink or downlink, or both. On the downlink, radio blocks may be allocated on both radio frequency channels in any radio block period. On the uplink, radio blocks shall not be allocated on both radio frequency channels in the same radio block period.

A downlink dual carrier configuration shall support multislot configurations either for packet switched connections or dual transfer mode. For a Dual Transfer Mode capable MS which supports Downlink Dual Carrier, support of Downlink Dual Carrier configurations for Dual Transfer Mode is optional.

EGPRS Phase 2 Bearers

Release 7 of the Evolved GERAN also added Downlink and Uplink physical layer enhancements collectively referred to as Enhanced GPRS Phase 2 (EGPRS2). Specifically, they introduce Higher Order Modulations (16 and 32-QAM) to improve Spectral Efficiency; Higher Symbol Rate (1.2 x the legacy symbol rate) to increase peak data rates and Turbo Coding to improve link performance. In order to facilitate a phased deployment of these features, various levels are defined. For example, EGPRS2 Downlink Level-A standardizes 16 and 32-QAM and Turbo Coding, whereas EGPRS2 Downlink Level -B additionally includes Higher Symbol Rate (as well as QPSK modulation). Similarly, EGPRS2 Uplink Level-A standardizes 16-QAM, whereas EGPRS Uplink

Level-B additionally includes 32-QAM as well as Higher Symbol Rate. In order to accommodate the transmission of a higher symbol rate, a spectrally wide pulse shaping filter is also defined for the Uplink and is being explored for the Downlink.

Downlink Advanced Receiver Performance (DARP)

In addition to the Modulation and coding changes, Downlink Advanced Receiver Performance (DARP) is introduced. DARP is the new project name for Single Antenna Interference Cancellation (SAIC) for GERAN networks. This feature improves the link level performance and thereby the radio network capacity (spectral efficiency) for GMSK modulated circuit switched voice and packet data services (EGPRS MCS1-4) when

operating in areas being limited by GMSK interference. The conclusion of the Feasibility Study is that DARP is indeed a very viable and feasible technology, and that when applied to GMSK modulation and fully deployed, will provide significant gains in voice capacity in interference-limited networks, both synchronous and asynchronous. In addition, DARP was also found to support modest increases in GPRS data throughput for the data traffic models considered. Another key conclusion is that the capacity gain due to DARP is not linearly related to DARP terminal penetration. Hence, for low to moderate terminal penetration rates, DARP is expected to provide its primary benefit in terms of immediate improvement in call quality (and GPRS throughput), with the secondary benefit of modest system capacity gain. For high terminal penetration rates (>70-80%), DARP is expected to provide both, improvement in call quality as well as large gain in overall system capacity.

Downlink Advanced Receiver Performance (DARP) Phase II

The feasibility of MS Receive Diversity (MSRD) was determined during the feasibility study for evolved GSM/EDGE Radio Access Network (see § 5.4.2.5.46).

MSRD is a downlink feature, which improves the receiver performance of the mobile station by means of an additional antenna. The introduction of Single Antenna Interference Cancellation (SAIC) characterised by the Downlink Advanced Receiver Performance (DARP) Phase I has shown that receiver enhancements in the MS can provide significant gains in terms of spectral efficiency. MSRD offers the possibility of enhanced channel diversity and the potential for further improved interference cancellation performance for GMSK modulated signals as well as significant gains for 8-PSK-modulated signals. Therefore gains in both user throughput and system capacity can be achieved.

Finally, the 136HS Indoor bearer uses a 1.6 MHz RF carrier to enable the deployment of high-speed indoor data services at greater than 2 Mbit/s. Two mandatory modulations are specified: B-O-QAM and Q-O-QAM at a common channel symbol rate of 2.6 Msymbols/s. The channel modulation can be varied to provide an optimal adaptation of throughput versus channel robustness. Channels are spaced 1 600 kHz apart, centre to centre. Additionally, 136HS Indoor has an optional TDD mode.

In the third phase update, a new logical mapping was introduced known as Flexible Layer One. Previously, the MAC sublayer was responsible for the mapping between the logical channels (traffic or control channels) and the basic physical channels. The logical channels are the channels the physical layer offers to the MAC sublayer. Until now these logical channels and the mapping to the basic physical channel have been fully specified statically.

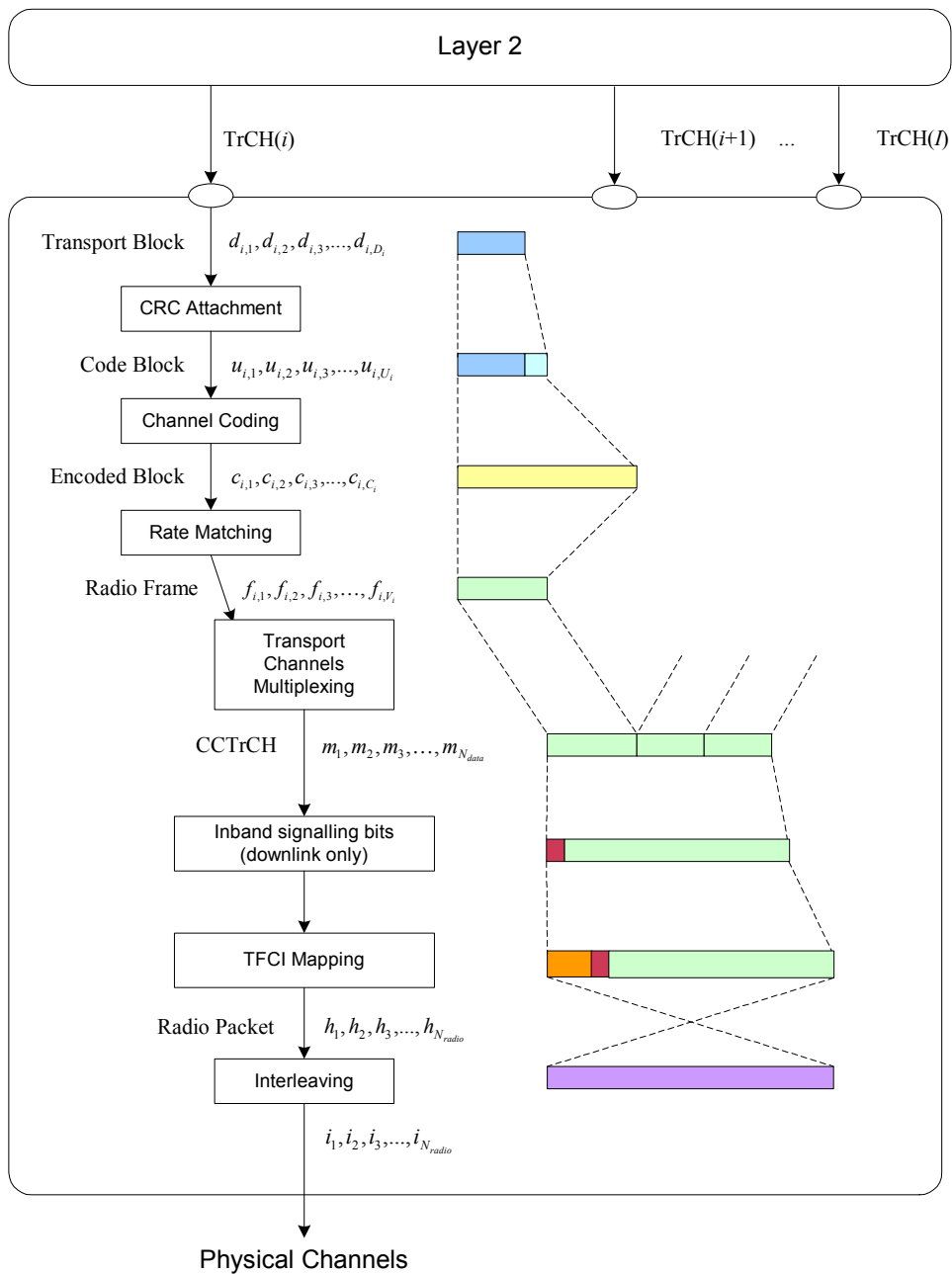
A different approach has been taken in UTRAN, where instead of providing logical channels the physical layer offers Transport Channels (TrCH), which can be used by the MAC sublayer. A transport channel is used to transmit one data flow with a given QoS over the radio interface. A number of transport channels can be active at the same time and multiplexed at the physical layer. The transport channels are configured at call setup by the network.

With the Flexible Layer One addition, the concept of transport channels used in UTRAN is reused in GERAN i.e. the physical layer offers one or several transport channels to the MAC sublayer.

With Flexible Layer One, the physical layer of GERAN offers one or several transport channels to the MAC sublayer. Each of these transport channels can carry one data flow providing a certain Quality of Service (QoS). A number of transport channels can be multiplexed and sent on the same basic physical subchannel at the same time. This is illustrated in Fig. 56.

The configuration of a transport channel i.e. the number of input bits, channel coding, interleaving etc. is denoted the Transport Format (TF). As in UTRAN, a number of different transport formats can be associated to one transport channel. The configuration of the transport formats is completely controlled by the RAN and signalled to the MS at call setup. In both the MS and the BTS, the transport formats are used to configure the encoder and decoder units. When configuring a transport format, the RAN can choose between a number of predefined CRC lengths and block lengths.

FIGURE 56
Flexible layer one architecture



On transport channels, transport blocks (TB) are exchanged between the MAC sublayer and the physical layer on a transmission time interval (TTI) basis. For each TTI a transport format is chosen and indicated through the transport format indicator (TFIN). In other words, the TFIN tells which transport format to use for that particular transport block on that particular TrCH during that particular TTI. When a transport channel is inactive, the transport format with a transport block size of zero (empty transport format) is selected.

Only a limited number of combinations of the transport formats of the different TrCHs are allowed. A valid combination is called a Transport Format Combination (TFC). The set of valid TFCs on a basic physical subchannel is called the Transport Format Combination Set (TFCS). The TFCS is signalled through the Calculated Transport Format Combinations (CTFC).

5.4.1.4 Layer 2

Layer 2 provides two different types of functionalities: those to support circuit based operation and those that support packet based operation.

5.4.1.4.1 Circuit

The modulated/encoded voice is carried over the Digital Traffic Channel (DTC). The connection of the traffic channel is supervised using the Coded Digital Verification Colour Code (CDVCC) on Layer 2. The Mobile Station (MS) decodes the CDVCC (either explicitly or implicitly) received from the Base Station in every DTC time slot, and compares it with the colour code received from the original connection messages or the hand-off message (DVCCs). The MS transmits the coded DVCCs to the Base Station in each burst. The DTC also contains Fast and Slow Associated Control Channels (FACCH and SACCH) which carry control and supervising messages.

Layer 2 of the Digital Control Channel (DCCH) services requests from and provides indications to Layer 3. On the MS side, Layer 2 services the Layer 3 Reverse DCCH (RDCCH) Request Primitive to initiate a mobile station access attempt on the Random Access Channel (RACH) which is controlled by Layer 2. Layer 2 then performs Random or Reserve access procedures, and decoding of the Shared Channel Feedback (SCF) status information. Layer 2 issues a Forward DCCH (FDCCH) Indication Primitive to Layer 3 when the MS receives a complete layer 3 message broadcast or addressed on various FDCCH channels.

On the Base Station side, Layer 2 services the Layer 3 F-BCCH, E-BCCH, S-BCCH, and SPACH Request Primitives containing the Layer 3 messages to be sent to the MS. Layer 2 issues an RDCCH Indication Primitive to deliver to Layer 3 messages received from the MS.

Various Layer 2 protocols can be used to carry RDCCH and FDCCH information in support of layer 3 messages such as Frame Segmentation and Re-assembly, and Automatic Retransmission Request (ARQ) mode of operation. Other functions of the DCCH layer 2 are: Message Concatenation of layer 3 Messages, MSID Management, Header Formatting, and Monitoring Radio Link Quality (MRLQ).

5.4.1.4.2 Packet

The overall function Layer 2 provides is to realize radio bearers for Layer 3, taking into consideration the requested QoS objectives. Layer 2 is structured into Logical Link Control (LLC), Radio Link Control (RLC), and Medium Access Control (MAC), (RLC and MAC may be combined into one function referred to as MAC).

The LLC is independent of the radio interface. The LLC provides acknowledged or unacknowledged data transfer, and provides support to the Tunneling Of Message sub layer allowing for TIA/EIA-41 signalling over the packet bearer.

Three separate MAC entities may be included in a single Layer 2 MAC, one entity to support each type of bearer: 136+ bearer, 136HS Outdoor bearer or 136EHS bearer and 136HS Indoor bearer. The main task of the MAC is to dynamically multiplex the radio resource so that the RF resources can be efficiently utilized among multiple users with minimal packet collisions. The MAC supports both an unacknowledged and an acknowledged mode. In acknowledged mode, the MAC is responsible for sequenced delivery of packets to the higher layers, and an error recovery method using a sliding window automatic repeat request is utilized. The MAC also supports transactions with different priorities, and provides quality of service (QoS) information with four levels of priority. This radio interface also supports several unique design features such as implicit addressing and active mobile identity management which provide link quality robustness, and resource efficiency.

The reason why RLC and MAC are considered as belonging to the same sublayer is that both entities have direct access to the physical layer and the LLC sublayer. Furthermore, the LLC protocol does not depend on the radio interface, whereas the RLC/MAC protocol is radio specific.

This update adds the GERAN Release 7 functionality of latency reduction for both ideal and non-ideal radio conditions. This latency reduction will make it possible to provide services that are not otherwise feasible in GERAN (e.g. VoIP, gaming, etc.). The reduction is split into two parts, improved Ack/Nack reporting and reduced TTI (transmission time interval). The improved Ack/Nack reporting will enable a faster reporting scheme based on sending the data on the RLC data block. This also includes a requirement for a reduction of

the MS reaction time to transmit the report and to retransmit a block of data. The reduced TTI method involves using transmission times as low as 10 ms on the radio interface as compared to 20 ms for legacy systems.

5.4.1.5 Layer 3

Layer 3 provides two different types of mobility and resource management functionalities: those to support circuit based operation and those that support packet based operation.

136 Mobility Management and Radio Resource Management entities at Layer 3 provide circuit switched services. Layer 3 procedures (known as Intelligent Roaming) are defined to provide the user access to the optimum circuit switched service provider. Once the initial control channel selection has been accomplished, cell reselection and handoff algorithms provide continuity of service. The cell reselection algorithms include several trigger conditions and selection criteria to provide versatile management capability.

The GSM based GPRS mobility management function and the 136 mobility management function, operating in parallel, comprise the GPRS-136 Mobility Manager for GPRS-136. The GSM based EGPRS mobility management function and the 136 mobility management function, operating in parallel, comprise the EGPRS-136 Mobility Manager for EGPRS-136. The packet mobility management function provides packet data mobility management, while the 136 mobility management function provides circuit switched service mobility management. Together they ensure that the network knows the current location of Mobile Stations.

The packet Radio Resource Management (RRM) entity is similar to the Digital Control Channel Procedures that control voice resources. The main task of the RRM is to dynamically allocate the radio resource among the bearers so that the RF resources can be efficiently utilized among multiple users. Procedures are defined which will spread the load across multiple packet channels in a given cell. Techniques are outlined that allow for rapid finding of packet resources. Continuity of service is supported via cell reselection as a mobile traverses multiple cells. The packet Radio Resource Management (RRM) supports all three packet data bearers defined in this radio interface.

In the third phase update, packet switched handover was added. The packet switched handover procedure is used to handover an MS with one or more packet flows from a source cell to a target cell. The source and target cells can be located within either the same BSS (Intra BSS HO), different BSSs within the same SGSN (Intra SGSN HO) or belonging to different SGSNs (Inter SGSN HO), or systems with different radio access types (Inter RAT HO, Inter mode HO). Handover is network controlled and mobile assisted.

While the MS is still in the source cell:

- Radio resources in the target cell are allocated and signalled to the MS.
- System information of the target cell needed for access in the target cell is signalled to the MS.

In addition to the Management functions Layer 3 provides other capabilities. Layer 3 Message construction rules provides backwards compatibility so that a Mobile Station or Base Station can process a message to the extent it understands it. This capability also allows new functions to be easily added for extensibility.

Layer 3 provides a generic R-DATA transport that can function in point-to-point or broadcast mode. This R-DATA transport can carry various Teleservice messages without regard to the exact using entity. This generic capability allows various value-added services such as Short Message Services and Over-the-Air programming to be defined or added to using the common transport.

5.4.1.6 Network

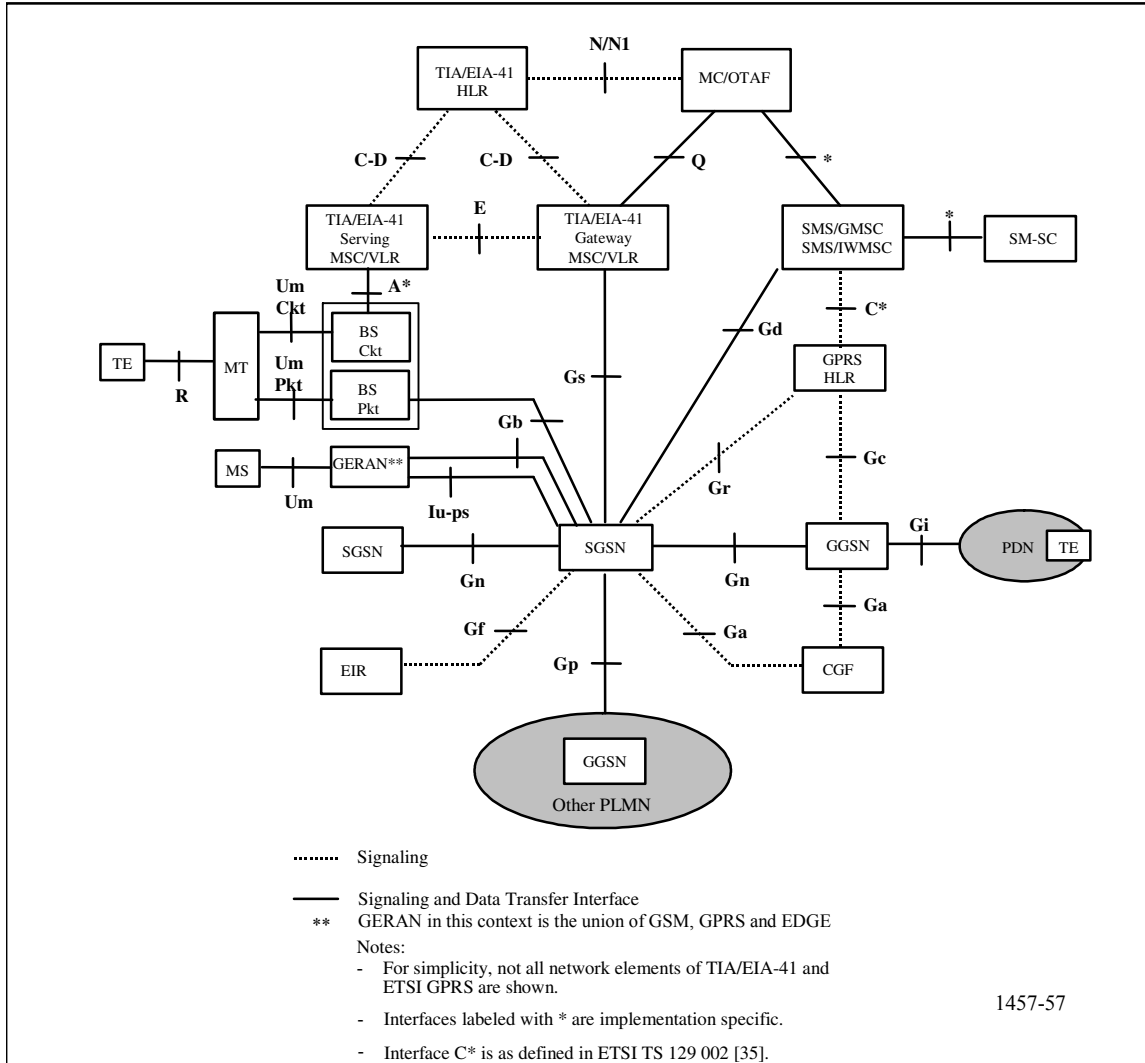
A system is realized by uniquely combining a TDMA Single-Carrier Radio Interface with an EDGE enhanced GPRS or an EGPRS2 packet switched network component combined with either a TIA/EIA-41 circuit switched network component or a GSM evolved UMTS circuit switched network component.

TIA/EIA-41 Circuit Switched Network component

Figure 57 presents the network elements and the associated reference points that comprise a system utilizing the TIA/EIA-41 circuit switched network component. The primary TIA/EIA-41 network node visible to the SGSN is the Gateway MSC/VLR. The interface between the TIA/EIA-41 Gateway MSC/VLR and the SGSN is the Gs interface, which allows the tunnelling of TIA/EIA-136 signalling messages between the Mobile Station and the Gateway MSC/VLR. The tunnelling of these signalling messages is performed

transparently through the SGSN. Between the Mobile Station and the SGSN, the signalling messages are transported using the Tunnelling of Messages (TOM) protocol layer. TOM uses the LLC unacknowledged mode procedures to transport the signalling messages. Between the SGSN and the Gateway MSC/VLR, the messages are transported using the BSSAP+ protocol.

FIGURE 57
Network elements and associated reference points



Upon receiving a TIA/EIA-136 signalling message from a Mobile Station via the TOM protocol, the SGSN forwards the message to the appropriate Gateway MSC/VLR using the BSSAP+ protocol. Upon receiving a TIA/EIA-136 signalling message from a Gateway MSC/VLR via the BSSAP+ protocol, the SGSN forwards the message to the indicated Mobile Station using the TOM protocol.

Mobile Stations supporting both the TIA/EIA-41 circuit switched network component and packet services (Class B136 Mobile Stations) perform location updates with the circuit system by tunnelling the Registration message to the Gateway MSC/VLR. When an incoming call arrives for a given Mobile Station, the Gateway MSC/VLR associated with the latest Registration pages the Mobile Station through the SGSN. The page can be a Hard Page (no Layer 3 information included in the message), in which case, the Gs interface paging procedures are used by the MSC/VLR and the SGSN. If the circuit page is not for a voice call or, if additional parameters are associated with the page, a Layer 3 Page message is tunneled to the Mobile Station by the MSC/VLR. Upon receiving a page, the Mobile Station pauses the packet data session and leaves the packet data channel for a suitable Digital Control Channel (DCCH). Broadcast information is

provided on the packet control channel to assist the Mobile Station with a list of candidate DCCHs. Once on a DCCH, the Mobile Station sends a Page Response. The remaining call setup procedures, such as traffic channel designation, proceed as in a normal page response situation.

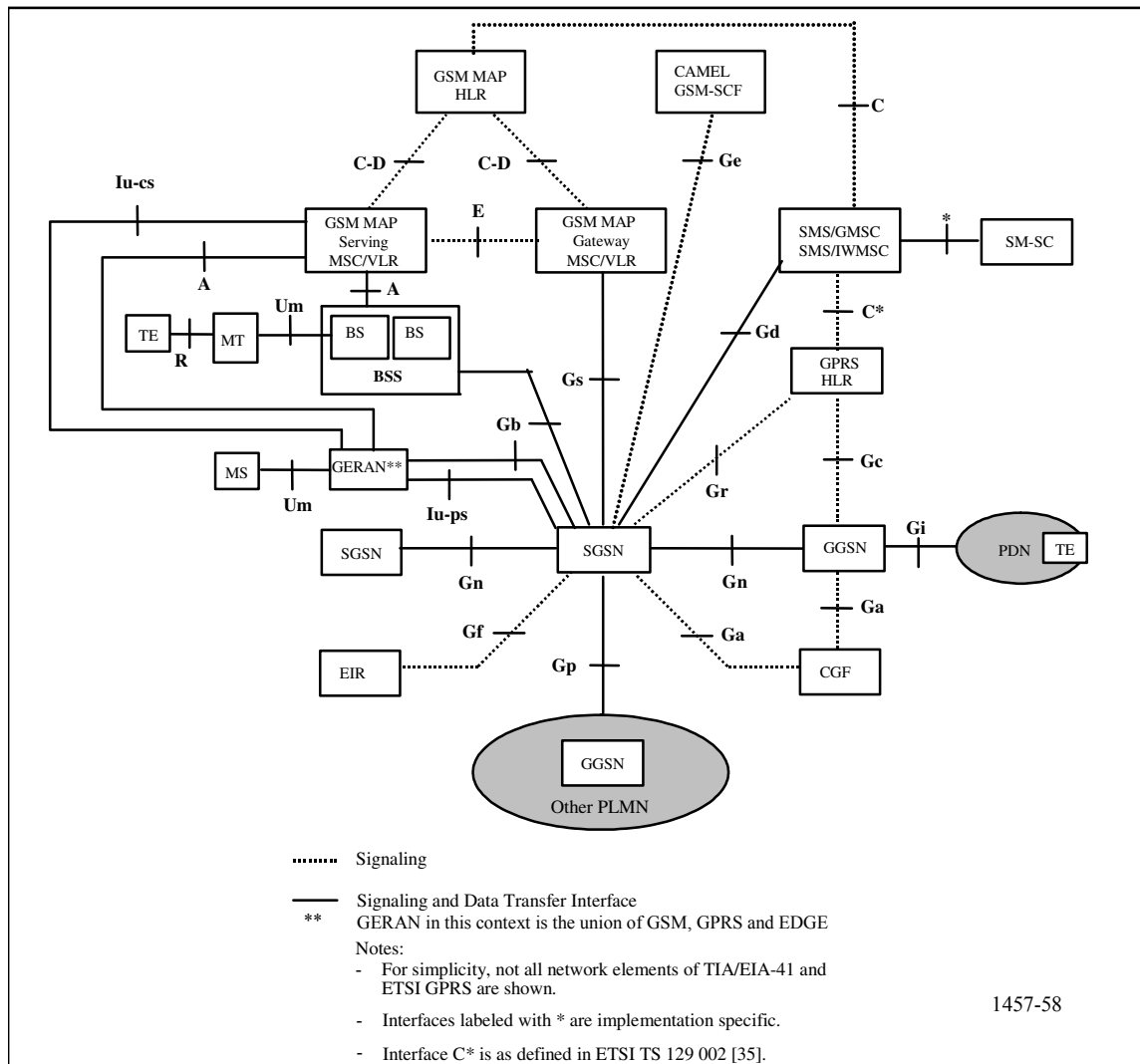
The signalling plane between a MS and the gateway MSC/VLR VLR for the TIA/EIA-41 circuit switched network component is shown in Fig. 59.

GSM evolved UMTS Circuit Switched Network component

Figure 58 presents the network elements and the associated reference points that comprise a system utilizing the GSM evolved UMTS circuit switched network component along with the common GSM EDGE enhanced GPRS or EGPRS2 packet switched component.

FIGURE 58

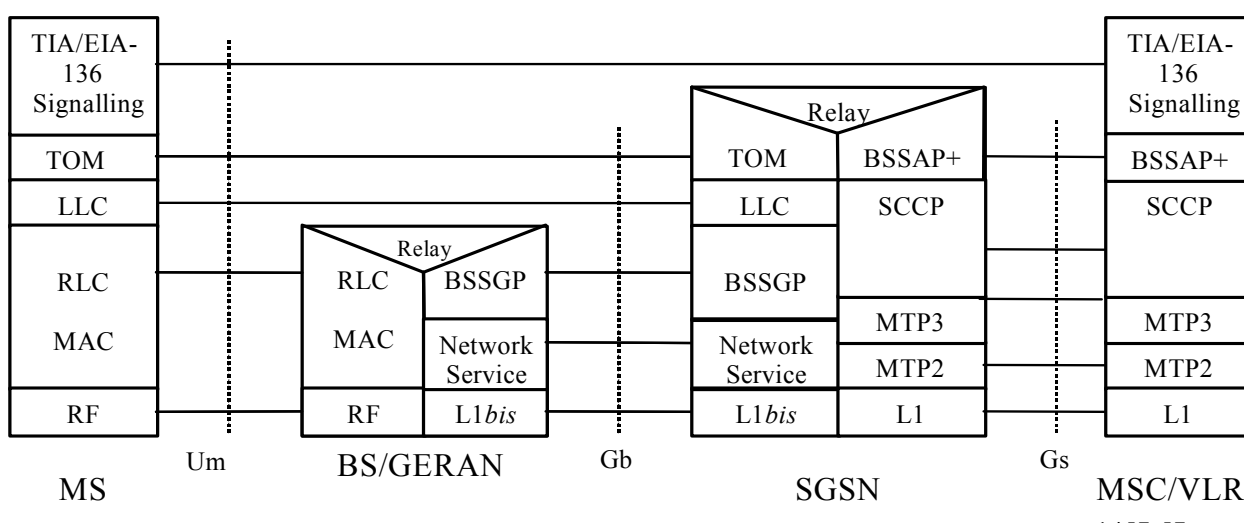
Network elements and associated reference points



NOTE 1 – For simplicity, not all network elements of this system are shown.

Since the TDMA SC network supports a common EDGE 136EHS bearer connected to a core enhanced GPRS backbone network or a GSM EDGE radio access network, along with either circuit switched component, GSM EDGE Release 5, Release 6 and Release 7 mobile stations and functions are supported. In addition to the Gs interface, GSM SMS functionality is also supported through the Gd interface.

FIGURE 59
Signalling plane between a mobile station and the Gateway MSC/VLR



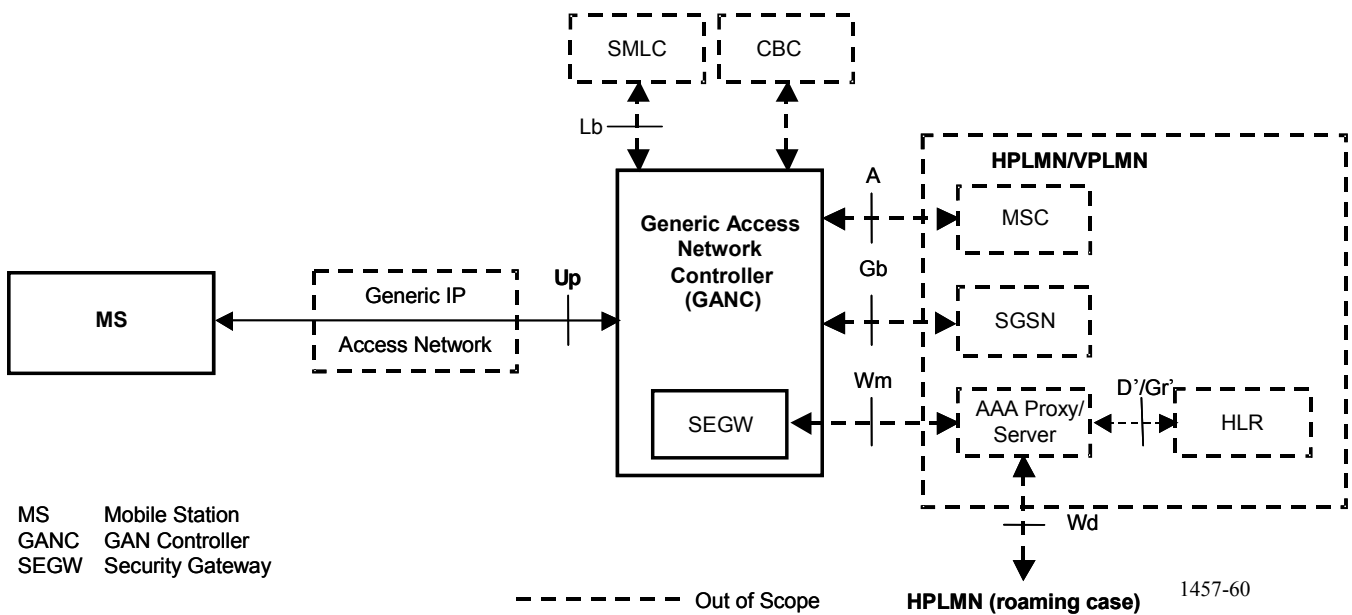
Generic Access Network

GERAN Release 6 introduced Generic Access to the A/Gb interfaces, or GA, which is an extension of GSM/GPRS mobile services that is achieved by tunnelling Non Access Stratum (NAS) protocols between the MS and the Core Network over an IP network. GA is a complement to traditional GSM/GPRS/UTRAN radio coverage.

The Generic Access Network functional architecture is illustrated in Fig. 60.

FIGURE 60

GAN functional architecture



The main components of the GAN architecture are a Mobile Station (MS) with enhanced functionality and the Generic Access Network Controller (GANC). The GANC appears to the core network as a GERAN Base Station Subsystem (BSS). It includes a Security Gateway (SEGW) that terminates secure remote access tunnels from the MS, providing mutual authentication, encryption and data integrity for signalling, voice and data traffic.

A Generic IP Access network provides connectivity between the MS and the GANC. The IP transport connection extends from the GANC to the MS. A single interface, the Up interface, is defined between the GANC and the MS.

GAN provides co-existence with the GSM/GPRS Radio Access Network (GERAN) and interconnection with the Core Network (CN) via the standardized interfaces defined for GERAN A/Gb mode (A-interface for circuit switched services and Gb-interface for packet switched services). In addition, the Lb-interface provides support for location services and CBC-BSC interface supports cell broadcast services.

Transaction control (e.g. CC, SM) and user services are provided by the core network (e.g. MSC/VLR and the SGSN/GGSN).

Use of AAA server over the Wm interface is used to authenticate the MS when it sets up a secure tunnel. Note that only a subset of the Wm functionalities is required for the GAN application. As a minimum the GANC-SEGW shall support the Wm authentication procedures.

Indication of support for PS Services and of support for DTM is provided through appropriate signalling to the MS.

Enhancements to GAN provided in GERAN Release 7 with this update are Seamless mobility for CS and for PS which includes real time conversational services (no disruption to downloads along with low latency and handover interruption). Transparent support for all services between UTRAN or GERAN, and GAN is provided along with reduced complexity for delivery of CS and PS services and transport efficiencies. Power consumption for the MS is also reduced.

5.4.1.7 Summary of major technical parameters

Table 6 lists the major technical parameters of this radio interface.

TABLE 6

Parameter	“Value”	Reference to § 5.4.2
Multiple Access Technique	TDMA	5.4.2.5.4 5.4.2.5.12 5.4.2.5.17 5.4.2.3.12 5.4.2.3.3 5.4.2.3.6
Carrier Spacing: 136+ Bearer EDGE Bearer 136HS Indoor Bearer	30 kHz 200 kHz 1.6 MHz	5.4.2.3.2
Carrier Symbol Rate: 136+ Bearer EDGE Bearer 136HS Indoor Bearer	24.3 ksymbol/s 270.833 ksymbol/s, 325 ksymbol/s 2.6 Msymbol/s	5.4.2.5.4 5.4.2.3.6 5.4.2.5.12 5.4.2.3.14 5.4.2.5.17
Data Modulation: 136+ Bearer EDGE Bearer 136HS Indoor Bearer	$\pi/4$ DQPSK, 8-PSK GMSK, 8-PSK, QPSK, 16-QAM, 32-QAM Binary Offset QAM, Quaternary Offset QAM	5.4.2.5.4 5.4.2.3.6 5.4.2.5.12 5.4.2.3.14 5.4.2.5.17
Channel Coding: 136+ Bearer EDGE Bearer 136HS Indoor Bearer	Punctured Convolutional codes Punctured Convolutional codes, turbo codes Incremental Redundancy Punctured Convolutional codes, Type II Hybrid ARQ	5.4.2.5.5 5.4.2.3.6 5.4.2.5.1 5.4.2.5.2 5.4.2.5.12 5.4.2.3.13 5.4.2.5.17
Frame Structure: Frame Length 136+ Bearer EDGE Bearer 136HS Indoor Bearer Number of Slots per Frame 136+ Bearer EDGE Bearer 136HS Indoor Bearer	40 ms 4.615 (120/26) ms 4.615 (120/26) ms 6 8 16-64	5.4.2.5.4 5.4.2.3.3 5.4.2.3.6 5.4.2.5.12 5.4.2.3.12 5.4.2.5.17 5.4.2.5.4 5.4.2.5.12 5.4.2.3.12 5.4.2.5.17

TABLE 6 (end)

Parameter	“Value”	Reference to § 5.4.2
Minimum Operating Bandwidth: 136HS Outdoor Bearer 136EHS COMPACT Bearer 136EHS Classic Bearer 136HS Indoor Bearer	2 × 600 kHz 2 × 600 kHz 2 × 2.4 MHz 2 × 1.6 MHz FDD 1 × 1.6 MHz TDD	5.4.2.10.6 5.4.2.5.19 5.4.2.5.19 5.4.2.10.6
Spectrum Efficiency 136+ Bearer (Voice) EDGE Bearer 136HS Indoor Bearer	58.8 Erl/MHz/cell (3 sectors) 0.9495 Mbit/s/MHz/cell (Ped A) 1.1760 Mbit/s/MHz/cell (Veh A50) 1.0380 Mbit/s/MHz/cell (Veh A120) 0.332 Mbit/s/MHz/cell (Indoor A)	5.4.2.10.6
Receiver Sensitivity 136+ Bearer EDGE Bearer 136HS Indoor Bearer	−103 dBm (8 km/h) @ 3% BER (DQPSK) −101 dBm (8 km/h) @ 3% BER (8-PSK) −94 dBm (Ped B) @ 10% BLER −100 dBm (Veh A120) @ 10% BLER −95 dBm (Indoor A) @ 10% BLER	5.4.2.4.6/7/8 5.4.2.4.6/7/8 5.4.2.4.9 5.4.2.4.9 5.4.2.4.9
Standby RF Output Power	−117 dBm	5.4.2.4.9
Power Control	Per Slot and Per Carrier	5.4.2.3.6 5.4.2.5.4
Variable Data Rate	Supported with Slot aggregation and Link Adaptation	5.4.2.5.4 5.4.2.5.12 5.4.2.5.19 5.4.2.5.17
Dynamic Channel Allocation	Supported to increase Capacity	5.4.2.10.6
Duplexing Scheme	FDD TDD optional for 136HS Indoor	5.4.2.3.2 5.4.2.5.17
Frequency Stability	Base Station: 0.05 ppm Mobile Station: 0.1 ppm	5.4.2.4.9

5.4.2 Detailed specification of the radio interface

The standards contained in this section are derived from the global core specifications for IMT 2000 contained at <http://ties.itu.int/u/itu-r/ede/rsg5/IMT-2000/GCS/GCSrev8/>. The following notes apply to the sections below, where indicated:

- (1) The relevant SDOs should make their reference material available from their Web site.
- (2) This information was supplied by the recognized external organizations and relates to their own deliverables of the transposed global core specification.

5.4.2.1**TIA/EIA-136/UWC-136****5.4.2.1.1** 136-000**List of parts**

This part outlines the intended scope of the TIA/EIA-136 standard and details the list of parts comprising the current revision. The parts are organized into subgroups denoted by "nXX". For example, group TIA/EIA-136-4XX contains parts 410, 420, 430 and 440.

SDO (2)	Document No.	Version	Status	Issued date	Location (1)
TIA	TIA/EIA-136-000	G	Approved	Oct 08	http://www.tiaonline.org/standards/technology/uwc136/disclaimer.cfm

5.4.2.2**Identities, Code Assignments, and UIM Information****5.4.2.2.1** 136-005**Introduction, identification and semi-permanent memory**

This part contains explanations of terms along with identity definition and selection as used in all of the parts.

SDO (2)	Document No.	Version	Status	Issued date	Location (1)
TIA	TIA/EIA-136-005	C	Published ANS	Jan 04	http://www.tiaonline.org/standards/technology/uwc136/disclaimer.cfm

5.4.2.2.2 136-010**Optional mobile station facilities**

This part outlines optional mobile station facilities.

SDO (2)	Document No.	Version	Status	Issued date	Location (1)
TIA	TIA/EIA-136-010	C	Published ANS	Apr 01	http://www.tiaonline.org/standards/technology/uwc136/disclaimer.cfm

5.4.2.2.3 136-020**SOC, BSMC, and other code assignments**

This part provides a list of the system operator codes (SOC), base station manufacturer codes (BSMC), carrier specific higher layer protocol identifiers, and broadcast air-interface transport service category assignments.

SDO (2)	Document No.	Version	Status	Issued date	Location (1)
TIA	TIA/EIA-136-020	E	Published ANS	Jan 04	http://www.tiaonline.org/standards/technology/uwc136/disclaimer.cfm

5.4.2.2.4 136-030

R-UIM Overview and Operations

This part provides an overview of the operation of the Removable User Identity Module as supported in TIA/EIA-136.

SDO (2)	Document No.	Version	Status	Issued date	Location (1)
Release 99					
TIA	TIA/EIA-136-030	A	Published ANS	Apr 02	http://www.tiaonline.org/standards/technology/uwc136/disclaimer.cfm
Release 5					
TIA	TIA/EIA-136-030	B-1(E)	Published ANS	Jun 05	http://www.tiaonline.org/standards/technology/uwc136/disclaimer.cfm

5.4.2.2.5 136-033

R-UIM File Structure

This part describes the file structures contained on the Removable User Identity Module.

SDO (2)	Document No.	Version	Status	Issued date	Location (1)
TIA	TIA/EIA-136-033	A	Published ANS	Apr 02	http://www.tiaonline.org/standards/technology/uwc136/disclaimer.cfm

5.4.2.2.6 136-034

R-UIM – ME Interface Procedures

This part describes the interface procedures between the Removable User Identity Module and the mobile equipment.

SDO (2)	Document No.	Version	Status	Issued date	Location (1)
TIA	TIA/EIA-136-034	A	Published ANS	Apr 02	http://www.tiaonline.org/standards/technology/uwc136/disclaimer.cfm

5.4.2.2.7 136-036

Personalization of Mobile Equipment

This part includes the personalization of mobile equipment.

SDO (2)	Document No.	Version	Status	Issued date	Location (1)
TIA	TIA/EIA-136-036	0	Published ANS	Apr 01	http://www.tiaonline.org/standards/technology/uwc136/disclaimer.cfm

5.4.2.2.8 136-037

R-UIM Application Toolkit

This part describes an application toolkit for use with the Removable User Identity Module.

SDO (2)	Document No.	Version	Status	Issued date	Location (1)
TIA	TIA/EIA-136-037	A	Published ANS	Apr 02	http://www.tiaonline.org/standards/technology/uwc136/disclaimer.cfm

5.4.2.2.9 3GPP TS 01.01**GSM/EDGE Release 99 specifications**

This document lists the documents that make up the GSM/EDGE Release 99 specifications.

SDO (2)	Document No.	Version	Status	Issued date	Location (1)
Release 99					
ATIS	ATIS.3GPP.01.01V8190-2008	8.19.0	Approved	Oct 08	https://www.atis.org/docstore/default.aspx

5.4.2.2.10 3GPP TR 21.905**Abbreviations and acronyms**

This document defines the abbreviations and acronyms used in the GSM/EDGE specifications.

SDO (2)	Document No.	Version	Status	Issued date	Location (1)
Release 99					
ATIS	T1.3GPP.01.04V800-2003	8.0.0	Approved	Dec 03	https://www.atis.org/docstore/default.aspx
TIA	Included in TIA/EIA-136-290 as GSM 01.04 (ETSI TR 101 748	A v8.0.0)	Published ANS	Apr 01	http://www.tiaonline.org/standards/technology/uwc136/disclaimer.cfm
Release 5					
ATIS	ATIS.3GPP.21.905V580-2005	5.8.0	Approved	Apr 05	https://www.atis.org/docstore/default.aspx
Release 6					
ATIS	ATIS.3GPP.21.905V6100-2006	6.10.0	Approved	Apr 06	https://www.atis.org/docstore/default.aspx
Release 7					
ATIS	ATIS.3GPP.21.905V740-2007	7.4.0	Approved	Oct 07	https://www.atis.org/docstore/default.aspx

5.4.2.2.11 3GPP TS 22.016**International Mobile Station Equipment Identities**

This document describes the principal purpose and use of unique Equipment Identities.

SDO (2)	Document No.	Version	Status	Issued date	Location (1)
Release 99					
ATIS	T1.3GPP.22.016V330-2003	3.3.0	Approved	Dec 03	https://www.atis.org/docstore/default.aspx
TIA	Included in TIA/EIA-136-370 as ETSI TS 122 016 v3.1.0	0	Published ANS	Apr 01	http://www.tiaonline.org/standards/technology/uwc136/disclaimer.cfm
Release 5					
ATIS	T1.3GPP.22.016V500-2003	5.0.0	Approved	Mar 03	https://www.atis.org/docstore/default.aspx
TIA	Included in TIA/EIA-136-370 as ETSI TS 122 016 v5.0.0	A	Published ANS	Jan 04	http://www.tiaonline.org/standards/technology/uwc136/disclaimer.cfm

428

Rec. ITU-R M.1457-8

Release 6

ATIS	ATIS.3GPP.22.016V600-2006	6.0.0	Approved	Apr 06	https://www.atis.org/docstore/default.aspx
TIA	Included in TIA/EIA-136-370 as ETSI TS 122 016 v6.0.0	B	Approved	Apr 06	http://www.tiaonline.org/standards/technology/uwc136/disclaimer.cfm

Release 7

ATIS	ATIS.3GPP.22.016V701-2008	7.0.1	Approved	Oct 08	https://www.atis.org/docstore/default.aspx
TIA	Included in TIA/EIA-136-370 as ETSI TS 122 016 v7.0.1	C	Approved	Oct 08	http://www.tiaonline.org/standards/technology/uwc136/disclaimer.cfm

5.4.2.2.12 3GPP TS 22.022

Personalization of Mobile Equipment Stage 1

This document provides the functionality specification for the personalization of mobile equipment.

SDO (2)	Document No.	Version	Status	Issued date	Location (1)
Release 99					
ATIS	T1.3GPP.22.022V321-2003	3.2.1	Approved	Dec 03	https://www.atis.org/docstore/default.aspx
TIA	Included in TIA/EIA-136-030 as ETSI TS 122 022 v3.1.0	A	Published ANS	Apr 02	http://www.tiaonline.org/standards/technology/uwc136/disclaimer.cfm
Release 5					
ATIS	T1.3GPP.22.022V500-2003	5.0.0	Approved	Mar 03	https://www.atis.org/docstore/default.aspx
TIA	Included in TIA/EIA-136-030 as ETSI TS 122 022 v5.0.0	B	Published ANS	Jan 04	http://www.tiaonline.org/standards/technology/uwc136/disclaimer.cfm
Release 6					
ATIS	ATIS.3GPP.22.022V600-2006	6.0.0	Approved	Apr 06	https://www.atis.org/docstore/default.aspx
Release 7					
ATIS	ATIS.3GPP.22.022V720-2008	7.2.0	Approved	Oct 08	https://www.atis.org/docstore/default.aspx

5.4.2.2.13 3GPP TS 22.038

SIM Application Toolkit; Stage 1

This part provides a service description for an application toolkit for use with the Subscriber Identity Module.

SDO (2)	Document No.	Version	Status	Issued date	Location (1)
Release 99					
ATIS	ATIS.3GPP.22.038V340-2006	3.4.0	Approved	Apr 06	https://www.atis.org/docstore/default.aspx

Release 5

ATIS	ATIS.3GPP.22.038V540-2005	5.4.0	Approved	Apr 05	https://www.atis.org/docstore/default.aspx
------	---------------------------	-------	----------	--------	---

Release 6

ATIS	ATIS.3GPP.22.038V650-2006	6.5.0	Approved	Apr 06	https://www.atis.org/docstore/default.aspx
------	---------------------------	-------	----------	--------	---

Release 7

ATIS	ATIS.3GPP.22.038V750-2008	7.5.0	Approved	Oct 08	https://www.atis.org/docstore/default.aspx
------	---------------------------	-------	----------	--------	---

5.4.2.2.14 3GPP TS 23.003**Numbering, addressing and identification**

This document describes the principles of numbering and addressing.

SDO (2)	Document No.	Version	Status	Issued date	Location (1)
Release 99					
ATIS	ATIS.3GPP.23.003V3150-2007	3.15.0	Approved	Oct 07	https://www.atis.org/docstore/default.aspx
TIA	Included in TIA/EIA-136-376 as ETSI TS 123 003 v3.4.0	0	Published ANS	Apr 01	http://www.tiaonline.org/standards/technology/uwc136/disclaimer.cfm
Release 5					
ATIS	ATIS.3GPP.23.003V5110-2007	5.11.0	Approved	Oct 07	https://www.atis.org/docstore/default.aspx
TIA	Included in TIA/EIA-136-376 as ETSI TS 123 003 v5.10.0	A-1(E)	Published ANS	Jun 05	http://www.tiaonline.org/standards/technology/uwc136/disclaimer.cfm
Release 6					
ATIS	ATIS.3GPP.23.003V6150-2008	6.15.0	Approved	Oct 08	https://www.atis.org/docstore/default.aspx
TIA	Included in TIA/EIA-136-376 as ETSI TS 123 003 v6.14.0	B-1(E)	Approved	Jan 08	http://www.tiaonline.org/standards/technology/uwc136/disclaimer.cfm
Release 7					
ATIS	ATIS.3GPP.23.003V770-2008	7.7.0	Approved	Oct 08	https://www.atis.org/docstore/default.aspx
TIA	Included in TIA/EIA-136-376 as ETSI TS 123 003 v7.7.0	C	Approved	Oct 08	http://www.tiaonline.org/standards/technology/uwc136/disclaimer.cfm

5.4.2.2.15 3GPP TS 23.038**Alphabets and language-specific information**

This document describes alphabets and language-specific information used.

SDO (2)	Document No.	Version	Status	Issued date	Location (1)
Release 99					
ATIS	T1.3GPP.23.038V330-2000	3.3.0	Approved	Jan 00	https://www.atis.org/docstore/default.aspx
TIA	Included in TIA/EIA-136-030 as ETSI TS 123 038 v3.3.0	A	Published ANS	Apr 02	http://www.tiaonline.org/standards/technology/uwc136/disclaimer.cfm

430

Rec. ITU-R M.1457-8

Release 5

ATIS	ATIS.3GPP.23.038V510-2005	5.1.0	Approved	Apr 05	https://www.atis.org/docstore/default.aspx
TIA	Included in TIA/EIA-136-030 as ETSI TS 123 038 v5.1.0	B-1(E)	Published ANS	Jun 05	http://www.tiaonline.org/standards/technology/uwc136/disclaimer.cfm

Release 6

ATIS	ATIS.3GPP.23.038V610-2006	6.1.0	Approved	Apr 06	https://www.atis.org/docstore/default.aspx
------	---------------------------	-------	----------	--------	---

Release 7

ATIS	ATIS.3GPP.23.038V700-2007	7.0.0	Approved	Oct 07	https://www.atis.org/docstore/default.aspx
------	---------------------------	-------	----------	--------	---

5.4.2.2.16 3GPP TS 41.101

Technical Specifications and Technical Reports for a GERAN-based 3GPP system

This document lists the documents that make up the GSM/EDGE Release 5, Release 6 and Release 7 specifications.

SDO (2)	Document No.	Version	Status	Issued date	Location (1)
Release 5					
ATIS	ATIS.3GPP.41.101V5130-2008	5.13.0	Approved	Oct 08	https://www.atis.org/docstore/default.aspx
Release 6					
ATIS	ATIS.3GPP.41.101V690-2007	6.9.0	Approved	Oct 07	https://www.atis.org/docstore/default.aspx
Release 7					
ATIS	ATIS.3GPP.41.101V710-2008	7.1.0	Approved	Oct 08	https://www.atis.org/docstore/default.aspx

5.4.2.2.17 3GPP TS 02.17

Subscriber Identity Modules, Functional characteristics

This document defines the functional characteristics for the SIM used in the GSM/EDGE specifications. Standalone SIM functionality is not specified beyond Release 4. For the latest available information see § 5.4.2.13.39.

SDO (2)	Document No.	Version	Status	Issued date	Location (1)
Release 99					
ATIS	T1.3GPP.02.17V800-2003	8.0.0	Approved	Dec 03	https://www.atis.org/docstore/default.aspx

5.4.2.2.18 3GPP TS 31.111

(U)SIM Application Toolkit

This part describes an application toolkit for use with the Subscriber Identity Module.

SDO (2)	Document No.	Version	Status	Issued date	Location (1)
Release 99					
ATIS	ATIS.3GPP.11.14V8180-2007	8.18.0	Approved	Oct 07	https://www.atis.org/docstore/default.aspx
TIA	Included in TIA/EIA-136-030 as GSM 11.14 (ETSI TS 101 267	A v8.8.0)	Published ANS	Apr 02	http://www.tiaonline.org/standards/technology/uwc136/disclaimer.cfm

Release 5

ATIS	ATIS.3GPP.31.111V5110-2007	5.11.0	Approved	Oct 07	https://www.atis.org/docstore/default.aspx
TIA	Included in TIA/EIA-136-030 as ETSI TS 131 111 v5.8.0	B-1(E)	Published ANS	Jun 05	http://www.tiaonline.org/standards/technology/uwc136/disclaimer.cfm

Release 6

ATIS	ATIS.3GPP.31.111V6110-2007	6.11.0	Approved	Oct 07	https://www.atis.org/docstore/default.aspx
------	----------------------------	--------	----------	--------	---

Release 7

ATIS	ATIS.3GPP.31.111V790-2008	7.9.0	Approved	Oct 08	https://www.atis.org/docstore/default.aspx
------	---------------------------	-------	----------	--------	---

5.4.2.2.19 3GPP TS 11.11**Specification of SIM – ME Interface**

This document describes the interface between the mobile equipment and the subscriber identity module. Standalone SIM functionality is not specified beyond Release 4. For the latest available information see § 5.4.2.13.41.

SDO (2)	Document No.	Version	Status	Issued date	Location (1)
Release 99					
ATIS	ATIS.3GPP.11.11V8140-2006	8.14.0	Approved	Oct 07	https://www.atis.org/docstore/default.aspx
TIA	Included in TIA/EIA-136-370 as GSM 11.11 (ETSI TS 100 977	0	Published ANS	Apr 01	http://www.tiaonline.org/standards/technology/uwc136/disclaimer.cfm
	v8.3.0)				

5.4.2.2.20 3GPP TS 31.133**IP Multimedia Services Identity Module (ISIM) Application Programming Interface (API); ISIM API for JavaCard™**

This document defines the ISIM Application Programming Interface extending the "UICC API for Java Card™". This API allows development of an application running together with an ISIM application.

SDO (2)	Document No.	Version	Status	Issued date	Location (1)
Release 7					
ATIS	ATIS.3GPP.31.133V721-2008	7.2.1	Approved	Oct 08	https://www.atis.org/docstore/default.aspx

5.4.2.2.21 3GPP TR 31.918**Generic Authentication Architecture (GAA); Early implementation of Hypertext Transfer Protocol over Transport Layer Security (HTTPS) connection between a UICC and a Network Application Function (NAF)**

This document gives guidance on how to perform an early implementation of HTTPS connections between a UICC-based application and a Network Application Function in the Generic Authentication Architecture (GAA).

5.4.2.2.22 3GPP TR 31.920**SIM card based Generic Bootstrapping Architecture (GBA); Early implementation feature**

This document describes the early implementation of the Generic Bootstrapping Architecture using a SIM based GSM authentication.

5.4.2.3**Channels****5.4.2.3.1** 136-100**Introduction to channels**

This part provides the protocol reference model, the logical channel definitions, and the Layer 3 message mapping through Layer 2 to the physical layer.

SDO (2)	Document No.	Version	Status	Issued date	Location (1)
TIA	TIA/EIA-136-100	B	Published ANS	Mar 00	http://www.tiaonline.org/standards/technology/uwc136/disclaimer.cfm

5.4.2.3.2 136-110**RF channel assignments**

This part provides RF channel assignments for MS and BS.

SDO (2)	Document No.	Version	Status	Issued date	Location (1)
TIA	TIA/EIA-136-110	B	Published ANS	Apr 01	http://www.tiaonline.org/standards/technology/uwc136/disclaimer.cfm

5.4.2.3.3 136-121**Digital control channel layer 1**

This part describes the digital control channel (DCCH) Layer 1 including the frame structures and channel/subchannel descriptions.

SDO (2)	Document No.	Version	Status	Issued date	Location (1)
TIA	TIA/EIA-136-121	A	Published ANS	Nov 99	http://www.tiaonline.org/standards/technology/uwc136/disclaimer.cfm

5.4.2.3.4 136-122**Digital control channel layer 2**

This part provides the digital control channel (DCCH) Layer 2 service access points, protocols, and ARQ procedures, as well as requirements on the monitoring of radio link quality.

SDO (2)	Document No.	Version	Status	Issued date	Location (1)
TIA	TIA/EIA-136-122	B	Published ANS	Mar 00	http://www.tiaonline.org/standards/technology/uwc136/disclaimer.cfm

5.4.2.3.5 136-123**Digital control channel layer 3**

This part provides the digital control channel (DCCH) Layer 3 description, including the mobile station state diagram, detailed procedures (e.g. intelligent roaming), the Layer 3 message set, information element descriptions, and timer descriptions.

SDO (2)	Document No.	Version	Status	Issued date	Location (1)
TIA	TIA/EIA-136-123	G	Approved	Oct 08	http://www.tiaonline.org/standards/technology/uwc136/disclaimer.cfm

5.4.2.3.6 136-131**Digital traffic channel layer 1**

This part describes the digital traffic channel (DTC) Layer 1 including the channel structure, digital voice and data slot formats, modulation, and channel coding for the MS and BS.

SDO (2)	Document No.	Version	Status	Issued date	Location (1)
TIA	TIA/EIA-136-131	C	Published ANS	Apr 01	http://www.tiaonline.org/standards/technology/uwc136/disclaimer.cfm

5.4.2.3.7 136-132**Digital traffic channel layer 2**

This part describes Layer 2 for the digital traffic channel (DTC), which consists primarily of supervision information.

SDO (2)	Document No.	Version	Status	Issued date	Location (1)
TIA	TIA/EIA-136-132	0	Published ANS	Mar 99	http://www.tiaonline.org/standards/technology/uwc136/disclaimer.cfm

5.4.2.3.8 136-133**Digital traffic channel layer 3**

This part describes digital traffic channel (DTC) Layer 3, including discontinuous transmission, mobile assisted handoff, charging rate and total charge indication, MS control signalling and formats, smart antenna support, and per-slot power control.

SDO (2)	Document No.	Version	Status	Issued date	Location (1)
TIA	TIA/EIA-136-133	E	Published ANS	Jan 04	http://www.tiaonline.org/standards/technology/uwc136/disclaimer.cfm

5.4.2.3.9 136-140**Analogue control channel**

This part describes the identification call processing, signalling formats, MS and BS requirements for the analogue control channel.

SDO (2)	Document No.	Version	Status	Issued date	Location (1)
TIA	TIA/EIA-136-140	B	Published ANS	Mar 00	http://www.tiaonline.org/standards/technology/uwc136/disclaimer.cfm

5.4.2.3.10 136-150**Analogue voice channel**

This part includes descriptions of the modulation characteristics, charging indication, MS control, and signalling formats for the analogue voice channel.

SDO (2)	Document No.	Version	Status	Issued date	Location (1)
TIA	TIA/EIA-136-150	B	Published ANS	Mar 00	http://www.tiaonline.org/standards/technology/uwc136/disclaimer.cfm

5.4.2.3.11 3GPP TS 45.001**Physical layer on the radio path**

This document provides a general description of the organization of the physical layer for the 200 kHz channel.

SDO (2)	Document No.	Version	Status	Issued date	Location (1)
Release 99					
ATIS	ATIS.3GPP.05.01V890-2005	8.9.0	Approved	Apr 05	https://www.atis.org/docstore/default.aspx
TIA	Included in TIA/EIA-136-370 as GSM 05.01 (ETSI TS 100 573	0 v8.4.0)	Published ANS	Apr 01	http://www.tiaonline.org/standards/technology/uwc136/disclaimer.cfm
Release 5					
ATIS	ATIS.3GPP.45.001V590-2006	5.9.0	Approved	Apr 06	https://www.atis.org/docstore/default.aspx
TIA	Included in TIA/EIA-136-370 as ETSI TS 145 001 v5.8.0	A-1(E)	Published ANS	Jun 05	http://www.tiaonline.org/standards/technology/uwc136/disclaimer.cfm
Release 6					
ATIS	ATIS.3GPP.45.001V680-2007	6.8.0	Approved	Oct 07	https://www.atis.org/docstore/default.aspx
TIA	Included in TIA/EIA-136-370 as ETSI TS 145 001 v6.8.0	B-1(E)	Approved	Jan 08	http://www.tiaonline.org/standards/technology/uwc136/disclaimer.cfm
Release 7					
ATIS	ATIS.3GPP.45.001V780-2008	7.8.0	Approved	Oct 08	https://www.atis.org/docstore/default.aspx
TIA	Included in TIA/EIA-136-370 as ETSI TS 145 001 v7.8.0	C	Approved	Oct 08	http://www.tiaonline.org/standards/technology/uwc136/disclaimer.cfm

5.4.2.3.12 3GPP TS 45.002**Multiplexing and multiple access on the radio path**

This document provides a description of multiplexing and multiple access techniques for the 200 kHz channel.

SDO (2)	Document No.	Version	Status	Issued date	Location (1)
Release 99					
ATIS	ATIS.3GPP.05.02V8110-2005	8.11.0	Approved	Apr 05	https://www.atis.org/docstore/default.aspx
TIA	Included in TIA/EIA-136-370 as GSM 05.02 (ETSI EN 100 908	0 v8.7.0)	Published ANS	Apr 01	http://www.tiaonline.org/standards/technology/uwc136/disclaimer.cfm
Release 5					
ATIS	ATIS.3GPP.45.002V5130-2006	5.13.0	Approved	Apr 06	https://www.atis.org/docstore/default.aspx
TIA	Included in TIA/EIA-136-370 as ETSI TS 145 002 v5.12.0	A-1(E)	Published ANS	Jun 05	http://www.tiaonline.org/standards/technology/uwc136/disclaimer.cfm
Release 6					
ATIS	ATIS.3GPP.45.002V6120-2006	6.12.0	Approved	Apr 06	https://www.atis.org/docstore/default.aspx
TIA	Included in TIA/EIA-136-370 as ETSI TS 145 002 v6.12.0	B	Approved	Apr 06	http://www.tiaonline.org/standards/technology/uwc136/disclaimer.cfm
Release 7					
ATIS	ATIS.3GPP.45.002V770-2008	7.7.0	Approved	Oct 08	https://www.atis.org/docstore/default.aspx
TIA	Included in TIA/EIA-136-370 as ETSI TS 145 002 v7.7.0	C	Approved	Oct 08	http://www.tiaonline.org/standards/technology/uwc136/disclaimer.cfm

5.4.2.3.13 3GPP TS 45.003

Channel coding

This document provides a description of the channel coding for the physical layer for the 200 kHz channel.

SDO (2)	Document No.	Version	Status	Issued date	Location (1)
Release 99					
ATIS	ATIS.3GPP.05.03V890-2006	8.9.0	Approved	Apr 06	https://www.atis.org/docstore/default.aspx
TIA	Included in TIA/EIA-136-370 as GSM 05.03 (ETSI EN 300 909	0 v8.5.1)	Published ANS	Apr 01	http://www.tiaonline.org/standards/technology/uwc136/disclaimer.cfm
Release 5					
ATIS	ATIS.3GPP.45.003V5140-2007	5.14.0	Approved	Oct 07	https://www.atis.org/docstore/default.aspx
TIA	Included in TIA/EIA-136-370 as	A-1(E)	Published ANS	Jun 05	http://www.tiaonline.org/standards/technology/uwc136/disclaimer.cfm
Release 6					
ATIS	ATIS.3GPP.45.003V690-2007	6.9.0	Approved	Oct 07	https://www.atis.org/docstore/default.aspx
TIA	Included in TIA/EIA-136-370 as ETSI TS 145 003 v6.9.0	B-1(E)	Approved	Jan 08	http://www.tiaonline.org/standards/technology/uwc136/disclaimer.cfm

Release 7

ATIS	ATIS.3GPP.45.003V760-2008	7.6.0	Approved	Oct 08	https://www.atis.org/docstore/default.aspx
TIA	Included in TIA/EIA-136-370 as ETSI TS 145 003 v7.6.0	C	Approved	Oct 08	http://www.tiaonline.org/standards/technology/uwc136/disclaimer.cfm

5.4.2.3.14 3GPP TS 45.004**Modulation**

This document provides a description of the modulation techniques for the 200 kHz channel.

SDO (2)	Document No.	Version	Status	Issued date	Location (1)
Release 99					
ATIS	T1.3GPP.05.04V840-2003	8.4.0	Approved	Dec 03	https://www.atis.org/docstore/default.aspx
TIA	Included in TIA/EIA-136-370 as GSM 05.04 (ETSI EN 300 959	0 v8.1.2)	Published ANS	Apr 01	http://www.tiaonline.org/standards/technology/uwc136/disclaimer.cfm
Release 5					
ATIS	ATIS.3GPP.45.004V511-2005	5.1.1	Approved	Apr 05	https://www.atis.org/docstore/default.aspx
TIA	Included in TIA/EIA-136-370 as ETSI TS 145 004 v5.1.1	A-1(E)	Published ANS	Jun 05	http://www.tiaonline.org/standards/technology/uwc136/disclaimer.cfm
Release 6					
ATIS	ATIS.3GPP.45.004V600-2006	6.0.0	Approved	Apr 06	https://www.atis.org/docstore/default.aspx
TIA	Included in TIA/EIA-136-370 as ETSI TS 145 004 v6.0.0	B	Approved	Apr 06	http://www.tiaonline.org/standards/technology/uwc136/disclaimer.cfm
Release 7					
ATIS	ATIS.3GPP.45.004V730-2008	7.3.0	Approved	Oct 08	https://www.atis.org/docstore/default.aspx
TIA	Included in TIA/EIA-136-370 as ETSI TS 145 004 v7.3.0	C	Approved	Oct 08	http://www.tiaonline.org/standards/technology/uwc136/disclaimer.cfm

5.4.2.3.15 3GPP TS 45.005**Radio transmission and reception**

This document provides a general description of the radio transmission and reception for the 200 kHz channel.

SDO (2)	Document No.	Version	Status	Issued date	Location (1)
Release 99					
ATIS	ATIS.3GPP.05.05V8200-2006	8.20.0	Approved	Apr 06	https://www.atis.org/docstore/default.aspx
TIA	Included in TIA/EIA-136-370 as GSM 05.05 (ETSI EN 300 910	0 v8.5.1)	Published ANS	Apr 01	http://www.tiaonline.org/standards/technology/uwc136/disclaimer.cfm

Release 5

ATIS	T1.3GPP.45.005V5140-2006	5.14.0	Approved	Apr 06	https://www.atis.org/docstore/default.aspx
TIA	Included in TIA/EIA-136-370 as ETSI TS 145 005 v5.10.0	A-1(E)	Published ANS	Jun 05	http://www.tiaonline.org/standards/technology/uwc136/disclaimer.cfm

Release 6

ATIS	T1.3GPP.45.005V6140-2007	6.14.0	Approved	Oct 07	https://www.atis.org/docstore/default.aspx
TIA	Included in TIA/EIA-136-370 as ETSI TS 145 005 v6.14.0	B-1(E)	Approved	Jan 08	http://www.tiaonline.org/standards/technology/uwc136/disclaimer.cfm

Release 7

ATIS	T1.3GPP.45.005V7150-2008	7.15.0	Approved	Oct 08	https://www.atis.org/docstore/default.aspx
TIA	Included in TIA/EIA-136-370 as ETSI TS 145 005 v7.15.0	C	Approved	Oct 08	http://www.tiaonline.org/standards/technology/uwc136/disclaimer.cfm

5.4.2.3.16 3GPP TS 45.008**Radio Subsystem Link Control**

This document provides a general description of the radio link control for the 200 kHz channel.

SDO (2)	Document No.	Version	Status	Issued date	Location (1)
Release 99					
ATIS	ATIS.3GPP.05.08V8230-2006	8.23.0	Approved	Apr 06	https://www.atis.org/docstore/default.aspx
TIA	Included in TIA/EIA-136-370 as GSM 05.08 (ETSI TS 100 911	0 v8.5.0)	Published ANS	Apr 01	http://www.tiaonline.org/standards/technology/uwc136/disclaimer.cfm
Release 5					
ATIS	ATIS.3GPP.45.008V5220-2007	5.22.0	Approved	Oct 07	https://www.atis.org/docstore/default.aspx
TIA	Included in TIA/EIA-136-370 as	A-1(E)	Published ANS	Jun 05	http://www.tiaonline.org/standards/technology/uwc136/disclaimer.cfm
Release 6					
ATIS	ATIS.3GPP.45.008V6200-2008	6.20.0	Approved	Oct 08	https://www.atis.org/docstore/default.aspx
TIA	Included in TIA/EIA-136-370 as ETSI TS 145 008 v6.19.0	B-1(E)	Approved	Jan 08	http://www.tiaonline.org/standards/technology/uwc136/disclaimer.cfm
Release 7					
ATIS	ATIS.3GPP.45.008V7120-2008	7.12.0	Approved	Oct 08	https://www.atis.org/docstore/default.aspx
TIA	Included in TIA/EIA-136-370 as ETSI TS 145 008 v7.12.0	C	Approved	Oct 08	http://www.tiaonline.org/standards/technology/uwc136/disclaimer.cfm

5.4.2.3.17 3GPP TS 45.009**Link Adaptation**

This document provides a general description of the link adaptation for the 200 kHz channel.

SDO (2)	Document No.	Version	Status	Issued date	Location (1)
Release 98					
TIA	Included in TIA/EIA-136-440 as GSM 05.09 (ETSI TS 101 709	0 v7.3.0)	Published ANS	Apr 01	http://www.tiaonline.org/standards/technology/uwc136/disclaimer.cfm
Release 99					
ATIS	ATIS.3GPP.05.09V860-2006	8.6.0	Approved	Apr 06	https://www.atis.org/docstore/default.aspx
Release 5					
ATIS	ATIS.3GPP.45.009V560-2006	5.6.0	Approved	Apr 06	https://www.atis.org/docstore/default.aspx
TIA	Included in TIA/EIA-136-440 as ETSI TS 145 009 v5.5.0)	A	Published ANS	Jan 04	http://www.tiaonline.org/standards/technology/uwc136/disclaimer.cfm
Release 6					
ATIS	ATIS.3GPP.45.009V620-2006	6.2.0	Approved	Apr 06	https://www.atis.org/docstore/default.aspx
TIA	Included in TIA/EIA-136-440 as ETSI TS 145 009 v6.2.0)	B	Approved	Apr 06	http://www.tiaonline.org/standards/technology/uwc136/disclaimer.cfm
Release 7					
ATIS	ATIS.3GPP.45.009V700-2008	7.0.0	Approved	Oct 08	https://www.atis.org/docstore/default.aspx
TIA	Included in TIA/EIA-136-440 as ETSI TS 145 009 v7.0.0)	C	Approved	Oct 08	http://www.tiaonline.org/standards/technology/uwc136/disclaimer.cfm

5.4.2.3.18 3GPP TS 45.010**Radio Subsystem Synchronization**

This document provides a description of the synchronization of the radio link for the 200 kHz channel.

SDO (2)	Document No.	Version	Status	Issued date	Location (1)
Release 99					
ATIS	ATIS.3GPP.05.10V8120-2005	8.12.0	Approved	Apr 05	https://www.atis.org/docstore/default.aspx
TIA	Included in TIA/EIA-136-370 as GSM 05.10 (ETSI TS 100 912	0 v8.4.0)	Published ANS	Apr 01	http://www.tiaonline.org/standards/technology/uwc136/disclaimer.cfm
Release 5					
ATIS	ATIS.3GPP.45.010V530-2005	5.3.0	Approved	Apr 05	https://www.atis.org/docstore/default.aspx
TIA	Included in TIA/EIA-136-370 as ETSI TS 145 010 v5.3.0	A-1(E)	Published ANS	Jun 05	http://www.tiaonline.org/standards/technology/uwc136/disclaimer.cfm

Release 6

ATIS	ATIS.3GPP.45.010V670-2008	6.7.0	Approved	Oct 08	https://www.atis.org/docstore/default.aspx
TIA	Included in TIA/EIA-136-370 as ETSI TS 145 010 v6.6.0	B	Approved	Apr 06	http://www.tiaonline.org/standards/technology/uwc136/disclaimer.cfm

Release 7

ATIS	ATIS.3GPP.45.010V760-2008	7.6.0	Approved	Oct 08	https://www.atis.org/docstore/default.aspx
TIA	Included in TIA/EIA-136-370 as ETSI TS 145 010 v7.6.0	C	Approved	Oct 08	http://www.tiaonline.org/standards/technology/uwc136/disclaimer.cfm

5.4.2.3.19 3GPP TS 45.022**Radio Link management in hierarchical networks**

This document describes the radio link management for hierarchical networks.

SDO (2)	Document No.	Version	Status	Issued date	Location (1)
Release 99					
ATIS	T1.3GPP.05.22V800-2003	8.0.0	Approved	Dec 03	https://www.atis.org/docstore/default.aspx
Release 5					
ATIS	T1.3GPP.45.022V500-2003	5.0.0	Approved	Dec 03	https://www.atis.org/docstore/default.aspx
Release 6					
ATIS	ATIS.3GPP.45.022V600-2006	6.0.0	Approved	Apr 06	https://www.atis.org/docstore/default.aspx
Release 7					
ATIS	ATIS.3GPP.45.022V700-2008	7.0.0	Approved	Oct 08	https://www.atis.org/docstore/default.aspx

5.4.2.3.20 3GPP TS 44.001**Mobile Station – Base station system interface general aspects**

This document provides a general description of the mobile station – Base station system (MS-BSS) interface for the 200 kHz channel.

SDO (2)	Document No.	Version	Status	Issued date	Location (1)
Release 99					
ATIS	T1.3GPP. 04.01V800-2003	8.0.0	Approved	Dec 03	https://www.atis.org/docstore/default.aspx
Release 5					
ATIS	T1.3GPP.44.001V500-2003	5.0.0	Approved	Dec 03	https://www.atis.org/docstore/default.aspx
Release 6					
ATIS	ATIS.3GPP.44.001V600-2006	6.0.0	Approved	Apr 06	https://www.atis.org/docstore/default.aspx

Release 7

ATIS	ATIS.3GPP.44.001V700-2008	7.0.0	Approved	Oct 08	https://www.atis.org/docstore/default.aspx
------	---------------------------	-------	----------	--------	---

5.4.2.3.21 3GPP TS 44.003**Mobile Station – Base station system interface channel structures and access capabilities**

This document provides a description of the channel structures and access capabilities for the mobile station – Base station system (MS-BSS) interface for the 200 kHz channel.

SDO (2)	Document No.	Version	Status	Issued date	Location (1)
Release 99					
ATIS	T1.3GPP.04.03V802-2003	8.0.2	Approved	Dec 03	https://www.atis.org/docstore/default.aspx
Release 5					
ATIS	ATIS.3GPP.44.003V501-2005	5.0.1	Approved	Apr 05	https://www.atis.org/docstore/default.aspx
Release 6					
ATIS	ATIS.3GPP.44.003V610-2006	6.1.0	Approved	Apr 06	https://www.atis.org/docstore/default.aspx
Release 7					
ATIS	ATIS.3GPP.44.003V700-2008	7.0.0	Approved	Oct 08	https://www.atis.org/docstore/default.aspx

5.4.2.3.22 3GPP TS 44.004**Layer 1 General requirements**

This document provides a general description of the requirements for Layer 1 for the 200 kHz channel.

SDO (2)	Document No.	Version	Status	Issued date	Location (1)
Release 99					
ATIS	T1.3GPP.04.04V812-2003	8.1.2	Approved	Dec 03	https://www.atis.org/docstore/default.aspx
Release 5					
ATIS	ATIS.3GPP. 44.004V530-2005	5.3.0	Approved	Apr 05	https://www.atis.org/docstore/default.aspx
Release 6					
ATIS	ATIS.3GPP. 44.004V610-2006	6.1.0	Approved	Apr 06	https://www.atis.org/docstore/default.aspx
Release 7					
ATIS	ATIS.3GPP. 44.004V710-2008	7.1.0	Approved	Oct 08	https://www.atis.org/docstore/default.aspx

5.4.2.3.23 3GPP TS 44.005**Data Link (DL) layer general aspects**

This document provides a general description of the Data Link layer for the 200 kHz channel.

SDO (2)	Document No.	Version	Status	Issued date	Location (1)
Release 99					
ATIS	T1.3GPP.04.05V802-2003	8.0.2	Approved	Dec 03	https://www.atis.org/docstore/default.aspx
TIA	Included in TIA/EIA-136-370 as GSM 04.05 (ETSI EN 300 937	0 v8.0.1)	Published ANS	Apr 01	http://www.tiaonline.org/standards/technology/uwc136/disclaimer.cfm
Release 5					
ATIS	ATIS.3GPP.44.005V501-2005	5.0.1	Approved	Apr 05	https://www.atis.org/docstore/default.aspx
TIA	Included in TIA/EIA-136-370 as ETSI TS 144 005 v5.0.1	A-1(E)	Published ANS	Jun 05	http://www.tiaonline.org/standards/technology/uwc136/disclaimer.cfm
Release 6					
ATIS	ATIS.3GPP.44.005V610-2006	6.1.0	Approved	Apr 06	https://www.atis.org/docstore/default.aspx
TIA	Included in TIA/EIA-136-370 as ETSI TS 144 005 v6.1.0	B	Approved	Apr 06	http://www.tiaonline.org/standards/technology/uwc136/disclaimer.cfm
Release 7					
ATIS	ATIS.3GPP.44.005V700-2008	7.0.0	Approved	Oct 08	https://www.atis.org/docstore/default.aspx
TIA	Included in TIA/EIA-136-370 as ETSI TS 144 005 v7.0.0	C	Approved	Oct 08	http://www.tiaonline.org/standards/technology/uwc136/disclaimer.cfm

5.4.2.3.24 3GPP TS 44.006

Mobile Station – Base station system interface Data link layer specification

This document provides the specification of the data link layer for the mobile station -Base station system (MS-BSS) interface for the 200 kHz channel.

SDO (2)	Document No.	Version	Status	Issued date	Location (1)
Release 99					
ATIS	T1.3GPP.04.06V821-2003	8.2.1	Approved	Dec 03	https://www.atis.org/docstore/default.aspx
Release 5					
ATIS	ATIS.3GPP.44.006V501-2005	5.0.1	Approved	Apr 05	https://www.atis.org/docstore/default.aspx
Release 6					
ATIS	ATIS.3GPP.44.006V660-2007	6.6.0	Approved	Oct 07	https://www.atis.org/docstore/default.aspx
Release 7					
ATIS	ATIS.3GPP.44.006V700-2008	7.0.0	Approved	Oct 08	https://www.atis.org/docstore/default.aspx

5.4.2.3.25 3GPP TS 44.018

Mobile Radio interface Layer 3 specification, RRC protocol

This document provides a description of the Radio Resource Control protocol of the layer 3 Mobile Radio interface for the 200 kHz channel.

SDO (2)	Document No.	Version	Status	Issued date	Location (1)
Release 99					
ATIS	ATIS.3GPP.04.18V8270-2007	8.27.0	Approved	Oct 07	https://www.atis.org/docstore/default.aspx
TIA	Included in TIA/EIA-136-370 as GSM 04.18 (ETSI TS 101 503	0 v8.5.0)	Published ANS	Apr 01	http://www.tiaonline.org/standards/technology/uwc136/disclaimer.cfm
Release 5					
ATIS	ATIS.3GPP.44.018V5220-2007	5.22.0	Approved	Oct 07	https://www.atis.org/docstore/default.aspx
TIA	Included in TIA/EIA-136-370 as ETSI TS 144 018 v5.18.0	A-1(E)	Published ANS	Jun 05	http://www.tiaonline.org/standards/technology/uwc136/disclaimer.cfm
Release 6					
ATIS	ATIS.3GPP.44.018V6230-2008	6.23.0	Approved	Oct 08	https://www.atis.org/docstore/default.aspx
TIA	Included in TIA/EIA-136-370 as ETSI TS 144 018 v6.22.0	B-1(E)	Approved	Jan 08	http://www.tiaonline.org/standards/technology/uwc136/disclaimer.cfm
Release 7					
ATIS	ATIS.3GPP.44.018V7130-2008	7.13.0	Approved	Oct 08	https://www.atis.org/docstore/default.aspx
TIA	Included in TIA/EIA-136-370 as ETSI TS 144 018 v7.13.0	C	Approved	Oct 08	http://www.tiaonline.org/standards/technology/uwc136/disclaimer.cfm

5.4.2.3.26 3GPP TS 44.021

Rate Adaption on the Mobile Station – Base station system (MS-BSS) interface

This document provides the specification of rate adaption on the mobile station – Base station system (MS-BSS) interface for the 200 kHz channel.

SDO (2)	Document No.	Version	Status	Issued date	Location (1)
Release 99					
ATIS	T1.3GPP.04.21V830-2003	8.3.0	Approved	Dec 03	https://www.atis.org/docstore/default.aspx
Release 5					
ATIS	ATIS.3GPP.44.021V520-2005	5.2.0	Approved	Apr 05	https://www.atis.org/docstore/default.aspx
Release 6					
ATIS	ATIS.3GPP.44.021V600-2006	6.0.0	Approved	Apr 06	https://www.atis.org/docstore/default.aspx
Release 7					
ATIS	ATIS.3GPP.44.021V700-2008	7.0.0	Approved	Oct 08	https://www.atis.org/docstore/default.aspx

5.4.2.3.27 3GPP TS 44.031**Location Services (LCS); Mobile station – Serving mobile location centre (SMLC) radio resource LCS protocol**

This document provides the specification of the radio resource LCS protocol for the 200 kHz channel.

SDO (2)	Document No.	Version	Status	Issued date	Location (1)
Release 99					
ATIS	ATIS.3GPP.04.31V8180-2007	8.18.0	Approved	Oct 07	https://www.atis.org/docstore/default.aspx
TIA	Included in TIA/EIA-136-740 as GSM 04.31 (ETSI TS 101 527	0 v8.1.0)	Published ANS	Apr 01	http://www.tiaonline.org/standards/technology/uwc136/disclaimer.cfm
Release 5					
ATIS	ATIS.3GPP.44.031V5140-2007	5.14.0	Approved	Oct 07	https://www.atis.org/docstore/default.aspx
Release 6					
ATIS	ATIS.3GPP.44.031V690-2007	6.9.0	Approved	Oct 07	https://www.atis.org/docstore/default.aspx
Release 7					
ATIS	ATIS.3GPP.44.031V790-2008	7.9.0	Approved	Oct 08	https://www.atis.org/docstore/default.aspx

5.4.2.3.28 3GPP TS 44.035**Broadcast network assistance for E-OTD and GPS positioning methods**

This document provides the specification of broadcast assistance data for location services.

SDO (2)	Document No.	Version	Status	Issued date	Location (1)
Release 99					
ATIS	T1.3GPP.04.35V841-2003	8.4.1	Approved	Dec 03	https://www.atis.org/docstore/default.aspx
TIA	Included in TIA/EIA-136-740 as GSM 04.35 (ETSI TS 101 528	0 v8.1.0)	Published ANS	Apr 01	http://www.tiaonline.org/standards/technology/uwc136/disclaimer.cfm
Release 5					
ATIS	ATIS.3GPP.44.035V501-2005	5.0.1	Approved	Apr 05	https://www.atis.org/docstore/default.aspx
Release 6					
ATIS	ATIS.3GPP.44.035V600-2006	6.0.0	Approved	Apr 06	https://www.atis.org/docstore/default.aspx
Release 7					
ATIS	ATIS.3GPP.44.035V700-2008	7.0.0	Approved	Oct 08	https://www.atis.org/docstore/default.aspx

5.4.2.3.29 3GPP TS 44.068**Group Call control (GCC) protocol**

This document defines the protocol for the group call function.

SDO (2)	Document No.	Version	Status	Issued date	Location (1)
Release 99					
ATIS	T1.3GPP.04.68V810-2003	8.1.0	Approved	Dec 03	https://www.atis.org/docstore/default.aspx
Release 5					
ATIS	T1.3GPP.44.068V501-2003	5.0.1	Approved	Dec 03	https://www.atis.org/docstore/default.aspx
Release 6					
ATIS	ATIS.3GPP.44.068V600-2006	6.0.0	Approved	Apr 06	https://www.atis.org/docstore/default.aspx
Release 7					
ATIS	ATIS.3GPP.44.068V720-2008	7.2.0	Approved	Oct 08	https://www.atis.org/docstore/default.aspx

5.4.2.3.30 3GPP TS 44.069**Broadcast Call control (BCC) protocol**

This document defines the protocol for the Broadcast Call Control (BCC) protocol used by the Voice Broadcast Call Service (VBCS) on the radio interface.

SDO (2)	Document No.	Version	Status	Issued date	Location (1)
Release 99					
ATIS	T1.3GPP.04.69V810-2003	8.1.0	Approved	Dec 03	https://www.atis.org/docstore/default.aspx
Release 5					
ATIS	T1.3GPP.44.069V500-2003	5.0.0	Approved	Dec 03	https://www.atis.org/docstore/default.aspx
Release 6					
ATIS	ATIS.3GPP.44.069V600-2006	6.0.0	Approved	Apr 06	https://www.atis.org/docstore/default.aspx
Release 7					
ATIS	ATIS.3GPP.44.069V700-2008	7.0.0	Approved	Oct 08	https://www.atis.org/docstore/default.aspx

5.4.2.3.31 3GPP TS 44.071**Location Services (LCS); Mobile radio interface Layer 3**

This document provides the location services layer 3 specification for the 200 kHz channel.

SDO (2)	Document No.	Version	Status	Issued date	Location (1)
Release 99					
ATIS	T1.3GPP.04.71V840-2003	8.4.0	Approved	Dec 03	https://www.atis.org/docstore/default.aspx

Release 5

ATIS	ATIS.3GPP.44.071V501-2005	5.0.1	Approved	Apr 05	https://www.atis.org/docstore/default.aspx
------	---------------------------	-------	----------	--------	---

Release 6

ATIS	ATIS.3GPP.44.071V600-2006	6.0.0	Approved	Apr 06	https://www.atis.org/docstore/default.aspx
------	---------------------------	-------	----------	--------	---

Release 7

ATIS	ATIS.3GPP.44.071V700-2008	7.0.0	Approved	Oct 08	https://www.atis.org/docstore/default.aspx
------	---------------------------	-------	----------	--------	---

5.4.2.3.32 3GPP TS 43.010**GSM Public Land Mobile Network (PLMN) Connection types**

This document describes the connection types for the alternate circuit switched component.

SDO (2)	Document No.	Version	Status	Issued date	Location (1)
Release 99					
ATIS	T1.3GPP. 03.10V830-2003	8.3.0	Approved	Dec 03	https://www.atis.org/docstore/default.aspx
Release 5					
ATIS	ATIS.3GPP. 43.010V520-2005	5.2.0	Approved	Apr 05	https://www.atis.org/docstore/default.aspx
Release 6					
ATIS	ATIS.3GPP. 43.010V600-2006	6.0.0	Approved	Apr 06	https://www.atis.org/docstore/default.aspx
Release 7					
ATIS	ATIS.3GPP. 43.010V700-2008	7.0.0	Approved	Oct 08	https://www.atis.org/docstore/default.aspx

5.4.2.3.33 3GPP TS 43.013**Discontinuous Reception (DRX) in the GSM system**

This document describes the discontinuous reception function for the alternate circuit switched component.

SDO (2)	Document No.	Version	Status	Issued date	Location (1)
Release 99					
ATIS	T1.3GPP.03.13V800-2003	8.0.0	Approved	Dec 03	https://www.atis.org/docstore/default.aspx
Release 5					
ATIS	T1.3GPP.43.013V500-2003	5.0.0	Approved	Dec 03	https://www.atis.org/docstore/default.aspx
Release 6					
ATIS	ATIS.3GPP.43.013V600-2006	6.0.0	Approved	Apr 06	https://www.atis.org/docstore/default.aspx
Release 7					
ATIS	ATIS.3GPP.43.013V700-2007	7.0.0	Approved	Oct 08	https://www.atis.org/docstore/default.aspx

5.4.2.3.34 3GPP TS 43.022**Functions related to Mobile Station in idle mode and group receive mode**

This document describes the mobile station functions during idle or group receive mode for the alternate circuit switched component.

SDO (2)	Document No.	Version	Status	Issued date	Location (1)
Release 99					
ATIS	T1.3GPP.03.22V870-2003	8.7.0	Approved	Dec 03	https://www.atis.org/docstore/default.aspx
Release 5					
ATIS	ATIS.3GPP.43.022V520-2006	5.2.0	Approved	Apr 06	https://www.atis.org/docstore/default.aspx
Release 6					
ATIS	ATIS.3GPP.43.022V630-2006	6.3.0	Approved	Apr 06	https://www.atis.org/docstore/default.aspx
Release 7					
ATIS	ATIS.3GPP.43.022V720-2008	7.2.0	Approved	Oct 08	https://www.atis.org/docstore/default.aspx

5.4.2.3.35 3GPP TR 43.055**Dual Transfer Mode (DTM); Stage 2**

This document describes the dual mode operation of a mobile station in both packet and circuit mode.

SDO (2)	Document No.	Version	Status	Issued date	Location (1)
Release 99					
ATIS	ATIS.3GPP.03.55V840-2006	8.4.0	Approved	Apr 06	https://www.atis.org/docstore/default.aspx
Release 5					
ATIS	ATIS.3GPP.43.055V550-2006	5.5.0	Approved	Apr 06	https://www.atis.org/docstore/default.aspx
Release 6					
ATIS	ATIS.3GPP.43.055V6150-2007	6.15.0	Approved	Oct 07	https://www.atis.org/docstore/default.aspx
Release 7					
ATIS	ATIS.3GPP.43.055V760-2008	7.6.0	Approved	Oct 08	https://www.atis.org/docstore/default.aspx

5.4.2.3.36 3GPP TS 24.007**Mobile Radio interface Signalling Layer 3, General Aspects**

This document provides a description of the signalling aspects of the layer 3 Mobile Radio interface for the 200 kHz channel.

SDO (2)	Document No.	Version	Status	Issued date	Location (1)
Release 99					
ATIS	ATIS.3GPP.24.007V3100-2005	3.10.0	Approved	Apr 05	https://www.atis.org/docstore/default.aspx
TIA	Included in TIA/EIA-136-376 as ETSI TS 124 007 v3.3.1	0	Published ANS	Apr 01	http://www.tiaonline.org/standards/technology/uwc136/disclaimer.cfm

Release 5

ATIS	ATIS.3GPP.24.007V540-2006	5.4.0	Approved	Apr 06	https://www.atis.org/docstore/default.aspx
TIA	Included in TIA/EIA-136-376 as ETSI TS 124 007 v5.3.0	A-1(E)	Published ANS	Jun 05	http://www.tiaonline.org/standards/technology/uwc136/disclaimer.cfm

Release 6

ATIS	ATIS.3GPP.24.007V650-2006	6.5.0	Approved	Apr 06	https://www.atis.org/docstore/default.aspx
TIA	Included in TIA/EIA-136-376 as ETSI TS 124 007 v6.5.0	B	Approved	Apr 06	http://www.tiaonline.org/standards/technology/uwc136/disclaimer.cfm

Release 7

ATIS	ATIS.3GPP.24.007V700-2008	7.0.0	Approved	Oct 08	https://www.atis.org/docstore/default.aspx
TIA	Included in TIA/EIA-136-376 as ETSI TS 124 007 v7.0.0	C	Approved	Oct 08	http://www.tiaonline.org/standards/technology/uwc136/disclaimer.cfm

5.4.2.3.37 3GPP TS 24.008**Mobile Radio interface Layer 3, Core Network protocols – Stage 3**

This document provides a description of the Core network protocols of the layer 3 Mobile Radio interface for the 200 kHz channel.

SDO (2)	Document No.	Version	Status	Issued date	Location (1)
Release 99					
ATIS	ATIS.3GPP.24.008V3200-2006	3.20.0	Approved	Apr 06	https://www.atis.org/docstore/default.aspx
TIA	Included in TIA/EIA-136-376 as ETSI TS 124 008 v3.3.1	0	Published ANS	Apr 01	http://www.tiaonline.org/standards/technology/uwc136/disclaimer.cfm
Release 5					
ATIS	ATIS.3GPP.24.008V5160-2007	5.16.0	Approved	Oct 07	https://www.atis.org/docstore/default.aspx
TIA	Included in TIA/EIA-136-376 as ETSI TS 124 008 v5.12.0	A-1(E)	Published ANS	Jun 05	http://www.tiaonline.org/standards/technology/uwc136/disclaimer.cfm
Release 6					
ATIS	ATIS.3GPP.24.008V6190-2008	6.19.0	Approved	Oct 08	https://www.atis.org/docstore/default.aspx
TIA	Included in TIA/EIA-136-376 as ETSI TS 124 008 v6.16.0	B-1(E)	Approved	Jan 08	http://www.tiaonline.org/standards/technology/uwc136/disclaimer.cfm
Release 7					
ATIS	ATIS.3GPP.24.008V7120-2008	7.12.0	Approved	Oct 08	https://www.atis.org/docstore/default.aspx
TIA	Included in TIA/EIA-136-376 as ETSI TS 124 008 v7.12.0	C	Approved	Oct 08	http://www.tiaonline.org/standards/technology/uwc136/disclaimer.cfm

5.4.2.3.38 3GPP TS 24.010**Mobile Radio interface Layer 3, Supplementary services – General**

This document provides a general description of the supplementary services of the layer 3 Mobile Radio interface for the 200 kHz channel.

SDO (2)	Document No.	Version	Status	Issued date	Location (1)
Release 99					
ATIS	T1.3GPP.24.010V320-2002	3.2.0	Approved	May 02	https://www.atis.org/docstore/default.aspx
Release 5					
ATIS	T1.3GPP.24.010V500-2003	5.0.0	Approved	Mar 03	https://www.atis.org/docstore/default.aspx
Release 6					
ATIS	ATIS.3GPP.24.010V600-2006	6.0.0	Approved	Apr 06	https://www.atis.org/docstore/default.aspx
Release 7					
ATIS	ATIS.3GPP.24.010V700-2007	7.0.0	Approved	Oct 07	https://www.atis.org/docstore/default.aspx

5.4.2.3.39 3GPP TS 24.022**Radio Link Protocol (RLP) for circuit switched bearer and teleservices**

This document provides a general description of the radio link protocol for the circuit switched bearer and teleservices for the 200 kHz channel.

SDO (2)	Document No.	Version	Status	Issued date	Location (1)
Release 99					
ATIS	ATIS.3GPP.24.022V350-2005	3.5.0	Approved	Apr 05	https://www.atis.org/docstore/default.aspx
Release 5					
ATIS	ATIS.3GPP.24.022V550-2005	5.5.0	Approved	Apr 05	https://www.atis.org/docstore/default.aspx
Release 6					
ATIS	ATIS.3GPP.24.022V600-2006	6.0.0	Approved	Apr 06	https://www.atis.org/docstore/default.aspx
Release 7					
ATIS	ATIS.3GPP.24.022V700-2007	7.0.0	Approved	Oct 07	https://www.atis.org/docstore/default.aspx

5.4.2.3.40 3GPP TR 45.902**Flexible Layer One (FLO)**

This document contains an overview of Flexible Layer One (FLO), its architecture and its impact on the GERAN radio protocol stacks.

SDO (2)	Document No.	Version	Status	Issued date	Location (1)
Release 6					
ATIS	ATIS.3GPP.45.902V680-2006	6.8.0	Approved	Apr 06	https://www.atis.org/docstore/default.aspx
TIA	Included in TIA/EIA-136-370 as ETSI TR 145 902 v6.8.0	B	Approved	Apr 06	http://www.tiaonline.org/standards/technology/uwc136/disclaimer.cfm

Release 7

ATIS	ATIS.3GPP.45.902V700-2008	7.0.0	Approved	Oct 08	https://www.atis.org/docstore/default.aspx
TIA	Included in TIA/EIA-136-370 as ETSI TR 145 902 v7.0.0	C	Approved	Oct 08	http://www.tiaonline.org/standards/technology/uwc136/disclaimer.cfm

5.4.2.3.41 3GPP TS 43.026**Multiband operation of GSM/DCS 1800 by a single operator**

This document contains an overview of operation of GERAN at 900 MHz and 1800 MHz by a single operator.

SDO (2)	Document No.	Version	Status	Issued date	Location (1)
Release 6					
ATIS	ATIS.3GPP.43.026V600-2008	6.0.0	Approved	Oct 08	https://www.atis.org/docstore/default.aspx
Release 7					
ATIS	ATIS.3GPP.43.026V700-2008	7.0.0	Approved	Oct 08	https://www.atis.org/docstore/default.aspx

5.4.2.3.42 3GPP TS 43.059**Functional stage 2 description of Location Services (LCS) in GERAN**

This document contains a stage 2 description of the location services provided in GERAN networks.

SDO (2)	Document No.	Version	Status	Issued date	Location (1)
Release 6					
ATIS	ATIS.3GPP.43.059V660-2008	6.6.0	Approved	Oct 08	https://www.atis.org/docstore/default.aspx
Release 7					
ATIS	ATIS.3GPP.43.059V730-2008	7.3.0	Approved	Oct 08	https://www.atis.org/docstore/default.aspx

5.4.2.4**Minimum performance****5.4.2.4.1 136-210****ACELP minimum performance**

This part details the BS minimum performance requirements for the ACELP vocoder.

SDO (2)	Document No.	Version	Status	Issued date	Location (1)
TIA	TIA/EIA-136-210	A	Published ANS	Apr 01	http://www.tiaonline.org/standards/technology/uwc136/disclaimer.cfm

5.4.2.4.2 136-220**VSELP minimum performance**

This part details the minimum performance requirements for the VSELP vocoder. This standard includes a software distribution.

SDO (2)	Document No.	Version	Status	Issued date	Location (1)
TIA	TIA/EIA-136-220	0	Published ANS	Mar 00	http://www.tiaonline.org/standards/technology/uwc136/disclaimer.cfm

5.4.2.4.3 136-230

US1 minimum performance

This part details the BS minimum performance requirements for the US1 vocoder. This standard includes a software distribution.

SDO (2)	Document No.	Version	Status	Issued date	Location (1)
TIA	TIA/EIA-136-230	0	Published ANS	Mar 00	http://www.tiaonline.org/standards/technology/uwc136/disclaimer.cfm

5.4.2.4.4 136-240

Minimum Performance for Adaptive Multi-rate Codec

This part details the minimum performance requirements for the Adaptive Multi-Rate voice coder. This standard includes a software distribution.

SDO (2)	Document No.	Version	Status	Issued date	Location (1)
TIA	TIA/EIA-136-240	0	Published ANS	Apr 01	http://www.tiaonline.org/standards/technology/uwc136/disclaimer.cfm

5.4.2.4.5 136-250

VAD Minimum Performance

This part details the minimum performance requirements for the Voice Activity Detection feature. This standard includes a software distribution.

SDO (2)	Document No.	Version	Status	Issued date	Location (1)
TIA	TIA/EIA-136-250	0	Published ANS	Apr 01	http://www.tiaonline.org/standards/technology/uwc136/disclaimer.cfm

5.4.2.4.6 136-270

Mobile stations minimum performance

This part details definitions, methods of measurement, and MS minimum performance requirements operating 136+ bearers.

SDO (2)	Document No.	Version	Status	Issued date	Location (1)
TIA	TIA/EIA-136-270	C	Published ANS	Apr 01	http://www.tiaonline.org/standards/technology/uwc136/disclaimer.cfm

5.4.2.4.7 136-271

Mobile stations minimum performance for Global Circulation

This part details definitions, methods of measurement, and minimum performance requirements for 2 GHz Wireless1 mobile stations. Unless otherwise stated, these requirements apply only to digital operation, within the regulatory mandates of the European Union "Electromagnetic compatibility and Radio spectrum Matters (ERM); Base stations (BS) and user equipment (UE) for IMT-2000 Third Generation cellular networks; Part 8: Harmonized EN for IMT-2000 TDMA Single Carrier (UWC 136) (UE)" covering essential requirements of article 3.2 of the RandTTE Directive.

SDO (2)	Document No.	Version	Status	Issued date	Location (1)
TIA	TIA/EIA-136-271	0	Published ANS	Apr 02	http://www.tiaonline.org/standards/technology/uwc136/disclaimer.cfm

5.4.2.4.8 136-280

Base stations minimum performance

This part details definitions, methods of measurement, and BS minimum performance requirements operating 136+ bearers.

SDO (2)	Document No.	Version	Status	Issued date	Location (1)
TIA	TIA/EIA-136-280	D	Published ANS	Apr 02	http://www.tiaonline.org/standards/technology/uwc136/disclaimer.cfm

5.4.2.4.9 136-290

RF Minimum performance requirements for 136HS Outdoor and 136HS Indoor bearers

This part details the RF minimum performance requirements for BS and MS operating 136HS/136EHS Outdoor and 136HS Indoor bearers.

SDO (2)	Document No.	Version	Status	Issued date	Location (1)
TIA	TIA/EIA-136-290	A	Published ANS	Apr 01	http://www.tiaonline.org/standards/technology/uwc136/disclaimer.cfm

5.4.2.4.10 3GPP TS 23.110

UMTS Access Stratum Services and Functions

This document specifies the services provided by the Access Stratum to the rest of the GERAN/UMTS systems.

SDO (2)	Document No.	Version	Status	Issued date	Location (1)
Release 5					
ATIS	ATIS.3GPP.23.110V500-2005	5.0.0	Approved	Apr 05	https://www.atis.org/docstore/default.aspx
Release 6					
ATIS	ATIS.3GPP.23.110V600-2006	6.0.0	Approved	Apr 06	https://www.atis.org/docstore/default.aspx
Release 7					
ATIS	ATIS.3GPP.23.110V700-2007	7.0.0	Approved	Oct 07	https://www.atis.org/docstore/default.aspx

5.4.2.4.11 3GPP TS 23.122

NAS Functions related to Mobile Station in idle mode

This part details the Non-Access Stratum functional requirements of the Mobile station in idle mode.

SDO (2)	Document No.	Version	Status	Issued date	Location (1)
Release 99					
ATIS	ATIS.3GPP.23.122V3100-2005	3.10.0	Approved	Apr 05	https://www.atis.org/docstore/default.aspx
TIA	Included in TIA/EIA-136-370 as ETSI TS 123 122 v3.2.0	0	Published ANS	Apr 01	http://www.tiaonline.org/standards/technology/uwc136/disclaimer.cfm

Release 5

ATIS	ATIS.3GPP.23.122V530-2005	5.3.0	Approved	Apr 05	https://www.atis.org/docstore/default.aspx
TIA	Included in TIA/EIA-136-370 as ETSI TS 123 122 v5.3.0	A-1(E)	Published ANS	Jun 05	http://www.tiaonline.org/standards/technology/uwc136/disclaimer.cfm

Release 6

ATIS	ATIS.3GPP.23.122V650-2006	6.5.0	Approved	Apr 05	https://www.atis.org/docstore/default.aspx
TIA	Included in TIA/EIA-136-370 as ETSI TS 123 122 v6.5.0	B	Approved	Apr 06	http://www.tiaonline.org/standards/technology/uwc136/disclaimer.cfm

Release 7

ATIS	ATIS.3GPP.23.122V7121-2008	7.12.1	Approved	Oct 08	https://www.atis.org/docstore/default.aspx
TIA	Included in TIA/EIA-136-370 as ETSI TS 123 122 v7.12.1	C	Approved	Oct 08	http://www.tiaonline.org/standards/technology/uwc136/disclaimer.cfm

5.4.2.4.12 3GPP TS 27.060**Packet Domain; MS supporting packet switched services**

This part details the packet domain functional requirements of the Mobile station.

SDO (2)	Document No.	Version	Status	Issued date	Location (1)
Release 99					
ATIS	ATIS.3GPP.27.060V380-2005	3.8.0	Approved	Apr 05	https://www.atis.org/docstore/default.aspx
TIA	Included in TIA/EIA-136-370 as ETSI TS 127 060 v3.4.0	0	Published ANS	Apr 01	http://www.tiaonline.org/standards/technology/uwc136/disclaimer.cfm
Release 5					
ATIS	ATIS.3GPP.27.060V560-2005	5.6.0	Approved	Apr 05	https://www.atis.org/docstore/default.aspx
TIA	Included in TIA/EIA-136-370 as ETSI TS 127 060 v5.6.0	A-1(E)	Published ANS	Jun 05	http://www.tiaonline.org/standards/technology/uwc136/disclaimer.cfm
Release 6					
ATIS	ATIS.3GPP.27.060V600-2006	6.0.0	Approved	Apr 06	https://www.atis.org/docstore/default.aspx
TIA	Included in TIA/EIA-136-370 as ETSI TS 127 060 v6.0.0	B	Approved	Apr 06	http://www.tiaonline.org/standards/technology/uwc136/disclaimer.cfm
Release 7					
ATIS	ATIS.3GPP.27.060V700-2008	7.0.0	Approved	Oct 08	https://www.atis.org/docstore/default.aspx
TIA	Included in TIA/EIA-136-370 as ETSI TS 127 060 v7.0.0	C	Approved	Oct 08	http://www.tiaonline.org/standards/technology/uwc136/disclaimer.cfm

5.4.2.4.13 3GPP TS 11.17**SIM conformance test specification**

This part details the conformance test requirements of the Subscriber Identity Module. Standalone SIM functionality is not specified beyond Release 4. For the latest available information see § 5.4.2.13.42.

SDO (2)	Document No.	Version	Status	Issued date	Location (1)
Release 98					
TIA	Included in TIA/EIA-136-030 as GSM 11.17 (ETSI TS 301 086	A v7.0.2)	Published ANS	Apr 02	http://www.tiaonline.org/standards/technology/uwc136/disclaimer.cfm
Release 99					
ATIS	ATIS.3GPP.11.17V820-2006	8.2.0	Approved	Apr 06	https://www.atis.org/docstore/default.aspx

5.4.2.4.14 3GPP TR 34.902

Derivation of test tolerances for multi-cell Radio Resource Management (RRM) conformance This document specifies a method used to derive the test tolerances and relating them to the measurement uncertainties of the test.

SDO (2)	Document No.	Version	Status	Issued date	Location (1)
Release 5					
ATIS	ATIS.3GPP.34.902V530-2008	5.3.0	Approved	Oct 08	https://www.atis.org/docstore/default.aspx
Release 6					
ATIS	ATIS.3GPP.34.902V600-2008	6.0.0	Approved	Oct 08	https://www.atis.org/docstore/default.aspx

5.4.2.4.15 3GPP TS 43.058**Characterization, test methods, and quality assessment for handsfree Mobile Stations**

This document describes the testing and characterization of handsfree devices for MSs.

SDO (2)	Document No.	Version	Status	Issued date	Location (1)
Release 99					
ATIS	T1.3GPP.03.58V800-2003	8.0.0	Approved	Dec 03	https://www.atis.org/docstore/default.aspx
Release 5					
ATIS	T1.3GPP.43.058V500-2003	5.0.0	Approved	Dec 03	https://www.atis.org/docstore/default.aspx
Release 6					
ATIS	ATIS.3GPP.43.058V600-2006	6.0.0	Approved	Apr 06	https://www.atis.org/docstore/default.aspx
Release 7					
ATIS	ATIS.3GPP.43.058V700-2008	7.0.0	Approved	Oct 08	https://www.atis.org/docstore/default.aspx

5.4.2.4.16 3GPP TS 44.013**Performance requirements on mobile radio interface**

This part details the performance requirements of the Mobile station radio interface.

SDO (2)	Document No.	Version	Status	Issued date	Location (1)
Release 99					
ATIS	T1.3GPP.04.13V801-2003	8.0.1	Approved	Dec 03	https://www.atis.org/docstore/default.aspx
Release 5					
ATIS	T1.3GPP.44.013V500-2003	5.0.0	Approved	Dec 03	https://www.atis.org/docstore/default.aspx
Release 6					
ATIS	ATIS.3GPP.44.013V600-2006	6.0.0	Approved	Apr 06	https://www.atis.org/docstore/default.aspx
Release 7					
ATIS	ATIS.3GPP.44.013V700-2008	7.0.0	Approved	Oct 08	https://www.atis.org/docstore/default.aspx

5.4.2.4.17 3GPP TS 44.014**Individual equipment type requirements and interworking; Special conformance testing**

This part details the packet domain functional requirements of the Mobile station.

SDO (2)	Document No.	Version	Status	Issued date	Location (1)
Release 99					
ATIS	ATIS.3GPP.04.14V860-2005	8.6.0	Approved	Apr 05	https://www.atis.org/docstore/default.aspx
TIA	Included in TIA/EIA-136-290 as GSM 04.14 (ETSI TS 101 293	A v8.1.0)	Published ANS	Apr 01	http://www.tiaonline.org/standards/technology/uwc136/disclaimer.cfm
Release 5					
ATIS	ATIS.3GPP.44.014V530-2005	5.3.0	Approved	Apr 05	https://www.atis.org/docstore/default.aspx
Release 6					
ATIS	ATIS.3GPP.44.014V640-2007	6.4.0	Approved	Oct 07	https://www.atis.org/docstore/default.aspx
Release 7					
ATIS	ATIS.3GPP.44.014V720-2008	7.2.0	Approved	Oct 08	https://www.atis.org/docstore/default.aspx

5.4.2.4.18 3GPP TS 45.015**Release independent Downlink Advanced Receiver Performance (DARP); Implementation guidelines**

This document specifies requirements on MSs supporting Downlink Advanced Receiver Performance (DARP) that are independent of release. However, in order to implement an MS that conforms to a particular release but supports DARP, which is specified in a later release, it is necessary to specify some extra requirements.

SDO (2)	Document No.	Version	Status	Issued date	Location (1)
Release 6					
ATIS	ATIS.3GPP.45.015V610-2008	6.1.0	Approved	Oct 08	https://www.atis.org/docstore/default.aspx
Release 7					
ATIS	ATIS.3GPP.45.015V700-2008	7.0.0	Approved	Oct 08	https://www.atis.org/docstore/default.aspx

5.4.2.4.19 3GPP TR 45.050

Background for Radio Frequency requirements

This part gives the background information for the specification of the radio frequency requirements in 45.005.

SDO (2)	Document No.	Version	Status	Issued date	Location (1)
Release 99					
ATIS	T1.3GPP.05.50V820-2003	8.2.0	Approved	Dec 03	https://www.atis.org/docstore/default.aspx
TIA	Included in TIA/EIA-136-290 as GSM 05.50 (ETSI TR 101 115	A v8.1.0)	Published ANS	Apr 01	http://www.tiaonline.org/standards/technology/uwc136/disclaimer.cfm
Release 5					
ATIS	T1.3GPP.45.050V501-2003	5.0.1	Approved	Dec 03	https://www.atis.org/docstore/default.aspx
Release 6					
ATIS	ATIS.3GPP.45.050V621-2006	6.2.1	Approved	Apr 06	https://www.atis.org/docstore/default.aspx
Release 7					
ATIS	ATIS.3GPP.45.050V700-2008	7.0.0	Approved	Oct 08	https://www.atis.org/docstore/default.aspx

5.4.2.4.20 3GPP TR 45.903

Feasibility study on Single Antenna Interference Cancellation (SAIC) for GSM networks

This document contains the results of a feasibility study analyzing single antenna interference cancellation.

SDO (2)	Document No.	Version	Status	Issued date	Location (1)
Release 6					
ATIS	ATIS.3GPP.45.903V601-2008	6.0.1	Approved	Oct 08	https://www.atis.org/docstore/default.aspx
Release 7					
ATIS	ATIS.3GPP.45.903V701-2008	7.0.1	Approved	Oct 08	https://www.atis.org/docstore/default.aspx

5.4.2.4.21 3GPP TS 51.010-1

Mobile Station conformance specification; Part 1

This document provides a general description of the radio transmission and reception for the 200 kHz channel.

456

Rec. ITU-R M.1457-8

SDO (2)	Document No.	Version	Status	Issued date	Location (1)
Release 99					
ATIS	T1.3GPP.11.10-1V830-2003	8.3.0	Approved	Dec 03	https://www.atis.org/docstore/default.aspx
TIA	Included in TIA/EIA-136-290 as GSM 11.10-1 (ETSI EN 300 607-1 v8.1.1)	A	Published ANS	Apr 01	http://www.tiaonline.org/standards/technology/uwc136/disclaimer.cfm
Release 5					
ATIS	T1.3GPP.51.010-1V5110-2005	5.11.0	Approved	Apr 05	https://www.atis.org/docstore/default.aspx
Release 6					
ATIS	ATIS.3GPP.51.010-1V670-2007	6.7.0	Approved	Oct 07	https://www.atis.org/docstore/default.aspx
Release 7					
ATIS	ATIS.3GPP.51.010-1V7100-2008	7.10.0	Approved	Oct 08	https://www.atis.org/docstore/default.aspx

5.4.2.4.22 3GPP TS 51.010-2

Mobile Station conformance specification; Part 2 Protocol Implementation Conformance Statement (PICS) proforma specification

This document provides mobile station protocol implementation conformance statement (PICS) proforma.

SDO (2)	Document No.	Version	Status	Issued date	Location (1)
Release 5					
ATIS	ATIS.3GPP.51.010-2V5110-2005	5.11.0	Approved	Apr 05	https://www.atis.org/docstore/default.aspx
Release 6					
ATIS	ATIS.3GPP.51.010-2V660-2007	6.6.0	Approved	Oct 07	https://www.atis.org/docstore/default.aspx
Release 7					
ATIS	ATIS.3GPP.51.010-2V7100-2008	7.10.0	Approved	Oct 08	https://www.atis.org/docstore/default.aspx

5.4.2.4.23 3GPP TS 51.010-3

Mobile Station conformance specification; Part 3: Layer 3 (L3) Abstract Test Suite (ATS)

This part details the Layer 3 conformance test abstract test suite.

SDO (2)	Document No.	Version	Status	Issued date	Location (1)
Release 5					
ATIS	ATIS.3GPP.51.010-3V540-2005	5.4.0	Approved	Apr 05	https://www.atis.org/docstore/default.aspx
Release 6					
ATIS	ATIS.3GPP.51.010-3V630-2006	6.3.0	Approved	Apr 06	https://www.atis.org/docstore/default.aspx
Release 7					
ATIS					

5.4.2.4.24 3GPP TS 11.10-4**Mobile Station conformance specification; Part 4 SIM Application Toolkit conformance specification**

This document provides a conformance specification for the SIM Application toolkit. Standalone SIM functionality is not specified beyond Release 4. For the latest available information see § 5.4.2.13.40.

SDO (2)	Document No.	Version	Status	Issued date	Location (1)
Release 99					
ATIS	ATIS.3GPP.11.10-4V8150-2007	8.15.0	Approved	Oct 07	https://www.atis.org/docstore/default.aspx

5.4.2.4.25 3GPP TS 51.010-5**Mobile Station conformance specification; Part 5: GERAN/UTRAN interaction Abstract Test Suite (ATS)**

This document details the conformance test abstract test suite for GERAN/UTRAN systems interaction.

SDO (2)	Document No.	Version	Status	Issued date	Location (1)
Release 6					
ATIS	ATIS.3GPP.51.010-5V660-2007	6.6.0	Approved	Oct 07	https://www.atis.org/docstore/default.aspx
Release 7					
ATIS	ATIS.3GPP.51.010-5V7100-2007	7.10.0	Approved	Oct 08	https://www.atis.org/docstore/default.aspx

5.4.2.4.26 3GPP TS 51.021**Base Station System equipment specification; radio aspects**

This document details the radio aspects of the BSS equipment specification.

SDO (2)	Document No.	Version	Status	Issued date	Location (1)
Release 99					
ATIS	ATIS.3GPP.11.21V8100-2006	8.10.0	Approved	Apr 06	https://www.atis.org/docstore/default.aspx
TIA	Included in TIA/EIA-136-290 as GSM 11.21 (ETSI EN 301 087	A v8.1.1)	Published ANS	Apr 01	http://www.tiaonline.org/standards/technology/uwc136/disclaimer.cfm
Release 5					
ATIS	ATIS.3GPP.51.021V540-2006	5.4.0	Approved	Apr 06	https://www.atis.org/docstore/default.aspx
Release 6					
ATIS	ATIS.3GPP.51.021V630-2006	6.3.0	Approved	Apr 06	https://www.atis.org/docstore/default.aspx
Release 7					
ATIS	ATIS.3GPP.51.021V730-2008	7.3.0	Approved	Oct 08	https://www.atis.org/docstore/default.aspx

5.4.2.4.27 3GPP TS 26.077**Minimum performance requirements for noise suppresser application to the Adaptive Multi-Rate (AMR) speech encoder**

This document details the minimum performance requirements for the noise suppression function of the AMR speech codec.

SDO (2)	Document No.	Version	Status	Issued date	Location (1)
Release 6					
ATIS	ATIS.3GPP.26.077V600-2008	6.0.0	Approved	Oct 08	https://www.atis.org/docstore/default.aspx
Release 7					
ATIS	ATIS.3GPP.26.077V700-2008	7.0.0	Approved	Oct 08	https://www.atis.org/docstore/default.aspx

5.4.2.4.28 3GPP TS 34.114**User Equipment (UE)/Mobile Station (MS) Over the Air (OTA) antenna performance; Conformance testing**

This document describes the methods to be used in order to assess the radiated performances of the user equipment/mobile stations (UE/MS) in active mode in both the up- and the downlink.

SDO (2)	Document No.	Version	Status	Issued date	Location (1)
Release 7					
ATIS					

5.4.2.4.29 3GPP TS 51.026**Base Station System equipment specification; Part 4: Repeaters**

This document details the BSS equipment specification for repeaters.

SDO (2)	Document No.	Version	Status	Issued date	Location (1)
Release 6					
ATIS	ATIS.3GPP.51.026V610-2008	6.1.0	Approved	Oct 08	https://www.atis.org/docstore/default.aspx
Release 7					
ATIS	ATIS.3GPP.51.026V700-2008	7.0.0	Approved	Oct 08	https://www.atis.org/docstore/default.aspx

5.4.2.5**Data services****5.4.2.5.1** 136-310**Radio link Protocol 1**

This part specifies a radio link protocol (RLP1) that provides error recovery functions allowing Layer 3 functions to asynchronously transport data octets across

a TDMA radio interface utilizing an underlying half-rate, full-rate, double-rate, or triple-rate digital traffic channel as specified in TIA-136-131, 132, and 133.

SDO (2)	Document No.	Version	Status	Issued date	Location (1)
TIA	TIA/EIA-136-310	A	Published ANS	Mar 00	http://www.tiaonline.org/standards/technology/uwc136/disclaimer.cfm

5.4.2.5.2 136-320

Radio link Protocol 2

This part specifies a radio link protocol (RLP2) that allows Layer 3 functions to isochronously transport data octets across a TDMA radio interface utilizing an underlying half-rate, full-rate, double-rate, or triple-rate digital traffic channel as specified in TIA-136-131, 132, and 133.

SDO (2)	Document No.	Version	Status	Issued date	Location (1)
TIA	TIA/EIA-136-320	0	Published ANS	Mar 00	http://www.tiaonline.org/standards/technology/uwc136/disclaimer.cfm

5.4.2.5.3 136-330

Packet-data service – Overview

This part provides an overview of the GPRS-136 packet data service. An overview of the network reference model, BS and MS protocols, channel types, and options are provided. In addition, an overview of the 30 kHz 136+ bearer is provided.

SDO (2)	Document No.	Version	Status	Issued date	Location (1)
TIA	TIA/EIA-136-330	0	Published ANS	Mar 00	http://www.tiaonline.org/standards/technology/uwc136/disclaimer.cfm

5.4.2.5.4 136-331

Packet-data service – 136+ physical layer

This part provides the 30 kHz 136+ physical layer specification including slot formats, frame structure, modulation, and channel coding.

SDO (2)	Document No.	Version	Status	Issued date	Location (1)
TIA	TIA/EIA-136-331	0	Published ANS	Mar 00	http://www.tiaonline.org/standards/technology/uwc136/disclaimer.cfm

5.4.2.5.5 136-332

Packet-data service – 136+ medium access control

This part provides the 30 kHz 136+ packet data MAC layer specification including MAC PDUs, transaction management, error recovery, and random access control.

SDO (2)	Document No.	Version	Status	Issued date	Location (1)
TIA	TIA/EIA-136-332	0	Published ANS	Mar 00	http://www.tiaonline.org/standards/technology/uwc136/disclaimer.cfm

5.4.2.5.6 136-333**Packet-data service – Logical-link control**

This part defines the logical link control (LLC) layer protocol to be used for packet data transfer between the MS and serving GPRS support node (SGSN).

SDO (2)	Document No.	Version	Status	Issued date	Location (1)
TIA	TIA/EIA-136-333	0	Published ANS	Mar 00	http://www.tiaonline.org/standards/technology/uwc136/disclaimer.cfm

5.4.2.5.7 136-334**Packet-data service – Subnetwork dependent convergence protocol**

This part provides the description of the subnetwork dependent convergence protocol (SNDCP). The user of the services provided by SNDCP is a packet data protocol (PDP) at the MS or the relay at the serving GPRS support node (SGSN).

SDO (2)	Document No.	Version	Status	Issued date	Location (1)
TIA	TIA/EIA-136-334	0	Published ANS	Mar 00	http://www.tiaonline.org/standards/technology/uwc136/disclaimer.cfm

5.4.2.5.8 136-335**Packet-data service – Radio resource management**

This part specifies the radio resource management in a GPRS-136 packet data system. The entities in a GPRS-136 MS and BS that are used to achieve the goals of radio resource management are the radio resource management entity (RRME) and the broadcast management entity (BME) and are both described in this part.

SDO (2)	Document No.	Version	Status	Issued date	Location (1)
TIA	TIA/EIA-136-335	0	Published ANS	Mar 00	http://www.tiaonline.org/standards/technology/uwc136/disclaimer.cfm

5.4.2.5.9 136-336**Packet-data service – Mobility management**

This part describes GPRS-136 mobility management and functions such as location tracking and user-identity confidentiality. The GPRS-136 packet data network combines TIA/EIA-41 circuit switched network elements with GPRS network elements.

SDO (2)	Document No.	Version	Status	Issued date	Location (1)
TIA	TIA/EIA-136-336	0	Published ANS	Mar 00	http://www.tiaonline.org/standards/technology/uwc136/disclaimer.cfm

5.4.2.5.10 136-337**Packet-data service – Tunnelling of signalling messages**

This part specifies procedures to provide coordination between the TIA/EIA-136 circuit switched services controlled at the mobile switching centre (MSC)/visitors location register (VLR) and the GPRS-136 packet switched services controlled at the serving GPRS support node (SGSN).

SDO (2)	Document No.	Version	Status	Issued date	Location (1)
TIA	TIA/EIA-136-337	0	Published ANS	Mar 00	http://www.tiaonline.org/standards/technology/uwc136/disclaimer.cfm

5.4.2.5.11 136-340

Packet-data service – 136HS Outdoor overview

This part provides an overview of the 200 kHz 136HS outdoor bearer.

SDO (2)	Document No.	Version	Status	Issued date	Location (1)
TIA	TIA/EIA-136-340	0	Published ANS	Mar 00	http://www.tiaonline.org/standards/technology/uwc136/disclaimer.cfm

5.4.2.5.12 136-341

Packet-data service – 136HS Outdoor physical layer

This part provides the 200 kHz 136HS Outdoor bearer physical layer specification including slot formats, frame structure, modulation, and channel coding.

SDO (2)	Document No.	Version	Status	Issued date	Location (1)
TIA	TIA/EIA-136-341	0	Published ANS	Mar 00	http://www.tiaonline.org/standards/technology/uwc136/disclaimer.cfm

5.4.2.5.13 136-342

Packet-data service – 136HS Outdoor RLC/MAC

This part provides the 200 kHz 136HS Outdoor bearer RLC/MAC layer specification including RLC blocks, MAC protocol data units (PDUs), transaction management, error recovery, and random access control.

SDO (2)	Document No.	Version	Status	Issued date	Location (1)
TIA	TIA/EIA-136-342	0	Published ANS	Mar 00	http://www.tiaonline.org/standards/technology/uwc136/disclaimer.cfm

5.4.2.5.14 136-350

Data-service control

This part provides a description of the user-network commands and responses used to access async data service, fax data service, and other services running over radio link protocol 1.

SDO (2)	Document No.	Version	Status	Issued date	Location (1)
TIA	TIA/EIA-136-350	C	Published ANS	Apr 02	http://www.tiaonline.org/standards/technology/uwc136/disclaimer.cfm

5.4.2.5.15 136-351

EGPRS-136 AT Command Set

This part describes of the user-network commands and responses used to access the EGPRS-136 packet data service.

SDO (2)	Document No.	Version	Status	Issued date	Location (1)
TIA	TIA/EIA-136-351	0	Published ANS	Apr 01	http://www.tiaonline.org/standards/technology/uwc136/disclaimer.cfm

5.4.2.5.16 136-360**Packet-data service – 136HS Indoor overview**

This part provides an overview of the 1.6 MHz 136HS indoor bearer.

SDO (2)	Document No.	Version	Status	Issued date	Location (1)
TIA	TIA/EIA-136-360	0	Published ANS	Mar 00	http://www.tiaonline.org/standards/technology/uwc136/disclaimer.cfm

5.4.2.5.17 136-361**Packet-data service – 136HS Indoor physical layer**

This part provides the 1.6 MHz 136HS Indoor bearer physical layer specification including slot formats, frame structure, modulation, and channel coding.

SDO (2)	Document No.	Version	Status	Issued date	Location (1)
TIA	TIA/EIA-136-361	0	Published ANS	Mar 00	http://www.tiaonline.org/standards/technology/uwc136/disclaimer.cfm

5.4.2.5.18 136-362**Packet-data service – 136HS Indoor RLC/MAC**

This part provides the 1.6 MHz 136HS indoor bearer RLC/MAC layer specification including RLC blocks, MAC PDUs, transaction management, error recovery, and random access control.

SDO (2)	Document No.	Version	Status	Issued date	Location (1)
TIA	TIA/EIA-136-362	0	Published ANS	Mar 00	http://www.tiaonline.org/standards/technology/uwc136/disclaimer.cfm

5.4.2.5.19 136-370**Enhanced General Packet Data Service (EGPRS-136) Overview**

This part provides an overview of the Enhanced General Packet Data Service (EGPRS-136).

SDO (2)	Document No.	Version	Status	Issued date	Location (1)
Release 99					
TIA	TIA/EIA-136-370	0	Published ANS	Apr 01	http://www.tiaonline.org/standards/technology/uwc136/disclaimer.cfm
Release 5					
TIA	TIA/EIA-136-370	A-1(E)	Published ANS	Jun 05	http://www.tiaonline.org/standards/technology/uwc136/disclaimer.cfm
Release 6					
TIA	TIA/EIA-136-370	B-1(E)	Approved	Jan 08	http://www.tiaonline.org/standards/technology/uwc136/disclaimer.cfm
Release 7					
TIA	TIA/EIA-136-370	C	Approved	Oct 08	http://www.tiaonline.org/standards/technology/uwc136/disclaimer.cfm

5.4.2.5.20 136-376**Enhanced General Packet Data Service (EGPRS-136) Mobility Management (MM)**

This part describes the mobility management aspects of Enhanced General Packet Data Service (EGPRS-136).

SDO (2)	Document No.	Version	Status	Issued date	Location (1)
Release 99					
TIA	TIA/EIA-136-376	0	Published ANS	Apr 01	http://www.tiaonline.org/standards/technology/uwc136/disclaimer.cfm
Release 5					
TIA	TIA/EIA-136-376	A-1(E)	Published ANS	Jun 05	http://www.tiaonline.org/standards/technology/uwc136/disclaimer.cfm
Release 6					
TIA	TIA/EIA-136-376	B-1(E)	Approved	Jan 08	http://www.tiaonline.org/standards/technology/uwc136/disclaimer.cfm
Release 7					
TIA	TIA/EIA-136-376	C	Approved	Oct 08	http://www.tiaonline.org/standards/technology/uwc136/disclaimer.cfm

5.4.2.5.21 136-377**EGPRS-136 Gs interface Specification**

This part describes operation of the interface between the MSC in the ANSI-41 network, and the SGSN in the EGPRS-136 network, in support of packet data operation.

SDO (2)	Document No.	Version	Status	Issued date	Location (1)
Release 99					
TIA	TIA/EIA-136-377	0	Published ANS	Apr 01	http://www.tiaonline.org/standards/technology/uwc136/disclaimer.cfm
Release 5					
TIA	TIA/EIA-136-377	A-1(E)	Published ANS	Jun 05	http://www.tiaonline.org/standards/technology/uwc136/disclaimer.cfm
Release 6					
TIA	TIA/EIA-136-377	B-1(E)	Approved	Jan 08	http://www.tiaonline.org/standards/technology/uwc136/disclaimer.cfm
Release 7					
TIA	TIA/EIA-136-377	C	Approved	Oct 08	http://www.tiaonline.org/standards/technology/uwc136/disclaimer.cfm

5.4.2.5.22 3GPP TS 03.46**Technical realization of Facsimile Group 3 Service-non This document specifies the Group 3 Facsimile function for non transparent operation.**

This document specifies the Group 3 Facsimile function for non transparent operation.

SDO (2)	Document No.	Version	Status	Issued date	Location (1)
Release 99					
ATIS	T1.3GPP.03.46V800-2003	8.0.0	Approved	Dec 03	https://www.atis.org/docstore/default.aspx

5.4.2.5.23 3GPP TS 22.034**High Speed circuit switched data (HSCSD); Stage 1**

This document provides the stage 1 service description for High speed circuit switched data.

SDO (2)	Document No.	Version	Status	Issued date	Location (1)
Release 99					
ATIS	T1.3GPP.22.034V321-2000	3.2.1	Approved	Apr 00	https://www.atis.org/docstore/default.aspx
Release 5					
ATIS	T1.3GPP. 22.034V500-2003	5.0.0	Approved	Mar 03	https://www.atis.org/docstore/default.aspx
Release 6					
ATIS	ATIS.3GPP. 22.034V610-2007	6.1.0	Approved	Oct 07	https://www.atis.org/docstore/default.aspx
Release 7					
ATIS	ATIS.3GPP. 22.034V700-2008	7.0.0	Approved	Oct 08	https://www.atis.org/docstore/default.aspx

5.4.2.5.24 3GPP TS 22.060**GPRS Service Description; Stage 1**

This document provides an overall service description for the General Packet Radio Service.

SDO (2)	Document No.	Version	Status	Issued date	Location (1)
Release 99					
ATIS	T1.3GPP.22.060V350-2000	3.5.0	Approved	Oct 00	https://www.atis.org/docstore/default.aspx
TIA	Included in TIA/EIA-136-370 as ETSI TS 122 060 v3.3.0	0	Published ANS	Apr 01	http://www.tiaonline.org/standards/technology/uwc136/disclaimer.cfm
Release 5					
ATIS	ATIS.3GPP.22.060V530-2005	5.3.0	Approved	Apr 05	https://www.atis.org/docstore/default.aspx
TIA	Included in TIA/EIA-136-370 as ETSI TS 122 060 v5.3.0	A-1(E)	Published ANS	Jun 05	http://www.tiaonline.org/standards/technology/uwc136/disclaimer.cfm
Release 6					
ATIS	ATIS.3GPP.22.060V600-2006	6.0.0	Approved	Apr 06	https://www.atis.org/docstore/default.aspx
TIA	Included in TIA/EIA-136-370 as ETSI TS 122 060 v6.0.0	B	Approved	Apr 06	http://www.tiaonline.org/standards/technology/uwc136/disclaimer.cfm
Release 7					
ATIS	ATIS.3GPP.22.060V700-2008	7.0.0	Approved	Oct 08	https://www.atis.org/docstore/default.aspx
TIA	Included in TIA/EIA-136-370 as ETSI TS 122 060 v7.0.0	C	Approved	Oct 08	http://www.tiaonline.org/standards/technology/uwc136/disclaimer.cfm

5.4.2.5.25 3GPP TS 23.034**High Speed circuit switched data (HSCSD); Stage 2**

This document provides the stage 2 description for High speed circuit switched data.

SDO (2)	Document No.	Version	Status	Issued date	Location (1)
Release 99					
ATIS	T1.3GPP.23.034V330-2000	3.3.0	Approved	Dec 00	https://www.atis.org/docstore/default.aspx
Release 5					
ATIS	ATIS.3GPP.23.034V520-2005	5.2.0	Approved	Apr 05	https://www.atis.org/docstore/default.aspx
Release 6					
ATIS	ATIS.3GPP.23.034V600-2005	6.0.0	Approved	Apr 06	https://www.atis.org/docstore/default.aspx
Release 7					
ATIS	ATIS.3GPP.23.034V700-2008	7.0.0	Approved	Oct 08	https://www.atis.org/docstore/default.aspx

5.4.2.5.26 3GPP TS 23.060**GPRS Service Description; Stage 2**

This document provides an overall stage 2 service description for the General Packet Radio Service.

SDO (2)	Document No.	Version	Status	Issued date	Location (1)
Release 99					
ATIS	ATIS.3GPP.23.060V3170-2007	3.17.0	Approved	Oct 07	https://www.atis.org/docstore/default.aspx
TIA	Included in TIA/EIA-136-376 as ETSI TS 123 060 v3.3.0	0	Published ANS	Apr 01	http://www.tiaonline.org/standards/technology/uwc136/disclaimer.cfm
Release 5					
ATIS	ATIS.3GPP.23.060V5130-2007	5.13.0	Approved	Oct 07	https://www.atis.org/docstore/default.aspx
TIA	Included in TIA/EIA-136-376 as ETSI TS 123 060 v5.9.0	A-1(E)	Published ANS	Jun 05	http://www.tiaonline.org/standards/technology/uwc136/disclaimer.cfm
Release 6					
ATIS	ATIS.3GPP.23.060V6150-2007	6.15.0	Approved	Oct 07	https://www.atis.org/docstore/default.aspx
TIA	Included in TIA/EIA-136-376 as ETSI TS 123 060 v6.15.0	B-1(E)	Approved	Jan 08	http://www.tiaonline.org/standards/technology/uwc136/disclaimer.cfm
Release 7					
ATIS	ATIS.3GPP.23.060V770-2008	7.7.0	Approved	Oct 08	https://www.atis.org/docstore/default.aspx
TIA	Included in TIA/EIA-136-376 as ETSI TS 123 060 v7.7.0	C	Approved	Oct 08	http://www.tiaonline.org/standards/technology/uwc136/disclaimer.cfm

5.4.2.5.27 3GPP TS 23.202**Circuit switched data data bearer services**

This document provides an overview of the architecture and issues related to the provision of Circuit Switched Bearer Services in a3G mobile network (UMTS) operating in UTRAN or GERAN Iu mode. Handover to GERAN A/Gb mode is also considered.

SDO (2)	Document No.	Version	Status	Issued date	Location (1)
Release 6					
ATIS	ATIS.3GPP.23.202V610-2008	6.1.0	Approved	Oct 08	https://www.atis.org/docstore/default.aspx
Release 7					
ATIS	ATIS.3GPP.23.202V700-2008	7.0.0	Approved	Oct 08	https://www.atis.org/docstore/default.aspx

5.4.2.5.28 3GPP TS 29.002**Mobile Application Part (MAP) specification**

This document provides the specification for the GSM/EDGE/UMTS MAP.

SDO (2)	Document No.	Version	Status	Issued date	Location (1)
Release 99					
ATIS	ATIS.3GPP.29.002V3200-2005	3.20.0	Approved	Apr 05	https://www.atis.org/docstore/default.aspx
TIA	Included in TIA/EIA-136-370 as ETSI TS 129 002 v3.4.0	0	Published ANS	Apr 01	http://www.tiaonline.org/standards/technology/uwc136/disclaimer.cfm
Release 5					
ATIS	ATIS.3GPP.29.002V5130-2007	5.13.0	Approved	Oct 07	https://www.atis.org/docstore/default.aspx
TIA	Included in TIA/EIA-136-370 as ETSI TS 129 002 v5.10.0	A-1(E)	Published ANS	Jun 05	http://www.tiaonline.org/standards/technology/uwc136/disclaimer.cfm
Release 6					
ATIS	ATIS.3GPP.29.002V6160-2007	6.16.0	Approved	Oct 07	https://www.atis.org/docstore/default.aspx
TIA	Included in TIA/EIA-136-370 as ETSI TS 129 002 v6.16.0	B-1(E)	Approved	Jan 08	http://www.tiaonline.org/standards/technology/uwc136/disclaimer.cfm
Release 7					
ATIS	ATIS.3GPP.29.002V7120-2008	7.12.0	Approved	Oct 08	https://www.atis.org/docstore/default.aspx
TIA	Included in TIA/EIA-136-370 as ETSI TS 129 002 v7.12.0	C	Approved	Oct 08	http://www.tiaonline.org/standards/technology/uwc136/disclaimer.cfm

5.4.2.5.29 3GPP TS 29.016**GPRS SGSN – VLR; Gs interface Network Service specification**

This document provides the specification for the General Packet Radio Service Serving GPRS Support Node (SGSN) – Visitors Location Register (VLR) Gs Interface network service specification.

SDO (2)	Document No.	Version	Status	Issued date	Location (1)
Release 99					
ATIS	T1.3GPP.29.016V310-2000	3.1.0	Approved	Sep 00	https://www.atis.org/docstore/default.aspx
TIA	Included in TIA/EIA-136-370 as ETSI TS 129 016 v3.0.0	0	Published ANS	Apr 01	http://www.tiaonline.org/standards/technology/uwc136/disclaimer.cfm
Release 5					
ATIS	T1.3GPP.29.016V500-2003	5.0.0	Approved	Mar 03	https://www.atis.org/docstore/default.aspx
TIA	Included in TIA/EIA-136-370 as ETSI TS 129 016 v5.0.0	A	Published ANS	Jan 04	http://www.tiaonline.org/standards/technology/uwc136/disclaimer.cfm
Release 6					
ATIS	ATIS.3GPP.29.016V600-2006	6.0.0	Approved	Apr 06	https://www.atis.org/docstore/default.aspx
TIA	Included in TIA/EIA-136-370 as ETSI TS 129 016 v6.0.0	B	Approved	Apr 06	http://www.tiaonline.org/standards/technology/uwc136/disclaimer.cfm
Release 7					
ATIS	ATIS.3GPP.29.016V700-2008	7.0.0	Approved	Oct 08	https://www.atis.org/docstore/default.aspx
TIA	Included in TIA/EIA-136-370 as ETSI TS 129 016 v7.0.0	C	Approved	Oct 08	http://www.tiaonline.org/standards/technology/uwc136/disclaimer.cfm

5.4.2.5.30 3GPP TS 29.018**GPRS SGSN – VLR; Gs interface Layer 3 specification**

This document provides the specification for the General Packet Radio Service Serving GPRS Support Node (SGSN) – Visitors Location Register (VLR) Gs Interface layer 3 specification.

SDO (2)	Document No.	Version	Status	Issued date	Location (1)
Release 99					
ATIS	ATIS.3GPP.29.018V3110-2005	3.11.0	Approved	Apr 05	https://www.atis.org/docstore/default.aspx
TIA	Included in TIA/EIA-136-370 as ETSI TS 129 018 v3.3.0	0	Published ANS	Apr 01	http://www.tiaonline.org/standards/technology/uwc136/disclaimer.cfm
Release 5					
ATIS	ATIS.3GPP.29.018V550-2005	5.5.0	Approved	Apr 05	https://www.atis.org/docstore/default.aspx
TIA	Included in TIA/EIA-136-370 as ETSI TS 129 018 v5.5.0	A-1(E)	Published ANS	Jun 05	http://www.tiaonline.org/standards/technology/uwc136/disclaimer.cfm

468

Rec. ITU-R M.1457-8

Release 6

ATIS	ATIS.3GPP.29.018V650-2007	6.5.0	Approved	Oct 07	https://www.atis.org/docstore/default.aspx
TIA	Included in TIA/EIA-136-370 as ETSI TS 129 018 v6.5.0	B-1(E)	Approved	Jan 08	http://www.tiaonline.org/standards/technology/uwc136/disclaimer.cfm

Release 7

ATIS	ATIS.3GPP.29.018V730-2008	7.3.0	Approved	Oct 08	https://www.atis.org/docstore/default.aspx
TIA	Included in TIA/EIA-136-370 as ETSI TS 129 018 v7.3.0	C	Approved	Oct 08	http://www.tiaonline.org/standards/technology/uwc136/disclaimer.cfm

5.4.2.5.31 3GPP TS 29.060

GPRS Tunnelling Protocol (GTP) across Gn and Gp Interface

This document provides the specification for the General Packet Radio Service Tunnelling Protocol (GTP).

SDO (2)	Document No.	Version	Status	Issued date	Location (1)
Release 99					
ATIS	ATIS.3GPP.29.060V3190-2005	3.19.0	Approved	Apr 05	https://www.atis.org/docstore/default.aspx
TIA	Included in TIA/EIA-136-370 as ETSI TS 129 060 v3.4.0	0	Published ANS	Apr 01	http://www.tiaonline.org/standards/technology/uwc136/disclaimer.cfm
Release 5					
ATIS	ATIS.3GPP.29.060V5140-2006	5.14.0	Approved	Apr 06	https://www.atis.org/docstore/default.aspx
TIA	Included in TIA/EIA-136-370 as ETSI TS 129 060 v5.12.0	A-1(E)	Published ANS	Jun 05	http://www.tiaonline.org/standards/technology/uwc136/disclaimer.cfm
Release 6					
ATIS	ATIS.3GPP.29.060V6180-2007	6.18.0	Approved	Oct 07	https://www.atis.org/docstore/default.aspx
TIA	Included in TIA/EIA-136-370 as ETSI TS 129 060 v6.18.0	B-1(E)	Approved	Jan 08	http://www.tiaonline.org/standards/technology/uwc136/disclaimer.cfm
Release 7					
ATIS	ATIS.3GPP.29.060V7100-2008	7.10.0	Approved	Oct 08	https://www.atis.org/docstore/default.aspx
TIA	Included in TIA/EIA-136-370 as ETSI TS 129 060 v7.10.0	C	Approved	Oct 08	http://www.tiaonline.org/standards/technology/uwc136/disclaimer.cfm

5.4.2.5.32 3GPP TS 01.61

GPRS ciphering algorithm requirements

This document provides the requirements for the General Packet Radio ciphering algorithms. Standalone ciphering aspects for GSM GPRS are not specified

beyond Release 4. For the latest available information see § 5.4.2.13.37.

SDO (2)	Document No.	Version	Status	Issued date	Location (1)
Release 99					
ATIS	T1.3GPP.01.61V800-2003	8.0.0	Approved	Dec 03	https://www.atis.org/docstore/default.aspx

5.4.2.5.33 3GPP TS 43.045

Technical realization of Facsimile Group 3 Service-transparent

This document specifies the Group 3 Facsimile function for transparent operation.

SDO (2)	Document No.	Version	Status	Issued date	Location (1)
Release 99					
ATIS	T1.3GPP.03.45V801-2003	8.0.1	Approved	Dec 03	https://www.atis.org/docstore/default.aspx
Release 5					
ATIS	T1.3GPP.43.045V500-2003	5.0.0	Approved	Dec 03	https://www.atis.org/docstore/default.aspx
Release 6					
ATIS	ATIS.3GPP.43.045V600-2006	6.0.0	Approved	Apr 06	https://www.atis.org/docstore/default.aspx
Release 7					
ATIS	ATIS.3GPP.43.045V700-2008	7.0.0	Approved	Oct 08	https://www.atis.org/docstore/default.aspx

5.4.2.5.34 3GPP TS 43.064

Overall description of the GPRS radio interface; Stage 2

This document provides an overall stage 2 description of the General Packet Radio Service radio interface.

SDO (2)	Document No.	Version	Status	Issued date	Location (1)
Release 99					
ATIS	ATIS.3GPP.03.64V8120-2005	8.12.0	Approved	Apr 05	https://www.atis.org/docstore/default.aspx
TIA	Included in TIA/EIA-136-370 as GSM 03.64 (ETSI TS 101 350	0 v8.5.0)	Published ANS	Apr 01	http://www.tiaonline.org/standards/technology/uwc136/disclaimer.cfm
Release 5					
ATIS	ATIS.3GPP.43.064V530-2005	5.3.0	Approved	Apr 05	https://www.atis.org/docstore/default.aspx
TIA	Included in TIA/EIA-136-370 as ETSI TS 143 064 v5.3.0	A-1(E)	Published ANS	Jun 05	http://www.tiaonline.org/standards/technology/uwc136/disclaimer.cfm
Release 6					
ATIS	ATIS.3GPP.43.064V6110-2007	6.11.0	Approved	Oct 07	https://www.atis.org/docstore/default.aspx
TIA	Included in TIA/EIA-136-370 as ETSI TS 143 064 v6.11.0	B-1(E)	Approved	Jan 08	http://www.tiaonline.org/standards/technology/uwc136/disclaimer.cfm

470

Rec. ITU-R M.1457-8

Release 7

ATIS	ATIS.3GPP.43.064V7100-2008	7.10.0	Approved	Oct 08	https://www.atis.org/docstore/default.aspx
TIA	Included in TIA/EIA-136-370 as ETSI TS 143 064 v7.10.0	C	Approved	Oct 08	http://www.tiaonline.org/standards/technology/uwc136/disclaimer.cfm

5.4.2.5.35 3GPP TS 44.060

GPRS MS-BSS interface; RLC/MAC

This document provides the detailed specification for the General Packet Radio Service Mobile Station – Base Station System interface Radio Link Control and Medium Access Control.

SDO (2)	Document No.	Version	Status	Issued date	Location (1)
Release 99					
ATIS	ATIS.3GPP.04.60V8270-2006	8.27.0	Approved	Apr 06	https://www.atis.org/docstore/default.aspx
TIA	Included in TIA/EIA-136-370 as GSM 04.60 (ETSI TS 101 349 v8.5.0)	0	Published ANS	Apr 01	http://www.tiaonline.org/standards/technology/uwc136/disclaimer.cfm
Release 5					
ATIS	ATIS.3GPP.44.060V5200-2008	5.20.0	Approved	Oct 08	https://www.atis.org/docstore/default.aspx
TIA	Included in TIA/EIA-136-370 as ETSI TS 144 060 v5.14.0	A-1(E)	Published ANS	Jun 05	http://www.tiaonline.org/standards/technology/uwc136/disclaimer.cfm
Release 6					
ATIS	ATIS.3GPP.44.060V6240-2008	6.24.0	Approved	Oct 08	https://www.atis.org/docstore/default.aspx
TIA	Included in TIA/EIA-136-370 as ETSI TS 144 060 v6.22.0	B-1(E)	Approved	Jan 08	http://www.tiaonline.org/standards/technology/uwc136/disclaimer.cfm
Release 7					
ATIS	ATIS.3GPP.44.060V7130-2008	7.13.0	Approved	Oct 08	https://www.atis.org/docstore/default.aspx
TIA	Included in TIA/EIA-136-370 as ETSI TS 144 060 v7.13.0	C	Approved	Oct 08	http://www.tiaonline.org/standards/technology/uwc136/disclaimer.cfm

5.4.2.5.36 3GPP TS 44.064

GPRS MS-SGSN; Logical Link Control layer

This document provides the detailed specification for the General Packet Radio Service Mobile Station – Serving GPRS Support Node interface Logical Link Control layer.

SDO (2)	Document No.	Version	Status	Issued date	Location (1)
Release 99					
ATIS	T1.3GPP.04.64V870-2003	8.7.0	Approved	Dec 03	https://www.atis.org/docstore/default.aspx
TIA	Included in TIA/EIA-136-370 as GSM 04.64 (ETSI TS 101 351	0 v8.4.0)	Published ANS	Apr 01	http://www.tiaonline.org/standards/technology/uwc136/disclaimer.cfm
Release 5					
ATIS	T1.3GPP.44.064V510-2003	5.1.0	Approved	Dec 03	https://www.atis.org/docstore/default.aspx
TIA	Included in TIA/EIA-136-370 as ETSI TS 144 064 v5.1.0	A	Published ANS	Jan 04	http://www.tiaonline.org/standards/technology/uwc136/disclaimer.cfm
Release 6					
ATIS	ATIS.3GPP.44.064V620-2007	6.2.0	Approved	Oct 07	https://www.atis.org/docstore/default.aspx
TIA	Included in TIA/EIA-136-370 as ETSI TS 144 064 v6.2.0	B-1(E)	Approved	Jan 08	http://www.tiaonline.org/standards/technology/uwc136/disclaimer.cfm
Release 7					
ATIS	ATIS.3GPP.44.064V730-2008	7.3.0	Approved	Oct 08	https://www.atis.org/docstore/default.aspx
TIA	Included in TIA/EIA-136-370 as ETSI TS 144 064 v7.3.0	C	Approved	Oct 08	http://www.tiaonline.org/standards/technology/uwc136/disclaimer.cfm

5.4.2.5.37 3GPP TS 44.065

GPRS MS-SGSN; Subnetwork Dependent Convergence Protocol

This document provides the detailed specification for the General Packet Radio Service Mobile Station – Serving GPRS Support Node interface Subnetwork Dependent Convergence Protocol.

SDO (2)	Document No.	Version	Status	Issued date	Location (1)
Release 99					
ATIS	T1.3GPP.04.65V820-2003	8.2.0	Approved	Dec 03	https://www.atis.org/docstore/default.aspx
TIA	Included in TIA/EIA-136-370 as ETSI TS 124 065 v3.1.0	0	Published ANS	Apr 01	http://www.tiaonline.org/standards/technology/uwc136/disclaimer.cfm
Release 5					
ATIS	ATIS.3GPP.44.065V520-2005	5.2.0	Approved	Apr 05	https://www.atis.org/docstore/default.aspx
TIA	Included in TIA/EIA-136-370 as ETSI TS 144 065 v5.2.0	A-1(E)	Published ANS	Jun 05	http://www.tiaonline.org/standards/technology/uwc136/disclaimer.cfm
Release 6					
ATIS	ATIS.3GPP.44.065V660-2007	6.6.0	Approved	Oct 07	https://www.atis.org/docstore/default.aspx
TIA	Included in TIA/EIA-136-370 as ETSI TS 144 065 v6.6.0	B-1(E)	Approved	Jan 08	http://www.tiaonline.org/standards/technology/uwc136/disclaimer.cfm

Release 7

ATIS	ATIS.3GPP.44.065V700-2008	7.0.0	Approved	Oct 08	https://www.atis.org/docstore/default.aspx
TIA	Included in TIA/EIA-136-370 as ETSI TS 144 065 v7.0.0	C	Approved	Oct 08	http://www.tiaonline.org/standards/technology/uwc136/disclaimer.cfm

5.4.2.5.38 3GPP TS 48.014**GPRS BSS-SGSN interface; Gb interface Layer 1**

This document provides the detailed specification for the General Packet Radio Service Base Station System – Serving GPRS Support Node Gb Interface Layer 1.

SDO (2)	Document No.	Version	Status	Issued date	Location (1)
Release 99					
ATIS	T1.3GPP.08.14V801-2003	8.0.1	Approved	Dec 03	https://www.atis.org/docstore/default.aspx
TIA	Included in TIA/EIA-136-370 as GSM 08.14 (ETSI TS 101 298	0 v8.0.0)	Published ANS	Apr 01	http://www.tiaonline.org/standards/technology/uwc136/disclaimer.cfm
Release 5					
ATIS	ATIS.3GPP.48.014V501-2005	5.0.1	Approved	Apr 05	https://www.atis.org/docstore/default.aspx
TIA	Included in TIA/EIA-136-370 as ETSI TS 148 014 v5.0.1	A-1(E)	Published ANS	Jun 05	http://www.tiaonline.org/standards/technology/uwc136/disclaimer.cfm
Release 6					
ATIS	ATIS.3GPP.48.014V600-2006	6.0.0	Approved	Apr 06	https://www.atis.org/docstore/default.aspx
TIA	Included in TIA/EIA-136-370 as ETSI TS 148 014 v6.0.0	B	Approved	Apr 06	http://www.tiaonline.org/standards/technology/uwc136/disclaimer.cfm
Release 7					
ATIS	ATIS.3GPP.48.014V700-2008	7.0.0	Approved	Oct 08	https://www.atis.org/docstore/default.aspx
TIA	Included in TIA/EIA-136-370 as ETSI TS 148 014 v7.0.0	C	Approved	Oct 08	http://www.tiaonline.org/standards/technology/uwc136/disclaimer.cfm

5.4.2.5.39 3GPP TS 48.016**GPRS BSS-SGSN interface; Network Service**

This document provides the detailed specification for the General Packet Radio Service Base Station System – Serving GPRS Support Node Network service.

SDO (2)	Document No.	Version	Status	Issued date	Location (1)
Release 99					
ATIS	T1.3GPP.08.16V801-2003	8.0.1	Approved	Dec 03	https://www.atis.org/docstore/default.aspx
TIA	Included in TIA/EIA-136-370 as GSM 08.16 (ETSI TS 101 299 v8.0.0)	0	Published ANS	Apr 01	http://www.tiaonline.org/standards/technology/uwc136/disclaimer.cfm
Release 5					
ATIS	ATIS.3GPP.48.016V540-2005	5.4.0	Approved	Apr 05	https://www.atis.org/docstore/default.aspx
TIA	Included in TIA/EIA-136-370 as ETSI TS 148 016 v5.4.0	A-1(E)	Published ANS	Jun 05	http://www.tiaonline.org/standards/technology/uwc136/disclaimer.cfm
Release 6					
ATIS	ATIS.3GPP.48.016V650-2006	6.5.0	Approved	Apr 06	https://www.atis.org/docstore/default.aspx
TIA	Included in TIA/EIA-136-370 as ETSI TS 148 016 v6.5.0	B	Approved	Apr 06	http://www.tiaonline.org/standards/technology/uwc136/disclaimer.cfm
Release 7					
ATIS	ATIS.3GPP.48.016V740-2008	7.4.0	Approved	Oct 08	https://www.atis.org/docstore/default.aspx
TIA	Included in TIA/EIA-136-370 as ETSI TS 148 016 v7.4.0	C	Approved	Oct 08	http://www.tiaonline.org/standards/technology/uwc136/disclaimer.cfm

5.4.2.5.40 3GPP TS 48.018

GPRS BSS-SGSN; BSSGP Protocol

This document provides the detailed specification for the General Packet Radio Service Base Station System – Serving GPRS Support Node BSS GPRS protocol.

SDO (2)	Document No.	Version	Status	Issued date	Location (1)
Release 99					
ATIS	ATIS.3GPP.08.18V8120-2005	8.12.0	Approved	Apr 05	https://www.atis.org/docstore/default.aspx
TIA	Included in TIA/EIA-136-370 as GSM 08.18 (ETSI TS 101 343 v8.3.0)	0	Published ANS	Apr 01	http://www.tiaonline.org/standards/technology/uwc136/disclaimer.cfm
Release 5					
ATIS	ATIS.3GPP.48.018V5140-2007	5.14.0	Approved	Oct 07	https://www.atis.org/docstore/default.aspx
TIA	Included in TIA/EIA-136-370 as ETSI TS 148 018 v5.11.0	A-1(E)	Published ANS	Jun 05	http://www.tiaonline.org/standards/technology/uwc136/disclaimer.cfm
Release 6					
ATIS	ATIS.3GPP.48.018V6190-2007	6.19.0	Approved	Oct 07	https://www.atis.org/docstore/default.aspx
TIA	Included in TIA/EIA-136-370 as ETSI TS 148 018 v6.19.0	B-1(E)	Approved	Jan 08	http://www.tiaonline.org/standards/technology/uwc136/disclaimer.cfm

474

Rec. ITU-R M.1457-8

Release 7

ATIS	ATIS.3GPP.48.018V7120-2008	7.12.0	Approved	Oct 08	https://www.atis.org/docstore/default.aspx
TIA	Included in TIA/EIA-136-370 as ETSI TS 148 018 v7.12.0	C	Approved	Oct 08	http://www.tiaonline.org/standards/technology/uwc136/disclaimer.cfm

5.4.2.5.41 3GPP TS 23.221

GERAN/UMTS Architectural Requirements

This document provides the specification for the architectural requirements for UMTS and GERAN.

SDO (2)	Document No.	Version	Status	Issued date	Location (1)
Release 5					
ATIS	ATIS.3GPP.23.221V5110-2005	5.11.0	Approved	Apr 05	https://www.atis.org/docstore/default.aspx
TIA	Included in TIA/EIA-136-370 as ETSI TS 123 221 v5.11.0	A-1(E)	Published ANS	Jun 05	http://www.tiaonline.org/standards/technology/uwc136/disclaimer.cfm
Release 6					
ATIS	ATIS.3GPP.23.221V630-2006	6.3.0	Approved	Apr 06	https://www.atis.org/docstore/default.aspx
TIA	Included in TIA/EIA-136-370 as ETSI TS 123 221 v6.3.0	B	Approved	Apr 06	http://www.tiaonline.org/standards/technology/uwc136/disclaimer.cfm
Release 7					
ATIS	ATIS.3GPP.23.221V720-2008	7.2.0	Approved	Oct 08	https://www.atis.org/docstore/default.aspx
TIA	Included in TIA/EIA-136-370 as ETSI TS 123 221 v7.2.0	C	Approved	Oct 08	http://www.tiaonline.org/standards/technology/uwc136/disclaimer.cfm

5.4.2.5.42 3GPP TS 23.228

IP Multimedia Subsystem (IMS); Stage 2

This document provides the Stage 2 description for the IP Multimedia Subsystem (IMS).

SDO (2)	Document No.	Version	Status	Issued date	Location (1)
Release 5					
ATIS	ATIS.3GPP.23.228V5150-2007	5.15.0	Approved	Oct 07	https://www.atis.org/docstore/default.aspx
TIA	Included in TIA/EIA-136-370 as ETSI TS 123 228 v5.12.0	A-1(E)	Published ANS	Jun 05	http://www.tiaonline.org/standards/technology/uwc136/disclaimer.cfm
Release 6					
ATIS	ATIS.3GPP.23.228V6160-2007	6.16.0	Approved	Oct 07	https://www.atis.org/docstore/default.aspx
TIA	Included in TIA/EIA-136-370 as ETSI TS 123 228 v6.16.0	B-1(E)	Approved	Jan 08	http://www.tiaonline.org/standards/technology/uwc136/disclaimer.cfm

Release 7

ATIS	ATIS.3GPP.23.228V7120-2008	7.12.0	Approved	Oct 08	https://www.atis.org/docstore/default.aspx
TIA	Included in TIA/EIA-136-370 as ETSI TS 123 228 v7.12.0	C	Approved	Oct 08	http://www.tiaonline.org/standards/technology/uwc136/disclaimer.cfm

5.4.2.5.43 3GPP TS 43.051**GSM/EDGE Radio Access Network (GERAN) overall description**

This document provides the overall description specification for the GSM/EDGE Radio Access Network (GERAN).

SDO (2)	Document No.	Version	Status	Issued date	Location (1)
Release 5					
ATIS	ATIS.3GPP.43.051V5100-2005	5.10.0	Approved	Apr 05	https://www.atis.org/docstore/default.aspx
TIA	Included in TIA/EIA-136-370 as ETSI TS 143 051 v5.10.0	A-1(E)	Published ANS	Jun 05	http://www.tiaonline.org/standards/technology/uwc136/disclaimer.cfm
Release 6					
ATIS	ATIS.3GPP.43.051V600-2006	6.0.0	Approved	Apr 06	https://www.atis.org/docstore/default.aspx
TIA	Included in TIA/EIA-136-370 as	B	Approved	Apr 06	http://www.tiaonline.org/standards/technology/uwc136/disclaimer.cfm
Release 7					
ATIS	ATIS.3GPP.43.051V700-2008	7.0.0	Approved	Oct 08	https://www.atis.org/docstore/default.aspx
TIA	Included in TIA/EIA-136-370 as ETSI TS 143 051 v7.0.0	C	Approved	Oct 08	http://www.tiaonline.org/standards/technology/uwc136/disclaimer.cfm

5.4.2.5.44 3GPPTS 44.118**Mobile radio interface layer 3 specification; Radio Resource Control (RRC) protocol for Iu mode**

This document provides the layer 3 specification for the Radio Resource Control protocol for Iu mode.

SDO (2)	Document No.	Version	Status	Issued date	Location (1)
Release 5					
ATIS	ATIS.3GPP.44.118V5110-2006	5.11.0	Approved	Apr 06	https://www.atis.org/docstore/default.aspx
Release 6					
ATIS	ATIS.3GPP.44.118V641-2006	6.4.1	Approved	Apr 06	https://www.atis.org/docstore/default.aspx
Release 7					
ATIS	ATIS.3GPP.44.118V720-2008	7.2.0	Approved	Oct 08	https://www.atis.org/docstore/default.aspx

5.4.2.5.45 3GPP TS 44.160**GPRS Mobile station – Base station system (BSS) interface; Radio LinkControl/Medium Access Control (RLC/MAC) protocol for Iu mode**

This document provides the specification for the General Packet Data Service Radio Link Control/Medium Access Control (RLC/MAC) protocol for Iu mode.

SDO (2)	Document No.	Version	Status	Issued date	Location (1)
Release 5					
ATIS	ATIS.3GPP.44.160V580-2005	5.8.0	Approved	Apr 05	https://www.atis.org/docstore/default.aspx
Release 6					
ATIS	ATIS.3GPP.44.160V650-2006	6.5.0	Approved	Apr 06	https://www.atis.org/docstore/default.aspx
Release 7					
ATIS	ATIS.3GPP.44.160V700-2008	7.0.0	Approved	Oct 08	https://www.atis.org/docstore/default.aspx

5.4.2.5.46 3GPP TR 45.912**Feasibility study for evolved GSM/EDGE Radio Access Network (GERAN)**

This report describes a feasibility study for the evolved GERAN, the objectives of which are to: increase capacity, coverage and data rates; reduce latency; and enhance service continuity with other RATs; while minimising impacts to infrastructure.

SDO (2)	Document No.	Version	Status	Issued date	Location (1)
Release 7					
ATIS	ATIS.3GPP.45.912V720-2008	7.2.0	Approved	Oct 08	https://www.atis.org/docstore/default.aspx

5.4.2.5.47 3GPP TR 49.995**General Packet Radio Service (GPRS); Interworking between modified Public Land Mobile Network (PLMN) supporting GPRS and legacy GPRS mobiles**

This Report describes issues relating to the GPRS specifications, which lead to the specifications being modified after the placement of GPRS compliant mobiles into the market place. Where possible the report clarifies any recommended measures which may be adopted by the GPRS infrastructure to enable interworking to be obtained between the GPRS infrastructure and legacy Mobile Station (MS) implementations of the GPRS specifications.

SDO (2)	Document No.	Version	Status	Issued date	Location (1)
Release 6					
ATIS	ATIS.3GPP.49.995V600-2008	6.0.0	Approved	Oct 08	https://www.atis.org/docstore/default.aspx
Release 7					
ATIS	ATIS.3GPP.49.995V700-2008	7.0.0	Approved	Oct 08	https://www.atis.org/docstore/default.aspx

5.4.2.6**Voice coders****5.4.2.6.1** 136-410**ACELP**

This part gives a bit exact description of the ACELP speech and channel codec for a TIA enhanced full rate codec. The codec consists of a 7.4 kbit/s ACELP speech codec and two channel codecs (forward error correction): channel coding 1 (CC1) a 5.6 kbit/s channel codec and channel coding 2 (CC2), a 6.5 kbit/s channel codec. This standard includes a software distribution.

SDO (2)	Document No.	Version	Status	Issued date	Location (1)
TIA	TIA/EIA-136-410	0	Published ANS	Nov 99	http://www.tiaonline.org/standards/technology/uwc136/disclaimer.cfm

5.4.2.6.2 136-420**VSELP**

The speech coding algorithm described in this part is a member of a class of speech codecs known as code excited linear predictive coding (CELP), stochastic coding or vector excited speech coding. These techniques use codebooks to vector quantize the excitation (residual) signal. The speech coding algorithm is a variation on CELP called vector-sum excited linear predictive coding (VSELP).

SDO (2)	Document No.	Version	Status	Issued date	Location (1)
TIA	TIA/EIA-136-420	0	Published ANS	Mar 99	http://www.tiaonline.org/standards/technology/uwc136/disclaimer.cfm

5.4.2.6.3 136-430**US1**

This part gives a bit exact description of an enhanced ACELP voice coder which runs over a 136+ 8-PSK DTC. The codec consists of a 12.2 kbit/s ACELP speech codec and a 7.75 kbit/s channel codec.

SDO (2)	Document No.	Version	Status	Issued date	Location (1)
TIA	TIA/EIA-136-430	0	Published ANS	Nov 99	http://www.tiaonline.org/standards/technology/uwc136/disclaimer.cfm

5.4.2.6.4 136-440**Adaptive Multi-Rate Codec**

This part gives a bit exact description of the Adaptive Multi-rate speech and channel codec that may be operated on a 30 kHz Digital Traffic Channel.

SDO (2)	Document No.	Version	Status	Issued date	Location (1)
Release 98					
TIA	TIA/EIA-136-440	0	Published ANS	Apr 01	http://www.tiaonline.org/standards/technology/uwc136/disclaimer.cfm

478

Rec. ITU-R M.1457-8**Release 5**

TIA	TIA/EIA-136-440	A-1(E)	Published ANS	Jun 05	http://www.tiaonline.org/standards/technology/uwc136/disclaimer.cfm
-----	-----------------	--------	---------------	--------	---

Release 6

TIA	TIA/EIA-136-440	B-1(E)	Approved	Jan 08	http://www.tiaonline.org/standards/technology/uwc136/disclaimer.cfm
-----	-----------------	--------	----------	--------	---

Release 7

TIA	TIA/EIA-136-440	C	Approved	Oct 08	http://www.tiaonline.org/standards/technology/uwc136/disclaimer.cfm
-----	-----------------	---	----------	--------	---

5.4.2.6.5 3GPP TS 26.071**AMR Speech Codec; General Description**

This document provides an introduction to the set of AMR specifications.

SDO (2)	Document No.	Version	Status	Issued date	Location (1)
Release 98					
TIA	Included in TIA/EIA-136-440 as GSM 06.71 (ETSI EN 301 703	0 v7.0.2)	Published ANS	Apr 01	http://www.tiaonline.org/standards/technology/uwc136/disclaimer.cfm
Release 99					
ATIS	T1.3GPP.26.071V301-2003	3.0.1	Approved	Dec 03	https://www.atis.org/docstore/default.aspx
Release 5					
ATIS	T1.3GPP.26.071V500-2003	5.0.0	Approved	Mar 03	https://www.atis.org/docstore/default.aspx
TIA	Included in TIA/EIA-136-440 as ETSI TS 126 071 v5.0.0)	A	Published ANS	Jan 04	http://www.tiaonline.org/standards/technology/uwc136/disclaimer.cfm
Release 6					
ATIS	ATIS.3GPP.26.071V600-2006	6.0.0	Approved	Apr 06	https://www.atis.org/docstore/default.aspx
TIA	Included in TIA/EIA-136-440 as ETSI TS 126 071 v6.0.0)	B	Approved	Apr 06	http://www.tiaonline.org/standards/technology/uwc136/disclaimer.cfm
Release 7					
ATIS	ATIS.3GPP.26.071V701-2008	7.0.1	Approved	Oct 08	https://www.atis.org/docstore/default.aspx
TIA	Included in TIA/EIA-136-440 as ETSI TS 126 071 v7.0.1)	C	Approved	Oct 08	http://www.tiaonline.org/standards/technology/uwc136/disclaimer.cfm

5.4.2.6.6 3GPP TS 26.073**ANSI-C code for AMR Speech Codec**

This document provides the ANSI-C code for the AMR specifications.

SDO (2)	Document No.	Version	Status	Issued date	Location (1)
Release 98					
TIA	Included in TIA/EIA-136-440 as GSM 06.73 (ETSI EN 301 712	0 v7.4.1)	Published ANS	Apr 01	http://www.tiaonline.org/standards/technology/uwc136/disclaimer.cfm

Release 99

ATIS	T1.3GPP.26.073V330-2003	3.3.0	Approved	Dec 03	https://www.atis.org/docstore/default.aspx
------	-------------------------	-------	----------	--------	---

Release 5

ATIS	ATIS.3GPP.26.073V530-2005	5.3.0	Approved	Apr 05	https://www.atis.org/docstore/default.aspx
------	---------------------------	-------	----------	--------	---

TIA	Included in TIA/EIA-136-440 as ETSI TS 126 073 v5.3.0)	A-1(E)	Published ANS	Jun 05	http://www.tiaonline.org/standards/technology/uwc136/disclaimer.cfm
-----	---	--------	---------------	--------	---

Release 6

ATIS	ATIS.3GPP.26.073V600-2006	6.0.0	Approved	Apr 06	https://www.atis.org/docstore/default.aspx
------	---------------------------	-------	----------	--------	---

TIA	Included in TIA/EIA-136-440 as ETSI TS 126 073 v6.0.0)	B	Approved	Apr 06	http://www.tiaonline.org/standards/technology/uwc136/disclaimer.cfm
-----	---	---	----------	--------	---

Release 7

ATIS	ATIS.3GPP.26.073V700-2008	7.0.0	Approved	Oct 08	https://www.atis.org/docstore/default.aspx
------	---------------------------	-------	----------	--------	---

TIA	Included in TIA/EIA-136-440 as ETSI TS 126 073 v7.0.0)	C	Approved	Oct 08	http://www.tiaonline.org/standards/technology/uwc136/disclaimer.cfm
-----	---	---	----------	--------	---

5.4.2.6.7 3GPP TS 26.074**Test sequences for AMR Speech Codec**

This document provides the test sequences for the AMR specifications.

SDO (2)	Document No.	Version	Status	Issued date	Location (1)
---------	--------------	---------	--------	-------------	--------------

Release 98

TIA	Included in TIA/EIA-136-440 as GSM 06.74 (ETSI EN 301 713 v7.0.3)	0	Published ANS	Apr 01	http://www.tiaonline.org/standards/technology/uwc136/disclaimer.cfm
-----	---	---	---------------	--------	---

Release 99

ATIS	T1.3GPP.26.074V311-2003	3.1.1	Approved	Dec 03	https://www.atis.org/docstore/default.aspx
------	-------------------------	-------	----------	--------	---

Release 5

ATIS	T1.3GPP.26.074V500-2003	5.0.0	Approved	Mar 03	https://www.atis.org/docstore/default.aspx
------	-------------------------	-------	----------	--------	---

TIA	Included in TIA/EIA-136-440 as ETSI TS 126 074 v5.0.0)	A	Published ANS	Jan 04	http://www.tiaonline.org/standards/technology/uwc136/disclaimer.cfm
-----	---	---	---------------	--------	---

Release 6

ATIS	ATIS.3GPP.26.074V600-2006	6.0.0	Approved	Apr 06	https://www.atis.org/docstore/default.aspx
------	---------------------------	-------	----------	--------	---

TIA	Included in TIA/EIA-136-440 as ETSI TS 126 074 v6.0.0)	B	Approved	Apr 06	http://www.tiaonline.org/standards/technology/uwc136/disclaimer.cfm
-----	---	---	----------	--------	---

Release 7

ATIS	ATIS.3GPP.26.074V700-2008	7.0.0	Approved	Oct 08	https://www.atis.org/docstore/default.aspx
------	---------------------------	-------	----------	--------	---

TIA	Included in TIA/EIA-136-440 as ETSI TS 126 074 v7.0.0)	C	Approved	Oct 08	http://www.tiaonline.org/standards/technology/uwc136/disclaimer.cfm
-----	---	---	----------	--------	---

5.4.2.6.8 3GPP TS 26.090**AMR Speech Transcoding**

This document provides the speech coding definition for the AMR specifications.

SDO (2)	Document No.	Version	Status	Issued date	Location (1)
Release 98					
TIA	Included in TIA/EIA-136-440 as GSM 06.90 (ETSI EN 301 704	0 v7.2.1)	Published ANS	Apr 01	http://www.tiaonline.org/standards/technology/uwc136/disclaimer.cfm
Release 99					
ATIS	T1.3GPP.26.090V310-1999	3.1.0	Approved	Dec 99	https://www.atis.org/docstore/default.aspx
Release 5					
ATIS	T1.3GPP.26.090V500-2003	5.0.0	Approved	Mar 03	https://www.atis.org/docstore/default.aspx
TIA	Included in TIA/EIA-136-440 as ETSI TS 126 090 v5.0.0)	A	Published ANS	Jan 04	http://www.tiaonline.org/standards/technology/uwc136/disclaimer.cfm
Release 6					
ATIS	ATIS.3GPP.26.090V600-2006	6.0.0	Approved	Apr 06	https://www.atis.org/docstore/default.aspx
TIA	Included in TIA/EIA-136-440 as ETSI TS 126 090 v6.0.0)	B	Approved	Apr 06	http://www.tiaonline.org/standards/technology/uwc136/disclaimer.cfm
Release 7					
ATIS	ATIS.3GPP.26.090V700-2008	7.0.0	Approved	Oct 08	https://www.atis.org/docstore/default.aspx
TIA	Included in TIA/EIA-136-440 as ETSI TS 126 090 v7.0.0)	C	Approved	Oct 08	http://www.tiaonline.org/standards/technology/uwc136/disclaimer.cfm

5.4.2.6.9 3GPP TS 26.091**Error Concealment of lost frames for AMR speech codec**

This document provides the bad frame masking definition for the AMR speech codec.

SDO (2)	Document No.	Version	Status	Issued date	Location (1)
Release 98					
TIA	Included in TIA/EIA-136-440 as GSM 06.91 (ETSI EN 301 705	0 v7.1.1)	Published ANS	Apr 01	http://www.tiaonline.org/standards/technology/uwc136/disclaimer.cfm
Release 99					
ATIS	T1.3GPP.26.091V310-1999	3.1.0	Approved	Dec 99	https://www.atis.org/docstore/default.aspx
Release 5					
ATIS	T1.3GPP.26.091V500-2003	5.0.0	Approved	Mar 03	https://www.atis.org/docstore/default.aspx
TIA	Included in TIA/EIA-136-440 as ETSI TS 126 091 v5.0.0)	A	Published ANS	Jan 04	http://www.tiaonline.org/standards/technology/uwc136/disclaimer.cfm

Release 6

ATIS	ATIS.3GPP.26.091V600-2006	6.0.0	Approved	Apr 06	https://www.atis.org/docstore/default.aspx
TIA	Included in TIA/EIA-136-440 as ETSI TS 126 091 v6.0.0)	B	Approved	Apr 06	http://www.tiaonline.org/standards/technology/uwc136/disclaimer.cfm

Release 7

ATIS	ATIS.3GPP.26.091V700-2008	7.0.0	Approved	Oct 08	https://www.atis.org/docstore/default.aspx
TIA	Included in TIA/EIA-136-440 as ETSI TS 126 091 v7.0.0)	C	Approved	Oct 08	http://www.tiaonline.org/standards/technology/uwc136/disclaimer.cfm

5.4.2.6.10 3GPP TS 26.092**Comfort noise for AMR speech traffic channels**

This document provides the comfort noise definition for the AMR speech codec.

SDO (2)	Document No.	Version	Status	Issued date	Location (1)
Release 98					
TIA	Included in TIA/EIA-136-440 as GSM 06.92 (ETSI EN 301 706	0 v7.1.1)	Published ANS	Apr 01	http://www.tiaonline.org/standards/technology/uwc136/disclaimer.cfm
Release 99					
ATIS	T1.3GPP.26.092V301-1999	3.0.1	Approved	Aug 99	https://www.atis.org/docstore/default.aspx
Release 5					
ATIS	T1.3GPP.26.092V500-2003	5.0.0	Approved	Mar 03	https://www.atis.org/docstore/default.aspx
TIA	Included in TIA/EIA-136-440 as ETSI TS 126 092 v5.0.0)	A	Published ANS	Jan 04	http://www.tiaonline.org/standards/technology/uwc136/disclaimer.cfm
Release 6					
ATIS	ATIS.3GPP.26.092V600-2006	6.0.0	Approved	Apr 06	https://www.atis.org/docstore/default.aspx
TIA	Included in TIA/EIA-136-440 as ETSI TS 126 092 v6.0.0)	B	Approved	Apr 06	http://www.tiaonline.org/standards/technology/uwc136/disclaimer.cfm
Release 7					
ATIS	ATIS.3GPP.26.092V700-2008	7.0.0	Approved	Oct 08	https://www.atis.org/docstore/default.aspx
TIA	Included in TIA/EIA-136-440 as ETSI TS 126 092 v7.0.0)	C	Approved	Oct 08	http://www.tiaonline.org/standards/technology/uwc136/disclaimer.cfm

5.4.2.6.11 3GPP TS 26.093**Source rate controlled operation for AMR speech codec**

This document provides the DTX definition for the AMR speech codec.

SDO (2)	Document No.	Version	Status	Issued date	Location (1)
Release 98					
TIA	Included in TIA/EIA-136-440 as GSM 06.93 (ETSI EN 301 707 v7.3.1)	0	Published ANS	Apr 01	http://www.tiaonline.org/standards/technology/uwc136/disclaimer.cfm
Release 99					
ATIS	T1.3GPP.26.093V330-2000	3.3.0	Approved	Dec 00	https://www.atis.org/docstore/default.aspx
Release 5					
ATIS	T1.3GPP.26.093V520-2005	5.2.0	Approved	Apr 05	https://www.atis.org/docstore/default.aspx
TIA	Included in TIA/EIA-136-440 as ETSI TS 126 093 v5.2.0)	A-1(E)	Published ANS	Jun 05	http://www.tiaonline.org/standards/technology/uwc136/disclaimer.cfm
Release 6					
ATIS	ATIS.3GPP.26.093V610-2007	6.1.0	Approved	Oct 07	https://www.atis.org/docstore/default.aspx
TIA	Included in TIA/EIA-136-440 as ETSI TS 126 093 v6.1.0)	B-1(E)	Approved	Jan 08	http://www.tiaonline.org/standards/technology/uwc136/disclaimer.cfm
Release 7					
ATIS	ATIS.3GPP.26.093V700-2008	7.0.0	Approved	Oct 08	https://www.atis.org/docstore/default.aspx
TIA	Included in TIA/EIA-136-440 as ETSI TS 126 093 v7.0.0)	C	Approved	Oct 08	http://www.tiaonline.org/standards/technology/uwc136/disclaimer.cfm

5.4.2.6.12 3GPP TS 26.094

Voice Activity Detector for AMR speech codec

This document provides the VAD definition for the AMR speech codec.

SDO (2)	Document No.	Version	Status	Issued date	Location (1)
Release 98					
TIA	Included in TIA/EIA-136-440 as GSM 06.94 (ETSI EN 301 708 v7.1.1)	0	Published ANS	Apr 01	http://www.tiaonline.org/standards/technology/uwc136/disclaimer.cfm
Release 99					
ATIS	T1.3GPP.26.094V300-1999	3.0.0	Approved	Oct 99	https://www.atis.org/docstore/default.aspx
Release 5					
ATIS	T1.3GPP.26.094V500-2003	5.0.0	Approved	Mar 03	https://www.atis.org/docstore/default.aspx
TIA	Included in TIA/EIA-136-440 as ETSI TS 126 094 v5.0.0)	A	Published ANS	Jan 04	http://www.tiaonline.org/standards/technology/uwc136/disclaimer.cfm
Release 6					
ATIS	ATIS.3GPP.26.094V610-2007	6.1.0	Approved	Oct 07	https://www.atis.org/docstore/default.aspx
TIA	Included in TIA/EIA-136-440 as ETSI TS 126 094 v6.1.0)	B-1(E)	Approved	Jan 08	http://www.tiaonline.org/standards/technology/uwc136/disclaimer.cfm

Release 7

ATIS	ATIS.3GPP.26.094V700-2008	7.0.0	Approved	Oct 08	https://www.atis.org/docstore/default.aspx
TIA	Included in TIA/EIA-136-440 as ETSI TS 126 094 v7.0.0)	C	Approved	Oct 08	http://www.tiaonline.org/standards/technology/uwc136/disclaimer.cfm

5.4.2.6.13 3GPP TS 26.101**Mandatory speech codec speech processing functions; AMR speech codec frame structure**

This document describes a generic frame format for the Adaptive Multi-Rate (AMR) speech codec and the Enhanced Full Rate (GSM-EFR) speech codec. This format is used as a common reference point when interfacing speech frames between different elements of the 3G system and between different systems. Appropriate mappings to and from this generic frame format is used within and between each system element.

SDO (2)	Document No.	Version	Status	Issued date	Location (1)
Release 6					
ATIS	ATIS.3GPP.26.101V600-2008	6.0.0	Approved	Oct 08	https://www.atis.org/docstore/default.aspx
Release 7					
ATIS	ATIS.3GPP.26.101V700-2008	7.0.0	Approved	Oct 08	https://www.atis.org/docstore/default.aspx

5.4.2.6.14 3GPP TS 26.102**AMR speech codec; Interface to Iu and Uu**

This document provides the interface definition for the AMR speech codec to Iu and Uu interfaces.

SDO (2)	Document No.	Version	Status	Issued date	Location (1)
Release 99					
ATIS	ATIS.3GPP.26.102V340-2005	3.4.0	Approved	Apr 05	https://www.atis.org/docstore/default.aspx
Release 5					
ATIS	ATIS.3GPP.26.102V520-2005	5.2.0	Approved	Apr 05	https://www.atis.org/docstore/default.aspx
TIA	Included in TIA/EIA-136-440 as ETSI TS 126 102 v5.2.0)	A-1(E)	Published ANS	Jun 05	http://www.tiaonline.org/standards/technology/uwc136/disclaimer.cfm
Release 6					
ATIS	ATIS.3GPP.26.102V600-2006	6.0.0	Approved	Apr 06	https://www.atis.org/docstore/default.aspx
TIA	Included in TIA/EIA-136-440 as ETSI TS 126 102 v6.0.0)	B	Approved	Apr 06	http://www.tiaonline.org/standards/technology/uwc136/disclaimer.cfm
Release 7					
ATIS	ATIS.3GPP.26.102V710-2008	7.1.0	Approved	Oct 08	https://www.atis.org/docstore/default.aspx
TIA	Included in TIA/EIA-136-440 as ETSI TS 126 102 v7.1.0)	C	Approved	Oct 08	http://www.tiaonline.org/standards/technology/uwc136/disclaimer.cfm

5.4.2.6.15 3GPP TS 26.103**Speech codec list for GSM and UMTS**

This document provides the list of speech codecs for GSM and UMTS.

SDO (2)	Document No.	Version	Status	Issued date	Location (1)
Release 99					
ATIS	T1.3GPP.26.103V320-2003	3.2.0	Approved	Dec 03	https://www.atis.org/docstore/default.aspx
Release 5					
ATIS	ATIS.3GPP.26.103V560-2005	5.6.0	Approved	Apr 05	https://www.atis.org/docstore/default.aspx
Release 6					
ATIS	ATIS.3GPP.26.103V620-2007	6.2.0	Approved	Oct 07	https://www.atis.org/docstore/default.aspx
Release 7					
ATIS	ATIS.3GPP.26.103V700-2008	7.0.0	Approved	Oct 08	https://www.atis.org/docstore/default.aspx

5.4.2.6.16 3GPP TS 26.104**ANSI-C code for floating point AMR speech codec**

This document provides the ANSI-C code definition for the floating point AMR speech codec.

SDO (2)	Document No.	Version	Status	Issued date	Location (1)
Release 99					
ATIS	ATIS.3GPP.26.104V350-2005	3.5.0	Approved	Apr 05	https://www.atis.org/docstore/default.aspx
Release 5					
ATIS	ATIS.3GPP.26.104V540-2005	5.4.0	Approved	Apr 05	https://www.atis.org/docstore/default.aspx
TIA	Included in TIA/EIA-136-440 as ETSI TS 126 104 v5.4.0)	A-1(E)	Published ANS	Jun 05	http://www.tiaonline.org/standards/technology/uwc136/disclaimer.cfm
Release 6					
ATIS	ATIS.3GPP.26.104V610-2006	6.1.0	Approved	Apr 06	https://www.atis.org/docstore/default.aspx
TIA	Included in TIA/EIA-136-440 as ETSI TS 126 104 v6.1.0)	B	Approved	Apr 06	http://www.tiaonline.org/standards/technology/uwc136/disclaimer.cfm
Release 7					
ATIS	ATIS.3GPP.26.104V700-2008	7.0.0	Approved	Oct 08	https://www.atis.org/docstore/default.aspx
TIA	Included in TIA/EIA-136-440 as ETSI TS 126 104 v7.0.0)	C	Approved	Oct 08	http://www.tiaonline.org/standards/technology/uwc136/disclaimer.cfm

5.4.2.6.17 3GPP TS 26.110**Codec for circuit switched multimedia telephony service; General description**

This document provides the general description for the codec used for multimedia telephony service.

SDO (2)	Document No.	Version	Status	Issued date	Location (1)
Release 99					
ATIS	T1.3GPP.26.110V310-2001	3.1.0	Approved	Mar 01	https://www.atis.org/docstore/default.aspx
Release 5					
ATIS	T1.3GPP.26.110V500-2003	5.0.0	Approved	Mar 03	https://www.atis.org/docstore/default.aspx
TIA	Included in TIA/EIA-136-440 as ETSI TS 126 110 v5.0.0)	A	Published ANS	Jan 04	http://www.tiaonline.org/standards/technology/uwc136/disclaimer.cfm
Release 6					
ATIS	ATIS.3GPP.26.110V600-2006	6.0.0	Approved	Apr 06	https://www.atis.org/docstore/default.aspx
TIA	Included in TIA/EIA-136-440 as ETSI TS 126 110 v6.0.0)	B	Approved	Apr 06	http://www.tiaonline.org/standards/technology/uwc136/disclaimer.cfm
Release 7					
ATIS	ATIS.3GPP.26.110V700-2008	7.0.0	Approved	Oct 08	https://www.atis.org/docstore/default.aspx
TIA	Included in TIA/EIA-136-440 as ETSI TS 126 110 v7.0.0)	C	Approved	Oct 08	http://www.tiaonline.org/standards/technology/uwc136/disclaimer.cfm

5.4.2.6.18 3GPP TS 26.111**Codec for circuit switched multimedia telephony service; Modifications to H.324**

This document provides the description for the modifications to H.324 for multimedia telephony service.

SDO (2)	Document No.	Version	Status	Issued date	Location (1)
Release 99					
ATIS	T1.3GPP.26.111V340-2000	3.4.0	Approved	Dec 00	https://www.atis.org/docstore/default.aspx
Release 5					
ATIS	ATIS.3GPP.26.111V510-2005	5.1.0	Approved	Apr 05	https://www.atis.org/docstore/default.aspx
TIA	Included in TIA/EIA-136-440 as ETSI TS 126 111 v5.0.0)	A	Published ANS	Jan 04	http://www.tiaonline.org/standards/technology/uwc136/disclaimer.cfm
Release 6					
ATIS	ATIS.3GPP.26.111V620-2008	6.2.0	Approved	Oct 08	https://www.atis.org/docstore/default.aspx
TIA	Included in TIA/EIA-136-440 as ETSI TS 126 111 v6.1.0)	B	Approved	Apr 06	http://www.tiaonline.org/standards/technology/uwc136/disclaimer.cfm

Release 7

ATIS	ATIS.3GPP.26.111V710-2008	7.1.0	Approved	Oct 08	https://www.atis.org/docstore/default.aspx
TIA	Included in TIA/EIA-136-440 as ETSI TS 126 111 v7.1.0)	C	Approved	Oct 08	http://www.tiaonline.org/standards/technology/uwc136/disclaimer.cfm

5.4.2.6.19 3GPP TS 26.226**Cellular text telephone modem transmitter; General description**

This document specifies the Cellular Text Telephone Modem (CTM) which allows reliable transmission of a text telephone conversation alternating with a speech conversation through the existing speech communication paths in cellular mobile phone systems. This reliability is achieved by an improved modulation technique, including error protection, interleaving and synchronization.

SDO (2)	Document No.	Version	Status	Issued date	Location (1)
---------	--------------	---------	--------	-------------	--------------

Release 6

ATIS	ATIS.3GPP.26.226V600-2008	6.0.0	Approved	Oct 08	https://www.atis.org/docstore/default.aspx
------	---------------------------	-------	----------	--------	---

Release 7

ATIS	ATIS.3GPP.26.226V700-2008	7.0.0	Approved	Oct 08	https://www.atis.org/docstore/default.aspx
------	---------------------------	-------	----------	--------	---

5.4.2.6.20 3GPP TS 26.230**Global text telephony(GTT); Cellular text telephone modem transmitter C-code description**

This document provides the C-code description for the GTT modem transmitter.

SDO (2)	Document No.	Version	Status	Issued date	Location (1)
---------	--------------	---------	--------	-------------	--------------

Release 5

ATIS	ATIS.3GPP.26.230V502-2005	5.0.2	Approved	Apr 05	https://www.atis.org/docstore/default.aspx
------	---------------------------	-------	----------	--------	---

Release 6

ATIS	ATIS.3GPP.26.230V600-2006	6.0.0	Approved	Apr 06	https://www.atis.org/docstore/default.aspx
------	---------------------------	-------	----------	--------	---

Release 7

ATIS	ATIS.3GPP.26.230V710-2008	7.1.0	Approved	Oct 08	https://www.atis.org/docstore/default.aspx
------	---------------------------	-------	----------	--------	---

5.4.2.6.21 3GPP TS 26.231**Global text telephony (GTT); Cellular text telephone modem minimum performance requirements**

This document specifies the minimum performance requirements for the GTT cellular text telephone modem.

SDO (2)	Document No.	Version	Status	Issued date	Location (1)
Release 5					
ATIS	ATIS.3GPP.26.231V521-2006	5.2.1	Approved	Apr 06	https://www.atis.org/docstore/default.aspx
Release 6					
ATIS	ATIS.3GPP.26.231V602-2006	6.0.2	Approved	Apr 06	https://www.atis.org/docstore/default.aspx
Release 7					
ATIS	ATIS.3GPP.26.231V700-2008	7.0.0	Approved	Oct 08	https://www.atis.org/docstore/default.aspx

5.4.2.6.22 3GPP TS 26.235

Packet switched conversational multimedia applications; Default codecs

This document specifies the default codecs used for packet switched conversational multimedia applications.

SDO (2)	Document No.	Version	Status	Issued date	Location (1)
Release 5					
ATIS	T1.3GPP.26.235V510-2003	5.1.0	Approved	Mar 03	https://www.atis.org/docstore/default.aspx
Release 6					
ATIS	ATIS.3GPP.26.235V650-2007	6.5.0	Approved	Oct 07	https://www.atis.org/docstore/default.aspx
Release 7					
ATIS	ATIS.3GPP.26.235V740-2008	7.4.0	Approved	Oct 08	https://www.atis.org/docstore/default.aspx

5.4.2.6.23 3GPP TS 26.244

Transparent end-to-end packet switched streaming service (PSS);3GPP file format (3GP)

This document defines the 3GPP file format (3GP) as an instance of the ISO base media file format. The definition addresses 3GPP specific features such as codec registration and conformance within the MMS and PSS services. The 3GPP file format can contain timing, structure and media data for multimedia streams and is used by MMS and PSS for timed visual and aural multimedia.

SDO (2)	Document No.	Version	Status	Issued date	Location (1)
Release 6					
ATIS	ATIS.3GPP.26.244V670-2008	6.7.0	Approved	Oct 08	https://www.atis.org/docstore/default.aspx
Release 7					
ATIS	ATIS.3GPP.26.244V730-2008	7.3.0	Approved	Oct 08	https://www.atis.org/docstore/default.aspx

5.4.2.6.24 3GPP TR 26.911

Codec for circuit switched multimedia telephony service; Terminal implementor's guide

This document provides a guide to terminal implementors for multimedia telephony service.

SDO (2)	Document No.	Version	Status	Issued date	Location (1)
Release 99					
ATIS	ATIS.3GPP.26.911V340-2005	3.4.0	Approved	Apr 05	https://www.atis.org/docstore/default.aspx
Release 5					
ATIS	ATIS.3GPP.26.911V510-2005	5.1.0	Approved	Apr 05	https://www.atis.org/docstore/default.aspx
TIA	Included in TIA/EIA-136-440 as ETSI TR126 911 v5.0.0)	A	Published ANS	Jan 04	http://www.tiaonline.org/standards/technology/uwc136/disclaimer.cfm
Release 6					
ATIS	ATIS.3GPP.26.911V600-2006	6.0.0	Approved	Apr 06	https://www.atis.org/docstore/default.aspx
TIA	Included in TIA/EIA-136-440 as ETSI TR126 911 v6.0.0)	B	Approved	Apr 06	http://www.tiaonline.org/standards/technology/uwc136/disclaimer.cfm
Release 7					
ATIS	ATIS.3GPP.26.911V710-2006	7.1.0	Approved	Oct 08	https://www.atis.org/docstore/default.aspx
TIA	Included in TIA/EIA-136-440 as ETSI TR126 911 v7.1.0)	C	Approved	Oct 08	http://www.tiaonline.org/standards/technology/uwc136/disclaimer.cfm

5.4.2.6.25 3GPP TR 26.975

Performance characterization of the AMR codec

This document provides a performance characterization of the AMR codec.

SDO (2)	Document No.	Version	Status	Issued date	Location (1)
Release 99					
ATIS	T1.3GPP.26.975V310-2003	3.1.0	Approved	Dec 03	https://www.atis.org/docstore/default.aspx
Release 5					
ATIS	T1.3GPP.26.975V500-2003	5.0.0	Approved	Mar 03	https://www.atis.org/docstore/default.aspx
TIA	Included in TIA/EIA-136-440 as ETSI TR126 975 v5.0.0)	A	Published ANS	Jan 04	http://www.tiaonline.org/standards/technology/uwc136/disclaimer.cfm
Release 6					
ATIS	ATIS.3GPP.26.975V600-2006	6.0.0	Approved	Apr 06	https://www.atis.org/docstore/default.aspx
TIA	Included in TIA/EIA-136-440 as ETSI TR126 975 v6.0.0)	B	Approved	Apr 06	http://www.tiaonline.org/standards/technology/uwc136/disclaimer.cfm
Release 7					
ATIS	ATIS.3GPP.26.975V700-2008	7.0.0	Approved	Oct 08	https://www.atis.org/docstore/default.aspx
TIA	Included in TIA/EIA-136-440 as ETSI TR126 975 v7.0.0)	C	Approved	Oct 08	http://www.tiaonline.org/standards/technology/uwc136/disclaimer.cfm

5.4.2.6.26 3GPP TS 28.062**Inband Tandem Free Operation (TFO); Stage 3**

This document provides a stage 3 service description for inband vocoder tandem free operation.

SDO (2)	Document No.	Version	Status	Issued date	Location (1)
Release 99					
ATIS	T1.3GPP.08.62V801-2003	8.0.1	Approved	Dec 03	https://www.atis.org/docstore/default.aspx
Release 5					
ATIS	ATIS.3GPP.28.062V550-2005	5.5.0	Approved	Apr 05	https://www.atis.org/docstore/default.aspx
Release 6					
ATIS	ATIS.3GPP.28.062V640-2007	6.4.0	Approved	Oct 07	https://www.atis.org/docstore/default.aspx
Release 7					
ATIS	ATIS.3GPP.28.062V700-2008	7.0.0	Approved	Oct 08	https://www.atis.org/docstore/default.aspx

5.4.2.6.27 3GPP TS 43.050**Transmission Planning aspects of the speech service in GSM Public Land Mobile Network (PLMN)**

This document describes the transmission planning aspects for the speech service for the alternate circuit switched component.

SDO (2)	Document No.	Version	Status	Issued date	Location (1)
Release 99					
ATIS	T1.3GPP.03.50V811-2003	8.1.1	Approved	Dec 03	https://www.atis.org/docstore/default.aspx
Release 5					
ATIS	T1.3GPP.43.050V500-2003	5.0.0	Approved	Dec 03	https://www.atis.org/docstore/default.aspx
Release 6					
ATIS	ATIS.3GPP.43.050V600-2006	6.0.0	Approved	Apr 06	https://www.atis.org/docstore/default.aspx
Release 7					
ATIS	ATIS.3GPP.43.050V710-2008	7.1.0	Approved	Oct 08	https://www.atis.org/docstore/default.aspx

5.4.2.6.28 3GPP TS 46.001**Full rate speech processing functions**

This document defines speech processing functions for the full rate vocoder.

SDO (2)	Document No.	Version	Status	Issued date	Location (1)
Release 99					
ATIS	T1.3GPP.06.01V801-2003	8.0.1	Approved	Dec 03	https://www.atis.org/docstore/default.aspx
Release 5					
ATIS	T1.3GPP.46.001V500-2003	5.0.0	Approved	Dec 03	https://www.atis.org/docstore/default.aspx

490

Rec. ITU-R M.1457-8

Release 6

ATIS	ATIS.3GPP.46.001V600-2006	6.0.0	Approved	Apr 06	https://www.atis.org/docstore/default.aspx
------	---------------------------	-------	----------	--------	---

Release 7

ATIS	ATIS.3GPP.46.001V700-2008	7.0.0	Approved	Oct 08	https://www.atis.org/docstore/default.aspx
------	---------------------------	-------	----------	--------	---

5.4.2.6.29 3GPP TS 46.002

Half rate speech processing functions

This document defines speech processing functions for the half rate vocoder.

SDO (2)	Document No.	Version	Status	Issued date	Location (1)
Release 99					
ATIS	T1.3GPP.06.02V800-2003	8.0.0	Approved	Dec 03	https://www.atis.org/docstore/default.aspx
Release 5					
ATIS	T1.3GPP.46.002V500-2003	5.0.0	Approved	Dec 03	https://www.atis.org/docstore/default.aspx
Release 6					
ATIS	ATIS.3GPP.46.002V600-2006	6.0.0	Approved	Apr 06	https://www.atis.org/docstore/default.aspx
Release 7					
ATIS	ATIS.3GPP.46.002V700-2008	7.0.0	Approved	Oct 08	https://www.atis.org/docstore/default.aspx

5.4.2.6.30 3GPP TS 46.006

Half rate speech; ANSI-C code for half rate speech codec

This document provides the ANSI-C code for the half rate vocoder.

SDO (2)	Document No.	Version	Status	Issued date	Location (1)
Release 99					
ATIS	T1.3GPP.06.06V801-2003	8.0.1	Approved	Dec 03	https://www.atis.org/docstore/default.aspx
Release 5					
ATIS	T1.3GPP.46.006V500-2003	5.0.0	Approved	Dec 03	https://www.atis.org/docstore/default.aspx
Release 6					
ATIS	ATIS.3GPP.46.006V600-2006	6.0.0	Approved	Apr 06	https://www.atis.org/docstore/default.aspx
Release 7					
ATIS	ATIS.3GPP.46.006V700-2008	7.0.0	Approved	Oct 08	https://www.atis.org/docstore/default.aspx

5.4.2.6.31 3GPP TS 46.007

Half rate speech; test sequences for half rate speech codec

This document provides the test sequences for the half rate vocoder.

SDO (2)	Document No.	Version	Status	Issued date	Location (1)
Release 99					
ATIS	T1.3GPP.06.07V801-2003	8.0.1	Approved	Dec 03	https://www.atis.org/docstore/default.aspx
Release 5					
ATIS	T1.3GPP.46.007V500-2003	5.0.0	Approved	Dec 03	https://www.atis.org/docstore/default.aspx
Release 6					
ATIS	ATIS.3GPP.46.007V600-2006	6.0.0	Approved	Apr 06	https://www.atis.org/docstore/default.aspx
Release 7					
ATIS	ATIS.3GPP.46.007V700-2008	7.0.0	Approved	Oct 08	https://www.atis.org/docstore/default.aspx

5.4.2.6.32 3GPP TS 46.008

Half rate speech; performance characterization of half rate speech codec

This document provides the performance characterization for the half rate vocoder.

SDO (2)	Document No.	Version	Status	Issued date	Location (1)
Release 99					
ATIS	T1.3GPP.06.08V800-2003	8.0.0	Approved	Dec 03	https://www.atis.org/docstore/default.aspx
Release 5					
ATIS	T1.3GPP.46.008V500-2003	5.0.0	Approved	Dec 03	https://www.atis.org/docstore/default.aspx
Release 6					
ATIS	ATIS.3GPP.46.008V600-2006	6.0.0	Approved	Apr 06	https://www.atis.org/docstore/default.aspx
Release 7					
ATIS	ATIS.3GPP.46.008V700-2008	7.0.0	Approved	Oct 08	https://www.atis.org/docstore/default.aspx

5.4.2.6.33 3GPP TS 46.010

Full rate speech transcoding

This document provides the definition for speech transcoding for the full rate vocoder.

SDO (2)	Document No.	Version	Status	Issued date	Location (1)
Release 99					
ATIS	T1.3GPP.06.10V820-2003	8.2.0	Approved	Dec 03	https://www.atis.org/docstore/default.aspx
Release 5					
ATIS	T1.3GPP.46.010V500-2003	5.0.0	Approved	Dec 03	https://www.atis.org/docstore/default.aspx
Release 6					
ATIS	ATIS.3GPP.46.010V600-2006	6.0.0	Approved	Apr 06	https://www.atis.org/docstore/default.aspx

Release 7

ATIS	ATIS.3GPP.46.010V700-2008	7.0.0	Approved	Oct 08	https://www.atis.org/docstore/default.aspx
------	---------------------------	-------	----------	--------	---

5.4.2.6.34 3GPP TS 46.011**Substitution and muting of lost frames for Full Rate speech**

This document defines the error concealment functions for full rate vocoder.

SDO (2)	Document No.	Version	Status	Issued date	Location (1)
Release 99					
ATIS	T1.3GPP.06.11V801-2003	8.0.1	Approved	Dec 03	https://www.atis.org/docstore/default.aspx
Release 5					
ATIS	T1.3GPP.46.011V500-2003	5.0.0	Approved	Dec 03	https://www.atis.org/docstore/default.aspx
Release 6					
ATIS	ATIS.3GPP.46.011V600-2006	6.0.0	Approved	Apr 06	https://www.atis.org/docstore/default.aspx
Release 7					
ATIS	ATIS.3GPP.46.011V700-2008	7.0.0	Approved	Oct 08	https://www.atis.org/docstore/default.aspx

5.4.2.6.35 3GPP TS 46.012**Comfort noise aspects for Full Rate speech traffic channels**

This document defines the comfort noise functions for the full rate vocoder.

SDO (2)	Document No.	Version	Status	Issued date	Location (1)
Release 99					
ATIS	T1.3GPP.06.12V810-2003	8.1.0	Approved	Dec 03	https://www.atis.org/docstore/default.aspx
Release 5					
ATIS	T1.3GPP.46.012V500-2003	5.0.0	Approved	Dec 03	https://www.atis.org/docstore/default.aspx
Release 6					
ATIS	ATIS.3GPP.46.012V600-2006	6.0.0	Approved	Apr 06	https://www.atis.org/docstore/default.aspx
Release 7					
ATIS	ATIS.3GPP.46.012V700-2008	7.0.0	Approved	Oct 08	https://www.atis.org/docstore/default.aspx

5.4.2.6.36 3GPP TS 46.020**Half rate speech transcoding**

This document provides the definition for speech transcoding for the half rate vocoder.

SDO (2)	Document No.	Version	Status	Issued date	Location (1)
Release 99					
ATIS	T1.3GPP.06.20V801-2003	8.0.1	Approved	Dec 03	https://www.atis.org/docstore/default.aspx
Release 5					
ATIS	T1.3GPP.46.020V500-2003	5.0.0	Approved	Dec 03	https://www.atis.org/docstore/default.aspx
Release 6					
ATIS	ATIS.3GPP.46.020V600-2006	6.0.0	Approved	Apr 06	https://www.atis.org/docstore/default.aspx
Release 7					
ATIS	ATIS.3GPP.46.020V700-2008	7.0.0	Approved	Oct 08	https://www.atis.org/docstore/default.aspx

5.4.2.6.37 3GPP TS 46.021

Substitution and muting of lost frames for Half Rate speech This document defines the error concealment functions for half rate vocoder.

This document defines the error concealment functions for half rate vocoder.

SDO (2)	Document No.	Version	Status	Issued date	Location (1)
Release 99					
ATIS	T1.3GPP.06.21V801-2003	8.0.1	Approved	Dec 03	https://www.atis.org/docstore/default.aspx
Release 5					
ATIS	T1.3GPP.46.021V500-2003	5.0.0	Approved	Dec 03	https://www.atis.org/docstore/default.aspx
Release 6					
ATIS	ATIS.3GPP.46.021V600-2006	6.0.0	Approved	Apr 06	https://www.atis.org/docstore/default.aspx
Release 7					
ATIS	ATIS.3GPP.46.021V700-2008	7.0.0	Approved	Oct 08	https://www.atis.org/docstore/default.aspx

5.4.2.6.38 3GPP TS 46.022

Comfort noise aspects for Half Rate speech traffic channels

This document defines the comfort noise functions for the half rate vocoder.

SDO (2)	Document No.	Version	Status	Issued date	Location (1)
Release 99					
ATIS	T1.3GPP.06.22V801-2003	8.0.1	Approved	Dec 03	https://www.atis.org/docstore/default.aspx
Release 5					
ATIS	T1.3GPP.46.022V500-2003	5.0.0	Approved	Dec 03	https://www.atis.org/docstore/default.aspx
Release 6					
ATIS	ATIS.3GPP.46.022V600-2006	6.0.0	Approved	Apr 06	https://www.atis.org/docstore/default.aspx

Release 7

ATIS	ATIS.3GPP.46.022V700-2008	7.0.0	Approved	Oct 08	https://www.atis.org/docstore/default.aspx
------	---------------------------	-------	----------	--------	---

5.4.2.6.39 3GPP TS 46.031**Discontinuous Transmission (DTX) for Full Rate speech traffic channels**

This document defines the discontinuous transmission function for the full rate vocoder.

SDO (2)	Document No.	Version	Status	Issued date	Location (1)
Release 99					
ATIS	T1.3GPP.06.31V801-2003	8.0.1	Approved	Dec 03	https://www.atis.org/docstore/default.aspx
Release 5					
ATIS	T1.3GPP.46.031V500-2003	5.0.0	Approved	Dec 03	https://www.atis.org/docstore/default.aspx
Release 6					
ATIS	ATIS.3GPP.46.031V600-2006	6.0.0	Approved	Apr 06	https://www.atis.org/docstore/default.aspx
Release 7					
ATIS	ATIS.3GPP.46.031V700-2008	7.0.0	Approved	Oct 08	https://www.atis.org/docstore/default.aspx

5.4.2.6.40 3GPP TS 46.032**Voice Activity Detection (VAD) for full rate speech traffic**

This document defines the voice activity detection function for the full rate vocoder.

SDO (2)	Document No.	Version	Status	Issued date	Location (1)
Release 99					
ATIS	T1.3GPP.06.32V801-2003	8.0.1	Approved	Dec 03	https://www.atis.org/docstore/default.aspx
Release 5					
ATIS	T1.3GPP.46.032V500-2003	5.0.0	Approved	Dec 03	https://www.atis.org/docstore/default.aspx
Release 6					
ATIS	ATIS.3GPP.46.032V600-2006	6.0.0	Approved	Apr 06	https://www.atis.org/docstore/default.aspx
Release 7					
ATIS	ATIS.3GPP.46.032V700-2008	7.0.0	Approved	Oct 08	https://www.atis.org/docstore/default.aspx

5.4.2.6.41 3GPP TS 46.041**Discontinuous Transmission (DTX) for Half Rate speech traffic channels**

This document defines the discontinuous transmission function for the half rate vocoder.

SDO (2)	Document No.	Version	Status	Issued date	Location (1)
Release 99					
ATIS	T1.3GPP.06.41V801-2003	8.0.1	Approved	Dec 03	https://www.atis.org/docstore/default.aspx
Release 5					
ATIS	T1.3GPP.46.041V500-2003	5.0.0	Approved	Dec 03	https://www.atis.org/docstore/default.aspx
Release 6					
ATIS	ATIS.3GPP.46.041V600-2006	6.0.0	Approved	Apr 06	https://www.atis.org/docstore/default.aspx
Release 7					
ATIS	ATIS.3GPP.46.041V700-2008	7.0.0	Approved	Oct 08	https://www.atis.org/docstore/default.aspx

5.4.2.6.42 3GPP TS 46.042

Voice Activity Detection (VAD) for half rate speech traffic

This document defines the voice activity detection function for the half rate vocoder.

SDO (2)	Document No.	Version	Status	Issued date	Location (1)
Release 99					
ATIS	T1.3GPP.06.42V801-2003	8.0.1	Approved	Dec 03	https://www.atis.org/docstore/default.aspx
Release 5					
ATIS	T1.3GPP.46.042V500-2003	5.0.0	Approved	Dec 03	https://www.atis.org/docstore/default.aspx
Release 6					
ATIS	ATIS.3GPP.46.042V600-2006	6.0.0	Approved	Apr 06	https://www.atis.org/docstore/default.aspx
Release 7					
ATIS	ATIS.3GPP.46.042V700-2008	7.0.0	Approved	Oct 08	https://www.atis.org/docstore/default.aspx

5.4.2.6.43 3GPP TS 46.051

Enhanced full rate speech processing functions

This document defines speech processing functions for the enhanced full rate vocoder.

SDO (2)	Document No.	Version	Status	Issued date	Location (1)
Release 99					
ATIS	T1.3GPP.06.51V820-2003	8.2.0	Approved	Dec 03	https://www.atis.org/docstore/default.aspx
Release 5					
ATIS	T1.3GPP.46.051V500-2003	5.0.0	Approved	Dec 03	https://www.atis.org/docstore/default.aspx
Release 6					
ATIS	ATS.3GPP.46.051V600-2006	6.0.0	Approved	Apr 06	https://www.atis.org/docstore/default.aspx

Release 7

ATIS	ATS.3GPP.46.051V700-2008	7.0.0	Approved	Oct 08	https://www.atis.org/docstore/default.aspx
------	--------------------------	-------	----------	--------	---

5.4.2.6.44 3GPP TS 46.053**Enhanced full rate speech; ANSI-C code for enhanced full rate speech codec**

This document provides the ANSI-C code for the enhanced full rate vocoder.

SDO (2)	Document No.	Version	Status	Issued date	Location (1)
Release 99					
ATIS	T1.3GPP.06.53V801-2003	8.0.1	Approved	Dec 03	https://www.atis.org/docstore/default.aspx
Release 5					
ATIS	T1.3GPP.46.053V500-2003	5.0.0	Approved	Dec 03	https://www.atis.org/docstore/default.aspx
Release 6					
ATIS	ATIS.3GPP.46.053V600-2006	6.0.0	Approved	Apr 06	https://www.atis.org/docstore/default.aspx
Release 7					
ATIS	ATIS.3GPP.46.053V700-2008	7.0.0	Approved	Oct 08	https://www.atis.org/docstore/default.aspx

5.4.2.6.45 3GPP TS 46.054**Enhanced full rate speech; test sequences for enhanced full rate speech codec**

This document provides the test sequences for the enhanced full rate vocoder.

SDO (2)	Document No.	Version	Status	Issued date	Location (1)
Release 99					
ATIS	T1.3GPP.06.54V820-2003	8.2.0	Approved	Dec 03	https://www.atis.org/docstore/default.aspx
Release 5					
ATIS	T1.3GPP.46.054V500-2003	5.0.0	Approved	Dec 03	https://www.atis.org/docstore/default.aspx
Release 6					
ATIS	ATIS.3GPP.46.054V600-2006	6.0.0	Approved	Apr 06	https://www.atis.org/docstore/default.aspx
Release 7					
ATIS	ATIS.3GPP.46.054V700-2008	7.0.0	Approved	Oct 08	https://www.atis.org/docstore/default.aspx

5.4.2.6.46 3GPP TS 46.055**Enhanced full rate speech; performance characterization of EFR speech codec**

This document provides the performance characterization for the enhanced full rate vocoder.

SDO (2)	Document No.	Version	Status	Issued date	Location (1)
Release 99					
ATIS	T1.3GPP.06.55V800-2003	8.0.0	Approved	Dec 03	https://www.atis.org/docstore/default.aspx
Release 5					
ATIS	T1.3GPP.46.055V500-2003	5.0.0	Approved	Dec 03	https://www.atis.org/docstore/default.aspx
Release 6					
ATIS	ATIS.3GPP.46.055V600-2006	6.0.0	Approved	Apr 06	https://www.atis.org/docstore/default.aspx
Release 7					
ATIS	ATIS.3GPP.46.055V700-2008	7.0.0	Approved	Oct 08	https://www.atis.org/docstore/default.aspx

5.4.2.6.47 3GPP TS 46.060

Enhanced full rate speech transcoding

This document provides the definition for speech transcoding for the enhanced full rate vocoder.

SDO (2)	Document No.	Version	Status	Issued date	Location (1)
Release 99					
ATIS	T1.3GPP.06.60V801-2003	8.0.1	Approved	Dec 03	https://www.atis.org/docstore/default.aspx
Release 5					
ATIS	T1.3GPP.46.060V500-2003	5.0.0	Approved	Dec 03	https://www.atis.org/docstore/default.aspx
Release 6					
ATIS	ATIS.3GPP.46.060V600-2006	6.0.0	Approved	Apr 06	https://www.atis.org/docstore/default.aspx
Release 7					
ATIS	ATIS.3GPP.46.060V700-2008	7.0.0	Approved	Oct 08	https://www.atis.org/docstore/default.aspx

5.4.2.6.48 3GPP TS 46.061

Substitution and muting of lost frames for Enhanced full Rate speech channels

This document defines the error concealment functions for the enhanced full rate vocoder.

SDO (2)	Document No.	Version	Status	Issued date	Location (1)
Release 99					
ATIS	T1.3GPP.06.61V801-2003	8.0.1	Approved	Dec 03	https://www.atis.org/docstore/default.aspx
Release 5					
ATIS	T1.3GPP.46.061V500-2003	5.0.0	Approved	Dec 03	https://www.atis.org/docstore/default.aspx
Release 6					
ATIS	ATIS.3GPP.46.061V600-2006	6.0.0	Approved	Apr 06	https://www.atis.org/docstore/default.aspx

Release 7

ATIS	ATIS.3GPP.46.061V700-2008	7.0.0	Approved	Oct 08	https://www.atis.org/docstore/default.aspx
------	---------------------------	-------	----------	--------	---

5.4.2.6.49 3GPP TS 46.062**Comfort noise aspects for Enhanced full Rate speech traffic**

This document defines the comfort noise functions for the half rate vocoder.

SDO (2)	Document No.	Version	Status	Issued date	Location (1)
Release 99					
ATIS	T1.3GPP.06.62V801-2003	8.0.1	Approved	Dec 03	https://www.atis.org/docstore/default.aspx
Release 5					
ATIS	T1.3GPP.46.062V500-2003	5.0.0	Approved	Dec 03	https://www.atis.org/docstore/default.aspx
Release 6					
ATIS	ATIS.3GPP.46.062V600-2006	6.0.0	Approved	Apr 06	https://www.atis.org/docstore/default.aspx
Release 7					
ATIS	ATIS.3GPP.46.062V700-2008	7.0.0	Approved	Oct 08	https://www.atis.org/docstore/default.aspx

5.4.2.6.50 3GPP TS 46.081**Discontinuous Transmission (DTX) for Enhanced full Rate speech traffic channels**

This document defines the discontinuous transmission function for the enhanced full rate vocoder.

SDO (2)	Document No.	Version	Status	Issued date	Location (1)
Release 99					
ATIS	T1.3GPP.06.81V801-2003	8.0.1	Approved	Dec 03	https://www.atis.org/docstore/default.aspx
Release 5					
ATIS	T1.3GPP.46.081V500-2003	5.0.0	Approved	Dec 03	https://www.atis.org/docstore/default.aspx
Release 6					
ATIS	ATIS.3GPP.46.081V600-2006	6.0.0	Approved	Apr 06	https://www.atis.org/docstore/default.aspx
Release 7					
ATIS	ATIS.3GPP.46.081V700-2008	7.0.0	Approved	Oct 08	https://www.atis.org/docstore/default.aspx

5.4.2.6.51 3GPP TS 46.082**Voice Activity Detection (VAD) for enhanced full rate speech traffic channels**

This document defines the voice activity detection function for the enhanced full rate vocoder.

SDO (2)	Document No.	Version	Status	Issued date	Location (1)
Release 99					
ATIS	T1.3GPP.06.82V801-2003	8.0.1	Approved	Dec 03	https://www.atis.org/docstore/default.aspx
Release 5					
ATIS	T1.3GPP.46.082V500-2003	5.0.0	Approved	Dec 03	https://www.atis.org/docstore/default.aspx
Release 6					
ATIS	ATIS.3GPP.46.082V600-2006	6.0.0	Approved	Apr 06	https://www.atis.org/docstore/default.aspx
Release 7					
ATIS	ATIS.3GPP.46.082V701-2008	7.0.1	Approved	Oct 08	https://www.atis.org/docstore/default.aspx

5.4.2.6.52 3GPP TS 48.060

Inband control of remote transcoders and rate adaptors for EFR/FR

This document defines inband control of remote transcoders and rate adaptors for enhanced full rate and full rate vocoders.

SDO (2)	Document No.	Version	Status	Issued date	Location (1)
Release 99					
ATIS	ATIS.3GPP.08.60V821-2003	8.2.1	Approved	Apr 05	https://www.atis.org/docstore/default.aspx
Release 5					
ATIS	ATIS.3GPP.48.060V530-2007	5.3.0	Approved	Oct 07	https://www.atis.org/docstore/default.aspx
Release 6					
ATIS	ATIS.3GPP.48.060V610-2007	6.1.0	Approved	Oct 07	https://www.atis.org/docstore/default.aspx
Release 7					
ATIS	ATIS.3GPP.48.060V700-2008	7.0.0	Approved	Oct 08	https://www.atis.org/docstore/default.aspx

5.4.2.6.53 3GPP TS 48.061

Inband control of remote transcoders and rate adaptors; (half

This document defines inband control of remote transcoders and rate adaptors for half rate vocoders.

SDO (2)	Document No.	Version	Status	Issued date	Location (1)
Release 99					
ATIS	T1.3GPP.08.61V810-2003	8.1.0	Approved	Dec 03	https://www.atis.org/docstore/default.aspx
Release 5					
ATIS	T1.3GPP.48.061V500-2003	5.0.0	Approved	Dec 03	https://www.atis.org/docstore/default.aspx
Release 6					
ATIS	ATIS.3GPP.48.061V600-2006	6.0.0	Approved	Apr 06	https://www.atis.org/docstore/default.aspx

Release 7

ATIS	ATIS.3GPP.48.061V700-2008	7.0.0	Approved	Oct 08	https://www.atis.org/docstore/default.aspx
------	---------------------------	-------	----------	--------	---

5.4.2.6.54 3GPP TS 26.171**AMR Wideband Speech Codec(AMR-WB); General Description**

This document provides an introduction to the set of AMR-Wideband specifications.

SDO (2)	Document No.	Version	Status	Issued date	Location (1)
---------	--------------	---------	--------	-------------	--------------

Release 5

ATIS	ATIS.3GPP.26.171V500-2006	5.0.0	Approved	Apr 06	https://www.atis.org/docstore/default.aspx
------	---------------------------	-------	----------	--------	---

Release 6

ATIS	ATIS.3GPP.26.171V600-2006	6.0.0	Approved	Apr 06	https://www.atis.org/docstore/default.aspx
------	---------------------------	-------	----------	--------	---

Release 7

ATIS	ATIS.3GPP.26.171V700-2008	7.0.0	Approved	Oct 08	https://www.atis.org/docstore/default.aspx
------	---------------------------	-------	----------	--------	---

5.4.2.6.55 3GPP TS 26.173**ANSI-C code for AMR-Wideband (AMR-WB) Speech Codec**

This document contains an electronic copy of the ANSI_C code for the Adaptive Multi-Rate Wideband codec. The ANSI_C code is necessary for a bit exact implementation of the Adaptive Multi Rate Wideband speech transcoder (3GPP TS 26.190), Voice Activity Detection (3GPP TS 26.194), comfort noise (3GPP TS 26.192), source controlled rate operation (3GPP TS 26.193) and contains example solutions for substituting and muting of lost frames (3GPP TS 26.191).provides the ANSI-C code for the AMR-Wideband specifications.

SDO (2)	Document No.	Version	Status	Issued date	Location (1)
---------	--------------	---------	--------	-------------	--------------

Release 5

ATIS	ATIS.3GPP.26.173V5120-2007	5.12.0	Approved	Oct 07	https://www.atis.org/docstore/default.aspx
------	----------------------------	--------	----------	--------	---

Release 6

ATIS	ATIS.3GPP.26.173V630-2007	6.3.0	Approved	Oct 07	https://www.atis.org/docstore/default.aspx
------	---------------------------	-------	----------	--------	---

Release 7

ATIS	ATIS.3GPP.26.173V710-2008	7.1.0	Approved	Oct 08	https://www.atis.org/docstore/default.aspx
------	---------------------------	-------	----------	--------	---

5.4.2.6.56 3GPP TS 26.174**Test sequences for AMR-Wideband (AMR-WB) Speech Codec**

This document provides the test sequences for the AMR-Wideband specifications.

SDO (2)	Document No.	Version	Status	Issued date	Location (1)
---------	--------------	---------	--------	-------------	--------------

Release 5

ATIS	ATIS.3GPP.26.174V540-2006	5.4.0	Approved	Apr 06	https://www.atis.org/docstore/default.aspx
------	---------------------------	-------	----------	--------	---

Release 6

ATIS	ATIS.3GPP.26.174V600-2006	6.0.0	Approved	Apr 06	https://www.atis.org/docstore/default.aspx
------	---------------------------	-------	----------	--------	---

Release 7

ATIS	ATIS.3GPP.26.174V700-2008	7.0.0	Approved	Oct 08	https://www.atis.org/docstore/default.aspx
------	---------------------------	-------	----------	--------	---

5.4.2.6.57 3GPP TS 26.190**AMR-Wideband (AMR-WB) Speech Transcoding**

This document provides the speech coding definition for the AMR-Wideband specifications.

SDO (2)	Document No.	Version	Status	Issued date	Location (1)
---------	--------------	---------	--------	-------------	--------------

Release 5

ATIS	ATIS.3GPP.26.190V510-2006	5.1.0	Approved	Apr 06	https://www.atis.org/docstore/default.aspx
------	---------------------------	-------	----------	--------	---

Release 6

ATIS	ATIS.3GPP.26.190V611-2006	6.1.1	Approved	Apr 06	https://www.atis.org/docstore/default.aspx
------	---------------------------	-------	----------	--------	---

Release 7

ATIS	ATIS.3GPP.26.190V700-2008	7.0.0	Approved	Oct 08	https://www.atis.org/docstore/default.aspx
------	---------------------------	-------	----------	--------	---

5.4.2.6.58 3GPP TS 26.191**Error Concealment of erroneous or lost frames for AMR-Wideband (AMR-WB) speech codec**

This document provides the bad frame masking definition for the AMR-Wideband speech codec.

SDO (2)	Document No.	Version	Status	Issued date	Location (1)
---------	--------------	---------	--------	-------------	--------------

Release 5

ATIS	ATIS.3GPP.26.191V510-2006	5.1.0	Approved	Apr 06	https://www.atis.org/docstore/default.aspx
------	---------------------------	-------	----------	--------	---

Release 6

ATIS	ATIS.3GPP.26.191V600-2006	6.0.0	Approved	Apr 06	https://www.atis.org/docstore/default.aspx
------	---------------------------	-------	----------	--------	---

Release 7

ATIS	ATIS.3GPP.26.191V700-2008	7.0.0	Approved	Oct 08	https://www.atis.org/docstore/default.aspx
------	---------------------------	-------	----------	--------	---

5.4.2.6.59 3GPP TS 26.192**Comfort noise aspects for AMR-Wideband (AMR-WB) speech codec**

This document provides the comfort noise definition for the AMR-Wideband speech codec.

SDO (2)	Document No.	Version	Status	Issued date	Location (1)
---------	--------------	---------	--------	-------------	--------------

Release 5

ATIS	ATIS.3GPP.26.192V500-2006	5.0.0	Approved	Apr 06	https://www.atis.org/docstore/default.aspx
------	---------------------------	-------	----------	--------	---

Release 6

ATIS	ATIS.3GPP.26.192V600-2006	6.0.0	Approved	Apr 06	https://www.atis.org/docstore/default.aspx
------	---------------------------	-------	----------	--------	---

Release 7

ATIS	ATIS.3GPP.26.192V700-2008	7.0.0	Approved	Oct 08	https://www.atis.org/docstore/default.aspx
------	---------------------------	-------	----------	--------	---

5.4.2.6.60 3GPP TS 26.193**Source rate controlled operation for AMR-Wideband (AMR-WB) speech codec**

This document provides the DTX definition for the AMR-Wideband speech codec.

SDO (2)	Document No.	Version	Status	Issued date	Location (1)
Release 5					
ATIS	ATIS.3GPP.26.193V500-2006	5.0.0	Approved	Apr 06	https://www.atis.org/docstore/default.aspx
Release 6					
ATIS	ATIS.3GPP.26.193V610-2007	6.1.0	Approved	Oct 07	https://www.atis.org/docstore/default.aspx
Release 7					
ATIS	ATIS.3GPP.26.193V700-2008	7.0.0	Approved	Oct 08	https://www.atis.org/docstore/default.aspx

5.4.2.6.61 3GPP TS 26.194**Voice Activity Detector for AMR-Wideband (AMR-WB) speech codec**

This document provides the VAD definition for the AMR-Wideband speech codec.

SDO (2)	Document No.	Version	Status	Issued date	Location (1)
Release 5					
ATIS	ATIS.3GPP.26.194V500-2006	5.0.0	Approved	Apr 06	https://www.atis.org/docstore/default.aspx
Release 6					
ATIS	ATIS.3GPP.26.194V600-2006	6.0.0	Approved	Apr 06	https://www.atis.org/docstore/default.aspx
Release 7					
ATIS	ATIS.3GPP.26.194V700-2008	7.0.0	Approved	Oct 08	https://www.atis.org/docstore/default.aspx

5.4.2.6.62 3GPP TS 26.202**AMR-Wideband (AMR-WB) speech codec; Frame Structure**

This document provides the frame structure definition for the AMR-Wideband speech codec.

SDO (2)	Document No.	Version	Status	Issued date	Location (1)
Release 5					
ATIS	ATIS.3GPP.26.201V500-2006	5.0.0	Approved	Apr 06	https://www.atis.org/docstore/default.aspx

Release 6

SDO (2)	Document No.	Version	Status	Issued date	Location (1)
ATIS	ATIS.3GPP.26.201V600-2006	6.0.0	Approved	Apr 06	https://www.atis.org/docstore/default.aspx

Release 7

ATIS	ATIS.3GPP.26.201V710-2008	7.1.0	Approved	Oct 08	https://www.atis.org/docstore/default.aspx
------	---------------------------	-------	----------	--------	---

5.4.2.6.63 3GPP TS 26.202**AMR-Wideband (AMR-WB) speech codec; Interface to Iu, Uu, and Nb**

This document provides the interface definition for the AMR-Wideband speech codec to Iu, Uu, and Nb interfaces.

SDO (2)	Document No.	Version	Status	Issued date	Location (1)
Release 5					
ATIS	ATIS.3GPP.26.202V510-2006	5.1.0	Approved	Apr 06	https://www.atis.org/docstore/default.aspx
Release 6					
ATIS	ATIS.3GPP.26.202V600-2006	6.0.0	Approved	Apr 06	https://www.atis.org/docstore/default.aspx
Release 7					
ATIS	ATIS.3GPP.26.202V700-2008	7.0.0	Approved	Oct 08	https://www.atis.org/docstore/default.aspx

5.4.2.6.64 3GPP TS 26.204**ANSI-C code for AMR-Wideband (AMR-WB) Speech Codec**

This document contains an electronic copy of the ANSI_C code for the Floating-point Adaptive Multi-Rate Wideband codec. This floating-point codec specification is mainly targeted to be used in multimedia applications or in packet-based applications. The bit-exact fixed-point ANSI-C code in 3GPP TS 26.173 remains the preferred implementation for all applications, but the floating-point codec may be used instead of the fixed-point codec when the implementation platform is better suited for a floating-point implementation.

SDO (2)	Document No.	Version	Status	Issued date	Location (1)
Release 5					
ATIS	ATIS.3GPP.26.204V540-2007	5.4.0	Approved	Oct 07	https://www.atis.org/docstore/default.aspx
Release 6					
ATIS	ATIS.3GPP.26.204V610-2007	6.1.0	Approved	Oct 07	https://www.atis.org/docstore/default.aspx
Release 7					
ATIS	ATIS.3GPP.26.204V710-2008	7.1.0	Approved	Oct 08	https://www.atis.org/docstore/default.aspx

5.4.2.6.65 3GPP TS 26.243**ANSI-C code for the fixed-point distributed speech recognition extended advanced front-end**

This document contains an electronic copy of the ANSI_C code for the Fixed-point Distributed Speech Recognition (DSR) Extended Advanced Front-end. The ANSI_C code is necessary for a bit exact implementation.

SDO (2)	Document No.	Version	Status	Issued date	Location (1)
Release 7					
ATIS	ATIS.3GPP.26.243V700-2008	7.0.0	Approved		https://www.atis.org/docstore/default.aspx

5.4.2.6.66 3GPP TS 26.273

ANSI-C code for the fixed-point Extended AMR-Wideband (AMR-WB+) speech codec

This document contains an electronic copy of the ANSI_C code for the Fixed-point Extended Adaptive Multi_Rate Wideband codec as an alternative to the floating-point ANSI-C code specified in 3GPP TS 26.304. The floating-point codec/encoder/decoder specified in this document or the floating-point codec/encoder/decoder specified in 3GPP TS 26.304 may be used depending on if the implementation platform is better suited for a floating-point or a fixed-point implementation.

SDO (2)	Document No.	Version	Status	Issued date	Location (1)
Release 6					
ATIS	ATIS.3GPP.26.273V650-2008	6.5.0	Approved	Oct 08	https://www.atis.org/docstore/default.aspx
Release 7					
ATIS	ATIS.3GPP.26.273V700-2008	7.0.0	Approved	Oct 08	https://www.atis.org/docstore/default.aspx

5.4.2.6.67 3GPP TS 26.274

Speech codec speech processing functions; Extended AMR-Wideband (AMR-WB+) speech codec; Conformance testing

This document provides the test sequences for the Extended AMR-Wideband (AMR-WB+) specifications.

SDO (2)	Document No.	Version	Status	Issued date	Location (1)
Release 6					
ATIS	ATIS.3GPP.26.274V630-2008	6.3.0	Approved	Oct 08	https://www.atis.org/docstore/default.aspx
Release 7					
ATIS	ATIS.3GPP.26.274V700-2008	7.0.0	Approved	Oct 08	https://www.atis.org/docstore/default.aspx

5.4.2.6.68 3GPP TS 26.290

Audio codec processing functions; Extended AMR-Wideband (AMR-WB+) speech codec; Transcoding functions

This document describes the detailed mapping from input blocks of monophonic or stereophonic audio samples in 16 bit uniform PCM format to encoded blocks and from encoded blocks to output blocks of reconstructed monophonic or stereophonic audio samples. The coding scheme is an extension of the AMR-WB coding scheme and is referred to as extended AMR-WB or AMR-WB+ codec. It comprises all AMR-WB speech codec modes including VAD/DTX as well as extended functionality for encoding general audio signals such as music, speech, mixed, and other signals.

SDO (2)	Document No.	Version	Status	Issued date	Location (1)
Release 6					
ATIS	ATIS.3GPP.26.290V630-2008	6.3.0	Approved	Oct 08	https://www.atis.org/docstore/default.aspx

Release 7

ATIS	ATIS.3GPP.26.290V700-2008	7.0.0	Approved	Oct 08	https://www.atis.org/docstore/default.aspx
------	---------------------------	-------	----------	--------	---

5.4.2.6.69 3GPP TS 26.304**Extended AMR-Wideband (AMR-WB+) codec; Floating-point ANSI-C code**

This document contains an electronic copy of the ANSI_C code for the Floating-point Extended Adaptive Multi-Rate Wideband codec as an alternative to the fixed-point ANSI-C code specified in 3GPP TS 26.273. The floating-point codec/encoder/decoder specified in this document or the fixed-point codec/encoder/decoder specified in 3GPP TS 26.273 may be used depending on if the implementation platform is better suited for a floating-point or a fixed-point implementation.

SDO (2)	Document No.	Version	Status	Issued date	Location (1)
---------	--------------	---------	--------	-------------	--------------

Release 6

ATIS	ATIS.3GPP.26.304V660-2008	6.6.0	Approved	Oct 08	https://www.atis.org/docstore/default.aspx
------	---------------------------	-------	----------	--------	---

Release 7

ATIS	ATIS.3GPP.26.304V700-2008	7.0.0	Approved	Oct 08	https://www.atis.org/docstore/default.aspx
------	---------------------------	-------	----------	--------	---

5.4.2.6.70 3GPP TS 26.401**General audio codec audio processing functions; Enhanced aacPlus general audio codec; General description**

This document describes the detailed mapping from an MPEG-4 bitstream containing Enhanced aacPlus coded audio to PCM sample output. The Enhanced aacPlus audio codec is based on the AAC, SBR and Parametric Stereo coding tools defined in the MPEG-4 Audio standard. In addition it includes further tools such as error concealment, spline resampler, and stereo-to-mono downmix. Also described is the detailed mapping from a PCM sample input to an MPEG-4 bitstream containing Enhanced aacPlus coded audio.

SDO (2)	Document No.	Version	Status	Issued date	Location (1)
---------	--------------	---------	--------	-------------	--------------

Release 6

ATIS	ATIS.3GPP.26.401V620-2008	6.2.0	Approved	Oct 08	https://www.atis.org/docstore/default.aspx
------	---------------------------	-------	----------	--------	---

Release 7

ATIS	ATIS.3GPP.26.401V700-2008	7.0.0	Approved	Oct 08	https://www.atis.org/docstore/default.aspx
------	---------------------------	-------	----------	--------	---

5.4.2.6.71 3GPP TS 26.402**General audio codec audio processing functions; Enhanced aacPlus general audio codec; Additional decoder tools**

This document describes the error concealment algorithm, SBR parameter downmix and output resampling for the Enhanced aacPlus general audio codec.

SDO (2)	Document No.	Version	Status	Issued date	Location (1)
---------	--------------	---------	--------	-------------	--------------

Release 6

ATIS	ATIS.3GPP.26.402V610-2008	6.1.0	Approved	Oct 08	https://www.atis.org/docstore/default.aspx
------	---------------------------	-------	----------	--------	---

Release 7

ATIS	ATIS.3GPP.26.402V700-2008	7.0.0	Approved	Oct 08	https://www.atis.org/docstore/default.aspx
------	---------------------------	-------	----------	--------	---

5.4.2.6.72 3GPP TS 26.403**General audio codec audio processing functions; Enhanced aacPlus general audio codec; Encoder specification; Advanced Audio Coding (AAC) part**

This document describes the Advanced Audio Coding (ACC) waveform encoder part of the Enhanced aacPlus general audio codec.

SDO (2)	Document No.	Version	Status	Issued date	Location (1)
Release 6					
ATIS	ATIS.3GPP.26.403V600-2008	6.0.0	Approved	Oct 08	https://www.atis.org/docstore/default.aspx
Release 7					
ATIS	ATIS.3GPP.26.403V700-2008	7.0.0	Approved	Oct 08	https://www.atis.org/docstore/default.aspx

5.4.2.6.73 3GPP TS 26.404**General audio codec audio processing functions; Enhanced aacPlus general audio codec; Encoder specification; Spectral Band Replication (SBR) part**

This document describes the Spectral Band Replication (SBR) high frequency reconstruction encoder part of the Enhanced aacPlus general audio codec.

SDO (2)	Document No.	Version	Status	Issued date	Location (1)
Release 6					
ATIS	ATIS.3GPP.26.404V600-2008	6.0.0	Approved	Oct 08	https://www.atis.org/docstore/default.aspx
Release 7					
ATIS	ATIS.3GPP.26.404V700-2008	7.0.0	Approved	Oct 08	https://www.atis.org/docstore/default.aspx

5.4.2.6.74 3GPP TS 26.405**General audio codec audio processing functions; Enhanced aacPlus general audio codec; Encoder specification; Parametric stereo part**

This document describes the Parametric stereo encoder part of the Enhanced aacPlus general audio codec. The Parametric Stereo encoding tool estimates parameters characterizing the perceived stereo image of the input signal. These parameters are embedded in the SBR stream.

SDO (2)	Document No.	Version	Status	Issued date	Location (1)
Release 6					
ATIS	ATIS.3GPP.26.405V610-2008	6.1.0	Approved	Oct 08	https://www.atis.org/docstore/default.aspx
Release 7					
ATIS	ATIS.3GPP.26.405V700-2008	7.0.0	Approved	Oct 08	https://www.atis.org/docstore/default.aspx

5.4.2.6.75 3GPP TS 26.406**General audio codec audio processing functions; Enhanced aacPlus general audio codec; Conformance testing**

This document specifies the digital test sequences and conformance criteria for the Enhanced aacPlus audio codec.

SDO (2)	Document No.	Version	Status	Issued date	Location (1)
Release 6					
ATIS	ATIS.3GPP.26.406V630-2008	6.3.0	Approved	Oct 08	https://www.atis.org/docstore/default.aspx

Release 7

ATIS	ATIS.3GPP.26.406V700-2008	7.0.0	Approved	Oct 08	https://www.atis.org/docstore/default.aspx
------	---------------------------	-------	----------	--------	---

5.4.2.6.76 3GPP TS 26.410**General audio codec audio processing functions; Enhanced aacPlus general audio codec; Floating-point ANSI-C code**

This document contains an electronic copy of the ANSI_C code for the Floating-point Enhanced aacPlus codec.

SDO (2)	Document No.	Version	Status	Issued date	Location (1)
---------	--------------	---------	--------	-------------	--------------

Release 6

ATIS	ATIS.3GPP.26.410V690-2008	6.9.0	Approved	Oct 08	https://www.atis.org/docstore/default.aspx
------	---------------------------	-------	----------	--------	---

Release 7

ATIS	ATIS.3GPP.26.410V720-2008	7.2.0	Approved	Oct 08	https://www.atis.org/docstore/default.aspx
------	---------------------------	-------	----------	--------	---

5.4.2.6.77 3GPP TS 26.411**General audio codec audio processing functions; Enhanced aacPlus general audio codec; Fixed-point ANSI-C code**

This document contains an electronic copy of the ANSI_C code for the Fixed-point Enhanced aacPlus codec.

SDO (2)	Document No.	Version	Status	Issued date	Location (1)
---------	--------------	---------	--------	-------------	--------------

Release 6

ATIS	ATIS.3GPP.26.411V660-2008	6.6.0	Approved	Oct 08	https://www.atis.org/docstore/default.aspx
------	---------------------------	-------	----------	--------	---

Release 7

ATIS	ATIS.3GPP.26.411V730-2008	7.3.0	Approved	Oct 08	https://www.atis.org/docstore/default.aspx
------	---------------------------	-------	----------	--------	---

5.4.2.6.78 3GPP TS 26.412**General audio codec audio processing functions; Source code for3GP file format**

This document provides information on obtaining reference software for the3GPP File Format.

SDO (2)	Document No.	Version	Status	Issued date	Location (1)
---------	--------------	---------	--------	-------------	--------------

Release 6

ATIS	ATIS.3GPP.26.411V600-2008	6.0.0	Approved	Oct 08	https://www.atis.org/docstore/default.aspx
------	---------------------------	-------	----------	--------	---

Release 7

ATIS	ATIS.3GPP.26.411V700-2008	7.0.0	Approved	Oct 08	https://www.atis.org/docstore/default.aspx
------	---------------------------	-------	----------	--------	---

5.4.2.6.79 3GPP TR 26.902**Video codec performance**

This document contains a technical report on Video Codec Performance, for packet-switched video-capable multimedia services.

SDO (2)	Document No.	Version	Status	Issued date	Location (1)
Release 7					
ATIS	ATIS.3GPP.26.902V712-2008	7.1.2	Approved	Oct 08	https://www.atis.org/docstore/default.aspx

5.4.2.6.80 3GPP TR 26.914

Multimedia telephony over IP Multimedia Subsystem (IMS); Optimization opportunities

This document identifies opportunities for optimization of service quality and efficiency of Multimedia telephony over IP in a qualitative sense and provides the basis for developing a set of optional backward-compatible tools implementing such optimizations.

SDO (2)	Document No.	Version	Status	Issued date	Location (1)
Release 7					
ATIS	ATIS.3GPP.26.914V700-2008	7.0.0	Approved	Oct 08	https://www.atis.org/docstore/default.aspx

5.4.2.6.81 3GPP TR 26.935

Packet Switched (PS) conversational Multimedia applications; Performance characterisation of default codecs

This document provides information on the performances of default speech codecs in packet switched conversational multimedia applications. The codecs under test are AMR-NB (Adaptive Multi-Rate Narrowband) and AMR-WB (Adaptive Multi-Rate Wideband). In addition, several ITU-T codecs (G.723.1, G.729, G.722 and G.711) are included in the testing. Experimental test results from the speech quality testing are reported to illustrate the behaviour of these codecs.

SDO (2)	Document No.	Version	Status	Issued date	Location (1)
Release 6					
ATIS	ATIS.3GPP.26.935V600-2008	6.0.0	Approved	Oct 08	https://www.atis.org/docstore/default.aspx
Release 7					
ATIS	ATIS.3GPP.26.935V720-2008	7.2.0	Approved	Oct 08	https://www.atis.org/docstore/default.aspx

5.4.2.6.82 3GPP TR 26.936

Performance characterisation of 3GPP audio codecs

This document contains a Technical Report for the Characterization of the 3GPP Audio Codecs, Enhanced aacPlus (Eaac+) and Extended AMR-WB (AMR-WB+), standardized by 3GPP in Release 6 for Packet-switched Streaming Service (PSS), Multimedia Messaging Service (MMS), Multimedia Broadcast and Multicast Service (MBMS), and IMS Messaging Service and Presence Service.

SDO (2)	Document No.	Version	Status	Issued date	Location (1)
Release 6					
ATIS	ATIS.3GPP.26.936V610-2008	6.1.0	Approved	Oct 08	https://www.atis.org/docstore/default.aspx
Release 7					
ATIS	ATIS.3GPP.26.936V700-2008	7.0.0	Approved	Oct 08	https://www.atis.org/docstore/default.aspx

5.4.2.6.83 3GPP TR 26.943**Recognition performance evaluations of codecs for Speech Enabled Services (SES)**

This document provides information on the recognition performance of the DSR Extended Advanced Front End conducted by speech recognition vendors IBM and Scansoft for the selection of a codec for Speech Enabled Services. The performance results are provided both as absolute word error rates for DSR and AMR-NB/AMR-WB on a range of extensive evaluation databases and as relative word error rate reductions when compared to both the AMR-NB and AMR-WB codecs.

SDO (2)	Document No.	Version	Status	Issued date	Location (1)
Release 6					
ATIS	ATIS.3GPP.26.943V600-2008	6.0.0	Approved	Oct 08	https://www.atis.org/docstore/default.aspx
Release 7					
ATIS	ATIS.3GPP.26.943V700-2008	7.0.0	Approved	Oct 08	https://www.atis.org/docstore/default.aspx

5.4.2.6.84 3GPP TR 26.946**Multimedia Broadcast/Multicast Service (MBMS) user service guidelines**

This document provides an overview of the MBMS System, and describes how the MBMS User Services use the MBMS Bearer Services and how MBMS user services can be built on top of the MBMS bearer service. The document describes the usage of the two delivery methods, streaming and download. Examples of applications using the download delivery method are news and software upgrades. Delivery of live music is an example of an application using the streaming delivery method.

SDO (2)	Document No.	Version	Status	Issued date	Location (1)
Release 6					
ATIS	ATIS.3GPP.26.946V610-2008	6.1.0	Approved	Oct 08	https://www.atis.org/docstore/default.aspx
Release 7					
ATIS	ATIS.3GPP.26.946V700-2008	7.0.0	Approved	Oct 08	https://www.atis.org/docstore/default.aspx

5.4.2.6.85 3GPP TR 26.976**Performance characterization of the AMR-Wideband (AMR-WB) codec**

This document provides a performance characterization of the AMR-Wideband codec.

SDO (2)	Document No.	Version	Status	Issued date	Location (1)
Release 5					
ATIS	ATIS.3GPP.26.976V510-2006	5.1.0	Approved	Apr 06	https://www.atis.org/docstore/default.aspx
Release 6					
ATIS	ATIS.3GPP.26.976V600-2006	6.0.0	Approved	Apr 06	https://www.atis.org/docstore/default.aspx
Release 7					
ATIS	ATIS.3GPP.26.976V700-2008	7.0.0	Approved	Oct 08	https://www.atis.org/docstore/default.aspx

5.4.2.6.86 3GPP TS 46.076**Adaptive Multi-Rate (AMR) speech codec; Study phase report**

This document provides a report of the study phase for the AMR speech codec which considers design and development issues such as AMR system functionality including working assumptions, requirements, the MS and network upgrades needed to support AMR, and risks and recommendations.

SDO (2)	Document No.	Version	Status	Issued date	Location (1)
Release 6					
ATIS	ATIS.3GPP.46.076V600-2008	6.0.0	Approved	Oct 08	https://www.atis.org/docstore/default.aspx
Release 7					
ATIS	ATIS.3GPP.46.076V700-2008	7.0.0	Approved	Oct 08	https://www.atis.org/docstore/default.aspx

5.4.2.6.87 3GPP TS 46.085**Subjective tests on the interoperability of the Half Rate / Full Rate / Enhanced Full Rate (HR/FR/EFR) speech codecs, single, tandem, and tandem free operation**

This document contains the results obtained from an internationally co-ordinated subjective evaluation conducted by four laboratories to estimate the performance in mobile-to-mobile connections of the GSM half, full, and enhanced full rate speech codecs (including the expected advantages of the Tandem Free Operation), in case of inter-operability in the digital cellular telecommunications system. These (listening-only) tests did not include the effects of Voice Activity Detector, Comfort Noise Insertion and the Discontinuous Transmission.

SDO (2)	Document No.	Version	Status	Issued date	Location (1)
Release 6					
ATIS	ATIS.3GPP.46.085V600-2008	6.0.0	Approved	Oct 08	https://www.atis.org/docstore/default.aspx
Release 7					
ATIS	ATIS.3GPP.46.085V700-2008	7.0.0	Approved	Oct 08	https://www.atis.org/docstore/default.aspx

5.4.2.7**Security****5.4.2.7.1** 136-510**Authentication, encryption of signalling information/user data, and Privacy**

This part provides information on authentication for the digital control channel, analogue voice channel, analogue control channel, and digital traffic channel. It also provides a description of signalling message encryption and voice privacy and data privacy for TIA/EIA-136 systems.

SDO (2)	Document No.	Version	Status	Issued date	Location (1)
TIA	TIA/EIA-136-510	B	Published ANS	Mar 00	http://www.tiaonline.org/standards/technology/uwc136/disclaimer.cfm

5.4.2.7.2 136-511**Messages subject to encryption**

This part describes the messages which are subject to the encryption techniques described in TIA/EIA-136-510.

SDO (2)	Document No.	Version	Status	Issued date	Location (1)
TIA	TIA/EIA-136-511	A	Published ANS	Mar 00	http://www.tiaonline.org/standards/technology/uwc136/disclaimer.cfm

5.4.2.7.3 3GPP TS 02.09**Security aspects**

This document provides a description of the security aspects for the GSM/EDGE system. Standalone security aspects for GSM GPRS are not specified beyond Release 4. For the latest available information see § 5.4.2.13.38.

SDO (2)	Document No.	Version	Status	Issued date	Location (1)
Release 99					
ATIS	ATIS.3GPP.02.09V810-2007	8.1.0	Approved	Oct 07	https://www.atis.org/docstore/default.aspx

5.4.2.7.4 3GPP TS 43.020**Security related network functions**

This document provides a description of the security functions employed for the GSM/EDGE system.

SDO (2)	Document No.	Version	Status	Issued date	Location (1)
Release 99					
ATIS	ATIS.3GPP.03.20V860-2008	8.6.0	Approved	Oct 08	https://www.atis.org/docstore/default.aspx
Release 5					
ATIS	ATIS.3GPP.43.020V540-2008	5.4.0	Approved	Oct 08	https://www.atis.org/docstore/default.aspx
Release 6					
ATIS	ATIS.3GPP.43.020V651-2008	6.5.1	Approved	Oct 08	https://www.atis.org/docstore/default.aspx
Release 7					
ATIS	ATIS.3GPP.43.020V731-2008	7.3.1	Approved	Oct 08	https://www.atis.org/docstore/default.aspx

5.4.2.7.5 3GPP TS 29.109**Generic Authentication Architecture (GAA); Zh and Zn Interfaces based on the Diameter protocol; Stage 3**

This document defines the Diameter based implementation for bootstrapping Zh interface (BSF_HSS) and GAA Application Zn interface (BSF-NAF) in Generic Authentication Architecture (GAA).

SDO (2)	Document No.	Version	Status	Issued date	Location (1)
Release 6					
ATIS	ATIS.3GPP.29.109V690-2008	6.9.0	Approved	Oct 08	https://www.atis.org/docstore/default.aspx

Release 7

ATIS	ATIS.3GPP.29.109V700-2008	7.0.0	Approved	Oct 08	https://www.atis.org/docstore/default.aspx
------	---------------------------	-------	----------	--------	---

5.4.2.7.6 3GPP TS 41.033**Lawful interception requirements for GSM**

This document provides a description of the requirements of lawful interception functions employed for the GSM/EDGE system.

SDO (2)	Document No.	Version	Status	Issued date	Location (1)
---------	--------------	---------	--------	-------------	--------------

Release 6

ATIS	ATIS.3GPP.41.033V600-2006	6.0.0	Approved	Apr 06	https://www.atis.org/docstore/default.aspx
------	---------------------------	-------	----------	--------	---

Release 7

ATIS	ATIS.3GPP.41.033V700-2008	7.0.0	Approved	Oct 08	https://www.atis.org/docstore/default.aspx
------	---------------------------	-------	----------	--------	---

5.4.2.7.7 3GPP TS 43.033**3G security; Lawful interception; Stage 2**

This document provides a stage 2 description of the lawful interception functions employed for the GSM/EDGE system.

SDO (2)	Document No.	Version	Status	Issued date	Location (1)
---------	--------------	---------	--------	-------------	--------------

Release 5

ATIS	ATIS.3GPP.43.033V500-2006	5.0.0	Approved	Apr 06	https://www.atis.org/docstore/default.aspx
------	---------------------------	-------	----------	--------	---

Release 6

ATIS	ATIS.3GPP.43.033V600-2006	6.0.0	Approved	Apr 06	https://www.atis.org/docstore/default.aspx
------	---------------------------	-------	----------	--------	---

Release 7

ATIS	ATIS.3GPP.43.033V700-2008	7.0.0	Approved	Oct 08	https://www.atis.org/docstore/default.aspx
------	---------------------------	-------	----------	--------	---

5.4.2.7.8 3GPP TS 33.203**3G security; Access security for IP-based services**

This document specifies the security features and mechanisms for secure access to the IM subsystem (IMS) for the 3G mobile telecommunication system. This specification only deals with how the SIP signalling is protected between the subscriber and the IMS, how the subscriber is authenticated and how the subscriber authenticates the IMS.

SDO (2)	Document No.	Version	Status	Issued date	Location (1)
---------	--------------	---------	--------	-------------	--------------

Release 6

ATIS	ATIS.3GPP.33.203V6110-2008	6.11.0	Approved	Oct 08	https://www.atis.org/docstore/default.aspx
------	----------------------------	--------	----------	--------	---

Release 7

ATIS	ATIS.3GPP.33.203V790-2008	7.9.0	Approved	Oct 08	https://www.atis.org/docstore/default.aspx
------	---------------------------	-------	----------	--------	---

5.4.2.7.9 3GPP TS 33.204**3G security; Network Domain Security (NDS); Transaction Capabilities Application Part (TCAP) user security**

This document specifies the security mechanisms and procedures necessary to protect all TCAP user messages which are sent between different security domains. The complete set of enhancements and extensions to facilitate security protection for the TCAP protocol is termed TCAPsec and it covers transport security in the TCAP protocol itself and the security management procedures.

SDO (2)	Document No.	Version	Status	Issued date	Location (1)
Release 7					
ATIS	ATIS.3GPP.33.204V720-2008	7.2.0	Approved	Oct 08	https://www.atis.org/docstore/default.aspx

5.4.2.7.10 3GPP TS 33.210**3G security; Network Domain Security (NDS); IP network layer security**

This document defines the security architecture for network domain IP based control planes, which shall be applied to NDS/IP-networks (i.e.3GPP and fixed broadband networks). The scope of network domain control plane security is to cover the control signalling on selected interfaces between network elements of NDS/IP networks.

SDO (2)	Document No.	Version	Status	Issued date	Location (1)
Release 6					
ATIS	ATIS.3GPP.33.210V660-2008	6.6.0	Approved	Oct 08	https://www.atis.org/docstore/default.aspx
Release 7					
ATIS	ATIS.3GPP.33.210V730-2008	7.3.0	Approved	Oct 08	https://www.atis.org/docstore/default.aspx

5.4.2.7.11 3GPP TS 33.220**Generic Authentication Architecture (GAA); Generic bootstrapping architecture**

This document describes the security features and a mechanism to bootstrap authentication and key agreement for application security from the3GPP AKA mechanism.

SDO (2)	Document No.	Version	Status	Issued date	Location (1)
Release 6					
ATIS	ATIS.3GPP.33.220V6130-2007	6.13.0	Approved	Oct 07	https://www.atis.org/docstore/default.aspx
Release 7					
ATIS	ATIS.3GPP.33.220V7110-2008	7.11.0	Approved	Oct 08	https://www.atis.org/docstore/default.aspx

5.4.2.7.12 3GPP TS 33.221**Generic Authentication Architecture (GAA); Support for subscriber certificates**

This document describes subscriber certificate distribution by means of generic bootstrapping architecture.

514

Rec. ITU-R M.1457-8

SDO (2)	Document No.	Version	Status	Issued date	Location (1)
Release 6					
ATIS	ATIS.3GPP.33.221V640-2007	6.4.0	Approved	Oct 07	https://www.atis.org/docstore/default.aspx
Release 7					
ATIS	ATIS.3GPP.33.221V710-2008	7.1.0	Approved	Oct 08	https://www.atis.org/docstore/default.aspx

5.4.2.7.13 3GPP TS 33.222

Generic Authentication Architecture (GAA); Access to network application functions using Hypertext Transfer Protocol over Transport Layer Security (HTTPS)

This document specifies secure access methods to Network Application Functions (NAF) using HTTP over TLS in the Generic Authentication Architecture (GAA), and provides Stage 2 security requirements, principles and procedures for the access.

SDO (2)	Document No.	Version	Status	Issued date	Location (1)
Release 6					
ATIS	ATIS.3GPP.33.222V660-2007	6.6.0	Approved	Oct 07	https://www.atis.org/docstore/default.aspx
Release 7					
ATIS	ATIS.3GPP.33.222V730-2008	7.3.0	Approved	Oct 08	https://www.atis.org/docstore/default.aspx

5.4.2.7.14 3GPP TS 33.259

Key establishment between a UICC hosting device and a remote device

This document describes the security features and mechanisms to provision a shared key between a UICC Hosting Device and a Remote Device connected via a local interface. The shared secret is then intended to be used to secure the interface between the Remote Device and the UICC hosting device.

SDO (2)	Document No.	Version	Status	Issued date	Location (1)
Release 7					
ATIS	ATIS.3GPP.33.259V720-2008	7.2.0	Approved	Oct 08	https://www.atis.org/docstore/default.aspx

5.4.2.7.15 3GPP TR 33.801

Access Security review

This document presents an analysis of the potential vulnerabilities and vulnerabilities coming from the use of GSM security context and threats coming from the re-use (transfer) of a security context between GSM and UMTS (and other access networks) in the absence of particular security features such as strong encryption algorithms, network authentication, key separation, etc. Interaction between GERAN/UTRAN/other access during hand-over is also considered.

5.4.2.7.16 3GPP TR 33.802

Feasibility study on IMS security extensions

This document presents a study of security requirements and solutions related fixed broadband access to IMS.

5.4.2.7.17 3GPP TR 33.905**Recommendations for Trusted Open Platforms**

This document presents This technical report investigates relevant trust standards and technologies for securing the storage, processing, and input and output of sensitive data on an open platform and also, isolation of applications that are managing (U)SIMs and (U)SIM readers, EAP-SIM and EAP-AKA protocols, and SAP applications from untrusted applications. Recommendations are given for trusted open platforms for delivery of new applications and services to open platforms.

SDO (2)	Document No.	Version	Status	Issued date	Location (1)
Release 7					
ATIS	ATIS.3GPP.33.905V700-2008	7.0.0	Approved	Oct 08	https://www.atis.org/docstore/default.aspx

5.4.2.7.18 3GPP TS 33.919**3G Security; Generic Authentication Architecture (GAA); System description**

This document gives an overview of the different mechanisms that mobile applications can rely upon for authentication between server and client (i.e. the UE). Additionally it provides guidelines related to the use of GAA and to the choice of authentication mechanism in a given situation and for a given application.

SDO (2)	Document No.	Version	Status	Issued date	Location (1)
Release 6					
ATIS	ATIS.3GPP.33.919V620-2007	6.2.0	Approved	Oct 07	https://www.atis.org/docstore/default.aspx
Release 7					
ATIS	ATIS.3GPP.33.919V720-2008	7.2.0	Approved	Oct 08	https://www.atis.org/docstore/default.aspx

5.4.2.7.19 3GPP TR 33.980**Liberty Alliance and 3GPP security interworking; Interworking of Liberty Alliance Identity Federation Framework (ID-FF), Identity Web Services Framework (ID-WSF), and Generic Authentication Architecture (GAA)**

This document provides guidelines on the interworking of the Generic Authentication Architecture (GAA) and the Liberty Alliance architecture. The document studies the details of possible interworking methods between the Security Assertion Markup Language v2.0, SAML v2.0 (or alternatively the Liberty Alliance Identity Federation Framework, ID-FF), the Identity Web Services Framework (ID-WSF), the Security Assertion Markup Language (SAML) and a component of GAA called the Generic Bootstrapping Architecture (GBA).

SDO (2)	Document No.	Version	Status	Issued date	Location (1)
Release 7					
ATIS	ATIS.3GPP.33.980V760-2008	7.6.0	Approved	Oct 08	https://www.atis.org/docstore/default.aspx

5.4.2.8**Teleservice transport****5.4.2.8.1** 136-610**R-DATA/SMDPP transport**

This part describes the transport of TIA/EIA-136 teleservice messages using a combination of the R-DATA message air interface transport and the TIA/EIA-41 SMDPP transport.

SDO (2)	Document No.	Version	Status	Issued date	Location (1)
TIA	TIA/EIA-136-610	B	Published ANS	Apr 02	http://www.tiaonline.org/standards/technology/uwc136/disclaimer.cfm

5.4.2.8.2 136-620**Teleservice segmentation and reassembly (TSAR)**

This part describes teleservice segmentation and reassembly (TSAR). TSAR provides a mechanism to deliver TIA/EIA-136 teleservice messages that are not constrained by any message length limitations imposed by the air interface, or network layers supporting the teleservice. The service consists of the application of segmentation and reassembly, and retransmission of errored segments.

SDO (2)	Document No.	Version	Status	Issued date	Location (1)
TIA	TIA/EIA-136-620	A	Published ANS	May 01	http://www.tiaonline.org/standards/technology/uwc136/disclaimer.cfm

5.4.2.8.3 136-630**Broadcast teleservice transport – Broadcast air-interface transport service (BATS)**

This part describes a broadcast teleservice transport. The BATS teleservice transport operates between a teleservice server and MS using both TIA/EIA-136 and TIA/EIA-41 based protocol stacks along with relay functions in the BS, mobile switching centre and interworking function. BATS is a general-purpose broadcast transport mechanism that can be used by existing teleservices as well as other future teleservices/applications requiring broadcast transport support.

SDO (2)	Document No.	Version	Status	Issued date	Location (1)
TIA	TIA/EIA-136-630	0	Published ANS	Nov 99	http://www.tiaonline.org/standards/technology/uwc136/disclaimer.cfm

5.4.2.8.4 136-670**Teleservice over GSM SMS (TOGS)**

This part describes support of TIA/EIA-136 teleservices over a GSM Short Message Service delivery mechanism.

SDO (2)	Document No.	Version	Status	Issued date	Location (1)
TIA	TIA/EIA-136-670	0	Published ANS	May 01	http://www.tiaonline.org/standards/technology/uwc136/disclaimer.cfm

5.4.2.9**Teleservices****5.4.2.9.1** 136-700**Introduction to teleservices**

This part provides an introduction to TIA/EIA-136 based teleservices including the teleservice protocol stack, transport, and higher layer protocol identifiers.

SDO (2)	Document No.	Version	Status	Issued date	Location (1)
TIA	TIA/EIA-136-700	D	Published ANS	Apr 02	http://www.tiaonline.org/standards/technology/uwc136/disclaimer.cfm

5.4.2.9.2 136-710**Short message service – Cellular messaging teleservice**

This part describes the procedures, message set, and information elements necessary to provide short message service in TIA/EIA-136 based systems.

SDO (2)	Document No.	Version	Status	Issued date	Location (1)
TIA	TIA/EIA-136-710	C	Published ANS	Apr 02	http://www.tiaonline.org/standards/technology/uwc136/disclaimer.cfm

5.4.2.9.3 136-711**GSM Hosted SMS Teleservice (GHOST)**

This part describes the procedures, message set, and information elements necessary to deliver GSM SMS Protocol Data Units (PDUs) to and from a mobile station operating in a TIA/EIA-136 network.

SDO (2)	Document No.	Version	Status	Issued date	Location (1)
TIA	TIA/EIA-136-711	0	Published ANS	Apr 02	http://www.tiaonline.org/standards/technology/uwc136/disclaimer.cfm

5.4.2.9.4 136-720**Over-the-air activation teleservice (OATS)**

This part describes a teleservice that is designed to support over-the-air activation (OTA). The over-the-air activation teleservice (OATS) supports data exchange between a MS and a customer service centre (CSC)/over-the-air activation function (OTAF) which enables downloading information to the MS number assignment module.

SDO (2)	Document No.	Version	Status	Issued date	Location (1)
TIA	TIA/EIA-136-720	C	Published ANS	Apr 02	http://www.tiaonline.org/standards/technology/uwc136/disclaimer.cfm

5.4.2.9.5 136-730**Over-the-air programming teleservice (OPTS)**

This part describes a teleservice that is designed to support downloading of non-NAM programming information (e.g. intelligent roaming database or IRDB) to an MS. The over-the-air programming teleservice (OPTS) provides a sequence of messages exchanged between the over-the-air service provisioning function (OTASP) and the MS for the delivery of information.

SDO (2)	Document No.	Version	Status	Issued date	Location (1)
TIA	TIA/EIA-136-730	A	Published ANS	Apr 02	http://www.tiaonline.org/standards/technology/uwc136/disclaimer.cfm

5.4.2.9.6 136-740**System Assisted Mobile Positioning through Satellite (SAMPS)**

This part describes a teleservice that facilitates the exchange of information between a network entity and a mobile station to provide geographic positioning.

SDO (2)	Document No.	Version	Status	Issued date	Location (1)
TIA	TIA/EIA-136-740	0	Published ANS	Apr 01	http://www.tiaonline.org/standards/technology/uwc136/disclaimer.cfm

5.4.2.9.7 136-741**System Assisted Mobile Positioning through Satellite (SAMPS) in Analog Systems**

This part describes the procedures, signalling, and transport on analogue channels (ACC, AVC) that facilitates the exchange of information between a network entity and a mobile station to provide geographic positioning.

SDO (2)	Document No.	Version	Status	Issued date	Location (1)
TIA	TIA/EIA-136-741	0	Published ANS	Apr 02	http://www.tiaonline.org/standards/technology/uwc136/disclaimer.cfm

5.4.2.9.8 136-750**General UDP transport service (GUTS)**

This part describes the general UDP transport service (GUTS), which is a teleservice to support the transport of user datagram protocol (UDP) PDUs between a teleservice server and an MS.

SDO (2)	Document No.	Version	Status	Issued date	Location (1)
TIA	TIA/EIA-136-750	0	Published ANS	Nov 99	http://www.tiaonline.org/standards/technology/uwc136/disclaimer.cfm

5.4.2.9.9 136-760**Charge indication teleservice (CIT)**

This part describes a teleservice that is designed to provide the MS user with charge information for a call.

SDO (2)	Document No.	Version	Status	Issued date	Location (1)
TIA	TIA/EIA-136-760	A	Published ANS	Apr 02	http://www.tiaonline.org/standards/technology/uwc136/disclaimer.cfm

5.4.2.9.10 3GPP TS 22.011**Service Accessibility**

This document describes the service access procedures as presented to the user.

SDO (2)	Document No.	Version	Status	Issued date	Location (1)
Release 99					
ATIS	T1.3GPP.22.011V380-2003	3.8.0	Approved	Dec 03	https://www.atis.org/docstore/default.aspx
Release 5					
ATIS	T1.3GPP.22.011V510-2003	5.1.0	Approved	Mar 03	https://www.atis.org/docstore/default.aspx
Release 6					
ATIS	ATIS.3GPP.22.011V640-2006	6.4.0	Approved	Apr 06	https://www.atis.org/docstore/default.aspx
Release 7					
ATIS	ATIS.3GPP.22.011V790-2008	7.9.0	Approved	Oct 08	https://www.atis.org/docstore/default.aspx

5.4.2.9.11 3GPP TS 23.032**Universal Geographical Area Description (GAD)**

This document describes the data used by the location services positioning procedures.

SDO (2)	Document No.	Version	Status	Issued date	Location (1)
Release 99					
ATIS	ATIS.3GPP.23.032V321-2005	3.2.1	Approved	Apr 05	https://www.atis.org/docstore/default.aspx
TIA	Included in TIA/EIA-136-740 as ETSI TS 123 032 v3.1.0)	0	Published ANS	Apr 01	http://www.tiaonline.org/standards/technology/uwc136/disclaimer.cfm
Release 5					
ATIS	T1.3GPP.23.032V500-2003	5.0.0	Approved	Dec 03	https://www.atis.org/docstore/default.aspx
Release 6					
ATIS	ATIS.3GPP.23.032V600-2006	6.0.0	Approved	Apr 06	https://www.atis.org/docstore/default.aspx
Release 7					
ATIS	ATIS.3GPP.23.032V700-2008	7.0.0	Approved	Oct 08	https://www.atis.org/docstore/default.aspx

5.4.2.9.12 3GPP TS 23.039

Interface protocols for connection of SMS service centers (SMSCs) to Short message entities This document provides the description of the protocols between the Short Message Service Centers and the SMS entities utilizing SMS.

SDO (2)	Document No.	Version	Status	Issued date	Location (1)
Release 99					
ATIS	T1.3GPP.23.039V320-2003	3.2.0	Approved	Dec 03	https://www.atis.org/docstore/default.aspx

Release 5

ATIS	T1.3GPP.23.039V500-2003	5.0.0	Approved	Mar 03	https://www.atis.org/docstore/default.aspx
------	-------------------------	-------	----------	--------	---

5.4.2.9.13 3GPP TS 23.040**Technical realization of the Short Message Service (SMS)**

This document provides the overall description for the Short Message Service.

SDO (2)	Document No.	Version	Status	Issued date	Location (1)
---------	--------------	---------	--------	-------------	--------------

Release 99

ATIS	ATIS.3GPP.23.040V3110-2008	3.11.0	Approved	Oct 08	https://www.atis.org/docstore/default.aspx
------	----------------------------	--------	----------	--------	---

TIA	Included in TIA/EIA-136-370 as	0	Published ANS	Apr 01	http://www.tiaonline.org/standards/technology/uwc136/disclaimer.cfm
-----	--------------------------------	---	---------------	--------	---

Release 5

ATIS	ATIS.3GPP.23.040V590-2008	5.9.0	Approved	Oct 08	https://www.atis.org/docstore/default.aspx
------	---------------------------	-------	----------	--------	---

TIA	Included in TIA/EIA-136-370 as	A-1(E)	Published ANS	Jun 05	http://www.tiaonline.org/standards/technology/uwc136/disclaimer.cfm
-----	--------------------------------	--------	---------------	--------	---

ETSI TS 123 040 v5.8.1

Release 6

ATIS	ATIS.3GPP.23.040V690-2008	6.9.0	Approved	Oct 08	https://www.atis.org/docstore/default.aspx
------	---------------------------	-------	----------	--------	---

TIA	Included in TIA/EIA-136-370 as	B-1(E)	Approved	Jan 08	http://www.tiaonline.org/standards/technology/uwc136/disclaimer.cfm
-----	--------------------------------	--------	----------	--------	---

ETSI TS 123 040 v6.8.1

Release 7

ATIS	ATIS.3GPP.23.040V710-2008	7.1.0	Approved	Oct 08	https://www.atis.org/docstore/default.aspx
------	---------------------------	-------	----------	--------	---

TIA	Included in TIA/EIA-136-370 as	C	Approved	Oct 08	http://www.tiaonline.org/standards/technology/uwc136/disclaimer.cfm
-----	--------------------------------	---	----------	--------	---

ETSI TS 123 040 v7.1.0

5.4.2.9.14 3GPP TS 23.041**Technical realization of the Cell Broadcast Service (CBS)**

This document provides the overall description for the cell broadcast Service.

SDO (2)	Document No.	Version	Status	Issued date	Location (1)
---------	--------------	---------	--------	-------------	--------------

Release 99

ATIS	T1.3GPP.23.041V350-2003	3.5.0	Approved	Mar 03	https://www.atis.org/docstore/default.aspx
------	-------------------------	-------	----------	--------	---

Release 5

ATIS	ATIS.3GPP.23.041V520-2005	5.2.0	Approved	Apr 05	https://www.atis.org/docstore/default.aspx
------	---------------------------	-------	----------	--------	---

Release 6

ATIS	ATIS.3GPP.23.041V620-2006	6.2.0	Approved	Apr 06	https://www.atis.org/docstore/default.aspx
------	---------------------------	-------	----------	--------	---

Release 7

ATIS	ATIS.3GPP.23.041V700-2007	7.0.0	Approved	Oct 07	https://www.atis.org/docstore/default.aspx
------	---------------------------	-------	----------	--------	---

5.4.2.9.15 3GPP TS 23.042**Compression algorithm for SMS**

This document provides the description of the compression algorithm used for the short message service.

SDO (2)	Document No.	Version	Status	Issued date	Location (1)
Release 99					
ATIS	T1.3GPP.23.042V310-2002	3.1.0	Approved	May 02	https://www.atis.org/docstore/default.aspx
Release 5					
ATIS	T1.3GPP.23.042V500-2003	5.0.0	Approved	Mar 03	https://www.atis.org/docstore/default.aspx
Release 6					
ATIS	ATIS.3GPP.23.042V600-2006	6.0.0	Approved	Apr 06	https://www.atis.org/docstore/default.aspx
Release 7					
ATIS	ATIS.3GPP.23.042V700-2007	7.0.0	Approved	Oct 07	https://www.atis.org/docstore/default.aspx

5.4.2.9.16 3GPP TS 24.011**Point-to-Point Short Message Service (SMS) support on mobile radio interface**

This document provides the specification for support for the Short Message Service on the 200 kHz mobile radio interface.

SDO (2)	Document No.	Version	Status	Issued date	Location (1)
Release 99					
ATIS	T1.3GPP.24.011V360-2001	3.6.0	Approved	Mar 01	https://www.atis.org/docstore/default.aspx
TIA	Included in TIA/EIA-136-370 as ETSI TS 124 011 v3.2.0	0	Published ANS	Apr 01	http://www.tiaonline.org/standards/technology/uwc136/disclaimer.cfm
Release 5					
ATIS	ATIS.3GPP.24.011V520-2005	5.2.0	Approved	Apr 05	https://www.atis.org/docstore/default.aspx
TIA	Included in TIA/EIA-136-370 as ETSI TS 124 011 v5.2.0	A-1(E)	Published ANS	Jun 05	http://www.tiaonline.org/standards/technology/uwc136/disclaimer.cfm
Release 6					
ATIS	ATIS.3GPP.24.011V610-2006	6.1.0	Approved	Apr 06	https://www.atis.org/docstore/default.aspx
TIA	Included in TIA/EIA-136-370 as ETSI TS 124 011 v6.1.0	B	Approved	Apr 06	http://www.tiaonline.org/standards/technology/uwc136/disclaimer.cfm

522

Rec. ITU-R M.1457-8

Release 7

ATIS	ATIS.3GPP.24.011V700-2007	7.0.0	Approved	Oct 07	https://www.atis.org/docstore/default.aspx
TIA	Included in TIA/EIA-136-370 as ETSI TS 124 011 v7.0.0	C	Approved	Oct 08	http://www.tiaonline.org/standards/technology/uwc136/disclaimer.cfm

5.4.2.9.17 3GPP TS 26.140

Multimedia Messaging Service (MMS); Media formats and codes

This document provides the specification of the media formats and codes for the Multimedia Messaging Service.

SDO (2)	Document No.	Version	Status	Issued date	Location (1)
Release 5					
ATIS	ATIS.3GPP.26.140V520-2005	5.2.0	Approved	Apr 05	https://www.atis.org/docstore/default.aspx
Release 6					
ATIS	ATIS.3GPP.26.140V630-2007	6.3.0	Approved	Oct 07	https://www.atis.org/docstore/default.aspx
Release 7					
ATIS	ATIS.3GPP.26.140V710-2008	7.1.0	Approved	Oct 08	https://www.atis.org/docstore/default.aspx

5.4.2.9.18 3GPP TS 32.005

Call and Event data for circuit switched domain

This document provides the Release 99 description for the charging data for the circuit switched component.

SDO (2)	Document No.	Version	Status	Issued date	Location (1)
Release 99					
ATIS	ATIS.3GPP.32.005V370-2005	3.7.0	Approved	Apr 05	https://www.atis.org/docstore/default.aspx

5.4.2.9.19 3GPP TS 32.205

Charging data description for circuit switched domain

This document provides the Release 5 description for the charging data for the circuit switched component.

SDO (2)	Document No.	Version	Status	Issued date	Location (1)
Release 5					
ATIS	ATIS.3GPP.32.205V590-2006	5.9.0	Approved	Apr 06	https://www.atis.org/docstore/default.aspx

5.4.2.9.20 3GPP TS 32.015

Call and Event data for packet switched domain

This document provides the Release 99 description for the charging data for the packet switched component.

SDO (2)	Document No.	Version	Status	Issued date	Location (1)
Release 99					
ATIS	ATIS.3GPP.32.015V3120-2005	3.12.0	Approved	Apr 05	https://www.atis.org/docstore/default.aspx
TIA	Included in TIA/EIA-136-370 as ETSI TS 132 015 v3.1.1	0	Published ANS	Apr 01	http://www.tiaonline.org/standards/technology/uwc136/disclaimer.cfm

5.4.2.9.21 3GPP TS 32.215

Charging data description for packet switched domain

This document provides the Release 5 description for the charging data for the packet switched component.

SDO (2)	Document No.	Version	Status	Issued date	Location (1)
Release 5					
ATIS	ATIS.3GPP.32.215V590-2006	5.9.0	Approved	Apr 06	https://www.atis.org/docstore/default.aspx
TIA	Included in TIA/EIA-136-370 as ETSI TS 132 215 v5.7.0	A-1(E)	Published ANS	Jun 05	http://www.tiaonline.org/standards/technology/uwc136/disclaimer.cfm

5.4.2.9.22 3GPP TS 44.012

Short Message Service Cell Broadcast (SMSCB) support on mobile radio interface

This document provides the specification for support for the cell broadcast Short Message Service on the 200 kHz mobile radio interface.

SDO (2)	Document No.	Version	Status	Issued date	Location (1)
Release 99					
ATIS	T1.3GPP.04.12V800-2003	8.0.0	Approved	Dec 03	https://www.atis.org/docstore/default.aspx
Release 5					
ATIS	ATIS.3GPP.44.012V501-2005	5.0.1	Approved	Apr 05	https://www.atis.org/docstore/default.aspx
Release 6					
ATIS	ATIS.3GPP.44.012V600-2006	6.0.0	Approved	Apr 06	https://www.atis.org/docstore/default.aspx
Release 7					
ATIS	ATIS.3GPP.44.012V700-2008	7.0.0	Approved	Oct 08	https://www.atis.org/docstore/default.aspx

5.4.2.9.23 3GPP TS 22.246

Multimedia Broadcast/Multicast Service (MBMS) user services; Stage 1

This document provides stage 1 description for the Multimedia Broadcast and Multicast service functions.

524

Rec. ITU-R M.1457-8

SDO (2)	Document No.	Version	Status	Issued date	Location (1)
Release 6					
ATIS	ATIS.3GPP.22.246V630-2007	6.3.0	Approved	Oct 07	https://www.atis.org/docstore/default.aspx
TIA	Included in TIA/EIA-136-370 as ETSI TS 122 246 v6.3.0	B-1(E)	Approved	Jan 08	http://www.tiaonline.org/standards/technology/uwc136/disclaimer.cfm
Release 7					
ATIS	ATIS.3GPP.22.246V730-2008	7.3.0	Approved	Oct 08	https://www.atis.org/docstore/default.aspx
TIA	Included in TIA/EIA-136-370 as ETSI TS 122 246 v7.3.0	C	Approved	Oct 08	http://www.tiaonline.org/standards/technology/uwc136/disclaimer.cfm

5.4.2.9.24 3GPP TR 22.903

Study on Videotelephony teleservice

This document provides an analysis of the introduction of additional functionalities for the videotelephony service in addition to what is provided in the 3GPP specifications up to Release 6. The functionalities will include but are not limited to codec negotiation, charging principles, supplementary services support.

SDO (2)	Document No.	Version	Status	Issued date	Location (1)
Release 7					
ATIS	ATIS.3GPP.22.903V700-2008	7.0.0	Approved	Oct 08	https://www.atis.org/docstore/default.aspx

5.4.2.9.25 3GPP TS 24.247

Messaging using the IP Multimedia (IM) Core network (CN) Subsystem; Stage 3

This document provides detailed specifications for messaging using the IMS Core network.

SDO (2)	Document No.	Version	Status	Issued date	Location (1)
Release 6					
ATIS	ATIS.3GPP.24.247V690-2008	6.9.0	Approved	Oct 08	https://www.atis.org/docstore/default.aspx
Release 7					
ATIS	ATIS.3GPP.24.247V730-2008	7.3.0	Approved	Oct 08	https://www.atis.org/docstore/default.aspx

5.4.2.9.26 3GPP TS 24.341

Support of SMS over IP networks

This document provides the protocol details for SMS over IP within the IP Multimedia (IM) Core Network (CN) subsystem based on the Session Initiation Protocol (SIP) and SIP Events.

SDO (2)	Document No.	Version	Status	Issued date	Location (1)
Release 7					
ATIS	ATIS.3GPP.24.341V720-2008	7.2.0	Approved	Oct 08	https://www.atis.org/docstore/default.aspx

5.4.2.9.27 3GPP TR 25.992

Multimedia Broadcast/Multicast Service (MBMS); UTRAN/GERAN requirements

This document provides the requirements for introducing the Multimedia Broadcast and Multicast service in UTRAN and GERAN.

SDO (2)	Document No.	Version	Status	Issued date	Location (1)
Release 6					
ATIS	ATIS.3GPP.24.992V600-2006	6.0.0	Approved	Apr 06	https://www.atis.org/docstore/default.aspx
Release 7					
ATIS	ATIS.3GPP.24.992V700-2008	7.0.0	Approved	Oct 08	https://www.atis.org/docstore/default.aspx

5.4.2.9.28 3GPP TS 43.246

Multimedia Broadcast/Multicast Service (MBMS) in GERAN; Stage 2

This document provides stage 2 description for the Multimedia Broadcast and Multicast service functions in GERAN.

SDO (2)	Document No.	Version	Status	Issued date	Location (1)
Release 6					
ATIS	ATIS.3GPP.43.246V6100-2007	6.10.0	Approved	Oct 07	https://www.atis.org/docstore/default.aspx
Release 7					
ATIS	ATIS.3GPP.43.246V730-2008	7.3.0	Approved	Oct 08	https://www.atis.org/docstore/default.aspx

5.4.2.9.29 3GPP TS 26.141

IP Multimedia System (IMS) Messaging and Presence; Media formats and codecs

This document defines the minimal baseline and optional media codecs and message container format to be used by IMS Messaging and associated Presence service.

SDO (2)	Document No.	Version	Status	Issued date	Location (1)
Release 6					
ATIS	ATIS.3GPP.26.141V630-2007	6.3.0	Approved	Oct 07	https://www.atis.org/docstore/default.aspx
Release 7					
ATIS	ATIS.3GPP.26.141V710-2008	7.1.0	Approved	Oct 08	https://www.atis.org/docstore/default.aspx

5.4.2.10**Annexes/Appendices****5.4.2.10.1** 136-900**Introduction to Annexes and Appendices**

This part contains information concerning the 900 series of parts which contain additional normative and informative information related to the TIA/EIA-136 standard.

SDO (2)	Document No.	Version	Status	Issued date	Location (1)
TIA	TIA/EIA-136-900	0	Published ANS	Mar 00	http://www.tiaonline.org/standards/technology/uwc136/disclaimer.cfm

5.4.2.10.2 136-905**Normative information**

This part contains additional normative information related to the TIA/EIA-136 standard.

SDO (2)	Document No.	Version	Status	Issued date	Location (1)
TIA	TIA/EIA-136-905	A	Published ANS	Jan 04	http://www.tiaonline.org/standards/technology/uwc136/disclaimer.cfm

5.4.2.10.3 136-910**Informative information**

This part provides additional informative information to aid the user to understand the use or application of the TIA/EIA-136 standard. Information such as frame formats, calculation of R-DATA message lengths and addressing is provided.

SDO (2)	Document No.	Version	Status	Issued date	Location (1)
TIA	TIA/EIA-136-910	C	Published ANS	Apr 02	http://www.tiaonline.org/standards/technology/uwc136/disclaimer.cfm

5.4.2.10.4 136-932**Packet-data service – Stage 2 description**

This informative part of TIA/EIA-136 contains stage 2 descriptions for the GPRS-136 packet data service. It describes the main traffic scenarios and the message flows between different network elements.

SDO (2)	Document No.	Version	Status	Issued date	Location (1)
TIA	TIA/EIA-136-932	0	Published ANS	Mar 00	http://www.tiaonline.org/standards/technology/uwc136/disclaimer.cfm

5.4.2.10.5 136-933**Packet-data service – Fixed coding mode MAC**

This part describes the fixed-coding mode of the 136+ medium access control (MAC) function specified in TIA/EIA-136-332. Higher layers may use the MAC to transport data across a GPRS_136 radio interface using the 136+ bearer.

SDO (2)	Document No.	Version	Status	Issued date	Location (1)
TIA	TIA/EIA-136-933	0	Published ANS	Mar 00	http://www.tiaonline.org/standards/technology/uwc136/disclaimer.cfm

5.4.2.10.6 136-940

Capacity and performance characteristics of UWC-136

This informative part contains additional information concerning the voice capacity, spectrum efficiency, and throughput performance for the UWC-136 system.

SDO (2)	Document No.	Version	Status	Issued date	Location (1)
TIA	TIA/EIA-136-940	0	Published ANS	Mar 00	http://www.tiaonline.org/standards/technology/uwc136/disclaimer.cfm

5.4.2.10.7 136-972

Enhanced General Packet Data Service (EGPRS-136) Stage 2 Description

This informative part provides a Stage-2 description of the Enhanced General Packet Data Service (EGPRS-136).

SDO (2)	Document No.	Version	Status	Issued date	Location (1)
TIA	TIA/EIA-136-972	0	Published ANS	Apr 01	http://www.tiaonline.org/standards/technology/uwc136/disclaimer.cfm

5.4.2.11

Other Procedures and Signaling

5.4.2.11.1 3GPP TS 23.007

Restoration procedures

This document describes the restoration procedures for the Location Register (HLR or VLR) data.

SDO (2)	Document No.	Version	Status	Issued date	Location (1)
Release 99					
ATIS	ATIS.3GPP.23.007V360-2005	3.6.0	Approved	Apr 05	https://www.atis.org/docstore/default.aspx
Release 5					
ATIS	ATIS.3GPP.23.007V510-2005	5.1.0	Approved	Apr 05	https://www.atis.org/docstore/default.aspx
Release 6					
ATIS	ATIS.3GPP.23.007V620-2006	6.2.0	Approved	Apr 06	https://www.atis.org/docstore/default.aspx
Release 7					
ATIS	ATIS.3GPP.23.007V700-2008	7.0.0	Approved	Oct 08	https://www.atis.org/docstore/default.aspx

5.4.2.11.2 3GPP TS 23.008

Organization of subscriber data

This document describes the organization of the subscriber data stored in the HLR, VLR, or GSNs.

528

Rec. ITU-R M.1457-8

SDO (2)	Document No.	Version	Status	Issued date	Location (1)
Release 99					
ATIS	ATIS.3GPP.23.008V380-2005	3.8.0	Approved	Apr 05	https://www.atis.org/docstore/default.aspx
Release 5					
ATIS	ATIS.3GPP.23.008V5130-2007	5.13.0	Approved	Oct 07	https://www.atis.org/docstore/default.aspx
Release 6					
ATIS	ATIS.3GPP.23.008V6140-2007	6.14.0	Approved	Oct 07	https://www.atis.org/docstore/default.aspx
Release 7					
ATIS	ATIS.3GPP.23.008V790-2008	7.9.0	Approved	Oct 08	https://www.atis.org/docstore/default.aspx

5.4.2.11.3 3GPP TS 23.009

Handover Procedures

This document describes the procedures for handover from cell to cell.

SDO (2)	Document No.	Version	Status	Issued date	Location (1)
Release 99					
ATIS	ATIS.3GPP.23.009V3140-2005	3.14.0	Approved	Apr 05	https://www.atis.org/docstore/default.aspx
Release 5					
ATIS	ATIS.3GPP.23.009V5110-2007	5.11.0	Approved	Oct 07	https://www.atis.org/docstore/default.aspx
Release 6					
ATIS	ATIS.3GPP.23.009V640-2007	6.4.0	Approved	Oct 07	https://www.atis.org/docstore/default.aspx
Release 7					
ATIS	ATIS.3GPP.23.009V700-2008	7.0.0	Approved	Oct 08	https://www.atis.org/docstore/default.aspx

5.4.2.11.4 3GPP TS 23.012

Location Management Procedures

This document describes the procedures involving HLR, VLR, and MSC location management.

SDO (2)	Document No.	Version	Status	Issued date	Location (1)
Release 99					
ATIS	T1.3GPP.23.012V330-2000	3.3.0	Approved	Jun 00	https://www.atis.org/docstore/default.aspx
Release 5					
ATIS	ATIS.3GPP.23.012V520-2005	5.2.0	Approved	Apr 05	https://www.atis.org/docstore/default.aspx
Release 6					
ATIS	ATIS.3GPP.23.012V640-2007	6.4.0	Approved	Oct 07	https://www.atis.org/docstore/default.aspx
Release 7					
ATIS	ATIS.3GPP.23.012V730-2008	7.3.0	Approved	Oct 08	https://www.atis.org/docstore/default.aspx

5.4.2.11.5 3GPP TS 23.014**Support of DTMF signalling**

This document describes the support of Dual Tone Multi Frequency (DTMF) signalling.

SDO (2)	Document No.	Version	Status	Issued date	Location (1)
Release 99					
ATIS	T1.3GPP.23.014V320-2003	3.2.0	Approved	Dec 03	https://www.atis.org/docstore/default.aspx
Release 5					
ATIS	T1.3GPP.23.014V510-2003	5.1.0	Approved	Dec 03	https://www.atis.org/docstore/default.aspx
Release 6					
ATIS	ATIS.3GPP.23.014V600-2006	6.0.0	Approved	Apr 06	https://www.atis.org/docstore/default.aspx
Release 7					
ATIS	ATIS.3GPP.23.014V700-2008	7.0.0	Approved	Oct 08	https://www.atis.org/docstore/default.aspx

5.4.2.11.6 3GPP TS 23.018**Basic Call handling; Technical realization**

This document describes technical realization of basic call handling.

SDO (2)	Document No.	Version	Status	Issued date	Location (1)
Release 99					
ATIS	ATIS.3GPP.23.018V3120-2005	3.12.0	Approved	Apr 05	https://www.atis.org/docstore/default.aspx
Release 5					
ATIS	ATIS.3GPP.23.018V5100-2007	5.10.0	Approved	Oct 07	https://www.atis.org/docstore/default.aspx
Release 6					
ATIS	ATIS.3GPP.23.018V660-2007	6.6.0	Approved	Oct 07	https://www.atis.org/docstore/default.aspx
Release 7					
ATIS	ATIS.3GPP.23.018V760-2008	7.6.0	Approved	Oct 08	https://www.atis.org/docstore/default.aspx

5.4.2.11.7 3GPP TS 23.108**Mobile radio interface layer 3 protocols; Stage 2**

This document provides a stage 2 functional description of the layer 3 protocols for call control, mobility management, and session management.

SDO (2)	Document No.	Version	Status	Issued date	Location (1)
Release 99					
ATIS	T1.3GPP.23.108V320-2000	3.2.0	Approved	Mar 00	https://www.atis.org/docstore/default.aspx

530

Rec. ITU-R M.1457-8

Release 5

ATIS	T1.3GPP.23.108V500-2003	5.0.0	Approved	Mar 03	https://www.atis.org/docstore/default.aspx
------	-------------------------	-------	----------	--------	---

Release 6

ATIS	ATIS.3GPP.23.108V600-2006	6.0.0	Approved	Apr 06	https://www.atis.org/docstore/default.aspx
------	---------------------------	-------	----------	--------	---

Release 7

ATIS	ATIS.3GPP.23.108V700-2007	7.0.0	Approved	Oct 07	https://www.atis.org/docstore/default.aspx
------	---------------------------	-------	----------	--------	---

5.4.2.11.8 3GPP TS 27.005

Use of DTE-DCE interface for SMS and cell broadcast service

This document provides specification of the DTE-DCE interface for use with SMS and cell broadcast services.

SDO (2)	Document No.	Version	Status	Issued date	Location (1)
Release 99					
ATIS	T1.3GPP.27.005V320-2003	3.2.0	Approved	Mar 03	https://www.atis.org/docstore/default.aspx
Release 5					
ATIS	ATIS.3GPP.27.005V501-2006	5.0.1	Approved	Apr 06	https://www.atis.org/docstore/default.aspx
Release 6					
ATIS	ATIS.3GPP.27.005V601-2006	6.0.1	Approved	Apr 06	https://www.atis.org/docstore/default.aspx
Release 7					
ATIS	ATIS.3GPP.27.005V700-2007	7.0.0	Approved	Oct 07	https://www.atis.org/docstore/default.aspx

5.4.2.11.9 3GPP TS 27.007

AT command set for User Equipment (UE)

This document provides specification of the AT command set for user equipment.

SDO (2)	Document No.	Version	Status	Issued date	Location (1)
Release 99					
ATIS	ATIS.3GPP.27.007V3130-2005	3.12.0	Approved	Apr 05	https://www.atis.org/docstore/default.aspx
Release 5					
ATIS	ATIS.3GPP.27.007V560-2006	5.6.0	Approved	Apr 06	https://www.atis.org/docstore/default.aspx
Release 6					
ATIS	ATIS.3GPP.27.007V690-2007	6.9.0	Approved	Oct 07	https://www.atis.org/docstore/default.aspx
Release 7					
ATIS	ATIS.3GPP.27.007V740-2007	7.4.0	Approved	Oct 07	https://www.atis.org/docstore/default.aspx

5.4.2.11.10 3GPP TS 27.010**Terminal Equipment to User Equipment (TE-UE) Multiplexer protocol**

This document provides specification of the multiplexer protocol for the TE to UE interface.

SDO (2)	Document No.	Version	Status	Issued date	Location (1)
Release 99					
ATIS	T1.3GPP.27.010V340-2002	3.4.0	Approved	May 02	https://www.atis.org/docstore/default.aspx
Release 5					
ATIS	T1.3GPP.27.010V500-2003	5.0.0	Approved	Mar 03	https://www.atis.org/docstore/default.aspx
Release 6					
ATIS	ATIS.3GPP.27.010V600-2006	6.0.0	Approved	Apr 06	https://www.atis.org/docstore/default.aspx
Release 7					
ATIS	ATIS.3GPP.27.010V700-2007	7.0.0	Approved	Oct 07	https://www.atis.org/docstore/default.aspx

5.4.2.11.11 3GPP TS 27.103**Wide area network synchronization**

This document provides specification of the wide area network synchronization.

SDO (2)	Document No.	Version	Status	Issued date	Location (1)
Release 99					
ATIS	T1.3GPP.27.103V310-2003	3.1.0	Approved	Dec 03	https://www.atis.org/docstore/default.aspx
Release 5					
ATIS	T1.3GPP.27.103V500-2003	5.0.0	Approved	Mar 03	https://www.atis.org/docstore/default.aspx

5.4.2.11.12 3GPP TS 22.173**IP Multimedia subsystem (IMS) Multimedia Telephony Service and supplementary services; Stage 1**

This document defines the IMS Multimedia Telephony service and the minimum set of capabilities required to secure multi-vendor and multi-operator interoperability for Multimedia Telephony and related Supplementary Services.

SDO (2)	Document No.	Version	Status	Issued date	Location (1)
Release 7					
ATIS	ATIS.3GPP.22.173V750-2008	7.5.0	Approved	Oct 08	https://www.atis.org/docstore/default.aspx

5.4.2.11.13 3GPP TS 22.228**Service requirements for the IP Multimedia subsystem (IMS); Stage 1**

This document provides the requirements for the IP Multimedia subsystem.

532

Rec. ITU-R M.1457-8

SDO (2)	Document No.	Version	Status	Issued date	Location (1)
Release 6					
ATIS	ATIS.3GPP.22.228V6110-2007	6.11.0	Approved	Oct 07	https://www.atis.org/docstore/default.aspx
Release 7					
ATIS	ATIS.3GPP.22.228V760-2008	7.6.0	Approved	Oct 08	https://www.atis.org/docstore/default.aspx

5.4.2.11.14 3GPP TR 22.935

Feasibility study on Location Services (LCS) for Wireless Local Area Network (WLAN) This feasibility study provides analysis for a generic interworking functionality for LCS between 3GPP system and WLAN systems (e.g. IEEE 802.11 family, HIPERLAN/2, ...).

SDO (2)	Document No.	Version	Status	Issued date	Location (1)
Release 7					
ATIS	ATIS.3GPP.22.935V700-2008	7.0.0	Approved	Oct 08	https://www.atis.org/docstore/default.aspx

5.4.2.11.15 3GPP TR 22.936

Multi-system terminals

This document studies the behaviour of a multi system terminal that supports both 3GPP and non-3GPP systems. Particular issues analyzed include: whether the system selection or PLMN selection should take higher priority in a multi system terminal; criteria and methods of system change; and interaction between user's and operator's preferences.

SDO (2)	Document No.	Version	Status	Issued date	Location (1)
Release 7					
ATIS	ATIS.3GPP.22.936V710-2008	7.1.0	Approved	Oct 08	https://www.atis.org/docstore/default.aspx

5.4.2.11.16 3GPP TR 22.953

Multimedia priority service feasibility study

This feasibility study provides an analysis of the Multimedia Priority Service which allows qualified and authorized users to obtain priority access to the next available radio channel on a priority basis before other PLMN users during situations when PLMN congestion is blocking session establishment attempts. In addition, Multimedia Priority Service supports priority sessions on an "end-to-end" priority basis.

SDO (2)	Document No.	Version	Status	Issued date	Location (1)
Release 7					
ATIS	ATIS.3GPP.22.953V710-2008	7.1.0	Approved	Oct 08	https://www.atis.org/docstore/default.aspx

5.4.2.11.17 3GPP TR 22.967**Transferring of emergency call data**

This examines the issues associated with the transmission of Emergency Call Data from a vehicle to a Public Service Access Point (PSAP).

SDO (2)	Document No.	Version	Status	Issued date	Location (1)
Release 7					
ATIS	ATIS.3GPP.22.967V700-2008	7.0.0	Approved	Oct 08	https://www.atis.org/docstore/default.aspx

5.4.2.11.18 3GPP TR 22.973**IMS Multimedia Telephony service; and supplementary services**

This document defines the IMS Multimedia Telephony service and associated supplementary services for IMS. The objective is to define the minimum set of capabilities required in the IP Multimedia Subsystem to secure multi-vendor and multi-operator inter-operability for the IMS Multimedia Telephony service and related Supplementary Services.

SDO (2)	Document No.	Version	Status	Issued date	Location (1)
Release 7					
ATIS	ATIS.3GPP.22.973V700-2008	7.0.0	Approved	Oct 08	https://www.atis.org/docstore/default.aspx

5.4.2.11.19 3GPP TR 22.979**Feasibility study on combined Circuit Switched (CS) calls and IP Multimedia Subsystem (IMS) sessions**

This document studies the service requirements associated with a multimedia service combining a CS call with one or more IMS services (or vice versa), while appearing as a single service to both end-users. The feasibility study addresses the high-level requirements and use cases such for combinational service including charging and user experience.

SDO (2)	Document No.	Version	Status	Issued date	Location (1)
Release 7					
ATIS	ATIS.3GPP.22.979V700-2008	7.0.0	Approved	Oct 08	https://www.atis.org/docstore/default.aspx

5.4.2.11.20 3GPP TS 23.002**Network Architecture**

This document provides an overall network architecture description for the PLMN.

SDO (2)	Document No.	Version	Status	Issued date	Location (1)
Release 6					
ATIS	ATIS.3GPP.23.002V6100-2006	6.10.0	Approved	Apr 06	https://www.atis.org/docstore/default.aspx
Release 7					
ATIS	ATIS.3GPP.23.002V740-2008	7.4.0	Approved	Oct 08	https://www.atis.org/docstore/default.aspx

5.4.2.11.21 3GPP TS 23.053**Tandem Free Operation (TFO); Service description; Stage 2**

This document specifies the stage 2 description of tandem free operation for speech calls.

SDO (2)	Document No.	Version	Status	Issued date	Location (1)
Release 6					
ATIS	ATIS.3GPP.23.053V600-2008	6.0.0	Approved	Oct 08	https://www.atis.org/docstore/default.aspx
Release 7					
ATIS	ATIS.3GPP.23.053V700-2008	7.0.0	Approved	Oct 08	https://www.atis.org/docstore/default.aspx

5.4.2.11.22 3GPP TS 23.067**Enhanced Multi-Level Precedence and Pre-emption Service (eMLPP); Stage 2**

This document specifies the stage 2 description of the enhanced Multi-Level Precedence and Pre-emption Service (eMLPP) which provides different call priorities in combination with fast call set-up and pre-emption for different applications.

SDO (2)	Document No.	Version	Status	Issued date	Location (1)
Release 6					
ATIS	ATIS.3GPP.23.067V610-2008	6.1.0	Approved	Oct 08	https://www.atis.org/docstore/default.aspx
Release 7					
ATIS	ATIS.3GPP.23.067V710-2008	7.1.0	Approved	Oct 08	https://www.atis.org/docstore/default.aspx

5.4.2.11.23 3GPP TS 23.107**Quality of Service (QoS) concept and architecture**

This document provides overall framework and architecture for the provision of Quality of Service in UTRAN/GERAN systems.

SDO (2)	Document No.	Version	Status	Issued date	Location (1)
Release 5					
ATIS	ATIS.3GPP.23.107V5130-2006	5.13.0	Approved	Apr 06	https://www.atis.org/docstore/default.aspx
Release 6					
ATIS	ATIS.3GPP.23.107V640-2007	6.4.0	Approved	Oct 07	https://www.atis.org/docstore/default.aspx
Release 7					
ATIS	ATIS.3GPP.23.107V710-2008	7.1.0	Approved	Oct 08	https://www.atis.org/docstore/default.aspx

5.4.2.11.24 3GPP TS 23.203**Policy and charging control architecture**

This document provides full harmonization and merger of enhanced policy control to allow service based QoS policy control for GPRS access for session based PS applications and IP flow control based charging to allow more granularity for end-user charging, accounting and online credit control.

SDO (2)	Document No.	Version	Status	Issued date	Location (1)
Release 7					
ATIS	ATIS.3GPP.23.203V770-2008	7.7.0	Approved	Oct 08	https://www.atis.org/docstore/default.aspx

5.4.2.11.25 3GPP TS 23.206

Voice Call Continuity (VCC) between Circuit Switched (CS) and IP Multimedia Subsystem (IMS); Stage 2

This document provides a stage 2 service description of the Voice Call Continuity function which provides the capability to transfer the path of an existing voice call between a3GPP CS system (GSM/UMTS) and IMS, and vice versa.

SDO (2)	Document No.	Version	Status	Issued date	Location (1)
Release 7					
ATIS	ATIS.3GPP.23.206V750-2008	7.5.0	Approved	Oct 08	https://www.atis.org/docstore/default.aspx

5.4.2.11.26 3GPP TS 23.207

End-to-End Quality of Service (QoS) concept and architecture

This document provides a framework for the provision of end-to-end Quality of Service in UTRAN/GERAN systems.

SDO (2)	Document No.	Version	Status	Issued date	Location (1)
Release 6					
ATIS	ATIS.3GPP.23.207V660-2006	6.6.0	Approved	Apr 06	https://www.atis.org/docstore/default.aspx
Release 7					
ATIS	ATIS.3GPP.23.207V700-2008	7.0.0	Approved	Oct 08	https://www.atis.org/docstore/default.aspx

5.4.2.11.27 3GPP TS 23.218

IP Multimedia (IM) session handling; IM call model; Stage 2

This document provides a stage 2 description of the IP Multimedia call model for origination and termination of an IP Multimedia session.

SDO (2)	Document No.	Version	Status	Issued date	Location (1)
Release 5					
ATIS	ATIS.3GPP.23.218V590-2007	5.9.0	Approved	Oct 07	https://www.atis.org/docstore/default.aspx
Release 6					
ATIS	ATIS.3GPP.23.218V640-2007	6.4.0	Approved	Oct 07	https://www.atis.org/docstore/default.aspx
Release 7					
ATIS	ATIS.3GPP.23.218V790-2008	7.9.0	Approved	Oct 08	https://www.atis.org/docstore/default.aspx

5.4.2.11.28 3GPP TS 23.279**Combining Circuit Switched (CS) and IP Multimedia Subsystem (IMS) services; Stage 2**

This document provides a stage 2 service description of the architectural details to combine CS services and IMS services for using them in parallel between the same two users in a peer-to-peer context.

SDO (2)	Document No.	Version	Status	Issued date	Location (1)
Release 7					
ATIS	ATIS.3GPP.23.279V770-2008	7.7.0	Approved	Oct 08	https://www.atis.org/docstore/default.aspx

5.4.2.11.29 3GPP TR 23.809**One Tunnel Functional description**

This document provides a stage-2 like description of an architecture that uses direct tunnelling of user plane data between the RNC and the GGSN, which is known as One Tunnel approach. This architecture when complete will be moved into 3GPP Technical Specification TS 23.060.

5.4.2.11.30 3GPP TR 23.818**Optimisations and Enhancements for Realtime IMS Communication**

This document provides the results of a study into potential system optimisations and enhancements required for mass market realtime communication. While the efficient transport of voice over the air interface is a major catalyst for the development cellular IP multimedia telephony, some further system aspects (such as definition of supplementary services for multimedia telephony; consideration to call establishment time, and interference of an ongoing telephony call due to other services; handling of the loss of the signalling PDP context) are required in order to provide an efficient and inter-operable service.

5.4.2.11.31 3GPP TR 23.837**Location Services (LCS) architecture for 3GPP system – Wireless Local Area Network (WLAN) interworking**

This document investigates solutions for providing LCS over 3GPP WLAN interworking architecture. The architectural requirements and different possible LCS architectures to provide the location services over I-WLAN are analyzed. The procedures to obtain the location information of a WLAN UE attached to I-WLAN network are also studied. The LCS aspects for I-WLAN as IP-CAN in the IMS Emergency call, i.e., the emergency location information handling for I-WLAN are also described.

5.4.2.11.32 3GPP TR 23.840**Study into routing of MT-SMs via the HPLMN**

This document provides a study into the current core network architecture for inter-PLMN short message delivery and provides a study into how such an architecture can be improved for the modern day. Wherever possible, backwards compatibility is maintained and impacts are only upon the home network of the destined subscriber.

SDO (2)	Document No.	Version	Status	Issued date	Location (1)
---------	--------------	---------	--------	-------------	--------------

5.4.2.11.33 3GPP TR 23.919**Direct tunnel deployment guidelines**

This document provides the deployment guidelines for the use of direct tunnelling of user plane data between the RNC and the GGSN (earlier known as the One Tunnel approach). These guidelines highlight the impacts of the 3GPP Release 7 Direct Tunnel solution to the current UMTS system in order to guide equipment development and network deployment.

SDO (2)	Document No.	Version	Status	Issued date	Location (1)
Release 7					
ATIS	ATIS.3GPP.23.919V700-2008	7.0.0	Approved	Oct 08	https://www.atis.org/docstore/default.aspx

5.4.2.11.34 3GPP TS 24.067**Enhanced Multi-level Precedence and Pre-emption service (eMLPP); Stage 3**

This document specifies the procedures used at the radio interface for normal operation, invocation, registration and interrogation of the enhanced Multi-Level Precedence and Pre-emption Service (eMLPP) supplementary service.

SDO (2)	Document No.	Version	Status	Issued date	Location (1)
Release 5					
ATIS	ATIS.3GPP.24.067V500-2006	5.0.0	Approved	Apr 06	https://www.atis.org/docstore/default.aspx
Release 6					
ATIS	ATIS.3GPP.24.067V600-2006	6.0.0	Approved	Apr 06	https://www.atis.org/docstore/default.aspx
Release 7					
ATIS	ATIS.3GPP.24.067V700-2008	7.0.0	Approved	Oct 08	https://www.atis.org/docstore/default.aspx

5.4.2.11.35 3GPP TS 24.141**Presence service using the IP Multimedia subsystem (IMS); Stage 3**

This document provides detailed protocol description of the operation of the presence service within the IMS based on the session initiation protocol (SIP).

SDO (2)	Document No.	Version	Status	Issued date	Location (1)
Release 6					
ATIS	ATIS.3GPP.24.141V6100-2008	6.10.0	Approved	Oct 08	https://www.atis.org/docstore/default.aspx
Release 7					
ATIS	ATIS.3GPP.24.141V750-2008	7.5.0	Approved	Oct 08	https://www.atis.org/docstore/default.aspx

5.4.2.11.36 3GPP TS 24.147**Conferencing using the IP Multimedia subsystem (IMS); Stage 3**

This document provides detailed protocol description of the operation of the conferencing service within the IMS based on the session initiation protocol (SIP).

538

Rec. ITU-R M.1457-8

SDO (2)	Document No.	Version	Status	Issued date	Location (1)
Release 6					
ATIS	ATIS.3GPP.24.147V690-2008	6.9.0	Approved	Oct 08	https://www.atis.org/docstore/default.aspx
Release 7					
ATIS	ATIS.3GPP.24.147V790-2008	7.9.0	Approved	Oct 08	https://www.atis.org/docstore/default.aspx

5.4.2.11.37 3GPP TS 24.206

Voice Call Continuity (VCC) between Circuit Switched (CS) and IP Multimedia Subsystem (IMS); Stage 3

This document provides the stage 3 details of the Voice Call Continuity function which provides the capability to transfer the path of an existing voice call between a 3GPP CS system (GSM/UMTS) and IMS, and vice versa.

SDO (2)	Document No.	Version	Status	Issued date	Location (1)
Release 7					
ATIS	ATIS.3GPP.24.206V750-2008	7.5.0	Approved	Oct 08	https://www.atis.org/docstore/default.aspx

5.4.2.11.38 3GPP TS 24.229

IP Multimedia call control protocol based on Session Initiation Protocol (SIP) and Session Description Protocol (SDP); Stage 3

This document defines a call control protocol for the IP Multimedia subsystem based on the Session Initiation Protocol and the associated Session Description Protocol.

SDO (2)	Document No.	Version	Status	Issued date	Location (1)
Release 5					
ATIS	ATIS.3GPP.24.229V5210-2008	5.21.0	Approved	Oct 08	https://www.atis.org/docstore/default.aspx
Release 6					
ATIS	ATIS.3GPP.24.229V6180-2008	6.18.0	Approved	Oct 08	https://www.atis.org/docstore/default.aspx
Release 7					
ATIS	ATIS.3GPP.24.229V7120-2008	7.12.0	Approved	Oct 08	https://www.atis.org/docstore/default.aspx

5.4.2.11.39 3GPP TS 24.305

Selective Disabling of UE Capabilities (SDoUE) Management Object (MO)

This document specifies a mobile device Selective Disabling of UE Capabilities (SDoUE) Management Object (MO) and the rules and corresponding behaviour of the UE with regard to the selective disabling of UE capabilities, for example, when services or functions are disabled/enabled.

SDO (2)	Document No.	Version	Status	Issued date	Location (1)
Release 7					
ATIS	ATIS.3GPP.24.305V730-2008	7.3.0	Approved	Oct 08	https://www.atis.org/docstore/default.aspx

5.4.2.11.40 3GPP TR 24.930**Signalling flows for the session setup in the IP Multimedia Subsystem (IMS) based on Session Initiation Protocol (SIP) and Session Description Protocol (SDP); Stage 3**

This document specifies the signalling flows for session setup for the IP Multimedia subsystem based on the Session Initiation Protocol and the associated Session Description Protocol.

SDO (2)	Document No.	Version	Status	Issued date	Location (1)
Release 7					
ATIS	ATIS.3GPP.24.930V750-2008	7.5.0	Approved	Oct 08	https://www.atis.org/docstore/default.aspx

5.4.2.11.41 3GPP TS 27.001**General on Terminal Adaptation Functions (TAF) for Mobile Stations (MS)**

This document provides a general description of Terminal Adaptation Functions based on the principles of terminal adaptor functions presented in the ITU-T I-series of Recommendations (I.460 to I.463).

SDO (2)	Document No.	Version	Status	Issued date	Location (1)
Release 6					
ATIS	ATIS.3GPP.27.001V630-2008	6.3.0	Approved	Oct 08	https://www.atis.org/docstore/default.aspx
Release 7					
ATIS	ATIS.3GPP.27.001V700-2008	7.0.0	Approved	Oct 08	https://www.atis.org/docstore/default.aspx

5.4.2.11.42 3GPP TS 27.002**Terminal Adaptation Functions (TAF) for services using Asynchronous bearer capabilities**

This document defines the interfaces and Terminal Adaptation Functions (TAF) integral to a Mobile Termination (MT) which enables the use of asynchronous bearer services in the PLMN and the attachment of asynchronous terminals to a MT.

SDO (2)	Document No.	Version	Status	Issued date	Location (1)
Release 6					
ATIS	ATIS.3GPP.27.002V600-2008	6.0.0	Approved	Oct 08	https://www.atis.org/docstore/default.aspx
Release 7					
ATIS	ATIS.3GPP.27.002V700-2008	7.0.0	Approved	Oct 08	https://www.atis.org/docstore/default.aspx

5.4.2.11.43 3GPP TS 27.003**Terminal Adaptation Functions (TAF) for services using Synchronous bearer capabilities**

This document defines the interfaces and Terminal Adaptation Functions (TAF) which are integrated in a Mobile Termination (MT) which enables the use of synchronous bearer services in the PLMN and the attachment of synchronous terminals to a MT.

540

Rec. ITU-R M.1457-8

SDO (2)	Document No.	Version	Status	Issued date	Location (1)
Release 6					
ATIS	ATIS.3GPP.27.003V600-2008	6.0.0	Approved	Oct 08	https://www.atis.org/docstore/default.aspx
Release 7					
ATIS	ATIS.3GPP.27.003V700-2008	7.0.0	Approved	Oct 08	https://www.atis.org/docstore/default.aspx

5.4.2.11.44 3GPP TS 29.007

General requirements on Interworking between the Public Land Mobile Network (PLMN) and the Integrated Services Digital Network (ISDN) or Public Switched Telephone Network (PSTN)

This document identifies the Mobile_services Switching Centre/Interworking Functions (MSC/IWFs) and requirements to support interworking between the PLMN and the ISDN.

SDO (2)	Document No.	Version	Status	Issued date	Location (1)
Release 6					
ATIS	ATIS.3GPP.29.007V640-2008	6.4.0	Approved	Oct 08	https://www.atis.org/docstore/default.aspx
Release 7					
ATIS	ATIS.3GPP.29.007V740-2008	7.4.0	Approved	Oct 08	https://www.atis.org/docstore/default.aspx

5.4.2.11.45 3GPP TS 29.061

Interworking between the Public Land Mobile Network (PLMN) and supporting packet based services and Packet Data Networks (PDN)

This document defines the requirements for packet domain interworking between PLMNs or between PLMNs and PDNs.

SDO (2)	Document No.	Version	Status	Issued date	Location (1)
Release 5					
ATIS	ATIS.3GPP.29.061V591-2006	5.9.1	Approved	Apr 06	https://www.atis.org/docstore/default.aspx
Release 6					
ATIS	ATIS.3GPP.29.061V6130-2007	6.13.0	Approved	Oct 07	https://www.atis.org/docstore/default.aspx
Release 7					
ATIS	ATIS.3GPP.29.061V770-2008	7.7.0	Approved	Oct 08	https://www.atis.org/docstore/default.aspx

5.4.2.11.46 3GPP TS 29.162

Interworking between the IMS and IP networks

This document details the interworking between the IMS and external IP networks for IP Multimedia service support.

SDO (2)	Document No.	Version	Status	Issued date	Location (1)
Release 6					
ATIS	ATIS.3GPP.29.162V620-2006	6.2.0	Approved	Apr 06	https://www.atis.org/docstore/default.aspx

Release 7

ATIS	ATIS.3GPP.29.162V710-2008	7.1.0	Approved	Oct 08	https://www.atis.org/docstore/default.aspx
------	---------------------------	-------	----------	--------	---

5.4.2.11.47 3GPP TS 29.163**Interworking between the IMS and Circuit Switched (CS) networks**

This document specifies the principles of interworking between the IMS and legacy CS networks in order to support IP Multimedia basic voice calls.

SDO (2)	Document No.	Version	Status	Issued date	Location (1)
---------	--------------	---------	--------	-------------	--------------

Release 6

ATIS	ATIS.3GPP.29.163V6110-2007	6.11.0	Approved	Oct 07	https://www.atis.org/docstore/default.aspx
------	----------------------------	--------	----------	--------	---

Release 7

ATIS	ATIS.3GPP.29.163V7110-2008	7.11.0	Approved	Oct 08	https://www.atis.org/docstore/default.aspx
------	----------------------------	--------	----------	--------	---

5.4.2.11.48 3GPP TS 29.228**IP Multimedia Subsystem Cx and Dx Interfaces; Signalling flows and message contents**

This document addresses the signalling flows for the Cx and Dx interfaces.

SDO (2)	Document No.	Version	Status	Issued date	Location (1)
---------	--------------	---------	--------	-------------	--------------

Release 5

ATIS	ATIS.3GPP.29.228V5200-2007	5.20.0	Approved	Oct 07	https://www.atis.org/docstore/default.aspx
------	----------------------------	--------	----------	--------	---

Release 6

ATIS	ATIS.3GPP.29.228V6150-2007	6.15.0	Approved	Oct 07	https://www.atis.org/docstore/default.aspx
------	----------------------------	--------	----------	--------	---

Release 7

ATIS	ATIS.3GPP.29.228V790-2008	7.9.0	Approved	Oct 08	https://www.atis.org/docstore/default.aspx
------	---------------------------	-------	----------	--------	---

5.4.2.11.49 3GPP TS 29.229**Cx and Dx Interfaces based on the Diameter protocol; Protocol details**

This document provides the protocol details for the Cx and Dx interfaces using the Diameter protocol.

SDO (2)	Document No.	Version	Status	Issued date	Location (1)
---------	--------------	---------	--------	-------------	--------------

Release 5

ATIS	ATIS.3GPP.29.229V5130-2007	5.13.0	Approved	Oct 07	https://www.atis.org/docstore/default.aspx
------	----------------------------	--------	----------	--------	---

Release 6

ATIS	ATIS.3GPP.29.229V6100-2007	6.10.0	Approved	Oct 07	https://www.atis.org/docstore/default.aspx
------	----------------------------	--------	----------	--------	---

Release 7

ATIS	ATIS.3GPP.29.229V770-2008	7.7.0	Approved	Oct 08	https://www.atis.org/docstore/default.aspx
------	---------------------------	-------	----------	--------	---

5.4.2.11.50 3GPP TS 29.230**Diameter applications;3GPP specific codes and identifiers**

This document lists the 3GPP specific Diameter protocol codes, including the AVP codes and Experimental result codes. This document lists also the application identifiers assigned to 3GPP specific Diameter applications by IANA and the Diameter command code range which is assigned to 3GPP by IANA.

SDO (2)	Document No.	Version	Status	Issued date	Location (1)
Release 6					
ATIS	ATIS.3GPP.29.230V6100-2007	6.10.0	Approved	Oct 07	https://www.atis.org/docstore/default.aspx
Release 7					
ATIS	ATIS.3GPP.29.230V7110-2008	7.11.0	Approved	Oct 08	https://www.atis.org/docstore/default.aspx

5.4.2.11.51 3GPP TS 29.278**Customized Applications for Mobile Network Enhanced Logic (CAMEL); CAMEL Application Part (CAP) specification for IP Multimedia subsystem (IMS)**

This document specifies the CAMEL Application Part (CAP) for support of the IP Multimedia Subsystem.

SDO (2)	Document No.	Version	Status	Issued date	Location (1)
Release 6					
ATIS	ATIS.3GPP.29.278V610-2006	6.1.0	Approved	Apr 06	https://www.atis.org/docstore/default.aspx
Release 7					
ATIS	ATIS.3GPP.29.278V700-2008	7.0.0	Approved	Oct 08	https://www.atis.org/docstore/default.aspx

5.4.2.11.52 3GPP TS 29.328**IP Multimedia subsystem (IMS) Sh interface; Signalling flows and message contents**

This document specifies the Sh and the Dh interface.

SDO (2)	Document No.	Version	Status	Issued date	Location (1)
Release 5					
ATIS	ATIS.3GPP.29.328V5150-2007	5.15.0	Approved	Oct 07	https://www.atis.org/docstore/default.aspx
Release 6					
ATIS	ATIS.3GPP.29.328V6140-2007	6.14.0	Approved	Oct 07	https://www.atis.org/docstore/default.aspx
Release 7					
ATIS	ATIS.3GPP.29.328V790-2008	7.9.0	Approved	Oct 08	https://www.atis.org/docstore/default.aspx

5.4.2.11.53 3GPP TS 29.329**Sh interface based on the Diameter protocol; Protocol details**

This document specifies a transport protocol for use by the IP Multimedia Subsystem based on Diameter for the Sh interface.

SDO (2)	Document No.	Version	Status	Issued date	Location (1)
Release 5					
ATIS	ATIS.3GPP.29.329V5110-2006	5.11.0	Approved	Apr 06	https://www.atis.org/docstore/default.aspx
Release 6					
ATIS	ATIS.3GPP.29.329V670-2007	6.7.0	Approved	Oct 07	https://www.atis.org/docstore/default.aspx
Release 7					
ATIS	ATIS.3GPP.29.329V760-2008	7.6.0	Approved	Oct 08	https://www.atis.org/docstore/default.aspx

5.4.2.11.54 3GPP TS 43.129

Packet-switched handover for GERAN A/Gb mode; Stage 2

This document provides the stage 2 description for packet domain handover for the GERAN operating in A/Gb mode.

SDO (2)	Document No.	Version	Status	Issued date	Location (1)
Release 6					
ATIS	ATIS.3GPP.43.129V6120-2007	6.12.0	Approved	Oct 07	https://www.atis.org/docstore/default.aspx
TIA	Included in TIA/EIA-136-370 as ETSI TS 143 129 v6.12.0	B-1(E)	Approved	Jan 08	http://www.tiaonline.org/standards/technology/uwc136/disclaimer.cfm
Release 7					
ATIS	ATIS.3GPP.43.129V720-2008	7.2.0	Approved	Oct 08	https://www.atis.org/docstore/default.aspx
TIA	Included in TIA/EIA-136-370 as ETSI TS 143 129 v7.2.0	C	Approved	Oct 08	http://www.tiaonline.org/standards/technology/uwc136/disclaimer.cfm

5.4.2.11.55 3GPP TS 43.318

Generic access to the A/Gb interface; Stage 2

This document describes the overall architecture for Generic Access (GA) to the A/Gb interfaces. It describes the system concepts, documents the reference architecture, functional entities, network interfaces, and high-level procedures of GA.

SDO (2)	Document No.	Version	Status	Issued date	Location (1)
Release 6					
ATIS	ATIS.3GPP.43.318V6120-2008	6.12.0	Approved	Oct 08	https://www.atis.org/docstore/default.aspx
Release 7					
ATIS	ATIS.3GPP.43.318V750-2008	7.5.0	Approved	Oct 08	https://www.atis.org/docstore/default.aspx

5.4.2.11.56 3GPP TS 44.318

Generic access to the A/Gb interface; Mobile GA interface layer 3 specification

This document describes the procedures used over a generic access interface, namely the Up interface. It specifies the handling of secure connection, Discovery and Registration, CS domain and PS domain signalling and voice and data. These procedures are defined in terms of messages exchanged over a generic access interface.

544

Rec. ITU-R M.1457-8

SDO (2)	Document No.	Version	Status	Issued date	Location (1)
Release 6					
ATIS	ATIS.3GPP.44.318V6120-2008	6.12.0	Approved	Oct 08	https://www.atis.org/docstore/default.aspx
Release 7					
ATIS	ATIS.3GPP.44.318V770-2008	7.7.0	Approved	Oct 08	https://www.atis.org/docstore/default.aspx

5.4.2.11.57 3GPP TR 44.901

External Network Assisted Cell Change (NACC)

This document provides background information, motivations, concepts and requirements regarding an extended Network Assisted Cell Change (NACC) feature for external cell change.

SDO (2)	Document No.	Version	Status	Issued date	Location (1)
Release 5					
ATIS	ATIS.3GPP.44.901V510-2006	5.1.0	Approved	Apr 06	https://www.atis.org/docstore/default.aspx
Release 6					
ATIS	ATIS.3GPP.44.901V600-2006	6.0.0	Approved	Apr 06	https://www.atis.org/docstore/default.aspx
Release 7					
ATIS	ATIS.3GPP.44.901V700-2008	7.0.0	Approved	Oct 08	https://www.atis.org/docstore/default.aspx

5.4.2.12

Intra-RAN

SDO (2)	Document No.	Version	Status	Issued date	Location (1)
---------	--------------	---------	--------	-------------	--------------

5.4.2.12.1 3GPP TS 29.010

Information Element Mapping between MS-BSS and BSS-MSC signalling procedures and the mobile application part (MAP)

This document describes the mapping between information elements used for signalling between MS and BSS and signalling between BSS and MSC and the MAP.

SDO (2)	Document No.	Version	Status	Issued date	Location (1)
Release 99					
ATIS	ATIS.3GPP.29.010V3120-2005	3.12.0	Approved	Apr 05	https://www.atis.org/docstore/default.aspx
Release 5					
ATIS	ATIS.3GPP.29.010V570-2005	5.7.0	Approved	Apr 05	https://www.atis.org/docstore/default.aspx
Release 6					
ATIS	ATIS.3GPP.29.010V690-2007	6.9.0	Approved	Oct 07	https://www.atis.org/docstore/default.aspx

Release 7

ATIS	ATIS.3GPP.29.010V710-2008	7.1.0	Approved	Oct 08	https://www.atis.org/docstore/default.aspx
------	---------------------------	-------	----------	--------	---

5.4.2.12.2 3GPP TS 29.078**Customized Applications for Mobile network Enhanced Logic (CAMEL); CAMEL application part (CAP) specification**

This document contains the CAMEL application part (CAP) specification.

SDO (2)	Document No.	Version	Status	Issued date	Location (1)
Release 99					
ATIS	ATIS.3GPP.29.078V3150-2005	3.15.0	Approved	Apr 05	https://www.atis.org/docstore/default.aspx
Release 5					
ATIS	ATIS.3GPP.29.078V590-2005	5.9.0	Approved	Apr 05	https://www.atis.org/docstore/default.aspx
Release 6					
ATIS	ATIS.3GPP.29.078V650-2007	6.5.0	Approved	Oct 07	https://www.atis.org/docstore/default.aspx
Release 7					
ATIS	ATIS.3GPP.29.078V740-2008	7.4.0	Approved	Oct 08	https://www.atis.org/docstore/default.aspx

5.4.2.12.3 3GPP TS 48.001**General aspects on the BSS-MSC interface**

This document describes the general aspects of the BSS-MSC interface for the alternate circuit switched component.

SDO (2)	Document No.	Version	Status	Issued date	Location (1)
Release 99					
ATIS	T1.3GPP.08.01V801-2003	8.0.1	Approved	Dec 03	https://www.atis.org/docstore/default.aspx
Release 5					
ATIS	ATIS.3GPP.48.001V501-2005	5.0.1	Approved	Apr 05	https://www.atis.org/docstore/default.aspx
Release 6					
ATIS	ATIS.3GPP.48.001V600-2006	6.0.0	Approved	Apr 06	https://www.atis.org/docstore/default.aspx
Release 7					
ATIS	ATIS.3GPP.48.001V700-2008	7.0.0	Approved	Oct 08	https://www.atis.org/docstore/default.aspx

5.4.2.12.4 3GPP TS 48.002**Base Station System – Mobile Services Switching Centre (BSS-MSC) Interface – Interface principles**

This document describes the general principles of the BSS-MSC interface for the alternate circuit switched component.

SDO (2)	Document No.	Version	Status	Issued date	Location (1)
Release 99					
ATIS	T1.3GPP.08.02V801-2003	8.0.1	Approved	Dec 03	https://www.atis.org/docstore/default.aspx

546

Rec. ITU-R M.1457-8

Release 5

ATIS	T1.3GPP.48.002V510-2003	5.1.0	Approved	Dec 03	https://www.atis.org/docstore/default.aspx
------	-------------------------	-------	----------	--------	---

Release 6

ATIS	ATIS.3GPP.48.002V600-2006	6.0.0	Approved	Apr 06	https://www.atis.org/docstore/default.aspx
------	---------------------------	-------	----------	--------	---

Release 7

ATIS	ATIS.3GPP.48.002V700-2008	7.0.0	Approved	Oct 08	https://www.atis.org/docstore/default.aspx
------	---------------------------	-------	----------	--------	---

5.4.2.12.5 3GPP TS 48.004

Base Station System – Mobile Services Switching Centre (BSS-MSC) Interface Layer 1 specifications

This document contains the BSS-MSC interface layer 1 specifications for the alternate circuit switched component.

SDO (2)	Document No.	Version	Status	Issued date	Location (1)
Release 99					
ATIS	T1.3GPP. 08.04V801-2003	8.0.1	Approved	Dec 03	https://www.atis.org/docstore/default.aspx
Release 5					
ATIS	ATIS.3GPP.48.004V501-2005	5.0.1	Approved	Apr 05	https://www.atis.org/docstore/default.aspx
Release 6					
ATIS	ATIS.3GPP.48.004V600-2006	6.0.0	Approved	Apr 06	https://www.atis.org/docstore/default.aspx
Release 7					
ATIS	ATIS.3GPP.48.004V700-2008	7.0.0	Approved	Oct 08	https://www.atis.org/docstore/default.aspx

5.4.2.12.6 3GPP TS 48.006

Signalling Transport mechanism specification for the BSS-MSC Interface

This document contains the BSS-MSC interface signalling transport specifications for the alternate circuit switched component.

SDO (2)	Document No.	Version	Status	Issued date	Location (1)
Release 99					
ATIS	T1.3GPP.08.06V801-2003	8.0.1	Approved	Dec 03	https://www.atis.org/docstore/default.aspx
Release 5					
ATIS	ATIS.3GPP.48.006V501-2005	5.0.1	Approved	Apr 05	https://www.atis.org/docstore/default.aspx
Release 6					
ATIS	ATIS.3GPP.48.006V600-2006	6.0.0	Approved	Apr 06	https://www.atis.org/docstore/default.aspx
Release 7					
ATIS	ATIS.3GPP.48.006V720-2008	7.2.0	Approved	Oct 08	https://www.atis.org/docstore/default.aspx

5.4.2.12.7 3GPP TS 48.008**Base Station System – Mobile Services Switching Centre (BSS-MSC) Interface Layer 3 specifications**

This document contains the BSS-MSC interface layer 3 specifications for the alternate circuit switched component.

SDO (2)	Document No.	Version	Status	Issued date	Location (1)
Release 99					
ATIS	ATIS.3GPP.08.08V8150-2005	8.15.0	Approved	Apr 05	https://www.atis.org/docstore/default.aspx
Release 5					
ATIS	ATIS.3GPP.48.008V5120-2005	5.12.0	Approved	Apr 05	https://www.atis.org/docstore/default.aspx
Release 6					
ATIS	ATIS.3GPP.48.008V6110-2006	6.11.0	Approved	Apr 06	https://www.atis.org/docstore/default.aspx
Release 7					
ATIS	ATIS.3GPP.48.008V7120-2008	7.12.0	Approved	Oct 08	https://www.atis.org/docstore/default.aspx

5.4.2.12.8 3GPP TS 48.020**Rate Adaption on the BSS-MSC Interface**

This document specifies the rate adaption function on the BSS-MSC interface for the alternate circuit switched component.

SDO (2)	Document No.	Version	Status	Issued date	Location (1)
Release 99					
ATIS	T1.3GPP.08.20V840-2003	8.4.0	Approved	Dec 03	https://www.atis.org/docstore/default.aspx
Release 5					
ATIS	ATIS.3GPP.48.020V520-2005	5.2.0	Approved	Apr 05	https://www.atis.org/docstore/default.aspx
Release 6					
ATIS	ATIS.3GPP.48.020V600-2006	6.0.0	Approved	Apr 06	https://www.atis.org/docstore/default.aspx
Release 7					
ATIS	ATIS.3GPP.48.020V700-2008	7.0.0	Approved	Oct 08	https://www.atis.org/docstore/default.aspx

5.4.2.12.9 3GPP TS 48.031**Location Services; SMLC – SMLC SMLCPP specification (BSS-MSC) Interface Layer 3 specifications**

This document contains the SMLC-SMLC protocol specification for location services.

SDO (2)	Document No.	Version	Status	Issued date	Location (1)
Release 99					
ATIS	T1.3GPP.08.31V811-2003	8.1.1	Approved	Dec 03	https://www.atis.org/docstore/default.aspx

548

Rec. ITU-R M.1457-8

Release 5

ATIS	T1.3GPP.48.031V500-2003	5.0.0	Approved	Dec 03	https://www.atis.org/docstore/default.aspx
------	-------------------------	-------	----------	--------	---

Release 6

ATIS	ATIS.3GPP.48.031V600-2006	6.0.0	Approved	Apr 06	https://www.atis.org/docstore/default.aspx
------	---------------------------	-------	----------	--------	---

Release 7

ATIS	ATIS.3GPP.48.031V710-2008	7.1.0	Approved	Oct 08	https://www.atis.org/docstore/default.aspx
------	---------------------------	-------	----------	--------	---

5.4.2.12.10 3GPP TS 48.051

Base Station Controller – Base Transceiver Station (BSC-BTS) Interface General aspects

This document describes the general aspects of the BSC-BTS interface.

SDO (2)	Document No.	Version	Status	Issued date	Location (1)
Release 99					
ATIS	T1.3GPP.08.51V801-2003	8.0.1	Approved	Dec 03	https://www.atis.org/docstore/default.aspx
Release 5					
ATIS	ATIS.3GPP.48.051V501-2005	5.0.1	Approved	Apr 05	https://www.atis.org/docstore/default.aspx
Release 6					
ATIS	ATIS.3GPP.48.051V600-2006	6.0.0	Approved	Apr 06	https://www.atis.org/docstore/default.aspx
Release 7					
ATIS	ATIS.3GPP.48.051V700-2008	7.0.0	Approved	Oct 08	https://www.atis.org/docstore/default.aspx

5.4.2.12.11 3GPP TS 48.052

Base Station Controller – Base Transceiver Station (BSC-BTS) Interface; Interface principles

This document describes the interface principles for the BSC-BTS interface.

SDO (2)	Document No.	Version	Status	Issued date	Location (1)
Release 99					
ATIS	T1.3GPP.08.52V801-2003	8.0.1	Approved	Dec 03	https://www.atis.org/docstore/default.aspx
Release 5					
ATIS	ATIS.3GPP.48.052V501-2005	5.0.1	Approved	Apr 05	https://www.atis.org/docstore/default.aspx
Release 6					
ATIS	ATIS.3GPP.48.052V600-2006	6.0.0	Approved	Apr 06	https://www.atis.org/docstore/default.aspx
Release 7					
ATIS	ATIS.3GPP.48.052V700-2008	7.0.0	Approved	Oct 08	https://www.atis.org/docstore/default.aspx

5.4.2.12.12 3GPP TS 48.054**Base Station Controller – Base Transceiver Station (BSC-BTS) Interface; Layer 1 structure of physical circuits**

This document describes the layer 1 structure of physical circuits for the BSC-BTS interface.

SDO (2)	Document No.	Version	Status	Issued date	Location (1)
Release 99					
ATIS	T1.3GPP.08.54V801-2003	8.0.1	Approved	Dec 03	https://www.atis.org/docstore/default.aspx
Release 5					
ATIS	ATIS.3GPP.48.054V501-2005	5.0.1	Approved	Apr 05	https://www.atis.org/docstore/default.aspx
Release 6					
ATIS	ATIS.3GPP.48.054V600-2005	6.0.0	Approved	Apr 06	https://www.atis.org/docstore/default.aspx
Release 7					
ATIS	ATIS.3GPP.48.054V700-2008	7.0.0	Approved	Oct 08	https://www.atis.org/docstore/default.aspx

5.4.2.12.13 3GPP TS 48.056**Base Station Controller – Base Transceiver Station (BSC-BTS) Interface; Layer 2 specification**

This document provides the layer 2 specification for the BSC-BTS interface.

SDO (2)	Document No.	Version	Status	Issued date	Location (1)
Release 99					
ATIS	T1.3GPP.08.56V801-2003	8.0.1	Approved	Dec 03	https://www.atis.org/docstore/default.aspx
Release 5					
ATIS	T1.3GPP.48.056V500-2003	5.0.0	Approved	Dec 03	https://www.atis.org/docstore/default.aspx
Release 6					
ATIS	ATIS.3GPP.48.056V600-2006	6.0.0	Approved	Apr 06	https://www.atis.org/docstore/default.aspx
Release 7					
ATIS	ATIS.3GPP.48.056V700-2008	7.0.0	Approved	Oct 08	https://www.atis.org/docstore/default.aspx

5.4.2.12.14 3GPP TS 48.058**Base Station Controller – Base Transceiver Station (BSC-BTS) Interface; Layer 3 specification**

This document provides the layer 3 specification for the BSC-BTS interface.

SDO (2)	Document No.	Version	Status	Issued date	Location (1)
Release 99					
ATIS	T1.3GPP.08.58V860-2003	8.6.0	Approved	Dec 03	https://www.atis.org/docstore/default.aspx
Release 5					
ATIS	T1.3GPP.48.058V560-2003	5.6.0	Approved	Dec 03	https://www.atis.org/docstore/default.aspx

550

Rec. ITU-R M.1457-8

Release 6

ATIS	ATIS.3GPP.48.058V620-2007	6.2.0	Approved	Oct 07	https://www.atis.org/docstore/default.aspx
------	---------------------------	-------	----------	--------	---

Release 7

ATIS	ATIS.3GPP.48.058V700-2008	7.0.0	Approved	Oct 08	https://www.atis.org/docstore/default.aspx
------	---------------------------	-------	----------	--------	---

5.4.2.12.15 3GPP TS 48.071

Location Services; SMLC – BSS Interface Layer 3 specifications

This document contains the SMLC-BSS layer 3 specification for location services.

SDO (2)	Document No.	Version	Status	Issued date	Location (1)
Release 99					
ATIS	ATIS.3GPP.08.71V860-2008	8.6.0	Approved	Oct 08	https://www.atis.org/docstore/default.aspx
Release 5					
ATIS	ATIS.3GPP.48.071V520-2007	5.2.0	Approved	Oct 07	https://www.atis.org/docstore/default.aspx
Release 6					
ATIS	ATIS.3GPP.48.071V690-2007	6.9.0	Approved	Oct 07	https://www.atis.org/docstore/default.aspx
Release 7					
ATIS	ATIS.3GPP.48.071V720-2008	7.2.0	Approved	Oct 08	https://www.atis.org/docstore/default.aspx

5.4.2.12.16 3GPP TS 49.008

Application of BSS application part (BSSAP) on E interface

This document describe the BSSAP protocol on the E interface.

SDO (2)	Document No.	Version	Status	Issued date	Location (1)
Release 99					
ATIS	ATIS.3GPP.09.08V820-2005	8.2.0	Approved	Apr 05	https://www.atis.org/docstore/default.aspx
Release 5					
ATIS	ATIS.3GPP.49.008V510-2005	5.1.0	Approved	Apr 05	https://www.atis.org/docstore/default.aspx
Release 6					
ATIS	ATIS.3GPP.49.008V610-2006	6.1.0	Approved	Apr 06	https://www.atis.org/docstore/default.aspx
Release 7					
ATIS	ATIS.3GPP.49.008V700-2008	7.0.0	Approved	Oct 08	https://www.atis.org/docstore/default.aspx

5.4.2.12.17 3GPP TS 49.031

Location Services LCS extension (BSSAP-LE)

This document describes the LCS extension to the BSS application part.

SDO (2)	Document No.	Version	Status	Issued date	Location (1)
Release 99					
ATIS	ATIS.3GPP.09.31V871-2005	8.7.1	Approved	Apr 05	https://www.atis.org/docstore/default.aspx
Release 5					
ATIS	ATIS.3GPP.49.031V540-2005	5.4.0	Approved	Apr 05	https://www.atis.org/docstore/default.aspx
Release 6					
ATIS	ATIS.3GPP.49.031V650-2006	6.5.0	Approved	Apr 06	https://www.atis.org/docstore/default.aspx
Release 7					
ATIS	ATIS.3GPP.49.031V760-2008	7.6.0	Approved	Oct 08	https://www.atis.org/docstore/default.aspx

5.4.2.12.18 3GPP TS 23.226

Global text telephony (GTT); Stage 2; Architecture

This document gives the stage 2 description of the architecture of the real time Text Conversation Feature called Global Text Telephony, GTT and identifies the functional capabilities needed to support the service.

SDO (2)	Document No.	Version	Status	Issued date	Location (1)
Release 6					
ATIS	ATIS.3GPP.23.226V600-2008	6.0.0	Approved	Oct 08	https://www.atis.org/docstore/default.aspx
Release 7					
ATIS	ATIS.3GPP.23.226V700-2008	7.0.0	Approved	Oct 08	https://www.atis.org/docstore/default.aspx

5.4.2.12.19 3GPP TS 23.236

Intra-domain connection of Radio Access Network (RAN) nodes to multiple Core Network (CN) nodes

This document contains the details for the Intra Domain Connection of RAN Nodes to Multiple CN Nodes and the stage 2 procedures for the support of connecting a RNC or BSC to multiple MSC servers or SGSNs.

SDO (2)	Document No.	Version	Status	Issued date	Location (1)
Release 6					
ATIS	ATIS.3GPP.23.236V630-2007	6.3.0	Approved	Oct 07	https://www.atis.org/docstore/default.aspx
Release 7					
ATIS	ATIS.3GPP.23.236V700-2008	7.0.0	Approved	Oct 08	https://www.atis.org/docstore/default.aspx

5.4.2.12.20 3GPP TS 23.271

Location Services (LCS); Functional stage 2 description

This document contains a functional description of location services.

552

Rec. ITU-R M.1457-8

SDO (2)	Document No.	Version	Status	Issued date	Location (1)
Release 5					
ATIS	ATIS.3GPP.23.271V5130-2006	5.13.0	Approved	Apr 06	https://www.atis.org/docstore/default.aspx
Release 6					
ATIS	ATIS.3GPP.23.271V6130-2006	6.13.0	Approved	Apr 06	https://www.atis.org/docstore/default.aspx
Release 7					
ATIS	ATIS.3GPP.23.271V790-2008	7.9.0	Approved	Oct 08	https://www.atis.org/docstore/default.aspx

5.4.2.12.21 3GPP TS 24.030

Location Services (LCS); Supplementary service operations; Stage 3

This document gives the stage 3 description of the Location Service (LCS) operations for the mobile station. These operations apply to both CS and PS domain.

SDO (2)	Document No.	Version	Status	Issued date	Location (1)
Release 5					
ATIS	ATIS.3GPP.24.030V510-2006	5.1.0	Approved	Apr 06	https://www.atis.org/docstore/default.aspx
Release 6					
ATIS	ATIS.3GPP.24.030V640-2007	6.4.0	Approved	Oct 07	https://www.atis.org/docstore/default.aspx
Release 7					
ATIS	ATIS.3GPP.24.030V720-2008	7.2.0	Approved	Oct 08	https://www.atis.org/docstore/default.aspx

5.4.2.12.22 3GPP TR 25.901

Network Assisted Cell Change (NACC) from UTRAN to GERAN; Network side aspects

This document gives the stage 3 description of the Location Service (LCS) operations for the mobile station. These operations apply to both CS and PS domain.

SDO (2)	Document No.	Version	Status	Issued date	Location (1)
Release 6					
ATIS	ATIS.3GPP.25.901V610-2008	6.1.0	Approved	Oct 08	https://www.atis.org/docstore/default.aspx
Release 7					
ATIS	ATIS.3GPP.25.901V700-2008	7.0.0	Approved	Oct 08	https://www.atis.org/docstore/default.aspx

5.4.2.13

Other System aspects

The IMT-2000 TDMA-SC specification also includes the following documents which are useful and related to this Recommendation.

5.4.2.13.1 3GPP TS 22.002

Circuit bearer services supported by a Public Land Mobile Network (PLMN)

This document describes the services supported by the circuit switched bearer on the 200 kHz channel.

5.4.2.13.2 3GPP TS 22.048**Security mechanisms for the (U)SIM Application Toolkit; Stage 1**

This document provides functional description for the security mechanisms employed for the SIM or USIM Application Toolkit.

5.4.2.13.3 3GPP TS 22.053**Tandem Free Operation; Service Description; Stage 1**

This document provides a stage 1 description for vocoder tandem free operation.

5.4.2.13.4 3GPP TS 22.057**Mobile Execution Environment (MexE); Stage 1 description**

This document provides a stage 1 functional description of the mobile execution environment.

5.4.2.13.5 3GPP TS 22.066**Support of Mobile Number portability; Stage 1**

This document provides a stage 1 description of mobile number portability.

5.4.2.13.6 3GPP TS 22.067**Enhanced Multi-level Precedence and Pre-emption (eMLPP) service; Stage 1**

This document provides a stage 1 description of the enhanced multi-level precedence and pre-emption (eMLPP) function, which provides different call priorities in combination with fast set-up and pre-emption.

5.4.2.13.7 3GPP TS 22.071**Location Services Supplementary service; Stage 1**

This document provides a stage 1 description of the location services supplementary service.

5.4.2.13.8 3GPP TS 22.072**Call deflection Supplementary service; Stage 1**

This document provides a stage 1 description of the call deflection supplementary service.

5.4.2.13.9 3GPP TS 22.078**Customized Applications for Mobile network Enhanced Logic (CAMEL); Stage 1**

This document provides a stage 1 description of the CAMEL functionality.

5.4.2.13.10 3GPP TS 22.079**Support of optimal routing; Stage 1**

This document provides a stage 1 of the optimal routing function.

5.4.2.13.11 3GPP TS 22.081**Line Identification Supplementary service; Stage 1**

This document provides a stage 1 description of the calling line identification supplementary service.

5.4.2.13.12 3GPP TS 22.082**Call Forwarding Supplementary service; Stage 1**

This document provides a stage 1 description of the call forwarding supplementary service.

5.4.2.13.13 3GPP TS 22.083**Call Waiting and Call Hold Supplementary service; Stage 1**

This document provides a stage 1 description of the call waiting and call hold supplementary service.

5.4.2.13.14 3GPP TS 22.084**Multi-party Supplementary service; Stage 1**

This document provides a stage 1 description of the multi-party supplementary service.

5.4.2.13.15 3GPP TS 22.085**Closed User Group (CUG) Supplementary service; Stage 1**

This document provides a stage 1 description of the multi-party supplementary service.

5.4.2.13.16 3GPP TS 22.086**Advice of Charge (AoC) Supplementary service; Stage 1**

This document provides a stage 1 description of the advice of charge supplementary service.

5.4.2.13.17 3GPP TS 22.087**User-to-User Signalling Supplementary service; Stage 1**

This document provides a stage 1 description of the user-to-user signalling supplementary service.

5.4.2.13.18 3GPP TS 22.088**Call Barring Supplementary service; Stage 1**

This document provides a stage 1 description of the call barring supplementary service.

5.4.2.13.19 3GPP TS 22.090**Unstructured Supplementary Service Data (USSD); Stage 1**

This document provides a stage 1 description of unstructured supplementary service data.

5.4.2.13.20 3GPP TS 22.091**Explicit call transfer Supplementary Service; Stage 1**

This document provides a stage 1 description of the explicit call transfer supplementary service.

5.4.2.13.21 3GPP TS 22.093**Completion of Calls to Busy Subscriber (CCBS); Stage 1**

This document provides a stage 1 service description of the explicit call transfer supplementary service.

5.4.2.13.22 3GPP TS 22.094**Follow me supplementary Service; Stage 1**

This document provides a stage 1 description of the follow me supplementary service.

5.4.2.13.23 3GPP TS 22.096**Name Identification Supplementary Service; Stage 1**

This document provides a stage 1 description of the name identification supplementary service.

5.4.2.13.24 3GPP TS 22.097**Multiple Subscriber Profile phase 1; Stage 1**

This document provides a stage 1 service description of the phase 1 multiple subscriber profile service.

5.4.2.13.25 3GPP TS 22.226**Global Text Telephony (GTT); Stage 1**

This document provides a stage 1 service description of the Global text telephony service.

5.4.2.13.26 3GPP TS 22.228**IP Multimedia Subsystem (IMS); Stage 1**

This document provides the stage 1 service requirements of the IP Multimedia Subsystem.

5.4.2.13.27 3GPP TS 23.121**Architectural requirements for Release 99**

This document provides architectural requirements for Release 99.

5.4.2.13.28 3GPP TS 23.221**Architectural requirements**

This document provides architectural requirements for GERAN and UTRAN Release 5 and Release 6.

5.4.2.13.29 3GPP TS 23.236**Intra-domain connection of RAN nodes to multiple CN nodes**

This document describes the connection of RAN nodes to multiple CN nodes such as MSCs.

5.4.2.13.30 3GPP TS 29.278**CAMEL Application part (CAP) specification for IMS**

This document describes the CAMEL application part for IP multimedia subsystems.

5.4.2.13.31 3GPP TS 41.031**Fraud information gathering system (FIGS);Service requirements; Stage 0**

This document provides a description of the fraud information gathering system for the GSM/EDGE system.

5.4.2.13.32 3GPP TS 41.033**Lawful interception requirements for GSM/EDGE**

This document provides a description of the lawful interception requirements the GSM/EDGE system.

5.4.2.13.33 3GPP TS 42.019**Subscriber Identity Modules, Application programming interface; Stage 1**

This document provides the functional description for the SIM Application Programming Interface (API) used in the GSM/EDGE specifications.

5.4.2.13.34 3GPP TS 22.031

Fraud information gathering system (FIGS);Service description; Stage 1

This document provides a stage 1 description of the fraud information gathering system for GERAN/UTRAN systems.

5.4.2.13.35 3GPP TS 42.033

Lawful interception; Stage 1

This document provides a stage 1 description of the lawful interception functions for the GSM/EDGE system.

5.4.2.13.36 3GPP TS 43.030

Radio network planning aspects

This document describes the aspects of planning a radio network.

5.4.2.13.37 3GPP TS 41.061

GPRS ciphering algorithm requirements

This document provides the requirements for the General Packet Radio ciphering algorithms.

5.4.2.13.38 3GPP TS 42.009

Security aspects

This document provides a description of the security aspects for the GSM/EDGE system.

5.4.2.13.39 3GPP TS 42.017

Subscriber Identity Modules, Functional characteristics

This document defines the functional characteristics for the SIM used in the GSM/EDGE specifications.

5.4.2.13.40 3GPP TS 51.010-4

Mobile Station conformance specification, Part 4- SIM Application Toolkit conformance specifications

This document provides a conformance specification for the SIM Application toolkit.

5.4.2.13.41 3GPP TS 51.011

Specification of SIM-ME interface

This document describes the interface between the mobile equipment and the subscriber identity module.

5.4.2.13.42 3GPP TS 31.122**USIM conformance test specification**

This document provides a conformance specification for the USIM.

5.4.2.13.43 3GPP TS 22.048**Security mechanisms for the (U)SIM application toolkit; Stage 1**

This document provides the stage 1 description of the security mechanisms for the SIM/USIM application toolkits for GERAN/UTRAN systems.

5.4.2.13.44 3GPP TS 23.031**Fraud Information Gathering System (FIGS); Service Description; Stage 2**

This document provides the stage 2 description of the fraud information gathering system for GERAN/UTRAN systems.

5.4.2.13.45 3GPP TS 23.066**Support of GSM Mobile Number Portability (MNP); Stage 2**

This document provides the stage 2 description of the GSM mobile number portability functionality.

5.4.2.13.46 3GPP TS 23.278**Customised Applications for Mobile network Enhanced Logic (CAMEL) Phase 4; Stage 2; IM CN Interworking**

This document specifies the stage 2 description for the Customized Applications for Mobile network Enhanced Logic (CAMEL) feature which provides the mechanisms to support services for the IP Multimedia Core Network (IM CN) Subsystem.

5.4.2.13.47 3GPP TS 24.002**GSM-UMTS Public Land Mobile Network (PLMN) Access Reference Configuration**

This document describes the reference configuration for access to a PLMN. A user accesses a PLMN via a number of interfaces, including the MS-BS (in A/Gb mode and GERAN Iu mode) and UE-UTRAN (in UTRAN Iu mode) interface. The purpose of this document is to indicate the possible access arrangements that may be used in conjunction with the MS-BS (in A/Gb mode and GERAN Iu mode) and UE-UTRAN (in UTRAN Iu mode) interface.

5.4.2.13.48 3GPP TS 31.103**Characteristics of the IP Multimedia Services Identity Module (ISIM) application**

This document defines the IP Multimedia Services Identity Module (ISIM) application. This application resides on the UICC IC card. In particular, this document specifies the application independent properties of the UICC/terminal interface such as the physical characteristics and the logical structure.

5.4.2.13.49 3GPP TS 31.116

Remote APDU Structure for (Universal) Subscriber Identity Module (U)SIM Toolkit This document defines the remote management of files and applets on the SIM/USIM/ISIM. The present document is the result of a split of TS 23.048 Release 5 between the generic part and the bearers specific application. The generic part has been transferred to SCP. This document contains the bearers specific part.

5.4.2.13.50 3GPP TS 31.130**(U)SIM Application Programming Interface (API); (U)SIM API for Java Card**

This document defines the (U)SIM Application Programming Interface extending the "UICC API for Java Card™" which allows the development of a (U)SAT application running together with a (U)SIM application and using GSM/3G network features.

5.4.2.13.51 3GPP TS 34.131**Test Specification for C-language binding to Universal Subscriber Identity Module (U)SIM Application Programming Interface (API)**

This document describes the technical characteristics and methods of test for testing the SIM API for the C programming language 3GPP TS 31.131 implemented in the subscriber identity modules for GSM and 3G networks.

5.4.2.13.52 3GPP TS 42.068**Voice Group Call Service (VGCS); Stage 1**

This document contains the stage one description of the Voice Group Call Service (VGCS) which allows speech conversation of a predefined group of service subscribers in half duplex mode on the radio link taking into account multiple mobile service subscribers involved in the VGCS call per cell.

5.4.2.13.53 3GPP TS 42.069**Voice Broadcast Service (VBS); Stage 1**

This document contains the stage one description of the Voice Broadcast Service (VBS) which allows the distribution of speech (or other signals which can be transmitted via the speech codec), generated by a service subscriber, into a predefined geographical area to all or a group of service subscribers located in this area.

5.4.2.13.54 3GPP TS 43.068**Voice Group Call Service (VGCS); Stage 2**

This document contains the stage 2 description of the Voice Group Call Service (VGCS) which allows speech conversation of a predefined group of service subscribers in half duplex mode on the radio link taking into account multiple mobile service subscribers involved in the VGCS call per cell.

5.4.2.13.55 3GPP TS 43.069**Voice Broadcast Service (VBS); Stage 2**

This document contains the stage2 description of the Voice Broadcast Service (VBS) which allows the distribution of speech (or other signals which can be transmitted via the speech codec), generated by a service subscriber, into a predefined geographical area to all or a group of service subscribers located in this area.

5.4.2.13.56 3GPP TS 43.130**Iur-g interface; Stage 2**

This document provides an overview of the Iur-g interface. It describes the motivation, principles and functionality of this interface.

5.5 IMT-2000 FDMA/TDMA

5.5.1 Overview of the radio interface

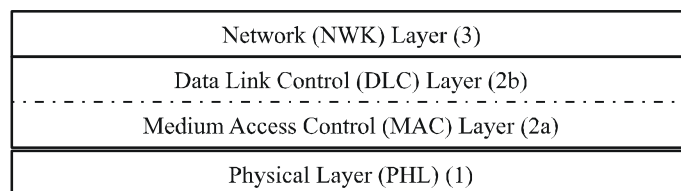
5.5.1.1 Introduction

The IMT-2000 radio interface specifications for FDMA/TDMA technology are defined by a set of ETSI standards. This radio interface is called digital enhanced cordless telecommunications (DECT).

Figure 61 shows the layers of this radio interface.

The individual layers are defined in different parts of the common interface (CI) standard. The standard specifies a TDMA radio interface with TDD. The radio-frequency bit rates for the specified modulation schemes are 1.152 Mbit/s, 2.304 Mbit/s, 3.456 Mbit/s, 4.608 Mbit/s and 6.912 Mbit/s. The standard supports symmetric and asymmetric connections, connection oriented and connectionless data transport. Using multi-carrier-operation with e.g. 3 carriers allows bit rates up to 20 Mbit/s. The network layer contains the protocols for call control, supplementary services, connection oriented message service, connectionless message service and mobility management, including the security and confidentiality services.

FIGURE 61
Protocol layered structure



1457-61

In addition to the CI standard, access profile standards define minimum requirements for accessing specific networks and the interworking to these networks. For example, the generic access profile (GAP) standard defines the requirements when using the speech service and the DECT packet radio service (DPRS) standard defines the requirements for packet data transport.

A high-level description of features and how the relevant ETSI standards interrelate to the different applications can be found in the ETSI Technical Report TR 101 178: "A high-level guide to the DECT standardization".

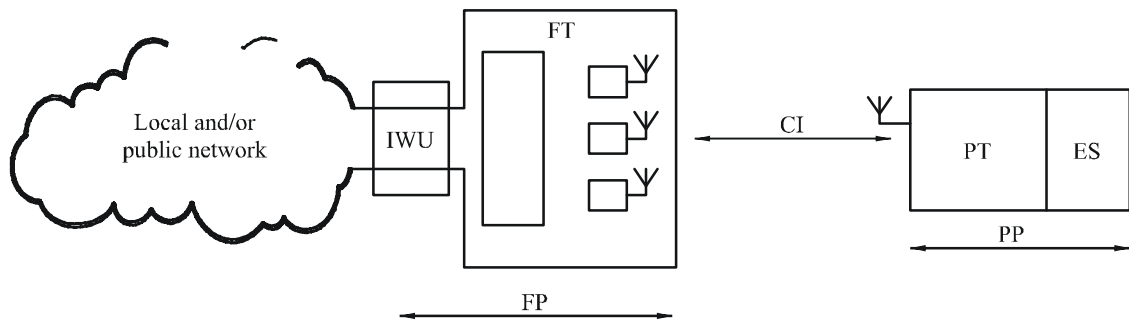
This radio interface is a general radio access technology for wireless telecommunications. It is a high capacity digital technology, for wide cell radii ranging from a few metres to several kilometres, depending on application and environment. It provides telephony quality voice services, and a broad range of data services, including ISDN and packet data. It can be effectively implemented in a range from simple residential cordless telephones up to large systems providing a wide range of telecommunications services, including fixed wireless access.

5.5.1.2 General access technology

This technology provides a comprehensive set of protocols which provide the flexibility to interwork between numerous different applications and networks. Thus a local and/or public network is not part of this specification. Figure 62 illustrates this.

The radio interface covers, in principle, only the air interface between the fixed part (FP) and portable part (PP). The interworking unit (IWU) between a network and the fixed radio termination (FT) is network specific and is not part of the CI specification, but the profile specifications define IWUs for various networks. Similarly, the end system (ES), the application(s) in a PP is also excluded. The CI specification contains general end-to-end compatibility requirements e.g. on speech transmission. The IWU and ES are also subject to general attachment requirements for the relevant public network, e.g. the PSTN/ISDN.

FIGURE 62
The CI structure



1457-62

NOTE 1 – An ES depends on the application supported in a PP. For a speech telephony application the ES may be a microphone, speaker, keyboard and display. The ES could equally well be a serial computer port, a fax machine or whatever the application requires.

For each specific network, local or global, the specific services and features of that network are made available via the air interface to the users of PPs/handsets. Except for cordless capability and mobility, this standard does not offer a specific service; it is transparent to the services provided by the connected network. Thus the CI standard is, and has to be, a tool box with protocols and messages from which a selection is made to access any specific network, and to provide means for market success for simple residential systems as well as for much more complex systems e.g. office ISDN services.

IMT-2000 FDMA/TDMA is very suitable to be used as radio access system to connect to mobile networks. Specifically the access to GSM/UMTS networks has been specified in detail, which allows the provision of GSM/UMTS services via DECT. The multipart TS 101 863 contains the UMTS interworking specification.

The detailed requirements that have governed the standardization efforts of this interface are provided by the ETR 043 – DECT Common Interface Services and Facilities Requirements Specification – where one requirement is flexibility for additions and evolutionary applications. The CI standard has a layered structure as indicated in § 5.5.2. It contains a complete set of requirements, procedures and messages. The messages also contain codes that are reserved for evolutionary applications and proprietary extensions. The authentication algorithm and the encryption algorithm are not part of the CI standard, but are obtained from ETSI through a special legal procedure. The administration of global unique identity codes for manufacturing, installation and public operation are also handled by ETSI.

5.5.1.3 Summary of the physical layer

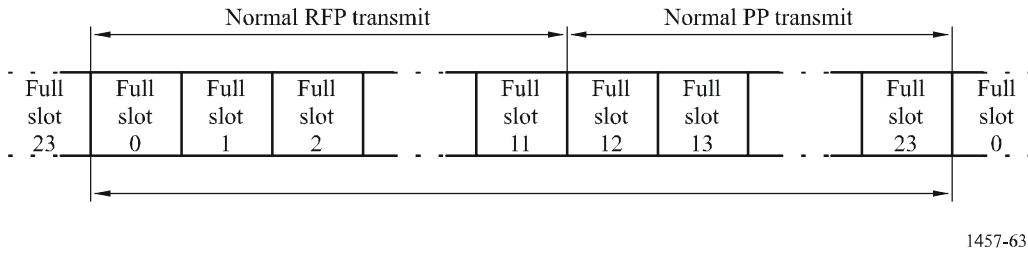
The specification for the physical layer is given in § 5.5.2.1. The tasks of the physical layer can be grouped into five categories:

- to modulate and demodulate radio carriers with a bit stream of a defined rate to create a radio frequency channel;
- to acquire and maintain bit and slot synchronization between transmitters and receivers;
- to transmit or receive a defined number of bits at a requested time and on a particular frequency;
- to add and remove the synchronization field and the Z-field used for rear end collision detection;
- to observe the radio environment to report signal strengths.

5.5.1.3.1 The physical channels

The radio access frequency channels as well as a time structure are defined. The carrier spacing is 1.728 MHz. To access the medium in time, a regular TDMA structure with a frame length of 10 ms is used. Within this frame 24 full-slots are created, each consisting of two half-slots. A double slot has a length of two full slots, and starts concurrently with an even numbered full slot.

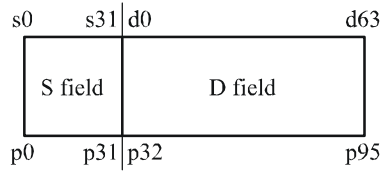
FIGURE 63
Frame structure using full slot format



Data is transmitted within the frequency, time, and space dimensions using physical packets. Physical packets shall be of one of the following four types:

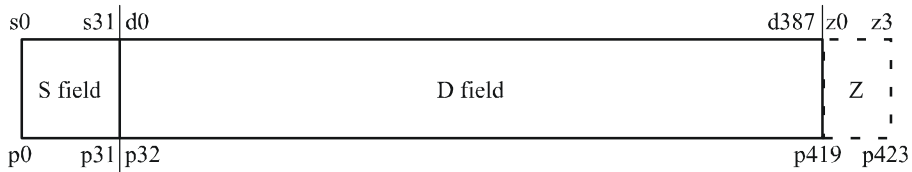
- short physical packet P00 (D-field contains 64 symbols):

FIGURE 64
Packet P00



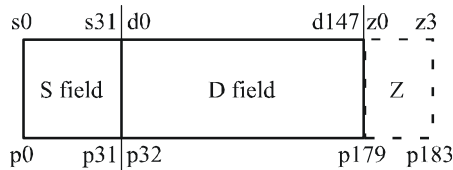
- basic physical packet P32 (the D-field contains 388 symbols):

FIGURE 65
Packet P32



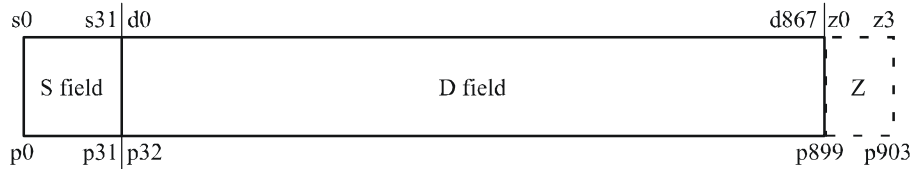
- low capacity physical packet P08 (the D-field contains 148 symbols):

FIGURE 66
Packet P08



- high capacity physical packet P80 (the D-field contains 868 symbols):

FIGURE 67
Packet P80



1457-67

Each physical packet contains a synchronization field S and a data field D. The packets P80, P32 and P08 may contain an optional collision detection field, Z.

The synchronization field S may be used by the receiver for clock and packet synchronization of the radio link. The first 16 bits are a preamble, and the last 16 bits are the packet synchronization word. A prolonged preamble field which extends the preamble bit pattern by 16 bits is optional. This prolonged preamble field may be used by a receiver for implementation of an antenna selection diversity algorithm.

5.5.1.3.2 The RF carrier modulation

The modulation method is either Gaussian frequency shift keying (GFSK), with a bandwidth-bit period product of nominally 0.5 or differential phase shift keying (DPSK) or phase amplitude modulation (QAM). Equipment is allowed to use 4-level and/or 8-level and/or 16-level and/or 64-level modulation in addition to 2-level modulation. This increases the bit rate of single radio equipment by a factor 2 or 3 or 4 or 6, which allows for 4 Mbit/s services. For example, the asymmetric double-slot service with modulation configuration 3 provides up to 5.76 Mbit/s B-field data rate per carrier. The 4-level modulation shall be $\pi/4$ -DQPSK, the 8-level modulation $\pi/8$ -D8PSK, the 16-level modulation 16-QAM and the 64-level modulation 64-QAM. It is only allowed to use 4-level and/or 8-level modulation in the B + Z or the A + B + Z fields, whereby the S + A or the S field respectively shall use the $\pi/2$ -DBPSK 2-level modulation. It is only allowed to use 16-level and/or 64-level modulation in the B + Z fields, whereby the S + A field shall use the $\pi/2$ -DBPSK 2-level modulation. The allowed combinations of modulation schemes are defined in Table 7.

TABLE 7

Allowed combinations of modulation schemes

Configuration	S-field	A-field	B + Z-field
1a	GFSK	GFSK	GFSK
1b	$\pi/2$ -DBPSK	$\pi/2$ -DBPSK	$\pi/2$ -DBPSK
2	$\pi/2$ -DBPSK	$\pi/2$ -DBPSK	$\pi/4$ -DQPSK
3	$\pi/2$ -DBPSK	$\pi/2$ -DBPSK	$\pi/8$ -D8PSK
4a	$\pi/2$ -DBPSK	$\pi/4$ -DQPSK	$\pi/4$ -DQPSK
4b	$\pi/2$ -DBPSK	$\pi/8$ -D8PSK	$\pi/8$ -D8PSK
5	$\pi/2$ -DBPSK	$\pi/2$ -DBPSK	16-QAM
6	$\pi/2$ -DBPSK	$\pi/2$ -DBPSK	64-QAM

Schemes 2, 3, 5 and 6 ensure that equipment with basic 2-level modulation, and equipment with a higher rate option, can efficiently share a common BS infrastructure. The GFSK modulation can be detected for instance in a non-coherent $\pi/2$ -DPSK receiver, and the $\pi/2$ -DPSK modulation can be detected in a GFSK receiver. Therefore all A-field information including broadcast system information, paging and call control can be received independently of whether configuration 1, 2, 3, 5 or 6 is used.

5.5.1.4 Summary of the MAC layer

The specification for the MAC layer is given in § 5.5.2.2. The MAC layer offers three groups of services to the upper layers and to the management entity:

- broadcast message control (BMC);
- connectionless message control (CMC);
- multi-bearer control (MBC).

The BMC provides a set of continuous point-to-multipoint connectionless services. These are used to carry internal logical channels, and are also offered to the higher layers. These services operate in the direction FT to PT, and are available to all PTs within range.

The CMC provides connectionless point-to-point or point-to-multipoint services to the higher layers. These services may operate in both directions between one specific FT and one or more PTs.

Each instance of MBC provides one of a set of connection oriented point-to-point services to the higher layers. An MBC service may use more than one bearer to provide a single service.

Four types of MAC bearer are defined:

- Simplex bearer: a simplex bearer is created by allocating one physical channel for transmissions in one direction.
- Duplex bearer: a duplex bearer is created by a pair of simplex bearers, operating in opposite directions on two physical channels.
- Double simplex: a double simplex bearer is created by a pair of long simplex bearers operating in the same direction on two physical channels.
- Double duplex bearer: a double duplex bearer is composed by a pair of duplex bearers referring to the same MAC connection.

A bearer can exist in one of three operational states:

- Dummy bearer: where there are normally continuous transmissions (i.e. one transmission in every frame).
- Traffic bearer: where there are continuous point-to-point transmissions. A traffic bearer is a duplex bearer or a double simplex bearer or a double duplex bearer.
- Connectionless bearer: where there are discontinuous transmissions. A connectionless bearer is either a simplex or a duplex bearer.

The MAC layer defines a logical structure for the physical channels. The user bit rate depends on the selected slot-type, modulation scheme, level of protection and number of slots. Table 8 gives the user bit rates for unprotected single slot operation.

TABLE 8

Bit rates for single slot operation

	2-level modulation (kbit/s)	4-level modulation (kbit/s)	8-level modulation (kbit/s)	16-level modulation (kbit/s)	64-level modulation (kbit/s)
Half slot	8	16	24	32	48
Full slot	32	64	96	128	192
Double slot	80	160	240	320	480

5.5.1.5 Summary of the data link control (DLC) layer

The specification for the DLC layer is given in § 5.5.2.3. The DLC layer contains two independent planes of protocol, the C-plane and the U-plane. The C-plane is the control plane of the protocol stacks. The U-plane is the user plane of the protocol stacks.

5.5.1.5.1 C-plane services

The C-plane data link service is provided by two protocol entities called LAPC and Lc. These two protocol entities separate the link access protocol functions from the lower link control functions. The upper LAPC entity uses a protocol derived from the ISDN LAPD protocol. The lower Lc entity buffers and fragments complete LAPC frames (LAPC protocol data units) to/from the MAC layer.

The Lb entity provides a broadcast service in the direction FP to PP. It operates on simple fixed length frames and uses the dedicated MAC layer broadcast service.

5.5.1.5.2 U-plane services

The U-plane services are all optional, in the sense that each service corresponds to a particular requirement, and for any given application only selected services may be implemented. Each U-plane service is divided into two entities, an upper (LUx) entity and a lower (FBx) entity. The upper (LUx) entity contains all of the service dependent functions, and therefore defines the majority of the procedures. The lower (FBx) entity buffers and fragments the complete U-plane frames (LUx protocol data units) to/from the MAC layer. The following family members have been defined:

LU1:	transparent unprotected service (TRUP)
LU2:	frame relay service (FREL)
LU3:	frame switching service (FSWI)
LU4:	FEC service
LU5:	basic rate adaption service (BRAT)
LU6:	secondary rate adaption service (SRAT)
LU7:	64 kbit/s data bearer service with ARQ mechanism
LU8:	64 kbit/s data bearer service without ARQ mechanism
LU9:	unprotected rate adaption for V series equipment (RAVE) service
LU10:	enhanced data service
LU11:	64 kbit/s data bearer service when A and B fields are both modulated at 4 level
LU12 to LU15:	reserved for standard family member
LU16:	escape for non-standard family (ESC).

5.5.1.6 Summary of the network (NWK) layer

The specification for the C-plane of the NWK layer is given in § 5.5.2.4. It contains no specification for the U-plane (user plane) because the U-plane is null for all services at the NWK layer.

The NWK layer (Layer 3) protocol contains the following groups of functions:

Link control entity (LCE): The establishment, operation and release of a C-plane link between the fixed termination and every active portable termination.

Call control (CC) entity: The establishment, maintenance and release of circuit-switched calls.

Call independent supplementary services (CISS) entity: The support of call independent supplementary services.

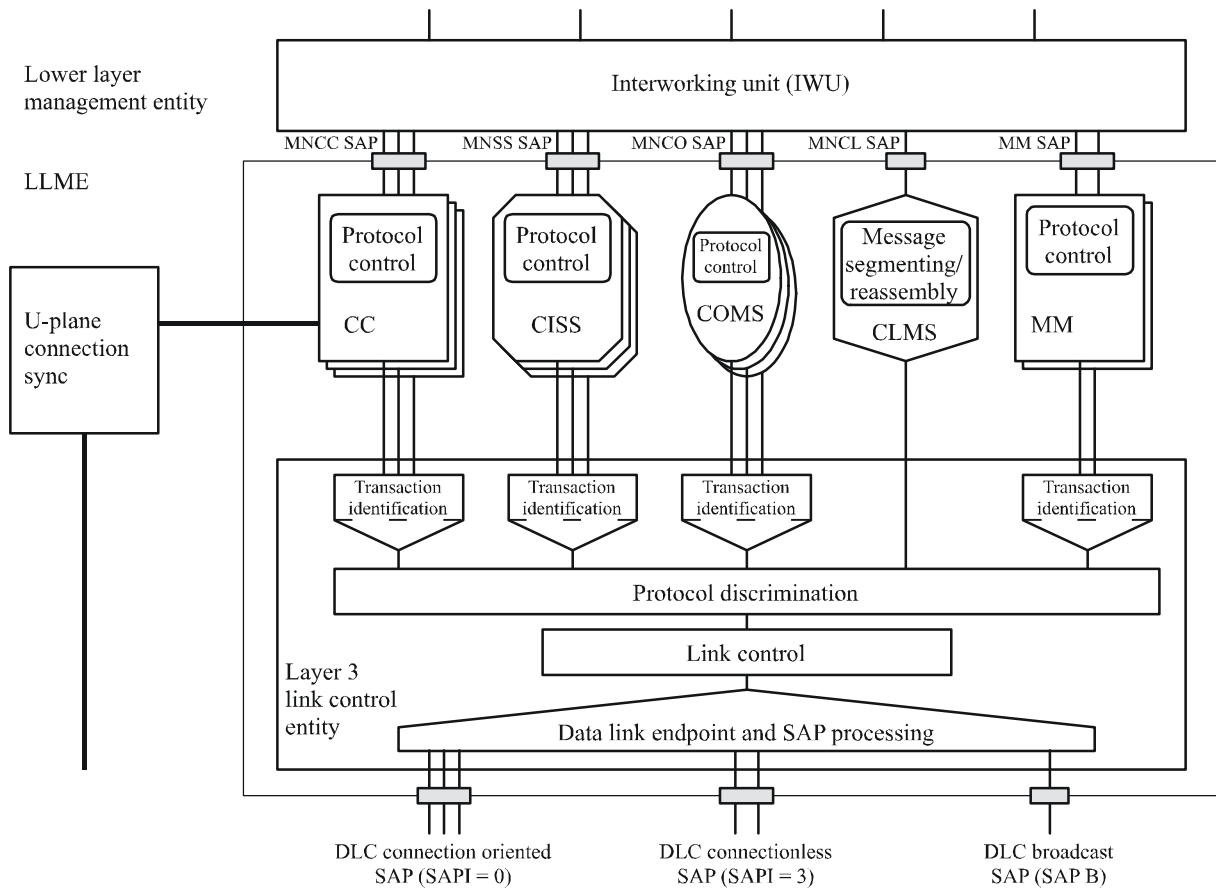
Connection oriented message service (COMS) entity: The support of connection-oriented messages.

Connectionless message service (CLMS) entity: The support of connectionless messages.

Mobility management (MM) entity: The management of identities, authentication, location updating, on-air subscription and key allocation.

In addition all of these C-plane entities interface to the lower layer management entity (LLME). This provides coordination of the operations between different NWK layer entities and also between the NWK layer and the lower layers.

FIGURE 68
Network layer



1457-68

5.5.1.7 Summary of identities and addressing

The specifications for the identities and addressing mechanisms are given in § 5.5.2.5. FP identities are used to inform PPs about the identity of a FP and the access rights to that FP and thereby reduce the number of access attempts from unauthorized portables. A FP broadcasts this information. A PP needs to be able to interpret necessary parts of this broadcast information to detect the access rights to a system or even access rights agreements between system operators, i.e. operators A and B have a bilateral agreement permitting their users to roam between their systems. These agreements can change and cannot therefore be stored in PPs without updating them frequently. Therefore the FP handles access rights information which is embedded in the identity structure. The identity structure provides solutions for residential, public and private environments. This can also be extended to combinations between these environments, e.g. private groups of users within a public network built using this standard, and e.g. public users access to private networks.

PP identities have two main purposes, first to enable a PP to select a valid FP and second to uniquely identify the PP within that FP. For these purposes there are two identities defined. These identities are the portable access rights key (PARK) and the IPUI.

Connection related identities are associated with the peer-to-peer communication. That means that every layer-to-layer connection has an identity. These identities serve the purpose of handshake, protection against co-channel interference, avoiding loss of a connection during bearer and connection handover, etc.

5.5.1.8 Summary of security features

The specifications for the security architecture, the types of cryptographic algorithms required, the way in which they are to be used, and the requirements for integrating the security features provided by the architecture are given in § 5.5.2.6. It also describes how the features can be managed and how they relate to certain fixed systems and local network configurations.

The security architecture is defined in terms of the security services which are to be supported at the CI, the mechanisms which are to be used to provide the services, and the cryptographic parameters, keys and processes which are associated with these mechanisms.

Two basic security services are specified, which are authentication and encryption. The authentication is used to verify the provided identity. There are four forms defined, which are portable authentication, fixed part authentication, mutual authentication and user authentication. Encryption is used to obtain confidentiality of the data which is transmitted over the air.

5.5.1.9 Coexistence of uncoordinated installations on a common frequency band

The mandatory instant dynamic channel selection messages and procedures provide effective coexistence of uncoordinated private and public systems on the common designated frequency band and avoid any need for traditional frequency planning. Each device has access to all channels (time/frequency combinations). When a connection is needed, the channel is selected, that at that instant and at that locality, is least interfered of all the common access channels. This avoids any need for traditional frequency planning, and greatly simplifies the installations. This procedure also provides higher and higher capacity by closer and closer BS installation, while maintaining a high radio link quality. Not needing to split the frequency resource between different services or users gives a very efficient use of the allocated spectrum. There is a large spectrum efficiency gain in sharing spectrum between applications and between operators.

Much unique knowledge and experience is available on the subject of sharing spectrum between uncoordinated installations. Information on this subject has been collected in an ETSI Technical Report, TR 101 310, which describes configurations for typical applications and relevant mixes of these, including residential, office, public and radio local loop (RLL) applications, and the traffic capacity is analysed, mainly by advanced simulations.

5.5.1.10 Access to different systems by the same PP

Each system, FP, has a broadcasted globally unique access rights identity (ARI). To each ARI are linked the available services, the related protocols and when required e.g. a cipher-key and/or authentication-key. For each service suitable protocols have been selected from the CI tool box to efficiently provide these services.

Similarly each PP (handset) has one or more portable access rights keys (PARKs). One PARK relates to one FP or a group of FPs belonging to the same operator. To each PARK are linked the corresponding FP ARIs, related services and protocols, and when required e.g. a ciphering-key and/or authentication-key.

Thus the same PP will have access to several different types of systems, if equipped with the relevant PARKs and associated protocols. Thus, it is basically not a common protocol for all systems that provide intersystem roaming, but it is that the PP is equipped with access rights and related protocols to the wanted systems. A detailed description of the flexible and powerful identity provisions are found in Part 6 of the CI standard.

5.5.1.11 Access to several applications through the same BS

This radio interface also provides the means for sharing BS or systems between different operators or applications, e.g. hosting private user groups in a large public system, providing public access through a privately owned system, or hosting public access to several service providers in one system owned by one of the service providers.

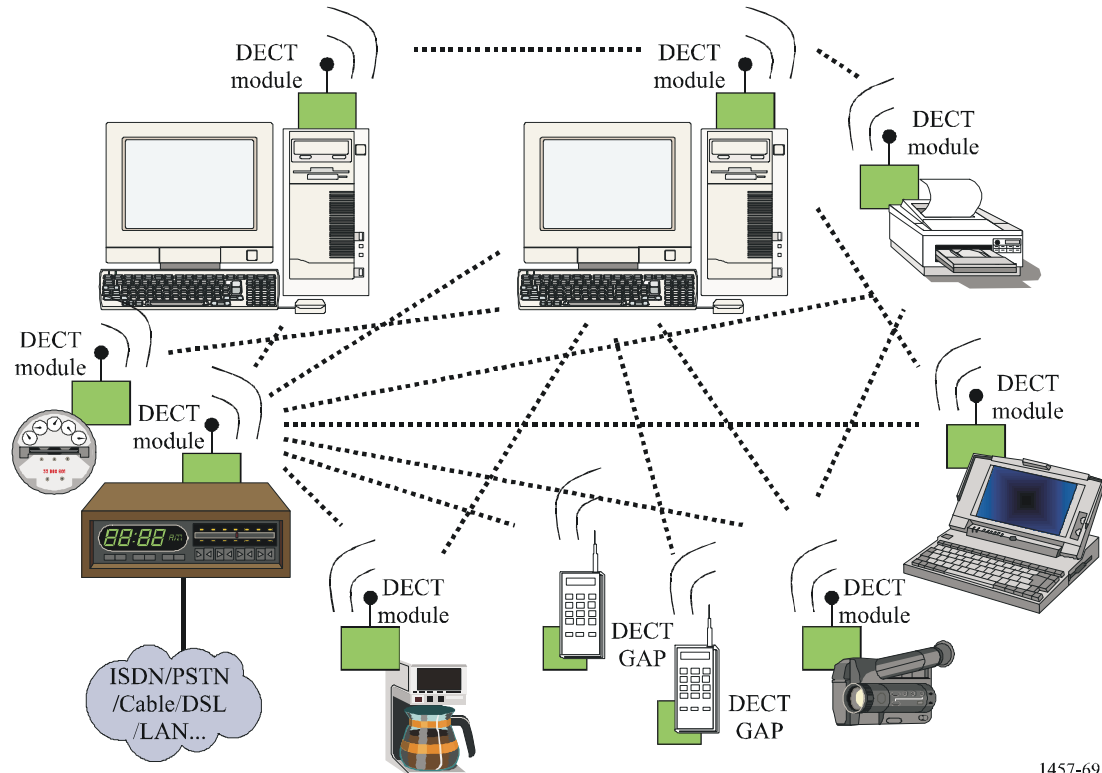
5.5.1.12 DECT Packet Radio Service (DPRS)

This standard defines the requirements and procedures for packet data transport over the DECT air interface. It specifies the interworking to ISO/IEC 8802-3 (Ethernet), ISO/IEC 8802-5 (Token Ring), Internet Protocol

(IP), Point-to-Point Protocol (PPP) and V.24. Figure 69 gives an example of a DECT wireless Ethernet LAN with Distributed Communication and additional voice capability.

FIGURE 69

DECT wireless ethernet (LAN) with distributed communication including voice capability



1457-69

5.5.1.13 DECT access to IP-networks

This technical specification defines how DECT can use mobile IP for roaming and how the DECT signalling can be interworked with the “Session Initiation Protocol” (SIP).

5.5.1.14 Open data access profile (ODAP)

This technical specification defines a common architecture and protocol to support home and industrial sensors, alarms, telematics and other machine-to-machine (M2M) messages. The profile provides a low rate (up to 28 kbit/s) protected data service utilizing a single symmetric DECT channel with an option of switching the service to a high data rate.

5.5.1.15 New Generation DECT Part 1: Wideband Speech

This technical specification is the first part of a multi-part standard for “New Generation DECT”. It defines the DECT application profile for wideband speech. In traditional telephony applications the supported bandwidth is 3.1 kHz. Increasing the bandwidth from narrow-band (300 Hz-3 400 Hz) to at least 150 Hz-7 000 Hz range (“wideband”) will allow to increase the speech quality with a feeling of more transparent communication and an increased intelligibility and listening comfort. One typical usage of this profile is for voice over IP.

5.5.1.16 Summary of major technical parameters

TABLE 9

Technical parameter	Value	Reference to § 5.5.2
Multiple access technique	TDMA	5.5.2.2
Duplexing scheme	TDD	5.5.2.2
Frame length	10 ms	5.5.2.2
Number of time slots in a frame	12 double slots 24 full slots 48 half slots	5.5.2.2
Modulation	GFSK, $\pi/2$ -DBPSK, $\pi/4$ -DQPSK, $\pi/8$ -D8PSK, 16-QAM, 64-QAM	5.5.2.2
RF bit rate	1 152 kbit/s for 2-level modulation 2 304 kbit/s for 4-level modulation 3 456 kbit/s for 8-level modulation 4 608 kbit/s for 16-level modulation 6 912 kbit/s for 64-level modulation	5.5.2.2
Channel spacing	1 728 kHz	5.5.2.2
Transmit power	Peak power Level 1: 2.5 mW (4 dBm) Level 2: 250 mW (24 dBm)	5.5.2.2
Frequency stability	For the portable part the centre frequency accuracy shall be within ± 50 kHz at extreme conditions either relative to an absolute frequency reference or relative to the received carrier, except during the first one second after the transition from the idle-locked state to the active-locked state the centre frequency accuracy shall be within ± 100 kHz at extreme conditions relative to the received carrier. At an RFP the transmitted RF carrier frequency corresponding to RF channel C shall be in the range $F_C \pm 50$ kHz at extreme conditions. The maximum rate of change of the centre frequency at both the RFP and the PP while transmitting, shall not exceed 15 kHz per slot.	5.5.2.2
Adjacent channel leakage power	1 channel: 160 μ W 2 channel: 1 μ W 3 channel: 80 nW >3 channel: 40 nW	5.5.2.2
Transmit linearity requirements	The power level of intermodulation products that are on any of this standard's physical channel when any combination of the transmitters at a radio end point are in calls on the same slot on different frequencies shall be less than 1 μ W. The power level is defined by integration over the 1 MHz centred on the nominal centre frequency of the afflicted channel and averaged over the time period.	5.5.2.2
Reference sensitivity	better than -83 dBm -86 dBm for speech service according to Generic Access Profile (GAP) Sensitivity is measured at 1×10^{-3} raw BER	5.5.2.2 5.5.2.11
Intermodulation sensitivity	The level of the interfering signals is -48 dBm, wanted signal is -80 dBm and 1×10^{-3} raw BER	5.5.2.2

TABLE 9 (end)

Technical parameter	Value			Reference to § 5.5.2
Spurious response and blocking	With the desired signal set at -80 dBm, the BER shall be maintained below 1×10^{-3} in the presence of any one of the signals shown in the table below; where: F_L and F_U : lower and the upper edges of the allocated frequency band; F_C : centre frequency of the allocated frequency band.			5.5.2.2
	Frequency	Interferer level for radiated measurements (dB(μ V/m))	Interferer level for conducted measurements (dBm)	
	$25 \text{ MHz} < f < F_L - 100 \text{ MHz}$	120	-23	
	$F_L - 100 \text{ MHz} < f < F_L - 5 \text{ MHz}$	110	-33	
	$ f - F_C > 6 \text{ MHz}$	100	-43	
	$F_U + 5 \text{ MHz} < f < F_U + 100 \text{ MHz}$	110	-33	
	$F_U + 100 \text{ MHz} < f < 12.75 \text{ GHz}$	120	-23	
Adjacent channel selectivity	With a received signal strength of -73 dBm (i.e. 70 dB(μ V/m)) on RF channel M , the BER in the D -field shall be maintained better than 1×10^{-3} when a modulated, reference interferer of the indicated strength is introduced on the RF channels shown below:			5.5.2.2
	Interferer on RF channel Y	Interferer signal strength		
		(dB(μ V/m))	(dBm)	
	$Y = M$	59	-84	
	$Y = M \pm 1$	83	-60	
	$Y = M \pm 2$	104	-39	
$Y = \text{any other channel}$	110	-33		
Handover	Seamless handover, mobile controlled, triggered when another BS becomes stronger.			5.5.2.3, 5.5.2.4, 5.5.2.5
Random access	Instant dynamic channel selection for every set-up using the least interfered channel measured at the mobile.			5.5.2.3
Pilot structure	Broadcast system information available on each active downlink, at least one downlink is active on every BS.			5.5.2.3
Dynamic channel allocation	Supported.			5.5.2.3

5.5.2 Detailed specification of the radio interface

The standards contained in this section are derived from the global core specifications for IMT-2000 contained at <http://ties.itu.int/u/itu-r/ede/rsg5/IMT-2000/GCS/GCSrev8/>. The following notes apply to the sections below, where indicated:

- (1) The relevant SDOs should make their reference material available from their Web site.
- (2) This information was supplied by the recognized external organizations and relates to their own deliverables of the transposed global core specification.

5.5.2.1 EN 300 175-1**Digital Enhanced Cordless Telecommunications (DECT); Common Interface (CI); Part 1: Overview**

This standard gives an introduction and overview of the complete Digital Enhanced Cordless Telecommunications (DECT) Common Interface (CI). This part of the DECT CI contains an abstract of the other parts of the DECT standard together with a general description of the objectives of the present document; the DECT Common Interface and the protocol architecture of DECT. The present document also provides an extensive vocabulary, in particular it contains the common definitions of all the technical terms used in different parts of the present document.

SDO (2)	Document No.	Version	Status	Issued date	Location (1)
ETSI	EN 300 175 - 1	V2.1.1	Published	Aug 07	http://webapp.etsi.org/WorkProgram/Report_WorkItem.asp?WKI_ID=22954

5.5.2.2 EN 300 175-2**Digital Enhanced Cordless Telecommunications (DECT); Common Interface (CI); Part 2: Physical Layer (PHL)**

This standard specifies the physical channel arrangements. The tasks of the PHL are to modulate and demodulate radio carriers with a bit stream of a defined rate to create a radio-frequency channel, to acquire and maintain bit and slot synchronization between transmitters and receivers, to transmit or receive a defined number of bits at a requested time and on a particular frequency, to add and remove the synchronization field and the Z-field used for rear end collision detection and to observe the radio environment to report signal strengths.

SDO (2)	Document No.	Version	Status	Issued date	Location (1)
ETSI	EN 300 175-2	V2.1.1	Published	Aug 07	http://webapp.etsi.org/workprogram/Report_WorkItem.asp?WKI_ID=22955

5.5.2.3 EN 300 175-3**Digital Enhanced Cordless Telecommunications (DECT); Common Interface (CI); Part 3: Medium Access Control (MAC) layer**

This standard specifies the Layer 2a of the DECT protocol stack. It defines three groups of MAC services: the broadcast message control service, the connectionless message control service and the multi-bearer control service. It also specifies the logical channels that are used by the above-mentioned services, and how they are multiplexed and mapped into the Service Data Units that are exchanged with the Physical Layer.

SDO (2)	Document No.	Version	Status	Issued date	Location (1)
ETSI	EN 300 175-3	V2.1.1	Published	Aug 07	http://webapp.etsi.org/WorkProgram/Report_WorkItem.asp?WKI_ID=22956

5.5.2.4 EN 300 175-4**Digital Enhanced Cordless Telecommunications (DECT); Common Interface (CI); Part 4: Data Link Control (DLC) layer**

This standard specifies the Layer 2b of the DECT protocol stack. Two planes of operation are specified for this DLC (sub)layer. These planes are called the Control plane (C-plane) and the User plane (U-plane). The C-plane is mostly concerned with the DECT signalling aspects. It provides a reliable point-to-point service that uses a link access protocol to offer error protected transmission of network layer messages. The C-plane also provides a separate point-to-multipoint (broadcast) service. The U-plane is only concerned with end-to-end user information. This plane contains most of the application dependent procedures of DECT. Several alternative services (both circuit-mode and packet-mode) are defined as a family of independent entities. Each service provides one or more point-to-point U-plane data links, where the detailed characteristics of those links are determined by the particular needs of each service. The defined services cover a wide range of performance, from unprotected with low delay for speech applications to highly protected with variable delay, for local area network applications.

SDO (2)	Document No.	Version	Status	Issued date	Location (1)
ETSI	EN 300 175-4	V2.1.1	Published	Aug 07	http://webapp.etsi.org/WorkProgram/Report_WorkItem.asp?WKI_ID=22957

5.5.2.5 EN 300 175-5

Digital Enhanced Cordless Telecommunications (DECT); Common Interface (CI); Part 5: Network (NWK) layer

This standard specifies the Layer 3 of the DECT protocol stack. It contains the following groups of functions: Link Control Entity (LCE), Call Control (CC) entity, Call Independent Supplementary Services (CISS) entity, Connection Oriented Message Service (COMS) entity, Connectionless Message Service (CLMS) entity and the Mobility Management (MM) entity.

SDO (2)	Document No.	Version	Status	Issued date	Location (1)
ETSI	EN 300 175-5	V2.1.1	Published	Aug 07	http://webapp.etsi.org/WorkProgram/Report_WorkItem.asp?WKI_ID=22958

5.5.2.6 EN 300 175-6

Digital Enhanced Cordless Telecommunications (DECT); Common Interface (CI); Part 6: Identities and addressing

This standard specifies the identities and addressing structure of the DECT Common Interface. There are four categories of identities defined, which are Fixed Part (FP), Portable Part (PP), connection-related, and equipment-related identities.

SDO (2)	Document No.	Version	Status	Issued date	Location (1)
ETSI	EN 300 175-6	V2.1.1	Published	Aug 07	http://webapp.etsi.org/WorkProgram/Report_WorkItem.asp?WKI_ID=22959

5.5.2.7 EN 300 175-7

Digital Enhanced Cordless Telecommunications (DECT); Common Interface (CI); Part 7: Security features

This part of the DECT CI specifies the security architecture, the types of cryptographic algorithms required, the way in which they are to be used, and the requirements for integrating the security features provided by the architecture into the DECT CI. It also describes how the features can be managed and how they relate to certain DECT fixed systems and local network configurations. The security architecture is defined in terms of the security services which are to be supported at the CI, the mechanisms which are to be used to provide the services, and the cryptographic parameters, keys and processes which are associated with these mechanisms.

SDO (2)	Document No.	Version	Status	Issued date	Location (1)
ETSI	EN 300 175-7	V2.1.1	Published	Aug 07	http://webapp.etsi.org/WorkProgram/Report_WorkItem.asp?WKI_ID=22960

5.5.2.8 EN 300 175-8

Digital Enhanced Cordless Telecommunications (DECT); Common Interface (CI); Part 8: Speech coding and transmission

This part of the DECT CI specifies the speech coding and transmission requirements. In order to ensure satisfactory interworking of different portable and fixed units, it is necessary to specify the transmission performance of the analogue information over the digital link. This requires not only use of a common speech algorithm, but also standardization of frequency responses, reference speech levels (or loudness) at the air interface and various other parameters.

SDO (2)	Document No.	Version	Status	Issued date	Location (1)
ETSI	EN 300 175 - 8	V2.1.1	Published	Aug 07	http://webapp.etsi.org/WorkProgram/Report_WorkItem.asp?WKI_ID=22961

5.5.2.9 EN 300 176-1

Digital Enhanced Cordless Telecommunications (DECT); Approval test specification; Part 1: Radio

This standard specifies radio tests for DECT equipment. It covers testing of radio-frequency parameters, security elements and those DECT protocols that facilitate the radio-frequency tests and efficient use of frequency spectrum. The aims of this document are to ensure efficient use of frequency spectrum and that no harm is done to other radio networks and services.

SDO (2)	Document No.	Version	Status	Issued date	Location (1)
ETSI	EN 300 176-1	V1.5.1	Published	Oct 03	http://webapp.etsi.org/workprogram/Report_WorkItem.asp?WKI_ID=14123

5.5.2.10 EN 300 176-2

Digital Enhanced Cordless Telecommunications (DECT); Approval test specification; Part 2: Speech

This standard specifies tests applicable to DECT speech transmission.

SDO (2)	Document No.	Version	Status	Issued date	Location (1)
ETSI	EN 300 176 - 2	V1.5.1	Published	Jan 04	http://webapp.etsi.org/workprogram/Report_WorkItem.asp?WKI_ID=18822

5.5.2.11 EN 300 444

Digital Enhanced Cordless Telecommunications (DECT); Generic Access Profile

The objective of the standard is to ensure inter-operability of DECT equipment capable of 3.1 kHz telephony applications. The profile consists of the minimum mandatory requirements that allow a 3.1 kHz teleservice connection to be established, maintained and released between a Fixed Termination (FT) and a Portable Termination (PT) with the appropriate access rights.

SDO (2)	Document No.	Version	Status	Issued date	Location (1)
ETSI	EN 300 444	V1.4.2	Published	Feb 03	http://webapp.etsi.org/workprogram/Report_WorkItem.asp?WKI_ID=17823

5.5.2.12 EN 301 649

Digital Enhanced Cordless Telecommunications (DECT); DECT Packet Radio Service

The document defines the standard for packet data services for Digital Enhanced Cordless Telecommunications (DECT) systems conforming to EN 300 175 Parts 1 to 7. It is the basis of profiles which define more specific applications, aimed at the connection of terminals supporting packet data services to a fixed infrastructure, both private and public.

SDO (2)	Document No.	Version	Status	Issued date	Location (1)
ETSI	EN 301 649	V1.4.1	Published	Dec 04	http://webapp.etsi.org/WorkProgram/Report_WorkItem.asp?WKI_ID=20686

5.5.2.13 TS 102 265**Digital Enhanced Cordless Telecommunications (DECT); DECT access to IP-networks**

The document specifies additional requirements for Digital Enhanced Cordless Telecommunications (DECT) Internet Protocol applications including networking aspects, voice over IP, SIP interworking, mobility and quality of service properties.

SDO (2)	Document No.	Version	Status	Issued date	Location (1)
ETSI	TS 102 265	V1.2.1	Published	Oct 04	http://webapp.etsi.org/WorkProgram/Report_WorkItem.asp?WKI_ID=20676

5.5.2.14 TS 102 342**Digital Enhanced Cordless Telecommunications (DECT); Cordless multimedia communication system; Open Data Access Profile (ODAP)**

The document defines a common architecture and protocol to support home and industrial sensors, alarms, telematics and other Machine_to_Machine (M2M) messages. The specification aims at ensuring low cost terminals and an easy to use application interface.

SDO (2)	Document No.	Version	Status	Issued date	Location (1)
ETSI	TS 102 342	V1.2.1	Published	Sep 05	http://webapp.etsi.org/WorkProgram/Report_WorkItem.asp?WKI_ID=23470

5.5.2.15 TS 102 527-1**Digital Enhanced Cordless Telecommunications (DECT); New Generation DECT; Part 1: Wideband Speech**

New Generation DECT improves audio quality by implementing wideband enhanced quality audio codecs. The document defines the wideband voice service for DECT with the aim to guarantee interoperability. All New Generation DECT wideband speech devices are backward compatible with traditional DECT voice devices.

SDO (2)	Document No.	Version	Status	Issued date	Location (1)
ETSI	TS 102 527-1	V1.1.1	Published	Apr 07	http://webapp.etsi.org/workprogram/Report_WorkItem.asp?WKI_ID=24768

5.6 IMT-2000 OFDMA TDD WMAN

5.6.1 Overview of the radio interface

5.6.1.1 Introduction

The IEEE standard relevant for IMT-2000 OFDMA TDD WMAN, designated as IEEE Std 802.16, is developed and maintained by the IEEE 802.16 Working Group on Broadband Wireless Access. It is published by the IEEE Standards Association (IEEE-SA) of the Institute of Electrical and Electronics Engineers (IEEE).

The radio interface technology specified in IEEE Standard 802.16 is flexible, for use in a wide variety of applications, operating frequencies, and regulatory environments. IEEE 802.16 includes multiple physical layer specifications, one of which is known as WirelessMAN-OFDMA. OFDMA TDD WMAN is a special case of WirelessMAN-OFDMA specifying a particular interoperable radio interface. OFDMA TDD WMAN as defined here operates only in TDD mode.

The OFDMA TDD WMAN radio interface comprises the two lowest network layers – the physical layer (PHY) and the data link control layer (DLC). The lower element of the DLC is the medium access control layer (MAC); the higher element in the DLC is the logical link control layer (LLC). The PHY is based on orthogonal frequency division multiple access (OFDMA) suitable for use in either a 5 MHz or a 10 MHz channel allocation. The MAC is based a connection-oriented protocol designed for use in a point-to-multipoint configuration. It is designed to carry a wide range of packet-switched (typically IP-based) services while permitting fine and instantaneous control of resource allocation to allow full carrier-class Quality of Service (QoS) differentiation.

5.6.1.2 Radio access network architecture

The OFDMA TDD WMAN radio interface is designed to carry packet-based traffic, including IP. It is flexible enough to support a variety of higher-layer network architectures for fixed, nomadic, or fully mobile use, with handover support. It can readily support functionality suitable for generic data as well as time-critical voice and multimedia services, broadcast and multicast services, and mandated regulatory services.

The radio interface standard specifies Layers 1 and 2; the specification of the higher network layers is not included. It offers the advantage of flexibility and openness at the interface between Layers 2 and 3 and it supports a variety of network infrastructures. The radio interface is compatible with the network architectures defined in ITU-T Recommendation Q.1701. In particular, a network architecture design to make optimum use of IEEE Standard 802.16 and the OFDMA TDD WMAN radio interface is described in the “WiMAX End to End Network Systems Architecture Stage 2-3”, available from the WiMAX Forum².

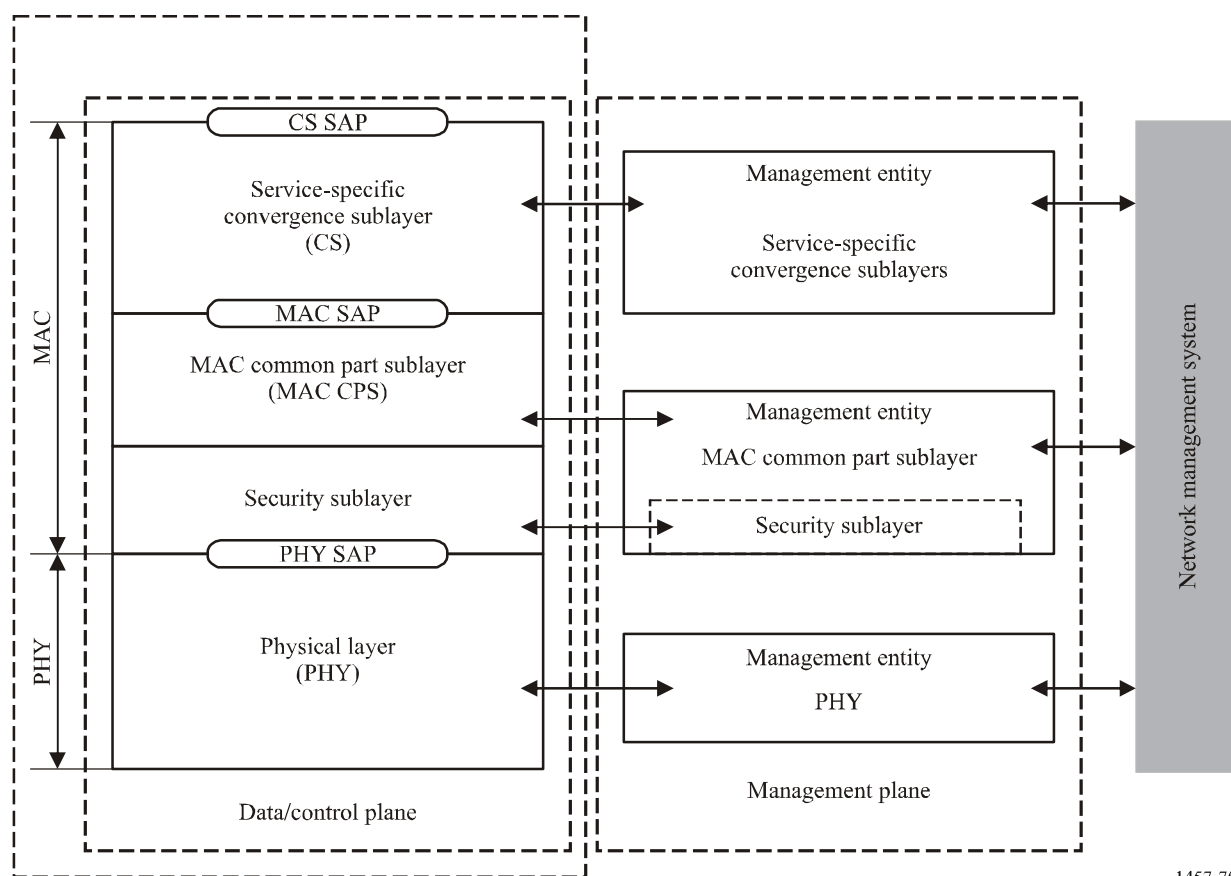
The protocol layering is illustrated in Fig. 70. The core radio interface is defined in the data/control plane. Layer 1 comprises the PHY, which interfaces with the MAC at Layer 2 through the PHY service access point (SAP). The MAC includes three separate sub-layers. The lowest of these is the security sub-layer, which provides security mechanisms providing authentication, encryption, and key exchange for data privacy and to limit service to authorized use. Above the security sub-layer is the core MAC functionality, known as the MAC Common Part Sub-layer (MAC CPS). This interfaces, via the MAC SAP, with the Service-Specific Convergence Sub-layer (CS), which provides an interface to the IP network via the CS SAP.

The MAC is connection-oriented. Each service, including inherently connectionless services, is mapped to a connection. Various mechanisms, known as scheduling services, are available for the SS to communicate to the BS the resource requirements of its connections. Each connection is assigned a specific scheduling service. The BS is required to manage a variety of simultaneous connections with disparate QoS requirements.

² <http://www.wimaxforum.org/technology/documents/>.

FIGURE 70

OFDMA TDD WMAN protocol layering, showing service access points (SAPs)



1457-70

5.6.1.2.1 BS and SS Functionality

The system architecture consists of two logical entities, the base station (BS) and the subscriber station (SS). The basic architectural assumption is of a base station (BS) communicating in point-to-multipoint fashion with a number of fixed or mobile subscriber stations (SSs). The BS is connected to an IP-based backhaul network. It controls and allocates the resources in spectrum and time. Transmissions on the downlink (BS to SS) are divided in both time and frequency (using the multiple sub-carriers provide by OFDMA) for assigning communications to individual SSs. Transmissions on the uplink (from SS to BS) take place according to the schedule and in the sub-channels assigned by the BS.

In brief, the BS is responsible for:

- configuring and updating basic parameters;
- performing bandwidth allocation for DL (per connection) and UL traffic (per SS) and performing centralized QoS scheduling, based on the QoS/service parameters and the active resource requests from the SS;
- communicating to all SSs, through the maps, the schedule of each frame and supporting other data and management broadcast and multicast services;
- transmitting/receiving traffic data and control information as MAC protocol data units (PDUs);
- performing connection admission control and other connection management functions;
- providing other SS support services such as ranging, clock synchronization, power control, and handover.

The SS is responsible for:

- identifying the BS, obtaining MAC parameters, and joining the network;
- establishing basic connectivity, setting up additional data and management connections, and negotiating any optional parameters as needed;
- generating resource requests for connections that require them, based on the connection profiles and traffic;
- receiving broadcast/multicast PDUs and unicast PDUs and forwarding them appropriately;
- making local scheduling decisions based on the current demand and history of resource requests/grants;
- transmitting only when instructed by the BS to do so or the SS has some information that qualifies for transmission in one of the allowed contention slots;
- unless in sleep mode, receiving all schedule and channel information broadcast by the BS and obeying all medium access rules;
- performing initial ranging, maintenance ranging, power control, and other housekeeping functions.

Figure 70 is limited to describing a system including a BS and the SSs with which it communicates. However, the radio interface also provides specifications to allow handover of an SS from one BS to another. Such handover would typically occur as a mobile device moves toward an adjacent cell. However, it might also occur due to system-wide efforts at load balancing.

5.6.1.3 Layer 1: Physical layer (PHY)

The radio interface is a special case of the Wireless MAN-OFDMA air interface specified in § 8.4 of IEEE Standard 802.16. It uses orthogonal frequency-division multiple access (OFDMA), which is an extension of orthogonal frequency-division multiplexing (OFDM).

5.6.1.3.1 OFDMA technology overview

OFDM divides the channel by frequency into orthogonal sub-carriers. Data to be transmitted is divided into parallel streams of reduced data rate (and therefore longer symbol duration) and each stream is modulated and transmitted on a separate sub-carrier. The lengthened symbol duration improves the robustness of OFDM to delay spread. Furthermore, the introduction of a cyclic prefix (CP) eliminates intersymbol interference if the CP duration is longer than the channel delay spread.

In a typical OFDM implementation, all of the transmitter's sub-carriers are, at any given time, addressed to a single receiver; multiple access is provided solely by TDMA time slotting. OFDMA, however, divides the sub-carrier set into subsets, known as sub-channels. Each sub-channel can address a different receiver at any given time. In the downlink, each sub-channel may be intended for a different receiver or group of receivers. In the uplink, multiple SSs may transmit simultaneously as long as they are assigned different sub-channels.

Sub-carriers are used for three purposes:

- Data transmission
- Pilot transmission, for various estimation purposes
- Null transmission, for guard bands and at DC.

The concept is illustrated in Fig. 71. As indicated, the sub-carriers forming one sub-channel need not be adjacent.

Sub-channelization is a multiple access technique. It provides OFDMA systems increased scheduling flexibility and a number of performance advantages, including enhanced scalability and advanced antenna array processing capabilities.

5.6.1.3.2 OFDMA TDD WMAN physical layer details

The PHY utilizes OFDMA with either 512 sub-carriers in a 5 MHz channel or 1 024 sub-carriers in a 10 MHz channel. The primitive PHY parameters are listed in Table 10.

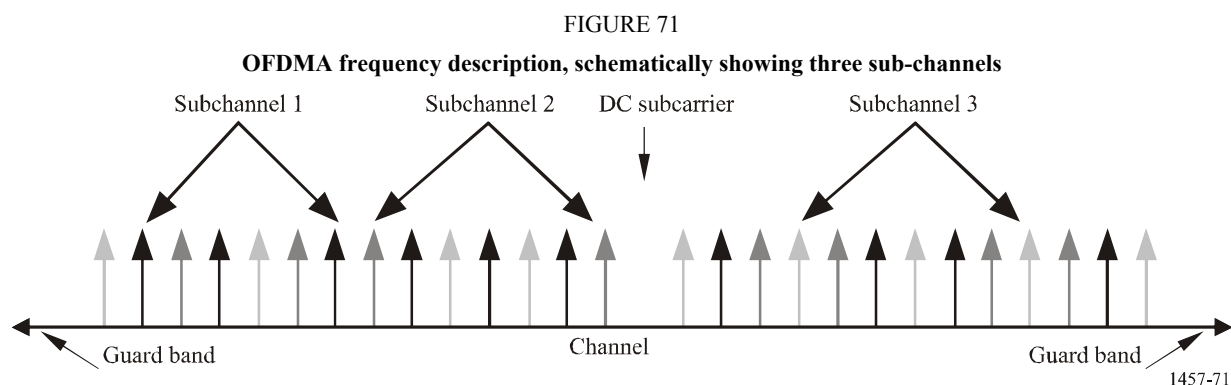


TABLE 10

OFDMA TDD WMAN primitive PHY parameters

FFT size (N_{FFT})	512	1 024
System channel bandwidth (BW)	5 MHz	10 MHz
Sampling frequency (F_s)	5.6 MHz	11.2 MHz
Sub-carrier frequency spacing ($\Delta f = F_s/N_{\text{FFT}}$)	10.9375 kHz	
Useful symbol time ($T_b = 1/\Delta f$)	~91.43 μs	
Guard (CP) time ($T_g = T_b/8$)	~11.43 μs	
OFDMA symbol duration ($T_s = T_b + T_g$)	~102.9 μs	
Frame duration	5 ms	
OFDMA symbols per frame (including TTG and RTG)	~48	
OFDMA symbols per frame (excluding TTG and RTG)	47	

5.6.1.3.3 Framing and sub-channelization

OFDMA TDD WMAN PHY utilizes a 5 ms TDD frame. The frame includes first downlink and then uplink sub-frames, divided by time gaps to allow the transceivers to switch between receive and transmit. The two gaps (TTG and RTG) are both included in the 5 ms duration. The asymmetry between the uplink and downlink sub-frame durations is configurable on a system-wide basis.

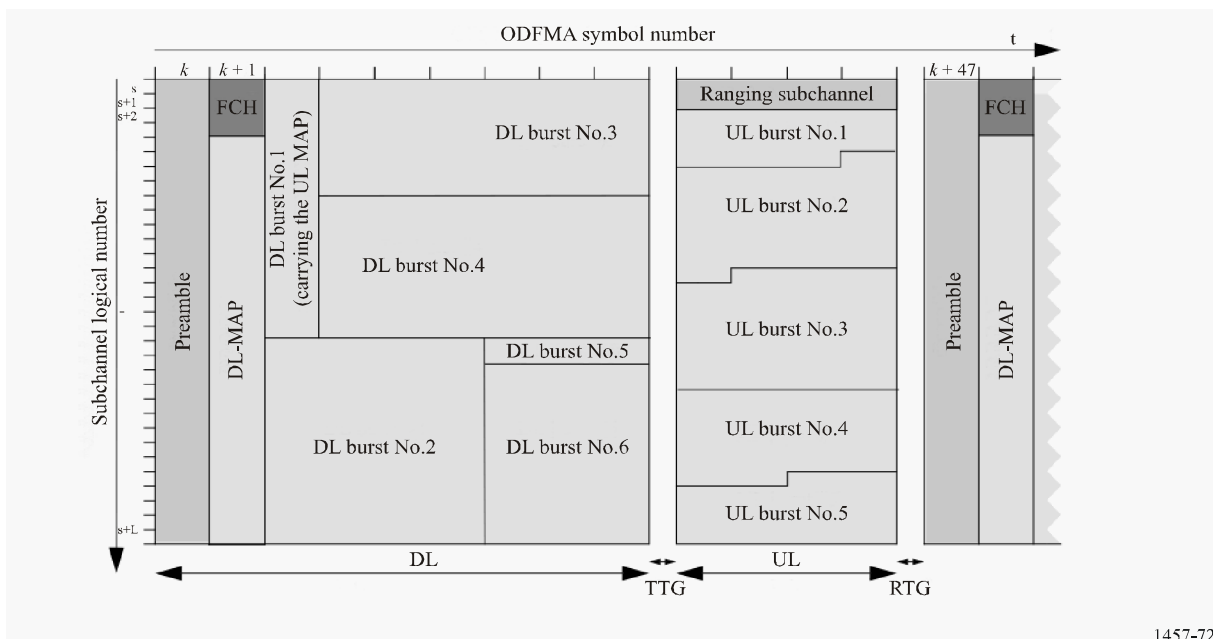
The frame structure is illustrated schematically in Fig. 72.

The frame is shown in two dimensions. The horizontal dimension represents time, which maps directly into the OFDM symbol sequence. The vertical dimension represents the list of available logical sub-channels. This maps into frequency, although only indirectly, since the sub-carriers in a given logical channel are not arranged in sequential order.

The frame begins with a preamble for synchronization. The following OFDM symbol contains the frame control header (FCH) and the downlink map (DL_MAP), transmitted simultaneously on different sub-channels. The FCH includes frame configuration data. The DL-MAP indicates the use of the DL sub-frame, in time and sub-channel allocation. The UL-MAP that follows provides similar information for the uplink, though the allocation is relevant not to the current frame but to a subsequent one, in order to allow the SS time to prepare an appropriate transmission or in accordance with the UL-MAP.

The construction of the sub-channel from individual sub-carriers is called the permutation. OFDMA TDD WMAN provides a number of possible permutations. The optimal choice depends on the deployment scenario and instantaneous circumstances; therefore, the permutation may differ from one OFDM symbol to the next. The specification supports a sequence of permutation zones in the frame, so that different subscriber stations can be served with different permutations.

FIGURE 72
Schematic illustration of frame structure



1457-72

5.6.1.3.4 Adaptive modulation and coding

OFDMA TDD WMAN supports a variety of modulation and coding alternatives. The control is adaptive and dynamic, so that the BS may select different options for communicating with different SSs and may order the SS to alter the choices in order to optimize the trade-off of robustness versus capacity.

The BS selects the modulation from among QPSK, 16-QAM, and 64-QAM. For forward error correction, Convolutional Coding and Convolutional Turbo Coding with variable code rate and repetition coding are specified. Block Turbo Code and Low Density Parity Check Code (LDPC) are supported as optional features.

Data randomization is specified in order to reduce the peak-to-average power ratio. Interleaving is specified to increase frequency diversity.

5.6.1.3.5 Fast feedback and hybrid ARQ

OFDMA TDD WMAN specifies an uplink fast-feedback channel to provide time-critical PHY parameter data to the BS. Parameters include signal-to-noise ratio, MIMO coefficients, and MIMO configuration parameters.

Additional UL acknowledgment channels may be allocated by the BS to support hybrid automatic repeat request (HARQ).

5.6.1.4 Layer 2: Medium access control layer (MAC)

The medium access control layer (MAC) functionality controls access to the medium, which in this case is the radio spectrum. The MAC is also responsible for basic functions such as data encapsulation, fragmentation, radio resource control, radio link control, error detection and retransmission, QoS, security, sleep mode, and handover.

Although the radio interface is designed primarily to support a connectionless network layer, such as IP, the MAC is connection-oriented. All services, including inherently connectionless services, are mapped to a connection. The connection provides a mechanism for requesting resource allocation, associating QoS and traffic parameters, transporting and routing data, and all other actions associated with the terms of the service. A 16-bit connection identifier (CID) is assigned to designate each connection. The MAC uses the CID to identify all information exchanged between BS and SS, including management and broadcast data. The CID provides a simple and direct way to differentiate traffic. All MAC-level QoS functions, such as the classifier and QoS scheduler, use the CID to identify and differentiate traffic in order to maintain the service level and fairness among connections.

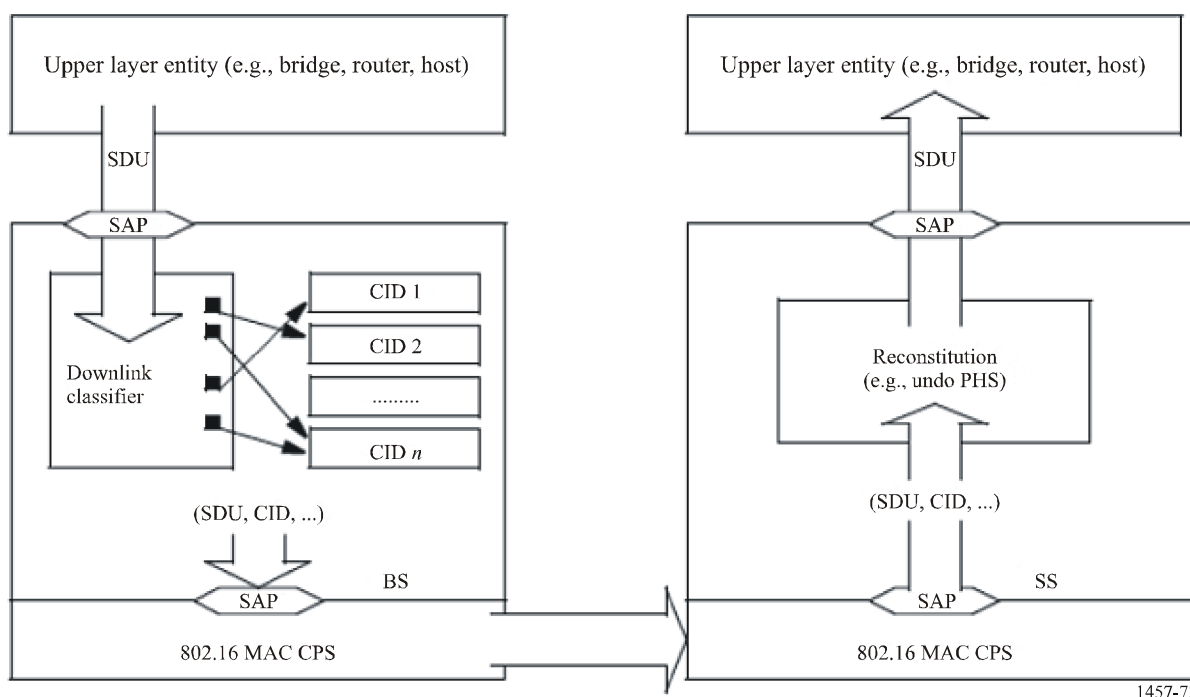
5.6.1.4.1 Convergence sub-layer (CS)

At the transmitter side, the Convergence sub-layer is responsible for transforming packet-based protocol data units from the higher layer protocol into MAC service data unit (SDUs), possibly using payload header suppression (PHS) to suppress some of the packet headers and reduce the burden of carrying them over the air. The CS then classifies each MAC SDU, assigning it to a particular connection, and passes it to the MAC CPS. At the receiver side, the CS is responsible for the inverse operations, including reassembly of packets into their original format with complete headers.

The CS contains a classification function that determines on which connection a particular packet shall be carried and which PHS rule applies for that packet. The operation is illustrated in Fig. 73, which shows the downlink case. Classifier parameters are configured during dynamic service signalling.

FIGURE 73

Classification and CID mapping (downlink)



5.6.1.4.2 MAC common part sub-layer (CPS)

The MAC CPS is responsible for performing the core MAC functions. It receives MAC service data units (SDUs) from the CS and encapsulates them in its native MAC PDU format for transmission over the PHY. The MAC CPS also manages the transport connections and QoS, controlling access to the radio spectrum by the SSs.

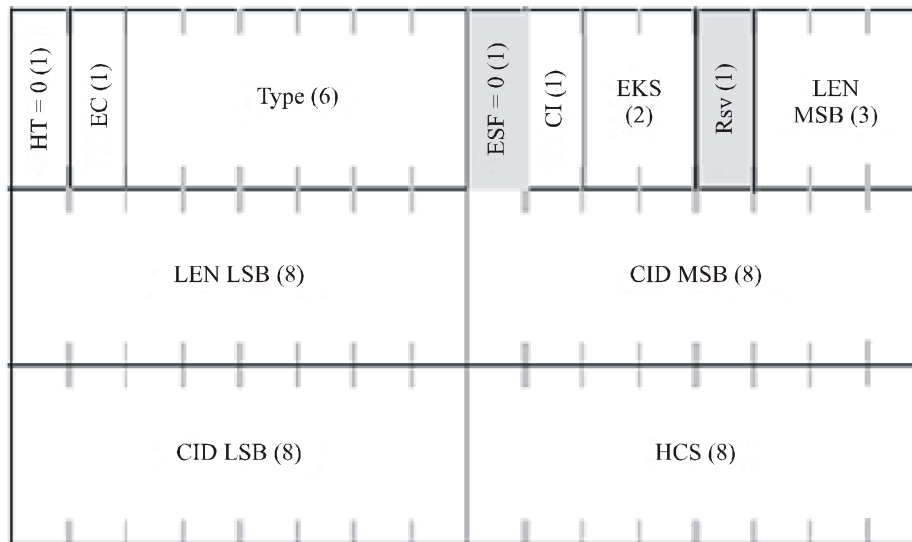
Encapsulation may be as simple as adding necessary information to the SDU. However, the MAC CPS also has the possibility of dividing a single SDU into multiple fragments before transmission, for reassembly at the receiving MAC CPS. Fragmentation allows more efficient support of higher layer protocols with variable-size SDUs, given that the underlying PHY used a fixed frame size. The MAC CPS also has the complementary option to pack multiple higher layer payloads into a single PDU. Since MAC encapsulation introduces some fixed overhead per PDU, this can improve the efficiency of carrying small SDUs.

A MAC PDU consists of a six-byte MAC header, a variable-length payload, and an optional cyclic redundancy check. Four header formats, distinguished by the HT field, are defined. The generic header is shown in Fig. 74.

MAC PDUs generally contain either MAC management messages or convergence sub-layer data. However, one header type is reserved for uplink PDUs that contain no payload, conveying their information (such as a resource request) in the content of the header itself. Additional sub-headers are also defined. For example, the SS can use the grant management sub-header to convey bandwidth management needs to the BS. The

fragmentation sub-header contains information that indicates the presence and orientation in the payload of any fragments of SDUs. The packing sub-header is used to indicate the packing of multiple SDUs into a single PDU. The grant management and fragmentation sub-headers may be inserted in MAC PDUs immediately following the generic header if so indicated by the Type field. The packing sub-header may be inserted before each MAC SDU if so indicated by the Type field.

FIGURE 74
Generic MAC header format



1457-74

5.6.1.4.2.1 Uplink scheduling services

The scheduling algorithm is not specified in the standard but is critical to efficient multimedia delivery when the BS supports a variety of disparate connections. The BS is presumed capable of scheduling its own downlink transmissions based on QoS information developed in the CS. Uplink scheduling is more complicated because, while resource allocation is under the control of the BS, only the SSs know in real time their immediate transmission demands.

In order to allow efficient QoS-based scheduling, a number of uplink scheduling services are defined, with a specific service assigned to each connection. The QoS categories are summarized in Table 11.

Resource requests, for transmission slots, are initiated by a specific connection at the SS. However, grants are allocated not to the connection but to the supporting SS. The SS is required to manage the slots allocated to it, assigning them to the multiple connections it supports. By distributing the management and permitting local resource allocation, over-the-air negotiation is minimized and rescheduling decisions are made more quickly and effectively.

5.6.1.4.2.2 Radio link control

As noted in § 5.6.1.3.2, OFDMA TDD WMAN supports adaptive modulation and coding. The MAC CPS is responsible for radio link control. This involves managing the modulation and coding selection at the SS through interactive message exchange based on monitoring the ratio of carrier signal to noise and interference.

5.6.1.4.2.3 Energy conservation in the mobile SS

The MAC CPS controls two energy-saving modes – Sleep Mode and Idle Mode – to conserve energy in the mobile SS. During Sleep Mode, the SS observes pre-negotiated periods without transmission. Idle Mode is intended as a mechanism to allow the SS to become periodically available for DL broadcast messaging without registration at a specific BS as the SS traverses an air link environment populated by multiple BSs, typically over a large geographic area.

TABLE 11
OFDMA TDD WMAN Uplink scheduling services

QoS category	Typical applications	QoS specifications
UGS Unsolicited grant service	VoIP	<ul style="list-style-type: none"> – Maximum sustained rate – Maximum latency tolerance – Jitter tolerance
rtPS Real-time packet service	Streaming audio or video	<ul style="list-style-type: none"> – Minimum reserved rate – Maximum sustained rate – Maximum latency tolerance – Traffic priority
ErtPS Extended real-time packet service	Voice with activity detection (VoIP)	<ul style="list-style-type: none"> – Minimum reserved rate – Maximum sustained rate – Maximum latency tolerance – Jitter tolerance – Traffic priority
nrtPS Non-real-time packet service	File transfer protocol (FTP)	<ul style="list-style-type: none"> – Minimum reserved rate – Maximum sustained rate – Traffic priority
BE Best-effort service	Data transfer, web browsing, etc.	<ul style="list-style-type: none"> – Maximum sustained rate – Traffic priority

5.6.1.4.2.4 Handover

The MAC CPS supports optimized hard handover.

5.6.1.4.3 Security sub-layer

The security sub-layer, which operates between the PHY and the MAC CPS, is responsible for providing strong encryption, decryption, mutual authentication, and secure key exchange. Security is maintained as a separate sub-layer so that it may be upgraded as necessary. Also, the key functionality internal to the sub-layer is also modular, to provide easy maintenance upgrade. For example, the protocol provides a means of identifying one from a set of supported cryptographic suites, each of which specifies data encryption and authentication algorithms, and the rules for applying those algorithms to a MAC PDU payload.

The security sub-layer utilizes a security association (SA), which is a set of information shared between the transmitter and receiver. Each SA contains information on the cryptographic suite used for that SA and may also contain keys, such as the traffic encryption keys (TEKs), along with the key lifetimes and other associated state information. Prior to transmission, the MAC PDUs are mapped to an SA. The receiver uses the CID to determine the correct SA and applies the corresponding processing to the received PDU.

Device and user authentication use the IETF EAP protocol. OFDMA TDD WMAN encrypts user data using the AES-CCM cryptographic suite, with the Advanced Encryption Standard (AES) algorithm in the counter with CBC-MAC (CCM) mode, with 128-bit keys. The keys are generated using EAP authentication and managed by a Traffic Encryption Key (TEK) state machine. MAC management messages are AES encrypted and authenticated. A three-way handshake scheme is supported to optimize re-authentication during handover.

5.6.1.5 Smart antennas

OFDMA TDD WMAN specifies the use of smart antenna technologies, including antenna beamforming, space-time coding, and spatial multiplexing, which increase the cell size, data throughput, and spectral efficiency. These techniques reduce the sensitivity of the system to fading and multipath transmission effects.

5.6.1.6 Summary of major technical parameters

TABLE 12

OFDMA TDD WMAN parameters and capabilities

Parameter/Capability	Value		IEEE 802.16 Subclause
Duplex method	TDD		§ 8.1.3.2
Physical layer mode	OFDMA		§ 8.4
System channel bandwidth	5 MHz	10 MHz	§ 8.4.1
FFT size	512	1 024	
Frame duration	5 ms		§ 8.4.5.2
Transmit transition gap (TTG)	105.714 µs		§ 8.4.5.2
Receive transition gap (RTG)	60 µs		§ 8.4.5.2
Modulation, downlink	QPSK, 16-QAM, 64-QAM		§ 8.4.9.4.2
Modulation, uplink	QPSK, 16-QAM		§ 8.4.9.4.2
Forward error correction coding	Convolutional Coding and Convolutional Turbo Coding		§ 8.4.9.2.1; § 8.4.9.2.3 excluding § 8.4.9.2.3.5
Encryption	AES-CCM, AES Key Wrap, 128-bit keys		§ 11.9.14
Authentication	EAP		§ 11.8.4.2
Privacy key management	PKMv2		§ 7.2.2
Management message integrity protection	CMAC		§ 7.5.4.4

5.6.2 Detailed specification of the radio interface

The standards contained in this section are derived from the global core specifications for IMT-2000 contained at <http://ties.itu.int/u/itu-r/ede/rsg5/IMT-2000/GCS/GCSrev8/>. The following notes apply to the sections below, where indicated: (1) The relevant SDOs should make their reference material available from their website. (2) This information was supplied by the recognized external organizations and relates to their own deliverables of the transposed global core specification.

SDO ⁽¹⁾	Document No.	Status	Issued date	Location ⁽²⁾
IEEE	802.16-2004	Published	01/10/2004	http://standards.ieee.org/getieee802/802.16.html
IEEE	802.16e-2005 and Cor1	Published	28/02/2006	http://standards.ieee.org/getieee802/802.16.html
IEEE	802.16f-2005	Published	01/12/2005	http://standards.ieee.org/getieee802/802.16.html

The Tables in § 5.6.2.1 provide specific definition of which portions of the stated reference links are to be considered as the specifications for OFDMA TDD WMAN. These Tables have been derived from the WiMAX Forum system profile document WiMAX Forum Mobile System Profile Rel 1.0 Approved Specifications (Rev 1.2.2, 2006/11/17) (http://www.wimaxforum.org/technology/documents/WiMAX_Forum_Mobile_System_Profile_v1_2_2.pdf). The entries in the Tables in § 5.6.2.1 that contain “Y” or interoperable options (IO-BF or IO-MIMO) are part of the detailed specifications for OFDMA TDD WMAN. The “N” entries in the Tables in 5.6.2.1 are for information only and are not included in the OFDMA TDD WMAN specification. Anything in the attached references that is not mentioned in the Tables in § 5.6.2.1 is excluded.

5.6.2.1 Additional detailed definition of the OFDMA TDD WMAN specification

The following text is taken from the WiMAX Forum mobile system profile document (with original section numbering retained).

“2 References

- [1] **IEEE Standard 802.16-2004**, IEEE Standard for Local and Metropolitan Area Networks – Part 16: Air Interface for Fixed Wireless Access Systems.
- [2] **IEEE Standard 802.16e-2005**, Amendment to IEEE Standard for Local and Metropolitan Area Networks – Part 16: Air Interface for Fixed Wireless Access Systems – Physical and Medium Access Control Layers for Combined Fixed and Mobile Operation in Licensed Bands.

3 Definitions

For the purposes of the present document, the following terms and definitions apply:

3.1 Abbreviations

3.2 Definitions of system profiles

Profile definitions of different devices/usage models and releases are provided in this subsection.

3.3 Conventions

3.3.1 Item column

The Item column contains a number that identifies each description in the Table.

3.3.2 Description column

The Description column describes in free text each respective item (e.g. parameters, timers, etc.).

3.3.3 Reference column

The Reference column indicates the section of [1] and [2] from which the requirement for the item is derived.

3.3.4 Status column

The following notations are used in the Status column to indicate whether each item is mandatory or optional in IEEE standard based on 802.16-2004 [1] as amended by 802.16e-2005 [2].

TABLE 1

Status column entries

m	Explicitly shown as mandatory in the standard. It is required to implement
pm	Potentially mandatory, required for the system to perform basic operations (Not explicitly shown as mandatory in the standard). It is required to implement
o	Explicitly mentioned as optional in the standard or is not explicitly mentioned but has capability negotiations. It may or may not be implemented
oi	Qualified option – for mutually exclusive or selectable options from a set. One or more of the options from the set shall be supported
po	Potentially optional. Not explicitly mentioned as mandatory, but from the standard we may conclude it is, though not really required for the system to perform basic operations. We have to decide whether it should be defined as optional
n/a	Not applicable – in the given context, it is impossible to use the capability

3.3.5 BS/MS Required column

The Required column indicates whether the item is required for every BS/MS to implement for WiMAX certification purposes.

TABLE 2
Required column entries

Y or y	Required to implement
N or n	Not required to implement
IO-NNNN	Inter-operable options: Item belongs to NNNN group of features for which it is requested to provide testing procedure and distinct labelling of BS equipment. More specifically: <ul style="list-style-type: none"> – the item is not required to get general “WiMAX certified” label, and is required to get distinct “WiMAX certified with NNNN capability” label.
n/a	Not applicable

The following Inter-operable Options are defined and used in this document.

- 1) IO-MIMO: Group of Inter-operable Option features related to Multiple Input Multiple Output (MIMO) operation.
- 2) IO-BF: Group of Inter-operable Option features related to Beam Forming (BF) operation.
- 3) IO-MBS: Group of Inter-operable Option features related to Multicast and Broadcast Services (MBS) operation.
- 4) IO-ETH_x (x = 1, 2, 3): Groups of Inter-operable Option features related to Ethernet CS.

3.3.6 BS/MS Values column

This column indicates the specific value or range of values for each BS/MS to implement for WiMAX certification purposes.

TABLE 3
Value column entries

xx	Set to value xx
aa – bb	Set to range aa – bb
n/a	Not applicable

3.3.7 Comment column

This column provides additional clarification and reasoning for each item.

4 PHY Profile

4.1 Profiles of BS and MS

4.1.1 System Parameters

4.1.1.1 PHY Mode

TABLE 4
PHY Mode

Item	Description	Reference	Status	BS required	MS required	Comment
1	OFDMA	8.4	m	Y	Y	OFDMA is the sole PHY mode within the scope of this document

4.1.1.2 Band Class Index

(This section is not included in this extract as it is not relevant.)

4.1.1.3 Sampling Factor

TABLE 6
Sampling Factor

Item	Description	Reference	Status	BS required	MS required	Comments
1	If channel bandwidth is a multiple of 1.75 MHz then $n = 8/7$ else if channel bandwidth is a multiple of any of 1.25, 1.5, 2 or 2.75 MHz then $n = 28/25$ else if not otherwise specified then $n = 8/7$	8.4.2.3	m	Y	Y	

4.1.1.4 Cyclic Prefix

TABLE 7
Cyclic Prefix

Item	Description	Reference	Status	BS required	MS required	Comments
1	1/4	8.4.2.3	Oi	N	N	
2	1/8	8.4.2.3	Oi	Y	Y	
3	1/16	8.4.2.3	Oi	N	N	
4	1/32	8.4.2.3	Oi	N	N	

4.1.1.5 Frame Length

TABLE 8
Frame Length

Item	Description	Reference	Status	BS required	MS required	Comments
1	20 ms	8.4.5.2	Oi	N	N	
2	12.5	8.4.5.2	Oi	N	N	
3	10	8.4.5.2	Oi	N	N	
4	8	8.4.5.2	Oi	N	N	
5	5	8.4.5.2	Oi	Y	Y	
6	4	8.4.5.2	Oi	N	N	
7	2.5	8.4.5.2	Oi	N	N	
8	2	8.4.5.2	Oi	N	N	

4.1.1.6 TTG/RTG

This parameter shall be applicable only to TDD mode.

TABLE 9
TTG/RTG

Item	Description	Reference	Status	BS required	BS values	MS required	Comments
1	TTG	8.4.5.2	m	Y	296 PS for 10 MHz, 218 PS for 8.75 MHz, 376 PS for 7 MHz, 148 PS for 5 MHz and 188 PS for 3.5 MHz	n/a	5 μ s minimum specified in the referred section. The requirement is equivalent to “5 ms – (RTG + Number of OFDM symbols \times symbol duration)” where “Number of OFDM symbols” = 47 for 10 and 5 MHz, 42 for 8.75 MHz and 33 for 7 MHz
2	RTG	8.4.5.2	m	Y	168 PS for 10 MHz, 186 PS for 8.75 MHz, 120 PS for 7 MHz, 84 PS for 5 MHz and 60 PS for 3.5 MHz	n/a	5 μ s minimum specified in the referred section. The requirement is equivalent to 60 μ s for 5, 10 and 7 MHz BW and 74.4 μ s for 8.75 MHz BW

4.1.1.7 Number of OFDM Symbols in DL and UL

This feature shall be applicable to TDD operation only and specifies number of OFDM symbols in DL and UL subframes.

TABLE 10
Number of OFDM Symbols in DL and UL

Item	Description	Reference	Status	BS required	BS values	MS required	MS values	Comments
1	Number of OFDM Symbols in DL and UL for 5 and 10 MHz BW	8.4.4.2	oi	Y	(35, 12), (34, 13), (33, 14), (32, 15), (31, 16), (30, 17), (29, 18), (28, 19), (27, 20), (26, 21)	Y	The same as BS values	
2	Number of OFDM Symbols in DL and UL for 8.75 MHz BW	8.4.4.2	oi	Y	(30, 12), (29, 13), (28, 14), (27, 15), (26, 16), (25, 17), (24, 18)	Y	The same as BS values	
3	Number of OFDM Symbols in DL and UL for 7 and 3.5 MHz BW	8.4.4.2	oi	Y	(24, 09), (23, 10), (22, 11), (21, 12), (20, 13), (19, 14), (18, 15)	Y	The same as BS values	

4.1.2 Subcarrier Allocation

4.1.2.1 DL Subcarrier Allocation

TABLE 11
DL Subcarrier Allocation

Item	Description	Reference	Status	BS required	MS required	Comments
1	PUSC	8.4.6.1.2.1	m	Y	Y	
2	PUSC w/ all subchannels	8.4.6.1.2.1	po	Y	Y	
3	PUSC w/ dedicated pilots	8.4.6.1.2.1 and 8.4.5.3.4	po	IO-BF	Y	
4	FUSC	8.4.6.1.2.2	po	Y	Y	
5	FUSC w/ dedicated pilots	8.4.6.1.2.2 and 8.4.5.3.4	po	N	N	
6	Optional FUSC	8.4.6.1.2.3	o	N	N	
7	O-FUSC w/ dedicated pilots	8.4.6.1.2.3 and 8.4.5.3.4	o	N	N	
8	AMC 1x6	8.4.6.3	o	N	N	
	AMC 2x3	8.4.6.3	o	Y	Y	
	AMC 3x2	8.4.6.3	o	N	N	
	Default Type	8.4.6.3 and 6.3.2.3.43.2	o	N	N	Only applicable with HARQ_MAP
9	AMC 1x6 w/ dedicated pilots	8.4.6.3 and 8.4.5.3.4	o	N	N	
	AMC 2x3 w/ dedicated pilots	8.4.6.3 and 8.4.5.3.4	o	IO-BF	Y	
	AMC 3x2 w/ dedicated pilots	8.4.6.3 and 8.4.5.3.4	o	N	N	
10	PUSC-ASCA	8.4.6.4.1	o	N	N	

4.1.2.2 UL Subcarrier Allocation

TABLE 12
UL Subcarrier Allocation

Item	Description	Reference	Status	BS required	MS required	Comments
	PUSC	8.4.6.2.1	po	Y	Y	
	PUSC w/o subchannel rotation	8.4.5.4.7	o	IO-BF	Y	
	Optional PUSC	8.4.6.2.5	o	N	N	
	AMC 1x6	8.4.6.3	o	N	N	
	AMC 2x3	8.4.6.3	o	Y	Y	
	AMC 3x2	8.4.6.3	o	N	N	
	Mini-subchannel	8.4.6.2.4	o	N	N	Only for PUSC and O-PUSC

4.1.2.3 Common SYNC Symbol

TABLE 13
Common SYNC Symbol

Item	Description	Reference	Status	BS required	MS required	Comments
1	Support of the Common SYNC Symbol	8.4.6.1.1.1	o	N	N	

4.1.2.4 UL Sounding

TABLE 14
UL Sounding 1

Item	Description	Reference	Status	BS required	MS required	Comments
1	Type A w/ Cyclic shift – support for P values other than 9 and 18	8.4.6.2.7.1	o	IO-BF	Y	
2	Type A w/ Cyclic shift – Support P values of 9 and 18	8.4.6.2.7.1	o	IO-BF	Y	
3	Type A w/ Decimation	8.4.6.2.7.1	o	IO-BF	Y	
4	Type B	8.4.6.2.7.1	o	N	N	
5	Send Sounding Report Flag	8.4.6.2.7.1	o	N	N	
6	Direct transmission of DL channel coefficients (Include additional feedback, option 0b01)	8.4.6.2.7.1 and 8.4.6.2.7.3	o	N	N	
7	Decimation with randomization	8.4.6.2.7.1	o	N	N	

TABLE 14 (*end*)

Item	Description	Reference	Status	BS required	MS required	Comments
8	Power Assignment Method: Equal Power (0b00)	8.4.6.2.7.1 and 8.4.6.2.7.	oi	IO-BF	Y	
9	Power Assignment Method: Interference dependent. Per subcarrier power limit; (0b10)	8.4.6.2.7.1 and 8.4.6.2.7.2	oi	N	N	
10	Power Assignment Method: Interference dependent. Total power limit.; (0b11)	8.4.6.2.7.1 and 8.4.6.2.7.2	oi	N	N	
11	Power Boost	8.4.6.2.7.1 and 8.4.6.2.7.2	o	N	N	
12	Feedback of Received Pilot Coefficients (include additional feedback option = 0b10)	8.4.6.2.7.1 and 8.4.6.2.7.4	o	N	N	
13	Feedback of message (include additional feedback option = 0b11)	8.4.6.2.7.1	o	N	N	

TABLE 15

UL Sounding 2

Item	Description	Reference	Status	MS required	MS value	Comments
1	Sounding response time capability	8.4.6.2.7.1 and 11.8.3.7.14	O	Y	Next Frame	
2	max number of simultaneous sounding instructions	8.4.6.2.7.1 and 11.8.3.7.14	O	Y	2	This parameter specifies the max number of sounding transmissions by MS in a frame

4.1.3 UL Control Channels

4.1.3.1 Initial Ranging

TABLE 16
Initial Ranging

Item	Description	Reference	Status	BS required	MS required	Comments
1	Initial Ranging in PUSC zone w/ 2 symbols	8.4.7.1	Oi	Y	Y	
2	Initial Ranging in PUSC zone w/ 4 symbols	8.4.7.1	Oi	N	N	
3	Initial Ranging in Optional PUSC zone w/ 2 symbols	8.4.7.1	Oi	N	N	
4	Initial Ranging in Optional PUSC zone w/ 4 symbols	8.4.7.1	Oi	N	N	
5	Initial Ranging in AMC zone w/ 2 symbols	8.4.7.1	Oi	N	N	
6	Initial Ranging in AMC zone w/ 4 symbols	8.4.7.1	Oi	N	N	

4.1.3.2 HO Ranging

TABLE 17
HO Ranging

Item	Description	Reference	Status	BS required	MS required	Comments
1	HO Ranging in PUSC zone w/ 2 symbols	8.4.7.1	o	Y	Y	
2	HO Ranging in PUSC zone w/ 4 symbols	8.4.7.1	o	N	N	
3	HO Ranging in Optional PUSC zone w/ 2 symbols	8.4.7.1	o	N	N	
4	HO Ranging in Optional PUSC zone w/ 4 symbols	8.4.7.1	o	N	N	
5	HO Ranging in AMC zone w/ 2 symbols	8.4.7.1	o	N	N	
6	HO Ranging in AMC zone w/ 4 symbols	8.4.7.1	o	N	N	

4.1.3.3 Periodic Ranging

TABLE 18
Periodic Ranging

Item	Description	Reference	Status	BS required	MS required	Comments
1	Periodic Ranging in PUSC zone w/ 1 symbols	8.4.7.2	oi	Y	Y	
2	Periodic Ranging in PUSC zone w/ 3 symbols	8.4.7.2	oi	N	N	
3	Periodic Ranging in Optional PUSC zone w/ 1 symbols	8.4.7.2	oi	N	N	
4	Periodic Ranging in Optional PUSC zone w/ 3 symbols	8.4.7.2	oi	N	N	
5	Periodic Ranging in AMC zone w/ 1 symbols	8.4.7.2	oi	N	N	
6	Periodic Ranging in AMC zone w/ 3 symbols	8.4.7.2	oi	N	N	

4.1.3.4 BW Request

TABLE 19
BW Request

Item	Description	Reference	Status	BS required	MS required	Comments
1	BW Request in PUSC zone w/ 1 symbols	8.4.7.2	oi	Y	Y	
2	BW Request in PUSC zone w/ 3 symbols	8.4.7.2	oi	N	N	
3	BW Request in Optional PUSC zone w/ 1 symbols	8.4.7.2	oi	N	N	
4	BW Request in Optional PUSC zone w/ 3 symbols	8.4.7.2	oi	N	N	
5	BW Request in AMC zone w/ 1 symbols	8.4.7.2	oi	N	N	
6	BW Request in AMC zone w/ 3 symbols	8.4.7.2	oi	N	N	

4.1.3.5 Fast-Feedback/CQI Channel Encoding

TABLE 20

Fast-Feedback/CQI Channel Encoding

Item	Description	Reference	Status	MS required	MS value	Comments
1	4 bits	8.4.5.4.10	po	N	N	
2	6 bits	8.4.5.4.10.5	O	Y	Y	This feature is needed for FBSS.
3	3 bits	8.4.5.4.10.5	O	N	N	
4	Primary/Secondary	8.4.5.4.10.12	O	N	N	

Note on Item 2: If the “Feedback Type” in CQICH_Alloc_IE() is set to “0b01 = Effective CINR Feedback” and the MS negotiation capability “Type 173, bit#1 = Enhanced FAST_FEEDBACK” is enabled which indicates support for “6-bit CQI”, the reported effective CINR shall be in the 0b00xxxx format where the 4 LSBs is described in Table 298b of Section 8.4.5.4.10.4 in [2].

4.1.3.6 Fast-Feedback/CQI Channel Allocation Method

TABLE 21

Fast-Feedback/CQI Channel Allocation Method

Item	Description	Reference	Status	BS required	MS required	Comments
1	Fast-Feedback Allocation Subheader support	6.3.2.2.6	o	N	N	
2	Fast feedback channel allocation using CQICH Allocation IE	8.4.5.4.12	o	Y	Y	
3	Fast feedback channel allocation using CQICH Enhanced Allocation IE	8.4.5.4.16	o	N	N	

4.1.4 Channel Coding

4.1.4.1 Repetition

TABLE 22

Repetition

Item	Description	Reference	Status	BS required	MS required	Comments
1	Repetition	8.4.9	M	Y	Y	FCH uses repetition coding (8.4.4.4)

4.1.4.2 Randomization

TABLE 23

Randomization

Item	Description	Reference	Status	BS required	MS required	Comments
1	Randomization	8.4.9.1	m	Y	Y	

4.1.4.3 Convolutional Code

TABLE 24
Convolutional Code

Item	Description	Reference	Status	BS required	MS required	Comments
1	Tail Biting	8.4.9.2.1	m	Y	Y	
2	Zero Tail	8.4.9.2.4	o	N	N	

4.1.4.4 Convolutional Turbo Code

TABLE 25
Convolutional Turbo Code

Item	Description	Reference	Status	BS required	MS required	Comments
1	CTC	8.4.9.2.3 excluding 8.4.9.2.3.5	o	Y	Y	

4.1.4.5 BTC

TABLE 26
Block Turbo Code

Item	Description	Reference	Status	BS required	MS required	Comments
1	BTC	8.4.9.2.2	o	N	N	

4.1.4.6 LDPC

TABLE 27
Low Density Parity Check Code

Item	Description	Reference	Status	BS required	MS required	Comments
1	LDPC	8.4.9.2.5	o	N	N	

4.1.4.7 Interleaving

TABLE 28
Interleaving

Item	Description	Reference	Status	BS required	MS required	Comments
1	Interleaving	8.4.9.3	m	Y	Y	The interleaving subject of this section should not be applied to CTC mode
2	Optional interleaver for CC	8.4.9.3.1 and 11.8.3.7.3	O	N	N	This interleaver mode is only applicable to Convolutional Encoding

4.1.5 H-ARQ Support

4.1.5.1 Chase Combining

TABLE 29

Chase Combining H-ARQ

Item	Description	Reference	Status	BS required	MS required	Comments
1	Chase w/ CC	8.4.15.1	o	N	N	
2	Chase w/ CTC	8.4.15.1	o	Y	Y	
3	Chase with LDPC	8.4.15.1	o	N	N	

TABLE 30

HARQ Parameters for Chase with CTC

Item	Parameter description	Reference	Values	Comments
1	H-ARQ DL Buffer size per channel	11.8.3.7.19	Category 1 = 16.384 (K = 20), Category 2 = 8 192 (K = 16), Category 3 = 16.384 (K = 20), Category 4 = 23.170 (K = 22)	Status for the four categories is oi, that is support for values of items 1-4 and 7-8 corresponding to one or more of the categories from the set shall be supported
2	H-ARQ UL Buffer size per channel	11.8.3.7.19	Category 1 = 16.384 (K = 20), Category 2 = 16.384 (K = 20), Category 3 = 16.384 (K = 20), Category 4 = 16.384 (K = 20)	Status for the four categories is oi, that is support for values of items 1-4 and 7-8 corresponding to one or more of the categories from the set shall be supported
3	DL Aggregate flag for HARQ buffer	11.8.3.7.19	Category 1 = ON or OFF, Category 2 = ON, Category 3 = ON, Category 4 = ON	Status for the four categories is oi, that is support for values of items 1-4 and 7-8 corresponding to one or more of the categories from the set shall be supported
4	UL Aggregate flag for HARQ buffer	11.8.3.7.19	Category 1 = OFF, Category 2 = ON, Category 3 = ON, Category 4 = ON	Status for the four categories is i.o, that is support for values of items 1-4 and 7-8 corresponding to one or more of the categories from the set shall be supported
5	HARQ ACK Delay for DL Burst	6.3.17.1, 11.3.1	1	
6	HARQ ACK Delay for UL Burst	6.3.17.1, 11.4.1	N/A	
7	Number of DL H-ARQ Channels supported by MS	11.8.3.7.2 and 7.3 D5	Category 1 = 4, Category 2 = 16, Category 3 = 16, Category 4 = 16	Status for the four categories is oi, that is support for values of items 1-4 and 7-8 corresponding to one or more of the categories from the set shall be supported
8	Number of UL H-ARQ Channels supported by MS	11.8.3.7.2 and 7.3 D5	Category 1 = 4, Category 2 = 8, Category 3 = 8, Category 4 = 8	Status for the four categories is oi, that is support for values of items 1-4 and 7-8 corresponding to one or more of the categories from the set shall be supported

Note that the HARQ buffer size shall be interpreted as softbits buffer size, i.e. relating to coded data bits and not uncoded. This means the buffer size refers to both the systematic and parity bits transmitted over the air. It is left to vendor's implementation to determine the amount of memory space for each bit of transmitted information. The buffer size is related to buffer size parameter K according to the following equation.

4.1.5.2 Incremental Redundancy

TABLE 31

Incremental Redundancy H-ARQ

Item	Description	Reference	Status	BS required	MS required	Comments
1	IR w/ CC	8.4.9.2.1.1	o	N	N	
2	IR w/ CTC	8.4.9.2.3.5	o	N	N	

4.1.5.3 ACK Channel

TABLE 32

ACK Channel

Item	Description	Reference	Status	BS required	MS required	Comments
1	ACKCH	8.4.5.4.13	m	Y	Y	Conditioned by H-ARQ support

4.1.6 Control Mechanism

4.1.6.1 Synchronization

TABLE 33

Synchronization

Item	Description	Reference	Status	BS required	MS required	Comments
1	BS Synchronization in time/slot	8.4.10.1.1, 6.3.2.3.47	o	Y	N/A	Refer to "Time/Frequency Synchronization Indicator" in Table 108h of the referred section.
2	BS Synchronization in frequency	8.4.10.1.1	o	Y	N/A	
3	BS to Neighbour BS Synchronization in frequency	6.3.2.3.47	o	Y	N/A	Refer to "Time/Frequency Synchronization Indicator" in Table 108h of the referred section.
4	SS Synchronization	8.4.10.1.2	m	N/A	Y	

4.1.6.2 Closed-loop Power Control

TABLE 34
Closed-loop Power Control

Item	Description	Reference	Status	BS required	MS required	Comments
1	CL Power Control	8.4.10.3.1	m	Y	Y	

4.1.6.3 Open-loop Power Control

TABLE 35
Open-loop Power Control

Item	Description	Reference	Status	BS required	MS required	Comments
1	OL Power Control	8.4.10.3.2	o	Y	Y	
2	Passive Uplink open loop power control	8.4.10.3.2	o	Y	Y	
3	Active Uplink open loop power control	8.4.10.3.2	o	N	N	
4	UL Tx power and Headroom transmission condition using bandwidth request and UL Tx Power Report header	8.4.10.3.2.1 and 6.3.2.1.2.1.2	o	Y	Y	
5	UL Tx power and Headroom transmission condition using PHY channel report header	8.4.10.3.2.1 and 6.3.2.1.2.1.5	o	N	N	
6	UL Tx power and Headroom transmission condition using Tx power report extended subheader	8.4.10.3.2.1 and 6.3.2.2.7.5	o	N	N	

4.1.7 Channel Measurement

4.1.7.1 CINR Measurement

TABLE 36
CINR Measurement

Item	Description	Reference	Status	BS required	MS required	Comments
1	Physical CINR measurement from the preamble for frequency reuse = 1 (feedback type = 0b00 and report type = 0 and CINR preamble report type = 0)	6.3.18, 8.4.5.4.12, 8.4.11.3 and 11.8.3.7.9	oi	Y	Y	
2	Physical CINR measurement from the preamble for frequency reuse = 3 (feedback type = 0b00 and report type = 0 and CINR preamble report type = 1)	6.3.18, 8.4.5.4.12, 8.4.11.3 and 11.8.3.7.9	oi	Y	Y	

TABLE 36 (end)

Item	Description	Reference	Status	BS required	MS required	Comments
3	Physical CINR measurement for a permutation zone from pilot subcarriers (feedback type = 0b00 and report type = 1 and CINR zone measurement type = 0)	6.3.18, 8.4.5.4.12, 8.4.11.3 and 11.8.3.7.9	oi	Y	Y	
4	Physical CINR measurement for a permutation zone from data subcarriers (feedback type = 0b00 and report type = 1 and CINR zone measurement type = 1)	6.3.18, 8.4.5.4.12, 8.4.11.3 and 11.8.3.7.9	oi	N	N	
5	Effective CINR measurement from the preamble for frequency reuse = 1 (feedback type = 0b01 and report type = 0 and CINR preamble report type = 0)	6.3.18, 8.4.5.4.12, 8.4.11.3 and 11.8.3.7.9	oi	N	N	This option provides capability to the MS to report MCS preference to BS
6	Effective CINR measurement from the preamble for frequency reuse = 3 (feedback type = 0b01 and report type = 0 and CINR preamble report type = 1)	6.3.18, 8.4.5.4.12, 8.4.11.3 and 11.8.3.7.9	oi	N	N	This option provides capability to the MS to report MCS preference to BS
7	Effective CINR measurement for a permutation zone from pilot subcarriers (feedback type = 0b01 and report type = 1 and CINR zone measurement type = 0)	6.3.18, 8.4.5.4.12, 8.4.11.3 and 11.8.3.7.9	oi	Y	Y	This option provides capability to the MS to report MCS preference to BS
8	Effective CINR measurement for a permutation zone from data subcarriers (feedback type = 0b01 and report type = 1 and CINR zone measurement type = 1)	6.3.18, 8.4.5.4.12, 8.4.11.3 and 11.8.3.7.9	oi	N	N	This option provides capability to the MS to report MCS preference to BS.
9	Support for 2 concurrent CQI channels with effective CINR reports	6.3.18, 8.4.5.4.12 and 11.8.3.7.9	o	N	N	This feature only addresses two concurrent CQI channels reporting Effective CINR measurements.
10	Frequency selectivity characterization report	8.4.5.4.12, 8.4.11.4 and 11.8.3.7.9	o	N	N	
11	Major group indication (applicable to PUSC zone only)	8.4.5.4.12	o	IO-BF	Y	
12	MIMO permutation feedback cycle (applicable to MIMO only)	8.4.5.4.12	o	IO-MIMO	Y	

4.1.7.2 RSSI Measurement

TABLE 37
RSSI Measurement

Item	Description	Reference	Status	BS required	MS required	Comments
1	RSSI Measurement	8.4.11.2 and 6.3.2.3.50	m	N/A	Y	Processing of RSSI measurements in the BS is specified in § 6.3.2.3.33.

4.1.8 Modulation

4.1.8.1 PRBS (Subcarrier Randomization)

TABLE 38
PRBS

Item	Description	Reference	Status	BS required	MS required	Comments
1	PRBS	8.4.9.4.1	m	Y	Y	

4.1.8.2 Downlink

TABLE 39
Downlink Modulation

Item	Description	Reference	Status	BS required	MS required	Comments
1	QPSK	8.4.9.4.2	m	Y	Y	
2	16-QAM	8.4.9.4.2	m	Y	Y	
3	64-QAM	8.4.9.4.2	o	Y	Y	

4.1.8.3 Uplink

TABLE 40
Uplink Modulation

Item	Description	Reference	Status	BS required	MS required	Comments
1	QPSK	8.4.9.4.2	m	Y	Y	
2	16-QAM	8.4.9.4.2	m	Y	Y	
3	64-QAM	8.4.9.4.2	o	N	N	

4.1.8.4 Pilot Modulation

TABLE 41
Pilot Modulation

Item	Description	Reference	Status	BS required	MS required	Comments
1	Pilot Modulation	8.4.9.4.3	m	Y	Y	

4.1.8.5 Preamble Modulation

TABLE 42
Preamble Modulation

Item	Description	Reference	Status	BS required	MS required	Comments
1	Preamble Modulation	8.4.9.4.3.1	m	Y	N/A	MS shall demodulate the preamble

4.1.8.6 Ranging Modulation

TABLE 43
Ranging Modulation

Item	Description	Reference	Status	BS required	MS required	Comments
1	Ranging Modulation	8.4.7.3	m	N/A	Y	BS shall demodulate the ranging signal.

4.1.9 MAP Support

4.1.9.1 Normal MAP

TABLE 44
Normal MAP

Item	Description	Reference	Status	BS required	MS required	Comments
1	Normal MAP	6.3.2.3.2 and 6.3.2.3.4	m	Y	Y	

4.1.9.2 Compressed MAP

TABLE 45
Compressed MAP

Item	Description	Reference	Status	BS required	MS required	Comments
1	Compressed MAP	8.4.5.6	po	Y	Y	

4.1.9.3 Sub-DL-UL MAP

TABLE 46
Sub-DL-UL MAP

Item	Description	Reference	Status	BS required	MS required	Comments
1	Sub-DL-UL MAP	6.3.2.3.60	o	Y	Y	See 11.8.3.7.12 OFDMA MAP Capability of [2]. Support for Extended HARQ IE in Normal MAP mandates a support for Sub MAP for first zone

4.1.9.4 H-ARQ MAP Message

TABLE 47

H_ARQ MAP Message

Item	Description	Reference	Status	BS required	MS required	Comments
1	Compact DL-MAP IE	6.3.2.3.43	o	N	N	
2	Compact UL-MAP IE	6.3.2.3.43	o	N	N	

4.1.9.5 Extended HARQ IE in the Normal MAP

TABLE 48

Extended H-ARQ IE in Normal MAP

Item	Description	Reference	Status	BS required	MS required	Comments
1	Extended HARQ IE in the Normal MAP	8.4.5.3.21 and 8.4.5.3.22 and 8.4.5.4.25 and 8.4.5.4.24	o	Y	Y	

4.1.9.6 DL Region Definition

TABLE 49

DL Region Definition Support

Item	Description	Reference	Status	BS required	MS required	Comments
1	DL Region Definition Support	8.4.5.3.21, 8.4.5.3.23, 11.8.3.7.12	o	N	N	

4.1.10 AAS

4.1.10.1 AAS Zone Support

TABLE 50

AAS Zone Support

Item	Description	Reference	Status	BS required	MS required	Comments
1	DL AAS Zone	8.4.4.6	o	N	N	
2	UL AAS Zone	8.4.4.6	o	N	N	

4.1.10.2 Supported Permutation in DL

TABLE 51

Supported Permutation in DL

Item	Description	Reference	Status	BS required	MS required	Comments
1	PUSC	8.4.4.6.1 and 8.4.6.1.2.1	oi	N	N	Support for all the items in this table is conditional to the support of DL AAS Zone
2	FUSC	8.4.4.6.1 and 8.4.6.1.2.2	oi	N	N	

TABLE 51 (end)

Item	Description	Reference	Status	BS required	MS required	Comments
3	Optional PUSC	8.4.4.6.1 and 8.4.6.1.2.3	oi	N	N	
4	AMC 2x3	8.4.4.6.1 and 8.4.6.3	oi	N	N	
5	TUSC 1	8.4.4.6.1 and 8.4.6.1.2.4	oi	N	N	
6	TUSC 2	8.4.4.6.1 and 8.4.6.1.2.5	oi	N	N	

4.1.10.3 Supported Permutation in UL

TABLE 52

Supported Permutation in UL

Item	Description	Reference	Status	BS required	MS required	Comments
1	PUSC	8.4.4.6.1 and 8.4.6.2.1	oi	N	N	Support for all the items in this table is conditional to the support of AAS Zone
2	Optional PUSC	8.4.4.6.1 and 8.4.6.2.5	oi	N	N	
3	AMC 2x3	8.4.4.6.1 and 8.4.6.3	oi	N	N	

4.1.10.4 AAS DL Preamble

TABLE 53

AAS DL Preamble

Item	Description	Reference	Status	BS required	MS required	Comments
1	Frequency shifted	8.4.4.6.4.1	o	N	N	
2	Time shifted	8.4.4.6.4.1	o	N	N	
3	PHY Modifier	8.4.5.3.11	o	N	N	
4	DL AAS Preamble Support	8.4.4.6.4.1	o	N	N	Support for 0-3 symbols

4.1.10.5 AAS UL Preamble

TABLE 54

AAS UL Preamble

Item	Description	Reference	Status	BS required	MS required	Comments
1	Frequency shifted	8.4.4.6.4.2	o	N	N	
2	Time shifted	8.4.4.6.4.2	o	N	N	
3	Physical Modifier	8.4.5.4.14	o	N	N	
4	UL AAS Preamble Power Control	8.4.4.6.4	o	N	N	
5	UL AAS Preamble Support	8.4.4.6.4.1	o	N	N	Support for 0-3 symbols

4.1.10.6 Diversity MAP Scan

TABLE 55

Diversity MAP Scan

Item	Description	Reference	Status	BS required	MS required	Comments
1	Diversity-Map Scan	8.4.4.6.2	o	N	N	

4.1.10.7 DL AAS-SDMA Pilots

TABLE 56

DL AAS-SDMA Pilots

Item	Description	Reference	Status	BS required	MS required	Comments
1	AMC AAS-SDMA with All SDMA Pilots	8.4.6.3.3	o	N	N	
2	PUSC AAS-SDMA	8.4.8.1.2.1.1	o	N	N	
3	TUSC1 AAS-SDMA	8.4.6.1.2.6	o	N	N	
4	TUSC2 AAS-SDMA	8.4.6.1.2.6	o	N	N	
5	AMC AAS-SDMA with SDMA pilots A and B only	8.4.6.3.3	o	N	N	

4.1.10.8 UL AAS-SDMA Pilots

TABLE 57

UL AAS_SDMA Pilots

Item	Description	Reference	Status	BS required	MS required	Comments
1	AMC AAS-SDMA with All SDMA Pilots	8.4.6.3.3	o	N	N	
2	PUSC AAS-SDMA	8.4.8.1.5	o	N	N	
3	Optional PUSC AAS-SDMA	8.4.8.4.1	o	N	N	
4	AMC AAS-SDMA with SDMA pilots A and B only	8.4.6.3.3	o	N	N	

4.1.10.9 AAS Private MAP

TABLE 58

AAS Private MAP

Item	Description	Reference	Status	BS required	MS required	Comments
1	AAS Private MAP	8.4.5.6	o	N	N	
2	Reduced Private MAP	8.4.5.8	o	N	N	
3	Reduced Private MAP Chain Support	8.4.5.8	o	N	N	

4.1.10.10 AAS-FBCK-REQ/RSP support

TABLE 59

AAS_FBCK/RSP Support

Item	Description	Reference	Status	BS required	MS required	Comments
1	AAS-FBCK-REQ/RSP support	8.4.5.7	o	N	N	

4.1.11 STC/MIMO

4.1.11.1 Supported Features for DL PUSC

TABLE 60

Supported Features for DL PUSC

Item	Description	Reference	Status	BS required	MS required	Comments
1	FHDC	8.4.8.1.3	o	N	N	
2	2-antenna, matrix A	8.4.8.1.2.1.1 8.4.8.1.4	o	IO-MIMO	Y	The information symbols are mapped serially in an increasing order, first on the sub-carriers of the first antenna, followed by the sub-carriers of the second antenna.
3	2-antenna, matrix B, vertical encoding	8.4.8.1.4	o	IO-MIMO	Y	The first information symbol is mapped on the first sub-carrier of the first antenna, the second information symbol is mapped on the first sub-carrier of the second antenna etc.
4	2-antenna, matrix B, horizontal encoding	8.4.8.1.4	o	N	N	two modulation and coding modules
5	4-antenna enhancement using directivity	8.4.8.1.6	o	N	N	
6	4-antenna, matrix A	8.4.8.2.1 8.4.8.2.3	o	N	N	
7	4-antenna, matrix B, vertical encoding	8.4.8.2.3	o	N	N	
8	4-antenna, matrix B, horizontal encoding	8.4.8.2.3	o	N	N	
9	4-antenna, matrix C, vertical encoding	8.4.8.2.3	o	N	N	
10	4-antenna, matrix C, horizontal encoding	8.4.8.2.3	o	N	N	

4.1.11.2 Supported Features for DL FUSC

TABLE 61
Supported Features for DL FUSC

Item	Description	Reference	Status	BS required	MS required	Comments
1	FHDC		o	N	N	
2	2-antenna, matrix A	8.4.8.1.2.1.2 8.4.8.1.4	o	N	N	
3	2-antenna, matrix B, vertical encoding	8.4.8.1.4	o	N	N	
4	2-antenna, matrix B, horizontal encoding	8.4.8.1.4	o	N	N	
5	4-antenna enhancement using directivity	8.4.8.1.6	o	N	N	
6	4-antenna, matrix A	8.4.8.2.2	o	N	N	
7	4-antenna, matrix B, vertical encoding	8.4.8.2.3	o	N	N	
8	4-antenna, matrix B, horizontal encoding	8.4.8.2.3	o	N	N	
9	4-antenna, matrix C, vertical encoding	8.4.8.2.3	o	N	N	
10	4-antenna, matrix C, horizontal encoding	8.4.8.2.3	o	N	N	

4.1.11.3 Supported Features for DL Optional FUSC

TABLE 62
Supported Features for DL Optional FUSC

Item	Description	Reference	Status	BS required	MS required	Comments
1	2-antenna, matrix A	8.4.8.3.1.1 8.4.8.3.1.2.2 8.4.8.3.3	o	N	N	2 consecutive OFDMA symbols
2	2-antenna, matrix B, vertical encoding	8.4.8.3.1.2.2 8.4.8.3.3	o	N	N	
3	2-antenna, matrix B, horizontal encoding	8.4.8.3.1.2.2 8.4.8.3.3	o	N	N	
4	2-antenna, matrix C	8.4.8.3.1.2.2 8.4.8.3.3	o	N	N	
5	3-antenna, matrix A	8.4.8.3.1.1 8.4.8.3.1.2.2 8.4.8.3.4	o	N	N	2 logical sub-carriers over 2 consecutive symbols
6	3-antenna, matrix B	8.4.8.3.1.1 8.4.8.3.1.2.2 8.4.8.3.4	o	N	N	
7	3-antenna, matrix C	8.4.8.3.1.1 8.4.8.3.1.2.2 8.4.8.3.4	o	N	N	
8	4-antenna, matrix A	8.4.8.3.1.1 8.4.8.3.1.2.2 8.4.8.3.5	o	N	N	2 logical sub-carriers over 2 consecutive symbols
9	4-antenna, matrix B, vertical encoding	8.4.8.3.1.1 8.4.8.3.1.2.2 8.4.8.3.5	o	N	N	

TABLE 62 (end)

Item	Description	Reference	Status	BS required	MS required	Comments
10	4-antenna, matrix B, horizontal encoding	8.4.8.3.1.1 8.4.8.3.1.2.2 8.4.8.3.5	o	N	N	
11	4-antenna, matrix C, vertical encoding	8.4.8.3.1.1 8.4.8.3.1.2.2 8.4.8.3.5	o	N	N	
12	4-antenna, matrix C, horizontal encoding	8.4.8.3.1.1 8.4.8.3.1.2.2 8.4.8.3.5	o	N	N	

4.1.11.4 Supported Features for DL Optional AMC

TABLE 63

Supported Features for DL Optional AMC

Item	Description	Reference	Status	BS required	MS required	Comments
1	2-antenna, matrix A	8.4.8.3.1.1 8.4.8.3.1.2.1 8.4.8.3.3	o	N	N	2 bins over 6 OFDMA symbols
2	2-antenna, matrix B, vertical encoding	8.4.8.3.1.2.1 8.4.8.3.3	o	N	N	Figure 251i
3	2-antenna, matrix B, horizontal encoding	8.4.8.3.1.2.1 8.4.8.3.3	o	N	N	Figure 251i
4	2-antenna, matrix C	8.4.8.3.1.2.1 8.4.8.3.3	o	N	N	
5	3-antenna, matrix A	8.4.8.3.1.1 8.4.8.3.1.2.1 8.4.8.3.4	o	N	N	2 adjacent sub-carriers over 2 con-secutive symbols
6	3-antenna, matrix B	8.4.8.3.1.1 8.4.8.3.1.2.1 8.4.8.3.4	o	N	N	
7	3-antenna, matrix C	8.4.8.3.1.1 8.4.8.3.1.2.2 8.4.8.3.4	o	N	N	
8	4-antenna, matrix A	8.4.8.3.1.1 8.4.8.3.1.2.2 8.4.8.3.5	o	N	N	2 adjacent sub-carriers over 2 con-secutive symbols
9	4-antenna, matrix B, vertical encoding	8.4.8.3.1.1 8.4.8.3.1.2.2 8.4.8.3.5	o	N	N	
10	4-antenna, matrix B, horizontal encoding	8.4.8.3.1.1 8.4.8.3.1.2.2 8.4.8.3.5	o	N	N	
11	4-antenna, matrix C, vertical encoding	8.4.8.3.1.1 8.4.8.3.1.2.2 8.4.8.3.5	o	N	N	
12	4-antenna, matrix C, horizontal encoding	8.4.8.3.1.1 8.4.8.3.1.2.2 8.4.8.3.5	o	N	N	

4.1.11.5 Supported Features for DL PUSC-ASCA

TABLE 64

Supported Features for DL PUSC-ASCA

Item	Description	Reference	Status	BS required	MS required	Comments
1	STC/MIMO for PUSC-ASCA	8.4.8.3.2	o	N	N	

4.1.11.6 Supported Features in UL PUSC

TABLE 65

Supported Features in UL PUSC

Item	Description	Reference	Status	BS required	MS required	Comments
1	2-antenna, matrix A	8.4.8.1.5	o	N	N	
2	2-antenna, matrix B, vertical encoding	8.4.8.1.5	o	N	N	
3	2-antenna, matrix B, horizontal encoding	8.4.8.1.5	o	N	N	pp. 574 in [2]
4	Collaborative SM for two MS with single transmit antenna	8.4.8.1.5	o	IO-MIMO	Y	
5	Collaborative SM for two MS with two transmit antennas	8.4.8.1.5	o	N	N	Pilot pattern C and D defined in [2]

4.1.11.7 Supported Features in UL Optional PUSC

TABLE 66

Supported Features in UL Optional PUSC

Item	Description	Reference	Status	BS required	MS required	Comments
1	2-antenna, matrix A	8.4.8.4.1 8.4.8.4.2 8.4.8.4.3	o	N	N	2 consecutive slots
2	2-antenna, matrix B, vertical encoding	8.4.8.4.1 8.4.8.4.2 8.4.8.4.3	o	N	N	
3	2-antenna, matrix B, horizontal encoding	8.4.8.4.1 8.4.8.4.2 8.4.8.4.3	o	N	N	
4	Collaborative SM for two MS with single transmit antenna	8.4.8.4.1 8.4.8.4.2 8.4.8.4.3	o	N	N	

4.1.11.8 Supported Features in UL Optional AMC

TABLE 67

Supported Features in UL Optional AMC

Item	Description	Reference	Status	BS required	MS required	Comments
1	2-antenna, matrix A	8.4.8.4.1 8.4.8.4.2 8.4.8.4.3	o	N	N	Same AMC pilots as in DL 1x6 format
2	2-antenna, matrix B, vertical encoding	8.4.8.4.1 8.4.8.4.2 8.4.8.4.3	o	N	N	
3	2-antenna, matrix B, horizontal encoding	8.4.8.4.1 8.4.8.4.2 8.4.8.4.3	o	N	N	
4	Collaborative SM for two MS with single transmit antenna	8.4.8.4.1 8.4.8.4.2 8.4.8.4.3	o	N	N	

4.1.11.9 Closed-Loop MIMO

TABLE 68

Closed-loop MIMO

Item	Description	Reference	Status	BS required	MS required	Comments
1	Antenna Grouping w/ 3 Tx matrix A	8.4.5.4.10.3 8.4.8.3.4.1	o	N	N	Table 298
2	Antenna Grouping w/ 3 Tx matrix B	8.4.5.4.10.3 8.4.8.3.4.2	o	N	N	
3	Antenna Selection w/ 3 Tx matrix C	8.4.5.4.10.3, 8.4.8.3.4.3	o	N	N	Table 298a Table 317f
4	Antenna Grouping w/ 4 Tx matrix A	8.4.5.4.10.3 8.4.8.3.5.1	o	N	N	Table 298
5	Antenna Grouping w/ 4 Tx matrix B	8.4.5.4.10.3 8.4.8.3.5.2	o	N	N	
6	Antenna Selection w/ 4 Tx matrix C	8.4.5.4.10.3, 8.4.8.3.5.3	o	N	N	Table 298a Table 317g
7	Codebook Based Precoding	8.4.8.3.6, 8.4.5.4.11	o	N	N	
8	Quantized Weight Feedback	8.4.5.4.10.2	o	N	N	4-bit CQICH
9	Quantized Weight Feedback	8.4.5.4.10.6	o	N	N	6-bit CQICH

4.1.11.10 MIMO Feedback

TABLE 69
MIMO Feedback

Item	Description	Reference	Status	BS required	MS required	Comments
1	Fast MIMO Feedback (complex weights) w/ 4 bits	8.4.5.4.10.2	o	N	N	
2	Mode Selection Feedback w/ 4 bits	8.4.5.4.10.3	o	N	N	
3	3-bit MIMO Fast Feedback	8.4.5.4.10.4	o	N	N	
4	Fast DL measurement feedback w/ more than one Rx antennas	8.4.5.4.10.5 8.4.5.4.10.6 8.4.5.4.10.1	o	IO-MIMO	Y	
5	Fast MIMO Feedback (complex weights) w/ 6 bits	8.4.5.4.10.7	o	N	N	
6	Mode Selection Feedback w/ 6 bits	8.4.5.4.10.8	o	IO-MIMO	Y	

4.1.11.11 MIMO Midamble

TABLE 70
MIMO Midamble

Item	Description	Reference	Status	BS required	MS required	Comments
1	2 Tx	8.4.8.5.2.1	o	N	N	
2	3 Tx	8.4.8.5.2.2	o	N	N	
3	4 Tx	8.4.8.5.2.2	o	N	N	

4.1.11.12 MIMO Soft-Handover Based Macro-diversity

TABLE 71
MIMO Soft-Handover Macro-diversity

Item	Description	Reference	Status	BS required	MS required	Comments
1	Macro MIMO w/ MIMO_in_another_BS_IE()	8.4.8.2.4	o	N	N	
2	Macro MIMO w/ Macro_MIMO_DL_Basic_IE()	8.4.8.2.4	o	N	N	

4.1.11.13 H-ARQ Downlink Support for MIMO

TABLE 72

H-ARQ Downlink Support for MIMO

Item	Description	Reference	Status	BS required	MS required	Comments
1	MIMO DL Chase	8.4.5.3.21	o	IO-MIMO	Y	MIMO DL Chase is applicable to CC, CTC or LDPC from the perspective of IEEE 802.16. In this document, the feature is only used in CTC mode.
2	MIMO DL IR	8.4.5.3.21 8.4.8.3.1.2.3	o	N	N	w/ CTC
3	MIMO DL IR for Convolutional Code	8.4.5.3.21	o	N	N	
4	MIMO DL STC	8.4.5.3.21.1	o	N	N	

4.1.11.14 H-ARQ Uplink Support for MIMO

TABLE 73

H-ARQ Uplink Support for MIMO

Item	Description	Reference	Status	BS required	MS required	Comments
1	MIMO UL Chase	8.4.5.4.24	o	IO-MIMO	Y	MIMO DL Chase is applicable to CC, CTC or LDPC from the perspective of IEEE 802.16. In this document, the feature is only used in CTC mode.
2	MIMO UL IR	8.4.5.4.24	o	N	N	
3	MIMO UL IR for Convolutional Code	8.4.5.4.24	o	N	N	
4	MIMO UL STC	8.4.8.4.24.2	o	N	N	

4.1.12 HO Support in PHY

4.1.12.1 FBSS

TABLE 74

Fast Base Station Switching

Item	Description	Reference	Status	BS required	MS required	Comments
1	Anchor BS Report for FBSS	8.4.5.4.10.8 and 8.4.5.4.23	o	N	N	Anchor BS CQI and switch indication via CQICH

4.1.12.2 MIMO Soft-handover based macro-diversity transmission

TABLE 75

MIMO Soft-handover based macro-diversity transmission

Item	Description	Reference	Status	BS required	MS required	Comments
1	MIMO Soft-handover based macro-diversity transmission	8.4.8.2.4	o	N	N	
2	Support Macro Diversity Handover using DL soft combining	8.4.5.3.6	o	N	N	
3	Support Macro Diversity Handover using DL burst in another segment in PUSC mode	8.4.5.3.13	o	N	N	
4	Support anchor BS indication of DL data burst in active BS	8.4.5.3.14	o	N	N	
5	Support of active BS indication of DL data burst in anchor BS	8.4.5.3.15	o	N	N	
6	Support of CID translation between Anchor BS and Active BS	8.4.5.3.16	o	N	N	

4.1.12.3 UL Macro diversity

TABLE 76

UL Macro Diversity

Item	Description	Reference	Status	BS required	MS required	Comments
1	UL Macro diversity	8.4.5.4.17	o	N	N	To be used with UL PUSC Burst Allocation in Other Segment IE
2	Support of Macro Diversity Handover using UL transmission in another segment in PUSC mode	8.4.5.4.17	o	N	N	
3	Support of anchor BS indication of UL data burst in active BS	8.4.5.4.18	o	N	N	
4	Support of active BS indication of UL data burst in anchor BS	8.4.5.4.19	o	N	N	

4.2 Performance/Fidelity Requirements

4.2.1 MS Minimum Performance

– STTG/SSRTG

TABLE 77
SSTG/SSRTG

Item	Description	Reference	Status	MS required	MS values	Comments
1	SSTG	8.4.4.2	m	Y	50 μ sec	
2	SSRTG	8.4.4.2	m	Y	50 μ sec	

– Max DL Concurrent Bursts

TABLE 78
Maximum DL Concurrent Bursts

Item	Description	Reference	Status	MS required	MS values	Comments
1	Max Concurrent Burst	8.4.4.2 and 11.7.8.13	m	Y	10	

– Max Bursts in DL Subframe

TABLE 79
Max Bursts in DL Subframe

Item	Description	Reference	Status	MS required	MS values	Comments
1	Max Burst in Frame	8.4.4.2	m	Y	16	

– Max Number of Zones in DL/UL Subframe

TABLE 80
Max Number of Zones in DL and UL Subframes

Item	Description	Reference	Status	MS required	MS values	Comments
1	Maximum numbers of zones UL	8.4.4.2		Y	3	The number is the same as the number of Zone Switch IEs plus 1
2	Maximum numbers of zones DL	8.4.4.2	Max 8	Y	5	The number is the same as the number of Zone Switch IEs plus 1

– Measurement Processes and CQI Channels

TABLE 81
Measurement Processes and CQI Channels

Item	Description	Reference	Status	MS required	MS values	Comments
1	Maximum numbers of CQI Channels transmitted by an MS per frame	8.4.5.4.10		Y	2	
2	Maximum number of concurrent CINR measurement processes	8.4.5.4.10		Y	2	Maximum number of CINR measurement processes (for physical or effective CINR) that are active concurrently. A CINR measurement process is active from the frame in which it was allocated by a CQICH_Alloc_IE() until the frame in which the last CQI periodic transmission is sent or in which the CQI was de-allocated by the BS.

– Max H-ARQ Bursts in DL/UL Subframe

TABLE 82
Max H-ARQ Bursts

Item	Description	Reference	Status	MS required	MS values	Comments
1	Max Burst in DL Subframe with H-ARQ	8.4.4.2, 8.4.15.1.3, 11.8.3.7.15	o	Y	Category 1 = 2, Category 2 = 5, Category 3 = 5, Category 4 = 5	Status for the four categories is oi, i.e. support for values corresponding to one or more of the categories from the set shall be supported in correlation to the categories of Section 4.1.5.1.
2	Max Burst in UL Subframe with H-ARQ	8.4.4.2, 8.4.15.1.3, 11.8.3.7.15	o	Y	Category 1 = 2, Category 2 = 2, Category 3 = 2, Category 4 = 2	

4.2.1 Transmit Requirements

Note: unless specified otherwise, requirement applies to both BS and MS.

TABLE 83

Transmitter Requirements

Item	Requirement	Reference	Values specified	Values required
1	BS Tx dynamic Range	8.4.12.1		10 dB
2	MS Tx dynamic Range	8.4.12.1		45 dB
3	MS Tx power level min adjustment step	8.4.12.1	1 dB	1 dB
4	MS Tx power level min relative step accuracy	8.4.12.1	± 0.5 dB	± 0.5 dB
5	Spectral flatness	8.4.12.2	$\leq \pm 2$ dB for spectral lines from $-N_{used}/4$ to -1 and $+1$ to $N_{used}/4$ Within $+2/-4$ dB for spectral lines from $-N_{used}/2$ to $-N_{used}/4$ and $+N_{used}/4$ to $N_{used}/2$	$\leq \pm 2$ dB for spectral lines from $-N_{used}/4$ to -1 and $+1$ to $N_{used}/4$ Within $+2/-4$ dB for spectral lines from $-N_{used}/2$ to $-N_{used}/4$ and $+N_{used}/4$ to $N_{used}/2$
6	Power difference between adjacent subcarriers	8.4.12.2	≤ 0.1 dB	≤ 0.1 dB
7	BS Tx reference timing accuracy	8.4.12.4, 8.4.10.1.1	Tx downlink radio frame shall be time-aligned with the 1 pps timing pulse	1 μ sec
8	Tx relative constellation error	8.4.12.3.1 for BS and 8.4.12.3.2 for MS	QPSK-1/2 ≤ -15.0 dB QPSK-3/4 ≤ -18.0 dB 16-QAM-1/2 ≤ -20.5 dB 16-QAM-3/4 ≤ -24.0 dB 64-QAM-1/2 ≤ -26.0 dB (if 64-QAM supported) 64-QAM-2/3 ≤ -28.0 dB (if 64-QAM supported) 64-QAM-3/4 ≤ -30.0 dB (if 64-QAM supported)	≤ -15.0 dB ≤ -18.0 dB ≤ -20.5 dB ≤ -24.0 dB ≤ -26.0 dB ≤ -28.0 dB ≤ -30.0 dB

4.2.2 Receiver Requirements

TABLE 84

Receiver Requirements

Item	Requirement	Reference	Values specified	Values required
1	Min SNR requirements for BER = 10^{-6} with CTC in AWGN channel (the min SNR requirements are used along with Eq. 149b to define sensitivity specifications for CTC)	8.4.13.1	QPSK-1/2 with 60 bytes block size QPSK-3/4 with 54 bytes block size 16-QAM-1/2 with 60 bytes block size 16-QAM-3/4 with 54 bytes block size 64-QAM-1/2 with 54 bytes block size (if 64-QAM supported) 64-QAM-2/3 with 48 bytes block size (if 64-QAM supported) 64-QAM-3/4 with 54 bytes block size (if 64-QAM supported) 64-QAM-5/6 with 60 bytes block size (if 64-QAM supported)	2.9 dB 6.3 dB 8.6 dB 12.7 dB 13.8 dB 16.9 dB 18 dB 19.9 dB

TABLE 84 (end)

Item	Requirement	Reference	Values specified		Values required
2	MS Rx max input level on-channel reception tolerance	8.4.13.3.1	-30 dB		-30 dB
3	BS Rx Max input level on-channel reception tolerance	8.4.13.3.2	-45 dBm		-45 dBm
4	MS Rx max input level on-channel damage tolerance	8.4.13.4.1	0 dB		0 dB
5	BS Rx Max input level on-channel damage tolerance	8.4.13.4.2	-10 dBm		-10 dBm
6	Min adjacent channel rejection at BER = 10^{-6} for 3 dB degradation C/I	8.4.13.2	16-QAM-3/4 64-QAM-2/3 (if 64-QAM supported)	11 dB 4 dB	11 dB 4 dB
7	Min alternate channel rejection at BER = 10^{-6} for 3 dB degradation C/I	8.4.13.2	16-QAM-3/4 64-QAM-2/3 (if 64-QAM supported)	30 dB 23 dB	30 dB 23 dB
8	“Implementation loss plus Noise Figure” (dB) value assumed for MS for deriving receiver minimum sensitivity (equation 149b)	8.4.13.1	The min requirement for Implementation Loss and Noise Figure in [2] are 5 and 8 dB respectively.		13 dB NOTE – Eq. 149b of [2] shall be used for calculation of Rx sensitivity requirements where min SNR values for CC are given in Table 338 of [2] and the min SNR values for CTC mode are specified in the item 1 of this table
9	“Implementation loss plus Noise Figure” (dB) value assumed for BS for deriving receiver minimum sensitivity (equation 149b)	8.4.13.1	The min requirement for Implementation Loss and Noise Figure in [2] are 5 and 8 dB respectively.		13 dB NOTE – Eq. 149b of [2] shall be used for calculation of Rx sensitivity requirements where min SNR values for CC are given in Table 338 of [2] and the min SNR values for CTC mode are specified in the item 1 of this table

4.2.3 Frequency and Time Synchronization Requirements

TABLE 85

Frequency and Time Synchronization Requirements

Item	Requirement	Reference	Values specified	Values required	Comments
1	MS UL symbol timing accuracy	8.4.10.1.2	$\leq \pm (T_b/8)/4$	$\leq \pm (T_b/32)/4$	This requirement includes only the timing error due to MS component and not the effect of inaccuracy of the BS ranging feedback
2	BS reference frequency accuracy	8.4.14.1	$\leq \pm 2 \cdot 10^{-6}$	$\leq \pm 2 \cdot 10^{-6}$	

TABLE 85 (end)

Item	Requirement	Reference	Values specified	Values required	Comments
3	BS to BS frequency synchronization accuracy for hand-over	6.3.2.3.47	1% of OFDMA carrier spacing	1% of OFDMA subcarrier spacing	
4	MS to BS frequency synchronization tolerance	8.4.14.1	≤ 2% of the subcarrier spacing	≤ 2% of the subcarrier spacing	

MAC Profile

5.1 Profiles of BS and MS

5.1.1 PHS

TABLE 86

PHS

Item	Description	Reference	Status	BS required	MS required	Comments
1	PHS	5.2.3 5.2.3.1 5.2.3.2	o	Y	Y	

5.1.2 CS Options

TABLE 87

Convergence Sublayer Options

Item	Description	Reference	Status	BS required	MS required	Comments
1	Packet, IPv4	5.2.6, 11.13.19	oi	Y	Y	
2	Packet, IPv6	5.2.6, 11.13.19	oi	Y	Y	
3	Packet, 802.3/Ethernet	5.2.4, 11.13.19	oi	IO-ETH1	N*	* For MS, not required for WiMAX certified label, only optionally certified
4	Packet, 802.1Q VLAN	5.2.5, 11.13.19	oi	N	N	
5	Packet, IPv4 over 802.3/Ethernet	5.2.6, 11.13.19	oi	IO-ETH2	N*	* For MS, not required for WiMAX certified label, only optionally certified
6	Packet, IPv6 over 802.3/Ethernet	5.2.6, 11.13.19	oi	IO-ETH3	N*	* For MS, not required for WiMAX certified label, only optionally certified
7	Packet, IPv4 over 802.1Q VLAN	5.2.6, 11.13.19	oi	N	N	
8	Packet, IPv6 over 802.1Q VLAN	5.2.6, 11.13.19	oi	N	N	

TABLE 87 (end)

Item	Description	Reference	Status	BS required	MS required	Comments
9	ATM	5.2.6, 11.13.19	oi	N	N	
10	Packet, IPv4 with Header Compression (ROHC)	5.2.6, 11.13.19	oi	Y	Y	
11	Packet, IPv4 with Header Compression (ECRTP)	5.2.6, 11.13.19	oi	N	N	
12	Packet, IPv6 with Header Compression (ROHC)	5.2.6, 11.13.19	oi	Y	Y	
13	Packet, IPv6 with Header Compression (ECRTP)	5.2.6, 11.13.19	oi	N	N	
14	Packet, IPv4 over 802.3/Ethernet with Header Compression (ROHC)	5.2.6, 11.13.19	oi	N	N	
15	Packet, IPv4 over 802.3/Ethernet with Header Compression (ECRTP)	5.2.6, 11.13.19	oi	N	N	
16	Packet, IPv6 over 802.3/Ethernet with Header Compression (ROHC)	5.2.6, 11.13.19	oi	N	N	
17	Packet, IPv6 over 802.3/Ethernet with Header Compression (ECRTP)	5.2.6, 11.13.19	oi	N	N	
18	Packet, IPv4 over 802.1Q VLAN with Header Compression (ROHC)	5.2.6, 11.13.19	oi	N	N	
19	Packet, IPv4 over 802.1Q VLAN with Header Compression (ECRTP)	5.2.6, 11.13.19	oi	N	N	
20	Packet, IPv6 over 802.1Q VLAN with Header Compression (ROHC)	5.2.6, 11.13.19	oi	N	N	
21	Packet, IPv6 over 802.1Q VLAN with Header Compression (ECRTP)	5.2.6, 11.13.19	oi	N	N	
NOTE – At least one of options shall be implemented.						

5.1.3 MAC PDU formats

TABLE 88
MAC PDU Formats

Item	Description	Reference	Status	BS required	MS required	Comments
1	Reassembly at Rx	6.3.2.2.1, 6.3.3.3.2	m	Y	Y	
2	Fragmentation at Tx	6.3.2.2.1, 6.3.3.3.2	m	Y	Y	Capability is mandatory
3	Packing of fixed-length MAC SDUs	6.3.2.2.3, 6.3.3.4	o	N	N	
4	Packing of variable-length MAC SDUs at MS	6.3.2.2.3, 6.3.3.4	o	N/A	Y	Unpacking is mandatory. Refer 6.3.3.4.
5	Packing ARQ Feedback Payload	6.3.3.4.3	o	Y	Y	“ARQ Feedback Payload is treated like any other payload” (Refer to 6.3.3.4.3 of [1]) Unpacking of ARQ Feedback Payload is mandatory if ARQ implemented/enabled at the connection
6	Extended subheader support	6.3.2.2.7, 11.7.5	o	Y	Y	Extended subheader support is negotiated
7	Capability of receiving bandwidth requests using Grant management Subheader	6.3.2.2.2	o	Y	N/A	
8	3-bit FSN support		o	N	N	See [2]. Negotiated during SBC, 11 bits is default

5.1.4 MAC Support of PHY layer

5.1.4.1 Feedback Mechanism

TABLE 89
Feedback Mechanism

Item	Description	Reference	Status	BS required	MS required	Comments
1	Feedback Header	6.3.2.1.2.2.1	o	Y	Y	
2	FAST-FEEDBACK allocation subheader	6.3.2.2.6	o	N	N	
3	MIMO mode feedback extended subheader	8.4.5.4.10.3, 6.3.2.2.7.4	o	N	N	
4	Feedback request extended subheader	6.3.2.2.7.3	o	N	N	
5	Mini-Feedback extended subheader	6.3.2.2.7.6	o	N	N	
6	Feedback Polling IE	8.4.5.4.28	o	Y	Y	
7	PHY channel report header	6.3.2.1.2.1.5	o	N	N	
8	UL Tx Power Report extended subheader	6.3.2.2.7.5	o	N	N	

5.1.5 Multicast connection

TABLE 90

Multicast Connection

Item	Description	Reference	Status	BS required	MS required	Comments
1	Multicast traffic connection	6.3.13	o	Y	Y	

5.1.6 Network Entry

TABLE 91

Network Entry

Item	Description	Reference	Status	BS required	MS required	Comments
1	SS management support	6.3.9.9.1, 6.3.9.10-12, 6.3.2.3.28-29, 11.7.2	o	N	N	
2	IP management mode	11.7.3	o	N	N	Conditional based on item 1

5.1.7 ARQ

TABLE 92

ARQ

Item	Description	Reference	Status	BS required	MS required	Comments
1	ARQ implementation	6.3.4	o	Y	Y	All items below are conditional dependently on ARQ implementation
2	ARQ ACK type 0 – Selective ACK entry	6.3.4.2, 11.7.23	o	N	N	Negotiable over REG-REQ/RSP (11.7.23 ARQ-ACK Type)
3	ARQ ACK type 1 – Cumulative ACK entry	6.3.4.2, 11.7.23	o	Y	Y	Negotiable over REG-REQ/RSP (11.7.23 ARQ-ACK Type)
4	ARQ ACK type 2 – Cumulative with Selective ACK entry	6.3.4.2, 11.7.23	o	Y	Y	Negotiable over REG-REQ/RSP (11.7.23 ARQ-ACK Type)
5	ARQ ACK type 3 – Cumulative ACK with Block Sequence ACK	6.3.4.2, 11.7.23	o	Y	Y	Negotiable over REG-REQ/RSP (11.7.23 ARQ-ACK Type)

5.1.8 MAC support for H-ARQ

TABLE 93
MAC Support for HARQ

Item	Description	Reference	Status	BS required	MS required	Comments
1	HARQ Support	6.3.17	o	Y	Y	All items below are conditional dependently on HARQ support
2	HARQ Buffer Negotiation Capability	11.8.3.7.19	o	Y	Y	
3	HARQ Channel mapping	6.3.17, 11.13.32	o	Y	Y	Determined by BS
4	Capability of DL HARQ channels Number negotiation	11.8.3.7.2	o	Y	Y	
5	Capability of UL HARQ channels Number negotiation	11.8.3.7.3	o	Y	Y	
6	Capability of HARQ ACK delay negotiation in DL transmission	11.4.1	o	Y	Y	
7	Capability of HARQ ACK delay negotiation in UL transmission	11.3.1	o	Y	Y	
8	PDU SN extended subheader for HARQ reordering	11.13.33	o	Y	Y	

5.1.9 QoS

TABLE 94
QoS

Item	Description	Reference	Status	BS required	MS required	Comments
1	Dynamic service flow creation – BS – initiated	6.3.14.7.1.2	m	Y	Y	
2	Dynamic service flow creation – SS – initiated	6.3.14.7.1.1	o	Y	Y	
3	Dynamic service flow change – BS – initiated	6.3.14.9.4.2	m	Y	Y	
4	Dynamic service flow change – SS – initiated	6.3.14.9.4.1	o	Y	Y	
5	Dynamic service flow deletion – BS – initiated	6.3.14.9.5.2	m	Y	Y	
6	Dynamic service flow deletion – SS – initiated	6.3.14.9.5.1	o	Y	Y	

5.1.10 Data delivery services for mobile network

TABLE 95

Data Delivery Services for Mobile Network

Item	Description	Reference	Status	BS required	MS required	Comments
1	Unsolicited Grant service (UGS)	6.3.20.1.1, 6.3.5.2.1	o	Y	Y	
2	Real-Time Variable Rate (RT-VR) Service	6.3.20.1.2, 6.3.5.2.2	o	Y	Y	
3	Non-Real-Time Variable Rate (NRT-VR) Service	6.3.20.1.3, 6.3.5.2.3	o	Y	Y	
4	Best Effort (BE) Service	6.3.20.1.4, 6.3.5.2.4	o	Y	Y	
5	Extended Real-Time Variable Rate (ERT-VR) service	6.3.20.1.5, 6.3.5.2.2.1	o	Y	Y	

5.1.11 Request-Grant mechanism

TABLE 96

Request-Grant Mechanism

Item	Description	Reference	Status	BS required	MS required	Comments
1	Incremental bandwidth request using BW request header	6.3.6.1	o	Y	Y	
2	Aggregate bandwidth request using BW request header	6.3.6.1	pm	Y	Y	[2] mistakenly does not request periodically to transmit aggregate bandwidth requests
3	Bandwidth request using Grant Management Subheader	6.3.2.2.2	o	Y	Y	
4	Multicast Polling Assignment Request/ response	6.3.2.3.18-19	o	N	N	
5	Request-Grant mechanism combined with CINR report	6.3.2.1.2.1.3	o	N	N	
6	Request-Grant mechanism combined with UL Tx power report	6.3.2.1.2.1.2	o	Y	Y	
7	CQICH allocation request using CQICH allocation request header	6.3.2.1.2.1.4	o	Y	Y	

5.1.12 Neighbour Advertisement

TABLE 97
Neighbour Advertisement

Item	Description	Reference	Status	BS required	MS required	Comments
1	Neighbour Advertisement	6.3.2.3.47	o	Y	Y	All items below are conditional dependently on Neighbour Advertisement implementation
2	Support BS index at the BS (Use BS index instead of BSID) in Scan/HO related messages, as numbered in MOB_NBR-ADV	6.3.2.3.48-51, 6.3.2.3.53	o	Y	N/A	Applicable to MOB_SCN-REQ/RSP, MOB_SCAN-REPORT, MOB_xxHO-REQ/RSP BS may decide not to use the index
3	Support BS index at the MS (Use BS index instead of BSID) in Scan/HO related messages, as numbered in MOB_NBR-ADV	6.3.2.3.48-51, 6.3.2.3.53	pm	N/A	Y	Applicable to MOB_SCN-REQ/RSP, MOB_SCAN-REPORT, MOB_xxHO-REQ/RSP as BS may decide to use the index while MS has to support it

5.1.13 Scanning and Association

5.1.13.1 Scanning

TABLE 98
Scanning

Item	Description	Reference	Status	BS required	MS required	Comments
1	Scanning for cell selection (HO)	6.3.2.3.48-49	o	Y	Y	
2	MS Requests Scanning Interval Allocations from BS	6.3.2.3.48-49, 6.3.21.1.2	o	Y	Y	BS shall respond to MOB_SCN-REQ message from mobile
3	Unsolicited Scanning Interval Allocation by BS	6.3.2.3.48-49, 6.3.21.1.2	o	Y	Y	
4	Event Triggered Scanning based on serving BS metrics	6.3.21.1.2	o	Y	Y	
5	MS autonomous neighbour cell scanning	8.4.13.1.3	o	N/A	Y	

5.1.13.2 Scan Reporting Type Support

TABLE 99
Scan Reporting Type Support

Item	Description	Reference	Status	BS required	MS required	Comments
1	Periodic reporting as indicated in MOB_SCN-RSP message	6.3.2.3.49, 11.4.1	o	Y	Y	
2	Event triggered reporting based on metric conditions	6.3.2.3.49, 11.4.1	o	Y	Y	

5.1.13.3 Association

TABLE 100
Association

Item	Description	Reference	Status	BS required	MS required	Comments
1	Support for association during scanning	6.3.21.1.3, 6.3.2.3.51	o	N	N	It is recommended to implement the following capabilities for MS: When switching to a different Frequency Assignment, the MS should be capable of independently (without ranging) perform timing, power, and frequency adjustments based on both downlink reception quality ("open loop ranging") and information in the DCD/UCD of the target BS.
2	Support "Ranging Parameters Validity Time" Indication (by MS)	11.20	o	N	N	

5.1.13.4 Association Type Support

TABLE 101
Association Type Support

Item	Description	Reference	Status	BS required	MS required	Comments
1	Uncoordinated Association (Level 0)	6.3.21.1.3.1 and 11.8.8	o	N	N	Conditioned on the support of association
2	Coordinated Association (level 1)	6.3.21.1.3.2 and 11.8.8	o	N	N	Conditioned on the support of association
3	NW Assisted Association Reporting (level 2)	6.3.21.1.3.3 and 11.8.8	o	N	N	Conditioned on the support of association This feature includes Reporting of Association Result.
4	Directed Association	6.3.21.1.3, 11.8.8	o	N	N	Conditioned on the support of association

5.1.13.5 HO/Scan/Report Trigger Metrics

TABLE 102

HO/Scan/Report Trigger Metrics

Item	Description	Reference	Status	BS required	MS required	Comments
1	Mean BS CINR	6.3.2.3.53, 11.8.7	o	Y	Y	Conditioned by HO and Scanning support
2	Mean BS RSSI	6.3.2.3.53, 11.8.7	o	Y	Y	Conditioned by HO and Scanning support
3	Relative Rx Delay	6.3.2.3.53, 11.8.7	o	N	N	Conditioned by HO and Scanning support
4	BS Round Trip Delay	6.3.2.3.53, 11.8.7	o	Y	Y	Conditioned by HO and Scanning support

5.1.14 MAC layer HO procedures

TABLE 103

MAC Layer HO Procedures

Item	Description	Reference	Status	BS required	MS required	Comments
1	General HO Support	6.3.22.2, 6.3.2.3.55	o	Y	Y	Following items are conditioned by this item
2	HO initiated by MS support at MS side	6.3.2.3.53	oi	N/A	Y	
3	HO initiated by MS support at BS side	6.3.2.3.53	pm	Y	N/A	
4	HO initiated by BS support at MS side	6.3.2.3.52	oi	N/A	Y	
5	HO initiated by BS support at BS side	6.3.2.3.52	o	Y	N/A	
6	HO Indication	6.3.2.3.55	o	Y	Y	
7	Cancellation of HO	6.3.22.2.3	o	Y	Y	Conditioned by support of HO Indication
8	Metric Triggered HO Requests	11.1.7 (Table 348g)	o	Y	Y	
9	Resource Retention Support	6.3.2.3.52, 6.3.2.3.54	o	Y	Y	
10	CDMA HO Ranging	6.3.10.3.3	o	Y	Y	
11	HO_ID support	6.3.2.3.52, 6.3.2.3.54	o	Y	Y	
12	Support negotiating of "HO authorization policy" during HO (i.e. between BSs)	6.3.2.3.52, 6.3.2.3.54	o	Y	Y	Using MOB_BSHO-REQ/RSP Does not request support of specific policy, just capability of negotiating.

5.1.15 HO Optimization

TABLE 104
HO Optimization

Item	Description	Reference	Status	BS required	MS required	Comments
1	HO Optimization Support	6.3.2.3.6, 6.3.21.2.7, 11.6	o	Y	Y	1) HO Optimization requires network support 2) All further features are conditioned by this item
2	Support Omission of SBC-REQ management messages	6.3.2.3.6, 6.3.21.2.7, 11.6	o	Y	Y	
3	Support Omission of PKM Authentication phase except TEK Phase	6.3.2.3.6, 6.3.21.2.7, 11.6	o	Y	Y	
4	Support Omission of PKM TEK creation phase during re-entry processing	6.3.2.3.6, 6.3.21.2.7, 11.6	o	Y	Y	
5	Support of Network Address Acquisition at secondary management connection	6.3.2.3.6, 6.3.21.2.7, 11.6	o	N	N	Meaningful only for managed MS
6	Support of Time of Day Acquisition at secondary management connection	6.3.2.3.6, 6.3.21.2.7, 11.6	o	N	N	Meaningful only for managed MS
7	Support of TFTP Phase at secondary management connection	6.3.2.3.6, 6.3.21.2.7, 11.6	o	N	N	Meaningful only for managed MS
8	Support "Full State Sharing" – No exchange of network re-entry messages after ranging before resuming normal operations	6.3.2.3.6, 6.3.21.2.7, 11.6	o	Y	Y	
9	Notifying MS of DL data Pending	6.3.2.3.6, 6.3.21.2.7, 11.6	o	N	N	
10	Unsolicited SBC-RSP management message with updated capabilities information	6.3.2.3.6, 6.3.21.2.7, 11.6	o	Y	Y	
11	Unsolicited SBC- RSP message in same frame as RNG-RSP	6.3.2.3.6, 6.3.21.2.7	o	N	N	
12	Support SBC- RSP TLVs as part of RNG-RSP message	11.6	o	Y	Y	
13	Support Omission of REG-REQ during NW re-entry	6.3.2.3.6, 6.3.21.2.7, 11.6	o	Y	Y	
14	Unsolicited REG-RSP with updated capabilities information	6.3.2.3.6, 6.3.21.2.7, 11.6	o	Y	Y	

TABLE 104 (end)

Item	Description	Reference	Status	BS required	MS required	Comments
15	Unsolicited REG-RSP in same frame as RNG-RSP message	6.3.2.3.6, 6.3.21.2.7	o	N	N	
16	Support REG-RSP TLV as part of RNG-RSP message	11.6	o	Y	Y	
17	Support of ARQ continuation using SN report header after NW re-entry	6.3.2.3.6, 6.3.21.2.7, 11.6	o	Y	Y	Requires support of SDU SN extended subheader and SN_REPORT header
18	Support continuation of non-ARQ connection using SDU SN extended sub-header before handover and using SN report header after NW re-entry	6.3.2.2.7.1, 6.3.2.1.2.1.7, 6.3.22.2.8		Y	Y	
19	OFDMA Fast Ranging IE	8.4.5.4.21 6.3.21.2.4	o	Y	Y	
20	Support sending Bandwidth Request header with zero BR as a notification of MS's successful re-entry registration	6.3.21.2.7, 11.6	o	Y	Y	
21	Support sending at BS and receiving at MS traffic IP address refresh bit	11.6	o	Y	Y	

5.1.16 CID and SAID Update

CID update encodings (11.7.9) and SAID update encodings (11.7.18) may be used in RNG-RSP for reestablishment of connections.

TABLE 105

CID and SAID Update

Item	Description	Reference	Status	BS required	MS required	Comments
1	CID update from BS by RNG-RSP	11.7.9, 11.6	o	Y	N/A	
2	CID update in MS by RNG-RSP	11.7.9	pm	N/A	Y	
3	CID update from BS by REG-RSP	11.7.9	o	Y	N/A	
4	CID update in MS by REG-RSP	11.7.9	pm	N/A	Y	
5	Compressed CID update from BS by RNG-RSP	11.7.9.1	o	Y	N/A	
6	Compressed CID update in MS by RNG-RSP	11.7.9.1	pm	N/A	Y	

TABLE 105 (end)

Item	Description	Reference	Status	BS required	MS required	Comments
7	Compressed CID update from BS by REG-RSP	11.7.9.1	o	Y	N/A	
8	Compressed CID update in MS by REG-RSP	11.7.9.1	pm	N/A	Y	
9	SAID update from BS by RNG-RSP	11.7.17, 11.6	o	Y	N/A	
10	SAID update in MS by RNG-RSP	11.7.17, 11.6	pm	N/A	Y	
11	SAID update from BS by REG-RSP	11.7.17, 11.6	o	N	N/A	
12	SAID update in MS by REG-RSP	11.7.17, 11.6	pm	N/A	N	
13	SAID update from BS by SA-TEK-RSP	11.7.20	o	Y	N/A	
14	SAID update in MS by SA-TEK_RSP	11.7.20	o	N/A	Y	

5.1.17 Fast BS Switching

TABLE 106

Fast Base Station Switching

Item	Description	Reference	Status	BS required	MS required	Comments
1	General FBSS capability	6.3.21.3.2-4	o	N	N	All further features in the table are conditioned by this item
2	Diversity set Update initiated by MS	6.3.21.3.3	oi	N	N	If FBSS supported, Diversity set update is mandatory
3	Diversity set Update initiated by BS	6.3.21.3.3	oi	N	N	
4	Anchor BS Update using HO messages	6.3.21.3.4	oi	N	N	MS and BS supporting MDHO or FBSS shall implement at least one of the two mechanisms to perform Anchor BS update
5	Anchor BS Update using fast feedback channel	6.3.21.3.4	oi	N	N	
6	MS implementation of Fast feedback channel pre-allocated by MOB_BSHO-RSP or MOB_BSHO-REQ	6.3.21.3.4.2	pm	N	N	Fast-feedback channel shall be allocated by one of the following three methods, if fast-feedback channel is supported

TABLE 106 (continued)

Item	Description	Reference	Status	BS required	MS required	Comments
7	BS implementation of Fast feedback channel pre-allocated by MOB_BSHO-RSP or MOB_BSHO-REQ	6.3.21.3.4.2	oi	N	N	
8	MS implementation of Fast feedback channel allocation by Anchor_Switch_IE	6.3.21.3.4.2	pm	N	N	
9	BS implementation of Fast feedback channel allocation by Anchor_Switch_IE	6.3.21.3.4.2	oi	N	N	
10	MS implementation of Fast feedback channel allocation by UL_MAP of new Anchor BS	6.3.21.3.4.2	pm	N	N	
11	BS implementation of Fast feedback channel allocation by UL_MAP of new Anchor BS	6.3.21.3.4.2	oi	N	N	
12	Monitoring of multiple MAPs from active BSs	11.7.11	o	N	N	
13	MS assisted coordination of DL transmission using SN report	6.3.21.3.5	o	N	N	
14	Cancellation of Diversity set update by MOB_HO-IND	6.3.21.3.3	o	N	N	
15	Rejection of Diversity set update by MOB_HO-IND	6.3.21.3.3	o	N	N	
16	SN report header	6.3.2.1.6	o	N	N	Conditional, dependent on SN feedback support
17	SDU SN extended subheader	6.3.2.2.7.1	o	N	N	Conditional, dependent on SN feedback support
18	SN request extended subheader	6.3.2.2.7.7	o	N	N	

TABLE 106 (end)

Item	Description	Reference	Status	BS required	MS required	Comments
19	SN feedback support	11.13.28	o	N	N	No text on optionality in standard, but it is negotiated on a per-connection basis in DS(A/C)-REQ and disabled by default. So it is effectively optional
20	MS autonomous neighbour cell scanning	8.4.13.1.3	m	N	N	This feature is conditioned by implementation of FBSS or MDHO

5.1.18 Macro Diversity Handover

TABLE 107

Macro Diversity Handover

Item	Description	Reference	Status	BS required	MS required	Comments
1	General MDHO capability	6.3.21.3.1, 6.3.21.3.3-4	o	N	N	Status for all following features is conditional, based on implementation of MDHO capability. Network support may be required to support this feature
2	Diversity set Update initiated by MS	6.3.21.3.3	oi	N	N	If MDHO supported, Diversity set update is mandatory
3	Diversity set Update initiated by BS	6.3.21.3.3	oi	N	N	If MDHO supported, Diversity set update is mandatory
4	Anchor BS Update using HO messages	6.3.21.3.4	oi	N	N	If MDHO supported, at least one of the items 4 and 5 shall be implemented
5	Anchor BS Update using fast feedback channel	6.3.21.3.4.2	oi	N	N	If MDHO supported, at least one of the items 4 and 5 shall be implemented

TABLE 107 (continued)

Item	Description	Reference	Status	BS required	MS required	Comments
6	MOB_BSHO-RSP for acknowledgement for Diversity set update request from MS	6.3.21.3.1	m	N	N	
7	MDHO DL soft Combining supported with monitoring single MAP from anchor BS	8.4.5.3.14 8.4.5.3.15 8.4.5.4.18 8.4.5.4.19 11.7.11	o	N	N	
8	MDHO DL RF Combining supported with monitoring MAPs from all active BS	8.4.5.3.14 8.4.5.3.15 8.4.5.4.18 8.4.5.4.19 11.7.11	o	N	N	
9	MDHO DL soft combining supported with monitoring MAPs from all active BS	8.4.5.3.14 8.4.5.3.15 8.4.5.4.18 8.4.5.4.19 11.7.11	o	N	N	
10	Recommended BS list in MOB_MSHO-REQ	6.3.21.3.3	po	N	N	MS may provide a list, but BS is not obligated to follow the list
11	Recommended BS list in MOB_BSHO-RSP	6.3.21.3.3	po	N	N	BS may provide a list (“the BSs may provide a recommended list of BSs to be included in the MS’ Diversity set.”), but MS is not obligated to follow the list
12	MS implementation of Fast feedback channel pre-allocated at the new Anchor BS by MOB_BSHO-RSP or MOB_BSHO-REQ when a BS is added to the Diversity set	6.3.21.3.4.2	pm	N	N	At least one of the following three methods of fast-feedback channel allocation shall be implemented, if fast-feedback channel is supported
13	BS implementation of Fast feedback channel pre-allocated at the new Anchor BS by MOB_BSHO-RSP or MOB_BSHO-REQ when a BS is added to the Diversity set	6.3.21.3.4.2	oi	N	N	
14	MS implementation of Fast feedback channel allocation by Anchor_Switch_IE	6.3.21.3.4.2	pm	N	N	

TABLE 107 (end)

Item	Description	Reference	Status	BS required	MS required	Comments
15	BS implementation of Fast feedback channel allocation by Anchor_Switch_IE	6.3.21.3.4.2	oi	N	N	
16	MS implementation of Fast feedback channel allocation by UL_MAP of new Anchor BS	6.3.21.3.4.2	pm	N	N	
17	BS implementation of Fast feedback channel allocation by UL_MAP of new Anchor BS	6.3.21.3.4.2	oi	N	N	
18	UL transmission to multiple BS	11.7.11	o	N	N	
19	MS autonomous neighbour cell scanning	8.4.13.1.3	m	N	N	This feature is conditioned by implementation of FBSS or MDHO

5.1.19 Sleep Mode

TABLE 108

Sleep Mode

Item	Description	Reference	Status	BS required	MS required	Comments
1	Sleep Mode Implementation in MS	6.3.20.2	o	N/A	Y	For MS, all items below are conditional based on Sleep Mode implementation
2	Power Saving Class type 1 support	6.3.20.2	o	Y	Y	
3	Support of Traffic Indication Message for Power Saving Class type 1	6.3.20.2	o	Y	Y	Status of following items related to SLPID is conditional, depends on support of TRF-IND. Three alternative ways to wake an MS are 1) to use SLP-RSP message, and 2) to use downlink sleep control extended sub-header
4	Indicating DL traffic by SLPID bit map in TRF-IND	6.3.20.1	oi	Y	Y	One of the items 4 or 5 shall be implemented. BS may just not use SLPID. BS must support either this or Short Basic CID

TABLE 108 (end)

Item	Description	Reference	Status	BS required	MS required	Comments
5	Indicating DL traffic by SLPID in TRF-IND	6.3.20.1	oi	Y	Y	BS must support either this or SLPID
6	Support of SLPID at the MS including SLPID_Update TLV in TRF-IND	6.3.20.1	pm	N/A	Y	MS has no way to signal it does not support SLPID
7	Support of SLPID_Update TLV at BS in TRF-IND	6.3.20.1	o	Y	N/A	
8	Traffic triggered wakening flag	6.3.2.3.44-45, 6.3.20.2	m (MS) and o (BS)	Y	Y	
9	Power Saving Class type 2 support	6.3.20.3	o	N	N	
10	Power Saving Class type 3 support	6.3.20.4	o	N	N	
11	Activation of Power Saving Class by unsolicited SLP-RSP message from BS	6.3.20.1	o	Y	Y	
12	Activation of Power Saving Class by RNG-RSP message (type 3 only)	6.3.20.4	o	N	N	
13	Activation of Power Saving Class by RNG-REQ message with Power_Saving_Class_Parameters TLV	6.3.2.3.5	o	N	N	
14	DL sleep control extended subheader	6.3.2.2.7.2	o	Y	Y	
15	Bandwidth request and uplink sleep control header	6.3.2.1.5	o	Y	Y	
16	Support of periodic ranging in sleep mode	6.3.20.5	pm	Y	Y	
17	DL Traffic indication by RNG-RSP message	6.3.20.5	o	N	N	
18	MDHO/FBSS diversity set maintenance during sleep mode at MS	6.3.20.6	m	N/A	N	Conditioned by support of MDHO/FBSS
19	MDHO/FBSS diversity set maintenance during sleep mode at BS	6.3.20.6	m	N	N/A	Conditioned by support of FBSS/MDHO
20	Sleep mode multicast CID support at MS	10.4	m	N/A	Y	MS has to support it as BS can use it
21	Sleep mode multicast CID support at BS	10.4	o	Y	N/A	
22	MS Support of triggered action indicated by Enabled-Action-Triggered TLV	6.3.20.1, 11.5, 11.6, 11.7.3	o	N/A	Y	
23	BS Support of triggered action indicated by Enabled-Action-Triggered TLV	6.3.20.1, 11.5, 11.6, 11.7.3	o	Y	N/A	If MS transmits the TLV, BS has to respond to it

5.1.20 Idle Mode

TABLE 109

Idle Mode

Item	Description	Reference	Status	BS required	MS required	Comments
1	General Idle Mode functionality	6.3.24	o	Y	Y	All items below are conditional based on Idle Mode implementation
2	Idle mode initiation by DREG-REQ message from MS	6.3.24.1	oi	Y	Y	One of two Idle mode initiation methods is mandatory
3	Idle Mode initiation by unsolicited DREG-CMD from BS	6.3.24.1	oi	Y	Y	
4	Maintain connection information at BS during Idle Mode initiation process	6.3.24.1	m	Y	Y	
5	Request for MS to retain service and operational information by DREG-CMD message	6.3.24.1	m	Y	Y	
6	Request from MS to BS to retain service and operational information by DREG-REQ message	6.3.24.1	m	Y	Y	Mandatory feature see 6.3.2.3.42
7	Implementation in MS of the reception of periodic transmission of MS MAC address hash in Paging message	6.3.24.1	m	N/A	N	See 6.3.2.3.5-6. The MS may request BS inclusion of MS MAC Address Hash in MOB_PAG-ADV message at regular intervals, regardless of need for notification
8	Implementation in BS of Periodic transmission of MS MAC address hash in Paging message for a idle MS	6.3.24.1	o	N	N/A	
9	BS capability of transmitting Broadcast Control Pointer IE	6.3.24.5	o	Y	N/A	
10	MS capability of receiving Broadcast Control Pointer IE	6.3.24.5	m	N/A	Y	
11	BS Capability of providing dedicated ranging region and ranging code allocation for location update or network entry of MS in Idle Mode 6.3.22.8.1	6.3.24.8.1	o	N	N/A	

TABLE 109 (end)

Item	Description	Reference	Status	BS required	MS required	Comments
12	MS Capability of using dedicated ranging region and ranging code allocation for location update or network entry of MS in Idle Mode	6.3.24.8.1	m	N/A	Y	
13	Paging Group Update at MS	6.3.24.9.1.1	m	Y	Y	
14	Timer Location Update at MS	6.3.24.9.1.2	m	Y	Y	
15	Power Down Location Update at MS	6.3.24.9.1.3	m	Y	Y	
16	MAC Hash Skip Threshold Location Update at MS	6.3.24.9.1.4	m	N/A	N	This is mandatory under the condition that MAC Hash Skip Threshold option is implemented in the MS. This item is conditioned by Item 7 of this table
17	Secure Location Update	6.3.24.9.2.1	o	Y	Y	
18	Un-secure Location Update	6.3.24.9.2.2	m	Y	Y	
19	Paging Preference	11.13.27	pm	Y	Y	
20	Idle mode multicast CID support at MS	10.4	m	N/A	Y	MS has to support it as BS can use it
21	Idle mode multicast CID support at BS	10.4	o	Y	N/A	

5.1.21 Expedited Network Re-entry from Idle Mode

TABLE 110

Expedited Network Re-entry from Idle Mode

Item	Description	Reference	Status	BS required	MS required	Comments
1	Expedited network re-entry from Idle Mode support	6.3.23.9	o	Y	Y	
2	Support Omission of SBC-REQ management messages	11.6	o	Y	Y	
3	Support Omission of PKM Authentication phase except TEK phase	11.6	o	Y	Y	
4	Support Omission of PKM TEK creation phase during re-entry processing	11.6	o	Y	Y	
5	Support of Network Address Acquisition at secondary management connection	11.6	o	N	N	

TABLE 110 (end)

Item	Description	Reference	Status	BS required	MS required	Comments
6	Support of Time of Day Acquisition at secondary management connection	11.6	o	N	N	
7	Support TFTP Phase at secondary management connection	11.6	o	N	N	
8	Support "Full State Sharing" – No exchange of network re-entry messages after ranging before resuming normal operations	11.6	o	Y	Y	
9	Notifying MS of DL data pending	11.6	o	N	N	Not relevant to idle mode
10	Unsolicited SBC-RSP management message with updated capabilities information	11.6	o	Y	Y	
11	Unsolicited SBC-RSP message in same frame as RNG-RSP	11.6	o	N	N	
12	Support SBC-RSP TLVs as part of RNG-RSP message	11.6	o	Y	Y	
13	Support Omission of REG-REQ during NW re-entry	11.6	o	Y	Y	
14	Unsolicited REG-RSP with updated capabilities information	11.6	o	Y	Y	
15	Unsolicited REG-RSP in same frame as RNG-RSP message	11.6	o	N	N	
16	Support REG-RSP TLV as part of RNG-RSP message	11.6	o	Y	Y	
17	MS send Bandwidth Request header with zero BR as a notification of MS's successful re-entry registration	11.6	o	Y	Y	
18	MS trigger a higher layer protocol required to refresh its traffic IP address (e.g. DHCP Discover [IETF RFC 2131] or Mobile IPv4 re-registration [IETF RFC 3344])	11.6	o	Y	Y	

5.1.22 Security

5.1.22.1 Authorization Policy Support

TABLE 111

Authorization Policy Support

Item	Description	Reference	Status	BS required	MS required	Comments
1	802.16 Authorization policy support	11.7.8.7	o	Y	Y	

5.1.22.2 PKM Version Support

TABLE 112

PKM Version Support

Item	Description	Reference	Status	BS required	MS required	Comments
1	PKMv1 Support	11.8.4.1	o	N	N	
2	PKMv2 Support	11.8.4.1	o	Y	Y	

5.1.22.3 PKMv2 Authorization policy support – initial network entry

TABLE 113

PKMv2 Authorization Policy Support-Initial Network Entry

Item	Description	Reference	Status	BS required	MS required	Comments
1	No Authorization	11.8.4.2	o	Y	Y	
2	EAP-based authorization	11.8.4.2	o	Y	Y	
3	EAP-based authorization and Authenticated (EIK) EAP-based authorization	11.8.4.2	o	N	N	
4	RSA-based authorization	11.8.4.2	o	N	N	
5	RSA-based authorization and Authenticated (EIK) EAP-based authorization	11.8.4.2	o	N	N	
6	RSA-based authorization and EAP-based authorization	11.8.4.2	o	N	N	

5.1.22.4 PKMv2 Authorization policy support – network re-entry

TABLE 114

PKMv2 Authorization Policy Support-Network Re-entry

Item	Description	Reference	Status	BS required	MS required	Comments
1	No Authorization	11.8.4.2	o	Y	Y	
2	EAP-based authorization	11.8.4.2	o	Y	Y	
3	EAP-based authorization and Authenticated (EIK) EAP-based authorization	11.8.4.2	o	N/A	N/A	

TABLE 114 (end)

Item	Description	Reference	Status	BS required	MS required	Comments
4	RSA-based authorization	11.8.4.2	o	N/A	N/A	
5	RSA-based authorization and Authenticated (EIK) EAP-based authorization	11.8.4.2	o	N/A	N/A	
6	RSA-based authorization and EAP-based authorization	11.8.4.2	o	N/A	N/A	

5.1.22.5 Supported cryptographic suites

“Cryptographic suites” includes Data encryption, Data authentication, TEK encryption algorithm.

TABLE 115

Supported Cryptographic Suites

Item	Description	Reference	Status	BS required	MS required	Comments
1	No data encryption, no data authentication and 3-DES, 128	11.9.14	o	Y	Y	This cryptographic suite means no encryption and no TEK exchange
2	CBC-Mode 56-bit DES, no data authentication and 3-DES, 128	11.9.14	o	N	N	
3	No data encryption, no data authentication and RSA, 1024	11.9.14	o	N	N	
4	CBC-Mode 56-bit DES, no data authentication and RSA, 1024	11.9.14	o	N	N	
5	CCM-Mode 128-bit AES, CCM-Mode, 128-bit, ECB mode AES with 128-bit key	11.9.14	o	N	N	
6	CCM-Mode 128-bit AES, CCM-Mode, AES Key Wrap with 128-bit key	11.9.14	o	Y	Y	
7	CBC-Mode 128-bit AES, no data authentication, ECB mode AES with 128-bit key	11.9.14	o	N	N	
8	MBS CTR Mode 128 bits AES, no data authentication, AES ECB mode with 128-bit key	11.9.14	o	N	N	
9	MBS CTR mode 128 bits AES, no data authentication, AES Key Wrap with 128-bit key	11.9.14	o	N	N	

5.1.22.6 Message Authentication Code Mode

TABLE 116

Message Authentication Code Mode

Item	Description	Reference	Status	BS required	MS required	Comments
1	No message authentication	11.8.4.3	o	Y	Y	
2	HMAC	11.8.4.3	o	N	N	
3	CMAC	11.8.4.3	o	Y	Y	
4	64-bit short-HMAC	11.8.4.3	o	N	N	
5	80-bit short-HMAC	11.8.4.3	o	N	N	
6	96-bit short-HMAC	11.8.4.3	o	N	N	

5.1.22.7 Security Association

TABLE 117

Security Association

Item	Description	Reference	Status	BS required	MS required	Comments
1	Support of Static SA	7.2.1.1	o	Y	Y	
2	Support of Dynamic SA	7.2.1.1	o	Y	Y	
3	Support of Primary SA	7.2.1.1	m	Y	Y	

5.1.22.8 SA Service Type

TABLE 118

SA Service Type

Item	Description	Reference	Status	BS required	MS required	Comments
1	Unicast	11.9.35	o	Y	Y	
2	Group multicast service	11.9.35	o	N	N	
3	MBS Services	11.9.35	po	N	N	Conditioned by MBS support

5.1.22.9 EAP Authentication methods

TABLE 119

EAP Authentication Methods

Item	Description	Reference	BS required	MS required	Comments
1					

5.1.22.10 Certificate profile

TABLE 120
Certificate Profile

Item	Description	Reference	Status	BS required	MS required	Comments
1	X.509 MS certificate for device authorization	7.6	pm	N	N	Conditioned by usage of PKM v1 or PKM v2 with RSA authentication
2	X.509 Manufacturer certificate	7.6	pm	N	N	Conditioned by usage of PKM v1 or PKM v2 with RSA authentication
3	X.509 BS Cert Profile	7.6	pm	N	N	Conditioned by usage of PKM v1 or PKM v2 with RSA authentication

5.1.22.11 Multicast Broadcast Re-keying Algorithm (MBRA)

TABLE 121
Service Type

Item	Description	Reference	Status	BS required	MS required	Comments
1	MBRA for Group multicast service	7.9	o	N	N	
2	MBRA for MBS service	7.9	o	N	N	

5.1.23 MBS

TABLE 122
MBS

Item	Description	Reference	Status	BS required	MS required	Comments
1	Single-BS-MBS	6.3.13	o	N	N	
2	Multi-BS-MBS	6.3.13	o	IO-MBS	Y	Synchronization between BSs of mapping of MBS service flow IDs to CIDs throughout MBS_ZONE
3	Time diversity scheme in Multi-BS-MBS	6.3.2.3.57	o	N	N	Conditioned by item 2
4	Logical channel ID scheme in Multi-BS-MBS	6.3.2.3.57	o	N	N	Conditioned by item 2
5	Support for MBS_MAP-IE	6.3.13.2.3	pm	IO-MBS	Y	This item depends on multi-BS MBS implementation
6	MS initiated MBS request using DSA-REQ	11.13.20	oi	IO-MBS	Y	At least one is required. Dependent on MBS implementation (either item 1 or item 2)
7	BS initiated MBS request using DSA-REQ	11.13.20	oi	IO-MBS	Y	Dependent on MBS implementation (either item 1 or item 2)

5.1.24 AAS

TABLE 123

AAS

Item	Description	Reference	Status	BS required	MS required	Comments
1	General AAS functionality	6.3.7.6	o	N	N	

5.1.25 MS's Network Entry issued by BS restart

TABLE 124

MS's Network Entry issued by BS restart

Item	Description	Reference	Status	BS required	MS required	Comments
1	MS's Network Entry triggered by BS restart counter change	6.3.9.11, 11.4.1	o	Y	Y	

5.2 Parameters

A default, maximum and minimum should be provided for all parameters.

TABLE 125

Parameters

Item	Description	Reference	Status	Min	Def	Max	Comments
1	Number of concurrent outstanding PKM exchanges SS is capable of handling at one time.	11.8.4.5		2			
2	Number of transport security associations that SS is capable of supporting simultaneously.	11.8.4.6		2			
3	PN window size in PNs	11.8.4.4	pm	128			Conditional, depends on support of AES in CCM mode
4	UCD Transition	10.1	BS	50 msec			The time the BS shall wait after transmitting a UCD message with an incremented Configuration Change Count before issuing a UL-MAP message referring to Uplink_Burst_Profiles defined in that UCD message

TABLE 125 (continued)

Item	Description	Reference	Status	Min	Def	Max	Comments
5	DCD Transition	10.1	BS	50 msec			The time the BS shall wait after transmitting a DCD message with an incremented Configuration Change Count before issuing a DL-MAP message referring to Downlink_Burst_Profiles defined in that DCD message
6	T _{proc}	10.1	BS	T _f = Frame length			Time provided between arrival of the last bit of a UL-MAP at an SS and effectiveness of that map
7	RNG-RSP processing time	10.1	MS			2.5 ms from the start of the frame (n+1) where frame n is the frame containing the RNG_RSP. If there is an UL allocation to the SS before the 2.5 ms in frame n+1 then the power change shall be applied before the end of the frame n+1	Time allowed for an SS following receipt of a RNG-RSP before it is expected to apply the corrections instructed by the BS Minimum value
8	Initial Ranging Interval	11.3.1	BS			250 m	Time between Initial Ranging regions allocated by the BS
9	Lost DL-MAP Interval	10.1	MS			600 m	Time since last received DL-MAP message before downlink synchronization is considered lost
10	Lost UL-MAP Interval	10.1	MS			600 m	Time since last received UL-MAP message before uplink synchronization is considered lost
11	T ₁	10.1	MS			min (20 secs, 5 × DCD Interval maximum value)	Wait for DCD timeout

TABLE 125 (continued)

Item	Description	Reference	Status	Min	Def	Max	Comments
12	T3	10.1	MS			60 ms: RNG-RSP after CDMA ranging or RNG-REQ during initial or periodic ranging 50 ms: RNG-RSP after RNG-REQ during HO to negotiated target BS 200 ms: RNG-RSP after RNG-REQ during HO to non-negotiated target BS 200 ms: RNG-RSP after RNG-REQ during location update or re-entry from idle mode	Ranging Response reception timeout following the transmission of a Ranging Request
13	T4	10.1	MS	5 sec		35 sec	Wait for unicast ranging opportunity. If the pending-until-complete field was used earlier by this SS, then the value of that field shall be added to this interval (copied from [1])
14	T6	10.1	MS			1 sec	Wait for registration response (copied from [1])
15	T7	10.1	MS/BS			1 s	Wait for DSA/DSC/DSD Response timeout (copied from [1])
16	T8		MS/BS			100 msec	Wait for DSA/DSC Acknowledge timeout (copied from [1])
17	T12	10.1	MS			min (20 s, $5 \times$ UCD Interval maximum value)	Wait for UCD descriptor
18	T14	10.1	MS			100 msec	Wait for DSX-RVD Timeout
19	T17	10.1	BS	5 min	5 min		Time allowed for SS to complete SS Authorization and Key Exchange
20	T18	10.1	MS	50 ms	50 ms	90 ms	Wait for SBC-RSP timeout
21	T22	10.1	MS/BS			0.5 s	Wait for ARQ-Reset
22	Idle Mode Timer	10.1	MS	128 s	4 096 s	65 536 s	
23	T43	10.1	MS			100 ms	Time the MS waits for MOB_SLP-RSP
24	T44	10.1	MS			100 ms	Time the MS waits for MOB_SCN-RSP

TABLE 125 (continued)

Item	Description	Reference	Status	Min	Def	Max	Comments
25	T46	10.1	BS	50 ms		100 ms	Time the BS waits for DREG REQ in case of unsolicited Idle Mode initiation from BS
26	T47	10.1		8 frames	64 frames	128 frames	PMC_RSP Timer: BS shall send the PMC_RSP before T47 + 1 frames after BS receives PMC_REQ (confirmation = 0) correctly
27	Paging Interval Length	10.1	MS/BS	1 frames	2 frames	5 frames	time duration of Paging Interval of the BS
28	Max Dir Scan Time	10.1	MS			2 s	Maximum scanning time of neighbour BSs by MS before reporting any results
29	Maximum SDU size	11.13.16		1 522 Bytes			Recommended value to derive Maximum Transmission Unit (MTU) from
30	Number of transport connections in UL	N/A		4			Minimum number of concurrent transport CIDs MS is capable to support in UL
31	Number of transport connections in DL	N/A		4			Minimum number of concurrent transport CIDs MS is capable to support in DL
32	Total number of power save class instances supported from class types 1 and 2	11.8.5		1			Number of power saving class instances supported by the MS sufficient for the conformance with the profile
33	ARQ_RESET_MAX_RETRIES	6.3.4.6.2, Figures 34, 35			2		The default value must be supported
34	Min required CS Types per MS	N/A	MS		1		Minimum number of simultaneously supported CS options, which is required for MS certification
35	ARQ_RETRY_TIMEOUT on non H-ARQ connections	11.13.18.3	BS/MS	20 ms		1.3 s	Used in DSA-REQ and DSA-RSP to indicate the ARQ_Retry_Timeout value. 5 ms granularity
36	ARQ_RETRY_TIMEOUT on H-ARQ connections	11.13.18.3	BS/MS			1.3 s	Used in DSA-REQ and DSA-RSP to indicate the ARQ_Retry_Timeout value. 5 ms granularity

TABLE 125 (end)

Item	Description	Reference	Status	Min	Def	Max	Comments
37	ARQ_SYNC_LOSS_TIMEOUT for non H-ARQ connections	11.13.18.5	BS/MS	100 ms			Used in DSA-REQ and DSA-RSP to indicate timeout for ARQ. 5 ms granularity
38	ARQ_RX_PURGE_TIMEOUT for non H-ARQ connections	11.13.18.7	BS/MS	100 ms			Used in DSA-REQ and DSA-RSP to indicate timeout for ARQ. 5 ms granularity
39	ARQ_RX_PURGE_TIMEOUT for H-ARQ connections	11.13.18.7					Used in DSA-REQ and DSA-RSP to indicate timeout for ARQ. 5 ms granularity
40	ARQ_BLOCK_LIFETIME granularity	11.13.18.4					5 ms granularity
41	AI_SN value upon init and after HO (HARQ reset)	6.3.2.3.43.4	BS/MS		0		AI_SN is used in HARQ to indicate the sequence number of the ACID. Initial value at the network entry and after HO
42	Power_control_IE: Power measurement frame relevance	8.4.5.4.5	BS/MS			4 MS Transmission	

TABLE 126

Minimum Performance Requirements

Item	Description	Reference	Status	Min	Def	Max	Comments
1	HO Parameters Processing Time	11.7.24				3 frame	Time in ms the MS needs to process information on connections provided in RNRSP or REG-RSP message during HO

5.3 Recommended Configuration

TABLE 127

Recommended Configurations

Parameter	Value	Reference
PN window size		MS PN window size for HARQ CID
SAID supported – DL		Maximum number of SAID supported – Downlink
SAID supported – UL		Maximum number of SAID supported – Uplink
Max SDU size for IP CS		
Maximum number of power save class instances supported from class 1 and 2		
Maximum number of power save class instances supported from class 3		

Radio Profile

RF channels are calculated using the following formula:

$$RFChannel_n = F_{start} + n \cdot \Delta F_c, \forall n \in N_{range}$$

where:

F_{start} : is the reference frequency for the specific band

ΔF_c : is the centre frequency step

N_{range} : is the range values for the n parameter.

As an example, Table 127 shows the applicability of the formula to the 2 500-2 690 MHz band for IMT-2000 OFDMA TDD WMAN.

TABLE 128

Example of applicability of the formula to the 2 500-2 690 MHz band

Channel BW (MHz)	Centre frequency step (kHz)	F_{start} (MHz)	N_{range}	Comment
5	250	2 498.5	{16, ..., 756}	200 kHz frequency step is considered for Europe 2.5 GHz extension. 200 kHz frequency step is considered for Europe 2.5 GHz extension
10		2 501	{16, ..., 756}	

Power Class Profile

The Power Classes listed in following table is developed to cover the complete target range of power levels while different interpretation of applicable modulation levels is addressed through a dual range requirement for QPSK and 16-QAM per Power Class.

TABLE 129

Power Classes

Class identifier	Transmit power (dBm) for 16-QAM	Transmit power (dBm) for QPSK	MS required
Power Class 1	18 ≤ PT _{x,max} < 21	20 ≤ PT _{x,max} < 23	oi
Power Class 2	21 ≤ PT _{x,max} < 25	23 ≤ PT _{x,max} < 27	oi
Power Class 3	25 ≤ PT _{x,max} < 30	27 ≤ PT _{x,max} < 30	oi
Power Class ³	30 ≤ PT _{x,max}	30 ≤ PT _{x,max}	oi

IMT-2000 OFDMA TDD WMAN mobile stations comply with local, regional, and international regulations for maximum transmitter power relevant to their operations, wherever applicable. The operational maximum power level (PT_{x,max}) for IMT-2000 OFDMA TDD WMAN mobile equipment is in the range of 20 to 24 dBm in the band identified in Table 127.”

³ Exceptionally, non-handheld equipment with higher operational maximum power levels of up to 33 dBm is also supported by the system, subject to relevant regulation.

6 Recommendations (satellite component)

The ITU Radiocommunication Assembly recommends that the principles described in § 6.1 and 6.2 should be applied by satellite systems providing the satellite component of IMT-2000. These sections describe the basic functions and features of the core network interface and the satellite/ terrestrial terminal interface.

The ITU Radiocommunication Assembly recommends that the radio interfaces described in § 6.3 should be those of the satellite component of IMT-2000.

6.1 Core network interface

The satellite component should interface to the core network in a similar manner to the terrestrial component. Key IMT-2000 requirements, such as appropriate call routing, automatic network roaming, common billing, etc. can therefore be supported, subject to technical and market considerations. However some differences may be required to support a specific satellite radio interface.

6.2 Satellite/terrestrial terminal interface

The IMT-2000 satellite user terminals will offer one or more modes of operation: one satellite mode and possibly one or more terrestrial modes. If a terrestrial mode is implemented, terminals should be able to select either satellite or terrestrial modes of operation automatically or under user control.

The satellite/terrestrial terminal interface performs the following functions:

- provide the bearer service negotiation capabilities in both terrestrial and satellite networks;
- support roaming between terrestrial and satellite networks;
- align the service management and provisioning with IMT-2000 Recommendations.

Handover between terrestrial and satellite components is not a requirement of IMT-2000. It is up to the network operator to determine whether to implement handover between the terrestrial and satellite component. If handover is not implemented, roaming between terrestrial and satellite component may be just a switching function i.e. if a user terminal loses its connection to a terrestrial network, it could look for a satellite network.

Terminal locations are registered and updated between the terrestrial and satellite databases by using the standard location updating procedures for updating locations between different public land mobile networks (PLMNs).

For roaming between a terrestrial and a satellite network, standard location update procedures employed by PLMNs can be applied, since both networks can be viewed as separate PLMNs. For example, when a user roams out of the terrestrial network coverage and into satellite coverage, standard procedures for detecting and initiating location updates for roaming among PLMNs is applied. When a user roams into terrestrial network coverage from satellite network coverage and the terminal has the terrestrial network provisioned as the preferred network, the terminal will register into the terrestrial network by initiating procedures for detecting and initiating location updates similar to those used for roaming among PLMNs.

It should be possible to address an IMT-2000 terminal using a single number, regardless of which component (terrestrial or satellite) the terminal is currently using.

6.3 Satellite radio interface specifications

The specification of each satellite radio interface is given in the following subsections. These include only elements related to the service link interface; the feeder link and intersatellite link interfaces are not specified in this Recommendation.

Because of the strong dependency between the radio interface design and overall satellite system optimization, this section includes the architectural and system descriptions as well as the RF and baseband specifications of radio interfaces.

6.3.1 Satellite radio interface A specifications

SW-CDMA is a satellite radio interface designed to meet the requirements of the satellite component of the third generation (3G) wireless communication systems. The SW-CDMA radio interface is currently being examined by the ETSI SES Technical Committee among the family of IMT-2000 satellite radio interfaces as a voluntary standard.

SW-CDMA is based on the adaptation to the satellite environment of the IMT-2000 CDMA Direct Spread terrestrial radio interface (UTRA FDD or WCDMA) (see § 5.1). The intention is to reuse the same core network and reuse the radio interface specifications for the Iu and Cu interface. Only the Uu interface will be adapted to the satellite environment.

SW-CDMA operates in FDD mode with RF channel bandwidth of either 2.350 or 4.700 MHz for each transmission direction. The half rate 2.350 MHz option provides finer spectrum granularity yielding an easier spectrum sharing among different systems.

SW-CDMA provides a wide range of bearer services from 1.2 up to 144 kbit/s. High-quality telecommunication service can be supported including voice quality telephony and data services in a global coverage satellite environment. SW-CDMA deviations from the above-mentioned terrestrial radio interface are summarized hereafter:

- Maximum bit rate supported limited to 144 kbit/s
- Permanent softer handover forward link operations for constellations providing satellite diversity
- Permanent reverse link satellite diversity combining for constellations providing satellite diversity
- Feeder link (gateway-satellite) and satellite to user link beam centre Doppler precompensation
- Two-steps (instead of three-steps as terrestrial) forward link acquisition procedure
- Optional half chip-rate mode for improved frequency granularity
- Introduction of a high-power paging channel for in-building penetration
- Optional (not standard) use of pilot symbols in the communication channels
- Reduced power control rate with multi-level predictive power control loop to cope with longer propagation delay
- Shorter scrambling sequence length (2 560 chips) in the forward link
- Optional use in the forward link of a short scrambling sequence (256 chips) to allow CDMA interference mitigation at single user terminal level
- Longer random access preamble sequence.

SW-CDMA offers a great degree of commonality with the terrestrial radio interface making the interoperability between the IMT-2000 terrestrial and the satellite components easier.

6.3.1.1 Architectural description

6.3.1.1.1 Channels structure

This radio interface specification is relevant just to the service link, the feeder link not being a part of it.

The service link consists of a forward link, between the satellite station and the MES and a return link in the opposite direction.

At the physical layer, the information flow to and from the MES is conveyed through logical channels as defined in Recommendation ITU-R M.1035. Those logical channels make use of physical channels as bearer medium, as shown in Table 13.

TABLE 13
Physical to logical channel mapping

Logical channels	Physical channels	Direction
BCCH	Primary CCPCH	Forward
FACH PCH	Secondary CCPCH	Forward
DSCH	PDSCH PDSCH	Forward Forward
RACH RTCH	PRACH	Reverse
DCCH	DPDCH	Bidirectional
DTCH	DPDCH	Bidirectional
Layer 1 signalling	DPCCH	Bidirectional

Two broadcast physical channels are foreseen in the forward direction, primary and secondary common control physical channel, CCPCH. The primary CCPCH supports the broadcast control channel (BCCH) used to broadcast system and beam specific information. The secondary CCPCH supports two logical channels namely the forward access channel (FACH), carrying control information to an identified MES when its position is known and a paging channel (PCH), used as high penetration paging channel.

The physical random access channel (PRACH) supports the random access channel (RACH), carrying control information and the random traffic channel (RTCH), carrying short user packets.

The dedicated physical control channel (DPCCH) is used for carrying Layer 1 signalling data.

The dedicated physical data channel (DPDCH) either control information such as higher layers signalling, conveyed through the dedicated control channel (DCCH) and bidirectional user data conveyed through the dedicated traffic channel (DTCH).

The above bearer services can be utilized to provide circuit-switched and packet data services. On the forward link, packet traffic is supported either on the FACH channel, a downlink shared channel (DSCH) where multiple user services can be supported on the same connection using a time-multiplexed structure or on a dedicated channel for higher throughput requirements. On the reverse link the RACH channel may be utilized for the transmission of occasional short user packets. For a non-occasional, but still moderate throughput and/or low-duty cycle packet traffic, ad hoc codes will be assigned by the LES to the user in order to avoid code collision with other users of the RACH channel. In this case the RTCH is still mapped on a RACH-like physical channel. The data part, however, may be of variable length (in any case a multiple of the physical layer frame length). For higher throughput packet channels on the reverse link, a couple DPCCH/DPDCH can be assigned. The DPDCH is only transmitted when the packet queue is not empty. Also in this case a packet may span multiple physical layer frames. Rate agility is also supported in this case.

A high penetration messaging service is foreseen as unidirectional service (in the forward direction, i.e. between the satellite station and the MES) supporting low data rates with messages containing some tens of bytes. Its primary scope is a paging service or ring alert for MESs localized inside buildings.

In addition to Recommendation ITU-R M.1035, a dedicated physical channel has been introduced for Layer 1 signalling. This carries reference symbols for channel estimation and synchronization purposes.

6.3.1.1.2 Constellation

SW-CDMA does not compel to any particular constellation. It has been designed to be supported by LEO, MEO, GEO or HEO constellations.

Even though multiple satellite diversity will ensure the best system performances, this shall not be regarded as a mandatory system requirement.

6.3.1.1.3 Satellites

SW-CDMA does not compel to any particular satellite architecture. It can be operated either over a bent-pipe transparent satellite transponder or by regenerative transponder architecture. For the reverse link, satellite path diversity exploitation requires bent-pipe transponder as demodulation takes place on the ground.

6.3.1.2 System description

6.3.1.2.1 Service features

Depending on the MES class, SW-CDMA supports bearer services ranging from 1.2 kbit/s up to 144 kbit/s with associated maximum BER between 1×10^{-3} to 1×10^{-6} .

The maximum tolerated delay is up to 400 ms, compatible with any of the above-mentioned satellite constellations.

6.3.1.2.2 System features

Both in the forward and in the return link two spreading rates are supported, either 3.840 Mchip/s (full chip rate) and 1.920 Mchip/s (half chip rate).

The transmission is organized in frames. The frame period is 10 ms for the 3.840 Mchip/s option and 20 ms for the 1.920 Mchip/s. Frames are organized in hierarchical structure. A multiframe (MF) consists of 8 frames (full rate option) or 4 frames (half rate option). The MF period is 80 ms. Multiframes are organized in super-frames. One super-frame consists of 9 MFs and has a period equal to 720 ms.

Closed-loop power control is implemented for both the forward and return link. The loop is driven in order to set the measured SNIR value after RAKE fingers combining to a target value. The target value is itself adaptively modified by means of slower outer control loop based on FER measurements. To support FER measurements 8 bit CRC (4 bits for 2 400 bit/s) are appended to data in each frame.

An open loop power control is provided for packet transmission and initial setting of power during the call set-up phase.

Three basic service classes are supported by a concatenation of coding and interleaving:

- standard services with inner coding (rate 1/3 convolutional, polynomials 557, 663, 711) and interleaving only, with a target BER equal to 1×10^{-3} ;
- high quality services with inner coding and interleaving plus outer RS coding and interleaving (or optional Turbo coding). The target BER is 1×10^{-6} ;
- services with service specific coding. For these services no specific FEC coding technique is applied by the radio interface. Possible FEC coding is entirely managed at higher layer.

These classes allow to match the various QoS requirements of the selected satellite services and permit QoS enhancements if required through the choice of a service specific coding.

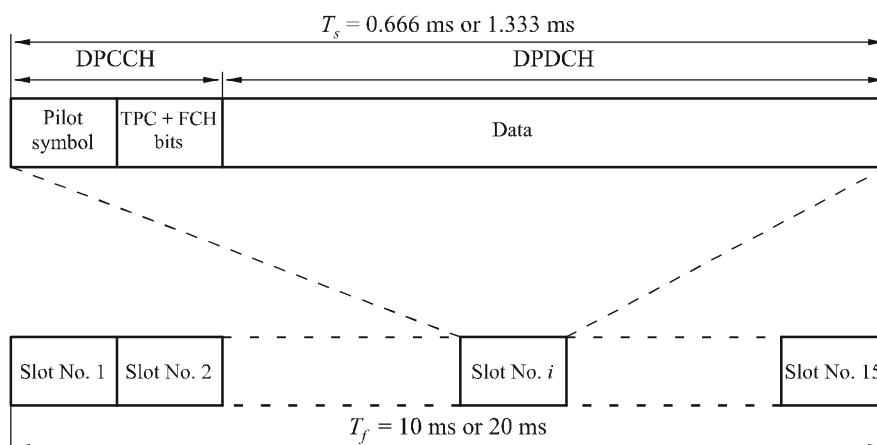
The interleaving scheme is negotiated at call set-up, depending on the actual data rate. The interleaving depth spans over an integer multiple of the frame period. The interleaving block is written per rows over a number of columns which is a power of two, the exponent depending on the actual data rate. In reception, the interleaving block is read per columns in a shuffled sequence, i.e. by reading the binary column index in the reverse order.

Access Description – Forward Link

DPDCH/DPCCH – The DPDCH/DPCCH frame structure is shown in Fig. 75. Each frame is divided in 15 time slots and each time slot carries in time-division multiplexing DPDCH and the corresponding DPCCH.

FIGURE 75

Frame structure for the forward link dedicated physical channels (DPDCH/DPCCH)



1457-75

The DPCCH carries the *optional* (see Note 1) reference (pilot) symbols, the power control field (TPC) and the frame control header (FCH), which indicates the actual DPDCH format and speed. The reference pilot symbols are optional.

The format and the data rate of the DPDCH may change during the communication session frame by frame: the MES can detect the format and speed of the current frame from the FCH. The DPDCH may even be absent in some frames. As the data rate on the DPDCH changes also the relative power level of DPDCH and DPCCH changes.

The TPC field consists of two bits. For the TPC function only one increase/decrease command per frames is sufficient due to the large loop delay. However, a multi-level loop allows faster reaction to changes into the channel conditions. Hence, an additional bit per frame is allocated for that purpose.

The FCH field consists of three bits. These 3 bits can address eight different DPDCH formats: because the possible DPDCH formats are more than eight, the FCH will actually select a data format in a subset of the available formats which is defined during call set-up negotiation.

The TPC and FCH bits are coded together by mapping the resulting 5-bit word to one 15-bit long sequence (codeword) belonging to a family of 32 sequences. The proposed, length 15 bits, family of sequences is obtained by all the 15 cyclic shift of an ML sequence of length $2^4 - 1$ plus the all zero sequence plus the antipodal of all the previous sequences. The total number of available sequence is thus 32. The cross-correlation between sequences is either ± 1 or -15 . The sequences are either almost orthogonal or antipodal.

NOTE 1 – Typically channel estimation is performed by means of the CCPCH thus no pilot symbols are required in the individual DPCCH.

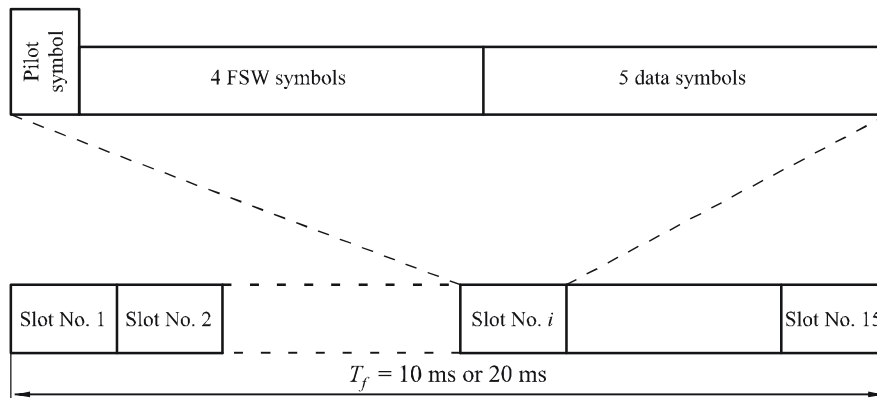
CCPCH – The frame structure of the primary and secondary CCPCH is shown in Fig. 76.

The primary CCPCH is continuously transmitted at a fixed transmission rate (15 kbit/s in the full chip rate option and 7.5 kbit/s in the half chip rate option). It is used to carry the BCH and a frame synchronization word (FSW).

The primary CCPCH channel code for this channel is the same on all beams and satellite and is known to all MES. Two different FSWs are used. One FSW is used on all frames except the first frame of each MF where the other FSW is utilized. It shall be observed that no pilot symbols are used on the CCPCH. The hypothesis is to use the common pilot for such purposes.

FIGURE 76

Frame structure for the common control physical channels (CCPCH)



1457-76

The secondary CCPCH carries the paging channel (PCH) and the forward access channel (FACH). This channel is also a constant rate channel and it is transmitted only when user traffic is present. On the secondary CCPCH, the FACH and PCH are time multiplexed on a frame-by-frame basis within the super frame structure. The set of frames allocated to FACH and PCH respectively is broadcast on the BCCH. No power control strategy is implemented in the primary and secondary CCPCH.

PDSCH/PDSCCH – The physical downlink shared channel (PDSCH) carries packet data to MESs without the need to allocate a permanent DCH to each user, which may potentially bring to downlink code shortage. The PDSCH channels use a branch of the OVSF code tree. A single MES per frame is served in case the lowest super frame node of the code branch (i.e. the branch root) is used. Multiple MESs per frame may instead be served via code multiplexing in case a higher super frame factor is used (i.e. lower nodes in the branch tree). All PDSCH channels share a single physical downlink shared control channel (PDSCCH) which is transmitted in code multiplexing and carries code assignment, FCH and TPC information to all users.

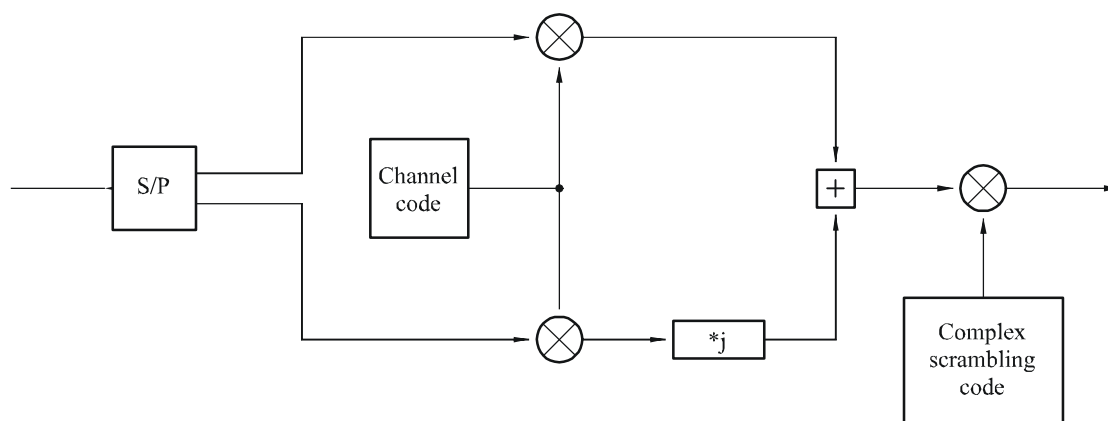
Modulation and spreading

The modulation scheme (see Fig. 77) is QPSK where each bit pair is mapped to the I and Q branches. Those are then spread to the chip rate with the same channel code, c_{ch} , and subsequently scrambled by the same beam specific complex scrambling code, c_{scramb} .

For the lower user data rates ($\leq 4\,800$ bit/s), BPSK modulation is used, instead of QPSK modulation, to reduce the sensitivity to phase errors.

The choice of short spreading codes allows the implementation of a linear minimum output energy (MOE) adaptive CDMA demodulator in the MES. The optional use of CDMA MOE detectors is intended to increase system capacity and or/quality of service with no space segment impact.

FIGURE 77
QPSK modulation/BPSK spreading for the forward link physical channels



1457-77

Codes allocation and synchronization

Scrambling codes – The scrambling code is a complex quaternary sequence of length 2 560 chips. Optionally, in case of MOE-based CDMA interference mitigation at the MES, the use of a shorter (256 chips) real scrambling code is envisaged.

The same scrambling code (staggered by a fixed amount of chips) can be reused in each beam of a given satellite. Different sets of scrambling codes are assigned to each spacecraft. If a given spacecraft is accessed by different LES on the same frequency slot, they must be either mutually synchronized or they shall use different scrambling codes. Depending on orbital parameters, scrambling sequences may be reused among satellites not in simultaneous visibility of the same region. Scrambling code allocation can be done according to several strategies also depending on the constellation and payload (transparent or regenerative) types as well as the degree of synchronization accuracy of LES stations.

The CCPCH common pilot is necessary to support the initial code and frequency acquisition and support satellite diversity operations. The optional use of reference symbols in addition to the common pilot may be required for supporting adaptive antennas.

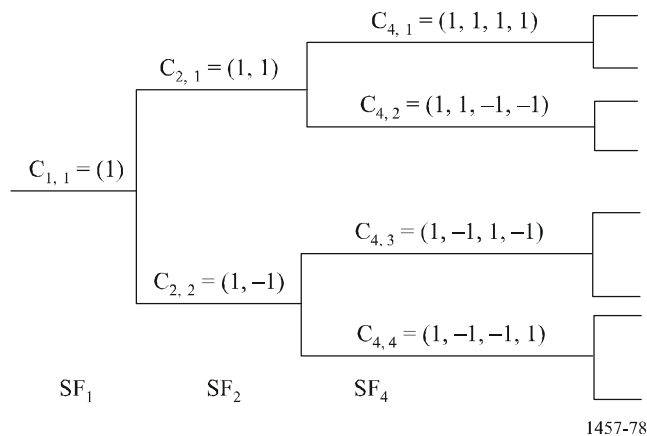
Channel codes – The channel codes belong to the orthogonal variable spreading factor (OVSF) family. These codes preserve the orthogonality between forward link channels of different rates and spreading factors. Note that as the CCPCH differs from the DPDCH only by the channel code (see Note 1) thus differently from the corresponding terrestrial radio interface the CCPCH is orthogonal to the DPDCH.

The OVSF codes can be defined using the code tree of Fig. 78.

Each level in the code tree defines channel codes of length SF_i . All codes within the code tree cannot be used simultaneously within the same beam. A code can be used in a beam if and only if no other code on the path from the specific code to the root or in the underlying sub-tree is in use. This means that the number of available channel codes is not fixed but depends on the rate and spreading factor of each physical channel.

NOTE 1 – The CCPCH shares the same DPDCH scrambling sequence.

FIGURE 78
Code tree generation for OVFS codes



Acquisition and synchronization

In the MES, the initial acquisition is performed by means of the common pilot. The pilot is modulated with a low rate known pattern and its channelization code is known (typically the all zero sequence code). The known pattern modulating the common pilot has the scope to extend the period of the overall signal in order to support satellite diversity operation. After power on, the MES searches for the scrambling code of the common pilot.

The efficiency of that search and therefore the speed of convergence of the initial acquisition, depends on the number of codes to be searched and possible MES knowledge of candidate satellites. The suggested use of staggered scrambling sequence for the different satellite beams will help in reducing the initial acquisition time. Scrambling sequence reuse among different satellites is also a way to reduce the initial search space dimensions.

Once a pilot has been acquired, the primary CCPCH can be de-spread and the BCCH recovered. This maintains specific information on the list of candidate satellites with the associated scrambling codes in order to accelerate the acquisition of other satellites.

Hand-off

Four possible hand-off situations are envisaged: beam hand-off, satellite hand-off, LES hand-off and frequency hand-off.

Beam hand-off – The MES always measures the de-spread pilot $C/(N + I)$ received from adjacent beams and reports measurement results to the LES. When the beam pilot quality is approaching a system threshold level, the LES typically initiates a beam hand-off procedure. According to the MES pilot reports, the LES will decide to transmit the same channel through two different beams (soft beam hand-off) and command the MES to add a finger to demodulate the additional signal. As soon as the LES receives confirmation that the new signal is received, it drops the old beam connection.

Inter-satellite hand-off – The procedure is analogous to that of inter-beam hand-off. The only difference is that the MES has also to search for different pilot scrambling codes. If a new pilot scrambling code is detected, the measure is reported back to the LES, which may decide to exploit satellite diversity by transmitting the same signal through different satellites.

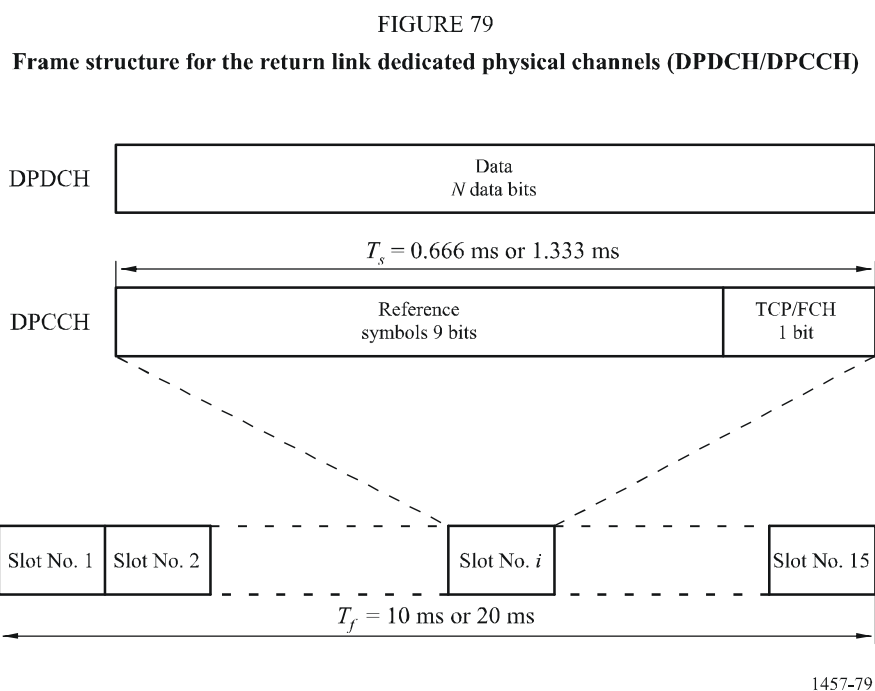
When the satellite constellation provides multiple path diversity, it is useful to operate mobile users in permanent softer hand-off mode. In this case the LES associate the same channel to the strongest satellite diversity paths. The MES exploits path diversity through maximal ratio combining.

Inter-LES hand-off – Inter-LES hand-off may be needed in some cases depending on the constellation characteristics. The inter-LES hand-off shall be negotiated between the LESs. In particular, the new LES starts transmitting its carrier towards the mobile that is simultaneously commanded by the old LES to search for the new LES signal. When the MES confirms to the old LES that it is also receiving from the new one, the old LES stops transmitting towards the MS.

Inter-frequency hand-off – Only hard inter-frequency hand-off is supported. This hand-off can be either intra-gateway or inter-gateway.

Access description – return link

DPDCH/DPCCH frame structure – The DPDCH/DPCCH frame structure in the return link (see Fig. 79) is the same of that in the forward link. However, differently from the forward link, the DPDCH and DPCCH are code and not time-division multiplexed.



In the DPCCH, the TCP/FCH field has the same function of that in the forward link. As in the forward link, these bits are mapped to a sequence belonging to a family of 32 sequences. The proposed, length 15 bits, family of sequences is obtained by all the 15 cyclic shift of an ML sequence of length 2^4-1 plus the all zero sequence plus the antipodal of all the previous sequences. The sequences are either almost orthogonal or antipodal.

The reference bit pattern is described in Table 14. The shadowed part can be used as frame synchronization words. The value of the pilot bit other than the frame synchronization word shall be 1. The frame synchronization word is inverted to mark the beginning of a MF.

The rate at which reference symbols, TPC/FCH bits are transmitted is fixed and equal to 15 kbit/s for the full chip rate option and 7.5 kbit/s for the half chip rate option.

Similarly to the forward link, 2 and 3 bits will be transmitted per frame respectively for the TPC and the FCH functions.

- The number of bits per DPDCH slot is related to the spreading factor SF of the physical channel as $SF = 256/2^k$ with $k = 0, \dots, 4$. The spreading factor may thus range from 256 down to 16.

TABLE 14

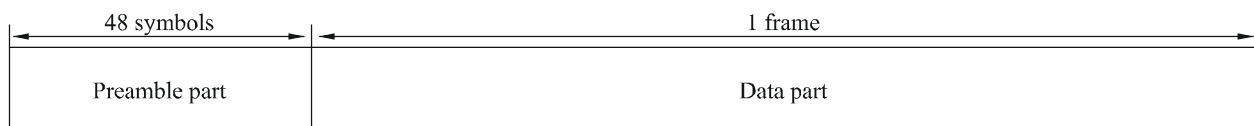
Reference bit pattern for uplink DPCCH

Slot No. \ Bit No.	0	1	2	3	4	5	6	7	8
1	1	1	1	0	1	0	1	1	1
2	1	1	1	0	1	1	1	0	1
3	1	0	1	0	1	1	1	0	1
4	1	0	1	1	1	1	1	1	1
5	1	1	1	1	1	0	1	0	1
6	1	0	1	1	1	0	1	1	1
7	1	0	1	1	1	1	1	0	1
8	1	1	1	0	1	1	1	1	1
9	1	0	1	1	1	1	1	0	1
10	1	1	1	0	1	0	1	0	1
11	1	0	1	0	1	0	1	0	1
12	1	0	1	1	1	0	1	0	1
13	1	0	1	0	1	1	1	1	1
14	1	1	1	0	1	1	1	0	1
15	1	0	1	0	1	1	1	1	1

PRACH frame structure – The PRACH frame structure is shown in Fig. 80.

FIGURE 80

Physical random access channel (PRACH) frame structure



1457-80

The preamble part is formed by modulating a 48 symbols codeword over a spreading code of period 256 chips.

The 48 symbols codeword preamble is randomly selected by the MES in a small set of quaternary codewords. The spreading code is randomly selected between the spreading codes available for random access. Information about the available spreading codes is given on the BCCH channel.

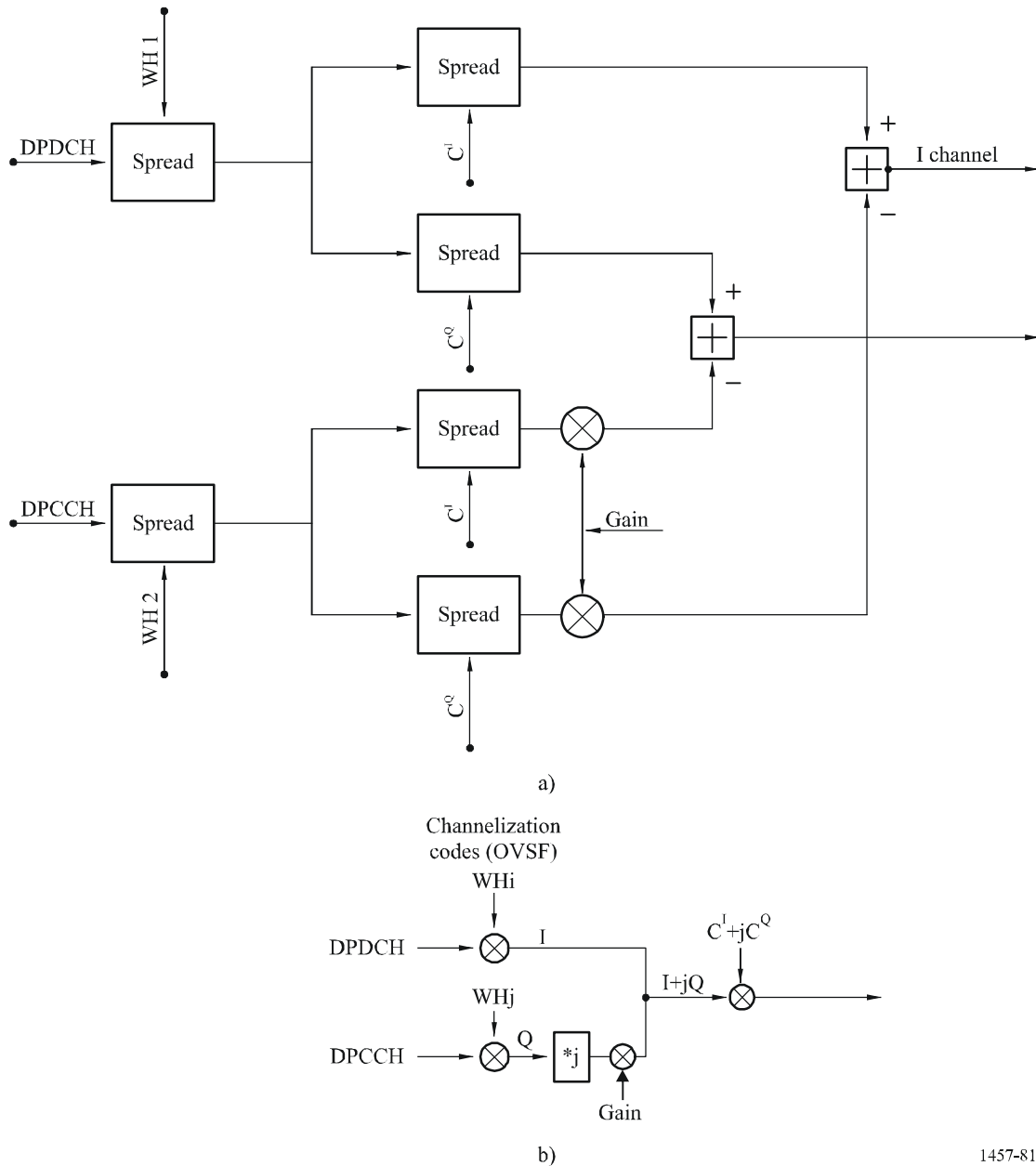
The data part of the RACH burst is actually composed of a data channel on the I transmission arm and an associated control channel on the Q transmission arm carrying the reference symbols for coherent demodulation and a FCH informing about the data rate and format of the I arm. The data rate of the preamble part is instead fixed and equal to 15 ksymbol/s or 7.5 ksymbol/s according to the chip rate option. The length of the data part of the RACH burst is equal to a frame (i.e. 10 or 20 ms, according to the chip rate option).

No diversity combining is supported on the RACH channel.

Modulation and spreading – The modulation/spreading code used in the return link is shown in Fig. 81. Data modulation is BPSK, where the DPDCH and DPCCH are mapped to the carrier I and Q branches respectively. The I and Q branches are then spread to the chip rate with two different channel codes c_D/c_C and subsequently complex scrambled by a MS specific complex quadri-phase scrambling code.

FIGURE 81

Reverse link spreading modulation scheme for dedicated physical channels a) and its complex representation b)



1457-81

Scrambling code length is one frame (38 400 chips). An option with a short code (256) is being evaluated for use in conjunction with an MMSE-based interference mitigation technique. The scrambling sequences are the same as defined in specification TS25.213 (prepared by 3GPP).

Scrambling codes are assigned to the MES by the LES on a semi-permanent basis.

The channel codes are the same OVSF codes as for the forward link.

6.3.1.2.3 Terminal features

SW-CDMA supports four MES classes: hand-held (H), vehicular (V), transportable (T) and fixed (F). In Table 15 the terminal feature to terminal classes are mapped.

TABLE 15
Bearer services

Bearer data rate (kbit/s)	Supported QoS	MES class
1.2	10^{-6}	H,V,T,F
2.4	$10^{-3}, 10^{-5}, 10^{-6}$	H,V,T,F
4.8	$10^{-3}, 10^{-5}, 10^{-6}$	H,V,T,F
9.6	$10^{-3}, 10^{-5}, 10^{-6}$	H,V,T,F
16	$10^{-3}, 10^{-5}, 10^{-6}$	H,V,T,F
32	$10^{-3}, 10^{-5}, 10^{-6}$	V,T,F
64	$10^{-5}, 10^{-6}$	V,T,F
144	$10^{-5}, 10^{-6}$	T,F

6.3.1.2.4 RF specifications

6.3.1.2.5 Satellite station

The satellite station RF specifications depend on the actual space segment architecture.

6.3.1.2.6 MES

In Table 16 the RF specifications for the different MES classes are reported.

TABLE 16
MES RF specification

RF parameter	MES class		
	H	V	T
Channel bandwidth (kHz)	2 350 ⁽¹⁾ , 4 700 ⁽²⁾	2 350 ⁽¹⁾ , 4 700 ⁽²⁾	2 350 ⁽¹⁾ , 4 700 ⁽²⁾
Uplink frequency stability (ppm)	3	3	3
Downlink frequency stability (ppm)	0.5	0.5	0.5
Maximum e.i.r.p. (dBW)	3.0	16.0	16.0
Average e.i.r.p. per channel (dBW)	⁽³⁾	⁽³⁾	⁽³⁾
Antenna gain (dBi)	-1.0	2.0 ⁽⁴⁾ , 8.0 ⁽⁵⁾	4.0 ⁽⁴⁾ , 25.0 ⁽⁵⁾
Power control range (dB)	20.0	20.0	20.0
Power control step (dB)	0.2-1	0.2-1	0.2-1
Power control rate (Hz)	50 ÷ 100	50 ÷ 100	50 ÷ 100
Transmit/receive isolation (dB)	> 169	> 169	> 169
G/T (dB/K)	-23.0 ⁽⁴⁾ , -23.0 ⁽⁵⁾	-23.5 ⁽⁴⁾ , -20.0 ⁽⁵⁾	-23.5 ⁽⁴⁾ , -20.0 ⁽⁵⁾
Doppler shift compensation	Yes	Yes	Not applicable
Mobility restriction (maximum speed) (km/h)	250 ⁽¹⁾ , 500 ⁽²⁾	250 ⁽¹⁾ , 500 ⁽²⁾	Not applicable

⁽¹⁾ Half rate option (1.920 Mchip/s).

⁽²⁾ Full rate option (3.840 Mchip/s).

⁽³⁾ Depending on the satellite station characteristics.

⁽⁴⁾ Typical value for LEO constellation.

⁽⁵⁾ Typical value for GEO constellation.

Baseband specifications

The baseband specifications are provided in Table 17.

TABLE 17
Baseband characteristics

BB-1	Multiple access	
BB-1.1	Technique	Direct sequence CDMA
BB-1.2	Chip rate (where appropriate)	1.920 Mchip/s or 3.840 Mchip/s
BB-1.3	Time slots (where appropriate)	15 time slots per frame
BB-2	Modulation type	– Dual-code BPSK in the uplink – QPSK or BPSK in the downlink
BB-3	Dynamic channel allocation (yes/no)	No
BB-4	Duplex method (e.g. FDD, TDD)	FDD
BB-5	FEC	– Standard quality: convolutional coding with code rate 1/3 or 1/2 constraint length $k = 9$. Variable puncturing repetition to match the required info rate. – High quality concatenated RS code over $GF(2^8)$, concatenated with inner convolutional code with rate 1/3 or 1/2, constraint length $k = 9$. Turbo coder as option
BB-6	Interleaving	– Interleaving on a single frame basis (default). – Interleaving on a multiple frame basis (optional)
BB-7	Synchronization between satellites required (y/n)	– Synchronization between BSs working on different satellites is not required. – Synchronization between BSs working on the same satellite is required

Detailed specifications

The SW-CDMA radio interface detailed specification is based on the following set of documents:

- *Physical layer*: the most recent version of the SW-CDMA documents derived from the 25.200 series (see Note 1).
- *Protocols*: most recent versions of the 25.300 draft specifications (see Note 2).

NOTE 1 – This set of detailed specifications is presently being elaborated inside the ETSI TC-SES S-UMTS working group among the family of the voluntary standards for IMT-2000 satellite radio interface. This specification will also provide a general description of the physical layer of the SW-CDMA air interface.

NOTE 2 – As developed within the 3GPP RAN TSG. These documents can be found on: <http://www.3gpp.org/TSG/RAN.html>. This specification describes the documents being produced by the 3GPP TSG RAN WG 4.

6.3.2 Satellite radio interface B specifications

W-C/TDMA is a satellite radio interface designed to meet the requirements of the satellite component of the third generation (3G) wireless communication systems (see Note 1).

The W-C/TDMA radio interface is supposed to be compliant with the radio interface CN and related specifications for the Iu and Cu interface.

W-C/TDMA is based on a hybrid code and time-division multiple access (C/TDMA) technique with RF channel bandwidth of either 2.350 or 4.700 MHz for each transmission direction.

W-C/TDMA is characterized by a slotted structure, a quasi-synchronous operation of the uplink resulting in a quasi-orthogonal partitioning of most radio resources of a single, multibeam satellite system.

According to the relevant IMT-2000 satellite band regulations, the baseline diplexing scheme is FDD: however a TDD/FDD scheme is supported in which the transmission takes place in a different time slot with respect to reception and in different frequency bands. The half rate option provides finer spectrum granularity and robustness with respect to chip synchronization and tracking in channel with high Doppler shift.

W-C/TDMA provides a wide range of bearer services from 1.2 up to 144 kbit/s. High quality telecommunication service can be supported including voice quality telephony and data services in a global coverage satellite environment. W-C/TDMA supports additional features specific of the satellite environment such as the provision of a high penetration paging channel.

The main attractive features of W-C/TDMA are hereafter summarized:

- W-C/TDMA provides superior system capacity over a narrow-band TDMA or FDMA system.
- Supports FDD/TDD mode operation requiring terminals with less demanding antenna diplexers.
- Provides more resources allocation flexibility thanks to orthogonal partitioning (TDM/ TDMA) of a high percentage of radio resources on top of CDM/CDMA.
- Allows full frequency re-use simplifying frequency planning.
- Provision of finer granularity of user data rates compared to narrow-band systems avoiding high peak-to-mean power.
- Provision of accurate user positioning without external means.
- Support of high penetration messaging service.

NOTE 1 – The W-C/TDMA radio interface is currently being examined by the (ETSI) SES Technical Committee among the family of IMT-2000 satellite radio interfaces as a voluntary standard.

6.3.2.1 Architectural description

6.3.2.1.1 Channels structure

This radio interface specification is relevant just to the service link, the feeder link not being part of it.

The service link consists of a forward link, between the satellite station and the MES and a return link in the opposite direction.

At the physical layer, the information flow to and from the MES is conveyed through logical channels as defined in Recommendation ITU-R M.1035.

Those logical channels make use of physical channels as bearer medium.

W-C/TDMA adopts the same physical channel structure as the terrestrial radio interface. The mapping between physical and logical channels is shown in Table 18.

Two broadcast physical channels are foreseen in the forward direction, primary and secondary common control physical channel, P/S-CCPCH.

The primary CCPCH supports the broadcast control channel (BCCH) used to broadcast system and beam specific information.

The secondary CCPCH supports two logical channels namely the forward access channel (FACH), carrying control information to an identified MES when its position is known.

The physical random access channel (PRACH) supports the random access channel (RACH), carrying control information and the random traffic channel (RTCH), carrying short user packets.

TABLE 18

Physical to logical channel mapping

Logical channels	Physical channels	Direction
BCCH	Primary CCPCH	Forward
FACH	Secondary CCPCH	Forward
Pilot	PI-CCPCH	Forward
PCH	HP-CCPCH	Forward
RACH RTCH	PRACH	Reverse
DCCH	DDPCH	Bidirectional
DTCH	DDPCH	Bidirectional
Layer 1 signalling and pilot symbols	DCPCH	Bidirectional

The dedicated physical control channel (DCPCH) is used for Layer 1 signalling.

The dedicated physical control channel (DDPCH) is used for carrying either control information such as higher layer signalling, conveyed through the dedicated control channel (DCCH) and bidirectional user data conveyed through the dedicated traffic channel (DTCH).

The above bearer services can be utilized to provide circuit-switched and packet data services.

Multiple user services can be supported on the same connection using a time-multiplexed structure.

With respect to that a specific physical control channel has been introduced, HP-CCPCH, supporting, in the forward link the high penetration paging channel, a low data rate service, whose primary scope is as a paging service or ring alert for MESs localized inside buildings.

6.3.2.1.2 Constellation

W-C/TDMA does not compel to any particular constellation. It has been designed to be supported by low, medium, geostationary or high Earth orbit (LEO, MEO, GEO or HEO) constellations.

Even though multiple spot-beam coverage will ensure the best system performances, this shall not be regarded as a mandatory system requirement.

6.3.2.1.3 Satellites

W-C/TDMA does not compel to any particular satellite architecture. It can be operated either over a bent-pipe transparent satellite transponder or by regenerative transponder architecture.

6.3.2.2 System description

6.3.2.2.1 Service features

Depending on the MES class, W-C/TDMA supports bearer services ranging from 1.2 kbit/s up to 144 kbit/s with associated maximum BER between 1×10^{-3} to 1×10^{-6} .

The maximum tolerated delay is up to 400 ms, compatible with any of the above-mentioned satellite constellations.

6.3.2.2.2 System features

Both in the forward and in the return link two spreading rates are supported, both 3.840 Mchip/s (full chip rate) and 1.920 Mchip/s (half chip rate).

Closed-loop power control is implemented for both the forward and return link. The loop is driven in order to set the measured SNIR value after RAKE combining to a target value. The target value is itself adaptively modified by means of slower outer control loop based on FER measurements. To support FER measurements 8 bit CRC (4 bit for 2 400 bit/s) are appended to data in each frame.

An open loop power control is provided for packet transmission and initial setting of power during the call set-up phase.

Three basic service classes are supported by a concatenation of coding and interleaving:

- standard services with inner coding (rate 1/3 convolutional, polynomials 557, 663, 711) and interleaving only, with a target BER equal to 1×10^{-3} ;
- high quality services with inner coding and interleaving plus outer RS coding and interleaving. The target BER after the inner decoding is 1×10^{-6} ;
- services with service specific coding. For these services no specific FEC coding technique is applied by the radio interface. Possible FEC coding is entirely managed at higher layer.

These classes allow matching of the various QoS requirements of the selected satellite services and permitting QoS enhancements, if required, through the choice of a service specific coding.

The interleaving scheme is negotiated at call set-up, depending on the actual data rate. The interleaving depth spans over an integer multiple of the frame period. The interleaving block is written per rows over a number of columns, which is a power of two, the exponent depending on the actual data rate. In reception, the interleaving block is read per columns in a shuffled sequence, i.e. by reading the binary column index in the reverse order.

Satellite diversity

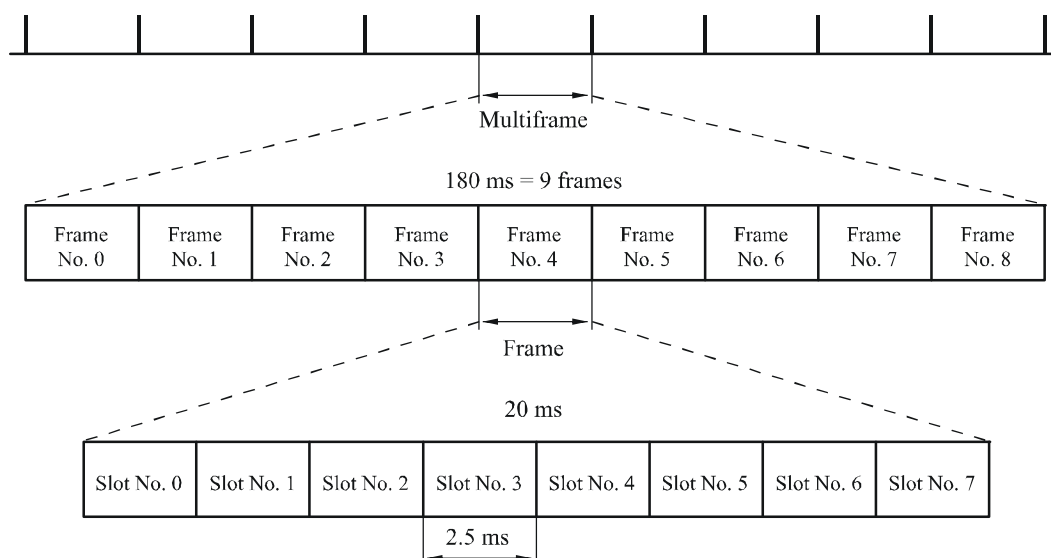
In a multiple satellite coverage scenario, the LES may decide to combine return link signals of co-coverage satellites with the return link signal received via the primary satellite to improve the SNIR and to reduce shadowing probability. Since quasi-synchronous operation is restricted to the primary satellite, the resulting SIR at a secondary satellite demodulator where the user is received asynchronously is generally lower. In spite of these SIR inequities, it can be shown that there is a substantial gain from maximal ratio combining techniques which may be used to increase return link power efficiency and capacity.

Access description

In the forward link from the satellite station to the MES an orthogonal CTDM is adopted. In the return link, from the MES to the satellite station quasi-synchronous W-C/TDMA is adopted.

The transmission is organized in frames, as shown in Fig. 82. The frame period is 20 ms and is subdivided in 8 time slots. Frames are organized in multiframe (MF, period 180 ms) consisting of 8 ordinary frames plus one extra frame.

FIGURE 82
Forward and return link frame structure

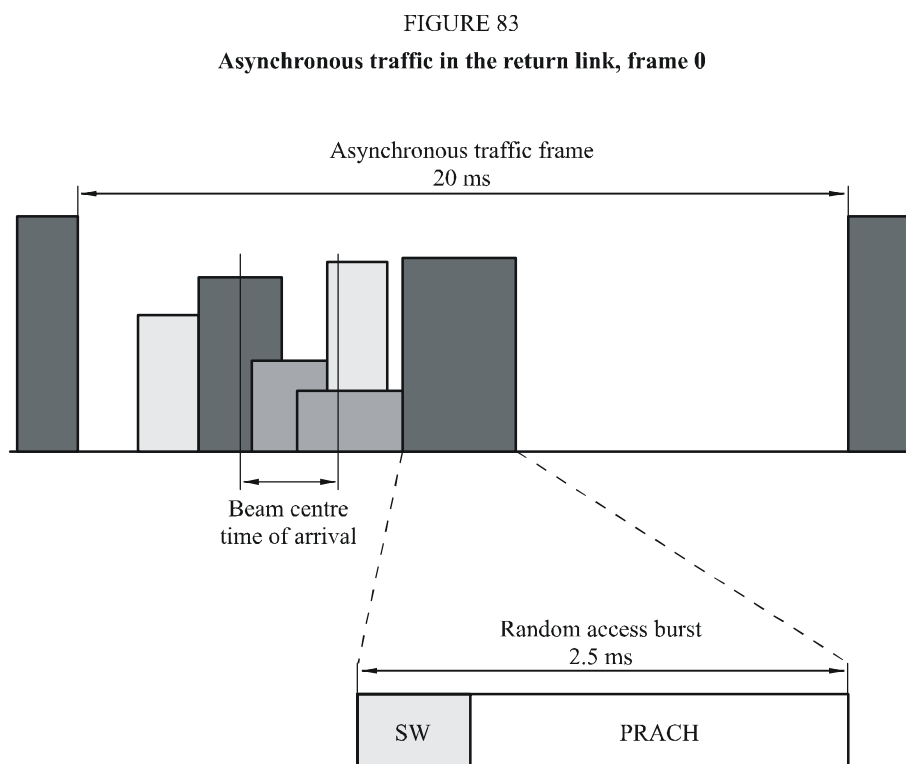


The coexistence between synchronous and asynchronous traffic (initial access) is handled with a segregated approach, in which the available resources are partitioned in time in two frames each one reserved to its specific use.

In the forward link frame 0 is dedicated to broadcast common functions (paging, high penetration messaging channel, synchronization, etc.).

The first frame in each MF (frame 0) is reserved to the asynchronous traffic: in the return link, packets are sent asynchronously by MESSs in frame 0 of each multiframe, as shown in Fig. 83.

Bursts – Transmission takes place in bursts which can have the duration of a single time slot or may span over an integer number of time slots.



1457-83

In case of synchronous traffic, burst can span over an integer number of time slots, not necessarily contiguous.

In case of asynchronous traffic, bursts are transmitted, in a non-slotted frame, at random times taking care not to invade the adjacent frames.

Two bursts size are envisaged: short, containing 160 bytes and long containing 320 bytes.

The duration of a burst depends on the selected chip rate and spreading factor.

The burst size and the spreading factor are controlled by the LES and cannot be modified during a session. The information rate can be varied on a burst-to-burst basis.

Forward link

DCPCH/DDPCH – In the forward link DCPCH and DDPCH are multiplexed on the same burst (forward link dedicated burst). The burst structure is shown as for Fig. 84.

The DPCCH carries the reference (pilot) symbols, the power control field (TPC), the frame control header (FCH), which indicates the actual code rate and the time and frequency control field (TFC), required for quasi-synchronous operation.

FIGURE 84
Forward link dedicated burst

DCPCH				DDPCH
FCH	TPC	TFC	Pilot	User data
n_{FFD}	n_{TPD}	n_{TFD}	(n_{PFD})	n_{DFD}
n_{OFD}				
Control and user data interleaved, pilot symbols equally spaced				
1, 2 or 4 slots				

1457-84

The forward link common burst carries the CCPCH. Its structure is shown in Fig. 85.

FIGURE 85
Forward link common burst

CCPCH	
FCH	Data
n_{FFC}	n_{DFC}
n_{OFC}	
Control and user data interleaved	
1, 2 or 4 slots	

1457-85

The forward link synchronization burst carries the high penetration paging channel (HP-CCPCH). Its structure is shown in Fig. 86.

FIGURE 86
Forward link synchronization burst

HP-CCPCH		
SW	Pilot	Data
n_{SWS}	n_{PFS}	n_{DFS}
n_{OFS}		
SW	Pilot symbols equally spaced	
1 slot		

1457-86

Return link

Two burst structure are foreseen in the return link: random access burst and return link dedicated burst. Their structure is shown in Fig. 87 and Fig. 88, respectively.

FIGURE 87
Return link random access burst

PRACH		
SW	Pilot	Data
n_{SRR}	n_{PRR}	n_{DRR}
n_{ORR}		
SW	Pilot symbols equally spaced	
1 slot		

1457-87

FIGURE 88
Return link dedicated burst

DCPCH			DDPCH
FCH	TPC	Pilot	User data
n_{FRD}	n_{TRD}	(n_{PRD})	n_{DRD}
n_{ORD}			
Control and user data interleaved, pilot symbols equally spaced			
1, 2 or 4 slots			

1457-88

Definition of the burst parameters

The burst parameters are defined as for Tables 19 to 23.

TABLE 19
Forward link dedicated burst

		Short burst		Long burst	
		Symbols	Percentage	Symbols	Percentage
Total	N_{OFD}	160	100	320	100
Data	N_{DFD}	112	70	256	80
(Pilot)	(N_{PFD})	(16)	(10)	(32)	(10)
FCH	N_{FFD}	16	10	16	5
TPC	N_{TPD}	8	5	8	2.5
TFC	N_{TFD}	8	5	8	2.5
Total overhead		48	30	64	20

TABLE 20
Forward link common control burst

		Short burst		Long burst	
		Symbols	Percentage	Symbols	Percentage
Total	N_{OFC}	160	100	320	100
Data	N_{DFC}	144	90	304	95
FCH	N_{FFC}	16	10	16	5
Total overhead		16	10	16	5

TABLE 21

Forward link synchronization burst

		Short burst	
		Symbols	Percentage
Total	N_{OFS}	160	100
Data	N_{DFS}	112	70
SW	N_{SWS}	32	20
Pilot	N_{PFS}	16	10
Total overhead		48	30

TABLE 22

Random access burst

		Short burst	
		Symbols	Percentage
Total	N_{ORR}	160	100
Data	N_{DRR}	112	70
SW	N_{SRR}	32	20
Pilot	N_{PRR}	16	10
Total overhead		48	30

TABLE 23

Return link dedicated burst

		Short burst		Long burst	
		Symbols	Percentage	Symbols	Percentage
Total	N_{ORD}	160	100	320	100
Data	N_{DRD}	120	75	264	82.5
Pilot	N_{PRD}	16	10	32	10
FCH	N_{FRD}	16	10	16	5
TPC	N_{TRD}	8	5	8	2.5
Total overhead		40	25	56	17.5

Channel assignment and transmission mode

The combination of an assignment of a number of spreading code and time slots in a multi-frame constitutes a virtual channel assignment. The number of codes will likely be equal to one, but might be greater than one if MESs capable of multi-code reception and/or transmission are considered. The assignment of slots for dedicated channels is restricted to frames No. 1 to No. 8 (No. 5 in the five frames per multi-frame option). A channel assignment is valid for the duration of a session.

The principle of OVSF codes permits orthogonal or quasi-orthogonal channels with codes associated to different spreading factors to coexist. Spreading code, slots, burst type, and other link parameters for the forward and return link are assigned by the LES during the set-up of a session. It is proposed not to change the spreading code (spreading factor) during a session. Variable rate transmission is realized solely by changing the code rate.

Different transmission modes are considered:

- Two-way stream mode transmission: a communication channel is assigned on the forward and the return link.

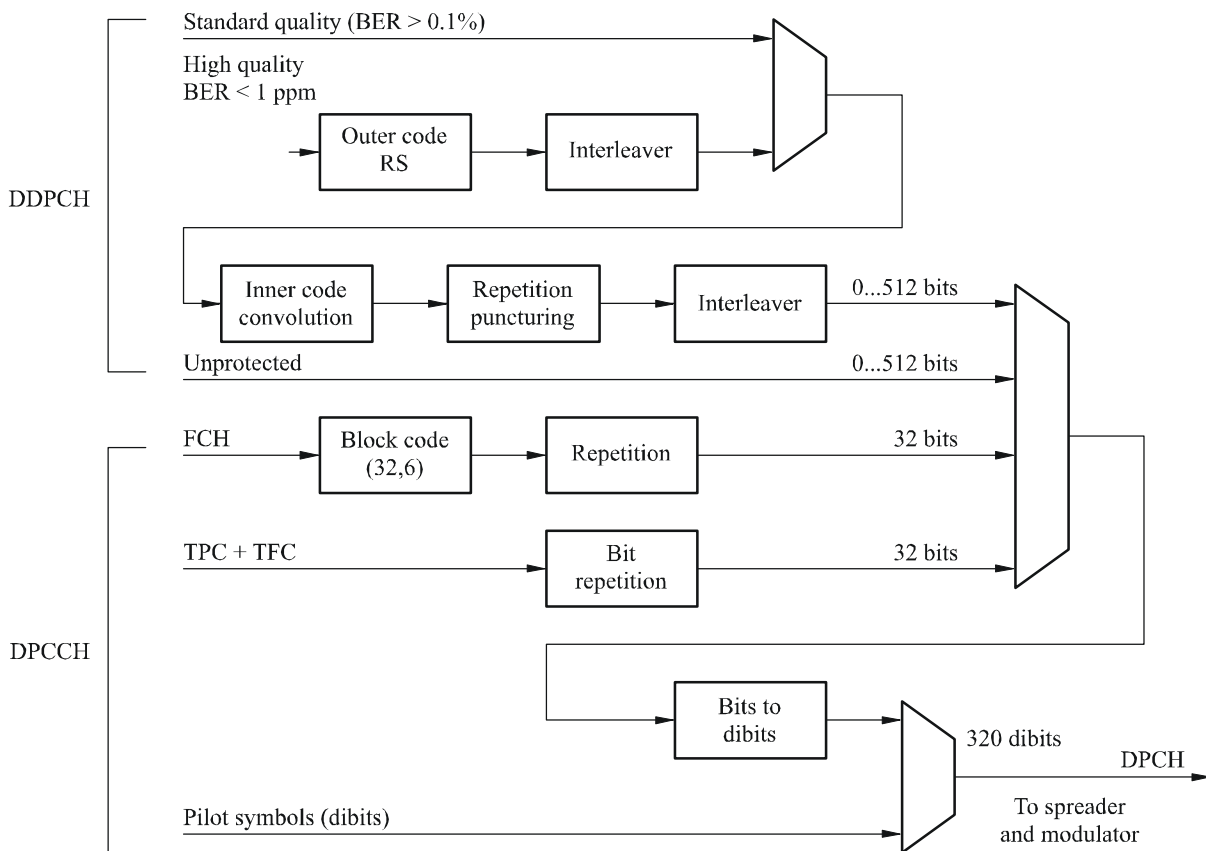
- Forward link stream mode one-way transmission: a communication channel is assigned only on the forward link.
- Return link stream mode one-way transmission: this mode is prohibited since there is no possibility to send TFC commands on the forward link.
- Packet data transfer: If the frequency of packets to the same destination is low, no channel will be assigned and packets are transferred in frame No. 0. This is valid for both directions. (Zones at the edges of frame No. 0 where congestion is assumed to be lower will preferably be used for packet transfer in the return direction.) If the frequency of packets to the same destination is sufficiently high to justify a session, a dedicated channel may be assigned in frames No. 1 to No. 8.

An optimum choice of the justification threshold for an assignment of a dedicated channel for packet data transfer is crucial. It should prevent overloading of frame No. 0 in particular of the return link and save satellite power. Connectionless packet data transfer does not allow power control. Thus, higher link margins have to be provided for packet transmission requiring more satellite power. On the other hand, channel assignments require signalling overhead which also requires additional satellite energy and reduces capacity.

Channel coding, rate adapter and service multiplexing

The channel coding and service multiplexing scheme is shown in Fig. 89 and is applicable to the forward and return link dedicated physical channel. The diagram is generic and applies in the simple case where only one service with specified quality and rate is transmitted on a single burst in a single code channel as well as in the more general case where multiple services requiring different rates and qualities are simultaneously transmitted on a single burst in a single code channel.

FIGURE 89
Coding and multiplexing scheme

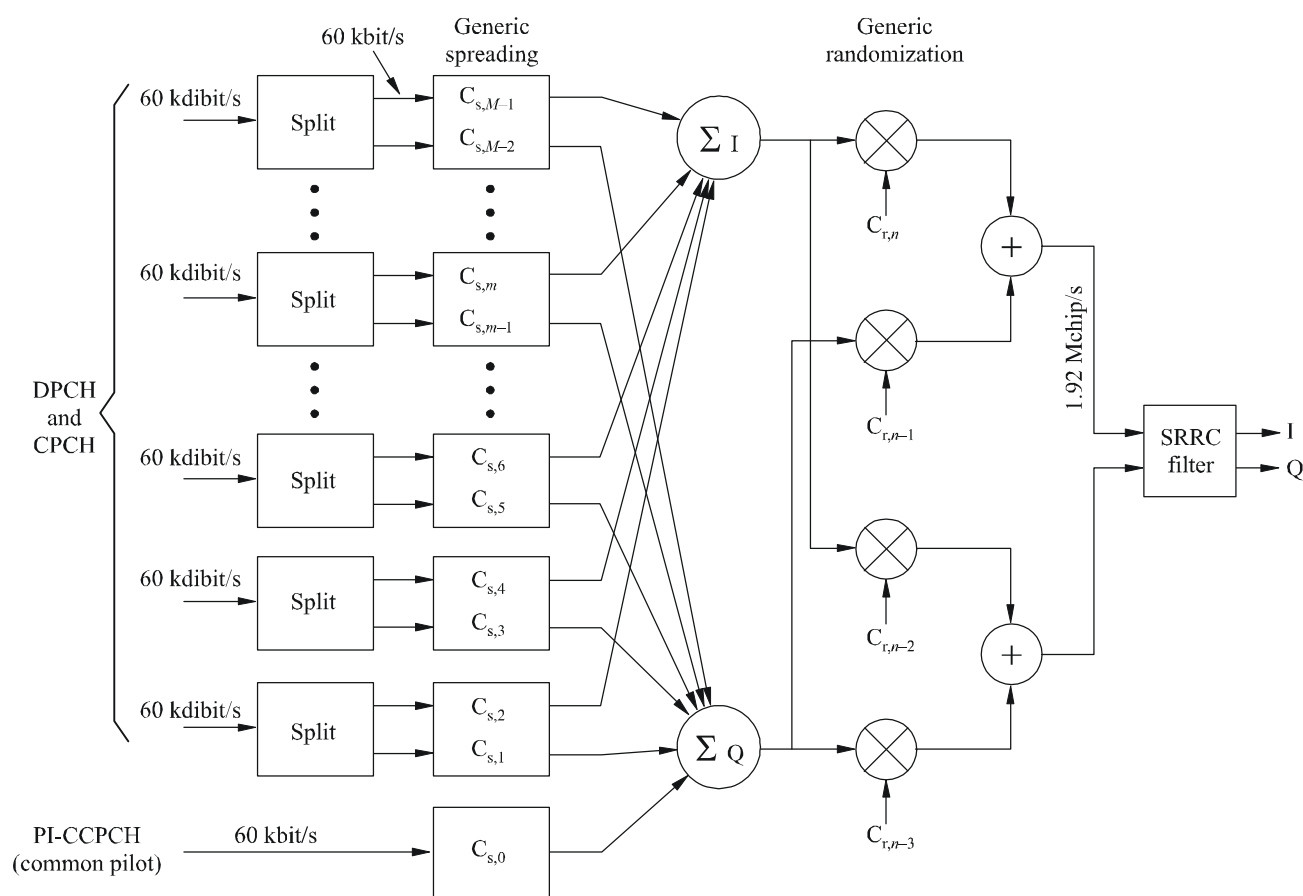


The de-multiplexing and decoding schemes to be applied at the receiving side are indicated in the FCH.

Modulation and spreading

Figure 90 represents the proposed generic spreader and modulator for the forward and return link, respectively. The principle of the proposed spreading and modulation scheme for the forward and return link is described in the following: After insertion (multiplexing) of pilot symbols (dibits) (if required), the dibit stream is split into two bi-polar data streams, called the I- and the Q-streams. These data, clocked at symbol rate, are multiplied with the bi-polar components of the spreading code vector denoted $c_{s,m}$, clocked at chip rate, such that one bi-polar data sample is a scalar factor of the code vector. This operation is called spreading or channelization.

FIGURE 90
Forward link generic spreader and modulator
 (rates indicated refer to the 1.920 Mchip/s option and a spreading factor of 32)



1457-90

The resulting I- and Q-spread transmit sequences are additionally randomized using bi-polar PN-sequences, called randomization codes, denoted $c_{r,n}$, such that the transmit signal appears noise like in a receiver which is not synchronized or which reuses the same spreading code. There are three different ways to randomize:

- real randomization using a single randomization code;
- complex randomization using a pair of randomization codes and full complex multiplication;
- I/Q independent randomization using a pair of randomization codes such that one code is multiplied with the I-branch signal and the other code with the Q-branch signal.

Possible code configurations for QPSK and dual BPSK using either real or complex randomization are listed in Table 24.

TABLE 24
Spreading and randomization code configurations

Data modulation	Spreading codes	Randomization codes	Remarks
QPSK	$c_{s,m} = c_{s,m-1}$	$c_{r,n} = c_{r,n-3}, c_{r,n-1} = c_{r,n-2} = 0$	Real randomization
QPSK	$c_{s,m} = c_{s,m-1}$	$c_{r,n} = c_{r,n-2} \neq c_{r,n-1} = c_{r,n-3}$	Complex randomization
Dual BPSK	$c_{s,m} = c_{s,m-1}$	$c_{r,n} = c_{r,n-3}, c_{r,n-1} = c_{r,n-2} = 0$	Different randomization on I- and Q-branch
Dual BPSK	$c_{s,m} \neq c_{s,m-1}$	$c_{r,n} = c_{r,n-3}, c_{r,n-1} = c_{r,n-2} = 0$	Real randomization
Dual BPSK	$c_{s,m} \neq c_{s,m-1}$	$c_{r,n} = c_{r,n-2} \neq c_{r,n-1} = c_{r,n-3}$	Complex randomization

In line with the scheme applicable for the corresponding terrestrial radio interface, orthogonal variable spreading factor (OVSF) codes based on a length 128 bits Walsh-Hadamard code set for the 1.920 Mchip/s option and on a length 256 bits Walsh-Hadamard code set for the 3.840 Mchip/s option are proposed.

Forward link

The generic form of the forward link spreader and modulator is shown in Fig. 90. Except for the common pilot channel (PI-CCPCH), different configurations of spreading and randomization codes may be applied. Since the same randomization is applied to all simultaneously transmitted forward link channels, summation is prior to randomization.

It is proposed to use either QPSK or dual BPSK and real randomization for all DPCH and CPCH. Normally, a multitude of code channels is simultaneously transmitted on the forward link that results in a circular I/Q amplitude distribution in any case. Thus, real randomization is adequate requiring minimum complexity.

The use of dual BPSK would reduce the number of orthogonal code channels to one half, since different spreading codes are applied to the I- and Q-branches. Single spreading code dual BPSK with I/Q independent randomization represents a way to avoid the above code-book limitation at the expenses of an increased sensitivity to carrier phase errors.

Dual BPSK with real randomization is used for the synchronization burst (HP-CCPCH). The PI-CCPCH is mapped on spreading code No. 0 which is the all 1-sequence. The PI-CCPCH data is simply an endless sequence of 1 s, interrupted in those slots where the synchronization burst is transmitted. Thus, the PI-CCPCH is the randomization code itself.

Return link

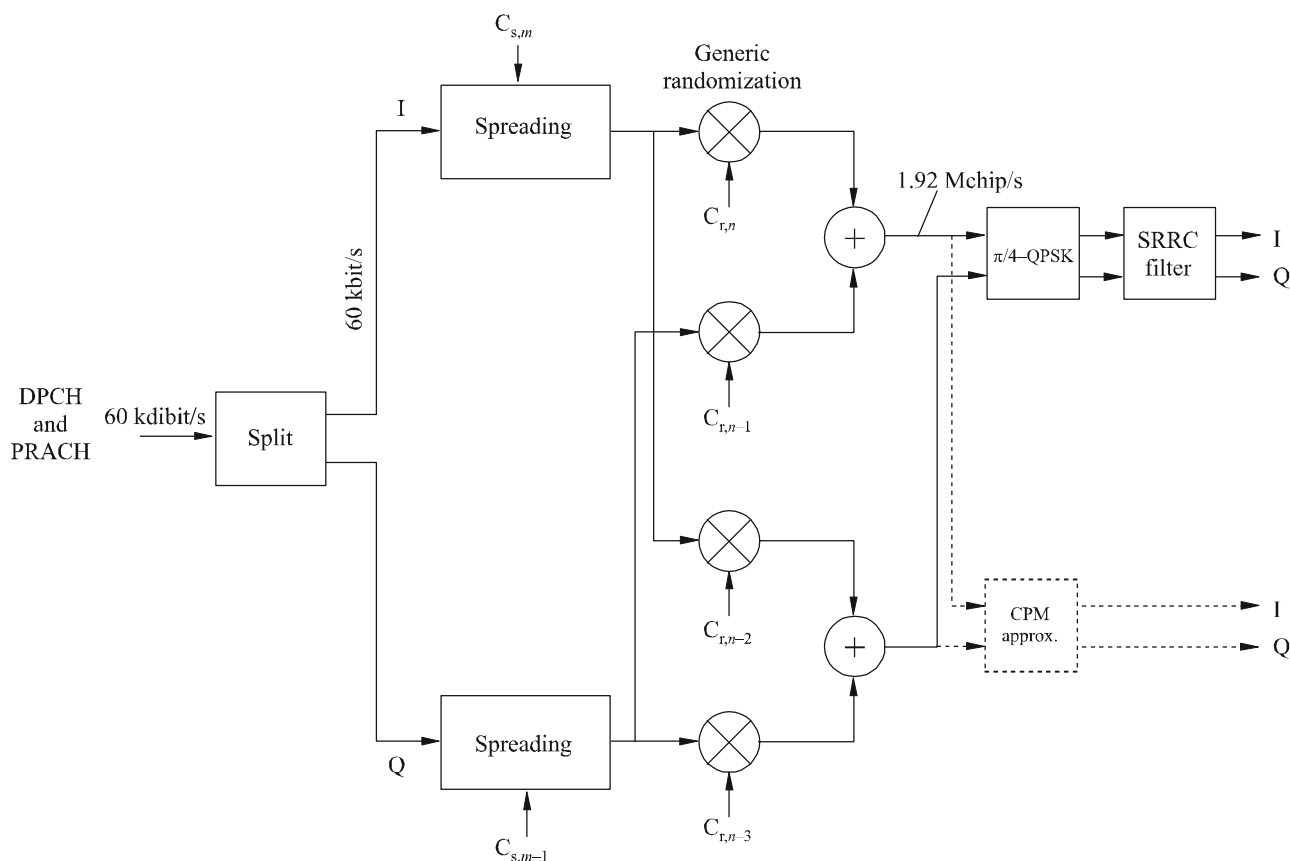
The generic form of the return link spreader and modulator is shown in Fig. 91. Different configurations of spreading and randomization codes may be applied as on the forward link.

It is proposed to use either QPSK or dual BPSK data modulation both with complex randomization for DPCH. The use of orthogonal dual BPSK would reduce the number of code channels to one half. Dual BPSK with I/Q independent spreading (without code channel reduction) can be considered when code-book size is an issue. The more robust dual BPSK with complex randomization is proposed for the random access burst (PRACH).

In contrast to the forward link, $\pi/4$ -QPSK spreading modulation is proposed in order to reduce envelope fluctuations. Optionally, pre-compensated frequency modulation (PFM) can be envisaged. PFM is a constant envelope modulation technique which can be designed to work with a standard Nyquist-filtered $\pi/4$ -QPSK

receiver. PFM represents a trade-off between adjacent channel (frequency band) interference (ACI), code channel cross talk and BER-performance in AWGN conditions.

FIGURE 91
Return link generic spreader and modulator
(rates indicated refer to the 1.920 Mchip/s option and a spreading factor of 32)



1457-91

System time and frequency reference

It is assumed that system time and frequency reference is virtually located in the satellite. This means, that the signals emitted by the satellite correspond to the nominal frequencies and timing. In case of a transparent transponder, the LES offsets the transmit times, frequencies, chip rates etc. of its feeder uplink so that the signals arrive at the intended satellite in synchronism with the nominal system time and frequency. Beam specific time shifts and Doppler pre-compensation may be additionally applied for the service links. For the return link it is assumed that the LES controls timing of the individual MTs such that the return link signals arrive at the intended satellite in quasi-synchronism with the nominal system time and frequency. Beam specific time shifts and frequency offsets may be applied additionally for the service return links.

The feeder downlink needs no specification in this context, since feeder propagation time varies for all beams exactly in the same manner.

Intra-satellite inter-beam synchronization

It is proposed to keep transmit times (frame structure) in all beams of the same satellite aligned. There will be small intentional and fixed time offsets in the order of a few chip periods in order to permit reuse of the same randomization code in all beams of the same satellite.

Time offsets will also be required for the return link frame structure of signals arriving at the satellite from different beams, if the same randomization code shall be used for all beams of a satellite. The same time

offsets are proposed for the return link frame structure. The LES controls the MTs in a manner such that the above offsets occur at the LES receiver.

In general, there will be a fixed offset between the forward and return link frame structure.

System-wide inter-satellite synchronization

It is proposed to maintain time synchronism between all satellites belonging to the same SRAN. This means transmissions from different satellites are aligned to one another with respect to the frame structure within an accuracy in the order of a ms. In case of transparent payloads and no inter-satellite links, the system-wide synchronization may be maintained by the LESs interconnected via a terrestrial network. Time alignment limits frame timing differences between pairs of satellites to the minimum possible. It is believed that this is advantageous for satellite path diversity and handover.

Randomization codes assignment

The purpose of the overlaid randomization of the spreading code is to make adjacent beam and inter-satellite interference appear more noise like in any situation at any time. The following generic randomization codes assignment approach is proposed:

- One specific and one common randomization code sequence (real randomization) is assigned to each satellite belonging to the same SRAN to be used on the forward link.
- A specific pair of randomization codes (complex randomization) is assigned to each satellite belonging to the same SRAN to be used on the return link.
- The specific forward link randomization code is unique in the SRAN and is applied to all forward link transmissions (except the synchronization burst) of all beams of the same satellite.
- The specific pair of return link codes is unique in the SRAN and is applied to all quasi-synchronous and asynchronous return link transmissions of all beams of the same satellite.
- The common code is applied to the forward link synchronization bursts (HP-CCPCH) of all beams of all satellites belonging to the same SRAN.
- The start of the specific and common randomization code refers to the first chip in slot No. 1 of frame No. 0 for both forward link synchronous and return link quasi-synchronous traffic. Clocking of the randomization code is continued through any period of HP-CCPCH transmission on the forward link or asynchronous traffic frame on the return link where quasi-synchronous traffic is interrupted.
- In case of asynchronous traffic, the start of the randomization code sequences of the specific pair refers to the first chip of the random access burst.

The use of a common randomization code for the synchronization bursts simplifies forward link acquisition and allows decoding of the HP-CCPCH with minimum system information. Accidental interference de-randomization in case of HP-CCPCH reception is unavoidable with this approach. In order to lower the probability of acquisition failures or message losses in the delay co-incidence zones of a multiple satellite scenario, it is proposed to artificially vary the power of the synchronization bursts transmitted by the different satellites by approximately 6 dB in a manner such that only one of the serving satellites transmits at full power at a time. Power variation would be applied only in those beams covering the delay co-incidence zones.

Forward link acquisition and synchronization

The following forward link acquisition and synchronization procedure is proposed:

- The MES initially acquires the forward link synchronization (time and frequency) by using the periodic SWs transmitted in slot No. 1 of frame No. 0. The spread SW has a length of $32 \times 30 = 960$ chips (referred to the half rate option) and is common to all beams and satellites.
- If several SWs from different beams or satellites are detected, it chooses the one associated with the largest correlation peak to establish frequency, frame, symbol and chip synchronization.

- The MES uses the common pilot channel (PI-CCPCH) to extract the randomization code unique to the particular satellite by correlating the receive signal against all possible randomization sequences used in the SRAN.
- The MES attempts to further improve time and frequency synchronization using the PI-CCPCH.
- The MES reads the BCCH transmitted on a primary CCPCH in frame No. 0 to acquire all relevant high level synchronization and system information.

Return link synchronization acquisition

The following procedure is proposed for initial access and the return link synchronization acquisition and tracking:

- The MES is allowed to access the LES only after having successfully established forward link synchronization.
- The MES reads the information about the instantaneous Doppler and time delay at the beam centre point broadcast by the LES in frame No. 0.
- The MES applies Doppler pre-compensation and timing advance, such that the random access burst is received with minimum Doppler shift and timing error at the satellite. The MES therefore computes frequency pre-compensation and burst timing to be applied on the return link using information gathered on the forward link.
- The MES transmits the pre-compensated random access burst in frame No. 0 at the computed time instance. (The computed timing of the random access bursts may be additionally slightly randomized to avoid interference hot spots in the asynchronous traffic frame. However, these offsets would have to be indicated in the content of the random access burst.)
- If the LES has successfully captured the random access burst, it estimates time and frequency (measures residual timing and Doppler errors) and sends a channel assignment, as well as timing and frequency corrections to the MES using a CCPCH.
- Upon successful reception of the forward link message, the MES corrects its Doppler pre-compensation and chip timing and starts to transmit bursts in the assigned time slots within the quasi-synchronous traffic frames. The return link transmission may now be considered as quasi-synchronous to other traffic arriving at the LES. The return link may be considered as fully Doppler precompensated with respect to carrier frequency and chip clock.
- The MES continuously tracks the forward link carrier frequency and chip timing and corrects return link carrier frequency and chip timing upon reception of TFC commands continuously sent by the LES.

Recognizing that the precise synchronization required may occasionally be lost (e.g. caused by shadowing), a reacquisition procedure is also defined in order to quickly restore synchronization.

A loss of synchronization may be indicated at the LES or the MES by the fact that the BER measured over a number of received bursts exceeds a certain threshold. In case of synchronization loss the LES may initiate a reacquisition procedure. The reacquisition procedure is similar to the forward and return link acquisition procedure and is proposed as follows:

- The LES requests a reacquisition using the dedicated logical control channel soon after it has lost return link synchronization.
- On reception of the reacquisition request or on local synchronization loss indication, the MES immediately stops transmitting traffic and, if necessary, tries to reacquire forward link synchronization (the use of the common pilot may be sufficient for this purpose).
- In any case, the MES sends a reacquisition message only upon request by the LES using the random access burst. (Since timing uncertainty may be assumed to be smaller compared to the initial access case, special portions close to the edges of the asynchronous traffic frame having lower congestion may be used for this purpose.)
- After having restored full synchronization, traffic transmission is continued. The LES continues to send TFC commands to track the return link synchronization.

The quasi-synchronous W-C/TDMA return link

The advantage of a quasi-synchronous return link is that intra-beam interference is kept at a minimum, thus, allowing more inter-beam or inter-satellite interference. Its drawback is the need for precise timing control by the LES. Considering multi-satellite path diversity, only a portion of the MES population will be synchronized to one satellite (those which are assigned to that satellite by the SRAN). The return link signals of the remaining MESs, assigned to different satellites, would have to be received asynchronously.

FDD/TDD mode operation

The W-C/TDMA scheme proposed intends to support terminals operating in frequency/time division duplex mode. A pure TDD mode using the same carrier frequency in both transmit directions as proposed by ETSI for the terrestrial component is not considered here.

A MES operating in frequency/time division transmits and receives signals in separate time periods and on separate carrier frequencies but never at the same time. Such MESs require simpler diplexers at the antenna port.

In contrast to terrestrial networks, for satellites in non-geostationary orbit, the propagation time may significantly vary inside the footprint of a beam during a connection. The LES controls return link timing such that the frame timing of the signals arriving at the satellite is maintained at a beam specific offset.

In general, there will also be an unknown but fixed offset between the forward and return link frame structure of the same beam. While a fixed return link timing is maintained at the satellite (LES), the timing of the return link frames continuously drifts against the forward link for an observer at the MES when the path length changes. During the time a MES dwells in the footprint of the same beam, the frame offset may vary up to approximately 12 ms, depending on the satellite system. The relative frame drift in a MES operating in FDD/TDD implies the requirement of slot reassignments from time to time, in order to prevent a transmit/receive conflict. The FDD/TDD mode is mainly suited for hand-held terminals.

6.3.2.2.3 Terminal features

W-C/TDMA supports four MES classes: hand-held (H), vehicular (V), transportable (T) and fixed (F). In Table 25 the terminal feature to terminal classes are mapped.

TABLE 25
Bearer services

Bearer data rate (kbit/s)	Supported QoS	MES class
1.2	10^{-6}	H,V,T,F
2.4	$10^{-3}, 10^{-5}, 10^{-6}$	H,V,T,F
4.8	$10^{-3}, 10^{-5}, 10^{-6}$	H,V,T,F
9.6	$10^{-3}, 10^{-5}, 10^{-6}$	H,V,T,F
16	$10^{-3}, 10^{-5}, 10^{-6}$	H,V,T,F
32	$10^{-3}, 10^{-5}, 10^{-6}$	V,T,F
64	$10^{-5}, 10^{-6}$	V,T,F
144	$10^{-5}, 10^{-6}$	T,F

6.3.2.3 RF specifications

6.3.2.3.1 Satellite station

The satellite station RF specifications depend on the actual space segment architecture.

6.3.2.3.2 MES

In Table 26 the RF specifications for the different MES classes are reported.

TABLE 26
MES RF specifications

RF parameter	MES class		
	H	V	T
Channel bandwidth (kHz)	2 350 ⁽¹⁾ , 4 700 ⁽²⁾	2 350 ⁽¹⁾ , 4 700 ⁽²⁾	2 350 ⁽¹⁾ , 4 700 ⁽²⁾
Uplink frequency stability (ppm)	3	3	3
Downlink frequency stability (ppm)	0.5	0.5	0.5
Maximum e.i.r.p. (dBW)	8.0 ⁽³⁾ , 12.0 ⁽⁴⁾	11.0 ⁽³⁾ , 18.0 ⁽⁴⁾	20.0 ⁽³⁾ , 20.0 ⁽⁴⁾
Average e.i.r.p. per channel (dBW)	(5)	(5)	(5)
Antenna gain (dBi)	2.0	2.0 ⁽⁶⁾ , 8.0 ⁽⁷⁾	4.0 ⁽⁶⁾ , 25.0 ⁽⁷⁾
Power control range (dB)	20.0	20.0	20.0
Power control step (dB)	0.2/1	0.2/1	0.2/1
Power control rate (Hz)	50 ÷ 100	50 ÷ 100	50 ÷ 100
Transmit/receive isolation (dB)	> 169	> 169	> 169
<i>G/T</i> (dB/K)	- 23.0 ⁽⁶⁾ , - 22.0 ⁽⁷⁾	- 23.5 ⁽⁶⁾ , - 20.0 ⁽⁷⁾	- 23.5 ⁽⁶⁾ , - 20.0 ⁽⁷⁾
Doppler shift compensation	Yes	Yes	Not applicable
Mobility restriction (maximum speed (km/h))	250 ⁽¹⁾ , 500 ⁽²⁾	250 ⁽¹⁾ , 500 ⁽²⁾	Not applicable

⁽¹⁾ At 1.920 Mchip/s.

⁽²⁾ At 3.840 Mchip/s.

⁽³⁾ FDD/TDD mode.

⁽⁴⁾ FDD mode.

⁽⁵⁾ Depending on the satellite station characteristics.

⁽⁶⁾ Typical value for LEO constellation.

⁽⁷⁾ Typical value for GEO constellation

6.3.2.4 Baseband specifications

In Table 27 the overall W-C/TDMA baseband characteristics are summarized.

TABLE 27
Baseband characteristics

BB-1	Multiple access	
BB-1.1	Technique	Forward link: Hybrid wideband Orthogonal CDM/TDM (W-O-C/TDM) Return link: Hybrid wideband Quasi-synchronous quasi-orthogonal CDMA/TDMA (W-QS-QO-C/TDMA)
BB-1.2	Chip rate	3.840 Mchip/s or 1.920 Mchip/s
BB-1.3	Time slots	8 time slots per frame
BB-2	Modulation type	– QPSK or dual-code BPSK in the uplink – QPSK or BPSK (low data rate) in the downlink
BB-3	Dynamic channel allocation (yes/no)	No
BB-4	Duplex method (e.g. FDD, TDD)	FDD or FDD/TDD
BB-5	Forward error correction	– Standard quality: convolutional coding with code rate 1/3 or 1/2 constraint length $k = 9$. Variable puncturing repetition to match the required info rate. – High quality concatenated RS code over $GF(2^8)$, concatenated with inner convolutional code with rate 1/3 or 1/2, constraint length $k = 9$. Turbo coder as option
BB-6	Interleaving	– Interleaving on a single burst basis (default). – Interleaving on a multiple burst basis (optional)
BB-7	Synchronization between satellites required	– Synchronization between LESs working on the same channel of different satellites is required. – Synchronization between LESs working on different channels of the same satellite is not required

6.3.2.5 Detailed specifications

The W-C/TDMA radio interface detailed specification is based on the following set of documents:

- *Physical layer*: the most recent version of the W-C/TDMA documents derived from the 25.200 series (see Note 1).
- *Protocols*: most recent versions of the 25.300 draft specifications (see Note 2).

NOTE 1 – This set of detailed specifications is presently being elaborated inside the ETSI TC-SES S-UMTS Working Group among the family of the voluntary standards for IMT-2000 satellite radio interface. This specification will also provide a general description of the physical layer of the W-C/TDMA air interface.

NOTE 2 – As developed within the 3GPP RAN TSG. These documents can be found on: <http://www.3gpp.org/TSG/RAN.htm>. This specification describes the documents being produced by the 3GPP TSG RAN WG 4.

6.3.3 Satellite radio interface C specifications

The SAT-CDMA is a satellite radio interface to provide the various advanced mobile telecommunications services defined for the IMT-2000 satellite environment with maximum data rate, 144 kbit/s for LEO and 384 kbit/s for GEO.

This system could be applied for LEO and GEO satellite for the global international communications.

The major technical scheme in SAT-CDMA is wideband code division multiple access (W-CDMA) whose chip rate is 3.84 Mchip/s.

This system will be developed to obtain more commonality with the IMT-2000 terrestrial component.

6.3.3.1 Architectural description

6.3.3.1.1 For LEO satellites

6.3.3.1.1.1 Constellation

The satellite constellation comprises 48 satellites operating in a 1 600 km above ground level LEO. In order to get high elevation angle, economical design of satellite constellation, high data rate services, low power of MESs and satellites, and reasonable radiation dose, LEO satellites with 1 600 km altitude is assumed to be reasonable. The satellites are arranged in 8 orbital planes with 54° inclination. Each orbital plane comprises 6 equally spaced satellites. Satellites complete an orbit every 118.2 min. The configuration of satellite constellation enables to cover service areas between 69° S latitude and 69° N latitude with 15° minimum elevation angle for user links. The minimum elevation angle for feeder links is 10°, and the links for inter-satellites are available. The summary of the parameters determined for the configuration is described in Table 28.

TABLE 28
Configuration of satellite constellation

Orbit configuration	LEO
Orbit altitude (km)	1 600
Orbit inclination (degrees)	54
Number of orbit planes	8
Number of satellites per orbit plane	6
Phase offset between adjacent orbit satellite (degrees)	7.5
Orbit period (min)	118.2

Figure 92 shows user link coverage for satellites when the minimum elevation angle is 15°. The minimum elevation angle sustained in the dense population area ranging 30° to 60° latitude is above 20° and the average elevation angle is above 40° in this area as shown in Fig. 93.

FIGURE 92
The coverage area user link for satellites with
minimum elevation angle of 15°

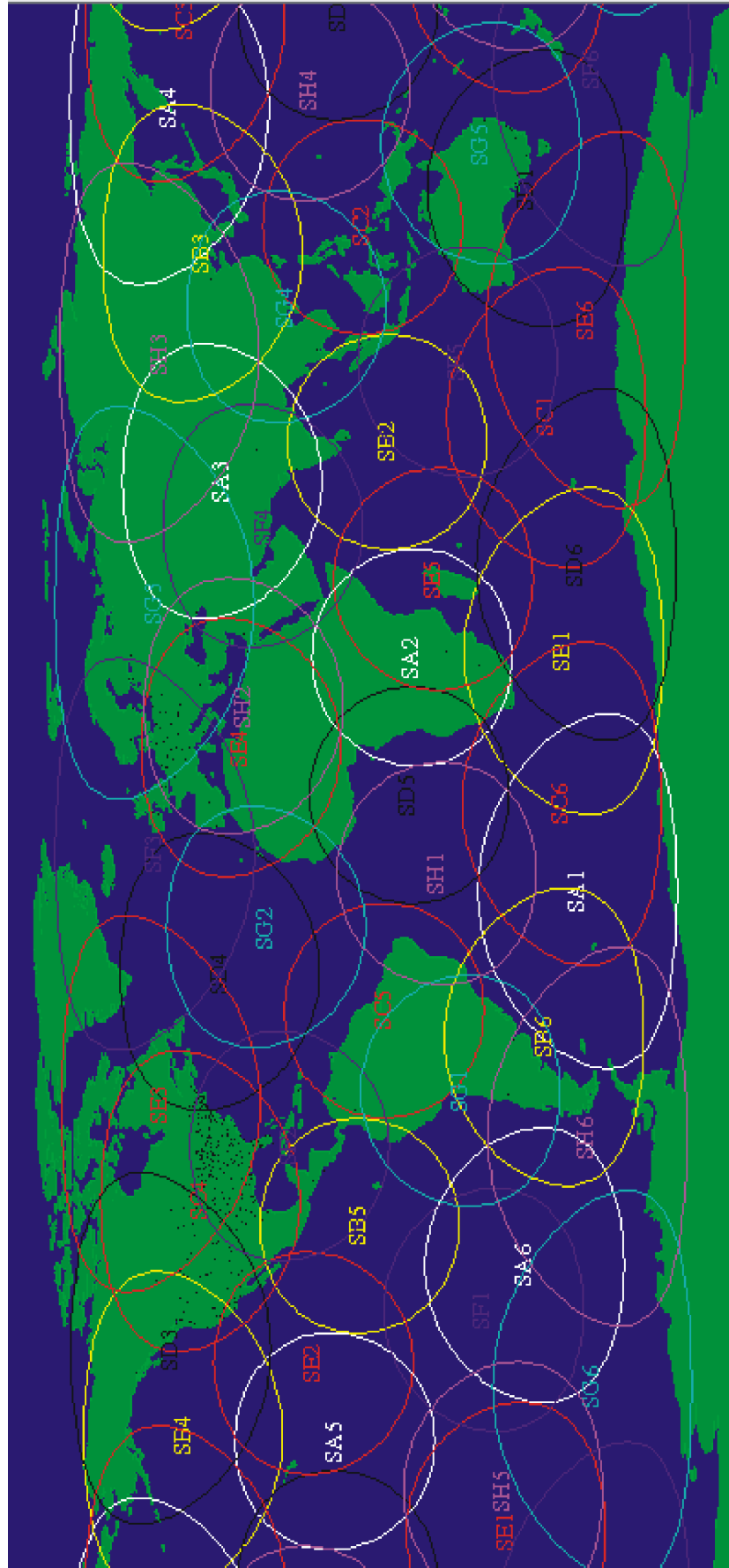
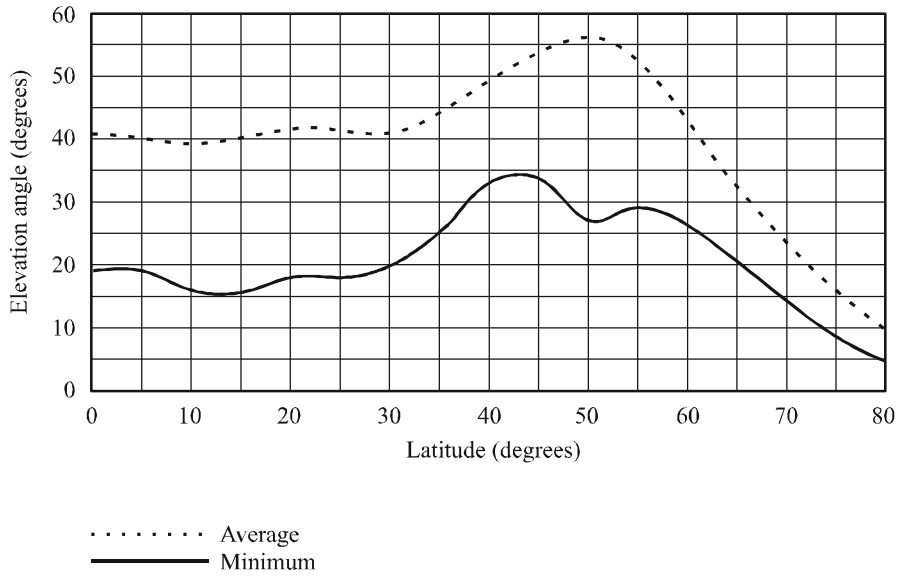


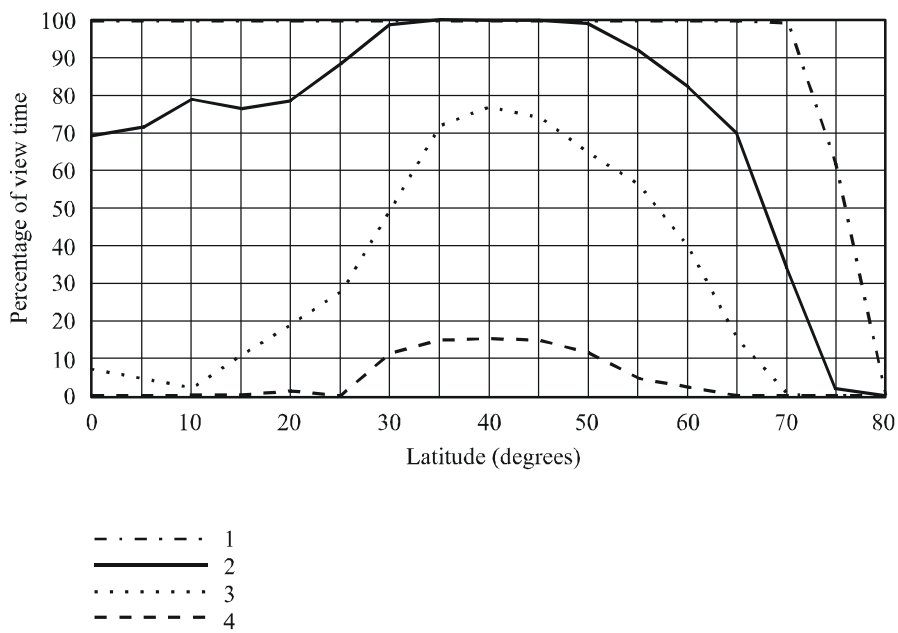
FIGURE 93
**Minimum and average elevation angle distributions
as a function of latitude**



1457-93

Figure 94 displays the percentage of the satellite-view time in terms of the number of satellites (1-4) as latitude increases, showing that the minimum elevation angle is 15°, the percentage of concurrent access to more than two satellites is more than 98% in the areas of latitude between 30° and 50°.

FIGURE 94
**Percentage of time of visible satellites with
minimum elevation angle above 15°**

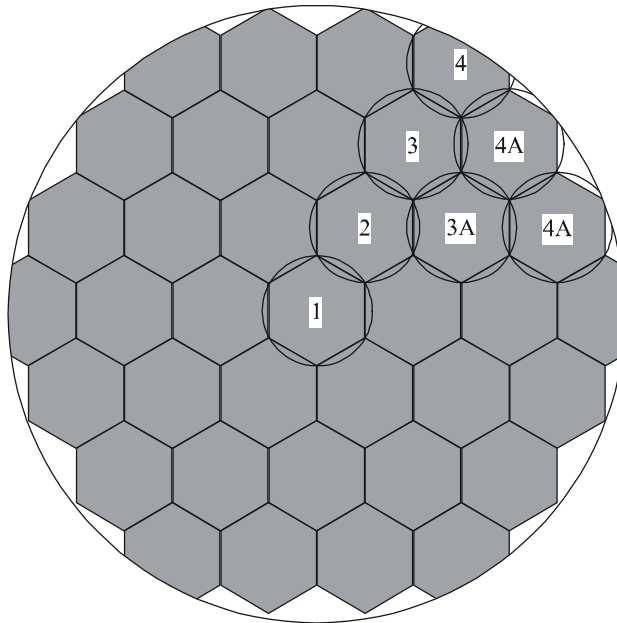


1457-94

6.3.3.1.1.2 Satellites

Each satellite provides the mobile link coverage for user terminal's through a set of 37 fixed spot beams with overlapping coverage. Figure 95 shows a set of spot-beam pattern obtained from a satellite whose radius is about 2 721.4 km. The diameter of each beam is described in Table 29. It takes about 16 min to path through a satellite coverage.

FIGURE 95
Spot-beam pattern of one satellite

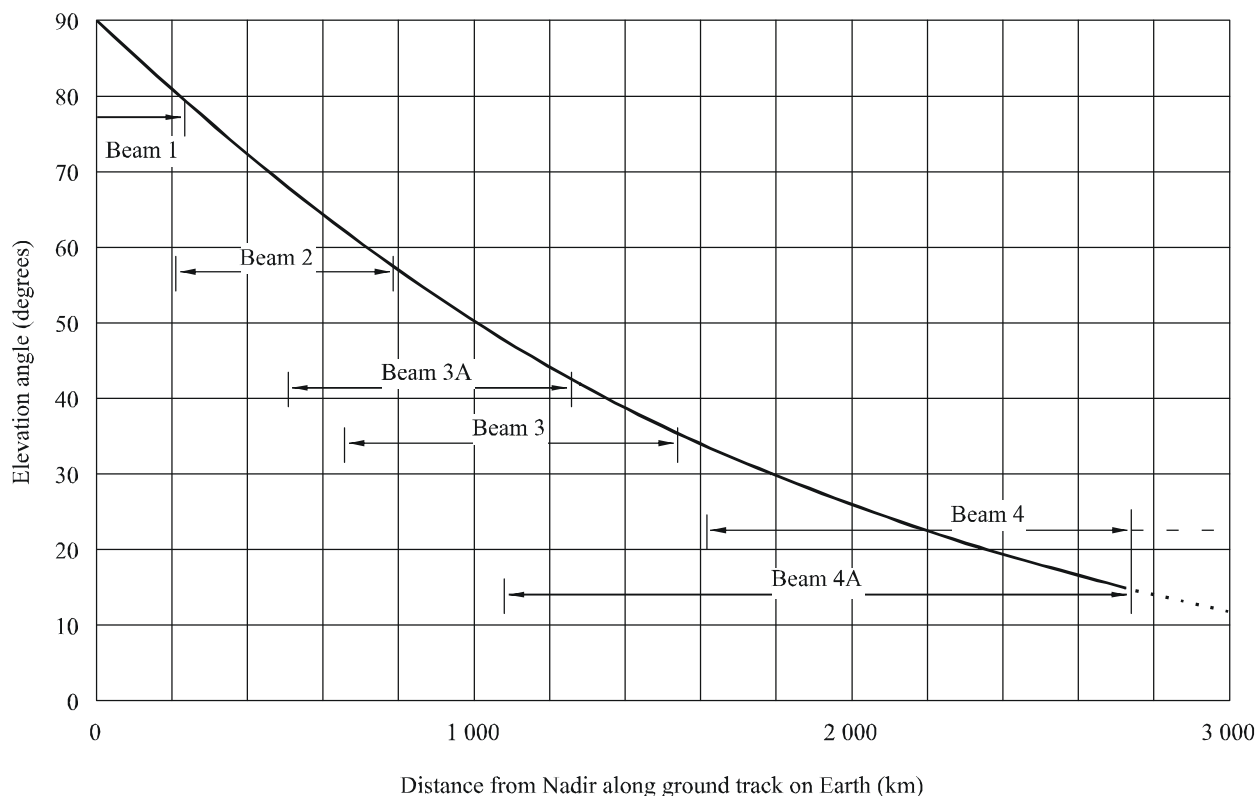


1457-95

TABLE 29
Spot beam size

Spot beam type	Spot beam size (km)
1	519.6
2	584.6
3A	763.8
3	893.1
4	1 310.1
4A	1 654.0

FIGURE 96
Spot beam position from Nadir on Earth and provided elevation angle



1457-96

6.3.3.1.2 For GEO satellites

Architectures for the GEO satellites include global beam, multi-beam configuration with a satellite or multi-beam configuration with multi-satellite.

6.3.3.2 System description

6.3.3.2.1 Service features

6.3.3.2.1.1 Basic bearer services

Basic bearer services to be supported by SAT-CDMA include voice and data communications in which data rates are from 2.4 kbit/s to 64 kbit/s.

6.3.3.2.1.2 Packet data services

Packet data services will be provided at the data rates which are from 2.4 kbit/s to 144 kbit/s for LEO and 384 kbit/s for GEO.

6.3.3.2.1.3 Teleservices

Teleservices include speech transmission such as emergency calls, short message service, facsimile transmission, video telephony service, paging service, etc.

6.3.3.2.1.4 Deep paging service

Deep paging service will be provided for contacting the mobile terminal user located in areas such as deep space in buildings where normal services cannot be provided.

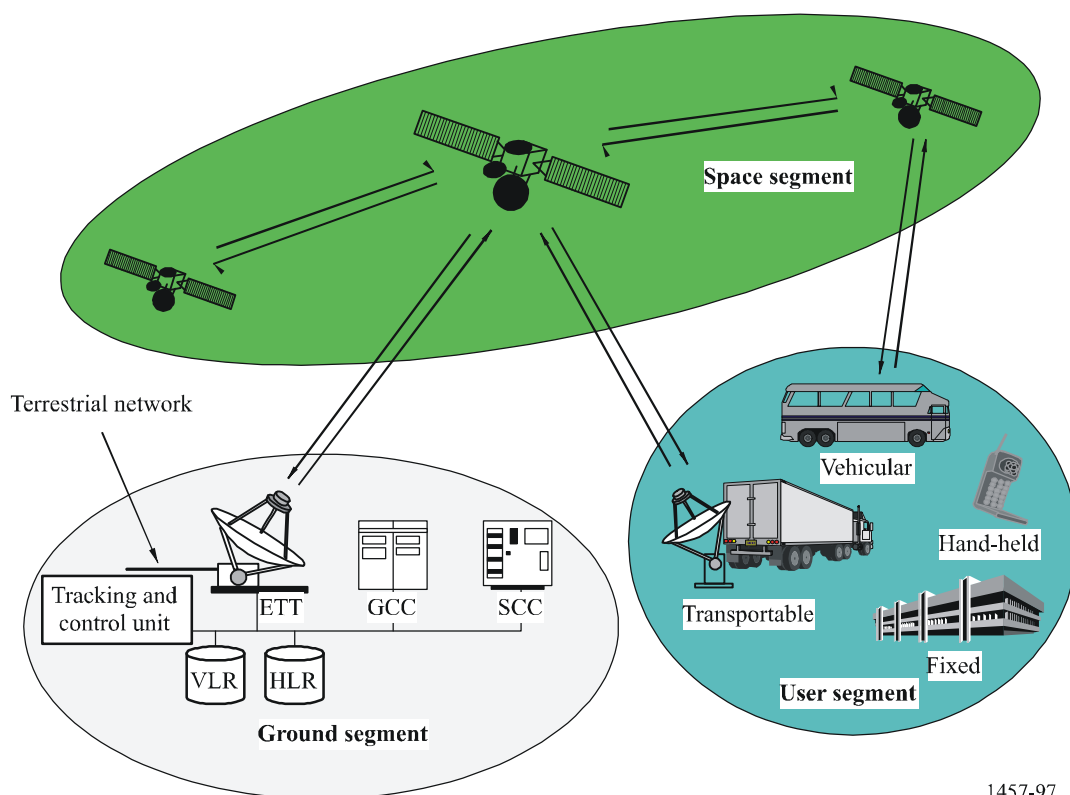
6.3.3.2.1.5 Multimedia broadcast and multicast service (MBMS)

Multimedia broadcast and multicast service includes unidirectional point-to-multipoint services in which data is transmitted from a single source entity to a group of users in a specific area such as file transfer and streaming service, etc. It may use return link for the control information such as user requests.

6.3.3.2.2 System features

The SAT-CDMA system comprises three elements: space segment, user segment, and ground segment. Figure 97 illustrates the system architecture.

FIGURE 97
System architecture



1457-97

The space segment for LEO includes the satellite constellation which comprises 48 satellites in 1 600 km LEO. The satellites are arranged in 8 orbital planes with 54° inclination. Each orbital plane comprises 6 equally spaced satellites. Satellites complete an orbit every 118.2 min. The space segment for GEO includes global beam, multi-beam configuration with a satellite or multi-beam configuration with multi-satellite.

The satellite payload consists of transponders with on-board processing units and provides the mobile links for user terminals at 2.5 GHz band, the feeder links for gateways at 4/6 GHz band and the inter-satellite links at 60 GHz band.

The ground segment comprises LES, satellite control centres (SCC), and ground control centre (GCC).

6.3.3.2.3 Terminal features

6.3.3.2.3.1 For LEO satellites

In user terminal types, there are hand-held units, transportable units, vehicular units, and fixed units.

TABLE 30

Mobility restrictions for each terminal type for LEO satellites

Terminal type	Applied service data rate (kbit/s)	Nominal mobility restriction (km/h)
Hand-held	2.4-16	500
Vehicular	2.4-32	500 (maximum 1 000)
Transportable	2.4-64	0
Fixed	2.4-144	0

6.3.3.2.3.2 For GEO satellites

In user terminal types, there are handheld units, portable units, vehicular units, transportable units, and aeronautical units.

TABLE 30a

Mobility restrictions for each terminal type for the GEO satellite

Terminal type	Applied service data rate (kbit/s)	Nominal mobility restriction (km/h)
Hand-held	2.4-32	500
Portable	2.4-64	500
Vehicular	2.4-144	500 (maximum 1000)
Transportable	2.4-384	0
Aeronautical	2.4-64	1 000

6.3.3.2.4 Handover

The SAT-CDMA will support handover of communications from one satellite radio channel to another. The handover strategy is mobile-assisted network-decided handover.

6.3.3.2.4.1 Inter-beam handover

This is required when the MES moves from the coverage of one beam to another due to MES or satellite movement. MES monitors the pilot signal levels from adjacent beams and reports to the network pilots crossing or above a given set of thresholds. Based on this information and the knowledge of satellite ephemeris, the network may decide to transmit the same information through two different beams and orders the MES to demodulate the additional signals. Coherent combining of the different signal is performed in the MES by maximum ratio combining (MRC) technique. As soon as the network obtains confirmation from the MES that the new signal is received, it releases the old channel.

6.3.3.2.4.2 Inter-satellite handover

Inter-satellite handover is required when the MES and LES are both in the coverage overlap area of two more satellites and communication has to be transferred from one satellite to another to keep continuity of connection from MES to LES and to path diversity. MES has two more resources allocated on different satellites and monitors the pilot signal levels from adjacent satellites and reports to the network. Based on this information and the knowledge of satellite ephemeris, the network may decide to transmit the same information through two more different satellites and orders the MES to demodulate the additional signals. In this case satellite path diversity is exploited. When visibility of the first satellite is lost inter-satellite handover is required, and then the first channel may be released after the new satellite has been acquired.

6.3.3.2.4.3 Inter-LES handover

In the event that a satellite handover is required but the new satellite is not in contact with the same LES as the old satellite a simultaneous LES-to-LES handover is required.

The inter-LES handover shall be negotiated between the LES. The new LES start transmitting its carrier toward the MES that is simultaneously ordered by the old LES to search for the new LES signal. When the old LES obtains confirmation from the MES that the new signal is received from the new one, the old LES stops transmitting towards the MES.

6.3.3.2.5 Satellite diversity

In normal situations the MES has an unobstructed view of the satellite and gets a clear direct line-of-sight signal unlike typical terrestrial links. There is also a multi-path signal reflecting off the ground and nearby objects, which makes the resulting signal a direct plus diffuse reflection Rician signal. However, this multi-path is diffuse and all reflecting from a relatively short distance away. Such multi-path cannot be resolved in a well-known way of RAKE receiver link terrestrial cellular. Fortunately, this diffuse multi-path energy is usually quite small. Despite the fact that the RAKE receiver is not effective to combat multi-path, it is nonetheless invaluable.

From the fact that there exist coverage zones by beams of at least two different satellites in the SAT-CDMA system, each satellite may be assigned to an MES receiver in the forward direction and the power of the two satellites is effectively combined by the maximal ratio combining technique.

This multiple satellite diversity plays a two-fold role. First, it reduces the probability of shadowing by increasing the chance of having at least one satellite in a clear line-of-sight. In addition, it introduces artificial multi-path, which enable use of called artificial RAKE receiver in the MES's receiver. There is a classical diversity advantage, that is, not only the mean received power increased but also the fluctuations around the mean are decreased.

6.3.3.3 RF specifications

6.3.3.3.1 User terminal

6.3.3.3.1.1 For LEO satellites

The hand-held user terminal (UT) will provide voice and low-rate data services to personal communications users.

The hand-held UT antenna has a near omnidirectional gain profile over a hemisphere. The maximum e.i.r.p. requirement is determined by user safety requirements. The G/T is determined by the need to have a near omnidirectional antenna. The maximum data bit rate to be supported by a hand-held terminal can be specified as 16 kbit/s.

Vehicle mounted terminals are physically mounted in a vehicle. The antenna is mounted outside the vehicle and where power to the terminal is supplied by physical connection to the vehicle. Hand-held and portable terminals could be used within vehicles and certain terminals may be designed to be dual mode (hand-held/vehicle mounted or portable/vehicle mounted). The vehicle can be a car, motorcycle, truck, bus, train, ship, aircraft.

The maximum data bit rate to be supported by a vehicular terminal can be specified as 32 kbit/s.

These are large heavy MS that cannot be hand carried and whose power is generally supplied from some external source. A moveable terminal may operate as a fixed terminal since it may be taken to a location and may be switched on in order to operate. The maximum data bit rate to be supported by a transportable terminal can be specified as 64 kbit/s.

These operate from a fixed location and power is usually provided by an external source. Fixed terminals may be used to allow the provision of services to fixed terminal equipment and to connect private branch exchanges (PBXs). Fixed terminals may also operate as docking station for laptop PCs.

TABLE 31

UT characteristics for LEO satellites

Terminal type	Hand-held	Vehicular	Transportable	Fixed
Maximum e.i.r.p. (dBW)	2.0	15.8	21.0	36.0
Maximum power (W)	1.0	14.8	17	20.0
Antenna gain (dBi)	2.0	2.0	4.0	23.0
Receiver temperature (K)	300	300	300	500
G/T (dB/K)	-22.8	-22.8	-20.8	-4.0

6.3.3.3.1.2 For GEO satellite

The use of 3G standardized hand-held units in a satellite environment requires adaptation for frequency agility to the MSS band. The basis assumption is UE power class 1, 2, 3, equipped with standard omnidirectional antenna.

The portable units are built with a notebook PC to which an external antenna is appended.

The vehicular units are obtained by mounting an RF module on car roof connected to the UE in the cockpit.

The transportable units are built with a notebook which cover contains flat patch antenna (mutually pointed toward the satellite).

Aeronautical units are built by mounting an antenna on top of the fuselage.

TABLE 31a

UT characteristics for the GEO constellation type

Terminal type	Hand-held			Portable	Vehicular	Transportable	Aeronautical
	Class 1	Class 2	Class 3				
Maximum e.i.r.p. (dBW)	3.0	-3.0	-6.0	5.0	13.0	17.0	6.0
Maximum power (W)	2.0	0.5	0.25	2.0	8.0	2.0	2.0
Antenna gain (dBi)	0	0	0	2.0	4.0	14.0	3.0
Receiver temperature (K)	290	290	290	200	250	200	
G/T (dB/K)	-33.6	-33.6	-33.6	-26.0	-25.0	-14.0	

6.3.3.3.2 Satellite

6.3.3.3.2.1 For LEO satellites

TABLE 32

Satellite information

Nominal e.i.r.p. (dBW)	9.6
Rx antenna gain (dBi)	20
Noise temperature (K)	500
G/T (dB/K)	-7.0

6.3.3.3.2.2 For GEO satellites

TABLE 32a

Satellite information for global beam with a satellite

Nominal e.i.r.p. (dBW)	64
Rx antenna gain (dBi)	30
Noise temperature (K)	550
G/T (dB/K)	2.6

TABLE 32b

Satellite information for multi-beam with a satellite

Nominal e.i.r.p. (dBW)	64-74
Rx antenna gain (dBi)	36-39
Noise temperature (K)	550
G/T (dB/K)	8.6-11.6

TABLE 32c

Satellite information for multi-beam with multi-satellite

Nominal e.i.r.p. (dBW)	74
Rx antenna gain (dBi)	42-47
Noise temperature (K)	550
G/T (dB/K)	14.6-19.6

6.3.3.3.3 Channel bandwidth

The channel bandwidth is approximately 5 MHz.

6.3.3.3.4 Power control

The pre-defined step size of power control is 0.25 dB and 1 dB. Because of the limitation of the hand-held terminal amplifier, the dynamic range of power control is expected to be less than 20 dB.

The long round trip delays could limit the action of fast closed-loop power control. However, it would be sufficient to provide one power control command (2-bit) per 10 ms frame.

6.3.3.3.5 Frequency stability

The uplink and downlink frequency stabilities are 1 and 0.1 ppm, respectively.

6.3.3.3.6 Doppler compensation

6.3.3.3.6.1 For LEO satellites

In SAT-CDMA for LEO satellites, compensation for Doppler shift is performed simultaneously at the transmitter (pre-compensation) and at the receiver (post-compensation).

The pre-compensation is required due to the limitation of the post-compensation and mitigates the burden of the post-compensation. The Doppler shift is compensated for by controlling the transmit frequency according to the prediction from the knowledge of the positions of the transmitter and the receiver as well as the position and velocity of the satellite.

The post-compensation requires two stages of carrier frequency recovery procedures: coarse and fine compensation.

The coarse compensation is performed simultaneously with the PN code timing acquisition since one of the two is easily resolved after the other is achieved. It is recommended to employ a two-dimensional search algorithm for the acquisition of both PN code timing and Doppler shift. It computes the spectrum of the de-spread signal using FFT and coarsely estimates the Doppler shift by detecting the frequency of the maximum signal power at the FFT output. PN code timing acquisition is performed by searching for a PN code timing for which the maximum signal power exceeds a given threshold.

For fine Doppler shift compensation, a closed-loop structure is recommended and it is recommended to employ the FFT-based frequency domain frequency detection algorithm since it minimizes the circuit complexity and power consumption when incorporated with the aforementioned two-dimensional search algorithm.

6.3.3.3.6.2 For GEO satellites

The Doppler shift due to GEO satellite movement is negligible to be compared to the one due to UE movement. Thus, Doppler shift in SAT-CDMA with the GEO constellation type, is easily compensated with only post-compensation at the receiver.

The post-compensation requires two stages of carrier frequency recovery procedures: coarse and fine compensation.

The coarse compensation is performed simultaneously with the PN code timing acquisition since one of the two is easily resolved after the other is achieved. It is recommended to employ a two-dimensional search algorithm for the acquisition of both PN code timing and Doppler shift. It computes the spectrum of the de-spread signal using FFT and coarsely estimates the Doppler shift by detecting the frequency of the maximum signal power at the FFT output. PN code timing acquisition is performed by searching for a PN code timing for which the maximum signal power exceeds a given threshold.

For fine Doppler shift compensation, a closed-loop structure is recommended and it is recommended to employ the FFT-based frequency domain frequency detection algorithm since it minimizes the circuit complexity and power consumption when incorporated with the aforementioned two-dimensional search algorithm.

6.3.3.3.7 Terminal transmitter/receiver isolation

The isolation level required to independently operate the transmitter part and receiver part of the terminal may be above 110 dB.

6.3.3.3.8 Fade margin

6.3.3.3.8.1 For LEO satellites

At low elevations the signal level generally varies between -7 dB below and $+4$ dB above the nominal level due to a combination of diffuse (arising from multiple reflections) and specular (arising from a single ground reflection) components. At higher elevations the variation is less. For a moving car, fade duration of 100-200

ms are typical. Occasionally fades of – 10 dB below the nominal level occur at very low elevation, (10° to 20°) particularly in a suburban environment, where specular multipath dominates. In such case an absolutely fixed user can experience fades of 10 to 20 s duration.

6.3.3.3.8.2 For GEO satellites

Proper fade margin for GEO satellites should be considered taking into account the elevation angle, multipath and the movement of UE terminal.

6.3.3.4 Baseband specifications

6.3.3.4.1 Channel structure

6.3.3.4.1.1 Logical channel

6.3.3.4.1.1.1 Common channel

Broadcast Control Channel (BCCH)

BCCH is a downlink channel for broadcasting system control information.

Paging Control Channel (PCCH)

PCCH is a downlink channel that transfers paging information. This channel is used when the network does not know the location cell of the UE, or, the UE is in the cell connected state (utilizing UE sleep mode procedures).

Common Control Channel (CCCH)

CCCH is bidirectional channel for transmitting control information between network and UEs. This channel is commonly used by the UEs having no RRC connection with the network and by the UEs using common transport channels when accessing a new cell after cell reselection.

Dedicated Control Channel (DCCH)

DCCH is a point-to-point bidirectional channel that transmits dedicated control information between a UE and the network. This channel is established through RRC connection setup procedure.

Notifications Common Control Channel (NCCH)

NCCH is a channel for transfer of notifications. This channel may replace MCCH in case only notifications would be required for control information.

MBMS Control Channel (MCCH)

MCCH is a channel for transfer of control information related to MBMS services to UEs.

6.3.3.4.1.1.2 Traffic channel

Dedicated Traffic Channel (DTCH)

DTCH is a point-to-point channel, dedicated to one UE, for the transfer of user information. A DTCH can exist in both uplink and downlink.

Common Traffic Channel (CTCH)

CTCH is a point-to-multipoint unidirectional channel for transfer of dedicated user information for all or a group of specified UEs.

MBMS Traffic Channel (MTCH)

MTCH is a channel for transfer of MBMS traffic.

6.3.3.4.1.2 Transport channel

6.3.3.4.1.2.1 Common channel

Broadcast Channel (BCH)

BCH is a downlink channel for broadcasting system control information for each beam to MBS.

Paging Channel (PCH)

PCH is a downlink channel used to carry control information to MES when the system does not know which beam the MES belongs to. The PCH is associated with physical-layer generated paging indicators, to support efficient sleep-mode procedures.

Forward Access Channel (FACH)

FACH is a downlink channel used to carry user or control information to MES. This channel is used when the system knows which beam the MES belongs to.

Downlink Shared Channel (DSCH)

DSCH is a downlink channel shared by several MESs and associated with one or several downlink DCH.

Random Access Channel (RACH)

RACH is an uplink channel used to carry user or control information from MES to LES.

Common Packet Channel (CPCH)

CPCH is an uplink channel used to carry user information from MES to LES. CPCH is associated with a downlink common control channel that provides power control and CPCH control commands.

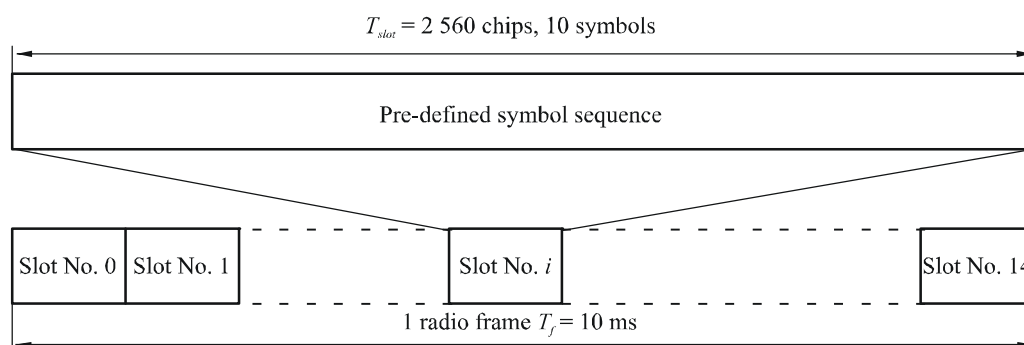
6.3.3.4.1.2.2 Dedicated channel (DCH)

The DCH is a downlink or uplink channel transmitted over the entire beam or over only a part of the beam.

6.3.3.4.1.3 Physical channel**6.3.3.4.1.3.1 Downlink physical channel****6.3.3.4.1.3.1.1 Common pilot channel (CPICH)**

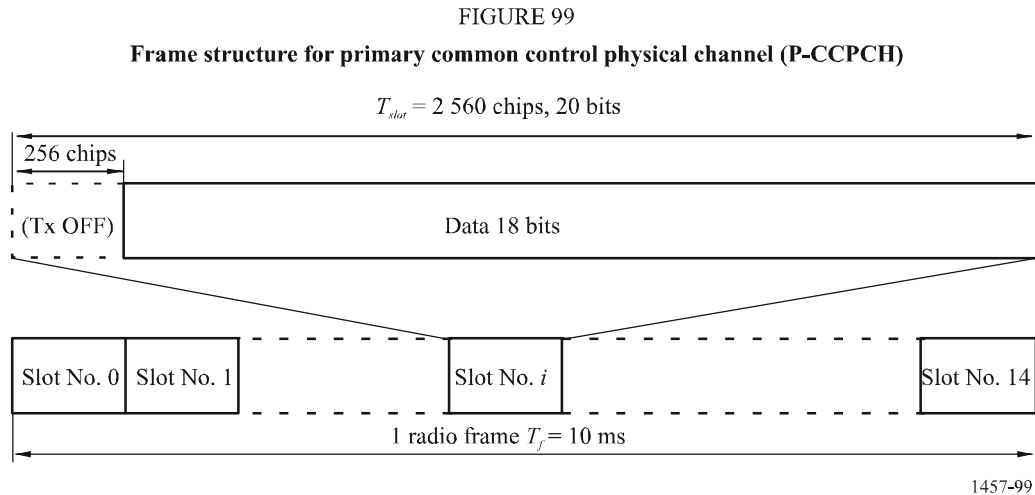
The CPICH is a fixed rate (30 kbit/s, SF = 256) downlink physical channel that carries a predefined symbol sequence. Every symbol in the sequence is $1+j$. Figure 98 shows the frame structure of the CPICH. There are two types of common pilot channels, the primary and secondary CPICH (S-CPICH). The primary CPICH is scrambled by the primary scrambling code and is the phase reference for the following downlink physical channels: SCH, P-CCPCH, AICH, PICH, APA/CD/CA-ICH, CSICH, and the S-CCPCH. The same channelization code of SF (Spreading Factor) = 256 is used for the P-CPICH. There is one and only one P-CPICH per beam. A secondary CPICH is scrambled by either the primary or a secondary scrambling code and may be the reference for the downlink DPCH. An arbitrary channelization code of SF = 256 is used for the S-CPICH. There may be zero, one, or several S-CPICH per beam.

FIGURE 98
Frame structure for common pilot channel (CPICH)



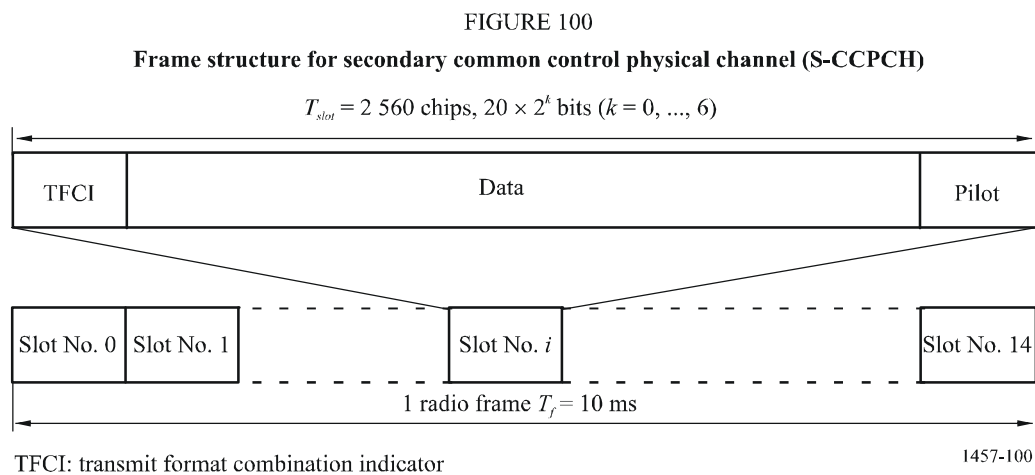
6.3.3.4.1.3.1.2 Primary common control physical channel (P-CCPCH)

The P-CCPCH is a fixed rate (30 kbit/s) downlink channel used to carry the BCH. Figure 99 shows the frame structure of the Primary CCPCH. The P-CCPCH is not transmitted during the first 256 chips of each slot. Instead, Primary SCH and Secondary SCH are transmitted during this period.



6.3.3.4.1.3.1.3 Secondary common control physical channel (S-CCPCH)

The S-CCPCH is used to carry the PCH and the FACH. The frame structure of the Secondary CCPCH is shown in Fig. 99. The transport-format combination indicator (TFCI) informs the receiver of the instantaneous transport format combination of the transport channels mapped to the S-CCPCH radio frame. The parameter k in Fig. 100 determines the total number of bits per downlink secondary CCPCH slot. It is related to the spreading factor SF of the physical channel as $SF = 256/2^k$. The spreading factor ranges from 256 down to 4. The FACH and PCH can be mapped to the same or to separate secondary CCPCHs.

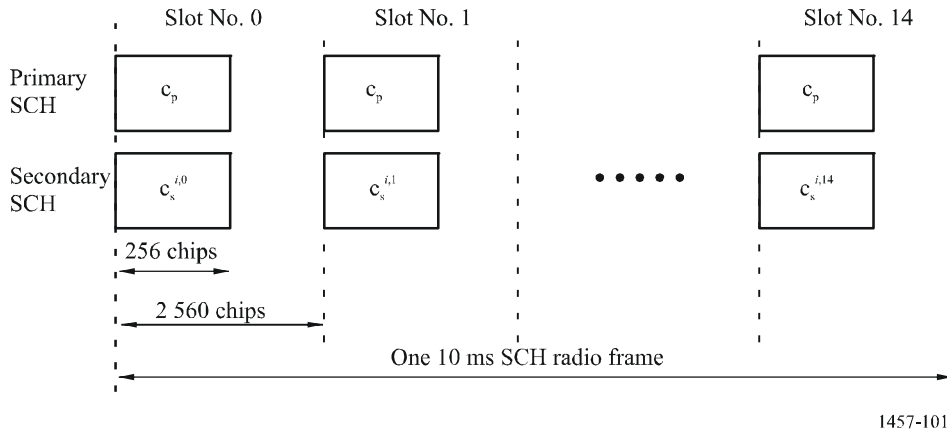


6.3.3.4.1.3.1.4 Synchronization channel (SCH)

The SCH is a downlink signal used for beam search. The SCH consists of two sub-channels, the primary SCH and the secondary SCH. The 10 ms radio frames of the primary and secondary SCH are divided into 15 slots, each of length 2 560 chips. Figure 101 illustrates the structure of the SCH radio frame. The primary SCH consists of a modulated code of length 256 chips, the primary synchronization code (PSC) denoted by c_p in Fig. 101, transmitted once every slot. The PSC is the same for every beam in the system. The secondary SCH consists of repeatedly transmitting a length 15 sequence of modulated codes of length 256 chips, the secondary synchronization codes (SSC).

The SSC is denoted by $c_s^{i,k}$ in Fig. 101, where $i = 0, 1, \dots, 63$ is the scrambling code group number, and $k = 0, 1, \dots, 14$ is the slot number. Each SSC is chosen from a set of 16 different codes of length 256. This sequence on the secondary SCH indicates to which code group the downlink scrambling code of the beam belongs.

FIGURE 101
Structure of synchronization channel (SCH)



1457-101

6.3.3.4.1.3.1.5 Physical downlink shared channel (PDSCH)

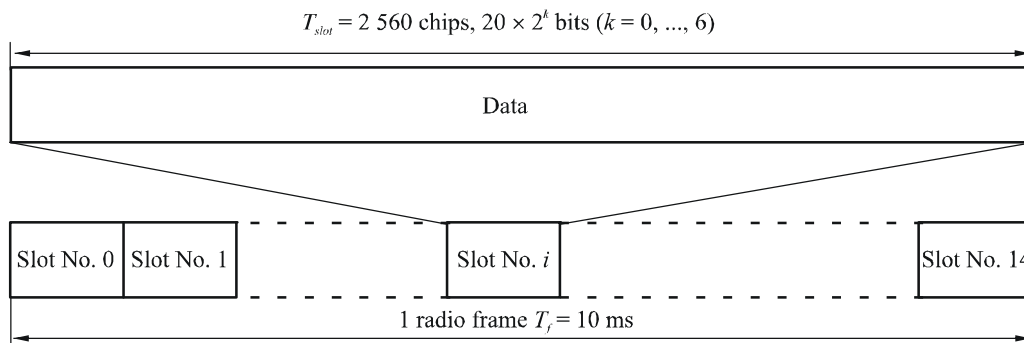
The PDSCH is used to carry the DSCH.

A PDSCH is allocated on a radio frame basis to a single MES. Within one radio frame, satellite-radio access network (SRAN) may allocate different PDSCHs under the same PDSCH root channelization code to different MESs based on code multiplexing. Within the same radio frame, multiple parallel PDSCHs, with the same spreading factor, may be allocated to a single MES.

The frame and slot structure of the PDSCH are shown on Fig. 102. The spreading factors may vary from 4 to 256.

For each radio frame, each PDSCH is associated with one downlink DPCH. All relevant Layer 1 control information is transmitted on the DPCCCH part of the associated DPCH.

FIGURE 102
Frame structure for physical downlink shared channel (PDSCH)



1457-102

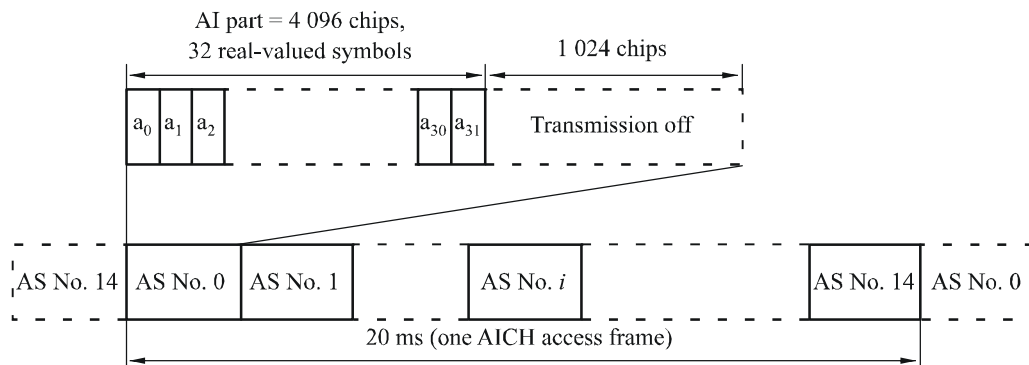
6.3.3.4.1.3.1.6 Acquisition indicator channel (AICH)

The AICH is a fixed rate (30 kbit/s) physical channel used to carry acquisition indicators (AIs). The AI corresponds to the signature on the PRACH. Figure 103 illustrates the structure of the AICH. The AICH consists of a repeated sequence of 15 consecutive access slots (ASs), each of length 5120 chips. Each access slot consists of two parts, an AI part of duration 4096 chips and a part of duration 1024 chips with no transmission. When sub-access frames are not used for the PRACH, the Acquisition Indicator part for the

PRACH is transmitted only on the first access slot (AS No. 0). The AICH is not transmitted during the remaining 14 access slots. When sub-access frames are used for the PRACH, the AI part is transmitted only on the first access slot (AS No. 0) and the ninth access slot (AS No. 8). The AI part of the first access slot carries the AI corresponding to the signature of PRACH preamble transmitted at the even sub-access frame. The AI part of the ninth access slot carries the AI corresponding to the signature of PRACH preamble transmitted at the odd sub-access frame.

FIGURE 103

Structure of acquisition indicator channel (AICH)



1457-103

6.3.3.4.1.3.1.7 CPCH Access Preamble Acquisition/Collision Detection/Channel Assignment Indicator Channel (APA/CD/CA-ICH)

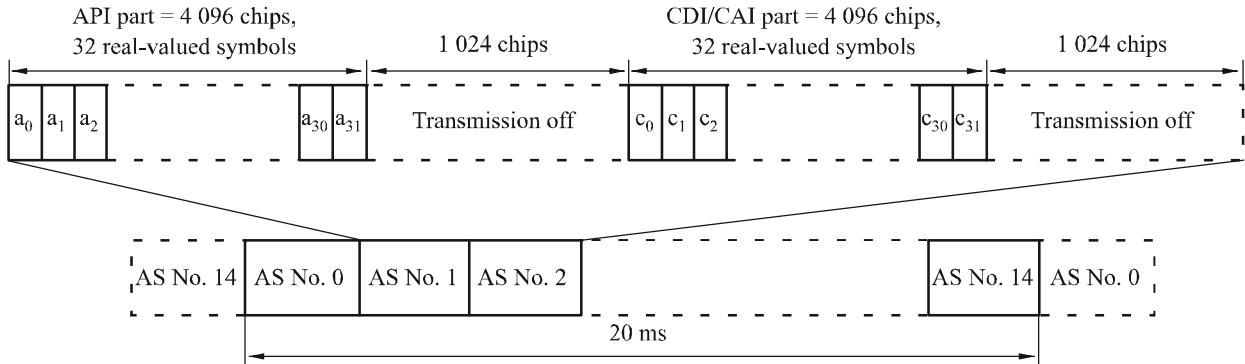
The APA/CD/CA-ICH is a fixed rate (30 kbit/s) physical channel used to carry AP Acquisition Indicators (API) and CD Indicator/CA Indicator (CDI/CAI) of CPCH. APA/CD/CA-ICH and AICH may use the same or different channelization codes. The structure of APA/CD/CA-ICH is shown in Fig. 104. The APA/CD/CA-ICH has a part of duration 4 096 chips where either the API or the CDI/CAI is transmitted, followed by a part of duration 1 024 chips with no transmission. When sub-access frames are not used for the PRACH, the APA/CD/CA-ICH is not transmitted on the first access slot (AS No. 0). A pair of the API and the CDI/CAI is transmitted on the API/CDI/CAI part over two consecutive access slots after the first access slot. One or several (up to seven) pairs of the API and the CDI/CAI can be transmitted on each AICH frame. When sub-access frames are used for the PRACH, the APA/CD/CA-ICH is not transmitted on the first access slot (AS No. 0), the eighth access slot (AS No. 7) and the ninth access slot (AS No. 8). A pair of the API and the CDI/CAI is transmitted on the API/CDI/CAI part over two consecutive access slots. Three pairs of AS No. 1/AS No. 2, AS No. 3/AS No. 4, and AS No. 5/AS No. 6 carry the API and CDI/CAI corresponding to the PCPCH preamble transmitted at the even sub-access frame. Three pairs of AS No. 9/AS No. 10, AS No. 11/AS No. 12, and AS No. 13/AS No. 14 carry the API and CDI/CAI corresponding to the PCPCH preamble transmitted at the odd sub-access frame.

6.3.3.4.1.3.1.8 CPCH Common Control Physical Channel (CPCH-CCPCH)

The CCPCH for CPCH is a fixed rate (30 kbit/s) downlink physical channel used to control the uplink PCPCH in a CPCH set. The spreading factor for downlink CPCH-CCPCH is 256. Figure 105 shows the frame structure of CPCH-CCPCH.

FIGURE 104

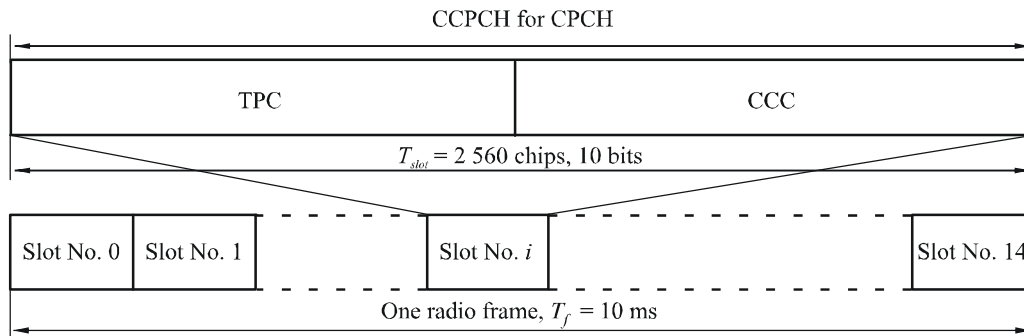
Structure of APA/CD/CA indicator channel (APA/CD/CA-ICH)



1457-104

FIGURE 105

Frame structure for downlink CPCH-CCPCH



1457-105

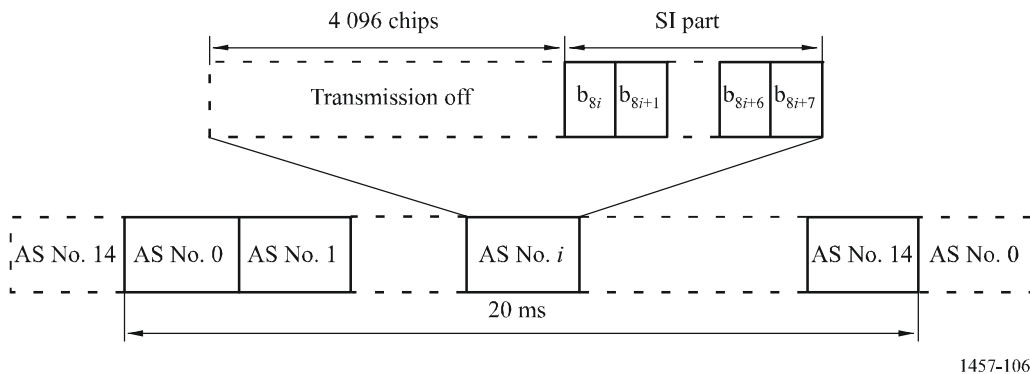
Each slot in the radio frame of the CPCH-CCPCH is associated to an uplink PCPCH in the CPCH set. There is a one-to-one mapping between slot No. i and i -th PCPCH in the CPCH set, $i = 0, 1, \dots, 14$. The slot is not transmitted if the associated PCPCH is not used on uplink.

Each slot of the CPCH-CCPCH consists of TPC command and CPCH Control Command (CCC). The CCC field and TPC field in each slot consists of 12 bits and 8 bits, respectively. The CCC pattern of 4-bit length used to support CPCH signalling to the associated PCPCH is bit-wisely repeated and mapped onto the CCC field. The TPC command of 2-bit length is bit-wisely repeated and mapped onto TPC field.

6.3.3.4.1.3.1.9 CPCH Status Indicator Channel (CSICH)

The CSICH is a fixed rate (30 kbit/s) physical channel used to carry CPCH status information. A CSICH is always associated with a physical channel used for transmission of APA/CD/CA-ICH and uses the same channelization and scrambling codes. Figure 106 illustrates the frame structure of the CSICH. The CSICH frame consists of 15 consecutive access slots (AS), each of length 40 bits. Each access slot consists of two parts, a part of duration 4096 chips with no transmission and a Status Indicator (SI) part consisting of 8 bits. N Status Indicators shall be transmitted in each CSICH frame.

FIGURE 106
Structure of CPM status indicator channel (CSICH)



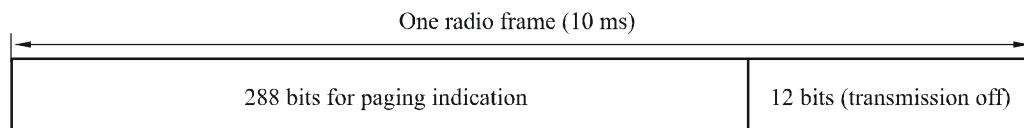
1457-106

6.3.3.4.1.3.1.10 Paging indicator channel (PICH)

The PICH is a fixed rate (30 kbit/s) physical channel used to carry the paging indicators (PIs). The PICH is always associated with an S-CCPCH to which a PCH transport channel is mapped.

Figure 107 illustrates the frame structure of the PICH. One PICH radio frame of length 10 ms consists of 300 bits. Of these, 288 bits are used to carry paging indicators. The remaining 12 bits are not formally part of the PICH and shall not be transmitted.

FIGURE 107
Structure of paging indicator channel (PICH)



1457-107

6.3.3.4.1.3.1.11 Downlink dedicated physical channel (downlink DPCH)

Downlink DPCH is used to the dedicated transport channel (DCH). The spreading factor may range from 4 to 512.

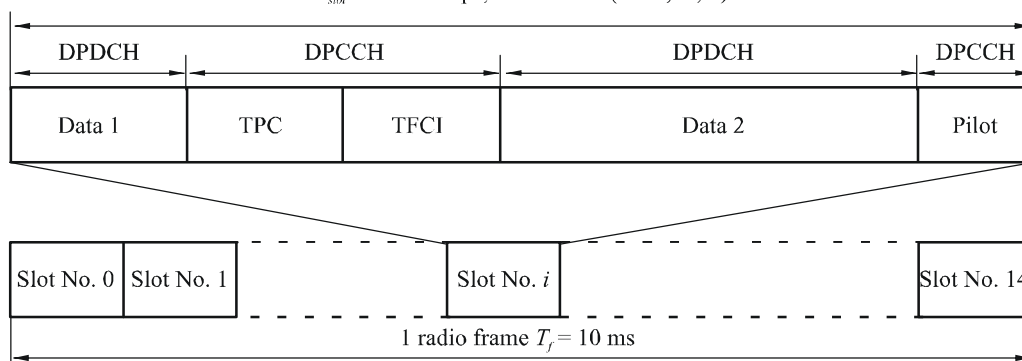
Within one downlink DPCH, the DCH is transmitted in time-multiplex with control information generated at Layer 1 (known pilot bits and TFCI/TPC bits).

Figure 108 shows the frame structure of the downlink DPCH. Each frame of length 10 ms is split into 15 slots, each of length $T_{slot} = 2\ 560$ chips. Each radio frame corresponds to one power-control period.

FIGURE 108

Frame structure of downlink DPCH

$$T_{slot} = 2\,560 \text{ chips}, 10 \times 2^k \text{ bits } (k = 0, \dots, 7)$$



1457-108

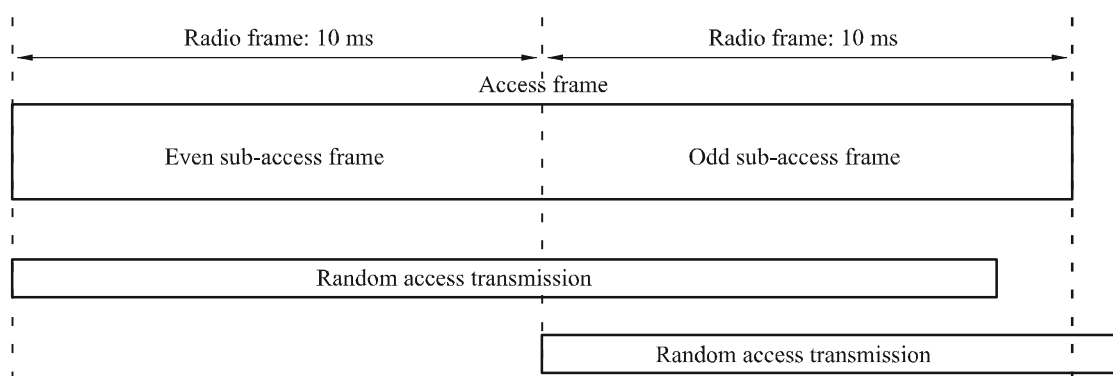
6.3.3.4.1.3.2 Uplink physical channel

6.3.3.4.1.3.2.1 Physical random access channel (PRACH)

The physical random access channel is used to carry the RACH. The random-access transmission is based on an ALOHA approach. The MES can start the random-access transmission at the beginning of a number of well-defined time intervals, denoted access frames. Each access frame has a length of two radio frames as shown in Fig. 109. Each access frame can consist of two sub-access frames, even sub-access frame and odd sub-access frame. The use of sub-access frames is optional. When the sub-access frames are used, the MES can start the random-access transmission at the beginning of either the even sub-access frame or the odd sub-access frame. The random access transmissions at the even sub-access frame and at the odd sub-access frame use different scrambling codes.

FIGURE 109

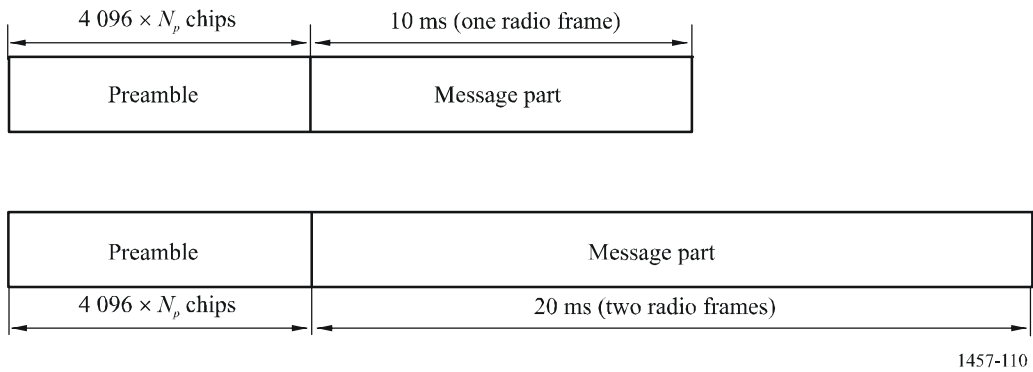
Random access frame



1457-109

The random access transmission consists of a preamble of length $N_p \times 4\,096$ chips and a message of length 10 ms or 20 ms as illustrated in Fig. 110.

FIGURE 110
Structure of the random access transmission

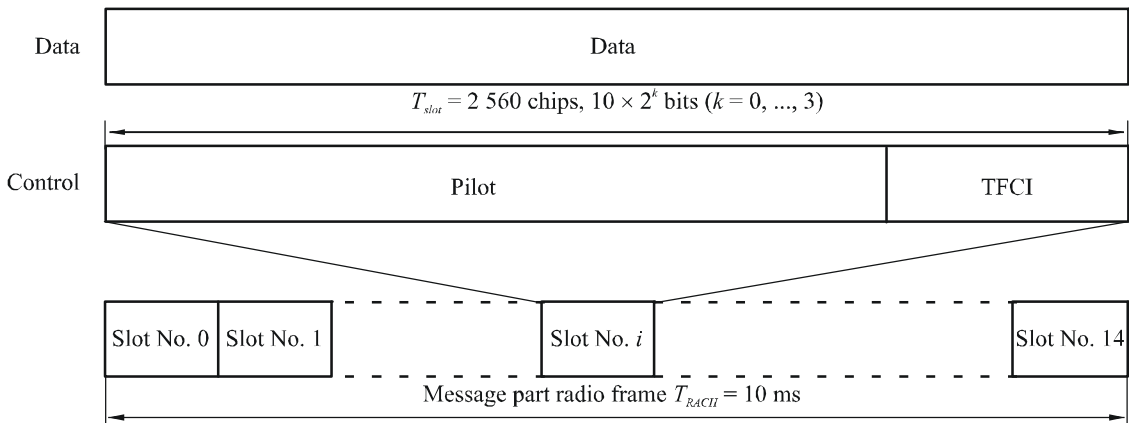


1457-110

The preamble consists of N_p sub-preambles. The value of N_p is provided by high layers. The sub-preamble is of length 4 096 chips and consists of repetitions of a signature. Every sub-preamble has the identical length, signature and scrambling code. The last sub-preamble code is a conjugate of the code used in the previous sub-preambles.

Figure 111 shows the structure of the random-access message part. The message consists of 15 slots. Each slot is comprised of two parts, a Layer 2 information data part and a Layer 1 control part. The data part consists of 10×2^k bits, where $k = 0, 1, 2, 3$. This corresponds to a spreading factor of 256, 128, 64, and 32 respectively for the message data part. The control part consists of eight known pilot bits and two TFCI bits. The spreading factor for the control part of the CPCH message part shall be 256. The TFCI of a radio frame indicates the transport format of the RACH transport channel mapped to the simultaneously transmitted message part radio frame.

FIGURE 111
Structure of the random access message part



1457-111

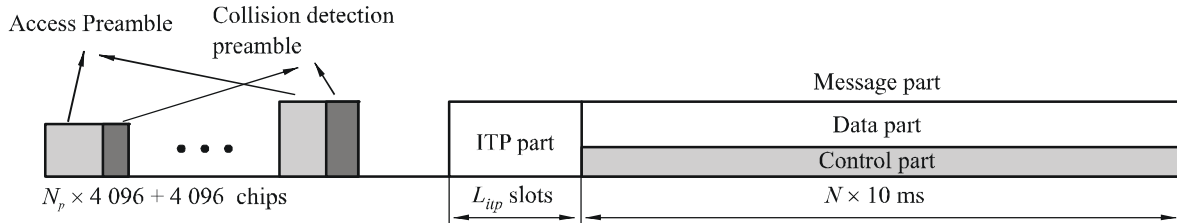
6.3.3.4.1.3.2.2 Physical Common Packet Channel (PCPCH)

The PCPCH is used to carry the CPCH. The access frame timing and structure is identical to PRACH. The structure of the CPCH access transmission is shown in Fig. 112. The PCPCH access transmission consists of one or several pairs of Access Preambles (AP) of length $N_p \times 4\,096$ chips, a Collision Detection Preamble (CDP) of length 4 096 chips, a Initial Transmission Preamble (ITP) of length L_{itp} slots, and a message of variable length $N \times 10$ ms.

The structure of the AP part is identical to PRACH preamble part. The scrambling code could either be chosen to be a different scrambling code from the RACH preambles, or be the same scrambling code in case the signature set is shared.

FIGURE 112

Structure of the CPCH access transmission



1457-112

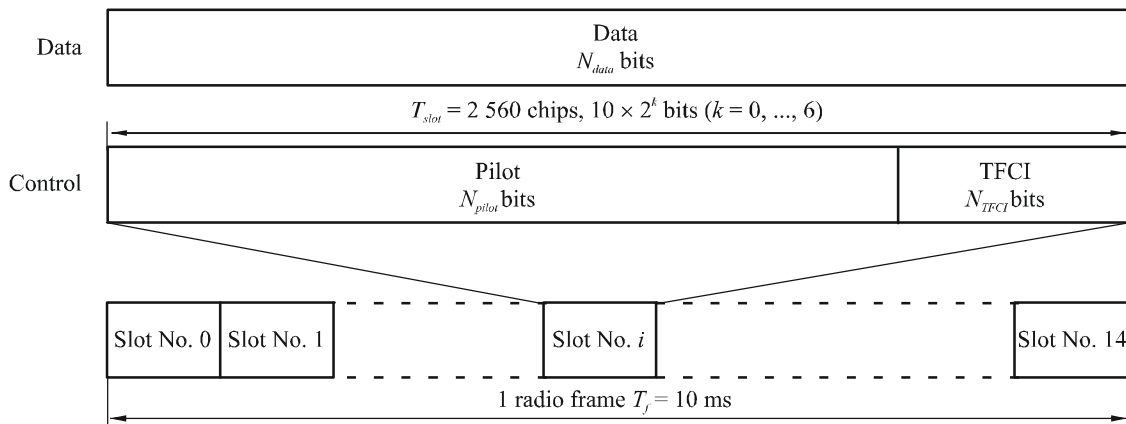
The structure of the CDP part is identical to the PRACH sub-preamble. The scrambling code is the same code used for the CPCH access preamble part.

The ITP part consists of L_{itp} slots. The ITP length L_{itp} is a higher layer parameter. The slot format shall be the same as for the following message part.

Figure 113 shows the structure of the CPCH message part. Each message consists of up to N_{Max_frames} frames where N_{Max_frames} is a higher layer parameter. Each 10 ms frame is split into 15 slots, each of length $T_{slot} = 2\,560$ chips. Each slot consists of two parts, a data part and a control part. The slot format of the control part of CPCH message part is identical to RACH message part. The data part consists of 10×2^k bits, where $k = 0, 1, 2, 3, 4, 5, 6$. This corresponds to spreading factors of 256, 128, 64, 32, 16, 8, 4 respectively.

FIGURE 113

Frame structure for uplink data and control parts associated with PCPCH



1457-113

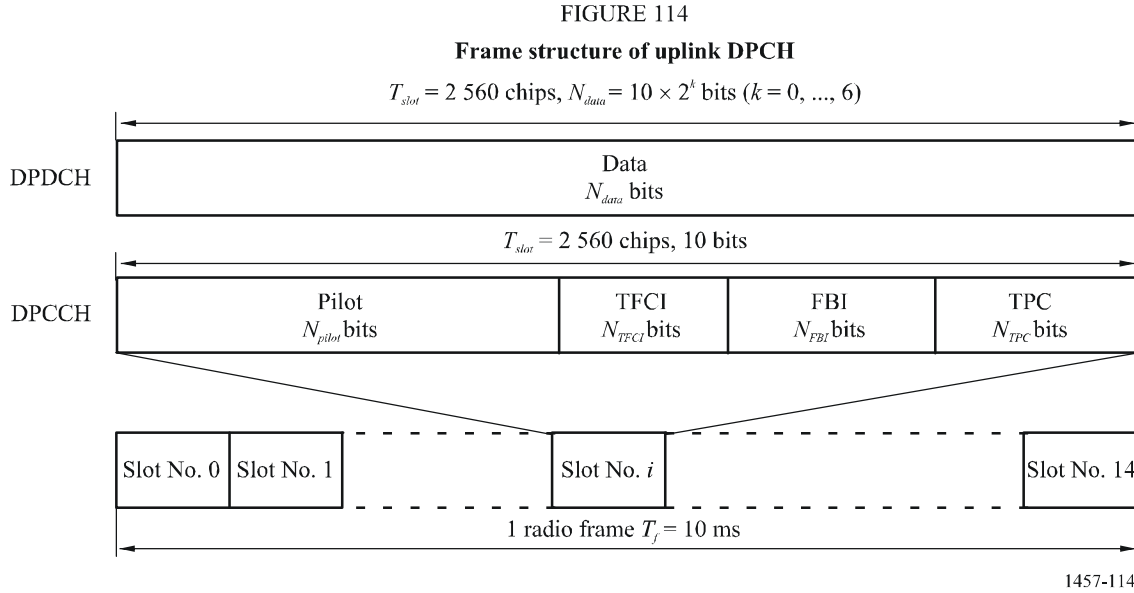
6.3.3.4.1.3.2.3 Uplink dedicated physical channel (uplink DPCH)

The uplink DPCH consists of the uplink dedicated physical data Channel (uplink DPDCH) and the uplink dedicated physical control channel (uplink DPCCH). The DPDCH and the DPCCH are I/Q code multiplexed within each radio frame.

The DPDCH is used to carry data generated at Layer 2 and above, and the DPCCH is used to carry dedicated control information generated at Layer 1. The DPDCH spreading factor may range from 256 down to 4. The spreading factor of the uplink DPCCH is always equal to 256.

Figure 114 shows the frame structure of the uplink DPCH. Each radio frame of length 10 ms is split into 15 slots, each of length 2 560 chips. Each radio frame corresponds to one power-control period. The parameter k in Fig. 107 determines the number of bits per uplink DPDCH slot. It is related to the spreading factor SF of the DPDCH as $SF = 256/2^k$.

The Layer 1 control information consists of known pilot bits to support channel estimation for coherent detection, transport-format combination indicator (TFCI), transmit power-control (TPC) commands, and an optional feedback information (FBI). The FBI bits are used to support the beam selection diversity transmission technique (BSDT) requiring feedback from the MES to the SRAN.



6.3.3.4.1.4 Timing relationship between physical channels

The P-CCPCH, on which the beam SFN is transmitted, is used as timing reference for all the physical channels, directly for downlink and indirectly for uplink. Figure 115 describes the frame timing of the downlink physical channels.

The SCH (primary and secondary), CPICH (primary and secondary), P-CCPCH, CPCH-CCPCH and PDSCH have identical frame timings. The S-CCPCH timing may be different for different S-CCPCHs, but the offset from the P-CCPCH frame timing is a multiple of 256 chips. The PICH timing is 7 680 chips prior to its corresponding S-CCPCH frame timing, i.e. the timing of the S-CCPCH carrying the PCH transport channel with the corresponding paging information. The AICH even sub-access frame has the identical timing to P-CCPCH frames with (SFN modulo 2) = 0, and the AICH odd sub-access frame has the identical timing to P-CCPCH frames with (SFN modulo 2) = 1. AICH access slots No. 0 starts the same time as P-CCPCH frames with (SFN modulo 2) = 0. The DPCH timing may be different for different DPCHs, but the offset from the P-CCPCH frame timing is a multiple of 256 chips.

6.3.3.4.1.4.1 PRACH/AICH timing relation

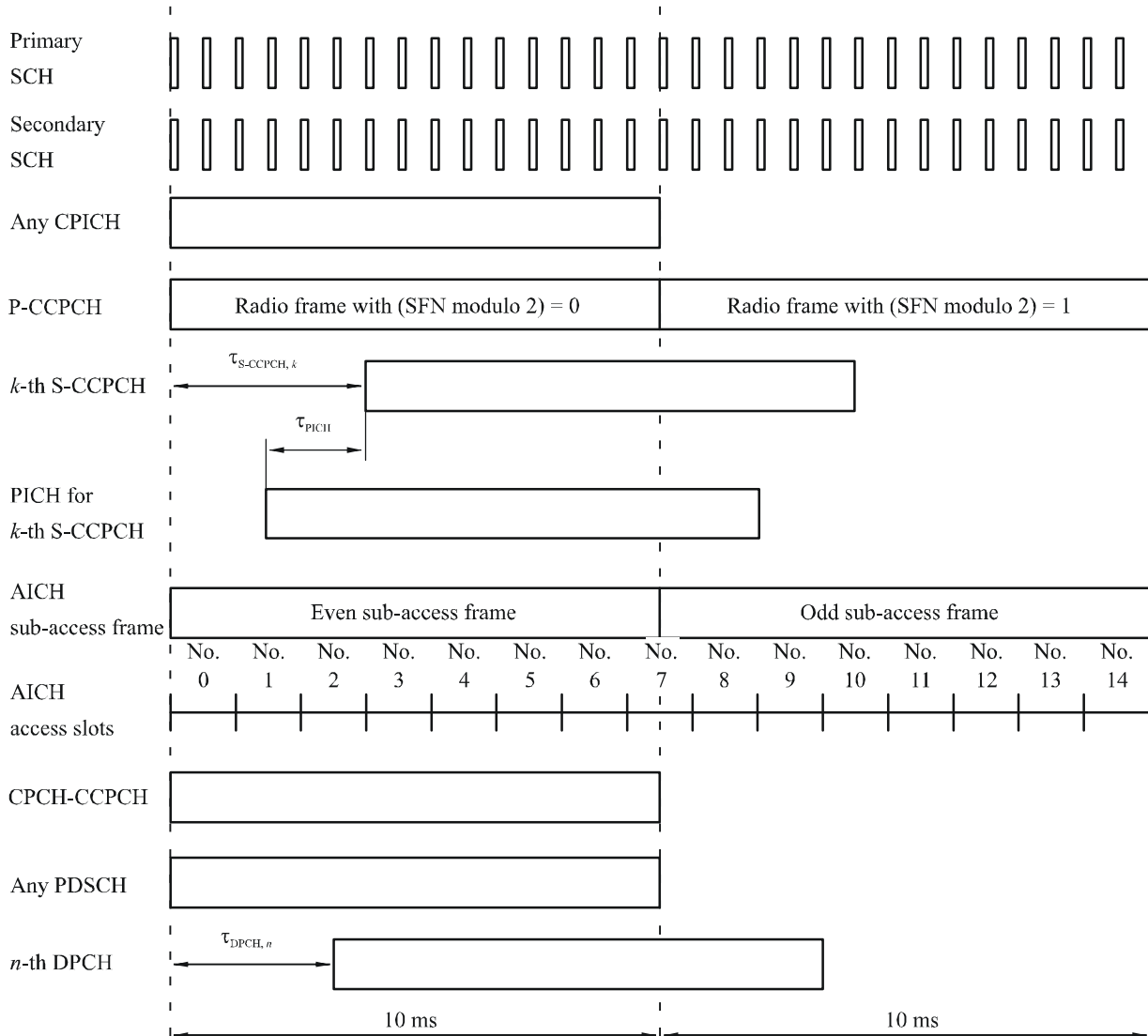
6.3.3.4.1.4.1.1 For LEO satellites

The downlink AICH access frames and sub-access frames are time-aligned with the P-CCPCH. The uplink PRACH access frame and sub-access frame are time-aligned with the reception of downlink AICH access frame and sub-access frame. Uplink access frame number n is transmitted from the MES τ_{p-a} chips prior to the reception of downlink access frame number n , $n = 0, 1, \dots, 15$. The PRACH/AICH timing relation is shown in Fig. 116. The transmission offset τ_{off} shall be a value between the range of $-\tau_{off,max}$ to $\tau_{off,max}$, where $\tau_{off,max}$ is Maximum Transmission Offset and is signalled by higher layers. The preamble-to-preamble distance τ_{p-p} shall be larger than or equal to the minimum preamble-to-preamble distance $\tau_{p-p,min}$. In addition to $\tau_{p-p,min}$, the preamble-to-AI distance τ_{p-a} is defined as follows:

- when AICH_Transmission_Timing is set to 0, then $\tau_{p-p,min} = 230\,400$ chips (six radio frames) and $\tau_{p-a} = 153\,600$ chips (four radio frames);
- when AICH_Transmission_Timing is set to 1, then $\tau_{p-p,min} = 307\,200$ chips (eight radio frames) and $\tau_{p-a} = 230\,400$ chips (six radio frames).

FIGURE 115

Frame timing and access slot timing of downlink physical channels



1457-115

The parameter AICH_Transmission_Timing is signalled by higher layers.

6.3.3.4.1.4.1.2 For GEO satellites

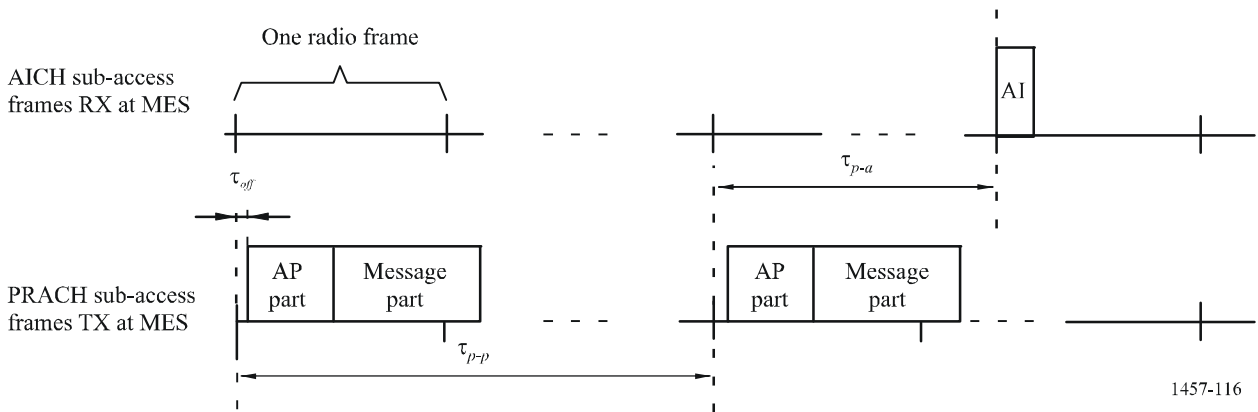
The downlink AICH access frames and sub-access frames are time aligned with the P-CCPCH. The uplink PRACH access frame and sub-access frame are time aligned with the reception of downlink AICH access frame and sub-access frame. Uplink access frame number n is transmitted from the MES τ_{p-a} chips prior to the reception of downlink access frame number n , $n = 0, 1, \dots, 15$. The PRACH/AICH timing relation is shown in Fig. 116. The transmission offset τ_{off} shall be a value between the range of $-\tau_{off,max}$ to $\tau_{off,max}$, where $\tau_{off,max}$ is maximum transmission offset and is signalled by higher layers. The preamble-to-preamble distance τ_{p-p} shall be larger than or equal to the minimum preamble-to-preamble distance $\tau_{p-p,min}$. In addition to $\tau_{p-p,min}$, the preamble-to-AI distance τ_{p-a} is defined as follows:

- when AICH_Transmission_Timing is set to 0, then $\tau_{p-p,min} = 1\ 152\ 000$ chips (thirty radio frames) and $\tau_{p-a} = 1\ 075\ 200$ chips (twenty eight radio frames);
- when AICH_Transmission_Timing is set to 1, then $\tau_{p-p,min} = 2\ 150\ 400$ chips (fifty six radio frames) and $\tau_{p-a} = 2\ 073\ 600$ chips (fifty four radio frames).

The parameter AICH_Transmission_Timing is signalled by higher layers.

FIGURE 116

Timing relation between PRACH and AICH as seen at the MES



6.3.3.4.1.4.2 PCPCH/AICH timing relation

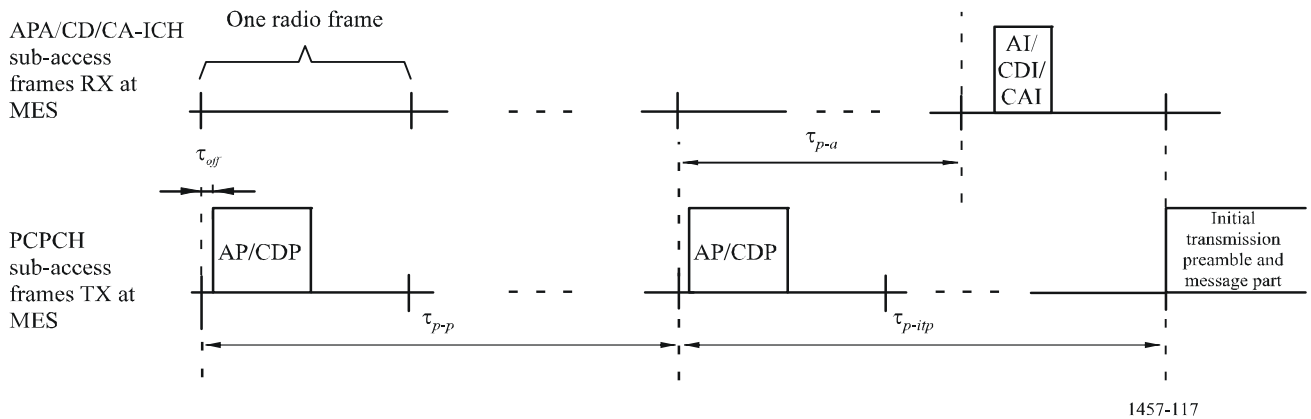
6.3.3.4.1.4.2.1 For LEO satellites

The downlink APA/CD/CA-ICH access frames and sub-access frames are time aligned with the P-CCPCH. The uplink PCPCH access frame and sub-access frame are time aligned with the reception of downlink APA/CD/CA-ICH access frame and sub-access frame.

The timing relationships between AP/CDP and APA/CD/CA-ICH is identical to RACH Preamble and AICH. Note that the collision resolution preamble successively follows the access preamble without any gap. Figure 117 illustrates the PCPCH/AICH timing.

FIGURE 117

Timing relation between PCPCH and APA/CD/CA-ICH as seen at the MES



In addition to $\tau_{p-p,min}$, the preamble-to-AI distance τ_{p-a} and preamble-to-ITP distance τ_{p-ipt} are defined as follows:

- when T_{cpch} is set to 0, then $\tau_{p-p,min} = 230\,400$ chips (six radio frames), $\tau_{p-a} = 153\,600$ chips (four radio frames) and $\tau_{p-ipt} = 230\,400$ chips (six radio frames);
- when T_{cpch} is set to 1, then $\tau_{p-p,min} = 307\,200$ chips (eight radio frames), $\tau_{p-a} = 230\,400$ chips (six radio frames) and $\tau_{p-ipt} = 307\,200$ chips (eight radio frames).

The T_{cpch} timing parameter is identical to the PRACH/AICH transmission timing parameter.

6.3.3.4.1.4.2.2 For GEO satellites

The downlink APA/CD/CA-ICH access frames and sub-access frames are time aligned with the P-CCPCH. The uplink PCPCH access frame and sub-access frame are time aligned with the reception of downlink APA/CD/CA-ICH access frame and sub-access frame.

The timing relationships between AP/CDP and APA/CD/CA-ICH is identical to RACH preamble and AICH. Note that the collision resolution preamble successively follows the access preamble without any gap. Figure 117 illustrates the PCPCH/AICH timing.

In addition to $\tau_{p-p,min}$, the preamble-to-AI distance τ_{p-a} and preamble-to-ITP distance τ_{p-ity} are defined as follows:

- when T_{cpch} is set to 0, then $\tau_{p-p,min} = 1\,152\,000$ chips (thirty radio frames) and $\tau_{p-a} = 1\,075\,200$ chips (twenty eight radio frames) and $\tau_{p-ity} = 1\,152\,000$ chips (thirty radio frames);
- when T_{cpch} is set to 1, then $\tau_{p-p,min} = \tau_{p-p,min} = 2\,150\,400$ chips (fifty six radio frames) and $\tau_{p-a} = 2\,073\,600$ chips (fifty four radio frames) and $\tau_{p-ity} = 2\,150\,400$ chips (eight radio frames).

The T_{cpch} timing parameter is identical to the PRACH/AICH transmission timing parameter.

6.3.3.4.1.4.3 PCPCH/CPCH-CCPCH timing relation

The start of the associated CPCH-CCPCH frame is received 38 400 chips prior to the transmission of PCPCH initial transmission preamble. The start of a CPCH-CCPCH frame is denoted $T_{CPCH-CCPCH}$ and the start of the associated PCPCH message frame is denoted T_{PCPCH} . Any CPCH-CCPCH frame is associated to one PCPCH message frame through the relation, $T_{PCPCH} - T_{CPCH-CCPCH} = 38\,400 + L_{ity} \times 2\,560$ chips.

6.3.3.4.1.4.4 DPCH/PDSCH timing relation

The start of a DPCH frame is denoted T_{DPCH} and the start of the associated PDSCH frame is denoted T_{PDSCH} . Any DPCH frame is associated to one PDSCH frame through the relation $46\,080 \text{ chips} \leq T_{PDSCH} - T_{DPCH} < 84\,480 \text{ chips}$.

6.3.3.4.1.4.5 DPCCH/DPDCH timing relations

At the MES, the uplink DPCCH/DPDCH frame transmission takes place approximately T_0 chips after the reception of the first significant path of the corresponding downlink DPCCH/DPDCH frame. T_0 is a constant defined to be $38\,400 + 1\,024$ chips.

6.3.3.4.2 Channel coding and multiplexing

6.3.3.4.2.1 Processing step

The coding and multiplexing steps are shown in Fig. 118, where TrBk denotes transport block and DTX denotes discontinuous transmission.

6.3.3.4.2.2 Error detection

Error detection is provided on transport channel blocks through a CRC. The CRC is 24, 16, 12, 8 or 0 bits and it is signalled from higher layers which CRC length that should be used for each transport channel.

The entire transport block is used to calculate the CRC parity bits for each transport block. The parity bits are generated by one of the following cyclic generator polynomials:

- $G_{CRC24}(X) = X^{24} + X^{23} + X^6 + X^5 + X + 1$;
- $G_{CRC16}(X) = X^{16} + X^{12} + X^5 + 1$;
- $G_{CRC12}(X) = X^{12} + X^{11} + X^3 + X^2 + X + 1$;
- $G_{CRC8}(X) = X^8 + X^7 + X^4 + X^3 + X + 1$.

6.3.3.4.2.3 Channel coding

For the channel coding in SAT-CDMA, two schemes can be applied:

- Convolutional coding;
- Turbo coding.

Channel coding selection is indicated by upper layers. In order to randomize transmission errors, symbol interleaving is performed further.

FIGURE 118

Processing steps for transport channel (TrCH) to physical channel (PhCH) (left: uplink, right: downlink)

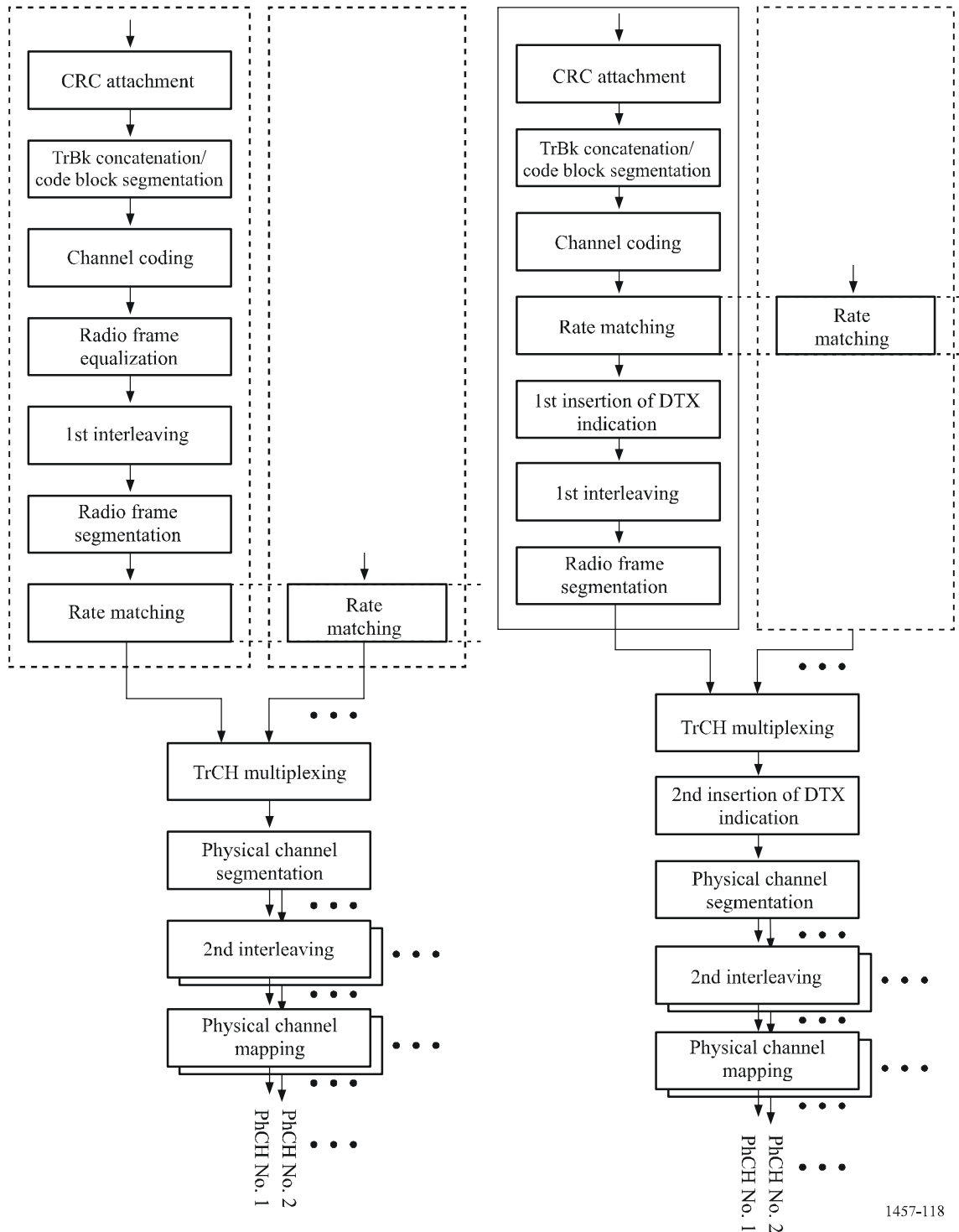


TABLE 33

Channel coding schemes for logical channels

Transport channel	Coding scheme	Coding rate
BCH	Convolutional coding	1/2
PCH		
RACH		
DCH, DSCH, FACH	Turbo coding	1/3, 1/2
		1/3

6.3.3.4.2.3.1 Convolutional coding

Convolutional codes with constraint length 9 and coding rates 1/3 and 1/2 are defined.

The generator functions for the rate 1/3 code are $G_0 = 557$ (OCT), $G_1 = 663$ (OCT) and $G_2 = 711$ (OCT).

The generator functions for the rate 1/2 code are $G_0 = 561$ (OCT) and $G_1 = 753$ (OCT).

FIGURE 119

Rate 1/3, constraint length = 9 convolutional code generator

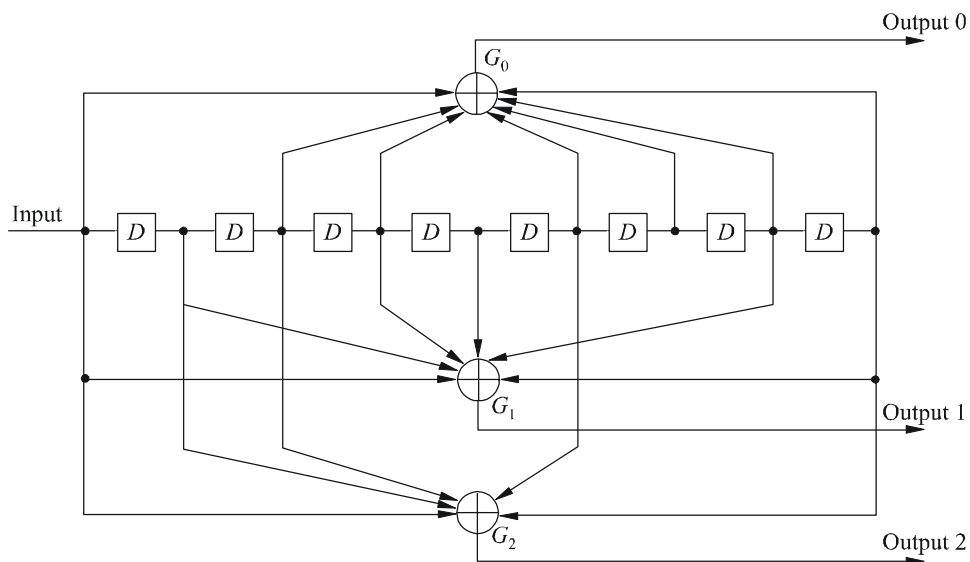
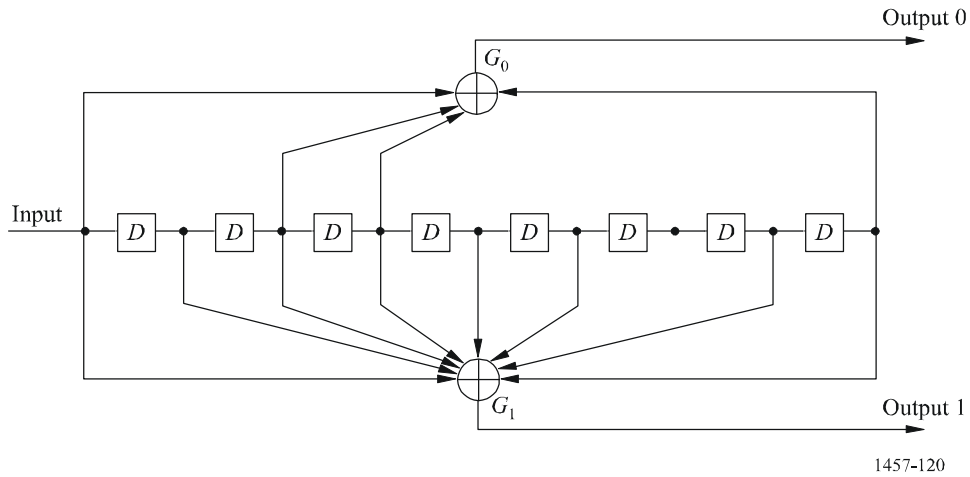


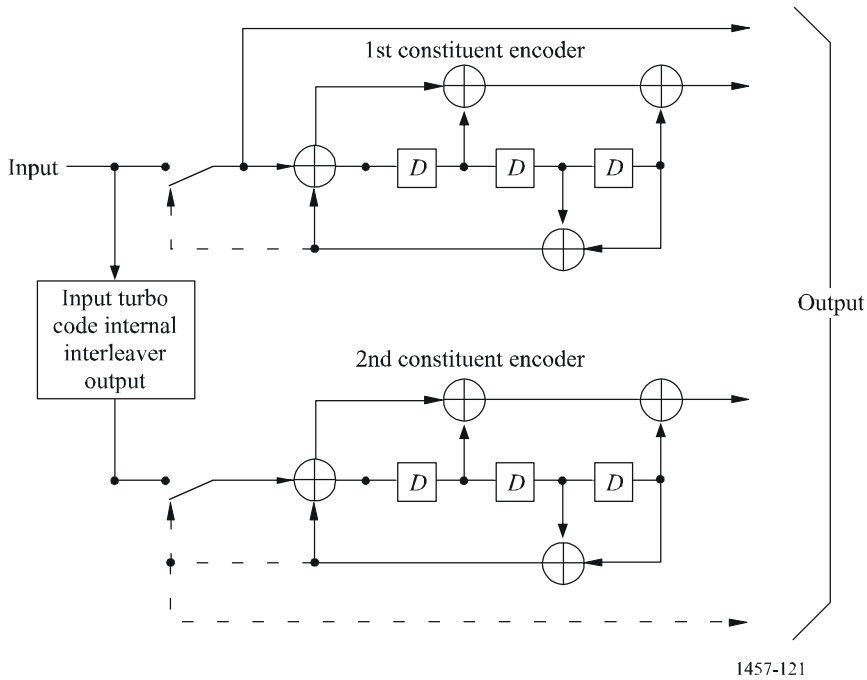
FIGURE 120
Rate 1/2, constraint length = 9 convolutional code generator



6.3.3.4.2.3.2 Turbo coding

The scheme of turbo coder is a parallel concatenated convolutional code (PCCC) with two 8-state constituent encoders and one Turbo code internal interleaver. The coding rate of turbo coder is 1/3.

FIGURE 121
Rate 1/3 turbo coder generator (dotted lines apply for trellis termination only)



The transfer function of the 8-state constituent code for PCCC is:

$$G(D) = \begin{bmatrix} 1, g_1(D) \\ g_0(D) \end{bmatrix}$$

where:

$$g_0(D) = 1 + D^2 + D^3$$

$$g_1(D) = 1 + D + D^3.$$

6.3.3.4.2.4 Interleaving

The 1st interleaver is a (M -row by N -column) block interleaver with inter-column permutations. The size of the 1st interleaver, $M \times N$ is an integer multiple of transmission time interval (TTI).

The 2nd interleaver is a (M -row by N -column) block interleaver with inter-column permutations. The size of the 2nd interleaver, $M \times N$ is the number of bits in one radio frame for one physical channel and the number of columns, N is 30. The inter-column permutation pattern is $\langle 0, 20, 10, 5, 15, 25, 3, 13, 23, 8, 18, 28, 1, 11, 21, 6, 16, 26, 4, 14, 24, 19, 9, 29, 12, 2, 7, 22, 27, 17 \rangle$.

6.3.3.4.2.5 Rate matching

The number of bits on a transport channel can vary between different transmission time intervals. In uplink, bits on a transport channel are repeated or punctured to ensure that the total bit rate after transport channel multiplexing is identical to the total channel bit rate of the allocated DPCH. In downlink, the total bit rate after the transport channel multiplexing is less than or equal to the total channel bit rate given by the channelization code(s) assigned by higher layers. The transmission is interrupted if the number of bits is lower than maximum.

6.3.3.4.2.6 Transport channel multiplexing

Every 10 ms, one radio frame from each transport channel is delivered to the transport channel multiplexing. These radio frames are serially multiplexed into a coded composite transport channel.

6.3.3.4.2.7 TFCI coding

The TFCI is encoded using a (32, 10) sub-code of the second order Reed-Muller code. The code words are linear combination of 10 basis sequences. The TFCI information bits shall correspond to the TFC index defined by the RRC layer to refer the TFC of the associated DPCH radio frame.

If one of the DCH is associated with a DSCH, the TFCI code word may be split in such a way that the code word relevant for TFCI activity indication is not transmitted from every beam. The use of such a functionality shall be indicated by higher layer signalling. The TFCI is encoded using a (16, 5) bi-orthogonal (or first order Reed-Muller) code. The code words of the (16, 5) bi-orthogonal code are linear combinations of 5 basis sequences. The first set of TFCI information bits shall correspond to the TFC index defined by the RRC layer to refer the TFC of the DCH CCTrCH in the associated DPCH radio frame. The second set of TFCI information bits shall correspond to the TFC index defined by the RRC layer to refer the TFC of the associated DSCH in the corresponding PDSCH radio frame.

The bits of the code word are directly mapped to the slots of the radio frame. The coded bits b_k , are mapped to the transmitted TFCI bits d_k , according to $d_k = b_{k \bmod 32}$, where $k = 0, \dots, K - 1$. The number of bits available in TFCI fields of a radio frame, K , depends on the slot format used for the frame.

6.3.3.4.2.8 TPC command coding

The 2-bit TPC command is encoded by repetition. The set of TPC command bits (a_0, a_1) shall correspond to the TPC command defined by the power control procedure. The output code word bits b_k are given by $b_k = a_{k \bmod 2}$, where $k = 0, \dots, 15$.

For both uplink and downlink channels, the bits of the code word are mapped to 15 slots of a radio frame. The coded bits b_k , are mapped to the transmitted TPC bits d_k , according to $d_k = b_{k \bmod 15}$, where $k = 0, \dots, K - 1$. The number of bits available in TPC fields of a radio frame, K , depends on the slot format used for the frame.

6.3.3.4.3 Modulation and spreading

6.3.3.4.3.1 Uplink spreading

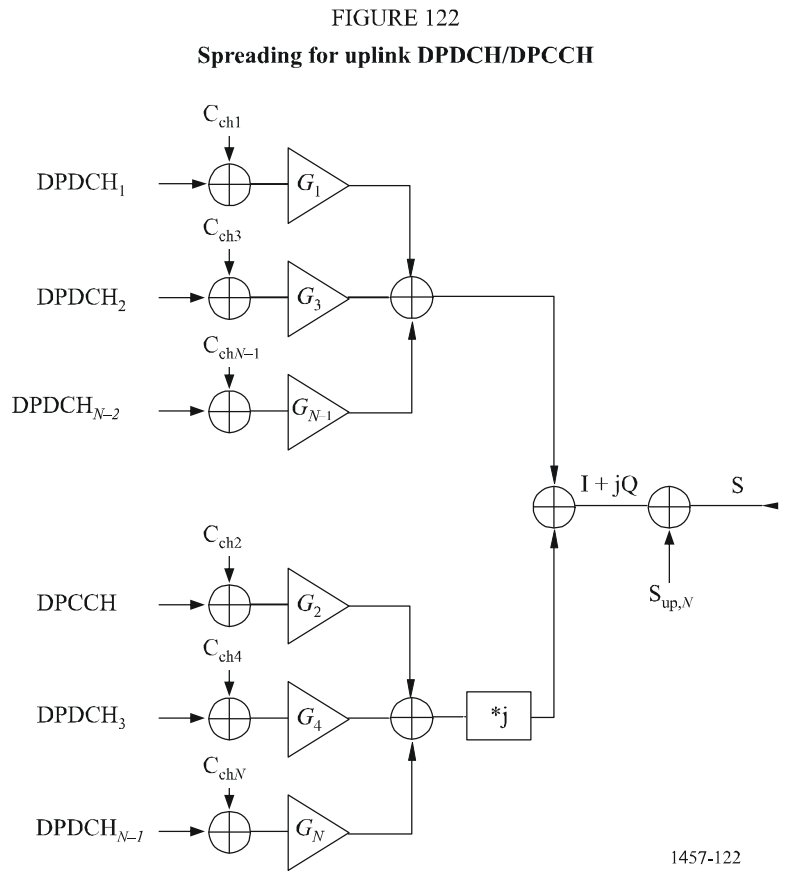
The spreading modulation uses orthogonal complex QPSK (OCQPSK) for uplink channels.

The spreading operation consists of two operations; short code spreading for channelization and long code spreading for scrambling.

Direct sequence spreading using the long code shall be applied to the uplink channel.

Figure 122 shows the configuration of the uplink-spreading. Channelization codes, $C_{ch\ i}$, $i = 1, 2, \dots, N$, first spread one DPCCH channel and the DPDCH channels. Then the signals are adjusted by power gain factors, G_i , are added together both in I and Q branches, and are multiplied by a complex scrambling code $S_{up,N}$.

If only one DPDCH is needed, only the DPDCH₁ and the DPCCH are transmitted. In multi-code transmission, several DPDCHs are transmitted using I and Q branches.



The channelization codes for uplink DPCH are OVSF codes.

The long scrambling code is built from constituent long sequences $c_{long,1,n}$ and $c_{long,2,n}$. The two sequences are obtained from position wise modulo 2 sum of 38 400 chip segments of two binary m -sequences x_n and y . The x_n sequence, which depends on the chosen scrambling sequence number n , is obtained from the m -sequence generator polynomial $X^{25} + X^3 + 1$ and the y sequence is obtained from the generator polynomial $X^{25} + X^3 + X^2 + X + 1$.

The configuration of long code generator for uplink is presented in Fig. 123.

Define the binary Gold sequence z_n by:

$$z_n(i) = x_n(i) + y(i) \text{ modulo } 2, \quad i = 0, 1, 2, \dots, 2^{25} - 2.$$

These binary sequences are converted to real valued sequences Z_n . The real-valued long scrambling sequences $c_{long,1,n}$ and $c_{long,2,n}$ are defined as follows:

$$c_{long,1,n}(i) = Z_n(i), \quad i = 0, 1, 2, \dots, 2^{25} - 2 \text{ and}$$

$$c_{long,2,n}(i) = Z_n((i + 16\ 777\ 232) \text{ modulo } (2^{25} - 1)), \quad i = 0, 1, 2, \dots, 2^{25} - 2.$$

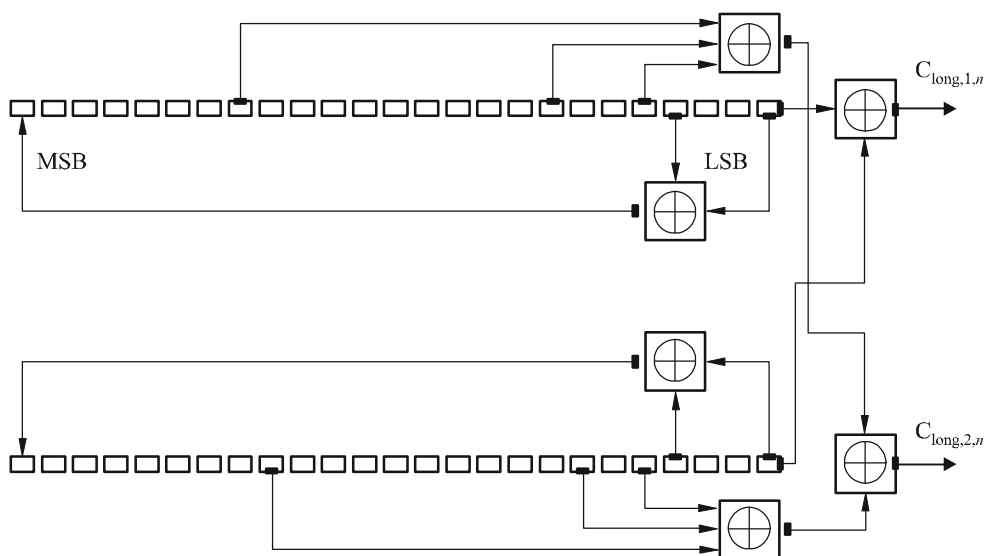
Finally, the complex-valued long scrambling sequence $C_{\text{long},n}$, is defined as:

$$C_{\text{long},n}(i) = c_{\text{long},1,n}(i) \left(1 + j(-1)^i c_{\text{long},2,n}(2 \lfloor i/2 \rfloor) \right)$$

where $i = 0, 1, \dots, 2^{25} - 2$ and $\lfloor \cdot \rfloor$ denotes rounding to nearest lower integer.

FIGURE 123

Uplink long code generator



1457-123

6.3.3.4.3.1.1 PRACH and PCPCH codes

The access preamble code is of length $N_p \times 4\,096$ chips and consists of N_p sub-preamble codes. The sub-preamble code $C_{\text{pre},n,s,i}$ is a complex valued sequence. It is built from a preamble scrambling code $S_{\text{r-pre},n}$ and a preamble signature $C_{\text{sig},s}$ as follows:

– when N_p is set to 1, then:

$$C_{\text{pre},n,s,0}(k) = S_{\text{pre},n,s}(k) \times e^{j\left(\frac{\pi}{4} + \frac{\pi}{2}k\right)}, k = 0, 1, 2, 3, \dots, 4\,095$$

– when N_p is greater than 1, then:

$$C_{\text{pre},n,s,i}(k) = S_{\text{pre},n}(k) \times C_{\text{sig},s}(k) \times e^{j\left(\frac{\pi}{4} + \frac{\pi}{2}k\right)}, k = 0, 1, 2, 3, \dots, 4\,095, i = 0, 1, \dots, N_p - 2$$

$$C_{\text{pre},n,s,N_p-1}(k) = S_{\text{pre},n}(k) \times C_{\text{sig},s}(k) \times e^{-j\left(\frac{\pi}{4} + \frac{\pi}{2}k\right)}, k = 0, 1, 2, 3, \dots, 4\,095$$

where $k = 0$ corresponds to the chip transmitted first in time.

The preamble signature corresponding to a signature s consists of 256 repetitions of a length 16 signature. The signature is from the set of 16 Hadamard codes of length 16.

The scrambling code for the preamble part is constructed from the long scrambling sequences. The n :th preamble scrambling code is defined as:

$$S_{\text{pre},n}(i) = c_{\text{long},1,n}(i),$$

where $i = 0, 1, \dots, 4\,095$. When sub-access frames are used for the PRACH, the n -th preamble scrambling code where n is an even number is used for the preamble transmitted at the even sub-access frame. The n -th preamble scrambling code where n is an odd number is used for the preamble transmitted at the odd sub-access frame.

The n -th PRACH message part scrambling code, denoted $S_{r\text{-msg},n}$, where $n = 0, 1, \dots, 8\,191$, is based on the long scrambling sequence and is defined as:

$$S_{r\text{-msg},n}(i) = C_{\text{long},n}(i + 4\,096), \quad i = 0, 1, \dots, 38\,399$$

The n -th PCPCH message part scrambling code, denoted $S_{c\text{-msg},n}$, where $n = 8\,192, 8\,193, \dots, 40\,959$ is based on the scrambling sequence and is defined as:

In the case when the long scrambling codes are used:

$$S_{c\text{-msg},n}(i) = C_{\text{long},n}(i), \quad i = 0, 1, \dots, 38\,399$$

6.3.3.4.3.2 Uplink modulation

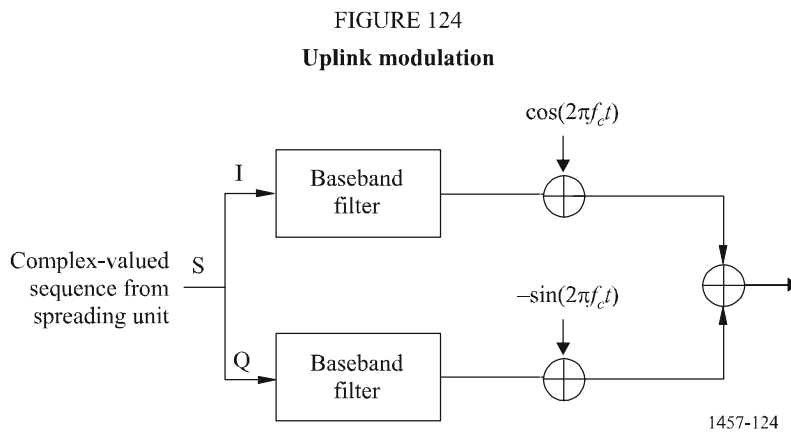
The modulating chip rate is 3.84 Mchip/s.

In the uplink, the modulation is dual-channel QPSK.

The modulated DPCCH is mapped to the Q-channel, while the first DPDCH is mapped to the I channel.

Subsequently added DPDCHs are mapped alternatively to the I or Q channels.

Figure 124 shows the configuration of the uplink modulation. The baseband filter (pulse shaping filter) is a root-raised cosine filter with roll-off $\alpha = 0.22$ in the frequency domain.

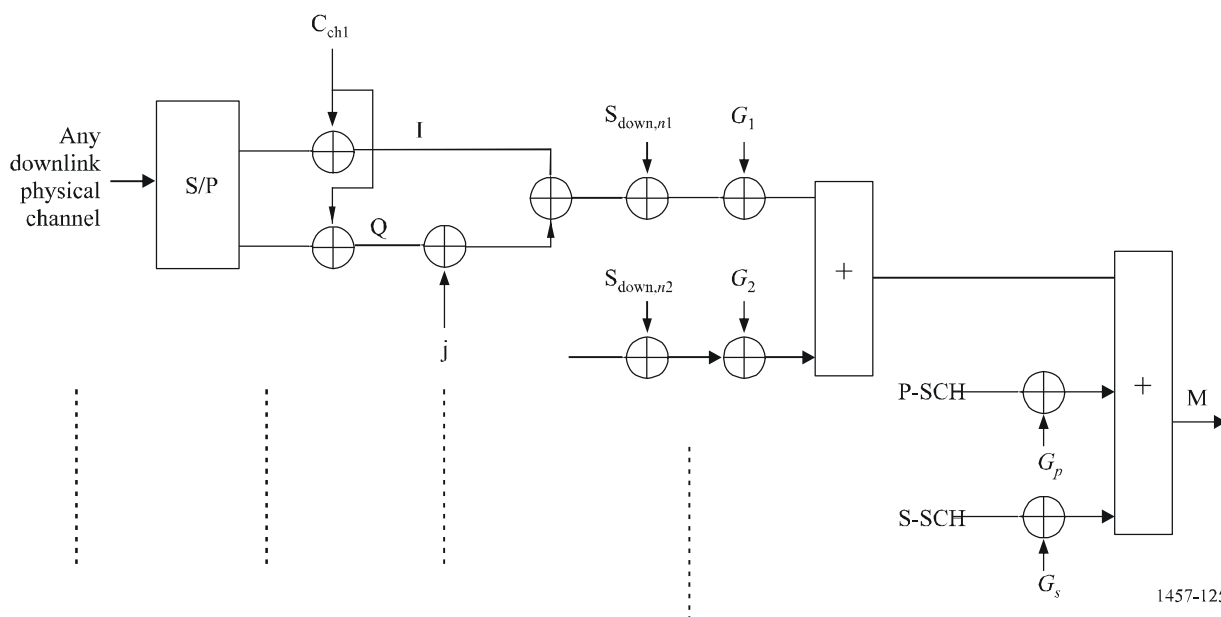


6.3.3.4.3.3 Downlink spreading

OCQPSK is not used in the downlink. The spreading operation consists of two operations; short code spreading for channelization and long code spreading for scrambling. Direct sequence spreading using the long code shall be applied to the downlink channel. For the downlink channel, this long code shall be periodic with a period of 38 400 chips. The long code length is equal to the frame length of 10 ms.

Figure 125 shows the configuration of the downlink-spreading.

FIGURE 125
Spreading for downlink physical channels



1457-125

The channelization code for downlink physical channels is the same OVSF codes as used in the uplink.

The scrambling code is constructed by combining two real sequences into a complex sequence. Each of the two real sequences is obtained from position wise modulo 2 sum of 38 400 chip segments of two binary m -sequences x and y . The x sequence is obtained from the generator polynomial $X^{18} + X^7 + 1$. The y sequence is obtained from the generator polynomial $X^{18} + X^{10} + X^7 + X^5 + 1$. The initial condition for the x sequence is (00...1), where 1 is the LSB. The initial condition for the y sequence is (11...1). Figure 126 shows the configuration of the downlink scrambling code generator.

The n -th Gold code sequence z_n , is then defined as:

$$- \quad z_n(i) = x((i + n) \text{ modulo } (2^{18} - 1)) + y(i) \text{ modulo } 2, \quad i = 0, \dots, 2^{18} - 2.$$

These binary sequences are converted to real valued sequences Z_n . Finally, the n -th complex scrambling code sequence $S_{dl,n}$ is defined as:

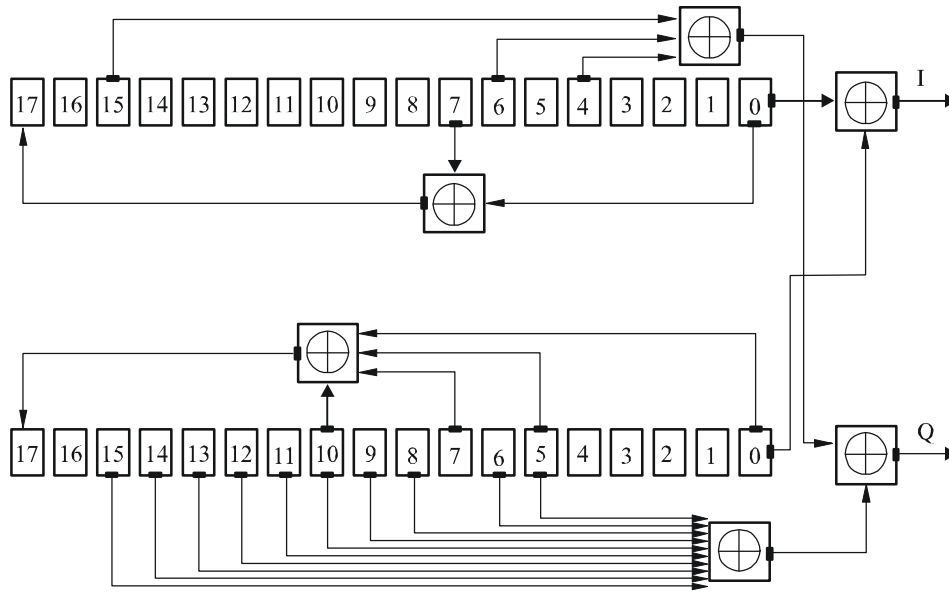
$$- \quad S_{dl,n}(i) = Z_n(i) + j Z_n((i + 131\,072) \text{ modulo } (2^{18} - 1)), \quad i = 0, 1, \dots, 38\,399.$$

Note that the pattern from phase 0 up to the phase of 38 399 is repeated.

The scrambling codes are divided into 512 sets, and each set consists of a primary scrambling code and 15 secondary scrambling codes. The primary scrambling codes consist of scrambling codes $n = 16 \times i$ where $i = 0 \dots 511$. The i -th set of secondary scrambling codes consists of scrambling codes $16 \times i + k$, where $k = 1 \dots 15$. There is a one-to-one mapping between each primary scrambling code and 15 secondary scrambling codes in a set such that i -th primary scrambling code corresponds to i -th set of secondary scrambling codes. Hence scrambling codes $n = 0, 1, \dots, 8\,191$ are used.

The set of primary scrambling codes is further divided into 64 scrambling code groups, each consisting of eight primary scrambling codes. The j -th scrambling code group consists of primary scrambling codes $16 \times 8 \times j + 16 \times k$, where $j = 0 \dots 63$ and $k = 0 \dots 7$.

FIGURE 126
Downlink scrambling code generator



1457-126

6.3.3.4.3.3.1 Synchronization codes

6.3.3.4.3.3.1.1 For LEO satellites

The primary synchronization code (PSC), C_{psc} is constructed as two generalized hierarchical Golay sequences.

Define:

- $a_1 = \langle x_1, x_2, x_3, \dots, x_{16} \rangle = \langle 1, -1, 1, -1, -1, -1, -1, -1, 1, 1, -1, -1, -1, 1, 1, -1 \rangle$
- $a_2 = \langle y_1, y_2, y_3, \dots, y_{16} \rangle = \langle 1, -1, 1, -1, -1, -1, 1, 1, 1, -1, -1, 1, -1, -1, -1, -1 \rangle$

The PSC is generated by repeating the sequences a_1 and a_2 modulated by a Golay complementary sequence, and creating a complex-valued sequence with identical real and imaginary components. The PSC C_{psc} is defined as:

$$C_{psc} = (1 + j) \times \langle a_1, -a_1, -a_1, -a_1, -a_1, a_1, -a_1, -a_1, a_2, a_2, -a_2, a_2, -a_2, a_2, a_2, a_2 \rangle$$

The 16 secondary synchronization codes (SSCs), $\{C_{ssc,1}, \dots, C_{ssc,16}\}$, are complex-valued with identical real and imaginary components, and are constructed from position wise multiplication of a Hadamard sequence and a sequence z , defined as:

- $z = \langle b_1, b_1, b_1, b_1, b_1, b_1, -b_1, -b_1, b_2, -b_2, -b_2, b_2, b_2, -b_2, b_2, -b_2 \rangle$, where
- $b_1 = \langle x_1, x_2, x_3, x_4, x_5, x_6, x_7, x_8, -x_9, -x_{10}, -x_{11}, -x_{12}, -x_{13}, -x_{14}, -x_{15}, -x_{16} \rangle$ and $x_1, x_2, \dots, x_{15}, x_{16}$, are the same as in the definition of the sequence a_1 above.
- $b_2 = \langle y_1, y_2, y_3, y_4, y_5, y_6, y_7, y_8, -y_9, -y_{10}, -y_{11}, -y_{12}, -y_{13}, -y_{14}, -y_{15}, -y_{16} \rangle$ and $y_1, y_2, \dots, y_{15}, y_{16}$, are the same as in the definition of the sequence a_2 above.

The Hadamard sequences are obtained as the rows in a matrix H_8 constructed recursively. Denote the n -th Hadamard sequence as a row of H_8 numbered from the top, $n = 0, 1, 2, \dots, 255$, in the sequel. Furthermore, let $h_n(i)$ and $z(i)$ denote the i -th symbol of the sequence h_n and z , respectively where $i = 0, 1, 2, \dots, 255$.

The k -th SSC, $C_{ssc,k}$, $k = 1, 2, 3, \dots, 16$ is then defined as:

$$C_{ssc,k} = (1 + j) \times \langle h_m(0) \times z(0), h_m(1) \times z(1), h_m(2) \times z(2), \dots, h_m(255) \times z(255) \rangle$$

where $m = 8 \times (k - 1)$.

There are 64 secondary SCH sequences and each sequence consists of 15 SSCs. The 64 secondary SCH sequences are constructed such that their cyclic-shifts are unique, i.e. a non-zero cyclic shift less than 15 of any of the 64 sequences is not equivalent to any cyclic shift of any other of the 64 sequences. Also, a non-zero cyclic shift less than 15 of any of the sequences is not equivalent to itself with any other cyclic shift less than 15.

6.3.3.4.3.3.1.2 Synchronization codes for the GEO constellation

The primary synchronization code (PSC), C_{psc} is constructed as a so-called generalized hierarchical Golay sequence. The PSC is furthermore chosen to have good aperiodic autocorrelation properties.

Define:

$$- \quad a = \langle x_1, x_2, x_3, \dots, x_{16} \rangle = \langle 1, 1, 1, 1, 1, 1, -1, -1, 1, -1, 1, -1, 1, -1, 1 \rangle$$

The PSC is generated by repeating the sequence a modulated by a Golay complementary sequence, and creating a complex-valued sequence with identical real and imaginary components. The PSC C_{psc} is defined as:

$$- \quad C_{\text{psc}} = (1 + j) \times \langle a, a, a, -a, -a, a, -a, -a, a, a, a, -a, a, -a, a, a \rangle;$$

where the leftmost chip in the sequence corresponds to the chip transmitted first in time.

The 16 secondary synchronization codes (SSCs), $\{C_{\text{ssc},1}, \dots, C_{\text{ssc},16}\}$, are complex-valued with identical real and imaginary components, and are constructed from position wise multiplication of a Hadamard sequence and a sequence z , defined as:

$$- \quad z = \langle b, b, b, -b, b, b, -b, -b, b, -b, b, -b, -b, -b, -b \rangle, \text{ where}$$

$$- \quad b = \langle x_1, x_2, x_3, x_4, x_5, x_6, x_7, x_8, -x_9, -x_{10}, -x_{11}, -x_{12}, -x_{13}, -x_{14}, -x_{15}, -x_{16} \rangle \text{ and } x_1, x_2, \dots, x_{15}, x_{16}, \text{ are same as in the definition of the sequence } a \text{ above.}$$

The Hadamard sequences are obtained as the rows in a matrix H_8 constructed recursively by:

$$H_0 = (1)$$

$$H_k = \begin{pmatrix} H_{k-1} & H_{k-1} \\ H_{k-1} & -H_{k-1} \end{pmatrix}, \quad k \geq 1$$

The rows are numbered from the top starting with row 0 (the all ones sequence).

Denote the n :th Hadamard sequence as a row of H_8 numbered from the top, $n = 0, 1, 2, \dots, 255$, in the sequel.

Furthermore, let $h_n(i)$ and $z(i)$ denote the i :th symbol of the sequence h_n and z , respectively where $i = 0, 1, 2, \dots, 255$ and $i = 0$ corresponds to the leftmost symbol.

The k :th SSC, $C_{\text{ssc},k}$, $k = 1, 2, 3, \dots, 16$ is then defined as:

$$- \quad C_{\text{ssc},k} = (1 + j) \times \langle h_m(0) \times z(0), h_m(1) \times z(1), h_m(2) \times z(2), \dots, h_m(255) \times z(255) \rangle;$$

$$- \quad \text{where } m = 16 \times (k - 1) \text{ and the leftmost chip in the sequence corresponds to the chip transmitted first in time.}$$

The 64 secondary SCH sequences are constructed such that their cyclic-shifts are unique, i.e. a non-zero cyclic shift less than 15 of any of the 64 sequences is not equivalent to some cyclic shift of any other of the 64 sequences. Also, a non-zero cyclic shift less than 15 of any of the sequences is not equivalent to itself with any other cyclic shift less than 15. Table 6 describes the sequences of SSCs used to encode the 64 different scrambling code groups. The entries in Table 6 denote what SSC to use in the different slots for the different scrambling code groups, e.g. the entry "7" means that SSC $C_{\text{ssc},7}$ shall be used for the corresponding scrambling code group and slot.

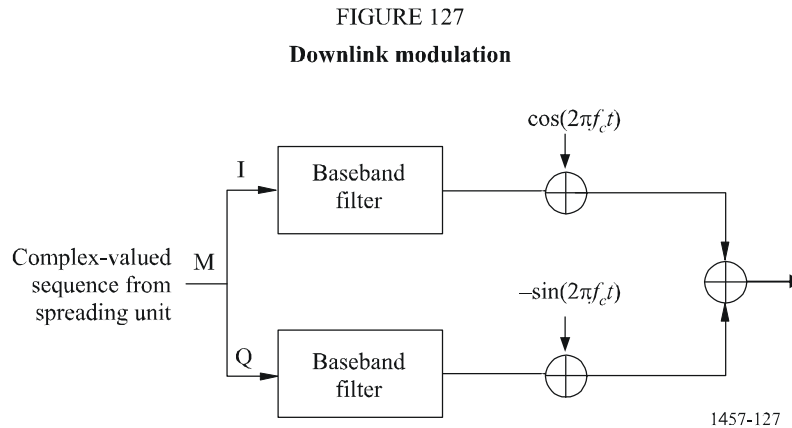
6.3.3.4.3.4 Downlink modulation

The modulating chip rate is 3.84 Mchip/s.

In the downlink, the data modulation of DPCH is QPSK.

The modulated DPDCH and DPCCH are time-multiplexed.

Figure 127 shows the configuration of the downlink modulation. The baseband filter (pulse shaping filter) is a root-raised cosine filter with roll-off $\alpha = 0.22$ in the frequency domain.



6.3.3.4.4 Procedures

6.3.3.4.4.1 Beam search

The beam search is carried out in three steps:

Step 1: MES uses the SCH's primary synchronization code to acquire slot synchronization to a beam.

Step 2: MES uses the SCH's secondary synchronization code sequences to find frame synchronization and identify the code group of the beam found in the first step.

Step 3: MES determines the exact primary scrambling code used by the found beam.

During the first and the second steps, a coarse frequency search and/or a differential detection technique may be required because of the carrier frequency error due to the Doppler shift.

During the second and the third steps, the MES can use locally stored information on satellite constellation and its position. This can reduce the beam search time.

6.3.3.4.4.2 Random access

6.3.3.4.4.2.1 RACH procedure

In the MAC layer, when there is data to be transmitted, MES selects the RACH class and starts on a retransmission cycle. If the number of retransmission cycles is larger than the maximum retransmission cycles, MES stops the procedure and reports to the higher layer (RLC or RRC).

At the beginning of each retransmission cycle, MES refreshes the parameters related to RACH procedure with the up-to-date values, included in system information messages within BCH. MES then decides whether to start the RACH transmission in the current frame, based on the persistence value. If the transmission is not allowed, MES repeats from the persistence check in the next frame. If the transmission is allowed, MES starts on a ramping-up retransmission period. If the number of the repeated periods is larger than the maximum ramping-up retransmissions, MES restarts on the retransmission cycle in the next frame.

During the ramping-up retransmission period, the MES shall perform the physical random-access procedure as follows:

- Step 1:* Derive the available uplink access frame, in the next full access frame set, by using the set of available RACH sub-channels within the given RACH Class. Randomly select one access frame among the ones previously determined. When sub-access frames are used for the PRACH, the MES randomly selects a sub-access frame from the even and odd sub-access frames within the selected access frame.
- Step 2:* Randomly select a signature from the set of available signatures within the given RACH Class.
- Step 3:* Set the Preamble Retransmission Counter to Preamble Retrans Max.
- Step 4:* Set the preamble power to Preamble_Initial_Power.
- Step 5:* Randomly select a transmission offset time, τ_{off} , in range of $-\tau_{off,max}$ to $\tau_{off,max}$ chips.
- Step 6:* Transmit a preamble part and a message part using the selected access frame (or sub-access frame), transmission offset time, signature, and preamble transmission power. Transmission power of the control part of the random access message should be $Pp-m$ [dB] higher than the power of the preamble.
- Step 7:* If neither positive nor negative acquisition indicator corresponding to the selected signature is detected in the downlink AICH access frame (or sub-access frame) corresponding to the transmitted uplink access frame (or sub-access frame), then:
- Sub-Step 7.1:* Select the next available access frame in the set of available RACH sub-channels within the given RACH Class. When sub-access frames are used for the PRACH, the MES randomly selects a sub-access frame from the even and odd sub-access frames within the selected access frame.
- Sub-Step 7.2:* Randomly select a new signature from the available signatures.
- Sub-Step 7.3:* Increase the preamble power by $\Delta P_0 = \text{Power Ramp Step}$.
- Sub-Step 7.4:* Decrease the Preamble Retransmission Counter by one.
- Sub-Step 7.5:* If the Preamble Retransmission Counter > 0 then repeat from step 5. Otherwise report L1 status “No ack on AICH” to the higher layer (MAC) and exit the physical random access procedure.
- Step 8:* If a negative acquisition indicator corresponding to the selected signature is detected in the downlink access frame (or sub-access frame) corresponding to the selected uplink access frame (or sub-access frame) frame, report L1 status “Nack on AICH received” to the higher layer (MAC) and exit the physical random access procedure.
- Step 9:* Report L1 status “Ack on AICH received” to the higher layer (MAC) and exit the physical random access procedure.

A RACH sub-channel defines a set of uplink access frames that are time-aligned with P-CCPCH frames. There are a total of eight RACH sub-channels.

In the transmission of the RACH preamble and message, MES may use a Doppler pre-compensation technique, based on the Doppler shift estimation on the downlink carrier.

In the MAC layer, when L1 indicates that an acknowledgement on AICH is received, the successful completion of the MAC transmission control procedure shall be indicated to higher layer. When L1 indicates that no acknowledgement on AICH is received, a new retransmission cycle is performed. When L1 indicates that a negative acknowledgement is received, the MES derives a backoff time. After the backoff time, a new retransmission cycle is started.

If the response message corresponding to the transmitted RACH message is received in the higher layer (RLC or RRC) at any time during the random access procedure, MES should stop the RACH procedure.

6.3.3.4.4.2.2 CPOCH procedure

For each CPOCH physical channel in a CPOCH set allocated to a beam the physical layer parameters are included in system information messages within BCH. The physical layer shall perform the CPOCH procedure as follows:

- Step 1:* Upon receipt of the access request from the MAC layer, the MES shall test the SI values of the most recent transmission. If this indicates that the maximum available data rate is less than the requested data rate, the MES shall abort the access attempt.
- Step 2:* The MES sets the preamble transmit power to Preamble_Initial_Power.
- Step 3:* The MES sets the AP Retransmission Counter to $N_{AP_Retrans_Max}$.
- Step 4:* Using the access frame sub-channel group of the access resource combination corresponding to the required data rate, the MES derives the available access frames. The MES randomly selects one uplink access frame from the derived available ones. When sub-access frames are used for the PRACH, the MES randomly selects a sub-access frame from the even and odd sub-access frames within the selected access frame.
- Step 5:* The MES randomly selects an AP signature from the set of available signatures in the access resource combination corresponding to the required data rate.
- Step 6:* The MES randomly selects a CD signature from the CD signature set.
- Step 7:* Randomly select a transmission offset time τ_{off} in the range of $-\tau_{off,max}$ to $\tau_{off,max}$.
- Step 8:* The MES shall test the value of the Status Indicator. If this indicates that the maximum available data rate is less than the requested data rate, the MES shall abort the access attempt and send a failure message to the MAC layer. Otherwise, the MES transmits the AP using the selected uplink access frame (or sub-access frame), signature, transmission offset time, and initial preamble transmission power, and successively transmits a CD Preamble at the same power as with the AP.
- Step 9:* If the MES does not detect the AP positive or negative acquisition indicator and the CDI corresponding to the selected AP signature and CDP signature, respectively, from the APA/CD/CA-ICH in the downlink access frame (or sub-access frame) corresponding to the selected uplink access frame (or sub-access frame), the following steps shall be executed:
- Sub-Step 9a:* Select the next available access frame in the sub-channel group used. When sub-access frames are used for the PRACH, the MES randomly selects a sub-access frame between the even and odd sub-access frames within the selected access frame.
- Sub-Step 9b:* Randomly select a new CD signature from the CD signature set.
- Sub-Step 9c:* Increases the preamble transmission power with a specified offset ΔP . Power offset ΔP_0 is used unless the negative AICH timer is running, in which case ΔP_1 is used instead.
- Sub-Step 9d:* Decrease the AP Retransmission Counter by one.
- Sub-Step 9e:* If the AP Retransmission Counter < 0 , the MES aborts the access attempt and sends a failure message to the MAC layer. If the AP Retransmission Counter is equal to or larger than 0, the MES repeats from Step 7.
- Step 10:* If the MES detects the AP negative acquisition indicator corresponding to the selected AP signature from the APA/CD/CA-ICH in the downlink access frame (or sub-access frame) corresponding to the selected uplink access frame (or sub-access frame), the MES aborts the access attempt and sends a failure message to the MAC layer. The MES sets the negative AICH timer to indicate use of ΔP_1 as the preamble power offset until the timer expires.
- Step 11:* If the MES receives the AP positive acquisition indicator corresponding to the selected AP signature and a CDI with a signature that does not match the signature in the CD Preamble, the MES aborts the access attempt and sends a failure message to the MAC layer.

Step 12: If the MES receives an AP positive acquisition indicator and a CDI from the APC/CD/CA-ICH with matching signatures, and if CA message points out to one of the PCPCHs that were indicated to be free by the last received CSICH broadcast, the MES transmits the initial transmission preamble τ_{p-ip} ms later as measured from initiation of the AP/CDP. The initial transmission power shall be ΔP_{p-m} [dB] higher than that of the AP/CDP. The transmission of the message portion of the burst starts immediately after the initial transmission preamble. Power control in the message part is performed according to the TPC command in the downlink slot associated to the PCPCH on the CPCH-CCPCH.

Step 13: During CPCH Packet Data transmission, the MES and Satellite-RAN perform inner-loop power control on the PCPCH message part.

In the transmission of the preamble and message, MES may use a Doppler pre-compensation technique, based on the Doppler shift estimation on the downlink carrier.

6.3.3.4.4.3 Power control

6.3.3.4.4.3.1 Uplink power control

The power control aims to overcome the near-far problem. There are open loop power control and closed loop power control depending on the existence of feedback information.

6.3.3.4.4.3.1.1 Open loop power control

The open loop power control is used to adjust the transmit power of the DPCH. It can reduce H/W complexity compared with closed loop power control. The MES should measure the received power of the downlink P-CCPCH before the transmission of a DPCH. The transmit power of DPCH is determined by the CSI and uplink SIR.

The MES shall perform continuously the OLPC procedure as follows:

Step 1: If the MES receives the data from Satellite-RAN in idle state, then it checks the pilot field of DPCCCH and/or CPICH and/or S-CCPCH.

Step 2: The MES takes CSI from channel estimation.

Step 3: The MES estimates the received SIR of downlink DPCCCH/DPDCH.

Step 4: The MES compares the target SIR with the received SIR.

Step 5: The MES determines transmit power of DPCH as follows.

$$P_{DPCH}(i) = P_{DPCH}(i-1) \pm \Delta_{\epsilon}(i-1) \quad \text{dBm}$$

where:

$$\Delta_{\epsilon}(i) = SIR_{est}(i) - SIR_{target}(i).$$

6.3.3.4.4.3.1.2 Closed loop power control

The uplink closed loop power control procedure simultaneously controls the power of a DPCCCH and its corresponding DPDCHs (if present). The relative transmit power offset between DPCCCH and DPDCHs is determined by the network and is signalled to the MES using higher layer signalling.

The uplink inner-loop power control adjusts the MES transmit power in order to keep the received uplink signal-to-interference ratio (SIR) at a given SIR target, SIR_{target} . The uplink power control shall be performed while the MES transmit power is below the maximum allowed output power.

Any change in the uplink DPCCCH transmit power shall take place immediately before the start of the frame on the DPCCCH. The change in DPCCCH power with respect to its previous value is derived by the MES and is denoted by Δ_{DPCCCH} (dB).

The satellite-RAN should estimate signal-to-interference ratio SIR_{est} of the received uplink DPCH, generate TPC commands, and transmit the commands once per radio frame according to the following rule:

Define the variable:

$$\Delta_{\epsilon} = SIR_{est} - SIR_{target}$$

$$\Delta_p(i) = \text{power control step whose value is determined to be one of } \{-\Delta_L, -\Delta_S, \Delta_S, \Delta_L\} \text{ according to the } i\text{-th frame's TPC_cmd, where the step sizes } \Delta_S, \Delta_L \text{ are under the control of the Satellite-RAN,}$$

$$N_{frame} = \text{loop delay expressed in frames.}$$

And then, $\Delta_p(i)$ is generated by using Δ_{ϵ} and the past N_{frame} power control steps $\Delta_p(k)$, $k = i - N_{frame} - 1, \dots, i - 1$ as follows:

Compute:

$$\Delta_{\epsilon,c} = \Delta_{\epsilon} + \chi \sum_{k=i-N_{frame}}^{i-1} \{\Delta_p(k) - \alpha\Delta_p(k-1)\}$$

where the loop delay compensation indicator χ is set to “1” when an MES is in soft handover and “0” when an MES is not in soft handover. The accumulation reduction factor, α ($0 < \alpha < 1$) is the higher layer parameter and is identical for all MESs in the same beam.

$$\text{if } |\Delta_{\epsilon,c}| < \epsilon_T \text{ and } \Delta_{\epsilon,c} < 0, \Delta_p(i) = \Delta_S$$

$$\text{if } |\Delta_{\epsilon,c}| < \epsilon_T \text{ and } \Delta_{\epsilon,c} > 0, \Delta_p(i) = -\Delta_S$$

$$\text{if } |\Delta_{\epsilon,c}| > \epsilon_T \text{ and } \Delta_{\epsilon,c} < 0, \Delta_p(i) = \Delta_L$$

$$\text{if } |\Delta_{\epsilon,c}| > \epsilon_T \text{ and } \Delta_{\epsilon,c} > 0, \Delta_p(i) = -\Delta_L$$

The MES adjusts the transmit power of the uplink DPCCCH with a step of Δ_{DPCCCH} (dB) using two most recently received power control steps, $\Delta_p(i)$ and $\Delta_p(i-1)$ as follows:

– When an MES is not in soft handover,

$$\Delta_{DPCCCH} = \Delta_p(i) - \alpha\Delta_p(i-1)$$

where α is identical to that used in the serving beam and is signalled by the higher layer.

– When an MES is in soft handover,

$$\Delta_{DPCCCH} = \kappa\Delta_p(i)$$

where κ is the power control step reduction factor signalled by the higher layer.

The relationship between $\Delta_p(i)$ and the transmitter power control command TPC_cmd is presented in Table 34.

TABLE 34

Relationship between $\Delta_p(i)$ and TPC_cmd

TPC_cmd	$\Delta_p(i)$
-2	$-\Delta_L$
-1	$-\Delta_S$
1	Δ_S
2	Δ_L

When the MES is not in soft handover, only one TPC command will be received in each radio frame. In this case, the value of TPC_cmd shall be derived as follows:

- If the received TPC command is equal to 00, then TPC_cmd for that frame is -2 .
- If the received TPC command is equal to 01, then TPC_cmd for that frame is -1 .
- If the received TPC command is equal to 10, then TPC_cmd for that frame is 1 .
- If the received TPC command is equal to 11, then TPC_cmd for that frame is 2 .

When the MES is in soft handover, multiple TPC commands may be received in each radio frame from different beams in the active set. In the case when more than one radio links are in the same radio link set, the TPC commands from the same radio link set shall be combined into one TPC command, to be further combined with TPC commands from other radio link sets. The MES shall conduct a soft symbol decision W_i on each of the power control commands TPC_{*i*}, where $i = 1, 2, \dots, N$, where N is greater than 1 and is the number of TPC commands from radio links of different radio link sets. The MES derives a combined TPC command, TPC_cmd, as a function γ of all the N soft symbol decisions W_i : $\text{TPC_cmd} = \gamma(W_1, W_2, \dots, W_N)$, where TPC_cmd can take the values 2, 1, -1 or -2 . The function γ shall fulfil the following criteria:

If the N TPC commands are random and uncorrelated, with equal probability of being transmitted as “00”, “01”, “10” or “11”, the probability that the output of γ is greater than or equal to 1 shall be greater than or equal to $1/(2^N)$, and the probability that the output of γ is smaller than or equal to -1 shall be greater than or equal to 0.5. Further, the output of γ shall equal to 2 if the TPC commands from all the radio link sets are reliably “11”, and the output of γ shall equal to -2 if a TPC command from any of the radio link sets is reliably “00”.

For the uplink power control of PCPCH, any change of the PCPCH transmit power shall take place immediately before the start of the frame on the message part. The network should estimate the signal-to-interference ratio SIR_{est} of the received PCPCH. The network should then generate TPC commands and transmit the commands once per frame according to the same rule as described for DPDCH/DPCCH. The MES derives a TPC command, TPC_cmd, for each radio frame according to the same rule as described for DPDCH/DPCCH. After deriving the TPC command TPC_cmd, the MES shall adjust the transmit power of the uplink PCPCH control part with a step of $\Delta_{PCPCH-CP}$ (dB) determined by the same rule as described for DPDCH/DPCCH.

6.3.3.4.3.2 Downlink power control

The downlink transmit power control procedure controls simultaneously the power of a DPCCH and its corresponding DPDCHs. The power control loop adjusts the power of the DPCCH and DPDCHs with the same amount. The relative transmit power offset between DPCCH fields and DPDCHs is determined by the network.

The downlink inner-loop power control adjusts the network transmit power in order to keep the received downlink SIR at a given SIR target, SIR_{target} . The MES should estimate the received signal-to-interference ratio of downlink DPCCH/DPDCH, SIR_{est} . The obtained SIR estimate SIR_{est} is then used by the MES to generate TPC commands according to the following rule:

- if $|SIR_{est} - SIR_{target}| > \epsilon_T$ and $SIR_{est} > SIR_{target}$, then the TPC command to transmit is “00”
- if $|SIR_{est} - SIR_{target}| < \epsilon_T$ and $SIR_{est} > SIR_{target}$, then the TPC command to transmit is “01”
- if $|SIR_{est} - SIR_{target}| > \epsilon_T$ and $SIR_{est} < SIR_{target}$, then the TPC command to transmit is “10”
- if $|SIR_{est} - SIR_{target}| < \epsilon_T$ and $SIR_{est} < SIR_{target}$, then the TPC command to transmit is “11”

When the MES is in soft handover and BSDT is not activated, the MES should estimate SIR_{est} from the downlink signals of all beams in the active set.

The MES may employ prediction algorithm which estimates the future SIR value after the round trip delay. Prediction for the SIR variation can be implemented by observing the trace of the past SIR variations of the CPICH/S-CCPCH/DPCHs in the active set. In order to support MESs which employ the prediction algorithm, a nominal round trip delay of the beam to which the MES belongs is signalled by higher layers.

The predicted SIR variation after round trip delay, Δ_{pred} , is used by the MES to generate TPC commands according to the following rule:

Define $SIR_{est,pred} = SIR_{est} + \Delta_{pred}$, then:

if $|SIR_{est,pred} - SIR_{target}| > \varepsilon_T$ and $SIR_{est,pred} > SIR_{target}$, then the TPC command to transmit is “00”

if $|SIR_{est,pred} - SIR_{target}| < \varepsilon_T$ and $SIR_{est,pred} > SIR_{target}$, then the TPC command to transmit is “01”

if $|SIR_{est,pred} - SIR_{target}| > \varepsilon_T$ and $SIR_{est,pred} < SIR_{target}$, then the TPC command to transmit is “10”

if $|SIR_{est,pred} - SIR_{target}| < \varepsilon_T$ and $SIR_{est,pred} < SIR_{target}$, then the TPC command to transmit is “11”

Upon receiving the TPC commands satellite-RAN shall adjust its downlink DPCCH/DPDCH power accordingly. Satellite-RAN shall estimate the transmitted TPC command TPC_{est} , and shall update the power every frame. After estimating the k -th TPC command, satellite-RAN shall adjust the current downlink power $P(k-1)$ (dB) to power $P(k)$ (dB) according to the following formula:

$$P(k) = P(k-1) + P_{TPC}(k) + P_{bal}(k)$$

where $P_{TPC}(k)$ is the k -th power adjustment due to the inner loop power control, and $P_{bal}(k)$ (dB) is a correction according to the downlink power control procedure for balancing radio link powers towards a common reference power. $P_{TPC}(k)$ is calculated as follows:

$$P_{TPC}(k) = \begin{cases} -\Delta_L & \text{if } TPC_{est}(k) = 00 \\ -\Delta_S & \text{if } TPC_{est}(k) = 01 \\ +\Delta_S & \text{if } TPC_{est}(k) = 10 \\ +\Delta_L & \text{if } TPC_{est}(k) = 11 \end{cases}$$

6.3.3.4.4 Beam selection diversity transmission

Beam selection diversity transmission (BSDT) is a macro diversity method in soft handover mode. This method is optional in satellite-RAN. The MES selects one of the beams from its active set to be “primary”, all other beams are classed as “non-primary”. The downlink DPDCH is transmitted from the primary beam while the downlink DPCCH is not transmitted from non-primary beams.

In order to select a primary beam, each beam is assigned a temporary identification (ID) and MES periodically informs a primary beam ID to the connecting beams. The primary beam ID is delivered by MES to the active beams via the FBI field on the uplink DPCCH.

Each beam is given a temporary ID during BSDT and the ID is utilized as beam selection signal. One 15-bit ID code is transmitted within a radio frame.

The MES shall generate TPC commands to control the network transmit power, in the TPC field of the uplink DPCCH based on the downlink signals from the primary beam only. The MES periodically selects a primary beam by measuring the received signal power of CPICHs transmitted by the active beams. The beam with the highest CPICH power is detected as a primary beam.

A beam recognizes its state as non-primary if the following conditions are fulfilled simultaneously:

- the received ID code does not match to the own ID code;
- the received uplink signal quality satisfies the quality threshold defined by the network.

The state of the beams (primary or non-primary) in the active set is updated synchronously. If a beam receives the coded ID in uplink frame j , the state of beam is updated in downlink frame $(j + 1 + T_{os})$, where T_{os} is provided by higher layers (the value of T_{os} is determined by the network according to the round trip delay in the beam).

6.3.4 Satellite radio interface D (SRI-D) specifications

SRI-D has been optimized for operation with a specific satellite system. This system consists of a constellation of satellites in MEO working with 12 LESs, which are located around the world and interconnected by a ground network. The configuration has been designed to provide coverage of the entire surface of the Earth at all times. The system will route traffic from terrestrial networks through a LES, which will select a satellite through which the call will be connected to a user. Traffic from a UT will be routed via the satellite constellation to the appropriate fixed or mobile network. The system will provide users anywhere on the Earth with access to telecommunications services. SRI-D supports robust and flexible communications, both voice and data, with rates up to 38.4 kbit/s, in a spectral and power efficient manner. The large majority of UTs used with the system are expected to be truly hand-portable and capable of dual-mode (terrestrial and satellite) operation. A wide range of other UTs will be supported including vehicular, aeronautical and maritime mobile, and semi-fixed terminals.

The following sub-sections specify only those elements relevant to this Recommendation, dealing therefore primarily with worldwide compatibility and international use.

6.3.4.1 Architectural description

The ground segment employs many standard components that allow conformance of the system to terrestrial telecommunications standards. The architecture (illustrated in Fig. 128) comprises:

- 12 interconnected LESs located around the world;
- duplicated network management centres;
- duplicated billing and administration centres.

Each LES comprises:

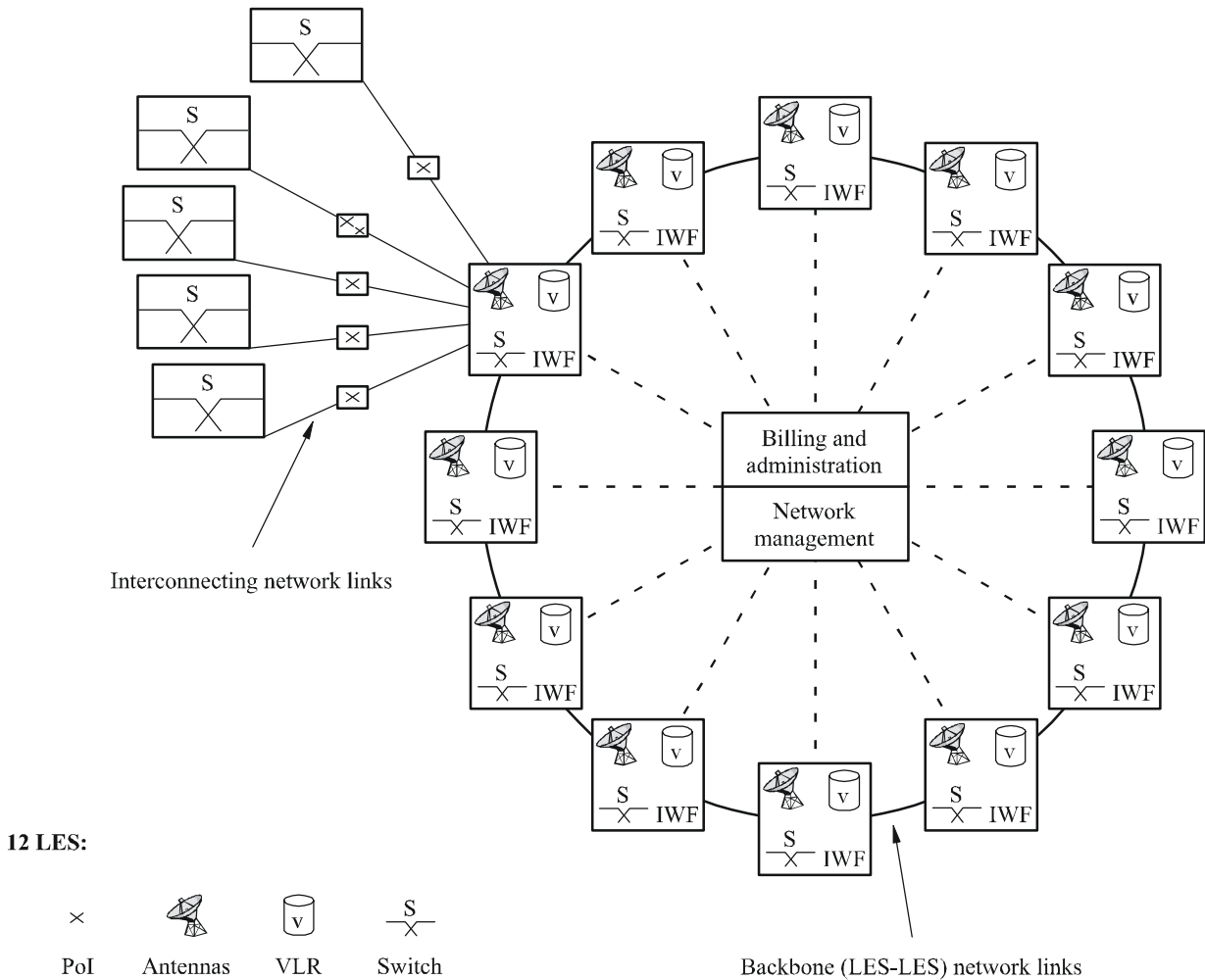
- five antennas and associated equipment to communicate with the satellites;
- mobile switching centres and registers, including HLRs and VLRs;
- interconnections with terrestrial networks.

The LESs are interconnected with each other via terrestrial links, thereby building the basic platform that provides the system's global mobile telecommunications services. Interfaces will be provided to PSTN, PLMN and data networks. However, handover is only supported within a single network. Interworking functions (IWFs) will deliver automatic roaming with other terrestrial (second and third generation) mobile networks.

FIGURE 128
The ground network

Interconnection with other networks

– PoI between system and interconnecting networks PSTN, PLMN and PSDN



PoI: Point of interconnection

1457-128

6.3.4.1.1 Constellation

Table 35 summarizes the satellite constellation configuration.

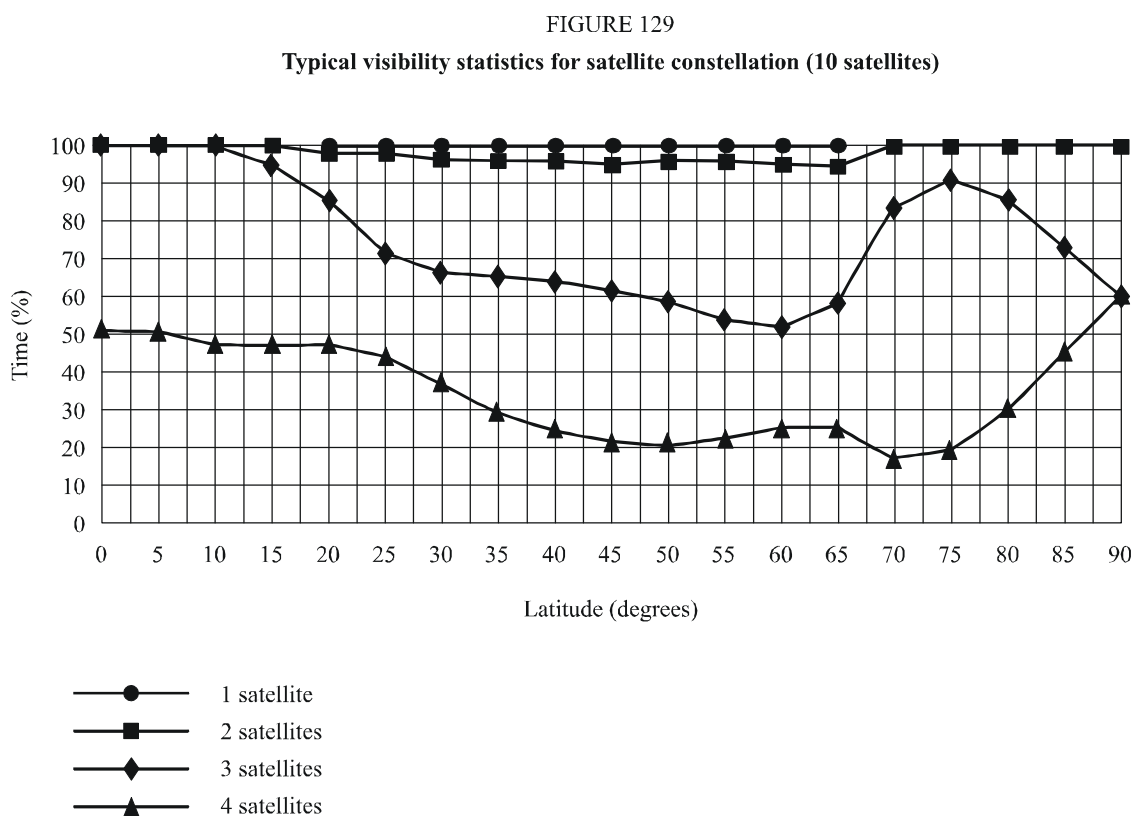
TABLE 35

Satellite constellation configuration

Orbit type	MEO
Orbit altitude	Nominally 10 390 km
Orbit inclination angle	45°
Number of orbit planes	2
Plane phasing	180°
Number of satellites per orbit plane	5-6
In-plane satellite phasing	The in-plane satellite phasing for a constellation of 10 satellites (5 satellites in each of 2 planes) is 72°. If all 12 satellites are launched successfully (6 satellites in each of 2 planes) the in-plane satellite phasing is 60°

Worldwide use is a key feature of IMT-2000 and the constellation described provides true global coverage whilst maintaining a high minimum elevation angle to the visible satellites, as shown in Figs. 129 and 130.

Each satellite provides radio coverage down to an elevation angle of 0° for both UTs and LESs. Figure 129 shows the percentage of time for which a number of satellites are visible as a function of latitude. For all areas of the Earth there will be two or more satellites visible for at least 90% of the time.



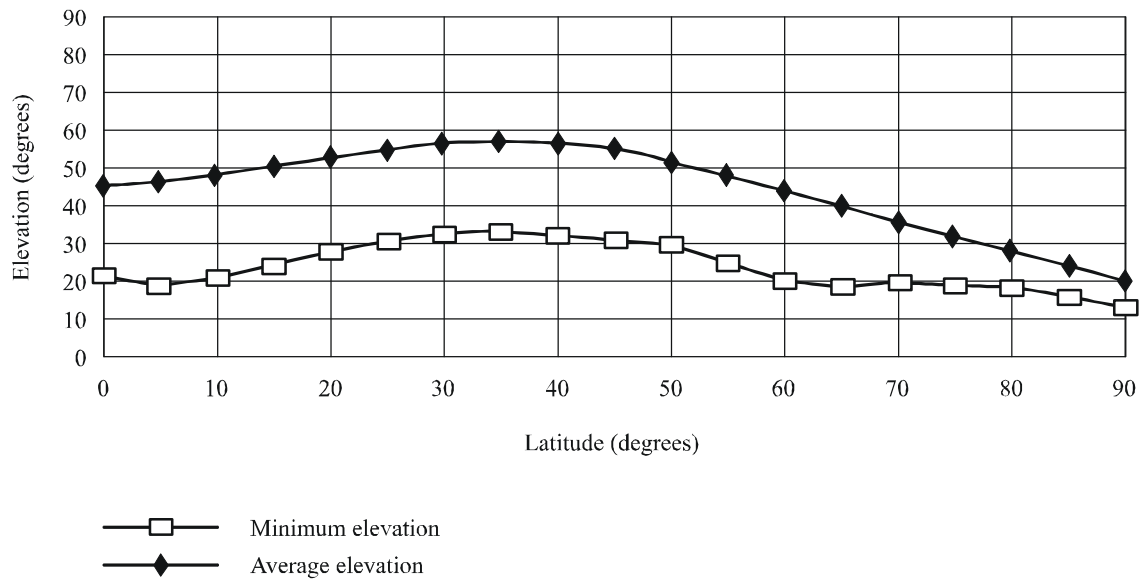
1457-129

The system is very robust to individual failures of satellite and/or LES since:

- full global coverage can be maintained while there are at least four satellites in each orbit plane;
- individual LES failure will not normally result in loss of service around the LES.

Figure 130 shows the minimum and average elevation angles of the nearest satellite that gives the highest elevation amongst the visible satellites as a function of latitude. The minimum and average elevation angles exceed 20° and 40° , respectively, in most areas. For regions between 20° and 50° in latitude, the constellation provides a minimum elevation angle of better than 25° and an average elevation angle of more than 50° .

FIGURE 130
 Typical minimum and average elevation angles of the nearest satellite (10 satellites)



1457-130

6.3.4.1.2 Satellites

Spacecraft

Specific features have been introduced to the satellites to meet the unique mission requirements in MEO, including:

- 163 beams providing full field-of-view coverage on the service link to mobile users, realized with separate 127 element transmit and receive direct radiating array (DRA) antennas.
- Beam forming and channelization of the transponders realized with digital technology that enables 490 satellite filter channels to be switched between the 163 actively generated beams. This enables the satellites to respond to traffic and interference requirements as they change through the orbit.
- An on-board self-calibration facility that monitors and, if required, corrects the service link antenna performance on-orbit. This will maintain the antenna gain and frequency reuse performance throughout the life of the spacecraft.

Communications subsystem

The payload is a fully digital design using narrow-band beam-forming, digital beam-forming and digital channelization. In the service link, the payload generates a fixed grid of 163 spot beams covering the full field-of-view from a combined transmit/receive DRA antenna fixed on the spacecraft earth panel.

The on-board digital processor is transparent in that it channelizes and routes the signals to the 163 service link spot beams and does not demodulate and regenerate the signals. 490 filter channels of 170 kHz are created in the processor and each channel can be routed to any of the 163 beams at any frequency on a 150 kHz grid within the service link 30 MHz bandwidth. Each of the 490 channels can be considered equivalent to a conventional transponder.

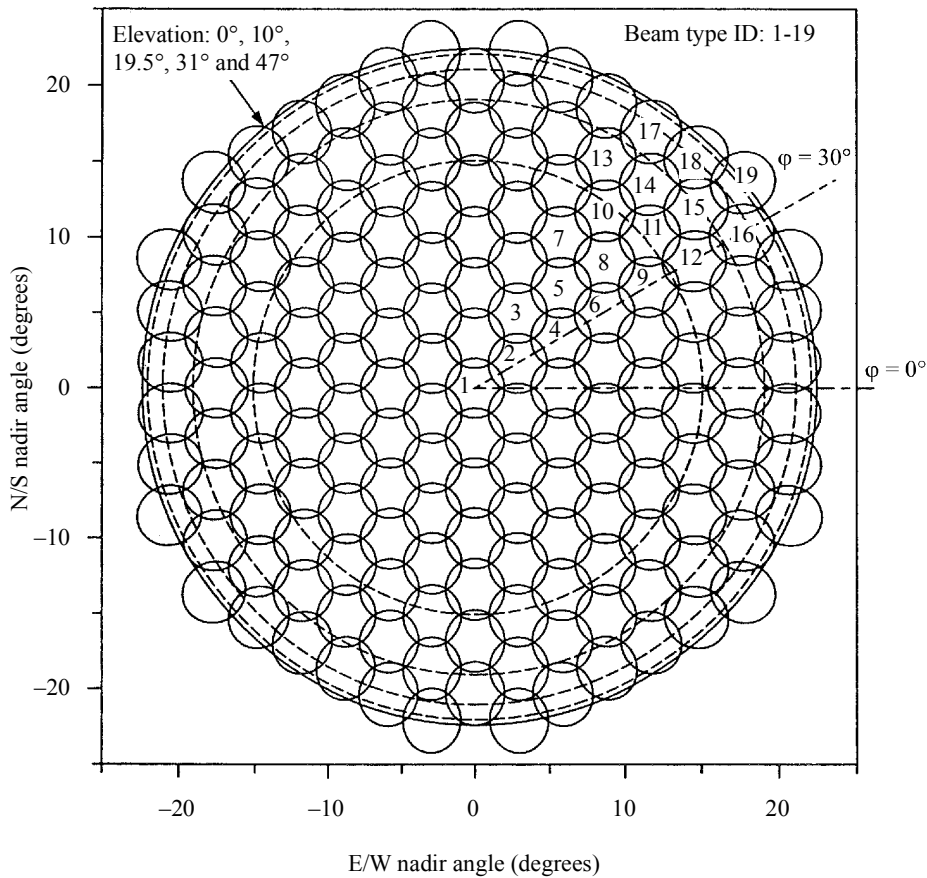
Channel to beam routing can be changed continuously through the orbit to enable the satellites to respond to traffic and interference demands on a preplanned, predicted basis. This also enables flexible use to be made of the available spectrum.

In addition, the digital processor forms all 163 service link spot beams by generating amplitude and phase coefficients for each of the 127 elements for each beam. The integrity of the element excitation coefficients can be verified using the on-board satellite self-calibration system, whereby an external feed on a boom senses the excitation coefficient within each element. This enables spot beam performance, both main lobe and sidelobe, to be maintained through the life of the satellite, thereby ensuring that frequency reuse between the spot beams is maintained.

Spot beams

The 163 congruent transmit and receive mobile beams per satellite are arranged in a radial circular cell pattern around the sub-satellite cell as shown in Fig. 131. The beams are electronically de-yawed to maintain the pattern relative to the spacecraft velocity vector. Beam directivity changes by about 2 dB between nadir and the edge of coverage.

FIGURE 131
Hexagonal lattice showing the 19 beam types



1457-131

The centres of the cells are defined as the centroids of the -3 dB contours of the individual beams. There are 19 beam types, numbered in order of their increasing angular distance from nadir. Each beam type has the same range of path delay, and (within $\pm 10\%$) the same range of Doppler.

Table 36 summarizes the nominal cell parameters.

TABLE 36
Nominal cell parameters

Cell size	3.343°
Beamwidth	3.860°
Cell reuse	4
Cell area	9.678°
Reuse cell area	38.714°
Reuse centre to centre spacing	6.686°
Reuse sidelobe spacing	5.015°

Frequency reuse

The function of the frequency plan is to maximize the use of the mobile link spectrum while ensuring that no harmful intra-system interference occurs. The frequency plan for the whole satellite constellation is performed centrally at the network management centre.

The frequency plan defines the spectrum allocated to each beam in the constellation as a function of time in such a way that a given frequency is never available simultaneously to two beams with insufficient isolation. Beam side lobes are controlled to allow 4-cell frequency re-use within the 163-spot beam pattern. The frequency plan is adaptive to the traffic variation and the evolution of the constellation.

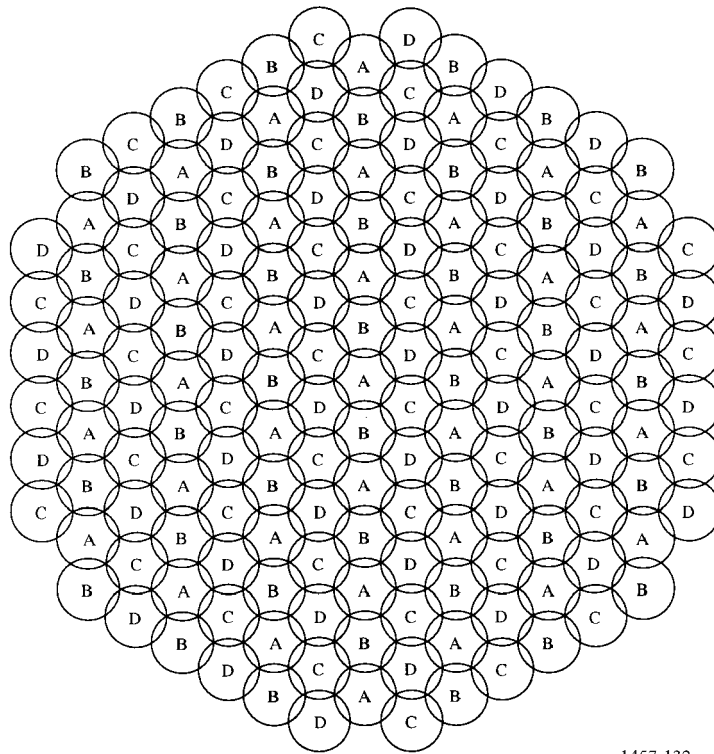
The frequency plan is a satellite oriented frequency assignment plan. The frequencies used in each beam remain fairly constant in the beams as the satellite moves in orbit. The mobile terminals are generally required to change frequency at beam handover.

The example frequency plan presented here has been developed for a constellation of 10 satellites in two orbital planes, each satellite having 163 fixed spot beams covering the full field-of-view with a 4-cell frequency reuse pattern as the one shown in Fig. 132. A similar frequency plan would be applicable for the 12-satellite constellation.

The mobile link spectrum is partitioned into 16 frequency blocks, as shown in Fig. 133. Eight blocks are allocated to each satellite plane: blocks 1 through 8 to plane 1 and blocks 9 through 16 to plane 2.

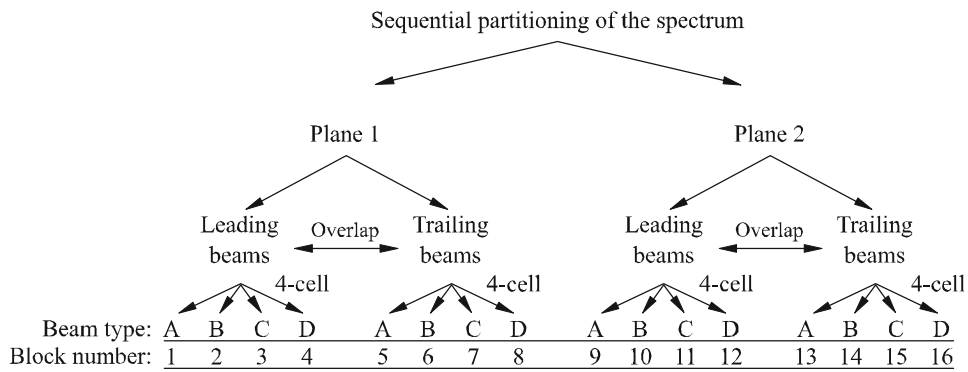
Within a plane of satellites, the relative position of all five satellites remains constant. The 163 beams of each satellite are divided into two groups corresponding to the leading and trailing edges of the field-of-view. As shown in Fig. 134, the leading edges of all five satellite coverages do not overlap, and the same applies to all five trailing edges. Therefore, the eight blocks nominally allocated to plane 1 are arranged into two separate 4-block sub-plans: one for the leading beams of all five satellites (blocks 1, 2, 3 and 4), the other for the trailing beams (blocks 5, 6, 7 and 8). A similar partition is done in plane 2. The frequency plan for the satellites in plane 1 is shown in Fig. 135. The leading and trailing sub-plans overlap over the central beams, as the sub-plans are designed to comprise as many beams as allowed by the beam isolation constraints.

FIGURE 132
 Typical 4-cell frequency reuse pattern



1457-132

FIGURE 133
 Example partitioning of the service link spectrum into frequency blocks



1457-133

FIGURE 134
 Example leading and trailing beam sub-planes

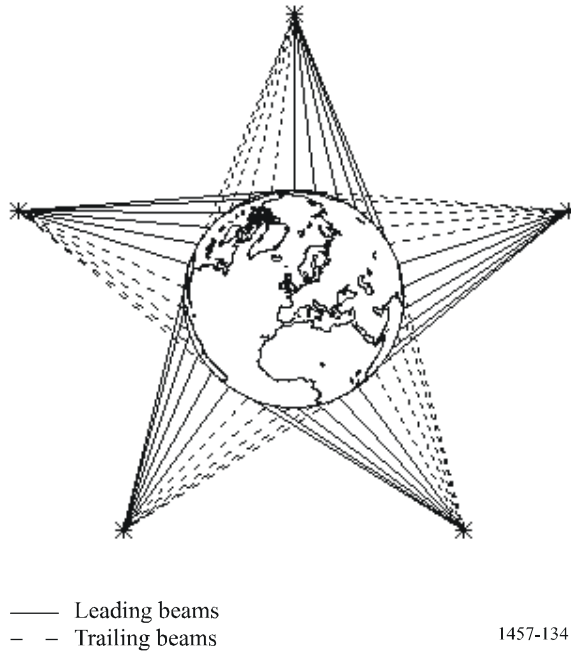
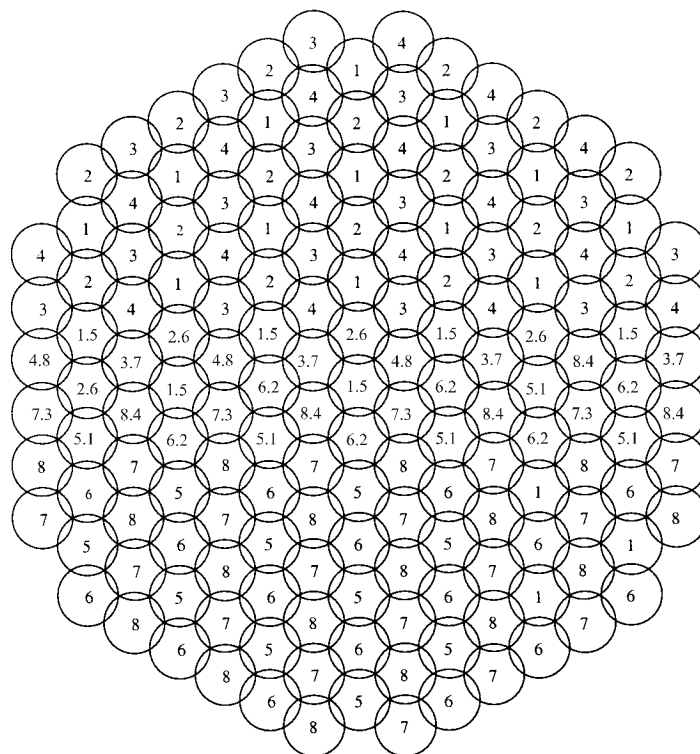


FIGURE 135
 Example frequency plan for satellites in plane 1



6.3.4.2 System description

6.3.4.2.1 Service features

The system supports UPT through, inter alia, service portability, which facilitates access to services expected on a home network from within a visited network, and service transparency, by which the user experiences the same look and feel, irrespective of location, through transparent service delivery.

The system can support a range of teleservices, bearer services, alternate services, supplementary services and messaging services:

- Teleservices; include telephony, emergency calls, Group 3 fax (with rates up to 14.4 kbit/s).
The nominal voice coding scheme has been optimized for SRI-D. The coded rate is 4.8 kbit/s. The nominal voice codec also supports transparent DTMF sending in both forward and return directions. The radio interface can support other codecs.
- Bearer services: various data rates are supported and can be utilized dependant on application type. The channel speed can be varied according to system resources and user requirements. This functionality is not employed to compensate for transmission medium impairments. Variable rate source coding is not employed. Asymmetric transmission can be employed for data services by asymmetric allocation of TDMA slots on forward and return links. Medium data rates (up to 38.4 kbit/s using time-slot aggregation) including the following, non-exhaustive list of data rates are supported (note that multiple time slots and/or multiple RF channels are used to realize data rates higher than that available from a single time slot (2.4 kbit/s before coding)):
 - Asynchronous transparent and non-transparent circuit-switched data: 0.3, 1.2, 2.4, 4.8, 9.6, 14.4, 19.2, 28.8 and 38.4 kbit/s.
 - Synchronous transparent and non-transparent circuit-switched data: 1.2, 2.4, 4.8, 9.6, 14.4, 19.2, 28.8 and 38.4 kbit/s.
 - Packet-switched data: The system and its radio interface are capable of supporting packet-switched services; implementation is currently under review.
- Supplementary services; include line identification services, forwarding services, call waiting services, multi-party services, call restriction services, advice of charge services and location services.
- Messaging services; include voice messaging, fax messaging and mobile originated and mobile terminated SMS.

6.3.4.2.2 System features

Handover

Handover is supported within the system between beams of the same satellite, between beams of different satellites and between land earth stations.

UTs may be required to change frequency at handover. UT assisted handover is employed using UT measurements and controlled switching. Hard and soft handover are supported. Soft handover, implying no break on handover, is preferred whereby the handover decision is made by the UT. When soft handover is not possible, a make-before-break procedure is used.

Doppler compensation

Knowledge of the satellite's motion and the UT's location provides the information to permit Doppler compensation. Pre-compensation limits Doppler shift to less than 1.1 kHz in the forward link and 40 Hz in the return link.

Channel allocation

On-board digital channelization enables the 490 satellite filter channels to be switched between the 163 actively generated beams. Predictive channel allocation is therefore employed to enable satellites to respond to traffic and interference requirements as practicable as they change through the orbit. It also enables flexible use to be made of the available spectrum.

Diversity

Time, space and frequency diversity are supported:

- Time diversity is supported for data traffic using RLP, signalling by Layer 2 retransmission and paging/notification/broadcast/RACH by repetition.
- Space diversity is supported for traffic and signalling by allowing a UT to communicate with the network through any of the satellites that are visible (satellite path diversity). Most of the time the system constellation provides coverage to an area via two or more diverse paths from two or more satellites, as shown in Fig. 129. The system has been designed to increase the probability of a direct line-of-sight to a satellite by fully exploiting the satellite path diversity capability of the constellation for all services.
- Frequency diversity is supported for BCCH and common control channels.

The minimum number of RF receivers/antennas per UT to permit satellite path diversity is 1. The degree of improvement achieved is dependent on the underlying conditions, however since the paths are uncorrelated typically about 5 dB to 8 dB improvement is expected.

Voice activation

Voice-activated transmission is required on the forward and return links to allow satellite power savings for increased capacity on the forward link and to allow satellite and UT power savings on the return link. Voice activation is used to maximize the available return link margin and maximize the UT talk time, respectively. The voice activity factor is typically 40%.

6.3.4.2.3 Terminal features

The provision of IMT-2000 services via satellite, particularly to truly hand-portable terminals, is very demanding. Significant source coding must be employed with higher transmission powers and lower level (2- or 4-state) modulation schemes in order to attain, over the satellite link, a BER comparable to terrestrial networks. Particularly for hand-portable terminals, these requirements (coding, power and modulation which all directly impact on spectrum usage) must be balanced against the need for terminals to be similar to terrestrial terminals in terms of size, weight and battery performance.

Service will be provided to a wide range of terminal types. The large majority of UTs are expected to be capable of both satellite and terrestrial operation and, as appropriate, will support service portability, which facilitates access to services expected on a home network from within a visited network, and service transparency, by which the user experiences the same look and feel, irrespective of location, through transparent service delivery. Examples of the terminals, with their technical characteristics and services are summarized in Table 37.

TABLE 37

Examples of terminal types

Terminal	Service	Bit rate (kbit/s)	BER ⁽¹⁾
Hand-held	Voice	4.8	4%
	Data	2.4-9.6	10 ⁻⁵
Ruggedized transportable	Voice	4.8	4%
	Data	2.4-9.6	10 ⁻⁵
Private vehicle	Voice	4.8	4%
	Data	8.0-38.4	10 ⁻⁵
Commercial vehicle	Voice	4.8	4%
	Data	8.0-38.4	10 ⁻⁵
Semi-fixed	Voice	4.8	4%
	Data	8.0-38.4	10 ⁻⁵

(1) The BER for voice services is before error correction.

The technology used in these terminals is also expected to be incorporated in a wide range of other UT types including vehicular, aeronautical, and maritime mobile terminals and semi-fixed terminals, such as rural telephone booths and community telephones.

6.3.4.3 RF specifications

Power control

A UT will control its output as required by the network and the network will control the output power of the land earth station for each individual channel. The objective of the power control is to enable the minimum transmit power to be used by the LES, UT and satellite for each radio channel that is sufficient to maintain an acceptable received signal quality. Closed-loop power control is used for traffic channels in both the forward and reverse direction. Open-loop power control can also be used. Power control results in:

- an increase in system capacity;
- an increase in UT battery life;
- a reduction in interference.

A power control step size of 1 dB is used, with a dynamic range of 16 dB. The number of power control cycles per second is 2 cycles. The power control bit rate is variable from 2 to 10 bits per 0.5 s per 2 paths.

Channel bandwidth, bit rate and symbol rate

The RF channel spacing is 25 kHz. The RF channel bit rate and symbol rate are dependant on the channel type and its associated modulation. Table 40 provides further information on channel types and associated modulations.

For channels employing QPSK or GMSK modulation, the RF channel bit rate is 36 kbit/s. For channels employing BPSK modulation, the RF channel bit rate is 18 kbit/s.

For channels employing QPSK or BPSK modulation, the channel symbol rate (after modulation) is 18 ksymbols/s. For channels employing GMSK modulation, the channel symbol rate (after modulation) is 36 ksymbols/s.

UT e.i.r.p. and G/T

Nominal values for UT e.i.r.p. and G/T for each example terminal type are given in Table 38.

TABLE 38
Nominal UT e.i.r.p. and G/T

Terminal	Gain (dBi)	G/T (dB(K ⁻¹))	Peak e.i.r.p. (dBW)	Minimum peak e.i.r.p. ⁽¹⁾ (dBW)	Time average e.i.r.p. ⁽²⁾ (dBW)
Hand-held	2	-23.8	≤ 7	-9	≤ -4
Ruggedized transportable	3.5	-21.5	≤ 7	-9	≤ -4
Private vehicle	3.5	-21.5	≤ 10	-6	≤ -1
Commercial vehicle	6.5	-18.0	≤ 10	-6	≤ -1
Semi-fixed	10.5	-14.0	≤ 10	-6	≤ -1

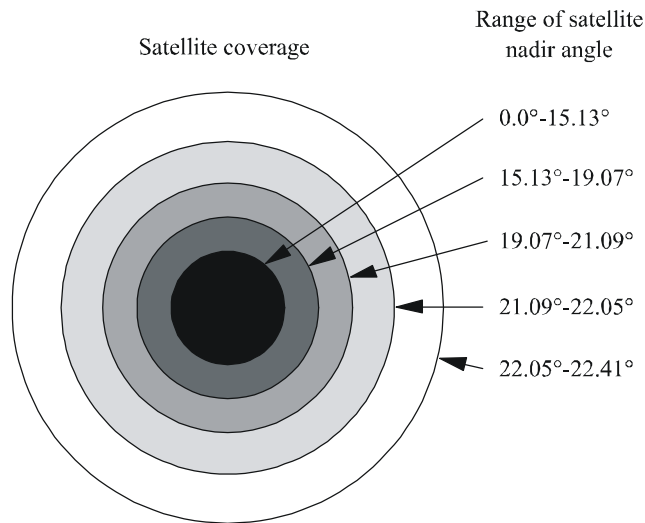
(1) Takes into account power control.

(2) Time averages have been calculated assuming single slot voice use at peak e.i.r.p. with discontinuous transmission. Power control has not been taken into account.

Satellite e.i.r.p. and G/T

To aid description of the satellite e.i.r.p. and G/T performance, Fig. 136 defines various ranges of satellite nadir angle (corresponding to equal surface areas on the Earth).

FIGURE 136
Definition of e.i.r.p. specification areas from a satellite



1457-136

The service link e.i.r.p. resource can be flexibly allocated to any of the 163 spot beams by appropriate selection of the uplink (feeder link) frequency corresponding to the satellite filter channel routed to the desired spot beam. Table 39 indicates the nominal maximum e.i.r.p. in each ring if all the e.i.r.p. were directed to that ring only to the exclusion of the beams in the other rings. In realistic traffic applications, e.i.r.p. will be distributed in all rings with less e.i.r.p. than the peak for each ring.

TABLE 39
Nominal service link maximum e.i.r.p. for each ring

	Ring 1	Ring 2	Ring 3	Ring 4	Ring 5
SSPA combined output power (dBW)	28.5	28.5	28.5	28.5	28.5
Output losses (dB)	0.7	0.7	0.7	0.7	0.7
Antenna average gain (dB)	30.6	29.6	28.9	28.7	28.2
e.i.r.p. (dBW)	58.2	57.4	56.7	56.6	56.1
Power robbing at worst gain setting (dB)	0.4	0.5	0.6	0.7	0.7
Useful e.i.r.p. (dBW)	58.1	56.9	56.1	55.9	55.4

The nominal service link G/T allocation is given in Table 40 for each ring of spot beams.

TABLE 40
Nominal service link worst-case G/T for each ring

	Ring 1	Ring 2	Ring 3	Ring 4	Ring 5
Average antenna gain (dB)	30.4	29.4	28.7	28.5	28.1
System noise temperature (dB/K)	25.5	25.0	24.3	23.9	23.8
G/T without losses (dB(K ⁻¹))	4.9	4.4	4.4	4.6	4.3
Losses at low processor gain (dB)	2.3	2.4	2.6	2.8	2.8
G/T at low processor gain (dB(K ⁻¹))	2.6	2.0	1.8	1.9	1.5

Synchronization and frequency stability

LES-LES synchronization of the bit clock is required. The 2σ timing accuracy is $1\ \mu\text{s}$ and the external system reference is GPS.

The network controls the UT burst timing. The UT synchronizes to the forward link timing, the LES measures the offset from the expected value and any correction to be applied is sent to the UT via a control channel. The UT timing reference clock accuracy is typically 3 ppm.

The frequency stability of the satellite transmit signal is 0.5 ppm.

The UT transmit frequency is controlled by the network. The UT synchronizes to the forward link frequency, the SAN measures the offset from the expected value and any correction to be applied is sent to the UT via a control channel. The frequency stability of the UT transmission is 3 ppm (unlocked) and 0.1 ppm (locked).

Polarization

The polarization on the uplink (Earth-to-space) and downlink (space-to-Earth) is RHCP.

Frequency re-use

Typically a 4-cell frequency reuse pattern is used as the basis for the frequency plan. See § 6.3.4.1.2 for further details.

6.3.4.4 Baseband specifications

Multiple access

The system operates in an FDD mode, however there is not generally a fixed frequency relationship (duplex spacing) between the Earth-to-space and space-to-Earth frequencies used for communications to and from the UTs. A combination of FDMA and TDMA is used. Each 25 kHz RF carrier supports frames of length 40 ms. Each frame supports 6 TDMA time slots, with each time slot therefore of duration $\sim 6.67\ \text{ms}$ (40/6 ms). Each time slot contains 2 guard symbols at both its start and end.

Modulation

The modulation scheme employed depends on the channel type. Table 41 provides information on carrier types and their associated modulations.

TABLE 41

Carrier types and their associated modulations

Carrier type	Modulation
Voice (TCH)	QPSK (GMSK on return uplink)
Data (TCH)	QPSK (GMSK on return uplink)
BCCH	BPSK
RACH	BPSK (S-BPSK on return uplink)
SDCCH	BPSK

Coding

The convolutional coding rate used depends on carrier type. Table 42 provides information on the coding rates employed.

TABLE 42
Coding rates

Carrier type	Coding rate
Voice (TCH)	1/3
Data (TCH)	1/2
BCCH	1/2
RACH	1/6
SDCCH	1/4

Soft decision decoding is used.

Carrier bit rates

Each time slot supports a bit rate of 6 kbit/s (a channel bit rate of 36 kbit/s with 6 time slots per frame). This provides for 4.8 kbit/s of data and 1.2 kbit/s of framing and in-band signalling.

For TCH, each time slot supports nominal user information bit rates of 2.4 kbit/s for data (before coding) and 4.8 kbit/s for voice (after coding).

For BCCH and RACH, a coded bit rate of 18 kbit/s is supported.

For associated control channels, maximum bit rates of 160 bit/s (SACCH) and 80 bit/40 ms (FACCH) are supported.

Interleaving

For voice (TCH), intra-burst interleaving is used. For data (TCH), intra-burst interleaving and interleaving over 4 bursts are used.

6.3.5 Satellite radio interface E specifications

The Satellite radio interface E (SRI-E) was optimized for use with a constellation of geostationary satellites to provide worldwide coverage for multimedia terminals, in line with the objectives of IMT-2000. Although SRI-E has been optimized for the satellite component, account has also been taken of the need for broader compatibility within the spirit and objectives of IMT-2000. The primary terminal type foreseen for use with SRI-E is a laptop or palmtop computer connected to a small, portable communications unit incorporating a directional antenna. With such terminals SRI-E can achieve transmission rates of up to 512 kbit/s. SRI-E caters for all terminal environments ranging from stationary (including FWA) up to aircraft speeds.

The primary traffic objective is data, particularly for connectivity to the public Internet and to private Intranets, in support of typical applications used over these networks such as e-mail and information browsers. Traditional telecommunications services, such as voice and fax, are also supported. Although the bit rate per carrier is 512 kbit/s, higher bit rates are also possible through specialized terminals with multiple transceivers, through the aggregation of carriers. The satellites used to support SRI-E should use state-of-the-art geostationary technology, where each satellite deploys a large number of spot beams, which together cover continental sized areas and achieve frequency re-use in a manner analogous to that of terrestrial cellular systems.

A key objective in the design of SRI-E has been to make it fully independent of the services and traffic types that it carries. This is viewed as an essential characteristic for a multimedia system.

Shared access bearers is the terminology used to refer to the specific satellite channels which support the transfer of data between the radio network subsystem (RNS) and the user terminal (UE). Shared access bearers, by definition, support more than one connection at a time. The mechanisms for sharing of the resource involve a combination of techniques, where each individual packet transferred over a shared access bearer has an address which identifies the connection.

The resource management system helps to support the operation of multiple bearer types in the system. The Air Interface protocols use one signalling system. The physical bearers are sufficiently independent of the upper layers to support almost any signalling system.

The optimum resource management approach for this configuration is to utilize the channels on a time-division-multiplex/time-division-multiple-access basis (TDM/TDMA) basis.

6.3.5.1 Architectural description

6.3.5.1.1 Constellation

As mentioned above, SRI-E is optimized for implementation with a geostationary-satellite system. The constellation parameters are summarized in Table 43.

TABLE 43

Satellite constellation characteristics for SRI-E

Satellite altitude	36 000 km
Orbit inclination angle	$\leq 3^\circ$
Number of orbit planes	1
Number of satellites per orbit plane	3 for global coverage
Satellite diversity method	No satellite diversity is used

Satellites

The complexity of the satellite-borne equipment expected to be used with SRI-E is at the limit of currently deployable technology. It allows the use of multiple spot beams, and it provides the RF power needed to enable the high rate information services to be delivered to small mobile terminals.

The satellite characteristics ideal for use with SRI-E are shown in Table 44.

TABLE 44

Satellite constellation characteristics for SRI-E

Number of spot beams per satellite	Up to 300, depending on desired coverage
Configuration of spot beams	Spot beams are assumed to be simple cones. The configuration should be flexible and reconfigurable during system lifetime in response to evolving traffic patterns
Spot beam size	Approximately 1° beam width, i.e. 800 km diameter at the sub-satellite point
Frequency reuse	Frequency reuse plan is based on 7-beam clusters. In the satellite environment, frequency allocation to spot beams follows a simple, regular pattern. Frequency planning does not affect other aspects of the system, e.g. signalling, synchronization, inter-working with terrestrial networks
Service link G/T of satellite beam	Average: 10 dB/K Minimum: 9.5 dB/K

TABLE 44 (*end*)

Service link saturation e.i.r.p. of each beam	Minimum: 38 dBW Maximum: 53 dBW
Service link total saturation e.i.r.p. per satellite	67 dBW
Satellite e.i.r.p. per RF carrier: 43 dBW	Maximum e.i.r.p.: 43 dBW Average e.i.r.p.: 42 dBW
Required frequency stability	1 ppm
Power control	Allows an average saving of around 3 dB in satellite power; this enables a virtual doubling of traffic capacity
Power control step size	0.5 dB
Number of power control cycles per second	1
Power control dynamic range	8 dB
Minimum transmit power level with power control	7 dBW

6.3.5.2 System description

6.3.5.2.1 Service features

The baseline SRI-E satellite system has been designed to deliver, support and provide interoperability with UMTS type applications.

The air interface is a packet data system which implies that bearers are shared access bearers and therefore the user data rate during a connection varies depending on the traffic load. Circuit switched type applications (voice, ISDN) can be supported through defined quality of service parameters set to guarantee the user data rate.

6.3.5.2.1.1 Capability for multimedia services

Multimedia services are different from traditional telecommunication services in a number of ways, as described in the following sections. SRI-E has been designed for this traffic, as explained under each of the topics.

Independence between transport and applications

Second-generation mobile networks have a close association between the radio transport and the characteristics of the principal application, i.e. voice traffic. For a multimedia network such a coupling is highly undesirable. Rather, a radio interface should be designed to be as general as possible and to support a wide variety of traffic, including those which have not been foreseen at present. This principle underlies the design of ATM.

SRI-E fully supports this objective. It makes no assumption about the protocols or services to be used above it. Compatibility with terrestrial ATM ensures that any traffic which can be carried by ATM can also be carried by SRI-E (as long as bandwidth is adequate).

Support of IP-based services

In the coming decade the Internet will assume an importance equal to that of the international telephone network, as the global backbone for information sharing and exchange as well as for real-time distribution of data. Indeed, there are those who claim that it will even usurp the role of the telephone network for carrying voice, although this claim remains contentious. In addition to the shared Internet, companies and other organizations now base their internal information sharing around Internet technology, leading to so-called Intranets and, for closed groups of users, Extranets.

Any communications technology designed to integrate with the real world of the twenty-first century must incorporate the Internet and its associated protocols as a primary mode of operation. The ability to handle

this traffic with maximum efficiency will be the distinguishing criterion of successfully deployed communications technologies.

One of the primary characteristics of Internet traffic, compared with traditional telecommunications, is its bursty nature. A user will typically require information in relatively concentrated bursts, for example when loading a web page or a form, and will then have low bandwidth requirements for a period afterwards. This is a well-known characteristic of today's network, allowing for statistical multiplexing of, typically, five times the number of users that the static bandwidth would appear to permit. Traditional networks, with their emphasis on fixed bandwidth for the duration of a call, are ill-equipped to deal with such traffic. Another characteristic of this traffic is its asymmetry. Typically the amount of data flowing in one direction (normally towards the user) exceeds that in the other direction by an order of magnitude.

SRI-E has been designed with Internet support as its primary goal. Its variable bandwidth service provides instantaneous response to changing traffic, especially towards the remote user. No renegotiation or other delay is imposed between the arrival of traffic and the assignment of corresponding bandwidth, assuming that the latter is available. Where there is contention for bandwidth (i.e. there is not enough to meet the instantaneous demand) it automatically shares what is available in an equitable fashion. Although not included in the current proposal, allowance is also made for more elaborate schemes where, for example, some calls might receive a greater share of bandwidth when contention occurs, based on a commercially priced quality of service.

The dynamic bandwidth assignment also naturally allows for asymmetrical traffic. A mixture of typical Internet users together with reverse-direction traffic, such as uploading of transaction histories or telemetry data, will automatically optimize the use of bandwidth.

Another characteristic of Internet use (including Internet-like services such as Intranets) is that users expect full-time connection, without active intervention on their part for example to make or break a call in relation to their activities. (This mode of operation is reluctantly supported by domestic dial-up users but does not occur in the corporate environment and is really an artefact of the unsuitability of the PSTN for this kind of traffic.) It is therefore desirable for an access technology to provide a low-cost mode of connection on a full-time basis, with actual bandwidth being engaged only when required in response to the traffic.

SRI-E provides such an option, corresponding to unassured bit rate (UBR) in ATM networks. When such a user is inactive (as determined by traffic monitoring) no radio resources are used. When they become active, i.e. when traffic is received at the base station or from the user's terminal, radio resources are allocated through a call restoration procedure.

Support for multiple concurrent calls

Multimedia traffic will frequently demand multiple calls, to the different or the same destinations and with differing quality requirements. For example, the ITU-T Recommendation H.323 standard for multimedia conferencing assumes this capability.

SRI-E supports any mixture of calls, each with its own destination and QoS, within the overall capacity limit of a channel (512 kbit/s). SRI-E automatically multiplexes calls for different terminals within a channel, but can dedicate a whole channel to a single terminal if required.

The handover capability is used not only to support geographic mobility but also to optimize channel usage. A terminal may start its activity with a single low-bandwidth call (e.g. voice) then add further calls until the shared capacity of the channel is no longer adequate. At this point the handover mechanism is invoked to move the terminal (or indeed another terminal) into another channel, having the required capacity. Similarly, as calls are terminated, effective use of bandwidth may require that terminals operating in different channels be compacted into a single channel, freeing resources for use elsewhere.

Support of location determination

It is increasingly a legal requirement on mobile systems that they be able to inform security and emergency services of the physical location of a terminal. Provision of this capability will therefore be a requirement in order to obtain an operating licence in many countries. Moreover other regulatory differences between countries, which could impact on the use of the terminal or services, require location information.

A system using SRI-E should use an independent GPS receiver to obtain accurate (100 m) position information. The signalling protocol includes the means to transmit this to the base station. If SRI-E were used in a terrestrial environment then the GPS receiver could be replaced by radio-location means.

6.3.5.2.1.2 Quality aspects

SRI-E does not intrinsically impose any particular voice quality. It is envisaged that ITU-T Recommendation G.729 will be used and quality will be as specified therein. Lower or higher qualities (with corresponding impact on bandwidth requirement) are possible without impact to the radio interface.

Transmission quality is one of the strengths of SRI-E. The error rate is specified in FEC-block error rates. The link adaption will seek to provide a steady error rate below 1×10^{-3} . This is adequate for all multimedia applications, without further enhancement at the radio interface or interface layers. (Applications requiring higher integrity than this invariably operate their own higher-layer data integrity protocols).

SRI-E uses adaptive turbo coding, whereby the coding rate (and hence the user data rate) is adjusted in real time as channel conditions change to maintain a fixed block error rate of 10^{-3} .

In addition, the SRI-E includes a high-level data link control (HDLC) based protocol on the satellite hop which is optimized for the satellite environment. Packet switched connections (interactive or background class) operate in acknowledged mode and lost packets are retransmitted. Circuit switched and streaming class packet switched connections use unacknowledged/transparent mode and are subject to potential loss.

SRI-E does not impose constraints on the service protocols used, SRI-E will adopt the new 4 kbit/s adaptive multi band excitation (AMBE+2TM) codec for which measurements have achieved a subjective voice quality in excess of the toll-quality voice transmission quoted in ITU-T Recommendation G.729. This meets IMT-2000 requirements.

In some modes of operation e.g. acknowledged mode, no packet loss is expected during handover since all traffic is stopped up. For unacknowledged mode traffic may be stopped, but this may have some noticeable impact on say a video streaming application only. Transparent mode, most noticeably voice, would lead to a loss of frames, this may affect the voice quality. For non real-time services, such as Internet access, the cell loss will be recovered by the ITU-T Recommendation V.42 integrity enhancement protocol, and will therefore be transparent to the application. It will appear in the same way as a transmission error, which will be statistically more common.

Variations in signal quality are dealt with primarily using active coding rate management, therefore the end data rate seen by the user is driven by the link quality although the error rate is constrained. This is more appropriate to a multimedia environment, where applications are typically more sensitive to data errors or to the effects of error recovery than is the case for traditional services such as voice.

6.3.5.2.2 System features

Gateways

Calls are directed to the satellite gateways responsible for the spot beam in which the terminal is located. Multiple RNS stations may serve a single spot beam. The mobility management is handled using a GSM/UMTS core network. Each spot-beam acts as a mobility management routing area/location area and mobiles are tracked on that basis. All satellites in the system have to be visible from at least one gateway each. Thus, only a small number of gateways are required in the geostationary satellite environment – a minimum of one per satellite or three for a global system.

Network interface

SRI-E does not impose any constraints on the network interface. No additional PSTN functionality is required for ISDN or PSTN inter-working. Similarly, no constraints are placed on Internet routers. However, SRI-E can take advantage of emerging Internet features such as bandwidth reservation.

Conventional network interfaces can be used, following established standards such as ITU-T Recommendations Q.761, Q.931 and Q.2931. Satellite and mobile specific features such as handover and mobility management are not visible at the network interface.

No modifications are required to the landline network for SRI-E to pass the standard set of ISDN bearer services. All landline ISDN and other services and features are passed in the SRI-E. SRI-E only provides a pipe for UMTS signalling protocols and does not interpret these messages.

Handover/automatic radio link transfer (ALT)

Users are required to be managed efficiently, this may lead to users being moved from one beam to another. Several scenarios are possible:

- The move to a different beam of the same type on the same satellite, controlled by the same radio network controller (RNC);
- The move to a different beam of the same type on the same satellite, controlled by a different RNC;
- The move to a different beam of the same type on another satellite.

Handover is handled entirely within different layers of SRI-E. Handover is initiated by a radio resource management (RRM) event, the bearer control layer configures the target bearer control process but leaves the source bearer control process intact. A signalling process via the UE helps the target bearer control process to reconfigure and communicate with the RNC. After reattachment and signalling of acknowledgment, the old connection is detached.

Handover may result in the loss of some data. For voice, this means a short duration, with no audible impact, when using ITU-T Recommendation G.729. For data, ARQ mechanisms guarantee data integrity.

Handover affects system complexity in two ways:

- the need for additional protocol mechanisms – these affect only software and therefore do not impact the unit terminal cost;
- the need for BS channel units to be able to split and combine traffic from the old and new radio channels during the handover – this has no impact on terminals.

Dynamic channel allocation

Frequencies can be dynamically assigned to spot beams according to traffic load. The satellite component is subject to an environment where there are not substantial variations in propagation conditions. Hence, SRI-E is more spectrally efficient (and more efficient in the use of critical satellite power) than is the case where wider variations need to be accommodated.

Power consumption

SRI-E has been designed for use in situations where access to mains power may be impossible. It therefore optimizes power consumption, allowing the greatest possible economy in both standby and operational modes. Both transmission and reception operate intermittently, as required by the traffic. Even when variable bandwidth calls (e.g. for Internet traffic) are in use, intermittent reception is used except when a burst of traffic is being received.

Due to the variance in geographical locations of UEs relative to the centre of the spot-beam, power supply variations and manufacturer tolerances, transmissions from a UE may be received at a considerable range of signal to noise ratios at the RNS. To limit interference, to ensure that the receiver is operating in its optimum range, and to conserve battery power at the mobile, the RNS performs a correction of the transmissions by each UE as necessary. This may occur at any time during communications.

Timing correction

The nature of satellite communications is that the propagation path for the radio signals differs in length considerably, owing to the variance in geographical locations of the mobiles communicating. This is not normally a problem in a pure FDMA single-channel-per-carrier (SCPC) system, but in a shared access system, when multiple mobile transmitters are using the same physical resource, it is important to ensure that mobiles do not interfere with each other. This is achieved either by the use of satellite position and GPS position or through a combination of providing a guard time between mobile transmissions and by providing timing correction information to each mobile transmitter, relative to a reference at the RNS receiver. The bearer control sub-layer is responsible for monitoring and correcting timing errors.

The accuracy of the timing measurement and correction requirements is dependent upon the particular physical layer in operation.

Once the initial timing offsets have been corrected, the timing of transmissions from each individual mobile is continuously monitored, and, when necessary, a differential correction mechanism is provided.

Frequency correction

The UE will lock on to the forward bearer and correct its own long-term frequency stability.

6.3.5.3 RF specifications**Frequency band**

SRI-E imposes no frequency band constraints. In principle it could be used at any frequency band, although propagation conditions and constraints on antenna technology makes it most suitable for use at frequencies between 1 and 3 GHz.

Multiple access

SRI-E generally builds upon well understood and proven techniques. This includes the use of TDM/TDMA/FDMA.

The multiple access system consists of forward and return channels that are shared by several users. By allowing several users to share the same channel, one user's inactivity will be balanced against another user's activity. Together users will be transferring data in both directions, so forward and return channels will be busy.

Duplex method

SRI-E is designed for FDD. The minimum up/down frequency separation is a cost dependent function of implementation.

Modulation and coding

SRI-E supports a wide range of mobile terminal antenna apertures and e.i.r.p. capabilities therefore it is not possible to provide a single solution which optimizes the transmission rate whilst maintaining communication across all the types of terminals. The problem is solved in this case by introducing a range of bearer types, operating both 16-QAM and 4-ary modulations in the return direction. In the forward direction 16-QAM bearer and QPSK for signalling is employed. To maximize the efficiency and the bit rate obtainable by each terminal a technology described as variable coding is used. This is essential in order to achieve the high spectrum efficiency.

Variable coding techniques involve the puncturing of the turbo-code generated parity streams using one of a number of pre-defined puncturing matrices, such that the level of redundancy provided by the code is variable. This allows the information to be transmitted to or from a mobile over a single channel to be increased when the mobile is operating in good channel conditions, and correspondingly reduced to allow the communications link to be maintained when the mobile is operating in poor channel conditions.

C/N requirement

The system has been designed such that steps in the coding rate provide nominally 1 dB steps in C/N_0 requirements to achieve the requisite burst error rate performance of 10^{-3} . This approach can also be used to counter the effect of slow fading. The satellite gateway controls the coding rate depending on the reported C/N_0 values of the link.

Carrier spacing and channelling

The SRI-E forward bearers are capable of carrying nominal data rates in the range between 4.5 kbit/s and 512 kbit/s and are based upon the continuous transmission of time-division-multiplexed (TDM) carriers. The forward bearer is transmitted with a constant mean power level.

The return bearers are capable of carrying nominal data rates in the range between 8.4 kbit/s and 492.8 kbit/s and are based upon burst transmissions using a time-division-multiple access scheme (TDMA). The bursts are transmitted in slots of either 5 ms or 20 ms duration, which are described in a return schedule transmitted on a forward bearer. These return schedules also describe the symbol rate and modulation that shall be used for the transmission.

Spectrum efficiency

SRI-E achieves the highest spectrum efficiency possible with today's technology, for a geostationary satellite system. The basic modulation efficiency provided by the advanced modulation and coding technology is 1.4 bit/s/Hz. The use of traffic-sensitive statistical multiplexing further increases spectrum efficiency. In the case of data and Internet traffic, because of the highly flexible variable bandwidth mechanism, the effective rate taking into account probable statistically multiplexing gains is in the range 3-7 bit/s/Hz. In the case of voice traffic, voice activation can be expected to double the basic raw channel efficiency.

Mobile earth station characteristics

SRI-E will support multiple ranges of user terminals. However, only data for three types are included here, each of these have antenna gains in the range from 7.7 dBi to 14 dBi. The e.i.r.p. of these mobile terminals will range from 10 dBW to 20 dBW.

UEs frequency synthesizer

The requirements for the UE frequency synthesizer are listed in Table 45.

TABLE 45

Frequency synthesizer requirements

Step size	1.25 kHz
Switched speed	80 ms (including protocol processing)
Frequency range	Depends on spectrum allocation only
Frequency stability	1 ppm

Doppler compensation method

No explicit Doppler compensation is required as SRI-E is designed for a geostationary system. Receiver AFC is adequate for all mobile terminal speeds including those on airliners. Residual frequency offset will be determined at baseband using DSP techniques.

Propagation factors

Multipath interference has only limited impact in the target environment. It is accounted for in the link budget.

The fading rate is much slower than the symbol rate, so the intersymbol interference caused by changing delay spread profile is negligible.

6.3.5.4 Baseband specifications

Bit rates

Forward link

The forward link data can deliver from 21.6 kbit/s up to 512 kbit/s depending on the bearer type supported by the mobile and the channel conditions. The user data rate can be varied in response to variations in the channel C/N_0 as the user moves in the centre of the spot beam. The data rate can be dynamically adjusted on a burst by burst basis by the RNS and this is signalled by the unique word and an attribute value pair (AVP) in the first FEC block if the coding rate is not the same as the full frame.

Return link

Similarly in the return direction the data rates supported depend on the mobile capabilities and the channel conditions. The return bearers are able to deliver from 19.2 kbit/s up to 512 kbit/s. Again the data rate can be adjusted on a burst by burst basis and this is controlled by the RNS and partially by the UE itself.

Frame structure

Forward frame structures

The forward frame structure and combination of initial unique word and distributed pilot symbols have been adopted for the forward direction. The frame duration is 80 ms. Three types of forward bearers have been designed:

- The first operates at 8.4 ksymbol/s and is primarily used in the global beam, the bearer uses QPSK. Each frame occupies 10.5 kHz.
- The second operates at 33.6 ksymbol/s (occupying 42 kHz) and is used for signalling and for servicing small aperture terminals. Each frame is divided in four 20 ms FEC blocks. The bearer uses QPSK and 16-QAM.
- The third type is a “wide” bearer operating at 151.2 ksymbol/s (189 kHz). This bearer carries traffic data. Each frame is subdivided in eight 10 ms FEC blocks. This results in reducing delays in the forward direction from 20 ms to 10 ms. This is of prime importance for latency sensitive applications such as voice.

Return burst structures

In the return direction, two bursts duration have been chosen: 5 ms and 20 ms. For the highest rate bearer the number of blocks in a burst has been increased from one to two, to avoid excessive increase in turbo-encoder memory requirements. Again the 5 ms burst duration has been chosen for minimizing latency.

The smallest viable payload for turbo-coded blocks is around 20 octets, and this places a lower bound on the use of the 5 ms slot size – it can only be used for bearers with a symbol rate of at least 33.6 ksymbol/s when using the 16-QAM modulation or a symbol rate of 67.2 ksymbol/s when using a 4-ary modulation.

Nomenclature

TABLE 46a

Bearer names definition

Direction	Frame/burst duration (ms)	Symbol rate (multiplier) (ksymbol/s)	Modulation	FEC blocks per frame
F: Forward	80	0.25 × 33.6 1 × 33.6 4.5 × 33.6	X: 16-QAM Q: QPSK	1B 4B 8B
R: Return	20 5	0.5 × 33.6 1 × 33.6 2 × 33.6 4.5 × 33.6	X: 16-QAM Q: $\pi/4$ QPSK	1B 2B

TABLE 46b

Overview of Forward Bearer Types

Identifier	Frame duration (ms)	Symbol rate (ksymbol/s)	Modulation	FEC blocks per frame
F80T0.25Q1B	80	0.25 × 33.6	QPSK	1
F80T1X4B	80	33.6	16-QAM	4
F80T4.5X8B	80	4.5 × 33.6	16-QAM	8
F80T1Q4B	80	33.6	QPSK	4

TABLE 46c

Summary of Return Bearer Types

Identifier	Burst duration (ms)	Symbol rate (ksymbol/s)	Modulation	FEC blocks per burst
R5T1X	5	33.6	16-QAM	1
R5T2X	5	2 × 33.6	16-QAM	1
R5T4.5X	5	4.5 × 33.6	16-QAM	1
R20T1X	20	33.6	16-QAM	1
R20T2X	20	2 × 33.6	16-QAM	1
R20T4.5X	20	4.5 × 33.6	16-QAM	2
R5T2Q	5	2 × 33.6	$\pi/4$ QPSK	1
R5T4.5Q	5	4.5 × 33.6	$\pi/4$ QPSK	1
R20T0.5Q	20	0.5 × 33.6	$\pi/4$ QPSK	1
R20T1Q	20	33.6	$\pi/4$ QPSK	1
R20T2Q	20	2 × 33.6	$\pi/4$ QPSK	1
R20T4.5Q	20	4.5 × 33.6	$\pi/4$ QPSK	1

Coding

To maximize the efficiency and the bit rate obtainable by each mobile, a technology described as variable coding is employed. This involves the puncturing of the turbo-code generated parity streams using one of a number of pre-defined puncturing matrices, such that the level of redundancy provided by the code is variable.

This allows the information rate to or from a mobile over a single channel to be increased when the mobile is operating in good channel conditions, and correspondingly reduced to allow the communications link to be maintained when the mobile is operating in poor channel conditions.

The steps in the coding rate provide nominally 1 dB steps in C/N_0 requirements to achieve the requisite burst error rate performance of 10^{-3} . This approach is also be used to counter the effect of slow fading. The satellite gateway controls the coding rate depending on the reported C/N_0 values of the link.

TABLE 47

Air interface variables

Modulation	Symbol rate (ksymbol/s)	Coding rate
QPSK, $\pi/4$ QPSK, 16-QAM	8.4, 16.8, 33.6, 67.2, 151.2	0.34, 0.4, 0.5, 0.6, 0.7, 0.8, 0.84

Parametric algorithmic design

There are a large number of coding rates required to achieve the full operational range, but the memory requirements for the mobiles are kept to a minimum. The functions for control encoder and decoder, the puncturing matrices and the channel interleaver matrices are described algorithmically, rather than in table form. This methodology ensures that there is a minimizing of the potential for specification and implementation errors.

Unique words

The encoding rate is signalled by the unique word used for the burst, this minimizes the constraints on system design and ensures that each frame or burst can be correctly demodulated and decoded without *a priori* knowledge of the coding rate that the transmitter is applying to a specific burst or frame transmission.

Turbo-synchronisation

Signalling using the unique words and operating at low E_s/N_0 creates problems with the performance of the burst detection and synchronization mechanisms if classic techniques are utilized. The SRI-E incorporates a new technique to dramatically improve the performance.

The radio transmission processing delay due to the overall process of channel coding, bit interleaving, framing, etc., not including source coding, given as transmitter delay from the input of the channel coder to the antenna plus the receiver delay from the antenna to the output of the channel decoder is 55 ms for voice at 8 kbit/s and 10 ms for data at 144 kbit/s.

Echo control

SRI-E round trip delay is 100 ms for an 8 kbit/s connection, not including propagation delay. Clearly for a geostationary satellite system the latter predominates, adding approximately 600 ms and making echo control indispensable.

Linear transmitter requirements

Operation of the UE will conform to ETSI and other spectrum masks.

Receiver requirements

The dynamic range of the receiver is specified at 10 dB. Since the peak-to-average power ratio after baseband filtering is 3 dB, this is entirely adequate to cater for the variations of signal levels expected.

Required transmit/receive isolation

40 dB.

6.3.6 Satellite radio interface F specifications

The Satcom2000 satellite radio interface F provides the air interface specifications for a personal mobile satellite system that uses advanced architecture and technologies to support a variety of service applications in diverse user environments.

A personal mobile satellite system employing the Satcom2000 radio interface will serve as a global extension of and complement to terrestrial networks, offering the quality and diversity of services envisioned for IMT-2000 systems. In coordination with terrestrial network operators, this system can provide subscribers with one phone and one number for almost all their communications needs. This system will offer a range of voice and data services, including a combination of voice, data, facsimile transfer, Internet access, e-mail, voice-mail, paging and messaging applications.

6.3.6.1 Architectural description

With smart antennae, hybrid multiple access schemes, on-board processing and switching, and other advanced technologies, a personal mobile satellite system employing the Satcom2000 radio interface is designed to optimize spectral, spatial and power resources. The ability to select alternative multiple access schemes allows the method best suited for the service and environment to be selected. Baseband switching provides a high level of control on the path for specific user data. Baseband processing and coding allow a lower BER on the user channels.

A block diagram of the architecture of Satcom2000 radio interface is shown in Fig. 137. In this figure, the gateway equipment (gateway controller and antenna subsystem) and the satellite constellation are grouped together as the SRAN. The feeder link and inter-satellite links are internal implementation details of the SRAN. The interface with the CN is called the Ius interface, and the interface with the user terminals is called the Uus interface. The physical implementation of this system includes a constellation of switched digital communications satellites with large number of high gain spot beams for each satellite.

The SRAN performs the following functions:

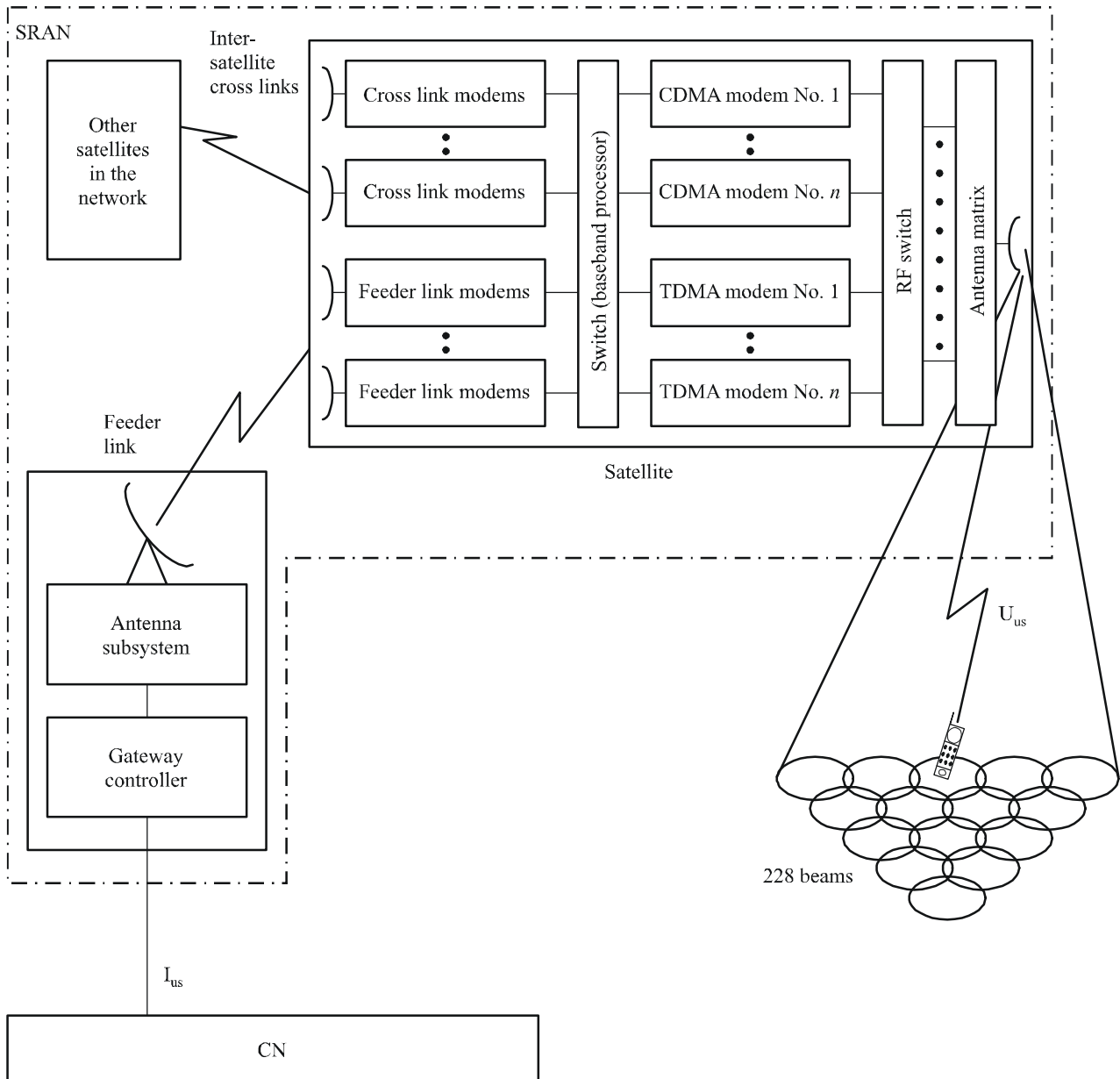
- Control message distribution – The SRAN will determine the appropriate routing destination of messages received from the constellation. This function includes routing of messages to the CN as well as to other access networks.
- Admission negotiation for the CN.
- Paging – The SRAN will provide paging distribution for a page request.
- Satellite network resource management functions. These functions include:
 - coordination of access network functions, including resource allocation and assignment, to handle call set-up and release,
 - handover management, including handover between beams in one satellite, handover between different satellites in the constellation and handover between satellite and terrestrial,
 - QoS negotiations (may require interaction with CN),
 - collection of statistics for satellite resource utilization.

6.3.6.1.1 Constellation

The personal mobile satellite system of Satcom2000 consists of a constellation of 96 LEO satellites in eight near-polar orbits, with twelve satellites equally spaced in each orbital plane (excluding spares). The orbit selection criteria, each of which is vital to the commercial service provision and technological feasibility of the system, are as follows:

- the need to provide global coverage over the entire surface of the Earth at all times;
- the requirement that the relative spacing and line-of-sight relationships to neighbouring satellites are fixed or slowly changing, thus allowing simplification of the on-board subsystems that control inter-satellite links;
- the desire to minimize the cost of the entire constellation; and
- the effects of altitude on hardware costs (i.e. trade-offs considering a high-altitude radiation environment significantly increases costs, whereas low altitudes require more fuel and station-keeping manoeuvres).

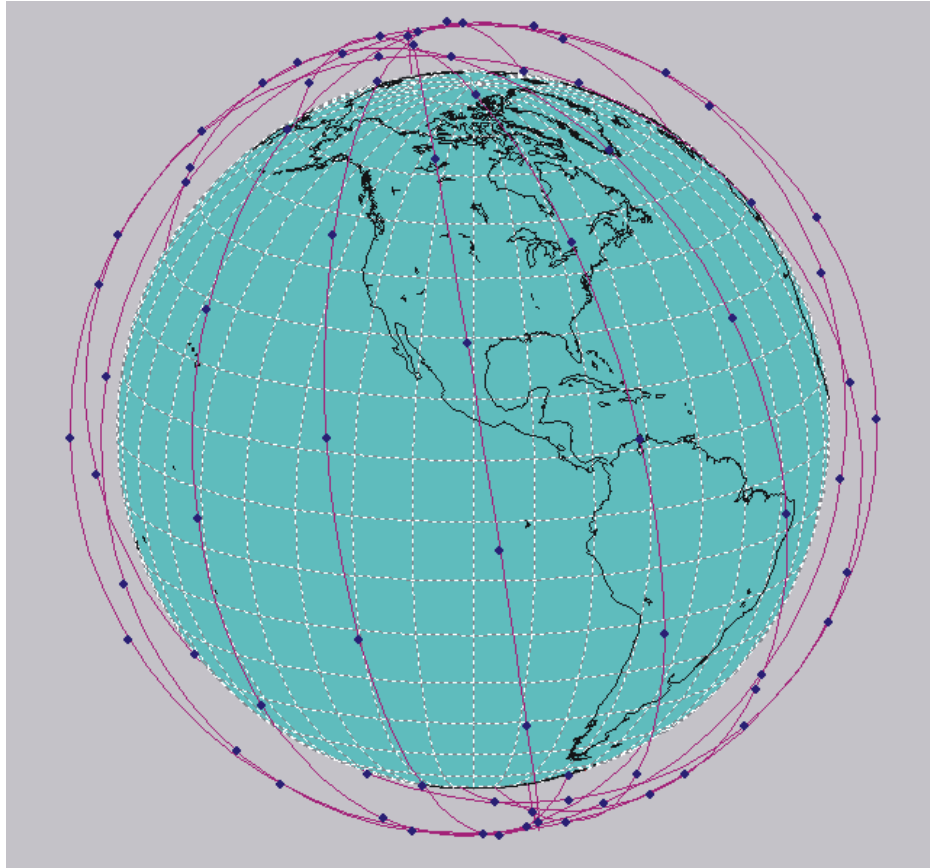
FIGURE 137
Architecture of Satcom2000



This satellite constellation, which is illustrated in Fig. 138, provides coverage over the entire surface of the Earth. This selected orbit may be adjusted to optimize the system design.

The major constellation parameters of this satellite system are shown in Table 48.

FIGURE 138
Satellite constellation



1457-138

TABLE 48
Constellation parameters

Orbit type	LEO
Number of satellites	96
Number of orbital planes	8
Number of satellites per plane	12
Inclination type	Polar
Inclination	98.8°
Orbital period	6 119.6 s
Apogee altitude	862.4 km
Perigee altitude	843.5 km
Arguments of perigee	270°
Active service arc(s)	Not applicable – global coverage area
Right ascension of ascending nodes	160°, 183.5°, 207°, 230.5°, 254°, 277.5°, 301°, 324.5°

6.3.6.1.2 Satellites

The 96 satellites of the system space segment will provide universal service provision through global coverage from space.

All the satellites in the constellation are linked together as a switched digital communications network in the sky and use the principles of terrestrial cellular network to provide maximum frequency reuse. Each satellite uses spot beams to form cells on the surface of the Earth. Multiple and relatively small beams provide high satellite antenna gains and thus reduce the RF power required from the satellite and the user subscriber equipment. The number of spot beams can be adjusted for the system performance optimization even when the satellite is in orbit.

The major characteristics of each satellite communications payload are shown in Table 49.

TABLE 49

Major satellite communications payload characteristics

Number of spot beams per satellite	228 (may be adjusted for performance improvement)
Minimum elevation angle for user	15°
Inter-satellite links (yes/no)	Yes
On-board baseband processing (yes/no)	Yes
Geographical coverage (e.g. global, near global, below xx degrees latitude, regional)	Global
Dynamic beam traffic distribution (yes/no)	Yes

The spatial separation enabled by satellite spot beams allows increased spectral efficiency via time and frequency reuse within multiple cells. The frequency reuse pattern can be re-configured based on actual traffic conditions even when the satellites are in orbit.

Each satellite has the capability to allocate its power and bandwidth resources from one beam to another dynamically in response to actual traffic needs. For example, due to a disaster relief event, if the traffic demand in one beam increases above its nominal traffic, the satellite can re-allocate power and bandwidth that were originally allocated to other beams to this hot spot so that more traffic can be accommodated.

The requirement for communicating with subscriber units is supported by a satellite antenna complex, which forms cellular-like beams. A set of two phased-array antennas on the spacecraft, one for transmit and one for receive, support the uplink and downlink. Transmit and receive phased-array antenna pairs produce nearly identical and congruent uplink and downlink beams. The footprint of each satellite is divided into clusters of beams in order to facilitate channel reuse. Any of the beam ports of the transmitting antenna can be simultaneously activated by exciting it with one or more carrier signals. Each beam is dynamically assigned a set of channels corresponding to specific frequency and time slot assignments in the frequency band commensurate with the number and usage of subscriber units being served. To efficiently accommodate variations in traffic, hardware allows the number of connections per beam to adapt automatically to the demand.

Beams also can be turned on or off, as appropriate, to accommodate traffic conditions and changing overlap of coverage. For example, to minimize possible interference from overlapping satellite footprints and to conserve satellite power, the system will employ a cell management architecture that turns beams off as each satellite traverses from the Equator toward the Polar regions.

The service link antenna subsystem is fixed to the satellite body and its pointing accuracy is dependent upon the satellite attitude control stabilization system.

Inter-satellite links connect the satellites in orbit to create a global telecommunications network in the sky. These links provide connectivity within and across orbital planes.

Each satellite has the capability, via feeder links, to establish links with the gateways on the Earth. The system will accommodate various numbers of gateways. The actual number of gateways to be deployed will be based on technical as well as business considerations.

In addition to the above communications links, the satellite has the capability to establish telemetry, tracking and command links with telemetry, telecommand and control (TT&C) stations located around the world.

Figure 139 shows a representative in-orbit coverage of a single satellite over the United States of America, at an altitude of 853 km.

FIGURE 139
Single satellite coverage region, 853 km, 15° elevation angle



1457-139

6.3.6.2 System description

This Satcom2000 personal mobile satellite system is designed to satisfy the projected growth in overall demand for global mobile telecommunications, provide access to services requiring higher and variable data rate capabilities, and enable greater expansion and integration of satellite services with the terrestrial fixed and mobile networks.

This system will be capable of providing two-way voice, data, messaging, and multimedia communications services between a variety of user equipment anywhere in the world, and interconnecting any such user equipment to the PSTN, PSDN, PLMN, and other terrestrial networks, including global roaming and interoperability with the terrestrial component of IMT-2000 networks.

In order to provide this range of services, Satcom2000 will employ both TDMA and CDMA radio access technologies, comprising FDMA/TDMA and FDMA/CDMA channels operating on every satellite. This hybrid multiple radio access scheme incorporated into a single satellite system meets the diverse personal communications needs for wireless users in the twenty-first century and provides efficient spectrum utilization for such a variety of service offerings.

There are five segments comprising this Satcom2000 personal mobile satellite system:

- space segment consisting of a constellation of 96 operational satellites in LEO of 854 km altitude, with 8 orbital planes and 12 satellites in each plane;
- system control segment that provides centralized TT&C for the entire satellite constellation;
- ground segment consisting of gateway stations and associated facilities including infrastructure for interfacing with terrestrial networks and service distribution;
- subscriber segment that features dual mode (satellite/terrestrial services compatible) multi-standard and multi-band user terminals; and
- business and customer support segment consisting of billing system and customer care centre, etc.

It will be possible for a satellite system employing Satcom2000 to interwork with the terrestrial component of IMT-2000 described in § 5. Roaming between the terrestrial network and the satellite network is supported. In most cases, automatic handover between the terrestrial and the satellite network will also be supported.

6.3.6.2.1 Service features

This personal mobile satellite system provides voice, data and messaging services in full-duplex communications. Bandwidth on demand, bit rate on demand, paging (alerting) service via satellites are supported. In order to accommodate the inherent nature of asymmetric Internet traffic, the system has provision for asymmetric data transmission. Asynchronous data transmission is also supported.

Table 50 below summarizes the key service features supported by this personal mobile satellite system.

TABLE 50
Key service features

Bandwidth on demand (yes/no)	Yes
Bit rate on demand (yes/no)	Yes
Asynchronous data (yes/no)	Yes
Asymmetric data (yes/no)	Yes

6.3.6.2.2 System features

The key features of this personal mobile satellite system are summarized in Table 51.

TABLE 51
Key system features

Multiple access schemes	FDMA/TDMA and FDMA/CDMA
Handover technique (e.g. intra- and inter-satellite, soft or hard or hybrid)	Intra- and inter-satellite, using soft/hard handover
Diversity (e.g. time, frequency, space)	Time, space, etc.
Minimum satellite channelization	TDMA: 27.17 kHz CDMA: 1.25 MHz
Operation in satellite radio operating environments of Recommendation ITU-R M.1034	Urban satellite environment Rural satellite environment Satellite fixed-mounted environment Indoor satellite environment

Satcom2000 provides two separate satellite service link radio air interfaces: one is based on TDMA multiple access technology, and the other is based on CDMA multiple access technology. Both interfaces use a frequency plan with individual carriers separated in a basic FDMA scheme. Partitioning between the TDMA and CDMA operations will be optimized to match the service type and user environment, meet the traffic demand and maximize the system effectiveness.

The CDMA sub-system can achieve high spectral efficiency where power control techniques are effective at keeping all users at similar power levels. However, satellite systems suffer from relatively long path delays that impede the effectiveness of power control feedback loops. Where power control is ineffective, CDMA's spectral efficiency will be reduced.

For applications in which the user environment and hence the signal level change rapidly, e.g. mobile voice services, a TDMA scheme will achieve better performance in terms of both spectral efficiency and service quality. For applications such as high-speed data services in which the user environment may change slowly and thus the power control can be effective, a CDMA scheme will be more appropriate. This hybrid implementation allows all service types to be supported with an optimal use of the satellite resources.

The TDMA links provide large fade margins for various user environments in order to meet or exceed availability requirements. The CDMA links encompass a wide range of data rates, with link margins appropriate to specific services.

Satcom2000 supports handover between beams on a satellite, handover between beams on different satellites, as well as handover between a terrestrial IMT-2000 network and this satellite network. Management of handovers including call maintenance is handled by the SRAN.

6.3.6.2.2.1 FDMA/TDMA radio interface

The basic FDMA/TDMA individual voice channels are each transmitted at a 34.545 kbit/s burst rate, each occupying a bandwidth of 27.17 kHz using QPSK modulation. This permits a peak density per beam of 147 voice channels per 1 MHz, and 184 voice channels per 1.25 MHz.

Satcom2000 employs state-of-the-art voice coding technology in its vocoder design in order to get the best voice quality out of the least number of bits. A rate 2/3 FEC is incorporated into the vocoder.

The key parameters for the FDMA/TDMA scheme are summarized in Table 52.

TABLE 52

FDMA/TDMA voice channel characteristics

Number of voice time slots/frame	4
Burst rate	34.545 kbit/s
Channel spacing	27.17 kHz
Information rate	2.4-4 kbit/s
FEC (integrated with vocoder)	Rate = 2/3
Modulation type	QPSK

6.3.6.2.2 FDMA/CDMA radio interface

The CDMA portion of the allocated frequency band will be divided into 1.25 MHz sub-bands. The CDMA access scheme used within each sub-band allows multiple users to share the spectrum simultaneously. The spectrum can be reused on each satellite beam, resulting in a large frequency reuse factor for this CDMA subsystem. The CDMA links will provide variable user data rates up to 144 kbit/s.

The CDMA radio interface is based on a terrestrial IMT-2000 compatible standard. It has a 1.25 MHz bandwidth, and uses a direct-sequence spread spectrum access scheme. The peak channel bit rate is 9.6 kbit/s. The radio interface uses rate 1/3 convolutional encoding for the uplink, and rate 1/2 encoding for the downlink. A power control channel is added to each link using a punctured convolutional code.

The key parameters for the FDMA/CDMA scheme are summarized in Table 53.

TABLE 53

FDMA/CDMA data channel characteristics

Subframes/frame	2
Spreading rate	1.228 to 4.096 Mbit/s
Channel spacing	1.25 MHz
Information rate	to 9.6 kbit/s (up to 144 kbit/s using multiple channels)
FEC	Rate = 1/2 down; 1/3 up
Modulation type	16-QAM/QPSK

A data link using multiple channels will be able to provide data services at up to 144 kbit/s.

6.3.6.2.3 Terminal features

The user equipment for the satellite portion of the system will provide service for a variety of applications. The types of user equipment that will be supported include fixed, nomadic, portables, mobiles, maritime and aeronautical terminals. Most of these terminals will be equipped with multiple service capability (e.g. combined phone, message and data terminal). The actual user equipment types to be developed and the multiple service capability to be included would be based on market demand.

Some user equipment will handle only single channel, while others may be equipped with the capability to handle multi-channels. For example, a hand-held terminal will use only a single channel, but a fixed terminal may handle either single or multiple channels, which are multiplexed together through a multiplexer. High-speed data terminals operate using multiple basic data channels to provide high-speed services.

The key terminal features are shown in Table 54.

TABLE 54

Terminal features

Terminal types	<ul style="list-style-type: none"> – Hand-held – Portable – Nomadic – Fixed – Aeronautical – Maritime Others
Multiple service capability (e.g. combined phone, pager, data terminal)	Yes
Mobility restrictions for each terminal type (e.g. up to xx km/h or yy m/s)	Up to 500 km/h for hand-held Up to 5 000 km/h for aero

6.3.6.3 RF specifications

The Satcom2000 personal mobile satellite system will operate in the 2 GHz band and generate cellular-like beams with each beam covering a relatively small area on the Earth to provide a large satellite service link margin. The RF parameters specified in this section are values at 2 GHz. They can also be modified to operate in other frequency bands allocated to IMT-2000 satellite component.

Satcom2000 requires that the TDMA and CDMA radio access subsystems operate on separate segments of spectrum. Thus any spectrum allocated to the satellite system will be segmented to the TDMA and the CDMA portion.

Satcom2000 provides both voice and data services. The basic voice services provide a high link margin and diversity to support operation in fading environments. In clear line of sight (CLOS) areas a lower link margin is traded for more efficient usage of bandwidth. The services provide higher data rates in areas with low fade margin. In areas with higher fade margin the data services operate at lower rates. An overlay of TDMA and CDMA multiple access channels within an FDMA structure provides the most appropriate access scheme based on the required type and quality of user services along with the operating environments.

Due to path delays of about 20 ms, the maximum power control rate for CDMA in this LEO satellite system is 50 Hz. This limits the effectiveness of CDMA technology except in slow fading user environment such as data applications or fixed services with CLOS signal paths to the satellites. These applications will be able to take advantage of both the data handling capability of IMT-2000 terrestrial protocols along with their capacity gains. In order to minimize interference, the power control step size is determined to be 0.5 dB. The CDMA handset will use FDD mode to transmit and receive simultaneously, requiring approximately 63 dB isolation between transmission and receive. The modulation type will be selected to achieve as much commonality as possible with an appropriate technology used by IMT-2000 terrestrial systems. Because these applications are usually used in an environment with CLOS, some higher order modulation schemes, such as 16-QAM may be used for further improvement of the spectrum efficiency.

The capacity for the TDMA subsystem is less affected by high fading applications and therefore is reserved for mobile voice communications in rapidly changing environments. Power control is used solely to reduce power consumption at both user equipment and satellites. A coarser power control step size can be used in the TDMA subsystem. The power control rate is a function of both path delay and frame size. The TDMA user terminals can operate TDD mode to reduce the isolation requirements between transmission and receive.

The antenna gains and power levels on both user equipment and satellites are designed to optimize the service performance and system implementation. The initial values of these design parameters are given in Table 54. The satellites will be able to handle several different categories of user terminals. These terminals will have different e.i.r.p. levels based on their applications and size and therefore are able to support services in different fade margins. These decisions will be driven by the market demand.

The RF parameters of Satcom2000 are shown in Table 55.

TABLE 55
RF specifications

User terminal transmitter e.i.r.p. – Maximum e.i.r.p. for each terminal type – Average e.i.r.p. for each terminal type	–2 to 4 dBW for hand-held Market driven for other terminal types –8 to –2 dBW for hand-held Market driven for other terminal types
User terminal G/T for each terminal	–24.8 dB/K for hand-held Market driven for other terminal types
Antenna gain for each terminal type	2 dBi for hand-held Market driven for other terminal types
Maximum satellite e.i.r.p.	29.6 dBW
Maximum satellite G/T	0.1 dB/K
Channel bandwidth	TDMA: 27.17 kHz CDMA: 1.25 to 5 MHz
Multiple channel capability (yes/no)	Yes
Power control: Range Step size Rate	25 dB TDMA: 2 dB CDMA: 0.5 dB 50 Hz
Frequency stability Uplink Downlink	0.375 ppm (AFC) 1.5 ppm (thermal)
Doppler compensation (yes/no)	Yes
Terminal transmitter/receiver isolation	63 dB
Maximum fade margins for each service type	Voice: 15 to 25 dB Messaging/paging: 45 dB

6.3.6.4 Baseband specifications

Multiple access scheme

The multiple access schemes for the Satcom2000 radio interface include both FDMA/TDMA and FDMA/CDMA, as explained in § 6.3.6.2.2. Both TDD and FDD modes are available.

Frame length

The frame length is 40 ms. Each frame consist of 4 time slots of 8.88 ms, plus a guard band of 4.48 ms.

Channel coding

The channel coding used for the traffic channel will be a concatenated code consisting of a RS outer code and a convolutional inner code punctured to allow for variable rate bit protection. The purpose of the outer code is to provide burst error detection capability which is not provided by the convolutional code. A variety of different convolutional codes will be used depending on the required quality of service.

ARQ

In addition to FEC, some non-real services will include ARQ as well. ARQ schemes are not implemented for real-time services such as video teleconferencing due to the requirement for real-time performance and an allowable higher BER. However, applications such as file transfer protocol (FTP) may require a higher degree of transmission integrity depending upon the types of files being transferred and it may be necessary to implement an ARQ scheme. Executable files for obvious reasons require absolutely no errors in the transferred data, thus it is essential to have an ARQ scheme. ARQ schemes included in Satcom2000 include the selective-to-repeat scheme and the go-back- N scheme, and the choice of either one will depend on the actual application.

Interleaving

Interleaving is incorporated in Satcom2000 to spread the effect of bursty errors into several data segments so that in each data segment the resulting errors within a given data segment are independent. The interleaving structure is chosen such that there will be no effect on total system delay.

The baseband parameters of Satcom2000 are shown in Table 56.

6.3.7 Satellite radio interface G specifications

This satellite radio interface is based on the IMT-2000 CDMA DS radio interface as described in § 5.1. Mobile Satellite systems intending to use this interface will address User Equipment (UE) fully compatible with IMT-2000 CDMA DS, with adaptation for agility to a neighbouring Mobile Satellite Service (MSS) frequency band.

The use of a standardised technology as well as a satellite IMT-2000 frequency band adjacent to a terrestrial IMT-2000 frequency band allows to accommodate these MSS system's features in 3G handsets with no waveform modification and consequently low cost impact. This optimises considerably the market entry and penetration.

The key service and operational features of this radio-interface are the following:

- Support for low data rate services (e.g. 1,2 kbit/s) up to high-data-rate transmission (384 kbit/s) with wide-area coverage.
- High service flexibility with support of multiple parallel variable-rate services on each connection.
- Efficient packet access.
- Built-in support for future capacity/coverage-enhancing technologies, such as adaptive antennas, advanced receiver structures, and transmitter diversity.
- Support of inter-frequency handover for operation with hierarchical cell structures and handover to other systems, including handover to GSM.

TABLE 56

Baseband specifications

Multiple access techniques	FDMA/TDMA and FDMA/CDMA
Duplex method	TDD/FDD
Burst rate (TDMA mode)	34.545 kbit/s
Time slots (TDMA mode)	4 time slots/frame
Frame length	40 ms
Information rate	TDMA: 2.4-4 kbit/s CDMA: 0.048 to 9.6 kbit/s Information rate of up to 144 kbit/s can be achieved using multichannel configuration.
Chip rate (CDMA mode)	1.228 to 4.096 Mchip/s
Modulation type	TDMA: QPSK CDMA: 16-QAM/QPSK
FEC	TDMA: rate 2/3 CDMA: rate 1/2 down, rate 1/3 up
Dynamic channel allocation (yes/no)	Yes
Interleaving (yes/no)	Yes
Synchronization between satellites required (yes/no)	Yes

6.3.7.1 Architectural description

The system architecture is shown in Fig. 140.

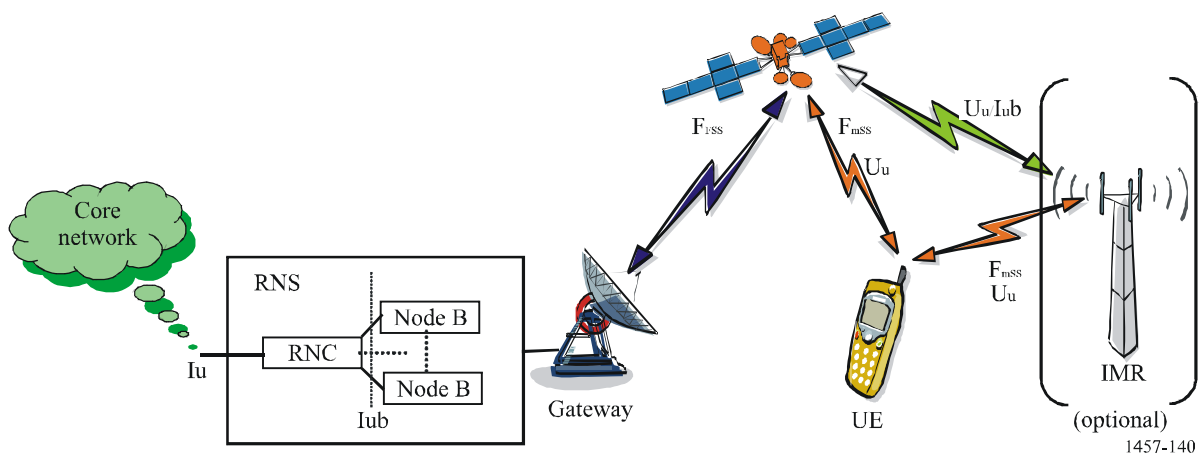
The system may provide either single or multiple satellite constellation, each satellite may provide either mono or multi-spot coverage.

A location area may be either a spot or a group of spots for roaming users.

User Equipments (Ues) are connected to the network via one or several satellites which redirect the radio signal to/from gateways. The system allows for either a centralised gateway or a group of geographically distributed gateways, depending on the operators requirements. The Gateway connects the signal to the Radio Network Subsystem (RNS), i.e. Node Bs and RNC. The decision to integrate Node Bs and/or RNC inside or outside the Gateway is under manufacturers implementation choice.

In a satellite environment, signal transmission is subject to degradation due to buildings, mountains, etc. Coverage continuity in highly shadowed areas can possibly be complemented with Intermediate Module Repeaters (IMRs), reusing the same frequency as the satellite, to amplify and repeat the signal to and from the satellite. IMRs are a system deployment and implementation issue and are therefore not part of this Satellite Radio Interface. Technical, operational and regulatory issues related to IMRs have not been assessed.

FIGURE 140
System architecture



6.3.7.1.1 Constellation

This interface is able to cope with several satellite constellation types, i.e. LEO, HEO, MEO or GSO. This section however presents the detailed architecture and performances of the GSO constellation type.

6.3.7.1.2 Satellites

Several architectures are envisaged depending on throughput requirements. The examples below assume European coverage. Global beam configuration means there is a unique spot covering the entire Europe area.

Multi-beam configuration means a satellite serves several spots, for instance 1 spot per linguistic area (7 multi-beam configuration) or 1 spot per regional area (extended multi-beam configuration).

An other possible configuration is a system built with several satellites, each satellite serving several spots.

FIGURE 141
Global beam and 7 multi-beam satellite configuration

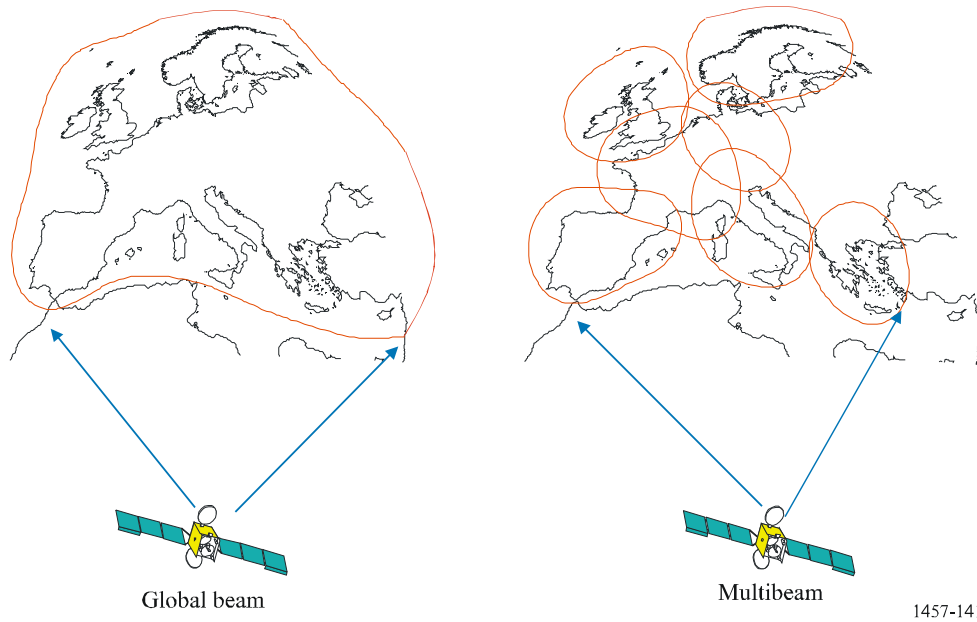


FIGURE 142
Extended multi-beam configuration

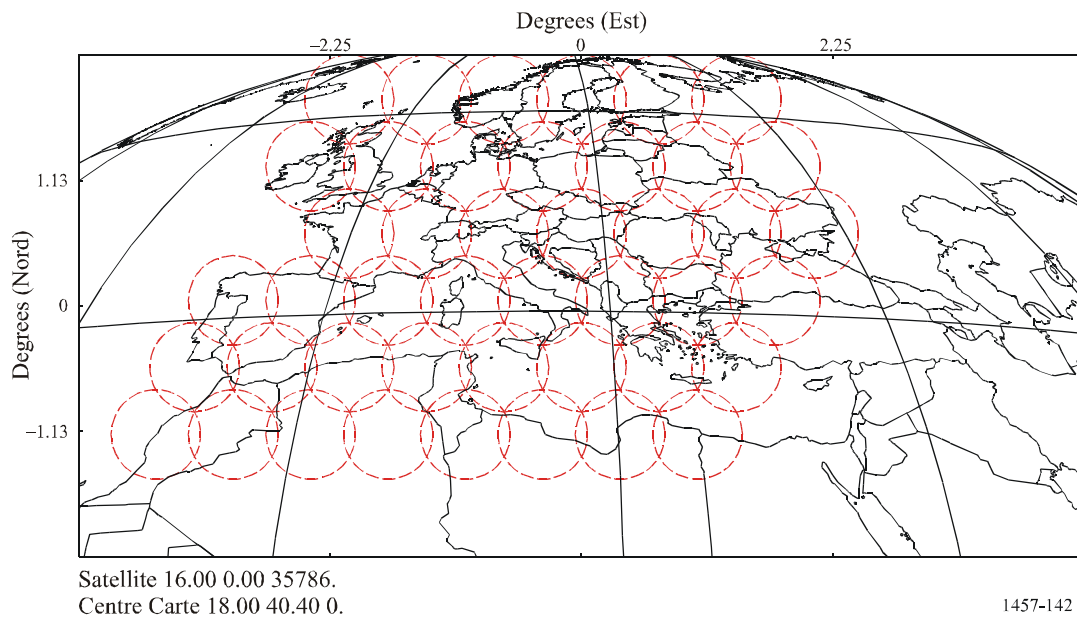
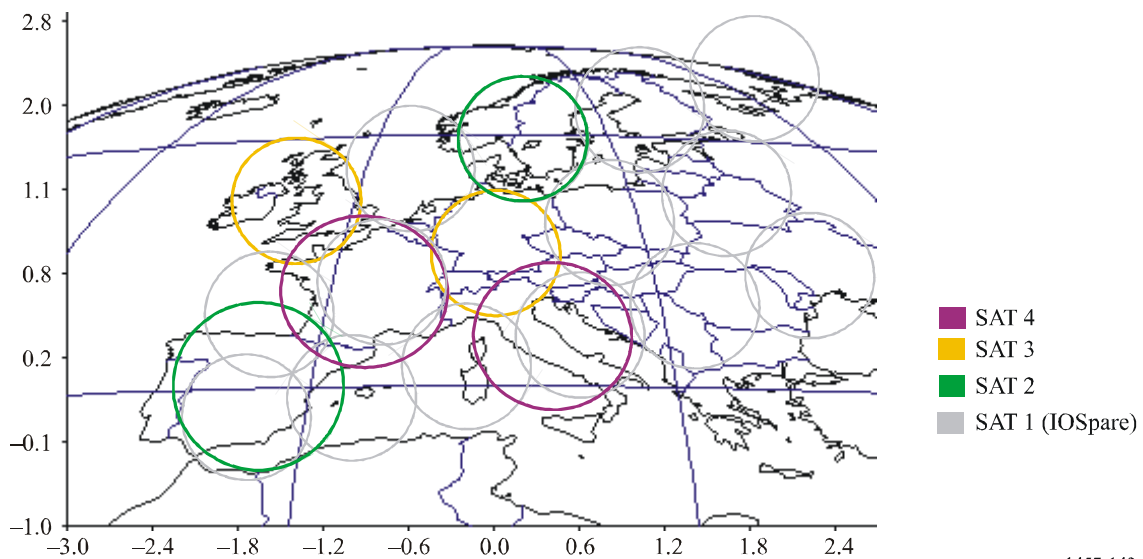


FIGURE 143

Multi-satellite and multi-beam configuration



1457-143

6.3.7.2 System description

6.3.7.2.1 Service features

6.3.7.2.1.1 Basic bearer services

Basic bearer services to be supported by this radio interface include voice in which data rates are from 2.4 kbit/s to 12.2 kbit/s data from and 1.2 kbit/s to 384 kbit/s.

6.3.7.2.1.2 Packet data services

Packet data services will be provided at the data rates which are from 1.2 kbit/s to 384 kbit/s.

6.3.7.2.1.3 Teleservices

Teleservices include speech transmission such as emergency calls, short message service, facsimile transmission, video telephony service, paging service, etc.

6.3.7.2.1.4 Deep paging service

Deep paging service will be provided for contacting the mobile terminal user located in areas such as deep penetration in buildings where normal services cannot be provided.

6.3.7.2.1.5 Multicasting

Multicasting services will be provided to the UE local cache through a direct satellite distribution link exploiting the push service over MBMS (Multicast Broadcast Multimedia Services, described in § 5.1). The bit rate of multicasting services is from 1.2 kbit/s to $n \times 384$ kbit/s ($n = 2, 3$ or more according to the configurations).

6.3.7.2.2 System features

This radio interface is based on the key technical characteristics listed in Table 57.

TABLE 57

Key technical characteristics of SRI-G

Multiple-access scheme	DS-CDMA
Duplex scheme	FDD
Chip rate	3.840 Mchip/s
Carrier spacing	5 MHz (200 kHz carrier raster)
Frame length	10 ms
Inter-spot synchronization	No accurate synchronization needed
Multi-rate/Variable-rate scheme	Variable-spreading factor + Multi-code
Channel coding scheme	Convolutional coding (rate 1/2 – 1/3) Turbo coding 1/3
Packet access	Dual mode (common and dedicated channel)

6.3.7.2.3 Terminal features

The user equipment may be of various types : hand-held, portable, vehicular, transportable or aeronautical. The data rate and mobility restriction for each type of terminal are described in Table 58. For the maximum capacity assessment it is necessary to distinguish between the forward link and the return link.

TABLE 58

Mobility restrictions for each terminal type

Terminal type	Applied service data rate (return link) (kbit/s)	Applied service data rate (forward link) (kbit/s)	Nominal mobility restriction (km/h)
Hand-held	1.2-12.2	1.2-384	500
Portable	1.2-384	1.2-384	500
Vehicular	1.2-384	1.2-384	500 (maximum 1 000)
Transportable	1.2-384	1.2-384	Static
Aeronautical	1.2-384	1.2-384	5 000

6.3.7.2.4 Handover

This radio interface will support handover of communications from one satellite radio channel to another. The handover strategy is mobile-assisted network-decided handover.

Soft and softer handover is supported.

The following handoff types are the most common in the system.

Beam hand-off

The UE always measures the level of the pilot $C/(N + I)$ coming from adjacent beams and report such information to the LES. The LES may then decide to transmit the same channel through two different beams (soft beam hand-off) and command the UE to add a finger to demodulate the

additional signal. As soon as the LES receives a confirmation that the new signal is received, it drops the old connection. There is in fact no scope to have a prolonged inter-beam soft handoff because no path diversity is actually introduced.

Inter-satellite handoff

The procedure is analogous to that of inter-beam hand-off. The only difference is that the UE has also to search for different satellite specific pilot scrambling codes. If a new, strong enough, pilot scrambling code is detected, the measure is reported back to the LES, which may decide to exploit satellite diversity by transmitting the same signal through different satellites.

Differently from the previous case, there is now a path diversity advantage and it is useful that all strong enough diversity paths are exploited.

Maximal ratio combining can then be performed (time ambiguity resolution is done through the primary CCPCHs MF synchronization).

Inter-frequency handoff

Only hard inter-frequency, handoff is supported. This hand-off can be either intra-gateway or inter-gateway.

Inter-frequency handoff is generally not needed. This hand-off is decided by the LES without any support by the UE (i.e. this hand-off type is not a mobile-assisted handoff).

On the reverse link, the LES will instead combine all signals received from the same UE through different beams and / or satellites.

6.3.7.2.5 Satellite diversity

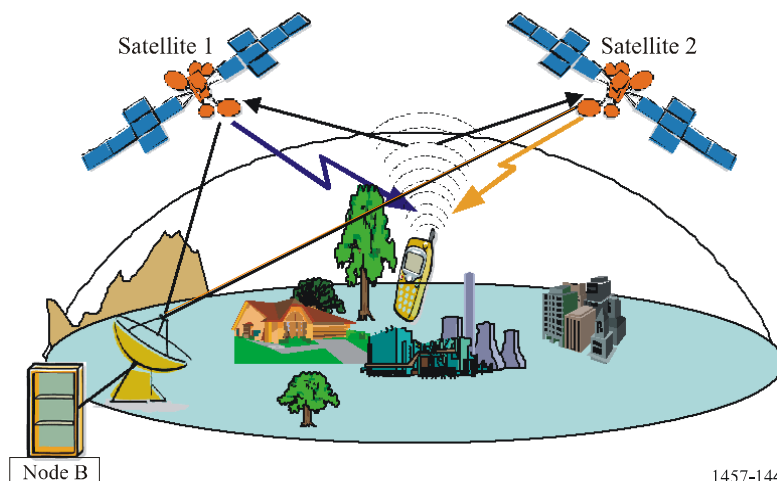
Satellite diversity can be provided when the system is built with several satellites. Advantages are:

- solve path blockage problem inherent to satellite systems;
- reduce required link margin for situations where satellite signal is strongly attenuated (but not completely obstructed);
- ease UE handover when moving through coverage areas.

The method is also applicable to spots belonging to a given satellite (spot diversity).

In the following, it is assumed that the number of satellites offering diversity is limited to 2.

FIGURE 144
Satellite diversity



1457-144

When switched to satellite diversity mode, UE is simultaneously radio connected to both satellites over the same carrier frequency.

In the return link, UE transmits a unique signal (one unique scrambling code). This uplink signal is received by both satellites, redirected to the gateway and combined at Node B rake receiver.

In the forward link, each satellite transmits with a distinct scrambling code, UE rake receivers combine both signals.

Simulations where driven for several UE situations in view of both satellites:

- 1 satellite LOS, the other satellite NLOS: LOS component is such predominant that performances are equivalent to 1 single satellite with LOS. Spot Selection Diversity Transmission (SSDT) mechanism allows to switch off 2nd satellite in order not to waste scarce satellite transmit power.
- Both satellites LOS.
- None of the satellites LOS.

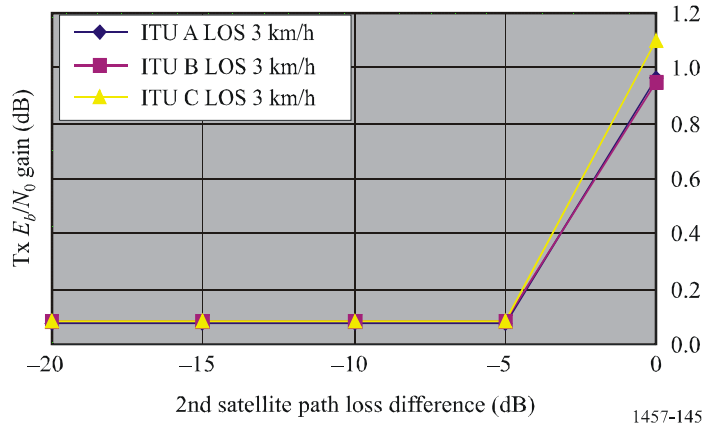
Simulations results presented hereafter highlight Tx E_b/N_0 gain due to satellite diversity, i.e. the difference versus the path loss difference of Tx E_b/N_0 obtained with and without satellite diversity for reaching a target BLER of 1 %. Results are given as a function of the 2nd satellite path loss difference, i.e. path loss between UE and 1st satellite is taken as a reference. ITU channels models A, B, C (as in Recommendation ITU-R M.1225) are tested.

6.3.7.2.5.1 Both satellites LOS

Path loss difference is to be understood as distinct satellite Rx antenna gain (uplink)/Tx satellite power capability (downlink).

FIGURE 145

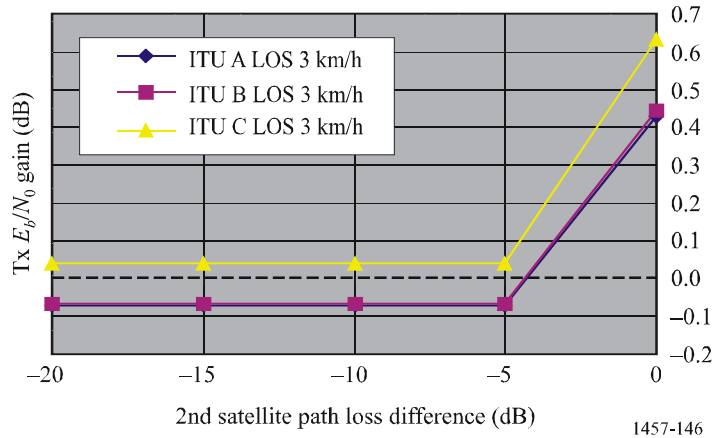
Satellite diversity gain; LOS; Uplink; 12,2 kbit/s



Diversity gain is practically identical for UE speed from 0 km/h to 50 km/h. It is limited to a maximum of ~1 dB (12,2 kbit/s).

FIGURE 146

Satellite diversity gain; LOS; Uplink; 64/144 kbit/s

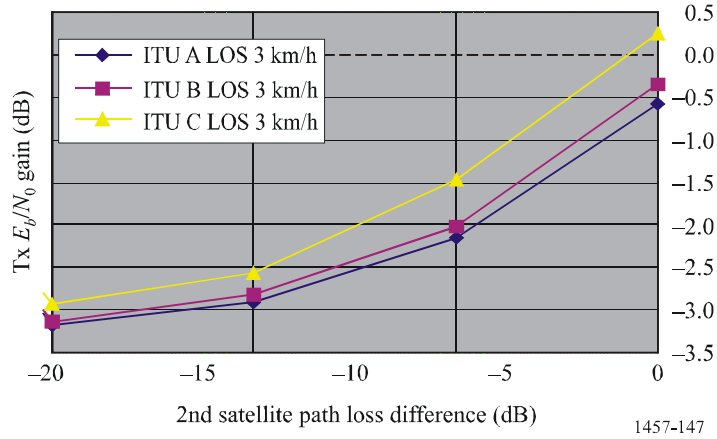


In the downlink direction, Tx E_b/N_0 gain is negative and almost identical whatever service data rate. Tx power gain is counteracted by increase of interference, due to non orthogonality of both satellites scrambling

codes. Nevertheless, satellite diversity can still be envisaged for allowing dynamic power distribution among satellites in high traffic load conditions.

FIGURE 147

Satellite diversity gain; LOS; Downlink



6.3.7.2.5.2 None of the satellite LOS

Satellite diversity gain is significant when UE is suffering NLOS with none of the satellites. Furthermore, the case when 2nd satellite path loss difference is 0 dB looks a highly probable assumption. Maximum Tx E_b/N_0 gain is reached for low speed UEs. In the downlink direction, it is almost independent of the service data rate.

FIGURE 148

Satellite diversity gain; NLOS; Uplink; 12,2 kbit/s; 3 km/h

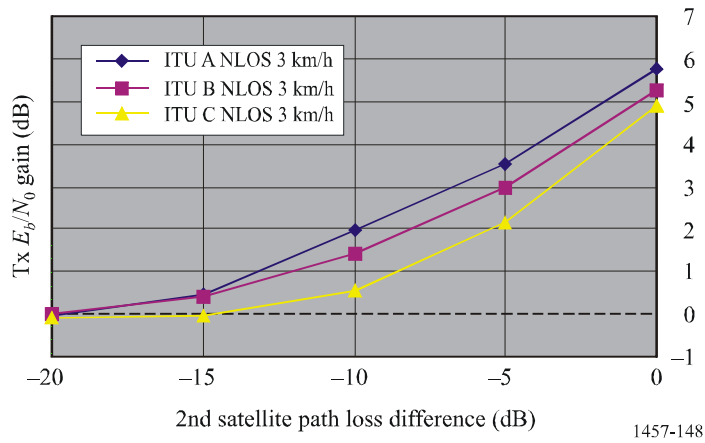


FIGURE 149

Satellite diversity gain; NLOS; Uplink; 64/144 kbit/s; 3 km/h

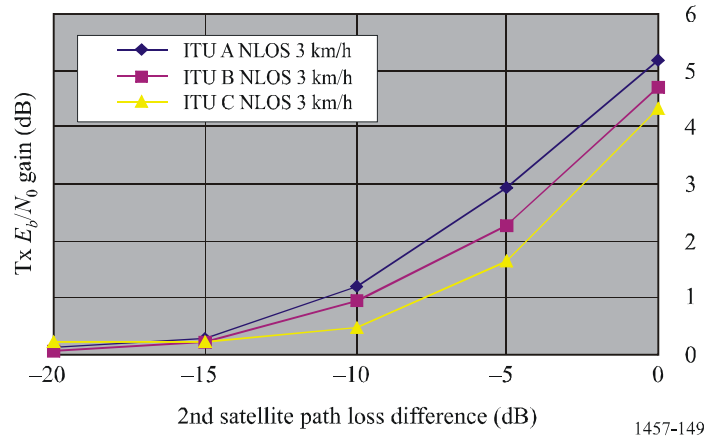


FIGURE 150

Satellite diversity gain; NLOS; Uplink; 12,2 kbit/s; 50 km/h

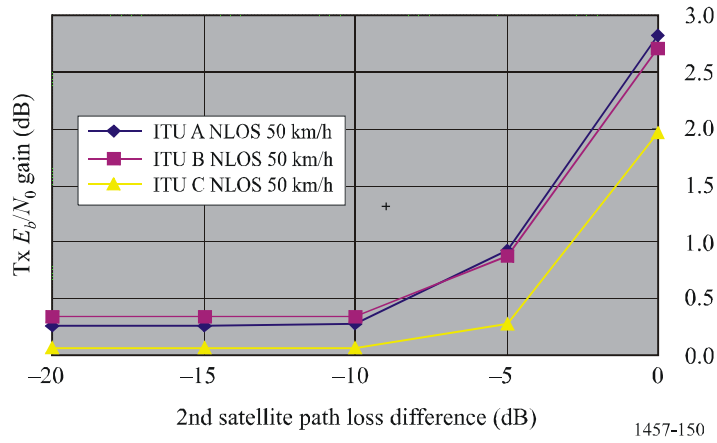


FIGURE 151

Satellite diversity gain; NLOS; Uplink; 64/144 kbit/s; 50 km/h

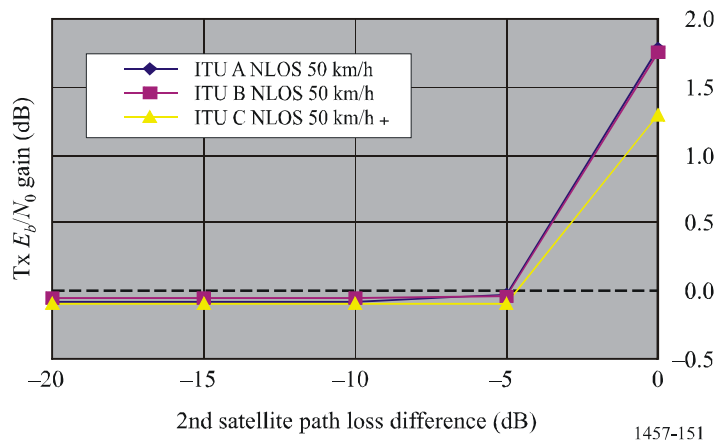


FIGURE 152

Satellite diversity gain; NLOS; Downlink; 3 km/h

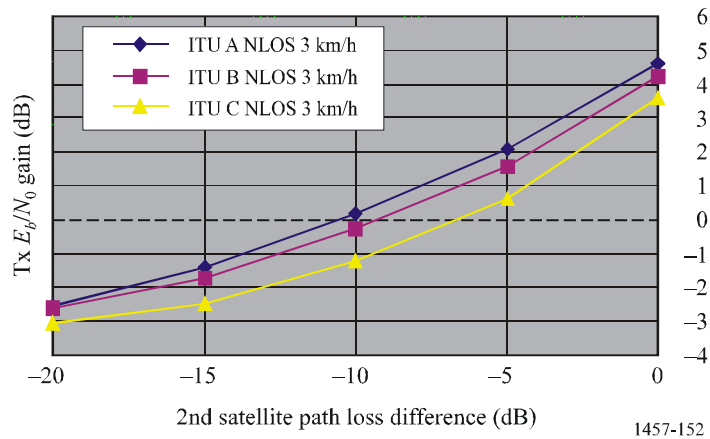
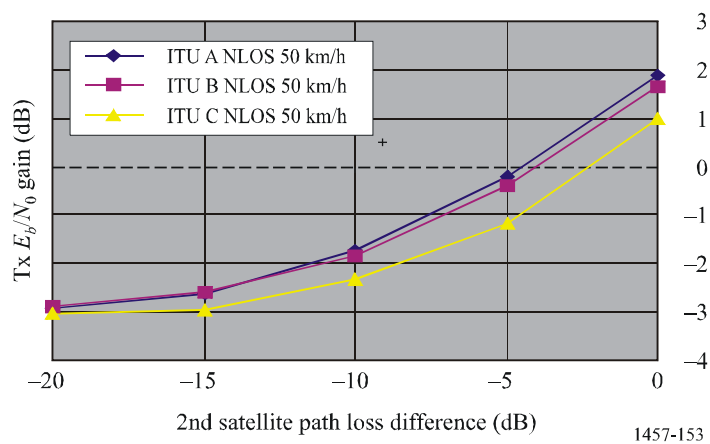


FIGURE 153

Satellite diversity gain; NLOS; Downlink; 50 km/h



6.3.7.3 RF specifications

6.3.7.3.1 Satellite station

a) Global beam architecture

The global beam architecture provides an overall throughput of 3.84 Mbit/s over Europe shared among 2 FDM. For instance, if 384 kbit/s service is provided, each FDM carries a maximum of 5 channel codes.

Each FDM occupies 5 MHz bandwidth among MSS frequency band.

Satellite performances are summarised in Table 59.

TABLE 59

Satellite global beam architecture

		Global beam
Number of spot beams		1
Downlink (satellite to UE) Frequency (satellite to UE) Polarisation On board EIRP per carrier	MHz dBW	2 170-2 200 LHCP or RHCP 64
Uplink Frequency (UE to satellite) Polarisation Rx Antenna gain	MHz dB	1 980-2 010 LHCP or RHCP ~30

b) Multi-beam architecture

Satellite performances are summarised in Table 60.

TABLE 60

Satellite 7 multi-beam architecture

		7 multibeam
Number of spot beams		7
Downlink (satellite to UE) Frequency (satellite to UE) Polarisation On board EIRP per carrier	MHz dBW	2 170-2 200 LHCP or RHCP From 64 to 74 (see Note)
Uplink Frequency (UE to satellite) Polarisation Rx Antenna gain	MHz dB	1 980-2 010 LHCP or RHCP 36 dB-39 dB
NOTE: Depending on considered spot beam and frequency reuse pattern.		

c) Extended multi-beam architecture

Satellite performances are summarised in Table 61.

TABLE 61

Satellite extended multi-beam architecture

		Extended multibeam
Number of spot beams		30
Downlink (satellite to UE) Frequency (satellite to UE) Polarisation On board EIRP per carrier	MHz dBW	2 170-2 200 LHCP or RHCP 74
Uplink Frequency (UE to satellite) Polarisation Rx Antenna gain	MHz dB	1 980-2 010 LHCP or RHCP 42-47

6.3.7.3.2 MES

The mobile earth station is also named User Equipment (UE). The UE may be of several types:

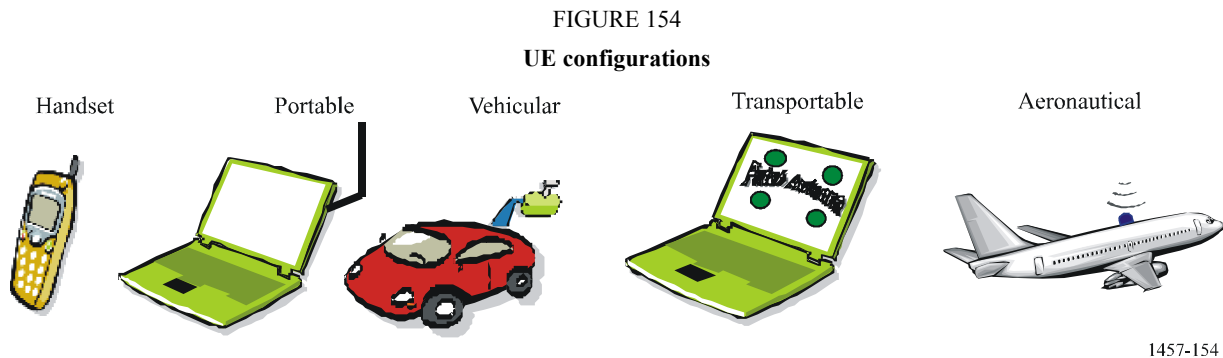
3G standardised handset: the use in satellite environment requires adaptation for frequency agility to the MSS band. The basic assumption is UE power class 1, 2 and 3, equipped with standard omni-directional antenna.

Portable: the portable configuration is built with a notebook PC to which an external antenna is appended.

Vehicular: the vehicular configuration is obtained by mounting an RF module on car roof connected to the UE in the cockpit.

Transportable: the transportable configuration is built with a notebook which cover contains flat patch antennas (manually pointed towards the satellite).

Aeronautical: aeronautical configuration is built by mounting an antenna on top of the fuselage.



The power and gain characteristics for the four UE configurations are summarised in Table 62.

TABLE 62
UE maximum transmit power, antenna gain and EIRP

UE type	Maximum transmit power	Reference antenna gain (see Note)	Maximum EIRP	Antenna temp.	<i>G/T</i>
3G Handset					
Class 1	2W (33 dBm)	0 dBi	3 dBW	290 K	-33,6 dB/K
Class 2	500 mW (27 dBm)		-3 dBW		
Class 3	250 mW (24 dBm)		-6 dBW		
Portable	2 W (33 dBm)	2 dBi	5 dBW	200 K	-26 dB/K
Vehicular	8 W (39 dBm)	4 dBi	13 dBW	250 K	-25 dB/K
Transportable	2 W (33 dBm)	14 dBi	17 dBW	200 K	-14 dB/K
Aeronautical	2 W (33 dBm)	3 dBi	6 dBW		

NOTE: Typical values.

6.3.7.4 Baseband specifications

6.3.7.4.1 Channel structure

6.3.7.4.1.1 Transport channel

6.3.7.4.1.1.1 Common channel

Broadcast Channel (BCH)

BCH is a downlink channel for broadcasting system control information for each beam to MES.

Paging Channel (PCH)

PCH is a downlink channel used to carry control information to MES when the system does not know which beam the MES belongs to. The PCH is associated with physical-layer generated paging indicators, to support efficient sleep-mode procedures.

Forward Access Channel (FACH)

FACH is a downlink channel used to carry user or control information to MES. This channel is used when the system knows which beam the MES belongs to.

Downlink Shared Channel (DSCH)

DSCH is a downlink channel shared by several MESs carrying dedicated control or traffic data, and associated with one or several downlink DCH.

Random Access Channel (RACH)

RACH is an uplink channel used to carry user or control information from MES to LES.

Common Packet Channel (CPCH)

CPCH is an uplink channel used to carry user information from MES to LES. CPCH is associated with a downlink common control channel that provides power control and CPCH control commands.

6.3.7.4.1.1.2 Dedicated channel (DCH)

The DCH is a downlink or uplink channel transmitted over the entire beam or over only a part of the beam, dedicated to one MES.

6.3.7.4.1.2 Physical channel

6.3.7.4.1.2.1 Downlink physical channel

6.3.7.4.1.2.1.1 Common pilot channel (CPICH)

The Common Pilot CHannel (CPICH) is a fixed rate (30 kbit/s, SF = 256) downlink physical channel that carries a pre-defined bit/symbol sequence.

Two types of Common pilot channels are defined, the Primary and Secondary CPICH. They differ in their use and the limitations placed on their physical features:

Primary Common Pilot CHannel (P-CPICH):

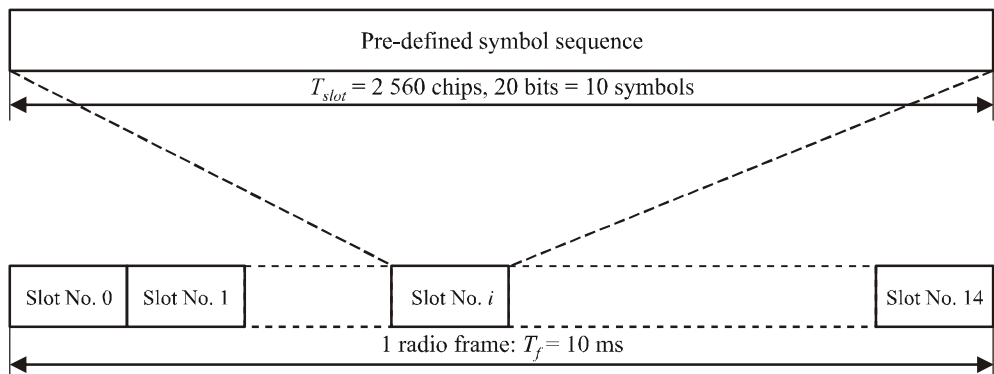
- the same channelization code is always used for the P-CPICH;
- the P-CPICH is scrambled by the primary scrambling code;
- there is one and only one P-CPICH per spot;
- the P-CPICH is broadcast over the entire spot;
- the Primary CPICH is a phase reference for the downlink physical channels.

Secondary Common Pilot CHannel (S-CPICH):

- an arbitrary channelization code of SF = 256 is used for the S-CPICH;
- a S-CPICH is scrambled by either the primary or a secondary scrambling code;
- there may be zero, one, or several S-CPICH per spot;
- a S-CPICH may be transmitted over the entire spot or only over a part of the spot;
- a Secondary CPICH may be a phase reference for a downlink DPCH.

FIGURE 155

Frame structure of CPICH



1457-155

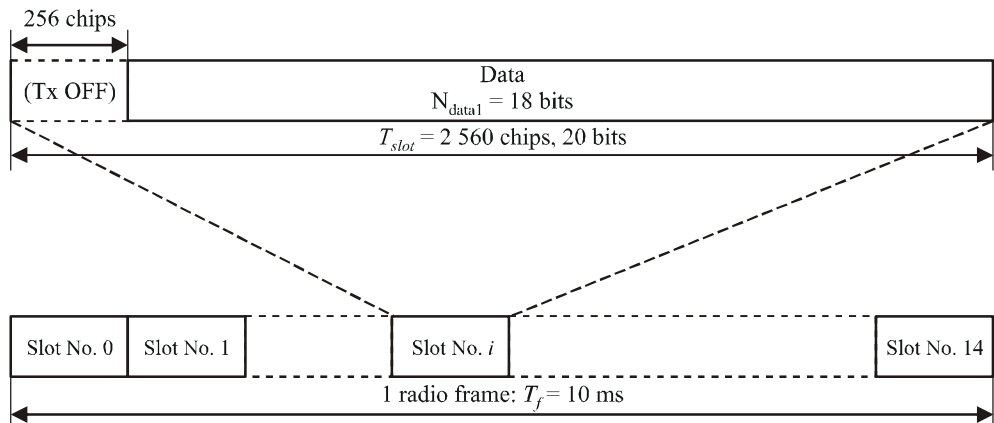
6.3.7.4.1.2.1.2 Primary common control physical channel (P-CCPCH)

The Primary CCPCH is a fixed rate (30 kbit/s, SF = 256) downlink physical channels used to carry the BCH transport channel.

The Primary CCPCH is not transmitted during the first 256 chips of each slot. Instead, Primary SCH and Secondary SCH are transmitted during this period.

FIGURE 156

Frame structure of P-CCPCH



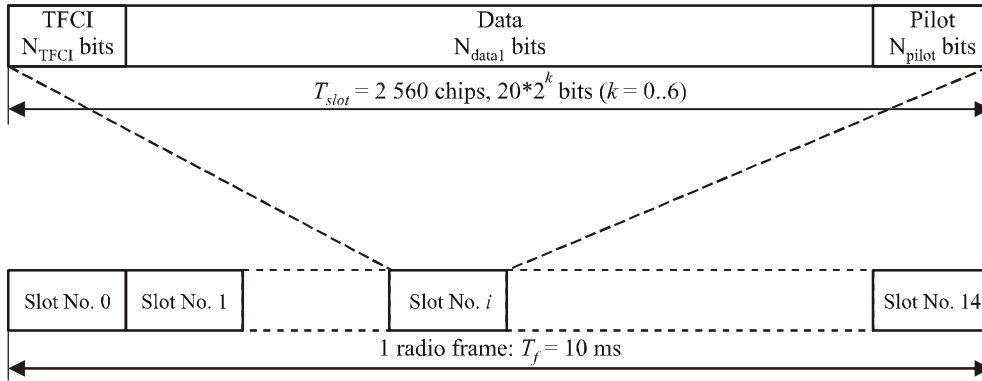
1457-156

6.3.7.4.1.2.1.3 Secondary common control physical channel (S-CCPCH)

The Secondary CCPCH is used to carry the FACH and PCH. There are two types of Secondary CCPCH: those that include TFCI and those that do not include TFCI. The set of possible rates for the Secondary CCPCH is the same as for the downlink DPCH.

FIGURE 157

Frame structure of S-CCPCH



1457-157

The parameter k in Fig. 157 determines the total number of bits per downlink Secondary CCPCH slot. It is related to the spreading factor SF of the physical channel as $SF = 256 / 2^k$. The spreading factor range is from 256 down to 4.

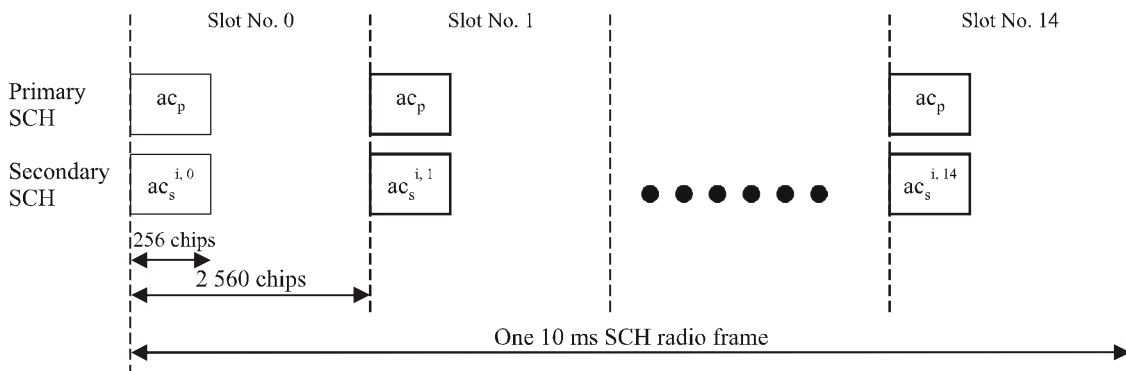
The FACH and PCH can be mapped to the same or to separate Secondary CCPCHs. If FACH and PCH are mapped to the same Secondary CCPCH, they can be mapped to the same frame. The main difference between a CCPCH and a downlink dedicated physical channel is that a CCPCH is not inner-loop power controlled. The main difference between the Primary and Secondary CCPCH is that the transport channel mapped to the Primary CCPCH (BCH) can only have a fixed predefined transport format combination, while the Secondary CCPCH support multiple transport format combinations using TFCI.

6.3.7.4.1.2.1.4 Synchronization channel (SCH)

The Synchronization CHannel (SCH) is a downlink signal used for spot search. The SCH consists of two sub-channels, the Primary and Secondary SCH. The 10 ms radio frames of the Primary and Secondary SCH are divided into 15 slots, each of length 2560 chips.

FIGURE 158

Structure of SCH



1457-158

The Primary SCH consists of a modulated code of length 256 chips, the Primary Synchronization Code (PSC) denoted c_p in Fig. 158, transmitted once every slot. The PSC is the same for every spot in the system.

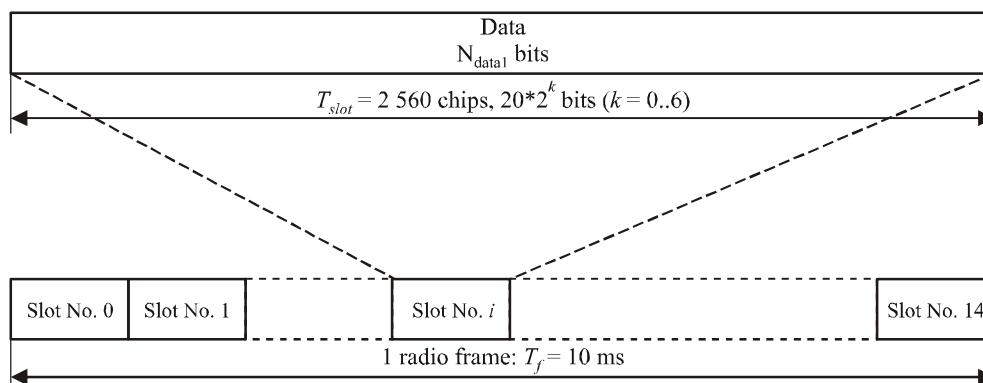
The Secondary SCH consists of repeatedly transmitting a length 15 sequence of modulated codes of length 256 chips, the Secondary Synchronization Codes (SSC), transmitted in parallel with the Primary SCH. The SSC is denoted $c_s^{i,k}$ in Fig. 151, where $i = 0, 1, \dots, 63$ is the number of the scrambling code group, and $k = 0, 1, \dots, 14$ is the slot number. Each SSC is chosen from a set of 16 different codes of length 256. This sequence on the Secondary SCH indicates which of the code groups the spot's downlink scrambling code belongs to.

6.3.7.4.1.2.1.5 Physical downlink shared channel (PDSCH)

The Physical Downlink Shared CHannel (PDSCH) is used to carry the Downlink Shared CHannel (DSCH).

FIGURE 159

Frame structure of PDSCH



1457-159

A PDSCH is allocated on a radio frame basis to a single UE. Within one radio frame, UTRAN may allocate different PDSCHs under the same PDSCH root channelization code to different UEs based on code multiplexing. Within the same radio frame, multiple parallel PDSCHs, with the same spreading factor, may be allocated to a single UE. This is a special case of multicode transmission. All the PDSCHs are operated with radio frame synchronization.

PDSCHs allocated to the same UE on different radio frames may have different spreading factors.

For each radio frame, each PDSCH is associated with one downlink DPCH. The PDSCH and associated DPCH do not necessarily have the same spreading factors and are not necessarily frame aligned.

All relevant Layer 1 control information is transmitted on the DPCH part of the associated DPCH, i.e. the PDSCH does not carry Layer 1 information. To indicate for UE that there is data to decode on the DSCH, the TFCI field of the associated DPCH shall be used.

The TFCI informs the UE of the instantaneous transport format parameters related to the PDSCH as well as the channelization code of the PDSCH.

For PDSCH the allowed spreading factors may vary from 256 to 4.

6.3.7.4.1.2.1.6 Acquisition indicator channel (AICH)

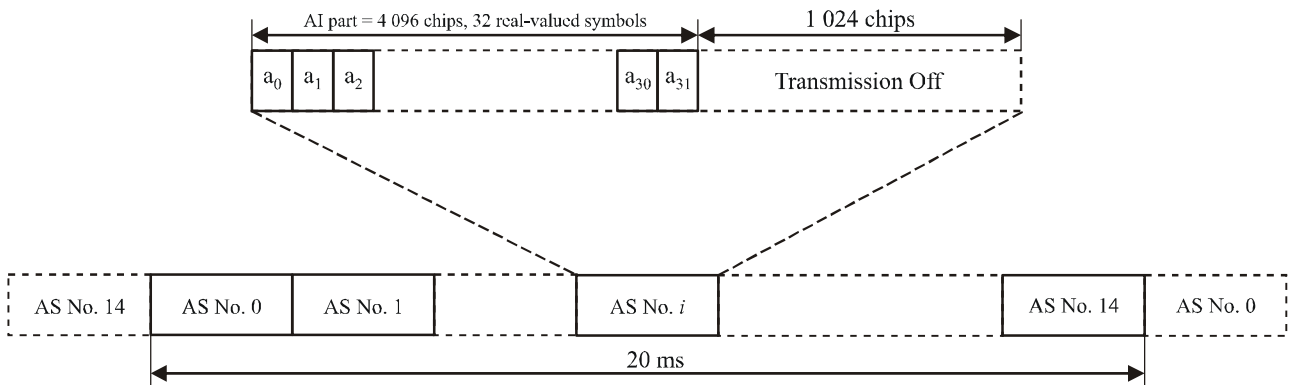
The Acquisition Indicator channel (AICH) is a fixed rate (SF = 256) physical channel used to carry Acquisition Indicators (AI). Acquisition Indicator AI_s corresponds to signature s on the PRACH.

The AICH consists of a repeated sequence of 15 consecutive *access slots* (AS), each of length 5 120 chips. Each access slot consists of two parts, an *Acquisition-Indicator* (AI) part consisting of 32 real-valued symbols a_0, \dots, a_{31} and a part of duration 1 024 chips with no transmission that is not formally part of the AICH. The part of the slot with no transmission is reserved for possible use by CSICH or possible future use by other physical channels.

The spreading factor (SF) used for channelization of the AICH is 256.

The phase reference for the AICH is the Primary CPICH.

FIGURE 160
Structure of AICH



1457-160

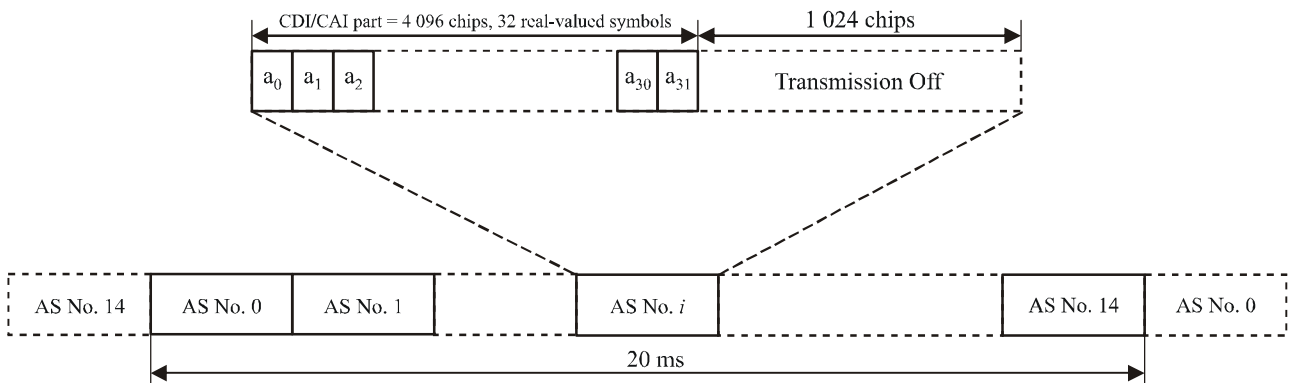
6.3.7.4.1.2.1.7 CPCH Collision Detection/Channel Assignment Indicator Channel (CD/CA-ICH)

The Collision Detection CHannel Assignment Indicator channel (CD/CA-ICH) is a fixed rate ($SF = 256$) physical channel used to carry CD Indicator (CDI) only if the CA is not active, or CD Indicator/CA Indicator (CDI/CAI) at the same time if the CA is active. CD/CA-ICH and AP-AICH may use the same or different channelization codes.

The CD/CA-ICH has a part of duration of 4 096 chips where the CDI/CAI is transmitted, followed by a part of duration 1 024 chips with no transmission that is not formally part of the CD/CA-ICH. The part of the slot with no transmission is reserved for possible use by CSICH or possible future use by other physical channels.

The spreading factor (SF) used for channelization of the CD/CA-ICH is 256.

FIGURE 161
Structure of CD/CA-ICH



1457-161

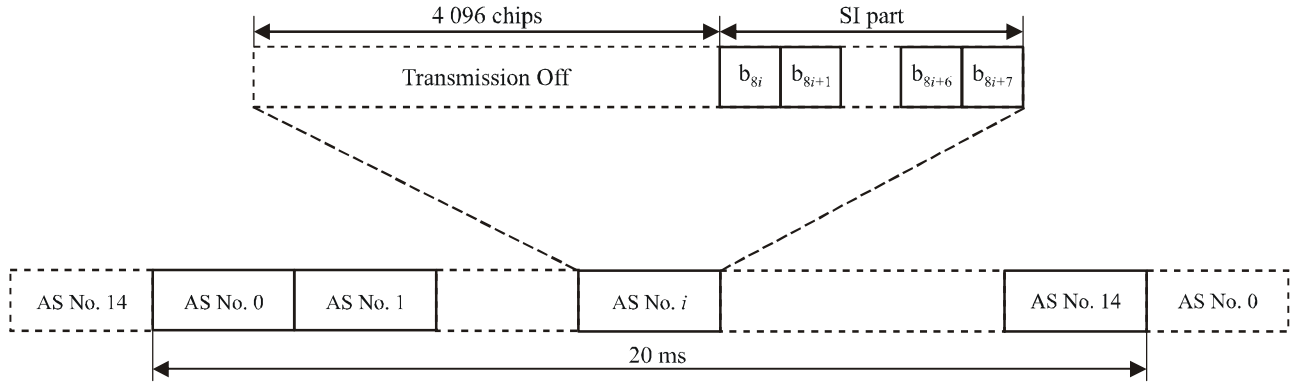
6.3.7.4.1.2.1.8 CPCH Status Indicator Channel (CSICH)

The CPCH Status Indicator CHannel (CSICH) is a fixed rate ($SF = 256$) physical channel used to carry CPCH status information.

A CSICH is always associated with a physical channel used for transmission of CPCH AP-AICH and uses the same channelization and scrambling codes. The CSICH frame consists of 15 consecutive access slots (AS) each of length 40 bits. Each access slot consists of two parts, a part of duration 4 096 chips with no transmission that is not formally part of the CSICH, and a Status Indicator (SI) part consisting of 8 bits b_{8i}, \dots, b_{8i+7} , where i is the access slot number. The part of the slot with no transmission is reserved for use by

AICH, AP-AICH or CD/CA-ICH. The modulation used by the CSICH is the same as for the PICH. The phase reference for the CSICH is the Primary CPICH.

FIGURE 162
Structure of CSICH



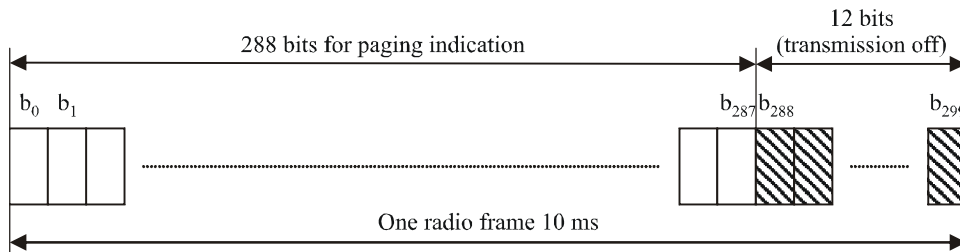
1457-162

6.3.7.4.1.2.1.9 Paging indicator channel (PICH)

The Paging Indicator CHannel (PICH) is a fixed rate (SF = 256) physical channel used to carry the paging indicators. The PICH is always associated with an S-CCPCH to which a PCH transport channel is mapped.

One PICH radio frame of length 10 ms consists of 300 bits. Of these, 288 bits are used to carry paging indicators. The remaining 12 bits are not formally part of the PICH and shall not be transmitted. The part of the frame with no transmission is reserved for possible future use.

FIGURE 163
Structure of PICH



1457-163

6.3.7.4.1.2.1.10 Downlink dedicated physical channel (downlink DPCH)

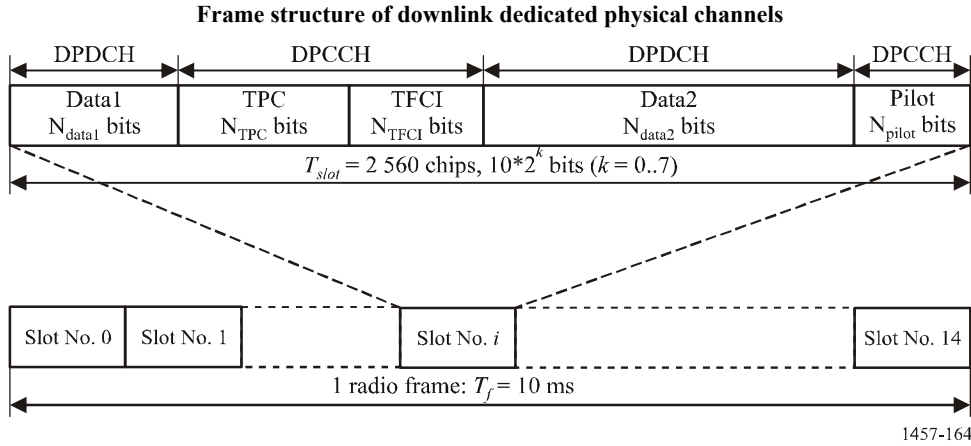
There are two types of dedicated physical channels, the Dedicated Physical Data CHannel (DPDCH) and the Dedicated Physical Control CHannel (DPCCH).

DPDCH is used to carry dedicated data generated at Layer 2 and above, i.e. the dedicated transport channels.

DPCCH is used to carry control information generated at Layer 1. Control information consists of known pilot bits to support channel estimation for coherent detection, transmit power-control (TPC) commands, Transport Format Combination Indicator (TFCI).

The transport format combination indicator informs the receiver about the instantaneous rate of the different services multiplexed on the dedicated physical data channels. It is also possible, in the absence of TFCI, to use Blind Detection.

FIGURE 164



For the downlink, DPDCH and DPCCH are time multiplexed within each radio frame and transmitted with QPSK modulation.

Each frame of length 10 ms is split into 15 slots, each of length $T_{slot} = 0,666$ ms (2 560 chips). Within each slot, DPDCH and DPCCH are time multiplexed. Power control periods do not match fast fading correction due to satellite propagation time. Nevertheless, slot structure is kept unchanged in order to reduce modification requirements of terrestrial UE and Node B modems.

The parameter k in Fig. 164 determines the total number of bits per downlink DPCH slot. It is related to the spreading factor SF of the physical channel as $SF = 512 / 2^k$. The spreading factor may thus range from 512 down to 4.

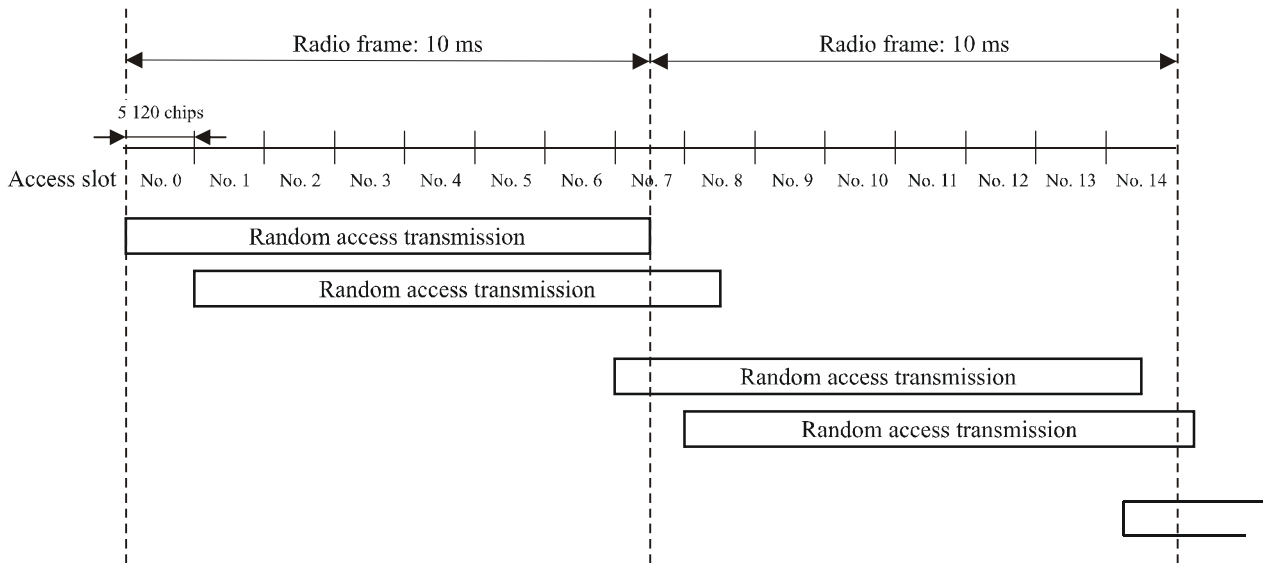
6.3.7.4.1.2.2 Uplink physical channel

6.3.7.4.1.2.2.1 Physical random access channel (PRACH)

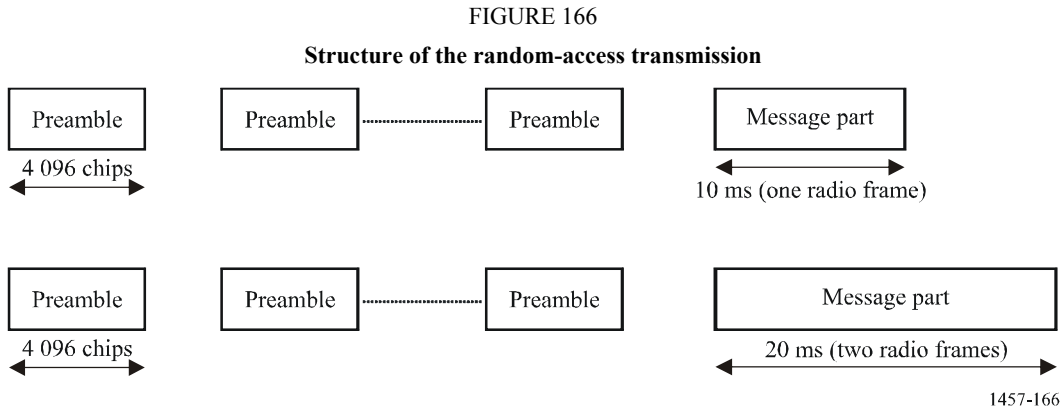
The random-access transmission is based on a Slotted ALOHA approach with fast acquisition indication. The UE can start the random-access transmission at the beginning of a number of well-defined time intervals, denoted *access slots*. There are 15 access slots per two frames and they are spaced 5 120 chips apart.

FIGURE 165

RACH access slot numbers and their spacing



The random-access transmission consists of one or several *preambles* of length 4 096 chips and a *message* of length 10 ms or 20 ms.

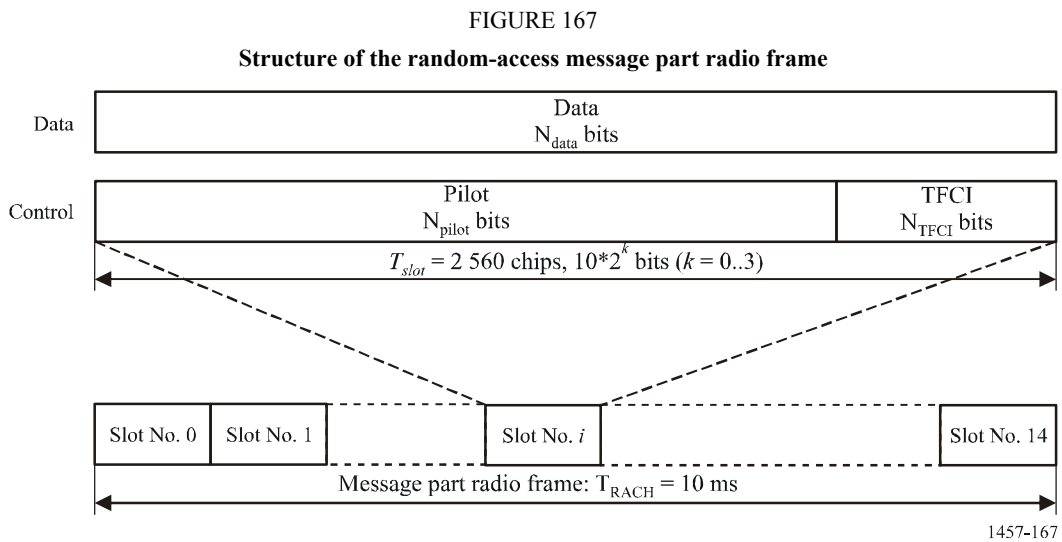


Each preamble is of length 4 096 chips and consists of 256 repetitions of a signature of length 16 chips.

The 10 ms message part radio frame is split into 15 slots, each of length $T_{slot} = 2\,560$ chips. Each slot consists of two parts, a data part to which the RACH transport channel is mapped and a control part that carries Layer 1 control information. The data and control parts are transmitted in parallel. A 10 ms message part consists of one message part radio frame, while a 20 ms message part consists of two consecutive 10 ms message part radio frames. The message part length is equal to the Transmission Time Interval of the RACH Transport channel in use.

The data part consists of 10×2^k bits, where $k = 0, 1, 2, 3$. This corresponds to a spreading factor of 256, 128, 64, and 32 respectively for the message data part.

The control part consists of 8 known pilot bits to support channel estimation for coherent detection and 2 TFCI bits. This corresponds to a spreading factor of 256 for the message control part. The total number of TFCI bits in the random-access message is $15 \times 2 = 30$. The TFCI of a radio frame indicates the transport format of the RACH transport channel mapped to the simultaneously transmitted message part radio frame. In case of a 20 ms PRACH message part, the TFCI is repeated in the second radio frame.

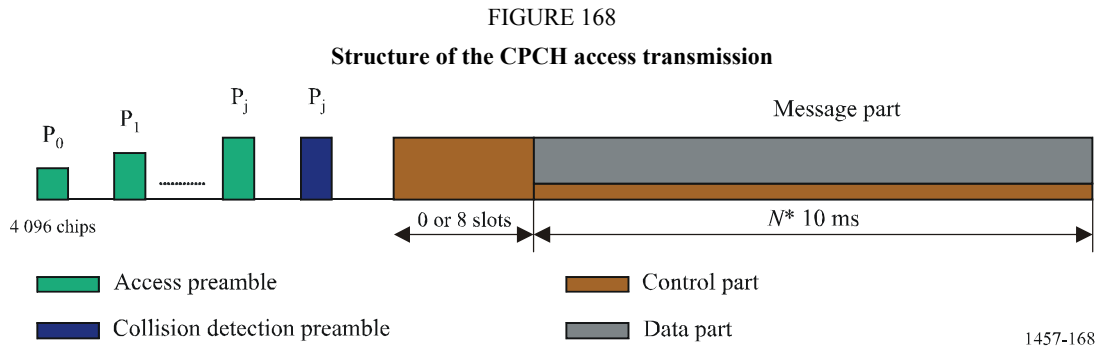


6.3.7.4.1.2.2.2 Physical Common Packet Channel (PCPCH)

The CPCH transmission is based on DSMA-CD approach with fast acquisition indication. The UE can start transmission at the beginning of a number of well-defined time-intervals, relative to the frame boundary of the received BCH of the current spot. The access slot timing and structure is identical to RACH. The PCPCH access transmission consists of one or several Access Preambles (A-P) of length 4 096 chips, one Collision Detection Preamble (CD-P) of length 4 096 chips, a DPCCH Power Control Preamble (PC-P) which is either 0 slots or 8 slots in length, and a message of variable length $N \times 10$ ms.

Similar to RACH preamble part. The RACH preamble signature sequences are used. The number of sequences used could be less than the ones used in the RACH preamble. The scrambling code could either be chosen to be a different code segment of the Gold code used to form the scrambling code of the RACH preambles or could be the same scrambling code in case the signature set is shared.

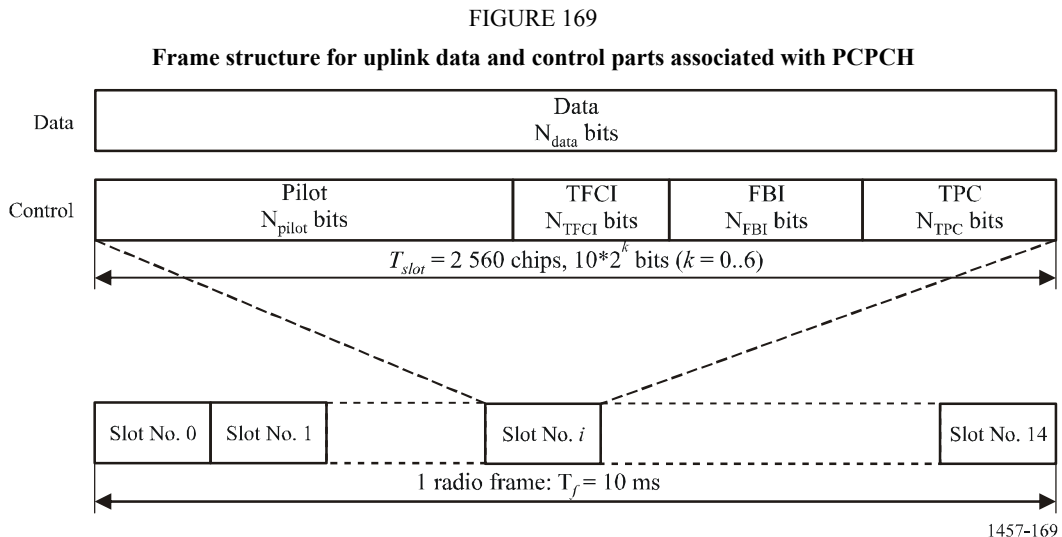
Similar to RACH preamble part. The RACH preamble signature sequences are used. The scrambling code is chosen to be a different code segment of the Gold code used to form the scrambling code for the RACH and CPCH preambles.



The power control preamble segment is called the CPCH Power Control Preamble (PC-P) part. The Power Control Preamble length shall take the value 0 or 8 slots.

Each message consists of up to N_Max_frames 10 ms frames. Each 10 ms frame is split into 15 slots, each of length $T_{slot} = 2\ 560$ chips, corresponding to one power-control period. Each slot consists of two parts, a data part that carries higher layer information and a control part that carries Layer 1 control information. The data and control parts are transmitted in parallel.

The spreading factor for the control part of the CPCH message part is 256.



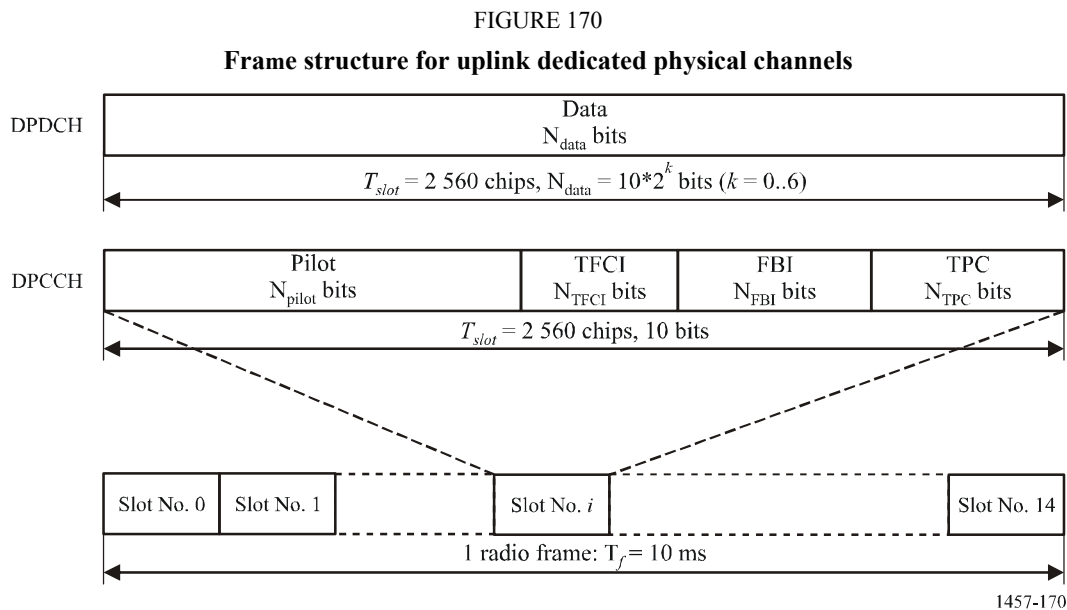
The data part consists of 10×2^k bits, where $k = 0, 1, 2, 3, 4, 5, 6$, corresponding to spreading factors of 256, 128, 64, 32, 16, 8, 4 respectively.

6.3.7.4.1.2.2.3 Uplink dedicated physical channel (uplink DPCH)

For the uplink, the DPDCH and the DPCCH are I/Q code multiplexed within each radio frame and transmitted with dual-channel QPSK modulation. Each additional DPDCHs is code multiplexed on either the I- or the Q-branch with this first channel pair.

Figure 170 shows the principle of frame structure of the uplink dedicated physical channels. Each frame of length 10 ms is split into 15 slots, each of length $T_{slot} = 0,666$ ms (2 560 chips), corresponding to one power-control period. Within each slot, the DPDCH and the DPCCH are transmitted in parallel.

The parameter k in Fig. 170 determines the number of bits per DPDCH slot. It is related to the spreading factor SF of the physical channel as $SF = 256/2^k$. The spreading factor may range from 256 down to 4. The spreading factor of the uplink DPCCH is always equal to 256, i.e. there are 10 bits per uplink DPCCH slot.



The FBI bits are used to support techniques requiring feedback from the UE to the Satellite RAN Access Point, including closed loop mode transmit diversity and Spot Selection Diversity Transmission (SSDT).

72 consecutive uplink frames constitute one super frame of length 720 ms.

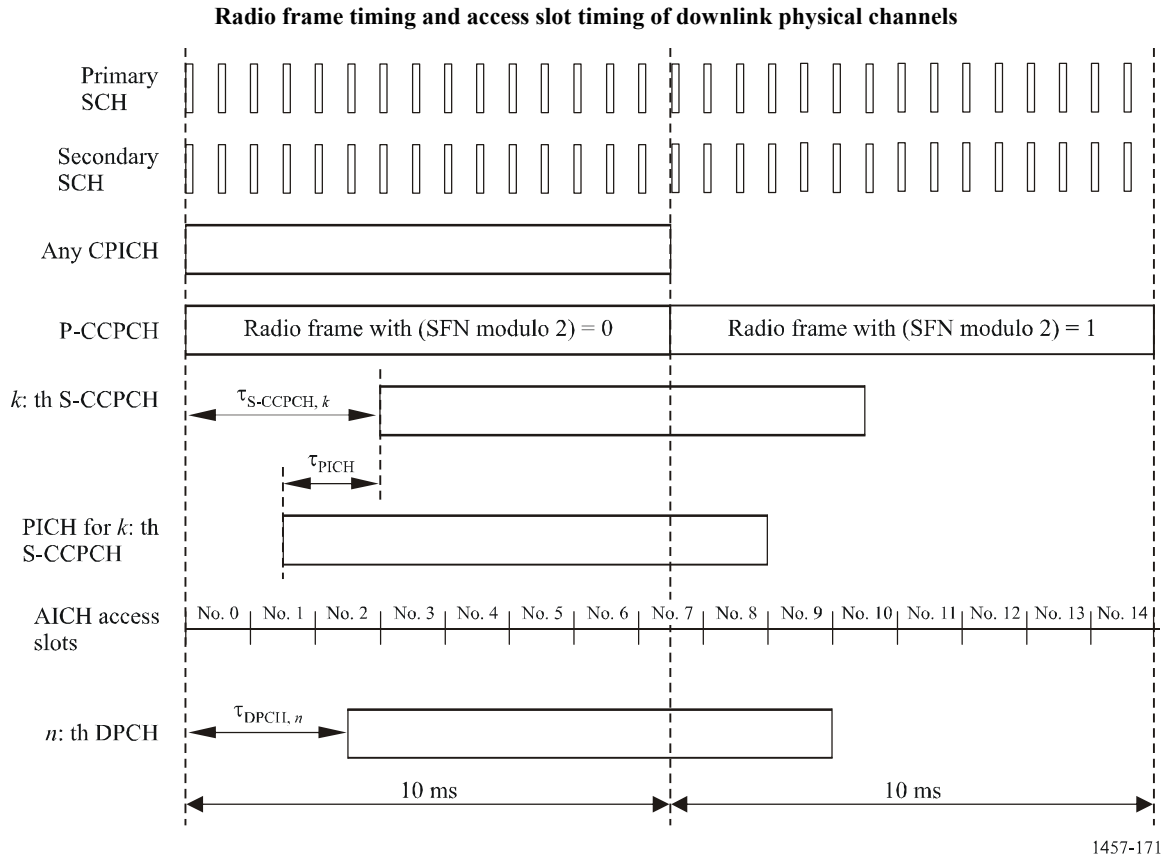
6.3.7.4.1.3 Timing relationship between physical channels

The P-CCPCH, on which the spot SFN is transmitted, is used as timing reference for all the physical channels, directly for downlink and indirectly for uplink.

Figure 171 describes the frame timing of the downlink physical channels. For the AICH the access slot timing is included. Transmission timing for uplink physical channels is given by the received timing of downlink physical channels.

The SCH (primary and secondary), CPICH (primary and secondary), P-CCPCH, CPCH-CCPCH and PDSCH have identical frame timings. The S-CCPCH timing may be different for different S-CCPCHs, but the offset from the P-CCPCH frame timing is a multiple of 256 chips. The PICH timing is 7 680 chips prior to its corresponding S-CCPCH frame timing, i.e. the timing of the S-CCPCH carrying the PCH transport channel with the corresponding paging information. The AICH even sub-access frame has the identical timing to P-CCPCH frames with $(SFN \text{ modulo } 2) = 0$, and the AICH odd sub-access frame has the identical timing to P-CCPCH frames with $(SFN \text{ modulo } 2) = 1$. AICH access slots No. 0 starts the same time as P-CCPCH frames with $(SFN \text{ modulo } 2) = 0$. The DPCH timing may be different for different DPCHs, but the offset from the P-CCPCH frame timing is a multiple of 256 chips.

FIGURE 171



6.3.7.4.1.3.1 PRACH/AICH timing relation

The downlink AICH is divided into downlink access slots, each access slot is of length 5120 chips. The downlink access slots are time aligned with the P-CCPCH.

The uplink PRACH is divided into uplink access slots, each access slot is of length 5 120 chips. Uplink access slot number n is transmitted from the UE τ_{p-a} chips prior to the reception of downlink access slot number n , $n = 0, 1, \dots, 14$.

Transmission of downlink acquisition indicators may only start at the beginning of a downlink access slot. Similarly, transmission of uplink RACH preambles and RACH message parts may only start at the beginning of an uplink access slot.

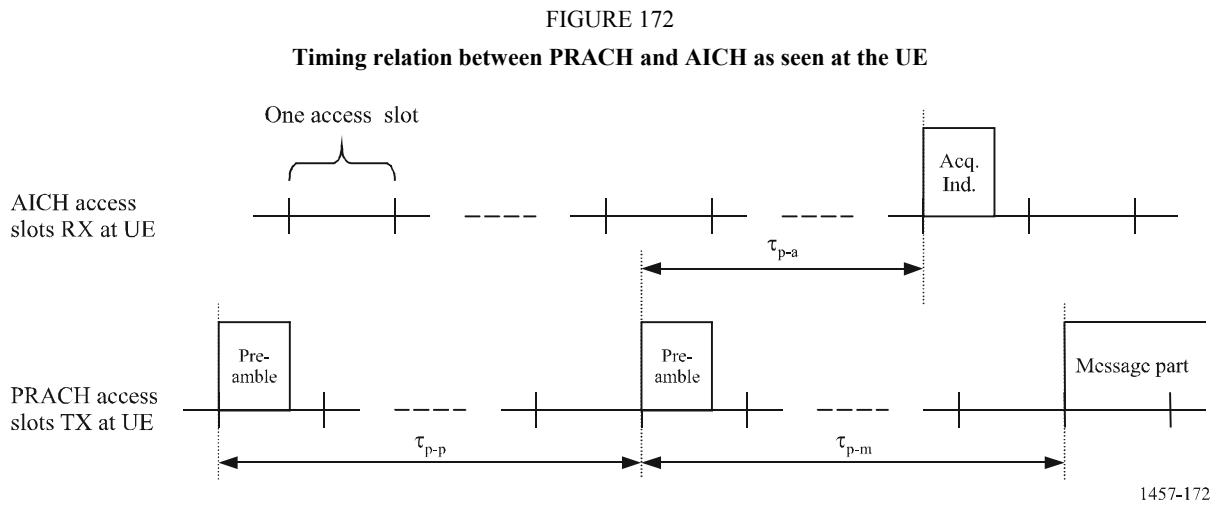
The PRACH/AICH timing relation is shown in Fig. 172.

6.3.7.4.1.3.2 DPCCH/DPDCH timing relations

In uplink the DPCCH and all the DPDCHs transmitted from one UE have the same frame timing.

In downlink, the DPCCH and all the DPDCHs of dedicated type to one UE have the same frame timing.

At the UE, the uplink DPCCH/DPDCH frame transmission takes place approximately T_0 chips after the reception of the first detected path (in time) of the corresponding downlink DPCCH/DPDCH frame. T_0 is a constant defined to be 1 024 chips.



6.3.7.4.2 Channel coding and service multiplexing

6.3.7.4.2.1 Processing step

The coding and multiplexing steps are shown in Fig. 173 and Fig. 174, where TrBk denotes transport block and DTX denotes discontinuous transmission.

6.3.7.4.2.2 Error detection

Error detection is provided on transport channel blocks through a CRC. The CRC is 24, 16, 12, 8 or 0 bits and it is signalled from higher layers which CRC length that should be used for each transport channel.

The entire transport block is used to calculate the CRC parity bits for each transport block. The parity bits are generated by one of the following cyclic generator polynomials:

- $G_{CRC24}(X) = X^{24} + X^{23} + X^6 + X^5 + X + 1;$
- $G_{CRC16}(X) = X^{16} + X^{12} + X^5 + 1;$
- $G_{CRC12}(X) = X^{12} + X^{11} + X^3 + X^2 + X + 1;$
- $G_{CRC8}(X) = X^8 + X^7 + X^4 + X^3 + X + 1.$

FIGURE 173

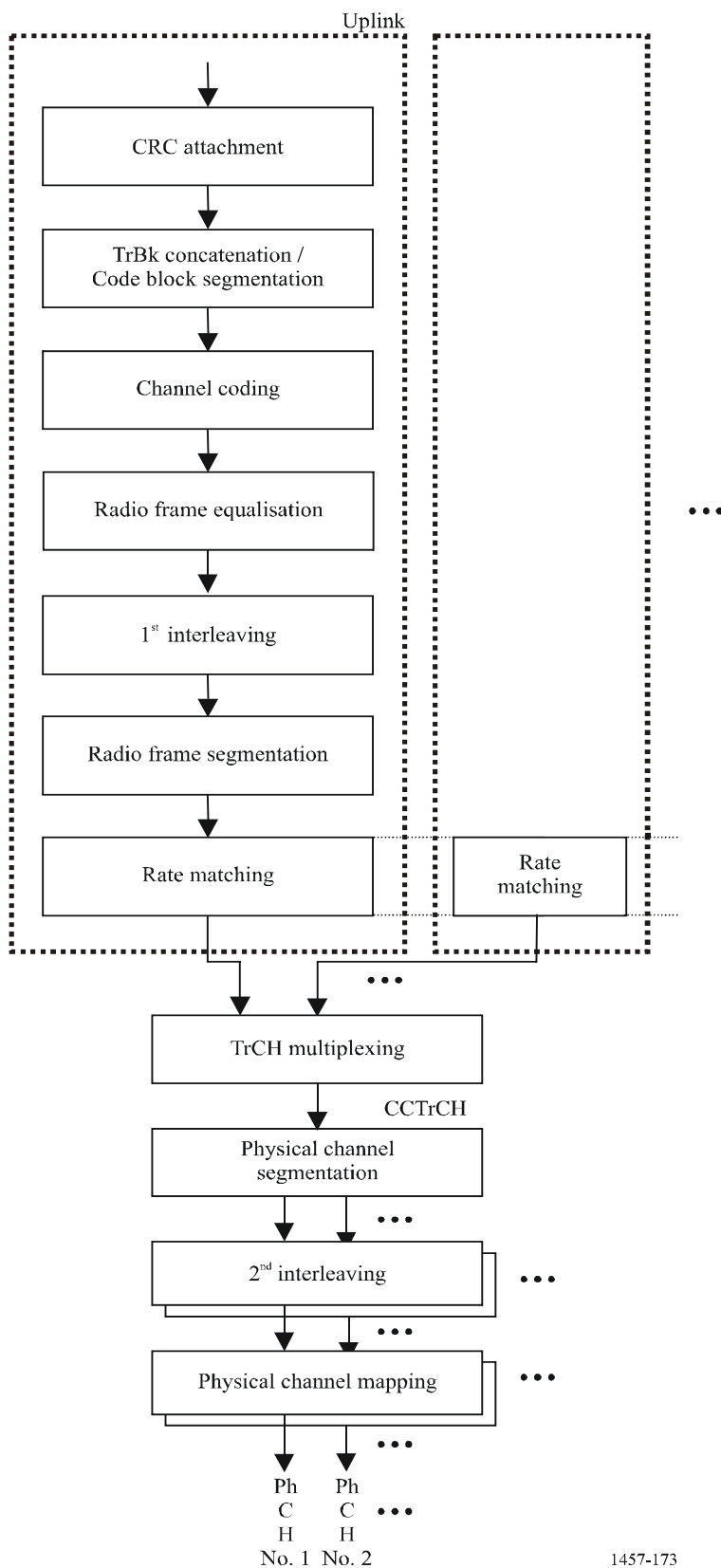
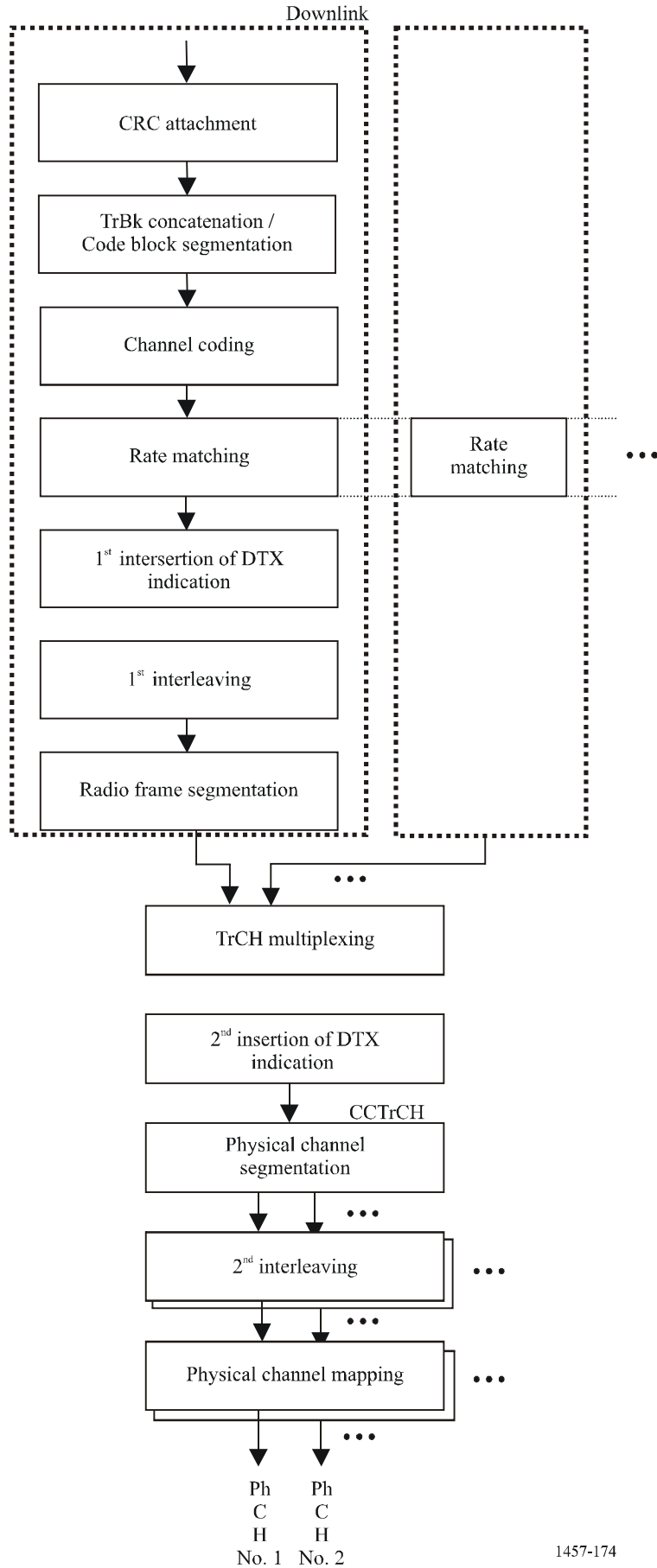


FIGURE 174



6.3.7.4.2.3 Channel coding

For the channel coding, two schemes can be applied:

- Convolutional coding;
- Turbo coding.

Channel coding selection is indicated by upper layers. In order to randomize transmission errors, symbol interleaving is performed further.

The scheme of Turbo coder is a Parallel Concatenated Convolutional Code (PCCC) with two 8-state constituent encoders and one Turbo code internal interleaver.

TABLE 63

Channel coding scheme and coding rate

Type of TrCH	Coding scheme	Coding rate
BCH	Convolutional coding (constraint length 9)	1/2
PCH		
RACH		
CPCH, DCH, DSCH, FACH	Turbo coding	1/3, 1/2
	No coding	

6.3.7.4.2.3.1 Convolutional coding

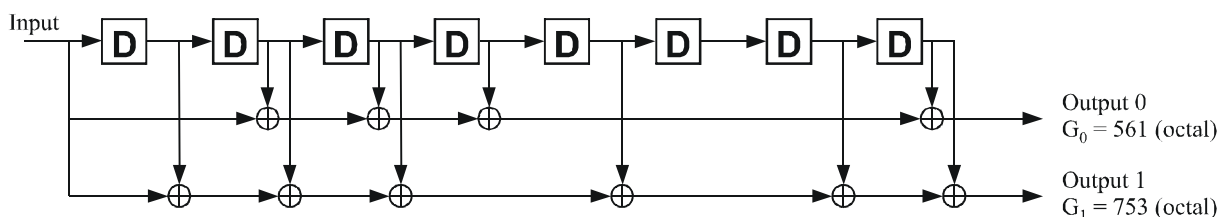
Convolutional codes with constraint length 9 and coding rates 1/3 and 1/2 are defined.

The generator functions for the rate 1/3 code are $G_0 = 557$ (OCT), $G_1 = 663$ (OCT) and $G_2 = 711$ (OCT).

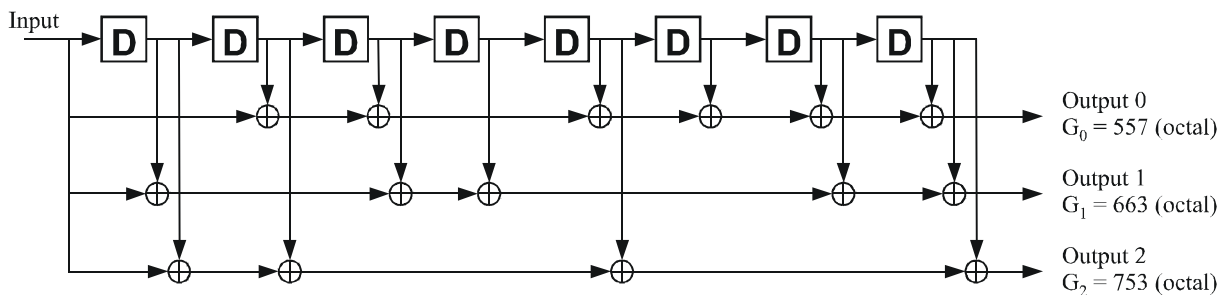
The generator functions for the rate 1/2 code are $G_0 = 561$ (OCT) and $G_1 = 753$ (OCT).

FIGURE 175

Rate 1/2 and 1/3 convolutional code generator



a) Rate 1/2 convolutional coder



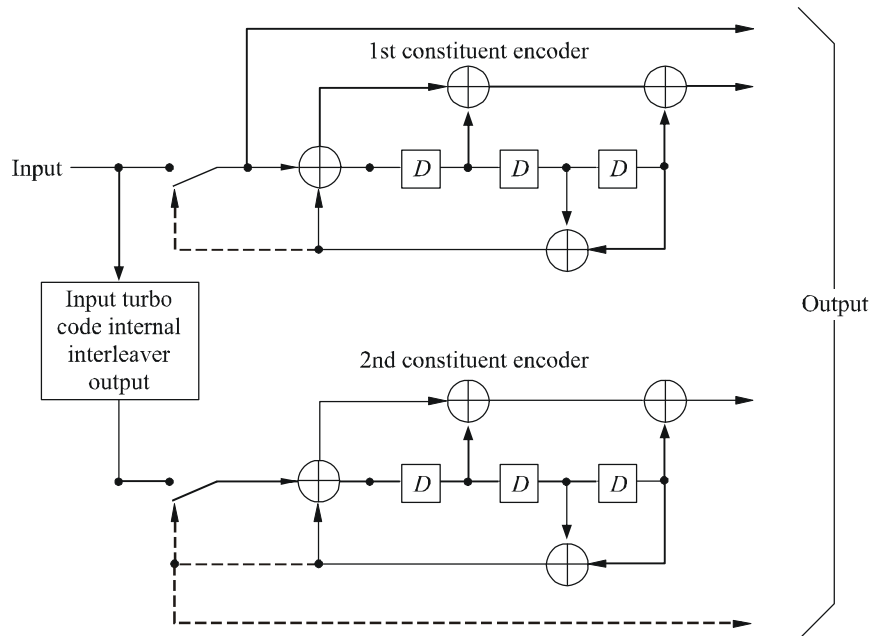
b) Rate 1/3 convolutional coder

6.3.7.4.2.3.2 Turbo coding

The scheme of turbo coder is a parallel concatenated convolutional code (PCCC) with two 8-state constituent encoders and one Turbo code internal interleaver. The coding rate of turbo coder is 1/3.

FIGURE 176

Rate 1/3 turbo coder generator (dotted lines apply for trellis termination only)



1457-176

The transfer function of the 8-state constituent code for PCCC is:

$$G(D) = \begin{bmatrix} 1, g_1(D) \\ g_0(D) \end{bmatrix}$$

where:

$$g_0(D) = 1 + D^2 + D^3$$

$$g_1(D) = 1 + D + D^3.$$

6.3.7.4.2.4 Interleaving

The 1st interleaver is a (M -row by N -column) block interleaver with inter-column permutations. The size of the 1st interleaver, $M \times N$ is an integer multiple of transmission time interval (TTI).

The 2nd interleaver is a (M -row by N -column) block interleaver with inter-column permutations. The size of the 2nd interleaver, $M \times N$ is the number of bits in one radio frame for one physical channel and the number of columns, N is 30. The inter-column permutation pattern is $\langle 0, 20, 10, 5, 15, 25, 3, 13, 23, 8, 18, 28, 1, 11, 21, 6, 16, 26, 4, 14, 24, 19, 9, 29, 12, 2, 7, 22, 27, 17 \rangle$.

6.3.7.4.2.5 Rate matching

The number of bits on a transport channel can vary between different transmission time intervals. In uplink, bits on a transport channel are repeated or punctured to ensure that the total bit rate after transport channel multiplexing is identical to the total channel bit rate of the allocated DPCH. In downlink, the total bit rate after the transport channel multiplexing is less than or equal to the total channel bit rate given by the channelization code(s) assigned by higher layers. The transmission is interrupted if the number of bits is lower than maximum.

6.3.7.4.2.6 Transport channel multiplexing

Every 10 ms, one radio frame from each transport channel is delivered to the transport channel multiplexing. These radio frames are serially multiplexed into a coded composite transport channel.

6.3.7.4.2.7 TFCI coding

The TFCI is encoded using a (32, 10) sub-code of the second order Reed-Muller code. The code words are linear combination of 10 basis sequences. The TFCI information bits shall correspond to the TFC index defined by the RRC layer to refer the TFC of the associated DPCH radio frame.

If one of the DCH is associated with a DSCH, the TFCI code word may be split in such a way that the code word relevant for TFCI activity indication is not transmitted from every beam. The use of such a functionality shall be indicated by higher layer signalling. The TFCI is encoded using a (16, 5) bi-orthogonal (or first order Reed-Muller) code. The code words of the (16, 5) bi-orthogonal code are linear combinations of 5 basis sequences. The first set of TFCI information bits shall correspond to the TFC index defined by the RRC layer to refer the TFC of the DCH CCTrCH in the associated DPCH radio frame. The second set of TFCI information bits shall correspond to the TFC index defined by the RRC layer to refer the TFC of the associated DSCH in the corresponding PDSCH radio frame.

The bits of the code word are directly mapped to the slots of the radio frame. The coded bits b_k , are mapped to the transmitted TFCI bits d_k , according to $d_k = b_{k \bmod 32}$, where $k = 0, \dots, K - 1$. The number of bits available in TFCI fields of a radio frame, K , depends on the slot format used for the frame.

6.3.7.4.2.8 TPC command coding

The 2-bit TPC command is encoded by repetition. The set of TPC command bits (a_0, a_1) shall correspond to the TPC command defined by the power control procedure. The output code word bits b_k are given by $b_k = a_{k \bmod 2}$, where $k = 0, \dots, 15$.

For both uplink and downlink channels, the bits of the code word are mapped to 15 slots of a radio frame. The coded bits b_k , are mapped to the transmitted TPC bits d_k , according to $d_k = b_{k \bmod 15}$, where $k = 0, \dots, K - 1$. The number of bits available in TPC fields of a radio frame, K , depends on the slot format used for the frame.

6.3.7.4.3 Modulation and spreading

6.3.7.4.3.1 Uplink spreading

The spreading modulation uses orthogonal complex QPSK (OCQPSK) for uplink channels.

Spreading is applied to the physical channels. It consists of two operations. The first is the channelization operation, which transforms every data symbol into a number of chips, thus increasing the bandwidth of the signal. The number of chips per data symbol is called the Spreading Factor (SF). The second operation is the scrambling operation, where a scrambling code is applied to the spread signal.

With the channelization, data symbols on so-called I- and Q-branches are independently multiplied with an OVSF code. With the scrambling operation, the resultant signals on the I- and Q-branches are further multiplied by complex-valued scrambling code, where I and Q denote real and imaginary parts, respectively.

Figure 177 shows the configuration of the uplink-spreading. Channelization codes, $C_{ch, i}$, $i = 1, 2, \dots, N$, first spread one DPCCCH channel and the DPDCH channels. Then the signals are adjusted by power gain factors, G_i , are added together both in I and Q branches, and are multiplied by a complex scrambling code $S_{up, n}$.

If only one DPDCH is needed, only the DPDCH₁ and the DPCCCH are transmitted. In multi-code transmission, several DPDCHs are transmitted using I and Q branches.

The long scrambling code is built from constituent long sequences $c_{long, 1, n}$ and $c_{long, 2, n}$. The two sequences are obtained from position wise modulo 2 sum of 38 400 chip segments of two binary m -sequences x_n and y . The x_n sequence, which depends on the chosen scrambling sequence number n , is obtained from the m -sequence generator polynomial $X^{25} + X^3 + 1$ and the y sequence is obtained from the generator polynomial $X^{25} + X^3 + X^2 + X + 1$.

The configuration of long code generator for uplink is presented in Fig. 178.

Define the binary Gold sequence z_n by:

$$z_n(i) = x_n(i) + y(i) \text{ modulo } 2, \quad i = 0, 1, 2, \dots, 2^{25} - 2.$$

These binary sequences are converted to real valued sequences Z_n . The real-valued long scrambling sequences $c_{\text{long},1,n}$ and $c_{\text{long},2,n}$ are defined as follows:

$$c_{\text{long},1,n}(i) = Z_n(i), \quad i = 0, 1, 2, \dots, 2^{25} - 2 \text{ and}$$

$$c_{\text{long},2,n}(i) = Z_n((i + 16\,777\,232) \text{ modulo } (2^{25} - 1)), \quad i = 0, 1, 2, \dots, 2^{25} - 2.$$

Finally, the complex-valued long scrambling sequence $C_{\text{long},n}$, is defined as:

$$C_{\text{long},n}(i) = c_{\text{long},1,n}(i)(1 + j(-1)^i c_{\text{long},2,n}(2\lfloor i/2 \rfloor))$$

where $i = 0, 1, \dots, 2^{25} - 2$ and $\lfloor \cdot \rfloor$ denotes rounding to nearest lower integer.

FIGURE 177
Uplink-spreading

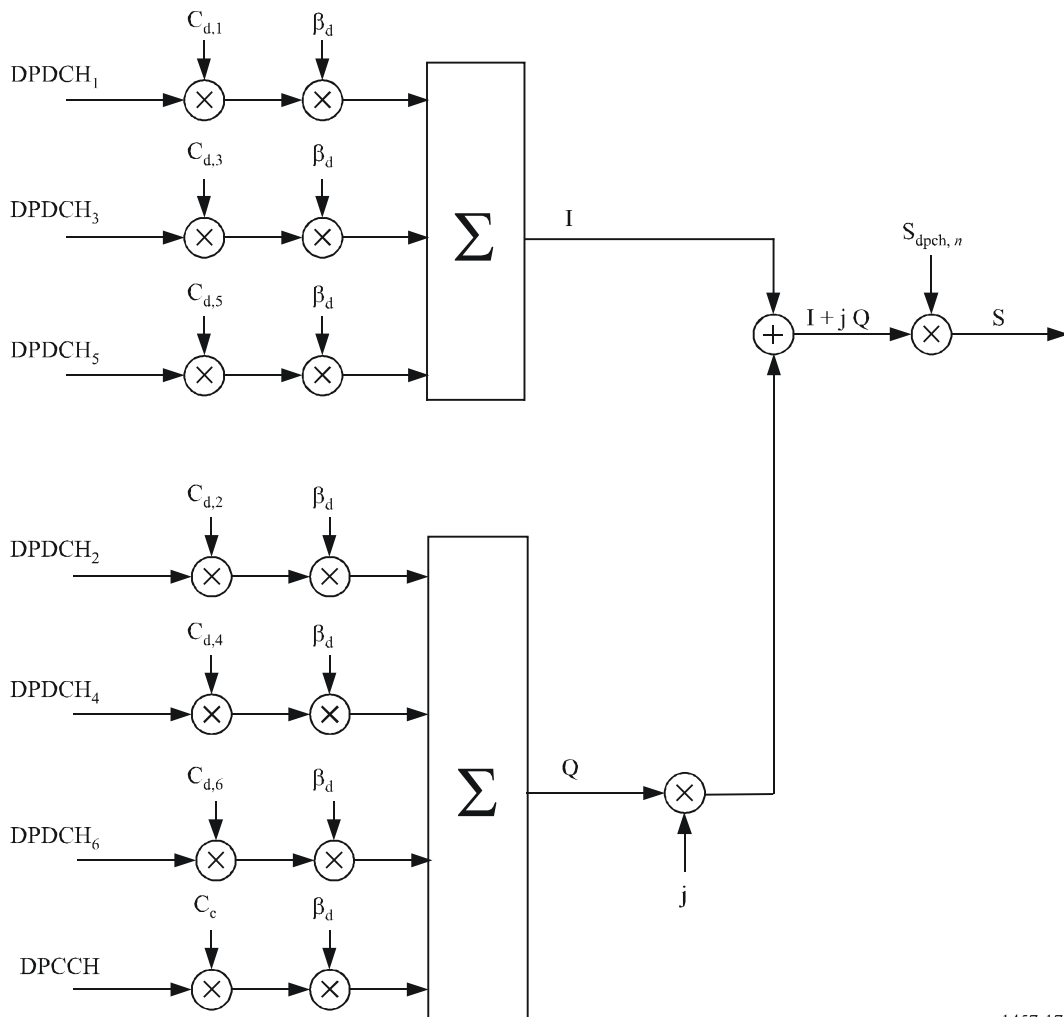
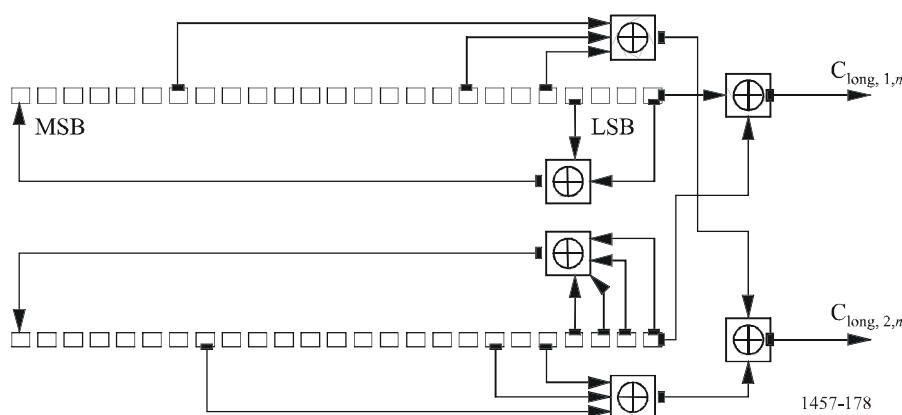


FIGURE 178
Long code generator for uplink



6.3.7.4.3.1.1 PRACH and PCPCH codes

The access preamble code is of length $N_p \times 4\,096$ chips and consists of N_p sub-preamble codes. The sub-preamble code $C_{pre,n,s,i}$ is a complex valued sequence. It is built from a preamble scrambling code $S_{r-pre,n}$ and a preamble signature $C_{sig,s}$ as follows:

- when N_p is set to 1, then:

$$C_{pre,n,s,0}(k) = S_{pre,n}(k) \times C_{sig,s}(k) \times e^{j(\frac{\pi}{4} + \frac{\pi}{2}k)}, k = 0, 1, 2, 3, \dots, 4\,095$$

- when N_p is greater than 1, then:

$$C_{pre,n,s,i}(k) = S_{pre,n}(k) \times C_{sig,s}(k) \times e^{j(\frac{\pi}{4} + \frac{\pi}{2}k)}, k = 0, 1, 2, 3, \dots, 4\,095, i = 0, 1, \dots, N_p - 2$$

$$C_{pre,n,s,N_p-1}(k) = S_{pre,n}(k) \times C_{sig,s}(k) \times e^{j(\frac{\pi}{4} + \frac{\pi}{2}k)}, k = 0, 1, 2, 3, \dots, 4\,095$$

where $k = 0$ corresponds to the chip transmitted first in time.

The preamble signature corresponding to a signature s consists of 256 repetitions of a length 16 signature. The signature is from the set of 16 Hadamard codes of length 16.

The scrambling code for the preamble part is constructed from the long scrambling sequences. The n :th preamble scrambling code is defined as:

$$S_{pre,n}(i) = c_{long,1,n}(i)$$

where $i = 0, 1, \dots, 4\,095$. When sub-access frames are used for the PRACH, the n :th preamble scrambling code where n is an even number is used for the preamble transmitted at the even sub-access frame. The n :th preamble scrambling code where n is an odd number is used for the preamble transmitted at the odd sub-access frame.

The n :th PRACH message part scrambling code, denoted $S_{r-msg,n}$, where $n = 0, 1, \dots, 8\,191$, is based on the long scrambling sequence and is defined as:

$$S_{r-msg,n}(i) = C_{long,n}(i + 4\,096), i = 0, 1, \dots, 38\,399$$

The n :th PCPCH message part scrambling code, denoted $S_{c-msg,n}$, where $n = 8\,192, 8\,193, \dots, 40\,959$ is based on the scrambling sequence and is defined as:

In the case when the long scrambling codes are used:

$$S_{c-msg,n}(i) = C_{long,n}(i), i = 0, 1, \dots, 38\,399$$

6.3.7.4.3.2 Uplink modulation

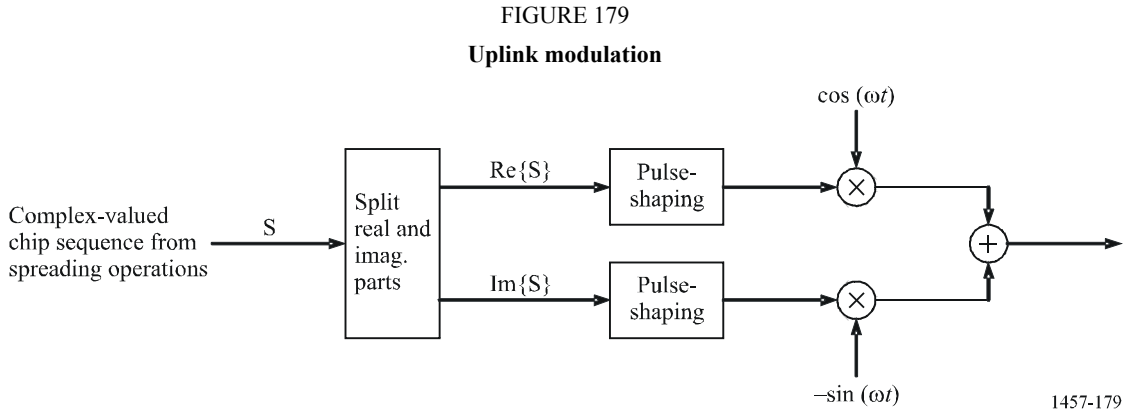
The modulating chip rate is 3.84 Mchip/s.

In the uplink, the modulation is dual-channel QPSK.

The modulated DPCCCH is mapped to the Q-channel, while the first DPDCH is mapped to the I channel.

Subsequently added DPDCHs are mapped alternatively to the I or Q channels.

Figure 179 shows the configuration of the uplink modulation. The baseband filter (pulse shaping filter) is a root-raised cosine filter with roll-off $\alpha = 0.22$ in the frequency domain.



6.3.7.4.3.3 Downlink spreading

Each pair of two consecutive real-valued symbols is first serial-to-parallel converted and mapped to an I and Q branch. The definition of the modulation mapper is such that even and odd numbered symbols are mapped to the I and Q branch respectively. For all channels except the indicator channels using signatures, symbol number zero is defined as the first symbol in each frame. For the indicator channels using signatures, symbol number zero is defined as the first symbol in each access slot. The I and Q branches are then both spread to the chip rate by the same real-valued channelization code $C_{ch,SF,m}$. The channelization code sequence shall be aligned in time with the symbol boundary. The sequences of real-valued chips on the I and Q branch are then treated as a single complex-valued sequence of chips. This sequence of chips is scrambled (complex chip-wise multiplication) by a complex-valued scrambling code $S_{dl,n}$.

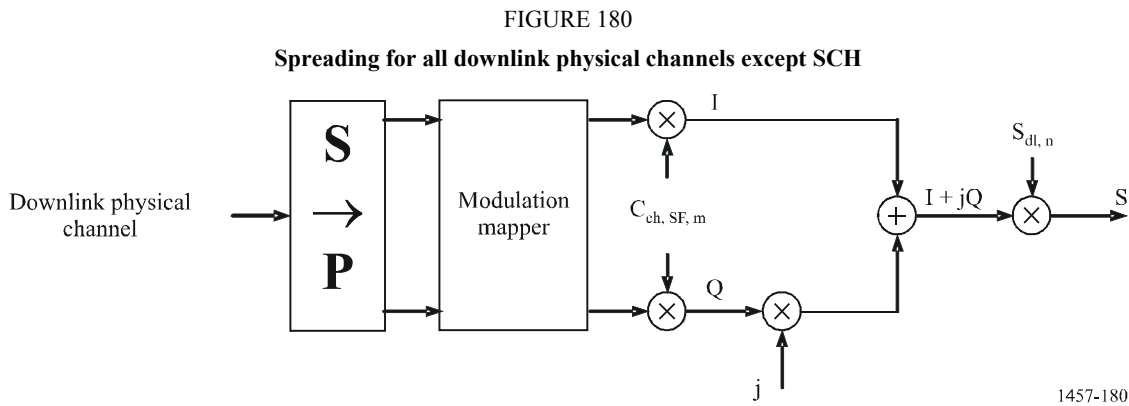
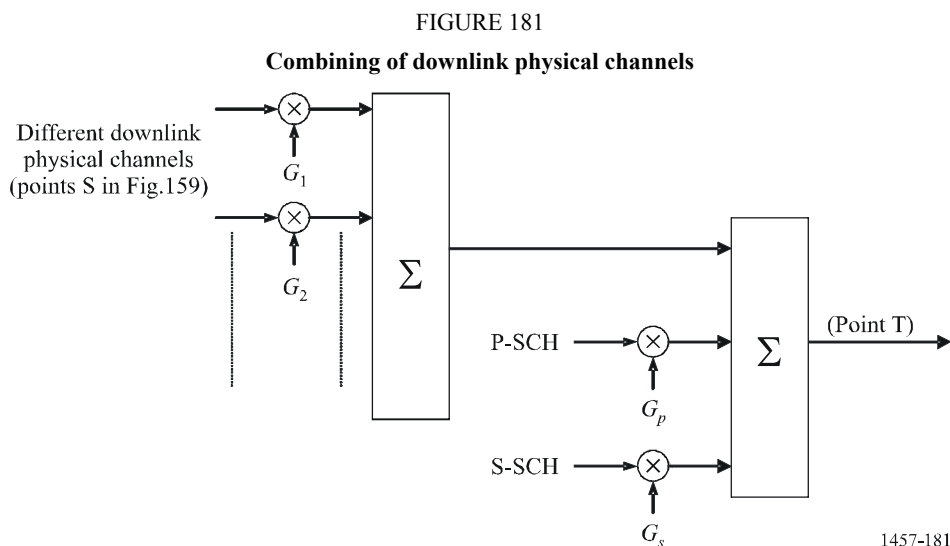


Figure 181 illustrates how different downlink channels are combined. Each complex-valued spread channel, corresponding to point S in Fig. 180, is separately weighted by a weight factor G_i . The complex-valued P-SCH and S-SCH, are separately weighted by weight factors G_p and G_s . All downlink physical channels are then combined using complex addition.



The channelization codes of Fig. 181 are the same codes as used in the uplink, namely Orthogonal Variable Spreading Factor (OVSF) codes that preserve the orthogonality between downlink channels of different rates and spreading factors.

The scrambling code is constructed by combining two real sequences into a complex sequence. Each of the two real sequences is obtained from position wise modulo 2 sum of 38 400 chip segments of two binary m -sequences x and y . The x sequence is obtained from the generator polynomial $X^{18} + X^7 + 1$. The y sequence is obtained from the generator polynomial $X^{18} + X^{10} + X^7 + X^5 + 1$. The initial condition for the x sequence is (00...1), where 1 is the LSB. The initial condition for the y sequence is (11...1).

The n :th Gold code sequence z_n , is then defined as:

$$- \quad z_n(i) = x((i+n) \text{ modulo } (2^{18} - 1)) + y(i) \text{ modulo } 2, \quad i = 0, \dots, 2^{18} - 2.$$

These binary sequences are converted to real valued sequences Z_n . Finally, the n :th complex scrambling code sequence $S_{dl,n}$ is defined as:

$$- \quad S_{dl,n}(i) = Z_n(i) + j Z_n((i + 131\,072) \text{ modulo } (2^{18} - 1)), \quad i = 0, 1, \dots, 38\,399.$$

Note that the pattern from phase 0 up to the phase of 38 399 is repeated.

The scrambling codes are divided into 512 sets, and each set consists of a primary scrambling code and 15 secondary scrambling codes. The primary scrambling codes consist of scrambling codes $n = 16*i$ where $i = 0 \dots 511$. The i :th set of secondary scrambling codes consists of scrambling codes $16*i + k$, where $k = 1 \dots 15$. There is a one-to-one mapping between each primary scrambling code and 15 secondary scrambling codes in a set such that i :th primary scrambling code corresponds to i :th set of secondary scrambling codes. Hence scrambling codes $n = 0, 1, \dots, 8\,191$ are used.

The set of primary scrambling codes is further divided into 64 scrambling code groups, each consisting of eight primary scrambling codes. The j :th scrambling code group consists of primary scrambling codes $16*8*j + 16*k$, where $j = 0 \dots 63$ and $k = 0 \dots 7$.

6.3.7.4.3.3.1 Synchronization codes

The primary synchronization code (PSC), C_{psc} is constructed as two generalized hierarchical Golay sequences.

Define:

$$- \quad a_1 = \langle x_1, x_2, x_3, \dots, x_{16} \rangle = \langle 1, -1, 1, -1, -1, -1, -1, -1, 1, 1, -1, -1, -1, 1, 1, -1 \rangle$$

$$- \quad a_2 = \langle y_1, y_2, y_3, \dots, y_{16} \rangle = \langle 1, -1, 1, -1, -1, -1, 1, 1, 1, -1, -1, 1, -1, -1, -1, -1 \rangle$$

The PSC is generated by repeating the sequences a_1 and a_2 modulated by a Golay complementary sequence, and creating a complex-valued sequence with identical real and imaginary components. The PSC C_{psc} is defined as:

$$C_{psc} = (1 + j) \times \langle a_1, -a_1, -a_1, -a_1, -a_1, a_1, -a_1, -a_1, a_2, a_2, -a_2, a_2, -a_2, a_2, a_2, a_2 \rangle$$

The 16 secondary synchronization codes (SSCs), $\{C_{ssc,1}, \dots, C_{ssc,16}\}$, are complex-valued with identical real and imaginary components, and are constructed from position wise multiplication of a Hadamard sequence and a sequence z , defined as:

- $z = \langle b_1, b_1, b_1, b_1, b_1, b_1, -b_1, -b_1, b_2, -b_2, -b_2, b_2, b_2, -b_2, b_2, -b_2 \rangle$, where
- $b_1 = \langle x_1, x_2, x_3, x_4, x_5, x_6, x_7, x_8, -x_9, -x_{10}, -x_{11}, -x_{12}, -x_{13}, -x_{14}, -x_{15}, -x_{16} \rangle$ and $x_1, x_2, \dots, x_{15}, x_{16}$, are the same as in the definition of the sequence a_1 above.
- $b_2 = \langle y_1, y_2, y_3, y_4, y_5, y_6, y_7, y_8, -y_9, -y_{10}, -y_{11}, -y_{12}, -y_{13}, -y_{14}, -y_{15}, -y_{16} \rangle$ and $y_1, y_2, \dots, y_{15}, y_{16}$, are the same as in the definition of the sequence a_2 above.

The Hadamard sequences are obtained as the rows in a matrix H_8 constructed recursively. Denote the n :th Hadamard sequence as a row of H_8 numbered from the top, $n = 0, 1, 2, \dots, 255$, in the sequel. Furthermore, let $h_n(i)$ and $z(i)$ denote the i :th symbol of the sequence h_n and z , respectively where $i = 0, 1, 2, \dots, 255$.

The k :th SSC, $C_{ssc,k}$, $k = 1, 2, 3, \dots, 16$ is then defined as:

$$C_{ssc,k} = (1 + j) \times \langle h_m(0) \times z(0), h_m(1) \times z(1), h_m(2) \times z(2), \dots, h_m(255) \times z(255) \rangle$$

where $m = 8 \times (k - 1)$.

There are 64 secondary SCH sequences and each sequence consists of 15 SSCs. The 64 secondary SCH sequences are constructed such that their cyclic-shifts are unique, i.e. a non-zero cyclic shift less than 15 of any of the 64 sequences is not equivalent to any cyclic shift of any other of the 64 sequences. Also, a non-zero cyclic shift less than 15 of any of the sequences is not equivalent to itself with any other cyclic shift less than 15.

6.3.7.4.3.4 Downlink modulation

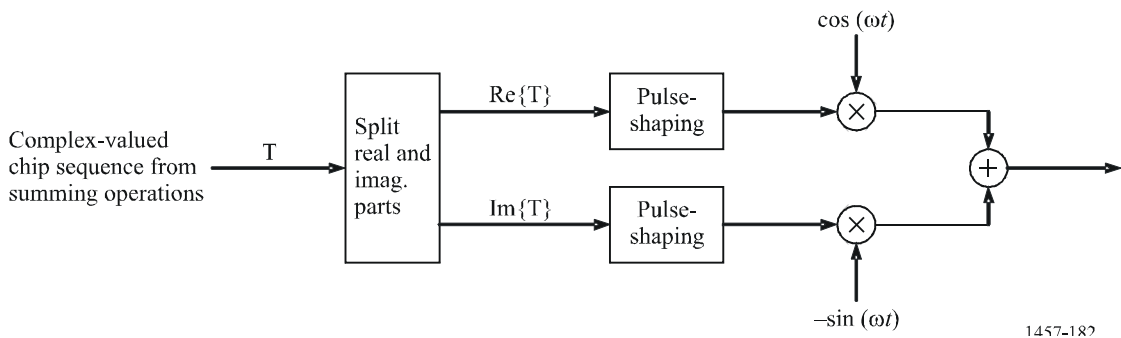
The modulating chip rate is 3.84 Mchip/s.

Modulation of the complex-valued chip sequence generated by the spreading process is shown in Fig. 182.

The modulated DPDCH and DPCCH are time-multiplexed.

The baseband filter (pulse shaping filter) is a root-raised cosine filter with roll-off $\alpha = 0.22$ in the frequency domain.

FIGURE 182
Downlink modulation



6.3.7.4.4 Procedures

6.3.7.4.4.1 Spot search

During the spot search, the UE searches for a satellite beam and determines the downlink scrambling code and common channel frame synchronisation of that satellite beam.

During the spot search, the MES searches for a spot and determines the downlink scrambling code and frame synchronisation of that spot. The spot search is typically carried out in three steps:

Step 1: Slot synchronisation

During the first step of the spot search procedure the MES uses the SCH's primary synchronisation code to acquire slot synchronisation to a spot. This is typically done with a single matched filter (or any similar device) matched to the primary synchronisation code which is common to all spots. The slot timing of the spot can be obtained by detecting peaks in the matched filter output.

Step 2: Frame synchronisation and code-group identification

During the second step of the spot search procedure, the MES uses the SCH's secondary synchronisation code to find frame synchronisation and identify the code group of the spot found in the first step. This is done by correlating the received signal with all possible secondary synchronisation code sequences, and identifying the maximum correlation value. Since the cyclic shifts of the sequences are unique the code group as well as the frame synchronisation is determined.

Step 3: Scrambling-code identification

During the third and last step of the spot search procedure, the MES determines the exact primary scrambling code used by the found spot. The primary scrambling code is typically identified through symbol-by-symbol correlation over the CPICH with all codes within the code group identified in the second step. After the primary scrambling code has been identified, the Primary CCPCH can be detected and the system- and spot specific BCH information can be read.

During the first and the second steps, a coarse frequency search and/or a differential detection technique may be required because of the carrier frequency error due to the Doppler shift.

During the second and the third steps, the MES can use locally stored information on satellite constellation and its position. This can reduce the beam search time.

6.3.7.4.4.2 Random access

6.3.7.4.4.2.1 RACH procedure

In the MAC layer, when there is data to be transmitted, MES selects the RACH class and starts on a retransmission cycle. If the number of retransmission cycles is larger than the maximum retransmission cycles, MES stops the procedure and reports to the higher layer.

At the beginning of each retransmission cycle, MES refreshes the parameters related to RACH procedure with the up-to-date values, included in system information messages broadcast over BCH. MES then decides whether to start the RACH transmission in the current frame, based on the persistence value. If the transmission is not allowed, MES repeats from the persistence check in the next frame. If the transmission is allowed, MES starts on a ramping-up retransmission period. If the number of the repeated periods is larger than the maximum ramping-up retransmissions, MES restarts on the retransmission cycle in the next frame.

During the ramping-up retransmission period, the MES shall perform the physical random-access procedure as follows:

Step 1: Derive the available uplink access slots, in the next full access slot set, for the set of available RACH sub-channels within the given ASC. Randomly select one access slot among the ones previously determined. If there is no access slot available in the selected set, randomly select one uplink access slot corresponding to the set of available RACH sub-channels within the given ASC from the next access slot set.

Step 2: Randomly select a signature from the set of available signatures within the given ASC.

- Step 3:* Set the Preamble Retransmission Counter to Preamble Retrans Max.
- Step 4:* Set the parameter Commanded Preamble Power to Preamble_Initial_Power.
- Step 5:* In the case that the Commanded Preamble Power exceeds the maximum allowed value, set the preamble transmission power to the maximum allowed power. Otherwise set the preamble transmission power to the Commanded Preamble Power. Transmit a preamble using the selected uplink access slot, signature, and preamble transmission power.
- Step 6:* If no positive or negative acquisition indicator corresponding to the selected signature is detected in the downlink access slot corresponding to the selected uplink access slot :
- Step 6.1:* Select the next available access slot in the set of available RACH sub-channels within the given ASC.
- Step 6.2:* Randomly select a new signature from the set of available signatures within the given ASC.
- Step 6.3:* Increase the Commanded Preamble Power by $\Delta P_0 = \text{Power Ramp Step (dB)}$. If the Commanded Preamble Power exceeds the maximum allowed power by 6 dB, the MES may pass L1 status ("No ack on AICH") to the higher layers (MAC) and exit the physical random access procedure.
- Step 6.4:* Decrease the Preamble Retransmission Counter by one.
- Step 6.5:* If the Preamble Retransmission Counter > 0 then repeat from Step 5. Otherwise pass L1 status ("No ack on AICH") to the higher layers (MAC) and exit the physical random access procedure.
- Step 7:* If a negative acquisition indicator corresponding to the selected signature is detected in the downlink access slot corresponding to the selected uplink access slot, pass L1 status ("Nack on AICH received") to the higher layers (MAC) and exit the physical random access procedure.
- Step 8:* Transmit the random access message three or four uplink access slots after the uplink access slot of the last transmitted preamble depending on the AICH transmission timing parameter. Transmission power of the control part of the random access message should be P_{p-m} (dB) higher than the power of the last transmitted preamble.
- Step 9:* Pass L1 status "RACH message transmitted" to the higher layers and exit the physical random access procedure.

In the transmission of the RACH preamble and message, MES may use a Doppler pre-compensation technique, based on the Doppler shift estimation on the downlink carrier.

If the response message corresponding to the transmitted RACH message is received in the higher layer (RLC or RRC) at any time during the random access procedure, MES should stop the RACH procedure.

6.3.7.4.4.2.2 CPCH procedure

For each CPCH physical channel in a CPCH set allocated to a beam the physical layer parameters are included in system information messages within BCH. The physical layer shall perform the CPCH procedure as follows:

- Step 1:* Upon receipt of the access request from the MAC layer, the MES shall test the SI values of the most recent transmission. If this indicates that the maximum available data rate is less than the requested data rate, the MES shall abort the access attempt.
- Step 2:* The MES sets the preamble transmit power to Preamble_Initial_Power.
- Step 3:* The MES sets the AP Retransmission Counter to $N_{AP_Retrans_Max}$.
- Step 4:* Using the access frame sub-channel group of the access resource combination corresponding to the required data rate, the MES derives the available access frames. The MES randomly selects one uplink access frame from the derived available ones. When sub-access frames are used for the PRACH, the MES randomly selects a sub-access frame from the even and odd sub-access frames within the selected access frame.

- Step 5:* The MES randomly selects an AP signature from the set of available signatures in the access resource combination corresponding to the required data rate.
- Step 6:* The MES randomly selects a CD signature from the CD signature set.
- Step 7:* Randomly select a transmission offset time τ_{off} in the range of $-\tau_{off,max}$ to $\tau_{off,max}$.
- Step 8:* The MES shall test the value of the Status Indicator. If this indicates that the maximum available data rate is less than the requested data rate, the MES shall abort the access attempt and send a failure message to the MAC layer. Otherwise, the MES transmits the AP using the selected uplink access frame (or sub-access frame), signature, transmission offset time, and initial preamble transmission power, and successively transmits a CD Preamble at the same power as with the AP.
- Step 9:* If the MES does not detect the AP positive or negative acquisition indicator and the CDI corresponding to the selected AP signature and CDP signature, respectively, from the APA/CD/CA-ICH in the downlink access frame (or sub-access frame) corresponding to the selected uplink access frame (or sub-access frame), the following steps shall be executed:
- Step 9a):* Select the next available access frame in the sub-channel group used. When sub-access frames are used for the PRACH, the MES randomly selects a sub-access frame between the even and odd sub-access frames within the selected access frame.
- Step 9b):* Randomly select a new CD signature from the CD signature set.
- Step 9c):* Increases the preamble transmission power with a specified offset ΔP . Power offset ΔP_0 is used unless the negative AICH timer is running, in which case ΔP_1 is used instead.
- Step 9d):* Decrease the AP Retransmission Counter by one.
- Step 9e):* If the AP Retransmission Counter < 0 , the MES aborts the access attempt and sends a failure message to the MAC layer. If the AP Retransmission Counter is equal to or larger than 0, the MES repeats from Step 7.
- Step 10:* If the MES detects the AP negative acquisition indicator corresponding to the selected AP signature from the APA/CD/CA-ICH in the downlink access frame (or sub-access frame) corresponding to the selected uplink access frame (or sub-access frame), the MES aborts the access attempt and sends a failure message to the MAC layer. The MES sets the negative AICH timer to indicate use of ΔP_1 as the preamble power offset until the timer expires.
- Step 11:* If the MES receives the AP positive acquisition indicator corresponding to the selected AP signature and a CDI with a signature that does not match the signature in the CD Preamble, the MES aborts the access attempt and sends a failure message to the MAC layer.
- Step 12:* If the MES receives an AP positive acquisition indicator and a CDI from the APC/CD/CA-ICH with matching signatures, and if CA message points out to one of the PCPCHs that were indicated to be free by the last received CSICH broadcast, the MES transmits the initial transmission preamble τ_{p-ip} ms later as measured from initiation of the AP/CDP. The initial transmission power shall be ΔP_{p-m} (dB) higher than that of the AP/CDP. The transmission of the message portion of the burst starts immediately after the initial transmission preamble. Power control in the message part is performed according to the TPC command in the downlink slot associated to the PCPCH on the CPCH-CCPCH.
- Step 13:* During CPCH Packet Data transmission, the MES and Satellite-RAN perform inner-loop power control on the PCPCH message part.

In the transmission of the preamble and message, MES may use a Doppler pre-compensation technique, based on the Doppler shift estimation on the downlink carrier.

6.3.7.4.4.3 Power control

6.3.7.4.4.3.1 Open loop power control

Open-loop power control is used to adjust the transmit power of the physical Random-Access channel. Before the transmission of a Random-Access frame, MES measures the received power of the downlink Primary Common Control Physical Channel over a sufficiently long time to remove any effect of the non-reciprocal multi-path fading. From the power estimate and knowledge of the Primary CCPCH transmit

power (broadcast on the BCCH) the downlink path-loss including shadow fading can be found. From this path loss estimate and knowledge of the uplink interference level and the required received SIR, the transmit power of the physical Random-Access channel can be determined. The uplink interference level as well as the required received SIR is broadcast on the BCCH.

Open loop power control is also used at dedicated traffic channel establishment and can optionally be continuously activated until dedicated traffic channel release.

6.3.7.4.4.3.2 Closed loop power control

Slow closed loop power control is processed by Layer 3 (RRC) based on MES measurement reports for downlink and on MES signal measurements for uplink.

Additionally Layer 1 closed loop power control, with a rhythm of one Transmit Power Control command (TPC) per frame.

6.3.7.4.4.4 Spot Selection Transmit Diversity

Beam Selection Transmit Diversity (SSTD) is a macro diversity method in soft handover mode. This method is optional in satellite-RAN. The MES periodically selects one of the beams from its active set to be "primary", all other beams are classed as "non-primary" by measuring the received signal power of CPICHs transmitted by the active beams. The beam with the highest CPICH power is detected as a primary beam. The downlink DPDCH is transmitted from the primary beam while the downlink DPDCH is not transmitted from non-primary beams.

In order to select a primary beam, each beam is assigned a temporary identification (ID) and MES periodically informs a primary beam ID to the connecting beams. The primary beam ID is delivered by MES to the active beams via the FBI field on the uplink DPCCH.

Each beam is given a temporary ID during SSTD and the ID is utilized as beam selection signal. One 15-bit ID code is transmitted within a radio frame.

A beam recognizes its state as non-primary if the following conditions are fulfilled simultaneously:

- the received ID code does not match to the own ID code;
- the received uplink signal quality satisfies the quality threshold defined by the network.

The state of the beams (primary or non-primary) in the active set is updated synchronously. If a beam receives the coded ID in uplink frame j , the state of beam is updated in downlink frame $(j + 1 + T_{os})$, where T_{os} is provided by higher layers (the value of T_{os} is determined by the network according to the round trip delay in the beam).

7 Recommendations on unwanted emission limits

7.1 Terrestrial radio interfaces

The information on emissions limits is recommended in Recommendation ITU-R M.1581 "Generic unwanted emission characteristics of mobile stations using the terrestrial radio interfaces of IMT-2000" and in Recommendation ITU-R M.1580 – Generic unwanted emission characteristics of base stations using the terrestrial radio interfaces of IMT-2000.

7.2 Satellite radio interfaces

Unwanted emissions from the terminals of IMT-2000 satellite systems should comply with limits set in the relevant ITU-R Recommendations (e.g. for non-GSO and GSO satellite systems operating in certain bands in the range 1-3 GHz, all terminals should comply with the levels specified in Recommendations ITU-R M.1343 and ITU-R M.1480, respectively).

Annex 1

Abbreviations

AES	Advanced encryption standard
ARQ	Automatic repeat request
BCMCS	Broadcast multicast services
BE	Best-effort
BMC	Broadcast/multicast control
BS	Base station
BWA	Broadband wireless access
CCM	Cipher block chaining message authentication code
CDMA	Code division multiple access
CID	Connection identifier
CN	Core network
CP	Cyclic prefix
CS	Convergence sub-layer
DECT	Digital Enhanced Cordless Telecommunications
DL	Downlink
DLC	Data link control layer
DL_MAP	Downlink map
DPRS	DECT packet radio service
DRC	Data rate control
DS-CDMA	Direct Spread CDMA
E-UTRAN	Evolved UTRAN
EAP	Extensible authentication protocol
EDGE	Enhanced data rates for GSM evolution
EDGE/GPRS	(EGPRS2) – EDGE evolution – Evolved enhanced data rates for GSM evolution
ErtPS	Extended real-time packet service
FBSS	Fast base station switching
FCH	Frame control header
FDD	Frequency division duplex
FDMA	Frequency division multiple access
FEC	Forward error correction
FER	Frame error ratio
FFT	Fast Fourier Transform
FLO	Flexible layer one
GERAN	GSM/EDGE radio access network
H-ARQ	Hybrid – ARQ
HHO	Hard handover
HRPD	High rate packet data
HSDPA	High-speed downlink packet access
IEEE	Institute of Electrical and Electronics Engineers
IMS	IP multimedia subsystems
IWU	Inter-working unit
LAC	Link access control
LDPC	Low density parity check code
LLC	Logical link control layer
MAC	Medium access control

MAC CPS	Common part sub-layer
MBMS	Multimedia broadcast/multicast service
MC	Multi-carrier
MDHO	Macro diversity handover
MEID	Mobile equipment identifier
MIMO	Multiple-input/multiple-output
MM	Mobility management
nrtPS	Non-real-time packet service
OFDM	Orthogonal frequency-division multiplexing
OFDMA	Orthogonal frequency-division multiple access
PDCP	Packet data convergence protocol
PDU	Protocol data unit
PHS	Payload header suppression
PHY	Physical layer
QoS	Quality of Service
RLC	Radio link control
RNC	Radio network controller
RNS	Radio network sub-systems
RRC	Radio resource control
RRI	Reverse rate indicator
RTG	Receive/transmit transition gap
rtPS	Real-time packet service
R-UIM	Removable UIM
SA	Security association
SAP	Service access points
SC	Single-carrier
SDO(s)	Standards development organization(s)
SDU	Service data unit
SIR	Signal-to-interference ratio
SIM	Subscriber identity module
SMS	Short message service
SS	Subscriber station
TEK	Traffic encryption key
TDD	Time division duplex
TDMA	Time division multiple access
TPC	Transmit power control
TTG	Transmit/receive transition gap
TTI	Transmission time interval
UE	User equipment
UGS	Unsolicited grant service
UL	Uplink
UL_MAP	Uplink map
U-Plane	User plane
USIM	Universal SIM
UTRA	Universal Terrestrial Radio Access
UTRAN	UMTS terrestrial radio access network
WCDMA	Wideband CDMA
WMAN	Wireless metropolitan area network
