




JAMIS[®]
THE POWER OF DESIGN

2015



POSITIVE IMPACT

Blame it on the economy and the accompanying back to basics mentality. Or praise public awareness of green issues and the value of low-impact lifestyles. But all of a sudden bicycles are a Very Big Deal. Everyday people--folks who haven't been on a bicycle in years, if not decades--have suddenly rediscovered the thrill of cycling. For us, passionate cyclists who strive daily to deliver products that get people of all ages, abilities and aspirations to love bikes and biking just as much as we do, it doesn't get any better than that.

The bicycle is a marvelous invention, with an impact that is almost completely, one hundred percent positive. For individuals (exercise!) as well as for the environment (reduced carbon footprint). A bike is one of the world's most powerful instruments for change. We know because cycling forever changed our lives, and we've seen it change the lives of so many others. That's why we want to make cycling converts out of everyone, and that's why there's a Jamis for nearly every cycling arena, for almost any rider.

It's that passion for cycling and everything cycling can do that fuels and sustains our efforts to build the best possible bikes. It's why we build category-defining superbikes that put professionals atop podiums at road races and mountain bike events. It's why our computers are humming day and night crunching FEA data and carbon fiber lay-up simulations. It's why we devote precious R & D resources to making even our kids bikes and cruisers as light and easy to ride as possible. And why our 2015 lineup is clearly the best we've ever produced.

But we're at this not just to build better bikes. We're in this to build better lives, to make YOU better. That's pretty heavy. It's a lot to carry on two wheels. But that's how powerful a bicycle can be. And that's why we're so committed to building the best bikes possible.

When people ride bikes, good things happen. Experience it yourself, on a Jamis.

President & CEO Carine Joannou
VP of Product Development Greg Webber

CONTENTS

<u>MOUNTAIN 29</u>	4	<u>ROAD & ADVENTURE</u>	42	<u>RECREATION</u>	106
<u>DAKAR XCR</u>	6	<u>JAMIS ROAD BIKE TECHNOLOGY</u>	44	<u>CITIZEN</u>	108
<u>DAKOTA D29 & DURANGO</u>	10	<u>XENITH</u>	46	<u>HUDSON</u>	112
<u>DRAGON 29</u>	14	<u>ICON</u>	52	<u>EXPLORER</u>	118
<u>MOUNTAIN 27.5</u>	16	<u>XENITH T</u>	56	<u>TRAIL XR</u>	120
<u>27.5 VS 29 TECH TALK</u>	18	<u>NOVA</u>	60	<u>EARTH CRUISER</u>	122
<u>DAKAR AMT</u>	20	<u>RENEGADE</u>	64	<u>BOSS CRUISER & TAXI</u>	124
<u>DAKAR XCT & HALO XCT</u>	24	<u>ENDURA</u>	68	<u>YOUTH</u>	126
<u>DAKAR XC & HALO XC</u>	28	<u>VENTURA</u>	72	<u>DAKAR X.26</u>	127
<u>DRAGON</u>	30	<u>QUEST</u>	76	<u>X.26 DISC & X.26</u>	128
<u>KOMODO</u>	32	<u>AURORA & BOSANOVA</u>	80	<u>X.24 & X.20</u>	129
<u>NEMESIS & EDEN</u>	34	<u>SONIK</u>	85	<u>CAPRI 24" & 20"</u>	131
<u>TRAIL X & HELIX</u>	38	<u>SPUTNIK & BEATNIK</u>	86	<u>LASER 20" & 16"</u>	130
		<u>STREET</u>	88	<u>STARLITE 20" & MISS DAISY 16"</u>	132
		<u>COMMUTER</u>	90	<u>HOT ROD & LADY BUG 12"</u>	133
		<u>CODA</u>	94	<u>GEOMETRY</u>	134
		<u>ALLEGRO</u>	98		
		<u>DXT</u>	102		

Please note, the specifications outlined in this catalog are subject to change without notice.

Please visit our website at www.jamisbikes.com for the most up to date details of our bicycles.

All photos ©Jonathan Devich and John Segesta unless otherwise noted.

29

MOUNTAIN BIKES

BIG WHEELS. BIG DEALS.

Nothing rides like a 29er—more momentum rolling over obstacles, more comfort, less rolling resistance once you're up to speed. And nothing feels like one either—you're less on top of the wheels, sitting more in-between. 29ers literally put you more into the machine. The result is more stability, more confident lines over tricky terrain, more speed and momentum. It's a terrific platform, done right—and that's all we do.

Nothing soaks up trail faster and better than our Dakar XCR 29 short-travel dualies. Tapered head tubes, 15mm thru-axle forks, hyper-refined frames with new, lighter weight shock mounts, 12 x 142mm thru-axle dropouts and 25% larger chainstays bring our XCR 29 up to a whole new level, and turns up the heat on the competition. And, as always, our component spec does more than just hold its own when compared head to head—we dominate on paper, because that's what leads to domination on the trail.

And we positively own it, when it comes to our Dakota D29 hardtails. What makes a stellar hardtail is pedaling stiffness with ride suppleness and flickably quick, confident handling. There are no magic bullets here—it comes down to smart engineering and wickedly good geometry, and that's been our gig since the first Jamis MTB appeared back in 1982. Perfect weight distribution that splits the difference between climbing traction and track-on-rails descending capability, torsional rigidity that harnesses every milliwatt you put through the pedals—it's all here.

Nothing rides like a 29er. And no 29er rides like a Jamis, because nobody sweats the details and flogs the design more than we do.





XCR

CROSS COUNTRY FULL SUSPENSION

Bigger wheels roll easier over stuff and nothing soaks up more trail with more efficiency than our XCR's. The XCR 29's tapered head tube and steerer, 15mm thru-axle fork, 12 x 142mm thru-axle rear, asymmetrical stays and over-sized BB shell all contribute to a firm, responsive pedaling platform that doesn't waste a watt of climbing energy or hold you back when the going's fast.





Available as frameset

Pure White

DAKAR XCR TEAM

FRAME

High modulus Omniad M30 carbon fiber, 100mm travel mp4 suspension, tapered headtube, PressFit30, 12x142 dropout, Rock Shox Monarch XX hydraulic Full Sprint Xloc remote shock

FORK

Rock Shox SID XX 29, 15mm axle, tapered steerer, rebound adjust, hydraulic Full Sprint Xloc remote lock-out, solo air spring, motion control damping, 100mm travel

WHEELS

Stan's NoTubes ZTR Crest Team 29 tubeless wheelset, 3.30 Series 15mm thru-axle front and 12x142mm rear hubs, DT Swiss SuperComp spokes, Vittoria Barzo 29 x 2.1 TNT tires

DRIVETRAIN

SRAM X01 rear derailleur, X01 11-speed shifter, SRAM X01 34T crankset with PF30 BB, SRAM XG-1180 10-42T cassette, SRAM X0 hydraulic disc brakes with 180mm front & 160mm rear Centerline rotors

COCKPIT

Ritchey WCS Carbon 2X handlebar, WCS 1-bolt carbon seatpost & WCS 4-Axis stem, WTB Volt Team saddle, Jamis Lock-On grips

DAKAR XCR PRO

FRAME

High modulus Dyad Elite carbon fiber, 100mm travel mp4 suspension, tapered headtube, PressFit30, 12x142 dropout, Fox Float CTD Evolution Series shock

FORK

Fox 32 Float 29 CTD Evolution Series w/ 3-position compression, 15mm axle, tapered alloy steerer, external rebound, 32mm stanchions, 100mm travel

WHEELS

WTB Frequency Race i19 29 TCS tubeless rims with Formlurs sealed bearing centerlock 15mm front & 12x142 rear hubs, stainless spokes, Vittoria Barzo 29 x 2.1 folding tires

DRIVETRAIN

Shimano SLX Shadow rear & SLX front derailleurs, SLX 2x10 shifters, Shimano M625 38/24T crankset with PF30 BB, Shimano HG50 11-36T cassette, Shimano M506 hydraulic disc brakes with 180mm front & 160mm rear RT54 centerlock rotors

COCKPIT

Ritchey Comp 2X handlebar, Comp 2-bolt seatpost & Comp 4-Axis stem, WTB Volt Comp saddle, Jamis Lock-On grips



Winter Dusk



DAKAR XCR COMP

FRAME

Kinesium triple-butted alloy, 100mm travel mp4 suspension, tapered headtube, 12x142 dropouts, X-Fusion 02 RL shock

FORK

X-Fusion Slide 29 RL, 15mm axle, lever actuated lockout, air spring, rebound adjust, tapered alloy steerer, 100mm travel

WHEELS

American Classic Terrain 29 tubeless wheelset, 15mm front, 12x142mm rear, stainless spokes, Vittoria Barzo 29 x 2.1 folding tires

DRIVETRAIN

SRAM X9 rear & X7 front derailleurs, X7 2x10 shifters, SRAM S1000 GXP 38/24T crankset, SRAM PG1020 11-36T cassette, SRAM DB5 hydraulic disc brakes with 180mm front & 160mm rear Centerline rotors

COCKPIT

Ritchey Comp 2X handlebar, Comp 2-bolt seatpost & Comp 4-Axis stem, WTB Volt Comp saddle, Jamis Lock-On grips



Blue Mantis

DAKAR XCR SPORT

FRAME

Kinesium triple-butted alloy, 100mm travel mp4 suspension, tapered headtube, 12x142 dropouts, Rock Shox Monarch R shock

FORK

Rock Shox XC32 TK 29 Solo Air, 15mm thru axle, lever-actuated lockout, air spring, rebound adjust, alloy steerer, 100mm travel

WHEELS

WTB SX19 rims, 32H, Formula sealed bearing disc hubs, stainless steel spokes, Vittoria Barzo 29 x 2.1 tires

DRIVETRAIN

Shimano Deore rear & front derailleurs, Deore 2x10 shifters, Shimano Deore M615 38/24T crankset, Shimano HG50 11-36T cassette, Shimano M396 hydraulic disc brakes with 180mm front & 160mm RT56 rear rotors

COCKPIT

Ritchey Comp 2X handlebar, Ritchey 4-Bolt stem, Ritchey 2-Bolt seatpost, WTB Volt Sport saddle, Jamis Lock-On grips



Ano Silver



DAKOTA & DURANGO

CROSS COUNTRY HARDTAILS

The Dakota D29 series is the hardtail standard for high-speed racing or long, epic days on the trail. For the Team and Pro, we've taken our years of experience manufacturing carbon fiber Dakar XCR dual suspension frames and Xenith road racing frames and applied it to the big-wheeled world of 29'ers. For the Race and Comp, it's the same race-inspired geo welded up from triple-buttled 6061.

The Durango may be the most affordable 29'er in our stable, but there's nothing entry-level about the performance of these bikes. Best-in-Class performance and Big Hoops doesn't have to mean Big Bucks and the Durango 29 Comp and Sport prove it.



DAKOTA D29 TEAM

FRAME

High modulus Dyad Supreme carbon fiber, tapered head tube, PressFit30 BB shell, post mount disc brakes & 12x142 drop-outs

FORK

Rock Shox SID XX 29, hydraulic Xloc remote lock-out, external rebound, tapered alloy steerer, 15mm Maxle lite, 100mm travel

WHEELS

Stan's NoTubes ZTR Crest Pro 29 tubeless disc wheels, 3.30Ti Series 28H 15mm axle front and 12x142mm rear hubs, DT Swiss Revolution spokes, Vittoria Peyote 29 x 2.1 TNT tires

DRIVETRAIN

SRAM XX1 11-speed rear derailleur, SRAM XX1 shifter, SRAM XX1 PF30 crankset 34T, SRAM XG1199 10-42T cassette, SRAM XX hydraulic disc brakes w/160mm front & 140mm rear Centerline X rotors

COCKPIT

Ritchey WCS Carbon 2x handlebar, Ritchey WCS 4-Axis stem, Ritchey WCS Carbon 1-bolt seatpost, WTB Volt Team saddle, Jamis lock-on grips



Available as frameset



Pure White

DAKOTA D29 PRO

FRAME

Mid-modulus Dyad Plus carbon fiber, tapered head tube, PressFit30 BB shell, post mount disc brakes & 12x142 drop-outs

FORK

Fox 32 Float 29 CTD Evolution Series, 3-position compression & lock-out, 15mm axle, air spring, rebound adjust, tapered alloy steerer, 100mm travel

WHEELS

WTB Frequency Race i19 TCS 29 tubeless rims, Formula sealed bearing hubs, stainless spokes, Vittoria Peyote 29 x 2.1 folding tires

DRIVETRAIN

SRAM X9 rear & X7 front derailleurs, X7 2x10 shifters, SRAM S1000 PF30 crankset 38/24T, SRAM 11-36T cassette, SRAM DB5 hydraulic disc brakes w/180mm front & 160mm rear Centerline rotors

COCKPIT

Ritchey Comp 2x handlebar, 4-Axis stem & 2-bolt seatpost, WTB Volt Comp saddle, Jamis lock-on grips



Primer Grey

DAKOTA D29 RACE

FRAME

Kinesis 6061 triple-butted aluminum, tapered headtube, PressFit30 BB shell, post mount disc brakes & 12x142 drop-outs, replaceable derailleur hanger

FORK

X-Fusion Slide 29 RL, Air spring, external rebound & lock-out adjust, 15mm axle, 32mm stanchions, tapered alloy steerer, 100mm travel

WHEELS

American Classic Terrain 29 tubeless wheelset, 15mm front, 12x142mm rear, Vittoria Peyote 29 x 2.1 folding tires

DRIVETRAIN

Shimano SLX Shadow rear & Deore front derailleurs, Deore 2x10 shifters, Shimano Deore crankset 38/24T, Shimano HG50 11-36T cassette, Shimano Deore hydraulic disc brakes w/180mm front & 160mm rear RT56 rotors

COCKPIT

Ritchey Comp 2x handlebar, 4-Axis stem & 2-bolt seatpost, WTB Volt Comp saddle, Jamis lock-on grips



Pure White

DAKOTA D29 COMP

FRAME

Kinesis 6061 triple-butted aluminum, tapered headtube, replaceable derailleur hanger

FORK

Rock Shox XC30 TK, Solo Air spring, external rebound, TurnKey lockout adjust, 30mm stanchions, aluminum steerer, 100mm travel

WHEELS

WTB Speed Disc i19 rims, 32H, Formula Hi-Lo flanged sealed bearing hubs, stainless steel spokes, Vittoria Peyote 29 x 2.1 tires

DRIVETRAIN

SRAM X5 rear & front derailleurs, SRAM X5 2x10 shifters, SRAM S1000 GXP 38/24T crankset, SRAM PG-1030 11-36T cassette, Avid DB1 hydraulic disc brakes w/180mm front & 160mm rear rotors

COCKPIT

Ritchey Comp flat bar, Ritchey 2-bolt seatpost & 4-Axis stem, WTB Volt Sport saddle, Dual compound grips



Ano Palladium

DURANGO COMP

FRAME

6061 aluminum main tubes, over-sized seat tube, zero-stack head tube, over-sized stays, replaceable derailleur hanger

FORK

RST Omega 29 TNL, coil spring with Turn-n-Lock lock-out, magnesium lowers, 32mm stanchions, 100mm travel

WHEELS

Alex DP21 29 rims, 32H, alloy disc hubs, stainless steel spokes, Jamis TX 29 x 2.1 tires

DRIVETRAIN

Shimano Acera rear and front derailleurs, Acera 3x9 shifters, Shimano M371 crankset 44/32/22T, Shimano 11-34T cassette, Tektro Auriga hydraulic disc brakes w/160mm front & rear rotors

COCKPIT

Jamis Flat handlebar, Jamis XC stem, Jamis alloy micro-adjust seatpost, Jamis ATB Sport saddle



Gloss Black

DURANGO SPORT

FRAME

6061 aluminum main tubes, over-sized seat tube, zero-stack head tube, over-sized stays, replaceable derailleur hanger

FORK

RST Blaze 29 MLO, coil spring with mechanical lock-out, aluminum lowers, 30mm stanchions, 100mm travel

WHEELS

Alex DP21 29 rims, 32H, alloy disc hubs, stainless steel spokes, Jamis TX 29 x 2.1 tires

DRIVETRAIN

Shimano TX800 rear and M190 front derailleurs, Shimano TX800 3X8 shifters, SR Suntour XCC crankset 42/34/24T, Shimano 11-32T cassette, Tektro Aires mechanical disc brakes w/160mm front & rear rotors

COCKPIT

Jamis Flat handlebar, Jamis XC stem, Jamis alloy micro-adjust seatpost, Jamis ATB Sport saddle



Black Coal



Grey Matter



DRAGON 29

STEEL TRAIL HARDTAILS

Mate a 29'ers roll-over-everything momentum with steel's trail-taming ride and it's a can't-lose proposition. This is the rig that built our reputation in mountain biking's early years and it's a legend that's still going strong. In two complete bike versions: the air-hardened/heat-treated Reynolds 853 Pro and the Reynolds 520 Sport.



DRAGON 29 PRO

FRAME

Reynolds 853 DZB seamless air-hardened steel main tubes, 44mm head tube, 31.6 I.D. seat tube, dropper post routing, curved crown-clearing down tube, sliding 12x142mm dropouts

FORK

Fox 32 Float CTD 29 Evolution Series w/3-position compression & lock-out, 15mm axle, air spring compression, rebound adjust, tapered alloy steerer, 120mm travel

WHEELS

WTB KOM i23 TCS 29 tubeless rims, 32H, Formula sealed bearing 15mm front and 12x142mm rear centerlock disc hubs, WTB Phase TCS triple-butted spokes, Vittoria Barzo 29 x 2.1 folding tires

DRIVETRAIN

Shimano SLX rear & front derailleurs, Shimano SLX 2X10 shifters, Shimano M625 38/24T crankset, Shimano HG50 11-36T cassette, Shimano SLX hydraulic disc brakes w/180mm front & 160mm rear RT67 rotors

COCKPIT

Ritchey Trail 2x handlebar, Ritchey Trail stem, KS eTen dropper seatpost, WTB Volt Comp saddle, Jamis Lock-On grips



Phantom Red

DRAGON 29 SPORT

FRAME

Reynolds 520 chromoly main tubes and stays, reinforced head tube collars, gusseted down tube, forged dropouts

FORK

X-Fusion Slide 29 RL, lever actuated lockout, Air spring compression, rebound adjust, alloy steerer, 120mm travel

WHEELS

WTB Speed Disc i23 rims, 32H, Formula sealed bearing centerlock disc hubs, stainless steel spokes, Vittoria Barzo 29 x 2.1 folding tires

DRIVETRAIN

Shimano Deore Shadow rear & Deore front derailleurs, Shimano Deore 2X10 shifters, Shimano Deore M615 crankset 38/24T, Shimano HG50 11-36T cassette, Shimano M445 hydraulic disc brakes w/180mm front & 160mm rear rotors

COCKPIT

Ritchey Trail 2x handlebar, Ritchey Trail stem & seatpost, WTB Volt Sport saddle, Jamis Lock-On grips



Jack Pine

27.5

MOUNTAIN BIKES

WE KNEW IT ALL ALONG

The 'tweener wheel size has been in our stable for five years already, while most of the other brands are just jumping on board. Being first out of the gate is an advantage for a reason: it's called the lead. 27.5 believers from the beginning, we don't have to play catch-up. We can use our five-year, first-hand, real-world experience to refine and perfect.

The 150mm travel Dakar AMT is where the 27.5 wheel size really shines. Based on our proven XCT trail bike but bulked up for bigger hits at higher speeds, with progressively tuned mp4 suspension for surprisingly efficient pedaling uphill and aggressive descents. In two blends: Pro and Comp.

Dakar XCT's proven mp4 suspension and smartly engineered frame makes for one of the most efficient pedaling platforms in the dualie realm. No less than Mountain Bike Action had this to say: "This is not a bike to add to your current 26'er and 29'er trailbikes – it's a bike that replaces them."

Introduced in 2012, Nemesis has proven itself to be the perfect XC and 12-hour marathon race weapon. Now available in two incredibly light carbon fiber packages, Team and Pro. And two triple-buttled, SPF-formed aluminum models: Race and Comp.

Our Dragon is the industry's standard-bearer for steel hardtails. Add 27.5 wheels to the mix and you've got the perfect trailbike.

As the whole world now finally knows, with the 27.5 wheel size, you get the best of both the 26 and 29 wheel worlds without the negatives of each. With a Jamis 27.5, you're simply getting the best.



THE DIFFERENCES BETWEEN 27.5" AND 29" MOUNTAIN BIKES

650b wheels (27.5") first popped up on French touring and randonneuring bikes in the 40's and 50's. Their smaller-than-700c diameter and fatter 35 – 42c footprint made them perfect for meandering the less-than-perfect roads of Europe with loads. They were also used on some of the first mountain bikes built by Tom Ritchey and Joe Breeze more than 30 years ago.

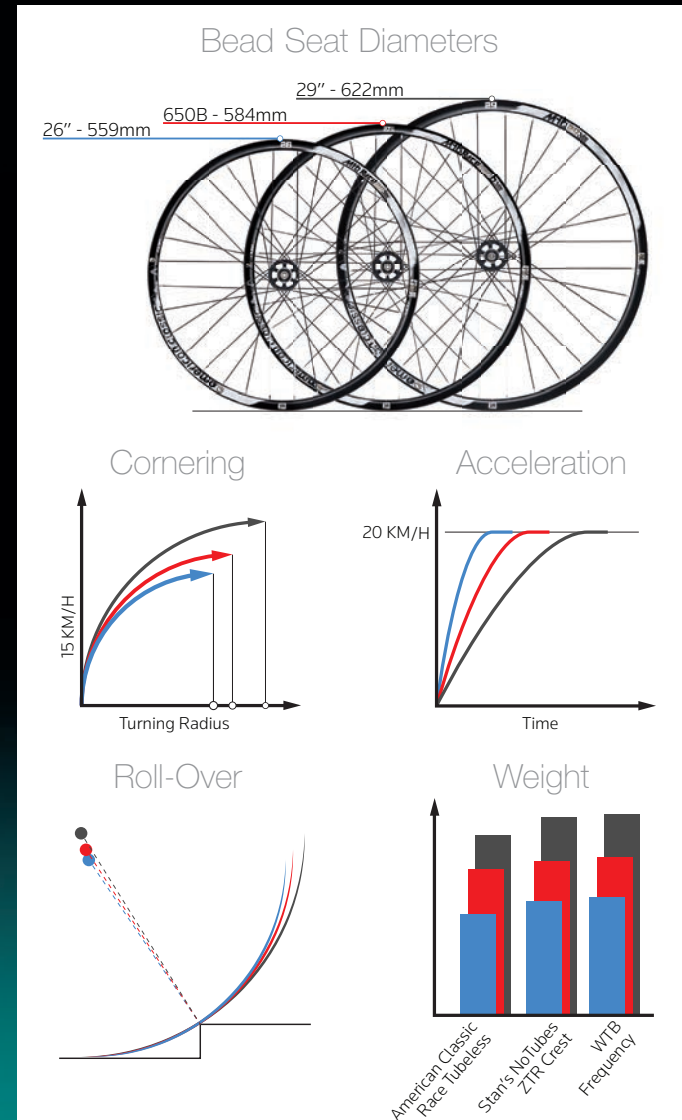
But it was 26" wheels that took hold and dominated MTB diameters for 20-something years until Gary Fisher rolled out his big 29 wheels more than a decade ago. Those first 29'ers were tall, heavy, with huge wheelbases and sluggish steering. Like how Gary musta felt the morning after. And that was the hardtails! Trying to package those over-sized wheels in a mid-travel, dual suspension frame that was worth owning just wasn't happening. But there was no discounting that the roll-over-anything attributes of this wheel size and their low-BB-height-to-wheel-axle position held promise.

All of which was the catalyst for Kirk Pacenti in 2007 to polish up and re-pioneer the slightly-smaller-than-29-but-larger-than-26 650b wheel size for mountain bikes. We were on it immediately and after testing a 5" travel Dakar XAM with Kirk's 650b wheels later that year, were absolutely smitten with the ride qualities and went all-out to get to market with our 5" travel Dakar 650b in 2009.

So there's your wheel-size history lesson for the day. Here's your wheel-size physics lesson.

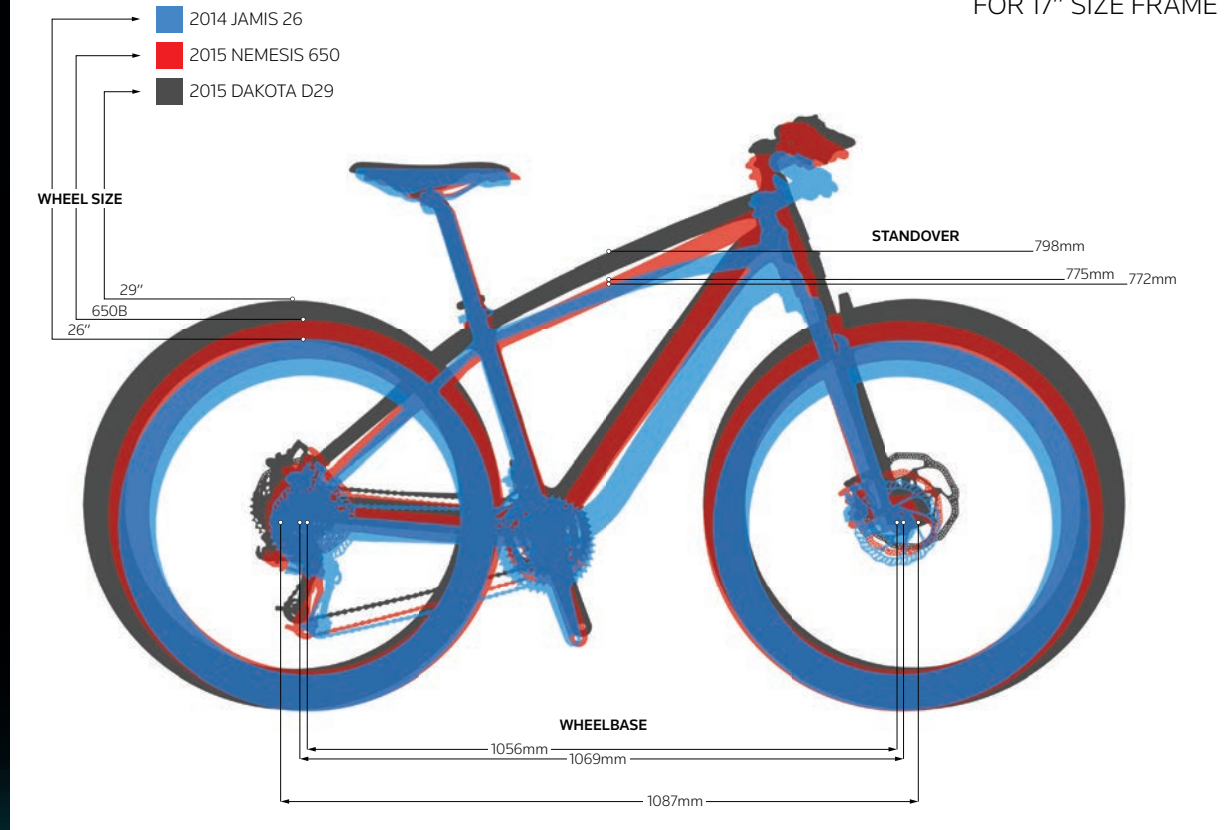
It shouldn't take too much brow furrowing to recognize that for any given size obstacle it's the larger size wheel that's going to roll-over that bump with the least energy expended. Think Monster truck versus Tonka truck.

It also shouldn't take much cognitive wavelength to surmise that a larger diameter wheel, weighing more, is going to require more energy to get up to speed than smaller wheels. But once up to speed bigger wheels are going to roll and roll without much gas. Until you've got to slow it all down and change direction, then get it all back up to speed again. Lots of trade-offs going on here depending on wheel size: acceleration, deceleration, inertia, maneuverability, momentum, weight.



JAMIS XC HARDTAIL GEOMETRY COMPARISON

FOR 17" SIZE FRAME



Less obvious is the benefit of lowering BB height relative to the wheel axles. Though the BB heights of most 27.5 and 29 bikes are about the same from the ground, their relation to the wheel axle centerline is substantially different. The crank centerline on a Dakota D29 bike is 13mm lower relative to the wheel axles than on a 27.5 Nemesis. Getting the rider's weight further below the axles of rotating wheels is like pedaling with a stabilizing ball: you're riding between the wheels, not on top of them.

So where does that leave us on the various wheel sizes? Big wheels are clearly the way to go. There are way too many advantages over the traditional 26 wheel to ignore. But to throw a stake into the ground and claim that it's an either/or proposition: only 27.5 or only 29 is the only way to go is ignoring the clear benefits each wheel size holds over the other. And it's why we offer both through much of our ATB line. Leaving you a whole host of great choices depending on the kind of rider you are and the kind of terrain you ride.



AMT

ALL MOUNTAIN FULL SUSPENSION

This is where the 27.5 wheel size really shines: on a 150mm travel all-mountain dualie. Meet the Dakar AMT Pro and Comp. Based on our proven XCT trail bike, but bulked up for bigger hits at higher speeds. With mp4 suspension for efficient pedaling uphill and aggressive descents, 12 x 142mm rear thru-axle, ISCG05 chainguide mounts, beefy asymmetrical chain stays and a progressive suspension design with excellent climbing capabilities that delivers plush rear wheel traction. If you want to do it all, FAST, this is the bike.





Teal Fo' Real

DAKAR AMT PRO

FRAME

Triple-buttressed 7005 alloy, 150mm travel mp4 suspension, tapered headtube, 12x142mm dropouts, dropper post routing, ISCG05, Rock Shox Monarch Plus RC3 High Volume shock

FORK

Rock Shox Pike RCT3 27.5, 3-position compression, lock-out, Charger damper, external rebound, low speed compression adjust, 15mm axle, 35mm stanchions, magnesium lowers, 150mm travel

WHEELS

American Classic Wide Lightning 27.5 tubeless wheelset, 15mm front and 12 x 142mm rear hubs, Vittoria Goma 27.5 x 2.25 TNT tires

DRIVETRAIN

SRAM X1 11-speed rear derailleur, SRAM X1 11-speed shifter, SRAM X1 32T crankset, SRAM XG1180 10-42T cassette, SRAM Guide RSC 4-piston brakes w/180mm front and 160mm rear Centerline rotors

COCKPIT

Ritchey Trail WCS handlebars, Ritchey Trail WCS stem, KS LEV DX dropper seatpost, WTB Volt Comp saddle, Jamis Lock-On grips



Deep Purple

DAKAR AMT EXPERT

FRAME

Triple-buttressed 7005 alloy, 150mm travel mp4 suspension, tapered headtube, 12x142mm dropouts, dropper post routing, ISCG05, Fox Float CTD High Volume LV shock

FORK

Fox 34 Float 27.5 CTD Evolution Series, 3-position compression, lock-out, 15mm axle, air spring, rebound adjust, tapered alloy steerer, 150mm travel

WHEELS

WTB Frequency Race i25 TCS tubeless rims, Formula sealed bearing hubs, stainless spokes, Geax Vittoria Goma 27.5 x 2.25 folding tires

DRIVETRAIN

SRAM X9 Type 2 rear and X9 front derailleurs, SRAM X9 2x10-speed shifters, SRAM S1400 GXP 36/22T crankset, SRAM PG-1050 11-36T cassette, SRAM Guide R 4-piston brakes w/180mm front and 160mm rear Centerline rotors

COCKPIT

Ritchey Trail handlebars & stem, KS Supernatural dropper seatpost, WTB Volt Comp saddle, Jamis Lock-On grips



Gloss Black

DAKAR AMT COMP

FRAME

Triple-buttressed 7005 alloy, 150mm travel mp4 suspension, tapered headtube, 12x142mm dropouts, dropper post routing, ISCG05, X-Fusion 02 RLX High Volume AV shock

FORK

X-Fusion Sweep RL2 27.5 w/3-position compression & lock-out, 15mm axle, air spring compression, rebound adjust, tapered alloy steerer, 34mm uppers, 150mm travel

WHEELS

WTB SX25 27.5 rims, Formula hubs w/sealed cartridge bearings, stainless spokes, Vittoria Goma 27.5 x 2.25 folding tires

DRIVETRAIN

Shimano Deore Shadow rear & Deore front derailleurs, Shimano Deore 2x10 shifters, FSA Comet Mega Exo 36/22T crankset, Shimano HG50 11-36T cassette, Shimano Deore M615 hydraulic disc brakes w/180mm front & 160mm rear RT54 rotors

COCKPIT

Ritchey Trail handlebars & stem, KS eTen dropper seatpost, WTB Volt Sport saddle, Jamis Lock-On grips



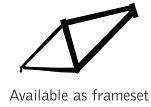
XCT

TRAIL FULL SUSPENSION

This is the bike that teed it up and kicked it off way back in 2009. After all the nay-saying and "it's not really exactly between 26 and 29, the world is now clearly embracing 27.5. And there's no better place to start the group hug than on the rig that believed from the beginning and now has over 6 years of PD and real-world riding and refinement to ensure it IS Best in Class.

On the all new Halo, we've taken all the proven performance traits of the XCT and completely repackaged it for women who love riding aggressively. This isn't just an XCT frame with a different saddle and graphics package. It's a full female redesign of the bike that led the 27.5 revolution.





Available as frameset



Grey Matter

DAKAR XCT TEAM

FRAME

High modulus Omniad M30 carbon fiber, 130mm travel mp4 suspension, PressFit 30, 12x142 dropouts, tapered head tube, Rock Shox Monarch RT3 High Volume shock

FORK

Rock Shox Revelation 27.5 RCT3 w/15mm axle, 32mm stanchions, tapered alloy steerer, 3-position compression adjust, rebound adjust, 130mm travel

WHEELS

Stan's NoTubes ZTR Arch EX Team 27.5 tubeless wheelset, 3.30 Series 15mm thru-axle front and 12x142mm rear hubs, DT Swiss Competition spokes, Vittoria Goma 27.5 x 2.25 TNT tires

DRIVETRAIN

Shimano XTR Shadow Plus 11-speed rear and front derailleurs, Shimano XTR 2x11-speed shifters, Shimano XTR M9020 36/26T crankset, Shimano M9000 11-40T cassette, Shimano XTR Trail M9020 Ice-Tech hydraulic disc brakes w/180mm front and 160mm rear RT86 rotors

COCKPIT

Ritchey Trail WCS Carbon handlebars, Ritchey Trail WCS stem, KS LEV DX dropper seatpost, WTB Volt Team saddle, Jamis Lock-On grips

DAKAR XCT PRO

FRAME

Kinesium triple-butted alloy, 130mm travel mp4 suspension, tapered headtube, 12x142 dropouts, dropper post routing, ISCG05, Fox Float CTD Factory Series LV high volume shock with Trail Adjust, Boost Valve & Kashima coating

FORK

Fox 32 Float 27.5 FIT CTD Factory Series w/3-position compression, Trail Adjust & Kashima coating, 15mm axle, air spring, rebound adjust, tapered steerer, 130mm travel

WHEELS

Shimano XT 27.5 tubeless wheelset, 15mm front & 12x142mm rear center-lock hubs, straight-pull spokes, Vittoria Goma 27.5 x 2.25 folding tires

DRIVETRAIN

Shimano XT Shadow Plus & XT front derailleurs, Shimano XT 2x10 shifters, Shimano XT 38/24T crankset, Shimano HG81 11-36T cassette, Shimano XT M785 Ice-Tech hydraulic disc brakes w/180mm front/160mm rear RT81 Ice-Tech centerlock rotors

COCKPIT

Ritchey Trail WCS handlebars, Ritchey Trail WCS stem, KS LEV DX dropper seatpost, WTB Volt Comp saddle, Jamis Lock-On grips



Whiskey Blues

DAKAR XCT RACE

FRAME

High modulus Dyad Elite carbon fiber, 130mm travel mp4 suspension, PressFit 30, 12x142 dropouts, tapered head tube, Rock Shox Monarch RL High Volume shock

FORK

Rock Shox Sektor Silver TK 27.5, 15mm axle, air spring, lock-out, tapered alloy steerer, rebound adjust, 130mm travel

WHEELS

WTB ST i23 27.5 TCS tubeless rims with Formula 15mm front and 12x142mm rear sealed bearing hubs, stainless spokes, Vittoria Goma 27.5 x 2.25 folding tires

DRIVETRAIN

SRAM X7 rear & X7 HDM front derailleurs, SRAM X7 2x10 shifters, SRAM S1000 PF30 38/24T crankset, SRAM PG1030 11-36T cassette, SRAM DB5 hydraulic disc brakes w/180mm front and 160mm rear Centerline rotors

COCKPIT

Ritchey Trail handlebars & stem, KS eTen dropper seatpost, WTB Volt Sport saddle, Jamis Lock-On grips



Primer Grey

DAKAR XCT COMP

FRAME

Kinesium triple-butted alloy, 130mm travel mp4 suspension, tapered head tube, 12x142 dropouts, dropper post routing, ISCG05, X-Fusion 02 RL high volume shock

FORK

X-Fusion Streat RL 27.5, air spring, 15mm axle, 32mm stanchions, tapered alloy steerer, lock-out, rebound adjust, 130mm travel

WHEELS

WTB SX23 27.5, 32H, Formula 15mm front and 12x142mm rear sealed bearing 6-bolt disc hubs, stainless spokes, Vittoria Goma 27.5 x 2.25 folding tires

DRIVETRAIN

Shimano Deore Shadow rear & Deore front derailleurs, Shimano Deore 2x10 shifters, Shimano Deore 38/24T crankset, Shimano HG50 11-36 cassette, Shimano M445 hydraulic disc brakes w/180mm front & 160mm rear RT56 rotors

COCKPIT

Ritchey Trail handlebars & stem, KS eTen dropper seatpost, WTB Volt Sport saddle, Jamis Lock-On grips



Pure White

HALO XCT

FRAME

Kinesium triple-butted alloy, 130mm travel mp4 suspension, tapered head tube, 12x142 dropouts, dropper post routing, ISCG05, Rock Shox Monarch RL high volume shock

FORK

Rock Shox Sektor Silver TK 27.5, 15mm axle, air spring, lock-out, tapered alloy steerer, rebound adjust, 130mm travel

WHEELS

WTB SX23 27.5, 32H, Formula 15mm front and 12x142mm rear sealed bearing 6-bolt disc hubs, stainless spokes, Vittoria Goma 27.5 x 2.25 folding tires

DRIVETRAIN

Shimano Deore Shadow rear & Deore front derailleurs, Shimano Deore 2x10 shifters, FSA Comet 36/22T crankset, Shimano HG50 11-36 cassette, Shimano M445 hydraulic disc brakes w/180mm front and 160mm rear RT56 rotors

COCKPIT

Ritchey Trail handlebars & stem, KS eTen dropper seatpost, WTB Volt Sport 250 saddle, Jamis Lock-On grips



Palladium Purple



XC

ENTRY LEVEL FULL SUSPENSION

Full suspension and larger diameter wheels and tires open up a whole new world of speed, roll-over capabilities and control off-road. Now modernized with 27.5 hoops, this is the frame platform that's won us numerous industry accolades and Bike of the Year awards since we first introduced our Dakar dualies back in 1994. The suspension system is time and race proven and very similar to the design of our mp4 XCR's, with performance not that far removed from XCR-level.



DAKAR XC

FRAME

6061 aluminum tubes with gusseted down tube and asymmetrical chainstays, fully-active/mp2 suspension with 90mm rear travel, Rock Shox Monarch R air shock with rebound damping, replaceable derailleur hanger

FORK

Rock Shox XC30 TK 27.5, Coil spring, external rebound, TurnKey lockout, 30mm stanchions, 100mm travel

WHEELS

WTB SX19 rims, 32H, Formula alloy disc hubs, stainless steel spokes, Vittoria Peyote 27.5 x 2.1" tires

DRIVETRAIN

Shimano Alivio rear & M371 front derailleurs, Shimano Acera M390 3x9 shifters, Shimano M391 crankset 44/32/22T, SRAM PG-920 11-34T cassette, Tektro Auriga hydraulic disc brakes w/160mm rotors

COCKPIT

Ritchey Low Riser handlebar, Ritchey 4-Bolt stem, Ritchey 2-Bolt seatpost, WTB Volt Sport saddle, Jamis Lock-On grips



Black Coal

HALO XC

FRAME

6061 aluminum tubes with gusseted down tube and asymmetrical chainstays, fully-active/mp2 suspension with 90mm rear travel, Rock Shox Monarch R air shock with rebound damping, replaceable derailleur hanger

FORK

Rock Shox XC30 TK 27.5, Coil spring, external rebound, TurnKey lockout, 30mm stanchions, 100mm travel

WHEELS

WTB SX19 rims, 32H, Formula alloy disc hubs, stainless steel spokes, Vittoria Peyote 27.5 x 2.1" tires

DRIVETRAIN

Shimano Alivio rear & M371 front derailleurs, Shimano Acera M390 3x9 shifters, Shimano M391 crankset 44/32/22T, SRAM PG-920 11-34T cassette, Tektro Auriga WS hydraulic disc brakes w/160mm rotors

COCKPIT

Ritchey Low Riser handlebar, Ritchey 4-Bolt stem, Ritchey 2-Bolt seatpost, WTB Volt Sport 250 saddle, Jamis Lock-On grips



Black Ice



DRAGON

STEEL TRAIL HARDTAIL

We wrote the book on off-road steel. Over 30 years of it. These two Dragons might look like retro rigs, but there's nothing outdated or outmoded about the way these bikes ride with those 27.5 wheels and 120mm travel forks from Fox and Rock Shox. The Dragon frame gives as much as it gets: the harder you push it, the better it feels.



DRAGON PRO

FRAME

Reynolds 853 DZB seamless air-hardened steel main tubes, 44mm head tube, 31.6 I.D. seat tube, dropper post routing, curved crown-clearing down tube, sliding 12x142mm dropouts

FORK

Fox 32 Float 27.5 CTD Evolution Series, 3-position compression & lock-out, 15mm axle, air spring, rebound adjust, tapered alloy steerer, 120mm travel

WHEELS

WTB KOM i23 TCS 27.5 tubeless rims, 32H, Formula sealed bearing 15mm front and 12x142mm rear centerlock disc hubs, WTB Phase TCS triple-butted spokes, Vittoria Barzo 27.5 x 2.1 folding tires

DRIVETRAIN

Shimano SLX rear & front derailleurs, Shimano SLX 2X10 shifters, Shimano M625 38/24T crankset, Shimano HG50 11-36T cassette, Shimano SLX hydraulic disc brakes w/180mm front & 160mm rear RT67 rotors

COCKPIT

Ritchey Trail low riser handlebar, Ritchey Trail stem, KS eTen dropper seatpost, WTB Volt Comp saddle, Jamis Lock-On grips



Available as frameset



Puget Sound

DRAGON SPORT

FRAME

Reynolds 520 chromoly main tubes and stays, reinforced head tube collars, gusseted down tube, forged dropouts

FORK

Rock Shox XC30 27.5 TK, Solo Air spring, external rebound, TurnKey lockout, 30mm stanchions, aluminum steerer, 120mm travel

WHEELS

WTB Speed Disc i23 27.5 rims, Formula sealed bearing centerlock disc hubs, stainless steel spokes, Vittoria Barzo 27.5 x 2.1 folding tires

DRIVETRAIN

Shimano Deore Shadow rear & Deore front derailleurs, Shimano Deore 2x10 shifters, Shimano Deore M615 crankset 38/24T, Shimano HG50 11-36T cassette, Shimano M445 hydraulic disc brakes w/ 180mm front & 160mm rear rotors

COCKPIT

Ritchey Trail riser handlebar, stem & seatpost, WTB Volt Sport saddle, Jamis Lock-On grips



Thunder Grey



KOMODO

ALUMINUM TRAIL HARDTAIL

If you thrive on connection to the trail, if you live for the flow of a screaming descent -- Komodo will take you there without the added weight and complexity of dual suspension. This is an all-the-time trail hardtail with slacker head and seat angles and 5" of fork travel for high-speed handling, robust frame tubes and thru-axles for big landing durability, and 27.5 wheels for smooth roll-over and agility.



KOMODO PRO

FRAME

Triple-buttressed 6061 air-formed aluminum, tapered head tube, 12x142mm drop-out, ISCG05, dropper post routing, replaceable derailleur hanger

FORK

Fox 32 Float CTD 27.5 Evolution Series w/3-position compression & lock-out, 15mm axle, air spring compression, rebound adjust, tapered alloy steerer, 120mm travel

WHEELS

WTB ST i23 TCS 27.5 tubeless rims, Formula sealed bearing disc hubs, stainless steel spokes, Vittoria Barzo 27.5 x 2.1 folding tires

DRIVETRAIN

Shimano SLX Shadow rear & Shimano Deore front derailleurs, Shimano SLX 2x10 shifters, Shimano M625 38/24T crankset, Shimano HG50 11-36T cassette, Shimano M615 hydraulic disc brakes w/180mm front & 160mm rear rotors

COCKPIT

Ritchey Trail handlebars & stem, KS eTen dropper seatpost, WTB Volt Comp saddle, Jamis Lock-On grips



Cosmo Blue

KOMODO COMP

FRAME

Triple-buttressed 6061 air-formed aluminum, tapered head tube, 12x142mm drop-out, ISCG05, dropper post routing, replaceable derailleur hanger

FORK

Rock Shox XC32 TK 27.5, coil spring, external rebound, TurnKey lockout, 32mm stanchions, aluminum steerer, 120mm travel

WHEELS

WTB SX23 27.5 rims, Formula sealed bearing disc hubs, stainless steel spokes, Vittoria Barzo 27.5 x 2.1 tires

DRIVETRAIN

SRAM X5 rear & front derailleurs, SRAM X5 3x9 shifters, SRAM S600 PowerSpline 44/32/22T crankset, SRAM PG-920 11-34T cassette, Tektro Auriga hydraulic disc brakes w/180mm front & 160mm rear rotors

COCKPIT

Ritchey Trail handlebars, stem & seatpost, WTB Volt Sport saddle, Jamis Lock-On grips



Primer Grey



NEMESIS & EDEN

XC HARDTAIL

Want a bike more capable than you are? This is the one. Nemesis is the perfect XC race weapon or 12-hour marathon bike. The 27.5 wheel size is not a compromise between 26 or 29: it's the best of both worlds. It rails singletrack, sticks to the trail on descents and climbs, excels on hardpack and in loose stuff, floats over trail chatter, you name it. It's the bike you never knew you always wanted. Available in 4 models for 2015 - 2 carbon fiber and 2 alloy.

And there's an all-new version of the Nemesis designed specifically for women. No, it's not the Feminist. Meet the Eden Race and Comp. If riding fast in complete control is your goal, one of these is your new bike.



NEMESIS TEAM

FRAME

High-modulus Dyad Supreme carbon fiber, tapered head tube, PressFit30 BB shell, internal cable routing, post mount disc brakes & 12x142mm drop-outs

FORK

Rock Shox SID XX 27.5, 15mm Maxle Lite, remote hydraulic Xloc lockout, external rebound, tapered alloy steerer, 100mm travel

WHEELS

Stan's NoTubes ZTR Crest Pro 27.5 tubeless wheelset, 3.30Ti Series 28H 15mm axle front and 12x142mm rear hubs, DT Swiss Revolution spokes, Vittoria Peyote 27.5 x 2.1 TNT tires

DRIVETRAIN

SRAM XX1 11-speed rear derailleur, SRAM XX1 shifter, SRAM XX1 PF30 crankset 34T, SRAM XG1199 10-42T cassette, SRAM XX hydraulic disc brakes w/160mm front & 140mm rear Centerline X rotors

COCKPIT

Ritchey WCS Carbon riser handlebar, 4-Axis stem & carbon 1-bolt seatpost, WTB Volt Team saddle, Jamis lock-on grips



Victory Red

NEMESIS PRO

FRAME

Mid-modulus Dyad Plus carbon fiber, tapered head tube, PressFit30 BB shell, internal cable routing, post mount disc brakes & 12x142mm drop-outs

FORK

Fox 32 Float 27.5 CTD Evolution Series, 3-position compression & lock-out, 15mm axle, air spring, rebound adjust, tapered alloy steerer, 100mm travel

WHEELS

WTB Frequency Race i19 TCS 27.5 tubeless rims, Formula sealed bearing hubs, stainless spokes, Vittoria Peyote 27.5 x 2.1 folding tires

DRIVETRAIN

SRAM X9 rear and X7 HDM front derailleurs, SRAM X7 2x10 shifters, SRAM S1000 PF30 crankset 38/24T, SRAM PG1030 11-36T cassette, SRAM DB5 hydraulic disc brakes w/160 mm front & rear Centerline rotors

COCKPIT

Ritchey Comp Riser bar, stem & seatpost, WTB Volt Comp saddle, Jamis lock-on grips



Grey Matter

NEMESIS RACE

FRAME

Kinesis 6061 triple-buttressed air formed tubing, PressFit30 BB, tapered headtube, post mount disc brakes & 12x142mm drop-outs

FORK

X-Fusion Streat RL 27.5, 32mm stanchions, 15mm axle, tapered alloy steerer, air spring, rebound & lockout adjust, magnesium lower legs, 100mm travel

WHEELS

American Classic Terrain 27.5 tubeless wheelset, 15mm front & 142mm rear hubs, Vittoria Peyote 27.5 x 2.1 folding tires

DRIVETRAIN

Shimano SLX Shadow rear & Deore front derailleurs, Deore 2x10 shifters, Deore crankset 38/24T, Shimano HG50 11-36T cassette, Shimano Deore hydraulic disc brakes w/160mm RT56 rotors

COCKPIT

Ritchey Comp Riser bar, stem & seatpost, WTB Volt Comp saddle, Jamis lock-on grips



Pure White

NEMESIS COMP

FRAME

Kinesis 6061 triple-buttressed air formed tubing, tapered head tube, post mount disc brakes, replaceable derailleur hanger

FORK

Rock Shox XC30 TK 27.5, Solo Air spring, external rebound, TurnKey lockout, 30mm stanchions, tapered aluminum steerer, 100mm travel

WHEELS

WTB Speed Disc i19 27.5 rims, Formula Hi-Lo flange sealed bearing 6-bolt disc hubs, stainless steel spokes, Vittoria Peyote 27.5 x 2.1 tires

DRIVETRAIN

SRAM X5 rear & front derailleurs, SRAM X5 2x10 shifters, SRAM S1000 GXP 38/24T crankset, SRAM PG-1020 11-36 cassette, Avid DB1 hydraulic with 160mm rotors

COCKPIT

Ritchey Mountain Riser bar, Ritchey 4-bolt stem, Ritchey 2-Bolt seatpost, WTB Volt Sport saddle



Ano Palladium

EDEN RACE

FRAME

Kinesis 6061 triple-buttressed air formed tubing, PressFit30 BB, tapered headtube, post mount disc brakes & 12x142mm drop-outs

FORK

Rock Shox XC32 TK, Solo Air spring, external rebound, TurnKey lockout adjust, 32mm stanchions, 15mm axle, tapered aluminum steerer, 100mm travel

WHEELS

WTB Speed Disc i19 27.5 rims, Formula sealed bearing 15mm front & 12x142mm rear hubs, stainless spokes, Vittoria Peyote 27.5 x 2.1 folding tires

DRIVETRAIN

SRAM X5 rear & front derailleurs, SRAM X5 2x10 shifters, SRAM S1000 PF30 36/22T crankset, SRAM PG-1020 11-36T cassette, Avid DB3 hydraulic disc brakes with 160mm rotors

COCKPIT

Ritchey Mountain Riser bar, Ritchey 4-bolt OS stem, Ritchey 2-Bolt seatpost, WTB Volt Sport 250 saddle, Jamis lock-on grips



Crystal

EDEN COMP

FRAME

Kinesis 6061 triple-buttressed air formed tubing, tapered head tube, post mount disc brakes, replaceable derailleur hanger

FORK

Rock Shox XC30 TK 27.5, coil spring, external rebound, TurnKey lockout, 30mm stanchions, tapered aluminum steerer, 100mm travel

WHEELS

WTB SX19 27.5 rims, Formula Hi-Lo flange alloy 6-bolt disc hubs, stainless spokes, Geax AKA 27.5 x 2.2 tires

DRIVETRAIN

SRAM X5 & front derailleurs, SRAM X5 3x9 shifters, SRAM S600 power spline crankset 44/32/22T, SRAM PC951 11-34 cassette, Tektro Auriga WS hydraulic disc brakes with 160mm rotors

COCKPIT

Ritchey Mountain Riser bar, Ritchey 4-bolt OS stem, Ritchey 2-Bolt seatpost, WTB Volt Sport 250 saddle, Dual compound grips



Pure White



TRAIL X & HELIX

XC HARDTAIL

Building great recreational-level bikes that ride much like (and look a lot like) our hi-end bikes is a passion at Jamis. And no bikes showcase our commitment to do just that better than these bikes. The Trail X chassis emphasizes all-day performance and the handling's quick and sure without being overly darty. But make no mistake, if you want to throw down, the Trail X is more than able to keep up with 27.5 wheels, precise shifting drivetrains and incredibly powerful disc or linear pull brakes.

With our focus on making off-road riding as easy and efficient as possible, it only makes sense that we offer some models designed solely for women. Perfectly sized and suited for first-timers as well as more experienced riders, the Helix and Helix Sport offer everything you need to go out and play with complete comfort and confidence.



TRAIL X EXPERT

FRAME

6061 aluminum main tubes, over-sized seat tube, zero-stack head tube, over-sized stays, replaceable derailleur hanger

FORK

RST Omega TNL 27.5, coil spring with Turn-n-Lock hydraulic lock out, external preload adjustor, 32mm stanchions, magnesium lowers, 100mm travel

WHEELS

Alex TD26 27.5 double wall rims, 32H, alloy 6-bolt disc hubs, stainless steel spokes, CST Patrol 27.5 x 2.0 tires

DRIVETRAIN

Shimano Acera rear & front derailleurs, Acera 3x9 shifters, Shimano M371 44/32/22T crankset, Shimano 11-34T cassette, Tektro Auriga hydraulic disc brakes with 160mm rotors

COCKPIT

Jamis XC riser handlebar, Jamis XC alloy threadless stem, Jamis alloy micro-adjust seatpost, Jamis ATB Sport saddle



Ano Black

TRAIL X COMP

FRAME

6061 aluminum main tubes, over-sized seat tube, zero-stack head tube, over-sized stays, replaceable derailleur hanger

FORK

RST Blaze TNL 27.5, coil spring with Turn-n-Lock hydraulic lock out, external preload adjustor, 30mm stanchions, aluminum lowers, 100mm travel

WHEELS

Alex TD26 27.5 double wall rims, 32H, alloy 6-bolt disc hubs, stainless steel spokes, CST Patrol 27.5 x 2.0 tires

DRIVETRAIN

Shimano Altus rear & M190 front derailleurs, Shimano M310 3x8 shifters, Shimano M311 crankset 42/32/22T, Shimano 11-32T cassette, Tektro Auriga hydraulic disc brakes with 160mm rotors

COCKPIT

Jamis XC riser handlebar, Jamis XC alloy threadless stem, Jamis alloy micro-adjust seatpost, Jamis ATB Sport saddle



Ano Black



Victory Red

TRAIL X SPORT

FRAME

6061 aluminum main tubes, over-sized seat tube, zero-stack head tube, over-sized stays, replaceable derailleur hanger

FORK

RST Gila MLO 27.5, coil spring with mechanical lock out, external preload adjustor, 28mm stanchions, aluminum lowers, 100mm travel

WHEELS

Alex TD26 27.5 double wall rims, 32H, alloy 6-bolt disc hubs, stainless steel spokes, CST Patrol 27.5 x 2.0 tires

DRIVETRAIN

Shimano TX800 rear & M190 front derailleurs, Shimano TX800 3x8 shifters, SR Suntour XCC crankset 42/34/24T, Shimano 11-32T cassette, Tektro Aires mechanical disc brakes with 160mm rotors

COCKPIT

Jamis XC riser handlebar, Jamis XC alloy threadless stem, Jamis alloy micro-adjust seatpost, Jamis ATB Sport saddle



Grenade



Electric Blue

TRAIL X

FRAME

6061 aluminum main tubes, over-sized seat tube, zero-stack head tube, over-sized stays, replaceable derailleur hanger

FORK

RST Gila 27.5, coil spring, external preload adjustor, 28mm stanchions, aluminum lowers, 100mm travel

WHEELS

Alex ACE-17 double-wall alloy rims, 36H, heavy-duty ATB hubs, stainless steel spokes, CST Patrol 27.5 x 2.0 tires

DRIVETRAIN

Shimano TX-35 rear & TX50 front derailleurs, Shimano EF41 3x7 shifters, Forged alloy crankset, 42/34/24T, Shimano TZ31 14-34T freewheel, Alloy linear pull type brakes with Shimano levers

COCKPIT

Jamis XC riser handlebar, Jamis XC alloy threadless stem, Jamis alloy micro-adjust seatpost, Jamis ATB Sport saddle



Palladium



Ano Black

HELIX SPORT

FRAME

6061 aluminum main tubes, over-sized seat tube, zero-stack head tube, over-sized stays, replaceable derailleur hanger

FORK

RST Gila MLO 27.5, coil spring with mechanical lock out, external preload adjustor, 28mm stanchions, aluminum lowers, 100mm travel

WHEELS

Alex TD26 27.5 double wall rims, 32H, alloy 6-bolt disc hubs, stainless steel spokes, CST Patrol 27.5 x 2.0 tires

DRIVETRAIN

Shimano TX800 rear & M190 front derailleurs, Shimano TX800 3x8 shifters, SR Suntour XCC crankset 42/34/24T, Shimano 11-32T cassette, Tektro Aires mechanical disc brakes with 160mm rotors

COCKPIT

Jamis XC riser handlebar, Jamis XC alloy threadless stem, Jamis alloy micro-adjust seatpost, Jamis ATB Sport Women's saddle



Ano Silver

HELIX

FRAME

6061 aluminum main tubes, over-sized seat tube, zero-stack head tube, over-sized stays, replaceable derailleur hanger

FORK

RST Gila 27.5, coil spring, external preload adjustor, 28mm stanchions, aluminum lowers, 100mm travel

WHEELS

Alex ACE-17 double-wall alloy rims, 36H, heavy-duty ATB hubs, stainless spokes, CST Patrol 27.5 x 2.0 tires

DRIVETRAIN

Shimano TX-35 rear & TX50 front derailleurs, Shimano EF41 3x7 shifters, Forged alloy crankset, 42/34/24T, Shimano TZ31 14-34T freewheel, Alloy linear pull type brakes with Shimano levers

COCKPIT

Jamis XC riser handlebar, Jamis XC alloy threadless stem, Jamis alloy micro-adjust seatpost, Jamis ATB Sport Women's saddle



Black Light



ROAD & ADVENTURE

DESIGNED FOR ALL.

The pro cyclists of Team Jamis/Hagens-Berman presented by Sutter Home have a will to win that's without parallel. It's what it takes to win stages, wear yellow or KoM polka dots and earn GC podium positions in America's premier road races. But without a WAY to win, simply having the will is not always enough. Which is where we come in.

Designing a path to victory is all about the persistent pursuit of details, painstakingly reworking carbon fiber layups, firing up the wind tunnel again and again, pushing every available technology to eke out a tiny bit more. Do it often enough, and you've engineered an advantage. That's our goal. Every day.

This year's road bikes continue our tradition of relentless refinement and breakthrough innovation.

That same attitude, that same capability, that same determined drive for best-in-class pushes all the way down the line. We tune every dimension of every bike for optimal weight distribution, so you can sprint without tire-skip, descend with confidence and rail every corner. We tweak every radius, obsess over wall thicknesses and tube miters, welding temperatures and carbon molding methods so you'll have a bike you can sprint with 100% commitment, throw yourself into corners with confidence, push those tires to their frictional limits and still enjoy smoothly forgiving ride quality.



JAMIS ROAD BIKE TECHNOLOGY

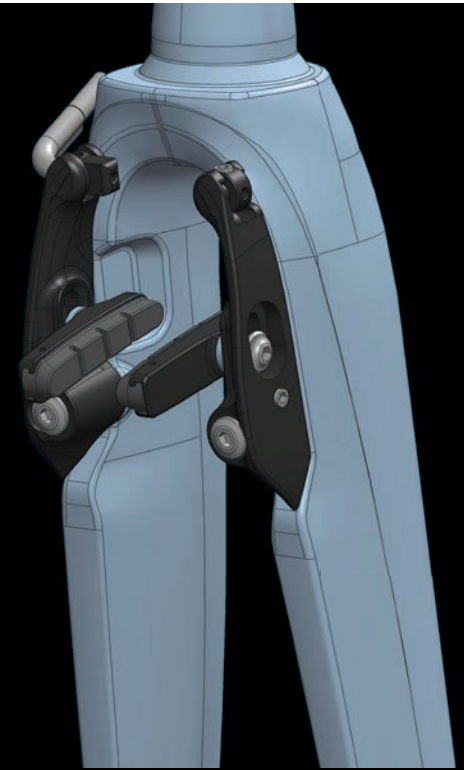
windshield FOR THE LEADING EDGE

Our chief design criteria when engineering the Xenith frame platform was to make it lighter, stiffer, more impact resistant, more comfortable and more aerodynamic. In that order.

The professional riders of Team Jamis/Hagens-Berman p/b Sutter Home were adamant about what to do when told we were working on the next gen Xenith and wanted their feedback on every element of the frame they had been racing (and winning) on before our engineering team would commence. Their response was unanimous -- if you can make it stiffer for the sprinters great; if you can make it lighter for our hill climbers, great; as for impact resistance, comfort and aerodynamics, sure, if you want, but don't change a thing about the fit, handling or the balance of the bike, it's perfect as is.

With the teams' design guidelines defined, we did lighten and stiffen the new Xenith frameset and we did increase impact resistance and comfort by implementing NearNet SPV.

But we also improved aerodynamics. The advantages of our original Windshield fork, which shrouds the rear-facing front brake on our T2 time trial bike within the fork blades, has been proven time after time in the wind tunnel and on the racecourse. That project and experience led us to develop a lighter version for use on the new Xenith SL, Team and Pro. Our new Windshield II fork design with trailing direct-mount brake reduces drag by nearly 4% compared to last year's fork with leading caliper brake. An advantage you're sure to appreciate the next time you're pulling a breakaway or closing the gap solo.



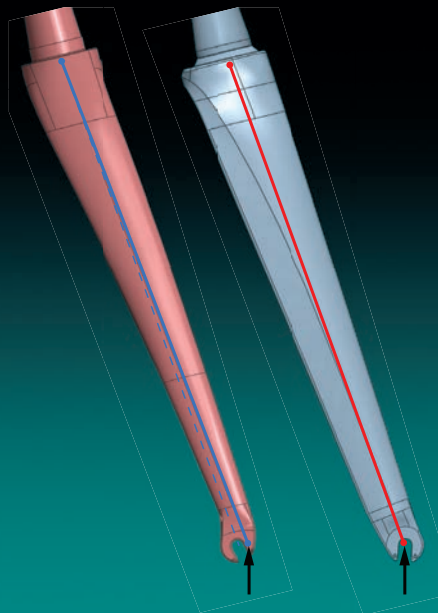
ECO

ENHANCED COMPLIANCE OFFSET (ENDURA & RENEGADE)

A fork's sole purpose is to secure and steer the front wheel. But there's a whole lot of engineering involved in making sure your bike doesn't just steer, but steers "just right". Not too sluggish. Not too twitchy. And has sufficient lateral and torsional stiffness to hold a line at speed, under turning loads, while still being able to dampen road vibration for comfort and control.

One of our design goals for the new Renegade and Enduras was to optimize fork compliance for greater control and comfort without compromising steering characteristics, lateral stiffness or torsional rigidity. A torsionally flexible fork will slow steering on descents and fast corners. There will be a noticeable lag between handlebar input and the bike's reaction.

We accomplished our goals with E.C.O. -- Enhanced Compliance Offset. The ECO fork blades are swept forward a few millimeters to reduce the angle of the fork leg to the road, which increases vertical compliance for a more comfortable and controlled ride. A reinforcing rib on the inside of the fork legs assures both lateral and torsional stiffness. Most importantly, the Renegade and Endura's "just right" handling traits remain unchanged, even with the more forward bent fork blades, because the ECO trailing dropout design negates the increase in fork rake maintaining trail for optimal steering characteristics.





THE EVER EVOLVING BOTTOM BRACKET

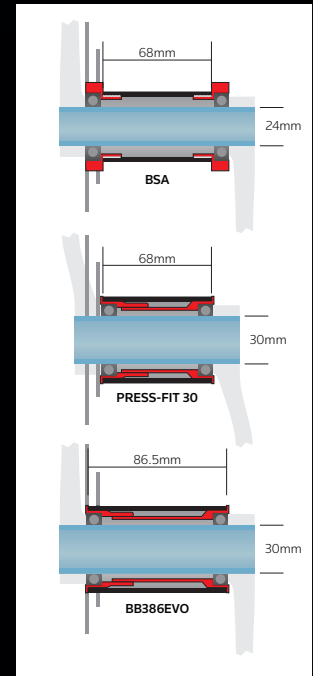
There are a number of BB standards in the bike industry right now. Here is what you will find on our bikes, and why.

TRADITIONAL: The standard forever. A steel BB spindle, 17mm in diameter, turns within a 68mm or 73mm shell and upon sealed cartridge ball bearings that are threaded into the BB shell. Not particularly light, not especially stiff (by today's standards), but reliably durable and definitely cost effective.

EXTERNAL BEARING: The BB shell is still 68mm or 73mm wide and just under 35mm in diameter, but the bearings have been moved outside the BB shell (Shimano Hollowtech II, SRAM GXP, FSA MegaExo). This allows the spindle diameter to be increased over 40% to 24mm and hollowed for a huge stiffness increase with a significant weight reduction.

PRESSFIT30: PressFit30 (SRAM) is a derivative of the BB30 (FSA) system. BB30 increases the spindle diameter to a whopping 30mm for the ultimate in stiffness. But because the BB shell's inside diameter is also increased from just under 34mm to 42mm, bearing size is not compromised. The challenge with BB30 is that bearings are pressed directly into the frame, leading to durability issues if there are any frame or bearing tolerance deviations. The beauty of the PF30 system is that bearings are housed in nylon cups that are pressed into the frame's bottom bracket shell.

BB386EVO: The BB386 EVO bottom bracket design amplifies the benefits of the proven BB30 and PF30 system. It takes the lighter, stiffer 30mm alloy spindle from the BB30 design, incorporates press-fit bearing cups from the PF30 system and marries both to a wider 86.5mm BB shell (which is the same width as on a standard 68mm shell with external bearings). All without changing Q-factor. Why a wider shell? It allows us to increase the diameter of our seat and down tubes at the BB shell a full 30%, for increased stiffness where you really need it. We can also optimize chainstay design with an increased diameter that doesn't crowd the rear tire.



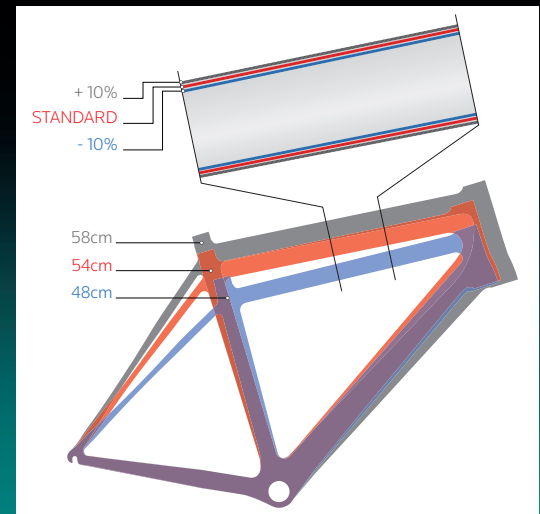
RIDE TUNED FOR YOU

The benefits of a properly fitted bike have been recognized for years. It is essential for injury prevention and maximized efficiency. And it is the primary determinant in assuring the greatest comfort and enjoyment while riding.

Our first road bikes introduced in 1988, the Quest and Axis (for Jamis history buffs, this later became the Eclipse), were designed in consultation with Bill Farrell, inventor of the first bike-sizing tool, the Fit Kit. Back then, bike companies generally plotted a single geometry on all frame sizes: the blow 'em up or shrink 'em down solution – lazy, cheap and thankfully long ago obsolete.

But fit is a two-dimensional calculation. Slight changes in tube diameter have a significant impact upon performance. As diameter increases, strength and stiffness increase along the length of the tube as well. Whether in aluminum, steel or carbon fiber, we vary the cross-section and sometimes even wall thicknesses to fine-tune the performance and comfort characteristics of each frame size.

SST -- Size Specific Tubing-- optimizes ride quality and assures the lightest possible weight for each frame size. By varying the diameters of the tubing in the main frames of each of our frame sizes (and sometimes even in the seat-stays) by 10 – 20%, we can produce a bike that not only fits like a glove and handles precisely, but accelerates and climbs explosively and offers just-right compliance for every rider, every frame size.





XENITH

COMPETITION ROAD

"As good as it gets" is never good enough at Jamis. And our all-new, totally redesigned Xenith proves it. The Xenith was already a multiple awards-winning, race-vanquishing powerhouse that many on Jamis/Hagens Berman p/b Sutter Home didn't want us to tamper with. But our engineers and designers weren't content with today's accolades and podiums when tomorrow's beckoned. The development effort on this bike wasn't just about tweaking what we had; it was about starting from scratch to create what we could. The result? A radically new frame and fork design and wholly new manufacturing process that has delivered the lightest, stiffest, most aero road bike we've ever produced.



XENITH SL

FRAME

Dyad Supreme M40/M30 carbon fiber monocoque, FEA optimized Near Net SPV molding process, carbon tapered head tube, EV0386 carbon BB shell, asymmetrical chainstays with direct mount brakes and SST tubing diameters

FORK

Jamis WindShield II Aero full carbon composite fork, FEA optimized Near Net SPV molding process, 1.5" hollow formed crown, monocoque one-piece forming technology, carbon dropouts with stainless axle interfaces

WHEELS

Shimano Dura Ace C35 clincher wheelset, 16/20H, 35mm aero carbon/alloy rims, Dura Ace front & rear hubset, bladed spokes, Vittoria Open Corsa CX, 700 x 23c

DRIVETRAIN

Shimano 11-speed Dura-Ace derailleurs, Dura-Ace STI levers, Dura-Ace 53/39 crankset with Dura-Ace 11-25T, Dura Ace BR-9010 direct mount Super SLR dual pivot calipers and TRP TTV linear pull direct mount front brake with cartridge pads

COCKPIT

Ritchey Superlogic EVO Curve carbon bars, Superlogic C-260 carbon stem & Superlogic carbon seatpost, Fizik Arione R5 saddle & Fizik Superlight Microsoft Touch bar tape



Available as frameset
& femme frameset



Galaxy Grey

XENITH TEAM

FRAME

Dyad Supreme M40/M30 carbon fiber monocoque, FEA optimized Near Net SPV molding process, carbon tapered head tube, EV0386 carbon BB shell, asymmetrical chainstays with direct mount brakes and SST tubing diameters

FORK

Jamis WindShield II Aero full carbon composite fork, FEA optimized Near Net SPV molding process, 1.5" hollow formed crown, monocoque one-piece forming technology, carbon dropouts with stainless axle interfaces

WHEELS

American Classic Argent Tubeless 11-Speed wheelset, 18/24H, 30mm rim height with 23x19mm width, stainless steel bearing hubs, bladed stainless spokes, Vittoria Open Corsa CX, 700 x 23c

DRIVETRAIN

SRAM RED22 11-Speed derailleurs with YAW technology, shifters, RED22 crankset 53/39 and XG1190 11-26T, Shimano BR-6010 direct mount caliper rear brake and TRP TTV linear pull direct mount front with cartridge pads

COCKPIT

Ritchey WCS Logic Curve carbon bars, Ritchey WCS 4-Axis stem, Ritchey 31.6mm carbon seatpost, Fizik Arione CX saddle & Fizik Superlight Microsoft Touch bar tape



Platinum Silver

XENITH PRO

FRAME

Dyad Elite M30/T700 carbon fiber monocoque, FEA optimized Near Net SPV molding process, carbon tapered head tube, EVO386 carbon BB shell, asymmetrical chainstays with direct mount brakes and SST tubing diameters

FORK

Jamis WindShield II Aero full carbon composite fork, FEA optimized Near Net SPV molding process, 1.5" hollow formed crown, monocoque one-piece forming technology, carbon dropouts with stainless axle interfaces

WHEELS

American Classic 420 Aero 11-Speed wheelset, 34mm aero rims, 18/24H, stainless steel bearing hubs, bladed stainless spokes, Vittoria Rubino Pro Slick, 700 x 23c, folding tires

DRIVETRAIN

SRAM Force22 11-Speed derailleurs with YAW technology, shifters, Force22 crankset 52/36 and PG1170 11-26T, Shimano BR-6010 direct mount caliper rear brake and TRP TTV linear pull direct mount front with cartridge pads

COCKPIT

Ritchey Pro EVO Curve handlebar, Ritchey Pro 4-Axis stem, Ritchey Pro 31.6mm carbon fiber seatpost, Fizik Arione CX saddle & Fizik Superlight Microsoft Touch bar tape



Available as frameset



Victory Red

XENITH PRO FEMME

FRAME

Dyad Elite M30/T700 carbon fiber monocoque, FEA optimized Near Net SPV molding process, carbon tapered head tube, EVO386 carbon BB shell, asymmetrical chainstays with direct mount brakes and SST tubing diameters

FORK

Jamis WindShield II Aero full carbon composite fork, FEA optimized Near Net SPV molding process, 1.5" hollow formed crown, monocoque one-piece forming technology, carbon dropouts with stainless axle interfaces

WHEELS

American Classic 420 Aero 11-Speed wheelset, 34mm aero rims, 18/24H, stainless steel bearing hubs, bladed stainless spokes, Vittoria Rubino Pro Slick, 700 x 23c, folding tires

DRIVETRAIN

SRAM Force22 11-Speed derailleurs with YAW technology, shifters, Force22 crankset 52/36 and PG1170 11-26T, Shimano BR-6010 direct mount caliper rear brake and TRP TTV linear pull direct mount front with cartridge pads

COCKPIT

Ritchey Pro EVO Curve handlebar, Ritchey Pro 4-Axis stem, Ritchey Pro 31.6mm carbon fiber seatpost, Fizik Vesta femme saddle & Fizik Superlight Microsoft Touch bar tape



Available as frameset



Platinum Silver

XENITH RACE

FRAME

Dyad Elite M30/T700 carbon fiber monocoque, FEA optimized Near Net SPV molding process, carbon tapered head tube, EV0386 carbon BB shell, asymmetrical chainstays with direct mount brakes and SST tubing diameters

FORK

Jamis Road full carbon composite fork, FEA optimized Near Net SPV molding process, 1.5" hollow formed crown, monocoque one-piece forming technology, carbon dropouts with stainless axle interfaces

WHEELS

Mavic Aksium Race 11-Speed wheelset, 20H, QRM bearing hubs with FTS-L freehub, H2 spoke holes, straight pull stainless spokes, Vittoria Zaffiro Pro slick, 700 x 23c, folding tires

DRIVETRAIN

Shimano Ultegra 6800 11-Speed derailleurs and shifters, 52/36 crankset with 11-28 cassette, Shimano BR-6010 direct mount rear brake and BR-6800 dual pivot front caliper brake

COCKPIT

Ritchey Comp Logic Curve bars, Ritchey Logic Comp 4-Axis stem, Jamis carbon seatpost, Fizik Ardea Versus saddle & Fizik Superlight Microsoft Touch bar tape



Victory Blue

XENITH RACE FEMME

FRAME

Dyad Elite M30/T700 carbon fiber monocoque, FEA optimized Near Net SPV molding process, carbon tapered head tube, EV0386 carbon BB shell, asymmetrical chainstays with direct mount brakes and SST tubing diameters

FORK

Jamis Road full carbon composite fork, FEA optimized Near Net SPV molding process, 1.5" hollow formed crown, monocoque one-piece forming technology, carbon dropouts with stainless axle interfaces

WHEELS

Mavic Aksium Race 11-Speed wheelset, 20H, QRM bearing hubs with FTS-L freehub, H2 spoke holes, straight pull stainless spokes, Vittoria Zaffiro Pro slick, 700 x 23c, folding tires

DRIVETRAIN

Shimano Ultegra 6800 11-Speed derailleurs and shifters, 52/36 crankset with 11-28 cassette, Shimano BR-6010 direct mount rear brake and BR-6800 dual pivot front caliper brake

COCKPIT

Ritchey Comp Logic Curve bars, Ritchey Logic Comp 4-Axis stem, Jamis carbon seatpost, Fizik Vesta femme saddle & Fizik Superlight Microsoft Touch bar tape



Pure White

XENITH COMP

FRAME

Omnia Plus T700 carbon fiber monocoque, FEA optimized Near Net SPV molding process, carbon tapered head tube, EVO386 carbon BB shell, asymmetrical chainstays with direct mount brakes and SST tubing diameters

FORK

Jamis Road full carbon composite fork, FEA optimized Near Net SPV molding process, 1.5" hollow formed crown, monocoque one-piece forming technology, carbon dropouts with stainless axle interfaces

WHEELS

Alex AT 470 rim with TCS & CNC sidewalls, 28/32H, Formula alloy hubs, 14g black stainless steel spokes, Vittoria Zaffiro Slick, 700 x 23c tires

DRIVETRAIN

Shimano 105 11-speed derailleurs and shifters, Shimano FC-RS500 50/34 crankset with Shimano 12-25T, Shimano BR-5810 direct mount rear brake and BR-5800 dual pivot front caliper brake

COCKPIT

Ritchey Comp Logic bars, Ritchey Road 3D forged stem, Jamis carbon seatpost, Fizik Ardea Versus saddle & Fizik Superlight Microsoft Touch bar tape



Galaxy Grey



Pure Lime

XENITH COMP FEMME

FRAME

Omnia Plus T700 carbon fiber monocoque, FEA optimized Near Net SPV molding process, carbon tapered head tube, EVO386 carbon BB shell, asymmetrical chainstays with direct mount brakes and SST tubing diameters

FORK

Jamis Road full carbon composite fork, FEA optimized Near Net SPV molding process, 1.5" hollow formed crown, monocoque one-piece forming technology, carbon dropouts with stainless axle interfaces

WHEELS

Alex AT 470 rim with TCS rims with CNC sidewalls, 28/32H, Formula alloy hubs, 14g black stainless steel spokes, Vittoria Zaffiro Slick, 700 x 23c tires

DRIVETRAIN

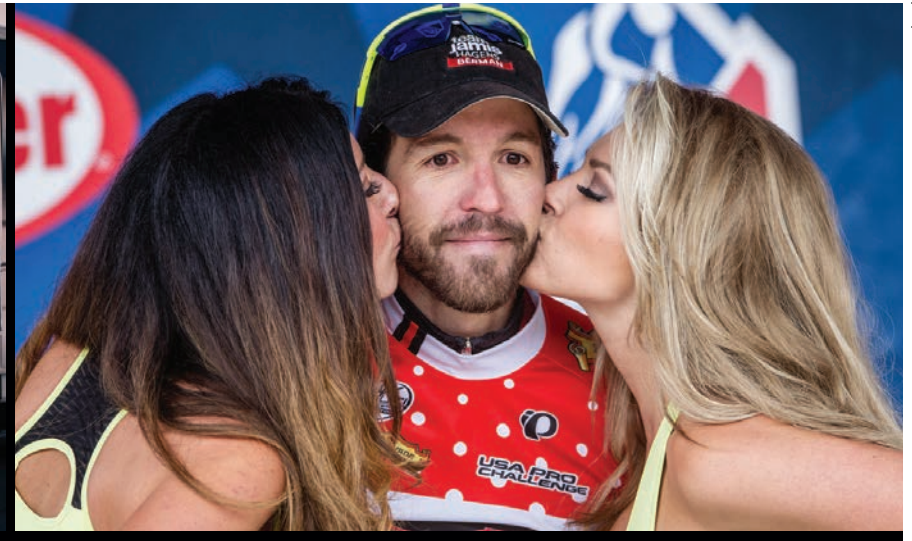
Shimano 105 11-speed derailleurs and shifters, Shimano FC-RS500 50/34 crankset with Shimano 12-25T, Shimano BR-5810 direct mount rear brake and BR-5800 dual pivot front caliper brake

COCKPIT

Ritchey Comp Logic bars, Ritchey Road 3D forged stem, Jamis carbon seatpost, Fizik Vesta femme saddle & Fizik Superlight Microsoft Touch bar tape



Indi-Go Blue





ICON

COMPETITION ROAD

We knew the Icon was going to be a winner when we first introduced it in 2013, but the accolades since its introduction just two years ago have blown us away: the Elite has been awarded Bicycling Magazine's coveted Editor's Choice award two years running! It's not too hard to figure out why. With an alloy frame that is just as light as our carbon fiber Xenith Comp and a frame geo inspired by our peloton-proven Xenith SL, the Icon sprints like a missile with a "connected" road feel that inspires confidence.





Available as frameset

Grey Anodized

ICON ELITE

FRAME

Synthesis manufactured 6061 double-butted aluminum, 1 1/8-1.5" tapered head tube, Press Fit 30 BB and SST tubing diameters"

FORK

Jamis Road carbon fork, 1.5" hollow formed crown, monocoque one-piece forming technology, carbon dropouts with stainless axle interfaces

WHEELS

American Classic Victory 30 Tubeless 11-Speed wheelset, 30mm rim profile, AC alloy hubs with 18/24H aerodynamic spokes, Vittoria Rubino Pro Slick, 700 x 23c, folding tires

DRIVETRAIN

Shimano Ultegra 11-Speed derailleurs & shifters, Shimano Ultegra 52/36 crankset with Shimano 11-28T, Shimano Ultegra BR-6800 SLR dual pivot caliper brakes with cartridge pads

COCKPIT

Ritchey Comp Logic Curve bars, Ritchey WCS 4-Axis stem, Jamis carbon seatpost, Fizik Arione CX saddle & Fizik Superlight Microsoft Touch bar tape



Ano Black

ICON PRO

FRAME

Synthesis manufactured 6061 double-butted aluminum, 1 1/8-1.5" tapered head tube, Press Fit 30 BB and SST tubing diameters"

FORK

Jamis Road carbon composite fork, 1.5" hollow formed crown, monocoque one-piece forming technology, carbon dropouts with stainless axle interfaces

WHEELS

Mavic Aksium Race wheelset, 20H, 24mm rims, QRM bearings and FTS-L freehub and Self Locking straight pull aerodynamic spokes, Vittoria Zaffiro Slick, 700 x 23c, folding tires

DRIVETRAIN

Shimano 105 11-speed derailleurs and shifters, Shimano FC-RS500 50/34 crankset with Shimano 11-28T, Tektro R540 dual pivot caliper brakes with cartridge pads

COCKPIT

Ritchey Comp Logic Curve bars, Ritchey Road 3D forged stem, Jamis carbon seatpost, Selle Royal Seta S1 saddle & Fizik Superlight Microsoft Touch bar tape



Ano Silver

ICON RACE

FRAME

Synthesis manufactured 6061 double-butted aluminum, 1 1/8-1.5" tapered head tube, Press Fit 30 BB and SST tubing diameters"

FORK

Jamis Road carbon composite fork, 1.5" hollow formed crown, monocoque one-piece forming technology, carbon dropouts with stainless axle interfaces

WHEELS

Alex AT 470 rim with TCS & CNC sidewalls, 28/32H, Formula alloy hubs, 14g black stainless steel spokes, Vittoria Zaffiro Slick, 700 x 23c tires

DRIVETRAIN

Shimano Tiagra derailleurs and shifters, FSA Omega 50/34 crankset with Shimano 12-28T, Tektro R312 dual pivot caliper brakes

COCKPIT

Ritchey Comp Logic Curve bars, Ritchey Road 3D forged stem, Jamis carbon seatpost, Selle Royal Seta S1 saddle & Fizik Superlight Microsoft Touch bar tape




XENITH T-SERIES

TIME TRIAL /
TRIATHLON

We've poured over every millimeter of our Xenith time trial bikes to help you squeeze every bit of speed from every milliwatt you can muster against the clock. The Windshield aero fork with shrouded rear-facing brakes increases aerodynamic efficiency a full 10%. 78 degree seat tube angles and 46mm bore PF30 BB system maximize pedal power, with head angles and fork offsets specifically designed for straight-line stability in an aero tuck on TT extensions. This is what TT performance is all about.



Available as frameset

Victory Red

XENITH T2

FRAME

Dyad Supreme M40/M30 carbon fiber monocoque, chainstay mounted rear brake, internal cable routing, Press Fit 30 BB, rear-entry dropouts

FORK

Jamis WindShield carbon, 1 1/8" with shrouded brake

WHEELS

American Classic carbon 58mm Series 3 11-Speed clincher, 18/24H, 58mm aero profile carbon rim, AC hi-lo flange Micro 58 hubs, Vittoria Open Corsa EVO Slick, 700 x 23c, folding tires

DRIVETRAIN

Shimano Ultegra Di2 11-Speed derailleurs, Di2 base bar and 2 button bar-end shifters, Ultegra 53/39 crankset, Shimano 11-25T, Tektro R725 aero TT brakes with Swiss Stop dual compound cartridge shoes

COCKPIT

Profile T3+ Drop-bend carbon extensions, Profile SVET ZERO carbon bar, Profile Aris stem, Cobb Cycling V-Flow Plus saddle & Fizik Superlight Microsoft Touch bar tape



Platinum Silver

XENITH T1

FRAME

Dyad Supreme M40/M30 carbon fiber monocoque, chainstay mounted rear brake, internal cable routing, Press Fit 30 BB, rear-entry dropouts

FORK

Jamis WindShield carbon, 1 1/8" with shrouded brake

WHEELS

American Classic 420 Aero 3 wheelset, 18/24H 34mm aero rims, RD-205/Micro 58 hubs, stainless steel bladed spokes, Vittoria Rubino Pro Slick, 700x23c, folding tires

DRIVETRAIN

SRAM Force22 derailleurs with YAW technology, SRAM 1090 R2C Aero TT 11-speed bar end levers, Vision Trimax 52/38 PF30 crankset, SRAM 11-25T, Tektro R725 aero TT brakes with Swiss Stop dual compound cartridge shoe and Tektro TL-720 aero levers

COCKPIT

Profile T3+ Drop-bend carbon extensions, Profile SVET ZERO carbon bar, Profile Aris stem, Cobb Cycling V-Flow Plus saddle & Fizik Superlight Microsoft Touch bar tape



Galaxy Grey

XENITH T

FRAME

Dyad Supreme M40/M30 carbon fiber monocoque, chainstay mounted rear brake, internal cable routing, Press Fit 30 BB, rear-entry dropouts

FORK

Jamis WindShield carbon, 1 1/8" with shrouded brake

WHEELS

Alex RA30 aero rims with 30mm rim profile, 20/24H, Formula alloy hubs with QR, Formula bladed stainless steel spokes, Vittoria Zaffiro Slick, 700x23c, tires

DRIVETRAIN

Shimano 105 11-speed derailleurs, microSHIFT 22-speed bar-end shifters, FSA Gossamer 53/39 PF30 crankset, Shimano 12-25T, Tektro R725 aero TT brakes with Swiss Stop dual compound cartridge shoes and Tektro RX 4.1 aero levers

COCKPIT

Profile T3+ Drop-bend extensions, Profile Air Wing base bar, Profile Aris stem, Selle Royal Seta T1 saddle & Fizik Superlight Microsoft Touch bar tape



NOVA

CYCLOCROSS

Over the barriers, through the mud, to the podium we go. On a Supernova of course. The carbon fiber Team and Elite versions of this perennial CX winner are guaranteed to have you reigning in the wet and muddy stuff. Then there's our aluminum Nova Pro, Race and Sport, possibly some of the most versatile bikes we've ever built. They're as ready for Monday morning's asphalt commute as they were at the local gravel race last Saturday. And they're just as ready to be loaded up with panniers for next month's adventure tour.





Available as frameset



Orange Crush / Gloss Carbon

SUPERNOVA TEAM

FRAME

Jamis CX Dyad Elite M30/T700 carbon fiber monocoque, FEA optimized Near Net molding process, carbon tapered head tube, EV0386 carbon BB shell, SST tubing diameters

FORK

Jamis CX carbon fiber fork with 15mm Maxle Thru Axle, FEA optimized Near Net SPV molding process, 1.5" hollow formed crown, monocoque one-piece forming technology, post disc brake mounts and stainless axle interfaces

WHEELS

American Classic Argent Tubeless wheelset, 32H, 19mmID x 30mm aero rim profile, AC disc hubs with sealed bearings, front thru axle and AC round spokes, Clement Crusade PDX, 700 x 33c, 120tpi, folding tires

DRIVETRAIN

SRAM Force CX1 11-speed rear derailleur, Force CX1 Hydraulic disc brake shifters, Force CX1 42T GXP Crankset, SRAM 11-28T cassette, SRAM Force Hydraulic disc brakes with 19mm front and 18mm rear pistons, 160mm front/140mm rear rotors

COCKPIT

Ritchey WCS EVO Curve handlebar, Ritchey WCS 4-Axis stem, Ritchey Carbon seatpost, Fizik Aliante Delta saddle & Fizik Superlight Microsoft Touch bar tape

SUPERNOVA ELITE

FRAME

Jamis CX Dyad Plus T700/FRP carbon fiber monocoque, FEA optimized Near Net molding process, carbon tapered head tube, EV0386 carbon BB shell, SST tubing diameters

FORK

Jamis CX carbon fiber fork with 15mm Maxle Thru Axle, FEA optimized Near Net SPV molding process, 1.5" hollow formed crown, monocoque one-piece forming technology, post disc brake mounts and stainless axle interfaces

WHEELS

Alex ATD 470 Disc rim with TCS, 32H, Formula alloy 6-bolt disc road hubs, front Thru Axle and 14g stainless steel spokes, Clement Crusade PDX, 700 x 33c, 60tpi, folding tires

DRIVETRAIN

SRAM Apex derailleurs and shifters, FSA Gossamer PRO EVO 46/36 PF30 crankset with SRAM 11-28T, TRP HYRD cable actuated hydraulic disc brake with 160mm front; 140mm rear rotors

COCKPIT

Ritchey Logic Curve bar, Ritchey 4-Axis stem, Ritchey Road seatpost, Selle Royal Seta S1 saddle & Fizik Superlight Microsoft Touch bar tape



Pure White / Gloss Carbon

NOVA PRO

FRAME

7005 double-butted aluminum, tapered head tube, Kinesium top tube formed with portaging flat

FORK

Jamis CX carbon fiber fork with 15mm Maxle Thru Axle, FEA optimized Near Net SPV molding process, 1.5" hollow formed crown, monocoque one-piece forming technology, post disc brake mounts and stainless axle interfaces

WHEELS

Alex ATD 470 Disc rim with TCS, 32H, Formula alloy 6-bolt disc road hubs, front Thru Axle and 14g stainless steel spokes, Clement Crusade PDX, 700 x 33c, 60tpi, folding tires

DRIVETRAIN

SRAM Apex derailleurs & shifters, SRAM APEX 46/36 PF30 crankset with SRAM 11-28T, TRP HYRD cable actuated hydraulic disc brake with 160mm front; 140mm rear rotors

COCKPIT

Ritchey Comp Logic Curve handlebar, Ritchey 4-Axis stem, Ritchey Road seatpost, Selle Royal Seta S1 saddle & Fizik Superlight Microsoft Touch bar tape



Black Ice

NOVA RACE

FRAME

6061 double-butted aluminum, tapered head tube, top tube formed with portaging flat

FORK

Jamis CX carbon composite fork, 1.5" hollow formed crown, monocoque one-piece forming technology, post disc brake mounts with integrated carbon cable cradle with stainless axle interfaces and fender eyelets

WHEELS

Alex ATD 470 Disc rim with TCS, 32H, Formula alloy 6-bolt disc road hubs, 14g stainless spokes, Vittoria Cross XN, 700 x 32c tires

DRIVETRAIN

Shimano 10-speed Tiagra derailleurs and shifters, FSA Vero 46/36 crankset, Shimano 12-30T, Avid BB-7 mechanical disc brake with 160mm front/rear rotors

COCKPIT

Ritchey Logic Curve bar, Ritchey 4-Axis stem, Ritchey Road seatpost, Selle Royal Seta S1 saddle & Jamis suede bar tape



Ano Paladium

NOVA SPORT

FRAME

6061 double-butted aluminum, tapered head tube, top tube formed with portaging flat

FORK

Jamis Cross aluminum fork, tapered chromoly steerer, integrated cable cradles with post disc brake mounts and fender eyelets

WHEELS

Alex ATD 470 Disc rim with TCS, 32H, Formula alloy 6-bolt disc road hubs, 14g stainless spokes, Vittoria Cross XN, 700 x 32c tires

DRIVETRAIN

Shimano 8-speed Claris 2400 derailleurs and Dual Control shifters, FSA Tempo 50/36 crankset, Shimano 11-30T, Tektro Lyra cable-actuated disc brakes

COCKPIT

Jamis 31.8mm handlebar, Jamis stem, Jamis 31.6mm seat post, Jamis road saddle



Ano Black

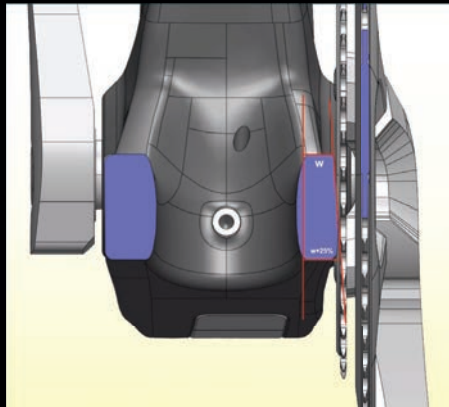


RENEGADE

ADVENTURE BIKES

Cyclists looking for a high-tech, drop-bar road bike that's truly go-anywhere/do-anything capable had few choices until today. Meet the Renegade. This is not your standard-issue, "heavy duty" adventure bike. The lightweight, full carbon fiber monocoque frame and fork soaks up the rough stuff and smoothes those mixed terrain routes, thanks both to the inherent shock-damping characteristics of the material as well as the long and low endurance-inspired geo. With disc brakes and the ability to mount a full-bodied 40c tire, this bike is ready for beat-up streets, back roads, dirt paths you name it. All you need to bring is the desire to push, pedal and explore.





GO WIDE

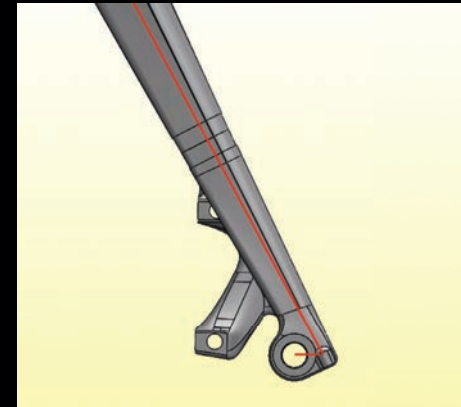
The BB386 EVO bottom bracket design amplifies the benefits of the proven BB30 system. It takes the lighter, stiffer 30mm alloy spindle of the BB30 design, incorporates press fit bearing cups instead of direct fit bearings and marries it to a wider 86.5mm BB shell. All without changing Q-factor. Why a wider shell? It allows us to increase the diameter of our seat and down tubes at the BB shell a full 30%, for increased stiffness where you really need it. We can also optimize chainstay design with both increased diameters (stiffer!) and wider spacing (more tire clearance!). Our new design gives you the ability to mount a full-bodied 40c tire.



AS CLOSE TO CUSTOM AS IT GETS

The goal was to produce the ideal adventure ride identically for all frame sizes. Of course we began with size-specific tubing diameters, a concept we pioneered decades ago. Then we blew up the mold department with requests for 3 different fork offsets, 3 different BB drops, 3 different rear-center measurements and 2 rear triangle sizes.

We ensured stack and reach was consistently stepped from frame size to frame size. Then we tuned lay-ups by frame size. The result is a bike with ride qualities that are virtually cloned from 48 to 61.



KEEP IT ON TRACK

ECO stands for Enhanced Compliance Offset. The ECO fork blades are swept forward a few millimeters to provide vertical compliance for a more comfortable and controlled ride without any compromise to lateral stiffness, thanks to the reinforcing rib on the inside of the fork legs. Integrating a 15mm thru-axle into the fork amplifies the benefits of the ECO design by reinforcing lateral and torsional stiffness, counteracting the influences of disc-brake torque, which keeps the front wheel tracking exactly where you're steering it.



Gloss Carbon

RENEGADE ELITE

FRAME

Omnia M30 Monocoque Carbon Fiber Frame, Near Net molding process, SST tubing, ACE internal cables compatible with Di2, full carbon head tube, EV0386 carbon BB shell and hidden fender & carrier eyelets

FORK

Jamis ECO carbon fork with 15mm Maxle Thru Axle, 1.5" hollow formed crown, post disc brake mounts with carbon dropouts, hidden fender eyelets and stainless axle interfaces

WHEELS

American Classic Argent Tubeless wheelset, 32H, 19mmID x 30mm aero rim profile, AC disc hubs with sealed bearings, front thru axle and AC round spokes, Clement X Plor USH, 700 x 35c, 60tpi folding tires with protective belt

DRIVETRAIN

Shimano Ultegra 11- Speed derailleurs & Hydraulic disc brake shifters, Shimano Ultegra 52/36 crankset with Shimano 11-28T, Shimano BR-685 Hydraulic disc brake system with resin pads, 160mm rotors

COCKPIT

Ritchey Comp Logic Curve bar, Ritchey Comp 4-Axis stem, Ritchey WCS Link Flex Logic Carbon seatpost, Ritchey Comp ZeroMax Vector EVO Flex Logic saddle & Fizik Superlight Microsoft Touch bar tape



Gloss Carbon

RENEGADE EXPERT

FRAME

Dyad Plus T700/FRP Monocoque Carbon Fiber Frame, Near Net molding process, SST tubing, ACE internal cables compatible with Di2, full carbon head tube, EVO386 carbon BB shell and hidden fender & carrier eyelets

FORK

Jamis ECO carbon fork with 15mm Maxle Thru Axle, 1.5" hollow formed crown, post disc brake mounts with carbon dropouts, hidden fender eyelets and stainless axle interfaces

WHEELS

Alex ATD 470 Disc rim with TCS, 32H, Formula alloy 6-bolt disc road hubs, front Thru Axle and 14g stainless steel spokes, Clement X Pior USH, 700 x 35c, 60tpi folding tires with protective belt

DRIVETRAIN

Shimano 105 11-speed derailleurs and shifters, Shimano FC-RS500 50/34 crankset with Shimano 12-25T, TRP HYRD cable actuated hydraulic disc brake with 160mm rotors

COCKPIT

Ritchey Comp Logic bars, Ritchey 4-Axis 3D forged stem, Jamis carbon seatpost, Selle Royal Seta S1 saddle & Fizik Superlight Microsoft Touch bar tape

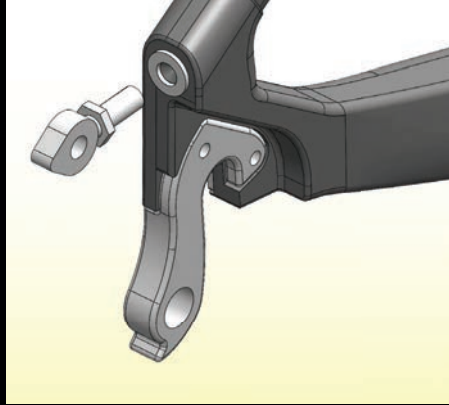


ENDURA

DO IT ALL

Our Enduras are a favorite amongst century riders, distance cyclists and racers looking for an edge on rough or steep courses. And it's no surprise why. Borrowing heavily from our race-winning Xenith Competition geo, the Endura strikes a balance between performance, comfort, compliance and capability. Every Endura model features all the performance and design attributes of our racing bikes with slightly taller head tubes, longer wheelbases and relaxed frame angles. Fast, long, steep and rough rides can now be enjoyed, not just endured.





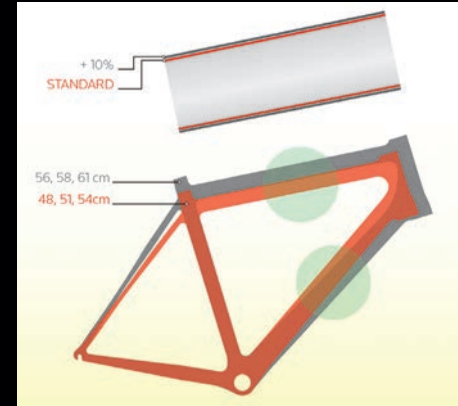
ULTIMATE VERSATILITY

Including fender and carrier dropout eyelets on a versatile road bike like the Endura is clearly a functionally desirable design feature, but aesthetically just don't cut it. Which is why we've "hidden" them by threading frame and fork from the front and back instead of the side, and then including threaded inserts with every Endura that makes installation of fenders or carriers simple and clean.



LONG REACH

Brake calipers typically specified on road bikes have a reach range of 39 - 49mm. This is fine if riders are willing to accept limiting their tire size choices to 23 or 25c widths. But we think the Endura rider will appreciate having long reach calipers (47 - 57mm range) spec'ed instead, allowing for the installation of tire widths up to 32c.



SST FOR THE RIGHT RIDE

Size specific tubing optimizes ride quality and assures the lightest possible weight for each frame size. SST engineering applies not only to the main frame -- our 44, 48 and 51cm frames are designed with top and down tubes 10% smaller than on the 54 and 56cm, which are in turn 10% smaller than on the 58 and 61cm -- but to the seat stays as well. The result is a bike that handles precisely, accelerates explosively and offers compliance for EVERY rider.

ENDURA COMP

FRAME

Dyad Elite M30/T700 carbon fiber monocoque, SST tubing diameters, ACE internal cables compatible with Di2, full carbon head tube, carbon PressFit 30 BB shell and hidden fender & carrier eyelets

FORK

Jamis ECO carbon composite fork, 1.5" hollow formed crown, monocoque one-piece forming technology, alloy dropouts with hidden eyelet

WHEELS

Shimano RS11 wheelset, 16/20H, 24mm rim profile, forged aluminum loose ball hubs, bladed stainless steel spokes, Vittoria Zaffiro, 700 x 25c tires

DRIVETRAIN

Shimano 105 11-speed derailleurs and shifters, Shimano FC-RS500 50/34 crankset with Shimano 11-28T, Tektro R359 long-reach/dual-pivot caliper brakes

COCKPIT

Ritchey Comp Logic Curve bar, Ritchey 4-Axis 3D forged stem, Jamis carbon seat post, Selle Royal Seta S1 femme saddle & Fizik Superlight Microsoft Touch bar tape



Victory Red

ENDURA COMP FEMME

FRAME

Dyad Elite M30/T700 carbon fiber monocoque, SST tubing diameters, ACE internal cables compatible with Di2, full carbon head tube, carbon PressFit 30 BB shell and hidden fender & carrier eyelets

FORK

Jamis ECO carbon composite fork, 1.5" hollow formed crown, monocoque one-piece forming technology, alloy dropouts with hidden eyelet

WHEELS

Shimano RS11 wheelset, 16/20H, 24mm rim profile, forged aluminum loose ball hubs, bladed stainless steel spokes, Vittoria Zaffiro, 700 x 25c tires

DRIVETRAIN

Shimano 105 11-speed derailleurs and shifters, Shimano FC-RS500 50/34 crankset with Shimano 11-28T, Tektro R359 long-reach/dual-pivot caliper brakes

COCKPIT

Ritchey Comp Logic Curve bar, Ritchey 4-Axis 3D forged stem, Jamis carbon seat post, Selle Royal Seta S1 saddle & Fizik Superlight Microsoft Touch bar tape



Aspen Sky

ENDURA SPORT

FRAME

Dyad Plus T700/FRP carbon fiber monocoque, SST tubing diameters, ACE internal cables compatible with Di2, full carbon head tube, carbon PressFit 30 BB shell and hidden fender & carrier eyelets

FORK

Jamis ECO carbon composite fork, 1.5" hollow formed crown, monocoque one-piece forming technology, alloy dropouts with hidden eyelet

WHEELS

Alex DC19 double wall rims with CNC sidewalls, 28/32H, Formula alloy hubs, 14g stainless steel spokes, Vittoria Zaffiro, 700 x 25c tires

DRIVETRAIN

Shimano 10-speed Tiagra derailleurs and shifters, FSA Vero 50/34 crankset with Shimano 12-30T, Tektro R317 long-reach/dual-pivot caliper brakes

COCKPIT

Jamis Ergo Road bar, Jamis 3D forged stem, Jamis carbon seatpost, Selle Royal Seta S1 saddle & Fizik Superlight Microsoft Touch bar tape



Gloss Carbon



Pure Lime

ENDURA SPORT FEMME

FRAME

Dyad Plus T700/FRP carbon fiber monocoque, SST tubing diameters, ACE internal cables compatible with Di2, full carbon head tube, carbon PressFit 30 BB shell and hidden fender & carrier eyelets

FORK

Jamis ECO carbon composite fork, 1.5" hollow formed crown, monocoque one-piece forming technology, alloy dropouts with hidden eyelet

WHEELS

Alex DC19 double wall rims with CNC sidewalls, 28/32H, Formula alloy hubs, 14g stainless steel spokes, Vittoria Zaffiro, 700 x 25c tires

DRIVETRAIN

Shimano 10-speed Tiagra derailleurs and shifters, FSA Vero 50/34 crankset with Shimano 12-30T, Tektro R317 long-reach/dual-pivot caliper brakes

COCKPIT

Jamis Ergo Road bar, Jamis 3D forged stem, Jamis carbon seatpost, Selle Royal Seta S1 femme saddle & Fizik Superlight Microsoft Touch bar tape



Cascade White



VENTURA

PERFORMANCE

Our Ventura bikes borrow heavily from the race-proven geometry of our Xeniths to help keep you in front on the local Saturday ride. But we've softened the edges of that geo just a bit for a more comfortable and confident ride so you can head out again on Sunday, still fresh and ready to hammer your buddies one more time.



VENTURA RACE

FRAME

6061 Aluminum double-butted main frame, compact sloping top tube design, SST tubing diameters, tapered head tube, 34.9 seat tube and replaceable derailleur hanger

FORK

Jamis ECO carbon composite straight blade road fork, 1.5" hollow formed crown, monocoque one-piece forming technology, alloy dropouts with hidden eyelet

WHEELS

Alex AT470 rim with TCS, 28/32H, Formula alloy hubs with QR and 14g black stainless steel spokes, Vittoria Zaffiro, 700 x 23c tires

DRIVETRAIN

Shimano 10-speed Taigra derailleurs & shifters, FSA Vero 50/34 crankset with PowerDrive BB and Shimano 12-28T, Tektro R312 dual-pivot caliper brakes with cartridge pads

COCKPIT

Ritchey Comp Logic Curve bar, Ritchey 4-Axis stem, Jamis carbon seatpost, Selle Royal Seta S1 saddle



Ano Black

VENTURA RACE FEMME

FRAME

6061 Aluminum double-butted main frame, compact sloping top tube design, SST tubing diameters, tapered head tube, 34.9 seat tube and replaceable derailleur hanger

FORK

Jamis ECO carbon composite straight blade road fork, 1.5" hollow formed crown, monocoque one-piece forming technology, alloy dropouts with hidden eyelet

WHEELS

Alex AT470 rim with TCS, 28/32H, Formula alloy hubs with QR and 14g black stainless steel spokes, Vittoria Zaffiro, 700 x 23c tires

DRIVETRAIN

Shimano 10-speed Taigra derailleurs & shifters, FSA Vero 50/34 crankset with PowerDrive BB and Shimano 12-28T, Tektro R312 dual-pivot caliper brakes with cartridge pads

COCKPIT

Ritchey Comp Logic Curve bar, Ritchey 4-Axis stem, Jamis carbon seatpost, Selle Royal Seta S1 femme saddle



Ano Black

VENTURA COMP

FRAME

6061 Aluminum double-buttressed main frame, compact sloping top tube design, SST tubing diameters, tapered head tube, 34.9 seat tube and replaceable derailleur hanger

FORK

Jamis ECO carbon composite straight blade road fork, 1.5" hollow formed crown, monocoque one-piece forming technology, alloy dropouts with hidden eyelet

WHEELS

Alex AT470 rim with TCS, 28/32H, Formula alloy road hubs, 14g stainless steel spokes, Vittoria Zaffiro, 700 x 23c tires

DRIVETRAIN

Shimano 9-speed Sora derailleurs and STI shifters, FSA Vero 50/34 crankset with SRAM 11-28T, Tektro R312 dual-pivot caliper brakes

COCKPIT

Ritchey Logic Curve bar, Ritchey 4-Axis stem, Ritchey seat post, Selle Royal Seta S1 saddle



Palladium

VENTURA COMP FEMME

FRAME

6061 Aluminum double-buttressed main frame, compact sloping top tube design, SST tubing diameters, tapered head tube, 34.9 seat tube and replaceable derailleur hanger

FORK

Jamis ECO carbon composite straight blade road fork, 1.5" hollow formed crown, monocoque one-piece forming technology, alloy dropouts with hidden eyelet

WHEELS

Alex AT470 rim with TCS, 28/32H, Formula alloy road hubs, 14g stainless steel spokes, Vittoria Zaffiro, 700 x 23c tires

DRIVETRAIN

Shimano 9-speed Sora derailleurs and STI shifters, FSA Vero 50/34 crankset with SRAM 11-28T, Tektro R312 dual-pivot caliper brakes

COCKPIT

Ritchey Logic Curve bar, Ritchey 4-Axis stem, Ritchey seat post, Selle Royal Seta S1 femme saddle



Silver Mist

VENTURA SPORT

FRAME

6061 Aluminum double-butted main frame, compact sloping top tube design, SST tubing diameters, tapered head tube, 34.9 seat tube and replaceable derailleur hanger

FORK

Aero straight blade road fork, 1.5 aluminum crown, aluminum blades with chromoly steerer.

WHEELS

Alex ID19 double-wall aluminum rims, 28/32H, Formula alloy front & cassette freehub rear hubs with QR, stainless steel spokes, Vittoria Zaffiro, 700 x 23c tires

DRIVETRAIN

Shimano 8-speed Claris 2400 derailleurs and Dual Control shifters, FSA Tempo 50/34 crankset with SRAM 11-30T, Tektro R317 dual-pivot caliper brakes

COCKPIT

Jamis alloy road bar, Jamis road stem, Jamis alloy seat post, Jamis Road Sport saddle



Gloss Black



Victory Blue

VENTURA SPORT FEMME

FRAME

6061 Aluminum double-butted main frame, compact sloping top tube design, SST tubing diameters, tapered head tube, 34.9 seat tube and replaceable derailleur hanger

FORK

Aero straight blade road fork, 1.5 aluminum crown, aluminum blades with chromoly steerer.

WHEELS

Alex ID19 double-wall aluminum rims, 28/32H, Formula alloy front & cassette freehub rear hubs with QR, stainless steel spokes, Vittoria Zaffiro, 700 x 23c tires

DRIVETRAIN

Shimano 8-speed Claris 2400 derailleurs and Dual Control shifters, FSA Tempo 50/34 crankset with SRAM 11-30T, Tektro R317 dual-pivot caliper brakes

COCKPIT

Jamis alloy road bar, Jamis road stem, Jamis alloy seat post, Jamis Road Sport saddle



Seafoam



Ultraviolet



QUEST

STEEL PERFORMANCE

The legendary ride of steel: that's what our Quest series bikes are all about. There is an allure to steel that transcends its traditional artisan appeal. And that's its ride quality. "Stiff but buttery smooth" is the phrase most often used to express that quality. It's the benchmark against which all other frame materials are measured.



QUEST ELITE

FRAME

Reynolds 631 air-hardened seamless chromoly main tubes with heat-treated/taper gauge chromoly stays and SST tubing diameters

FORK

Jamis Road carbon composite fork with forged alloy dropouts and single eyelet

WHEELS

Ritchey Comp Zeta wheelset, 20/24H, 24mm profile rims, cold-forged hubs with cartridge bearings, DT Champion spokes, Vittoria Zaffiro Pro, 700 x 25c, folding tires

DRIVETRAIN

Shimano 105 11-speed derailleurs and shifters, Shimano FC-RS500 50/34 crankset with Shimano 11-28T, Shimano BR451 Super SLR long-reach, dual-pivot calipers

COCKPIT

Ritchey Comp Logic Curve bar, Ritchey 4-Axis stem, Ritchey Road seat post, Selle Royal Seta S1 saddle & Fizik Superlight Microsoft Touch bar tape



Ano Palladium

QUEST ELITE FEMME

FRAME

Reynolds 631 air-hardened seamless chromoly main tubes with heat-treated/taper gauge chromoly stays and SST tubing diameters

FORK

Jamis Road carbon composite fork with forged alloy dropouts and single eyelet

WHEELS

Ritchey Comp Zeta wheelset, 20/24H, 24mm profile rims, cold-forged hubs with cartridge bearings, DT Champion spokes, Vittoria Zaffiro Pro, 700 x 25c, folding tires

DRIVETRAIN

Shimano 105 11-speed derailleurs and shifters, Shimano FC-RS500 50/34 crankset with Shimano 11-28T, Shimano BR451 Super SLR long-reach, dual-pivot calipers

COCKPIT

Ritchey Comp Logic Curve bar, Ritchey 4-Axis stem, Ritchey Road seat post, Selle Royal Seta S1 femme saddle & Fizik Superlight Microsoft Touch bar tape



Ano Palladium

QUEST COMP

FRAME

Reynolds 520 double-butted chromoly main tubes, double-tapered chromoly stays and SST tubing diameters

FORK

Jamis Road carbon composite fork with forged alloy dropouts and single eyelet

WHEELS

Alex AT 470 rim with TCS, 28/32H, Formula alloy road hubs, 14g stainless steel spokes, Vittoria Zaffiro, 700 x 25c tires

DRIVETRAIN

Shimano 9-speed Sora derailleurs and STI shifters, FSA Vero 50/39/30 crankset with SRAM 11-28T, Tektro R317 long-reach dual-pivot caliper brakes

COCKPIT

Ritchey Comp Logic Curve bar, Jamis adjustable threadless system (ATS) stem, Ritchey seat post, Jamis Touring Sport saddle



Silver Mist

QUEST COMP FEMME

FRAME

Reynolds 520 double-butted chromoly main tubes, double-tapered chromoly stays and SST tubing diameters

FORK

Jamis Road carbon composite fork with forged alloy dropouts and single eyelet

WHEELS

Alex AT 470 rim with TCS, 28/32H, Formula alloy road hubs, 14g stainless steel spokes, Vittoria Zaffiro, 700 x 25c tires

DRIVETRAIN

Shimano 9-speed Sora derailleurs and STI shifters, FSA Vero 50/39/30 crankset with SRAM 11-28T, Tektro R317 long-reach dual-pivot caliper brakes

COCKPIT

Ritchey Comp Logic Curve bar, Jamis adjustable threadless system (ATS) stem, Ritchey seat post, Jamis Touring Sport femme saddle



Pure White

QUEST SPORT

FRAME

4130 double-butted chromoly main tubes, double-tapered chromoly stays, forged dropout with single eyelet and SST tubing diameters

FORK

4130 chromoly unicrown road fork with forged dropouts and single eyelets

WHEELS

Alex ID19 double-wall aluminum rims, 28/32H, Formula alloy road hubs, stainless steel spokes, Vittoria Zaffiro, 700 x 23c tires

DRIVETRAIN

Shimano 8-speed Claris 2400 derailleurs and Dual Control shifters, Claris FC-2403 52/42/30T crankset with SRAM 11-30T, Tektro R317 long-reach dual-pivot caliper brakes

COCKPIT

Jamis alloy road bar, Jamis road stem, Jamis alloy road seat post, Jamis Road Sport saddle



Gloss Black



Victory Red

QUEST SPORT FEMME

FRAME

4130 double-butted chromoly main tubes, double-tapered chromoly stays, forged dropout with single eyelet and SST tubing diameters

FORK

4130 chromoly unicrown road fork with forged dropouts and single eyelets

WHEELS

Alex ID19 double-wall aluminum rims, 28/32H, Formula alloy road hubs, stainless steel spokes, Vittoria Zaffiro, 700 x 23c tires

DRIVETRAIN

Shimano 8-speed Claris 2400 derailleurs and Dual Control shifters, Claris FC-2403 52/42/30T crankset with SRAM 11-30T, Tektro R317 long-reach dual-pivot caliper brakes

COCKPIT

Jamis alloy road bar, Jamis road stem, Jamis alloy road seat post, Jamis Road Sport femme saddle



Aspen Sky



AURORA & BOSANOVA

STEEL TOURING &
ALL WEATHER

These are the road bikes for smart cyclo-tourists and urban speedsters. Our legendary Reynolds steel chassis assure unbeatably robust performance and resilient ride-damping you'll appreciate while loaded up and bombing around on the streets and rural backroads. This is magic carpet ride stuff, especially for full-pannier touring and rough-road adventures.





Dakota Grey

AURORA ELITE

FRAME

Reynolds 631 air-hardened chromoly, extended head tube, full complement of braze-ons, laser-cut dropouts and SST tubing diameters

FORK

Lugged semi-sloping chromoly design with disc mount, low-rider braze-ons, forged dropouts with single eyelets

WHEELS

Mavic A119 double-wall/eyeletted rims, 32H, Formula alloy 6-bolt disc hubs, DT Champion stainless steel spokes, Clement X Plor USH, 700 x 35c, 60tpi folding tires with protective belt

DRIVETRAIN

Shimano 105 derailleurs, Shimano Dura-Ace bar-end shifters, Shimano R563 50/39/30 crankset with Shimano 12-30T, TRP HYRD cable actuated hydraulic disc brake with Shimano 160mm rotors and Tektro RL340 road brake levers

COCKPIT

Jamis Ergo 31.8mm bar, Jamis adjustable threadless system (ATS) stem, Ritchey Comp Road seatpost, Jamis Touring Sport saddle & Fizik Superlight Microsoft Touch bar tape



Phantom Blue

AURORA

FRAME

Reynolds 520 double-butted chromoly main tubes, double-tapered chromoly stays, full complement of braze-ons and SST tubing diameters

FORK

Lugged semi-sloping chromoly design with canti bosses, low-rider braze-ons and forged dropouts with double eyelets

WHEELS

Alex ACE19 double-wall/eyeletted rims, 36H, Shimano Tiagra hubs, stainless steel spokes, Vittoria Randonneur with Double-Shield puncture protection, 700 x 32c tires

DRIVETRAIN

Shimano 9-speed Tiagra rear & Sora front derailleurs, microSHIFT bar-end levers, FSA Alpha Drive 46/38/26 crankset with SRAM 11-28T, Tektro 992 forged alloy cantilever brakes with Tektro Aero road brake levers

COCKPIT

Jamis Ergo 31.8mm alloy handlebar, Jamis adjustable threadless system (ATS) stem, Jamis alloy micro-adjust seat post, Jamis Touring Sport saddle



Ano Palladium

BOSANOVA

FRAME

Reynolds 520 double-butted chromoly main tubes, laser-cut dropouts, full complement of braze-ons and SST tubing diameters

FORK

Carbon fiber unicrown with steel steerer, disc brake mounts, low-rider carrier mounts and forged dropouts with single eyelets

WHEELS

Alex MD17 double-wall/disc-specific rims, 32H, Formula alloy 6-bolt disc road hubs, 14g stainless steel spokes, Vittoria Randonneur Cross with Double-Shield puncture protection, 700 x 28c tires

DRIVETRAIN

Shimano 10-speed Taigra derailleurs & shifters, FSA Vero 50/39/30 crankset with Shimano 12-30T, Avid BB-5 Road mechanical disc brakes with 160mm rotors

COCKPIT

Ritchey Comp Logic Curve bar, Jamis adjustable threadless system (ATS) stem, Jamis alloy seatpost, Selle Royal Seta S1 saddle



FIXIES

CITY SHREDDERS

The Sonik's double-butt 7005 aero aluminum tubeset delivers an incredibly stout bottom bracket that braces its unyielding chainstays for explosive power delivery. This is a bike that lets you launch like a match sprinter, with the aero efficiency of a pursuiter – a coveted combo on the velodrome. Saddle up and get ready to rock the banking!

Sputnik and Beatnik are stripped-down, go fast for the urban jungle. Steel frames to soak up anything the city has to throw at you. Brakes and flip-flop hub just in case. Everything you need to survive on pedals on the street. Nothing more. Nothing less.





Ano Palladium

SONIK

FRAME

7005 custom butted aluminum aero track frame with hydroformed radiused seat tube, integrated head tube, stainless steel inserts with brake bridge

FORK

Carbon Aero track fork with alloy steerer & crown, forged alloy dropouts

WHEELS

Alex RA30 30mm aero rim profile, 32/32H, Formula alloy track hubs with flip/flop rear and 14g stainless steel spokes, Vittoria Zaffiro Slick, 700 x 23c, folding tires

DRIVETRAIN

FSA F. Gimondi Track crankset, 46T, with 15T fixed cog

COCKPIT

Jamis Track deep drop bar, Jamis Road stem, Selle Royal Seta S1 saddle



Thunder Grey



Pure White

SPUTNIK

FRAME

Reynolds 520 chromoly double-butted main tubes with double tapered chromoly stays, lost wax rear entry dropouts with single eyelets

FORK

Lugged chromoly straight blade with lost wax sloping crown, forged dropouts, single eyelets

WHEELS

Alex DA-13 Aero rims, 32H, Formula sealed bearing front & rear flip-flop hub, stainless steel spokes, Vittoria Zaffiro, 700 x 25c tires

DRIVETRAIN

FSA F. Gimondi Track crankset, 46T, with 16T fixed & 16T FW cogs, Tektro R317 long-reach dual-pivot brakes with Tektro RL-567 top mount brake levers

COCKPIT

Jamis Vintage 26.0mm drop bar, Jamis stem, Jamis seatpost, Selle Royal Seta S1 saddle



Gloss Black



Electric Blue

BEATNIK

FRAME

Hi-tensile steel with SST tubing diameters, double-tapered stays, rear entry dropouts with double eyelets

FORK

Hi-tensile steel unicrown straight blade, forged dropouts single eyelets

WHEELS

Alex ID19 double-wall rims, 32H, Formula alloy track front & rear flip-flop hubs, stainless steel spokes, Vittoria Zaffiro, 700 x 25c tires

DRIVETRAIN

Forged alloy crankset, 46T with 16T fixed & 16T FW cogs, toe clips & straps, ProMax long-reach dual-pivot brakes with Tektro 2-finger alloy levers

COCKPIT

Jamis Urban Stoker 25.4mm flat bar, Jamis stem, Jamis alloy seatpost, Jamis Vintage saddle



STREET

COMMUTING & FITNESS

Our street bikes are a distillation of everything we know. We've borrowed from every bike segment, taking speed tricks from our award-winning road bikes; using the durability secrets we've gleaned from decades of designing and racing mountain bikes; and adding comfort innovations from our cruisers and sport comfort bikes.

Our Commuters are some of the most sensible (and easiest!) ways to get from here to there. With full-length fenders, rear carriers, micro bells and pant guards, these bikes are ready for the inner city shuffle, to get you where you're going on time and with everything you need for the day.

The Codas continue to shine as perennial favorites for fitness rides, longer commutes, even touring. They're quick, they're nimble, they're durable and dependable, and they are a blast to ride. All Coda frames are welded from double-butted chromoly steel, including fabled Reynolds 520, so you get steel's legendary pavement-smoothing ride, accompanied by the zing of fantastic pedal response.

Our Allegro's have that name for a reason: these are fitness bikes that are lively, quick, and offer a seriously fast ride. All Allegros sport a triple-butted 6061 aluminum alloy frame that's lightweight, resilient and built to go the distance, with a geometry that's razor sharp in corners and ready to sprint when you are. We kept it practical, too, by offering a full brace of rack, fender, lock and water bottle mounts so you can outfit one just the way you want.

If the streets are just too confining a horizon for you, our dual-sport DXT's are ready to go when and wherever you are. With more gearing range to take on steeper hills and tougher terrain; wider tires with a trail-capable tread for access to more riding areas, both paved and packed; and disc brakes and suspension forks for real-off road exploration and off-pavement adventure.





COMMUTER

GET THERE IN STYLE

Discovering that commuting by bike is not just healthy, efficient and green, but on the right bike is also easy and fun is readily apparent after one ride on a Commuter. These bikes are designed to minimize maintenance, while maximizing comfort and efficiency. The lightweight aluminum frames, fenders, rear carriers, and single-chainring drivetrains assure easy pedaling for the inner city shuffle, while our saddles and grips offer comfortable contact points so you arrive refreshed and recharged.



COMMUTER 3

FRAME

6061 triple gauge aluminum, new sloping design, kickstand/rack/fender mounts, forged dropouts with double eyelets

FORK

Jamis City/Cross straight aluminum blades, forged dropouts with single eyelet

WHEELS

Alex ID-19 double-wall 700c rims, 32H, Shimano Nexus 7-speed internal rear & Formula alloy QR front hubs, stainless steel spokes, CST Marathon/Tour tires with silver safety stripe, 700 x 32c

DRIVETRAIN

Shimano Nexus 7-speed internal with Nexus RevoShift twist shifter, forged alloy 42T crankset with pants guard, Tektro linear pull brakes with Tektro CL530 ergonomic designed alloy brake levers with kraton inserts

COCKPIT

Jamis ARC city bike bar, Jamis alloy hi-rise, quill type stem, alloy micro-adjust seatpost, Jamis Metro Sport saddle with memory foam & New Anatomic double density grip with reflective end plug

ACCESSORIES

New Jamis designed rear carrier (40lbs capacity) with elastic luggage strap, full coverage/adjustable alloy fenders, full length Jamis designed chain guard, micro bell and kickstand



Thunder Grey



Pure White



COMMUTER 2

FRAME

6061 triple gauge aluminum, new sloping design, kickstand/rack/fender mounts, forged dropouts with double eyelets

FORK

Jamis City/Cross straight aluminum blades, forged dropouts with single eyelet

WHEELS

Alex ID-19 double-wall 700c rims, 32H, Formula alloy front & rear cassette QR hubs, stainless steel spokes, CST Marathon/Tour tires, 700 x 32c, with silver safety stripe

DRIVETRAIN

SRAM Via rear derailleurs with SRAM 3.0 Comp 8-speed GripShifter, forged alloy 42T crankset with pants guard, Tektro linear pull brakes with Tektro CL530 ergonomic designed alloy brake levers with kraton insert

COCKPIT

Jamis ARC city bike bar, Jamis alloy hi-rise, quill type stem, alloy micro-adjust seatpost, Jamis Metro Sport saddle with memory foam & New Anatomic double density kraton grip with reflective end plug

ACCESSORIES

New Jamis designed rear carrier (40lbs capacity) with elastic luggage strap, full coverage/adjustable alloy fenders, full length Jamis designed chain guard, micro bell and kickstand



Dark Shadow



Icy Mint



Impulsive Purple

COMMUTER 1

FRAME

Hi-Tensile steel frame, new sloping design, kickstand/rack/fender mounts, forged dropouts with double eyelets

FORK

Jamis City/Cross Hi-tensile steel unicrown, straight blades, double dropout eyelets

WHEELS

Alex R1000 700c rims, 36H, Formula alloy front & rear QR hubs, stainless steel spokes, CST Marathon/Tour tires, 700 x 32c, with silver safety stripe.

DRIVETRAIN

Shimano Altus M310 rear derailleur, Shimano Revoshift RS43 7-speed twist shifters, forged alloy 44T crankset with pants guard, Tektro linear pull brakes with Tektro CL330 ergonomic designed alloy brake levers

COCKPIT

Jamis ARC city bike bar, Jamis alloy hi-rise, quill type stem, alloy micro-adjust seatpost, Jamis Metro Sport saddle & New Anatomic double density kraton grip with reflective end plug

ACCESSORIES

New Jamis designed rear carrier (40lbs capacity) with elastic luggage strap, full coverage/adjustable alloy fenders, full length Jamis designed chain guard, micro bell and kickstand



Winter Dusk



Morning Fog



Pure White



Banan Appeal



CODA

URBAN STEEL

Our Codas have been some of our most popular bikes for years, and for good reason. There's the smooth-riding Reynolds chromoly frames, the well-thought-out geometry, the heads-up riding position and the smart component selections, from the super-wide gearing range to the easy-adjust stems: these bikes are simply some of the most versatile around.





Ano Palladium

CODA ELITE

FRAME

Reynolds 520 double-butted chromoly main tubes, double tapered chromoly stays, chainstay disc brake mount, fender & carrier eyelets

FORK

Jamis carbon composite fork with disc mounts, aluminum steerer, low-rider carrier mounts, forged dropouts and single eyelet

WHEELS

Alex XC23 disc-specific rims, 32H, Shimano M475 6-bolt disc hubs, stainless steel spokes, Vittoria Randonneur tires, 700 x 32c, with Double Shielding puncture protection and reflective sidewalls

DRIVETRAIN

Shimano 9-speed Deore M591 rear & Deore M590 front derailleurs, Alivio RapidFire Plus shifters, Shimano M431 48/36/26 crankset, Shimano 11-32, Tektro HD-M290 Hydraulic disc brakes with 160mm rotors and Tektro levers with reach adjust

COCKPIT

Jamis Urban alloy flat bar, Jamis adjustable threadless system (ATS) stem, alloy micro-adjust seat post, Selle Royal Seta S1 saddle & New Anatomic double density kraton grip

CODA COMP

FRAME

Reynolds 520 double-butted chromoly main tubes, double tapered chromoly stays, fender & carrier eyelets

FORK

Jamis carbon composite fork, radiused blade with low rider bosses and single dropout eyelet

WHEELS

Alex ID-19 double-wall rims, 32H, Formula hubs, stainless steel spokes, Vittoria Randonneur tires, 700 x 32c, with Double Shielding puncture protection and reflective sidewalls

DRIVETRAIN

Shimano 9-speed Altus M370 SGS rear & M370 front derailleurs, Shimano EZ Fire Plus shifters, Shimano M371 48/36/26 crankset with 11-32T, Tektro alloy linear pull brakes with front modulator and Shimano brake levers

COCKPIT

Jamis Urban alloy flat bar, Jamis adjustable threadless system (ATS) stem, alloy micro-adjust seat post, Selle Royal Seta S1 saddle & New Anatomic double density kraton grip



Sahara Silver

CODA COMP FEMME

FRAME

Reynolds 520 double-butted chromoly main tubes, double tapered chromoly stays, fender & carrier eyelets

FORK

Jamis carbon composite fork, radiused blade with low rider bosses and single dropout eyelet

WHEELS

Alex ID-19 double-wall rims, 32H, Formula hubs, stainless steel spokes, Vittoria Randonneur tires, 700 x 32c, with Double Shielding puncture protection and reflective sidewalls

DRIVETRAIN

Shimano 9-speed Altus M370 SGS rear & M370 front derailleurs, Shimano EZ Fire Plus shifters, Shimano M371 48/36/26 crankset with 11-32T, Tektro alloy linear pull brakes with front modulator and Shimano brake levers

COCKPIT

Jamis Urban alloy flat bar, Jamis adjustable threadless system (ATS) stem, alloy micro-adjust seat post, Selle Royal Seta S1 femme saddle & New Anatomic double density kraton grip



Glacier Blue

CODA SPORT

FRAME

Double-butted chromoly main tubes, double tapered chromoly stays, fender & carrier eyelets

FORK

Chromoly fork, radiused blade with low rider bosses and double eyelet dropout

WHEELS

Alex ID-19 double-wall rims, 32H, Formula 32H road hubs, stainless steel spokes, Vittoria Randonneur tires, 700 x 32c, with Double Shielding puncture protection and reflective sidewalls

DRIVETRAIN

Shimano 8-speed Acera M360 rear & M191 front derailleurs, RapidFire Plus shifters, Shimano M171 48/38/28 crankset with Shimano 11-32T cassette, Tektro alloy linear-pull brakes with front power modulator and Shimano brake levers

COCKPIT

Jamis Urban alloy flat bar, Jamis Road stem, Jamis alloy micro-adjust seat post, Jamis Touring saddle & New Anatomic double density kraton grip



Midnight Blue



Gloss Black

CODA SPORT FEMME

FRAME

Double-butted chromoly main tubes, double tapered chromoly stays, fender & carrier eyelets

FORK

Chromoly fork, radiused blade with low rider bosses and double eyelet dropout

WHEELS

Alex ID-19 double-wall rims, 32H, Formula 32H road hubs, stainless steel spokes, Vittoria Randonneur tires, 700 x 32c, with Double Shielding puncture protection and reflective sidewalls

DRIVETRAIN

Shimano 8-speed Acera M360 rear & M191 front derailleurs, RapidFire Plus shifters, Shimano M171 48/38/28 crankset with Shimano 11-32T cassette, Tektro alloy linear-pull brakes with front power modulator and Shimano brake levers

COCKPIT

Jamis Urban alloy flat bar, Jamis Road stem, Jamis alloy micro-adjust seat post, Jamis Touring Femme saddle & New Anatomic double density kraton grip



Pearl White



Sage



ALLEGRO

FITNESS

Musically speaking, Allegro means quick and lively. Which is exactly the spirit of our Allegros: fitness bikes that are lively, quick and seriously fun to ride. Our Allegros blend the speed and efficiency of a road bike with the heads up riding position many people prefer. The combination of road bike drivetrains, flat bar shifters, lightweight aluminum frame and carbon fork means you can race it on the weekend, then race through traffic during the week.





Black Ice

ALLEGRO ELITE

FRAME

Triple-buttressed 6061 aluminum with hydro-formed top and down tube, disc brake post mounts, replaceable derailleur hanger, eyeleted dropouts and seatstay rack mounts

FORK

Carbon composite with alloy steerer, disc brake post mounts, low-rider carrier mounts and forged dropouts with single eyelets

WHEELS

Alex ATD 470 Disc rim with TCS, 32H, Formula alloy hubs with QR and 14g spokes, Vittoria Randonneur tires, 700 x 32c with Double-Shield puncture protection and reflective sidewall stripes

DRIVETRAIN

Shimano 10-speed Tiagra derailleurs and flat bar shifters, FSA Vero 50/34 crankset with Shimano 12-30T, Tektro HD-M290 Hydraulic disc brakes with 160mm SL wave style rotors and Tektro brake levers with reach adjust

COCKPIT

Jamis flat alloy street bar, Jamis adjustable threadless system (ATS) stem, Jamis alloy micro-adjust seat post, Selle Royal Seta S1 saddle & Anatomic double density kraton grip

ALLEGRO COMP

FRAME

Triple-buttet 6061 aluminum with hydro-formed top and down tube, replaceable derailleur hanger, eyeleted dropouts and seatstay rack mounts

FORK

Jamis Road carbon composite fork with brake mounts, low-rider carrier mounts and forged dropouts with single eyelets

WHEELS

Alex ID19 double wall aluminum rims, 28/32H, Formula alloy road hubs, stainless steel spokes, Vittoria Randonneur tires, 700 x 32c with Double-Shield puncture protection and reflective sidewall safety stripes

DRIVETRAIN

Shimano Sora RD-3500 SS rear and Shimano Sora FD-3500 front derailleurs, Shimano Sora SL-3500 flat-bar shiftlevers, FSA Tempo 50/34 crankset with Sram 11-32T, Tektro RX-1 mini-direct pull brakes with front modulator and Shimano levers

COCKPIT

Jamis flat alloy street bar, Jamis adjustable threadless system (ATS) stem, Jamis alloy micro-adjust seat post, Selle Royal Seta S1 saddle & Anatomic double density kraton grip



Cascade White

ALLEGRO COMP FEMME

FRAME

Triple-buttet 6061 aluminum with hydro-formed top and down tube, replaceable derailleur hanger, eyeleted dropouts and seatstay rack mounts

FORK

Jamis Road carbon composite fork with brake mounts, low-rider carrier mounts and forged dropouts with single eyelets

WHEELS

Alex ID19 double wall aluminum rims, 28/32H, Formula alloy road hubs, stainless steel spokes, Vittoria Randonneur tires, 700 x 32c with Double-Shield puncture protection and reflective sidewall safety stripes

DRIVETRAIN

Shimano Sora RD-3500 SS rear and Shimano Sora FD-3500 front derailleurs, Shimano Sora SL-3500 flat-bar shiftlevers, FSA Tempo 50/34 crankset with Sram 11-32T, Tektro RX-1 mini-direct pull brakes with front modulator and Shimano levers

COCKPIT

Jamis flat alloy street bar, Jamis adjustable threadless system (ATS) stem, Jamis alloy micro-adjust seat post, Selle Royal Seta S1 femme saddle & Anatomic double density kraton grip



Cascade White

ALLEGRO SPORT

FRAME

6061 aluminum with hydro-formed top and down tube, replaceable derailleur hanger, eyeleted dropouts and seatstay rack mounts

FORK

Chromoly straight blade unicrown fork with low rider bosses, forged dropouts with single eyelet

WHEELS

Alex ID19 double wall aluminum rims, Formula alloy road hubs, stainless steel spokes, Vittoria Randonneur tires, 700 x 32c with Double-Shield puncture protection

DRIVETRAIN

Shimano 7-speed Acera M360 rear & M191 front derailleurs, Shimano RapidFire M310 shifters, FSA 48/38/28 crankset with Shimano 11-32T cassette, Tektro RX-1 mini-direct pull brakes with front modulator and Shimano EF51 levers

COCKPIT

Jamis flat alloy street bar, Jamis Trekking alloy stem, Jamis alloy micro-adjust seat post, Jamis Touring saddle & Anatomic double density kraton grip



Gloss Black



Monterey Red

ALLEGRO SPORT FEMME

FRAME

6061 aluminum with hydro-formed top and down tube, replaceable derailleur hanger, eyeleted dropouts and seatstay rack mounts

FORK

Chromoly straight blade unicrown fork with low rider bosses, forged dropouts with single eyelet

WHEELS

Alex ID19 double wall aluminum rims, Formula alloy road hubs, stainless steel spokes, Vittoria Randonneur tires, 700 x 32c with Double-Shield puncture protection

DRIVETRAIN

Shimano 7-speed Acera M360 rear & M191 front derailleurs, Shimano RapidFire M310 shifters, FSA 48/38/28 crankset with Shimano 11-32T cassette, Tektro RX-1 mini-direct pull brakes with front modulator and Shimano EF51 levers

COCKPIT

Jamis flat alloy street bar, Jamis Trekking alloy stem, Jamis alloy micro-adjust seat post, Jamis Touring Femme saddle & Anatomic double density kraton grip



Glacier Blue



DXT

DUAL SPORT

The DXT's are pumped-up, go-anywhere/ do-anything versions of our Allegro fitness bikes. With more gearing range to take on steeper hills and tougher terrain. Wider tires with a trail-capable tread for access to more riding areas, both paved and packed. And disc brakes and suspension forks for real off-road exploration and off-pavement adventure.





Ano Red

DXT COMP

FRAME

Triple-buttressed 6061 aluminum tubing, radiused sloping top tube design, 1 1/8" head tube, chainstay disc brake caliper mount

FORK

SR/Suntour SF13-NCX-E LO LITE, hydraulic speed-lock and fixed rebound, magnesium lowers, 63mm travel and post mount

WHEELS

Alex DC25 alloy double-wall/disc-specific rims, 32H, Formula disc hubs and stainless steel spokes, Ritchey Comp Speedmax Cross, 700 x 40c tires

DRIVETRAIN

Shimano 8-speed Deore M591 front & Acera M360 rear derailleur, Acera RapidFire Plus M360 shifters, Shimano M311 48/38/28 crankset with Shimano 11-34T, Tektro Auriga post mount hydraulic disc brakes with 160mm 6-Bolt wave rotors and Tektro brake levers

COCKPIT

Jamis double-buttressed alloy Riser bar, Jamis adjustable threadless system (ATS) stem, Jamis alloy micro-adjust seat post, Selle Royal Seta M1 saddle

DXT COMP FEMME

FRAME

Triple-buttressed 6061 aluminum tubing, radiused sloping top tube design, 1 1/8" head tube, chainstay disc brake caliper mount

FORK

SR/Suntour SF13-NCX-E LO LITE, hydraulic speed-lock and fixed rebound, magnesium lowers, 63mm travel and post mount

WHEELS

Alex DC25 alloy double-wall/disc-specific rims, 32H, Formula disc hubs and stainless steel spokes, Ritchey Comp Speedmax Cross, 700 x 40c tires

DRIVETRAIN

Shimano 8-speed Deore M591 front & Acera M360 rear derailleur, Acera RapidFire Plus M360 shifters, Shimano M311 48/38/28 crankset with Shimano 11-34T, Tektro Auriga post mount hydraulic disc brakes with 160mm 6-Bolt wave rotors and Tektro brake levers

COCKPIT

Jamis double-buttressed alloy Riser bar, Jamis adjustable threadless system (ATS) stem, Jamis alloy micro-adjust seat post, Selle Royal Seta M1 saddle



Ano Pacific Blue

DXT SPORT

FRAME

Triple-buttressed 6061 aluminum tubing, radiused sloping top tube design, 1 1/8" head tube, chainstay disc brake caliper mount

FORK

SR/SunTour SF11-NVX MLO, hydraulic damping and mechanical lock out, aluminum lowers, 75mm travel

WHEELS

Alex DC25 alloy double-wall/disc-specific rims, 32H, with Formula disc hubs and stainless steel spokes, Ritchey Comp Speedmax Cross, 700 x 40c tires

DRIVETRAIN

Shimano 8-speed Altus M310 rear & M191 front derailleurs, Altus M310 RapidFire Plus shifters, Shimano M311 48/38/28 crankset with Sram 11-32T, Tektro Novela mechanical disc brakes with 160mm 6-Bolt rotors and Tektro ML-330 alloy levers

COCKPIT

Jamis double-buttressed alloy Riser bar, Jamis Trekking alloy stem, Jamis alloy micro-adjust seat post, Jamis Touring saddle



Ano Black



DXT SPORT FEMME

FRAME

Triple-butted 6061 aluminum tubing, radiused sloping top tube design, 1 /18 head tube, chainstay disc brake caliper mount

FORK

SR/SunTour SF11-NVX MLO, hydraulic damping and mechanical lock out, aluminum lowers, 75mm travel

WHEELS

Alex DC25 alloy double-wall/disc-specific rims, 32H, with Formula disc hubs and stainless steel spokes, Ritchey Comp Speedmax Cross, 700 x 40c tires

DRIVETRAIN

Shimano 8-speed Altus M310 rear & M191 front derailleurs, Altus M310 RapidFire Plus shifters, Shimano M311 48/38/28 crankset with Sram 11-32T, Tektro Novela mechanical disc brakes with 160mm 6-Bolt rotors and Tektro ML-330 alloy levers

COCKPIT

Jamis double-butted alloy Riser bar, Jamis Trekking alloy stem, Jamis alloy micro-adjust seat post, Jamis Touring saddle



Ano Silver



RECREATION

EASY RIDERS. FUN & FITNESS

There's no shortage of reasons why now is the perfect time to get back on a bike—gas is topping four bucks a gallon, you need to exercise, it's the right thing to do for the environment, the list is endless. But frankly, there's only one item that needs to be on that list—and it's on everyone's list: Riding is Fun.

A bicycle is not only the most efficient personal transport ever invented—it's the most smile-inspiring way to connect Points A and B. Riding a bike puts you back in touch with your surroundings, with an immediacy that's unmatched. You're right there, immersed, experiencing your locale firsthand instead of peering at your neighbors through tinted glass. Riding a bike saturates the senses in a way cars cannot. Think of it as your own personal transit system that never needs fueling or charging and only refuels and recharges you.

If it's been awhile since you've been on a bike, not to worry. These bikes are engineered to make getting around so effortless it hardly feels like exercise. And while our comfort bikes are simple to ride and use they are far from simple in the way they're designed. We use the best technology available to make them great, with modern touches like adjustable-angle stems and memory foam saddles for comfort; durable components with intuitively designed controls and low-maintenance features; and we squeeze as much weight from them as we can, so they're efficient and easy to pedal.

Because people need bikes for different reasons, we have a whole fleet of easy-to-ride machines to select from so there's a perfect match for your cycling personality, the way you ride and where you ride.

So go ahead, have some fun. And get recharged.





CITIZEN

STREET COMFORT

Comfortable, enjoyable mobility: that's Citizen. This is the ultimate low-carbon-footprint, sight-seeing machine. It's a low-impact and fun workout for new cyclists and a zero-emissions way to get around town. We can't think of a better way to be a good Citizen.



CITIZEN 3

FRAME

6061 aluminum triple gauge main tubes with hydro-formed top tube, sloping design for men's, step through design for ladies, center-mount kickstand, replaceable derailleur hanger, eyeleted dropouts

FORK

RST Nova-ML suspension, coil spring & MCU, mechanical lock out, 60mm travel

WHEELS

Alex ID-19 double wall alloy rims with GSW sidewall, 32H, Formula alloy hubs with QR and 14g stainless steel spokes, CST Marathon/Tour tires with puncture-resistant casing and silver safety stripe, 700 x 38c

DRIVETRAIN

Shimano 8-speed Acera M360 rear & M191 front derailleurs, Altus RapidFire shifters, Shimano M171 48/38/28 crankset with pants guard and Sram 11-32T cassette, Tektro alloy direct pull brakes with front modulator, Tektro CL530 levers

COCKPIT

Hi-rise comfort bar, adjustable-rise alloy stem, suspension seatpost, Jamis Comfort saddle & New Anatomic double density kraton grip



Dakota Grey



Radiant Orchid



CITIZEN 2

FRAME

6061 aluminum triple gauge main tubes with hydro-formed top tube, sloping design for men's, step through design for ladies, center-mount kickstand, replaceable derailleur hanger, eyeleted dropouts

FORK

RST Neon-T suspension fork, coil spring with external preload adjustment, 60mm travel

WHEELS

Weinmann ZAC19 double-wall alloy 700c rims, 32H, Formula alloy hubs with QR, stainless steel spokes, CST Marathon Tour tires, 700 x 38c, with silver safety stripe

DRIVETRAIN

Shimano 7-speed Altus M310 rear & M191 front derailleurs, Shimano EZ-Fire Plus shifters, Shimano M171 48/38/28 crankset with Shimano 14-34T freewheel, Forged alloy direct pull brakes with Shimano levers

COCKPIT

Hi-rise comfort bar, adjustable-rise alloy stem, suspension seatpost, Jamis Comfort saddle & New Anatomic double density kraton grip



Azurite Blue



Monterey Grey



Azurite Blue



Misty Green

CITIZEN 1

FRAME

Hi-Tensile steel frame, sloping design for men's, step through design for ladies, center-mount kickstand, replaceable derailleur hanger, eyeleted dropouts

FORK

Hi-tensile steel unicrown with straight blade and double dropout eyelets

WHEELS

Alex alloy 700c rims, 36H, Formula alloy hubs with QR, stainless steel spokes, CST Marathon Tour tires, 700 x 38c, with silver safety stripe

DRIVETRAIN

Shimano 7-speed TX55 rear & TX51 front derailleurs, Shimano RevoShift twist shifters, Shimano M131 48/38/28 crankset with Shimano 14-34T freewheel, Forged alloy direct pull brakes with Tektro Tenera comfort levers

COCKPIT

Hi-rise comfort bar, hi-rise stem with alloy bar clamp, suspension seatpost, Jamis Comfort saddle & New Anatomic double density kraton grip



Antique Bronze



Black Coal



Antique Bronze



Violet



HUDSON

SPORT COMFORT

Think of our Hudsons as part Explorer and part Earth Cruiser. Capable but cool. Casual but on it. We blended the flowing curves and shaped tubes of seemingly disparate platforms like our carbon Dakota 29'ers and our aluminum DXT's and came up with a smart frame design that rides comfortably, casually and efficiently while making a bold statement all at the same time.



HUDSON SPORT DLX

FRAME

6061 TIG-welded aluminum, Hudson laid-back design with low ride height, internal cable routing, alloy kickstand

FORK

Hi-tensile unicrown with radiused blades

WHEELS

Alex DC25 alloy double-wall rims, Shimano Nexus 5-speed rear & alloy QR front hubs, 14g black stainless steel spokes, Jamis Sport Comfort, 26 x 1.95 tires

DRIVETRAIN

Shimano Nexus-5 internal gear hub, 20T cog, RapidFire Plus 5-speed shifters, forged alloy crank, 42T, with pants guard & full-length chainguard, Slidepad braking system with ProMax forged alloy direct pull brakes & Tektro alloy comfort lever

COCKPIT

Hi-rise comfort bar, short-reach/long quill alloy stem, alloy micro-adjust seatpost, Jamis Comfort saddle with memory foam & bumper springs



Azurite Blue



Gloss Black



Dakota Grey



Sage



Plum Purple

HUDSON SPORT

FRAME

6061 TIG-welded aluminum, Hudson laid-back design with low ride height, internal cable routing, alloy kickstand

FORK

Hi-tensile unicrown with radiused blades

WHEELS

Alex DC25 alloy double-wall rims, alloy QR hubs, 14g black stainless steel spokes, Jamis Sport Comfort, 26 x 1.95 tires

DRIVETRAIN

Shimano TX55 rear derailleur with Revoshift 7-speed twist-shifter, forged alloy crankset, 42T, with pants guard & full-length chainguard, Slidepad braking system with ProMax forged alloy direct pull brakes & Tektro alloy comfort lever

COCKPIT

Hi-rise comfort bar, short-reach/long quill alloy stem, alloy micro-adjust seatpost, Jamis Comfort saddle with memory foam & bumper springs



Dakota Grey



Gloss Black



Candy Apple



Seabreeze



Candy Apple



Daiquiri Blue



Banan Appeal

HUDSON EASY-3

FRAME

6061 TIG-welded aluminum, Hudson laid-back design with low ride height, alloy kickstand

FORK

Hi-tensile unicrown with radiused blades

WHEELS

Alex C1000 alloy rims, 36H, Shimano Nexus-3 rear and alloy front hub, 14g black stainless steel spokes, Jamis Sport Comfort, 26 x 1.95 tires

DRIVETRAIN

Shimano Nexus-3 internal gear hub, 22T cog, Revoshift 3-speed shifters, forged alloy crank, 42T, with pants guard & full-length chainguard, Shimano rear coaster brake

COCKPIT

Hi-rise comfort bar, short-reach/long quill alloy stem, alloy micro-adjust seatpost, Jamis Comfort saddle with extra foam padding & bumper springs



Dakota Grey



Blueberry



Candy Apple



Plum Purple



Cucumber

HUDSON EASY

FRAME

6061 TIG-welded aluminum, Hudson laid-back design with low ride height, alloy kickstand

FORK

Hi-tensile unicrown with radiused blades

WHEELS

Alex C1000 alloy rims, 36H, Formula alloy QR hubs, 14g black stainless steel spokes, Jamis Sport Comfort, 26 x 1.95 tires

DRIVETRAIN

Alloy cotterless crank & 42T chainwheel with pants guard & full-length chainguard, 18t single-speed rear cog, Hi-Stop rear coaster brake

COCKPIT

Hi-rise comfort bar, short-reach/long quill alloy stem, alloy micro-adjust seatpost, Jamis Comfort saddle with extra foam padding & bumper springs



Gloss Black



Lime Green



Daiquiri Blue



Seabreeze



Cantaloupe





EXPLORER

SPORT COMFORT

The Explorer was already one of our best-selling bikes, ever, before our total re-design a few years ago. Our goal with every Explorer is to make them easy to ride, as maintenance-free as possible, with a focus on pedaling efficiency that doesn't shortcut comfort. Inspired in part by our Hudson and Citizens, but with greater go-anywhere competency thanks to the broader footprint of the 1.95" tires and the shock absorbing suspension forks and seat posts. The Explorer makes getting around so effortless it hardly feels like exercise.



EXPLORER 2

FRAME

6061 TIG-welded aluminum, all-new sport comfort design with low-standover/upright ride position, center-mount kickstand bracket

FORK

RST Capa-T coil-spring suspension with external preload, alloy crown, CP stanchions, mini-boots, 50mm travel

WHEELS

Alex DC-25 double-wall alloy rims, 32H, alloy hubs with QR, 14g stainless steel spokes, Jamis Sport Comfort, 26 x 1.95, with puncture resistant casing

DRIVETRAIN

Shimano Altus M310 rear & M191 front derailleurs, Revoshift 21-speed shifters, Shimano M171 forged alloy crank, 48/38/28T, with pants guard, Tektro forged alloy direct pull brakes with Tektro Tenera alloy levers

COCKPIT

Hi-rise comfort bar, hi-rise stem, suspension seatpost, Jamis Comfort saddle with memory foam & bumper springs



Monterey Grey



Seabreeze



Monterey Grey



Azurite Blue

EXPLORER 1

FRAME

All-new sport comfort design, hi-tensile steel with low-standover/upright ride position, center-mount kickstand bracket

FORK

Coil-spring suspension, alloy crown, chrome-plated stanchions, mini boots, 60mm travel

WHEELS

Alex C-1000 alloy rims, 36H, with Formula alloy hubs, QR front and rear, 14g stainless steel spokes, Jamis Sport Comfort, 26 x 1.95 tires

DRIVETRAIN

SRAM X 1:1 rear & Shimano M191 front derailleurs, SRAM 3.0 Comp ESP 21-speed twist-shift, SR XCC 48/38/28T crank with pants guard, ProMax alloy direct pull brakes with Tektro Tenera levers

COCKPIT

Hi-rise comfort bar, adjustable-rise alloy stem, suspension seatpost, Jamis Comfort saddle with bumper springs



Pure White



Blueberry



Gloss Black



Ocean Mist



TRAIL XR

SPORT TRAIL

The Trail XR is built for the rider looking for quality, versatility and affordability in a bike that can handle city streets, rail trails, campus short cuts and suburban cul-de-sacs with comfort and confidence. Inspired by our Trail X mountain bikes, but tuned for everyday 'round-town regular riding, the XR is the perfect fat-tired solution for the buyer on a budget.



TRAIL XR

FRAME

Hi-tensile carbon steel tubes

FORK

Unicrown, hi-tensile steel, with over-sized radiused blades

WHEELS

Alloy 26 x 1.50 36H rims, heavy-duty ATB hubs with QR, electro-plated spokes, Jamis TX 26 x 2.1 tires

DRIVETRAIN

SRAM X3 rear & Shimano TX30 front derailleurs, SRAM 3.0 Grip Shift 3x7 shifters, forged alloy crankset, 42/34/24T, indexed 13-28T freewheel, alloy linear pull type brakes with Shimano levers

COCKPIT

Jamis XC riser handlebar, Jamis alloy stem, Jamis alloy micro-adjust seatpost, Jamis ATB Sport saddle



Ano Black



Electric Blue



Seafoam





JAMIS CRUISERS

STANDARD BEARER

We designed our Cruisers to be kinder, gentler versions of our sport comfort bikes. They're simplified with easy-to-use one, three or 7-speed drivetrains. In spite of their name, they're not just for riding at the beach. They're for any rider anywhere looking for a simple, lightweight, low-maintenance, good looking bike they can casually and comfortably pedal around town all day, every day.



EARTH CRUISER 3

FRAME

6061 PG aluminum main tubes, contemporary cruiser design, with chainguard and alloy kickstand

FORK

Hi-tensile steel unicrown with straight blades

WHEELS

Alex Zuma 26 x 1.75 alloy rims, 36H & Shimano 3-speed coaster brake rear hubs, 14g stainless steel spokes, Jamis Cruiser tires 26 x 2.125

DRIVETRAIN

Shimano Nexus 3-speed rear hub with 23t cog, alloy crank with alloy compact disc 44T chainwheel, alloy comfort pedals with TPE non-slip insert, Shimano rear coaster brake

COCKPIT

Jamis Cruise Control Comfort bar, long quill alloy stem, micro-adjust alloy seat post, Earth Cruiser comfort saddle with memory foam



Gloss Black



Mash Metallic



Sunset Red

STEP-THRU



Cucumber



Plum Purple



Sunset Red

EARTH CRUISER 1

FRAME

6061 PG aluminum main tubes, contemporary cruiser design, with chainguard and alloy kickstand

FORK

Hi-tensile steel unicrown with straight blades

WHEELS

Alex Zuma 26 x 1.75 alloy rims, 36H, & Hi-Stop coaster brake rear hub, 14g stainless steel spokes, Jamis Cruiser tires 26 x 2.125

DRIVETRAIN

Alloy crank, 44T compact disc chainwheel, 18t rear cog, cruiser comfort pedals with TPE non-slip insert, Hi-Stop rear coaster brake

COCKPIT

Jamis Cruise Control Comfort bar, long quill alloy stem, micro-adjust alloy seat post, Earth Cruiser comfort saddle with memory foam



Gloss Black



Kiwi



Monterey Blue



Raspberry

STEP-THRU



Daiquiri Blue



Kiwi

EARTH CRUISER 2

FRAME

Contemporary cruiser design, hi-tensile steel, with chainguard and alloy kickstand

FORK

Hi-tensile steel unicrown with straight blades

WHEELS

Alex Zuma 26 x 1.75 alloy rims, 36H & Hi-Stop coaster brake rear hubs, 14g stainless steel spokes, Jamis Cruiser tires, 26 x 2.125

DRIVETRAIN

Forged 1-pc steel crank with compact disc 44T chainwheel, 18t rear cog, cruiser comfort pedals with TPE non-slip insert, Hi-Stop rear coaster brake

COCKPIT

Jamis Cruise Control Comfort bar, long quill alloy stem, micro-adjust alloy seat post, Earth Cruiser comfort saddle



Plum Purple

TAXI

FRAME

6061 PG aluminum main tubes and single loop stays with trailing plate type dropout, includes chainguard, alloy kickstand & Ritchey Design rubber headset cover

FORK

Oversized, hi-tensile steel unicrown with tubular blades, leading dropout and fender bosses

WHEELS

Alex X303 26 x 1.75 alloy rims, 36H, & Shimano coaster brake rear hubs, 12g stainless steel spokes, Jamis Cruiser tires, 26 x 2.125, with thorn-proof tubes

DRIVETRAIN

Alloy crank with alloy compact disc 44T chainwheel, Shimano 18T rear cog KMC Rust-Buster chain, sealed cartridge BB, Shimano rear coaster brake

COCKPIT

Jamis Cruise Control Comfort bar, long quill alloy stem, alloy seat pillar with plug & cromoly QR, Taxi saddle with heavy-duty struts & extra-thick vinyl cover



Gloss Black

BOSS CRUISER 7-SPEED

FRAME

6061 PG aluminum main tubes and single loop stays with trailing plate type dropout, with chainguard and alloy kickstand

FORK

Oversized, hi-tensile steel unicrown with tubular blades, leading dropout and fender bosses

WHEELS

Alex X303 26 x 1.75 alloy rims, 36H, with alloy front & rear hubs, 14g stainless steel spokes, Jamis Cruiser tires, 26 x 2.125

DRIVETRAIN

Shimano Tourney TX-51 rear derailleur with Revoshift 7-speed twist shifter & 14-28 freewheel, alloy crank, 44T compact disc chainwheel, Tektro forged alloy direct pull brakes with Tektro Tenera alloy levers

COCKPIT

Jamis Cruise Control comfort bar, alloy hi-rise stem, micro-adjust alloy seat post, Boss quilted saddle



Monterey Blue

BOSS CRUISER COASTER

FRAME

6061 PG aluminum main tubes and single loop stays with trailing plate type dropout, with chainguard and alloy kickstand

FORK

Oversized, hi-tensile steel unicrown with tubular blades, leading dropout and fender bosses

WHEELS

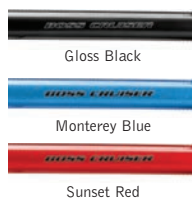
Alex Zuma 26 x 1.75 alloy rims, 36H, with alloy front & Hi-Stop coaster brake rear hubs, 14g stainless steel spokes, Jamis Cruiser tires, 26 x 2.125

DRIVETRAIN

Alloy crank, 44T compact disc chainwheel, 18T rear cog, cruiser comfort pedals with TPE non-slip insert, Hi-Stop rear coaster brake

COCKPIT

Jamis Cruise Control comfort bar, alloy hi-rise stem, micro-adjust alloy seat post, Boss quilted saddle



Pearl White



JAMIS YOUTH

REAL BIKES.
BUILT RIGHT.

With the right start, cycling can be a lifelong pursuit—we know it's true because that's how it worked out for every one of us here at Jamis. We know just how important that first bike can be, and that's why our kids' bikes are some of the most important bikes we design and build—because if we've done this right, that first riding experience will be so fun it'll carry through for the rest of their lives.





DAKAR X.26

FRAME

6061 aluminum tubes with gusseted down tube and asymmetrical chainstays, fully-active/mp2 suspension with 90mm rear travel, Rock Shox Monarch R air shock with rebound damping, replaceable derailleur hanger

FORK

Rock Shox XC30 TK, Coil spring, external rebound, TurnKey lockout, 30mm stanchions, 100mm travel

WHEELS

Alex TD25 double-wall disc-specific rims w/reinforced spoke bed, 32H, Formula alloy disc hubs, stainless steel spokes, Vittoria AKA 26 x 2.2 tires

DRIVETRAIN

Shimano Acera rear & M313 front derailleurs, Shimano M310 3x8 shifters, Shimano M311 crankset 42/32/22T, Shimano HG-31 11-32T cassette, Tektro Auriga WS hydraulic disc brakes w/160mm rotors

COCKPIT

Jamis XC alloy riser handlebar, Jamis XC alloy stem, Jamis alloy micro-adjust seatpost, WTB Volt Sport 250 saddle, Dual compound grips



Ano Black

X.26 DISC

FRAME

6061 aluminum main tubes, radiused top tube, 34.9mm over-sized seat tube, replaceable derailleur hanger

FORK

RST Gila 26, coil spring, external preload adjustor, 28mm stanchions, aluminum lowers, 80mm travel

WHEELS

Alex TD25 double-wall disc-specific rims with reinforced spoke bed, 32H, 6-bolt disc hubs, stainless spokes, Jamis TX 26 x 1.95 tires

DRIVETRAIN

Shimano TX800 rear & M190 front derailleurs, Shimano TX800 3x8 shifters, SR Suntour XCC alloy crankset 42/34/24T, Shimano 12-32T cassette, Tektro Aires mechanical disc brakes with 160mm rotors

COCKPIT

Jamis XC riser handlebar, Jamis XC alloy threadless stem, Jamis alloy micro-adjust seatpost, Jamis ATB Sport saddle



Pink Inferno



Victory Red



Black Jack

X.26

FRAME

6061 aluminum main tubes, radiused top tube, 34.9mm over-sized seat tube, replaceable derailleur hanger

FORK

RST Gila 26, coil spring, external preload adjustor, 28mm stanchions, aluminum lowers, 80mm travel

WHEELS

Double-wall DA-16 alloy rims, 36H, heavy-duty ATB hubs, stainless spokes, Jamis TX 26 x 1.95 tires

DRIVETRAIN

Shimano Tourney TX-35 rear & TX50 front derailleurs, Shimano EF41 3x7 shifters, forged alloy crankset, 42/34/24T, Shimano TZ31 14-34T freewheel, alloy linear pull type brakes with Shimano levers

COCKPIT

Jamis XC riser handlebar, Jamis XC alloy threadless stem, Jamis alloy micro-adjust seatpost, Jamis ATB Sport saddle



Ano Black



Pure White



Slime Green

X.24

FRAME

6061 aluminum, Enduro frame design

FORK

Suspension, 25.4 stanchions, coil spring, 45mm travel

WHEELS

Black anodized alloy rims, nudded-axle hubs, nickel plated spokes, CST ATB knobbies, 24 x 1.95 tires

DRIVETRAIN

Shimano TX35 rear & TZ31 front derailleurs, Revoshift 14-speed twist shifters, alloy 32/22 crankset with outer rock-ring guard, alloy direct pull brakes and levers

COCKPIT

Riser bar, threadless alloy shorty stem, alloy micro-adjust seatpost, Jamis XC saddle



Lilac



Ano Black



Pure White

X.20

FRAME

6061 aluminum, Enduro frame design

FORK

Suspension, 25.4mm stanchions, coil spring, 40mm travel

WHEELS

Black anodized alloy rims, 36H hubs, nickel plated spokes, CST ATB knobbie, 20 x 2.0 tires

DRIVETRAIN

Shimano TX35 rear derailleur, Shimano Revoshift 6-speed twist shifter, alloy crankset with single ring & double-side guard, alloy direct pull brakes and levers

COCKPIT

Riser bar, threadless adjustable alloy stem, alloy micro-adjust seatpost, Jamis XC saddle



Raspberry



Ano Black



Electric Blue

LASER 20

FRAME

6061 aluminum, MX-Moto frame design with full wrap chainguard and kickstand

FORK

Hi-tensile steel unicrown with straight blades

WHEELS

Black anodized alloy rims, heavy-duty 36H hubs, nickel plated spokes, CST Dirt Knobbie tires, 20 x 2.125

DRIVETRAIN

Cold forged 5 1/2" crank with windmill chainring, 36 x 18t gearing, rear coaster brake and rear alloy V-brake with alloy lever

COCKPIT

BMX bars, 150 x 580mm, Jr BMX padded saddle and safety bell



Victory Red



Gloss Black

LASER 16

FRAME

MX-Moto frame design, hi-tensile carbon steel tubes with full wrap chainguard and training wheels

FORK

Hi-tensile steel unicrown with straight blades

WHEELS

Powder coated steel rims, 28H hubs, nickel plated spokes, CST Dirt Knobbie tires, 16 x 2.125

DRIVETRAIN

Cold forged 4 1/2" crank with windmill chainring, 36 x 18t gearing, rear coaster brake

COCKPIT

BMX bars, 140 x 560mm, Jr BMX padded saddle and safety bell



Electric Blue



Lime

CAPRI 24

FRAME

6061 aluminum, comfort frame design with full wrap chainguard, fenders and kickstand

FORK

Hi-tensile steel unicrown

WHEELS

Black anodized alloy rims, 36H hubs, nickel plated spokes, Brooklyn Speedway whitewall tires, 24 x 2.125

DRIVETRAIN

Shimano TX35 rear derailleur, Shimano Revoshift 7-speed twist shifter, alloy crankset with single chainring, alloy direct pull brakes and levers

COCKPIT

Hi-rise comfort stem, comfort-type riser bar, youth comfort saddle



Ocean Mist



Plum Purple

CAPRI 20

FRAME

6061 aluminum, comfort frame design with full wrap chainguard, fenders and kickstand

FORK

Hi-tensile steel unicrown

WHEELS

Black anodized alloy rims, 36H hubs, nickel plated spokes, Brooklyn Speedway whitewall tires, 20 x 2.125

DRIVETRAIN

Shimano TX31 rear derailleur, Shimano Revoshift 6-speed twist shifters, alloy crankset with single chainring, alloy direct pull brakes and levers

COCKPIT

Hi-rise comfort stem, comfort-type riser bar, youth comfort saddle



Raspberry

STARLITE 20

FRAME

Comfort step-thru frame design, lightweight 6061 aluminum tubing, with full-length chainguard, painted fenders and training wheels

FORK

Hi-tensile steel unicrown

WHEELS

Alloy 36H rims with steel front and Hi-Stop coaster brake rear hubs, 14G nickel-plated spokes, Brooklyn Speedway tires , 20 x 2.125

DRIVETRAIN

Cold forged 5 1/2" crank with windmill chainring, 36 x 18t gearing, rear coaster brake and rear alloy V-brake with alloy lever

COCKPIT

Swept-back comfort handlebar, electro-plated black finish, with safety bell
Jamis Youth Comfort with embossed vinyl and single loop springs



Violet



Celery

MISS DAISY 16

FRAME

Comfort step-thru frame design, Hi-Ten tubing, with full-length chainguard, painted fenders and training wheels

FORK

Hi-tensile steel unicrown

WHEELS

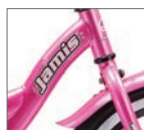
Electro-plated black steel 28H rims, steel front and Hi-Stop coaster brake rear hubs, 14G nickel-plated spokes, Brooklyn Speedway tires , 16 x 2.125

DRIVETRAIN

Cold-forged steel, electro-plated black finish, 4 1/2" arms, 36T chainring, Hi-Stop rear coaster brake

COCKPIT

Swept-back comfort handlebar, electro-plated black finish, with safety bell
Jamis Youth Comfort with embossed vinyl and single loop springs



Raspberry



Lavender Pearl

HOT ROD 12

FRAME

Low stand-over Y-style frame design with full wrap chainguard, fenders and training wheels

FORK

Hi-tensile steel unicrown with straight blades

WHEELS

Powder coated steel rims, ball-bearing'ed 16H hubs, nickel plated spokes, CST Sidewalk tires, 12 x 2.125

DRIVETRAIN

Cold-forged 3 1/2" crank with 5-arm chainring, 28 x 16t gearing, rear coaster brake

COCKPIT

Alloy stem, mid-rise bars with comfort sweep, Jr. BMX saddle, safety pad and bell



Victory Red

LADYBUG 12

FRAME

Low stand-over Y-style frame design with full wrap chainguard, fenders, and training wheels

FORK

Hi-tensile steel unicrown with straight blades

WHEELS

Electro-plated steel rims, ball-bearing'ed 16H hubs, nickel plated spokes, CST Sidewalk tires, 12 x 2.125

DRIVETRAIN

Cold-forged 3 1/2" crank with 5-arm chainring, 28 x 16t gearing, rear coaster brake

COCKPIT

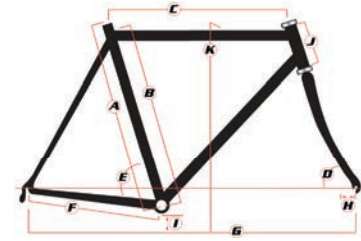
Alloy stem, mid-rise bars with comfort sweep, Lil' girls comfort saddle, safety pad and bell



Raspberry

JAMIS GEOMETRY

- A = Size
- B = Seat Tube, Center of BB to top of TT
- C = Effective TT Length
- D = Head Tube Angle
- E = Seat Tube Angle
- F = Chainstay
- G = Wheelbase
- H = Fork Rake
- I = Bottom Bracket Height
- J = Head Tube
- K = Standover



MODEL	SIZE	CENTER of BB to TOP of TT	EFFECTIVE TT LENGTH	HT ANGLE	ST ANGLE	CHAINSTAY	WHEELBASE	FORK RAKE	BB DROP	HEADTUBE	STANDOVER
MTB 29 - FULL SUSPENSION											
DAKAR XCR29 TEAM / PRO	15"	14.05/357	22.17/563	71°	74°	17.91/455	42.75/1086	1.81/46	1.38/35	4.13/105	31.22/793
	17"	14.84/377	23.03/585	71°	74°	17.91/455	43.43/1103	1.81/46	1.38/35	4.33/110	31.61/803
	19"	15.39/391	24.02/610	71°	74°	17.91/455	44.60/1133	1.81/46	1.38/35	4.33/110	31.97/812
	21"	16.10/409	24.69/627	71°	74°	17.91/455	45.27/1150	1.81/46	1.38/35	4.72/120	32.32/821
DAKAR XCR29 COMP / SPORT	15"	14.01/356	22.17/563	71°	74°	17.91/455	42.75/1086	1.81/46	1.38/35	4.13/105	30.91/785
	17"	14.37/365	23.03/585	71°	74°	17.91/455	43.62/1108	1.81/46	1.38/35	4.33/110	31.10/790
	19"	14.57/370	24.02/610	71°	74°	17.91/455	44.60/1133	1.81/46	1.38/35	4.33/110	31.30/795
	21"	14.96/380	24.69/627	71°	74°	17.91/455	45.27/1150	1.81/46	1.38/35	4.72/120	31.53/801
MTB 29 - HARDTAILS											
DAKOTA D29 TEAM / PRO	15"	13.34/339	22.44/570	71°	73°	17.72/450	42.05/1068	1.81/46	2.28/58	4.33/110	30.86/784
	17"	15.51/394	23.23/590	71°	72.5°	17.72/450	42.64/1083	1.81/46	2.28/58	4.53/115	31.89/810
	19"	17.32/440	24.01/610	70°	72°	17.72/450	43.62/1108	1.81/46	2.28/58	4.53/115	32.64/829
	21"	19.60/498	24.60/625	70°	72°	17.72/450	44.21/1123	1.81/46	2.28/58	4.72/120	33.70/856
DAKOTA D29 RACE / COMP	15"	13.94/354	22.44/570	71°	73°	17.72/450	42.04/1068	1.81/46	2.28/58	4.13/105	30.43/773
	17"	15.51/394	23.23/590	71°	72.5°	17.72/450	42.63/1083	1.81/46	2.28/58	4.33/110	31.41/798
	19"	17.64/448	24.01/610	70°	72°	17.72/450	43.62/1108	1.81/46	2.28/58	4.33/110	32.59/828
	21"	19.53/496	24.60/625	70°	72°	17.72/450	44.21/1123	1.81/46	2.28/58	4.53/115	33.66/855
DURANGO 29 COMP / SPORT	15"	13.35/339	22.44/570	71°	73°	17.72/450	42.16/1070	1.81/46	2.24/57	4.13/105	30.43/773
	17"	15.08/383	23.23/590	71°	72.5°	17.72/450	42.67/1084	1.81/46	2.24/57	4.33/110	31.50/800
	19"	17.32/440	24.02/610	70°	72°	17.72/450	43.66/1109	1.81/46	2.24/57	4.33/110	32.64/829
	21"	19.05/484	24.61/635	70°	72°	17.72/450	44.65/1134	1.81/46	2.24/57	4.72/120	33.66/855
DRAGON 29 PRO	15"	14.10/359	22.68/576	68.5°	73°	17.12/435	42.87/1089	1.81/46	2.16/55	3.15/80	30.24/768
	17"	16.14/410	23.62/600	68.5°	73°	17.12/435	43.86/1114	1.81/46	2.16/55	3.94/100	31.77/807
	19"	18.11/460	24.41/620	68.5°	73°	17.12/435	44.69/1135	1.81/46	2.16/55	4.33/110	33.07/840
	21"	20.07/510	25.20/640	68.5°	73°	17.12/435	45.51/1156	1.81/46	2.16/55	5.12/130	34.49/876
DRAGON 29 SPORT	15"	14.13/359	22.68/576	68.5°	73°	17.12/435	42.87/1089	1.81/46	2.16/55	3.74/95	30.24/768
	17"	16.14/410	23.62/600	68.5°	73°	17.12/435	43.86/1114	1.81/46	2.16/55	3.94/100	31.77/807
	19"	18.15/461	24.41/620	68.5°	73°	17.12/435	44.69/1135	1.81/46	2.16/55	4.33/110	33.07/840
	21"	20.12/511	25.20/640	68.5°	73°	17.12/435	45.51/1156	1.81/46	2.16/55	5.12/130	34.49/876
MTB 27.5 - FULL SUSPENSION											
DAKAR AMT PRO / EXPERT / COMP	15"	14.60/371	22.05/560	67.5°	73.5°	17.71/450	44.33/1126	1.65/42	0.12/3	4.53/115	30.70/780
	17"	15.82/402	22.83/580	67.5°	73.5°	17.71/450	45.11/1146	1.65/42	0.12/3	4.72/120	31.61/803
	19"	16.93/430	23.62/600	67.5°	73.5°	17.71/450	45.94/1167	1.65/42	0.12/3	5.12/130	32.48/825
	21"	18.70/475	24.61/620	67.5°	73.5°	17.71/450	46.73/1187	1.65/42	0.12/3	5.51/140	33.74/857
DAKAR XCT TEAM / RACE	15"	13.62/346	22.24/565	69°	73°	17.71/450	43.15/1096	1.65/42	0.51/13	4.53/115	30.91/785
	17"	15.23/387	23.03/585	69°	73°	17.71/450	44.05/1119	1.65/42	0.51/13	4.72/120	31.73/806
	19"	16.34/415	23.82/605	69°	73°	17.71/450	44.76/1137	1.65/42	0.51/13	5.51/140	32.68/830
	21"	18.31/465	24.61/625	69°	73.5°	17.71/450	45.43/1154	1.65/42	0.51/13	5.90/150	33.89/860
DAKAR XCT PRO / COMP	15"	13.74/349	22.24/565	69°	73°	17.71/450	43.35/1101	1.65/42	0.51/13	4.53/115	30.71/780
	17"	15.23/387	23.03/585	69°	73°	17.71/450	44.13/1121	1.65/42	0.51/13	4.72/120	31.73/806
	19"	16.38/416	23.82/605	69°	73°	17.71/450	45.00/1143	1.65/42	0.51/13	5.51/140	32.68/830
	21"	18.31/465	24.61/625	69°	73.5°	17.71/450	46.02/1169	1.65/42	0.51/13	5.90/150	33.98/863
HALO XCT	14"	13.78/350	21.20/540	70°	74°	17.52/445	41.89/1064	1.65/42	0.94/24	3.94/100	29.01/738
	16"	15.00/381	22.05/560	70°	74°	17.52/445	42.72/1085	1.65/42	0.94/24	4.13/105	29.97/761
	18"	16.53/420	22.85/580	70°	74°	17.52/445	43.50/1105	1.65/42	0.94/24	4.33/110	31.13/791

MODEL	SIZE	CENTER of BB to TOP of TT	EFFECTIVE TT LENGTH	HT ANGLE	ST ANGLE	CHAINSTAY	WHEELBASE	FORK RAKE	BB DROP	HEADTUBE	STANDOVER	STACK	REACH
MTB 27.5 - HARDTAILS													
DAKAR XC	15"	14.02/356	22.24/565	70°	74°	17.52/445	42.87/1089	1.65/42	0.94/24	3.94/100	30.11/765		
	17"	15.24/387	23.03/585	70°	74°	17.52/445	43.70/1110	1.65/42	0.94/24	4.33/110	30.98/787		
	19"	17.56/446	23.82/605	70°	74°	17.52/445	44.49/1130	1.65/42	0.94/24	4.72/120	32.48/825		
	21"	17.44/443	24.61/625	70°	74°	17.52/445	45.31/1151	1.65/42	0.94/24	5.12/130	32.60/828		
HALO XC	14"	13.78/360	21.20/540	70°	74°	17.52/445	41.89/1064	1.65/42	0.94/24	3.94/100	29.01/738		
	16"	15.00/381	22.05/560	70°	74°	17.52/445	42.72/1085	1.65/42	0.94/24	4.13/105	29.97/761		
	18"	16.53/420	22.85/580	70°	74°	17.52/445	43.50/1105	1.65/42	0.94/24	4.33/110	31.13/791		
DRAGON PRO / SPORT	13"	11.93/303	21.22/539	68°	73°	16.73/425	41.10/1044	1.65/42	1.53/39	3.35/85	28.44/723		
	15"	14.02/356	22.24/565	68°	73°	16.73/425	42.12/1070	1.65/42	1.53/39	3.35/85	29.85/759		
	17"	16.18/411	23.00/584	68°	73°	16.73/425	42.91/1090	1.65/42	1.53/39	3.54/90	31.25/794		
	19"	18.15/461	23.75/603	68°	73°	16.73/425	43.70/1110	1.65/42	1.53/39	3.54/90	32.69/830		
KOMODO	21"	20.12/511	24.41/620	68°	73°	16.73/425	44.53/1131	1.65/42	1.53/39	5.83/148	34.36/873		
	15"	12.99/330	22.24/565	68°	73°	16.73/425	42.32/1075	1.65/42	1.53/39	3.94/100	29.00/738		
	17"	14.41/366	23.03/585	68°	73°	16.73/425	43.15/1096	1.65/42	1.53/39	3.94/100	30.00/762		
	19"	15.51/394	23.82/605	68°	73°	16.73/425	44.02/1118	1.65/42	1.53/39	4.72/120	31.00/787		
NEMESIS TEAM / PRO	21"	16.97/431	24.41/620	68°	73°	16.73/425	44.65/1134	1.65/42	1.53/39	5.12/130	32.00/813		
	15"	13.23/336	22.05/560	70°	72.5°	17.12/435	41.14/1045	1.65/42	1.67/42.5	3.94/100	29.52/750		
	17"	15.16/385	23.03/585	70°	72.5°	17.12/435	42.13/1070	1.65/42	1.67/42.5	4.33/110	30.90/785		
	19"	16.73/425	23.82/605	70°	72.5°	17.12/435	42.95/1091	1.65/42	1.67/42.5	5.12/130	31.38/797		
NEMESIS RACE / COMP	21"	18.70/475	24.61/625	70°	72.5°	17.12/435	43.78/1112	1.65/42	1.67/42.5	5.51/140	32.09/815		
	15"	13.23/336	22.05/560	70°	72.5°	17.12/435	41.25/1048	1.65/42	1.81/46	3.94/100	28.98/736		
	17"	15.16/385	23.03/585	70°	72.5°	17.12/435	42.24/1073	1.65/42	1.81/46	4.33/110	30.35/771		
	19"	16.73/425	23.82/605	70°	72.5°	17.12/435	43.07/1094	1.65/42	1.81/46	5.12/130	31.57/802		
EDEN RACE / COMP	21"	18.70/475	24.61/625	70°	72.5°	17.12/435	43.90/1115	1.65/42	1.81/46	5.51/140	32.87/835		
	14"	12.83/326	21.20/540	70°	72.5°	17.12/435	40.47/1028	1.65/42	1.81/46	3.94/100	28.66/728		
	16"	14.17/360	22.05/560	70°	72.5°	17.12/435	41.26/1048	1.65/42	1.81/46	3.94/100	29.67/751		
	18"	15.75/400	22.85/580	70°	72.5°	17.12/435	42.05/1068	1.65/42	1.81/46	4.33/110	30.67/779		
TRAIL X EXPERT, COMP, SPORT	15"	13.15/334	22.00/559	70°	72.5°	17.12/435	41.25/1048	1.65/42	1.81/46	3.94/100	28.70/729		
	17"	15.08/393	23.03/585	70°	72.5°	17.12/435	42.32/1075	1.65/42	1.81/46	4.33/110	30.16/766		
	19"	16.69/424	23.82/605	70°	72.5°	17.12/435	43.11/1095	1.65/42	1.81/46	5.12/130	31.24/796		
	21"	18.66/474	24.61/625	70°	72.5°	17.12/435	43.94/1116	1.65/42	1.81/46	5.51/140	32.64/829		
HELIX / SPORT	12"	8.18/208	20.51/521	70.5°	74°	16.93/430	40.28/1023	1.77/45	12.08/307	4.13/105	24.88/632		
	14"	8.89/226	20.71/526	70°	73°	16.93/430	40.31/1024	1.77/45	12.08/307	4.92/125	25.63/651		
	18"	9.80/249	21.97/558	70.5°	72.5°	16.93/430	41.18/1046	1.77/45	12.08/307	5.51/140	26.45/672		
ROAD													
XENITH SL / TEAM / PRO / RACE / COMP	48	17.24/438	20.27/515	71.5°	73°	15.94/405	37.20/958	1.97/50	2.67/68	3.94/100	28.07/713	19.53/496	14.29/363
	51	17.52/445	20.83/529	72°	73°	15.94/405	38.15/969	1.97/50	2.67/68	4.72/120	29.17/741	20.35/517	14.61/371
	54	18.94/481	21.42/544	73°	73°	15.94/405	38.07/967	1.69/43	2.67/68	5.51/140	30.08/764	21.18/538	14.80/376
	56	19.49/495	22.24/565	73°	73°	15.94/405	38.90/989	1.69/43	2.67/68	6.30/160	30.71/780	22.09/561	15.51/394
	58	20.12/511	22.83/580	73°	73°	15.94/405	39.49/1003	1.69/43	2.67/68	7.09/180	31.38/797	22.83/580	15.83/402
	61	20.75/527	23.23/590	73°	73°	15.94/405	39.92/1014	1.69/43	2.67/68	7.87/200	32.08/815	23.58/599	16.02/407
XENITH PRO / RACE / COMP FEMME	44	14.88/378	19.49/495	70.5°	76°	16.34/415	38.78/985	1.97/50	2.67/68	3.94/100	27.24/692	19.37/492	14.65/372
	48	16.18/411	19.88/505	71°	75.5°	15.94/405	38.42/976	1.97/50	2.67/68	3.94/100	27.95/710	19.45/494	14.84/371
	51	17.79/452	20.27/515	71.5°	75°	15.94/405	38.50/978	1.97/50	2.67/68	4.72/120	29.13/740	20.28/515	14.84/377
ICON ELITE / PRO / RACE	54	18.58/472	20.86/530	72°	74°	15.94/405	38.31/973	1.69/43	2.67/68	5.51/140	29.92/760	21.18/538	14.80/376
	44	15.00/381	19.49/495	70.5°	76°	15.94/405	38.38/975	1.97/50	2.68/68	3.94/100	25.82/656	19.37/492	14.65/372
	48	16.73/425	20.27/515	71.5°	73°	15.94/405	37.72/958	1.97/50	2.68/68	3.94/100	28.15/715	19.53/496	14.29/363
	51	18.38/467	20.82/529	72°	73°	15.94/405	38.11/968	1.97/50	2.68/68	4.72/120	29.33/745	20.35/517	14.61/371
	54	19.09/485	21.42/544	73°	73°	15.94/405	38.07/967	1.69/43	2.68/68	5.51/140	30.16/766	21.30/541	14.92/379
	56	19.88/505	22.24/565	73°	73°	15.94/405	38.90/988	1.69/43	2.68/68	6.30/160	30.94/786	22.09/561	15.51/394
	58	20.51/521	22.83/580	73°	73°	15.94/405	39.49/1003	1.69/43	2.68/68	7.08/180	31.65/804	22.83/580	16.02/407
61	21.18/538	23.23/590	73°	73°	15.94/405	39.88/1013	1.69/43	2.68/68	7.87/200	32.32/821	23.58/599	16.02/407	
XENITH T2	S/51	19.60/498	20.08/510	71°	78°	15.35/390	38.78/985	1.89/48	2.75/70	3.94/100	29.80/757	19.53/496	15.94/405
XENITH T1	M/54	20.12/511	20.67/525	72°	76°	15.35/390	39.09/993	1.89/48	2.75/70	4.33/110	30.31/770	20.04/509	16.42/417
XENITH T	L/56	21.02/534	21.45/545	72°	78°	15.35/390	40.04/1017	1.89/48	2.67/68	5.31/135	31.26/794	20.91/531	17.01/432
	XL/58	22.24/565	22.64/575	72°	78°	15.35/390	41.30/1049	1.89/48	2.75/70	6.30/160	32.20/818	21.89/556	17.99/457

MODEL	SIZE	CENTER of BB to TOP of TT	EFFECTIVE TT LENGTH	HT ANGLE	ST ANGLE	CHAINSTAY	WHEELBASE	FORK RAKE	BB DROP	HEADTUBE	STANDOVER	STACK	REACH
ROAD CONTINUED													
SUPERNOVA TEAM / ELITE	51	18.54/47.1	20.82/529	71.5°	74°	16.73/425	39.41/1001	1.89/48	2.71/69	5.12/130	30.51/775	22.01/559	14.45/367
	54	19.72/50.1	21.45/545	72°	73°	16.73/425	39.45/1002	1.89/48	2.71/69	5.71/145	31.38/797	22.64/575	14.49/368
	56	20.43/51.9	22.05/560	72.5°	73°	16.73/425	39.88/1013	1.89/48	2.71/69	6.30/160	32.08/815	23.31/592	14.92/379
	58	20.94/53.2	22.84/575	72.5°	72.5°	16.73/425	40.31/1024	1.89/48	2.71/69	6.89/175	32.75/832	23.78/624	15.16/385
	61	22.44/57.0	23.42/596	73°	72°	16.73/425	40.67/1033	1.89/48	2.71/69	7.87/200	33.82/859	24.80/630	15.39/391
NOVA PRO	48	17.56/44.6	20.27/515	71°	75°	16.73/425	39.33/999	1.89/48	2.71/69	3.94/100	29.53/750	20.83/529	14.57/370
	51	18.74/47.6	20.86/530	71.5°	74°	16.73/425	39.41/1001	1.89/48	2.71/69	4.52/115	30.35/771	21.46/545	14.65/372
	54	19.92/50.6	21.45/545	72°	73°	16.73/425	39.45/1002	1.89/48	2.71/69	5.12/130	31.22/793	22.09/561	14.69/373
	56	20.71/52.6	22.05/560	72.5°	73°	16.73/425	39.88/1013	1.89/48	2.71/69	5.71/145	31.93/811	22.72/577	15.35/390
	58	21.49/54.6	22.64/575	72.5°	72.5°	16.73/425	40.31/1024	1.89/48	2.64/67	6.30/160	32.56/827	23.23/590	15.28/388
NOVA RACE	48	17.56/44.6	20.27/515	71°	74.58°	16.73/425	39.33/999	1.89/48	2.71/69	3.94/100	29.49/749	20.83/529	14.57/370
	51	18.74/47.6	20.86/530	71.5°	74°	16.73/425	39.41/1001	1.89/48	2.71/69	4.52/115	30.35/771	21.46/545	14.65/372
	54	19.92/50.6	21.45/545	72°	73°	16.73/425	39.45/1002	1.89/48	2.71/69	5.12/130	31.22/793	22.09/561	14.69/373
	56	20.71/52.6	22.05/560	72.5°	73°	16.73/425	39.88/1013	1.89/48	2.71/69	5.71/145	31.93/811	22.72/577	15.08/383
	58	21.49/54.6	22.64/575	72.5°	72.5°	16.73/425	40.31/1024	1.89/48	2.64/67	6.30/160	32.60/828	23.23/590	15.32/399
NOVA SPORT	48	17.56/44.6	20.27/515	71°	74.58°	16.73/425	39.33/999	1.89/48	2.71/69	3.94/100	29.41/747	20.55/522	14.69/373
	51	18.74/47.6	20.86/530	71.5°	74°	16.73/425	39.41/1001	1.89/48	2.71/69	4.52/115	30.24/768	21.18/538	14.72/374
	54	19.92/50.6	21.45/545	72°	73°	16.73/425	39.45/1002	1.89/48	2.71/69	5.12/130	31.10/790	21.81/554	14.76/375
	56	20.71/52.6	22.05/560	72.5°	73°	16.73/425	39.88/1013	1.89/48	2.71/69	5.71/145	31.81/808	22.48/571	15.16/385
	58	21.49/54.6	22.64/575	72.5°	72.5°	16.73/425	40.31/1024	1.89/48	2.64/67	6.30/160	32.48/825	22.95/583	15.39/391
RENEGADE ELITE / EXPERT	48	16.93/43.0	20.35/517	70.5°	73°	16.81/427	39.27/997.5	2.24/57	2.89/73.5	3.77/95.9	33.54/852	23.98/609	15.67/398
	51	17.79/45.2	20.94/532	71°	73°	16.81/427	39.55/1004.6	2.09/53	2.89/73.5	4.50/114.3	29.61/752	21.06/535	14.53/369
	54	19.98/48.2	21.69/551	71.5°	73°	16.93/430	40.27/1022.8	2.09/53	2.83/72	5.73/145.6	30.90/785	22.24/565	14.88/378
	56	19.92/50.6	22.40/569	71.5°	73°	16.93/430	41.01/1041.8	2.09/53	2.83/72	6.96/176.7	31.81/808	23.43/595	15.24/387
	58	22.14/52.6.5	23.07/586	72°	73°	16.93/430	41.39/1051.3	1.97/50	2.77/70.5	7.95/202	32.68/830	24.41/620	15.59/396
XENITH ENDURA COMP / SPORT	48	16.77/42.6	20.27/515	71.5°	75°	16.34/415	38.97/990	1.97/50	2.60/66	4.92/125	28.94/735	20.83/529	14.69/373
	51	18.42/46.8	20.82/529	71.5°	75°	16.34/415	39.60/1006	1.97/50	2.60/66	5.90/150	30.08/764	21.73/552	15.00/381
	54	19.13/48.6	21.42/544	72.5°	73°	16.34/415	38.74/984	1.69/43	2.60/66	6.69/170	30.82/783	22.76/578	14.45/367
	56	19.92/50.6	22.24/565	73°	73°	16.34/415	39.33/999	1.69/43	2.60/66	7.48/190	31.61/803	23.58/599	15.04/382
	58	20.55/52.2	22.83/580	73°	73°	16.34/415	39.92/1014	1.69/43	2.60/66	8.27/210	32.32/821	24.33/618	15.39/391
XENITH ENDURA COMP / SPORT FEMME	44	14.72/37.4	19.49/495	70.5°	76°	16.34/415	38.70/983	1.97/50	2.91/74	3.94/100	27.20/691	20.04/509	14.49/368
	48	16.77/42.6	19.88/505	71°	75.5°	16.34/415	38.82/986	1.97/50	2.91/74	4.92/125	28.70/729	21.06/535	14.45/367
	51	18.42/46.8	20.27/515	71.5°	75°	16.34/415	38.94/989	1.97/50	2.91/74	5.90/150	29.96/761	22.05/560	14.37/365
	54	19.13/48.6	20.86/530	72.5°	74°	16.34/415	38.46/977	1.69/43	2.91/74	6.69/170	30.75/781	23.07/586	14.25/362
	58	20.55/52.2	22.44/570	72.54°	72.54°	16.34/415	38.54/979	1.97/50	2.87/73	4.72/120	28.03/712	20.94/532	14.21/361
VENTURA RACE / COMP	48	18.19/46.2	20.67/525	71.5°	74°	16.34/415	38.82/986	1.97/50	2.87/73	5.51/140	29.37/746	21.77/553	14.37/365
	54	18.78/47.7	21.18/538	72°	73.5°	16.34/415	38.78/985	1.77/45	2.87/73	6.30/160	29.41/747	22.64/575	14.45/367
	56	19.60/49.8	21.85/555	72.54°	73°	16.34/415	38.86/987	1.69/43	2.87/73	7.08/180	30.90/785	23.54/598	14.65/372
	58	20.23/51.4	22.44/570	72.54°	72.54°	16.34/415	39.41/1001	1.69/43	2.87/73	7.87/200	31.57/802	24.29/617	14.96/380
	61	20.90/53.1	23.03/585	72.54°	72.54°	16.34/415	40.00/1016	1.69/43	2.87/73	8.66/220	32.24/819	25.04/636	15.32/389
VENTURA RACE / COMP FEMME	44	15.08/38.3	19.49/495	70.5°	76°	16.34/415	38.74/984	1.97/50	2.68/68	4.72/120	27.52/699	20.67/525	14.21/361
	48	16.38/41.6	19.88/505	71°	75.5°	16.34/415	38.78/985	1.97/50	2.68/68	4.72/120	28.23/717	20.75/527	14.41/366
	51	18.07/45.9	20.27/515	71°	75°	16.34/415	39.05/992	1.97/50	2.68/68	5.51/140	29.41/747	21.50/546	14.41/366
	54	18.54/47.1	20.87/530	71°	74°	16.34/415	39.33/999	1.97/50	2.68/68	6.30/160	29.96/761	22.24/565	14.41/366
	58	16.53/42.0	20.27/515	71°	74°	16.34/415	38.62/981	1.97/50	2.87/73	4.72/120	28.58/726	20.94/532	14.21/361
VENTURA SPORT	48	18.19/46.2	20.67/525	71.5°	74°	16.34/415	38.86/987	1.97/50	2.87/73	5.51/140	29.84/758	21.77/553	14.37/365
	54	18.59/47.9	21.18/538	72°	73.5°	16.34/415	38.82/986	1.77/45	2.87/73	6.30/160	30.55/776	22.64/575	14.45/367
	56	19.68/50.0	21.85/555	72.54°	73°	16.34/415	38.86/987	1.69/43	2.87/73	7.08/180	31.38/797	23.54/598	14.65/372
	58	20.31/51.6	22.44/570	72.54°	72.54°	16.34/415	39.41/1001	1.69/43	2.87/73	7.87/200	32.05/814	24.29/617	14.96/380
	61	20.94/53.2	23.03/585	72.54°	72.54°	16.34/415	40.00/1016	1.69/43	2.87/73	8.66/220	32.72/831	25.04/636	15.32/389
VENTURA SPORT FEMME	44	14.13/35.9	19.49/495	70.5°	76°	16.34/415	38.82/986	1.97/50	2.68/68	4.72/120	28.03/712	20.67/525	14.21/361
	48	16.53/42.0	19.88/505	71°	75.5°	16.34/415	38.86/987	1.97/50	2.68/68	4.72/120	28.74/730	20.75/527	14.41/366
	51	18.19/46.2	20.27/515	71°	75°	16.34/415	39.13/994	1.97/50	2.68/68	5.51/140	29.96/761	21.50/546	14.41/366
	54	18.58/47.2	20.87/530	71°	74°	16.34/415	39.37/1000	1.97/50	2.68/68	6.30/160	30.43/773	22.24/565	14.41/366

MODEL	SIZE	CENTER of BB to TOP of TT	EFFECTIVE TT LENGTH	HT ANGLE	ST ANGLE	CHAINSTAY	WHEELBASE	FORK PAKE	BB DROP	HEADTUBE	STANDOVER	STACK	REACH	
ROAD CONTINUED														
QUEST COMP / SPORT	48	16.61/422	20.27/515	71°	74.5°	16.34/415	38.94/989	1.97/50	2.68/65	4.72/120	28.58/726	21.10/536	14.37/365	
	51	18.27/464	20.86/530	72°	74°	16.34/415	38.70/983	1.69/43	2.68/68	5.51/140	29.96/761	22.13/562	14.49/368	
	54	19.01/483	21.25/540	72°	73°	16.34/415	38.70/983	1.69/43	2.68/68	6.30/160	30.75/781	22.87/581	14.25/362	
	56	19.88/505	21.85/565	73°	73°	16.34/415	38.90/988	1.69/43	2.68/68	7.08/180	31.61/803	23.78/604	14.57/370	
	58	20.51/521	22.44/570	73°	73°	16.34/415	39.49/1003	1.69/43	2.68/68	7.87/200	32.32/821	24.52/623	14.96/380	
	61	21.22/539	23.03/585	73°	73°	16.34/415	40.08/1018	1.69/43	2.68/68	8.66/220	33.11/841	25.28/642	15.32/389	
QUEST COMP / SPORT FEMME	48	16.61/422	19.88/505	71°	75.5°	16.34/415	38.90/988	1.97/50	2.68/68	4.72/120	28.58/726	21.10/536	14.37/365	
	51	18.27/464	20.27/515	71.5°	75°	16.34/415	38.97/990	1.97/50	2.68/68	5.51/140	29.92/760	21.93/557	14.37/365	
	54	18.98/482	20.86/530	71.5°	74°	16.34/415	39.21/996	1.97/50	2.68/68	6.30/160	30.67/779	22.68/576	14.33/364	
AURORA ELITE	47	14.57/370	20.47/520	70°	74°	17.32/440	40.35/1025	1.97/50	2.56/65	3.94/100	27.72/704	20.79/528	15.51/368	
	50	19.68/500	21.34/542	71.5°	74°	17.32/440	40.71/1034	1.97/50	2.56/65	4.53/115	31.10/790	21.57/548	15.12/384	
	53	20.86/530	21.73/552	71.5°	73°	17.32/440	40.71/1034	1.97/50	2.56/65	5.32/135	31.77/807	22.32/567	14.88/378	
	55	21.65/550	21.93/557	71.5°	73°	17.32/440	40.90/1039	1.97/50	2.56/65	5.91/150	32.44/824	22.87/581	14.92/379	
	57	22.44/570	22.32/567	71.5°	72°	17.32/440	40.90/1039	1.97/50	2.56/65	6.50/165	33.07/840	23.43/595	14.69/373	
	59	23.23/590	21.93/577	72°	72°	17.32/440	41.06/1043	1.97/50	2.56/65	7.09/180	33.78/858	24.06/611	14.88/378	
AURORA	62	24.41/620	23.23/590	72.5°	72°	17.32/440	41.38/1051	1.97/50	2.56/65	7.67/195	34.64/880	24.72/628	15.20/386	
	47	15.35/390	20.47/520	70°	74°	17.32/440	40.31/1024	1.97/50	2.56/65	3.94/100	27.95/710	20.51/521	14.49/368	
	50	19.56/497	21.34/542	71.5°	74°	17.32/440	40.67/1033	1.97/50	2.56/65	4.53/115	30.87/784	21.30/541	15.20/386	
	53	20.75/527	21.73/552	71.5°	73°	17.32/440	40.71/1034	1.97/50	2.56/65	5.32/135	31.81/808	22.05/560	14.96/380	
	55	21.57/548	21.93/557	71.5°	73°	17.32/440	40.90/1039	1.97/50	2.56/65	5.91/150	32.56/827	22.60/574	15.00/381	
	57	22.36/568	22.32/567	71.5°	72°	17.32/440	40.90/1039	1.97/50	2.56/65	6.50/165	33.15/842	23.15/588	14.80/376	
BOSANOVA	59	23.15/588	22.72/577	72°	72°	17.32/440	41.10/1044	1.97/50	2.56/65	7.09/180	33.86/860	23.82/605	15.00/381	
	62	24.33/618	23.23/590	72.5°	72°	17.32/440	41.38/1051	1.97/50	2.56/65	7.67/195	34.76/883	24.45/621	15.31/389	
	48	17.99/457	20.19/513	70.5°	75°	16.73/425	40.00/1016	1.89/48	2.56/65	3.94/100	29.53/750	20.79/528	15.03/382	
	51	19.17/487	21.26/540	71°	74°	16.73/425	40.12/1019	1.89/48	2.56/65	4.72/120	30.51/775	21.61/549	15.00/381	
	54	20.35/517	21.85/555	71.5°	73°	16.73/425	40.16/1020	1.89/48	2.56/65	5.51/140	31.49/800	22.40/569	14.96/380	
	56	21.18/538	22.05/560	72°	73°	16.73/425	40.16/1020	1.89/48	2.56/65	6.30/160	32.32/821	23.23/590	14.92/379	
SONIK	58	21.97/558	22.64/575	72°	72.5°	16.73/425	40.55/1030	1.89/48	2.56/65	7.09/180	33.07/840	23.98/609	15.08/383	
	61	23.15/588	23.42/595	73°	72°	16.73/425	40.71/1034	1.89/48	2.56/65	7.87/200	34.09/866	24.88/632	15.35/390	
	48	16.85/428	20.67/525	74.5°	75°	14.53/369	35.90/912	1.18/30	1.97/50	4.33/110	29.01/737	19.88/505	15.35/390	
	51	18.03/458	20.86/530	74.5°	75°	14.53/369	36.10/917	1.18/30	1.97/50	4.33/110	29.67/752	19.88/505	15.55/395	
	54	19.25/489	21.45/545	74.5°	74°	14.60/371	36.45/926	1.18/30	1.97/50	4.72/120	29.64/753	20.34/514	15.67/398	
	56	20.04/509	22.24/565	74.5°	74°	14.60/371	37.24/946	1.18/30	1.97/50	5.51/140	30.86/784	20.98/533	16.22/412	
SPUTNIK BEATNIK	58	20.79/528	22.83/580	74.5°	74°	14.60/371	37.79/960	1.18/30	1.97/50	6.30/160	31.61/803	21.77/553	16.61/422	
	61	21.97/558	23.31/592	74.5°	73.5°	14.68/373	38.15/969	1.18/30	1.97/50	7.28/185	32.65/827	22.72/577	16.61/422	
	47	18.50/470	20.00/508	71.5°	75.5°	15.94/405	38.23/971	1.77/45	2.56/65	3.74/95	29.33/745	19.80/503	14.84/377	
	50	19.56/497	20.47/520	72°	75°	15.94/405	38.34/974	1.77/45	2.56/65	3.74/95	29.96/761	19.88/505	15.12/384	
	53	20.75/527	21.28/540	72°	74°	15.94/405	38.78/985	1.77/45	2.56/65	4.49/114	30.86/784	20.59/523	15.35/390	
	55	21.53/547	22.04/560	73.5°	73°	15.94/405	38.46/977	1.57/40	2.56/65	4.96/126	31.61/803	21.30/541	15.55/395	
STREET	57	22.28/566	22.44/570	73.5°	73°	15.94/405	38.86/987	1.57/40	2.56/65	5.67/144	32.28/820	22.01/559	15.71/399	
	59	23.15/588	23.03/585	73.5°	73°	15.94/405	39.45/1002	1.57/40	2.56/65	6.45/164	33.03/839	22.80/579	16.06/408	
	62	24.25/616	23.62/600	74°	72.5°	15.94/405	39.60/1006	1.57/40	2.56/65	7.48/190	34.09/866	23.82/605	16.14/410	
	STREET													
	COMMUTER 3 COMMUTER 2	15"	13.19/335	21.53/547	70°	73.5°	17.52/445	41.42/1052	1.97/50	2.75/70	4.92/125	27.44/697	22.48/571	14.96/380
		17"	15.04/382	22.12/562	70.5°	73.5°	17.52/445	41.85/1063	1.97/50	2.75/70	5.71/145	28.90/734	23.27/591	15.31/389
19"		16.81/427	22.48/571	71°	73.5°	17.52/445	42.05/1068	1.97/50	2.75/70	6.30/160	30.20/767	23.90/607	15.47/393	
21"		18.70/475	23.03/585	71°	73°	17.52/445	42.20/1072	1.97/50	2.75/70	7.28/185	31.65/804	24.92/633	15.47/393	
23"		20.27/515	23.42/595	71.5°	73°	17.52/445	42.64/1083	1.97/50	2.75/70	8.66/220	33.11/841	26.22/666	15.47/393	
14" S/O		9.53/242	21.50/546	70°	74.5°	17.52/445	41.77/1061	1.97/50	2.75/70	4.72/120	25.00/635	22.28/566	15.39/391	
COMMUTER 1	18" S/O	10.27/261	21.89/556	71°	74°	17.52/445	41.61/1057	1.97/50	2.75/70	5.12/130	25.67/652	22.79/579	15.43/392	
	15"	13.23/336	21.53/547	70°	73.5°	17.52/445	41.50/1054	2.01/51	2.75/70	5.51/140	27.48/698	22.56/573	14.92/379	
	17"	15.08/383	22.12/562	70.5°	73.5°	17.52/445	41.93/1065	2.01/51	2.75/70	6.30/160	28.98/736	23.38/594	15.27/388	
	19"	16.89/429	22.48/571	71°	73.5°	17.52/445	42.09/1069	2.01/51	2.75/70	6.89/175	30.31/770	23.98/609	15.43/392	
	21"	18.74/476	23.03/585	71°	73°	17.52/445	42.24/1073	2.01/51	2.75/70	7.87/200	31.77/807	25.00/635	15.47/393	
	23"	20.35/517	23.42/595	71.5°	73°	17.52/445	42.68/1084	2.01/51	2.75/70	9.25/235	33.23/844	26.30/668	15.43/392	
14" S/O	9.76/248	21.50/546	70°	74.5°	17.52/445	41.85/1063	2.01/51	2.75/70	5.31/135	25.27/642	22.36/568	15.35/390		
18" S/O	10.08/256	21.89/556	71°	74°	17.52/445	41.65/1058	2.01/51	2.75/70	5.71/145	25.63/651	22.87/581	15.39/391		

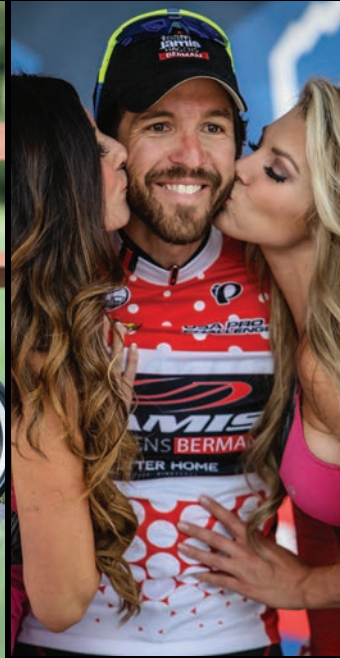
MODEL	SIZE	CENTER of BB to TOP of TT	EFFECTIVE TT LENGTH	HT ANGLE	ST ANGLE	CHAINSTAY	WHEELBASE	FORK RAKE	BB HEIGHT	HEADTUBE	STANDOVER	STACK	REACH
STREET CONTINUED													
CODA ELITE	16"	15.16/385	21.46/545	71°	74°	17.13/435	40.75/1035	1.97/50	2.56/65	4.13/105	28.27/718	20.63/524	15.51/394
	17.5"	16.61/422	22.05/560	71°	74°	17.13/435	41.38/1051	1.97/50	2.56/65	4.72/120	29.29/744	21.18/538	15.94/405
	19.5"	18.58/472	22.44/570	72°	73.5°	17.13/435	41.22/1047	1.97/50	2.56/65	5.31/135	30.63/778	21.89/556	15.94/405
	21.5"	20.55/522	23.03/585	72°	73.5°	17.13/435	41.81/1062	1.97/50	2.56/65	5.91/150	31.93/811	22.44/570	16.38/416
	23"	22.08/561	23.43/595	72°	73.5°	17.13/435	42.24/1073	1.97/50	2.56/65	6.50/165	32.95/837	23.03/585	16.57/421
CODA COMP	15"	15.16/385	21.46/545	71°	74°	17.13/435	40.51/1029	1.77/45	2.56/65	4.13/105	28.15/715	20.39/518	15.55/395
	17"	16.61/422	22.05/560	71°	74°	17.13/435	41.14/1045	1.77/45	2.56/65	4.72/120	29.21/742	20.94/532	16.02/407
	19"	18.58/472	22.44/570	72°	73.5°	17.13/435	40.98/1041	1.77/45	2.56/65	5.31/135	30.55/776	21.65/560	16.02/407
	21"	20.55/522	23.03/585	72°	73.5°	17.13/435	41.61/1057	1.77/45	2.56/65	5.91/150	31.77/807	22.17/563	16.46/418
	23"	22.08/561	23.43/595	72°	73.5°	17.13/435	42.01/1067	1.77/45	2.56/65	6.50/165	32.83/834	22.80/579	16.65/423
CODA COMP FEMME	14"	13.66/347	20.47/520	70°	75°	17.13/435	40.19/1021	1.77/45	2.56/65	3.74/95	27.08/688	19.88/505	15.09/383
	16"	15.16/385	20.87/530	71°	75°	17.13/435	40.27/1023	1.77/45	2.56/65	4.13/105	28.19/716	20.39/518	15.35/390
	18"	16.61/422	21.26/540	71°	74°	17.13/435	40.35/1025	1.77/45	2.56/65	4.72/120	29.17/741	21.94/532	15.24/387
CODA SPORT	15"	15.16/385	21.46/545	71°	74°	17.13/435	40.75/1035	1.97/50	2.56/65	4.13/105	28.46/723	20.14/537	15.35/390
	17"	16.61/422	22.05/560	71°	74°	17.13/435	41.38/1051	1.97/50	2.56/65	4.72/120	29.52/750	21.69/551	15.79/401
	19"	18.58/472	22.44/570	72°	73.5°	17.13/435	41.22/1047	1.97/50	2.56/65	5.31/135	30.90/785	22.40/569	15.79/401
	21"	20.55/522	23.03/585	72°	73.5°	17.13/435	41.85/1063	1.97/50	2.56/65	5.91/150	32.16/817	22.95/583	16.22/412
	23"	22.08/561	23.43/595	72°	73.5°	17.13/435	42.24/1073	1.97/50	2.56/65	6.50/165	33.23/844	23.54/598	16.46/418
CODA SPORT FEMME	14"	13.66/347	20.47/520	70°	75°	17.13/435	40.47/1028	1.97/50	2.56/65	3.74/95	27.40/696	20.63/524	14.88/378
	16"	15.16/385	20.87/530	71°	75°	17.13/435	40.55/1030	1.97/50	2.56/65	4.13/105	28.54/725	21.14/537	15.16/385
	18"	16.61/422	21.26/540	71°	74°	17.13/435	40.59/1031	1.97/50	2.56/65	4.72/120	29.52/750	21.69/551	15.00/381
ALLEGRO ELITE / COMP / SPORT	15"	14.61/371	21.46/545	71°	74°	17.13/435	40.94/1040	1.97/50	2.16/55	5.31/135	28.50/724	21.46/545	15.24/387
	17"	16.06/408	22.05/560	71°	74°	17.13/435	41.57/1056	1.97/50	2.16/55	5.90/150	29.53/750	22.01/559	15.67/398
	19"	18.07/459	22.44/570	72°	73.5°	17.13/435	41.42/1052	1.97/50	2.16/55	6.89/175	31.10/790	23.07/586	15.55/395
	21"	20.04/509	23.03/585	72°	73.5°	17.13/435	42.05/1068	1.97/50	2.16/55	7.87/200	32.60/828	24.01/610	15.87/403
	23"	21.53/547	23.43/595	72°	73.5°	17.13/435	42.44/1078	1.97/50	2.16/55	9.05/230	33.46/850	25.16/639	15.94/405
ALLEGRO ELITE / COMP / SPORT FEMME	14"	13.19/335	20.47/520	70.5°	74.5°	17.13/435	40.31/1024	1.97/50	2.16/55	4.92/125	27.48/698	20.98/533	14.57/370
	16"	14.64/372	20.86/530	71°	74°	17.13/435	40.35/1025	1.97/50	2.16/55	5.31/135	28.50/724	21.46/545	14.64/372
	18"	16.10/409	21.26/540	71°	74°	17.13/435	40.79/1036	1.97/50	2.16/55	5.90/150	29.57/751	22.01/559	14.88/378
DXT COMP / SPORT	15"	14.17/360	23.03/585	71°	73°	17.52/445	42.16/1071	1.65/42	2.36/60	4.13/105	28.94/735	22.68/576	16.06/408
	17"	16.10/409	23.62/600	71°	73°	17.52/445	42.75/1086	1.65/42	2.36/60	4.72/120	30.24/768	23.23/590	16.46/418
	19"	17.56/446	24.01/610	71°	73°	17.52/445	43.19/1097	1.65/42	2.36/60	5.31/135	31.34/796	23.78/604	16.69/424
	21"	19.53/496	24.61/625	71°	73°	17.52/445	43.78/1112	1.65/42	2.36/60	6.10/155	32.68/830	24.53/623	17.05/433
	23"	21.50/546	24.80/630	71°	73°	17.52/445	44.01/1118	1.65/42	2.36/60	6.89/175	34.05/865	21.34/542	17.01/432
DXT COMP / SPORT FEMME	14"	8.78/223	20.47/520	70.5°	74.5°	17.13/435	40.12/1019	1.65/42	2.16/55	4.72/120	24.45/621	22.95/583	14.01/356
	18"	9.49/241	21.26/540	71°	74°	17.13/435	40.51/1029	1.65/42	2.16/55	4.72/120	25.00/635	23.03/585	14.61/371
	20"	9.49/241	22.05/560	72°	73.5°	17.13/435	40.71/1034	1.65/42	2.16/55	5.31/135	25.16/639	23.74/603	14.96/380
RECREATION													
CITIZEN 3 CITIZEN 2	15"	13.42/341	21.50/546	70°	74°	17.52/445	41.69/1059	1.97/50	2.56/65	4.72/120	28.66/728		
	17"	15.04/382	22.11/562	70°	74°	17.52/445	42.28/1074	1.97/50	2.56/65	4.72/120	29.05/738		
	19"	17.24/438	22.48/571	71°	73.5°	17.52/445	42.05/1068	1.97/50	2.56/65	4.72/120	30.39/772		
	21"	19.29/490	23.06/586	71°	73.5°	17.52/445	42.68/1084	1.97/50	2.56/65	5.12/130	31.65/804		
	23"	20.82/529	23.46/596	71°	73.5°	17.52/445	43.07/1094	1.97/50	2.56/65	5.71/145	32.91/836		
	14" S/T	5.59/142	21.49/546	70°	74°	17.52/445	41.77/1061	1.97/50	2.56/65	5.90/150	18.62/473		
	18" S/T	5.90/150	21.88/556	70°	73.5°	17.52/445	41.97/1066	1.97/50	2.56/65	6.49/165	18.15/461		
	15"	13.19/335	21.50/546	70°	74°	17.52/445	41.61/1057	1.97/50	2.56/65	4.72/120	28.35/720		
CITIZEN 1	17"	15.08/383	22.11/562	70°	74°	17.52/445	42.24/1073	1.97/50	2.56/65	4.72/120	28.82/732		
	19"	17.24/438	22.48/571	71°	73.5°	17.52/445	42.01/1067	1.97/50	2.56/65	4.72/120	30.04/763		
	21"	19.57/497	23.06/586	71°	73.5°	17.52/445	42.64/1083	1.97/50	2.56/65	5.12/130	31.49/800		
	23"	20.71/526	23.46/596	71°	73.5°	17.52/445	43.03/1093	1.97/50	2.56/65	5.71/145	32.40/823		
	14" S/T	5.71/145	21.49/546	70°	74°	17.52/445	41.69/1059	1.97/50	2.56/65	5.90/150	19.05/484		
	18" S/T	5.87/149	21.88/556	70°	73.5°	17.52/445	41.93/1065	1.97/50	2.56/65	6.49/165	18.54/471		
	S	12.16/309	22.44/570	68.00°	67.00°	19.09/485	42.56/1081	1.77/45	22.83/58	4.72/120	25.94/659		
	M	14.09/358	23.11/587	68.00°	67.00°	19.09/485	43.19/1097	1.77/45	22.83/58	5.51/140	27.52/699		
HUDSON SPORT DLX / SPORT / EASY-3 / EASY	L	15.63/397	24.17/614	68.00°	67.00°	19.09/485	44.25/1124	1.77/45	22.83/58	6.89/175	28.97/736		
	XL	18.74/476	25.12/638	68.00°	67.00°	19.09/485	45.16/1147	1.77/45	22.83/58	8.27/210	31.38/797		
	S S/T	6.10/155	22.60/574	68.00°	67.00°	19.09/485	42.68/1084	1.77/45	22.83/58	6.50/165	17.48/444		
	M S/T	7.08/180	23.66/601	68.00°	67.00°	19.09/485	43.74/1111	1.77/45	22.83/58	6.50/165	18.03/458		

MODEL	SIZE	CENTER of BB to TOP of TT	EFFECTIVE TT LENGTH	HT ANGLE	ST ANGLE	CHAINSTAY	WHEELBASE	FORK RAKE	BB HEIGHT	HEADTUBE	STANDOVER
RECREATION CONTINUED											
EXPLORER 2	S	11.30/287	21.06/535	68.39°	70.39°	16.73/425	40.00/1016	1.65/42	0.90/23	4.72/120	27.01/686
	M	13.31/338	21.65/550	68.40°	70.40°	16.73/425	40.63/1032	1.65/42	0.90/23	5.51/140	28.62/727
	L	15.79/401	22.64/575	68.42°	70.42°	16.73/425	41.65/1058	1.65/42	0.90/23	6.89/175	30.59/777
	XL	18.78/477	23.43/595	68.44°	70.44°	16.73/425	42.48/1079	1.65/42	0.90/23	8.27/210	32.91/836
	S S/T	5.63/143	20.67/525	68.39°	70.39°	16.93/430	39.84/1012	1.65/42	0.90/23	6.30/160	17.83/453
	M S/T	7.05/179	22.05/560	68.39°	70.41°	16.93/430	41.26/1048	1.65/42	0.90/23	6.89/175	18.70/475
EXPLORER 1	S	11.30/287	21.06/535	68.39°	70.39°	16.73/425	40.12/1019	1.77/45	0.90/23	4.72/120	27.20/691
	M	13.31/338	21.65/550	68.40°	70.40°	16.73/425	40.75/1035	1.77/45	0.90/23	5.51/140	28.78/731
	L	15.79/401	22.64/575	68.42°	70.42°	16.73/425	41.77/1061	1.77/45	0.90/23	6.89/175	30.79/782
	XL	18.78/477	23.43/595	68.44°	70.44°	16.73/425	42.60/1082	1.77/45	0.90/23	8.27/210	33.07/840
	S S/T	5.79/147	20.67/525	68.39°	70.39°	16.93/430	39.96/1015	1.77/45	0.90/23	6.30/160	17.87/454
	M S/T	7.05/179	22.05/560	68.39°	70.41°	16.93/430	41.42/1052	1.77/45	0.90/23	6.89/175	18.74/476
TRAIL XR	13"	10.62/270	20.86/530	70.5°	74°	16.73/425	40.35/1025	1.77/45	1.30/33	4.13/105	26.22/666
	15"	13.26/337	21.42/544	70.5°	74°	16.73/425	40.90/1039	1.77/45	1.30/33	4.72/120	28.07/713
	17"	14.76/375	21.89/556	71°	73.5°	16.73/425	40.98/1041	1.77/45	1.30/33	4.92/125	29.01/737
	19"	16.77/426	22.52/572	71°	73.5°	16.73/425	41.65/1058	1.77/45	1.30/33	5.12/130	30.27/769
	21"	18.74/476	23.34/593	71.5°	73°	16.73/425	42.12/1070	1.77/45	1.30/33	6.49/165	31.96/812
TRAIL XR Femme	12"	8.15/207	20.51/521	70.5°	74°	16.93/430	40.16/1020	1.77/45	1.30/33	4.13/105	24.52/623
	14"	8.81/224	20.71/526	70°	73°	16.93/430	40.23/1022	1.77/45	1.30/33	4.92/125	25.27/642
	18"	9.17/233	21.97/558	70.5°	72.5°	16.93/430	41.10/1044	1.77/45	1.30/33	5.51/140	25.59/650
	M	17.52/548	22.91/582	69°	70°	18.74/476	42.72/1085	1.77/45	10.71/272	4.13/105	26.93/684
EARTH CRUISER 3	L	19.76/578	24.02/610	69°	70°	18.74/476	43.82/1113	1.77/45	10.71/272	5.12/130	28.19/716
EARTH CRUISER 1	S S/T	7.52/191	21.81/554	69°	70°	18.74/476	41.61/1057	1.77/45	10.71/272	4.13/105	17.46/443
EARTH CRUISER 2	M S/T	8.70/221	22.91/582	69°	70°	18.74/476	42.72/1085	1.77/45	10.71/272	4.13/105	18.03/458
BOSS CRUISER 7 BOSS CRUISER COASTER	S	16.02/407	22.32/567	69°	70°	18.74/476	42.28/1074	1.57/40	10.71/272	4.33/110	28.39/721
	M	17.91/455	22.68/576	70°	70°	18.74/476	42.09/1069	1.57/40	10.71/272	4.92/125	29.80/757
	L	20.00/508	23.39/594	70°	70°	18.74/476	42.83/1088	1.57/40	10.71/272	5.91/150	31.22/793
	XL	22.01/559	23.39/594	70°	70°	18.74/476	42.83/1088	1.57/40	10.71/272	7.87/200	33.07/840
	S S/O	9.41/239	22.32/567	69°	70°	18.74/476	42.09/1069	1.57/40	10.71/272	4.33/110	24.21/615
	M S/O	9.41/239	22.68/576	70°	70°	18.74/476	42.09/1069	1.57/40	10.71/272	4.33/110	24.25/616
TAXI 26"	S	16.02/407	22.32/567	69°	70°	18.74/476	42.28/1074	1.57/40	10.71/272	4.33/110	28.39/721
	M	17.91/455	22.68/576	70°	70°	18.74/476	42.09/1069	1.57/40	10.71/272	4.92/125	29.80/757
	L	20.00/508	23.39/594	70°	70°	18.74/476	42.83/1088	1.57/40	10.71/272	5.91/150	31.22/793
	M - S/O	9.41/239	22.68/576	70°	70°	18.74/476	42.09/1069	1.57/40	10.71/272	4.33/110	24.25/616
TAXI 24"	S - S/O	7.48/190	20.59/523	68°	70°	17.52/445	40.16/1020	1.57/40	11.22/285	4.33/110	22.52/572
TAXI 20" KIDS	S	6.85/174	19.01/483	71°	69°	14.76/375	35.16/893	1.65/42	10.59/269	3.94/100	20.16/512
TAXI 16" KIDS	XS	5.59/142	15.16/385	71°	71°	12.20/310	28.62/727	0.87/22	6.77/172	3.94/100	17.28/439
YOUTH											
DAKAR X26	13"	12.52/318	21.14/537	71°	74.5°	16.73/425	40.86/1038	1.50/38	0.79/20	3.94/100	27.91/709
TRAIL X26/X26 DISC	13"	11.65/296	20.86/530	70.5°	74°	16.73/425	40.43/1027	1.77/45	1.30/33	4.13/105	27.32/695
TRAIL X26/X26 DISC Femme	12"	8.18/208	20.51/521	70.5°	74°	16.93/430	40.28/1023	1.77/45	1.30/33	4.13/105	24.88/632
X 2.4	12"B	10.12/257	19.17/487	70°	73°	16.14/410	37.80/960	1.77/45	10.91/277	3.54/90	23.90/607
CAPRI 2.4	12"G	9.09/231	19.49/495	70°	72°	17.72/450	39.37/1000	1.77/45	10.91/277	3.54/90	19.09/485
X 2.0	11"B	8.11/206	16.73/425	70°	73°	15.16/385	34.72/882	1.77/45	9.61/244	3.54/90	20.87/530
CAPRI 2.0	10"G	7.48/190	16.97/431	70°	72°	15.47/393	35.00/889	1.77/45	9.61/244	3.54/90	17.48/444
LASER 2.0	10"B	7.56/192	17.48/444	15.16/385	67.5°	67.5°	34.76/893	1.97/50	10.00/254	3.54/90	18.70/475
STARLITE 2.0	10"G	7.80/198	17.80/452	71°	70°	15.75/400	35.35/898	1.97/50	10.00/254	3.54/90	17.48/444
LASER 1.6	8"B	6.42/163	15.08/383	67.5°	67°	13.23/336	30.04/763	1.38/35	8.58/218	3.54/90	15.90/404
MISS DAISY 1.6	8"G	6.65/169	15.87/403	71°	68°	13.23/336	30.04/763	1.38/35	8.58/218	3.54/90	14.57/370
HOT ROD 12"	8"B	6.69/170	11.73/298	71°	72°	10.04/255	23.23/590	0.79/20	7.56/192	3.15/80	13.43/341
LADY BUG	8"G	6.69/170	11.73/298	71°	72°	10.04/255	23.23/590	0.79/20	7.56/192	3.15/80	13.43/341

For full bicycle specifications please visit our website: www.jamisbikes.com

All specifications subject to change without notification

©2014 Jamis Bicycles All rights reserved.



JAMIS NORTH
151 Ludlow Avenue
Northvale, New Jersey 07647
Phone: (800) 222-0570
Fax: (201) 768-9541

JAMIS SOUTH
701 SW 71st Avenue
Miami, Florida 33144
Phone: (800) 533-9010
Fax: (305) 266-3465

JAMIS WEST
3311 S. Susan Street
Santa Ana, California 92704
Phone: (866) 400-9625
Fax: (714) 545-5432