

FlexDock

DX1, DX2, DX4

User Guide

Intermec Technologies Corporation

Worldwide Headquarters

6001 36th Ave.W.

Everett, WA 98203

U.S.A.

www.intermec.com

The information contained herein is provided solely for the purpose of allowing customers to operate and service Intermec-manufactured equipment and is not to be released, reproduced, or used for any other purpose without written permission of Intermec Technologies Corporation.

Information and specifications contained in this document are subject to change without prior notice and do not represent a commitment on the part of Intermec Technologies Corporation.

© 2011-2012 by Intermec Technologies Corporation. All rights reserved.

The word Intermec, the Intermec logo, Norand, ArciTech, Beverage Routebook, CrossBar, dcBrowser, Duratherm, EasyADC, EasyCoder, EasySet, Fingerprint, i-gistics, INCA (under license), Intellitag, Intellitag Gen2, JANUS, LabelShop, MobileLAN, Picolink, Ready-to-Work, RoutePower, Sabre, ScanPlus, ShopScan, Smart Mobile Computing, SmartSystems, Trakker Antares, and Vista Powered are either trademarks or registered trademarks of Intermec Technologies Corporation.

There are U.S. and foreign patents as well as U.S. and foreign patents pending.

Document Change Record

This page records changes to this document. The document was originally released as Revision 001.

Version Number	Date	Description of Change
004	3/2012	Added support for the PR2 and PR3 printers.
003	7/2011	Added support for the CK3, CN3, and CN4 computers.
002	4/2011	Added additional troubleshooting information, specifications, and support for the CN50 and CS40 computers.

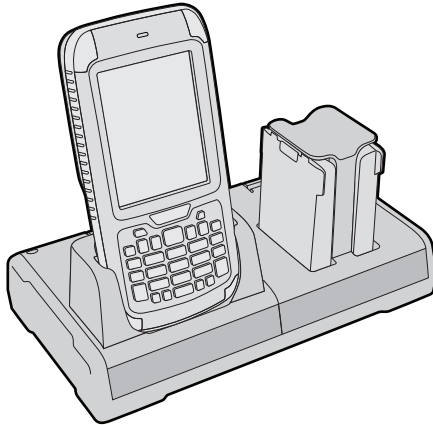
Contents

About the FlexDocks	7
What You Need	8
Connecting the DX1	8
Connecting the DX2	10
Connecting the DX4	10
Charging Batteries	11
Charging Computers and Printers	12
About the Ethernet LEDs	13
Using the CK3, CN3, and CN4 with the DX4 Ethernet Dock	13
About Custom Configurations	14
Troubleshooting	15
Optional FlexDock Accessories	16
Specifications	16

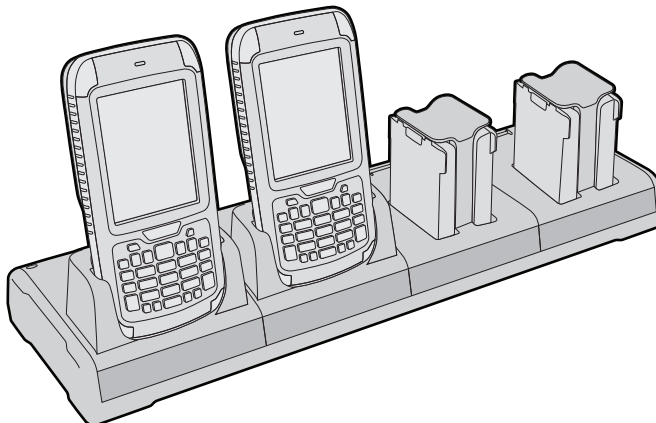
About the FlexDocks

The FlexDocks power your Intermec computers and printers and charge spare batteries. Each dock is available with a combination of product cups and battery cups to match your Intermec products and batteries. Each battery cup can charge up to two batteries at once.

The FlexDocks include the DX1 Desktop Dock, the DX2 Dual Dock, and the DX4 Quad Dock.



DX1 Desktop Dock and DX2 Dual Dock: DX2 is also available with two product cups or two battery cups.



DX4 Quad Dock: DX4 is also available with other combinations of product and battery cups.

The DX1 Desktop Dock has one computer cup and one battery cup. You can connect the DX1 to a desktop PC through its USB port.



Note: Use the optional Ethernet Adapter (P/N 871-238-001) to connect the DX1 to your network. Or, use the optional Modem Adapter (P/N 871-238-002) to connect the DX1 to a phone line. For information, contact your local Intermec representative.

The DX2 Dual Dock has two cups, and the DX4 Quad Dock has four cups. Computers in the DX2 and DX4 docks can connect to your Ethernet network (except for charge-only docks), and other Ethernet devices can be connected to your network through the dock.

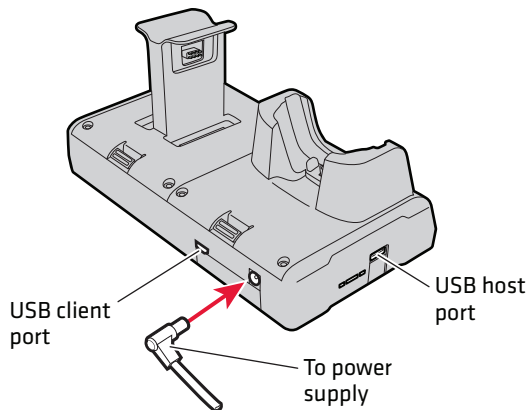
What You Need

You need these accessories to use the FlexDocks:

- AC power cord for your region
- Ethernet cable (Ethernet docks only)
- Micro-USB cable (DX1 only)

For information on these and other accessories, contact your local Intermec representative.

Connecting the DX1



About the DX1 USB Ports

Use the USB client port (requires a Micro-USB connector) to connect the DX1 to your desktop PC. The USB host port is intended for use with the Ethernet or Modem Adapter accessories. Other USB devices may not be supported.

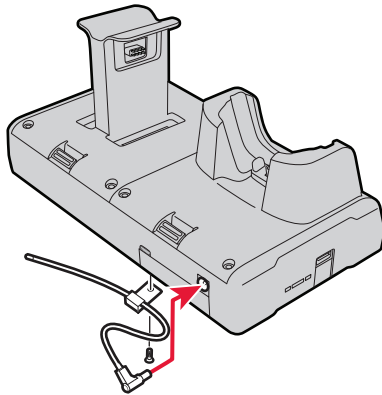
If you are using the DX1 with the CS40 computer:

- use USB cables of 2 m (6 ft) or shorter.
- multiple concurrent USB connections are not supported. Connections to the USB client port receive priority over connections to the USB host port.

For more information on connecting USB devices to your Intermecc computer, see the computer user's manual.

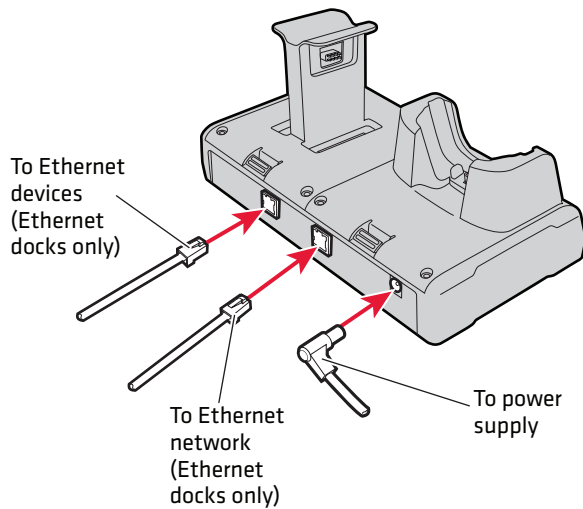
Installing the Optional Retaining Clip

For the DX1 and DX2, you can use the optional retaining clip to secure the power supply cord to the dock as shown in the next illustration.



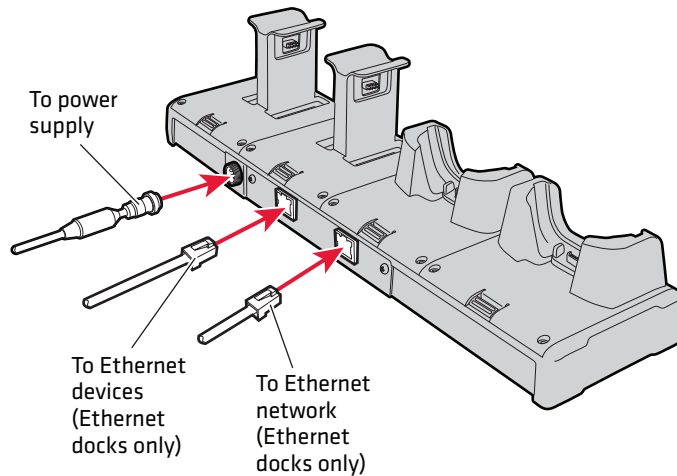
Optional Power Cord Retaining Clip for DX1 and DX2: DX1 shown here.

Connecting the DX2



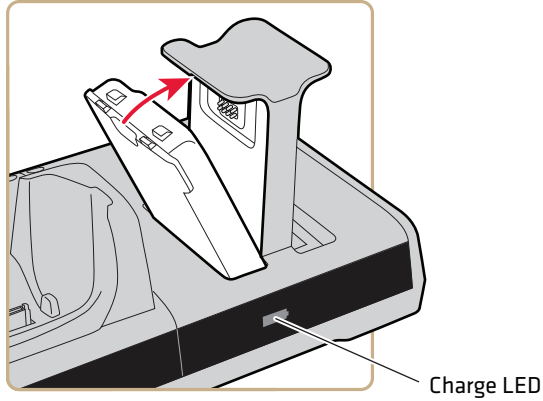
Note: To install the optional retaining clip for the power cord, see the previous section.

Connecting the DX4

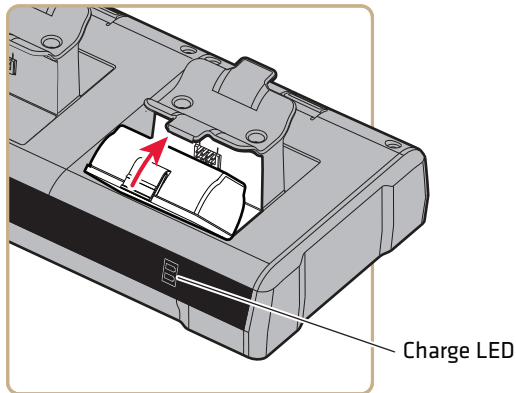


Charging Batteries

- 1 Place the end of the battery into the battery cup.
- 2 Press the top of the battery under the tab on top of the cup. The Charge LED for that cup flashes slowly or stays on, indicating the current charge status. Batteries are fully charged in six hours or less.



Charging a Computer Battery



Charging a Printer Battery

Charge LED Descriptions

LED Color	Description
Steady Green	Battery is fully charged (> 95%) and ready to use.
Flashing Green	Battery is still charging (> 60%).
Steady Red	Battery is still charging (< 60%).
Steady Amber	Battery temperature is out of charging temperature range. For proper battery charging, the operating range is 5 °C to 35 °C (41 °F to 95 °F).
Flashing Amber	Battery fault. Something is wrong with the battery, or you are trying to charge a battery not approved by Intermec.



Note: If you place a battery in the cup and the Charge LED does not flash or stay on, the FlexDock may not be connected to power. Make sure the power supply is properly connected to the FlexDock and to a powered AC outlet.

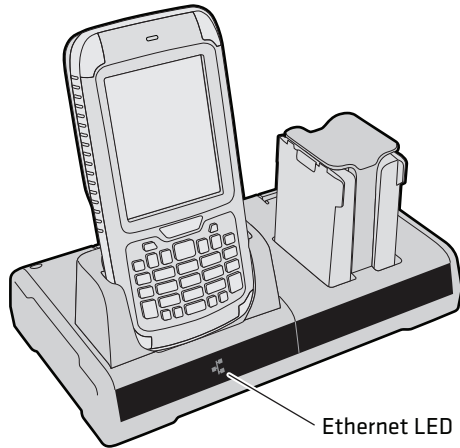
Charging Computers and Printers

Place the computer or printer in the product cup. Make sure the product is inserted all the way into the bottom of the cup. The Battery Status LED on the product turns on, showing that the product is charging. Batteries in computers fully charge in six hours or less. Batteries in printers fully charge in four hours or less.

For Battery Status LED information, see the product user's manual.

About the Ethernet LEDs

For the DX2 and DX4 Ethernet docks, the Ethernet LED turns on when a docked computer is communicating with the dock or with your Ethernet network.



Ethernet LED Descriptions (DX2 and DX4 Only)

LED Color	Description
Steady Green	Computer is communicating with the dock.
Flashing Green	Computer is communicating with the Ethernet network.
None	Computer is not communicating with the dock, or the dock is not connected to power.

Using the CK3, CN3, and CN4 with the DX4 Ethernet Dock

To use a CK3, CN3, or CN4 computer with the DX4 Ethernet dock, you need to install a software update on the computer as described in the next procedure.



Note: You do not need the software update to use these computers with the DX4 charge-only dock.

To download and install the software update

- 1 Go to www.intermec.com and select **Support > Downloads**.
- 2 In the **Product Category** list, select **Computers**.
- 3 In the **Product Family** list, select **Handheld Computers**.
- 4 In the **Product** list, select **CK3 Mobile Computer**, **CN3 Mobile Computer**, or **CN4 Mobile Computer**, and then click **Submit**. The Downloads page for the computer appears.
- 5 In the **OS/Firmware/Drivers** list:
 - For the CK3, click **CK3 FlexDock Ethernet Support ver. 1.xx**.
 - For the CN3 or CN4, click **CN3/CN4 FlexDock Ethernet support ver. 1.xx**.
- 6 Follow the prompts to download the file to your desktop PC. You need to login to download files.
- 7 Copy the file to the mobile computer. For help, see the computer user manual.
- 8 On the mobile computer, browse to the .cab file and run the file to install the software update. After the computer automatically reboots, the computer is ready to use with the DX4.

For information on installing .cab files automatically at boot time, see the computer user manual.

About Custom Configurations

If you need a custom configuration for your FlexDock, you can order a Desktop, Dual, or Quad Base without product or battery cups, and then order cups for your specific combination of Intermec products and batteries. You can also order blank covers for bays you are not using. For more information, contact your local Intermec sales representative.



Note: Not all configurations have been tested and certified. For the current list of certified products, please see the associated compliance insert, located on the Intermec website at www.intermec.com > **Products > Computers > Handhelds > FlexDock > Manuals** tab > **Regulatory Information**.

Troubleshooting

Problem	Possible Causes and Solutions
You place a computer into a cup and the Ethernet LED does not turn on.	<p>The computer may not be fully inserted into the charging cup. Make sure the computer is seated all the way into the cup.</p> <p>The dock may not be connected to a working Ethernet connection. Check to see if the LEDs mounted in the FlexDock Ethernet connectors are illuminated, and make sure you are using a known good cable.</p> <p>The dock may not be connected to power. Make sure the power supply is connected to a known good AC power source.</p> <p>For a CK3, CN3, or CN4 computer, you need to install a software update on the computer to use it with the DX4 Ethernet dock. For more information, see “Using the CK3, CN3, and CN4 with the DX4 Ethernet Dock” on page 13.</p>
You place a battery into a cup and the Charge LED does not turn on.	<p>The battery may not be fully inserted into the battery cup. Make sure the bottom of the battery is fully inserted into the bottom of the cup, and that the top of the battery is pressed all the way under the tab.</p> <p>The dock may not be connected to power. Make sure the power supply is connected to a known good AC power source.</p>

Optional FlexDock Accessories

Accessory	Description
Ethernet Adapter	Connects the DX1 to your Ethernet network.
Modem Adapter	Connects the DX1 to your wired phone network.
Computer, Printer, and Battery Cups	Additional computer, printer, and battery cups mount in the FlexDock for custom configurations.
Rack Mount Kit	Mounts DX2 or DX4 to a standard 19-inch IT equipment rack.

For information on these accessories, contact your local Intermec sales representative.

Specifications

Model Numbers:	DX1: Model 1002UU01
	DX2: Model 1002UU02 (charge-only) Model 1002UU02 (Printer, charge-only) Model 1002UU03 (Ethernet)
	DX4: Model 1002UU04 (charge-only) Model 1002UU04 (Printer, charge-only) Model 1002UU05 (Ethernet)
Dimensions:	DX1, DX2: 23.1 cm x 12.7 cm x 11.4 cm (max.) (9.1 in x 5.0 in x 4.5 in)
	DX4: 44.45 cm x 12.7 cm x 11.4 cm (max.) (17.5 in x 5.0 in x 4.5 in)
	Height does not include products or batteries installed in dock. Actual height depends on product and battery cup option.
USB:	(DX1 only) USB 2.0 compliant
Ethernet:	(DX2 and DX4 only) 10/100 Base-T supported
Power requirements:	DX1, DX2: 100 to 240 VAC, 47-63 Hz, 1.0 A
	DX4: 100 to 240 VAC, 50-60 Hz, 1.5 A
Charging temperature:	5 °C to 35 °C (41 °F to 95 °F)



Worldwide Headquarters
6001 36th Avenue West
Everett, Washington 98203
U.S.A.

tel 425.348.2600

fax 425.355.9551

www.intermec.com

© 2012 Intermec Technologies
Corporation. All rights reserved.

FlexDock User Guide



P/N 934-058-004