



Gryphon™ D432/D432E



Quick Reference Guide

Datalogic Scanning, Inc.
959 Terry Street
Eugene, Oregon 97402
Telephone: (541) 683-5700
Fax: (541) 345-7140

An Unpublished Work - All rights reserved. No part of the contents of this documentation or the procedures described therein may be reproduced or transmitted in any form or by any means without prior written permission of Datalogic Scanning, Inc. or its subsidiaries or affiliates ("Datalogic" or "Datalogic Scanning"). Owners of Datalogic products are hereby granted a non-exclusive, revocable license to reproduce and transmit this documentation for the purchaser's own internal business purposes. Purchaser shall not remove or alter any proprietary notices, including copyright notices, contained in this documentation and shall ensure that all notices appear on any reproductions of the documentation.

Should future revisions of this manual be published, you can acquire printed versions by contacting your Datalogic representative. Electronic versions may either be downloadable from the Datalogic website (www.scanning.datalogic.com) or provided on appropriate media. If you visit our website and would like to make comments or suggestions about this or other Datalogic publications, please let us know via the "Contact Datalogic" page.

DISCLAIMER

Datalogic has taken reasonable measures to provide information in this manual that is complete and accurate, however, Datalogic reserves the right to change any specification at any time without prior notice. Datalogic is a registered trademark of Datalogic S.p.A. in many countries and the Datalogic logo is a trademark of Datalogic S.p.A. all licensed to Datalogic Scanning, Inc. All other trademarks and trade names referred to herein are property of their respective owners.

CONTENTS

Updates and Language Availability	iv
Gryphon™ D432/D432E Description	1
Using Gryphon™ D432/D432E	2
Indicators.....	4
Setup	4
Connections	5
Disconnecting the Cable	6
USB Interface Configuration	6
Interface Selection	8
Wedge Keyboard Nationality.....	9
USB Keyboard Nationality.....	10
Reading Parameters	11
Default Configuration	12
Operating Test	14
Technical Features.....	15
Services and Support.....	18
Warranty.....	18
Patents	18
Compliance	19

UPDATES AND LANGUAGE AVAILABILITY

UK/US

The latest drivers and documentation updates for this product are available on Internet.

Log on to: www.scanning.datalogic.com

I

Su Internet sono disponibili le versioni aggiornate di driver e documentazione di questo prodotto. Questo manuale è disponibile anche nella versione italiana.

Collegarsi a: www.scanning.datalogic.com

F

Les versions mises à jour de drivers et documentation de ce produit sont disponibles sur Internet. Ce manuel est aussi disponible en version française.

Cliquez sur: www.scanning.datalogic.com

D

Im Internet finden Sie die aktuellsten Versionen der Treiber und Dokumentation für dieses Produkt. Die deutschsprachige Version dieses Handbuches ist auch verfügbar.

Adresse : www.scanning.datalogic.com

E

En Internet están disponibles las versiones actualizadas de los drivers y documentación de este producto. También está disponible la versión en español de este manual.

Dirección Internet: www.scanning.datalogic.com

GRYPHON™ D432/D432E DESCRIPTION

The Gryphon™ D432/D432E reader is an omni-directional barcode scanner having the following characteristics:

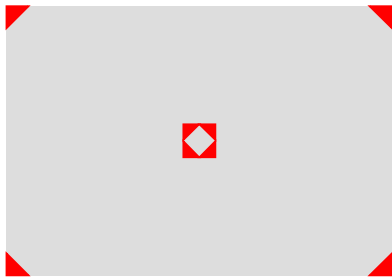
Plug and Play	The Gryphon™ D432/D432E is very ergonomic and user-friendly for intuitive operation and is equipped with plug-and-play enhanced Multistandard Architecture. It can be connected to a Host PC through a USB, RS232 or Wedge emulation cable.
Omni-directional Operating	To read a symbol or capture an image, you simply aim the reader and pull the trigger. Since Gryphon™ D432/D432E is a powerful omni-directional reader, the orientation of the symbol is not important.
Decoding	Thanks to powerful algorithms, Gryphon™ D432/D432E reliably decodes all major 1D (linear) barcodes, 2D stacked codes (such as PDF417), 2D matrix symbols (such as DataMatrix), postal codes (such as POSTNET, PLANET). The data stream — acquired from decoding a symbol — is rapidly sent to the host. The reader is immediately available to read another symbol.
Formatting and Concatenating	The string of a decoded code may be processed according to either a simple or advanced data formatting and be concatenated to other codes (up to 4 different codes).
Imaging	Gryphon™ D432/D432E can also function as a camera by capturing entire images or image portions of labels, signatures, and other items. Two different control modes are available for managing the camera exposure and calibration.
Autoscanning	An autoscan command causes the reader to scan continuously and to monitor the central zone of its reading area.
Flash Memory	Flash technology allows to upgrade the Gryphon™ D432/D432E reader as new symbologies are supported or as improved decoding algorithms become available.

Using this Quick Reference Manual, you can start using your Gryphon™ D432/D432E reader. For details about general configuration commands, refer to the Gryphon™ D432/D432E Reference Manual available on the website.

USING GRYPHON™ D432/D432E

Gryphon™ D432/D432E normally functions by capturing and decoding codes.

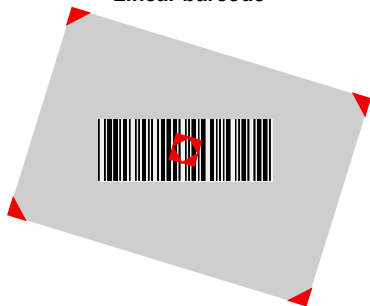
The Gryphon™ D432/D432E reader uses an intelligent aiming system. By pulling the trigger, the aiming system indicates a field of view, which should be positioned over the code:



Aiming System

When you pull the trigger a red beam illuminates the code. If the aiming system is centered and the entire symbology is within the aiming system, you will get a good read. The field of view changes size as you move the reader closer or farther away from the code.

Linear barcode



2D Matrix symbol



Relative Size and Location of Aiming System Pattern

The field of view indicated by the aiming system will be smaller when the Gryphon™ D432/D432E is closer to the code and larger when it is farther from the code. Symbologies with smaller bars or elements (mil size) should be read closer to the unit. Symbologies with larger bars or elements (mil size) should be read farther from the unit.

Successful reading is signaled by an audible tone plus a good-read green led.

**NOTE**

The Gryphon™ D432/D432E hand-held reader aiming system is designed for general reading and decoding of 1D and 2D symbols. Some variation in reading distance will occur due to narrow bar width and other factors.

**NOTE**

If reading codes positioned on reflective surfaces, it may be necessary to tilt the reader with respect to the barcode and/or set the Camera Control parameters. For configuring the Camera Control parameters refer to the Gryphon™ D432/D432E Reference Manual available on the website.

INDICATORS

LED INDICATORS

The Gryphon™ D432/D432E has one green LED indicator signaling the following reader functions:

STATUS	BEHAVIOR
Power ON	The LED lights up for 2 seconds to signal the power supply is present.
Power ON with USB (without external power supply)	The LED blinks until the Host accepts the device.
Normal Function	The LED lights up after a good decoding and will switch off only at the next trigger press.

BEEPER

The Gryphon™ D432/D432E basic software provides beeper signals for good/wrong reading and for indicating errors. Its tone, volume and duration can be directly configured by using the codes given in the Gryphon™ D432/D432E Reference Manual available on the website.

The application program can also manage the beeper (User Defined Beeper) when the reader is controlled by a Host PC. It is possible to activate the beeper by sending a command from the Host to the reader via the current communication interface.

GOOD READ SPOT

It is possible to enable a green good-read spot, which will be projected in the field of view when the reading is successful.

SETUP

1. Make connections between Gryphon™ D432/D432E and the Host PC using the correct interface cable.
2. Read the correct Interface Selection code.

Your reader is now ready to read codes using the default settings.

CONNECTIONS

RS232



WEDGE



USB

The Gryphon™ D432/D432E reader requires the USB interface cable (CAB412).



DISCONNECTING THE CABLE



USB INTERFACE CONFIGURATION

The USB interface is compatible with:

Windows 98 (and later)

IBM POS for Windows

Mac OS 8.0 (and later)

4690 Operating System

START-UP

As with all USB devices, upon connection, the Host performs several checks by communicating with the Gryphon™ D432/D432E. During this phase the green LED on the Gryphon™ D432/D432E reader blinks and normal operations are suspended. Two basic conditions must be met before Gryphon™ D432/D432E is ready to read codes: the correct USB driver must be loaded and sufficient power must be supplied to the reader.

For all systems, the correct USB driver for the default USB-KBD interface is included in the Host Operating System and will either be loaded automatically or will be suggested by the O.S. and should therefore be selected from the dialog box (the first time only).

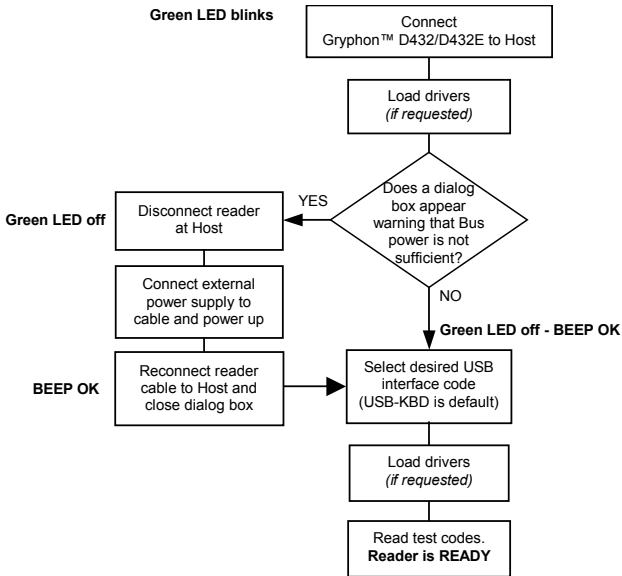
If the Host supplies sufficient power to the reader, the start-up phase ends correctly, the green LED stops blinking and the reader emits the beep OK signal.

If the Host does not supply sufficient power to the reader, a dialog box will appear on the Host and the reader will be blocked (green LED continues blinking). In this case, disconnect the USB cable at the Host (green LED stops blinking), connect and power-up an external supply to USB cable then reconnect the USB cable to the Host and close the dialog box. The reader emits the beep OK signal. You can now read codes. At this point you can read the USB interface configuration code according to your application. Load drivers

from the O.S. (if requested). When configuring the USB-COM interface, the relevant files and drivers must be installed from the USB Device Installation software, which can be downloaded from the web site <http://www.scanning.datalogic.com>.

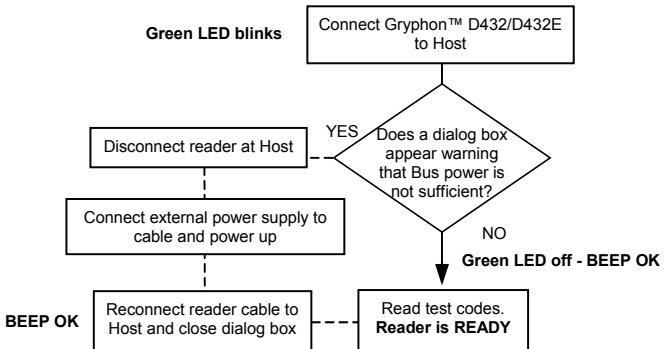
The reader is ready.

First Start-Up



Successive start-ups will automatically recognize the previously loaded drivers. If external power is used, verify that external power is already supplied.

Successive Start-Ups



INTERFACE SELECTION

RS232



WEDGE – IBM AT



USB BULK



USB KB EMULATION



USB COM EMULATION



USB GENERIC HID



RESTORE DEFAULT



WEDGE KEYBOARD NATIONALITY

This parameter default value is restored through the Interface Selection code and not through the Restore Default code.

Select one of the following keyboard nationality codes.

Belgian



English



French



German



Italian



Japanese



Spanish



Swedish



◆ **USA**



USB KEYBOARD NATIONALITY

This parameter default value is restored through the Interface Selection code and not through the Restore Default code.

Select one of the following keyboard nationality codes.

Belgian



English



French



German



Italian



Japanese



Spanish



Swedish



◆ **USA**



READING PARAMETERS

AIMING SYSTEM DELAY

Point the reader at the target and pull the trigger to enable the aiming system and the illuminator (red beam) to capture and decode the image. The aiming system will briefly switch off during the acquisition time and if no code is decoded will switch on again before the next acquisition. The illuminator will remain on until the symbol is decoded.

As you are reading code symbols, adjust the distance at which you are holding the reader.

The Aiming System Delay parameter can be used to set a delay between the activation of the aiming system and the activation of the illuminator. This allows more time to center the reader over the target before image acquisition.

◆ Disabled



Short



Medium



Long



GOOD READ SPOT DURATION

◆ Disabled



Short



Medium



Long



Successful reading can be signaled by a good read green spot.

DEFAULT CONFIGURATION

RS232 Standard DEFAULT SETTINGS

115200 baud, no parity, 8 data bits, 1 stop bit, no handshake, no protocol, FIFO enabled, intercharacter delay = 0, intercode delay = 0

USB COM Emulation DEFAULT SETTINGS

no handshake, no protocol, FIFO enabled, intercharacter delay = 0, intercode delay = 0

USB Keyboard Emulation DEFAULT SETTINGS

USA keyboard*, intercharacter delay = 0, intercode delay = 0, FIFO enabled, keyboard speed = normal

WEDGE Communication DEFAULT SETTINGS

USA keyboard*, CapsLock OFF, CapsLock Auto-Recognition ON, NumLock OFF, intercharacter delay = 0, intercode delay = 0

DATA FORMAT – Symbology Independent Parameters

custom code identifier disabled, code identifier disabled, code length disabled
Default headers and terminators*:

- RS232: no header, terminator = CR-LF
- USB BULK: no header, terminator = CR-LF
- USB COM: no header, terminator = CR-LF
- USB Generic HID: no header, terminator = CR-LF
- Wedge: no header, terminator = ENTER
- USB Keyboard: no header, terminator = ENTER

DATA FORMAT – Symbology Dependent Parameters

symbology specific format = select all, no headers, no terminators, symbology character substitution disabled, symbology character deletion disabled

DATA FORMAT – Concatenation

Concatenation disabled, 2 EAN/UPC codes concatenated, Set First Concatenated Code Length 000 = any length, Set Second Concatenated Code Length 000 = any length, Set Third Concatenated Code Length 000 = any length, Set Fourth Concatenated Code Length 000 = any length, Concatenation with Intercode Delay disabled, Concatenation Timeout 10 seconds, Concatenation Failure Transmission = Tx codes causing failure, Transmission after Timeout = No code transmission, Concatenation Result Code ID = No code Identifier

ADVANCED FORMATTING PARAMETERS

format disabled

CAMERA CONTROL

exposure mode = automatic, based on entire image

* The default values of these parameters are set when reading the interface selection.

CODE SELECTION

issue identical codes = enable

enabled codes

Standard Code 39: no check digit control, variable code length;

EAN 8/EAN 13 / UPC A/UPC E without ADD ON: UPCE expansion disabled

Interleaved 2/5: check digit control and transmission, variable code length

Code 128: variable code length

PDF417

Datamatrix: rectangular, normal and inverted, variable code length

QR

disabled codes

Code 32, Codabar, Code 93, EAN 128, RSS, Micro PDF417, Postal Codes, Maxicode, Composite Codes.

READING PARAMETERS

trigger type normal, trigger level mode, flash on = 2 sec, flash off = 2 sec, beeper tone = tone 1, beeper volume = high, beeper duration = 50 ms, user defined beeper = tone 1, user defined beeper volume = high, user defined beeper duration = 100 ms, code per scan = one code per scan, read per cycle = one read per cycle, scan timeout = 5 sec, central code transmission enabled, order by code length disabled, order by code symbology disabled, autoscan mode disabled, autoscan aiming system enabled, autoscan hardware trigger enabled, autoscan illumination system disabled, stand autoscan mode = normal, aiming system delay = disabled, good read spot = disabled, safety time = 500 ms

IMAGE FORMATTING***Image Preset 1, 2, 3, 4***

image format = JPEG, resolution = full (640 x 480), set JPEG quality factor = 50, window origin = (0, 0), window dimensions = (640 x 480), brightness = 0%, contrast = 0%, zoom = 100%, color depth = 256 gray level.

OPERATING TEST

EAN-13



Code 39 (Standard)



Code 128



PDF417



QR



Data Matrix (Normal)



TECHNICAL FEATURES

Gryphon™ D432/D432E Common Features

Electrical Features	
Operating Voltage	4.75 to 5.25 V
Power Consumption	
@ 5V (Stand-by)	120 mA
@ 5V (Typical)	245 mA
@ 4.75V (Peak current)	330 mA
Communications Features	
Standard Interfaces	RS232, Keyboard emulation AT IBM, USB COM emulation, USB Keyboard emulation
Proprietary Interfaces	USB Bulk, USB Generic HID
Environmental Features	
Operating Temperature	0° to +50 °C (+32° to +122 °F)
Storage Temperature	-20° to +70 °C (-4° to +158 °F)
Humidity	0 to 95% NC
Drop Resistance	IEC 68-2-32 Test ED – 1,5 m.
Mechanical Features	
Dimensions	179 x 81 x 98 mm (7.04 x 3.18 x 3.85 inches)
Weight	198 g (6.9 oz.) without cable
Decoding Capability	
1D	Interleaved 2 of 5, Code 39, Code 32, Code 128, EAN 128, Code93, UPC/EAN/JAN, Codabar, RSS
2D	PDF417, Micro PDF417, Macro PDF417, Maxicode, DataMatrix (ECC200), QR, Composite Codes
Postal Codes	POSTNET, PLANET, Japan Post, Australia Post, KIX Code, Royal Mail Code (RM4SCC)
Imaging Option	
Image	640 x 480 pixel format (VGA)
	320 x 240 pixel format (CIF);
Graphic Format	JPEG, 256 gray levels
	BMP, 2, 16, 256 gray levels
	TIFF, 2, 16, 256 gray levels
Optical Features	
Sensor	640 x 480 pixel element, 2D CMOS Array
Illuminator	LED array
Wavelength	In the range 630 ~ 670 nm
LED Safety Class	Class 1 to EN 60825-1
Aiming System	Visible Laser Diode
Wavelength	650 nm
Laser Safety Class	Class 2 - EN 60825-1; Class II CDRH
Ambient light	0 - 100000 lux

Gryphon™ D432

Optical Features			
Focus distance	115 mm		
Field of view	21.8° (H) x 16.7° (V)		
Horizontal field of view at distance (d) in mm	0.4d + 12		
Vertical field of view at distance (d) in mm	0.3d + 9		
Max Resolution	Linear codes - mm (mils)	Datamatrix – mm (mils)	
	0.10 (4)	0.17 (6.6)	
Depth of field*			
1D (linear):	X-dimension mm (mils)	Symbol size cm (in)	DOF cm (in)
Code39	0.13 (5)	1.2 (0.47)	7.0 to 13.5 (2.75 to 5.31)
	0.5 (20)	3.2 (1.26)	6.5 to 31.0 (2.55 to 12.20)
EAN13	0.33 (13)	3.1 (1.22)	6.5 to 24.5 (2.55 to 9.64)
2D:	X-dimension mm (mils)	Symbol size cm (in)	DOF cm (in)
POSTNET	0.5 (20)	4.0 x 0.4 (1.57 x 0.16)	11.5 to 30.0 (4.52 to 11.81)
PDF417	0.13 (5)	1.1 x 0.9 (0.43 x 0.35)	8.0 to 14.0 (3.14 to 5.51)
	0.17 (6.6)	1.4 x 1.2 (0.55 x 0.47)	5.5 to 17.5 (2.16 to 6.88)
	0.25 (10)	2.2 x 1.8 (0.86 x 0.71)	3.5 to 22.5 (1.37 to 8.85)
QR	0.25 (10)	0.7 x 0.7 (0.27 x 0.27)	6.0 to 14.3 (3.50 to 20.0)
	0.38 (15)	1.1 x 1.1 (0.43 x 0.43)	4.0 to 20.5 (1.57 to 8.07)
DataMatrix	0.19 (7.5)	0.8 x 0.8 (0.31 x 0.31)	8.2 to 11.2 (3.22 to 4.40)
	0.25 (10)	0.8 x 0.8 (0.31 x 0.31)	5.5 to 15.0 (2.16 to 5.90)
	0.38 (15)	1.0 x 1.0 (0.39 x 0.39)	5.5 to 20.5 (2.16 to 8.07)
Skew	±40°		
Pitch	±35°		
Rotation	360°		
Print Contrast (Min.)	23%		

* Reading distances are measured from the nose of the reader.

Gryphon™ D432E

Optical Features			
Focus distance	65 mm		
Field of view	20° (H) x 15° (V)		
Horizontal field of view at distance (d) in mm	0.32d + 8.67		
Vertical field of view at distance (d) in mm	0.24d + 6.50		
Max Resolution	Linear codes - mm (mils)	Datamatrix - mm (mils)	
	0.05 (2.0)	0.10 (4.0)	
Depth of field*			
1D (linear):	X-dimension mm (mils)	Symbol size cm (in)	DOF cm (in)
Code39	0.076 (3)	1.2 x 4.0 (0.47 x 1.57)	4.9 to 7.2 (1.92 to 2.83)
	0.13 (5)	1.2 x 4.0 (0.47 x 1.57)	4.0 to 8.7 (1.57 to 3.42)
2D:	X-dimension mm (mils)	Symbol size cm (in)	DOF cm (in)
PDF417	0.76 (3)	0.65 x 0.55 (0.26 x 0.22)	4.5 to 7.2 (1.77 to 2.83)
	0.25 (10)	2.2 x 1.8 (0.86 x 0.71)	3.5 to 12.0 (1.37 to 4.72)
QR	0.13 (5)	0.6 x 0.6 (0.23 x 0.23)	5.0 to 7.2 (1.96 to 2.83)
DataMatrix	0.13 (5)	0.5 x 0.5 (0.20 x 0.20)	5.2 to 7.2 (2.04 to 2.83)
	0.25 (10)	0.8 x 0.8 (0.31 x 0.31)	3.5 to 9.5 (1.37 to 3.74)
Skew	±40°		
Pitch	±35°		
Rotation	360°		
Print Contrast (Min.)	27%		

* Reading distances are measured from the nose of the reader.

SERVICES AND SUPPORT

Datalogic provides several services as well as technical support through its website. Log on to www.scanning.datalogic.com and click on the [links](#) indicated for further information including:

- **PRODUCTS**

Search through the links to arrive at your product page where you can download specific **Manuals** and **Software & Utilities**.

- **SERVICES & SUPPORT**

- **Datalogic Services** - Warranty Extensions and Maintenance Agreements

- **Authorised Repair Centres**

- **CONTACT US**

E-mail form and listing of Datalogic Subsidiaries

WARRANTY

Datalogic warrants this product against defects in workmanship and materials, for a period of 5 years from the date of shipment, provided that the product is operated under normal and proper conditions.

Datalogic has the faculty to repair or replace the product, these provisions do not prolong the original warranty term.

The warranty does not apply to any product that has been subject to misuse, accidental damage, unauthorized repair or tampering.

PATENTS

This product is covered by one or more of the following patents:

U.S. patents: 6,512,218 B1; 6,808,114 B1; 6,877,664 B1 and 6,478,226 B2.

European patent: 1,128,315 B1.

Additional patents pending.

COMPLIANCE



FCC COMPLIANCE

Modifications or changes to this equipment without the expressed written approval of Datalogic could void the authority to use the equipment.

This device complies with PART 15 of the FCC Rules. Operation is subject to the following two conditions: (1) This device may not cause harmful interference, and (2) this device must accept any interference received, including interference which may cause undesired operation.

This equipment has been tested and found to comply with the limits for a Class A digital device, pursuant to part 15 of the FCC Rules. These limits are designed to provide reasonable protection against harmful interference when the equipment is operated in a commercial environment. This equipment generates, uses, and can radiate radio frequency energy and, if not installed and used in accordance with the instruction manual, may cause harmful interference to radio communications. Operation of this equipment in a residential area is likely to cause harmful interference in which case the user will be required to correct the interference at his own expense.

LASER SAFETY

The Gryphon™ D432/D432E hand-held reader is a Class 1 LED product regarding its Illuminator and a Class 2 laser product regarding its Aiming System.

LED Illuminator

The use of an illuminator in the Gryphon™ D432/D432E hand-held reader is a Class 1 LED product:

ILLUMINATORE LED CLASSE 1
AUSLEUCHTER LED KLASSE 1
ILLUMINATEUR A LED DE CLASSE 1
ILUMINADOR LED DE CLASE 1

Aiming System

The Gryphon™ D432/D432E aiming system meets the Class 2 requirements for laser safety.



I	D	F	E
LA LUCE LASER È VISIBILE ALL'OCCHIO UMANO E VIENE EMESSA DALLA FINESTRA INDICATA NELLA FIGURA.	DIE LASER-STRAHLUNG IST FÜR DAS MENSCHLICHE AUGE SICHTBAR UND WIRD AM STRAHLAUS TRITTSFENSTER AUSGESENDET (SIEHE BILD)	LE RAYON LASER EST VISIBLE À L'OEIL NU ET IL EST ÉMIS PAR LA FENÊTRE DÉSIGNÉE SUR L'ILLUSTRATION DANS LA FIGURE	A LUZ LÁSER ES VISIBLE AL OJO HUMANO Y ES EMITIDA POR LA VENTANA INDICADA EN LA FIGURA.
LUCE LASER NON FISSARE IL FASCIO APPARECCHIO LASER DI CLASSE 2 MASSIMA POTENZA D'USCITA: LUNGHEZZA D'ONDA EMESSA: CONFORME A EN 60825-1 (2001)	LASERSTRAHLUNG NICHT IN DEN STRAHL BLICKEN PRODUKT DER LASERKLASSE 2 MAXIMALE AUSGANGSLEISTUNG: WELLENLÄGE: ENTSPR. EN 60825-1 (2001)	RAYON LASER EVITER DE REGARDER LE RAYON APPAREIL LASER DE CLASSE 2 PUISSANCE DE SORTIE: LONGUEUR D'ONDE EMISE: CONFORME A EN 60825-1 (2001)	RAYO LÁSER NO MIRAR FIJO EL RAYO APARATO LÁSER DE CLASE 2 MÁXIMA POTENCIA DE SALIDA: LONGITUD DE ONDA EMITIDA: CONFORME A EN 60825-1 (2001)

ENGLISH

The following information is provided to comply with the rules imposed by international authorities and refers to the correct use of your terminal.

STANDARD LASER SAFETY REGULATIONS

This product conforms to the applicable requirements of both CDRH 21 CFR 1040 and EN 60825-1 at the date of manufacture.

For installation, use and maintenance, it is not necessary to open the device.



WARNING

Use of controls or adjustments or performance of procedures other than those specified herein may result in exposure to hazardous visible laser light.

The product utilizes a low-power laser diode. Although staring directly at the laser beam momentarily causes no known biological damage, avoid staring at the beam as one would with any very strong light source, such as the sun. Avoid that the laser beam hits the eye of an observer, even through reflective surfaces such as mirrors, etc.

ITALIANO

Le seguenti informazioni vengono fornite dietro direttive delle autorità internazionali e si riferiscono all'uso corretto del terminale.

NORMATIVE STANDARD PER LA SICUREZZA LASER

Questo prodotto risulta conforme alle normative vigenti sulla sicurezza laser alla data di produzione: CDRH 21 CFR 1040 e EN 60825-1.

Non si rende mai necessario aprire l'appa-recchio per motivi di installazione, utilizzo o manutenzione.



ATTENZIONE

L'utilizzo di procedure o regolazioni differenti da quelle descritte nella documentazione può provocare un'esposizione pericolosa a luce laser visibile.

Il prodotto utilizza un diodo laser a bassa potenza. Sebbene non siano noti danni riportati dall'occhio umano in seguito ad una esposizione di breve durata, evitare di fissare il raggio laser così come si eviterebbe qualsiasi altra sorgente di luminosità intensa, ad esempio il sole. Evitare inoltre di dirigere il raggio laser negli occhi di un osservatore, anche attraverso superfici riflettenti come gli specchi.

DEUTSCH

Die folgenden Informationen stimmen mit den Sicherheitshinweisen überein, die von internationalen Behörden auferlegt wurden, und sie beziehen sich auf den korrekten Gebrauch vom Terminal.

NORM FÜR DIE LASERSICHERHEIT

Dies Produkt entspricht am Tag der Herstellung den gültigen EN 60825-1 und CDRH 21 CFR 1040 Normen für die Lasersicherheit.

Es ist nicht notwendig, das Gerät wegen Betrieb oder Installations-, und Wartungs-Arbeiten zu öffnen.



ACHTUNG

Jegliche Änderungen am Gerät sowie Vorgehensweisen, die nicht in dieser Betriebsanleitung beschreiben werden, können ein gefährliches Laserlicht verursachen.

Der Produkt benutzt eine Laserdiode. Obwohl zur Zeit keine Augenschäden von kurzen Einstrahlungen bekannt sind, sollten Sie es vermeiden für längere Zeit in den Laserstrahl zu schauen, genauso wenig wie in starke Lichtquellen (z.B. die Sonne). Vermeiden Sie es, den Laserstrahl weder gegen die Augen eines Beobachters, noch gegen reflektierende Oberflächen zu richten.

FRANÇAIS

Les informations suivantes sont fournies selon les règles fixées par les autorités internationales et se réfèrent à une correcte utilisation du terminal.

NORMES DE SECURITE LASER

Ce produit est conforme aux normes de sécurité laser en vigueur à sa date de fabrication: CDRH 21 CFR 1040 et EN 60825-1.

Il n'est pas nécessaire d'ouvrir l'appareil pour l'installation, l'utilisation ou l'entretien.

**ATTENTION**

L'utilisation de procédures ou réglages différents de ceux donnés ici peut entraîner une dangereuse exposition à lumière laser visible.

Le produit utilise une diode laser. Aucun dommage aux yeux humains n'a été constaté à la suite d'une exposition au rayon laser. Eviter de regarder fixement le rayon, comme toute autre source lumineuse intense telle que le soleil. Eviter aussi de diriger le rayon vers les yeux d'un observateur, même à travers des surfaces réfléchissantes (miroirs, par exemple).

ESPAÑOL

Las informaciones siguientes son presentadas en conformidad con las disposiciones de las autoridades internacionales y se refieren al uso correcto del terminal.

NORMATIVAS ESTÁNDAR PARA LA SEGURIDAD LÁSER

Este aparato resulta conforme a las normativas vigentes de seguridad láser a la fecha de producción: CDRH 21 CFR 1040 y EN 60825-1.

No es necesario abrir el aparato para la instalación, la utilización o la manutención.

**ATENCIÓN**

La utilización de procedimientos o regulaciones diferentes de aquellas descritas en la documentación puede causar una exposición peligrosa a la luz láser visible.

El aparato utiliza un diodo láser a baja potencia. No son notorios daños a los ojos humanos a consecuencia de una exposición de corta duración. Eviten de mirar fijo el rayo láser así como evitarían cualquiera otra fuente de luminosidad intensa, por ejemplo el sol. Además, eviten de dirigir el rayo láser hacia los ojos de un observador, también a través de superficies reflectantes como los espejos.



CAUTION

The Gryphon™ D432/D432E Hand-Held Reader is not user-serviceable. Opening the case of the unit can cause internal damage and will void the warranty.

POWER SUPPLY

This device is intended to be connected to a UL Listed/CSA Certified computer which supplies power directly to the reader or else be supplied by a UL Listed/CSA Certified Power Unit marked "Class 2" or LPS power source rated 5 V, minimum 330 mA, which supplies power directly to the reader via the power connector of the cable.

WEEE COMPLIANCE



dichiara che
declares that the
déclare que le
bescheinigt, daß das Gerät
declare que el

Gryphon™ D432
Gryphon™ D432E

e tutti i suoi modelli
and all its models
et tous ses modèles
und seine Modelle
y todos sus modelos

sono conformi alle Direttive del Consiglio Europeo sottoelencate:
are in conformity with the requirements of the European Council Directives listed below:
sont conformes aux spécifications des Directives de l'Union Européenne ci-dessous:
den nachstehenden angeführten Direktiven des Europäischen Rats:
cumple con los requisitos de las Directivas del Consejo Europeo, según la lista siguiente:

89/336/EEC EMC Directive	e 92/31/EEC, 93/68/EEC	emendamenti successivi
	and	further amendments
	et	ses successifs amendements
	und	späteren Abänderungen
	y	sucesivas enmiendas

Basate sulle legislazioni degli Stati membri in relazione alla compatibilità elettromagnetica ed alla sicurezza dei prodotti.

On the approximation of the laws of Member States relating to electromagnetic compatibility and product safety.

Basée sur la législation des Etats membres relative à la compatibilité électromagnétique et à la sécurité des produits.

Über die Annäherung der Gesetze der Mitgliedsstaaten in bezug auf elektromagnetische Verträglichkeit und Produktsicherheit entsprechen.

Basado en la aproximación de las leyes de los Países Miembros respecto a la compatibilidad electromagnética y las Medidas de seguridad relativas al producto.

Questa dichiarazione è basata sulla conformità dei prodotti alle norme seguenti:
This declaration is based upon compliance of the products to the following standards:
Cette déclaration repose sur la conformité des produits aux normes suivantes:
Diese Erklärung basiert darauf, daß das Produkt den folgenden Normen entspricht:
Esta declaración se basa en el cumplimiento de los productos con las siguientes normas:

EN 55022 (CLASS B ITE), AUGUST 1994: LIMITS AND METHODS OF MEASUREMENTS OF RADIO
AMENDMENT A1 (CLASS B ITE), OCTOBER 2000: DISTURBANCE CHARACTERISTICS OF INFORMATION
TECHNOLOGY EQUIPMENTS

EN 55024, SEPTEMBER 1998: INFORMATION TECHNOLOGY EQUIPMENT
IMMUNITY CHARACTERISTICS
LIMITS AND METHODS OF MEASUREMENT

March 1st, 2007

Australia

Datalogic Scanning Pty Ltd
North Ryde, Australia
Telephone: [61] (2) 9870 3200
Fax: [61] (2) 9878 8688

France and Benelux

Datalogic Scanning Sarl
LES ULIS Cedex, France
Telephone: [33].01.64.86.71.00
Fax: [33].01.64.46.72.44

Germany

Datalogic Scanning GmbH
Darmstadt, Germany
Telephone: 49 (0) 61 51/93 58-0
Fax: 49 (0) 61 51/93 58 58

Italy

Datalogic Scanning SpA
Vimercate (MI), Italy
Telephone: [39] (0) 39/62903.1
Fax: [39] (0) 39/6859496

Japan

Datalogic Scanning KK
Shinagawa, Tokyo, Japan
Telephone: 81 (0)3 3491 6761
Fax: 81 (0)3 3491 6656

Latin America

Datalogic Scanning, Inc
Miami, Florida, USA
Telephone: (305) 591-3222
Fax: (305) 591-3007

Spain and Portugal

Datalogic Scanning Sarl
Sucursal en España
Madrid, Spain
Telephone: 34 91 746 28 60
Fax: 34 91 742 35 33

United Kingdom

Datalogic Scanning LTD
Watford, England
Telephone: 44 (0) 1923 809500
Fax: 44 (0) 1923 809 505



www.scanning.datalogic.com

Datalogic Scanning, Inc.

959 Terry Street
Eugene, OR 97402
Telephone: (541) 683-5700
Fax: (541) 345-7140