



**SPECIFICATIONS GUIDE
ELECTRIC RANGE 2017/2018**

JLG[®]

**ELECTRIC RANGE
2017/2018**

- Articulating boom lifts**
- Telescopic boom lifts**
- Scissor lifts**
- Mast boom lifts**
- Compact crawlers**
- Vertical personnel lifts**
- Low-Level Access**

SPECIFICATIONS

ARTICULATING BOOM LIFTS

E300 Series _____	4 - 5
E/M400 Series _____	6 - 7
E/M450 Series _____	8 - 9

TELESCOPIC BOOM LIFTS

E/M600 Series _____	10 - 11
---------------------	---------

SCISSOR LIFTS

ES Series _____	12 - 13
RS Series _____	14 - 15
Hydraulic R Series _____	16 - 17
LE Series _____	18 - 19

MAST BOOM LIFTS

Toucan 8E, 8EL, 8EL-XL _____	20 - 21
Toucan 10E, 10EL, 12E, 12E Plus _____	22 - 23

COMPACT CRAWLER BOOM LIFTS

X14J, X17J, X19J, X23J _____	24 - 25
X13J Plus, X15J Plus, X17J Plus _____	26 - 27
X20J Plus, X26J Plus _____	28 - 29

VERTICAL PERSONNEL LIFTS

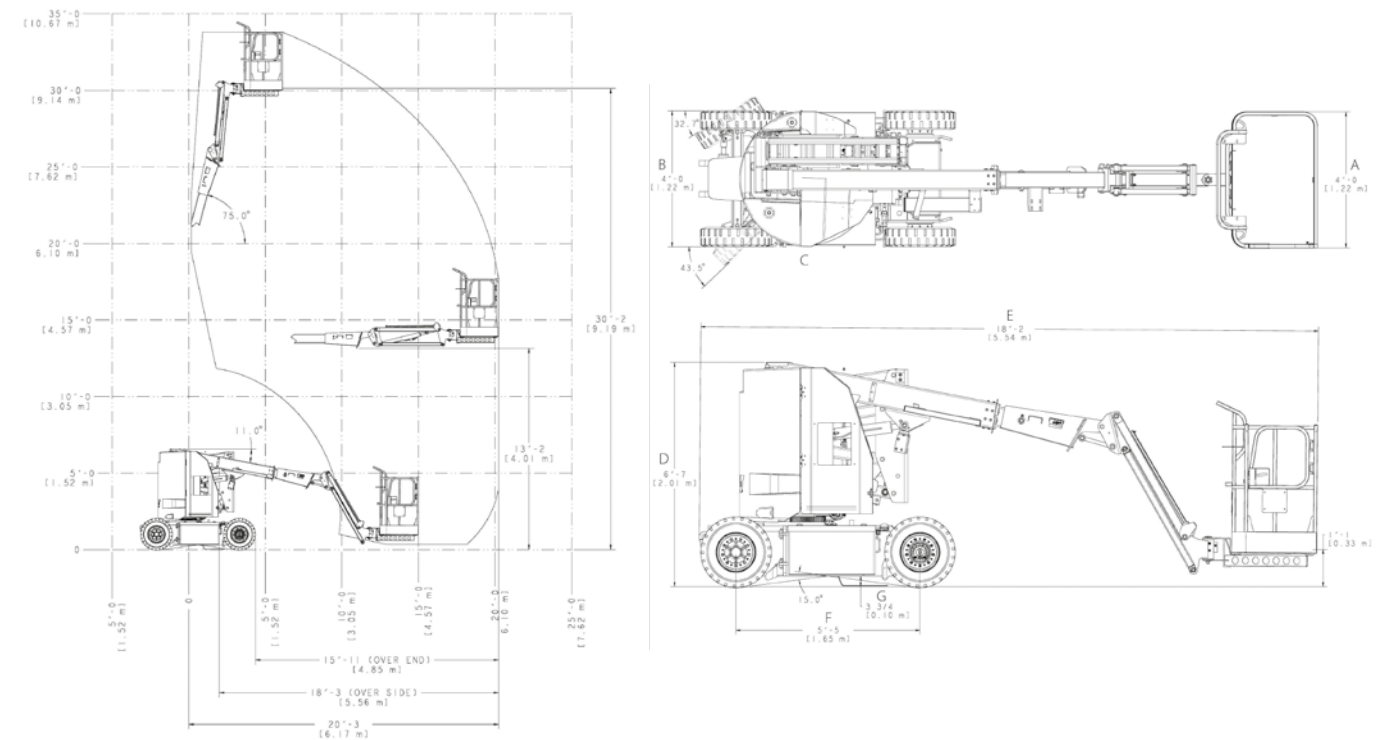
Toucan Duo _____	30 - 31
MVL Series _____	32 - 33
10MSP _____	34 - 35
1230ES _____	36 - 37
AccessMaster® Series _____	38 - 39

LOW LEVEL ACCESS

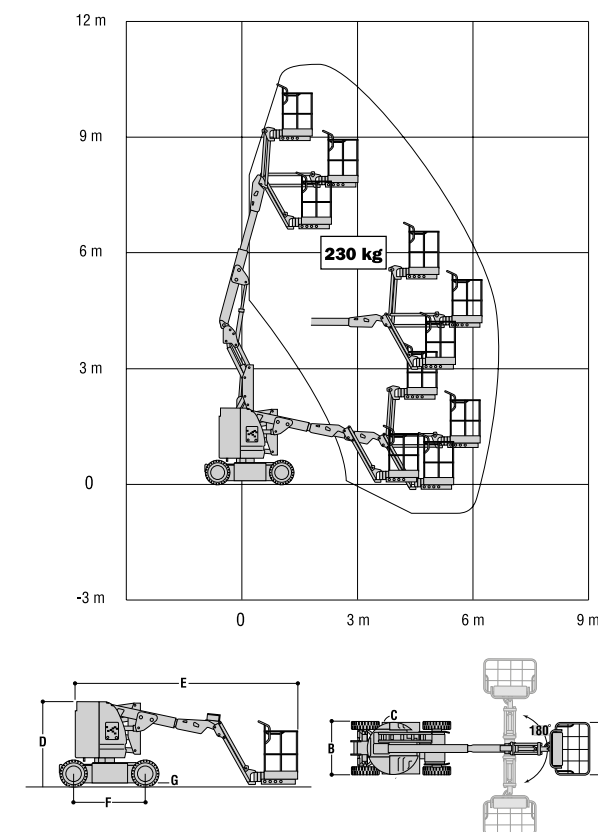
Power Tower, Power Tower Nano, Nano SP Zero, Nano SP, Nano SP Plus _____	40 - 43
PecoLift, EcoLift _____	44 - 45
Standard Features & Available Options _____	46 - 62

	E300AJ	E300AJP
Working Height	11.19 m	10.97 m
Platform Height	9.19 m	8.97 m
Horizontal Outreach	6.17 m	6.12 m
Working Outreach *	6.82 m*	6.77 m*
Up and Over Height	4.01 m	4.01 m
Swing (non-continuous)	350°	350°
Platform Capacity - Unrestricted	230 kg	230 kg
Platform Rotator (Hydraulic)	180°	180°
Jib - Overall Length	1.22 m	1.22 m
Jib - Range of articulation	144° Vertical (+84°/ -60°)	144° Vertical (+84°/ -60°)
JibPLUS® - Range of Articulation	—	180° Horizontal
A. Platform Size	0.76 m x 1.22 m	0.76 m x 1.22 m
B. Overall Width	1.22 m	1.22 m
C. Tailswing (working condition)	Zero	Zero
D. Stowed Height	2.01 m	2.01 m
E. Stowed Length	5.54 m	5.74 m
F. Wheelbase	1.65 m	1.65 m
G. Ground Clearance	0.10 m	0.10 m
Machine weight ¹	6,900 kg	7,100 kg
Maximum Ground Bearing Pressure	11.95 kg/cm ²	11.95 kg/cm ²
Drive Speed	7.2 km/h	7.2 km/h
Gradeability	25%	25%
Tyres	25 x 7-12 Non marking	25 x 7-12 Non marking
Turning Radius - Inside	1.52 m	1.52 m
Turning Radius - Outside	3.10 m	3.10 m
Electrical System	48V AC	48V AC
Batteries	8 x 6V 305A/hr	8 x 6V 305A/hr
Drive Motors	Dual AC Traction	Dual AC Traction
Brakes	Automatic Spring Applied	Automatic Spring Applied
Hydraulic Motor	Perm. Magnet	Perm. Magnet
Hydraulic Pump	Gear Pump	Gear Pump
Hydraulic System	23.0 L	23.0 L

JLG Model E300AJ



JLG Model E300AJP

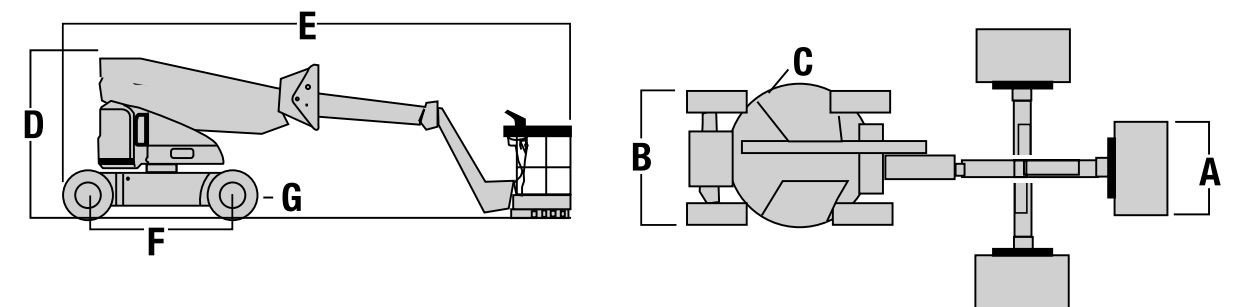
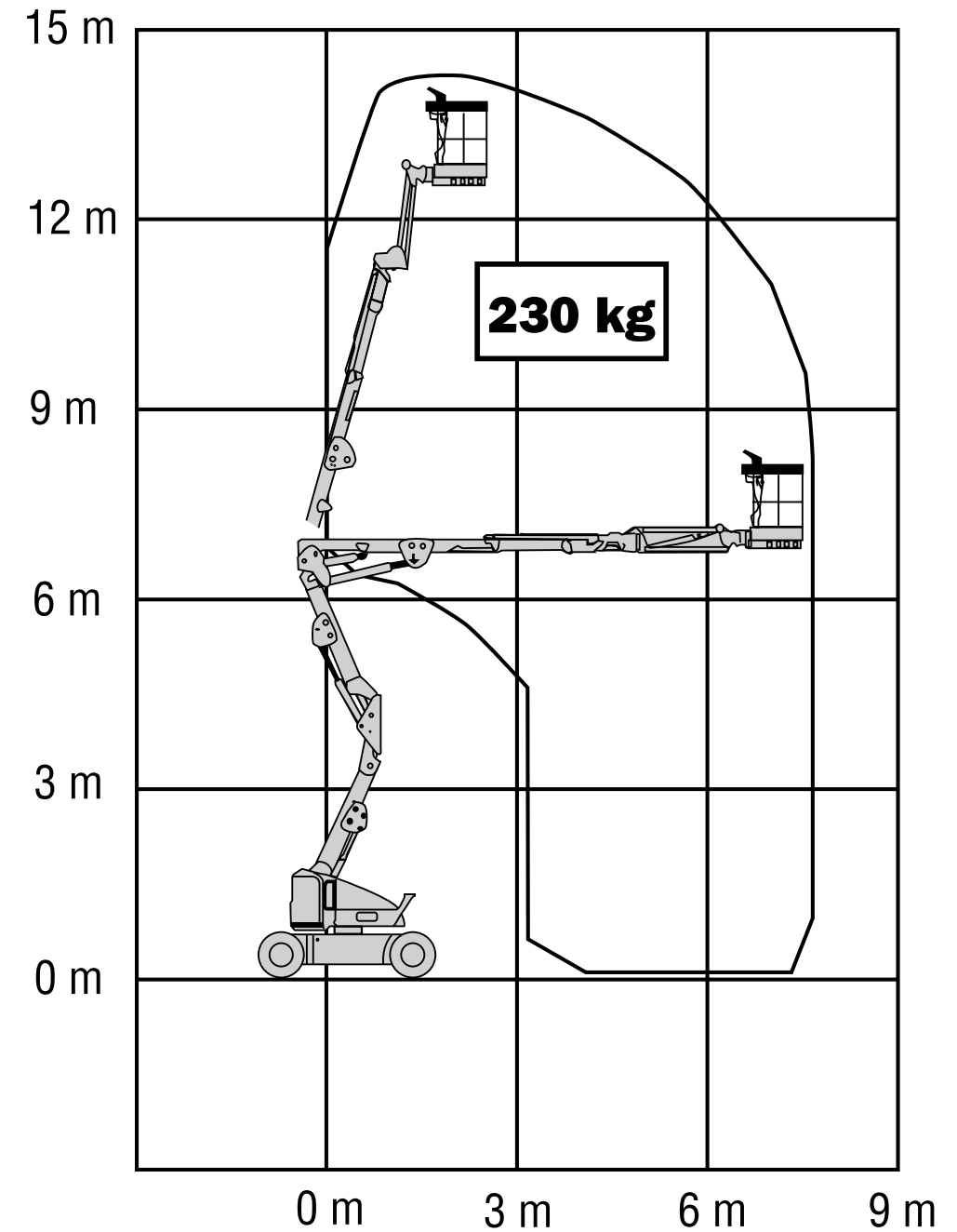


* Working outreach is horizontal outreach plus 65cm.
¹ Certain options or country standards may increase weight and/or dimensions.



	E400AJP	M400AJP	E400AJPn	M400AJPn
Working Height	14.19 m	14.19 m	14.19 m	14.19 m
Platform Height	12.19 m	12.19 m	12.19 m	12.19 m
Horizontal Outreach	6.83 m	6.83 m	6.83 m	6.83 m
Working Outreach *	7.48 m*	7.48 m*	7.48 m*	7.48 m*
Up and Over Height	6.55 m	6.55 m	6.55 m	6.55 m
Swing (non-continuous)	360°	360°	360°	360°
Platform Capacity - Unrestricted	230 kg	230 kg	230 kg	230 kg
Platform Rotator (Hydraulic)	180°	180°	180°	180°
Jib - Overall Length	1.24 m	1.24 m	1.24 m	1.24 m
Jib - Range of articulation	144° (+84°/-60°)	144° (+84°/-60°)	144° (+84°/-60°)	144° (+84°/-60°)
JibPLUS® - Range of articulation	180° Horizontal	180° Horizontal	180° Horizontal	180° Horizontal
A. Platform Size	0.76 m x 1.52 m	0.76 m x 1.52 m	0.76 m x 1.22 m	0.76 m x 1.22 m
B. Overall Width	1.75 m	1.75 m	1.50 m	1.50 m
C. Tailswing (working condition)	Zero	Zero	0.10 m	0.10 m
D. Stowed Height	2.01 m	2.01 m	1.97 m	1.97 m
E. Stowed Length	6.71 m	6.71 m	6.71 m	6.71 m
F. Wheelbase	2.01 m	2.01 m	2.01 m	2.01 m
G. Ground Clearance	0.22 m	0.22 m	0.13 m	0.13 m
Machine weight ¹	6,350 kg	6,350 kg	6,850 kg	6,850 kg
Maximum Ground Bearing Pressure	5.2 kg/cm ²	5.2 kg/cm ²	13.0 kg/cm ²	13.0 kg/cm ²
Drive Speed	5.1 km/h	5.1 km/h	4.8 km/h	4.8 km/h
Gradeability	30%	30%	30%	30%
Tyres	240/55-17.5 Foam Filled		22 x 6 x 17.05 (front) Solid Non-mark 25 x 7-12 (rear) Solid Non-mark	
Turning Radius - Inside	0.61 m	0.61 m	0.86 m	0.86 m
Turning Radius - Outside	3.15 m	3.15 m	3.15 m	3.15 m
Electrical System	48V DC	48V DC	48V DC	48V DC
Batteries	8 x 6V 370A/hr	8 x 6V 370A/hr	8 x 6V 370A/hr	8 x 6V 370A/hr
Drive Motors	Dual AC Traction		Dual AC Traction	
Brakes	Automatic Spring Applied		Automatic Spring Applied	
Hydraulic Motor	Perm. Magnet		Perm. Magnet	
Hydraulic Pump	Gear Pump		Gear Pump	
Hydraulic Reservoir	20.0 L	20.0 L	20.0 L	20.0 L
Generator Set - Fully Automatic	—	Kubota OC60 Air-cooled 5 kW	—	Kubota OC60 Air-cooled 5 kW
Generator Fuel Tank	—	15.0 L	—	15.0 L

JLG Models E400AJP, M400AJP, E400AJPn & M400AJPn

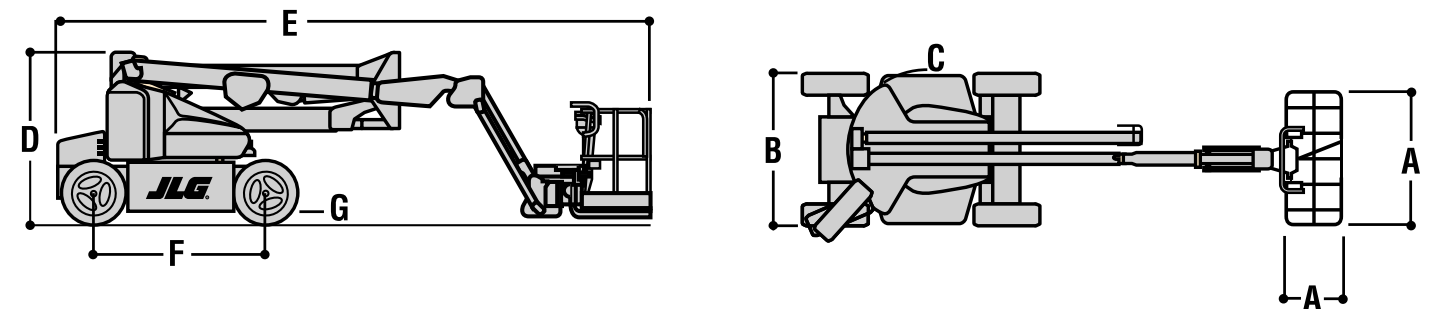
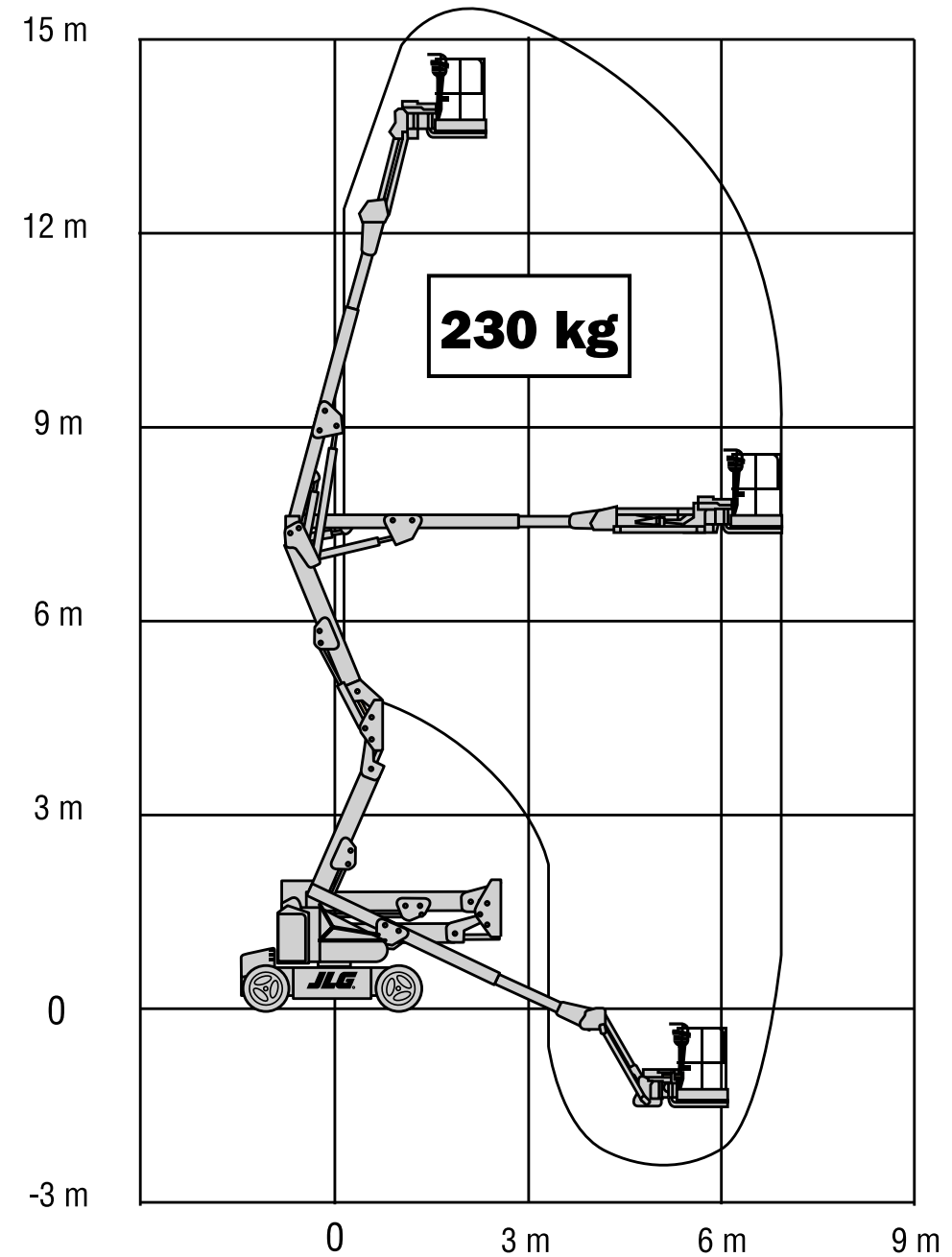


* Working outreach is horizontal outreach plus 65cm.
¹ Certain options or country standards may increase weight and/or dimensions.



	E450AJ	M450AJ
Working Height	15.72 m	15.72 m
Platform Height	13.72 m	13.72 m
Horizontal Outreach	7.24 m	7.24 m
Working Outreach *	7.89 m*	7.89 m*
Up and Over Height	7.70 m	7.70 m
Swing (non-continuous)	360°	360°
Platform Capacity - Unrestricted	230 kg	230 kg
Platform Rotator (Hydraulic)	180°	180°
Jib - Overall Length	1.24 m	1.24 m
Jib - Range of articulation	144° (+84°/ -60°)	144° (+84°/ -60°)
A. Platform Size	0.76 m x 1.52 m	0.76 m x 1.52 m
B. Overall Width	1.75 m	1.75 m
C. Tailswing (working condition)	Zero	Zero
D. Stowed Height	2.01 m	2.01 m
E. Stowed Length	6.45 m	6.45 m
F. Wheelbase	2.01 m	2.01 m
G. Ground Clearance	0.20 m	0.20 m
Machine weight ¹	6,670 kg	6,700 kg
Maximum Ground Bearing Pressure	5.3 kg/cm ²	5.3 kg/cm ²
Drive Speed	5.2 km/h	5.2 km/h
Gradeability	30%	30%
Tyres	240/55-17.5 Foam Filled	240/55-17.5 Foam Filled
Turning Radius - Inside	0.61 m	0.61 m
Turning Radius - Outside	3.15 m	3.15 m
Electrical System	48V DC	48V DC
Batteries	8 x 6V 370A/hr	8 x 6V 370A/hr
Drive Motors	Dual AC Traction	Dual AC Traction
Brakes	Automatic Spring Applied	
Hydraulic Motor	Perm. Magnet	Perm. Magnet
Hydraulic Pump	Gear Pump	Gear Pump
Hydraulic Reservoir	20.0 L	20.0 L
Generator Set - Fully Automatic	—	Kubota OC60 Air-cooled 5 kW
Generator Fuel Tank	—	15.0 L

JLG Models E450AJ & M450AJ

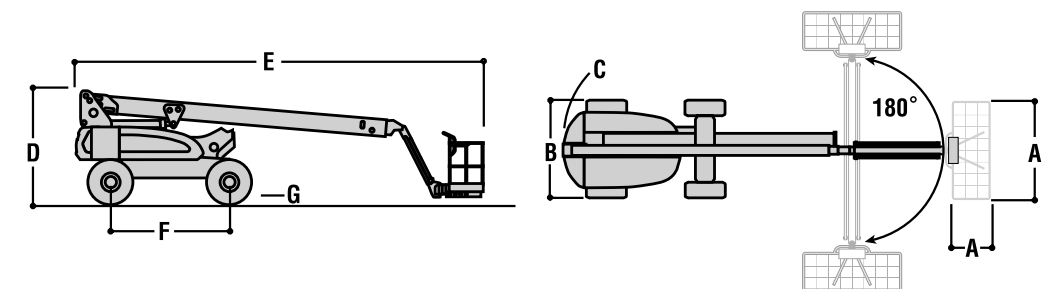
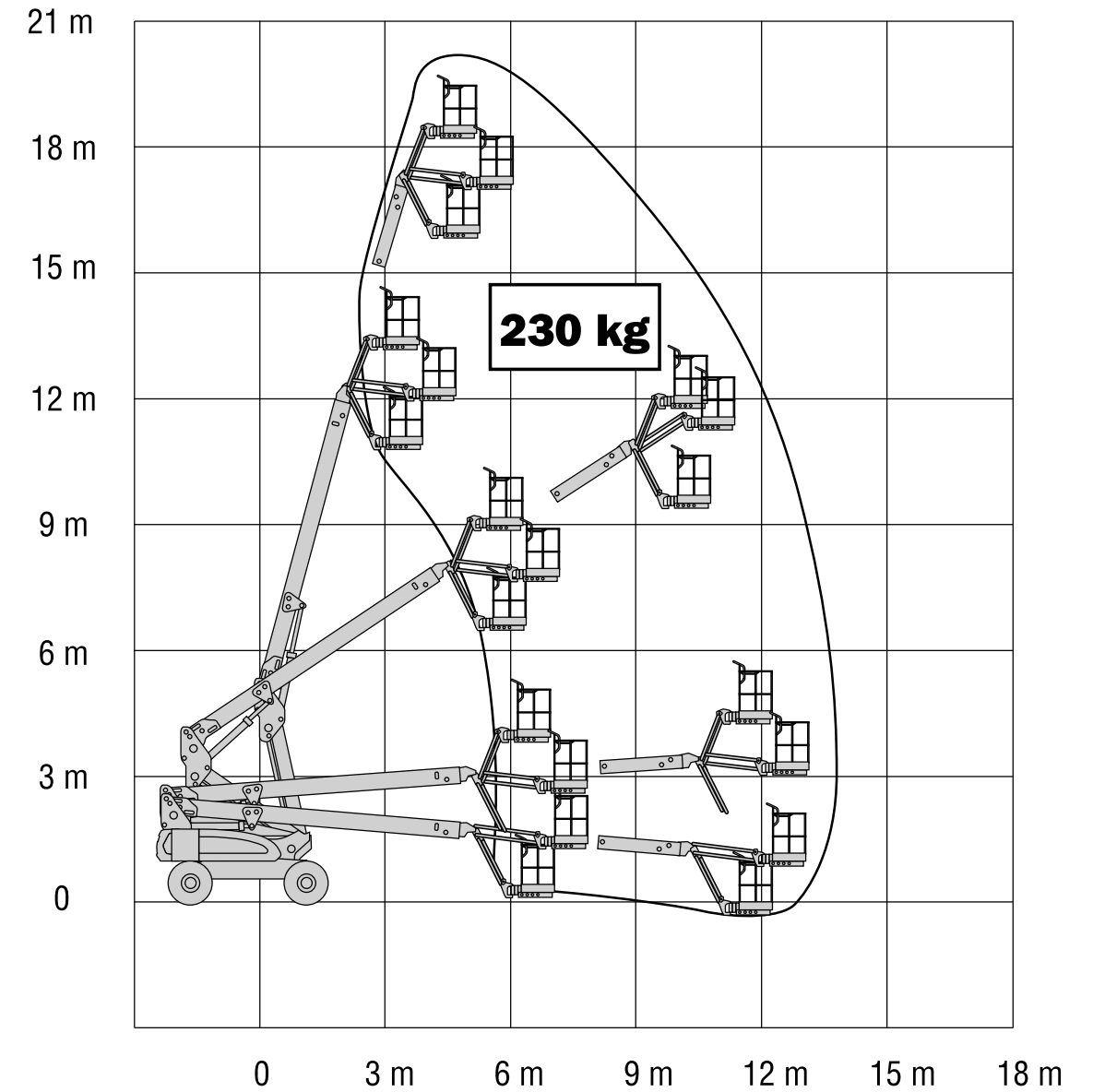


* Working outreach is horizontal outreach plus 65cm.
¹ Certain options or country standards may increase weight and/or dimensions.



	E600J	M600J	E600JP	M600JP
Working Height	20.36 m	20.36 m	20.39 m	20.39 m
Platform Height	18.36 m	18.36 m	18.39 m	18.39 m
Horizontal Outreach	13.19 m	13.19 m	13.54 m	13.54 m
Working Outreach *	13.84 m*	13.84 m*	14.19 m*	14.19 m*
Swing (non-continuous)	400°	400°	400°	400°
Platform Capacity - Unrestricted	230 kg	230 kg	230 kg	230 kg
Platform Rotator (Hydraulic)	180°	180°	180°	180°
Jib - Overall Length	1.24 m	1.24 m	1.24 m	1.24 m
Jib - Range of articulation	145° Vertical (+75°/ -70°)	145° Vertical (+75°/ -70°)	145° Vertical (+89°/ -56°)	145° Vertical (+89°/ -56°)
JibPLUS® - Range of Articulation	—	—	180° Horizontal	180° Horizontal
A. Platform Size	0.76 m x 1.83 m	0.76 m x 1.83 m	0.76 m x 1.83 m	0.76 m x 1.83 m
B. Overall Width	2.42 m	2.42 m	2.42 m	2.42 m
C. Tailswing (working condition)	1.23 m	1.23 m	1.23 m	1.23 m
D. Stowed Height	2.54 m	2.54 m <td 2.54 m	2.54 m	
E. Stowed Length	9.37 m	9.37 m	10.15 m	10.15 m
F. Wheelbase	2.74 m	2.74 m	2.74 m	2.74 m
G. Ground Clearance	0.30 m	0.30 m	0.30 m	0.30 m
Maximum Ground Bearing Pressure	4.1 kg/cm ²	4.1 kg/cm ²	3.9 kg/cm ²	3.9 kg/cm ²
Machine weight ¹	7,765 kg	7,965 kg	7,815 kg	8,015 kg
Drive Speed	4.8 km/h	4.8 km/h	4.8 km/h	4.8 km/h
Gradeability	30%	30%	30%	30%
Tyres (foam filled/non-marking)	36/14LL-22.5	36/14LL-22.5	36/14LL-22.5	36/14LL-22.5
Axle Oscillation	0.20 m	0.20 m	0.20 m	0.20 m
Turning Radius - Inside	1.22 m	1.22 m	1.22 m	1.22 m
Turning Radius - Outside	4.64 m	4.64 m	4.64 m	4.64 m
Electrical System	48V DC	48V DC	48V DC	48V DC
Batteries	8 x 6V 415A/hr	8 x 6V 415A/hr	8 x 6V 415A/hr	8 x 6V 415A/hr
Drive Motors	Dual Electric Traction		Dual Electric Traction	
Brakes	Automatic Spring Applied		Automatic Spring Applied	
Hydraulic Pump Motor	Perm. Magnet	Perm. Magnet	Perm. Magnet	Perm. Magnet
Hydraulic Pump	Gear Pump	Gear Pump	Gear Pump	Gear Pump
Hydraulic System	80.0 L	80.0 L	80.0 L	80.0 L
Generator Set - Fully Automatic	—	Kubota OC60 Air-cooled 5 kW	—	Kubota OC60 Air-cooled 5 kW
Generator Fuel Tank	—	50.0 L	—	50.0 L

JLG ModelS E600J, M600J, E600JP & M600JP

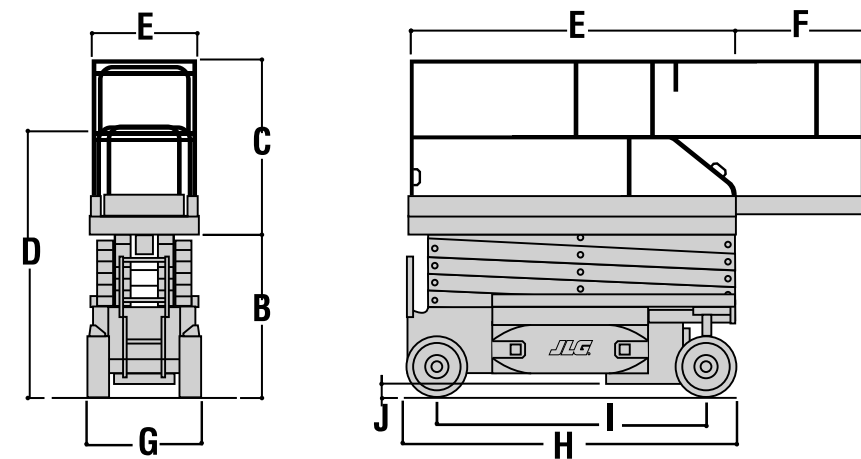
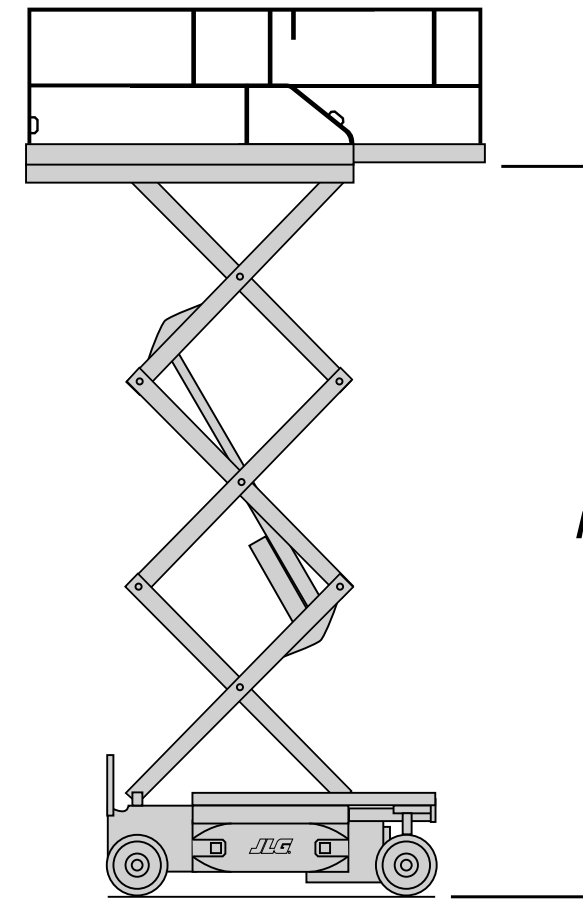


* Working outreach is horizontal outreach plus 65cm.
¹ Certain options or country standards may increase weight and/or dimensions.



	1930ES	2032ES	2632ES	2646ES	3246ES
Working Height	7.72 m	8.10 m	9.77 m	9.92 m	11.68 m
A. Platform Height - Elevated	5.72 m	6.10 m	7.77 m	7.92 m	9.68 m
B. Platform Height - Lowered	0.89 m	1.10 m	1.23 m	1.26 m	1.26 m
C. Platform Railing Height	1.10 m	1.10 m	1.10 m	1.10 m	1.10 m
D. Stowed Height (Rails Folded) ¹	1.59 m	1.87 m	1.98 m	2.01 m	2.01 m
E. Platform Size (W x L)	0.76 m x 1.87 m	0.76 m x 2.30 m	0.76 m x 2.30 m	1.12 m x 2.50 m	1.12 m x 2.50 m
F. Deck Extension	0.90 m	0.90 m	0.90 m	1.27 m	1.27 m
G. Overall Width	0.76 m	0.81 m	0.81 m	1.17 m	1.17 m
H. Overall Length	1.87 m	2.30 m	2.30 m	2.50 m	2.50 m
I. Wheelbase	1.60 m	1.88 m	1.88 m	2.09 m	2.09 m
J. Ground Clearance	0.09 m	0.09 m	0.09 m	0.13 m	0.13 m
Platform Capacity ²	230 kg	360 kg	230 kg	450 kg	320 kg
Capacity on Optional Deck Extension	120 kg	120 kg	120 kg	120 kg	120 kg
Lift/Lower Time	20/30 sec.	30/40 sec.	40/40 sec.	40/50 sec.	50/60 sec.
Maximum Drive Height	5.72 m	6.10 m	7.77 m	7.92 m	9.68 m
Machine weight ³	1,565 kg	1,970 kg	2,135 kg	2,740 kg	2,905 kg
Maximum Ground Bearing Pressure	8.73 kg/cm ²	6.33 kg/cm ²	6.33 kg/cm ²	6.98 kg/cm ²	6.98 kg/cm ²
Drive Speed - Lowered	4.8 km/h	4.4 km/h	4.4 km/h	4.0 km/h	4.0 km/h
Drive Speed - Elevated	0.8 km/h	0.8 km/h	0.8 km/h	0.8 km/h	0.8 km/h
Gradeability	25%	25%	25%	25%	25%
Turning Radius - Inside	Zero	Zero	Zero	Zero	Zero
Turning Radius - Outside	1.75 m	2.06 m	2.06 m	2.41 m	2.41 m
Tyres (Non-Marking Solid)	323 x 100	406 x 125	406 x 125	406 x 125	406 x 125
Brakes	Automatic Friction - Front				
Drive	24V Electric 6 kW				
Batteries	4 x 6V 220A/hr				
Charger (120/240V - 50/60HZ)	20A Automatic				
Pump Motor	3 kW	3 kW	3 kW	3 kW	3 kW
Hydraulic System	8.3 L	10.6 L	10.6 L	20.0 L	20.0 L

JLG ES Series



¹ Folding rails standard on all ES models in CE spec.

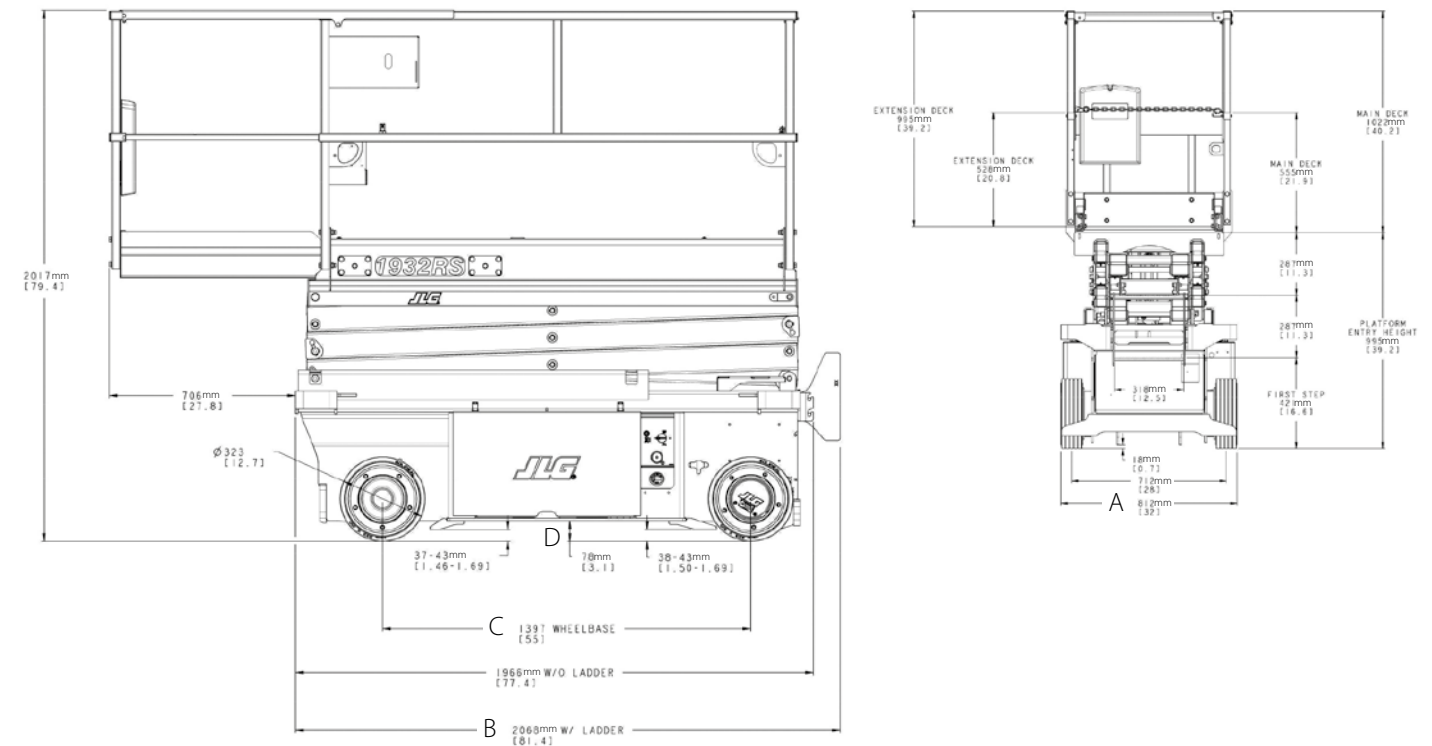
² Capacities shown are maximum with 2 persons indoor on all models. Outdoor ratings are: 1930ES - 1 person / 120 kg ; 2032ES - 1 person / 160 kg ; 2646ES - 2 person / 230 kg ; 3246ES - 1 person / 320 kg.

³ Certain options or country standards may increase weight and/or dimensions.

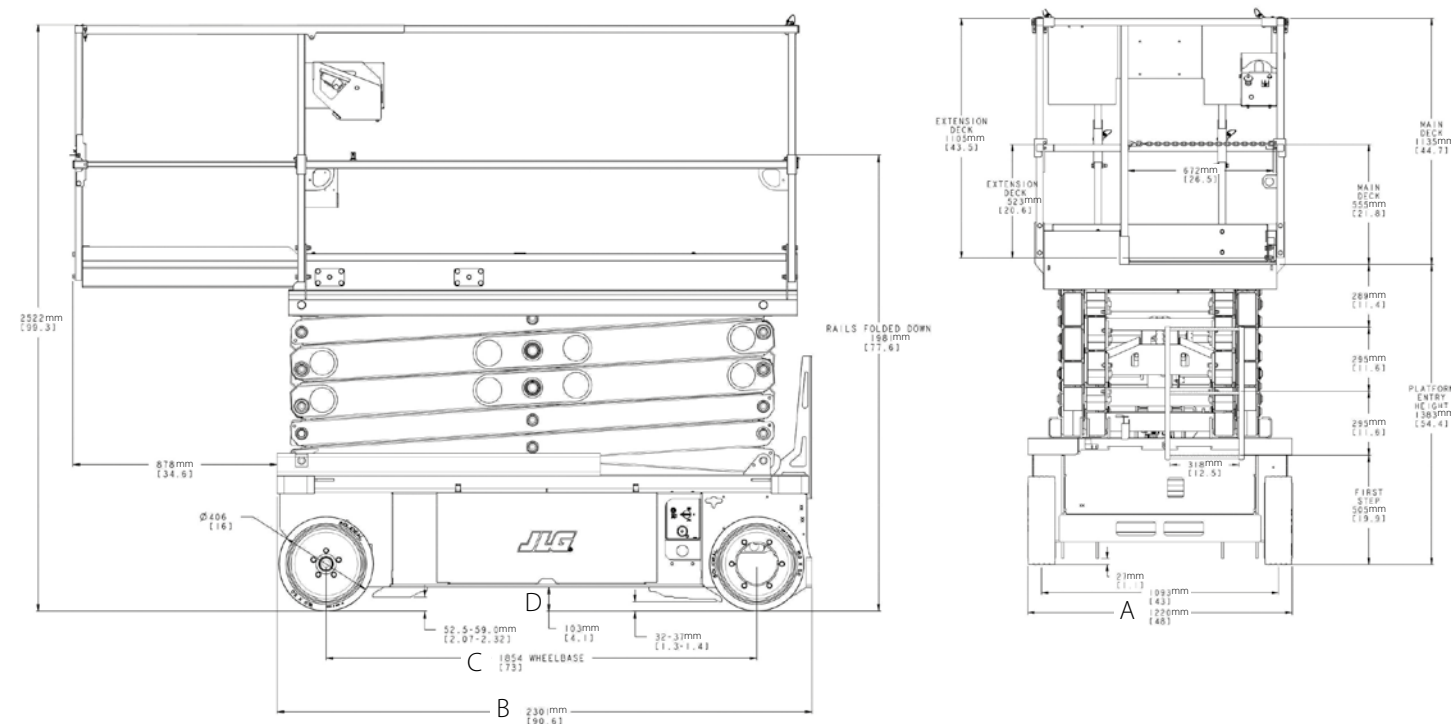


	6RS	10RS
Working Height	7.79 m	11.75 m
Platform Height - Elevated	5.79 m	9.75 m
Platform Height - Lowered	1.00 m	1.38 m
Platform Railing Height	1.10 m	1.10 m
Stowed Height (Rails Folded)	1.76 m	1.97 m
Platform Size Inside (W x L)	0.69 m x 1.82 m	1.07 m x 2.16 m
Deck Extension	0.71 m	0.86 m
A. Overall Width	0.81 m	1.22 m
B. Overall Length	2.07 m	2.41 m
C. Wheelbase	1.40 m	1.85 m
D. Ground Clearance (centre of machine)	8 cm	10 cm
Platform Capacity ¹	230 kg	320 kg
Capacity on Deck Extension	120 kg	120 kg
Lift/Lower Time	25 / 26 sec.	60 / 60 sec.
Maximum Drive Height	5.79 m	9.75 m
Machine weight ²	1,565 kg	2,750 kg
Maximum Ground Bearing Pressure	8.40 kg/cm ²	7.60 kg/cm ²
Drive Speed - Lowered	4.0 km/h	4.0 km/h
Drive Speed - Elevated	0.5 km/h	0.5 km/h
Gradeability	25%	25%
Turning Radius - Inside	0.60 m	1.22 m
Turning Radius - Outside	2.22 m	3.18 m
Tyres (Non-Marking Solid)	323 x 100	406 x 127
Brakes	Automatic Friction Rear	
Drive (Nominal)	24V Electric 3 kW	24V Electric 2.5 kW
Batteries	4 x 6V 220A/hr	4 x 6V 220A/hr
Charger (120/240V -50/60Hz)	20A Automatic	20A Automatic
Pump Motor	2.3 kW	3 kW
Hydraulic System	7.0 L	15.0 L

JLG Model 6RS



JLG Model 10RS



¹ Capacities shown are maximum with 2 persons indoor on both models.
Outdoor ratings are: 6RS - 1 Person/230 kg ; 10RS - 1 person/320 kg
² Certain options or country standards may increase weight and/or dimensions.

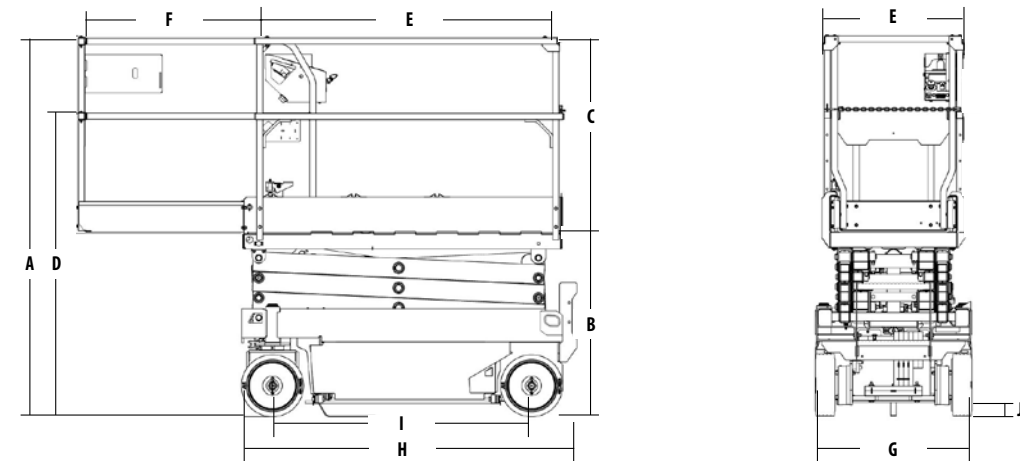


	1532R	1932R	4045R
Working Height	6.57 m	7.80 m	13.96 m
A. Platform Height - Elevated	4.57 m	5.80 m	11.96 m
B. Platform Height - Lowered	0.95 m	0.98 m	1.4 m
C. Platform Railing Height	1.12m	1.11 m	1.13 m
D. Stowed Height (Rails Folded)	1.61m	1.64 m	1.92 m
E. Platform Size Inside (W x L)	0.55m x 1.59m	0.65 m x 1.57 m	1.05 m x 2.43 m
F. Deck Extension	0.86m	0.86 m	0.91 m
G. Overall Width	0.81m	0.81 m	1.14 m
H. Overall Length	1.74m*	1.74 m ^{3*}	2.71 m ^{3**}
I. Wheelbase	1.35m	1.35 m	2.03 m
J. Ground Clearance (centre of machine)	7cm	7 cm	12.6 cm
Platform Capacity (1)	275kg***	230 kg ⁵	350 kg ⁴
Capacity on Deck Extension	120kg	125 kg	113 kg
Lift/Lower Time (no load)	16 / 18 sec.	24 / 29 sec.	68 / 41 sec.
Maximum Drive Height	4.57m	5.80 m	8.74 m ⁶
Machine weight (2)	1,357 kg	1,565 kg	3,175 kg
Maximum Ground Bearing Pressure	8.09 kg/cm ²	8.40 kg/cm ²	9,00 kg/cm ²
Drive Speed - Lowered	3.22 km/h	3.22 km/h	3.22 km/h
Drive Speed - Elevated	0.80 km/h	0.80 km/h	0.8 km/h
Gradeability	25%	25%	25%
Turning Radius - Inside	0.0m	0.0 m	0.0 m
Turning Radius - Outside	1.69m	1.69 m	2.54 m
Tyres (Non-Marking Solid)	323 x 100	323 x 100	406 x 127
Brakes	Hydraulic	Hydraulic	Hydraulic
Drive (Nominal)	Hydraulic	Hydraulic	Hydraulic
Batteries	4x 6V 220A/hr	4x 6V 220A/hr	4x 12V 150A/hr
Charger (120/240V -50/60Hz)	24v @27Amp Automatic	24v @27Amp Automatic	24v @27Amp Automatic
Pump Motor	4.5kW	4.5 kW	4.5 kW
Hydraulic System	18L	18L	30L

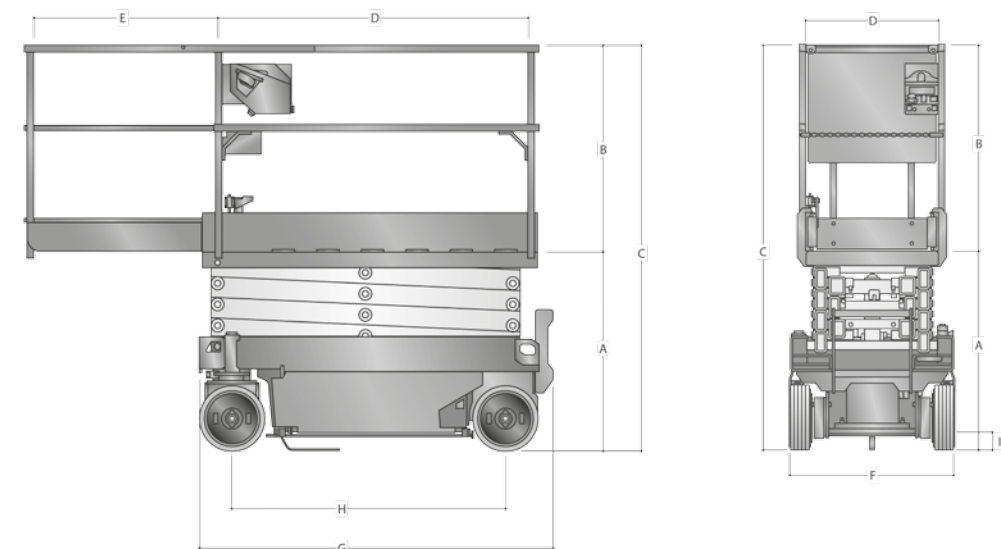
¹ Capacities shown are maximum with 2 persons indoor on both models. Outdoor ratings are: 1932R - 1 Person/125 kg ; 4045R - 1 person/250 kg
² Certain options or country standards may increase weight and/or dimensions.
^{3*} includes ladder, excluding ladder 1,67 m
^{3**} includes ladder, excluding ladder 2,56 m
⁴ indoor, 250 kg outdoor
⁵ indoor, 125 kg outdoor
⁶ outdoor



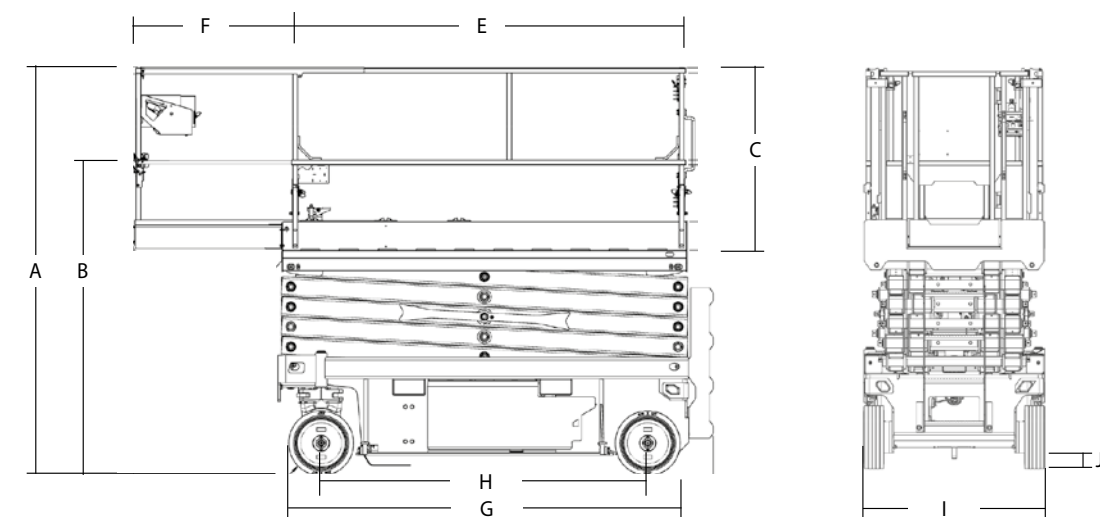
JLG Model 1532R



JLG Model 1932R

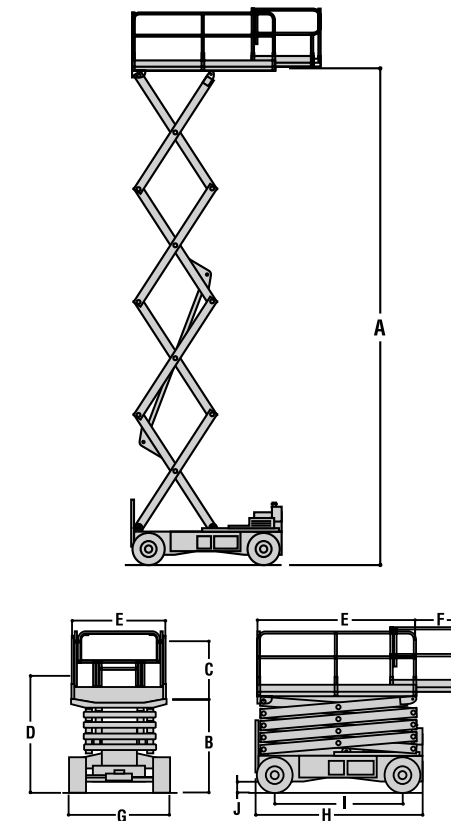


JLG Model 4045R

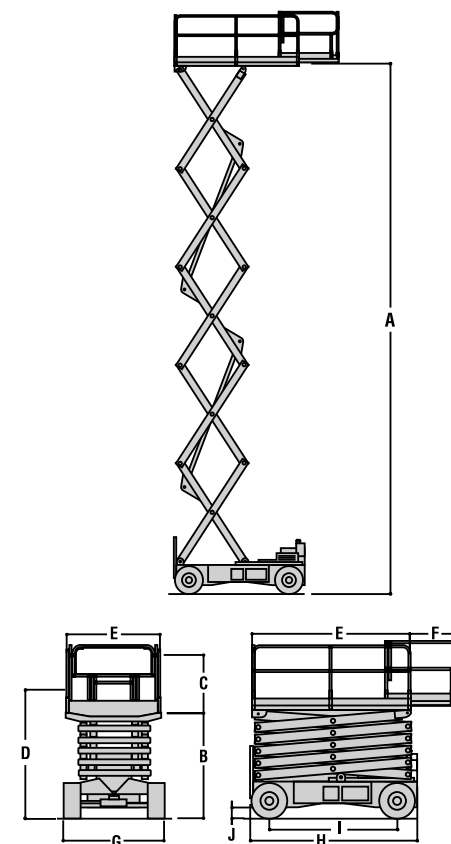


	3369LE	M3369	4069LE	M4069
Working Height	12.06 m	12.06 m	14.19 m	14.19 m
A. Platform Height - Elevated	10.06 m	10.06 m	12.19 m	12.19 m
B. Platform Height - Lowered	1.69 m	1.69 m	1.73 m	1.73 m
C. Platform Railing Height	1.10 m	1.10 m	1.10 m	1.10 m
D. Stowed Height (Rails Folded)	1.98 m	1.98 m	2.04 m	2.04 m
E. Platform Size (W X L)	1.65 m x 2.92 m	1.65 m x 2.92 m	1.65 m x 2.92 m	1.65 m x 2.92 m
F. Deck Extension	0.91 m	0.91 m	0.91 m	0.91 m
G. Overall Width	1.75 m	1.75 m	1.75 m	1.75 m
H. Overall Length	3.07 m	3.07 m	3.07 m	3.07 m
I. Wheelbase	2.32 m	2.32 m	2.32 m	2.32 m
J. Ground Clearance	0.20 m	0.20 m	0.20 m	0.20 m
Platform Capacity	450 kg	450 kg	360 kg	360 kg
Capacity on Deck Extension	120 kg	120 kg	120 kg	120 kg
Lift/Lower Time	38/42 sec.	38/42 sec.	54/50 sec.	54/50 sec.
Maximum Drive Height	10.06 m	10.06 m	9.14 m	9.14 m
Machine weight ¹	4,600 kg	5,250 kg	5,300 kg	5,700 kg
Maximum Ground Bearing Pressure	4.0 kg/cm ²	4.0 kg/cm ²	4.3 kg/cm ²	4.3 kg/cm ²
Drive Speed - Lowered	4.8 km/h	4.8 km/h	4.8 km/h	4.8 km/h
Drive Speed - Elevated	0.8 km/h	0.8 km/h	0.8 km/h	0.8 km/h
Gradeability	35%	35%	35%	35%
Turning Radius - Inside	2.29 m	2.29 m	2.29 m	2.29 m
Turning Radius - Outside	4.88 m	4.88 m	4.88 m	4.88 m
Tyres (non-marking)	240/55-17.5	240/55-17.5	240/55-17.5	240/55-17.5
Brakes	Automatic Spring Applied		Automatic Spring Applied	
Drive Motors	Dual Electric Traction		Dual Electric Traction	
Hydraulic Pump Motor	Perm. Magnet	Perm. Magnet	Perm Magnet	Perm. Magnet
Batteries	8 x 6V 370A/hr	8 x 6V 370A/hr	8 x 6V 370A/hr	8 x 6V 370A/hr
Charger (120/240V - 50/60HZ)	20A SCR Automatic	20A SCR Automatic	20A SCR Automatic	20A SCR Automatic
Hydraulic Pump	Gear Pump	Gear Pump	Gear Pump	Gear Pump
Hydraulic System	32.0 L	32.0 L	32.0 L	32.0 L
Generator Set	—	Kubota OC60 Air-cooled 5 kW	—	Kubota OC60 Air-cooled 5 kW
Generator Fuel Tank	—	15.0 L	—	15.0 L

JLG Models 3369LE & M3369



JLG Models 4069LE & M4069

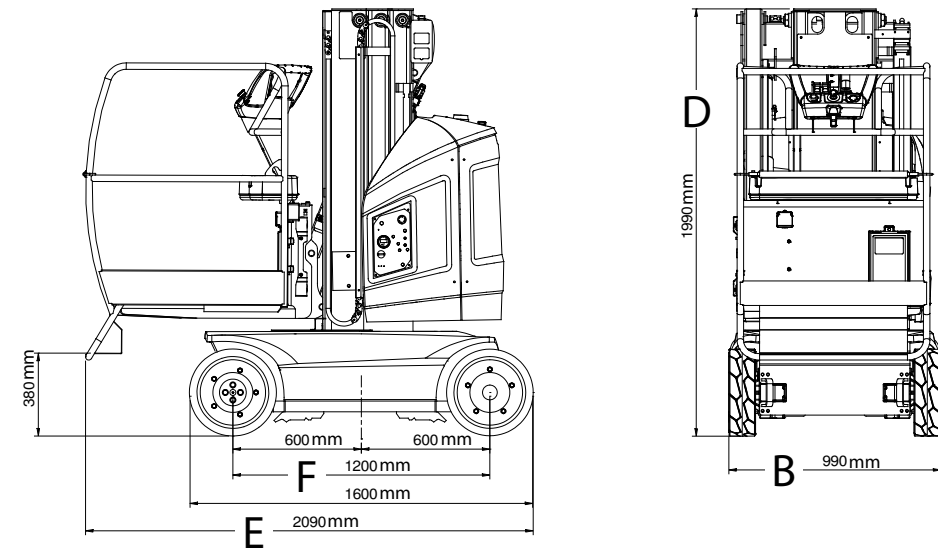


¹ Certain options or country standards may increase weight and/or dimensions.

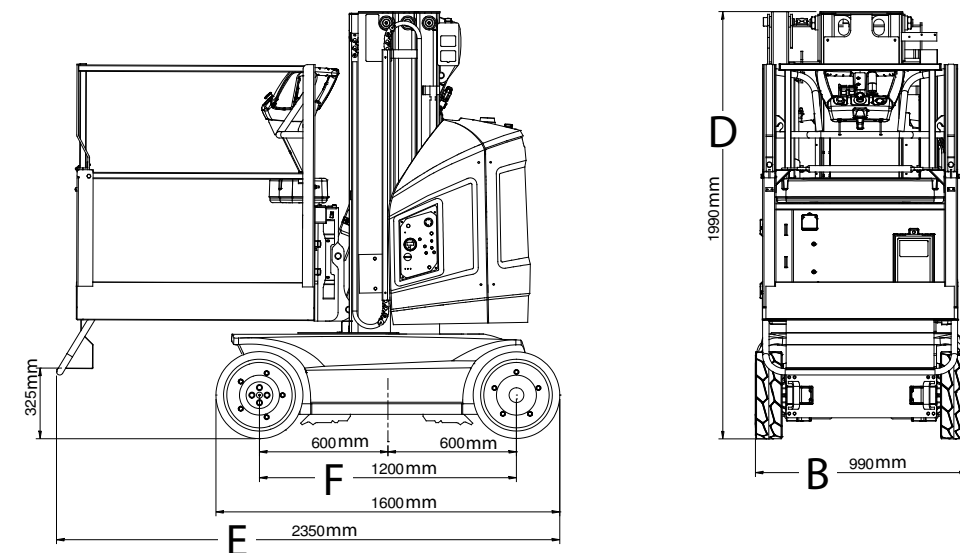


	Toucan 8E	Toucan 8EL	Toucan 8EL-XL
Working height	8.20	8.20	8.20
Platform height	6.20	6.20	6.20
Working outreach (standard platform) Incl 0.65 armlength	2.65 m	2.65 m	—
Working outreach (XL platform)	—	—	2.82
Up and over height	5.08	5.08	5.08
Swing (not continuous)	345°	345°	345°
Platform capacity	200 kg ¹	200 kg ²	200 kg ²
Jib - overall length	1.17 m	1.17 m	1.17 m
Jib - range of articulation	112° (+45°/ -67°)	112° (+45°/ -67°)	112° (+45°/ -67°)
A. Platform size standard platform (L x W)	0.85 x 0.92 m	0.85 x 0.92 m	—
Platform size XL platform (L x W)	—	—	1.06 x 0.92 m
B. Overall width	0.99 m	0.99 m	0.99 m
C. Tailswing	17 cm	17 cm	17 cm
D. Stowed height	1.99 m	1.99 m	1.99 m
E. Overall length (standard platform)	2.10 m	2.10 m	-
Overall length (XL platform)	—	—	2.35 m
F. Wheelbase	1.20 m	1.20 m	1.20 m
G. Ground clearance	10 cm	10 cm	10 cm
Machine weight - standard platform ²	2,100 kg	1,860 kg	—
Machine weight - XL platform ²	—	—	2,125 kg
Maximum ground bearing pressure	17.2 kg/cm ²	15.9 kg/cm ²	17.1 kg/cm ²
Drive speed - lowered	5.5 km/h	5.5 km/h	5.5 km/h
Drive speed - elevated	0.75km/h	0.75km/h	0.75km/h
Drive speed - full elevation	—	—	—
Turning radius (outside)	1.99 m	1.99 m	1.99 m
Turning radius (inside)	0.55 m	0.55 m	0.55 m
Gradeability	25%	25%	25%
Break over angle	25%	25%	25%
Steer angle	55°	55°	55°
Max. allowable tilt angle	2.5°	2.5°	2.5°
Tyres (non-marking solid)	406 x 125 mm	406 x 125 mm	406 x 125 mm
Electrical system	24V DC	24V DC	24V DC
Batteries (AGM)	24V - 213Ah / 20h	24V - 213Ah / 20h	24V - 213Ah / 20h
Charger	24V - 27A	24V - 27A	24V - 27A
Drive motors	Dual AC motors	Dual AC motors	Dual AC motors
Brakes	Disc	Disc	Disc
Electrical (pump) motor	3kW 24V DC	3kW 24V DC	3kW 24V DC
Hydraulic system	7,5L	7,5L	7,5L
Peter Hird cycles	80	80	80

JLG Model Toucan 8E



JLG Models Toucan 8E-XL

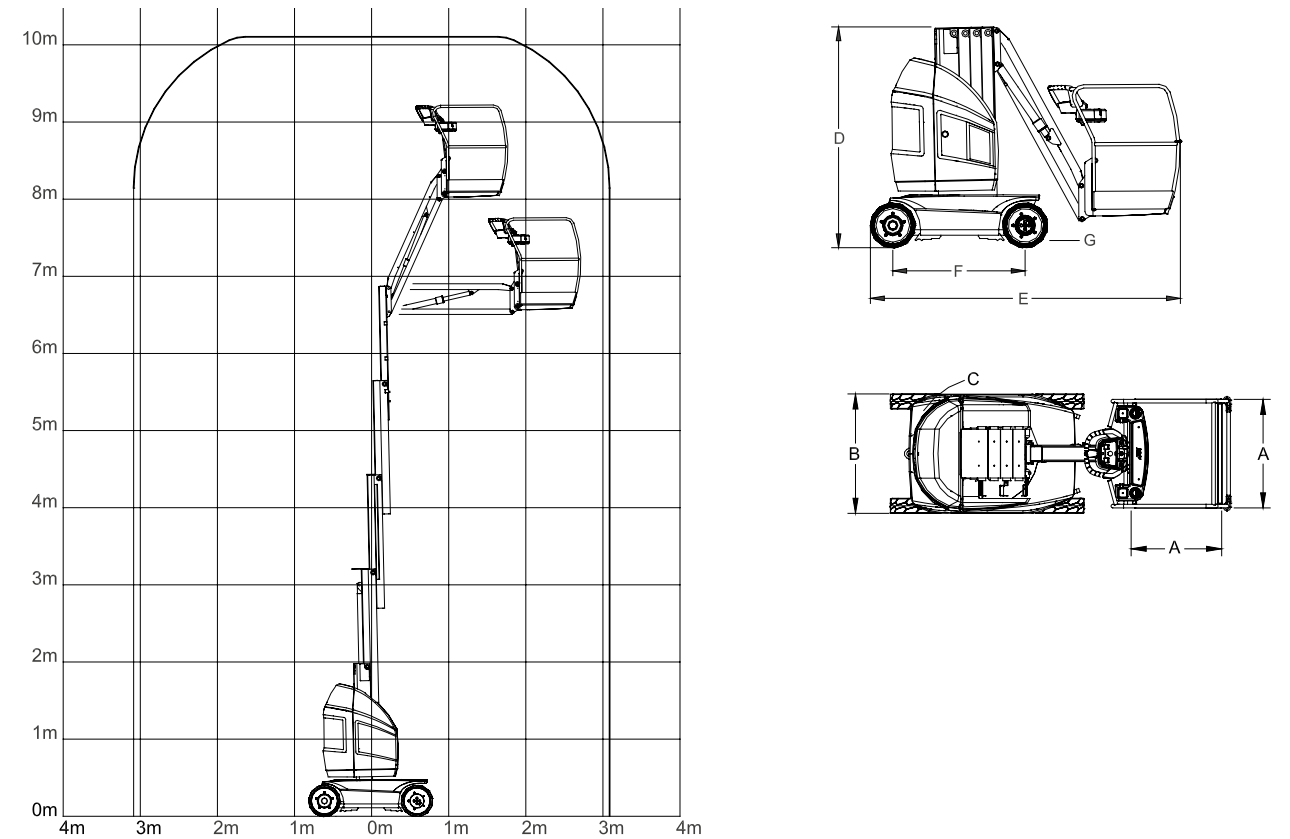


¹ Capacity shown is maximum two persons indoor and outdoor (12.5 m/s wind speed)
² Certain options or country standards may increase weight and/or dimensions.

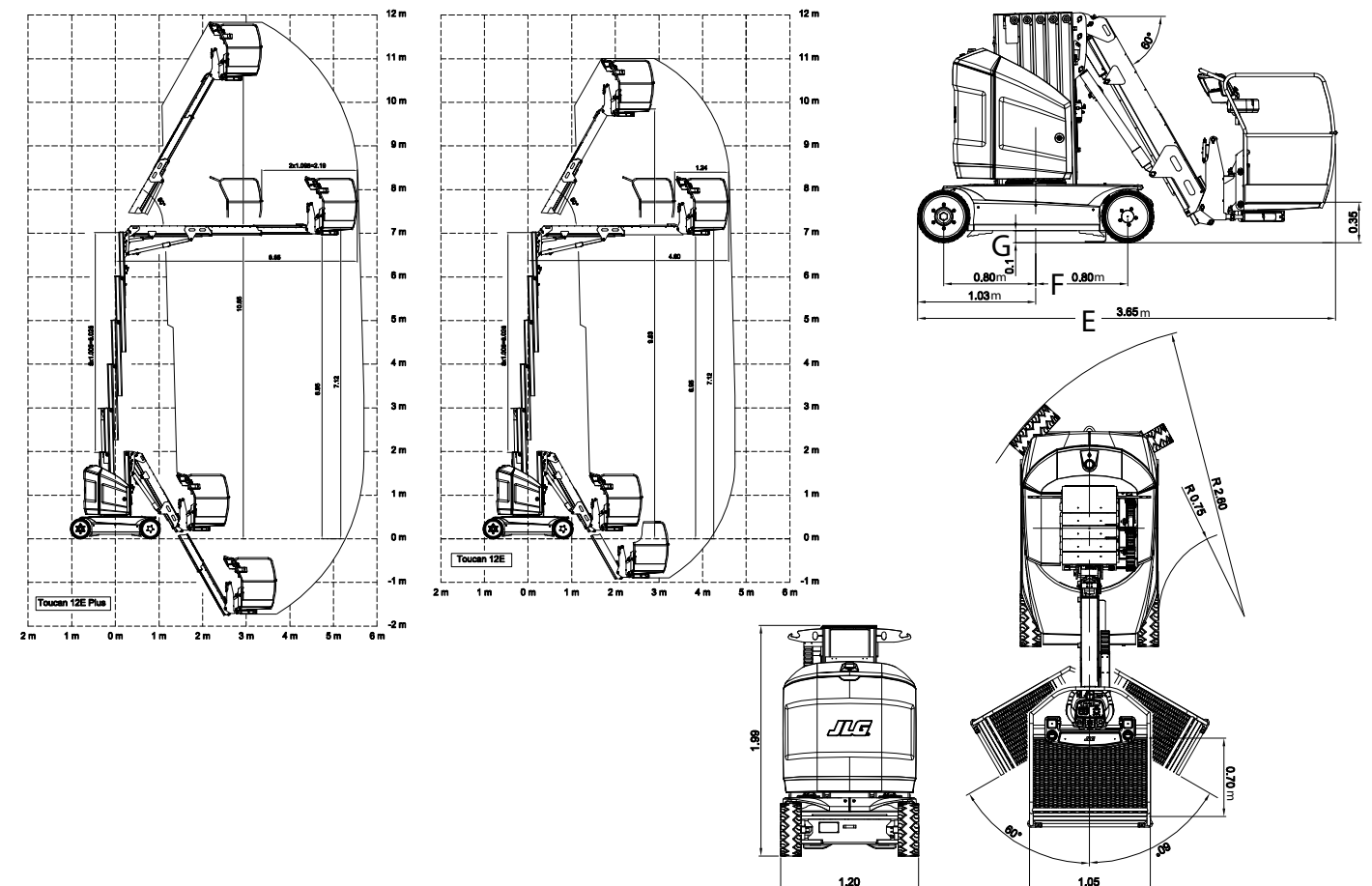


	Toucan 10E	Toucan 10EL	Toucan 12E	Toucan 12E Plus
Working Height	10.10 m	10.10 m	11.83 m	12.65 m
Platform height	8.10 m	8.10 m	9.83 m	10.65 m
Working outreach (standard platform)	3.38 m	3.38 m	5.10 m	6.05 m
Up and over height	6.51 m	6.51 m	7.12 m	7.12 m
Swing (not continuous)	345°	345°	345°	345°
Platform capacity ¹	200 kg	200kg	200 kg	200 kg
Jib - overall length	1.60 m	1.60 m	3.19 m	4.14 m
Jib - range of articulation	127° (+66° / -61°)	126° (+65° / -61°)	120° (+60° / -60°)	120° (+60° / -60°)
A. Platform size standard platform (L x W)	0.70 x 0.90 m	0.70 x 0.90 m	0.70 m x 1.05 m	0.70 m x 1.05 m
Platform size XL platform (L x W)	—	—	—	—
B. Overall width	0.99 m	0.99 m	1.20 m	1.20 m
C. Tailswing	13 cm	12 cm	13 cm	13 cm
D. Stowed height	1.99 m	1.99 m	1.99 m	1.99 m
E. Overall length (standard platform)	2.82 m	2.82 m	3.65 m	3.65 m
Overall length (XL platform)	—	—	—	—
F. Wheelbase	1.20 m	1.20 m	1.60 m	1.60 m
G. Ground clearance	10.5 cm	10 cm	10 cm	10 cm
Machine weight - standard platform ²	2,990 kg	2.600 kg	4,300 kg	4,900 kg
Maximum ground bearing pressure	21 kg/cm ²	19.7 kg/cm ²	12.5 kg/cm ²	14.0 kg/cm ²
Drive speed - lowered	5.5 km/h	5.5 km/h	6.0 km/h	6.0 km/h
Drive speed - elevated	0.75 km/h	0.75 km/h	0.75 km/h	0.75 km/h
Drive speed - full elevation	0.40 km/h	0.40 km/h	—	—
Turning radius (outside)	1.99 m	1.99 m	2.60 m	2.60 m
Turning radius (inside)	0.55 m	0.55 m	0.75 m	0.75 m
Gradeability	25%	25%	30%	30%
Break over angle	25%	25%	25%	25%
Steer angle	60°	60°	60°	60°
Max. allowable tilt angle	2°	2.5°	3°	3°
Tyres (non-marking solid)	406 x 125 mm	406 x 125 mm	457 mm x 178 mm	457 mm x 178 mm
Electrical system	24V DC	24V DC	48V DC	48V DC
Batteries (deep cycle)	24 V - 260 Ah AGM	24 V - 260Ah / AGM	48 V - 260 Ah / Naß	48 V - 260 Ah / Naß
Charger	24V - 27A	24V - 27A	48V - 25A	48V - 25A
Drive motors	Dual AC motors	Dual AC motors	Dual AC motors	Dual AC motors
Brakes	Disc	Disc	Disc	Disc
Electrical (pump) motor	3 kW 24V DC	3kW 24V DC	3.5 kW - 48V DC	3.5 kW - 48V DC
Hydraulic system	9.0 L	7,5L	15.0 L	15.0 L
Peter Hird cycles	92	80	80	74

JLG Model Toucan 10E & 10EL



JLG Models Toucan 12E & 12E Plus

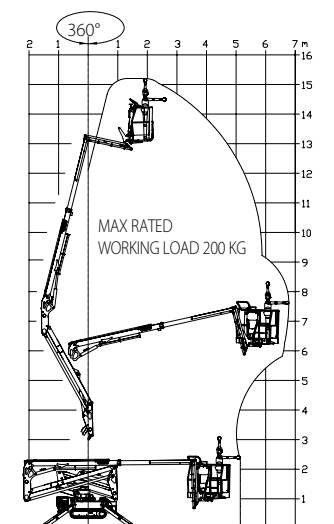
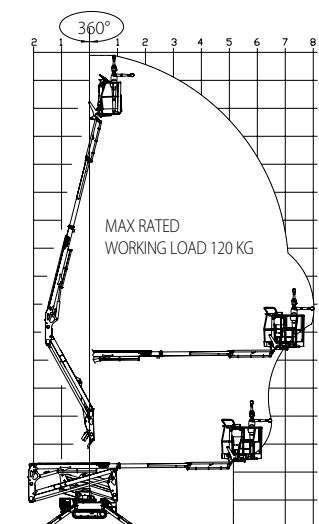
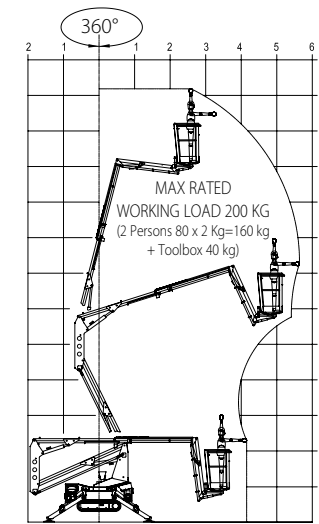
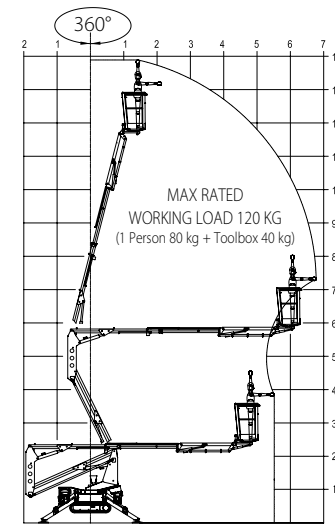


¹ Capacity shown is maximum two persons indoor and outdoor (12.5 m/s wind speed)
² Certain options or country standards may increase weight and/or dimensions.

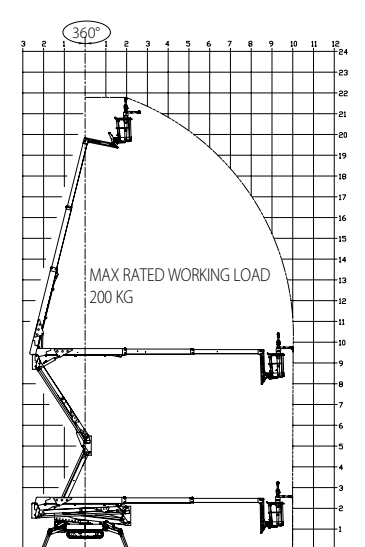
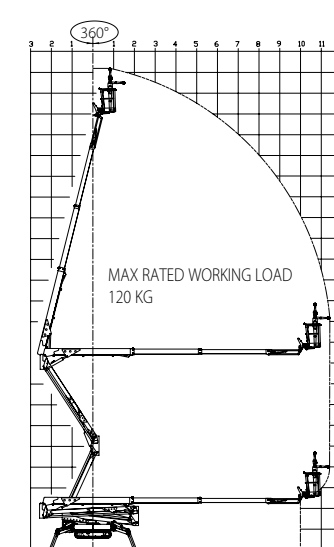
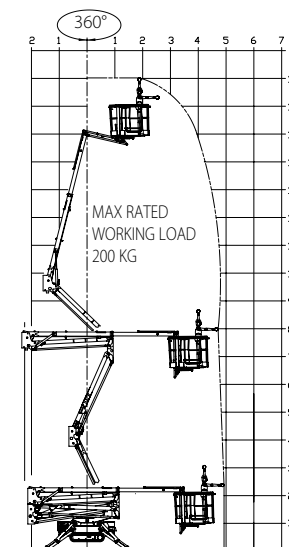
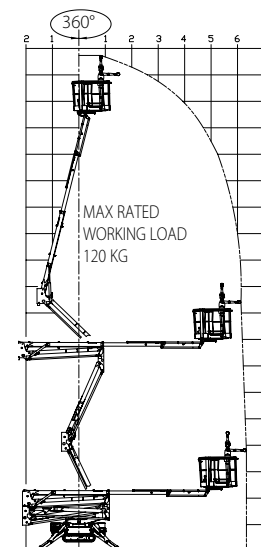


	X14J	X17J	X19J	X23J
Working Height w 120 kg capacity	13.80 m	16.81 m	18.67 m	23.10 m
Platform Height w 120 kg capacity	11.80 m	14.81 m	16.67 m	21.10 m
Working Height w 200 kg capacity	12.15 m	15.12 m	16.96 m	21.70 m
Platform Height w 200 kg capacity	10.15 m	13.12 m	14.96 m	19.70 m
Horizontal Outreach (Std Platform w 120 kg)	6.76 m	7.68 m	6.40 m	11.63 m
Horizontal Outreach (Std Platform w 200 kg)	5.92 m	6.45 m	4.80 m	10.25 m
Up & Over Height w 120 kg	5.58 m	6.08 m	7.66 m	9.38 m
Up & Over Height w 200 kg	5.52 m	5.86 m	6.23 m	7.96 m
Swing (non continuous)	361°	361°	361°	361°
Jib - overall length	1.56 m	1.43 m	1.43 m	1.43 m
Jib - range of articulation (+/-)	83° (+0° / -83°)	88° (-2° / -90°)	83° (+0° / -83°)	85° (-1° / -86°)
Platform size (standard 2 persons)	0.69 m x 1.30 m	0.76 m x 1.30 m	0.69 m x 1.30 m	0.69 m x 1.30 m
Platform size (narrow one person)	0.59 m x 0.79 m	0.62 m x 0.79 m	0.59 m x 0.79 m	0.59 m x 0.79 m
Stowed width (with std. 2P platform)	1.48 m	1.31 m	1.48 m	1.48 m
Stowed width (without platform)	0.79 m ¹	0.79 m ³	0.79 m ⁴	0.99 m ⁵
Stowed height (on tracks)	2.07 m ¹	1.99 m ³	1.98 m ⁴	1.99 m ⁶
Stowed length (on tracks)	4.02 m	4.53 m	4.47 m	6 m
Outrigger footprint	2.87 m x 2.91 m	2.89 m x 2.88 m	2.89 m x 2.88 m	3.98 m x 3.98 m
Machine weight (with standard platform)	1,398 kg ⁷	2,100 kg ⁷	2,080 kg ⁷	2,990 kg ⁷
Operating weight (with petrol engine)	1,430 kg	2,152 kg	2,106 kg	3,100 kg
Maximum ground bearing pressure (on outriggers)	1.94 kg/cm ²	2.04 kg/cm ²	1.94 kg/cm ²	3.06 kg/cm ²
Maximum ground bearing pressure (on tracks)	0.41 kg/cm ²	0.63 kg/cm ²	0.63 kg/cm ²	0.49 kg/cm ²
Maximum drive speed (single speed m/c) Petrol	1.4 km/h	1.7 km/h	1.7 km/h	—
Maximum drive speed (two speed m/c) Petrol	2.8 km/h	3.3 km/h	3.3 km/h	1 / 1.7 km/h ⁸
Gradeability	28%	26%	28%	28%
Maximum operating slope	10°	11°	11°	13°
Max. Approach / Depart angles	Front 20° / Rear 20°	Front 20° / Rear 21°	Front 21° / Rear 21°	Front 22° / Rear 25°
Track size - McLaren low profile black rubber	1.24 m x 0.18 m x 0.30 m	1.24 m x 0.18 m x 0.30 m	1.24 m x 0.18 m x 0.30 m	—
Track size - Bridgestone high profile black rubber	—	—	—	1.76 m x 0.23 m x 0.38 m
Width of Undercarriage (Retracted/Extended)	0.79 m / 0.79 m	0.79 m / 1.09 m	0.79 m / 1.09 m	0.99 m / 1.29 m
AC electric motor	110V or 220V, 50Hz, 2.2 kW	110V or 220V, 50Hz, 2.2 kW	110V or 220V, 50Hz, 2.2 kW	110V or 220V, 50Hz, 2.2 kW
Engine	Honda GX270, 6.6 kW Petrol	Honda iGX440, 11 kW Petrol	Honda iGX440, 11 kW Petrol	Honda iGX440, 11 kW Petrol

JLG Model X14J



JLG Model X19J



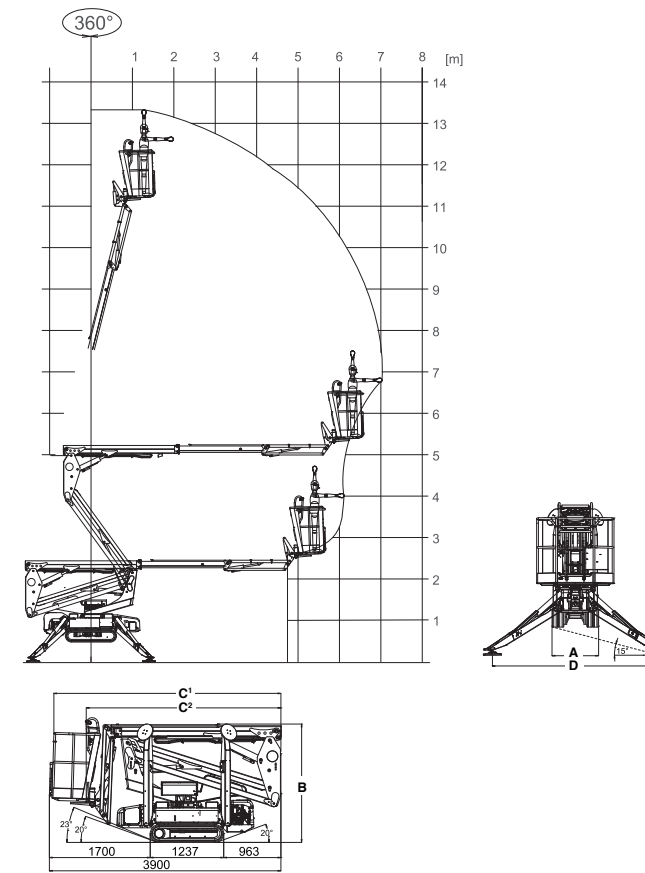
JLG Model X23J

¹ With outrigger pads removed. Pads increase width by 100 mm and height by 30 mm in stowed position.
² With outrigger pads removed. Pads increase width by 178 mm and height by 85 mm in stowed position.
³ With outrigger pads removed. Pads increase width by 196 mm and height by 124 mm in stowed position.
⁴ With outrigger pads removed. Pads increase width by 196 mm and height by 120 mm in stowed position.
⁵ With outrigger pads removed. Pads increase width by 75 mm in stowed position.
⁶ No change in this dimension with or without outrigger pads removed.
⁷ Dry weight. Certain options or country standards may increase weight and/or dimensions.
⁸ Two speed drive standard on this model.

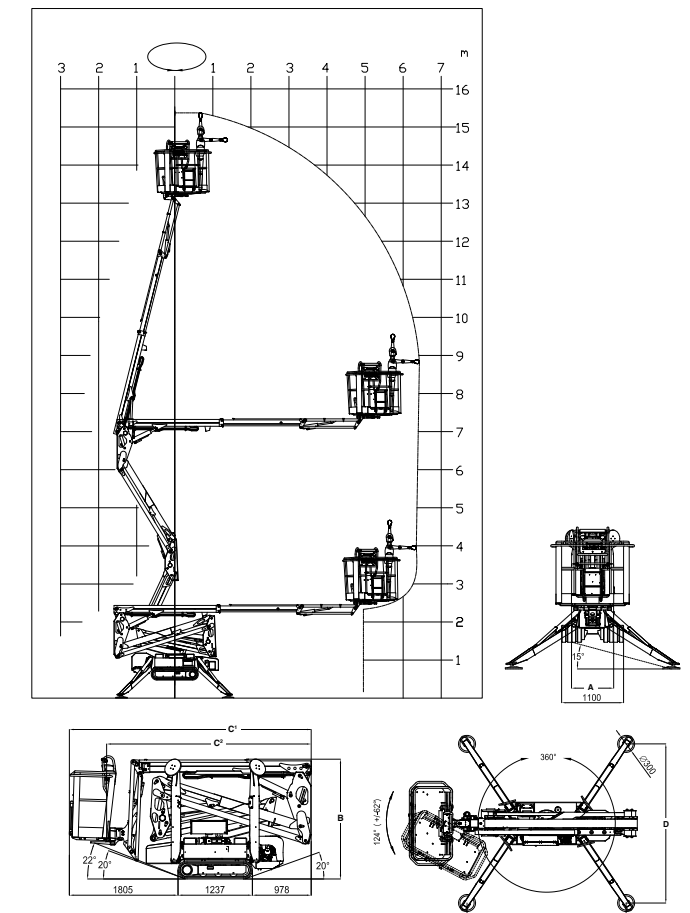


	X13J Plus	X15J Plus	X17J Plus
Working Height w 230 kg capacity	13.30 m	15.30 m	16.96 m
Platform Height w 230 kg capacity	11.30 m	13.30 m	14.96 m
Horizontal Outreach (Std Platform w 230kg)	7,08 m	6.10m	7.00 m
Working Outreach (Std Platform w 230kg)	7,08 m	6.60m	7.65 m
Up & Over Height w 230 kg	5,0 m	7.0 m	7.8 m
Swing (non continuous)	360°	360°	360°
Jib - overall length	1,68 m	1.68 m	1.68 m
Jib - range of articulation (+/-)	89° (+0/-89°)	89° (+0/-89°)	89° (+0/-89°)
Platform size (standard 2 persons)	0.69 m x 1.34 m	0.69 m x 1.34 m	0.69 m x 1.34 m
Platform size (narrow one person)	0.59 m x 0.79 m	0.59 m x 0.79 m	0.59 m x 0.79 m
Stowed width (with std. 2P platform)	1.30 m	1.48 m	1.48 m
A. Stowed width (without platform)	0.786 m (Fixed undercarriage)	0.748 m	0.798 m
B. Stowed height (on tracks)	1.99 m	1.99 m	2.00 m
C1. Stowed length (on tracks) with Basket	3.90 m	4.02 m	4.53 m
C2. Stowed length (on tracks) without Basket	3.28 m	3.4 m	—
D. Outrigger footprint	2,80 x 2,80 m	2.88 x 2.88 m	2.89 x 2.88 m
Machine weight (with standard platform)	2195 kg	1910 kg	2,190 kg ¹
Operating weight (with engine)	2195 kg	1950 kg	2,230 kg ¹
Maximum ground bearing pressure (on outriggers)	2.36 kg/cm ²	2.36 kg/cm ²	2.50 kg/cm ²
Maximum ground bearing pressure (on tracks)	TBC	TBC	0.68 kg/cm ²
Maximum drive speed (single speed m/c) Petrol	1.4 km/h	1.4 km/h	1.4 km/h
Maximum drive speed (two speed m/c) Petrol	2.6 km/h	2.6 km/h	2.7 km/h
Gradeability	28%	28%	28%
Maximum operating slope	TBC	TBC	12°
Max. Approach / Depart angles	Front 23° / Rear 20°	Front 21° / Rear 20°	20°
Track size - McLaren low profile black rubber	1.24 x 0.18 x 0.30 m	1.24 x 0.18 x 0.30 m	1.24 x 0.18 x 0.30 m
Track size - Bridgestone high profile black rubber	—	—	—
Width of Undercarriage (Retracted/Extended)	0.748 m / 1.10 m (optional widening undercarriage)	0.748 m / 1.10 m	0.79 m / 1.08 m
AC electric motor	2.2 KW 50Hz 230V	2.2 KW 50Hz 230V	2.2 KW 50Hz 230V
Engine	HONDA iGX 390, 8.7 Kw Petrol	HONDA iGX 390, 8.7 Kw Petrol	HONDA iGX 390, 8.7 Kw Petrol

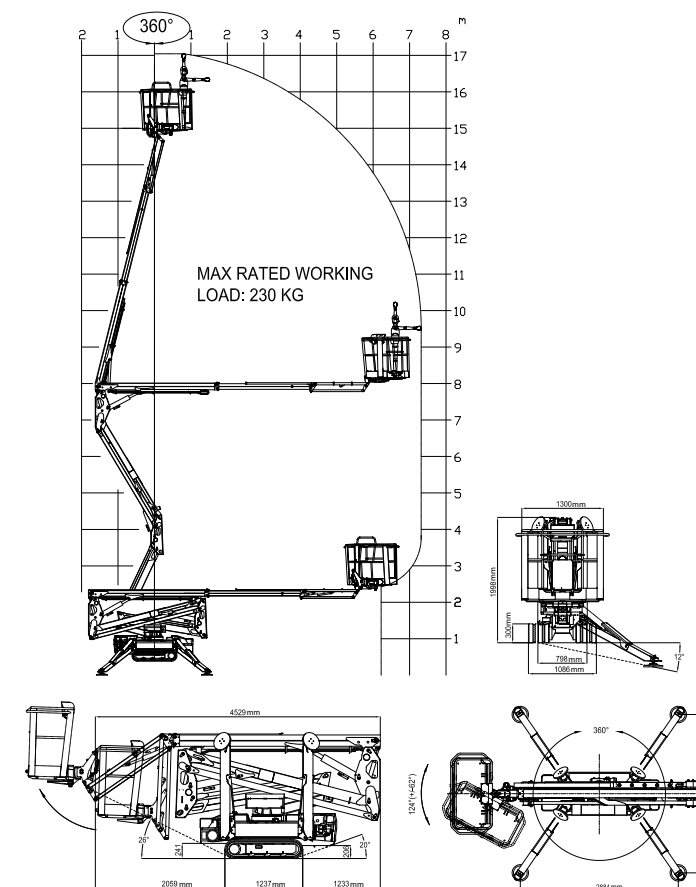
JLG Model X13J Plus



JLG Model X15J Plus



JLG Model X17J Plus

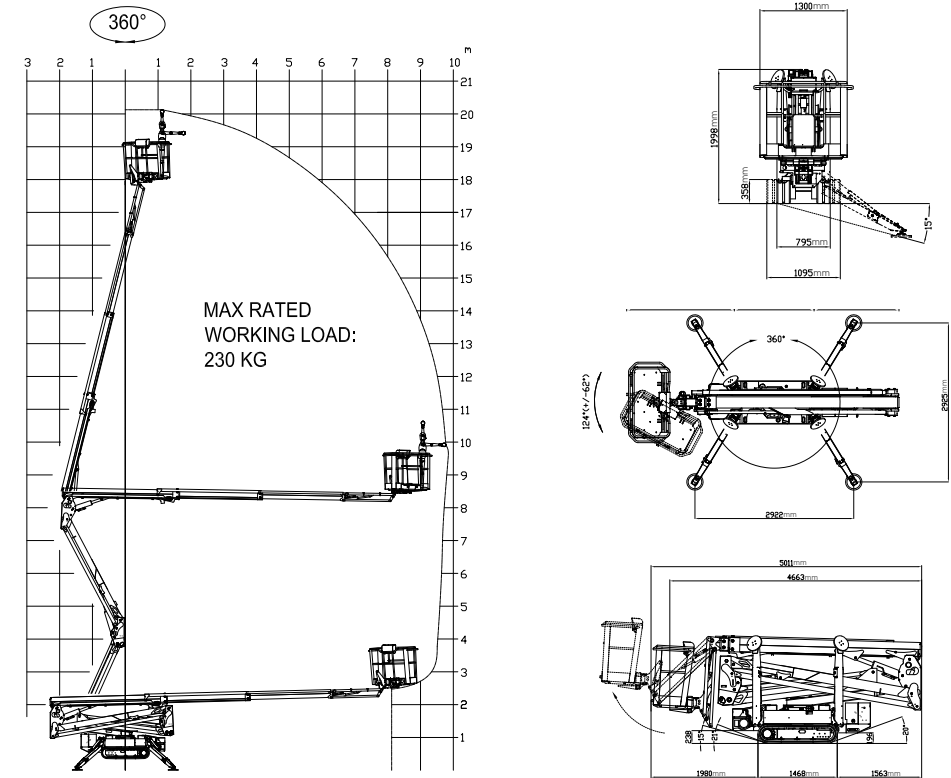


¹ Certain options or country standards may increase weight and/or dimensions.

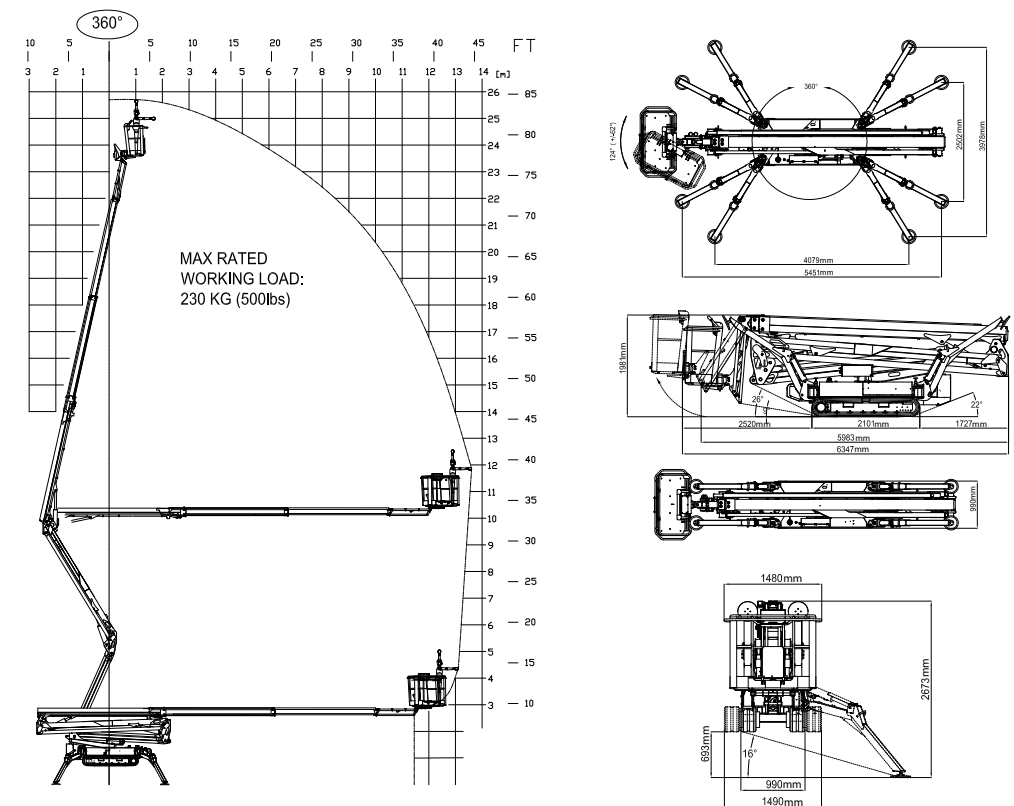


	X20J Plus	X26J Plus
Working Height w 230 kg capacity	20.05 m	25.60 m
Platform Height w 230 kg capacity	18.05 m	23.60 m
Horizontal Outreach (Std Platform w 230kg)	9.20 m	13.10 m
Working Outreach (Std Platform w 230kg)	9.85 m	13.75 m
Up & Over Height w 230 kg	8.2 m	10.10 m
Swing (non continuous)	360°	360°
Jib - overall length	1.68 m	1.68 m
Jib - range of articulation (+/-)	89° (+0/-89°)	89° (+0/-89°)
Platform size (standard 2 persons)	0.69 m x 1.34 m	0.69 m x 1.34 m
Platform size (narrow one person)	0.59 m x 0.79 m	0.59 m x 0.79 m
Stowed width (with std. 2P platform)	1.48 m	1.48 m
A. Stowed width (without platform)	0.795 m	0.99 m
B. Stowed height (on tracks)	1.99 m	1.99 m
Stowed length (on tracks) with Basket	5.00 m	6.35 m
Stowed length (on tracks) without Basket	4.67 m	5.99 m
Outrigger footprint	2.92 m x 2.93 m	4.08 m x 3.98 m
Machine weight (with standard platform)	2,840 kg ¹	—
Operating weight (with engine)	2,880 kg ¹	4,365 kg ¹
Maximum ground bearing pressure (on outriggers)	3.10 kg/cm ²	4.51 kg/cm ²
Maximum ground bearing pressure (on tracks)	0.65 kg/cm ²	0.54 kg/cm ²
Maximum drive speed (single speed m/c) Petrol	1.3 km/h	-
Maximum drive speed (two speed m/c) Petrol	2.5 km/h	2.4 km/h
Gradeability	28%	28%
Maximum operating slope	12°	12°
Max. Approach / Depart angles	20°	Front 22° / Rear 25°
Track size - McLaren low profile black rubber	1.46 m x 0.2 m x 0.35 m	—
Track size - Bridgestone high profile black rubber	—	1.76 x 0.23 x 0.38 m
Width of Undercarriage (Retracted/Extended)	0.79 m / 1.09 m	0.99 m / 1.49 m
AC electric motor	2.2 KW 50Hz 230V	110V or 220V, 50Hz, 2.2kW
Engine	Honda iGX440, 11 kw Petrol	Kubota D902, 16 kw Diesel

JLG Model X20J Plus



JLG Model X26J Plus

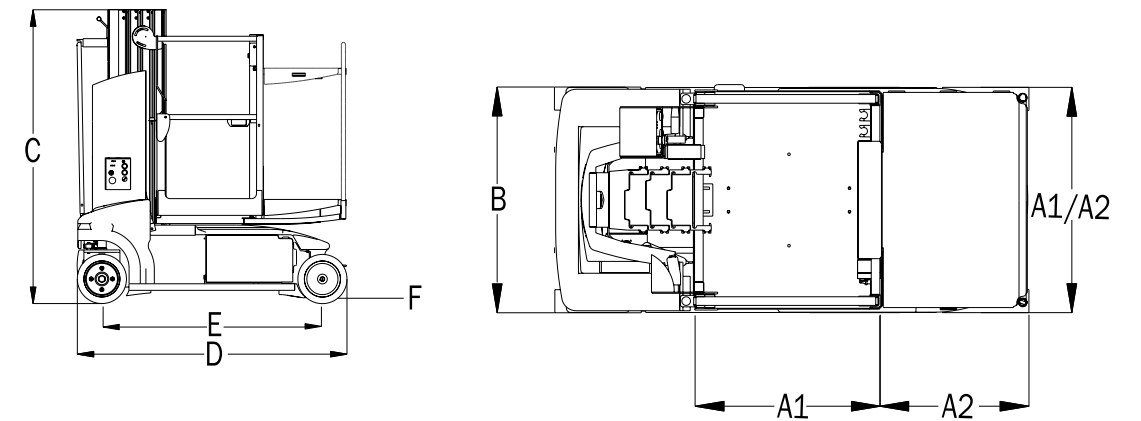
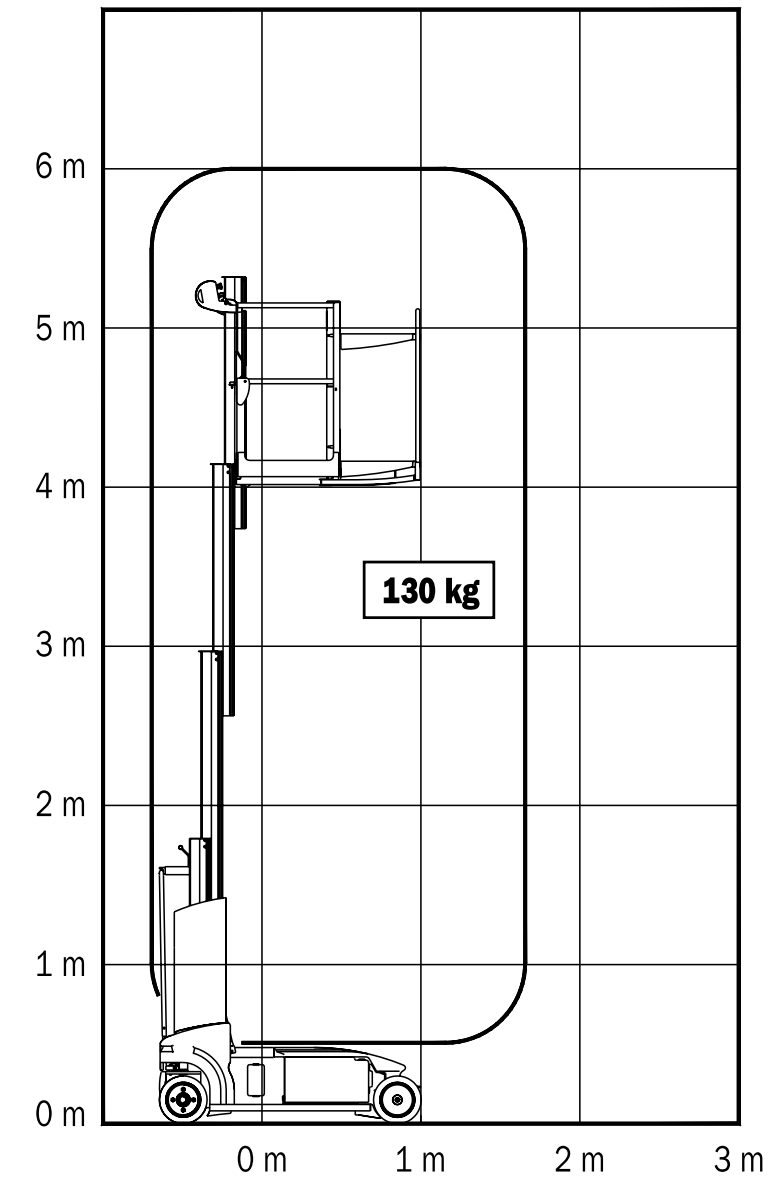


¹ Certain options or country standards may increase weight and/or dimensions.



Toucan Duo	
Working Height	6.00 m
Platform Height	4.00 m
Platform Capacity ¹	130 kg
Elevating Shelf Capacity	70 kg
A1. Platform Size (L x W)	0.65 m / 0.75 m
A2. Elevating Shelf Size (L x W)	0.50 m / 0.75 m
B. Overall Width	0.78 m
C. Stowed Height	1.79 m
D. Overall Length	1.65 m
E. Wheelbase	1.35 m
F. Ground Clearance	8 cm
Chassis Width	0.78 m
Machine weight *	1,000 kg
Maximum Ground Bearing Pressure	13.10 kg/cm ²
Drive Speed - Lowered	4 km/h
Drive Speed - Elevated	1 km/h
Turning Radius (outside)	1.64 m
Turning Radius (inside)	0.00 m
Gradeability	20%
Tyres (non-marking solid)	300 x 80
Electrical system	24V DC
Batteries	24V - 180A/hr
Dual Voltage 110/240V Charger	24V - 15A
Drive motors	2 motors 24V AC - 320 W
Brakes	Electromagnetic
Electrical motor	1 kW
Hydraulic system	6.0 L

JLG Model Toucan Duo

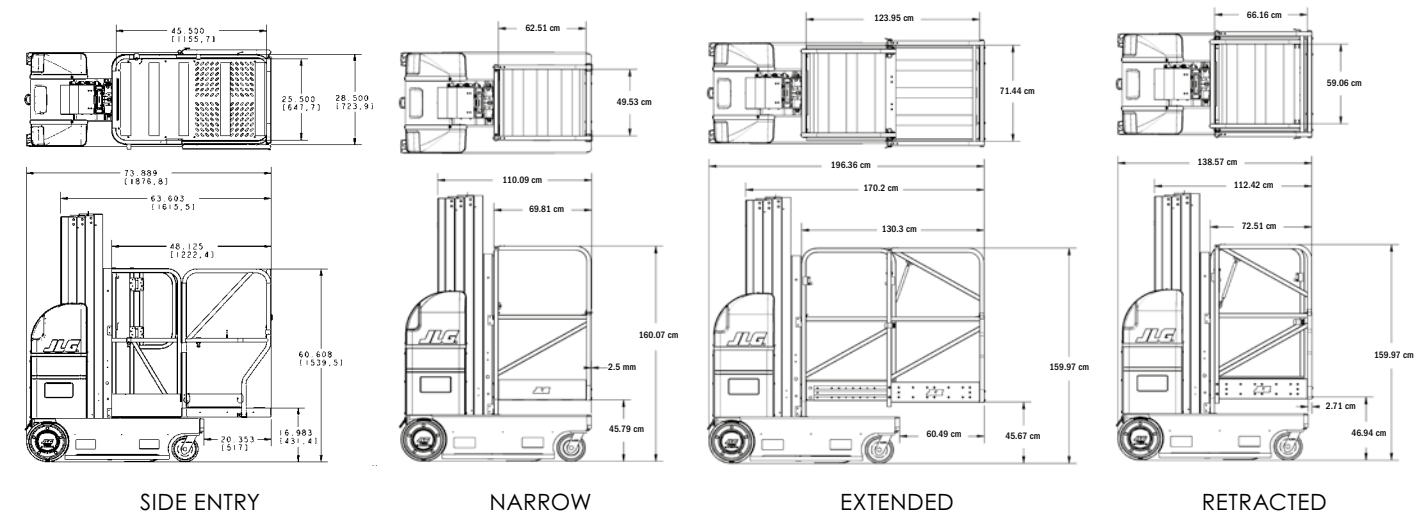
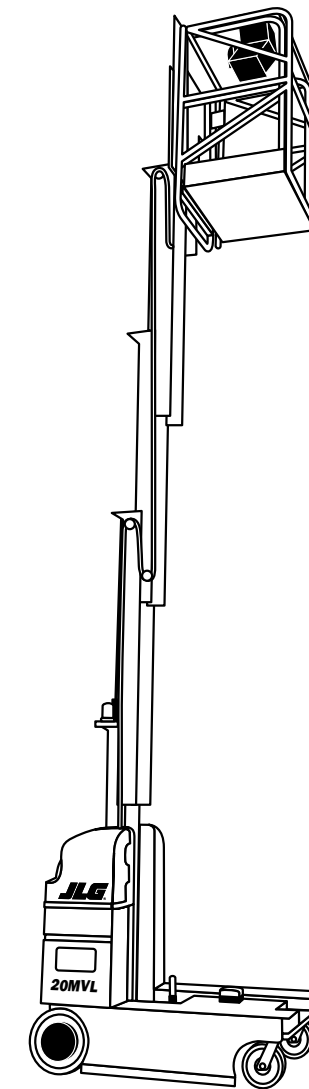


¹ Capacities shown are for 1 person indoors only
 * Certain options or country standards may increase weight and/or dimensions.



	15MVL	20MVL
Working Height	6.71 m	7.98 m
Platform Height	4.71 m	5.98 m
Max Drive Height	4.71 m	5.98 m
Stowed Height	1.98 m	1.98 m
Platform Entry Height	0.46 m	0.46 m
Platform Entry Height Stock Picking Platform	0.43 m	0.43 m
Platform Entry Height Extension Platform	—	—
Platform Capacity - Side Entry Platform	—	115 kg
Material Tray Capacity	—	45 kg
Platform Capacity - Stockpicking Platform	230 kg	160 kg
Platform Capacity - Narrow Platform	230 kg	160 kg
Platform Capacity - Extension Platform	230 kg	160 kg
Platform Size - Side Entry with Material Tray	—	0.69 m x 0.58 m
Material Tray Size (W x L)	—	0.69 m x 0.58 m
Platform Size - Stockpicking Platform (W x L)	0.71 m x 1.22 m	0.71 m x 1.22 m
Platform Size - Narrow Platform (W x L)	0.56 m x 0.64 m	0.56 m x 0.64 m
Platform Size - Extension Platform Retracted (W x L)	0.66 m x 0.66 m	0.66 m x 0.66 m
Platform Size - Extension Platform Extended (W x L)	0.66 m x 1.24 m	0.66 m x 1.24 m
Vehicle Length - Extension Platform Retracted	1.36 m	1.36 m
Vehicle Length - Stock Picking Platform	1.88 m	1.88 m
Vehicle Length - All other Platforms	1.36 m	1.36 m
Vehicle Width - Chassis Width	0.75 m	0.75 m
Vehicle Width - Extension Platform	0.82 m	0.82 m
Vehicle Width - Stock Picking Platform	0.80 m	0.80 m
Vehicle Width - All Other Platforms	0.75 m	0.75 m
Machine weight - All Other Platforms ¹	1,060 kg	1,060 kg
Machine weight - Extension Platform ¹	1,090 kg	1,090 kg
Machine weight - Stock Picking Platform ¹	1,110 kg	1,110 kg
Maximum Ground Bearing Pressure Front Casters	22.60 kg/cm ²	19.50 kg/cm ²
Maximum Ground Bearing Pressure Rear Wheels	8.10 kg/cm ²	9.21 kg/cm ²
Drive Maximum Speed - Platform Lowered	5.4 km/h	5.4 km/h
Drive Maximum Speed - Platform Elevated	0.8 km/h	0.8 km/h
Turning Radius	Zero	Zero
Gradeability	20%	20%
Ground Clearance	5 cm	5 cm
Wheel Diameter - Rear Drive & Steer Wheels	32 cm x 10 cm	32 cm x 10 cm
Wheel Diameter - Front Castor Wheels	20 cm x 6 cm	20 cm x 6 cm
Tyre Material	Non-marking	Non-marking
Batteries	Maintenance-Free 100A/hr AGM (x 2)	Maintenance-Free 100A/hr AGM (x 2)

JLG MVL Series

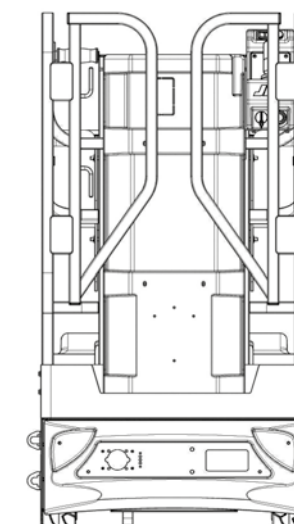
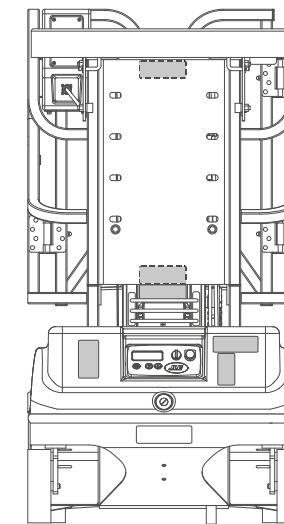
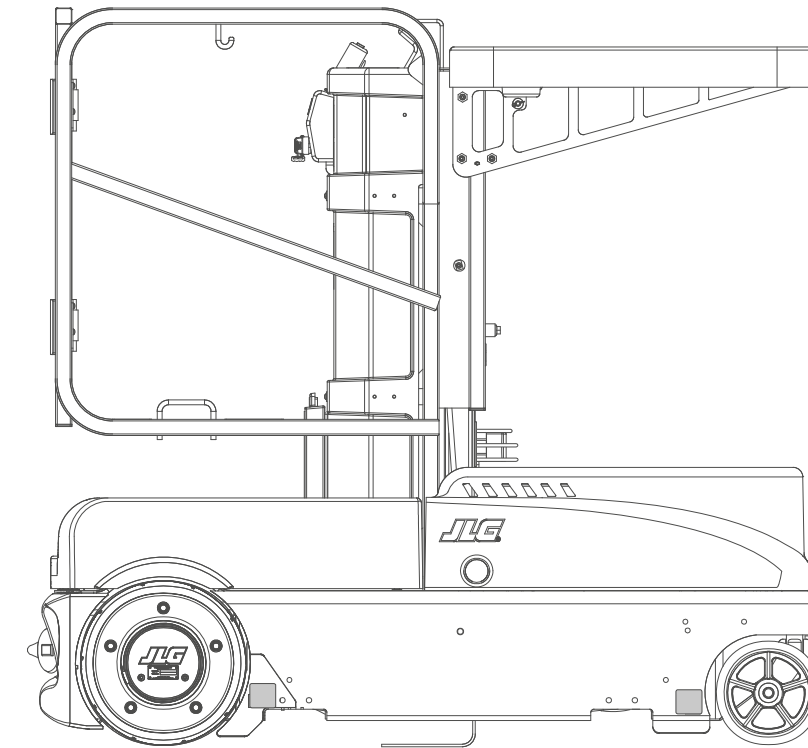


¹ Certain options or country standards may increase weight and/or dimensions.



	10MSP
Working Height	5.05 m
Platform Height	3.05 m
Operator Platform Capacity	160 kg
Material Tray Capacity	115 kg
Carry Deck Capacity	115 kg
Platform Size (W x L) - swing gates entry	0.69 m x 0.50 m
Material Tray Size (W x L)	0.66 m x 0.66 m
Overall Height - Stowed	1.45 m
Overall Width - Stowed ²	0.83 m
Overall Length	1.56 m
Ground Entry Height	0.35 m
Minimum Tray Stowed Height	0.86 m
Maximum Tray Stowed Height	1.32 m
Maximum Tray Elevated Height	4.04 m
Drive Speed - Lowered	5.4 km/h
Drive Speed - Elevated	0.8 km/h
Distance from Platform to Wall - Over Front	0.00 m
Distance from Platform to Wall - Over Sides	0.00 m
Machine weight ¹	555 kg
Maximum Ground Bearing Pressure Front Casters	11.70 kg/cm ²
Maximum Ground Bearing Pressure Rear Wheels	6.70 kg/cm ²
Turning Radius	Zero
Gradeability	15%
Wheel Diameter - Drive Wheel	0.32 m
Wheel Diameter - Front Castors	0.20 m
Battery	Maintenance-Free 200A/hr AGM (x 4)
Battery Charger	25A Automatic
Drive System	Direct Electric

JLG Model 10MSP



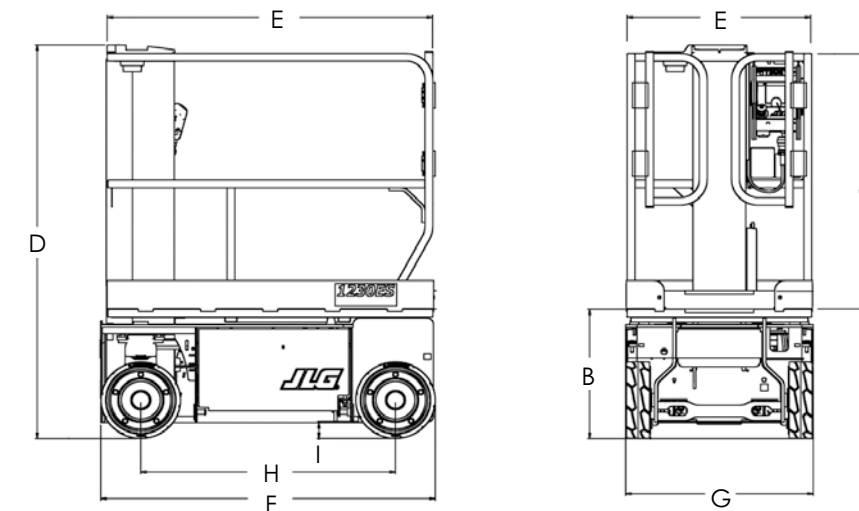
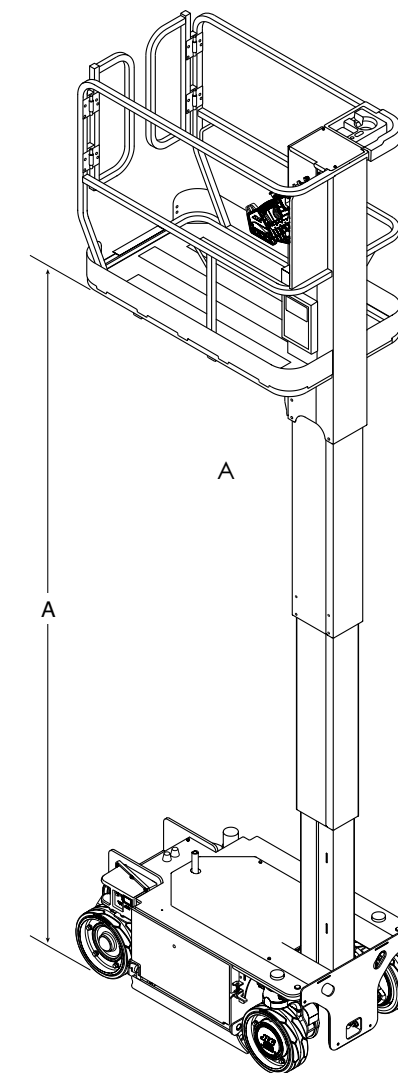
¹ Certain options or country standards may increase weight and/or dimensions.

² Without rubber bumpers Width: 0.75 m .



	1230ES
Working Height	5.66 m
A. Platform Height - Elevated	3.66 m
B. Platform Height - Lowered	0.52 m
C. Platform Rail Height	1.10 m
D. Stowed Height	1.65 m
E. Platform Size (W x L)	0.69 m x 1.26 m
F. Overall Length	1.36 m
G. Overall Width	0.76 m
H. Wheelbase	1.04 m
I. Ground Clearance (Stowed)	6.5 cm
Platform Capacity ¹	230 kg
Lift / Lower Time	12 /12 sec.
Maximum Drive Height	3.66 m
Weight ²	790 kg
Maximum Ground Bearing Pressure	8.65 kg/cm ²
Drive Speed Lowered	4.8 km/h
Drive Speed Elevated	0.8 km/h
Gradeability	25%
Turning Radius - Inside	11 cm
Turning Radius - Outside	1.46 m
Tyres (Non-Marking Solid)	323 x 100
Brakes	Automatic Spring Applied
Drive	24V Electric 6 kW
Batteries	4 x 6V 220A/hr
Charger (120/240V - 50/60Hz)	20A Automatic
Hydraulic System	4.0 L

JLG Model 1230ES

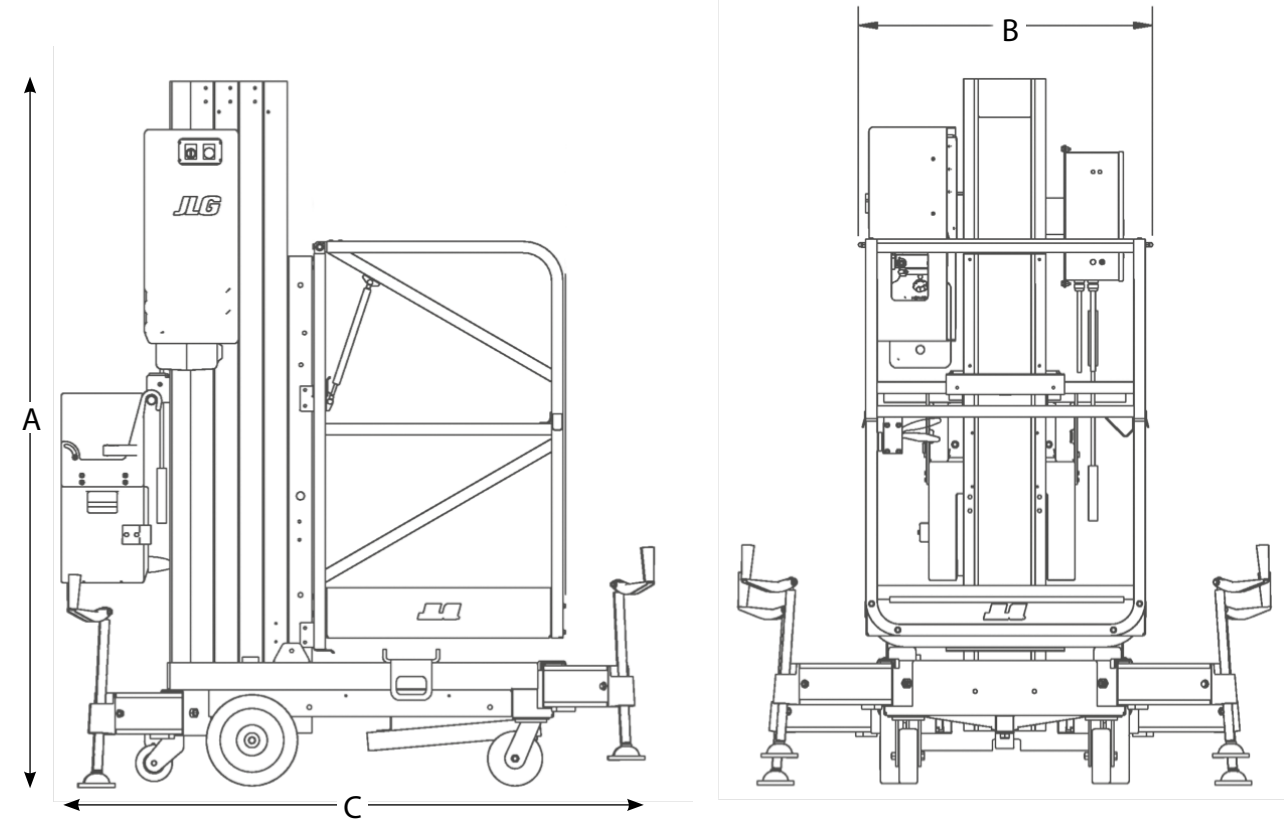
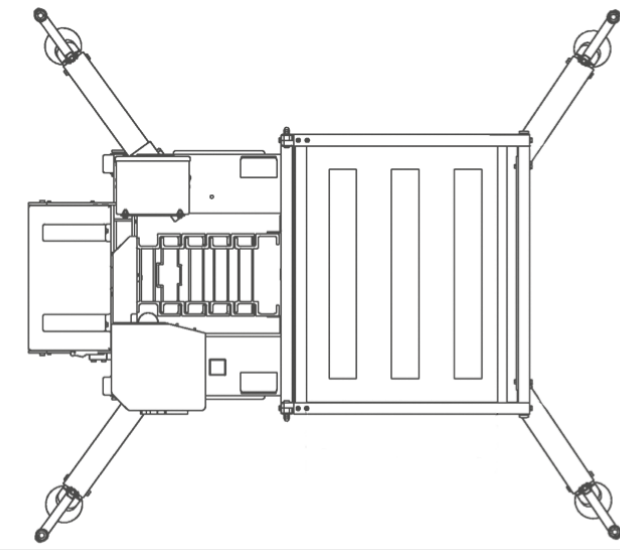


¹ Capacity - 1 person + tools and equipment up to maximum 230 kg.
² Certain options or country standards may increase weight and/or dimensions.



	20AM	25AM	30AM	36AM	41AM
Working Height	8.22 m	9.67 m	11.14 m	13.05 m	14.42 m
Platform Height	6.22 m	7.67 m	9.14 m	11.05 m	12.42 m
Platform Capacity	160 kg	160 kg	135 kg	135 kg	135 kg
Platform Size - Narrow (W x L)	0.56 m x 0.63 m	0.56 m x 0.63 m	0.56 m x 0.63 m	0.56 m x 0.63 m	0.56 m x 0.63 m
Platform Size - Side Entry (W x L)	0.66 m x 0.66 m	0.66 m x 0.66 m	0.66 m x 0.66 m	0.66 m x 0.66 m	0.66 m x 0.66 m
A. Overall Height - Stowed	1.97 m	1.97 m	1.97 m	2.64 m	2.64 m
Overall Height - Tilted Back	—	—	—	1.92 m	1.96 m
B. Base Width - Stowed	0.74 m	0.74 m	0.74 m	0.74 m	0.74 m
C. Base Length - Stowed	1.19 m	1.24 m	1.32 m	1.38 m	1.46 m
Base Length - Without Platform	1.19 m	1.19 m	1.19 m	1.35 m	1.35 m
Overall Length - Tilted Back	—	—	—	2.74 m	2.74 m
Ground Entry Height	0.48 m	0.48 m	0.48 m	0.48 m	0.48 m
Outrigger Footprint Length	1.73 m	1.73 m	1.88 m	2.13 m	2.13 m
Outrigger Footprint Width	1.57 m	1.57 m	1.83 m	2.18 m	2.18 m
Distance to Wall - Front	0.28 m	0.20 m	0.20 m	0.42 m	0.34 m
Distance to Wall - Side	0.44 m	0.44 m	0.60 m	0.75 m	0.75 m
Machine weight - AC *	325 kg	365 kg	395 kg	440 kg	485 kg
Machine weight - DC *	360 kg	395 kg	430 kg	475 kg	520 kg
Rear Wheel Diameter	25 cm	25 cm	25 cm	25 cm	25 cm
Caster Wheel Diameter	15 cm	15 cm	15 cm	15 cm	15 cm

JLG AM Series



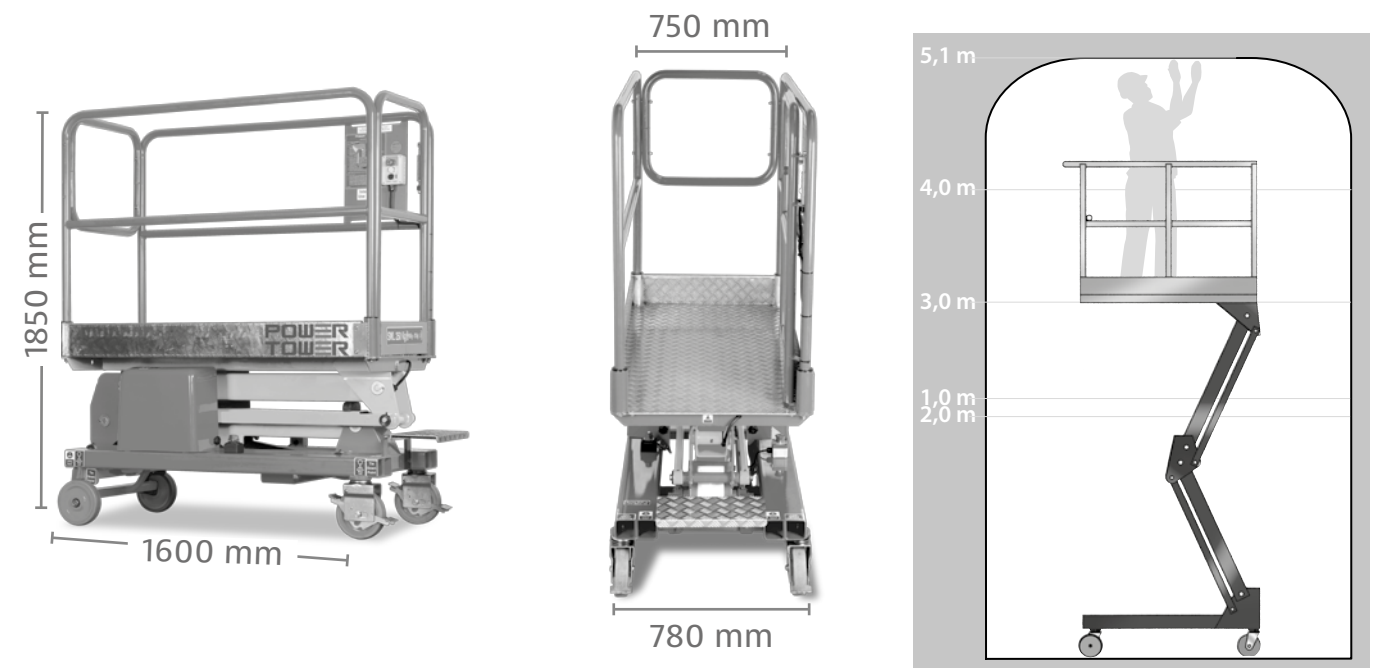
* Certain options or country standards may increase weight and/or dimensions.



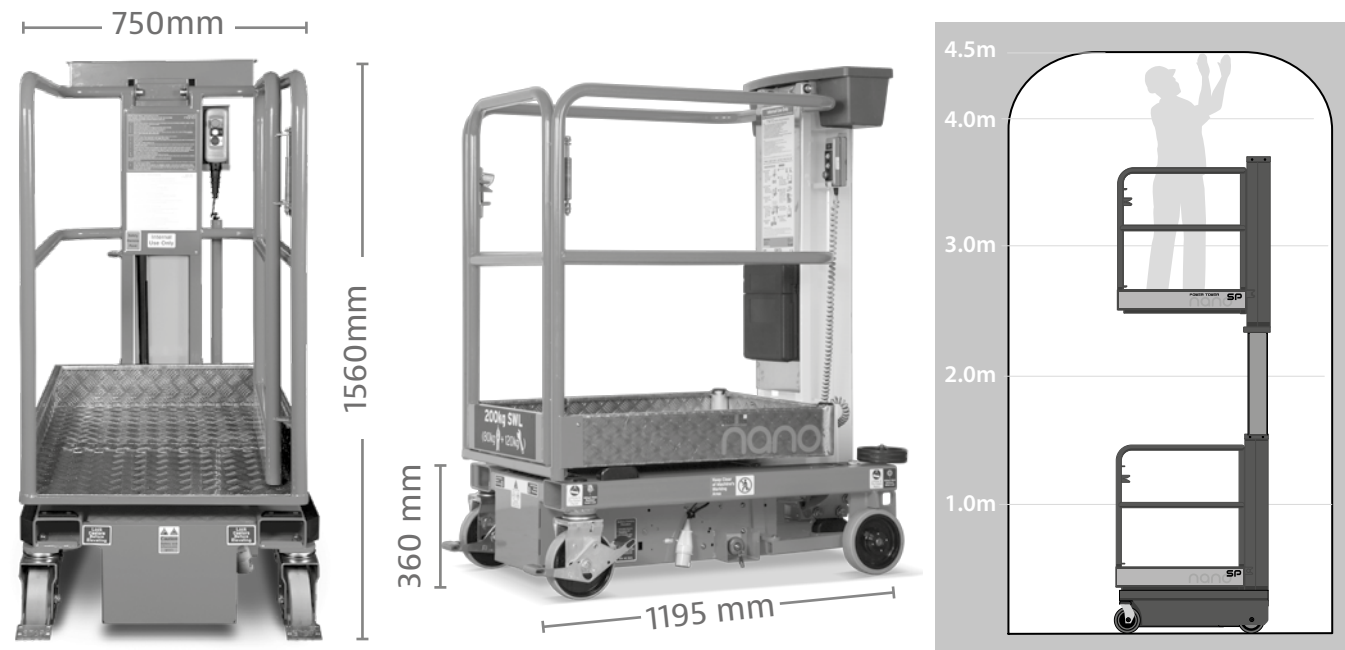
	PowerTower	Power Tower Nano	Nano SP Zero	Nano SP	Nano SP Plus
Maximum working height	5.10 m	4.50 m	4.50 m	4.50 m	4.50 m
Maximum platform height	3.10 m	2.50 m	2.50 m	2.50 m	2.50 m
Closed platform height	X	0.36 m	0.36 m	0.40 m	0.39 m
Outreach cantilever deck to cage edge	—	—	—	0.50 m	1.00 m
Working outreach	—	—	—	1.15 m	1.65 m
Platform dimensions	1.52 m x 0.75 m	1.00 m x 0.73 m	1.00 m x 0.73 m	1.00 m x 0.73 m	1.00 m x 0.73 m
Basket dimensions, including cantilever	—	—	—	1.50 m x 0.73 m	2.00 m x 0.7 2m
Working foot print	1.60 m x 0.78 m	1.195 m x 0.75 m	1.20 m x 0.75 m	1.22 m x 0.75 m	1.20 m x 0.75 m
Safe working load	250kg	200 kg (1 person plus tools)	200 kg (1 person plus tools)	200 kg (1 person plus tools)	200 kg - main platform, 120kg - cantilever deck
Maximum manual force	200 N	200 N	200 N	200 N	200 N
Maimum gradient for operation	0°	0°	1.8°	0°	1.8°
Maximum wind force	0 m/s	0 m/s	12.5 m/sec	12.5 m/sec	12.5 m/sec
Drive speed max	—	—	4.6 KpH	3.0 KpH	4.6 KpH
Drive speed slow	—	—	0.7 KpH	1.0 KpH	0.7KpH
Elevated Drive Speed	—	—	—	0.7 KpH	—
Maximum Wheel force	2.9 kN	1.77 kN	2.11 kN	2.2 kN	2.1 kN
Gradeability	—	—	30%	40%	30%
Power Sound Level	?	Less than 70dba	Less than 70dba	Less than 70dba	Less than 70dba
Closed Length	1.60 m	1.195 m	1.20 m	1.22 m	1.20 m
Closed Width	0.78 m	0.75 m	0.75 m	0.75 m	0.75 m
Closed Height	1.85 m	1.56 m	1.59 m	1.59 m	1.59 m
Closed Weight	342 kg	285 kg	456 kg	500 kg	540 kg
Battery	12V 105A	12V 105A	2x12V 105A	2x12V AGM	2x12V 105A
Input Voltage	90-265 V AC	90-265 V AC	90-265 V AC	180-265 V AC	90-265V AC
Frequency	45-65 Hz	45-65 Hz	45-65 Hz	45-65 Hz	45-65 Hz
Output	12V DC, 7A	12V DC, 7A	24VDC, 7A	24V DC, 7/8A	24VDC, 8A
Power Source/Drive	12V DC Electric Motor / -	12V DC Electric Motor / -	24-V-DC-Electric Motor 24-V-DC-Motor/ Gearbox drive	24-V-DC-Electric Motor 24-V-DC-Motor/ Gearbox drive	24-V-DC-Electric Motor 24-V-DC-Motor/ Gearbox drive

	PowerTower	Power Tower Nano	Nano SP Zero	Nano SP	Nano SP Plus
Controls	Simple push button basket controls.	Simple push button heavy duty pendant controls for ground and platform.	Simple intuitive joystick controls for 360° smooth manoeuvrability.	Simple intuitive joystick controls for 360° smooth manoeuvrability.	Simple intuitive joystick controls for 360° smooth manoeuvrability.
Construction	Heavy duty fabricated steel superstructure, stainless steel bushed pivots, tough powder coated finish.	Heavy duty fabricated steel superstructure, stainless steel bushed pivots and 2 stage mast with Ultra-Glide technology. Tough powder coated finish.	Heavy duty fabricated steel superstructure, stainless steel bushed pivots and 2 stage mast with Ultra-Glide technology. Tough powder coated finish.	Heavy duty fabricated steel superstructure, stainless steel bushed pivots and 2 stage mast with Ultra-Glide technology. Tough powder coated finish.	Heavy duty fabricated steel superstructure, stainless steel bushed pivots and 2 stage mast with Ultra-Glide technology. Tough powder coated finish.
Safety	CE marked, complies with applicable European legislation including Machinery Directive using the EN280 design standard. Full fail-safe hydraulics, automatic locking wheels.	CE marked, complies with applicable European legislation including Machinery Directive using the EN280 design standard. Full fail-safe hydraulics, automatic locking wheels.	CE Compliant according to EN280, Fail-safe hydraulic circuit complete with check valve on lift cylinder, built in pothole protection, tilt sensor with alarm and cut-out, auto basket overload cut-out, auto elevated drive-speed reduction, auto parking brake, emergency decent from basket- and ground controls.	CE Compliant according to EN280, Fail-safe hydraulic circuit complete with check valve on lift cylinder, built in pothole protection, tilt sensor with alarm and cut-out, auto basket overload cut-out, auto elevated drive-speed reduction, auto parking brake, emergency decent from basket- and ground controls, solenoid swivel castor locks.	CE Compliant according to EN280, Fail-safe hydraulic circuit complete with check valve on lift cylinder, built in pothole protection, tilt sensor with alarm and cut-out, auto basket overload cut-out, auto elevated drive-speed reduction, auto parking brake, emergency decent from basket- and ground controls.
Options	Tilt alarm c/w auto cut-out. Narrow basket for suspended ceiling grid access. Pipe carrying kit (max 2" pipe). Tool tray. Foam buffer kit.	Tilt alarm with auto cut out. Protective storage cover.	Trojan wet batteries.	Trojan wet batteries.	Trojan wet batteries.

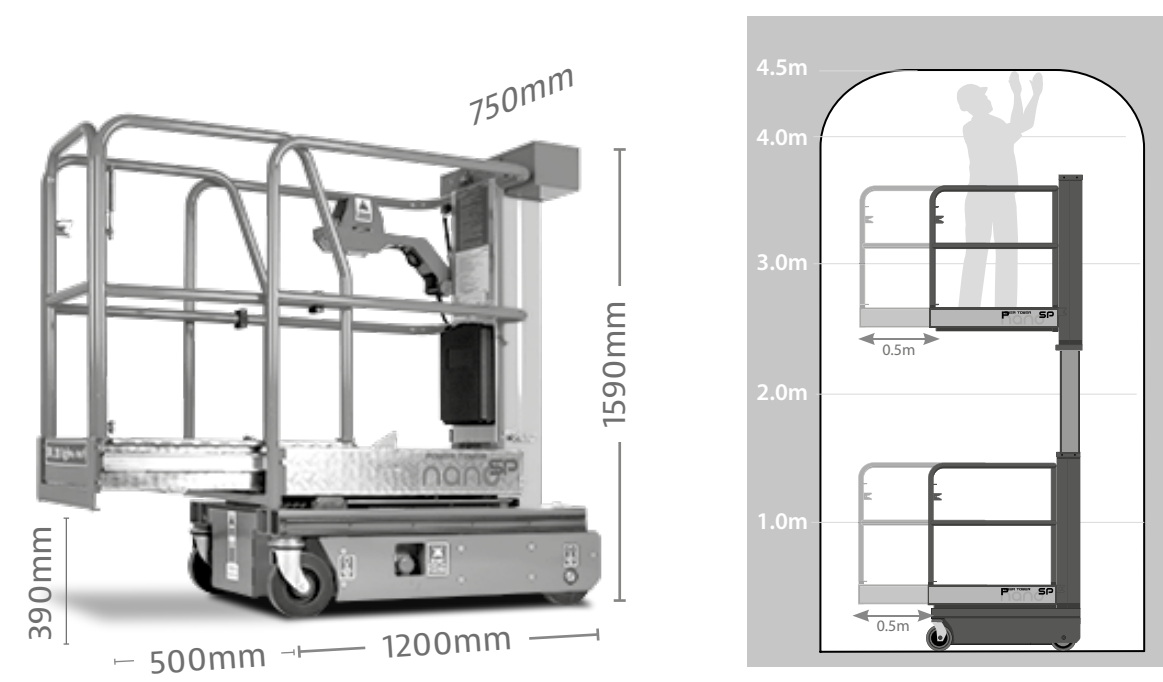
JLG Model Power Tower



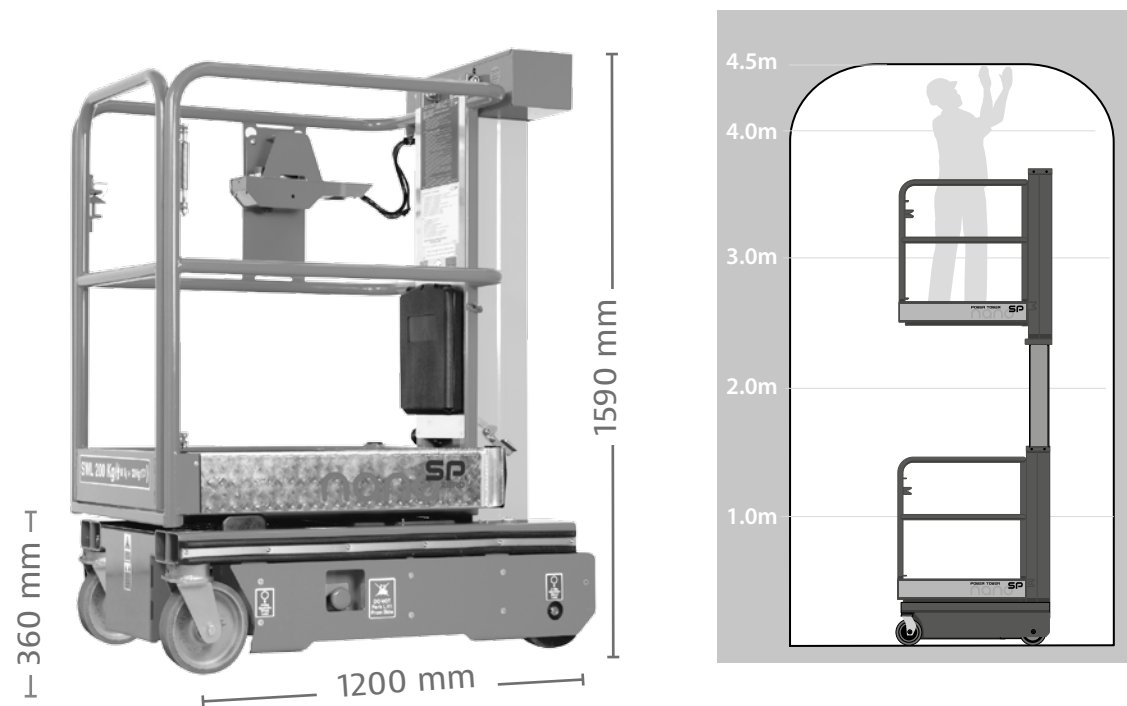
JLG Model Power Tower Nano



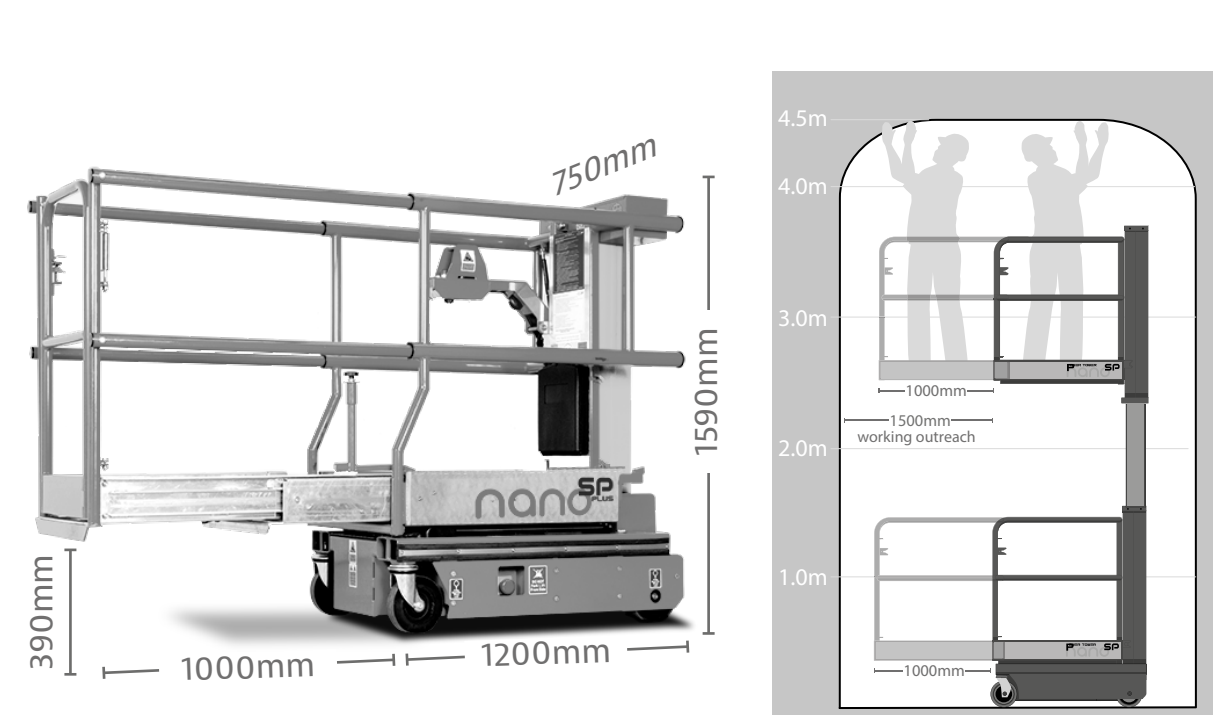
JLG Model Nano SP



JLG Model Nano SP Zero

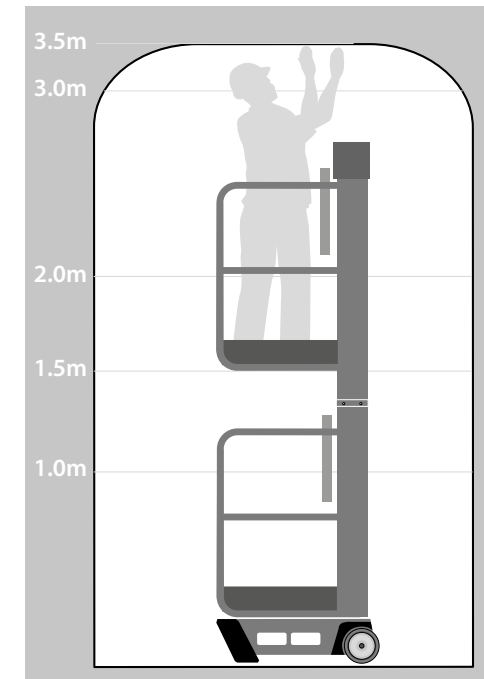


JLG Model Nano SP Plus

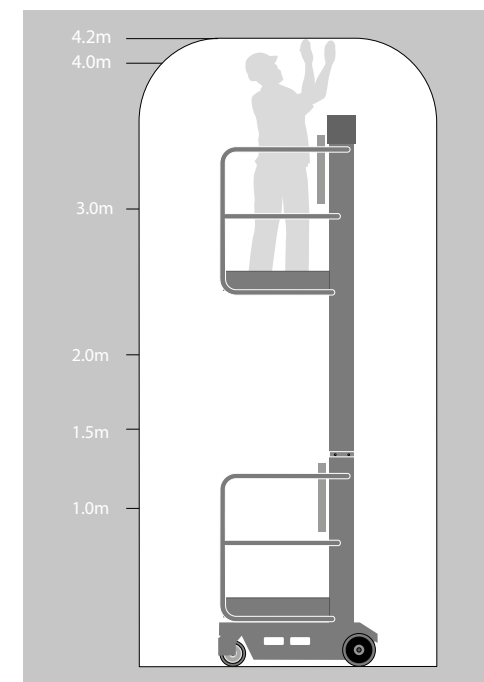
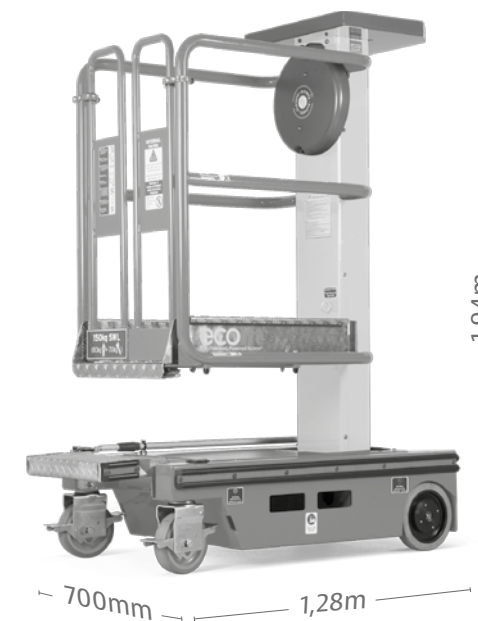


	PecoLift	EcoLift
Maximum working height	3.50m	4.20m
Maximum platform height	1.50m	2.20m
Basket dimensions (L x W)	720 x 600 mm	850 x 644 mm
Working footprint	985 mm x 700 mm	1.28 m x 700 mm
Safe working load (1 person + tools)	150 kg	150 kg
Maximum manual force	200N	200N
Maximum gradient for operation	0°	0°
Maximum wind force	Internal use only, 0 (zero) m/s	Internal use only, 0 (zero) m/s
Maximum castor point load	125 kg (1.23 kN)	234 kg (2.29 kN)
Sound pressure level	Less than 70DbA	Less than 70DbA
Closed Length	0.985 m	1.28 m
Closed Width	0.70 m	0.70 m
Closed Height	1.55 m	1.94 m
Closed Weight	180 kg	305 kg
Lift cycles	Unlimited	Unlimited
Option:	Zone 1 and 21 - ATEX Certification	Zone 1 and 21 - ATEX Certification

JLG Model PecoLift



JLG Model EcoLift



	E300AJ	E300AJP
Platform		
0.76 m x 1.22 m low mount platform	●	●
Side entry with drop bar mid rail	●	●
Side entry with inward swing gate	○	○
Multiple function operation	●	●
Full proportional drive joystick control with integral thumb steer switch	●	●
Full proportional main boom and swing joystick control	●	●
Multiple speed control for lower boom, telescope, jib and platform rotate	●	●
Selectable creep speed on drive / lift and swing functions	●	●
1.22 m articulating jib	●	●
JibPLUS® with 4 way axis 1.22 m Jib	—	●
180 degree powered platform rotator	●	●
Platform console machine status light panel ¹	●	●
Load sensing system	●	●
AC power cable to platform	●	●
Engine & Transmission		
Two Wheel Direct Electric Drive with AC motors	●	●
8 x 6V 305A/hr deep cycle batteries	●	●
Automatic traction control	●	●
Programmable "Personality" settings	●	●
On-board self-diagnostic testing	●	●
Enclosed battery / electrical compartment	●	●
20 amp automatic battery charger	●	●
Automatic rear wheel brakes	●	●
Sculptured Steel hoods	●	●
Functional Equipment & Accessories		
3 degree tilt alarm and indicator light	●	●
Non mark solid rubber tyres	●	●
Pothole protection system	●	●
1.22 m narrow frame	●	●
Lifting/tie down lugs	●	●
Ground control selector switch with key lock	●	●
Battery condition indicator	●	●
Hour meter	●	●
Horn	●	●
370A/hr batteries in lieu of 305A/hr batteries	○	○
All motion alarm	○	○
305A/hr maintenance free AGM batteries in lieu of standard	○	○
Platform worklights	○	○
Amber strobe light	○	○
Plugs & Sockets	○	○
Programmable Security Lock	○	○
Acrylic console shield	○	○
Cylinder bellows	○	○
Skyguard with beacon	○	○
Skyguard without beacon	○	○
Platform tool tray	○	○
Manual descent system	●	●

Standard ● Option ○ Not Available —

	E400AJP	M400AJP	E400AJPn	M400AJPn
Platform				
0.76 m x 1.22 m low mount platform	○	○	●	●
0.76 m x 1.52 m low mount platform	●	●	○	○
Side entry with drop bar mid rail	●	●	●	●
Side entry with inward swing gate	○	○	○	○
Multiple function operation	●	●	●	●
Full proportional drive joystick control with integral thumb steer switch	●	●	●	●
Full proportional main boom and swing joystick control	●	●	●	●
Multiple speed control for lower boom, telescope, jib and platform rotate	●	●	●	●
Selectable creep speed on drive / lift and swing functions	●	●	●	●
1.22 m articulating jib	●	●	●	●
JibPLUS® with 4 way axis 1.22 m Jib	●	●	●	●
180 degree powered platform rotator	●	●	●	●
Platform console machine status light panel ¹	●	●	●	●
Load sensing system	●	●	●	●
AC power cable to platform	●	●	●	●
13 mm air line to platform	—	—	—	—
Engine & Transmission				
Two Wheel Direct Electric Drive with AC motors	●	●	●	●
8 x 6V 370A/hr deep cycle batteries	●	●	●	●
Automatic traction control	●	●	●	●
Programmable "Personality" settings	●	●	●	●
On-board self-diagnostic testing	●	●	●	●
Enclosed battery / electrical compartment	●	●	●	●
20 amp automatic battery charger	●	●	●	●
Automatic rear wheel brakes	●	●	●	●
Sculptured ABS hoods	●	●	●	●
Functional Equipment & Accessories				
3 degree tilt alarm and indicator light	●	●	●	●
Non mark solid rubber tyres	○	○	●	●
240/55 - 17.5 foam filled tyres	●	●	—	—
240/55 - 17.5 non marking foam filled tyres	○	○	—	—
1.75 m frame	●	●	—	—
1.50 m narrow frame	—	—	●	●
Lifting/tie down lugs	●	●	●	●
Ground control selector switch with key lock	●	●	●	●
Battery condition indicator	●	●	●	●
Hour meter	●	●	●	●
Horn	●	●	●	●
305A/hr maintenance free AGM batteries in lieu of standard	○	○	○	○
All motion alarm	○	○	○	○
Light package ²	○	○	○	○
Platform worklights	○	○	○	○
Head and tail lights	○	○	○	○
Amber strobe light	○	○	○	○
Plugs & Sockets	○	○	○	○
Acrylic console shield	○	○	○	○
Cylinder bellows	○	○	○	○
Skyguard with beacon	○	○	○	○
Skyguard without beacon	○	○	○	○
Platform tool tray	●	●	●	●
Manual descent system	●	●	●	●

Standard ● Option ○ Not Available —

¹ Provides indicator lights at platform control console for system distress, low battery, tilt light, and foot switch status.

¹ Provides indicator lights at platform control console for system distress, low battery, tilt light, and foot switch status.
² Includes head & tail lights and platform work lights.

	E450AJ	M450AJ
Platform		
0.76 m x 1.22 m low mount platform	○	○
0.76 m x 1.52 m low mount platform	●	●
Side entry with drop bar mid rail	●	●
Side entry with inward swing gate	○	○
Multiple function operation	●	●
Full proportional drive joystick control with integral thumb steer switch	●	●
Full proportional main boom and swing joystick control	●	●
Multiple speed control for lower boom, telescope, jib and platform rotate	●	●
Selectable creep speed on drive / lift and swing functions	●	●
1.22 m articulating jib	●	●
180 degree powered platform rotator	●	●
Platform console machine status light panel ¹	●	●
Load sensing system	●	●
AC power cable to platform	●	●
13 mm air line to platform	○	○
Engine & Transmission		
Two Wheel Direct Electric Drive with AC motors	●	●
8 x 6V 370A/hr deep cycle batteries	●	●
On-Board diesel powered quick charge gen set	—	●
Automatic traction control	●	●
Programmable "Personality" settings	●	●
On-board self-diagnostic testing	●	●
Enclosed battery / electrical compartment	●	●
20 amp automatic battery charger	●	●
Automatic rear wheel brakes	●	●
Sculptured ABS hoods	●	●
Functional Equipment & Accessories		
3 degree tilt alarm and indicator light	●	●
Non mark solid rubber tyres	○	○
240/55 - 17.5 foam filled tyres	●	●
240/55 - 17.5 non marking foam filled tyres	○	○
Lifting/tie down lugs	●	●
Ground control selector switch with key lock	●	●
Battery condition indicator	●	●
Hour meter	●	●
Horn	●	●
305A/hr maintenance free AGM batteries in lieu of standard	○	○
All motion alarm	○	○
Platform worklights	○	○
Head and tail lights	○	○
Light package ²	○	○
Amber strobe light	○	○
Plugs & Sockets	○	○
Acrylic console shield	○	○
Cylinder bellows	○	○
Skyguard with beacon	○	○
Skyguard without beacon	○	○
Platform tool tray	●	●
Manual descent system	●	●

Standard ● Option ○ Not Available —

¹ Provides indicator lights at platform control console for system distress, low battery, tilt light, and foot switch status.
² Includes head & tail lights and platform work lights.

	E600J	M600J	E600JP	M600JP
Platform				
0.76 m x 1.22 m low mount platform	○	○	○	○
0.76 m x 1.83 m low mount platform	●	●	●	●
Side entry with drop bar mid rail	●	●	●	●
Side entry with inward swing gate	○	○	○	○
Multiple function operation	●	●	●	●
Full proportional drive joystick control with integral thumb steer switch	●	●	●	●
Full proportional main boom and swing joystick control	●	●	●	●
Multiple speed control for lower boom, telescope, jib and platform rotate	●	●	●	●
Selectable creep speed on drive / lift and swing functions	●	●	●	●
1.22 m articulating jib	●	●	●	●
JibPLUS [®] with 4 way axis 1.24 m Jib	—	—	●	●
180 degree powered platform rotator	●	●	●	●
Platform console machine status light panel ¹	●	●	●	●
Load sensing system	●	●	●	●
AC power cable to platform	●	●	●	●
13 mm air line to platform	○	○	○	○
Engine & Transmission				
Two Wheel Direct Electric Drive	●	●	●	●
8 x 6V 415A/hr deep cycle batteries	●	●	●	●
On-Board diesel powered quick charge gen set	—	●	—	●
Automatic traction control	●	●	●	●
Programmable "Personality" settings	●	●	●	●
On-board self-diagnostic testing	●	●	●	●
Enclosed battery / electrical compartment	●	●	●	●
23 amp automatic battery charger	●	●	●	●
Automatic rear wheel brakes	●	●	●	●
Sculptured ABS hoods	●	●	●	●
All wheel assist	—	○	—	○
Functional Equipment & Accessories				
3 degree tilt alarm and indicator light	—	—	●	●
4 degree tilt alarm and indicator light	●	●	—	—
36/14LL - 22.5 foam filled non marking tyres	●	●	●	●
Oscillating front axle	●	●	●	●
Lifting/tie down lugs	●	●	●	●
Ground control selector switch with key lock	●	●	●	●
Battery condition indicator	●	●	●	●
Hour meter	●	●	●	●
Horn	●	●	●	●
All motion alarm	○	○	○	○
Platform worklights	○	○	○	○
Head and tail lights	○	○	○	○
Light package ²	○	○	○	○
Amber strobe light	○	○	○	○
Plugs & Sockets	○	○	○	○
Acrylic console shield	○	○	○	○
Cylinder bellows	○	○	○	○
Soft Touch proximity system	○	○	—	—
Skyguard with beacon	○	○	○	○
Skyguard without beacon	○	○	○	○
Soft Touch 0.76 m x 1.22 m Platform Proximity System	○	○	○	○
Soft Touch 0.76 m x 1.83 m Platform Proximity System	○	○	○	○
Platform tool tray	●	●	●	●
Corner storage tray	○	○	○	○
Manual descent system	●	●	●	●

Standard ● Option ○ Not Available —

¹ Provides indicator lights at platform control console for system distress, low battery, tilt light, and foot switch status.
² Includes head & tail lights and platform work lights.



	1930ES	2032ES	2632ES	2646ES	3246ES
Platform					
0.90 m roll-out deck extension	●	●	●	—	—
1.27 m roll-out deck extension	—	—	—	●	●
Fold Down Handrails	●	●	●	●	●
Half swing gate	●	●	●	●	●
Removable platform console box	●	●	●	●	●
Lanyard attach points	●	●	●	●	●
Full proportional drive joystick control with integral thumb steer switch	●	●	●	●	●
Proportional lift/lower speed control	●	●	●	●	●
Joystick enable for lift and drive	●	●	●	●	●
Load sensing system	●	●	●	●	●
Engine & Transmission					
4 x 6V 220A/hr deep cycle batteries	●	●	●	●	●
Automatic positive traction	●	●	●	●	●
Programmable "Personality" settings	●	●	●	●	●
On-board self-diagnostic testing	●	●	●	●	●
Swing-out battery/electrical compartment doors	●	●	●	●	●
20 amp automatic battery charger	●	●	●	●	●
Dual motor direct electric front wheel drive & steer	●	●	●	●	●
Dual wheel automatic brakes	●	●	●	●	●
Emergency brake release	●	●	●	●	●
Functional Equipment & Accessories					
Pothole protection system	●	●	●	●	●
AC cable to platform	●	●	●	●	●
13 mm air line to platform	○	○	○	○	○
Battery condition indicator	●	●	●	●	●
Hour meter	●	●	●	●	●
Drywall gate	—	●	●	●	●
Platform work-lights	○	○	○	○	○
Lubrication free scissor arm bushings	●	●	●	●	●
Scissor maintenance prop	●	●	●	●	●
Manual descent	●	●	●	●	●
Horn	●	●	●	●	●
220A/hr maintenance free AGM batteries in lieu of standard	○	○	○	○	○
Non-marking solid tyres (323 x 100)	●	—	—	—	—
Non-marking solid tyres (406 x 125)	—	●	●	●	●
245A/hr batteries in lieu of 220A/hr batteries	—	○	○	○	○
Lifting lugs	○	○	○	○	○
Variable slope sensing	●	●	●	●	●
Slope alarm and light	●	●	●	●	●
All motion alarm	○	○	○	○	○
Descent alarm	○	○	○	○	○
Alarm package ¹	○	○	○	○	○
Platform padding	○	○	○	○	○
Panel Carrier	—	○	○	○	○
Pipe Racks	—	○	○	○	○
Workstation c/w 12V outlet	○	○	○	○	○
Workstation w/o 12V outlet	○	○	○	○	○
Electricians' Package ²	—	—	—	○	○
Plumbers' package ³	—	—	—	○	○
Tie down lugs	●	●	●	●	●
Fork lift pockets	●	●	●	●	●
Amber strobe light	○	○	○	○	○
Plugs & Sockets	○	○	○	○	○

Standard ● Option ○ Not Available —

¹ Includes all-motion alarm + amber strobe light.

² Includes workstation without 12V outlet, pipe racks, vice and electricians tree.

³ Includes workstation with 12V outlet, pipe racks and vice.



	6RS	10RS	1532R	1932R	4045R
Platform					
0.71 m roll-out deck extension	●	—	●	●	—
0.98 m roll-out deck extension	—	●	—	—	●
Fold down handrails	●	●	●	●	●
Half swing gate	●	●	●	●	●
Removable platform control box	●	●	●	●	●
Lanyard attach points	●	●	●	●	●
Full proportional drive joystick control with integral thumb steer switch	●	●	●	●	●
Proportional lift/lower speed control	●	●	●	●	●
Joystick enable for lift and drive	●	●	●	●	●
Load sensing system	●	●	●	●	●
Engine & Transmission					
4 x 6V 220A/hr deep cycle batteries	●	●	●	●	—
4 x 12V 150 A/hr deep cycle batteries	—	—	—	—	●
Automatic positive traction	●	●	—	—	●
Programmable "Personality" settings	●	●	●	●	●
On-board self-diagnostic testing	●	●	●	●	●
Lift off steel hoods on battery/electrical compartments	●	●	●	●	●
20 amp automatic battery charger	●	●	●	●	●
Front wheel hydraulic drive motors	●	●	●	●	●
Dual wheel automatic brakes (on rear wheels)	●	●	●	●	●
Emergency brake release	●	●	●	●	●
Functional Equipment & Accessories					
Passive pothole protection system	●	●	●	●	●
AC cable to platform	●	●	●	●	●
Battery charge level indicator	●	●	●	●	●
Hourmeter	●	●	●	●	●
Lubrication free scissor arm bushings	●	●	●	●	●
Scissor maintenance prop	●	●	●	●	●
Manual descent	●	●	●	●	●
Horn	●	●	●	●	●
150A/hr maintenance free AGM batteries in lieu of standard	—	—	—	—	○
220A/hr maintenance free AGM batteries in lieu of standard	○	○	○	○	—
Non-marking solid tyres (323 x 100)	●	—	●	●	—
Non-marking solid tyres (406 x 127)	—	●	—	—	●
Lifting and tie down points	●	●	●	●	●
Slope alarm and light	●	●	●	●	●
All motion alarm	○	○	○	○	○
Pipe racks	—	○	—	—	○
Fork lift pockets	●	●	●	●	●
Amber strobe light	○	○	○	○	○

Standard ● Option ○ Not Available —

Certain options or country standards may increase weight and/or dimensions.

	3369LE	M3369	4069LE	M4069
Platform				
0.91 m roll-out deck extension	●	●	●	●
Fold-down handrails	●	●	●	●
Self-closing gate	●	●	●	●
Removable platform console box	●	●	●	●
Lanyard attach points	●	●	●	●
Full proportional drive joystick control with integral thumb steer switch	●	●	●	●
Proportional lift/lower speed control	●	●	●	●
Joystick enable for lift and drive	●	●	●	●
Load sensing system	●	●	●	●
Two speed drive selection	●	●	●	●
Engine & Transmission				
Two Wheel Direct Electric Drive	●	●	●	●
8 x 6V 370A/hr deep cycle batteries	●	●	●	●
On-Board diesel powered quick charge gen set	—	●	—	●
Automatic traction control	●	●	●	●
Programmable "Personality" settings	●	●	●	●
On-board self-diagnostic testing	●	●	●	●
Detachable battery compartments	●	●	●	●
20 amp automatic battery charger	●	●	●	●
Automatic rear wheel brakes	●	●	●	●
Sculptured steel hoods	●	●	●	●
All wheel assist	—	○	—	○
Functional Equipment & Accessories				
3 degree tilt alarm and indicator light	●	●	●	●
Steel scissor guards	●	●	●	●
Hydraulic levelling jacks	○	○	○	○
240/55 - 17.5 non marking foam filled tyres	●	●	●	●
Oscillating rear axle with DUS	●	●	●	●
Lifting/tie down lugs	●	●	●	●
Lubrication free scissor arm bushings	●	●	●	●
Scissor maintenance prop	●	●	●	●
AC cable to platform	●	●	●	●
13 mm air line to platform	○	○	○	○
Ground control selector switch with key lock	●	●	●	●
Battery condition indicator	●	●	●	●
Hour meter	●	●	●	●
Horn	●	●	●	●
390A/hr maintenance free AGM batteries in lieu of standard	○	○	○	○
All motion alarm	○	○	○	○
Descent alarm	○	○	○	○
Alarm package ¹	○	○	○	○
Manual descent pull cable	●	●	●	●
Platform work-lights	○	○	○	○
Amber strobe light	○	○	○	○
Plugs and Sockets	○	○	○	○

Standard ● Option ○ Not Available —

	8E	8EL	8EL_XL	10E	10EL	12E	12E Plus
Platform							
0.85 m x 0.90 m (L x W) steel platform	●	—	—	—	—	—	—
0.90 m x 0.70 m (L x W) steel platform	—	—	—	●	—	—	—
0.70 m x 1.05 m (L x W) steel platform	—	—	—	—	●	●	●
1.10 m x 0.90 m (Lx W) XL platform	○	—	—	—	—	—	—
Slide bar rear entry	●	—	—	●	●	●	●
Full proportional drive and slew joystick control with integral thumb steer switch	●	—	—	●	●	●	●
Mini joysticks provide proportional mast and jib lift/lower functions (and telescope on 12 m models)	●	—	—	●	●	●	●
1.17 m articulating jib	●	—	—	—	—	—	—
1.60 m articulating jib	—	—	—	●	—	—	—
3.19 m articulating jib	—	—	—	—	●	—	—
4.14 m articulating jib	—	—	—	—	—	●	●
Function enable with enlarged LCD function status display	●	—	—	●	●	●	●
Load sensing system	●	—	—	●	●	●	●
AC power cable to platform	●	—	—	●	●	●	●
Powered platform rotation	—	—	—	—	○	○	○
8 mm air line to platform	○	—	—	○	○	○	○
Large tool tray	●	—	—	●	●	●	●
Engine & Transmission							
Two wheel direct electric drive	●	—	—	●	●	●	●
Brushless AC drive motors	●	—	—	●	●	●	●
24V 185A/hr deep cycle monobloc batteries	●	—	—	—	—	—	—
24V 180A/hr sealed AGM batteries in lieu of standard	○	—	—	—	—	—	—
24V 240A/hr full traction batteries	—	—	—	●	—	—	—
24V 240A/hr Gel batteries & on-board 230V HF battery charger	—	—	—	○	—	—	—
48V 260A/hr deep cycle monobloc batteries	—	—	—	—	●	●	●
48V 255A/hr sealed AGM batteries in lieu of standard	—	—	—	—	○	○	○
On-board 110V/230V HF battery charger	●	—	—	●	●	●	●
Powered battery fill	●	—	—	●	●	●	●
Auto power save when idle	●	—	—	●	●	●	●
Low charge function cut-out	●	—	—	●	●	●	●
On-board diagnostics with integral display	●	—	—	●	●	●	●
Automatic rear wheel brakes	●	—	—	●	●	●	●
Sculptured polyester hoods	●	—	—	●	●	●	●
Functional Equipment & Accessories							
Heavy duty steel roller mast with 345 ° rotation	●	—	—	●	●	●	●
Chain slack detection system	●	—	—	●	●	●	●
2 degree tilt alarm and indicator light	●	—	—	●	●	●	●
3 degree tilt alarm and indicator light	—	—	—	—	●	●	●
406 x 125 solid non-marking tyres	●	—	—	●	—	—	—
457 x 178 solid non marking tyres	—	—	—	—	●	●	●
Passive pothole protection system	●	—	—	●	—	—	—
0.99 m wide frame	●	—	—	●	—	—	—
1.20 m wide frame	—	—	—	—	●	●	●
Lifting /tie down rings	●	—	—	●	●	●	●
Ground control selector switch with key lock	●	—	—	●	●	●	●
Battery discharge indicator	●	—	—	●	●	●	●
Hour meter	●	—	—	●	●	●	●
Horn	●	—	—	●	●	●	●
Drive orientation system	●	—	—	●	●	●	●
Acoustic alarm	○	—	—	○	—	—	—
LED Platform worklight	—	—	—	—	○	○	○
Lanyard anchor points	●	—	—	●	●	●	●
Food compatible lubricants	○	—	—	○	○	○	○
Low temperature lubrication	○	—	—	○	—	—	—
Zenon strobe light	●	—	—	●	●	●	●
Plugs & Sockets ¹	○	—	—	○	○	○	○
Manual descent system	●	—	—	●	●	●	●
Soft Touch 0.70 m x 1.05 m Platform Proximity System	—	—	—	—	○	○	○

Standard ● Option ○ Not Available —

¹ Included with circuit breaker on AC cable to platform option. NB 110V or 230V power must be specified

¹ Includes all-motion alarm + amber strobe light.

	X14J	X17J	X19J	X23J
Platform				
0.69 m x 1.30 m Aluminium 2 person platform	●	—	●	●
0.62 m x 1.30 m Aluminium 2 person platform	—	—	—	—
0.76 m x 1.30 m Aluminium 2 person platform	—	●	—	—
0.59 m x 0.79 m Aluminium 1 person platform	○	—	○	○
0.69 m x 0.79 m Aluminium 1 person platform	—	—	—	—
0.73 m x 0.79 m Aluminium 1 person platform	—	○	—	—
Slide bar rear entry	●	●	●	●
Footswitch	●	●	●	●
Full proportional control	●	●	●	●
Articulating jib	●	●	●	●
Powered platform rotator (124°)	—	●	●	●
Remote Control (via cable to platform)	●	—	●	●
Full Remote Control of drive and stabilization	—	●	—	—
Multi-lingual LCD display on platform console	●	●	●	●
Platform console position sensor and lock	●	●	●	●
Envelope management load sensing system	●	●	●	●
Platform designed for ease of removal/changeover	●	●	●	●
AC Cable to platform	●	●	●	●
6.5 mm (1/4") air/water line to platform	●	●	●	●
Engine & Transmission				
Honda GX270 - 6.6 kW (9HP) Gasoline Engine	●	—	—	—
Honda GX390 - 9.6 kW (13HP) Gasoline Engine	○	—	—	—
Honda iGX440 - 11 kW (15HP) Gasoline Engine	—	●	●	●
Hatz IB30 - 5.4 kW (7.5HP) Diesel Engine	○	—	—	—
Hatz IB40 - 7.5 kW (10HP) Diesel Engine	—	○	○	—
Perkins 402.05 - 10.2 kW (14HP) Diesel Engine	—	—	—	○
220V, 50Hz - 2.2 kW Electric Engine	●	●	●	●
110V, 50Hz - 2.2 kW Electric Engine	○	○	○	○
Engine protection	●	●	●	●
100A/hr, 48V Lithium ion power pack ¹	○	○	○	—
100A/hr 72V Lithium ion power pack ¹	—	—	—	○
1.24 m x 0.18 m x 0.30 m Low Profile Black Rubber Tracks	●	●	●	—
1.24 m x 0.18 m x 0.30 m Low Profile Non Mark Rubber Tracks	○	○	○	—
1.24 m x 0.18 m x 0.31 m High Profile Black Rubber Tracks	○	○	○	—
1.76 m x 0.23 m x 0.38 m High Profile Black Rubber Tracks	—	—	—	●
1.76 m x 0.23 m x 0.38 m High Profile Non Mark Rubber Tracks	—	—	—	○
Functional Equipment & Accessories				
Automatic Stabilization	●	●	●	●
Automatic Stabilization with Variable Outrigger Footprint	—	—	—	●
Non Mark Outrigger Pads	●	●	●	●
Cylinder Rod Protection on Outriggers	●	●	●	●
Automatic cut-out when out of level	●	●	●	●
Powered track extensions/retraction	—	●	●	●
361° non-continuous turntable rotation	●	●	●	●
300° non-continuous turntable rotation	—	—	—	—
Turntable alignment sensor and gauge	●	●	●	●
Three emergency descent systems	●	●	●	●
Electro-hydraulic controls	●	— ²	●	●
Full pressure hydraulic controls	—	● ²	—	—
2nd (high) Drive speed	○	○	○	●
Lifting/Tie down points	●	●	●	●

Standard ● Option ○ Not Available —

	X15J Plus	X17J Plus	X20J Plus	X26J Plus
Platform				
0.69 m x 1.30 m Aluminium 2 person platform	●	●	●	●
Slide bar rear entry	●	●	●	●
Footswitch	●	●	●	●
Full proportional control	●	●	●	●
Articulating jib	●	●	●	●
Powered platform rotator (124°)	●	●	●	●
Remote Control (via cable to platform)	●	●	●	●
Full Remote Control of drive and stabilization	●	●	●	●
Multi-lingual LCD display on platform console	●	●	●	●
Platform console position sensor and lock	●	●	●	●
Envelope management load sensing system	●	●	●	●
Platform designed for ease of removal/changeover	●	●	●	●
AC Cable to platform	●	●	●	●
6.5 mm air line to platform	●	●	●	●
Engine & Transmission				
Honda iGX440 - 11 kW (15HP) Gasoline Engine	●	●	●	—
Hatz IB40 - 7.5 kW (10HP) Diesel Engine	○	○	—	—
Perkins 402.05 - 10.2 kW (14HP) Diesel Engine	—	—	○	—
Kubota D905 - 16 kW (21.6HP) Diesel Engine	—	—	—	●
220V, 50Hz - 2.2 kW Electric Engine	●	●	●	●
110V, 50Hz - 2.2 kW Electric Engine	○	○	○	○
Engine protection	●	●	●	●
100A/hr, 48V Lithium ion power pack ¹	○	○	—	—
100A/hr 72V Lithium ion power pack ¹	—	—	○	—
100A/hr 83V Lithium ion power pack ¹	—	—	—	○
1.24 m x 0.18 m x 0.30 m Low Profile Black Rubber Tracks	●	●	—	—
1.24 m x 0.18 m x 0.30 m Low Profile Non Mark Rubber Tracks	○	○	—	—
1.46 m x 0.2 m x 0.35 m Low Profile Black Rubber Tracks	—	—	●	—
1.46 m x 0.2 m x 0.35 m Low Profile Non Mark Rubber Tracks	—	—	○	—
1.76 m x 0.23 m x 0.38 m High Profile Rubber Tracks	—	—	—	●
1.76 m x 0.23 m x 0.38 m High Profile Non Mark Rubber Tracks	—	—	—	○
Functional Equipment & Accessories				
Non Mark Outrigger Pads	●	●	●	●
Cylinder Rod Protection on Outriggers	●	●	●	●
Automatic cut-out when out of level	●	●	●	●
Powered track extensions/retraction	●	●	●	●
360° non-continuous turntable rotation	●	●	●	●
Turntable alignment sensor and gauge	●	●	●	●
Three emergency descent systems	●	●	●	●
Electro-hydraulic controls	●	●	●	●
Full pressure hydraulic controls	—	—	—	—
2nd (high) Drive speed	●	●	●	●
Lifting/Tie down points	●	●	●	●
Side Fork Pockets		●	●	●

Standard ● Option ○ Not Available —

¹ Replaces both combustion and electric engines
² Combination of radio control and hydraulic control on this model



¹ Replaces both combustion and electric engines

	DUO
Platform	
0.75 m x 0.65 m (W x L) Operator platform with double side entry	●
0.75 m x 0.50 m (W x L) Powered material tray	●
Safety interlocked controls	●
Full proportional drive joystick control with integral thumb steer switch	●
Dedicated material tray controls	●
Lanyard attachment anchor	●
Engine & Transmission	
4 x 6V, 180A/Hr deep cycle batteries	●
Automatic dual voltage high frequency battery charger	●
Battery condition indicator on platform	●
Battery discharge indicator with low charge function cut-out	○
Direct electric two wheel drive	●
Brushless AC drive motors	●
Brake release	●
Functional Equipment & Accessories	
Low maintenance non-rotating extruded aluminium mast	●
Passive pothole protection system	●
Non marking solid rubber tyres	●
0.78 m wide frame	●
Manual Descent	●
2 degree Tilt indicator and alarm	●
Key lock main power switch	●
Hour meter	●
Transportation tie-down points	●
Lifting eye for crane hook	●
Fork truck lift points	●
Horn	●
220A/hr maintenance free AGM batteries in lieu of standard	○
Descent alarm	●
Xenon strobe lights	●
Food compatible lubrication and hydraulic oil	●
Low temperature lubrication	○

Standard ● Option ○ Not Available —

	15 MVL	20 MVL
Platform		
0.71 m x 1.22 m (W x L) Stock picking platform- front and side entry	○	○
Multi-position hand rails	○	○
0.69 m x 0.58 m (W x L) Side Entry platform with 0.69 m x 0.58 m material tray	—	○
0.66 m x 1.24 m (W x L) Slide bar entry extendable platform	●	●
0.56 m x 0.64 m (W x L) Narrow slide bar entry platform	○	○
Safety interlocked controls	●	●
Point & Go® fully proportional drive/steer single joystick control	●	●
Joystick enable for lift and drive	●	●
Variable speed elevation control	●	●
Load sensing system	●	●
Lanyard attachment anchor	●	●
Engine & Transmission		
2 x Sealed 12V,100A/Hr maintenance-free AGM batteries	●	●
Automatic 5 hour battery charger	●	●
On-board diagnostics	●	●
Automatic power-off battery saver control	●	●
Battery discharge indicator (located on platform and base)	●	●
Direct electric two wheel drive	●	●
Heavy duty planetary gear hubs	●	●
Non mark tyres and casters	●	●
Brake release	●	●
AC power cable to platform	●	●
Non-marking tyres	●	●
Functional Equipment & Accessories		
Low maintenance anodised aluminium mast	●	●
Pothole Protection System (PHP)	●	●
Manual Descent	●	●
Tilt light and alarm	●	●
Programmable 4 digit security lock	○	○
Key lock main power switch	●	●
Hour meter	●	●
Transportation tie-down lugs	●	●
Lifting eye for crane hook	○	○
Fork truck pockets	●	●
Horn	●	●
4 x Sealed 6V, 210A/hr maintenance free AGM batteries	○	○
Travel alarm	○	○
Amber strobe light	●	●
Tool tray (0.20 m x 0.46 m x 0.13 m)	○	○
Fluorescent tube caddy	○	○
Obstruction sensor and control system	—	—
Rug Carrier	—	—

Standard ● Option ○ Not Available —



	10 MSP
Platform	
0.69 m x 0.50 m (W x L) Operator platform self closing saloon style gates	●
0.66 m x 0.66 m (W x L) Adjustable height material tray	●
Carry deck on chassis	●
Safety interlocked controls	●
Point & Go® fully proportional drive/steer single joystick control	●
Joystick enable for lift and drive	●
Variable speed elevation control	●
Lanyard attachment anchor	●
Engine & Transmission	
4 x Sealed 6V, 200A/Hr maintenance-free AGM batteries	●
Automatic 5 hour battery charger	●
On-board diagnostics	●
Automatic power-off battery saver control	●
Battery discharge indicator (located on platform and base)	●
Direct electric two wheel drive	●
Heavy duty planetary gear hubs	●
Non mark tyres and casters	●
Brake release	●
Non-marking tyres	●
Functional Equipment & Accessories	
Low maintenance anodised aluminium mast	●
Pothole Protection System (PHP)	●
Manual Descent	●
Tilt light and alarm	●
Programmable 4 digit security lock	○
Key lock main power switch	●
Hour meter	●
Transportation tie-down lugs	●
Fork truck pockets	●
Horn	●
Travel alarm	○
Amber strobe light	●
Guide roller system	○

Standard ● Option ○ Not Available —

	1230ES
Platform	
Self-closing saloon style gates	●
Removable platform console box	●
Lanyard attach points	●
Full proportional drive joystick control with integral thumb steer switch	●
Proportional lift/lower speed control	●
Joystick enable for lift and drive	●
Engine & Transmission	
4 x 6V 220A/hr deep cycle batteries	●
Automatic positive traction	●
Programmable "Personality" settings	●
On-board self-diagnostic testing	●
Swing-out battery/electrical compartment doors	●
20 amp automatic battery charger	●
Dual motor direct electric front wheel drive & steer	●
Dual wheel automatic brakes	●
Emergency brake release	●
Functional Equipment & Accessories	
Pothole protection system	●
AC cable to platform	●
Battery condition indicator	●
Hour meter	●
3 section steel mast	●
Manual descent	●
Horn	●
220A/hr maintenance free AGM batteries in lieu of standard	○
Non-marking solid tyres (323 x 100)	●
Slope alarm and light	●
All motion alarm	○
Descent alarm	○
Alarm package ¹	○
Tie down lugs	●
Amber strobe light	○
Plugs & Sockets	○

Standard ● Option ○ Not Available —

¹ Includes all-motion alarm and amber strobe light.

	20AM	25AM	30AM	36AM	41AM
Platform					
0.66 m x 0.66 m (W x L) Slide bar side entry platform	●	●	●	●	●
0.56 m x 0.64 m (W x L) Narrow slide bar entry platform	○	○	○	○	○
0.66 m x 1.25 m (W x L) Extendable platform	—	—	—	—	—
Safety interlocked controls	●	●	●	●	●
Load sensing system	●	●	●	●	●
Lanyard attach points	●	●	●	●	●
AC power cable to platform	●	●	●	●	●
Power & Chassis					
110V or 230V mains power operation (AC models)	○	○	○	○	○
12V 100A/hr deep cycle battery operation (DC models)	○	○	○	○	○
Sealed 12V 100A/hr maintenance free AGM battery ¹	○	○	○	○	○
Detachable battery & charger compartment ²	○	○	○	○	○
20 amp automatic battery charger ²	○	○	○	○	○
6 wheel chassis with 'X' pattern outriggers	●	●	●	●	●
Outrigger interlocks with LED indicators	●	●	●	●	●
Non mark tyres and casters	●	●	●	●	●
Floor brake with lift function interlock	—	—	—	—	—
Roller loading device	●	●	●	●	●
Straddle extension kit with 1.09 m clearance	○	○	○	○	○
Straddle extension kit with 1.40 m clearance	○	○	○	○	○
Functional Equipment & Accessories					
Low maintenance anodised aluminium mast	●	●	●	●	●
Spring loaded sequence cables	●	●	●	●	●
Battery condition indicator ²	○	○	○	○	○
Manual descent	●	●	●	●	●
Programmable 4 digit security lock	○	○	○	○	○
Key lock main power switch	●	●	●	●	●
Hour meter	●	●	●	●	●
Transportation tie-down lugs	●	●	●	●	●
Lifting eye for crane hook	○	○	○	○	○
Fork truck pockets	●	●	●	●	●
Fluorescent tube caddy	○	○	○	○	○
Tool tray (0.20 m x 0.46 m x 0.13 m)	○	○	○	○	○
Descent alarm	○	○	○	○	○
Emergency lowering control	○	○	○	○	○
Amber strobe light	○	○	○	○	○

Standard ● Option ○ Not Available —

¹ Includes 5 hour battery charger
² Applicable to battery powered DC models only

Deutschland

Tel: +49 (0) 421 693 500
JLG Deutschland GmbH
Max-Planck-Straße 21
27721 Ritterhude/Ihlpohl (Bei Bremen)

España

Tel: +34 93 772 47 00
JLG Ibérica, SL
Trapadella, 2
Pol. Ind. Castellbisbal Sur
08755 Castellbisbal (Barcelona)

France

Tel: +33 (0) 553 88 31 70
JLG France SAS
ZI Guillaume mon Amy
CS 30204 Fauillet
F-47400 Tonneins

JLG EMEA BV

Tel: +31 (0) 23 565 5665
Polaris Avenue 63
2132 JH Hoofddorp
The Netherlands

Italia

Tel: +39 02 9359 5210
JLG Industries (Italia) s.r.l.
Via Po.22
20010 Pregnana Milanese -MI-

Russia

Tel: +7 (495) 967 79 14
JLG Industries Inc.
Vashutinskoe shosse 24b
Khimki, Moscow Region 141400
Russian Federation

JLG Ground Support bvba

Tel: +32 (0) 89 77 49 74
Oude Bunders 1034
Breitwaterstraat 12a
B-3630 Maasmechelen Belgium

Sverige

Tel: +46 (0) 8 506 59500
JLG Sverige AB
Enköpingsvägen 150
Box 704, 176 77 Järfälla

United Kingdom

Tel: +44 (0) 161 654 1000
JLG Industries (United Kingdom) Limited
Bentley House, Bentley Avenue
Middleton, Greater Manchester
M24 2GP

Romania Manufacturing Central Europe SRL

Tel: +40 (0) 269 803 974
A. Vlaicu nr. 41
551041 Medias

JLG Industries, Inc. is a leading designer and manufacturer of access equipment and complementary services and attachments.

JLG has manufacturing facilities in the United States, France, Romania, China and Belgium. Customers throughout Europe, Africa and the Middle East benefit from a network of dedicated sales and service operations designed to deliver the highest levels of support.

www.jlg.com **JLG is an Oshkosh Corporation company.**

