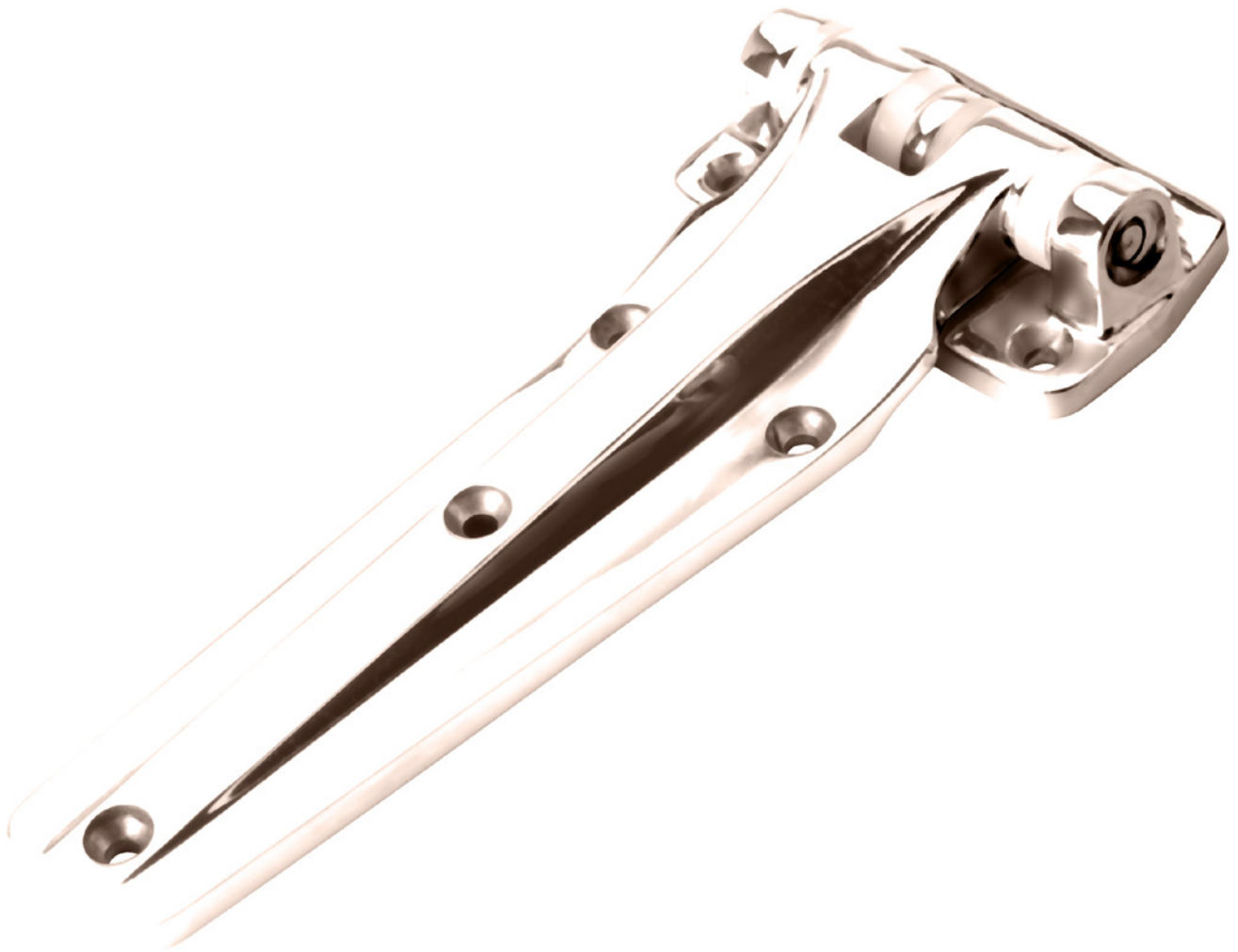




It's Better with Kason.

Truck Body Hardware

1.800.935.2766 | kasonind.com



The Kason Mission

To Protect your Product Integrity

Our customers go to great lengths to build top-of-the-line coolers, freezers, foodservice equipment, industrial enclosures and delivery vans. Our goal is to preserve your product integrity by providing the highest quality door hardware and accessories for both original equipment and replacement applications.

End users need to protect products and processes, and lower operating costs. Their first line of defense is stable, airtight enclosures with doors that open with ease and close securely.

Since 1926, Kason has promised and delivered just that. Kason's extensive lines of walk-in and reach-in door hardware satisfy the most demanding requirements. Demonstrate the value of your products with the most innovative, dependable and longlasting hardware in the business.

Research and Testing

Every Kason product must fulfill our customers' requirements. Before we develop a new product, we research the needs of both our industry and end users. We are never satisfied with the status quo. Our dedicated research and development staff continually search for pioneering design concepts. They insist on engineering integrity, extensive product testing and precise, in-line quality control. That is how we have developed such successful and trustworthy products as SafeGuard® inside releasing safety latches, Pacesetter handles and hinges, stainless steel hinges and latches and truck door handles with removable cylinder locks.

Creative Concepts

Leading equipment manufacturers turn to Kason when they want a unique look of their own. We will adapt a stock product, design custom hardware or partner with your design engineers to develop a signature appearance just for your products. Building special and customized hardware is routine at Kason.

Quality

Kason production facilities boast state-of-the-art installations, featuring fully automated die-casting, polishing and electroplating, as well as a full range of electronically controlled and robotic machinery. We require the finest raw materials, accurate machine tolerances and the highest level of Finishing. Skilled, experienced people maintain the Kason tradition of production excellence. Our unremitting commitment to superior manufacturing assures you consistently high quality products at the lowest possible cost. Quality assurance is integrated into every step of Kason operations to from engineering research and development through packaging and shipping.

Service

The lifeline to all your foodservice needs is our efficient and friendly Customer Service Department. A representative can quickly track product availability or the status of your order with our computerized inventory and order control system. Count on dependable global delivery as we serve you from Kason distribution centers in the continental United States and Canada as well as through authorized distributors throughout the world.

Our Promise

Satisfying your needs is our top priority. That is why Kason supplies you with hardware and accessories that reflect the same quality you demand in your own products. We strive to demonstrate an attitude that makes you want to do business with us. At Kason we offer a tradition of excellence, a philosophy of innovation and the most trusted name in specialty commercial hardware.

Kason Contacts

USA Sales & Distribution Centers

1.800.93KASON (800.935.2766)

Kason Industries, Inc.

Global Headquarters

57 Amlajack Boulevard | Newnan, GA 30265-1015, USA
800.935.3550 | FAX: 770.251.4854
Info@kasonind.com

Kason Foodservice Division

31 Amlajack Boulevard | Newnan, GA 30265-1015, USA
866.231.2157 | FAX: 770.252.8397
FoodService@kasonind.com

Kason International Division

57 Amlajack Boulevard | Newnan, GA 30265-1015, USA
770.304.3000 | FAX: 770.251.4854
International@kasonind.com

Kason Vinyl Division

31 Amlajack Boulevard | Newnan, GA 30265-1015, USA
800.472.7450 | FAX: 770.252.8397
Vinyl@kasonind.com

Kason Canada Branch

226 Industrial Pkwy North, Unit 2 | Aurora, Ontario, L4G 4C3, Canada
905.713.6515 | FAX: 905.713.6518
Canada@kasonind.com

Kason Central Branch

8889 Whitney Drive | Lewis Center, OH 43035-7106, USA
740.549.2100 | FAX: 740.549.0701
Central@kasonind.com

Kason Mid-America Branch

1239 Atlantic Avenue | Kansas City, MO 64116-4141, USA
816.472.7450 | FAX: 816.472.8580
MidAmerica@kasonind.com

Kason Western Branch

1500 East Wooley Road, Suite E
Oxnard, CA 93030-7385, USA
805.247.1088 | FAX: 805.247.1164
Western@kasonind.com

Catalog Icons



Walk-In



Casters & Caster Legs



Vinyl



Plumbing



Sliding Doors



Cabinet & Cafeteria



Lighting & Electrical



Canopy Hood



Reach-In



Fabrication Supplies

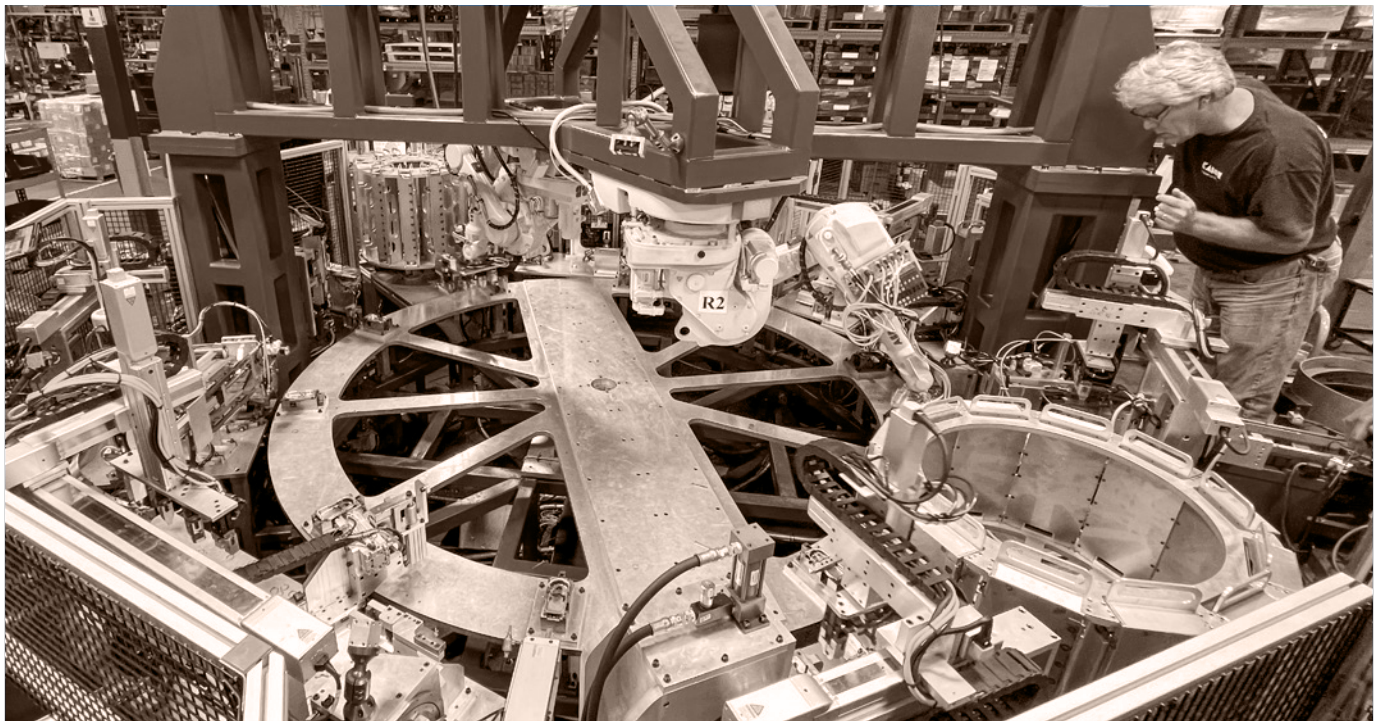


Equipment Legs



Truck Body

0045 Padlocking Latch.....	13	3168 Removable Cylinder Handles.....	20
0046 Padlocking Latch.....	14	4000/4002/4002-14 Sliding Door Interior Latches.....	23
0049 Dutch Latch.....	14	4003 Exterior Non-Locking Handle.....	25
0050 Cylinder Locking Brass Latch.....	13	4012 Sliding Door Handle.....	26
0051 Cylinder Locking Latch.....	14	4020 UPS Mounting Hardware.....	24
0056 SafeGuard® Latch.....	10	4030 Series Step Van Components.....	24
0058 Radial Latch.....	12	4162 Sliding Rear Door Handle.....	26
0059 Roller Strike.....	12	4169 Non-Locking Handle.....	25
0060PS/SS Cylinder Lock Series.....	21	4223 Exterior Non-Locking Handle.....	25
0062PS/SS Cylinder Lock Series.....	22	4545 Two-Point Cylinder Locking Latch.....	15
0160 Two-Point Latch.....	29	4646 Two-Point Padlocking.....	16
0167 Slam & Take-Up Latch.....	29	5050 Two-Point Cylinder Locking Latch.....	15
0168-01 Adjustable Interior Cable Latch.....	27	5151 Two-Point Cylinder Locking Latch.....	16
0168-05 Strike Plate.....	27	5656 Two-Point Locking Latch.....	10
0168-06/0168-07 Mortise Cylinder Lock Adapter Kits.....	27	Easimount® II Vinyl Strip Curtain System.....	32
0168-06/0168-07 Mortise Lock Adapter with Center Mechanism.....	27	Easimount® Vinyl Strip Curtain System.....	31
0168-08 Non-Locking Handle.....	28	Exterior Locking Handles.....	25
0318 Long Pull Rod/0320 Short Pull Rod/0168 Pull Cable Latch....	30	Hardware Solutions for Truck Body OEMs.....	19
0368 Removable Cylinder Handles.....	20	Industrial Hardware Secures Walk-In and Reach-In Doors.....	5
0481SC Stainless Steel Inside Release.....	7	Kason Hinge Selector.....	17
0778 Stainless Steel SafeGuard® Latch.....	6	Maximount® Vinyl Strip Curtain System.....	32
1241 Heavy-Duty Double Knuckle Hinge.....	18	Odering Guide.....	34
1341 Stainless Steel Double Knuckle Hinge.....	9	Specialty Hardware Guide.....	4
1377L/1377S Stainless Steel Self-Closing Hinges.....	8	Thermal Flex® Vinyl Materials.....	33
3001 Handle with Removable Cylinder Lock.....	20	Thermal Flex® Vinyl Swing Doors: The Clear Alternative.....	33
3001 Removal Tool.....	21	Universal Heavy-Duty Vinyl Strip Curtain.....	32
3022 Removable Cylinder Handles.....	20		



Specialty Hardware Guide

Hardware Finishes

Polished Chrome — Mirror bright; three layer plating over polished base

Brushed Chrome — Brushed texture; three layer plating over textured base

Polished Stainless Steel— Polished solid stainless steel

Kasonized — Bright zinc plated

Powder Coat — Wear-resistant polymer coating. Colors available

Nickel — Nickel plate over polished base

Brushed Nickel — Nickel plate over brush textured base

Zinc Plated — Zinc plate over steel

Other finishes available on request

To avoid order errors and delays, specify the details of your order carefully and completely. Where required, remember to include:

- Stainless steel
- Powder coat

Buyer assumes all responsibility in determining the suitability for application of the products of which they are purchasing.

Specifications

Avoid errors and delays. Specify carefully and completely remember, where required, to include:

- Model Number (all part numbers necessary to complete your selection)
- Quantity
- Material
- Finish
- Size
- Offset
- Right- or Left-hand Operation
- Options
- Special Requests
- Shipping Instructions

How to Determine Offset For Hinges and Latches



With door closed, measure the distance from the jamb to the door face.

Order Processing

All orders are processed in a timely manner. However, omitting required information or changing requirements after the order has been accepted may cause delivery delay.

Returns

No returned merchandise will be accepted without pre-authorization from Kason Industries, Inc.

Custom Products

Contact your Kason representative to order custom products.

Product Changes

Kason Industries, Inc. reserves the right to make any and all changes to any of its products or to discontinue a product without notice.

Limited Warranty

Kason Industries, Inc. warrants its products to be free from defects in material and workmanship for one year from date of purchase, unless otherwise specified for an individual product. Any products found defective will be replaced or credit issued for the sale price. Other than the actual cost of our products, Kason will not be responsible for labor, product loss or damage to other equipment. Kason products can be employed in many different applications, therefore the installer must assure that the product is suitable for the application and is safely functional as installed.

Safety Information

Safety Latching

Where there is a possibility of entrapment within a latched enclosure, safety standards require the use of a latch or handle fitted with an inside release mechanism. Latches without this feature which are shown in this catalog are intended for use only on small units or units with insufficient space for entrapment.

Safeguard® Latches

Kason exclusive SafeGuard® latches prevent entrapment in walk-ins when used with the appropriate inside release handles. SafeGuard® latches can be released with the inside release mechanism whether cylinder locked or padlocked.

Inside Release Mechanisms

Kason engineers urge you to test the operation of inside release mechanisms after installation. For an inside release to function properly, all designated parts must be installed correctly.

Important Notice

All statements, technical information, and recommendations related to products sold by Kason Industries, Inc. are based on information believed to be reliable, however, Kason cannot guarantee the accuracy or completeness of such information. Before using the product, the user must determine the suitability of the product for its intended use. The user assumes all risks and liabilities whatsoever in connection with the use of any Kason product.

Editorial Corrections

Please report any corrections for this catalog by contacting your Kason representative. We welcome your feedback and want to ensure accuracy in all of our informational tools

Kason has been the trusted hardware brand to secure insulated room and cabinet doors since 1926. We established our reputation early in the refrigerated food storage and transportation industries. Later, we introduced hardware for high temperature and pressurized applications. Kason walk-in and reach-in door hardware now provide security for a wide spectrum of industrial and laboratory equipment.

We believe that every Kason product must fulfill the customer's requirements. If our large selection of standard hardware won't do it, we will work with you to design and produce the custom hardware solution you need.

Our talented research and development group insists on engineering integrity and precise, in-line quality control. Kason pioneered such successful and trusted products as SafeGuard® walk-in latches with built-in inside releasing mechanisms and Panelock™ cam-locking fasteners to connect foam insulated panels.

Kason production facilities feature fully automated die-casting, polishing and electroplating equipment, and a full range of electronically controlled and robotic machinery. We require the finest raw materials, accurate machine tolerances and the highest level of finishing. Skilled employees maintain the Kason tradition of production excellence. Quality assurance is integrated into every step of production.

Our efficient and friendly customer service staff can quickly track current product availability or the status of your order with our computerized inventory and order control system. Your customer service representative works in tandem with your Kason Customer Service Representative to ensure your satisfaction.

Our business goal is to provide superior hardware and accessories on schedule to match your quality standards and sustain the integrity of your products.

Industrial Applications

- Clean Rooms
- Spray Booths
- Process Ovens
- Test Chambers
- Dryers
- Batch Freezers
- Pressurized Units
- Modular Buildings
- Any Industrial Equipment Requiring Doors

Kason Industrial Enclosure Door Hardware

- Stainless Steel Latches and Hinges
- Forged Brass Latches and Hinges
- SafeGuard® Safety Latches
- Multiple Seal Latches
- Trigger Action Latches
- Explosion Venting Latches
- Heavy-duty Pull Handles
- Iron Hinges
- Narrow Flange Hinges
- Double Knuckle Hinges
- Thermal Flex® Strip Curtains & Swing Doors

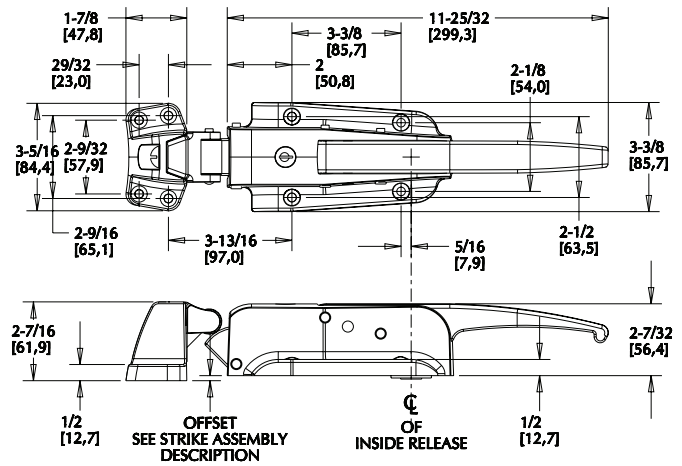


0778 Stainless Steel SafeGuard® Latch



Latch:
 © U.S. Trademark 5,760,311
 U.S. Patent No. D-649,861
 Strike:
 © U.S. Trademark 5,809,888

- Radial tongue makes for effortless door closure when combined with Kason door closers
- Corrosion Resistant
- The walk-in latch unsurpassed for reliability is now available for the most challenging applications
- No. 0778 features unequalled strength and corrosion-resistance
- Tamper-resistant locking mechanism and mounting are built in
- Adjustable roller strike assures precise adjustment
- Padlocking provision standard on all models
- Accepts Kason inside release lever to prevent accidental entrapment in locked walk-ins. Inside lever releases cylinder locked or padlocked door



Specifications

Material

Satin Finish, #316 stainless steel body and strike housing

Mounting

Holes drilled and countersunk for 1/4" (6 mm) screws

Packaging

6 per carton

Inside Release

Accepts any "C" series inside release. See No. 481SC, shown below. Order separately

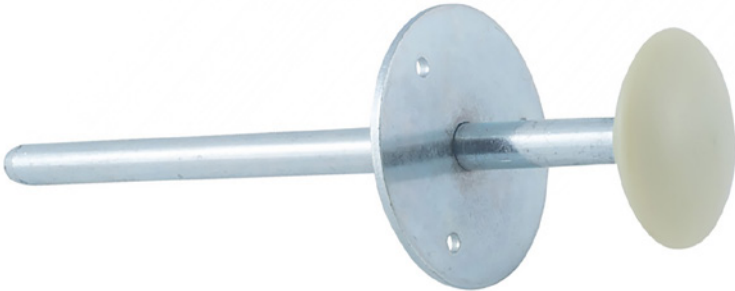
Locking Mechanism

Accepts Master #1 U Padlock with 5/16" shank

Part No.	Item	
10778CL6020*	Cylinder Latch Body, Light Spring	UL
10778L06020*	Padlocking Latch Body, Light Spring	UL
10778CH6020	Cylinder Latch Body, Heavy Spring	-
10778H06020	Padlocking Latch Body, Heavy Spring	-
10778006002	Strike, -1/8" to 3/4" (-3 to 19 mm)	
10778006003	Strike, 3/4" to 1-5/8" (19 to 41 mm)	
10778006004	Strike, 1-5/8" to 2-1/2" (41 to 64 mm)	
10778006102	Strike, Stainless Steel Roller -1/8" to 3/4" (-3 to 19 mm)	
10778006103	Strike, Stainless Steel Roller 3/4" to 1-5/8" (19 to 41 mm)	
10778006104	Strike, Stainless Steel Roller 1-5/8" to 2-1/2" (41 to 64 mm)	
90531CM000401	Replacement Cylinder Kit #401	
90531CM000402	Replacement Cylinder Kit #402	
90531CM000403	Replacement Cylinder Kit #403	
90531CM000404	Replacement Cylinder Kit #404	

*Light spring models with roller strike





- Opens padlocked or cylinder locked No. 778 latch from inside of walk-in
- Clearly visible Safety-Glow knob for added safety

Specifications

Material
Stainless steel rod and flange, glow in the dark plastic knob

Mounting
Holes drilled for No. 10 (5 mm) screws

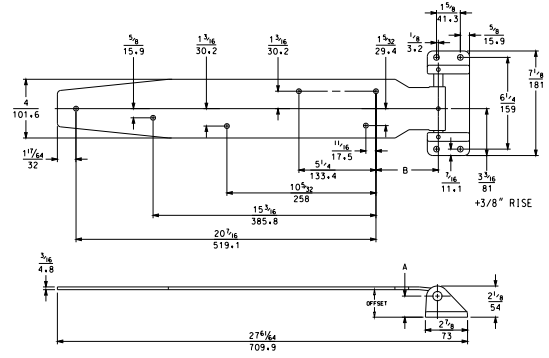
Packaging
24 per carton

Part No.	Item
10481SC0400	Inside Release for 4" (102 mm) Thick Door
10481SC0600	Inside Release for 6" (152 mm) Thick Door

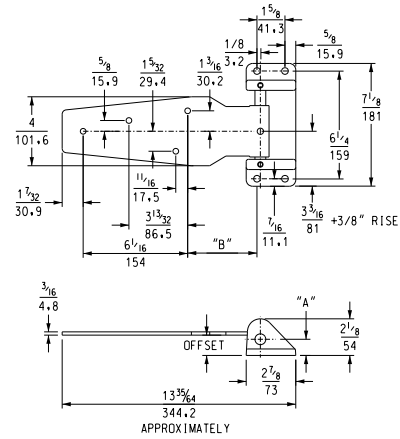


1377L/ 1377S Stainless Steel Self-Closing Hinges

1377L (Long)



1377S (Short)



Part No.	Offset	"A"	"B" (Approx.)	Strap Length
11377L00004	Flush (0.0 mm)	15/16" (23.8 mm)	3-31/32" (100.8 mm)	
11377L00008	1-1/8" (29 mm)	15/16" (23.8 mm)	4-3/32" (104.0 mm)	
11377L00010	1-1/4" (32 mm)	15/16" (23.8 mm)	4-1/8" (104.8 mm)	
11377L00012	1-3/8" (35 mm)	15/16" (23.8 mm)	4-3/32" (104 mm)	26" (685.8 mm)
11377L00014	1-1/2" (38 mm)	1-5/16" (33.3 mm)	4-3/32" (104 mm)	
11377L00016	1-5/8" (41 mm)	1-5/16" (33.3 mm)	4-1/8" (104.8 mm)	
11377L00018	1-3/4" (45 mm)	1-5/16" (33.3 mm)	4-3/32" (104 mm)	
11377S00004	Flush (0.0 mm)	15/16" (23.8 mm)	3-31/32" (100.8 mm)	
11377S00008	1-1/8" (29 mm)	15/16" (23.8 mm)	4-3/32" (104 mm)	
11377S00010	1-1/4" (32 mm)	15/16" (23.8 mm)	4-1/8" (104.8 mm)	
11377S00012	1-3/8" (35 mm)	15/16" (23.8 mm)	4-3/32" (104.0 mm)	11-5/8" (293.7 mm)
11377S00014	1-1/2" (38 mm)	1-5/16" (33.3 mm)	4-3/32" (104 mm)	
11377S00016	1-5/8" (41 mm)	1-5/16" (33.3 mm)	4-1/8" (104.8 mm)	
11377S00018	1-3/4" (45 mm)	1-5/16" (33.3 mm)	4-3/32" (104 mm)	

- Self-closing, cam-rise hinge is extra rugged for challenging applications
- Precision-machined stainless steel cams gently raise and lower large doors
- Cam action assures effortless opening and less gasket wear
- Strap reverses for right or left-opening door without disassembly
- No dwell

Specifications

Material

Polished #316 Series stainless steel flange, 3/16" (5 mm) thick strap and 5/8" (16 mm) diameter cam pins

Strap Length

See table to left

Mounting

Drilled for 3/8" (10 mm) screws

Packaging

4 each

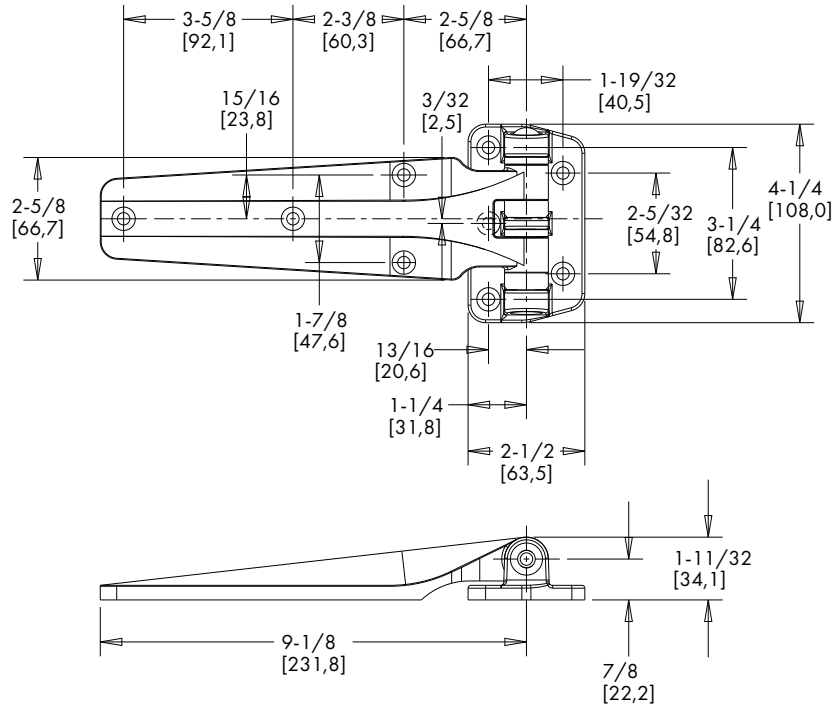
Load Rating

Kason Hinge Selector Chart, Group G, page 17





© U.S. Trademark 2,277,203



- Heavy-duty stainless steel double knuckle non-rise hinge engineered for maximum structural strength
- Ribbed under-side construction reduces weight and ensures rugged no sag dependability
- Durable Type 316 Stainless Steel material eliminates corrosion problems even in the harshest enviroment
- Double through washers provide smoothest operation

Part No.	Description	Qty./Carton	Wgt./Carton
11341000005	Flush, L.H.	8	20 lb (9 kg)
11341000006	Flush, R.H.	8	20 lb (9 kg)

Specifications

Strap Length
9" (228.6 mm)

Material
316 series stainless steel with stainless pin and nylon bearings

Finish
Satin

Offset
Flush

Mounting
Holes drilled and countersunk for 1/4" (6.0 mm) screws (not included)

Load Rating
See Hinge Selector Chart, page 17, Group D

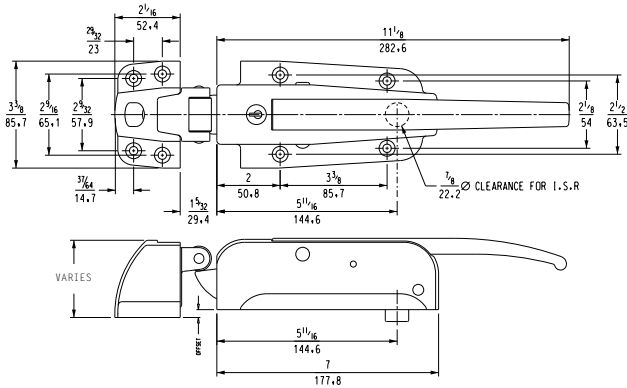


©2024 Kason Industries, Inc.
0324 LIT 001

0056 SafeGuard® Latch



© U.S. Trademark 2,181,603; 5,809,889



- Bolt-type tongue provides positive locking action
- Proven, heavy-duty construction outlasts similar latches in hard commercial use
- Adjustable strike assures precise adjustment
- Padlocking provision standard on all models
- Accepts Kason inside release lever to prevent accidental entrapment in locked walk-ins
- Inside lever releases cylinderlocked or padlocked door
- Unsurpassed for long life and reliability

Specifications

Material

High pressure die-cast zinc body and strike housing, 300 series stainless steel handle

Finish

Powder coat finishes and stainless steel handle available for use in extreme environmental conditions.

Mounting

Holes drilled and countersunk for 1/4" (6.0 mm) screws

Packaging/Weight

6 body assemblies per carton/approx. 30 lb (14 kg) per carton
6 strike assemblies per carton/approx. 10 lb (4.5 kg) per carton

Inside Release

Order separately.

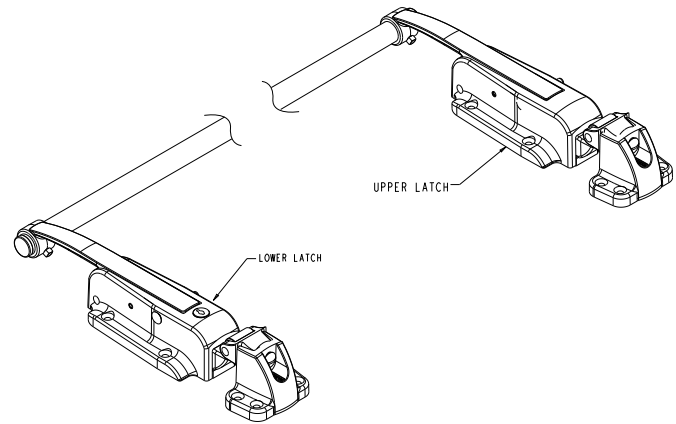
Locking Mechanism

Accepts Master #1 LJ Padlock with 5/16" shank

5656 Two-Point Locking Latch



© U.S. Trademark 2,181,603



Two No. 0056 latches with stainless steel connecting rod. Lower latch is cylinder locking. Rod is 7/8" (22.2 mm) diameter and 37-1/4" (946.2 mm) long. Latch has all the features of No. 0056 latch.

Specifications

Weight/Carton

1 set per carton/approx. 16 lb (7.3 kg)

0056 Series Ordering Information

Part No.	Item	Description	Finish
10056CH5020	Cylinder Locking Body	Heavy Spring	Polished Chrome
10056CH6021	Cylinder Locking Body	Heavy Spring	Brushed Chrome
10056CH0108	Cylinder Locking Body	Heavy Spring	Silver Powder Coat
10056CLT108	Cylinder Locking Body	Light Spring	Silver Powder Coat Body, Polished SS Handle
10056CLT208	Cylinder Locking Body	Light Spring	Silver Powder Coat Body and Handle
10056CL5020	Cylinder Locking Body	Light Spring	Polished Chrome
10056CL6021	Cylinder Locking Body	Light Spring	Brushed Chrome
10056CL0108	Cylinder Locking Body	Light Spring	Silver Powder Coat
10056CL902005	Cylinder Locking Body	Light Spring	Black Powder Coat Body and Handle
10056CL902205	Cylinder Locking Body	Light Spring	Black Powder Coat Body, Polished SS Handle
10056CX5020	Cylinder Locking Body	X-Light Spring	Polished Chrome
10056H05020	Padlocking Body	Heavy Spring	Polished Chrome
10056H06021	Padlocking Body	Heavy Spring	Brushed Chrome
10056LOT108	Padlocking Body	Light Spring	Silver Powder Coat Body, Polished SS Handle
10056LOT208	Padlocking Body	Light Spring	Silver Powder Coat Body and Handle
10056L00086	Padlocking Body	Light Spring	Silver Powder Coat
10056L05020	Padlocking Body	Light Spring	Polished Chrome
10056L06021	Padlocking Body	Light Spring	Silver Powder Coat
10056L09022	Padlocking Body	Light Spring	Black Powder Coat Body, Polished SS Handle
10056L00086	Padlocking Body	Light Spring	Silver Powder Coat
10056XL5020	Padlocking Body	X-Light Spring	Polished Chrome
10056XL6020	Padlocking Body	X-Light Spring	Silver Powder Coat
10056XL0086	Padlocking Body	X-Light Spring	Silver Powder Coat

90056CM0004 Cylinder Kit for 56C models.

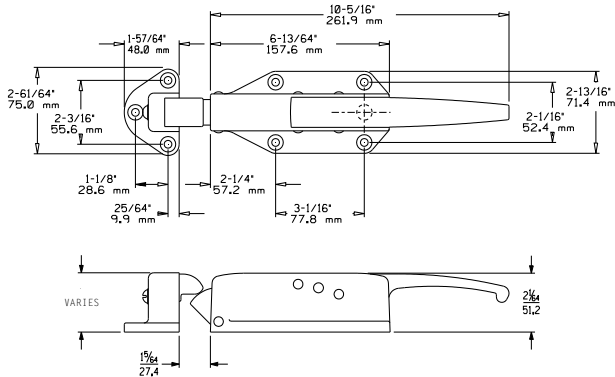
Cylinder locks may be keyed alike or differently; 5 key changes available. Please specify.

Part No.	Item	Description	Tube Length	Finish
15656CL3004	Cylinder Locking Two Point Latch	1/8" to 1/4" (3.2 to 6.4 mm)	30" CL to CL	Polished Chrome
15656L30004	Padlocking Two Point Latch	1/8" to 1/4" (3.2 to 6.4 mm)	30" CL to CL	Polished Chrome
15656CL3604	Cylinder Locking Two Point Latch	1/8" to 1/4" (3.2 to 6.4 mm)	36" CL to CL	Polished Chrome
15656CL3605	Cylinder Locking Two Point Latch	1/8" to 1/4" (3.2 to 6.4 mm)	36" CL to CL	Brushed Chrome
15656L36004	Padlocking Two Point Latch	1/8" to 1/4" (3.2 to 6.4 mm)	36" CL to CL	Polished Chrome
15656L36020	Padlocking Two Point Latch	3/4" to 1-1/2" (19.1 to 38.1 mm)	36" CL to CL	Polished Chrome
15656L36021	Padlocking Two Point Latch	3/4" to 1-1/2" (19.1 to 38.1 mm)	36" CL to CL	Brushed Chrome
15656L36005	Padlocking Two Point Latch	1/8" to 1/4" (3.2 to 6.4 mm)	36" CL to CL	Brushed Chrome
*95656004740097	Connecting Tube		36" CL to CL	Stainless Steel

0058 Radial Latch



© U.S. Trademark 2,227,009



- For smooth, easy closure
- Works with foam doors
- Reliable, self-closing action provides positive tight closure with little effort
- Releases with minimum pressure or pull from outside or from inside with Kason inside release handle
- Works effectively with Kason door closers
- Economical, adjustable solid head strike
- Padlocking provision standard on all models

0059 Roller Strike



Specifications (58/59)

Material

High pressure die-cast zinc, stainless black plate

Finish

Polished chrome models listed. Also available in brushed chrome, silver powder coat, or powder coated for severe environmental applications

Mounting Holes

Drilled and countersunk for 1/4" (6.0 mm) screws

Packaging/Weight6 body assemblies/approx. 16 lb (7.3 kg) per carton
6 strike assemblies/approx. 7 lb (3.2 kg) per carton**Inside Release**

Accepts "C" series inside release. Order separately.

Locking Mechanism

Accepts Master #1 U Padlock with 5/16" shank

Part No.	Item	Description
10058CH5020	Cylinder Locking Body	Heavy Spring
10058CL5020	Cylinder Locking Body	Light Spring
10058H05021	Body	Heavy Spring
10058L05021	Body	Light Spring
10058005001	Strike	-1/8" to 1/4" (-3.2 to 6.4 mm)
10058005002	Strike	3/4" to 1-5/8" (19.0 to 41.3 mm)
10058005003	Strike	1-3/4" to 2-1/2" (44.5 to 63.5 mm)
10058ER2000	Latch w/ Electric Strike, Retrofit Flush, Std. (No Card Reader)	
10059005001	Roller Strike	1/8" to 1/4" (3.2 to 6.4 mm)
10059005002	Roller Strike	3/4" to 1-5/8" (19.0 to 41.3 mm)
10059005003	Roller Strike	1-3/4" to 2-1/2" (44.5 to 63.5 mm)
90531CM000401	Replacement Cylinder Kit #1	
90531CM000402	Replacement Cylinder Kit #2	
90531CM000403	Replacement Cylinder Kit #3	
90531CM000404	Replacement Cylinder Kit #4	





- Super strength brass latch easily withstands toughest applications
- Provides the ultimate corrosion resistance
- Stationary cylinder lock

Specifications

Material

Forged brass with steel tongue and strike inserts

Finish

Polished chrome

Mounting

Holes drilled and countersunk for 1/4" (6.0 mm) screws

Packaging

1 per carton

Weight

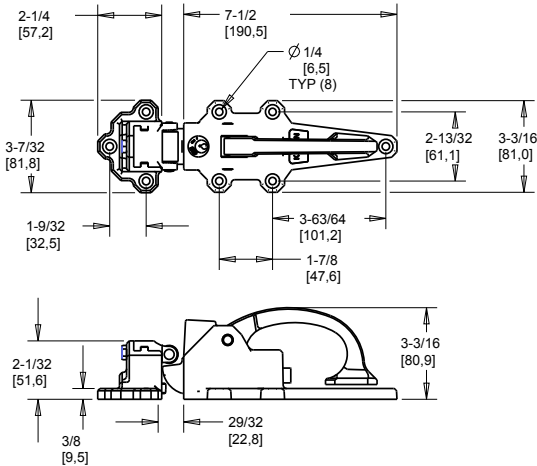
Approx. 7 lb (3.2 kg) per carton

Locking Mechanism

Accepts Master #1 U Padlock with 5/16" shank

Warning

No. 0045 and 0050 latches cannot be opened from inside when locked, therefore they should not be used on doors which are sole means of exit from walk-ins. When safety latches are required, see Kason SafeGuard® latches.



0045 Padlocking Latch

Same as 0050 Cylinder Locking Brass latch with provision for padlock only

Part No.	Item	Offset
10050S00002	Stationary Cylinder Locking Latch with Strike	1/4" to 1/8" (6.4 to 3.2 mm)
10050S00008	Stationary Cylinder Locking Latch with Strike	Flush to 1/2" (0.0 to 12.7 mm)
10050S00012	Stationary Cylinder Locking Latch with Strike	3/4" to 1-1/4" (19.0 to 31.8 mm)
10050S00040	Stationary Cylinder Locking Body Only	
10048000028 **	Strike for 0050, 0051, 0045, 0046 Latches	Flush to 1/2" (0.0 to 12.7 mm)
10048000032 **	Strike for 0050, 0051, 0045, 0046 Latches	3/4" to 1-1/4" (19 to 31.8 mm)
10048000034 **	Strike for 0050, 0051, 0045, 0046 Latches	1/4" to 1/8" (6.4 to 3.2 mm)

Cylinder locks may be keyed alike or differently; 50 key changes available; please specify. Two keys are furnished.

*A key number must be specified; 1-50.

** Strike sold separately.

Part No.	Item	Offset
10045000002	Padlocking Latch	1/4" to 1/8" (6.4 to 3.2 mm)
10045000006	Padlocking Latch	Flush to 1/2" (0.0 to 12.7 mm)
10045000008	Padlocking Latch	3/4" to 1-1/4" (19 to 31.8 mm)
10045000012	Padlocking Body	



0051 Cylinder Locking Latch



- Strong, economical latch features forged brass handle and strike housing
- Provides the ultimate corrosion resistance
- Micrometer strike for positive offset adjustments
- Stationary cylinder lock

Specifications

Material

High pressure die-cast zinc body, forged brass handle and strike housing

Finish

Polished chrome

Mounting

Holes drilled and countersunk for 1/4" (6.0 mm) screws

Packaging

1 per carton

Weight

Approx. 6 lb (2.7 kg) per carton

Locking Mechanism

Accepts Master #1 U Padlock with 5/16" shank

Warning

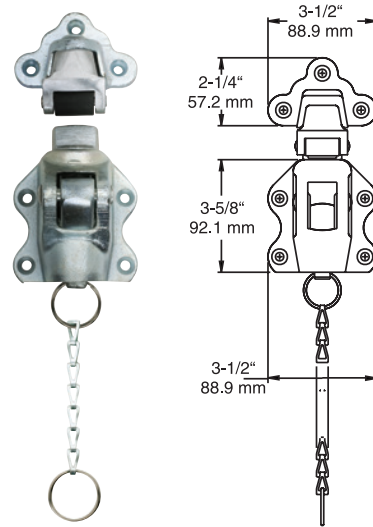
No. 0046 and 0051 latches cannot be opened from inside when locked, therefore they should not be used on doors which are sole means of exit from walk-ins. When safety latches are required, see Kason SafeGuard® latches.

Strike is included with all models.

Part No.	Item	Offset
10051S00002	Stationary Cylinder Locking Latch with Strike	1/4" to 1/8" (6.4 to 3.2 mm)
10051S00008	Stationary Cylinder Locking Latch with Strike	Flush to 1/2" (0.0 to 12.7 mm)
10051S00012	Stationary Cylinder Locking Latch with Strike	3/4" to 1-1/4" (19.0 to 31.8 mm)
Latch sold separately.		
10051S00006	Stationary Cylinder Locking Body	

Cylinder locks may be keyed alike or differently; 0050 key changes available; please specify. Two keys are furnished.

0049 Dutch Latch



The 0049 Dutch Latch is a finger-pull iron latch.

Specifications

Material

Cast iron body and strike

Finish

Kasonized (Zinc plated)

Mounting

Holes drilled and countersunk for 1/4" (6.0 mm) screws

Offset

See table for details

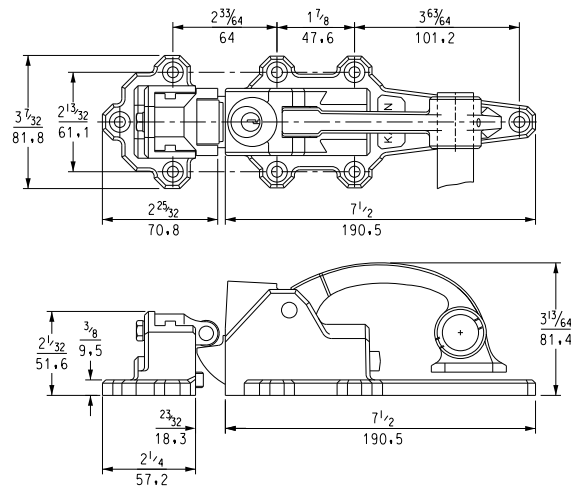
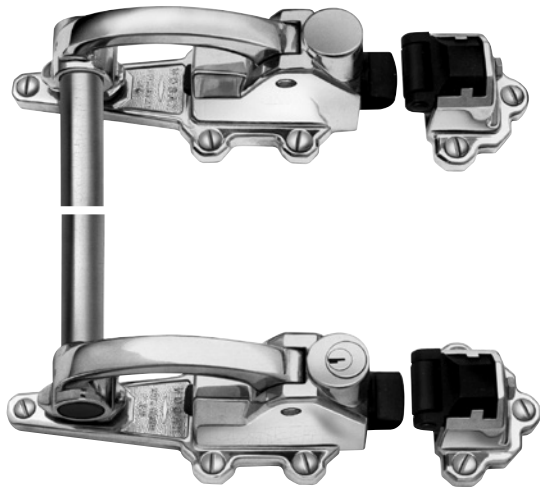
Part No.	Item	Offset
10049000004	Latch	Flush
10049000012	Latch	3/4" to 1-3/8" (19.0 to 34.9 mm)
10049000020	Body	

0046 Padlocking Latch

Same as No. 0051 latch with provision for padlock only.

Part No.	Item	Offset
10046000002	Padlocking Latch	1/4" to 1/8" (6.4 to 3.2 mm)
10046000008	Padlocking Latch	Flush to 1/2" (0.0 to 12.7 mm)
10046000012	Padlocking Latch	3/4" to 1-1/4" (19.0 to 31.8 mm)





- Heavy-duty two-point locking latch with stationary cylinder
- For long doors and heavy-duty applications
- Provides the ultimate corrosion resistance

Part No.	Item	Offset
15050S50002	Stationary Cylinder, 50" Rod	1/4" to 1/8" (6.4 to 3.2 mm)
15050S50008	Stationary Cylinder, 50" Rod	3/4" to 1-1/4" (19.0 to 31.8 mm)
15050S50012	Stationary Cylinder, 50" Rod	Flush to 1/2" (0.0 to 12.7 mm)

95050004745000 tube sold separately, for use on all 4545, 4646, 5050, and 5151 latches.

Cylinder locks may be keyed alike or differently; please specify. Two keys are furnished. Upper and lower latches may be ordered separately.

Specifications

Material

Forged brass body, handle and strike housing, forged steel tongue, malleable iron strike insert, stainless steel tube

Finish

Latches polished chrome

Mounting

Holes drilled and countersunk for 1/4" (6.0 mm) screws

Rod Size

7/8" (22.2 mm) dia.; 50-1/4" (1276.4 mm) length (other lengths available to specification)

Packaging

1 per carton

Weight

Approx. 8.5 lb (3.9 kg) per carton

Locking Mechanism

Accepts Master #1 U Padlock with 5/16" shank

Warning

No. 4545, 4646, 5050 and 5151 latches cannot be opened from inside when locked, therefore they should not be used on doors which are sole means of exit from walk-ins. When safety latches are required, see Kason SafeGuard® latches

4545 Two-Point Cylinder Locking Latch

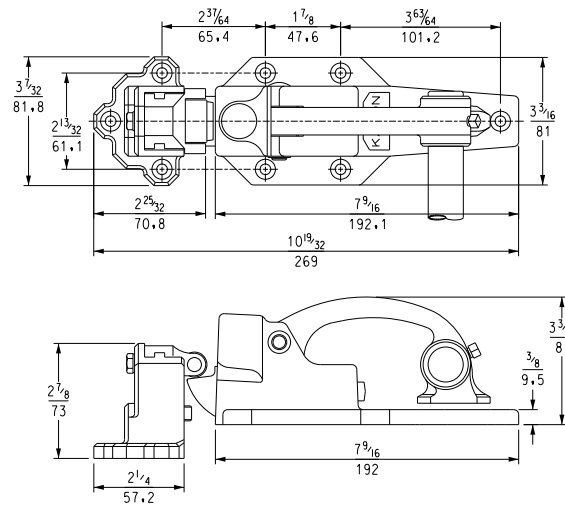
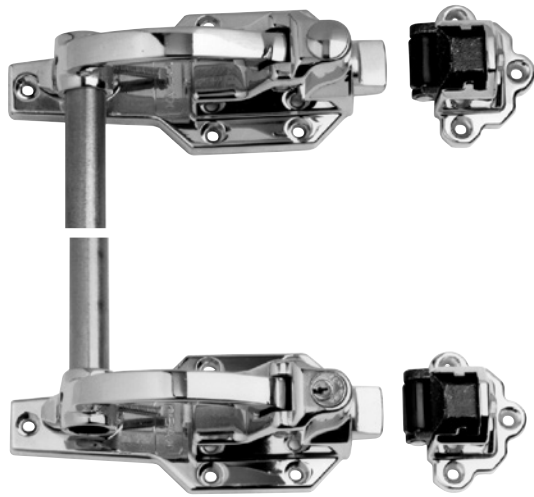
Part No.	Item	Offset
14545000002	Double Latch	1/4" to 1/8" (6.4 to 3.2 mm)
14545000006	Double Latch	Flush to 1/2" (0.0 to 12.7 mm)
14545000008	Double Latch	3/4" to 1-1/4" (19.0 to 31.8 mm)

95050004745000 tube sold separately, for use on all 4545, 4646, 5050, 5151 latches.

Cylinder locks may be keyed alike or differently; please specify. Two keys are furnished. Upper and lower latches may be ordered separately.



5151 Two-Point Cylinder Locking Latch



- Heavy-duty latch with stationary cylinder lock
- Provides the ultimate corrosion resistance

Part No.	Item	Offset
15151S00002	Stationary Cylinder	1/4" to 1/8" (6.4 to 3.2 mm)
15151S00008	Stationary Cylinder	3/4" to 1-1/4" (19.0 to 31.8 mm)
15151S00012	Stationary Cylinder	Flush to 1/2" (0.0 to 12.7 mm)

95050004745000 tube sold separately, for use on all 4545, 4646, 5050, and 5151 latches.

Cylinder locks may be keyed alike or differently; please specify. Two keys are furnished. Upper and lower latches may be ordered separately.

Specifications

Material

High pressure die-cast zinc body, forged brass handle and strike housing, forged steel tongue, malleable iron strike insert, stainless steel tube

Finish

Latches polished chrome

Mounting

Holes drilled and countersunk for 1/4" (6.0 mm) screws

Rod Size

7/8" (22.2 mm) dia.; 50-1/4" (1276.4 mm) length (other lengths available to specification)

Packaging

1 per carton

Weight

Approx. 8.5 lb (3.9 kg) per carton

Locking Mechanism

Accepts Master #1 U Padlock with 5/16" shank

Warning

No. 4545, 4646, 5050 and 5151 latches cannot be opened from inside when locked, therefore they should not be used on doors which are sole means of exit from walk-ins. When safety latches are required, see Kason SafeGuard® latches

4646 Two-Point Padlocking

Heavy-duty latch similar to No. 5151 with padlocking provision only.

Part No.	Item	Offset
14646050002	Padlock, 50" Rod	1/4" to 1/8" (6.4 to 3.2 mm)
14646050008	Padlock, 50" Rod	3/4" to 1-1/4" (19.0 to 31.8 mm)



This Hinge Selector is to assist you in choosing the correct Kason hinges for commercial refrigeration, foodservice equipment, transportation, industrial and many other uses. The Load Chart, below, shows our recommended allowable load per two hinges for each hinge group.

The data applies for normal conditions under static loading by door weight only. Other factors, such as positive or negative pressure, very high gasket compression, vibration, corrosive or abrasive atmospheres, or structural movement are not taken into account. It is the final responsibility of the users to determine the suitability and capacity required in their specific applications.

- Locate the weight of your door in the far left column
- Find the width of your door along the bottom of the chart
- Where the Weight and Width column intersect, find the recommended hinge group code (A, B, etc.)
- Select your hinges from the Kason Hinge Groups, below

NOTE: If exact dimensions and weight for your door is not shown, use the next higher width and weight.

Hinge Groups A to C shown in Reach-in.

Hinge Groups D to J shown in Walk-in.

Load Chart

		kg.	lb																						
DOOR WEIGHT	226.8	500	D	D	E	F	F	F	F	G	G	G	G	H	H	H	H	H	H	J	J	J	J		
	217.7	480	D	D	E	F	F	F	F	G	G	G	G	H	H	H	H	H	H	J	J	J	J		
	208.6	460	D	D	E	E	F	F	F	F	G	G	G	G	H	H	H	H	H	H	J	J	J		
	199.5	440	D	D	D	E	F	F	F	F	G	G	G	G	H	H	H	H	H	H	H	J	J		
	190.5	420	D	D	D	E	F	F	F	F	G	G	G	G	H	H	H	H	H	H	H	H	J		
	181.4	400	D	D	D	E	E	F	F	F	F	G	G	G	G	H	H	H	H	H	H	H	H	H	
	172.4	380	D	D	D	D	E	F	F	F	F	G	G	G	G	H	H	H	H	H	H	H	H	H	
	163.3	360	D	D	D	D	E	E	F	F	F	F	G	G	G	G	G	G	G	H	H	H	H	H	H
	154.2	340	D	D	D	D	E	E	F	F	F	F	F	G	G	G	G	G	G	H	H	H	H	H	H
	145.2	320	C	D	D	D	D	E	E	F	F	F	F	F	G	G	G	G	G	G	H	H	H	H	H
	136.1	300	C	D	D	D	D	E	E	E	F	F	F	F	F	G	G	G	G	G	G	G	H	H	H
	127.0	280	C	D	D	D	D	D	E	E	F	F	F	F	F	F	G	G	G	G	G	G	G	G	H
	117.9	260	C	C	D	D	D	D	D	E	E	F	F	F	F	F	F	G	G	G	G	G	G	G	G
	108.9	240	C	C	D	D	D	D	D	D	E	E	F	F	F	F	F	F	G	G	G	G	G	G	G
	99.8	220	C	C	C	D	D	D	D	D	D	E	E	E	F	F	F	F	F	F	F	G	G	G	G
	90.7	200	B	C	C	D	D	D	D	D	D	D	E	E	E	F	F	F	F	F	F	F	F	F	G
	81.7	180	B	C	C	C	D	D	D	D	D	D	D	E	E	E	F	F	F	F	F	F	F	F	F
	72.6	160	B	B	C	C	C	D	D	D	D	D	D	D	D	E	E	E	E	F	F	F	F	F	F
	63.5	140	B	B	C	C	C	C	D	D	D	D	D	D	D	D	D	D	D	E	E	E	E	F	F
	54.4	120	B	B	B	C	C	C	C	C	D	D	D	D	D	D	D	D	D	D	D	D	D	E	E
45.4	100	B	B	B	B	B	C	C	C	C	C	D	D	D	D	D	D	D	D	D	D	D	D	D	
36.3	80	B	B	B	B	B	B	B	C	C	C	C	C	C	D	D	D	D	D	D	D	D	D	D	
27.2	60	A	A	A	A	B	B	B	B	B	B	C	C	C	D	D	D	D	D	D	D	D	D	D	
18.1	40	A	A	A	A	A	A	A	A	B	B	B	B	B	D	D	D	D	D	D	D	D	D	D	
9.0	20	A	A	A	A	A	A	A	A	A	A	A	A	A	D	D	D	D	D	D	D	D	D	D	
		in.	12	15	18	21	24	27	30	33	36	39	42	45	48	51	54	57	60	63	66	69	72		
		cm.	30.5	38.1	45.7	53.3	61.0	68.6	76.2	83.8	91.4	99.1	106.7	114.3	121.9	129.5	137.2	144.8	152.4	160.0	167.6	175.3	182.9		
		DOOR WIDTH																							

Kason Truck Body Hinge Groups

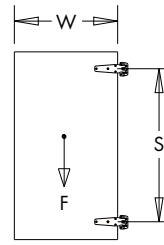
Group	Hinge Model Numbers
A	1070
B	1070A, 1071
C	1061, 1071A
D	1241, 1341
E	N/A
F	1037, 1055
G	1073, 1377S
H	N/A
J	N/A



1241 Heavy-Duty Double Knuckle Hinge

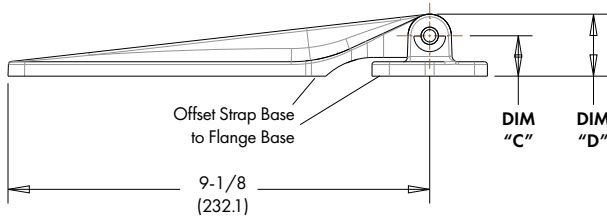
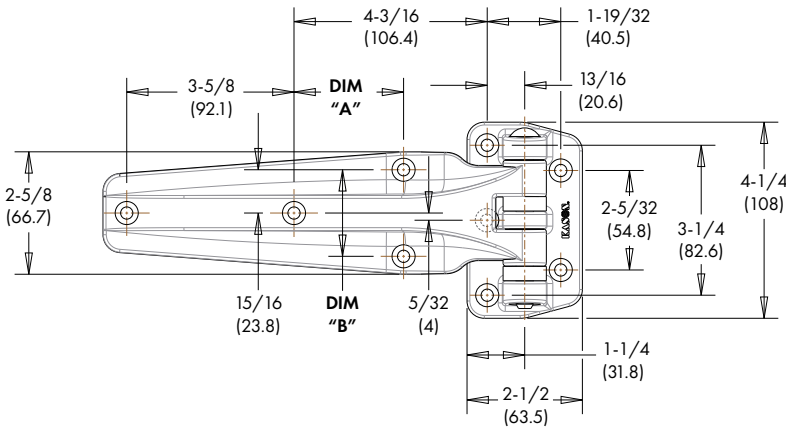


© U.S. Trademark 2,277,203



W = Door width, inch (meters)
 F = Door weight, lb (N)
 M = Moment on hinge, in/lb (N.m)
 = $F \times W/2 = 3990 \text{ in/lb (450 N.m)}$
 S = Suggested hinge spacing
 = 1.5 W

- Heavy-duty, double knuckle, non-rise hinge engineered for maximum structural strength
- Ribbed underside construction reduces weight and ensures rugged, no sag dependability
- Available in flush (0.0 mm) or 1-1/8" (28.6 mm) offset
- Left or right hand door application



Specifications

Strap Length

9" (228.6 mm)

Material

High pressure die-cast zinc with stainless steel pin and nylon bearings

Finish

Polished chrome

Mounting

Holes drilled and countersunk for 1/4" (6.0 mm) screws (not included). Strap available with three different mounting hole locations; refer to dimensions A and B on drawings

Temperature Range

-20°F to 140°F (-28.9°C to 60°C)

Load Rating

See Hinge Selector Chart, Page 17, Group D

Part No.	Description	Offset	Dim. A	Dim. B	Dim. C	Dim. D	Qty./Carton	Wgt./Carton
11241000003	Hinge, L.H.	Flush (0.0 mm)	2-3/8" (60.3 mm)	1-7/8" (47.6 mm)	7/8" (22.2 mm)	1-11/32" (34.1 mm)	8	20 lb (8.1 kg)
11241000004	Hinge, R.H.	Flush (0.0 mm)	2-3/8" (60.3 mm)	1-7/8" (47.6 mm)	7/8" (22.2 mm)	1-11/32" (34.1 mm)	8	20 lb (8.1 kg)
11241000008	Hinge, R.H.	1-1/8" (28.6 mm)	2-3/8" (60.3 mm)	1-7/8" (47.6 mm)	1-7/8" (47.6 mm)	2-11/32" (59.5 mm)	6	14 lb (6.8 kg)
11241000009	Hinge, L.H.	1-1/8" (28.6 mm)	2-3/8" (60.3 mm)	1-7/8" (47.6 mm)	1-7/8" (47.6 mm)	2-11/32" (59.5 mm)	6	14 lb (6.8 kg)
11241H00004	Hinge, R.H.	Flush (0.0 mm)	1-23/32" (43.6 mm)	1-11/16" (46 mm)	7/8" (22.2 mm)	1-11/32" (34.1 mm)	8	20 lb (8.1 kg)
11241H00005	Hinge, L.H.	Flush (0.0 mm)	1-23/32" (43.6 mm)	1-11/16" (46 mm)	7/8" (22.2 mm)	1-11/32" (34.1 mm)	8	20 lb (8.1 kg)
11241S00004	Hinge, R.H.	Flush (0.0 mm)	1-3/16" (30.2 mm)	1-3/4" (44.4 mm)	7/8" (22.2 mm)	1-11/32" (34.1 mm)	8	20 lb (8.1 kg)
11241S00005	Hinge, L.H.	Flush (0.0 mm)	1-3/16" (30.2 mm)	1-3/4" (44.4 mm)	7/8" (22.2 mm)	1-11/32" (34.1 mm)	8	20 lb (8.1 kg)



Kason was founded in 1926 to provide door hardware for refrigerated storage facilities. Early-on, truck body OEM's recognized that Kason's hinges and latches were an ideal fit for refrigerated delivery trucks. Today, thanks to customer confidence, Kason is a primary supplier of sliding and rear door hardware to major U.S. van builders and to the world's largest delivery van fleets.

A long tradition of hard-working, durable truck door hardware is backed by the Kason belief that each product must fulfill customers needs. In addition to the Kason standard models, custom design and fabrication is common at Kason.

A dedicated research and development group insists on engineering integrity and precise, in-line quality control. Production facilities feature fully automated die-casting, polishing and electroplating equipment, and a full range of electronically controlled and robotic machinery. Kason requires the finest raw materials, accurate machine tolerances and the highest level of finishing. Skilled employees maintain the Kason tradition of production excellence. Quality assurance is integrated into every step of production.

Using an advanced, computerized inventory and order control system, our efficient and friendly customer service staff can quickly track current product availability or the status of any order. An assigned customer

service representative works closely with your Kason Customer Service Representative to ensure that accurate orders are delivered promptly.

Kason's business goal is to provide superior hardware, on schedule, to match your quality standards and sustain the integrity of your equipment.

Applications For Kason Hardware

- Step Vans
- Refrigerated Truck Bodies

Kason Truck Door Hardware

- Sliding Door Latches
- Rear Door Latches
- Multiple Seal Latches
- Specialty Latches
- Cylinder Locking Handles
- Handles with Removable Cylinder Lock
- Non-locking Handles
- Heavy-duty Hinges
- Step Van Components
- OEM-specified Hardware
- Thermal Flex® Strip Curtains

3001 Handle with Removable Cylinder Lock



Removable Cylinder Handle Systems

Now, have the proven strength and durability of Kason truck body handles with the versatility of removable cylinder locks

- Easy cylinder change-out while handle is mounted
- Select from stationary (S) or push (P) cylinder
- Rekey any handle in this new system by inserting a new cylinder of the desired key number
- Handles are compatible with all existing Kason sliding and rear door inside latches
- Available in polished chrome or durable powder coat finish. Powder coat is recommended for use in extreme environments

3022 Removable Cylinder Handles



© U.S. Trademark 2,430,650

Handle Specifications

Material

Die-cast zinc handle and plate

Finish

Polished chrome. Powder coat recommended for severe environmental applications

Styles

Side door handles available in paddle or grab style; interchangeable with standard cylinder handles

Other

Accepts stationary (S) or push (P) cylinder; field changeable

Part No.	Description	Shank	Qty./Carton	Wgt./Carton
13001000028	Handle for Removable Cylinder, Chrome	3/8" x 3-3/4" (9.5 x 95.3 mm)	6	13 lb (5.9 kg)
13022000028	Handle for Removable Cylinder, Chrome	3/8" x 3-3/4" (9.5 x 95.3 mm)	8	17.3 lb (7.8 kg)
13168000036	Handle for Removable Cylinder, Chrome	5/16" x 3-3/4" (7.9 x 95.3 mm)	12	20.0 lb (8.1 kg)
10368000027	Handle for Removable Cylinder, Chrome	5/16" x 3-3/4" (7.9 x 95.3 mm)	12	24 lb (10.9 kg)
For color choices and model numbers, contact your Kason Customer Service Representative.	3001 Handle for Removable Cylinder, Powder Coat	3/8" x 3-3/4" (9.5 x 95.3 mm)	6	13 lb (5.9 kg)
	3022 Handle for Removable Cylinder, Powder Coat	3/8" x 3-3/4" (9.5 x 95.3 mm)	6	13 lb (5.9 kg)
	3168 Handle for Removable Cylinder, Powder Coat	5/16" x 3-3/4" (7.9 x 95.3 mm)	12	20 lb (8.1 kg)
	0368 Handle for Removable Cylinder, Powder Coat	5/16" x 3-3/4" (7.9 x 95.3 mm)	12	24 lb (10.9 kg)

0368 Removable Cylinder Handles



3168 Removable Cylinder Handles



Cylinder Specifications

Type

Stationary (S) or push (P) cylinder

Fabrication

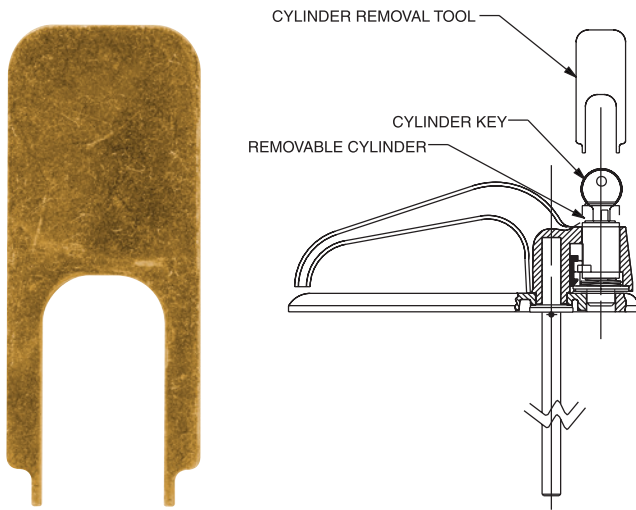
Stainless steel scalped; pre-lubricated; shuttered keyway for better over-the-road dirt resistance and long life

Keying

May be keyed alike or differently; 50 key numbers available

How To Order

Handles, cylinders and cylinder removal tool are ordered separately. See information below



Easy Lock Removal

Simple Kason removal tool releases unlocked cylinder for quick change.

Benefit for Truck Body Builders

Reduce handle inventories and simplify special keying requests. Install handles without cylinders, then just before delivery, add the cylinder lock keyed to the customer's specification. Or, supply cylinders separately to be keyed and installed on site.

Benefit for Service Centers and Distributors

Reduce handle inventories. Add keyed cylinders on demand to meet customers' needs. At replacement time, the original handle can be rekeyed with a new cylinder or the original cylinder can be placed into a new handle in the system.

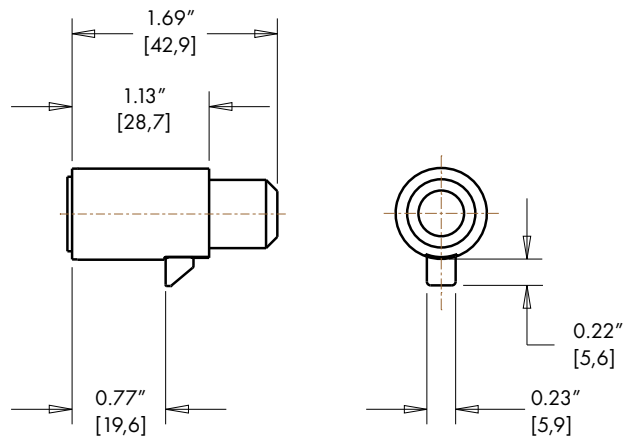
Benefit for Fleet Owners/Users

When drivers change, keys are lost or security is breached, you don't have to replace the entire handle. Simply pop out the old cylinder lock and replace with a differently-keyed cylinder. For security during maintenance, substitute the assigned lock with a yard cylinder.

Part No.	Description	Qty./Carton
90060SS0090	Stationary Cylinder Lock for Handles Listed	
90060PS0090	Push Cylinder Lock for Handles Listed	Request Packing
13001005980035	Removal Tool for Cylinder Locks Listed	

Cylinder locks may be keyed alike or differently; 50 key changes available. Please specify.

0062PS/SS Cylinder Lock Series



- Enhanced keying system boosts security against tampering
- Master key for fleet operational convenience
- Includes a spring-loaded dust shutter
- Push option allows locking without a key
- Stationary option requires key for locking
- Replacement for 0060PS/SS

Specifications

Material

Housing: Chrome plated zinc
 Scalp: Stainless Steel
 Keys: Brass

Finish

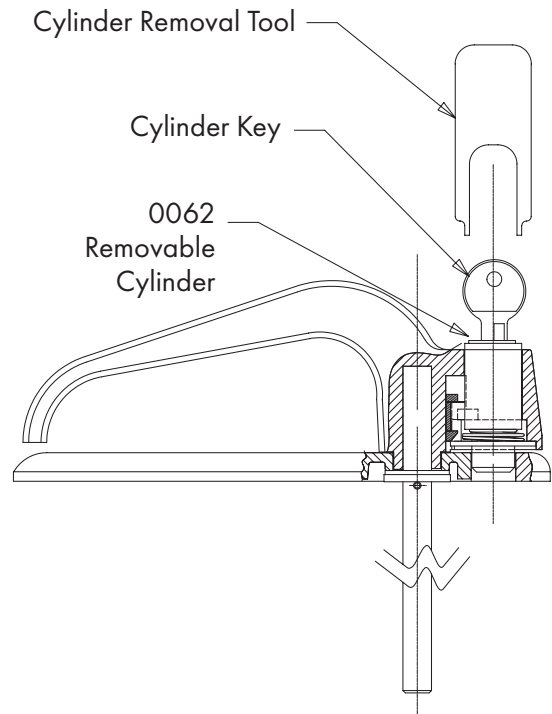
Chrome

Compatibility

Accommodates 3001, 3022, 3068, and 3168 handles

Part No.	Description
90062PS90211	Removable Push Cylinder, 0062 Series, Key #211
90062PS90212	Removable Push Cylinder, 0062 Series, Key #212
90062PS90213	Removable Push Cylinder, 0062 Series, Key #213
90062PS90214	Removable Push Cylinder, 0062 Series, Key #214
90062PS90215	Removable Push Cylinder, 0062 Series, Key #215
90062PS90216	Removable Push Cylinder, 0062 Series, Key #216
90062PS90217	Removable Push Cylinder, 0062 Series, Key #217
90062PS90218	Removable Push Cylinder, 0062 Series, Key #218
90062PS90219	Removable Push Cylinder, 0062 Series, Key #219
90062PS90220	Removable Push Cylinder, 0062 Series, Key #220
90062SS90211	Removable Stationary Cylinder, 0062 Series, Key #211
90062SS90212	Removable Stationary Cylinder, 0062 Series, Key #212
90062SS90213	Removable Stationary Cylinder, 0062 Series, Key #213
90062SS90214	Removable Stationary Cylinder, 0062 Series, Key #214
90062SS90215	Removable Stationary Cylinder, 0062 Series, Key #215
90062SS90216	Removable Stationary Cylinder, 0062 Series, Key #216
90062SS90217	Removable Stationary Cylinder, 0062 Series, Key #217
90062SS90218	Removable Stationary Cylinder, 0062 Series, Key #218
90062SS90219	Removable Stationary Cylinder, 0062 Series, Key #219
90062SS90220	Removable Stationary Cylinder, 0062 Series, Key #220

0062PS/SS Keys and Cylinder Removal Tool



Part No.	Description
13001005980035	Cylinder Removal Tool
900620092211	Keys Only, 0062 Series #211
900620092212	Keys Only, 0062 Series #212
900620092213	Keys Only, 0062 Series #213
900620092214	Keys Only, 0062 Series #214
900620092215	Keys Only, 0062 Series #215
900620092216	Keys Only, 0062 Series #216
900620092217	Keys Only, 0062 Series #217
900620092218	Keys Only, 0062 Series #218
900620092219	Keys Only, 0062 Series #219
900620092220	Keys Only, 0062 Series #220
90062009222M	Master Key, 0062 Series #201-220

Choice of Major Fleets

- Accept all 3/8" (9.5 mm) square-shank handles
- Feature manual inside slide lock
- Proven tongue action for secure closure
- Refined mechanism assures easy unlocking
- Double tongue construction adapts latch for right or left-hand doors

Part No.	Description	Qty./Carton	Wgt./Carton
1400000004	Latch	6	15 lb (6.8 kg)
1400200004	Latch w/ Paddle Handle	6	16 lb (7.3 kg)
14002000014	Latch w/Short Paddle Handle	6	16 lb (7.3 kg)

Specifications

Material

Wrought steel latch, malleable iron tongue, high-pressure die-cast zinc handle

Finish

Kasonized

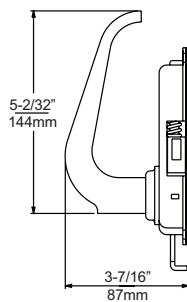
Mounting

Drilled for 1/4" (6.0mm) screws

Compatibility

Accommodates handle with 3/8" (9.5 mm) square shank

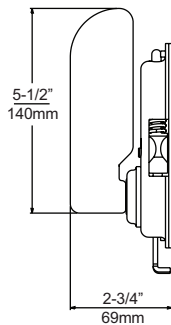
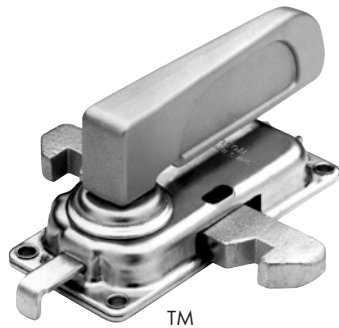
4000 Latch



- Sliding door latch with easy-grip handle
- Maximum projection 3-13/32" (86.5mm)

Latch available with offset tongue for special applications. Order No. 4007.

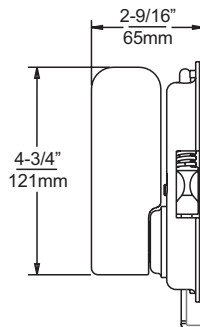
4002 Low Profile Latch



- Sliding door latch with low profile paddle handle
- Maximum projection is 2-23/32" (96.1 mm)

Latch available with offset tongue for special applications. Order No. 4027

4002-14 Short Handle Latch



- Sliding door latch with low profile short paddle handle
- Maximum projection is 2-23/32" (96.1 mm)

©2024 Kason Industries, Inc.

0324 LIT 001

4030 Series Step Van Components

Specifications

Material

Steel strike plates, rubber bumpers; zinc spacer

Finish

Kasonized strike plates

Mounting

Holes drilled for 1/4" (6.0 mm) screws

Compatibility

Accommodates handle with 3/8" (9.5 mm) square shank

Bracket Assembly



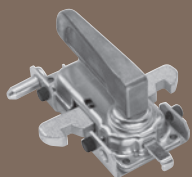
Front Strike With Adjustment Plate



Spacer



Rear Strike Plate (L) and Low Profile Rear Strike Plate (R)



Use with Kason latches for most makes of step vans.

4020 UPS Mounting Hardware

Adapts Kason No. 4000 Series Sliding Door latches for use on UPS delivery vans.

Specifications

Material

Steel strike plates, rubber bumpers; zinc spacer

Finish

Kasonized strike plates

Mounting

Holes drilled for 1/4" (6.0 mm) screws

Rear Strike Plate



Low Profile Rear Strike Plate



UPS Door Hardware Kit

No. 4020000004 - Front and rear strike plates with 1-15/16" (23mm) stud.

Part No.	Description	Qty./Carton	Weight/Carton
14020000004	UPS Door Hardware Kit	1	4 lb (2 kg)
14020R00011	UPS Front Strike Plate, Left	12	28 lb (13 kg)
14020R00012	UPS Front Strike Plate, Right	12	28 lb (13 kg)
14020000102	UPS Rear Strike Plate	24	22 lb (10 kg)
14020001010	UPS Rear Strike Plate with Adjustment Plate	24	30 lb (14 kg)
14030000004	Front Strike with Adjustment Plate	30	39 lb (18 kg)
14030L00318	Bracket Assembly, Left	30	25 lb (11 kg)
14030R00318	Bracket Assembly, Right	30	25 lb (11 kg)
14030000878	Spacer, 0.544" (13.8mm) Deep	24	22 lb (10 kg)
14031000489	Rear Strike Plate	30	30 lb (14 kg)
14031000490	Rear Strike Plate, Low Profile	30	24 lb (11 kg)

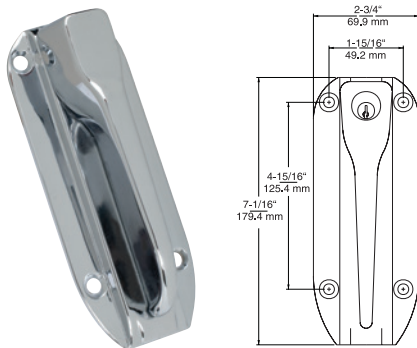
4003 Exterior Non-Locking Handle

Same as No. 3001 Handle except no cylinder hole.

Part No.	Description	Shank Size	Qty./ Carton	Wgt./ Carton
14003000004	Handle, Non-locking	3/8" sq. x 1-15/16" (9.5 x 23.3 mm)	6	12 lb (5.5 kg)
14003000006	Handle, Non-locking	3/8" sq. x 2-3/16" (9.5 x 55.6 mm)		
14003000008	Handle, Non-locking	3/8" sq. x 3-3/4" (9.5 x 95.3 mm)		

Cylinder locks may be keyed alike or differently; 50 key changes available. Please specify.

4223 Exterior Non-Locking Handle



© U.S. Trademark 2,430,650

- Push or stationary cylinder locking paddle handles
- Use with Kason inside sliding door latches Nos. 4000, 4002 and 4027
- Contact your Kason Sales Representative for additional information, including available powder coat colors and shaft lengths

Part No.	Description	Shank Size	Qty./ Carton	Wgt./ Carton
14223000004	Chrome Handle, Non-locking	3/8" x 1-15/16" (9.5 x 23.3 mm)	8	14.4 lb (6.5 kg)
14223000006	Chrome Handle, Non-locking	3/8" x 2-3/16" (9.5 x 55.6 mm)	8	14.5 lb (6.6 kg)
14223000008	Chrome Handle, Non-locking	3/8" x 3-3/4" (9.5 x 95.3 mm)	8	14.9 lb (6.8 kg)
14223000010	Chrome Handle, Non-locking	3/8" x 4-3/4" (9.5 x 120.7 mm)	8	15.3 lb (6.9 kg)
14223000025	Chrome Handle, Non-locking	3/8" x 2-3/4" (9.5 x 69.9 mm)	8	14.6 lb (6.6 kg)
142230000B4	Black Handle, Non-locking	3/8" x 1-15/16" (9.5 x 23.3 mm)	8	14.4 lb (6.5 kg)
142230000B6	Black Handle, Non-locking	3/8" x 2-3/16" (9.5 x 55.6 mm)	8	14.5 lb (6.6 kg)
142230000B8	Black Handle, Non-locking	3/8" x 3-3/4" (9.5 x 95.3 mm)	8	14.9 lb (6.8 kg)
142230000B10	Black Handle, Non-locking	3/8" x 4-3/4" (9.5 x 120.7 mm)	8	15.3 lb (6.9 kg)
142230000B25	Black Handle, Non-locking	3/8" x 2-3/4" (9.5 x 69.9 mm)	8	14.6 lb (6.6 kg)

- Push or stationary cylinder locking handles
- Use with Kason inside sliding door latches No. 4000, 4002, 4007 and 4027
- Removable cylinder locking handles available

Non-Locking Handles

- Specifications same as corresponding locking handle, but without provision for cylinder lock

Specifications

Material

High-pressure die-cast zinc handle and back plate, brass cylinder

Finish

Polished chrome or powder coat available for extreme environmental applications

Construction

Roll pinned assembly allows field change of cylinder from push to stationary locking action

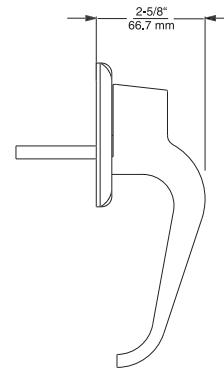
Shank Size

See ordering information for available sizes

Mounting

Drilled and countersunk for 1/4" (6.0 mm) flat head screws

4169 Non-Locking Handle



Contact your Kason Customer Service Representative for additional information, including available powder coat colors and model numbers.

Part No.	Description	Shank Size	Qty./ Carton	Wgt./ Carton
14169000012	Chrome Handle, Non-locking	5/16" x 1-15/16" (7.9 x 23.3 mm)	12	18 lb (8.2 kg)
14169000016	Chrome Handle, Non-locking	5/16" x 3-3/4" (7.9 x 95.3 mm)		

Special OEM Removable Cylinder Locking Handles

- Designed to accept Illinois Lock Model No. L 729-510-125 removable cylinder lock and key only
- Cylinders are available through OEM or cylinder manufacturer
- Proven strength and durability of Kason truck body handles
- Cylinder is easily removed to change locks
- Handles are compatible with Kason interior latches for sliding and rear van doors

Specifications

Strap Length

9" (228.6 mm)

Material

High pressure die-cast zinc with stainless steel pin and nylon bearings

Finish

Polished chrome

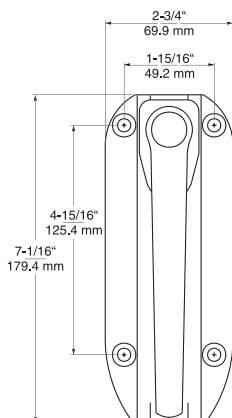
Mounting

Holes drilled and countersunk for 1/4" (6.0 mm) screws (not included). Strap available with three different mounting hole locations; refer to dimensions A and B on drawings

Load Rating

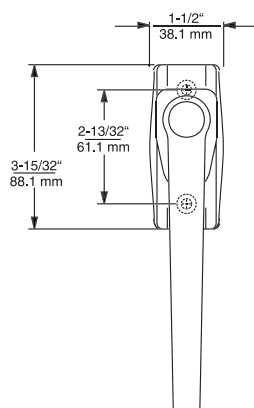
See Hinge Selector Chart, Page 17, Group D

4012 Sliding Door Handle



- Standard grab handle for sliding doors
- Contact your Kason Customer Service Representative for additional information, including available powder coat colors and model numbers

4162 Sliding Rear Door Handle



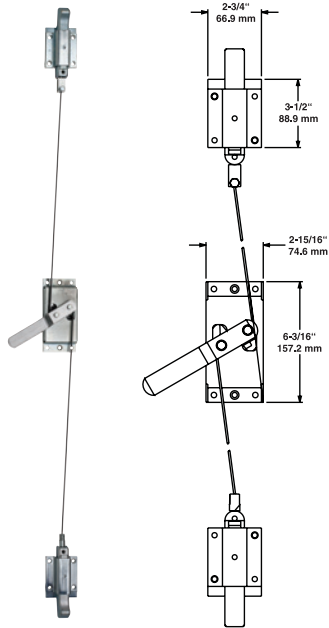
- Standard handle for rear, swing doors
- Contact your Kason Customer Service Representative for additional information, including available powder coat colors and model numbers

Part No.	Description	Shank Size	Qty./Carton	Wgt./Carton
14012000004	Chrome Handle, Sliding Door	3/8" x 1-15/16" (9.5 x 23.3 mm)	6	12 lb (5.5 kg)
14162000001	Chrome Handle, Rear Door	5/16" x 3-3/4" (8 x 95 mm)	6	9 lb (4.0 kg)

Rear Door Latching Systems For Faster, Safer Deliveries

- Slam & Take-up Latch with adjustable cable
- Finger Pull Latch, available
- Mortise Lock Adapter Kit option available
- Locking and Non-locking systems
- Use with No. 0168 Series exterior handles

0168-01 Adjustable Interior Cable Latch



- Easy working latch for medium and heavy-duty truck doors
- Opens door from inside truck, even with the handle locked
- Tough, flexible steel cable adjusts to fit any door length and provides smooth, rattle-free operation

Specifications

Material

Heavy gauge steel center mechanism and end points; aluminum handle; aircraft-type, 3/32" (2.4 mm) galvanized steel cable with vinyl covering

Finish

Kasonized end points

End Points

One fixed and one adjustable

Mounting

Drilled for 1/4" (6.0 mm) screws

Option

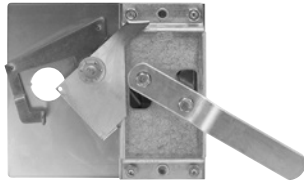
Also available with fixed cable or eyelet cable, length to specification

To Order

Exterior handles and ordering information on following page

0168-06/0168-07

Mortise Lock Adapter with Center Mechanism



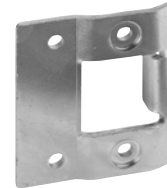
0168WL-06 Latch Kit

No. 0168-01 interior latch with mortise lock adapter kit.

Exterior Handles

Compatible exterior handles shown on following page.

0168-05 Strike Plate



For use with No. 0168-01 latch. Can be used at top and bottom of door opening.

0168-06/0168-07 Mortise Cylinder Lock Adapter Kits

- Extra security for No. 0168 latching system
- Tamper-resistant. With mortise lock secured, door remains locked when handle is tampered with, even if handle is broken off
- Accepts standard mortise cylinder lock

How to Order

0168-06 - Adapter for thin door

0168-07 - Adapter for thick door

Specifications

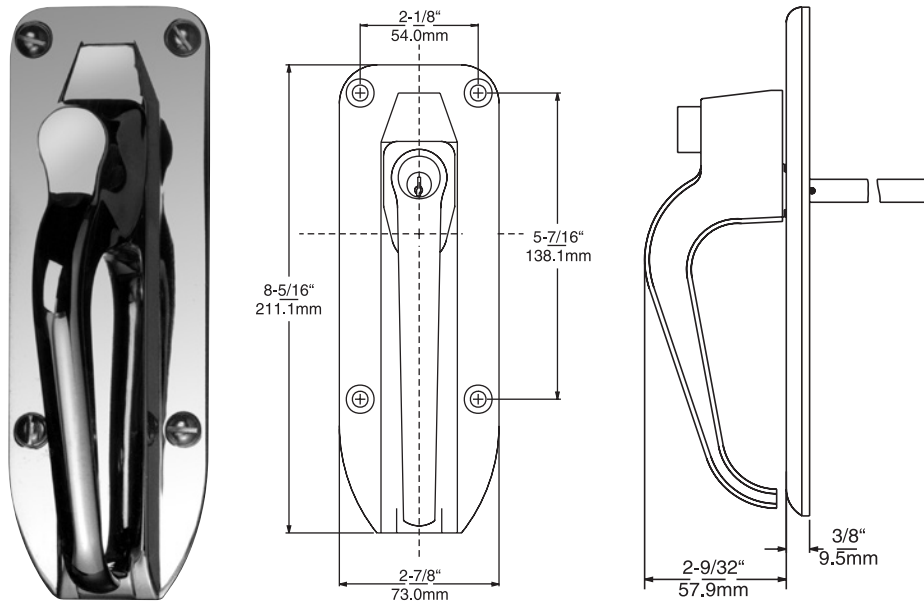
Material

Heavy gauge steel

Mounting

Installs as a stack-on subplate under the basic No. 168 mechanism

0168-08 Non-Locking Handle

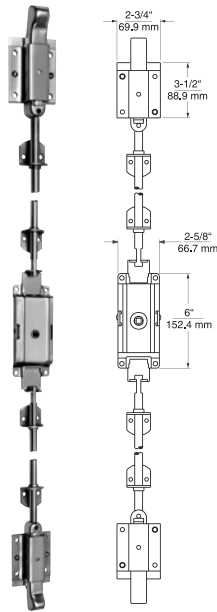


- Designed for use with No. 0168-01 adjustable cable latch, with compatible mounting holes
- Contact your Kason Customer Service Representative for additional information, including available powder coat colors and model numbers
- Removable Cylinder Locking Handles Available

Part No.	Description	Qty./ Carton	Wgt./Carton
10168000008	Chrome Handle , Non-locking, 5/16" x 3-3/4" (7.9 x 95.3 mm) Shank	6	11.5 lb (5.2 kg)
10168WL0006	Latch with Mortise Lock Adapter	1	27.5 lb (12.5 kg)
10168WL0016	Latch with Mortise Lock UPS Kit	1	27.5 lb (12.5 kg)
10168000001	Latch with Inside Handle, End Points and Standard Cable	6	26 lb (12 kg)
10168000004	Standard Cable Assembly for 0168 Latch	1	0.5 lb (0.2 kg)
10168000005	Strike Plate for 0168 Latch	125	28 lb (12.7 kg)
10168000006	Mortise Lock Adapter Kit for Thin Door	12	18 lb (8.2 kg)
10168000007	Mortise Lock Adapter Kit for Thick Door	12	18 lb (8.2 kg)
10168000010	Assembly for 0168 Latch	25	30 lb (13.6 kg)
10168000020	Latch Body Assembly	25	28 lb (12.7 kg)
10168000021	Latch Body with Inside Handle	20	32 lb (15 kg)
10168000024	Cable with Eyelet	1	0.5 lb (0.2 kg)
10168000041	Latch with Inside Handle, End Points and Eyelet Cable	6	26 lb (12 kg)

Cylinder locks may be keyed alike or differently; 50 key changes available. Please specify.

0167 Slam & Take-Up Latch



Latch for medium and heavy-duty doors.

Specifications

Material

Steel

Maximum Projection

1/2" (38.1 mm)

Latch

Consists of one center mechanism, 2 end points and rod guides

Rods

1/2" (12.7 mm) diameter steel rods available; order separately

Mounting

Drilled for No. 12 (5.5 mm) screws

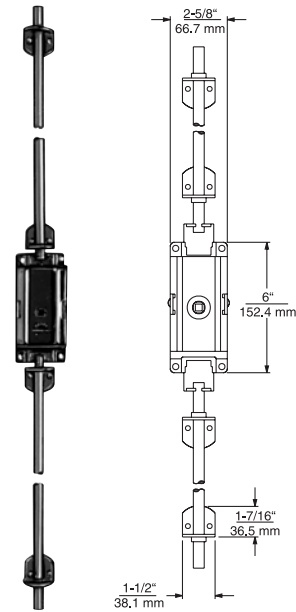
Other

Center mechanisms, end points and rods available separately

0167 Strike Plate

Use with No. 0167 latch.

0160 Two-Point Latch



Bolt-action latch.

Specifications

Material

Steel

Maximum Projection

1" (25.4 mm)

Latch

Consists of one center mechanism, 2 end points and rod guides

Rods

1/2" (12.7 mm) diameter steel rods available; order separately

Mounting

Drilled for No. 12 (5.5 mm) screws

Other

Center mechanisms available separately

Part No.	Description	Rod Length	Qty./Carton	Wgt./Carton
1016000004	Latch Only	(No Rod Included)	6	24 lb (10.9 kg)
1016000008	Center Mechanism (Only for 0160 Latch)	(No Rod Included)	25	51 lb (23.2 kg)
10165003337	Standard Rod for 0160 Latch	33-3/8" (847.7 mm)	24	23 lb (10.1 kg)
10160U02833	Rod for 0160 Latch	28.328" (719.5 mm)	24	20 lb (9.1 kg)
10160U04100	Rod for 0160 Latch	41" (1041.4 mm)	24	29 lb (13.1 kg)
10160U04500	Rod for 0160 Latch	45" (1143.0 mm)	24	32 lb (14.5 kg)
10160U04525	Rod for 0160 Latch	45-1/4" (1149.4 mm)	24	32 lb (14.5 kg)
10167000004	Latch Only	(No Rod Included)	6	45 lb (20.4 kg)
10167000008	Center Mechanism (Only for 0167 Latch)	(No Rod Included)	25	51 lb (23.2 kg)
10167S00004	Strike Plate for 0167 Latch	(No Rod Included)	125	40 lb (18.2 kg)
10167SS0212	Tongue Assembly for 0167 Latch	(No Rod Included)	25	30 lb (13.6 kg)
10167002594	Standard Rod for 0167 Latch	25-15/16" (658.8 mm)	24	19 lb (8.6 kg)
10167002737	Rod for 0167 Latch	27-3/8" (695.3 mm)	24	19.5 lb (8.9 kg)
10167003200	Rod for 0167 Latch	32" (812.8 mm)	24	23 lb (10.5 kg)
10167003637	Rod for 0167 Latch	36-3/8" (923.9 mm)	24	27 lb (12.3 kg)

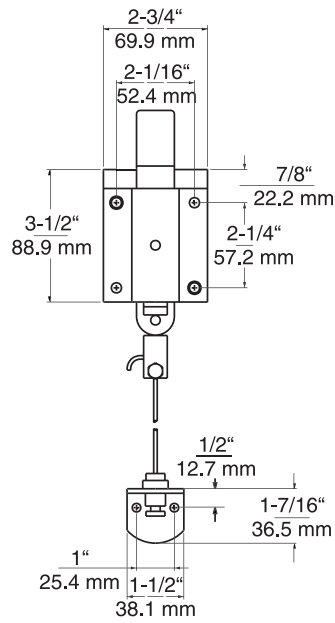
0318 Long Pull Rod/0320 Short Pull Rod/0168 Pull Cable Latch



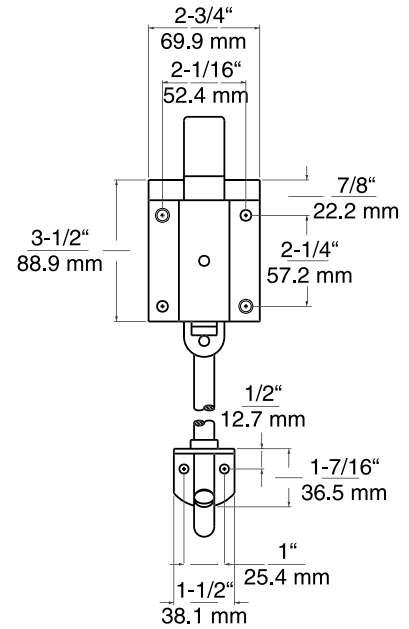
0320



0318



0168



- Designed for double doors on medium to heavy-duty trucks, where one door must be held firm while the other door is opened
- Flexible cable adjusts to fit any door length

Part No.	Description	Qty./Carton	Wgt./Carton
10168000015	Latch, Pull Cable	25	50 lb (22.7 kg)
10318000008	Latch, Long Pull Rod	6	23 lb (10.5 kg)
10320000008	Latch, Short Pull Rod	10	17 lb (7.7 kg)

Specifications

Material

Heavy gauge steel end points; 3/32" (2.4 mm) galvanized steel cable with vinyl covering

Mounting

Tongue assembly drilled for 1/4" (6.0mm) screws; rod angle drilled for No. 10 (5.0 mm) screws

Finish

Kasonized end points



Mounting: Flush Wall

- Easy and fast installation
- Easy to replace strips reduces labor/maintenance costs
- Durable pre-cleated strips slide into place and help prevent tear outs
- Easy to clean clear vinyl provides high visibility
- Suitable for multiple vinyl types
- Universal design allows installation for walk-in coolers and freezers

Replacement Strips

Contact customer service at 1.800.935.2766

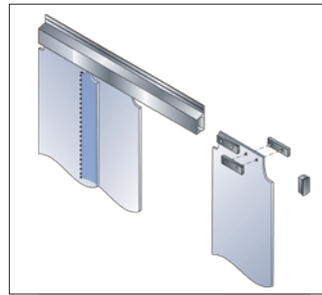
Specifications

Materials

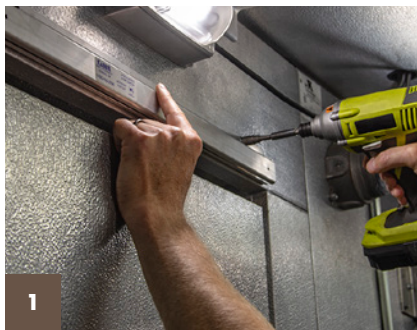
Vinyl Strip Types: Multiple
 Mounting Channel: Extruded aluminum
 Mounting Hardware: Stainless Steel
 End Caps: Polypropylene

Door Opening

Standard: 38" x 84" for openings 30" to 38" wide
 42" x 84" for openings 38" to 42" wide



Installation in Minutes



1 Attach mounting bar.



2 Slide in strips.

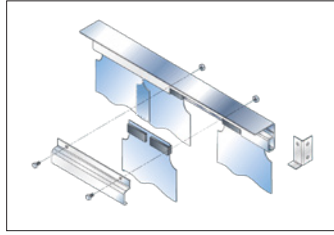


3 Secure strips with end caps.

©2024 Kason Industries, Inc.
 0324 LIT 001



Easimount® II Vinyl Strip Curtain System



Optional door jamb or side wall mount with supplied header brackets. Specify "jamb mount" for Easimount curtains, or order "TB" for Truck Body mounting to receive these brackets.

Mounting: Flush Wall, Door Jamb, and Overhead

- Easy and fast installation
- Durable pre-cleated strips slide into place and prevent tear outs
- Specify mounting option when ordering
- Optional mid-track strip loading reduces labor/maintenance
- Includes mounting channel
- Ceiling and door jamb mount includes notched channel with cover

Specifications

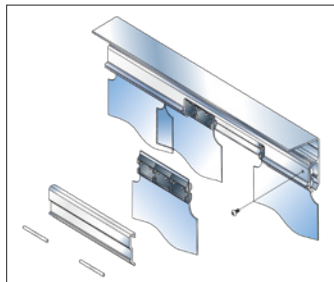
Materials

Vinyl Strip Types: Multiple
 Mounting Channel: Extruded aluminum
 Mounting Hardware: Stainless steel
 Side Wall Brackets: Zinc plated steel

Door Opening Size/Wall Width

See Ordering Guide on pg. 32

Maximount® Vinyl Strip Curtain System



Maximum duty system made of heavy gauge aluminum extrusions.

Mounting: Flush Wall, Door Jamb and Overhead

- Maximum duty system made of heavy gauge aluminum extrusions to support the load of longer and heavier vinyl curtain applications
- Easy and fast installation
- Durable pre-cleated strips slide into place and prevent tear outs
- Specify mounting option when ordering
- Optional mid-track strip loading reduces labor/maintenance

Specifications

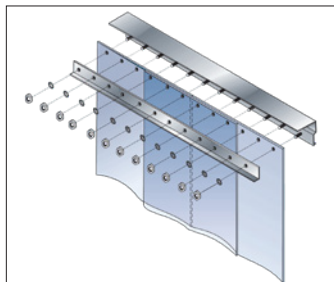
Materials

Vinyl Strip Types: Multiple
 Mounting Channel: Extruded aluminum
 Mounting Hardware: Stainless steel
 Only screw for edge strip is included

Door Opening Size/Wall Width

See Ordering Guide on pg. 32

Universal Heavy-Duty Vinyl Strip Curtain



Mounting: Flush Wall and Overhead

- Traditional heavy duty system
- Utilizes bolt-on mounting of vinyl strips
- Ideal for industrial and warehouse applications
- Suitable for multiple vinyl types

Specifications

Materials

Vinyl Strip Types: Multiple
 Mounting Channel: Galvanized steel
 Mounting Hardware: Zinc plated steel

Door Opening Size/Wall Width

See Ordering Guide on pg. 32





- Kason-designed stainless steel hinges easily swing open two heavy, clear vinyl panels
- Won't drag across product or snag on personnel or carts; so stays cleaner and lasts longer than strip systems
- Easy-to-clean, clear vinyl panels provide high visibility
- Gravity hinge closes door quickly but gently
- Exclusive adjustable cam block assures that the open door swings back to center position, even if the door jamb is out of line
- Strong, versatile hinge adapts to all door widths; no waiting for special orders
- Meets Sanitary Codes. Vinyl materials available to meet USDA, NSF and local standards.
- Ten year rust-proof hinge warranty. Stainless steel hinges won't rust even in high humidity
- Proper mounting kit for your application is included

- Available pre-cut or bulk
- Ten material types with wide temperature ranges
- Six width/gauge sizes
- USDA/NSF approved materials available

Specifications

Material

Clear PVC; 0.080 gauge, or 0.120 gauge

Door Openings

30" to 72" wide; 78" to 96" high

Special Applications

Heavy-duty hinges available for wide doors

How To Order Thermal Flex® Vinyl Curtains and Traffic Doors

Contact your Kason representative at 1.800.935.2766.



Ordering Guide

Complete the following information for each door system and call 1.800.935.2766 to place your order.

Vinyl Strip Curtain Systems and Replacement Strips

Which Strip Curtain System do you need?

- Easimount®
 Easimount® II – Ceiling Mount
 Easimount® II – Side Wall Mount
 Maximount® – Notched Channel w/ Cover
 Maximount® – Standard Mount w/o Notch
 Heavy Duty
 Traditional Loop System (Not Shown)

Opening Width: _____ Height: _____
(nearest whole in/cm)

Vinyl Strip Curtain Material Type: _____

Do you need Safety Orange strips: (Y/N): _____

Vinyl Strip Gauge 0.06" 0.08" 0.12"

Vinyl Strip Width 4" 6" 8" 12"

Application: _____

Temperature range: _____

Number of replacement strips: _____

Vinyl Swing Door Systems

Which Swing Door System do you need?

- Single Panel – Top Mount Hinge
 RIGHT/LEFT side door opening: _____
 Single Panel – Side Mount Hinge
 RIGHT/LEFT side door opening: _____
 Double Panel – Top Mount Hinge
 Double Panel – Side Mount Hinge

Right/left door opening is determined from inside of the walk-in, order Left Hand Single Panel Door if walk-in door hinges are on the left. Single panel swing doors are typically installed on the same side as the exterior door's hinges.

Opening Width _____ Height _____
(nearest whole in/cm)

Application: _____

Temperature range: _____

Optional Material

- Heavy-Duty Door Mounting Kit (QTY): _____
- Retrofit Through-Bolt Kit (QTY): _____
- Kick/Impact Plates (Y/N): _____
- Brace Plates (Y/N): _____

Vinyl Strip Curtain System Information

Part	Part ID	Mounting Types	Types	Strip Sizes/Widths
Easimount®	SA, LA	Flush Wall	0401, 0402, 0403, 0406, 0407, 0408, 0409, 0410	4", 6", 8", 12"
Easimount® II	SB, LB	Flush Wall, Overhead (SB), Side Wall/Jamb Mount (TB)	0401, 0402, 0403, 0406, 0407, 0408, 0409, 0410	
Maximount®	MM	Flush Wall, Overhead, Side Wall/Jamb Mount (specify JM)	All 0400 Series	8", 12"
HD Universal	HD	Flush Wall, Overhead	All 0400 Series	
Traditional Loop	SC	Flush Wall	All 0400 Series	4", 6", 8"

Standard Overlap = 50% (all parts). 33% and 66% overlap available in some sizes.

Returns and Cancellation Policy

Returns must be preauthorized by Kason. Approved returns are subject to restocking fee. Custom sizes/orders are nonreturnable and may not be canceled. Kason is glad to assist you in identifying and ordering the correct Vinyl System for your application, but the buyer assumes all the suitability for application of the products of which they are purchasing.