

The Scala CA2-220 broadband dipole/reflector antenna is intended for use in professional fixed-station applications in the 216—235 MHz band. It features:

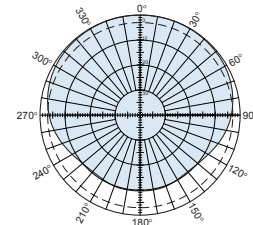
- Broad pattern with moderate gain.
- Triple laminated dipole.
- Anodized aluminum and stainless steel construction.
- Entire balun and feed assembly sealed against weather damage.
- Extreme weather survival design.
- Stainless steel hardware throughout.
- Entire antenna is at DC ground potential.

Specifications	
Frequency range	216—235 MHz
Gain	2.5 dBd (4.65 dBi)
Impedance	50 ohms
VSWR	<1.3:1
Polarization	Horizontal or vertical
Front-to-back ratio	> 9dB
Maximum input power	500 watts (at 50°C)
H-plane beamwidth	172 degrees (half-power)
E-plane beamwidth	74 degrees (half-power)
Connector	N female
Weight	6 lb (2.7 kg)
Dimensions	28.5 x 22.5 inches (724 x 572 mm)
Equivalent flat plate area	0.55 ft <sup>2</sup> (.05m <sup>2</sup> )
Wind survival rating*	200 mph (322 kph)
Shipping dimensions	30 x 6 x 5 inches (762 x 152 x 127 mm)
Shipping weight	7 lb (3.2 kg)
Mounting	For masts of 2 to 2.375 inch (51 to 60 mm) OD.

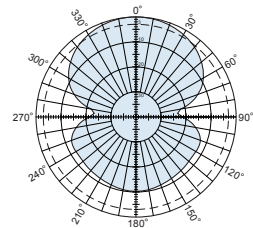
\*Mechanical design is based on environmental conditions as stipulated in TIA-222-G-2 (December 2009) and/or ETS 300 019-1-4 which include the static mechanical load imposed on an antenna by wind at maximum velocity. Contact KBU for further details.



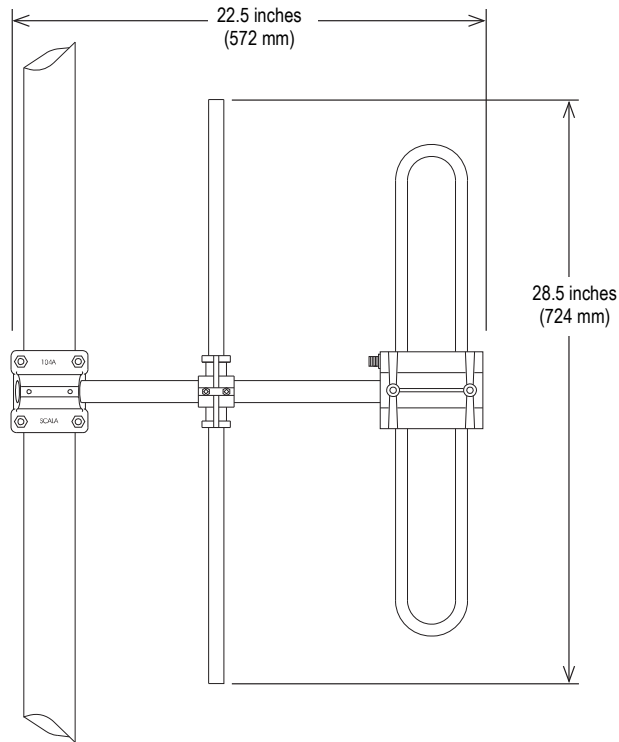
(Shown vertically polarized)



H-plane  
Horizontal pattern - V-polarization  
Vertical pattern - H-polarization



E-plane  
Horizontal pattern - H-polarization  
Vertical pattern - V-polarization



(Shown vertically polarized)

30041a subject to alteration