

Positioners



5/2

Product Overview

5/3

SIPART PS2

Technical description
 Technical specifications

5/8

- all versions

5/10

- SIPART PS2 with and without HART

5/11

- SIPART PS2 with PROFIBUS PA/
with FOUNDATION Fieldbus

5/13

- Option modules

Selection and Ordering data

5/17

- SIPART PS2

5/20

- SIPART PS2 for flameproof enclosure

5/23

- Accessories

5/25

Dimensional drawings

5/27

Schematics

5/28

Mounting kit

Sec. 8

Software



SIMATIC PDM, for parametrize
 HART and PROFIBUS PA devices

You can download all instructions,
 catalogs and certificates for positioners
 free of charge at the following
 Internet address:
www.siemens.com/positioners

Positioners

Product Overview

Overview

| | Application | Description | Catalog page | Software for parameterization |
|---|--|---|--------------|-------------------------------|
| Positioners | | | | |
|  | Position control of pneumatic linear or part-turn actuators, also for intrinsically safe operation | SIART PS2 Universal device for positioning pneumatic actuators <ul style="list-style-type: none"> • Connection: 4 to 20 mA • HART, PROFIBUS PA or FOUNDATION Fieldbus • Local manual operation • Binary inputs and outputs • Diagnostic function • Blocking function • Automatic startup | 5/3 | SIMATIC PDM |
|  | As above, but in flameproof enclosure for explosion-proof application | SIART PS2 As above, but in flameproof aluminum and stainless steel enclosure | 5/3 | SIMATIC PDM |

5

Supplied product documentation on DVD and safety instructions



The scope of delivery of the Siemens products for process instrumentation includes a multilingual instruction sheet with **safety instructions** as well as a uniform **mini DVD – Process Instrumentation and Weighing Systems**.

This DVD contains the most important manuals and certificates for the Siemens process instrumentation and weighing technology portfolio. The delivery may also contain product-specific or order-specific printed materials.

For additional information, refer to the Annex on page 10/3.

Overview



Electropneumatic positioner SIPART PS2 in the aluminum enclosure



SIPART PS2 electropneumatic positioner in flameproof aluminum enclosure with manometers



SIPART PS2 in stainless steel enclosure with manometers

The SIPART PS2 electropneumatic positioner is used to control the final control element of pneumatic linear or part-turn actuators. The electropneumatic positioner moves the actuator to a valve position corresponding to the setpoint. Additional function inputs can be used to block the valve or to set a safety position. A binary input is present as standard in the basic device for this purpose.

Benefits

SIPART PS2 positioners offer decisive advantages:

- Simple installation and automatic commissioning (self-adjustment of zero and span)
- Simple operation with
 - Local operation (manual operation) and configuration of the device using three buttons and a user-friendly two-line display
 - Parameterization via SIMATIC PDM
- Very high-quality control thanks to an online adaptation procedure
- Negligible air consumption in stationary operation
- "Tight closing" function (ensures maximum positioning pressure on the valve seat)
- "Fail in place" function: Current position is retained on failure of auxiliary electrical power and/or pneumatic failure (does not apply in conjunction with SIL).

Example: For an actuator with a volume of 8 liters, the typical position stability of a SIPART PS2 with "Fail in Place" is 0.3 % per hour.

- Numerous functions can be activated by simple configuring (e. g. characteristic curves and limits)
- Extensive diagnostic functions for valve and actuator
- Only one device version for linear and part-turn actuators
- Few moving parts, hence insensitive to vibrations
- External non contacting sensor as option for extreme ambient conditions
- "Intelligent solenoid valve": Partial Stroke Test and solenoid valve function in one device
- Partial Stroke Test e. g. for safety valves
- Full Stroke Test, Multi Step Response Test, Valve Performance Test for performance and maintenance evaluation of the valve
- Can also be operated with purified natural gas, carbon dioxide, nitrogen or noble gases
- SIL (Safety Integrity Level) 2

Application

The SIPART PS2 positioner is used, for example, in the following industries:

- Chemical/petrochemical
- Power stations
- Paper and glass
- Water, waste water
- Food and pharmaceuticals
- Offshore plants

The SIPART PS2 positioner can be used with all pneumatic actuators and is available for delivery:

- In various enclosure designs and various materials (polycarbonate, aluminum, and stainless steel)
- For non-hazardous applications
- For hazardous applications in the versions
 - Intrinsic safety type of protection
 - Flameproof enclosure type of protection
 - Non-sparking type of protection
 - Dust protection by enclosure type of protection

and in the versions:

- With 0/4 ... 20 mA control with/without communication through HART signal
- With PROFIBUS PA communication interface
- With FOUNDATION Fieldbus (FF) communications interface

Positioners

SIPART PS2

Technical description

Explosion-proof versions

- Device with protection type "intrinsic safety" for use in Zone 1, 2, 21, 22 or Class I, II, III/Division 1/Groups A-G
- Device with protection type "dust protection with enclosure" for use in Zone 21, 22 or Class II, III/Division 1/Groups E-G
- Device with protection type "non-sparking" for use in Zone 2 or Class I, Division 2, Groups A-D
- Device with protection type "flameproof enclosure" for use in Zone 1 or Class I, Division 1, Groups A-D

Stainless steel enclosure for extreme ambient conditions

The SIPART PS2 is available in a stainless steel enclosure (with no window in the cover) for use in particularly aggressive environments (e.g. offshore operation, chlorine plants etc.). The device functions are the same as for the basic version.

Design

The SIPART PS2 positioner is a digital field device with a highly-integrated microcontroller.

The positioner consists of the following components:

- Enclosure and cover
- PCB with corresponding electronics with or without communication through HART 7 or with electronics for communication in accordance with - PROFIBUS PA specification, IEC 61158-2; bus-supplied device, or - FOUNDATION Fieldbus (FF) specification, IEC 61158-2, bus-supplied device
- Position detection system
- Terminal housing with screw terminals
- Pneumatic block with piezoelectric valve precontrol.

The pneumatic block is located in the housing, the pneumatic connections for the inlet air and the positioning pressure on the right-hand side. A pressure gauge block and/or a safety solenoid valve can be connected there as options. The SIPART PS2 positioner is fitted to the linear or part-turn actuator using an appropriate mounting kit. The circuit board container in the casing provides slots for separately ordered boards with the following functions:

Position feedback module

- Position feedback as a two-wire signal 4 to 20 mA

Alarm module (3 outputs, 1 input)

- Signaling of two limits of the travel or angle by binary signals. The two limits can be set independently as maximum or minimum values.
- Output of an alarm if the setpoint position of the final control element is not reached in automatic mode or if a device fault occurs.
- Second binary input for alarm signals of for triggering safety reactions, e.g. blocking function or safety position.

Limit signaling through slot-type initiators (SIA module)

Two limits can be signaled redundantly as NAMUR signals (EN 60947-5-6) by slot-type initiators. An alarm output is also integrated in the module (see "Alarm Module").

Limit value signal via mechanical contacts (mechanical limit switch module)

Two limits can be signaled redundantly by switching contacts. An alarm output is also integrated in the module (see "Alarm Module").

Valid for all modules described above:

All signals are electrically isolated from one another and from the basic unit. The outputs indicate self-signaling faults. The modules are easy to retrofit.

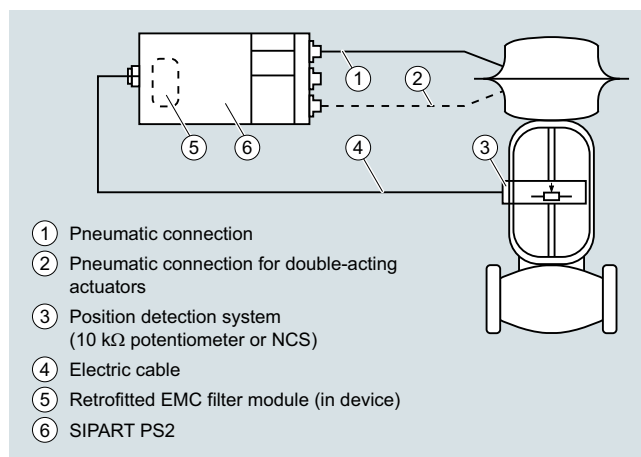
Separate mounting of position detection system and controller unit

The position detection system and controller unit can be connected separately for all casing versions of the SIPART PS2 (except flameproof design). Measurement of the travel or angle is carried out directly on the actuator. The controller unit can then be fitted a certain distance away, e.g. on a mounting pipe or similar, and is connected to the position detection system by an electric cable and to the actuator by one or two pneumatic lines. Such a split design is frequently advantageous if the ambient conditions at the fitting exceed the specified values for the positioner (e.g. strong vibrations).

The following can be used for measuring the travel or angle:

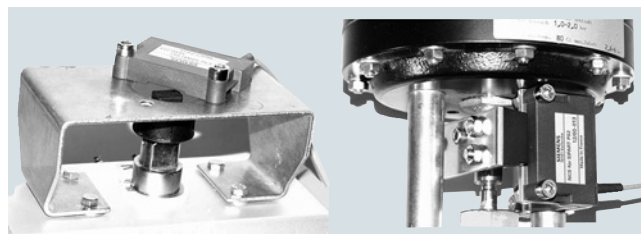
- NCS sensor
- External position detection system C73451-A430-D78
- A commercially available potentiometer (10 kΩ resistance), e.g. for higher application temperatures or customer-specific applications

The use of potentiometers is recommended for very small linear actuators with a short valve travel since, on the one hand, the space required by the potentiometer is very small and, on the other, the transmission characteristic is optimum for a small travel.



Separate mounting of position detection system and controller unit

Non contacting sensor (NCS)



NCS for part-turn actuator (6DR4004-N.10) mounted with mounting console (left) and NCS for linear actuator ≤ 14 mm (0.55 inch) (6DR4004-N.20) mounted with actuator-specific mounting solution (right)



NCS (6DR4004-.N.30) for travels > 14 mm (0.55 inch) mounted using mounting kit for NAMUR linear actuator

The NCS sensor consists of a non-contacting position sensor. All coupling elements are omitted such as coupling wheel and driver pin with part-turn actuators or lever and pick-up bracket with linear actuators for up to 14 mm travel.

This results in:

- Even greater resistance to vibration and shock
- No wear of sensor
- Problem-free mounting on very small actuators
- Negligible hysteresis with very small travels.

The sensor does not require an additional power supply, i. e. SIPART PS2 (not for Ex d version) can be operated in a 2-wire system. The NCS (Non Contacting Sensor) consists of a potted sensor housing which must be mounted permanently and a magnet which is mounted on the spindle of linear actuators or on the shaft butt of part-turn actuators. For the version for travels > 14 mm (0.55 inch), the magnet and the NCS are premounted on a stainless steel frame and offer the same interface mechanically as the positioner itself, i. e. they can be mounted using the standard mounting kits 6DR4004-8V, -8VK and -8VL.

The installation of an EMC filter module in the positioner (controller unit) is necessary in order to provide a process boundary when external position sensors are used and to ensure immunity to noise according to the EC Declaration of Conformity (see "Selection and Ordering Data", "EMC Filter Module").

Function

The SIPART PS2 positioner works in a completely different way to normal positioners.

Mode of operation

Comparison of the setpoint and the actual value takes place electronically in a microcontroller. If the microcontroller detects a deviation, it uses a 5-way switch procedure to control the piezoelectric valves, which regulates the flow of air into and from the chambers of the pneumatic actuator or blows it in the opposite direction.

The microcontroller then outputs an electric control command to the piezoelectric valve in accordance with the size and direction of the deviation (deviation between setpoint and actual values). The piezoelectric valve converts the command into a pneumatic positional increment.

The positioner outputs a continuous signal in the area where there is a large system deviation (fast step zone); in areas of moderate system deviation (slow step zone) it outputs a sequence of pulses. No positioning signals are output in the case of a small system deviation (adaptive or variable deadband).

The linear or rotary motion of the actuator is detected by the mounting kit and transferred to a high-quality potentiometer over a shaft and a non-floating gear transmission.

The angular error of the pick-up in cases where the assembly is mounted on a linear actuator is corrected automatically.

When connected in a 2-wire system, the SIPART PS2 draws its power exclusively from the 4 to 20 mA setpoint signal. The electric power is also connected through the 2-wire bus signal with PROFIBUS operation (SIPART PS2 PA). The same applies for the FOUNDATION Fieldbus version.

Pneumatic block with piezoelectric valve precontrol

The piezoelectric valve can release very short control pulses. This helps achieve a high positioning accuracy. The pilot element is a piezoelectric bending converter which switches the pneumatic main controller unit. The pneumatic block is characterized by an extremely long service life.

Local operation

Local operation is performed using the built-in display and the three buttons. Switching between the operating levels Automatic, Manual, Configuring and Diagnosis is possible at the press of a button.

In manual mode the drive can be adjusted over the entire range without interrupting the circuit.

Operation and monitoring with the SIMATIC PDM configuration software

The configuration software SIMATIC PDM permits simple operation, monitoring, configuration and parameterization of the device. The diagnostic information available can be read via SIMATIC PDM from the device. Communication is carried out via the HART protocol or PROFIBUS PA. For the HART protocol, the device can be accessed both via a HART modem and via a HART-compatible input/output module (remote IO). The corresponding device description files, such as GSD and (Enhanced) EDD are available for both types of communication.

In addition, the SITRANS DTM provides software based on tried and tested EDD technology that can be used to parameterize field devices via a DTM (Device Type Manager) using an FDT frame application (e. g. PACTware). SITRANS DTM and the necessary device-specific enhanced EDD are available for download free of charge. The software provides the relevant communication interfaces for HART and PROFIBUS.

Automatic commissioning

With a simple configuration menu the SIPART PS2 can be quickly adapted to the fitting and adjusted by means of an automatic startup function.

During initialization, the microcontroller determines the zero point, full-scale value, the direction of action and the positioning speed of the fitting. From this data it establishes the minimum pulse time and the deadband, thus optimizing the control.

Low air consumption

A hallmark of the SIPART PS2 is its own extremely low consumption of air. Normal air losses on conventional positioners are very costly. Thanks to the use of modern piezoelectric technology, the SIPART PS2 consumes air only when it is needed, which means that it pays for itself within a very short time.

Positioners

SIPART PS2

Technical description

Comprehensive monitoring functions

The SIPART PS2 has various monitoring functions with which changes on the actuator and valve can be detected and signaled if applicable when a selectable limit has been exceeded. This information may be important for diagnosis of the actuator or valve. The measuring data to be determined and monitored, some of whose limits can be adjusted, include:

- Travel integral
- Number of changes in direction
- Alarm counter
- Self-adjusting deadband
- Valve end limit position (e. g. for detection of valve seat wear or deposits)
- Operating hours (also according to temperature and travel ranges) as well as min./max. temperature
- Operating cycles of piezoelectric valves
- Valve positioning time
- Actuator leakages

At a glance with the Diagnostics Cockpit

With the Diagnostics Cockpit, the HART variants of the SIPART PS2 provide a straightforward way of getting started with the world of diagnostic capabilities. All relevant information (set-point, actual value, control deviation, status of the diagnostic system, etc.) of the valve is available at a glance. Additional facts and details are just a few mouse clicks away from the Diagnostics Cockpit.

Status monitoring with 3-stage alarm concept

The intelligent electropneumatic SIPART PS2 positioner is equipped with additional monitoring functions. The status indications derived from these monitoring functions signal active faults of the unit. The severity of these faults are graded using "traffic light signaling", symbolized by a wrench in the colors green, yellow and red (in SIMATIC PDM and Maintenance Station):

- Need for maintenance (green wrench)
- Urgent need for maintenance (yellow wrench)
- Imminent danger of unit failure or general failure (red wrench)

This allows users to put early measures into action before a serious valve or actuator fault occurs which could result in a system shutdown. The fact that a fault indication is signaled, such as the onset of a diaphragm break in the actuator or the progressive sluggishness of a unit, enables the user to ensure system reliability at any time by means of suitable maintenance strategies.

This three-stage alarm hierarchy also allows early detection and signaling of other faults, such as the static friction of a packing box, the wearing of a valve plug/seating, or precipitations or incrustations on the fittings.

These fault indications can be output either line-conducted over the alarm outputs (see above) of the positioner (max. 3), or via communication over the HART or field bus interfaces. In this case, the HART, PROFIBUS and FF versions of SIPART PS2 permit a differentiation of the various fault indications, as well as a trend representation and histogram function of all key process variables with regard to the fittings.

The device display also displays the graded maintenance requirements, complete with identification of the source of the fault.

Maintenance required for valve

The Full Stroke Test, Step Response Test, Multi Step Response Test and Valve Performance Test provide detailed information about the maintenance required of the valve. With the help of HART communication, you receive comprehensive test results and can identify the extent of the maintenance measures. In order to quantify the performance capability of valves, characteristic values such as step response times (T63, T86, user-selectable Txx), dead times, overshoot, hysteresis, errors of measurement, non-linearity, etc., are determined.

Functional safety acc. to SIL2

The positioner is suitable for use on valves that satisfy the special requirements in terms of functional safety up to SIL 2 in accordance with IEC 61508 or IEC 61511. The variants 6DR5.1.-0.....-Z C20 are available for this.

These are single-acting positioners for mounting on pneumatic actuators with spring return.

The positioner vents the valve actuator on demand/in the event of a fault and puts the valve in the preset safety position.

This positioner meets the following requirement:

- Functional safety up to SIL 2 in accordance with IEC 61508 or IEC 61511 for safe venting.

SIPART PS 2 as "intelligent solenoid valve"

Open/Close valves, safety fittings in particular, are generally pneumatically controlled over a solenoid valve. If you use SIPART PS2 instead of this type of solenoid valve, the positioner performs two tasks in a single device (without extra wiring)

- Firstly, it switches the fitting off on demand by venting the actuator (functional safety acc. to SIL 2 (see above))
- Secondly, it can perform a Partial Stroke Test at regular intervals (1 - 365 days), which prevents the blocking of the fitting, e. g. due to corrosion or furring.

As in this case SIPART PS2 is constantly working in normal operation (e. g. 99 % position), it also acts as a permanent test function for the pneumatic output circuit, which is not usually possible when using a solenoid valve.

Solenoid valves on control valves can also not normally be tested during operation. They are therefore not necessary when using SIPART PS 2 with a 4-wire connection system as the venting is carried out on demand by SIPART PS2. This means that on control valves, both the control function and the shut-off function can be carried out by a single device.

Configuring

In configuring mode, the SIPART PS2 positioner can be configured to requirements and include the following settings:

- Input current range 0 to 20 mA or 4 to 20 mA
- Rising or falling characteristic curve at the setpoint input
- Positioning speed limit (setpoint ramp)
- Splitrange operation; adjustable start-of-scale and full-scale values
- Response threshold (deadband); self-adjusting or fixed
- Direction of action; rising or falling output pressure with rising setpoint
- Limits (start-of-scale and full-scale values) of positioning range
- Limits (alarms) of the final control element position; minimum and maximum values
- Automatic "tight closing" (with adjustable response threshold)
- The travel can be corrected in accordance with the valve characteristic curve.
- Function of binary inputs
- Function of alarm output etc.

Configuration of the various SIPART PS2 versions is largely identical.

Positioners

SIPART PS2

Technical specifications

Technical specifications

SIPART PS2 (all versions)

| Rated conditions | | Design | |
|---|---|--|--|
| Ambient conditions | For indoor and outdoor use | • Outlet air valve (deerate actuator for fail in place version) | |
| Ambient temperature | In hazardous areas, observe the maximum permitted ambient temperature according to the temperature class. | - 2 bar (29 psi) | 4.3 Nm ³ /h (19.0 USgpm) |
| • Permitted ambient temperature for operation ²⁾³⁾ | -30 ... +80 °C (-22 ... +176 °F) | - 4 bar (58 psi) | 7.3 Nm ³ /h (32.2 USgpm) |
| • Altitude | 2 000 m above sea level. At altitudes greater than 2 000 m above sea level, use a suitable power supply. | - 6 bar (87 psi) | 9.8 Nm ³ /h (43.3 USgpm) |
| • Relative humidity | 0 ... 100 % | Restrictor ratio | Adjustable up to ∞ : 1 |
| Degree of protection ¹⁾ | IP66 according to IEC/EN 60529/NEMA 4X | Auxiliary power consumption in the controlled state | < 3,6 · 10 ⁻² Nm ³ /h (0.158 USgpm) |
| Mounting position | Any; pneumatic connections and exhaust opening not facing up in wet environment | Sound pressure | L _{Aeq} < 75 dB L _{Amax} < 80 dB |
| Vibration resistance | | Design | |
| • Harmonic oscillations (sine-wave) according to EN 60068-2-6/10.2008 | 3.5 mm (0.14"), 2 ... 27 Hz, 3 cycles/axis 98.1 m/s ² (321.84 ft/s ²), 27 ... 300 Hz, 3 cycles/axis | Mode of operation | |
| • Bumping (half-sine) according to EN 60068-2-27/02.2010 | 150 m/s ² (492 ft/s ²), 6 ms, 1000 shocks/axis | • Range of stroke (linear actuators) | 3 ... 130 mm (0.12 ... 5.12 inch) (angle of positioner shaft 16 ... 90°) Larger range of stroke on request. |
| • Noise (digitally controlled) according to EN 60068-2-64/04.2009 | 10 ... 200 Hz; 1 (m/s ²) ² /Hz (3.28 (ft/s ²) ² /Hz) 200 ... 500 Hz; 0.3 (m/s ²) ² /Hz (0.98 (ft/s ²) ² /Hz) 4 hours/axis | • Angle of rotation range (part-turn actuators) | 30 ... 100° |
| • Recommended continuous duty range of the complete fitting | ≤ 30 m/s ² (98.4 ft/s ²) without resonance sharpness | Mounting type | |
| Climatic class | According to EN 60721-3 | • On linear actuators | Using mounting kit 6DR4004-8V and where necessary with an additional lever arm 6DR4004-8L on actuators according to IEC 60534-6-1 (NAMUR) with ribs, bars or flat face. |
| • Storage | 1K5, but -40 ... +80 °C (1K5, but -40 ... +176 °F) | • On part-turn actuators | Using mounting kit 6DR4004-8D or TGX: 16300-1556 on actuators with mounting plane according to VDI/VDE 3845 and IEC 60534-6-2. The actuator-specific mounting console can be ordered separately, see the selection and ordering data. |
| • Transport | 2K4, but -40 ... +80 °C (2K4, but -40 ... +176 °F) | Weight, positioner without option modules or accessories | |
| Pneumatic data | | • 6DR5..0 Glass-fiber reinforced enclosure made from polycarbonate | Approx. 0.9 kg (1.98 lb) |
| Auxiliary power (air supply) | Compressed air, carbon dioxide (CO ₂), nitrogen (N), noble gases or cleaned natural gas | • 6DR5..1 Aluminum enclosure, single-acting | Approx. 1.3 kg (2.86 lb) |
| • Pressure ⁴⁾ | 1.4 ... 7 bar (20.3 ... 101.5 psi) | • 6DR5..2 Stainless steel enclosure | Approx. 3.9 kg (8.6 lb) |
| Air quality to ISO 8573-1 | | • 6DR5..3 Aluminum enclosure, single-acting and double-acting | Approx. 1.6 kg (3.53 lb) |
| • Solid particulate size and density | Class 3 | • 6DR5..5 Flameproof aluminum enclosure | Approx. 5.2 kg (11.46 lb) |
| • Pressure dew point | Class 3 (min. 20 K (36 °F) below ambient temperature) | • 6DR5..6 Flameproof stainless steel enclosure | Approx. 8.4 kg (18.5 lb) |
| • Oil content | Class 3 | Material | |
| Unrestricted flow (DIN 1945) | | • Enclosure | |
| • Inlet air valve (ventilate actuator) ⁵⁾ | | - 6DR5..0 Polycarbonate | Glass-fiber reinforced polycarbonate (PC) |
| - 2 bar (29 psi) | 4.1 Nm ³ /h (18.1 USgpm) | - 6DR5..1 Aluminum, single-acting | GD AISi12 |
| - 4 bar (58 psi) | 7.1 Nm ³ /h (31.3 USgpm) | - 6DR5..2 Stainless steel | Austenitic stainless steel 316 Cb, mat. No. 1.4581 |
| - 6 bar (87 psi) | 9.8 Nm ³ /h (43.1 USgpm) | • 6DR5..3 Aluminum, single-acting and double-acting | GD AISi12 |
| • Outlet air valve (deerate actuator for all versions except fail in place) ⁵⁾ | | - 6DR5..5 Aluminum, flameproof | GK AISi12 |
| - 2 bar (29 psi) | 8.2 Nm ³ /h (36.1 USgpm) | - 6DR5..6 Flameproof stainless steel enclosure | Austenitic stainless steel 316 L, mat. No. 1.4409 |
| - 4 bar (58 psi) | 13.7 Nm ³ /h (60.3 USgpm) | • Pressure gauge block | Aluminum AlMgSi, anodized or stainless steel 316 |
| - 6 bar (87 psi) | 19.2 Nm ³ /h (84.5 USgpm) | | |

| | | | |
|--|--|--|--|
| Dimensions | See "Dimensional Drawings" on page 5/25 | Explosion protection | |
| Device versions | | Explosion protection according to ATEX/IECEX | |
| <ul style="list-style-type: none"> In polycarbonate enclosure 6DR5..0 In aluminum enclosure 6DR5..1 In aluminum enclosure 6DR5..3 and 6DR5..5 In stainless steel enclosure 6DR5..2 and 6DR5..6 | Single-acting and double-acting Single-acting Single-acting and double-acting Single-acting and double-acting | <ul style="list-style-type: none"> Intrinsic safety "i" | For enclosure 6DR5..0/1/2/3-0E; 6DR5..1/2/3-0F/K <ul style="list-style-type: none"> II 2 G Ex ia IIC T6/T4 Gb II 3 G Ex ic IIC T6/T4 Gc For enclosure 6DR5..1/2/3-0E/F/K <ul style="list-style-type: none"> II 2 D Ex ia IIIC T110°C Db |
| Gauge | | <ul style="list-style-type: none"> Dust, protection with "t" enclosure For use in Zone 2 "ec" Flameproof enclosure "d" | For enclosure 6DR5..1/2/3-0D/K; 6DR5..6-0E <ul style="list-style-type: none"> II 2 D Ex tb IIIC T100°C Db For enclosure 6DR5..1/2/3-0F/G/K <ul style="list-style-type: none"> II 3 G Ex ec IIC T6/T4 Gc For enclosure 6DR5..5/6 <ul style="list-style-type: none"> II 2 G Ex d IIC T6/T4 Gb |
| <ul style="list-style-type: none"> Degree of protection - Gauge made of plastic - Gauge made of steel - Gauge made of stainless steel 316 | IP31 IP44 IP54 | Explosion protection in accordance with FM/CSA, suitable for installations according to NEC 500/NEC 505 | |
| <ul style="list-style-type: none"> Vibration resistance | According to EN 837-1 | <ul style="list-style-type: none"> Intrinsic safety "IS" | For enclosure 6DR5..0/1/2/3-0E/F; 6DR5..1/2/3-0K <ul style="list-style-type: none"> IS / I, II / 1 / A-D IS / 1 / (A)Ex / Ex ib / IIC, Gb For enclosure 6DR5..1/2/3-0E/F/K <ul style="list-style-type: none"> IS / III / 1 / E-G IS / 21 / (A)Ex / Ex ib / IIIC, Db, T110°C |
| Connections, electrical | | <ul style="list-style-type: none"> Dust, protection with "DIP" enclosure For use in Zone 2 / Div. 2 "NI" Flameproof enclosure "XP" | For enclosure 6DR5..1/2/3-0D/K; 6DR5..6-0E <ul style="list-style-type: none"> DIP / II, III / 1 / EFG DIP / 21 / (A)Ex tb / IIIC / T100°C / Ta=85°C For enclosure 6DR5..1/2/3-0F/G/K; 6DR5..0-0F <ul style="list-style-type: none"> NI / 1 / 2 / A-D NI / 2 / (A)Ex nA / Ex ic / IIC, Gc For enclosure 6DR5..5/6 |
| <ul style="list-style-type: none"> Screw terminals Cable gland - Without explosion protection as well as with Ex i - With explosion protection Ex d | 2.5 mm ² AWG30-14 M20x1.5 or ½-14 NPT Ex d certified M20x1.5; ½-14 NPT or M25x1.5 | <ul style="list-style-type: none"> Flameproof enclosure "XP" | For enclosure 6DR5..5/6 FM <ul style="list-style-type: none"> XP, CL.I, DIV.1, GP,ABCD XP, CL.I, ZN. 1, (A)Ex d IIC CSA <ul style="list-style-type: none"> XP, CL.I, DIV.1, GP,CD XP, CL.I, ZN. 1, Ex d IIC |
| Connections, pneumatic | Female thread G¼ or ¼-18 NPT | | |
| Controller | | | |
| Controller unit | | | |
| <ul style="list-style-type: none"> Five-point switch Deadband - dEbA = Auto - dEbA = 0.1 ... 10 % | Self-adjusting Self-adjusting Can be set as fixed value | | |
| Analog-to-digital converter | | | |
| <ul style="list-style-type: none"> Scan time Resolution Transmission error Temperature influence effect | 10 ms ≤ 0,05 % ≤ 0,2 % ≤ 0.1 %/10 K (≤ 0.1 %/18 °F) | | |
| Certificates and approvals | | | |
| Classification according to pressure equipment directive (PED 2014/68/EU) | For gases of fluid group 1, complies with requirements of article 4, paragraph 3 (sound engineering practice SEP) | | |
| CE conformity | You can find the appropriate directives and standards, including the relevant versions, in the EC Declaration of Conformity on the Internet. | | |
| UL conformity | You can find the appropriate directives and standards, including the relevant versions, in the UL-CERTIFICATE OF COMPLIANCE on the Internet. | | |
| | | Natural gas as driving medium | For technical specifications using natural gas as driving medium, see operating instructions. |
| | | <ol style="list-style-type: none"> Max. impact energy 1 Joule for enclosure with inspection window 6DR5..0 and 6DR5..1 or max. 2 Joule for 6DR5..3. At ≤ -10 °C (≤ 14 °F) the display refresh rate of the indicator is limited. When using position feedback module, only T4 is permitted. The following applies to order suffix (order code) -Z M40: -40 ... +80 °C (-40 ... +176 °F). The following applies to fail in place: 3 ... 7 bar (43.5 ... 101.5 psi). With Ex d version (6DR5..5....) values are reduced by approx. 20 %. | |

Positioners

SIPART PS2

Technical specifications

SIPART PS2 with and without HART

| | Basic electronics without Ex protection | Basic electronics with Ex d explosion protection | Basic electronics with "ia"explosion protection | Basic electronics with explosion protection "ic", "ec", "nA", "t" |
|---|--|---|---|---|
| Electrical specifications | | | | |
| Current input I_W | | | | |
| • Rated signal range | | | 0/4 ... 20 mA | |
| • Test voltage | | | 840 V DC, 1 s | |
| • Binary input BIN1 (terminals 9/10; electrically connected to the basic device) | | Suitable only for floating contact; max. contact load < 5 μ A at 3 V | | |
| 2-wire connection (terminals 6/8) 6DR50.. and 6DR53.. without HART 6DR51.. and 6DR52.. with HART | | | | |
| Current to maintain the auxiliary power supply | | ≥ 3.6 mA | | |
| Required load voltage U_B (corresponds to Ω at 20mA) | | | | |
| • Without HART (6DR50..) | | | | |
| - Typical | 6.36 V (= 318 Ω) | 6.36 V (= 318 Ω) | 7.8 V (= 390 Ω) | 7.8 V (= 390 Ω) |
| - max. | 6.48 V (= 324 Ω) | 6.48 V (= 324 Ω) | 8.3 V (= 415 Ω) | 8.3 V (= 415 Ω) |
| • Without HART (6DR53..) | | | | |
| - Typical | 7.9 V (= 395 Ω) | - | - | - |
| - max. | 8.4 V (= 420 Ω) | - | - | - |
| • With HART (6DR51..) | | | | |
| - Typical | 6.6 V (= 330 Ω) | 6.6 V (= 330 Ω) | - | - |
| - max. | 6.72 V (= 336 Ω) | 6.72 V (= 336 Ω) | - | - |
| • With HART (6DR52..) | | | | |
| - Typical | - | 8.4 V (= 420 Ω) | 8.4 V (= 420 Ω) | 8.4 V (= 420 Ω) |
| - max. | - | 8.8 V (= 440 Ω) | 8.8 V (= 440 Ω) | 8.8 V (= 440 Ω) |
| • Static destruction limit | ± 40 mA | ± 40 mA | - | - |
| Effective internal capacitance C_i | | | | |
| • Without HART | - | - | 11 nF | "ic": 11 nF |
| • With HART | - | - | 11 nF | "ic": 11 nF |
| Effective internal inductance L_i | | | | |
| • Without HART | - | - | 207 μ H | "ic": 207 μ H |
| • With HART | - | - | 310 μ H | "ic": 310 μ H |
| For connecting to circuits with the following peak values | - | - | $U_i = 30$ V $I_i = 100$ mA $P_i = 1$ W | "ic": $U_i = 30$ V $I_i = 100$ mA "ec"/"nA"/"t": $U_n \leq 30$ V $I_n \leq 100$ mA |
| 3-/4-wire connection (terminals 2/4 and 6/8) 6DR52.. with HART, explosion-protected 6DR53.. without HART, not explosion-protected) | | | | |
| Load voltage at 20 mA | ≤ 0.2 V (= 10 Ω) | ≤ 0.2 V (= 10 Ω) | ≤ 1 V (= 50 Ω) | ≤ 1 V (= 50 Ω) |
| Auxiliary power U_{Aux} | 18 ... 35 V DC | 18 ... 35 V DC | 18 ... 30 V DC | 18 ... 30 V DC |
| Current consumption I_H | | | $(U_{Aux} - 7.5 \text{ V})/2.4 \text{ k}\Omega$ [mA] | |
| Effective internal capacitance C_i | - | - | 22 nF | "ic": 22 nF |
| Effective internal inductance L_i | - | - | 0.12 mH | "ic": 0.12 mH |
| For connecting to circuits with the fol- lowing peak values | - | - | $U_i = 30$ V DC $I_i = 100$ mA $P_i = 1$ W | "ic": $U_i = 30$ V $I_i = 100$ mA "ec"/"nA"/"t": $U_n \leq 30$ V $I_n \leq 100$ mA |
| Electrical isolation | between U_{Aux} and I_W | between U_{Aux} and I_W | between U_{Aux} and I_W (2 intrinsically safe cir- cuits) | between U_{Aux} and I_W |
| HART communication | | | | |
| HART version | | | 7 | |
| PC parameterization software | SIMATIC PDM; supports all device objects. The software is not included in the scope of delivery. | | | |

SIPART PS2 with PROFIBUS PA/with FOUNDATION Fieldbus

| | Basic electronics without Ex protection | Basic electronics with Ex d explosion protection | Basic electronics with "ia"explosion protection | Basic electronics with explosion protection "ic", "ec", "nA", "t" |
|---|--|--|--|---|
| Electrical specifications | | | | |
| Power supply, bus circuit | Bus-supplied | | | |
| Bus voltage | 9 ... 32 V | 9 ... 32 V | 9 ... 24 V | 9 ... 32 V |
| For connecting to circuits with the following peak values | | | | |
| <ul style="list-style-type: none"> • Bus connection with FISCO supply unit | | | $U_i = 17.5 \text{ V}$ $I_i = 380 \text{ mA}$ $P_i = 5.32 \text{ W}$ | "ic": $U_i = 17.5 \text{ V}$ $I_i = 570 \text{ mA}$ "ec"/"nA"/"t": $U_n \leq 32 \text{ V}$ |
| <ul style="list-style-type: none"> • Bus connection with barrier | | | $U_i = 24 \text{ V}$ $I_i = 250 \text{ mA}$ $P_i = 1.2 \text{ W}$ | "ic": $U_i = 32 \text{ V}$ "ec"/"nA"/"t": $U_n \leq 32 \text{ V}$ |
| Effective internal capacitance C_i | - | - | Negligibly | Negligibly |
| Effective internal inductance L_i | - | - | 8 μH | "ic": 8 μH |
| Current consumption | 11.5 mA \pm 10 % | | | |
| Additional error signal | 0 mA | | | |
| Safety shutdown can be activated with "jumper" (terminals 81/82) | electrically isolated from bus circuit and binary input | | | |
| <ul style="list-style-type: none"> • Input resistance | > 20 k Ω | | | |
| <ul style="list-style-type: none"> • Signal state "0" (shutdown active) | 0 ... 4.5 V or unconnected | | | |
| <ul style="list-style-type: none"> • Signal state "1" (shutdown not active) | 13 ... 30 V | | | |
| For connecting to power supply with the following peak values | | | $U_i = 30 \text{ V}$ $I_i = 100 \text{ mA}$ $P_i = 1 \text{ W}$ | "ec"/"nA": $U_n \leq 30 \text{ V}$ $I_n \leq 100 \text{ mA}$ "ic": $U_i = 30 \text{ V}$ $I_i = 100 \text{ mA}$ |
| Effective Internal capacitance and inductance | - | - | Negligibly | Negligibly |
| Binary input BE1 for PROFIBUS (terminals 9/10); electrically connected to the bus circuit) | Bridged or connection to switching contact. Suitable only for floating contact; max. contact load < 5 μA at 3 V | | | |
| Electrical isolation | | | | |
| <ul style="list-style-type: none"> • For basic device without Ex protection and for basic device with Ex d | Electrical isolation between basic device and the input for safety shutdown, as well as the outputs of the option modules | | | |
| <ul style="list-style-type: none"> • For basic device Ex "ia" | The basic device and the input to the safety shutdown, as well as the outputs of the option modules, are separate, intrinsically safe circuits. | | | |
| <ul style="list-style-type: none"> • For basic device Ex "ic", "nA", "t" | Electrical isolation between basic device and the input for safety shutdown, as well as the outputs of the option modules | | | |
| Test voltage | 840 V DC, 1 s | | | |
| PROFIBUS PA communication | | | | |
| Communication | Layers 1 and +2 according to PROFIBUS PA, transmission technology according to IEC 61158-2; slave function; layer 7 (protocol layer) according to PROFIBUS DP, EN 50170 standard with the extended PROFIBUS functions (all data acyclic, manipulated variable, feedbacks and status also cyclic) | | | |
| C2 connections | Four connections to master class 2 are supported; automatic connection setup 60 s after break in communication | | | |
| Device profile | PROFIBUS PA profile B, version 3.02, more than 150 objects | | | |
| Response time to master message | Typically 10 ms | | | |
| Device address | 126 (when delivered) | | | |
| PC parameterization software | SIMATIC PDM; supports all device objects. The software is not included in the scope of delivery. | | | |

Positioners

SIPART PS2

Technical specifications

| | Basic electronics without Ex protection | Basic electronics with Ex d explosion protection | Basic electronics with "ia"explosion protection | Basic electronics with explosion protection "ic", "ec", "nA", "t" |
|--|--|--|---|---|
| FOUNDATION Fieldbus communication | | | | |
| Communications group and class | According to technical specification of the Fieldbus Foundation for H1 communication | | | |
| Function blocks/Functions | Group 3, Class 31PS (Publisher Subscriber) 1 Resource Block (RB2) 1 Analog Output Function Block (AO) 1 PID Function Block (PID) 1 Transducer Block (Standard Advanced Positioner Valve) Link Active Scheduler (LAS)-Funktion | | | |
| Execution times of the blocks | AO: 30 ms PID: 40 ms | | | |
| Physical layer profile | 123, 511 | | | |
| FF registration | Tested with ITK 6.0 | | | |
| Device address | 22 (when delivered) | | | |

Option modules

| | Without Ex protection/ with Ex protection Ex d | With explosion protection "ia" | With explosion protection "ic", "ec", "nA", "t" |
|---|---|---|--|
| Alarm module | 6DR4004-8A | 6DR4004-6A | 6DR4004-6A |
| 3 binary output circuits | | <ul style="list-style-type: none"> Alarm output A1: Terminals 41 and 42 Alarm output A2: Terminals 51 and 52 Alarm output: Terminals 31 and 32 | |
| <ul style="list-style-type: none"> Auxiliary power U_{Aux} Signal state <ul style="list-style-type: none"> High (not activated) Low *) (activated) <p>*) Low is also the status when the basic device is faulty or is without additional electrical power supply.</p> <ul style="list-style-type: none"> For connecting to circuits with the following peak values | $\leq 35\text{ V}$ Conductive, $R = 1\text{ k}\Omega$, $+3/-1\%$ *) Blocked, $I_R < 60\text{ }\mu\text{A}$ | - | - |
| Effective internal capacitance C_i | - | $\geq 2.1\text{ mA}$ $\leq 1.2\text{ mA}$ | $\geq 2.1\text{ mA}$ $\leq 1.2\text{ mA}$ |
| Effective internal inductance L_i | - | Switching threshold with supply to EN 60947-5-6: $U_{Aux} = 8.2\text{ V}$, $R_i = 1\text{ k}\Omega$ $U_i = 15\text{ V}$ $I_i = 25\text{ mA}$ $P_i = 64\text{ mW}$ | Switching threshold with supply to EN 60947-5-6: $U_{Aux} = 8.2\text{ V}$, $R_i = 1\text{ k}\Omega$ "ic": $U_i = 15\text{ V}$ $I_i = 25\text{ mA}$ "ec"/"nA"/"t": $U_n \leq 15\text{ V}$ |
| 1 binary output circuit | | Binary input BE2: Terminals 11 and 12, terminals 21 and 22 (bridge) | |
| <ul style="list-style-type: none"> Electrically connected to the basic device <ul style="list-style-type: none"> Signal state 0 Signal state 1 Contact load Electrically isolated from the basic device <ul style="list-style-type: none"> Signal state 0 Signal state 1 Natural resistance | | Floating contact, open Floating contact, closed 3 V , $5\text{ }\mu\text{A}$ | |
| <ul style="list-style-type: none"> Static destruction limit For connecting to circuits with the following peak values | $\pm 35\text{ V}$ - | - $U_i = 25.2\text{ V}$ | - "ic": $U_i = 25.2\text{ V}$ "ec"/"nA"/"t": $U_n \leq 25.5\text{ V}$ |
| Effective internal capacitance C_i | - | Negligibly | Negligibly |
| Effective internal inductance L_i | - | Negligibly | Negligibly |
| Electrical isolation | | The 3 outputs, the input BE2 and the basic device are electrically isolated from each other | |
| Test voltage | | 840 V DC, 1 s | |
| Position feedback module | 6DR4004-8J | 6DR4004-6J | 6DR4004-6J |
| DC output for position feedback | | 2-wire connection | |
| 1 current output: Terminals 61 and 62 | | 4 ... 20 mA, short-circuit proof | |
| Rated signal range | | 3.6 ... 20.5 mA | |
| Total operating range | | | |
| Auxiliary power U_{Aux} | +12 ... +35 V | +12 ... +30 V | +12 ... +30 V |
| External loads R_B [k Ω] | | $\leq (U_{Aux} [\text{V}] - 12\text{ V})/I$ [mA] | |
| Transmission error | | $\leq 0,3\%$ | |
| Temperature influence effect | | $\leq 0.1\%$ /10 K ($\leq 0.1\%$ /18 °F) | |
| Resolution | | $\leq 0,1\%$ | |
| Residual ripple | | $\leq 1\%$ | |
| <ul style="list-style-type: none"> For connecting to circuits with the following peak values | - | $U_i = 30\text{ V}$ $I_i = 100\text{ mA}$ $P_i = 1\text{ W}$ | "ic": $U_i = 30\text{ V}$, $I_i = 100\text{ mA}$ "ec"/"nA"/"t": $U_n \leq 30\text{ V}$, $I_n \leq 100\text{ mA}$ $P_n \leq 1\text{ W}$ |
| Effective internal capacitance C_i | - | 11 nF | 11 nF |
| Effective internal inductance L_i | - | Negligibly | Negligibly |
| Electrical isolation | | Electrically isolated from the alarm option and safely isolated from the basic device | |
| Test voltage | | 840 V DC, 1 s | |

Positioners

SIPART PS2

Technical specifications

| | Without Ex protection | With explosion protection "ia" | With explosion protection "ic", "ec", "nA", "t" |
|--|---|--|---|
| SIA module | 6DR4004-8G | 6DR4004-6G | 6DR4004-6G |
| Limit transmitter with slot-type initiators and alarm output | | | |
| 2 slot-type initiators | | <ul style="list-style-type: none"> Binary output (limit transmitter) A1: Terminals 41 and 42 Binary output (limit transmitter) A2: Terminals 51 and 52 | |
| <ul style="list-style-type: none"> Connection Signal state High (not activated) Signal state Low (activated) 2 slot-type initiators Function Connecting to circuits with the following peak values | 2-wire system to EN 60947-5-6 (NAMUR), for switching amplifier to be connected on load side | $> 2.1 \text{ mA}$ $< 1.2 \text{ mA}$ Type SJ2-SN NC (normally closed) | |
| | Rated voltage 8 V current consumption: $\geq 3 \text{ mA}$ (limit value not responded), $\leq 1 \text{ mA}$ (limit value responded) | $U_i = 15 \text{ V}$ $I_i = 25 \text{ mA}$ $P_i = 64 \text{ mW}$ | "ic": $U_i = 15 \text{ V}$ $I_i = 25 \text{ mA}$ "ec"/"nA": $U_n \leq 15 \text{ V}$ $P_n \leq 64 \text{ mW}$ |
| Effective internal capacitance C_i | - | 161 nF | 161 nF |
| Effective internal inductance L_i | - | 120 μH | 120 μH |
| 1 alarm output | | Binary output: Terminals 31 and 32 | |
| <ul style="list-style-type: none"> Connection Signal state High (not activated) Signal state Low (activated) Auxiliary power U_{Aux} Connecting to circuits with the following peak values | On switching amplifier according to EN 60947-5-6: (NAMUR), $U_{Aux} = 8.2 \text{ V}$, $R_i = 1 \text{ k}\Omega$. | | |
| | $R = 1.1 \text{ k}\Omega$ | $> 2.1 \text{ mA}$ | $> 2.1 \text{ mA}$ |
| | $R = 10 \text{ k}\Omega$ | $< 1.2 \text{ mA}$ | $< 1.2 \text{ mA}$ |
| | $U_{Aux} \leq 35 \text{ V DC}$ $I \leq 20 \text{ mA}$ | - | - |
| | - | $U_i = 15 \text{ V}$ $I_i = 25 \text{ mA}$ $P_i = 64 \text{ mW}$ | "ic": $U_i = 15 \text{ V}$ $I_i = 25 \text{ mA}$ "ec"/"nA": $U_n \leq 15 \text{ V}$ $P_n \leq 64 \text{ mW}$ |
| Effective internal capacitance C_i | - | 5.2 nF | 5.2 nF |
| Effective internal inductance L_i | - | Negligibly | Negligibly |
| Electrical isolation | | The 3 outputs are electrically isolated from the basic device. | |
| Test voltage | | 840 V DC, 1 s | |

| | Without Ex protection | With explosion protection "ia" | With explosion protection "ic", "t" |
|---|---|--|---|
| Mechanical limit switch module | 6DR4004-8K | 6DR4004-6K | 6DR4004-6K |
| Limit transmitter with mechanical switching contacts | | | |
| 2 limit value contacts | | <ul style="list-style-type: none"> Binary output A1: Terminals 41 and 42 Binary output A2: Terminals 51 and 52 | |
| <ul style="list-style-type: none"> Max. switching current AC/DC Connecting to circuits with the following peak values | 4 A | - | - |
| Effective internal capacitance C_i | - | $U_i = 30\text{ V}$ $I_i = 100\text{ mA}$ $P_i = 750\text{ mW}$ | "ic": $U_i = 30\text{ V}$ $I_i = 100\text{ mA}$ "t": $U_n = 30\text{ V}$ $I_n = 100\text{ mA}$ |
| Effective internal inductance L_i | - | Negligibly | Negligibly |
| <ul style="list-style-type: none"> Max. switching voltage AC/DC | 250 V/24 V | 30 V DC | 30 V DC |
| 1 alarm output | | Binary output: Terminals 31 and 32 | |
| <ul style="list-style-type: none"> Connection | On switching amplifier according to EN 60947-5-6: (NAMUR), $U_{Aux} = 8.2\text{ V}$, $R_i = 1\text{ k}\Omega$. | | |
| <ul style="list-style-type: none"> Signal state High (not activated) | $R = 1.1\text{ k}\Omega$ | $> 2.1\text{ mA}$ | $> 2.1\text{ mA}$ |
| <ul style="list-style-type: none"> Signal state Low (activated) | $R = 10\text{ k}\Omega$ | $< 1.2\text{ mA}$ | $< 1.2\text{ mA}$ |
| <ul style="list-style-type: none"> Auxiliary power | $U_{Aux} \leq 35\text{ V DC}$ $I \leq 20\text{ mA}$ | - | - |
| <ul style="list-style-type: none"> Connecting to circuits with the following peak values | - | $U_i = 15\text{ V}$ $I_i = 25\text{ mA}$ $P_i = 64\text{ mW}$ | "ic": $U_i = 15\text{ V}$ $I_i = 25\text{ mA}$ "t": $U_n = 15\text{ V}$ $I_n = 25\text{ mA}$ |
| Effective internal capacitance C_i | - | 5.2 nF | 5.2 nF |
| Effective internal inductance L_i | - | Negligibly | Negligibly |
| Electrical isolation | | The 3 outputs are electrically isolated from the basic device | |
| Test voltage | | 3 150 V DC, 2 s | |
| Rated conditions altitude | Max. 2 000 m NN At altitudes over 2 000 m NN, use a suitable power supply | - | - |
| | Without Ex protection | With explosion protection "ia", "ic" | With explosion protection "ec", "t", "nA" |
| EMC filter module | EMC filter module type C73451-A430-D23 is required for connecting an electro-sensitive external position measurement, e.g. NCS module type 6DR4004-6N*/-8N* or an external potentiometer type C73451-A430-D78 or 6DR4004-1ES. For devices without explosion protection, other types of potentiometer with a resistance value von 10 kΩ can be connected. | | |
| Resistance of external potentiometer | | 10 kΩ | |
| Peak values when powered by the base unit with PA (6DR55) or with FF communication (6DR56) | $U_{max} = 5\text{ V}$ | $U_o = 5\text{ V}$ $I_o = 75\text{ mA}$ statisch $I_o = 160\text{ mA}$ kurzfristig $P_o = 120\text{ mW}$ $C_o = 1\text{ }\mu\text{F}$ $L_o = 1\text{ mH}$ | $U_{max} = 5\text{ V}$ |
| Peak values when supplied by other basic devices (6DR50/1/2/3) | $U_{max} = 5\text{ V}$ | $U_o = 5\text{ V}$ $I_o = 100\text{ mA}$ $P_o = 33\text{ mW}$ $C_o = 1\text{ }\mu\text{F}$ $L_o = 1\text{ mH}$ | $U_{max} = 5\text{ V}$ |
| Electrical isolation | | Electrically connected to the basic device | |

Positioners

SIPART PS2

Technical specifications

| | Without Ex protection | With explosion protection "ia" | With explosion protection "ic", "ec", "nA" |
|---|---|---|--|
| NCS sensor | | | |
| Position range | | | |
| • Linear actuator 6DR4004-.N.20 | | 3 ... 14 mm (0.12 ... 0.55") | |
| • Linear actuator 6DR4004-.N.30 | 10 ... 130 mm (0.39 ... 5.12"); up to 200 mm (7.87") on request | | |
| • Part-turn actuator | | 30° ... 100° | |
| Linearity for NCS sensor and for internal NCS module 6DR4004-5L/-5LE (after correction by means of positioner) | | ± 1 % | |
| Hysteresis for NCS sensor and for internal NCS module 6DR4004-5L/-5LE | | ± 0,2 % | |
| Temperature influence (range: rotation angle 120° or stroke 14 mm) | | ≤ 0,1 %/10 K (≤ 0.1 %/18 °F) for -20 ... +90 °C (-4 ... +194 °F) ≤ 0,2 %/10 K (≤ 0.2 %/18 °F) for -40 ... -20 °C (-40 ... -4 °F) | |
| Climatic class | | According to EN 60721-3 | |
| • Storage | | 1K5, but -40 ... +90 °C (1K5, but -40 ... +194 °F) | |
| • Transport | | 2K4, but -40 ... +90 °C (2K4, but -40 ... +194 °F) | |
| Vibration resistance | | | |
| • Harmonic oscillations (sine) according to IEC 60068-2-6 | | 3.5 mm (0.14"), 2 ... 27 Hz; 3 cycles/axis 98.1 m/s ² (321.84 ft/s ²), 27 ... 300 Hz, 3 cycles/axis | |
| • Bumping according to IEC 60068-2-29 | | 300 m/s ² (984 ft/s ²), 6 ms, 4 000 shocks/axis | |
| Degree of protection of enclosure | | IP68 according to IEC EN 60529; NEMA 4X / Encl. Type 4X | |
| • Connecting to circuits with the following peak values | - | U _i = 5 V I _i = 160 mA P _i = 120 mW | U _i = 5 V |
| Effective internal capacitance C _i | - | 180 nF | 180 nF |
| Effective internal inductance L _i | - | 922 μH | 922 μH |
| Explosion protection according to ATEX/IECEX | - | Intrinsic safety "ia": II 2 G Ex ia IIC T6/T4 Gb | Intrinsic safety "ic": II 3 G Ex ic IIC T6/T4 Gc Non-sparking "ec": II 3 G Ex ec IIC T6/T4 Gc |
| Explosion protection according to FM | - | Intrinsic safety "ia": IS, Class I, Division 1, ABCD IS, Class I, Zone 1, AEx ib, IIC | Non-sparking, "ec"/"nA": NI, Class I, Division 2, ABCD NI, Class I, Zone 2, AEx ec, IIC |
| Permissible ambient temperature | | | |
| • ATEX/IECEX | - | | T4: -40 ... +90 °C (-40 ... +194 °F) T6: -40 ... +70 °C (-40 ... +158 °F) |
| • FM/CSA | - | | T4: -40 ... +85 °C (-40 ... +185 °F) T6: -40 ... +70 °C (-40 ... +158 °F) |

Selection and Ordering data SIPART PS2

| Selection and ordering data | Article No. | Order code | Selection and ordering data | Article No. | Order code |
|---|---|------------|---|---|------------|
| SIPART PS2 electropneumatic positioner in enclosure made of polycarbonate, aluminum and stainless steel | 6 DR 5 | | SIPART PS2 electropneumatic positioner in enclosure made of polycarbonate, aluminum and stainless steel | 6 DR 5 | |
| <p>➤ Click on the Article No. for the online configuration in the PIA Life Cycle Portal.</p> <p>Version</p> <p>2-wire (4 to 20 mA)</p> <ul style="list-style-type: none"> • Without HART • With HART, <u>not</u> explosion-protected <p>2-, 3-, 4-wire (0/4 to 20 mA)</p> <ul style="list-style-type: none"> • With HART, explosion-protected • Without HART, <u>not</u> explosion-protected <p>PROFIBUS PA connection</p> <p>FOUNDATION Fieldbus connection</p> <p>For actuator</p> <p>Single-acting</p> <p>Double-acting</p> <p>Enclosure</p> <p>Polycarbonate⁴⁾</p> <p>Aluminum, only single-acting</p> <p>Stainless steel, without inspection window</p> <p>Aluminum, single-acting and double-acting</p> <p>Explosion protection</p> <p>Without</p> <p>With protection type</p> <ul style="list-style-type: none"> • Intrinsic safety <p>With protection type¹⁾</p> <ul style="list-style-type: none"> • Non-sparking • Dust protection via enclosure <p>With protection type²⁾</p> <ul style="list-style-type: none"> • Intrinsic safety • Non-sparking <p>With protection type²⁾</p> <ul style="list-style-type: none"> • Non-sparking <p>With protection type¹⁾</p> <ul style="list-style-type: none"> • Intrinsic safety • Non-sparking • Dust protection via enclosure <p>Connection thread electrical/pneumatic</p> <p>M20x1.5/G¹/₄</p> <p>½-14 NPT / ¼-18 NPT</p> <p>M20x1.5/¼-18 NPT</p> <p>½-14 NPT / G¹/₄</p> <p>M12 device plug, A coding/ G¹/₄³⁾</p> <p>M12 device plug, A coding/ ¼-18 NPT³⁾</p> | <p>0</p> <p>1</p> <p>2</p> <p>3</p> <p>5</p> <p>6</p> <p>1</p> <p>2</p> <p>0</p> <p>1 1</p> <p>2</p> <p>3</p> <p>N</p> <p>E</p> <p>D</p> <p>F</p> <p>G</p> <p>K</p> <p>G</p> <p>N</p> <p>M</p> <p>P</p> <p>R</p> <p>S</p> | | <p>Limit monitor</p> <p>Installed, incl. 2nd cable gland</p> <p>Without</p> <p>Alarm module; electronic (6DR4004-.A)</p> <p>SIA module; slot-type initiators (6DR4004-.G)</p> <p>Mechanical limit switch module (mechanical switching contacts (6DR4004-.K)⁴⁾)</p> <p>Internal NCS module (6DR4004-5L.), internal position detection by means of a potentiometer is not included and can be ordered through -Z K11 if needed.</p> <p>Option modules</p> <p>Installed, incl. 2nd cable gland</p> <p>Without</p> <p>Position feedback module for position feedback signal (4 ... 20 mA) (6DR4004-.J)</p> <p>EMC filter module for external position detectors in the SIPART PS2 enclosure, NCS sensor 6DR4004-.N..0 and external position detection by means of a third-party potentiometer is not included and can be ordered through -Z K11 if needed.</p> <p>Position feedback module and EMC filter module for external position sensor, internal position detection by means of a potentiometer is not included and can be ordered through -Z K11 if needed.</p> | <p>0</p> <p>1</p> <p>2</p> <p>3</p> <p>9</p> <p>0</p> <p>1</p> <p>2</p> <p>3</p> <p>L 1 A</p> | |

- 1) Enclosure: aluminum single-acting 6DR5..1 or stainless steel 6DR5..2, each without inspection window in the cover. Aluminum, single-acting and double-acting 6DR5..3; Impact energy max. 2 joule.
- 2) Enclosure: aluminum; Impact energy max. 2 joule on inspection window for enclosure 6DR5..1 or 6DR5..3.
- 3) M12 device plug mounted and electrically connected in versions 6DR50.., 6DR55.. and 6DR56..
M12 device plug mounted in versions 6DR50.., 6DR51.., 6DR52.. and 6DR53..
Not for protection type "dust protection by enclosure" 6DR5...0D... and 6DR5...0K...

Positioners

SIPART PS2

Selection and Ordering data SIPART PS2

| Selection and ordering data | Article No. | Order code |
|--|---------------|------------|
| SIPART PS2 electropneumatic positioner in enclosure made of polycarbonate, aluminum and stainless steel | 6 DR 5 | |
| | - 0 | A |
| Brief instructions | | |
| German/English/Chinese | | A |
| French/Spanish/Italian | | B |
| Mounted pressure gauge block | | |
| Without | | 0 |
| <u>Gauge made of plastic IP31</u> | | |
| Block made of aluminum, single-acting G $\frac{1}{4}$, scaled in MPa and bar | | 1 |
| Block made of aluminum, double-acting G $\frac{1}{4}$, scaled in MPa and bar | | 2 |
| Block made of alum., single-acting $\frac{1}{4}$ -18 NPT, scaled in MPa and psi | | 3 |
| Block made of alum., double-acting $\frac{1}{4}$ -18 NPT, scaled in MPa and psi | | 4 |
| <u>Gauge made of steel IP44</u> | | |
| block made of aluminum, single-acting G $\frac{1}{4}$, scaled in MPa, bar, psi | | 9 R 1 A |
| Block made of aluminum, double-acting G $\frac{1}{4}$, scaled in MPa, bar, psi | | 9 R 2 A |
| Block made of aluminum, single-acting $\frac{1}{4}$ -18 NPT, scaled in MPa, bar, psi | | 9 R 1 B |
| Block made of aluminum, double-acting $\frac{1}{4}$ -18 NPT, scaled in MPa, bar, psi | | 9 R 2 B |
| <u>Gauge made of stainless steel 316 IP54</u> | | |
| Block made of stainl. steel 316, single-acting G $\frac{1}{4}$, scaled in MPa, bar, psi | | 9 R 1 C |
| Block made of stainl. steel 316, double-acting G $\frac{1}{4}$, scaled in MPa, bar, psi | | 9 R 2 C |
| Block made of stainl. steel 316, single-acting $\frac{1}{4}$ -18 NPT, scaled in MPa, bar, psi | | 9 R 1 D |
| Block made of stainless steel 316, double-acting $\frac{1}{4}$ -18 NPT, scaled in MPa, bar, psi | | 9 R 2 D |
| Mounted booster | | |
| Single-acting, aluminum, G $\frac{1}{2}$ | | 9 R 1 J |
| Double-acting, aluminum, G $\frac{1}{2}$ | | 9 R 2 J |
| Single-acting, aluminum, $\frac{1}{2}$ NPT | | 9 R 1 K |
| Double-acting, aluminum, $\frac{1}{2}$ NPT | | 9 R 2 K |

4) Not for protection type "non-sparking"

Selection and Ordering data SIPART PS2

| Selection and ordering data | Article No. | Order code | Selection and ordering data | Article No. | Order code |
|--|--|------------|--|---------------|------------|
| SIPART PS2 electropneumatic positioner in enclosure made of polycarbonate, aluminum and stainless steel | 6 DR 5 | | SIPART PS2 electropneumatic positioner in enclosure made of polycarbonate, aluminum and stainless steel | 6 DR 5 | |
| Further designs Add "-Z" to Article No. and specify Order Code. | | Order code | TAG plate made of stainless steel, 3-line Text line 1: Plain text from Y17 Text line 2: Plain text from Y15 Text line 3: Plain text from Y16 | A20 | |
| Version with stainless steel sound absorbers Standard with stainless steel enclosure | A40 | | Measuring point description Max. 16 characters for HART, max. 32 characters for PROFIBUS PA, FOUNDATION Fieldbus and 4 ... 20 mA, specify in plain text: Y15: | Y15 | |
| Functional safety (SIL 2) only for 6DR5.1. (single-acting positioners) Device suitable for use according to IEC 61508 and IEC 61511 | C20 | | Measuring point text Max. 24 characters for HART, max. 32 characters for PROFIBUS PA, FOUNDATION Fieldbus and 4 ... 20 mA, specify in plain text: Y16: | Y16 | |
| M12 device plug (D coding) For the following option modules: <ul style="list-style-type: none"> • for position feedback module • for position detection system • for alarm module • for SIA module • for limit contact module Can only be ordered in connection with optional module | D53 D54 D55 D56 D57 | | Measuring point number (TAG No.) Max. 32 characters, specify in plain text: Y17: | Y17 | |
| Fail in Place Holding function on failure of auxiliary electrical power and/or pneumatic failure | F01 | | Preset bus address Specify in plain text: Y25: (only for 6DR55.. and 6DR56..) | Y25 | |
| Optimized control behavior for small drives¹⁾ | K10 | | Customer-specific parameter setting Specify in plain text: Y30: | Y30 | |
| Additional position detection by means of a potentiometer | K11 | | | | |
| Pneumatic terminal strip made of stainless steel 316 | K18 | | | | |
| OPOS adapter with interface VDI/VE 3847 Blanketing, only for single-acting, not for flameproof enclosures | K20 | | | | |
| Permitted ambient temperature during operation -40 ... 80 °C (-40 ... +176 °F) for 6DR5.11, 6DR5..2, 6DR5..3 (without inspection window) | M40 | | | | |
| Marine approval GL (Germanischer Lloyd) LR (Lloyds Register) BV (Bureau Veritas) DNV (Det Norske Veritas) ABS (American Bureau of Shipping) KR of shipping (Korean Register of Shipping) CCS (China Classification Society) | S10 S11 S12 S13 S14 S15 S16 | | | | |

¹⁾ Not for following options: 6DR53..; 6DR5..1 and 6DR5..2; C20.

Positioners

SIPART PS2

Selection and ordering data SIPART PS2 for flameproof enclosure

| Selection and ordering data | Article No. | Order code | Selection and ordering data | Article No. | Order code |
|---|----------------------------|-----------------------|---|------------------|----------------------------------|
| SIPART PS2 electropneumatic positioner, in flameproof aluminum enclosure, without cable gland ↗ Click on the Article No. for the online configuration in the PIA Life Cycle Portal. | 6 DR 5 | | SIPART PS2 electropneumatic positioner, in flameproof aluminum enclosure, without cable gland | 6 DR 5 | |
| Version 2-wire (4 to 20 mA) <ul style="list-style-type: none"> • Without HART • With HART 2-, 3-, 4-wire (0/4 to 20 mA) <ul style="list-style-type: none"> • With HART • Without HART PROFIBUS PA connection FOUNDATION Fieldbus connection | 0 1 2 3 5 6 | | Mounted pressure gauge block Without | 0 | |
| For actuator Single-acting Double-acting | 1 2 | | Gauge made of plastic IP31 Block made of aluminum, single-acting G $\frac{1}{4}$, scaled in MPa and bar Block made of aluminum, double-acting G $\frac{1}{4}$, scaled in MPa and bar Block made of aluminum, single-acting $\frac{1}{4}$ -18 NPT, scaled in MPa and psi Block made of aluminum, double-acting $\frac{1}{4}$ -18 NPT, scaled in MPa and psi | 1 2 3 4 | |
| Connection thread electrical/pneumatic M20 x 1.5 / G $\frac{1}{4}$ $\frac{1}{2}$ -14 NPT / $\frac{1}{4}$ -18 NPT M20 x 1.5 / $\frac{1}{4}$ -18 NPT $\frac{1}{2}$ -14 NPT / G $\frac{1}{4}$ M25x1.5 / G $\frac{1}{4}$ | | G N M P Q | Gauge made of steel IP44 Block made of aluminum, single-acting G $\frac{1}{4}$, scaled in MPa, bar, psi Block made of aluminum, double-acting G $\frac{1}{4}$, scaled in MPa, bar, psi Block made of aluminum, single-acting $\frac{1}{4}$ -18 NPT, scaled in MPa, bar, psi Block made of aluminum, double-acting $\frac{1}{4}$ -18 NPT, scaled in MPa, bar, psi | 9 9 9 9 | R 1 A R 2 A R 1 B R 2 B |
| Limit monitor Built-in Without Alarm module; electronic (6DR4004-8A) Internal NCS module (6DR4004-5L.), internal position detection by means of a potentiometer is not included and can be ordered through -Z K11 if needed. | | 0 1 9 | Gauge made of stainless steel 316 IP54 Block made of stainless steel 316, single-acting G $\frac{1}{4}$, scaled in MPa, bar, psi Block made of stainless steel 316, double-acting G $\frac{1}{4}$, scaled in MPa, bar, psi Block made of stainless steel 316, single-acting $\frac{1}{4}$ -18 NPT, scaled in MPa, bar, psi Block made of stainless steel 316, double-acting $\frac{1}{4}$ -18 NPT, scaled in MPa, bar, psi | 9 9 9 9 | R 1 C R 2 C R 1 D R 2 D |
| Option modules Built-in Without Position feedback module for position feedback signal (4 ... 20 mA) (6DR4004-8J) EMC filter module for external position sensor, internal position detection by means of a potentiometer is not included and can be ordered through -Z K11 if needed. Position feedback module and EMC filter module for external position sensor, internal position detection by means of a potentiometer is not included and can be ordered through -Z K11 if needed. | | 0 1 2 3 | Mounted booster Single-acting, aluminum, G $\frac{1}{2}$ Double-acting, aluminum, G $\frac{1}{2}$ Single-acting, aluminum, $\frac{1}{2}$ NPT Double-acting, aluminum, $\frac{1}{2}$ NPT | 9 9 9 9 | R 1 P R 2 P R 1 Q R 2 Q |
| Brief instructions German/English/Chinese French/Spanish/Italian | | A B | | | |

Selection and ordering data SIPART PS2 for flameproof enclosure

| Selection and ordering data | Article No. | Order code |
|---|---------------|------------|
| SIPART PS2 electropneumatic positioner, in flameproof aluminum enclosure, without cable gland | 6 DR 5 | |
| <i>Further designs</i> Add "-Z" to Article No. and specify Order Code. | 5 - 0 E - 0 A | |
| TAG plate made of stainless steel, 3-line Text line 1: Plain text from Y17 Text line 2: Plain text from Y15 Text line 3: Plain text from Y16 | A20 | |
| Functional safety (SIL 2) only for 6DR5.1. (single-acting positioners) Device suitable for use according to IEC 61508 and IEC 61511 | C20 | |
| Fail in Place Holding function in case of auxiliary electrical power failure | F01 | |
| Optimized control behavior for small drives¹⁾ | K10 | |
| Additional position detection by means of a potentiometer | K11 | |
| Pneumatic terminal strip made of stainless steel 316 | K18 | |
| Permitted ambient temperature during operation -40 ... 80 °C (-40 ... +176 °F) | M40 | |
| Measuring point description Max. 16 characters for HART, max. 32 characters for PROFIBUS PA and FOUNDATION Fieldbus, specify in plain text: Y15: | Y15 | |
| Measuring point text Max. 24 characters for HART, max. 32 characters for PROFIBUS PA and FOUNDATION Fieldbus, specify in plain text: Y16: | Y16 | |
| Measuring point number (TAG No.) Max. 32 characters, specify in plain text: Y17: | Y17 | |
| Preset bus address Specify in plain text: Y25: (only for 6DR55.. and 6DR56..) | Y25 | |

¹⁾ Not for following options: 6DR53..; 6DR5..1 and 6DR5..2; C20.

Positioners

SIPART PS2

Selection and ordering data SIPART PS2 for flameproof enclosure

| Selection and ordering data | Article No. | Order code | Selection and ordering data | Article No. | Order code |
|---|----------------------------|-----------------------|--|---|------------|
| SIPART PS2 electropneumatic positioner, in flameproof stainless steel enclosure, without cable gland ↗ Click on the Article No. for the online configuration in the PIA Life Cycle Portal. | 6 DR 5 | | SIPART PS2 electropneumatic positioner, in flameproof stainless steel enclosure, without cable gland | 6 DR 5 | |
| Version 2-wire (4 to 20 mA) <ul style="list-style-type: none"> Without HART With HART 2-, 3-, 4-wire (0/4 to 20 mA) <ul style="list-style-type: none"> With HART Without HART PROFIBUS PA connection FOUNDATION Fieldbus connection | 0 1 2 3 5 6 | | Mounted pressure gauge block Without Gauge made of stainless steel 316 IP54 Block made of stainless steel 316, single-acting G¼, scaled in MPa, bar, psi Block made of stainless steel 316, double-acting G¼, scaled in MPa, bar, psi Block made of stainless steel 316, single-acting ¼-18 NPT, scaled in MPa, bar, psi Block made of stainless steel 316, double-acting ¼-18 NPT, scaled in MPa, bar, psi | 0 9 R 1 C 9 R 2 C 9 R 1 D 9 R 2 D | |
| For actuator Single-acting Double-acting | 1 2 | | Further designs Add "-Z" to Article No. and specify Order Code. | | Order code |
| Connection thread electrical/pneumatic M20 x 1.5 / G¼ ½-14 NPT / ¼-18 NPT M20 x 1.5 / ¼-18 NPT ½-14 NPT / G¼ M25x1.5 / G¼ | | G N M P Q | TAG plate made of stainless steel, 3-line Text line 1: Plain text from Y17 Text line 2: Plain text from Y15 Text line 3: Plain text from Y16 | A20 | |
| Limit monitor Built-in Without Alarm module; electronic (6DR4004-8A) Internal NCS module (6DR4004-5L.), internal position detection by means of a potentiometer is not included and can be ordered through -Z K11 if needed. | | 0 1 9 | Functional safety (SIL 2) only for 6DR5.1. (single-acting positioners) Device suitable for use according to IEC 61508 and IEC 61511 | C20 | |
| Option modules Built-in Without Position feedback module for position feedback signal (4 ... 20 mA) (6DR4004-8J) EMC filter module for external position sensor, internal position detection by means of a potentiometer is not included and can be ordered through -Z K11 if needed. Position feedback module and EMC filter module for external position sensor, internal position detection by means of a potentiometer is not included and can be ordered through -Z K11 if needed. | | 0 1 2 3 | Fail in Place Holding function on failure of auxiliary electrical power and/or pneumatic failure | F01 | |
| Brief instructions German/English/Chinese French/Spanish/Italian | | A B | Optimized control behavior for small drives¹⁾ | K10 | |
| | | | Additional position detection by means of a potentiometer | K11 | |
| | | | Permitted ambient temperature during operation -40 ... 80 °C (-40 ... +176 °F) | M40 | |
| | | | Measuring point description Max. 16 characters for HART, max. 32 characters for PROFIBUS PA and FOUNDATION Fieldbus, specify in plain text: Y15: | Y15 | |
| | | | Measuring point text Max. 24 characters for HART, max. 32 characters for PROFIBUS PA and FOUNDATION Fieldbus, specify in plain text: Y16: | Y16 | |
| | | | Measuring point number (TAG No.) Max. 32 characters, specify in plain text: Y17: | Y17 | |
| | | | Preset bus address Specify in plain text: Y25: only for 6DR55.. and 6DR56.. | Y25 | |

¹⁾ Not for following options: 6DR53..; 6DR5..1 and 6DR5..2; C20.

| Selection and ordering data | Article No. |
|---|---------------------------|
| Accessories | |
| Position feedback module for position feedback signal (4 ... 20 mA) <ul style="list-style-type: none"> Without explosion protection With ATEX/IECEX and FM/CSA explosion protection | 6DR4004-8J 6DR4004-6J |
| Alarm module for 3 alarm outputs and 1 binary input (functionality: 2 limit monitors, 1 fault alarm, 1 binary input) <ul style="list-style-type: none"> Without explosion protection With ATEX/IECEX and FM/CSA explosion protection | 6DR4004-8A 6DR4004-6A |
| SIA module (slot-type initiator alarm module, not for Ex d version) <ul style="list-style-type: none"> Without explosion protection With ATEX/IECEX and FM/CSA explosion protection | 6DR4004-8G 6DR4004-6G |
| Mechanical limit switch module (with mechanical ground contacts, not for Ex d version) <ul style="list-style-type: none"> Without explosion protection With explosion protection | 6DR4004-8K 6DR4004-6K |
| Internal NCS module For contact-free position detection, for installation in the positioner enclosure <ul style="list-style-type: none"> Without explosion protection With explosion protection | 6DR4004-5L 6DR4004-5LE |
| EMC filter module with and without explosion protection for connection of external position sensor (10 kΩ) or NCS sensor | C73451-A430-D23 |

| Selection and ordering data | Article No. |
|--|------------------|
| Accessories | |
| NCS sensor for non-contacting detection of position (not for Ex d version) | 6DR4004-N0 |
| ↗ Click on the Article No. for the online configuration in the PIA Life Cycle Portal. | |
| Explosion protection Not explosion-proof <ul style="list-style-type: none"> With protection type (ATEX/IECEX/FM) Intrinsic safety Non-sparking | 8 6 |
| Cable length 6 m (19.68 ft) 20 m (65.67 ft) 40 m (131.23 ft) | N P R |
| Actuator type For part-turn actuators, glass fiber-reinforced polyester magnet holders ¹⁾ For linear actuators up to 14 mm (0.55 inch) ²⁾ For linear actuators > 14 ... 130 mm (0.55 ... 5.12 inch) ³⁾ For part-turn actuators, anodized aluminum magnet holders ¹⁾ | 1 2 3 4 |

1) Fitted with mounting console, available for order separately as accessory.
 2) Mounted with individual mounting solution. Only a NAMUR mounting bracket can be used as mounting base (order separately as accessory).
 3) Mounted with NAMUR interface. Article No. either 6DR4004-8V or 6DR4004-8V + 6DR4004-8L depending on stroke range. Or mounted without NAMUR interface, individual mounting solution. Article No. 6DR4004-8VK or 6DR4004-8VL can be used as individual mounting solution depending on the stroke range.

| Selection and ordering data | Article No. |
|--|--|
| External position detection system (with explosion protection to ATEX/IECEX) for separate mounting of position sensor and controller unit (not for Ex d version), comprising SIPART PS2 polycarbonate enclosure with integral potentiometer and sliding clutch (without electronics and pneumatic block) The EMC filter module is additionally required for the controller unit. (separate ordering item, see above). | C73451-A430-D78 |
| Gauge block with 2 gauges made of plastic IP31, block made of aluminum, single-acting G¼, scaled in MPa and bar 3 gauges made of plastic IP31, block made of aluminum, double-acting G¼, scaled in MPa and bar 2 gauges made of plastic IP31, block made of aluminum, single-acting ¼-18 NPT, scaled in MPa and psi 3 gauges made of plastic IP31, block made of aluminum, double-acting ¼-18 NPT, scaled in MPa and psi 2 gauges made of steel IP44 Block made of aluminum, single-acting G¼, scaled in MPa, bar, psi 3 gauges made of steel IP44 Block made of aluminum, double-acting G¼, scaled in MPa, bar, psi 2 gauges made of steel IP44 Block made of aluminum, single-acting ¼-18 NPT, scaled in MPa, bar, psi 3 gauges made of steel IP44 Block made of aluminum, double-acting ¼-18 NPT, scaled in MPa, bar, psi 2 gauges made of stainless steel 316 IP54 Block made of stainless steel 316, single-acting G¼, scaled in MPa, bar, psi 3 gauges made of stainless steel 316 IP54 Block made of stainless steel 316, double-acting G¼, scaled in MPa, bar, psi 2 gauges made of stainless steel 316 IP54 Block made of stainless steel 316, single-acting ¼-18 NPT, scaled in MPa, bar, psi 3 gauges made of stainless steel 316 IP54 Block made of stainless steel 316, double-acting ¼-18 NPT, scaled in MP, bar, psi | 6DR4004-1M 6DR4004-2M 6DR4004-1MN 6DR4004-2MN 6DR4004-1P 6DR4004-2P 6DR4004-1PN 6DR4004-2PN 6DR4004-1Q 6DR4004-2Q 6DR4004-1QN 6DR4004-2QN |
| Pneumatic terminal strip made of stainless steel 316 to replace the pneumatic terminal strip made of aluminum Single-acting with G¼ Double-acting with G¼ Single-acting with ¼-18 NPT Double-acting with ¼-18 NPT | 6DR4004-1R 6DR4004-2R 6DR4004-1RN 6DR4004-2RN |
| Booster Single-acting, aluminum, G½, 6DR5..0/2/3 Double-acting, aluminum, G½, 6DR5..0/2/3 Single-acting, aluminum, ½ NPT, 6DR5..0/2/3 Double-acting, aluminum, ½ NPT, 6DR5..0/2/3 Single-acting, aluminum, G½, 6DR5..5 Double-acting, aluminum, G½, 6DR5..5 Single-acting, aluminum, ½ NPT, 6DR5..5 Double-acting, aluminum, ½ NPT, 6DR5..5 | 6DR4004-1RJ 6DR4004-2RJ 6DR4004-1RK 6DR4004-2RK 6DR4004-1RP 6DR4004-2RP 6DR4004-1RQ 6DR4004-2RQ |

Positioners

SIPART PS2

Selection and Ordering data Accessories

Mounting kit for NAMUR part-turn actuators

(VDI/VDE 3845, with plastic coupling wheel, without mounting console)

6DR4004-8D

(VDI/VDE 3845, with stainless steel coupling, without mounting console)

TGX:16300-1556

SIPART PS2 console for NAMUR installation on part-turn actuators

- 80 x 30 x 20 mm
- 80 x 30 x 30 mm
- 130 x 30 x 30 mm
- 130 x 30 x 50 mm

6DR4004-1D

6DR4004-2D

6DR4004-3D

6DR4004-4D

Mounting kit for other part-turn actuators

The following mounting consoles can be used together with the NAMUR part-turn actuator mounting kit 6DR4004-8D.

- SPX (DEZURIK) Power Rac, sizes R1, R1A, R2 and R2A
- Masoneilan Camflex II
- Fisher 1051/1052/1061, sizes 30, 40, 60 to 70
- Fisher 1051/1052, size 33

TGX:16152-328

TGX:16152-350

TGX:16152-364

TGX:16152-348

Mounting kit for NAMUR linear actuators

- NAMUR linear actuator mounting kit with short lever (2 ... 35 mm (0.08 ... 1.38 inch))
- Long lever for travels from 35 ... 130 mm (1.38 ... 5.12 inch) without NAMUR mounting bracket
- Reduced mounting kit (like 6DR4004-8V but without fixing angle and U-bracket), with short lever with up to 35 mm travel (1.38 inch)
- Reduced mounting kit (like 6DR4004-8V but without fixing angle and U-bracket), with long lever with > 35 mm travel (1.38 inch)
- Roll and disk made of stainless steel 316 for replacement of the Teflon roll and aluminum disk in the 6DR4004-8, -8VK and -8VL mounting kits for NAMUR linear actuators
- Two terminal strips made of stainless steel 316 for replacement of the aluminum terminal blocks in the 6DR4004-8V, -8VK and -8VL mounting kits for NAMUR linear actuators

6DR4004-8V

6DR4004-8L

6DR4004-8VK

6DR4004-8VL

6DR4004-3N

6DR4004-3M

Mounting kit for other linear actuators

- Masoneilan type 37/38, size 6 to 51 mm (<2 inch)
- Masoneilan type 87/88
- Masoneilan type 37/38, size 51 to 254 mm (>2 inch)
- Fisher type 657/667, size 30 to 80
- Samson actuator type 3277 yoke dimension = 101 mm (integrated connection without tube), not for Ex d

TGX:16152-595

TGX:16152-1210

TGX:16152-1215

TGX:16152-900

6DR4004-8S

OPOS Interface according to VDI/VDE 3847

- OPOS adapter with interface VDI/VDE 3847, blanketing, not for flameproof enclosures

6DR4004-5PB

Connection block, for safety solenoid valve with extended mounting flange to NAMUR

- For mounting to IEC 534-6
- For SAMSON actuator (integrated mounting) see above

6DR4004-1B

6DR4004-1C¹⁾

Documentation

The entire documentation is available for download free-of-charge in various languages at:

<http://www.siemens.com/processinstrumentation/documentation>

SIPART PS2 Compact Instruction Manual

- English, French, German, Spanish, Italian, Dutch

A5E03436620

- Estonian, Latvian, Lithuanian, Polish, Romanian, Croatian

A5E03436655

- Bulgarian, Czech, Finnish, Slovakian, Slovenian

A5E03436664

- Danish, Greek, Portuguese, Swedish, Hungarian

A5E03436683

SITRANS I100 output isolator HART

(see "SITRANS I supply units and isolation amplifiers") with

- 24 V DC auxiliary power

7NG4124-0AA00

SITRANS I200 output isolator HART

(see "SITRANS I supply units and isolation amplifiers") with

- 24 V DC auxiliary power

7NG4131-0AA00

HART modem for connecting to PC or laptop

- with USB interface

7MF4997-1DB

¹⁾ Only together with 6DR4004-8S

Scope of delivery for positioner

- 1 SIPART PS2 positioner as ordered
- 1 DVD with the complete documentation for all versions and accessories
- Getting Started "SIPART PS2 – Operation - a concise overview"

Selection and ordering data

Article No.

NCS-Sensor spare parts

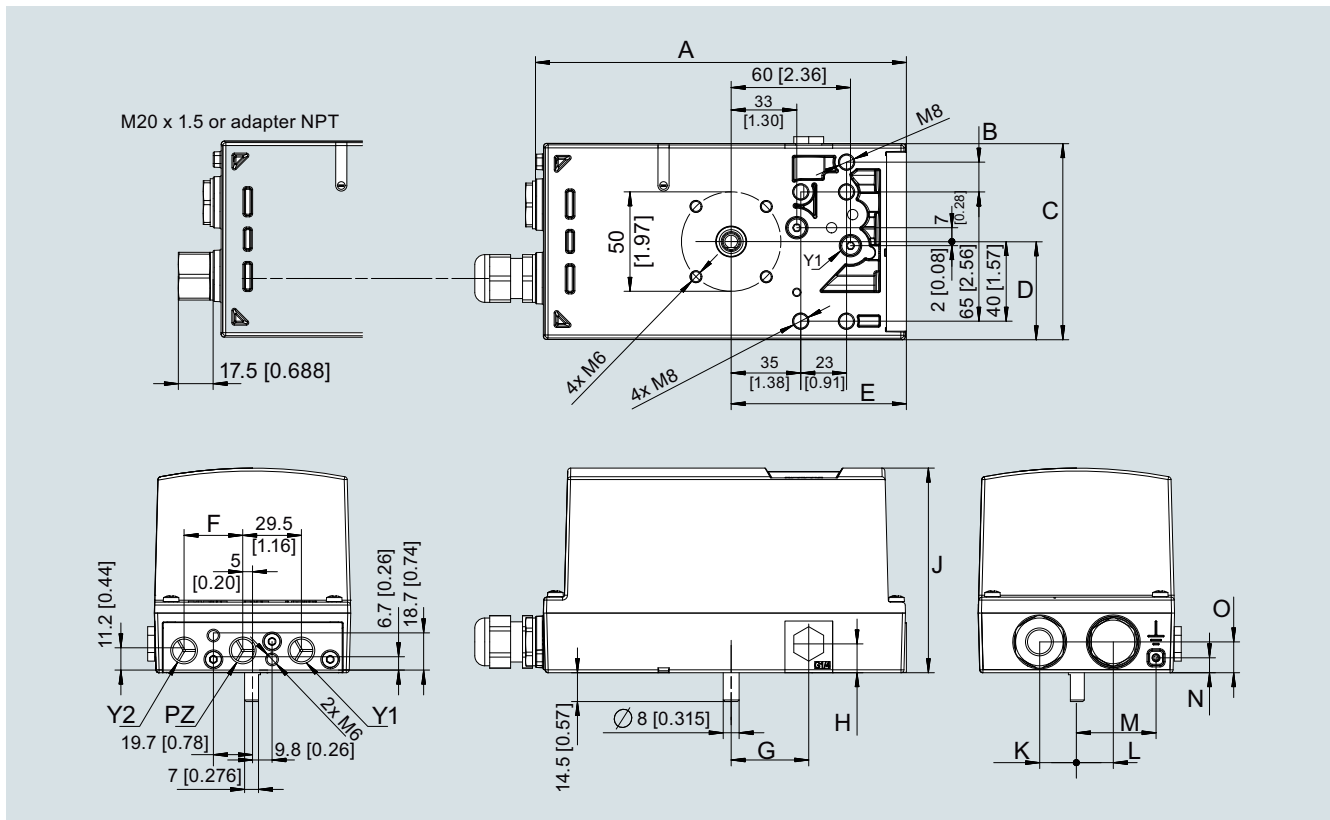
Magnet holder made of fiberglass-reinforced polyester including magnet for non-contacting position detection for part-turn actuators

A5E00078030

Magnet holder made of anodized aluminum including magnet for non-contacting position detection for part-turn actuators

A5E00524070

Dimensional drawings



Non-flameproof enclosure, dimensions in mm (inch)

| Value | 6DR5..0 | | 6DR5..1 | 6DR5..2 | 6DR5..3 | |
|----------------|-----------------|--------------------|-------------|--------------|-----------------|--------------------|
| | G $\frac{1}{4}$ | $\frac{1}{4}$ -NPT | | | G $\frac{1}{4}$ | $\frac{1}{4}$ -NPT |
| A | 184.5 (7.26) | 186.5 (7.34) | 185 (7.28) | 186.5 (7.34) | 186.5 (7.34) | 188.5 (7.42) |
| B | | - | - | 15 (0.59) | | |
| C | 95 (3.74) | | 84 (3.31) | 99 (3.90) | | 98.6 (3.88) |
| D | 48 (1.89) | | 34.5 (1.36) | 49.5 (1.95) | | 48.6 (1.91) |
| E | 88.5 (3.48) | | 90.5 (3.56) | 88.5 (3.48) | | 88.8 (3.50) |
| F [*] | 29.5 (1.16) | | - | 29.5 (1.16) | | 29.5 (1.16) |
| G | 39 (1.54) | | 44 (1.73) | 39 (1.54) | | 39 (1.54) |
| H | 14.5 (0.57) | | 16 (0.63) | 16 (0.63) | | 14.5 (0.57) |
| J | 96.6 (3.80) | | 96.6 (3.80) | 98.5 (3.88) | | 103 (4.06) |
| K | 18.5 (0.73) | | 22 (0.87) | 18.5 (0.73) | | 18.5 (0.73) |
| L | 18.5 (0.73) | | 7 (0.23) | 18.5 (0.73) | | 18.5 (0.73) |
| M | | - | 26.5 | 41.5 | | 40 |
| N | | - | 7.5 | 7.5 | | 7.5 |
| O | | 14.5 (0.57) | 14.5 (0.57) | 14.5 (0.57) | | 15.5 (0.61) |

* Dimension applies only to double-acting drives

6DR5..0 Polycarbonate enclosure; dimensions with pneumatic connection G $\frac{1}{4}$ or $\frac{1}{4}$ NPT

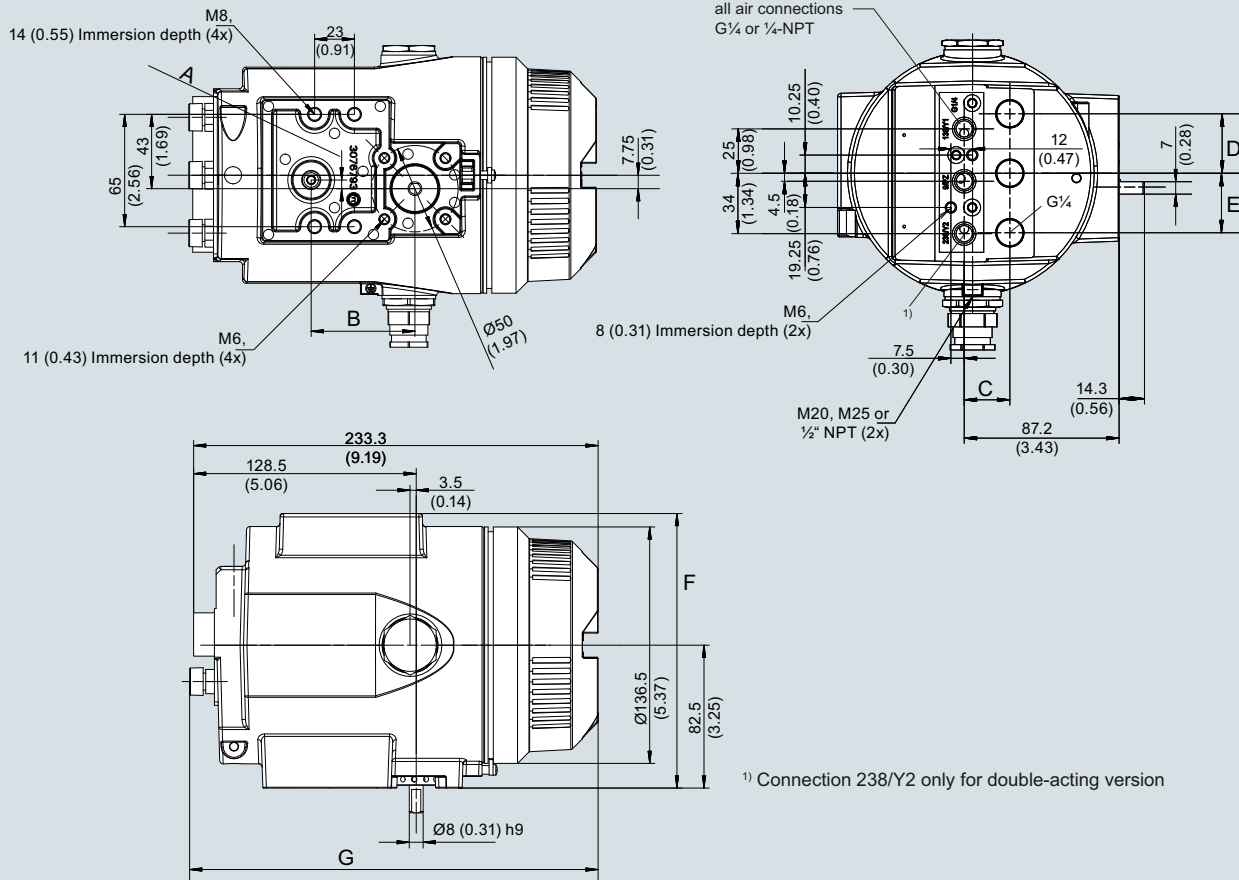
6DR5..1 Aluminum enclosure, single-acting

6DR5..2 Stainless steel enclosure, without inspection window

6DR5..3 Aluminum enclosure, single-acting and double-acting; dimensions with pneumatic connection G $\frac{1}{4}$ or $\frac{1}{4}$ NPT

Positioners SIPART PS2

Dimensional drawings



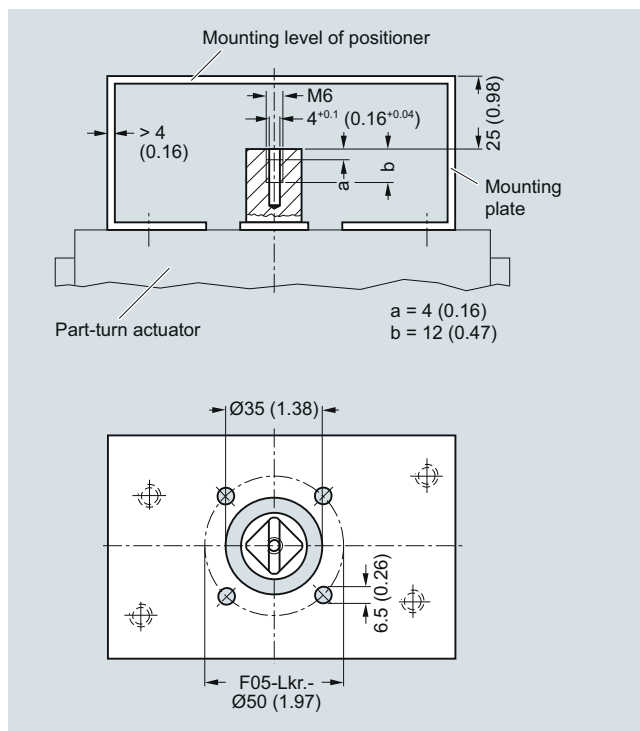
¹⁾ Connection 238/Y2 only for double-acting version

Flameproof enclosure, dimensions in mm (inch)

| Maß | 6DR5..5 | 6DR5..6 |
|-----|--------------|--------------|
| A | 5 (0.2) | - |
| B | 60 (2.36) | - |
| C | 25.7 (1.01) | 21.7 (.85) |
| D | 33.5 (1.32) | 25 (0.99) |
| E | 33.5 (1.32) | - |
| F | 158.5 (6.24) | 160 (6.3) |
| G | 235.3 (9.26) | 227.6 (8.96) |

6DR5..5 Aluminum enclosure, flameproof; dimensions with pneumatic connection G $\frac{1}{4}$ or $\frac{1}{4}$ NPT

6DR5..6 Stainless steel enclosure, flameproof

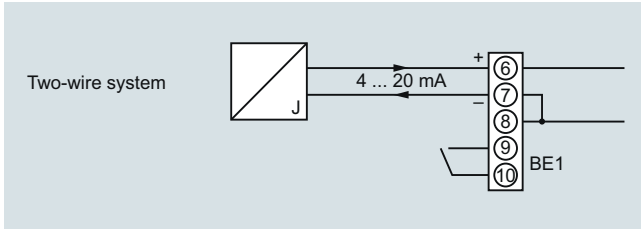


Mounting onto part-turn actuators; mounting consoles (scope of delivery of actuator manufacturer), extract from VDI/VDE 3845, dimensions in mm (inch)

Schematics

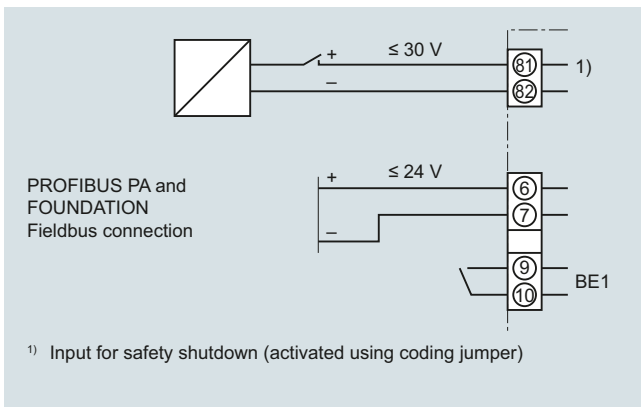
Electric connection of 2-wire devices (6DR50.. and 6DR51..)

Devices of types 6DR50.. and 6DR51.. are operated in a 2-wire system.



SIPART PS2 electropneumatic positioner, input circuit for 6DR50.. and 6DR51..

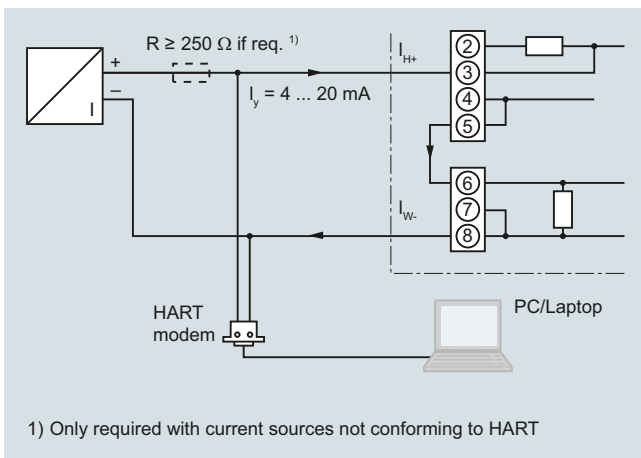
Electric connection of PROFIBUS PA device (6DR55..) and FOUNDATION Fieldbus device (6DR56..)



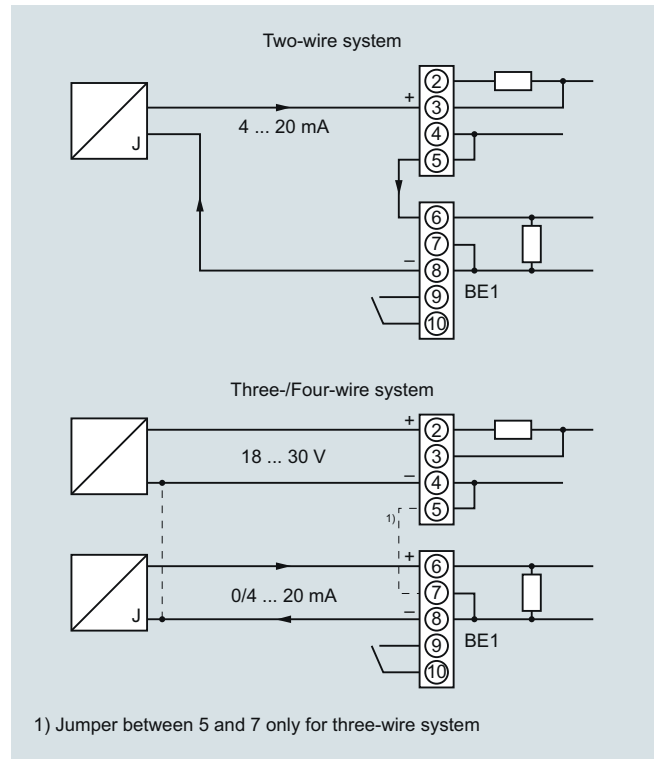
SIPART PS2 PA and SIPART PS2 FF electropneumatic positioner, input circuit for 6DR55.. and 6DR56..

Electric connection of 2-, 3- and 4-wire device (6DR52.. and 6DR53..)

Devices of types 6DR52.. and 6DR53.. can be operated in a 2-, 3- and 4-wire system.



SIPART PS2 electropneumatic positioner, example of connection for communication through HART for 6DR52..



SIPART PS2 electropneumatic positioner, input circuits for 6DR52.. and 6DR53..

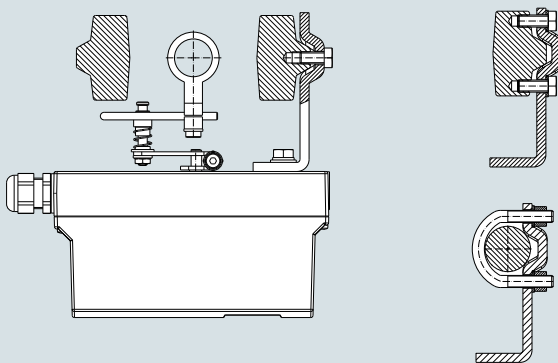
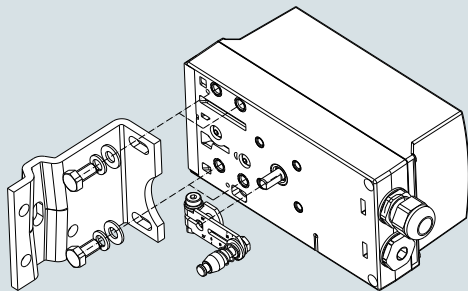
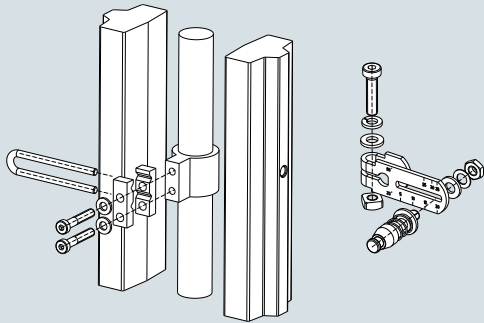
Positioners

SIPART PS2

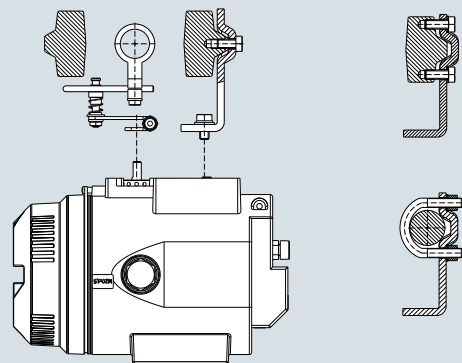
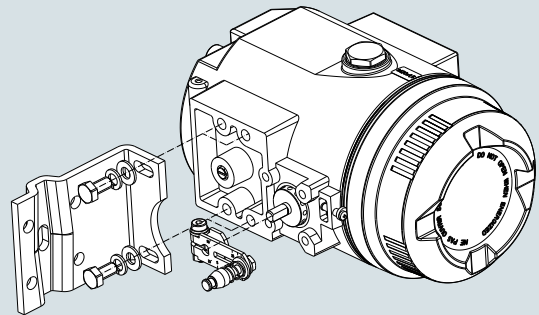
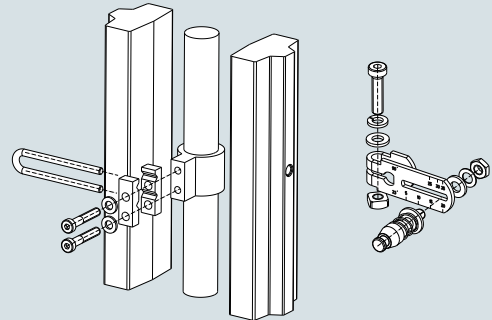
Mounting kit

Mounting kit for NAMUR linear actuators

- 1 mounting bracket
- 2 mounting prisms
- 1 U-bracket
- 1 lever arm with adjustable pick-up roll
- 2 U-bolts
- Various screws and lock washers



Mounting of SIPART PS2 on linear actuators

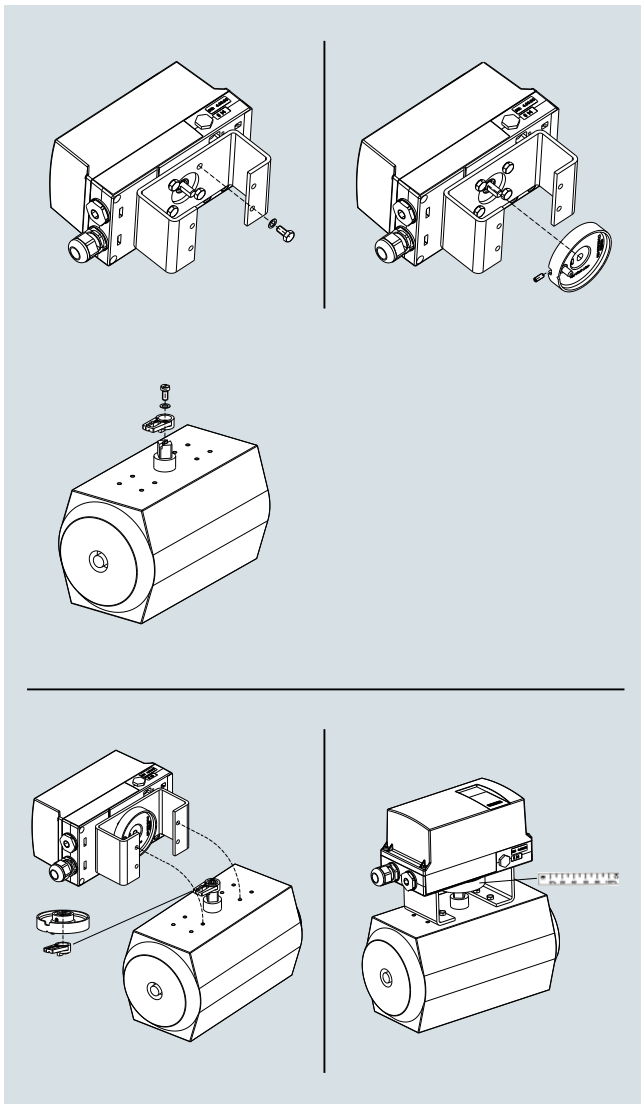


Mounting of SIPART PS2 in flameproof aluminum enclosure on linear actuators

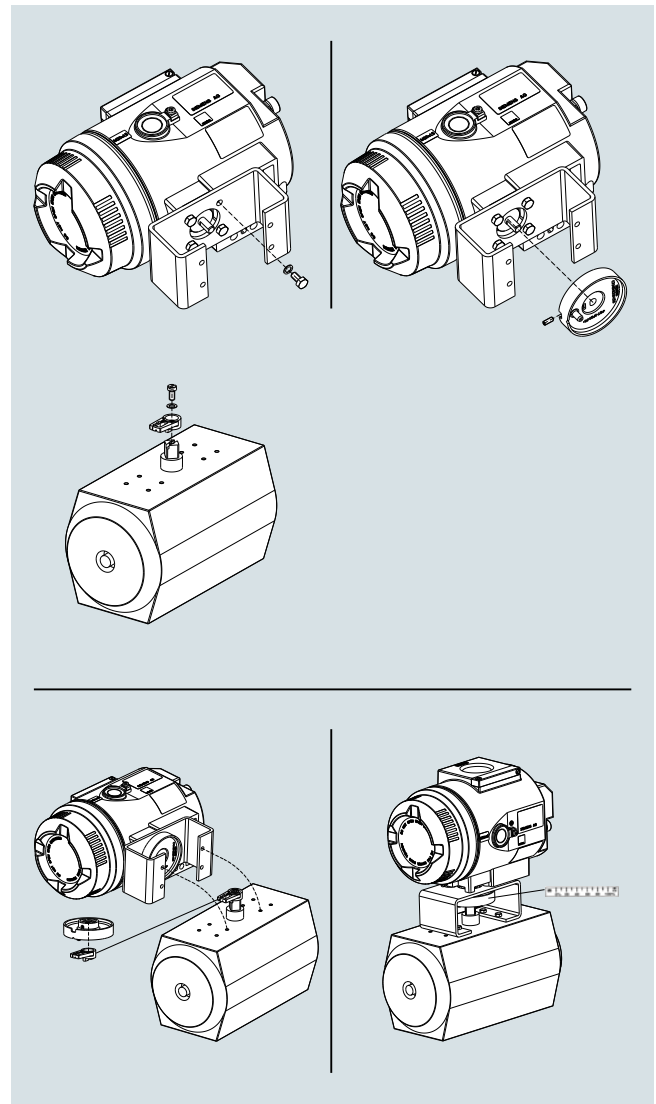
Mounting kit for NAMUR part-turn actuators

- 1 coupling wheel
- 1 driver pin
- 8 scales
- 1 pointer
- Various screws and lock washers

Caution: The mounting consoles and the screws for mounting onto the part-turn actuator are not included in the scope of delivery and must be provided by the customer (see "Technical specifications")



Mounting of SIPART PS2 on part-turn actuators



Mounting of SIPART PS2 in flameproof aluminum enclosure on part-turn actuators

More information**Special versions**

On request

Positioners
SIPART PS2

Notes