

PRICE LIST

DIVE SUPPLY

Diving, Snorkeling
& Water Sports Equipment

—
2022



DIVE
SUPPLY

www.divesupply.com



DIVE SUPPLY



Updated 04-Apr-2022

INDEX 2022

PAGE

DIVING & SNORKELLING EQUIPMENT

- 5 ■ School Sets & Rental Equipment
- 6-7 ■ Regulators
- 7 ■ BCDs
- 7-9 ■ Technical Diving Equipment
- 9-10 ■ Instruments: • Consoles • Gauges • Compasses
- 10-12 ■ Dive Computers: • SUUNTO • Scubapro
- 12-15 ■ Masks • Snorkels • Snorkelling Sets
- 15-16 ■ Fins
- 16-17 ■ Boots • Gloves
- 17-18 ■ Wetsuits • Lycra • Rashguards
- 18-19 ■ Life Vests • First Aid Equipment • Oxygen Kits • CPR Manikins
- 19 ■ Log Books • Log Binders • Log Inserts
- 19 ■ Marine Guides • Fish ID Cards • Slates
- 19-20 ■ Pelican Cases • Dry Bags
- 21 ■ Gear Bags • Lift Bags
- 21-24 ■ Cameras • Lights • Torches • Knives
- 24 ■ Signalling Devices • Surface Markers, Floats & Buoys
- 24-27 ■ Mouthpieces • Mask & Snorkel Parts • Fin Straps, Buckles & Parts
- 27-28 ■ Other Straps • Clips, Hooks & Coils • Retractors • Reels
- 28-29 ■ BCD Parts • Weight Belts • Weights
- 30 ■ Liquids & Cleaning Solutions
- 30-31 ■ Tools • Workshop Needs • Computer Batteries
- 31-34 ■ Suunto Spare Parts • Regulator Service Kits
- 34-35 ■ Nitrox Equipment • Hoses • HP Swivels
- 36-37 ■ Promotion Items

TANKS & VALVES including PARTS, ACCESSORIES

- 38 ■ Tanks • Valves
- 38 ■ Valve Spare Parts
- 39-42 ■ Valve Parts: • THERMO • Deep Blue • SMT • SHERWOOD • XS Scuba
- 42 ■ O-Rings • Viton O-Rings

COMPRESSORS including PARTS, ACCESSORIES

- 43 ■ Portable Models: • Bauer Junior • Capitano • Mariner • Poseidon
- 44 ■ Stationary Models: • Mini Verticus • Verticus • Poseidon
- 45 ■ B-Kool • B-Virus • Aero-Guard • Aerotest • B-Safe
- 46 ■ Optional Equipment Compact, Profi Line, Mini Verticus & Verticus
- 47 ■ Optional Equipment Poseidon • Maintenance Kits
- 48 ■ Various Parts Bauer • External Purification Systems
- 49 ■ Parts General • Filling Valves, Adapters & Gauges • Filling Hoses
- 50 ■ Storage Bottles & Parts

SERVICE, RENTAL & CUSTOM CHARGES

- 51-52 ■ Service & Rental Charges
- 53-54 ■ Custom Prints & Embroidery

DIVE CENTER RENTAL GEAR

RENTAL WETSUITS

DBADS03

DBADS01

DBADS02

DBADS04



SCUBAPRO RENTAL SETS

CONSOLE 2



MK2EVO



T-ONE BCD



R095



R095 OCTO



SUUNTO ZOOPT RENTAL COMPUTER

RENTAL MASKS & SNORKELS



BORA



COVERT



RUNNER



MARLIN



STINGRAY

RENTAL FINS

F100



GO RENTAL



LL80



LVCA4030



LVCA4035

TANKS & VALVES

GEAR BAGS



DB8020



DB8010



DBBL3176

TORCHES



TORNADO



STORM



MSSICOM-II

ALL RENTAL EQUIPMENT AVAILABLE AT DIVE SUPPLY

ITEM #	DESCRIPTION	RETAIL in. VAT
--------	-------------	-------------------

SCUBAPRO - SCHOOL SET includes Scubapro Inflator & LP hose QD, LP hose & Hose Protector

PG option	T-One BCD, MK2 Evo/R095/R095 Octopus/DB Metal PG	
XSet1-DB.x00	1+ Complete Sets	29,990
	5 + Complete Sets	
	10 + Complete Sets	
	T-One BCD, MK2 Evo/R095/R095 Octopus/Scubapro Metal PG	
XSet1-SP.x00	1+ Complete Sets	32,500
	5 + Complete Sets	
	10 + Complete Sets	
2-Gauge option	T-One BCD, MK2 Evo/R095/R095 Octopus /Scubapro U-Line PG/DG Set	
XSet2-SP.x00	1+ Complete Sets	33,900
	5 + Complete Sets	
	10 + Complete Sets	

SCUBAPRO - REGULATOR SCHOOL SET

PG option	MK2 Evo/R095/R095 Octopus, DB Metal PG	
XReg1-DB	1+ Complete Sets	18,500
	5 + Complete Sets	
	10 + Complete Sets	
	MK2 Evo/R095/R095 Octopus, Scubapro Metal PG	
XReg1-SP	1+ Complete Sets	19,900
	5 + Complete Sets	
	10 + Complete Sets	
2-Gauge option	MK2 Evo/R095/R095 Octopus, Scubapro U-Line PG/DG Set	
XReg2-SP	1+ Complete Sets	22,500
	5 + Complete Sets	
	10 + Complete Sets	

SCUBAPRO - SCHOOL BCD

SCUBAPRO T-One BCD (including FREE GENUINE SCUBAPRO inflator hose with hose protector, retail value THB 1,850)		
X21.723.x00	1+ Scubapro T-One BCD, XXS-XXL	14,500
	5 + Scubapro T-One BCD, XXS-XXL	
	10 + Scubapro T-One BCD, XXS-XXL	

SUUNTO RENTAL COMPUTERS

FSS022692000	Zoop NOVO Wrist RENTAL, Lime	Best Rental	***
--------------	------------------------------	--------------------	-----

DEEP BLUE RENTAL WETSUITS

DBADS01	Sportflex Pro Shorty 3mm, CR-Foam, Black XXS-XXXL	Best Rental	2,290
DBADS02	Sportflex Shorty 3mm, SBR-Foam, Black/Blue, S-XL	Best Rental	1,990
DBADS04	Sportflex Shorty 3mm, SBR-Foam, Black, XXS-XXXL	Best Rental	1,990
DBADS03	Sportflex Pro Steamer 3mm, CR-Foam, Black, XS - XXXL	Best Rental	3,490
	Custom printing available		

RENTAL MASKS, SNORKELS & FINS

DB1MA36+	Bora Plus Mask, 2 Lens - BT, K, KK, KO, KY, Y	Best Rental	690
S1083KS	Runner Mask, fits most faces - BT, C, G, K, Y	Optics optional	990
S1083OP-1	Optical Lenses for Runner Mask S1083, -1.0 to -7.0 (per lens)		865
DBSA105	Stingray Snorkel, w. purge - BT, C, K, Y, KK	Best Rental	470
DBSA91	Marlin Snorkel (Silicone Mouthpiece) J-style - BT, C, K, Y	Best Rental	250
X25.743.	GO Rental Fin, Black, 6 sizes, color coded straps	Best Rental	2,590
B929x	F-100 PRO full foot Fins, 6 sizes - B, K, Pi, R, Y	Best Rental	2,490

DEEP BLUE RENTAL GEAR BAGS

DB8010	Deep Blue Gearbag, large (60 liter) - Blue, Black	Best Rental	935
DB8020	Deep Blue Gearbag, oversize (90 liter) - Blue, Black, Red	Best Rental	1,275
DBBL3176	Deep Blue Mesh Gearbag 63cm - Black	Best Rental	1,140

REGULATOR - SCUBAPRO

REGULATOR SETS - SOLD AS SETS ONLY

X12.177.000	Regulator Set MK11/S270	NEW	16,350
X12.719.500	Regulator Set MK19 Evo Black Tech/G260 Carbon BT		43,075
X12.719.600	Regulator Set MK19 Evo Black Tech DIN 300/G260 Carbon BT		43,075
X12.771.500	Regulator Set MK25 Evo Black Tech/G260 BT		32,460
X12.771.550	Regulator Set MK25 Evo Black Tech/G260 Carbon BT		43,805
X12.771.650	Regulator Set MK25 Evo BT DIN/G260 Carbon BT (Coming Soon)	NEW	43,805
X12.770.700	Regulator Set MK25 Evo BT/A700 Carbon Black Tech		45,640
X12.620.400	Regulator Set MK25T Evo/S620X Ti		76,755

MIX & MATCH - COMBINE ANY 1ST & 2ND STAGE BELOW

X12.096.000	Regulator Set MK2 Evo/R095	Best Rental	10,500
X12.118.000	Regulator Set MK2 Evo/R195		13,845
X12.195.011	Regulator Set MK11/R195		16,405
X12.175.000	Regulator Set MK11/C370		18,965
X12.927.050	Regulator Set MK17 Evo/S600		26,285
X12.425.000	Regulator Set MK19 Evo/D420		35,440
X12.425.300	Regulator Set MK19 Evo DIN/D420		35,440
X12.255.010	Regulator Set MK19 Evo/G260		27,020
X12.195.021	Regulator Set MK21/R195	NEW	18,235
X12.979.000	Regulator Set MK21/C370		20,795
X12.974.000	Regulator Set MK21/S560		21,530
X12.252.010	Regulator Set MK25 Evo/G260		27,750
X12.252.030	Regulator Set MK25 Evo DIN/G260		27,750
X12.420.000	Regulator Set MK25 Evo/D420		36,170
X12.420.300	Regulator Set MK25 Evo DIN 300/D420		36,170
X12.971.050	Regulator Set MK25 Evo/S600		29,580
X12.971.070	Regulator Set MK25 Evo DIN/S600		32,875
X12.620.000	Regulator Set MK25 Evo/S620 Ti		32,875
X12.770.040	Regulator Set MK25 Evo/A700		34,710

First Stages

X10.063.000	MK2 Evo	6,740
X10.063.300	MK2 Evo DIN	6,740
X10.708.000	MK11	9,300
X10.708.300	MK11 DIN	9,300
X10.714.010	MK17 Evo	11,495
X10.714.030	MK17 Evo DIN	11,495
X10.719.010	MK19 Evo	14,060
X10.719.030	MK19 Evo DIN 300	14,060
X10.721.000	MK21	11,130
X10.721.300	MK21 DIN	11,130
X10.713.010	MK25 Evo	14,790
X10.713.030	MK25 Evo DIN	14,790

Second Stages

X11.330.600	R095	5,350	
X11.330.400	R095 Octopus w/39" Hose	Best Rental	5,500
X11.331.000	R195	7,105	
X11.331.200	R195 Octopus w/39" Hose	7,835	
X11.270.200	S270 Octopus w 100cm Hose	NEW	8,935
X11.263.000	G260	12,960	
X11.263.880	G260 BT	15,160	
X11.370.000	C370	9,665	
X11.420.000	D420	21,380	
X11.560.000	S560	10,400	
X11.603.000	S600	14,790	
X11.620.000	S620 Ti	18,085	
X11.700.000	A700	19,920	

Accessories

X10.045.030	DIN Conversion Kit Universal	1,800
X10.019.100	DIN to Yoke Adapter	6,030
X41.300.020	Adjustable Kit MK 25	845

REGULATOR - SCUBAPRO

Accessories

X41.300.010	Adjustable Kit MK 25T / TA		2,520
X50.080.000	Scubapro Neoprene Regulator Shield 2nd Stage Cover	NEW	540
X11.602.03xP	Purge Cover S600 - Red, White		525
XZ11.602.036	Purge Cover S600 - Black		360
X11.602.04xP	Purge Cover S600 - Hydros Blue, Orange, Pink, Purple, Yellow		565
XZ01.097.134	Octopus retainer "Scubapro" (Mouthpiece plug), Yellow		300

BCD - SCUBAPRO

X21.723.x00	Scubapro T-One BCD, XXS-XXL, incl. FREE Scubapro Inflator Hose	Best Rental	14,500
X21.730.x00	BCD - Hydros Pro Men, 4 sizes: S, M, L, XL-XXL - Black		36,105
X21.736.x00	BCD - Hydros Pro Women, 3 sizes: XS-S, M, L - White		36,105
X21.900.x00	BCD - Hydros X Men, 4 sizes: S, M, L, XL-XXL		39,875
X21.901.x00	BCD - Hydros X Women, 3 sizes: XS-S, M, L		39,875
X22.285.x20	BCD - Glide , 5 sizes: XS - XL, Black/Grey	PROMO	24,505
X21.725.	BCD - Equator Red, 420D Nylon, Lightweight, only sizes XL		21,570
X22.142.x10	BCD - Seahawk 2, 6 sizes 2XS-XL		23,005
X21.621.x00	BCD - Level, weight integrated, 5 sizes XS-XL (order on demand)	NEW	21,170
X21.224.010	Kids BCD - Rebel V2	NEW	18,875
X21.090.000	Air 2 Black, 5th generation		8,180
X21.090.000U	Air 2 Black, 5th generation, upgrade on BCD	NEW	4,885
X21.610.000	Scubapro Power Inflator		4,525
X21.600.100	Scubapro Power Inflator (old version)		3,925

BCD Accessories

X21.745.010	Color Kit - Hydros Pro, Army Green		1,875
X21.745.100	Color Kit - Hydros Pro, Black		1,390
X21.745.200	Color Kit - Hydros Pro, Blue		1,875
X21.745.250	Color Kit - Hydros Pro, Turquoise		1,875
X21.745.400	Color Kit - Hydros Pro, Orange		1,875
X21.745.500	Color Kit - Hydros Pro, Yellow		1,875
X21.745.600	Color Kit - Hydros Pro, White		1,875
X21.745.700	Color Kit - Hydros Pro, Pink		1,875
X21.745.710	Color Kit - Hydros Pro, Purple		1,875
X21.746.001	Knife & Accessory Plate		765
X21.746.002	Mini D-Ring Set		765
X21.746.400	Accessory Bungee Set - M		680
X21.746.500	Accessory Bungee Set - L		680
X21.746.005	Hydros Ninja Pocket		1,755
X21.746.006	Hydros Cargo Thigh Pocket		1,875
X21.572.000	Weight Pockets - Rebel Kids V2	NEW	2,785

SIDEMOUNT

X12.252.060	Sidemount Regulator Kit		62,590
X21.726.001	Sidemount Harness Backpad System		14,745
X21.726.200	Sidemount Wing 12L		13,550
X21.726.117	Sidemount Wing cover		1,975
X21.726.008	Weight Strap		480

SCUBAPRO X-TEK

X23.804.000	X-Tek PURE Harness Straps w/o Backplate & w/o crotch strap		2,345
X23.806.000	X-Tek FORM Harness Straps w/o Backplate & w/o crotch strap		8,955
X23.800.000	X-Tek Backplate - S. Steel		5,905
X23.801.000	X-Tek Backplate - Aluminium		4,430
X23.807.000	Soft Travel Backplate		3,555
X23.803.000	X-Tek Access - Weight Pocket System w D-ring		2,815
X23.808.000	X-Tek Access - Backplate storage pack		2,610
X23.809.000	X-Tek Access - Shoulder Pads - Pair		925
X23.812.000	X-Tek Counter Weight Pockets 1kg - Pair		985

NEW SCUBAPRO S-TEK

PURE HARNESS SETS

X22.247.030	S-TEK Donut Wing 30 w. S-TEK PURE Harness, ALU backplate (No S.T.A)	NEW	30,495
X22.247.040	S-TEK Donut Wing 40 w. S-TEK PURE Harness, ALU backplate (No S.T.A)	NEW	30,495
X22.247.060	S-TEK Donut Wing 60 w. S-TEK PURE Harness, ALU backplate (No S.T.A)	NEW	30,495
X22.248.030	S-TEK Donut Wing 30 w. S-TEK PURE Harness, SS backplate & Single Tank Adapter	NEW	32,960
X22.248.040	S-TEK Donut Wing 40 w. S-TEK PURE Harness, SS backplate (No.S.T.A)	NEW	28,975
X22.248.060	S-TEK Donut Wing 60 w. S-TEK PURE Harness, SS backplate (No S.T.A)	NEW	28,975

PURE PLUS HARNESS SETS

X22.241.095A	S-TEK Donut Wing 30 w. S-TEK PURE PLUS Harness, ALU backplate & Single Tank Adapter	NEW	43,330
X22.241.095S	S-TEK Donut Wing 30 w. S-TEK PURE PLUS Harness, SS backplate & Single Tank Adapter	NEW	37,545

PRO HARNESS SETS

X22.250.030	S-TEK Donut Wing 30 w. S-TEK PRO Harness, ALU backplate (No S.T.A)	NEW	32,940
X22.250.040	S-TEK Donut Wing 40 w. S-TEK PRO Harness, ALU backplate (No S.T.A)	NEW	32,940
X22.250.060	S-TEK Donut Wing 60 w. S-TEK PRO Harness, ALU backplate (No S.T.A)	NEW	32,940
X22.249.030	S-TEK Donut Wing 30 w. S-TEK PRO Harness, SS backplate & Single Tank Adapter	NEW	37,175
X22.249.040	S-TEK Donut Wing 40 w. S-TEK PRO Harness, SS backplate (No S.T.A)	NEW	33,190
X22.249.060	S-TEK Donut Wing 60 w. S-TEK PRO Harness, SS backplate (No S.T.A)	NEW	33,190

HARNESS

X22.241.001	S-TEK PURE Harness - SS Backplate, crotch strap, continuous webbing	NEW	12,495
X22.241.002	S-TEK PURE Harness - ALU Backplate, crotch strap, continuous webbing	NEW	12,495
X22.241.090	S-TEK PURE Plus Harness - SS Backplate, crotch strap, adjustable webbing	NEW	16,880
X22.242.001	S-TEK PRO Harness - SS Backplate, crotch strap, adjustable webbing	NEW	16,680
X22.242.002	S-TEK PRO Harness - ALU Backplate, crotch strap, adjustable webbing	NEW	16,680

WINGS

X22.240.030	S-TEK Donut Wing 30, 13kg	NEW	18,005
X22.240.040	S-TEK Donut Wing 40, 18kg	NEW	18,005
X22.240.060	S-TEK Donut Wing 60, 27kg	NEW	18,005

BACK PLATES

X22.246.102	S-TEK Backplate - Aluminium	NEW	8,575
X24.246.101	S-TEK Backplate - Stainless Steel	NEW	8,575

ACCESSORIES

X21.615.000	S-TEK K-Style balanced Inflator	NEW	3,920
X23.607.000	S-TEK Single Tank Adapter (S.T.A)	NEW	6,180
X23.601.000	S-TEK Weight System Fluid-Form	NEW	6,150
X23.609.000	S-TEK Trim Weight Pocket Kit	NEW	2,130
X23.614.000	S-TEK Expedition Thigh Pocket	NEW	2,245
X22.245.103	S-TEK Crotch Strap	NEW	1,730
X01.012.000	S-TEK Bungee Necklace	NEW	455
X40.202.050	S-TEK Spinner Sool 50ft / 15m	NEW	2,830
X40.202.100	S-TEK Spinner Spool 100ft / 30m	NEW	3,095
X40.202.150	S-TEK Spinner Spool 150ft / 45m	NEW	3,300
X40.203.00x	S-TEK Spool Color Kit, W, Y, B, Tu, AG, O, Pi	NEW	640
X40.201.330	S-TEK Expedition Reel 330ft / 100m	NEW	11,300
X40.201.660	S-TEK Expedition Reel 660ft / 200m	NEW	12,975
X40.204.001	S-TEK Cookie Monster (10 pack incl. Bungee/bolt snap)	NEW	1,500
X40.204.002	S-TEK Arrow Monster (10 pack incl. Bungee/bolt snap)	NEW	1,500
X01.130.000	Trigger Snap, 1/2" / 13mm	NEW	680
X01.131.010	Bolt Snap, XS, 3/8" / 10mm	NEW	680
X01.131.014	Bolt Snap, S, 1/2" / 14mm	NEW	680
X01.131.025	Bolt Snap, L, 1" / 25mm	NEW	680
X01.132.105	Bolt Snap, DBL, M, 4"/105mm	NEW	680
X01.132.125	Bolt Snap, DBL, L, 5"/125mm	NEW	680
X01.133.025	Bolt Snap, Flateye, 1" / 25mm	NEW	680
X01.134.036	Bolt Snap, Bigeye, 1.4" / 36mm	NEW	680

NEW SCUBAPRO S-TEK

ACCESSORIES

X01.080.190	D-Ring - Stainless, 5x50mm, Pre-Bent	NEW	360
X01.080.191	D-Ring - Stainless, 5x50mm, Straight	NEW	360
X01.082.050	Tri-Glide Stainless - 50mm	NEW	360
X01.087.050	Quad-Glide Stainless - 50mm	NEW	360
X23.612.040	S-TEK Stage Kit LOW PROFILE 40	NEW	2,725
X23.612.080	S-TEK Stage Kit LOW PROFILE 80	NEW	2,725
X23.620.125	Band Stage Kit 125mm set	NEW	1,130
X23.620.180	Band Stage Kit 180mm set	NEW	2,300
X23.611.00x	S-TEK Back Pad Kit - K,W, Y, B, Tu, AG, O, Pi	NEW	2,005
X23.616.00x	S-TEK Harness - Shoulder & Waist Pad Kit - K, W, Y, B, Tu, AG, O, Pi	NEW	2,005

INSTRUMENTS - SCUBAPRO

X05.012.210	U-Line Console 2 -DG/PG, U-Line, Metric	Best Rental	6,750
X05.023.112	U-Line PG Compact, metal, complete w. Hose & Boot, Metric	Best Rental	5,040
X05.023.210	Console 2 -PG/DG Metal, "Fishball", Metric	NEW	8,325
X05.011.753	Console 3 Slim - PG/ DG, FS-2 Compass, Metric		11,950
X05.011.724	Console 3 Slim - PGpsi/DGft, FS-1.5 Compass, Imperial		11,950
X05.014.110	Pressure Gauge Digital 330, w wrist mount, Metric		8,060
X05.022.012	Capsule Pressure Gauge for Compact, metal - Metric		2,985
X05.012.012	Capsule Pressure Gauge for U-Line - Metric		2,840
X28.039.302	Capsule Pressure Gauge for Compact (orig.) - Metric		2,840
X05.014.010	Capsule for Pressure Gauge Digital 330 - Metric		7,335
X28.163.002	Capsule for Pressure Gauge, Black Dial, dia. 63mm - Metric		2,985
X28.152.002	Capsule for Pressure Gauge, Black Dial, dia. 52mm - Metric		2,985
X28.163.202	Capsule for Pressure Gauge, White Dial, dia. 63mm - Metric		2,985
X28.152.202	Capsule for Pressure Gauge, White Dial, dia. 52mm - Metric		2,985
X28.860.005	Capsule Depth Gauge for Compact (orig.), Non-magnetic - Metric		3,785
X05.012.011	Capsule Depth Gauge for U-Line - Metric		3,275
X06.203.621	Housing for U-Line PG, empty		900
X06.204.370	Housing for Compact metal PG, empty		900
X06.204.348	Housing for Mako Pressure Gauge, empty		1,140
X06.203.622	Housing for Console 2 U-Line (UPG + UDG), empty		1,140
X06.204.400	Housing for Console 2 (CompactPG + UDG), empty		1,020
X28.039.021	Housing for Compact Pressure Gauge, empty		540
X28.042.101	Housing for Compact Console 2, empty		860
X05.017.111	Compass North FS-2 w retractor mount		3,710
X05.017.121	Compass North FS-2 w retractor mount & retractor		5,340
X05.017.001	Capsule for Compass North FS-2 - Analogue		3,350

INSTRUMENTS - SEAC / SAEKODIVE

BS226001	Depth Gauge Capsule for B2250 & B2270 (dia 2 inch/5cm)		3,545
SAP-0018	Miniature SPG (Pony Gauge)		1,390

INSTRUMENTS - DEEP BLUE

DBT30030	Deep Blue Console 2 - Slimline, DG/PG, Metric	5,075
DBT30026	Deep Blue Console 2 - Mini 2K, DG/PG, Metric	5,075
DBT30013	SPG Mini 2K complete w. Hose & Boot, 52mm/2", brass body	2,990
DBT30038-K	SPG 2010 Mini 2K complete w. Hose & Boot, 52mm/2", brass body	2,990
DBT30038-KK	SPG 2010 Mini 2K black dial, complete w. Hose & Boot, 52mm/2", brass body	3,150
DBT30038-W	SPG 2010 Mini 2K complete w. Hose & White Boot, 52mm/2", brass body	3,150
DBT130050/02	SPG 2K Line - Side Mount w. 200 mm Hose	2,990
DBT30012	Pressure Gauge Capsule for Mini 2K - 48mm dia.	2,065
DBT30039NS	Pressure Gauge Capsule for Slimline - 52mm dia.	2,065
DBT30007	Depth Gauge Capsule for Mini 2K	2,155
DBT30040C	Depth Gauge Capsule for Slimline	2,155
DBT30026E	Housing for Console Mini 2K - empty	650
DBT30030E	Housing for Console Slimline - empty	650
DBT30002	Deep Blue Pro Wrist Compass, 56mm dia.	1,790
DBT30008	Deep Blue Standard Wrist Compass, 60mm dia.	1,650
DBT30001	Capsule only, Deep Blue Pro Wrist Compass, 56mm dia.	1,590
DBT30009	Capsule only, Deep Blue Standard Wrist Compass, 60mm dia.	1,275
DBT30044-PRO	Wrist Strap & Housing for Deep Blue Pro Compass	435
DBT30044-STD	Wrist Strap & Housing for Deep Blue Standard Compass	435

PRESSURE & DEPTH GAUGES - SUUNTO

FSS005240200	CB-One SM-36 Pressure Gauge 300 Bar	5,945
FSS005249220	CB-Two in Line/300/70 Combo	9,220
FSS05040M010	SM-16/45 Depth Module / round	4,205
FSS05040M020	SM-16/70 Depth Module / round	4,205
FSS05108M200	SM-36/300 Pressure Module	3,795

COMPASS - SUUNTO

FSS004102011	Clipper Compass NH	790
FSS020981000	SK-8 Wrist Compass, NH	3,335
FSS020982000	SK-8 Wrist Compass, SH	3,335
FSS021122000	SK-8 Compass, Front mount on Standard Console, NH	3,335
FSS021160000	SK-8 Compass, Front mount on Standard Console, SH	3,335
FSS021123000	SK-8 Compass, Back mount for Double Sided Console, NH	3,335
FSS021161000	SK-8 Compass, Back mount for Double Sided Console, SH	3,335
FSS021118000	SK-8 Compass, Bungee Mount, NH	3,335
FSS021119000	SK-8 Compass, Bungee Mount, SH	3,335
FSS021120000	SK-8 Capsule NH	1,590
FSS021121000	SK-8 Capsule SH	1,590

WRISTOP COMPUTER - SUUNTO

FSS022617000	D6i Novo Black ZULU with USB	32,100
FSS022910000	D6i Novo INSTRUCTOR BLUE ZULU with USB	32,100
FSS021956000	D6i Novo BLACK with USB	30,650
FSS050569000	D5 - Copper with USB	24,990
FSS050191000	D5 - Black Lime with USB	24,990
FSS050192000	D5 - All Black with USB	24,990
FSS050181000	D5 - White with USB	22,990
FSS050190000	D5 - Black with USB	22,990
FSS050277000	D4i Black Silicone without USB cable	16,500
FSS050279000	D4i Lime Silicone without USB cable	16,500
FSS050278000	D4i White Silicone without USB cable	16,500
FSS020395000	D4i Novo Lime w. USB	16,500

ITEM #	DESCRIPTION	RETAIL in. VAT
--------	-------------	-------------------

WRISTOP COMPUTER - SUUNTO

FSS020306000	Tank POD Transmitter for D5, Eon Core & Eon Steel	13,170
FSS019098000	Wireless Transmitter for Di Series, Vyper Novo, Zoop Novo	11,190
FSS023588000	Air Flow Restricter Transmitter Kit	1,110
FSS023614000	Air Flow Restricter Tank Pod Kit	1,110
FSS021027000	EON Steel Scratch Guard (1 Piece)	580
FSS022769000	EON Core Scratch Guard (1 Piece)	580
FSS050199000	D5 Scratch Guard (2 Pieces)	580
FSS013587000	D4i Scratch Guard (2 Pieces) - hard type	580
F100013462	D Series Scratch Guard (1 Piece)	140

CONSOLES WITH COMPUTER - SUUNTO

FSS022217000	CB-2 INL/300/Zoop NOVO Lime	15,295
FSS022218000	CB-2 INL/300/Zoop NOVO Black	15,295
FSS005502000	Quick Release, complete	3,640

OTHER DIVE COMPUTERS - SUUNTO

FSS022692000	Zoop NOVO Wrist RENTAL, Lime	Best Rental	***
FSS021643000	Zoop NOVO Wrist, Lime		9,990
FSS021644000	Zoop NOVO Wrist, Blue		9,990
FSS021645000	Zoop NOVO Wrist, Black		9,990
FSS050434000	Vyper NOVO GRAPHITE w/o USB		13,250
FSS050433000	Vyper NOVO WHITE w/o USB		13,250
FSS022740000	EON CORE BLACK		27,300
FSS023081000	EON CORE WHITE		27,300
FSS023082000	EON CORE LIME		27,300
FSS050558000	EON Steel Black w.Boot & USB	NEW	41,250

DIVE MANAGER / PC-INTERFACE

FSS018214000	D, Di & Novo-series USB Interface	2,725
FSS011350000	Dive Manager-USB for Helo2/Cobra/Vyper/Zoop	2,725
FSS020307000	USB Interface Cable EON Steel	1,190
FSS022993000	Magnetic Black USB Cable - Eon Core & D5	1,820
FSS023087000	Magnetic White USB Cable - Eon Core & D5	1,820

DIVE COMPUTERS - SCUBAPRO

X05.110.900	Galileo HUD w Transmitter (new model, inline change)	52,715
X05.110.901	Galileo HUD no transmitter (new model, inline change)	40,115
X05.064.101	Aladin A1	18,345
X05.064.201	Aladin A2	27,405
X05.046.110	Aladin Sport Matrix, LCD, Bluetooth & Digital Compass	15,625
X05.047.110	Aladin H Matrix w. QR, LCD, Bluetooth & Digital Compass	21,605
X05.045.110	Aladin One Matrix Wrist	12,550
X05.045.230	Aladin One Matrix + PG, Console 2	15,630
X05.045.010	Aladin One Matrix Capsule	11,825
X05.080.900	Galileo G2 w/LED transmitter & HR monitor (new, inline change)	50,245
X05.080.901	Galileo G2 Wrist Only (new, inline change)	36,470
X05.081.111	Galileo G2 Console (no belt)	45,535

ACCESSORIES

X05.055.030	Transmitter LED Smart+	14,725
X06.205.315	USB Cable, G2	2,045
XZ05.060.011	Mantis1/Meridian Rubber Strap w. pin, Black	905
XZ05.061.002	Chromis Wrist Strap - Black	905
X06.203.027	Galileo Wrist Strap, 2-part	1,210

DIVE COMPUTERS - SCUBAPRO

ACCESSORIES

XZ06.204.779	Protection Film - Galileo	475
XZ06.205.261	Protection Film - G2	475
XZ06.202.514	Protection Shield - Galileo	970
XZ06.202.362	Protection cover soft 3M - Aladins	265
XZ06.202.927	Protection Shield - Aladins	720

FULL FACE MASK with SNORKEL

DBFfaceS-B	Deep Blue Full Face Snorkelling Mask, S, Blue	890
DBFfaceS-Pi	Deep Blue Full Face Snorkelling Mask, S, Pink	890
DBFfaceL-B	Deep Blue Full Face Snorkelling Mask, L, Blue	890
DBFfaceL-Pi	Deep Blue Full Face Snorkelling Mask, L, Blue	890

MASKS - DEEP BLUE

	No Mask Boxes included	
DB1MA36+	Bora Plus Mask, 2 Lens - BT, K, KK, KO, KY, Y	Best Rental 690
DB3MD05P	Hawaii Mask - BT, Y	475
DBMC23-Y	Mako Mask, clear skirt - Y	Reduced 640
DBMC23-BT	Mako Mask, clear skirt - BT	870
DBMC23-KK	Mako Mako, black skirt - KK	870
DBMG01-KY	Accent Mask, black skirt - Yellow	870
DBMA69-KK	Bali Mask, frameless, Black Skirt - K	870
DBM282	Xtreme Mask - KS/Y, KS/W, Clear/B, Clear/Pi	870
DBME60	Maui Mask, frameless, Skirt Black/Blue/Pink/White/Yellow	870
DBMC24-KK	Covert Mask, 2 lens, low volume - Black Skirt - Black	Free Diving 1,200
DBMC24-KB/KPi/KW	Covert Mask, 2 lens, low volume - Black Skirt - inserts B/Pi/W	Free Diving 1,200
DBMC24-CA	Covert Mask, 2 lens, low volume - Black Skirt - CAMO	Free Diving 1,200
DBMC24-WW	Covert Mask, 2 lens, low volume - White Skirt - White	Free Diving 1,200
DBMD56-KK	Vyper Mask, Frameless - KK	1,250
DBMD89-B	Orca Mask, Elastic strap - Blue	1,350
DBMD89-Pi	Orca Mask, Elastic strap - Pink	1,350
DBMD89-KY	Orca Mask, Elastic strap - Black skirt - Y	1,350
Junior Masks		
DB4MB52P	Fiji Mask, Single Lens, for Kids - BT, PiT, Y	475
DB8MB52	Fiji Mask, Single Lens, for Kids - BT, PiT, Y	825
DB8MB52CL	Fiji Mask, in Clamshell, for Kids - BT, PiT, Y	840
DBMcoral	Coral Mask, Single Lens, for Kids - Multi-colour	790
DBS1	*** for Mask Box add 45 Baht ***	90

SNORKELS - DEEP BLUE

DB3SB35	Mako Snorkel PVC, w. Purge Valve - BT, KK, Y	210
DBSA91	Marlin Snorkel (Silicone Mouthpiece) J-style - BT, C, K, Y	Best Rental 250
DBSA91-KSK	Marlin Snorkel (Black Silicone Mouthpiece & Black Tube), J-Style	Best Rental 250
DB1SA106	Manta Plus Snorkel (Purge Valve, Silicone Mouthpiece) - BT, KK, Y, KO, KY	Best Rental 440
DBSE13-KK	Covert Snorkel, Black Mouthpiece, Black	425
DBSE29-CA	Covert Snorkel, CAMO	NEW 425
DBSE13-WW	Covert Snorkel, White Mouthpiece, White	NEW 425
DBSD95	Bali Snorkel, w. purge - Diva Pink, Mango Yellow	Reduced 350
DBSA105-KK	Stingray Snorkel, Black Mouthpiece w. purge	Best Rental 470
DBSA105	Stingray Snorkel, w. purge - BT, C, K, Y	Best Rental 470
DBSB47	Sharky Snorkel - BT, C, K, Y	470
DBSN134	Xtreme Snorkel, w. purge - KS/Y, KS/W, Clear/B, Clear/Pi	525
DBSE42	Orca Snorkel - Blue, Pink	590
DBSE42-KY	Orca Snorkel - Black silicone/Yellow	590
Junior Snorkels		
DBSB36	Goby Snorkel Junior PVC - BT, GT, Pi, Y	195
DB8SA102	Damsel Snorkel Junior, w. Purge Valve - BT, PiT, Y	340
DBScoral	Coral Snorkel, w. Purge, Semi-dry - Multicolor	490

MASK & SNORKEL SETS - DEEP BLUE

ITEM #	DESCRIPTION	RETAIL in. VAT
	No Mask Boxes included	
DB1SP3 (Speed3)	Bora Plus Mask, Manta Plus Snorkel & Speed3 Fins Mesh Bag Set - BT, K, KY, O, Y (Fin Sizes available : S/M & L/XL, 2 sizes)	2,400
DB2Bag	Bora Plus Mask & Manta Plus Snorkel Mesh Bag Set - BT, K, KY, O, Y	1,250
DB2Clam	Bora Plus Mask & Manta Plus Snorkel Clamshell Set - BT, K, KY, O, Y	1,250
DB3Bag	Hawaii Mask & Mako Snorkel PVC Mesh Bag Set - BT, YT	805
DBMakoB-Y	Mako Mask & Snorkel Mesh Bag Set - Y only*	Reduced 790
DBMakoC-Y	Mako Mask & Snorkel Clamshell Set - Y only*	Reduced 790
DBMakoB	Mako Mask & Snorkel Mesh Bag Set - BT & KK	1,200
DBMakoC	Mako Mask & Snorkel Clamshell Set - BT & KK	1,200
DBXtrB-	Xtreme Mask & Snorkel Mesh Bag Set - KS/Y, KS/W, Clear/B, Clear/Pi	1,595
DBXtrC-	Xtreme Mask & Snorkel Clamshell Set - KS/Y, KS/W, Clear/B, Clear/Pi	1,595
DBCvtB-	Covert Mask & Snorkel Mesh Bag Set - CA, KB, KK, KPi, KW, WW	1,745
DBCvtC-	Covert Mask & Snorkel Clamshell Set - CA, KB, KK, KPi, KW, WW	1,745
DBOrcB-	Orca Mask & Snorkel Mesh Bag Set - KS/Y, Clear/B, Clear/Pi	2,060
DBOrcC-	Orca Mask & Snorkel Clamshell Set - KS/Y, Clear/B, Clear/Pi	2,060
Junior Sets		
DB4Bag	Fiji Mask & Goby Snorkel Junior PVC Mesh Bag Set - BT, PiT, YT	690
DB8Bag	Fiji Mask & Damsel Snorkel Junior Mesh Bag Set - BT, PiT, Y	1,150
DB8Clam	Fiji Mask & Damsel Snorkel Junior Clamshell Set - BT, PiT, Y	1,150
DBCoralB	Coral Mask & Snorkel Junior Mesh Bag Set - Multicolor	1,340
DBCoralC	Coral Mask & Snorkel Junior Clamshell Set - Multicolor	1,340
DBS1	*** for Mask Box add 45 Baht ***	90

MASKS - SAEKODIVE

ITEM #	DESCRIPTION	RETAIL in. VAT
	No Mask Boxes included	
SM205KS-K	Stealth Freediving Mask, curved polycarbonate lenses	Free Diving 1,110
SMS102	Runner Junior Mask - BT, G, Y	960
SMM108KS-K	Wide Vision Mask, Large - Black Silicone - K	1,315
S1083S	Runner Mask, fits most faces - BT, C, K, Y	Best Rental 990
S1083KS	Runner Mask "B", fits most faces, Black Silicone - BT, G, K, Y	Optics optional 990
SMM107KS	Frameless Mask, Black Silicone	1,210
MPE10	Mask Pro Ear 2000	3,490
DBS1	*** for Mask Box add 45 Baht ***	90

OPTICAL LENSES

S1083OP-1	Myopia Lens (Near-sighted) for Runner Mask 1083 , -1.0 to -7.0, per piece	865
S1083OP-8	Myopia Lens (Near-sighted) for Runner Mask 1083 , -8.0 to -10.0, per piece	1,025
S1083P6-	Bi-focal Presbyopia Lens, Upper (Myopia) Lens -1.0 to -3.0; Lower (Presbyopia) Lens +1.0 to +3.0; per piece, Left or Right	1,255
TFM98	DiveOptx, flexible mask magnifier kit, per set (+1.0 to +3.0)	2,095

SNORKEL - SAEKODIVE

S1052	Snorkel with Rubber Mouthpiece, standard - K, Y	285
-------	---	-----

SWIMMING ARTICLES - SAEKODIVE

SS5	Swim Goggles for Children, Silicone - B, K, Y	305
S1281AS-	Swim Goggles for Adults, Antifog, B, BL, K	565
SK5UV	Swim Goggle Mariner UV protection - B, K	1,035
SN2	Nose Clip	115
SE4	Ear Plug Silicone / Pair	105

MASKS - SEAC

B939	Extreme Mask - B, Y	1,355
B936KS-K	Extreme Mask, Black Silicone - K	1,355
B9420	Capri Mask - B, K	1,200
B9421KS-K	Capri Mask, Black Silicone - K	1,200
B9426	Marina Mask - B, Pi, Y	790

SWIMMING ARTICLES - SEAC

B9908	Vision HD Swimming Goggles, Blue, Red	940
-------	---------------------------------------	-----

MASKS - SCUBAPRO

X24.156.100	Trinidad 3 Mask, Frameless, Black Silicone - K	1,635
X24.849KS	Solo Mask, Black Skirt, Black	2,430
X24.350.110	Frameless Mask, Black Skirt, Black	3,040
X24.343.100	Frameless HUD Mask - Black Skirt - Black	3,180
X24.108.100	Apnea Steel Com Double Lens Mask, Black	Free Diving 2,385
X24.108.600	Apnea Steel Com Double LensMask, White	Free Diving 2,385
X24.110.101-K	Ghost Mask with EZ-Strap - Black	2,270
X24.855.110	Crystal Vu Mask, Metallic, Black skirt - Black/Silver frame	3,040
X24.855.810	Crystal Vu Mask, Metallic, Black skirt - Black/Orange frame	3,040
X24.855.200	Crystal Vu Mask, Metallic, Clear skirt - Met. Blue	3,040
X24.855.300	Crystal Vu Mask, Metallic, Clear skirt - Met. Red	3,040
X24.855.500	Crystal Vu Mask, Metallic, Clear skirt - Met. Yellow	3,040
X24.855.700	Crystal Vu Mask, Metallic, Clear skirt - White	3,040
X24.847.130	Spectra Mask, Black Skirt, Silver Subf, - K	2,335
X24.847.100	Spectra Mask, Black Skirt, Full Black	2,335
X24.847.210	Spectra Mask, Clear Skirt, Silver Subframe - Blue	2,245
X24.847.230	Spectra Mask, Black Skirt, Solid Blue	2,245
X24.847.830	Spectra Mask, Black Skirt, Bronze	2,335
X24.847.140	Spectra Mask, Black Skirt, Mirror Lens, Black/Silver	2,805
X24.847.840	Spectra Mask, Black Skirt, Mirror Lens, Bronze	2,805
X24.713.140	Synergy Twin Mask, Black Skirt, Mirror Lens - Black/Silver	3,555
X24.713.230	Synergy Twin Mask, Black Skirt - Turquoise	2,990
X24.713.310	Synergy Twin Mask, Black Skirt - Black/Red	2,990
X24.813.140	Synergy Twin Mask, Black Skirt, Mirror Lens - Black/Silver, w. Comfort Strap	4,115
X24.813.130	Synergy Twin Mask, Black Skirt, Black/Silver, w. Comfort Strap	3,600
X24.813.230	Synergy Twin Mask, Black Skirt - Turquoise, w. Comfort Strap	3,600
X24.813.310	Synergy Twin Mask, Black Skirt - Black/Red, w. Comfort Strap	3,600
X24.813.510	Synergy Twin Mask, Black Skirt - Black/Yellow, w. Comfort Strap	3,600
X24.813.730	Synergy Twin Mask, Black Skirt - Solid Pink, w. Comfort Strap	3,600
X24.839.140	Synergy 2 Mask, w. Comfort Strap, Black Skirt w. mirror lens - Silver	4,115
X24.839.130	Synergy 2 Mask, w. Ccomfort Strap, Black Skirt - Silver	3,600
X24.839.310	Synergy 2 Mask, w. Comfort Strap, Black Skirt - Red	3,600
X24.839.200	Synergy 2 Mask, w. Comfort Strap, Clear Skirt - Blue	3,600
X24.839.500	Synergy 2 Mask, w. Comfort Strap, Clear Skirt - Yellow	3,600
X24.839.700	Synergy 2 Mask, w. Comfort Strap, Clear Skirt - Pink	3,600
X24.157.001	Zoom Mask, Black skirt, Black/Silver	Optics optional 1,935
X24.157.002	Zoom Mask, Black skirt, Blue/Silver	Optics optional 1,935
X24.157.005	Zoom Mask, Black skirt, Yellow/Black	Optics optional 1,935
X24.157.006	Zoom Mask, Black skirt, Red/Black	Optics optional 1,935
X24.157.007	Zoom Mask, Black skirt, Pink/Black	Optics optional 1,935
X24.157.011	Zoom Mask, White skirt, White/Silver	Optics optional 1,935
X24.157.1xx	Color Kit f. Zoom Mask - see Catalogue	460
X24.595.4xx	Prescription Lens Left or Right side for Zoom Mask -1.0 to -8.0, per piece	1,195
X24.595.200	BIFOCUS LENS FINO/ZOOM Masks - Left side only, +1.00	865
X24.595.203	BIFOCUS LENS FINO/ZOOM Masks - Left side only, +2.00	865
X24.595.204	BIFOCUS LENS FINO/ZOOM Masks - Left side only, +3.00	865
X24.595.300	BIFOCUS LENS FINO/ZOOM Masks - Right side only, +1.00	865
X24.595.303	BIFOCUS LENS FINO/ZOOM Masks - Right side only, +2.00	865
X24.595.304	BIFOCUS LENS FINO/ZOOM Masks - Right side only, +3.00	865
X24.250.300	D Mask, Black w. Blue Subframe, HUD Adapter, Comfort Strap	Optics optional 5,330
X24.252.10x	Color Kit for D Mask - Black, Blue, Pink, Turquoise, Yellow	460

ITEM #	DESCRIPTION	RETAIL in. VAT
--------	-------------	-------------------

MASKS - SCUBAPRO

X24.254.0xx	Prescription Lens fit Left, D-Masks, -1.5 to -5.0	1,295
X24.254.1xx	Prescription Lens fit Right, D-Masks, -1.5 to -5.0	1,295
X24.255.0xx	Bifocus Lens fit Left, D-Masks, +1.0 to +3.0	885
X24.255.1xx	Bifocus Lens fit Right, D-Masks, +1.0 to +3.0	885
X24.150.000	Full Face Mask - Black Silicone Skirt	24,170
X24.150.030	Octopus Kit for Full Face Mask	1,120

SNORKELS - SCUBAPRO

X26.070.000	Trinidad - K	850
X26.130.000	Apnea Snorkel - Soft tube, Black	Free Diving 665
X26.130.600	Apnea Snorkel - Soft tube, White	Free Diving 665
X26.706.130	Spectra semi dry - Black w. Silver	1,160
X26.706.220	Spectra semi dry - Clear w. Blue	1,160
X26.706.600	Spectra semi dry - Clear w. White	1,160
X26.706.720	Spectra semi dry - Clear w. Pink	1,160
X26.706.830	Spectra semi dry - Black w. Bronze	1,160
X26.722.130	Spectra dry - Black w. Silver	NEW 1,515
X26.810.220	Nexus semi dry - Clear w. Metallic Blue	Reduced 1,490

FINS - DEEP BLUE

DBF770-S/M	Speed1 Snorkeling Fins S/M - B, K, Y	Best Rental 850
DBF770-ML/XL	Speed1 Snorkeling Fins L/XL - B, K, Y	Best Rental 850
DBF367(5XS-4XS)	Speed2 Fins 5XS (26/28), 4XS (29/31) - Blue, Yellow	Reduced 650
DBF367(3XS)	Speed2 Fins 3XS (32/34) - Blue, Yellow	Reduced 650
DBF367(2XS-S)	Speed2 Fins XXS (34/36), XS (36/37), S (38/39) - Blue, Yellow, Black	890
DBF367M-XL	Speed2 Fins M (40/42), L (43/44), XL (45/46) - Blue, Yellow, Black	990
DBFB86	Speed3 Snorkeling Fins S/M (36/42) - BT, K, O, YT	Best Rental 955
DBFB85	Speed3 Snorkeling Fins L/XL (43/48) - BT, K, O, YT	Best Rental 955
DBFA22 & 23	Speed1 Junior Fins S/M, ML/XL - GT, PiT, YT	690
DBFB87	Speed3 Junior Snorkeling Fins S/M (27/31) - BT, PiT, YT	750
DBFB88	Speed3 Junior Snorkeling Fins M/L (31/36) - BT, PiT, YT	750
DBFB89	Speed3 Junior Snorkeling Fins LG (37/41) - BT, PiT, YT	750

FINS - SAEKODIVE, AQUATEC

S2030	Saekodive Jet Fins, Rubber Strap, OH, XL - Black	Reduced 2,400
S2031	Saekodive Jet Fins, Rubber Strap, OH, L - Black	Reduced 2,400
S2032	Saekodive Jet Fins, Rubber Strap, OH, M - Black	Reduced 2,400
SJFPROx-K	Jet Fin Pro, Spring Strap, XL - Black	Reduced 3,700
SJFPROx-R/W/Y	Jet Fin Pro, Spring Strap, XL - Yellow	Reduced 3,700
S2950	Tattoo Freediving Fin, XXS-L, 35-46, Black, White	NEW 4,490

FINS - SEAC

B9290	F-100 PRO full foot Fins 36/37 - B, Pi, R, Y (no black)	Best Rental 2,490
B9291	F-100 PRO full foot Fins 38/39 - B, Pi, R, Y (no black)	Best Rental 2,490
B9292	F-100 PRO full foot Fins 40/41 - B, K, Pi, R, Y	Best Rental 2,490
B9293	F-100 PRO full foot Fins 42/43 - B, K, R, Y	Best Rental 2,490
B9294	F-100 PRO full foot Fins 44/45 - B, K, R, Y	Best Rental 2,490
B9295	F-100 PRO full foot Fins 46/47 - B, K, R, Y	Best Rental 2,490

ITEM #	DESCRIPTION	RETAIL in. VAT
--------	-------------	-------------------

FINS - SEAC

B538	Propulsion S (sling strap) open heel Fins S/M - B, K, P, Y	3,850
B539	Propulsion S (sling strap) open heel Fins M/L - B, K, Y	3,850
B540	Propulsion S (sling strap) open heel Fins L/XL - B, K, Y	3,850
B71043...	Propulsion S (sling strap) open heel Fins S/M, M/L, L/XL - B, K, Y, W	3,850

FINS - SCUBAPRO

X25.743.090/3XS	GO Rental Fin, Black, 3XS Strap Purple	Best Rental	2,590
X25.743.000/2XS	GO Rental Fin, Black, 2XS Strap Green	Best Rental	2,590
X25.743.150/XS-S	GO Rental Fin, Black, XS-S Strap Blue	Best Rental	2,590
X25.743.300/M-L	GO Rental Fin, Black, M-L Strap Yellow	Best Rental	2,590
X25.743.500/XL	GO Rental Fin, Black, XL Strap Orange	Best Rental	2,590
X25.743.600/XXL	GO Rental Fin, Black, XXL Strap Grey	Best Rental	2,590
X25.760.001	Name Plate Holder, Go Fin, Pair		260
XZ25.7xx.xx0	Fin Strap, GO Bungee, size MINI - B, G, K, O, Pu, Y		835
XZ25.7xx.xx0	Fin Strap, GO Bungee, size MIDI - B, G, K, O, Pu, Y		835
X25.761.x00	GO SPORT Fins, OH, XS-XL, Black		3,990
X25.762.x00	GO SPORT Fins, OH, XS-XL, White		3,990
X25.763.x00	GO SPORT Fins, OH, XS-XL, Yellow		3,990
X25.764.x00	GO SPORT Fins, OH, XS-XL, Blue		3,990
X25.765.x00	GO SPORT Fins, OH, XS-XL, Turquoise		3,990
X25.766.x00	GO SPORT Fins, OH, XS-XL, Pink		3,990
X25.328.xxx	Go Sport Scuba Skegs, Set, 4 units/set - Army Green, G, Si, Pu, K, Tu, B, O, Y, Pi		295
X25.365...-K	Jet Fins, OH, M, L, XL, XXL, Black - spring strap only		6,395
X25.731...-K	Seawing Nova Fins, Open Heel, XS, S, M, L, XL - Black		8,155
X25.732...-W	Seawing Nova Fins, Open Heel, XS, S, M, L, XL - White		8,155
X25.735...Pi	Seawing Nova Fins, Open Heel, XS, S, M, L - Pink		8,155
X25.728...G	Seawing Nova Fins, Open Heel, M, L, XL - Army Green		8,155

Special Order ONLY - limited availability - please enquire

X25.741.500XL	GO TRAVEL Fins, XL - White		2,590
X25.362.x00	Jet Fins, OH, with spring strap, Camo Army Green/Black M-XXL		7,730
X25.370.x00	Jet Fins, OH, with spring strap, L, XL - Red		7,280
X25.397.300M	Jet Fins, OH, with spring strap, M - Camo White/Blue 4 color mix		9,095

BOOTS & GLOVES - DEEP BLUE

DBG01	Glove Deep Blue, 1.5 mm, XS - XL		650
DBB01B	Classic Boot, 5mm, XXS - XXL, with orange insert	Best Rental	1,490
DBB01C	Nautilus Boot, 5mm, XXS - XL, w blue lining		1,490
DBB02A	Reef Half Boot, 3 mm, XXS - XXL, with pull-cord		990
DBB03	Neoprene Sock, 2mm (non slip surface) XXS-XXL		490
DBB04	Aloha Beach Walker, Black w. Orange, size 30 to 46		425
DBB05	Aloha Beach Walker, Black w. Blue, size 30 to 46		425
DBB06	Aloha Beach Walker, Black w. Blue trim, size 35 to 45		425

BOOTS & GLOVES - SEAC

B64600	Tropic HD Gloves, 1.5mm Seac, XS only		1,200
B67900	Basic HD Boots, 5mm Seac, XXS - XXL		2,850

ITEM #	DESCRIPTION	RETAIL in. VAT
--------	-------------	-------------------

BOOTS & GLOVES - SCUBAPRO

X58325	Tropic Gloves, 1.5 mm, XL & XXL only, Black/Grey	1,325
X58326	Tropic Gloves, 1.5 mm, XXS - XXL, Black	1,325
X58035	Tropic Gloves, 1.5 mm, XXS - XL, Black	1,735
X58000	Seamless Gloves 1.5mm, XS - XL	2,160
X58031	Tropic Gloves 1.5mm, Graphite, 2XS - XL	1,830
X58032	Tropic Gloves 1.5mm, Aegean, 2XS - XL	1,830
X58034	Tropic Gloves 1.5mm, Flamingo, 2XS - XL	1,830
X57166	Delta Short Boots, 3 mm, size 3XS/4 - 2XL/11, Black	1,530
X57138	Delta Club Boots, 5 mm, size 3XS/4 - 3XL/12, Black	2,485
X57113	Base Boots, 4 mm, size XXS/5 - 4XL/13, Black	2,015
X57167	GO Sock, 3mm w. Thin sole, size XS - XL, Black	1,395

WETSUIT & LYCRA - DEEP BLUE

DBADS01	Sportflex Pro Shorty 3mm, CR-Foam, Black XXS-XXXL	Best Rental	2,290
DBADS02	Sportflex Shorty 3mm, SBR-Foam, Black/Blue, S-XL	Best Rental	1,990
DBADS04	Sportflex Shorty 3mm, SBR-Foam, Black, XXS-XXXL	Best Rental	1,990
DBADS03	Sportflex Pro Steamer 3mm, CR-Foam, Black, XS - XXXL	Best Rental	3,490
DBLR1K	Icon Rash Guard Black XXS - XXL		990
DBLR1KGy	Icon Rash Guard Black/Grey XXS - XXL		990
DBLR1KB	Icon Rash Guard Black/Blue XXS - XXL		990
DBLR2K	Icon Rash Guard Black, Blue Logo M - XXL		990
DBLRLF	Icon Loose Fit Rash Guard, BLaack XXS-XL		1,150

WETSUIT & LYCRA - SCUBAPRO

Rash Guards for Men

X65231	T-Flex Rash Guard - LS - Men, Black, UPF 80, XS-XXL	2,855
X65232	T-Flex Rash Guard - LS - Men, Graphite, UPF 80, XS-XXL	2,855
X63283	T-Flex Rash Guard - LS - Men, Black, size XS only	2,135
X62031	Rash Guard LS Men, UPF50, Chlorine Resistant, Black XS-XXL (6 sizes)	1,490
X65031	Rash Guard LS Men, UPF50, Black, XS-XXL (6 sizes)	1,960
X65032	Rash Guard LS Men, UPF50, Graphite, XS-XXL (6 sizes)	2,810
X65033	Rash Guard LS Men, UPF50, Aegean, XS-XXL (6 sizes)	2,810

Rash Guards for Ladies

X65736	T-Flex Rash Guard - LS - Lady, Onyx, UPF 80, XS-XL	2,575	
X63180	T-Flex Rash Guard - LS - Lady FJK, Black/Blue, XS & M only	Reduced	1,385
X63280	T-Flex Rash Guard - LS - Lady, Blue/White, XS-XL	Reduced	1,490
X65735	T-Flex Rash Guard LS Lady, UPF80, Caribbean, Size XS available	Reduced	1,750
X65775	T-Flex Legging Lady, UPF80, Caribbean, Size XS and S available	Reduced	1,750
X65779	T-Flex Legging Lady, UPF80, Jewel, Size XS and S available	Reduced	1,750

Unisex

X63660	Camo Rash Guard, 1 mm - LS - Unisex, size S only	Reduced	1,960
X65351	Hybrid Shorts w cargo pockets, S-XXL (5 sizes)		3,505
X65353	Hybrid Shorts w cargo pockets & belt, S-XXL (5 sizes)		4,775

Hybrids for Men

X65331	Hybrid Thermal Top Men, 1mm, Black, XS-XXL (6 sizes)	NEW	3,755
X63420	Everflex Top 1.5mm, Long Sleeve, Man XS-XXL (6 sizes)	NEW	6,205
X63433	Everflex Pant 1.5mm, Man, XS-XXL (6 sizes)	NEW	7,145

ITEM #	DESCRIPTION	RETAIL in. VAT
--------	-------------	-------------------

WETSUIT & LYCRA - SCUBAPRO

Wetsuits for Men

X63930	Definition Men, 3mm, Black/Yellow, with W&A zippers, XS-XXL	12,040
X63037	Profile Men, 0.5mm, Black, XS-XL	5,250
X63652	Sport Steamer 0,5mm MAN, Black XS-XL	Eta 'Jul'22 5,110
X63353	Everflex Steamer Men, 3mm, Black, no W/A zips, XS only	Reduced 8,900
X63482	Everflex Steamer Men, 3mm, Black, no W/A zips, XS-XXL	15,400

Wetsuits for Ladies

X63931	Definition Women, 3mm, Black/Pink, with W&A zippers, XXS-L (5 sizes)	12,040
X63447	Profile Women, 0.5mm, Black/Grey/White, XXS only	Reduced 5,290
X63354	Everflex Steamer Women, 3mm, Black/White, no W/A zips, XXS, M, L	Reduced 9,490
X63481	Everflex Steamer Women, 3mm, Black/White, no W/A zips, XXS-L	15,400
X64464	Thermal Tec Women, 5mm, with W&A zippers, Black, XL only*	Reduced 11,550

Hoods & Vests

X64062	Scubapro Hooded Vest 2.5/0.5mm, XXS-XXXL (9 sizes)	3,825
X70018	Scubapro Hooded Vest w. front zip, 3.0mm, Men Asian Size M, MT, L, XL, XXL	6,230
X70019	Scubapro Hooded Vest w. front zip, 3.0mm, Lady Asian Size S, M, MT, L, XL	6,230
X67.052.x00	Hood - Everflex 5/3mm, S-XL (4 sizes)	1,750
X67.115.x00	Hood - Everflex 5/3mm w. face seal, XS-2XL (5 sizes)	NEW 1,890

WETSUIT & LYCRA - SUBGEAR

G863.890.086	Harmony Rebel Rash Guard 86cm - Girls	Reduced 590
--------------	---------------------------------------	--------------------

OTHER SCUBAPRO PRODUCTS

X50.582.000	Scubapro Microfiber Towel - Large (160cm x 80cm), Blue	1,955
-------------	--	-------

WETSUIT ACCESSORIES

SAH06	Universal Hanger Saekodive - B, K, Y	365
-------	--------------------------------------	-----

LIFE VESTS

DBJ02	Life Jacket Adult, Thai Govt. appr. with collar, 1 size, fits S to XXL	790
DBJ03	Life Jacket Adult, SEAMASTER STD, TH Gov. appr. w/o collar, 1 size, fits S to XXL	790
DBL309-XS	Lifevest Junior XS	640
DBL309-S	Lifevest Junior S	700
DBL302-M	Lifevest Adult M	790
DBL302-L	Lifevest Adult L	880
DBL302-XL	Lifevest Adult XL	990
DBL302-XXL	Lifevest Adult XXL	1,120
DBLSTRAP-A	Crotch Strap for Lifevest, fits XS, S, M, L	170
DBLSTRAP-B	Crotch Strap for Lifevest, fits XL, XXL	190

FIRST AID & OXYGEN KITS

MO2Kit	Oxygen Field Kit including: 1 Scubapro 1st Stage pressure reducer, 1 demand valve w. hose, 2 flow restrictors, 1 DIN/Bullnose Adaptor, 1 pocket mask, 1 constant flow mask w. reservoir, 1 transport bag	***
MO2Kit-1	Oxygen Field Kit including: 1 Pin-Index pressure reducer, 1 demand valve w. hose, 1 Pin-Index/DIN Adaptor, 1 DIN/Bullnose Adapter, 1 pocket mask, 1 constant flow mask w. reservoir, 1 transport bag	***
MO2Kit-2	Oxygen Field Kit including: 1 O2 tank (2L), 1 Pin-Index pressure reducer, 1 constant flow mask w. reservoir, 1 Pin-Index/Bullnose (CGA 540) Adaptor, 1 transport bag	***
MO2Reg1	Oxygen Regulator 1st Stage, Pin-index, 0-25LPM	2,380
MO2RegW	Brass/Viton Washer for Oxy Reg	85

ITEM #	DESCRIPTION	RETAIL in. VAT
--------	-------------	-------------------

FIRST AID & OXYGEN KITS

MO2FILL	Pin-Index to CGA 540 Adaptor	1,315
SAA08	DIN to Pin-Index Adaptor, Saekodive	4,095
DA1016	Laerdal Little Anne Manikin	29,985
DA20300	Laerdal Airway Complete, Little Anne	570
DA310210	Laerdal Face Skin for Little Anne, Pack of 6	12,900
DA310211	Laerdal Face Skin for Little Anne, 1 only	3,790
DA1015	Non-rebreather mask	525
SAR10	CPR Pocket size Resuscitator Mask (L)	525
SAR20	CPR Pocket size Resuscitator Mask (S) w/Key Ring	235

LOG BOOKS, LOG INSERTS & GUIDE BOOKS

DB8005	Cordura Log Binder "Dive Log" incl. 3 sets logbook pages	550
DB8005-C	Cordura Log Binder ".....your logo...." Binder only, add logo cost	550
DB8006	Cordura Log Binder "Dive now...work later"	550
DB8007	Cordura Log Binder "Born to dive...forced to work"	550
DBS9010	Divers Logbook 12 x 15cm	100
DBS9011	Divers Logbook 14.5 x 20.5cm	150
DBS9020	Logbinder Inserts "Logpage"	80

MARINE BOOKS & FISH - ID SLATES

KP107	Indian Ocean Marine PictoLife book; Eng, Fre, Ger, Ita, Spa	990
KP109	West. Trop. Pacific Marine PictoLife book; Eng, Fre, Ger, Ita, Spa	990
KP113	Asia Pacific Marine PictoLife book; Chi, Jap, Kor, Tha, Rus	990
K1105	Indian Ocean Reefguide (E)	1,990
KBD13	Ultimate Dive Guide Koh Tao	625
MPD01	Guidebook - Similan Islands (Pocket Divesite)	1,250
M21001	Fish Card - Fish & Nudibranchs	250
M21002	Fish Card - Fish & Corals	250

OTHER SLATES

DBWR1	Slate w. quick connector & pencil 15cm x 13cm	300
SAW13	Slate A4 Size	615
SAW15	3 Page Wrist Slate	760
TSL05	Quest Magnetic Slate	3,815
TSL-19-Y	Slate & Graphite Pencil	780
TSL-13-Y	Super Pencil - Graphite	940

PELICAN MICRO CASES w/o FOAM (L x W x H)

N1010	Micro Case 11.1 x 7.3 x 4.3 cm (internal) - B, K	780
N1020	Micro Case 13.5 x 9 x 4.3 cm (internal) - B, K, R	1,020
N1030	Micro Case 16.2 x 6.7 x 5.2 cm (internal) - B, R	1,070

PELICAN CASES WITH FOAM INSERT (L x W x H)

N1120	Case 21 x 17 x 9 cm (external)	2,040
N1150	Case 23 x 20 x 11 cm (external)	2,340
N1170	Case 30 x 21 x 10 cm (external)	3,180
N1200	Case 27 x 25 x 12 cm (external)	3,420
N1300	Case 27 x 25 x 17 cm (external)	4,200
N1400	Case 34 x 30 x 15 cm (external)	5,580
N1450	Case 41 x 33 x 18 cm (external)	7,980
N1500	Case 47 x 36 x 18 cm (external)	9,360
N1510	Case 56 x 35 x 23 cm (external)	12,300
N1520	Case 50 x 40 x 19 cm (external)	10,620
N1560	Case 56 x 46 x 27 cm (external)	13,680
N1600	Case 62x 49 x 22 cm (external)	14,460

ITEM #	DESCRIPTION	RETAIL in. VAT
--------	-------------	-------------------

PELICAN CASES WITH FOAM INSERT (L x W x H)

N1610	Case 63 x 50 x 30 cm (external)	18,360
N1620	Case 62 x 49 x 35 cm (external)	19,740
N1506TSA	Pelican Cable Padlock	840

DRYBAGS - DEEP BLUE

Dry Pack Range: Square Logo

DBBA01	Adventure Dry Pouch 1.5 L (w. snap-on clip & shoulder strap) - O, Ci, BL	295
DBBA02	Adventure Dry Pack 1.5 L (incl. shoulder strap) - B, BL, Ci, K, O, Pi, Pu, R, Y	295
DBBA03	Adventure Dry Pack 3 L (incl. shoulder strap) - B, BL, Ci, K, O, Pi, Pu, R, Y	380
DBBA05	Adventure Dry Pack 5 L (incl. shoulder strap) - B, BL, Ci, K, O, Pi, Pu, R, Y	440
DBBA10	Adventure Dry Pack 10 L (incl. shoulder strap) - B, BL, Ci, K, O, Pi, Pu, R, Y	500
DBBA15	Adventure Dry Pack 15 L (incl. shoulder strap) - B, BL, Ci, K, O, Pi, R, Y	580
DBBA20	Adventure Dry Pack 20 L (incl. shoulder strap) - B, K, R, Y	680
DBBA30	Adventure Dry Pack 30 L (incl. shoulder strap) - B, K, R, Y	820
DBBA40	Adventure Dry Pack 40 L (incl. shoulder strap) - B, K, R, Y	950

Dry Pack Range: Vertical Logo - Ideal for Custom Printing

DBBV05	Adventure Dry Pack 5 L (incl. shoulder strap) - B, BL, Ci, K, O, Pi, Pu, R, Y	440
DBBV10	Adventure Dry Pack 10 L (incl. shoulder strap) - B, BL, Ci, K, O, Pi, Pu, R, Y	500
DBBV15	Adventure Dry Pack 15 L (incl. shoulder strap) - B, BL, Ci, K, O, Pi, R, Y	580

Destination Printed Range: KRABI

DBBC05Kr	Adventure Dry Pack 5 L, KRABI (incl. 2 shoulder straps) - BL, Ci, O, Y	390
DBBC10Kr	Adventure Dry Pack 10 L, KRABI (incl. 2 shoulder straps) - BL, Ci, O, Y	450

Destination Printed Range: Koh LIPE

DBBC05Li	Adventure Dry Pack 5 L, LIPE (incl. 2 shoulder straps) - BL, Ci, O, Y	390
DBBC10Li	Adventure Dry Pack 10 L, LIPE (incl. 2 shoulder straps) - BL, Ci, O, Y	450

Destination Printed Range: Koh PHI PHI

DBBC05Pp	Adventure Dry Pack 5 L, PHI PHI (incl. 2 shoulder straps) - BL, Ci, O, Y	390
DBBC10Pp	Adventure Dry Pack 10 L, PHI PHI (incl. 2 shoulder straps) - BL, Ci, O, Y	450

Destination Printed Range: PHUKET

DBBC05Ph	Adventure Dry Pack 5 L, PHUKET (incl. 2 shoulder straps) - BL, Ci, O, Y	390
DBBC10Ph	Adventure Dry Pack 10 L, PHUKET (incl. 2 shoulder straps) - Ci, O, Y	450

Branded promotional Bags

DB007SP-B/K	Scubapro Dry Bag, 10L, 2 Straps, Black, Blue	500
DB007SU-K/Y	Suunto Dry Bag, 10L, 2 Straps, Black, Yellow	500

Straps

DB8200-S	Strap for Dry Bag 1" wide (2.5cm), for 1.5L to 10L	50
DB8200-L	Strap for Dry Bag 1.5" wide (3.8cm), for 15L & 20L	60

Dry BACKPACK Range

DBBACK1-B	Deep Blue Adventure Backpack, Blue	1,490
DBBACK1-BL	Deep Blue Adventure Backpack, SkyBlue	1,490
DBBACK1-Ci	Deep Blue Adventure Backpack, Citrus	1,490
DBBACK1-Y	Deep Blue Adventure Backpack, Yellow	1,490
DBBACK1-K	Deep Blue Adventure Backpack, Black	1,490

DBNCA-L	Deep Blue Waterproof Bag for Smartphone, Wallet, etc., Large	Reduced	125
DBNEARP	Deep Blue Waterproof Earphone w Microphone	Reduced	290
DBNEARP2	Deep Blue Waterproof Earphone w/o Microphone	Reduced	99

BAGS - DEEP BLUE

DB8001	Deep Blue Regulator Bag		665
DB8010	Deep Blue Gearbag, large size (~60 liter) - B, K, R	Best Rental	935
DB8020	Deep Blue Gearbag, oversize (~90 liter) - B, K, R	Best Rental	1,275
DBBL3176	Deep Blue Mesh Gearbag 63cm - Black	Best Rental	1,140
DB8044	Document Pouch Splashproof A4		225
DB8044-C	Doc. Pouch Splashproof "...your logo..." *Pouch only, add logo cost*		225
DB8004	Safety Balloon Bag "Dive Supply"		155
DB8040	Snorkeling bag		665
DB8063	Meshbag with String (Mask & Snorkel)		60
DB8065-B,Y	Mesh Bag for Mask + Snorkel Set - B, Y		120
DB8066-B	Bag for Mask + Snorkel + Fin Set - B		225

BAGS - SCUBAPRO

X53.309.000	Regulator Bag with Instrument bag, Black, 0.42kg, 9L		1,780
X53.309.100	Travel Regulator Bag "Vintage", 0.75kg, 10L		2,215
X53.379.000	Mesh Bag		2,280
X53.369.000	Mesh Sack Backpack, 80L		2,065
X53.350.120	Caravan Bag, 4.7kg, 105L		9,850
X53.360.170	Dive-n-Roll Bag LITE, 4.0kg, 84L		12,390
X53.310.190	Porter Bag, 2.5kg, 174L		7,425
X53.365.170	Cabin Bag, with 4 wheels, 3.18kg, 37L		6,535
X53.399.180	'Dry45' Bag, with Backpack Strap, 45 liter, 76x33x20cm		3,930
X53.339.190	Duffle Bag HD w side handles		3,560
X53.338.190	Carry-on Foldable Bag, 0.2kg, 28L		995

LIFT BAGS

TLS15	Lift Bag 35 Kg (w. dump valve)		3,940
TLS20	Lift Bag 75 Kg (w. dump valve)		5,310
B1900	Lift Bag Seac 100kg		12,140

CAMERAS - INTOVA

Intova Accessories: Mounts & Grips

MSSP1-INTPOD	Intova Pod - Flexible 50cm Arm Mount		695
MSSP1EXT	Extension Pole for SP1	Reduced	990
MSSFMG01	Floating Multi Grip		655
MSSP1-CHS	Camera Hand Strap		585
MSSP1-CS	Chest Mount - Twist lock		950
MSSP1-HBM	Handle Bar/Pole Mount		820
MSSP1-HELM	Helmet Mount w.Strap & Quick Release		820
MSSTMA	Tripod Mount Adapter (allows SP1 to use GoPro mounts)		355

Intova Accessories: Filters

MSSIFRED52	Intova Red Filter 52mm - IC16 & IC14		1,345
------------	--------------------------------------	--	-------

Intova Accessories: Care & Maintenance

MSSCCK	Camera Care Kit		585
--------	-----------------	--	-----

CAMERAS - OLYMPUS

CAMERA & HOUSING PACKAGE

OL-TG6Set-K@	OLYMPUS TG-6 Tough Black with U/W Housing	28,980
OL-TG6Set-R@	OLYMPUS TG-6 Tough Red with U/W Housing	28,980

"PROMOTIONAL PACKAGE" (must be bought with SET above)

OL-YSD2J	YS-D2J Strobe - PROMO price	PROMO	22,990
OL-UFL3	UFL-3 Underwater Strobe - PROMO price	PROMO	15,990
OL-TR03	Handle Tray Set, with FREE braided lanyard - PROMO price	PROMO	4,500
OL-M2500	M2500 WSRBA Smart Focus Video Light - PROMO price	PROMO	8,500

Cameras & Housings

OL-TG6-K	OLYMPUS TG-6 STYLUS Tough Camera, Black	16,990
OL-TG6-R	OLYMPUS TG-6 STYLUS Tough Camera, Red	16,990
OL-PT059	U/W housing for TG-6	11,990

Olympus - Strobe & Accessories

OL-UFL3	UFL-3 Underwater Strobe	18,990
OL-UC92	Lithium-Ion Battery Charger for LI-92B (Fast: 5 Hrs)	2,490
OL-L192B	Spare Battery	1,500
OL-FCA01	Fiber Optic Cable Adapter for TG series	590
OL-POL058	O-Ring TG5/TG6	690

SEA&SEA Strobe & Fiber Optic

OL-YSD2J	YS-D2J Strobe	24,990
OL-5012B	Fibre Optic Cable II/M (Length 453mm/17.8 inch)	2,590

X-Adventurer - Light & Accessories

OL-M2500	M2500 WSRBA Smart Focus Video Light	9,900
OL-TR03	Handle Tray Set	5,390
OL-L06	Double Ball Arm 6"	1,190
OL-L09	Double Ball Arm 9"	1,390
OL-L12	Double Ball Arm 12"	1,745
OL-CL01	Aluminium Clamp (Black)	1,190

Aoi - Wide Angle Wet Lens & Accessories

OL-QRS	Quick Release System for AO1 UWL-400a	5,680
--------	---------------------------------------	-------

INON - Accessories

OL-Shoe	Shoe Base Ball	1,690
OL-I3946	Float Arm ML (Buoyancy: 210g Effective length 260mm/10.2in.)	2,990

CAMERA ACCESSORIES - NAUTICAM

Nauticam Light Mounting System

ONAU.71206	Easitray II with left handle (with 2pcs 1/4" screws)	4,880
ONAU.71207	Flexitray II with left handle (with 2pcs 1/4" screws)	6,830
ONAU.71208	Adjustable right handle II (for Easitray II & Flexitray II)	2,080
ONAU.71311	Strobe mounting ball for Easitray & Flexitray	780
ONAU.72204	200mm double ball arm	2,410
ONAU.72205	300mm double ball arm	2,540
ONAU.72301	50mm single ball arm	1,290
ONAU.72501	Standard clamp	1,690
ONAU.72503	Long standard clamp	2,020
ONAU.72505	Triple Clamp	2,280
ONAU.25311	Strobe mounting ball for cold shoe	1,890
ONAU.25312	Light mounting stem for cold shoe	1,890
ONAU.25411	18cm lanyard with 2 snap hooks	1,890
ONAU.25412	23cm lanyard with 2 snap hooks	1,890
ONAU.25321	Long strobe mounting ball for cold shoe	2,080
ONAU.25322	Long light mounting stem for cold shoe	2,080
ONAU.25016	Nauticam lubricant (Christo Lube)	780

WATERPROOF DIVE LIGHTS

DEEP BLUE

DBBSD01	DB Signal Light, 1x AAA battery included - B, G, R, W, Y	NEW	690
DBBRDIV18	DB Compact, 630Lm/1hr, 180Lm/1.3hrs, AA Battery - or 14500Battery & Charger optional	NEW	1,500
DBBRDIV05	DB Storm, 1050 Lm/2hrs, 1*18650 battery&charger		2,700
DBBRDIV12S	DB Tornado, 1000Lm/2hrs - 150Lm/15hrs, 1*18650 battery&charger		2,800
DBBRDIV15S	DB Typhoon Torch, 3800Lm/1.5hrs, 1300Lm/3.5hrs, 2*26650 battery&charger	NEW	10,900
DBBRDIV20S	DB Cave Master, 1500Lm/7hrs, 500Lm/17hrs, 8*18650 battery&charger	NEW	17,500

DEEP BLUE Light Parts

DBZDIV18Mount	Mask Mount for DB Compact	NEW	380
DBZDIV05Driver	Replacement Driver (PC board) for Storm Torch		495
DBZDIV05Led	Replacement LED bulb & base for Storm Torch		385
DBZDIV05Ref	Replacement Reflector for Storm Torch		280
DBZDIV05Lens	Replacement Lens for Storm Torch		160
DBZDIV05Oring	Replacement Head & Tail O-rings for Storm Torch (pair)		56
DBZDIV05Mod	Replacement Module Stopper for Storm Torch		105
DBZDIV12Driver	Replacement Driver (PC board) for Tornado Torch		610
DBZDIV12Led	Replacement LED bulb & base for Tornado Torch		385
DBZDIV12Switch	Replacement Switch for Tornado Torch		325
DBZDIV12Ref	Replacement Reflector for Tornado Torch		190
DBZDIV12Lens	Replacement Lens for Tornado Torch		135
DBZDIV12Oring	Replacement Head & Tail O-rings for Tornado Torch (pair)		56
DBZDIV12Mod	Replacement Module Stopper for Tornado Torch		105

TOVATEC

MSSTORCH-HL1	Tovatec Sea Squirt Torch, 5 LEDs, 4 x AAA		520
MSSICOM-II	Tovatec Aluminium Compact Torch, 285 Lumens, 3 x AAA		2,850
MSSFus400	Fusion 400 Flashlight 400 Lumens, w. Zoom, Rechargeable & 2 x AA		3,980
MSSFus1050	Fusion 1050 Video/Flashlight 1,050 Lumens, w. Zoom, Rechargeable & 3 x AAA		4,755
MSSFus1500	Fusion 1500 Video/Flashlight 1,500 Lumens, w. Zoom, Rechargeable & 3 x AA		6,095

TOVATEC Parts

MSSZ01	Replacement Switch for ICOM		790
MSSZ06	Replacement Switch for Fusion, ICOM II		290
MSSZ02	Battery Holder for ICOM		450

SAEKODIVE

SAL02-FY	Saekodive LED Light w/o batt, 150 Lu, 60m (2 x AA battery)		1,035
----------	--	--	-------

SCUBAPRO

X30.224.000	Nova 250 Light w/o batt, 250 Lu, 120m (1 x CR123)		3,540
X30.226.100	Nova 850 Tec Light, 850 Lu, 150m (3 x C-cell battery)	NEW	7,310
X30.228.002	Nova 850R Light, 850 Lu, 150m, rechargeable (1 x 18650) w/o batt & chr		7,270

Batteries

MAA2	AA Battery, Energizer MAX (2-Pack)		75
MAA4	AA Battery, Energizer MAX (4-Pack)		150
MAAR2	AA Rechargeable Battery 2.300 mAh, Energizer (2-Pack)	NEW	450
MAAA4	AAA Battery, Energizer MAX (4-Pack)		150
MAAAR2	AAA Rechargeable Battery 800 mAh, Energizer (2-Pack)	NEW	450
MSSIT123	CR123 Battery, Lithium 3.0V 14000MA Panasonic		240
DBZ14500BAT	Rech. Battery 14500 - 1000 mAh (Compact)	NEW	590
DBZ18650BAT	Rech. Battery 18650 - 2600 mAh (Storm/Tornado/Canister) - UPGRADED from 2400 mAh		590
DBZ26650BAT	Rech. Battery 26650 - 5000mAh (Typhoon)	NEW	990
DBZ18650CHR	Charger for 14500, 18650, 26650 Batteries		520
DBZ26650CHR	Dual charger for 2 pcs 26650 Batteries	NEW	790

KNIVES - SAEKODIVE & OTHER

S3006	Dive Knife, 304 Stainless Steel Blade 14cm		1,750
S3006T	Dive Knife, Titanium Blade 13.8cm, sharp tip		3,295
S3007	Knife w/plastic sheath for BCD, Blade 8cm, sharp tip - B, C, G, K, Y		835
S3008	Folding Knife, SS Blade 9.1cm, sharp tip		765
S3008T	Folding Knife Titanium, Blade 9.1cm, sharp tip		1,680

ITEM #	DESCRIPTION	RETAIL in. VAT
--------	-------------	-------------------

KNIVES - SAEKODIVE & OTHER

S3118	Folding Knife, Black SS Blade, 9.1cm, Handle B, G, K, O, Pi, Pu, Y	970
SAS11N	Sea Snip w. Nylon Sheet	445
SAC03	Line Cutter incl. two extra blades	360
SAH12	Nylon Sheath for Knife S3008	315
UKN100	Galaxy Mini folding knife, 402 Stainless 9.5cm, Blade 2.8cm	1,105

KNIVES - SCUBAPRO

X32022	Mako Knife 8.5cm - Titanium	5,305
X32023	Mako Knife 8.5cm - S. Steel	2,650
X32002	White Tip Knife 6.5cm - S.Steel	2,650
X32065	Mesh Cutter	2,640
X320061	K 6 Knife - Stainless Steel, 15.5cm Blade	4,945
X320091	TK 15, Stainless Steel, 15cm Blade	8,860
X322551	JAWZ TI Standard - Black/Yellow	NEW 14,395
X322552	JAWZ TI Military - Black	NEW 14,395

SIGNALLING DEVICES

UAH150-01	Sub Alert, standard fitting (surface and U/W)	1,915
UAH380-01	Duo Alert (Surface&Underwater) Standard Fitting	2,350
SAW10	High-Pitch Whistle	260
SAW11	Whistle standard	45
TD611	Wind Storm whistle - K, O, Y	520
TDA14	Trident SOS Whistle, Orange	185
DBYWH001	Deep Blue SOS Whistle, Pi, Y	180
TTA20	Tank Banger - G, K, Pi, Y	620
DB6700	U/W-Rattler, Aluminium - B, K, R, Y	585
SAT-29	Underwater Pointer, Stainless Steel	515
DBYP001	Underwater Pointer, Aluminium, Gy, Pi, W, Y	580
SAL-11SS-FY	Saekodive U/W Laser Pointer, Magnetic spring switch, 2 AA - FY	NEW 1,535
SAL-73	LED Flash Light (Strobe Light) Green	370
SAL15A	Saekodive LED Strobe Light, 3 AA, Orange	2,205
TDL27	Underwater Kinetics Beacon, cyalume light, 2 x AAA	2,305

SURFACE MARKERS, FLOATS & BUOYS

DB6690	Safety Balloon, 2m long	350
DB6691	Safety Balloon with Bag	490
DBS30	Diver Surface Float yellow w. flag	890
DBSM01	Deep Blue Pocket Dive Marker	1,250
DBSM02	Deep Blue Dive Marker with Webbing & Bag	1,990
DBSM03	Deep Blue Webbing Strap for Dive Marker	995
DBSM04	Deep Blue Dive Marker without Webbing	1,360
X40.312.001	Scubapro SMB 210D Nylon, 140cm x 18cm (4.5 ft) open end, Orange	3,130
X40.316.000	Scubapro SMB 210D Nylon, 180cm x 18cm (6 ft) open end, Orange	3,365
SB-02	Saekodive Survival Sausage (no Pouch), 13cm dia x 114cm L	1,335
DBYSMB1	Deep Blue Dive Marker (no Pouch), 180cm x 18cm (6 ft), dump, open end - Pi, FY	2,385
SB-06	Saekodive Survival Sausage w. Pouch, 15cm dia x 180cm L	2,620
DBYFB005	Deep Blue inflatable surface/rescue float, 70cm	5,810

MOUTHPIECES & MOUTHPIECE HOLDERS

S1763	Moldable Mouthpiece - Silicone - Clear, Black	715
S1863	Moldable Mouthpiece - Silicone - BT, PT, YT, W	520
S1063	Mouthpiece Rubber	89
S1363S	Mouthpiece Clear Silicone, Small Size	155
DBZ1463S	Deep Blue Mouthpiece for Regulator, Clear Silicone w. Dots	120
DBZ1463KS	Deep Blue Mouthpiece for Regulator, Black Silicone w. Dots	120
S1163S	Mouthpiece Clear Silicone w/Bridge	185
S1163KS	Mouthpiece Black Silicone w/Bridge	185
S1663KS-O	Mouthpiece Silicone Black/Orange	230

MOUTHPIECES & MOUTHPIECE HOLDERS

S1663KS-Y	Mouthpiece Silicone Black/Yellow	230
S1563S	Mouthpiece Clear Silicone long bite	205
S1563KS	Mouthpiece Black Silicone long bite	205
SAM-02	Mouthpiece cover round - G, Y	155
SAM-050	Mouthpiece holder for Comfi-Bite - O	125
XZ01.040.123	Junior Mouthpiece (for Kids Regulators)	520
XZ01.040.051	Mouthpiece Scubapro, Silicone Supercomfort	555
XZ01.040.120	Mouthpiece Scubapro, Silicone Supercomfort, black	410
XZ01.040.131	Mouthpiece Scubapro, Vinyl (extra durable)	210
XZ01.040.025	Reusable Clip Scubapro	265
M97	Cabletie 4.8mm x 250mm, Pack of 100 pcs.	740
M99	Cabletie 3.5mm x 150mm, Pack of 100 pcs.	285
TSA83	Tie strap installation gun	4,285

MASK STRAPS & MASK STRAP COVERS

DEEP BLUE

DB6688	Neoprene Mask Strap with Velcro strap (w/o Print) KK, KB, KR, KY	190
DB6688-1	Neoprene Mask Strap with Velcro strap (with Print), KK, KB, KR, KY	195
DB6689	Neoprene Maskstrap Cover (w/o Print) - KK, KB, KY	190
DB6689-1	Neoprene Maskstrap Cover (with Print) - KK, KB, KY	195
DBZ30	Mask Strap 16mm Clear Silicone for UNO Mask	150
DBZ31	Mask Strap 16mm Black Silicone for COVERT Mask	150
DBZ32	Mask Strap 16mm Black Silicone for BALI Mask	165
DBZ33-C	Mask Strap 22mm Clear Silicone for BORA Mask	180
DBZ33-KS	Mask Strap 22mm Black Silicone for BORA Mask	180

SCUBAPRO & SUBGEAR

X24.730.060	Scubapro Comfort Strap - Black Logo on Black	1,315
X24.730.0.0	Scubapro Comfort Strap - B, K, K/Y, Pi/Pu, Tq	1,050
X24.700.0...	Mask Strap Cover Neoprene 2.5mm - Black with B, Gy, K, O, Pi, Pu, W, Y	555
XZ24.811.103	Mask Strap 22mm Black (Crystal Vu/Vu2)	610
XZ24.845.102/4	Mask Strap 16mm Black Clear or Black (Spectra/Marin)	355
G824.151.125	Mask Strap 16mm Black (Zoom)	240

Reduced

SEAC

BZSTRAP1-K	Mask Strap for Iena, 16.5 mm, Black	465
------------	-------------------------------------	-----

SAEKODIVE

S1072	Mask Strap 20mm - Rubber	150
S1073S	Mask Strap 20mm - Silicone	220
S1074S	Mask Strap 20mm Clear Silicone for Mask SMM107	280
S1074KS	Mask Strap 20mm Black Silicone for Mask SMM107	280
S1079S	Mask Strap 17mm Clear Silicone for Mask SMM105	235
S1079KS	Mask Strap 17mm Black Silicone for Mask SMM105	235

MASK STRAP RETAINERS

DBZ01-K	Mask Strap Retainer for 22mm Strap - Black	20
SHLT	Mask Strap Retainer	20
X26.021.002	Quick Clip Assembly Scubapro	190

Reduced

MASK BUCKLES & OTHER MASK PARTS

DEEP BLUE

DBZ06	BORA Mask Buckle, 3 pce for 1 side only (L or R)	50
DBZ06-QR	BORA PLUS Mask Buckle Quick-Release, pair, 6 pce (L & R) - Black	100
DBZ06-QR-O	BORA PLUS Mask Buckle Quick-Release, pair, 6 pce (L & R) - Orange	100
DBZ19	BORA PLUS Roller pin for mask buckle, 1 pce	15
DBZ07	FIJI Quick-Rel. Mask Buckle & Housing, pair, 6 pce (L & R)	130
DBZ12-K	FIJI Mask Buckle (w/o housing), pair, 2 pce (L & R)	65
DBZ12-O	CORAL Mask buckle (w/o housing), pair (L & R)	65

MASK BUCKLES & OTHER MASK PARTS

DEEP BLUE

DBZ14	ANDAMAN Mask Buckle, pair, 6 pce (L & R)	95
DBZ15	NEW BALI: Mask Buckle, single, 2 pce asy (5 pcs) for 1 side only (L or R)	70
DBZ16	HAWAII, MAKO Mask Buckle for 16mm Strap, single, 1 pce (L or R)	35
DBZ17	COVERT MC24, Mask buckle, pair, 4 pce per side (L & R)	140
DBZ18	UNO MC25, Mask buckle, pair, 5 pce per side (L & R)	140
DBZ22	ACCENT MG01, Mask buckle, pair (L & R)	95

SCUBAPRO & SUBGEAR

XZ24.855.001/2	Crystal Vu new version: Mask Buckle, pair, Clear or Black	570
XZ24.999.102	Clear Vu2, Crystal Vu (orig. model): Mask Buckle, single (for 1 side only)	125
XZ24.847.001/2	Spectra, Trinidad: Mask Buckles, pair, Clear or Black	570
XZ24.080.002	Frameless Mask Buckle Set (L+R)	475
XZ24.592.101	Fino Mask Buckle, pair, Black	335

SAEKODIVE

S083	Runner Mask Buckle w. Pin, single, per side (L or R) - Black, Clear	60
SMM107-Buckle	Frameless SMM107: Mask Buckle complete incl. Pins, single, per side (L or R)	110
SMM107-Pin	Frameless SMM107: Small Metal Pin for buckle, single	35

SNORKEL MOUTHPIECES & SNORKEL PARTS

DEEP BLUE

DBZ02-K	Mouthpiece for J Snorkel, Silicone, Black	110
DBZ03-C	Mouthpiece for J Snorkel, Silicone, Clear	110
DBZ04-C	Curved Mouthpiece for MANTA/SHARKY/STINGRAY Snorkel, PVC, Clear	50
DBZ04-K	Curved Mouthpiece for MANTA/SHARKY/STINGRAY Snorkel, PVC, Black	50
DBZ05-C	Curved Mouthpiece for MANTA/SHARKY/STINGRAY Snorkel, Silicone, Clear	110
DBZ09-K	Mouthpiece for COVERT Snorkel, Silicone, Black	120
DBZ08	Snorkel Holder Plastic, Black	30
DBZ20	Snorkel Holder Silicone, Black or Clear	40
DBZ13	Exhaust Valve, for MANTA Snorkel, Silicone, Clear	20
DBZ21	Snorkel Corrugated Hose, Silicone, Black	155

SCUBAPRO

XZ01.040.705	Mouthpiece Scubapro, Escape Snorkel, Silicone Clear	210
--------------	---	-----

SAEKODIVE

S1052MS	Snorkel mouthpiece 1052, Silicone, Clear	180
S1052MR	Snorkel mouthpiece 1052, Rubber, Black	120
S1156MS	Snorkel mouthpiece 1156, Silicone, Clear	265
S1156MR	Snorkel mouthpiece 1156, Rubber, Clear	160
S1052MP	Snorkel Mouthpiece 1052, PVC, Clear	50
S1156MP	Snorkel Mouthpiece 1156, PVC, Clear	40
S1060	Snorkel holder Plastic, Black	65
S1055	Snorkel Valve Membrane, Silicone	20

FIN STRAPS & BUCKLES; Other FIN PARTS

DEEP BLUE

DBF770STRAP	Fin Strap for SF770	85
DBF770BUCKLE	Fin Buckle for SF770	90
DBF770Kit	Strap Kit for F770 Fin (1 Strap, 2 Buckles)	235
DBZ50	Fin Strap for Speed3 (Adult/Junior, same size)	115
DBZ51	Fin Buckle Speed3 (1 buckle, 2 parts) L or R	45
DBZ52	Fin Strap Kit for Speed3 (1 Strap & 2 Buckles)	200

SCUBAPRO

XZ25.378.005	Jet Fin - Rubber Strap - Black (pair)	1,960
XZ01.080.001	Jet Fin - Metal Buckle, single (US made)	200
XZ25.378.025	Jet Fin - Buckle Set for rubber strap (pair)	1,465
XZ25.071.005	Twin Jet - Buckle Strap/Kit - 1 strap & 2 Buckles (no pins)	840
XZ01.075.119	Twin Jet - Metal Pin	175

FIN STRAPS & BUCKLES; Other FIN PARTS

SCUBAPRO

X25.878.101	Strap Buckle Assy - Jet Sport Fins XS / S	715
X25.878.103	Strap Buckle Assy - Jet Sport Fins MS / L / XL	715
X25.712.x05	Strap Set Complete Seawing Nova Black	2,645
X25.714.x05	Strap Set Complete Seawing Nova Blue	2,645
X25.715.x05	Strap Set Complete Seawing Nova Yellow	2,645
X25.718.x05	Strap Set Complete Seawing Nova Grey	2,645
XZ25.365.x05	Spring Heel Straps for Jet Fin, M, L, XL, XXL (Pair)	2,385

SEAC

BZ07001	SPRINT Fin Strap SEAC, 1 pce, XXS/S	470
BZ07002	SPRINT Fin Strap SEAC, 1 pce, S/XL	470
BZ512	PROPULSION/VELA Fin Strap SEAC	590
B730023	Sling Strap, size S, for Propulsion fins size S/M (per strap)	675
B730024	Sling Strap, size R, for Propulsion fins size M/L and L/XL (per strap)	675

SAEKODIVE

S271	Quick release Fin Buckle - Black/ 1 Piece	130
S1075	Fin Strap, Rubber / 1 Piece	215
SA004A	Fin Strap Jet Fin "Saekodive" / 1 Piece	200
S1775	EZ Spring Fins Strap w. Buckles / Pair Saekodive, S, M, L, XL	1,350
S1875	EZ Spring Fins Strap w. Clip / Pair Saekodive, S,M,L,XL - Black	1,145
S1875-R/W/Y	EZ Spring Fins Strap w. Clip / Pair Saekodive, S,M,L,XL - R/W/Y	1,190

SUNGLASS & EYEWEAR STRAPS

TDA03-1	NECKZ Latex Eyewear Strap, K, O, Pi, Y	165
TDA03-6	NECKZ Latex Eyewear 6 Straps, K, O, Pi, Y	***
TDA02-72	NECKZ Latex Eyewear Display w. 72 Straps	***
TDA93-1	Eyeglass Holder Strap	230

WATCH & WRIST STRAPS

TDA69	Velcro Wrist Band with Flag, Black	340
TWA53	Australian Outback Safety Watch Strap; 22mm, 24 mm	925

KNIFE STRAPS

S1077	Knife Strap - Rubber	200
S1077-2	Quick Release Knife Strap - Rubber	220
TKN02	Knife Strap with Spring Buckle	570

MASK BOX

DBS1	Plastic Mask Box	90
------	------------------	----

CLIPS, HOOKS, COILS ETC.

S4002-95	Brass Clip small hook, S	285
S4003-88	Brass Clip small ring, S	240
S4002-120	Brass Clip large hook, L, 120mm	375
S4003-120	Brass Clip large ring, L, 120mm	380
SAC01A	Equip. Connector - Female end & Looped end	120
SAC01B	Equip. Connector - Swivel plastic hook & Looped end	140
SAC01D	Equip. Connector - Octopus Holder, FY, K	205
SAC01E	Equip. Connector - Fin Holder	225
SAC06	Magnetic Octopus Holder	755
SAC06A	Non-Magnetic Octopus Holder	615
SAS-12DF-5	Snap Hook Aluminium 50mm length	61
SAS-12DF-6	Snap Hook Aluminium 60mm length	69
SAS-12DF-7	Snap Hook Aluminium 70mm length	85
SAS-12DF-8	Snap Hook Aluminium 80mm length	99

ITEM #	DESCRIPTION	RETAIL in. VAT
--------	-------------	-------------------

CLIPS, HOOKS, COILS ETC.

S2450-80	Snap Hook Stainless Steel 80mm length	345
SS243-6	Stainless Steel Spring Hook 60mm length	200
SS243-8	Stainless Steel Spring Hook 80mm length	320
SS161-90	Double ended snap hook, 304 Stainless, 90mm	395
SS162-100	Double ended snap hook, 304 Stainless, 100mm	465
SS163-115	Double ended snap hook, 304 Stainless, 115mm	480
SS225-92	Swivel bolt snap, 304 Stainless, 92mm	360
SAL21	Lanyard Saeko	85
TRP08	Deluxe Stretch Lanyard	350
TRP09	Camera Lanyard w/brass clip	475
TDF82	Reef Drift Diver J-Hook	820
SAR-0-2	Key Ring Stainless Steel	22

SEA SPRINGS

THA83	Sea Spring Retainer Expands from 9.5' to 18 ft (25cm)	500
THA84	Sea Spring Retainer Expands from 13" to 23 ft (34cm)	550

RETRACTORS, REELS ETC.

SAR-0	Retractor - coil snap	590
SAR-03A	Retractor - auto lock	835
SAR-03C	Retractor 3m	960
SAR-13A	Small Retractor	650
SAR-13C	Small Retractor	635
SAR07	Regulator Necklace	350
SAR08	Quick Release Coil Lanyard - B, K	650
SAR09	Cable Wire Coil Lanyard	860
SAR06	Finger Reel Large, 45m, reel K, line White, w.SS bolt snap	730
SAR06-O/Y	Finger Reel Large, 45m, reel O, line Yellow, w.SS bolt snap	870
SAR06-Y/O	Finger Reel Large, 45m, reel Y, line Orange, w.SS bolt snap	870
SAR16	Finger Reel Medium, 30m, reel K, line White, w.SS bolt snap	675
SAR16-O/Y	Finger Reel Medium, 30m, reel O, line Yellow, w.SS bolt snap	770
SAR16-Y/O	Finger Reel Medium, 30m, reel Y, line Orange, w.SS bolt snap	770
SAR16S-O	Finger Reel Medium, 30m, Stainless reel, line Orange, w.SS bolt snap	1,180
SAR16S-Y	Finger Reel Medium, 30m, Stainless reel, line Yellow, w.SS bolt snap	1,180
DBYAR02	Finger Reel Aluminium, 30m flat line, w.SS bolt snap - B, K, LB, Pi, Pu, R	1,320
SAR26	Finger Reel Small, 15m, reel K, line White, w.SS bolt snap	620
SAR26-O/Y	Finger Reel Small, 15m, reel O, line Yellow, w.SS bolt snap	660
SAR26-Y/O	Finger Reel Small, 15m, reel Y, line Orange, w.SS bolt snap	660
SAR26S-O	Finger Reel Medium, 15m, Stainless reel, line Orange, w.SS bolt snap	1,080
SAR26S-Y	Finger Reel Medium, 15m, Stainless reel, line Yellow, w.SS bolt snap	1,080
DBYAR01	Finger Reel Aluminium, 15m flat line, w.SS bolt snap - B, Co, K, LB, Go, Pi, Pu, R, Si	1,225
SAR05	Wreck Reel w. auto stop 83m	2,130
SAR14	Wreck Reel 45meter	2,145
SAR15	Wreck Reel w. auto stop 45m	1,985
X40.122.000	Reel Multifunction, Scubapro, w. 80m line	5,665

BACKPACKS, INFLATORS, BCD HOSES, ETC.

SAK04PIN	Power Inflator w.Pin (fits SubGear)	2,090
UPI201	Power Inflator w. blue button	1,885
UPI208	Compact 2 Power Inflator w. yellow button	1,885
UCL201	Cam Lock	325
S91034	Saekodive BCD Over Pressure Device, 54mm OD	NEW 615
UTP201	Tank Pack complete	2,270

ITEM #	DESCRIPTION	RETAIL in. VAT
--------	-------------	-------------------

BACKPACKS, INFLATORS, BCD HOSES, ETC.

UOV1811	Pull Ball for Dump Valve	70
SAK04-9	Saekodive Nipple for Inflator	205
MA59	Schrader Valve for Inflator	29

SCUBAPRO

XZ21.703.x03	Bladder, T-One - XXS to XXL	10,275
X20.135.005	Super Chinch Tank band Assy., metal	2,730
XZ21.200.003	Scubapro BCD Over Pressure Valve Kit	755
X01.030.115	Hose, corrugated 14", S'pro Ladyhawk,Nighthawk,Plus,Accent,Propac	855
X01.030.114	Hose, corrugated 16", Scubapro Classic Plus/Unlimited BCD	855

SEAC

B75020	Corrugated Hose Seac	2,530
B75038	Complete Quick Exhaust Unit	3,975
B75039	Inflator unit Seac	2,870
B75040	Complete Inflator Unit with corrugated hose	7,755
B77454	Piston Power Inflator Unit Seac	3,420
B55006	Overpressure Valve Seac	2,005

BCD BUCKLES

BS75073	Buckle Male 40mm	205
BS75074	Buckle Female 40mm	205
BS75075	Buckle Male 50mm	205
BS75076	Buckle Female 50mm	265
BS75106	Buckle Male 25mm	140

WEIGHTBELTS ETC.

S4001	Weightbelt Buckle plastic - K, Y	145
UBK304	Weightbelt Buckle stainless steel, 3 slots	260
UBK504	DeLuxe Weightbelt Buckle stainless steel, 3 slots	350
M1998	Roll of Weightbelt webbing (50m) - B, K, Y	3,250
M1999-1.	Weightbelt webbing 1 meter - B, K, Y	75
M1999-1.4	Weightbelt webbing 1.4 meter - B, K, Y	100
M1999+Buc	Weightbelt 1.4m with Stainless Buckle - B, K, Y	390

X23.029.100	Weightbelt Scubapro, with stainless Buckle - Black	1,565
X23.030.100	Weightbelt Scubapro, with nylon Buckle - Black	935
SAW02	Weightbelt Saekodive with stainless buckle, 1.45m - B, K, Y	655
DB5000	Soft Weightbelt Deep Blue, 3-pocket, w/o buckle - Black	590
DB5001	Soft Weightbelt Deep Blue, 4-pocket, w/o buckle - Black	640
B1971	Rubber Weightbelt SEAC, with stainless buckle, 1.3m	1,235
B198	Rubber Weightbelt SEAC, with nylon buckle, 1.3m	970

SAW03	Weightbelt keeper, plastic	31
SAW06	Weightbelt keeper, stainless	76
SAW07	Weightbelt keeper, stainless, corrugated edge	86
SS-928	D-Ring, stainless, 50mm for weightbelt	200
SS-929B	D-Ring, Bent, stainless, 50mm for weightbelt	210
SS103	Weightbelt keeper with D-Ring, stainless	280

WEIGHTS

M6000-SRD	Round Weight for Belt 800g.	250
M6000-BRD	Round Weight for Belt 1,500g.	470
M6000-SSQ	Square Weight for Belt 800g.	250
M6000-BSQ	Square Weight for Belt 1,500g.	470

ITEM #	DESCRIPTION	RETAIL in. VAT
--------	-------------	-------------------

LUBRICANTS

SAS03	Silicone Lube Container 15 gram / 1/2oz.	165
TLP25	Zipper Lube Stick	285
TNT60	Christo Lube 129 Container 7 gram / 1/4oz for Nitrox	945
SAS01	Silicone Lube Container 60 gram	385
TLP27	Silicone Lube Pump 8 oz (227 gram)	1,045
TSA66	Silicone Lube Container 16 oz (450 gram)	5,355
TNT79	Valve Silicone & Sealant Container 2oz (60 gram)	985
TNT72	Christo Lube 129 Tube 2oz (60 gram) for Nitrox	3,520
DBSY1	Cristo Lube, in preloaded syringe	390
MOLY111	Molykote 111 Grease, for cylinder threads	2,000

LIQUIDS & CLEANING SOLUTIONS

TFA20	Dry Ear Solution for Swimmers/Divers Ear	590	
TLP81	Defog, 2oz. Bottle	335	
TLP85	Fog Off Original	810	
TLP80	Silicone Defog Spray 2oz.	905	
TLP75	New Mask Cleaner 1oz.	475	
TSA65-1000	Ultrasonic Solution (1 kg)	***	
TSA65-500	Ultrasonic Solution (500 gram)	***	
DBESAFE-3	Disinfectant for Equipment, Environmentally Safe, 3 kg (makes 60 liters)	NEW	***
DBESAFE-5	Disinfectant for Equipment, Environmentally Safe, 5 kg (makes 100 liters)	NEW	***

MISCELLANEOUS - REGULATOR ACCESSORIES

SAS-16	360 Degree swivel for Regulator	1,840
SAD02	Dust Cap plastic, first stage	90
SAD01	Dust Cap rubber, first stage	125
TA140	Delrin machined DIN plug 1st Stage	665
TA143	Delrin Cap DIN 200 Bar	830
XZ10.101.211	Dust Cap Scubapro DIN first stage	270
XZ10.101.212	Dust Cap Scubapro INT first stage	270

TOOLS & VARIOUS WORKSHOP NEEDS

S7402	Multitool stainless steel with 12 Tools	1,100
S7407	Multitool stainless steel with 9 Tools	1,175
DBBRTOOL	Stainless Multipurpose Tool, card size	720
SAS12K	Saekodive Neoprene Glue, 90ml tube, Black	375
TPA60	Brite Mark Paint Marker - Black, Red, White, Yellow	545
TS105	Diver's Deluxe Tool Kit in zippered folder	2,655
TYK34	Vinyl Repair Kit	680
MJP030	Ultrasonic Cleaning Device, 4.5 liter, 180W	14,925
SAP-0001	Intermediate Pressure Tester	830
SAP-0003A	Tank Pressure Checker INT	3,875
SAP0004A	Tank Pressure Checker DIN, 300bar	3,585
SAP-0003A1	Gauge for High Pressure Checker	1,185
M2310	Dwyer Magnehelic Pressure Gauge, Range 5-0-5" WC	9,555
SAP-0002A	Adjusting Tool 2nd. Stage with gauge	3,100
WMDMT-610	2nd Stage Inline Adjust Tool With Gauge	***
SAA01	Air Nozzle, stainless steel	615
SAA06	Air Nozzle, rubber	575
M51	First stage holding tool (stainless)	***
SAT19	Tire Inflator, heavy duty, stainless	610
SAT20	Tire Inflator, stainless, mixed colors	430
TDA79	O-Ring Tool Kit + Silicone	2,725
TSA05	Hose Protector Installation Tool	2,670
TSA99	Tank Valve Knob Removing Tool	1,120
TSA58	Schrader Valve Tool	435

ITEM #	DESCRIPTION	RETAIL in. VAT
--------	-------------	-------------------

TOOLS & VARIOUS WORKSHOP NEEDS

MSocket-6mm	Extension for yoke nut tool 3/8	980
V622-278.T10	Screwdriver ESD TX10	850
V622 261P 0-50	Philips screwdriver 0*50	545
V622 261P 1-60	Philips screwdriver 1*60	655
V64602 6S	Bulkhead Fitting Stainless	2,390
VTR6/10/6LES	T-Piece Stainless	3,035
TFA64	Silicone Rescue Tape, 1" wide, C, K, O, R	590
F100013031	TORX Screwdriver T6x40	785

TOOLS - SCUBAPRO

XZ43.040.000	Universal Tool for Scubapro Regulators	6,200
XZ43.191.107	Yoke Nut Socket	1,985
XZ43.018.000	Hose Protector Installation Tool	2,745
XZ43.300.108	Brass Piston Bullet	1,275
XZ43.300.210	HP-Seat Tool Mark2	1,575
XZ43.300.225	Flow Vane Extractor Tool - 2nd Stages	2,020
XZ43.300.226	MK20/25 Bushing Assembly Tool	2,135
XZ43.300.998	Torque Wrench 5 - 35N	28,160
XZ43.403.000	Regulator Cover Tool - R295, S600, Air2	1,020
XZ41.496.101	Plastic Syringe	150
XZ43.300.002	Nut Driver 1/4"	1,250
XZ43.300.003	Nut driver 5.5mm	895
XZ43.300.017	Brass O-ring Pick Set	2,745
XZ43.300.107	Double Hook O-ring Pick Plastic/St.Steel	440
XZ43.300.101	Air 2 Seat Slider Tool	2,580
XZ43.300.119	Air 2 Spider Tool	5,365
XZ43.117.130	MK17/19 Dry Chamber Socket	14,090
XZ43.300.240	MK16/18 Balance Chamber Tool	3,360

COMPUTER BATTERIES

MCR2BAT	Battery CR2, Lithium Panasonic (for Strobes / Range Finders)	465
MCR2032BAT	Battery CR2032	65

COMPUTER SPARE PARTS - SUUNTO

BATTERY KITS

FSS011412000	DX / D9tx Battery Kit	460
FSS011629000	D9 Battery Kit	460
FSS012607000	D6, D6i Battery Kit	460
FSS014337000	D4, D4i Battery Kit	460
FSS055506000	Spyder/Stinger Battery Kit	460
FSS055507000	Zoop/HelO2/Vytec/Vyper/Cobra/Gekko Battery Kit	460
FSS021766000	Zoop NOVO/Vyper NOVO Battery Kit	460
FSS055003000	Mosquito/D3 Battery Kit	460
FSS055509000	Transmitter Battery Kit	1,230
FSS020308000	Tank Pod Battery Kit (EON Steel)	1,230

BATTERIES ONLY

F100020896	Solution/Favor LUX, 3.6V Battery ONLY	1,065
F1000K5546	Favor /Companion / Octopus, 3.0V Battery ONLY	1,065

DISPLAY SHIELDS

FSS005508000	Sol/Favor/Companion Display Shield Set (2 pcs)	490
FSS0V5850000	Cobra Display Shield	640
FSS013145000	Cobra2/3 Display Shield Kit	640
FSS0V5875000	Zoop/Vytec/Vyper/Gekko Display Shield	640
FSS021769000	Zoop NOVO/Vyper NOVO Display Shield	835
FSS013126000	HelO2/Vyper2/Vyper Air Display Shield	640
FSS005501000	Spyder/Stinger/Mosquito/D3 Display Shield (2 pcs)	640
FSS012605000	D6, D6i Display Shield Kit	610

COMPUTER SPARE PARTS - SUUNTO

REPLACEMENT STRAPS

FSS050562000	EON Steel Elastomer Strap Replacement Kit LIME	NEW	2,705
FSS050680000	EON Steel Elastomer Strap Replacement Kit BLACK	NEW	2,705
FSS020311000	EON Steel Elastomer Strap Replacement Kit		2,705
FSS022768000	EON CORE Elastomer Strap Replacement Kit		2,705
FSS021320000	DX Black Elastomer Strap Replacement Kit		2,705
FSS019554000	DX Black Titanium Bracelet Kit		15,425
FSS018204000	DX Silver/D9tx Titanium Bracelet Kit		13,320
F100019616	D9tx Titanium Strap Buckle		3,170
FSS021263000	DX Silver/D9tx Elastomer Strap Replacement Kit		2,705
FSS022221000	D6i Novo STONE Strap Kit		2,705
FSS022222000	D6i Novo STEALTH Strap Kit		2,705
FSS022223000	D6i Novo WHITE Strap Kit		2,705
FSS022225000	D6i Novo BLACK Strap Kit		2,705
FSS022816000	D6i Novo BLACK ZULU Strap with Adapter		6,185
FSS022818000	D6i Novo STEALTH ZULU Strap with Adapter		6,185
FSS022817000	D6i Novo BLUE ZULU Strap with Adapter		6,185

D5 STRAPS (DESIGNED FOR DIVING)

FSS050208000	D5 DIVE 1 Silicone Strap, Lime/Black, M		2,140
FSS050206000	D5 DIVE 1 Silicone Strap, Black/Steel, M		2,140
FSS050207000	D5 DIVE 1 Silicone Strap, White/Steel, M		2,140
FSS050240000	D5 DIVE 1 Silicone Strap, Blue/Black, M		2,140
FSS050241000	D5 DIVE 1 Silicone Strap, Sakura/Black, M		2,140
FSS050242000	D5 DIVE 1 Silicone Strap, Ocean/Black, M		2,140
FSS050243000	D5 DIVE 1 Silicone Strap, Coral/Black, M		2,140
FSS050244000	D5 DIVE 1 Silicone Strap, Amber/Black, M		2,140
FSS050264000	D5 DIVE 2 Textile Zulu Strap, Stealth/Black, L		3,180
FSS050263000	D5 DIVE 2 Textile Zulu Strap, Black/Black, L		3,180
FSS050265000	D5 DIVE 2 Textile Zulu Strap, Blue/Black, L		3,180
FSS050228000	D5 EXPLORE 2 Textile Strap, Black/Black, M+L		2,930
FSS050229000	D5 EXPLORE 2 Textile Strap, Foliage/Grey, M+L		2,930
FSS050230000	D5 EXPLORE 2 Textile Strap, Con/Black, M+L		2,930

D5 STRAP EXTENSIONS

FSS050196000	Strap Extension D5 Dive1 Sil., Black, XL		1,485
FSS050198000	Strap Extension D5 Dive1 Sil., Lime, XL		1,485

D5 STRAPS (DESIGNED FOR EVERYDAY WEAR)

FSS050012000	D5 EXPLORE 1 Silicone Strap, Amber/Gray, M		2,100
FSS050220000	D5 EXPLORE 1 Silicone Strap, Coral/Gray, M		2,100
FSS050221000	D5 EXPLORE 1 Silicone Strap, Black/Black, M		2,100
FSS050222000	D5 EXPLORE 1 Silicone Strap, Graphite/Gray, M		2,100
FSS050223000	D5 EXPLORE 1 Silicone Strap, Sandstone/Gray, M		2,100
FSS050158000	D5 EXPLORE 2 Silicone Strap, Black/Black, M		2,100
FSS050013000	D5 EXPLORE 3 Silicone Strap, Stealth/Black, M		2,100
FSS050224000	D5 ATHLETIC 1 Silicone Strap, White/Steel, S+M		2,100
FSS050225000	D5 ATHLETIC 1 Silicone Strap, Black/Black, S+M		2,100
FSS050226000	D5 ATHLETIC 1 Silicone Strap, Lime/Black, S+M		2,100
FSS050155000	D5 ATHLETIC 3 Silicone Strap, Black/Steel, M		2,100
FSS050156000	D5 ATHLETIC 3 Silicone Strap, White/Steel, M		2,100
FSS050157000	D5 ATHLETIC 3 Silicone Strap, Lime/Black, M		2,100
FSS023313000	D5 ATHLETIC 4 Silicone Strap, Black/Copper, M		2,100
FSS023314000	D5 ATHLETIC 4 Silicone Strap, Forest/Copper, M		2,100
FSS023485000	D5 ATHLETIC 4 Silicone Strap, White/Gold, M		2,100
FSS050231000	D5 URBAN 2 Leather Strap, Black/Black, M		3,345
FSS050232000	D5 URBAN 2 Leather Strap, Brown/Black, M		3,345

COMPUTER SPARE PARTS - SUUNTO

FSS050545000	URBAN 3 Silicone Strap 24mm, Black/Lime, M	NEW	2,100
FSS050547000	URBAN 3 Silicone Strap 24mm, Sandstone/Rosegold, M	NEW	2,100
FSS050546000	URBAN 3 Silicone Strap 24mm, White/Burgundy, M	NEW	2,100
FSS020442000	D4i NOVO Strap Black		2,285
FSS020443000	D4i NOVO Strap Blue		2,285
FSS020444000	D4i NOVO Strap Lime		2,285
FSS020447000	D4i NOVO Strap White		2,285
FSS020446000	D4i NOVO Strap Pink		2,285
FSS021124000	D4i NOVO Strap Gray		2,285
FSS022629000	D4i NOVO Strap Ocean		2,285
FSS022630000	D4i NOVO Strap Sakura		2,285
FSS022631000	D4i NOVO Strap Sun		2,285
FSS050170000	D4i NOVO Strap COPPER		2,285
FSS050169000	D4i NOVO Strap LIGHT GOLD		2,285
FSS0L5838000	Stinger / Spyder Elastomer Strap/grey - incl. Extension Strap		1,830
FSS021765000	Zoop NOVO/Vyper NOVO - Strap kit		1,830
FSS0V5841000	Zoop/HelO2/Vyper/Gekko Strap complete (incl. Buckle + 3 Springbars)		1,830
FSS013194000	Vyper2 / Vyper Air, Strap Set		1,830
FSS0K5512000	Elastomer Strap, SK8/ SK7/ SK6/ SM-16/ Solution/ Favor/ Octopus		950
FSS0K5140000	Textile Strap SM-16 / SK6 / SK7		700

BOOTS, MOUNTS, ETC.

FSS050679000	Bungee Adapter EON Steel LIME	NEW	2,800
FSS020309000	Bungee Adapter EON Steel BLACK		1,500
FSS023283000	Bungee Adapter Kit EON Core		995
FSS020310000	Boot for EON Steel (Does not fit EON Core)		995
FSS020627000	Boot with Bungee Cord for SK-7/SK-8 Diving Compass		1,450
FSS020628000	Suunto Dive Computer Boot (NOT for Zoop Novo, Vyper Novo)		1,450
FSS0K6018000	Wrist Mount Boot for SK-7/SK-8		530
FSS021768000	Zoop NOVO/Vyper NOVO - Boot for CB (combo)		995
FSS021886000	Zoop NOVO/Vyper NOVO - Bungee adaptor kit		995
FSS018799000	SUUNTO Charger		670

COMPUTER SPARE PARTS - SCUBAPRO / UWATEC

XZ06.204.071	Battery kit w. O-ring - Smart+ (05.055.020) / AirZ+ Transmitter (05.055.010)		1,540
XZ06.202.872	Battery kit w. O-ring - Galileo		1,625
XZ06.007.710	Battery kit w. O-ring - Aladin Pro (Grey)		2,540
XZ06.203.586	Battery kit w. O-ring - XP10 / Alad.Prime		465
XZ06.200.266	Aladin Battery SL-760/PT, 3-Pin		1,440
XZ06.200.265	Aladin Battery SL-760/T 2-Pin, for Smart Pro, Air Z		1,440
XZ06.203.053	Battery Cover - Galileo		1,030
XZ06.050.586	Xp10/Prime O-ring		22

REGULATOR SERVICE KITS - SCUBAPRO

XZ10.042.045	Service Kit Mark 2		770
XZ10.063.045	Service Kit Mark 2 Evo		905
XZ10.062.032	Service Kit Mark 2 Nitrox		2,200
XZ10.105.045	Service Kit Mark 5		860
XZ10.500.045	Service Kit Mark 10		860
XZ10.550.045	Service Kit Mark 10 Plus		860
XZ10.707.045	Service Kit Mark 11		1,420
XZ10.705.045	Service Kit Mark 14		720
XZ10.600.041	Service Kit Mark 15-		1,420
XZ10.117.045	Service Kit Mark 17 / 19		1,515
XZ10.719.045	Service Kit Mark 19 Evo	NEW	1,515
XZ10.756.045	Service Kit Mark 16 / 18 / 18 UL		1,810

REGULATOR SERVICE KITS - SCUBAPRO

XZ10.721.045	Service Kit Mark 21	995
XZ10.750.045	Service Kit Mark 25 Evo / 25 / 20	995
XZ10.712.032	Service Kit Mark 20 / 25 Nitrox	2,585
XZ11.300.045	Service Kit R190 / R295/ R395 / R380 / HP	720
XZ11.361.045	Service Kit C300 / C200	905
XZ11.012.045	Service Kit D300 / 350 / 400	1,225
XZ11.420.045	Service Kit D420	2,105
XZ11.109.045	Service Kit G200 / Adjustable / M50	815
XZ11.261.045	Service Kit G250V/G260	720
XZ11.254.045	Service Kit S600 / G250	995
XZ11.620.045	Service Kit S620Ti	905
XZ11.700.045	Service Kit A700	995
XZ21.009.041	Service Kit Air 2 - 1st Generation	745
XZ21.080.041	Service Kit Air 2 - 2nd Generation	710
XZ21.085.045	Service Kit Air 2 - 3rd & 4th Generation	905
XZ21.090.045	Service Kit Air 2 - 5th Generation	950
XZ21.626.045	Service Kit Balanced Inflator	615
XZ10.500.047	Upgrade Kit Mark 10 to Mark 10 Plus	3,485
XZ10.116.030	Upgrade Kit Mark 16 to Mark 18	1,000
XZ10.062.030	Conversion Kit Mark 2 to Mark 2 Nitrox	2,385
XZ10.063.033	Conversion Kit Mk2Evo to Mk2Evo Nitrox	2,910
XZ10.712.030	Conversion Kit Mark 25 to Mark 25 Nitrox	2,765
XZ10.712.033	Conversion Kit Mark 25Evo to Mark 25Evo Nitrox	3,150
XZ10.500.021	Conversion Kit Mark 10 Nitrox	1,245

REGULATOR SERVICE KITS - SUBGEAR

GZ810.042.045	Service Kit Aruba/SG100, 1st Stage	665
GZ810.117.045	Service Kit Cayman/SG1000, 1st Stage	1,385
GZ811.551.045	Service Kit - Cayman/SG1000 2nd Stage	890
GZ821.601.000	Service Kit Drift Inflator	325

REGULATOR SERVICE KITS - SEAC

BS8412	Service Kit 1st Stage X-5P / P-Synchro	1,060
BS8422	Service Kit 2nd Stage X-5 / Synchro	555
BS8512	Service Kit 1st & 2nd Stage D-Syn/X-10/PRO/X-5	2,105

NITROX EQUIPMENT

MO2decantwhip	O2 decanting whip with gauge	45,000
DBFM400	Flowmaster 400 Continuous Blending System	67,500
MR217P42-INT	Oxygen Analyzer (Incl. Internal Sensor & OxyKnob) MAXO2+A-INT	21,895
MR217P52-EXT	Oxygen Analyzer (Incl. External Sensor & OxyKnob) MAX)2+AE-Ext	27,175
MR217P24	Replacement cable for Maxtec analyser MR217P52	5,025
MR125P02-INT	Oxygen Sensor, Internal for MAXO2+A-Int	5,820
MR125P03-Ext	Oxygen Sensor, External for MAXO2+AE-Ext	5,820
MR207P17	Barbed Adapter with Tubing	885
MR217P06-002	Case MaxO2+ Top cool Grey	585
MR217P09-002	Overlay MaxO2+ Scuba Mylar Film	225
MR218P19	OxyKnob, Scuba Adaptor	1,185
MRP11P28	BC Adapter	2,115
XA11.452	Oxy Spy Sensor	5,475
OX-SNSR	OMS Analyzer O2 Fuel Cell (New replacement cell)	7,335
M99997	Oxygen Sticker for Tank (10cm x 25cm)	75
M99998	Oxygen clean sticker (6cm x 6cm)	23
M99999	Nitrox Sticker for Tank (16cm x 60cm)	105

HOSES ETC.

SAH-03-K-75	Deep Blue LP Hose, 2nd Stage 75cm - Black	675
SAH-03-K-150	Deep Blue LP Hose, 2nd Stage 150cm - Black	975
SAH-03-K-210	Deep Blue LP Hose, 2nd Stage 210cm - Black	1,185
SAH-03-K-95	Deep Blue LP Hose Octopus, 95cm - Black	735
SAH-03-Y-95	Deep Blue LP Hose, Octopus 95cm - Yellow	810
SAH-04-K-65	Deep Blue LP Hose, Inflator 65cm - Black	825
SAH-04-K-20	Deep Blue LP Hose, Inflator 20cm - Black	NEW 640
ULP350-02	Deep Blue LP Hose, Inflator Air 2, 60cm - Black (350psi/23.8Bar)	790
XZ01.310.026	Scubapro LP Hose 2nd Stage 65cm	1,530
XZ01.309.035	Scubapro LP Hose 2nd Stage 75cm	1,760
XZ01.309.037	Scubapro LP Hose S600 2nd Stage 75cm	1,760
XZ01.310.027	Scubapro LP Inflator Hose w/Quick connector	1,880
XZ01.309.020	Scubapro LP Hose w. female quick fitting, 20cm (for sidemount)	1,710
X01.309.080	Scubapro LP Hose, Superflow, 210cm	2,600
XZ01.310.040	Scubapro LP Octopus Hose 100cm, Black	1,900
XZ01.310.034	Scubapro LP Octopus Hose 100cm, Yellow	2,030
XZ21.626.013	Scubapro Adapter, BPI Quick Disconnect	850
DBT30017-01	Deep Blue HP Hose (made in Italy) 6" / 15cm, dia 12.5mm	1,250
DBT30016-01	Deep Blue HP Hose (made in Italy) 31.5" / 80cm, dia 10.8mm	1,590
XZ05.004.060	Scubapro HP Hose 60cm	2,730
X01.044.031	Scubapro HP Hose 80cm, dia 10.8mm	2,265
XZ01.045.006	Scubapro HP Hose, Thermal Plastic, 15cm	1,960
X05.003.090	Scubapro HP Hose w. Quick Connector, 90cm	3,865
F100019631	MIFlex HP Hose 33" / 83cm, dia 8mm	1,820
XZ11.700.010	Hose Protector Scubapro - Black	200
XZ11.700.030	Hose Protector Scubapro - Yellow	205
XZ11.700.050	Hose Protector Scubapro - Green	180
XZ11.700.018	Hose Protector Scubapro - Hydros Purple	285
XZ11.700.019	Hose Protector Scubapro - Hydros Purple	285
XZ11.700.223	Hose Protector Scubapro - Hydros Blue	285
XZ11.700.225	Hose Protector Scubapro - Hydros Yellow	285
XZ11.700.226	Hose Protector Scubapro - Hydros Orange	285
XZ11.700.227	Hose Protector Scubapro - Hydros Pink	285
XZ01.040.019	Mouthpiece & Hose protector kit - Purple	1,100
XZ01.040.080	Mouthpiece & Hose protector kit - White	1,100
XZ01.040.330	Mouthpiece & Hose protector kit - Hydros Blue	1,100
XZ01.040.360	Mouthpiece & Hose protector kit - Hydros Yellow	1,100
XZ01.040.370	Mouthpiece & Hose protector kit - Hydros Pink	1,100
XZ01.040.390	Mouthpiece & Hose protector kit - Hydros Orange	1,100
XZ01.334.005	HP-Hose Quick Connector Scubapro	1,715
SAH01	Hose Clamp Saekodive - K, Y	62
SAH09	Hose clamp for 2 different hose sizes - B, K, Y	94
SAH02	Hose Wrap Saekodive - B, G	130
S4004	Hose Protector Saekodive large diameter - B, K, Y	90
DB20070-07	Hose Protector Standard Deep Blue - K, Y	90
DBT30018	Hose Protector Deep Blue - Black	120
SAH23	Ergonomic Swivel Hose Clip Saekodive - Black	175
DBYPC001	Ergonomic Swivel Hose Clip Deep Blue - Pi, W, Y	195
UHH07	Double Hose Clip - G, K	67

HP SWIVELS

F1000V5593	Suunto HP-Swivel with O-rings	225
XZ06.203.548	Scubapro HP-Swivel with O-rings, Uwatec/Subgear	315
XZ28.132.305	Scubapro Swivel with 2x Viton O-rings	345
DBT30019	Deep Blue HP-Swivel with disc and Viton O-rings	190

PROMOTION ITEMS

SAEKODIVE

SAD07	Alu tank Key Ring w. O-rings	400
SAD08	Alu tank Key Ring w. Brass Pick & O-rings	465

SCUBAPRO

X001.	Scubapro DS T-Shirt , unisex, 4S - 2XL	295
X002.	Scubapro "Deep Down" T-Shirt, unisex, 2XS - 4XL	295
X003.xx	Scubapro "Love" T-Shirt, unisex, 2XS - 3XL, Blue Print	295
X004.xx	Scubapro "Love" T-Shirt, unisex, 2XS - 4XL, Pink Print	295
XZ50.792.000	Scubapro Baseball Cap	640
XZ50.793.000	Scubapro Snapback Cap	640
XZ51.906.000	Scubapro USB Flash Drive, Camo Jet Fin, 32 GB	1,785
XZ50.920.000	Scubapro Coffee Mug, Color Changing	375
XZ50.900.100	Scubapro Pen, Metal	115
XZ47.106.000	Scubapro Key Ring, Nova Seawing, Black/White/Blue/Pink/Purple/Orange/Grey	105
XZ47.107.00...	Scubapro Key Ring, GO Sport, Black/White/Blue/Turquoise/Yellow	NEW 105
XZ50.910.260	Scubapro Umbrella, 69cm w. windproof shaft	735
XZ47.301.000	Scubapro Beach Umbrella, 240cm, without base	2,085
XZ47.301.005	Base for Scubapro Beach Umbrella	900
XZ47.100.005	Scubapro Sail (small), Complete with Stand, 50cm x 250cm	3,115
XZ47.100.007	Scubapro Sail only, 50cm x 250cm, without stand	2,140
XZ47.100.020	Scubapro Sail (large) Complete with Stand, 70cm x 340cm	4,350
XZ47.100.025	Scubapro Sail only, 70cm x 340cm, without stand	2,785
XZ51.010.200	Scubapro floor mat with Boot sizes	375
X53.381.200	Scubapro non-woven Bag Small - 26 x 38 x 10cm	195
X53.381.300	Scubapro non-woven Bag Large - 45 x 38 x 12cm	235

DEEP BLUE, DIVE SUPPLY, etc.

DB004-NOTE	Dive Supply Notepad, A6 (10.5cm x 14.8cm)	25
DB005-PEN	Promo Pen, DIVE SUPPLY, SCUBAPRO, SUUNTO	25
DB003C-SU	SUUNTO Cap	400
DB003C-SC	SCUBAPRO Cap, Deep Down	400
DB004-LAN	Lanyard with Scubapro, Suunto, Deep Blue	50
DB005-WR	Silicone Wristband, Scubapro, Suunto, Deep Blue	25
DB008-BAG	Non Woven Bag, Dive Supply, Scubapro	45
FZ001.xx	Suunto "D5" T-Shirt, unisex, 2XS - 4XL	295
F1000Z	Suunto sail flag & stand	4,500
F1000Z1	Suunto sail only	500
F1000Z2	Suunto stand only	4,000
MANQ-F	Mannequin torso, Female	400
MANQ-M	Mannequin torso, Male	750

PROMOTIONAL DISPLAYS - SUUNTO

FSS050326000	D4i Black Silicone Dummy Metric	***
FSS050327000	D4i White Silicone Dummy Metric	***
FSS050328000	D4i Lime Silicone Dummy Metric	***
FSS050182000	D5 Black Dummy Metric	***
FSS050183000	D5 White Dummy Metric	***
FSS050184000	D5 Black Lime Dummy Metric	***
FSS050185000	D5 All Black Dummy Metric	***
FSS050570000	D5 Copper Dummy Metric	NEW ***
FSS022256000	D6i Novo Black Dummy Metric	***
FSS02177x000	Zoop Novo Dummy Metric, Black, Blue, Lime	***
FSS02177x000	Vyper Novo Dummy Metric, Graphite, White	***
FSS022772000	EON CORE Black Dummy Metric	***
FSS023083000	EON CORE White Dummy Metric	***
FSS023085000	EON CORE Lime Dummy Metric	***
FSS050559000	EON Steel Black Dummy Metric	NEW ***

PROMOTIONAL DISPLAYS - SUUNTO

In-Store Display Range

FZS020176000	Ice Cube Base, Large 330mm x 90mm	***
FZS020175000	Ice Cube Base, Small 132mm x 90mm	***
FZS018993000	Ice Cube Shelf Riser	***
DBCube40	Ice Cube 40x40x40mm	***
DBCube60	Ice Cube 40x40x60mm	***
DBCube80	Ice Cube 40x40x80mm	***
FZS020298000	Logo Graphics XL, 462mm x 220mm	***
FZS020297000	Logo Graphics Large, 330mm x 220mm	***
FZS020296000	Logo Graphics Small, 132mm x 220mm	***

ITEM #	DESCRIPTION	RETAIL in. VAT
--------	-------------	-------------------

TANKS

LL19	Luxfer S19 w/o valve	5,490
LL40	Luxfer S40 w/o valve	7,290
LL50	Luxfer S50 w/o valve	7,890
LL63	Luxfer S63 w/o valve	8,190
LL80	Luxfer S80 w/o valve	8,790
LL100	Luxfer S100 w/o valve	12,290

VALVES

LVCA4030	Thermo K Valve	2,190
LVCA4035	Thermo PRO valve (DIN/INT, EAN ready)	2,190
L5440-23	Thermo DIN / K Insert w. Viton O-rings, EAN ready	585
DBMV4030	Deep Blue K Valve (EAN ready; Thermo compatible parts)	Free 5x O-ring per Valve 1,950
DBMV4035	Deep Blue PRO valve (EAN ready; DIN/INT; Thermo compatible parts)	1,950
L5440-23	Deep Blue DIN / K Insert w. Viton O-rings, EAN ready	585
VSRESERVE	SAN-O-SUB J-Valve w. Reserve	NEW 8,990

MODULAR VALVES

LVCA8044LH	Thermo Modular Valve, Left Hand	4,470
LVCA8044RH	Thermo Modular Valve, Right Hand	4,470
LVCA8033CTR	Thermo Modular Valve, Centre	4,470
LVCA5420	Thermo Twin Isolation Valve, Complete Set	13,400
DBMV-1L	Deep Blue Modular Valve, Left Hand (EAN Ready)	3,375
DBMV-1R	Deep Blue Modular Valve, Right Hand (EAN Ready)	3,375
DBMV-CTR	Deep Blue Modular Valve, Centre (EAN Ready)	3,375
DBMV-Set	Deep Blue Twin Isolation Valve Complete Set (EAN ready)	10,125
LVH200L-N	Thermo Pro H Adapter Left	4,495
LVH200R-N	Thermo Pro H Adapter Right	4,495

ACCESSORIES

WMD-801A	Twin Tank Bands, 304 Stainless with Rubber	NEW 11,185
SAT-30C	Tank Band Assembly	855
SAP0026	Anti-Slip Pad for Tank Band	130
SA05	Tank Valve cap - Rubber - K	51
TRP66	Cupped Tank valve cap - B, G, K, Y	90
LVC-K	Tank Valve Cap PRO Valve - K	82
SAT01	Tank Boot - Rubber	530
SAT02	Tankboot for Steeltank 12L, 7.25"	600
SAT03	Tankboot for Steeltank 15L, 8"	760
TTA56	Tank Boot - Plastic, for LL50 (6.9L) 7.25"	1,010
TTA60-K	Tank Mesh - Black	580
TTA60-Y	Tank Mesh - Fluoro Yellow	580
TDS07	Nitrox tank fill tape with %'s of mix	2,055

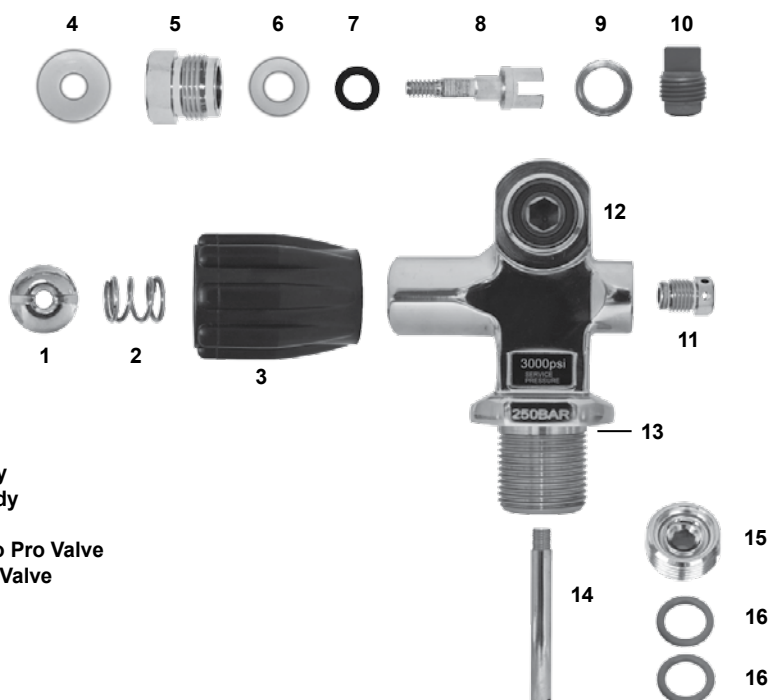
PARTS FOR THERMO & DEEP BLUE VALVES

LVK01-AIR	Service Kit for Thermo & Deep Blue valve (LA015, L35069-K, L5270-16N, L3100-9, L5270-5N)	545
LVK01-EAN	Service Kit for Thermo & Deep Blue valve, DIN/INT EAN (LA015V, L35069-K, L5270-16N, L3100-9E, L5270-5N)	575
L5203-7P	1. Handwheel Nut, EAN ready	145
L5240-9	2. Spring EAN ready	85
L5240-6A	3. Handwheel - Black	430
L5270-6N	3. Handwheel - Green	475
L5240-10	4. Handwheel Washer, EAN ready	85
L5270-4PN	5. Bonnet Nut, EAN ready	345
L5270-5N	6. Stem Packing, EAN ready	75
L3100-9	7. O-Ring for Stem, Thermo & Deep Blue, AIR	27
L3100-9E	7. Viton O-Ring Stem, Thermo & Deep Blue, EAN	28
L5270-8PN	8. Stem EAN ready	345
L5270-16N	9. Bonnet Gasket, EAN ready	85
L35069-K	10. Thermo Plug Assembly HP-Seat O2 ready	340
L3990-5000N	11. Safety Assembly (3,000 psi), EAN ready	355
LA014	12. O-Ring Valve Outlet (NBR)	12
LA014S	12. O-Ring Valve Outlet (Polyurethane)	64
LGR014P9	12. Viton O-Ring Outlet	26
LA015	13. O-Ring Tank Neck	14
LA015V	13. Viton O-Ring Tank Neck	47
L5270-15N	14. Dip Tube plated (VP04 Pre 10/09), EAN ready	205
LVX04	14. Dip Tube plated (VX04 Post 10/09), EAN ready	205
L5440-23	15. DIN / K Insert w. Viton O-rings, EAN ready	585
LVP15V	16. Viton O-Ring (Thick) Outlet DIN/INT -Thermo Pro Valve	33
LP31B	16. O-Ring (Thick) Outlet DIN/INT - Thermo Pro Valve	26

THERMO & DEEP BLUE VALVE PARTS

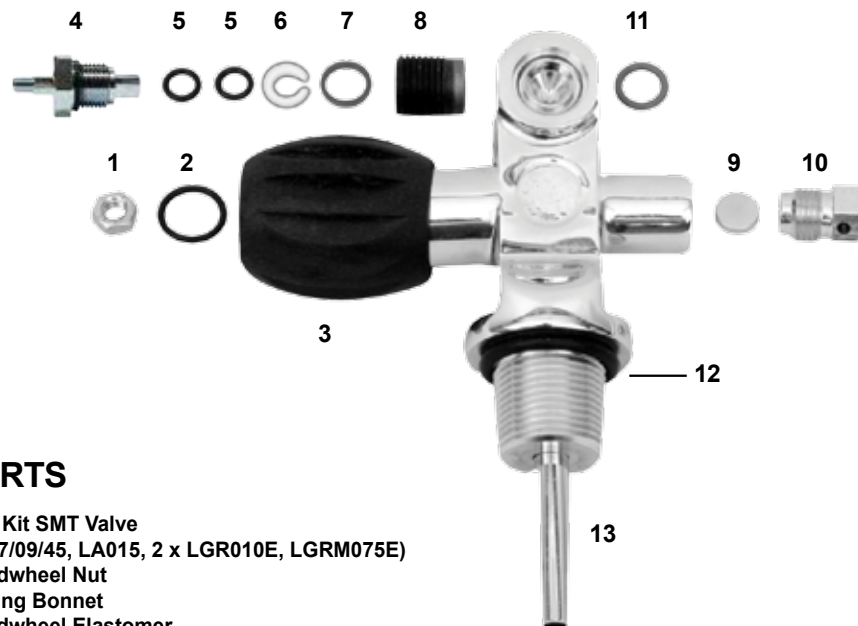
LVK01-AIR	Service Kit Thermo & Deep Blue valve (LA015-U, L35069-K, L5270-16N, L3100-9, L5270-5N)
LVK01-EAN	Service Kit Thermo & Deep Blue valve, DIN/INT EAN (LA015V-U, L35069-K, L5270-16N, L3100-9E, L5270-5N)
L5203-7P	1. Handwheel Nut, EAN ready
L5240-9	2. Spring EAN ready
L5240-6A	3. Handwheel - Black
L5270-6N	3. Handwheel - Green
L5240-10	4. Handwheel Washer, EAN ready
L5270-4PN	5. Bonnet Nut, (same as Sherwood) EAN ready
L5270-5N	6. Stem Packing, Ean ready
L3100-9	7. O-Ring for Stem, Thermo Valve, AIR
L3100-9E	7. Viton O-Ring Stem Thermo
L5270-8PN	8. Stem EAN ready
L5270-16N	9. Bonnet Gasket, EAN ready
L35069-K	10. HP-seat, O2 ready
L3990-5000N	11. Safety Assembly (3,000 psi), EAN ready
LA014	12. O-Ring Valve Outlet
LA014S	12. O-Ring Valve Outlet Polyurethane
LGR014P9	12. Viton O-Ring Valve Outlet
LA015	13. O-Ring Tank Neck
LA015V	13. Viton O-Ring Tank Neck
L5270-15N	14. Dip Tube plated (VP04 Pre 10/09), EAN ready
LVX04	14. Dip Tube plated (VX04 Post 10/09), EAN ready
L5440-23	15. DIN / K Insert w. Viton O-rings, EAN ready
LVP15V	16. Viton O-Ring (Thick) Outlet DIN/INT -Thermo Pro Valve
LP31B	16. O-Ring (Thick) Outlet DIN/INT - Thermo Pro Valve

THERMO

DEEPBLUE
PRODUCTS

SPAREPARTS for Genesis/SMT VALVE

LGVP00-AIR	Service Kit for SMT Valve (LGVP07, LGVP09, LGVP45, LA015, 2xLGR010E, LGRM075E)	704
LGVP22	1. Handwheel Nut	36
LGRM075E	2. O-Ring Bonnet	14
LGVP20	3. Handwheel - Black	400
LCV04-A	4. Complete Stem Assembly	1,240
LGR010E	5. O-Ring Stem	14
LGVP09	6. Backup Ring	48
LGVP07	7. Gasket	60
LGVP45	8. HP-Seat SMT Valve, Oxygen ready	540
LCV26-30	9.&10. Safety Plug & Burst Disk 3,000 psi (5,000 burst)	660
LA014	11. O-Ring Valve Outlet	12
LGR014P9	11. Viton O-Ring Outlet	26
LA015	12. O-Ring Tank Neck	14
LA015V	12. Viton O-Ring Tank Neck	47
LGVP28	13. Dip Tube	355



SMT VALVE PARTS

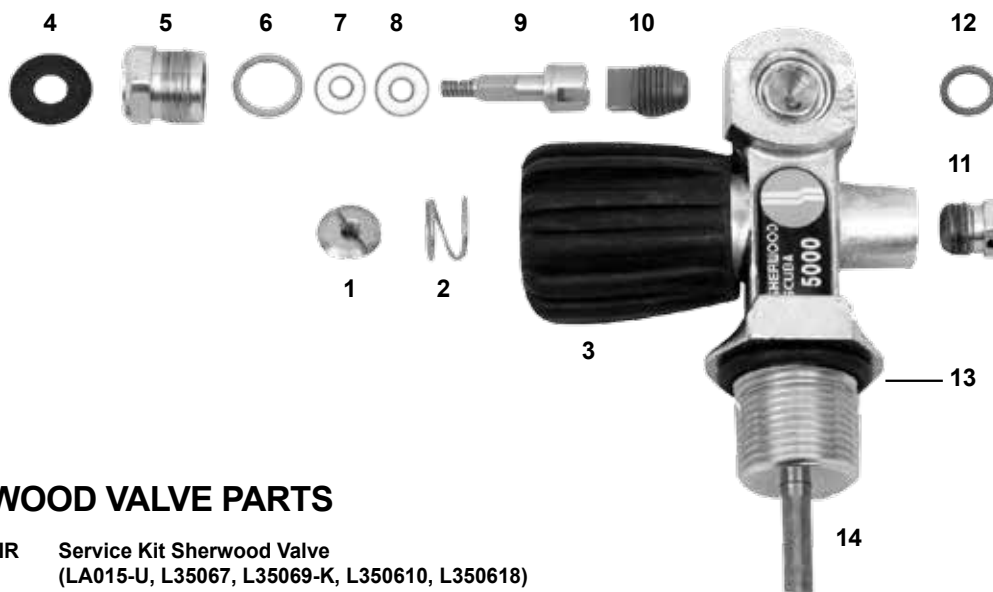
LGVP00-AIR	Service Kit SMT Valve (LGVP07/09/45, LA015, 2 x LGR010E, LGRM075E)
LGVP22	1. Handwheel Nut
LGRM075E-U	2. O-Ring Bonnet
LGVP20	3. Handwheel Elastomer
LCV04-A	4. Complete Stem Assembly
LGR010E	5. O-Ring Stem
LGVP09	6. Backup Ring
LGVP07	7. Gasket
LGVP45	8. HP-Seat SMT Valve, Oxygen ready
LCV26-30	9.&10. Safety Plug & Burst Disk 3,000 psi (5,000 burst)
LA014	11. O-Ring Valve Outlet
LA014S	11. O-Ring Valve Outlet Polyurethane
LGR014P9	11. Viton O-Ring Valve Outlet
LA015	12. O-Ring Tank Neck
LA015V	12. Viton O-Ring Tank Neck
LGVP28	13. Dip Tube

SPAREPARTS for SHERWOOD VALVES

L350620-AIR	Service Kit for Sherwood Valve (LA015, L35067, L35018, L350610, L35069-K)	660
L5203-7P	1. Handwheel Nut, EAN ready	145
L350611A	2. Spring - Sherwood valve	135
L60002	3. Handwheel Sherwood - Black	285
L1413	4. Handwheel Washer, Sherwood valve	60
L5270-4PN	5. Bonnet Nut, EAN ready	345
L350610	6. Copper Gasket	120
L35067	7. Thick Teflon ring (new style seal)	115
L350618	8. Thin Teflon ring (new style seal)	68
L9350612	9. Stem/Spindle	295
L35069-K	10. Plug Assembly HP-Seat O2 ready (Thermo/Sherwood)	340
L400012048	11. Safety Plug Assembly 3,000 psi	525
LA014	12. O-Ring Valve Outlet (NBR)	12
LA014S	12. O-Ring Valve Outlet (Polyurethane)	64
LGR014P9	12. Viton O-Ring Outlet	26
LA015	13. O-Ring Tank Neck	14
LA015V	13. Viton O-Ring Tank Neck	47



Sherwood Valve



SHERWOOD VALVE PARTS

L350620-AIR	Service Kit Sherwood Valve (LA015-U, L35067, L35069-K, L350610, L350618)
L5203-7P	1. Handwheel Nut, EAN ready
L350611A	2. Spring - Sherwood valve
L60002	3. Handwheel Sherwood - Black
L1413	4. Handwheel Washer, Sherwood valve
L5270-4PN	5. Bonnet Nut, EAN ready
L350610	6. Copper Gasket
L35067	7. Thick Teflon ring (new style seal)
L350618	8. Thin Teflon ring (new style seal)
L9350612	9. Stem/Spindle
L35069-K	10. Plug Assembly HP-Seat O2 ready
L400012048	11. Safety Plug Assembly 3,000 psi
LA014	12. O-Ring Valve Outlet
LA014S	12. O-Ring Valve Outlet Polyurethane
LGR014P9	12. Viton O-Ring Valve Outlet
LA015	13. O-Ring Tank Neck
LA015V	13. Viton O-Ring Tank Neck
L5270-15N	14. Dip Tube plated (VP04 Pre 10/09), EAN ready

SPAREPARTS for XS SCUBA VALVE

LVX10	Bonnet XS Scuba	285
LVX22	Safety Handwheel only (no inserts) - Black	735
LVX20	Inserts for Safety Handwheel (pair, green & red)	735
LVX17-E	6. (New) O-Ring EPDM (Bonnet) (for XS Scuba valve)	85

O-RINGS

L3100-9	O-Ring for Stem, Thermo Valve, AIR	27
LGR010E	O-Ring Stem, SMT Valve, Air	14
LGRM075E	O-Ring Bonnet, SMT Valve, Air	14
M011	O-Ring, Inflator Nipple/Quick Connect w. 3 Balls	7
LA015	O-Ring Tank Neck	14
M30102	O-Ring HP-Swivel	15
LP31B	O-Ring Valve Outlet	26
LA014	O-Ring Valve Outlet	12
LA014S	O-Ring Tank Neck	64
XZ01.050.138	O-Ring HP-hose/Quick Connect 4 balls, 7.65x1.78	16
XZ01.050.132	O-Ring Scubapro EPDM (Ethylene-Propylene)	16
XZ01.050.193	O-Ring DIN Regulator Scubapro 10.77 x 2.62, black	47
XZ01.050.428	O-Ring DIN Regulator Scubapro 10.77 x 2.63, Polyurethane clear	105
TD601	Mini O-ring Kit	145
TD602	Save a Dive O-Ring Kit 40 pcs.+silicone	715
UZ2460-O	O-ring Aquastar LED torch	25

VITON O-RINGS

LGR014P9	Viton O-ring Outlet	26
L3100-9E	Viton O-Ring Stem Thermo	28
LVP15V	Viton O-Ring (Thick) Outlet DIN/INT-Thermo pro Valve	33
LA015V	Viton O-Ring Tank Neck	47
M30102V	Viton O-Ring HP-swivel	50
XZ01.050.126	O-Ring 4.5x1.8 Sh85 VT	19
XZ01.050.143	Viton O-Ring HP-hose/Quick Connect 4 balls, 7.65x1.78	50
XZ01.050.195	Viton O-Ring DIN Regulator Scubapro 10.77x2.62	26
L3100-9E	7. Viton O-Ring Stem, Thermo & Deep Blue, EAN	28
TD603	Viton O-ring Kit, 10 pcs.	675
TD604	Viton O-ring Kit, 20 pcs.	885
LVP25V	Viton O-ring, Modular Access Plug	20

BAUER COMPRESSORS PORTABLE MODELS up to 330 Bar / 4780 psig**Compact Line**

QJ2E	Junior 2 E, 400V	100ltr/min / B-Timer / P21	233,500
QJ2W	Junior 2 W, 230V	100ltr/min / B-Timer / P21	233,500
QJ2B	Junior 2 B, Petrol	100ltr/min / B-Timer / P21	237,000

QPE100-TE/P11	Poseidon 100 E, 400V	100 ltr/min / P11	175,000
QPE100-TW/P11	Poseidon 100 W, 220V	100 ltr/min / P11	191,500
QPE100-TB/P11	Poseidon 100 B, Petrol	100 ltr/min / P11	194,500
QPE100-TE-SH/P11	Poseidon 100 E, Shooting Version 230V	100 ltr/min / P11	195,000

QOC-E	Oceanus E, 400V	140ltr/min / B-Timer / P21	***
QOC-W	Oceanus W, 230V	140ltr/min / B-Timer / P21	***
QOC-B	Oceanus B, Petrol	140ltr/min / B-Timer / P21	***

Profi Line 140-250ltr/min

QC140E	Capitano 140 E	140ltr/min / P21	***
QC140B	Capitano 140 B	140ltr/min / P21	***
QM200E/P21	Mariner 200 E	200ltr/min / P21	***
QM200B/P21	Mariner 200 B	200ltr/min / P21	***
QM200B/P31	Mariner 200 B	200ltr/min / P31	***
QM250E/P31	Mariner 250 E	250ltr/min / P31	***
QM250E/P41	Mariner 250 E	250ltr/min / P41	***
QM250E/P41/ACD	Mariner 250 E	250ltr/min / P41 / ACD Half Auto	***
QM250E/P41/ACD	Mariner 250 E	250ltr/min / P41 / ACD Full Auto	***
QM250E/P41-Sec/ACD	Mariner 250 E ("PURE AIR" ready)	250ltr/min / P41 / ACD / Securus	***
QM250B/P31	Mariner 250 B	250ltr/min / P31	***
QM250B/P41	Mariner 250 B	250ltr/min / P41	***
QM250B/P41/ACD	Mariner 250 B	250ltr/min / P41 / ACD Half Auto	***

TE-Range

QPE200-TE/P21	Poseidon 200 E	200 ltr/min / P21	***
QPE250-TE/P21	Poseidon 250 E	250 ltr/min / P21	***
QPE250-TE/P31	Poseidon 250 E	250 ltr/min / P31	***

TB-Range

QPE200-TB/P21	Poseidon 200 B, Petrol	200 ltr/min / P21	***
QPE250-TB/P31	Poseidon 250 B, Petrol	250 ltr/min / P31	***

Profi Line 300-320ltr/min

QM320E/P31	Mariner 320 E	320 ltr/min / B-Timer / P31	***
QM320E/P41	Mariner 320 E	320 ltr/min / B-Timer / P41	***
QM320E/P41/ACD	Mariner 320 E	320 ltr/min / B-Timer / P41 / ACD Half Auto	***
QM320E/P41/ACD	Mariner 320 E	320 ltr/min / B-Timer / P41 / ACD Full Auto	***
QM320E/P41-Sec/ACD	Mariner 320 E ("PURE AIR" ready)	320 ltr/min / B-Timer / P41 / ACD / Securus	***
QM320B/P31	Mariner 320 B	320 ltr/min / B-Timer / P31	***
QM320B/P41	Mariner 320 B	320 ltr/min / B-Timer / P41	***
QM320B/P41/ACD	Mariner 320 B	320 ltr/min / B-Timer / P41 / ACD Half Auto	***

TE-Range

QPE300-TE/P21	Poseidon 300 E	300 ltr/min / P21	***
QPE300-TE/P31	Poseidon 300 E	300 ltr/min / P31	***
QPE300-TE/P41	Poseidon 300 E	300 ltr/min / P41	***

TB-Range

QPE300-TB/P31	Poseidon 300 B, Petrol	300 ltr/min / P31	***
QPE300-TB/P41	Poseidon 300 B, Petrol	300 ltr/min / P41	***

Profi Line - Diesel driven units

QC140D/P21	Capitano 140 D, Hatz Diesel	140ltr/min / P21	***
QM170D/P31	Mariner 170 D, Hatz Diesel	170ltr/min / P21	***

Prices for units up to 420 Bar upon request

BAUER COMPRESSORS STATIONARY MODELS up to 330 Bar / 4780 psig**Mini Verticus w/o Fill Connections**

QMV150/P41	Mini Verticus MV150	150 ltr/min / P41	***
QMV200/P41	Mini Verticus MV200	200 ltr/min / P41	***
QMV250/P41	Mini Verticus MV250	250 ltr/min / P41	***
QMV320/P41	Mini Verticus MV320	320 ltr/min / P41	***

PE-HE-Range

QPE250-HE/P31	Poseidon 250 E	250 ltr/min / P31	***
QPE250-HE/P41	Poseidon 250 E	250 ltr/min / P41	***
QPE300-HE/P31	Poseidon 300 E	300 ltr/min / P31	***
QPE300-HE/P41	Poseidon 300 E	300 ltr/min / P41	***

PE-MVE Range

QPE250-MVE/P31	Poseidon 250 MVE, w. Silent Housing	250 ltr/min / P31 / 225 or 330 Bar	***
QPE250-MVE/P41	Poseidon 250 MVE, w. Silent Housing	250 ltr/min / P41 / 225 or 330 Bar	***
QPE300-MVE/P31	Poseidon 300 MVE, w. Silent Housing	300 ltr/min / P31 / 225 or 330 Bar	***
QPE300-MVE/P41	Poseidon 300 MVE, w. Silent Housing	300 ltr/min / P41 / 225 or 330 Bar	***

Verticus Range w/o Fill Connections

QV450/P61	V450	450 ltr/min / P61	***
QV540/P61	V540	540 ltr/min / P61	***
QV680/P61	V680	680 ltr/min / P61	***

PE-VE Range w/o Fill Connections

QPE 300-VE open	Poseidon 300	300 ltr/min / P41	***
QPE 400-VE open	Poseidon 400	400 ltr/min / P41	***
QPE 550-VE open	Poseidon 550	550 ltr/min / P41	***
QPE 700-VE open	Poseidon 700	700 ltr/min / P61	***
QPE 850-VE open	Poseidon 850	850 ltr/min / P61	***

PE-Range, open, 420Bar, 4/5 stages

QPE250-VE-open	Poseidon 250	250 ltr/min / P41	***
QPE320-VE-open	Poseidon 320	320 ltr/min / P41	***
QPE500-VE-open	Poseidon 500	500 ltr/min / P41	***
QPE600-VE-open	Poseidon 600	680 ltr/min / P61	***

QV-Super Silent	For Super Silent Version add		***
-----------------	------------------------------	--	-----

BAUER NITROX COMPRESSORS

QM320E-OX	Mariner 320-E-OX, O2 Content/Flow up to 40%	320 ltr/min	***
QMV260-OX	Mini Vertikus 260-OX, O2 Content/Flow up to 40%	260 ltr/min	***
QMV320-OX	Mini Vertikus 232-OX, O2 Content/Flow up to 40%	320 ltr/min	***
QV450-OX	Vertikus 450-OX, O2 Content/Flow up to 40%	450 ltr/min	***
PE NITROX 320-VE-OX	Poseidon Nitrox 320-VE-OX, O2 Content/Flow up to 40%	320 ltr/min	***
PE NITROX 550-VE-OX	Poseidon Nitrox 550-VE-OX, O2 Content/Flow up to 40%	550 ltr/min	***
PE NITROX 700-VE-OX	Poseidon Nitrox 700-VE-OX, O2 Content/Flow up to 40%	700 ltr/min	***

B-NITROX BLENDING SYSTEMS

QM320E-OX	Mariner 320-E-OX, O2 Content/Flow up to 40%	320 ltr/min	***
QMV260-OX	Mini Vertikus 260-OX, O2 Content/Flow up to 40% , incl. Mixing Panel & B-Control	260 ltr/min	***
QMV320-OX	Mini Vertikus 232-OX, O2 Content/Flow up to 40%, incl. Mixing Panel & B-Control	320 ltr/min	***
QV450-OX	Vertikus 450-OX, O2 Content/Flow up to 40%, incl. Mixing Panel & B-Control	450 ltr/min	***

B-KOOL 350 / 500 Bar

QB-KOOL2-680i	B-KOOL II 680i, 350 Bar / 500 Bar (integrated - for New Mini Verticus & Verticus only) Super Silent version	***
QB-KOOL680i	B-KOOL 680i, 350 Bar / 500 Bar (integrated - to be mounted on V5 or PE-VE Silent)	***
QB-KOOL680s	B-KOOL 680s, 350 Bar / 500 Bar (stand alone version)	***

Mounting Kits for Integrated B-Kool (680i)

Q129xxx	Mounting Kit B-Kool II 680i for P41/P61, New Mini Verticus & Verticus only, 350Bar	***
Q129016	Mounting Kit B-Kool 680i for P41/P61, Verticus 5 / PE-VE, 350Bar	***

Mounting Kits for Stand Alone B-Kool (680s)

Q160028	Mounting Kit B-Kool 680s for P41/P61, Mini Verticus & Verticus, 365Bar	***
Q129018	Mounting Kit B-Kool 680s for P41/P61, PE-VE, 350Bar	***
Q129021	Mounting Kit B-Kool 680s for P41, Mariner 200/250/320, 350Bar	***

B-VIRUS FREE PRICES ONLY VALID w. NEW COMPRESSOR

QB-VIRUSF-S	Filter 100-230 liter/min, incl. UV lamp	Excl. connecting hoses	***
QB-VIRUSF-M	Filter 240-350 liter/min, incl. UV lamp	Excl. connecting hoses	***
QB-VIRUSF-L	Filter 360-550 liter/min, incl. UV lamp	Excl. connecting hoses	***
QB-VIRUSF-XL	Filter 560-850 liter/min, incl. UV lamp	Excl. connecting hoses	***

Mobile versions with foldable stand

QB-VIRUSF-Mob-S	Filter 100-230 liter/min, incl. UV lamp	Excl. connecting hoses	***
QB-VIRUSF-Mob-M	Filter 240-350 liter/min, incl. UV lamp	Excl. connecting hoses	***

B-VIRUS FREE RETROFIT PRICES IF ORDERED AS RETROFIT (Must supply Serial no.)

QB-VIRUSF-S	Filter 100-230 liter/min, incl. UV lamp, RETROFIT	Excl. hoses & Retrofit Seal Kit	***
QB-VIRUSF-M	Filter 240-350 liter/min, incl. UV lamp, RETROFIT	Excl. hoses & Retrofit Seal Kit	***
QB-VIRUSF-L	Filter 360-550 liter/min, incl. UV lamp, RETROFIT	Excl. hoses & Retrofit Seal Kit	***
QB-VIRUSF-XL	Filter 560-850 liter/min, incl. UV lamp, RETROFIT	Excl. hoses & Retrofit Seal Kit	***

Mobile versions with foldable stand

QB-VIRUSF-Mob-S	Filter 100-230 liter/min, incl. UV lamp, RETROFIT	Excl. connecting hoses	***
QB-VIRUSF-Mob-M	Filter 240-350 liter/min, incl. UV lamp, RETROFIT	Excl. connecting hoses	***

AERO - GUARD**CO2 absorber for breathing air**

	Aero-Guard-S, 100-150 l/min	***
	Aero-Guard-M, 160-230 l/min	***
	Aero-Guard-L, 240-320 l/min	***
	Aero-Guard-XL, 330-450 l/min	***
	Aero-Guard-XXL, 460-680 l/min	***
	Aero-Guard-Duo, 650-1,000 l/min	***

AEROTEST SIMULTAN

QN31565	Aerotest HP Simultan Impactor, max. pressure 300 Bar	***
QN25535	Water Vapour (H2O)	***
QN15522	Carbon Dioxide (CO2)	***
QN15523	Carbon Monoxide (CO)	***
QN31173	Impactors - Oil	***
QN31184	Impactor-adaptor	***

B-SAFE

QBSAFE300	B Safe 300, 300 Bar, w solenoid valve, filling hoses & self-venting filling valves	***
QBSAFE300-OX	B Safe 300, 200 Bar, NITROX version, w filling hoses & self-venting filling valves	***

OPTIONAL EQUIPMENT - COMPACT LINE (Junior & Oceanus) PRICES ONLY VALID w. NEW COMPRESSOR

	Base frame stainless steel Junior (Oceanus included as standard)		***
	Trolley		***
	Switch Over Device 200/300Bar Junior, Oceanus		***
	Auto Cond. Drain f. Junior2E, Oceanus E	w. final pressure switch-off, 1 range	***
	Auto Cond. Drain f. Junior2W, Oceanus-W	w. final pressure switch-off, 1 range	***
	Auto Cond. Drain f. Junior2B, Oceanus-B	w. final pressure switch-off, 1 range	***
	Auto Cond. Drain 2 ranges all models *Add to above 1 range p.w. final pressure switch-off, 2 ranges		***
Q180050	Intake Manifold (Junior, Oceanus, PE100) E, W-versions		***
Q180050	Intake Manifold (Junior, Oceanus, PE100) B-Verions incl. 3m hose		***
Q181833	Condensate Tank, Compact Line (Junior, Oceanus, PE100)		***
	RETRO FIT KIT: Auto Cond. Drain f. Junior2E, Oceanus-E	w. final pressure switch-off, 1 range	***
Q168088-JII-F01	RETRO FIT KIT: Auto Cond. Drain f. Junior2W, Oceanus-W	w. final pressure switch-off, 1 range	***
	RETRO FIT KIT: Auto Cond. Drain f. Junior2B, Oceanus-B	w. final pressure switch-off, 1 range	***
	Auto Cond. Drain 2 ranges all models *Add to above 1 range p.w. final pressure switch-off, 2 ranges		***

OPTIONAL EQUIPMENT - PROFI LINE (Capitano 140 & Mariner 200 / 250 / 320) PRICES ONLY VALID w. NEW COMPRESSOR

	Trolley		***
	Switch Over Device 200/300Bar Capitano 140		***
	Switch Over Device 200/300Bar Mariner 200/250	1 x 200Bar / 1 x 300Bar	***
	Switch Over Device 200/300Bar Mariner 200/250	2 x 200Bar / 2 x 300Bar	***
	Switch Over Device 200/300Bar Mariner 320	2 x 200Bar / 2 x 300Bar	***
	Additional filling devices 2 x 200Bar Capitano		***
	Additional filling devices 2 x 300Bar Capitano		***
	Additional filling devices 4 x 200Bar Mariner 200/250		***
	Additional filling devices 4 x 300Bar Mariner 200/250		***
	Additional Separator after 1st stage Capitano/Mariner		***
	Electr. Control w. Auto Cond. Drain Capitano 140E	10L Tank, Auto Stop (HALF Auto)	***
	Electr. Control w. Auto Cond. Drain Mariner 200E/250E	10L Tank, Auto Stop (HALF Auto)	***
	Electr. Control w. Auto Cond. Drain Mariner 200E/250E	10L Tank, Auto Stop (FULL Auto)	***
	Electr. Control w. Auto Cond. Drain Mariner 200B/250B	10L Tank, Auto Stop (HALF Auto)	***
	Electr. Control w. Auto Cond. Drain Mariner 320E	10L Tank, Auto Stop (HALF Auto)	***
	Electr. Control w. Auto Cond. Drain Mariner 320E	10L Tank, Auto Stop (FULL Auto)	***
	Electr. Control w. Auto Cond. Drain Mariner 320B	10L Tank, Auto Stop (HALF Auto)	***
	Auto Cond. Drain when separator after 1st Stage		***
	B-Timer (Not possible with Securus, upgrade possible)		***
	Filter P31 instead of P21, Capitano, Mariner 200		***
	Filter P41 instead of P21, Mariner 200		***
	Filter P41 instead of P31, Mariner 250 / 320		***
	SECURUS Control unit for Mariner 200E, 250E, 320E		***

OPTIONAL EQUIPMENT - MINI VERTICUS PRICES ONLY VALID w. NEW COMPRESSOR

	Set of 4 filling devices w. hoses, 200Bar or 300Bar		***
	Set of 4 filling devices w. hoses, switch 200 / 300Bar		***
	B-SECURUS monitoring		***
	Separator after 1st Stage		***
	Filter system P61/350Bar instead of P41/350Bar, Mini Verticus		***
	Set of intermediate pressure gauges		***

OPTIONAL EQUIPMENT - VERTICUS PRICES ONLY VALID w. NEW COMPRESSOR

	Separator after 1st stage		***
PN 200 bar / PN 300 bar	Set of 4 filling devices w. hoses, 200Bar or 300Bar		***
PN 300/200	Set of 4 filling devices w. hoses, switch 200 / 300Bar		***
	Filter system P81/350Bar instead of P61/350Bar		***
	Set of intermediate pressure gauges		***
	B-SECURUS monitoring		***

OPTIONAL EQUIPMENT - VERTICUS PRICES ONLY VALID w. NEW COMPRESSOR

	Condensate Collecting Tank 60L (external)	***
	Safety Valve with T?V Setting, 330Bar, 420Bar	***
QVert-Silent Kit	Retrofit Kit Super Silent for Verticus	***
	Equipment for Super-Silent Compressor Units:	
	Exhaust air duct	***
	Exhaust air duct with cover	***

OPTIONAL EQUIPMENT - POSEIDON LINE PRICES ONLY VALID w. NEW COMPRESSOR

PE100TE	Motor protection switch incl. cable & plug	***
	Trolley TB-Range	***
	Carrying Handles	***
TE-Range	V1. Motor protection switch incl. cable PE200-TE	***
TE-Range	V1. Motor protection switch incl. cable PE250-TE	***
TE-Range	V1. Motor protection switch incl. cable PE300-TE	***
TE-Range	V2. Electric control incl. cable	***
TE-Range	V3. Electric control compl. w. automatic condensate drain and final pressure switch off	***
PE250TE & PE300TE	V4. Electric control compl. w. automatic condensate drain, final pressure switch off and Securus	***
TE-Range	Condensate collecting tank 10L	***
TE-Range	Additional filling device 200Bar	***
TE-Range	Additional filling device 300Bar	***
TE-Range	Filter P31 instead of P21, PE250-TE / PE300-TE	***
TE-Range	Filter P41 instead of P21, PE300-TE	***
TB-Range	Filter P41 instead of P31, PE300-TB	***
HE-Range	Filter P41 instead of P31, PE250-HE / PE300-HE	***
TE/HE-Range	B-Timer	***
HE-Range	Securus	***
HE-Range	Filling device 2 x 200 Bar (hose connections)	***
HE-Range	Filling device 2 x 300 Bar (hose connections)	***
HE-Range	Filling device 4 x 200 Bar (hose connections)	***
HE-Range	Filling device 4 x 300 Bar (hose connections)	***
HE-Range	Filling device 2 x 200 Bar / 2 x 300 Bar, with pressure reducer (hose connections)	***
HE-Range	Filling device 4 x 200 Bar (direct connection)	***
HE-Range	Filling device 4 x 300 Bar (direct connection)	***
HE-Range	Filling device 2 x 200 Bar / 2 x 300 Bar, with pressure reducer (direct connection)	***

OPTIONAL EQUIPMENT - POSEIDON VE-RANGE PRICES ONLY VALID w. NEW COMPRESSOR

VE-300/400/550/700	Filling device 4 x 200 Bar (hose connections)	***
VE-300/400/550/700	Filling device 4 x 300 Bar (hose connections)	***
VE-300/400/550/700	Filling device 2 x 200 Bar / 2 x 300 Bar, with pressure reducer (hose connections)	***
VE-300/400/550/700	Filling device 4 x 200 Bar (direct connection)	***
VE-300/400/550/700	Filling device 4 x 300 Bar (direct connection)	***
VE-300/400/550/700	Filling device 2 x 200 Bar / 2 x 300 Bar, with pressure reducer (direct connection)	***
VE-Range	B-SECURUS Monitoring	***
VE-Range	Condensate collecting tank 60 L	***
VE-Range	Super Silent for open PE models	***
QPE-Silent Kit	Upgrade Kit Super Silent for open PE models	***

MAINTENANCE KITS

QA-JuniorII-F4-a1	500 Hour Service Kit-Junior II / Poseidon 100	***
QA-Oceanus-F1-a1	500 Hour Service Kit-Oceanus	***
QA-100II-F7-a1	500 Hour Service Kit - Capitano 140 B / E	***
QA-120II-F7-a1	500 Hour Service Kit- Mariner 200 / 250; Poseidon 200/250/300	***
QA-12.14II-F4/6-a1	500 Hour Service Kit- Mariner 320 B / E	***
QA-JuniorII-F4-ab1	1000 Hour Service Kit -Junior II / Poseidon 100	***

ITEM #	DESCRIPTION	RETAIL in. VAT
--------	-------------	-------------------

MAINTENANCE KITS

QA-Oceanus-F1-ab1	1000 Hour Service Kit-Oceanus	***
QA-100II-F7-ab1	1000 Hour Service Kit-Capitano 140 B / E / D	***
QA-120II-F7-ab1	1000 Hour Service Kit-Mariner 200 / 250 - B / E / D	***
QA-12.14II-F4/6-ab1	1000 Hour Service Kit-Mariner 320 B / E	***
QA-JuniorII-F4-abc1	2000 Hour Service Kit-Junior II / Poseidon 100	***
QA-Oceanus-F1-abc1	2000 Hour Service Kit-Oceanus	***
QA-100II-F7-abc1	2000 Hour Service Kit-Capitano 140 B / E / D	***
QA-120II-F7-abc1	2000 Hour Service Kit-Mariner 200 / 250 - B / E / D	***
QA-12.14II-F4/6-abc1	2000 Hour Service Kit-Mariner 320 B / E	***
QN15052	Maint. Kit for Condensate Separator, Capitano, Mariner 200 / 250	***
QN26544	Maint. Kit for Condensate, Separator Mariner 320	***

VARIOUS ORIGINAL COMPRESSOR PARTS BAUER

QN28355-1	Synthetic Compressor Oil original Bauer 1 Liter	1,100
QN28355-3	Synthetic Compressor Oil original Bauer 3 Liter	3,200
QN28355-5	Synthetic Compressor Oil original Bauer 5 Liter	5,300
QN28355-20	Synthetic Compressor Oil original Bauer 20 Liter	20,600
Q057679	P21 Filter Cartridge (for units with E-motor)	***
Q059183	P21 Filter Cartridge with CO removal (for units with Petrol motor)	***
Q80100	P31 Filter Cartridge	***
Q80114	P31 Filter Cartridge with CO removal	***
Q062565	P41 / P42 Filter Cartridge 20"	***
Q067224	P41 / P42 Filter Cartridge 20" with CO removal	***
Q061686	P41 / P42 Filter Cartridge 20" SECURUS	***
Q061687	P41 / P42 Filter Cartridge 20" SECURUS with CO removal	***
Q058826	P61 Filter Cartridge 27"	***
Q060036	P61 Filter Cartridge 27" SECURUS	***
Q060037	P61 Filter Cartridge 27" SECURUS with CO removal	***
QN4823	Air Intake Filter Cartridge Junior, Poseidon 100	***
QN70	Air Intake Filter Profiline I (Old models)	***
QN25950	Air Intake Filter Profi Line II (New Models)	***
QN37236	LP Air Filter	***
Q112104	Air-Oil separating Element	***
QN25326	Oil Filter Element Profi Line II (New Models)	***
Q075034	075034 Filling Panel	***
Q071343	Filling valve with gauge, 200Bar	***
Q071344	Filling valve with gauge, 300Bar	***
Q071744	Filling valve without gauge, 200Bar	***
Q071743	Filling valve without gauge, 300Bar	***
QN1315	Filling gauge, stainless steel, 315Bar, G1/4" tapered	***
Q073080-KD	Distributor incl. fitting (for connecting two filling hoses)	***
Q059410-225	Bauer generic safety valve, G3/8", 225Bar	***
Q059410-330	Bauer generic safety valve, G3/8", 330Bar	***

EXTERNAL P-PURIFICATION SYSTEMS

P80 / 350 Bar Purification System	P80 / 350 Bar Purification System	***
	2 x P80 Filter housings	
	Oil & Water separator with Microfilter Cartridge	
	Condensate valve, manual drain	
	Combined pressure maintaining / non-return valve	
	Filter Key for Cartridge replacement	
NOT Included:	Safety valve	***

COMPRESSOR PARTS L & W

M109	Felt for LW 260 + 450 (5 pack)	290
M110	Felt for LW 160-245 (5 pack)	190

COMPRESSOR PARTS GENERAL

MM01	Mineral Compressor Oil Shell Corena S2 P150 - 1 Liter	575
MM03	Mineral Compressor Oil Shell Corena S2 P150 - 3 Liter	1,610
MM05	Mineral Compressor Oil Shell Corena S2 P150 - 5 Liter	2,690
M100-C	Activated Carbon 500gr.	440
M100-S	Molecular Sieve 1000gr.	640
M100-Pack	Pack 1000gr. Molecular Sieve & 500gr. Activated Carbon	1,050
M105	Felt, one sqm (1m x 1m)	1,220
M107	Felt for Filter P41, (5 set)	565
M108	Felt for Filter P31, (5 set)	535
M111	Felt for Filter P21 (5 set)	90
M106	Felt for Coltri 40mm (20 pcs)	190

FILLING VALVES, ADAPTERS & GAUGES, ETC.

SDY-1	DIN Adaptor Saekodive	1,330
SDY-2	Tank Yoke DIN Adaptor 300Bar Saekodive	1,420
SDY-3	Tank Filling Valve w/o Gauge, Saekodive	2,810
MFV3500A	Tank Filling Valve w/o Gauge	2,980
SAP00122	Tank Filler Assembly, push button bleeder, Saekodive	4,800
SDY-3F#1	Yoke Knob for SDY-3 and SDY-1	435
M400	Tank Yoke Filling Connector	2,250
V1117	Filling gauge, stainless steel, oil filled, G1/4" straight	890
V784 28079B	Filling gauge, stainless steel, oil filled, G1/4" straight	775
V949 61051	Gauge protection boot	300
MAB-Brass	Brass per Kg	1,000
MAB180@	300/200 bar Brass filling adaptor	NEW 7,020
MAB174	Brass filling connector 4 port	3,370
MAB170	Bleeding Manifold Brass (w/o. valves)	1,550
Q068870-M	Adapter, Bauer filling valve w std filling hose (non-swivel, local)	2,850
V784R121G	Pressure Gauge, Panel Mount, 100mm, 16 Bar, G 1/2"	6,240
MAQ504	Safety valve, 0 - 6,000 PSI relief pressure	4,315
MAQ415600	Reducing Regulator, 0 - 6,000 PSI out, 1/4" FNPT	16,310
MAQ657	Regulator mount bracket	1,795

FILLING HOSES

M120	0.7m Filling hose 300Bar, TUV tested, Made in Germany	2,005
M117	4m Filling hose 225 Bar (steel connector)	2,055
M118	5m Filling hose 225 Bar (steel connector)	2,470
M112SS	1m Filling hose 225 Bar (stainless steel connector)	1,910
M113SS	1.5m Filling hose 225 Bar (stainless steel connector)	2,190
M114SS	2m Filling hose 225 Bar (stainless steel connector)	2,470
M115SS	3m Filling hose 225 Bar (stainless steel connector)	3,025
M117SS	4m Filling hose 225 Bar (stainless steel connector)	3,560
M118SS	5m Filling hose 225 Bar (stainless steel connector)	4,145
MFLEX-O2-SS	1.5m O2 Hose (1/4" tapered stainless steel connector)	3,560

ORIGINAL BAUER STORAGE BOTTLES AND PARTS

QB80-L	80 Liter Storage Cylinder, upright, loose, 330 Bar	***
QB80-W	80 Liter Storage Cylinder, upright, with wall mounting, 330 Bar	***
QB80-C	80 Liter Storage Cylinder, mounted on Console, 330 Bar	***
QB50-C	50 Liter Storage Cylinder, mounted on Console, 420 Bar	***
	Connecting Tube 8 x 1.5mm (to connect 2 storage cylinders)	***
	Safety Valve 225 Bar or 330 Bar and pressure Gauge, loose	***
	Safety Valve 225 Bar, 330 Bar, 350 Bar or 365 Bar and pressure Gauge, mounted on Conole	***
	Safety Valve 420 Bar and pressure Gauge, mounted on Conole (only B50)	***
	Safety Valve additionally with T?V certificate	***

OTHER STORAGE BOTTLES AND PARTS

MAB1	Pressure Vessel 50 ltr. 300/450Bar w. DIN valve & cap	***
MAB900	Valve for Pressure Vessel 300 Bar	***
MAB149	Valve Connector Brass, G 5/8" outside, G 1/4" inside 300 Bar	***
MAB6	High pressure Pipe 6mm stainless steel (per meter)	***
MAB8	High pressure Pipe 8mm stainless steel (per meter)	***
MAB10	High pressure Pipe 10mm stainless steel (per meter)	***

ITEM #	SERVICE	RETAIL in. VAT
--------	---------	-------------------

REGULATOR SERVICE

1020	Regulator 1st Stage	600
1021	Regulator 2nd Stage / Octopus	500
1022	Regulator full set service (1st Stage, 2nd Stage, Octopus)	1,400
1040	Inflator Service	400
1050	Scubapro Air2	600
1060	Pressure Gauge (incl. new O-Rings)	250
1025	Regulator First Stage O2 cleaning/Nitrox Conversion	1,500

NOTE: Brands NOT supplied by Dive Supply will incur a 20% surcharge on the above Regulator Service Charges

COMPUTER SERVICE

Battery Replacement & Service fee does not include parts or batteries

1000	Battery Replacement & Service Suunto D-series, Spyder/Stinger	900
1010	Battery Replacement & Service - all other Suunto Computers	300
1001	Battery Replacement & Service - all watches	900
1002	Battery Replacement & Service - Scubapro Xtender	1,050
1003	Battery Repl. & Service - AladinPro/Sport/Ultra/SmartPro/SmartCom/Z/AladinAir/Air Z family	1,800
1010	Battery Replacement & Service - Aladin One, Prime, Tec, Tec 2G, Galileo family	450

All Battery changes include pressure test

CYLINDER & VALVE SERVICE

1100	Tank Valve removal/replacement (incl. new O-Rings)	200
1110	Tank Visual Inspection	200
1111	Tank internal cleaning 1 hour	200
1117	Tank Valve Service	250
1112	Hydrostatic Test (incl. free visual inspection)	600
1113	Full Tank Service include all the above + tank air fill (1-9, per tank)	900
1113	Full Tank Service include all the above + tank air fill (10+, per tank)	900
1116	Tank Neck cutting	900
1118	Tank Non Destructive Test NDT	300
1095	Tank O2 cleaning for Nitrox use	400
1096	Valve O2 cleaning for Nitrox use	200

AIRBANK OXYGEN CYLINDER TESTING

1081	Hydrostatic Test	xxx
1091	Tank internal cleaning	xxx
1101	Tank Visual Inspection	xxx

FILLING CHARGES

1123	Tank Filling per Tank Air	100
1124	Oxygen fill, per 3L tank	400

RENTAL CHARGES

1121	Tank Luxfer S80 - Air	200
1121	Tank Luxfer S19 - Air	200
1121	Tank Luxfer S19 - Oxygen	500
1125	DPV Underwater Vehicle (Scooter)	1,600
1125	Compressor per day - minimum 3 days; deposit required	4,700
1125	Bailout System (including S30 Tank & Regulator)	850

All Rental Charges must be paid at pick-up

COMPRESSORS

1149	L&W 225/245 Annual Service charges (normal condition)	12,000
1149-1	L&W 225/245 Annual Service charges (if very rusty)	16,000
1150	Bauer Junior, Utilus, Capitano, Oceanus incl. Paint	10,000
1150-1	Bauer Mariner 2 incl. Paint	12,000
1151	Bauer Junior, Utilus, Capitano, Oceanus, incl. Paint and if very rusty	12,000
1151-1	Bauer Mariner 2, incl. Paint and if very rusty	14,000
1152	Bauer Mini Verticus, Kap 14, Verticus, Mariner III	17,000
1152-1	Bauer Mini Verticus, Kap 14, Verticus, Mariner III incl. Paint and if very rusty	19,000
1600	Compressor Air Test + Certification for pure air	4,250
1500	Service charge per hour (minimum charge 450 Baht)	1,500

Mobilization Fee for our technician

1210	Khao Lak	xxx
1220	Krabi	xxx
1230	Phi Phi	xxx
1240	Koh Lanta	xxx
1250	Koh Tao / Koh Phangan	xxx
1260	Bangkok / Koh Samui	xxx
1270	Pattaya / Koh Chang	xxx

Mobilization fee does not include hourly service charge or accommodation.

Where deemed necessary by our technician, accommodation must be provided at customer's expense

Service Charges do not include parts

TECHNICIAN TRAINING



Dive Supply offers SCUBAPRO Technical Training at Dive Supply Phuket Head office regularly throughout the year. (Please visit www.divesupply.com for scheduled course dates)

SCUBAPRO Technician Level 1 for beginners/instructors - duration 1.5 days
Content: Non-Balanced systems - MK2/R295, R095, R195, R395, BPI.

The program covers theory & mechanical operation of Scubapro dive equipment, including related dive physics, repair, test, service skills & procedures.

Prerequisite: Dive Master, Dive Instructor or Service Technician

Language: English

Location of Training: Dive Supply Phuket, Chalong

Duration: 1.5 Days 9:30 - 18:00 & 9:30 - 13:00

Certificate: Upon successful completion of the program, participants will receive a certificate from SCUBAPRO authorizing them to provide technical servicing on SCUBAPRO rental equipment covered during the training (MK2/R295) under the supervision of a SCUBAPRO authorized dealer.

Seminar Fee for each participant: 5,000 Baht

Please contact: Service@divesupply.com or your local Dive Supply Branch to reserve a space on our next SCUBAPRO Technical's course

WETSUIT PRINTS

1141	Block for one color printing (only payable first time)	xxx
1141	Block per extra color	xxx
1139	Logo Print (one color)	xxx
1139	Logo Print (more than 1 color; per extra color)	xxx
1139	Size Print (one color)	xxx
1139	Number Print (one color)	xxx

LOG BINDER STITCHING

	Logo Stitching (per binder)	50 - 100:	xxx
	FREE embroidery for orders of 100+	Over 100:	xxx

Note: Detailed embroidery or multiple colors may attract additional factory charges - please ask for details Minimum Order 50 bin

GEAR BAG PRINT (DB8010 / DB8020)

Print only available in one color

1141	Block for one color printing (only payable first time)	xxx
1141	Block per extra color	xxx
1139	Logo Print (one color)	xxx
1139	Logo Print (more than 1 color; per extra color)	xxx
1139	Number Print (one color)	xxx

DRY BAG CUSTOM PRINT (5L, 10L & 15L bags only)

Print available in MULTIPLE colors

1141	Block for one color printing (only payable first time)	xxx	
1141	Block per extra color	xxx	
1139	Logo Print (one color, per bag):	1 - 100:	xxx
		Over 100:	xxx
1139	Logo Print (more than 1 color; per extra color, per bag):	1 - 100:	xxx
		Over 100:	xxx
		Max. Print size:	
		5L: 12cm(W) x 14cm(H)	
		10L: 12cm(W) x 18cm(H)	
		15L: 15cm(W) x 18cm(H)	

Lead time: 2 -3 weeks

Note: NO MINIMUM ORDER - order 1 custom printed bag if you like

WATERPROOF POUCH 38 x 30CM PRINT

1141	Block for one color printing (only payable first time)	xxx
1141	Block per extra color	xxx
1139	Logo Print (one color)	xxx
1139	Logo Print (more than 1 color; per extra color)	xxx
	Minimum Order: 100 pouches	

MASK STRAP PRINT

1141	Block for one color printing (only payable first time)	xxx
1139	Logo Print (one color)	xxx
1139	Logo Print (more than 1 color; per extra color)	xxx
	Order 100+ units & receive two-color printing free of charge	xxx

Color Codes:

B = Blue	BL = Blue Lagoon	C = Clear	Ci = Citrus	Co = Cobalt	G = Green
Gp = Graphite	Gy = Grey	K = Black	KO = Black Orange	KS = Black Silicone	Li = Lime
O = Orange	Pi = Pink	PD = Pink Diva	Pu = Purple	R = Red	T = Teal
Ti = Titanium	Tq = Turquoise	Y = Yellow	YM = Yellow Mango	W = White	Si = Silver

T after any color code indicates Transparent (example BT = Blue Transparent)



SHORTY 3MM WETSUIT
ITEM CODE: DBADS01



SHORTY 3MM WETSUIT
ITEM CODE: DBADS04



SHORTY 3MM WETSUIT
ITEM CODE: DBADS02



STEAMER 3MM WETSUIT
ITEM CODE: DBADS03



WATERPROOF POUCH
ITEM CODE: DB8044

WE CAN PRINT YOUR COMPANY LOGO ON THESE ITEMS



MASK STRAP
ITEM CODE: DB6688



LOG BINDERS
ITEM CODE: DB8005 - DB8007



DEEP BLUE: ADVENTURE DRY PACK
ITEM CODE: DBBV05, DBBV10, DBBV15



MASK STRAP COVER
ITEM CODE: DB6689



GEAR BAG - 65 LITERS
ITEM CODE: DB8010
(BLACK, BLUE & RED)



GEAR BAG - 90 LITERS
ITEM CODE: DB8020
(BLACK, BLUE & RED)

ข้อกำหนดและเงื่อนไขของบริษัท ไต้ซัพพลาย จำกัด

ตัวแทนจำหน่ายของเรามีความแข็งแกร่ง - ยินดีต้อนรับผู้การเป็นส่วนหนึ่งของบริษัท ไต้ซัพพลาย

ข้อกำหนดทั่วไป

ในการเป็นตัวแทนจำหน่ายและรับสิทธิประโยชน์จากราคาค่าส่งจากบริษัท ไต้ซัพพลาย คุณต้องมีคุณสมบัติอย่างน้อย 1 ข้อดังต่อไปนี้:

- ร้านค้าหรือสำนักงานพร้อมสินค้าที่จัดแสดงสำหรับธุรกิจค้าปลีก
- ผู้ประกอบการเรือ Live-aboard หรือ Day-Trip
- Course Director หรืออาจารย์ผู้สอนดำน้ำ (Instructor Trainer)
- ผู้ประกอบการบริษัททัวร์ หรือ Snorkeling
- ผู้ประกอบการโรงแรมหรือรีสอร์ท
- บริษัทจดทะเบียนในไทย

การเปิดบัญชีตัวแทนจำหน่ายรายใหม่จะต้องเป็นไปตามข้อกำหนดของตัวแทนจำหน่าย กรอกใบสมัครตัวแทนจำหน่ายและส่งสำเนาหนังสือรับรองบริษัท บุคคลที่ไม่เป็นไปตามข้อกำหนดข้างต้นไม่สามารถซื้อสินค้าในราคาขายส่งจากไต้ซัพพลายได้

ตัวแทนจำหน่ายของไต้ซัพพลายจะต้องมียอดใช้จ่ายไม่ต่ำกว่า 40,000 บาทต่อปี เพื่อรักษาสถานะการเป็นตัวแทนจำหน่ายของไต้ซัพพลายและสิทธิการเข้าถึงราคาขายส่ง

เงื่อนไขการชำระเงิน

การสั่งซื้อในครั้งแรกของตัวแทนจำหน่ายรายใหม่จะต้องชำระเงินล่วงหน้าก่อนจัดส่งสินค้า หรือ ชำระเงินด้วยเงินสดเมื่อได้รับของทันที สำหรับบัญชีตัวแทนจำหน่ายที่มียอดใช้จ่ายเกินวงเงิน บริษัทไต้ซัพพลายจะไม่ดำเนินการจัดส่งสินค้า จนกว่าจะได้รับการชำระเงินเต็มจำนวน

เงื่อนไขจะขึ้นอยู่กับวันที่ของใบเสร็จ/ใบกำกับภาษี ในกรณีเกิดการชำระล่าช้าบริษัทจะคิดค่าธรรมเนียมตามอัตราร้อยละสูงสุดที่กฎหมายบังคับใช้นับจากวันที่ออกใบเสร็จ/ใบกำกับภาษี

นโยบายการคืนสินค้า

การรับคืนสินค้าได้ก็ตาม (นอกเหนือจากการคืนสินค้าที่เกี่ยวข้องกับการร้องขอการรับประกัน) จะถูกจำกัดเฉพาะสินค้าที่ผลิตในปัจจุบัน กล้องและป้ายราคาจะต้องอยู่ในสภาพเดิมและอยู่ในสภาพที่ขายได้ ภายในระยะเวลา 21 วัน นับจากวันที่ออกใบเสร็จ/ใบกำกับภาษี เครียดหรือการแลกเปลี่ยนสินค้าขึ้นอยู่กับดุลยพินิจของบริษัทไต้ซัพพลาย แต่เพียงผู้เดียว เครียดใด ๆ ที่ออกโดยบริษัทไต้ซัพพลาย จะเป็นราคาซื้อเดิมของสินค้าบวกกับค่าธรรมเนียมการบรรจุสินค้าใหม่ 15% ของราคาซื้อเดิม จะต้องได้รับการอนุมัติจากบริษัทไต้ซัพพลาย และต้องมีหมายเลขการอนุมัติการส่งคืนเท่านั้น (RA #) บริษัทไต้ซัพพลายจะไม่รับผิดชอบสำหรับการสูญหายหรือความเสียหายที่เกิดขึ้นระหว่างการขนส่งสินค้าไปยัง บริษัทไต้ซัพพลาย

นโยบายการจัดส่ง

หลังจากที่สินค้าถูกส่งออกจากคลังสินค้าของบริษัทไปแล้ว บริษัทไต้ซัพพลาย จะไม่รับผิดชอบต่อความเสียหายหรือการฉีกขาดซึ่งเกิดจากผู้ให้บริการขนส่ง สินค้าที่ได้รับความเสียหายและการชำระจะต้องส่งถึงบริษัทไต้ซัพพลาย ภายใน 48 ชั่วโมงหลังจากได้รับสินค้า

นโยบายการสั่งซื้อสินค้าในขณะที่สินค้าหมด (Back Order)

คำสั่งซื้อสินค้าที่ไม่มีอยู่ในคลังสินค้า ณ ขณะนั้น ทางบริษัทจะทำการเก็บเงินมัดจำไว้ เมื่อสินค้าพร้อมจะถูกจัดส่งโดยอัตโนมัติวันแต่จะตกลงเป็นอย่างอื่น

นโยบายราคาและส่วนลด

ราคาของบริษัทไต้ซัพพลาย อาจมีการเปลี่ยนแปลงโดยไม่ต้องแจ้งให้ทราบล่วงหน้า

เพื่อประโยชน์ของผู้เข้าร่วมตลาดทุกคน ไต้ซัพพลายไม่แนะนำให้ขายสินค้าในราคาขายส่งหรือราคาที่บวกเพิ่มเพียงเล็กน้อย เว้นแต่จะได้รับอนุมัติล่วงหน้าจากไต้ซัพพลาย:

- ราคาขั้นต่ำที่สามารถโฆษณาในรายการปกติใดๆ จะต้องมีส่วนลดไม่เกิน 15% จากราคาขายปลีกที่เราแนะนำ (RRP)
- ผู้ค้าจะต้องไม่โฆษณาส่วนลดหรือของขวัญเพิ่มเติมพร้อมกับการซื้อ (GWP) ด้วยโปรโมชั่นปัจจุบันใดๆ ที่ดำเนินการโดยบริษัทไต้ซัพพลาย
- มูลค่ารวมของส่วนลดและ GWP ต้องไม่เกิน 15% ส่วนลดจาก RRP

ไต้ซัพพลายขอสงวนสิทธิ์ในการยุติการจำหน่ายสินค้าให้กับลูกค้าที่ไม่ปฏิบัติตามกฎเหล่านี้และได้กระทำผิดซ้ำๆ เพื่อยกเลิกข้อตกลงทางธุรกิจ

การรับประกัน

1. บริษัทไต้ซัพพลายรับประกันสินค้า 1 ปีหลังจากวันที่สั่งซื้อ ผลิตภัณฑ์แต่ละชิ้นของบริษัทไต้ซัพพลาย และที่ซื้อจากตัวแทนจำหน่ายของบริษัทไต้ซัพพลาย ที่ได้รับอนุญาตจะต้องอยู่ในสภาพสมบูรณ์ และมีการบำรุงรักษาที่เหมาะสม มิฉะนั้นแล้วจะไม่รับประกัน
2. อาจมีกฎระเบียบเพิ่มเติมหรือข้อบังคับพิเศษสำหรับสินค้าแบรนด์ต่างๆ ตามข้อกำหนดและเงื่อนไขการรับประกันเฉพาะของซัพพลายเออร์ของบริษัทไต้ซัพพลาย
3. การรับประกันนี้ไม่ครอบคลุมถึงสินค้าที่อาจมีการล่องละเมิดในทางที่ผิด การติดตั้งที่ไม่เหมาะสม การเปลี่ยนแปลง การบำรุงรักษาที่ไม่เหมาะสมเลยในการดูแล หรือการบำรุงรักษาและการรับบริการซ่อมแซมที่ดำเนินการโดยผู้อื่นที่ไม่ใช่ตัวแทนจำหน่ายผู้ที่ได้รับมอบอำนาจของบริษัทไต้ซัพพลาย หรือช่างเทคนิคของไต้ซัพพลาย
4. สำหรับลูกค้าที่ซื้อสินค้า และได้รับการรับประกัน สินค้าที่ได้รับความเสียหาย จะต้องส่งมอบให้กับตัวแทนจำหน่ายของบริษัทไต้ซัพพลายที่ซื้อสินค้านั้นๆ พร้อมกับหลักฐานการซื้อ ตัวแทนจำหน่ายของบริษัทไต้ซัพพลายจะต้องส่งสินค้าคืนมาให้กับ บริษัทไต้ซัพพลาย ตามที่อยู่ 88/5 ม.10 ถ.ปฎัก ต.ฉลอง อ.เมือง จ.ภูเก็ต 83130 สำหรับการตรวจสอบว่าสินค้าได้รับการรับประกันตามข้อกำหนดและเงื่อนไขที่ระบุมาข้างต้นหรือไม่ การคืนสินค้าทุกกรณี อยู่ภายใต้บทบัญญัติของนโยบายการคืนสินค้า
5. ในกรณีที่บริษัทไต้ซัพพลาย กำหนดว่าการรับประกันที่กำหนดไว้ข้างต้นมีผลบังคับใช้กับสินค้าใดๆ วิธีการซ่อมแซม การเปลี่ยนชิ้นส่วน เป็นดุลยพินิจของบริษัทไต้ซัพพลายแต่เพียงผู้เดียว บริษัทไต้ซัพพลายจะออกครีดิทให้กับตัวแทนจำหน่ายไม่เกินราคาของสินค้าที่ได้ทำการสั่งซื้อสำหรับสินค้าที่ได้รับผลกระทบ ไม่ว่าในกรณีใดๆ บริษัทไต้ซัพพลาย จะไม่รับผิดชอบต่อตัวแทนจำหน่ายหรือผู้ซื้อสำหรับความเสียหายอื่นๆ จากอุบัติเหตุหรือความเสียหายที่ตามมา
6. การเรียกร้องการรับประกันทั้งหมดจะต้องแนบสำเนาใบเสร็จใบเสร็จ/ใบกำกับภาษีของสินค้านั้นมาด้วย

ราคาอาจเปลี่ยนแปลงได้โดยไม่ต้องแจ้งให้ทราบล่วงหน้า



DIVE SUPPLY HISTORY

Diving & Snorkeling Equipment Wholesale Specialist

Dive Supply is the leading distributor and wholesaler of major brand names scuba diving and water sports equipment in South East Asia and is the exclusive distributor for Scubapro, Suunto, Deep Blue Products, Seac, Pelican, Saekodive, Bauer, Luxfer, Tovatec, Olympus, Divevolk and Maxtec.

We operate from our 1,500 sqm custom built warehouse in Chalong, Phuket, where we have a fully equipped service center.

If you are looking for the leading brands in Diving and Snorkeling Equipment along with value for money and excellent customer service then Dive Supply is the place to come.

We have a product portfolio which is second to none and we are the main distributor for PADI materials throughout Thailand.



sales@divesupply.com
www.divesupply.com
[facebook/DiveSupply](https://facebook.com/DiveSupply)



Dive Supply Co., Ltd.
88/5 Moo10 Patak Road,
Chalong,Phuket,Thailand



Tel : +66 (0) 76 383 414-6
Fax : +66 (0) 76 281 525



DIVE SUPPLY

TERMS AND CONDITIONS

OUR DEALERS ARE OUR STRENGTH - WELCOME TO THE DIVE SUPPLY COMMUNITY

GENERAL TERMS

To become a DIVE SUPPLY Dealer and benefit from DIVE SUPPLY Trade prices, you must be one of the following:

- Shop or office with goods on display for retail business
- Live-aboard or day-trip boat operator
- Course Director or Instructor Trainer
- Snorkeling or tour operator
- Hotel or resort operator
- Thai registered company

New accounts must meet the dealer requirements, complete a dealership application and submit a copy of the company registration. Individuals who do not meet the above requirements are strictly prohibited from purchasing at trade prices from DIVE SUPPLY. A dealer's annual purchases from DIVE SUPPLY must exceed 40,000 Baht to qualify for continued dealer status and access to Trade prices.

PAYMENT TERMS

First orders to new dealers will only be shipped prepaid or cash on delivery. For overdue accounts DIVE SUPPLY will not ship goods until full payment is received. Terms are based on date of invoice. A finance charge based on the maximum percentage permitted by the applicable law shall be added to late payments calculated from the date the invoice was issued.

RETURN POLICY

DIVE SUPPLY may, but is not obligated to, accept return of goods. For a 21 day period after date of invoice, any such returns (other than returns requested by DIVE SUPPLY in connection with warranty claims) will be limited to goods of current manufacture, in original packaging and in sellable condition. Credit or exchange of the merchandise is at the sole discretion of DIVE SUPPLY, any credits issued by DIVE SUPPLY will be for the original purchase price of the goods, PLUS a restocking charge of 15% of the original purchase price of the goods. Merchandise may not be returned without prior approval from DIVE SUPPLY and a Return Authorization number (RA#). DIVE SUPPLY will assume no responsibility for losses or damages incurred on merchandise in transit to DIVE SUPPLY.

SHIPPING POLICY

All prices are ex warehouse and shipments will not be insured by DIVE SUPPLY. DIVE SUPPLY shall not be held responsible for any damage or shortage, which is caused by the carrier. Shortages or damage claims to the carrier and to DIVE SUPPLY must be made within 48 hours upon receipt of goods.

BACK ORDER POLICY

Back orders shall automatically be shipped unless agreed otherwise.

PRICE POLICY AND DISCOUNTS

DIVE SUPPLY prices are subject to change without prior notice. In the interest of all market participants DIVE SUPPLY does not endorse the sale or passing on of our products to third parties at trade price or slightly above.

Unless pre-approved by DIVE SUPPLY:

- The Minimum Advertized Price on any regular stock item must NOT exceed 15% discount from our recommended retail price (RRP).
- Dealers must NOT advertize additional discount or gifts with purchase (GWP) with any current promotion being conducted by DIVE SUPPLY.
- The total value of discounts and GWP must NOT exceed 15% discount from the RRP.

DIVE SUPPLY reserves the right to discontinue the supply of certain product lines to customers who do not follow these rules and in repeated cases, to terminate the business agreement.

WARRANTY

1. DIVE SUPPLY warrants to the original consumer purchaser that, for the period of one year from date of purchase, each DIVE SUPPLY product not otherwise warranted and purchased from an authorized DIVE SUPPLY dealer will be free from defects in materials and workmanship under normal use and with reasonable maintenance.

2. Additional or special regulations may apply to different brands according to the specific warranty terms and conditions of DIVE SUPPLY's suppliers.

3. The warranty does not apply to goods that have been subject to abuse, misuse, improper installation, alteration, improper maintenance, neglect of care or maintenance or repair service performed by someone other than an authorized DIVE SUPPLY dealer or technician.

4. For the original consumer purchaser to obtain warranty service, the affected product must be delivered to the DIVE SUPPLY dealer it was purchased from, together with proof of purchase. The DIVE SUPPLY dealer is required to return the goods to DIVE SUPPLY at 88/5 Moo 10, Patak Road, T. Chalong, A. Muang, Phuket 83130, for verification that the warranty set forth in these terms and conditions is applicable. Any such returns are subject to the provisions in the RETURN POLICY section.

5. In the event DIVE SUPPLY determines that the warranty set forth above is applicable to any goods, DIVE SUPPLY shall, as the sole remedy, replace, repair or at DIVE SUPPLY's sole discretion, issue to the dealer a credit for an amount not to exceed the original purchase price paid by the dealer for the affected goods. In no event shall DIVE SUPPLY be liable to the dealer or the original consumer purchaser for any special, incidental or consequential damages.

6. All warranty claims must be accompanied by a copy of the original purchase invoice.

PRICES ARE SUBJECT TO CHANGE WITHOUT PRIOR NOTICE

Dive Supply Main Office (Phuket)

sales@divesupply.com

Tel : +66 (0) 76 383 414-6

Fax : +66 (0) 76 281 525

Bangkok Dive Supply

contact@divesupplybkk.com

Tel : +66 (0) 2 354 4815

Fax : +66 (0) 2 354 4819

Dive Supply Koh Tao

kohtao@divesupply.com

Tel : +66 (0) 95 424 4273

Samui Dive Supply

info@samuidivesupply.com

Tel : +66 (0) 77 230 063

Fax : +66 (0) 77 230 186

Koh Chang Dive Supply

info@kohchangdivesupply.com

Tel : +66 (0) 39 551 518

Fax : +66 (0) 39 551 519