


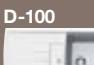









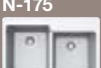
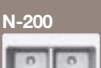
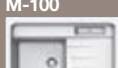




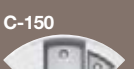


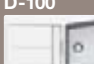
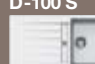
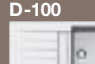





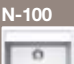


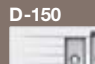

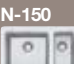

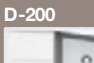
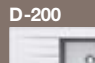



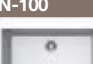

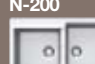


SINKS&TAPS 2013



SINKS
2013

CRISTADUR®

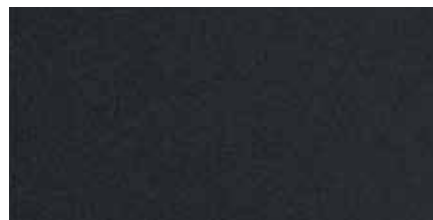
| | CRISTADUR® ALIVE Page 57 | CRISTADUR® GALAXY Page 61 | CRISTADUR® GRANDO Page 65 | CRISTADUR® HORIZONT Page 69 | CRISTADUR® INSPIRE Page 77 | CRISTADUR® LOTUS Page 81 | CRISTADUR® MODENA Page 87 |
|-------------|--|--|--|--|--|--|--|
| 40 cm | | | | D-100 S  D-100  | | | |
| 45 cm | | | | | | | D-100 NEW  |
| 50 cm | | | | | | D-100  | |
| 60 cm | | N-100  | | D-150  | D-150  | D-150  | D-150 NEW  |
| 80 cm | | | | D-200  | C-150  | D-200  | D-200 NEW  |
| 90 cm | N-175  N-200  | | M-100  | N-200  | N-175 NEW  N-200 NEW  | | N-200 NEW  |
| Corner-unit | | | | | | C-150  | |

| | CRISTADUR® MONO Page 93 | CRISTADUR® MONTANO Page 99 | CRISTADUR® OPUS Page 103 | CRISTADUR® SIGNUS Page 109 | CRISTADUR® SOHO Page 119 | CRISTADUR® SUPRA Page 125 | CRISTADUR® WATERFALL Page 129 | |
|-------------|--|--|--|---|--|--|--|-------------|
| 40 cm | | | | | | | | 40 cm |
| 45 cm | | | D-100  | D-100 S  D-100  | | | D-100* NEW  | 45 cm |
| 50 cm | D-100 NEW  | | | | N-100 S  | | D-100 NEW  | 50 cm |
| 60 cm | D-150 NEW  N-100  | | D-150  | D-100 L  D-150  | N-100  N-150  | | D-150  | 60 cm |
| 80 cm | | | D-200  | D-200  N-100 XL  C-150  | | | D-200 NEW  | 80 cm |
| 90 cm | | N-100  | N-200  | N-200  | | N-175  | | 90 cm |
| Corner-unit | | | | C-150  | | | | Corner-unit |

CRISTADUR® – Feel the difference



Puro* (84) **NEW**
Solid



Magma (97)
Metallic



Carbonium (90)
Metallic



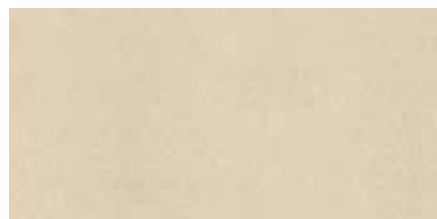
Chocolate (86)
Metallic



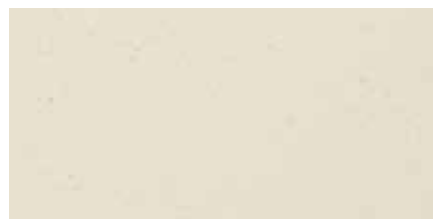
Stone (88)
Metallic



Bronze (87)
Metallic



Avorio (82)
Solid



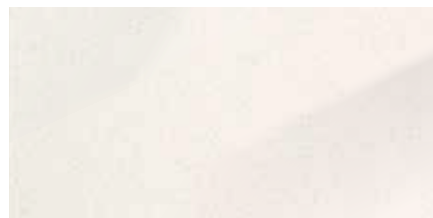
Magnolia (89)
Solid



Polaris (99) **UPDATE**
Solid



Magma Glossy (197) **NEW**
Metallic



Polaris Glossy (199) **NEW**
Solid

* New colour – availability can vary

Colours may vary due to printing limitations.







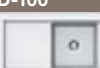

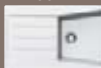
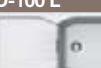
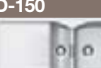
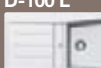

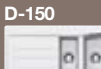

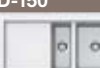


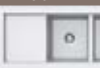



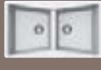
CRISTADUR®

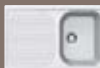

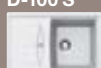
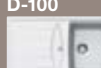













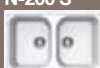




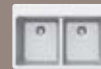

– FEEL THE DIFFERENCE

Nothing is as strong as smoothness and nothing is as smooth as real strength. (*Ralph W. Sutton)
The premium CRISTADUR® material sets extraordinary standards in terms of surface feel, practicality and aesthetics. Its ultra-fine nanostructure creates an enhanced smoothness you can really feel, making our sinks easier to clean than you ever thought possible. Residue that could be a breeding ground for bacteria finds it impossible to stick to the material's surface – it simply runs off. And the visual qualities are sensational. The purest of colours in a range of nuances and an unbelievably gleaming finish underline the exquisite nature of the material and enhance any kitchen.





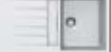




























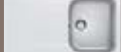









CRISTALITE⁺

| | CRISTALITE ⁺ CAMPUS Page 143 | CRISTALITE ⁺ CASA Page 153 | CRISTALITE ⁺ CITY Page 157 | CRISTALITE ⁺ CLASSIC Page 167 | CRISTALITE ⁺ DOMUS Page 171 | CRISTALITE ⁺ EURO Page 177 |
|-------------|--|--|---|---|--|--|
| 40 cm | | | D-100 S  | | | R-100  N-100  |
| 45 cm | D-100  | D-100  | | R-100  | D-100  | |
| 50 cm | | D-125  | D-100  | | | |
| 60 cm | D-100 L  D-150  | | D-100 L  D-150 S  D-150  | N-150  | D-150  | |
| 80 cm | D-200  | | D-200  | | D-200  | |
| 90 cm | N-175 XL  N-200 S NEW  N-200  | | N-200  | | | |
| Corner-unit | | | | | | |

| CRISTALITE ⁺ FORMHAUS Page 181 | CRISTALITE ⁺ GEMO Page 187 | CRISTALITE ⁺ GENIUS Page 191 | CRISTALITE ⁺ IMAGO Page 199 | CRISTALITE ⁺ INSPIRATION Page 205 | CRISTALITE ⁺ LITHOS Page 209 | CRISTALITE ⁺ MADISON Page 217 | |
|---|---|--|---|--|--|--|-------------|
| | | | | | D-100 S  | | 40 cm |
| D-100 NEW  | | D-100 S  D-100  | D-100  | | D-100  | | 45 cm |
| | | | | | | | 50 cm |
| D-150 NEW  | N-100  | D-150  | D-100 L  D-150  | | D-150  | | 60 cm |
| D-200 NEW  | | D-200  C-150  | D-200  | | D-200  N-200 S  | | 80 cm |
| | | | | N-175 NEW  N-200 NEW  | N-200  | N-175  N-200  | 90 cm |
| | | C-150  | | | | | Corner-unit |

CRISTALITE+®

| | CRISTALITE+ MANHATTAN Page 221 | CRISTALITE+ NEMO Page 229 | CRISTALITE+ PRIMUS Page 233 | CRISTALITE+ QUADRO Page 243 | CRISTALITE+ RONDA Page 249 | CRISTALITE+ SOLIDO Page 253 | CRISTALITE+ TYPOS Page 261 |
|-------------|--|--|---|--|---|--|--|
| 40 cm | D-100 XS NEW  | | | | | N-50  | |
| 45 cm | R-100 NEW  D-100 S NEW  | | D-100  | | D-100 S  | N-75  | D-100 S  D-100  |
| 50 cm | | N-100 S  | | N-100 S  | | | |
| 60 cm | D-150 NEW  N-150 NEW  | N-100  | D-100 L  D-150  | N-100  N-150  | | N-100  | D-100 L  D-150 S  D-150  |
| 80 cm | | | D-200  N-100 XL  | | | N-175  N-200  | D-200  C-150  |
| 90 cm | | | N-200  | | | | N-200 NEW  |
| Corner-unit | | | C-200  | | | | |

| CRISTALITE+ VENUS Page 271 | CRISTALITE+ VIOLA Page 277 | CRISTALITE+ VIRTUS Page 285 | |
|--|--|---|-------------|
| | | | 40 cm |
| | D-100 NEW  | | 45 cm |
| D-100  | | | 50 cm |
| D-150  | D-150 NEW  | | 60 cm |
| D-200  | D-200 NEW  N-200 S NEW  | | 80 cm |
| N-200  | N-200 NEW  | N-100 XL  | 90 cm |
| | | | Corner-unit |


CRISTALITE+®

CRISTALITE+® – a milestone in the granite sink market, the on-trend material from Schöck, known around the world as the classic granite sink material. The new generation of the classic is a real winner, boasting improved attributes and an attractive range of colours.



EXTREMELY TOUGH AND SCRATCH-PROOF
NATURAL, ANTIBACTERIAL
HYGIENE PROTECTION SYSTEM
OPTIMUM EASE OF CARE
MAXIMUM COLOUR INTENSITY
MADE IN GERMANY
COLOUR-FAST AND FOOD-SAFE

CRISTALITE+® – Colour Your Life

| | | | |
|---|---|---|---|
|  |  |  |  |
| Nero (13) Solid | Lava (40) Structured | Onyx (10) Metallic | Inox (12) Metallic |
|  |  |  |  |
| Graphite (15) Structured | Mocha (63) Solid | Croma (49) Metallic | Arena (47) Until end of 2013 Structured |
|  |  |  |  |
| Alumina (04) Until end of 2013 Metallic | Moonstone (22) NEW Structured | Sabbia (58) Structured | Terra (38) Structured |
|  |  |  |  |
| Pera (56) Structured | Colorado (08) Solid | Everest (26) NEW Structured | Alpina (07) Solid |
|  |  |  |  |
| Pink* (64) Solid | Sunflower* (68) Solid | Bright Orange* (69) NEW Solid | Peppermint Green* (65) Solid |
|  | | | |
| Ocean Blue* (67) Solid | | | |

* only Nemo N-100 S
 Colours may vary due to printing limitations.

SCHOCK — THE WORLD OF **GRANITE** SINKS



| | |
|--------------------------|----|
| The company | 16 |
| Sustainability | 17 |
| Comfotouch | 18 |
| Technology | 19 |
| LED | 20 |
| Legend | 22 |
| Product benefits | 23 |
| News | 25 |

SINKS PremiumLine

| | |
|-----------------------------------|-----|
| ALIVE CRISTADUR® | 57 |
| GALAXY CRISTADUR® | 61 |
| GRANDO CRISTADUR® | 65 |
| HORIZONT CRISTADUR® | 69 |
| INSPIRE CRISTADUR® | 77 |
| LOTUS CRISTADUR® | 81 |
| MODENA CRISTADUR® | 87 |
| MONO CRISTADUR® | 93 |
| MONTANO CRISTADUR® | 99 |
| OPUS CRISTADUR® | 103 |
| SIGNUS CRISTADUR® | 109 |
| SOHO CRISTADUR® | 119 |
| SUPRA CRISTADUR® | 125 |
| WATERFALL CRISTADUR® | 129 |

SINKS TrendLine

| | |
|---------------------------------------|-----|
| ARCO CRISTALITE+® | 139 |
| CAMPUS CRISTALITE+® | 143 |
| CASA CRISTALITE+® | 153 |
| CITY CRISTALITE+® | 157 |
| CLASSIC CRISTALITE+® | 167 |
| DOMUS CRISTALITE+® | 171 |
| EURO CRISTALITE+® | 177 |
| FORMHAUS CRISTALITE+® | 181 |
| GEMO CRISTALITE+® | 187 |
| GENIUS CRISTALITE+® | 191 |
| IMAGO CRISTALITE+® | 199 |
| INSPIRATION CRISTALITE+® | 205 |
| LITHOS CRISTALITE+® | 209 |
| MADISON CRISTALITE+® | 217 |
| MANHATTAN CRISTALITE+® | 221 |
| NEMO CRISTALITE+® | 229 |
| PRIMUS CRISTALITE+® | 233 |
| QUADRO CRISTALITE+® | 243 |
| RONDA CRISTALITE+® | 249 |
| SOLIDO CRISTALITE+® | 253 |
| TYPOS CRISTALITE+® | 261 |

| | |
|----------------------------------|-----|
| VENUS CRISTALITE+® | 271 |
| VIOLA CRISTALITE+® | 277 |
| VIRTUS CRISTALITE+® | 285 |

Taps

| | |
|----------------------------|-----|
| HYPERION | 292 |
| HYPERION FLAT | 292 |
| PHOBOS | 293 |
| SC-300 | 294 |
| SC-200 | 295 |
| SC-50 | 296 |
| SC-40 | 297 |
| CENTROS | 298 |
| CENTROS SMALL | 299 |
| DEIMOS | 300 |
| DIKE | 301 |
| ELARA | 302 |
| ERIS | 303 |
| GALATEA | 304 |
| HEKATE | 305 |
| HERMERA | 306 |
| IDEOS-PRO | 307 |
| KARPO | 308 |
| LEVA | 309 |
| MINO | 310 |
| NEILOS | 311 |
| NEOS | 312 |
| NIMBUS | 313 |
| NOTOS | 314 |
| PIEGA | 315 |
| PILA | 316 |
| SIMI | 317 |
| SKIRON | 318 |
| URANIA | 319 |
| ZELOS | 320 |
| ZERUS | 321 |
| AMUR | 322 |
| PUCK | 323 |
| SANI | 324 |

| | |
|-------------------|-----|
| Accessories | 327 |
|-------------------|-----|

Service

| | |
|--------------------------|-----|
| Contact us | 332 |
| Conditions of sale | 333 |

| | |
|----------------------|------------|
| Imprint | 335 |
|----------------------|------------|



SCHOCK's headquarters are located in the Bavarian Forest.
Schock sinks are produced exclusively in Germany.



SCHOCK's management
Josef Preuß (li)
Ralf Boberg (re)
More than 250 people work at Schock.



Schock booth
Living Kitchen, Cologne 2011
Bright, young, colourful, modern – showcasing the Schock world.




Schock places great importance on the sustainability of its products and production methods. Production complies with German environmental standards – the most stringent in the world. All Schock sinks are made from long-life, environmentally sound materials. The sinks are manufactured exclusively in Germany to extremely rigorous quality standards.

SCHOCK PLACES
GREAT IMPORTANCE
ON SUSTAINABILITY
AND ENVIRONMENTAL
PROTECTION.



COMFO TOUCH®



A soft touch is all it takes

The electric opening mechanism is the smart and good-looking solution for the discerning customer, adding even more quality to sinks already strong on design. The especially high-grade and hygienic stainless steel surface of the comfotouch® makes for an aesthetic addition to any style of kitchen. The elegant control button is available in round or square format and a soft touch is all it takes for the CE safety certified electronics to open or close the strainer basket automatically. High-tech is just a touch away with comfotouch®.



SCHOCK TECHNOLOGY

SCHOCK INVENTED THE GRANITE SINK

Even after more than 30 years, 75% of all granite sinks sold throughout the world are made with the method SCHOCK invented – that's 1.5 million granite sinks a year.

SCHOCK PREMIUM DESIGN

SCHOCK material technology enables us to create extraordinary designs. Premium sinks from Schock have won numerous design prizes.

SCHOCK MATERIAL TECHNOLOGY



CRISTALITE+



CRISTADUR®

Since the granite sink was invented, SCHOCK materials have been continually refined and set new standards. This innovative spirit is reflected in more than 90 patents.

SCHOCK MATERIAL – HARDER THAN GRANITE

The special SCHOCK production method makes CRISTALITE+® and CRISTADUR® extremely tough and harder than granite.

SCHOCK ANTIBAC – THE HYGIENE STANDARD

SCHOCK Antibac is the natural hygiene protection system for the sink. Its integrated protection mechanism inhibits approximately 95% of bacterial growth.

SCHOCK DIRT REPELLENT EFFECT

The material's ultra-fine nanostructure means dirt that could be a breeding ground for bacteria finds it impossible to stick to the material's surface.

LED

Highlight for the kitchen

Schock puts on a totally new and ingenious light show in the kitchen. LED spotlights have been integrated in selected CRISTADUR® and CRISTALITE+® sink models to create fascinating lighting effects. The enchanting interplay between light and water produces an atmospheric ambience in the kitchen. Illuminated sinks with a metallic effect are transformed into a particular visual highlight. The LED spotlights are impact and vibration proof, and stand up to the rigours of everyday kitchen use in the same way as the durable, easy-care granite sinks from Schock. For spectacular visibility in the kitchen!

NEW

The premium nature of CRISTADUR® sinks is now emphasised by an elegant new control knob. Its soft, rounded shape sits perfectly in the hand and accentuates the quality. Another new addition to the wide range of designer accessories.

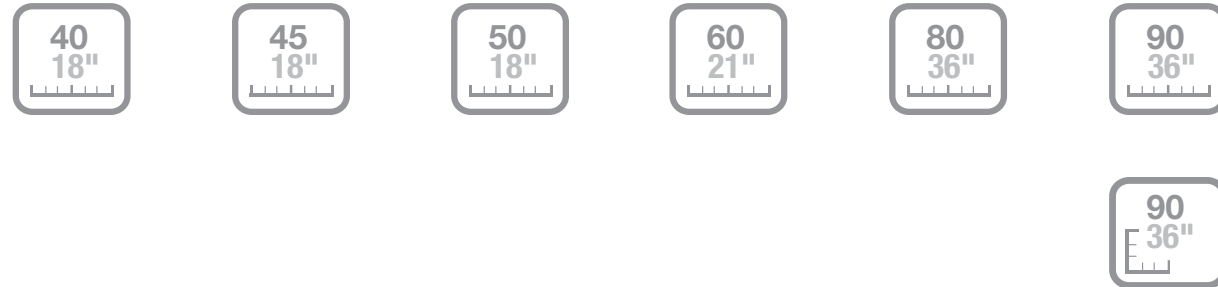


Installation



Inset Undermounted Flush-mounted Island

Fits Cabinet (cm/inches)



Depth (cm/inches)



Hygiene Protection System



Light



Optional

Handing



Left Right Reversible

Additional finishing



also available in CRISTADUR® GLOSSY colourways

Taps



Tap with coloured sleeve of solid Schock material.



Tap turns 360°



Pull-out



Schock sinks are up to 80% quartz, the hardest constituent of granite. CRISTADUR® and CRISTALITE® have been specially developed for the demands of the kitchen. The rigours of everyday use vanish without a trace.



Dirt repellent effect
The dirt simply runs off.



Odour-free
Leaves the surface free of smells. LGA 5421357



Heat-proof
Not temperature sensitive. DIN 13310



Food-safe
Absolutely safe material.
LGA 5631024



Antibac
Inhibits 95% of bacterial growth.
JIS Z 2801



Impact-resistant
Material is much tougher than granite.
DIN EN438-2



Stain-resistant
Food stains cannot stick.
LGA 1103



Made to last
Extremely durable.
DIN 13310



Glossy SURFACE

NEW

High gloss with glamour effect.

A touch of gloss and glamour. The luxurious premium material has been taken up a notch with a high-gloss surface – a real delight for the senses. Comes in MAGMA and POLARIS colourways to harmonise perfectly with stone and turns the kitchen into a fashion statement. Available for single-bowl sinks without a draining board.



PURO

Puro • Rich black elegance for purists.

Purist design draws the eye and the mind to what really matters. The new PURO colourway stands out with an uncompromising intensity. Bold, striking and yet gently unobtrusive, this colourway has an air of serenity and elegance combined.



**EVEN WHITER
WHITE!**

Polaris Super White

Radiating beyond boundaries

POLARIS has the radiance and boldness to make any kitchen shine in exceptional splendour. The sheer purity of the colour adds to its intensity and shapes the unique nature of this colourway, which is in perfect sync with the trend in clean lines and strong contrasts.





The new **Waterfall** SINKS D-100 und D-200

Flowing and harmonious design.

Water is full of kinetic energy. Inspired by nature, we created a sink model featuring harmonious and flowing lines. The new D-100 and D-200 models from the WATERFALL range are at once graceful and compact. Go with the flow and delight in this individual and characteristic design in your kitchen.

NEW SINK



The new grey tones

The on-trend classic with the feel-good factor.

The new grey tones are evidence that timeless classics and trends need not be mutually exclusive. Both the simple, understated sandy-grey of EVEREST and the striking, mysterious beige of MOONSTONE colourway can be beautifully combined with stone or light woods and blend perfectly with any countertop material.

NEW

everest

moonstone



BRIGHT ORANGE

Radiantly cheerful and refreshingly different.

Those who want to express their own personality in the design of their kitchen cannot fail to be inspired by this accent tone. BRIGHT ORANGE is the latest addition to our refreshingly colourful palette. This is a sink to cast out all dark thoughts. It's where pop art meets kitchen design, bursting with vitality and positive energy.

COLOUR YOUR LIFE





Modena

Italian design for the highest aesthetic demands.

Painting, music, fashion and architecture – Italy is the land of absolute classics. The MODENA range mirrors that precisely. Premium material, deep but muted colours and beautiful, timelessly elegant lines. The new model in the PremiumLine is a piece of pure luxury that anybody can attain. Viva Italia.



D-100



D-150



D-200



N-200

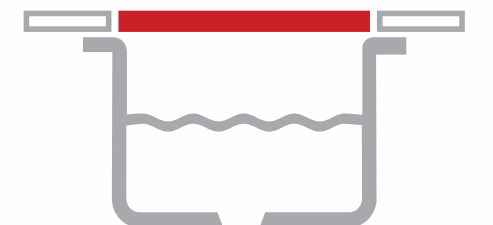


Soho

Going underground: a colourful journey.

SOHO takes colour down below. The special, slimline design of the SOHO makes it possible to flush-mount a premium glass chopping board into the countertop to create an unbroken work surface. Supreme technical finesse puts this range a good three steps ahead of any other undermount sink. For those who don't want to compromise on clean lines and individual colour design.

Chopping board can be **flush-mounted** into the **countertop**.



MONO

SO SMALL
AND YET
SO BIG!

The new Schock models Mono D-100 and D-150 surprise with their clever dimensions. On the one hand the reduced length of the sink allows for more workspace on the other hand even a big pot fits easily into the spacious bowl. The trend-on sink design with the characteristic Schock overflow cover is a colourful highlight for any kitchen.



MON D-100



MON D-150

Typos N-200

NEW SIZE
N-200



Exceptionally stylish variety.

Boasting a broad spectrum of models of different dimensions, the TYPOS range has always been one of our most flexible. We have now added the N-200 to match the latest trend in having two large bowls. Giving your kitchen just the sink it deserves!



Manhattan + SC40

The perfect couple for city girls.

This combination of sink and matching tap is a striking interpretation of urban design. Their size and style are exactly right for the kitchens in city apartments. The MANHATTAN model makes optimum use of even the smallest available space. The sink and tap can be colour-matched too, making this dynamic duo the perfect way to take your first steps in the world of colourful kitchen design. Next stop: city style.



DESIGNED FOR AMERICA

CRISTADUR® INSPIRE

N-175
N-200



CRISTALITE® INSPIRATION

N-200
N-175



CRISTALITE® CAMPUS

N-200 S



Celebrate your distinctive character.

With five new models specifically designed to appeal to North American consumers Schock continues its expansion into these markets. The designs are dominated by flowing lines, graceful curves and spacious bowls. The new designs are in a transitional style which goes well with modern, classic or farmhouse kitchen designs. With the the Inspire, Inspiration and Campus models you can take home bowls with bold, large bowls which blend commercial efficiency with residential sensibilities.

Viola Urania

Clean contours and slim lines.

Modern lines with irresistible clarity are the mark of the VIOLA model. Combining it with the extremely slimline URANIA tap produces a picture of absolute purism, the perfect complement to handleless doors and drawer fronts.



Urania



VIO D-150



VIO D-100



VIO D-200



VIO N-200S



VIO N-200

SCHOCK HYPERION FLAT

Total convenience of the highest form.

This very thin, elegant tap is simply great fun. It has a modern and luxurious look and is extremely convenient to use. All of the functions you need can be set effortlessly with a single control dial. It allows you to store three shortcuts for the combinations you use most frequently, making them easy to retrieve by tapping on the dial one or more times. An LED system provides a constant visual indication of the water temperature. With this class of luxury, it goes without saying that the tap also offers an anti-scald feature and a thermal disinfection setting. The sink's integrated light is an additional highlight, providing superior lighting around the kitchen suite. Discover the luxury of absolute (design) convenience.



On/Off



Easy to turn on and off with a light touch



Flow



Press and turn the control dial to select your desired water flow



Temperature



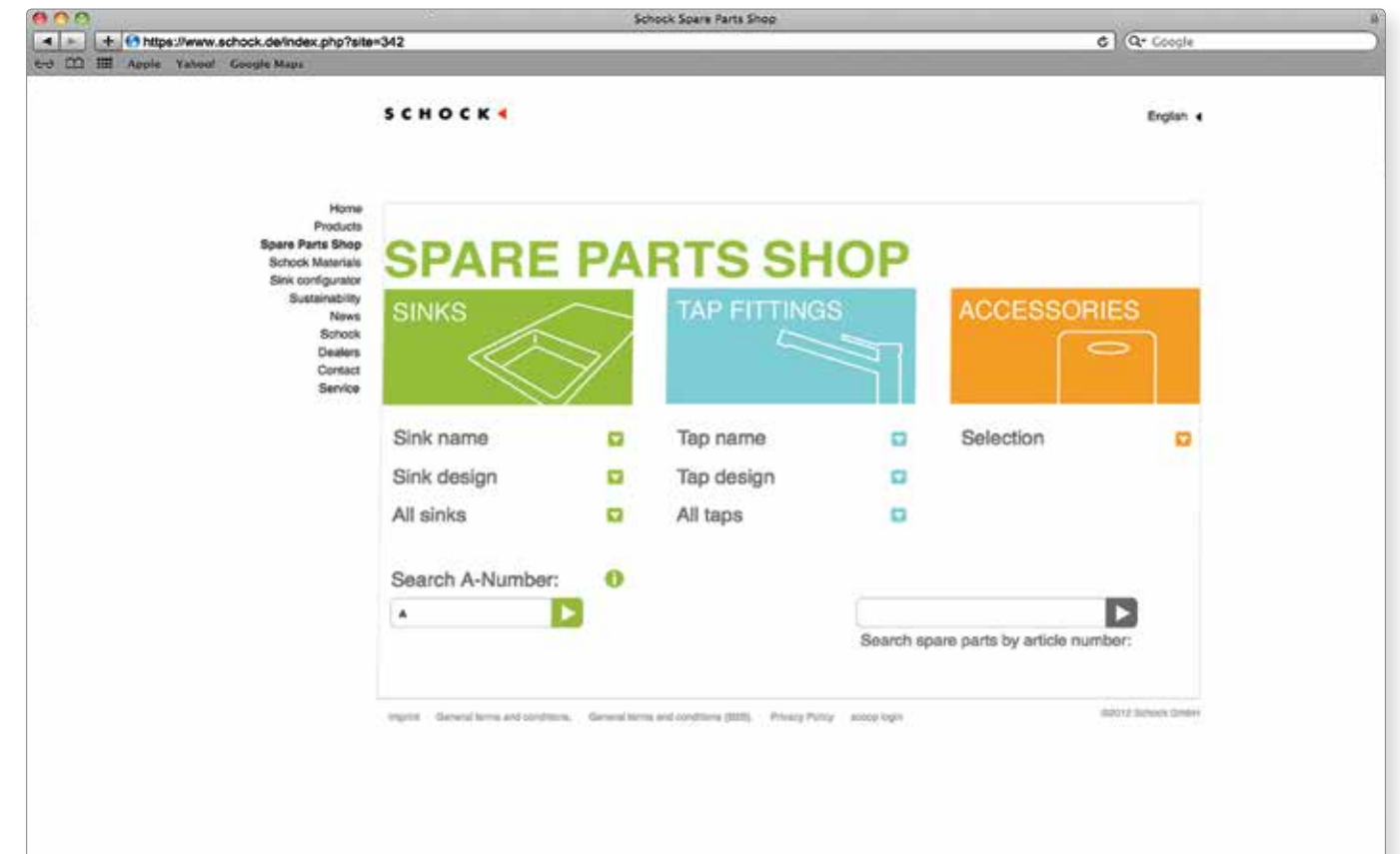
LED changes colour to indicate the water temperature





Scan the QR code to go to the spare parts shop or visit www.schock.de

www.schock.de/shop



Please use our online form at www.schock.de/shop

SINKS
PremiumLine

CRISTADUR® ALIVE



8:27 am, London city in the morning,
I feel excited and alive!



N-175



N-200



www.schock.de/alive

Bronze (87)

Chocolate (86)

Stone (88)

Carbonium (90)

Magma (97)

Puro (84)

Polaris (98)

Magnolia (89)

Avorio (92)



CRISTADUR®
ALIVE N-175

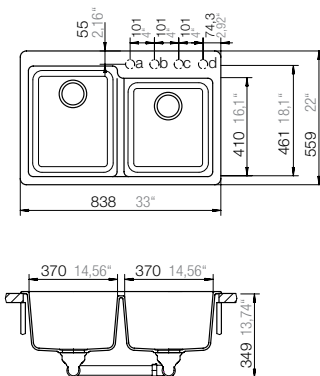


Product benefits

- Pure luxury in the kitchen thanks to the silky-smooth feel of CRISTADUR®.
- The shorter design makes it perfectly suited to the modern kitchen suites in city and studio apartments.
- Extra functionality can be added in the form of accessories such as LED-light or comfotouch.

Installation measurements




PDF/DXF: www.schock.de/ALIN175





Article no.

-  **ALI N 175 A**
-  **ALI N 175 U***

Optional accessories (See pages 327-331)

| | | |
|---|--|---|
|  | Automatic drain kit 629326PD | Manual drain kit..... 629325 Syphon..... 629229 |
|  | comfotouch 629830 | Easy Care..... 629018 Easy Care Brightener..... 629019 |
|  | LED-light 629024 | Undermount clamps..... 6.3016/8 |

Recommended taps

-  **SCHOCK MINO**
See page 310
-  **SCHOCK PIEGA**
See page 315

CRISTADUR®
ALIVE N-200

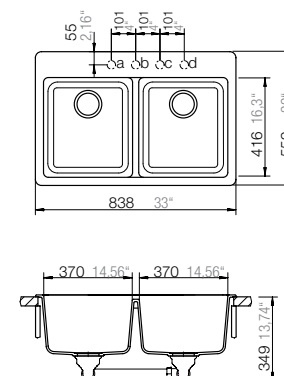


Product benefits

- Designed with straight lines and appeal, this sink fits perfectly into any style of kitchen.
- Combines perfectly with the Piega tap in the same colour.
- This sink is a real highlight in the kitchen with nine gleaming CRISTADUR® colourways to choose from.

Installation measurements




PDF/DXF: www.schock.de/ALIN200





Article no.

-  **ALI N 200 A**
-  **ALI N 200 U***

Optional accessories (See pages 327-331)

| | | |
|---|--|---|
|  | Automatic drain kit 629326PD | Manual drain kit..... 629325 Syphon..... 629229 |
|  | comfotouch 629830 | Easy Care..... 629018 Easy Care Brightener..... 629019 |
|  | LED-light 629024 | Undermount clamps..... 6.3016/8 |

Recommended taps

-  **SCHOCK MINO**
See page 310
-  **SCHOCK PIEGA**
See page 315

* Special size without tap bar available

CRISTADUR®
GALAXY



N-100

8:47 pm, Berlin, it's like a different galaxy, I have to see the city from above, going to the Fernsehturm at Alexanderplatz.



www.schock.de/galaxy

Bronze (87)

Chocolate (86)

Stone (88)

Carbonium (90)

Polaris (99)

Magma (97)

Magnolia (89)

Puro (84)

Avorio (92)



CRISTADUR®
GALAXY N-100

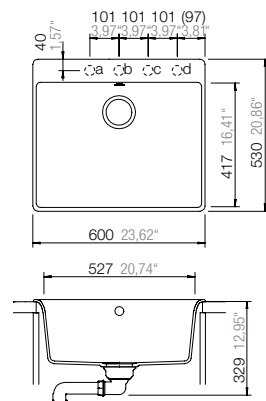


Product benefits

- The integral antibacterial protection in CRISTADUR® helps put your mind at rest when preparing fresh food.
- The long tap-hole platform can be equipped with up to four holes.
- A modern sink with a very large, deep bowl which can be enhanced by optional LED lighting.

Installation measurements

PDF/DXF: www.schock.de/GALN100



Article no.



GAL N 100 A



GAL N 100 U*

Optional accessories (See pages 327-331)



Automatic drain kit
629324PD



comfotouch
629830



LED-light
629024/3

| | |
|---------------------------|-----------------|
| Manual drain kit..... | 629323 |
| Syphon..... | 629229 |
| Easy Care..... | 629018 |
| Easy Care Brightener..... | 629019 |
| Undermount clamps..... | 6.3016/4 |

Recommended taps



SCHOCK **CENTROS**
See page 298



SCHOCK **PILA**
See page 316

* Special size without tap bar available

CRISTADUR®
GRANDO

5:57 am, Paris, arrived
during the night, jogging
in the morning, feeling
good.



M-100



www.schock.de/grando

Bronze (87)

Chocolate (86)

Stone (88)

Carbonium (90)

Polaris (99)

Magma (97)

Magnolia (89)

Puro (84)

Avorio (92)



CRISTADUR®
GRANDO M-100

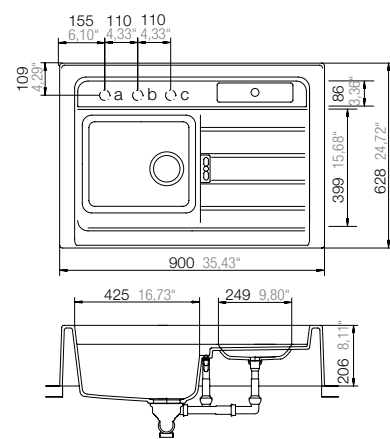


Product benefits

- Sink module that blends perfectly with the modern country kitchen.
- The large single bowl can be equipped with a useful chopping board.
- This sink will turn heads in the kitchen in its gleaming CRISTADUR® colourway.

Installation measurements

PDF/DXF: www.schock.de/GRAM100



Article no.



GRA M 100

Optional accessories (See pages 327-331)



Chopping board, glass
629028 black

Syphon..... **629229**
comfotouch..... **629830**
LED-light..... **629024**



Automatic drain kit
629306PD

Easy Care..... **629018**
Easy Care Brightener..... **629019**

Recommended taps



SCHOCK **HEKATE**
See page 305

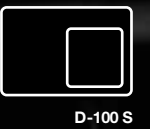


SCHOCK **PIEGA**
See page 315



CRISTADUR®
GRANDO

CRISTADUR® HORIZONT



D-100 S



D-100



D-150



D-200



N-200



www.schock.de/horizont

2:32 pm, Lisbon, the end of Europe,
hotel in the great historic city,
need some sleep.



- Bronze (87)
- Chocolate (86)
- Stone (88)
- Carbonium (90)
- Polaris (99)
- Magma (97)
- Magnolia (89)
- Puro (84)
- Avorio (92)

CRISTADUR®
HORIZONT D-100 S

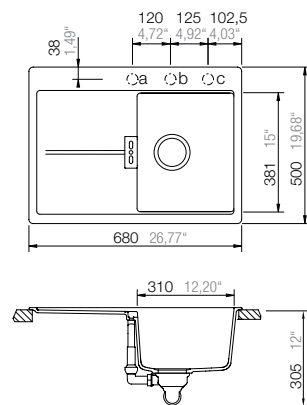


Product benefits

- The integral antibacterial protection in CRISTADUR® helps put your mind at rest when preparing fresh food.
- The shorter design makes it perfectly suited to the modern kitchen suites in city and studio apartments.
- Optionally available LED lighting makes the sink a real eye-catcher.

Installation measurements

PDF/DXF: www.schock.de/HOND100S



Article no.

- HON D 100 S A**
- HON D 100 S U**
- HON D 100 S FB**

Optional accessories (See pages 327-331)

| | | |
|--|--|---|
| | Chopping board, glass 629076 black | Manual drain kit..... 629395 Syphon..... 629229 |
| | Strainer bowl 629051 | comfotouch..... 629830 LED-light..... 629024 |
| | Automatic drain kit 629368PD | Easy Care..... 629018 Easy Care Brightener..... 629019 |
| | | Undermount clamps..... 6.3016/4 |

Recommended taps

- SCHOCK SC-300**
See page 294
- SCHOCK NIMBUS**
See page 313

CRISTADUR®
HORIZONT D-100

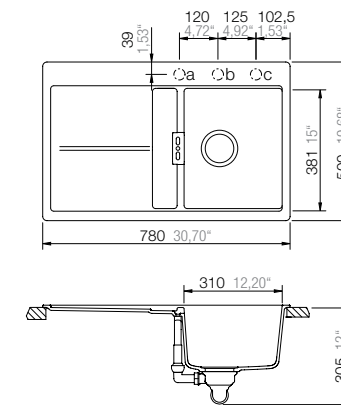


Product benefits

- An exceptionally beautiful design featuring straight lines very much in the contemporary kitchen style.
- Remarkably easy to clean – dirt finds it virtually impossible to stick to the surface thanks to the CRISTADUR® dirt repellent effect.
- Available in three different installation options for maximum flexibility in kitchen planning.

Installation measurements

PDF/DXF: www.schock.de/HOND100



Article no.

- HON D 100 A**
- HON D 100 U**
- HON D 100 FB**

Optional accessories (See pages 327-331)

| | | |
|--|--|---|
| | Chopping board, glass 629076 black | Manual drain kit..... 629370 Syphon..... 629229 |
| | Strainer bowl 629051 | comfotouch..... 629830 LED-light..... 629024 |
| | Automatic drain kit 629371PD | Easy Care..... 629018 Easy Care Brightener..... 629019 |
| | | Undermount clamps..... 6.3016/6 |

Recommended taps

- SCHOCK SC-300**
See page 294
- SCHOCK NIMBUS**
See page 313



Bronze (87)

Chocolate (86)

Stone (88)

Carbonium (90)

Polaris (98)

Magma (97)

Magnolia (89)

Puro (84)

Avonio (92)

CRISTADUR®
HORIZONT D-150

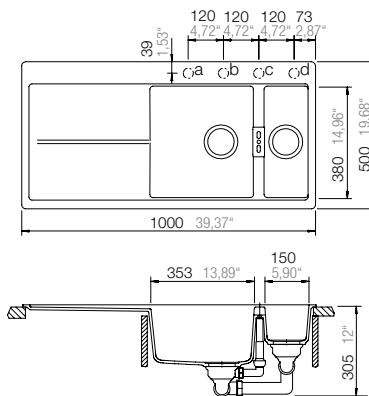


Product benefits

- The exceptionally beautiful design with its straight lines has won numerous prizes.
- Unique designer glass chopping boards provide flush-mounted coverage and add to the sink's quality look.
- Pure luxury in the kitchen thanks to the silky-smooth feel of CRISTADUR®.

Installation measurements

PDF/DXF: www.schock.de/HOND150



Article no.

- HON D 150 A**
- HON D 150 U**
- HON D150 FB**

Optional accessories (See pages 327-331)

- Chopping board, glass
629064 black, small or **629075** black, large
- Strainer bowl
629051
- Automatic drain kit
629373PD

- Chopping board green, small.....**629064/1**
- Chopping board green, large.....**629075/1**
- Manual drain kit.....**629372**
- Syphon.....**629229**
- comfotouch.....**629830**
- LED-light.....**629024**
- Easy Care.....**629018**
- Easy Care Brightener.....**629019**
- Undermount clamps.....**6.3016/6**

Recommended taps

- SCHOCK SC-300**
See page 294
- SCHOCK NIMBUS**
See page 313

CRISTADUR®
HORIZONT D-200

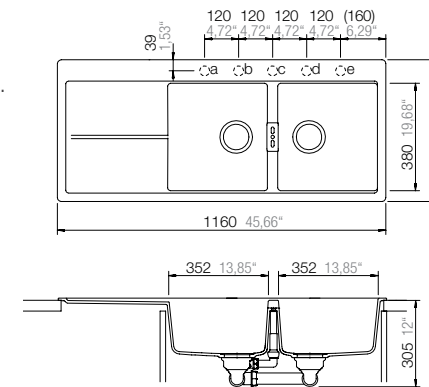


Product benefits

- Exceptional freedom with two large sinks and a sizeable draining board.
- Combines perfectly with the Schock Nimbus taps with CRISTADUR® sleeves.
- The long tap-hole platform can be equipped with up to five holes.

Installation measurements

PDF/DXF: www.schock.de/HOND200



Article no.

- HON D 200 A**
- HON D 200 U**
- HON D 200 FB**

Optional accessories (See pages 327-331)

- Chopping board, glass
629076 black
- Strainer bowl
629051
- Automatic drain kit
629373PD

- Manual drain kit.....**629372**
- Syphon.....**629229**
- comfotouch.....**629830**
- LED-light.....**629024**
- Easy Care.....**629018**
- Easy Care Brightener.....**629019**
- Undermount clamps.....**6.3016/8**

Recommended taps

- SCHOCK SC-300**
See page 294
- SCHOCK NIMBUS**
See page 313



Bronze (87)

Chocolate (86)

Stone (88)

Carbonium (90)

Polaris (99)

Magma (97)

Magnolia (89)

Puro (84)

Avorio (92)

CRISTADUR®
HORIZONT N-200

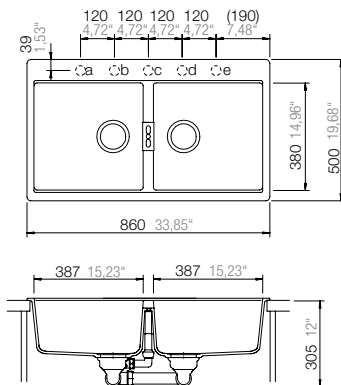


Product benefits




- An exceptionally smooth design featuring straight lines very much in the contemporary kitchen style.
- Remarkably easy to clean – dirt finds it virtually impossible to stick to the surface thanks to the CRISTADUR® dirt repellent effect.
- Exceptional freedom with two large bowls.

Installation measurements

PDF/DXF: www.schock.de/HONN200



Article no.

-  **HON N 200 A**
-  **HON N 200 U**
-  **HON N 200 FB**

Optional accessories (See pages 327-331)



Chopping board, glass
629064 black or
629064/1 green



Strainer bowl
629051



Automatic drain kit
629373PD

- Manual drain kit.....**629372**
- Syphon.....**629229**
- comfotouch.....**629830**
- LED-light.....**629024**
- Easy Care.....**629018**
- Easy Care Brightener.....**629019**
- Undermount clamps.....**6.3016/8**

Recommended taps

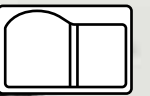
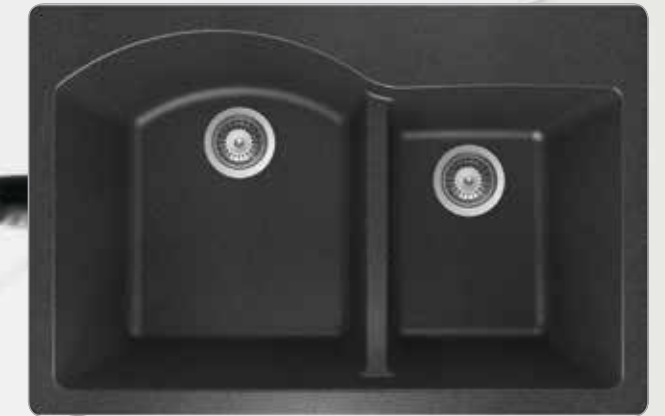


SCHOCK **SC-300**
See page 294

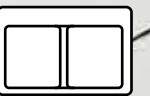


SCHOCK **NIMBUS**
See page 313

CRISTADUR®
INSPIRE



N-175



N-200

9:48 am, Lisbon, enjoying a boat trip,
feeling comfortable and relaxed.



www.schrock.de/inspire



Bronze (87)

Chocolate (86)

Stone (88)

Carbonium (90)

Polaris (99)

Magma (97)

Magnolia (89)

Puro (84)

Avorio (92)

CRISTADUR®
INSPIRE N-175

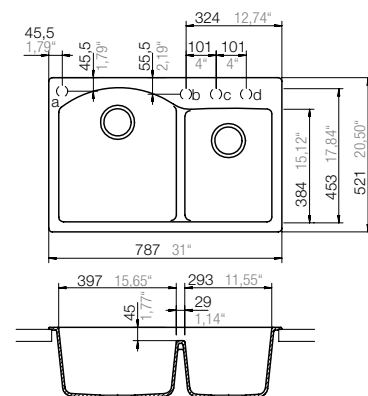


Product benefits

- Pure luxury in the kitchen thanks to the silky-smooth feel of CRISTADUR®.
- Combines perfectly with the Schock SC-300 tap with CRISTADUR® sleeves.
- Available in two different installation options for more flexibility in kitchen planning.

Installation measurements

PDF/DXF: www.schock.de/INPN175



Article no.

- INP N 175 A**
- INP N 175 U***

Optional accessories (See pages 327-331)

| | | |
|--|--|---|
| | Automatic drain kit 629326PD | Manual drain kit..... 629325 |
| | | Syphon..... 629229 |
| | comfotouch 629830 | Easy Care..... 629018 |
| | LED-light 629024 | Easy Care Brightener..... 629019 |
| | | Undermount clamps..... 6.3016/8 |

Recommended taps

- SCHOCK KARPO**
See page 308
- SCHOCK SC-300**
See page 294

* Special size without tap bar available

CRISTADUR®
INSPIRE N-200

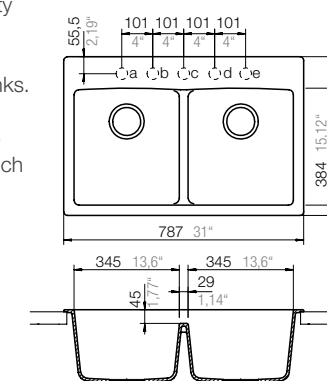


Product benefits

- CRISTADUR® sets extraordinary standards in terms of surface feel, practicality and aesthetics.
- Exceptional freedom with two large sinks.
- Extra functionality can be added in the form of accessories such as comfotouch and LED-light.

Installation measurements

PDF/DXF: www.schock.de/INPN200



Article no.

- INP N 200 A**
- INP N 200 U***

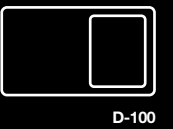
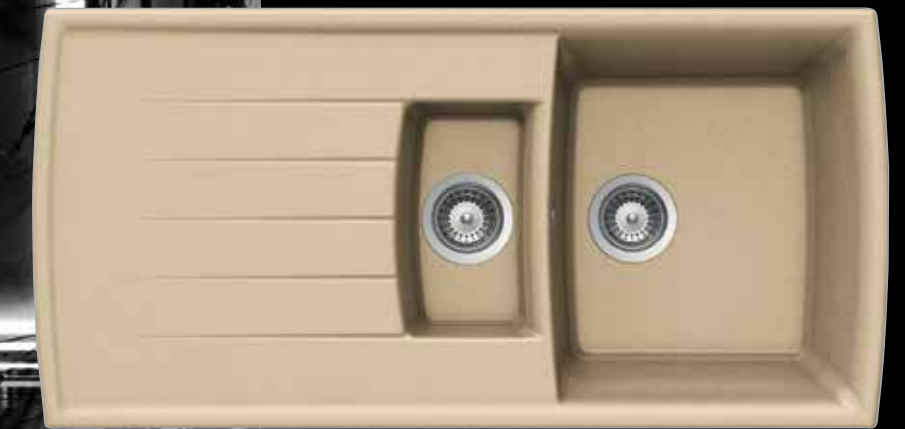
Optional accessories (See pages 327-331)

| | | |
|--|--|---|
| | Automatic drain kit 629326PD | Manual drain kit..... 629325 |
| | | Syphon..... 629229 |
| | comfotouch 629830 | Easy Care..... 629018 |
| | LED-light 629024 | Easy Care Brightener..... 629019 |
| | | Undermount clamps..... 6.3016/8 |

Recommended taps

- SCHOCK KARPO**
See page 308
- SCHOCK SC-300**
See page 294

7:31 pm,
first time to Asia,
overwhelmed by the
intense atmosphere,
looking for some
traditional food.



D-100



D-150



C-150





- Bronze (87)
- Chocolate (86)
- Stone (88)
- Carbonium (90)
- Magma (97)
- Puro (84)
- Polaris (98)
- Magnolia (89)
- Avorio (92)

CRISTADUR®
LOTUS D-100

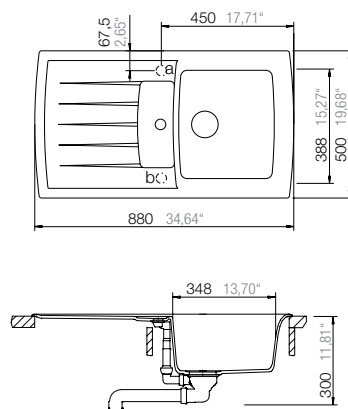


Product benefits

- Exceptional material properties thanks to the CRISTADUR® dirt repellent effect and Schock Antibac.
- Available in three different installation options for maximum flexibility in kitchen planning.
- Classic sink design for the quality kitchen with an elegant rim all round.

Installation measurements

PDF/DXF: www.schock.de/LOTD100



Article no.

- LOT D 100 A**
- LOT D 100 U**
- LOT D 100 FB**

Optional accessories (See pages 327-331)

| | | |
|--|--|---|
| | Chopping board, glass 629046* black or 629045* white | Manual drain kit 629382 Syphon..... 629229 |
| | Wire basket 629194 | comfotouch..... 629830 LED-light..... 629024 |
| | Automatic drain kit 629383PD | Easy Care..... 629018 Easy Care Brightener..... 629019 |
| | | Undermount clamps..... 6.3016/10 |

Recommended taps

- SCHOCK ZERUS**
See page 321
- SCHOCK SC-200**
See page 295

* Please specify **A** = Topmounted, **U** = Undermounted or **FB** = Flush-mounted

CRISTADUR®
LOTUS D-150

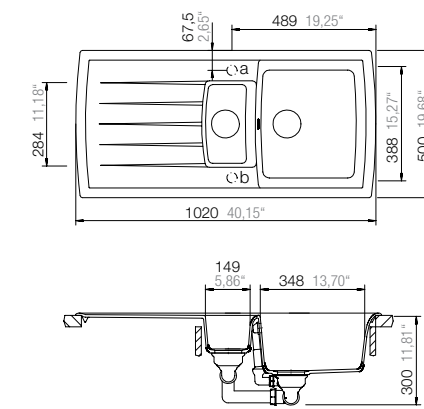


Product benefits

- The classic sink design brings a piece of timeless beauty into the kitchen.
- This exclusive sink can be equipped with a premium strainer bowl or a highquality glass chopping board.
- CRISTADUR® sets extraordinary standards in terms of surface feel, practicality and aesthetics.

Installation measurements

PDF/DXF: www.schock.de/LOTD150



Article no.

- LOT D150 A**
- LOT D150 U**
- LOT D150 FB**

Optional accessories (See pages 327-331)

| | | |
|--|--|--|
| | Chopping board, glass 629046* black or 629045* white | Automatic drain kit..... 629305PD Manual drain kit..... 629304 Syphon..... 629229 |
| | Strainer bowl 629056 | comfotouch..... 629830 LED-light..... 629024 |
| | Wire basket 629194 | Easy Care..... 629018 Easy Care Brightener..... 629019 |
| | | Undermount clamps..... 6.3016/10 |

Recommended taps

- SCHOCK ZERUS**
See page 321
- SCHOCK SC-200**
See page 295



蓮 水 花

CRISTADUR®
LOTUS C-150

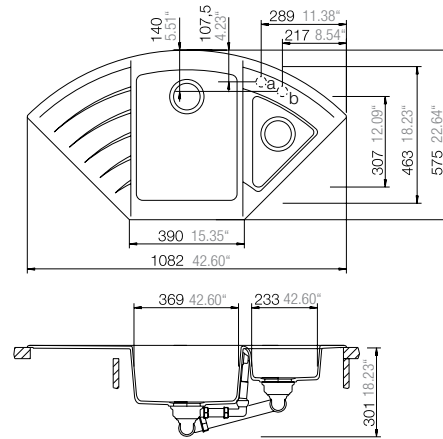


Product benefits

- Classic corner sink design with plenty of space for washing and doing the dishes.
- Remarkably easy to clean – dirt finds it virtually impossible to stick to the surface thanks to the CRISTADUR® dirt repellent effect.
- Additional functions can be added in the form of optional accessories such as a high-quality stainless steel strainer bowl.

Installation measurements

PDF/DXF: www.schock.de/LOT150



Article no.

- LOT C 150 A**
- LOT C 150 U**
- LOT C 150 FB**

Optional accessories (See pages 327-331)

| | | |
|--|--|---|
| | Strainer bowl 629057 | Manual drain kit..... 629348 |
| | Wire Basket 629196 | Syphon..... 629229 |
| | Automatic drain kit 629349PD | comfotouch..... 629830 |
| | | LED-light..... 629024 |
| | | Easy Care..... 629018 |
| | | Easy Care Brightener..... 629019 |
| | | Undermount clamps..... 6.3016/9 |

Recommended taps

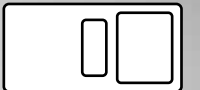
- SCHOCK ZERUS**
See page 321
- SCHOCK SC-200**
See page 295

- Bronze (87)
- Chocolate (86)
- Stone (88)
- Carbonium (90)
- Polaris (98)
- Magma (97)
- Magnolia (89)
- Puro (84)
- Avorio (92)

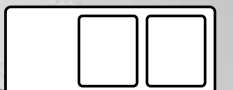
CRISTADUR® MODENA



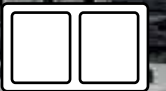
D-100



D-150



D-200



N-200

8:47 am, Venice.
I love Italy, important
meeting at 10:00 am.



www.schock.de/modena

Istituto Veneto
di Scienze Lettere
ed Arti

Bronze (87)

Chocolate (86)

Stone (88)

Carbonium (90)

Polaris (99)

Magma (97)

Magnolia (89)

Puro (84)

Avorio (92)



CRISTADUR®
MODENA D-100

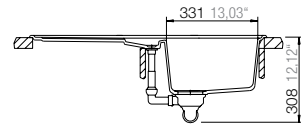
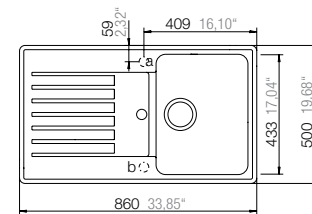


Product benefits

- This sink will turn heads in the kitchen in its gleaming CRISTADUR® colourways.
- The timeless Italian look is a real winner in any style of kitchen.
- Remarkably easy to clean – dirt finds it virtually impossible to stick to the surface thanks to the CRISTADUR® dirt repellent effect.

Installation measurements

PDF/DXF: www.schock.de/MDAD100



Article no.

- MDA D 100 A**
- MDA D 100 U**

Optional accessories (See pages 327-331)

| | | |
|--|--|---|
| | Chopping board, glass 629046* black or 629045* white | Manual drain kit..... 629382 |
| | | Syphon..... 629229 |
| | Automatic drain kit 629383PD | comfotouch..... 629830 |
| | | LED-light..... 629024 |
| | | Easy Care..... 629018 |
| | | Easy Care Brightener..... 629019 |
| | | Undermount clamps..... 6.3016/10 |

Recommended taps

- SCHOCK **ZELOS**
See page 320
- SCHOCK **SC-200**
See page 295

* Please specify **A** = Topmounted, **U** = Undermounted

CRISTADUR®
MODENA D-150

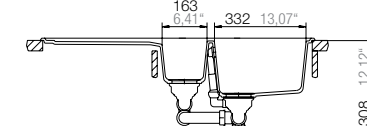
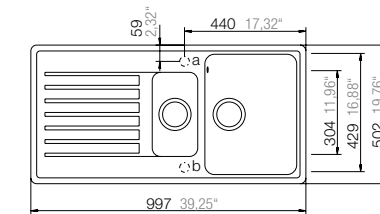


Product benefits

- The classic design is cleverly combined with trusted functionality.
- The extremely fine nanostructure of CRISTADUR® creates an enhanced smoothness you can really feel, so dirt that could be a breeding ground for bacteria finds it impossible to stick to the surface.
- This well designed sink can be enhanced by a high quality strainer bowl.

Installation measurements

PDF/DXF: www.schock.de/MDAD150



Article no.

- MDA D 150 A**
- MDA D 150 U**

Optional accessories (See pages 327-331)

| | | |
|--|--|---|
| | Chopping board, glass 629046* black or 629045* white | Manual drain kit..... 629304 |
| | | Syphon..... 629229 |
| | Automatic drain kit 629305PD | comfotouch..... 629830 |
| | | LED-light..... 629024 |
| | | Easy Care..... 629018 |
| | | Easy Care Brightener..... 629019 |
| | | Undermount clamps..... 6.3016/10 |

Recommended taps

- SCHOCK **ZELOS**
See page 320
- SCHOCK **SC-200**
See page 295

Bronze (87)

Chocolate (86)

Stone (88)

Carbonium (90)

Polaris (99)

Magma (97)

Magnolia (89)

Puro (84)

Avorio (92)



COMING SOON

CRISTADUR®
MODENA D-200

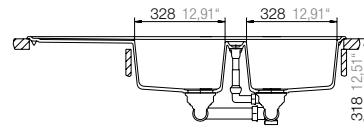
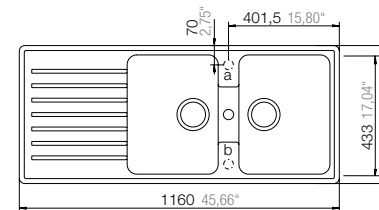


Product benefits

- Pure luxury in the kitchen thanks to the silky-smooth feel of CRISTADUR®.
- Combines perfectly with the SC-200 tap in the same colour.
- The timeless Italian look is a real winner in any style of kitchen.

Installation measurements

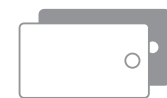
PDF/DXF: www.schock.de/MDAD200



Article no.

- MDA D 200 A**
- MDA D 200 U**

Optional accessories (See pages 327-331)



Chopping board, glass
629046* black or
629045* white



Automatic drain kit
629301PD

| | |
|---------------------------|------------------|
| Manual drain kit..... | 629300 |
| Syphon..... | 629229 |
| comfotouch..... | 629830 |
| LED-light..... | 629024 |
| Easy Care..... | 629018 |
| Easy Care Brightener..... | 629019 |
| Undermount clamps..... | 6.3016/10 |

Recommended taps

- SCHOCK ZELOS**
See page 320
- SCHOCK SC-200**
See page 295

* Please specify **A** = Topmounted or **U** = Undermounted

CRISTADUR®
MODENA N-200

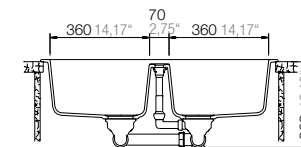
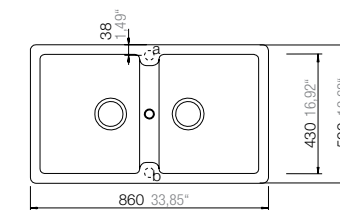


Product benefits

- This sink is a real highlight in the kitchen with nine gleaming CRISTADUR® colourways to choose from.
- Extra functionality can be added in the form of accessories such as a glass chopping board or LED light.
- Developed to make optimum use of the space available in a 90 cm base unit.

Installation measurements

PDF/DXF: www.schock.de/MDAN200



Article no.

- MDA N 200 A**
- MDA N 200 U**

Optional accessories (See pages 327-331)



Chopping board, glass
629046* black or
629045* white



Automatic drain kit
629301PD

| | |
|---------------------------|-----------------|
| Manual drain kit..... | 629300 |
| Syphon..... | 629229 |
| comfotouch..... | 629830 |
| LED-light..... | 629024 |
| Easy Care..... | 629018 |
| Easy Care Brightener..... | 629019 |
| Undermount clamps..... | 6.3016/8 |

Recommended taps

- SCHOCK ZELOS**
See page 320
- SCHOCK SC-200**
See page 295

3:45 am, Venice, old town, last day
in Europe, clubbing until daybreak.



N-100



D-100



D-150

CRISTADUR®
MONO



www.schock.de/mono

Bronze (87)

Chocolate (86)

Stone (88)

Carbonium (90)

Polaris (98)

Magma (97)

Magnolia (89)

Puro (84)

Avorio (92)



CRISTADUR®
MONO N-100

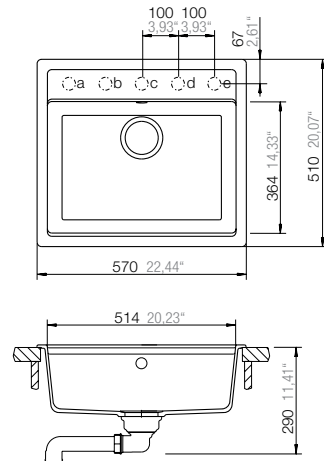


Product benefits

- A classic sink that is perfect in form with a large, deep bowl which can be enhanced by optional LED lighting.
- The long tap-hole platform can be equipped with up to five holes.
- This exclusive sink can be enhanced by a premium strainer bowl or a high-quality glass chopping board.

Installation measurements

PDF/DXF: www.schock.de/MONN100



Article no.

- MON N 100 A**
- MON N 100 U**
- MON N 100 FB**

Additional finishing

Glossy *

Optional accessories (See pages 327-331)

| | | |
|--|--|---|
| | Chopping board, glass 629015/N black | Manual drain kit..... 629314 Syphon..... 629229 |
| | Strainer bowl 629017 | comfotouch..... 629830 LED-light..... 629024 |
| | Automatic drain kit 629313PD | Easy Care..... 629018 Easy Care Brightener..... 629019 |
| | | Undermount clamps..... 6.3016/4 |

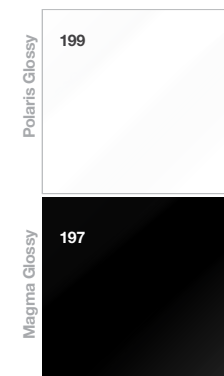
Recommended taps

- SCHOCK **ERIS**
See page 303
- SCHOCK **SKIRON**
See page 318

CRISTADUR®
MONO GLOSSY

Product benefits

- The Mono N-100 is now also available in the revolutionary CRISTADUR® GLOSSY colourways, Magma Glossy and Polaris Glossy, which shine with a luxuriously glossy surface thanks to a special finishing technique. GLOSSY takes high-quality kitchen architecture another step away from the mainstream.
- Blends perfectly with high-gloss countertops in both natural and engineered stone; for instance Polaris Glossy is perfectly matched with all of the main white tones on the market. Hardly any difference in colour is visible between the sink and the countertop with undermount installation.
- For long-lasting enjoyment, GLOSSY technology enables the surface to be repaired when initial signs of usage start to appear after many years of ownership.



* Applies to the colourways 197, 199 – only with the Mono N-100

Bronze (87)

Chocolate (86)

Stone (88)

Carbonium (90)

Magma (97)

Puro (84)

Polaris (98)

Magnolia (89)

Avorio (92)



COMING SOON

CRISTADUR®
MONO D-100

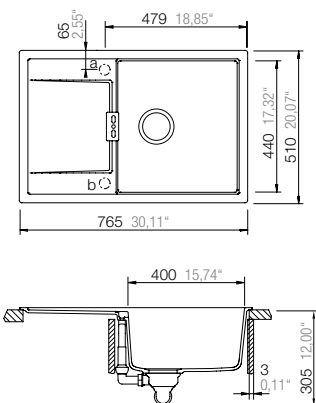


Product benefits

- Developed to make optimum use of the space available in a 50 cm base unit.
- The shorter design makes it perfectly suited to the modern kitchen suites in city apartments.
- The integral antibacterial protection in CRISTADUR® helps put your mind at rest when preparing fresh food.

Installation measurements

PDF/DXF: www.schock.de/MOND100



Article no.

- MON D 100 A**
- MON D 100 U**
- MON D 100 FB**

Optional accessories (See pages 327-331)

- Automatic drain kit **629385PD**
- Manual drain kit **629384**
- Syphon **629229**
- Easy Care **629018**
- Easy Care Brightener **629019**
- Undermount clamps **6.3016/5**
- LED-light **629024**

Recommended taps

- SCHOCK ERIS**
See page 303
- SCHOCK SKIRON**
See page 318

CRISTADUR®
MONO D-150

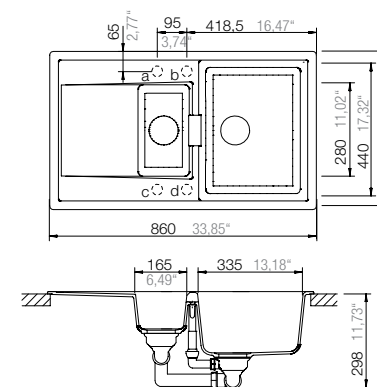


Product benefits

- The combination of classic design and ultra-modern materiality creates an exceptionally high-grade sink.
- CRISTADUR® sets extraordinary standards in terms of surface feel, practicality and aesthetics.
- Available in three different installation options for more flexibility in kitchen planning.

Installation measurements

PDF/DXF: www.schock.de/MOND150



Article no.

- MON D 150 A**
- MON D 150 U**
- MON D 150 FB**

Optional accessories (See pages 327-331)

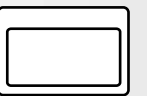
- Automatic drain kit **629388PD**
- Manual drain kit **629389**
- Syphon **629229**
- Easy Care **629018**
- Easy Care Brightener **629019**
- Undermount clamps **6.3016/5**
- LED-light **629024**

Recommended taps

- SCHOCK ERIS**
See page 303
- SCHOCK SKIRON**
See page 318

CRISTADUR® MONTANO

1:14 pm, San Francisco, fantastic view and
great weather, crossing Golden Gate Bridge,
driving into the hills.



N-100



www.schock.de/montano



Bronze (87)

Chocolate (86)

Stone (88)

Carbonium (90)

Polaris (98)

Magma (97)

Magnolia (89)

Puro (84)

Avorio (92)

CRISTADUR®
MONTANO N-100

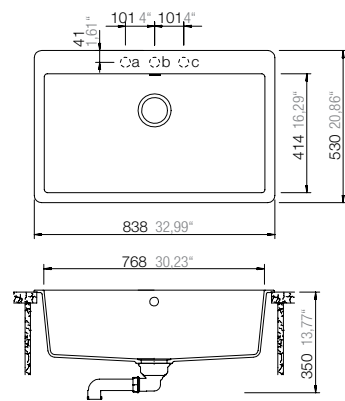


Product benefits

- The classic sink design brings a piece of timeless beauty into the kitchen.
- The integral antibacterial protection helps put your mind at rest when preparing fresh food.
- Combines perfectly with the Schock SC taps with CRISTADUR® sleeves.

Installation measurements

PDF/DXF: www.schock.de/MOTN100



Article no.



MOT N 100 A



MOT N 100 U

Optional accessories (See pages 327-331)



Automatic drain kit
629324PD

Manual drain kit.....**629323**
Syphon.....**629229**



comfotouch
629830

Easy Care.....**629018**
Easy Care Brightener.....**629019**



LED-light
629024/3

Undermount clamps.....**6.3016/6**

Recommended taps



SCHOCK **SC-200**
See page 295



SCHOCK **PILA**
See page 316

CRISTADUR® OPUS



D-100



D-150



D-200



N-200

11:13 pm, Sydney, feeling exhausted after
a long flight, lingering along the seafront,
taking in the scenery.



www.schock.de/opus



- Bronze (87)
- Chocolate (86)
- Stone (85)
- Carbonium (90)
- Magma (97)
- Puro (84)
- Polaris (99)
- Magnolia (89)
- Avorio (92)

CRISTADUR®
OPUS D-100

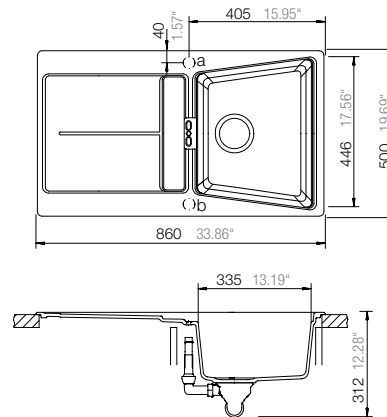


Product benefits

- Unique, purist sink design with a trapeze-shaped bowl – for real trendsetters.
- This sink is a real highlight in the kitchen with nine gleaming CRISTADUR® colourways to choose from.
- Unusual, patented designer overflow rounds off the modern look.

Installation measurements

PDF/DXF: www.schock.de/OPUD100



Article no.

- OPU D 100 A**
- OPU D 100 U**
- OPU D 100 FB**

Optional accessories (See pages 327-331)

| | | |
|--|--|---|
| | Chopping board, glass 629046* black or 629045* white | Manual drain kit..... 629331 Syphon..... 629229 |
| | Strainer bowl 629029 | comfotouch..... 629830 LED-light..... 629024 |
| | Automatic drain kit 629332PD | Easy Care..... 629018 Easy Care Brightener..... 629019 |
| | | Undermount clamps..... 6.3016/8 |

Recommended taps

- SCHOCK PHOBOS**
See page 293
- SCHOCK SC-200**
See page 295

* Please specify **A** = Topmounted, **U** = Undermounted or **FB** = Flush-mounted

CRISTADUR®
OPUS D-150

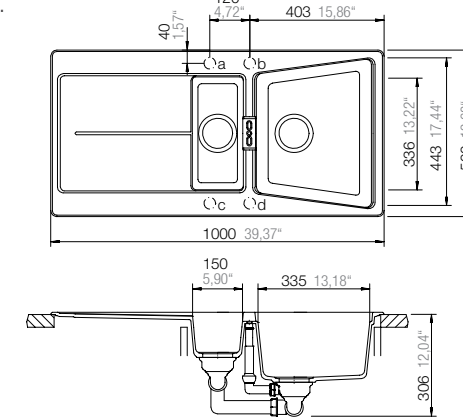


Product benefits

- This on-trend, purist design won the renowned reddot design award in 2009.
- The expressive, premium glass chopping board adds emphasis to the modern lifestyle.
- Exceptional material properties thanks to the CRISTADUR® dirt repellent effect and Schock Antibac.

Installation measurements

PDF/DXF: www.schock.de/OPUD150



Article no.

- OPU D 150 A**
- OPU D 150 U**
- OPU D 150 FB**

Optional accessories (See pages 327-331)

| | | |
|--|--|---|
| | Chopping board, glass 629046* black or 629045* white | Manual drain kit..... 629333 Syphon..... 629229 |
| | Strainer bowl 629029 | comfotouch..... 629830 LED-light..... 629024 |
| | Automatic drain kit 629334PD | Easy Care..... 629018 Easy Care Brightener..... 629019 |
| | | Undermount clamps..... 6.3016/10 |

Recommended taps

- SCHOCK PHOBOS**
See page 293
- SCHOCK SC-200**
See page 295



- Bronze (87)
- Chocolate (86)
- Stone (88)
- Carbonium (90)
- Polaris (99)
- Magma (97)
- Magnolia (89)
- Puro (84)
- Avorio (92)

CRISTADUR®
OPUS D-200

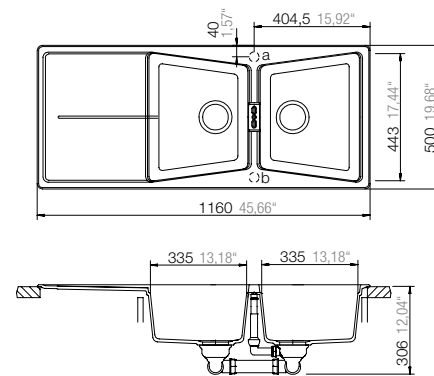


Product benefits

- Exceptionally beautiful, extravagant design – a work of art in the luxury kitchen.
- CRISTADUR® sets extraordinary standards in terms of surface feel, practicality and aesthetics.
- This exclusive sink can be enhanced by a premium strainer bowl or a high-quality glass chopping board.

Installation measurements

PDF/DXF: www.schock.de/OPUD200



Article no.

- OPU D 200 A**
- OPU D 200 U**
- OPU D 200 FB**

Optional accessories (See pages 327-331)

| | | |
|--|--|--|
| | Chopping board, glass 629046* black or 629045* white | Manual drain kit..... 629333 Syphon..... 629229 |
| | Strainer bowl 629029 | comfotouch..... 629830 LED-light..... 629024 |
| | Automatic drain kit 629334PD | Easy Care..... 629018 Easy Care Brightener..... 629019 Undermount clamps..... 6.3016/10 |

Recommended taps

- SCHOCK PHOBOS**
See page 293
- SCHOCK SC-200**
See page 295

* Please specify **A** = Topmounted, **U** = Undermounted or **FB** = Flush-mounted

CRISTADUR®
OPUS N-200

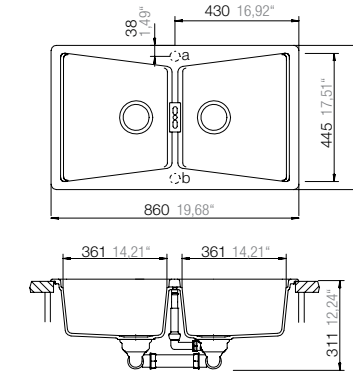


Product benefits

- The narrow design is perfectly suited to the modern kitchen suites in city and studio apartments.
- Pure luxury in the kitchen thanks to the silky-smooth feel of CRISTADUR®.
- Available in three different installation options for more flexibility in kitchen planning.

Installation measurements

PDF/DXF: www.schock.de/OPUN200



Article no.

- OPU N 200 A**
- OPU N 200 U**
- OPU N 200 FB**

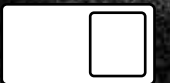
Optional accessories (See pages 327-331)

| | | |
|--|--|---|
| | Chopping board, glass 629046* black or 629045* white | Manual drain kit..... 629333 Syphon..... 629229 |
| | Automatic drain kit 629334PD | comfotouch..... 629830 LED-light..... 629024 |
| | | Easy Care..... 629018 Easy Care Brightener..... 629019 Undermount clamps..... 6.3016/4 |

Recommended taps

- SCHOCK PHOBOS**
See page 293
- SCHOCK SC-200**
See page 295

CRISTADUR® SIGNUS



D-100 S



D-100



N-100 XL



D-100 L



N-200



D-150



C-150



D-200

6:27 pm, NYC airport, back in town, tired
but happy with lots of impressions.



www.schock.de/signus



Bronze (87)

Chocolate (86)

Stone (88)

Carbonium (90)

Polaris (99)

Magma (97)

Magnolia (89)

Puro (84)

Avorio (92)

CRISTADUR®
SIGNUS D-100 S

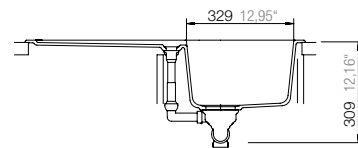
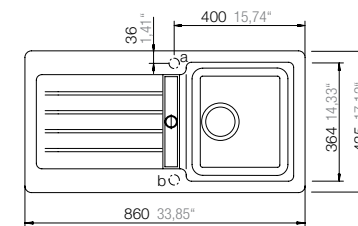


Product benefits

- Optimally suited to narrow kitchen units, at just 435 mm wide.
- The narrow design is perfectly suited to the modern kitchen suites in city and studio apartments.
- Easy to clean – dirt finds it virtually impossible to stick to the surface thanks to the CRISTADUR® dirt repellent effect.

Installation measurements

PDF/DXF: www.schock.de/SIGD100S



Article no.

- SIG D 100 S A**
- SIG D 100 S U**
- SIG D 100 S FB**

Optional accessories (See pages 327-331)



Automatic drain kit
629383PD

Manual drain kit.....**629382**
Syphon.....**629229**



comfotouch
629830

Easy Care.....**629018**
Easy Care Brightener.....**629019**



LED-light
629024

Undermount clamps.....**6.3016/10**

Recommended taps



SCHOCK **NEILOS**
See page 311



SCHOCK **SC-300**
See page 294

CRISTADUR®
SIGNUS D-100

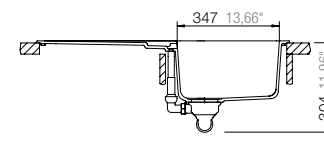
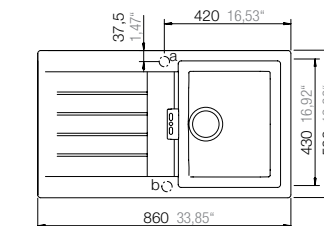


Product benefits

- Designed with straight lines and appeal, this sink fits perfectly into any style of kitchen.
- CRISTADUR® sets extraordinary standards in terms of surface feel, practicality and aesthetics.
- Optionally available with ultra-modern technology such as Schock comfotouch or LED lighting.

Installation measurements

PDF/DXF: www.schock.de/SIGD100



Article no.

- SIG D 100 A**
- SIG D 100 U**
- SIG D 100 FB**

Optional accessories (See pages 327-331)



Chopping board, glass
629046* black or
629045* white

Manual drain kit.....**629370**
Syphon.....**629229**



Wire basket
629171

comfotouch.....**629830**
LED-light.....**629024**



Automatic drain kit
629371PD

Easy Care.....**629018**
Easy Care Brightener.....**629019**
Undermount clamps.....**6.3016/10**

Recommended taps



SCHOCK **NEILOS**
See page 311



SCHOCK **SC-300**
See page 294

* Please specify **A** = Topmounted, **U** = Undermounted or **FB** = Flush-mounted

Bronze (87)

Chocolate (86)

Stone (88)

Carbonium (90)

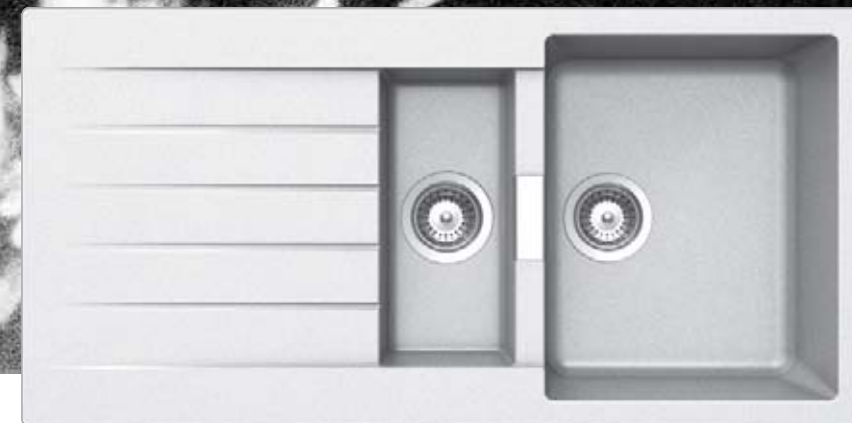
Polaris (99)

Magma (97)

Magnolia (89)

Puro (84)

Avorio (92)



CRISTADUR®
SIGNUS D-100 L

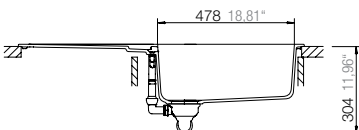
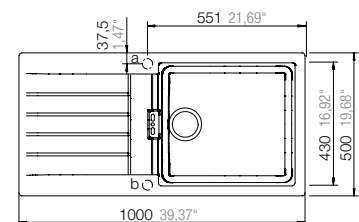


Product benefits

- A modern sink with a very large, deep bowl which can be enhanced by optional LED lighting.
- Exceptional material properties thanks to the CRISTADUR® dirt repellent effect and Schock Antibac.
- Available in three different installation options for maximum flexibility in kitchen planning.

Installation measurements

PDF/DXF: www.schock.de/SIGD100L



Article no.

- SIG D 100 L A**
- SIG D 100 L U**
- SIG D 100 L FB**

Optional accessories (See pages 327-331)

| | | |
|--|--|---|
| | Chopping board, glass 629046* black or 629045* white | Manual drain kit..... 629370 Syphon..... 629229 |
| | Wire basket 629171 | comfotouch..... 629830 LED-light..... 629024 |
| | Automatic drain kit 629371PD | Easy Care..... 629018 Easy Care Brightener..... 629019 |
| | | Undermount clamps..... 6.3016/10 |

Recommended taps

- SCHOCK NEILOS**
See page 311
- SCHOCK SC-300**
See page 294

* Please specify **A** = Topmounted, **U** = Undermounted or **FB** = Flush-mounted

CRISTADUR®
SIGNUS D-150

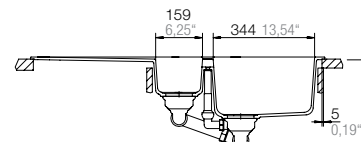
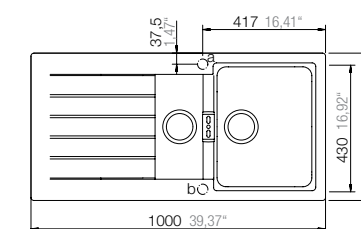


Product benefits

- The combination of classic design and ultra-modern materiality creates an exceptionally high-grade sink.
- The extremely fine nanostructure of CRISTADUR® creates an enhanced smoothness you can really feel, so dirt that could be a breeding ground for bacteria finds it impossible to stick to the surface.

Installation measurements

PDF/DXF: www.schock.de/SIGD150



Article no.

- SIG D 150 A**
- SIG D 150 U**
- SIG D 150 FB**

Optional accessories (See pages 327-331)

| | | |
|--|--|--|
| | Chopping board, glass 629046* black or 629045* white | Wire basket..... 629171 Manual drain kit..... 629372 Syphon..... 629229 |
| | Strainer bowl 629043 | comfotouch..... 629830 LED-light..... 629024 |
| | Automatic drain kit 629373PD | Easy Care..... 629018 Easy Care Brightener..... 629019 |
| | | Undermount clamps..... 6.3016/10 |

Recommended taps

- SCHOCK NEILOS**
See page 311
- SCHOCK SC-300**
See page 294



- Bronze (87)
- Chocolate (86)
- Stone (88)
- Carbonium (90)
- Polaris (99)
- Magma (97)
- Magnolia (89)
- Puro (84)
- Avorio (92)

CRISTADUR®
SIGNUS D-200

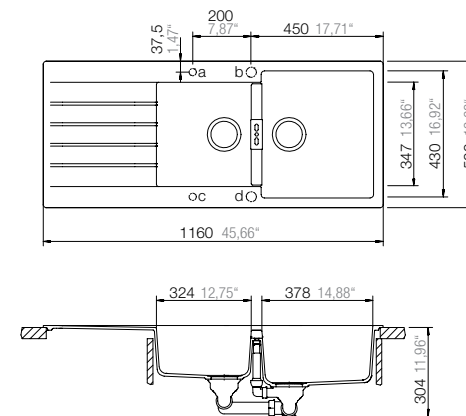


Product benefits

- Incredibly spacious with two large sinks and a sizeable draining board.
- Designed with straight lines and appeal, this sink fits perfectly into any style of kitchen.
- Optionally available with ultra-modern technology such as Schock comfotouch or LED lighting.

Installation measurements

PDF/DXF: www.schock.de/SIGD200



Article no.

- SIG D 200 A**
- SIG D 200 U**
- SIG D 200 FB**

Optional accessories (See pages 327-331)

| | | | |
|--|--|---------------------------|---|
| | Chopping board, glass 629046* black or 629045* white | Wire basket..... | 629171 |
| | Strainer bowl 629043 | Manual drain kit..... | 629372 |
| | Automatic drain kit 629373PD | Syphon..... | 629229 |
| | comfotouch..... | Easy Care..... | 629830 |
| | LED-light..... | Easy Care Brightener..... | 629024 629018 629019 |
| | | Undermount clamps..... | 6.3016/10 |

Recommended taps

- SCHOCK NEILOS**
See page 311
- SCHOCK SC-300**
See page 294

* Please specify **A** = Topmounted, **U** = Undermounted or **FB** = Flush-mounted

CRISTADUR®
SIGNUS N-100XL

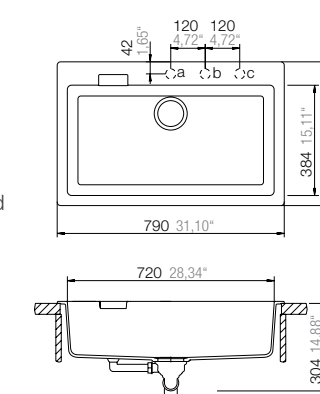


Product benefits

- A modern sink following the trend towards very large, deep bowls.
- The combination of classic design and ultra-modern materiality creates an exceptionally high-grade sink.
- The dimensions are perfectly suited to the modern kitchen suites in city and studio apartments.

Installation measurements

PDF/DXF: www.schock.de/SIGN100



Article no.

- SIG N 100 A**
- SIG N 100 U**
- SIG N 100 FB**

Optional accessories (See pages 327-331)

| | | | |
|--|--|---------------------------|---|
| | Chopping board, glass 629046* black or 629045* white | Wire basket..... | 629171 |
| | Strainer bowl 629043 | Manual drain kit..... | 629395 |
| | Automatic drain kit 629368PD | Syphon..... | 629229 |
| | comfotouch..... | Easy Care..... | 629830 |
| | LED-light..... | Easy Care Brightener..... | 629024 629018 629019 |
| | | Undermount clamps..... | 6.3016/6 |

Recommended taps

- SCHOCK NEILOS**
See page 311
- SCHOCK SC-300**
See page 294



Bronze (87)

Chocolate (86)

Stone (88)

Carbonium (90)

Polaris (99)

Magma (97)

Magnolia (89)

Puro (84)

Avorio (92)

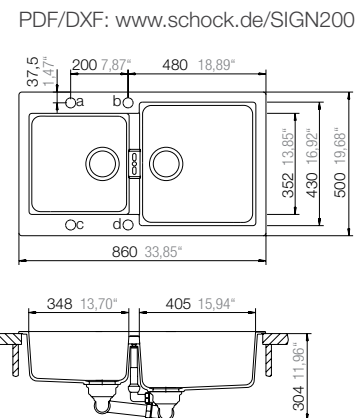
CRISTADUR®
SIGNUS N-200



Product benefits

- Unusual, patented designer overflow rounds off the modern look.
- The narrow design is perfectly suited to the modern kitchen suites in city and studio apartments.
- This exclusive sink is complemented by a high-quality glass chopping board.

Installation measurements



Article no.

- SIG N 200 A**
- SIG N 200 U**
- SIG N 200 FB**

Optional accessories (See pages 327-331)

| | | |
|--|--|---|
| | Chopping board, glass 629046* black or 629045* white | Wire basket..... 629171 |
| | Manual drain kit..... 629372 | Syphon..... 629229 |
| | Strainer bowl 629043 | comfotouch..... 629830 |
| | LED-light..... 629024 | LED-light..... 629024 |
| | Easy Care..... 629018 | Easy Care Brightener..... 629019 |
| | Automatic drain kit 629373PD | Undermount clamps..... 6.3016/8 |

Recommended taps

- SCHOCK NEILOS**
See page 311
- SCHOCK SC-300**
See page 294

* Please specify **A** = Topmounted, **U** = Undermounted or **FB** = Flush-mounted

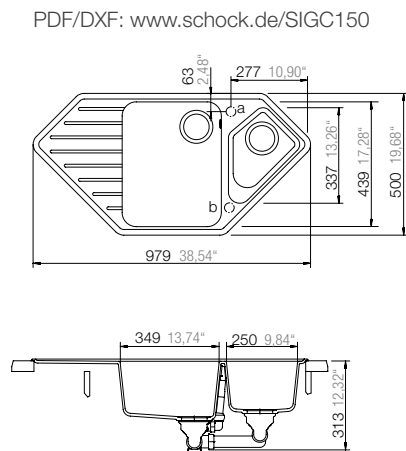
CRISTADUR®
SIGNUS C-150



Product benefits

- The large corner sink with an additional half bowl for left-overs adds to the premium character of the kitchen without compromising on functionality.
- This sink is a real highlight in the kitchen with nine gleaming CRISTADUR® colourways to choose from.
- The sink is optimally complemented by a special stainless steel strainer for the half bowl.

Installation measurements



Article no.

- SIG C 150 A**
- SIG C 150 U**
- SIG C 150 FB**

Optional accessories (See pages 327-331)

| | | |
|--|--|---|
| | Chopping board, glass 629046* black or 629045* white | Wire basket..... 629170 |
| | Manual drain kit..... 629304 | Syphon..... 629229 |
| | Strainer bowl 629244 | comfotouch..... 629830 |
| | LED-light..... 629024 | LED-light..... 629024 |
| | Easy Care..... 629018 | Easy Care Brightener..... 629019 |
| | Automatic drain kit 629305PD | Undermount clamps..... 6.3016/10 |

Recommended taps

- SCHOCK NEILOS**
See page 311
- SCHOCK SC-300**
See page 294

CRISTADUR® SOHO



7:45 pm, NYC, thankful for the wonderful trip, finally arriving in my little apartment in Soho. Love my life, love my Soho — made by SCHOCK.



N-100 S



N-100



N-150



www.schock.de/soho

Bronze (87)

Chocolate (86)

Stone (88)

Carbonium (90)

Polaris (99)

Magma (97)

Magnolia (89)

Puro (84)

Avorio (92)



CRISTADUR® SOHO N-100 S

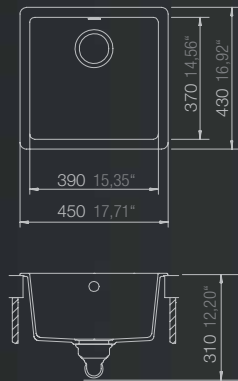


Product benefits

- The smart external dimensions mean you can create a premium-quality look even in the smallest of kitchens with the undermount option.
- Available in the two new and luxurious colourways, Magma Glossy and Polaris Glossy, conveying an extraordinary quality.
- This sink will turn heads in the kitchen in its gleaming CRISTADUR® colourways.

Installation measurements

PDF/DXF: www.schock.de/SOHN100S



Article no.

- SOH N 100 S A**
- SOH N 100 S U**

Additional finishing

Glossy***

Optional accessories (See pages 327-331)

| | | |
|--|--|---|
| | Automatic drain kit 629307PD | Manual drain kit..... 629309SET Syphon..... 629229 |
| | comfotouch 629830 | Easy Care..... 629018 Easy Care Brightener..... 629019 |
| | LED-light 629024 | Undermount clamps..... 6.3016/4 |

Recommended taps

| | |
|--|--------------------------------------|
| | SCHOCK NEILOS See page 311 |
| | SCHOCK SC-300 See page 294 |

* For undermount version with 12 mm thick countertop ** For undermount version with 20 mm thick countertop
*** Applies to the colourways 197, 199 – only with the SOHO N-100 S and N-100



CRISTADUR® SOHO N-100

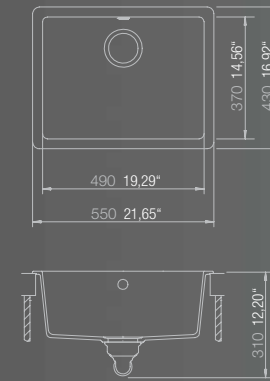


Product benefits

- Available in the two new and luxurious colourways, Magma Glossy and Polaris Glossy, conveying an extraordinary quality.
- Remarkably easy to clean – dirt finds it virtually impossible to stick to the surface thanks to the CRISTADUR® dirt repellent effect.
- A chopping board can be flush-mounted integral to the countertop as an optional extra.

Installation measurements

PDF/DXF: www.schock.de/SOHN100



Article no.

- SOH N 100 A**
- SOH N 100 U**

Additional finishing

Glossy***

Optional accessories (See pages 327-331)

| | | |
|--|--|---|
| | Chopping board, glass 629077* 12 mm 629078** 20 mm | Automatic drain kit..... 629307PD Manual drain kit..... 629309SET Syphon..... 629229 |
| | comfotouch 629830 | Easy Care..... 629018 Easy Care Brightener..... 629019 |
| | LED-light 629024 | Undermount clamps..... 6.3016/4 |

Recommended taps

| | |
|--|--------------------------------------|
| | SCHOCK NEILOS See page 311 |
| | SCHOCK SC-300 See page 294 |

Bronze (87)

Chocolate (86)

Stone (88)

Carbonium (90)

Polaris (99)

Magma (97)

Magnolia (89)

Puro (84)

Avorio (92)



CRISTADUR® SOHO N-150

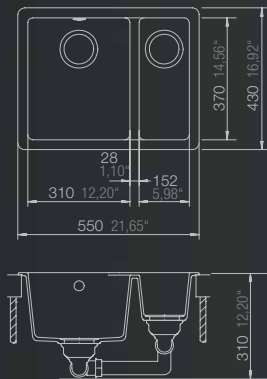


Produktvorteile

- Pure luxury in the kitchen thanks to the silky-smooth feel of CRISTADUR®.
- A chopping board can be flush-mounted integral to the countertop as an optional extra.
- The smart external dimensions mean you can create a premium-quality look even in the smallest of kitchens with the undermount option.

Technische Einbaumaße



PDF/DXF: www.schock.de/SOHN150




Artikel-Nr.

-  **SOH N 150 A**
-  **SOH N 150 U**

Optionales Zubehör (See pages 327-331)

| | | | |
|---|-----------------------|---------------------------|------------------|
|  | Chopping board, glass | Manual drain kit..... | 629320SET |
| | 629077* 12 mm | Syphon..... | 629229 |
| | 629078** 20 mm | comfotouch..... | 629830 |
| | | LED-light..... | 629024 |
|  | Automatic drain kit | Easy Care..... | 629018 |
| | 629308PD | Easy Care Brightener..... | 629019 |
| | | Undermount clamps..... | 6.3016/4 |

Recommended taps

-  **SCHOCK NEILOS**
See page 311
-  **SCHOCK SC-300**
See page 294

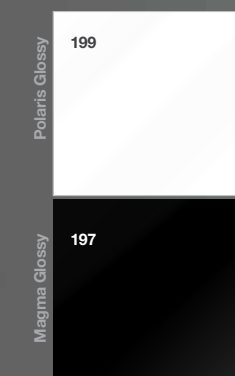
* For undermount version with 12 mm thick countertop ** For undermount version with 20 mm thick countertop

GLOSSY

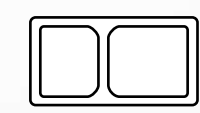
CRISTADUR® SOHO GLOSSY

Produktvorteile

- The Soho N-100 S and N-100 are now also available in the revolutionary CRISTADUR® GLOSSY colourways, Magma Glossy and Polaris Glossy, which shine with a luxuriously glossy surface thanks to a special finishing technique. GLOSSY takes high-quality kitchen architecture another step away from the mainstream.
- Blends perfectly with high-gloss countertops in both natural and engineered stone; for instance Polaris Glossy is perfectly matched with all of the main white tones on the market. Hardly any difference in colour is visible between the sink and the countertop with undermount installation.
- For long-lasting enjoyment, GLOSSY technology enables the surface to be repaired when initial signs of usage start to appear after many years of ownership.



CRISTADUR® SUPRA



N-175

5:35 am, Goodbye to New York
twilight, breathing fresh air,
enjoying the countryside,
finally weekend.



www.schock.de/supra



Bronze (87)

Chocolate (86)

Stone (88)

Carbonium (90)

Polaris (98)

Magma (97)

Magnolia (89)

Puro (84)

Avorio (92)

CRISTADUR®
SUPRA N-175

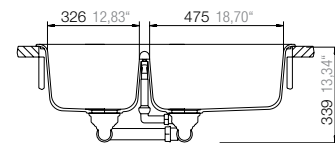
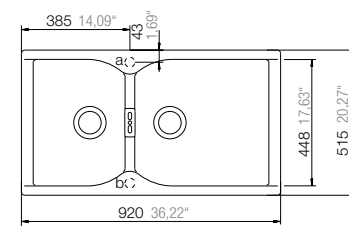


Product benefits

- The extremely fine nanostructure of CRISTADUR® creates an enhanced smoothness you can really feel, so dirt that could be a breeding ground for bacteria finds it impossible to stick to the surface.
- Unusual, patented designer overflow rounds off the modern look.
- Extra functionality can be added in the form of accessories such as LED-light or comfotouch.

Installation measurements

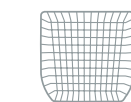
PDF/DXF: www.schock.de/SUPN175



Article no.

- SUP N 175 A**
- SUP N 175 U**

Optional accessories (See pages 327-331)



Wire basket
629149



Automatic drain kit
629356PD

- Manual drain kit.....**629355**
- Syphon.....**629229**
- comfotouch.....**629830**
- LED-light.....**629024**
- Easy Care.....**629018**
- Easy Care Brightener.....**629019**
- Undermount clamps.....**6.3016/8**

Recommended taps

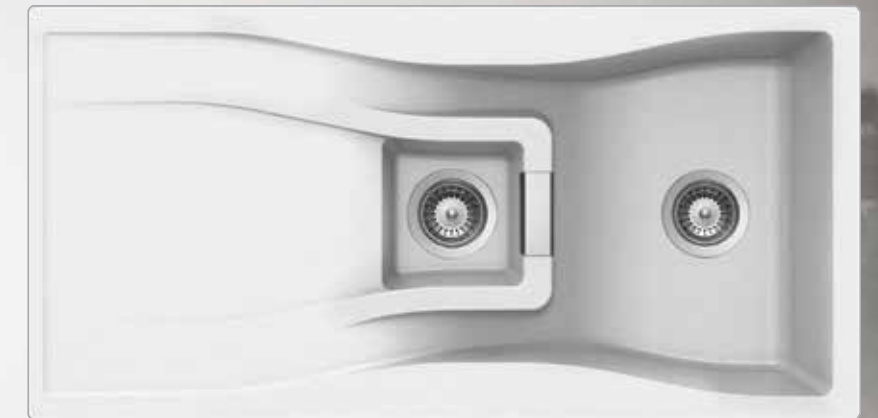


SCHOCK **PHOBOS**
See page 293



SCHOCK **ZELOS**
See page 320

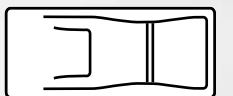
CRISTADUR® WATERFALL



D-100



D-150

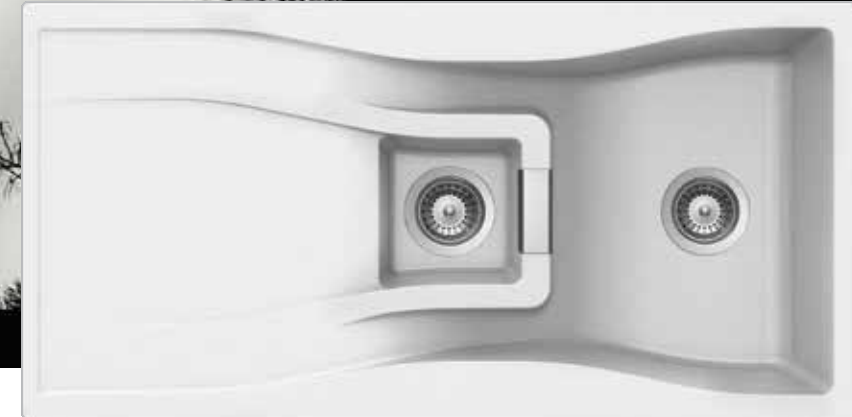
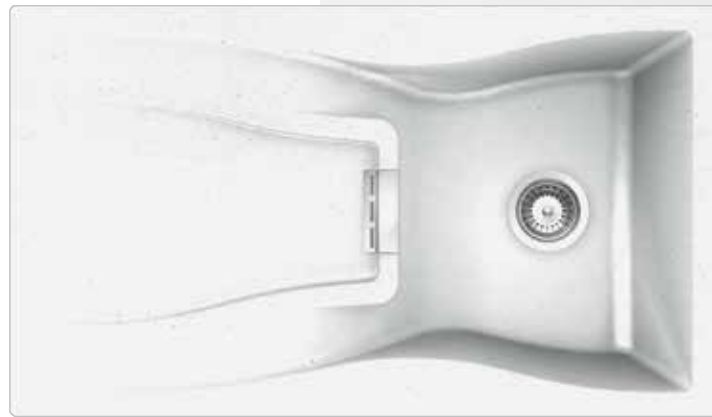


D-200

5:35 am, Niagara Falls,
twilight, breathing fresh air,
enjoying the countryside,
finally weekend.



www.schock.de/waterfall



Bronze (87)
 Chocolate (86)
 Stone (88)
 Carbonium (90)
 Magma (97)
 Puro (84)

CRISTADUR®
WATERFALL D-100

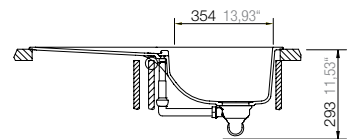
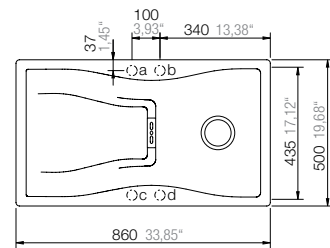


Product benefits

- Exceptionally beautiful, extravagant design – a work of art in the luxury kitchen.
- The integral antibacterial protection in CRISTADUR® helps put your mind at rest when preparing fresh food.
- The product of a design study, this sink has a distinctive character.
- Can fit into a 45 cm base unit as an option.

Installation measurements

PDF/DXF: www.schock.de/WATD100



Installation in 45cm cabinet is possible but the side wall needs a small cutout.

Article no.

- WAT D 100 A**
- WAT D 100 U**
- WAT D 100 FB**

Optional accessories (See pages 327-331)



Chopping board, glass
629046* black or
629045* white



Automatic drain kit
629371PD

| | |
|---------------------------|-----------------|
| Manual drain kit..... | 629370 |
| Syphon..... | 629229 |
| comfotouch..... | 629830 |
| LED-light..... | 629024 |
| Easy Care..... | 629018 |
| Easy Care Brightener..... | 629019 |
| Undermount clamps..... | 6.3016/8 |

Recommended taps



SCHOCK **HYPERION FLAT**
See page 292



SCHOCK **IDEOS-PRO**
See page 307

* Please specify **A** = Topmounted, **U** = Undermounted or **FB** = Flush-mounted

CRISTADUR®
WATERFALL D-150

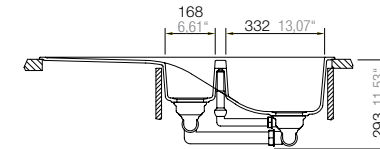
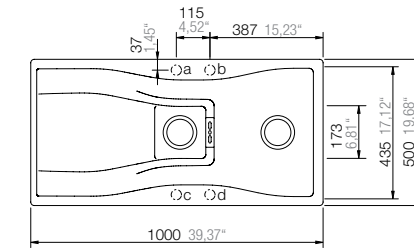


Product benefits

- The extravagant, premium design is given added emphasis with an on-trend strainer bowl.
- The draining board has the look of a waterfall, promising enduring fun with the washing-up.
- CRISTADUR® sets extraordinary standards in terms of surface feel, practicality and aesthetics.

Installation measurements

PDF/DXF: www.schock.de/WATD150



Article no.

- WAT D 150 A**
- WAT D 150 U**
- WAT D 150 FB**

Optional accessories (See pages 327-331)



Chopping board, glass
629046* black or
629045* white



Strainer bowl
629049G green or
629049W white



Automatic drain kit
629366PD

| | |
|---------------------------|-----------------|
| Manual drain kit..... | 629365 |
| Syphon..... | 629229 |
| comfotouch..... | 629830 |
| LED-light..... | 629024 |
| Easy Care..... | 629018 |
| Easy Care Brightener..... | 629019 |
| Undermount clamps..... | 6.3016/8 |

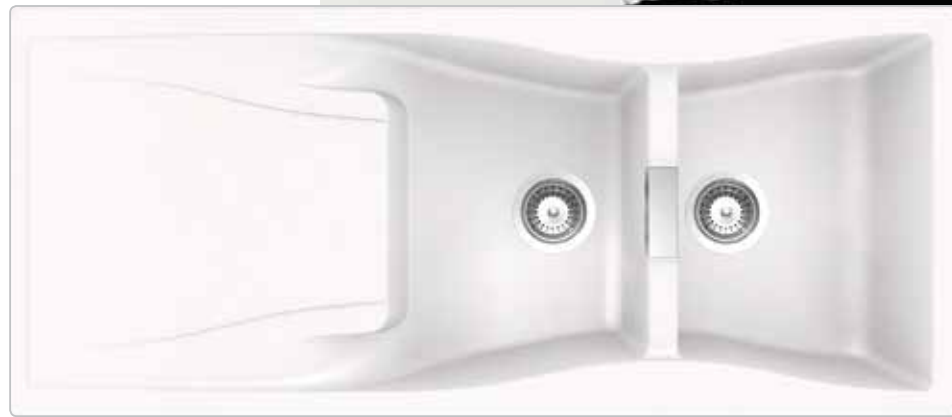
Recommended taps



SCHOCK **HYPERION FLAT**
See page 292



SCHOCK **IDEOS-PRO**
See page 307



COMING SOON

CRISTADUR®
WATERFALL D-200

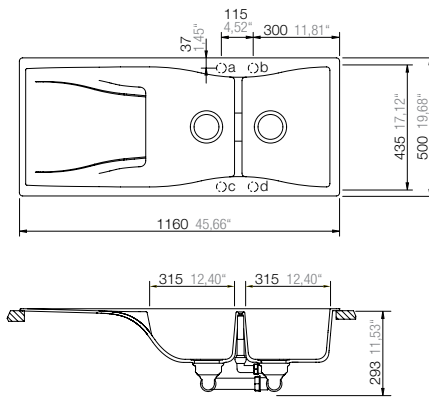


Product benefits




- The product of a design study, this sink has a distinctive character.
- Combines perfectly with the Ideos-Pro tap in the same colour.
- Exceptionally beautiful, extravagant design – a work of art in the luxury kitchen.

Installation measurements

PDF/DXF: www.schock.de/WATD200



Article no.

-  **WAT D 200 A**
-  **WAT D 200 U**
-  **WAT D 200 FB**

Optional accessories (See pages 327-331)



Chopping board, glass
629046U* black or
629045U* white



Automatic drain kit
629366PD

| | |
|---------------------------|------------------|
| Manual drain kit..... | 629365 |
| Syphon..... | 629229 |
| comfotouch..... | 629830 |
| LED-light..... | 629024 |
| Easy Care..... | 629018 |
| Easy Care Brightener..... | 629019 |
| Undermount clamps..... | 6.3016/10 |

Recommended taps



SCHOCK **HYPERION FLAT**
See page 292



SCHOCK **IDEOS-PRO**
See page 307

* Please specify **A** = Topmounted, **U** = Undermounted or **FB** = Flush-mounted

**SCH
MY**

**OOCK
CHOICE
WE WILL
KEEP IN TOUCH**

SINKS
TrendLine

MILANO

ITALIAN
LIFESTYLE

CRISTALITE⁺
ARCO



N-175 L



www.schock.de/arco

- Arena (47)
- Alpina (07)
- Croma (48)
- Everest (26)
- Mocha (63)
- Colorado (08)
- Graphite (15)
- Pera (66)
- Inox (12)
- Terra (38)
- Onyx (10)
- Sabbie (68)
- Lava (40)
- Moonstone (22)
- Nero (13)
- Alumina (04)



SPECIAL ORDER ITEM

CRISTALITE+
ARCO N-175 L

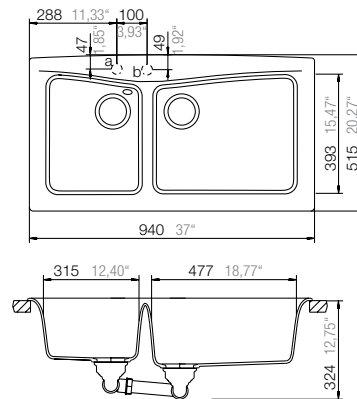


Product benefits

- A modern sink following the trend towards very large, deep bowls.
- The combination of classic design and ultra-modern materiality creates an exceptionally high-grade sink.
- CRISTALITE+ is a real winner with its integrated hygiene protection system, Schock Antibac.

Installation measurements

PDF/DXF: www.schock.de/ARCN175L



Article no.

ARC N 175 L A

Optional accessories (See pages 327-331)



Automatic drain kit
629362

Chopping board, bamboo..... **629198**



Easy Care
629018
Easy Care Brightener
629019

Manual drain kit..... **629361**

Syphon..... **629229**

Undermount clamps..... **6.3010/9**



Wire basket
629199

Recommended taps



SCHOCK **HEKATE**
see page 305



SCHOCK **SC-50**
see page 296



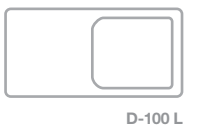
N-200



D-100



N-175 XL



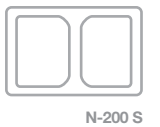
D-100 L



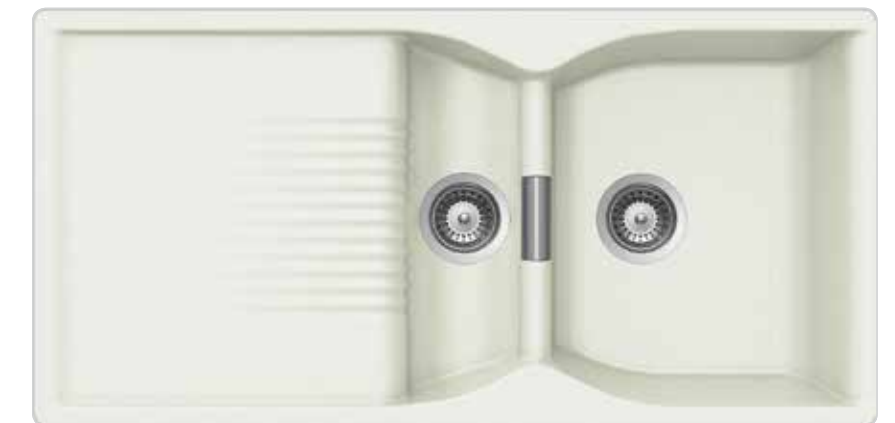
D-150



D-200



N-200 S



VENICE

Slightly foggy morning
– rising sun





UNTIL 31.12.2013



- Arena (47)
- Alpina (07)
- Croma (49)
- Everest (26)
- Mocha (63)
- Colorado (08)
- Graphite (15)
- Pera (66)
- Inox (12)
- Terra (38)
- Onyx (10)
- Sabbie (88)
- Lava (40)
- Moonstone (22)
- Nero (13)
- Alumina (04)

CRISTALITE+
CAMPUS D-100

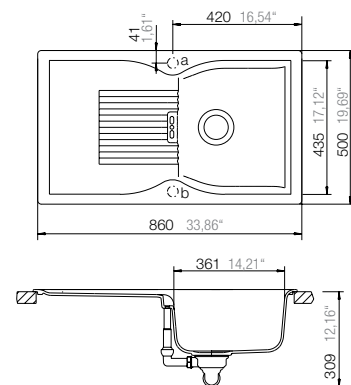


Product benefits

- The surface of CRISTALITE+ is up to three times as hard as natural granite and is therefore highly resistant.
- Optionally available with ultra-modern technology such as Schock comfotouch or LED lighting.
- This sink is a real highlight in the kitchen with 16 gleaming CRISTALITE+ colourways to choose from.

Installation measurements

PDF/DXF: www.schock.de/CAMD100



Article no.

- CAM D 100 A**
- CAM D 100 U**

Optional accessories (See pages 327-331)

| | | |
|--|--|--|
| | Chopping board, glass 629046* black or 629045* white | Chopping board, glass..... 629036* Chopping board, bamboo..... 629044 |
| | Wire basket 629147 | Manual drain kit..... 629358 Syphon..... 629229 |
| | Automatic drain kit 629359 | comfotouch..... 629830 LED-light..... 629024 |
| | | Easy Care..... 629018 Easy Care Brightener..... 629019 |
| | | Undermount clamps..... 6.3016/9 |

Recommended taps

- SCHOCK **GALATEA**
see page 304
- SCHOCK **SC-300**
see page 294

* Please specify **U** for undermounted

CRISTALITE+
CAMPUS D-100 L

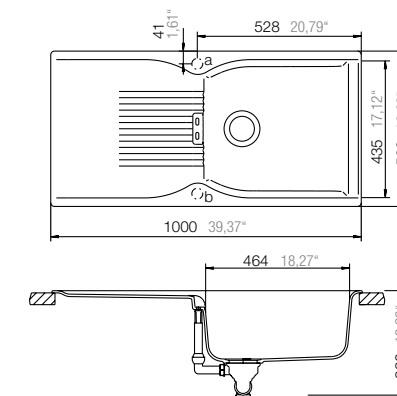


Product benefits

- Features a very large, deep bowl which can be enhanced by optional LED lighting or a chopping board.
- CRISTALITE+ is a real winner with its integrated hygiene protection system, Schock Antibac.
- The classic and appealing design fits perfectly into any style – the modern, traditional or country kitchen.

Installation measurements

PDF/DXF: www.schock.de/CAMD100L



Article no.

- CAM D 100 L A**
- CAM D 100 L U**

Optional accessories (See pages 327-331)

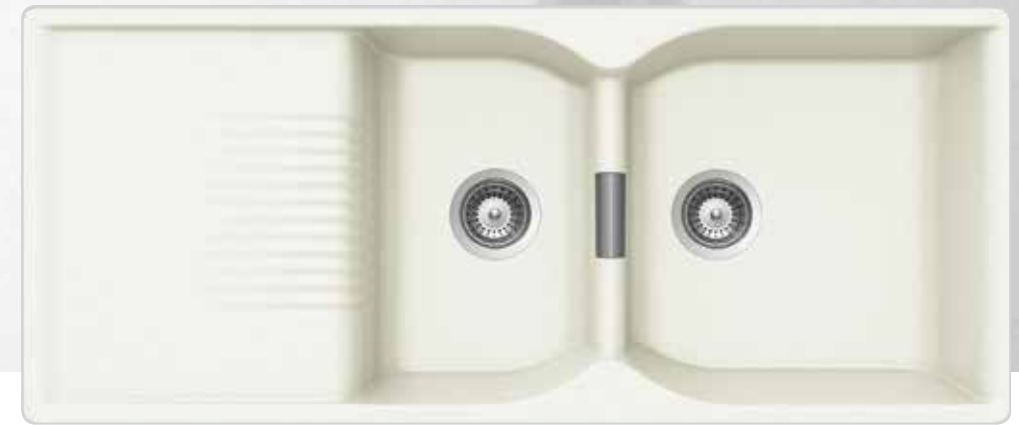
| | | |
|--|--|--|
| | Chopping board, glass 629046* black or 629045* white | Chopping board, glass..... 629036* Chopping board, bamboo..... 629044 |
| | Wire basket 629147 | Manual drain kit..... 629358 Syphon..... 629229 |
| | Automatic drain kit 629359 | comfotouch..... 629830 LED-light..... 629024 |
| | | Easy Care..... 629018 Easy Care Brightener..... 629019 |
| | | Undermount clamps..... 6.3016/9 |

Recommended taps

- SCHOCK **GALATEA**
see page 304
- SCHOCK **SC-300**
see page 294



UNTIL 31.12.2013



UNTIL 31.12.2013

- Arena (47)
- Alpina (07)
- Croma (49)
- Everest (26)
- Mocha (63)
- Colorado (08)
- Graphite (15)
- Pera (66)
- Inox (12)
- Terra (38)
- Onyx (10)
- Sabbie (68)
- Lava (40)
- Moonstone (22)
- Nero (13)
- Alumina (04)

CRISTALITE+
CAMPUS D-150

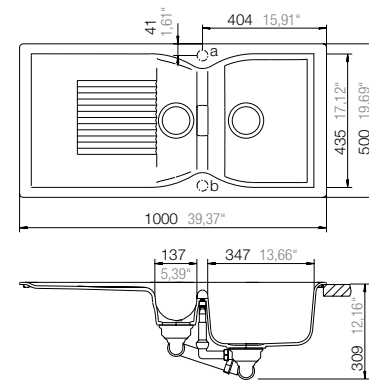


Product benefits

- The appealing design fits perfectly into any style of kitchen.
- The quartz particles in CRISTALITE+ provide long-lasting protection against wear and make the sink extremely durable.
- Optionally, the sink can be supplied with a strainer bowl.

Installation measurements

PDF/DXF: www.schock.de/CAMD150



Article no.

- CAM D 150 A**
- CAM D 150 U**

Optional accessories (See pages 327-331)



Chopping board, glass
629046* black or
629045* white



Strainer bowl
629041



Automatic drain kit
629356

| | |
|-----------------------------|------------------|
| Chopping board, glass..... | 629036* |
| Chopping board, bamboo..... | 629044 |
| Manual drain kit..... | 629355 |
| Syphon..... | 629229 |
| comfotouch..... | 629830 |
| LED-light..... | 629024 |
| Easy Care..... | 629018 |
| Easy Care Brightener..... | 629019 |
| Undermount clamps..... | 6.3016/10 |

Recommended taps

- SCHOCK GALATEA**
see page 304
- SCHOCK SC-300**
see page 294

* Please specify **U** for undermounted

CRISTALITE+
CAMPUS D-200

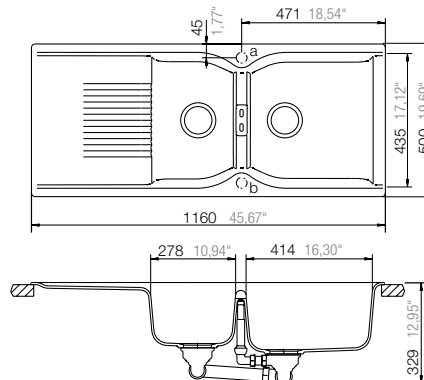


Product benefits

- Exceptional freedom with two large sinks and a sizeable draining board.
- CRISTALITE+ is a real winner with its integrated hygiene protection system, Schock Antibac.
- Extra functionality can be added in the form of accessories such as a bamboo chopping board or comfotouch.

Installation measurements

PDF/DXF: www.schock.de/CAMD200



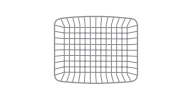
Article no.

- CAM D 200 A**
- CAM D 200 U**

Optional accessories (See pages 327-331)



Chopping board, glass
629046* black or
629045* white



Wire basket
629161



Automatic drain kit
629356

| | |
|-----------------------------|------------------|
| Chopping board, glass..... | 629036* |
| Chopping board, bamboo..... | 629044 |
| Manual drain kit..... | 629355 |
| Syphon..... | 629229 |
| comfotouch..... | 629830 |
| LED-light..... | 629024 |
| Easy Care..... | 629018 |
| Easy Care Brightener..... | 629019 |
| Undermount clamps..... | 6.3016/10 |

Recommended taps

- SCHOCK GALATEA**
see page 304
- SCHOCK SC-300**
see page 294



UNTIL 31.12.2013

- Arena (47)
- Alpina (07)
- Croma (49)
- Everest (26)
- Mocha (63)
- Colorado (08)
- Graphite (15)
- Pera (66)
- Inox (12)
- Terra (38)
- Onyx (10)
- Sabbie (88)
- Lava (40)
- Moonstone (22)
- Nero (13)
- Alumina (04)

CRISTALITE+
CAMPUS N-200 S

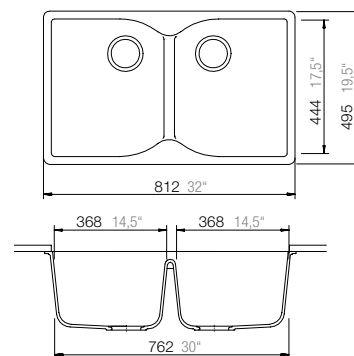


Product benefits

- The shorter design makes it perfectly suited to the modern kitchen suites in city and studio apartments.
- CRISTALITE+ is a real winner with its integrated hygiene protection system, Schöck Antibac.
- Extra functionality can be added in the form of accessories such as a glass chopping board or a wire basket.

Installation measurements

PDF/DXF: www.schock.de/CAMN200S



Article no.

CAM N 200 S U**

Optional accessories (See pages 327-331)

| | | |
|--|---|---|
| | Automatic drain kit 629326 | Manual drain kit 629325 Syphon..... 629229 |
| | Easy Care 629018 Easy Care Brightener 629019 | comfotouch..... 629830 LED-light..... 629024 Undermount clamps..... 6.3016/8 |

Recommended taps

| | |
|--|---------------------------------------|
| | SCHOCK GALATEA see page 304 |
| | SCHOCK SC-300 see page 294 |

* Please specify **U** for undermounted ** Special size without tap bar available

CRISTALITE+
CAMPUS N-200

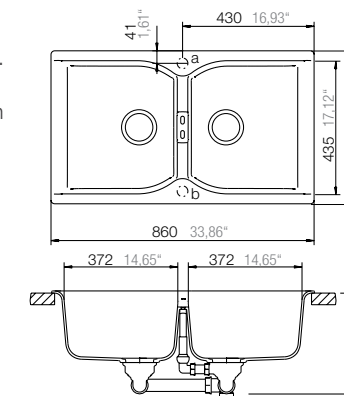


Product benefits

- Unusual, patented designer overflow rounds off the modern look.
- Incredibly spacious with two large sinks.
- This sink will turn heads in the kitchen in its gleaming CRISTALITE+ colour.

Installation measurements

PDF/DXF: www.schock.de/CAMN200



Article no.

CAM N 200 A
 CAM N 200 U

Optional accessories (See pages 327-331)

| | | |
|--|--|--|
| | Chopping board, glass 629046* black or 629045* white | Chopping board, glass..... 629036* Chopping board, bamboo..... 629044 |
| | Wire basket 629147 | Manual drain kit..... 629355 Syphon..... 629229 |
| | Automatic drain kit 629356 | comfotouch..... 629830 LED-light..... 629024 Easy Care..... 629018 Easy Care Brightener..... 629019 Undermount clamps..... 6.3016/8 |

Recommended taps

| | |
|--|---------------------------------------|
| | SCHOCK GALATEA see page 304 |
| | SCHOCK SC-300 see page 294 |



- Arena (47)
- Alpina (07)
- Croma (49)
- Everest (26)
- Mocha (63)
- Colorado (08)
- Graphite (15)
- Pera (66)
- Inox (12)
- Terra (38)
- Onyx (10)
- Sabbie (68)
- Lava (40)
- Moonstone (22)
- Nero (13)
- Alumina (04)

CRISTALITE+[®]
CAMPUS N-175 XL

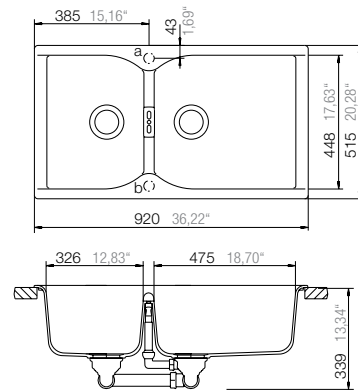


Product benefits

- CRISTALITE+[®] is easy to clean and extremely tough – perfect for the rigours of kitchen life.
- Combines perfectly with the SC-300 tap in the same colour.
- Unusual, patented designer overflow rounds off the modern look.

Installation measurements

PDF/DXF: www.schock.de/CAMN175XL



Article no.

- CAM N 175 XL A**
- CAM N 175 XL U**

Optional accessories (See pages 327-331)

- | | | |
|--|---|--|
| | Wire basket 629149 | Manual drain kit..... 629355 Syphon..... 629229 |
| | Automatic drain kit 629356 | comfotouch..... 629830 LED-light..... 629024 |
| | Easy Care 629018 Easy Care Brightener 629019 | Undermount clamps..... 6.3016/8 |

Recommended taps

- SCHOCK **GALATEA**
see page 304
- SCHOCK **SC-300**
see page 294

VENICE

SUMMER
PLEASURES



D-100



D-125



- Arena (47)
- Alpina (07)
- Croma (49)
- Everest (26)
- Mocha (63)
- Colorado (08)
- Graphite (15)
- Pera (66)
- Inox (12)
- Terra (38)
- Onyx (10)
- Sabbie (88)
- Lava (40)
- Moonstone (22)
- Nero (13)
- Alumina (04)



CRISTALITE+[®]
CASA D-100

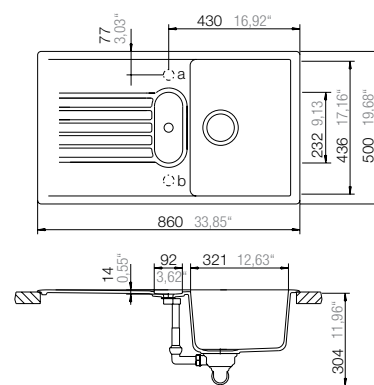


Product benefits

- The classic and appealing design fits perfectly into any style – the modern, traditional or country kitchen.
- CRISTALITE+[®] is a real winner with its integrated hygiene protection system, Schock Antibac.
- This sink is a real highlight in the kitchen with 16 gleaming CRISTALITE+[®] colour-ways to choose from.

Installation measurements

PDF/DXF: www.schock.de/CAAD100



Article no.

CAA D 100 A

Optional accessories (See pages 327-331)

| | | |
|--|--|---|
| | Chopping board, glass 629046 black or 629045 white | Chopping board, glass..... 629036 Chopping board, bamboo..... 629044 |
| | Automatic drain kit 629383 | Manual drain kit..... 629382 Syphon..... 629229 comfotouch..... 629830 |
| | Easy Care 629018 Easy Care Brightener 629019 | Undermount clamps..... 6.3010/9 |

Recommended taps

| | |
|--|------------------------------------|
| | SCHOCK NEOS see page 312 |
| | SCHOCK LEVA see page 309 |

CRISTALITE+[®]
CASA D-125

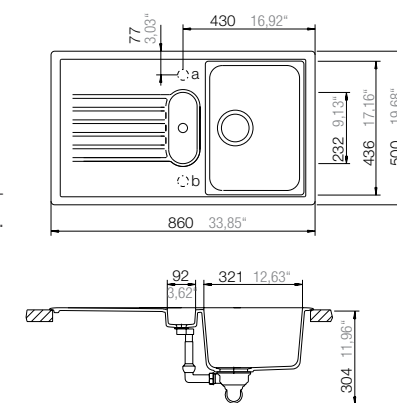


Product benefits

- The surface of CRISTALITE+[®] is up to three times as hard as natural granite and is therefore highly resistant.
- CRISTALITE+[®] is a real winner with its integrated hygiene protection system, Schock Antibac.
- The classic and practical design is complemented by an on-trend strainer bowl.

Installation measurements

PDF/DXF: www.schock.de/CAAD125



Article no.

CAA D 125 A

Optional accessories (See pages 327-331)

| | | |
|--|--|---|
| | Chopping board, glass 629046 black or 629045 white | Chopping board, glass..... 629036 Chopping board, bamboo..... 629044 |
| | Strainer bowl 629037 | Manual drain kit..... 629382 Syphon..... 629229 comfotouch..... 629830 |
| | Automatic drain kit 629383 | Easy Care..... 629018 Easy Care Brightener..... 629019 Undermount clamps..... 6.3010/9 |

Recommended taps

| | |
|--|------------------------------------|
| | SCHOCK NEOS see page 312 |
| | SCHOCK LEVA see page 309 |

LONDON

TRADITION
MEETS STYLE



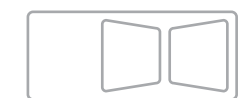
D-100 S



D-100



D-100 L



D-200



D-150 S



N-200



D-150



- Arena (47)
- Alpina (07)
- Croma (49)
- Everest (26)
- Mocha (63)
- Colorado (08)
- Graphite (15)
- Pera (66)
- Inox (12)
- Terra (38)
- Onyx (10)
- Sabbie (88)
- Lava (40)
- Moonstone (22)
- Nero (13)
- Alumina (04)



CRISTALITE+
CITY D-100 S

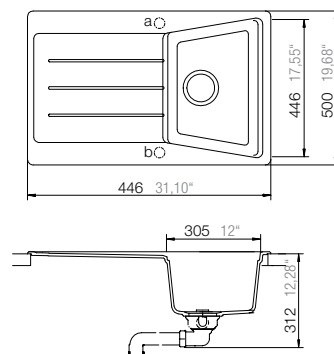


Product benefits

- The smart external dimensions mean you can create a premium-quality look even in the smallest of kitchens.
- Extra functionality can be added in the form of accessories such as a bamboo chopping board or LED-light.
- The quartz particles in CRISTALITE+ provide long-lasting protection against wear and make the sink extremely durable.

Installation measurements

PDF/DXF: www.schock.de/CITD100S



Article no.

- CIT D 100 S A**
- CIT D 100 S U**

Optional accessories (See pages 327-331)

- Chopping board, glass
629046* black or
629045* white
- Automatic drain kit
629352
- Easy Care
629018
Easy Care Brightener
629019

- Chopping board, glass.....**629036***
- Chopping board, bamboo.....**629044**
- Manual drain kit.....**629353**
- Syphon.....**629229**
- comfotouch.....**629830**
- LED-light.....**629024**
- Undermount clamps.....**6.3016/4**

Recommended taps

- SCHOCK **ZELOS**
see page 320
- SCHOCK **LEVA**
see page 309

* Please specify **U** for undermounted

CRISTALITE+
CITY D-100

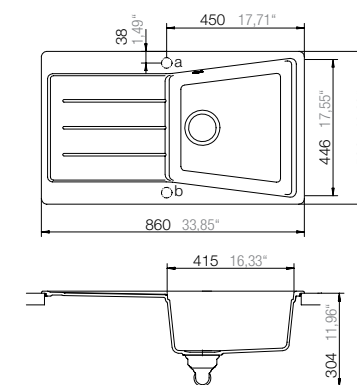


Product benefits

- Unique, purist sink design with a trapeze-shaped bowl – for real trendsetters.
- CRISTALITE+ is a real winner with its integrated hygiene protection system, Schock Antibac.
- This sink is a real highlight in the kitchen with 16 CRISTALITE+ colours to choose from.

Installation measurements

PDF/DXF: www.schock.de/CITD100



Article no.

- CIT D 100 A**
- CIT D 100 U**

Optional accessories (See pages 327-331)

- Chopping board, glass
629046* black or
629045* white
- Automatic drain kit
629352
- Easy Care
629018
Easy Care Brightener
629019

- Chopping board, glass.....**629036***
- Chopping board, bamboo.....**629044**
- Manual drain kit.....**629353**
- Syphon.....**629229**
- comfotouch.....**629830**
- LED-light.....**629024**
- Undermount clamps.....**6.3016/8**

Recommended taps

- SCHOCK **ZELOS**
see page 320
- SCHOCK **LEVA**
see page 309

- Arena (47)
- Alpina (07)
- Croma (49)
- Everest (26)
- Mocha (63)
- Colorado (08)
- Graphite (15)
- Pera (66)
- Inox (12)
- Terra (38)
- Onyx (10)
- Sabbie (88)
- Lava (40)
- Moonstone (22)
- Nero (13)
- Alumina (04)



CRISTALITE+[®]
CITY D-100 L

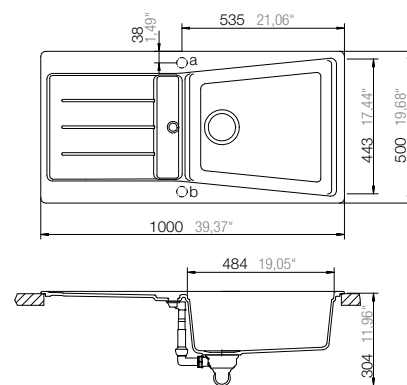


Product benefits

- Modern sink design with plenty of space for washing and doing the dishes.
- Combines perfectly with the Schock SC taps with CRISTALITE+ sleeves.
- The surface of CRISTALITE+ is up to three times as hard as natural granite and is therefore highly resistant.

Installation measurements

PDF/DXF: www.schock.de/CITD100L



Article no.

- CIT D 100 L A**
- CIT D 100 L U**

Optional accessories (See pages 327-331)

- Chopping board, glass
629046* black or **629045*** white
- Automatic drain kit
629383
- Easy Care
629018
Easy Care Brightener
629019

- Chopping board, glass.....**629036***
- Chopping board, bamboo.....**629044**
- Manual drain kit.....**629382**
- Syphon.....**629229**
- comfotouch.....**629830**
- LED-light.....**629024**
- Undermount clamps.....**6.3016/8**

Recommended taps

- SCHOCK **ZELOS**
see page 320
- SCHOCK **LEVA**
see page 309

* Please specify **U** for undermounted

CRISTALITE+[®]
CITY D-150 S

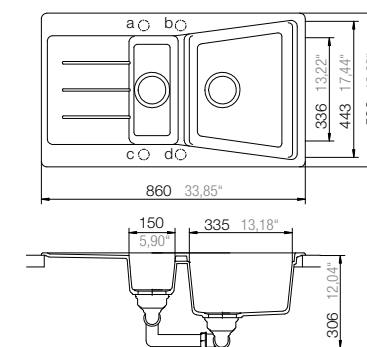


Product benefits

- The smart external dimensions mean you can create a premium-quality look even in the smallest of kitchens.
- The integral antibacterial protection in CRISTALITE+ helps put your mind at rest when preparing fresh food.
- The large sink with an additional half bowl for left-overs adds to the premium character of the kitchen without compromising on functionality.

Installation measurements

PDF/DXF: www.schock.de/CITD150S



Article no.

- CIT D 150 S A**
- CIT D 150 S U**

Optional accessories (See pages 327-331)

- Chopping board, glass
629046* black or **629045*** white
- Strainer bowl
629029
- Automatic drain kit
629305

- Chopping board, glass.....**629036***
- Chopping board, bamboo.....**629044**
- Manual drain kit.....**629304**
- Syphon.....**629229**
- comfotouch.....**629830**
- LED-light.....**629024**
- Easy Care.....**629018**
- Easy Care Brightener.....**629019**
- Undermount clamps.....**6.3016/8**

Recommended taps

- SCHOCK **ZELOS**
see page 320
- SCHOCK **LEVA**
see page 309

- Arena (47)
- Alpina (07)
- Croma (49)
- Everest (26)
- Mocha (63)
- Colorado (08)
- Graphite (15)
- Pera (66)
- Inox (12)
- Terra (38)
- Onyx (10)
- Sabbie (88)
- Lava (40)
- Moonstone (22)
- Nero (13)
- Alumina (04)



CRISTALITE+
CITY D-150

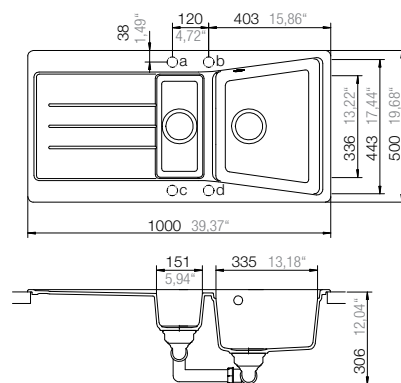


Product benefits

- The large sink with an additional half bowl for left-overs adds to the premium character of the kitchen without compromising on functionality.
- The quartz particles in CRISTALITE+ provide long-lasting protection against wear and make the sink extremely durable.
- Optionally available with ultra-modern technology such as Schock comfotouch or LED lighting.

Installation measurements

PDF/DXF: www.schock.de/CITD150



Article no.

- CIT D 150 A**
- CIT D 150 U**

Optional accessories (See pages 327-331)

- Chopping board, glass
629046* black or **629045*** white
- Strainer bowl
629029
- Automatic drain kit
629305

- Chopping board, glass.....**629036***
- Chopping board, bamboo.....**629044**
- Manual drain kit.....**629304**
- Syphon.....**629229**
- comfotouch.....**629830**
- LED-light.....**629024**
- Easy Care.....**629018**
- Easy Care Brightener.....**629019**
- Undermount clamps.....**6.3016/10**

Recommended taps

- SCHOCK **ZELOS**
see page 320
- SCHOCK **LEVA**
see page 309

* Please specify **U** for undermounted

CRISTALITE+
CITY D-200

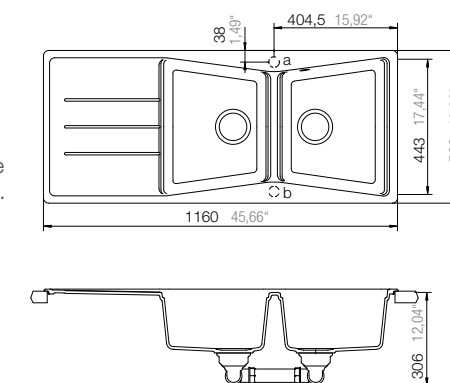


Product benefits

- Incredibly spacious with two large sinks and a sizeable draining board.
- Combines perfectly with the Zelos tap in the same colour.
- With 16 CRISTALITE+ colourways to choose from, this sink adds that decisive splash of colour to the kitchen – right up.

Installation measurements

PDF/DXF: www.schock.de/CITD200



Article no.

- CIT D 200 A**
- CIT D 200 U**

Optional accessories (See pages 327-331)

- Chopping board, glass
629046* black or **629045*** white
- Automatic drain kit
629305
- Easy Care
629018
Easy Care Brightener
629019

- Chopping board, glass.....**629036***
- Chopping board, bamboo.....**629044**
- Manual drain kit.....**629304**
- Syphon.....**629229**
- comfotouch.....**629830**
- LED-light.....**629024**
- Undermount clamps.....**6.3016/10**

Recommended taps

- SCHOCK **ZELOS**
see page 320
- SCHOCK **LEVA**
see page 309

- Arena (47)
- Alpina (07)
- Croma (49)
- Everest (26)
- Mocha (63)
- Colorado (08)
- Graphite (15)
- Pera (66)
- Inox (12)
- Terra (38)
- Onyx (10)
- Sabbie (88)
- Lava (40)
- Moonstone (22)
- Nero (13)
- Alumina (04)



CRISTALITE+
CITY N-200

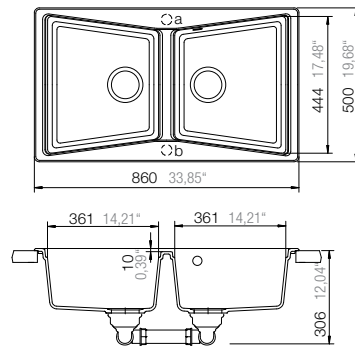


Product benefits

- CRISTALITE+ is a real winner with its integrated hygiene protection system, Schock Antibac.
- Exceptional freedom with two large sinks.
- Available in two different installation options for more flexibility in kitchen planning.

Installation measurements

PDF/DXF: www.schock.de/CITN200



Article no.

- CIT N 200 A**
- CIT N 200 U**

Optional accessories (See pages 327-331)

- Chopping board, glass
629046* black or
629045* white
- Automatic drain kit
629305
- Easy Care
629018
Easy Care Brightener
629019

- Chopping board, glass.....**629036***
- Chopping board, bamboo.....**629044**
- Manual drain kit.....**629304**
- Syphon.....**629229**
- comfotouch.....**629830**
- LED-light.....**629024**
- Undermount clamps.....**6.3016/4**

Recommended taps

- SCHOCK **ZELOS**
see page 320
- SCHOCK **LEVA**
see page 309

* Please specify **U** for undermounted

CRISTALITE⁺
CLASSIC

LONDON

TRADITION
MEETS STYLE



N-150



R-100



www.schock.de/classic

- Arena (47)
- Alpina (07)
- Croma (49)
- Everest (26)
- Mocha (63)
- Colorado (08)
- Graphite (15)
- Pera (66)
- Inox (12)
- Terra (38)
- Onyx (10)
- Sabbie (98)
- Lava (40)
- Moonstone (22)
- Nero (13)
- Alumina (04)



CRISTALITE+
CLASSIC N-150

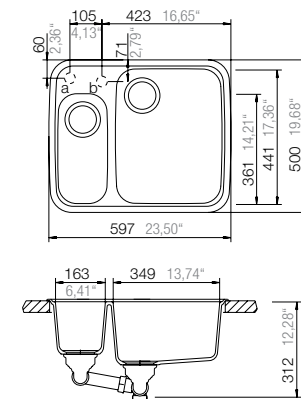


Product benefits

- Modern sink with great functionality due to its traditional dimensions and great aspirations thanks to its outstanding design.
- CRISTALITE+ is easy to clean and extremely tough – perfect for the rigours of kitchen life.

Installation measurements




PDF/DXF: www.schock.de/CLAN150





Article no.

-  **CLA N 150 A**
-  **CLA N 150 U**

Optional accessories (See pages 327-331)

| | | |
|---|--|--|
|  | Chopping board, glass 629046* black or 629045* white | Chopping board, glass..... 629036* Chopping board, bamboo..... 629044 |
|  | Strainer bowl 629072/48 | Manual drain kit..... 629374 Syphon..... 629229 |
|  | Automatic drain kit 629321 | Easy Care..... 629018 Easy Care Brightener..... 629019 |
| | | Undermount clamps..... 6.3016/10 |

Recommended taps

-  SCHOCK **NOTOS**
see page 314
-  SCHOCK **NEOS**
see page 312

* Please specify **U** for undermounted

CRISTALITE+
CLASSIC R-100

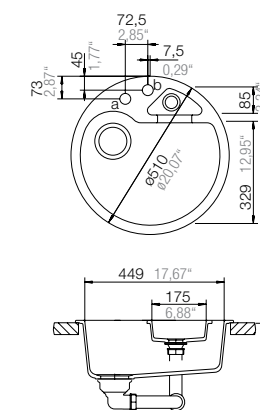


Product benefits

- The combination of classic design and ultra-modern materiality creates an exceptionally high-grade sink.
- CRISTALITE+ is easy to clean and extremely tough – perfect for the rigours of kitchen life.

Installation measurements



PDF/DXF: www.schock.de/CLAR100





Article no.

-  **CLA R 100 A**
-  **CLA R 100 U**

Optional accessories (See pages 327-331)

| | | |
|---|---|--|
|  | Automatic drain kit 629343 | Manual drain kit..... 629344 Syphon..... 629229 |
|  | Easy Care 629018 Easy Care Brightener 629019 | Undermount clamps..... 6.3016/5 |

Recommended taps

-  SCHOCK **NOTOS**
see page 314
-  SCHOCK **NEOS**
see page 312

SAN FRANCISCO

LIVE YOUR DREAM



D-100



D-150



D-200



- Arena (47)
- Alpina (07)
- Croma (49)
- Everest (26)
- Mocha (63)
- Colorado (08)
- Graphite (19)
- Pera (66)
- Inox (12)
- Terra (38)
- Onyx (10)
- Sabbie (88)
- Lava (40)
- Moonstone (22)
- Nero (13)
- Alumina (04)



CRISTALITE+[®]
DOMUS D-100

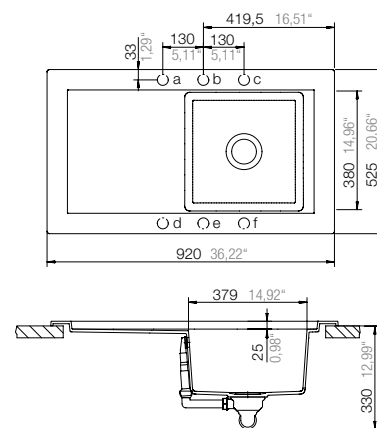


Product benefits

- The integral antibacterial protection in CRISTALITE+[®] helps put your mind at rest when preparing fresh food.
- An exceptionally beautiful design featuring straight lines very much in the contemporary kitchen style.
- Extra functionality can be added in the form of accessories such as a glass chopping board or comfotouch.

Installation measurements

PDF/DXF: www.schock.de/DOMD100



Article no.

- DOM D 100 A**
- DOM D 100 U**

Optional accessories (See pages 327-331)

- | | | |
|--|--|--|
| | Chopping board, glass 629033 | Manual drain kit..... 629353 |
| | Automatic drain kit 629352 | Syphon..... 629229 |
| | Easy Care 629018 | comfotouch..... 629830 |
| | Easy Care Brightener 629019 | LED-light..... 629024 |
| | | Undermount clamps..... 6.3016/8 |

Recommended taps

- SCHOCK **ELARA**
see page 302
- SCHOCK **SC-300**
see page 294

CRISTALITE+[®]
DOMUS D-150

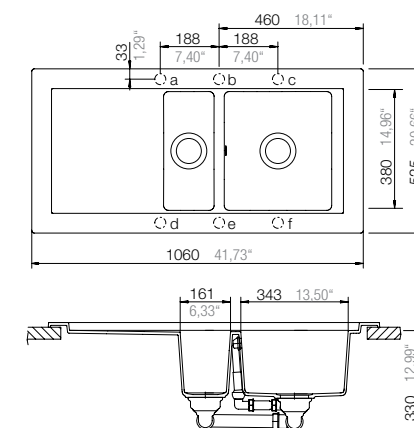


Product benefits

- The combination of modern design and on-trend materiality creates an exceptionally high-grade sink.
- With 16 intense CRISTALITE+[®] colourways to choose from, this sink adds that decisive splash of colour to the kitchen – right up with the colour-blocking trend.
- Combines perfectly with the SC-300 tap in the same colour.

Installation measurements

PDF/DXF: www.schock.de/DOMD150



Article no.

- DOM D 150 A**
- DOM D 150 U**

Optional accessories (See pages 327-331)

- | | | |
|--|--|---|
| | Chopping board, glass 629033 | Manual drain kit..... 629348 |
| | Automatic drain kit 629349 | Syphon..... 629229 |
| | Strainer bowl 629047/N | comfotouch..... 629830 |
| | Easy Care 629018 | LED-light..... 629024 |
| | Easy Care Brightener 629019 | Undermount clamps..... 6.3016/10 |

Recommended taps

- SCHOCK **ELARA**
see page 302
- SCHOCK **SC-300**
see page 294

- Arena (47)
- Alpina (07)
- Croma (49)
- Everest (26)
- Mocha (63)
- Colorado (08)
- Graphite (15)
- Pera (66)
- Inox (12)
- Terra (38)
- Onyx (10)
- Sabbie (68)
- Lava (40)
- Moonstone (22)
- Nero (13)
- Alumina (04)



UNTIL 31.12.2013

CRISTALITE+
DOMUS D-200

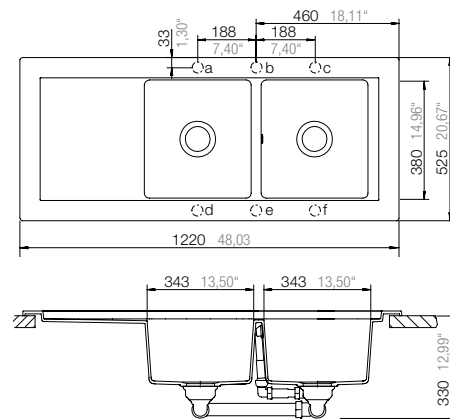


Product benefits

- Incredibly spacious with two large sinks and a sizeable draining board.
- Designed with straight lines and appeal, this sink fits perfectly into any style of kitchen.
- Optionally available with ultra-modern technology such as Schock comfotouch or LED lighting.

Installation measurements

PDF/DXF: www.schock.de/DOMD200



Article no.

- DOM D 200 A**
- DOM D 200 U**

Optional accessories (See pages 327-331)

| | | |
|----------|--|---|
| | <p>Chopping board, glass 629033</p> <p>Strainer bowl 629047/N</p> <p>Automatic drain kit 629349</p> | <p>Manual drain kit 629348</p> <p>Syphon 629229</p> <p>comfotouch 629630</p> <p>LED-light 629024</p> <p>Easy Care 629018</p> <p>Easy Care Brightener 629019</p> <p>Undermount clamps 6.3016/10</p> |
|----------|--|---|

Recommended taps

- SCHOCK **ELARA**
see page 302
- SCHOCK **SC-300**
see page 294

SAN FRANCISCO

LIVE YOUR DREAM



CRISTALITE+[®]
EURO



N-100



R-100



www.schock.de/euro

- Arena (47)
- Alpina (07)
- Croma (49)
- Everest (26)
- Mocha (63)
- Colorado (08)
- Graphite (15)
- Pera (66)
- Inox (12)
- Terra (38)
- Onyx (10)
- Sabbie (68)
- Lava (40)
- Moonstone (22)
- Nero (13)
- Alumina (04)



CRISTALITE+[®]
EURO N-100

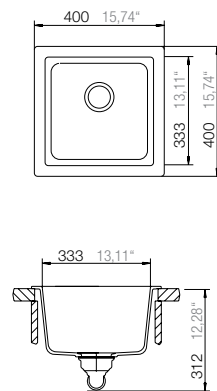


Product benefits

- An exceptionally smooth design featuring straight lines very much in the contemporary kitchen style.
- The surface of CRISTALITE+[®] is up to three times as hard as natural granite and is therefore highly resistant.
- This sink will turn heads in the kitchen in its gleaming CRISTALITE+[®] colourways.

Installation measurements

PDF/DXF: www.schock.de/EURN100



Article no.

- EUR N 100 A**
- EUR N 100 U**

Optional accessories (See pages 327-331)



- | | |
|---------------------------------------|--|
| Automatic drain kit 629313 | Manual drain kit..... 629314 |
| | Syphon..... 629229 |
| | comfotouch..... 629830 |
| Easy Care 629018 | Undermount clamps..... 6.3016/4 |
| Easy Care Brightener 629019 | |

Recommended taps

- SCHOCK SIMI**
see page 317
- SCHOCK SC-40**
see page 297

CRISTALITE+[®]
EURO R-100

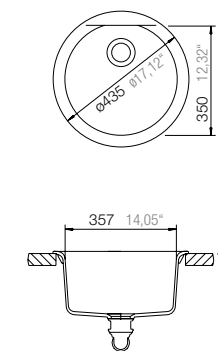


Product benefits

- The classic and appealing design fits perfectly into any style – the modern, traditional or country kitchen.
- CRISTALITE+[®] is a real winner with its integrated hygiene protection system, Schock Antibac.

Installation measurements

PDF/DXF: www.schock.de/EURR100



Article no.

- EUR R 100 A**
- EUR R 100 U**

Optional accessories (See pages 327-331)



- | | |
|---------------------------------------|--|
| Automatic drain kit 629220 | Manual drain kit..... 629112 |
| | Syphon..... 629229 |
| | comfotouch..... 629830 |
| Easy Care 629018 | Undermount clamps..... 6.3016/5 |
| Easy Care Brightener 629019 | |

Recommended taps

- SCHOCK SIMI**
see page 317
- SCHOCK SC-40**
see page 297

RIO

JOIE DE VIVRE



CRISTALITE+[®]
FORMHAUS



D-100



D-150



D-200



www.schock.de/formhaus



CRISTALITE+[®]
FORMHAUS D-100

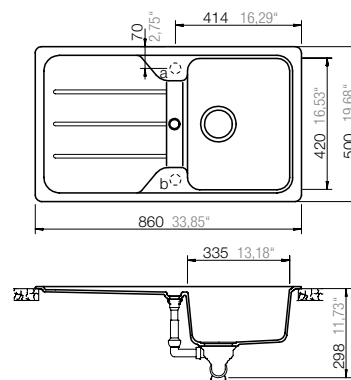


Product benefits

- This sink will turn heads in the kitchen in its gleaming CRISTALITE+[®] colourways.
- The surface of CRISTALITE+[®] is up to three times as hard as natural granite and is therefore highly resistant.

Installation measurements

PDF/DXF: www.schock.de/FOMD100



Article no.

 **FOM D-100 A**

Optional accessories (See pages 327-331)



Automatic drain kit
629873


Manual drain kit.....**629872**
Syphon.....**629229**



Easy Care
629018
Easy Care Brightener
629019

Recommended taps

 SCHOCK **DIKE**
see page 301

 SCHOCK **SC-40**
see page 297

CRISTALITE+[®]
FORMHAUS D-150

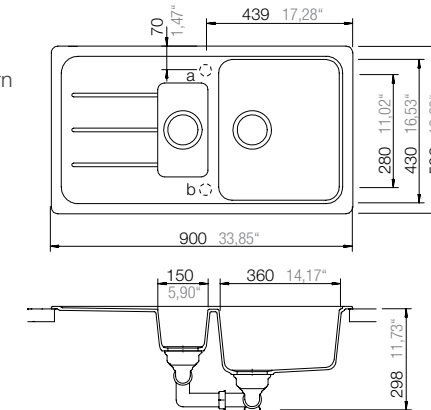


Product benefits

- The large single bowl is complemented by a useful smaller bowl and a draining board.
- Shorter drain board is perfect for modern kitchens.
- An exceptionally smooth design very much in the traditional kitchen style.

Installation measurements

PDF/DXF: www.schock.de/FOMD150



Article no.

 **FOM D 150 A**

Optional accessories (See pages 327-331)



Automatic drain kit
629877


Manual drain kit.....**629876**
Syphon.....**629229**



Easy Care
629018
Easy Care Brightener
629019

Recommended taps

 SCHOCK **DIKE**
see page 301

 SCHOCK **SC-40**
see page 297



CRISTALITE+[®]
FORMHAUS D-200

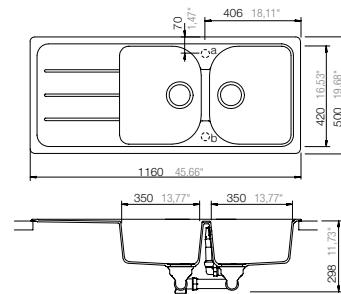


Product benefits

- The classic and appealing design fits perfectly into any style – the modern, traditional or country kitchen.
- CRISTALITE+[®] is easy to clean and extremely tough – perfect for the rigours of kitchen life.
- The combination of classic design and ultra-modern materiality creates an exceptionally high-grade sink.

Installation measurements

PDF/DXF: www.schock.de/FOMD200



Article no.



FOM D 200 A

Optional accessories (See pages 327-331)



Automatic drain kit
629875

Manual drain kit.....**629874**
Syphon.....**629229**



Easy Care
629018
Easy Care Brightener
629019

Recommended taps



SCHOCK **DIKE**
see page 301



SCHOCK **SC-40**
see page 297

COPA CA BANA

JOIE
DE VIVRE



CRISTALITE+[®]
GEMO



N-100



www.schock.de/gemo

- Arena (47)
- Alpina (07)
- Croma (48)
- Everest (26)
- Mocha (63)
- Colorado (08)
- Graphite (15)
- Pera (66)
- Inox (12)
- Terra (38)
- Onyx (10)
- Sabbie (88)
- Lava (40)
- Moonstone (22)
- Nero (13)
- Alumina (04)



CRISTALITE+[®]
GEMO N-100

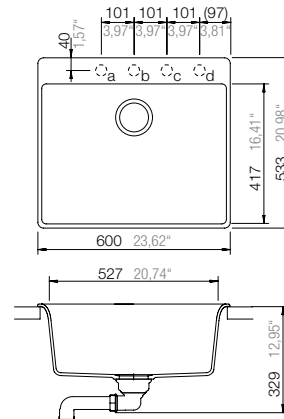


Product benefits

- An exceptionally smooth design featuring straight lines very much in the contemporary kitchen style.
- The quartz particles in CRISTALITE+[®] provide long-lasting protection against wear and make the sink extremely durable.
- A modern sink with a very large, deep bowl which can be enhanced by optional LED lighting.

Installation measurements

PDF/DXF: www.schock.de/GEMN100



Article no.

- GEM N 100 A**
- GEM N 100 U***

Optional accessories (See pages 327-331)

| | | |
|--|---------------------------------------|--|
| | Automatic drain kit 629324 | Manual drain kit..... 629323 |
| | | Syphon..... 629229 |
| | Easy Care 629018 | comfotouch..... 629830 |
| | Easy Care Brightener 629019 | LED-light..... 629024/3 |
| | | Undermount clamps..... 6.3016/4 |

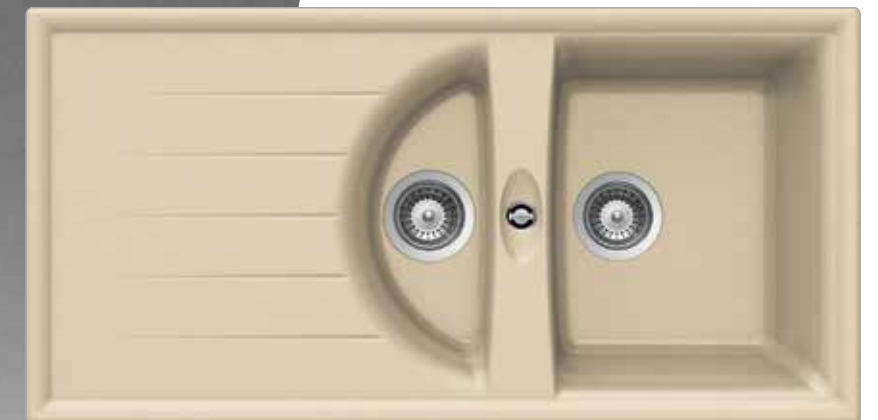
Recommended taps

- SCHOCK **HEKATE**
see page 305
- SCHOCK **SC-200**
see page 295

* Special size without tap bar available

MOSKOW

EXTRAVAGANT
LIFESTYLE



CRISTALITE⁺
GENIUS



D-100 S



D-100



D-150



D-200



C-150



www.schock.de/genius

- Arena (47)
- Alpina (07)
- Croma (49)
- Everest (26)
- Mocha (63)
- Colorado (08)
- Graphite (15)
- Pera (66)
- Inox (12)
- Terra (38)
- Onyx (10)
- Sabbie (98)
- Lava (40)
- Moonstone (22)
- Nero (13)
- Alumina (04)



CRISTALITE+[®]
GENIUS D-100 S

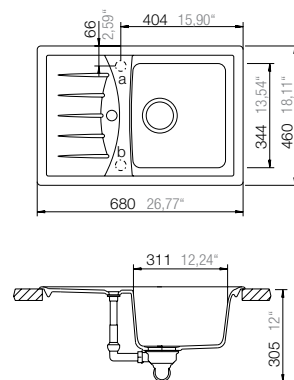


Product benefits

- The shorter design makes it perfectly suited to the modern kitchen suites in city and studio apartments.
- CRISTALITE+[®] is a real winner with its integrated hygiene protection system, Schock Antibac.
- With 16 intense CRISTALITE+[®] colour-ways to choose from, this sink adds that decisive splash of colour to the kitchen

Installation measurements

PDF/DXF: www.schock.de/GEND100S



Article no.

- GEN D 100 S A**
- GEN D 100 S U**

Optional accessories (See pages 327-331)



| | |
|---------------------------------------|--|
| Automatic drain kit 629383 | Manual drain kit..... 629382 |
| | Syphon..... 629229 |
| | comfotouch..... 629830 |
| Easy Care 629018 | Undermount clamps..... 6.3016/8 |
| Easy Care Brightener 629019 | |

Recommended taps

- SCHOCK **ZELOS**
see page 320
- SCHOCK **PILA**
see page 316

* Please specify **U** for undermounted

CRISTALITE+[®]
GENIUS D-100

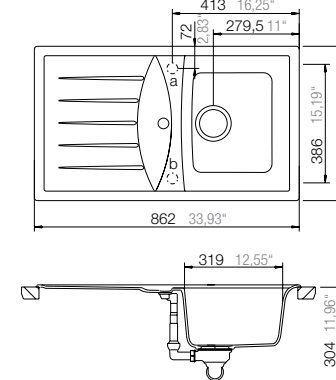


Product benefits

- The appealing design fits perfectly into any style of kitchen.
- Extra functionality can be added in the form of accessories such as a glass chopping board or a wire basket.
- The quartz particles in CRISTALITE+[®] provide long-lasting protection against wear and make the sink extremely durable.

Installation measurements

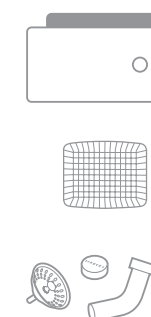
PDF/DXF: www.schock.de/GEND100



Article no.

- GEN D 100 A**
- GEN D 100 U**

Optional accessories (See pages 327-331)



| | |
|--|---|
| Chopping board, glass 629046* black or 629045* white | Chopping board, glass..... 629036* |
| | Chopping board, bamboo..... 629044 |
| | Manual drain kit..... 629382 |
| | Syphon..... 629229 |
| | comfotouch..... 629830 |
| | Easy Care..... 629018 |
| | Easy Care Brightener..... 629019 |
| | Undermount clamps..... 6.3016/10 |

Recommended taps

- SCHOCK **ZELOS**
see page 320
- SCHOCK **PILA**
see page 316

- Arena (47)
- Alpina (07)
- Croma (49)
- Everest (26)
- Mocha (63)
- Colorado (08)
- Graphite (15)
- Pera (66)
- Inox (12)
- Terra (38)
- Onyx (10)
- Sabbie (88)
- Lava (40)
- Moonstone (22)
- Nero (13)
- Alumina (04)



CRISTALITE+[®]
GENIUS D-150

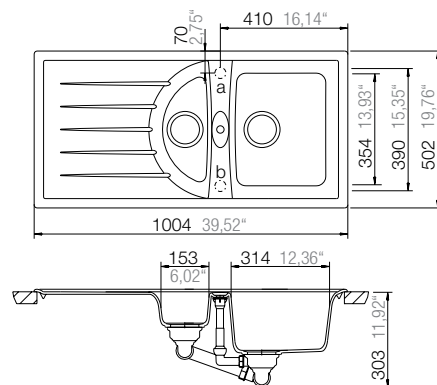


Product benefits

- The surface of CRISTALITE+[®] is up to three times as hard as natural granite and is therefore highly resistant.
- Combines perfectly with the Schock SC taps with CRISTALITE+[®] sleeves.
- The sink is optionally complemented by a special stainless steel strainer for the half bowl.

Installation measurements

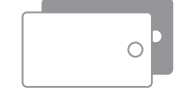


PDF/DXF: www.schock.de/GEND150




Article no.

-  **GEN D 150 A**
-  **GEN D 150 U**

Optional accessories (See pages 327-331)

| | | |
|---|--|--|
|  | Chopping board, glass 629046* black or 629045* white | Chopping board, glass..... 629036* Chopping board, bamboo..... 629044 Wire basket..... 629194 |
|  | Automatic drain kit 629301 | Manual drain kit..... 629300 Syphon..... 629229 |
|  | Strainer bowl 629042 | comfotouch..... 629830 |
| | | Easy Care..... 629018 Easy Care Brightener..... 629019 |
| | | Undermount clamps..... 6.3016/10 |

Recommended taps

-  SCHOCK **ZELOS**
see page 320
-  SCHOCK **PILA**
see page 316

* Please specify **U** for undermounted

CRISTALITE+[®]
GENIUS D-200

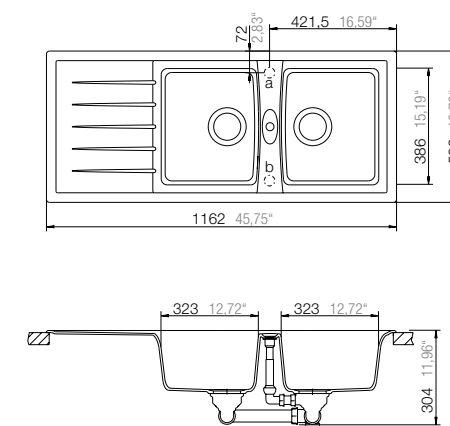


Product benefits


- Exceptional freedom with two large sinks and a sizeable draining board.
- Available in two different installation options for more flexibility in kitchen planning.
- The integral antibacterial protection in CRISTALITE+[®] helps put your mind at rest when preparing fresh food.

Installation measurements




PDF/DXF: www.schock.de/GEND200





Article no.

-  **GEN D 200 A**
-  **GEN D 200 U**

Optional accessories (See pages 327-331)

| | | |
|---|--|--|
|  | Chopping board, glass 629046* black or 629045* white | Chopping board, glass..... 629036* Chopping board, bamboo..... 629044 |
|  | Wire basket 629194 | Manual drain kit..... 629300 Syphon..... 629229 |
|  | Automatic drain kit 629301 | comfotouch..... 629830 |
| | | Easy Care..... 629018 Easy Care Brightener..... 629019 |
| | | Undermount clamps..... 6.3016/12 |

Recommended taps

-  SCHOCK **ZELOS**
see page 320
-  SCHOCK **PILA**
see page 316



- Arena (47)
- Alpina (07)
- Croma (49)
- Everest (26)
- Mocha (63)
- Colorado (08)
- Graphite (15)
- Pera (66)
- Inox (12)
- Terra (38)
- Onyx (10)
- Sabbie (98)
- Lava (40)
- Moonstone (22)
- Nero (13)
- Alumina (04)

CRISTALITE+[®]
GENIUS C-150

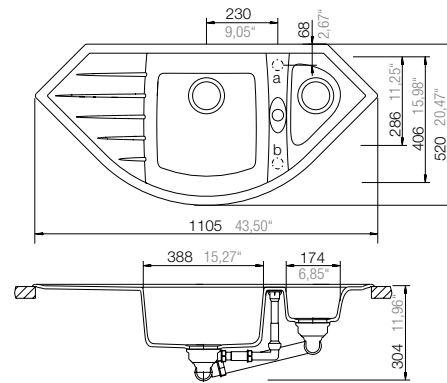


Product benefits

- Classic corner sink design with plenty of space for washing and doing the dishes and a sizeable draining board.
- CRISTALITE+[®] is easy to clean and extremely tough – perfect for the rigours of kitchen life.

Installation measurements

PDF/DXF: www.schock.de/GENC150



Article no.

- GEN C 150 A**
- GEN C 150 U**

Optional accessories (See pages 327-331)

| | | |
|--|---------------------------------------|---|
| | Chopping board, wood 629211 | Manual drain kit..... 629350 |
| | Wire basket 629212 | Syphon..... 629229 |
| | Automatic drain kit 629351 | comfotouch..... 629830 |
| | | Easy Care..... 629018 |
| | | Easy Care Brightener..... 629019 |
| | | Undermount clamps..... 6.3016/8 |

Recommended taps

- SCHOCK **ZELOS**
see page 320
- SCHOCK **PILA**
see page 316

PARIS

WITH LOVE



CRISTALITE+[®]
IMAGO



D-100



D-100 L



D-150



D-200



www.schock.de/imago

- Arena (47)
- Alpina (07)
- Croma (49)
- Everest (26)
- Mocha (63)
- Colorado (08)
- Graphite (15)
- Pera (66)
- Inox (12)
- Terra (38)
- Onyx (10)
- Sabbie (38)
- Lava (40)
- Moonstone (22)
- Nero (13)
- Alumina (04)



CRISTALITE+
IMAGO D-100

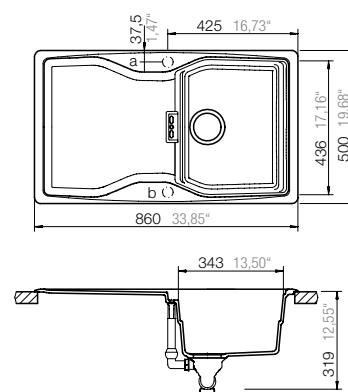


Product benefits

- The timeless French look is a real winner in any style of kitchen.
- Extensive range of accessories available with matching drain pans and strainer bowls that can be hung on two levels.
- The integral antibacterial protection in CRISTALITE+ helps put your mind at rest when preparing fresh food.

Installation measurements

PDF/DXF: www.schock.de/IMAD100



Article no.

IMA D 100 A

Optional accessories (See pages 327-331)

| | | |
|--|---|--|
| | Chopping board, glass 629046 black or 629045 white | Drain pan..... 629063 Drain bowl..... 629060 |
| | Strainer bowl 629061 | comfotouch..... 629830 LED-light..... 629024 |
| | | Automatic drain kit..... 629338 Manual drain kit..... 629337 Syphon..... 629229 |
| | Chopping board, glass..... 629036 Chopping board, bamboo..... 629044 | Easy Care..... 629018 Easy Care Brightener..... 629019 |
| | Strainer bowl..... 629062 | |

Recommended taps

- SCHOCK **ELARA**
see page 302
- SCHOCK **SC-200**
see page 295

CRISTALITE+
IMAGO D-100 L

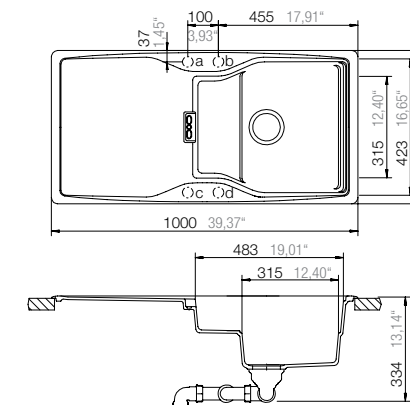


Product benefits

- Modern sink with great functionality thanks to its classic dimensions and great aspirations thanks to its outstanding design.
- CRISTALITE+ is a real winner with its integrated hygiene protection system, Schock Antibac.
- Features a very large, deep bowl which can be enhanced by optional LED lighting.

Installation measurements

PDF/DXF: www.schock.de/IMAD100L



Article no.

IMA D 100 L A

Optional accessories (See pages 327-331)

| | | |
|--|---|--|
| | Chopping board, glass 629046 black or 629045 white | Drain pan..... 629063 Drain bowl..... 629060 |
| | Strainer bowl 629061 | comfotouch..... 629830 LED-light..... 629024 |
| | | Automatic drain kit..... 629338 Manual drain kit..... 629337 Syphon..... 629229 |
| | Chopping board, glass..... 629036 Chopping board, bamboo..... 629044 | Easy Care..... 629018 Easy Care Brightener..... 629019 |
| | Strainer bowl..... 629062 | |

Recommended taps

- SCHOCK **ELARA**
see page 302
- SCHOCK **SC-200**
see page 295

- Arena (47)
- Alpina (07)
- Croma (49)
- Everest (26)
- Mocha (63)
- Colorado (08)
- Graphite (15)
- Pera (66)
- Inox (12)
- Terra (38)
- Onyx (10)
- Sabbie (88)
- Lava (40)
- Moonstone (22)
- Nero (13)
- Alumina (04)



CRISTALITE+[®]
IMAGO D-150

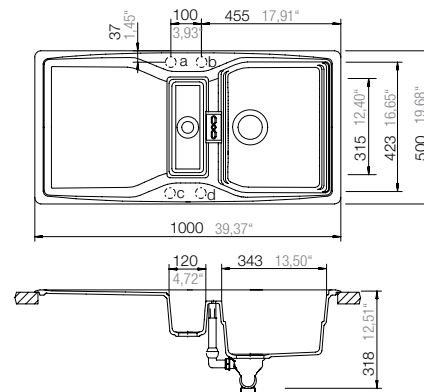


Product benefits

- Very modern design with no drip rim.
- Extensive range of accessories available with matching drain pans and strainer bowls that can be hung on two levels.
- With 16 intense CRISTALITE+[®] colourways to choose from, this sink adds that decisive splash of colour to the kitchen – right up with the colour-blocking trend.

Installation measurements

PDF/DXF: www.schock.de/IMAD150



Article no.

IMA D 150 A

Optional accessories (See pages 327-331)

| | | |
|--|---|--|
| | Chopping board, glass 629046 black or 629045 white | Drain pan..... 629063 Drain bowl..... 629060 |
| | Strainer bowl 629061 | comfotouch..... 629830 LED-light..... 629024 |
| | | Automatic drain kit..... 629340 Manual drain kit..... 629339 Syphon..... 629229 |
| | Chopping board, glass..... 629036 Chopping board, bamboo..... 629044 | Easy Care..... 629018 Easy Care Brightener..... 629019 |
| | Strainer bowl..... 629062 | |

Recommended taps

- SCHOCK **ELARA**
see page 302
- SCHOCK **SC-200**
see page 295

CRISTALITE+[®]
IMAGO D-200

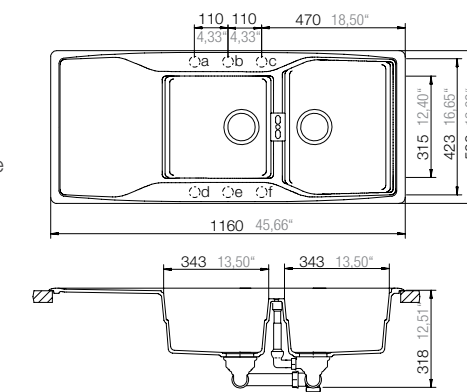


Product benefits

- Exceptional freedom with two large sinks and a sizeable draining board.
- The surface of CRISTALITE+[®] is up to three times as hard as natural granite and is therefore highly resistant.
- Extensive range of accessories available with matching drain pans and strainer bowls that can be hung on two levels.

Installation measurements

PDF/DXF: www.schock.de/IMAD200



Article no.

IMA D 200 A

Optional accessories (See pages 327-331)

| | | |
|--|---|--|
| | Chopping board, glass 629046 black or 629045 white | Drain pan..... 629063 Drain bowl..... 629060 |
| | Strainer bowl 629061 | comfotouch..... 629830 LED-light..... 629024 |
| | | Automatic drain kit..... 629342 Manual drain kit..... 629341 Syphon..... 629229 |
| | Chopping board, glass..... 629036 Chopping board, bamboo..... 629044 | Easy Care..... 629018 Easy Care Brightener..... 629019 |
| | Strainer bowl..... 629062 | |

Recommended taps

- SCHOCK **ELARA**
see page 302
- SCHOCK **SC-200**
see page 295

PARIS

WITH LOVE



CRISTALITE⁺
INSPIRATION



N-175



N-200



www.schock.de/inspiration

- Arena (47)
- Alpina (07)
- Croma (49)
- Everest (26)
- Moccha (63)
- Colorado (08)
- Graphite (15)
- Pera (66)
- Inox (12)
- Terra (38)
- Onyx (10)
- Sabbie (88)
- Lava (40)
- Moonstone (22)
- Nero (13)
- Alumina (04)



COMING SOON

CRISTALITE+[®]
INSPIRATION N-175

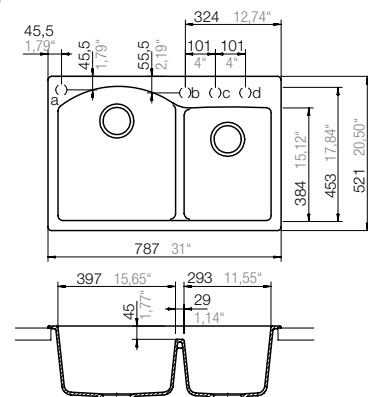


Product benefits



- CRISTALITE+[®] is easy to clean and extremely tough – perfect for the rigours of kitchen life.
- The combination of classic design and ultra-modern materiality creates an exceptionally high-grade sink.
- Available in two different installation options for more flexibility in kitchen planning.

Installation measurements

PDF/DXF: www.schock.de/INSN175



Article no.



-  **INS N 175 A**
-  **INS N 175 U***

Optional accessories (See pages 327-331)



| | |
|---------------------------------------|--|
| Automatic drain kit 629326 | Manual drain kit..... 629325 |
| | Syphon..... 629229 |
| Easy Care 629018 | comfotouch..... 629830 |
| Easy Care Brightener 629019 | LED-light..... 629024 |
| | Undermount clamps..... 6.3016/8 |

Recommended taps

-  SCHOCK **KARPO**
see page 308
-  SCHOCK **SC-300**
see page 294

* Special size without tap bar available

CRISTALITE+[®]
INSPIRATION N-200

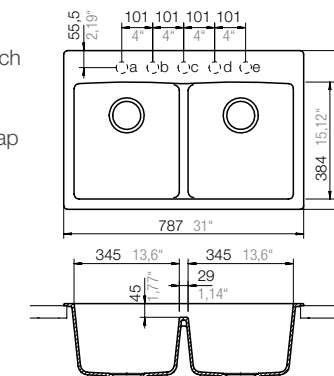


Product benefits

- Incredibly spacious with two large sinks.
- Optionally available with ultra-modern technology such as Schock comfotouch or LED lighting.
- Combines perfectly with the SC-300 tap in the same colour.

Installation measurements

PDF/DXF: www.schock.de/INSN200



Article no.



-  **INS N 200 A**
-  **INS N 200 U***

Optional accessories (See pages 327-331)



| | |
|---------------------------------------|--|
| Automatic drain kit 629326 | Manual drain kit..... 629325 |
| | Syphon..... 629229 |
| Easy Care 629018 | comfotouch..... 629830 |
| Easy Care Brightener 629019 | LED-light..... 629024 |
| | Undermount clamps..... 6.3016/8 |

Recommended taps

-  SCHOCK **KARPO**
see page 308
-  SCHOCK **SC-300**
see page 294

NYC

Inspiring
culture clash



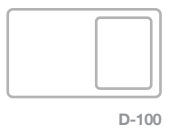
CRISTALITE⁺ LITHOS



N-200



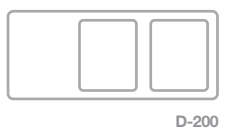
D-100 S



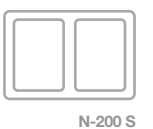
D-100



D-150



D-200



N-200 S



www.schock.de/lithos

- Arena (47)
- Alpina (07)
- Croma (49)
- Everest (26)
- Mocha (63)
- Colorado (08)
- Graphite (15)
- Pera (66)
- Inox (12)
- Terra (38)
- Onyx (10)
- Sabbie (88)
- Lava (40)
- Moonstone (22)
- Nero (13)
- Alumina (04)



CRISTALITE+[®]
LITHOS D-100 S

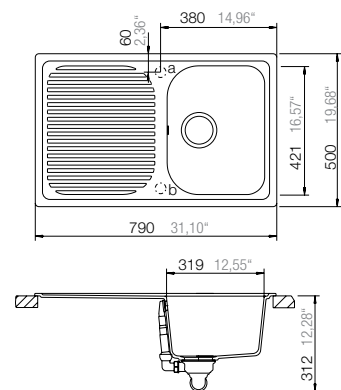


Product benefits

- The shorter design makes it perfectly suited to the modern kitchen suites in city and studio apartments.
- The quartz particles in CRISTALITE+[®] provide long-lasting protection against wear and make the sink extremely durable.
- Available in two different installation options for more flexibility in kitchen planning.

Installation measurements

PDF/DXF: www.schock.de/LITD100S



Article no.

- LIT D 100 S A**
- LIT D 100 S U**

Optional accessories (See pages 327-331)

| | | |
|--|--|--|
| | Chopping board, glass 629046* black or 629045* white | Chopping board, glass..... 629036* Chopping board, bamboo..... 629044 |
| | Automatic drain kit 629871 | Manual drain kit..... 629870 Syphon..... 629229 |
| | Easy Care 629018 Easy Care Brightener 629019 | comfotouch..... 629830 Undermount clamps..... 6.3016/8 |

Recommended taps

- SCHOCK **NOTOS**
see page 314
- SCHOCK **SC-50**
see page 296

* Please specify **U** for undermounted

CRISTALITE+[®]
LITHOS D-100

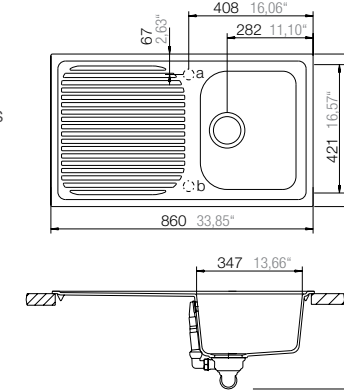


Product benefits

- A functional, classic design that perfectly matches the traditional style of kitchen architecture.
- CRISTALITE+[®] is easy to clean and extremely tough – perfect for the rigours of kitchen life.

Installation measurements

PDF/DXF: www.schock.de/LITD100



Article no.

- LIT D 100 A**
- LIT D 100 U**

Optional accessories (See pages 327-331)

| | | |
|--|--|---|
| | Chopping board, glass 629046* black or 629045* white | Chopping board, glass..... 629036* Chopping board, bamboo..... 629044 |
| | Wire basket 629172 | Manual drain kit..... 629870 Syphon..... 629229 |
| | Automatic drain kit 629871 | comfotouch..... 629830 Easy Care..... 629018 Easy Care Brightener..... 629019 Undermount clamps..... 6.3016/10 |

Recommended taps

- SCHOCK **NOTOS**
see page 314
- SCHOCK **SC-50**
see page 296

- Arena (47)
- Alpina (07)
- Croma (49)
- Everest (26)
- Mocha (63)
- Colorado (08)
- Graphite (15)
- Pera (66)
- Inox (12)
- Terra (38)
- Onyx (10)
- Sabbie (88)
- Lava (40)
- Moonstone (22)
- Nero (13)
- Alumina (04)



CRISTALITE+[®]
LITHOS D-150

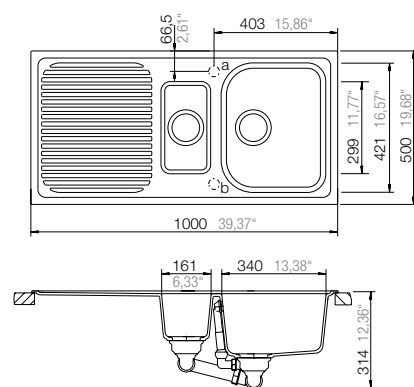


Product benefits

- CRISTALITE+[®] is a real winner with its integrated hygiene protection system, Schock Antibac.
- The combination of classic design and ultra-modern materiality creates an exceptionally high-grade sink.
- Extra functionality can be added in the form of accessories such as a wooden chopping board or a wire basket.

Installation measurements

PDF/DXF: www.schock.de/LITD150



Article no.

- LIT D 150 A**
- LIT D 150 U**

Optional accessories (See pages 327-331)

| | | |
|--|--|--|
| | Chopping board, glass 629046* black or 629045* white | Chopping board, glass..... 629036* Chopping board, bamboo..... 629044 Wire basket..... 629172 |
| | Strainer bowl, transparent grey 629124/48 | Manual drain kit..... 629874 Syphon..... 629229 |
| | Automatic drain kit 629875 | comfotouch..... 629830 Easy Care..... 629018 Easy Care Brightener..... 629019 |
| | | Undermount clamps..... 6.3016/10 |

Recommended taps

- SCHOCK NOTOS**
see page 314
- SCHOCK SC-50**
see page 296

* Please specify **U** for undermounted

CRISTALITE+[®]
LITHOS D-200

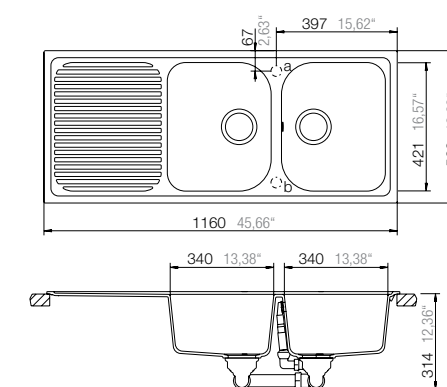


Product benefits

- The appealing design fits perfectly into any style of kitchen.
- With 16 intense CRISTALITE+[®] colourways to choose from, this sink adds that decisive splash of colour to the kitchen.
- CRISTALITE+[®] is easy to clean and extremely tough – perfect for the rigours of kitchen life.

Installation measurements

PDF/DXF: www.schock.de/LITD200



Article no.

- LIT D 200 A**
- LIT D 200 U**

Optional accessories (See pages 327-331)

| | | |
|--|--|--|
| | Chopping board, glass 629046* black or 629045* white | Chopping board, glass..... 629036* Chopping board, bamboo..... 629044 |
| | Wire basket 629172 | Manual drain kit..... 629874 Syphon..... 629229 |
| | Automatic drain kit 629875 | comfotouch..... 629830 Easy Care..... 629018 Easy Care Brightener..... 629019 |
| | | Undermount clamps..... 6.3016/12 |

Recommended taps

- SCHOCK NOTOS**
see page 314
- SCHOCK SC-50**
see page 296

- Arena (47)
- Alpina (07)
- Croma (49)
- Everest (26)
- Mocha (63)
- Colorado (08)
- Graphite (15)
- Pera (66)
- Inox (12)
- Terra (38)
- Onyx (10)
- Sabbie (68)
- Lava (40)
- Moonstone (22)
- Nero (13)
- Alumina (04)



CRISTALITE+[®]
LITHOS N-200 S

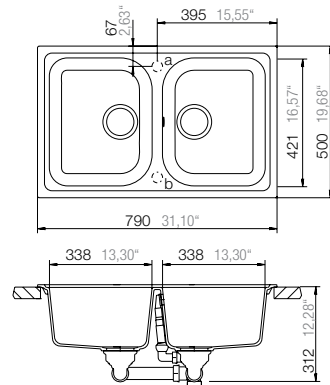


Product benefits

- The shorter design makes it perfectly suited to the modern kitchen suites in city and studio apartments.
- Developed to make optimum use of the space available in a 80 cm base unit.
- CRISTALITE+ is easy to clean and extremely tough – perfect for the rigours of kitchen life.

Installation measurements

PDF/DXF: www.schock.de/LITN200S



Article no.

- LIT N 200 S A**
- LIT N 200 S U**

Optional accessories (See pages 327-331)

| | | |
|--|--|--|
| | Chopping board, glass 629046* black or 629045* white | Chopping board, glass..... 629036* Chopping board, bamboo..... 629044 |
| | Wire basket 629172 | Wire basket..... 629172 |
| | Automatic drain kit 629875 | Manual drain kit..... 629874 Syphon..... 629229 |
| | | comfotouch..... 629830 |
| | | Undermount clamps..... 6.3016/8 |

Recommended taps

- SCHOCK NOTOS**
see page 314
- SCHOCK SC-50**
see page 296

* Please specify **U** for undermounted

CRISTALITE+[®]
LITHOS N-200

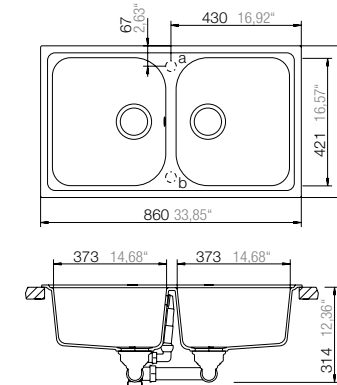


Product benefits

- CRISTALITE+ is a real winner with its integrated hygiene protection system, Schock Antibac.
- The combination of modern design and on-trend materiality creates an exceptionally high-grade sink.
- Extra functionality can be added in the form of accessories such as a chopping board or comfotouch.

Installation measurements

PDF/DXF: www.schock.de/LITN200



Article no.

- LIT N 200 A**
- LIT N 200 U**

Optional accessories (See pages 327-331)

| | | |
|--|--|--|
| | Chopping board, glass 629046* black or 629045* white | Chopping board, glass..... 629036* Chopping board, bamboo..... 629044 |
| | Wire basket 629172 | Wire basket..... 629172 |
| | Automatic drain kit 629875 | Manual drain kit..... 629874 Syphon..... 629229 |
| | | comfotouch..... 629830 |
| | | Easy Care..... 629018 Easy Care Brightener..... 629019 |
| | | Undermount clamps..... 6.3016/12 |

Recommended taps

- SCHOCK NOTOS**
see page 314
- SCHOCK SC-50**
see page 296

NYC

Inspiring culture clash



CRISTALITE⁺
MADISON



N-175



N-200



www.schock.de/madison

- Arena (47)
- Alpina (07)
- Croma (49)
- Everest (26)
- Moccha (63)
- Colorado (08)
- Graphite (15)
- Pera (66)
- Inox (12)
- Terra (38)
- Onyx (10)
- Sabbie (68)
- Lava (40)
- Moonstone (22)
- Nero (13)
- Alumina (04)



CRISTALITE+
MADISON N-175

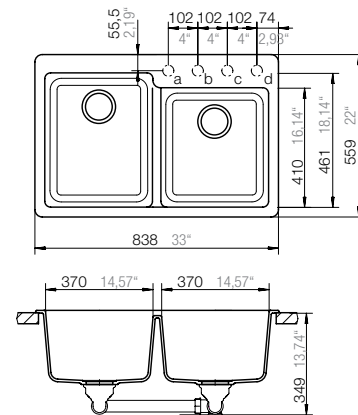


Product benefits

- Modern sink design with plenty of space for washing and doing the dishes.
- The integral antibacterial protection in CRISTALITE+ helps put your mind at rest when preparing fresh food.

Installation measurements

PDF/DXF: www.schock.de/MDNN175



Article no.



-  **MDN N 175 A**
-  **MDN N 175 U***

Optional accessories (See pages 327-331)



| | |
|---------------------------------------|--|
| Automatic drain kit 629326 | Manual drain kit..... 629325 |
| | Syphon..... 629229 |
| | comfotouch..... 629830 |
| Easy Care 629018 | Undermount clamps..... 6.3016/8 |
| Easy Care Brightener 629019 | |

Recommended taps

-  SCHOCK **KARPO**
see page 308
-  SCHOCK **PILA**
see page 316

* Special size without tap bar available

CRISTALITE+
MADISON N-200

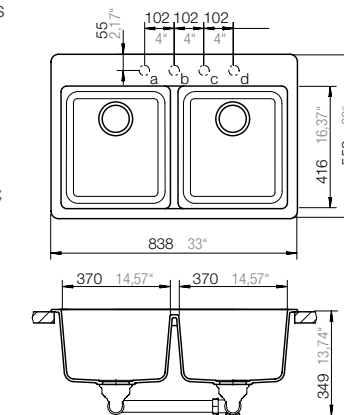


Product benefits



- CRISTALITE+ is easy to clean and extremely tough – perfect for the rigours of kitchen life.
- Available in two different installation options for more flexibility in kitchen planning.
- Combines perfectly with the Schock SC taps with CRISTALITE+ sleeves.

Installation measurements

PDF/DXF: www.schock.de/MDNN200



Article no.



-  **MDN N 200 A**
-  **MDN N 200 U***

Optional accessories (See pages 327-331)



| | |
|---------------------------------------|--|
| Automatic drain kit 629326 | Manual drain kit..... 629325 |
| | Syphon..... 629229 |
| | comfotouch..... 629830 |
| Easy Care 629018 | Undermount clamps..... 6.3016/8 |
| Easy Care Brightener 629019 | |

Recommended taps

-  SCHOCK **KARPO**
see page 308
-  SCHOCK **PILA**
see page 316

MANHATTAN

UPSIDE

NMOD

between high-rise buildings



CRISTALITE+[®]
MANHATTAN



D-100 XS



D-100 S



D-150



N-150



R-100



www.schock.de/manhattan

- Arena (47)
- Alpina (07)
- Croma (49)
- Everest (26)
- Mocha (63)
- Colorado (08)
- Graphite (15)
- Pera (66)
- Inox (12)
- Terra (38)
- Onyx (10)
- Sabbie (88)
- Lava (40)
- Moonstone (22)
- Nero (13)
- Alumina (04)



CRISTALITE+
MANHATTAN D-100 XS

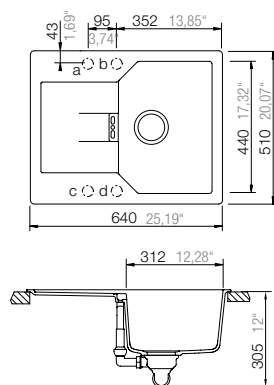


Product benefits

- Makes optimum use of space with 40 cm base units.
- With sixteen intense CRISTALITE+ colourways to choose from, this sink adds that decisive splash of colour to the kitchen – right up with the colour-blocking trend.
- The shorter design makes it perfectly suited to the modern kitchen suites in city and studio apartments.

Installation measurements

PDF/DXF: www.schock.de/MAND100XS



Article no.

- MAN D 100 X A
- MAN D 100 X U

Optional accessories (See pages 327-331)



| | |
|---------------------------------------|--|
| Automatic drain kit 629368 | Manual drain kit..... 629395 |
| | Syphon..... 629229 |
| Easy Care 629018 | comfotouch..... 629830 |
| Easy Care Brightener 629019 | Undermount clamps..... 6.3016/5 |

Recommended taps

- SCHOCK **CENTROS SMALL**
see page 299
- SCHOCK **HERMERA**
see page 306

CRISTALITE+
MANHATTAN D-100 S

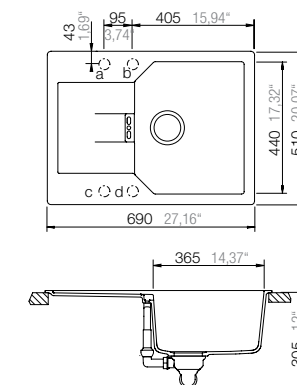


Product benefits

- Developed to make optimum use of the space available in a 45 cm base unit.
- The shorter design makes it perfectly suited to the modern kitchen suites in city and studio apartments.
- The integral antibacterial protection in CRISTALITE+ helps put your mind at rest when preparing fresh food.

Installation measurements

PDF/DXF: www.schock.de/MAND100S



Article no.

- MAN D 100 S A
- MAN D 100 S U

Optional accessories (See pages 327-331)



| | |
|---------------------------------------|--|
| Automatic drain kit 629368 | Manual drain kit..... 629395 |
| | Syphon..... 629229 |
| Easy Care 629018 | comfotouch..... 629830 |
| Easy Care Brightener 629019 | Undermount clamps..... 6.3016/5 |

Recommended taps

- SCHOCK **CENTROS SMALL**
see page 299
- SCHOCK **HERMERA**
see page 306

- Arena (47)
- Alpina (07)
- Croma (49)
- Everest (26)
- Moccha (63)
- Colorado (08)
- Graphite (15)
- Pera (66)
- Inox (12)
- Terra (38)
- Onyx (10)
- Sabbie (98)
- Lava (40)
- Moonstone (22)
- Nero (13)
- Alumina (04)



CRISTALITE+[®]
MANHATTAN D-150

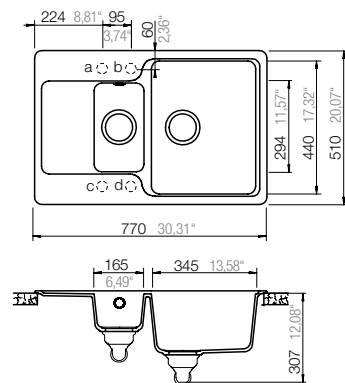


Product benefits

- The shorter design makes it perfectly suited to the modern kitchen suites in city and studio apartments.
- The integral antibacterial protection in CRISTALITE+[®] helps put your mind at rest when preparing fresh food.

Installation measurements

PDF/DXF: www.schock.de/MAND150



Article no.

- MAN D 150 A**
- MAN D 150 U**

Optional accessories (See pages 327-331)



Automatic drain kit
629305

Manual drain kit.....**629304**
Syphon.....**629229**



Easy Care
629018
Easy Care Brightener
629019

comfotouch.....**629830**
LED-light.....**629024**
Undermount clamps.....**6.3016/5**

Recommended taps

SCHOCK **CENTROS SMALL**
see page 299

SCHOCK **HERMERA**
see page 306

CRISTALITE+[®]
MANHATTAN N-150

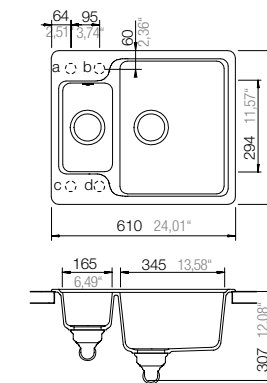


Product benefits

- The shorter design makes it perfectly suited to the modern kitchen suites in city and studio apartments.
- The integral antibacterial protection in CRISTALITE+[®] helps put your mind at rest when preparing fresh food.

Installation measurements

PDF/DXF: www.schock.de/MANN150



Article no.

- MAN N 150 A**
- MAN N 150 U**

Optional accessories (See pages 327-331)



Automatic drain kit
629305

Manual drain kit.....**629304**
Syphon.....**629229**



Easy Care
629018
Easy Care Brightener
629019

comfotouch.....**629830**
LED-light.....**629024**
Undermount clamps.....**6.3016/7**

Recommended taps

SCHOCK **CENTROS SMALL**
see page 299

SCHOCK **HERMERA**
see page 306



- Arena (47)
- Alpha (07)
- Croma (49)
- Everest (26)
- Mocha (63)
- Colorado (08)
- Graphite (15)
- Pera (66)
- Inox (12)
- Terra (38)
- Onyx (10)
- Sabbie (68)
- Lava (40)
- Moonstone (22)
- Nero (13)
- Alumina (04)

CRISTALITE+[®]
MANHATTAN R-100

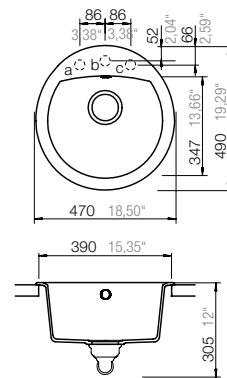


Product benefits

- CRISTALITE+[®] is easy to clean and extremely tough – perfect for the rigours of kitchen life.
- The combination of classic design and ultra-modern materiality creates an exceptionally high-grade sink.
- Combines perfectly with the Schock taps with CRISTALITE+[®] sleeves.

Installation measurements

PDF/DXF: www.schock.de/MANR100



Article no.



-  **MAN R 100 A**
-  **MAN R 100 U**

Optional accessories (See pages 327-331)



| | |
|---|--|
| Automatic drain kit 629313 | Manual drain kit..... 629314 |
| | Syphon..... 629229 |
| | comfotouch..... 629830 |
| | LED-light..... 629024 |
| Easy Care 629018 Easy Care Brightener 629019 | Undermount clamps..... 6.3016/4 |

Recommended taps

-  SCHOCK **CENTROS SMALL**
see page 299
-  SCHOCK **HERMERA**
see page 306

MANHATTAN

UPSIDE NMOD



CRISTALITE+[®]
NEMO



N-100 S



N-100



www.schock.de/nemo

- Arena (47)
- Alpha (07)
- Croma (49)
- Everest (26)
- Mocha (63)
- Colorado (08)
- Graphite (15)
- Pera (66)
- Inox (12)
- Terra (38)
- Onyx (10)
- Sabbie (68)
- Lava (40)
- Moonstone (22)
- Nero (13)
- Alumina (04)



CRISTALITE+[®]
NEMO N-100 S

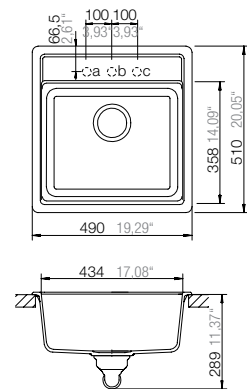


Product benefits

- Available in the five loud Colour Your Life colourways – super-trendy colour-blocking for the kitchen.
- The dimensions are perfectly suited to the modern kitchen suites in city and studio apartments.
- CRISTALITE+[®] is easy to clean and extremely tough – perfect for the rigours of kitchen life.

Installation measurements

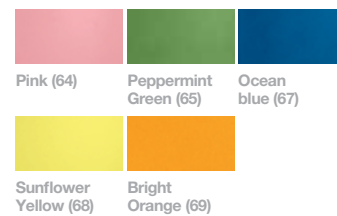
PDF/DXF: www.schock.de/NEMN100S



Article no.

- NEM N 100 S A**
- NEM N 100 S U**

Exclusive colours for Nemo N-100 S



Recommended taps

- SCHOCK CENTROS SMALL**
see page 299
- SCHOCK SC-200**
see page 295

Optional accessories (See pages 327-331)

| | | |
|--|--|---|
| | Chopping board, glass 629015/N | Manual drain kit..... 629314 Syphon..... 629229 |
| | Strainer bowl 629017 | comfotouch..... 629830 LED-light..... 629024 |
| | Automatic drain kit 629313 | Easy Care..... 629018 Easy Care Brightener..... 629019 |
| | | Undermount clamps..... 6.3016/4 |

CRISTALITE+[®]
NEMO N-100

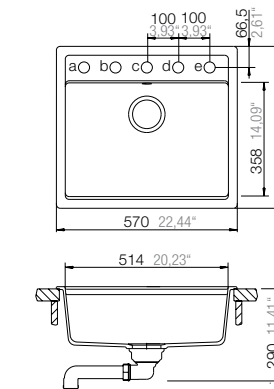


Product benefits

- The sink is optimally complemented by a special stainless steel strainer for the half bowl.
- The long tap-hole platform can be equipped with up to five holes.
- A modern sink with a very large, deep bowl which can be enhanced by optional LED lighting.

Installation measurements

PDF/DXF: www.schock.de/NEMN100



Article no.

- NEM N 100 A**
- NEM N 100 U**

Optional accessories (See pages 327-331)

| | | |
|--|--|---|
| | Chopping board, glass 629015/N | Manual drain kit..... 629314 Syphon..... 629229 |
| | Strainer bowl 629017 | comfotouch..... 629830 LED-light..... 629024/3 |
| | Automatic drain kit 629305 | Easy Care..... 629018 Easy Care Brightener..... 629019 |
| | | Undermount clamps..... 6.3016/4 |

Recommended taps

- SCHOCK CENTROS SMALL**
see page 299
- SCHOCK SC-200**
see page 295

SEOUL

Sunset over
downtown



CRISTALITE⁺
PRIMUS



N-200



D-100



C-200



D-100 L



D-150



D-200



N-100 XL



www.schock.de/primus

- Arena (47)
- Alpina (07)
- Croma (49)
- Everest (26)
- Mocha (63)
- Colorado (08)
- Graphite (15)
- Pera (66)
- Inox (12)
- Terra (38)
- Onyx (10)
- Sabbie (38)
- Lava (40)
- Moonstone (22)
- Nero (13)
- Alumina (04)



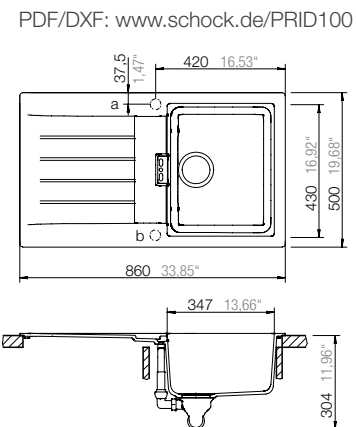
CRISTALITE+[®]
PRIMUS D-100



Product benefits

- An exceptionally smooth design featuring straight lines very much in the contemporary kitchen style.
- The quartz particles in CRISTALITE+ provide long-lasting protection against wear and make the sink extremely durable.
- Extra functionality can be added in the form of accessories such as a glass chopping board or comfotouch.

Installation measurements



Article no.

- PRI D 100 A**
- PRI D 100 U**

Optional accessories (See pages 327-331)

| | | |
|--|--|--|
| | Chopping board, glass 629046* black or 629045* white | Chopping board, glass..... 629036* Chopping board, bamboo..... 629044 |
| | Wire basket 629171 | Manual drain kit..... 629370 Syphon..... 629229 |
| | Automatic drain kit 629371 | comfotouch..... 629830 LED-light..... 629024 |
| | | Easy Care..... 629018 Easy Care Brightener..... 629019 |
| | | Undermount clamps..... 6.3016/10 |

Recommended taps

- SCHOCK **KARPO**
see page 308
- SCHOCK **SC-300**
see page 294

* Please specify **U** for undermounted

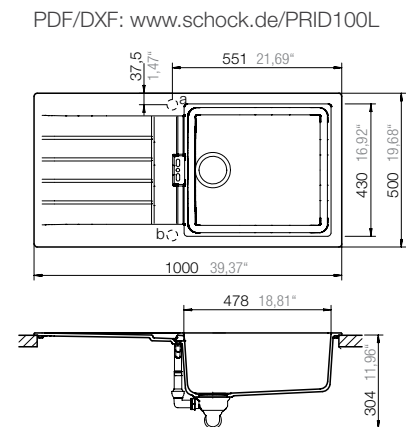
CRISTALITE+[®]
PRIMUS D-100 L



Product benefits

- Modern sink with great functionality thanks to its classic dimensions and great aspirations thanks to its outstanding design.
- Features a very large, deep bowl which can be enhanced by optional LED lighting.
- CRISTALITE+ is a real winner with its integrated hygiene protection system, Schock Antibac.

Installation measurements



Article no.

- PRI D 100 L A**
- PRI D 100 L U**

Optional accessories (See pages 327-331)

| | | |
|--|--|---|
| | Chopping board, glass 629046* black or 629045* white | Chopping board, glass..... 629036 Chopping board, bamboo..... 629044 |
| | Wire basket 629171 | Manual drain kit..... 629370 Syphon..... 629229 |
| | Automatic drain kit 629371 | comfotouch..... 629830 LED-light..... 629024 |
| | | Easy Care..... 629018 Easy Care Brightener..... 629019 |
| | | Undermount clamps..... 6.3016/10 |

Recommended taps

- SCHOCK **KARPO**
see page 308
- SCHOCK **SC-300**
see page 294

- Arena (47)
- Alpina (07)
- Croma (49)
- Everest (26)
- Mocha (63)
- Colorado (08)
- Graphite (15)
- Pera (66)
- Inox (12)
- Terra (38)
- Onyx (10)
- Sabbie (38)
- Lava (40)
- Moonstone (22)
- Nero (13)
- Alumina (04)



CRISTALITE+[®]
PRIMUS D-150

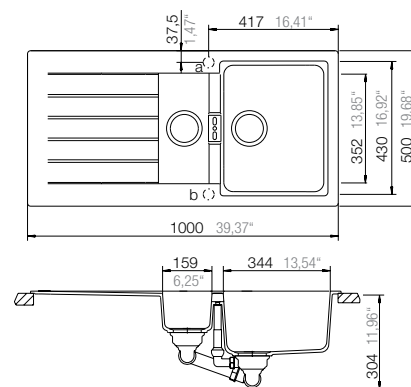


Product benefits

- The timeless look featuring straight lines is a real winner in any style of kitchen.
- The surface of CRISTALITE+[®] is up to three times as hard as natural granite and is therefore highly resistant.
- Extra functionality can be added in the form of accessories such as a chopping board and a stainless steel strainer bowl.

Installation measurements

PDF/DXF: www.schock.de/PRID150



Article no.

- PRI D 150 A**
- PRI D 150 U**

Optional accessories (See pages 327-331)

| | | |
|--|--|--|
| | Chopping board, glass 629046* black or 629045* white | Chopping board, glass..... 629036* Chopping board, bamboo..... 629044 Wire basket..... 629171 |
| | Strainer bowl 629043 | Manual drain kit..... 629372 Syphon..... 629229 |
| | Automatic drain kit 629373 | comfotouch..... 629830 LED-light..... 629024 |
| | | Easy Care..... 629018 Easy Care Brightener..... 629019 |
| | | Undermount clamps..... 6.3016/10 |

Recommended taps

- SCHOCK **KARPO**
see page 308
- SCHOCK **SC-300**
see page 294

* Please specify **U** for undermounted

CRISTALITE+[®]
PRIMUS D-200

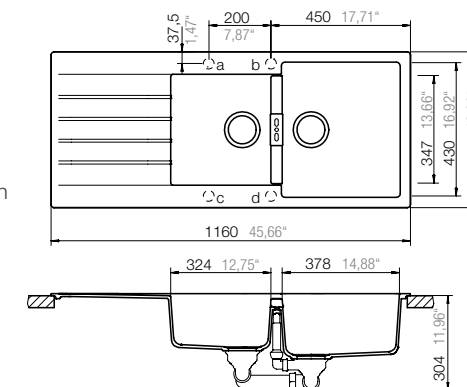


Product benefits

- Incredibly spacious with two large sinks and a sizeable draining board.
- Designed with straight lines and appeal, this sink fits perfectly into any style of kitchen.
- Optionally available with ultra-modern technology such as Schock comfotouch or LED lighting.

Installation measurements

PDF/DXF: www.schock.de/PRID200



Article no.

- PRI D 200 A**
- PRI D 200 U**

Optional accessories (See pages 327-331)

| | | |
|--|--|---|
| | Chopping board, glass 629046* black or 629045* white | Chopping board, glass..... 629036 Chopping board, bamboo..... 629044 |
| | Wire basket 629171 | Manual drain kit..... 629372 Syphon..... 629229 |
| | Automatic drain kit 629373 | comfotouch..... 629830 LED-light..... 629024 |
| | | Undermount clamps..... 6.3016/10 |

Recommended taps

- SCHOCK **KARPO**
see page 308
- SCHOCK **SC-300**
see page 294

- Arena (47)
- Alpina (07)
- Croma (49)
- Everest (26)
- Moccha (63)
- Colorado (08)
- Graphite (15)
- Pera (66)
- Inox (12)
- Terra (38)
- Onyx (10)
- Sabbie (68)
- Lava (40)
- Moonstone (22)
- Nero (13)
- Alumina (04)



CRISTALITE+[®]
PRIMUS N-100 XL

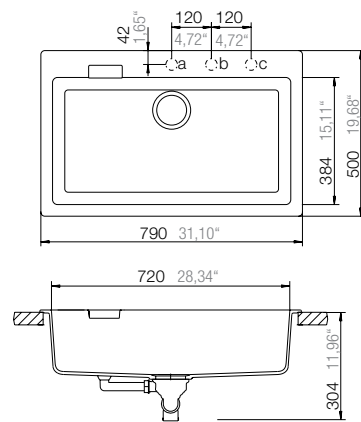


Product benefits

- A modern sink following the trend towards very large, deep bowls.
- Unusual, patented designer overflow rounds off the modern look.
- CRISTALITE+[®] is a real winner with its integrated hygiene protection system, Schock Antibac.

Installation measurements

PDF/DXF: www.schock.de/PRIN100XL



Article no.

- PRI N 100 A**
- PRI N 100 U**

Optional accessories (See pages 327-331)

| | | |
|--|--|--|
| | Chopping board, glass 629046* black or 629045* white | Chopping board, glass..... 629036* Chopping board, bamboo..... 629044 |
| | Wire basket 629171 | Manual drain kit..... 629395 Syphon..... 629229 |
| | Automatic drain kit 629368 | comfotouch..... 629830 LED-light..... 629024 |
| | | Easy Care..... 629018 Easy Care Brightener..... 629019 |
| | | Undermount clamps..... 6.3016/6 |

Recommended taps

- SCHOCK **KARPO**
see page 308
- SCHOCK **SC-300**
see page 294

* Please specify **U** for undermounted

CRISTALITE+[®]
PRIMUS N-200

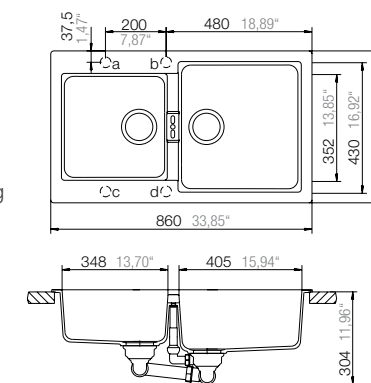


Product benefits

- The classic sink design brings a piece of timeless beauty into the kitchen.
- The integral antibacterial protection in CRISTALITE+[®] helps put your mind at rest when preparing fresh food.
- Extra functionality can be added in the form of accessories such as a chopping board or a wire basket.

Installation measurements

PDF/DXF: www.schock.de/PRIN200



Article no.

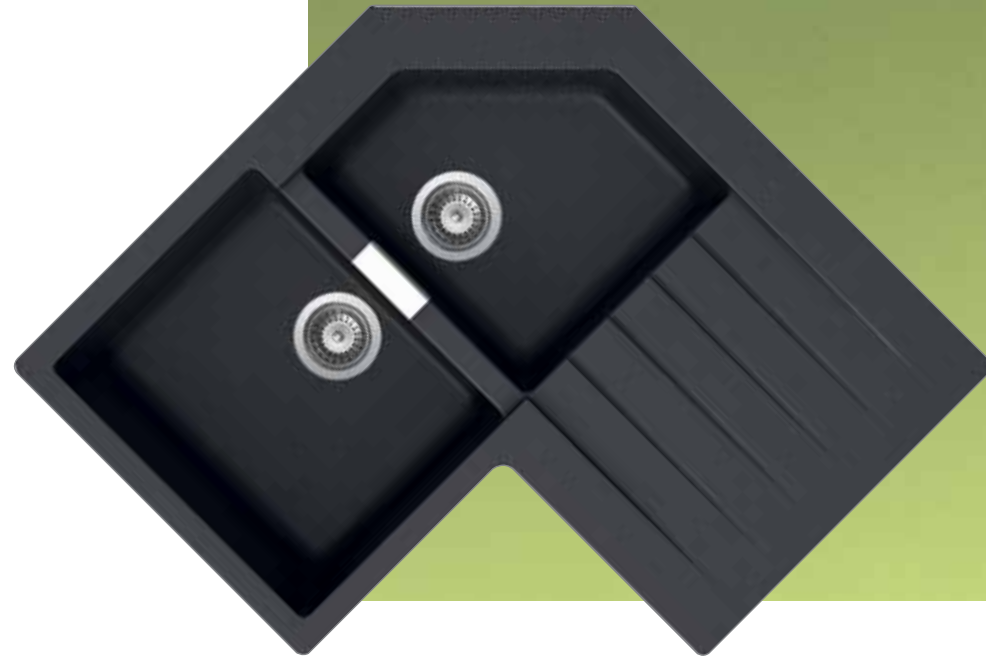
- PRI N 200 A**
- PRI N 200 U**

Optional accessories (See pages 327-331)

| | | |
|--|--|---|
| | Chopping board, glass 629046* black or 629045* white | Chopping board, glass..... 629036 Chopping board, bamboo..... 629044 |
| | Wire basket 629171 | Manual drain kit..... 629371 Syphon..... 629229 |
| | Automatic drain kit 629373 | comfotouch..... 629830 LED-light..... 629024 |
| | | Easy Care..... 629018 Easy Care Brightener..... 629019 |
| | | Undermount clamps 6.3016/8 |

Recommended taps

- SCHOCK **KARPO**
see page 308
- SCHOCK **SC-300**
see page 294



- Arena (47)
- Alpina (07)
- Croma (49)
- Everest (26)
- Mocha (63)
- Colorado (08)
- Graphite (15)
- Pera (66)
- Inox (12)
- Terra (38)
- Onyx (10)
- Sabbie (38)
- Lava (40)
- Moonstone (22)
- Nero (13)
- Alumina (04)

CRISTALITE+[®]
PRIMUS C-200

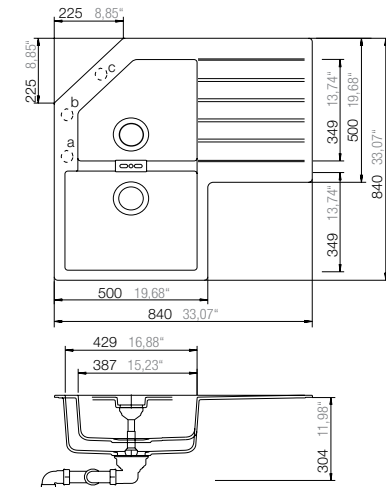


Product benefits

- The quartz particles in CRISTALITE+[®] provide long-lasting protection against wear and make the sink extremely durable.
- Classic corner sink design with plenty of space for washing and doing the dishes and a sizeable draining board.
- Extra functionality can be added in the form of accessories such as a wooden chopping board or a wire basket.

Installation measurements

PDF/DXF: www.schock.de/PRIC200



Article no.

- PRI C 200 A**
- PRI C 200 U**

Optional accessories (See pages 327-331)

- Chopping board, glass
629046* black or
629045* white
- Wire basket
629171
- Automatic drain kit
629373

- Chopping board, glass.....**629036***
- Chopping board, bamboo.....**629044**
- Manual drain kit.....**629372**
- Syphon.....**629229**
- comfotouch.....**629830**
- LED-light.....**629024**
- Easy Care.....**629018**
- Easy Care Brightener.....**629019**
- Undermount clamps.....**6.3016/11**

Recommended taps

- SCHOCK **KARPO**
see page 308
- SCHOCK **SC-300**
see page 294

* Please specify **U** for undermounted

SEOUL

SUNSET
OVER
DOWNTOWN



CRISTALITE+[®]
QUADRO



N-100 S



N-100



N-150



www.schock.de/quadro

- Arena (47)
- Alpina (07)
- Croma (49)
- Everest (26)
- Mocha (63)
- Colorado (08)
- Graphite (15)
- Pera (66)
- Inox (12)
- Terra (38)
- Onyx (10)
- Sabbie (88)
- Lava (40)
- Moonstone (22)
- Nero (13)
- Alumina (04)



CRISTALITE+
QUADRO N-100 S

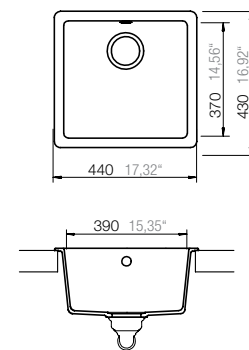


Product benefits

- The smart external dimensions mean you can create a premium-quality look even in the smallest of kitchens with the undermount option.
- The integral antibacterial protection in CRISTALITE+ helps put your mind at rest when preparing fresh food.
- This sink will turn heads in the kitchen in its gleaming CRISTALITE+ colours.

Installation measurements

PDF/DXF: www.schock.de/QUAN100S



Article no.

- QUA N 100 S A**
- QUA N 100 S U**

Optional accessories (See pages 327-331)

| | | |
|--|---|---|
| | Automatic drain kit 629313 | Manual drain kit..... 629314 Syphon..... 629229 |
| | Easy Care 629018 Easy Care Brightener 629019 | comfotouch..... 629830 LED-light..... 629024 Undermount clamps..... 6.3016/4 |

Recommended taps

- SCHOCK URANIA**
see page 319
- SCHOCK NEILOS**
see page 311

* For undermount version with 12 mm thick countertop ** For undermount version with 20 mm thick countertop

CRISTALITE+
QUADRO N-100

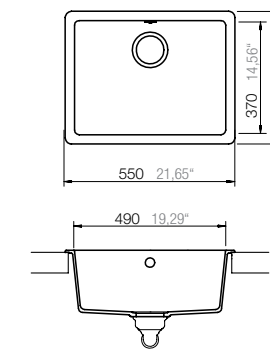


Product benefits

- Modern sink with great functionality thanks to its classic dimensions and great aspirations thanks to its outstanding design.
- The quartz particles in CRISTALITE+ provide long-lasting protection against wear and make the sink extremely durable.
- CRISTALITE+ is a real winner with its integrated hygiene protection system, Schock Antibac

Installation measurements

PDF/DXF: www.schock.de/QUAN100



Article no.

- QUA N 100 A**
- QUA N 100 U**

Optional accessories (See pages 327-331)

| | | |
|--|--|---|
| | Chopping board, glass 629077* 12mm 629078** 20mm | Manual drain kit..... 629314 Syphon..... 629229 |
| | Automatic drain kit 629313 | comfotouch..... 629830 LED-light..... 629024 Undermount clamps..... 6.3016/4 |
| | Easy Care 629018 Easy Care Brightener 629019 | |

Recommended taps

- SCHOCK URANIA**
see page 319
- SCHOCK NEILOS**
see page 311

- Arena (47)
- Alpina (07)
- Croma (49)
- Everest (26)
- Mocha (63)
- Colorado (08)
- Graphite (15)
- Pera (66)
- Inox (12)
- Terra (38)
- Onyx (10)
- Sabbie (88)
- Lava (40)
- Moonstone (22)
- Nero (13)
- Alumina (04)



CRISTALITE+
QUADRO N-150

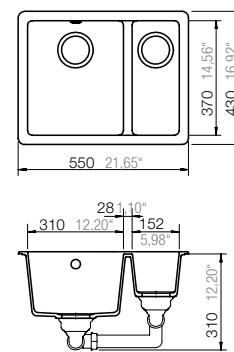


Product benefits

- The smart external dimensions mean you can create a premium-quality look even in the smallest of kitchens with the undermount option.
- Pure luxury in the kitchen thanks to the silky-smooth feel of CRISTALITE+®
- Additional functions can be added in the form of optional accessories such as a high-quality glass chopping board.

Installation measurements

PDF/DXF: www.schock.de/QUAN150



Article no.

- QUA N 150 A**
- QUA N 150 U**

Optional accessories (See pages 327-331)

- Chopping board, glass
629077* 12mm, black
629078** 20mm, black
- Automatic drain kit
629305
- Easy Care
629018
Easy Care Brightener
629019

- Manual drain kit.....**629304**
- Syphon.....**629229**
- comfotouch.....**629830**
- LED-light.....**629024**
- Undermount clamps.....**6.3016/4**

Recommended taps

- SCHOCK **URANIA**
see page 319
- SCHOCK **NEILOS**
see page 311

* For undermount version with 12 mm thick countertop ** For undermount version with 20 mm thick countertop

BERLIN

POOR
BUT SEXY



CRISTALITE+[®]
RONDA



D-100 S



www.schock.de/ronda



- Arena (47)
- Alpina (07)
- Croma (49)
- Everest (26)
- Mocha (63)
- Colorado (08)
- Graphite (15)
- Pera (66)
- Inox (12)
- Terra (38)
- Onyx (10)
- Sabbie (68)
- Lava (40)
- Moonstone (22)
- Nero (13)
- Alumina (04)

CRISTALITE+[®]
RONDA D-100 S

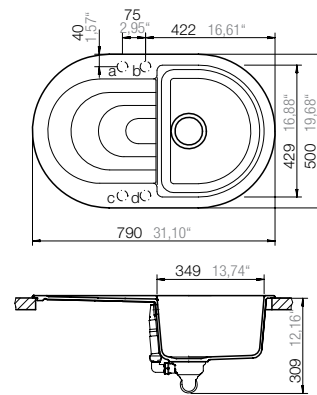


Product benefits

- CRISTALITE+[®] is easy to clean and extremely tough – perfect for the rigours of kitchen life.
- The smart external dimensions mean you can create a premium-quality look even in the smallest of kitchens with the undermount option.

Installation measurements

PDF/DXF: www.schock.de/ROND100S



Article no.

RON D 100 S A

Optional accessories (See pages 327-331)



Automatic drain kit
629314

Manual drain kit.....**629313**
Syphon.....**629229**



Easy Care
629018
Easy Care Brightener
629019

comfotouch.....**629630**
LED-light.....**629024**

Recommended taps



SCHOCK **SIMI**
see page 317



SCHOCK **SC-40**
see page 297

BERLIN

POOR
BUT SEXY



CRISTALITE+[®]
SOLIDO



N-50



N-75



N-100



N-175



N-200



www.schock.de/solido



- Arena (47)
- Alpina (07)
- Croma (49)
- Everest (26)
- Mocha (63)
- Colorado (08)
- Graphite (15)
- Pera (66)
- Inox (12)
- Terra (38)
- Onyx (10)
- Sabbie (98)
- Lava (40)
- Moonstone (22)
- Nero (13)
- Alumina (04)

CRISTALITE+[®]
SOLIDO N-50

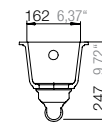
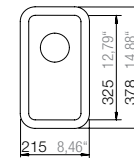


Product benefits

- The timeless look featuring straight lines is a real winner in any style of kitchen.
- The surface of CRISTALITE+[®] is up to three times as hard as natural granite and is therefore highly resistant.

Installation measurements

PDF/DXF: www.schock.de/SOLN50



Article no.

SOL N 50 U

Optional accessories (See pages 327-331)



Automatic drain kit
629313

Manual drain kit.....**629314**
Syphon.....**629229**



Easy Care
629018
Easy Care Brightener
629019

comfotouch.....**629830**
LED-light.....**629024**
Undermount clamps.....**6.3016/4**

Recommended taps



SCHOCK **IDEOS-PRO**
see page 307



SCHOCK **PILA**
see page 316

CRISTALITE+[®]
SOLIDO N-75

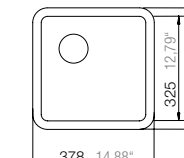


Product benefits

- Combines perfectly with the Schock SC taps with CRISTALITE+[®] sleeves.
- Features a single bowl with offset drain which can be enhanced by optional LED lighting.
- CRISTALITE+[®] is a real winner with its integrated hygiene protection system, Schock Antibac.

Installation measurements

PDF/DXF: www.schock.de/SOLN75



Article no.

SOL N 75 U

Optional accessories (See pages 327-331)



Automatic drain kit
8940012

Manual drain kit.....**8940013**
Syphon.....**629229**



Easy Care
629018
Easy Care Brightener
629019

comfotouch.....**629830**
LED-light.....**629024**

Undermount clamps.....**6.3016/4**

Recommended taps



SCHOCK **IDEOS-PRO**
see page 307



SCHOCK **PILA**
see page 316

- Arena (47)
- Alpina (07)
- Croma (49)
- Everest (26)
- Mocha (63)
- Colorado (08)
- Graphite (15)
- Pera (66)
- Inox (12)
- Terra (38)
- Onyx (10)
- Sabbie (68)
- Lava (40)
- Moonstone (22)
- Nero (13)
- Alumina (04)



CRISTALITE+[®]
SOLIDO N-100

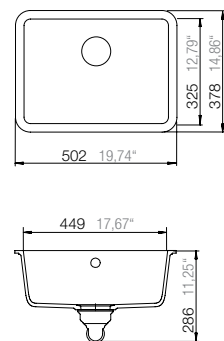


Product benefits

- An exceptionally beautiful design featuring straight lines very much in the contemporary kitchen style.
- The integral antibacterial protection in CRISTALITE+ helps put your mind at rest when preparing fresh food.
- Extra functionality can be added in the form of accessories such as LED-light or comfotouch.

Installation measurements

PDF/DXF: www.schock.de/SOLN100



Article no.

SOL N 100 U

Optional accessories (See pages 327-331)



| | |
|---------------------------------------|--|
| Automatic drain kit 8940012 | Manual drain kit..... 8940013 |
| | Syphon..... 629229 |
| | comfotouch..... 629830 |
| | LED-light..... 629024 |
| Easy Care 629018 | Undermount clamps..... 6.3016/4 |
| Easy Care Brightener 629019 | |

Recommended taps



SCHOCK **IDEOS-PRO**
see page 307

SCHOCK **PILA**
see page 316

CRISTALITE+[®]
SOLIDO N-175

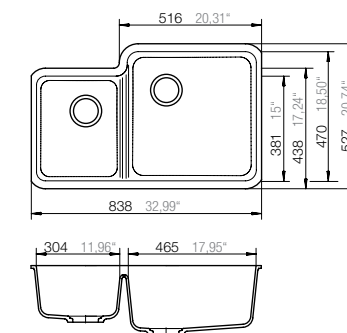


Product benefits

- The combination of classic design and ultra-modern materiality creates an exceptionally high-grade sink.
- Designed with straight lines and appeal, this sink fits perfectly into any style of kitchen.
- Combines perfectly with the Schock SC taps with CRISTALITE+ sleeves.

Installation measurements

PDF/DXF: www.schock.de/SOLN175



Article no.

SOL N 175 U

Optional accessories (See pages 327-331)



| | |
|---------------------------------------|--|
| Automatic drain kit 629326 | Manual drain kit..... 629325 |
| | Syphon..... 629229 |
| | comfotouch..... 629830 |
| | LED-light..... 629024 |
| Easy Care 629018 | Undermount clamps..... 6.3016/8 |
| Easy Care Brightener 629019 | |

Recommended taps



SCHOCK **IDEOS-PRO**
see page 307

SCHOCK **PILA**
see page 316



- Arena (47)
- Alpina (07)
- Croma (48)
- Everest (26)
- Mocha (63)
- Colorado (08)
- Graphite (15)
- Pera (66)
- Inox (12)
- Terra (38)
- Onyx (10)
- Sabbie (68)
- Lava (40)
- Moonstone (22)
- Nero (13)
- Alumina (04)

CRISTALITE+[®]
SOLIDO N-200

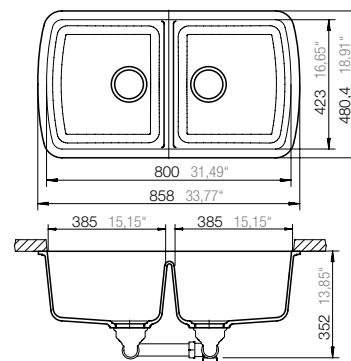


Product benefits

- The integral antibacterial protection in CRISTALITE+[®] helps put your mind at rest when preparing fresh food.
- Optionally available with ultra-modern technology such as Schock comfotouch or LED lighting.

Installation measurements

PDF/DXF: www.schock.de/SOLN200



Article no.

 **SOL N 200 U**

Optional accessories (See pages 327-331)



Automatic drain kit
629326

Manual drain kit.....**629325**
Syphon.....**629229**



Easy Care
629018
Easy Care Brightener
629019

comfotouch.....**629830**
LED-light.....**629024**
Undermount clamps.....**6.3016/8**

Recommended taps



SCHOCK **IDEOS-PRO**
see page 307



SCHOCK **PILA**
see page 316

TOKYO

Modern architecture
full of energy



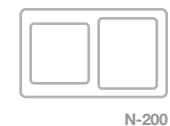
CRISTALITE⁺ TYPOS



D-200



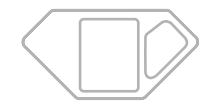
D-100 S



N-200



D-100



C-150



D-100 L



D-150 S



D-150



www.schock.de/typos

- Arena (47)
- Alpina (07)
- Croma (49)
- Everest (26)
- Mocha (63)
- Colorado (08)
- Graphite (15)
- Pera (66)
- Inox (12)
- Terra (38)
- Onyx (10)
- Sabbie (68)
- Lava (40)
- Moonstone (22)
- Nero (13)
- Alumina (04)



CRISTALITE+[®]
TYPOS D-100 S

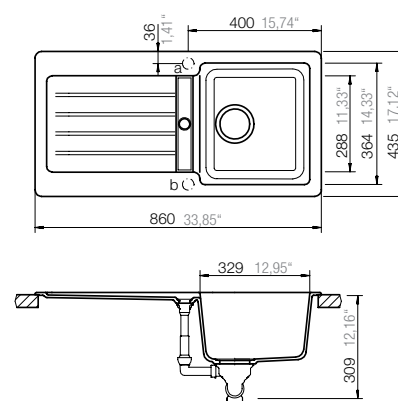


Product benefits

- The classic sink in the traditional 8 x 4 industry dimensions is enhanced with a deeper bowl.
- The narrow design is perfectly suited to the modern kitchen suites in city and studio apartments.
- CRISTALITE+[®] is easy to clean and extremely tough – perfect for the rigours of kitchen life.

Installation measurements

PDF/DXF: www.schock.de/TYPD100S



Article no.

- TYP D 100 S A**
- TYP D 100 S U**

Optional accessories (See pages 327-331)



Automatic drain kit
629873

Easy Care
629018
Easy Care Brightener
629019

Manual drain kit.....**629872**
Syphon.....**629229**

comfotouch.....**629830**
LED-light.....**629024**

Undermount clamps.....**6.3016/8**

Recommended taps

- SCHOCK ZELOS**
see page 320
- SCHOCK NEOS**
see page 312

* Please specify **U** for undermounted

CRISTALITE+[®]
TYPOS D-100

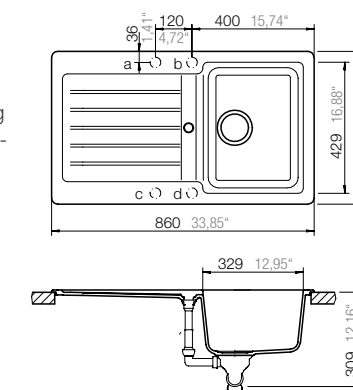


Product benefits

- With ten intense CRISTALITE+[®] colourways to choose from, this sink adds that decisive splash of colour to the kitchen – right up with the colour-blocking trend.
- An exceptionally smooth design featuring straight lines very much in the contemporary kitchen style.

Installation measurements

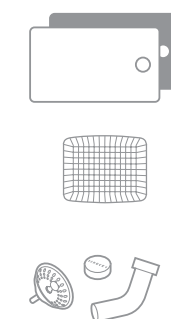
PDF/DXF: www.schock.de/TYPD100



Article no.

- TYP D 100 A**
- TYP D 100 U**

Optional accessories (See pages 327-331)



Chopping board, glass
629046* black or
629045* white

Wire basket
629171

Automatic drain kit
629873

Chopping board, glass.....**629036***
Chopping board, bamboo.....**629044**

Manual drain kit.....**629872**
Syphon.....**629229**

comfotouch.....**629830**
LED-light.....**629024**

Easy Care.....**629018**
Easy Care Brightener.....**629019**

Undermount clamps.....**6.3016/8**

Recommended taps

- SCHOCK ZELOS**
see page 320
- SCHOCK NEOS**
see page 312

- Arena (47)
- Alpha (07)
- Croma (49)
- Everest (26)
- Mocha (63)
- Colorado (08)
- Graphite (15)
- Pera (66)
- Inox (12)
- Terra (38)
- Onyx (10)
- Sabbie (38)
- Lava (40)
- Moonstone (22)
- Nero (13)
- Alumina (04)



CRISTALITE+
TYPOS D-100 L

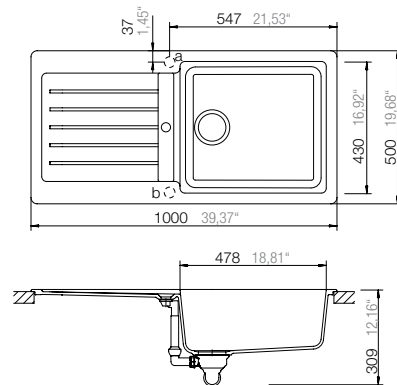


Product benefits

- A modern sink following the trend towards very large, deep bowls.
- Combines perfectly with the Schock SC taps with CRISTALITE+ sleeves.

Installation measurements

PDF/DXF: www.schock.de/TYPD100L



Article no.

- TYP D 100 L A**
- TYP D 100 L U**

Optional accessories (See pages 327-331)

| | | |
|--|--|--|
| | Chopping board, glass 629046* black or 629045* white | Chopping board, glass..... 629036* Chopping board, bamboo..... 629044 |
| | Wire basket 629171 | Manual drain kit..... 629872 Syphon..... 629229 |
| | Automatic drain kit 629873 | comfotouch..... 629830 LED-light..... 629024 |
| | | Easy Care..... 629018 Easy Care Brightener..... 629019 |
| | | Undermount clamps..... 6.3016/8 |

Recommended taps

- SCHOCK ZELOS**
see page 320
- SCHOCK NEOS**
see page 312

* Please specify **U** for undermounted

CRISTALITE+
TYPOS D-150 S

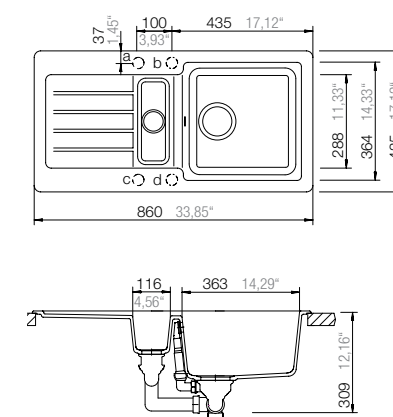


Product benefits

- This classic sink in the traditional 8 x 4 industry dimensions is enhanced with a deeper bowl.
- The narrow design is perfectly suited to the modern kitchen suites in city and studio apartments.
- CRISTALITE+ is a real winner with its integrated hygiene protection system, Schock Antibac.

Installation measurements

PDF/DXF: www.schock.de/TYPD150S



Article no.

- TYP D 150 S A**
- TYP D 150 S U**

Optional accessories (See pages 327-331)

| | | |
|--|---|--|
| | Automatic drain kit 629399 | Manual drain kit..... 629398 Syphon..... 629229 |
| | Easy Care 629018 Easy Care Brightener 629019 | comfotouch..... 629830 LED-light..... 629024 |
| | | Undermount clamps..... 6.3016/8 |

Recommended taps

- SCHOCK ZELOS**
see page 320
- SCHOCK NEOS**
see page 312

- Arena (47)
- Alpina (07)
- Croma (49)
- Everest (26)
- Mocha (63)
- Colorado (08)
- Graphite (15)
- Pera (66)
- Inox (12)
- Terra (38)
- Onyx (10)
- Sabbie (38)
- Lava (40)
- Moonstone (22)
- Nero (13)
- Alumina (04)



CRISTALITE+[®]
TYPOS D-150

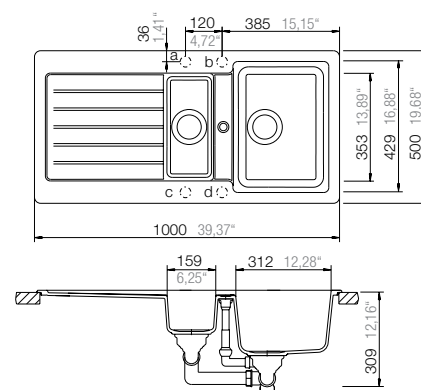


Product benefits

- The combination of classic design and ultra-modern materiality creates an exceptionally high-grade sink.
- The quartz particles in CRISTALITE+[®] provide long-lasting protection against wear and make the sink extremely durable.

Installation measurements

PDF/DXF: www.schock.de/TYPD150



Article no.

- TYP D 150 A**
- TYP D 150 U**

Optional accessories (See pages 327-331)

| | | |
|--|--|--|
| | Chopping board, glass 629046* black or 629045* white | Chopping board, glass..... 629036* Chopping board, bamboo..... 629044 |
| | Strainer bowl 629043 | Manual drain kit..... 629879 Syphon..... 629229 |
| | Automatic drain kit 629878 | comfotouch..... 629830 LED-light..... 629024 |
| | Easy Care..... 629018 Easy Care Brightener..... 629019 | |
| | Undermount clamps..... 6.3016/8 | |

Recommended taps

- SCHOCK ZELOS**
see page 320
- SCHOCK NEOS**
see page 312

* Please specify **U** for undermounted

CRISTALITE+[®]
TYPOS D-200

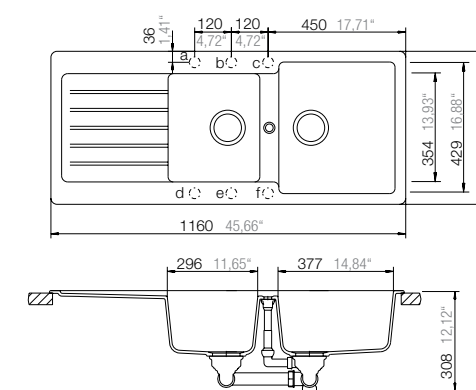


Product benefits

- Exceptional freedom with two large sinks and a sizeable draining board.
- The surface of CRISTALITE+[®] is up to three times as hard as natural granite and is therefore highly resistant.
- Available in two different installation options for more flexibility in kitchen planning.

Installation measurements

PDF/DXF: www.schock.de/TYPD200



Article no.

- TYP D 200 A**
- TYP D 200 U**

Optional accessories (See pages 327-331)

| | | |
|--|--|--|
| | Chopping board, glass 629046* black or 629045* white | Chopping board, glass..... 629036* Chopping board, bamboo..... 629044 |
| | Automatic drain kit 629878 | Manual drain kit..... 629879 Syphon..... 629229 |
| | Easy Care 629018 Easy Care Brightener 629019 | comfotouch..... 629830 LED-light..... 629024 |
| | Undermount clamps..... 6.3016/8 | |

Recommended taps

- SCHOCK ZELOS**
see page 320
- SCHOCK NEOS**
see page 312

- Arena (47)
- Alpha (07)
- Croma (49)
- Everest (26)
- Mocha (63)
- Colorado (08)
- Graphite (15)
- Pera (66)
- Inox (12)
- Terra (38)
- Onyx (10)
- Sabbie (68)
- Lava (40)
- Moonstone (22)
- Nero (13)
- Alumina (04)



CRISTALITE+
TYPOS N-200

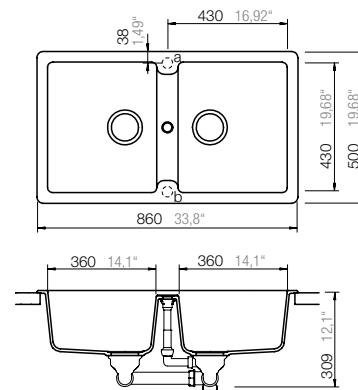


Product benefits

- The integral antibacterial protection in CRISTALITE+ helps put your mind at rest when preparing fresh food.
- Available in two different installation options for more flexibility in kitchen planning.

Installation measurements

PDF/DXF: www.schock.de/TYPN200



Article no.

- TYP N 200 A**
- TYP N 200 U**

Optional accessories (See pages 327-331)

| | | |
|--|--|--|
| | Chopping board, glass 629046* black or 629045* white | Chopping board, glass..... 629036* Chopping board, bamboo..... 629045 |
| | Automatic drain kit 629878 | Manual drain kit..... 629879 Syphon..... 629229 |
| | Easy Care 629018 Easy Care Brightener 629019 | comfotouch..... 629830 LED-light..... 629024 |
| | | Undermount clamps..... 6.3016/8 |

Recommended taps

- SCHOCK **ZELOS**
see page 320
- SCHOCK **NEOS**
see page 312

* Please specify **U** for undermounted

CRISTALITE+
TYPOS C-150

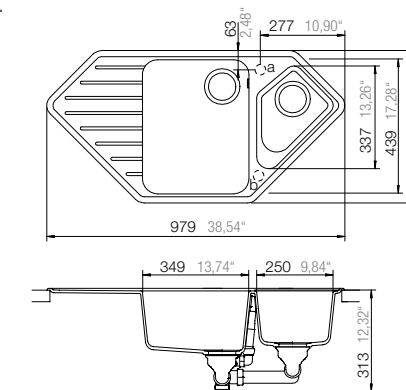


Product benefits

- Modern corner sink design with plenty of space for washing and doing the dishes.
- The integral antibacterial protection in CRISTALITE+ helps put your mind at rest when preparing fresh food.
- Available in two different installation options for more flexibility in kitchen planning.

Installation measurements

PDF/DXF: www.schock.de/TYPC150



Article no.

- TYP C 150 A**
- TYP C 150 U**

Optional accessories (See pages 327-331)

| | | |
|--|--|--|
| | Chopping board, glass 629046* black or 629045* white | Chopping board, glass..... 629036* Chopping board, bamboo..... 629045 |
| | Strainer bowl 629244 | Wire basket..... 629170 |
| | Automatic drain kit 629875 | Manual drain kit..... 629874 Syphon..... 629229 |
| | | comfotouch..... 629830 LED-light..... 629024 |
| | | Easy Care..... 629018 Easy Care Brightener..... 629019 |
| | | Undermount clamps..... 6.3016/10 |

Recommended taps

- SCHOCK **ZELOS**
see page 320
- SCHOCK **NEOS**
see page 312

TOKYO

Modern architecture
full of energy



CRISTALITE⁺
VENUS



D-100



D-150



D-200



N-200



www.schock.de/venus



- Arena (47)
- Alpina (07)
- Croma (49)
- Everest (26)
- Mocha (63)
- Colorado (08)
- Graphite (15)
- Pera (66)
- Inox (12)
- Terra (38)
- Onyx (10)
- Sabbie (88)
- Lava (40)
- Moonstone (22)
- Nero (13)
- Alumina (04)

CRISTALITE+[®]
VENUS D-100

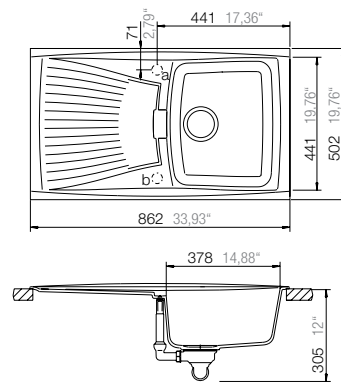


Product benefits

- An exceptionally beautiful design with modern accents very much in the contemporary style of kitchen architecture.
- The integral antibacterial protection in CRISTALITE+ helps put your mind at rest when preparing fresh food.

Installation measurements

PDF/DXF: www.schock.de/VEND100



Article no.

VEN D 100 A

Optional accessories (See pages 327-331)

| | | | |
|--|----------------------|-----------------------|---------------|
| | Automatic drain kit | Manual drain kit..... | 629376 |
| | 629377 | Syphon..... | 629229 |
| | Easy Care | comfotouch..... | 629830 |
| | 629018 | | |
| | Easy Care Brightener | | |
| | 629019 | | |

Recommended taps

- SCHOCK **ELARA**
see page 302
- SCHOCK **SC-40**
see page 297

CRISTALITE+[®]
VENUS D-150

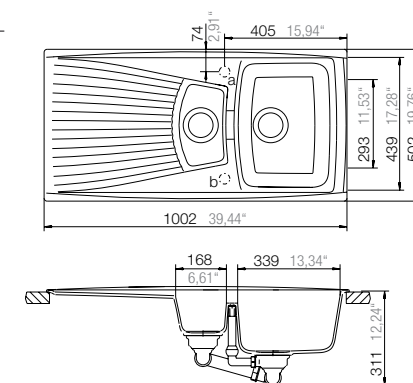


Product benefits

- The large sink with an additional half bowl for left-overs adds to the premium character of the kitchen without compromising on functionality.
- CRISTALITE+ is easy to clean and extremely tough – perfect for the rigours of kitchen life.
- Combines perfectly with the Schock SC-40 tap with CRISTALITE+ sleeves.

Installation measurements

PDF/DXF: www.schock.de/VEND150



Article no.

VEN D 150 A

Optional accessories (See pages 327-331)

| | | | |
|--|----------------------|-----------------------|---------------|
| | Automatic drain kit | Manual drain kit..... | 629378 |
| | 629379 | Syphon..... | 629229 |
| | Easy Care | comfotouch..... | 629830 |
| | 629018 | | |
| | Easy Care Brightener | | |
| | 629019 | | |

Recommended taps

- SCHOCK **ELARA**
see page 302
- SCHOCK **SC-40**
see page 297



- Arena (47)
- Alpina (07)
- Croma (49)
- Everest (26)
- Mocha (63)
- Colorado (08)
- Graphite (15)
- Pera (66)
- Inox (12)
- Terra (38)
- Onyx (10)
- Sabbie (98)
- Lava (40)
- Moonstone (22)
- Nero (13)
- Alumina (04)

CRISTALITE+[®]
VENUS D-200

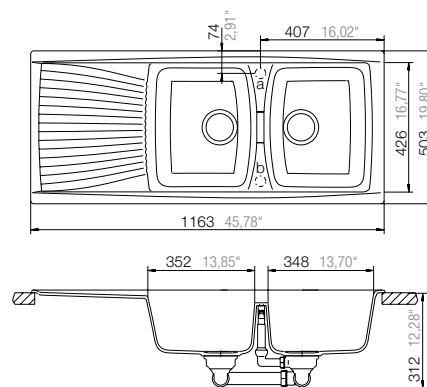


Product benefits

- Unusual, patented designer overflow rounds off the modern look.
- Incredibly spacious with two large sinks and a sizeable draining board.
- Combines perfectly with the Schock SC taps with CRISTALITE+ sleeves.

Installation measurements

PDF/DXF: www.schock.de/VEND200



Article no.

VEN D 200 A

Optional accessories (See pages 327-331)



Automatic drain kit
629381

Manual drain kit.....**629380**
Syphon.....**629229**

comfotouch.....**629830**



Easy Care
629018
Easy Care Brightener
629019

Recommended taps



SCHOCK **ELARA**
see page 302



SCHOCK **SC-40**
see page 297

CRISTALITE+[®]
VENUS N-200

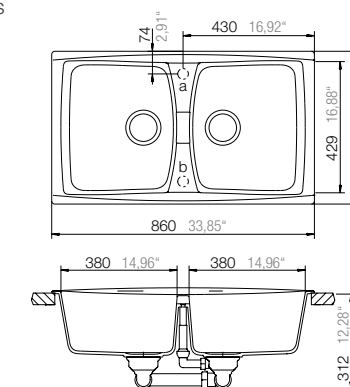


Product benefits

- CRISTALITE+ is easy to clean and extremely tough – perfect for the rigours of kitchen life.
- Exceptional freedom with two large sinks.
- Unusual, patented designer overflow rounds off the modern look.

Installation measurements

PDF/DXF: www.schock.de/VENN200



Article no.

VEN N 200 A

Optional accessories (See pages 327-331)



Automatic drain kit
629381

Manual drain kit.....**629380**
Syphon.....**629229**

comfotouch.....**629830**



Easy Care
629018
Easy Care Brightener
629019

Recommended taps



SCHOCK **ELARA**
see page 302



SCHOCK **SC-40**
see page 297

SYDNEY

INTENSITY OF NIGHT-TIME



CRISTALITE+®
VIOLA



D-100



D-150



D-200



N-200 S



N-200



www.schock.de/viola

- Arena (47)
- Alpina (07)
- Croma (49)
- Everest (26)
- Mocha (63)
- Colorado (08)
- Graphite (15)
- Pera (66)
- Inox (12)
- Terra (38)
- Onyx (10)
- Sabbie (88)
- Lava (40)
- Moonstone (22)
- Nero (13)
- Alumina (04)



CRISTALITE+[®]
VIOLA D-100

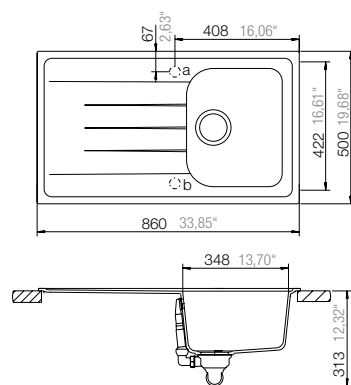


Product benefits

- An exceptionally beautiful design with modern accents very much in the contemporary style of kitchen architecture.
- The integral antibacterial protection in CRISTALITE+[®] helps put your mind at rest when preparing fresh food.

Installation measurements

PDF/DXF: www.schock.de/VIOD100



Article no.

- VIO D 100 A**
- VIO D 100 U**

Optional accessories (See pages 327-331)

| | | |
|--|--|--|
| | Chopping board, glass 629046* black or 629045* white | Chopping board, glass..... 629036* Chopping board, bamboo..... 629044 |
| | Wire basket..... | 629870 |
| | Automatic drain kit 629871 | Manual drain kit..... 629314 Syphon..... 629229 |
| | Easy Care 629018 Easy Care Brightener 629019 | comfotouch..... 629830 LED-light..... 629024 |
| | | Undermount clamps..... 6.3016/10 |

Recommended taps

- SCHOCK **PILA**
see page 316
- SCHOCK **NEOS**
see page 312

* Please specify **U** for undermounted

CRISTALITE+[®]
VIOLA D-150

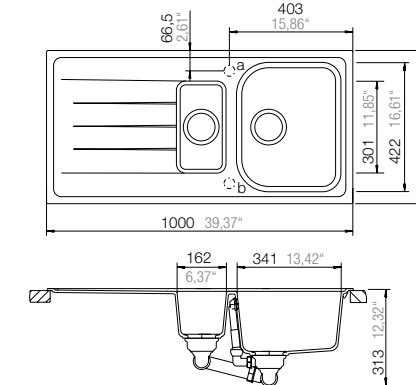


Product benefits

- Modern sink with great functionality due to its traditional dimensions and great aspirations thanks to its outstanding design.
- With 16 intense CRISTALITE+[®] colourways to choose from, this sink adds that decisive splash of colour to the kitchen.
- Extra functionality can be added in the form of accessories such as a wooden chopping board or a wire basket.

Installation measurements

PDF/DXF: www.schock.de/VIOD150



Article no.

- VIO D 150 A**
- VIO D 150 U**

Optional accessories (See pages 327-331)

| | | |
|--|--|--|
| | Chopping board, glass 629046* black or 629045* white | Chopping board, glass..... 629036* Chopping board, bamboo..... 629044 |
| | Wire basket..... | 629172 |
| | Strainer bowl 629124/48 | Manual drain kit..... 629874 Syphon..... 629229 |
| | Automatic drain kit 629875 | comfotouch..... 629830 LED-light..... 629024 |
| | | Easy Care..... 629018 Easy Care Brightener..... 629019 |
| | | Undermount clamps..... 6.3016/10 |

Recommended taps

- SCHOCK **PILA**
see page 316
- SCHOCK **NEOS**
see page 312

- Arena (47)
- Alpina (07)
- Croma (49)
- Everest (26)
- Mocha (63)
- Colorado (08)
- Graphite (15)
- Pera (66)
- Inox (12)
- Terra (38)
- Onyx (10)
- Sabbie (98)
- Lava (40)
- Moonstone (22)
- Nero (13)
- Alumina (04)



CRISTALITE+
VIOLA D-200

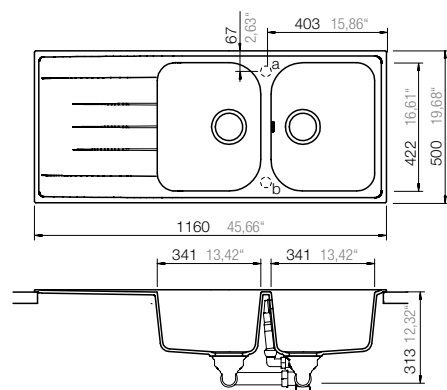


Product benefits

- The quartz particles in CRISTALITE+ provide long-lasting protection against wear and make the sink extremely durable.
- Exceptional freedom with two large sinks and a sizeable draining board.
- Combines perfectly with the Schock SC taps with CRISTALITE+ sleeves.

Installation measurements

PDF/DXF: www.schock.de/VIOD200



Article no.

- VIO D 200 A**
- VIO D 200 U**

Optional accessories (See pages 327-331)

- Chopping board, glass
629046* black or **629045*** white
- Wire basket
629172
- Automatic drain kit
629875

- Chopping board, glass.....**629036***
- Chopping board, bamboo.....**629044**
- Manual drain kit.....**629874**
- Syphon.....**629229**
- comfotouch.....**629830**
- LED-light.....**629024**
- Easy Care.....**629018**
- Easy Care Brightener.....**629019**
- Undermount clamps.....**6.3016/12**

Recommended taps

- SCHOCK PILA**
see page 316
- SCHOCK NEOS**
see page 312

* Please specify **U** for undermounted

CRISTALITE+
VIOLA N-200 S

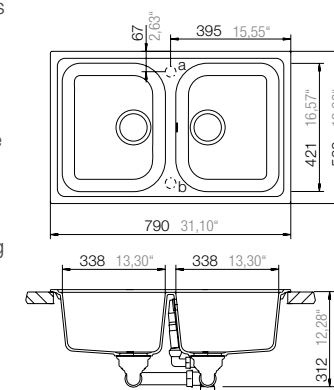


Product benefits

- CRISTALITE+ is easy to clean and extremely tough – perfect for the rigours of kitchen life.
- The smart external dimensions mean you can create a premium-quality look even in the smallest of kitchens with the undermount option.
- Extra functionality can be added in the form of accessories such as a chopping board and LED-light.

Installation measurements

PDF/DXF: www.schock.de/VION200S



Article no.

- VIO N 200 S A**
- VIO N 200 S U**

Optional accessories (See pages 327-331)

- Chopping board, glass
629046* black or **629045*** white
- Automatic drain kit
629875
- Easy Care
629018
- Easy Care Brightener
629019

- Chopping board, glass.....**629036***
- Chopping board, bamboo.....**629044**
- Manual drain kit.....**629874**
- Syphon.....**629229**
- comfotouch.....**629830**
- LED-light.....**629024**
- Undermount clamps.....**6.3016/8**

Recommended taps

- SCHOCK PILA**
see page 316
- SCHOCK NEOS**
see page 312

- Arena (47)
- Alpina (07)
- Croma (49)
- Everest (26)
- Mocha (63)
- Colorado (08)
- Graphite (15)
- Pera (66)
- Inox (12)
- Terra (38)
- Onyx (10)
- Sabbie (88)
- Lava (40)
- Moonstone (22)
- Nero (13)
- Alumina (04)



CRISTALITE+[®]
VIOLA N-200

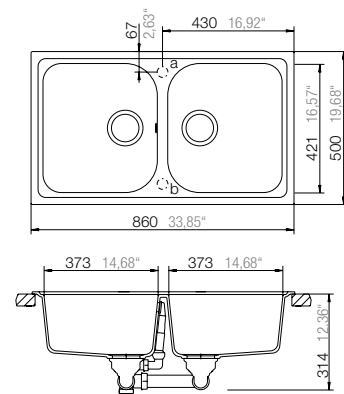


Product benefits

- The integral antibacterial protection in CRISTALITE+[®] helps put your mind at rest when preparing fresh food.
- An exceptionally beautiful design with modern accents very much in the contemporary style of kitchen architecture.
- Extra functionality can be added in the form of accessories such as a wooden chopping board.

Installation measurements




PDF/DXF: www.schock.de/MION200





Article no.

-  **VIO N 200 A**
-  **VIO N 200 U**

Optional accessories (See pages 327-331)

| | | |
|---|---|--|
|  | <p>Chopping board, glass 629046* black or 629045* white</p> | <p>Chopping board, glass.....629036* Chopping board, bamboo.....629044</p> |
|  | <p>Automatic drain kit 629875</p> | <p>Manual drain kit.....629874 Syphon.....629229</p> |
|  | <p>Easy Care 629018 Easy Care Brightener 629019</p> | <p>comfotouch.....629830 LED-light.....629024</p> |
| | | <p>Undermount clamps.....6.3016/10</p> |

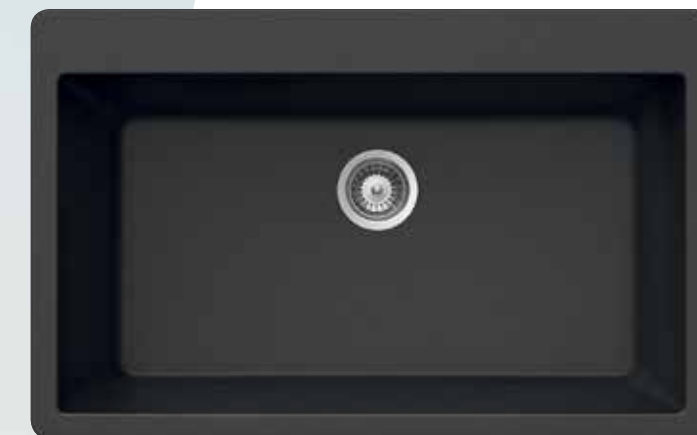
Recommended taps

-  **SCHOCK PILA**
see page 316
-  **SCHOCK NEOS**
see page 312

* Please specify **U** for undermounted

SYDNEY

...LEAVING



CRISTALITE⁺
VIRTUS



N-100 XL



www.schock.de/virtus

- Arena (47)
- Alpha (07)
- Croma (49)
- Everest (26)
- Mocha (63)
- Colorado (08)
- Graphite (15)
- Pera (66)
- Inox (12)
- Terra (38)
- Onyx (10)
- Sabbie (68)
- Lava (40)
- Moonstone (22)
- Nero (13)
- Alumina (04)



CRISTALITE+[®]
VIRTUS N-100 XL

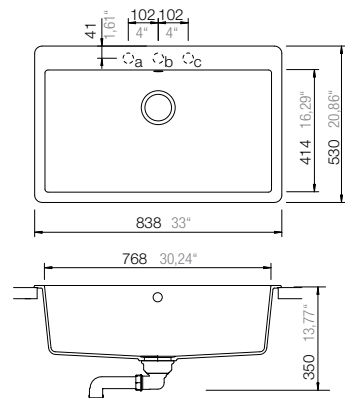


Product benefits

- A classic sink that is perfect in form with a large, deep bowl which can be enhanced by optional LED lighting.
- The long tap-hole platform can be equipped with up to three holes.
- The surface of CRISTALITE+[®] is up to three times as hard as natural granite and is therefore highly resistant.

Installation measurements

PDF/DXF: www.schock.de/VIRN100XL



Article no.

- VIR N 100 XL A**
- VIR N 100 XL U**

Optional accessories (See pages 327-331)



Automatic drain kit
629324

Manual drain kit.....**629323**
Syphon.....**629229**



Easy Care
629018
Easy Care Brightener
629019

comfotouch.....**629830**
LED-light.....**629024/3**
Undermount clamps.....**6.3016/6**

Recommended taps

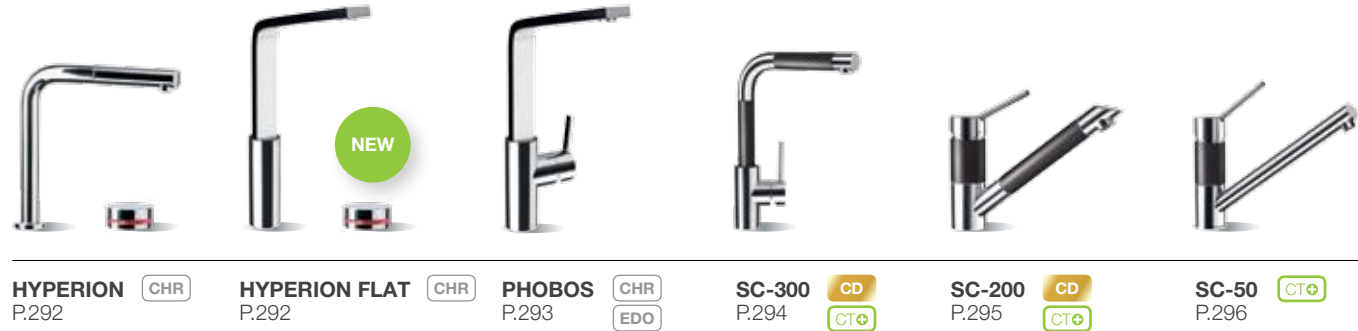


SCHOCK **HEKATE**
see page 305



SCHOCK **SC-200**
see page 295

TAPS



HYPERION P.292 CHR
HYPERION FLAT P.292 CHR **NEW**
PHOBOS P.293 CHR EDO
SC-300 P.294 CD CT+
SC-200 P.295 CD CT+
SC-50 P.296 CT+



SC-40 P.297 CT+ **NEW**
CENTROS P.298 CHR EDO
CENTROS SMALL P.299 CHR EDO
DEIMOS P.300 CHR
DIKE P.301 CHR
ELARA P.302 CHR



ERIS P.303 CHR
GALATEA P.304 CHR
HEKATE P.305 CHR
HERMERA P.306 CHR CT+
IDEOS-PRO P.307 CHR EDO
KARPO P.308 CHR



LEVA P.309 CHR CT+
MINO P.310 GLANZ MATT
NEILOS P.311 CHR



NEOS P.312 CHR CT+
NIMBUS P.313 CHR CD
NOTOS P.314 CHR EDO
PIEGA P.315 CHR EDO CD
PILA P.316 CHR CD CT+
SIMI P.317 CHR CT+



SKIRON P.318 CHR
URANIA P.319 CHR **NEW**
ZELOS P.320 GLANZ MATT
ZERUS P.321 CHR

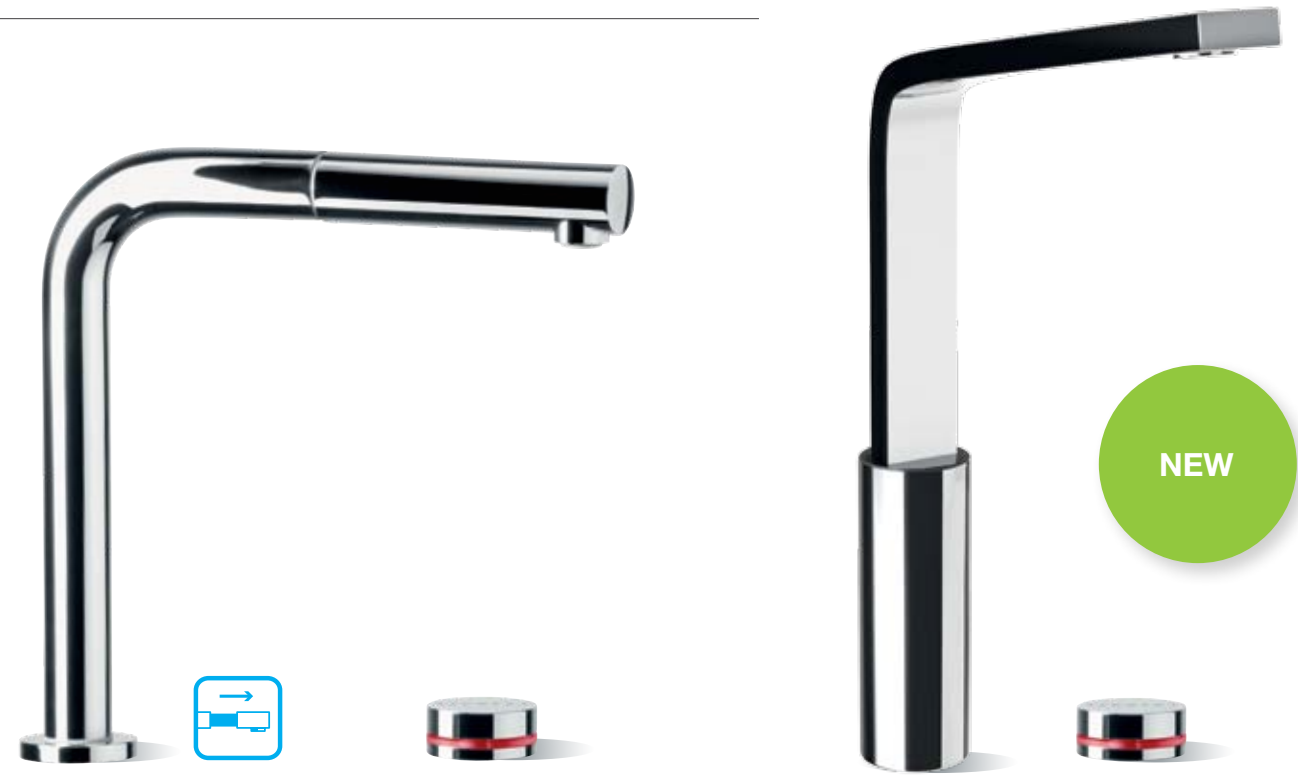
SOAP DISPENSERS



AMUR P.322 CHR
PUCK P.323 CHR EDO
SANI P.324 CHR EDO

MATERIAL COLOURS

- CHR Chrome
- EDO Stainless steel look
- MATT Brushed stainless steel
- GLANZ Polished stainless steel
- CD CRISTADUR®
- CT+ CRISTALITE+®



SCHOCK HYPERION

SCHOCK HYPERION FLAT

SCHOCK PHOBOS

Product description and extras

A high-grade, luxury tap with a claim to smart design and outstanding technology combined.

The Hyperion tap comes with a Schock sink of your choice and modern LED lighting in the sink. The elegant electric control dial can be freely positioned and is very intuitive to operate. In fact, using the Hyperion couldn't be easier – the integrated memory function does at a stroke what would otherwise take several actions to achieve.

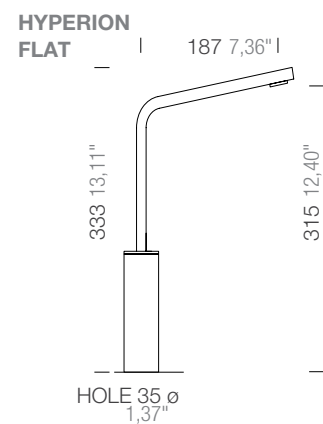
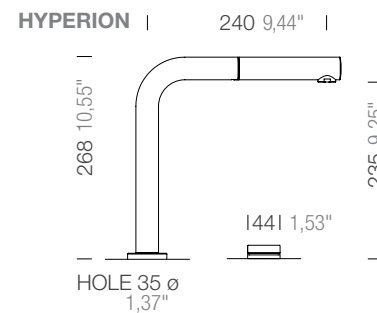
An LED indicator ring integrated in the control dial shows your chosen water temperature at all times when the tap is in use.

Material



Chrome (CHR)

Installation measurements



SB* Article no.

629080 (CHR)

- 629080F (CHR)

* SB = Pull-out spout

Product description and extras

The design follows the trend in high-contrast styling with a fusion of rounded and square elements. This designer tap fits in perfectly with modern Italian kitchen architecture.

The premium design is realised thanks to the use of modern technology such as a high-quality flat aerator inside the tap.

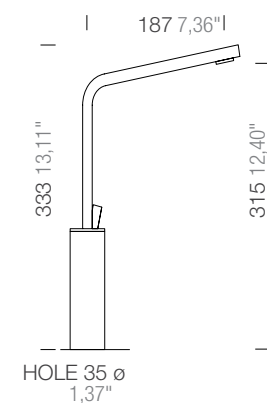
With this tap, design follows function. This principle influences even such small details as the angle of the spout, which is perfectly aligned to tapering bowls, such as those in the Schock Opus range.

Material



Chrome (CHR) Stainless steel (EDO) LOOK

Installation measurements



Article no.

566000 (CHR)
566000 (EDO)



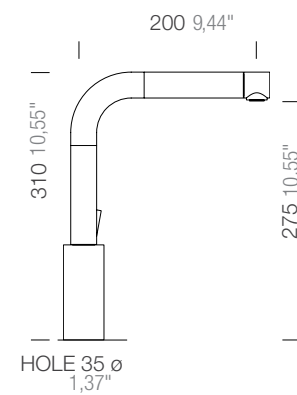
SCHOCK SC-300

Product description and extras

Our patented production technology enables us to sheathe the SC-300 in sleeves of solid CRISTADUR® or CRISTALITE® making the tap absolutely identical in colour to the sink – a perfect couple.

With a contemporary-style, higher spout position and timeless elegance, this tap adds a quality touch to traditional and modern kitchens alike and can make a statement in loud or muted colours. Being scratch and impact resistant and much easier to clean than chrome stainless steel, the solid material sleeves are a big hit.

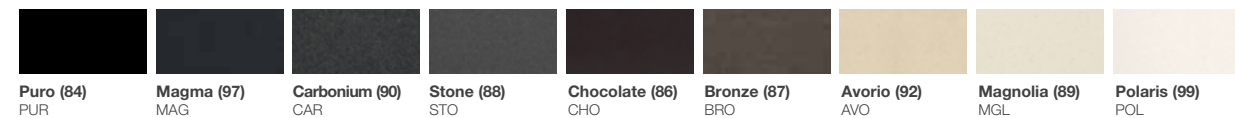
Installation measurements



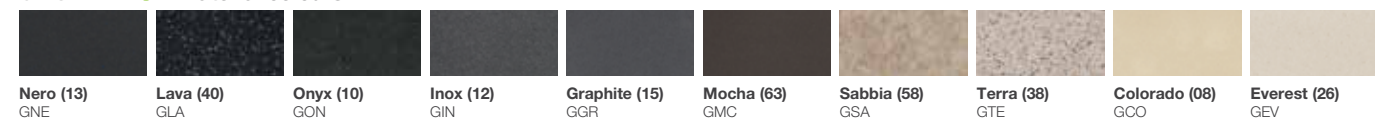
SB* Article no.

| | | | |
|----|--------|-----|-------|
| - | 597000 | CD | -Code |
| - | 597000 | CTO | -Code |
| SB | 597120 | CD | -Code |
| SB | 597120 | CTO | -Code |

CRISTADUR® material colours



CRISTALITE® material colours



**360° only available with the swivel-spout model

* SB = Pull-out spout



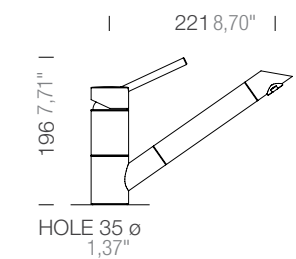
SCHOCK SC-200

Product description and extras

Like all of the SC models, this tap is a real winner with its unique capacity to be absolutely identical in colour to Schock sinks in the same colourway. Our patented method enables us to produce sleeves of solid material in perfectly matching shades.

Being scratch and impact resistant and much easier to clean than chrome stainless steel, the solid material sleeves are a big hit. The classically designed tap is made exclusively out of premium materials such as brass.

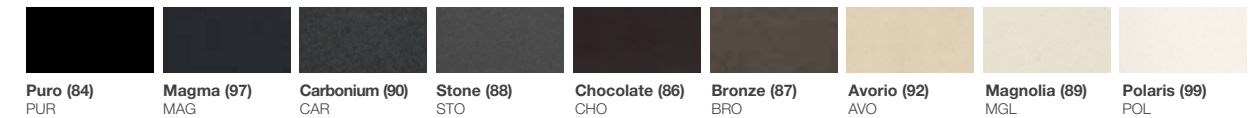
Installation measurements



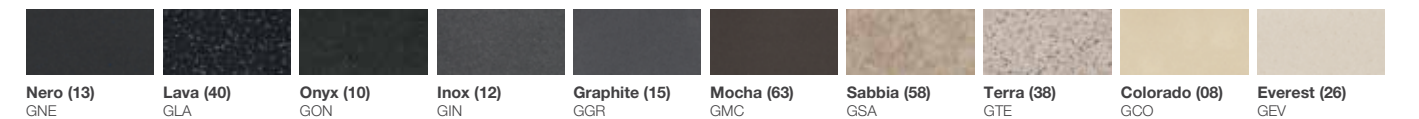
SB* Article no.

| | | | |
|----|--------|-----|-------|
| - | 592000 | CD | -Code |
| - | 592000 | CTO | -Code |
| SB | 592120 | CD | -Code |
| SB | 592120 | CTO | -Code |

CRISTADUR® material colours



CRISTALITE® material colours



* SB = Pull-out spout



SCHOCK SC-50

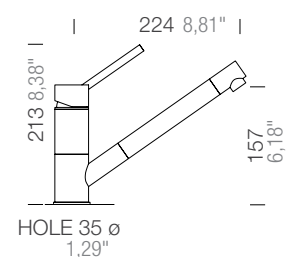
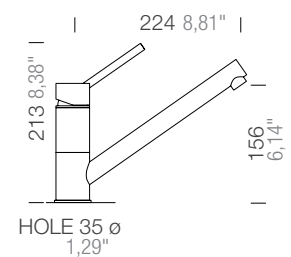
Product description and extras

The perfect complement to Schock TrendLine models in CRISTALITE®. The solid material sleeves allow the colour of the sink to flow through into the tap, turning it into a colourful highlight in the kitchen.

During the design phase we paid particular attention to using high-quality and durable materials and integrating environmentally friendly technologies such as a water-saving function and a temperature limiter.

Being scratch and impact resistant and much easier to clean, the solid material sleeves are a big hit.

Installation measurements



SB* Article no.

- 503000 -Code

503120 -Code

CRISTALITE® material colours

Further colours available. Please contact Schock sales team.



* SB = Pull-out spout



SCHOCK SC-40

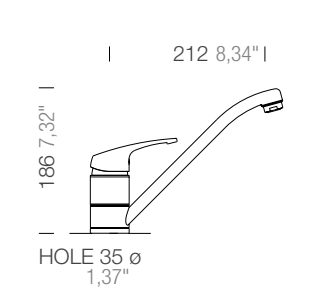
Product description and extras

Low-price tap providing affordable access to the world of coloured TrendLine taps. The tap is decorated with a ring of solid CRISTALITE® – for a perfect match between sink and tap.

The design can be combined with both modern and traditional sinks from the Schock TrendLine. The low spout position enables it to be used even with low-hanging cupboards.

Being scratch and impact resistant and much easier to clean, the solid material sleeves are a big hit.

Installation measurements



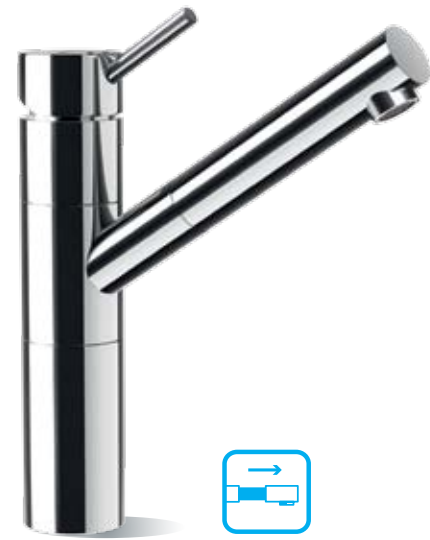
Article no.

563000 -Code

CRISTALITE® material colours

Further colours available. Please contact Schock sales team.





SCHOCK CENTROS

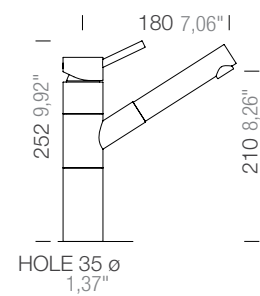
Product description and extras

The new design makes a simple and elegant effect with a lever that runs parallel to the spout.


With a contemporary-style, higher spout position and timeless elegance, this tap adds a quality touch to traditional and modern kitchens alike and can make a statement in chrome or stainless steel look.

In the development phase we paid particular attention to using high-quality and durable materials and to ensuring great functionality – for instance by integrating a large cartridge for greater water volume, making it quicker and easier to fill things up in the sink.

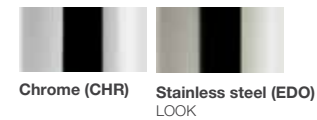
Installation measurements



SB* Article no.

| | | |
|---|--------|------------|
|  | 580120 | CHR |
| | 580120 | EDO |

Material



Chrome (CHR) Stainless steel (EDO) LOOK

* SB = Pull-out spout



SCHOCK CENTROS SMALL

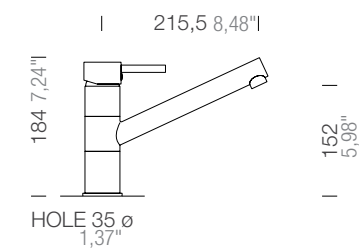
Product description and extras

The classically designed tap is made exclusively out of high-quality and durable materials.


This tap provides great flexibility with its smaller form factor and availability in both chrome and stainless steel look.

Combines perfectly with the smaller sinks in the Schock PremiumLine and TrendLine. Teaming it with the Typos D-100 S in the Nero colourway produces a particularly attractive combination.

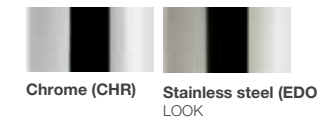
Installation measurements



SB* Article no.

| | | |
|---|--------|------------|
|  | 586120 | CHR |
| | 586120 | EDO |

Material



Chrome (CHR) Stainless steel (EDO) LOOK

* SB = Pull-out spout



SCHOCK DEIMOS

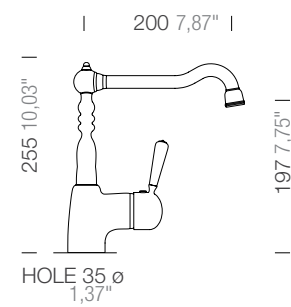
Product description and extras

The Deimos tap is the perfect choice for the country kitchen.

The traditional design harmonises perfectly with the extravagant style of traditional kitchen countertops and cupboards.

Combining this tap with the Schock Grando M-100 sink module keeps the rustic look perfectly without compromising on functionality.

Installation measurements



Article no.

573000 CHR

Material



Chrome (CHR)



SCHOCK DIKE

Product description and extras

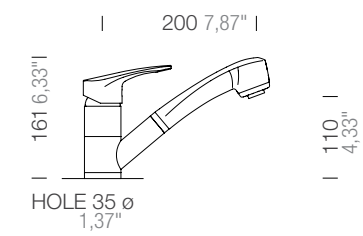
Low-price tap providing affordable access to the world of Schock TrendLine taps.

This tap features a spray head for added convenience in the everyday chores of washing and doing the dishes.

The small form factor makes this tap particularly suited to smaller sinks, such as our single-bowl sinks.

Available in classic chrome look, making it easy to combine with almost any colours and materials.

Installation measurements



SB* Article no.

SB 502120 CHR

Material



Chrome (CHR)

* SB = Pull-out spray head



SCHOCK ELARA

Product description and extras

The exclusive and extravagant design of the Schock Elara tap provides a pleasant contrast to the conventional range of taps on the mass market.

Available in classic chrome look, making it easy to combine with almost any colours and materials in the kitchen.

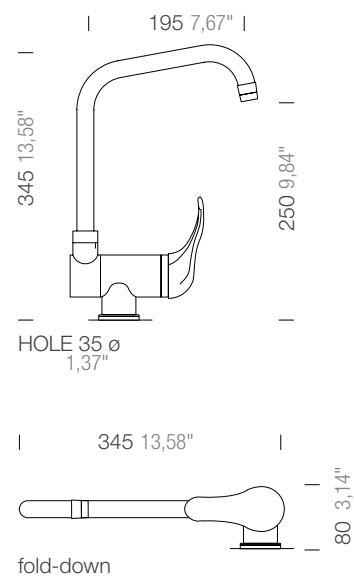
Though the spout position is high, the Elara can still be installed in front of a window thanks to a fold-down spout.

Material



Chrome (CHR)

Installation measurements



Article no.

568000 **CHR**



SCHOCK ERIS

Product description and extras

Very large tap with a presence that has a positive impact on the kitchen style and conveys an air of professionalism.

And with the Eris LED option, the tap is transformed into an absolute highlight in the kitchen as the running water is lit by LED spotlights.

A high-grade tap with a claim to smart design and outstanding technology combined.

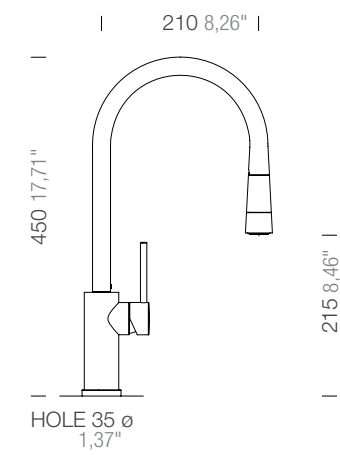
This tap scores highly with great functionality, ease of use and a high-quality finish.

Material



Chrome (CHR)

Installation measurements



SB* Article no.

SB 594120 **CHR**

SB 594120 **CHR LED**

* SB = Pull-out spout



SCHOCK GALATEA

Product description and extras

The Galatea tap is the perfect choice for any country kitchen.

Its traditional design harmonises perfectly with the extravagant style of traditional kitchen countertops and cupboards.

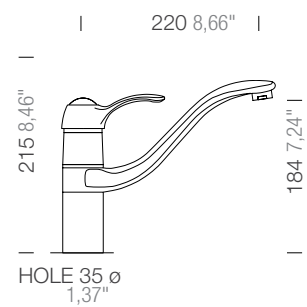
The design is dominated by finely tuned, curved lines reminiscent of running water. A particular highlight comes in the form of the ergonomically shaped lever for those who demand that little bit more. Combined with the Schock Mono N-100 sink it produces a modern contrast in the traditional country kitchen.

Material




Chrome (CHR)

Installation measurements



SB* Article no.

 569000 CHR



SCHOCK HEKATE

Product description and extras

Very large tap with a classic presence that has a positive impact on the style of any kitchen and lends an air of professionalism to the cooking.

With a contemporary-style, higher spout position and timeless elegance, this tap adds a quality touch to traditional and modern kitchens alike and can be supplied with or without a pull-out spout.

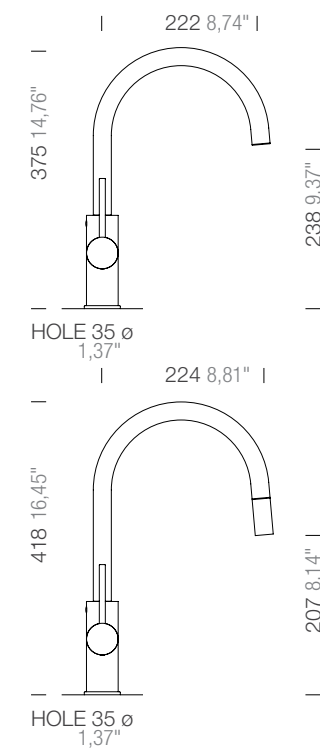
During the design phase we paid particular attention to using high-quality and durable materials and integrating environmentally friendly technologies such as a water-saving function.

Material




Chrome (CHR)

Installation measurements



SB* Article no.

- 549000 CHR

 549120 CHR

* SB = Pull-out spout



SCHOCK HERMERA

Product description and extras

High-grade tap in an on-trend design featuring rounded corners and straight lines. Fits splendidly into the modern or traditional kitchen. Available in chrome or one of ten timeless CRISTALITE® coloured finishes.

The premium design is realised thanks to the use of modern technology such as a high-quality flat aerator inside the tap.

In the development phase we paid particular attention to ensuring great functionality – for instance by integrating a large cartridge for greater water volume, making it quicker and easier to fill things up in the sink.

Material

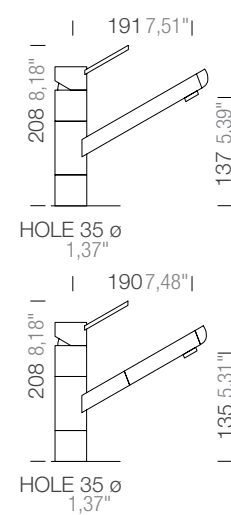


Chrome (CHR)

CRISTALITE® material colours



Installation measurements



SB* Article no.

- 565000 CHR
565000 CTO-Code

565120 CHR
565120 CTO-Code

* SB = Pull-out spout



Picture may vary slightly

SCHOCK IDEOS-PRO

Product description and extras

A graceful, modern tap with a presence that fits right into contemporary kitchen architecture and lends an air of professionalism to the cooking.

This tap is very adaptable with its relatively low height and availability in either contemporary chrome or premium stainless steel look.

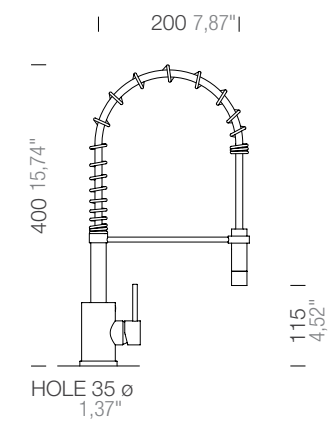
It offers particular flexibility with a spout that can be hooked or unhooked and can also swivel 360°.

Material



Chrome (CHR) Stainless steel (EDO)
LOOK

Installation measurements



SB* Article no.

578000 CHR
578000 EDO

* SB = Unhookable spout



SCHOCK KARPO

Product description and extras

This professional tap has been optimised to meet the needs of the domestic kitchen. The classic design lends an air of professionalism to the cooking and fits into any kitchen design.

It offers particular flexibility with a spray head that can be hooked or unhooked and can also swivel 360°

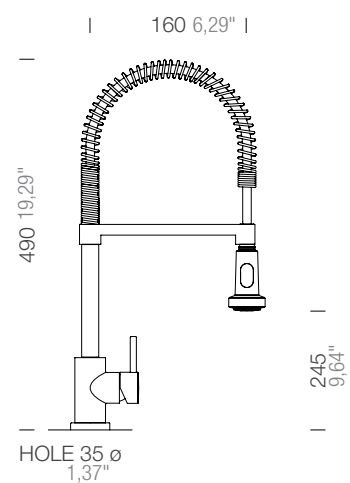
During the design phase we paid particular attention to using high-quality and durable materials and integrating environmentally friendly technologies such as a water-saving function and a temperature limiter.

Material



Chrome (CHR)

Installation measurements



SB* Article no.

593120 CHR



SCHOCK LEVA

Product description and extras

Low-price tap providing affordable access to the world of coloured taps. The tap is fully painted and available in one of ten timeless CRISTALITE® coloured finishes – for perfect colour coordination between sink and tap.

This tap provides great flexibility with its typical kitchen tap design and availability in either chrome or coloured finish.

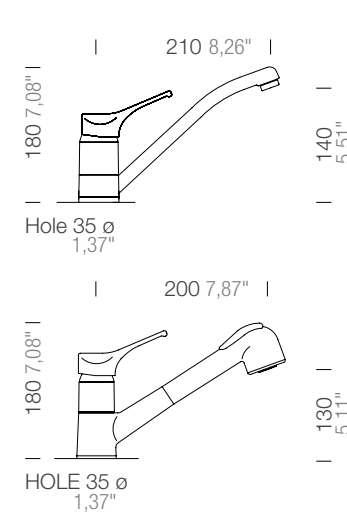
The tap is easy to use and reliable, and is also available with a pull-out spray head that can also swivel.

Material



Chrome (CHR)

Installation measurements



SB* Article no.

- 511000 CHR
511000 CT+-Code

511120 CHR
511120 CT+-Code

CRISTALITE® material colours



* SB = Unhookable spray head

* SB = Pull-out spray head



SCHOCK MINO

Product description and extras

This professional tap has been optimised to meet the needs of the domestic kitchen and features solid stainless steel.

The classic design combined with the modern stainless steel look fits right into contemporary kitchen architecture and lends an air of professionalism to the cooking.

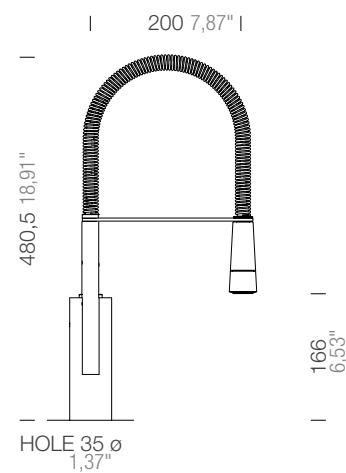
It offers particular flexibility with a spray head that can be hooked or unhooked and can also swivel 360°. Available in either brushed or polished stainless steel finish.

Material



Stainless steel (MAT) brushed Stainless steel (GLA) polished

Installation measurements



SB* Article no.

553120 GLANZ
553120 MATT

* SB = Unhookable spray head



SCHOCK NEILOS

Product description and extras

The design follows the trend in high-contrast styling with a fusion of rounded and square elements. This designer tap fits in perfectly with modern Italian kitchen architecture.

With this tap, design follows function. This principle influences even such small details as the angle of the spout or the adjustability of the lever.

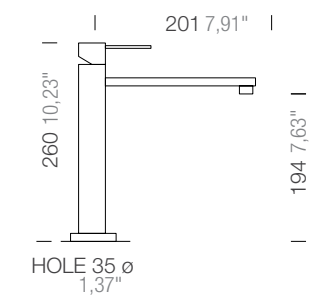
On-trend, square design which is sure to be a defining element in the kitchen.

Material



Chrome (CHR)

Installation measurements



Article no.

572000 CHR



SCHOCK NEOS

Product description and extras

Classic entry-level tap providing affordable access to the world of coloured taps. The tap is fully painted and available in one of ten CRISTALITE⁺ coloured finishes – for perfect colour coordination between sink and tap.

We paid particular attention to using high-quality and durable materials and integrating environmentally friendly technologies such as a water-saving function and a temperature limiter.

Exceptionally easy to clean as the spray head is fitted with integrated, self-cleaning nozzles and fingerprints or water marks are barely visible on the coloured finish.

Material



Chrome (CHR)

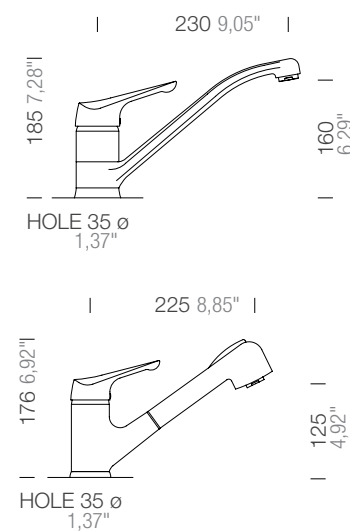
CRISTALITE⁺ material colours



Nero (13) GNE Lava (40) GLA Onyx (10) GON Inox (12) GIN Graphite (15) GGR Mocha (63) GMC Sabbia (58) GSA Terra (38) GTE Colorado (08) GCO Everest (26) GEV

* SB = Pull-out spray head

Installation measurements



SB* Article no.

- 542000 **CHR**
542000 **CTO** -Code

- 542003 **CHR**
Low pressure

542120 **CHR**
542120 **CTO** -Code

542123 **CHR**
Low pressure



SCHOCK NIMBUS

Product description and extras

A high-grade, premium tap with a claim to smart design and outstanding technology combined.

Available in chrome look or one of nine contemporary CRISTADUR[®] coloured finishes, making it perfectly combinable with the PremiumLine sinks from Schock.

On-trend, oval design which is sure to be a defining element in the kitchen.

Material



Chrome (CHR)

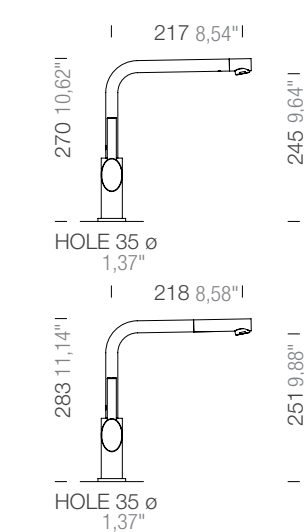
CRISTADUR[®] material colours



Puro (84) PUR Magma (97) MAG Carbonium (90) CAR Stone (88) STO Chocolate (86) CHO Bronze (87) BRO Avorio (92) AVO Magnolia (89) MGL Polaris (99) POL

* SB = Pull-out spout

Installation measurements



SB* Article no.

- 523000 **CHR**
523000 **CD** -Code

523120 **CHR**
523120 **CD** -Code



SCHOCK NOTOS

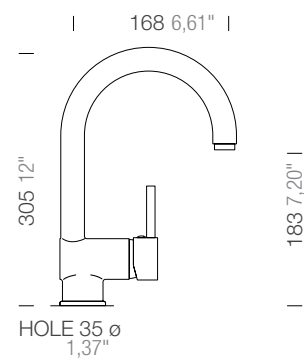
Product description and extras

The Notos tap is the perfect choice for any traditional kitchen. The simple form harmonises wonderfully with most classic kitchen designs.

With a contemporary-style, higher spout position and timeless elegance, this tap adds a quality touch to traditional and modern kitchens alike and can make a statement in chrome or stainless steel look.

The tap's dimensions make it the perfect partner for larger-format sinks such as the new Typos D-100 L from the Schock TrendLine.

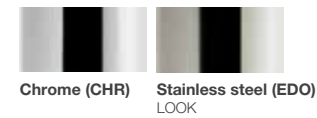
Installation measurements



Article no.

583000 **CHR**
583000 **EDO**

Material



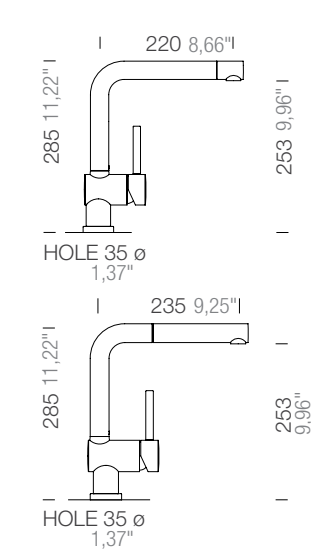
SCHOCK PIEGA

Product description and extras

With this tap, design follows function. This principle influences even such small details as the position of the spout. In the development phase we paid particular attention to ensuring great functionality – for instance by integrating a large cartridge for greater water volume, making it quicker and easier to fill things up in the sink.

Exceptionally easy to clean as fingerprints or water marks are barely visible on the coloured finish. Available in any one of nine premium CRISTADUR® coloured finishes as well as in chrome and stainless steel look.

Installation measurements

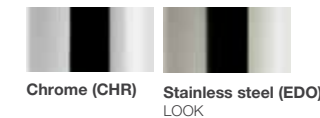


SB* Article no.

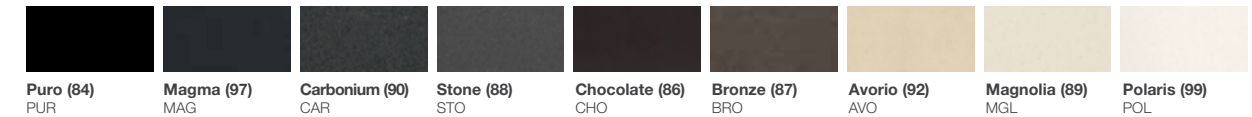
- 547000 **CHR**
547000 **EDO**
547000 **CD** -Code

547120 **CHR**
547120 **EDO**
547120 **CD** -Code

Material



CRISTADUR® material colours



* SB = Pull-out spout



SCHOCK PILA

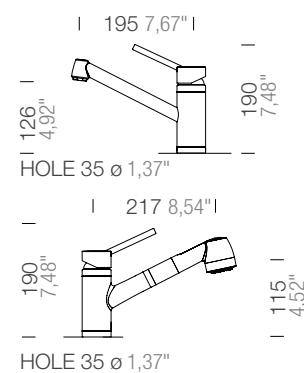
Product description and extras

High-quality coloured tap in a classic design. The tap is fully painted and available in ten CRISTALITE⁺ and nine CRISTADUR[®] coloured finishes – for perfect colour coordination between sink and tap.

We paid particular attention to using high-quality and durable materials and integrating environmentally friendly technologies such as a water-saving function and a temperature limiter.

Exceptionally easy to clean as fingerprints or water marks are barely visible on the coloured finish.

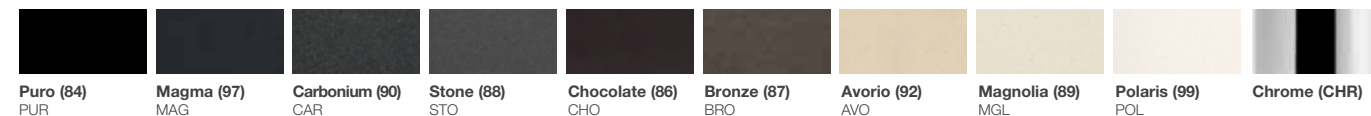
Installation measurements



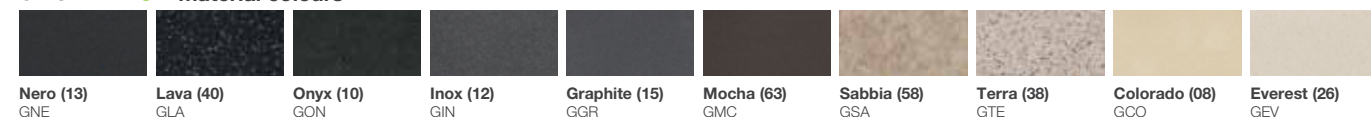
SB* Article no.

- 541000 CHR
- 541000 CD -Code
- 541000 CT+ -Code
- 541003 CHR
- Low pressure
- 541120 CHR
- 541120 CD -Code
- 541120 CT+ -Code
- 541123 CHR
- Low pressure

CRISTADUR[®] material colours



CRISTALITE⁺ material colours



* SB = Pull-out spray head



SCHOCK SIMI

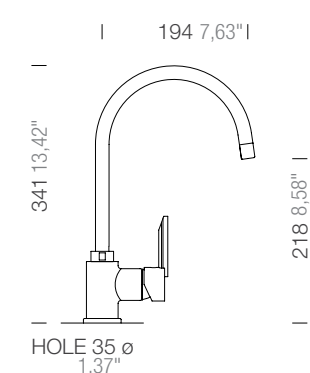
Product description and extras

Classic entry-level tap featuring curved lines and dimensions that enable it to fit into almost any position.

The tap is partly painted and available in four CRISTALITE⁺ coloured finishes – for perfect colour coordination between sink and tap, or alternatively available in chrome look.

Combined with the Schock Nemo N-100 sink it produces a modern contrast in the kitchen.

Installation measurements



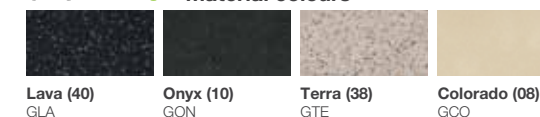
Article no.

- 501000 CHR
- 501000 CT+ -Code

Material



CRISTALITE⁺ material colours





SCHOCK SKIRON

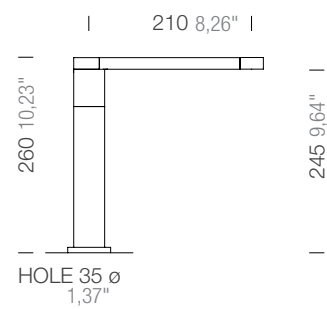
Product description and extras

The design follows the trend in high-contrast styling with a fusion of rounded and square elements. This designer tap fits in perfectly with modern Italian kitchen architecture.

The premium design is realised thanks to the use of modern technology such as a high-quality flat aerator inside the tap.

This high-grade PremiumLine tap is available in contemporary chrome look.

Installation measurements



Article no.

515000 CHR

Material



Chrome (CHR)



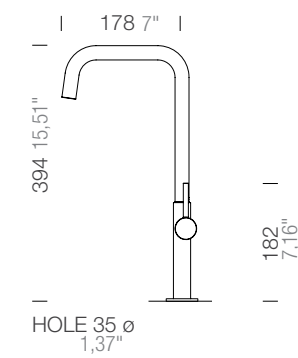
SCHOCK URANIA

Product description and extras

During the design phase we paid particular attention to using high-quality and durable materials and integrating environmentally friendly technologies such as a water-saving function.

With this tap, design follows function. This principle influences even such small details as the height of the spout. The simple design will turn heads in the kitchen without dictating a style of its own: the simple, no-frills form will fit right into any style of kitchen.

Installation measurements



Article no.

544000 CHR

Material



Chrome (CHR)

Pictures may vary slightly



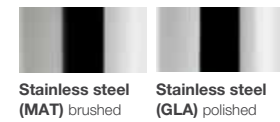
SCHOCK ZELOS

Product description and extras

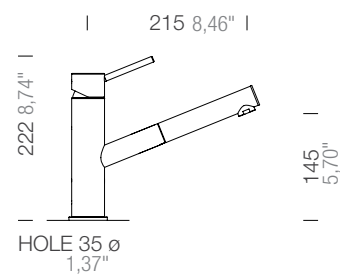
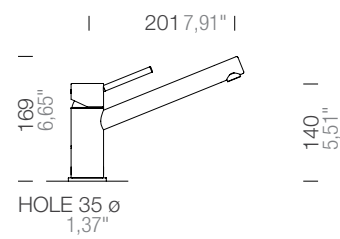
The classic entry-level tap in a timeless design is made exclusively of durable components, for instance solid stainless steel.

This tap is available in a brushed or polished finish and can have an optional pull-out spout. Combines perfectly with the smaller sinks in the Schock PremiumLine and TrendLine. Teaming it with the Signus D-100 in the Polaris colourway produces a particularly attractive combination.

Material



Installation measurements



SB* Article no.

| | | |
|-----|--------|-------|
| - | 552000 | GLANZ |
| - | 552000 | MATT |
| SB* | 552120 | GLANZ |
| SB* | 552120 | MATT |

* SB = Pull-out spout



SCHOCK ZERUS

Product description and extras

The Zerus tap is the perfect choice for any traditional kitchen.

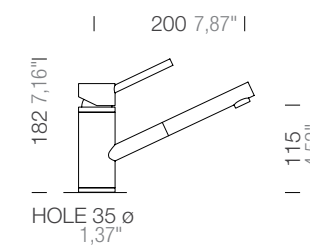
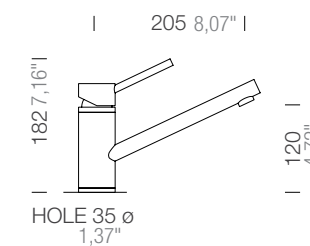
The simple form harmonises wonderfully with classic kitchen architecture. Combines perfectly with the smaller sinks in the Schock PremiumLine and TrendLine. Teaming it with the new Mono D-100 in the Puro colourway produces a particularly attractive combination.

The design is dominated by finely tuned, oval forms that blend perfectly with running water.

Material



Installation measurements



SB* Article no.

| | | |
|-----|--------|-----|
| - | 567000 | CHR |
| SB* | 567120 | CHR |

* SB = Pull-out spout



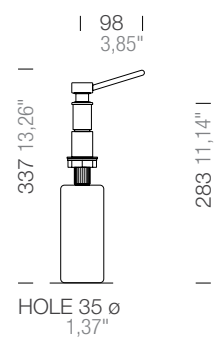
SCHOCK AMUR

Product description and extras

Classic soap dispenser in a timeless design made exclusively of durable components.

The soap dispenser is available in contemporary chrome look. Designed to make your everyday kitchen chores go more easily and quickly.

Installation measurements



Article no.

629014 **CHR**

Material



Chrome (CHR)



SCHOCK PUCK

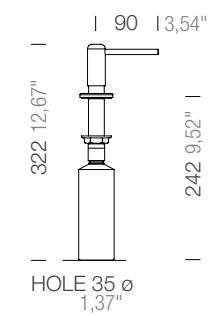
Product description and extras

Modern soap dispenser with an extra thin designer head and large body.

Designed to make your everyday kitchen chores go more easily and quickly.

The soap dispenser is available in contemporary chrome or stainless steel look.

Installation measurements



Article no.

629025 **CHR**
629025 **EDO**

Material



Chrome (CHR) Stainless steel (EDO)
LOOK



SCHOCK SANI

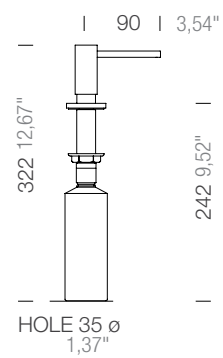
Product description and extras

The soap dispenser is available in contemporary chrome or stainless steel look.

Modern soap dispenser with an on-trend, square designer head and large body.

Designed to make your everyday kitchen chores go more easily and quickly.

Installation measurements



Article no.

629026 **CHR**
629026 **EDO**

Material



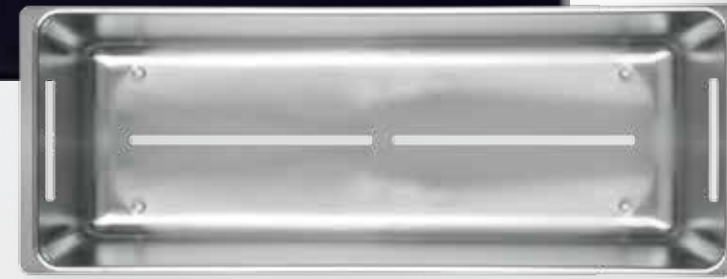
Chrome (CHR) Stainless steel (EDO)
LOOK

SCHOCK ACCESSORIES



Easy Care Set

Glass chopping board
black or white



Strainer bowl

| Order no. | 629004-629043 | Information | Additional information |
|-------------------|---------------|--|--|
| 629004 | | Ready-cut holes for control knob and tap | See drawing for positioning |
| 629015/N | | Chopping board | |
| 629017 | | Strainer bowl | Stainless steel |
| 629018 | | Easy Care | |
| 629019 | | Easy Care Brightener 250 ml | |
| 629024 | | LED-light | |
| 629028 | | Chopping board | |
| 629029 | | Strainer bowl | Stainless steel |
| 629033 | | Chopping board | Glass |
| 629036 629036U | | Glass chopping board Glass chopping board | For topmount installation For undermount installation |
| 629037 | | Strainer bowl | Stainless steel |
| 629041 | | Strainer bowl | Stainless steel |
| 629042 | | Strainer bowl | Stainless steel |
| 629043 | | Strainer bowl | Stainless steel |

| Order no. | 629044-629063 | Information | Additional information |
|-------------------------------|---------------|----------------------|---|
| 629044 | | Chopping board | Bamboo |
| 629045 629045U 629045FB | | Glass chopping board | For topmount installation For undermount installation For flushmount installation |
| 629046 629046U 629046FB | | Glass chopping board | For topmount installation For undermount installation For flushmount installation |
| 629047/N | | Strainer bowl | Stainless steel For hanging in the main or ancillary sink |
| 629049 629049G | | Strainer bowl | White Green |
| 629051 | | Strainer bowl | Stainless steel |
| 629056 | | Strainer bowl | Stainless steel |
| 629057 | | Strainer bowl | Stainless steel |
| 629060 | | Drain pan | Stainless steel 65 mm deep perforated |
| 629061 | | Drain bowl | Stainless steel 65mm deep |
| 629062 | | Drain bowl | Stainless steel 100mm deep |
| 629063 | | Drain pan | Stainless steel 65mm deep Perforated |

























Excenter knob

Glass chopping board,
two-pieces, white-green

Strainer bowl transparent grey, acrylic

Comfotouch

| Order no. 629064-629171 | Information | Additional information |
|-------------------------|--|-----------------------------------|
| 629064 |  Glass chopping board | First of two-pieces, black |
| 629064/1 |  Glass chopping board | First of two-pieces, white-green |
| 629072/48 |  Acryl strainer bowl | grey transparent |
| 629075 |  Glass chopping board | Second of two-pieces, black |
| 629075/1 |  Glass chopping board | Second of two-pieces, white-green |
| 629076 |  Glass chopping board | Black |
| 629077 629078 |  Glass chopping board Glass chopping board | Black |
| 629124/48 |  Strainer bowl | Transparent grey, acrylic |
| 629147 |  Wire basket | |
| 629149 |  Wire basket | |
| 629161 |  Wire basket | |
| 629170 |  Wire basket | |
| 629171 |  Wire basket | |

| Order no. 629172 - 629830 | Information | Additional information |
|---------------------------|--|------------------------|
| 629172 |  Wire basket | |
| 629194 |  Wire basket | |
| 629196 |  Wire basket | |
| 629198 |  Chopping board | |
| 629199 |  Wire basket | |
| 629211 |  Chopping board | Sycamore |
| 629212 |  Wire basket | |
| 629244 |  Strainer bowl | Stainless steel |
| 629830 |  Comfotouch | |

Contact Schock

Our products and processes are subject to rigorous controls and the constant pursuit of quality, durability and sustainability.

Should you nevertheless have cause for complaint, please complete our online form and let us know what you are dissatisfied with. We want you to be happy.

Please use our online form at www.schock.de/service.



Delivery period Within one week if in stock.
We reserve the right to defer delivery in the event of production delays.

Minimum order value For orders with a net value of €50 or less, we shall impose a flat-rate shipping charge of €6.90.

Delivery Free delivery ex works (from Regen) within Germany for orders with a net value of €50 or more.

Warranty **Sinks in CRISTALITE®/CRISTADUR®**
2 years*, improper use voids the warranty.

Any installation of undermount sinks in countertops made of laminate/wood is at the customer's own risk.

Sink accessories:
2 years*, improper use voids the warranty.

Taps:
2 years*, improper use voids the warranty.

Complaints Colours may vary due to the high proportion of natural raw materials used. This is not a fault and does not constitute cause for complaint. Schock shall not pay the costs of any duplicate journey or installation if the customer fails to check the product and notify us of any defects with the period specified in the General Terms and Conditions of Supply and Payment.

In the event of breakage of one of our sinks, Schock shall only deliver a replacement for free if the damage is notified to Schock within 4 days of delivery and the sink is given back to the haulage company to take away. Schock shall not be obliged to recover the product.

Recovery/return of goods Schock shall pay the costs of recovering or returning the goods in the event of defective products or wrong deliveries only by prior arrangement and only if the goods are available for collection at all times after the date of complaint with a copy of the invoice or delivery note enclosed. Otherwise the customer shall be obliged to return the goods to the Regen plant at the customer's own expense.

If the goods cannot be taken upon collection, Schock shall be entitled to invoice the costs incurred; at the same time payment of the invoice for the goods shall become due. Freight and shipping costs for the return of goods ordered in error or for any other reason not attributable to Schock shall be paid by the purchaser.

For return deliveries not made under notices of defects or warranty claims, we are entitled to invoice the purchaser 30% of the value of the goods. This does not apply to failed or wrong deliveries occurring as a result of our own error.

Separate section on trademark rights: In the absence of any other written agreement between us and the purchaser, all goods purchased from us may only be marketed under the respective Schock product name. This particularly applies in the event of products from Schock GmbH being publicised by the purchaser or publicised within the scope of auctions, advertising or other offers.

***in accordance with Schock's General Terms and Conditions as available at www.schock.de**

**This price list supersedes all earlier price lists and offers.
We reserve the right to make technical modifications.
Schock assumes no liability for misprints.**

SCHOCK GmbH

Hofbauerstrasse 1
D-94209 Regen
Germany

Phone +49-9921-600-0
Fax +49-9921-600-253

E-mail info@schock.de
www.schock.de

Printed 1/2013

Layout and design: [michaelschad.produktdesign](http://michaelschad.produktdesign.com), Stuttgart

Image photo of Domus sink: Pro Ambiente, "Meerbusch"
Image photo of Formhaus sink: Kay Fochtmann / photocase.com
Design of Waterfall, Imago, Viola sinks: [michaelschad.produktdesign](http://michaelschad.produktdesign.com), Stuttgart
Design of Grando, Horizont, Opus sinks: [Platinumdesign](http://Platinumdesign.com), Stuttgart