

kreon Updown

Date: _____ Customer: _____

Project: _____

Type: _____ Qty: _____



KUPDN- _____ - PE- DI - _____ - _____ - 80 - _____ - (_____)

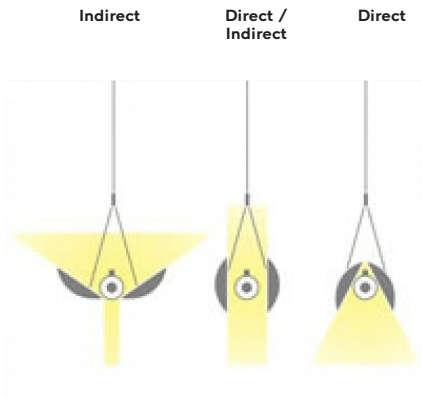
kreon Updown	Length	Mounting	LED Light Distribution	Finish		CCT	CRI	Remote Electric Gear	Gear Enclosure Option*
KUPDN Updown with Adjustable Reflectors	30 4ft. length (34W)	PE Pendant	DI Direct/ Indirect (Adjustable reflectors)	11 Natural Aluminum	12 Gold	27 2700K	80 CRI80	D1 Phase Dimming (10%); 120VAC	IC IC rated remote gearbox
	32 5ft. length (42W)			13 Black	14 Olive	30 3000k			
								D2-LD 0-10V Dimming (0%); 120-277VAC	
								D3-2* Lutron Hi-Lume Dim to 1% for 2-wire; 120VAC	
								D3-3* Lutron Hi-Lume Dim to 1% for 3-wire; 120VAC	
								SW¹ On-Off Standard; 120-277VAC	

Ordering Example: KUPDN-30-PE-DI-13-27-80-D2

*D3 Dimming - consult factory for digital control ¹SW provided D2 Driver isolate dimming control leads separately.

²NIC for use when gear is located in isolated area (i.e. control room)

kreon Updown



natural aluminum, **11**



gold, **12**



black, **13**



olive **14**

belux updown's state-of-the-art adjustment mechanism is still as fascinating as ever. New features include the upgrade to LED sources and the four color selections. The reflectors can be moved into the desired position using just one hand thus enabling various different lighting moods to be created. The variety of possibilities ranges from exclusively direct, focused light to abundant, indirect light that fills an entire space. On account of this versatility, belux updown is particularly well suited for use over a dining room table, a desk or a counter.

Description

Mounting

pendant luminaires. Adjustable reflectors allow you to choose Direct, Indirect or Direct/Indirect lighting. Weight is 9 1/2lbs.

Finish

anodized, aluminum matte finish available in four different colors: natural aluminum, gold, black and olive

Input Voltage

120V / 277V; 50/60 Hz

Color temp/ CRI

2700K or 3000K. CRI 80+ =. Updown 30 at 4ft s 34W, Updown 32 at 5ft is 42W.
One LED driver, cable integrated.
Direct: source lumens 5200lm; delivered 2544lm
Direct/Indirect: source lumens 5200lm; delivered 3654lm
Indirect: source lumens 5200lm; delivered 4218lm

Controls / Dimming

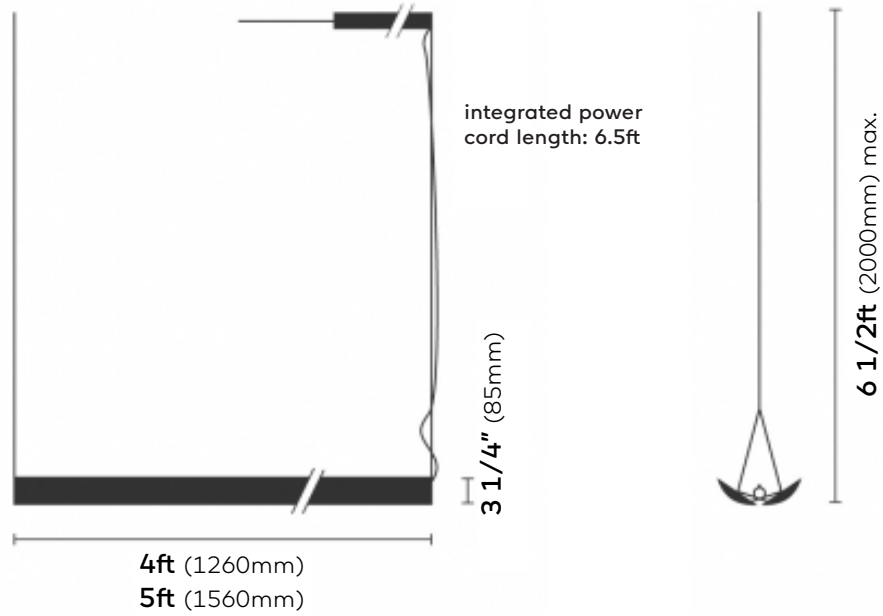
Remote driver only. 0-10V dimming, phase, lutron hi-lume, and on/off are available

ETL / UL

ETL Pending for US and Canada.
Ingress Protection – IP20. Guarantee 24 months.
5 year warranty on LED and driver



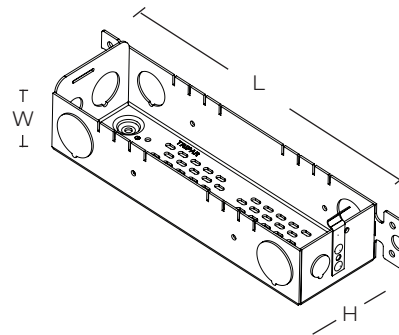
kreon Updown



Optional Accessories:

Driver IC Box dimensions:

Control Selection	Driver	IC Box Dimensions
D1	Triac Phase Dimming	7"x2.375"x1.5" (LxWxH)
D2	0-10V Dimming	16.5"x2.48"x1.97" (LxWxH)
D2-LD	0-10V Dimming	16.5"x2.48"x1.97" (LxWxH)
D3-2	Lutron 2-Wire Dimming	19"x2.48"x1.97" (LxWxH)
D3-3	Lutron 3-Wire Dimming	19"x2.48"x1.97" (LxWxH)
SW	On-Off	16.5"x2.48"x1.97" (LxWxH)



kreon Updown

Photometry

Updown - KUPDN-32-PE-D-11-30-DIRECT



Report Number: 3626

Lamp Length: 5ft

Lamp: LED

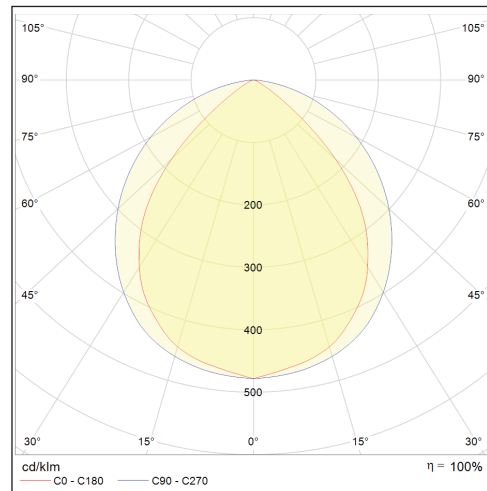
Light: 3000k

Source: 5200lm

Delivered: 2544lm

Efficiency 55.4lm/W

*Measured in downward position only.



Updown - KUPDN-32-PE-DI-11-30-DIRECT_INDIRECT



Report Number: 3623

Lamp Length: 5ft

Lamp: LED

Light: 3000k

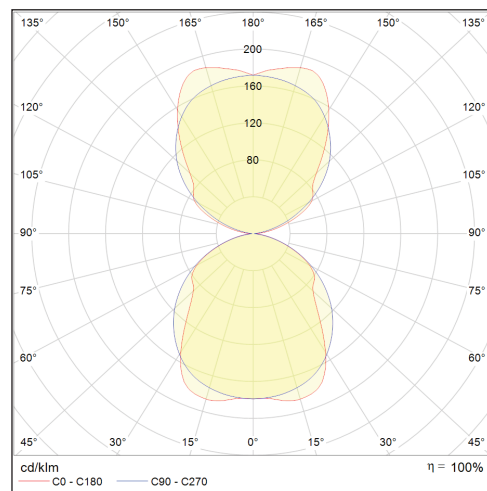
Source: 5200lm

Delivered: 3654lm

Light: 3000k

Efficiency 55.4lm/W

*Measured in up & down position only.



Updown - KUPDN-32-PE-DI-11-30-INDIRECT



Report Number: 3621

Lamp Length: 5ft

Lamp: LED

Source: 5200lm

Delivered: 4218lm

Light: 3000k

Efficiency 55.4lm/W

*Measured in up position only.

