

OPERATION GUIDE

FS-1100 FS-1300D



This Operation Guide is for models FS-1100 and FS-1300D.



Note This Operation Guide contains information that corresponds to using both the inch and metric versions of these machines.

The inch versions of these machines are shown in the screens in this guide. If you are using the metric version, use the messages provided for the inch version as reference only. In the body text, only the inch messages are given if these versions differ only in capitalization. When there is even a slight difference in the message, we have listed the information for the inch version followed, in brackets, by the corresponding information for the metric version.

Included Guides

The following guides are included with this machine. Refer to the proper guide based on your requirements.

Operation Guide (This Guide)

Describes how to load paper, print, replace toner, clean the printer, and troubleshooting.

Installation Guide

Explains how to install this printer, as well as connecting cables and loading paper.

Contents

1	Machine Parts	1-1
	Components at the Front of the Printer	1-2
	Components at the Rear of the Printer	1-3
	Operation Panel	1-4
	Indicators	1-5
	Keys	1-6
2	Loading Paper	2-1
	General Guidelines	2-2
	Selecting the Right Paper	2-4
	Paper Type	2-10
	Preparing the Paper	2-11
	Loading Paper into Cassette	2-11
	Loading Paper into MP (Multi-Purpose)Tray	2-14
3	Connecting and Printing	3-1
	Connections	3-2
	Installing the Printer Driver	3-3
	Printing	3-7
	Status Monitor	3-10
	Configuration Tool	3-14
	Uninstalling Software	3-18
4	Maintenance	4-1
	General Information	4-2
	Toner Container Replacement	4-2
	Cleaning the Printer	4-6
	Prolonged Non-Use and Moving the Printer	4-9
5	Troubleshooting	5-1
	General Guidelines	5-2
	Print Quality Problems	5-3
	Understanding Indicators	5-5
	Cleaning Paper Jams	5-9
6	Option	6-1
	General Information	6-2
	Expansion Memory Modules	6-3
	Removing a Memory Module	6-5
	Verifying the expanded memory	6-5
	Paper Feeder (PF-100)	6-6
	Network Interface Card (IB-23)	6-7
	CompactFlash (CF) Card	6-8
7	Appendix	7-1
	Specifications	7-2
	Environmental Standard Requirements	7-4
	Index	Index-1

Legal and Safety Information

Please read this information before using your machine. This chapter provides information on the following topics:

Legal Information	iv
License Agreements	vi
Safety Information	x
Symbols	xiv
Installation Precautions	xv
Precautions for Use	xvii
About the Operation Guide	xix
Conventions in This Guide	xx

Legal Information



CAUTION NO LIABILITY IS ASSUMED FOR ANY DAMAGE CAUSED BY IMPROPER INSTALLATION.

Notice on Software

SOFTWARE USED WITH THIS PRINTER MUST SUPPORT THE PRINTER'S EMULATION MODE. The printer is factory-set to emulate the PCL. The emulation mode can be changed.

Notice

The information in this guide is subject to change without notification. Additional pages may be inserted in future editions.

The user is asked to excuse any technical inaccuracies or typographical errors in the present edition. No responsibility is assumed if accidents occur while the user is following the instructions in this guide. No responsibility is assumed for defects in the printer's firmware (contents of its read-only memory).

This guide, and any copyrightable subject matter sold or provided with or in connection with the sale of the page printer, are protected by copyright. All rights are reserved. Copying or other reproduction of all or part of this guide, or any copyrightable subject matter without the prior written consent of Kyocera Mita Corporation is prohibited. Any copies made of all or part of this guide, or any copyrightable subject must contain the same copyright notice as the material from which the copying is done.

Regarding Tradenames

PRESCRIBE is a registered trademark of Kyocera Corporation. KPDL is trademark of Kyocera Corporation. Hewlett-Packard, PCL, and P JL are registered trademarks of Hewlett-Packard Company. Centronics is a trade name of Centronics Data Computer Inc. Adobe, Acrobat, Flash, and PostScript are registered trademarks of Adobe Systems Incorporated. Macintosh is a registered trademark of Apple Computer, Inc. Microsoft, Windows, and Windows NT are registered trademarks of Microsoft Corporation. Microsoft Windows Server is a trademark of Microsoft Corporation. PowerPC is a trademark of International Business Machines Corporation. CompactFlash is a trademark of SanDisk Corporation. ENERGY STAR is a U.S. registered mark. All other brand and product names are registered trademarks or trademarks of their respective companies.

This product uses PeerlessPrintXL to provide the HP LaserJet compatible PCL 6 language emulation. PeerlessPrintXL is a trademark of Peerless Systems Corporation, 2381 Rosecrans Ave. El Segundo, CA 90245, U.S.A.

This product was developed using the Tornado™ Real Time Operating System and Tools from Wind River Systems.

This product contains UFST™ and MicroTypeR from Monotype Imaging Inc.

USB



This product has been certified by the USB Implementers Forum, Inc.

License Agreements

IBM Program License Agreement

The following declarations have been provided in English intentionally.

THE DEVICE YOU HAVE PURCHASED CONTAINS ONE OR MORE SOFTWARE PROGRAMS ("PROGRAMS") WHICH BELONG TO INTERNATIONAL BUSINESS MACHINES CORPORATION ("IBM"). THIS DOCUMENT DEFINES THE TERMS AND CONDITIONS UNDER WHICH THE SOFTWARE IS BEING LICENSED TO YOU BY IBM. IF YOU DO NOT AGREE WITH THE TERMS AND CONDITIONS OF THIS LICENSE, THEN WITHIN 14 DAYS AFTER YOUR ACQUISITION OF THE DEVICE YOU MAY RETURN THE DEVICE FOR A FULL REFUND. IF YOU DO NOT SO RETURN THE DEVICE WITHIN THE 14 DAYS, THEN YOU WILL BE ASSUMED TO HAVE AGREED TO THESE TERMS AND CONDITIONS.

The Programs are licensed not sold. IBM, or the applicable IBM country organization, grants you a license for the Programs only in the country where you acquired the Programs. You obtain no rights other than those granted you under this license.

The term "Programs" means the original and all whole or partial copies of it, including modified copies or portions merged into other programs. IBM retains title to the Programs. IBM owns, or has licensed from the owner, copyrights in the Programs.

1. License

Under this license, you may use the Programs only with the device on which they are installed and transfer possession of the Programs and the device to another party.

If you transfer the Programs, you must transfer a copy of this license and any other documentation to the other party. Your license is then terminated. The other party agrees to these terms and conditions by its first use of the Program.

You may not:

1. use, copy, modify, merge, or transfer copies of the Program except as provided in this license;
2. reverse assemble or reverse compile the Program; or
3. sublicense, rent, lease, or assign the Program.

2. Limited Warranty

The Programs are provided "AS IS."

THERE ARE NO OTHER WARRANTIES COVERING THE PROGRAMS (OR CONDITIONS), EXPRESS OR IMPLIED, INCLUDING, BUT NOT LIMITED TO, THE IMPLIED WARRANTIES OF MERCHANTABILITY AND FITNESS FOR A PARTICULAR PURPOSE.

Some jurisdictions do not allow the exclusion of implied warranties, so the above exclusion may not apply to you.

3. Limitation of Remedies

IBM's entire liability under this license is the following;

For any claim (including fundamental breach), in any form, related in any way to this license, IBM's liability will be for actual damages only and will be limited to the greater of:

1. the equivalent of U.S. \$25,000 in your local currency; or
2. IBM's then generally available license fee for the Program

This limitation will not apply to claims for bodily injury or damages to real or tangible personal property for which IBM is legally liable.

IBM will not be liable for any lost profits, lost savings, or any incidental damages or other economic consequential damages, even if IBM, or its authorized supplier, has been advised of the possibility of such damages. IBM will not be liable for any damages claimed by you based on any third party claim. This limitation of remedies also applies to any developer of Programs supplied to IBM. IBM's and the developer's limitations of remedies are not cumulative. Such developer is an intended beneficiary of this Section. Some jurisdictions do not allow these limitations or exclusions, so they may not apply to you.

4. General

You may terminate your license at any time. IBM may terminate your license if you fail to comply with the terms and conditions of this license. In either event, you must destroy all your copies of the Program. You are responsible for payment of any taxes, including personal property taxes, resulting from this license. Neither party may bring an action, regardless of form, more than two years after the cause of action arose. If you acquired the Program in the United States, this license is governed by the laws of the State of New York. If you acquired the Program in Canada, this license is governed by the laws of the Province of Ontario. Otherwise, this license is governed by the laws of the country in which you acquired the Program.

Typeface Trademark Acknowledgement

All resident fonts in this printer are licensed from Monotype Imaging Inc. Helvetica, Palatino and Times are registered trademarks of Linotype-Hell AG. ITC Avant Garde Gothic, ITC Bookman, ITC ZapfChancery and ITC Zapf Dingbats are registered trademarks of International Typeface Corporation.

Monotype Imaging License Agreement

The following declarations have been provided in English intentionally.

1. "Software" shall mean the digitally encoded, machine readable, scalable outline data as encoded in a special format as well as the UFST Software.
2. You agree to accept a non-exclusive license to use the Software to reproduce and display weights, styles and versions of letters, numerals, characters and symbols ("Typefaces") solely for your own customary business or personal purposes at the address stated on the registration card you return to Monotype Imaging. Under the terms of this License Agreement, you have the right to use the Fonts on up to three printers. If you need to have access to the fonts on more than three printers, you need to acquire a multi-user license

agreement which can be obtained from Monotype Imaging. Monotype Imaging retains all rights, title and interest to the Software and Typefaces and no rights are granted to you other than a License to use the Software on the terms expressly set forth in this Agreement.

3. To protect proprietary rights of Monotype Imaging, you agree to maintain the Software and other proprietary information concerning the Typefaces in strict confidence and to establish reasonable procedures regulating access to and use of the Software and Typefaces.
4. You agree not to duplicate or copy the Software or Typefaces, except that you may make one backup copy. You agree that any such copy shall contain the same proprietary notices as those appearing on the original.
5. This License shall continue until the last use of the Software and Typefaces, unless sooner terminated. This License may be terminated by Monotype Imaging if you fail to comply with the terms of this License and such failure is not remedied within thirty (30) days after notice from Monotype Imaging. When this License expires or is terminated, you shall either return to Monotype Imaging or destroy all copies of the Software and Typefaces and documentation as requested.
6. You agree that you will not modify, alter, disassemble, decrypt, reverse engineer or decompile the Software.
7. Monotype Imaging warrants that for ninety (90) days after delivery, the Software will perform in accordance with Monotype Imaging-published specifications, and the diskette will be free from defects in material and workmanship. Monotype Imaging does not warrant that the Software is free from all bugs, errors and omissions.
8. THE PARTIES AGREE THAT ALL OTHER WARRANTIES, EXPRESSED OR IMPLIED, INCLUDING WARRANTIES OF FITNESS FOR A PARTICULAR PURPOSE AND MERCHANTABILITY, ARE EXCLUDED.
9. Your exclusive remedy and the sole liability of Monotype Imaging in connection with the Software and Typefaces is repair or replacement of defective parts, upon their return to Monotype Imaging.
10. IN NO EVENT WILL MONOTYPE IMAGING BE LIABLE FOR LOST PROFITS, LOST DATA, OR ANY OTHER INCIDENTAL OR CONSEQUENTIAL DAMAGES, OR ANY DAMAGES CAUSED BY ABUSE OR MISAPPLICATION OF THE SOFTWARE AND TYPEFACES.
11. Massachusetts U.S.A. law governs this Agreement.
12. You shall not sublicense, sell, lease, or otherwise transfer the Software and/or Typefaces without the prior written consent of Monotype Imaging.
13. Use, duplication or disclosure by the Government is subject to restrictions as set forth in the Rights in Technical Data and Computer Software clause at FAR 252-227-7013, subdivision (b)(3)(ii) or subparagraph (c)(1)(ii), as appropriate. Further use, duplication or disclosure is subject to restrictions applicable to restricted rights software as set forth in FAR 52.227-19 (c)(2).

14. YOU ACKNOWLEDGE THAT YOU HAVE READ THIS AGREEMENT, UNDERSTAND IT, AND AGREE TO BE BOUND BY ITS TERMS AND CONDITIONS. NEITHER PARTY SHALL BE BOUND BY ANY STATEMENT OR REPRESENTATION NOT CONTAINED IN THIS AGREEMENT. NO CHANGE IN THIS AGREEMENT IS EFFECTIVE UNLESS WRITTEN AND SIGNED BY PROPERLY AUTHORIZED REPRESENTATIVES OF EACH PARTY. BY OPENING THIS DISKETTE PACKAGE, YOU AGREE TO ACCEPT THE TERMS AND CONDITIONS OF THIS AGREEMENT.

Safety Information

Laser Notice



CAUTION CLASS 3B INVISIBLE LASER RADIATION
WHEN OPEN. AVOID DIRECT EXPOSURE TO BEAM.



CAUTION Use of controls or adjustments or performance
of procedures other than those specified herein may result
in hazardous radiation exposure.

Radio Frequency Transmitter

This machine contains a transmitter module. We, the manufacturer (Kyocera Mita Corporation) hereby declare that this equipment (page printer), model FS-1100 and FS-1300D are in compliance with the essential requirements and other relevant provisions of Directive 1999/5/EC.

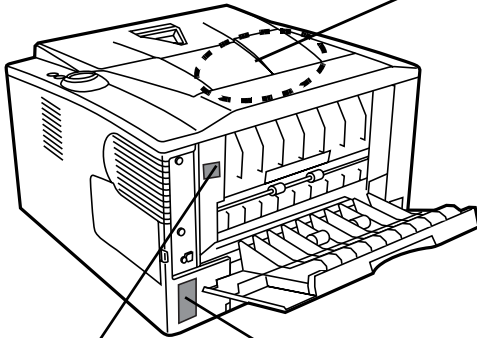
Radio Tag Technology

In some countries, the radio tag technology used in this equipment to identify the toner container may be subject to authorization, and the use of this equipment may consequently be restricted.

Caution Labels

The printer bears any of the following labels.

Laser inside the printer
(Laser radiation warning)



	DANGER • CLASS 3B INVISIBLE LASER RADIATION WHEN OPEN. AVOID DIRECT EXPOSURE TO BEAM.
	ATTENTION • CLASSE 3B RAYONNEMENT LASER INVISIBLE EN CAS D'OUVERTURE. EXPOSITION DANGEREUSE AU FAISCEAU.
	VORSICHT • KLASSE 3B UNSICHTBARE LASERSTRAHLUNG, WENN ABDECKUNG GEÖFFNET. NICHT DEM STRAHL AUSSETZEN.
	ATTENZIONE • CLASSE 3B RADIAZIONE LASER INVISIBLE IN CASO DI APERTURA. EVITARE L'ESPOSIZIONE AL FASCIO.
	PRECAUCION • CLASSE 3B RADIACIONE LASER INVISIBLE CUANDO SE ABRE. EVITAR EXPOSICION AL RAYO.
	VARO! • AVATTAESSA OLET ALTTIINA LUOKAN 3B NÄKYMÄTTÖMÄLLE LASERSÄTELYLLE. ÄLÄ KATSO SÄTEESEEN.
	警告 • 该产品为3B类不可见激光产品。打开盖子后会有激光辐射。请避免光束照射。
	警告 • 該產品為3B類不可見激光產品。打開蓋子後會有激光輻射。請避免光束照射。
	위험 • CLASS 3B 불가시 레이저광선을 직접 보지마십시오.
	警告 • ここを覗くとクラス3B 不可視レーザー光がでます。ビームを直接見たり、触れないでください。

CAUTION HOT SURFACE
ACHTUNG HEISSE OBERFLÄCHE
ATTENTION TEMPÉRATURE ÉLEVÉE
ATTENCION EXTERIOR CALIENTE
ATTENZIONE SUPERFICIE CHE SCOTIA
高温注意
고온주의

FS-1300D	AC 220-240V 50/60Hz 3.9A
KYOCERA MITA Corporation	
<ul style="list-style-type: none"> • Apparatet må tilkoples jordat stikkontakt. • Apparatet skall anslutas till jordat uttag. • Laite on liitettävä suojamaadoituskoskettimilla varustettuun pistorasiaan. 	
CLASS 1 LASER PRODUCT KLASSE 1 LASER PRODUKT	
<ul style="list-style-type: none"> • REMOVE POWER CORD BEFORE SERVICE. • VOR WARTUNG BITTE NETZSTECKER ZIEHEN. • POUR PREVENIR LES CHOCs ELECTRIQUES, COUPER L'ALIMENTATION AVANT DE MANIPULER. • DESENCHUFE EL CORDON DE ALIMENTACION ANTES DEL SERVICIO. • PRIMA DI ESEGUIRE RIPARAZIONI, STACCARRE IL CAVO DI ALIMENTAZIONE. 	
<small>>ABS< DESIGNED IN JAPAN / ASSEMBLED IN CHINA</small>	

FS-1300D

FS-1100	AC 220-240V 50/60Hz 3.9A
KYOCERA MITA Corporation	
<ul style="list-style-type: none"> • Apparatet må tilkoples jordat stikkontakt. • Apparatet skall anslutas till jordat uttag. • Laite on liitettävä suojamaadoituskoskettimilla varustettuun pistorasiaan. 	
CLASS 1 LASER PRODUCT KLASSE 1 LASER PRODUKT	
<ul style="list-style-type: none"> • REMOVE POWER CORD BEFORE SERVICE. • VOR WARTUNG BITTE NETZSTECKER ZIEHEN. • POUR PREVENIR LES CHOCs ELECTRIQUES, COUPER L'ALIMENTATION AVANT DE MANIPULER. • DESENCHUFE EL CORDON DE ALIMENTACION ANTES DEL SERVICIO. • PRIMA DI ESEGUIRE RIPARAZIONI, STACCARRE IL CAVO DI ALIMENTAZIONE. 	
<small>>ABS< DESIGNED IN JAPAN / ASSEMBLED IN CHINA</small>	

FS-1100

Ozone Concentration

These printers generate ozone gas (O₃), which may concentrate in the place of installation and cause an unpleasant smell. To minimize the concentration of ozone gas to less than 0.1ppm, we recommend you not to install the printer in a confined area where ventilation is blocked.

CE Marking Directive

Hereby, Kyocera Mita Corporation, declares that this page printer is in compliance with the essential requirements and other relevant provisions of Directive 1999/5/EC.

According to Council Directive 2004/108/EC, 2006/95/EC, and 1999/5/EC

Manufacturer: Kyocera Mita Corporation Tamaki Plant

Manufacturer's address: 704-19, Nojino, Tamaki-cho, Watarai-gun, Mie-ken 519-0497, Japan

Declares that the product

Product name: Page Printer

Model number: FS-1100 and FS-1300D (as tested with enhancement optional unit; Paper Feeder PF-100)

Conforms to the following product specifications:

EN 55 022:1998+A1:2000+A2:2003 Class B

EN 61 000-3-2:2000

EN 61 000-3-3:1995+A1:2001

EN 55 024:1998+A1:2001+A2:2003

EN 60 950-1:2001+A11

EN 60 825-1:1994+A1+A2

EN 300330-1

EN 300330-2

The manufacturer and its merchandising companies retain the following technical documentation in anticipation of the inspection that may be conducted by the authorities concerned:

- User's instruction that conforms to the applicable specifications.
- Technical drawings.
- Descriptions of procedures that guarantee conformity.
- Other technical information.

EN ISO 7779

Maschinenlärminformations-Verordnung 3. GPSGV, 06.01.2004: Der höchste Schalldruckpegel beträgt 70 dB (A) oder weniger gemäß EN ISO 7779.

Disclaimer

Kyocera Mita will not be liable to customers or any other person or entity for any loss or damage caused or alleged to be caused directly or indirectly by equipment sold or furnished by us, including but not limited to, any interruption of service, loss of business or anticipatory profits, or consequential damages resulting from the use or operation of the equipment or software.

Energy Saving Function

This printer comes equipped with a Sleep Mode where printer function remains in a waiting state but power consumption is still reduced to a minimum when there is no activity with the printer within a set amount of time.

Sleep Mode

This printer automatically enters Sleep Mode when approximately 15 minutes have passed since the printer was last used. The amount of time of no activity that must pass before Sleep Mode is activated may be lengthened.

Duplex Printing (For FS-1300D only)

This printer includes duplex printing as a standard function. For example, by printing two single-sided originals onto a single sheet of paper as a duplex printing, it is possible to lower the amount of paper used.

Recycled Paper

This printer supports recycled paper which reduces the load on the environment. Your sales or service representative can provide information about recommended paper types.

Energy Star (ENERGY STAR®) Program (For FS-1300D only)



We have determined as a participating company in the International Energy Star Program that this product is compliant with the standards laid out in the International Energy Star Program.

Symbols

The sections of this guide and parts of the machine marked with symbols are safety warnings meant to protect the user, other individuals and surrounding objects, and ensure correct and safe usage of the machine. The symbols and their meanings are indicated below.



DANGER: Indicates that serious injury or even death will very possibly result from insufficient attention to or incorrect compliance with the related points.



WARNING: Indicates that serious injury or even death may result from insufficient attention to or incorrect compliance with the related points.



CAUTION: Indicates that personal injury or mechanical damage may result from insufficient attention to or incorrect compliance with the related points.

The following symbols indicate that the related section includes safety warnings. Specific points of attention are indicated inside the symbol.



.... [General warning]



.... [Warning of danger of electrical shock]



.... [Warning of high temperature]

The following symbols indicate that the related section includes information on prohibited actions. Specifics of the prohibited action are indicated inside the symbol.



.... [Warning of prohibited action]



.... [Disassembly prohibited]

The following symbols indicate that the related section includes information on actions which must be performed. Specifics of the required action are indicated inside the symbol.



.... [Alert of required action]



.... [Remove the power plug from the outlet]



.... [Always connect the machine to an outlet with a ground connection]

Please contact your service representative to order a replacement if the safety warnings in this Operation Guide are illegible or if the guide itself is missing. (fee required)

⚠ Installation Precautions

Environment

⚠ Caution

Avoid placing the machine on or in locations which are unstable or not level. Such locations may cause the machine to fall down or fall over. This type of situation presents a danger of personal injury or damage to the machine.



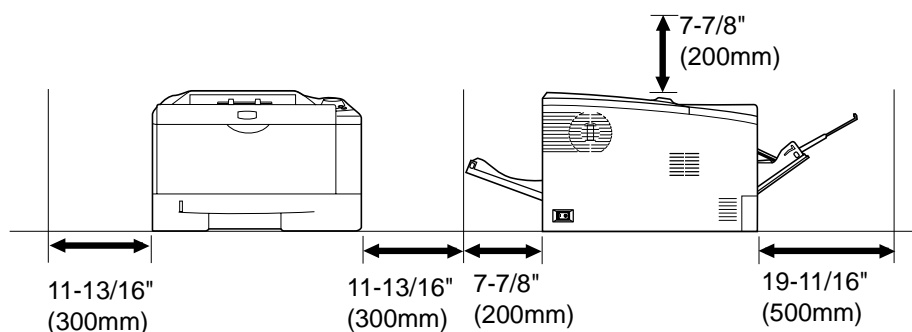
Avoid locations with humidity or dust and dirt. If dust or dirt become attached to the power plug, clean the plug to avoid the danger of fire or electrical shock.



Avoid locations near radiators, heaters, or other heat sources, or locations near flammable items, to avoid the danger of fire.



To keep the machine cool and facilitate changing of parts and maintenance, allow access space as shown below. Leave adequate space, especially around the rear cover, to allow air to be properly ventilated out of the printer.



Other Precautions

Adverse environmental conditions may affect the safe operation and performance of the machine. Install in an air-conditioned room (recommended room temperature: around 23°C (73.4°F), humidity: around 60% RH), and avoid the following locations when selecting a site for the machine.

- Avoid locations near a window or with exposure to direct sunlight.
- Avoid locations with vibrations.
- Avoid locations with drastic temperature fluctuations.
- Avoid locations with direct exposure to hot or cold air.
- Avoid poorly ventilated locations.

During printing, some ozone is released, but the amount does not cause any ill effect to one's health. If, however, the printer is used over a long period of time in a poorly ventilated room or when printing an extremely large number of copies, the smell may become unpleasant. To maintain the appropriate environment for print work, it is suggested that the room be properly ventilated.

Power Supply/Grounding the Machine

Warning

Do not use a power supply with a voltage other than that specified. Avoid multiple connections in the same outlet. These types of situations present a danger of fire or electrical shock.



Plug the power cord securely into the outlet. If metallic objects come in contact with the prongs on the plug, it may cause a fire or electric shock.



Always connect the machine to an outlet with a ground connection to avoid the danger of fire or electrical shock in case of an electric short. If an earth connection is not possible, contact your service representative.



Other precautions

Connect the power plug to the closest outlet possible to the machine.

The power supply cord is used as the main disconnect device. Ensure that the socket/outlet is located/installed near the equipment and is easily accessible.

Handling of plastic bags

Warning

Keep the plastic bags that are used with the machine away from children. The plastic may cling to their nose and mouth causing suffocation.



Precautions for Use

Cautions when using the machine

Warning

Do not place metallic objects or containers with water (flower vases, flower pots, cups, etc.) on or near the machine. This situation presents a danger of fire or electrical shock should they fall inside.



Do not remove any of the covers from the machine as there is a danger of electrical shock from high voltage parts inside the machine.



Do not damage, break or attempt to repair the power cord. Do not place heavy objects on the cord, pull it, bend it unnecessarily or cause any other type of damage. These types of situations present a danger of fire or electrical shock.



Never attempt to repair or disassemble the machine or its parts as there is a danger of fire, electrical shock or damage to the laser. If the laser beam escapes, there is a danger of it causing blindness.



If the machine becomes excessively hot, smoke appears from the machine, there is an odd smell, or any other abnormal situation occurs, there is a danger of fire or electrical shock. Turn the main power switch off (O) immediately, be absolutely certain to remove the power plug from the outlet and then contact your service representative.



If anything harmful (paper clips, water, other fluids, etc.) falls into the machine, turn the main power switch off (O) immediately. Next, be absolutely certain to remove the power plug from the outlet to avoid the danger of fire or electrical shock. Then contact your service representative.



Do not remove or connect the power plug with wet hands, as there is a danger of electrical shock.



Always contact your service representative for maintenance or repair of internal parts.



Caution

Do not pull the power cord when removing it from the outlet. If the power cord is pulled, the wires may become broken and there is a danger of fire or electrical shock. (Always grasp the power plug when removing the power cord from the outlet.)



Always remove the power plug from the outlet when moving the machine. If the power cord is damaged, there is a danger of fire or electrical shock.



If the machine will not be used for a short period of time (overnight, etc.), turn the power switch off (O). If it will not be used for an extended period of time (vacations, etc.), remove the power plug from the outlet for safety purposes during the time the machine is not in use..



Always hold the designated parts only when lifting or moving the machine.



For safety purposes, always remove the power plug from the outlet when performing cleaning operations.



If dust accumulates within the machine, there is a danger of fire or other trouble. It is therefore recommended that you consult with your service representative in regard to cleaning of internal parts. This is particularly effective if accomplished prior to seasons of high humidity. Consult with your service representative in regard to the cost of cleaning the internal parts of the machine.



Other precautions

Do not place heavy objects on the machine or cause other damage to the machine.

Do not open the upper front cover, turn off the main power switch, or pull out the power plug during printing.

When lifting or moving the machine, contact your service representative.

Do not touch electrical parts, such as connectors or printed circuit boards. They could be damaged by static electricity.

Do not attempt to perform any operations not explained in this handbook.

Use shielded interface cables.

Caution

Use of controls or adjustments or performance of procedures other than those specified herein may result in hazardous radiation exposure.

Cautions when Handling Consumables

Caution

Do not attempt to incinerate the Toner Container. Dangerous sparks may cause burns.



Keep the Toner Container out of the reach of children.



If toner happens to spill from the Toner Container, avoid inhalation and ingestion, as well as contact with your eyes and skin.



- If you do happen to inhale toner, move to a place with fresh air and gargle thoroughly with a large amount of water. If coughing develops, contact a physician.
- If you do happen to ingest toner, rinse your mouth out with water and drink 1 or 2 cups of water to dilute the contents of your stomach. If necessary, contact a physician.
- If you do happen to get toner in your eyes, flush them thoroughly with water. If there is any remaining tenderness, contact a physician.
- If toner does happen to get on your skin, wash with soap and water.

Do not attempt to force open or destroy the Toner Container.



Other precautions

After use, always dispose of the Toner Container in accordance with Federal, State and Local rules and regulations.

Store all consumables in a cool, dark location.

If the machine will not be used for an extended period of time, remove the paper from the cassette, return it to its original package and reseal it.

About the Operation Guide

This Operation Guide contains the following chapters:

1 Machine Parts

This chapter explains the names of parts.

2 Loading Paper

This chapter explains paper specifications for this printer and how to load paper into the cassette or MP tray.

3 Printing

This chapter explains how to install the printer driver, print from your PC, and use the application software included in the CD-ROM.

4 Maintenance

This chapter explains how to replace the toner container and how to care for your printer.

5 Troubleshooting

This chapter explains how to handle printer problems that may occur, such as paper jams.

6 Options


This chapter explains the options for this printer.

7 Specifications

This chapter lists the specifications of this printer.

Conventions in This Guide

This manual uses the following conventions.

Convention	Description	Example
Italic Typeface	Used to emphasize a key word, phrase or reference to additional information.	Load the paper in the <i>cassette</i> . Refer to <i>Configuration Tool</i> on page 3-9.
Bold	Used to denote buttons on the software.	To start printing, click OK .
Bracket Bold	Used to denote operation panel keys.	Printing resumes when the [GO] is pressed.
Note	Used to provide additional or useful information about a function or feature.	 Note Do not remove the toner container from the carton until you are ready to install it in the printer.
Important	Used to provide important information.	IMPORTANT Take care not to touch the transfer roller (black) during cleaning.
Caution	Cautions are statements that suggest <i>mechanical</i> damage as a result of an action.	CAUTION When pulling the paper, pull it gently so as not to tear it. Torn pieces of paper are difficult to remove and may be easily overlooked, deterring the paper jam recovery.
Warning	Used to alert users to the possibility of personal injury.	IMPORTANT If you ship the printer, remove and pack the process unit and drum unit in a plastic bag and ship them separately from the printer.

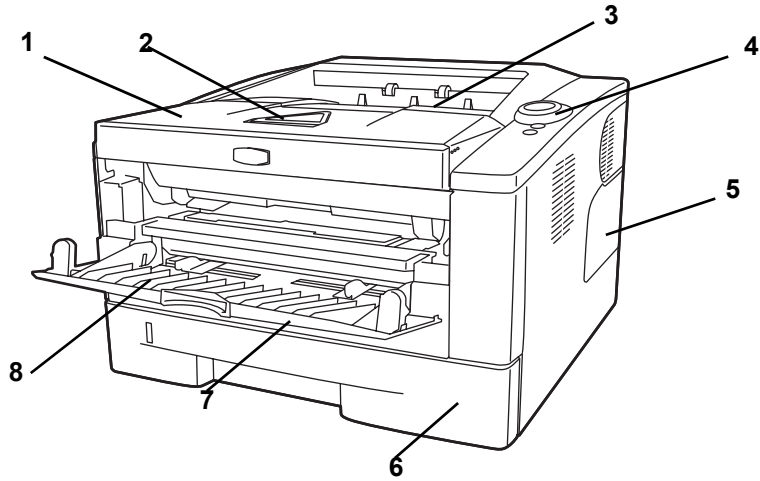
1 Machine Parts

This chapter identifies machine parts, indicators, and operation panel keys.

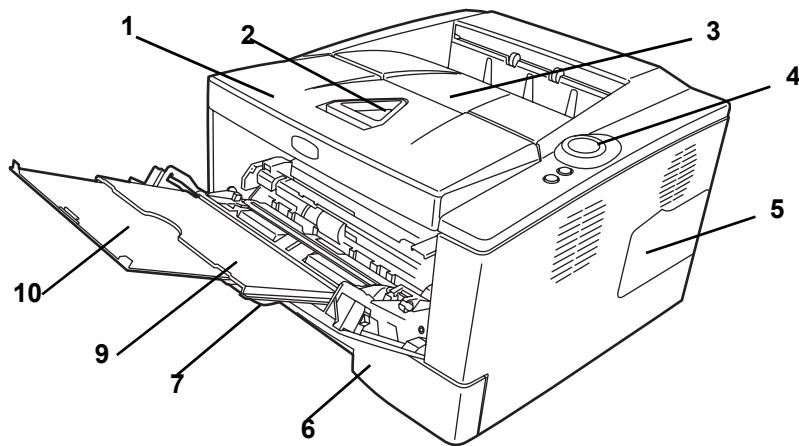
Components at the Front of the Printer	1-2
Components at the Rear of the Printer	1-3
Operation Panel	1-4
Indicators	1-5
Keys	1-6

Components at the Front of the Printer

FS-1100

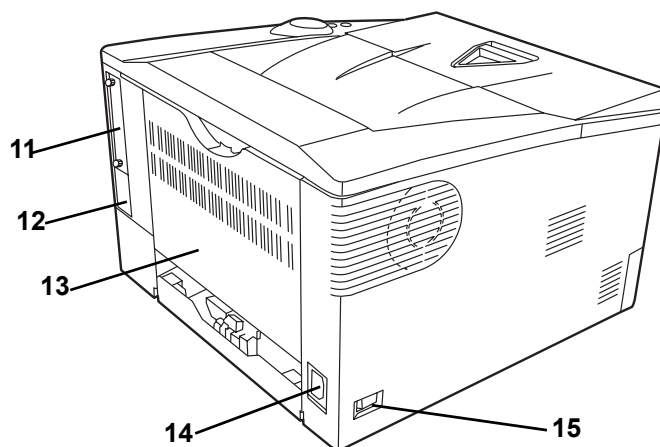


FS-1300D



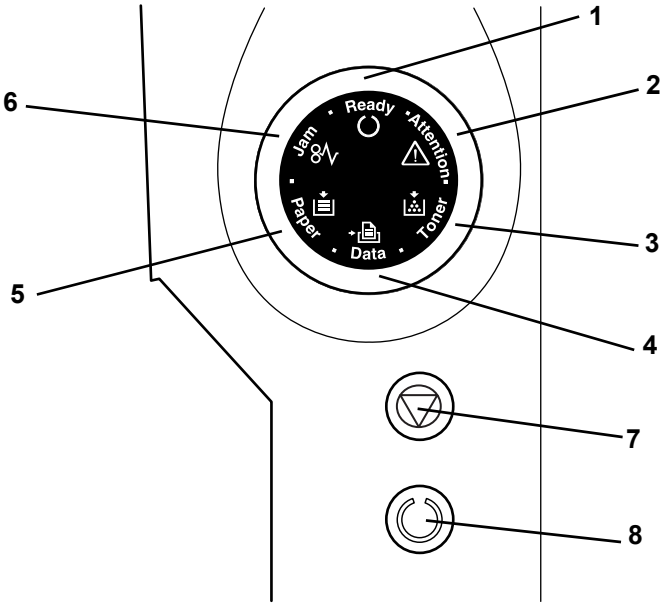
- 1 Top Cover
- 2 Paper Stopper
- 3 Top Tray
- 4 Operation Panel
- 5 Right Cover
- 6 Paper Cassette
- 7 Front Cover
- 8 Manual Feed
- 9 MP Tray
- 10 Subtray

Components at the Rear of the Printer



- 11 Optional Interface Slot Cover
- 12 USB Interface Connector
- 13 Rear Cover
- 14 Power Cord Connector
- 15 Power Switch







Operation Panel



- 1 **Ready** Indicator
- 2 **Attention** Indicator
- 3 **Toner** Indicator
- 4 **Data** Indicator
- 5 **Paper** Indicator
- 6 **Jam** Indicator
- 7 **[Cancel]** Key
- 8 **[GO]** Key

Indicators

There are six indicators located on the top right of the printer. The indicators are used to identify the status of the printer at any time. To identify the printer status, check the indicators on the printer and then refer to the table below.

Indicator	Status	Meaning
	Lit	Indicates online status (printing is possible).
	Fast Flashing	Offline status. You cannot print, but the printer can receive data.
	Slow Flashing	The printer is in sleep mode.
	Off	The printer has stopped because an error occurred.
	Lit	The printer is processing data or is accessing to memory.
	Fast Flashing	The printer is receiving data.
	Off	The printer is not processing data.
	Lit	A paper jam has occurred or the cassette is not inserted properly.
	Off	The printer status is normal.
	Lit	The paper has run out when printing.
	Fast Flashing	The specified cassette or paper feeder has no paper at Ready status. The cassette is not inserted properly.
	Off	The printer status is normal.
	Lit	An error has occurred because the top printer cover is open. While an optional paper feeder (PF-100) is installed and the feeder is selected as a paper source, the paper cassette of the main unit (CASS1) is not installed correctly.
	Fast Flashing	The warning status other than Jam, Toner, Paper, and Attention.
	Off	The printer status is normal.
	Lit	The printer has stopped because the toner is exhausted.
	Fast Flashing	The toner is running low.
	Off	The printer status is normal.



Note For other combinations of the six indicators, call for service. *Status Monitor* (software bundled with the *KX driver*) will provide more detailed information about the printer status.

Keys

Refer to the following table for the name and description of the basic functions of each key.

Key	Status	Operation	Function
Cancel	-	Press for 1 second or more	Cancels the data from the PC
GO	At Ready	Press momentarily	Switches On-line/Off-line
		Press for 3 to 9 seconds	Prints the status page.
		Press for 10 seconds or more	Prints the service status page.
	At Error	Press momentarily	Clears the error.
Paper Empty	Press momentarily	Resumes printing by switching automatically to an available paper source.	

2 Loading Paper

This chapter explains paper specifications for this printer and how to load paper into the cassette or MP tray.

Paper Specifications	2-2
Preparing the Paper	2-11
Loading Paper into Cassette	2-11
Loading Paper into MP (Multi-Purpose)Tray	2-14

General Guidelines

The machine is designed to print on standard copier paper, but it can also accept a variety of other types of paper within the limits specified below.



Note The manufacturer assumes no liability for problems that occur when paper not satisfying these requirements is used.

Selection of the right paper is important. Using the wrong paper can result in paper jams, curling, poor print quality, and paper waste, and in extreme cases can damage the machine. The guidelines given below will increase the productivity of your office by ensuring efficient, trouble-free printing and reducing wear and tear on the machine.

Paper Availability

Most types of paper are compatible with a variety of machines. Paper intended for xerographic copiers can also be used with the machine.

There are three general grades of paper: economy, standard, and premium. The most significant difference between grades is the ease with which they pass through the machine. This is affected by the smoothness, size, and moisture content of the paper, and the way in which the paper is cut. The higher the grade of paper you use, the less risk there will be of paper jams and other problems, and the higher the level of quality your printed output will reflect.

Differences between paper from different suppliers can also affect the machine's performance. A high-quality printer cannot produce high-quality results when the wrong paper is used. Low-priced paper is not economical in the long run if it causes printing problems.

Paper in each grade is available in a range of basis weights (defined later). The traditional standard weights are 60 to 120 g/m² (16 to 31.9b).

Paper Specifications

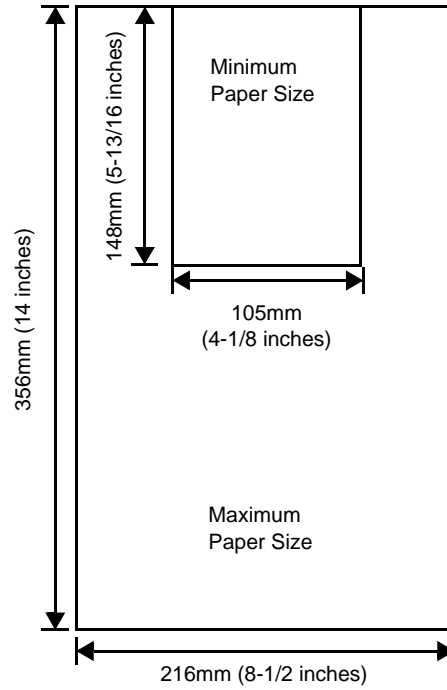
The following table summarizes the basic paper specifications. Details are given on the following pages:

Item	Specifications
Weight	Cassette: 60 to 120 g/m ² (16 to 31.9 lb/ream) MP tray: 60 to 220 g/m ² (16 to 58.5 lb/ream)
Thickness	0.086 to 0.110mm (3.4 to 4.3 mils)
Dimensional Accuracy	±0.7 mm (±0.0276 inches)
Squareness of Corners	90±0.2°
Moisture Content	4 to 6%
Direction of Grain	Long grain
Pulp Content	80% or more

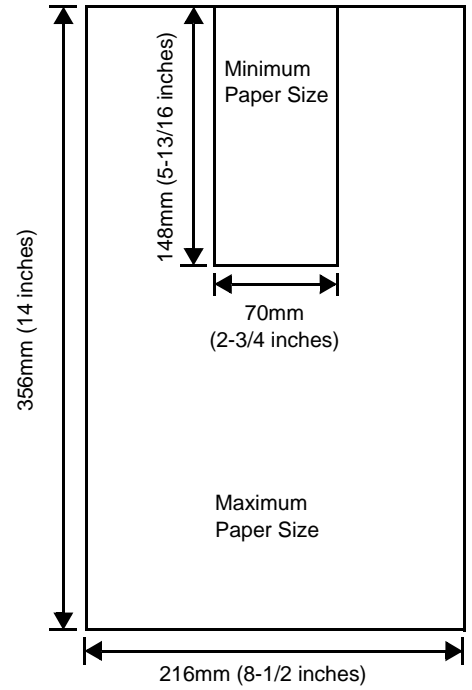
Minimum and Maximum Paper Sizes

The minimum and maximum paper sizes are as follows. For the paper smaller than JIS B6, postcards, and envelopes, the MP tray must be used.

Paper cassette



MP tray



Note The minimum paper size of the optional paper feeder (PF-100) is 148 x 210 mm (5-13/16 x 8-5/16 inches).

Selecting the Right Paper

This section describes the guidelines for selecting paper.

Condition

Avoid using paper that is bent at the edges, curled, dirty, torn, embossed, or contaminated with lint, clay, or paper shreds.

Use of paper in these conditions can lead to illegible printing and paper jams, and can shorten the life of the machine. In particular, avoid using paper with a surface coating or other surface treatment. Paper should have as smooth and even a surface as possible.

Composition

Do not use paper that has been coated or surface-treated and contains plastic or carbon. The heat of fusing can cause such paper to give off harmful fumes.

Bond paper should contain at least 80% pulp. Not more than 20% of the total paper content should consist of cotton or other fibers.

Paper Sizes

Cassettes and the *MP Tray* are available for the paper sizes shown below. The dimensional tolerances are $\pm 0.7\text{mm}$ for the length and width. The angle at the corners must be $90^\circ \pm 0.2^\circ$.

MP Tray:

Envelope Monarch, Envelope #10, Envelope #9, Envelope #6, Envelope C5, Envelope DL, Legal, Letter, Statement, Oficio II, Executive, ISO A4, ISO A5, ISO A6, Folio, ISO B5, JIS B5, JIS B6, Hagaki, Ofuku-Hagaki, Youkei 2, Youkei 4, 16 kai, Custom (70 × 148 to 216 × 356mm (2-13/16 × 5-13/16 to 8-1/2 × 14 inches))



Note If the length of custom paper is larger than 297mm (11-11/16 inches), the printer can be specified ISO A4, Oficio II, Folio, and Legal as the standard paper size.

Cassette:

Legal, Letter, Statement, Oficio II, Executive, ISO A4, ISO A5, A6 (only for machine's paper cassette), Folio, ISO B5, JIS B5, Envelope C5, 16 kai, Custom (Paper Cassette: 105 × 148 to 216 × 356mm (4-1/8 × 5-13/16 to 8-1/2 × 14 inches), Paper Feeder: 148 × 210 to 216 × 356mm (5-13/16 × 8-5/16 to 8-1/2 × 14 inches))



Note If the length of custom paper is larger than 297mm (11-11/16 inches), the printer can be specified ISO A4, Oficio II, Folio, and Legal as the standard paper size.

Smoothness

The paper should have a smooth, uncoated surface. Paper with a rough or sandy surface can cause blank spaces in the printed output. Paper that is too smooth can cause multiple feeding and fogging problems. (Fogging is a gray background effect.)

Basis weight

Basis weight is the weight of paper expressed in grams per square meter (g/m²). Paper that is too heavy or too light may cause feed errors or paper jams as well as premature wear of the product. Uneven weight of paper, namely uneven paper thickness may cause multiple-sheet feeding or print quality problems such as blurring because of poor toner fusing.

The recommended basis weight is between 60 and 120g/m² (16 to 31.9 lib/ream) for the cassette and between 60 and 220g/m² (16 to 59 lib/ream) for the MP tray.

Paper Weight Equivalence Table

The paper weight is listed in pounds (lb) and metric grams per square meter (g/m²). The shaded part indicates the standard weight.

U. S. Bond Weight (lb)	Europe Metric Weight (g/m ²)
16	60
17	64
20	75
21	80
22	81
24	90
27	100
28	105
32	120
34	128
36	135
39	148
42	157
43	163
47	176
53	199

Thickness

The paper used with the machine should be neither extremely thick nor extremely thin. If you are having problems with paper jams, multiple feeds, and faint printing, the paper you are using may be too thin. If you are having problems with paper jams and blurred printing the paper may be too thick. The correct thickness is 0.086 to 0.110mm (3.4 to 4.3 mils).

Moisture Content

Moisture content is defined as the percent ratio of moisture to the dry mass of the paper. Moisture can affect the paper's appearance, feed ability, curl, electrostatic properties, and toner fusing characteristics.

The moisture content of the paper varies with the relative humidity in the room. When the relative humidity is high and the paper absorbs moisture, the paper edges expand, becoming wavy in appearance. When the relative humidity is low and the paper loses moisture, the edges shrink and tighten, and print contrast may suffer.

Wavy or tight edges can cause jams and alignment anomalies. The moisture content of the paper should be 4 to 6%.

To ensure correct moisture content, it is important to store the paper in a controlled environment. Some tips on moisture control are:

- Store paper in a cool, dry location.
- Keep the paper in its wrapping as long as possible. Re-wrap paper that is not in use.
- Store paper in its original carton. Place a pallet etc. under the carton to separate it from the floor.
- After removing paper from storage, let it stand in the same room as the machine for 48 hours before use.
- Avoid leaving paper where it is exposed to heat, sunlight, or damp.

Paper Grain

When paper is manufactured, it is cut into sheets with the grain running parallel to the length (long grain) or parallel to the width (short grain). Short grain paper can cause feeding problems in the machine. All paper used in the machine should be long grain.

Other Paper Properties

Porosity: Indicates the density of paper fiber.

Stiffness: Limp paper may buckle in the machine, resulting in paper jams.

Curl: Most paper naturally tends to curl one way if left unpacked. When paper passes through the fixing unit, it curls upward a little. To produce flat printouts, load the paper so that the upward pressure from the machine can correct their curling.

Electrostatic discharge: During the printing process the paper is electrostatically charged to attract the toner. The paper must be able to release this charge so that printed sheets do not cling together in the *Output Tray*.

Whiteness: The contrast of the printed page depends on the whiteness of the paper. Whiter paper provides a sharper, brighter appearance.

Quality control: Uneven sheet size, corners that are not square, ragged edges, welded (uncut) sheets, and crushed edges and corners can cause the machine to malfunction in various ways. A quality paper supplier should take considerable care to ensure that these problems do not occur.

Packaging: Paper should be packed in a sturdy carton to protect it from damage during transport. Quality paper obtained from a reputable supplier is usually correctly packaged.

Special Paper

The following types of special paper can be used:

- Thin paper (60 to 64 g/m²)
- Thick paper (90 to 220 g/m²)
- Colored paper
- Recycled paper
- Overhead projector transparencies
- Cardstock
- Coated paper
- Envelopes
- Labels

Use paper that is sold specifically for use with copiers or printers (heat-fusing type). When using transparencies, labels, envelopes, cardstock, coated, or thick paper, feed the paper from the *MP Tray*.

Since the composition and quality of special paper vary considerably, special paper is more likely than white bond paper to give trouble during printing. No liability will be assumed if moisture and so forth given off during printing on special paper causes harm to the machine or operator.



Note Before purchasing any type of special paper, test a sample on the machine and check that printing quality is satisfactory.

Transparency

This printer is available for monochrome printing on transparencies. Transparencies must be fed to the *MP Tray*. One transparency can be loaded at a time.

Transparencies must be able to withstand the heat of fusing during the printing process.

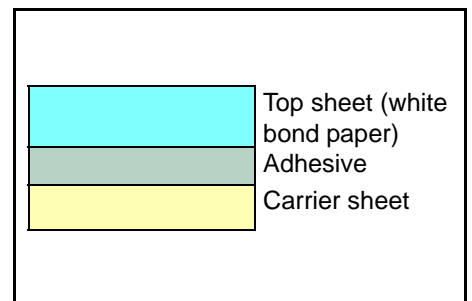
Transparencies must be placed on the *MP tray* with the long edge towards the printer.

Labels

Labels must be fed to the *MP Tray*. One label can be loaded at a time.

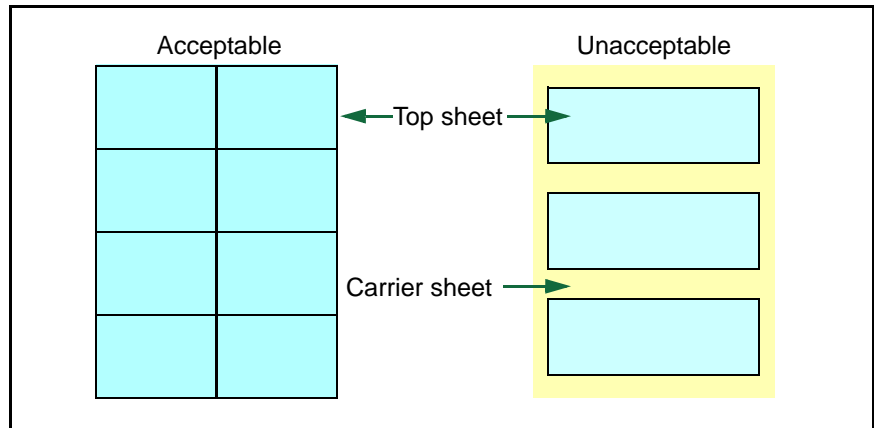
The basic rule for printing on adhesive labels is that the adhesive must never come into contact with any part of the machine. Adhesive paper sticking to the drum or rollers will damage the machine.

Label paper has a structure comprising of three layers, as shown in the diagram. The top sheet is printed on. The adhesive layer consists of pressure-sensitive adhesives. The carrier sheet (also called the linear or backing sheet) holds the labels until used. Due to the complexity of its composition, adhesive-backed label paper is particularly likely to give printing problems.



Adhesive label paper must be entirely covered by its top sheet, with no spaces between the individual labels. Labels with spaces in between are liable to peel off, causing serious paper jam problems.

Some label paper is manufactured with an extra margin of top sheet around the edge. Do not remove the extra top sheet from the carrier sheet until after printing is finished.



The table below lists the specifications for adhesive label paper.

Item	Specification
Weight of top sheet	44 to 74g/m ² (12 to 20 lb/ream)
Composite weight	104 to 151g/m ² (28 to 40 lb/ream)
Thickness of top sheet	0.086 to 0.107mm (3.9 to 4.2 mils)
Composite thickness	0.115 to 0.145mm (4.5 to 5.7 mils)
Moisture content	4 to 6% (composite)

Postcards

Up to 10 postcards can be loaded at a time. Fan the stack of postcards and align the edges before loading them in the MP tray. Make sure the postcards you are going to set are not curled. Feeding curled postcards may cause paper jams.

Some postcards have rough edges on the back (those are created when the paper is cut). In this case, put the postcards on a flat place and rub the edges with, for example, a ruler to smooth them.

Envelopes

Up to 5 envelopes can be loaded at a time. Envelopes should be fed in the face-up position, right edge first.

Since the composition of an envelope is more complex than that of ordinary paper, it is not always possible to ensure consistent printing quality over the entire envelope surface.

Normally, envelopes have a diagonal grain direction. Refer to *Paper Grain* on page 2-6. This direction can easily cause wrinkles and creases when envelopes pass through the printer. Before purchasing envelopes, make a test print to check whether the printer accepts the envelope.

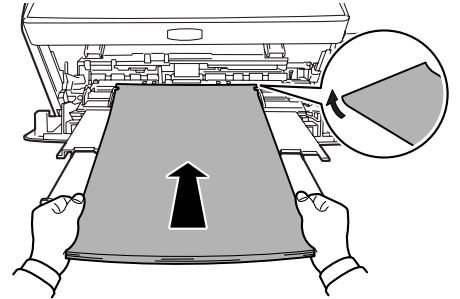
- Do not use envelopes that have an encapsulated liquid adhesive.
- Avoid a long printing session for envelopes only. Extended envelope printing can cause premature printer wear.
- If jams occur, try setting less envelopes on the MP tray.
- To avoid jams caused by curled envelopes, stack no more than 10 printed envelopes on the output tray.

Thick Paper

Fan the stack of paper and align the edges before loading them in the MP tray. Some types of paper have rough edges on the back (those are created when the paper is cut). In this case, put the paper on a flat place and rub the edges once or twice with, for example, a ruler to smooth them. Feeding rough edged paper may cause paper jams.



Note If the paper jams even after you smooth it out, load the paper in the MP Tray with the leading edge raised up a few millimeters as shown in the illustration.



Colored Paper

Colored paper should satisfy the same conditions as white bond paper. Refer to *Paper Specifications* on page 2-2. In addition, the pigments used in the paper must be able to withstand the heat of fusing during the printing process (up to 200°C or 392°F).

Preprinted Paper

Preprinted paper should satisfy the same conditions as white bond paper. Refer to *Paper Specifications* on page 2-2. The preprinted ink must be able to withstand the heat of fusing during the printing process, and must not be affected by silicone oil.

Do not use paper with any kind of surface treatment, such as the type of paper commonly used for calendars.

Recycled paper

Select recycled paper that meets the same specifications as the white bond paper except for whiteness. Refer to *Paper Specifications* on page 2-2.



Note Before purchasing recycled paper, test a sample on the machine and check that the printing quality is satisfactory.

Paper Type

The printer is capable of printing under the optimum setting for the type of paper being used.

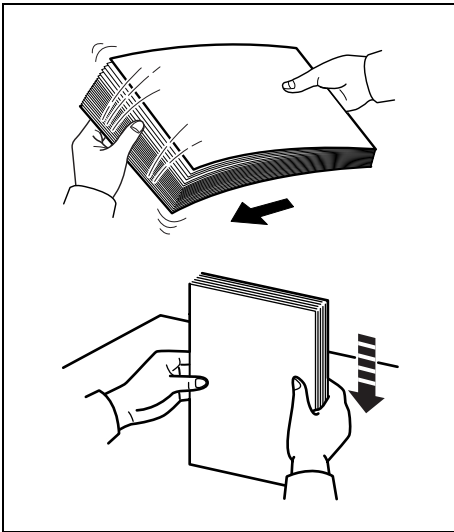
A different paper type setting can be made for each paper source including the MP tray. Not only can preset paper types be selected, but it is also possible for you to define and select customized paper types. Paper type can be changed using the printer driver and *Configuration Tool*. The following types of paper can be used.

Paper Type	Paper source				
	MP tray	Paper Cassette	Paper Weight		Duplex path (MP tray available only in Cassette mode)
			Range	Display in Status Monitor	
Plain	Yes	Yes	64 to 90g/m ²	Normal2	Yes
Transparency	Yes	No	Transparency	Extra Heavy	No
Preprinted	Yes	Yes	75 to 90g/m ²	Normal2	Yes
Labels	Yes	No	105 to 135g/m ²	Heavy1	No
Bond	Yes	Yes	90 to 105g/m ²	Normal3	Yes
Recycled	Yes	Yes	75 to 90g/m ²	Normal2	Yes
Vellum	Yes	No	Less than 64g/m ²	Light	No
Rough	Yes	Yes	90 to 105g/m ²	Normal3	Yes
Letterhead	Yes	Yes	75 to 90g/m ²	Normal3	No
Color	Yes	Yes	75 to 90g/m ²	Normal3	Yes
Prepunched	Yes	Yes	75 to 90g/m ²	Normal2	Yes
Envelope	Yes	No	135 to 170g/m ²	Heavy3	No
Cardstock	Yes	No	135 to 170g/m ²	Heavy3	No
Thick	Yes	No	135 to 170g/m ²	Heavy3	No
High quality	Yes	Yes	75 to 90g/m ²	Normal2	Yes
Custom 1 (to 8)*	Yes	Yes	75 to 220g/m ²	Normal2	Yes

Yes: Can be stored No: Cannot be stored

- *. This is a paper type defined and registered by the user. Up to eight types of user settings may be defined. User can also enable or disable the duplex path when using Custom. For more information, refer to *Status Monitor* on page 3-10.

Preparing the Paper



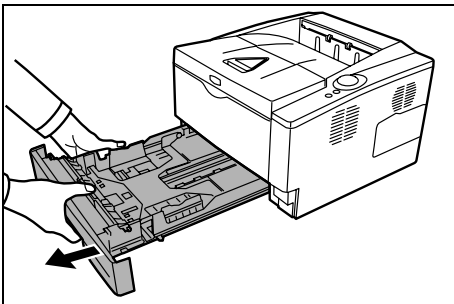
After removing paper from the packaging, fan through the sheets to separate them prior to loading.

If using paper that has been folded or is curled, straighten it prior to loading. Failure to do so may result in a paper jam.

IMPORTANT Ensure paper is not stapled and clips are removed.

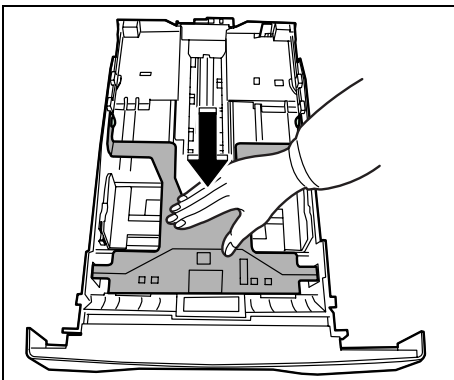
Loading Paper into Cassette

250 sheets of 11 × 8 1/2" or A4 paper (80 g/m²) may be loaded into the Cassette.

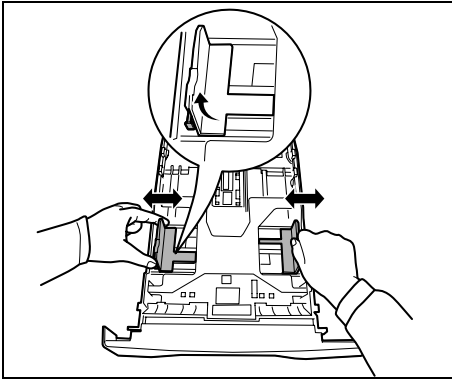


1 Pull the *cassette* completely out of the printer.

IMPORTANT When pulling the cassette out of the printer, ensure it is supported and does not fall out.



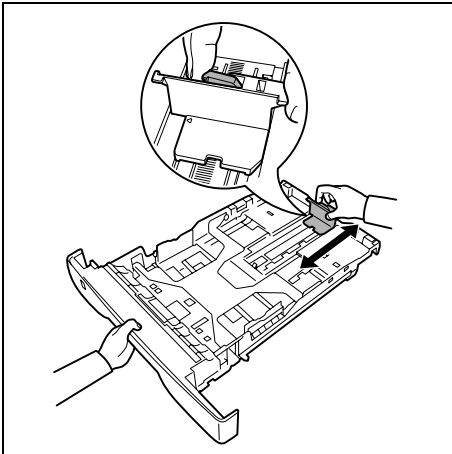
2 Press the *bottom plate* down until it locks.



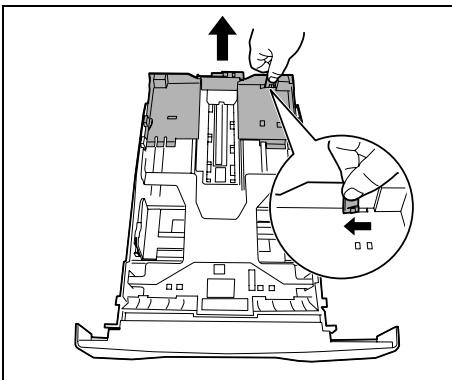
- 3 Adjust the position of the *width guides* located on the left and right sides of the cassette. Press the *release button* on the left guide and slide the guides to the paper size required.



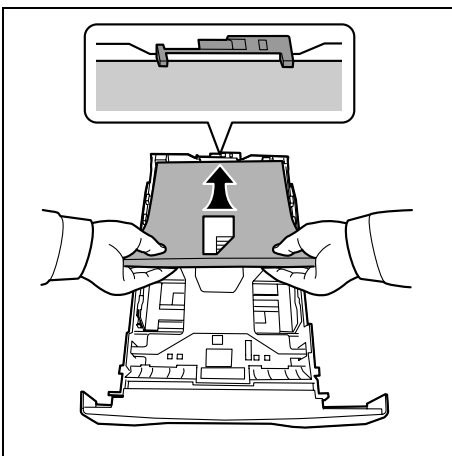
Note Paper sizes are marked on the cassette.



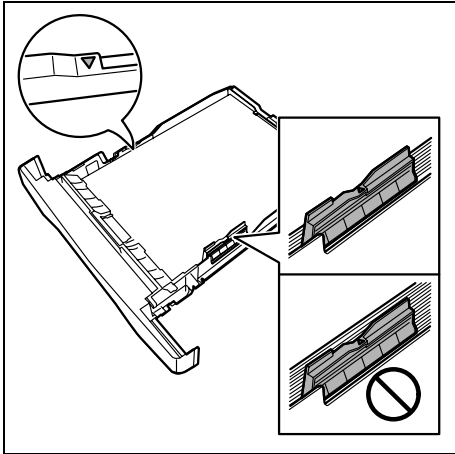
- 4 Adjust the *paper length guide* to the paper size required.




If you are going to use paper that is longer than A4, pull out the *extension paper cassette* by pushing the *release lever* one by one and adjust it to the desired paper size.

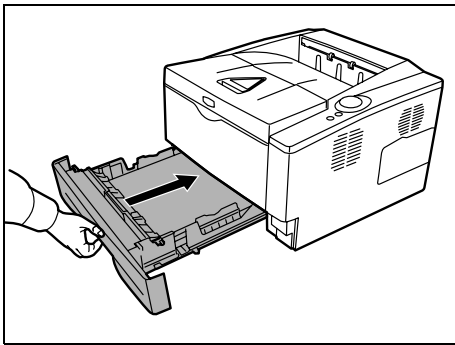


- 5 Load the paper in the *cassette*. Ensure the side to be printed is facing down and the paper is not folded, curled, or damaged.

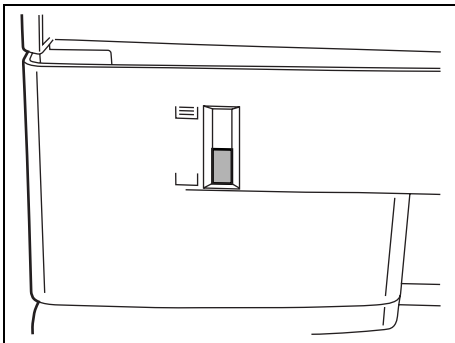


 **Note** Do not load paper above the triangle mark located on the width guide.

- 6 Insert the *paper cassette* into the slot in the printer. Push it straight in as far as it will go.



There is a *paper gauge* on the left side of the front of the paper cassette to indicate the remaining paper supply. When paper is exhausted, the pointer will go down to the level of (empty).



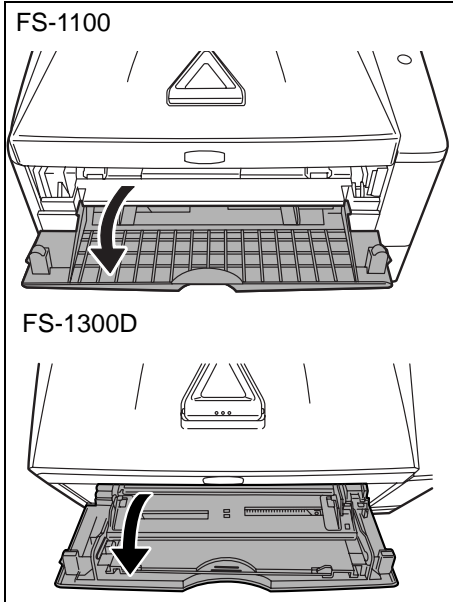
- 7 Specify the paper size and type for the cassette using *Configuration Tool*. For more information, refer to *Configuration Tool* on page 3-14.

Loading Paper into MP (Multi-Purpose)Tray

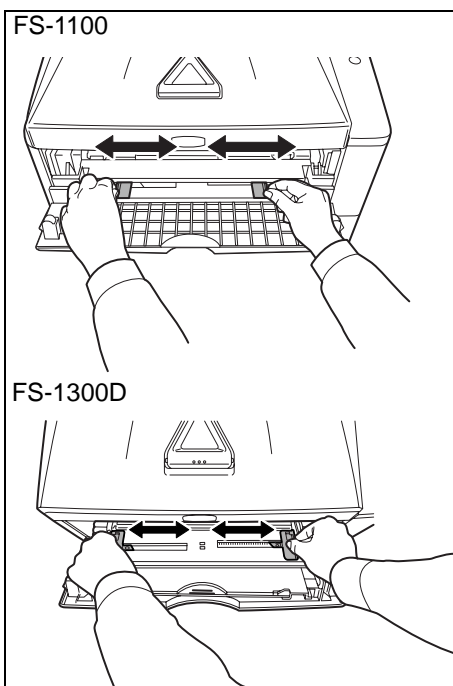
FS-1300D can load 50 sheets of 11 × 8 1/2" or A4 paper (80 g/m²) into the MP Tray. On the other hand, FS-1100 can one sheet into the *Manual Feed*.

- 1 Pull the *MP tray* towards you until it stops..

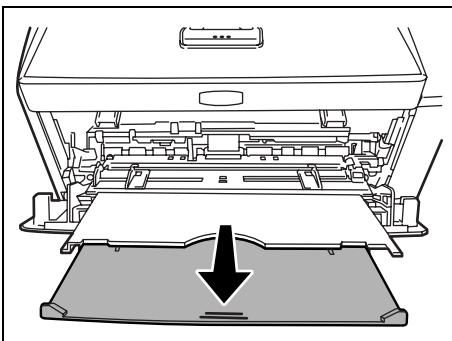
IMPORTANT When pulling the cassette out of the printer, ensure it is supported and does not fall out.

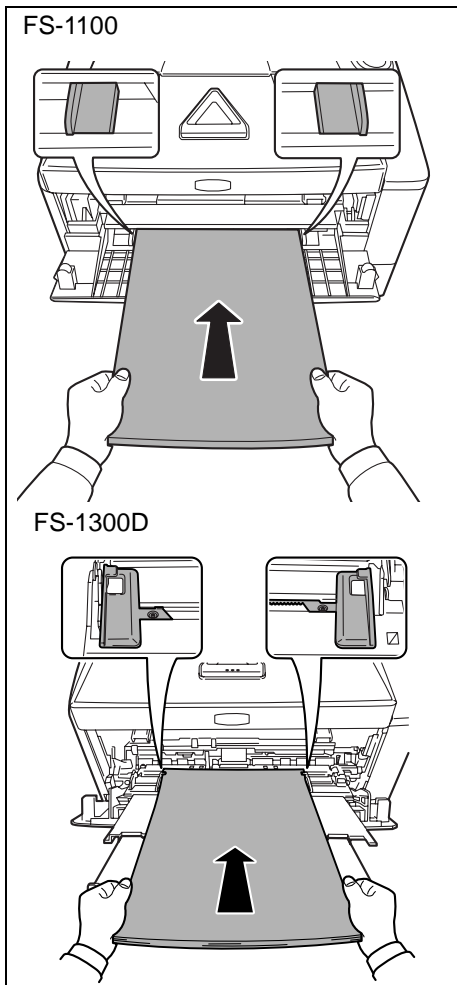


- 2 Adjust the position of the *paper guides* on the *MP tray*. Standard paper sizes are marked on the *MP tray* or *Manual Feed*. For standard paper sizes, slide the paper guides to the corresponding mark.



- 3 Pull out the *subtray* (for FS-1300D only).





4 Align the paper with the *paper guides* and insert as far as it will go.

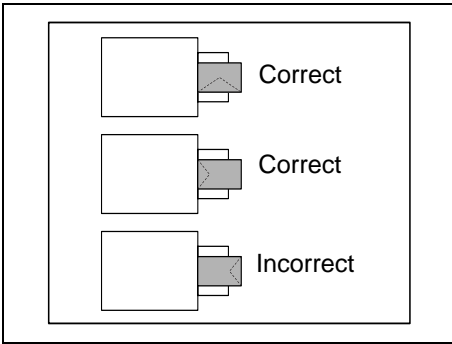


Note Do not load more paper than exceeds the tab of the *MP tray* (for FS-1300D only).



Note If the paper is considerably curled in one direction, for example, if the paper is already printed on one side, try to roll the paper in the opposite direction to counteract the curl. Printed sheets will then come out flat (for FS-1300D only).

Correct		
Incorrect		



When loading envelope, place with the envelope flap closed and keep the printing side face-up. Insert envelope against the guide with the flap on the front or left side until they stop.

- 5 Specify the paper size and type for MP tray using *Configuration Tool*. For more information, refer to *Configuration Tool* on page 3-14.

3 Connecting and Printing

This chapter explains how to start up the printer, print from your PC, and use the application software included in the CD-ROM.

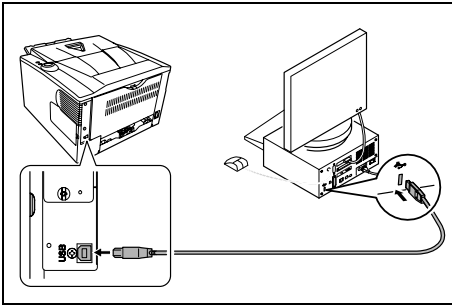
Connections	3-2
Installing the Printer Driver	3-3
Printing	3-7
Status Monitor	3-10
Configuration Tool	3-14
Uninstalling Software	3-18

Connections

This section explains how to start up the printer.

Connecting the USB Cable

Follow the steps as below for connecting the *USB cable*.



- 1 Connect the *USB cable* (not included) to the *USB Interface Connector*.



Note Use a *USB cable* with a rectangular Type A plug and a square Type B plug. The *USB cable* should be shielded and no longer than 5 meters (16 feet) long.

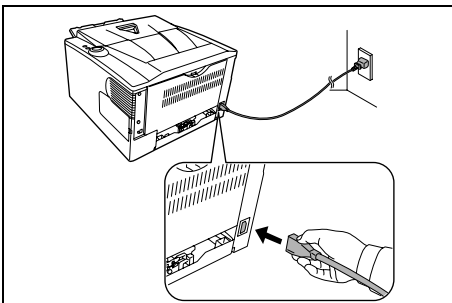
- 2 Connect the other end of the *USB cable* to the computer's *USB interface connector*.

Connecting the Power Cord

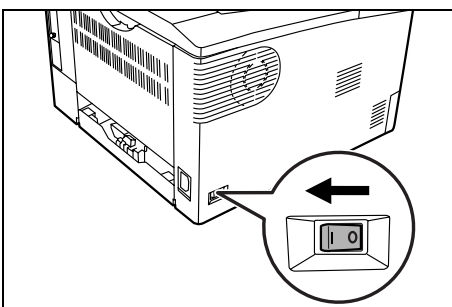
Install the printer close to an *AC wall outlet*. If an extension cord is used, the total length of the power cord plus extension should be 5 meters (16 feet) or less.



Note Ensure the printer's power switch is off. Only use the power cord supplied with the printer.

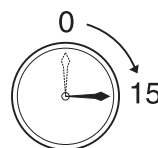


- 1 Connect the *power cord* to the *Power Cord Connector* at the rear of the printer.



- 2 Connect the other end of the *power cord* to a power outlet.
- 3 Press the *Power Switch* to *On* (|). The printer begins to warm up.

IMPORTANT If you install the *toner container* and switch on the power, after a moment the indicators light in anticlockwise direction. When the printer is first switched on after toner installation, there will be a delay of approximately 15 minutes before the printer gets ready to print. Once the **[Ready]** indicator lights, printer installation is complete.



Installing the Printer Driver

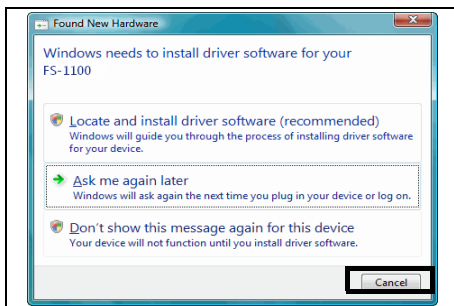
According to the instructions of the Installation Guide, connect the PC to the printer and turn on them to install the printer driver. For more information on printer driver, refer to the *KX Driver User Guide*.

Installing the Printer Driver on Windows PC

This section explains how to install the printer driver in Windows Vista.



Note To install the printer driver, you must log on with administrator privilege.



- 1 Ensure the printer is plugged in and connected to the computer's *USB* or *Network port* before installing software from the CD-ROM.

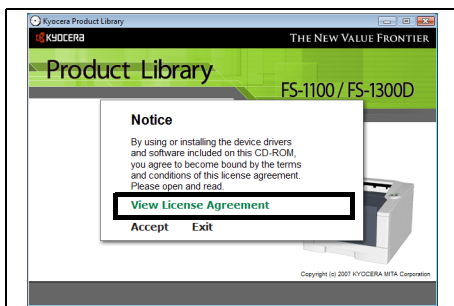


Note If **Found New Hardware** window appears, click **Cancel**.

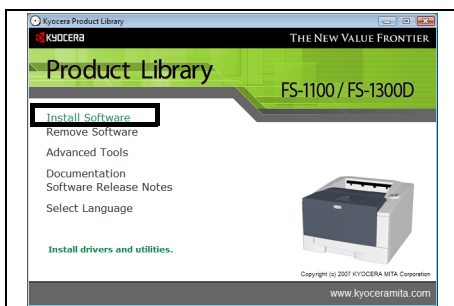
- 2 Insert the CD-ROM (Product Library) into the CD-ROM drive. If **AutoPlay** screen appears, click **Run Setup.exe**. The *Notice* screen appears.



Note If the installation program fails to launch, use Windows Explorer to access the CD-ROM and select Setup.exe.



- 3 Select **View License Agreement** to read the information and select **Accept** to proceed.



- 4 Click **Install Software**. *Installation Method* screen appears.



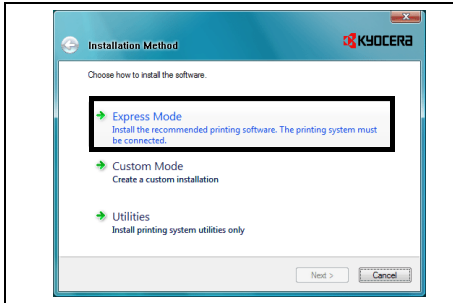
Note In Windows XP, click **Install Software** to start the *Installation* wizard. Click **Next** to display the *Installation Method* screen.

- 5 Select Express Mode or Custom Mode as the installation method.
 - Express Mode: If the printer is connected via USB or a network and is turned on, the installer detects the printer. Select Express Mode to perform a standard installation.
 - Custom Mode: This option allows you to select items to be installed as required and to specify the port.

Proceed the section below according to the installation method.

Express Mode

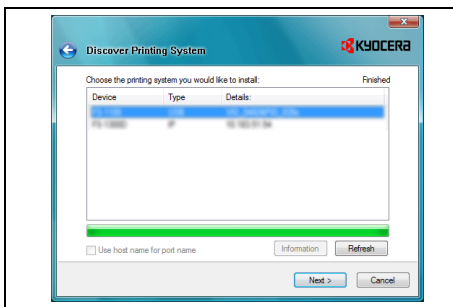
When selecting **Express Mode**, printer driver and fonts are installed. After installing with this mode, the other utilities can be added using **Custom Mode**.



- 1 On Installation Method screen, click **Express Mode**. The installer searches the connected printers on *Discover Printing System* screen. If no printer is discovered, ensure the printer is plugged in and connected to the computer's *USB* or *Network port*, then click **Refresh** to search printers again.



Note If **Found New Hardware** window appears, click **Cancel**.



- 2 Select the printer you want to install, and click **Next**.

- 3 Confirm the settings and click **Install**. Printer driver installation starts.



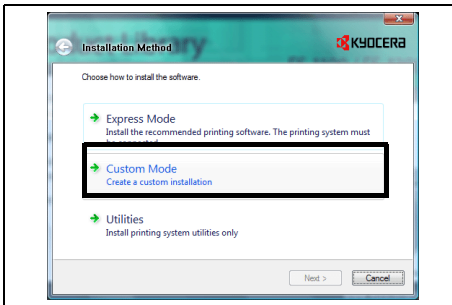
Note If the *Windows Security* screen appears, click **Install this driver software anyway** to proceed installation. If the *Hardware Installation* screen appears in Windows XP, click **Continue Anyway**.

- 4 *Installation Completed* screen appears. Click **Finish** to return to the main menu.

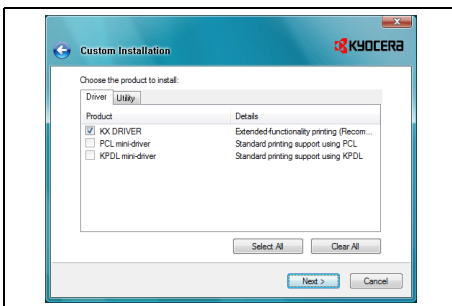
Custom Mode

When selecting **Custom Mode**, printer port and utilities are changed as necessary.

- 1 On *Installation Method* screen, click **Custom Mode**.



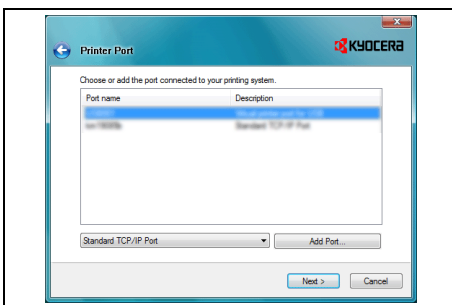
- 2 On *Driver* tab and *Utility* tab of the *Custom Installation* screen, select the printer driver and utilities you want to install, and click **Next**.



- 3 On *Printer Port* screen, select the printer port connected to the printer, click **Next**.



Note Click **Add Port** to add new port as necessary.



- 4 Confirm the settings and click **Install**. Printer driver installation starts.



Note If the *Windows Security* screen appears, click **Install this driver software anyway** to proceed installation. If the *Hardware Installation* screen appears in Windows XP, click **Continue Anyway**.

- 5 *Installation Completed* screen appears. Click **Finish** to return to the main menu.

Installing the Printer Driver on Mac OS

This section explains how to install the printer driver in Mac OS.

- 1 Ensure the printer is connected to the computer's *USB* or *Network port* before installing software from the CD-ROM.
- 2 Insert the CD-ROM (Product Library) into the CD-ROM drive.
- 3 Double-click the CD-ROM icon.
- 4 Double-click **OS X 10.2 and 10.3 Only** or **OS X 10.4** according to OS version you use.
- 5 Double-click **Kyocera OS X x.x** or **Kyocera OS X 10.4 x.x**. Printer driver installation starts.
- 6 Install the printer driver according to the instructions of Installer.

Printing

This section explains the printing procedure from an application software. You can specify the printing settings from each tab on *KX Driver*. *KX Driver* is stored in the CD-ROM (Product Library). For more information, refer to the *KX Driver User Guide*.

About KX Driver

KX Driver consists of the following tabs.

Basic

Use this tab to select the page size and orientation. The paper source and duplex printing are also selected.

Layout

Use to create multiple pages on a single sheet of paper. Also contains the scaling option.

Imaging

Select this tab to change the print quality, and the font or graphic settings.

Publishing

Use to add covers or page inserts to your output. You can also produce a set of transparencies with a blank or printed sheet interleaved using *Transparency Interleaving*.

Advanced

Use to set up and add watermarks to your output. This tab incorporates the *PRESCRIBE commands* into the document.

Printing from Application Software

The steps required to print a document created with an application are explained below. You can select the printing paper size.



Note You can also select the various settings by clicking **Properties** to open the Properties dialog box.

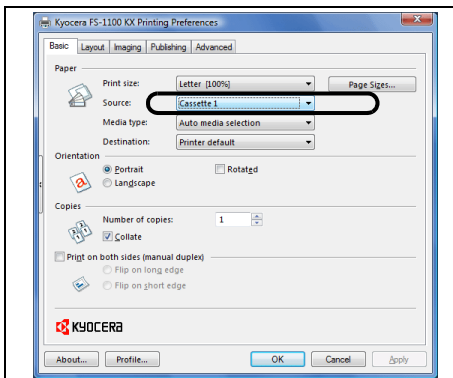
- 1 Load the paper required into the paper cassette.
- 2 From the application **File** menu, select **Print**. The *Print* dialog box appears.
- 3 Click the drop-down list of printer names. All the installed printers are listed. Click the name of the printer.
- 4 Use Number of copies to enter the number of copies required. Up to 999 copies can be printed. For Microsoft Word, we recommend that you click **Options and specify Use printer settings** for the Default tray.
- 5 To start printing, click **OK**.

Manual Duplex (For FS-1100 only)

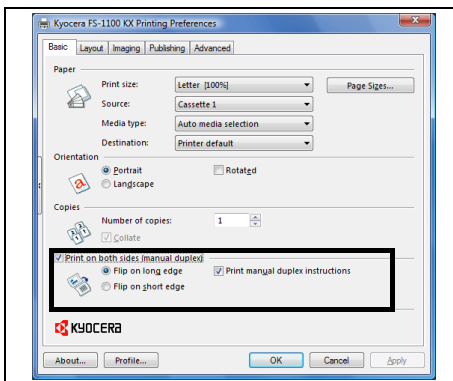
Use *Manual Duplex* if you require printing on both sides of the paper. The even pages are printed first and then reloaded to print the odd pages. An instruction sheet is available to assist with loading the sheets in the correct orientation and order.



Note Ensure **Print manual duplex instructions** is selected to receive the instruction sheet. Continue to use the sheet until you are familiar with this feature.



- 1 Ensure *Cassette 1* is selected as the **Source** in the **Print Properties** dialog box.



- 2 Select **Print on Both Sides** (Manual Duplex).

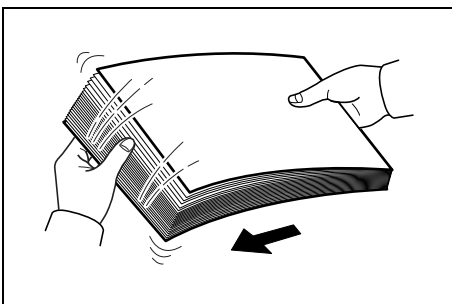
Select **Gutter Settings** on *Layout* tab and enter the value required for each edge. Gutter width range is 5.00 to 25.4mm (0.20 to 1.00 inch). Select **Reduce Image** to fit as required.

Select **Print on both side** (manual duplex), and use the **Duplex Details** option to select *Flip on Long Edge* for binding on the long edge or *Flip on Short Edge* for binding on the short edge. Select **Print manual duplex instructions** to receive the reloading instructions.

- 3 Select **OK** to return to the *Print* dialog box and select **OK** to start printing. A *Manual Duplex* instruction message box displays. The even pages are printed including the instruction sheet.



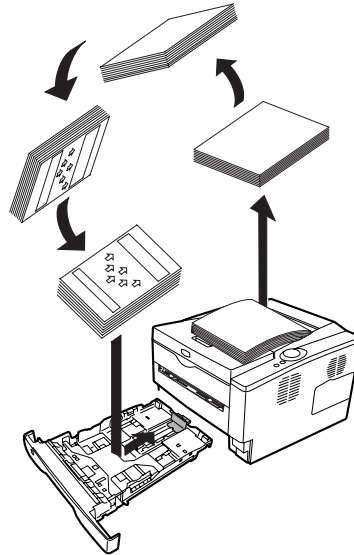
Note Nothing will be printed on the instruction sheet.



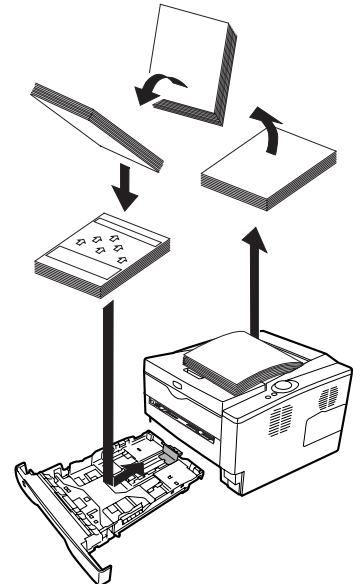
- 4 Remove all the even pages (including the instruction sheet) from the output tray, fan through the sheets to separate them prior to loading.


-
- 5 Load the even pages printed into the paper cassette with the instruction sheet facing up and the arrows pointing toward the printer.

Long Edge Binding



Short Edge Binding



 **Note** If the paper is considerably curled in one direction, roll the paper in the opposite direction to counteract the curl. If this will not cancel the curl satisfactorily, try to reduce the number of sheets loaded in the paper cassette to the maximum of 100.

- 6 Select **OK** on the *Manual Duplex instruction* message box. All the odd pages will be printed.

Status Monitor

The *Status Monitor* monitors the printer status and provides an ongoing reporting function. It also allows you to specify and modify settings for printers not included in the *KX driver*.

The *Status Monitor* is installed automatically during *KX driver* installation.

Accessing the Status Monitor

Use either of the methods listed below to launch the *Status Monitor*.

- Launch when printing starts:
When you specify a printer and start a print job, one *Status Monitor* is launched for each printer name. If *Status Monitor* startup is requested from multiple printers, *Status Monitors* are launched for each printer that issues the request.
- Launch from the KX driver properties:
Right-click the Version Info button in the *KX driver Properties* dialog box. Then click **Status Monitor** in the *Version Info* dialog box to launch the *Status Monitor*.

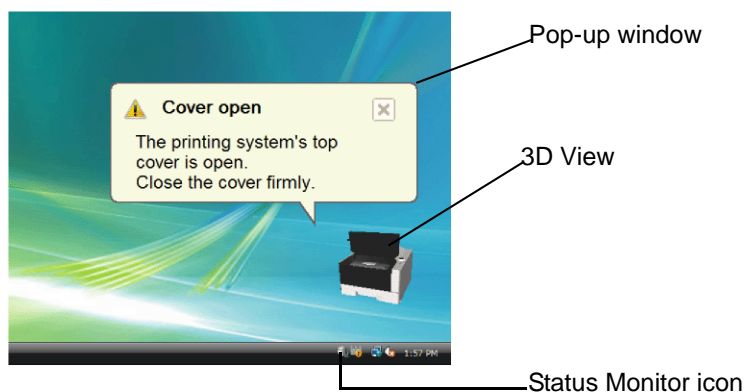
Exiting the Status Monitor

Use either of the methods listed below to exit the *Status Monitor*.

- Exit manually:
Right-click the *Status Monitor* icon in the taskbar and select **Exit** in the menu to exit the *Status Monitor*.
- Exit automatically:
The *Status Monitor* automatically shuts down after 5 minutes if it is not being used.

Screen Overview

The screen overview of the *Status Monitor* is as follows.



Pop-up window

If an information notification event occurs, a pop-up window appears. This window only appears when the 3D View is open on the desktop.

3D View

This shows the status of the monitored printer as a 3D image. You can choose whether to show or hide the 3D view from the menu displayed when you right-click the *Status Monitor* icon.

If an information notification event occurs, the *3D view* and an alert sound are used to notify you. For information on the sound notification settings, refer to *Status Monitor Settings* on page 3-12.

Status Monitor icon

The *Status Monitor icon* is displayed in the taskbar notification area when the *Status Monitor* is running. When you position the cursor over the icon, the printer name appears.

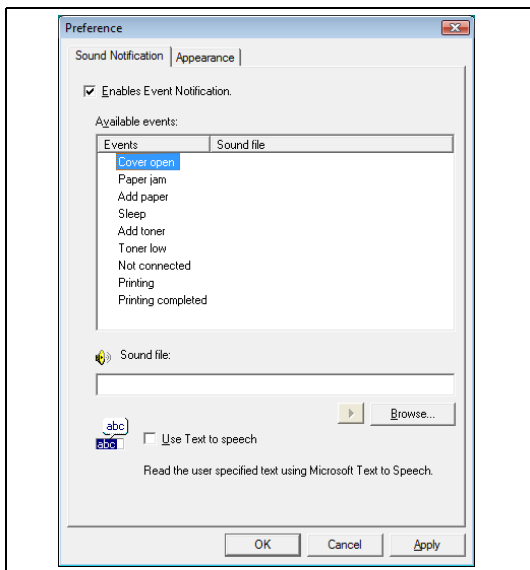
Status Monitor Settings

The *Status Monitor* has two tabs to configure its settings. Use the **Preference** option to set up the *Status Monitor*.

Sound Notification Tab

The *Event Notification* tab contains the following items.

IMPORTANT To confirm the settings on Sound Notification tab, the computer requires the sound capabilities such as sound card and speaker.



Enable Event Notification

Select to enable or disable monitoring the events in *Available events*.

Sound file

A sound file can be selected if you require an audible notification. Click **Browse** to search for the sound file.

Use Text to speech

Select this check box to enter text you would like to hear played for events. Although a sound file is unnecessary, this function is applicable for Windows XP.

To use this function, follow these steps.

- 1 Select **Enable Event Notification**.
- 2 Click **Browse** to notify the event by sound file.



Note The available file format is WAV.

Select **Use Text to speech** to speech the text entered in *Text to speech* box when an event occurred.

- 3 Select an event to use with the text to speech function in *Available events*.
- 4 Click **Play** to confirm the sound or text is played correctly.

Appearance Tab

The *Appearance* tab contains the following items.

Enlarge window

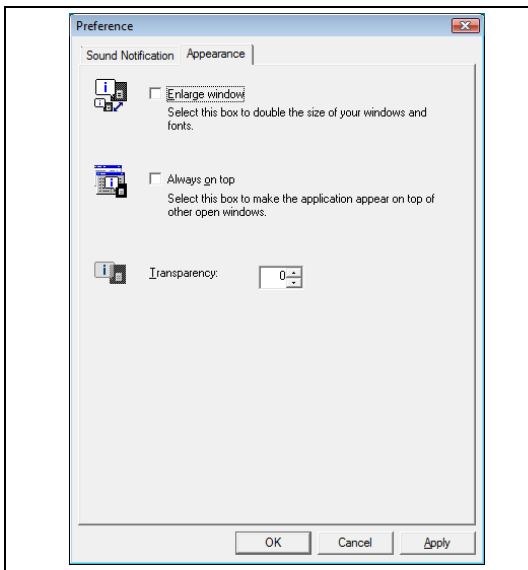
Doubles the size of the *Status Monitor* window.

Always on top

Positions the *Status Monitor* in front of other active windows.

Transparency

Displays the *Status Monitor* as a transparent window.



Configuration Tool

The *Configuration Tool* allows you to check and/or change the settings for printers not included in the *KX driver*.

The *Configuration Tool* can be used for printers connected to the PC via a *USB cable*.



Note The contents of the *Properties* dialog box will vary depending on the installed optional devices, and whether the device is connected by a network interface or a local interface.

Accessing the Configuration Tool

Follow these steps to display the *Configuration Tool* on the desktop.



Note To configure the settings of the *Configuration Tool*, run the *Status Monitor* on your computer at first.


- 1 Right-click the Status Monitor icon in the Windows taskbar.
- 2 Select **Configure the Printing System** from the menu. The *Configuration Tool* window appears..



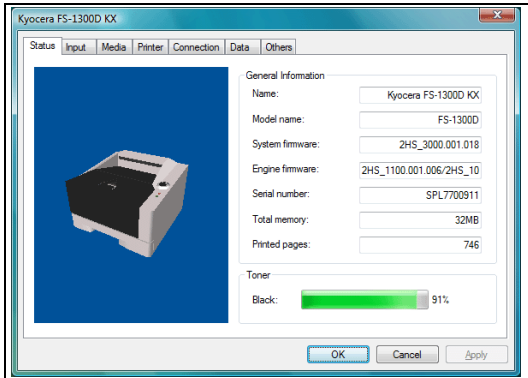
Note When the printer is connected with the network cables, *COMMAND CENTER* starts instead of the *Configuration Tool*.

Exiting the Configuration Tool

Use either of the methods listed below to exit the *Configuration Tool*.

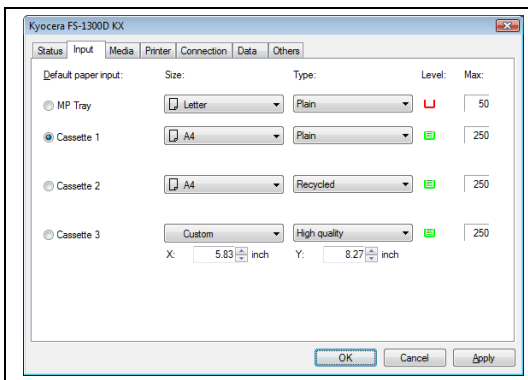
- Exit using the Close button:
Click  in the top-right corner of the *Configuration Tool* window.
- Exit using the OK or Cancel button:
Clicking **OK** exits the *Configuration Tool* after applying the modified printer settings. Clicking **Cancel** exits the *Configuration Tool* without applying the modified printer settings.

Status Tab



The *Status* tab displays current information about the device, such as the model name, system firmware, engine firmware, serial number, total memory, and number of printed pages.

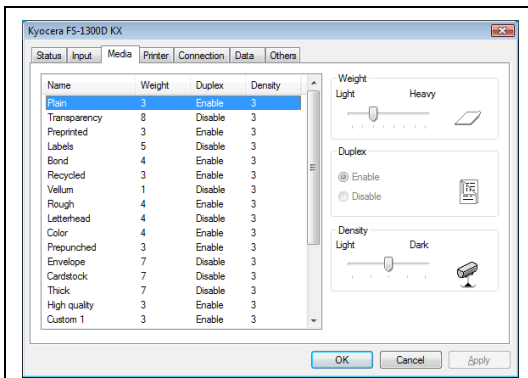
Input Tab



The *Input* tab displays information about the paper feeder attached to the machine, such as the current paper level and the maximum paper capacity.

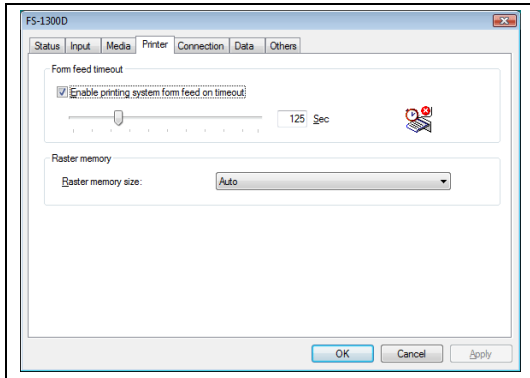
This tab also enables you to customize the paper size and type of the *paper cassette* or optional *paper feeder*. If you selected **Custom** as the paper size for **Cassette 1** to **Cassette 3**, you can use this tab to set the width (X) and height (Y) of the custom paper.

Media Tab



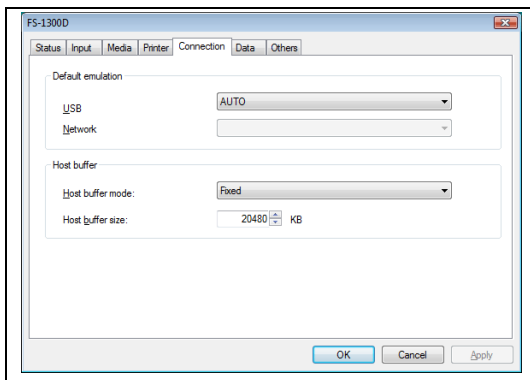
The *Media* tab displays and lets you select the weight and density for each media type. It also enables or disables *duplex printing* for the each media type. *Duplex printing* is available for FS-1300D only.

Printer Tab



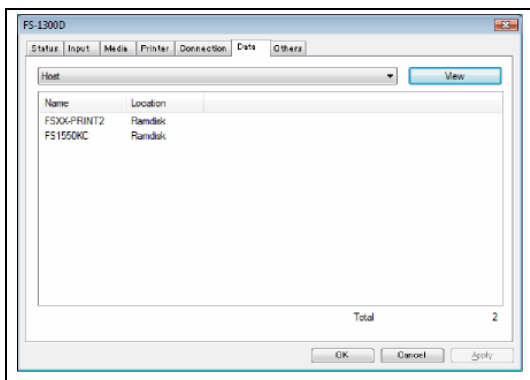
The *Printer* tab allows you to set print processing parameters that are not available in the *KX driver*. As well as the form feed timeout, you can change the memory size used for processing raster data such as *bitmap* and *JPEG* files.

Connection Tab



You can use the *Connection* tab to set the emulation. You can also use this tab to change the buffer memory size and buffer mode of the printer for communication processing to the host.

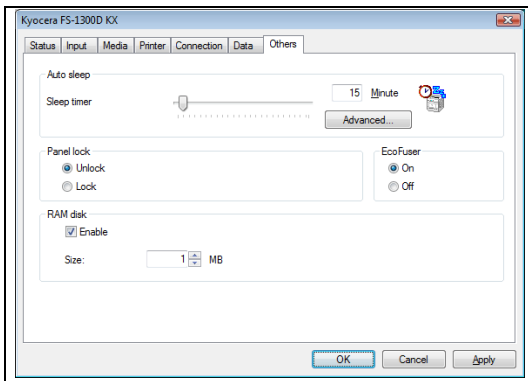
Data Tab



The *Data* tab fetches and lists the data stored in the CF card or RAM disk. Select a data type and click [View] to fetch and display a list of the target data from the printer. The information displayed includes the name, type and storage location.

Others Tab

The *Others* tab enables you to configure the printer settings shown below.



Item	Description
Auto sleep	Configures the amount of time when the printer automatically enters Sleep Mode. Click Advanced to turn <i>Auto sleep</i> On or Off .
EcoFuser	Enables or disables the <i>EcoFuser</i> . Select On to reduce the power consumption to a minimum by turning off the heater of the fixing unit at <i>Sleep Mode</i> . The default setting is On .
Panel lock	Locks or unlocks the operation panel. Locking the operation panel disables key operations from the panel.
RAM disk	Enables or disables <i>RAM disk mode</i> . Enabling the <i>RAM disk</i> allows you to use it as a temporary storage area for data such as font files or the contents of the receive buffer. You can also specify the <i>RAM disk size</i> by clicking Enable .

Uninstalling Software

The CD-ROM lets you remove the *printer software*.

- 1 Click **Remove Software**. The *Kyocera Uninstaller* appears.
- 2 Select the software package to remove.
- 3 Click **Uninstall**.



Note In Windows Vista, *Remove Driver and Package* screen appears. Select **Remove driver and driver package**, and click **OK**.

The uninstaller starts.

- 4 When *Uninstall complete* screen appears, click **Finish**.
- 5 Select whether you restart your computer or not, click **Finish**.

4 Maintenance

This chapter explains how to replace the toner container and clean the printer.

General Information	4-2
Toner Container Replacement	4-2
Cleaning the Printer	4-6
Prolonged Non-Use and Moving the Printer	4-9

General Information

This chapter describes basic maintenance tasks you can perform for the printer. You can replace the toner container according to the printer's status:

Also, the internal parts need periodic cleaning.



Note Information Collection on Memory Chips - The memory chip attached to the toner container is designed to improve convenience for the end user; to support the recycling operation of empty toner containers; and to gather information to support new product planning and development. The information gathered is anonymous - it cannot be associated to any specific individual and the data is intended to be used anonymously.

Toner Container Replacement

The *Toner indicator* identifies the toner status at two stages of toner usage.

- When the printer becomes low on toner, the **Toner** indicator flashes. Note the replacement is not always necessary at this stage.
- If you ignore the above status and continue printing, the **Toner** indicator lights up just before the toner is used up. The *toner container* must then be replaced immediately.

In either case, replace the toner container.

Frequency of toner container replacement

Assuming an average toner coverage of 5% and EcoPrint mode turned off, the *toner container* will need replacing approximately once every 7,200 pages (FS-1300D) or 4,000 pages (FS-1100).

Starter Toner Container

The *toner container* packed with the new printer is a starter toner container. The *starter toner container* lasts an average of 3,600 pages (FS-1300D) or 2,000 pages (FS-1100).

Toner Kits

For best results, we recommend that you only use genuine Kyocera Parts and Supplies.

A new toner kit contains the following items:

- Toner Container
- Plastic waste bag for old toner container
- Installation Guide



Note Do not remove the toner container from the carton until you are ready to install it in the printer.

Replacing the Toner Container

This section explains how to replace the toner container.



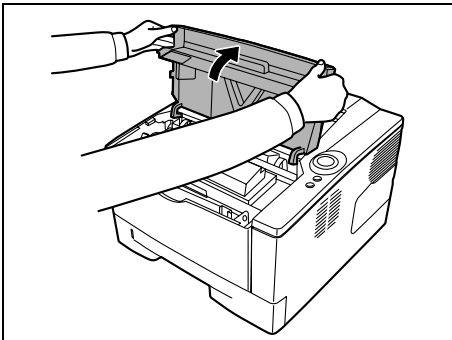
CAUTION Do not attempt to incinerate the Toner Container. Dangerous sparks may cause burns.

IMPORTANT During toner container replacement, temporarily move storage media and computer supplies (such as floppy disks) away from the toner container. This is to avoid damaging media by the magnetism of toner.

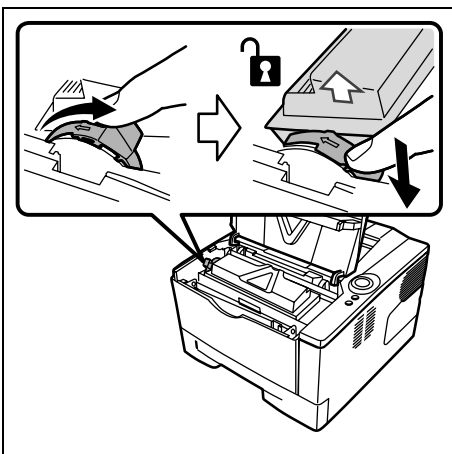
IMPORTANT Kyocera Mita Corporation is not liable against any damages or problems arising from the use of toner containers other than those designated as original Kyocera toner containers. For optimum performance, it is also recommended to use only the Kyocera toner containers which are specifically intended for use in your country or region. If the toner container for another destinations is installed, the printer will stop printing.



Note You do not have to turn printer power off before starting the replacement. Any data that may be processing in the printer will be deleted if you turn the printer power off.



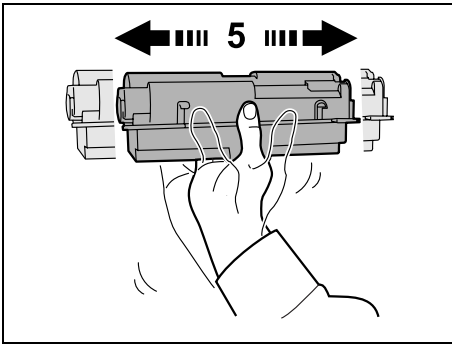
1 Open the *top cover*.



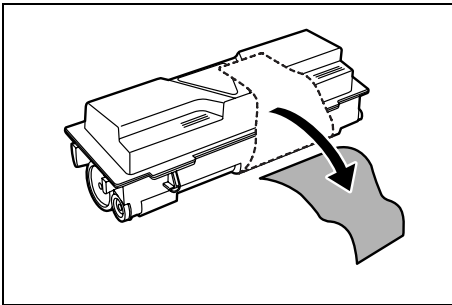
2 Turn *lock lever* to the *unlock* position. Push *lock lever* to the position marked arrow and pull out the *toner container*.



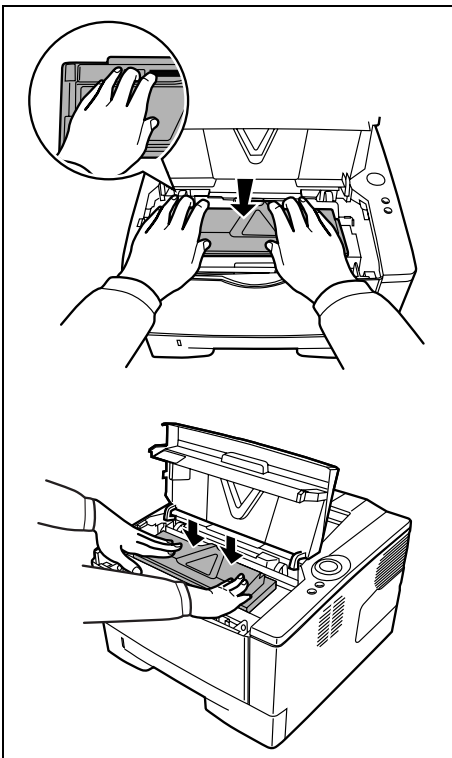
Note Put the old toner container in the plastic bag (supplied with the new toner kit) and discard it later according to the local code or regulations for waste disposal.



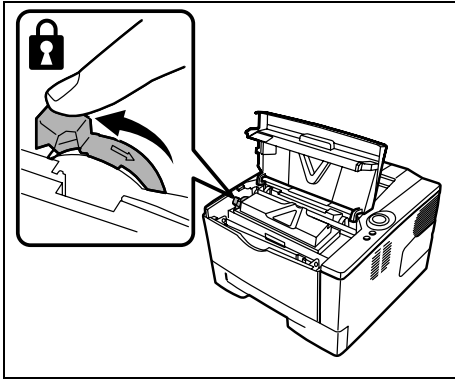
- 3 Take the new *toner container* out of the toner kit. Shake the new *toner container* at least 5 times as shown in the figure in order to distribute the toner evenly inside the container.



- 4 Remove the label from the *toner container*.



- 5 Install the new *toner container* in the printer. Push firmly on the top of the container at the positions marked PUSH, until you hear a click.

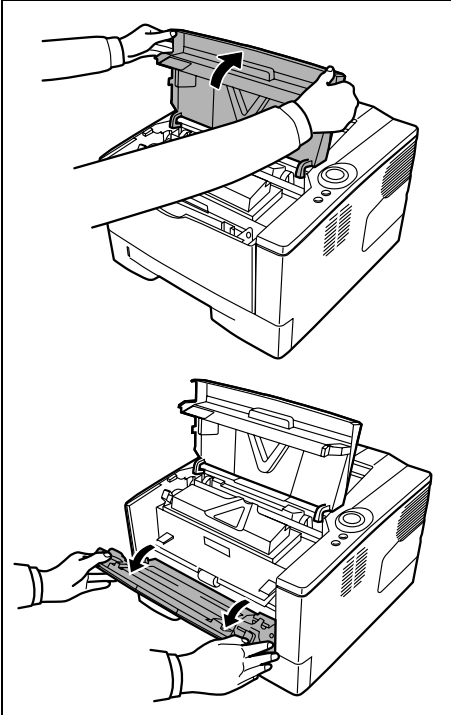


- 6 Turn *lock lever* to the lock position.
- 7 Close the *top cover*.

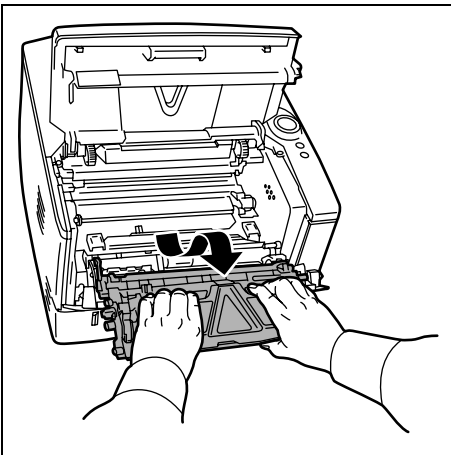
Cleaning the Printer

To avoid print quality problems, the interior of the printer must be cleaned with every toner container replacement.

- 1 Open the *top cover* and *front cover*.



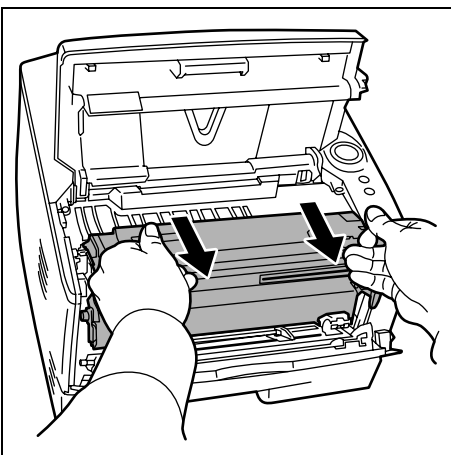
- 2 Lift the *process unit* together with the *toner container* out of the printer.

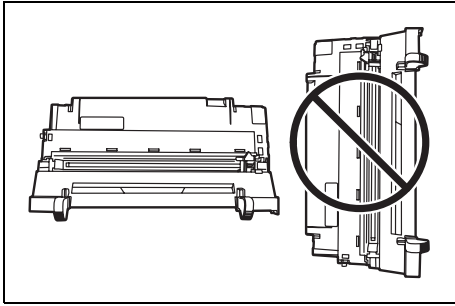


- 3 Remove the *drum unit* from the printer by holding the *green levers* with both hands.

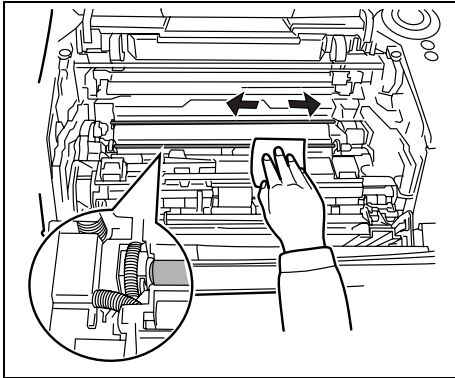


Note The drum is sensitive to light. Never expose the *drum unit* to light for more than five minutes.

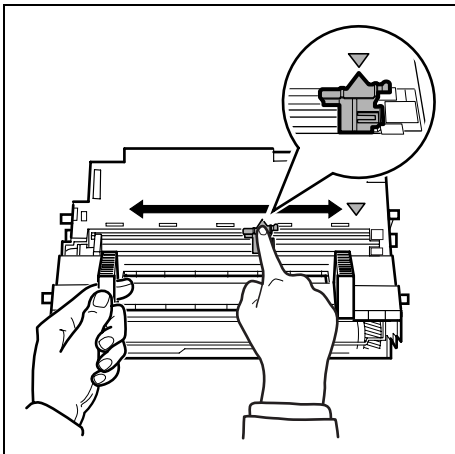




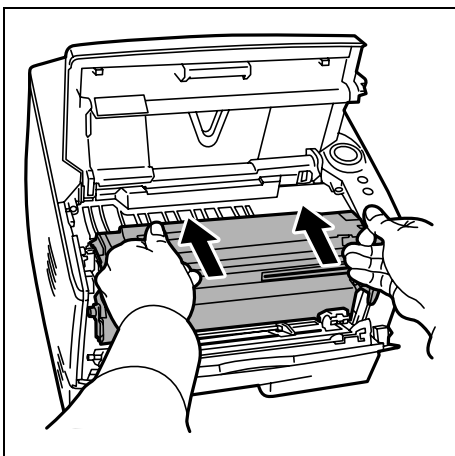
- 4 Place the *drum unit* flat on a clean, level surface.
IMPORTANT Do not place the drum unit on end.



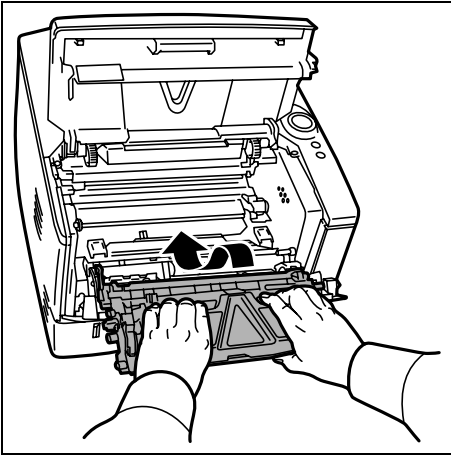
- 5 Use a clean, lint free cloth to clean dust and dirt away from the metal *registration roller*.
IMPORTANT Take care not to touch the *transfer roller* (black) during cleaning.



- 6 Slide the *charger cleaner* (green) back and forth 2 or 3 times to clean the *charger wire*, then return it to its original position (CLEANER HOME POSITION).
IMPORTANT After cleaning, make sure you restore the charger cleaner to its home position.



- 7 When cleaning is complete, return the *drum unit* to the original position.



- 8 Return the *process unit* to its position, aligning the guides at both ends with the slots in the printer. Then, close the *front cover* and *top cover*.

Prolonged Non-Use and Moving the Printer

Prolonged Non-use

If you ever leave the printer unused for a long period of time, remove the power cord from the wall outlet.

We recommend you consult with your dealer about the additional actions you should take to avoid possible damage that may occur when the printer is used next time.

Moving the Printer

When you move the printer:

- Move it gently.
- Keep it as level as possible to avoid spilling toner inside the printer.
- Be sure to consult a service technician before attempting longdistance transportation of the printer.



WARNING If you ship the printer, remove and pack the process unit and drum unit in a plastic bag and ship them separately from the printer.

5 Troubleshooting

This chapter explains how to handle printer problems, understand indicator combinations, and clean paper jams.

General Guidelines	5-2
Print Quality Problems	5-3
Understanding Indicators	5-5
Cleaning Paper Jams	5-9

General Guidelines

The table below provides basic solutions for problems you may encounter with the printer. We suggest you consult this table to troubleshoot the problems before calling for service repairs.

Symptom	Check Items	Corrective Actions
The printer will not print from the computer.	Check the Ready indicator.	Using the information on page 1-5, check if an error has occurred and clear the error.
	Check if a status page can be printed.	If the status page was printed successfully, there may be a problem with the connection to the computer. Refer to the <i>Installation Guide</i> and check the connection.
	Check that the indicators display in a recognized combination. Refer to <i>Indicators</i> on page 1-5 for further information.	Turn the power switch <i>Off</i> (O) and then <i>On</i> () again. Print the job again.
Print quality is poor.		Refer to <i>Print Quality Problems</i> on page 5-3.
Paper is jammed.		Refer to <i>Cleaning Paper Jams</i> on page 5-9.
The indicators are off and the fan is not working.	Check the <i>power cord</i> .	Connect both ends of the <i>power cord</i> securely. Try replacing the power cord. Refer to <i>Installation Guide</i> for information.
	Check the power switch is in the <i>On</i> () position.	Refer to the <i>Installation Guide</i> for more information.
The printer prints a status page but data from the computer is not being printed.	Check program files and application software.	Try printing another file or using another print command. If the problem occurs with a specific file or application, check the printer settings for that application.
	Check the <i>interface cable</i> .	Connect both ends of the interface cable securely. Try replacing the printer cable. Refer to the <i>Installation Guide</i> for more information.

Tips

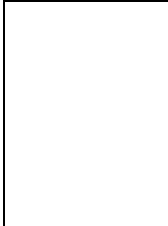

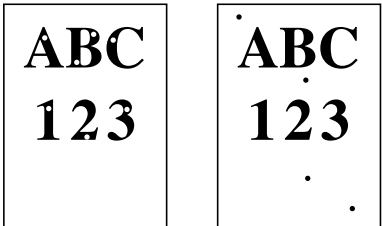
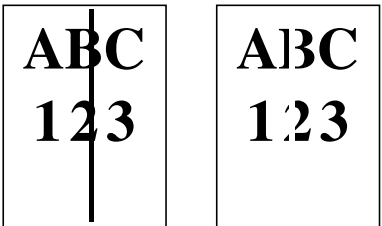
Printer problems may be solved easily by following the tips below. When you have encountered a problem that cannot be solved following the guidelines above, try the following:

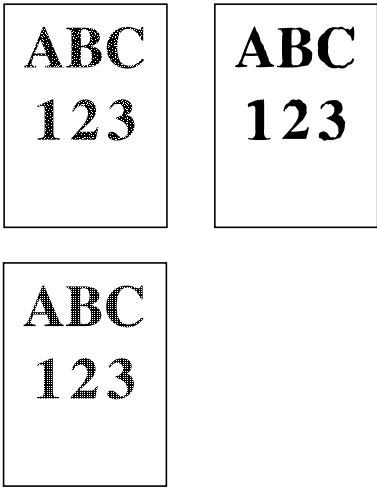
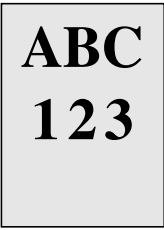
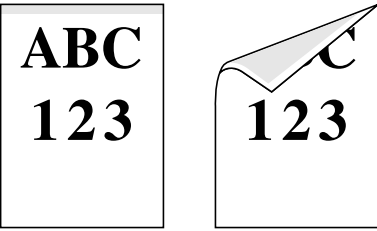
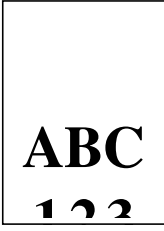
- Restart the computer you are using to send print jobs to the printer.
- Obtain and use the latest version of the printer driver. The latest versions of printer drivers and utilities are available at: <http://www.kyoceramita.com/download/>.
- Make sure that the procedures for printing are correctly followed in the application software. Consult the documentation supplied with the application software.

Print Quality Problems

The tables and diagrams in the following sections define print quality problems and the corrective action you can conduct to solve the problems. Some solutions may require cleaning or replacing parts of the printer.


If the suggested corrective action will not solve the problem, call for service.

Printed Results	Corrective Action
<p>Completely blank printout</p> 	<p>Check the <i>toner container</i>. Open the <i>front cover</i> and check that the <i>toner container</i> is correctly installed in the printer. Refer to <i>Toner Container Replacement</i> on page 4-2.</p>
<p>Full single-color printout</p> 	<p>Contact your service technician.</p>
<p>Dropouts, stray dots</p> 	<p>Drum or process unit may be damaged. If the problem is not solved even after printing several pages, call for service.</p>
<p>Vertical streaks</p> 	<p>Check the <i>toner container</i> and if necessary replace. Refer to <i>Toner Container Replacement</i> on page 4-2.</p> <p>Clean the <i>charger wire</i>. Refer to <i>Cleaning the Printer</i> on page 4-6.</p> <p>Check the <i>charger cleaner</i> of the <i>drum unit</i> is in its original position. Refer to <i>Cleaning the Printer</i> on page 4-6.</p>

Printed Results	Corrective Action
<p>Faint or blurred printing</p> 	<p>Check the <i>toner container</i> and if necessary replace. Refer to <i>Toner Container Replacement</i> on page 4-2.</p> <p>Clean the <i>charger wire</i>. Refer to <i>Cleaning the Printer</i> on page 4-6.</p>
<p>Gray background</p> 	<p>Check the <i>toner container</i> and if necessary replace. Refer to <i>Toner Container Replacement</i> on page 4-2.</p> <p>Check the <i>process unit</i> and <i>drum unit</i> are installed correctly. Refer to <i>Cleaning the Printer</i> on page 4-6.</p>
<p>Dirt on the top edge or back of the paper</p> 	<p>If the problem is not solved even after printing several pages, clean the <i>registration roller</i>. Refer to <i>Cleaning the Printer</i> on page 4-6.</p> <p>If the problem is not solved after cleaning, call for service.</p>
<p>Printing incomplete or out of position</p> 	<p>Check that the printing settings are correct in the application software and the printer driver.</p> <p>Check whether the problem is being caused by a <i>PRESCRIBE</i> command error. If the problem occurs only with a specific file or program, the most likely cause is an error in a parameter to a command or command syntax.</p>

Understanding Indicators

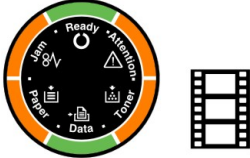
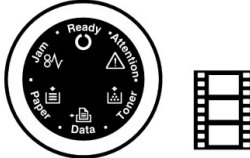
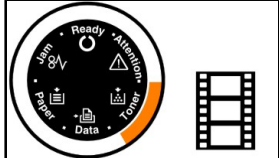
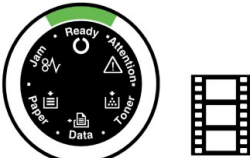
The *indicator* displays generally fall into one of three categories: normal operation, maintenance and errors (repairs).


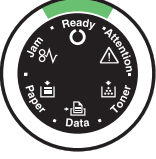
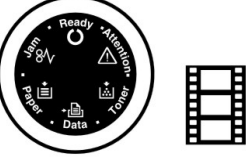
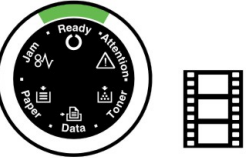
Click the icon  to play the animation of the indicator combinations. Right-click an *indicator*, then select **Playback** and **Play** to play the animation repeatedly.

IMPORTANT To play the animation, you have to install Adobe Flash Player and Adobe Reader (Version 6.01 or more) to your PC. If the animation is not displayed, you should get the latest version from Adobe site (<http://www.adobe.com/downloads/>).

Normal Indication

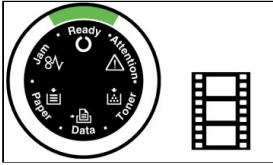

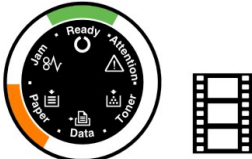

The table below shows the indicator combinations when the printer status is normal.

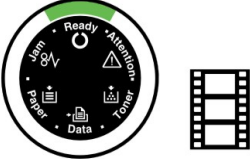

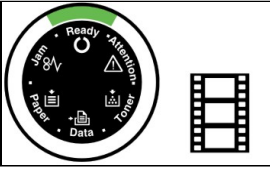
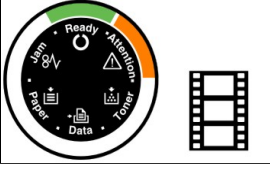
Indicator	Meaning
	The printer is canceling data.
	The printer is warning up. The printer is adjusting the color.
	The printer is installing toner.
	The printer is receiving data.

Indicator	Meaning
	<p>The printer is receiving data. Printing resumes when the [GO] is pressed. The printer is printing the last page after waiting.</p>
	<p>Printing is possible.</p>
	<p>Offline status. You cannot print, but the printer can receive data. The printer returns to online status when the [GO] is pressed.</p>
	<p>The printer is in sleep mode. The printer returns to online status when the [GO] is pressed, the cover is opened and closed, or the printer receives the print jobs.</p>

Maintenance Indication

The table below shows the indicator combinations when user intervention is required. It is assumed that the printer is online and is processing data.

Indicator	Meaning	Remedy
	There is no paper in the <i>cassette</i> , <i>MP tray</i> , or <i>Manual Feed</i> .	Load paper into the paper source.
	The <i>cassette</i> is not inserted properly.	Insert the <i>cassette</i> fully into the printer.
	The <i>top cover</i> is open.	Close the cover.
	There is no <i>cassette</i> in the <i>paper feeder</i> or the <i>cassette</i> specified as a paper supply is not inserted properly.	Re-insert the <i>cassette</i> and then try printing again.
	The <i>process unit</i> or <i>toner container</i> is not installed.	Install the <i>process unit</i> or <i>toner container</i> .
	The <i>cassette</i> does not contain the paper specified by the printer driver.	Load the paper into the <i>cassette</i> (#[1 or 2]) and then restart printing. You can change the paper source by pressing the [GO] .
	The paper sizes do not match.	If the paper size in the paper source differs from the paper size and type specified by the printer driver, you can print by supplying paper from the <i>MP tray</i> or <i>Manual Feed</i> . Load the correct paper size and type into the <i>MP tray</i> or <i>Manual Feed</i> and press [GO] to begin printing.
		If you want to supply paper from a source other than the <i>MP tray</i> or <i>Manual Feed</i> , you can change the paper source by pressing [GO] .
	A paper jam occurred during printing.	If the paper fed from the <i>MP tray</i> or <i>Manual Feed</i> is a different size from the specified paper size, a paper jam will occur.
		Open the <i>printer cover</i> and remove the jammed paper.

Indicator	Meaning	Remedy
	The toner is running low.	Have a new toner container ready.
	The toner has run out.	Replace with a new <i>toner container</i> . After replacing the <i>toner container</i> , clean the inside of the printer.
	Unable to print with the specified resolution due to insufficient memory.	Add the <i>expansion memory</i> to the printer.
	<i>CF card</i> is not formatted.	Format the <i>CF card</i> .
	Specified file not found.	Press [GO] to continue processing. Press [Cancel] to cancel processing.
	The current printing cannot be continued.	Press [GO] to continue processing. Press [Cancel] to cancel processing.
	Unable to print due to insufficient memory.	Install the <i>expansion memory</i> in the printer. Press [GO] to continue processing. Press [Cancel] to cancel processing.
	Unable to print as the data is too complicated.	Press [GO] to continue processing. Press [Cancel] to cancel processing.

Error Indication

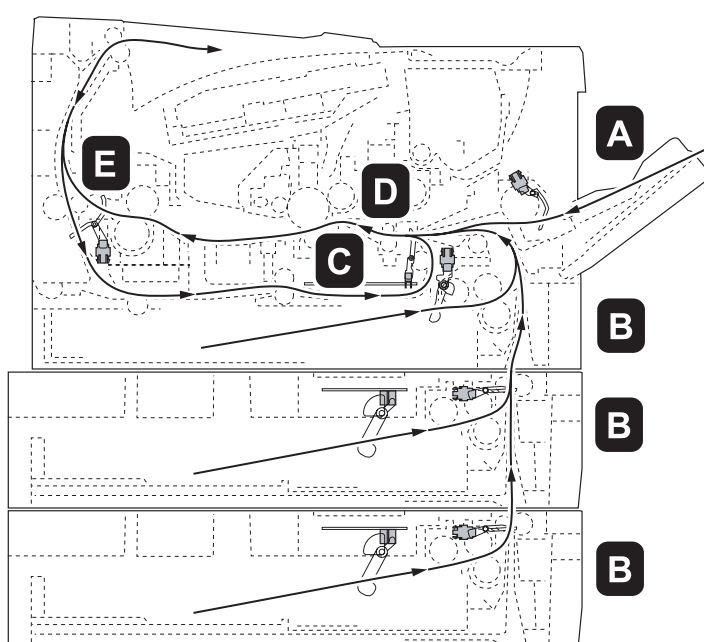
If the *indicators* light or flash repeatedly in manners not described above for normal or maintenance indication, a service error has probably occurred. Turn the printer off by the power switch, wait 5 seconds and then turn the printer on again. This may clear the error. Even if the error is not cleared, contact your service technician.

Cleaning Paper Jams

If paper jams in the paper transport system, or no paper sheets are fed at all, the printer automatically goes offline, and the **Jam** indicator will light. *Status Monitor* or *COMMAND CENTER* can indicate the location of the paper jam (the component where the paper jam has occurred). Remove the paper jam. After removing the paper jam, the printer will resume printing.

Possible Paper Jam Locations

The figure below shows the printer's paper paths including the optional paper feeder. The locations where paper jams might occur are also shown here, with each location explained in the table below. Paper jams can occur in more than one component on the paper paths.



Paper jam location	Description	Reference page
A	Paper jam at the <i>MP tray</i> .	<i>page 5-10</i>
B	Paper jam at the <i>paper cassette</i> . The cassette number can be 1.	<i>page 5-11</i>
C	Paper jam inside the <i>duplex section</i> .	<i>page 5-12</i>
D	Paper jam <i>inside the printer</i> .	<i>page 5-13</i>
E	Paper jam at the <i>rear cover</i> .	<i>page 5-15</i>

General considerations for clearing jams

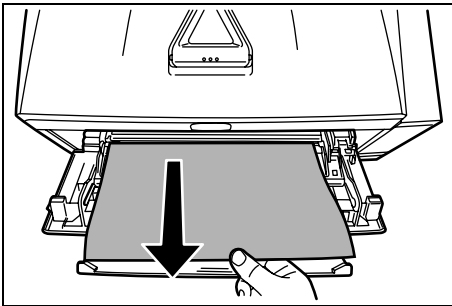
Bear in mind the following considerations when attempting paper jam removal:



CAUTION When pulling the paper, pull it gently so as not to tear it. Torn pieces of paper are difficult to remove and may be easily overlooked, deterring the paper jam recovery.

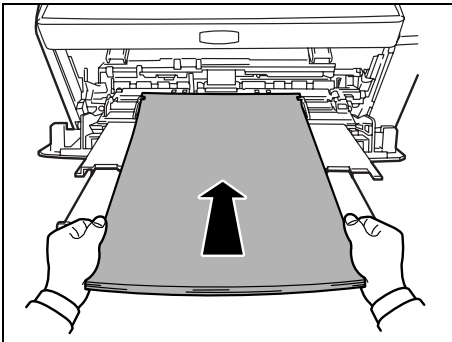
- If paper jams occur frequently, try using a different type of paper, replace the paper with paper from another ream, or flip the paper stack over. The printer may have problems if paper jams recur after the paper is replaced.
- Whether or not the jammed pages are reproduced normally after printing is resumed, depends on the location of the paper jam.

MP Tray



- 1 Remove the paper jammed at the *MP tray*.

IMPORTANT Do not try to remove paper that has already been partially fed. Proceed to *Inside the Printer* on page 5-13.



- 2 Reload the *MP tray*. Open and close the *top cover* to clear the error and the printer warms up and resumes printing.

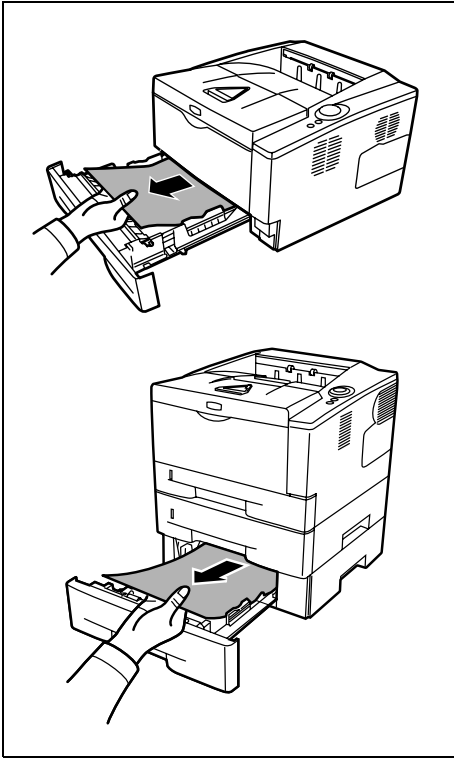
Paper Cassette/Paper Feeder

- 1 Pull out the *cassette* or optional *paper feeder*.
- 2 Remove any partially fed paper.

IMPORTANT Do not try to remove paper that has already been partially fed. Proceed to *Inside the Printer* on page 5-13.



Note Check to see if paper is loaded correctly. If not, reload the paper.

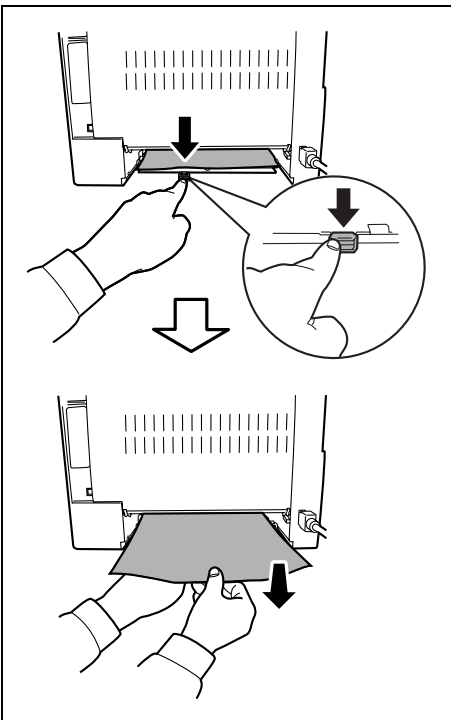
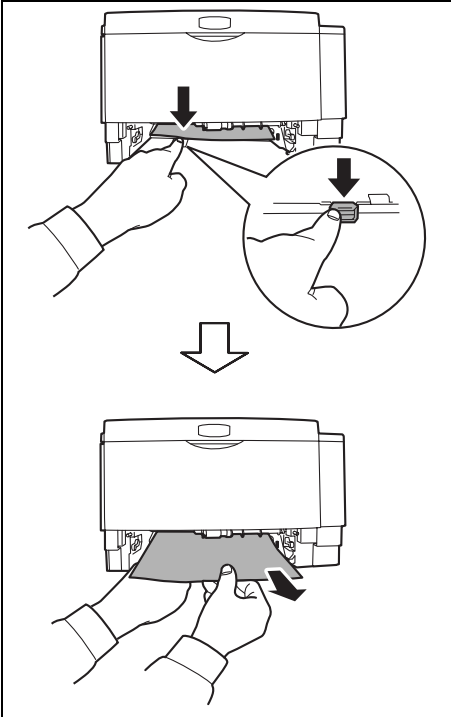


- 3 Push the *cassette* back in securely. The printer warms up and resumes printing.

Duplexer

Paper is jammed in the *duplex section*. Remove the jammed paper using the procedure given below.

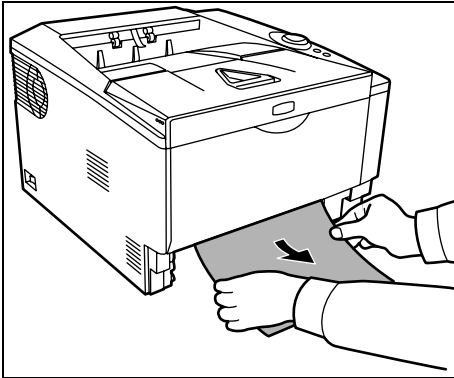
- 1 Pull the *paper cassette* all the way out of the printer.
- 2 Open the *duplexer's cover* in front of the printer and remove any jammed paper.



Open the *duplexer's cover* at the rear of the printer and remove any jammed paper.

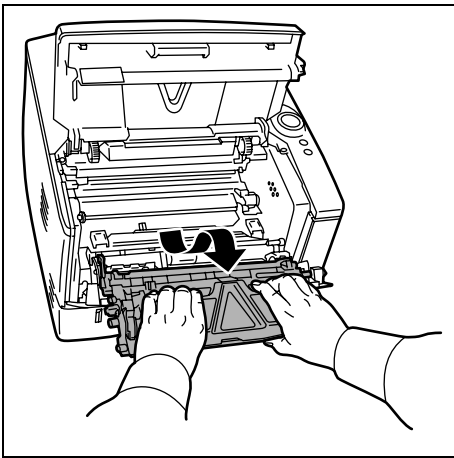
- 3 Push the *cassette* back in securely, and open and close the *top cover* to clear the error. The printer warms up and resumes printing.

Inside the Printer

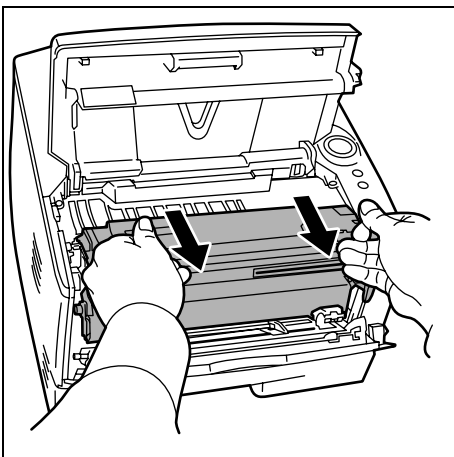


- 1 Pull the *paper cassette* all the way out of the printer. Remove any partially fed paper..

IMPORTANT Do not try to remove paper that has already been partially fed. Proceed to step 2.



- 2 Open the *top cover* and *front cover*, and lift the *process unit* together with the *toner container* out of the printer.



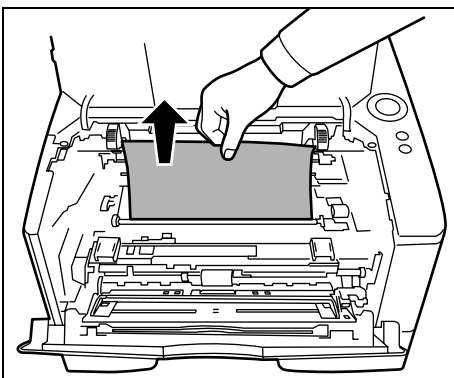
- 3 Remove the *drum unit* from the printer by holding the green levers with both hands.



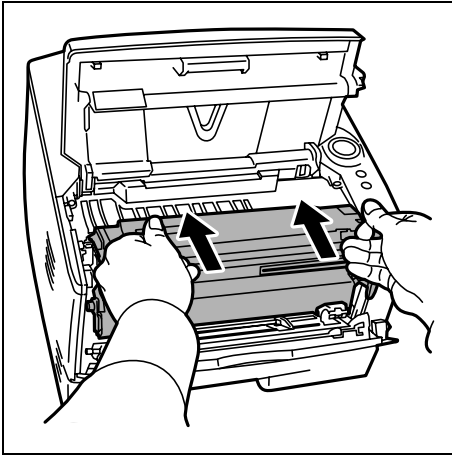
CAUTION The fuser unit inside the printer is hot. Do not touch it, as it may result in burn injury.



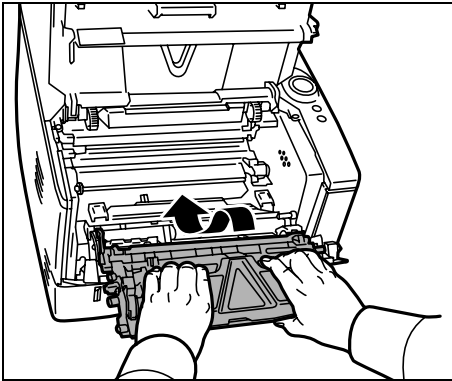
Note The drum is sensitive to light. Never expose the process unit to light for more than five minutes.



- 4 If the jammed paper appears to be pinched by rollers, pull it along the normal running direction of the paper.

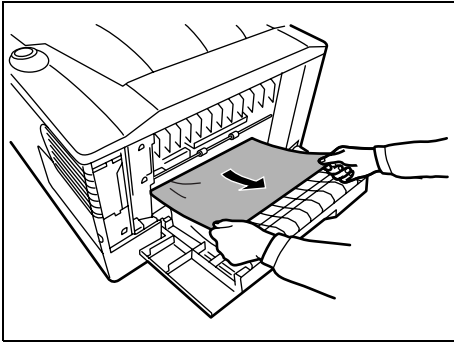


- 5 Return the *drum unit* to its position, aligning the guides at both ends with the slots in the printer.



- 6 Insert the *process unit* together with the *toner container*, back into the machine. Close the *top cover* and the *front cover*. The printer warms up and resumes printing.

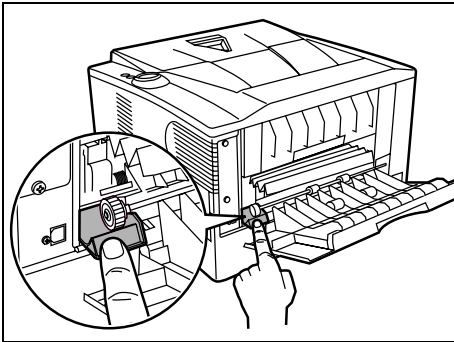
Rear Cover



- 1 Open the *rear cover* and remove the jammed paper by pulling it out.



CAUTION The fuser unit inside the printer is hot. Do not touch it, as it may result in burn injury.



If the paper is jammed inside the *fuser unit*, open the *fuser cover* and remove the paper by pulling it out.

- 2 Close the *rear cover*, and open and close the *top cover* to clear the error. The printer warms up and resumes printing.


6 Option

This chapter explains the options for this printer.

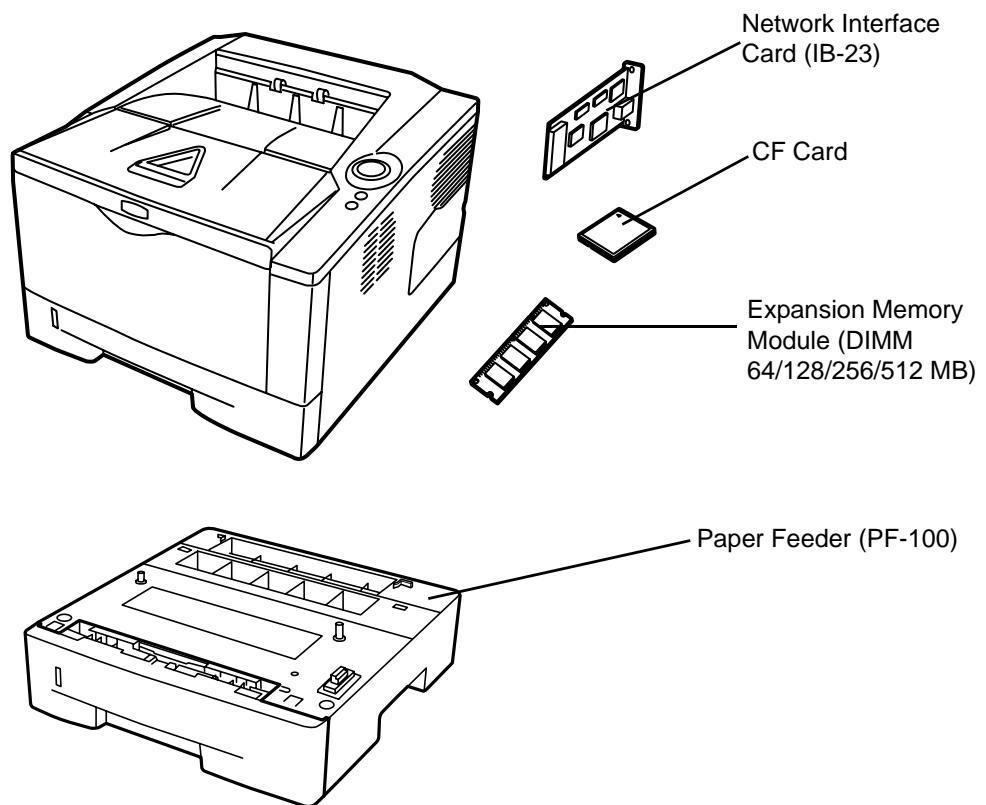
General Information	6-2
Expansion Memory Modules	6-3
Paper Feeder (PF-100)	6-6
Network Interface Card (IB-23)	6-7
CompactFlash (CF) Card	6-8

General Information

The printers have the following options available to satisfy your printing requirements.

 **Note** Install the memory module before installing the optional paper feeder (PF-100).

For instructions on installing individual options, refer to the documentation included with the option. Some options are explained in the following sections.



Expansion Memory Modules

To expand the printer memory for more complex print jobs and faster print speed, you can plug in optional memory module (dual in line memory module) in the memory slot provided on the printer main controller board. You can select additional memory module from 64, 128, 256 or 512MB. The maximum memory size is 544MB.



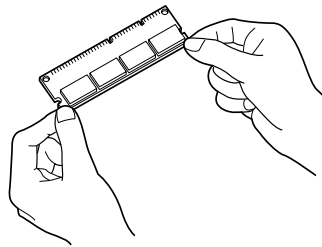
Note The expansion memory should only be installed by your service technician. We shall not be liable for any damages caused by improper installation of expansion memory.

Precautions for handling the printer's main controller board and memory module

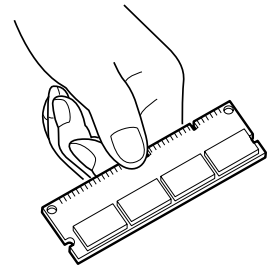
To protect electronic parts, discharge static electricity from your body by touching a water pipe (faucet) or other large metal object before handling the memory module. Or, wear an antistatic wrist strap, if possible, when you install the memory module.

Always hold the main controller board or a memory module by its edges as shown below to avoid damaging electronic parts.

Correct

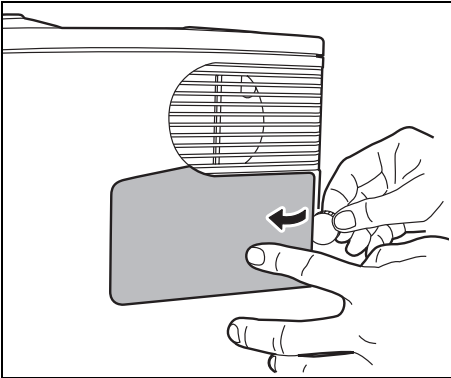


Incorrect

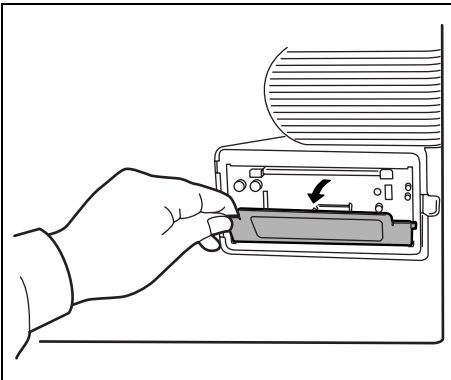


Installing the Memory Module

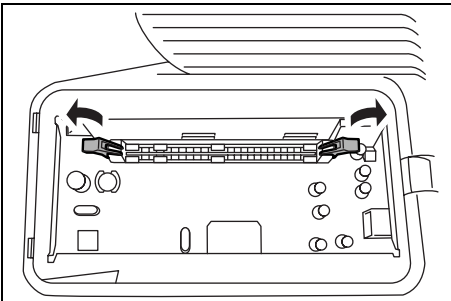
- 1 Turn off the printer and disconnect the *power cord* and *printer cable*.
- 2 Remove the *right cover* with a piece of metal similar to coin.



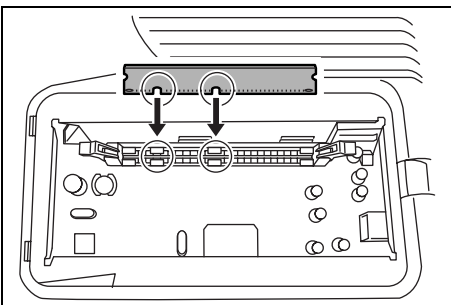
- 3 Remove the fixing tape in case of the first installation. Then, remove the *memory slot cover* as shown in the figure.

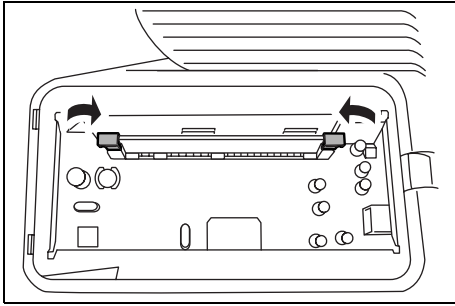


- 4 Push out the *clamps* on both ends of the *memory socket*.
- 5 Remove the *memory module* from its package.



- 6 Aligning the cutouts of the *memory module* with the matching keys of the socket, carefully plug the *memory module* into the *memory socket* until it clicks in place.





7 The *memory module* is secured to the memory socket with the clamps.

8 Reinstall the *memory slot cover* and the *right cover*.

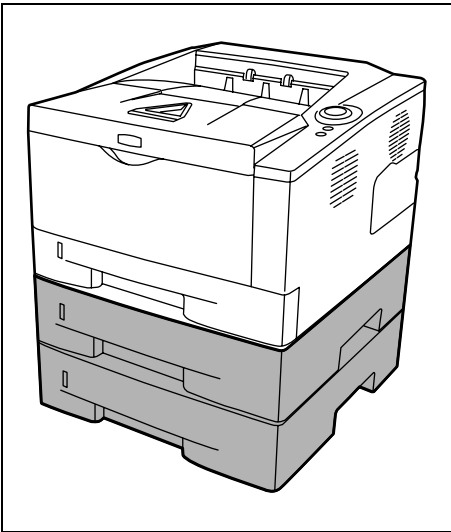
Removing a Memory Module

To remove a *memory module*, remove the *right cover* and *the memory slot cover* from the printer. Then, carefully push out the two *socket clamps*. Ease the *memory module* out of the socket to remove.

Verifying the expanded memory

To verify that the *memory module* is working properly, test it by printing a status page.

Paper Feeder (PF-100)



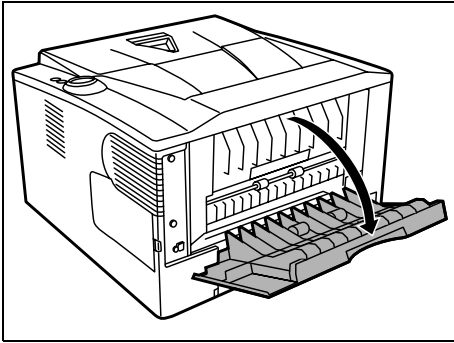
The *PF-100* allows you to add one (for FS-1100) or two (for FS-1300D) more paper cassette to the bottom of the printer for continuous feeding of a large volume of paper. Each paper cassette can hold up to approximately 250 sheets of ISO A4, ISO A5, JIS B5, Letter, or Legal size (80g/m²) paper. This feeder is attached at the bottom of the printer as shown on the left.

Network Interface Card (IB-23)

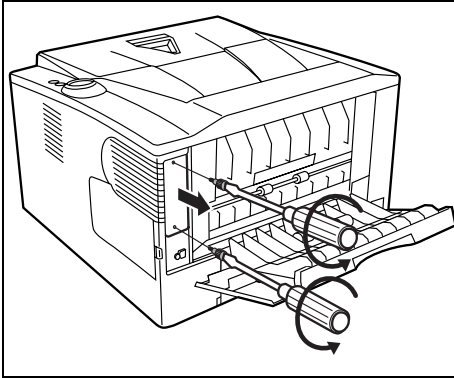
The network interface card supports TCP/IP, IPX/SPX, NetBEUI and AppleTalk protocols, so that the printer can be used on network environments including Windows, Macintosh, UNIX, NetWare, etc.

The *network interface card* must be installed in the option interface slot that is located at the back of the printer.

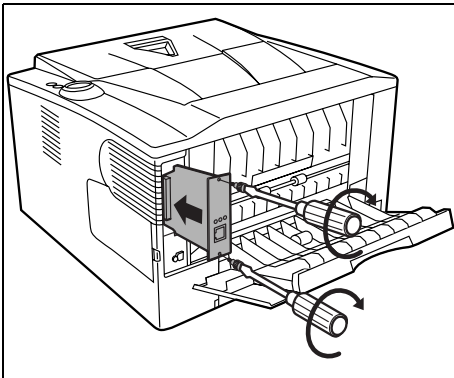
- 1 Turn off the printer and disconnect the *power cord* and *printer cable*.
- 2 Open the *rear cover*.



- 3 Remove the *optional interface slot cover*.



- 4 Insert the *Network Interface Card* and secure it with the screws removed in step 3.



- 5 Close the *rear cover*, and connect the *printer cable*.
- 6 Connect the *power cord*, and turn on the printer.
- 7 Configure the network address from *Quick Setup*. For more information, refer to *Operation Guide* of the network card.

CompactFlash (CF) Card

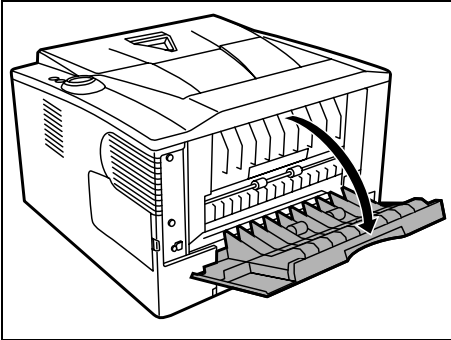
The printer is equipped with a slot for a *CF card* with the maximum size of 256MB. A *CF card* is useful for storing fonts, macros, and overlays.

- 1 Turn off the printer and disconnect the *power cord* and *printer cable*.

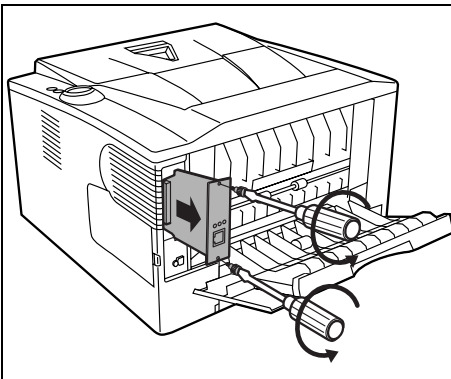
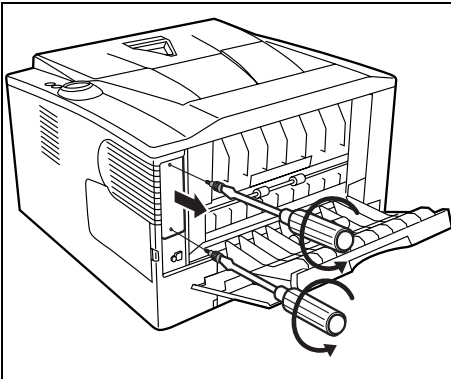


CAUTION Before inserting a CF card in the printer, make sure that the printer is switched off.

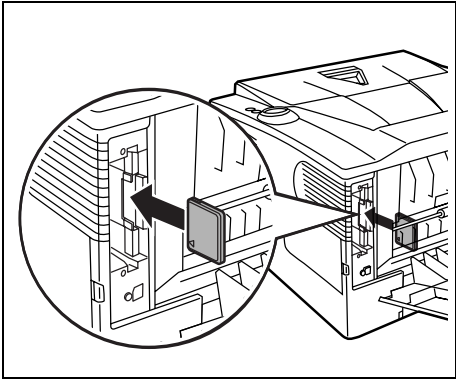
- 2 Open the *rear cover*.



- 3 Remove the *optional interface slot cover*.



When the *Network Interface Card* is installed, remove it.



4 Insert the *CF Card*.

5 Secure it with the screws removed in step 3.

6 Connect the *power cord* and *printer cable* and turn on the printer.

7 Appendix

This section lists the specifications of this printer.

Specifications

7-2

Environmental Standard Requirements

7-4

Specifications



Note These specifications are subject to change without notice.

Item	Description		
	FS-1100		FS-1300D
Type	Desktop		
Printing Method	Electrophotography, laser scan		
Paper Weight	Cassette	60 to 120 g/m ²	60 to 120 g/m ² (Duplex: 60 to 105 g/m ²)
	MP Tray	60 to 220 g/m ²	
Paper Type	Cassette	Plain, Preprinted, Bond, Recycled, Rough, Letterhead, Color (Colour), Prepunched, High Quality, Custom 1 to 8	
	MP Tray/Manual Feed	Plain, Transparency, Preprinted, Labels, Bond, Recycled, Rough, Vellum, Letterhead, Color (Colour), Prepunched, Envelope, Cardstock, Thick paper, High Quality, Custom 1 to 8	
Paper Size	Cassette	A4, JIS B5, A5, Folio, Legal, Letter, Oficio II, Statement, Executive, A6, B6, ISO B5, Envelope C5, 16K, Custom (105 × 148 to 216 × 356mm (4-1/8 × 5-13/16 to 8-1/2 × 14 inches))	
	Paper Feeder	A4, JIS B5, A5, Folio, Legal, Letter, Oficio II, Executive, B6, ISO B5, Envelope C5, 16K, Custom (148 × 210 to 216 × 356mm (5-13/16 × 8-5/16 to 8-1/2 × 14 inches))	
	MP Tray/Manual Feed	A4, JIS B5, A5, Folio, Legal, Letter, Oficio II, Statement, Executive, A6, B6, ISO B5, Envelope C5, Envelope #10, Envelope #9, Envelope #6-3/4, Envelope Monarch, Envelope DL, Hagaki, Ofuku Hagaki, 16K, Yokei 2, Yokei 4, Custom (70 × 148 to 216 × 356mm (2-13/16 × 5-13/16 to 8-1/2 × 14 inches))	
Magnification ratio	25 to 400%, 1% increments		
Printing Speed	Simplex	A4/Letter: 28 ppm/30 ppm	
		A5: 17 ppm	
	Duplex	-	A4/Letter: 14 ppm/15 ppm
First Print Time (A4, feed from Cassette)	6 seconds or less		
Warm-up Time (22°C/71.6°F, 60%RH)	Power on	20 seconds or less (120 V AC), 19 seconds or less (220 to 240 V AC)	
	Sleep	15 seconds or less (120 V AC), 14 seconds or less (220 to 240 V AC)	
Paper Capacity	Cassette 1	250 sheets (80 g/m ² , 11 × 8 1/2"/A4 or smaller)	
	Cassette 2	250 sheets (80 g/m ² , 11 × 8 1/2"/A4 or smaller)	
	Cassette 3	250 sheets (80 g/m ² , 11 × 8 1/2"/A4 or smaller)	
	MP Tray	-	50 sheets (80 g/m ² , 11 × 8 1/2"/A4 or smaller)
	Manual Feed	1 sheet (80 g/m ² , 11 × 8 1/2"/A4 or smaller)	-
Output Tray Capacity	Simplex	250 sheets (80 g/m ²)	
	Duplex	-	200 sheets (80 g/m ²)

Item	Description	
	FS-1100	FS-1300D
Continuous printing	1 to 999 sheets	
Resolution	Fine 1200 mode, Fast 1200 mode, 600 dpi, 300 dpi	
Monthly Duty	Average	1,500 pages
	Maximum	15,000 pages
Operating Environment	Temperature	10 to 32.5°C/50 to 90.5°F
	Humidity	15 to 80 %
	Altitude	2,500 m/8,202 ft maximum
	Brightness	1,500 lux maximum
Controller	PowerPC 405F5/360 MHz	
Supported OS	Windows 2000 Service Pack 2 or later, Windows Server 2003, Windows XP, Windows Vista, Mac OS X 10.x	
Interface	Standard	Hi-Speed USB: 1
	Option	Network Interface Card: 1 (10BASE-T/100BASE-TX/1000BASE-T)
PDL	PRESCRIBE	
Memory	Standard	32MB
	Maximum	544MB
Dimension (W x D x H)	375 x 393 x 250 mm 14 3/4 x 15 1/2 x 9 7/8"	
Weight (without toner container)	10 kg/22.1 lb	
Power Requirements	120 V AC, 60 Hz, 7.5 A/220 to 240 V AC, 50/60 Hz, 3.9 A	
Power Consumption	Maximum	842 W (U.S.A./Canada), 849 W (European countries)
	During printing	456 W (U.S.A./Canada), 439 W (European countries)
	During standby	5.7 W (U.S.A./Canada), 6.5 W (European countries) when EcoFuser is On.
		90 W (U.S.A./Canada), 106 W (European countries) when EcoFuser is Off.
Power off	0 W	
Options	Expanded memory, Paper Feeder (250-sheet x 1), Network Interface Card (IB-23)	Expanded memory, Paper Feeder (250-sheet x 2), Network Interface Card (IB-23)

Environmental Standard Requirements

This machine conforms to the following environmental standard requirements.

- Time for switching to Sleep mode (default): 15 minutes
- Duplex Printing: Standard Equipment
- Durable paper for feeding: Paper made of 100% recycled paper

NOTE: Contact your Dealer or Service Representative for recommended paper types.

Index

A

- Adhesive label2-7
- Attention indicator
 - operation panel1-4

C

- CF card6-8
 - option6-2
- Cancel key1-4
 - operation panel1-4
- Casette
 - paper sizes2-4
- Cassette
 - basis weight2-5
 - loading paper2-11
- Charger cleaner4-7
- Cleaning
 - charger wire4-7
 - printer4-6
 - registration roller4-7
- Clearing paper jams
 - MP tray5-10
 - duplex section5-12
 - inside the printer5-13
 - paper cassette5-11
 - paper feeder5-11
 - rear cover section5-15
- Colored paper2-9
- CompactFlash card6-2, 6-8
- Components
 - at the front of the printer1-2
 - at the rear of the printer1-3
- Connection
 - USB cable3-2
 - power cord3-2
- Conventions in this guidexxi
- Custom mode
 - installation method3-5

E

- DIMM6-2
- Data indicator
 - operation panel1-4
- Energy Star programxiv
- Envelope2-8
- Environmental standard requirements7-4
- Error indication
 - indicators5-8
- Drum unit
 - clearing paper jams5-13
 - maintenance4-6
- Duplex section
 - clearing paper jams5-12

- Expansion memory module
 - option6-2
- Express mode
 - installation method3-4

G

- GO key1-4
 - operation panel1-4
- General problems
 - troubleshooting5-2
- Front cover
 - components1-2
- Fuser unit
 - clearing paper jams5-15

I

- IB-236-2, 6-7
- Indicator combinations
 - error5-8
 - maintenance5-7
 - normal5-5
- Indicators
 - Ready, Data, Jam, Attention, Toner1-5
- Inside the printer
 - clearing paper jams5-13
- Installation method
 - custom mode3-5
 - express mode3-4
- Installation precautionsxvi
- Installing CF card6-8
- Installing memory module6-4
- Installing network interface card6-7
- Installing the Printer Driver
 - Mac OS3-6
- Installing the printer driver3-3
 - Windows PC3-3
- Instruction sheet
 - manual duplex3-9

K

- Jam indicator
 - operation panel1-4
- Key
 - Cancel1-6
 - GO1-6
- Keys
 - GO, Cancel1-6

M

- MP tray
 - basis weight2-5
 - clearing paper jams5-10

components	1-2
loading paper	2-14
minimum and maximum paper sizes	2-3
paper sizes	2-4
paper type	2-10
Label	2-7
Machine parts	1-1
Maintenance	
Toner container replacement, cleaning	4-1
Maintenance indication	
indicators	5-7
Manual duplex	3-8
Manual feed	
components	1-2
Left cover 1	1-3
Legal and safety information	
Automatic 2-sided copy function	xiv
Energy Star program	xiv
Energy saving control function	xiv
Installation precautions	xvi
Paper recycling	xiv
Precautions for use	xviii
Memory module handling	6-3
Loading paper	
Cassette	2-11
MP tray	2-14
Lock lever	
toner container	4-3
Moving printer	4-9

O

Names	
Operation panel	1-4
Network interface card	6-7
option	6-2
Operation panel	
components	1-2
indicators, keys, overview	1-4
Normal indication	
indicators	5-5
Option	
CF card	6-2
Document finisher	4-6
expansion memory module	6-2
paper feeder	6-2
network interface card	6-2
Optional interface slot cover	
components	1-3
Options	6-2
Original platen	
Cleaning	5-2

Q

PF-100	6-2, 6-6
Paper	
Loading paper into 3000 sheet paper feeder	2-11, 2-14
minimum and maximum sizes	2-3
Paper Cassette	
components	1-2

Paper cassette	
clearing paper jams	5-11
minimum and maximum page sizes	2-3
paper type	2-10
Paper feeder	6-6
clearing paper jams	5-11
option	6-2
Paper gauge	2-13
Paper guides	2-14
Paper indicator	
operation panel	1-4
Paper length guide	2-12
Paper stopper	
components	1-2
Paper weight	2-5
Possible paper jam locations	5-9
Postcard	2-8
Power cord	
connection	3-2
Power cord connector	
components	1-3
Power switch	
components	1-3
Precautions for use	xviii
Preparing paper	2-11
Preprinted paper	2-9
Print quality problems	
troubleshooting	5-3
Process unit	
clearing paper jams	5-13
maintenance	4-6
Prolonged non-use	4-9

S

Ready indicator	
operation panel	1-4
Rear cover	
components	1-3
Rear cover section	
clearing paper jams	5-15
Recycled paper	2-9
Registration roller	
cleaning	4-7
Removing memory module	6-5
Replacement	
toner container	4-2, 4-3
Replacing toner container	4-3
Right cover	
components	1-2
Special paper	2-7
Specifications	7-2
Environmental specifications	7-4
Starter container	
toner container	4-2
Subtray	
components	1-2

U

USB cable	
connection	3-2

USB interface connector	
components	1-3
Tips	5-2
Understanding indicators	5-5
Top cover	
components	1-2
Toner container	
how to replace	4-3
replacement	4-2
Toner indicator	
operation panel	1-4
replacing toner container	4-2
Toner kit	
toner container, plastic waste bag, installation guide	4-2
Top tray	
components	1-2
Touch panel	1-5, 1-6
Transparency	2-7
Troubleshooting	5-1
general problems	5-2
print quality problems	5-3
Turning on the power	3-2

W

Verifying expanded memory	6-5
---------------------------------	-----

Z

Cleaning	
Document processor	5-3



PASSIONATE PEOPLE. FROM ALL OVER THE WORLD.



KYOCERA MITA EUROPE B.V.



EUROPEAN HEADQUARTERS
Hoeksteen 40
NL-2132 MS Hoofddorp
The Netherlands
Phone: +31 20 654 0000
Fax: +31 20 653 1256
www.kyoceramita-europe.com



KYOCERA MITA Europe B.V.,
Amsterdam (NL)
Zweigniederlassung Zürich
Hohlstrasse 614
CH-8048 Zürich
Phone: +41 1 908 49 49
Fax: +41 1 908 49 50
www.kyoceramita.ch

KYOCERA MITA SALES COMPANIES IN EMEA



KYOCERA MITA INTERNATIONAL SALES
(Europe, Middle East & North Africa)
Hoeksteen 40
NL-2132 MS Hoofddorp
The Netherlands
Phone: +31 20 654 0000
Fax: +31 20 653 1256
www.kyoceramita-europe.com



AUSTRIA
KYOCERA MITA GmbH Austria
Eduard Kittenberger Gasse 95
A-1230 Wien
Phone: +43 1 86 338 0
Fax: +43 1 86 338 400
www.kyoceramita.at



BELGIUM
S.A. KYOCERA MITA Belgium N.V.
Sint-Martinusweg 199-201
BE-1930 Zaventem
Phone: +32 2 720 9270
Fax: +32 2 720 8748
www.kyoceramita.be



DENMARK
KYOCERA MITA Denmark A/S
Ejby Industrivej 1
DK-2600 Glostrup
Phone: +45 70 22 3880
Fax: +45 45 76 3850
www.kyoceramita.dk



FINLAND
KYOCERA MITA Finland OY
Kirvesmiehenkatu 4
FI-00880 Helsinki
Phone: +358 9 4780 5200
Fax: +358 9 4780 5390
www.kyoceramita.fi



FRANCE
KYOCERA MITA France S.A.
Parc les Algorithmes Saint Aubin
FR-91194 Gif-Sur-Yvette
Phone: +33 1 6985 2600
Fax: +33 1 6985 3409
www.kyoceramita.fr



GERMANY
KYOCERA MITA Deutschland GmbH
Otto-Hahn-Str. 12
D-40670 Meerbusch / Germany
Phone: +49 2159 918 0
Fax: +49 2159 918 100
www.kyoceramita.de



ITALY
KYOCERA MITA Italia S.P.A.
Via Verdi, 89/91
I-20063 Cernusco sul Naviglio (MI)
Phone: +39 02 921 791
Fax: +39 02 921 796 00
www.kyoceramita.it



THE NETHERLANDS
KYOCERA MITA Nederland B.V.
Beechavenue 25
NL-1119 RA Schiphol-Rijk
Phone: +31 20 587 7200
Fax: +31 20 587 7260
www.kyoceramita.nl



NORWAY
KYOCERA MITA Norge
Olaf Helsetsvai 6
NO-0694 Oslo
Phone: +47 22 627 300
Fax: +47 22 627 200
www.kyoceramitanorge.no



PORTUGAL
KYOCERA MITA Portugal LDA.
Rua do Centro Cultural 41
PT-1700-106 Lisboa
Phone: +351 21 843 6780
Fax: +351 21 849 3312
www.kyoceramita.pt



SOUTH AFRICA
KYOCERA MITA South Africa (Pty) Ltd.
527 Kyalami Boulevard, Kyalami
Business Park · ZA-1685 Midrand
Phone: +27 11 540 2600
Fax: +27 11 466 3050
www.kyoceramita.co.za



SPAIN
KYOCERA MITA España S.A.
Avda. Manacor No. 2
ES-28290 Las Matas (Madrid)
Phone: +34 91 631 83 92
Fax: +34 91 631 82 19
www.kyoceramita.es



SWEDEN
KYOCERA MITA Svenska AB
Esbogatan 16B
SE-164 75 Kista
Phone: +46 8 546 550 00
Fax: +46 8 546 550 10
www.kyoceramita.se



UNITED KINGDOM
KYOCERA MITA UK Ltd.
8 Beacontree Plaza, Gillette Way,
Reading, Berkshire RG2 OBS
Phone: +44 1189 311 500
Fax: +44 1189 311 108
www.kyoceramita.co.uk

KYOCERA MITA WORLDWIDE



JAPAN
KYOCERA MITA Corporation
(Head Office)
2-28, 1-Chome, Tamatsukuri, Chuo-ku,
Osaka 540-8585, Japan
Phone: +81 6 6764 3555
Fax: +81 6 6764 3980
www.kyoceramita.com



USA
KYOCERA MITA America, INC.
(Head office)
225 Sand Road, P.O. Box 40008
Fairfield, New Jersey 07004-0008, USA
Phone: +1 973 808 8444
Fax: +1 973 882 6000
www.kyoceramita.com/us

KYOCERA CORPORATION



JAPAN
KYOCERA CORPORATION
(Corporate Headquarters)
6 Takeda Tobadono-cho, Fushimi-ku
Kyoto 612-8501, Japan
Phone: +81 75 604 3500
Fax: +81 75 604 3501
www.kyocera.co.jp



