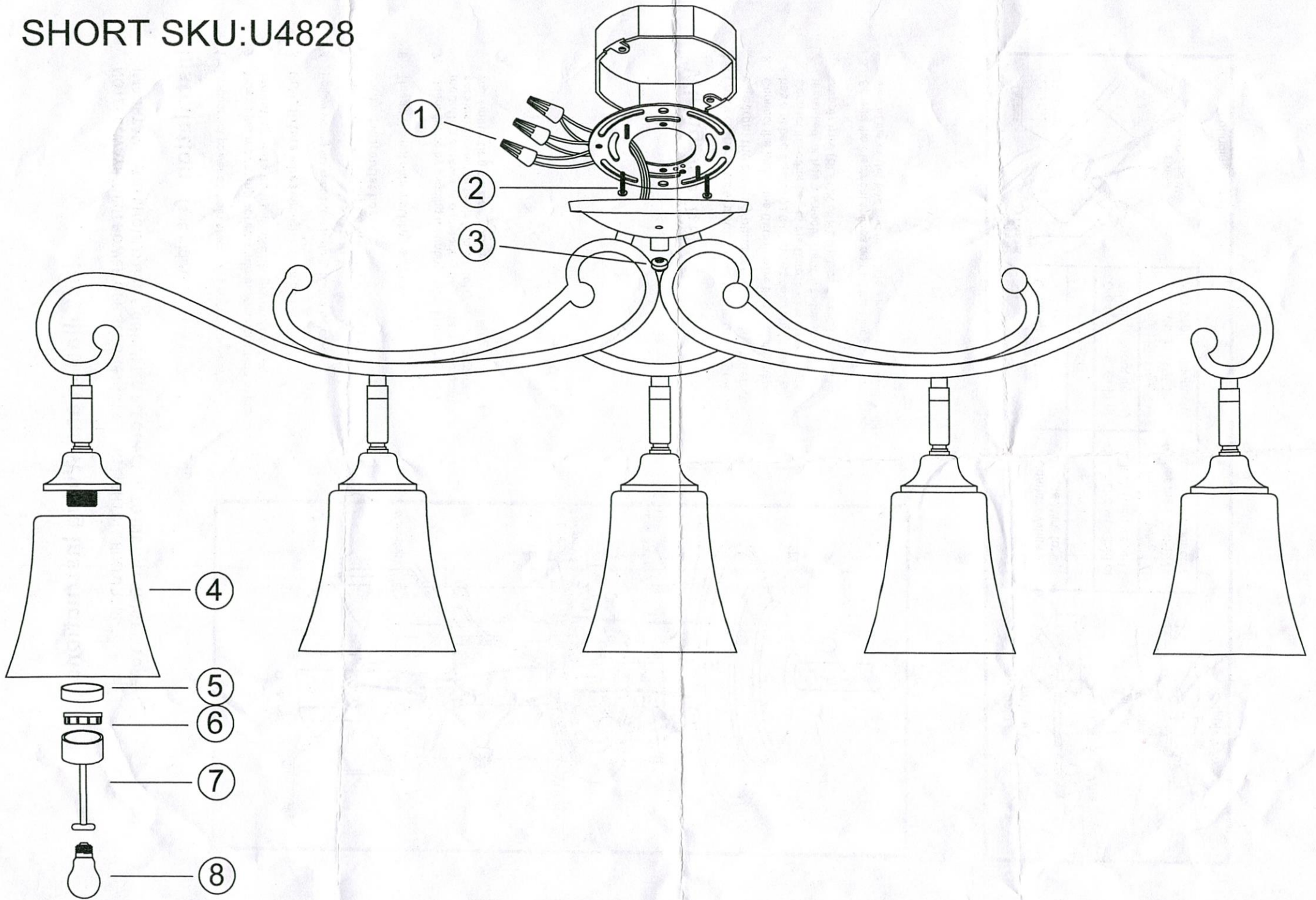


SHORT SKU:U4828



# Installation and Wiring Instructions

**NOTE: ALWAYS TURN POWER OFF BEFORE INSTALLING LIGHTING FIXTURES!**  
**IMPORTANT: YOU SHOULD USE A QUALIFIED ELECTRICIAN TO INSTALL THIS FIXTURE.**

## Installation (see Fig.A)

1. Disconnect power at main electrical panel before installation.
2. Thread the **mounting screws** into the opposite side of the **mounting plate** from the **GREEN ground screw**.
3. Guide **fixture wires** through hole in center of **mounting plate**.
4. Follow wiring instructions carefully (listed below).
5. Attach **mounting plate** to **outlet box** using **box screws** provided with **outlet box**.
6. Thread **Hexnut** onto **mounting screws**.
7. Mount fixture by aligning **mounting holes** in **canopy** with **mounting screws** and **threading ball nuts** onto **mounting screws**. Tighten to firmly hold **canopy** in place against wall (**mounting screws** may require adjustment).

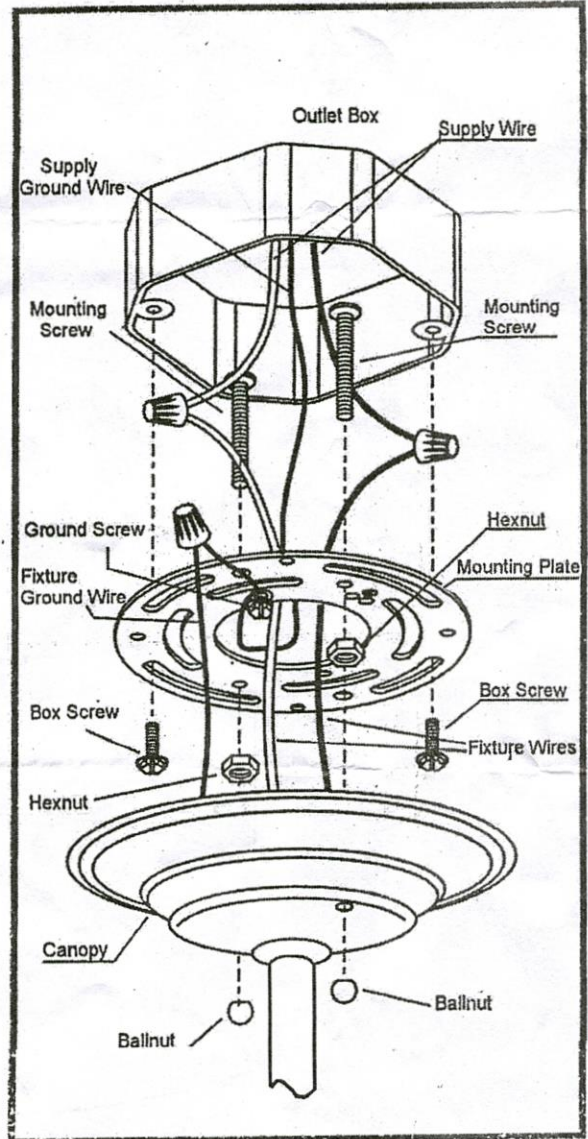


Fig. A

## Wiring (see Fig.B)

1. Connect the **fixture ground wire** to the **outlet ground wire** from the **green ground screw** with the **wirenut**.
2. Connect the half of the **fixture wire** that is **white**, marked, or has a **ribbed surface** to the **outlet box supply wire (WHITE)**. Connect the other half of the **fixture wire** that is **black**, unmarked, or has a **smooth surface** to the **outlet box supply wire (BLACK or RED)**. Use **wirenuts** provided.
3. Spread the electrical splices so that the **black wire** are on one side of the **outlet box** and the **white wire** are on the other side.

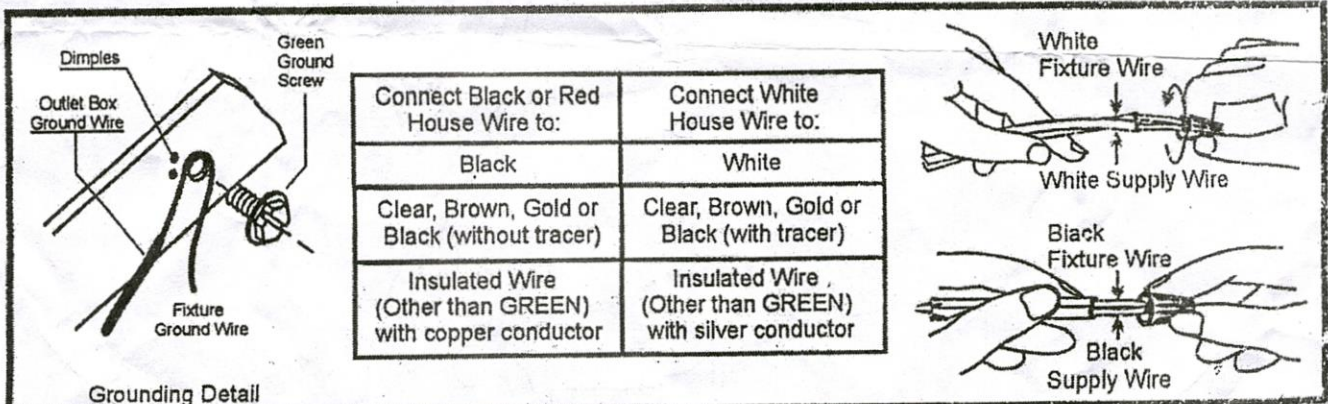


Fig. B