

HP Designjet 4500 Printer series



Maximize productivity with the HP Designjet 4500 Printer series: Large input and output capacity for unattended printer operation plus optional high performance scanning/copying make it the ideal color production system for technical applications.



Unattended color production at low cost

- **Large input and output capacity.** The HP Designjet 4500 Printer series has large, flexible input capacity, with two rolls to allow for different media types or sizes, as well as fast automatic roll switching and long roll support up to 500ft (US) and up to 175m (Europe). It also features large output capacity, with an optional stacker capable of flattening and stacking up to 200 plots.
- **New HP 90 Extra-large 775cc Black Ink Cartridge and 3-ink Cartridge Multipack.** The HP Designjet 4500 series provides greater convenience and fewer interruptions for environments that produce a high volume of line drawings. 3-Ink Cartridge Multipacks and Value packs for each color lower the overall printer costs.
- **No need for trimming with small margin printing.** Ready-to-use prints: The HP Designjet 4500 Printer series creates CAD prints with 0.2in/5mm margins, so there's no need for trimming.
- **Low support costs.** Count on the world-renowned reliability of HP printers and printing supplies to reduce your support costs and increase uptime.

Superior lines and images

- **Accurate lines and high image quality.** With the ability to deliver up to 2400 x 1200 dpi and 0.1% line accuracy, the HP Designjet 4500 Printer series creates sharp, professional-quality images. And patented dyebased color and pigment-based black HP inks produce accurate lines and images to perfect the job.
- **HP Professional color technologies.** The HP Designjet 4500 Printer series helps you get the right colors on the first print by employing a range of HP's Professional color technologies, including: enhanced sRGB printing and AdobeRGB, Closed Loop Color, TIFF and JPEG with embedded ICC profiles, offset emulation, HP CMYK Plus, Black Point compensation, and Pantone calibration (PS only).
- **Exceptional output quality enabled by HP media.** HP Universal Inkjet Bond paper features industry-leading whiteness for a value bond paper with crisp line resolution and high color-contrast prints. Use HP Super Heavyweight Plus Matte Paper to deliver ripple-free, photorealistic graphics at productive printer speeds and an affordable price and HP Universal Instant-dry Photo Media for immediate lamination and post-printing processing, saving time and money.

Double your print capacity ¹

- **HP Double Swath Technology - twice the performance in color and black and white.** ¹ Two long-life HP printheads for each color deliver a wide print swath and a higher firing frequency that enables fast printing. Get 2 D/A1-size prints in color and black and white in less than 1 minute² The embedded processor delivers fast, simultaneous processing and printing up to 100 D/A1-size prints per hour.³
- **Driverless multi-file printing.** Save time with the driverless multi-file printing workflow that is operating system independent and simply requires a TCP/IP connection and a standard Web browser. Experience support for a wide range of formats, including TIFF, JPEG, CALS/G4, HP-RTL, HP-GL/2, as well as Adobe® PostScript Level 3 and PDF 1.5 to help you quickly and accurately finish any job.
- **Fast, simultaneous processing.** Experience fast, simultaneous processing and printing thanks to the embedded processor. This robust series comes equipped with 256 MB of memory that can be expanded up to 512 MB for excellent performance on even your most complex jobs.

Easy-to-use integrated solution

- **Integrated copy system.** The integrated copy system of the HP Designjet 4500mfp features realtime printer, media, and queue information in the scanner user interface along with copy accounting in the printer, and copy job priority capability.
- **Outstanding copy and scan performance.** With scan speed of 3 inches per second color and 10 inches per second black and white, 2 D/A1-size prints in less than 1 minute², and excellent image quality (508 dpi optical resolution), the HP Designjet 4500mfp delivers outstanding copy and scan performance.
- **Remote printer management and extended accounting support.** The HP Designjet 4500 Printer series comes with the HP Embedded Web Server, which lets you remotely manage printer, ink, and media usage. Plus, you can generate detailed usage reports by job, user, project, or even type of print and automatically send them for remote usage tracking or easy and accurate billing.

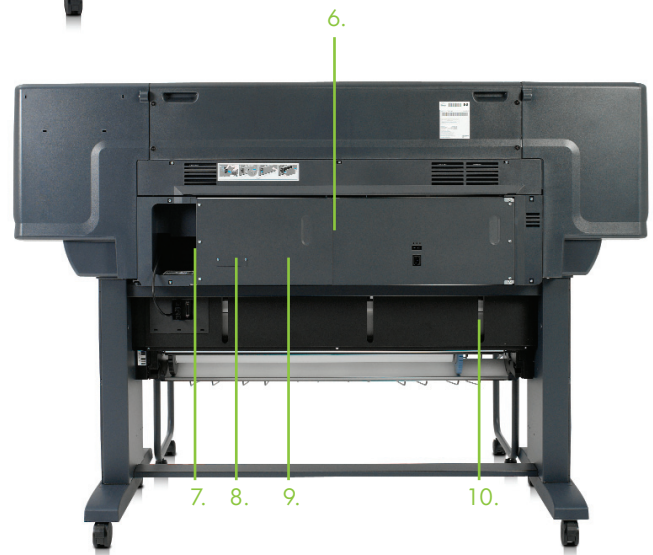
¹ Compared to any HP Designjet 600/700/800/1000 Printer series

² Mechanical printing time. Speed indicated is maximum printer speed; speeds may vary based on printing conditions.

³ Multi-copy printing; total printing time.

HP Designjet 4500 Printer series

1. Ink supplies of 225 and 400 ml for CMY, and 400 and 775ml for K.
2. Accommodates 2 media rolls with long roll support up to 575 ft/175m.
3. Front panel with user friendly animations.
4. Color consistency and screen-to-print matching with HP Professional Color technologies.
5. Pairs of staggered printheads in the carriage mean the HP Designjet 4500 Printer series has double the print capacity of earlier models.*
6. HP Embedded Web server for driverless file submission, queue management, preview, supplies and printer status and error notification.
7. HP Embedded Jetdirect Print Server 10/100BT + 2 IEEE1394 (FireWire) ports.
8. EIO port for optional Jetdirect cards.
9. Embedded processor for simultaneous printing and processing. 256 MB memory expandable to 512 MB and 40 GB hard disk.
10. Equipped with a standard bin that holds 25 D/A1-size prints. An optional stacker is capable of flattening and stacking up to 200 plots.



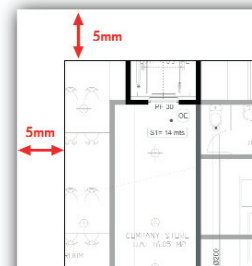
* Compared to any HP Designjet 600/700/800/1000 Printer series



HP large black ink cartridge



HP long media roll



5 mm margins



HP Double Swath Technology

HP Designjet 4500 Printer

- Up to 42"/1067 mm wide
- 2400 x1200 dpi maximum resolution
- Two media rolls with long roll support up to 575 ft/175 meter
- Ink supplies of 225 and 400 ml for CMY, 400 and 775 ml for K
- Embedded processor and 256 MB memory expandable up to 512 MB. 40 GB hard disk
- Support for HP-GL/2, HP RTL, TIFF, JPEG, CALS G4

HP Designjet 4500ps Printer

- All the features of the 4500 model, plus:
- Embedded RIP for Adobe® PostScript® Level 3, Adobe® PDF 1.5

HP Designjet 4500mfp Printer

- All the features of the 4500 model, plus:
- Embedded RIP for Adobe® PostScript® Level 3, Adobe® PDF 1.5
 - HP Designjet 4500 Scanner

Optional accessories

- HP Designjet 4500 Stacker
- HP Designjet 4500 Scanner (comes as standard with HP Designjet 4500mfp)
- HP Jetdirect 40d Gigabit Print server
- HP Designjet 4500 - 42in/1067mm Roll Feed Spindle
- High Speed USB 2.0 card
- 256 MB memory upgrade
- HP Jetdirect 620n LAN card

Optional service and support

- HP Installation Service (1 unit)
- HP Network Installation Service (1 unit)
- HP Next Business Day Onsite Hardware Support, 3 years
- HP 4 hour response 9x5 Onsite Hardware Support, 3 years
- HP 4 hour response 13x5 Onsite Hardware Support - onsite in 4 hours, 3 years
- HP Next Business Day Onsite Hardware Support, 1 year post warranty
- HP 4 hour response 9x5 Same-Day Onsite Hardware Support, 1 year post warranty
- HP 4 hour response 13x5

"With the Designjet 4500 you don't need to constantly check on the printer, instead you can do something else. We easily save 6 to 12 hours a week because of this."

John Jury,
Director, Reprograffix

Full flexibility from the HP Designjet 4500 Printer series



HP Designjet 4500/4500ps printer



HP Designjet 4500/4500ps printer
+ optional stacker



HP Designjet 4500mfp



HP Designjet 4500mfp + optional stacker



More functionality with the HP Designjet 4500mfp

With scan speed of 3 inches per second color and 10 inches per second black and white, 2 D/A1-size prints in less than 1 minute (*), and excellent image quality (508 dpi optical resolution), the HP Designjet 4500 Printer series delivers outstanding copy and scan performance.

The Designjet's integrated copy system features realtime printer, media, and queue info in the scanner user interface, copy accounting in the printer, and copy job priority capability.

Integration with the printer enables excellent copy quality and performance.

An easy-to-use touch screen, easy color calibration, and easy print settings for printing sets make scanning and copying exceptionally user friendly.

It is easy to integrate with a wide variety of industry leading third-party applications such as scan, raster-to-vector-conversion or document management.

* Mechanical printing time. Printed in Fast mode on HP Bright White Inkjet Paper (Bond). Speed indicated is maximum printer speed.

HP Designjet 4500 Stacker (optional)

The HP Designjet 4500 Stacker collects up to 200 D/A1 or E/A0 size plots and automatically flattens them, keeping them organized until you can gather them. Print unattended runs during business hours—and get more done—or overnight.

Free up production staff to work on multiple projects at once. The HP Designjet 4500 Stacker handles large black-and-white or color jobs without intervention. Unattended printing allows users to get more done.

Save time and collect your valuable, high-impact output as it prints with the HP Designjet 4500 Stacker. When you're ready to gather your output, it will be organized and waiting for you.

Neatly and cleanly collects all sizes and weights of printable media supported by the HP Designjet 4500 Printer series*, including HP Universal Inkjet Bond paper, HP Super Heavyweight Plus Matte Paper, and HP Universal Instant-dry Photo Media.

* Stacker performance may vary depending on the media used.

HP Designjet 4500 Printer series

Technical specifications

Print speed	25 sec D/A1-size α , 93 sqm/hour α , 1000 sqft/hour α , up to 100 D/A1-size prints per hour α	
Resolution, maximum	Up to 2400 x 1200	
Line accuracy	+/- 0.1%	
Print margins	0.2 in/5 mm (Small); 0.45 in/11.5 mm (Normal); 2.1 in/55 mm (Extended)	
Printer media	All paths: up to 0.157 in/0.4 mm	
Thickness (by paper path)	All paths: 0.11 to 0.72 lb/50 to 328 g/m ²	
Size	Rolls up to 42 in/1067 mm wide	
Printing	HP Thermal Inkjet	
Technology	HP Color Layering technology, HP PhotoREt III	
Technology resolution	Black, cyan, magenta, yellow	
Print cartridge colors	Black pigmented, CMY dye based	
Ink types	5 pl color, 15 pl black	
Scan	Color (200 dpi): 3in/sec (76mm/sec); Black & white (200 dpi): 10in/sec (245mm/sec)	
Speed	Best Mode: black&white 300 x 300 dpi, color 300 x 300 dpi	
Resolution	Normal Mode: black&white 200 x 200 dpi, color 200 x 200 dpi	
Max. Scan Width	42in/1067mm	
Max. Scan Thickness	0.6 in /15 mm	
Copying	300 x 300 dpi	
Copy Resolution	1 to 10,000%	
Reduction/Enlargement	99	
Maximum Copies	Type of original, image crop and align preview, lightness, saturation and RGB controls, sharpen/blur, mirror copy, enlarge/reduce, paneling, tiling, nesting, and accounting	
Copier Settings	256 MB (upgradeable to 512 MB), 40 GB hard disk	
Memory	Two automatic rolls, automatic roll-switching, automatic cutter	
Media Handling	Straight-through scan paper path for sheet and cardboard originals, output basket	
Media Types	Paper (plain, inkjet, coated, heavyweight coated, super heavyweight coated, semi-glass, glossy, translucent bond, natural tracing, photo, vellum), film. Non-abrasive paper, vellum, mylar, sepia, blueprints, plastic, film, plastic laminate, foam board, cardboard, no plywood, no stone plates, no metal plates nor abrasive dirty, rough, sharp edged, metal clamped, burned surfaces	
Printers	Paper (plain, inkjet, coated, heavyweight coated, super heavyweight coated, semi-glass, translucent bond, natural tracing, photo, vellum) ⁴	
Scanner ³	1 EIO slot, embedded Jeldirect, Fast Ethernet (10/100 Mbps), FireWire (IEEE 1394a-compliant)	
Connectivity	1 Fast Ethernet 10/100 Base-TX	
Interfaces Standard: Printers	HP Jetdirect 620n LAN Card, HP Jeldirect 40d Gigabit Print Server for the HP Designjet 4000 Printer series, HP Designjet 4000 Printer series Hi-speed USB 2.0 card	
Interfaces Standard: Scanner ³	HP-GL/2, HP-RTL Windows drivers, PS Windows drivers (HP Designjet 4500ps & HP Designjet 4500mpf only), ADI driver for AutoCAD R14, support for AutoCAD 200x, support for Citrix MetaFrame environment, PS driver for Mac OS X v. 10.2.8, 10.3, 10.4	
Print languages (standard)	HP-GL/2, HP-RTL, TIFF, JPEG, CALS-G4	
HP Designjet 4500 Printer	Adobe PostScript Level 3, Adobe PDF 1.5, HP-GL/2, HP-RTL, TIFF, JPEG, CALS-G4	
HP Designjet 4500ps Printer & HP Designjet 4500mpf		
Dimensions (h x d x w)	76 x 31.5 x 53.2 in /1930 x 800 x 1350 mm	
Maximum Printer	70.8 x 40.2 x 54.3 in/1800 x 1020 x 1380 mm	
Maximum Scanner	83.9 x 30.5 x 52 in (EMEA), 83.9 x 30.5 x 74.4 in (CA, LAR, NA, AP) / 2130 x 775 x 1320 mm (EMEA), 2130 x 775 x 1890 mm (CA, LAR, NA, AP)	
Shipping printer	75.2 x 27.2 x 28.7 in /1910 x 690 x 730 mm	
Shipping scanner ³		
Weight	408 lb/185 kg	
Printers	209.5 lb/95 kg	
Scanner ³	501.1 lb (EMEA), 600.3 lb (CA, LAR, NA, AP) /227.3 kg (EMEA), 272.3 kg (CA, LAR, NA, AP) Shipping, scanner3: 321.9 lb /76 kg	
What's in the box	HP Designjet 4500/4500ps	
HP Designjet 4500/4500ps	HP Designjet 4500 Printer, stand and basket assembly, Roll Module, Setup Poster, Documentation & Drivers CD, Quick Reference Guide and holder, media sample, maintenance kit, power cord, 3" pin-disk adaptor (4), printheads (8), printhead cleaners (8), ink cartridges (4), ink cartridge insert, ink printhead insert, Customer Service Guide	
HP Designjet 4500mpf	All the features mentioned above, plus HP Designjet 4500 Scanner, Stand and basket assembly, Graphical Display, Keyboard, Power cables, FireWire cables (X2), Media guides (X2), Maintenance sheet, System recovery DVD, Maintenance kit, Plastic dust cover, Scanner Setup Poster, Scanner Quick Reference Guide, Customer service guide	

(1) Mechanical printing time. Printed in fast mode on HP Bright White Inkjet paper (Bond). Speed indicated is maximum printer speed.
 (2) Multi-copy printing. Printed in Fast mode on HP Bright Inkjet paper (Bond). Speed indicated is maximum printer speed.

(3) HP Designjet 4500mpf only.
 (4) The HP Designjet 4500 Stacker series does not support films, including HP Clear Film and HP Matte Film or other media with long drying time

Environmental ranges

Operating temperature	41 to 104° F/5 to 40° C
Recommended operating temperature	59 to 86° F/15 to 30° C
Storage temperature	-4 to 131° F/-20 to 55° C
Operating humidity	20 to 80% RH
Recommended humidity	25 to 75% RH

Acoustic

Sound pressure, active	46 dB(A)
Sound pressure, standby	41 dB(A)
Sound power, active	6.3 B(A)
Sound power, standby	5.8 B(A)

Power consumption

Maximum	500 watts, 800 watts ³
---------	-----------------------------------

Power requirements

Printers	Input voltage 100 to 127 VAC (+/- 10%), 6 amp; 220 to 240 VAC (+/- 10%), 3 amp; 50/60 Hz (+/- 3 Hz); auto range
Scanner	100 to 240 VAC (+/- 10%), auto range, 50/60 Hz, 5 amp maximum ³

Power certification

Safety certification	Compliant with IEC 60950, including EU LVD and EN60950, CSA-certified for US and Canada, Mexico NYCE, Argentina IIRAM, Singapore PSB, Russia VNIIS, NEMKO, China CCC, Taiwan BSMI
----------------------	---

Electromagnetic compatibility	Compliant with Class A requirements, including EU (EMC Directive), US (FCC rules), Canada (DoC), Australia (ACA), New Zealand (MoC), Japan (VCCI), Korea (MIC), Taiwan (BSMI) Yes, No ³
-------------------------------	--

Energy Star compliant	One-year next-business-day on-site
-----------------------	------------------------------------

Warranty

Service and support

Care packs	UD631A/E: 3 year Next-Day Onsite - onsite next day support
HP Designjet 4500 and 4500ps	UD634A/E: 3 year 9x5 Same-Day Onsite - onsite support in 4 hours
	UD637A/E: 3 year 13x5 Same-Day Onsite - onsite support in 4 hours
	UD640PA/PE: Next day onsite - 1-Year post warranty
	UD641PA/PE: 9x5 Same-day onsite - 1-Year post warranty
	UD642PA/PE: 13x5 Same-day onsite - 1-Year post warranty
	UD644A/E: 3 year Next-Day Onsite - onsite next day support
	UD647A/E: 3 year 9x5 Same-Day Onsite - onsite support in 4 hours
	UD694A/E: 3 year 13x5 Same-Day Onsite - onsite support in 4 hours
	UD897PA/PE: Next-day onsite - 1-Year post warranty
	UD898PA/PE: 9x5 Same-day onsite - 1-Year post warranty
	UD899PA/PE: 13x5 Same-day onsite - 1-Year post warranty

HP Designjet 4500mpf	
----------------------	--

Energy Star® Energy Star logo® are US registered marks of the United States Environmental Protection Agency. Microsoft and Windows are U.S. registered trademarks of Microsoft Corporation. Adobe® and Adobe®PostScript® 3™ are trademarks of Adobe Systems Incorporated. AutoCAD is a U.S. trademark of Autodesk, Inc. © 2004 Hewlett-Packard Development Company, L.P. The information contained herein is subject to change without notice. The only warranties for HP products and services are set forth in the express warranty statements accompanying such products and services. Nothing herein should be construed as constituting an additional warranty. HP shall not be liable for technical or editorial errors or omissions contained herein.



Ordering information

Product

Q1271A	HP Designjet 4500 Printer
Q1272A	HP Designjet 4500ps Printer
Q1276A	HP Designjet 4500mpf

Accessories

Q5676A	HP Designjet 4500 - 42 inch Roll Feed Spindle
Q5680A	HP Designjet 4000 series High Speed USB 2.0 Card
Q5673A	HP Designjet 4000 series 256 MB Memory Upgrade
Q5677A	HP Designjet 4500 Stacker
J7934A	HP Jetdirect 620n LAN card
Q5679A	HP Jeldirect 40d Gigabit Print Server for the Designjet 4500 series
Q1277A	HP Designjet 4500 Scanner, Stand and basket assembly, Graphical Display, Keyboard, Power cables, FireWire cables (X2), Media guides (X2), Maintenance sheet, System recovery DVD, Maintenance kit, Plastic dust cover, Scanner Setup Poster, Scanner Quick Reference Guide, Customer service guide
Ink supplies	
C5054A	HP 90 Black Printhead and Cleaner
C5055A	HP 90 Cyan Printhead and Cleaner
C5056A	HP 90 Magenta Printhead and Cleaner
C5057A	HP 90 Yellow Printhead and Cleaner
C5058A	HP 90 Black Ink Cartridge, 400 ml
C5059A	HP 90 Black Ink Cartridge, 775 ml
C5060A	HP 90 Cyan Ink Cartridge, 225 ml
C5061A	HP 90 Cyan Ink Cartridge, 400 ml
C5062A	HP 90 Magenta Ink Cartridge, 225 ml
C5063A	HP 90 Magenta Ink Cartridge, 400 ml
C5064A	HP 90 Yellow Ink Cartridge, 225 ml
C5065A	HP 90 Yellow Ink Cartridge, 400 ml
C5078A	HP Black Value Pack (Printhead & Cleaner + 400 ml Ink Cartridge)
C5079A	HP Cyan Value Pack (Printhead & Cleaner + 400 ml Ink Cartridge)
C5080A	HP Magenta Value Pack (Printhead & Cleaner + 400 ml Ink Cartridge)
C5081A	HP Yellow Value Pack (Printhead & Cleaner + 400 ml Ink Cartridge)
C5082A	HP 90 Black 3-Ink Cartridge Multipack (3 x 400 ml)
C5083A	HP 90 Cyan 3-Ink Cartridge Multipack (3 x 400 ml)
C5084A	HP 90 Magenta 3-Ink Cartridge Multipack (3 x 400 ml)
C5085A	HP 90 Yellow 3-Ink Cartridge Multipack (3 x 400 ml)
C5095A	HP 90 Black 3-Ink Cartridge Multipack (3 x 400 ml)
C5096A	HP 90 Black Printhead Cleaner

Media supplies

C6810A	HP Bright White Inkjet Bond Paper (36 in x 300 ft/914 mm x 91.4 m)
S1642B	HP Matte Film (36 in x 125 ft/914 mm x 38 m)
Q8084A	HP Natural Tracing Paper (36 in x 150 ft/914 mm x 45.7 m)
Q8085A	HP Translucent Bond (36 in x 150 ft/914 mm x 45.7 m) NA, LA, AP
C6980A	HP Coated Paper (36 in x 300 ft/914 mm x 91.4 m)
C6300C	HP Heavyweight Coated Paper (36 in x 100 ft/914 mm x 30.48 m)
Q1956A	HP Heavyweight Coated Paper (42 in x 225 ft/1067 mm x 68.58 m) NA & EMEA
Q6576A	HP Universal Instant Dry Photo Gloss (42 in x 100 ft/1067 mm x 30.48 m)
Q6581A	HP Universal Instant Dry Photo Semi-Gloss (42 in x 100 ft/1067 mm x 30.48 m)
Q8004A	HP Universal Inkjet Bond Paper (A1: 594 mm x 915 mm) EMEA & JP
Q8002A	HP Universal Inkjet Bond Paper (36 in x 500 ft/914 mm x 152.4m)
Q8005A	HP Universal Inkjet Bond Paper (A0, 841 mm x 915 mm) EMEA & JP
Q1398A	HP Universal Inkjet Bond Paper (42 in x 150 ft/1067 mm x 46.7 m) NA, EMEA, AP
Q1406A	HP Universal Coated Paper (42 in x 150 ft/1067 mm x 46.7 m)
Q1414A	HP Universal Heavyweight Coated Paper (42 in x 100 ft/1067 mm x 30.48 m) NA, EMEA, AP
Q6627A	HP Super Heavyweight Plus Matte Paper (36 in x 100 ft/914 mm x 30.58 m) NA, EMEA, AP
Q6628A	HP Super Heavyweight Plus Matte Paper (42 in x 100 ft/1067 mm x 30.48 m) NA, EMEA, AP

For more information, visit our website at

www.hp.com/go/designjet4500

