



Service Manual

**HP Designjet
4500/4520
Printer series**



For HP Internal Use Only Warranty

©Copyright Hewlett-Packard Company 2009

This document contains proprietary information that is protected by copyright. All rights are reserved. No part of this document may be photocopied, reproduced, or translated to another language without the prior written consent of Hewlett-Packard Company.

5th Edition, March 2009

The information contained in this document is subject to change without notice.

Hewlett-Packard makes no warranty of any kind with regard to this material, including, but not limited to, the implied warranties of merchantability and fitness for a particular purpose.

Hewlett-Packard shall not be liable for errors contained herein or for incidental or consequential damages in connection with the furnishing, performance, or use of this material.

WARNING

The procedures described in this manual are to be performed by HP-qualified service personnel only.

Electrical Shock Hazard

Serious shock hazard leading to death or injury may result if you do not take the following precautions:

- Ensure that the ac power outlet (mains) has a protective earth (ground) terminal.
- Disconnect the Printer from the power source prior to performing any maintenance.
- Prevent water or any other liquids from running onto electrical components or circuits, or through openings in the enclosure.

Electrostatic Discharge

Refer to the beginning of Chapter 4 of this manual, for precautions you should take to prevent damage to the Printer circuits from electrostatic discharge.

Safety Symbols

General definitions of safety symbols are given immediately after the table of contents.

WARNING

The Warning symbol calls attention to a procedure, practice, or the like, which, if not correctly performed or adhered to, could result in personal injury. Do not proceed beyond a Warning symbol until the indicated conditions are fully understood and met.

CAUTION

The Caution symbol calls attention to an operating procedure, practice, or the like, which, if not correctly performed or adhered to, could result in damage to or destruction of part or all of the product. Do not proceed beyond a Caution symbol until the indicated conditions are fully understood and met.

Content Management Department,
Barcelona Division,
Hewlett-Packard Espanola, S.A.
Avda. Graells, 501
08190 Sant Cugat del Valles
Spain



Service Manual

**HP Designjet
4500/4520
Printer series**

Using this Manual

Purpose

This Service Manual contains information necessary to test, calibrate and service:

- HP Designjet 4500 printer (Model Q1271A)
- HP Designjet 4500ps printer (Model Q1272A)
- HP Designjet 4500 mfp (Model Q1276A)
- HP Designjet 4520 printer (Model CM767A)
- HP Designjet 4520ps printer (Model CM768A)
- HP Designjet 4520 mfp (Model CM769A)

For information about using these printers, refer to the corresponding User and Quick Reference Guides.

Readership

The procedures described in this Service Manual are to be performed by HP Certified service personnel only.

Part Numbers

Part Numbers for Printer options, accessories and service parts are located in Chapter 7.

Conventions

A small arrow \Rightarrow is used to indicate other parts of the Service Manual where you can find information related to the topic you are consulting.

In some sections of this Service Manual you may see images which include parts of the HP Designjet 4000 Printer series; these areas of the image can be ignored.

Table of Contents

Troubleshooting 1-1

System Error Codes 2-1

Ink Supplies Troubleshooting 3-1

Diagnostic Tests and Utilities 4-1

Service Calibrations 5-1

Print Quality 6-1

Parts and Diagrams 7-1

Removal and Installation 8-1

Preventive Maintenance 9-1



--	--

Troubleshooting

1

Introduction	1-2
Troubleshooting System Error Codes	1-2
Performing a Service Test on a Failed Assembly	1-2
Performing the Necessary Service Calibrations	1-3
Solving Print Quality Problems	1-3
The Printer does not Power ON	1-3
The Printer Continuously Rejects Printheads	1-3
Cover Sensors are not Working	1-3
Troubleshooting Media Jams/Printhead Crashes	1-4
The Line Sensor has Problems Detecting Media	1-4
Troubleshooting Shutdowns	1-5
Vacuum suction much lower at high altitudes	1-6
Banding at variable extreme environmental conditions	1-6
Printhead Crashes/Smears on High Density Prints Using Coated Media	1-6
Banding due to Ink Cartridge replacement while printing	1-7
34" Rice Paper not supported	1-7
Cut Sheet rice paper loading failure	1-7
Worm marks on HP Coated media with light area fills	1-7
Problems Loading Media into Roll Module 2	1-9
Using the Buzzer at Power-up to Troubleshoot	1-13
Using the Power-up Sequence to Troubleshoot	1-15
Using the Power Switch LEDs to Troubleshoot	1-18
Using the PCA LEDs to Troubleshoot	1-19
How to Interpret the Service Information Pages	1-22
Current Media, Printhead and Ink Information	1-23
Printer Usage Information	1-25
Event Logs	1-28
Calibrations Status	1-29

Guide to Troubleshooting the Printer

Introduction

This chapter will guide you through the relevant steps to take when troubleshooting the printer.

Troubleshooting System Error Codes

Chapter 2 - *System Error Codes* contains a list of system error codes and their respective descriptions and recommended corrective actions. Only try one recommended action at a time and check if the error code has disappeared.

If you have an error code which is not documented in this Service Manual or you have an error which you cannot resolve, then report the error to the HP Response Center or the nearest HP Support Office. When reporting the error, have the following information ready:

- Model and Serial Number of the printer.
- Which firmware revision the printer is using (See Note below). Check firmware in *Utilities / Statistics / Code rev.*
- The complete error number (See Note below).
- The Service Configuration Print.
- The Current configuration sheet.
- Which software application the customer is using (name, version, etc.).

When reporting the System Error Code, make sure that you supply the full Error Code and the firmware version. Without this information, HP Support Personnel cannot help you.

Performing a Service Test on a Failed Assembly

If possible, always perform a Service Test on the component/assembly that you are about to replace, just to make sure that is the component/assembly that has failed.

If the test on that component/assembly passes, you should NOT replace it.

For information on the Service Tests and how to use them see Chapter 4 - *Diagnostic Tests and Utilities*.

Performing the Necessary Service Calibrations

Is the printer calibrated correctly after replacing a component? For information on the Service Calibrations and how to use them see Chapter 5 - *Service Calibrations*.

Remember that certain Calibrations are required even if an Assembly has been disassembled to gain access to another Assembly or Component.

Solving Print Quality Problems

Whenever a Print Quality problem appears, it is advisable to print the Diagnostic Print to help diagnose the problem. The Diagnostic Print will help you differentiate between possible printhead errors and other problems such as incorrect front-panel selection, driver or RIP configuration or mechanical problems. For information on solving Print Quality problems see Chapter 6 - *Print Quality*.

The Printer does not Power ON

- 1 Check that the power cord is connected correctly to the Printer and to the Power Socket.
- 2 Check that the Power Switch on the BACK of the Printer is in the ON position.
- 3 Check to see if any of the LEDs on the Power Switch are On. If any of the LEDs are On, then refer to Page 1-18 for more information.
- 4 Check that the Front-Panel Cable is correctly connected to the Electronics Module. Also make sure that the Front-Panel cable is not damaged.
- 5 Replace the Power Supply Unit ⇒ Page 8-120.

The Printer Continuously Rejects Printheads

- 1 Clean the flex contacts on the Printhead and in the Carriage Assembly using the Carriage Interconnect Wiper (Refer to Chapter 3) and try again.
- 2 If ALL the Printheads are rejected (the status message on the Front Panel does NOT show "OK" for ALL the Printheads) then perform the Electronic Systems Test ⇒ Page 4-32.

Cover Sensors are not Working

- 1 Perform the Sensors Test ⇒ Page 4-43.
- 2 Check if the cable for the faulty sensor is not damaged and is connected correctly.
- 3 Replace the faulty Sensor.

The Line Sensor has Problems Detecting Media

- 1 Check the type of media that is being used since the Line sensor may have problems detecting transparent media or some types of Non-HP media. Try loading white HP media in to the Printer and check if the Line sensor detects it.
- 2 Excessive ink deposits on the Platen surface can fool the sensor by reflecting the light. Clean the Center Platen.
- 3 The Line Sensor is not calibrated correctly. Perform the Line Sensor Calibration ⇒ Page 5-16.
- 4 The Line Sensor is damaged or faulty. Replace the Line Sensor ⇒ Page 8-133.

Troubleshooting Media Jams/Printhead Crashes

If using HP Coated Media when problem occurred, please also refer to Page 1-6.

The failure modes "media jam" and "head crash" are grouped together because in many cases a media jam causes the media to lift up into the Carriage path and cause a Printhead crash, thus causing many media jam failures to be reported as head crashes.

- 1 Did the media jam occur when loading media?
 - If the client has had media jams, it is common for pieces of media to get stuck in the media path. Clear the media path.

When clearing a media jam, sometimes media is stuck in the paper path. To clear this, you must lift the Pinchwheel Lever and insert thicker media into the paper path to push out the media that is still stuck there.

- 2 Is the customer using non-HP media?
 - The use of non-HP media can easily be the cause of media jams and head crashes (especially head crashes because HP media is specially formulated to avoid cockle, one of the primary causes of head crashes). If the media is not HP approved, advise the customer to use HP media and check to see if the problem is now solved.
- 3 Check that the Vacuum Fan works correctly.

Troubleshooting Shutdowns

If a shutdown occurs, you will get the message "Switch Power Off" followed by:

- Check Printhead Cleaner Path.
- Check Paper Path.
- Check Printhead Path (followed by (1), (2) or (3)).

A shutdown in each path will require different steps to resolve the problem as explained as follows.

In each case, make sure that you power OFF the printer before attempting any procedures to resolve the problem.

Printhead Cleaner Path

Open the right door of the printer and check for any visible obstacles restricting the movement of the Service Station. Manually move the Service Station, checking for smooth and free movement.

Paper Path

- 1 Open the Window and check for any visible obstacles restricting the movement of the Drive Roller. If there is a wrinkled mass of media inside the paper path, lift the Pinch wheels (using the Media Load Handles) and clear the obstruction.
- 2 If this shutdown happens at the end of a Roll of Media, it could be because the media is stuck firmly to the Roll. Lift the Pinch wheels (using the Media Load Handles) and pull the media clear.
- 3 Replace media spindle if broken.
- 4 Replace the Media-Axis Motor ⇒ Page 8-98.

Printhead Path

When a shutdown occurs in the Printhead path, you will get the message "Switch Power Off / Check Printhead Path (*). The (*) will be a number, which will give an indication on where the failure occurred:

PWM Shutdown (1) and Energy Shutdown (3)

- 1 Clean Slider Rods and Apply Oil along the complete axis of the Slider Rods. After applying the Oil, perform the Scan-Axis Test ⇒ Page 4-7 and check that the values are within the given limits.
- 2 Replace the Scan-Axis Motor ⇒ Page 8-95.

Velocity Shutdown (2)

- 1 Open the Window and check for any visible obstacles restricting the movement of the Carriage Assembly. Try and move the Carriage Assembly manually, checking for smooth and free movement.
- 2 Check that the Encoder Strip is clean. If necessary, clean Encoder Strip using a damp cloth.

Vacuum suction much lower at high altitudes

At altitudes above 3,000 meters, the vacuum force holding down the media will be lower, therefore the media will not be held in place properly causing:

- Ink Smearing on the Media.
- Printhead crashes against the Media.
- Cut Sheet loading problems (high probability).
- Roll Media loading problems (low probability).

PRINTER LIMITATION - NO SOLUTION AVAILABLE.

Banding at variable extreme environmental conditions

Since the Accuracy Calibration has been done at normal environmental conditions, printing in extreme environmental conditions will cause banding because the advance of the Drive Roller does not correspond to the same conditions that the calibration was done in. To solve the problem, try the following:

Perform the Accuracy Calibration in the new environmental conditions (Refer to the User's Guide).

Printhead Crashes/Smears on High Density Prints Using Coated Media

High density prints can cause cockle mainly on HP Coated Media. This causes two main problems:

1. Cockling in the borders - Because the printer places too much ink on the Coated Media, the borders of the print become raised, causing the Printhead to crash against the media. To solve the problem, try the following:
 - Change the paper margins to 15mm, either in the Front Panel or in the Driver. If the customer is printing PostScript images, send them a PPD file containing the extended margins of 15mm.
2. Cockling within the print - If the Printer places too much ink within the print, the media starts to ripple, causing the Printhead to smear against the media. To solve the problem, try the following:
 - Check in the Front Panel if **Ink Limiting** is ON or OFF. If Ink Limiting is OFF, turn it ON.
 - Never use HP Coated Media for High Density prints. As a substitute use HP Heavy Coated Media.

Banding due to Ink Cartridge replacement while printing

A user has removed the Ink Cartridge while the printer was printing, which has caused the printer to stop. If the user does not replace the Ink Cartridge immediately, when the printer starts to print again, a band will appear in the position where the printing restarted. This is because the wet ink interacts with the dried ink on the media causing the band to appear. To solve the problem, try the following:

- Do NOT remove the Ink Cartridge while the Printer is Printing. Only replace/remove Ink Cartridges in between Prints.
- If the Ink Cartridge was replaced due to the "Empty" status on the Front Panel, then advise the customer to replace the Ink Cartridge when the "Very Low" status is showing on the Front Panel.
- Reprint the file (without remove the Ink Cartridge).

34" Rice Paper not supported

Roll length is 34" (Non-standard) and the pinch wheels can't control edge of media causing ink smears and Printhead crashes in middle of prints with or without area fills.

PRINTER LIMITATION - NO SOLUTION AVAILABLE.

Cut Sheet rice paper loading failure

Thin rice paper is sucked into the Center Platen grooves and Linear Blade Ridge. This implies that the friction between the Center Platen and the rice paper becomes higher than between the Overdrive wheels and the paper. This effect make it almost impossible to load the rice paper correctly because the Vacuum is too high.

PRINTER LIMITATION - NO SOLUTION AVAILABLE.

Worm marks on HP Coated media with light area fills

Light bands (S-shaped) in Paper axis direction where light area fills are printed, causing unacceptable Image Quality defect.

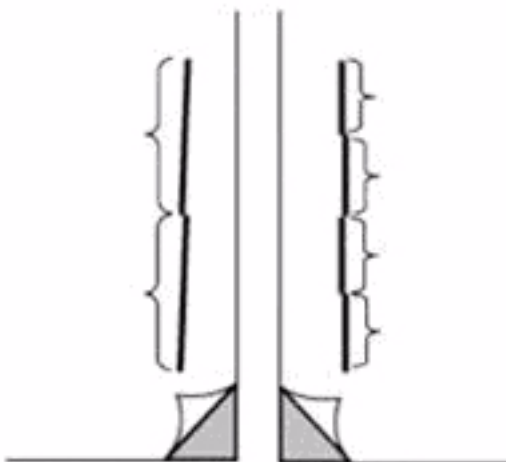
- Print the Service Configuration Print and check if the level of Humidity is very low (below 30%). Increasing humidity may help in reducing the severity of the problem.

The media is causing the problem and NOT the Printer. Do not attempt to try and replace Printer parts to solve this problem.

Vertical lines are not straight

Vertical Line Skew (VLS) is an issue seen where the vertical lines of an image are not vertically straight. This issue can be seen most most apparently at the corners of an image, where the edge of the media tends

to make the inaccuracy of the lines more apparent. In severe case, such as in a CAD drawing for example, the lines are stepped, as shown here:



Perform the following steps in the order they appear. Only move on to the next step once you are sure that the VLS issue remains. Details on the following can all be found in the Service Manual or the User's Guide.

- 1** Check that you are using appropriate media settings for the type of media loaded (see User's guide and add-on flyers).
- 2** If a new media has been loaded and there is VLS, wait for the media to stabilize. The printer needs at least to have printed 3 meters of media before the printer can be considered as stabilized. After stabilization check to see if there is VLS.
- 3** An incorrect paper advance setting is a major contributor to VLS, perform the paper advance calibration.
- 4** Use a print mode with higher quality than the one you are using (Best, Maximum details ON...) this can improve the quality of the lines.
- 5** The print mode option "optimized for drawings" is the best selection for printing vertical lines.
- 6** The problem might be inherent in the image you are printing, try to improve it with an application such as Adobe PhotoShop or Illustrator.
- 7** The issue of VLS can easily be confused with another issue known as 'DECAP'. Check the service manual for Black printhead 'DECAP' problem.
- 8** Perform a printhead alignment and be sure to use the same media to print with as the one you have calibrated.
- 9** Replace the printheads. Only perform this step if all previous step have failed to solve the issue. Remember to calibrate printheads after replacement.
- 10** If the printer is still experiencing VLS replace the Carriage Assembly.

Problems Loading Media into Roll Module 2

The printer persistently rejects media when attempting to load from Roll Module 2 and the "Media edge not found" message is displayed.

The reason behind this is because the media is too far from the theoretical 'blue line' and does not fall into the media loading margin. The causes for that and its proposed solutions/workarounds are the following:

- 1 The screws that fix Roll Module 2 to the legs are not correctly assembled (they have been installed in positions different from what the set-up poster indicates).**

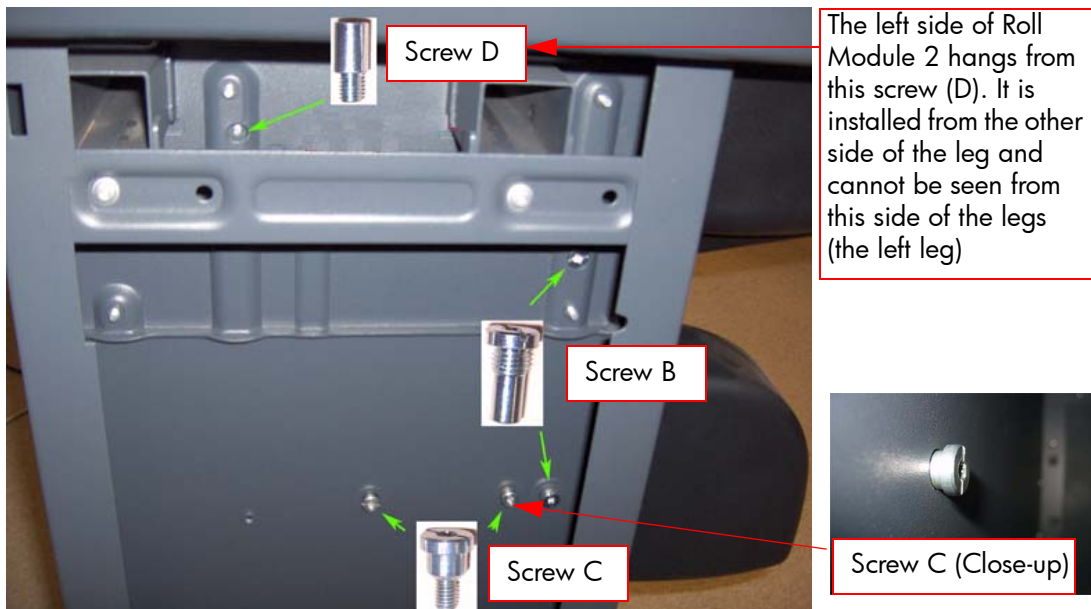
There are different types of screws used to assemble the Roll Module 2 to the legs. However, all of them have the same diameter, so it's physically possible to put the screws in the incorrect holes.

If that happens and the screws are not in the holes they should be, the Roll Module 2 will be fixed to the legs (and it will seem that it is correctly assembled) but due to the different lengths of the different screws, this will cause the module to become displaced by 1-2 mm to the left of its reference position, causing the printer to persistently reject loading media.

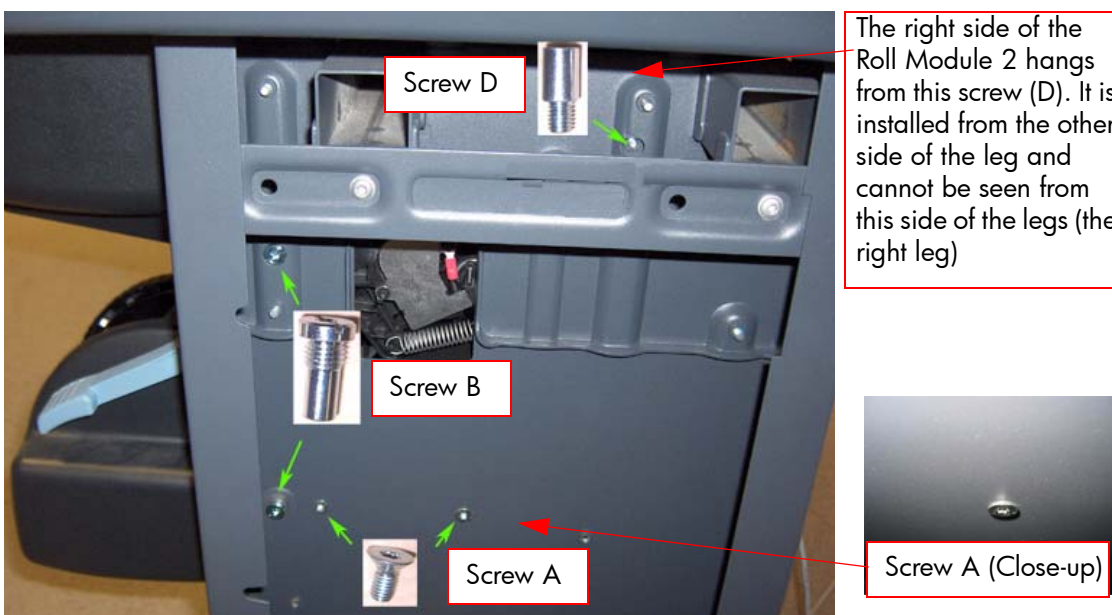
The following pictures show the screws that must be used to install the Roll Module 2 to the legs and where they go in their correct positions on the left and right legs:



Correct screw positions for the left leg (as if looking from the front).



Correct screw position for the right leg (as if looking from the front).



Solution for issues caused by incorrect assembly of the Roll Module 2 screws

- If the printer has already been assembled, the only solution is to remove the screws and place them in their correct position. It is not necessary to remove the Roll Module 2 from its position because of this, as it is fixed by the holder screws.
- To help prevent mistakes refer to the labels next to each hole which contains a drawing of the correct screw.

2 The printer's stand is deformed or displaced when installed against the printer.

If the legs are not correctly assembled (some screws are missing, the crossbrace is not tightened or the screws are not tight enough), it is possible that it can become deformed or displaced, this is true if some force is applied to it while the printer is blocked or vice versa, if some force is applied to the printer while the legs are blocked (for example, against a step). This is also true even when an assembled stand has been correctly assembled and the necessary deforming force has been applied.

Tests show that the contribution of this deformation to the displacement of Roll Module 2 can be as much as 4 mm (in incorrectly assembled stands where a strong force has been applied at the key points). This is the worst case. For other cases, the deformation should be much smaller.

Solutions:

- Make sure the firmware installed in the printer is the latest version.
- If the latest firmware does not provide enough margin, the solution is to reposition the stand and the Roll Module 2:
 - In most cases it will be enough to loosen the screws, reposition the Roll Module 2, and tighten the screws again.
 - For extreme cases, it may be necessary to completely disassemble and

reassemble the Roll module 2 and the legs.

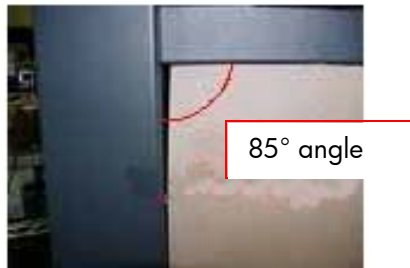
- In case the stand is visibly deformed, then replacing the legs may be necessary. This should only be necessary in very isolated cases
- One of the main contributors to having a deformed stand is an incorrect installation of the legs (especially when the legs and crossbrace are not perpendicular).
- You can see how to check if the legs are perpendicular and how to correct the issue if they're not in the pictures below:



- In the photo below there is a 90° angle between the legs and the crossbrace:



- Roll Module 2 and the crossbrace of the legs are not perpendicular to each other (no 90° angle) (incorrect). It needs to be fixed by loosening the screws, correcting the position of the stand and tightening the screws again:



Problems loading sheet media

Sheet media is only used in the HP Designjet 4500 printer for calibration purposes.

- The sheet must be loaded with the right-hand edge against the blue line on the Print Platen.
- The media may be crumpled or warped or may have irregular edges.
- If hand-cut media is used, the edges may not form a right-angle or they may be rough. If possible, hand-cut media should not be used. Only purchased sheet media should be used in the Printer.
- If the overdrive is covered in dust, it will have problems picking up the sheet media during the load process. Clean the Overdrive using the Turn Drive Roller Service Utility ⇒ Page 4-85.

Using the Buzzer at Power-up to Troubleshoot

As the Printer turns On, normally it does not make a "Beeping Sound" until completely initialized. If one or multiple beeps are heard during the power-up sequence, this indicates there is a problem in the Electronics Module. The table below troubleshoots the issue using the number of beeps heard.

Number of Beeps	Problem Description	Corrective Action
1	Processor absent	<ul style="list-style-type: none"> ■ Check the cable between the Power Supply Unit and the Main PCA is correctly connected or is not damaged. ■ Replace the Main PCA ⇒ Page 8-112.
2	Faulty Main PCA or PSU	<ul style="list-style-type: none"> ■ Check that the cable between the Power Supply Unit and the Main PCA is correctly connected or is not damaged. ■ Replace the Main PCA ⇒ Page 8-112. ■ Replace the PSU ⇒ Page 8-120.
3	Faulty Memory Module	<ul style="list-style-type: none"> ■ Check that the Memory Module is installed correctly. ■ Installing the Memory Module into the other memory slot and check if the problem remains. ■ If the problem remains replace the Memory Module ⇒ Page 8-110. ■ If the problem does NOT remain, the original slot could be faulty, in this case, replace the Main PCA ⇒ Page 8-112.
4	Front Panel	<ul style="list-style-type: none"> ■ Check that the Front Panel cable is not damaged and is correctly connected between the Front Panel and the Interconnect PCA. ■ Replace the Front Panel ⇒ Page 8-27 <p>This functionality is only available in the HP Designjet 4520. A future firmware release is anticipated to give this functionality to the HP Designjet 4500.</p>
5	Faulty PCI Card	<ul style="list-style-type: none"> ■ Replace the Main PCA ⇒ Page 8-112
6	BIOS Damaged	<ul style="list-style-type: none"> ■ Replace the Main PCA ⇒ Page 8-112
7	Main PCA damaged	<ul style="list-style-type: none"> ■ Replace the Main PCA ⇒ Page 8-112
8	Hard Disk Drive damaged or missing	<ul style="list-style-type: none"> ■ Remove the Main PCA Cover and (with the Printer switched On) check the HDD is turning (feel it turning when you touch it or at least hear it turning). If the HDD is not turning, then it could be damaged, replace the HDD ⇒ Page 8-111. ■ Ensure ALL cables are connected to the HDD and are not damaged. ■ Replace the HDD ⇒ Page 8-118 ■ Replace the Main PCA ⇒ Page 8-112

If the printer is turned On and the Power switch Amber LED is On but the printer turns itself Off after a few seconds during the initialization sequence, replace the CPU fan on the Main PCA ⇒ Page 8-112.

- Check that the cables between the Interconnect PCA and the Main PCA are not damaged and

are correctly connected.

- Check that the cable between the Power Supply Unit and the Main PCA is not damaged and is correctly connected.
- Replace the Interconnect PCA ⇒ Page 8-100
- Replace the Gamut PCA ⇒ Page 8-105

Using the Power-up Sequence to Troubleshoot

When the Printer is powered up, it performs the Boot-UP sequence which initializes the major components of the Printer. If for some reason the Boot-Up sequence fails because a component has failed to initialize, the following will help you to locate the failing component:



Step	Initialization Process
BULNEX KERNEL BOOT	
30	rc.sysinit rerun through initlog.
29	<ul style="list-style-type: none"> ■ Environmental variables PATH, NETWORKING, HOSTNAME set. ■ Source /etc/init.d functions.
28	<ul style="list-style-type: none"> ■ Fix console loglevel. ■ Mount /proc. ■ Dismount the initrd, if necessary. ■ Configure kernel parameters.
27	Set the system clock.
26	Load keymap.
25	Load system font.
24	Start up swapping.
23	<ul style="list-style-type: none"> ■ Set the hostname. ■ Initialize USB controller and HID devices
22	<ul style="list-style-type: none"> ■ Set variables for options to be later used for filesystem check ■ Turn Off DMA on CD-ROMs ■ Turn On Hard Disk optimization
21	Perform file system check on root volume.
20	Update quotas if fsck was run on root
19	Setup pnp

Step	Initialization Process
18	<ul style="list-style-type: none"> ■ Remount the root filesystem read-write. ■ LVM initialization. ■ Clear mtab. ■ Enter root, /proc and (potentially /proc/bus/usb and devfs into mtab. ■ Remove /lib/modules/preferred and /lib/modules/default. ■ Tweak isapnp settings if needed. ■ Load sound modules if the need persistent DMA buffers.
17	<ul style="list-style-type: none"> ■ Load modules from /etc/rc.modules. ■ File system check. ■ Add raid devices.
16	<ul style="list-style-type: none"> ■ Setup Logical Volume Management. ■ Check filesystems on all volumes found on /etc/fstab.
15	Mount local filesystems.
14	Check remaining quotas other than root.
13	Enable local filesystem quotas.
12	<ul style="list-style-type: none"> ■ Configure machine if necessary (if the respective configure files exist). ■ Reread in network configuration data.
11	<ul style="list-style-type: none"> ■ Clean out /etc, (w/u)tmpx files, /var. ■ Reset pam_console permissions. ■ Cleanup utmp/wtmp. ■ Delete X locks. ■ Delete VNC and X locks. ■ Delete Postgres sockets. ■ Turn On swap in case we swap to files.
10	<ul style="list-style-type: none"> ■ Initialize the Serial Ports. ■ If a SCSI tape has been detected, load the st module unconditionally. ■ Load usb storage to match most other things. ■ If ide-scsi is required, load it. ■ Generate a header that defines the boot kernel.
9	<ul style="list-style-type: none"> ■ Dump the syslog ring in /var/log/dmesg. ■ Keep kernel symbols in /var/log/ksyms. ■ Create the crash indicator flag to warn on crashes, offer fsck with timeout.
8	Export this variable BOOT_PART and INSTALL_PART.
PRINT APPLICATION STARTING POINT	
7	IO kernel mode initialization (basically).
6	Printer Application Infrastructure startup.

Step	Initialization Process
5	Printer IO startup.
4	Front Panel application startup (but wait for engine launching, i.e. Front Panel is not cleared yet).
3	Engine startup, start EE and Mechanical initialization.
2	HPGL/PS parsers startup.
1	All subsystems launched. Wait for Front Panel application to clear the Front Panel and start signaling the initialization sequence.

Corrective Actions for Power-Up Problems

- 1 If the Printer's Power-Up process stops when the front panel is displaying the number **17**, this indicates that there is a problem with the file system on the Printer's Hard Disk Drive, so the Printer is checking the whole file system and making any necessary corrections. This problem can arise when there has been a power cut while the Printer was switched On, or if there is a physical problem with the Hard Disk Drive.

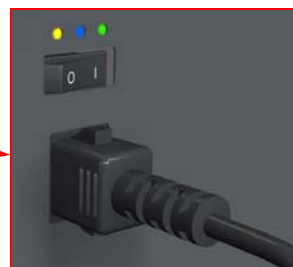
Checking the whole file system normally takes about half an hour (but could take much longer). There is nothing that can be done to speed up the file checking process. If you turn Off the Printer during the checking process, the file system check will restart whenever you turn it On again.

If you experience this problem repeatedly when there has been no power cut, then this could mean that the Hard Disk Drive is faulty. In this case, replace the Hard Disk Drive ⇒ Page 8-114.

- 2 If the printer's start-up process stops when the front panel is displaying any number between **1** to **30**, then try the following:
 - Switch the Power OFF from the back of the Printer and disconnect the Power cord. Reconnect the power cord and power On the Printer.
 - If the Printer continues to stop during the power-up process, replace the Hard Disk Drive ⇒ Page 8-114.

Using the Power Switch LEDs to Troubleshoot

In certain circumstances, the LEDs located on top of the power switch (located at the rear of the Printer) can help to troubleshoot the Printer. The LEDs can either be ON or Off and using different combinations can indicate different problems:



Make sure you look directly at the LEDs and not at an angle.

Amber is on the Left
Blue is in the center
Green is on the Right

- 1 When only the **Amber LED** is On:
 - The Printer has been switched Off from the Front Panel (after having pressed the On/Off button).
 - The Power Supply Unit only delivers a 5 V "Standby"; power that is needed to restart the Printer after the Front Panel On/Off button is pressed (the Formatter/Main PCA will initiate the Printer to start).
- 2 When the **Blue LED** is On: Deliver standard "ATX" power for the Electronics Module PCAs (+12V, +5V, -5V, -12V, etc...). All the functions of the Electronics Module are fully operational (EWS, etc...).
- 3 When the **Green LED** is On: Deliver "analog" 24V and 42V to enable printing.

The Printer monitors and reports different signals: PSU fan issues, 24V and 42V delivery failures (specific System Error reported pointing to PSU failure).

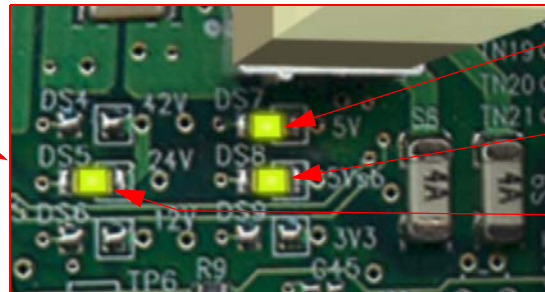
PSU Blue LED Status	PSU Green LED Status	Left LED (on Front Panel) Status	Printer Status
ON	OFF	Red (Front Panel Black)	Standby (with Embedded Web Server up and running)
ON	OFF	Green (flashing)	Initializing
ON	ON	Green	Ready (but not printing)
ON	ON	Green	Printing or preparing to print
OFF	ON	Any	Not possible
ON	ON	Red (Front Panel Black)	Not possible

Using the PCA LEDs to Troubleshoot

In certain circumstances, the LEDs located on the Interconnect PCA and PrintMech PCA can help to troubleshoot the Printer. The LEDs can either be ON or Off and using different combinations can indicate different problems:



Interconnect PCA

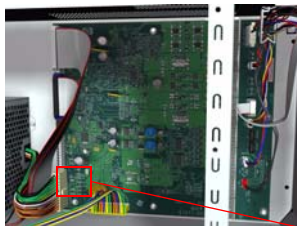


5V

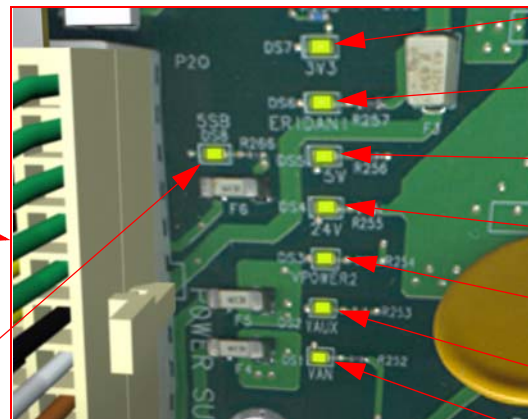
5Vsb

24V

- 5V** - Comes from the PSU after the fuse on Interconnect PCA. Used to power On Front Panel and some Interconnect Electronics. Should be ON at the same time as Blue Power Switch LED.
- 5Vsb** - Comes from the PSU after the fuse on Interconnect PCA. Used to power On the Printer from the Front Panel. Should be ON at the same time as Blue or Amber Power Switch LED.
- 24V** - Comes from the PSU after the fuse on Interconnect PCA. Used to power the Carriage PCA. Should be ON at the same time as Green Power Switch LED.



PrintMech PCA



3V3

ERIDANI

5V

24V

VPOWER2

VAUX

VAN

5SB

- 5Vsb** - Comes from the PSU after the fuse on PrintMech PCA.
- 3V3** - Comes from the Power Supply Unit.
- 5V** - Comes from the Power Supply Unit.
- ERIDANI** - Specific power line from PSU which powers ERIDANI chip after a fuse on PrintMech.
- 24V** - Comes from the PSU after a fuse on the PrintMech PCA.
- VPOWER2** - Comes from the PSU (42V) after a fuse on the PrintMech PCA.
- VAUX** - Comes from the PSU (12V) after a fuse on the PrintMech.
- VAN** - Is generated in the PrintMech PCA (reference tension is generated from ERIDANI IC). The value is around 5V. If this LED is **not** ON, and the others are ON, this indicates that there is high probability that the PrintMech PCA is defective.

1 If the Printer cannot be turned ON:

Signal	LED on Interconnect PCA	LED on PrintMech PCA	Power Switch LED	Corrective Action
5Vsb	OFF	ON	Amber	<ul style="list-style-type: none"> Check the connection between the PSU and the Interconnect PCA. If connection OK, replace the Interconnect PCA ⇒ Page 8-100.
5Vsb	ON	OFF	Amber	<ul style="list-style-type: none"> Check the connection between the PSU and the PrintMech PCA. Make sure that ALL cables between the PSU and PrintMech are not damaged and are connected correctly.
5Vsb	OFF	OFF	Amber or no LED	<ul style="list-style-type: none"> Check the connection between the PSU and the PrintMech PCA and Interconnect PCA. If connection OK, check that power reaches the PSU (check the power outlet). If power reaches PSU, replace the PSU ⇒ Page 8-120.

2 If the Printer starts (after having pressed the ON button on the Front Panel) but the front Panel remains black:

Signal	LED on Interconnect PCA	LED on PrintMech PCA	Power Switch LED	Corrective Action
5V	OFF	ON	Blue	<ul style="list-style-type: none"> Check the connection between the PSU and the Interconnect PCA. If connection OK, replace the Interconnect PCA ⇒ Page 8-100.
5V	ON	ON	Blue	<ul style="list-style-type: none"> Check the connection between the Front Panel and the Interconnect PCA. If connection OK, replace the Interconnect PCA ⇒ Page 8-126 and the Front Panel ⇒ Page 8-27.

- 3** The Printer is up and running, or may have a System Error at the end of the power-up sequence. For the Carriage PCA connection, perform the Scan-Axis Test ⇒ Page 4-7:

Signal	LED on Interconnect PCA	LED on PrintMech PCA	Power Switch LED	Corrective Action
5V	OFF	ON	Blue	<ul style="list-style-type: none"> ■ Check the connection between the PSU and the Interconnect PCA. ■ If connection OK, replace the Interconnect PCA ⇒ Page 8-100.
24V	ON	ON	Blue and Green	<ul style="list-style-type: none"> ■ Check the System Error that is produced and run the corresponding Diagnostic Test (either Scan-Axis or Media-Axis Test).
24V	OFF	OFF	Blue and Green	<ul style="list-style-type: none"> ■ Check the connection between the PSU and the PrintMech PCA and Interconnect PCA. ■ If connection OK, run the Electronics Module Test to further diagnose the problem.
24V	OFF	ON	Blue and Green	<ul style="list-style-type: none"> ■ Check the connection between the PSU and the Interconnect PCA. ■ If connection OK, run the Electronics Module Test to further diagnose the problem.
24V	ON	OFF	Blue and Green	<ul style="list-style-type: none"> ■ Check the connection between the PSU and the PrintMech PCA. ■ If connection OK, run the Electronics Module Test to further diagnose the problem.

- 4** On the PrintMech PCA, if the 3V3 LED is ON, 5V LED is ON, ERIDANI LED is ON, VAUX LED is ON and the VAN LED is OFF, then try the following:
- Run the Electronics Module Test to further diagnose the problem.
 - Replace the PrintMech PCA ⇒ Page 8-126.
- 5** If the Power Switch LED is Green and the 3V3 LED is ON, 5V LED is ON, ERIDANI LED is ON, VAUX LED is ON, VAN LED is ON and the VPOWER2 LED is OFF, then try the following:
- Check the connection between the PSU and the PrintMech PCA.
 - Run the Electronics Module Test to further diagnose the problem.
 - Replace the PrintMech PCA ⇒ Page 8-126.

How to Interpret the Service Information Pages

The Service Information Pages contain the following information:

- Current Information.
- Printer Usage Information.
- Event Logs.
- Calibration Status.
- Network and I/O Configuration.

It is possible to print the Service Information Pages either through the Front Panel or through the Embedded Web Server:

- Front Panel: Setup menu ⇒ Information Menu ⇒ Internal Prints ⇒ Print Service Information.
- Embedded Web Server: Information ⇒ Event Log ⇒ Advanced

Even the Printer cannot print, the Information Pages are still accessible through the Embedded Web Server.

The screenshot shows the HP Designjet 4000 Embedded Web Server interface. The top navigation bar includes 'Information', 'Settings', and 'Networking'. The left sidebar lists various sections like 'JOBS', 'Supplies', 'Usage', and 'Event log'. The main content area displays the 'Event log' page with a table of system errors. A red box highlights the 'Advanced' button in the top right corner of the table, and a red arrow points from a text box on the left to this button.

Severity	Error code	Firmware	Internal error	Media usage	Date
#1	1	86.01	GW_3.1.1.2	0x18010001	11.530299 sqm Feb 25, 2005 3:22 PM
#2	1	86.01	GW_3.1.1.2	0x18010001	11.530299 sqm Feb 25, 2005 3:22 PM
#3	1	79.04	A_1.34.34.3	0xbabeface	3.179994 sqm Nov 26, 2004 11:37 AM
#4	1	86.01	A_1.34.34.3	0x18010001	3.179994 sqm Nov 10, 2004 4:21 PM
#5	1	79.04	A_1.34.34.3	0xbabeface	0.924027 sqm Nov 10, 2004 3:46 PM
#6	1	79.03	A_1.34.34.3	0x14010003	0.000000 sqm Oct 27, 2004 2:41 PM
#7	1	71.19	A_1.34.34.3	0x17000006	11.720621 sqm Oct 27, 2004 2:17 PM
#8	1	71.19	A_1.34.34.3	0x17080006	11.720621 sqm Oct 27, 2004 2:13 PM

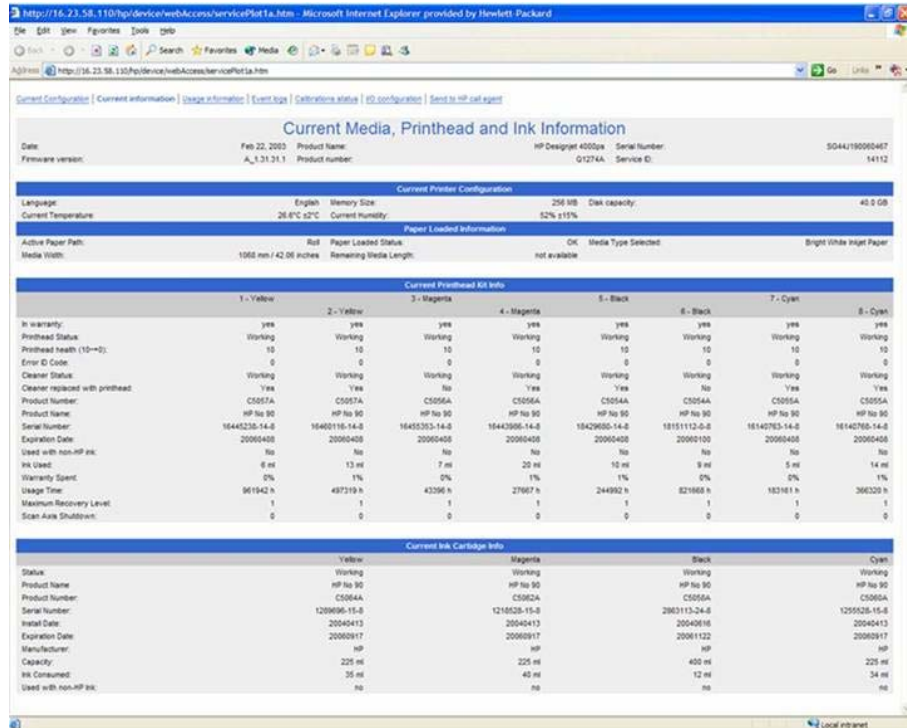
Main Characteristics

- Each Service Information page fits on a sheet of A4/A-size media (so that it can be faxed if necessary).
- Only available in English (except the current information page).
- From the Front Panel, you can choose to print ALL pages or just select the specific pages that are needed. If ALL pages are printed:
 - Nesting is turned ON automatically (and turned OFF once all the pages have been printed).
 - Nesting cannot be mixed with other jobs in the queue.
- Each page can be printed from the Web browser when using the Embedded Web Server.
- Each page can be sent by e-mail from the Web Browser when using the Embedded Web Server (File ⇒ Send ⇒ Page by E-mail).
- You can see the same information through the Front Panel or the Embedded Web Server.

Current Media, Printhead and Ink Information

This page contains the following information:

- Current Printer Configuration.
- Paper Loaded Information.
- Current Printhead Kit Information.
- Current Ink cartridge Information.



The first two lines are available at the beginning of each Service Information Page and contains standard information (like Service ID, Firmware version).

Items of Interest

The items explained below are useful to know:



- **Temperature and Humidity:** The sensors are located on the ISS PCA (at the top of the Ink Cartridges).
- **Active Paper Path:** Whether Roll or Cut Sheet is currently loaded.
- **Remaining Media Length:** Currently this will show "not available" all the time since the media length tracking function is not available.

1 - Yellow	
In warranty:	yes
Printhead Status:	Working
Printhead health (10→0):	10
Error ID Code:	0
Cleaner Status:	Working
Cleaner replaced with printhead:	Yes
Product Number:	C5057A
Product Name:	HP No 90
Serial Number:	16445238-14-8
Expiration Date:	20060408
Used with non-HP ink:	No
Ink Used:	6 ml
Warranty Spent:	0%
Usage Time:	961942 h
Maximum Recovery Level:	1
Scan Axis Shutdown:	0

- **Printhead Status:** 'OK', 'Missing', 'Reseat', 'Replace' or 'Remove'.
- **Expiration Date:** Manufacture date (date marked on the actual Printhead) + 24 months.
- **Used with non-HP ink:** Can be reset to NO only when a new Printhead has been installed and neither the Ink Tubes nor the Ink Cartridges have been marked as "Used with non-HP ink = Yes".
- **Warranty spent:** Percentage (%) versus 1000ml.
- **Scan Axis Shutdown:** Corresponds to a media jam.

1 - Yellow	
In warranty:	yes
Printhead Status:	Working
Printhead health (10→0):	10
Error ID Code:	0
Cleaner Status:	Working

- **Printhead Health:** This represents the number of nozzles out of service during the last drop detection that was performed.

Number of Nozzles Out	Printhead Health
< 5	10
> or = 5 and < 10	9
> or = 10 and < 20	8
> or = 20 and < 30	7
> or = 30 and < 50	6
> or = 50 and < 70	5
> or = 70 and < 100	4
> or = 100 and < 150	3
> or = 150 and < 200	2
> or = 200 and < 400	1
> or = 400	0

	Yellow
Status:	Working
Product Name	HP No 90
Product Number:	C5064A
Serial Number:	1289696-15-8
Install Date:	20040413
Expiration Date:	20060917
Manufacturer:	HP
Capacity:	225 ml
Ink Consumed:	35 ml
Used with non-HP Ink:	no

- **Cartridge Status:** 'OK', 'Missing', 'Low', 'Very Low', 'Empty', 'Reset' or 'Replace'.
- **Expiration Date:** Manufacture date (date marked on the actual Ink Cartridge) + 30 months.
- **Install Date:** Corresponds to the internal date of the Printer (RTC) when the Ink Cartridge was installed for the first time.
- **Capacity:** Total capacity of the Ink Cartridge.

Printer Usage Information

This page contains the following information:

- Printer Usage.
- Usage per Printhead Slot.
- Usage per Cartridge Slot.
- Media Usage per Media Type.
- Component Usage.
- Spittoon Usage.
- Preventive Maintenance Usage.

Product Number:	C5057A	C5057A	C5056A	C5056A	C5054A	C5054A	C5055A	C5055A
Product Name:	HP No 90	HP No 90	HP No 90	HP No 90	HP No 90	HP No 90	HP No 90	HP No 90
Printheads Used:	0	0	0	0	0	0	0	0
Total Insertions:	1	1	1	1	1	1	1	1

Usage per Cartridge Slot				
	1 - Yellow	2 - Magenta	3 - Black	4 - Cyan
Product Name:				
Product Number:				
Usage:	Cartridges /	Cartridges /	Cartridges /	Cartridges /

Media Usage per Media Type	
Productivity Photo Gloss (HP)	1.04 m ² / 11.2 ft ²

Component Usage			
Belt usage (# cycles):	318	Motor usage (# cycles):	318
Trailing cable usage (# cycles):	318	Tube usage (# cycles):	318
		Tube used with non-HP ink:	No

Spittoon Usage (Left to Right)			
Spittoon 1	0.00 cc	Spittoon 2	0.00 cc
Spittoon 3	0.00 cc	Spittoon 4	0.00 cc
Black cleaner spittoon 1	0.08 cc	Black cleaner spittoon 2	0.08 cc

Preventative maintenance Usage	
Preventive maintenance kit #1	0
Preventive maintenance kit #2	0

Media Used Sections

- Total media used in the Printer.

Printer Usage			
Total printed media:	12.12 m ² / 130.4 ft ²	Total number of prints:	31

- Media used for each media type.

Media Usage per Media Type			
High-Gloss Photo Paper (HP)	10.30 m ² / 110.9 ft ²	Productivity Photo Gloss (HP)	6.92 m ² / 74.4 ft ²
Bond Paper (HP)	6.81 m ² / 73.3 ft ²		

It is possible that the sum of the media used for each media type is lower than the total amount of media used in the Printer. This is because only the total media used in the Printer is saved in the backup EEROM which is located in the ISS PCA. When the Hard Disk Drive is replaced, the total media used per media type is reset to zero (0), but the total media used is recovered from the backup EEROM.

Printhead Section

The Printheads currently being used are not counted.

- **Total Insertions:** This is linked with the crane of the Ink Supply Tubes. When the Ink Supply Tubes are replaced, the total insertions amount will be reset to zero (0).

Usage per Printhead Slot								
	Slot 1	Slot 2	Slot 3	Slot 4	Slot 5	Slot 6	Slot 7	Slot 8
Color:	Yellow	Yellow	Magenta	Magenta	Black	Black	Cyan	Cyan
Product Number:	C5057A	C5057A	C5056A	C5056A	C5054A	C5054A	C5055A	C5055A
Product Name:	HP No 90	HP No 90	HP No 90	HP No 90	HP No 90	HP No 90	HP No 90	HP No 90
Printheads Used:	0	0	0	0	0	0	0	0
Total Insertions:	1	1	1	1	1	1	1	1

Cartridge Section

The Ink Cartridges currently being used are not counted.

- This section is split by product name and number for each color as we have different Ink Cartridge sizes. The sample below does not represent the reality as we only have one size of Black Ink Cartridge (400cc).

	3 - Black
Product Name:	HP No 90
Product Number:	C5059A
Usage:	2 Cartridges / 3.816380 cc
Product Name:	HP No 90
Product Number:	C5058A
Usage:	1 Cartridges / 14.144599 cc

Preventive Maintenance Section

Once the value reaches 100%, the corresponding Preventive Maintenance Kit should be used. For further details, refer to Chapter 9 - Preventive Maintenance.

Preventative maintenance Usage	
Preventive maintenance kit #1	0 %
Preventive maintenance kit #2	0 %

Component Usage

One cycle is counted when the Carriage makes one movement to the left of the Printer and then returns to the right.

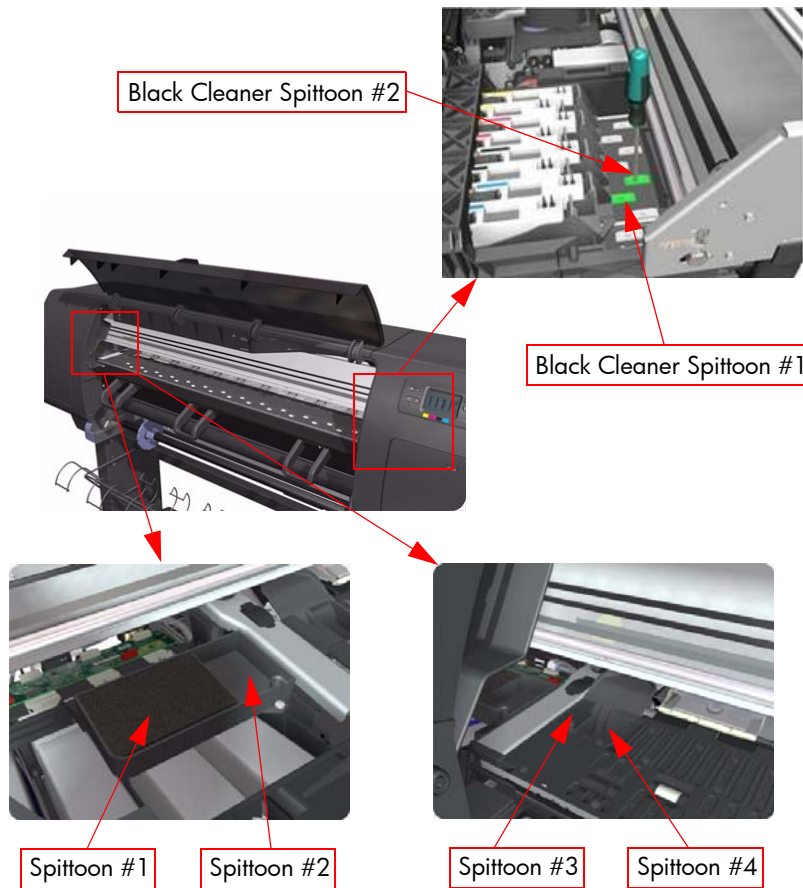
- **Tube used with non-HP ink:** This is set to **Yes** as soon as the Printer detects that at least one Ink Cartridge was used with third-party ink. This cannot be reset to **No** (because it is part of the ISS EEROM), except when:
 - The Ink Supply Tubes are replaced (not under warranty).
 - The Printer detects that the Ink Cartridge being used no longer uses third-party ink.

Component Usage			
Belt usage (# cycles):	2075	Motor usage (# cycles):	2075
Trailing cable usage (# cycles):	2075	Tube usage (# cycles):	2075
		Carriage usage (# cycles):	2075
		Tube used with non-HP ink:	No

Spittoon Section

This section contains information on the different Spittoons located in the Printer.

Spittoon Usage (Left to Right)			
Spittoon 1	0.00 cc	Spittoon 2	0.00 cc
Spittoon 3	0.00 cc	Spittoon 4	0.00 cc
Black cleaner spittoon 1	0.48 cc	Black cleaner spittoon 2	0.48 cc





Event Logs

To enable or disable Event Logs go to Page 4-79. This page contains the following information:

- Last 20 System Error Codes (which prevented the Printer from booting).
- Last 20 System Warnings (which did not prevent the Printer from booting, but which required the user to acknowledge the problem).
- Printhead Error log.

Event Logs							
Date:	Mar 4, 2005	Product Name:	HP Designjet 4000	Serial Number:	S04831901M		
Firmware version:	GW_3.1.1.2	Product number:	G1273A	Service ID:	14309		
System Errors							
Event #	Severity	Error Code	Internal Code	Firmware	Media Usage	Line	Date
1	severe	06.01	0x10010001	GW_3.1.1.2	11.530299	ScanAxisGreatWall.cpp:666	20050225
2	severe	86.01	0x18010001	GW_3.1.1.2	11.530299	CarriageServoMotor.c:1537	20050225
3	severe	78.04	0x0ABEFACE	A_1_34.34.3	3.178994	AnalogSensorCommon.cpp:620	20041126
4	severe	86.01	0x18010001	A_1_34.34.3	3.178994	ScanAxisGreatWall.cpp:666	20041110
5	severe	79.04	0x0ABEFACE	A_1_34.34.3	0.934037	AnalogSensorCommon.cpp:620	20041110
6	severe	79.03	0x14010003	A_1_34.34.3	0.000000	rpcLayer.c:766	20041027
7	severe	71.19	0x17080006	A_1_34.34.3	11.720621	NvmCompound.cpp:1029	20041027
8	severe	71.19	0x17080006	A_1_34.34.3	11.720621	NvmCompound.cpp:1029	20041027
System Warnings							
Event #	Severity	Error Code	Internal Code	Firmware	Media Usage	Line	Date
1	advisory	61.01	0x21080002	GW_3.1.1.2	10.995461	pm_util.c:889	20050216
2	advisory	26.0101	0x10020002	A_1_34.34.3	3.178994	inkSupplyNarwhal.cpp:5491	20041112
3	advisory	61.04.1	0x21010009	A_1_34.34.3	0.934037	ink.c:1005	20041100
4	advisory	26.3.01	0x1D020005	A_1_34.34.3	11.720621	inkSupplyNarwhal.cpp:5494	20041027
Printhead Error Log							
	Printheads ago	Serial Number	Status	Usage time	% Ink Used	Max Recovery	Error Code
1 - Yellow	0	16455955-33-0	0	2 h	0	1	0
	1	16462452-33-8	0	2 h	0	1	0
2 - Yellow	0	16462452-33-0	0	2 h	0	1	0
	1	16455955-33-0	0	2 h	0	1	0
3 - Magenta	0	16461097-33-8	0	2 h	0	1	0
	1	16462034-33-0	0	2 h	0	1	0
4 - Magenta	0	16462034-33-8	0	2 h	0	1	0
	1	16461097-33-0	0	2 h	0	1	0
5 - Black	0	10429970-25-0	0	2 h	0	1	0
	1	10429727-25-0	0	2 h	0	1	0
6 - Black	0	10429727-25-8	0	2 h	0	1	0
	1	10429970-25-0	0	2 h	0	1	0
7 - Cyan	0	16455974-33-0	0	4 h	0	1	0
8 - Cyan	0	16455955-33-0	0	4 h	0	1	0

System/Warning Error

- The **Line** and **Internal Code** do not provide much information, but are useful in the case of escalating a problem to the division (different internal error codes can point to the same error code (e.g. 01.10:10)).
- **Media Usage** (in square meters) and **Date** (from the Printer's Internal Clock (RTC)) help you to understand if the Printer has been used (media usage) and how much time has passed since the last error.

Printhead Error Log

- **Printheads ago:** History of the last three Printheads used ('0' represents the current Printhead used).
- **Status:** '0' = Working, '1' = No Pen Detected, '2' = Replace, '4' = Reseat, '8' = Remove.
- **% Ink Used:** Percentage of the Warranty life (1000cc).
- **Error Code:** Specific error code generated by the Printer when the Printhead has been replaced.
- **Max Recovery:**
 - 0: No manual Printhead recovery has been performed on the Printhead.

- 1 or higher: At least one Printhead recovery has been performed.

Printhead Error Log							
	Printheads ago	Serial Number	Status	Usage time	% Ink Used	Max Recovery	Error Code
1 - Yellow	0	16455695-33-8	0	2 h	0	1	0
	1	16462452-33-8	0	2 h	0	1	0
2 - Yellow	0	16462452-33-8	0	2 h	0	1	0
	1	16455695-33-8	0	2 h	0	1	0

Calibrations Status

This page contains the following information:

- General Calibrations (performed by Service Engineers).
- Media Specific Calibrations (performed by the User).

Information on these 3 Calibrations will be added in Firmware Version 4.x.x.x

In Firmware Version 4.x.x.x the following text will also be added here: "3 Calibrations are not reported within this list: 'Blue Line Calibration', 'Carriage PCA Setup' and 'Vacuum Fan'."

Calibrations Status							
Date:	Aug 23, 2004	Product Name:	HP Designjet 4000ps	Serial Number:	5G44J190000868		
Firmware version:	A_1.32.32.15	Product number:	Q1274A	Service ID:	14112		
General Calibrations							
LED Gain Offset	not done	Line Sensor to Black	done	Drop Detector	not done		
Paper Advance	done	Printhead Alignment	done				
Media-specific Calibrations							
Vendor	Media Name	Color	Paper Advance	Text/drawing	Paper Advance	Graphics	
HP	High-Gloss Photo Paper	pending	pending	calibrated			
HP	Inkjet Bond Paper	pending	pending	pending			
HP	Canvas	pending	pending	pending			
HP	Special Clear Film	pending	pending	pending			
HP	Coated Paper	pending	pending	pending			
HP	Productivity Photo Gloss	pending	pending	pending			
HP	Heavyweight Coated Paper	pending	pending	pending			
HP	Matte Film	pending	pending	pending			
HP	Bright White Inkjet Paper	pending	pending	pending			
HP	Natural Tracing Paper	pending	pending	pending			
HP	Super Heavy Coated Paper	pending	pending	pending			
HP	Translucent Bond	pending	pending	pending			
HP	Universal Coated Paper	pending	pending	pending			
HP	Vellum	pending	pending	pending			

General Calibrations

- **LED Gain Offset** and **Line Sensor to Black** relate to the Line Sensor and these are done when performing the Line Sensor Calibration.
- **Drop Detector** relates to the Drop Detector or Service Station calibration.
- **Paper Advance** relates to the Service Paper Advance Calibration.
- **Printhead Alignment** relates to the Printhead Alignment which then changes to 'pending' when a Printhead is replaced and the Printhead Alignment has not been performed.

When a component is replaced, the corresponding calibration is NOT automatically set to 'NOT DONE'. This is because the Printer does not know that there is a new part installed.

Media Specific Calibrations

This section shows the following for each type of media:

- **Color Calibration.**
- **Paper Advance** per media type and 'optimized for' Text/drawing and Graphics.

System Error Codes

2

Introduction	2-2
Continuable and Non-Continuable Error Codes	2-2
Printer System Error Codes	2-3
Stacker System Error Codes	2-36
System Error Codes and Warnings - Explanation	2-42

System Error Codes

Introduction

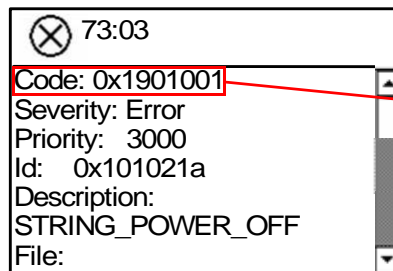
System error codes are hexa-decimal based numbers generally caused by internal system errors. The following pages contain a list of system error codes and their respective descriptions and recommended corrective actions. Only try one recommended action at a time and check if the error code has disappeared.

Note: SE codes included here are from firmware level GW_9.2.1.2 onwards

If you have an error code which is not documented in this Service Manual or you have an error which you cannot resolve, then report the error to the HP Response Center or the nearest HP Support Office. When reporting the error, have the following information ready:

- Model and Serial Number of the printer.
- Which firmware revision the printer is using (See Note below). Check firmware in *Setup Menu / Information Menu / Show Printer Information*.
- The complete error number (See Note below).
- The Service Configuration Print.
- The Current configuration sheet.
- Which software application the customer is using (name, version, etc.).

When reporting the System Error Code, make sure that you supply the full Internal Error Code and the firmware version. Without this information, HP Support Personnel cannot help you. To view the Internal Error Code, hold the DOWN key and press the CANCEL key at the same time when the System Error Code is displayed on the Front Panel.



This is the Code that is required when escalating a problem

Continuable and Non-Continuable Error Codes

Some of the Error Codes are continuable, which means you can press **Enter** on the front-panel and continue. Non-Continuable Error Codes do not allow you to continue with the Printer, in this case turn OFF and ON and see if the System Error disappears. If the Error reappears the Printer requires an on-site visit to resolve the problem.

An visit should still be planned to troubleshoot the problem.

Printer System Error Codes

Only replace one component at a time and check if the error has gone before replacing another component. Using this procedure you will be able to determine exactly which component failed.

System Error:	01.0:03
Problem Description:	Error impact I2C channel.
Corrective Action:	Try the following: <ul style="list-style-type: none">■ Switch the Power OFF from the back of the Printer and disconnect the Power cord. Reconnect the power cord and power On the Printer.■ If the System Error continues, replace the Gamut PCI PCA ⇒ Page 8-105.
System Error:	01.0:10
Problem Description:	Problem with the Gamut PCI PCA.
Corrective Action:	Try the following: <ul style="list-style-type: none">■ Switch the Power OFF from the back of the Printer and disconnect the Power cord. Reconnect the power cord and power On the Printer.■ Replace the Gamut PCI PCA ⇒ Page 8-105.■ If the System Error continues, replace the Main PCA ⇒ Page 8-112.
System Error:	01.3:01
Problem Description:	Roll 2 Drawer does not seem to be connected.
Corrective Action:	Try the following: <ul style="list-style-type: none">■ Check the cable between the Roll 2 Module and the Printer is not damaged and is correctly connected.■ Replace the Roll 2 Module Interconnect PCA ⇒ Page 8-264.■ Replace the Printer Interconnect PCA ⇒ Page 8-100.■ If the System Error continues, replace the Gamut PCI PCA ⇒ Page 8-105.
System Error:	01.1:03
Problem Description:	Problem with the PrintMech PCA.
Corrective Action:	Try the following: <ul style="list-style-type: none">■ Switch the Power OFF from the back of the Printer and disconnect the Power cord. Reconnect the power cord and power On the Printer.■ Check that the cables between the PrintMech PCA and the Gamut PCI

	<p>PCA are not damaged and are correctly connected.</p> <ul style="list-style-type: none"> ■ Replace the PrintMech PCA ⇒ Page 8-126. ■ If the System Error continues, replace the Gamut PCI PCA ⇒ Page 8-105.
System Error:	01.1:10
Problem Description:	Problem with the PrintMech PCA.
Corrective Action:	<p>Try the following:</p> <ul style="list-style-type: none"> ■ Switch the Power OFF from the back of the Printer and disconnect the Power cord. Reconnect the power cord and power On the Printer. ■ Check that the cables between the PrintMech PCA and the Gamut PCI PCA are not damaged and are correctly connected. ■ Replace the PrintMech PCA ⇒ Page 8-126. ■ If the System Error continues, replace the Gamut PCI PCA ⇒ Page 8-105.
System Error:	01.2:10
Problem Description:	ISS PCA faulty - Humidity sensor out of scale or NVM backup failure.
Corrective Action:	<p>Try the following:</p> <ul style="list-style-type: none"> ■ Upgrade the printer's firmware level to 11.1.1.2 or later.
System Error:	02:10
Problem Description:	Encoder seems to be wrong.
Corrective Action:	<p>Try the following:</p> <ul style="list-style-type: none"> ■ Check that the Carriage Stopper is correctly installed (Refer to Carriage Disassembly Instructions ⇒ Page 8-89, Step 16.). ■ Replace the Carriage Assembly ⇒ Page 8-89. ■ If the System Error continues, replace the Encoder Strip and Encoder Sensor ⇒ Page 8-79.
System Error:	02.1:10
Problem Description:	Problem with the Carriage PCA.
Corrective Action:	<p>Try the following:</p> <ul style="list-style-type: none"> ■ Switch the Power OFF from the back of the Printer and disconnect the Power cord. Reconnect the power cord and power On the Printer. ■ Check that the Trailing Cable is not damaged. ■ Check that the Trailing Cable is correctly connected to the Carriage PCA, Interconnect PCA and to the Gamut PCI PCA.

- Replace the Carriage PCA ⇒ Page 8-82.
- Replace the Gamut PCI PCA ⇒ Page 8-105.
- Replace the Trailing Cable ⇒ Page 8-40

System Error:

03:10

Problem Description:

Problem with the Power Supply Unit.

Corrective Action:

Try the following:

- Switch the Power OFF from the back of the Printer and disconnect the Power cord. Reconnect the power cord and power On the Printer.
- Perform the Electronics Modules Test (⇒ Page 4-32) to troubleshoot the problem further.
- If the System Error continues, replace the Power Supply Unit ⇒ Page 8-120.

System Error:

05.1:10

Problem Description:

CPU Fan is stopped or burnt.

Corrective Action:

Try the following:

- Switch the Power OFF from the back of the Printer and disconnect the Power cord. Reconnect the power cord and power On the Printer.
- Replace the CPU Fan ⇒ Page 8-114.
- If the System Error continues, replace the Main PCA ⇒ Page 8-112.

System Error:

05.3:10

Problem Description:

Main memory size failure.

Corrective Action:

Try the following:

- Check that the minimum amount of memory is intalled correctly:
 - 256MB for the HP Designjetjet 4000.
 - 512MB for the HP Designjet 4020.
- Try installing the Memory Module in the other Memory slot and check if the System Error appears.
- If the System Error reappears, replace the Memory Module ⇒ Page 8-110.
- If the System Error does NOT reappear, then the original slot could be faulty. In this case, replace the Main PCA ⇒ Page 8-112.

System Error:	06:03
Problem Description:	NVM file has bad CRC.
Corrective Action:	<p>Try the following:</p> <ul style="list-style-type: none"> ■ Switch the Power OFF from the back of the Printer and disconnect the Power cord. Reconnect the power cord and power On the Printer. ■ If the System Error continues, replace the Hard Disk Drive ⇒ Page 8-114.
System Error:	06:10
Problem Description:	Main NVM failure - not detected, read/write failed or readback error.
Corrective Action:	<p>Try the following:</p> <ul style="list-style-type: none"> ■ Switch the Power OFF from the back of the Printer and disconnect the Power cord. Reconnect the power cord and power On the Printer. ■ If the System Error continues, replace the Hard Disk Drive ⇒ Page 8-114.
System Error:	07:10
Problem Description:	Aerosol Fan driver burnt.
Corrective Action:	<p>Try the following:</p> <ul style="list-style-type: none"> ■ Replace the Printer Interconnect PCA ⇒ Page 8-100. ■ If the System Error continues, replace the Gamut PCI PCA ⇒ Page 8-105.
System Error:	08:11
Problem Description:	Problem with the Front Panel.
Corrective Action:	<p>Try the following:</p> <ul style="list-style-type: none"> ■ Switch the Power OFF from the back of the Printer and disconnect the Power cord. Reconnect the power cord and power On the Printer. ■ If the printer emits one or multiple 'beeps' as the printer turns On, perform the procedure 'Using the buzzer at Power-up to Troubleshoot ⇒Page 7-9. ■ Check that the Front Panel cable is not damaged and is correctly connected to the Front Panel and to the Interconnect PCA. ■ Check that the Memory Module is installed correctly. ■ Check that the cables between the Interconnect PCA and the Main PCA are not damaged and are correctly connected. ■ Check that the cables between the Hard Disk Drive and the Power Supply Unit and the Main PCA are not damaged and are correctly connected. ■ Check that the cable between the Power Supply Unit and the Main PCA is not damaged and is correctly connected. ■ Replace the Interconnect PCA ⇒Page 8-93.

<p>System Error:</p> <p>Problem Description:</p> <p>Corrective Action:</p>	<p>11:10</p> <p>Trailing Cable does not seem to be detected.</p> <p>Try the following:</p> <ul style="list-style-type: none"> ■ Replace the Gamut PCA ⇒ Page 8-98. ■ Check that the Trailing Cable is not damaged. ■ Check that the Trailing Cable is correctly connected to the Carriage PCA, Interconnect PCA and to the Gamut PCI PCA. ■ Replace the Gamut PCI PCA ⇒ Page 8-105. ■ Replace the Trailing Cable ⇒ Page 8-40. ■ Replace the Carriage PCA ⇒ Page 8-82.
<p>System Error:</p> <p>Problem Description:</p> <p>Corrective Action:</p>	<p>13.n:10</p> <p>Problem starting acumen supplies.</p> <p>Try the following:</p> <ul style="list-style-type: none"> ■ Remove ALL Ink Cartridges and reinstall them in the Printer. ■ Check that the ISS to Cartridge cables are not damaged and are correctly connected to the Ink Supply Tubes PCA. ■ Replace the ISS to Cartridge cables ⇒ Page 8-65 ■ Replace the Ink Supply Tubes ⇒ Page 8-53.
<p>System Error:</p> <p>Problem Description:</p> <p>Corrective Action:</p>	<p>21:03</p> <p>Service Station servo shutdown.</p> <p>Try the following:</p> <ul style="list-style-type: none"> ■ Switch the Power OFF from the back of the Printer and disconnect the Power cord. Reconnect the power cord and power On the Printer. ■ If the System Error continues, replace the Service Station ⇒ Page 8-30. ■ Replace the PrintMech PCA ⇒ Page 8-126. ■ Replace the Printer Interconnect PCA ⇒ Page 8-100.
<p>System Error:</p> <p>Problem Description:</p> <p>Corrective Action:</p>	<p>21:12</p> <p>Fail moving Service Station.</p> <p>Try the following:</p> <ul style="list-style-type: none"> ■ Switch the Power OFF from the back of the Printer and disconnect the Power cord. Reconnect the power cord and power On the Printer. ■ If the System Error continues, replace the Service Station ⇒ Page 8-30.

System Error:	21:13
Problem Description:	Problem with the Service Station.
Corrective Action:	<p>Try the following:</p> <ul style="list-style-type: none">■ Switch the Power OFF from the back of the Printer and disconnect the Power cord. Reconnect the power cord and power On the Printer.■ Make sure that the Service Station path is clear. Remove any visible obstacles (e.g. screws, plastic parts, etc...) restricting the movement of the Service Station.■ If the System Error continues, replace the Service Station ⇒ Page 8-30.
System Error:	23:10
Problem Description:	Problem with the APS.
Corrective Action:	<p>Try the following:</p> <ul style="list-style-type: none">■ Switch the Power OFF from the back of the Printer and disconnect the Power cord. Reconnect the power cord and power On the Printer.■ Check that the APS cable is not damaged and is correctly connected to the PrintMech PCA.■ Replace the APS Assembly ⇒ Page 8-69.■ Replace the PrintMech PCA ⇒ Page 8-126.■ If the System Error continues, replace the Gamut PCI PCA ⇒ Page 8-105.
System Error:	24:03
Problem Description:	Ink Setup failure (Ink Supply Tubes purge failed).
Corrective Action:	<p>Try the following:</p> <ul style="list-style-type: none">■ Switch the Power OFF from the back of the Printer and disconnect the Power cord. Reconnect the power cord and power On the Printer.■ Try purging the Ink Supply Tubes again once the Printer has been rebooted.■ Install new Ink Cartridges in to the Printer and try purging the Printer again.
System Error:	24:10
Problem Description:	Broken bag detected in Ink Cartridge.
Corrective Action:	<p>Try the following:</p> <ul style="list-style-type: none">■ Remove the Ink Cartridges and check for ink leakage in the ISS area.■ Perform the "Bag Broken Recovery" Diagnostic (⇒ Page 4-56) to further troubleshoot the error code.

System Error:	26:01
Problem Description:	Floater Error
Corrective Action:	Try the following: <ul style="list-style-type: none">■ Reseat all Cartridges
System Error:	26.0:01
Problem Description:	Bad contact detected in ISS slot0 floater.
Corrective Action:	Try the following: <ul style="list-style-type: none">■ Remove the Yellow Ink Cartridge and reinstall it in to the Printer.■ Replace the Yellow Ink Cartridge.■ Check that the ISS to Cartridge cable (Yellow Ink Cartridge) is not damaged and is correctly connected to the Ink Supply Tubes PCA.■ Replace the ISS to Cartridge cable (Yellow Ink Cartridge) ⇒ Page 8-65.■ Replace the Ink Supply Tubes ⇒ Page 8-53.
System Error:	26.1:01
Problem Description:	Bad contact detected in ISS slot1 floater.
Corrective Action:	Try the following: <ul style="list-style-type: none">■ Remove the Magenta Ink Cartridge and reinstall it in to the Printer.■ Replace the Magenta Ink Cartridge.■ Check that the ISS to Cartridge cable (Magenta Ink Cartridge) is not damaged and is correctly connected to the Ink Supply Tubes PCA.■ Replace the ISS to Cartridge cable (Magenta Ink Cartridge) ⇒ Page 8-65.■ Replace the Ink Supply Tubes ⇒ Page 8-53.
System Error:	26.2:01
Problem Description:	Bad contact detected in ISS slot2 floater.
Corrective Action:	Try the following: <ul style="list-style-type: none">■ Remove the Black Ink Cartridge and reinstall it in to the Printer.■ Replace the Black Ink Cartridge.■ Check that the ISS to Cartridge cable (Black Ink Cartridge) is not damaged and is correctly connected to the Ink Supply Tubes PCA.■ Replace the ISS to Cartridge cable (Black Ink Cartridge) ⇒ Page 8-65.■ Replace the Ink Supply Tubes ⇒ Page 8-53.

- System Error:** 26.3:01
- Problem Description:** Bad contact detected in ISS slot3 floater.
- Corrective Action:** Try the following:
- Remove the Cyan Ink Cartridge and reinstall it in to the Printer.
 - Replace the Cyan Ink Cartridge.
 - Check that the ISS to Cartridge cable (Cyan Ink Cartridge) is not damaged and is correctly connected to the Ink Supply Tubes PCA.
 - Replace the ISS to Cartridge cable (Cyan Ink Cartridge) ⇒ Page 8-65.
 - Replace the Ink Supply Tubes ⇒ Page 8-53.
- System Error:** 26.n:10
- Problem Description:** Order of Ink Supplies incorrect.
- Corrective Action:** Try the following:
- Remove the Ink Cartridges and check that they are the correct ones for this Printer and that they are inserted in the correct position.
 - Check that the Printer has the latest Firmware version. If not, update the Firmware to the latest version.
- System Error:** 26:14
- Problem Description:** A wrong Ink Cartridge has been detected.
- Corrective Action:** Try the following:
- Remove the Ink Cartridges and check that they are the correct ones for this Printer.
 - Check that the Printer has the latest Firmware version. If not, update the Firmware to the latest version.
 - Replace the Ink Cartridges.
- System Error:** 27:03
- Problem Description:** An error has occurred in Printhead detection.
- Corrective Action:** Try the following:
- Switch the Power OFF from the back of the Printer and disconnect the Power cord. Reconnect the power cord and power On the Printer.
 - Remove the Printheads from the Carriage and reinsert them.
 - Replace the Printheads.
 - Replace the Carriage Flex Cables ⇒ Page 8-87.

System Error:	27:14
Problem Description:	A wrong Printhead has been detected.
Corrective Action:	Try the following: <ul style="list-style-type: none">■ Remove the Printheads and check that they are the correct ones for this Printer.■ Check that the Printer has the latest Firmware version. If not, update the Firmware to the latest version.■ Replace the Printheads.
System Error:	29.0:01
Problem Description:	Printhead Cleaner not inserted correctly in slot 1.
Corrective Action:	Try the following: <ul style="list-style-type: none">■ Open the Printhead Cleaner Access Door and check that the Yellow Printhead Cleaner is correctly seated in slot 1 of the Service Station and then close the Printhead Cleaner Access Door.■ Replace the Yellow Printhead Cleaner in slot 1 of the Service Station.
System Error:	29.1:01
Problem Description:	Printhead Cleaner not inserted correctly in slot 2.
Corrective Action:	Try the following: <ul style="list-style-type: none">■ Open the Printhead Cleaner Access Door and check that the Yellow Printhead Cleaner is correctly seated in slot 2 of the Service Station and then close the Printhead Cleaner Access Door.■ Replace the Yellow Printhead Cleaner in slot 2 of the Service Station.
System Error:	29.2:01
Problem Description:	Printhead Cleaner not inserted correctly in slot 3.
Corrective Action:	Try the following: <ul style="list-style-type: none">■ Open the Printhead Cleaner Access Door and check that the Magenta Printhead Cleaner is correctly seated in slot 3 of the Service Station and then close the Printhead Cleaner Access Door.■ Replace the Magenta Printhead Cleaner in slot 3 of the Service Station.

- System Error:** 29.3:01
Problem Description: Printhead Cleaner not inserted correctly in slot 4.
Corrective Action: Try the following:
- Open the Printhead Cleaner Access Door and check that the Magenta Printhead Cleaner is correctly seated in slot 4 of the Service Station and then close the Printhead Cleaner Access Door.
 - Replace the Magenta Printhead Cleaner in slot 4 of the Service Station.
- System Error:** 29.4:01
Problem Description: Printhead Cleaner not inserted correctly in slot 5.
Corrective Action: Try the following:
- Open the Printhead Cleaner Access Door and check that the Black Printhead Cleaner is correctly seated in slot 5 of the Service Station and then close the Printhead Cleaner Access Door.
 - Replace the Black Printhead Cleaner in slot 5 of the Service Station.
- System Error:** 29.5:01
Problem Description: Printhead Cleaner not inserted correctly in slot 6.
Corrective Action: Try the following:
- Open the Printhead Cleaner Access Door and check that the Black Printhead Cleaner is correctly seated in slot 6 of the Service Station and then close the Printhead Cleaner Access Door.
 - Replace the Black Printhead Cleaner in slot 6 of the Service Station.
- System Error:** 29.6:01
Problem Description: Printhead Cleaner not inserted correctly in slot 7.
Corrective Action: Try the following:
- Open the Printhead Cleaner Access Door and check that the Cyan Printhead Cleaner is correctly seated in slot 7 of the Service Station and then close the Printhead Cleaner Access Door.
 - Replace the Cyan Printhead Cleaner in slot 7 of the Service Station.

System Error:	29.7:01
Problem Description:	Printhead Cleaner not inserted correctly in slot 8.
Corrective Action:	Try the following: <ul style="list-style-type: none">■ Open the Printhead Cleaner Access Door and check that the Cyan Printhead Cleaner is correctly seated in slot 8 of the Service Station and then close the Printhead Cleaner Access Door.■ Replace the Cyan Printhead Cleaner in slot 8 of the Service Station.
System Error:	38:01
Problem Description:	Generic accessory communication error.
Corrective Action:	Try the following: <ul style="list-style-type: none">■ Restart the printer.
System Error:	38:03
Problem Description:	Generic Stacker communication error.
Corrective Action:	Try the following: <ul style="list-style-type: none">■ Restart the printer.■ Perform the Stacker Test ⇒ Page 4-65.■ Check that the cable between the Stacker and the Printer is not damaged and is correctly connected.■ Upgrade the firmware of the Stacker.■ Replace the Stacker Electronics PCA ⇒ Page 8-308.
System Error:	38.1:01
Problem Description:	Media jam in between the printer and the accessory.
Corrective Action:	Try the following: <ul style="list-style-type: none">■ Remove any media jammed in the Printer or Stacker and restart the printer.■ Perform the Stacker Test ⇒ Page 4-65.■ Perform the Media Drive Test ⇒ Page 4-12
System Error:	41.1:03
Problem Description:	A current limit in the Roll 1 Media Feed Motor has been detected.
Corrective Action:	Try the following: <ul style="list-style-type: none">■ Switch the Power OFF from the back of the Printer and disconnect the

- Power cord. Reconnect the power cord and power On the Printer.
- Perform the Media Drive Test ⇒ Page 4-12
- Open the Roll 1 Drawer and check for any visible obstacles restricting the movement of the Feed Roller. If there is a wrinkled mass of media inside the paper path, lift the Pinchwheels (using the Roll 1 Paper Load Lever) and clear the obstruction.
- Replace the Roll 1 Media Feed Motor ⇒ Page 8-190.
- If the System Error continues, replace the PrintMech PCA ⇒ Page 8-126.

System Error:

41.1:10

Problem Description:

A fault has been detected in the Roll 1 Media Feed Motor.

Corrective Action:

Try the following:

- Switch the Power OFF from the back of the Printer and disconnect the Power cord. Reconnect the power cord and power On the Printer.
- Perform the Media Drive Test ⇒ Page 4-12
- Check that the Roll 1 Media Feed Motor cable is not damaged and is correctly connected to the PrintMech PCA.
- Replace the Roll 1 Media Feed Motor ⇒ Page 8-190.
- If the System Error continues, replace the PrintMech PCA ⇒ Page 8-126.

System Error:

41.2:03

Problem Description:

A current limit has been detected in the Roll 2 Media Feed Motor.

Corrective Action:

Try the following:

- Switch the Power OFF from the back of the Printer and disconnect the Power cord. Reconnect the power cord and power On the Printer.
- Perform the Media Drive Test ⇒ Page 4-12
- Open the Roll 2 Drawer and check for any visible obstacles restricting the movement of the Feed Roller. If there is a wrinkled mass of media inside the paper path, lift the Pinchwheels (using the Roll 2 Paper Load Lever) and clear the obstruction.
- Replace the Roll 2 Media Feed Motor ⇒ Page 8-244.
- If the System Error continues, replace the Roll 2 interconnect PCA ⇒ Page 8-264.

System Error:

41.2:10

Problem Description:

A fault has been detected in the Roll 2 Media Feed Motor.

Corrective Action:

Try the following:

- Switch the Power OFF from the back of the Printer and disconnect the Power cord. Reconnect the power cord and power On the Printer.

- Perform the Media Drive Test ⇒ Page 4-12.
- Check that the Roll 2 Media Feed Motor cable is not damaged and is correctly connected to the Roll 2 Interconnect PCA.
- Replace the Roll 2 Media Feed Motor ⇒ Page 8-244.
- If the System Error continues, replace the Roll 2 Interconnect PCA ⇒ Page 8-264.

System Error:

41:03

Problem Description:

Electrical current limit in Media-Axis Motor.

Corrective Action:

Try the following:

- Switch the Power OFF from the back of the Printer and disconnect the Power cord. Reconnect the power cord and power On the Printer.
- Perform the Media Drive Test ⇒ Page 4-12.
- Open the Window and check for any visible obstacles restricting the movement of the Drive Roller. If there is a wrinkled mass of media inside the paper path, lift the Pinchwheels (using the black Driver Pinch Lever) and clear the obstruction.
- Replace the Media-Axis Motor ⇒ Page 8-98.
- If the System Error continues, replace the PrintMech PCA ⇒ Page 8-126.

System Error:

41:10

Problem Description:

Electrical fault in Media-Axis Motor.

Corrective Action:

Try the following:

- Switch the Power OFF from the back of the Printer and disconnect the Power cord. Reconnect the power cord and power On the Printer.
- Perform the Media Drive Test ⇒ Page 4-12.
- Check that the Media-Axis Motor cable is not damaged and is correctly connected to the PrintMech PCA.
- Replace the Media-Axis Motor ⇒ Page 8-98.
- If the System Error continues, replace the PrintMech PCA ⇒ Page 8-126.

System Error:

42:03

Problem Description:

Electrical current limit in Scan-Axis Motor.

Corrective Action:

Try the following:

- Switch the Power OFF from the back of the Printer and disconnect the Power cord. Reconnect the power cord and power On the Printer.
- Perform the Media Drive Test ⇒ Page 4-12.
- Open the Window and check for any visible obstacles restricting the movement of the Carriage Assembly. If there is a wrinkled mass of media

blocking the Carriage Assembly, then clear the obstruction.

- Replace the Scan-Axis Motor ⇒ Page 8-95.
- If the System Error continues, replace the PrintMech PCA ⇒ Page 8-126.

System Error:

42:10

Problem Description:

Electrical fault in Scan-Axis Motor.

Corrective Action:

Try the following:

- Switch the Power OFF from the back of the Printer and disconnect the Power cord. Reconnect the power cord and power On the Printer.
- Perform the Media Drive Test ⇒ Page 4-12.
- Check that the Scan-Axis Motor cable is not damaged and is correctly connected to the PrintMech PCA.
- Replace the Scan-Axis Motor ⇒ Page 8-95.
- If the System Error continues, replace the PrintMech PCA ⇒ Page 8-126.

System Error:

43:10

Problem Description:

Vacuum Fan has stopped functioning.

Corrective Action:

Try the following:

- Switch the Power OFF from the back of the Printer and disconnect the Power cord. Reconnect the power cord and power On the Printer.
- Check that the Vacuum Fan cables are not damaged and are correctly connected to the Interconnect PCA.
- Also check that the cables between the Interconnect PCA and the PrintMech PCA are not damaged and are correctly connected.
- Replace the Vacuum Fan ⇒ Page 8-34.
- If the System Error continues, replace the PrintMech PCA ⇒ Page 8-126.

System Error:

44:10

Problem Description:

Problem with the Aerosol Fan.

Corrective Action:

Try the following:

- Switch the Power OFF from the back of the Printer and disconnect the Power cord. Reconnect the power cord and power On the Printer.
- Check that the Aerosol Fan cable is not damaged and is correctly connected to the Interconnect PCA.
- Replace the Aerosol Fan ⇒ Page 8-36.
- If the System Error continues, replace the Interconnect PCA ⇒ Page 8-100.

System Error:	44:11
Problem Description:	Aerosol Fan not connected.
Corrective Action:	Try the following: <ul style="list-style-type: none">■ Check that the Aerosol Fan cable is not damaged and is correctly connected to the Interconnect PCA.■ Replace the Aerosol Fan ⇒ Page 8-36.
System Error:	51:10
Problem Description:	Window Sensor failure.
Corrective Action:	Try the following: <ul style="list-style-type: none">■ Check that the Window Sensor cable is not damaged and is correctly connected to the Interconnect PCA.■ Perform the Sensors Test ⇒ Page 4-43.■ Replace the Window Sensor.
System Error:	51.1:10
Problem Description:	PHC Access Door Sensor failure.
Corrective Action:	Try the following: <ul style="list-style-type: none">■ Check that the PHC Access Door Sensor cable is not damaged and is correctly connected to the Interconnect PCA.■ Replace the PHC Access Door Sensor.
System Error:	51.2:10
Problem Description:	Stacker Detector sensor error.
Corrective Action:	Try the following: <ul style="list-style-type: none">■ Check that the Stacker Detector Sensor cable is not damaged and is correctly connected to the PrintMech PCA.■ Replace the Left Deflector ⇒ Page 8-190.■ If the System Error continues, replace the PrintMech PCA ⇒ Page 8-126.
System Error:	51.3:10
Problem Description:	An error with the Roll 1 Left Drawer Sensor has been detected.
Corrective Action:	Try the following: <ul style="list-style-type: none">■ Check that the Roll 1 Left Drawer Sensor cable is not damaged and is correctly connected to the Interconnect PCA.

- Replace the Roll 1 Left Drawer Sensor ⇒ Page 8-209.

System Error:

51.4:10

Problem Description:

An error with the Roll 2 Left Drawer Sensor has been detected

Corrective Action:

Try the following:

- Check that the Roll 2 Left Drawer Sensor cable is not damaged and is correctly connected to the Interconnect PCA.
- Replace the Roll 2 Left Drawer Sensor ⇒ Page 8-249.

System Error:

51.5:10

Problem Description:

An error with the Roll 1 Drawer Right Sensor has been detected.

Corrective Action:

Try the following:

- Check that the Roll 1 Right Drawer Sensor cable is not damaged and is correctly connected to the Interconnect PCA.
- Replace the Roll 1 Drawer Right Sensor ⇒ Page 8-209.

System Error:

51.6:10

Problem Description:

An error with the Roll 2 Right Drawer Sensor has been detected.

Corrective Action:

Try the following:

- Check that the Roll 2 Right Drawer Sensor cable is not damaged and is correctly connected to the Interconnect PCA.
- Replace the Roll 2 Right Drawer Sensor ⇒ Page 8-251

System Error:

53.3:10

Problem Description:

An error with the Roll 1 Sensor has been detected.

Corrective Action:

Try the following:

- Check that the Roll 1 Sensor cable is not damaged and is correctly connected to the Interconnect PCA.
- Replace the Roll 1 Media Sensor ⇒ Page 8-207.

System Error:

53.4:10

Problem Description:

An error with the Roll 2 Media Sensor has been detected.

Corrective Action:

Try the following:

- Check that the Roll 2 Sensor cable is not damaged and is correctly

- connected to the Roll 2 Interconnect PCA.
- Replace the Roll 2 Media Sensor ⇒ Page 8-266.

System Error:

52:10

Problem Description:

Drop Detector switch On/Off failure.

Corrective Action:

Try the following:

- Switch the Power OFF from the back of the Printer and disconnect the Power cord. Reconnect the power cord and power On the Printer.
- Check that the Drop Detector cable is not damaged and is correctly connected to the Service Station cable.
- Check that the Service Station cable is not damaged and is correctly connected to the Interconnect PCA.
- Replace the Drop Detector ⇒ Page 8-38.
- Replace the Gamut PCI PCA ⇒ Page 8-105.
- If the System Error continues, replace the Interconnect PCA ⇒ Page 8-100.

System Error:

53:10

Problem Description:

An error with the Main Media Sensor has been detected.

Corrective Action:

Try the following:

- Check that the Main Media Sensor cable is not damaged and is connected correctly to the Interconnect PCA.
- Perform the Sensors Test ⇒ Page 4-43.
- Replace the Main Media Sensor ⇒ Page 8-147.

System Error:

54:10

Problem Description:

An error with the Drive Pinch Lever sensor has been detected.

Corrective Action:

Try the following:

- Check that the Drive Pinch Lever sensor cable is not damaged and is connected correctly to the Interconnect PCA.
- Perform the Sensors Test ⇒ Page 4-43.
- Replace the Drive Pinch Lever sensor ⇒ Page 8-155.

System Error:

54.1:10

Problem Description:

An error with the Roll 1 Media Load Lever Sensor has been detected.

Corrective Action:

Try the following:

- Check that the Roll 1 Media Load Lever Sensor cable is not damaged and

is connected correctly to the Interconnect PCA.

- Perform the Sensors Test ⇒ Page 4-43.
- Replace the Roll 1 Paper Load Lever Sensor ⇒ Page 8-204.

System Error: 54.2:10

Problem Description: An error with the Roll 2 Media Load Lever Sensor has been detected.

Corrective Action: Try the following:

- Check that the Roll 2 Media Load Lever Sensor cable is not damaged and is connected correctly to the Interconnect PCA.
- Perform the Sensors Test ⇒ Page 4-43.
- Replace the Roll 2 Media Load Lever Sensor ⇒ Page 8-204.

System Error: 55:10

Problem Description: Problem with the Line Sensor.

Corrective Action: Try the following:

- Switch the Power OFF from the back of the Printer and disconnect the Power cord. Reconnect the power cord and power On the Printer.
- Replace the Line Sensor ⇒ Page 8-38.
- If the System Error continues, replace the Carriage PCA ⇒ Page 8-82.

System Error: 56:01

Problem Description: Analog Encoder calibration failed.

Corrective Action: Try the following:

- Switch the Power OFF from the back of the Printer and disconnect the Power cord. Reconnect the power cord and power On the Printer.
- Replace the Encoder Disc and Sensor ⇒ Page 8-149.
- If the System Error continues, replace the PrintMech PCA ⇒ Page 8-126

System Error: 56:03

Problem Description: Analog Encoder calibration failed.

Corrective Action: Try the following:

- Switch the Power OFF from the back of the Printer and disconnect the Power cord. Reconnect the power cord and power On the Printer.
- Replace the Encoder Disc and Sensor ⇒ Page 8-149.
- If the System Error continues, replace the PrintMech PCA ⇒ Page 8-126.

System Error:	56:10
Problem Description:	Drive Roller Encoder sensor failed.
Corrective Action:	Try the following: <ul style="list-style-type: none">■ Replace the Encoder Disc and Sensor ⇒ Page 8-149.
System Error:	56.1:10
Problem Description:	Roll 1 BT Arm encoder.
Corrective Action:	Try the following: <ul style="list-style-type: none">■ Replace the Encoder Disc and Sensor ⇒ Page 8-199 and Page 8-200.
System Error:	56.2:10
Problem Description:	Roll 2 BT Arm encoder.
Corrective Action:	Try the following: <ul style="list-style-type: none">■ Replace the Encoder Disc and Sensor ⇒ Page 8-257.
System Error:	61:01
Problem Description:	The file format is incorrect and the Printer cannot process the job.
Corrective Action:	Try the following: <ul style="list-style-type: none">■ Switch the Power OFF from the back of the Printer and disconnect the Power cord. Reconnect the power cord and power On the Printer.■ Check the graphic language setting of the Printer (Refer to the User's Guide).■ Resend the file to the Printer.■ Check that the Printer has the latest Firmware version. If not, update the Firmware to the latest version.
System Error:	61:04.1
Problem Description:	The Postscript fonts are missing. Upgrading the Firmware will re-install the fonts.
Corrective Action:	Perform a full firmware upgrade that includes package 'B'.

System Error:	61:08.1
Problem Description:	The file cannot be printed because it is password protected.
Corrective Action:	Resend the file without password protection.
System Error:	63:04
Problem Description:	Input/Output problem through the Network Card.
Corrective Action:	Try the following: <ul style="list-style-type: none">■ Check that the Network cable is correctly connected to the Network Card.■ If a Gigabit Ethernet Card is being used, make sure it is correctly installed. If necessary, replace the Gigabit Ethernet Card.■ Check that the Printer has the latest Firmware version. If not, update the Firmware to the latest version.■ If the System Error continues, replace the Main PCA ⇒ Page 8-112.
System Error:	64:04
Problem Description:	Input/Output problem through the USB Port.
Corrective Action:	Try the following: <ul style="list-style-type: none">■ Check that the USB cable is correctly connected to the Printer.■ Check that the USB Card is correctly installed.■ Check that the Printer has the latest Firmware version. If not, update the Firmware to the latest version.■ Replace the USB card.
System Error:	65:04
Problem Description:	Input/Output problem through an unknown port.
Corrective Action:	Try the following: <ul style="list-style-type: none">■ Check that the unknown port cable is correctly connected to the Printer.■ Check that the Printer has the latest Firmware version. If not, update the Firmware to the latest version.
System Error:	66:08
Problem Description:	Cannot print file on current paper type. The paper type has changed since the

Corrective Action:	file was sent, so the file cannot be printed on the paper type currently loaded. Try the following: <ul style="list-style-type: none">■ Resend the file to be printed on the current paper type.■ Change the paper type to the type that was loaded when the file was originally sent.
System Error:	67:04
Problem Description:	Input/Output problem through an Firewire Port.
Corrective Action:	Try the following: <ul style="list-style-type: none">■ Check that the Firewire cable is correctly connected to the Printer.■ Check that the Printer has the latest Firmware version. If not, update the Firmware to the latest version.■ If the System Error continues, replace the Main PCA ⇒ Page 8-112.
System Error:	68:03
Problem Description:	Non-critical permanent data was lost. This does not prevent the Printer to work, only that internal life counters will not be recorded until the Printer is restarted.
Corrective Action:	Try the following: <ul style="list-style-type: none">■ Switch the Power OFF from the back of the Printer and disconnect the Power cord. Reconnect the power cord and power On the Printer.■ Check that the Printer has the latest Firmware version. If not, update the Firmware to the latest version.
System Error:	71:03
Problem Description:	Out of memory failure.
Corrective Action:	It is recommended that you remove any unnecessary files from the Hard Disk Drive using the Web Server.
System Error:	71:04
Problem Description:	Out of memory failure.
Corrective Action:	It is recommended that you remove any unnecessary files from the Hard Disk

Drive using the Web Server.

System Error:

71:19

Problem Description:

Default Serial Number found in the main and backup NVM. It seems that both the Ink Supply Tubes and Hard Disk Drive have been replaced together.

Corrective Action:

Try the following:

- Perform the "Error 71:19 Recovery" Service Utility (refer to Chapter 4).

You MUST NEVER replace both the Hard Disk Drive and the Ink Supply Tubes at the same time. If both parts need to be replaced, you MUST first replace one part and then power ON the Printer until it completely initializes. Then you can power OFF the Printer and replace the other part.

System Error:

72:04

Problem Description:

Generic Firmware error.

Corrective Action:

Try the following:

- Switch the Power OFF from the back of the Printer and disconnect the Power cord. Reconnect the power cord and power On the Printer.
- Check that the Printer has the latest Firmware version. If not, update the Firmware to the latest version.

System Error:

73:03

Problem Description:

Servo Error.

Corrective Action:

Try the following:

- Switch the Power OFF from the back of the Printer and disconnect the Power cord. Reconnect the power cord and power On the Printer.
- Check that the Printer has the latest Firmware version. If not, update the Firmware to the latest version.
- Perform the "Scan-Axis" Diagnostic (⇒ Page 4-7) to further troubleshoot the error code.
- If the System Error continues, perform the "Media Drive" Diagnostic (⇒ Page 4-12) to further troubleshoot the error code.

System Error:

74:00

Problem Description:

Failed getting Part Number/Serial Number.

Corrective Action:

Try the following:

- Switch the Power OFF from the back of the Printer and disconnect the Power cord. Reconnect the power cord and power On the Printer.

System Error:	74:01	<ul style="list-style-type: none">■ Check that the Printer has the latest Firmware version. If not, update the Firmware to the latest version.
Problem Description:	Error uploading firmware update file.	
Corrective Action:	Try the following:	<ul style="list-style-type: none">■ Switch the Power OFF from the back of the Printer and disconnect the Power cord. Reconnect the power cord and power On the Printer.■ Resend the firmware update file to the Printer.
System Error:	74:04	
Problem Description:	Old Vacuum Fan detected - upgrade the Firmware.	
Corrective Action:	Try the following:	<ul style="list-style-type: none">■ Check that the Printer has the latest Firmware version. If not, update the Firmware to the latest version.
System Error:	76:03	
Problem Description:	Out of Disk space - Data was lost.	
Corrective Action:	Try the following:	<ul style="list-style-type: none">■ Switch the Power OFF from the back of the Printer and disconnect the Power cord. Reconnect the power cord and power On the Printer.■ Resend the file to the Printer.■ If the System Error continues, it is recommended that you remove any unnecessary files from the Hard Disk Drive using the Web Server.■ Perform an EEROM Reset (⇒ Page 4-72) and resend the file to the Printer.
System Error:	77:04	
Problem Description:	Embedded Web Server internal software error.	
Corrective Action:	Try the following:	<ul style="list-style-type: none">■ Switch the Power OFF from the back of the Printer and disconnect the Power cord. Reconnect the power cord and power On the Printer.■ Check that the Printer has the latest Firmware version. If not, update the Firmware to the latest version.

System Error:	79:03
Problem Description:	Generic Firmware error.
Corrective Action:	<p>Try the following:</p> <ul style="list-style-type: none"> ■ Switch the Power OFF from the back of the Printer and disconnect the Power cord. Reconnect the power cord and power On the Printer. ■ Check that the Printer has the latest Firmware version. If not, update the Firmware to the latest version.
System Error:	79:04
Problem Description:	Generic Firmware error.
Corrective Action:	<p>Try the following:</p> <ul style="list-style-type: none"> ■ Switch the Power OFF from the back of the Printer and disconnect the Power cord. Reconnect the power cord and power On the Printer. ■ Check that the Printer has the latest Firmware version. If not, update the Firmware to the latest version. ■ Activate the traces (<i>Service menu</i> → <i>Service tests</i> → <i>Log management</i> → <i>Enable logs</i> → <i>other</i>). ■ Get the Configuration Plot of the printer (<a href="http://<ip>/hp/device/webAccess/configPlot.htm">http://<ip>/hp/device/webAccess/configPlot.htm). ■ Get the full service plot of the printer (<a href="http://<ip>/hp/device/webAccess/allServicePlot.htm">http://<ip>/hp/device/webAccess/allServicePlot.htm). ■ Get the logs (<i>printer.log</i> & <i>log.*.gz</i> from <a href="http://<ip>/hp/device/3432/8828/tmp/">http://<ip>/hp/device/3432/8828/tmp/) Refer to Page 4-79.
System Error:	79.1:04
Problem Description:	CDS server lost connection with client.
Corrective Action:	<p>Try the following:</p> <ul style="list-style-type: none"> ■ Check that the Printer has the latest Firmware version. If not, update the Firmware to the latest version. ■ Switch the Power OFF from the back of the Printer and disconnect the Power cord. Reconnect the power cord and power On the Printer.
System Error:	81:01
Problem Description:	Paper servo shutdown.
Corrective Action:	<p>Try the following:</p> <ul style="list-style-type: none"> ■ Open the Window and check for any visible obstacles restricting the movement of the Drive Roller. If there is a wrinkled mass of media inside the paper path, lift the Pinchwheels (using the black Drive Pinch Lever)

and clear the obstruction.

- Perform the "Media Drive" Diagnostic (⇒ Page 4-72) to further troubleshoot the error code.
- Check the connections on the PrintMech: The Paper Axis Motor is connected to the connector labeled Paper Motor and the Roll 1 Feed Motor cable is connected to the connector labeled FROLL.
- If the System Error continues, replace the Media-Axis Motor ⇒ Page 8-98.

System Error:

81:03

Problem Description:

It was impossible to correctly stop the servo before setting the encoder position.

Corrective Action:

Try the following:

- Open the Window and check for any visible obstacles restricting the movement of the Drive Roller. If there is a wrinkled mass of media inside the paper path, lift the Pinchwheels (using the black Driver Pinch Lever) and clear the obstruction.
- Perform the "Media Drive" Diagnostic (⇒ Page 4-72) to further troubleshoot the error code.
- If the System Error continues, replace the Media-Axis Motor ⇒ Page 8-98.

System Error:

81:10

Problem Description:

Fail starting Paper Motor.

Corrective Action:

Try the following:

- Open the Window and check for any visible obstacles restricting the movement of the Drive Roller. If there is a wrinkled mass of media inside the paper path, lift the Pinchwheels (using the black Drive Pinch Lever) and clear the obstruction.
- Perform the "Media Drive" Diagnostic (⇒ Page 4-72) to further troubleshoot the error code.
- If the System Error continues, replace the Media-Axis Motor ⇒ Page 8-98.

System Error:

84.11:01

Problem Description:

The printer tries to raise Roll 1 media to the level of the Drive Roller, but the Main Media sensor cannot detect the presence of the media

Corrective Action:

Try the following:

- Make sure there is no media jammed in the Roll 1 media path.
- Check that the Main Media Sensor cable is not damaged and is connected correctly to the Interconnect PCA.
- Clean the Roll 2 Module Feed Roller to ensure the media is not slipping.

- Ensure the printer's firmware level is at least version GW9.2.1.1.
- Perform the Sensor Test ⇒ Page 4-43.
- Replace the Media Sensor ⇒ Page 8-147.

System Error:

84.12:01

Problem Description:

The printer tries to remove Roll 1 media from the area of the driver roller, but the Main Media sensor detects the presence of the media

Corrective Action:

Try the following:

- Make sure there is no media jammed in the Roll 1 media path.
- Check that the Main Media Sensor cable is not damaged and is connected correctly to the Interconnect PCA.
- If very long media is in the printer path, more than A0, the printer will display this error, in this case manually unload the media from the printer.
- Check that the spindle is turning backwards.
- Perform the Sensor Test ⇒ Page 4-43.
- Replace the Main Media Sensor ⇒ Page 8-147.

System Error:

84.13:01

Problem Description:

The printer tries to raise Roll 1 media to the level of the Roll 1 Sensor, but the sensor cannot detect the presence of the media

Corrective Action:

Try the following:

- Make sure the media has not slipped from the Roll 1 media path.
- Clean the Roll 2 Module Feed Roller to ensure the media is not slipping.
- Check that the Roll 1 Sensor cable is not damaged and is connected correctly to the Interconnect PCA.
- Perform the Sensor Test ⇒ Page 4-43.
- Replace the Roll 1 Media Sensor ⇒ Page 8-207.

System Error:

84.14:01

Problem Description:

The printer fails to remove media from the Roll 1 media path.

Corrective Action:

Try the following:

- Make sure the media is in position in the Roll 1 media path.
- Make sure the spindle is turning backwards.
- Check that the Roll 1 Sensor cable is not damaged and is connected correctly to the Interconnect PCA.
- Perform the Sensor Test ⇒ Page 4-43.
- Replace the Roll 1 Sensor ⇒ Page 8-207.

System Error:	84.15:01
Problem Description:	The BT Arm cannot reach the working position.
Corrective Action:	Try the following: <ul style="list-style-type: none">■ Make sure the media spindle in the Roll 1 Module is turning.■ Clean the Roll 2 Module Feed Roller.■ Perform the Media Drive Test ⇒ Page 4-12.■ Replace the Roll 1 BT Arm Encoder Disc ⇒ Page 8-199.■ Replace the BT Arm ⇒ Page 8-188.
System Error:	84.16:01
Problem Description:	The BT Arm has stalled.
Corrective Action:	Try the following: <ul style="list-style-type: none">■ Make sure there is no media jammed in the Roll 1 media path.■ Perform the Media Drive Test ⇒ Page 4-12.■ Replace the Roll 1 BT Arm Encoder Disc ⇒ Page 8-199.■ Replace the BT Arm ⇒ Page 8-188.
System Error:	84.17:01
Problem Description:	The Roll 1 Media Sensor has detected media when there should not be any.
Corrective Action:	Try the following: <ul style="list-style-type: none">■ Make sure there is no media jammed in the Roll 1 media path.■ Switch the Power OFF from the back of the Printer and disconnect the Power cord. Reconnect the power cord and power On the Printer.■ Perform the Sensors Test ⇒ Page 4-43.■ Replace the Roll 1 Media Sensor ⇒ Page 8-207.
System Error:	84.18:01
Problem Description:	The printer is in the process of loading media and there is already media loaded.
Corrective Action:	Try the following: <ul style="list-style-type: none">■ Make sure there is no media jammed in the Roll 1 media path.■ Perform the Sensors Test ⇒ Page 4-43.■ Replace the Roll 1 Sensor ⇒ Page 8-207.

System Error:	84.19:01
Problem Description:	The printer checks that a manual unload of media has been performed by the user but detects there is still media loaded.
Corrective Action:	<p>Try the following:</p> <ul style="list-style-type: none"> ■ Make sure there is no media jammed in the Roll 1 media path. ■ Perform the Sensors Test ⇒ Page 4-43. ■ Replace the Roll 1 Media Sensor ⇒ Page 8-207.
System Error:	84.1:03
Problem Description:	Media jam in Roll 1 Module. This system error can be displayed for two reasons: there is a real paper jam in Roll Module 1 or the media feed motor hardware of Roll Module 1 is damaged
Corrective Action:	<p>Try the following:</p> <ul style="list-style-type: none"> ■ Check if there is paper jammed in RM1. In case there is, clean it and restart the printer. ■ Perform the Media Drive test Page 4-12. ■ Replace RM1 feed motor Page 8-190. ■ Replace the Interconnect PCA Page 8-100. ■ Replace the Print Mech Page 8-126.
System Error	84.110.01
	Media sensor doesn't detect paper
	<ul style="list-style-type: none"> ■ Perform the Sensors test Page 4-43 ■ Check that the media sensor is correctly installed, if not, install it correctly. ■ Replace the main media sensor Page 8-147
System Error:	84.21:01
Problem Description:	The printer tries to raise Roll 2 media to the level of the Drive Roller, but the Main Media sensor cannot detect the presence of the media
Corrective Action:	<p>Try the following:</p> <ul style="list-style-type: none"> ■ Make sure there is no media jammed in the Roll 2 media path. ■ Check that the Main Media Sensor cable is not damaged and is connected correctly to the Interconnect PCA. ■ Clean the Roll 2 Feed Roller to ensure the media is not slipping. ■ Perform the Sensor Test ⇒ Page 4-43. ■ Replace the Media Sensor ⇒ Page 8-147.
System Error:	84.22:01
Problem Description:	The printer tries to remove Roll 2 media from the area of the driver roller, but

Corrective Action:

the Main Media sensor detects the presence of media.

Try the following:

- Make sure there is no media jammed in the Roll 2 media path.
- Check that the Main Media Sensor cable is not damaged and is connected correctly to the Interconnect PCA.
- If very long media is in the printer path, more than A0, the printer will display this error, in this case manually unload the media from the printer.
- Check that the spindle is turning backwards.
- Perform the Sensor Test ⇒ Page 4-43.
- Replace the Main Media Sensor ⇒ Page 8-147.

System Error:

84.23:01

Problem Description:

The printer tries to raise Roll 2 media to the level of the Roll 2 Sensor, but the sensor cannot detect the presence of the media.

Corrective Action:

Try the following:

- Make sure the media has not slipped from the Roll 2 media path.
- Clean the Roll 2 Feed Roller.
- Check that the Roll 2 Standby Sensor cable is not damaged and is connected correctly to the Interconnect PCA.
- Perform the Sensor Test ⇒ Page 4-43.
- Replace the Roll 2 Standby Sensor ⇒ Page 8-266.

System Error:

84.24:01

Problem Description:

The printer fails to remove media from the Roll 2 media path.

Corrective Action:

Try the following:

- Make sure the media is in position in the Roll 2 media path.
- Make sure that the spindle is turning backwards.
- Check that the Roll 2 Standby Sensor cable is not damaged and is connected correctly to the Interconnect PCA.
- Perform the Sensor Test ⇒ Page 4-43.
- Replace the Roll 2 Standby Sensor ⇒ Page 8-266.

System Error:

84.25:01

Problem Description:

The BT Arm cannot reach the working position.

Corrective Action:

Try the following:

- Make sure the media spindle in the Roll 1 Module is turning.
- Clean the Roll 2 Feed Roller.
- Perform the Media Drive Test ⇒ Page 4-12.
- Replace the Roll 2 BT Arm Encoder Disc ⇒ Page 8-257.

- Replace the BT Arm ⇒ Page 8-229.

System Error:

84.26:01

Problem Description:

The BT Arm has stalled.

Corrective Action:

Try the following:

- Make sure there is no media jammed in the Roll 2 media path.
- Perform the Media Drive Test ⇒ Page 4-12.
- Replace the Roll 2 BT Arm Encoder Disc ⇒ Page 8-257.
- Replace the BT Arm ⇒ Page 8-229.

System Error:

84.27:01

Problem Description:

The Roll 2 Media Sensor has detected media when there should not be any.

Corrective Action:

Try the following:

- Make sure there is no media jammed in the Roll 2 media path.
- Switch the Power OFF from the back of the Printer and disconnect the Power cord. Reconnect the power cord and power On the Printer.
- Perform the Sensors Test ⇒ Page 4-43.
- Replace the Roll 2 Media Sensor ⇒ Page 8-266.

System Error:

84.28:01

Problem Description:

The printer is in the process of loading media and there is already media loaded.

Corrective Action:

Try the following:

- Make sure there is no media jammed in the Roll 2 media path.
- Perform the Sensors Test ⇒ Page 4-43.
- Replace the Roll 2 Media Sensor ⇒ Page 8-266.

System Error:

84.29:01

Problem Description:

The printer checks that a manual unload of media has been performed by the user but detects there is still media loaded.

Corrective Action:

Try the following:

- Make sure there is no media jammed in the Roll 2 media path.
- Perform the Sensors Test ⇒ Page 4-43.
- Replace the Roll 2 Media Sensor ⇒ Page 8-266.

System Error	84.2.03
Problem Description:	Media jam in Roll Module 2. This system error can be displayed for two reasons: there is a real paper jam in Roll Module 2 or the media feed motor hardware of Roll Module 2 is damaged.
Corrective Action:	<ul style="list-style-type: none">■ Check if there is paper jammed in RM2. In case there is, clean it and restart the machine.■ Check the cable between the RM2 and the Printer Interconnect is correctly connected■ Perform the media drive test ⇒ Page 4-12.■ Replace RM2 feed motor ⇒ Page 8-244.■ Replace the RM2 Interconnect PCA ⇒ Page 8-264■ Replace the Interconnect PCA ⇒ Page 8-100.■ Replace the Print Mech ⇒ Page 8-126.
System Error	84.210.01
Problem Description:	Media sensor doesnot detect paper
Corrective Action:	<ul style="list-style-type: none">■ Perform the Sensors test ⇒ Page 4-43.■ Check if the media sensor is correctly clipped. If not, clip it manually■ Replace the Main Media Sensor ⇒ Page 8-147.
System Error:	85:03
Problem Description:	Problem finding the Drive Roller zero.
Corrective Action:	Try the following: <ul style="list-style-type: none">■ Perform the "Media Drive" Diagnostic (⇒ Page 4-12) to further troubleshoot the error code.
System Error:	86:01
Problem Description:	Carriage servo shutdown.
Corrective Action:	Try the following: <ul style="list-style-type: none">■ Open the Window and check for any visible obstacles restricting the movement of the Carriage Assembly. If there is a wrinkled mass of media inside the paper path, lift the Pinchwheels (using the black Drive Pinch Lever) and clear the obstruction.■ Check that the Carriage Stopper is correctly installed (Refer to Carriage Disassembly Instructions ⇒ Page 8-89, Step 16.).■ Perform the "Scan-Axis" Diagnostic (⇒ Page 4-7) to further troubleshoot the error code.■ If the System Error continues, replace the Scan-Axis Motor ⇒ Page 8-95.

System Error: 86:03
Problem Description: Scan-Axis length test failure.
Corrective Action: Try the following:
■ Perform the "Scan-Axis" Diagnostic (⇒ Page 4-7) to further troubleshoot the error code.

System Error: 86:10
Problem Description: Initializing Scan-Axis Motor failure.
Corrective Action: Try the following:
■ Switch the Power OFF from the back of the Printer and disconnect the Power cord. Reconnect the power cord and power On the Printer.
■ Check that the Carriage Belt is correctly installed.
■ Replace the Encoder Strip and Encoder Sensor ⇒ Page 8-79.
■ If the System Error continues, replace the Scan-Axis Motor ⇒ Page 8-95.

System Error: 86:11
Problem Description: Scan-Axis length too short.
Corrective Action: Try the following:
■ Open the Window and check for any visible obstacles restricting the movement of the Carriage Assembly. If there is a wrinkled mass of media inside the paper path, lift the Pinchwheels (using the black Drive Pinch Lever) and clear the obstruction.
■ Replace the Encoder Strip and Encoder Sensor ⇒ Page 8-79.

System Error: 91:02
Problem Description: The HP Instant Support troubleshooting tool has detected that at least one Printhead has been replaced without having a specific error, and without being recovered/cleaned.
Corrective Action: Advise the customer that the next time they want to replace Printheads they should make sure that they at least perform a Printhead Recovery.

System Error: 91:10
Problem Description: The HP Instant Support troubleshooting tool has detected that at least, for one Printhead:
■ It is currently in warranty (less than 1000cc of ink used).
■ That the previous 2 Printheads had been found defective within the

warranty period.

Corrective Action:

In this case, it is possible that the Printer is damaging the Printhead. If, after replacing the Printhead a third time, it is found to be defective again, you may need to troubleshoot the Carriage Flex Cables or the Carriage PCA.

System Error:

93:11

Problem Description:

Unable to pressurize the IDS.

Corrective Action:

Try the following:

- Remove ALL the Ink Cartridges and reinstall them one by one in to the Printer.
- Replace the Ink Cartridges.
- Replace the APS Assembly ⇒ Page 8-69.
- If the System Error continues, replace the Ink Supply Tubes ⇒ Page 8-53.

System Error:

98:02 (this error code will be logged in the system but will not actually appear on the Front Panel)

Problem Description:

Switching to lower performance due to Printhead quality.

Corrective Action:

Try the following:

- Try a Printhead recovery on the Printheads.
- Replace the faulty Printhead. You may have to print the Image Quality Diagnostics print in order to identify the faulty Printhead.

Stacker System Error Codes

All the Stacker System Error Codes begin with 38 and are displayed in the same format as the Printer System Error Codes, for an explanation of the system error codes ⇒ Page 2-42

All stacker system errors are shown in the printer's Front Panel. System errors codes can be detected by the Printer or the Stacker.

Stacker System error codes detected by the Printer

System Error:	38.1:03
Problem Description:	Too many firmware upgrades.
Corrective Action:	<p>Try the following:</p> <ul style="list-style-type: none"> ■ Switch the Power OFF from the back of the Printer and disconnect the Power cord. Reconnect the power cord and power On the Printer. ■ Check that the Printer has the latest Firmware version. If not, update the Firmware to the latest version. ■ Perform the Stacker test ⇒Page 4-65. ■ Replace the Stacker Electronics PCA ⇒Page 8-308
System Error:	38.1:04
Problem Description:	Stacker requires FW but not present in the Printer's FW
Corrective Action:	<p>Try the following:</p> <ul style="list-style-type: none"> ■ Upgrade the firmware
System Error:	38.2:03
Problem Description:	Temperature not reached
Corrective Action:	<p>Try the following:</p> <ul style="list-style-type: none"> ■ Switch the Power OFF from the back of the Printer and disconnect the Power cord. Reconnect the power cord and power On the Printer. ■ After turning on the Stacker check to see if the roller is getting hot, if it is not check the Heating Lamp. ■ Check the temperature sensor.

Stacker System error codes detected by the Stacker.

Most of the Stacker system error codes can be recovered by following the instructions in the Front Panel, however if this does not clear the system error code try the instructions shown in this section.

System Error:	38.1:10
Internal Code	0002
Problem Description:	EEPROM parameter checksum mismatch/EEBOX
Corrective Action:	Try the following: <ul style="list-style-type: none">■ Switch the Power OFF from the back of the Printer and disconnect the Power cord. Reconnect the power cord and power On the Printer.■ Perform the Stacker test ⇒Page 4-65.■ Check all the connections on the Main Stacker PCA are correctly connected.■ Replace the Stacker Electronics PCA ⇒ Page 8-308
System Error:	38.1:10
Internal Code	0003
Problem Description:	EEPROM write operation failed.
Corrective Action:	Try the following: <ul style="list-style-type: none">■ Switch the Power OFF from the back of the Printer and disconnect the Power cord. Reconnect the power cord and power On the Printer.■ Check the PCA
System Error:	38.1:10
Internal Code	0004
Problem Description:	CAN command with invalid parameters received
Corrective Action:	Try the following: <ul style="list-style-type: none">■ Switch the Power OFF from the back of the Printer and disconnect the Power cord. Reconnect the power cord and power On the Printer.■ Check that the Printer has the latest Firmware version. If not, update the Firmware to the latest version.
System Error:	38.1:10

Internal Code	0005
Problem Description:	Unsupported CAN command received
Corrective Action:	<p>Try the following:</p> <ul style="list-style-type: none"> ■ Check that the Printer has the latest Firmware version. If not, update the Firmware to the latest version.
System Error:	38.1:10
Internal Code	0006
Problem Description:	CAN command communication error.
Corrective Action:	<p>Try the following:</p> <ul style="list-style-type: none"> ■ Switch the Power OFF from the back of the Printer and disconnect the Power cord. Reconnect the power cord and power On the Printer. ■ Check that the Printer has the latest Firmware version. If not, update the Firmware to the latest version.
System Error:	38.2:10
Problem Description:	Temperature sensor level too high or open circuit
Corrective Action:	<p>Try the following:</p> <ul style="list-style-type: none"> ■ Check the Temperature Sensor is correctly installed ■ Replace the Temperature Sensor ⇒ Page 8-296
System Error:	38.2:11
Problem Description:	Temperature sensor level too low or open circuit
Corrective Action:	<p>Try the following:</p> <ul style="list-style-type: none"> ■ Check the Temperature Sensor is correctly installed ■ Replace the Temperature Sensor ⇒ Page 8-296
System Error:	38.3:11
Problem Description:	Heating Lamp overheat switch off
Corrective Action:	<p>Try the following:</p> <ul style="list-style-type: none"> ■ Turn 'Off' the Stacker and leave it to cool down for 10 minutes. ■ Perform the Stacker test ⇒Page 4-65. ■ Check the distance of the Safety Temperature Sensor from the Heater Roller.

System Error:	38.4:10	<ul style="list-style-type: none">■ Check the Temperature of the Heater Roller.
Problem Description:	Stacker internal error. Heating element failure detected.	
Corrective Action:	Try the following: <ul style="list-style-type: none">■ Restart the printer.■ Perform the Stacker Test ⇒ Page 4-65.■ Check the Heating Lamp is correctly installed.■ Replace the Heating Lamp ⇒ Page 8-316.	
System Error:	38.5:01	
Problem Description:	Drive Motor overload detected.	
Corrective Action:	Try the following: <ul style="list-style-type: none">■ Check the Drive Motor is not blocked by turning 'On' and 'Off' the Stacker, and checking that the Stacker Transport belt can turn freely.■ Perform the Stacker test ⇒Page 4-65.■ Check for any debris in the paper path.■ Check all the connections in the Drive Motor.■ Replace the Drive Motor ⇒ Page 8-290.	
System Error:	38.5:11	
Problem Description:	Motor Encode signals missing	
Corrective Action:	Try the following: <ul style="list-style-type: none">■ Perform the Stacker test ⇒Page 4-65.■ Check all the connections in the Drive Motor including the encoder.■ Replace the Drive Motor ⇒ Page 8-290.	
System Error:	38.5:10	
Problem Description:	Other Drive Motor event caused abnormal error condition.	
Corrective Action:	Try the following: <ul style="list-style-type: none">■ Perform the Stacker test ⇒Page 4-65.■ Check all the cables on the Drive Motor are correctly connected.■ Replace the Drive Motor⇒ Page 8-290	

System Error: 38.6:01
Problem Description: Input voltage not correct (110v or 220v)
Corrective Action: Try the following:

- Check the input voltage corresponds what is specified on the Stacker Serial Label.
- Escalate to HP Division.

System Error: 38.6:11
Problem Description: Power Supply Unit voltage missing or breakdown.
Corrective Action: Try the following:

- Replace the Power Supply Unit ⇒ Page 8-317

System Error: 38.7:10
Problem Description: Stacker Tray Full Sensor failure
Corrective Action: Try the following:

- Remove any paper inside the Stacker
- Check for paper jams in the paper path.
- Check the Tray Full Sensor is not damaged
- Replace the Tray Full Sensor ⇒ Page 8-299

System Error: 38.8:01
Problem Description: Media jam sensor failure
Corrective Action: Try the following:

- Remove any paper inside the Stacker
- Check for paper jams in the paper path.
- Check the Media Sensor is not damaged
- Replace the Media Sensor ⇒ Page 8-299

System Error: 38.8:10
Problem Description: Media jam sensor activated.
Corrective Action: Try the following:

- Remove any paper inside the Stacker
- Check for paper jams in the paper path.
- Check the Media Sensor is not damaged

- Replace the Media Sensor ⇒ Page 8-299

System Error:

38.9:10

Problem Description:

Stacker door switch failure.

Corrective Action:

Try the following:

- Remove any paper from inside the Stacker
- Check for paper jams in the paper path.
- Check the Door Switch Sensor is not damaged or jammed with paper.
- Replace the Door Switch ⇒ Page 8-292.

System Error:

38.0:10

Problem Description:

Buffer sensor not activated

Corrective Action:

Try the following:

- Check the Buffer Sensor is not damaged.
- Replace the buffer sensor.

System Error:

38.A:10

Problem Description:

Stacker presence sensor failure

Corrective Action:

Try the following:

- Check the Stacker Presence Sensor is not damaged.
- Replace the Stacker Presence Sensor ⇒ Page 8-135.

System Error:

81.3:10

Problem Description:

Stacker motor failure

Corrective Action:

Try the following:

- Check there is nothing blocking the motor
- Check that the motor is correctly installed and all cables are connected correctly.
- Replace the Stacker Motor ⇒ Page 8-290.

System Error Codes and Warnings - Explanation

System Error Codes explain which component/system is failing and what action should be taken to resolve the problem.

System Error Codes are displayed directly on the front panel (but can also be seen on the Information Page) and have been defined in the format **XX.YZ** or **XX.n:YZ.m**.

- **XX**: Service Part (2 digits).
- **n**: Service Part Index (if more than one used in the product) - Optional.
 - e.g. Identify the Ink Supply (color and number).
- **Y**: Who should perform the action (1 digit) - (User or Service Engineer).
- **Z**: Action to perform (1 digit).
- **m**: additional actions/information to consider (1 digit) - Optional.
 - e.g. Non-authorized ink was detected, PM was triggered or Printhead in/out of Warranty.

The following table explains the **XX** part of the System Error Code or Warning:

Items in **red** are not applicable to this printer.

Code	Component/System
01.0	Main PCA/Electronics Module (Gamut)
01.1	Add-on Electronics Module (Printmech)
01.2	ISS Electronics Module
01.3	Electronics PCA Module Roll Module 2
02	Carriage
02.1	Carriage PCA
03	Power Supply Unit
04	Network Card
05	Formatter
05.1	Fan of the Formatter
05.2	Processor of the Formatter
05.3	Memory of the Formatter
06	Hard Disk Drive
07	Interconnect PCA
08	Front Panel
11	Trailing Cable
12	Carriage Flex Circuit
13.n	Cable from cartridge n to ISS PCA
17	Interconnect Cable
21	Service Station
22	Ink Supply Station
23	Pressure System (APS)
24	Ink Delivery Tubes
25	Spittoon
26n	Ink Cartridge (color n)
27n	Printhead (color n)
28n	Setup Printhead (color n)
29n	Printhead Cleaner (color n)
31	Cutter
32	Take-up Reel
33	Sheet Feeder
34	Dryer/Blower
35	Cleanout Assembly
36	Duplexer
37	ARSS/Rollfeed
38	Output Tray
38.0	Stacker Buffer Sensor
38.1	Stacker PCA
38.2	Stacker Temperature Sensor
38.3	Stacker Safety Temperature Sensor

Code	Component/System
38.4	Stacker Heating Lamp
38.5	Stacker Motor
38.6	Stacker PSU
38.7	Stacker Media Sensor
38.8	Stacker Media Jam Sensor
38.9	Stacker Door Sensor
38.A	Stacker Printer Detection Sensor
39	Paper Loading Failure
39.1	Roll 1 Paper Loading Failure
39.2	Roll 2 Paper Loading Failure
41	Paper-Axis Motor
41.1	Roll 1 Feed Motor
41.2	Roll 2 Feed Motor
42	Scan-Axis Motor
43	Vacuum Fan
44	Aerosol Fan
45	Back Tension Motor
51	Window/Door Sensor
51.1	Service Station Door Sensor
51.2	Stacker Detector Sensor
51.3	Roll 1 Left Sensor Drawer
51.4	Roll 2 Left Sensor Drawer
51.5	Roll 1 Right Sensor Drawer
51.6	Roll 2 Right Sensor Drawer
52	Drop Detector
53	Media Sensor
53.3	Roll 1 Media Standby Sensor
53.4	Roll 2 Media Standby Sensor
54	Driver Pinch Lever Sensor
54.1	Roll 1 Media Load Lever Sensor
54.2	Roll 2 Media Load Lever Sensor
55	Line Sensor
56	Drive Roller Encoder Sensor
56.1	Roll 1 BT Arm Encoder Sensor
56.2	Roll 2 BT Arm Encoder Sensor
57	Ink Leak Detector
58	Color Sensor
59	Media Type Sensor
61	Language Interpreting
61.1	PS Fonts Missing
61.2	File with Passwords cannot be Printed
62	Input/Output through Parallel Port

Code	Component/System
63	Input/Output through LAN Card
63.0	Input/Output through Integrated LAN Card
63.1	Input/Output through add-on JetDirect LAN Card
63.2	Input/Output through add-on Gigabit LAN Card
64	Input/Output through USB Port
65	Input/Output (not know what port)
66	Print Job Configuration
67	Input/Output through FireWire Port
68	Loss of Engine Counters Tracking
71	Memory Management
72	Generic Firmware
73	Motor Control Functions
74	Firmware Upgrade
74.1	Media Profile Update
75	Preventive Maintenance
75.1	Preventive Maintenance Kit #1
75.2	Preventive Maintenance Kit #2
76	Disk Full
77	WebAccess Application
79	Assertion (Uncontrollable Firmware Error)
79.1	Warning (Uncontrollable Recoverable Firmware Error)
81	Media Advance
81.3	Stacker Drive Motor
81.4	Stacker Paper Jam Sensor
81	Media Cut
83	Single-Sheet Feeding
84	Roll Feeding
84.1	Roll 1 Feed Motor
84.2	Roll 2 Feed Motor
85	Media-Axis Encoder Reading
86	Carriage Movement
87	Scan-Axis Encoder Reading
91	Printhead Firing
92	Servicing
93	Ink Pumping
94	Color Calibration
95	Printhead Alignment
96	Image Quality Troubleshooting
97	Paper Advance Calibration
98	Automatic Backup Printmode Enabled

The following table explains the **YZ** part of the System Error Code or Warning:

Code	Recovery Action	Response
00	Replace	Possible for customer to perform action
01	Reseat/Reconnect/Clean/Adjust (manually)	
02	Calibrate/Adjust (using Automatic Process)	
03	Power OFF and Restart the Printer	
04	Upgrade System Firmware	
05	Upgrade Driver or Computer Software	
06	Add Accessory	
07	Escalate	
08	Send Plot Again	
09	Wrong Part Installed	
10	Replace	HP qualified personnel assistance required
11	Reseat/Reconnect/Clean/Adjust (manually)	
12	Calibrate/Adjust (using Automatic Process)	
13	Power OFF	
14	Upgrade System Firmware	
15	Upgrade Driver or Computer Software	
16	Add Accessory	
17	Escalate	
18	Send Plot Again	
19	Wrong Part Installed	

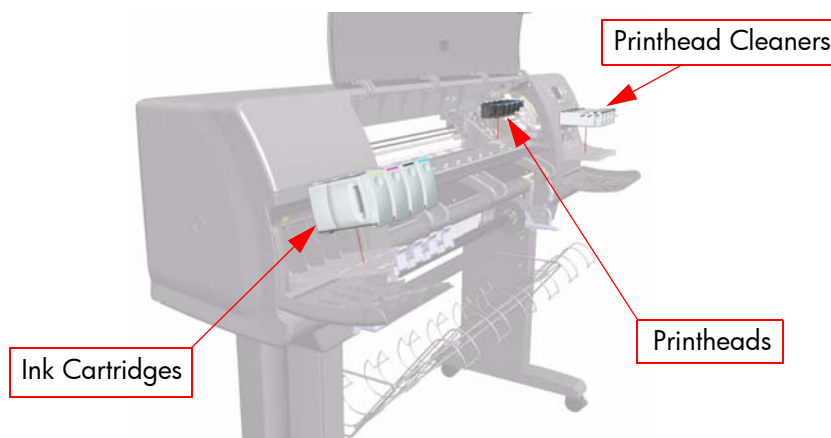
Ink Supplies Troubleshooting

3

What are Ink Supplies?	3-2
Ink Cartridges	3-2
Printheads	3-3
Printhead Cleaners	3-3
General Information About the Ink Supplies	3-4
General Precautions When Handling Ink Supplies	3-4
Priming the Ink System	3-5
When Should You Replace the Ink Supplies?	3-5
Obtaining Ink Cartridge Information	3-6
Obtaining Printhead Information	3-7
Ink Cartridge Status Messages	3-9
Ink Cartridge Status While Printing	3-9
Ink Cartridge Status While Replacing	3-9
Printhead Status Messages While Printing	3-10
Printhead Status Messages While Replacing	3-10
Printhead Cleaner Status Messages While Printing	3-11
Printhead Cleaner Status Messages While Replacing	3-11
Summary of Solving Ink Supplies Problems	3-12
Troubleshooting Printhead Error Codes	3-13
Carriage Interconnect Wiper	3-14
Warranty Information for Ink Supplies	3-15
Warranty Information for Printheads	3-15

What are Ink Supplies?

For each of the four ink colors used in the printer, there are three separate components. The Printhead and the Printhead Cleaner are supplied together, and the Ink Cartridge is supplied separately. All of these components are called Ink Supplies.



Ink Cartridges

The printer's four Ink Cartridges provide yellow, magenta, black, and cyan ink to the Printheads. The color Ink Cartridges supplied with the printer have a capacity of 225 cm³, and the black cartridge has a capacity of 400 cm³. It is also possible to buy and use color cartridges with a capacity of 400 cm³.

All these Ink cartridges are physically the same size, only the internal capacity varies.



The Ink Cartridges for the HP Designjet 4500 Printers series require no maintenance or cleaning. As long as each Ink Cartridge is inserted correctly into its slot, the ink will flow to the Printheads. Because the Printheads control the amount of ink transferred to the page, you will continue to see high-quality printing results even when the ink levels are getting low.

The front panel displays the status of the Ink Cartridge. Using the front panel, detailed information can be checked on the Ink Cartridges.

Printheads

In order to increase printing speed, two Printheads are connected to each Ink Cartridge, giving eight printheads in total.



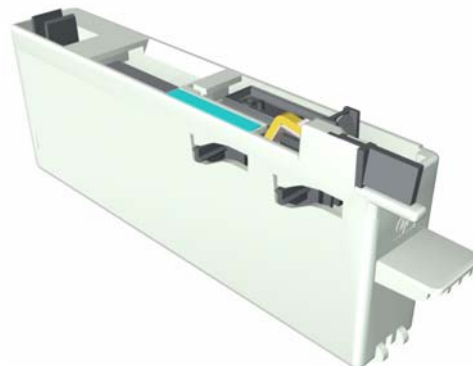
The Printheads are extremely durable and do not need to be replaced every time an Ink Cartridge is replaced. They are independent of the Ink Cartridges and will continue giving excellent image quality results even if the Ink Cartridges are low on ink.

If you notice a decline in print quality such as lines or dots missing from text/graphics, go to Page 6-13, *Troubleshooting Print Quality Problems*.

Whenever a new Printhead is bought, it will come with a new Printhead Cleaner. When a Printhead is replaced, the Printhead Cleaner should be replaced at the same time. Leaving the old Printhead Cleaner in the Printer will shorten the new Printhead's life and possibly damage the Printer.

Printhead Cleaners

Each printhead has its own printhead cleaner, so there are eight printhead cleaners in the printer. Printhead cleaners are used to clean and maintain the printheads, to ensure the best possible print quality, and to seal the printheads when they are not in use to prevent them from drying out.



General Information About the Ink Supplies

For optimum results from the printer and modular ink delivery system always follow these guidelines when handling the ink supplies:

- Always install the Ink Cartridges, Printheads and Printhead Cleaners before the expiration date, which is on the packaging.
- Install a new Printhead Cleaner every time you change a Printhead.
- Allow the Printer and Printhead Cleaners to automatically clean the Printheads.
- Install Ink Cartridges, Printheads and Printhead Cleaners in their color-coded slots.
- Follow the instructions on the front panel of the Printer during installation.
- Avoid unnecessary removal of the Ink Cartridges and Printheads.
- When turning off the Printer always use the power Off button on the front panel. The Printheads are then stored correctly which prevents them from drying out.
- The Ink Cartridges should never be removed while the printer is printing. They should only be removed when the printer is ready for you to replace them. The front panel will guide you through the removal and installation procedure.

General Precautions When Handling Ink Supplies



Do not touch, wipe or attempt to clean the printhead nozzles. This can damage the printhead.

- Handle the ink supplies with care. In particular the Printhead, which is a high precision device and must be handled carefully.
- Do not touch the Printhead nozzles.
- Do not put the Printhead down on the nozzles.
- Do not be rough when handling the Printheads. Always set them down gently.
- Do not drop the Printheads.
- Proper handling will assure optimum performance throughout the Printhead life.
- The Printhead Cleaner should always be handled and stored upright to avoid a potential spillage of ink.
- Do not touch the end of the Ink Cartridge which is inserted into the printer as there may be a small amount of ink on the connection.
- Avoid storing partially used Ink Cartridges on their ends.

Priming the Ink System

When the customer first receives the printer, it is supplied with a set of four Setup Printheads pre-installed in the Carriage Assembly. These Setup Printheads are used for the priming of the tubes in the modular ink delivery system. The customer must not remove the Setup Printheads from the Carriage without following the procedures in the *Setup Guide*.

When the Printer is powered ON for the first time, the Printer will automatically perform the priming process. Without the priming process, the customer will NOT be able to use the Printer.

Why does the Printer require priming:

- The Tubes System is empty when the customer receives the Printer.
- The Tubes System has to be pressurized and filled with ink, ejecting any air bubbles.



If the Printing Printheads are installed in the carriage during the priming process, they will be rejected and the front panel will show a warning message.

When Should You Replace the Ink Supplies?

When to change the ink supplies is mostly determined by you with guidance from the front panel. In conjunction with the messages displayed in the front panel and the message explanations in this chapter, you will be able to choose for yourself when is the right time to change the ink supplies.

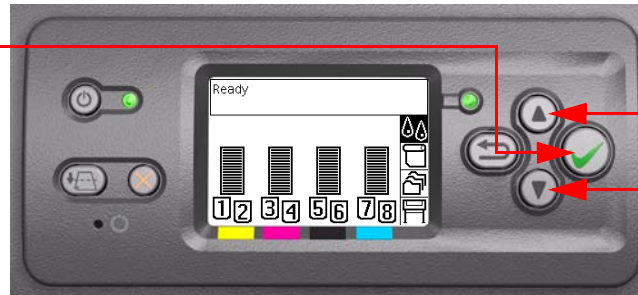
The Printer will also display the ink level and will tell you when the ink supply is low on ink. This means you have constantly updated information about the ink supplies.

Printhead life is anticipated to be 1000ml or twelve months in the printer, whichever occurs first, provided that the printhead is used under normal operating conditions (using HP Ink Cartridges only) and its "install before date" has not lapsed. However results vary depending on the print quality setting being used.

Obtaining Ink Cartridge Information

- 1 Scroll to the Ink Menu icon and press **Enter**.

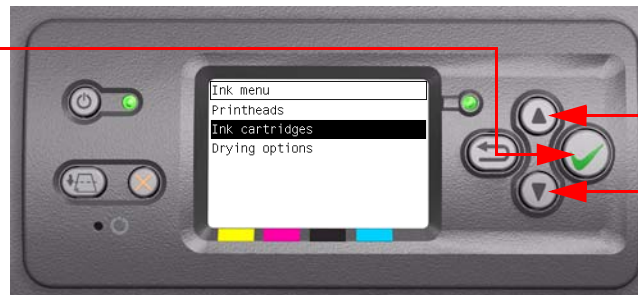
Press Enter to confirm selection



Use UP and DOWN keys to select

- 2 In the Ink Menu submenu, scroll to "Ink cartridges" and press **Enter**.

Press Enter to confirm selection



Use UP and DOWN keys to select

- 3 In the Ink Cartridges submenu, scroll to "Ink cartridge information" and press **Enter**.

Press Enter to confirm selection



Use UP and DOWN keys to select

- 4 In the Ink Cartridge Information submenu, scroll to the Ink Cartridge that you want information on and press **Enter**.

Press Enter to confirm selection



Use UP and DOWN keys to select

5 The front panel displays information on the selected Ink Cartridge.

```

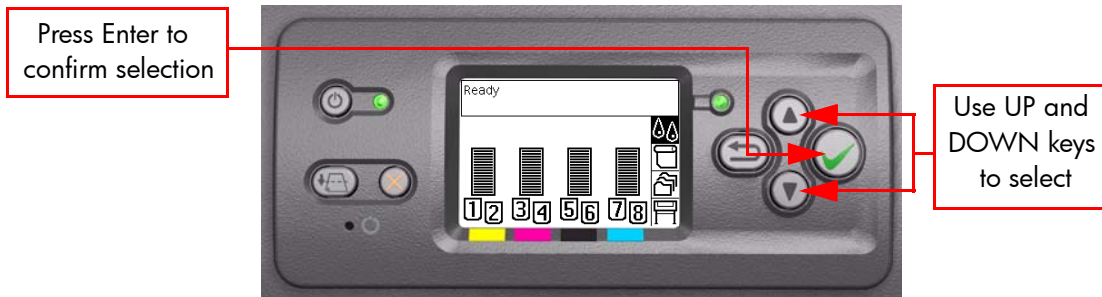
Yellow ink cartridge
Product name: HP No 90
Product number: C5065A
Serial number: 1116688-29-8
Status: OK
Ink level: 379 ml
Capacity: 400 ml
Manufacturer: HP
Warranty status: In warranty
    
```

The information supplied is:

- The make of the Ink Cartridge (hp no.90 is recommended).
- The product number of the Ink Cartridge.
- The serial number of the Ink Cartridge.
- The current status of the Ink Cartridge.
- The current ink level of the ink cartridge in milliliters.
- Original capacity of the ink cartridge in milliliters.
- The manufacturer of the Ink Cartridge (hp is recommended).
- The current warranty status of the Ink Cartridge.

Obtaining Printhead Information

1 Scroll to the Ink Menu icon and press **Enter**.

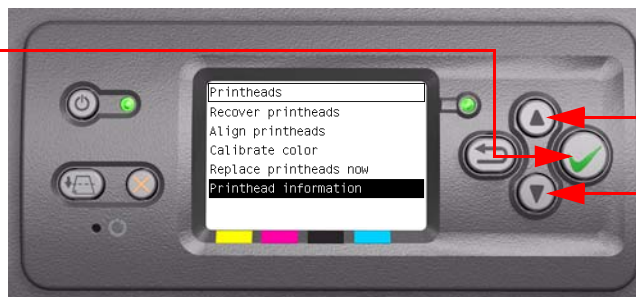


2 In the Ink Menu submenu, scroll to "Printheads" and press **Enter**.



- 3** In the Printheads submenu, scroll to "Printhead information" and press **Enter**.

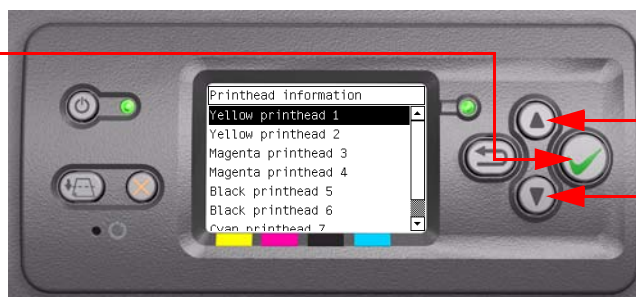
Press Enter to confirm selection



Use UP and DOWN keys to select

- 4** In the Printhead Information submenu, scroll to the Printhead that you want information on and press **Enter**.

Press Enter to confirm selection



Use UP and DOWN keys to select

- 5** The front panel displays information on the selected printhead.

```

Yellow printhead 1
Product name: HP No 90
Product number: C5057A
Serial number: 16455695-33-8
Printhead status: OK
Ink fired: 3 ml
Warranty status: In warranty
Cleaner status: OK

```

The information supplied is:

- The make of the printhead (hp no.90 is recommended).
- The product number of the Printhead.
- The serial number of the Printhead.
- The current status of the printhead.
- How much ink has been fired (consumed) by the printhead. **Note:** It is possible for a printhead to consume more than one Ink Cartridge.
- The current warranty status of the Printhead.
- The current status of the Printhead Cleaner.

Ink Cartridge Status Messages

Status Bars

The front panel displays four horizontal bars. These bars represent how much ink is remaining in the Ink Cartridges: as ink is used up the bars get shorter in length. To see how much ink is remaining, go to the "Ink Cartridge Information" submenu. See Page 3-6, *Obtaining Ink Cartridge Information*

OK

The Ink Cartridge is operating correctly and no action is required.

Low

The **Low** message is an early warning sign and it is advisable that new supplies should be obtained of that particular color. The amount of ink remaining in the Ink Cartridge depends on its capacity, but there is approximately 14% of ink available for the user.

Very Low

When the **Very Low** message is displayed, overnight printing should not be attempted. Changing the Ink Cartridge is strongly recommended to prevent the printer from stopping halfway through a print. There is approximately 8% of ink available for the user.

Empty

The printer will stop and will not be able to continue printing until a new Ink Cartridge has been installed. If this occurs halfway through printing an image, you should check the quality of this image, as stopping mid-plot can affect the print. It would be recommended to reprint the image once a new Ink Cartridge has been installed.

Ink Cartridge Status While Replacing

The printer can report the following status messages while the Ink Cartridge is being replaced:

Missing

The Ink Cartridge has not been installed or is installed incorrectly. The Printer will not print until ALL Ink Cartridges have been installed correctly.

Reseat

The Ink Cartridge is having continuity problems. Try removing the Ink Cartridge from the Printer and inserting it in again.

Replace

The Ink Cartridge is faulty and needs to be replaced before the printer can continue printing.

Unknown

The Ink Cartridge installed is not approved **but** the user has confirmed that he is using refilled or non-hp Ink Cartridges. Refer to the User's Guide for further information regarding using refilled or non-hp approved Ink Cartridges.

The main actions for all 4 status messages is as follows:

- 1 Reseat the Ink Cartridge.
- 2 If reseating does not resolve the status message, replace the Ink Cartridge.
- 3 If the Status messages continue to appear, even after replacing the Ink Cartridge, replace the Ink Supply Tubes and Trailing Cable ⇒ Page 8-53.

Printhead Status Messages While Printing

Detailed below are the printhead status messages that may be displayed while printing.

OK

The printhead is operating correctly and will provide an acceptable level of print quality. To find more information on the printheads, refer to Page 3-7, *Obtaining Printhead Information*.

Replace

The Printhead is faulty and needs to be replaced before the printer can continue printing.

If this message continues to appear (for example after installing new Printheads), try the following:

- 1 Reseat the Printheads and check if the message disappears.
- 2 Remove the Drop Detector and make sure that there are no obstacles inside which are blocking the sensor.
- 3 Print the Diagnostic Print ⇒ Page 6-6. Check that the Printhead nozzles are firing correctly.
- 4 Perform the Service Station Calibration ⇒ Page 5-8.
- 5 Replace ALL the Printheads.

Printhead Status Messages While Replacing

The following are the Printhead status messages that may be displayed while replacing the Printheads.

Reseat

In this situation, select the Printhead replacement option through the Front Panel but do NOT remove the Printheads. If this status message continues to appear then remove the Printheads and install them again.

Remove

The Printhead is not a suitable type for use in printing (for example, a Setup Printhead).

Missing

No Printhead has been detected in that Carriage stall. If a Printhead is installed in the Carriage stall when this status message is shown:

- 1 Reseat the Printhead, making sure it is installed correctly.
- 2 Clean the Carriage and Printhead flex circuits using the Carriage Interconnect Wiper ⇒ Page 3-14.
- 3 Replace the Printhead.
- 4 Perform the Electronic Systems Test ⇒ Page 4-32.

If all 8 Printheads are installed but have the Status message "Missing", it is possible that the Carriage Assembly is faulty.

Printhead Cleaner Status Messages While Printing

Detailed below are the Printhead Cleaner status messages that may be displayed while printing.

OK

The Printhead Cleaner is operating correctly and no action is required.

End of Life

The Printhead Cleaner has reached the end of its life and should be replaced. Once the Printhead Cleaner has been replaced reset the status of the Printhead Cleaner see *Page 4-98*.

Printhead Cleaner Status Messages While Replacing

The following are the Printhead Cleaner status messages that may be displayed while replacing the Printheads.

Reseat Cleaner

In this situation, remove the Printhead Cleaner and install it again.

Wrong Stall

The Printhead Cleaner has been installed in the incorrect place. Remove the Printhead Cleaner and check that it is installed in the correct stall of the Service Station.

Missing

The Printhead Cleaner has not been installed or is installed incorrectly. The Printer will not print until ALL Printhead Cleaners have been installed correctly.

Not replaced with Printhead

A new Printhead has been installed without installing a new Printhead Cleaner that came with it. Make sure a new Printhead Cleaner is installed everytime you replace a Printhead.

If a Printhead Cleaner needs to be removed or reseated, you must first start the Printhead Replacement process. Open the window when prompted to do so by the front panel. If the front panel shows the Printheads with **no** Printhead blinking, you do not need to touch the Printheads. Just close the window again, and the Printer will proceed to Printhead Cleaner replacement.

Summary of Solving Ink Supplies Problems

Most of the problems that you could encounter when working with the ink supplies are solved with guidance from the front panel. A full list of front panel messages are supplied in the User's Guide.

Problems reseating the printhead

If you have inserted the printhead into the printhead carriage assembly and the printer does not "BEEP" try the following steps.

Check that during the priming process, the Setup Printheads are installed in the Carriage. If the printing Printheads are installed in the carriage during the priming process, they will be rejected and the front panel will show a warning message.

- Check that the protective tape has been removed from the printhead.
- Insert the Printhead into the Carriage Assembly but this time correctly close the cover using the latch.
- Clean the electrical contacts on both the printheads and the printhead Carriage Assembly using the carriage interconnect wiper ⇒ Page 3-14.
- Replace the Printhead with a new one.

You Cannot Insert the Ink Cartridge Into the Printer

- 1 Ensure that you have the correct hp no.90 Ink Cartridge.
- 2 Ensure that the Ink Cartridge is the correct color for that slot.
- 3 Ensure that the Ink Cartridge is the correct orientation, with the color coded label at the top.

Never clean inside the Ink Cartridge slots as this can cause damage to the Printer.

You Cannot Insert the Printhead Into the Printer

- 1 Ensure that you have the correct hp no.90 Printhead.
- 2 Ensure that the printhead is the correct color for that slot.
- 3 Ensure that the printhead is in the correct orientation.
- 4 Ensure that the protective cap is removed from the Printhead.

You Cannot Insert the Printhead Cleaner Into the Printer

- 1 Ensure that you have the correct hp no.90 printhead cleaner.
- 2 Ensure that the printhead cleaner is the correct color for that slot.
- 3 Ensure that the printhead cleaner is in the correct orientation.

Troubleshooting Printhead Error Codes

The Printhead Error Codes can be found on the Service Information Print (Setup Menu/Information Menu/Internal Prints/Print Service Information/Current Information). The actual error code is a decimal number and it has to be converted to a binary number before it can be used.

Error ID Code: 0

In order to convert the decimal error code to a binary error code, you can use a calculator. For example, if you had the error code 4099, you would enter 4099 as a decimal number and then select the binary option which would give you a binary number of 1000000000011.

The following table explains the meaning of the different bits (0 or 1). When the value of the error code is reported as 0, it means that the Printhead is working correctly:

Bit	Meaning	Bit	Meaning
1st	FAILS_LOGICAL_V	11th	BAD_ACUMEN_ACCESS
2nd	FAILS_CONTINUITY	12th	WRONG_MODEL
3rd	SHUTDOWN	13th	MISMATCH
4th	FAILS_VPP	14th	CSDATA_NOT_RESPONDING
5th	TEMP_EXTREMELY_HIGH	15th	CSDATA_TRANSMIT_ERROR
6th	TEMP_EXTREMELY_LOW	16th	FAILS_ENERGY_CALIBRATION
7th	TEMP_TOO_HIGH	17th	EMPTY_DUMMY
8th	TEMP_TOO_LOW	18th	FULL_DUMMY
9th	BAD_ACUMEN_INFO	19th	END_OF_LIFE
10th	NO_PEN	20th	OUT_OF_WARRANTY

The binary number needs to be read from right to left so that the 1st bit corresponds to the right one of the binary number. For example, the error code 4099 is converted to binary number 1000000000011. So using the table above, the error code means "FAILS_LOGICAL_V", "FAILS_CONTINUITY" and "MISMATCH".

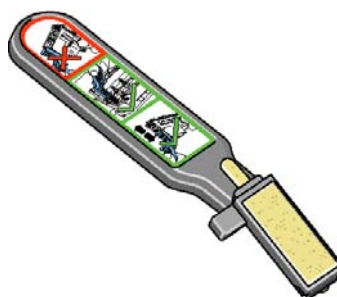
Carriage Interconnect Wiper

The Carriage Interconnect Wiper is part of the Maintenance Kit which can be ordered using Part Number Q1271-60420. All the instructions needed to use the Carriage Interconnect Wiper will be packaged with the kit.

Whenever you replace the Printhead, check the empty slots to see if they need cleaning. In extreme circumstances, when a Printhead is inserted, it is possible that the Printer will not recognize it due to the build-up of ink on the electrical connection between the Printhead and the Carriage Assembly.

Included with the HP Designjet Printer, is a Carriage Interconnect Wiper. This tool is provided in a separate package. It also contains replacement sponges and an instruction sheet. This tool should be used for cleaning the electrical interconnects of both the Carriage Assembly and the Printhead.

If the front panel displays the message "Reseat" or "Replace" next to the offending printhead, try cleaning the flex circuits of the Carriage and the Printheads.



Do not touch, wipe or attempt to clean the printhead nozzles. This can damage the printhead and reduce print quality.

Warranty Information for Ink Supplies

Ink Cartridge

The warranty for the Ink Cartridges will end when one of the following occurs:

- 24 months from the date of manufacture
- or**
- When the advertised deliverable ink is reached (225ml/7.6 oz or 400ml/13.5 oz)
- or**
- When the user confirms that they have used non-hp ink in empty over-ride mode.

The actual end of warranty date is printed on the supply label.

Warranty Information for Printheads

Ink Cartridge

The warranty for the Printheads will end when one of the following occurs:

- 24 months from the date of manufacture that is printed on the Printhead
- or**
- When 1000ml/33.8 oz of HP original ink has been consumed by the Printhead
- or**
- When the user confirms that they have used non-hp ink in empty over-ride mode.



Diagnostic Tests and Utilities

4

- Introduction 4-2
- Diagnostics - Self Test 4-2
- Diagnostic Tests 4-3
 - Entering the Diagnostic Menu 4-5
 - 1. Scan Axis Test 4-7
 - 2.1 Media Drive Test 4-12
 - 2.2 BT Arm Test 4-24
 - 3. Electronics Module Test 4-32
 - 4. Carriage Assembly Test 4-42
 - 5. Sensors Test 4-43
 - 6. Ink Delivery System Test 4-51
 - 7. SVS/Aerosol Fan Test 4-52
 - 8. Air Pump System Test (firmware 10.1.1.4) 4-53
 - 9. Vacuum Fans Test 4-55
 - 10.1 Others >>> Bag Broken Recovery 4-56
 - 10.2 Others >>> IO Information 4-59
 - 10.3 Others >>> Unit Information 4-60
 - 10.4 Others >>> Check Ink Supplies 4-62
 - 10.5 Others >>> Roll Module Config 4-64
 - 10.6 Others >>> Stacker Test 4-65
 - 10.7 Others >>> Enable Connectivity 4-71
 - 11. EEROM Reset 4-72
 - 12. Set Unit Configuration 4-74
 - 13. Error 71:19 Recovery 4-75
 - 14. I/O Tests 4-77
 - 15. Log Management 4-79
- Service Utilities 4-81
 - Entering the Service Utilities Menu 4-83
 - 1. Turn Drive Roller 4-85
 - 2. Prime Tubes 4-87
 - 3. Set SN 4-91
 - 4. Reset Life Counters 4-92
 - 5. Diagnostic Print 4-94
 - 6. Sleep Mode 4-95
 - 7. Replace Cutter 4-96
 - 8. Set RTC Clock 4-97
 - 9. PHC Maintenance 4-98
 - 10. Media standby behavior 4-100
 - 11. Backup print mode 4-102
 - 12. Feed Roller Material Change 4-103
 - 13. Sanitize Level 4-105
 - 14. Disk Wipe 4-107

Introduction

This chapter explains how to use the built-in Diagnostic Tests and Service Utilities and what to do if any of the test fails.

If possible, always perform a Diagnostic Test on the component that you are about to replace, to make sure that it is the component that has failed. If the test on that component passes, there is no need to replace it.

Diagnostics - Self Test

Initialization Sequences

Whenever the Printer is switched ON, it automatically performs a series of internal self tests and mechanical initialization sequences. If any of the parts fail, a system error will appear and you should consult Chapter 2 - *System Error Codes*.

Phone Support

In certain circumstances, a Call Agent can troubleshoot the Printer remotely by asking the customer to perform one or more of the Diagnostic Tests. Using this process, the Call Agent can determine whether an on-site visit is required.

Remember that the Key combination for the Customer to Enter the Diagnostic Tests and Utilities is different from the one that the Customer Engineer will use.

Diagnostic Tests

The following is a list of diagnostic tests available in the Printer. Instructions for entering the diagnostics tests menu are given on Page 4-5.

1 Scan Axis Test ⇒ Page 4-7

The purpose of this test is to verify the operation of components related to the Scan Axis.

2a Media Drive Test ⇒ Page 4-12

The purpose of this test is to verify the operation of components related to the Media Axis.

2b BT Arm Test ⇒ Page 4-24

This test checks the operation of Back Tension Arm.

3 Electronics System ⇒ Page 4-32

The purpose of this test is to verify the operation of the:

- Main PCA (Formatter).
- Printer Configuration.
- Gamut PCI PCA.
- Power Supply Unit.
- PrintMech.
- Interconnect PCA.
- Carriage Communication.
- ISS Communication.

4 Carriage Assembly Test ⇒ Page 4-42

The purpose of this test is to verify the operation of the Carriage Assembly.

5 Sensors Test ⇒ Page 4-43

The purpose of this test is to verify the operation of the following Sensors:

- Window Sensor.
- Printhead Cleaner (PHC) Access Door Sensor.
- Drive Pinch Lever Sensor.
- Main Media Sensor
- Drawers Switch
- Media Lever Sensor on Drawers 1 and 2
- Roll 1 and 2 Media Sensors
- Drawer Switch Sensors 1 and 2
- Back Tension Media Sensor
- Stacker Presence Sensor

- 6** Ink Delivery System Test ⇒ Page 4-51
The purpose of this test is to verify the operation of the Ink Supply Tubes.
- 7** SVS/Aerosol Fan Test ⇒ Page 4-52
The purpose of this test is to verify the operation of the Service Station and the Aerosol Fan.
- 8** Air Pump System Test ⇒ Page 4-53
The purpose of this test is to verify the operation of the Air Pressurization System (APS).
- 9** Vacuum Fan Test ⇒ Page 4-55
The purpose of this test is to verify the operation of the Vacuum Fans.
- 10** Others ⇒ Page 4-56
This option allows you to:
 - Recover the Printer from a Bag Broken error ⇒ Page 4-56.
 - View the information relating to the IO ⇒ Page 4-59.
 - View the Firmware Version, Part Number, Serial Number and PS Unit Configuration ⇒ Page 4-60.
 - Verify which Ink Cartridges are valid for the purge process and what is their current available ink level ⇒ Page 4-62.
 - Configure the Roll 1 Module or the Roll 2 Module ⇒ Page 4-64.
 - Check the Stacker is working correctly ⇒ Page 4-65.
 - Enable or Disable the printer's connectivity, depending on the customer's security requirements ⇒ Page 4-71.
- 11** EEROM Reset ⇒ Page 4-72
The purpose of this test is to reset the EEROM values.
- 12** Set Unit Configuration ⇒ Page 4-74
The purpose of this test is to automatically configure the Printer either as Standard or Productivity.
- 13** Error 71:19 Recovery ⇒ Page 4-75
The purpose of this utility is to set the Serial Number and Part Number in case both the Hard Disk Drive and the Ink Supply Tubes are replaced at the same time.
- 14** I/O Tests ⇒ Page 4-77
The purpose of this test is to check the installed and active I/O Interfaces.
- 15** Log Management ⇒ Page 4-79
With Log management enabled you can trace events in the printer leading up to a system error, which helps when troubleshooting.

Entering the Diagnostic Menu

In order to enter the Diagnostic Menu, please refer to the instructions on Page 4-83.

- 1** Make sure the printer is switched OFF from the power switch on the front of the printer and **NOT** from the power switch on the back of the printer.
- 2** For Call Agents who will request the user to perform certain troubleshooting actions, hold the **Down** arrow key and the **Cancel** key down and switch the printer **ON** using the front power switch. Wait until you hear one beep (usually after 5 seconds) before releasing ALL 3 keys.

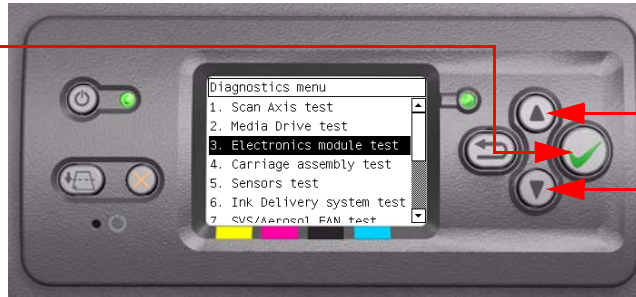


- 3** For On-Site Engineers, hold the **Up** arrow key and the **Cancel** key down and switch the printer **ON** using the front power switch. Wait until you hear one beep (usually after 5 seconds) before releasing ALL 3 keys.



- 4 Once inside the Diagnostic Menu use the **Arrow** keys to scroll through the selections. Press the **Enter** key to begin a specific test when the required Test is highlighted.

Press Enter to confirm selection



Use UP and DOWN keys to select

The diagnostic tests work in a special Mode which does NOT require the full Initialization of the Printer. Therefore it is important that once you have finished with the tests, you MUST power OFF the Printer and Power ON again before trying to print.

In some cases a quick press of a button may not be recognized by the Printer. When pressing a button, be sure to press it deliberately and all the way to the bottom of its travel.

If the Printer hangs up during a test, switch the Printer OFF and restart from step 1.

PHONE SUPPORT

1. Scan Axis Test

The purpose of this test is to diagnose a failure in the operation of components related to the Scan Axis.

You must perform the Scan-Axis Test after:

- System Error Code 86:XX.
- System Error Code 42:XX.
- System Error Code 73:XX.
- System Error Codes related to Scan-Axis shutdown or Carriage jam.

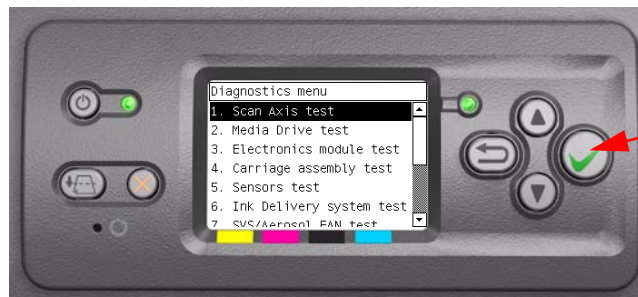
ALL THE COVER SENSORS ARE DISABLED WHEN IN THE TESTS MENU. IF THE CARRIAGE IS MOVING IT WILL NOT STOP IF THE WINDOW IS OPENED, SO BE VERY CAREFUL NOT TO PUT YOUR HANDS INSIDE.

IF POSSIBLE ALWAYS PERFORM THIS TEST BEFORE REPLACING ANY COMPONENT OF THE SCAN-AXIS.

Perform the Scan Axis test as follows:

Perform this test with the Printheads and the Tubes System installed in order to get values that can be compared correctly.

- 1 In the Diagnostics submenu, scroll to "1. Scan Axis test" and press **Enter**.



- 2 The Printer will start to initialize the Scan-Axis system and the Front Panel will display the following information:

- Starting Gamut.
- Starting Tests PWM.
- Starting Tests GPIO.
- Set GPIO psu_lpm.

If there is a failure at this point, the Front Panel will display **System Error Code 01.0:10**. For more information on troubleshooting this error code, refer to Page 2-3.

- Checking voltage.

If there is a failure at this point, the Front Panel will display **System Error Code 03:10**. For more information on troubleshooting this error code, refer to Page 2-5. Check also **System Error Code 01.0:10** (refer to Page 2-3).

- Clear GPIO psu_lpm.

If there is a failure at this point, the Front Panel will display **System Error Code 01.0:10**. For more information on troubleshooting this error code, refer to Page 2-3.

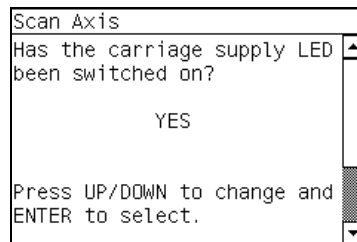
- Checking voltage.

If there is a failure at this point, the Front Panel will display **System Error Code 03:10**. For more information on troubleshooting this error code, refer to Page 2-5. Check also **System Error Code 01.0:10** (refer to Page 2-3).

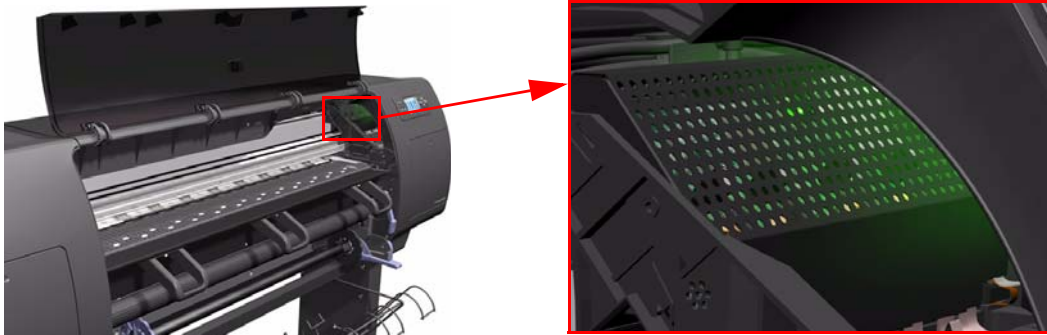
- Config GPIO drv_enable.

If there is a failure at this point, the Front Panel will display **System Error Code 01.0:10**. For more information on troubleshooting this error code, refer to Page 2-3.

- 3 After initializing the Scan-Axis system, the following message will appear on the Front Panel.



- 4 Open the Window and check that the Carriage power light is ON (a faint green light on the carriage PCA). Select **Yes** or **No** by using the **Up** and **Down** keys and press **Enter** to confirm your selection.



If you select **No** at this point, the Front Panel will display **System Error Code 02.1:10**. For more information on troubleshooting this error code, refer to Page 2-4. Check also **System Error Code 11:10** (refer to Page 2-7) or **System Error Code 07:10** (refer to Page 2-6).

If you select **Yes**, then the Front Panel will display:

- Booting up the Carriage.

If there is a failure at this point, the Front Panel will display **System Error Code 02.1:10**. For more information on troubleshooting this error code, refer to Page 2-4. Check also **System Error Code 11:10** (refer to Page 2-7) or **System Error Code 01.1:10** (refer to Page 2-4).

Unit Hangs Up - If no System error code is displayed on the Front Panel but the Printer hangs up and the last message on the Front Panel is "Booting up the Carriage" it means that the Carriage ASIC could not be detected. Troubleshoot this problem in the same way as if **System Error Code 02.1:10** had appeared.

- 5 Once the Carriage is booted up, the Service Station will be prepared and moved to a safe position so that the Carriage can be moved. During this process, the following information will be displayed on the Front Panel:

- Starting SVS Motor.

If there is a failure at this point, the Front Panel will display **System Error Code 21:12**. For more information on troubleshooting this error code, refer to Page 2-7. Also, try to perform the Service Station Test (refer to Page 4-52).

Unit Hangs Up - If no System error code is displayed on the Front Panel but the Printer hangs up and the last message on the Front Panel is "Starting SVS Motor" it means that the SVS Motor could not be initialized. Troubleshoot this problem in the same way as if **System Error Code 21:12** had appeared.

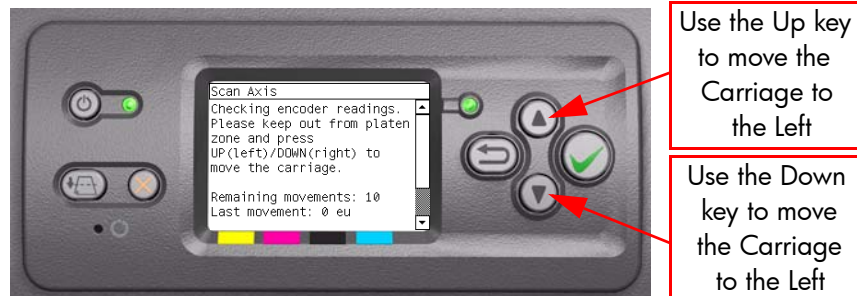
- 6 The Printer will program the duty cycle for the PWM test for the Scan-Axis Movement and leave it disabled and the following information will be displayed on the Front Panel:

- Prog slow PWM scan.
- Moving carriage middle.
- Prog fast PWM scan.

If there is a failure at this point, the Front Panel will display **System Error Code 01.0:10**. For more information on troubleshooting this error code, refer to Page 2-3.

- 7 The Carriage will be moved to the middle of the Center Platen. If there is a failure in moving the Carriage, the Front Panel will display **System Error Code 01.0:10**. For more information on troubleshooting this error code, refer to Page 2-3.

- 8 The printer will now check that it can read the Encoder Strip. When the following message appears on the Front Panel, open the Window and press the **Up** key to move the Carriage to the left and the **Down** key to move the Carriage to the right. Make sure that you move the Carriage in both directions and check that the Carriage actually moves when a key is pressed.



If there is a failure at this point, the Front Panel will display **System Error Code 01.0:10**. For more information on troubleshooting this error code, refer to Page 2-3. If the Carriage only moves in one direction, troubleshoot the problem as **System Error Code 01.1:10** (refer to Page 2-4).

- 9 At the end of 10 Carriage movements, the Front Panel will display the maximum and minimum length (in encoder units) of the 10 movements and the overall average.

```

Scan Axis
Max,Min mov: 1120,1086 eu
Avg mov: 1100 eu
There is encoder feedback.

Encoder seems to be OK.

Press any key to continue.

```

If Carriage movement has not been detected or if Carriage movement was very short, the Front Panel will ask you "Did the motor move?". If the answer is **Yes** (the Carriage had moved) press **Enter**. If the answer is No (the Carriage had not moved) press the **Back** key.

If you select **No** (the Carriage had not moved), the Front Panel will display **System Error Code 42:10**. For more information on troubleshooting this error code, refer to Page 2-16. Check also **System Error Code 01.1:10** (refer to Page 2-4) or **System Error Code 01.0:10** (refer to Page 2-3).

If you select **Yes** (the Carriage had moved), the Front Panel will display **System Error Code 02:10**. For more information on troubleshooting this error code, refer to Page 2-4. Check also **System Error Code 11:10** (refer to Page 2-7) or **System Error Code 01.0:10** (refer to Page 2-3).

If any max. or min. movement length is outside the + or - 20% average, then this warning message will be displayed on the Front Panel "Some movements out of avg +20% range: Intermittent movements. PWM test needed". This warning means that there is a mechanical problem in the Printer (Encoder Strip, friction, Carriage Belt, Slider Rod, etc...). Press any key to continue with the PWM test.

- 10 The Printer will now start to initialize the Scan-Axis servo and the Front Panel will display the following information:
- Starting Carriage Motor.
 - Off/On Carriage Motor.
 - Doing a right side bump.
 - Doing a left side bump
 - Exit bump position.

If there is a failure at this point, the Front Panel will display **System Error Code 86:10**. For more information on troubleshooting this error code, refer to Page 2-34.

- 11 The Printer checks the complete length of the Scan-Axis and displays the result on the Front Panel. The length has to be between **1158629** and **1164616**.

```

Scan Axis
Checking scan axis length.

Total length: 1162304.

Press any key to continue.

```

If it is shorter, it means that there is an obstacle blocking the Scan-Axis path and the Front Panel will display **System Error Code 86:11**. For more information on troubleshooting this error code, refer to Page 2-34.

If the length is longer, it means that the carriage has a datum broken or the Carriage Stopper is not installed and the Front Panel will display **System Error Code 02:10**. For more information on troubleshooting this error code, refer to Page 2-4.

Make sure you keep your hands away from the Print Platen as the Carriage will be moving at high speed and you could injure yourself or damage the Carriage Assembly.

- 12** The Printer will now check the Scan-Axis PWM and the following information will be displayed on the Front Panel:

- Starting Scan Axis.
- PWM test.

If there is a failure at this point, the Front Panel will display **System Error Code 86:10**. For more information on troubleshooting this error code, refer to Page 2-34.

- 13** The Printer will test the PWM at 61 ips and display the results on the Front Panel.

```

Scan Axis
PWM avg range: 0 to 31160
PWM avg got: 27798.8
PWM min diff limit: 3100
PWM min diff got: 8824

Press any key to finish.
  
```

If some of the results are incorrect, the Front Panel will show "High Friction". Depending on the actual results received, the following should be done:

- If **PWM avg got** is more than 31160 and **PWM min diff got** is less than 3100 then there is high friction along the Scan-Axis. In this case you should:
 - Clean the Slider Rods and Apply Oil along the complete axis of the Slider Rods. After applying the Oil, perform the test again.
 - Check that the Carriage Belt is installed correctly.
- If **PWM min diff got** is less than 3100 but **PWM avg got** is less than 31160 then there is a problem in the Scan-Axis. In this case you should:
 - Check that the Encoder Strip is clean. If necessary, clean Encoder Strip using a damp cloth.
 - Check that the Ink Supply Tubes and Trailing Cable is installed correctly.

If there is a failure processing the PWM results, the Front Panel will display **System Error Code 86:11**. In this case try repeating the test again.

- 14** Once the test is completed, OK will be displayed on the Front Panel.

PHONE SUPPORT

2.1 Media Drive Test

The purpose of this test is to diagnose a failure in the operation of components related to the Media Drive:

- Media Drive.
- Back Tension Arm 1.
- Back Tension Arm 2.
- Roll 1 Module Feed Roller.
- Roll 2 Module Feed Roller.

You must perform the Media Drive Test after:

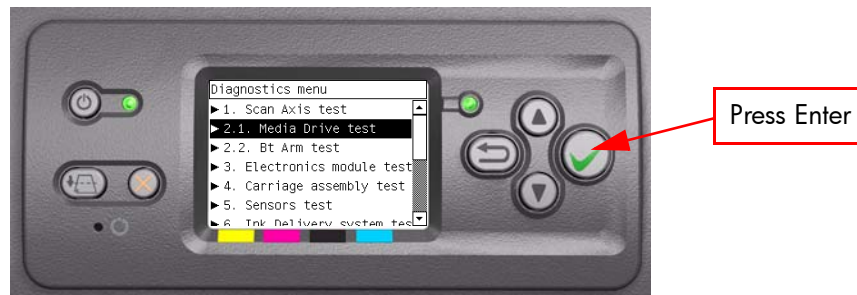
- System Error Code 81:XX.
- System Error Code 41:XX.
- System Error Code 73:XX.
- System Error Code 84.1:XX
- System Error Code 84.2:XX
- System Error Code 41.1:XX
- System Error Code 41.2:XX
- System Error Code 56.1:XX
- System Error Code 56.2:XX

IF POSSIBLE ALWAYS PERFORM THIS TEST BEFORE REPLACING ANY COMPONENT OF THE MEDIA-AXIS.

- 1 Before starting, first make sure that:
 - Media is Unloaded.
 - Roll 1 and 2 Modules are enabled (refer to Page 4-64)

Perform the Paper Axis test as follows:

- 2 In the Diagnostics submenu, scroll to "2.1 Media Drive test" and press **Enter**.



- 3 The Printer will start to initialize the Scan-Axis system and the Front Panel will display the following information:
 - Starting Gamut.
 - Starting Tests PWM.
 - Starting Tests GPIO.
 - Set GPIO psu_lpm.

If there is a failure at this point, the Front Panel will display **System Error Code 01.0:10**. For more information on troubleshooting this error code, refer to Page 2-3.

- Checking voltage.

If there is a failure at this point, the Front Panel will display **System Error Code 03:10**. For more information on troubleshooting this error code, refer to Page 2-5. Check also **System Error Code 01.0:10** (refer to Page 2-3).

- Clear GPIO psu_lpm.

If there is a failure at this point, the Front Panel will display **System Error Code 01.0:10**. For more information on troubleshooting this error code, refer to Page 2-3.

- Checking voltage.

If there is a failure at this point, the Front Panel will display **System Error Code 03:10**. For more information on troubleshooting this error code, refer to Page 2-5. Check also **System Error Code 01.0:10** (refer to Page 2-3).

- Config GPIO drv_enable.

If there is a failure at this point, the Front Panel will display **System Error Code 01.0:10**. For more information on troubleshooting this error code, refer to Page 2-3.

- Booting up the Carriage.

If there is a failure at this point, the Front Panel will display **System Error Code 02.1:10**. For more information on troubleshooting this error code, refer to Page 2-4. Check also **System Error Code 11:10** (refer to Page 2-7) or **System Error Code 01.1:10** (refer to Page 2-4).

Unit Hangs Up - If no System error code is displayed on the Front Panel but the Printer hangs up and the last message on the Front Panel is "Booting up the Carriage" it means that the Carriage ASIC could not be detected. Troubleshoot this problem in the same way as if **System Error Code 02.1:10** had appeared.

- Starting CDS.

If there is a failure at this point, the Front Panel will display **System Error Code 79:03**. For more information on troubleshooting this error code, refer to Page 2-26.

- Printer checking part number

If the Part Number cannot be read, the Front Panel will display **System Error Code 74:00**. For more information on troubleshooting this error code, refer to Page 2-24.

If the Part number does not have assigned a correct 6 character format, a fail message will appear on the Front Panel. In this case, re-enter in to the Diagnostics submenu and use the diagnostic "13. Error 71:19 Recovery" to set the correct Part Number (refer to Page 4-75).

If the unit configuration is incorrect according to the part number, the Front Panel will display a fail message. In this case, re-enter in to the Diagnostics submenu and use the diagnostic "12. Set Unit Configuration" to set the correct configuration (refer to Page 4-74).

- 4 The Printer checks the enable/disabled status of Roll Module Feed Motor1 and Roll Module Feed Motor2. If there is a failure at this point, the Front Panel will display **System Error Code 74:00**. For more information on troubleshooting this error code, refer to Page 2-24.
- 5 A message will appear on the Front Panel asking whether you would like to run the Media Drive Test. Select **Yes** or **No** by using the **Up** and **Down** keys and press **Enter** to confirm your selection. If you select **No**, the printer skips this test and goes to the next one:

Press Enter to confirm selection



Use UP and DOWN keys to select

- 6 If you select Yes the Printer will check the revision of the PCA and the following message will be displayed on the Front Panel:
 - Checking PCA rev.

The value for the PCA revision must be more than 0.625V, if not the Front Panel will display **System Error Code 01.1:10**. For more information on troubleshooting this error code, refer to Page 2-4.
- 7 The Printer will program the duty cycle for the PWM test for the Media Drive Movement and leave it disabled and the following message will be displayed on the Front Panel:
 - Prog slow PWM paper.

If there is a failure at this point, the Front Panel will display **System Error Code 01.0:10**. For more information on troubleshooting this error code, refer to Page 2-3.
- 8 The following message will appear on the Front Panel. Remove the media if it is still loaded and make sure you stay out of the Print Platen area if the Window is open.

```
Media Drive
Please, remove the media
for testing and keep out
from the platen zone.

Press any key to continue.
```


- 9 The Printer will now test the Media Drive moving in an open loop in one direction and the following message will be displayed on the Front Panel. Press any key to continue the test:

```
Media Drive
Checking Open Loop ROLL.
Movement done: 31298.
Press any key to continue.
```

Check that the movement done is more than 100 encoder units (in absolute value), if it is press any key to continue. If the movement done is less than 100 encoder units then open the Window and check for any visible obstacles restricting the movement of the Drive Roller or the Overdrive Assembly. In this case, press any key to finish the test.

- 10 The Printer will now test the Media Drive moving in an open loop in the opposite direction and the following message will be displayed on the Front Panel. Press any key to continue the test:

```
Media Drive
Checking Open Loop UNROLL.
Movement done: 30441.
Press any key to continue.
```

Check that the movement done is **more** than 100 encoder units (in absolute value). If the movement done is **less** than 100 encoder units then open the Window and check for any visible obstacles restricting the movement of the Drive Roller or the Overdrive Assembly.

If the Encoder Units is **less** than 100, the front panel will display a warning message. The Printer will request that you follow these instructions:

- a Manually load a sheet of paper in to the Printer (an A4 sheet).
- b The Printer will test the Media Drive moving in an open loop.
- c Perform a visual check during the test. The Front Panel will ask you if the paper moved or not:
 - If the paper moved, the Front Panel will display **System Error Code 56:10**. For more information on troubleshooting this error code, refer to Page 2-27.
 - If the paper **did not** move, the Front Panel will display **System Error Code 41:10**. For more information on troubleshooting this error code, refer to Page 2-15.
- d A "FAIL" message will be displayed on the Front Panel and the test will be terminated at this point.

- 11** The Printer will now check the Media Drive servo system and the following messages will be displayed on the Front Panel:

- Starting Paper Motor.
- Starting Paper Axis.

If there is a failure at this point, the Front Panel will display **System Error Code 81:10**. For more information on troubleshooting this error code, refer to Page 2-27.

- Calib. Analog Encoder.

If there is a failure at this point, the Front Panel will display **System Error Code 56:03**. For more information on troubleshooting this error code, refer to Page 2-20.

Once the Analog Encoder calibration is completed, the Front Panel will display the results:

```
Media Drive
Analog Encoder results:
CHANNEL  GAIN  OFFSET
  A       005   019
  B       005   019
Press BACK/CANCEL to reject
or ENTER to accept.
```

Acceptable values are:

- Gain: between 3 and 31.
- Offset: between 12 and 25.

If the results are acceptable, press **Enter**. If the results are unacceptable, then press the **Back/Cancel** key and the Front Panel will display **System Error Code 56:10**. For more information on troubleshooting this error code, refer to Page 2-21.

- 12** Before continuing, the following message will appear on the Front Panel. Remove the media if it is still loaded and make sure you stay out of the Print Platen area if the Window is open.

```
Media Drive
Please, remove the media
for testing and keep out
from the platen zone.
Press any key to continue.
```

- 13** When the PWM check is being performed, the following message will be displayed on the Front Panel:
- PWM test without paper.

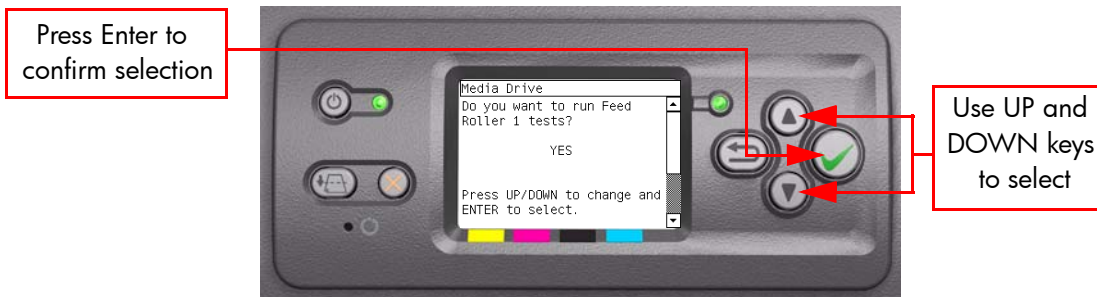
- 14** Once the PWM check is done, the results will be displayed on the Front Panel. Press any key to finish the test:

```
Media Drive
PWM avg: 16000 to 20000
PWM avg got: 16993.8
Speed error limit: 40
Speed error got: 25
PWM StDev: 1.00 to 850.00
PWM StDev got: 349.51
Press any key to finish.
```

If there is a failure at this point, the Front Panel will display:

```
Media Drive
WARNING: High Friction.
PWM avg: 16000 to 20000
PWM avg got: 13300.0
Speed error top limit: 40
Speed error got: 20
PWM StDev: 1.00 to 850.00
PWM StDev got: 120.53
Press any key to finish.
```

- 15** A message will appear on the Front Panel asking whether you would like to run the Feed Roller 1 test. Select **Yes** or **No** by using the **Up** and **Down** keys and press **Enter** to confirm your selection. If you select **No**, the printer skips this test and goes to the next one.



- 16** If you select Yes the Input Media Driver Multiplexer will start and configure for Roll 1 Module. If there is a failure at this point, the Front Panel will display **System Error Code 01.0:10**. For more information on troubleshooting this error code, refer to Page 2-3.

- 17** The Printer will program the duty cycle for the PWM test for Feed Roller 1 Movement and leaves it disabled and the following message will be displayed on the Front Panel:

- Prog slow PWM paper.

If there is a failure at this point, the Front Panel will display **System Error Code 01.0:10**. For more information on troubleshooting this error code, refer to Page 2-3.

- 18** The following message will appear on the Front Panel. Remove the media if it is still loaded. Press any key to continue.

```
Media Drive
Please, remove paper from
first roll. Then, lower the
blue feed pinch lever and
close the drawer.

Press any key to proceed.
```

- 19** The Printer will now test Feed Roller 1 moving in an open loop in one direction and the following message will be displayed on the Front Panel. Press any key to continue.

```
Media Drive
Checking Open Loop ROLL.

Movement done: 31298.

Press any key to continue.
```

Check that the movement done is more than 100 encoder units (in absolute value), if it is press any key to continue. If the movement done is less than 100 encoder units then open Roll 1 Drawer and check for any visible obstacles restricting the movement of Feed Roller 1. In this case, press any key to finish the test.

- 20** The Printer will now test the Feed Roller 1 moving in an open loop in the opposite direction and the following message will be displayed on the Front Panel. Press any key to continue the test:

```
Media Drive
Checking Open Loop UNROLL.

Movement done: 30441.

Press any key to continue.
```

Check that the movement done is **more** than 100 encoder units (in absolute value), if it is press any key to continue. If the movement done is **less** than 100 encoder units then open Roll 1 Drawer and check for any visible obstacles restricting the movement of Feed Roller 1.

If the Encoder Units are **less** than 100, the front panel will display a warning message. Press any key to continue. The Printer will request that you follow these instructions:

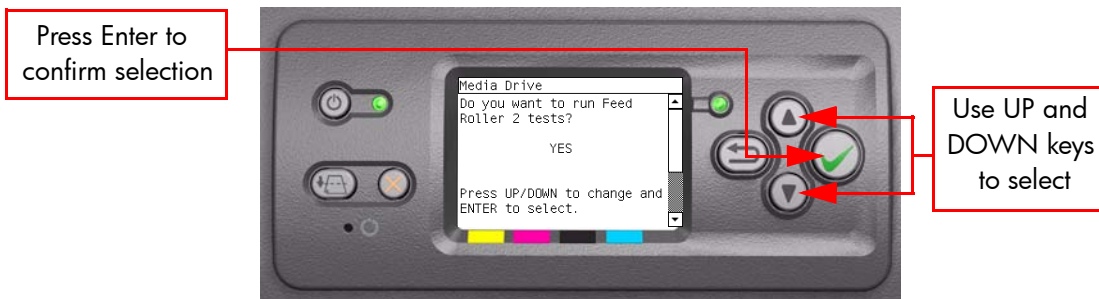
- a** Manually load a roll of paper in to Roll 1 Module.
- b** The Printer will test the Roll Module moving in an open loop.
- c** Perform a visual check during the test. The Front Panel will ask you if the paper moved or not:
 - If the paper moved, the Front Panel will display **System Error**

Code 41.1:10. For more information on troubleshooting this error code, refer to Page 2-14. Check also **System Error Code 01.3:10.** For more information on troubleshooting this error code, refer to Page 2-3.

- If the paper **did not** move open Roll 1 Module and check to see if the motor moved.
- If the motor moved the printer warns 'There was high friction warning'.
- If the motor did not move, the Front Panel will display **System Error Code 41.1:10.** For more information on troubleshooting this error code, refer to Page 2-14.

d Unload Media. Press any key to continue.

21 A message will appear on the Front Panel asking whether you would like to run the Feed Roller 2 test. Select **Yes** or **No** by using the **Up** and **Down** keys and press **Enter** to confirm your selection. If you select **No**, the printer skips this test and goes to the next one.



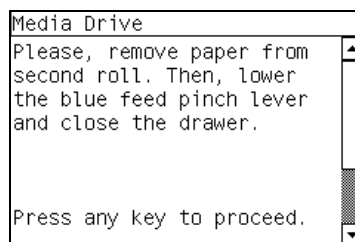
22 If you select **Yes** the Input Media Driver Multiplexer will start and configure for Roll 2 Module. If there is a failure at this point, the Front Panel will display **System Error Code 01.0:10.** For more information on troubleshooting this error code, refer to Page 2-3

23 The Printer will program the duty cycle for the PWM test for Feed Roller 2 Movement and leaves it disabled and the following message will be displayed on the Front Panel:

- Prog slow PWM paper.

If there is a failure at this point, the Front Panel will display **System Error Code 01.0:10.** For more information on troubleshooting this error code, refer to Page 2-3.

24 The following message will appear on the Front Panel. Remove the media if it is still loaded.



- 25** The Printer will now test Feed Roller 2 moving in an open loop in one direction and the following message will be displayed on the Front Panel. Press any key to continue the test:

```
Media Drive
Checking Open Loop ROLL.
Movement done: 31298.
Press any key to continue.
```

Check that the movement done is more than 100 encoder units (in absolute value), if it is press any key to continue. If the movement done is less than 100 encoder units then open the Roll 2 Drawer and check for any visible obstacles restricting the movement. In this case, press any key to finish the test.

- 26** The Printer will now test the Feed Roller 2 moving in an open loop in the opposite direction and the following message will be displayed on the Front Panel. Press any key to continue the test:

```
Media Drive
Checking Open Loop UNROLL.
Movement done: 30441.
Press any key to continue.
```

Check that the movement done is **more** than 100 encoder units (in absolute value), if it is press any key to continue. If the movement done is **less** than 100 encoder units then open the Roll 2 Drawer and check for any visible obstacles restricting the movement of Feed Roller 2.

If the Encoder Units is **less** than 100, the front panel will display a warning message, press any key to continue. The Printer will request that you follow these instructions:

- a** Manually load a roll of paper in to Roll 2 Module.
- b** The Printer will test the Roll Module moving in an open loop.
- c** Perform a visual check during the test. The Front Panel will ask you if the paper moved or not:
 - If the paper moved, the Front Panel will display **System Error Code 41.2:10**. For more information on troubleshooting this error code, refer to Page 2-14. Check also **System Error Code 01.4:10**. For more information on troubleshooting this error code, refer to Page 2-14.
 - If the paper **did not** move open Roll 2 Module and check to see if the motor moved.
 - If the motor moved the printer warns 'There was high friction warning'.
 - If the motor did not move, the Front Panel will display **System Error Code 41.2:10**. For more information on troubleshooting this

error code, refer to Page 2-14. A "FAIL" message will then be displayed on the Front Panel and the test will be terminated at this point.

d Unload any media present.

27 The BT Arm 1 and Feed Roller 1 will be tested without paper:

28 The Input Media Driver Multiplexer will start and configure for Roll 1 Module. If there is a failure at this point, the Front Panel will display **System Error Code 01.0:10**. For more information on troubleshooting this error code, refer to Page 2-3.

■ Starting Feed Roller 1.

If there is a failure at this point, the Front Panel will display **System Error Code 41.1:10**. For more information on troubleshooting this error code, refer to Page 2-14.

29 The following message will appear on the Front Panel. Remove the media if it is still loaded and press any key to continue.

```
Media Drive
Please, remove paper from
first roll. Then, lower the
blue feed pinch lever and
close the drawer.

Press any key to proceed.
```

30 When the PWM check is being performed, the following message will be displayed on the Front Panel:

■ PWM test without paper.

31 Once the PWM check is done, the results will be displayed on the Front Panel. Press any key to finish the test:

```
Media Drive
PWM avg: 16000 to 20000
PWM avg got: 16993.8
Speed error limit: 40
Speed error got: 25
PWM StDev: 1.00 to 850.00
PWM StDev got: 349.51

Press any key to finish.
```

If there is a failure at this point, the Front Panel will display:

```
Media Drive
WARNING: High Friction.
PWM avg: 16000 to 20000
PWM avg got: 13300.0
Speed error top limit: 40
Speed error got: 20
PWM StDev: 1.00 to 850.00
PWM StDev got: 120.53
Press any key to finish.
```

32 The BT Arm 2 and Feed Roller 2 will be tested without paper:

33 The Input Media Driver Multiplexer will start and configure for Roll 2 Module. If there is a failure at this point, the Front Panel will display **System**

Error Code 01.0:10. For more information on troubleshooting this error code, refer to Page 2-3.

- Starting Feed Motor 2.

If there is a failure at this point, the Front Panel will display **System Error Code 41.2:10**. For more information on troubleshooting this error code, refer to Page 2-14.

- 34** The following message will appear on the Front Panel. Remove the media if it is still loaded.

```
Media Drive
Please, remove paper from
second roll. Then, lower
the blue feed pinch lever
and close the drawer.

Press any key to proceed.
```

- 35** When the PWM check is being performed, the following message will be displayed on the Front Panel:

- PWM test without paper.

- 36** Once the PWM check is done, the results will be displayed on the Front Panel. Press any key to finish the test:

```
Media Drive
PWM avg: 16000 to 20000
PWM avg got: 16993.8
Speed error limit: 40
Speed error got: 25
PWM StDev: 1.00 to 850.00
PWM StDev got: 349.51

Press any key to finish.
```

If there is a failure at this point, the Front Panel will display:

```
Media Drive
WARNING: High Friction.
PWM avg: 16000 to 20000
PWM avg got: 13300.0
Speed error top limit: 40
Speed error got: 20
PWM StDev: 1.00 to 850.00
PWM StDev got: 120.53
Press any key to finish.
```

- 37** The following message will be displayed on the Front Panel:

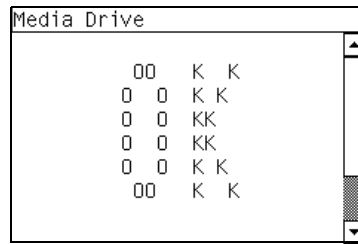
- Starting Media Path.

If there is a failure at this point, the Front Panel will display **System Error Code 81:10**. For more information on troubleshooting this error code, refer to Page 2-27.

- Homing and repeat. test.

If there is a failure at this point, the Front Panel will display **System Error Code 56:10**. For more information on troubleshooting this error code, refer to Page 2-21.

38 Once the test is completed, OK will be displayed on the Front Panel.



PHONE SUPPORT

2.2 BT Arm Test

The purpose of this test is to diagnose a failure in the operation of components related to the Media Axis:

- Media Drive.
- Back Tension Arm 1.
- Back Tension Arm 2.
- Roll 1 Module Feed Roller.
- Roll 2 Module Feed Roller.

You must perform the Media Drive Test after:

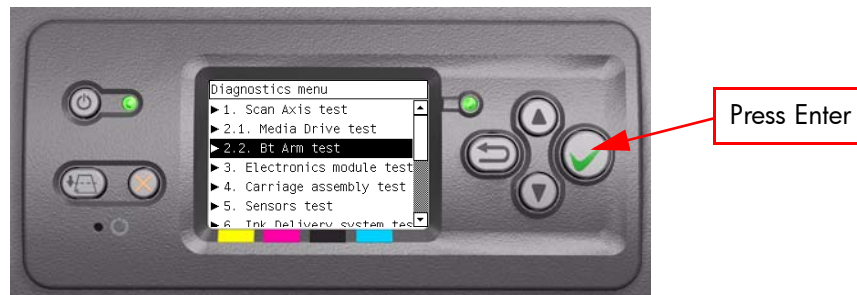
- System Error Code 81:XX.
- System Error Code 41:XX.
- System Error Code 73:XX.
- System Error Code 84.1:XX
- System Error Code 84.2:XX
- System Error Code 41.1:XX
- System Error Code 41.2:XX
- System Error Code 56.1:XX
- System Error Code 56.2:XX

IF POSSIBLE ALWAYS PERFORM THIS TEST BEFORE REPLACING ANY COMPONENT OF THE MEDIA-AXIS.

- 1 Before starting, first make sure that:
 - Media is Unloaded.
 - Roll 1 and 2 Modules are enabled (refer to Page 4-64).

Perform the Paper Axis test as follows:

- 2 In the Diagnostics submenu, scroll to "2.2 BT Arm test" and press **Enter**.



- 3 The Printer will start to initialize the Scan-Axis system and the Front Panel will display the following information:
 - Starting Gamut.
 - Starting Tests PWM.
 - Starting Tests GPIO.
 - Set GPIO psu_lpm.

If there is a failure at this point, the Front Panel will display **System Error Code 01.0:10**. For more information on troubleshooting this error code, refer to Page 2-3.

- Checking voltage.

If there is a failure at this point, the Front Panel will display **System Error Code 03:10**. For more information on troubleshooting this error code, refer to Page 2-5. Check also **System Error Code 01.0:10** (refer to Page 2-3).

- Clear GPIO psu_lpm.

If there is a failure at this point, the Front Panel will display **System Error Code 01.0:10**. For more information on troubleshooting this error code, refer to Page 2-3.

- Checking voltage.

If there is a failure at this point, the Front Panel will display **System Error Code 03:10**. For more information on troubleshooting this error code, refer to Page 2-5. Check also **System Error Code 01.0:10** (refer to Page 2-3).

- Config GPIO drv_enable.

If there is a failure at this point, the Front Panel will display **System Error Code 01.0:10**. For more information on troubleshooting this error code, refer to Page 2-3.

- Booting up the Carriage.

If there is a failure at this point, the Front Panel will display **System Error Code 02.1:10**. For more information on troubleshooting this error code, refer to Page 2-4. Check also **System Error Code 11:10** (refer to Page 2-7) or **System Error Code 01.1:10** (refer to Page 2-4).

Unit Hangs Up - If no System error code is displayed on the Front Panel but the Printer hangs up and the last message on the Front Panel is "Booting up the Carriage" it means that the Carriage ASIC could not be detected. Troubleshoot this problem in the same way as if **System Error Code 02.1:10** had appeared.

- Starting CDS.

If there is a failure at this point, the Front Panel will display **System Error Code 79:03**. For more information on troubleshooting this error code, refer to Page 2-26.

- Printer checking part number

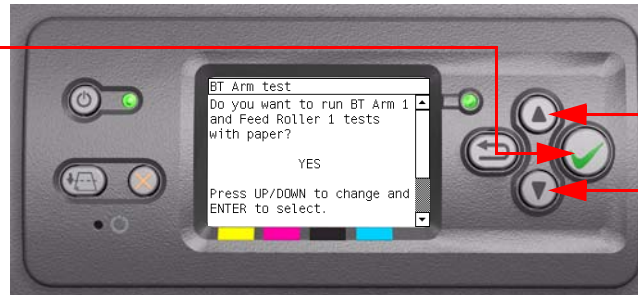
If the Part Number cannot be read, the Front Panel will display **System Error Code 74:00**. For more information on troubleshooting this error code, refer to Page 2-24.

If the Part number does not have assigned a correct 6 character format, a fail message will appear on the Front Panel. In this case, re-enter in to the Diagnostics submenu and use the diagnostic "13. Error 71:19 Recovery" to set the correct Part Number (refer to Page 4-75).

If the unit configuration is incorrect according to the part number, the Front Panel will display a fail message. In this case, re-enter in to the Diagnostics submenu and use the diagnostic "12. Set Unit Configuration" to set the correct configuration (refer to Page 4-74).

- 4 The Printer checks the enable/disabled status of Roll Module Feed Motor1 and Roll Module Feed Motor2. If there is a failure at this point, the Front Panel will display **System Error Code 74:00**. For more information on troubleshooting this error code, refer to Page 2-24.
- 5 A message will appear on the Front Panel asking whether you would like to run the BT Arm 1 and Feed Roller 1 tests with paper. Select **Yes** or **No** by using the **Up** and **Down** keys and press **Enter** to confirm your selection. If you select **No**, the printer skips this test and goes to the next one.

Press Enter to confirm selection



Use UP and DOWN keys to select

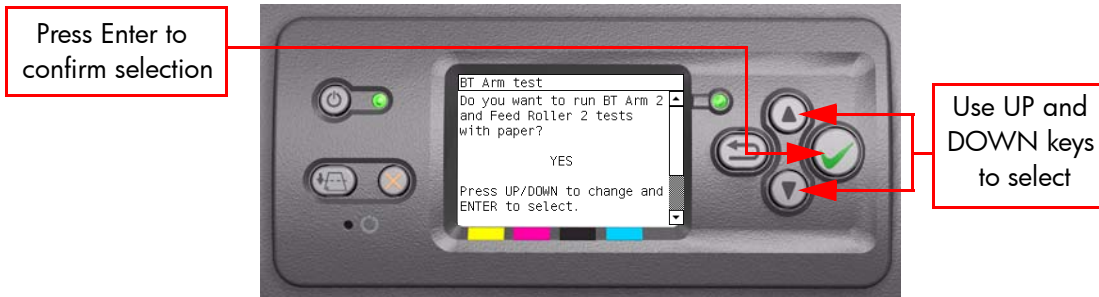
- 6 If you select **Yes**, the Input Media Driver Multiplexer will start and configure for Roll 1 Module. If there is a failure at this point, the Front Panel will display **System Error Code 01.0:10**. For more information on troubleshooting this error code, refer to Page 2-3
 - Starting BT Arm 1
 If there is a failure at this point, the Front Panel will display **System Error Code 56.1:10**. For more information on troubleshooting this error code, refer to Page 2-19.
- 7 The following message will appear on the Front Panel. Remove the media if it is still loaded, press any key to continue.

```
BT Arm test
Please, remove paper from
first roll. Then, lower the
blue feed pinch lever and
close the drawer.

Press any key to proceed.
```

- 8 The front panel will display the following information:
 - Setting BT Arm 1 Zero...
- 9 A message will appear on the Front Panel asking whether you would like to run BT Arm 2 and Feed Roller 2 tests with paper. Select **Yes** or **No** by using the **Up** and **Down** keys and press **Enter** to confirm your selection. If you

select **No**, the printer skips this test and goes to the next one.

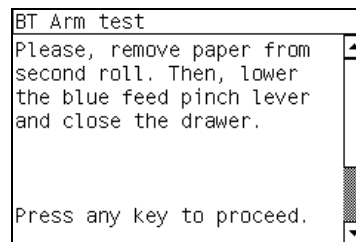


- 10** If you select Yes, The Input Media Driver Multiplexer will start and configure for Roll 2 Module. If there is a failure at this point, the Front Panel will display **System Error Code 01.0:10**. For more information on troubleshooting this error code, refer to Page 2-3.

- Starting BT Arm 2

If there is a failure at this point, the Front Panel will display **System Error Code 56.2:10**. For more information on troubleshooting this error code, refer to Page 2-27.

- 11** The following message will appear on the Front Panel. Remove the media if it is still loaded.



- 12** The front panel will display the following information:

- Setting BT Arm 2 Zero...

- 13** BT Arm 1 and 2 also the Feed Roller 1 and 2 will be tested with paper:

- Starting Media Path.

If there is a failure at this point, the Front Panel will display **System Error Code 81:10**. For more information on troubleshooting this error code, refer to Page 2-27.

- 14** The Printer will now check the Media Drive and the Feed Roller 1.

- 15** The Input Media Driver Multiplexer will start and configure for Roll 1 Module. If there is a failure at this point, the Front Panel will display **System Error Code 01.0:10**. For more information on troubleshooting this error code, refer to Page 2-3.

- 16** The following message will appear on the Front Panel, load media into the Roll 1 Module and press any key to continue the test.

```
BT Arm test
Please, raise the black
lever and blue paper lever
1, load paper in roll 1
until print platen and
lower both levers.

Press any key to proceed.
```

- a** The Printer tests the Back Tension Arm 1 Encoder. If there is a failure at this point, the Front Panel will display **System Error Code 56.1:10**. For more information on troubleshooting this error code, refer to Page 2-21.
 - b** The printer moves the Back Tension Arm 1 to the maximum and minimum position. If there is a failure at this point, the Front Panel will display **System Error Code 56.1:10**. For more information on troubleshooting this error code, refer to Page 2-21.
 - c** If the media slips away from the drive roller a warning message is displayed.
- 17** The front panel displays the results of the test, press any key to continue.

```
BT Arm test
BT Arm readings:

Min position: 2 EU
Max position: 148 EU

Press any key to continue.
```

- Starting Media Path.
- 18** If there is a failure at this point, the Front Panel will display **System Error Code 81:10**. For more information on troubleshooting this error code, refer to Page 2-27.
- Configuring media path for Roll 1 Module.
 - Setting BT Arm to working position.
- 19** If there is a failure at this point, the Front Panel will display a **Warning Code 56.1:10**, press any key to continue. For more information on troubleshooting this error code, refer to Page 2-21.
- 20** When the PWM check is being performed, the following message will be displayed on the Front Panel:
- PWM test with paper.

- 21** Once the PWM check is done, the results will be displayed on the Front Panel. Press any key to finish the test:

```
BT Arm test
PWM avg: 16000 to 20000
PWM avg got: 16993.8
Speed error top limit: 40
Speed error got: 25
PWM StDev: 1.00 to 850.00
PWM StDev got: 349.51
Press any key to continue.
```

If there is a failure at this point, the Front Panel will display:

```
BT Arm test
WARNING: High Friction.

Motor:      Drive   Feed1
PWM avg:    12672   24162
Speed Err:  042    011
PWM StDev:  698.9  1832.8
Press any key to continue.
```

- 22** The following message will appear on the Front Panel. Remove the media if it is still loaded.

```
BT Arm test
Please, remove paper from
first roll. Then, lower the
blue feed pinch lever and
close the drawer.
Press any key to proceed.
```

- 23** The Printer will now check the Media Drive and the Feed Roller 2:
- 24** The Input Media Driver Multiplexer will start and configure for Roll 2 Module. If there is a failure at this point, the Front Panel will display **System Error Code 01.0:10**. For more information on troubleshooting this error code, refer to Page 2-3.
- 25** The following message will appear on the Front Panel, load media into the Roll 2 Module and press any key to continue the test.

```
BT Arm test
Please, raise the black
lever and blue paper lever
2, load paper in roll 2
until print platen and
lower both levers.
Press any key to proceed.
```

- a** The Printer tests the Back Tension Arm 2 Encoder. If there is a failure at this point, the Front Panel will display **System Error Code 56.2:10**. For more information on troubleshooting this error code, refer to Page 2-21.

- b The printer moves the Back Tension Arm 2 to the maximum and minimum position. If there is a failure at this point, the Front Panel will display **System Error Code 56.2:10**. For more information on troubleshooting this error code, refer to Page 2-21.
 - c If the media slips away from the drive roller a warning message is displayed.
- 26 The front panel displays the results of the test, press any key to continue.

```
BT Arm test
BT Arm readings:
Min position: 2 EU
Max position: 148 EU
Press any key to continue.
```

- Starting Media Path.
- 27 If there is a failure at this point, the Front Panel will display **System Error Code 81:10**. For more information on troubleshooting this error code, refer to Page 2-27.
- Configuring media path for Roll 2 Module.
 - Setting BT Arm to working position.
- 28 If there is a failure at this point, the Front Panel will display **System Error Code 56.2:10**. For more information on troubleshooting this error code, refer to Page 2-21.
- 29 When the PWM check is being performed, the following message will be displayed on the Front Panel:
- PWM test with paper.
- 30 Once the PWM check is done, the results will be displayed on the Front Panel. Press any key to finish the test:

```
BT Arm test
PWM avg: 16000 to 20000
PWM avg got: 16993.8
Speed error top limit: 40
Speed error got: 25
PWM StDev: 1.00 to 850.00
PWM StDev got: 349.51
Press any key to continue.
```

If there is a failure at this point, the Front Panel will display:

```
BT Arm test
WARNING: High Friction.
Motor:      Drive   Feed2
PWM avg:    13201   28150
Speed Err:  021    004
PWM StDev:  218.0  1148.8
Press any key to continue.
```


- 31** The following message will appear on the Front Panel. Remove the media if it is still loaded.

```
BT Arm test
Please, remove paper from
second roll. Then, lower
the blue feed pinch lever
and close the drawer.

Press any key to proceed.
```

- 32** Once the test is completed, OK will be displayed on the Front Panel.

```
BT Arm test

  00  K  K
  0 0  K K
  0 0  KK
  0 0  KK
  0 0  K K
  00  K  K
```

PHONE SUPPORT

3. Electronics Module Test

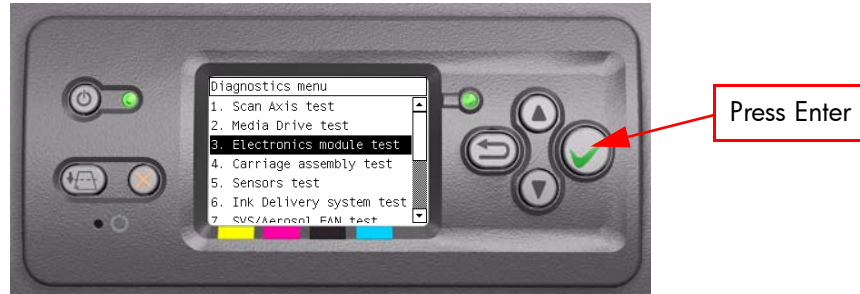
The purpose of this test is to diagnose a failure in the operation of the:

- Components of the Electronics Module.
- Electronics Module to Carriage and ISS Communication.

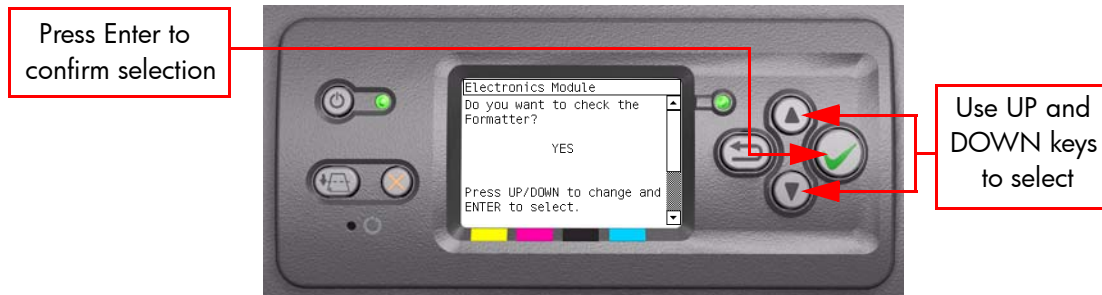
This test does not test the EIO Card or the Hard Disk Drive.

Perform the Electronics Module test as follows:

- 1 In the Diagnostics submenu, scroll to "3. Electronics Module Test" and press **Enter**.



- 2 A message will appear on the Front Panel asking whether you would like to check the Formatter. Select **Yes** or **No** by using the **Up** and **Down** keys and press **Enter** to confirm your selection. If you select **No**, the printer skips this test and goes to the next one:



- 3 If you select **Yes**, the printer will get the CPU information and display the information on the Front Panel. Press any key to continue the test:

```

Electronics Module
CPU information:
Processor: 0, GenuineIntel
CPU family: 15, model 2
Name: Intel(R) Celeron(R)
CPU 2.00GHz
Stepping: 9
CPU MHz: 1999.793
Press any key to continue.
  
```

- 4 The printer will now get the Main Board (MB) information and display the information on the Front Panel. Press any key to continue the test:

```

Electronics Module
Main Board information:
Temp. (sys/CPU/amb):
  28.00/34.00/30.00
Volt (1.5/1.8/2.5/3.3):
  1.516/1.763/2.552/3.352
Volt (5/12/Vccp):
  5.078/11.875/1.500
Press any key to continue.
  
```

- 5 The printer will now get the CPU Fan Speed and display the information on the Front Panel. Press any key to continue the test:

```

Electronics Module

CPU Fan Speed: 5228

Press any key to continue.
  
```

If the CPU Fan Speed is less than 2500, the Front Panel will display **System Error Code 05.1:10**. For more information on troubleshooting this error code, refer to Page 2-5.

- 6 The printer will now calculate the amount of memory installed and display the information on the Front Panel. Press any key to continue the test:

```

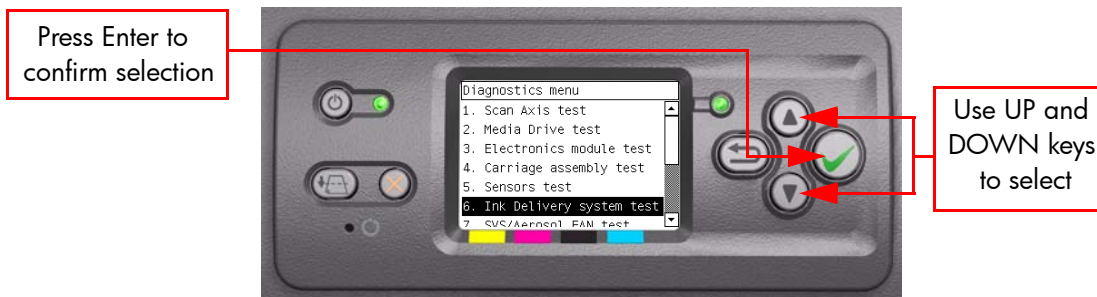
Electronics Module

Main memory size: 256MB

Press any key to continue.
  
```

A minimum of 256 megabytes of memory must be installed in the Printer. If not, the Front Panel will display **System Error Code 05.3:10**. For more information on troubleshooting this error code, refer to Page 2-5.

- 7 A message will appear on the Front Panel asking whether you would like to check the Printer Configuration. Select **Yes** or **No** by using the **Up** and **Down** keys and press **Enter** to confirm your selection. If you select **No**, the printer skips this test and goes to the next one:

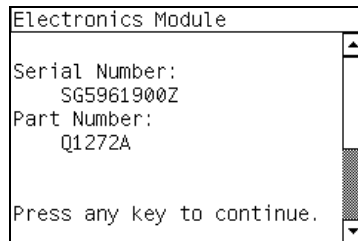


- 8 If you select **Yes**, the Printer will start the CDS and the following information will be displayed on the Front Panel:

■ Starting CDS.

If there is a failure at this point, the Front Panel will display **System Error Code 79:03**. For more information on troubleshooting this error code, refer to Page 2-26.

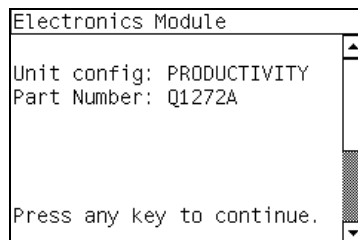
- 9 The printer will then check the Serial Number and Part Number and display the information on the Front Panel. Press any key to continue the test:



If the Serial Number or the Part Number cannot be read, the Front Panel will display **System Error Code 74:00**. For more information on troubleshooting this error code, refer to Page 2-24.

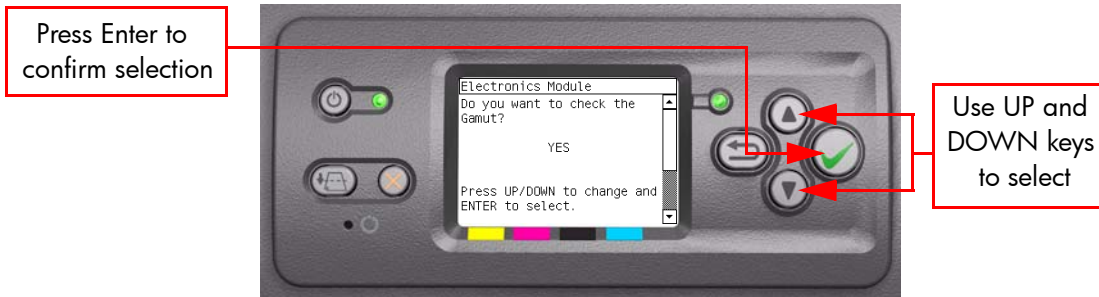
If the Serial Number does not have assigned a correct 10 character format or the Part number does not have assigned a correct 6 character format, a fail message will appear on the Front Panel. In this case, re-enter in to the Diagnostics submenu and use the diagnostic "13. Error 71:19 Recovery" to set the correct Serial Number (refer to Page 4-75).

- 10 The Printer will now check the unit configuration (whether it is Standard or Productivity) and the Part Number and display the information on the Front Panel. Press any key to continue the test:



If the unit configuration is incorrect according to the part number, the Front Panel will display a fail message. In this case, re-enter in to the Diagnostics submenu and use the diagnostic "12. Set Unit Configuration" to set the correct configuration (refer to Page 4-74).

- 11** A message will appear on the Front Panel asking whether you would like to check the Gamut. Select **Yes** or **No** by using the **Up** and **Down** keys and press **Enter** to confirm your selection. If you select **No**, the printer skips this test and goes to the next one:

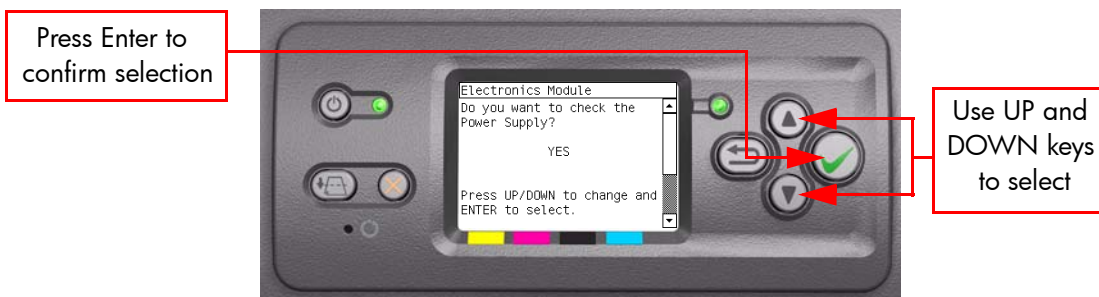


- 12** If you select **Yes**, the Printer will check the Gamut PCI PCA and the following messages will be displayed on the Front Panel:

- Checking Gamut PCI.
- Checking ARM Gamut.
- Starting Gamut.
- Checking Gamut memory I.

If there is a failure at this point, the Front Panel will display **System Error Code 01.0:10**. For more information on troubleshooting this error code, refer to Page 2-3.

- 13** A message will appear on the Front Panel asking whether you would like to check the Power Supply. Select **Yes** or **No** by using the **Up** and **Down** keys and press **Enter** to confirm your selection. If you select **No**, the printer skips this test and goes to the next one:



- 14** If you select **Yes**, the Printer will check the Power Supply Unit and the following messages will be displayed on the Front Panel:

- Starting Gamut.
- Starting Tests GPIO.
- Set GPIO psu_lpm.

If there is a failure at this point, the Front Panel will display **System Error Code 01.0:10**. For more information on troubleshooting this error code, refer to Page 2-3.

- Checking voltage.

If there is a failure, the Front Panel displays **System Error Code 03:10**. For more information on troubleshooting this error code, refer to Page 2-5.

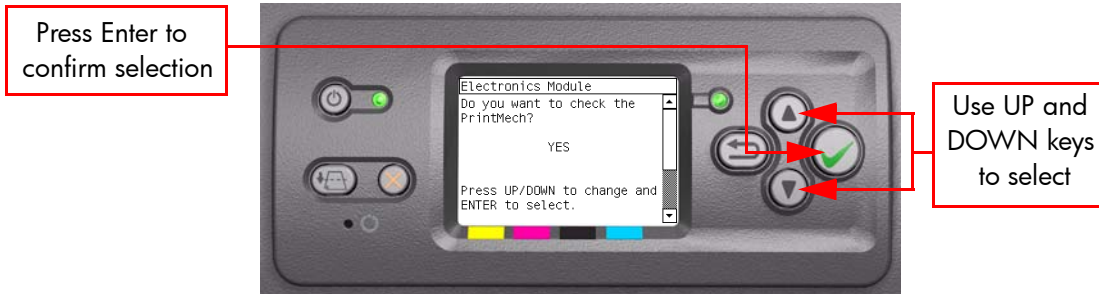
- Clear GPIO psu_lpm.

If there is a failure at this point, the Front Panel will display **System Error Code 01.0:10**. For more information on troubleshooting this error code, refer to Page 2-3.

- Checking voltage.

If there is a failure at this point, the Front Panel will display **System Error Code 03:10**. For more information on troubleshooting this error code, refer to Page 2-5.

- 15 A message will appear on the Front Panel asking whether you would like to check the PrintMech. Select **Yes** or **No** by using the **Up** and **Down** keys and press **Enter** to confirm your selection. If you select **No**, the printer skips this test and goes to the next one:

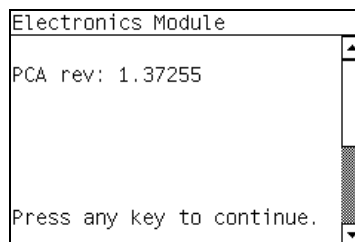


- 16 If you select **Yes**, the Printer will check the PrintMech and the following messages will be displayed on the Front Panel:

- Starting Gamut.
- Starting Tests GPIO.

If there is a failure at this point, the Front Panel will display **System Error Code 01.0:10**. For more information on troubleshooting this error code, refer to Page 2-3.

- Checking PCA rev.



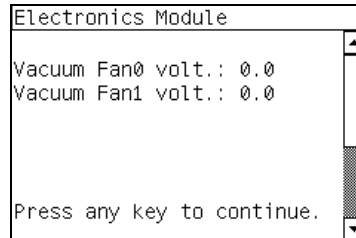
The value for the PCA revision must be more than 0.625V, if it is press any key to continue. If it is not the Front Panel will display **System Error Code 01.1:10**. For more information on troubleshooting this error code, refer to Page 2-4.

- Clear GPIO psu_lpm.

If there is a failure at this point, the Front Panel will display **System Error Code 01.0:10**. For more information on troubleshooting this error code, refer to Page 2-3.

- Disable Vacuum Fans.
- Checking Vacuum Fans

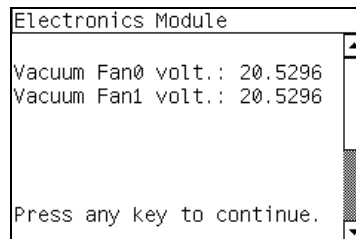
17 The results of the test are displayed on the front panel. Press any key to continue.



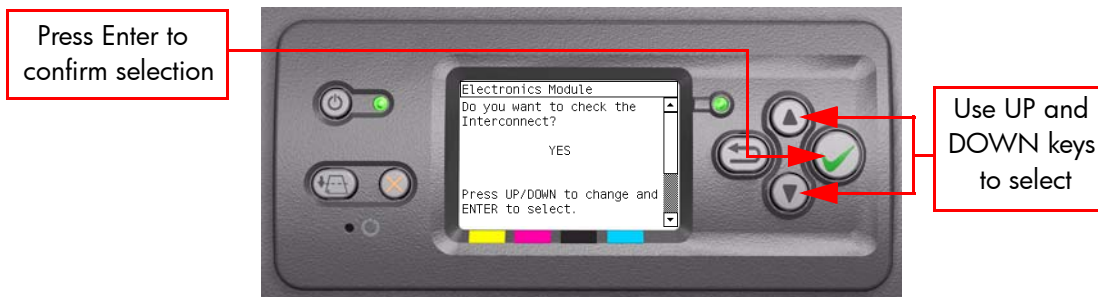
- Enable Vacuum Fans.
- Checking Vacuum Fans.
- Disable Vacuum Fans.

If there is a failure at this point, the Front Panel will display the **System Error Code 01.0:10**. For more information on troubleshooting this error code, refer to Page 2-3.

18 If there is no error the results of the test are displayed on the front panel. Press any key to continue.



19 A message will appear on the Front Panel asking whether you would like to check the Interconnect. Select **Yes** or **No** by using the **Up** and **Down** keys and press **Enter** to confirm your selection. If you select **No**, the printer skips this test and goes to the next one:



20 If you select **Yes**, the Printer will check the Interconnect PCA and the following messages will be displayed on the Front Panel:

- Starting CDS.

If there is a failure at this point, the Front Panel will display **System Error Code 79:03**. For more information on troubleshooting this error code, refer to Page 2-26.

■ Getting unit config.

If the current Part Number is not in the correct 6 character format, the Front Panel will display a fail message. In this case, re-enter in to the Diagnostics submenu and use the diagnostic "13. Error 71:19 Recovery" to set the correct Serial Number (refer to Page 4-75).

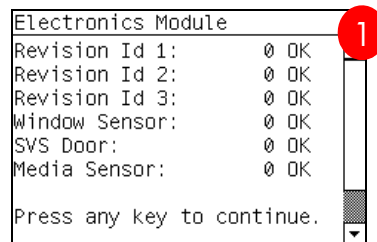
If the unit configuration is incorrect according to the part number, the Front Panel will display a fail message. In this case, re-enter in to the Diagnostics submenu and use the diagnostic "12. Set Unit Configuration" to set the correct configuration (refer to Page 4-74).

■ Starting Tests GPIO.

If there is a failure at this point, the Front Panel will display **System Error Code 01.0:10**. For more information on troubleshooting this error code, refer to Page 2-3.

■ Checking GPIO channels.

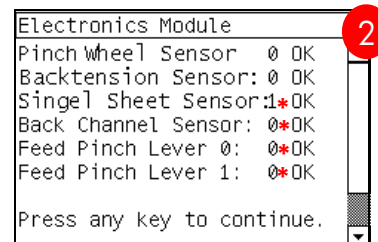
At this stage, the Printer reads and checks the default GPIO values in the Interconnect PCA when all the cables are connected and all the sensors give the default value or the current state. The results will be displayed on the Front Panel and you can press any key to scroll through the information.



1

```

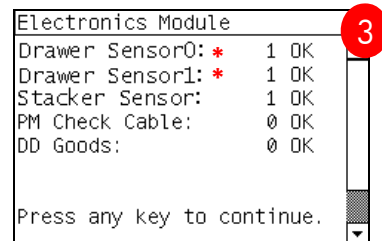
Electronics Module
Revision Id 1:      0 OK
Revision Id 2:      0 OK
Revision Id 3:      0 OK
Window Sensor:      0 OK
SVS Door:           0 OK
Media Sensor:       0 OK
Press any key to continue.
  
```



2

```

Electronics Module
Pinch wheel Sensor: 0 OK
Backtension Sensor: 0 OK
Single Sheet Sensor: 1*OK
Back Channel Sensor: 0*OK
Feed Pinch Lever 0: 0*OK
Feed Pinch Lever 1: 0*OK
Press any key to continue.
  
```



3

```

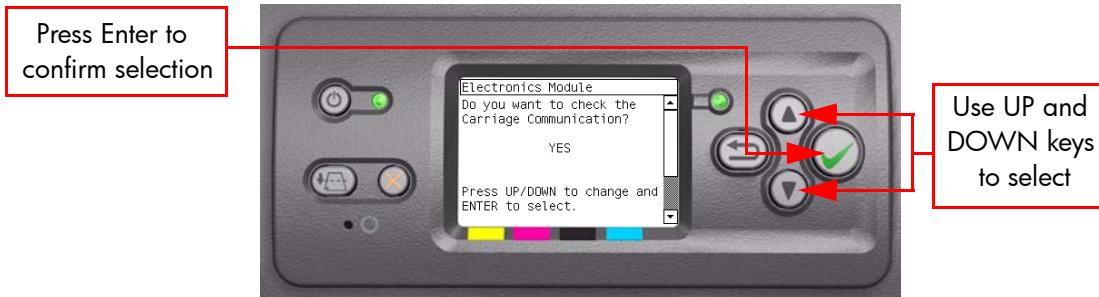
Electronics Module
Drawer Sensor0: * 1 OK
Drawer Sensor1: * 1 OK
Stacker Sensor: 1 OK
PM Check Cable: 0 OK
DD Goods:       0 OK
Press any key to continue.
  
```

* Items marked with an asterisk are not important and can be ignored.

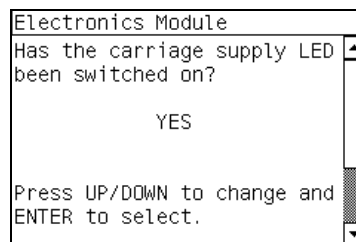
If any of the channels cannot be read, the Front Panel will display **System Error Code 01.0:10**. For more information on troubleshooting this error code, refer to Page 2-3.

If any of the read values do not match the expected default, the Front Panel will display **System Error Code 07:10**. For more information on troubleshooting this error code, refer to Page 2-6.

- 21** A message will appear on the Front Panel asking whether you would like to check the Carriage Communication. Select **Yes** or **No** by using the **Up** and **Down** keys and press **Enter** to confirm your selection. If you select **No**, the printer skips this test and goes to the next one:



- 22** If you select **Yes**, the following message will appear on the Front Panel:



- 23** Open the Window and check that the Carriage power light is ON (a green light on the carriage PCA). Select **Yes** or **No** by using the **Up** and **Down** keys and press **Enter** to confirm your selection.



If you select **No** at this point, the Front Panel will display **System Error Code 07:10**. For more information on troubleshooting this error code, refer to Page 2-6. Check also **System Error Code 11:10** (refer to Page 2-7) or **System Error Code 02.1:10** (refer to Page 2-4).

If you select **Yes**, then the Front Panel will display:

- Starting Carriage.

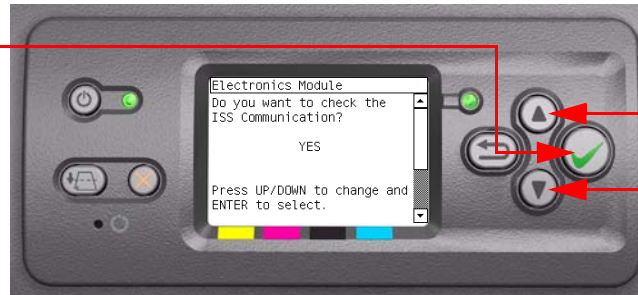
If there is a failure at this point, the Front Panel will display **System Error Code 02.1:10**. For more information on troubleshooting this error code, refer to Page 2-4. Check also **System Error Code 11:10** (refer to Page 2-7) or **System Error Code 01.0:10** (refer to Page 2-3).

- Checking Carriage rev.

If there is a failure at this point, the Front Panel will display **System Error Code 02.1:10**. For more information on troubleshooting this error code, refer to Page 2-4. Check also **System Error Code 11:10** (refer to Page 2-7).

- 24** A message will appear on the Front Panel asking whether you would like to check the ISS Communication. Select **Yes** or **No** by using the **Up** and **Down** keys and press **Enter** to confirm your selection. If you select **No**, the printer skips this test and goes to the next one:

Press Enter to confirm selection



Use UP and DOWN keys to select

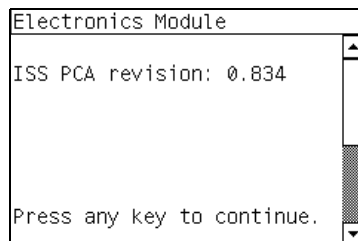
- 25** If you select **Yes**, the Printer will check the ISS Communication and the following information will be displayed on the Front Panel:

- Starting Gamut.

If there is a failure at this point, the Front Panel will display **System Error Code 01.0:10**. For more information on troubleshooting this error code, refer to Page 2-3.

- Checking ISS PCA rev.

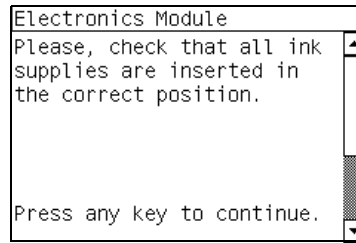
- 26** The results of the test are displayed on the Front Panel:



The value for the ISS PCA revision must be more than 0.625V, if it is press any key to continue. If not the Front Panel will display **System Error Code 01.2:10**. For more information on troubleshooting this error code, refer to Page 2-4. Check also **System Error Code 01.0:10** (refer to Page 2-3)

If there is a problem in reading the values, the Front Panel will display **System Error Code 01.0:10**. For more information on troubleshooting this error code, refer to Page 2-3.

- 27** When the Front Panel displays the following message, open the Ink Cartridge Door and check that all the Ink cartridges are correctly installed. Press any key to continue.



- 28** The Printer will continue with the ISS Communication test and the following messages will be displayed on the Front Panel:

- Starting ISS Ink Sup.

If there is a failure at this point, the Front Panel will display **System Error Code 13.n:10**. For more information on troubleshooting this error code, refer to Page 2-7. Check also **System Error Code 01.2:10** (refer to Page 2-4) or **System Error Code 01.0:10** (refer to Page 2-3).

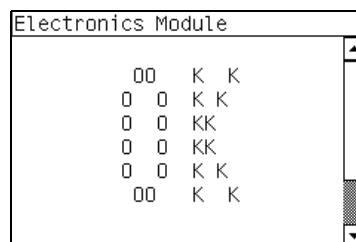
- Getting ISS data.

If there is a failure at this point, the Front Panel will display **System Error Code 74:00**. For more information on troubleshooting this error code, refer to Page 2-24.

- Checking ISS Ink Sup.

If there is a failure at this point, the Front Panel will display **System Error Code 26.n:10**. For more information on troubleshooting this error code, refer to Page 2-10. Check also **System Error Code 13.n:10** (refer to Page 2-7).

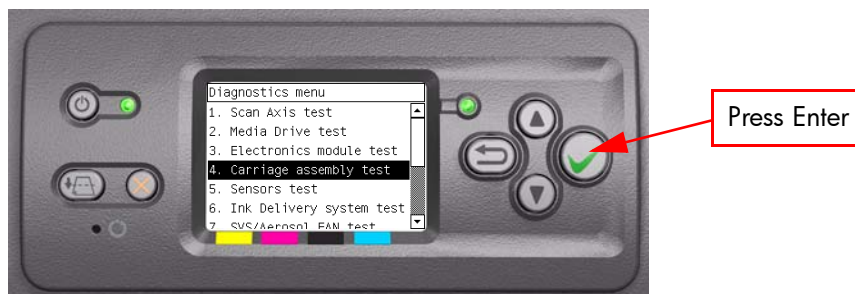
- 29** Once the test is completed, OK will be displayed on the Front Panel.



4. Carriage Assembly Test

The purpose of this test is to verify the operation of the Carriage Assembly. Perform the Carriage Assembly test as follows:

- 1 In the Diagnostics submenu, scroll to "4. Carriage Assembly Test" and press **Enter**.



- 2 This test has not yet been implemented.

PHONE SUPPORT

5. Sensors Test

The purpose of this test is to verify the operation of the following Sensors:

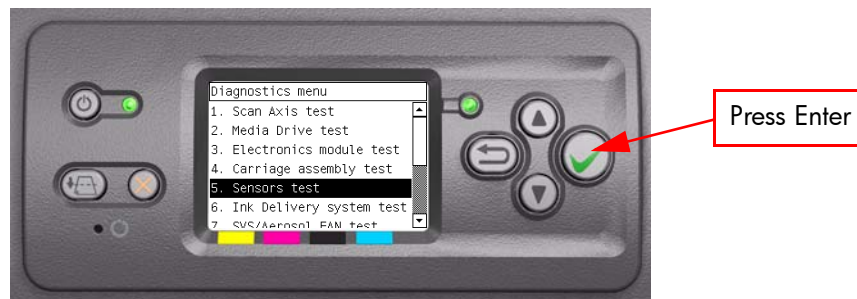
- Window Sensor.
- Printhead Cleaner (PHC) Access Door Sensor.
- Black Drive Pinch Lever Sensor
- Roll 1 Module Load Lever Sensor & Roll 2 Module Load Lever Sensor
- Main Media Sensor.
- Roll 1 Module Drawer Switch & Roll 2 Module Drawer Switch
- Roll 1 Module & Roll 2 Module Media Sensors
- Roll 1 Module & Roll 2 Module Back Tension Sensors
- Stacker Presence Sensor

IF POSSIBLE ALWAYS PERFORM THIS TEST BEFORE REPLACING A RELEVANT SENSOR. IF THIS TEST PASSES, DO NOT REPLACE THE RELEVANT SENSOR.

- 1 Before starting, first make sure that:
 - The Window is closed.
 - The Printhead Cleaner Access Door is closed.
 - All levers are in the lowered position.
 - All drawers closed.
 - Media is unloaded.
 - Stacker Disconnected

Perform the Sensors test as follows:

- 2 In the Diagnostics submenu, scroll to "5. Sensors Test" and press **Enter**.



- 3 The Printer will start to initialize and the Front Panel will display the following messages:

- Starting Gamut.
- Starting Tests GPIO.

If there is a failure at this point, the Front Panel will display **System Error Code 01.0:10**. For more information on troubleshooting this error code, refer to Page 2-3.

- Starting CDS.

If there is a failure at this point, the Front Panel will display **System Error Code 79:03**. For more information on troubleshooting this error code, refer to Page 2-26.

- Getting unit config.

If the current Part Number is not in the correct 6 character format, the Front Panel will display a fail message. In this case, re-enter in to the Diagnostics submenu and use the diagnostic "13. Error 71:19 Recovery" to set the correct Serial Number (refer to Page 4-75).

If the unit configuration is incorrect according to the part number, the Front Panel will display a fail message. In this case, re-enter in to the Diagnostics submenu and use the diagnostic "12. Set Unit Configuration" to set the correct configuration (refer to Page 4-74).

- Starting Roll 1 Module

- Starting Roll 2 Module

If there is a failure at this point the Front Panel will display **System Error Code 01.0:10**. For more information on troubleshooting this error code, refer to Page 2-3.

4 The following message is displayed on the Front Panel:

```
Sensors
Default conditions are:
-Window/Right Door Closed
-Main/Feed Levers Lowered
-Drawers Closed
-Stacker Disconnected
-Paper Unloaded
Press any key to continue.
```

Check the default conditions are all true and press any key to continue.

5 The Window Sensor will be tested first. When the following message is displayed on the Front Panel, open the Window and press any key to continue.

```
Sensors
Test of Window sensor...
Please, open the cover.
Press any key to continue.
```

6 If the Window Sensor passes the test, the following message is displayed on the Front Panel. Close the Window and press any key to continue.

```
Sensors
Test of Window sensor PASS.
Please, close the cover.
Press any key to continue.
```

If the Window Sensor fails the test, the Front Panel will display **System Error Code 51:10**. For more information on troubleshooting this error code, refer to Page 2-17. Check also **System Error Code 07:10** (refer to Page 2-6).

- 7** The PHC Access Door Sensor will be tested next. When the following message is displayed on the Front Panel, open the PHC Access Door and press any key to continue.

```

Sensors
Test of PHC Access Door
sensor...

Please, open the right
door.

Press any key to continue.
    
```

- 8** If the PHC Access Door Sensor passes the test, the following message is displayed on the Front Panel. Close the PHC Access Door and press any key to continue.

```

Sensors
Test of PHC Access Door
sensor PASS.

Please, close the right
door.

Press any key to continue.
    
```

If the PHC Access Door Sensor fails the test, the Front Panel will display **System Error Code 51.1:10**. For more information on troubleshooting this error code, refer to Page 2-17. Check also **System Error Code 07:10** (refer to Page 2-6).

- 9** The Drive Pinch Lever Sensor will be tested next. When the following message is displayed on the Front Panel, raise the black Drive Pinch Lever and press any key to continue.

```

Sensors
Test of Pinchwheel Lever
sensor

Please, raise the lever.

Press any key to continue.
    
```

- 10** If the Drive Pinch Lever Sensor passes the test, the following message is displayed on the Front Panel. Lower the black Drive Pinch Lever and press any key to continue.

```

Sensors
Test of Pinchwheel Lever
sensor PASS.

Please, lower the lever.

Press any key to continue.
    
```

If the Drive Pinch Lever Sensor fails the test, the Front Panel will display **System Error Code 54:10**. For more information on troubleshooting this error code, refer to Page 2-19. Check also **System Error Code 07:10** (refer to Page 2-6).

- 11** The Main Media Sensor is tested next. When the following message is displayed on the Front Panel, load a sheet of media into the printer as far as the platen and press any key to continue.

```
Sensors
Test of Sheet sensor...
Please, raise the main
lever, load a cut sheet of
paper and lower the lever.
Press any key to continue.
```

- 12** If the Main Media Sensor pass the test, the following message is displayed on the Front Panel. Remove the paper and press any key to continue.

```
Sensors
Test of Sheet sensor PASS.
Please, raise the main
lever, remove the paper and
lower the lever.
Press any key to continue.
```

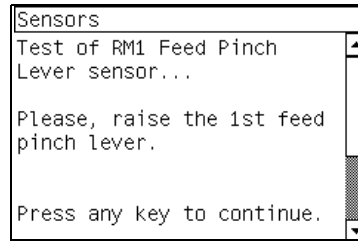
If the Main Media Sensor fails the test, the Front Panel will display **System Error Code 53:10**. For more information on troubleshooting this error code, refer to Page 2-19. Check also **System Error Code 07:10** (refer to Page 2-6).

- 13** The Roll 1 Module Media Sensors will be tested next. When the following message is displayed on the Front Panel, open the Roll 1 Drawer.

```
Sensors
Test of RM1 Drawer Switch
sensor...
Please, open the 1st
drawer.
Press any key to continue.
```

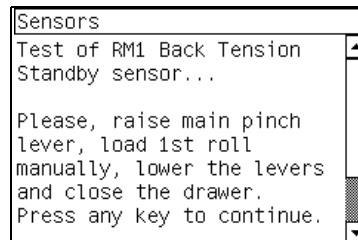
If there is a failure at this point the Front Panel will display the **System Error Code 51.3:10** for the left Roll 1 Drawer Sensor (refer to Page 2-17) or **System Error Code 51.5:10** for the right Roll 1 Drawer sensor (refer to Page 2-18). Check also **System Error Code 07:10** (refer to Page 2-6).

- 14** The following message is displayed on the Front Panel. Raise the Roll 1 Load Lever and press any key to continue.



If there is a failure at this point the Front Panel will display the **System Error Code 54.1:10**. For more information on troubleshooting this error code, refer to Page 2-19.

- 15** When the following message is displayed on the Front Panel, load paper from Roll 1 and press any key to continue.



- 16** The Printer now checks:
- The BT Standby Sensor, if there is a failure the Front Panel will display **System Error Code 53.3:10**. For more information on troubleshooting this error code, refer to Page 2-18.
 - The Media Presence Sensor, if there is a failure the Front Panel will display **System Error Code 53.10**. For more information on troubleshooting this error code, refer to Page 2-19.
 - In each case check also **System Error Code 07:10** (refer to Page 2-6).

- 17** If the Roll 1 Module Sensors pass the tests, the following message is displayed on the Front Panel, remove media and press any key to continue.

```
Sensors
Test of RM1 Sensors PASS.

Please, open 1st drawer,
raise main and 1st feed
pinch levers, remove paper
manually, close the drawer
and lower the levers.
Press any key to continue.
```

- 18** When the following message is displayed on the Front Panel, open the Roll 2 Drawer and press enter to continue.

```
Sensors
Test of RM2 Drawer Switch
sensor...

Please, open the 2nd
drawer.

Press any key to continue.
```

If there is a failure at this point the Front Panel will display the **System Error Code 51.4:10** for the left Roll 2 Drawer Sensor (refer to Page 2-18) or **System Error Code 51.6:10** for the right Roll 2 Drawer sensor (refer to Page 2-18). Check also **System Error Code 07:10** (refer to Page 2-6).

- 19** If the Roll 2 Drawer switch passes the tests the following message is displayed on the Front Panel. Raise the Roll 2 Load Lever and press any key to continue.

```
Sensors
Test of RM2 Feed Pinch
Lever sensor...

Please, raise the 2nd feed
pinch lever.

Press any key to continue.
```

- 20** When the following message is displayed on the Front Panel, load paper from Roll 2 and press any key to continue.

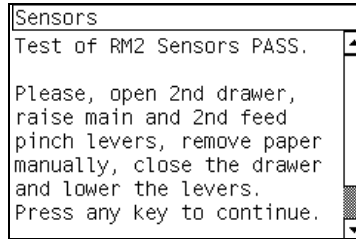
```
Sensors
Test of RM2 Back Tension
Standby sensor...

Please, raise main pinch
lever, load 2nd roll
manually, lower the levers
and close the drawer.
Press any key to continue.
```

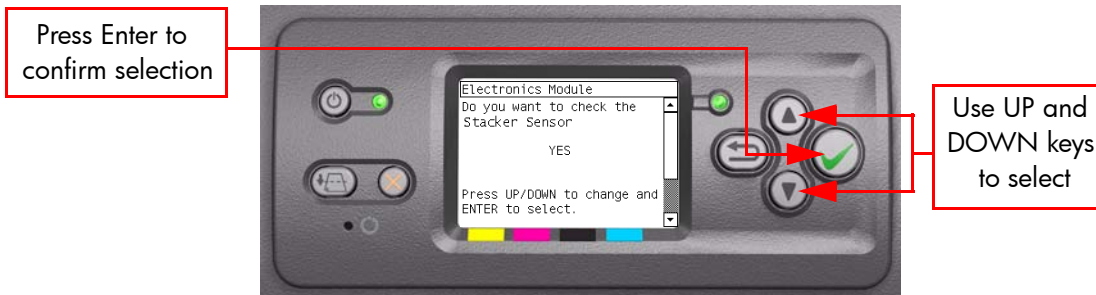
- 21** The Printer now checks:
- The Roll 2 BT Standby Sensor, if there is a failure the Front Panel will display **System Error Code 53.4:10**. For more information on troubleshooting this error code, refer to Page 2-18.

- The Media Presence Sensor, if there is a failure the Front Panel will display **System Error Code 53.10**. For more information on troubleshooting this error code, refer to Page 2-19.

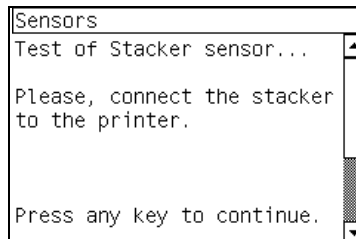
22 If the Roll 2 Module Sensors pass the tests, the following message is displayed on the Front Panel, remove media and press any key to continue.



23 A message will appear on the Front Panel asking whether you would like to check the Stacker Sensor. Select **Yes** or **No** by using the **Up** and **Down** keys and press **Enter** to confirm your selection. If you select **No**, the printer skips this test and goes to the next one.



24 If you select **Yes** the printer will display the following message, connect the Stacker and press any key to continue.



If there is a failure the Front Panel will display the **System Error Code 51.2:10**. For more information on troubleshooting this error code, refer to Page 2-17.

- 25** If the Stacker Sensor passes the test, the following message is displayed on the Front Panel, disconnect the stacker and press any key to continue.

```
Sensors
Test of Stacker sensor
PASS.

Please, disconnect the
stacker from the printer.

Press any key to continue.
```

- 26** Once the test is completed, OK will be displayed on the Front Panel.

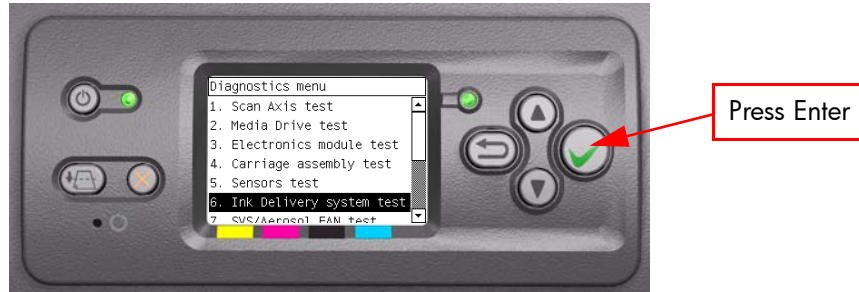
```
Sensors

      00  K  K
      0 0  K K
      0 0  KK
      0 0  KK
      0 0  K K
      00  K  K
```

6. Ink Delivery System Test

The purpose of this test is to verify the operation of the Ink Delivery System. Perform the Ink Delivery System test as follows:

- 1 In the Diagnostics submenu, scroll to "6. Ink Delivery System Test" and press **Enter**.



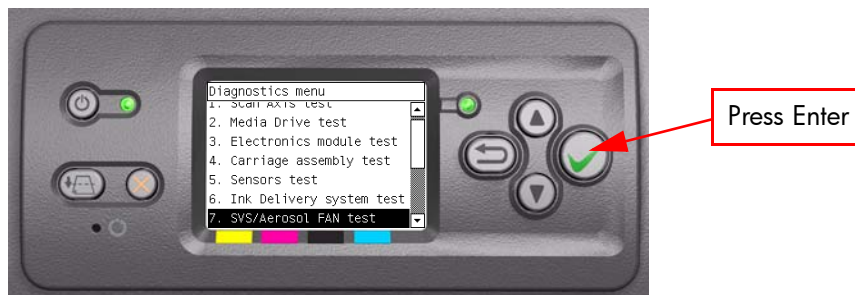
- 2 This test has not yet been implemented.

7. SVS/Aerosol Fan Test

The purpose of this test is to verify the operation of the Service Station and the Aerosol Fan.

Perform the SVS/Aerosol Fan test as follows:

- 1 In the Diagnostics submenu, scroll to "7. SVS/Aerosol Fan Test" and press **Enter**.



- 2 This test has not yet been implemented.

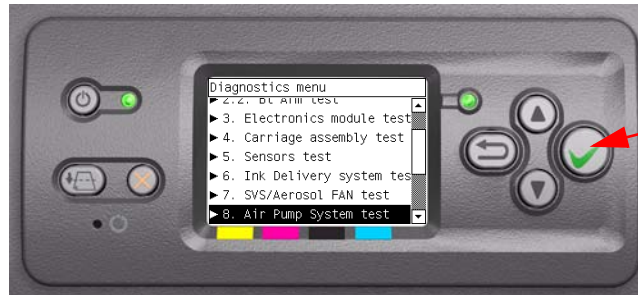
PHONE SUPPORT

8. Air Pump System Test (firmware 10.1.1.4)

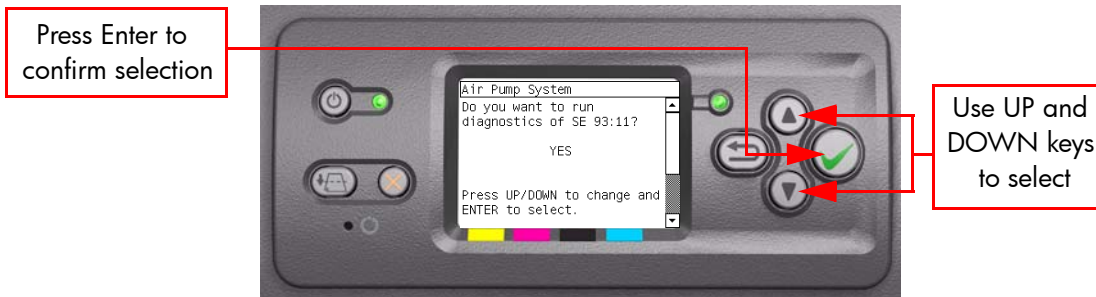
The purpose of this test is to verify the operation of the Air Pressurization System (APS).

Perform the Air Pump System test as follows:

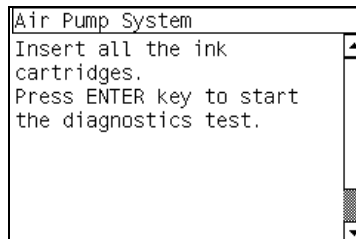
- 1 In the Diagnostics submenu, scroll to "8. Air Pump System Test" and press **Enter**.



- 2 A message will appear on the Front Panel asking whether you would like to check run the diagnostic 93.11. Select **Yes** or **No** by using the **Up** and **Down** keys and press **Enter** to confirm your selection.



- 3 If you select **Yes** the printer will display the following message, ensure all the ink cartridges are installed correctly and press any key to continue.



- 4 The Printer will start the configuration process and the Front Panel will display the following messages:

- Starting Nvm.
- Starting CDS.

If there is a failure at this point, the Front Panel will display **System Error Code 79:03**. For more information on troubleshooting this error code, refer to Page 2-26.

- Starting Supplies Conf.
- Starting Gamut.

If there is a failure at this point, the Front Panel will display **System Error Code 01.0:10**. For more information on troubleshooting this error code, refer to Page 2-3.

- Starting Pump.

5 The Printer will start the test of the pump and the Front Panel will display the following messages:

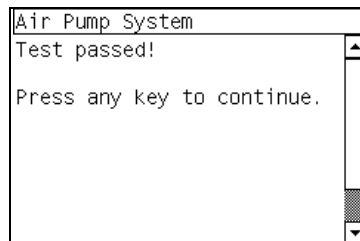
- Pressuring - Current Pressure

- Holding pressure - Current Pressure

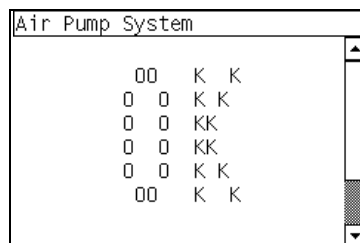
- Depressurizing

If there is a failure at this point the front panel will display the following error message: "Test Failed. Replace one cartridge with a new one. Press ENTER to continue or CANCEL to abort". Remove an ink cartridge and replace it with a new one and press the Enter key to repeat the test. If the Air Pump System does not pass the test, continue replacing ink cartridges one at a time until it passes.

6 When the Air Pump System passes the test the following message is displayed on the front panel, press any key to continue.



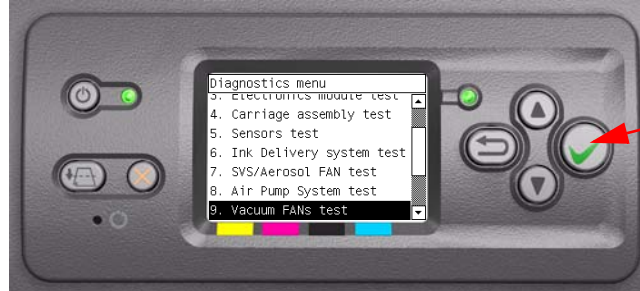
7 Once the test is completed, OK will be displayed on the Front Panel.



9. Vacuum Fans Test

The purpose of this test is to verify the operation of the Vacuum Fans..
 Perform the Vacuum Fans test as follows:

- 1 In the Diagnostics submenu, scroll to "9. Vacuum Fans Test" and press **Enter**.



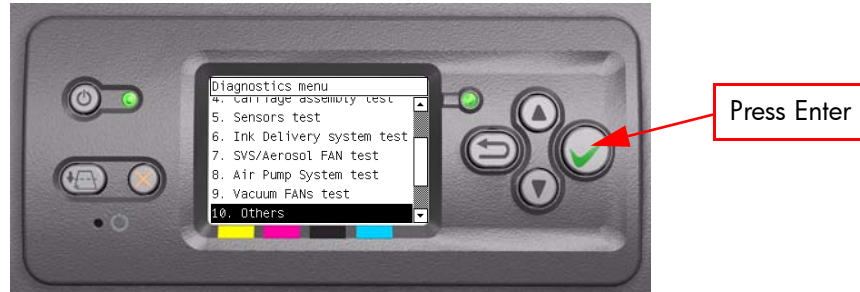
- 2 This test has not yet been implemented.

PHONE SUPPORT

10.1 Others >>> Bag Broken Recovery

This option allows to recover the Printer from a Bag Broken error.
Perform the Bag Broken Recovery as follows:

- 1 In the Diagnostics submenu, scroll to "10. Others" and press **Enter**.



- 2 In the Others submenu, scroll to "10.1 Bag Broken Recovery" and press **Enter**.



- 3 The Printer will start to initialize and the Front Panel will display the following messages:

- Starting Gamut.
- Starting TestGPIO.

If there is a failure at this point, the Front Panel will display **System Error Code 01.0:10**. For more information on troubleshooting this error code, refer to Page 2-3.

- 4 The Printer will now detect for a broken bag in the Ink cartridges and the Front Panel will display the following messages:

- Detecting Bag Broken.

If the Printer does not detect that any of the Ink cartridges have a broken bag, then the message "No ink short detected on supplies" will be displayed on the Front Panel.

If there is a problem while reading the Bag Broken signal, the Front Panel will display **System Error Code 01.0:10**. For more information on troubleshooting this error code, refer to Page 2-3. Check also **System Error Code 01.2:10** (refer to Page 2-4).

If the Printer detects that one or more of the Ink Cartridges have a broken bag, then the message "Please, replace one of the defective cartridges (0, 1, 2 or 3) and press any key to continue" will be displayed on the Front Panel. In this case, remove the faulty Ink Cartridge as indicated by the Front Panel and install a new Ink Cartridge.

If the Bag Broken error is still active even after replacing the faulty Ink cartridge, the Front Panel will display **System Error Code 01.2:10**. For more information on troubleshooting this error code, refer to Page 2-4. Check also **System Error Code 01.0:10** (refer to Page 2-3).

- 5** If the Printer does not detect that any of the Ink cartridges have a broken bag, then it will read the Acumen of the Ink cartridge to check if there had been an ink short previously. During this check, the Front Panel will display the following messages:
- Starting AcumenSupplies.
 - Getting ISS data.

If the Printer does not detect that any of the Ink Cartridges previously had a Bag Broken error, then the message "No Broken Bag detected on supplies" will be displayed on the Front Panel.

If there is a problem while reading the Acumen, the Front Panel will display **System Error Code 26.n:10**. For more information on troubleshooting this error code, refer to Page 2-10. Check also **System Error Code 13.n:10** (refer to Page 2-7), **System Error Code 01.2:10** (refer to Page 2-4) or **System Error Code 01.0:10** (refer to Page 2-3).

If it is not possible to get the ISS Data, the Front Panel will display **System Error Code 74:00**. For more information on troubleshooting this error code, refer to Page 2-24.

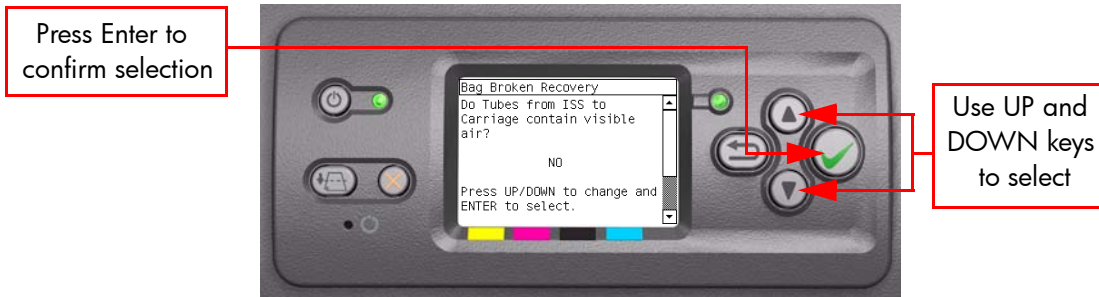
If the Printer detects that an Ink Cartridge had previously experienced a Bag Broken error, the Front Panel will display **System Error Code 26.n:10**. For more information on troubleshooting this error code, refer to Page 2-10. Check also **System Error Code 01.2:10** (refer to Page 2-4) or **System Error Code 01.0:10** (refer to Page 2-3).

- 6** If no Ink Cartridges have been identified with Bag Broken, the Printer will try a Self Recovery test. When the following message is displayed on the Front Panel, remove the Left Cover and check if the tubes from the APS to the ISS are clean. Select **Yes** or **No** by using the **Up** and **Down** keys and press **Enter** to confirm your selection.



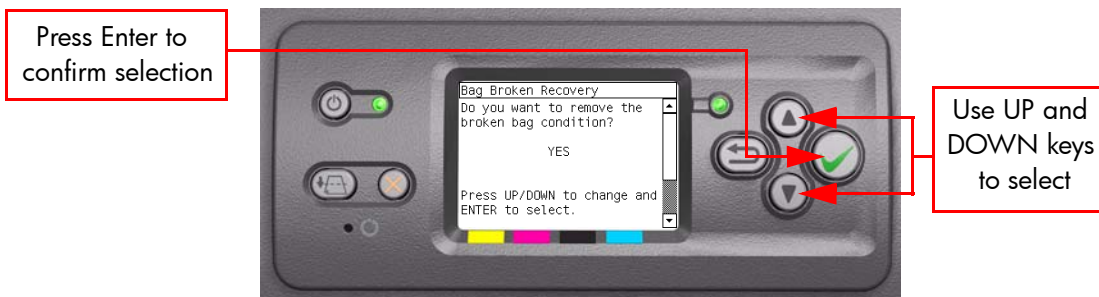
If you select **No**, the Front Panel will display **System Error Code 23:10**. For more information on troubleshooting this error code, refer to Page 2-8.

- 7** If you select **Yes**, the following message will appear on the Front Panel. Check if the Ink Supply Tubes from the ISS to the Carriage contain visible air. Select **Yes** or **No** by using the **Up** and **Down** keys and press **Enter** to confirm your selection.



If you select **Yes**, the Front Panel will display **System Error Code 24:10**. For more information on troubleshooting this error code, refer to Page 2-8.

- 8** If you select **No**, the following message will appear on the Front Panel. You can now remove the Broken Bag condition causing the initial problem. Select **Yes** or **No** by using the **Up** and **Down** keys and press **Enter** to confirm your selection.



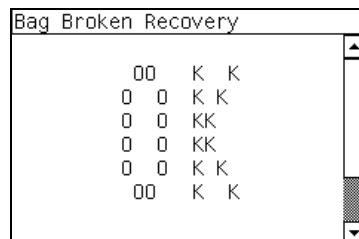
- 9** If you select Yes, the following messages will appear on the Front Panel:

- Start Supplies Conf.

If there is a problem at this stage, the Front Panel will display **System Error Code 01.0:10**. For more information on troubleshooting this error code, refer to Page 2-3.

- Removing leakage.

- 10** Once the process is completed, OK will be displayed on the Front Panel.

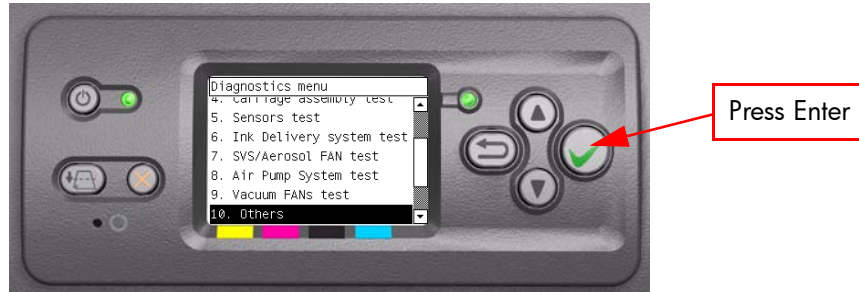


PHONE SUPPORT

10.2 Others >>> IO Information

This option allows you to view the information relating to the IO.
View the IO Information as follows:

- 1 In the Diagnostics submenu, scroll to "10. Others" and press **Enter**.



- 2 In the Others submenu, scroll to "10.2 IO Information" and press **Enter**.



- 3 The Printer will start to initialize and the Front Panel will display the following messages:

- Getting IO Interface.
- Getting Interface info.

If there is a failure at this point, the Front Panel will display **System Error Code 74:00**. For more information on troubleshooting this error code, refer to Page 2-24.

If no active interface is found, the Front Panel will display "No active interface found. Press any key to finish".

- 4 Once the IO information is obtained, it is displayed on the Front Panel. Press any key to exit.

```

IO Information
IP:          16.23.60.239
Gateway:    16.23.56.1
Net Mask:   255.255.248.0

Press any key to finish.
    
```

- 5 Once the process is completed, OK will be displayed on the Front Panel.

PHONE SUPPORT

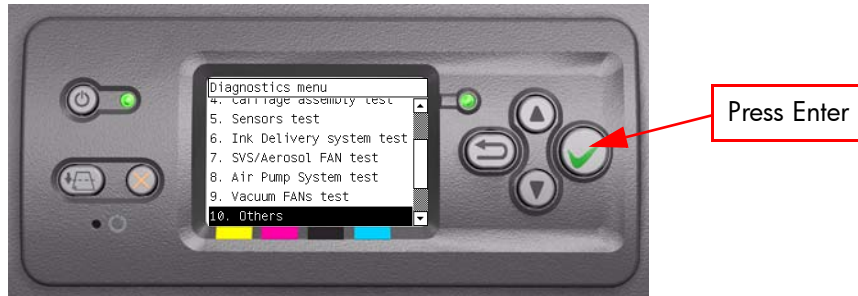
10.3 Others >>> Unit Information

This option allows you to view the following Printer information:

- Firmware version.
- Serial Number.
- Part Number.
- PS Language (for HP Designjet 4500PS)

View the Unit Information as follows:

- 1 In the Diagnostics submenu, scroll to "10. Others" and press **Enter**.



- 2 In the Others submenu, scroll to "10.3 Unit Information" and press **Enter**.



- 3 The Printer will start to initialize and the Front Panel will display the following messages:

- Starting Nvm.
- Getting FW version.
- Getting Serial Number
- Getting Part Number.

If there is a failure at this point, the Front Panel will display **System Error Code 79:03**. For more information on troubleshooting this error code, refer to Page 2-26.

If the Serial Number does not have assigned a correct 10 character format or the Part number does not have assigned a correct 6 character format, a fail message will appear on the Front Panel. In this case, re-enter in to the Diagnostics submenu and use the diagnostic "13. Error 71:19 Recovery" to set the correct Serial Number (refer to Page 4-75).

- Getting PS Language (for HP Designjet 4500PS).

If there is a failure at this point, the Front Panel will display **System Error Code 74:00**. For more information on troubleshooting this error code, refer to Page 2-24.

- 4** Once the Unit information is obtained, it is displayed on the Front Panel. Press any key to exit.

```
Unit Information
FW version:   GW_3.1.1.2
Serial Number: SG4831901M
Part Number:  Q1274A
PS Language:  Roman
Press any key to finish.
```

- 5** Once the process is completed, OK will be displayed on the Front Panel.

```
Unit Information
      00  K  K
     0 0  K K
     0 0  KK
     0 0  KK
     0 0  K K
      00  K  K
```

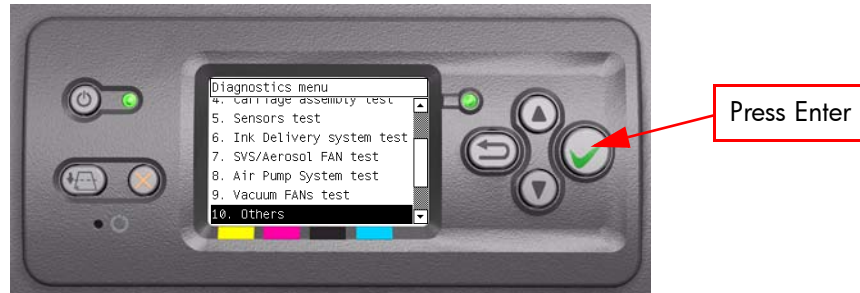
PHONE SUPPORT

10.4 Others >>> Check Ink Supplies

The purpose of this test is to verify which Ink Cartridges are valid for the purge process and what is their current available ink level. Some Ink Cartridges may not be able to be accessed (unable to read the Acumen) if previously there had been a failure (faulty, broken bag, etc...).

View the Unit Information as follows:

- 1 In the Diagnostics submenu, scroll to "10. Others" and press **Enter**.



- 2 In the Others submenu, scroll to "10.4 Check Ink Supplies" and press **Enter**.



- 3 The Printer will start to initialize and the Front Panel will display the following messages:

- Starting Gamut.

If there is a failure at this point, the Front Panel will display **System Error Code 01.0:10**. For more information on troubleshooting this error code, refer to Page 2-3.

- Starting AcumenSupplies.

If there is a problem while reading the Acumen, the Front Panel will display **System Error Code 26.n:10**. For more information on troubleshooting this error code, refer to Page 2-10. Check also **System Error Code 13.n:10** (refer to Page 2-7), **System Error Code 01.2:10** (refer to Page 2-4) or **System Error Code 01.0:10** (refer to Page 2-3).

- Reading Ink Supplies.

If there is a failure at this point, the Front Panel will display the message "Replace failing ink supplies after running this utility: (Yellow, Magenta, Black or Cyan)".

- Once the Ink Supplies information is obtained, it is displayed on the Front Panel. Press any key to exit.

```

Check Ink Supplies
      Y   M   B   C
OK purge:   NO  NO  NO  NO
Purge done: YES  YES YES  YES
Ink (%):    094 094 093 095
Ink (CC):   378 378 373 380
Press any key to finish.
  
```

If any part of the Acumen information is invalid, the Front Panel will display **System Error Code 74:00**. For more information on troubleshooting this error code, refer to Page 2-24.

- Once the process is completed, OK will be displayed on the Front Panel.

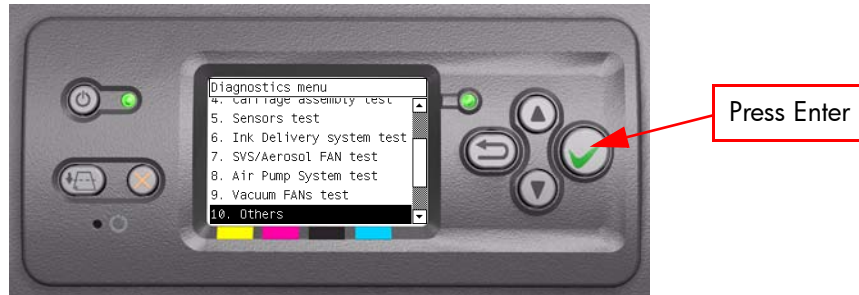
```

Check Ink Supplies
      00  K  K
      0 0  K K
      0 0  KK
      0 0  KK
      0 0  K K
      00  K  K
  
```

PHONE SUPPORT

10.5 Others >>> Roll Module Config

- 1 In the Diagnostics submenu, scroll to "10. Others" and press **Enter**.



- 2 In the Others submenu, go to "10.5 Roll Module Config" and press **Enter**.



- Starting CDS.

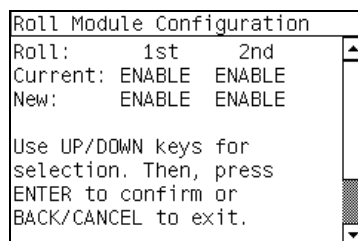
If there is a failure at this point, the Front Panel will display **System Error Code 79:03**. For more information on troubleshooting this error code, refer to Page 2-26.

- The printer will then check the Part Number

If the Part Number cannot be read, the Front Panel will display **System Error Code 74:00**. For more information on troubleshooting this error code, refer to Page 2-24.

If the Part number does not have assigned a correct 6 character format, a fail message will appear on the Front Panel. In this case, re-enter in to the Diagnostics submenu and use the diagnostic "13. Error 71:19 Recovery" to set the correct Part Number (refer to Page 4-75).

- 3 The Printer checks the enable/disable status of Roll 1 Module and Roll 2 Module. Press any key to continue the test:

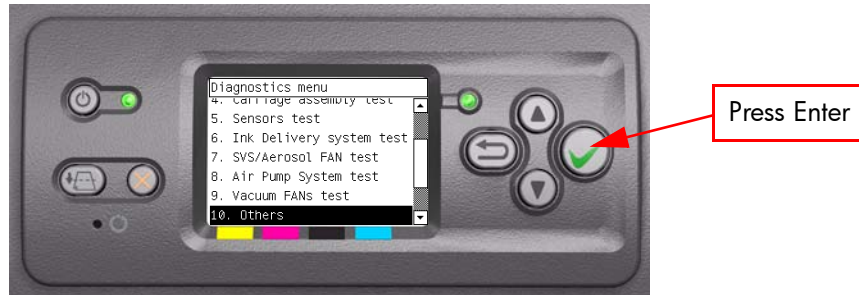


- 4 Select the Roll 1 Module (1st) or Roll 2 Module (2nd) to disable or enable.

PHONE SUPPORT

10.6 Others >>> Stacker Test

- 1 In the Diagnostics submenu, scroll to "10. Others" and press **Enter**.



- 2 In the Others submenu, scroll to "10.6 Stacker Test" and press **Enter**.



The printer will start to initialize the Stacker Test and the Front Panel will display the following information:

- Starting CDS.

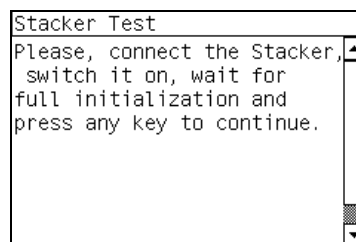
If there is a failure at this point, the Front Panel will display **System Error Code 79:03**. For more information on troubleshooting this error code, refer to Page 2-26.

- Getting Part Number

If the Part Number cannot be read, the Front Panel will display **System Error Code 74:00**. For more information on troubleshooting this error code, refer to Page 2-24.

If the Part number does not have assigned a correct 6 character format, a fail message will appear on the Front Panel. In this case, re-enter in to the Diagnostics submenu and use the diagnostic "13. Error 71:19 Recovery" to set the correct Part number (refer to Page 4-75).

- 3 The following message is displayed on the printer, if the Stacker is connected and turned On, press any key to continue.



4 The following messages are displayed:

- Starting Media Path.

If there is a failure at this point, the Front Panel will display **System Error Code 81:10**. For more information on troubleshooting this error code, refer to Page 2-27.

- Starting Pres. Sensor.
- initialize the Accessory Interface.
- initialize the Output Media Driver.

If there is a failure at this point, the Front Panel will display **System Error Code 79:03**. For more information on troubleshooting this error code, refer to Page 2-26.

- Getting Stacker Firmware.

If there is a failure at this point, the Front Panel will display 'Printer Cannot Communicate' or 'Stacker not responding' **System Error Code 79:03**. For more information on troubleshooting this error code, refer to Page 2-26.

5 If the Stacker Firmware information is obtained, it is displayed on the Front Panel. Press any key to exit.

```
Stacker Test
Getting Stacker Firmware:
StkD1.59
Press any key to continue.
```

- Checking Stacker Sensors

6 Make sure the following conditions are true and press any key to continue.

```
Stacker Test
Default conditions are:
-Stacker Connected
-Paper Unloaded
-Cover Closed
-Tray Full Switch Off
-Bubble Switch Off
-Media Jam Switch Off
Press any key to continue.
```

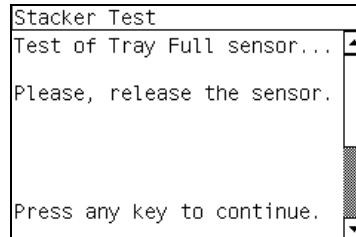
7 When the following message is displayed on the front panel, lift up the Tray Full Arm for 10 seconds, once the ten seconds has elapsed press any key to continue:

```
Stacker Test
Test of Tray Full sensor...
Please, hold the sensor for
10 seconds. Keep on holding
it while passing to next
step.
Press any key to continue.
```

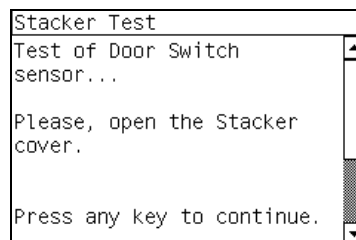
If there is a failure at this point, the Front Panel will display **System Error**

Code 38.7:10. For more information on troubleshooting this error code, refer to Page 2-40. Check also **System Error Code 38.1:10.** For more information on troubleshooting this error code, refer to Page 2-37.

- 8 When the following message is displayed on the front panel, Lower the Tray Full Sensor and press any key to continue.

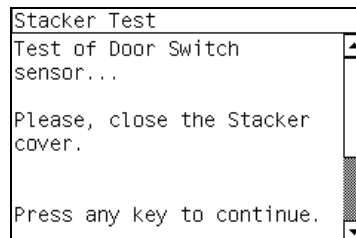


- 9 When the following message is displayed on the front panel, open the Stacker Cover and press any key to continue.



If there is a failure at this point, the Front Panel will display **System Error Code 38.9:10.** For more information on troubleshooting this error code, refer to Page 2-37. Check also **System Error Code 38.1:10.** For more information on troubleshooting this error code, refer to Page 2-37.

- 10 When the following message is displayed on the front panel, close the Stacker Cover and press any key to continue.



- 11 The front panel will display the following:

- Checking that the Stacker Engaged Sensor is on.

If there is a failure at this point, the Front Panel will display **System Error Code 38.A:10.** For more information on troubleshooting this error code, refer to Page 2-37. Check also **System Error Code 38.1:10.** For more information on troubleshooting this error code, refer to Page 2-37.

- 12** When the following message is displayed on the front panel, disconnect the Stacker from the Printer, press any key to continue.

```
Stacker Test
Test of Engaged Switch
sensor...

Please, disengage the
Stacker.

Press any key to continue.
```

If there is a failure at this point, the Front Panel will display **System Error Code 38.A:10**.

- 13** When the following message is displayed on the front panel, connect the Stacker to the Printer, press any key to continue.

```
Stacker Test
Test of Engaged Switch
sensor...

Please, engage the Stacker
again.

Press any key to continue.
```

- 14** When the following message is displayed on the front panel, press and hold down the Bubble Switch in the input tray at the same time press any key to continue.

```
Stacker Test
Test of Bubble Switch
sensor...

Please, push down the
Stacker Bubble Switch
sensor.

Press any key to continue.
```

If there is a failure at this point, the Front Panel will display **System Error Code 38.0:10**. For more information on troubleshooting this error code, refer to Page 2-41. Check also **System Error Code 38.1:10**. For more information on troubleshooting this error code, refer to Page 2-37.

- 15** If the Bubble Switch passes the following message is displayed on the front panel, release the Bubble Switch in the input tray and press any key to continue.

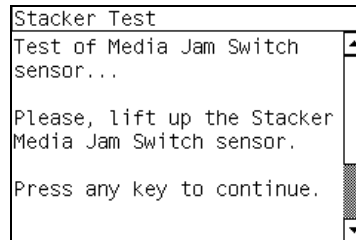
```
Stacker Test
Test of Bubble Switch
sensor...

Please, release the Stacker
Bubble Switch sensor.

Press any key to continue.
```

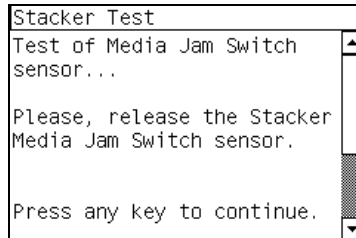
- 16** When the following message is displayed on the front panel, lift and hold up the Media Jam lever at the same time press any key to continue.

The Media Jam Switch Sensor is located next to the Tray full lever.

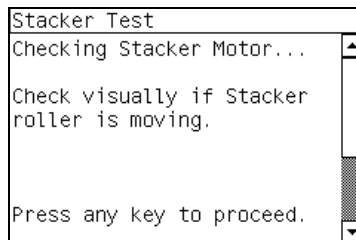


If there is a failure at this point, the Front Panel will display **System Error Code 38.8:10**. For more information on troubleshooting this error code, refer to Page 2-37. Check also **System Error Code 38.1:10**. For more information on troubleshooting this error code, refer to Page 2-37.

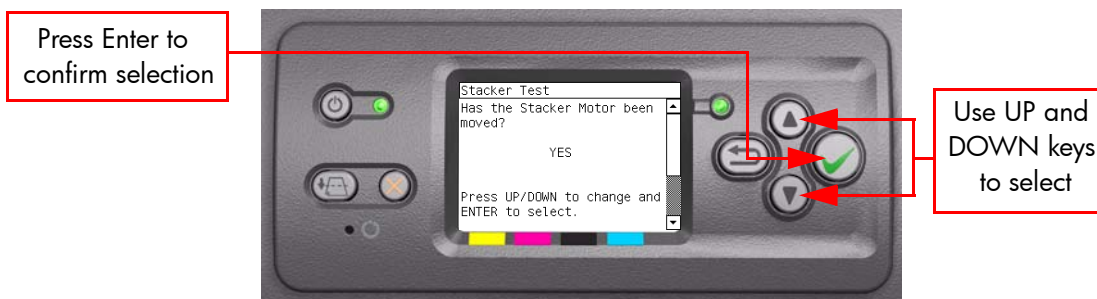
- 17** When the following message is displayed on the front panel, release the Media Jam Switch Sensor and press any key to continue.



- 18** When the following message is displayed on the front panel, press any key to test the Stacker Motor.



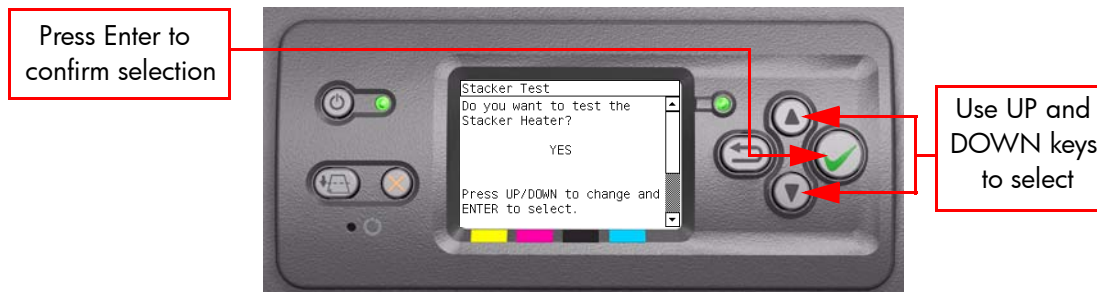
- 19** The front Panel displays the following:



Select **Yes** or **No** by using the **Up** and **Down** keys and press **Enter** to confirm your selection. If there is a failure and the Roller is not turning the

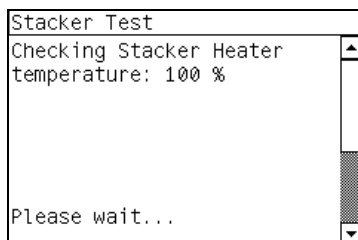
Front Panel will display **System Error Code 81.3:10**. For more information on troubleshooting this error code, refer to Page 2-37. Check also **System Error Code 38.1:10**. For more information on troubleshooting this error code, refer to Page 2-37.

- 20** The front Panel displays the following:

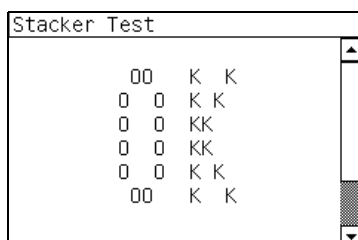


Select **Yes** or **No** by using the **Up** and **Down** keys and press **Enter** to confirm your selection.

- 21** The front Panel displays the following as it checks the temperature of the Heater.



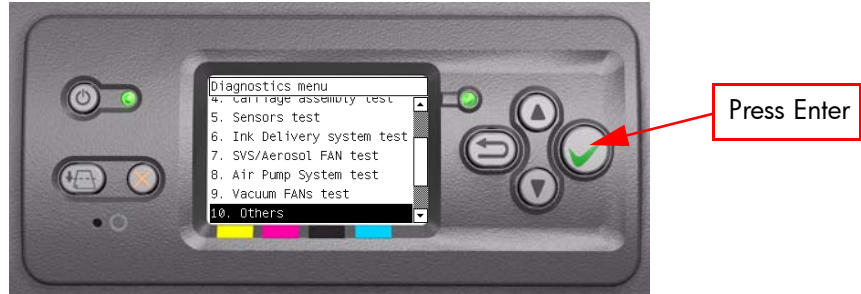
- 22** Once the test is completed, OK will be displayed on the Front Panel.



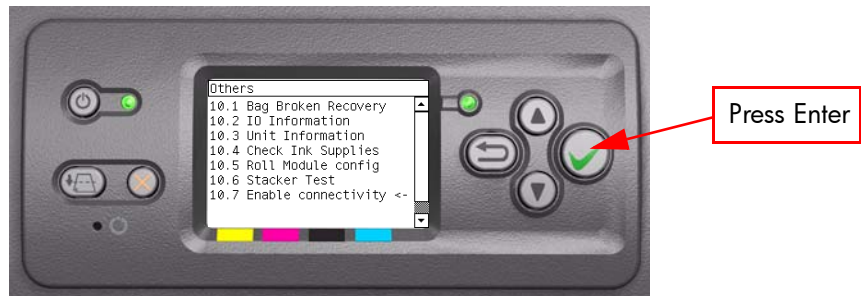
PHONE SUPPORT **10.7 Others >>> Enable Connectivity**

This option allows you to enable or disable connectivity, depending on the security requirements of the user.

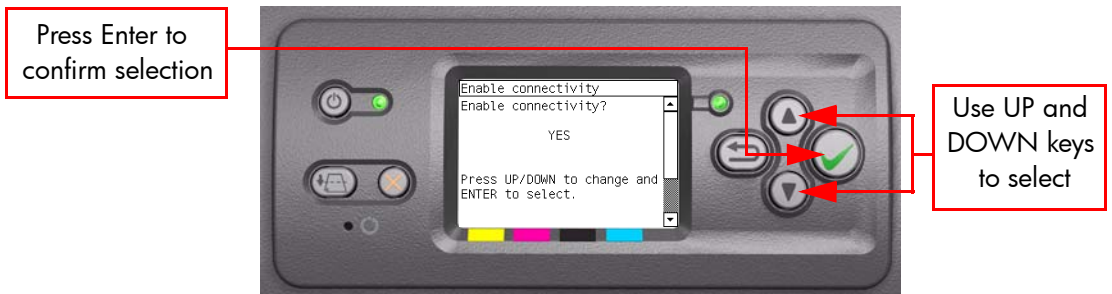
- 1 In the Diagnostics submenu, scroll to "10. Others" and press **Enter**.



- 2 In the Others submenu, scroll to "10.7 Enable Connectivity" and press **Enter**.



The printer will display the following:



- 3 Use the **Arrow** keys to select 'Yes' to enable connectivity and press the **Enter** key to confirm the selection.

The printer will display the following:



- 4 Press any key on the Front Panel and the printer will reboot, when the printer has fully initialized, connectivity will be enabled.

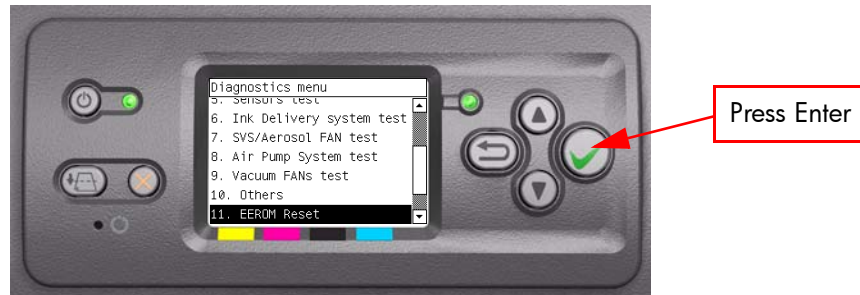
PHONE SUPPORT 11. EEROM Reset

The purpose of this diagnostic is to reset the EEROM values.

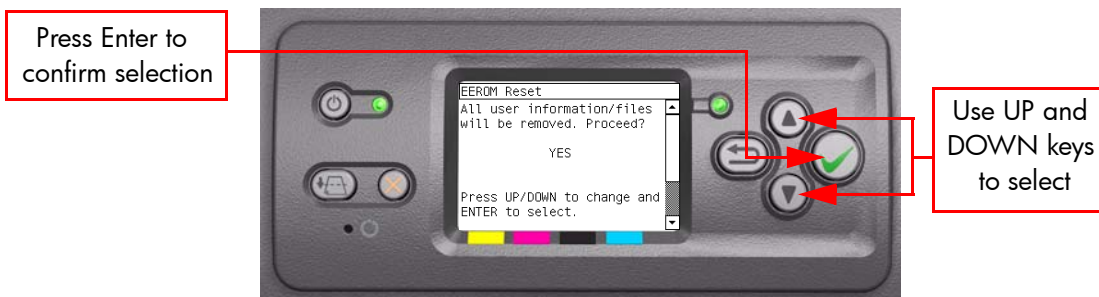
Once the EEROM has been reset, the Printer will act as if it is being started for the first time, except that the Ink Supply Tubes have already been primed.

Perform an EEROM Reset as follows:

- 1 In the Diagnostics submenu, scroll to "11. EEROM Reset" and press **Enter**.



- 2 A message will appear on the Front Panel advising you that all user information/files will be removed. If you would like to proceed select **Yes** or **No** by using the **Up** and **Down** keys and press **Enter** to confirm your selection. If you select **No**, the process will end at this point.



- 3 If you select **Yes**, the Printer will begin the process to reset the EEROM and the following messages will appear on the Front Panel:

- Starting Gamut.

If there is a failure at this point, the Front Panel will display **System Error Code 01.0:10**. For more information on troubleshooting this error code, refer to Page 2-3.

- Starting NVM.
- Setting default config.
- Restoring tubes state.

If there is a failure at this point, the Front Panel will display **System Error Code 79:03**. For more information on troubleshooting this error code, refer to Page 2-26.

- 4 Once the EEROM has been reset, the following message will appear on the Front Panel. Press any key to continue.

```
EEROM Reset
After rebooting there will
be a printhead error.
Please, select printhead
replacement to launch the
printhead calibration.

Press any key to continue.
```

After rebooting the Printer, make sure you select Printhead replacement through the Front Panel in order to launch the Printhead calibration.

- 5 Once the process is completed, OK will be displayed on the Front Panel.

```
Media Drive
Checking Open Loop UNROLL.
Movement done: 30441.

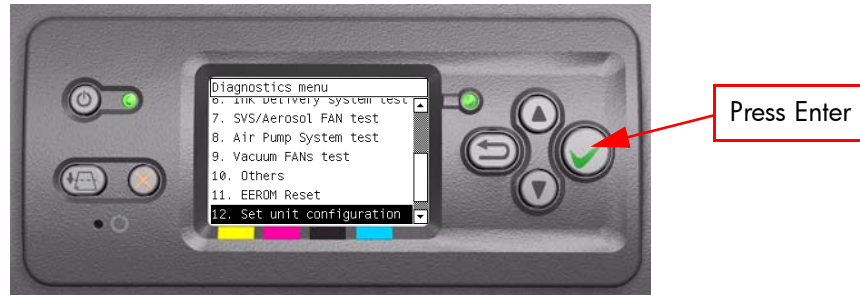
Press any key to continue.
```

PHONE SUPPORT 12. Set Unit Configuration

The purpose of this test is to automatically configure the Printer either as Standard or Productivity.

Set the Unit Configuration as follows:

- 1 In the Diagnostics submenu, scroll to "12. Set Unit Configuration" and press **Enter**.



- 2 The Printer will start the configuration process and the Front Panel will display the following messages:
 - Starting Nvm.
 - Getting Part Number: (will show either Q1271A/Q1272A or Q1276A).
 If there is a failure at this point, the Front Panel will display **System Error Code 79:03**. For more information on troubleshooting this error code, refer to Page 2-26.
- 3 The following message will be displayed on the Front Panel. Press any key to finish the configuration.

```

Set Unit Configuration
Starting Nvm.
Getting Part Number: Q1272A
Setting new config:

      Productivity

Press any key to continue.
  
```

If there is a failure at this point, the Front Panel will display **System Error Code 79:03**. For more information on troubleshooting this error code, refer to Page 2-26.

- 4 Once the process is completed, OK will be displayed on the Front Panel.

```

Set Unit Configuration

      00  K  K
      0 0  K K
      0 0  KK
      0 0  KK
      0 0  K K
      00  K  K
  
```

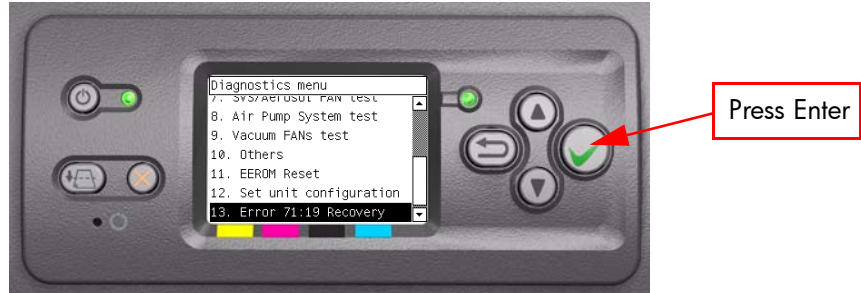
PHONE SUPPORT

13. Error 71:19 Recovery

The purpose of this utility is to set the Serial Number and Part Number in case both the Hard Disk Drive and the Ink Supply Tubes are replaced at the same time.

Set the Serial Number as follows:

- 1 In the Diagnostics submenu, scroll to "Error 71:19 Recovery" and press **Enter**.



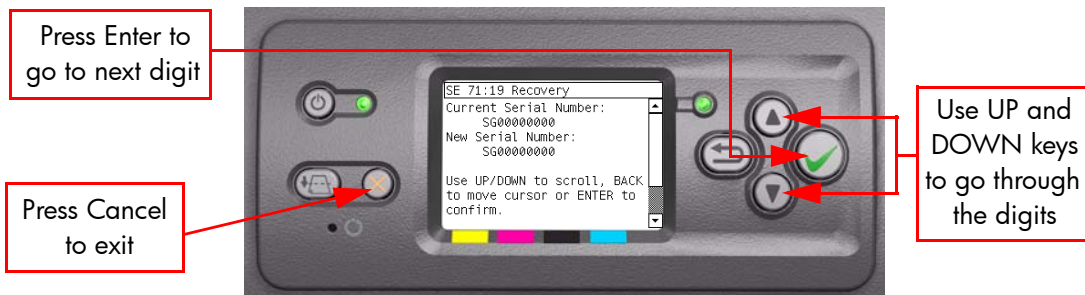
- 2 The Printer will check if the System Error Code 71:19 has been recorded and the following message will appear on the Front Panel:
 - Checking SE log.

If the Printer fails to find the System Error Code 71:19, the Front Panel will display **Error: Utility not available**. In this case press any key to exit.

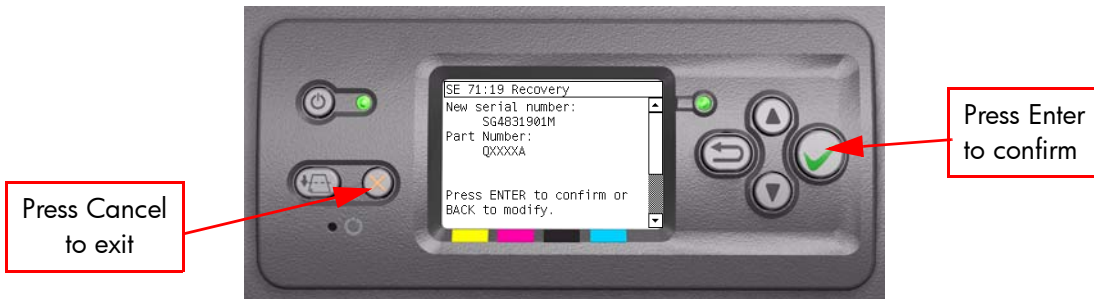
- 3 If System Error Code is detected, the Printer will start the recovery procedure and the following messages will be displayed on the Front Panel:
 - Starting NvmBackup.
 - Starting NvmMain.
 - Getting Serial Number.
 - Checking Serial Number.
 - Starting Nvm.
 - Getting Part Number.

If there is a failure at this point, the Front Panel will display **System Error Code 79:03**. For more information on troubleshooting this error code, refer to Page 2-26.

- 4 The Printer will display the current Serial Number and the new Serial Number of the Printer. Use the **Up** and **Down** keys to go through the digits and press the **Enter** key to go to the next digit. You can press the **Cancel** key at any time to exit the utility without making any changes.

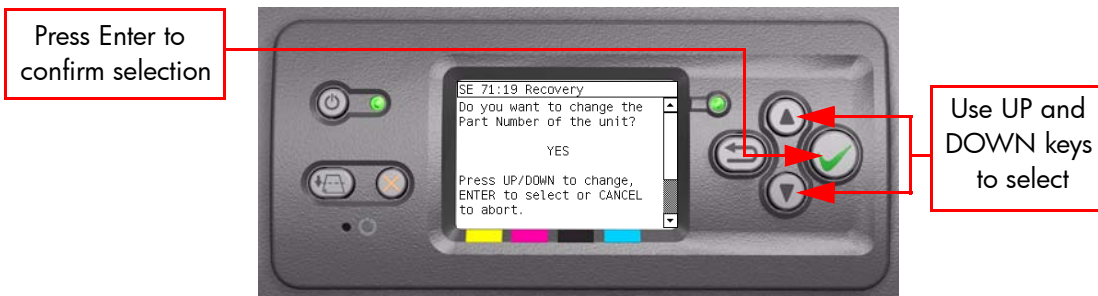


- 5 Once the new Serial Number has been entered, the Front Panel will display the Serial Number and Model Number of the Printer. Press the **Enter** key to confirm the Serial Number or the **Cancel** key to exit the utility without making any changes.



If there is a failure at this point, the Front Panel will display **System Error Code 79:03**. For more information on troubleshooting this error code, refer to Page 2-26.

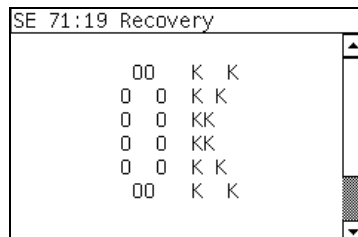
- 6 A message will appear on the Front Panel asking you if you would like to change the Part Number of the Printer. Select **Yes** or **No** by using the **Up** and **Down** keys and press **Enter** to confirm your selection. If you select **No**, the process will end at this point.



- 7 If you select **Yes**, the Front Panel will display the new Serial Number and Part Number. Press the **Enter** key to accept.

If there is a failure at this point, the Front Panel will display **System Error Code 79:03**. For more information on troubleshooting this error code, refer to Page 2-26.

- 8 Once the process is completed, OK will be displayed on the Front Panel.



Once the Printer has recovered from the System Error Code 71:19, the Printer will be configured as HP Designjet 4500 (part number Q1271A). If the Printer was originally a HP Designjet 4500ps (part number Q1272A), you must contact the HP Customer Support Center for further information.

PHONE SUPPORT

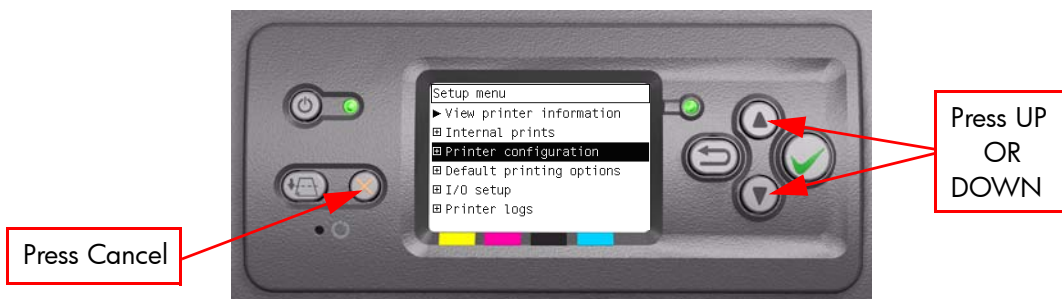
14. I/O Tests

The purpose of this test is to check the installed and active I/O Interfaces. Perform the I/O tests as follows:

- 1 Once the message "Ready" is displayed on the front-panel, scroll to the "Printer Setup Options" icon and press the **Enter** key.



- 2 Once inside the "Printer Setup Menus" menu, press the **UP or Down** arrow key and the **Cancel** key together. You are now in the **Service Tools** Menu.



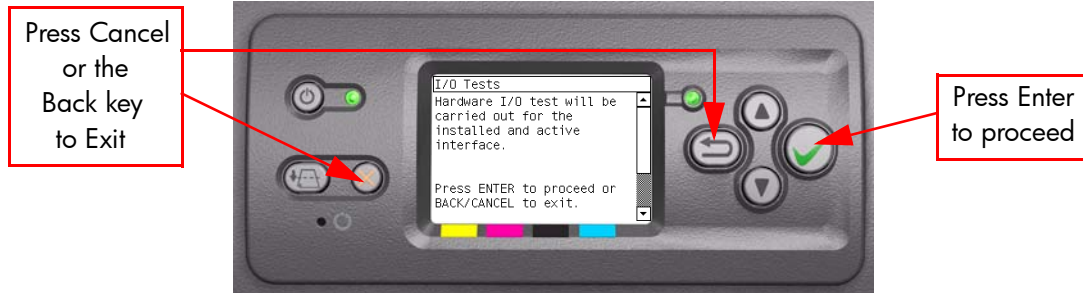
- 3 Use the **Arrow** keys to scroll to the "Service Tests" menu and press the **Enter** key.



- 4 In the Service Tests submenu, scroll to "I/O Tests" and press **Enter**.



- 5 When the following message appears on the front panel, you must select whether you would like to continue with the test by pressing the **Enter** key. Press **Back** or **Cancel** to exit the calibration.



- 6 The Printer will get information on the I/O Interfaces. Once the information has been read, the following message will be displayed on the Front Panel. Press any key to continue with the test:

```

I/O Tests
Interface select.: AUTO
Active interface: FAST_ETH
Active int. installed: YES
Active int. MAC state: UP

Press any key to continue.

```

This screens shows which interface is currently installed and active. If a connection is made to the active interface, the "Active int. MAC state" will be displayed as UP, otherwise it will displayed as DOWN.

- 7 If an active interface is installed, the Printer will test the active interface and if it passes it will display the following message on the Front Panel:

```

I/O Tests
I/O test for 'FAST_ETH'
interface has passed.

```

- 8 Once the process is completed, OK will be displayed on the Front Panel.

PHONE SUPPORT **15. Log Management**

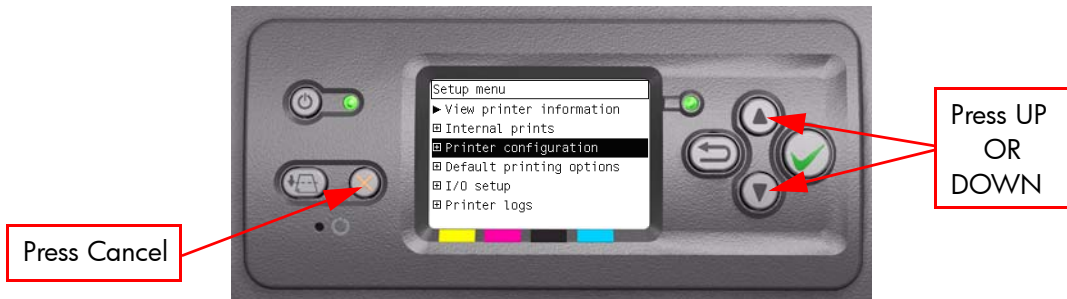
Log files are files which capture specific information about the status of the printer as it processes a job, these files can later be used to help troubleshoot system errors, for example the 79:04 system error. Its designed so that you can see what the printer's process was leading up to the system error.

To Enable logs perform the following procedure:

- 1 Once the message "Ready" is displayed on the front-panel, scroll to the "Printer Setup Options" icon and press the **Enter** key.



- 2 Once inside the "Printer Setup Menus" menu, press the **UP or Down** arrow key and the **Cancel** key together. You are now in the **Service Tools** Menu.



- 3 Use the **Arrow** keys to scroll to the "Service Tests" menu and press the **Enter** key.



- 4 In the Service Tests submenu, scroll to "Log management" and press **Enter**.



- 5 In the Log Management submenu, select "Enable logs" and press **Enter**.



- 6 The Front Panel displays the following. Use the Up and Down keys to select an option and press **Enter**.



If you select "**Media path issues**" the printer will capture all relevant media path information, which will help when troubleshooting **84.X** and **81.X** system errors. If you select "**Others**" the printer will capture generic printer information, which will help when troubleshooting **79:04** system errors.

- 7 The logged information files are located from the Embedded Web Server: <http://<IP Address>/hp/device/3432/8828/tmp/>. The file that holds the tracer information and should be downloaded is the <Print.log> file.

Service Utilities

The following is a list of all internal Service Utilities available in the Printers. Instructions for entering the Service Utilities menu are given on Page 4-83.

- 1** Turn Drive Roller ⇒ Page 4-85
The purpose of this Service Utility is to rotate the Drive Roller and the Overdrive in order to clean them.
- 2** Prime Tubes ⇒ Page 4-87
The purpose of this Service Utility is to Prime the Tubes when the Ink Tubes are NOT new and they need to be re-primed or automatic priming was not completed correctly.
- 3** Set SN ⇒ Page 4-91
The purpose of this Service Utility is to set the Serial Number of the Printer.
- 4** Reset Life Counters ⇒ Page 4-92
The purpose of this Service Utility is to reset the internal life counters. There are two submenus that allow you to:
 - Reset ALL the counters related to a Preventive Maintenance Kit (PMK).
 - Reset only the counters related to a specific replaced part.
- 5** Diagnostic Print ⇒ Page 4-94
The purpose of this Service Utility is to print the Diagnostic Prints in order to identify image quality problems.
- 6** Sleep Mode ⇒ Page 4-95
The purpose of this Service Utility is to enable/disable the sleep mode so that the Printer is never switched Off automatically if not used for a certain period of time (one hour by default).
- 7** Replace Cutter ⇒ Page 4-96
The purpose of this Service Utility is to move the Carriage to a position where the Cutter can be replaced easily.
- 8** Set RTC Clock ⇒ Page 4-97
The purpose of this Service Utility is to set the Real Time Clock (RTC) of the Printer.
- 9** PHC Maintenance ⇒ Page 4-98
The purpose of this Service Utility is to reset the black printhead cleaner once it has been replaced
- 10** Media standby behavior ⇒ Page 4-100
This is where you can change the position the media is put when in the standby position.
- 11** Backup Print Mode ⇒ Page 4-102
The Backup Print mode is a mode that increases the number of passes to

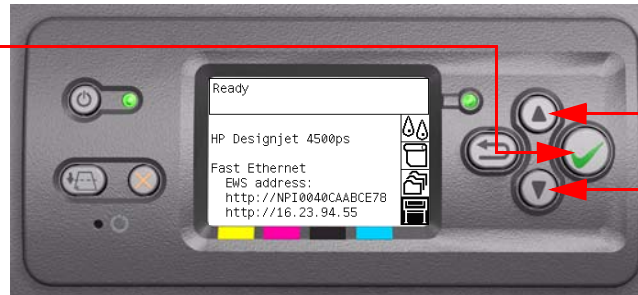
ensure a consistent level of image quality when there is a significant number of nozzles out in the printheads. Feed Roller Change ⇒ Page 4-103.

- 12** Feed Roller Material Change ⇒ Page 4-103
This configures the printer to use the new type of material on the feed rollers.
- 13** Sanitize Level ⇒ Page 4-105
This utility will set one of the three levels of hard disk drive deletion that which is performed by using the Disc Wipe utility described next.
- 14** Disc Wipe ⇒ Page 4-107
This utility deletes the data on the Printer's Hard Disc Drive.

Entering the Service Utilities Menu

- 1 Once the message "Ready" is displayed on the front-panel, scroll to the "Printer Setup Options" icon and press the **Enter** key.

Press Enter to confirm selection

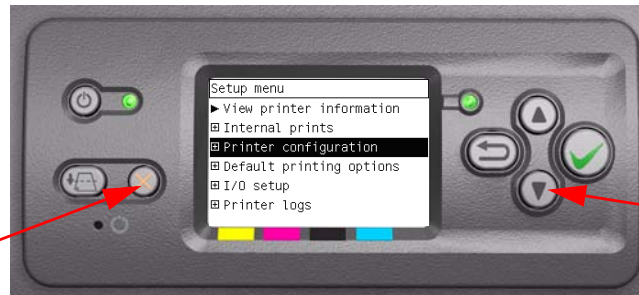


Use UP and DOWN keys to select

- 2 For Call Agents who will request the user to perform certain Service Utilities, once inside the "Printer Setup" menu, press the **Down** arrow key and the **Cancel** key together. You are now in the **Service Tools** Menu.

PHONE SUPPORT

Press Cancel key

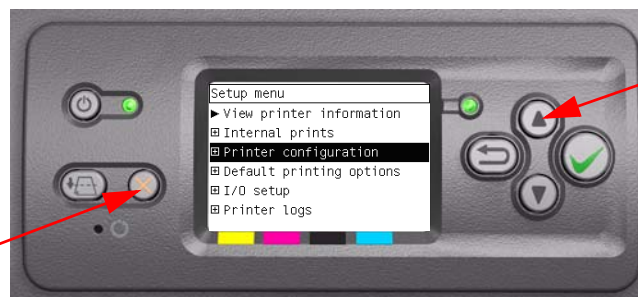


Press DOWN key

- 3 For On-Site Engineers, once inside the "Printer Setup" menu, press the **Up** arrow key and the **Cancel** key together. You are now in the **Service Tools** Menu.

ON-SITE REPAIR

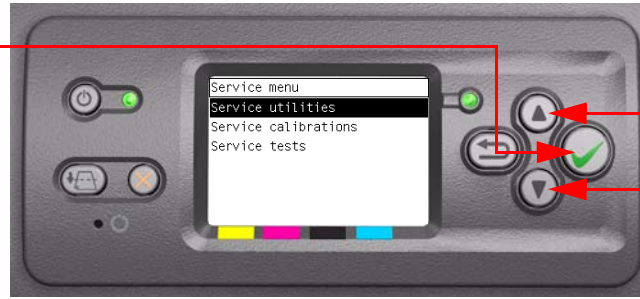
Press Cancel key



Press UP key

- 4** Use the **Arrow** keys to scroll to the "Service Utilities" menu and press the **Enter** key.

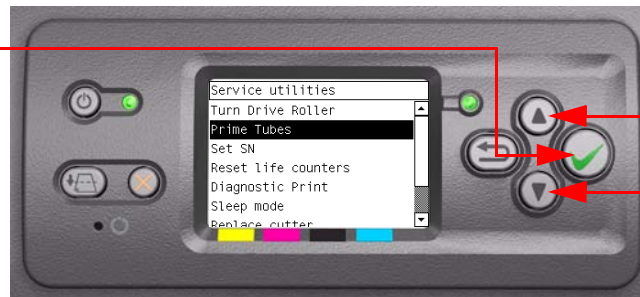
Press Enter to confirm selection



Use UP and DOWN keys to select

- 5** Use the **Arrow** keys to scroll through the "Service Utilities" selections and press the **Enter** key to begin a specific operation when the required Service Utility is highlighted.

Press Enter to confirm selection



Use UP and DOWN keys to select

If the printer is not used for 135 seconds, the printer exits out of the Service Utilities Menu and you must repeat the above steps to enter Service Utilities again.

In some cases a quick press of a button may not be recognized by the Printer. When pressing a button, be sure to press it deliberately and all the way to the bottom of its travel.

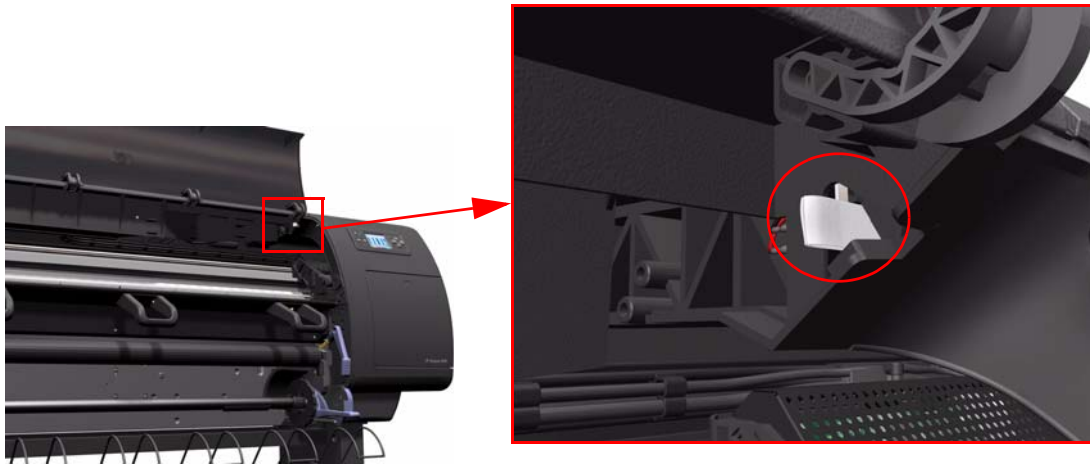
PHONE SUPPORT

1. Turn Drive Roller

The purpose of this Service Utility is to rotate the Drive Roller and the Overdrive in order to clean them.

REMOVE THE MEDIA BEFORE PERFORMING THIS OPERATION

OPEN THE WINDOW OF THE PRINTER AND ACTIVATE THE WINDOW SENSOR (USING A PIECE OF PAPER) BEFORE PERFORMING THIS SERVICE UTILITY.



Perform the Turn Drive Roller utility as follows:

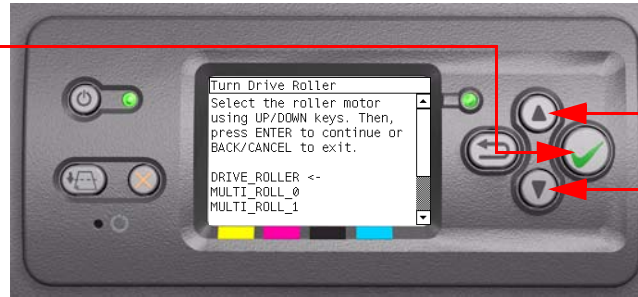
- 1 Only remove media from the roll that you need to turn, if media is detected later in this procedure it will stop the procedure and return to the previous menu.
- 2 In the Service Utilities submenu, scroll to "Turn Drive Roller" and press **Enter**.



- 3 The printer displays the following information:
 - Checking Media Presence Sensor.

- 4 If there is no media loaded a message will appear on the Front Panel. Select the Roller you want to turn by using the **Up** and **Down** keys and press **Enter** to confirm your selection.

Press Enter to confirm selection



Use UP and DOWN keys to select

- 5 The Drive Roller begins to turn slowly and the following message is displayed on the Front Panel:

```
Turn Drive Roller
Rotation started.
Please, clean the
DRIVE_ROLLER.

Turn(s): 1.1
Timeout: 582

Press CANCEL key to finish.
```

- 6 Refer to the Cleaning Instructions on Page 9-3.
- 7 Once you have finished the cleaning procedure, press the **Cancel** key to finish the utility.
- 8 If the utility exits correctly, OK will be displayed on the Front Panel.

```
Turn Drive Roller

      00  K  K
     0 0  K K
     0 0  KK
     0 0  KK
     0 0  K K
      00  K  K
```

PLEASE REMEMBER TO REMOVE THE PIECE OF PAPER FROM THE WINDOW SENSOR BEFORE CLOSING THE WINDOW AS THIS COULD DAMAGE THE WINDOW AND THE SENSOR.

2. Prime Tubes

The purpose of this Service Utility is to Prime the Tubes when the Ink Tubes are NOT new and they need to be re-primed or automatic priming was not completed correctly.

Make sure that NEW Ink Cartridges are installed or that the ink volume remaining in the Ink cartridges is below 88% before starting to prime the tubes. If you do not a warning message will be displayed.

Perform the Prime Tubes utility as follows:

- 1 In the Service Utilities submenu, scroll to "Prime Tubes" and press **Enter**.

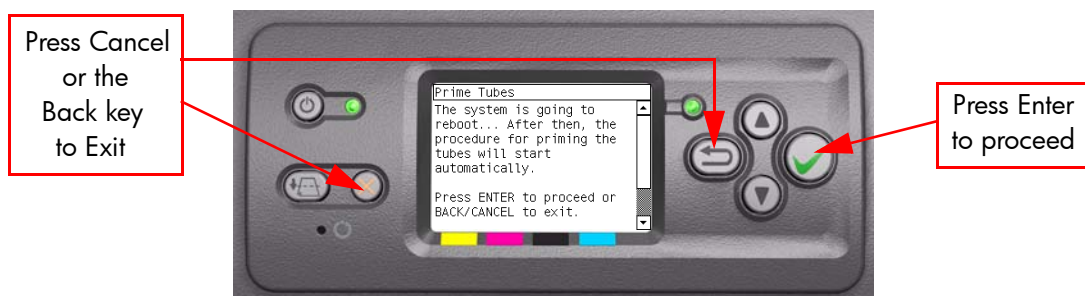


- 2 If the Ink Cartridges are not suitable for priming, the following message will appear on the Front Panel. Replace the installed Ink Cartridges with Ink Cartridges that are new or contain less than 88% of ink. Press any key to finish the utility.

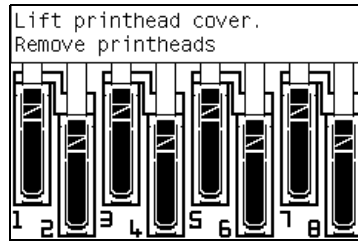
```
Prime Tubes
Some of the current ink
supplies are not valid for
purge (0 1 2 3). Please,
replace them by valid
cartridges for purge and
start again.

Press any key to finish.
```

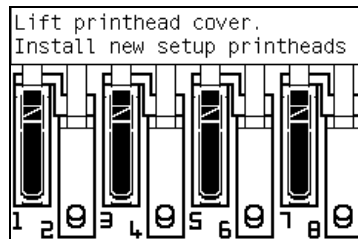
- 3 When the following message appears on the front panel, you must select whether you would like to continue with the procedure by pressing the **Enter** key, in which case the Printer will reboot. Press **Back** or **Cancel** to exit the procedure at this point.



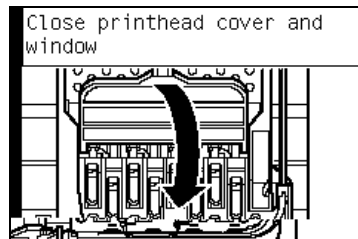
- 4** Once the Printer has rebooted, the Front Panel will instruct you to open the Window and remove ALL the Printheads installed in the Carriage.



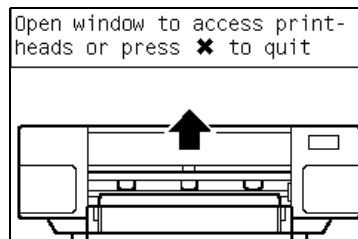
- 5** Once ALL the Printheads have been removed, the Front Panel will instruct you to install the Setup Printheads into the Carriage. Make sure you install the Setup Printheads in stalls 1, 3, 5 and 7.



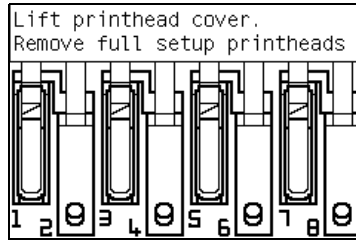
- 6** Once all the Setup Printheads are installed, the following message will appear on the front panel. Close the carriage cover and close the window.



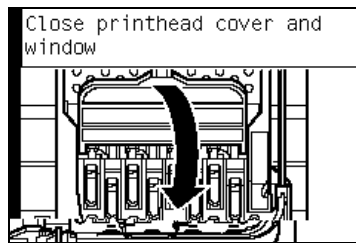
- 7** The printer will begin to purge the tubes system.
- 8** Once the tubes system has been purged, the following message will instruct you to open the Window:



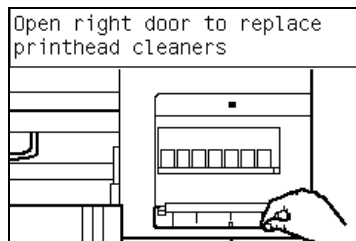
- 9 When the following message appears on the Front Panel, open the Carriage cover and check the window on top of each Setup Printhead. If the Ink Supply Tubes have been primed correctly, the windows will contain ink. If the windows on top of each Setup Printhead does NOT contain ink, then you may need to repeat the Prime Tubes process from the beginning.



- 10 Remove ALL the Setup Printheads from the Carriage and install the previously removed Printheads.
- 11 Once ALL the Printheads are installed, the Front Panel will instruct you to close the Carriage cover and close the Window.



- 12 Open the right cover and make sure the Printhead Cleaners are installed in the Service Station.



- 13 The Printer will now perform the Printhead Alignment and the following message will be displayed on the Front Panel. To continue with the Printhead Alignment, select "Align now" and press the **Enter** key.



- 14** Once the Printhead Alignment is completed, the following message will be displayed on the Front Panel. Press the **Enter** key to continue.

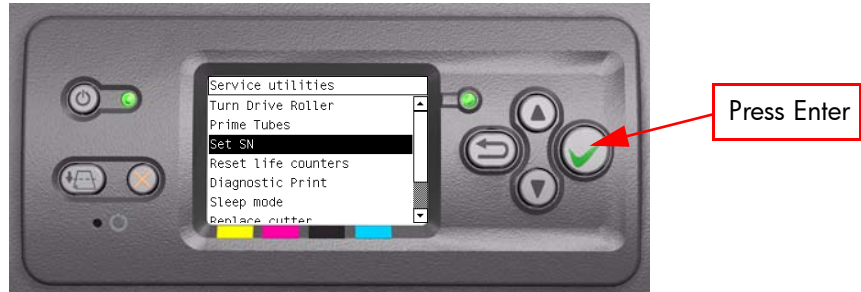
```
Printhead alignment
Calibration successfully
completed.

Press ✓ to continue
```

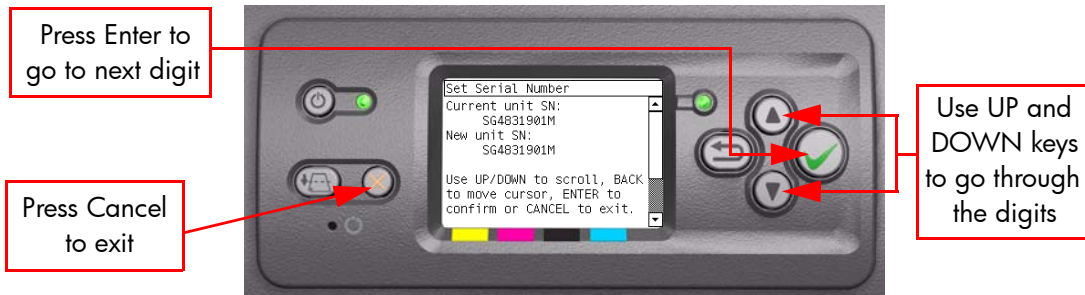
3. Set SN

The purpose of this Service Utility is to set the Serial Number of the Printer. Perform the Set SN utility as follows:

- 1 In the Service Utilities submenu, scroll to "Set SN" and press **Enter**.

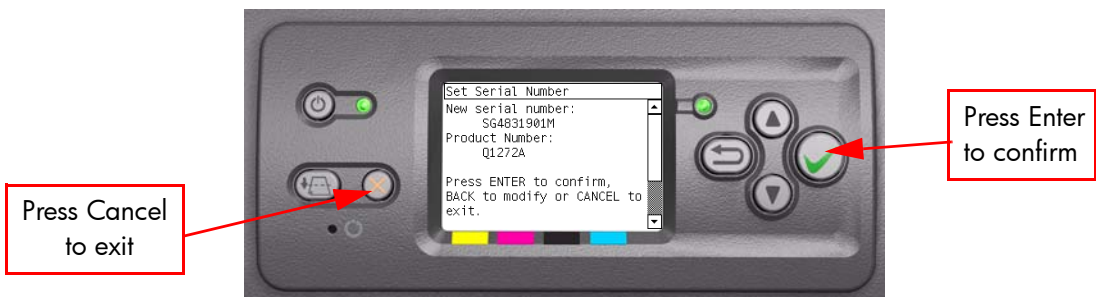


- 2 The Printer will display the current Serial Number and the new Serial Number of the Printer. Use the **Up** and **Down** keys to go through the digits and press the **Enter** key to go to the next digit. You can press the **Cancel** key at any time to exit the utility without making any changes.



If the Serial Number or the Part Number cannot be read, the Front Panel will display **System Error Code 74:00**. For more information on troubleshooting this error code, refer to Page 2-24.

- 3 Once the new Serial Number has been entered, the Front Panel will display the Serial Number and Model Number of the Printer. Press the **Enter** key to confirm the Serial Number or the **Cancel** key to exit the utility without making any changes or the **Back** key to modify again.



- 4 If the new Serial Number cannot be set, the Front Panel will display **System Error Code 74:00**. For more information on troubleshooting this error code, refer to Page 2-24.
- 5 If the utility exits correctly, OK will be displayed on the Front Panel.

4. Reset Life Counters

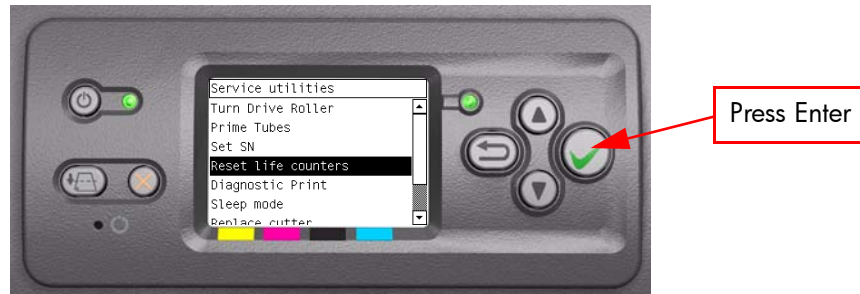
The purpose of this Service Utility is to reset the internal life counters. There are two submenus that allow you to:

- Reset ALL the counters related to a Preventive Maintenance Kit (PMK).
- Reset only the counters related to a specific replaced part.

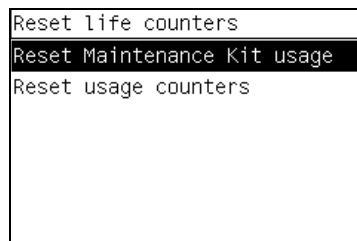
ALWAYS RESET THE LIFE COUNTER OF A CORRESPONDING PART AFTER REPLACING IT.

Perform the Reset Life Counters utility as follows:

- 1 In the Service Utilities submenu, scroll to "Reset Life Counters" and press **Enter**.

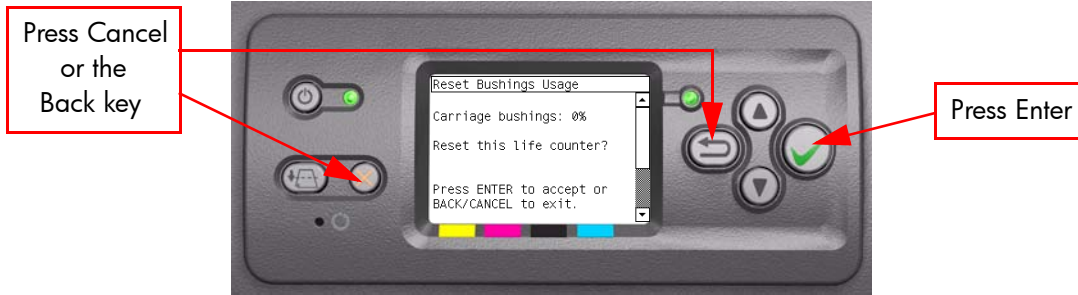


- 2 You will be given an option to either reset the Life Counter for ALL the parts related to a Preventive Maintenance Kit (PMK) or to just reset the Life Counter for a particular part:



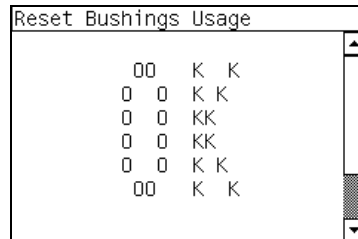
- a If you select to reset the Life Counter for ALL the parts related to a Preventive Maintenance Kit (PMK), you will be given an option to reset the Life Counter of:
 - Preventive Maintenance Kit 1 (PMK1).
 - Preventive Maintenance Kit 2 (PMK2).
- b If you select to reset the Life Counter for a particular part, you will be given an option to reset the Life Counter of the:
 - Scan-Axis Motor.
 - Trailing Cable and Tubes.
 - Carriage Belt.
 - Carriage (Bushing).
 - Most Left Spittoon.
 - Middle Left Spittoon.
 - PHC Spittoons.

- 3** Once you have selected a Life Counter to reset, the following message will be displayed on the Front Panel. Press the **Enter** key to reset the selected Life Counter or press **Back/Cancel** to exit without resetting the Life Counter.



If the Usage Counter information cannot be read, the Front Panel will display "Unable to get usage counter". This could point to a possible Firmware error.

- 4** If the utility exits correctly, OK will be displayed on the Front Panel.



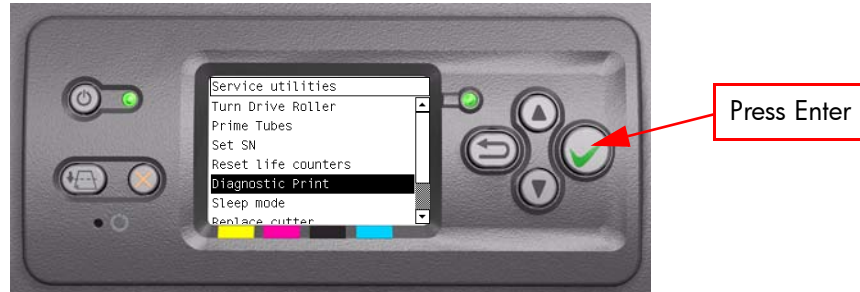
5. Diagnostic Print

PHONE SUPPORT

The purpose of this Service Utility is to print the Diagnostic Print in order to identify image quality problems.

Print the Diagnostic Print as follows:

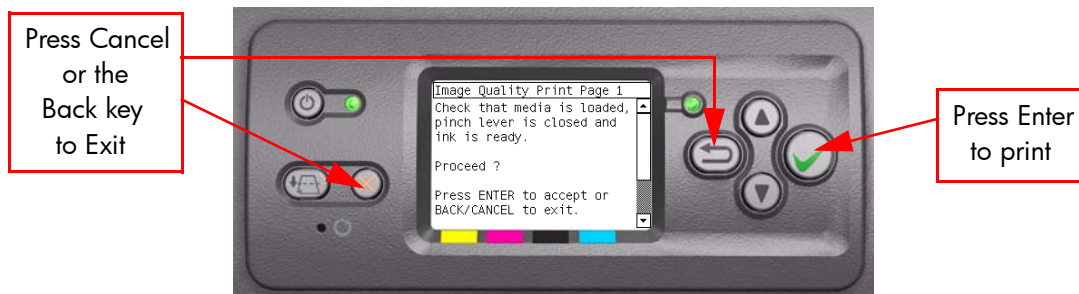
- 1 In the Service Utilities submenu, scroll to "Diagnostic Print" and press **Enter**.



- 2 You will be given three options:
 - Image Quality User Plot
 - Image Quality Service Plot
 - Others, which includes the Print Banding Plot and the Force Drop Detection print.
- 3 Use the **Arrow** keys to make the selection and press the **Enter** key to start printing the required Diagnostic Print.



- 4 Make sure media is loaded, the Pinch Lever is lowered and that the Ink System is correctly installed. Press the **Enter** key to print the Diagnostic Print or press **Back/Cancel** to exit without printing the Diagnostic Print.



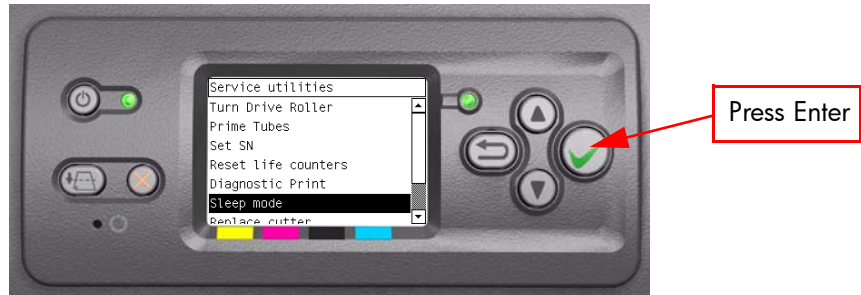
- 5 The selected Diagnostic Print will now be printed. For further information on troubleshooting Image Quality problems, refer to Chapter 6.

PHONE SUPPORT **6. Sleep Mode**

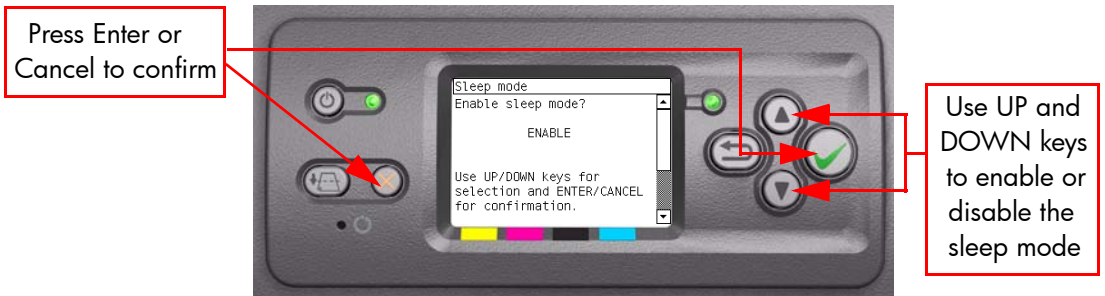
The purpose of this Service Utility is to enable/disable the sleep mode so that the Printer is never switched Off automatically if not used for a certain period of time (one hour by default).

Perform the Sleep Mode utility as follows:

- 1 In the Service Utilities submenu, scroll to "Sleep Mode" and press **Enter**.

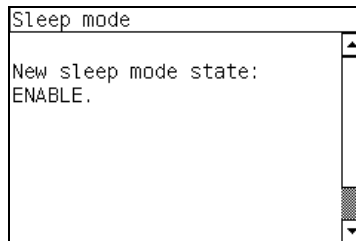


- 2 When the following message appears on the front panel, use the **Up** and **Down** arrow keys to either disable or enable the sleep mode. Press the **Enter** or **Cancel** key to confirm the selection.



If the current sleep mode cannot be read, it could point to a possible Firmware error.

- 3 Once the selection is confirmed, the Front Panel will display the new sleep mode state:



If the current sleep mode cannot be set, it could point to a possible Firmware error.

- 4 If the utility exits correctly, OK will be displayed on the Front Panel.

PHONE SUPPORT

7. Replace Cutter

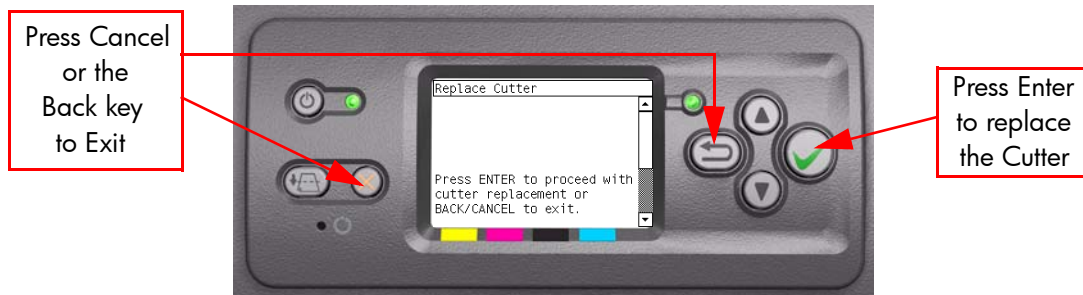
The purpose of this Service Utility is to move the Carriage to a position where the Cutter can be replaced easily.

Perform the Replace Cutter utility as follows:

- 1 In the Service Utilities submenu, scroll to "Replace Cutter" and press **Enter**.



- 2 When the following message appears on the front panel, you must select whether you would like to continue with replacing the Cutter by pressing the **Enter** key. Press **Back** or **Cancel** to exit the utility.



- 3 The Carriage will move to the Cutter replacement position and the following message will be displayed on the Front Panel. After a few seconds the Printer will begin to shutdown.

```

Replace Cutter
The system is shutting
down... After then, switch
off the printer with the
back switch. Then replace
the cutter and switch on
the unit again.
  
```

- 4 Before replacing the Cutter, make sure that you switch the Printer OFF from the rear.

PHONE SUPPORT

8. Set RTC Clock

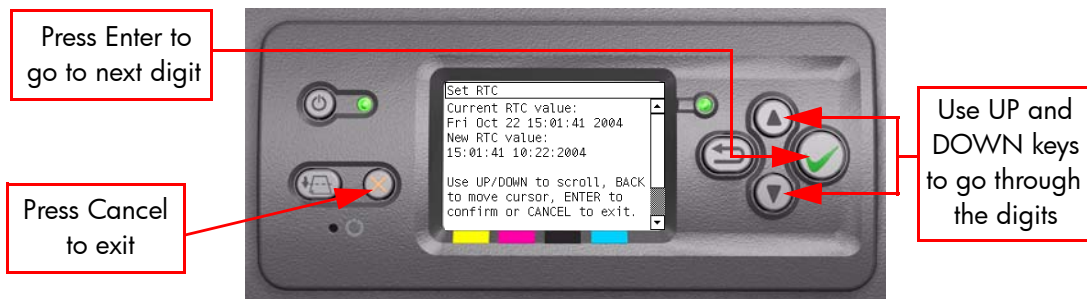
The purpose of this Service Utility is to set the Real Time Clock of the Printer.

Perform the Set RTC Clock utility as follows:

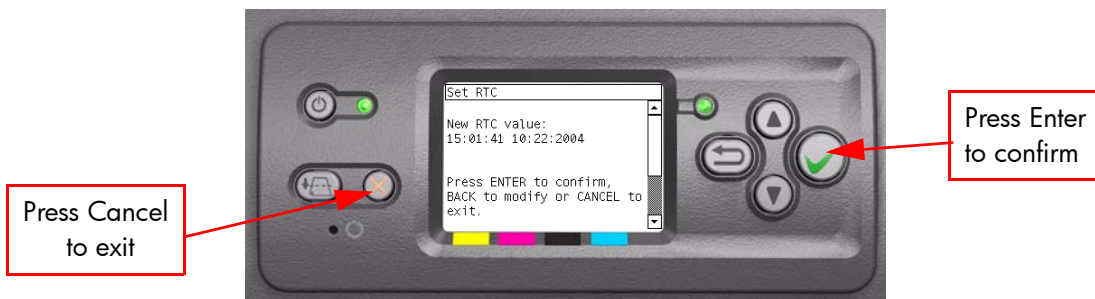
- 1 In the Service Utilities submenu, scroll to "Set RTC Clock" and press **Enter**.



- 2 The Printer will display the current time and the new time. Use the **Up** and **Down** keys to go through the digits and press the **Enter** key to go to the next digit. You can press the **Cancel** key at any time to exit the utility without making any changes.



- 3 Once the new time has been entered, the Front Panel will display the time that you have requested. Press the **Enter** key to confirm the time or the **Cancel** key to exit the utility without making any changes or the **Back** key to modify again.



If the current RTC Clock cannot be set, it could point to a possible Firmware error.

- 4 If the utility exits correctly, OK will be displayed on the Front Panel.8.

PHONE SUPPORT

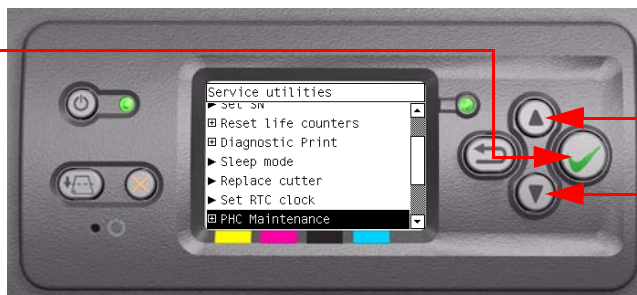
9. PHC Maintenance

The purpose of this Service Utility is to reset the black printhead cleaner once it has been replaced.

Perform the Black Printhead Cleaner reset utility as follows:

- 1 In the Service Utilities submenu, scroll to "PHC Maintenance" and press **Enter**.

Press Enter to enter PHC Maintenance



Use UP and DOWN keys to go through the digits

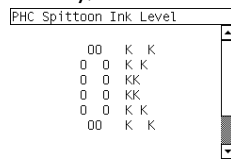
2 Press the **Enter** key to reset the Printhead Cleaning level.



3 Select the **Enter** key to confirm the reset.



4 If the utility exits correctly, OK will be displayed on the Front Panel.



5 From firmware version 12.1.1.2, the level at which the Black Printhead Cleaner warning is displayed can be changed.

6 Press the **Enter** key to reset the display threshold of when the Black Printhead Cleaner warning is displayed.



7 Use the up and down keys to change the full values. You can change the values to 80, 75, 70, 65, 60, 55, 50, 45.

PHONE SUPPORT

10. Media standby behavior

The purpose of this Service Utility is to set the way the printer holds the media in standby mode.

Perform the utility as follows:

- 1 In the Service Utilities submenu, scroll to "Media standby behavior" and press **Enter**.



- 2 There are three different standby behaviors to choose from:

- Remain at standby

This is the default behavior

- Unload

If the media has been at the standby position for more than 260 hours, the printer will unload the following types of media:

- Coated
- Heavy weight Coated
- Super Heavyweight Coated
- Any Gloss

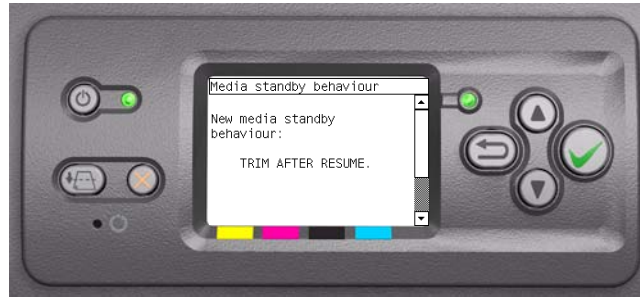
- Trim after resume

If the media has been at the standby position for more than 260 hours, the first 20cm will be trimmed before printing on the following types of media:

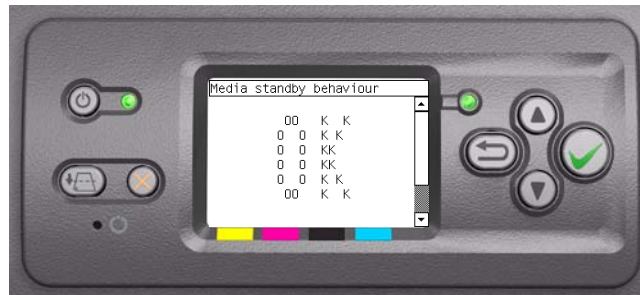
- Coated
- Heavy weight Coated
- Super Heavyweight Coated
- Any Gloss

Use the **Up** and **Down** keys to select the Media Standby Behavior and press the **Enter** key.

- 3** Once the new Media Standby Behavior has been selected, the Front Panel displays the following:



- 4** The procedure is finished when the Front Panel displays the following:



PHONE SUPPORT

11. Backup print mode

The purpose of this Service Utility is to set the Backup Print Mode of the Printer.

The Backup Print mode is a mode that increases the number of passes to ensure a consistent level of image quality when there is a significant number of nozzles out in the printheads.

Change the backup print mode as follows:

- 1 In the Service Utilities submenu, scroll to "Backup Print Mode" and press **Enter**.



- 2 The Printer will display the current status of the Backup Print Mode. Use the **Up** and **Down** keys to change the status and press the **Enter** key to select. You can press the **Cancel** key at any time to exit the utility without making any changes.



- 3 The Front Panel will display the Enabled/Disabled status of the Backup Print Mode.



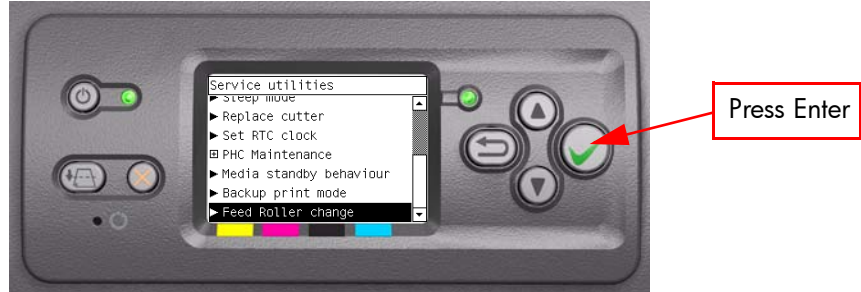
PHONE SUPPORT

12. Feed Roller Material Change

The purpose of this Service Utility is to configure the printer to use the new type of material on the Feed Rollers.

Perform the "Change Feed Roller Material" utility as follows:

- 1 In the Service Utilities submenu, scroll to "Feed Roller change" and press **Enter**.

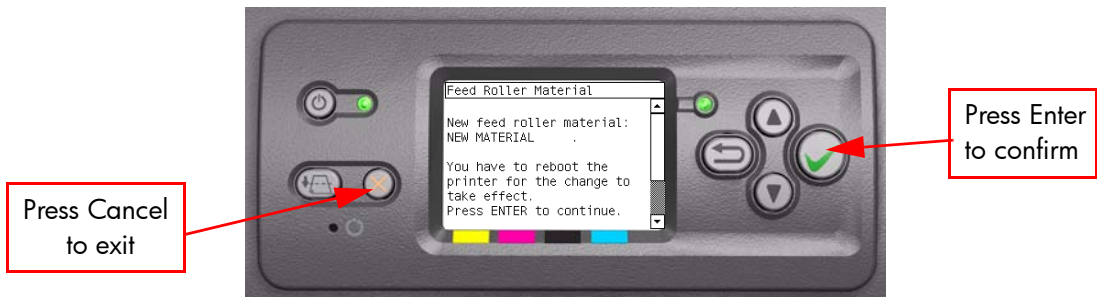


- 2 The Printer will display the following.



Use the **Up** and **Down** keys to select the correct material of the 'Feed Roller' and press the **Enter** key.

- 3 Once the new type of material has been selected, the following screen is displayed, press the **Enter** key.



- 4** The Front Panel displays the following message. Reboot the printer for the change to take affect.

```
Feed Roller Material
  00  K  K
  0 0  K K
  0 0  KK
  0 0  KK
  0 0  K K
  00  K  K
```

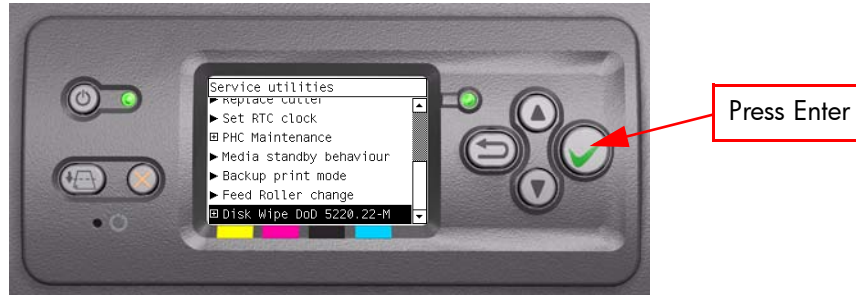
PHONE SUPPORT

13. Sanitize Level

The purpose of this Service Utility is to set the level of file deletion when using the Disk Wipe option described in the next section.

Perform the Sanitize Level utility as follows:

- 1 In the Service Utilities submenu, scroll to "Disk Wipe" and press **Enter**.



- 2 In the Disk Wipe submenu, scroll to 'Secure Sanitize' and press the **Enter** key.



- 3 Use the **Up** and **Down** keys to select the deletion security level of the print files on the HDD.

Unsecure Mode (default)

All pointers to print information are erased. The actual print information residing on the hard disk is NOT erased, and it will remain on the hard disk until the disk space it occupies is needed for new print jobs. The new print job information overwrites the old information. While the information remains on the disk, it is difficult for most people to access it, but it may be accessed using software specifically designed for that purpose. This is the normal method in which files are erased from most computer systems; it is the fastest method, but the least secure.

'1 Pass Mode' (a fast level of file deletion)

All pointers to print information are erased, and the actual print information is immediately overwritten with a fixed character pattern. This method is slower than the unsecure method faster method, but more secure. However it may still be possible to access fragments of the erased information by using special tools to detect residual magnetic traces.

'5 Pass Mode' (the most secure level of deletion)

All pointers to print information are erased, and the actual print information is immediately and repetitively overwritten using an algorithm designed to

eliminate any residual traces. This is the slowest method, but the most secure. Secure Sanitizing Erase meets the US Department of Defense 5220-22.m requirements for clearing and sanitization of the hard disk.

Press the **Enter** key to confirm the level of sanitization or the **Cancel** key to exit the utility without making any changes or the **Back** key to modify again.

Time taken to finish security delete

The amount of time taken to finish the erase disc procedure will depend on the level of file deletion selected. In the case of the HP Designjet 4520 the erase disc procedure can also be selected from the WebJetAdmin, which takes slightly longer. The table below shows the time taken to finish the procedure for the two security levels, and from the Front Panel or WebJetAdmin (DJ4520 only):

	HP Designjet 4500 40GB HDD	HP Designjet 4520 160GB HDD	
	Front Panel	Front Panel	Webjet Admin
1 Pass Mode	20min	50min	50min
5 Pass Mode	1hr:13min	3hrs:43min	3hrs:45min



PHONE SUPPORT

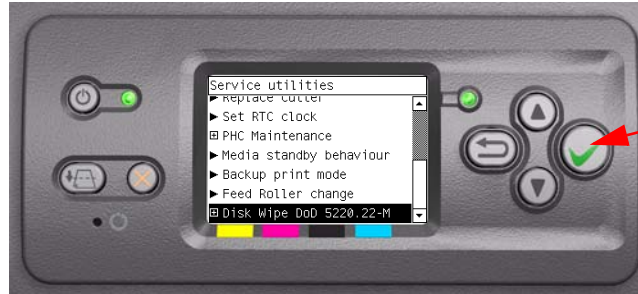
14. Disk Wipe

The purpose of this Service Utility is to erase the hard disk according to the directive DoD 5220.22-M.

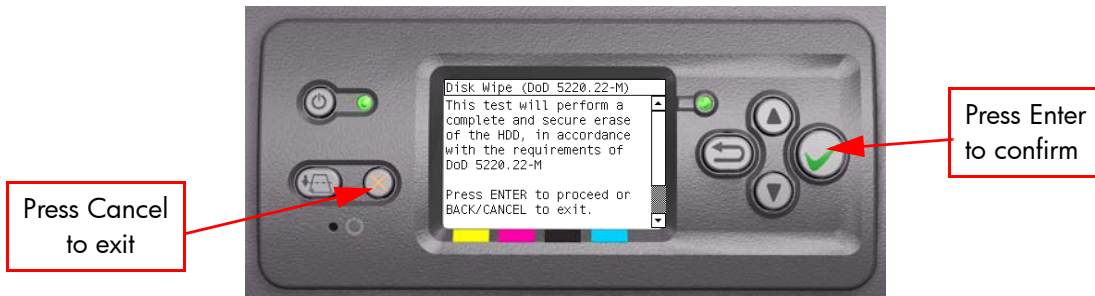
The printer's hard disk is used as a temporary storage area for print jobs. The Disk Wipe utility can erase the information from the hard disk to prevent unauthorized access.

Perform the Disk Wipe utility as follows:

- 1 In the Service Utilities submenu, scroll to "Disk Wipe" and press **Enter**.



- 2 The following message is displayed on the front panel:



Press the **Enter** key to confirm the HDD erase or the **Cancel** key to exit the utility without making any changes.

- 3 If you pressed the enter key the front panel will ask you to confirm again.



Press the **Enter** key to confirm the HDD erase or the **Cancel** key to exit the utility without making any changes.

- 4 After a short while the Disk Wipe sequence begins. The level of file deletion is defined in the Sanitize Level menu shown in the previous section. Depending on which sanitizing level was selected one of these screens is displayed:



Service Calibrations

5

- Service Calibrations 5-2
- Entering the Service Calibrations Menu 5-3
- 1. Scan Axis Calibration 5-4
- 2. Service Station Calibration 5-8
- 3. Paper Advance Calibration 5-9
- 4. Drop Detector Calibration 5-15
- 5. Line Sensor Calibration 5-16
- 6. Vacuum Calibration 5-20
- 7. Carriage Setup 5-21

Service Calibrations

The Printer has several calibration procedures that must be performed under certain conditions.

REMEMBER THAT CERTAIN CALIBRATIONS ARE REQUIRED EVEN IF AN ASSEMBLY HAS BEEN DISASSEMBLED TO GAIN ACCESS TO ANOTHER ASSEMBLY OR COMPONENT.

The following is a list of all internal service calibrations available in the Printers. Instructions for entering the service calibrations menu are given on Page 5-3.

- 1** Scan Axis Calibration ⇒ Page 5-4
The purpose of this Service Calibration is to carry out a PWM check, and calibrate the intensity of the Line Sensor.
- 2** Service Station Calibration ⇒ Page 5-8
The purpose of this Service Calibration is to calibrate the Drop Detector (located in the Service Station) in relation to the Carriage Assembly.
- 3** Paper Advance Calibration ⇒ Page 5-9
The purpose of this Service Calibration is to calibrate the nominal advance of the media. This calibration is necessary to control the exact movement of the media in order to avoid print quality problems like banding.
- 4** Drop Detector Calibration ⇒ Page 5-15
The purpose of this Service Calibration is to calibrate the Drop Detector (located in the Service Station) in relation to the Carriage Assembly.
- 5** Line Sensor Calibration ⇒ Page 5-16
The purpose of this Service Calibration is to calibrate the intensity of the Line Sensor. An incorrect calibration can result in edge-detection failures during media loading and incorrect reading of prints that are used for alignment or calibration.
- 6** Vacuum Calibration ⇒ Page 5-20
The purpose of this Service Calibration is to set the default nominal and real values of the Vacuum Fan.
- 7** Carriage Setup ⇒ Page 5-21
The purpose of this Service Calibration is to reset the ink short thresholds after replacing the Carriage PCA.

If ALL the Calibrations need to be performed (for example, when both the HDD and the ISS PCA have been replaced), you must perform them in the following order:

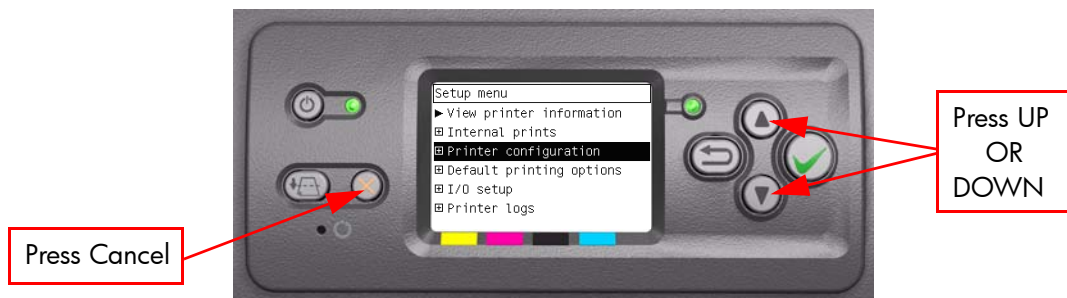
- Vacuum Calibration.
- Drop Detector/Service Station Calibration.
- Line Sensor/Scan Axis Calibration.
- Paper Advance Calibration.

Entering the Service Calibrations Menu

- 1 Once the message "Ready" is displayed on the front-panel, scroll to the "Printer Setup Options" icon and press the **Enter** key.



- 2 Once inside the "Printer Setup Menus" menu, press the **UP or Down** arrow key and the **Cancel** key together. You are now in the **Service Tools** Menu.



- 3 Use the **Arrow** keys to scroll to the "Service Calibrations" menu and press the **Enter** key.



- 4 Use the **Arrow** keys to scroll through the "Service Calibrations" selections and press the **Enter** key to begin a specific operation when the required Service Calibration is highlighted.

If the printer is not used for 135 seconds, the printer exits out of the Service Calibrations Menu and you must repeat the above steps to enter Service Calibrations again.

1. Scan Axis Calibration

The purpose of this Service Calibration is to carry out a PWM check, calibrate the intensity of the Line Sensor and calibrate the Line Sensor position to the Black Printhead.

Perform the Scan Axis Calibration whenever:

- Carriage is disassembled or replaced.
- Encoder Strip is disassembled or replaced.
- Center Platen is disassembled or replaced.

Perform the Scan Axis Calibration as follows:

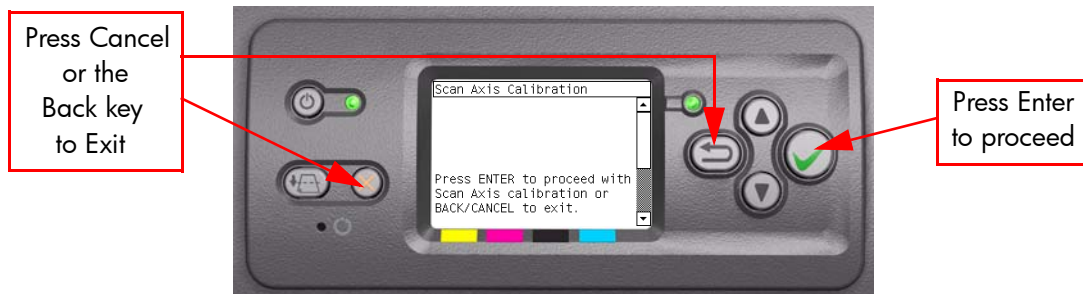
Make sure you load one of the following media into the Printer before performing this calibration:

- HP Bond Paper.
- HP Glossy Media.
- HP Coated Paper.
- HP Productivity Photo Gloss.
- HP Heavyweight Coated Paper.
- HP Super Heavyweight Coated Paper.
- HP Bright White Inkjet Paper.

- 1 In the Service Calibrations submenu, scroll to "Scan Axis Calibration" and press **Enter**.



- 2 When the following message appears on the front panel, you must select whether you would like to continue with the calibration by pressing the **Enter** key. Press **Back** or **Cancel** to exit the calibration.



- 3** If media is not loaded, the following message appears on the front panel. Load media in to the Printer and start again from **step 1**.

```

Scan Axis Calibration
Paper not detected.
Please, load media and
start again.
    
```

Before continuing, the Printer will check the following:

- The Media Lever is in the lowered position.
- The correct paper type is loaded (check list on previous page).
- The correct paper size (minimum paper size 24 inches).

If these conditions are **not** met, a warning will be displayed on the Front Panel and you will need to restart the Calibration from **step 1**.

Make sure you keep your hands away from the Print Platen as the Carriage will be moving at high speed and you could injure yourself or damage the Carriage Assembly.

- 4** The Printer will start to check the PWM. Once the PWM has been checked, the results will be displayed on the Front Panel. Press **Enter** to continue or press **Back** or **Cancel** to exit the calibration.

```

Scan Axis Calibration
PWM avg range: 0 to 90000
PWM avg got: 31640.3
PWM min diff limit: 2000
PWM min diff got: 8792

Press ENTER to continue or
BACK/CANCEL to exit.
    
```

- 5** The Printer will start to calibrate the Line Sensor. Once the Line Sensor has been calibrated, the results will be displayed on the Front Panel. Press Enter to continue or press **Back** or **Cancel** to exit the calibration.

```

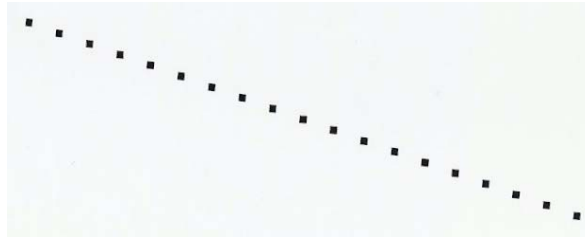
Scan Axis Calibration
(VBLACK-VWHITE) RANGE
B:      866      750-950
R:      839      750-950
O:      857      750-950
G:      862      750-950

Press ENTER to continue or
BACK/CANCEL to exit.
    
```

If the values are not within the range specified, an error will appear on the Front Panel. In this case, try the following:

- Try the Scan-Axis Calibration again.
- Replace the Line Sensor ⇒ Page 8-38.

- 6 The Printer will start to calibrate the Line Sensor position to the Black Printhead. It will print a line of black dots and then scan them:



- 7 Once the Line Sensor has been calibrated, the results will be displayed on the Front Panel. Press **Enter** to finish the calibration or press **Back** or **Cancel** to exit the calibration.

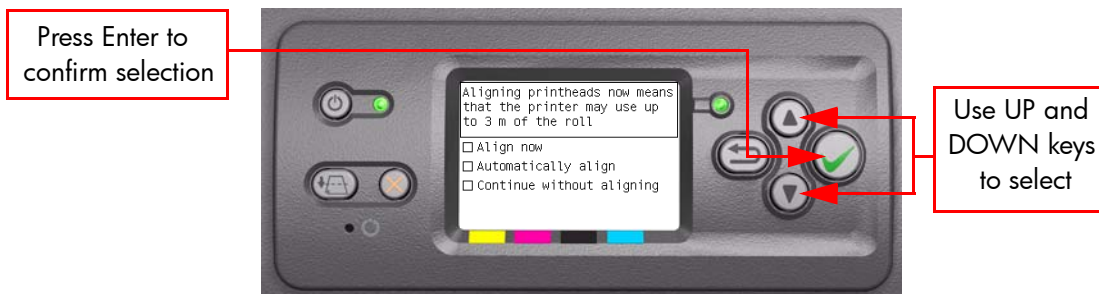
```

Scan Axis Calibration
Y Offset Range: 30 to 59
Y Offset got: 43
X Offset Range: -24 to 24
X Offset got: 14
X SVS Offset: -1050 to 1050
X SVS Offset got: -944
Press any key to continue.
  
```

- 8 The Printer will now perform the Printhead Alignment. When the following message appears on the front panel, you must select whether you would like to continue with the calibration by pressing the **Enter** key. Press **Back** or **Cancel** to exit the calibration.



- 9 Before continuing with the Printhead Alignment, the following message will be displayed on the Front Panel. To continue with the Printhead Alignment, select "Align now" and press the **Enter** key.



- 10** Once the Printhead Alignment is completed, the following message will be displayed on the Front Panel. Press the **Enter** key to continue.

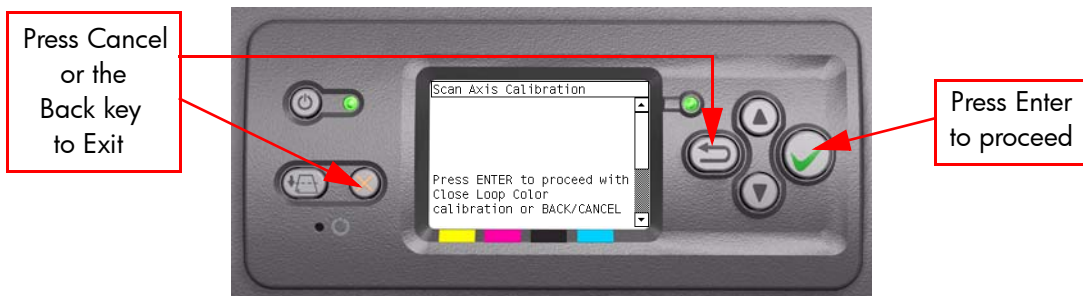
```
Printhead alignment
Calibration successfully
completed.

Press ✓ to continue
```

If the Printhead Alignment fails for any reason, a warning message will appear on the Front Panel. In this case, try the following:

- Enter the Front Panel menu and retry the Printhead Alignment. If the Alignment completes successfully, then perform the Color Calibration.
- If the Alignment fails again, check the Alignment pattern to see if any of the Printheads are printing incorrectly. If necessary, perform a Printhead Recovery through the Front Panel and retry the Printhead Alignment.

- 11** The Printer will now perform the Color Calibration. When the following message appears on the front panel, you must select whether you would like to continue with the calibration by pressing the **Enter** key. Press **Back** or **Cancel** to exit the calibration.



- 12** Once the Color Calibration is completed, the following message will be displayed on the Front Panel. Press the **Enter** key to continue.

```
Color calibration
Calibration successfully
completed.

Press ✓ to continue
```

All CLC profiles are deleted so you will need to perform Color Calibration again for every new media that is loaded in to the Printer.

If the Color Calibration fails for any reason, a warning message will appear on the Front Panel. In this case, try the following:

- Enter the Front Panel menu and retry the Color calibration.
- If the Calibration fails again, check the Calibration pattern to see if any of the Printheads are printing incorrectly. If necessary, perform a Printhead Recovery through the Front Panel and retry the Calibration.

- 13** Once the complete Scan Axis calibration is completed successfully, OK will be displayed on the Front Panel.

2. Service Station Calibration

The purpose of this Service Calibration is to calibrate the Service Station in relation to the Carriage Assembly.

Perform the Service Station Calibration whenever:

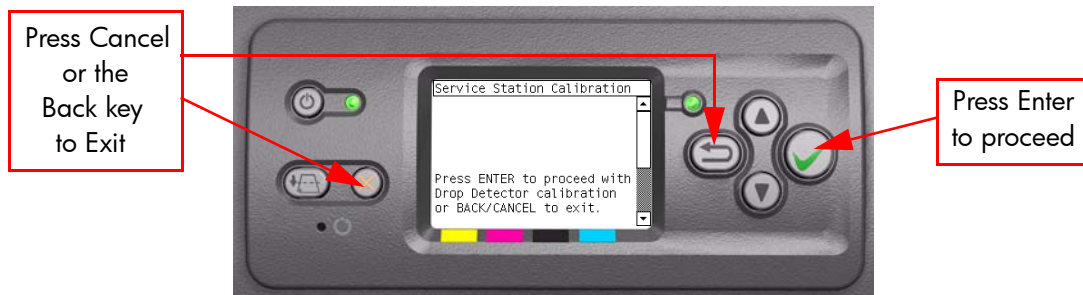
- Carriage Assembly is disassembled or replaced.
- Service Station is disassembled or replaced.

Perform the Service Station Calibration as follows:

- 1 In the Service Calibrations submenu, scroll to "Service Station Calibration" and press **Enter**.



- 2 When the following message appears on the front panel, you must select whether you would like to continue with the calibration by pressing the **Enter** key. Press **Back** or **Cancel** to exit the calibration.



- 3 The Printer will start to calibrate the Service Station. Once the Service Station has been calibrated, the results will be displayed on the Front Panel. Press any key on the Front Panel to finish the calibration.

```

Service Station Calibration
-----
DD Offset Range: -90 to 90
DD Offset got: 10
Min window width: 4
Window width got: -1

Press any key to exit.
  
```

- 4 Once the calibration is completed, OK will be displayed on the Front Panel.

3. Paper Advance Calibration

The purpose of this Service Calibration is to calibrate the nominal advance of the media. This calibration is necessary to control the exact movement of the media in order to avoid print quality problems like banding.

In order to perform this Calibration, you should order the Paper Advance Calibration Kit (Part Number Q1273-60125) which contains two sheets of HP Productivity Gloss Media.

Perform the Service Accuracy Calibration whenever:

- Banding is detected in prints.
- Drive Roller is disassembled or replaced.
- Paper-axis Assembly is disassembled or replaced.

The Paper Advance Calibration is split into three parts and should **always** be done in this order:

- 1 Print Calibration Pattern - The Printer first calibrates the Analog Encoder and then prints the Paper Advance Calibration pattern.
- 2 Scan Calibration Pattern - The Printer scans the Paper Advance Calibration pattern in order to calibrate the nominal advance of the media.

Only scan the Calibration Pattern in the Printer that was used to actually print it. Using the Calibration in a different Printer could cause it to experience media advance problems. After scanning the Calibration Pattern, it should be discarded.

- 3 Clean Drive Roller - After loading media supplied in the Calibration kit, the Printer "prepares" the media path to prevent any future advance problems.

Perform the Paper Advance Calibration as follows:

Make sure that you unload media from the Printer before performing the Paper Advance Calibration.

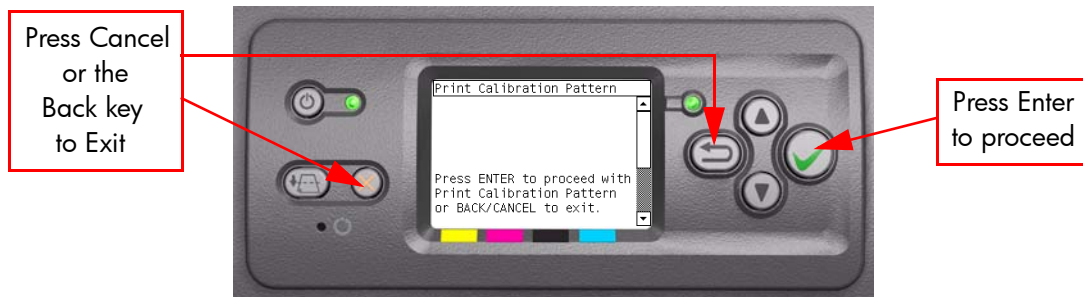
- 1 In the Service Calibrations submenu, scroll to "Paper Advance Calibration" and press **Enter**.



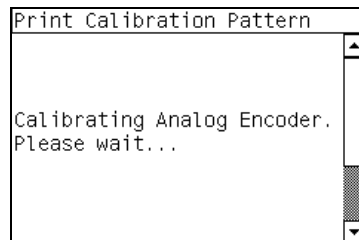
- 2 In the Paper Advance Calibration submenu, scroll to "Print Calibration Pattern" and press **Enter**.



- 3 When the following message appears on the front panel, you must select whether you would like to continue with the calibration by pressing the **Enter** key. Press **Back** or **Cancel** to exit the calibration.



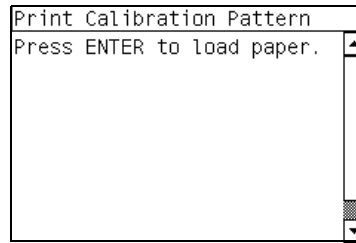
- 4 The Printer will start to calibrate the Analog Encoder and the following message will be displayed on the Front Panel.



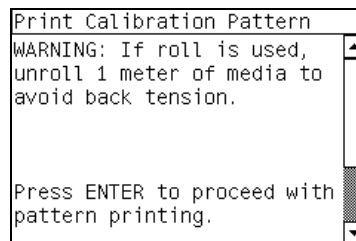
If the Calibration is not done or if the values are out of the limits, a warning message will appear on the Front Panel. In this case, try the following:

- Check that the Printer has the latest Firmware version. If not, update the Firmware to the latest version.
- Retry the Paper Advance Calibration.
- If the problem continues, replace the Encoder Strip and Encoder Sensor
⇒ Page 8-79.

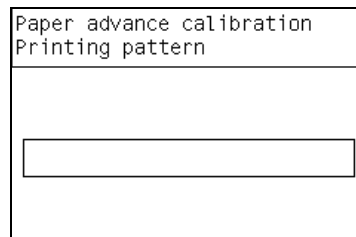
- 5 Once the Analog Encoder has been calibrated correctly, the following message will appear on the Front Panel. Press the **Enter** key in order to start the media load process.



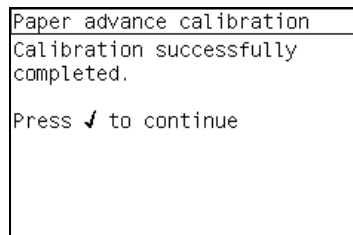
- 6 Load a sheet of HP Productivity Gloss Media that was included in the Paper Advance Calibration Kit (Part Number Q1273-60125) following the instructions on the Front Panel. If the kit is not available, then cut a piece of HP Productivity Gloss Media that is 36 inches wide and at least 45 inches long.
- 7 Once the media is loaded into the Printer, the following message will appear on the Front Panel. If roll media has been used instead of cut sheet media, then you will need to unroll a minimum of 1 meter of media in order to prevent any back tension which could cause any media advance problems. Press the **Enter** key to continue.



- 8 The Printer will start to print the Paper Advance Calibration Pattern. This could take several minutes during which the following message will be displayed on the Front Panel.



- 9 Once the Accuracy Calibration Pattern has been printed successfully, the following message will be displayed on the Front panel. Press the **Enter** key to continue.



If the Paper Advance Calibration fails for any reason, a warning message will appear on the Front Panel. In this case, try the following:

- Retry the Paper Advance Calibration.
- If necessary, perform a Printhead Recovery through the Front Panel and retry the Calibration.

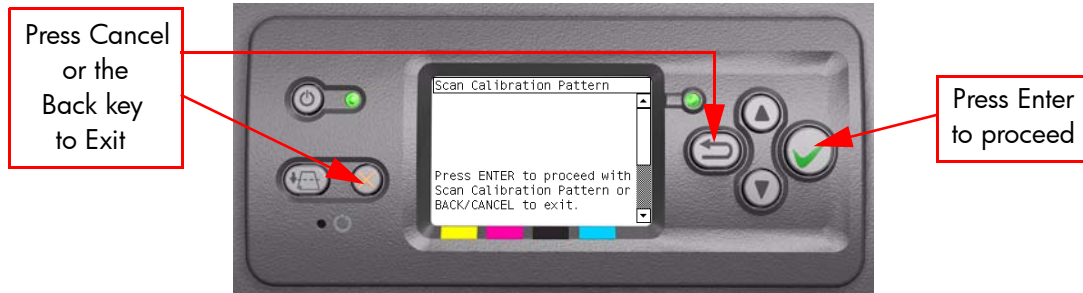
Remove the pattern from the printer and leave it to dry for a few minutes before continuing with the Calibration.

MAKE SURE NO MEDIA IS LOADED INTO THE PRINTER BEFORE STARTING TO SCAN THE CALIBRATION PATTERN.

- 10** You will need to re-enter the Paper Advance Calibration submenu and scroll to "Scan Calibration Pattern" and press **Enter**.



- 11** When the following message appears on the front panel, you must select whether you would like to continue with the calibration by pressing the **Enter** key. Press **Back** or **Cancel** to exit the calibration.



- 12** A message will appear advising you that you will need to load the Calibration Pattern in to the Printer. Make sure that you rotate the printed pattern 90° clockwise and reload it printed-side down, so that the black arrows go into the printer first. Press the **Enter** key to continue.

```

Scan Calibration Pattern
Press ENTER to proceed with
the load of the printed
pattern cut sheet as roll
for scanning. Rotate the
sheet 90 degrees clockwise
and press ENTER to proceed.
  
```

Take note that the Calibration Pattern will be loaded as a Roll and NOT as a Sheet.

Only scan the Calibration Pattern in the Printer that was used to actually print it. Using the Calibration in a different Printer could cause it to experience media advance problems. After scanning the Calibration Pattern, it should be discarded.

When Loading the Calibration Pattern, use the Cutter blade on the Print Platen to align the edge of the sheet. This is to prevent the cutter from cutting a section of the Calibration Pattern, which could cause the Calibration to fail.

- 13** Load the Calibration Pattern following the instructions on the Front Panel. Once the Calibration Pattern is loaded correctly, the following message will be displayed on the Front Panel. Press the **Enter** key to continue.

```

Scan Calibration Pattern
Press ENTER to proceed with
pattern scanning.
  
```

- 14** The Printer will scan the Calibration Pattern which could take several minutes. Once the calibration is completed successfully, the following message will be displayed on the Front Panel. Press the **Enter** key to continue.

```

Paper advance calibration
Calibration successfully
completed.
Press ✓ to continue
  
```

If the Paper Advance Calibration fails for any reason, a warning message will appear on the Front Panel. In this case, try the following:

- Check that the Calibration Pattern was not incorrectly cut (trimming the actual pattern) during the media load process. If this is the case, perform the Paper Advance Calibration again from **step 1**.
- Perform a Line Sensor Calibration (⇒ Page 5-16) and then rescan the Calibration pattern.
- Replace the Line Sensor ⇒ Page 8-38.
- If the problem continues, replace the Media-Axis Motor ⇒ Page 8-98.

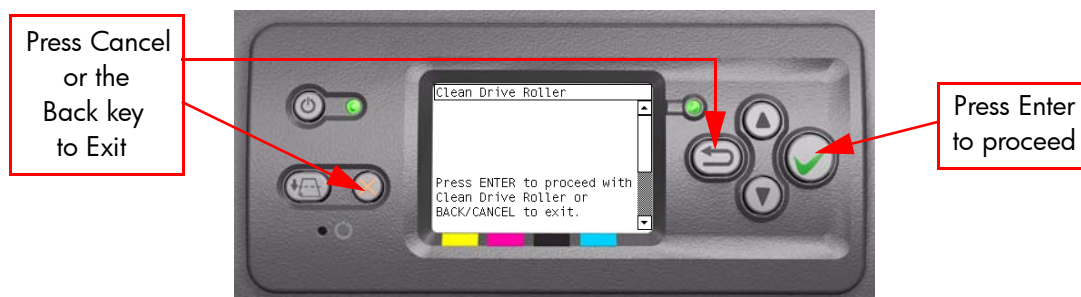
After the Paper Advance Calibration has been performed correctly, you MUST perform the Clean Drive Roller procedure. If this is NOT done, the Printer will not perform correctly and could cause Print Quality problems.

Before starting the Clean Drive Roller procedure, make sure you first load media into the Printer that was supplied with the calibration kit.

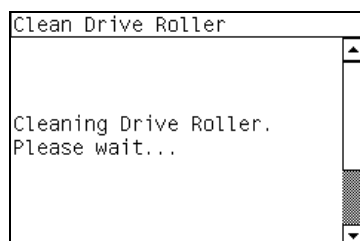
- 15** You will need to re-enter the Paper Advance Calibration submenu and scroll to "Clean Drive Roller" and press **Enter**.



- 16** When the following message appears on the front panel, you must select whether you would like to continue with the cleaning of the Drive Roller by pressing the **Enter** key. Press **Back** or **Cancel** to exit the calibration.



- 17** The Printer will begin the Drive Roller Cleaning procedure. This could take several minutes during which the following message will be displayed on the Front Panel.



4. Drop Detector Calibration

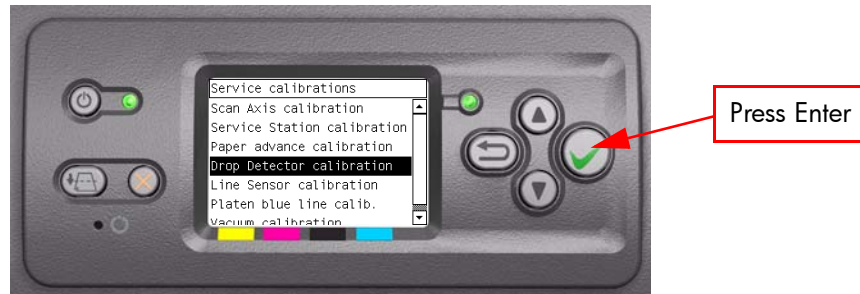
The purpose of this Service Calibration is to calibrate the Drop Detector (located in the Service Station) in relation to the Carriage Assembly.

Perform the Drop Detector Calibration whenever:

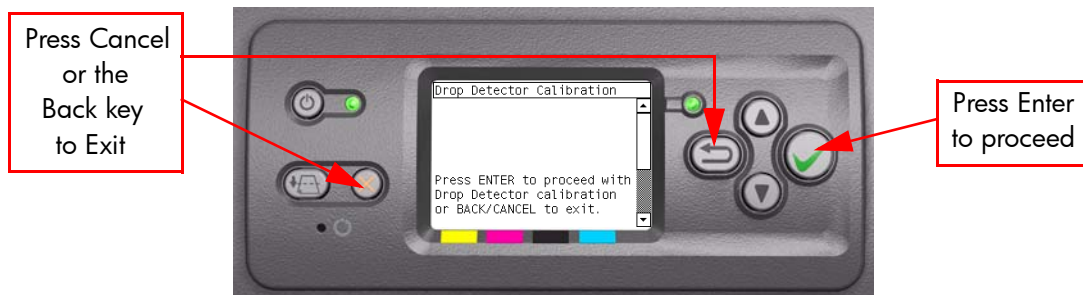
- Drop Detector is disassembled or replaced.

Perform the Drop Detector Calibration as follows:

- 1 In the Service Calibrations submenu, scroll to "Drop Detector Calibration" and press **Enter**.



- 2 When the following message appears on the front panel, you must select whether you would like to continue with the calibration by pressing the **Enter** key. Press **Back** or **Cancel** to exit the calibration.



- 3 The Printer will start to calibrate the Drop Detector. Once the Drop Detector has been calibrated, the results will be displayed on the Front Panel. Press any key on the Front Panel to finish the calibration.

```

Drop Detector Calibration
DD Offset Range: -90 to 90
DD Offset got: 10
Min window width: 4
Window width got: -1

Press any key to exit.
    
```

- 4 Once the calibration is completed, OK will be displayed on the Front Panel.

5. Line Sensor Calibration

The purpose of this Service Calibration is to calibrate the intensity of the line sensor in the Carriage PCA. An incorrect calibration can result in edge-detection failures during media loading and incorrect reading of prints that are used for alignment or calibration.

Perform the Line Sensor Calibration whenever:

- Edge detect procedure fails during media loading.
- Carriage is disassembled or replaced.
- Line Sensor is disassembled or replaced.
- Banding is detected in prints.
- Misalignment between colors is detected.

Perform the Line Sensor Calibration as follows:

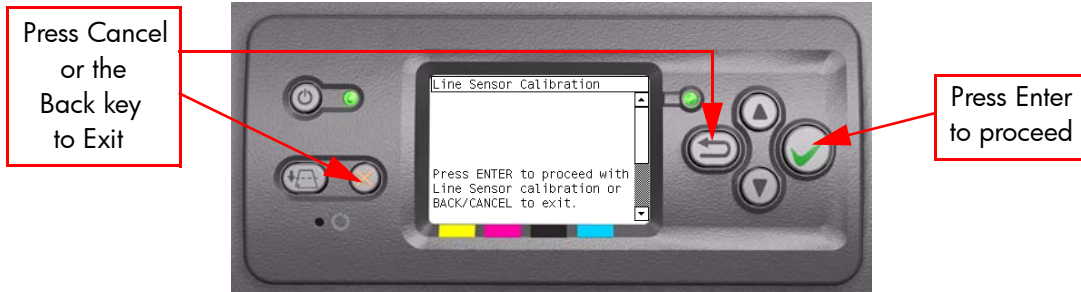
Make sure you load one of the following media into the Printer before performing this calibration:

- HP Bond Paper.
- HP Glossy Media.
- HP Coated Paper.
- HP Productivity Photo Gloss.
- HP Heavyweight Coated Paper.
- HP Super Heavyweight Coated Paper.
- HP Bright White Inkjet Paper.
- HP Instant Dry Photo Gloss

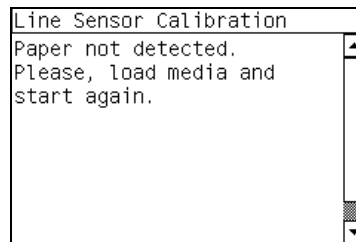
- 1 In the Service Calibrations submenu, scroll to "Line Sensor Calibration" and press **Enter**.



- 2** When the following message appears on the front panel, you must select whether you would like to continue with the calibration by pressing the **Enter** key. Press **Back** or **Cancel** to exit the calibration.



- 3** If media is not loaded, the following message appears on the front panel. Load media in to the Printer and start again from **step 1**.



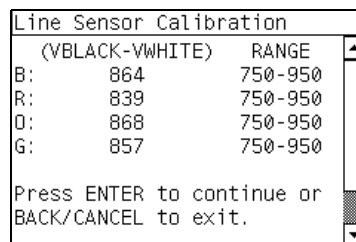
Before continuing, the Printer will check the following:

- The Media Lever is in the lowered position.
- The correct paper type is loaded (check list on previous page).
- The correct paper size (minimum paper size 24 inches).

If these conditions are **not** met, a warning will be displayed on the Front Panel and you will need to restart the Calibration from **step 1**.

Make sure you keep your hands away from the Print Platen as the Carriage will be moving at high speed and you could injure yourself or damage the Carriage Assembly.

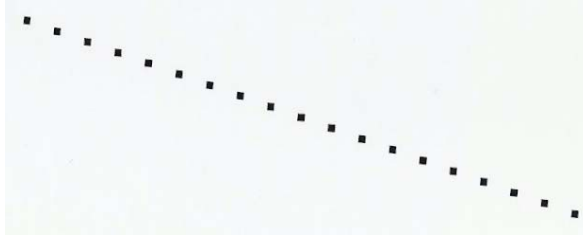
- 4** The Printer will start to calibrate the Line Sensor. Once the Line Sensor has been calibrated, the results will be displayed on the Front Panel. Press Enter to continue or press **Back** or **Cancel** to exit the calibration.



If the values are not within the range specified, an error will appear on the Front Panel. In this case, try the following:

- Try the Scan-Axis Calibration again.
- Replace the Line Sensor ⇒ Page 8-38.

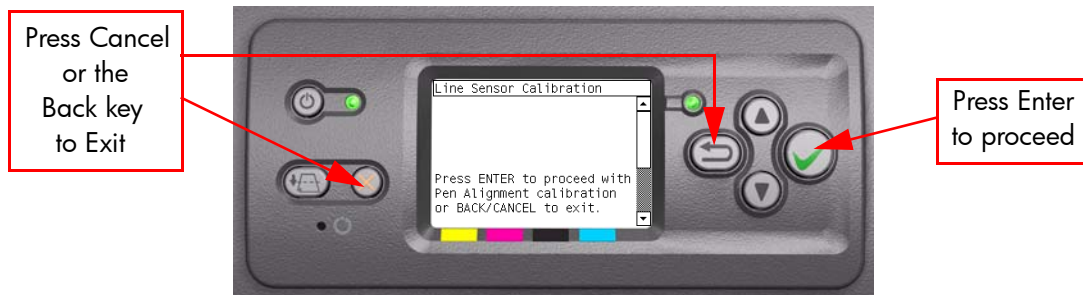
- 5 The Printer will start to calibrate the Line Sensor position to the Black Printhead. It will print a line of black dots and then scan them:



- 6 Once the Line Sensor has been calibrated, the results will be displayed on the Front Panel. Press **Enter** to finish the calibration or press **Back** or **Cancel** to exit the calibration.

```
Line Sensor Calibration
Y Offset Range: 30 to 59
Y Offset got: 43
X Offset Range: -24 to 24
X Offset got: 14
X SVS Offset: -1050 to 1050
X SVS Offset got: -944
Press any key to exit.
```

- 7 The Printer will now perform the Printhead Alignment. When the following message appears on the front panel, you must select whether you would like to continue with the calibration by pressing the **Enter** key. Press **Back** or **Cancel** to exit the calibration.



- 8 Once the Printhead Alignment is completed, the following message will be displayed on the Front Panel. Press the **Enter** key to continue.

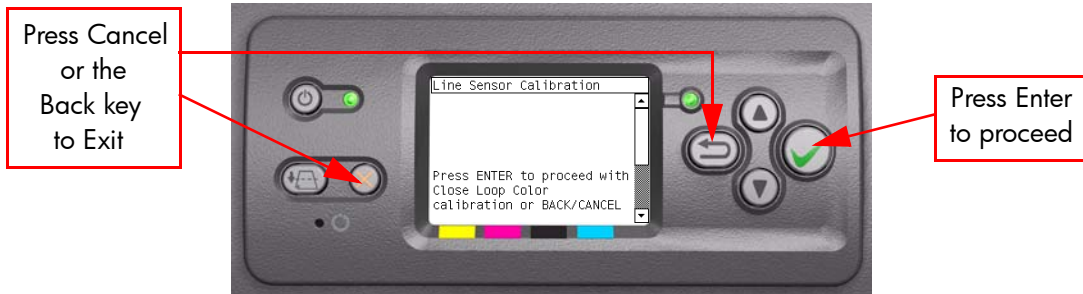
```
Printhead alignment
Calibration successfully
completed.
Press ✓ to continue
```

If the Printhead Alignment fails for any reason, a warning message will appear on the Front Panel. In this case, try the following:

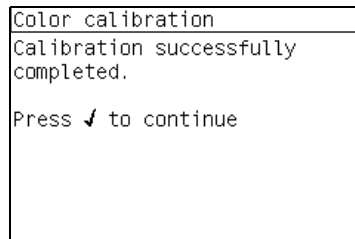
- Enter the Front Panel menu and retry the Printhead Alignment. If the Alignment completes successfully, then perform the Color Calibration.
- If the Alignment fails again, check the Alignment pattern to see if any of

the Printheads are printing incorrectly. If necessary, perform a Printhead Recovery through the Front Panel and retry the Printhead Alignment.

- 9 The Printer will now perform the Color Calibration. When the following message appears on the front panel, you must select whether you would like to continue with the calibration by pressing the **Enter** key. Press **Back** or **Cancel** to exit the calibration.



- 10 Once the Color Calibration is completed, the following message will be displayed on the Front Panel. Press the **Enter** key to continue.

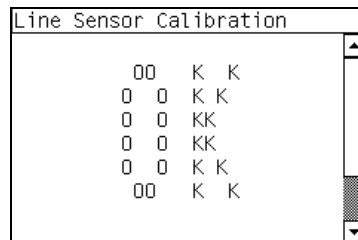


All CLC profiles are deleted so you will need to perform Color Calibration again for every new media that is loaded in to the Printer.

If the Color Calibration fails for any reason, a warning message will appear on the Front Panel. In this case, try the following:

- Enter the Front Panel menu and retry the Color calibration.
- If the Calibration fails again, check the Calibration pattern to see if any of the Printheads are printing incorrectly. If necessary, perform a Printhead Recovery through the Front Panel and retry the Calibration.

- 11 Once the complete Line Sensor calibration is completed successfully, OK will be displayed on the Front Panel.



6. Vacuum Calibration

The purpose of this Service Calibration is to set the default nominal and real values of the Vacuum Fan Assembly.

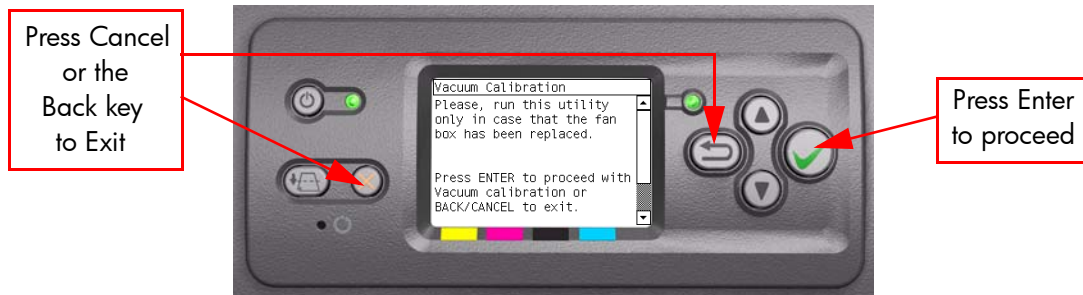
This Service Calibration should **ONLY** be performed when the Vacuum Fan Assembly has been replaced.

Perform the Vacuum Calibration as follows:

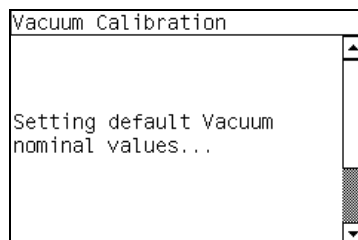
- 1 In the Service Calibrations submenu, scroll to "Vacuum Calibration" and press **Enter**.



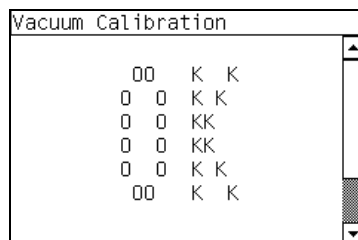
- 2 When the following message appears on the front panel, you must select whether you would like to continue with the calibration by pressing the **Enter** key. Press **Back** or **Cancel** to exit the calibration.



- 3 The Printer will set the default nominal and real values of the Vacuum Fan.



- 4 Once the calibration is completed, OK will be displayed on the Front Panel.

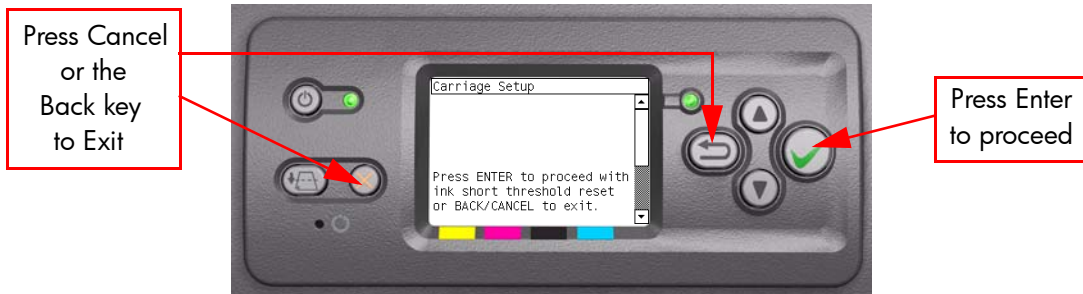


7. Carriage Setup

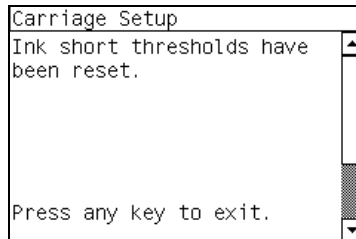
The purpose of this Service Calibration is to reset the ink short thresholds after replacing the Carriage PCA.

Perform the Carriage Setup as follows:

- 1 In the Service Calibrations submenu, scroll to "Carriage Setup" and press **Enter**.
- 2 When the following message appears on the front panel, you must select whether you would like to continue with the Carriage Setup by pressing **Enter**. Press **Back** or **Cancel** to exit the utility.

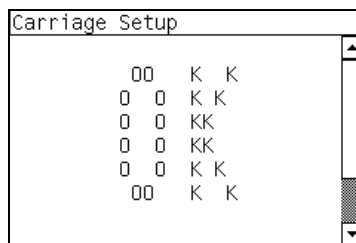


- 3 If the Ink Short Thresholds have been reset correctly, the following message will be displayed on the Front Panel. Press any key to exit:



If any of the Printhead ink short thresholds cannot be reset or if the Printheads info cannot be accessed, it could point to a possible Firmware error.

- 4 If the utility exits correctly, OK will be displayed on the Front Panel.



Print Quality

6

- Print Quality 6-2
 - Print Quality Troubleshooting Actions 6-2
 - Choosing the Correct Print Quality Settings 6-3
- How to Use the Service Image Quality Diagnostic Print 6-5
 - What is the Service Image Quality Diagnostic Print? 6-5
 - Considerations for Printing the Diagnostic Print 6-5
 - Printing the Service Image Quality Diagnostic Print 6-6
 - Diagnostic Part 1: Alignment Test 6-7
 - Diagnostic Part 2: Printheads & Paper Advance Test 6-8
 - Diagnostic Part 3: Printhead Problems 6-10
 - Nozzle Print Test 6-12
- Troubleshooting Print Quality Problems 6-13
 - Horizontal Lines Across the Image (Banding) 6-13
 - Advanced Banding Troubleshooting for Experts 6-14
 - Dark Light Zone Banding (DLZB) 6-17
 - No Printing Defects Found in the Diagnostic Print 6-18
 - Force Drop Detection Tool 6-20
 - Print Quality General Advice 6-21
 - Lines are Missing or Thinner than Expected 6-22
 - Solid Bands or Lines Printed Over the Image 6-23
 - Problems with Graininess 6-24
 - Print Smudges when Touched 6-24
 - Paper is not Flat 6-25
 - Defect Near the Top of the Print 6-26
 - Problems with Stepped Lines 6-27
 - Lines are Printed Double or in Wrong Colors 6-27
 - Lines are Blurred (Ink Bleeds from Lines) 6-28
 - Problems with Color Accuracy 6-28
 - Problems with PANTONE Color Accuracy 6-29
 - Color Matching Between Different HP Designjet Printers 6-30
 - Problems with Image Clipping 6-33
 - Image is Completely Blank 6-34
 - Output Only Contains a Partial Print 6-34
 - Image is in One Portion of the Printing Area 6-35
 - Image is Unexpectedly Rotated (PostScript Driver) 6-35
 - Print is Distorted or Unintelligible 6-36
 - Print is a Mirror Image of the Original 6-36
 - One Image Overlaps Another on the Same Sheet 6-36
 - No Output from the Printer 6-37
 - Pinchwheel Marks when using Glossy Media 6-37
 - VLS in 1 Pass Printmodes 6-38
 - VLS in First 3 Meters after a Media Load 6-39
 - Bubbles (Only occurs in Cyan, Magenta and Yellow) 6-39
 - Black Printhead: Decap Problem 6-40
 - Paper Expansion - Paper Advance (PEPA) 6-41
 - Bidirectional Offset in Light Color Density Areas 6-42
 - Ink Contamination on Yellow Printhead 6-42
 - Satellites in Black Lines 6-43

Print Quality

PHONE SUPPORT

Print Quality Troubleshooting Actions

For some Print Quality problems, a Call Agent can try and troubleshoot the Printer by requesting the Customer to perform certain actions. Using this process, most problems can be resolved without the need of an on-site visit.

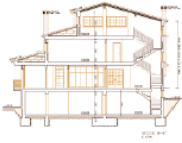
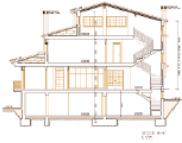
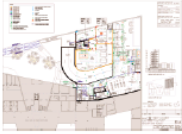
When faced with a Print Quality problem, perform the following actions in order to resolve the problem:


- 1** Printer Configuration:
 - Check that the **paper type** selected in the Front Panel is the same as the paper type loaded into the Printer.
 - Check that the correct "Optimized For" print quality setting is being used. This can be done either through the driver or through the front panel (Setup Menu/Printing Defaults Menu/Image Quality/Print Quality/Optimized For).
 - Make sure that the correct Print Quality settings are used for different types of print content. Refer to Page 6-3 for further information.
 - Dry time should be set to "Automatic".
- 2** Perform Printhead recovery (Ink Menu/Printheads/Recover Printheads).
- 3** Media:
 - Select the correct media type through the front panel when loading it.
 - Make sure that HP or HP-approved media is being used.
- 4** Perform the Printhead Alignment (Ink Menu/Printheads/Align Printheads). The Printhead Alignment can take up to 15 minutes.
- 5** Check if the latest version of the firmware is installed. If not, install the latest firmware revision.
- 6** For further information, refer directly to the Troubleshooting section that covers the different Print Quality problems (refer to Page 6-13).

Choosing the Correct Print Quality Settings

The following table shows suggested print quality settings and paper types for various different kind of prints, assuming that **roll** paper is being used. If **sheet** paper is being used, it is recommended to set print quality to **Best**.

High Density images should be printed on heavier paper (Heavyweight or Glossy).

Print content	Image quality settings			Paper types (front panel)
	Print quality	Optimized for	Maximum detail	
Lines (draft) 	Fast	Drawings/text	On	Bright White Bond Paper Translucent materials* Coated Paper
Lines 	Normal	Drawings/text	Off	Bright White Bond Paper Translucent materials* Coated Paper
Lines and area fills 	Best	Drawings/text	Off	Bright White Bond Paper Translucent materials* Coated Paper Heavyweight Coated Paper Productivity Photo Gloss

Print content	Image quality settings			Paper types (front panel)
	Print quality	Optimized for	Maximum detail	
Lines and images 	Best	Drawings/text	On	Coated Paper Heavyweight Coated Paper Productivity Photo Gloss
In-store advertising 	Normal	Images	Off	Coated Paper Heavyweight Coated Paper Productivity Photo Gloss
Renderings 	Best	Images	Off	Heavyweight Coated Paper Productivity Photo Gloss
Photographs 	Best	Images	Off	Productivity Photo Gloss

How to Use the Service Image Quality Diagnostic Print

What is the Service Image Quality Diagnostic Print?

In order to troubleshoot Print Quality problems, refer directly to the Troubleshooting section that covers the different Print Quality problems (refer to Page 6-13). Do NOT use the Diagnostic Print on it's own to troubleshoot Print Quality Problems.

The Printer contains an internal Image Quality Test which helps you to diagnose the possible source of any image quality defects. The Service IQ Diagnostic Print is available in two options:

- 1** *Image Quality User plot.* This can be printed either through the normal front panel menu or through the Service Utility Menu.
 - a** If the Image Quality Diagnostic Print is printed through the Service Utility Menu, you will **not** be prompted to select "optimized for drawings/text" or "optimized for images". The Printer will automatically take the settings that have already been selected in "Setup Menu/Printing Defaults Menu/Image Quality/Optimized for".
 - b** If the Image Quality Diagnostic Print is printed through the standard menu (Setup Menu/Information Menu/Internal Prints/Print Image Diagnostics) you will be prompted to select "drawings/text" or "images". It is recommended to print the Diagnostic Print using this option.

The Image Quality User Plot print is divided in to three parts as follows:

- Alignment Test. This test is designed to check any color-to-color and bi-directional misalignment the printer may have.
 - Printheads and Paper Advance test. This test is designed to check whether the Printheads and the Paper Advance Mechanism are working correctly.
 - Printhead Problems. The purpose of this test is to identify which Printhead is faulty.
- 2** *Image Quality Service Plot.* This can **only** be printed through the Service Utility Menu. This print contains the Printhead Nozzles test, which is designed to check if the printhead nozzles print correctly.

Considerations for Printing the Diagnostic Print

- 1** The IQ Diagnostic Print prints in A3 and B sizes so you must have media loaded (roll or sheet) that is this size or larger.
- 2** Use the same type of media that the customer was using when they found the image quality problem.
- 3** If the customer is using non-HP media and after the Image Quality Test you still have the same image quality problems, change to genuine HP media and repeat the Image Quality Test.
- 4** If you do not see any problems with the Image Quality Test, then the problem may not be with the printer itself. The problem may be with the RIP or the driver for example.

However, if you do see problems with the Image Quality Test then continue with the following procedures which will help you to diagnose the problem.

Printing the Service Image Quality Diagnostic Print

- 1 In the Service Utilities submenu, scroll to "Diagnostic Print" and press **Enter**.



- 2 You will be given three options. Use the **Arrow** keys to make the selection and press the **Enter** key to start printing the required Diagnostic Print.



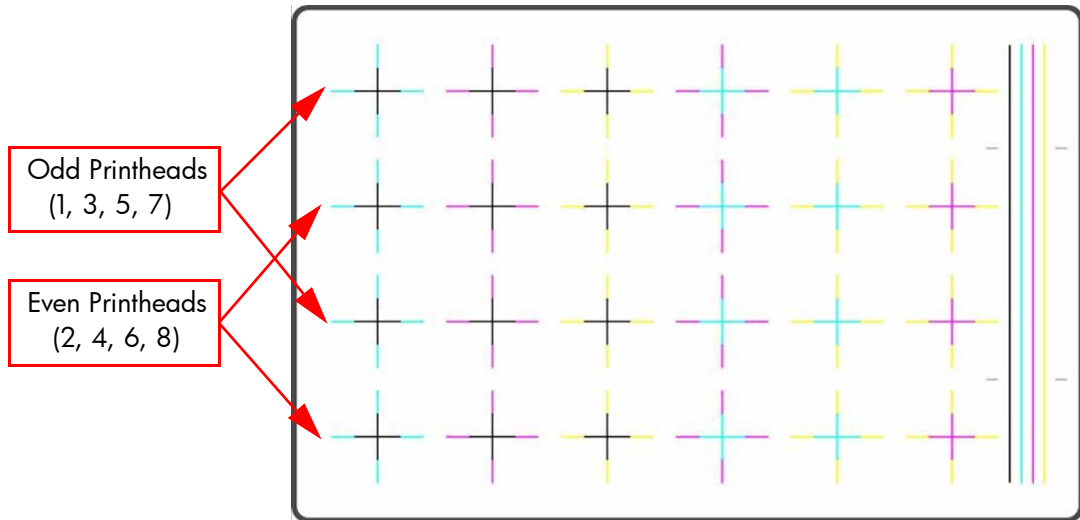
- 3 Make sure media is loaded, the Paper Load Levers are lowered and that the Ink System is correctly installed. Press the **Enter** key to print the Diagnostic Print or press **Back/Cancel** to exit without printing the Diagnostic Print.



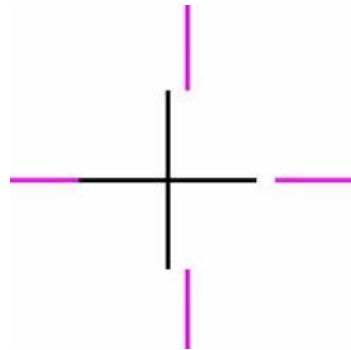
- 4 The Diagnostic Print will now be printed.

Diagnostic Part 1: Alignment Test

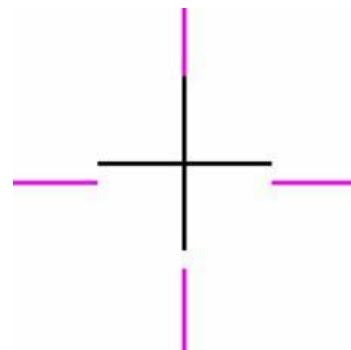
This test is designed to check any color-to-color and bi-directional misalignment the printer may have.



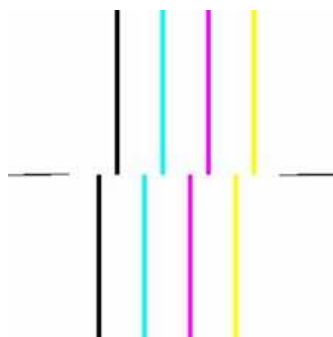
- 1 If the Printer is experiencing **horizontal** misalignment problems, the Alignment Test will show something like this:



- 2 If the Printer is experiencing **vertical** misalignment problems, the Alignment Test will show something like this:



- 3 If the Printer is experiencing **bi-directional** misalignment problems, the Alignment Test will show something like this:



Corrective Action

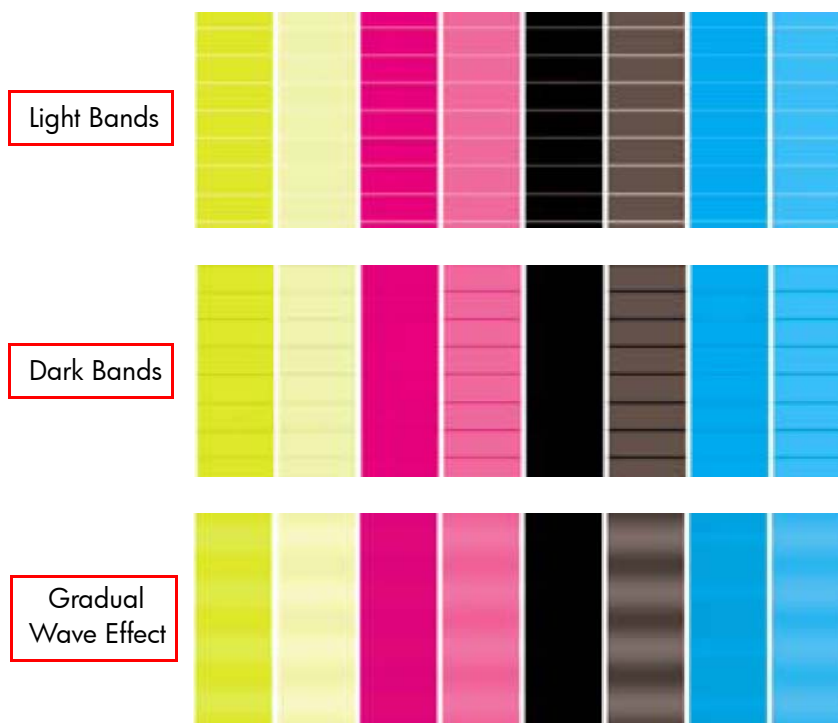
- 1 Perform a Printhead Alignment, using the same paper type with which you were experiencing unacceptable image quality, if feasible (some paper types are not suitable for Printhead Alignment).

Diagnostic Part 2: Printheads & Paper Advance Test

This test is designed to check whether the Printheads and the Paper Advance Mechanism are working correctly. This part of the Image Quality Test should **not** be used to check for color consistency or accuracy.

Banding

If the Printer is experiencing a banding problem, you will see repetitive horizontal bands within the printed image. Banding can appear as follows:



Troubleshooting Banding Problems

If banding **does not** occur in ALL the colors, then it is more than likely a Printhead problem. In this case, try the following:

- 1 Check that the appropriate print quality settings are being used. Refer to Page 6-3 for further information on choosing the correct Print Quality settings.
- 2 Recover the printheads using the option through the Front Panel (Ink Menu/ Printheads/Recover Printheads). Reprint the Diagnostic Print or the print file and if the problem persists:
 - As there are two Printheads for each color, check exactly which Printhead is causing the problem ? Page 6-10.
 - If the problem continues, replace the faulty Printhead.
- 3 Clean the Input Drive Rollers, sometimes they become dirty and transfer the dirt of residual ink to the media which can look like banding.

If banding **does** occur in ALL the colors, then it is more than likely a Paper Advance problem:

- If the bands are light, it means that the paper has advanced too much.
- If the bands are dark, it means that the paper hasn't advanced enough.
- In high quality modes, graininess in ALL colors can indicate problems either with alignment or Paper Advance.

There is a high chance of seeing dark banding in the black bars of the Diagnostic Print when printing with optimized for drawings/text. This is NOT caused by a black Printhead issue as we described previously.

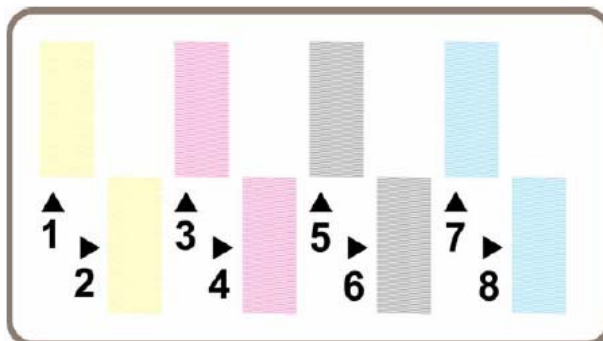
In order to solve any of these problems, try the following:

- 1 Check that the appropriate print quality settings are being used.
- 2 If the customer is using low quality paper, try recommending better quality paper (preferable HP paper). Printer performance can only be guaranteed by using recommended papers.
- 3 Perform the Paper Advance Calibration using the same type of paper that will be used for the final print.

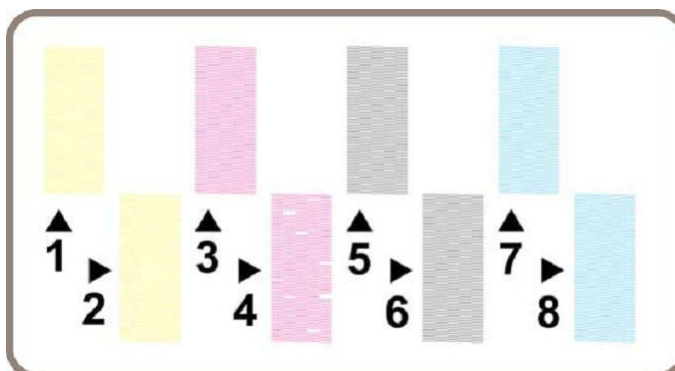
Diagnostic Part 3: Printhead Problems

If part 2 revealed a Printhead problem, then the purpose of part 3 is to identify exactly which Printhead is faulty. Each rectangle in this part is identified with the number of the Printhead that produced it.

If ALL the Printheads are printing perfectly, part 3 of the Diagnostic print will look like this:



The following example shows an imperfect Printhead (number 4) that is still suitable for printing. It is not damaged enough to warrant a replacement because the Printer can compensate for a number of faulty nozzles.



Analyzing Printhead Nozzles

Do not expect perfection, because even if there are only a few missing lines, the Printer can compensate for this so there is no need to replace the Printhead. Up close, the rectangle printed by a faulty Printhead in part 3 of the Diagnostic Print may look like some of these examples.



Faulty - Replace



Faulty - Replace



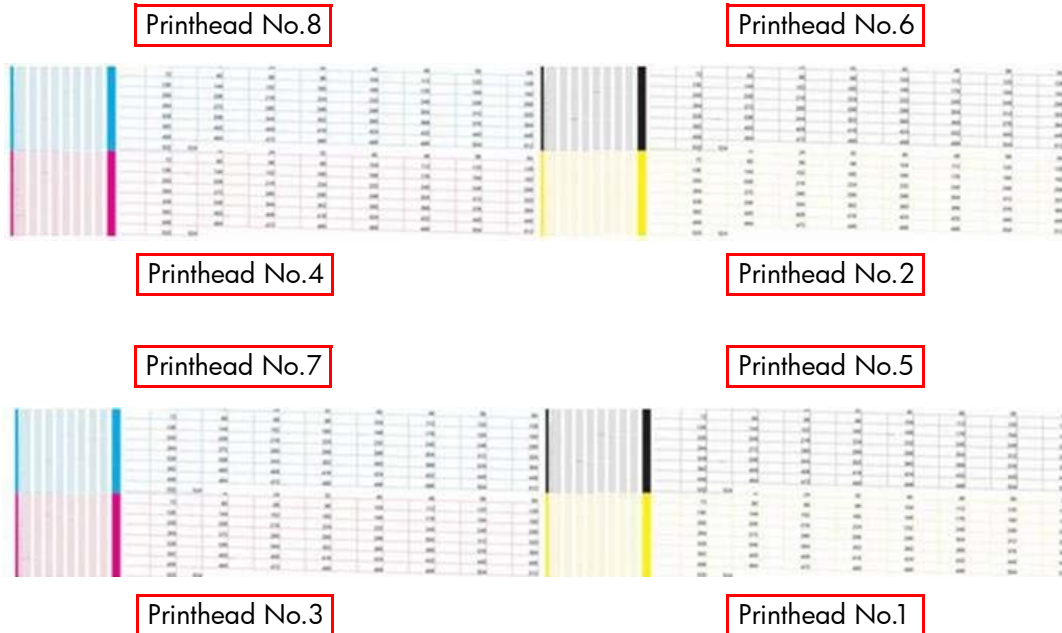
Acceptable

Troubleshooting a Faulty Printhead

- 1 If part 3 of the Diagnostic Print shows a problem with one Printhead, but part 2 of the Diagnostic Print shows no problem, then:
 - No immediate corrective action is required.
 - The printer will compensate for the problem and maintain Image Quality.
- 2 If both parts 2 and 3 of the Diagnostic Print show a problem, then:
 - Recover the printheads using the option through the Front Panel (Ink Menu/Printheads/Recover Printheads).
 - If the problem continues, replace the faulty Printhead.

Nozzle Print Test

The Nozzle Print Test is part of the Image Quality Service Plot. This can **only** be printed through the Service Utility Menu. This test is designed to check if the printhead nozzles print correctly. The test prints out every single nozzle of each Printhead. No error hiding or Printhead Alignment algorithm is applied. For each Printhead, you can see both the adjacent and the consecutive nozzles.



This is what you would see if there are nozzles not printing correctly:

- 1 On the right of each Printhead Nozzle test, there is a series of numbered stepped diagonal lines. If one or more of the nozzles are malfunctioning or mis-positioned, you will see that the stepped lines are broken or misdirected in one or more places.
- 2 On the left of each Printhead Nozzle test, there is a series of horizontal straight lines. If one or more nozzles are misdirected there will be unequal spaces between the corresponding lines.

How to fix the Nozzle Defects

If the printer has nozzle defects, it does not mean that you will not get perfect print quality results. The printer has automatic procedures to hide many nozzle defects.

- 1 Recover the printheads using the option through the Front Panel (Ink Menu/ Printheads/Recover Printheads).
- 2 Reprint the Nozzle Print test to check that the defective nozzles have been corrected.
- 3 If the problem continues, replace the faulty Printhead.

Troubleshooting Print Quality Problems

Horizontal Lines Across the Image (Banding)

Description of problem

When you look at the image you have printed, there are horizontal lines across the image. Shown below is an example of what you might see if you have this problem:



Corrective Action

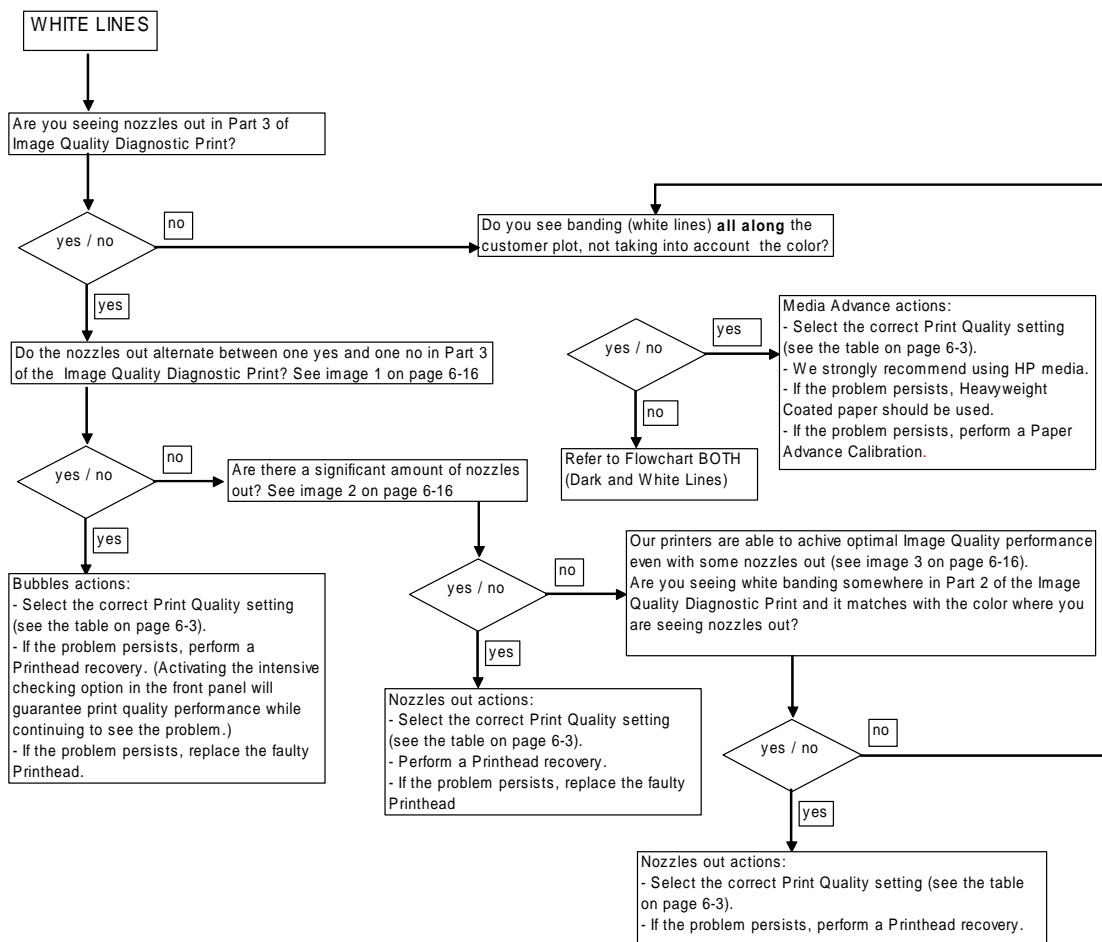
- 1** Check that the appropriate print quality settings are being used and reprint the image. Refer to Page 6-3 for further information on choosing the correct Print Quality settings.
- 2** If not already done so, recover the Printheads (Ink Menu/Printheads/Recover Printheads) and reprint the image with the same settings as before.
- 3** Try using a heavier paper type. When printing dense colors, it is recommended to use HP Heavyweight Coated Paper or HP Productivity Gloss.
- 4** Make sure the Input Drive Roller is clean.
- 5** If the problem continues, Refer to the "Advanced Banding Troubleshooting for Experts" section on Page 6-14 to troubleshoot the problem further.

Advanced Banding Troubleshooting for Experts

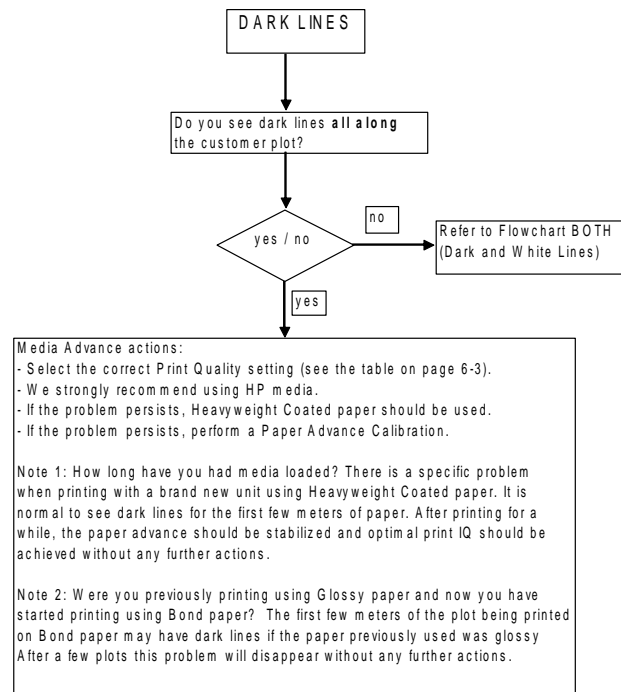
The flowchart on the following pages will help you troubleshoot some of the different banding issues the Print may have. If you have a banding issue, the main question you should ask is "What do you see?":

- If you see "White Lines", refer to this page.
- If you see "Dark Lines" refer to Page 6-15.
- If you see "Both White and Dark Lines", refer to Page 6-15.

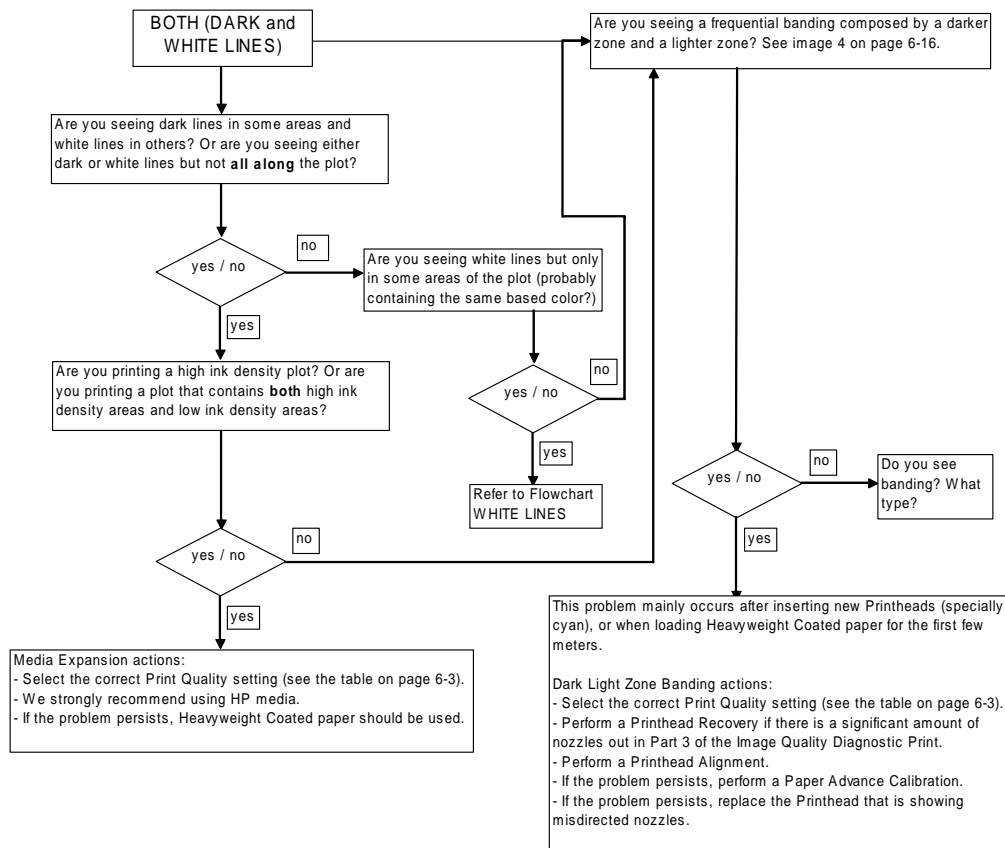
If you see "White Lines"



If you see "Dark Lines"



If you see "Both White and Dark Lines"



Reference Images for Banding Flowcharts

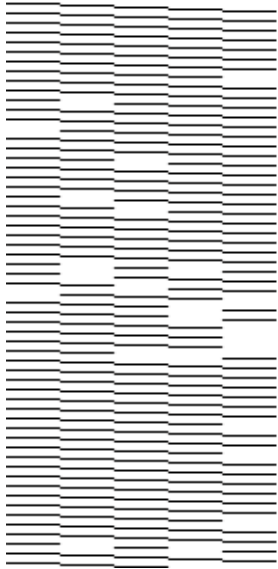


Image 1

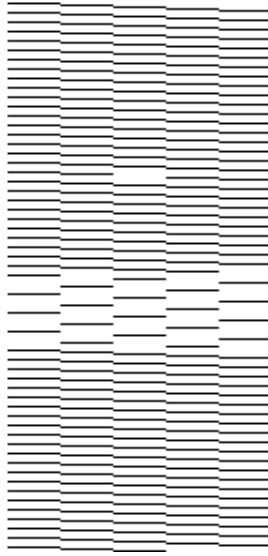


Image 2

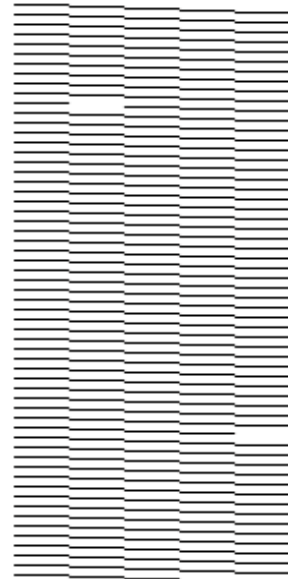


Image 3



Image 4

Dark Light Zone Banding (DLZB)

Description of problem

Shown below is an example of what you might see if you have this problem. It is often easier to see the issue at a distance of 50cm than at 10cm:



Corrective Action

- 1 Using the Image Quality Diagnostic Print, check if there is a significant amount of nozzles out. If there is a significant amount of nozzles out (refer to image 1 on Page 6-16), then recover the Printheads (Ink Menu/Printheads/Recover Printheads) and reprint the image.
- 2 If the problem persists, align the Printheads (Ink Menu/Printheads/Align Printheads) and reprint the image.
- 3 If the problem persists, perform the Paper Advance Calibration (Paper Menu/Paper Advance Calibration).

Only change the paper advance patch if a clear difference in terms of media advance is seen.

- 4 If the problem persists, replace the Printhead that is showing misdirected nozzles.

No Printing Defects Found in the Diagnostic Print

If all the test patterns from the Diagnostic Print are correct and you still experience Image Quality problems, you can use the following procedures.

Print Banding Plot

This should be used when printing in fast print mode and there are banding issues that cannot be solved through the standard troubleshooting procedure. It is designed to highlight and identify three problems:

- The advance calibration is not optimized.
- The printhead alignment is not optimized.
- Nozzles not firing in a printhead.



How to print the Print Banding Plot

- 1 In the Service Utilities submenu, scroll to "Diagnostic Print" and press **Enter**.



- 2** You will be given three options. Use the **Arrow** keys to select 'Others' and press the **Enter** key.



- 3** You will be given two options. Use the **Arrow** keys to select 'Print Banding Plot' and press the **Enter**.



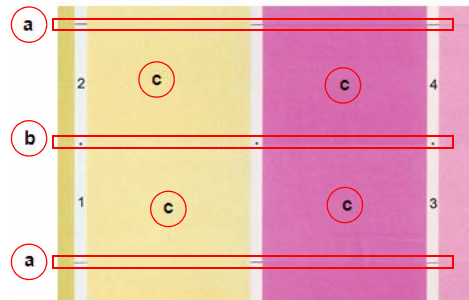
- 4** Make sure media is loaded, the Paper Load Levers are lowered and that the Ink System is correctly installed. Press the **Enter** key to print the Diagnostic Print or press **Back/Cancel** to exit without printing the Diagnostic Print.



- 5** The Print Banding Plot will now be printed.

Troubleshooting using the Print Banding Plot

- If there is dark (or white) banding along all of the colors in the area marked 'a', perform the Media Calibration.
 - If this fails perform the service advance media calibration, use the kit Q1273-60296 which contains HP Universal Photo Gloss media for the calibration.
- If there is dark or white banding along at least one of the colors in the area marked 'b', perform the Printhead Alignment.
 - If this does not solve the problem, remove and install a new Carriage Assembly.
- If there is white banding with at least one color of the area marked 'c', perform a Printhead Check. Use the thresholds mentioned earlier after having printed the Image Quality Print.
 - If the nozzles are deteriorating, remove and replace the defective printhead.



The numbers 1-8 on the print banding plot represent the printheads in the printer.

The print banding plot is printed in FAST mode, so the quality of the image is not as good as the other print modes. It must only be used for troubleshooting the three issues mentioned above.

Force Drop Detection Tool

This tool can be used when part 3 of the image quality print looks ok, but there are persistent image quality issues that point to defective printhead(s).

How to detect this issue:

- 1 Look at the printhead health values within the service print (current information).
- 2 Look at the nozzle patterns on part 3 of the user's image quality plot.

If the health of a printhead is low, five for example, and there are no specific nozzle defects from part 3 of the image quality print, this may point to a false drop detection.

Running this tool will force a drop detection. The root causes of this issue may come from an incorrect detection of failed nozzles by the drop detector.

In order to fix this, it may have to be run up to four times, if it is still failing, the drop detector may be faulty or incorrectly calibrated.

Here are some things to check which can improve image quality:

- The print mode used in your printer is not right for the image you are printing (this is defined by the printer's front-panel menu selections).
- Make sure that the **paper type** selected in the Front Panel is the same as the paper type loaded into the Printer.
- Non-HP driver.
- The RIP (If you are using one).

The software applications you are using.

Print Quality General Advice

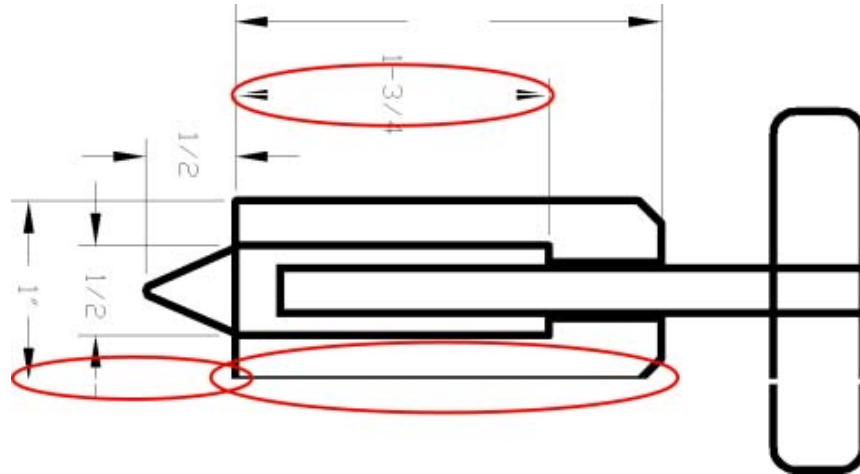
- 1 To achieve the best performance from the printer, only genuine HP accessories and supplies should be used.
- 2 Make sure that the **paper type** selected in the Front Panel is the same as the paper type loaded into the Printer.
- 3 Roll paper usually gives better Print Quality than a single sheet of the same type of paper.
- 4 When single sheets are being used, it is recommended to use the **Best** print quality setting.
- 5 The most appropriate print quality settings must be used for the current purpose. You are most likely to see print quality problems while using the **Fast** print quality setting.
- 6 In order to achieve the best print quality, at the expense of speed, always set "Printhead Monitoring" to "Intensive".
- 7 Check that the environmental conditions (temperature, humidity) are within the temperature/humidity range as specified for the Printer (refer to the User's Guide for further information).
- 8 Remember that certain print quality problems can be solved by:
 - Recovering the Printheads (Ink Menu/Printheads/Recover Printheads).
 - Aligning the Printheads (Ink Menu/Printheads/Align Printheads).

Performing the Paper Advance Calibration (Paper Menu/Paper Advance Calibration).

Lines are Missing or Thinner than Expected

Description of problem

Shown below is an example of what you might see if you have this problem:



Corrective Action

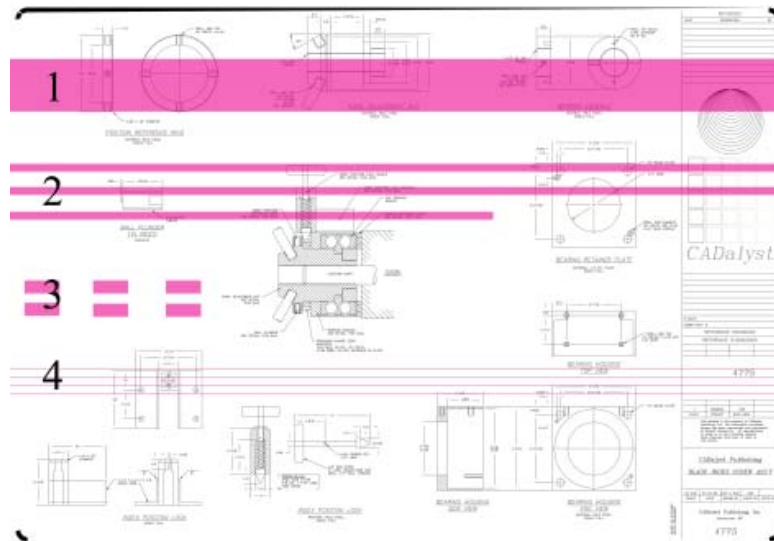
- 1 Check that the line thickness and color settings are correct in the application that was used to generate the image.
- 2 Check that the appropriate print quality settings are being used and reprint the image. Refer to Page 6-3 for further information on choosing the correct Print Quality settings.
- 3 Recover the Printheads (Ink Menu/Printheads/Recover Printheads) and reprint the image.
- 4 Try using a heavier paper type. When printing dense colors, it is recommended to use HP Heavyweight Coated Paper or HP Productivity Gloss.
- 5 Using Part 3 of the Image Quality Diagnostic Print, check if there is a significant amount of nozzles out in the color that is **actually causing** the problem (if see you a problem with the Black color in the customer print, then only check the Black printhead in the Image Quality Diagnostic Print). If there is a significant amount of nozzles out (refer to image 1 on Page 6-16) then replace the faulty Printhead.

Solid Bands or Lines Printed Over the Image

Description of problem

This kind of problem can show itself in several different ways:

- 1 A thick colored band.
- 2 Thinner colored bands.
- 3 Discontinued colored blocks.
- 4 Thin lines.



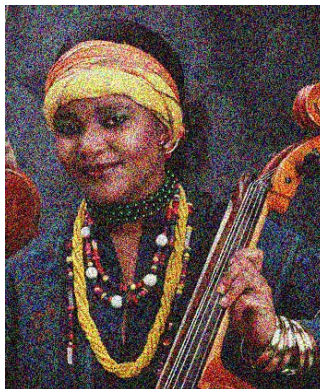
Corrective Action

- 1 Clean the electrical connections of the Printhead that seems to be responsible for the problem (in this example, the Magenta Printhead is responsible).
- 2 Recover the Printheads (Ink Menu/Printheads/Recover Printheads).
- 3 Reprint the image with the same settings as before.
- 4 If the problem continues, replace the Printhead that seems to be causing the problem. If you are not sure which Printhead is responsible, use the Image Quality Diagnostic Print to identify it.

Problems with Graininess

Description of problem

Shown below is an example of what you might see if you have problems with graininess:



Corrective Action

- 1 Follow the general advice given on Page 6-21.
- 2 Align the Printheads (Ink Menu/Printheads/Align Printheads).
- 3 If the image has been printed using the Normal or Fast print quality setting and it is not acceptable to the customer, then reprint it using the **Best** print quality setting.
- 4 If the problem continues, perform the Paper Advance Calibration.

Print Smudges when Touched

Description of problem

The black ink pigment can smudge when touched by a finger or a pen. This is particularly noticeable on the following materials:

- Vellum.
- Translucent Bond.
- Films.
- Productivity Photo Paper.
- Natural Tracing Paper.

To reduce the smudging, try the following:

- 1 Make sure the environment is not too humid for the Printer.
- 2 Change pure black objects in the image to a dark color (e.g. dark brown) so that they will be printed with the colored inks instead of the Black ink.
- 3 HP Heavyweight Coated Paper should be used instead.
- 4 Increase the drying time through the Front Panel (Ink Menu/Drying Options/Drying Time).

Paper is not Flat

Description of problem

If the paper does not lie flat when it comes out of the Printer, but has shallow waves in it, you are likely to see visible defects in the printed image, such as vertical stripes. This can happen when you use thin paper that becomes saturated with ink.

Shown below is an example of what you might see if you have problems with the paper not being flat:



Corrective Action

- 1** Try using a heavier paper type. When printing dense colors, it is recommended to use HP Heavyweight Coated Paper or HP Productivity Gloss.
- 2** Make sure that only genuine HP paper is being used.
- 3** Check that the appropriate print quality settings are being used. Refer to Page 6-3 for further information on choosing the correct Print Quality settings.
- 4** Check that the environmental conditions (temperature, humidity) are within the temperature/humidity range as specified for the Printer (refer to the User's Guide for further information).

Defect Near the Top of the Print

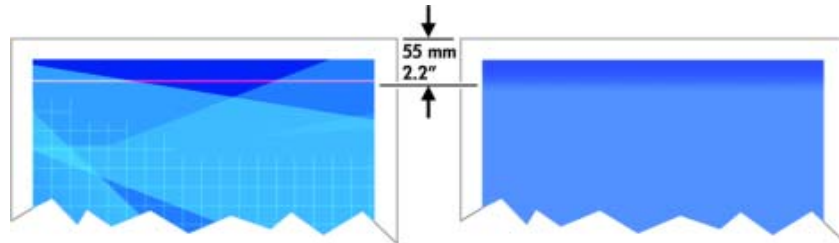
There are two types of defects which affect the top of the Print:

- Soft Landing.
- Avioneta.

Soft Landing: Description of problem

There is a type of defect that affects only the top of the print, within 5.5 cm (2.17 inches) of the leading edge of the paper. You may see a thin or thick band of inconsistent color. This problem is caused because of the different grains that each Printhead has.

Shown below is an example of what you might see if you have this problem:



Corrective Action

- 1 The easiest solution is to select the **Extended Margins** option in the driver, the Embedded Web Server or the Front Panel. This means that the area of the paper affected by the problem (at the top of the page) will no longer be used. If using the **Extended Margins** option is not possible, the try the following:
 - Recover the Printheads (Ink Menu/Printheads/Recover Printheads).
 - Align the Printheads (Ink Menu/Printheads/Align Printheads).
 - Perform the Paper Advance Calibration (Paper Menu/Paper Advance Calibration).
- 2 Check that the appropriate print quality settings are being used. Refer to Page 6-3 for further information on choosing the correct Print Quality settings.

Avioneta: Description of problem

The Vacuum suction varies depending on the amount of media covering the printzone. The Vacuum suction increases as the beginning of the media advances over the printzone and this causes the Avioneta defect. This defect mainly affects CAD plots during the first swath and is seen as roughness or even as double lines.

Corrective Action

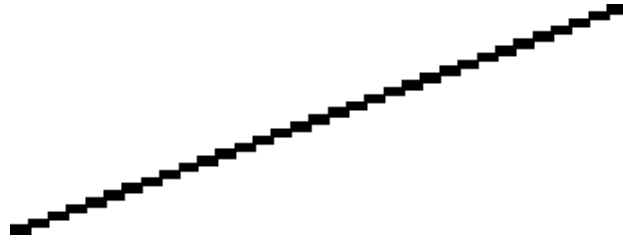
- 1 The easiest solution is to select the **Extended Margins** option in the driver, the Embedded Web Server or the Front Panel. This means that the area of the paper affected by the problem (at the top of the page) will no longer be used.

Problems with Stepped Lines

Description of problem

When you look at the image you have printed there are **'stepped lines'** in the borders of arrows and diagonal lines. The lines should be straight with no stepping.

Shown below is an example of what you might see if you have problems with Stepped Lines:



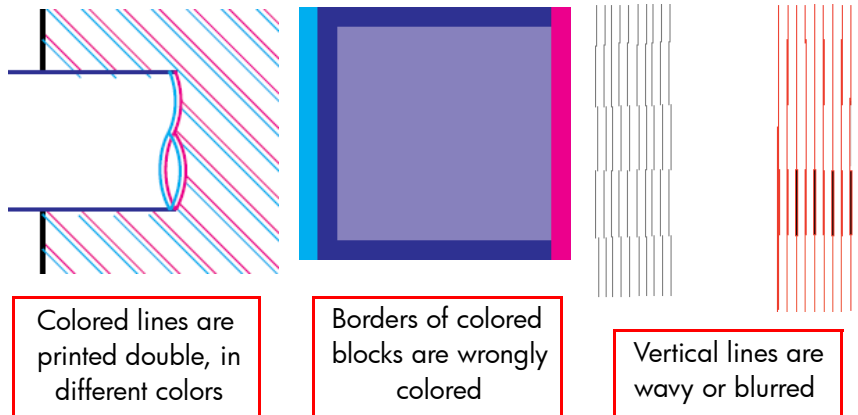
Corrective Action

- 1 If the image has been printed using the Normal or Fast print quality setting and it is not acceptable to the customer, then reprint it using the **Best** print quality setting.
- 2 Turn On the "Maximum Detail" option in the Driver.
- 3 The problems may be inherent in the image that you are trying to print. Try to improve the image with the **application** that generated the file.

Lines are Printed Double or in Wrong Colors

Description of problem

This problem can have various visible symptoms, as shown below:



Corrective Action

- 1 Align the Printheads (Ink Menu/Printheads/Align Printheads).
- 2 If the image has been printed using the Normal or Fast print quality setting and it is not acceptable to the customer, then reprint it using the **Best** print quality setting.

Lines are Blurred (Ink Bleeds from Lines)

Description of problem

This problem is often caused by the ink soaking into the paper, making the lines blurred and fuzzy. This could be because of the humidity in the air.

Corrective Action

- 1 Print in a less humid environment.
- 2 Try using a heavier paper type, such as HP Heavyweight Coated Paper.

Glossy Photo Paper types are especially difficult to dry. Take extra care with them.

- 3 Make sure that the **paper type** selected in the Front Panel is the same as the paper type loaded into the Printer.
- 4 Increase the drying time through the Front Panel (Ink Menu/Drying Options/Drying Time).
- 5 Allow the prints time to dry separately; do NOT cover or stack them.

Problems with Color Accuracy

There are two basic requirements for color accuracy:

- 1 Ensure that the paper type being used has been color calibrated, which will give color consistency from print to print, and from Printer to Printer.
- 2 Select suitable options in the application (refer to the User's Guide for more information).

If PostScript is not being used, remember that the printer may be configured to use one of its internal pen palettes instead of the software's palette (which is the default).

Color accuracy using EPS or PDF images in page layout applications

Page layout applications such as Adobe InDesign and QuarkXPress do not support color management of EPS, PDF, or grayscale files.

If these types of files have to be used, try to ensure that the EPS, PDF, or grayscale images are already in the same color space that is intended to be used later on in Adobe InDesign or QuarkXPress. For instance, if the final objective is to print the job in a press that follows the SWOP standard, at the time of creating the EPS, PDF or grayscale the image should be converted into SWOP.

Problems with PANTONE Color Accuracy

Spot colors are special premixed inks to be used directly in the press, and the best-known spot colors are PANTONE colors.

The PostScript Printer contains an option called Automatic PANTONE Calibration, which can easily match most of the PANTONE Solid Coated spot colors. When an application sends a PANTONE color to print, it sends the PANTONE name together with its own estimate of equivalent CMYK values. The Automatic PANTONE Calibration facility recognizes the PANTONE name and converts it to CMYK in a way that depends on the printer model and the selected paper type, enabling the color to be rendered with greater precision than is possible with the generic CMYK values sent by the application.

Even when using Automatic PANTONE Calibration, it cannot be expected that the printer matches the PANTONE colors exactly. The printer is certified by Pantone for some papers, but this does not mean that it can reproduce 100% of the PANTONE colors.

Using Automatic PANTONE Calibration (the best choice)

In order to use Automatic PANTONE Calibration, an application that recognizes the PANTONE colors, and a calibrated PostScript Printer is needed.

The Automatic PANTONE Calibration facility emulates PANTONE Solid Coated colors only (suffix C). Other PANTONE colors will be printed using the CMYK values sent by the application.

Converting PANTONE colors manually

If a non-PostScript Printer is being used, or if an application (such as Adobe Photoshop) is being used that does not send the name of the PANTONE color to the Printer, then the Automatic PANTONE Calibration will not be available. Instead, if required, each PANTONE color has to be manually converted to CMYK values in the application, using tables produced especially for the printer and paper type.

If the application has a facility to convert PANTONE colors to CMYK values automatically, it probably does not take into account the type of Printer or paper type, so better results will be achieved with a manual conversion using the tables.

A PANTONE calibrated color chart in EPS, TIFF, and PDF format can also be obtained, which can be convenient if the application being used has an eyedropper tool with which colors can be picked up from an imported graphic.

Tips

- Automatic PANTONE Calibration works with PostScript printers only.
- Ensure that Automatic PANTONE Calibration is turned on in the driver.
- Some applications may not support PANTONE colors fully; for example, Photoshop 7.0 does not send the PANTONE Color with its name, it sends only the CMYK values from its standard table.
- Some colors may be out of gamut and impossible to match precisely with your Printer and paper type.

Color Matching Between Different HP Designjet Printers

If an image is printed on two different Printer models (for instance, on an HP Designjet 4500 Printer series and an HP Designjet 1000 Printer series), you may find that the colors of the two prints do not match well.

Matching two printing devices that use different ink chemistry, paper chemistry, and Printheads is unlikely to be completely successful. The information provided here is the best way to emulate one Printer with another. Even so, the end result may not be a perfect match.

Emulating the colored lines from the HP Designjet 1000 Series

To enable this go to the Printer Setup icon in the front panel and select: Default printing options/Color Options/RGB Input Profile /HP Designjet 1000 series.

Note: Once this is set any RGB files the printer receives will use the emulation

The color will be very similar to that which is printed from the HP Designjet 1000 Printer series.

Here are some important points to note when using the printer emulation feature:

- It will not be 100% the same as the HP Designjet 1000 Printer series, this is mainly because in the HP Designjet 1000 series family, there is a high level of variation in the color output, this is because there is no close loop color to ensure color accuracy.
- This setting will only be available from the front panel, and will not be available through the Embedded Web Server, or through the driver.
- The HP Designjet 1000 Printer series color emulation will over-write any previous RGB color settings.
- This setting is not applicable to CMYK files, or when printing through PostScript drivers.
- The PostScript driver already has HP Designjet 1000 Printer series emulation, available for CMYK and certain types of media.

The HP Designjet 1000 Printer series color emulation is not optimized for the following media types:

- Translucent
- Clear Film
- Matte Film

Printing via separate PostScript drivers

The situation is that you are printing on each printer using the PostScript driver installed for that printer. In this example, we are using an HP Designjet 4500 Printer series and an HP Designjet 1000 Printer series.

- 1 Ensure that both printers have been updated with the latest firmware version.

- 2 Ensure that you have the latest printer driver for both printers. The latest versions can be downloaded from <http://www.hp.com/go/designjet>.
- 3 Ensure that Color Calibration is turned on (Setup Menu/Configuration Menu/Color calibration/On).
- 4 Load both Printers with similar paper types.
- 5 Ensure that the Paper Type setting on the front panel corresponds to the paper that is loaded.
- 6 Print the image on the HP Designjet 1000 Printer series using the normal settings.
- 7 Now prepare to print the same image on the HP Designjet 4500 Printer series.
- 8 In the application, set the color space of the image to emulate the HP Designjet 1000 Printer series and the specific paper type that you used in that printer. The data sent to the driver must be already converted to this emulation color space, which is a CMYK color space. refer to the application's online help for information on how to do this. In this way, the 4500 series will emulate the colors that the 1000 series can produce when printing on that paper type.
- 9 In the PostScript driver for the HP Designjet 4500 Printer series, go to the Color Management section and set the CMYK input profile to the same HP Designjet 1000 Printer series color space that was selected in the application (the emulation color space).

When trying to emulate another printer, CMYK colors should always be used, not RGB.

- 10 Set the rendering intent to Relative Colorimetric, or to Absolute Colorimetric if the whiteness of the paper needs to be emulated.
- 11 Print the image on the HP Designjet 4500 Printer series.

Printing via separate HP-GL/2 drivers

The situation is that you are printing on each printer using the HP-GL/2 driver installed for that printer.

- 1 Ensure that both printers have been updated with the latest firmware version.
- 2 Ensure that you have the latest printer driver for both printers. The latest versions can be downloaded from <http://www.hp.com/go/designjet>.
- 3 Ensure that Color Calibration is turned on (Setup Menu/Configuration Menu/Color calibration/On).
- 4 Load both Printers with similar paper types.
- 5 Ensure that the Paper Type setting on the front panel corresponds to the paper that is loaded.
- 6 With the HP-GL/2 driver for the HP Designjet 4500 Printer series, select the Color tab, and set the **Color Matching Method** to **sRGB**.
- 7 With the HP-GL/2 driver for the HP Designjet 1000 series, select the Options tab, then **Manual Color > Color Control > Match Screen**. You should

also select the Paper Size tab, then **Paper Type**, and select an Enhanced Colors paper type.

Printing the same HP-GL/2 file

The situation is that you have produced an HP-GL/2 file (also known as a PLT file) using the HP-GL/2 driver installed for one printer, and you intend to send the same file to both printers.

- 1** Ensure that both printers have been updated with the latest firmware version.
- 2** Ensure that Color Calibration is turned on (Setup Menu/Configuration Menu/Color calibration/On).
- 3** Load both Printers with similar paper types.
- 4** Ensure that the Paper Type setting on the front panel corresponds to the paper that is loaded.
- 5** If you have an HP-GL/2 file produced for an HP Designjet 1000 Printer series and you want to print it on an HP Designjet 4500 Printer series, proceed as follows using the Embedded Web Server or the front panel:
 - Using the Embedded Web Server: in the Color Management section of the Submit Job page, set the **Input Profiles: RGB** to **None (Native)**.
 - Using the front panel: Enter the **Setup Menu**, then **Printing defaults menu > Color Options > RGB Input Profile: None (Native)**.

For other HP Designjet Printers, set both printers to match the screen colors (**sRGB** if selectable), as when printing with separate HP-GL/2 drivers.

Problems with Image Clipping

This normally indicates a discrepancy between the actual printable area on the loaded paper and the printable area as understood by the software.

- Check the actual printable area for the paper size that is loaded.
printable area = paper size – margins
The Windows HP-GL/2 driver displays the printable area in the Paper/Quality tab.
- Check what the software understands to be the printable area (which it may call "printing area" or "imageable area"). For example, some software applications assume standard printable areas that are larger than those used in this Printer.
- If a very long image needs to be printed on a roll, check that the software is capable of printing an image of that size.
- Check that the orientation of the paper is the same as that assumed by the software. The front-panel **Printing defaults menu > Paper options > Rotate** option changes both the orientation of a print and the orientation of the page. It is possible that a rotated image on a roll may be slightly clipped in order to retain the correct page size.
- The page may have been rotated from portrait to landscape on a paper size that is not wide enough.
- If necessary, change the printable area in the software.

Other Possible Explanation

Some applications, such as Adobe Photoshop, Adobe Illustrator, and CorelDRAW, use an internal 16-bit coordinate system which means that they cannot handle an image of more than 32,768 pixels. If you try to print an image larger than this from these applications, the bottom of the image will be clipped. In this case, the only way to print the whole image is to reduce the resolution so that the whole image requires fewer than 32,768 pixels. The HP-GL/2 printer driver contains an option called **Compatibility with 16-bit applications**, which can be used to reduce the resolution of such images automatically. This option can be found by clicking the Troubleshooting button in the driver's Services tab.



Image is Completely Blank

If a file is sent to the Printer and the image comes out completely blank, this is probably because the incorrect Graphic Language has been selected. Try the following to resolve the problem:

- 1 If the Front Panel **graphic language** setting is set to **Automatic**, try choosing a setting specific to the current requirement (e.g. Select **PostScript** for a PostScript file).
- 2 Send the file again to see if the problem is now resolved.

Once the file has been printed, make sure you reset the graphic language back to Automatic (Setup Menu/Printing Defaults Menu/Graphic Language).

If the problem continues, then try the following:

- 1 If the Front Panel **graphic language** setting is **not** set to **Automatic**, then set it to Automatic so that the Printer can determine which type file it is receiving.
- 2 Select **HP-GL/2** if PostScript files are not being used and if image position problems or timing problems have been experienced in the past.
- 3 Select TIFF, JPEG, PDF or CALS G4 only if the file of the appropriate type is sent directly to the Printer without going through a Printer driver. This is normally done only from the Embedded Web Server (EWS), in which case the language setting is done by the EWS and does not need to be done manually.

The PS and PDF options are available in the HP Designjet 4500ps but not in the HP Designjet 4500.

Output Only Contains a Partial Print

If the output that was expected only contains a partial image, then try the following to resolve the problem:

- 1 Was the **Cancel** key pressed before all the data was received by the Printer? If so, send the file again and make sure that the **Cancel** key is not pressed.
- 2 The **I/O Timeout** setting may be too short. Increase the I/O timeout setting (Setup Menu/I/O Setup/IO Timeout) and then send the file again.
- 3 There might be a problem between the Printer and Computer. Check the cable between the computer and the Printer to make sure it is not damaged and is connected correctly.
- 4 Make sure that the software settings are correct for the current page size (e.g. long-axis prints).
- 5 If network software is being used, make sure it has not timed out.

Image is in One Portion of the Printing Area

If the output that was expected only contains an image in one portion of the Print Area, then try the following to resolve the problem:

- 1 Check to see if a too small a page size has been selected in the application.
- 2 Check to see if the application is set to print the image in only one portion of the page.
- 3 If the problem continues, then the cause could be software-printer incompatibility:
 - Check to see if the software is configured correctly for the Printer.
 - Try changing the Graphic Language through the Front Panel (Setup Menu/Printing Defaults Menu/Graphic Language).
 - Refer to the Assembly and Setup Poster and the driver documentation.

Image is Unexpectedly Rotated (PostScript Driver)

If the output that was expected contains an image that was unexpectedly rotated, then try the following to resolve the problem:

- 1 Check the **rotate** option through the Front Panel (Setup Menu/Printing Defaults Menu/Paper Options/Rotate) to make sure the rotate option has not been selected.
- 2 For non-PostScript files, if **Nesting** is **On**, the pages might be automatically rotated in order to save paper.
- 3 Check also the following options to see if the rotate option has been activated by mistake:
 - Windows Driver - **Finishing** tab ? **Rotate by 90 degrees.**
 - Mac OS Driver - **Finishing** panel ? **Rotate by 90 degrees.**
 - Embedded Web Server - Select **Submit Job** ? **Rotate.**

Print is Distorted or Unintelligible

If the output that was expected is distorted or unintelligible, then try the following to resolve the problem:

- 1 There might be a problem between the Printer and Computer. Check the cable between the computer and the Printer to make sure it is not damaged and is connected correctly.
- 2 If the Front Panel **graphic language** setting is set to **Automatic**, try choosing a setting specific to the current requirement (e.g. Select **PostScript** for a PostScript file).
- 3 Depending on the software, drivers and RIPs that are being used, there are different ways of solving this problem - refer to the relevant Vendor's User Documentation for further information.

Print is a Mirror Image of the Original

If the output that was expected is a mirror image of the original image, then try the following to resolve the problem:

- 1 Check the **mirror** option through the Front Panel (Setup Menu/Printing Defaults Menu/Paper Options/Mirror) to make sure the rotate option has not been selected.
- 2 Check also the following options to see if the mirror option has been activated by mistake:
 - Windows Driver - **Finishing** tab ? **Mirror Image**.
 - Mac OS Driver - **Finishing** panel ? **Mirror Image**.
 - Embedded Web Server - Select **Submit Job** ? **Mirror**.

One Image Overlaps Another on the Same Sheet

If the output that was expected contains an image that overlaps another on the same sheet, then try the following to resolve the problem:

- 1 The **I/O Timeout** setting may be too long. Decrease the I/O timeout setting (Setup Menu/I/O Setup/IO Timeout) and then send the file again.

No Output from the Printer

If a file is sent to the Printer but no output is printed, then try the following to resolve the problem:

- 1 Check that the power cable is correctly connected and that the Printer is switched On. Check that all communication cables are correctly connected.
- 2 Strong Electromagnetic fields or electrical disturbances may be affecting the Printer. In this case, power Off the Printer and wait until the electromagnetic environment has returned to normal before powering On the Printer again.
- 3 Incorrect Graphic Language has been set through the Front Panel. Make sure that if a MAC OS is being used to print, the **graphic language** setting should be set to **Automatic** or **PostScript**.
- 4 Make sure the correct driver has been installed. The correct driver can be downloaded from <http://www.hp.com/go/designjet>.
- 5 If a Mac OS is being used with either FireWire or USB, the data encoding option may need to be changed.
 - a Change the data encoding setting through the Front Panel (Setup Menu/ Printing Defaults Menu/PS Options/Encoding/ASCII).
 - b Then configure the application to send ASCII data.
- 6 The print job could be waiting for a timeout:
 - Check that the file has a proper file terminator. If not, then wait the specified I/O timeout period.
 - If Nesting is turned ON, the Printer may be waiting for the specified timeout before printing.
 - If using the Embedded Web Server, a print preview may have been requested. In this case, initiate the print through the Embedded Web Server.

Pinchwheel Marks when using Glossy Media

Description of problem

The Pinchwheels mark the glossy media and some waves can be seen in the printed images that have high density area fills. This happens when using HP Productivity Photo Gloss media and it can be seen especially at the beginning of the first print job after loading the media (the skew check routine moves the media backwards and forwards several times).

Corrective Action

- 1 If an image is to be printed that has high density area fills, advance the media so that the problem is greatly reduced.
- 2 Reprint the image (the problem will be reduced).

VLS in 1 Pass Printmodes

Description of problem

In certain circumstances the lines are not straight when using 1 pass printmodes. There are several factors that explain why vertical line straightness (VLS) in 1 pass printmodes are above acceptability threshold:

- Printhead Alignment residual error.
- Printing on paper type different from the one used to perform the Printhead Alignment.
- Some level of theta Z coming from the stabilization area after a media load (approximately 3 meters of paper).

Shown below is an example of what you might see if you have this problem:



Corrective Action

- 1 Check that the appropriate print quality settings are being used. Refer to Page 6-3 for further information on choosing the correct Print Quality settings.
- 2 Roll paper usually gives better vertical lines than a single sheet of the same type of paper. If sheet paper must be used, then it is recommended to use the **Best** print quality setting.
- 3 Try using a heavier paper type, such as HP Heavyweight Coated Paper or HP Productivity Gloss.
- 4 Align the Printheads (Ink Menu/Printheads/Align Printheads).

VLS in First 3 Meters after a Media Load

Description of problem

In order to ensure that the user can load the media into the Printer with an acceptable success rate, the Printer allows the media to be loaded with a certain level of skew. This initial skew gets automatically corrected as the media is advanced: there is a transition area where the media rotates until the skew gets corrected and the paper stabilizes. The media rotation in the transition zone is what actually creates the vertical line straightness problem.

Corrective Action

- 1 Make sure that the media is loaded as straight as possible. Use the blue line of the Print Platen to align the edge of the media correctly.

An alternative way of loading media is to align the media with the end of the overdrive. This way media waste will be minimized and it will also reduce media load problems.

- 2 Check that the appropriate print quality settings are being used. Refer to Page 6-3 for further information on choosing the correct Print Quality settings.
- 3 Roll paper usually gives better vertical lines than a single sheet of the same type of paper. If sheet paper must be used, then it is recommended to use the **Best** print quality setting.
- 4 Try using a heavier paper type, such as HP Heavyweight Coated Paper or HP Productivity Gloss.
- 5 Align the Printheads (Ink Menu/Printheads/Align Printheads).

Bubbles (Only occurs in Cyan, Magenta and Yellow)

Description of problem

The bubbles problem is normally seen as banding (white lines) and the severity is quite different depending on the amount of nozzles out.

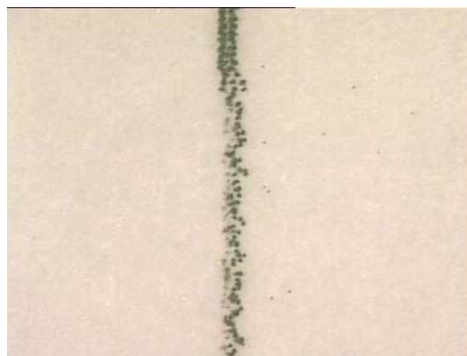
Corrective Action

- 1 Check that the appropriate print quality settings are being used. Refer to Page 6-3 for further information on choosing the correct Print Quality settings.
- 2 Recover the Printheads (Ink Menu/Printheads/Recover Printheads).
- 3 Turn "Printhead Monitoring" to "Intensive" to guarantee consistent quality while using the **Best** print quality setting.
- 4 Replace the faulty Printhead.

Black Printhead: Decap Problem

Description of problem

When the Black Printhead does not fire any ink during one swath, but only prints at the end of the swath, a thin vertical line (a defect) can be seen:



Some information to take into consideration:

- The part of the thin line which is before the black box is of much better quality compared to the part which has not been printed for at least the last 37.5 inches (95.3 cm).
- The longer the Black Printhead is not printing, the more visible the defect will be.
- The defect is not seen with thicker lines.
- If the Black Printhead is not printing at the beginning of the print (e.g. no black frame around the print), the defect can be worse. This specific defect is called "Inter Swath Decap".
- When the Black Printhead is printing at the beginning of the swath (e.g. when there is a black frame around the print), the specific decap defect is called "Intra Swath Decap".

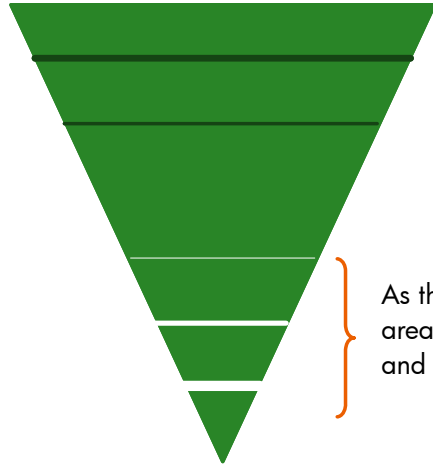
Corrective Action

- 1 Check that the Printer has the latest Firmware version. If not, update the Firmware to the latest version.
- 2 Try rotating the print by 90, 180 or 270 degrees.
- 3 Since this problem is only seen when printing thin lines, try to avoid printing thin lines whenever possible.
- 4 To decrease the probability of having the "Inter Swath Decap" issue, a black frame around the print should be added.
- 5 Switch to the **Best** print quality setting and turn Off the "Maximum Detail" option in the Driver.

Paper Expansion - Paper Advance (PEPA)

Description of problem

When printing high density area fills on a paper-based media, the media will expand. As the media expands, it can create "bandings" between each swath. The "banding" is mainly noticeable when printing high density area fills while using the **Fast** print quality setting and with the **optimized for drawings/text** setting activated.



As the quantity of ink is higher in this area, the paper expands more and can cause dark banding.

As the quantity of ink is lower in this area, the paper does not expand more, and some white banding can appear.

Corrective Action

- 1 If the image has been printed using the **Fast** print quality setting, then reprint it using the **Normal** or **Best** print quality setting and activate the **optimized for images** option.
- 2 Try using a heavier paper type, such as HP Heavyweight Coated Paper or HP Productivity Gloss.
- 3 Check that the environmental conditions (temperature, humidity) are within the temperature/humidity range as specified for the Printer (refer to the User's Guide for further information).

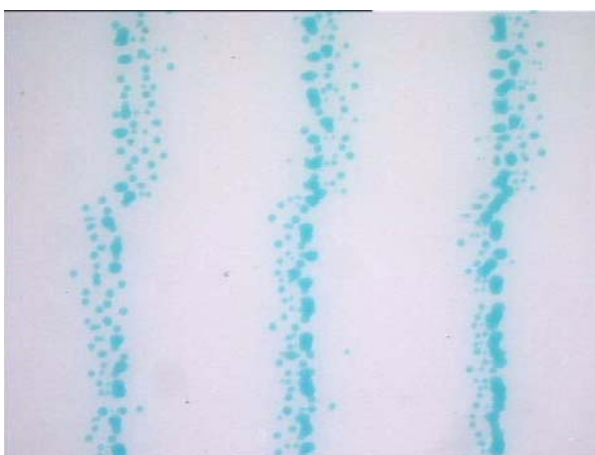
Do NOT perform the Paper Advance Calibration as this will recenter the actual advance factor BUT won't prevent the differential banding due to paper expansion.

Bidirectional Offset in Light Color Density Areas

Description of problem

There seems to be a slight Bidirectional offset when printing light color density areas in lines or drawings. This happens when printing on Plain Paper using the **Fast** print quality setting with the "Maximum Detail" option switched Off.

Shown below is an example of what you might see if you have this problem:



Corrective Action

- 1 If the image has been printed using the **Fast** print quality setting, then reprint it using the **Normal** or **Best** print quality setting.
- 2 Avoid printing light density areas/lines, especially grays.
- 3 Turn On the "Maximum Detail" option in the Driver.

Ink Contamination on Yellow Printhead

Description of problem

In certain circumstances, the Yellow Printhead is cross-contaminated by aerosol coming from the Black Printhead. This occurs when the aerosol removal system in the Service Station ceases to work.

When this problem occurs you will actually see nozzles out and misdirected. In this situation Printhead Recovery will not help to resolve the problem since this is a permanent problem and eventually degrades the life of the Printhead.

Corrective Action

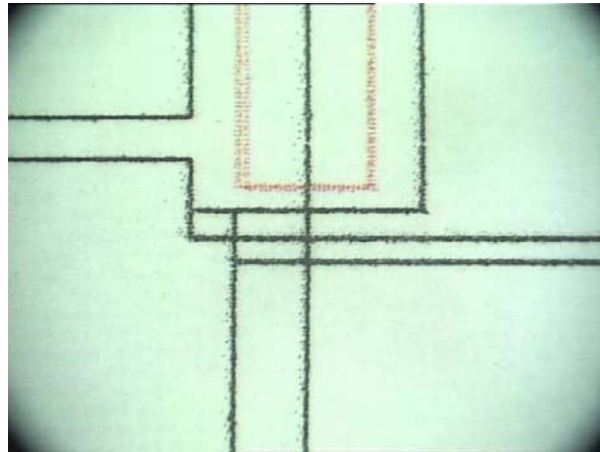
- 1 Replace the Yellow Printhead and the Black Printhead Cleaner.

Satellites in Black Lines

Description of problem

In certain prints, black text and lines have a fuzzy or shadow effect. This problem is more likely to be seen when printing CAD data at high Carriage Speeds (when printing on **Plain** Paper using the fast print quality setting).

Shown below is an example of what you might see if you have this problem:



Corrective Action

- 1 If the image has been printed using the **Fast** print quality setting, then reprint it using the **Normal** or **Best** print quality setting.
- 2 If the image needs to be printed using the **Fast** print quality setting, then try turning On the "Maximum Detail" option in the Driver.



Parts and Diagrams

7

Printer

- Printer Support 7-2
- Center Covers 7-4
- Electronics Module 7-6
- Right Hand Cover 7-8
- Left Hand Cover 7-10
- Right Hand Assemblies 7-12
- Left Hand Assemblies 7-14
- Carriage Assembly 7-16
- Scan-Axis Assemblies 7-18
- Drive Roller and Media-Axis Motor 7-20
- Paper Path Assemblies 7-22
- Pinchwheel Assembly 7-24
- Rear Path Assembly 7-26
- Roll 1 Module (Front Path) 7-28
- Roll 1 Drawer Assembly 7-30
- Roll 2 Module 7-32
- Roll 2 Drawer Assembly 7-34
- Miscellaneous Parts 7-36

Stacker

- Stacker Stand 7-38
- Covers and Sensors 7-40
- Stacker Paper Trays 7-42
- Rollers and Transport Belt 7-44
- Roller Bushings 7-46
- Drive Motor 7-48
- Electronics Module 7-50
- Input Trays 7-52
- Miscellaneous 7-54

Printer Support

Printer Support			
Reference on Drawing	HP Part Number	Quantity	Description/Comments
1	Q1271-60670	2	Foot Assembly (DJ4500)
	Q6651-60254	2	Foot Assembly (DJ4520)
2	Q1271-60672	2	Legs Assembly
3	Q1271-60675	1	Foot Brace Assembly
4	Q1271-60677	1	Basket Assembly (DJ4500)
	Q1271-60175	1	Basket Assembly (DJ4520)
5	Q1271-60459	2	Leg Cover
6	Q1271-60456	1	X-Brace Assembly
7	Q1271-60673	1	Hardware kit + screws

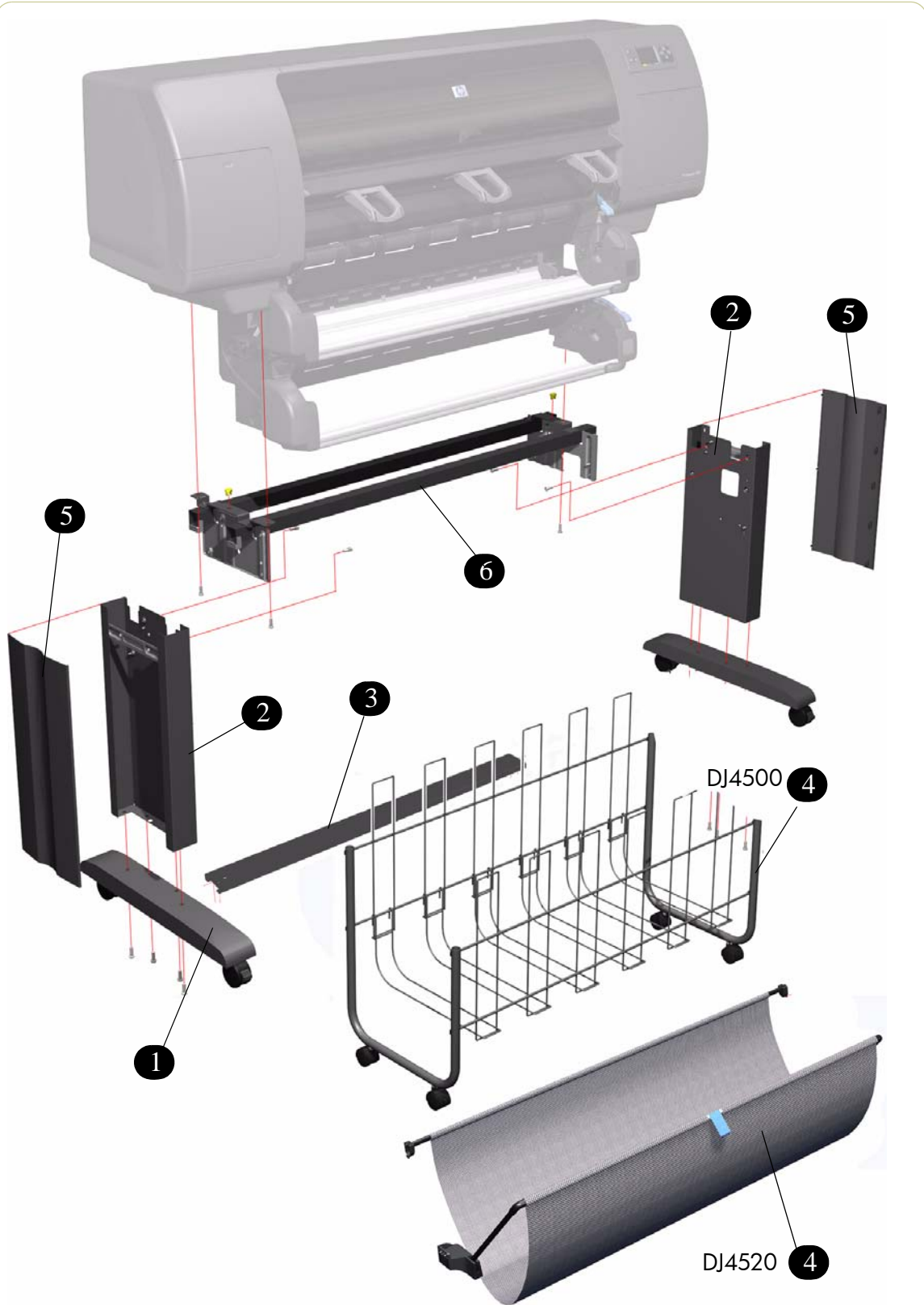


Figure 1: Printer Support

Center Covers

Center Covers			
Reference on Drawing	HP Part Number	Quantity	Description/Comments
1	Q1273-60204	1	Window
2	Q1273-60256	1	Top Cover
3	Q1273-60107	1	Rear Door
4	Q1273-60105	1	Left Connector Cover
5	Q1273-60106	1	Right Connector Cover
6	Q1273-60072	1	Window Sensor

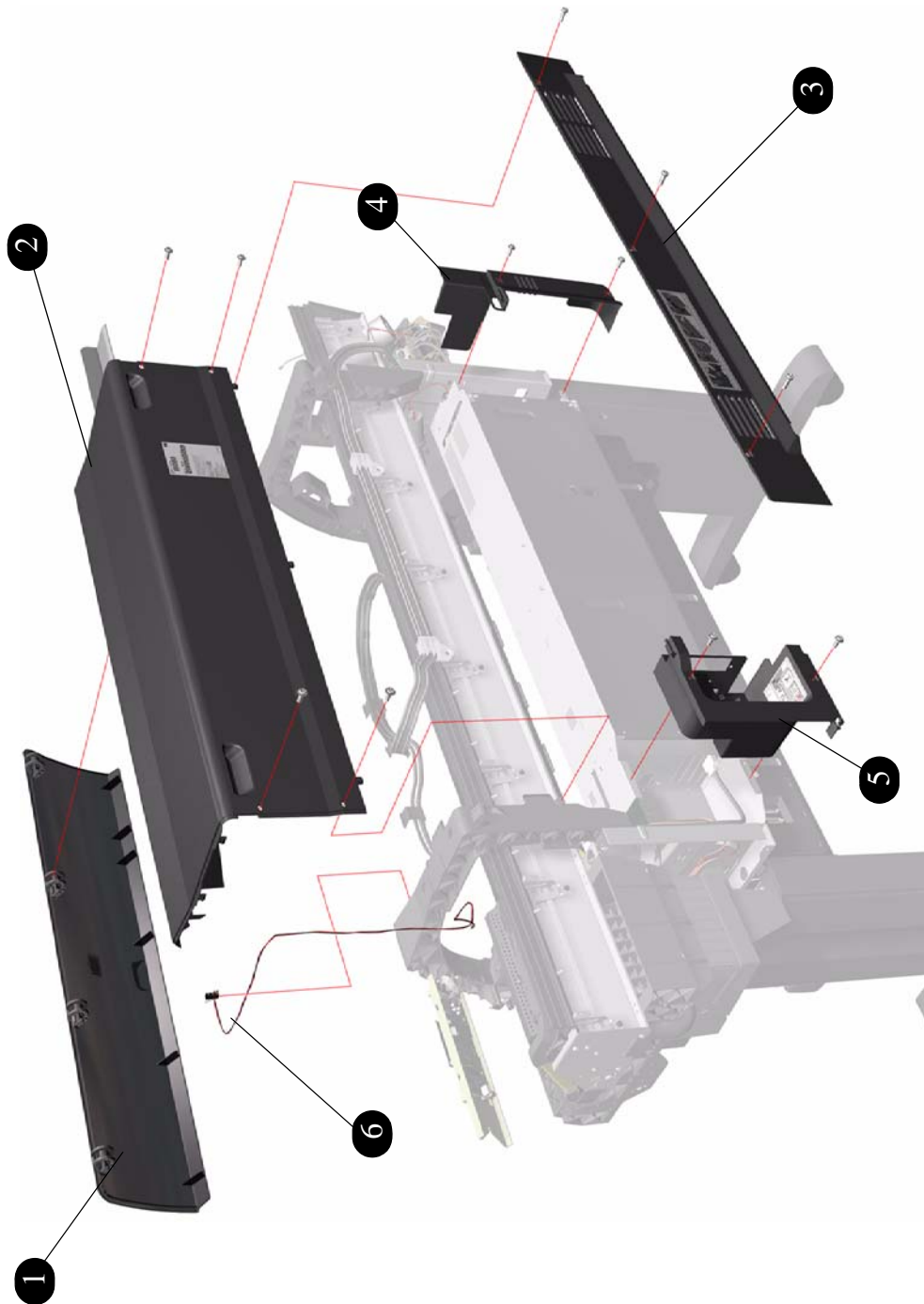


Figure 2: Center Covers

Electronics Module

Electronics Module			
Reference on Drawing	HP Part Number	Quantity	Description/Comments
1	Q1273-60250	1	Main PCA Formatter (Includes Processor & Heatsink)(DJ4500)
	CM765-60004	1	Main PCA Formatter (Includes Processor & Heatsink)(DJ4520)
2	Q1273-60241	1	Gamut PCI PCA
3	Q1271-60638	1	Printmech PCA
4	Q1271-60751	1	Hard Disk Drive (Includes Holder and screws)(DJ4500)
	CM767-60003	1	Hard Disk Drive (Includes Holder and screws)(DJ4520)
5	Q1273-60251	1	Power Supply Unit
6	Q1271-60639	1	Interconnect PCA
7	Q1273-60249	1	Memory Module 256MB (DJ4500)
	CM765-60003	1	Memory Module 512MB (DJ4520)
8	Q1273-60237	1	EIO2PCI Interface
9	Q1273-60238	1	Empty Electronics Module Assembly
10	Q1273-60230	1	Electronics Module Cables Kit
11	Q1273-60272	1	Electronics Module Metal Parts Kit
12	Q5680-60001	1	PCI USB PCA
13	Q5679-60001	1	Gigabit Ethernet PCI Card
14	Q1271-60160	1	CPU Fan

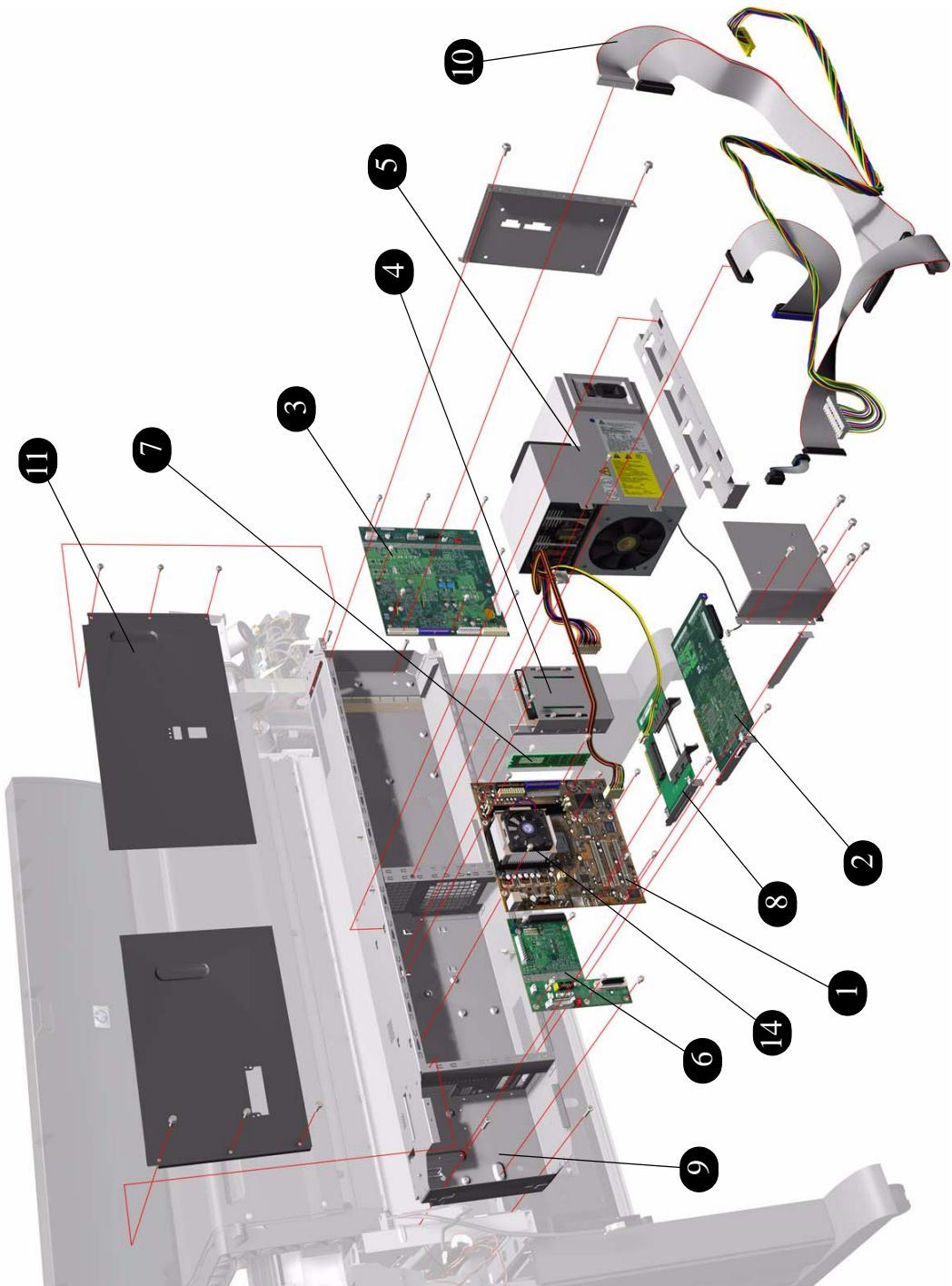


Figure 3: Electronics Module

Right Hand Cover

Right Hand Cover			
Reference on Drawing	HP Part Number	Quantity	Description/Comments
1	Q1273-60054	1	Right Hand Cover (without Door)
2	Q1271-60646	1	Trim Kit (Includes Left Trim, Right Trim and Drive Pinch Lever Bezel)
3	Q1273-60240	1	Front Panel (Includes Cable)
4	Q1273-60101	1	Front Panel Bezel
5	Q1271-60747	1	Printhead Cleaner Access Door (for HP Designjet 4500)
-	Q1271-60746	1	Printhead Cleaner Access Door (for HP Designjet 4500ps) (includes Adobe and Pantone Logo)
-	Q1271-60749	1	Printhead Cleaner Access Door (for HP Designjet 4500MFP)
-	CM767-60005		Printhead Cleaner Access Door (for HP Designjet 4520)
-	CM767-60006		Printhead Cleaner Access Door (for HP Designjet 4520ps) (includes Adobe and Pantone Logo)
-	CM767-60004		Printhead Cleaner Access Door (for HP Designjet 4520MFP)
6	Q1273-60088	1	Quick Reference Guide Holder (DJ4000 only)

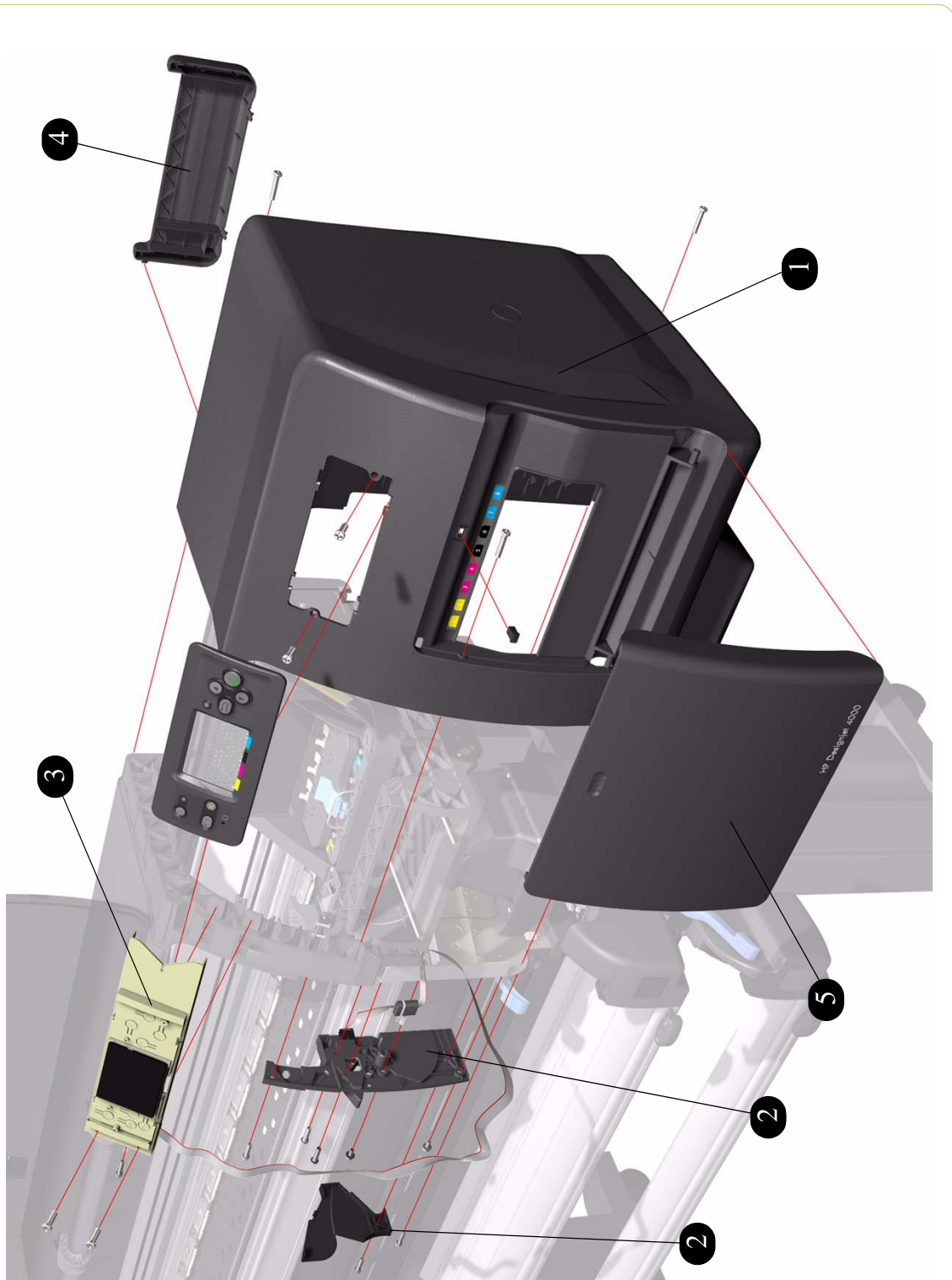


Figure 4: Right Hand Cover

Left Hand Cover

Left Hand Cover			
Reference on Drawing	HP Part Number	Quantity	Description/Comments
1	Q1273-60053	1	Left Hand Cover (without Door)
2	Q1271-60646	1	Trim Kit (Includes Left and Right Trim)
3	Q1273-60293	1	Cartridge Access Door

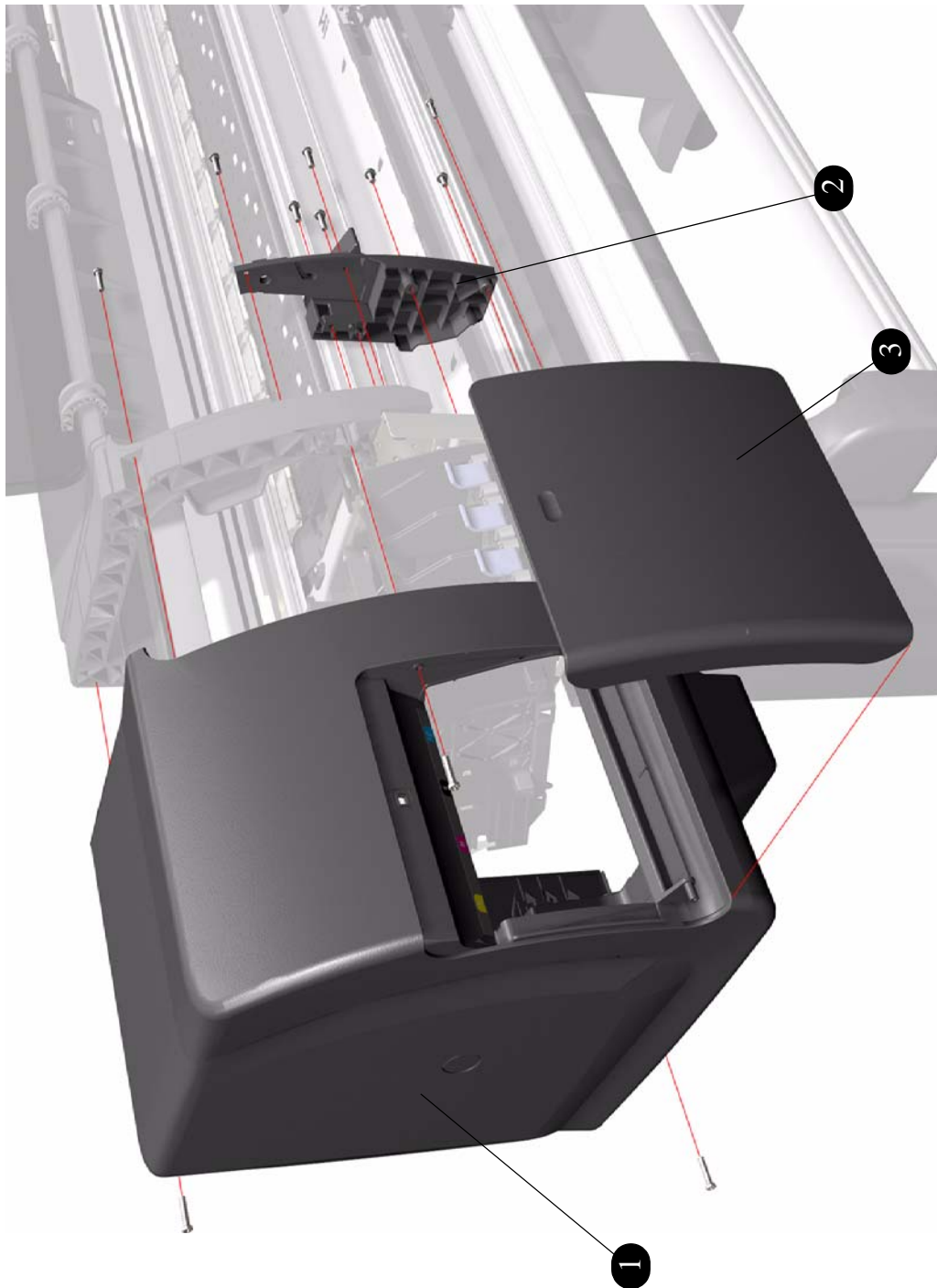


Figure 5: Left hand Cover

Right Hand Assemblies

Right Hand Assemblies			
Reference on Drawing	HP Part Number	Quantity	Description/Comments
1	Q1273-60255	1	Service Station (Includes Drop Detector)
2	Q1273-60226	1	Aerosol Fan Assembly
3	Q1273-60257	1	Vacuum Fan Assembly
4	Q1273-60236	1	Drop Detector
5	Q1273-60273	1	Service Station Cable (Includes Printhead Cleaner Door Switch)
6	Q1273-60084	1	Aerosol Filter
7	Q1273-60086	1	Right Bracket
8	Q1273-60284	1	Right door Switch

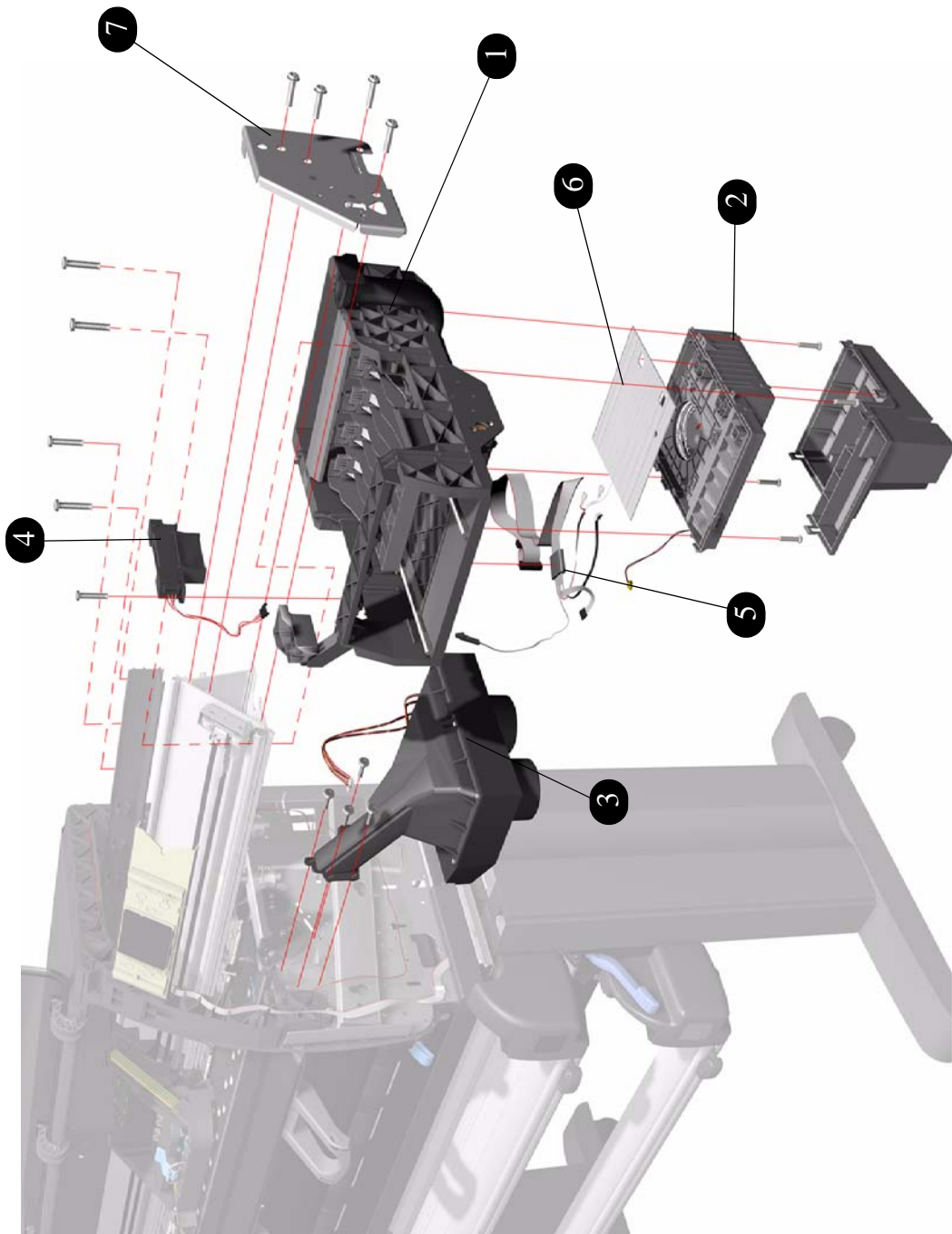


Figure 6: Right Hand Assemblies

Left Hand Assemblies

Left Hand Assemblies			
Reference on Drawing	HP Part Number	Quantity	Description/Comments
1	Q1273-60244	1	Ink Supply Station (without APS)
2	Q1273-60227	1	Air Pressurization Pump (APS)
3	Q1273-60234	4	Cartridge Trays
4	Q1273-60229	1	Left Bracket
5	Q1273-60245	1	ISS to Cartridge Cable
6	Q1273-60099	1	Most Left Spittoons
7	Q1273-60277	1	Middle Left Spittoons

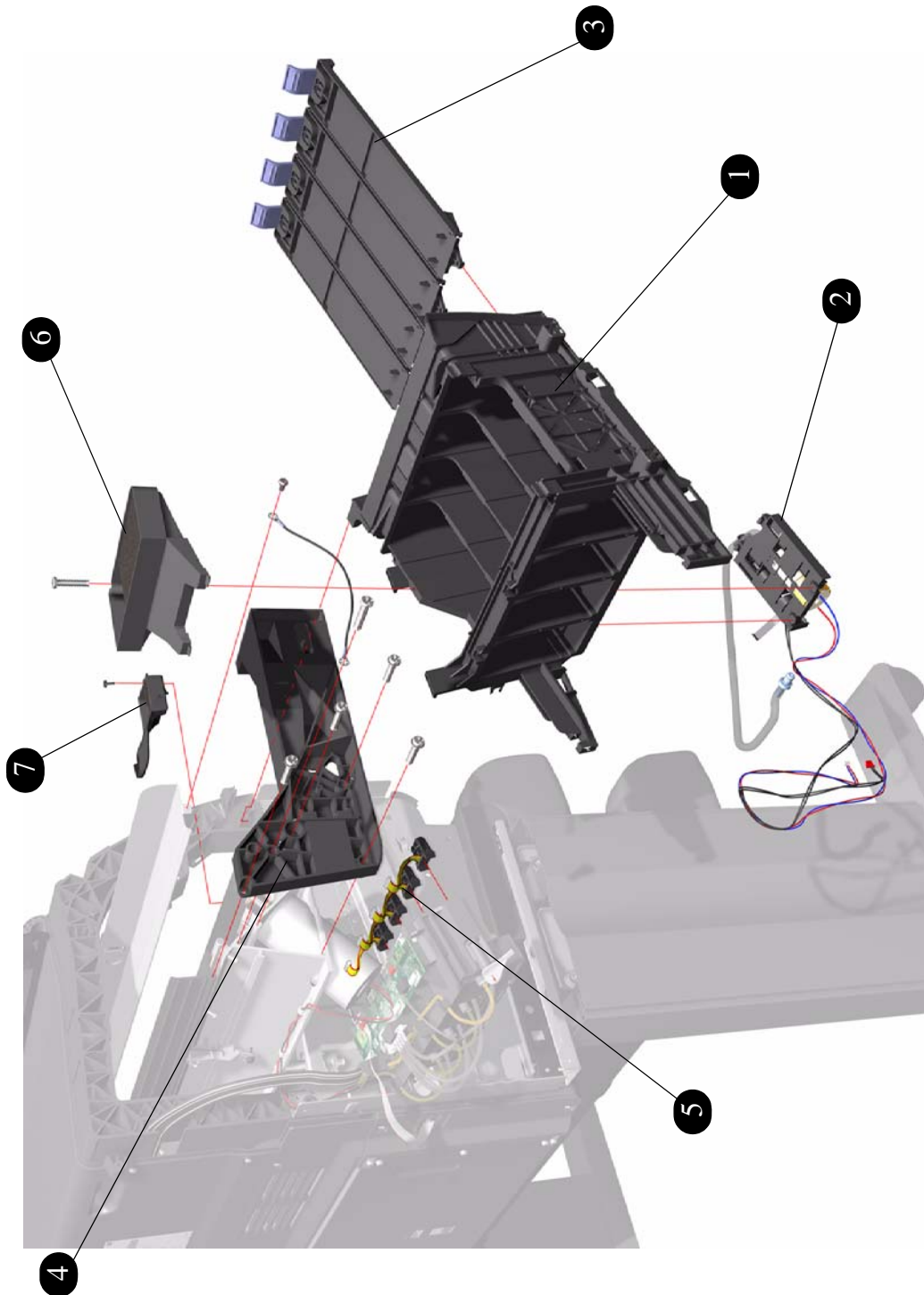


Figure 7: Left Hand Assemblies

Carriage Assembly

Carriage Assembly			
Reference on Drawing	HP Part Number	Quantity	Description/Comments
1	Q1273-60231	1	Carriage Assembly (does not include Cutter, Carriage PCA, Encoder and Line Sensors)
2	Q1273-60271	1	Cutter Assembly
3	Q1273-60246	1	Line Sensor
4	-	1	Encoder Sensor (this sensor is included within the Encoder Strip and Encoder Sensor Kit, pn Q1273-60239)
5	Q1273-60111	1	Setup Printhead Kit
6	Q1273-60232	1	Carriage Flex Cables
7	Q1273-60169	1	Carriage PCA
8	Q1273-60252	1	Carriage Stopper (includes Carriage Stopper Screw and Media-Axis Motor Bracket)

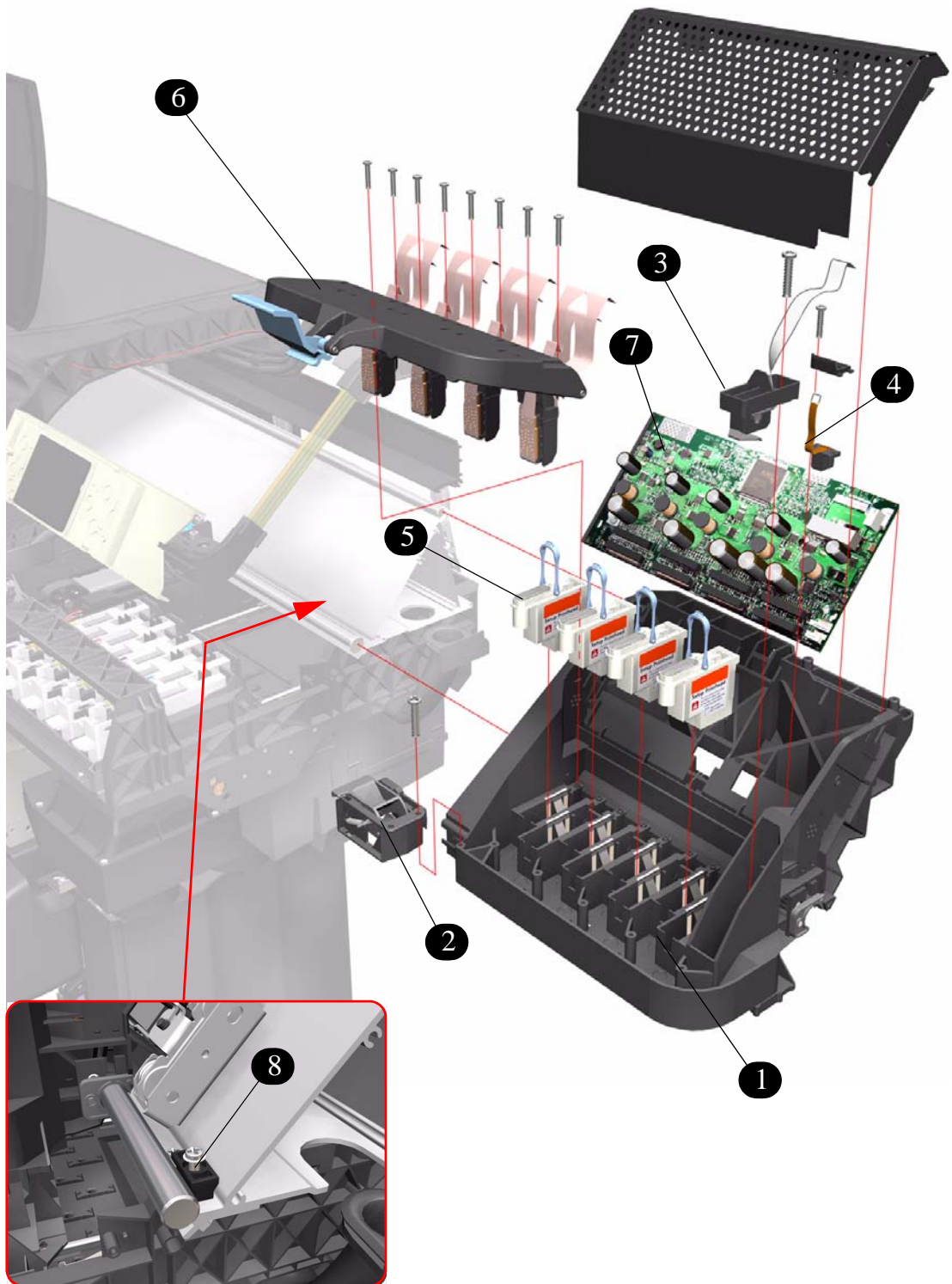


Figure 8: Carriage Assembly

Scan-Axis Assemblies

Scan-Axis Assemblies			
Reference on Drawing	HP Part Number	Quantity	Description/Comments
1	Q1273-60300	1	Ink Supply Tubes (SRK Tubes w/o Trailing Cables Serv)
2	Q1273-60228	1	Belt and Tensioner Assembly
3	Q1273-60071	1	Scan-Axis Motor
4	Q1273-60239	1	Encoder Strip and Encoder Sensor Kit
5	Q1273-60108	5	Ink Supply Tubes Clips
6	Q1273-60266	2	Rear Tube Brackets
7	Q1273-60302	1	Trailing Cable (Data and power)

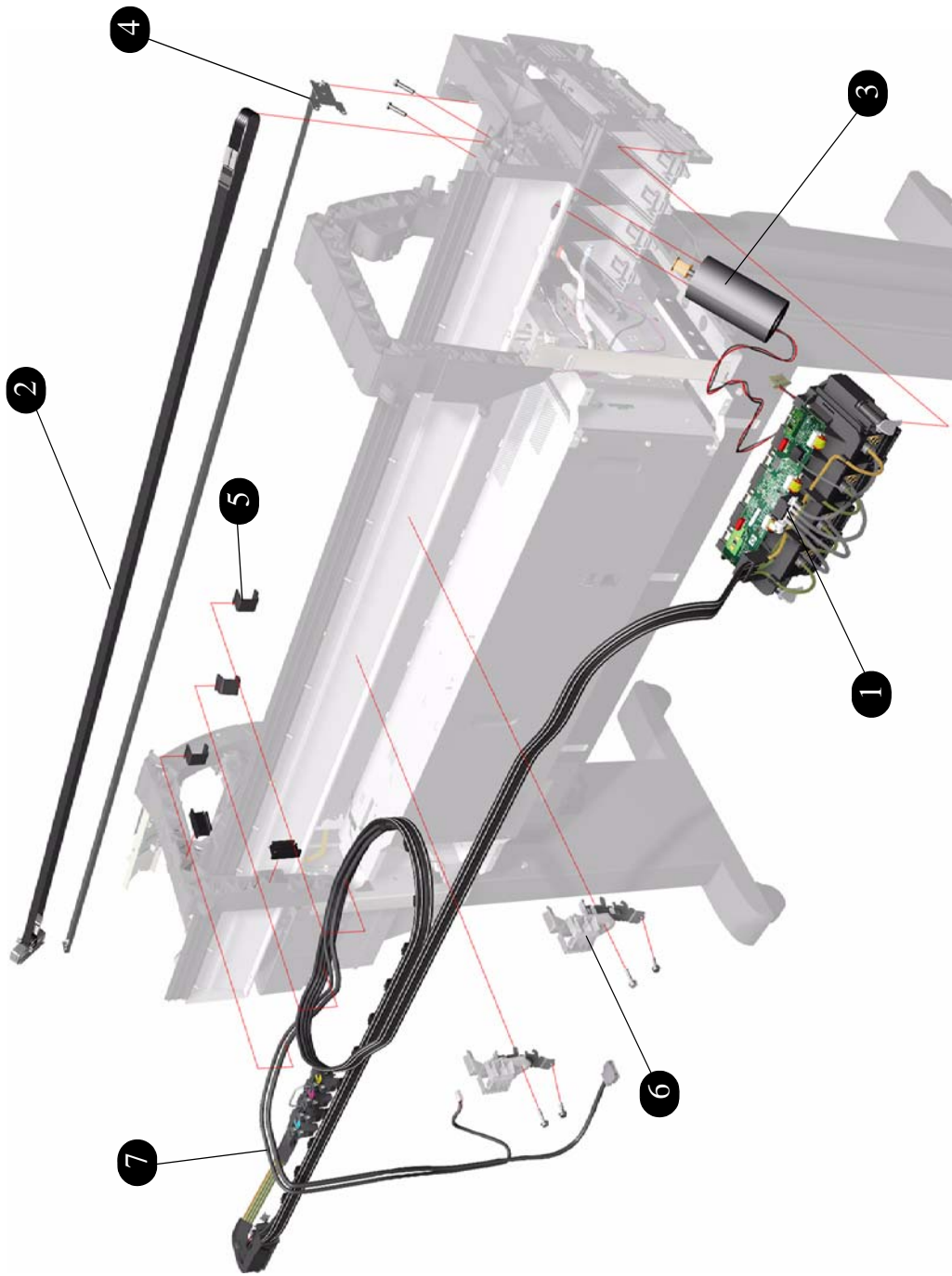


Figure 9: Scan-Axis Assembly

Drive Roller and Media-Axis Motor

Drive Roller and Media-Axis Motor			
Reference on Drawing	HP Part Number	Quantity	Description/Comments
1	Q1273-60039	1	Drive Roller
2	Q1273-60248	1	Drive Roller Encoder Kit
3	Q1273-60242	1	Gears and Drive Roller Brake Kit
4	Q1273-60247	1	Media-Axis Motor
5	Q1273-60252	1	Carriage Stopper (includes Carriage Stopper Screw and Media-Axis Motor Bracket)

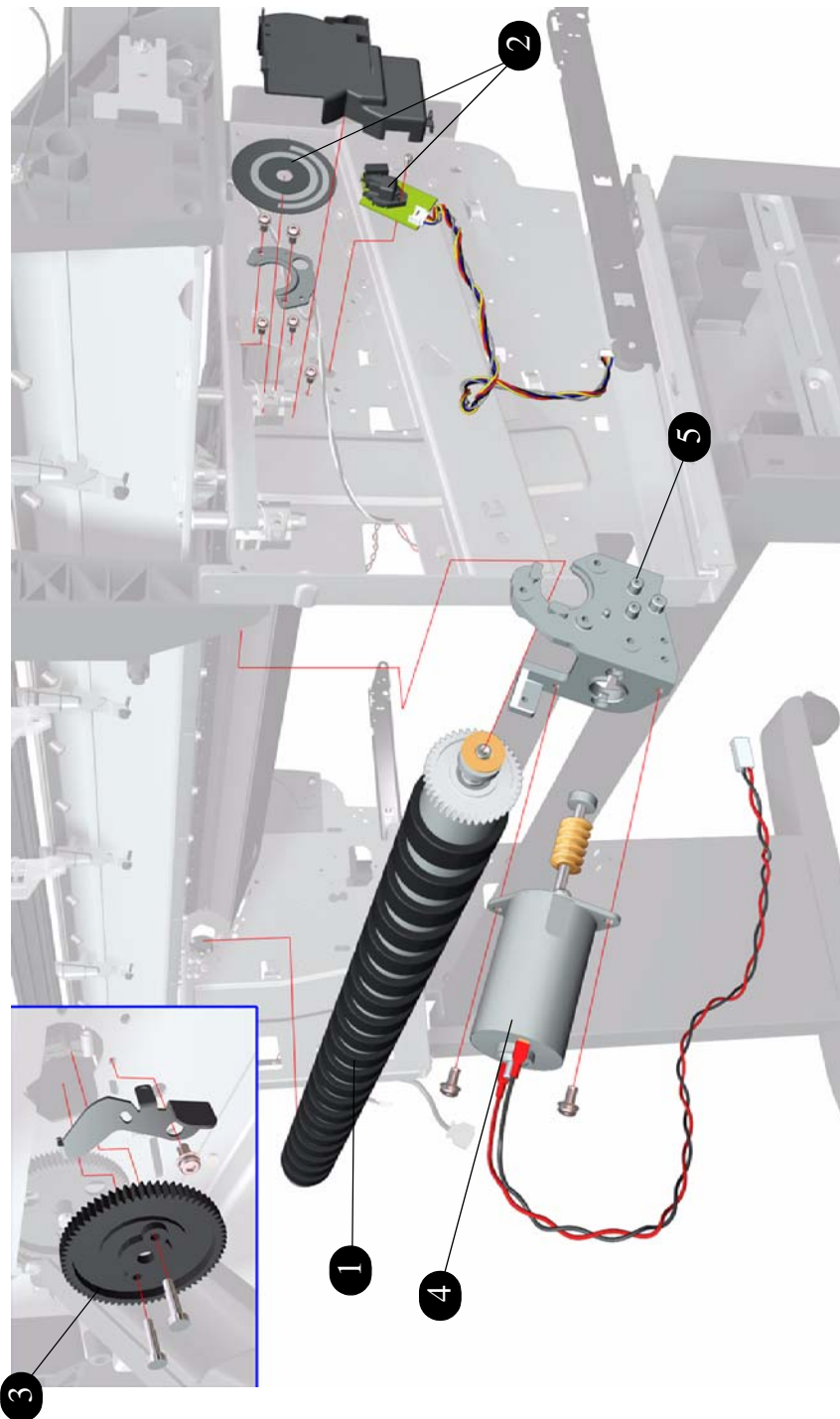


Figure 10: Drive Roller and Media Axis Motor

Paper Path Assemblies

Paper Path Assemblies			
Reference on Drawing	HP Part Number	Quantity	Description/Comments
1	Q1271-60644	1	Center Platen
2	Q1271-60622	1	Output Platen
3	Q1271-60623	2	Media Deflectors Kit
4	Q1271-60624	1	Media Deflector with Sensor

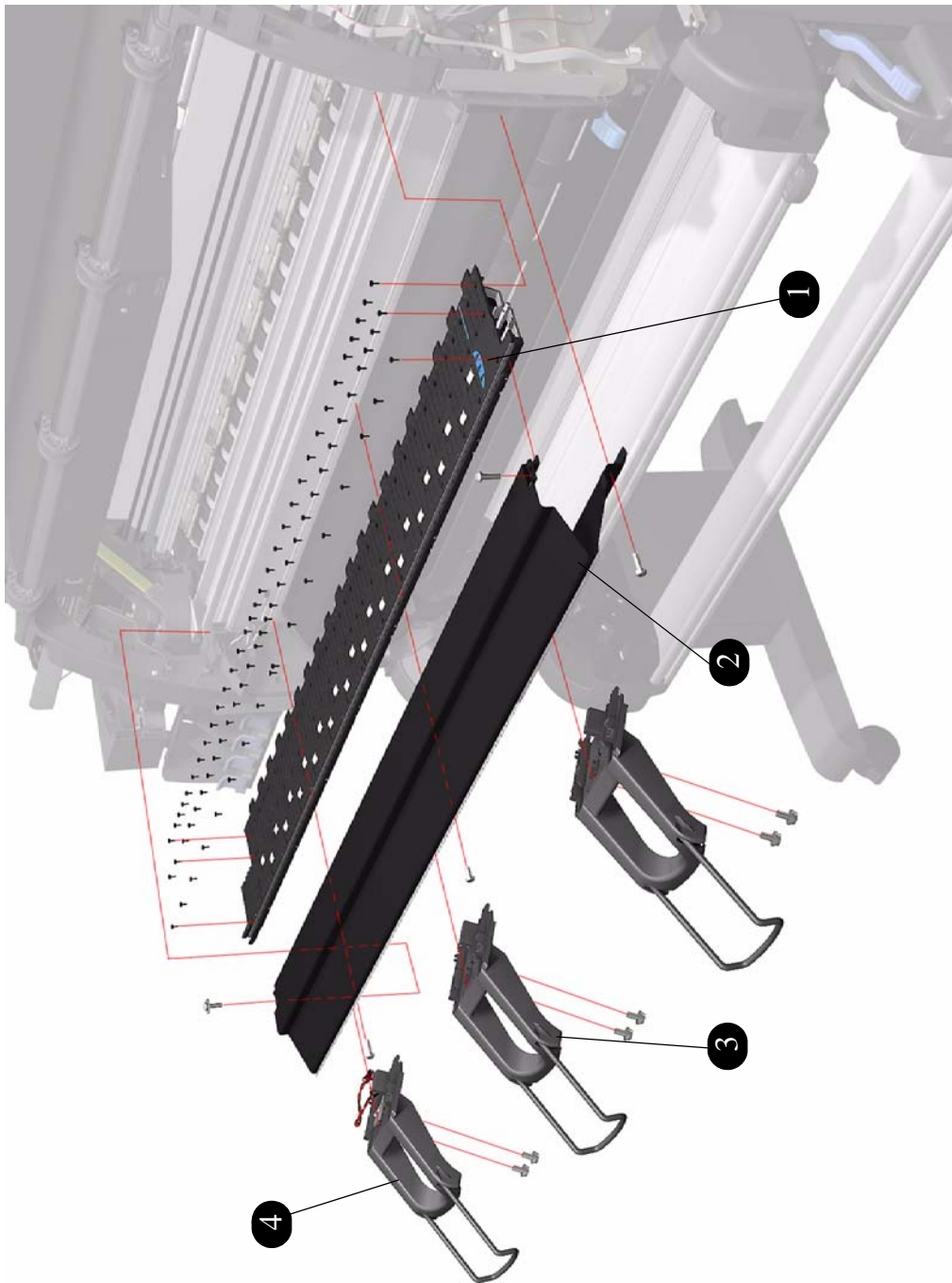


Figure 11: Paper Path Assemblies

Pinchwheel Assembly

Pinchwheel Assembly			
Reference on Drawing	HP Part Number	Quantity	Description/Comments
1	Q1271-60625	1	Complete Pinchwheels Assembly
2	Q1271-60635	1	Pinchwheels Kit (only contains the wheels)
3	Q1271-60647	1	Drive Pinchwheel Lever
4	Q1273-60082	1	Media Lever Sensor

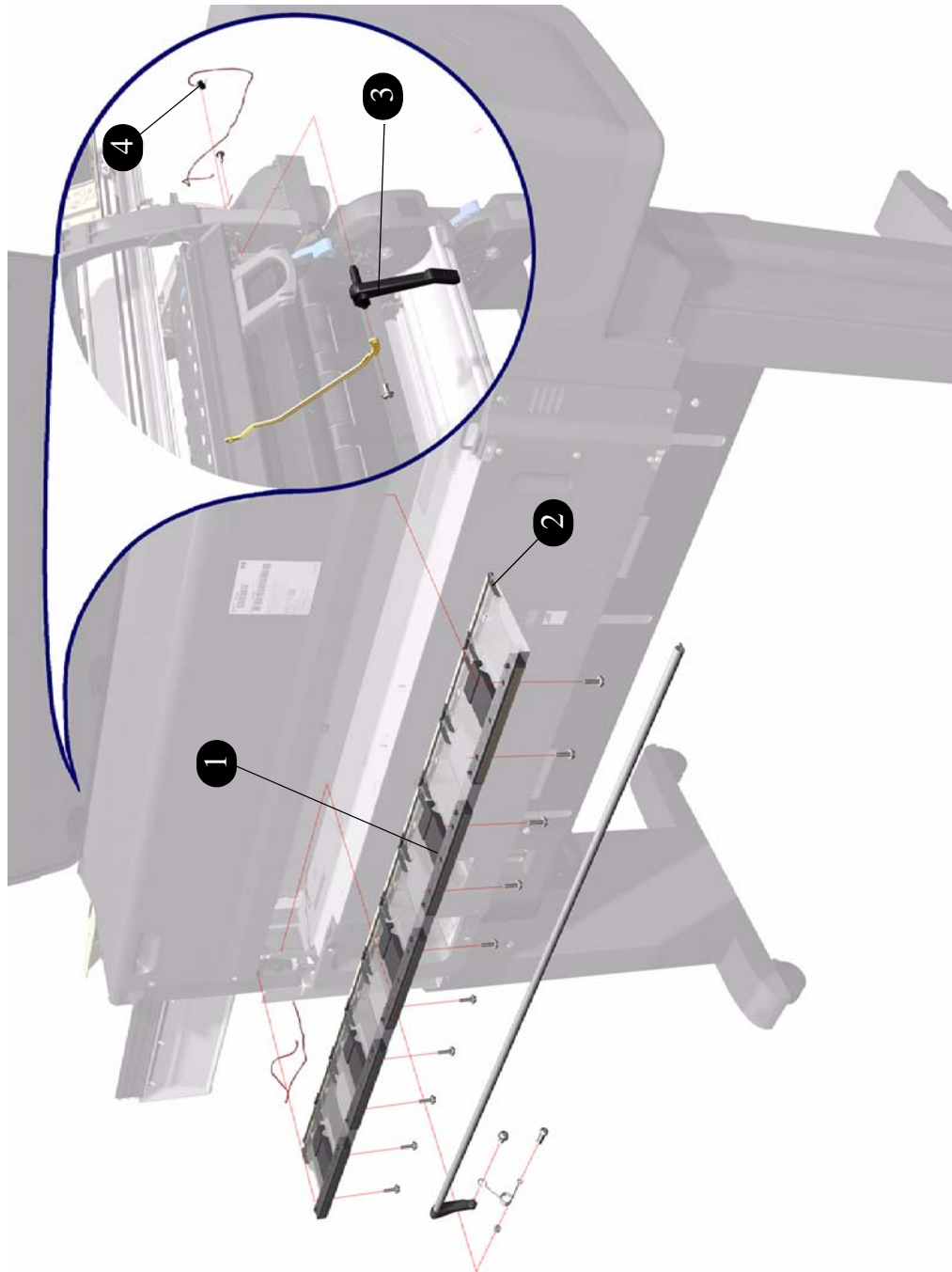


Figure 12: Pinchwheel Assembly

Rear Path Assembly

Rear Path Assembly			
Reference on Drawing	HP Part Number	Quantity	Description/Comments
1	Q1271-60611	1	Rear Path Assembly
2	Q1271-60640	1	Rear Path Cable Kit
3	Q1271-60649	1	Left & Right Cable Arm
4	Q1271-60636	1	Main Media Sensor
5	Q1271-60637	1	Roll 1 Media Sensor
6	Q1271-60732	1	Mylar Strip

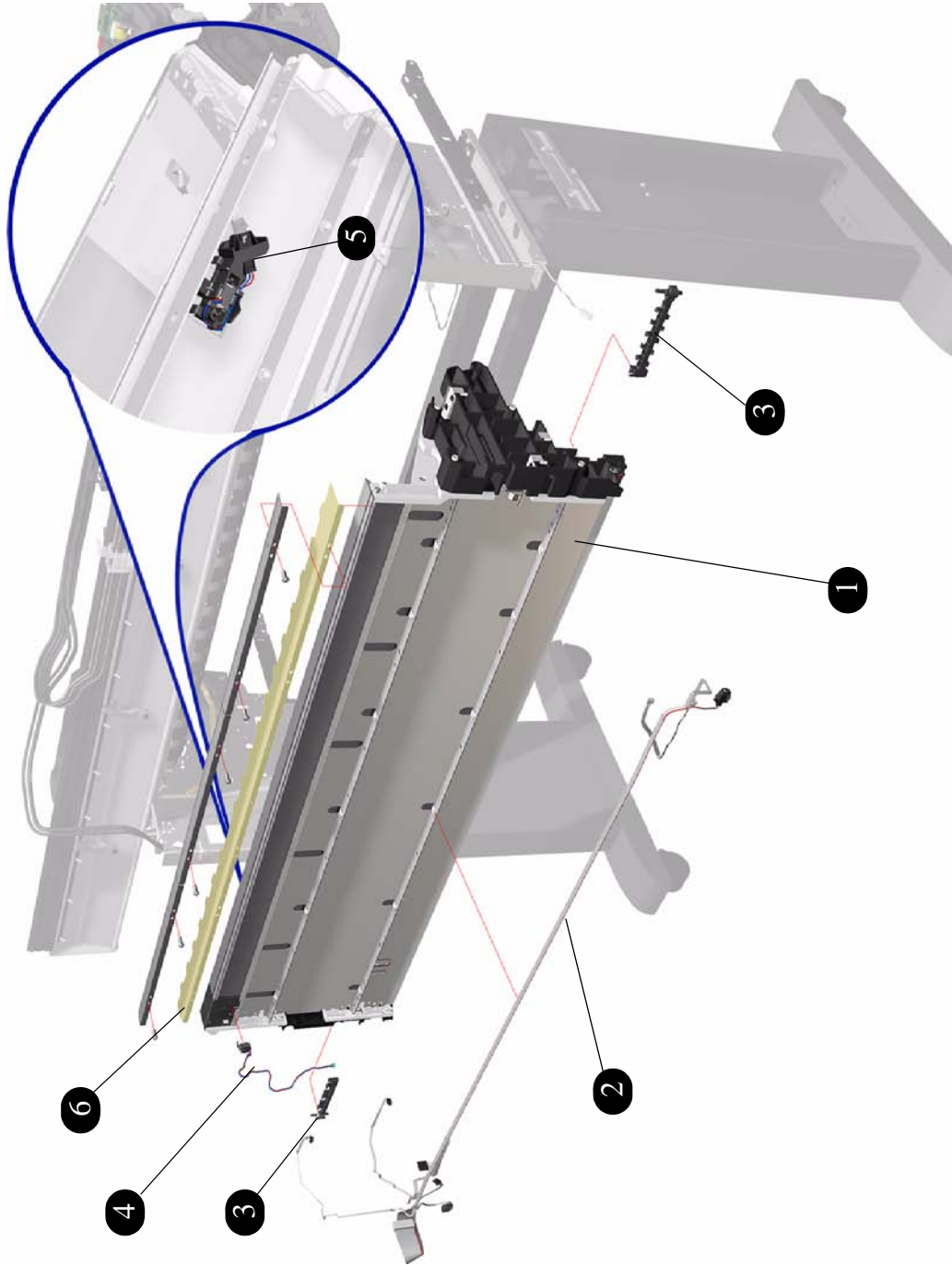


Figure 13: Rear Path Assembly

Roll 1 Module (Front Path)

Roll 1 Module			
Reference on Drawing	HP Part Number	Quantity	Description/Comments
1	Q1271-60618	1	Front Path Assembly (without Media Feed Motor or BT Arm)
2	Q1271-60697	1	BT Arm Assembly
3	Q1271-60614	2	Left and Right Locking Levers
4	Q1271-60615	1	Paper Load Lever
5	Q1271-60617	1	BT Arm Encoder and Paper Load Lever Switch
6	Q1271-60613	1	Media Feed Motor
7	Q1271-60612	1	Reference Shaft Wheel
8	Q1271-60713	1	Feed Roller Assembly
-	Q1271-60645	1	Roll 1 Module ESD Parts



Figure 14: Roll 1 Module (Front Path Assembly)

Roll 1 Drawer Assembly

Roll 1 Drawer Assembly			
Reference on Drawing	HP Part Number	Quantity	Description/Comments
1	Q1271-60619	1	Right Spindle Support
2	Q1271-60620	1	Left Spindle Support
3	Q1271-60621	1	Drawer Guide and Bar
4	Q1271-60627	1	42" Spindle (does NOT include Blue Hub)
5	Q1271-60628	1	Blue Hub
6	Q1271-60650	1	Left and Right Drawer Sliders
7	Q1271-60641	1	Roll 1 Drawer Switch Sensor (incompatible with the Roll 2 Switch)
8	Q1271-60699	1	Cutter
-	Q1271-60629	1	3" Spindle Adaptors



Figure 15: Roll 1 Drawer Assembly

Roll 2 Module

Roll 2 Module			
Reference on Drawing	HP Part Number	Quantity	Description/Comments
1	Q1271-60695	1	Roll 2 Module Chassis
2	Q1271-60697	1	BT Arm Assembly
3	Q1271-60689	1	BT Arm Encoder Disc and Switch Kit
4	Q1271-60692	1	Feed Roller Assembly
5	Q1271-60688	1	Media Feed Motor
6	Q1271-60693	1	Paper Load Lever
7	Q1271-60691	7	Pinch Wheel
8	Q1271-60690	1	Roll Module 2 Interconnect PCA
9	Q1271-60637	1	Roll 2 Media Detector Sensor
10	Q1271-60731	1	Roll 2 Module Interconnect PCA Cables and RM2 Securing Screws kit
11	Q1271-60696	1	Motor Cover and Miscellaneous Parts
-	Q1271-60694	1	Roll 2 Module Internal Cables and Springs Kit



Figure 16: Roll 2 Module

Roll 2 Drawer Assembly

Roll 2 Drawer Assembly			
Reference on Drawing	HP Part Number	Quantity	Description/Comments
1	Q1271-60684	1	Right Spindle Support
2	Q1271-60685	1	Left Spindle Support
3	Q1271-60686	1	Drawer Bar
4	Q1271-60627	1	42" Spindle (does NOT include Blue Hub)
5	C6090-60105	1	Blue Hub
6	Q1271-60687	1	Left and Right Drawer Sliders
7	Q1271-60170	2	Drawer Switch Sensor (incompatible with the Roll 1 Drawer switch)
8	Q1271-60699	1	Cutter
-	C6090-60112	1	3" Spindle Adaptors



Figure 17: Roll 2 Drawer Assembly

Miscellaneous Parts

Miscellaneous Parts			
Reference on Drawing	HP Part Number	Quantity	Description/Comments
1	Q1273-60097	1	Right Arc
2	Q1273-60098	1	Left Arc
-	Q1271-60700	1	Cutter Blades
-	Q1271-60728	1	Tool kit for servicing the printer. This kit contains: Right angle Keys (Q1271-80196 used to remove the guides of RM1) T20 with 90 deg (Q1273-00191) T15 with 90 deg (Q1271-20593) T10 with 90 deg (Q1271-60716)
-	Q1271-60420	1	Maintenance Kit Generic
-	8121-0913	1	Power Cord (2.5 meters) for Australia
-	8121-0731	1	Power Cord (2.5 meters) for most European Countries, Korea, Indonesia, Portugal, Germany, Spain, France, Italy and Arabic Countries
-	8121-0739	1	Power Cord (2.5 meters) for Singapore, Hong Kong, Arabic Countries and United Kingdom
-	8121-0564	1	Power Cord (2.5 meters) for India.
-	8121-0737		Power Cord (2.5 meters) for South Africa.
-	8121-0734		Power Cord (2.5 meters) for Brazil.
-	8121-0740	1	Power Cord (2.5 meters) for USA, Mexico, Canada and Arabic Countries.
-	8121-0735	1	Power Cord (2.3 meters) for Chile and Uruguay.
-	8121-0742	1	Power Cord (2.5 meters) for China
-	8121-0729	1	Power Cord (2.5 meters) for Argentina
-	8121-0736	1	Power Cord (2.5 meters) for Japan (adapter nema plug) 5080-3149)
-	8121-0964	1	Power Cord (2.5 meters) for Taiwan
-	8121-0733	1	Power Cord (2.5 meters) for Denmark
-	8121-0738	1	Power Cord (2.5 meters) for Switzerland

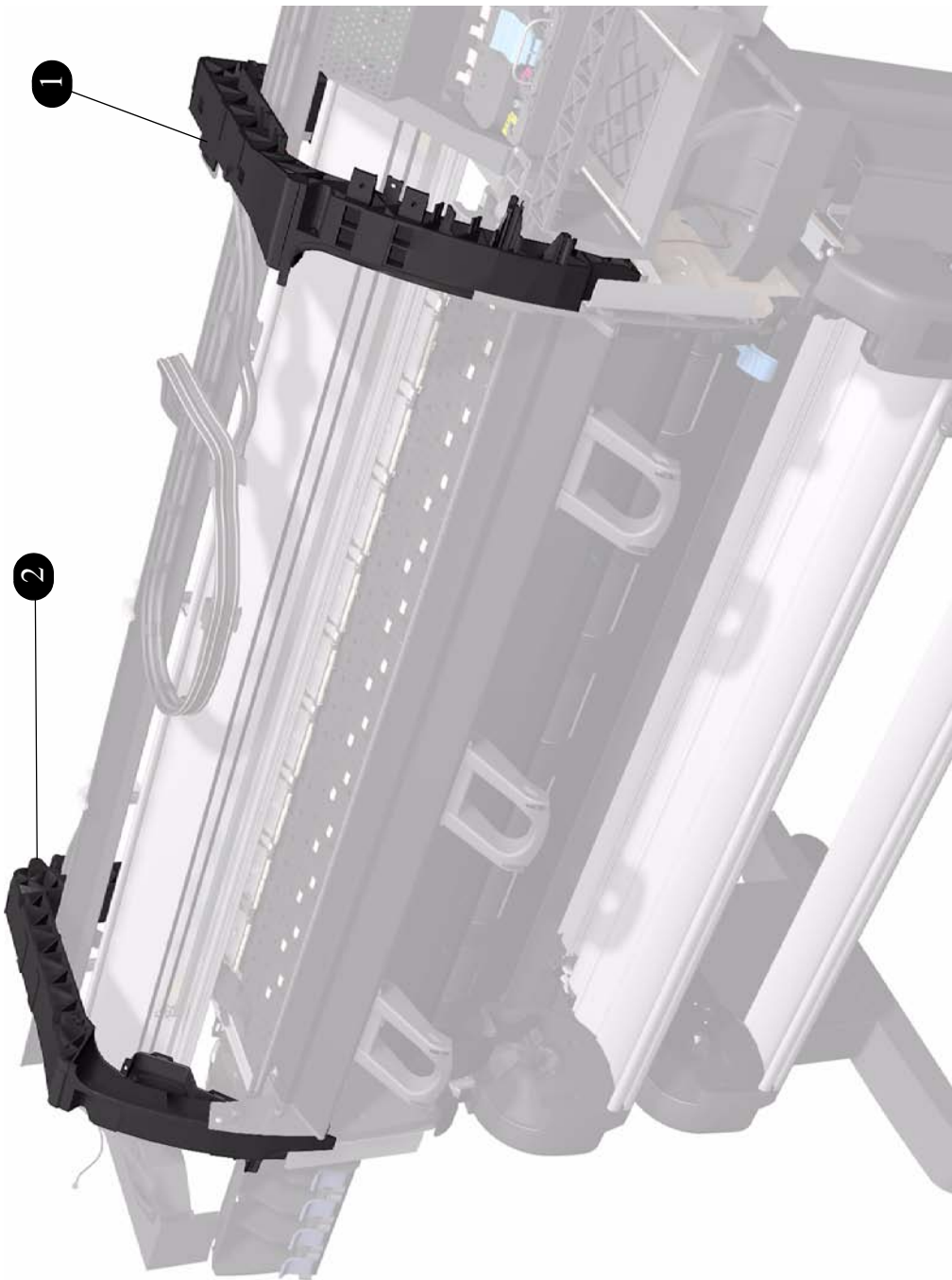


Figure 18: Arc Assemblies

Stacker Stand

Stacker Stand			
Reference on Drawing	HP Part Number	Quantity	Description/Comments
1	Q5677-60024	1	Complete Stand Assembly (includes right and left leg, Leg Extension Assembly, Cross Beam)
2	Q5677-60025	2	Wheels and Feet Extension kit

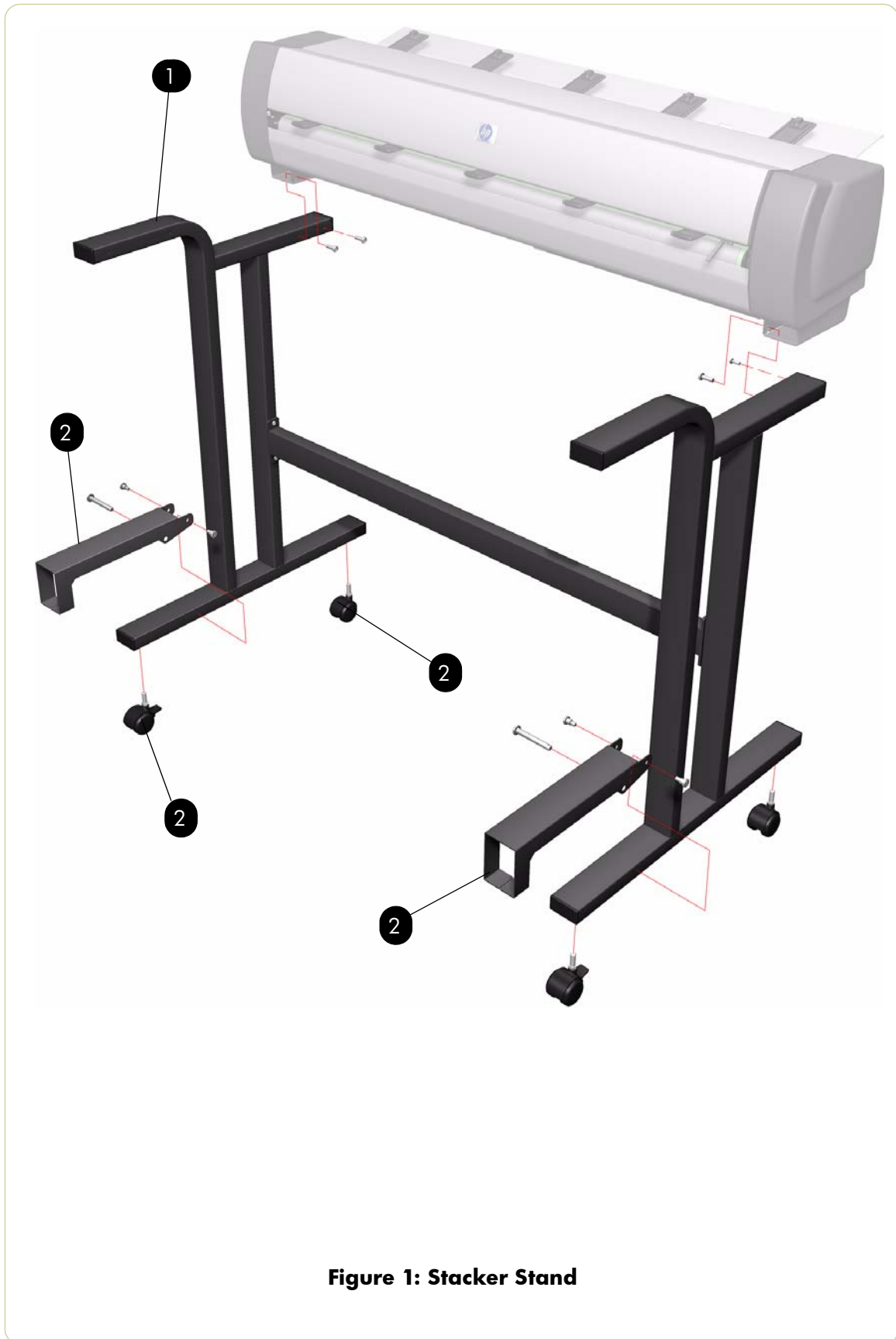


Figure 1: Stacker Stand

Covers and Sensors

Covers and Sensors			
Reference on Drawing	HP Part Number	Quantity	Description/Comments
1	Q5677-60022	1	Left Cover
2	Q5677-60023	1	Right Cover
3	Q5677-60011	1	Top Cover (includes Front Cover)
4	Q5677-60004	1	Lower Front Cover
5	Q5677-60002	1	Tray full and Media Sensor assy
6	Q5677-60001	1	Front Cover Sensor
7	Q5677-60019	1	Safety Temperature Sensor
8	Q5677-60018	1	Temperature Sensor
9	Q5677-60017	5	Pinch Wheel

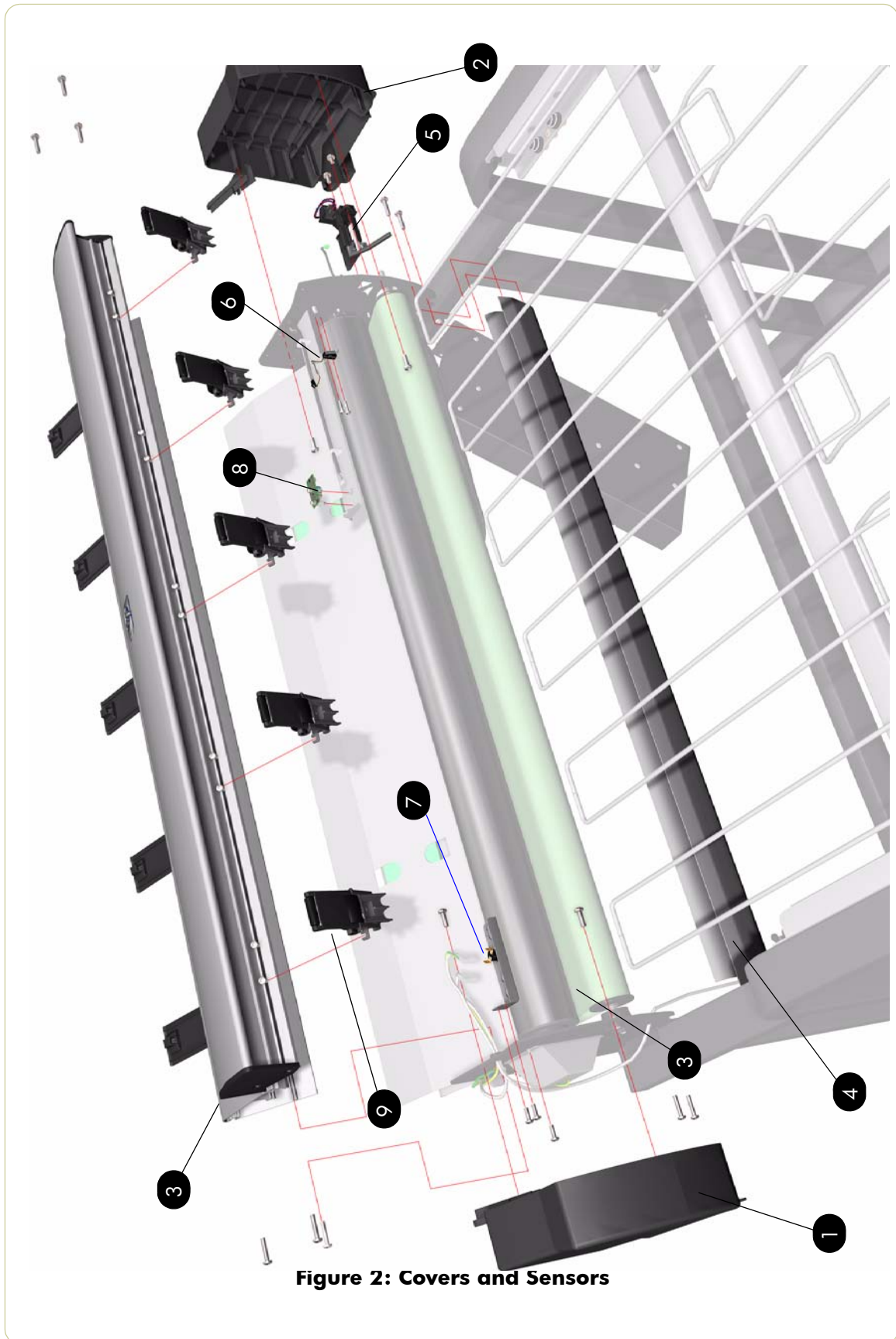


Figure 2: Covers and Sensors

Stacker Paper Trays

Stacker Paper Trays			
Reference on Drawing	HP Part Number	Quantity	Description/Comments
1	Q5677-60026	1	Receiving Paper Tray
2	Q5677-60027	1	Tray Extension

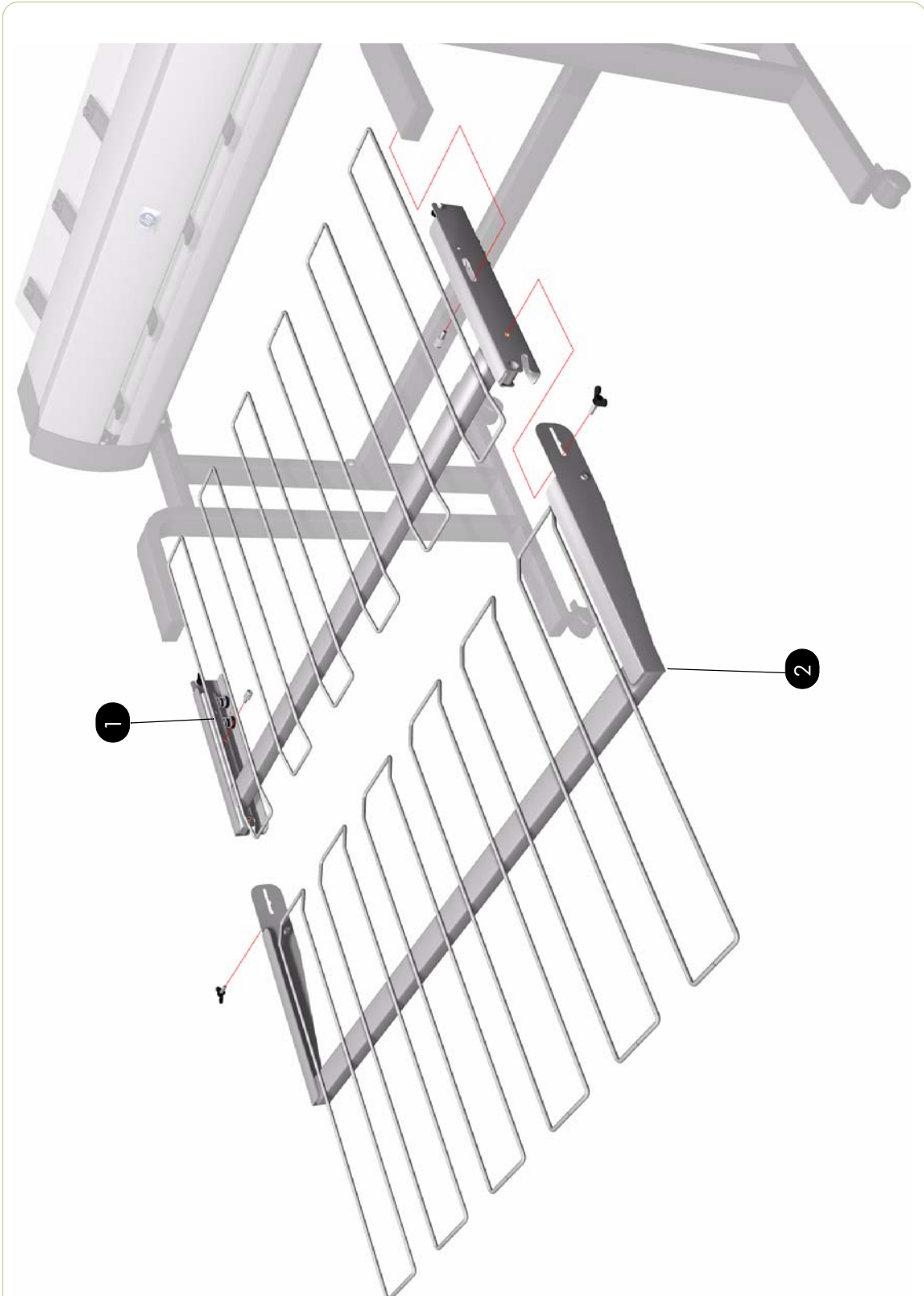


Figure 3: Stacker Paper Trays

Rollers and Transport Belt

Rollers and Transport Belt			
Reference on Drawing	HP Part Number	Quantity	Description/Comments
1	Q5677-60020	1	Heat Roller
2	Q5677-60040	1	Heating Lamp (includes six Springs) (110v)
	Q5677-60021	1	Heating Lamp (includes six Springs) (220v)
3	Q5677-60013	1	Output Roller
4	Q5677-60014	1	Input Roller
5	Q5677-60015	1	Transport Belt



Figure 4: Rollers and Transport Belt

Roller Bushings

Roller Bushings			
Reference on Drawing	HP Part Number	Quantity	Description/Comments
1	Q5677-60031	1	Roller Bushing Kit (Includes Left Output Roller Bearing, Left Input Roller Bearing, Right Input Roller Bearing, two Springs, Circlip)

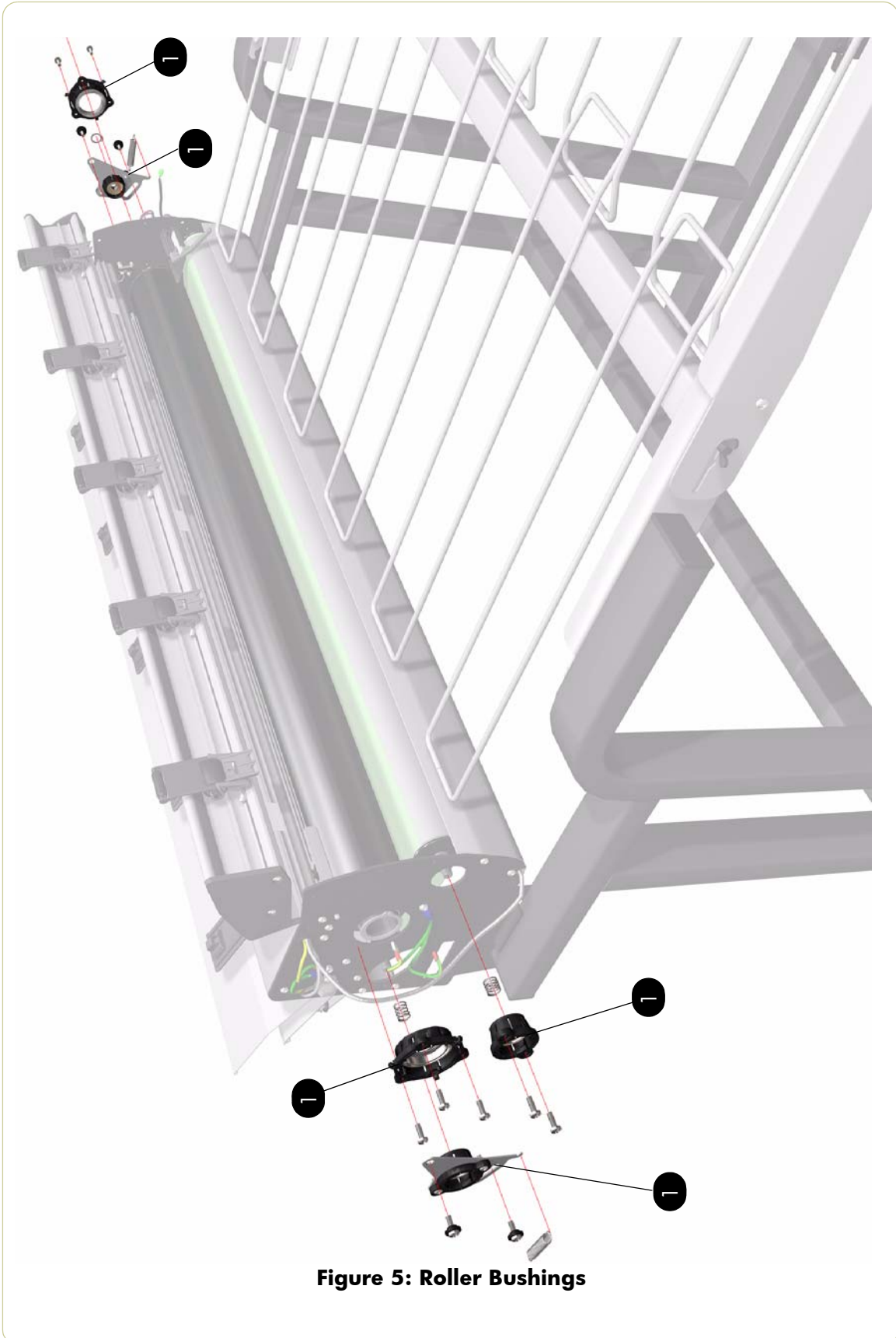


Figure 5: Roller Bushings

Drive Motor

Drive Motor			
Reference on Drawing	HP Part Number	Quantity	Description/Comments
1	Q5677-60016	1	Drive Motor Assembly (Includes Gear and O-ring)

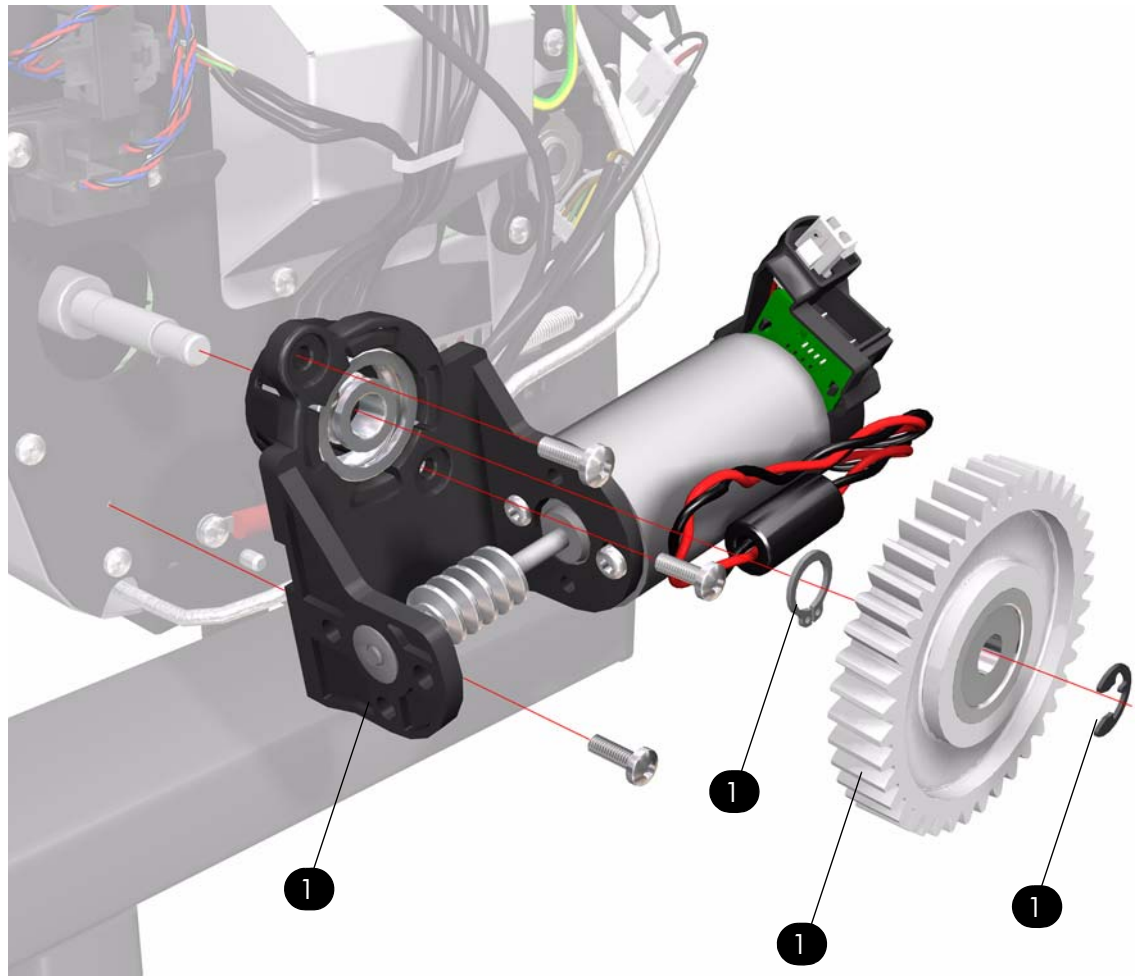


Figure 6: Drive Motor

Electronics Module

Electronics Module			
Reference on Drawing	HP Part Number	Quantity	Description/Comments
1	Q5677-60012	1	Electronics Module Assembly (220v)(Main PCA and Power Supply not included)
	Q5677-60039	1	Electronics Module Assembly (110v)(Main PCA and Power Supply not included)
2	Q5677-60033	1	Main PCA
3	Q5677-60032	1	Power Supply
4	Q5677-60035	1	Fuse (220v)
	Q5677-60038		Fuse (110v)
5	Q5677-60028	1	Printer Interconnect Cable (Can-Bus)
6	Q5677-60029	1	Cables Assembly

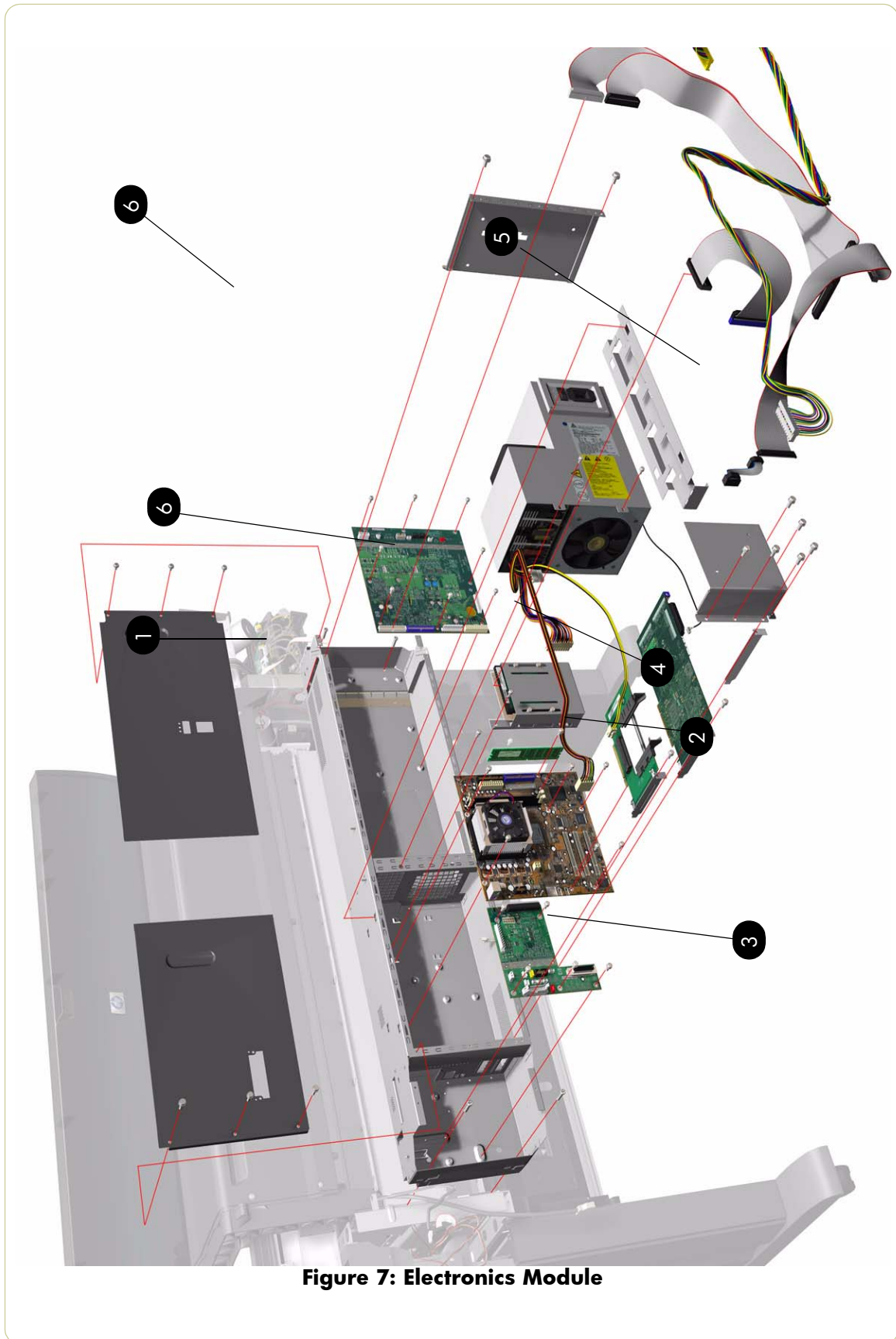


Figure 7: Electronics Module

Input Trays

Input Trays			
Reference on Drawing	HP Part Number	Quantity	Description/Comments
1	Q5677-60009	1	Input Platen
2	Q5677-60005	1	Lower Input Platen
3	Q5677-60006	1	Right Printer Interlock
4	Q5677-60007	1	Left Printer Interlock
5	Q5677-60010	1	Deflectors
6	Q5677-60008	1	Buffer Sensor

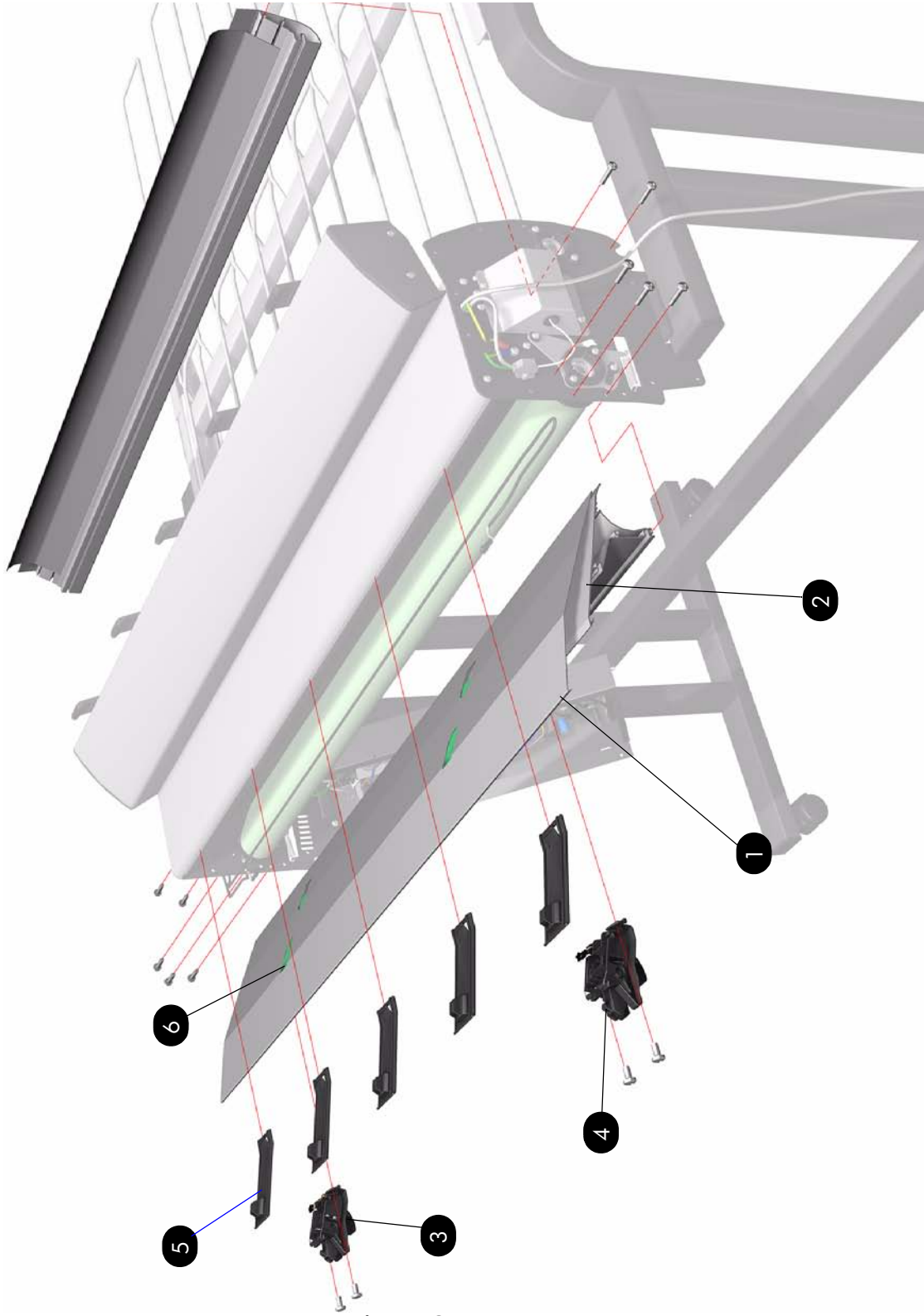


Figure 8: Input Trays

Miscellaneous

Miscellaneous			
Reference on Drawing	HP Part Number	Quantity	Description/Comments
1	Q5677-60030	1	Packaging
2	Q5677-60034	1	Setup Screws

Removal and Installation

8

Introduction	8-4
Screw Types	8-5
Window	8-6
Right Cover	8-8
Left Cover	8-11
Left Trim	8-14
Right Trim	8-16
Top Cover	8-18
Rear Door	8-23
Right Connector Cover	8-25
Left Connector Cover	8-26
Front Panel	8-27
Service Station	8-30
Vacuum Fan	8-34
Aerosol Fan	8-36
Drop Detector	8-38
Trailing Cables	8-40
Ink Supply Tubes	8-53
ISS to Cartridge Cables	8-65
Cutter Assembly	8-66
Ink Supply Station (ISS)	8-67
APS Assembly	8-69
Most Left Spittoons	8-77
Middle Left Spittoons	8-78
Encoder Strip and Encoder Sensor	8-79
Carriage PCA	8-82
Carriage Flex Cables	8-87
Carriage Assembly	8-89
Belt Assembly	8-94
Scan-Axis Motor	8-95
Media-Axis Motor	8-98
Printer Interconnect PCA	8-100
EIO to PCA Interface Card	8-103
Gamut PCI PCA	8-105
Memory Module	8-110
Main PCA Formatter	8-112
CPU Fan	8-114
Hard Disk Drive (HDD)	8-118

Power Supply Unit (PSU) 8-120
PrintMech PCA 8-126
Formatter Battery 8-129
Electronics Module 8-131
Line Sensor Assembly 8-133
Deflectors 8-135
Output Platen 8-137
Center Platen 8-140
Rear Path Mylar Strip 8-144
Cartridge Trays 8-146
Main Media Sensor 8-147
Main Media Sensor 8-147
Encoder Disc and Sensor 8-149
Drive Pinch Lever Assembly 8-152
Drive Pinch Lever Sensor 8-155
Pinchwheel Assembly 8-158
Drive Roller 8-160
Roll 1 Right Drawer Cover 8-167
Roll 1 Left Drawer Cover 8-169
Roll 1 Drawer 8-171
Roll 1 Drawer Bar 8-176
Roll 1 Right Spindle Support 8-178
Roll 1 Left Spindle Support 8-179
Roll 1 Module (Front path assembly) 8-183
Roll 1 BT Arm 8-188
Roll 1 Media Feed Motor 8-190
Roll 1 Feed Roller Assembly 8-194
Roll 1 BT Arm Encoder Disc 8-199
Roll 1 BT Arm Encoder PCA 8-200
Roll 1 Paper Load Lever Sensor 8-204
Roll 1 Media Sensor 8-207
Roll 1 Drawer Sensor 8-209
Roll 2 Right Drawer Cover 8-211
Roll 2 Left Drawer Cover 8-213
Roll 2 Drawer Bar 8-214
Roll 2 Drawer 8-218
Roll 2 Module 8-222
Roll 2 BT Arm Assembly 8-229
BT Arm Finger 8-233
Roll 2 Pinch Rollers 8-235
Roll 2 Feed Roller Assembly 8-240
Roll 2 Paper Load Lever 8-243
Roll 2 Media Feed Motor 8-244
Roll 2 Left Drawer Sensor 8-249
Roll 2 Right Drawer Sensor 8-251
Roll 2 Drawer Sliders 8-253
Roll 2 Right Spindle Support 8-255

Roll 2 Left Spindle Support 8-256
Roll 2 BT Arm Encoder Disc Assembly 8-257
Roll 2 Paper Load Lever Sensor 8-261
Roll 2 Interconnect PCA 8-264
Roll 2 Media Sensor 8-266
Rear Path 8-267

Stacker

Right Cover 8-276
Left Cover 8-278
Top Cover 8-280
Lower Front Cover 8-283
Pinch Wheels 8-288
Drive Motor 8-290
Front Cover Sensor 8-292
Safety Temperature Sensor 8-294
Temperature Sensor PCA 8-296
Media Sensor 8-299
Extension Tray 8-301
Receiving Tray 8-303
Printer Interlocks 8-305
Paper Infeed Platen 8-307
Electronics PCA 8-308
Power Supply Unit 8-311
Heating Lamp 8-316
Heat Roller 8-321
Stacker Transport Belt 8-323

Introduction

This chapter is a step by step guide to the removal and installation of the key components in the printer. You may find it useful to tick off the steps as they are performed. Use the illustration at each procedure to identify the parts referred to in the text.

The procedures appear in order of removal. So the whole machine can be stripped down by starting at the beginning of this chapter and working through the subsequent procedures.

Before using this chapter to remove and install a new component, always make sure that you have performed the relevant service test from Chapter 4. If the test passes you will not need to replace the component.

In some sections you may see images which include parts of the HP Designjet 4000 Printer series; these areas of the image can be ignored.

Safety Precautions

Review WARNING and CAUTION symbols and instructions before you service the printer. Follow these warnings and cautions for your protection and to avoid damaging the printer.

Serious shock hazard leading to death or injury may result if you do not take the following precautions:

Ensure that the ac power outlet (mains) has a protective earth (ground) terminal.

Switch the plotter off, and disconnect it from the power source prior to performing any maintenance.

Prevent water or other liquids from running onto electrical components or circuits, or through openings in the module.

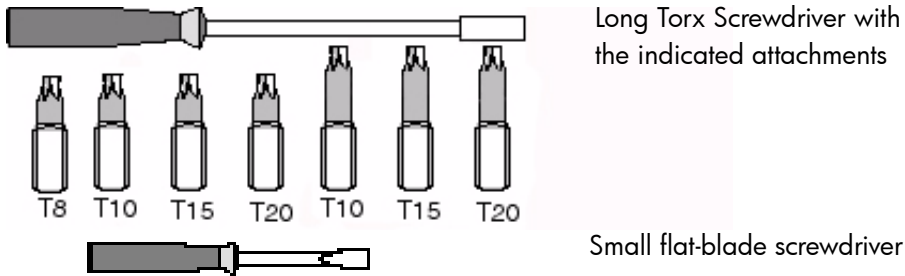
Electrostatic Discharge (ESD) Precautions

To prevent damage to the Printer circuits from high-voltage electrostatic discharge (ESD):

1. Do not wear clothing that is subject to static build-up.
2. Do not handle integrated circuits (ICs) in carpeted areas.
3. Do not remove an IC or a printed circuit assembly (PCA) from its conductive foam pad or conductive packaging until you are ready to install it.
4. Ground (earth) your body while disassembling and working on the Printer.
5. After removing a cover from the Printer, attach an earthing (ground) lead between the PCA common and earth ground. Touch all tools to earth ground to remove static charges before using them on the Printer.
6. After removing any PCA from the Printer, place it on a conductive foam pad or into its conductive packaging to prevent ESD damage to any ICs on the PCA.

Required Tools

The following tools are required to disassemble and repair the Printer.



Screw Types

Type	Torx	Length (mm)	Head Type	Thread Type	Part Number
A	T-20	17	Pan	Taptite	0515-1743
B	T-20	10	Pan	Taptite	0515-2282
C	T-10	7.0	Pan	Machined	0515-4613
D	T-8	5.5	Pan	Taptite	0515-2850
E	T-15	-	Pan	-	C3180-20001
F	T-15	9.5	Pan	Plastite	0515-2981
G	T-15	12.7	Pan	Taptite	0624-0769
H	T-15	12.7	Pan	Taptite	0515-4706
I	T-10	8.0	Pan	Taptite	0515-2200
J	T-15	20	Pan	Plastite	0624-0771
K	T-8	9.5	Pan	Taptite	0624-0680
L	T-8	12.7	Pan	Taptite	0624-0768
M	T-20	-	Pan	-	0515-2521
N	T-20	35	Pan	Sheet Metal	C6071-20025
O	T-20	12.7	Pan	-	0624-1062
P	T-15	11.6	Pan	Machined	C2847-20018
Q	T-20	-	Pan	Taptite	0515-2916
R	T-15	-	Pan	Taptite	0515-1916
S	T-20	20	Pan	Plastite	Q5678-80007
T	T-8		Pan	Taptite	0624-0768

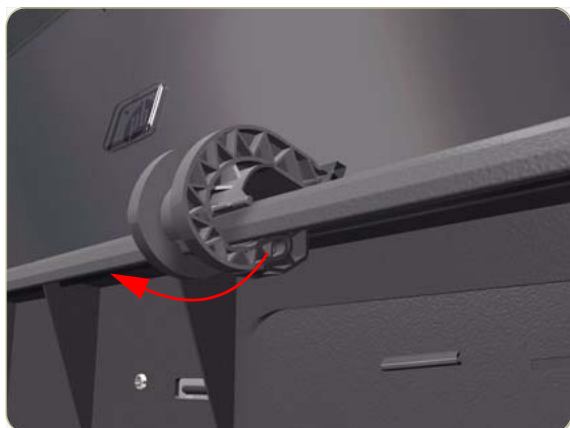
Window

Removal

Switch off the product and remove the power cable.

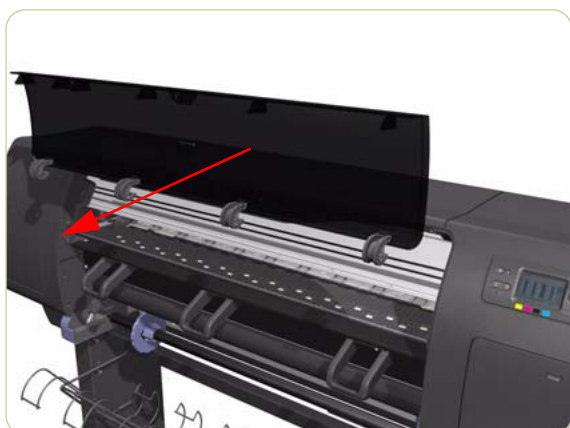


1. Open the Window.



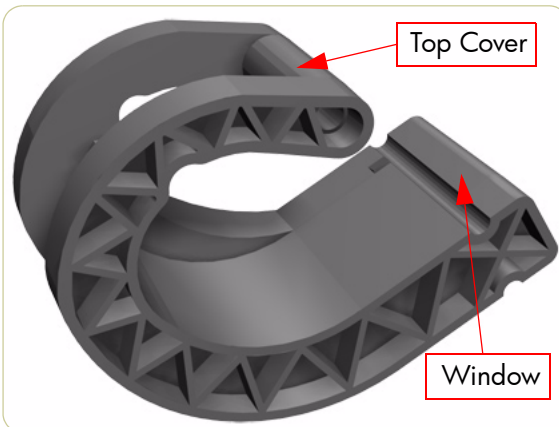
2. Unclip the Window hinges from the Top Cover.

Since the hinges are very hard to unclip, it is recommended that you use a screwdriver or other tool to forcefully unclip the Window hinges from the Top Cover.

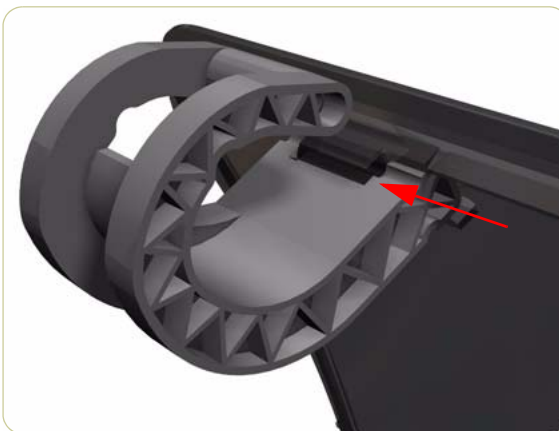


3. Remove the Window from the Printer.

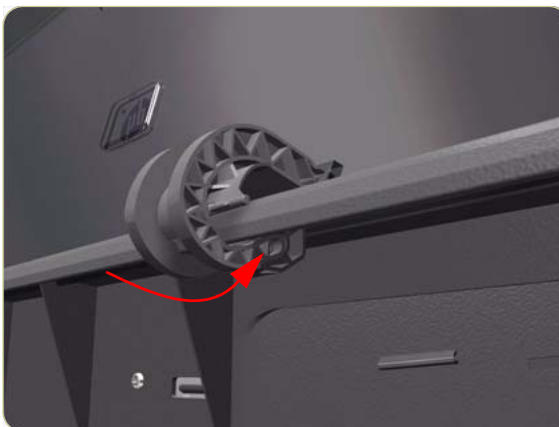
Installation of New Window



1. Identify the two ends of the Window Hinge (four in total) - one end is clipped to the Window and the other to the Top Cover.



2. Slide the Window Hinges on to the Window.



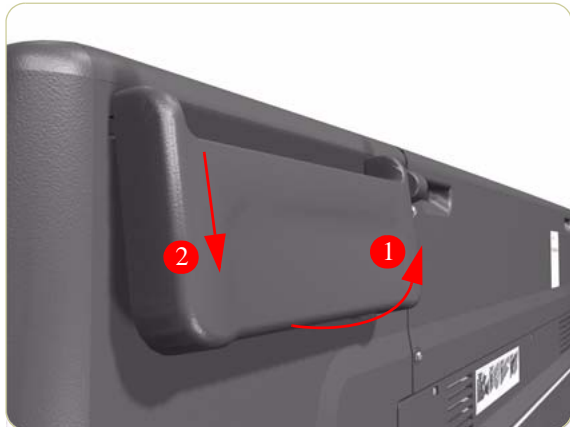
3. Clip the Window Hinges to the Top Cover.

Since the hinges are very hard to clip, you will need to forcefully clip the Window hinges to the Top Cover.

Right Cover

Removal

Switch off the product and remove the power cable.



1. Unclip the Quick reference Guide Holder from the rear of the Printer.



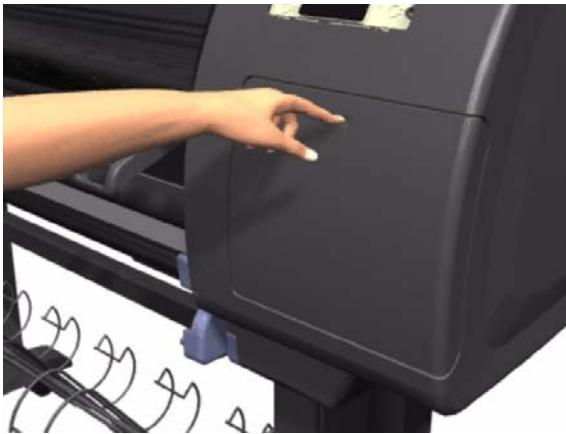
2. Using a small flat-blade screwdriver, unclip the Front Panel Bezel from the Right Cover.



3. Remove the Front Panel Bezel from the Right Cover.



4. Remove two T-15 screws (**Type G**) that secure the Front Panel to the Right Cover.



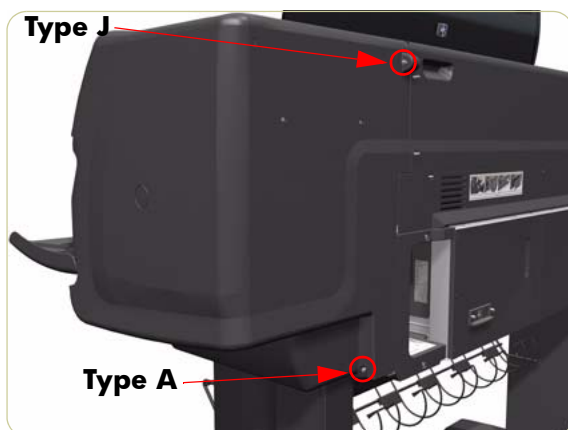
5. Open the Printhead Cleaner Door.



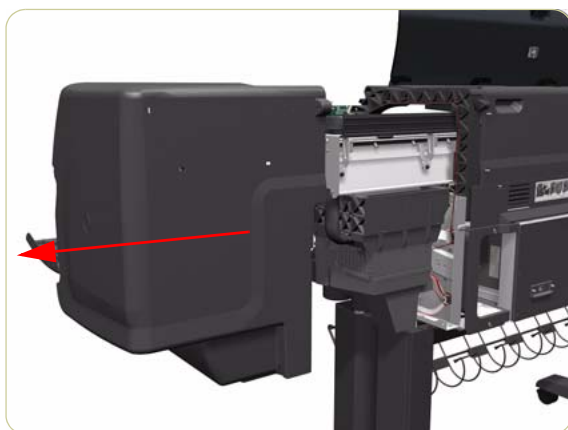
6. Remove one T-15 screw (**Type J**) that secures the Right Cover.



7. Open the Window and remove two T-15 screws (**Type J**) that secure the Right Cover.



8. Remove one T-15 screw (**Type J**) and one T-20 screw (**Type A**) that secure the Right Cover from the rear of the Printer.



9. Remove the Right Cover from the Printer.

When installing the Right Cover, make sure you leave the Printhead Cleaner Door open, otherwise you could damage the Printhead Cleaner Door Sensor.

Left Cover

Removal

Switch off the product and remove the power cable.



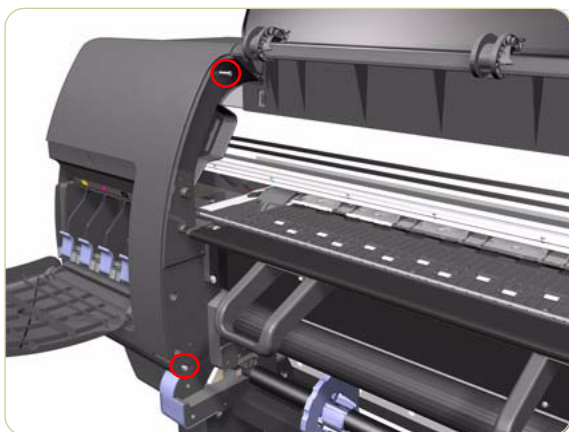
1. Open the Ink Cartridge Door.



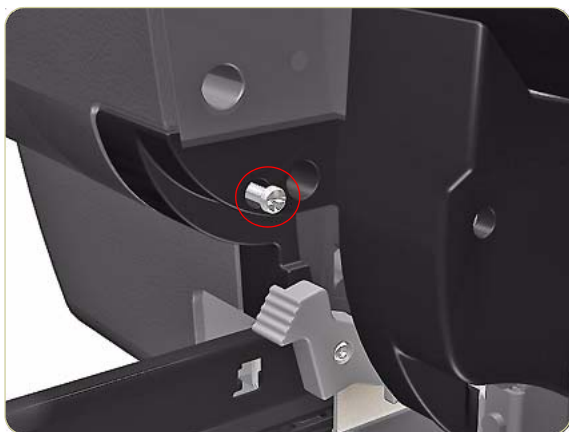
2. Remove the Ink Cartridges from the Printer.



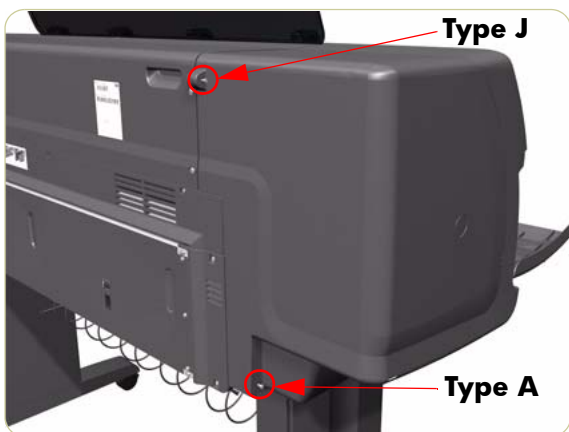
3. Remove one T-15 screw (**Type J**) that secures the Left Cover.



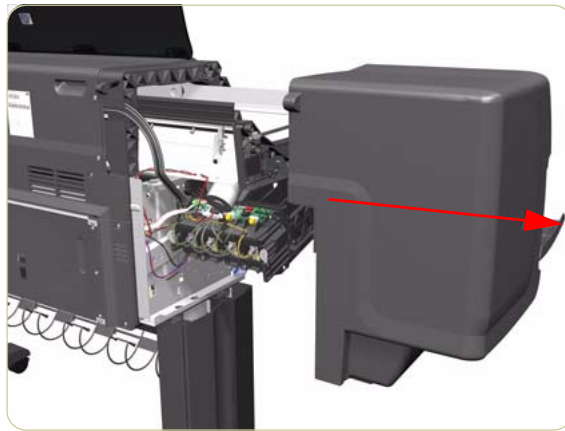
4. Open the Window and remove one T-15 (**Type J**) screw that secures the Left Cover.



5. Remove one T-15 (**Type J**) screw that secures the Left Cover.



6. Remove one T-15 screw (**Type J**) and one T-20 screw (**Type A**) that secure the Left Cover.



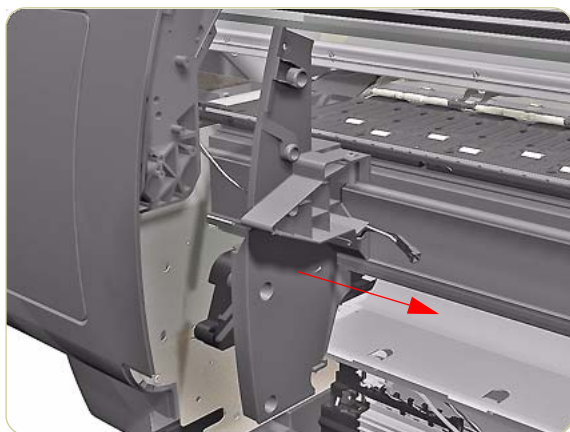
7. Remove the Left Cover from the Printer.

Left Trim

Removal

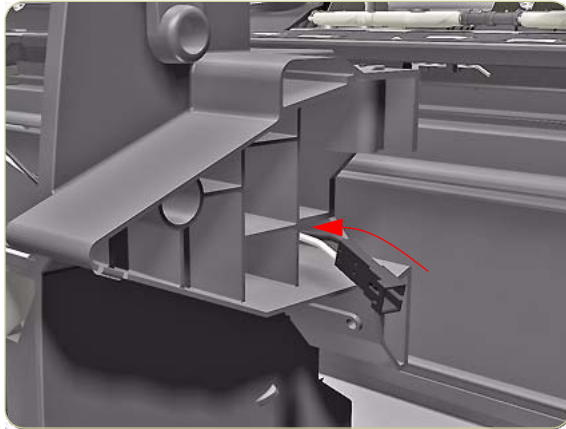
Switch off the product and remove the power cable.

1. Remove the Output Platen ⇒ Page 8-137.
2. Remove the Roll 1 Drawer ⇒ Page 8-171.
3. Remove Roll 1 Module (Front Path) ⇒ Page 8-183.
4. Remove 6 T15 screws (**Type G**) that secure the Left Trim to the printer.

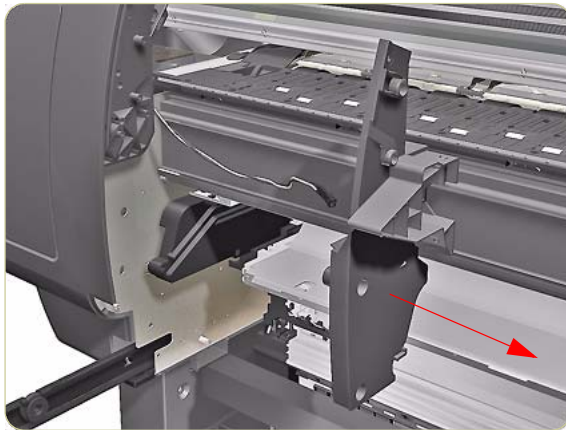


5. Slide the Left Trim to the right.

Make sure you do not damage the cable.



6. Pass the cable through the hole in the Left Trim.



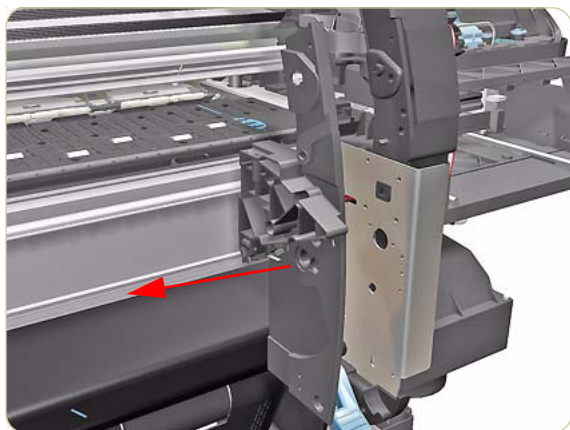
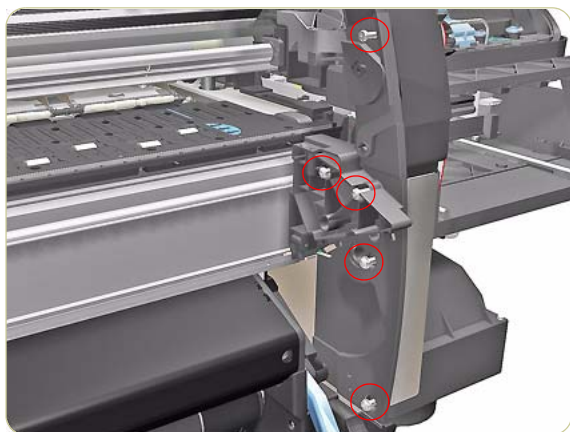
7. Remove the Left Trim from the Printer.

Right Trim

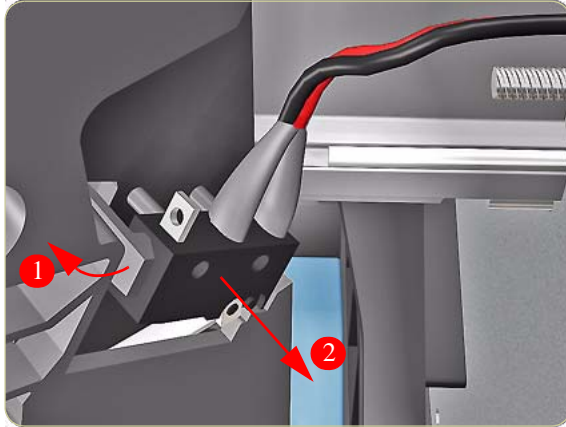
Removal

Switch off the product and remove the power cable.

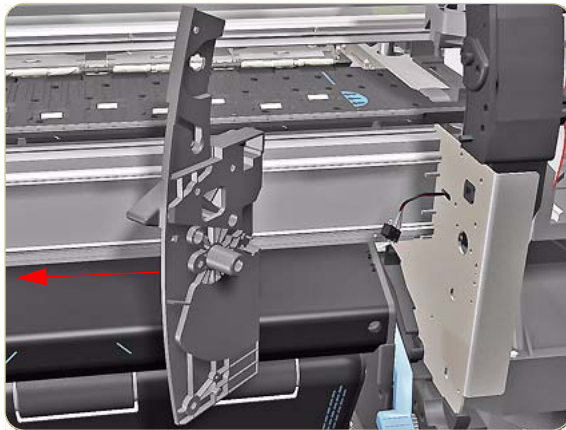
1. Remove the Right Cover ⇒ Page 8-8.
2. Remove the Output Platen ⇒ Page 8-137.
3. Remove the Pinch Wheel Lever assembly ⇒ Page 8-152.
4. Remove five T-15 screws (**Type B**) that secure the Right Trim.



5. Carefully remove the Right Trim from the Printer.



6. Carefully release the clip(1) securing the Media Lever Sensor from the Right Trim and remove from the locating pins (2).



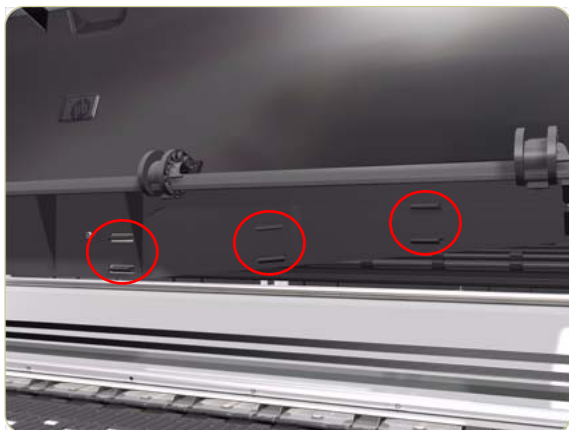
7. Remove the Right Trim Cover.

Top Cover

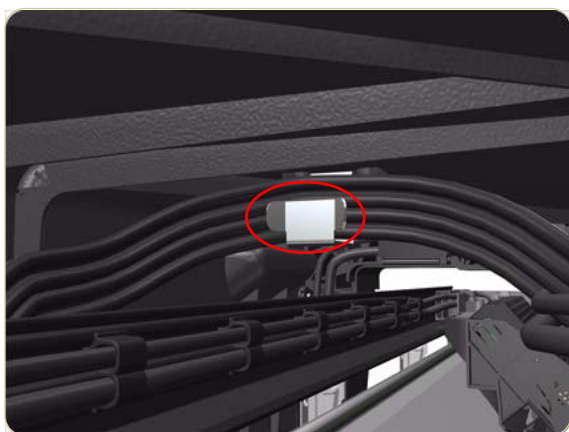
Removal

Switch off the product and remove the power cable.

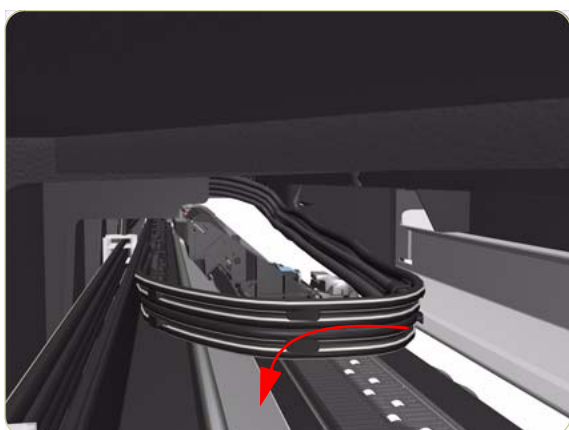
1. Remove the Right Cover ⇒ Page 8-8.
2. Remove the Left Cover ⇒ Page 8-17.
3. Release the three clips securing the Ink Supply Tubes and the Trailing Cable to the Top Cover.

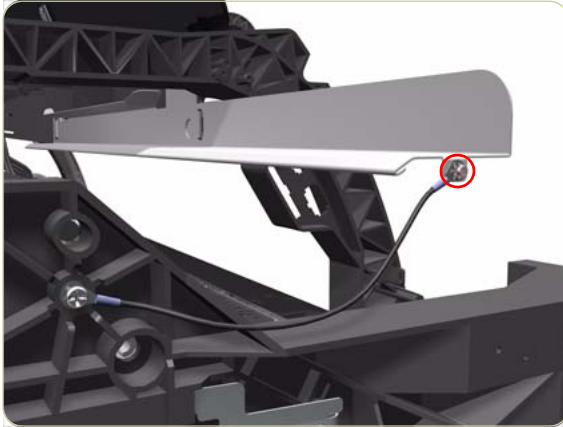


4. Release the Ink Supply Tubes and Trailing Cable from the clip underneath the Top Cover.

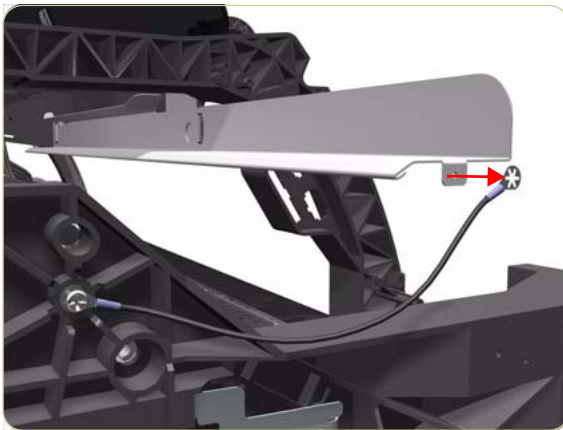


5. Remove the Ink Supply Tubes and Trailing Cable from within the Top Cover and lay them on the Print Platen.





6. Remove one T-10 (**Type I**) screw that secures the ESD Strip to the Top Cover (on the left hand side of the Printer).



7. Disconnect the ESD Strip from the Top Cover.



8. Remove three T-15 screws (**Type G**) that secure the Rear Door.

Each screw includes a washer (part number 3050-1267).



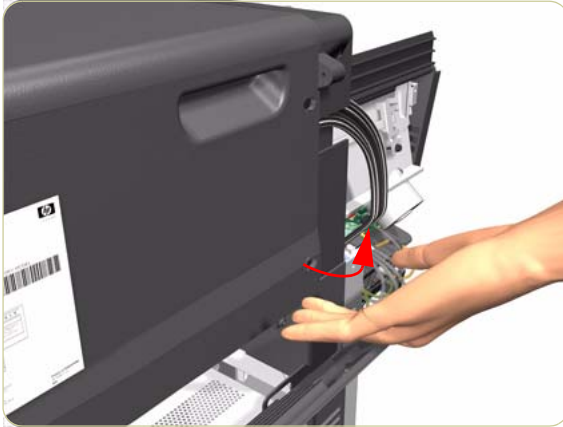
9. Open the Rear Door.



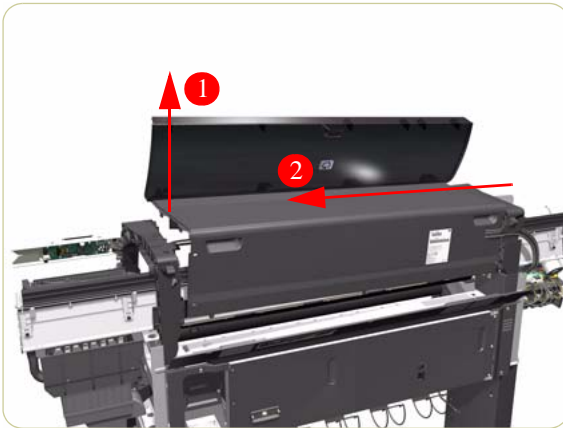
10. Remove four T-15 screws (**Type H**) that secure the Top Cover from the rear of the Printer.



11. Using a flat-head screwdriver, release the Top Cover from the right hand side of the Printer.

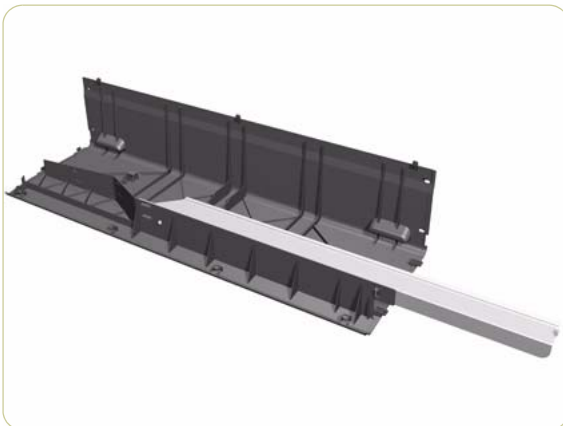


12. Release the Top Cover from the rear of the Printer.

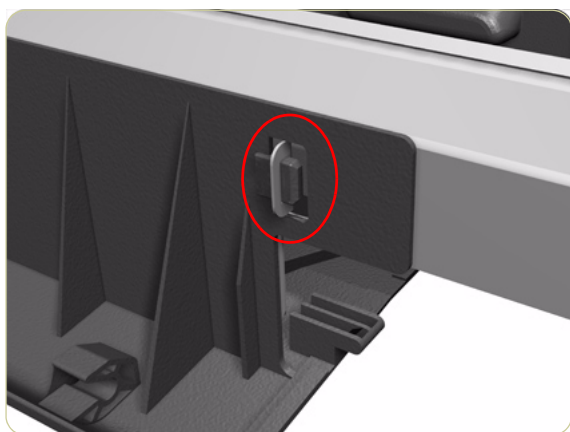


13. Raise the right hand side of the Top Cover and pull out to the right.

If a NEW Top Cover is to be installed, take note of the following instructions before assembling the Top Cover on to the Printer:



1. Position the Metallic Support on to the Top Cover.



2. Lock the Metallic Support on to the Top Cover.



3. Install the T-20 screw that secures the Metallic Support to the Top Cover.



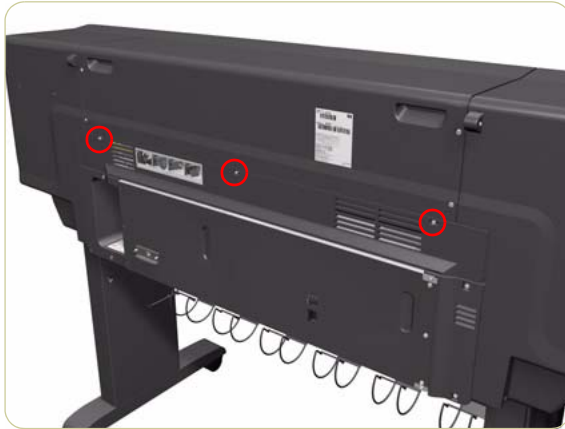
4. Remove the Window (⇒ Page 8-6) from the old Top Cover and install it on the new Top Cover.

When installing the Ink Supply Tubes and Trailing Cable on to the Top Cover, take note of the of the two red marks on the Ink Supply Tubes. These two red marks should be aligned with the first slot in the Top Cover as this will help with the rest of the installation.

Rear Door

Removal

Switch off the product and remove the power cable.

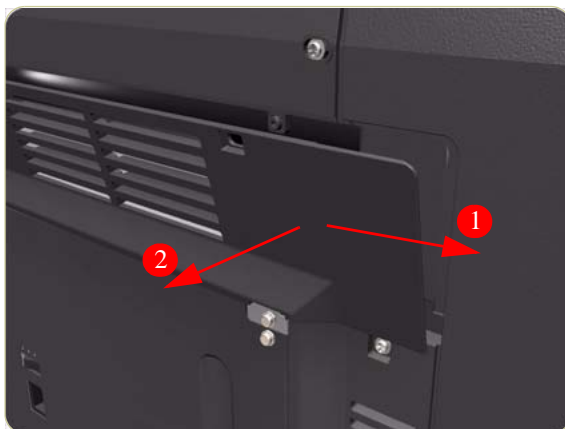


1. Remove three T-15 screws (**Type G**) from the Rear Door.

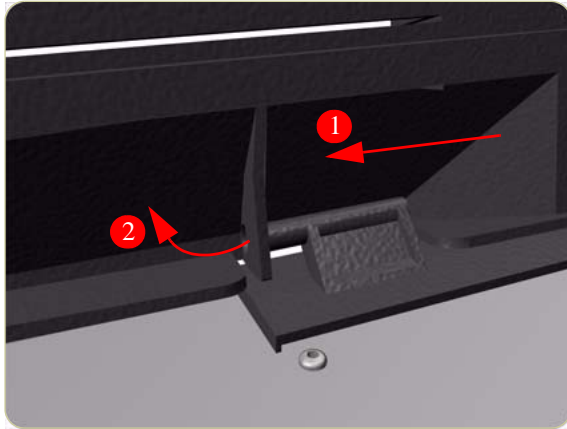
Each screw includes a washer (part number 3050-1267)



2. Open the Rear Door slightly (as shown).



3. To release the right hand hinge of the Rear Door, move the Rear Door to the right (1) and then towards you (2).



4. To release the left hand hinge of the Rear Door, move the Rear Door to the right (1) and then bend the hinge slightly (2).



5. Remove the Rear Door from the Printer.

Right Connector Cover

Removal

Switch off the product and remove the power cable.

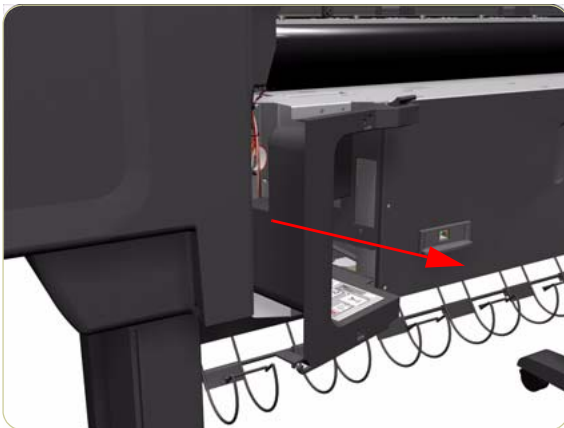
1. Remove the Rear Door ⇒ Page 8-23.
2. Remove two T-20 screws (**Type B**) from the Right Connector Cover.



3. Release the Right Connector Cover by pulling gently on a securing pin located inside the cover.



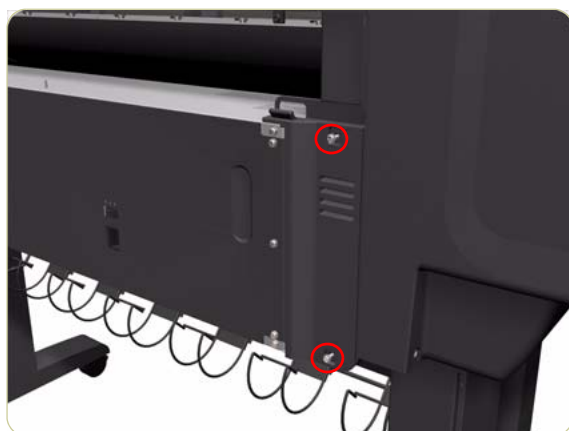
4. Remove the Right Connector Cover from the Printer.



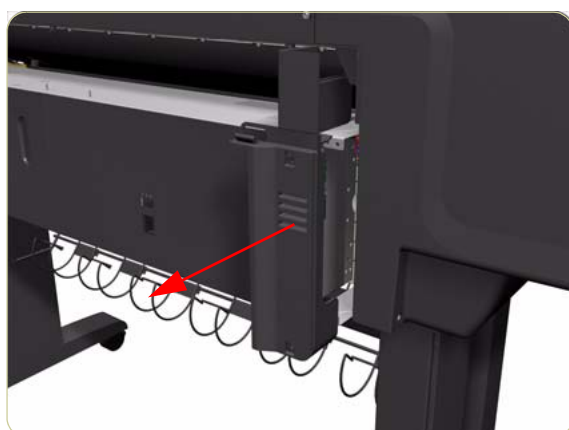
Left Connector Cover

Removal

Switch off the product and remove the power cable.



1. Remove the Rear Door ⇒ Page 8-23.
2. Remove two T-20 screws (**Type B**) from the Left Connector Cover.



3. Remove the Left Connector Cover from the Printer.

Front Panel

Removal

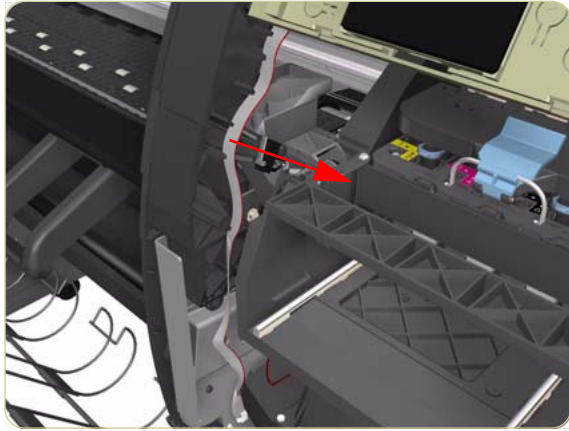
Switch off the product and remove the power cable.

1. Remove the Right Cover ⇒ Page 8-8.
2. Remove the Rear Door ⇒ Page 8-23.
3. Remove the Right Connector Cover ⇒ Page 8-25.
4. Disconnect the Front Panel Cable from the Interconnect PCA.

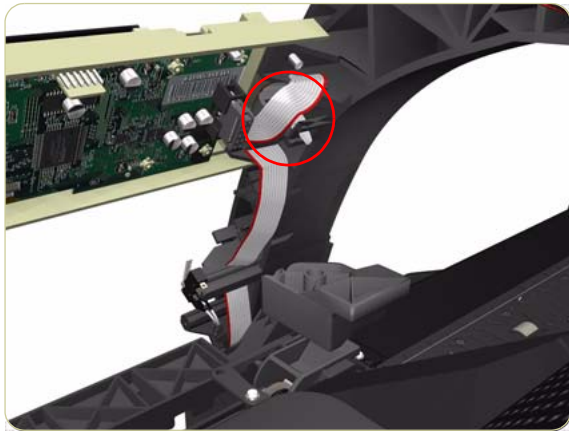


5. Move the Front Panel Cable (including the ferrite) out of the Electronics Module.

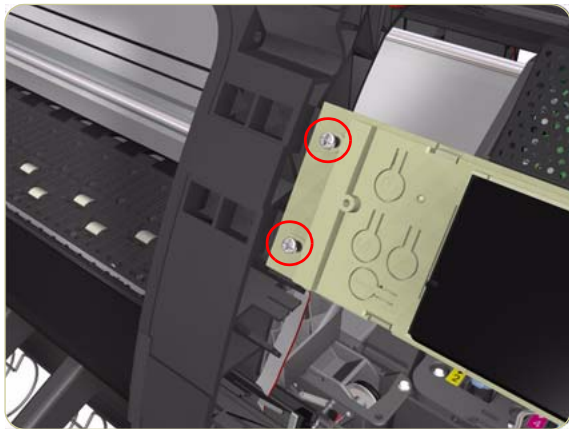




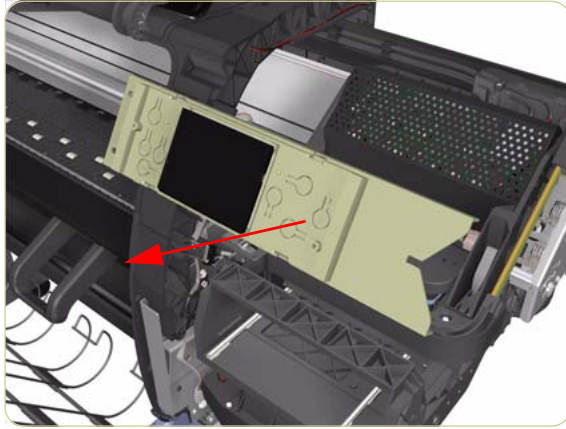
6. Release the Front Panel Cable from the Right Arc.



7. Disconnect the Ferrite clip from the Right Arc.



8. Remove two T-15 screws (**Type G**) that secure the Front Panel to the Printer.



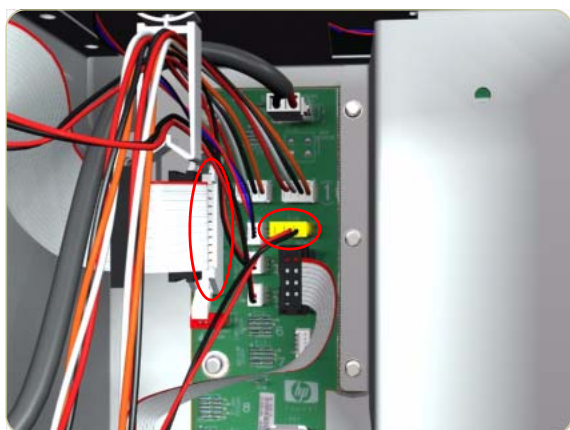
9. Remove the Front Panel from the Printer.

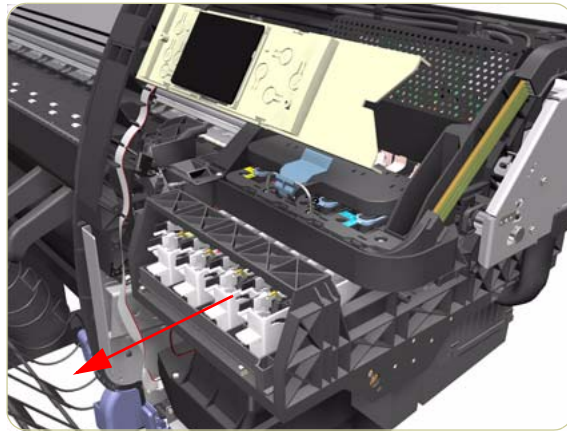
Service Station

Removal

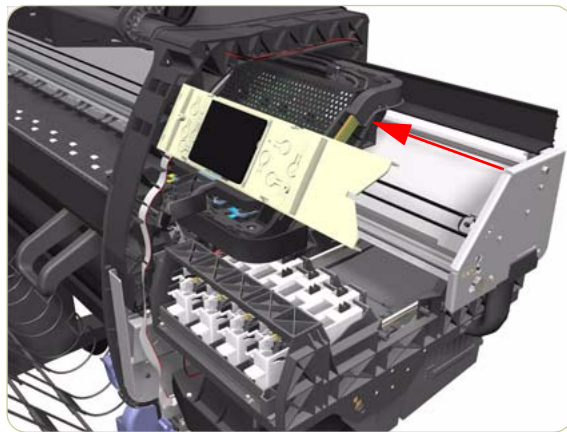
Switch off the product and remove the power cable.

1. Remove the Right Cover ⇒ Page 8-8.
2. Remove the Rear Door ⇒ Page 8-23.
3. Remove the Right Connector Cover ⇒ Page 8-25.
4. Disconnect the cable from the Printhead Cleaner Door Switch.
5. Disconnect the Service Station and Aerosol Fan Cables from the Interconnect PCA.

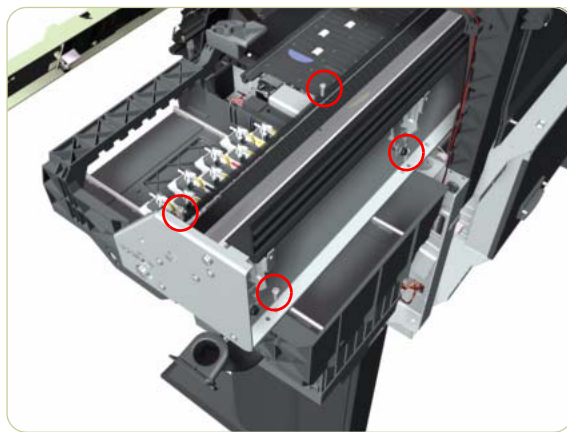




6. Uncap the Carriage Assembly by manually pulling out the Printhead Cleaner tray.

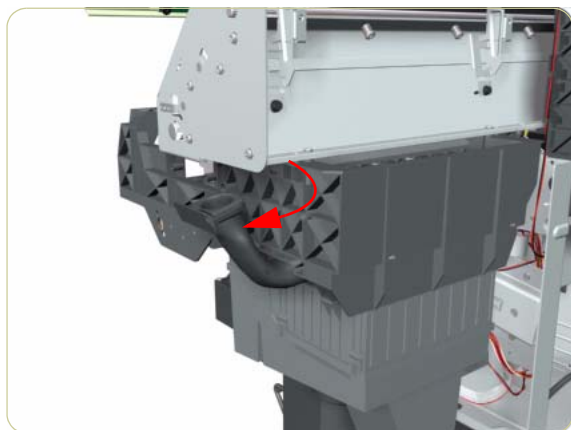


7. Move the Carriage Assembly out of the Service Station.

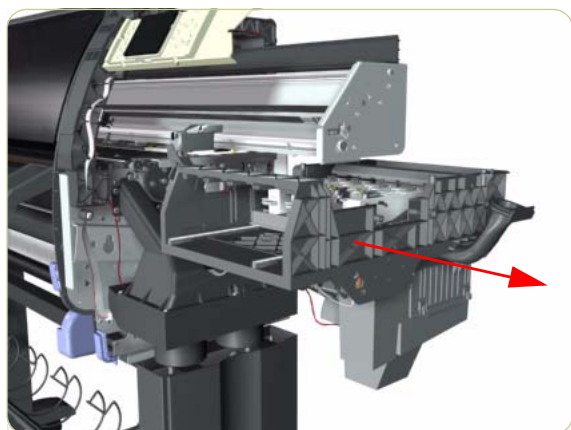


8. Remove four T-15 screws (**Type J**) that secure the Service Station to the Chassis.

When removing the screws, please be very careful NOT to damage the Encoder Strip.



9. Disconnect the Aerosol Fan Tube from the Chassis.



10. Remove the Service Station from the Printer.

After installing the NEW Service Station, make sure you perform the following Service Utility:

- Reset Counter PHC spittoon ⇒ Chapter 4.

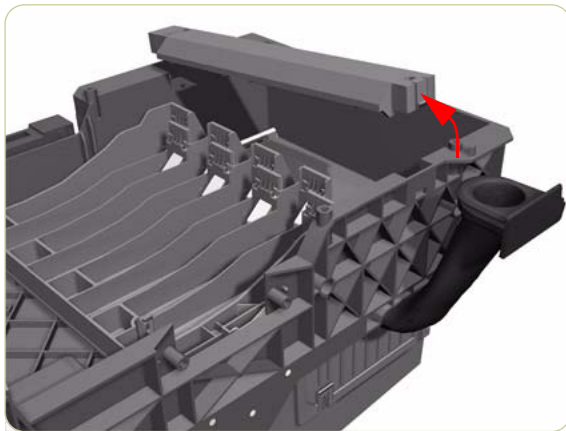
After installing the NEW Service Station, make sure you perform the following Service Calibration:

- Service Station Calibration ⇒ Chapter 5.

Removal of the Service Station Scraper



1. Release the clip securing the Scraper to the Service Station.



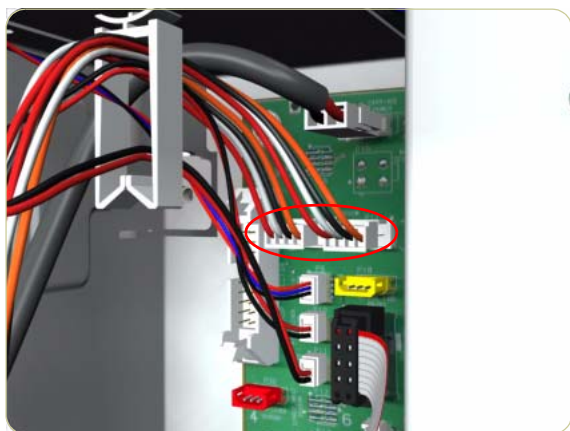
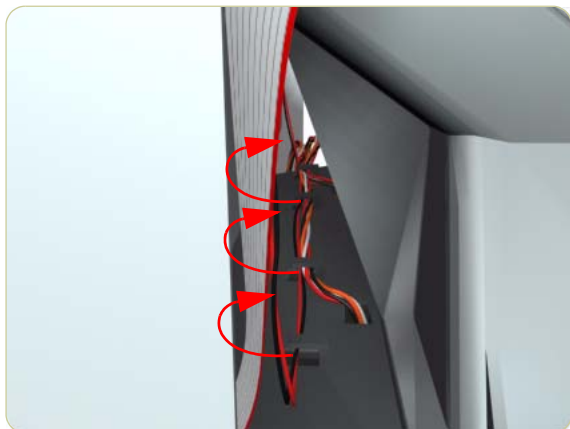
2. Remove the Scraper from the Service Station.

Vacuum Fan

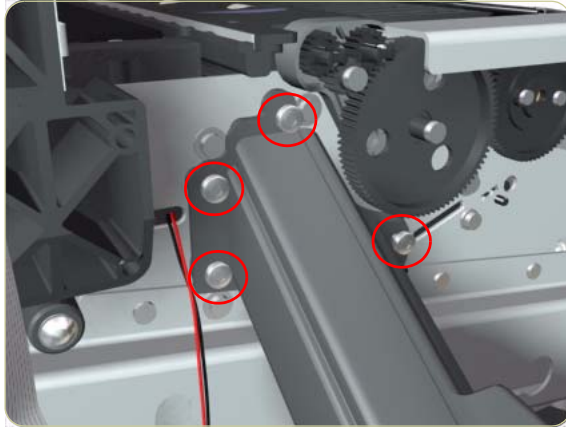
Removal

Switch off the product and remove the power cable.

1. Remove the Right Cover ⇒ Page 8-8.
2. Remove the Rear Door ⇒ Page 8-23.
3. Remove the Right Connector Cover ⇒ Page 8-25.
4. Remove the Service Station ⇒ Page 8-30.
5. Release the Pinchwheel Lever Sensor Cable from the Vacuum Fan.

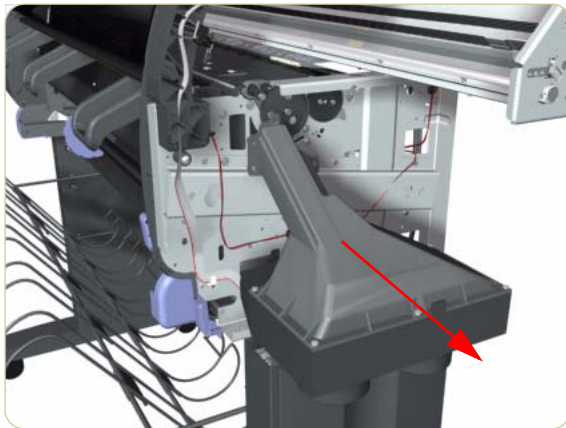


6. Disconnect both Vacuum Fan cables from the Interconnect PCA.



7. Remove four T-20 screws (**Type B**) that secure the Vacuum Fan to the Printer.

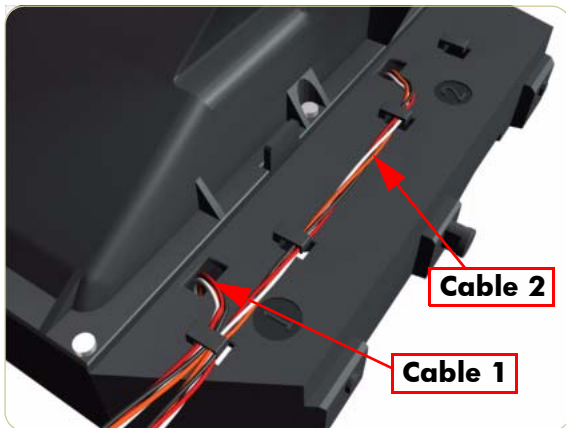
To remove the Vacuum Fan you need to open the Roll 1 Module (Front Path).



8. Remove the Vacuum Fan from the Printer.

After installing the NEW Vacuum Fan, make sure you perform the following Service Calibration:

- Paper Advance Calibration ⇒ Chapter 5.



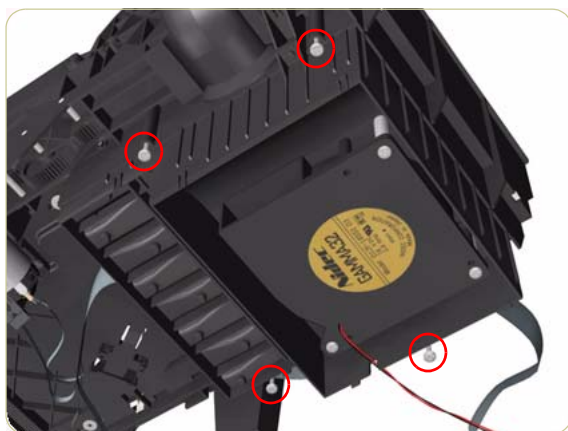
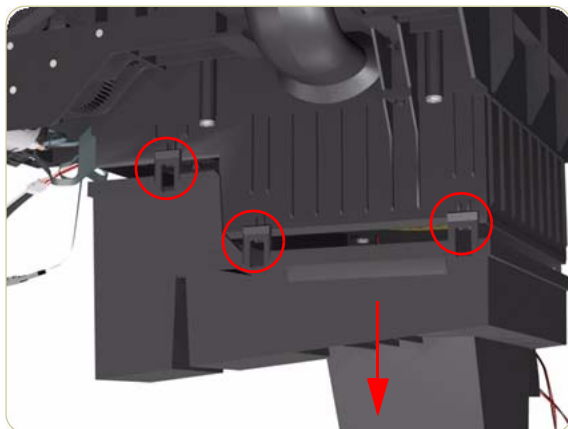
When connecting the Vacuum Fan cables to the Interconnect PCA, make sure you connect the cable with the label marked Vacuum Fan 1 to connector 1 and the cable with the label marked Vacuum Fan 2 to connector 2. You can verify if both cables are labelled correctly by the actual markings on the Vacuum Fan.

Aerosol Fan

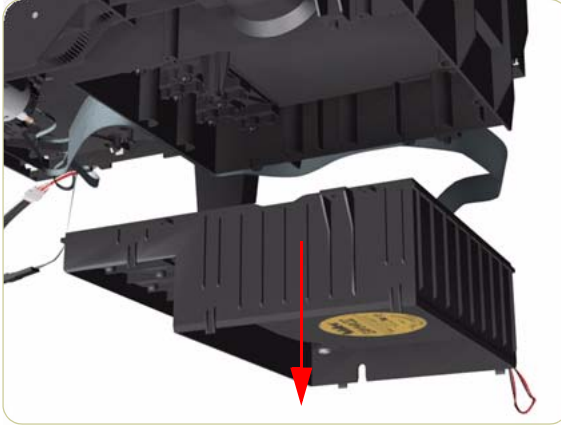
Removal

Switch off the product and remove the power cable.

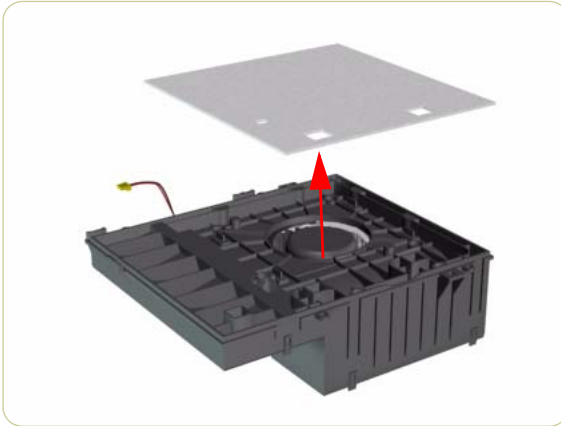
1. Remove the Right Cover ⇒ Page 8-8.
2. Remove the Rear Door ⇒ Page 8-23.
3. Remove the Right Connector Cover ⇒ Page 8-25.
4. Remove the Service Station ⇒ Page 8-30.
5. Unclip the bottom cover from the Aerosol Fan.



6. Remove four T-15 screws (**Type G**) that secure the Aerosol Fan to the Service Station.



7. Remove the Aerosol Fan from the Service Station.

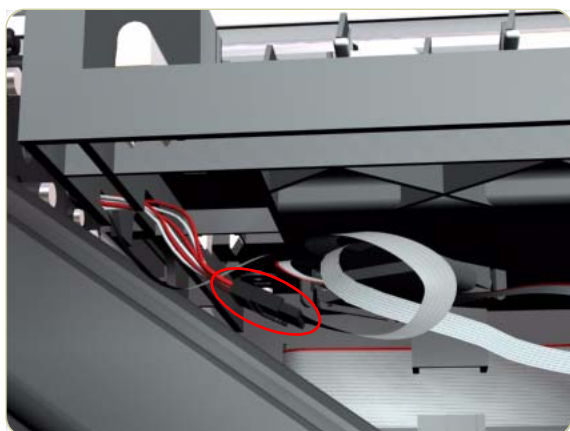


8. If necessary, remove the Aerosol Fan Filter from the Aerosol Fan.

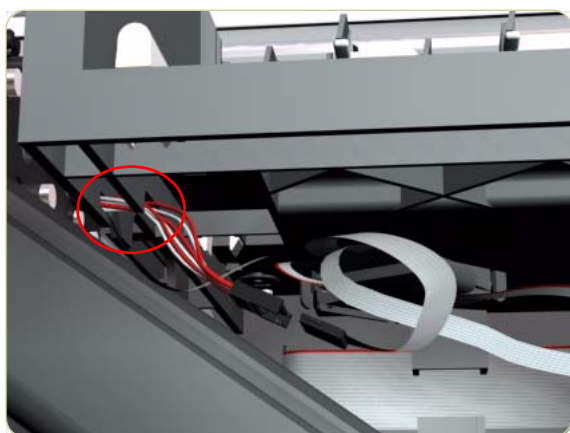
Drop Detector

Removal

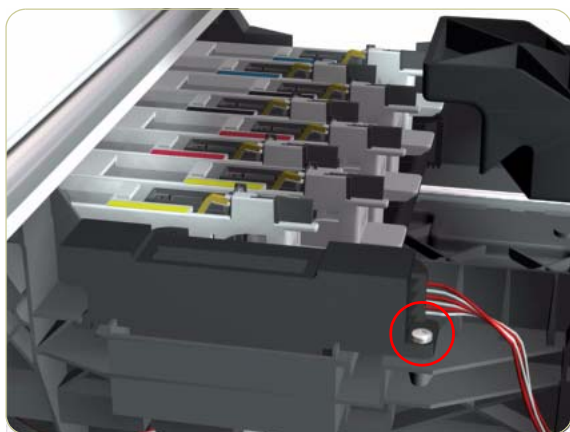
Switch off the product and remove the power cable.



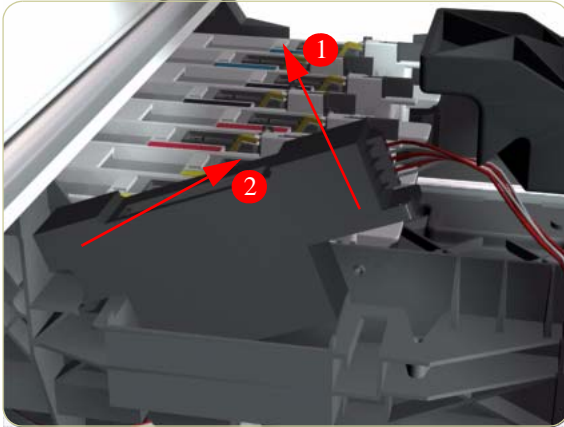
1. Remove the Right Cover ⇒ Page 8-8.
2. Disconnect the Drop Detector Cable from the Service Station Cable.



3. Release the Drop Detector Cable from the Service Station.



4. Remove one T-8 screw (**Type K**) that secures the Drop Detector to the Service Station.



5. Remove the Drop Detector from the Printer.

After installing the NEW Drop Detector, make sure you perform the following Service Calibration:

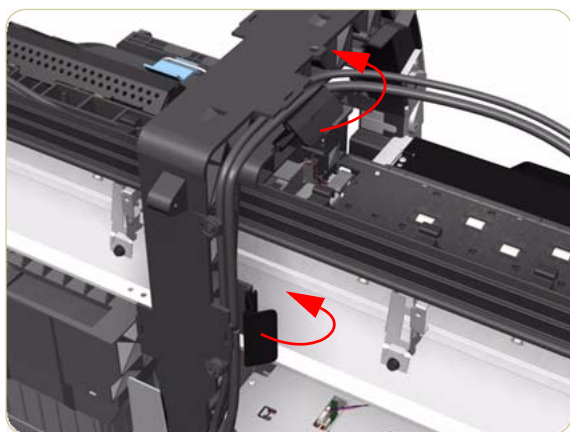
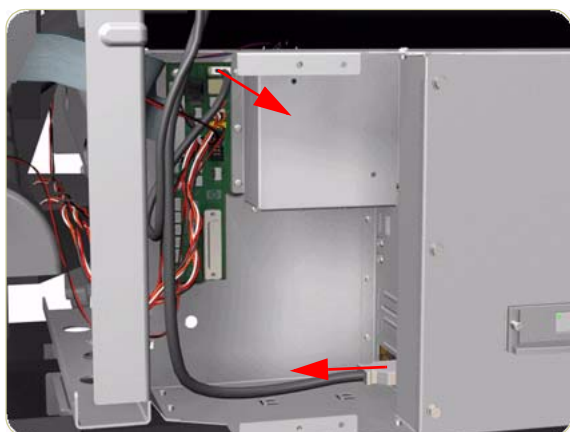
- Drop Detector Calibration ⇒ Chapter 5.

Trailing Cables

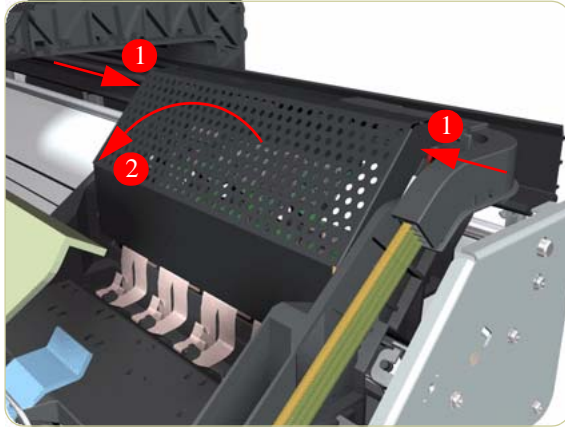
Removal

Switch off the printer and remove the power cable.

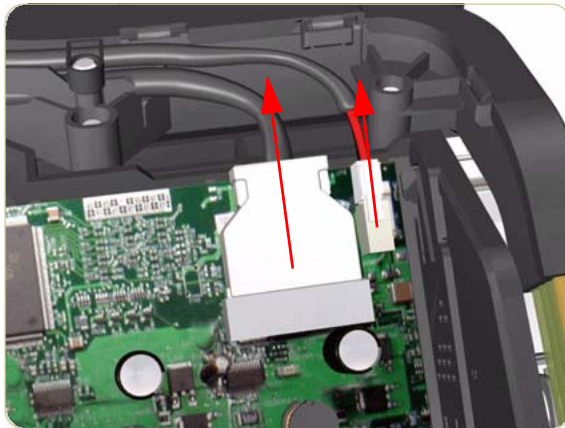
1. Remove the Right Cover ⇒ Page 8-8.
2. Remove the Left Cover ⇒ Page 8-11.
3. Remove the Top Cover ⇒ Page 8-18.
4. Remove the Rear Door ⇒ Page 8-23.
5. Remove the Right Connector Cover ⇒ Page 8-25.
6. Disconnect the Trailing Cable from the Interconnect PCA and the Gamut PCA.



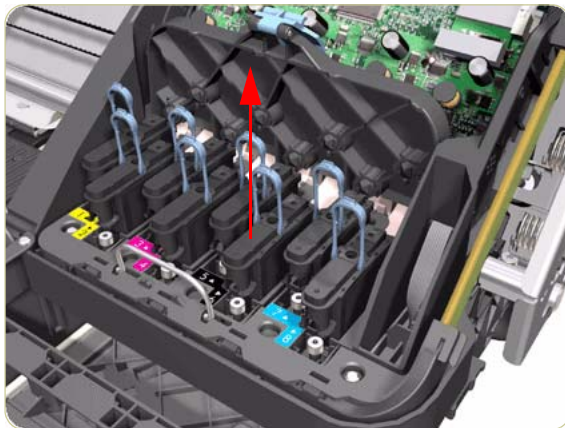
7. Release the two plastic clips securing the Trailing Cable and the Carriage Power Cable.



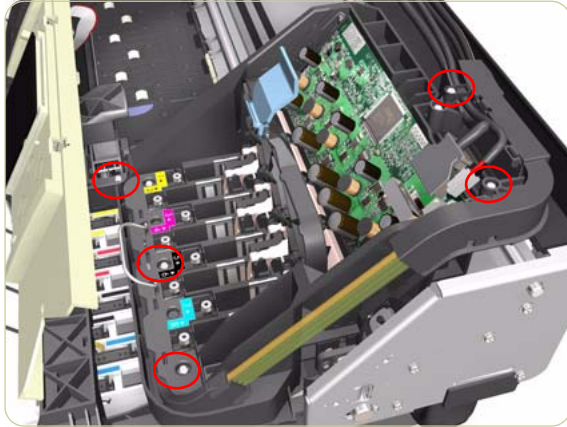
- 8.** Press the two sides of the Carriage PCA Cover and unclip from the Carriage Assembly.



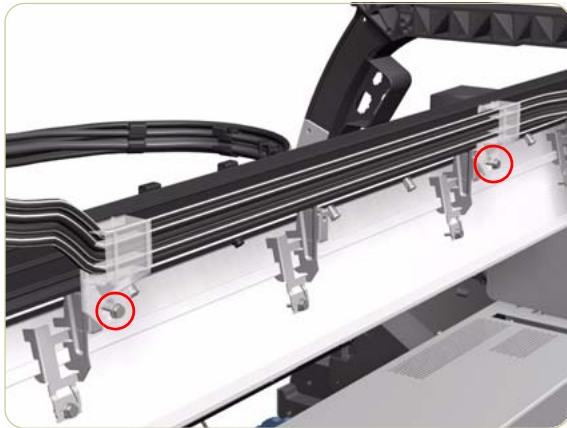
- 9.** Disconnect the Trailing Cable and Carriage Power Supply Cable from the Carriage PCA.



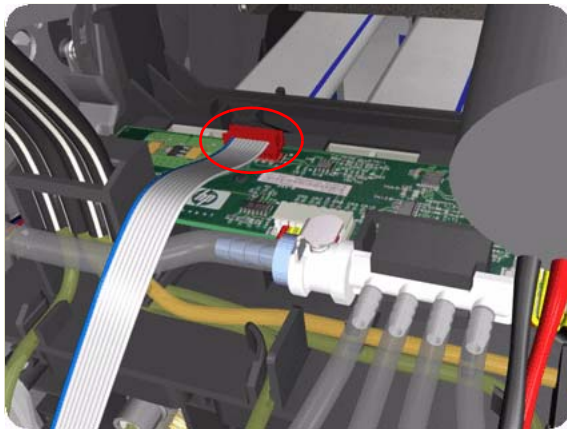
- 10.** Open the Carriage Cover and remove ALL the Printheads from the Carriage Assembly.



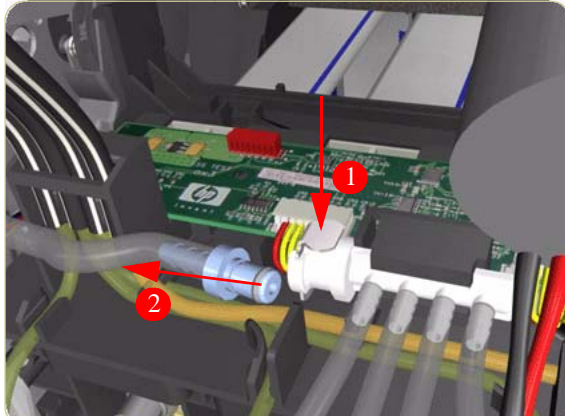
- 11.** Remove five T-15 screws that secure the Ink Supply Tubes to the Carriage Assembly.



- 12.** Remove one T-15 screw from each plastic holder at the rear of the Printer.

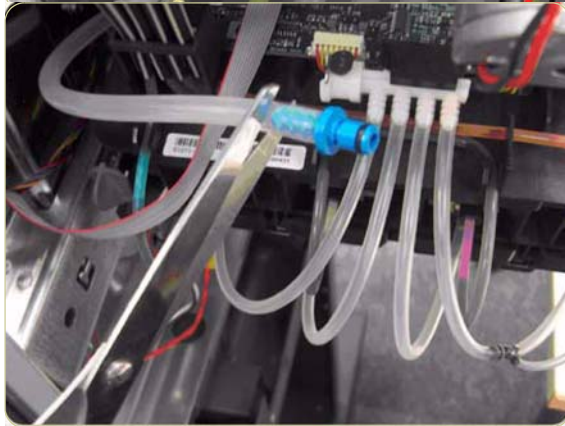


- 13.** Disconnect the Electrical Cable from the rear of the Ink Cartridge Tube Connector.

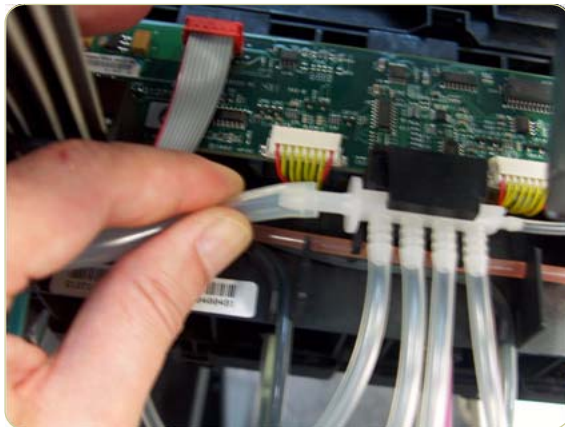


- 14.** Disconnect the Air Tube from the Ink Supply Tubes:

There are two types of Air Tube: The old type has a blue connector on the end, the new type does not. If the printer has a serial number of before SG6ABH9014 (DJ4500) it will have the old type.

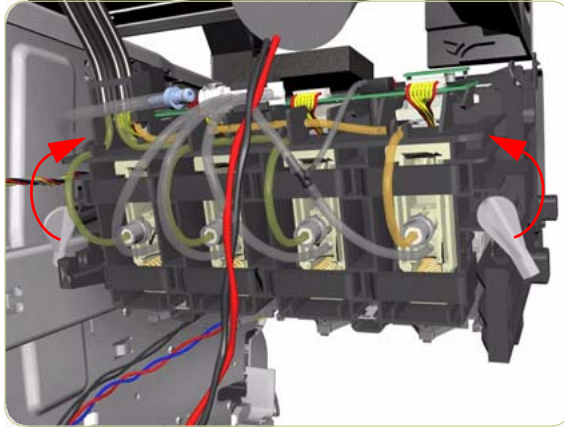


- 15.** If the Air Tube has the old type of blue connector on the end, disconnect it and remove the blue connector by cutting it off.

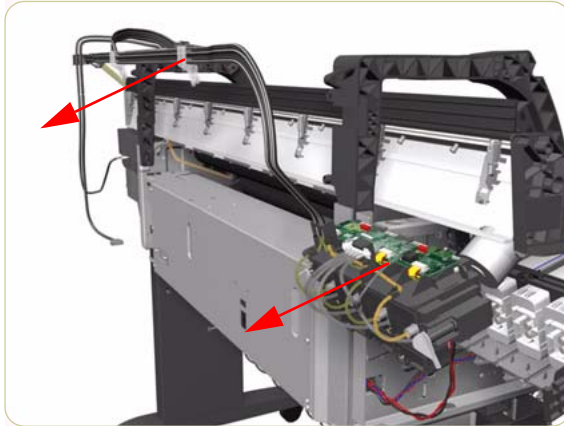


- 16.** If the Air Tube is new and does not have a blue connector, carefully remove the tube (see note below).

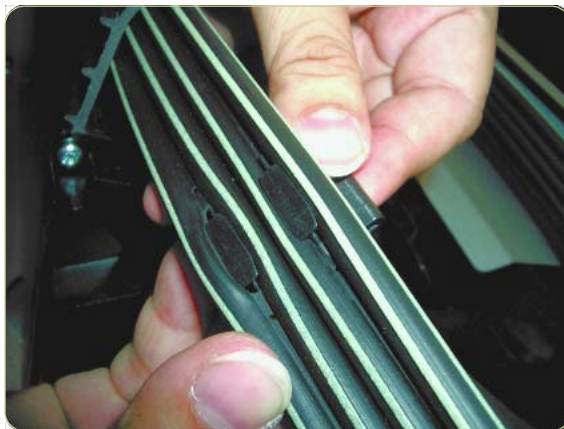
Warning: Be careful not to cut your hand on sharp surfaces nearby while disconnecting the tube, avoid trying to pull the tube off in one go. Twisting the tube while pulling will reduce the effort required to disconnect it.



- 17.** Twist the 2 latches at the rear of the Ink Cartridge Tube Connector and release the complete assembly.



- 18.** Remove the Ink Supply Tubes, Trailing Cable and Carriage Power Cable from the Printer.



- 19.** Remove the eleven Cable Holders from the two slots of the Ink Tube Carrier.



- 20.** Remove the Trailing Cable and Power Cable from the Cable Holders.

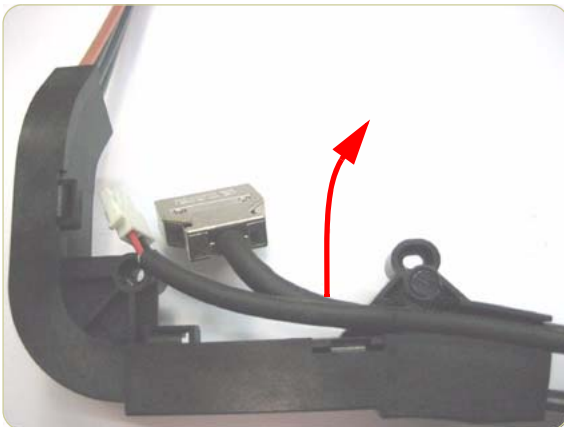
Old and New type of Top Crane Covers

There are two possible types of Top Crane Cover in the printer, the OLD type and the NEW type.

Removing the trailing cable from the old type



- 1.** Remove one T15 screw from the Top Crane.



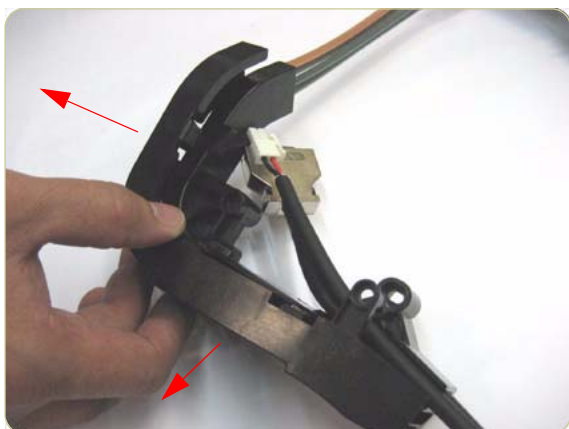
- 2.** Remove the Trailing Cable and Carriage Power Cable from the groove in the Top Crane.

Removing the trailing cable from the new type

1. Remove one T15 screw from the Top Crane.



2. Remove the Top Crane Cover by unclipping it from 3 latches located underneath.



3. Remove the Top Crane Cover.



4. Remove the Trailing Cable and Carriage Power Cable from the groove in the Top Crane.

Installation of the new Trailing Cable

There are two types of Trailing Cable in this kit, only one of the trailing cables will be compatible with the Gamut PCA:

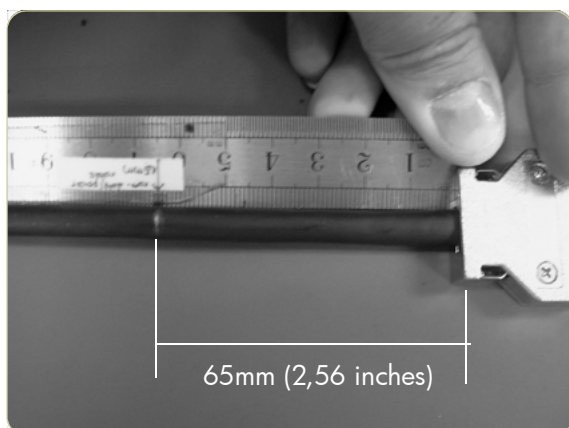
- **If the Gamut PCA in the printer is old and has never been replaced, use the Trailing cable with the old type of connector**
- **If the Gamut PCA in the printer is new and has been replaced in the past, use the Trailing cable with the new type of connector**



Old type of connector



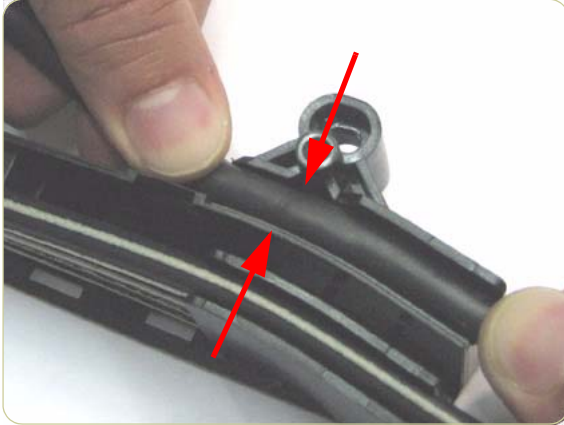
New type of connector



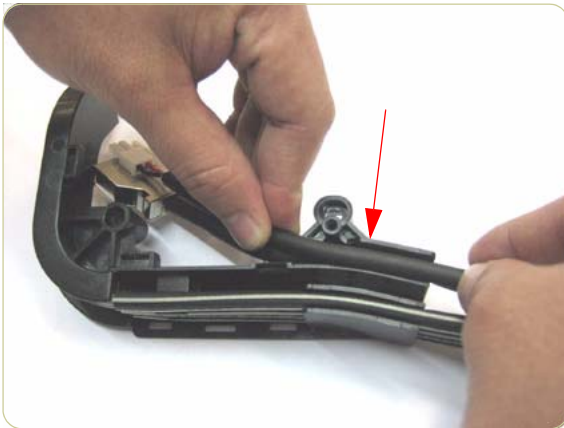
1. Mark on the Trailing Cable 42" about 65mm from the neck of the connectors using a marker pen.



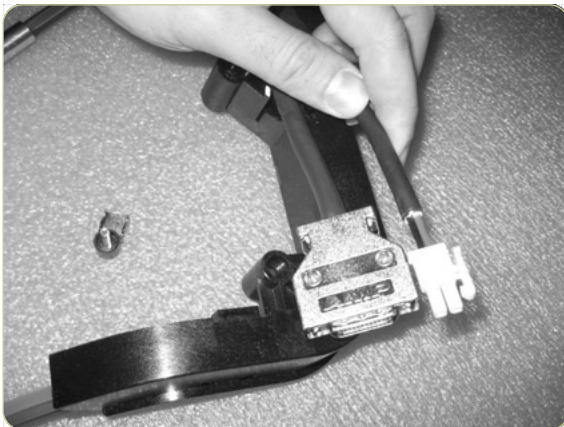
2. Install the new Trailing Cable into the Top Crane.



3. Align the marking of the Trailing Cable with the screw area as indicated by the two arrows.

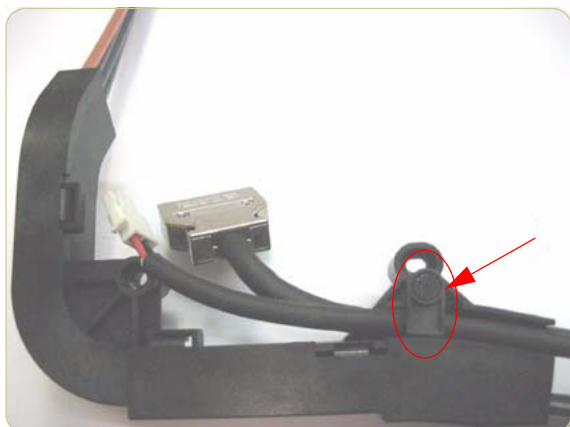


4. Install the Carriage Power Cable into the Top Crane.



5. Ensure the Power Cable and the Trailing Cable are at the same length.

Installing the Trailing Cable into the old type of Top Crane Cover

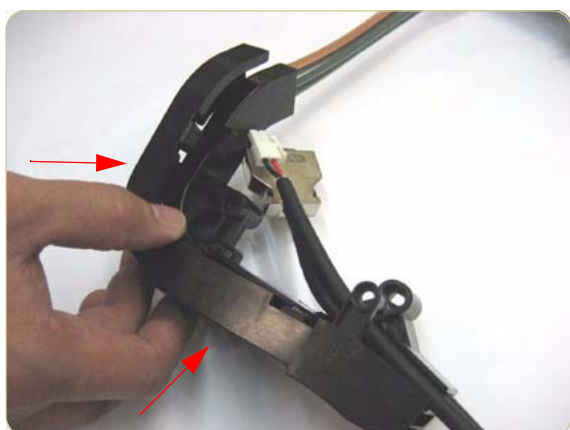


6. Install the securing Cable Bracket in place.



7. Install one T-15 screw into the Cable Bracket and secure the cables. **Go to step10.**

Installing the trailing cable into the new type of Top Crane Cover



8. Install the Top Crane Cover.



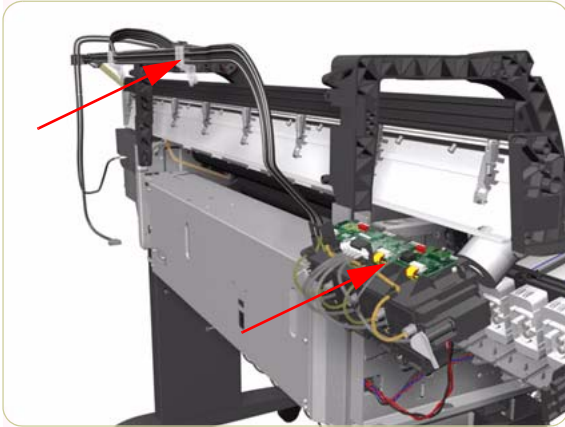
9. Secure the cables with one T15 screw.



10. Insert the Trailing Cable and Carriage Power Cable into the first Cable Holder.



11. Insert the Cable Holder through the two slots of the new Ink Tube Carrier.



- 12.** Insert the Trailing Cable and Carriage Power Cable into all the Cable Holders and insert all the Cable Holders into the slots of the Ink Tube Carrier.
- 13.** Install the Ink Supply Tubes, Trailing Cable and Carriage Power Cable into the Printer. (The rest of the installation procedure is the same as the removal procedure but in reverse).

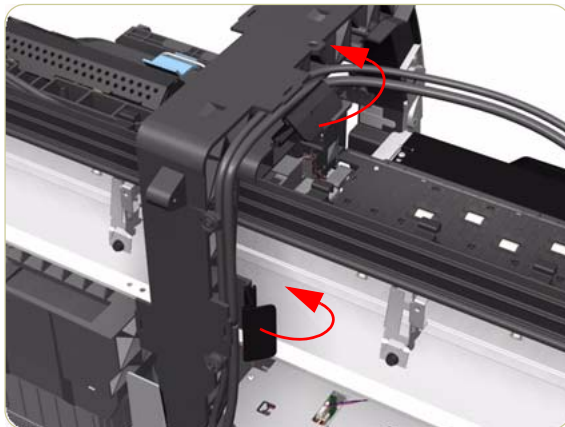
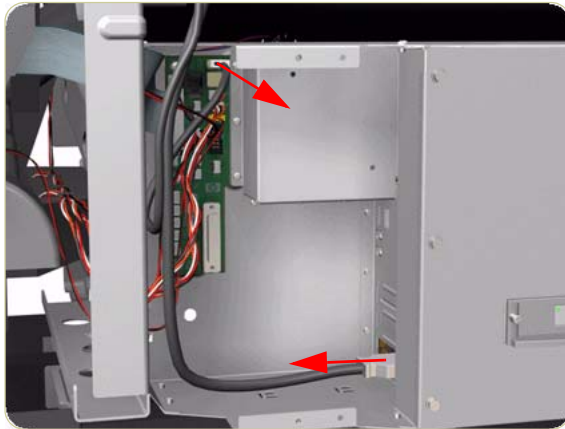
Ink Supply Tubes

Removal

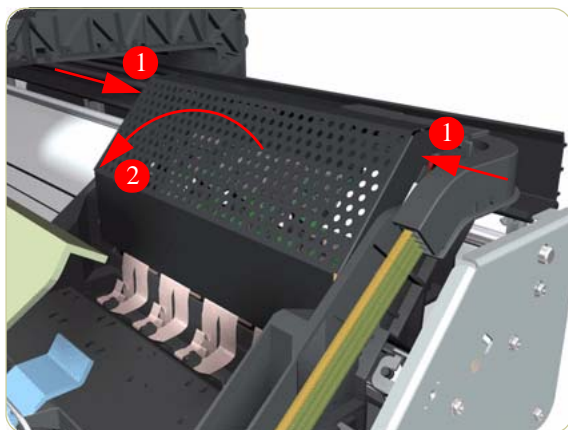
Switch off the printer and remove the power cable.

You MUST NEVER replace both the Hard Disk Drive and the Ink Supply Tubes at the same time. If both parts need to be replaced, you MUST first replace one part and then power ON the Printer until it completely initializes. Then you can power OFF the Printer and replace the other part.

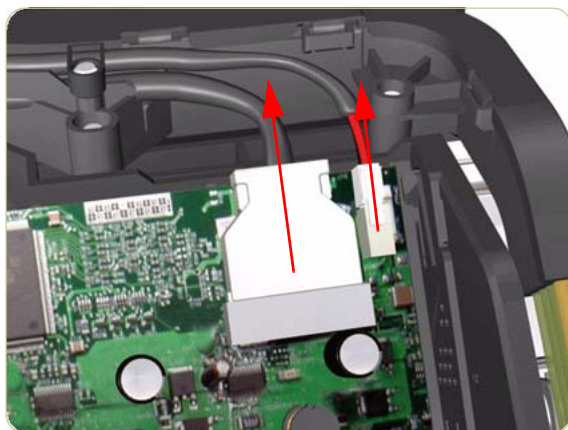
1. Remove the Right Cover ⇒ Page 8-8.
2. Remove the Left Cover ⇒ Page 8-11.
3. Remove the Top Cover ⇒ Page 8-18.
4. Remove the Rear Door ⇒ Page 8-23.
5. Remove the Right Connector Cover ⇒ Page 8-25.
6. Disconnect the Trailing Cable from the Interconnect PCA and the Gamut PCA.



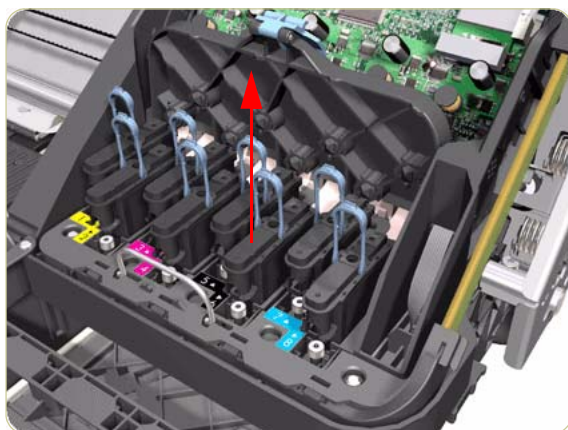
7. Release the two plastic clips securing the Trailing Cable.



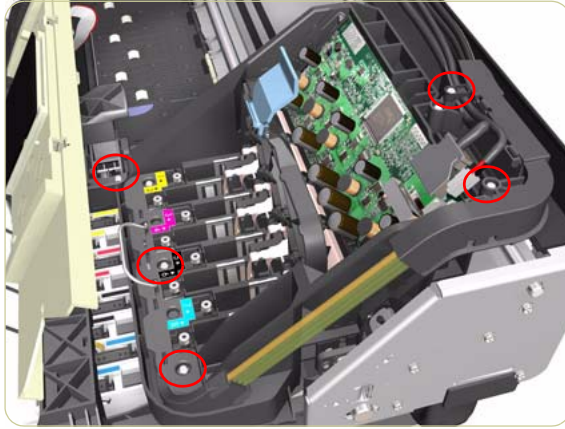
8. Press the two side of the Carriage PCA Cover and unclip from the Carriage Assembly.



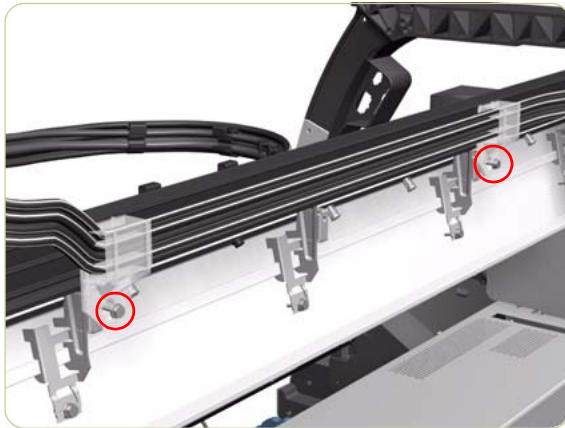
9. Disconnect the Trailing Cable and the Carriage Power Cable from the Carriage PCA.



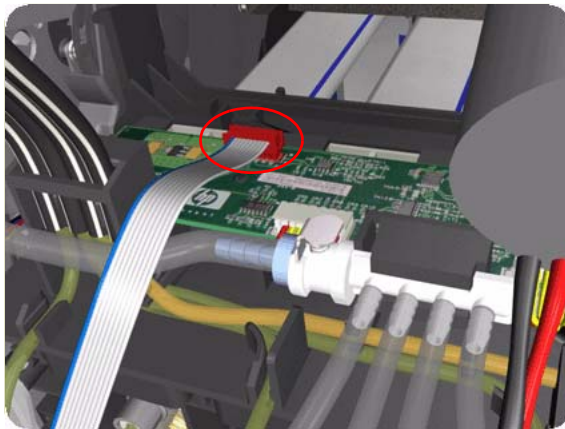
10. Open the Carriage Cover and remove ALL the Printheads from the Carriage Assembly.



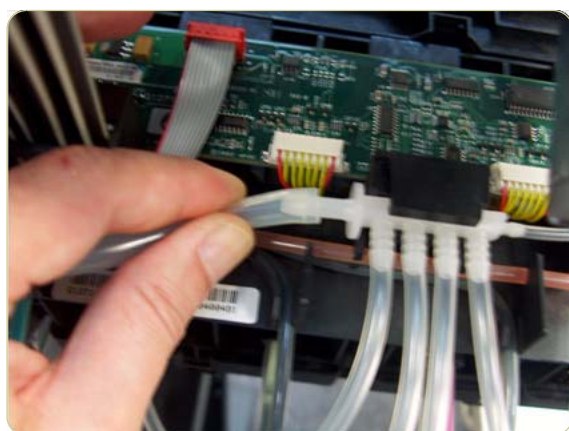
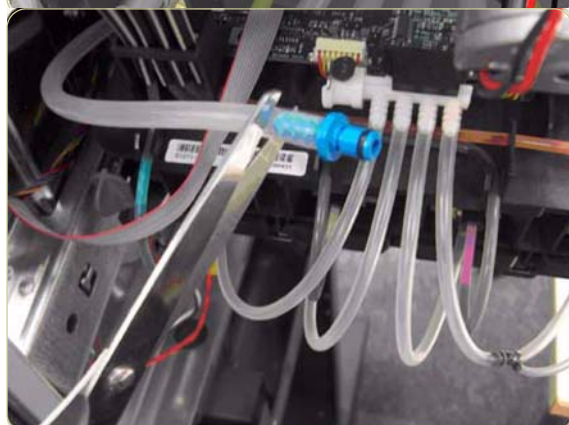
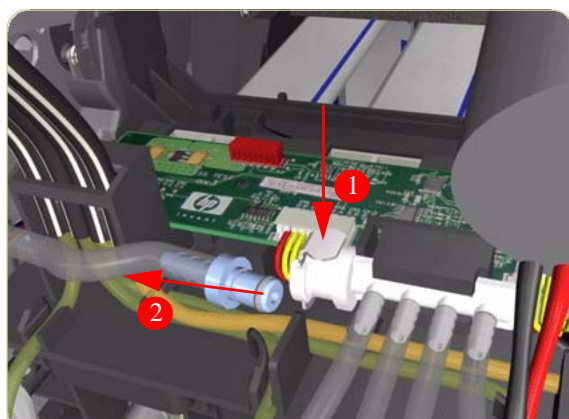
- 11.** Remove five T-15 screws that secure the Ink Supply Tubes to the Carriage Assembly.



- 12.** Remove one T-15 screw from each plastic holder at the rear of the Printer.



- 13.** Disconnect the Electrical Cable from the rear of the Ink Cartridge Tube Connector.



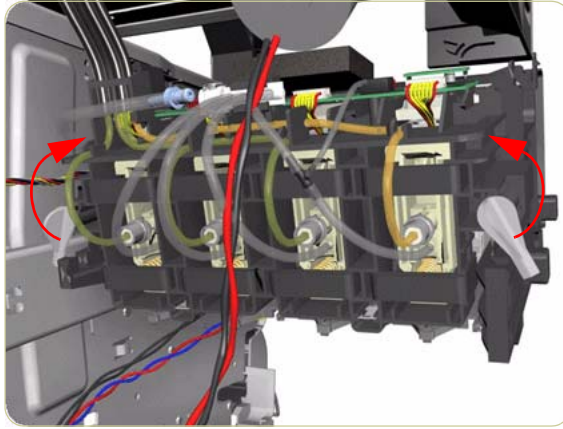
- 14.** Disconnect the Air Tube from the Ink Supply Tubes:

There are two types of Air Tube: The old type has a blue connector on the end, the new type does not. If the printer has a serial number of before SG6ABH9014 (DJ4500) it will have the old type.

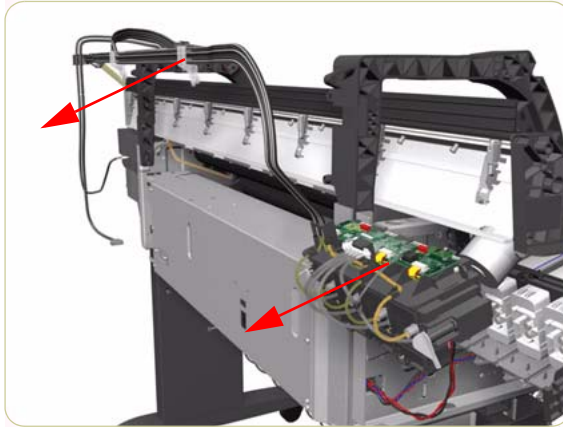
- 15.** If the Air Tube has the old type of blue connector on the end, disconnect it and remove the blue connector by cutting it off.

- 16.** If the Air Tube is new and does not have a blue connector, carefully remove the tube (see note below).

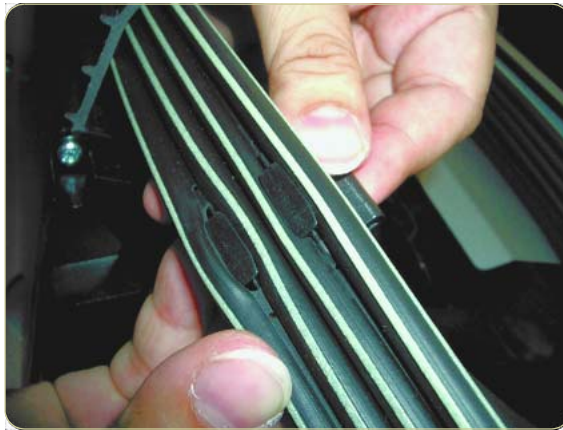
Warning: Be careful not to cut your hand on sharp surfaces nearby while disconnecting the tube, avoid trying to pull the tube off in one go. Twisting the tube while pulling will reduce the effort required to disconnect it.



- 17.** Twist the 2 latches at the rear of the Ink Cartridge Tube Connector and release the complete assembly.



- 18.** Remove the Ink Supply Tubes and Trailing Cable from the Printer.



- 19.** Remove the eleven Cable Holders from the two slots of the Ink Tube Carrier.



20. Remove the Trailing Cable and Power Cable from the Cable Holders.

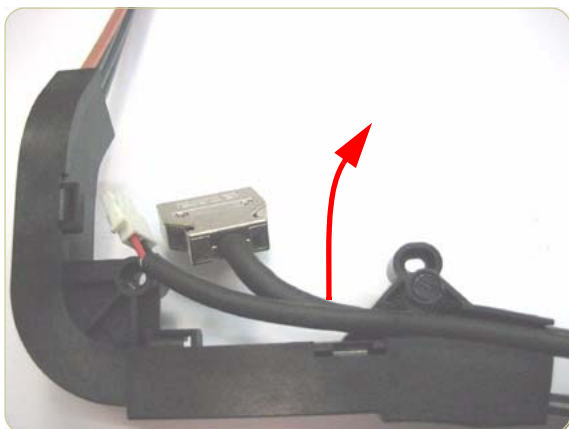
Old and New type of Top Crane Covers

There are two possible types of Top Crane Cover in the printer, the OLD type and the NEW type.

Removing the trailing cable from the old type



1. Remove one T15 screw from the Top Crane.



2. Remove the Trailing Cable and Carriage Power Cable from the groove in the Top Crane.

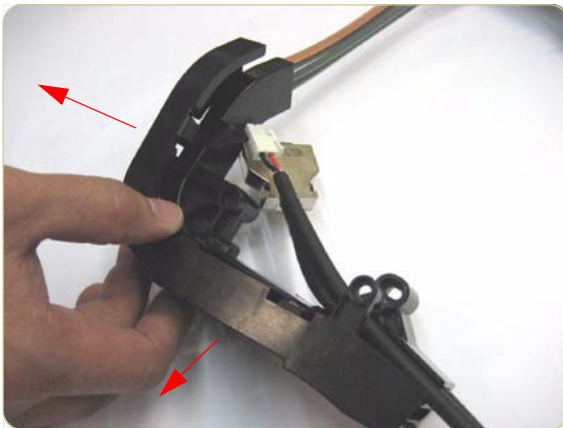
Removing the trailing cable from the new type



1. Remove one T15 screw from the Top Crane.



2. Remove the Top Crane Cover by unclipping it from 3 latches located underneath.

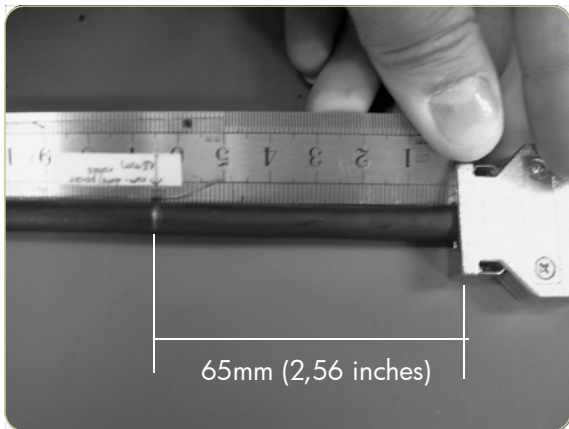


3. Remove the Top Crane Cover.



4. Remove the Trailing Cable and Carriage Power Cable from the groove in the Top Crane.

Installation of the new Trailing Cable



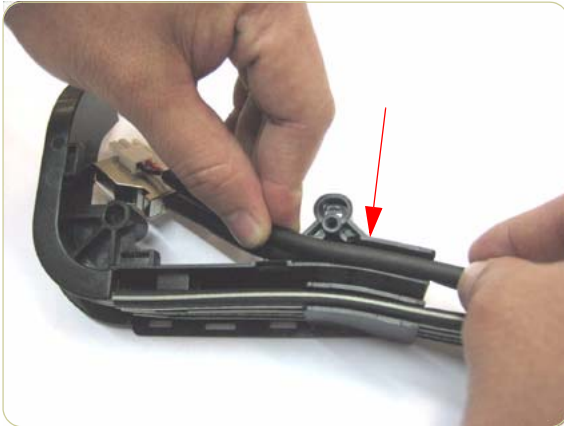
1. Mark on the Trailing Cable 42" about 65mm from the neck of the connectors using a marker pen.



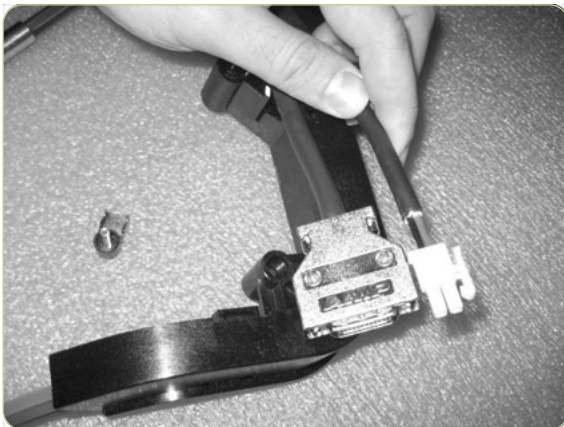
2. Install the new Trailing Cable into the Top Crane.



3. Align the marking of the Trailing Cable with the screw area as indicated by the two arrows.

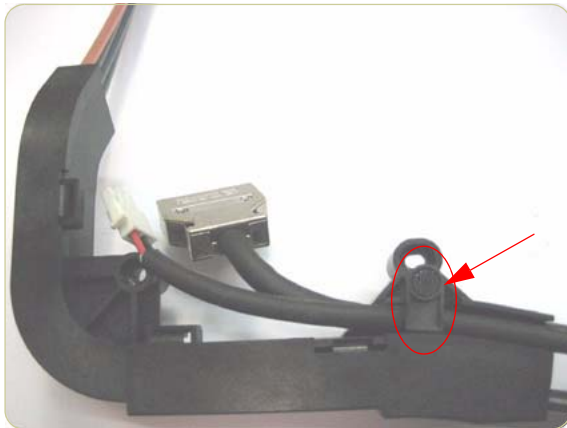


4. Install the Carriage Power Cable into the Top Crane.



5. Ensure the Power Cable and the Trailing Cable are at the same length.

Installing the Trailing Cable into the old type of Top Crane Cover

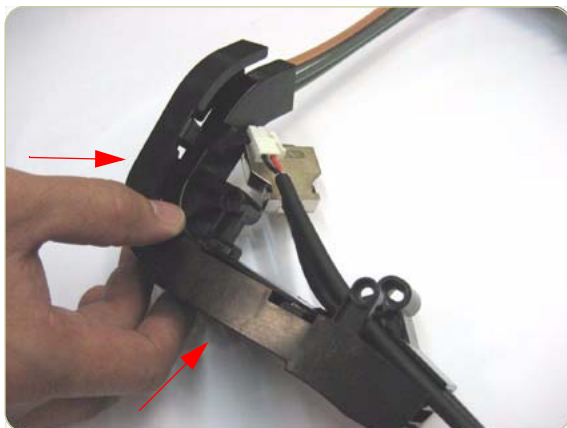


6. Install the securing Cable Bracket in place.



7. Install one T-15 screw into the Cable Bracket and secure the cables. **Go to step 10.**

Installing the trailing cable into the new type of Top Crane Cover



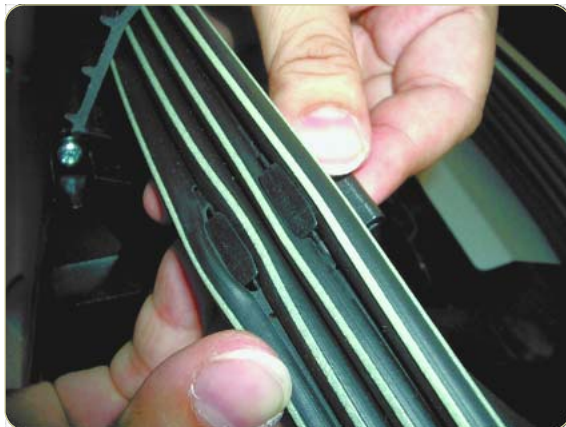
8. Install the Top Crane Cover.



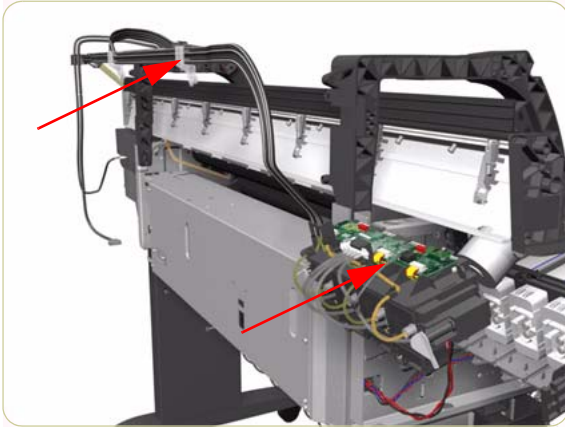
9. Secure the cables with one T15 screw.



10. Insert the Trailing Cable and Power Cable into the first Cable Holder.



11. Insert the Cable Holder through the two slots of the new Ink Tube Carrier.



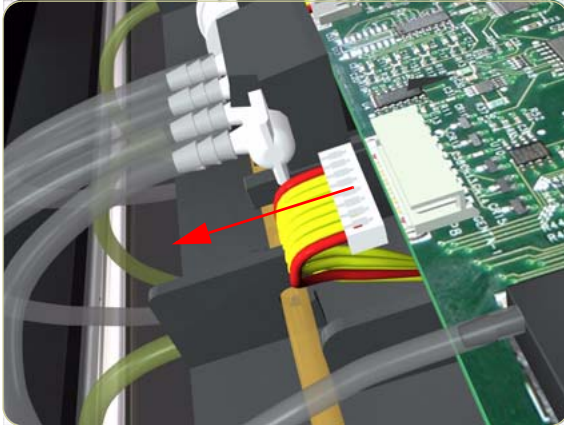
- 12.** Insert the Trailing Cable into all the Cable Holders and insert all the Cable Holders into the slots of the Ink Tube Carrier.
- 13.** Install the Ink Supply Tubes, Trailing Cable and Carriage Power Supply Cable into the Printer. (The rest of the installation procedure is the same as the removal procedure but in reverse).

ISS to Cartridge Cables

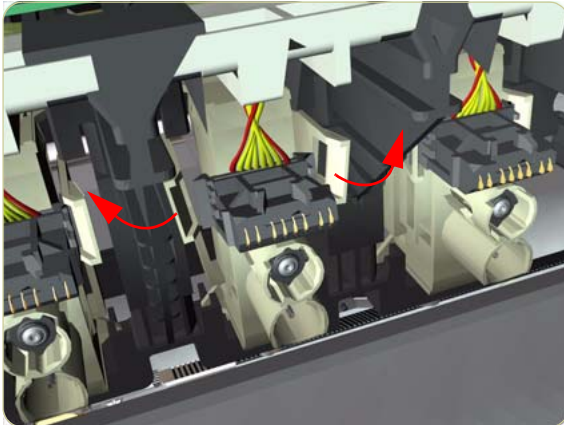
Removal

Switch off the product and remove the power cable.

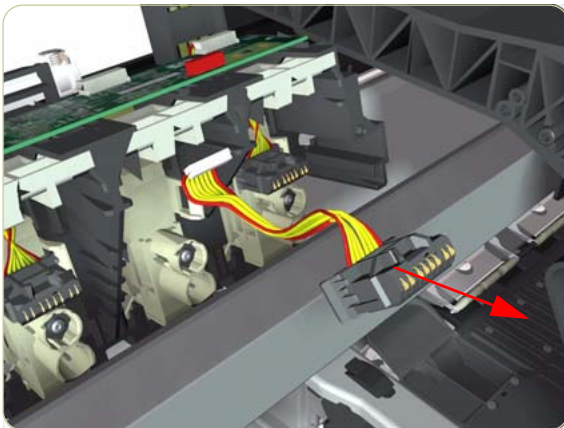
1. Remove the Left Cover ⇒ Page 8-6.
2. Disconnect the ISS to Cartridge Cable from the ISS PCA.



3. Release the clips securing the ISS to Cartridge Cable.



4. Remove the ISS to Cartridge Cable from the Printer.

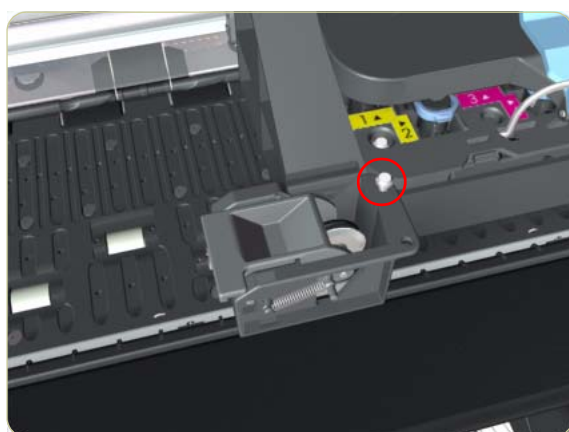


Cutter Assembly

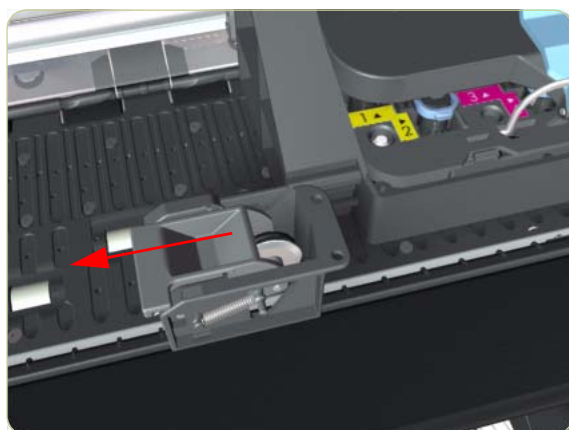
Removal



1. Select "Replace Cutter" from Service Menu (refer to Chapter 4) and follow the instructions on the Front Panel.
2. Open the Window.



3. Remove one T-15 screw (**Type G**) that secures the Cutter Assembly to the Carriage Assembly.



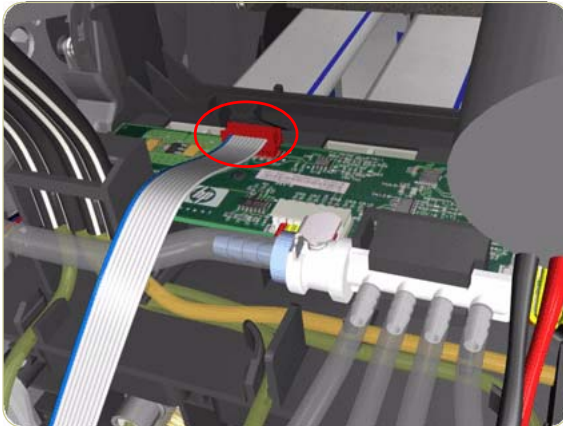
4. Slide the Cutter Assembly to the left and remove from the Printer.

Ink Supply Station (ISS)

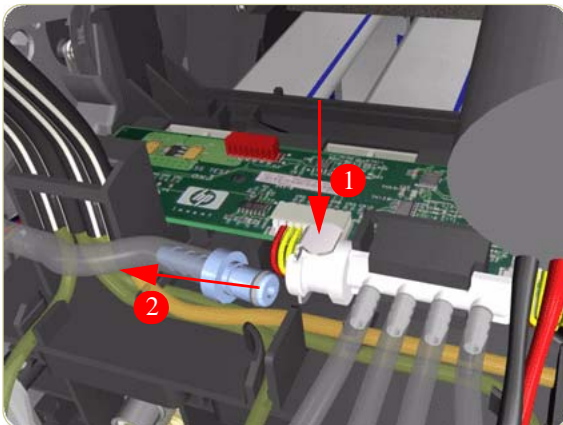
Removal

Switch off the product and remove the power cable.

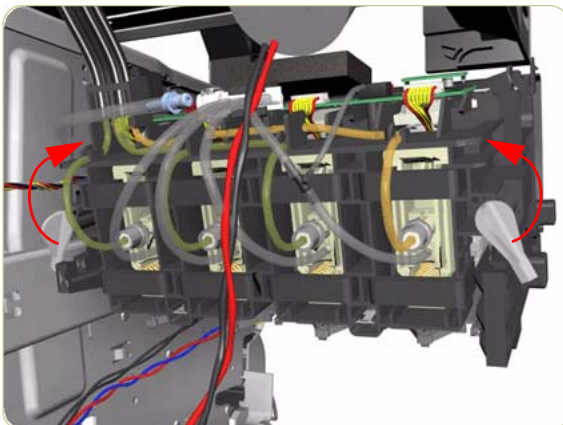
1. Remove the Left Cover ⇒ Page 8-6.
2. Remove the Left Connector Cover ⇒ Page 8-26.
3. Disconnect the Electrical Cable from the rear of the Ink Cartridge Tube Connector.

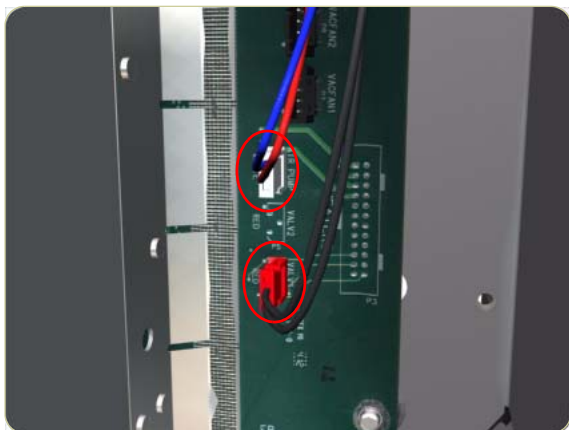


4. Disconnect the Air Tube from the Ink Supply Tubes.

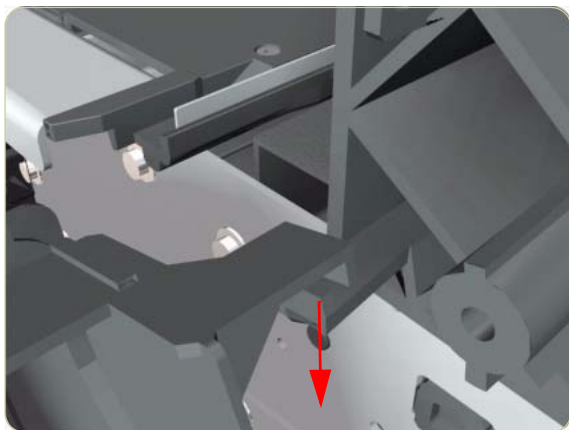


5. Twist the 2 latches at the rear of the Ink Cartridge Tube Connector and release the complete assembly.

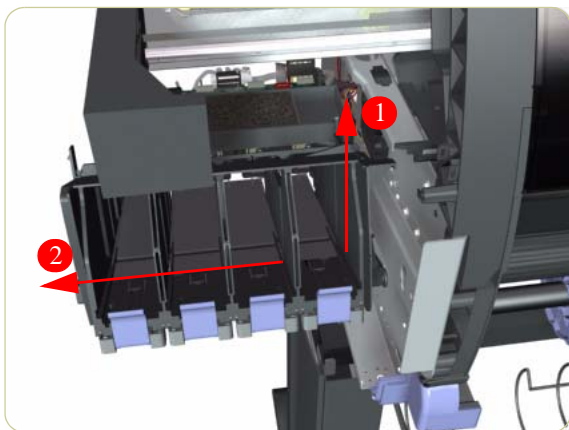




6. Disconnect the two Ink Supply Station cables from the PrintMech PCA.



7. Release the Ink Supply Station from the Chassis.



8. Remove the Ink Supply Station from the Printer.

APS Assembly

Removal

Switch off the product and remove the power cable.

There are two different types of APS assembly. To know which one to install you must first check the serial number of the printer you are working on.

If the printer you are working on has one of the following serial numbers:

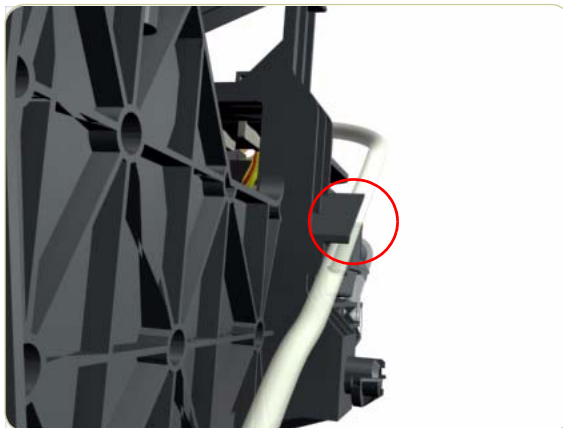
- HP Designjet 4500 Printers with a serial number before **SG6ABH9014**, go to step 1 on page

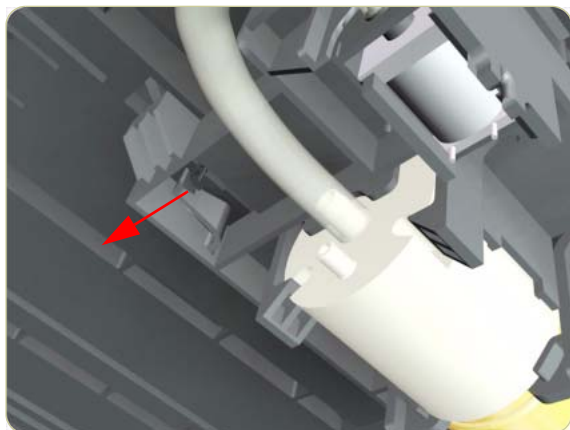
If the printer you are working on has one of the following serial numbers:

- HP Designjet 4500 Printers with serial number **SG6ABH9014** or after proceed to Page 8-74.

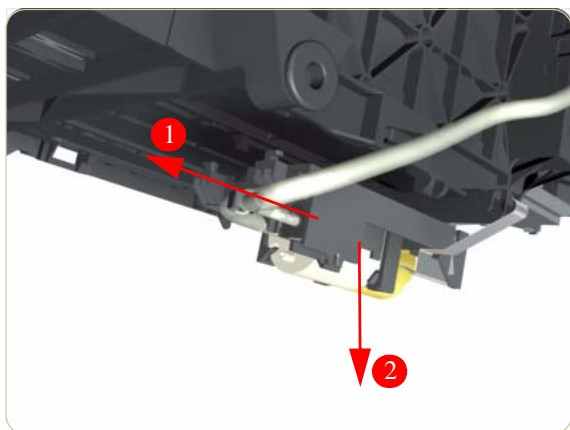
Switch off the printer and remove the power cable.

1. Remove the Left Cover ⇒ Page 8-11.
2. Remove the Left Connector Cover ⇒ Page 8-26.
3. Remove the ISS ⇒ Page 8-67.
4. Release the Air Tube from the slot in the Ink Supply Station.





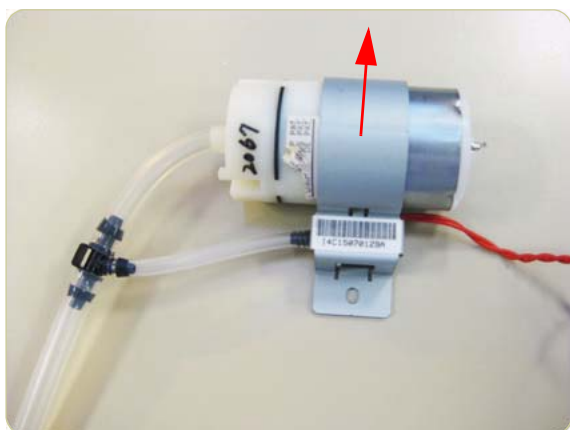
5. Unclip the APS Assembly Bracket from the Ink Supply Station.



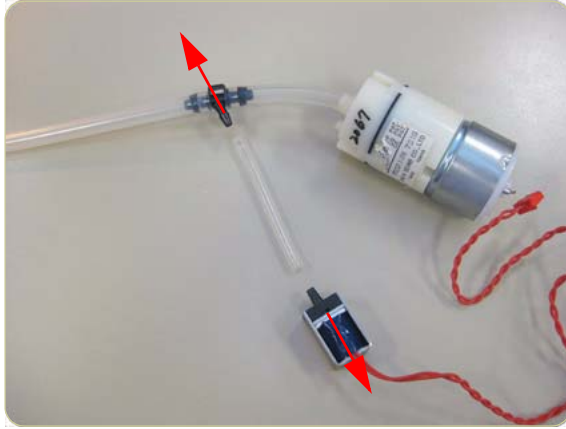
6. Remove the APS Assembly Bracket from the Ink Supply Station.

Installation for printers with the serial numbers before SG6ABH9014

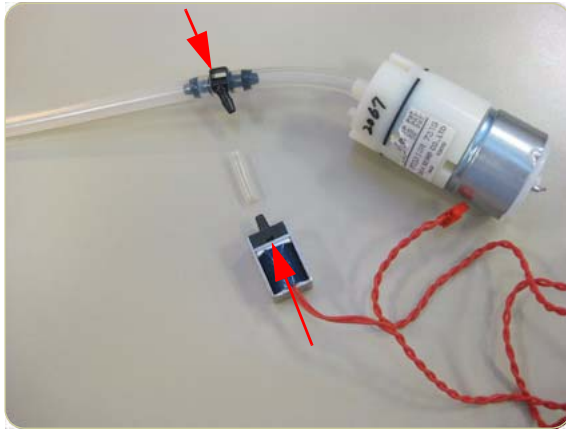
The tubes are setup to be installed on newer printers. Before attempting to install the APS Assembly, you will need to change this setup to be compatible with the older type of printer.



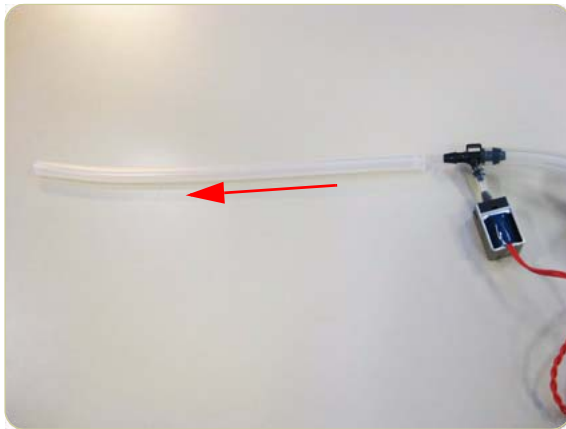
1. Remove the APS and Valve from the metal bracket.



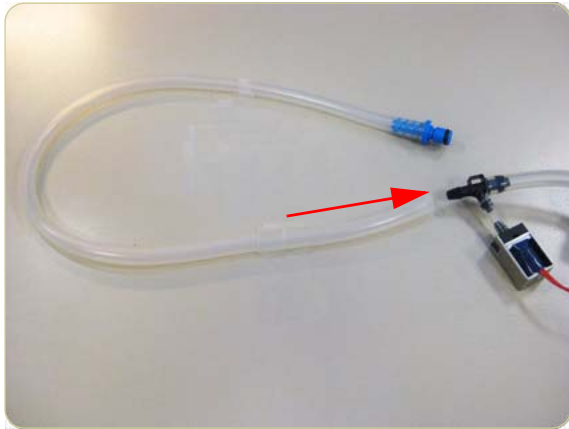
2. Remove the tube from the Valve and the Tube Connector.



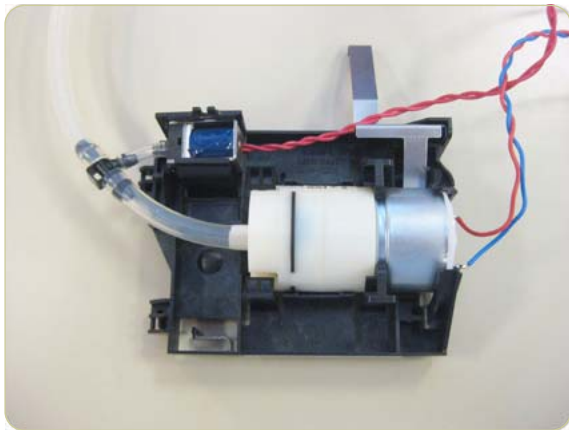
3. Connect the small tube, that comes with this kit, to the Valve and the Tube Connector.



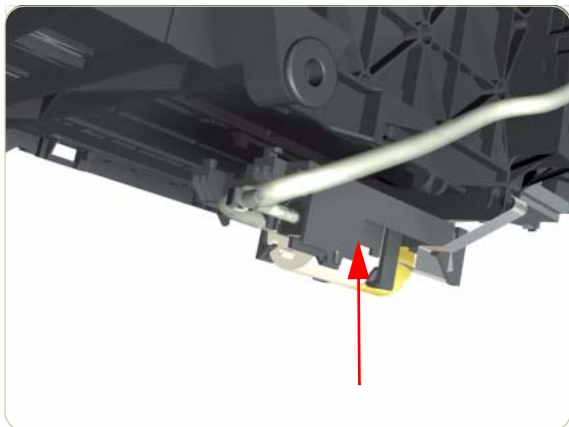
4. Remove the short tube without the blue connector from the Tube Connector.



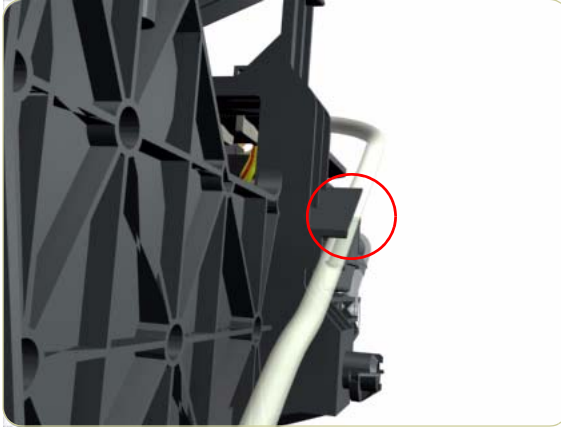
5. Connect the long tube with the blue connector to the Tube Connector.



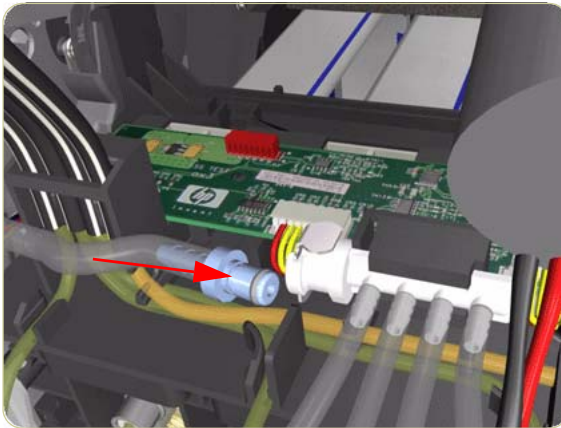
6. Install the APS and the Valve into the bracket that comes with this kit.



7. Install the APS Assembly onto the underside of the Ink Supply Station.



- 8.** Install the tube with the blue connector into the slot in the Ink Supply Station.

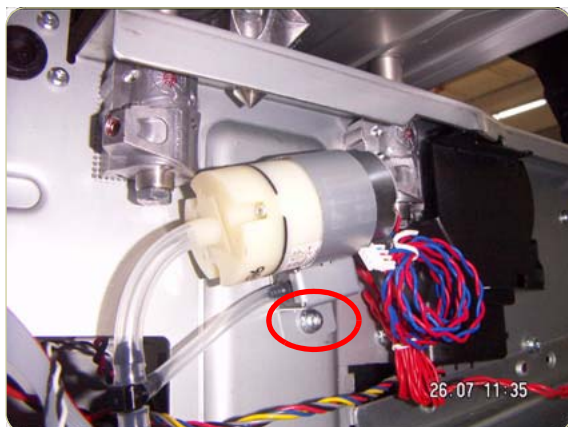


- 9.** Connect the tube with the blue connector to the Ink Supply Tubes. Be carefull not to cut your hand on any sharp surfaces.
- 10.** Install the ISS ⇒ Page 8-67.
- 11.** Install the Left Connector Cover ⇒ Page 8-26.
- 12.** Install the Left Cover ⇒ Page 8-11.

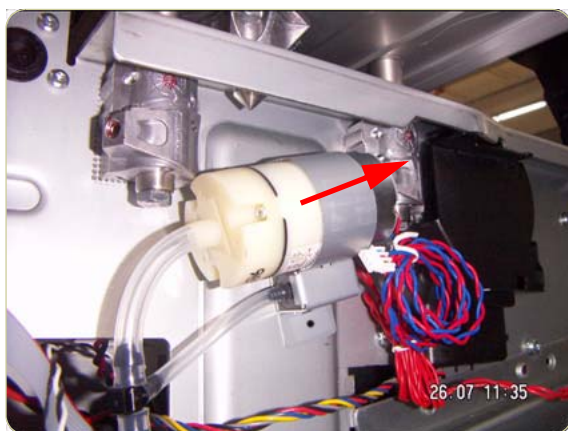
Removal for printers with the serial numbers SG6ABH9014 and onwards

Switch off the printer and remove the power cable.

1. Remove the Left Cover ⇒ Refer to Service Manual..
2. Remove the Left Connector Cover ⇒ Refer to Service Manual.
3. Remove the ISS ⇒ Refer to Service Manual.
4. Remove the screw that secures the APS Assembly to the Side Plate.

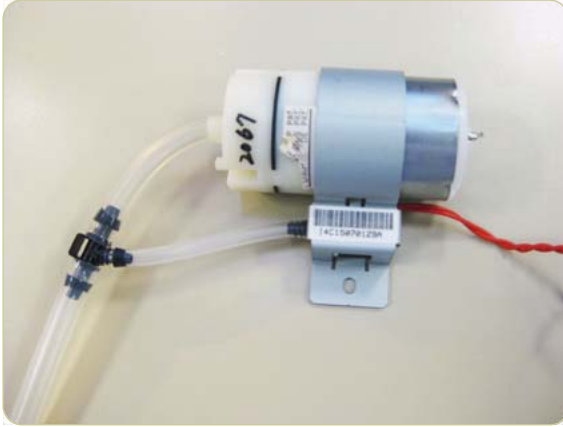


5. Remove the APS Assembly.

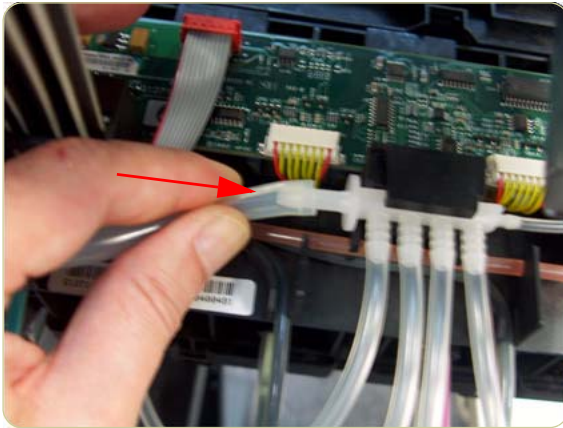


Installation for printers with the serial numbers **SG6ABH9014 and onwards**

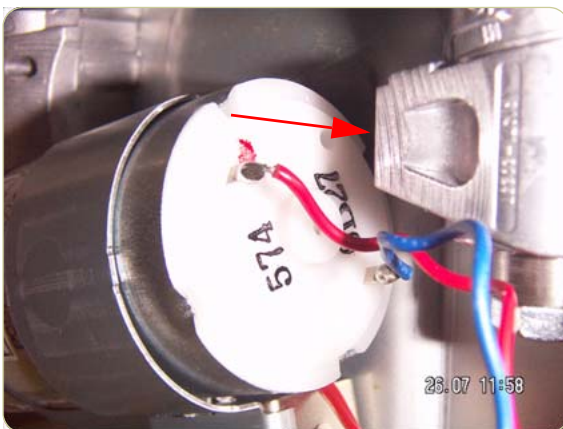
The installation procedure is the same as the removal in reverse on this type of printer. Included below are the most important steps of the installation procedure for the new style APS.



1. The APS Assembly that comes with this kit is already setup to be installed on printers with serial number SG6ABH9014 and after. You will not need to change this setup to install it on printers with this range of serial number.

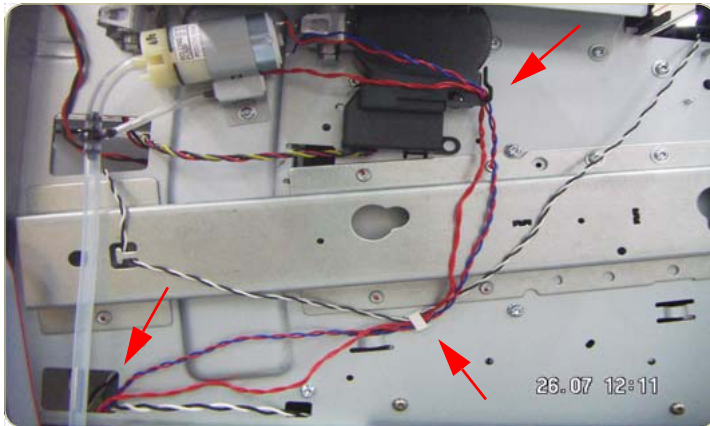


2. When connecting the Air Tube to the Ink Supply Tubes, be careful not to cut your hand on sharp surfaces. While connecting the tube, avoid trying to push the tube on in one go. Twisting the tube while pushing will reduce the effort required to connect it.



3. When installing the new APS Assembly, orientate the assembly as shown, so the cables cannot touch the side plate.

4. Use the photo shown here as a guide for routing the cables once the APS Assembly has been installed on the side.

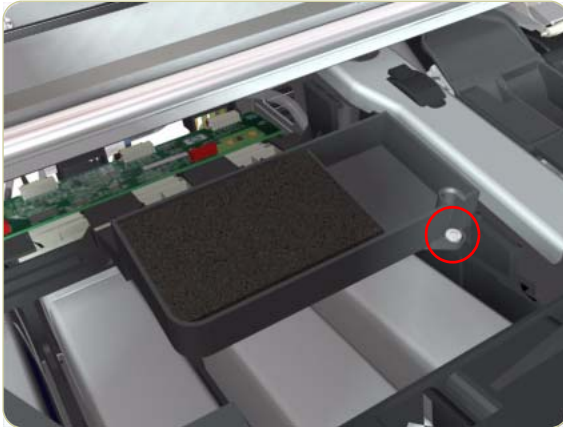


Most Left Spittoons

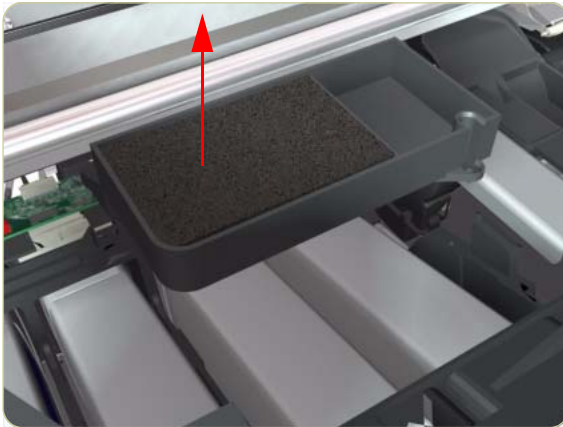
Removal

Switch off the product and remove the power cable.

1. Remove the Left Cover ⇒ Page 8-77.
2. Remove one T-15 screw (**Type G**) that secures the Most Left Spittoons to the Ink Supply Station.



Use a Screwdriver with a small head so that the screw can be removed easily.



3. Remove the Most Left Spittoons from the Printer.

After installing the NEW Most Left Spittoons, make sure you perform the following Service Utility:

- Reset life counter most left spittoon ⇒ Chapter 4.

Middle Left Spittoons

Removal

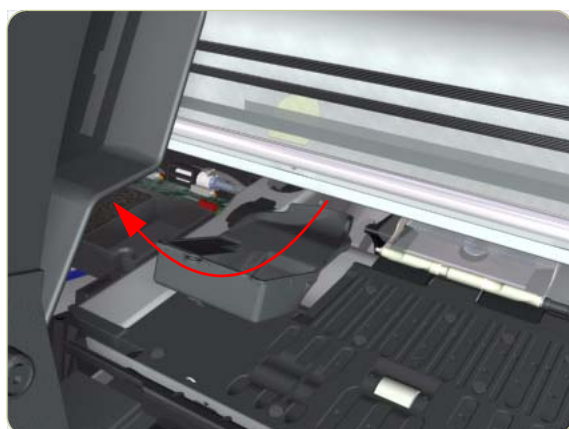
Switch off the product and remove the power cable.



1. Open the Window.



2. Remove one T-10 screw (**Type C**) that secures the Middle Left Spittoons.



3. Remove the Middle Left Spittoons from the Printer.

After installing the NEW Middle Left Spittoons, make sure you perform the following Service Utility:

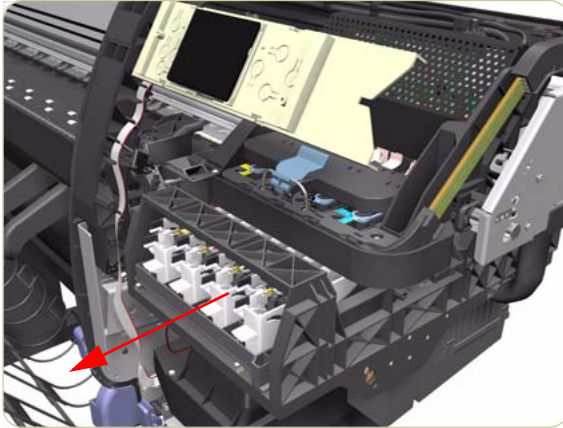
- Reset life counter mid left spittoon ⇒ Chapter 4.

Encoder Strip and Encoder Sensor

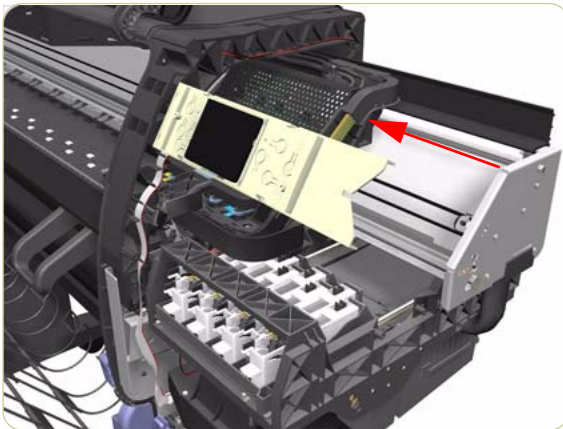
Removal

Switch off the product and remove the power cable.

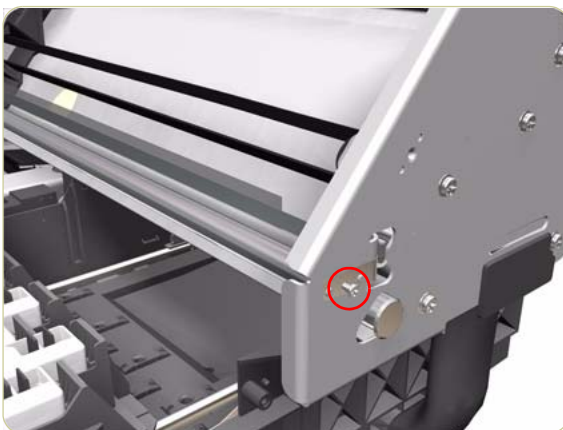
1. Remove the Right Cover ⇒ Page 8-8.
2. Remove the Left Cover ⇒ Page 8-17.
3. Uncap the Carriage Assembly by manually pulling out the Printhead Cleaner tray.

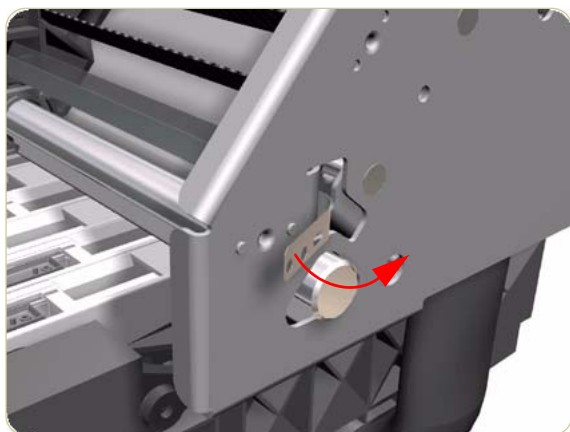


4. Move the Carriage Assembly out of the Service Station.

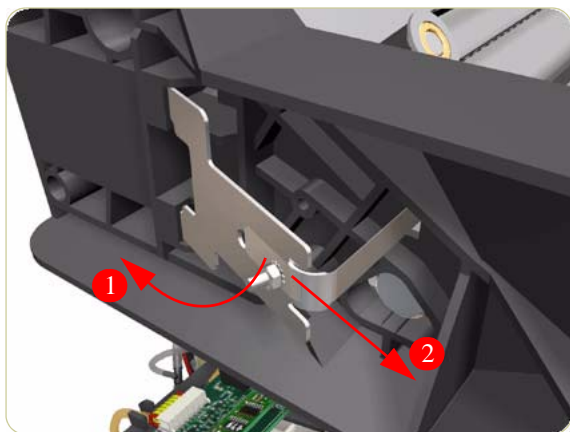


5. Remove one T-10 screw (**Type I**) that secures the Encoder Strip on the right hand side of the Printer.

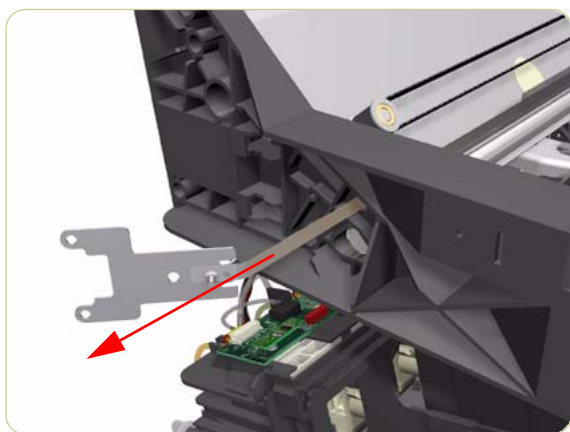




6. Release the Encoder Strip from the locating pins on the right hand side of the Printer.

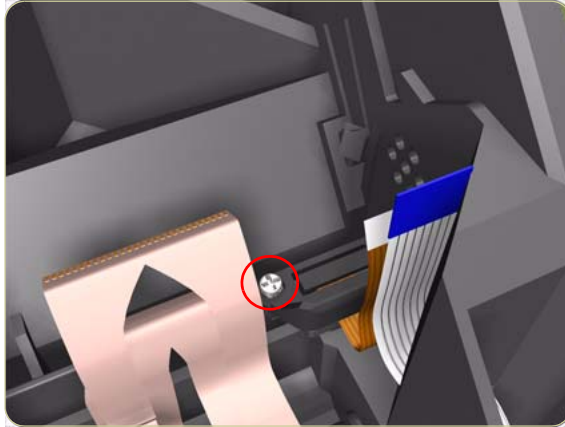


7. Release the Spring Clip from the Bracket on the left hand side of the Printer.

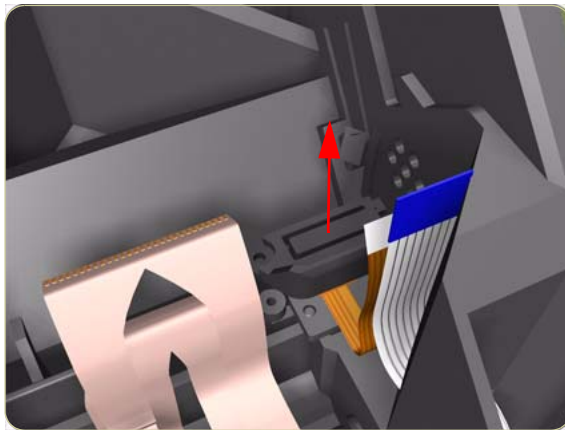


8. Pull the Encoder Strip out of the left hand side of the Printer.

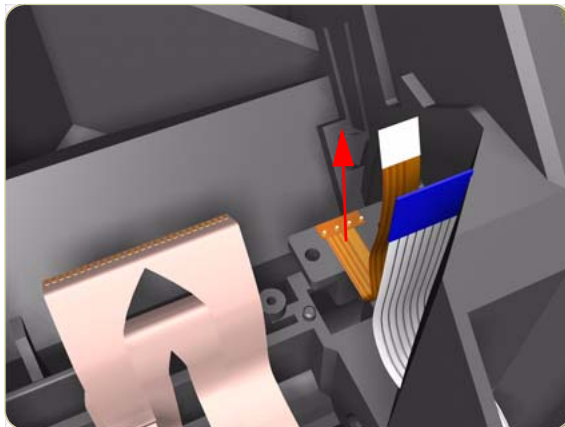
9. Remove the Carriage PCA ⇒ Page 8-82.



- 10.** Remove one T-8 (**Type L**) screw that secures the Encoder Sensor to the Carriage Assembly.



- 11.** Remove the plastic cover from the Encoder Sensor.



- 12.** Remove the Encoder Sensor from the Printer.

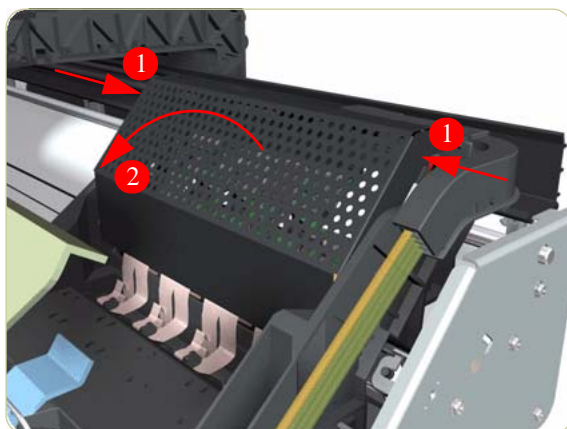
After installing the NEW Encoder Strip and Encoder Sensor, make sure you perform the following Service Calibration:

- Scan-Axis Calibration ⇒ Chapter 5.

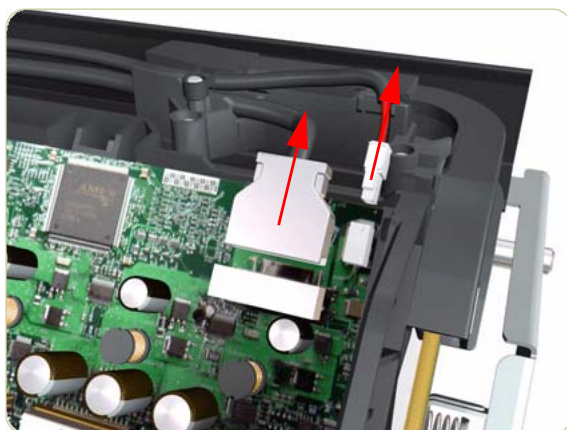
Carriage PCA

Removal

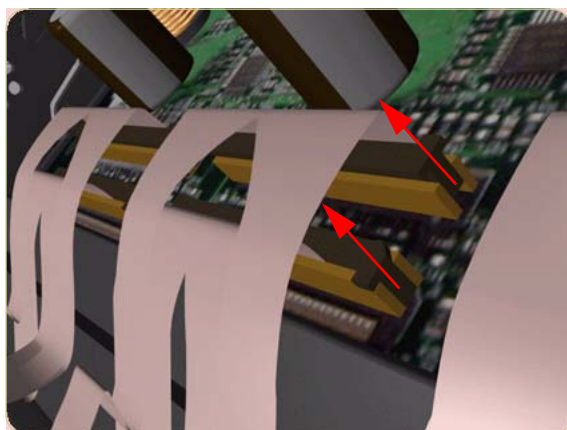
Switch off the printer and remove the power cable.



1. Remove the Right Cover ⇒ Page 8-8.
2. Press the two side of the Carriage PCA Cover and unclip from the Carriage Assembly.



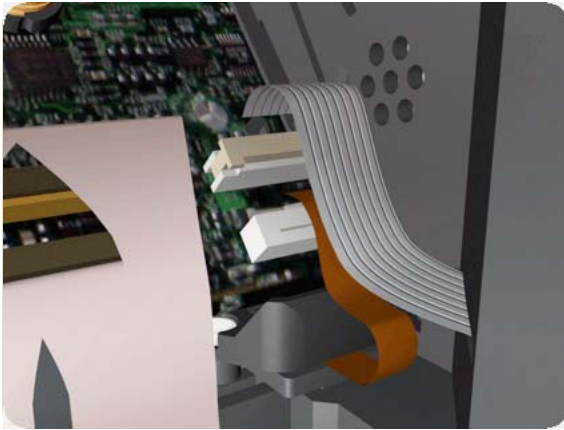
3. Disconnect the Trailing Cable from the Carriage PCA.



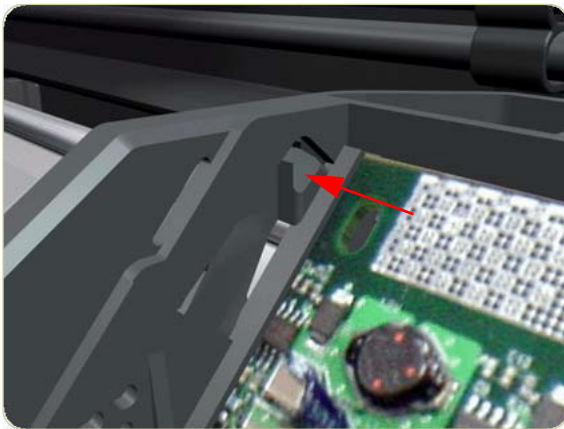
4. Release the ALL the clips, securing the Carriage Flex Cables to the Carriage PCA, by pulling upwards.



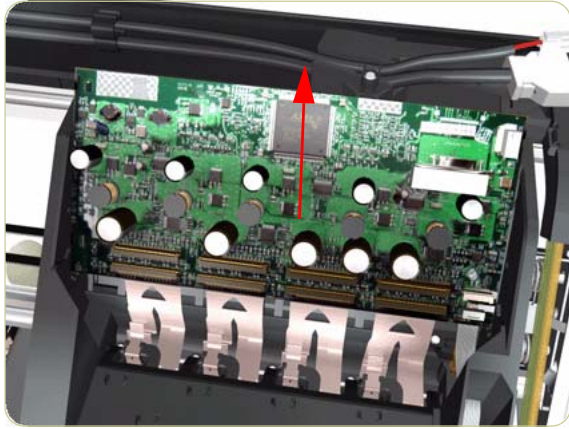
5. Disconnect the Flex Cables from the Carriage PCA.



6. Disconnect the Line Sensor Cable and the Encoder Sensor Cable from the Carriage PCA.

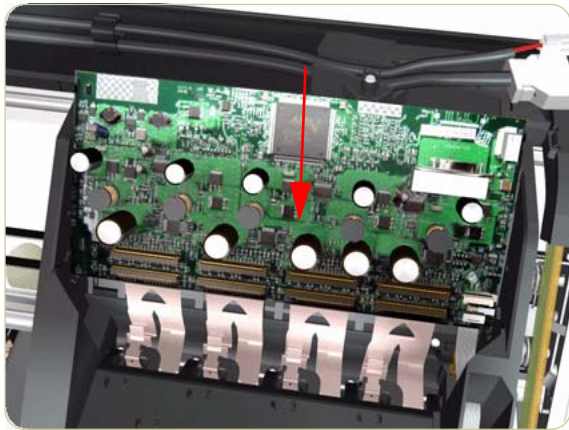


7. Push inwards the four clips that secure the Carriage PCA.

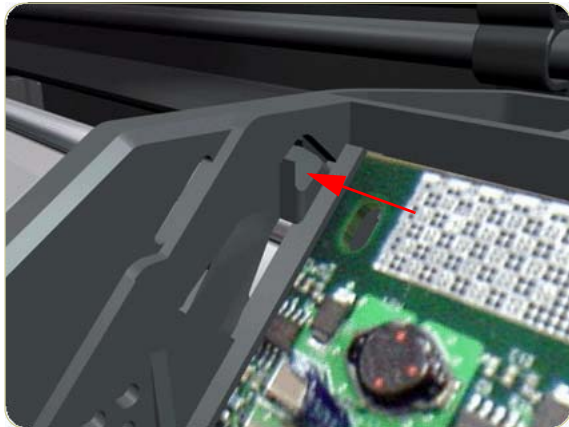


8. Remove the Carriage PCA from the Printer.

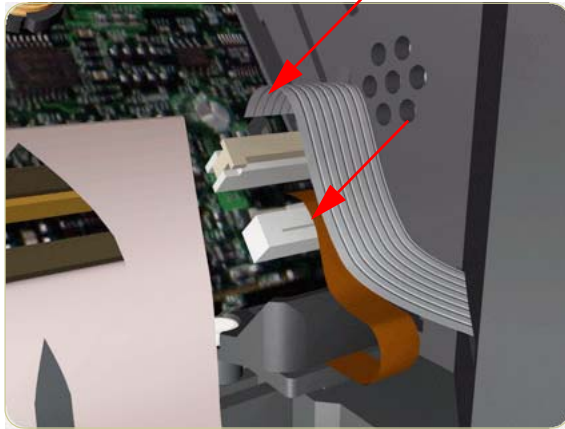
Installation



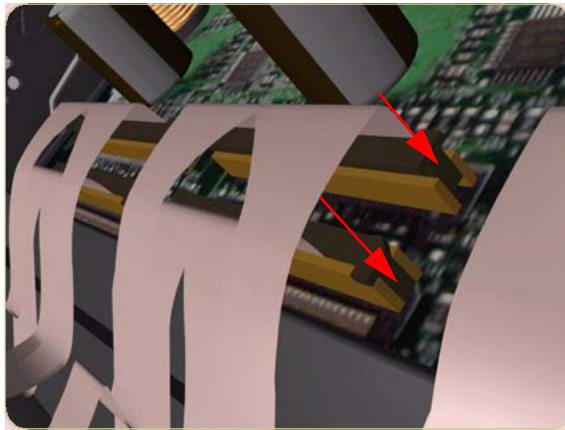
1. Install the new Carriage PCA into the Printer.



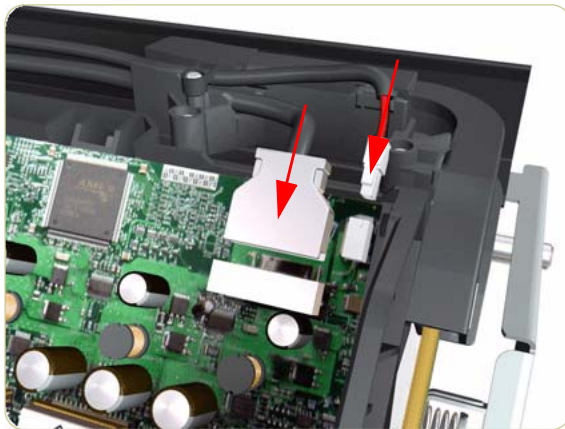
2. Make sure the four clips secure the Carriage PCA.



3. Connect the Line Sensor Cable and the Encoder Sensor Cable to the Carriage PCA.



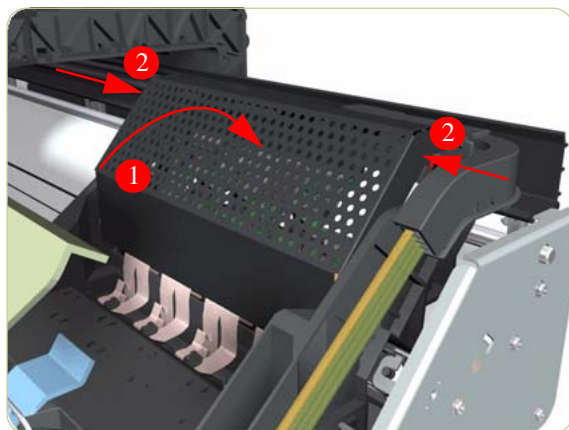
4. Connect the Flex Cables to the Carriage PCA.



5. Connect the Trailing Cable to the Carriage PCA.

If the Trailing Cable has never been replaced, the connectors will not be compatible.

- If you cannot connect the Trailing Cable to the new Carriage Assembly because they are incompatible, you need to replace the old trailing cable. Go to the Trailing Cable Installation procedure on Page 8-40.
- If the existing trailing cable can be connected to the new Carriage Assembly, go to the next step.



6. Install the Carriage PCA Cover.

Important Note: When connecting the Trailing Cable to the Gamut PCA, if the Gamut PCA has never been replaced, the connectors will not be compatible, you must use the connection adaptor supplied with the Carriage PCA (shown below).



7. When everything is connected power ON the Printer.

After installing the NEW Trailing Cable and Carriage PCA perform the following Service Utilities:

- Perform the "Carriage Setup" Utility .
- Reset life counter scan cycles tubes/ cable ⇒ Chapter 4.
- Reset life counter Carriage PCA.

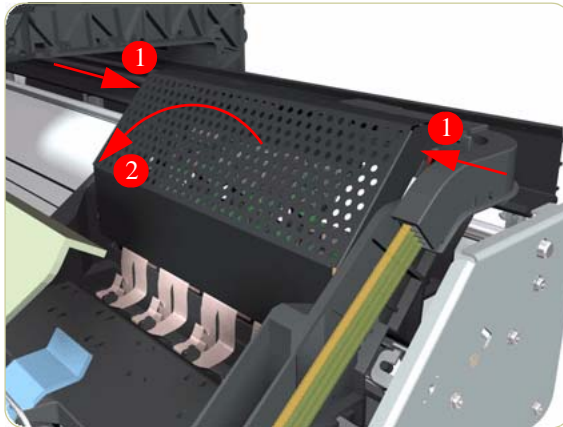
8. Install the Printheads once the Utility has been completed successfully.



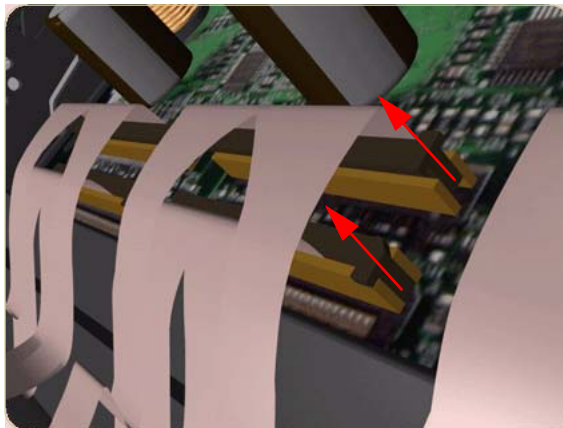
Carriage Flex Cables

Removal

Switch off the product and remove the power cable.



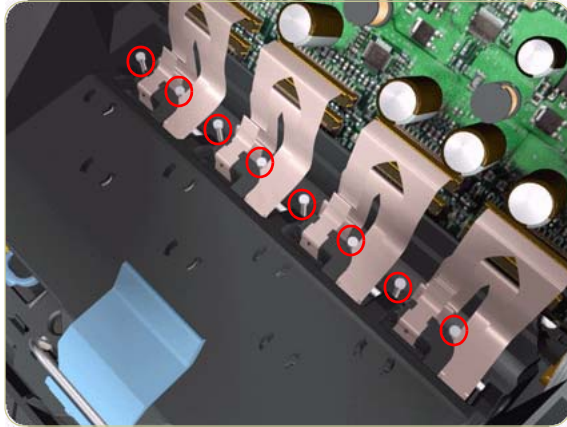
1. Remove the Right Cover ⇒ Page 8-8.
2. Press the two side of the Carriage PCA Cover and unclip from the Carriage Assembly.



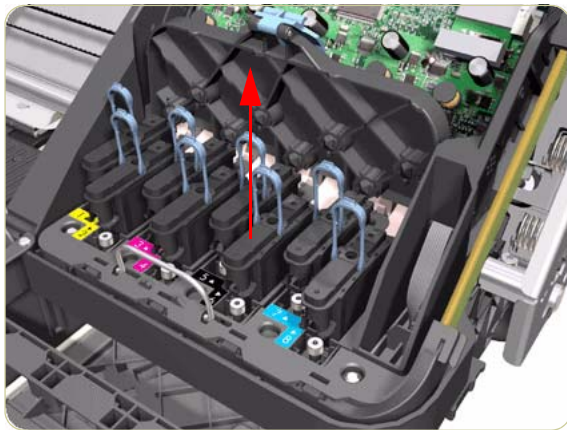
3. Release the ALL the clips, securing the Carriage Flex Cables to the Carriage Assembly, by pulling upwards.



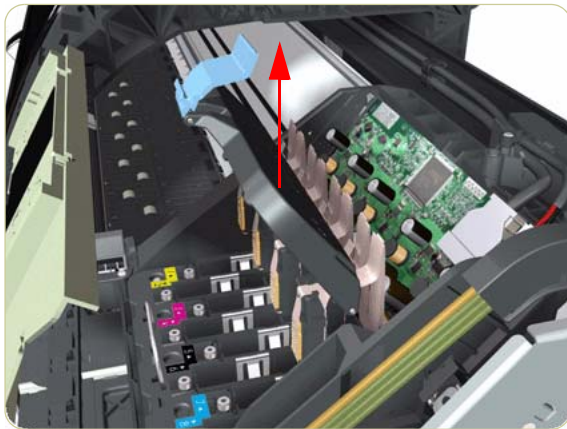
4. Disconnect the Flex Cables from the Carriage PCA.



5. Remove eight T-8 screws (**Type L**) that secure the Carriage Flex Cables to the Carriage Assembly.



6. Open the Carriage Cover and remove ALL the Printheads from the Carriage Assembly.



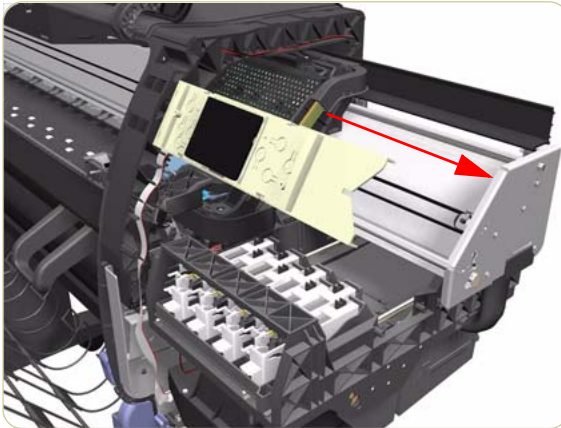
7. Remove the Carriage Flex Cable from the Printer.

Carriage Assembly

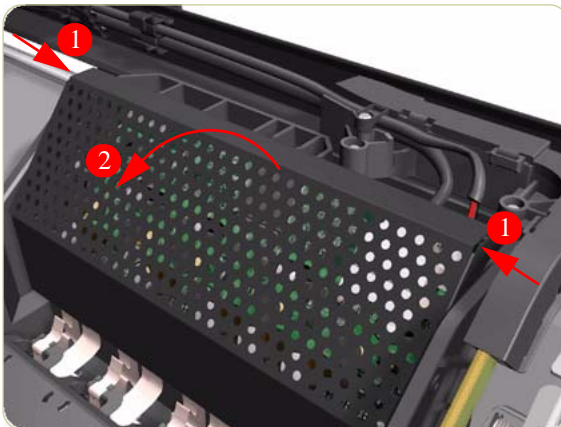
Removal

Switch off the product and remove the power cable.

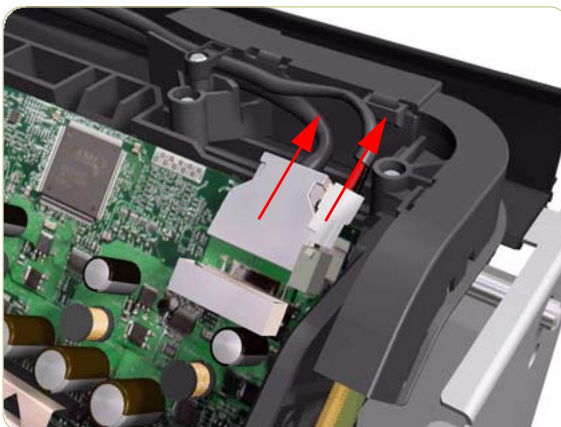
1. Remove the Right Cover ⇒ Page 8-8.
2. Remove the Left Cover ⇒ Page 8-17.
3. Remove the Encoder Strip ⇒ Page 8-79.
4. Move the Carriage Assembly to the extreme right of the Printer.

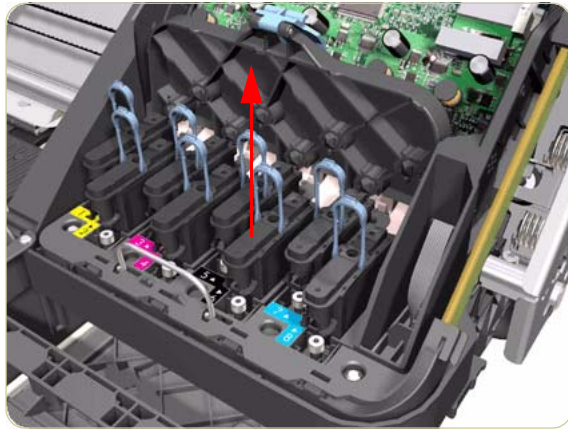


5. Press the two side of the Carriage PCA Cover and unclip from the Carriage Assembly.

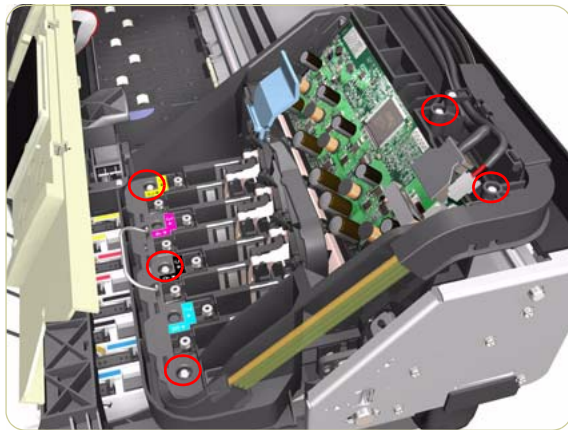


6. Disconnect the Trailing Cable from the Carriage PCA.

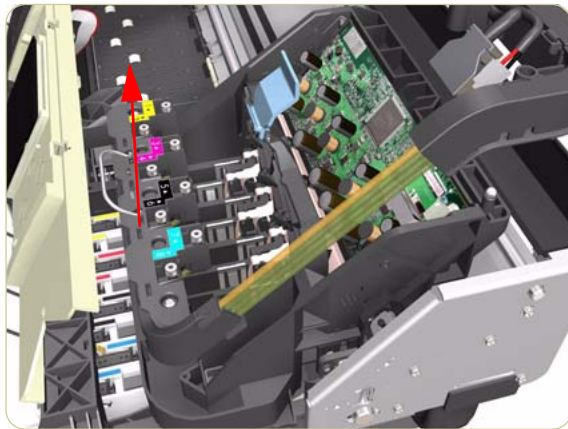




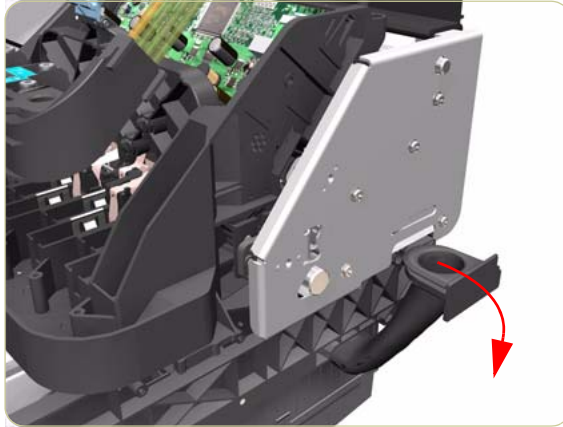
7. Open the Carriage Cover and remove ALL the Printheads from the Carriage Assembly.



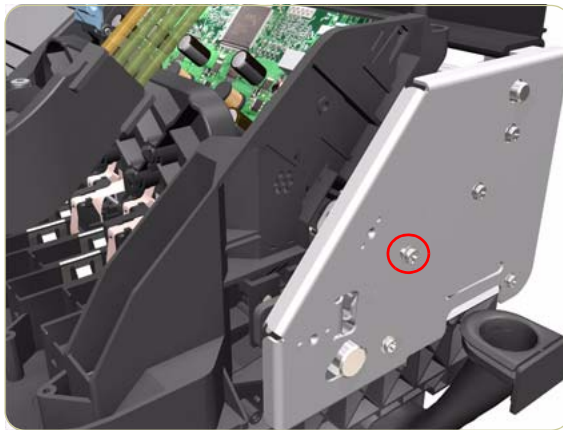
8. Remove five T-15 screws (**Type G**) that secure the Ink Supply Tubes to the Carriage Assembly.



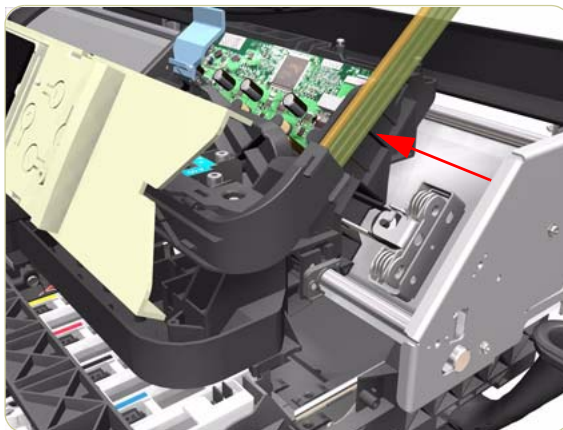
9. Remove the Ink Supply Tubes from the Carriage Assembly and safely place to one side of the Printer.



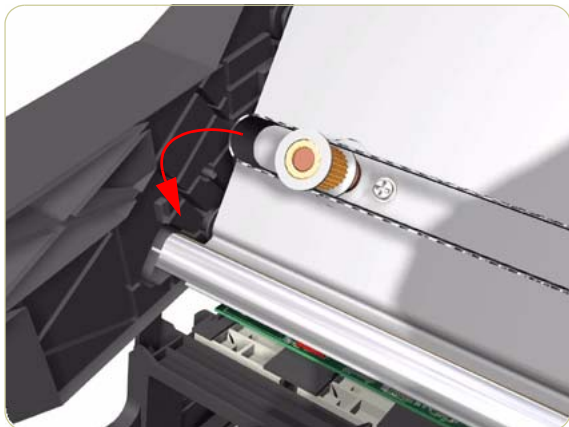
- 10.** Disconnect the Aerosol Fan Tube from the Chassis.



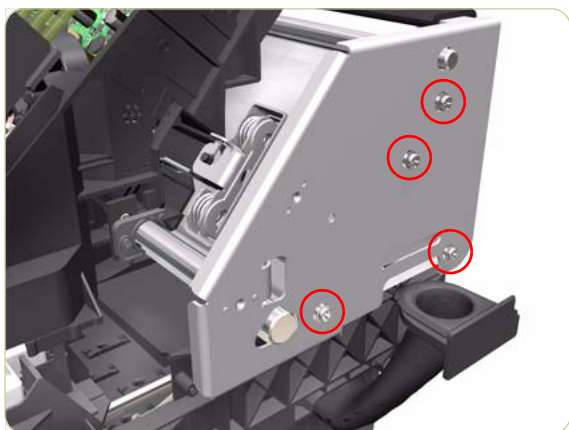
- 11.** Remove one T-15 screw (**Type A**) that secures the Belt Tensioner to the Chassis.



- 12.** Move the Carriage Assembly slightly away from the right Scan-Axis Bracket.

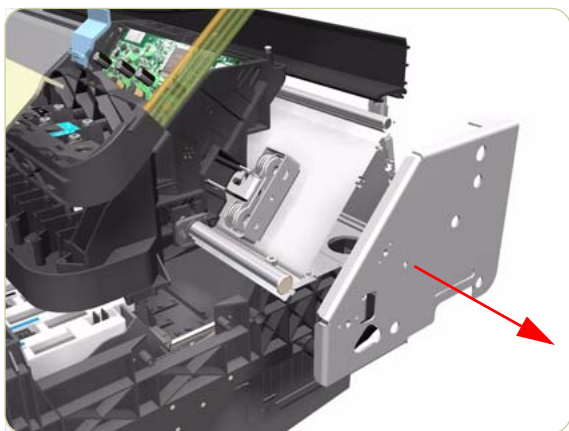


- 13.** Release the Carriage Belt from the Scan-Axis Motor on the left hand side of the Printer.

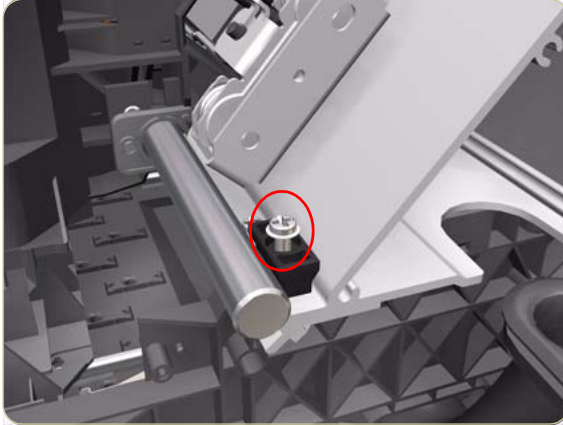


- 14.** Remove four T-20 screws (**Type N**) that secure the right Scan-Axis Bracket.

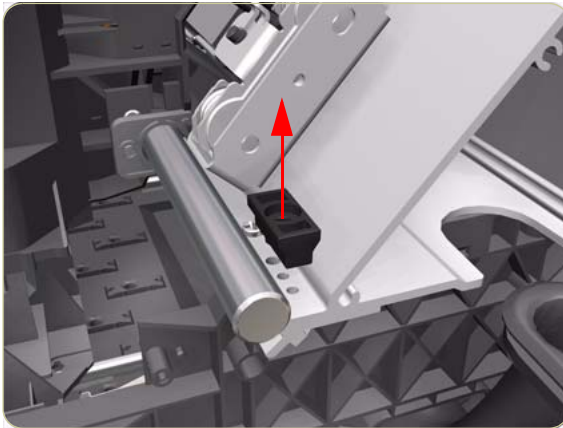
Note that these are Chassis screws and in normal circumstances should NEVER be removed, but in this case we need to remove them in order to remove the Carriage Assembly.



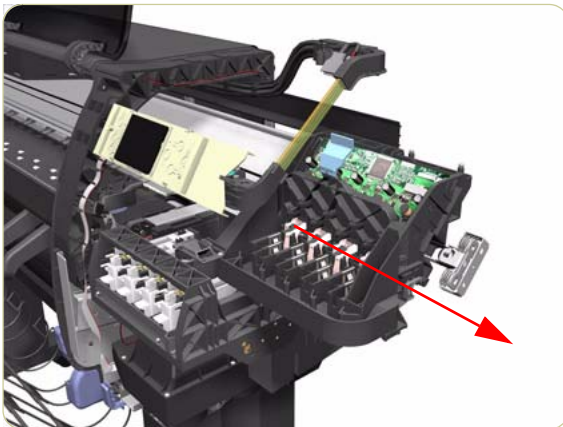
- 15.** Remove the right Scan-Axis Bracket from the Printer.



- 16.** Remove the Carriage Stopper Screw (T-25) from the Chassis.



- 17.** Remove the Carriage Stopper from the Printer.



- 18.** Slide the Carriage Assembly (including the belt) to the right and out of the Printer.
- 19.** If the Carriage Assembly is to be replaced, make sure that you remove the Belt, the Carriage PCA, Encoder and Line Sensors (in order to install them on the new Carriage Assembly).

After installing the NEW Carriage Assembly, make sure you perform the following Service Utility:

- Reset life counter Carriage ME ⇒ Chapter 4.

After installing the NEW Carriage Assembly, make sure you perform the following Service Calibrations:

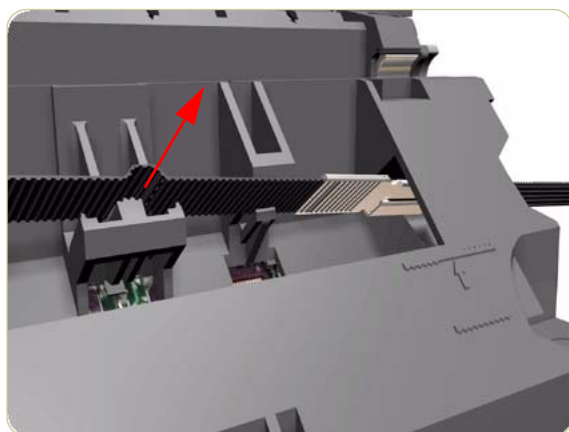
- Scan-Axis Calibration ⇒ Chapter 5.
- Service Station Calibration ⇒ Chapter 5.
- Line Sensor Calibration ⇒ Chapter 5.

Belt Assembly

Removal

Switch off the product and remove the power cable.

1. Remove the Right Cover ⇒ Page 8-8.
2. Remove the Left Cover ⇒ Page 8-11.
3. Remove the Top Cover ⇒ Page 8-18.
4. Remove the Encoder Strip ⇒ Page 8-79.
5. Remove the Carriage Assembly ⇒ Page 8-89.
6. Release the Belt from the bottom of the Carriage Assembly.



After installing the NEW Belt Assembly, make sure you perform the following Service Utility:

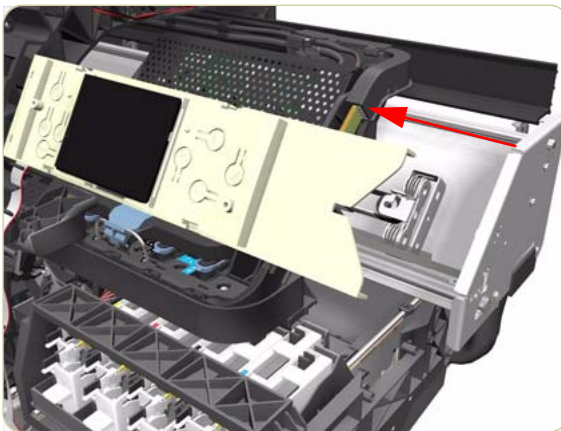
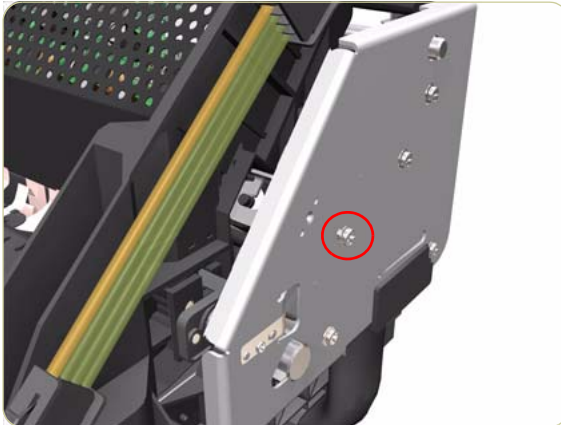
- Reset life counter scan cycles belt ⇒ Chapter 4.

Scan-Axis Motor

Removal

Switch off the product and remove the power cable.

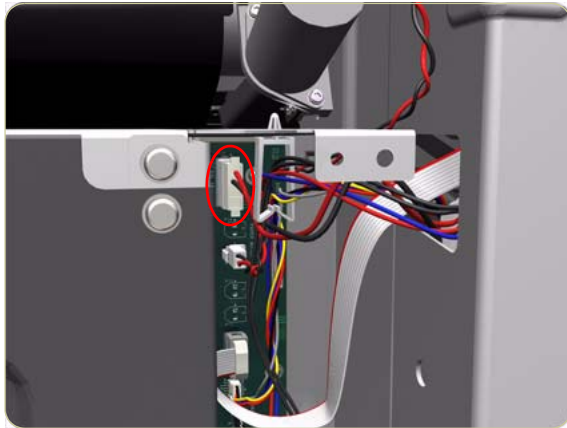
1. Remove the Right Cover ⇒ Page 8-8.
2. Remove the Left Cover ⇒ Page 8-17.
3. Remove the Rear Door ⇒ Page 8-23.
4. Remove the Left Connector Cover ⇒ Page 8-26
5. Remove one T-15 screw that secures the Belt Tensioner to the Chassis.



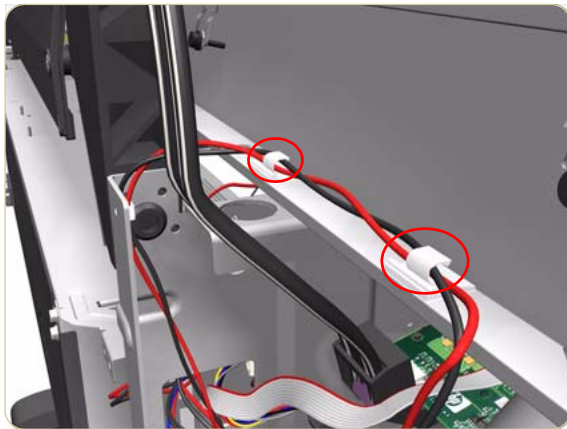
6. Move the Carriage Assembly slightly away from the right Scan-Axis Bracket.



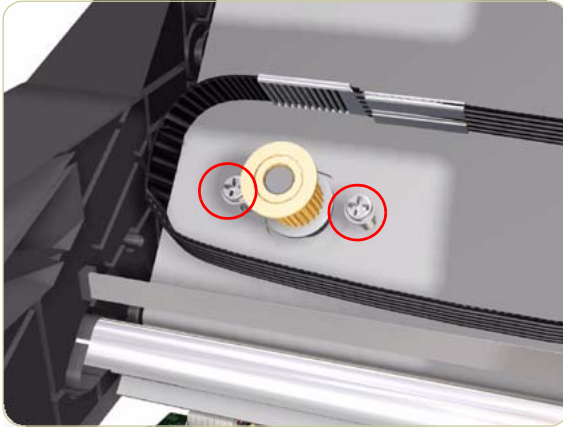
7. Release the Carriage Belt from the Scan-Axis Motor on the left hand side of the Printer.



8. Disconnect the Scan-Axis Motor cable from the PrintMech PCA.

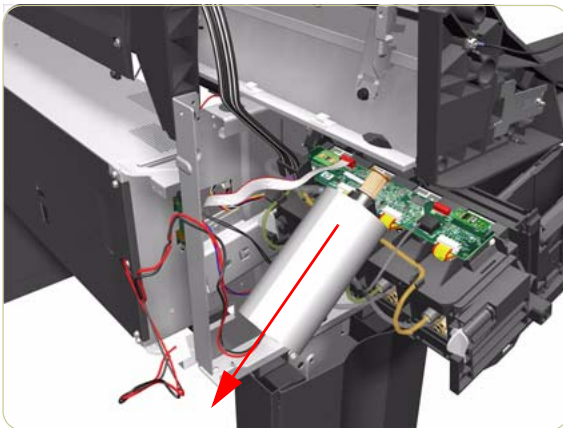


9. Release the Scan-Axis Motor cable from the clips on the chassis.



- 10.** Remove two T-20 screws (**Type A**) that secure the Scan-Axis Motor.

Make sure you hold the Scan-Axis Motor securely when removing the screws.



- 11.** Remove the Scan-Axis Motor from the Printer.

After installing the NEW Scan-Axis Motor, make sure you perform the following Service Utility:

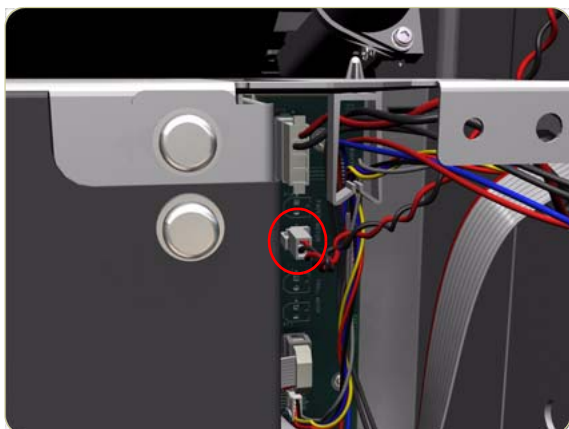
- Reset life counter scan motor ⇒ Chapter 4.

Media-Axis Motor

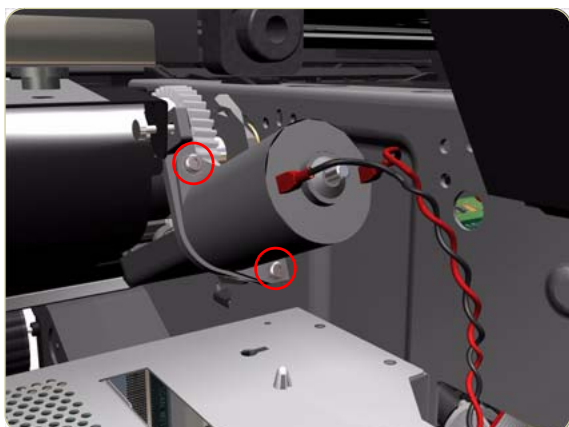
Removal

Switch off the product and remove the power cable.

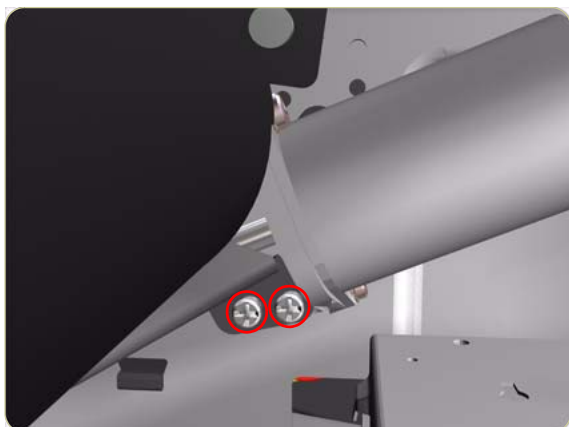
1. Remove the Rear Door ⇒ Page 8-23.
2. Remove the Left Connector Cover ⇒ Page 8-26.
3. Disconnect the Media-Axis Motor cable from the connector labeled Paper Motor from the PrintMech PCA.

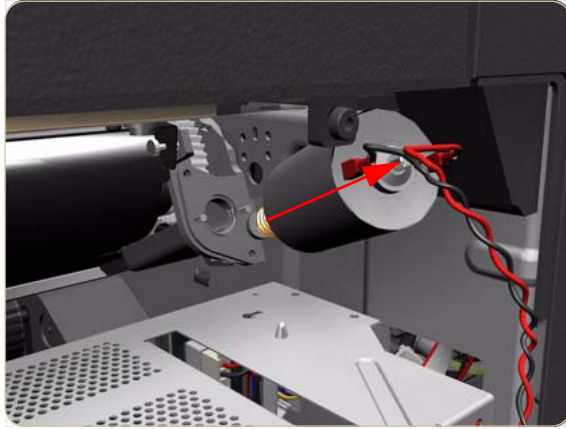


4. Remove two T-15 screws (**Type R**) that secure the Media-Axis Motor.



5. Loosen two T-20 screws (**Type B**) that secure the Media-Axis Motor Bracket.





6. Remove the Media-Axis Motor from the Printer.

When reinstalling the parts, make sure you apply the grease (included with the support part) to the gears.

After installing the NEW Media-Axis Motor, make sure you perform the following Service Calibration:

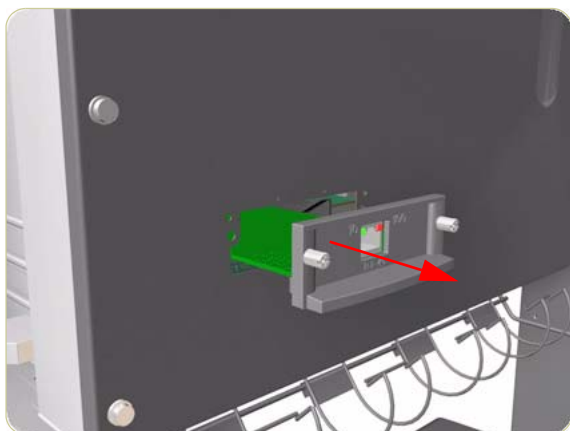
- Paper Advance Calibration ⇒ Chapter 5.

Printer Interconnect PCA

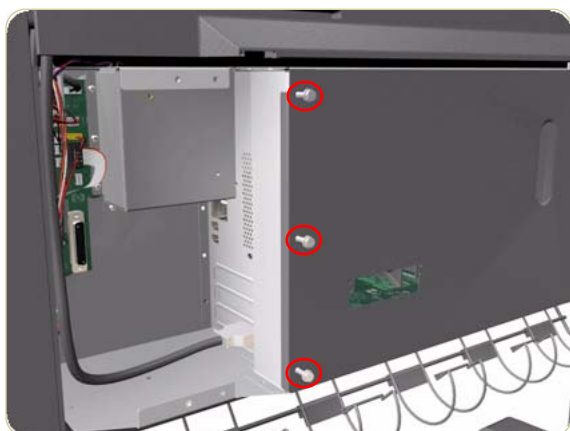
Removal

Switch off the product and remove the power cable.

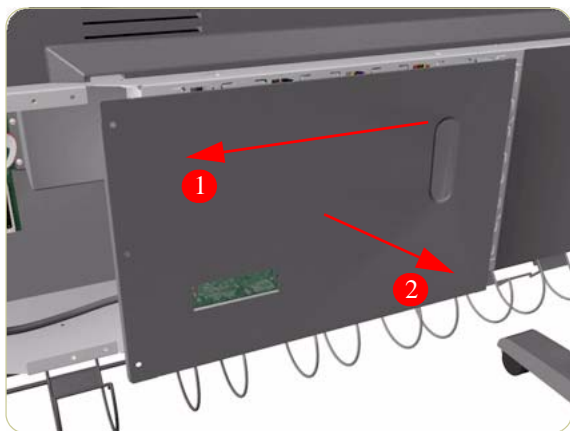
1. Remove the Rear Door ⇒ Page 8-23.
2. Remove the Left Connector Cover ⇒ Page 8-26.
3. Remove the JetDirect Card (if installed).

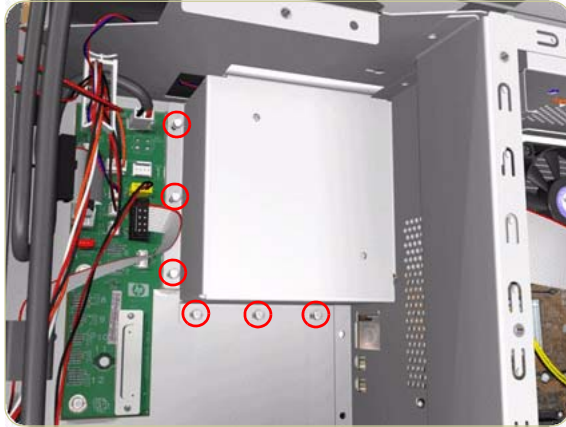


4. Remove three T-15 screws (**Type A**) that secure the Main PCA cover.

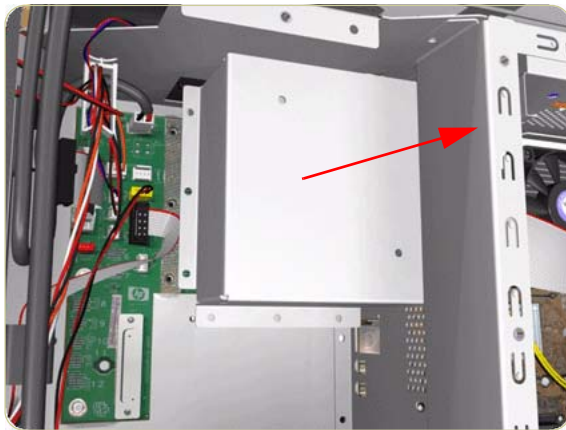


5. Remove the Main PCA Cover from the Printer.

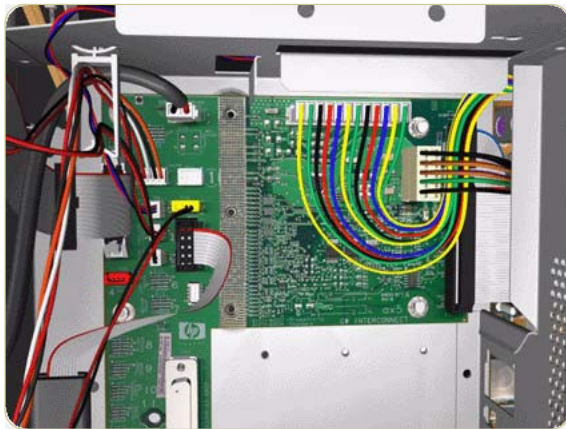




6. Remove six T-10 screws (**Type I**) that secure the Interconnect PCA Cover.



7. Remove the Interconnect PCA Cover from the Printer.



8. Disconnect ALL cables from the Interconnect PCA.

When reconnecting the cables note that two connectors on the PCA are not used, one is not labeled the other is labeled OMAS.



9. Remove five T-10 screws (**Type I**) that secure the Interconnect PCA.

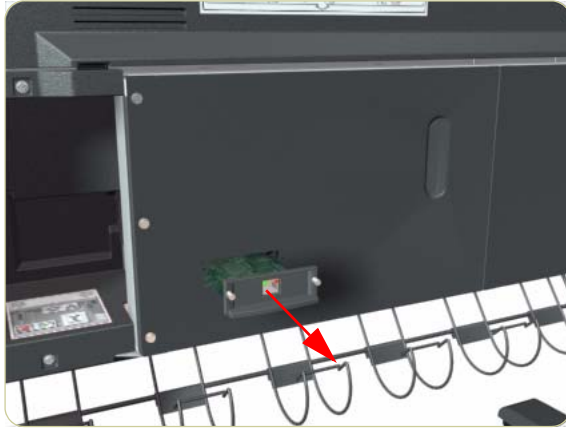


10. Remove the Interconnect PCA from the Printer.

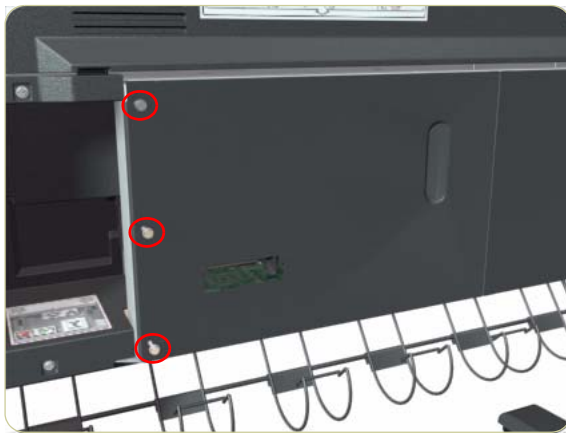
EIO to PCA Interface Card

Removal

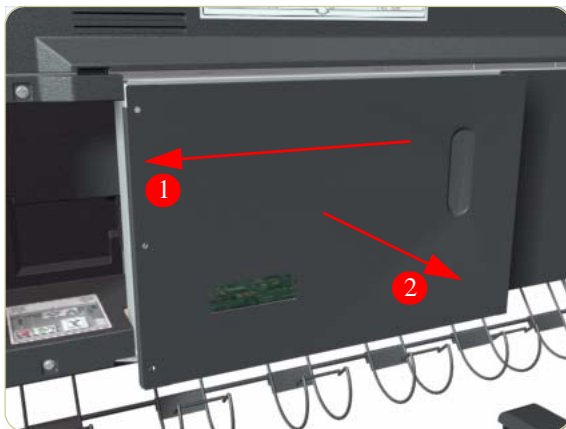
Switch off the product and remove the power cable.



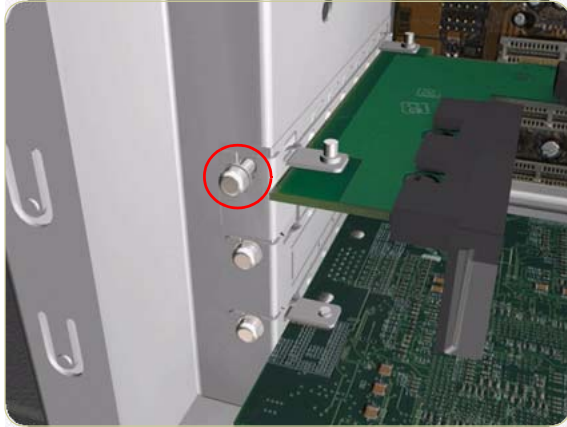
1. Remove the JetDirect Card (if installed).



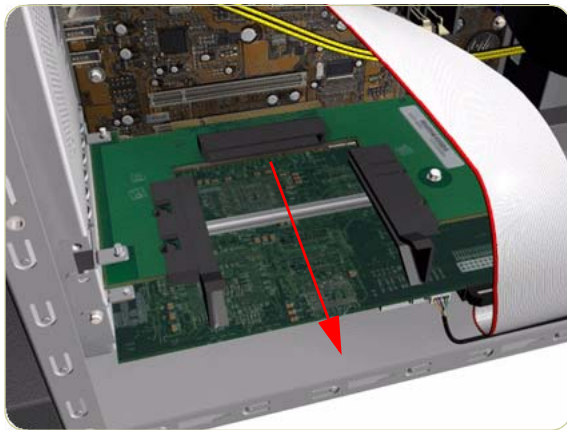
2. Remove three T-15 screws (**Type A**) that secure the Main PCA cover.



3. Remove the Main PCA Cover from the Printer.



4. Remove one T-10 screw (**Type I**) that secures the Interface Card.



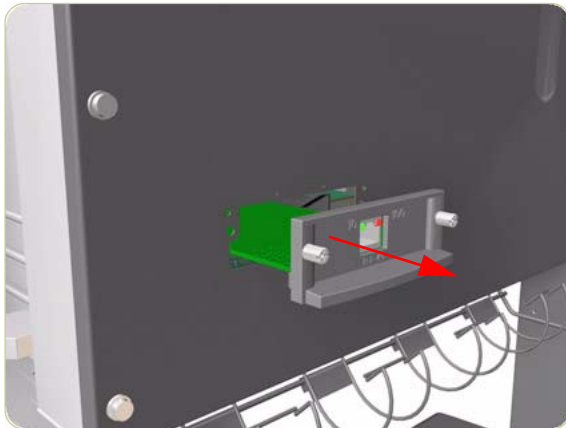
5. Disconnect the Interface Card from the Main PCA and remove from the Printer.

Gamut PCI PCA

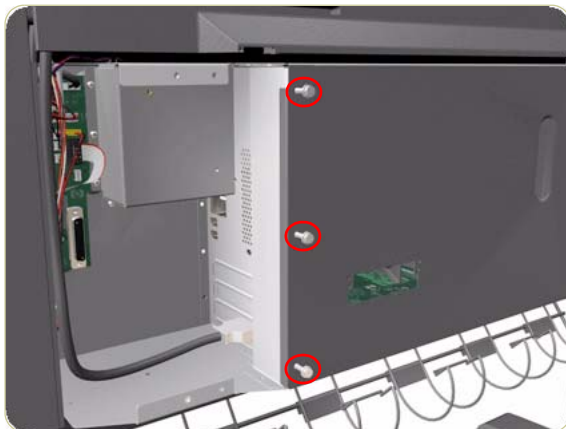
Removal

Switch off the product and remove the power cable.

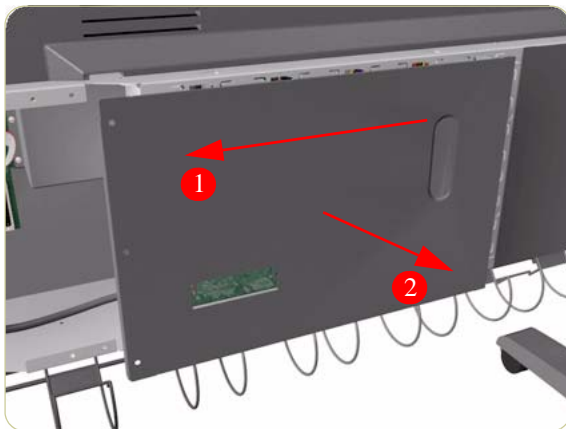
1. Remove the Rear Door ⇒ Page 8-8.
2. Remove the Right Connector Cover ⇒ Page 8-25.
3. Remove the JetDirect Card (if installed).

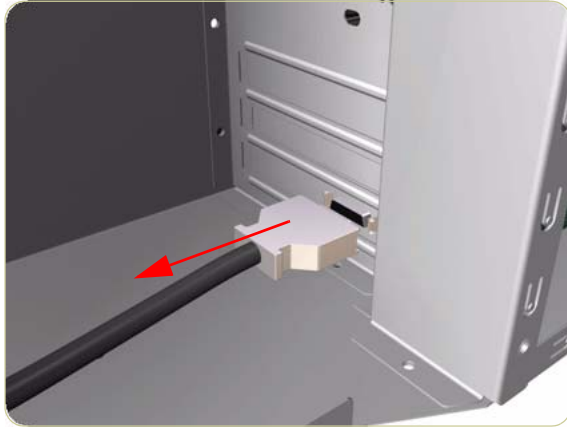


4. Remove three T-15 screws (**Type A**) that secure the Main PCA cover.

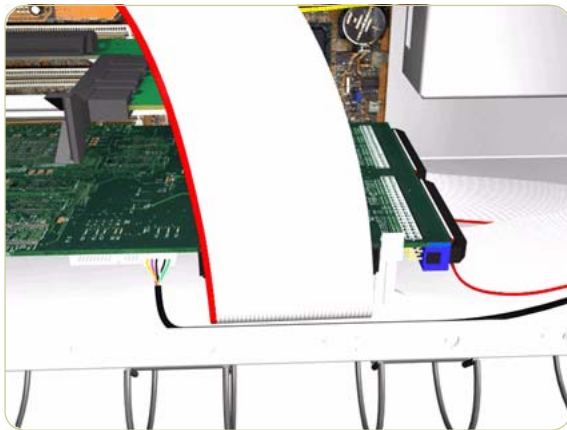


5. Remove the Main PCA Cover from the Printer.

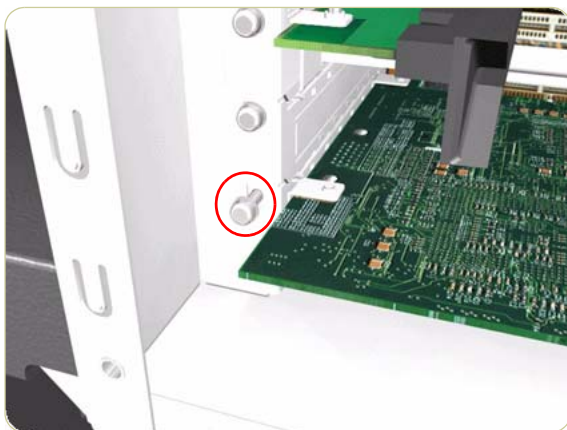




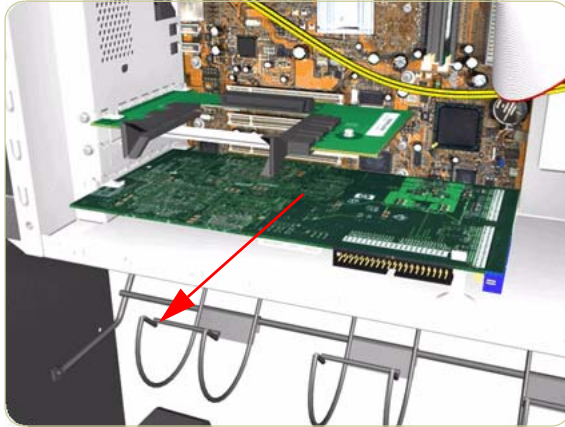
6. Disconnect the Trailing Cable from the Gamut PCI PCA.



7. Disconnect ALL cables connected to the Gamut PCI PCA

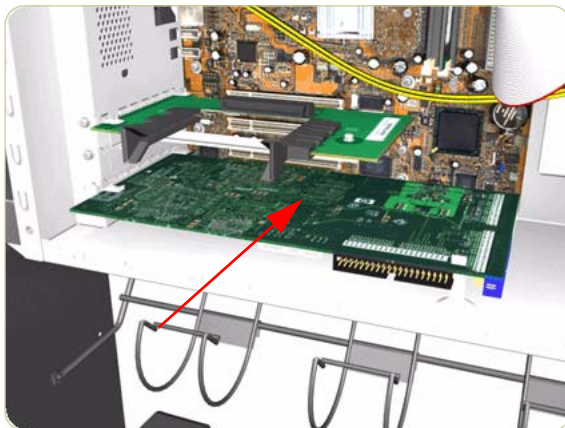


8. Remove one T-10 screw (**Type I**) that secures the Gamut PCI PCA.

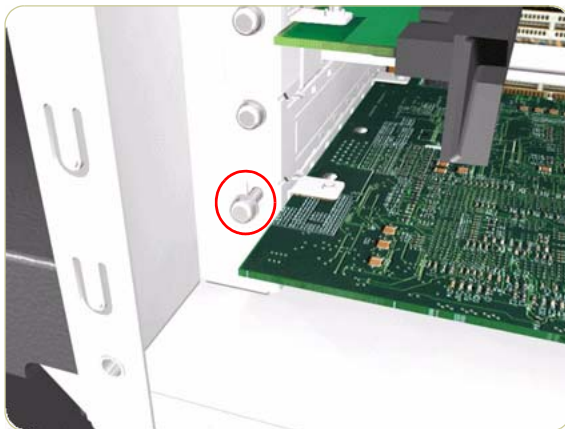


9. Disconnect the Gamut PCI PCA from the Main PCA and remove from the Printer.

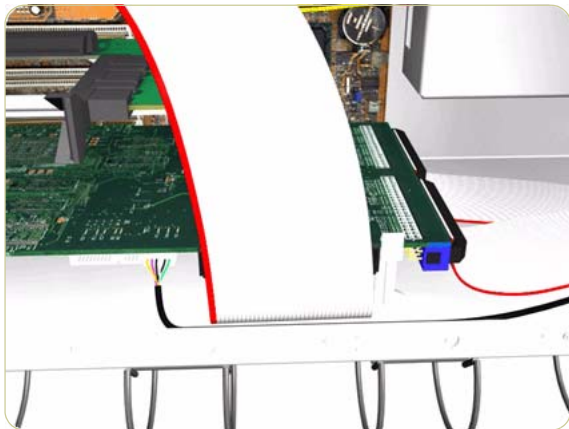
Installation



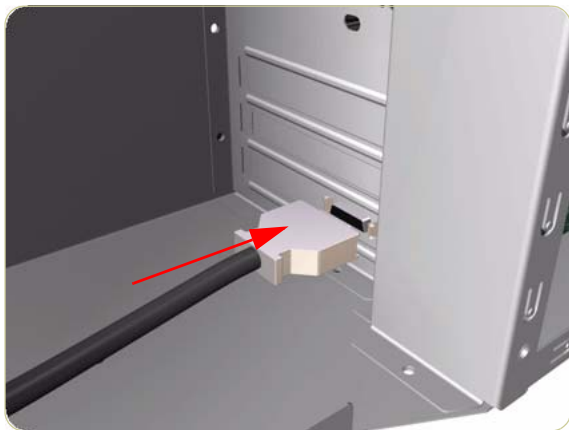
1. Install the new Gamut PCI PCA into the Main PCA.



2. Install one T-10 screw (**Type I**) that secures the Gamut PCI PCA.



3. Connect all cables to the Gamut PCI PCA

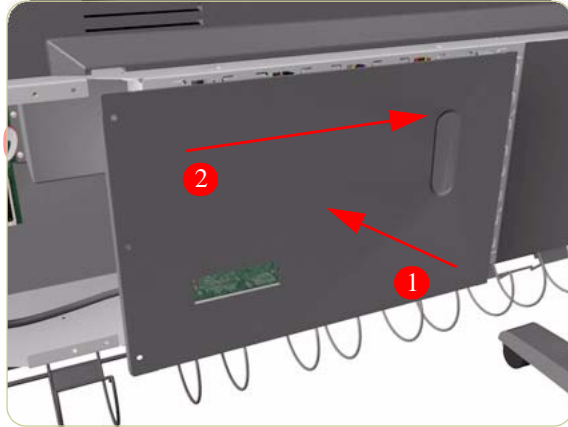


4. Connect the Trailing Cable to the new Gamut PCI PCA.

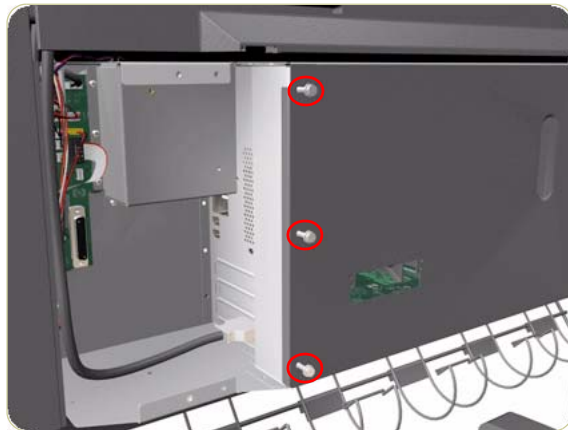
Important Note: When connecting the Trailing Cable to the Gamut PCA, if the Trailing Cable has never been replaced, the connectors will not be compatible, you must use the connection adaptor supplied with this kit (shown below).



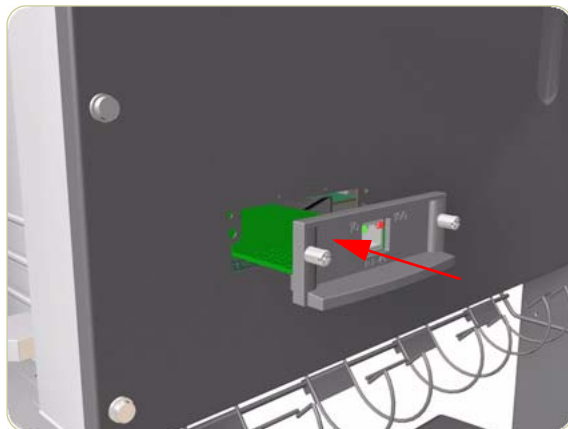
5. Install the connector adaptor if required and then connect the Trailing Cable to the new Gamut PCI PCA.



6. Install the Main PCA Cover onto the Printer.



7. Install three T-15 screws (**Type A**) that secure the Main PCA cover.



8. Install the JetDirect Card (if required).

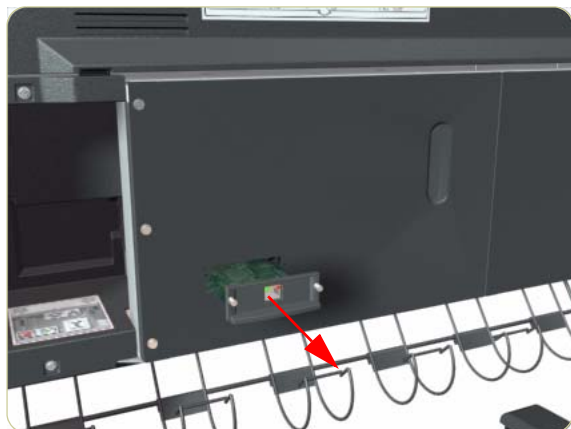
9. Install the Left Connector Cover ⇒ Page 8-26.

10. Install the Rear Door ⇒ Page 8-23.

Memory Module

Removal

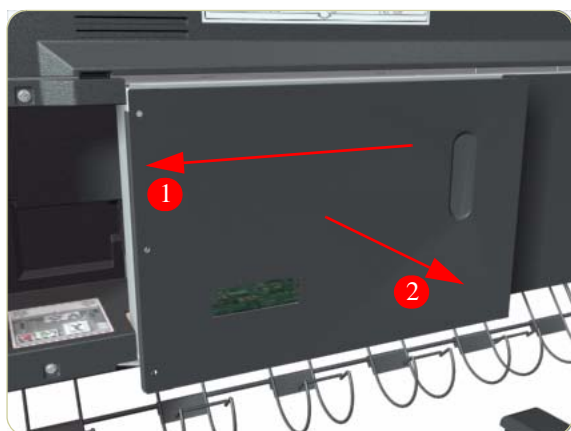
Switch off the product and remove the power cable.



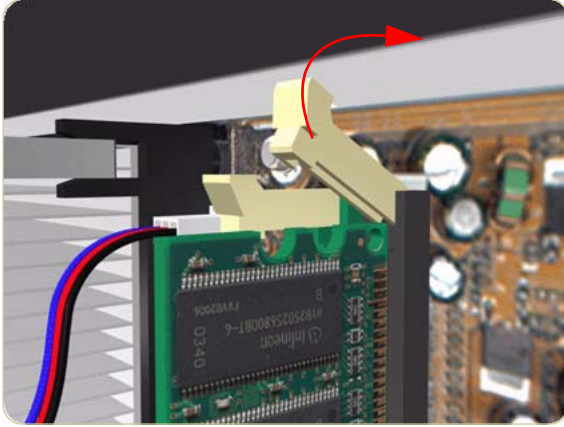
1. Remove the JetDirect Card (if installed).



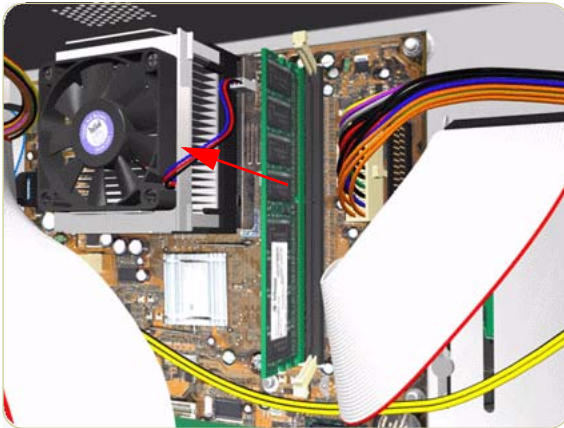
2. Remove three T-15 screws (**Type A**) that secure the Main PCA cover.



3. Remove the Main PCA Cover from the Printer.



4. Push the Memory Module Connector clips up and down to release the Memory Module.



5. Remove the Memory Module from the Printer.

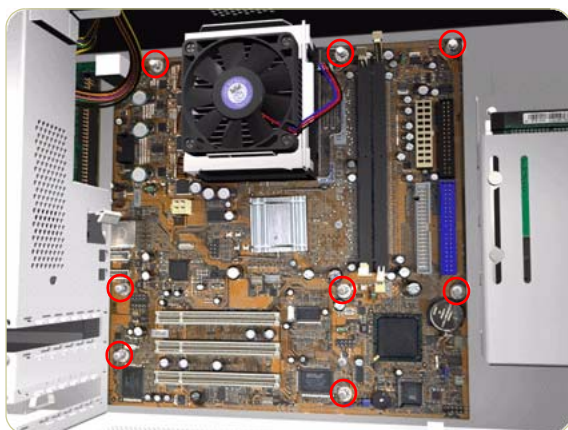
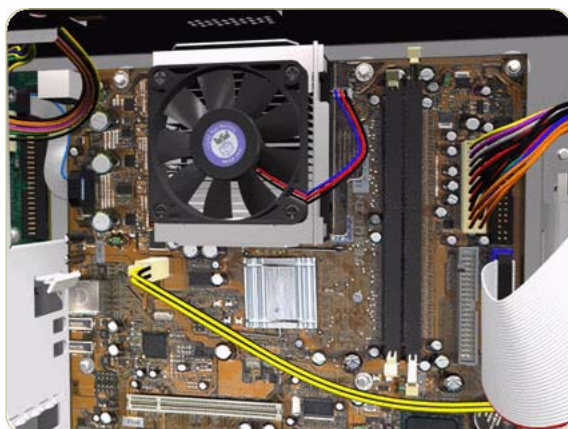
Main PCA Formatter

Removal

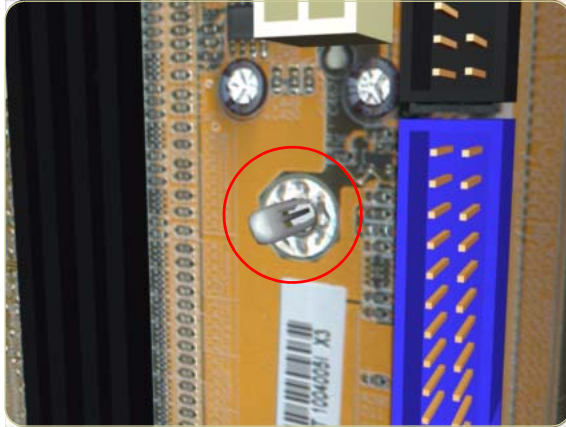
Switch off the product and remove the power cable.

Do NOT remove the Processor (located under the Fan) from the Main PCA Formatter - The Processor is part of the Main PCA Formatter support part and should be replaced as one assembly.

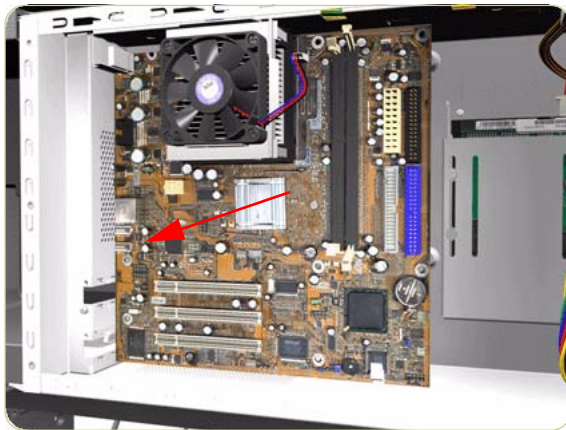
1. Remove the EIO to PCI Interface Card ⇒ Page 8-103.
2. Remove the Gamut PCI PCA ⇒ Page 8-105.
3. Remove the Memory Module ⇒ Page 8-110.
4. Disconnect ALL cables connected to the Main PCA Formatter.



5. Remove eight T-10 screws (**Type I**) that secure the Main PCA Formatter.



6. Release the plastic locating pin that secures the Main PCA Formatter.



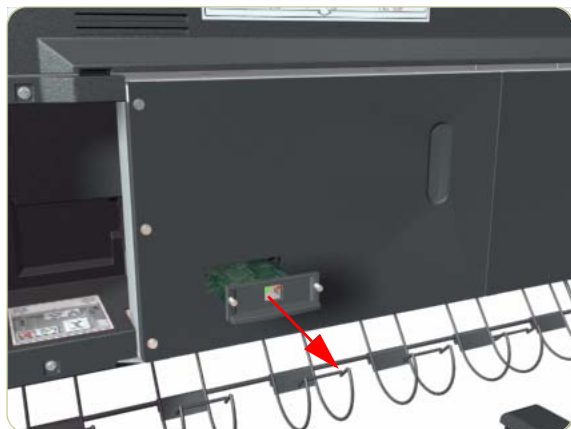
7. Remove the Main PCA Formatter from the Printer.

When installing the Main PCA Formatter, make sure that you first locate it on the plastic locating pin and then install the screws.

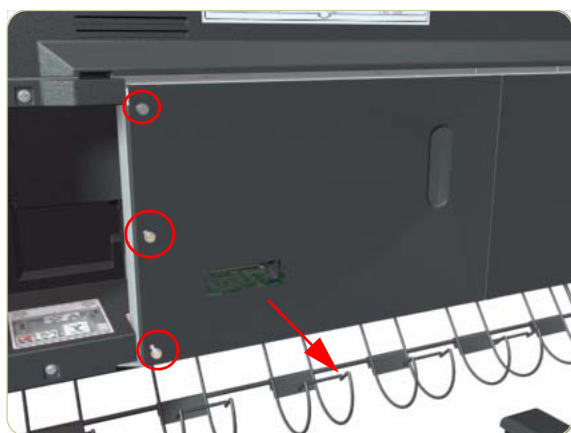
CPU Fan

Removal

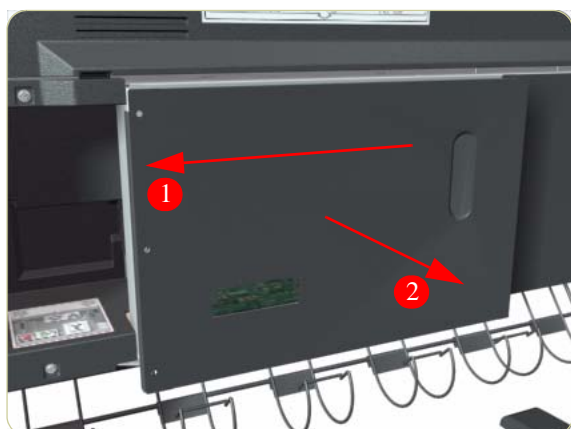
Switch off the product and remove the power cable.



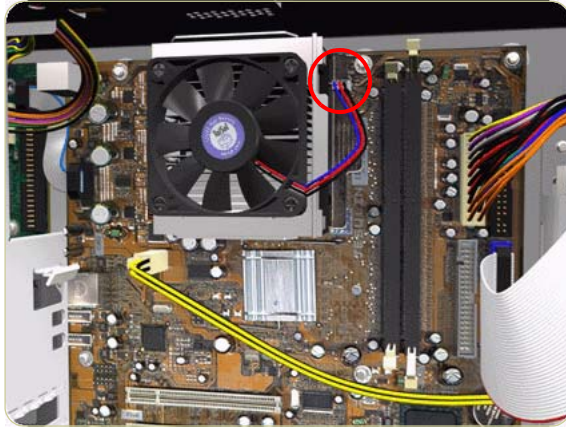
1. Remove the JetDirect Card (if installed).



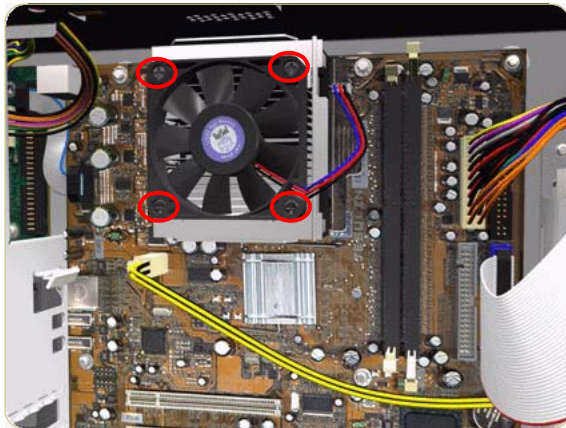
2. Remove three T-15 screws that secure the Main PCA cover.



3. Remove the Main PCA Cover from the Printer.



4. Disconnect the CPU Fan cable from the Formatter PCA.

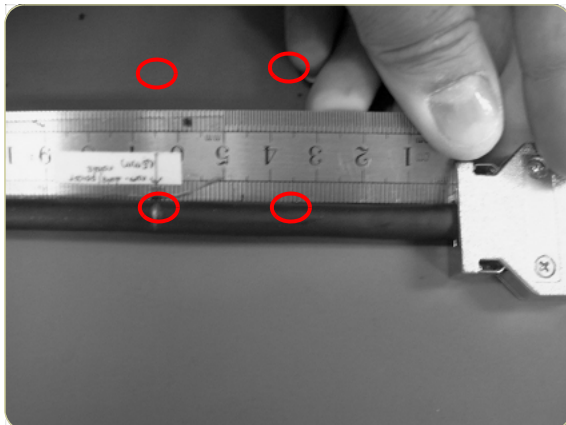


5. Remove four T10 screws from the CPU Fan and remove the Fan.
6. Remove the CPU Fan . Older printers may have four washers behind it.

Make sure that the four washers that may be behind the CPU Fan do not fall into the body of the printer when the Fan is removed. Place your hand under the Fan as you remove it. Discard the four washers as they are no longer required

The installation procedure for the new CPU fan will depend of the manufacturer of the fan. There are two types available:

Delta Fan Installation

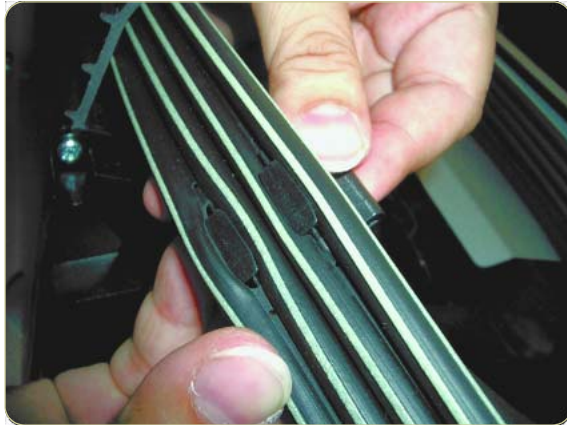


1. Install four cross-head screws into the CPU Fan and into the Formatter PCA.

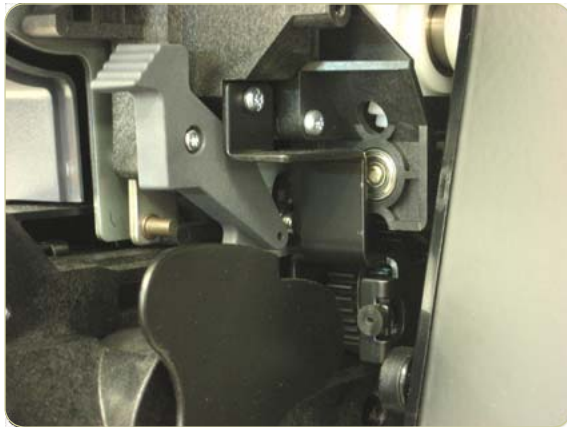
To ensure the correct orientation of the Delta CPU Fan in the Electronics Module, make sure the CE label of the fan faces towards the printer

2. The rest of the installation procedure is the same as the removal procedure, but in reverse.

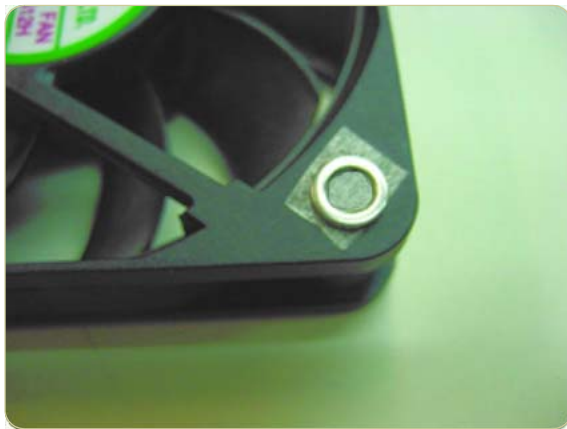
AAvid Fan Installation



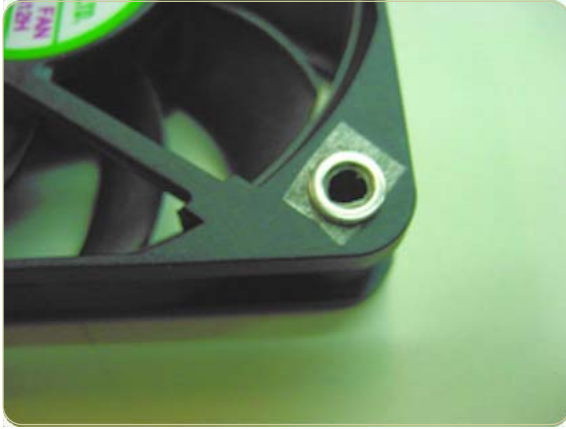
1. Install double-sided sticky tape (which comes with this kit) over the top of the four holes in the corners of the CPU Fan.



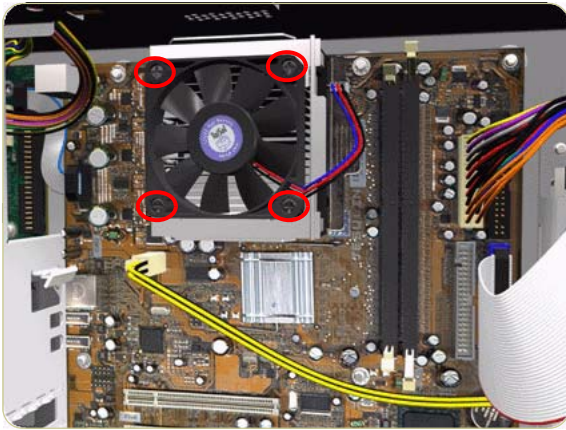
2. Removing the backing from the double-sided sticky tape.



3. Put a spacer on each corner of the CPU Fan, over the top of the double-sided sticky tape.



4. Make a hole in the four corners of the tape for the screws to pass.

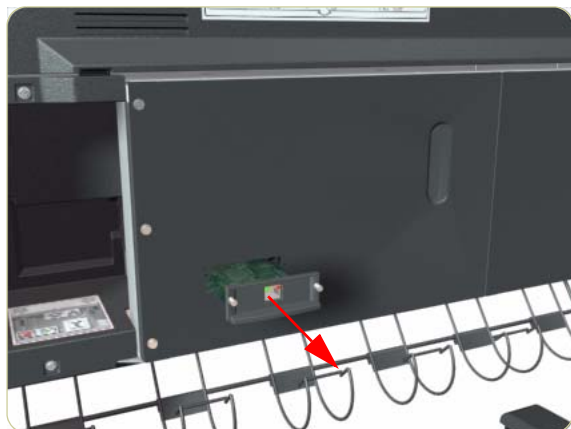


5. Install four T10 screws into the CPU Fan and into the Formatter PCA.
6. The rest of the installation procedure is the same as the removal procedure, but in reverse.

Hard Disk Drive (HDD)

Removal

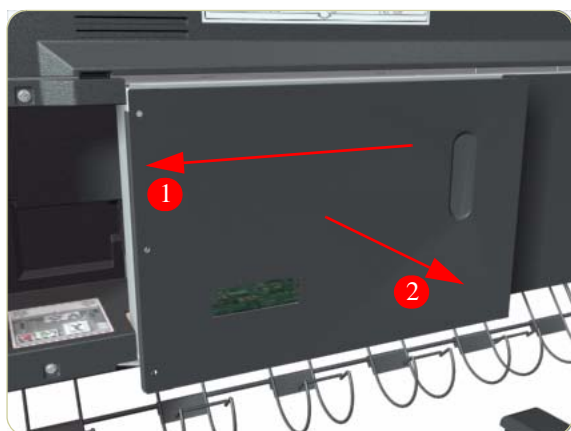
Switch off the product and remove the power cable.



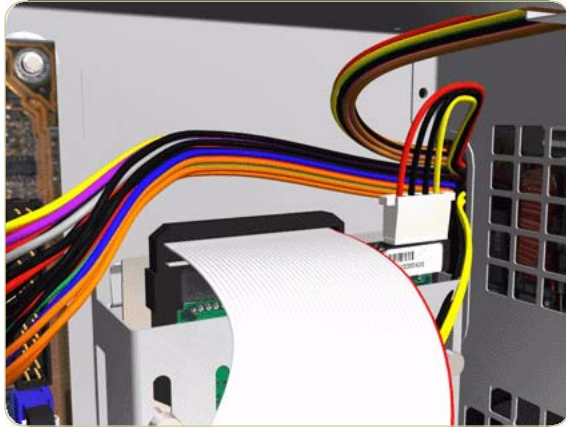
1. Remove the JetDirect Card (if installed).



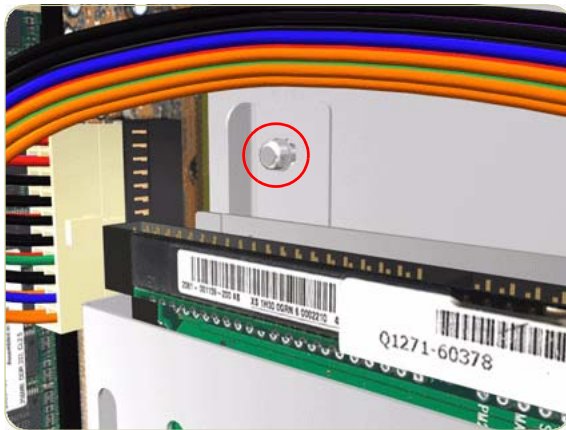
2. Remove three T-15 screws (**Type A**) that secure the Main PCA cover.



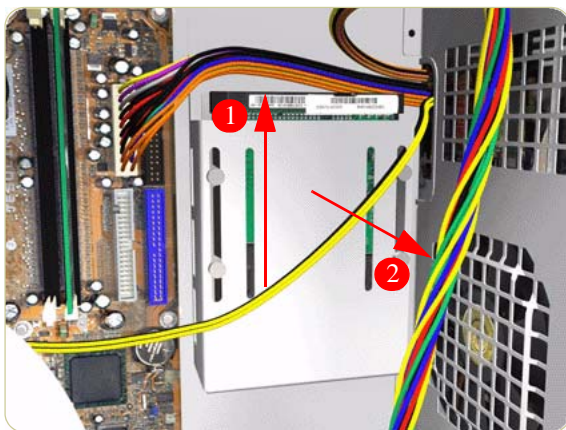
3. Remove the Main PCA Cover from the Printer.



4. Disconnect ALL cables connected to the Hard Disk Drive.



5. Remove one T-10 screw (**Type I**) from the HDD Holder.



6. Slide the Hard Disk Drive upwards and remove from the Printer.

It is not necessary to remove the screws securing the HDD inside the metal casing.

If after installing the NEW HDD, the printer continuously rejects ALL printheads, perform a reinsertion of all printheads.

Perform the following User Calibrations:

- Printhead Alignment.
- Paper Advance Calibration.
- Color Calibration.

After installing the NEW HDD, make sure you perform the following Service Utility:

- Carriage PCA Setup ⇒ Chapter 4.

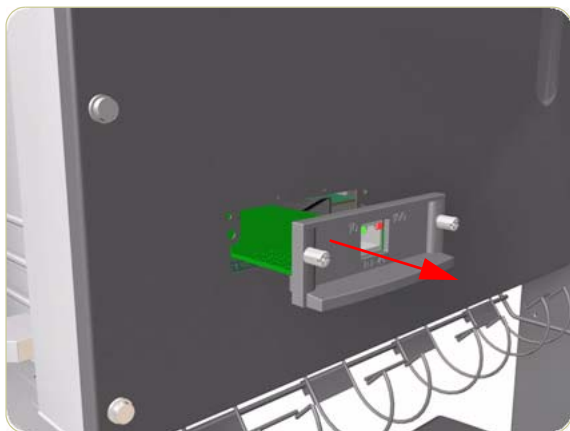
You MUST NEVER replace the HDD and the Ink Supply Tubes at the same time. If both parts need to be replaced, you MUST first replace one part and then power ON the Printer until it completely initializes. Then you can power OFF the Printer and replace the other part.

Power Supply Unit (PSU)

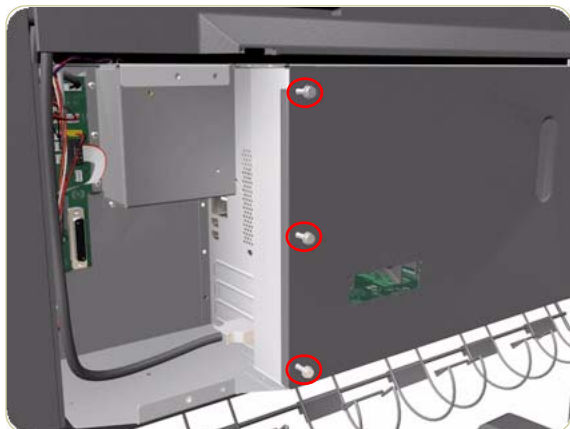
Removal

Switch off the product and remove the power cable.

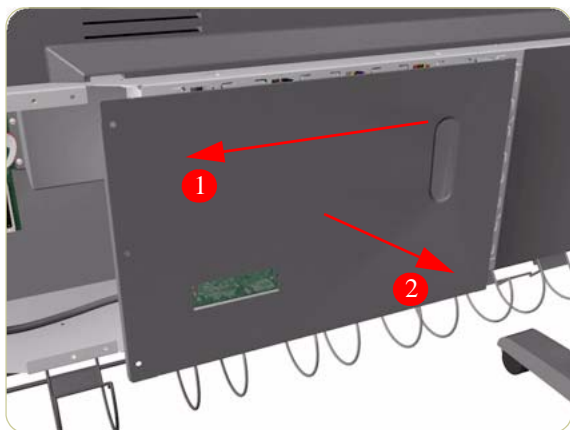
1. Remove the Right Connector Cover ⇒ Page 8-25.
2. Remove the JetDirect Card (if installed).

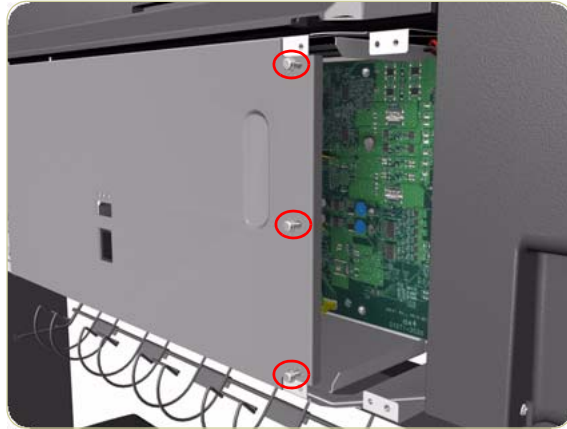


3. Remove three T-15 screws (**Type A**) that secure the Main PCA cover.

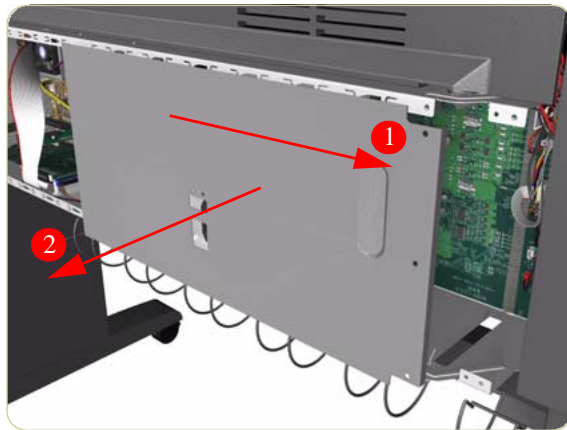


4. Remove the Main PCA Cover from the Printer.

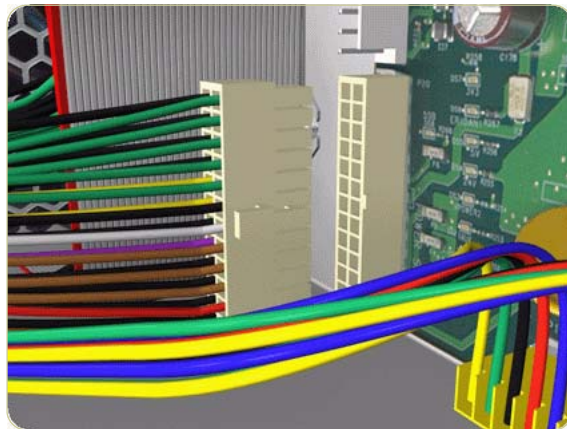




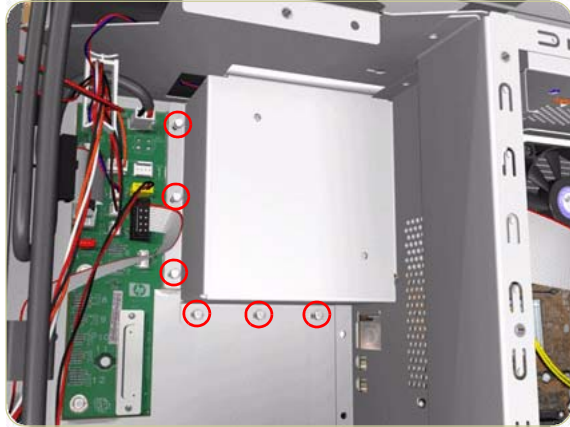
5. Remove three T-15 screws (**Type A**) that secure the PSU cover.



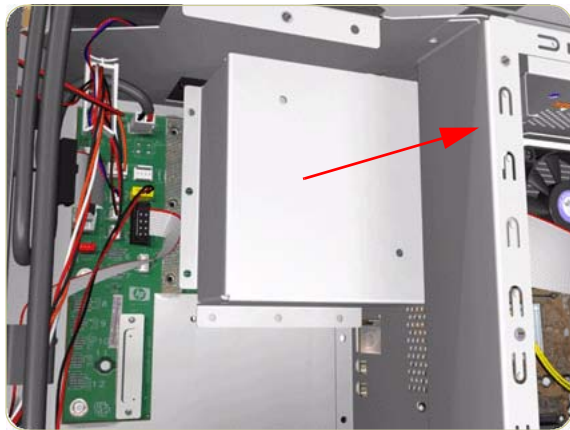
6. Remove the PSU Cover from the Printer.



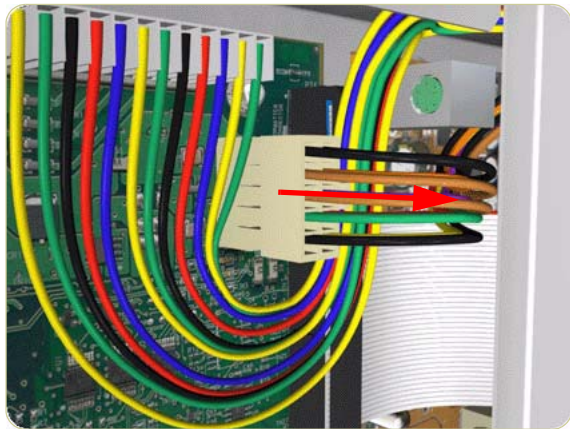
7. Disconnect the Power Supply and Interconnect cables from the PrintMech PCA.



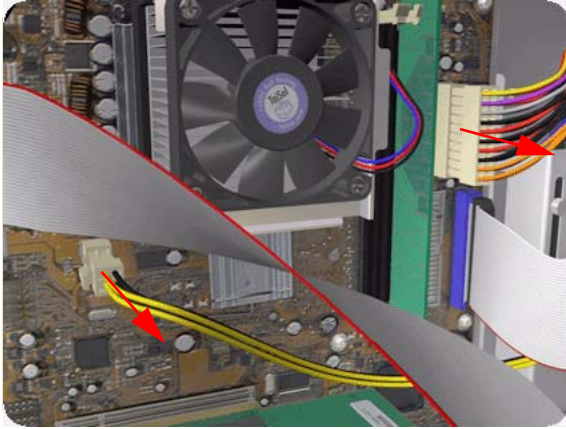
8. Remove six T-10 screws (**Type I**) that secure the Interconnect PCA Cover.



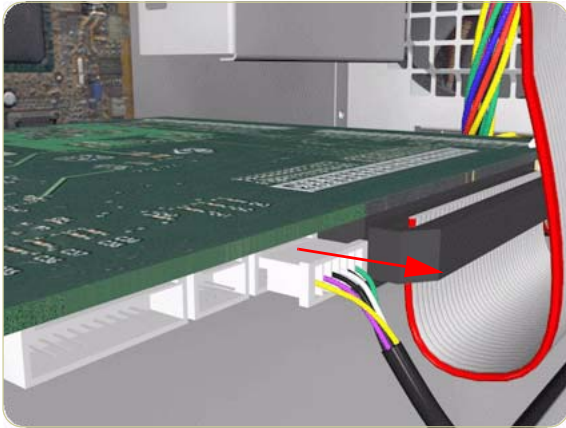
9. Remove the Interconnect PCA Cover from the Printer.



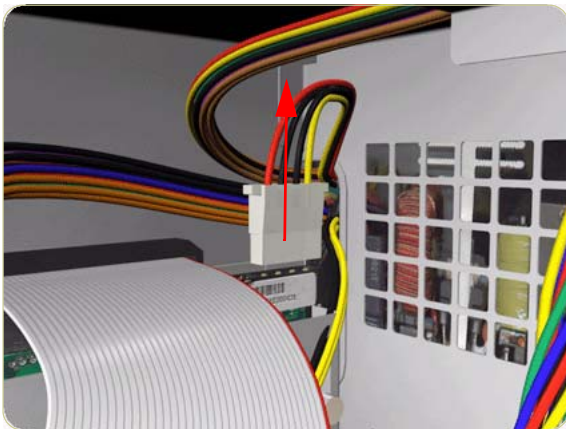
10. Disconnect one cable from the Interconnect PCA.



11. Disconnect two cables from the Main PCA.



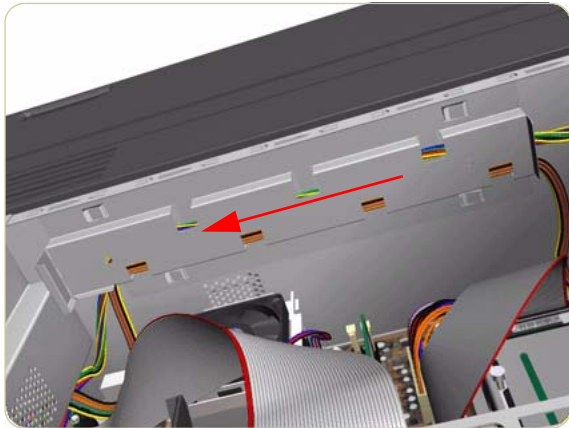
12. Disconnect one cable from the Gamut PCA.



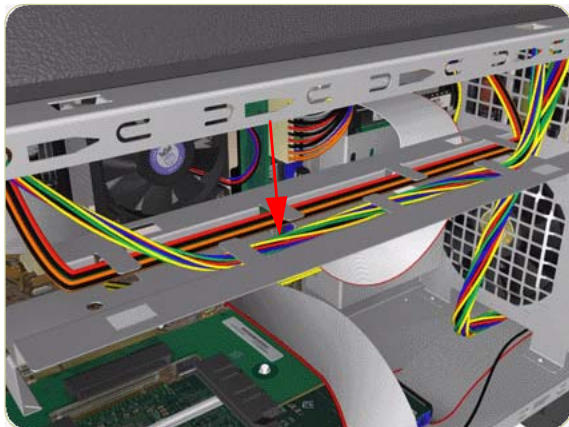
13. Disconnect one cable from Hard Disk Drive.



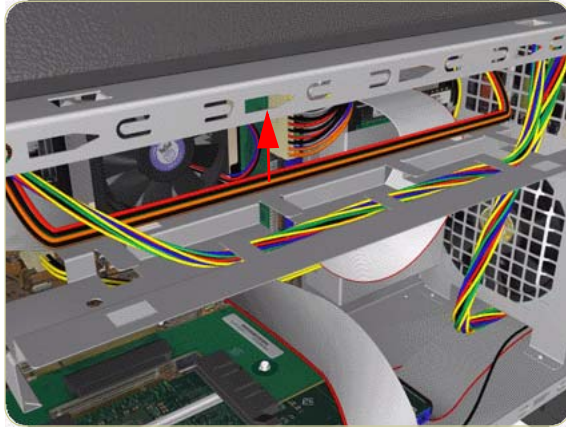
- 14.** Bend the edge of the Cable Support Bracket so that it can be released.



- 15.** Move the Cable Support Bracket to the left to release it from the Electronics Module.



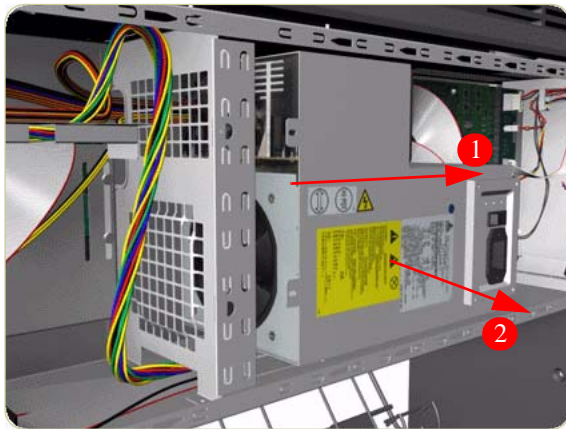
- 16.** Lower the Cable Support Bracket so that the cables can be accessed.



17. Release the Power Supply Cable from the Cable Support Bracket.



18. Remove four T-10 screws (**Type I**) that secure the Power Supply Unit.

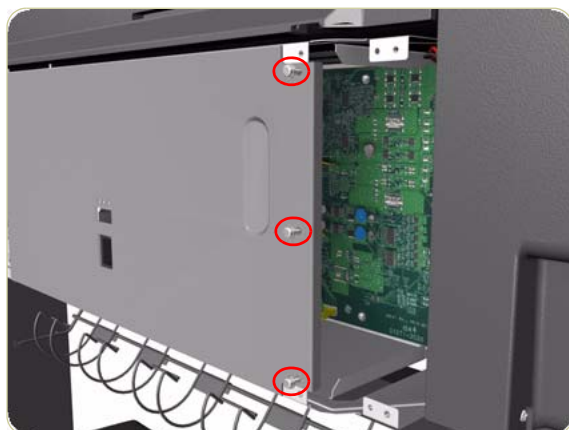


19. Route the cables through the hole in the Electronics Module and remove the Power Supply Unit from the Printer.

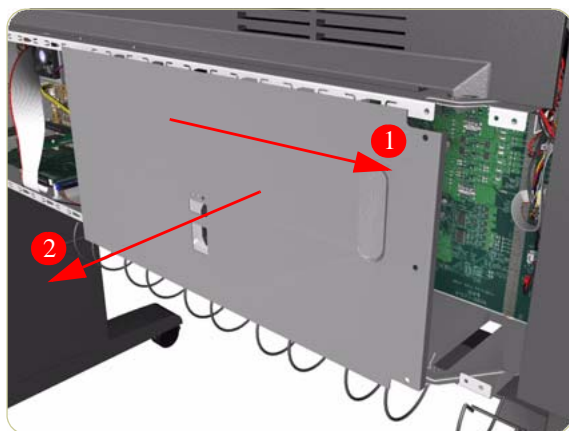
PrintMech PCA

Removal

Switch off the product and remove the power cable.



1. Remove the Left Connector Cover ⇒ Page 8-26.
2. Remove three T-15 screws (**Type A**) that secure the PSU cover.



3. Remove the PSU Cover from the Printer.

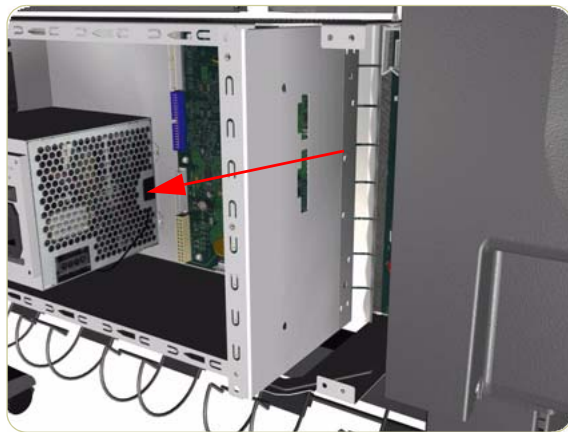


4. Disconnect ALL cables from the PrintMech PCA.

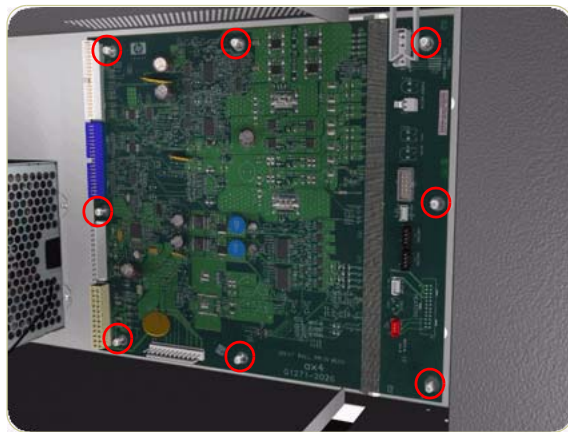
Make a note of the connectors you disconnect, this will help you when you come to connect the cables again



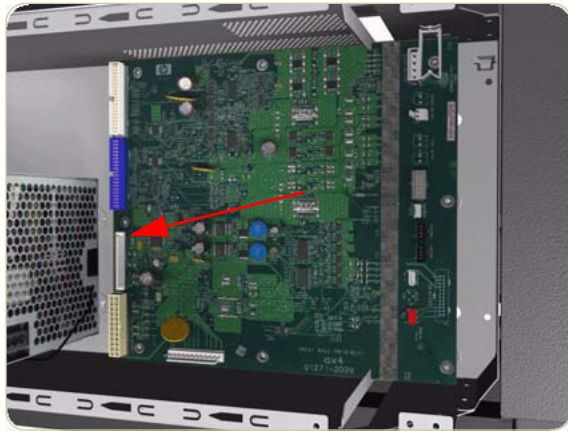
5. Remove two T-15 screws (**Type B**) that secure the PrintMech Cover.



6. Slide the PrintMech Cover out of the Printer.



7. Remove eight T-10 screws (**Type I**) that secure the PrintMech PCA.



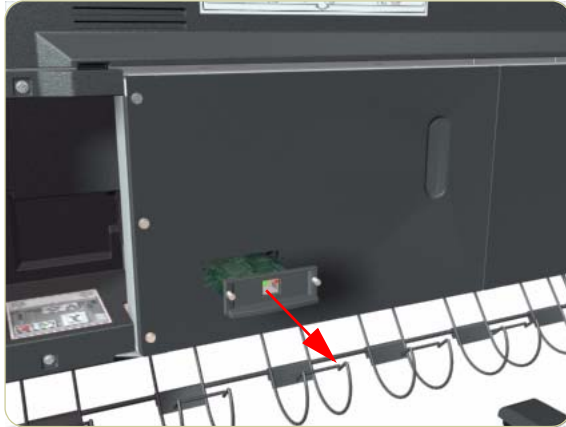
8. Remove the PrintMech PCA from the Printer.

When reinstalling the PrintMech PCA the Media Axis Motor is connected to the connector labeled Paper Motor, and the Roll 1 Feed Motor is connected to the connector labeled FROLL.

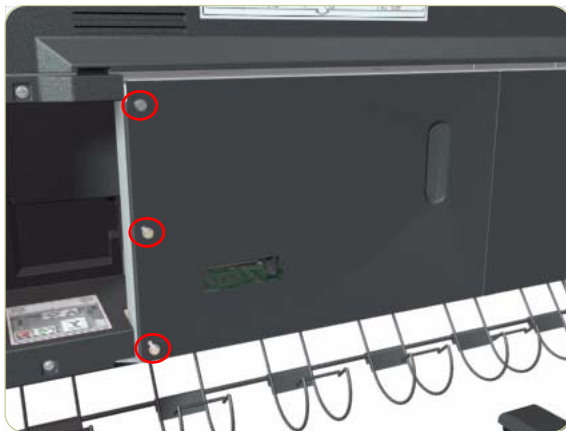
Formatter Battery

Removal

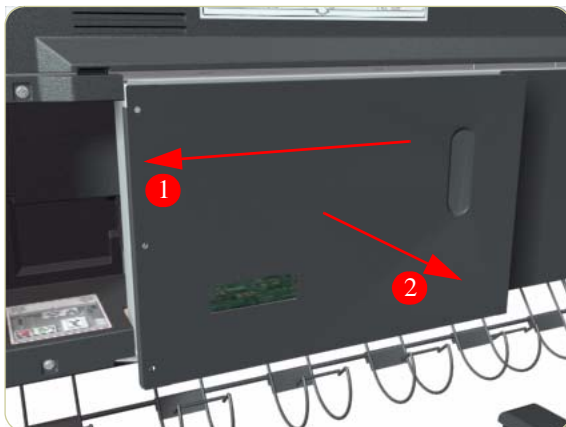
Switch off the product and remove the power cable.



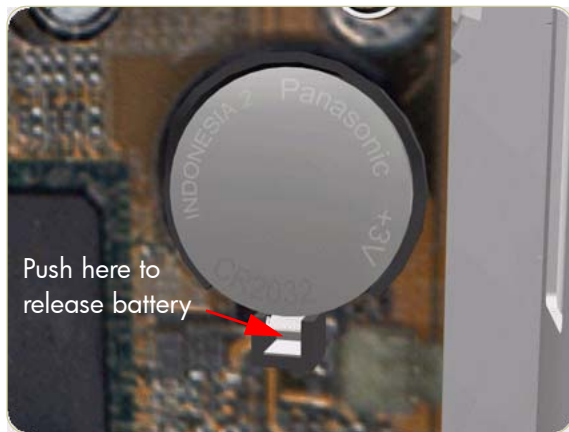
1. Remove the JetDirect Card (if installed).



2. Remove three T-15 screws (**Type A**) that secure the Main PCA cover.



3. Remove the Main PCA Cover from the Printer.



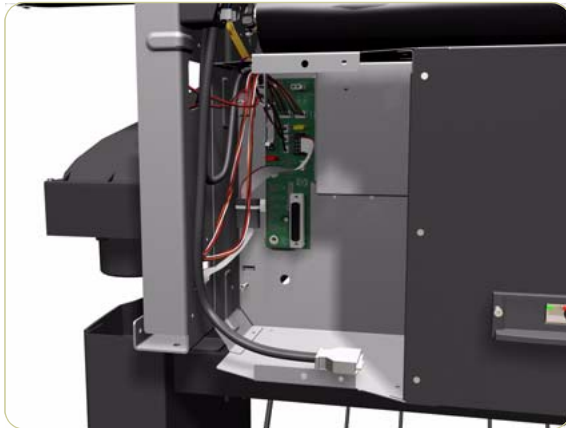
4. Push the clip down and release the battery from the Main PCA.

Electronics Module

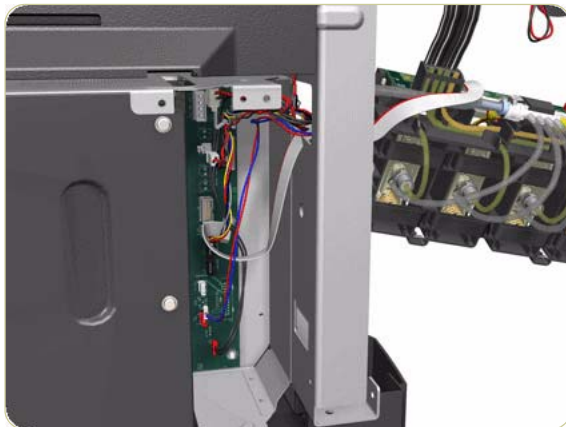
Removal

Switch off the product and remove the power cable.

1. Remove Right Connector Cover ⇒ Page 8-25
2. Remove Left Connector Cover ⇒ Page 8-26
3. Disconnect ALL the cables connected to the Interconnect PCA and the Gamut PCI PCA.

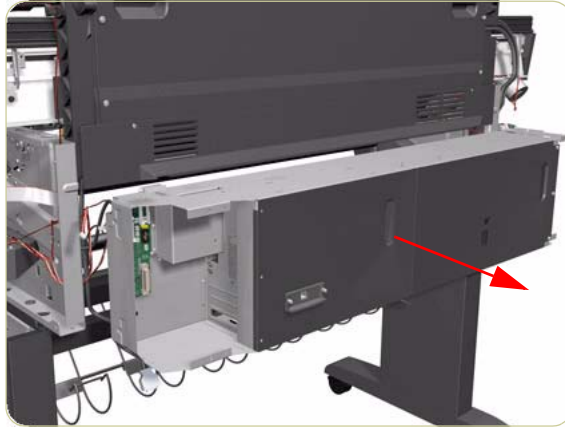


4. Remove one ferrite and disconnect ALL the cables connected to the PrintMech PCA.



5. Remove four T-20 screws (**Type B**) that secure the Electronics Module.



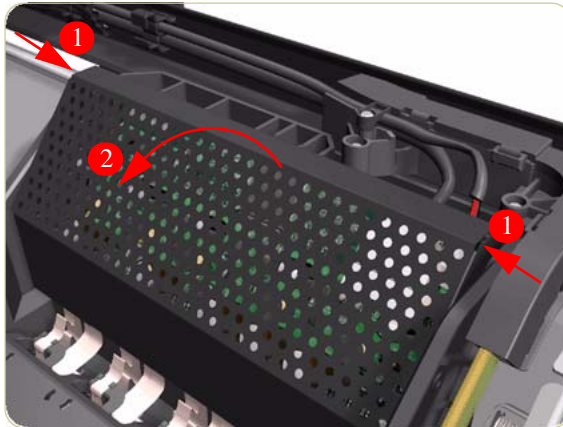


6. Remove the Electronics Module from the Printer.

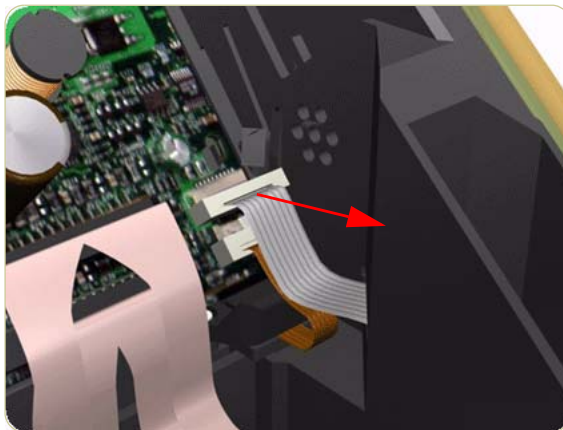
Line Sensor Assembly

Removal

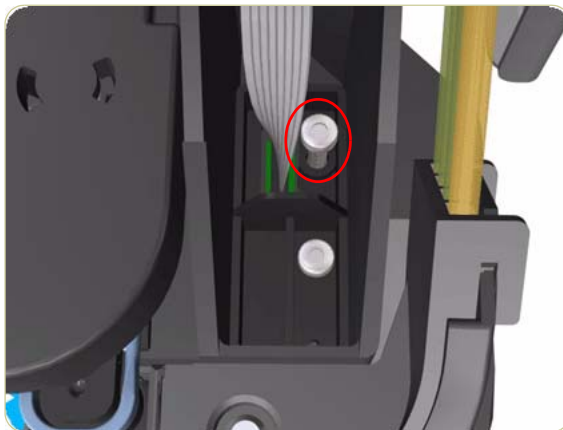
Switch off the product and remove the power cable.



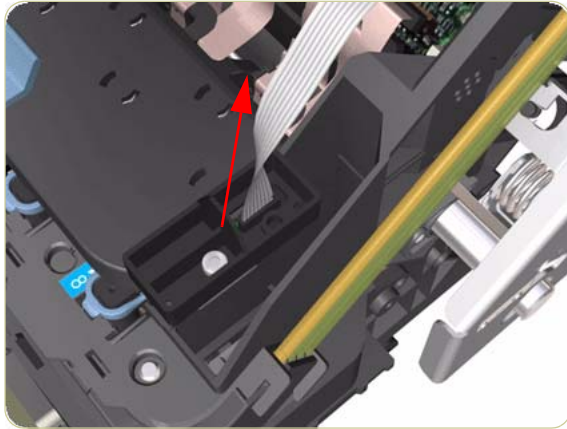
1. Remove the Right Cover ⇒ Page 8-8.
2. Press the two side of the Carriage PCA Cover and unclip from the Carriage Assembly.



3. Release the clip and disconnect the Line Sensor cable from the Carriage PCA.



4. Remove one T-15 screw (**Type G**) that secures the Line Sensor to the carriage Assembly.



5. Remove the Line Sensor from the Carriage Assembly.

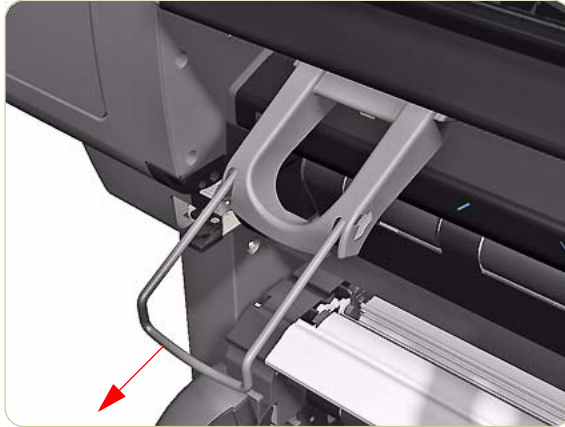
After installing the NEW Line Sensor, make sure you perform the following Service Calibrations:

- Line Sensor Calibration ⇒ Chapter 5.

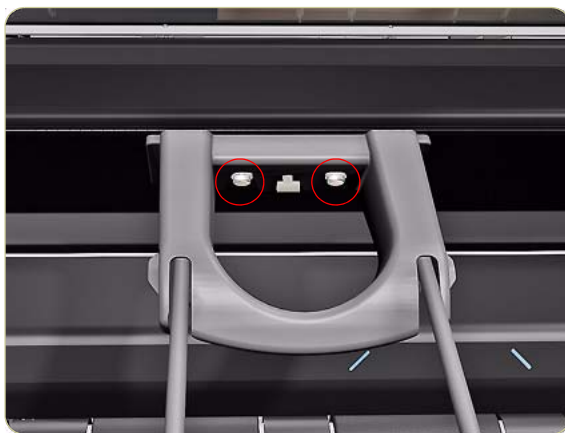
Deflectors

Removal

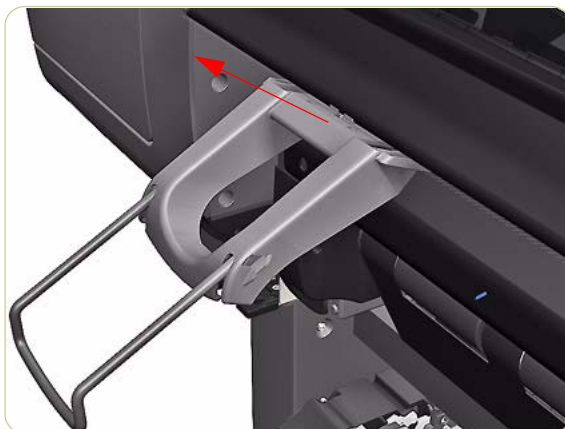
Switch off the product and remove the power cable.



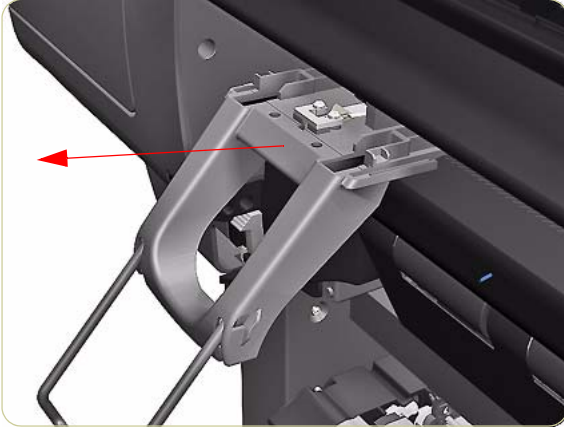
1. Pull out the Extension Arm of the Deflector.



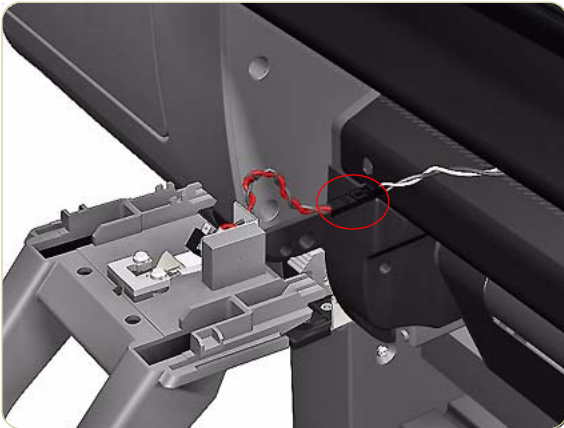
2. Remove two T-20 screws (**Type B**) that secure the Deflector to the Output Platen.



3. Slide up the Deflector.



4. Remove the Deflector Assembly.



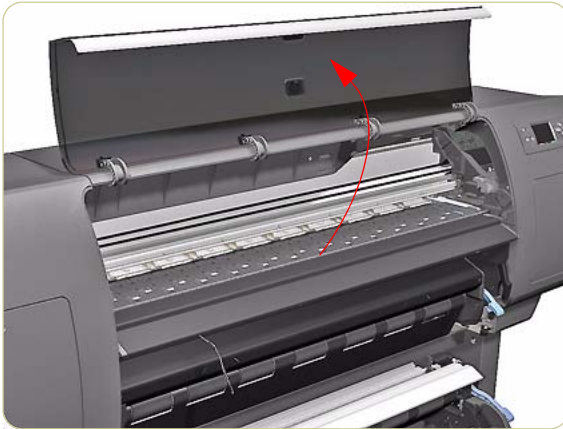
5. To remove the Left Deflector you must first disconnect the Stacker Sensor Cable.

Output Platen

Removal

Switch off the product and remove the power cable.

1. Remove the Deflectors if you are replacing the Output Platen ⇒ Page 8-135
2. Open the Window.

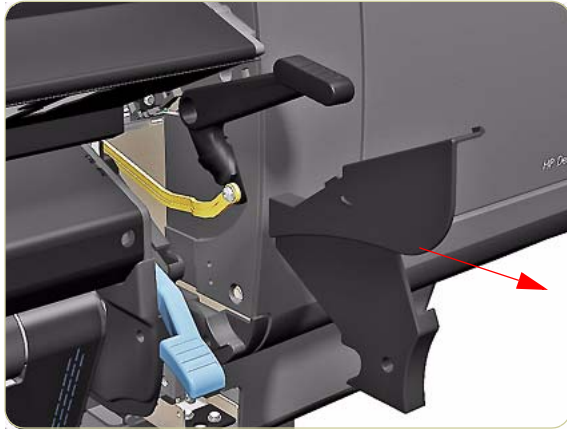


3. Move the Drive Pinch Wheel Lever to the up position.

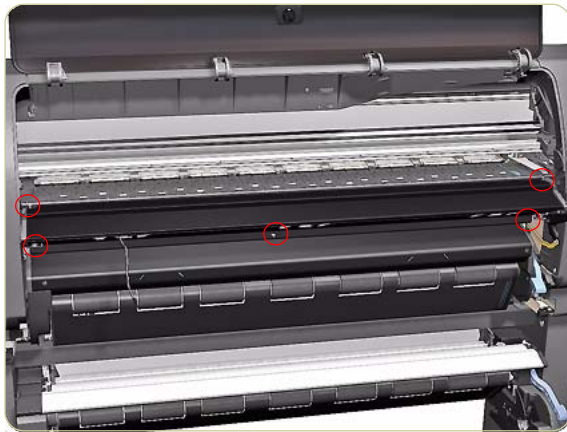


4. Remove one T15 screw (**Type G**) that secures the Drive Pinch Wheel Lever Bezel.

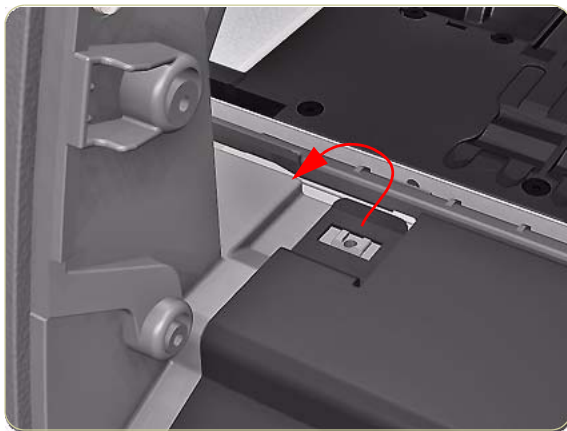




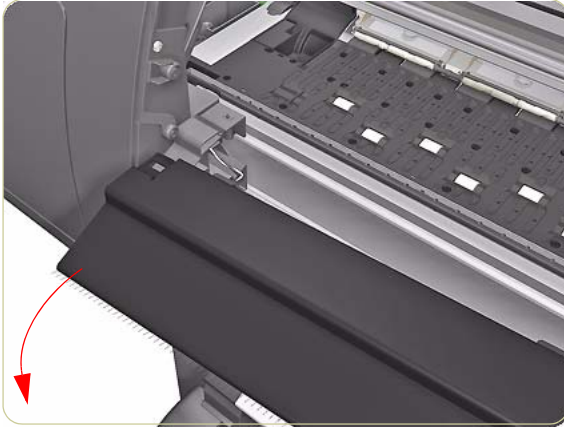
5. Remove the Drive Pinch Lever Bezel.



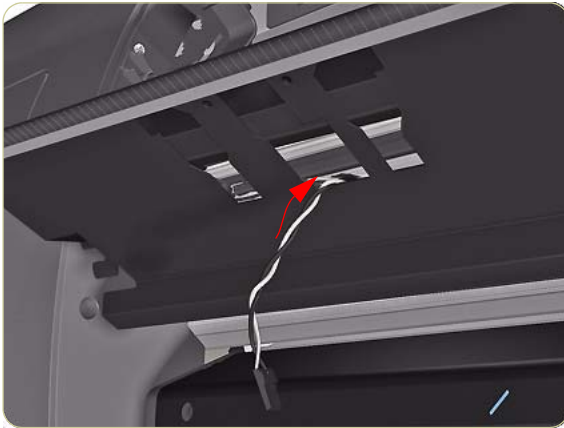
6. Remove three T-15 screws and two cross-head screws that secure the Output Platen.



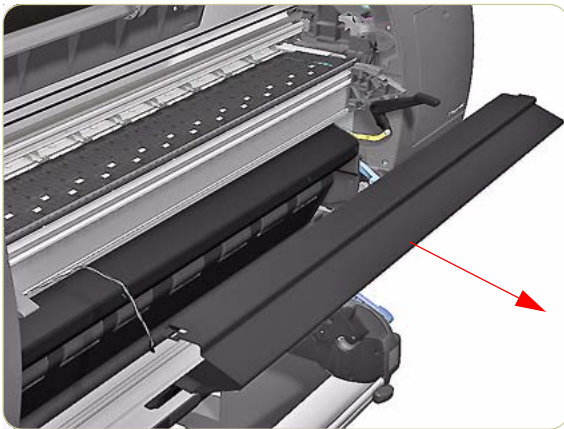
7. Release the clip on the left hand side of the Output Platen.



8. Pull out the left hand side of the Output Platen.



9. Pass the Stacker Sensor Cable through a hole in the Output Platen.



10. Remove the Output Platen.

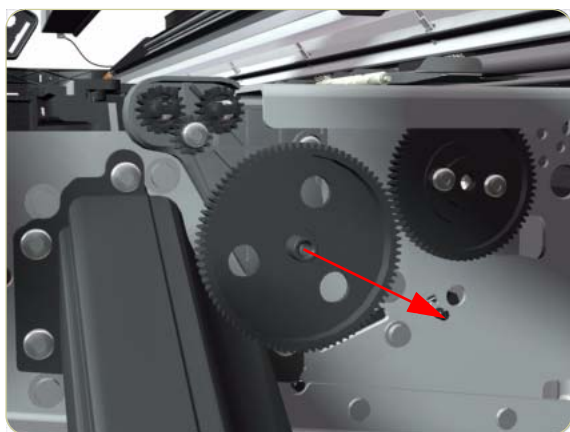
If a NEW Output Platen is to be installed, make sure that you first remove ALL 3 Media Deflectors (⇒ Page 8-135) from the OLD Output Platen and later install them on the New Output Platen.

Center Platen

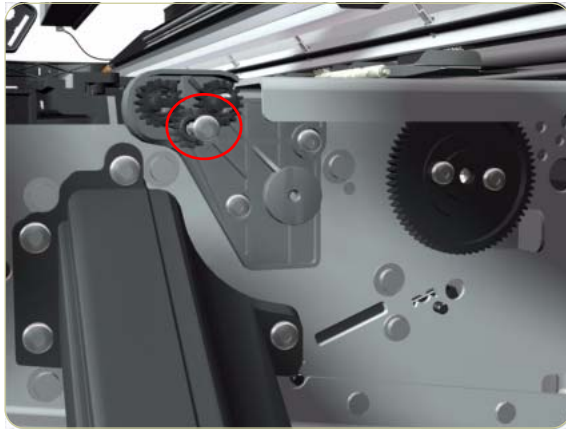
Removal

Switch off the product and remove the power cable.

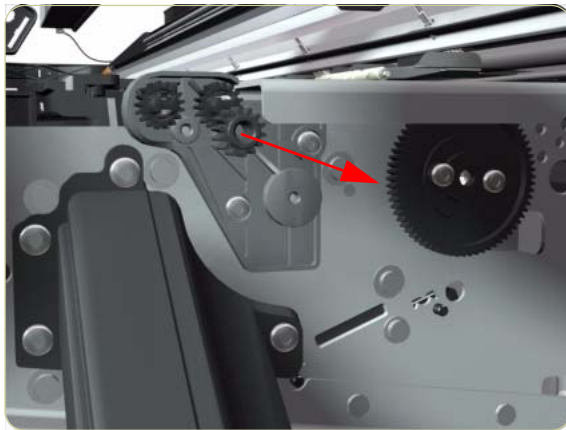
1. Remove the Right Cover ⇒ Page 8-8.
2. Remove the Left Cover ⇒ Page 8-11.
3. Remove the Top Cover ⇒ Page 8-18.
4. Remove the Service Station ⇒ Page 8-30.
5. Remove the Middle Left Spittoons ⇒ Page 8-78.
6. Remove one T-15 screw (**Type P**) that secures the Center Platen Gear.



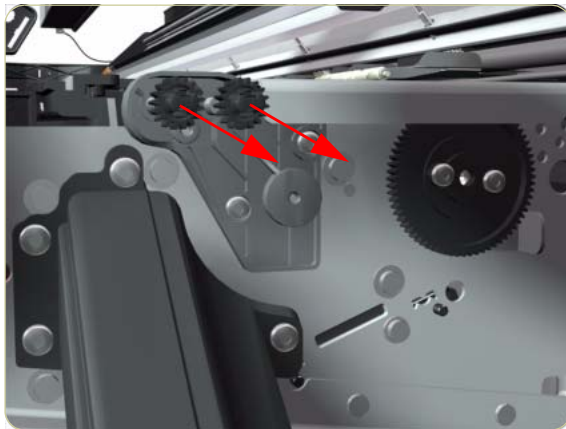
7. Remove the Center Platen Gear from the Printer.



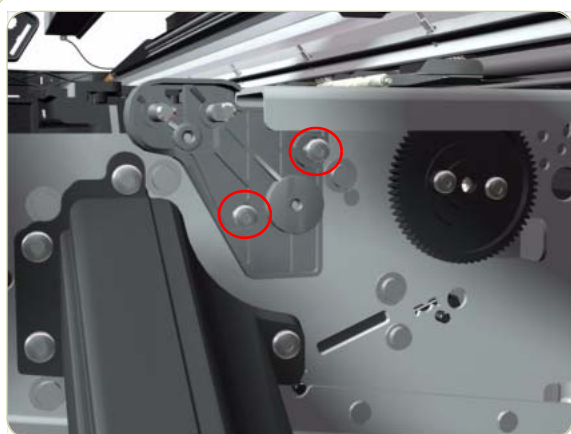
- 8.** Remove one T-15 screw that secures the small Gear.



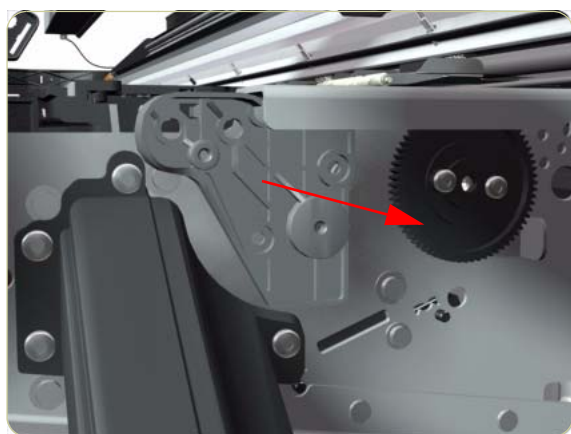
- 9.** Remove the small Gear from the Printer.



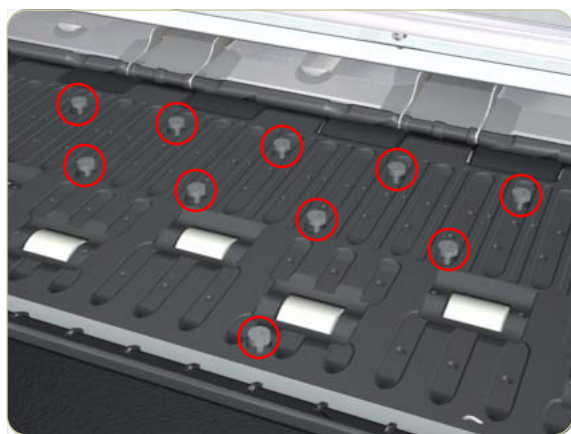
- 10.** Remove the two small Platen Gears by releasing the clips.



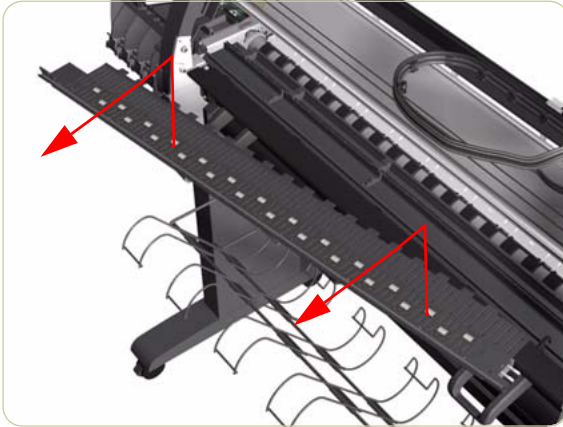
11. Remove two T-20 screws (**Type Q**) that secure the Gear Bracket.



12. Remove the Gear Bracket from the Printer.



13. Remove 79 T-10 screws (**Type C**) that secure the Center Platen.



14. Remove the Center Platen from the Printer.

Make sure you take note of the positions of the Foams located underneath the center Platen.

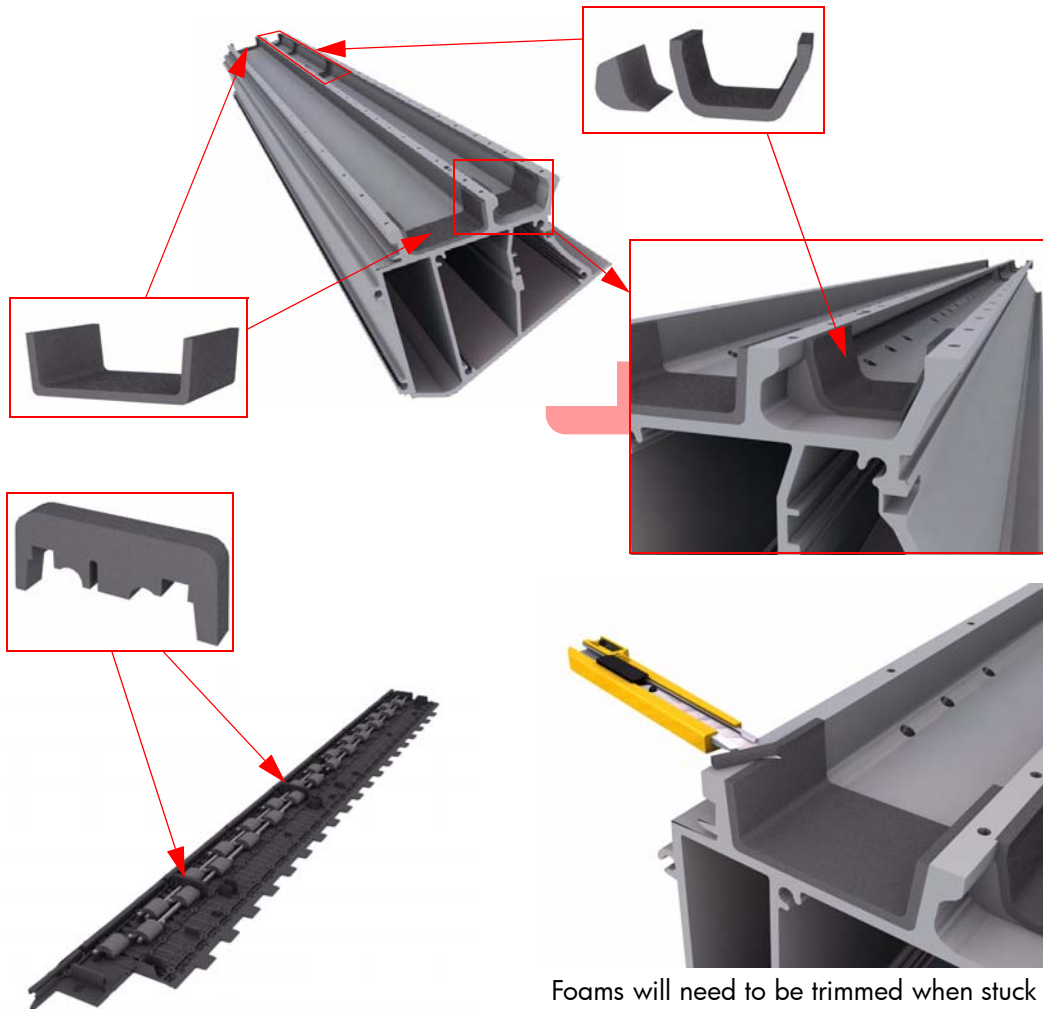
When reinstalling the parts, make sure you apply the grease (included with the support part) to the gears.

After installing the NEW Center Platen, make sure you perform the following Service Calibration:

■ Paper Advance Calibration ⇒ Chapter 5.

Installation of the Foams

Before installing the Center Platen, make sure you check the foams that are stuck on the Vacuum Beam. These foams should **ONLY** be changed if they are damaged. In the circumstance where they do need to be changed, use the following illustrations to guide you:



Foams will need to be trimmed when stuck to the Vacuum Beam

Rear Path Mylar Strip

Removal

Switch off the product and remove the power cable.



1. Remove three T15 screws (**Type G**) from the rear door.

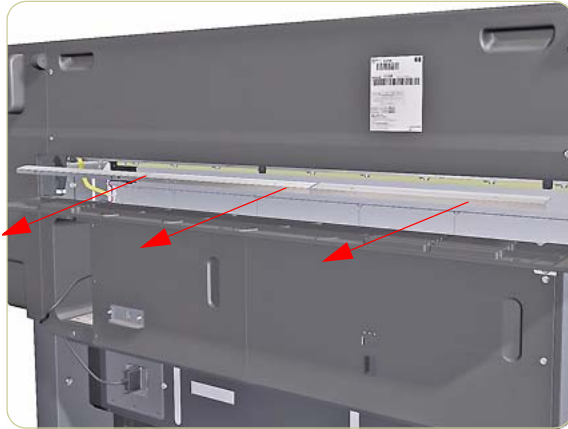
Each screw includes a washer (part number 3050-1267)



2. Open the Rear Door



3. Remove six T15 screws from a metal L-plate that secures the Mylar Strip to the back of the Rear Path.



4. Remove the L-Plate.



5. Remove the Mylar Strip.

When installing the Mylar Strip make sure that from the rear of the printer, the Mylar Strip is aligned to the left against the plastic stop and that there are no bubbles in the Mylar Strip.

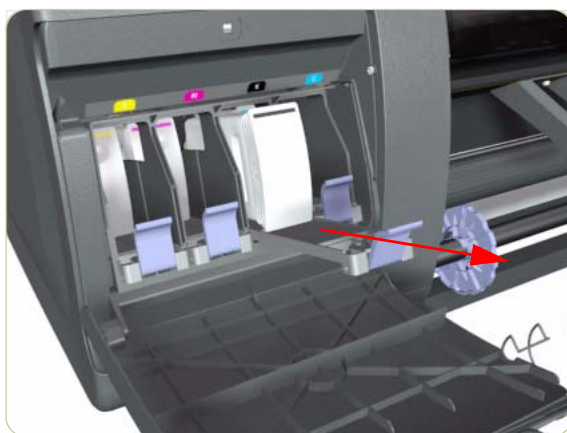
Cartridge Trays

Removal

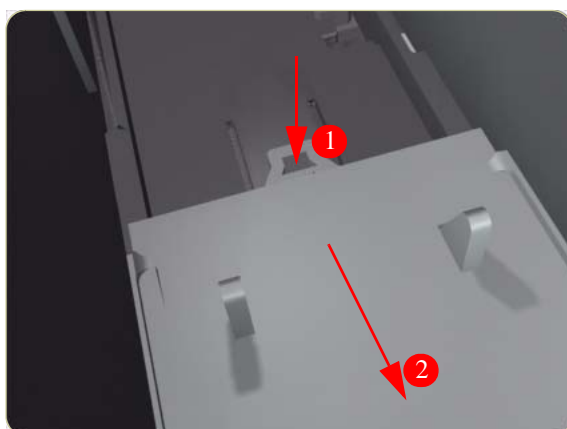
Switch off the product and remove the power cable.



1. Open the Ink Cartridge Door.



2. Release the Tray Lever of the required color and pull out the Tray. Remove the Ink Cartridge if installed.



3. Press down on the Tray clip and pull the Tray completely out of the Printer.

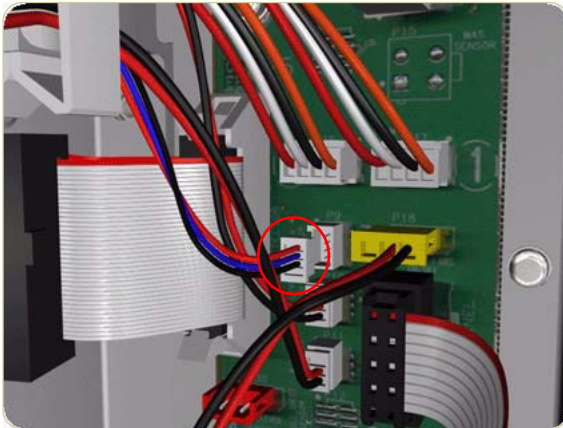
Note that each Cartridge Tray is different even though they look very similar. When selecting the Cartridge Tray from the Support Part (it contains four Cartridge Trays), choose the Tray that exactly matches the one that you have just removed.

Main Media Sensor

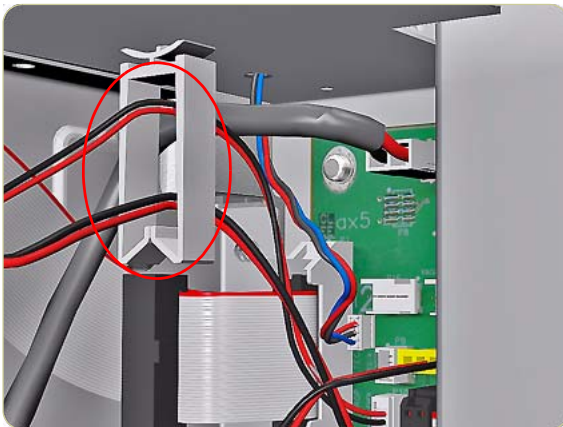
Removal

Switch off the product and remove the power cable.

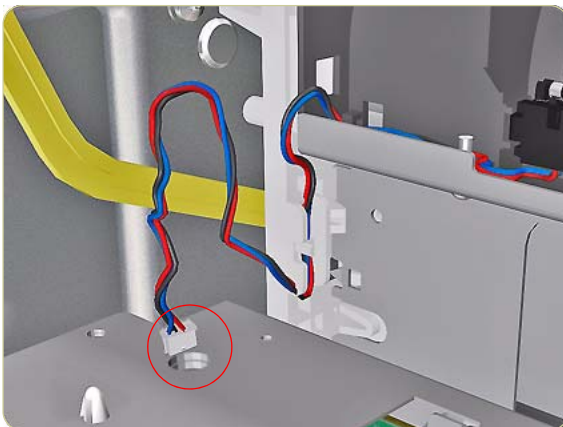
1. Remove the Rear Door ⇒ Page 8-23.
2. Remove the Right Connector Cover ⇒ Page 8-25.
3. Disconnect the Media Sensor cable from the Interconnect PCA.

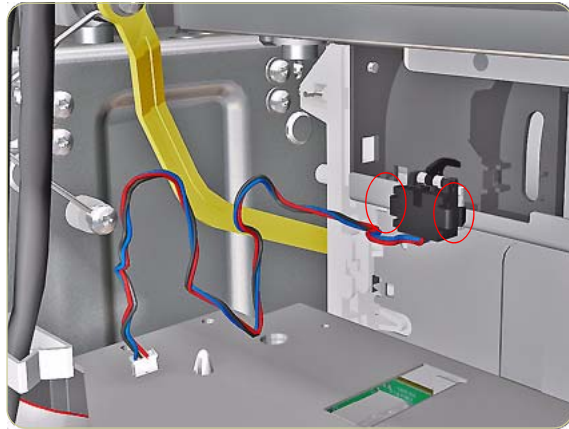


4. Release the Media Sensor cable from the clip located on the Electronics Module.



5. Pass the Media Sensor cable through a hole in the top of the Electronics Module.





6. Remove the Media Sensor by releasing it from two clips on both sides of the sensor and pulling gently on the cable.

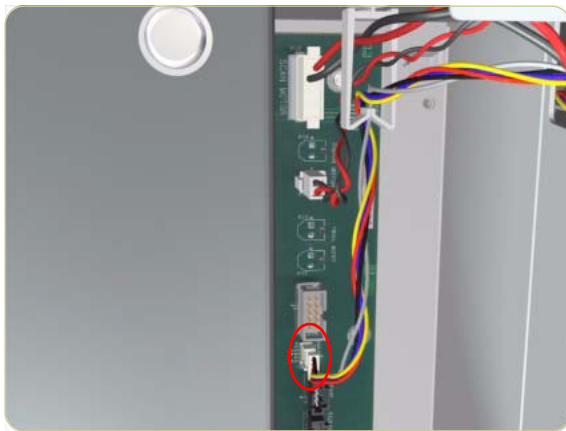
Encoder Disc and Sensor

Removal

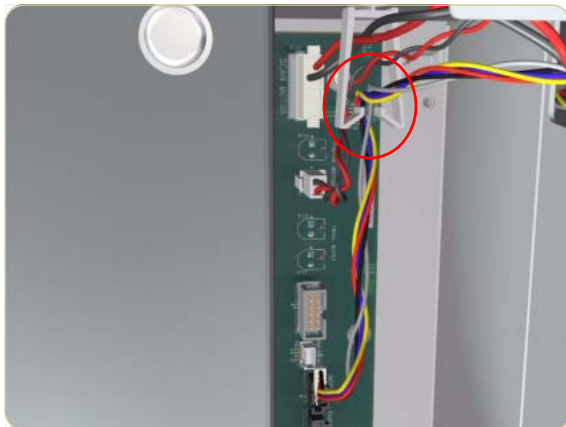
Switch off the product and remove the power cable.

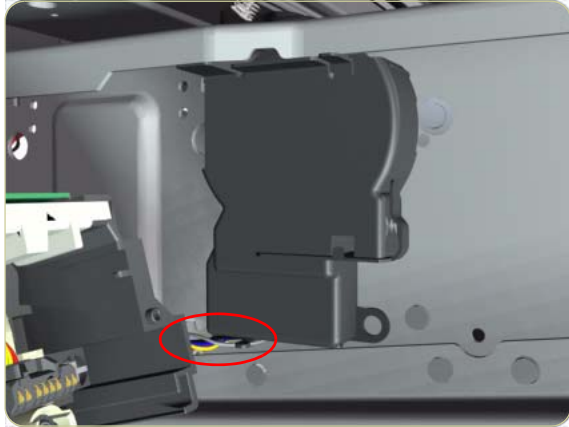
Please handle the Encoder Disc very carefully since any finger prints, scratches or stains could cause the Printer to malfunction.

1. Remove the Left Cover ⇒ Page 8-11.
2. Remove the Rear Door ⇒ Page 8-23.
3. Remove the Left Connector Cover ⇒ Page 8-26.
4. Remove the Ink Supply Station ⇒ Page 8-67.
5. Disconnect the Encoder Sensor cable from the PrintMech PCA.

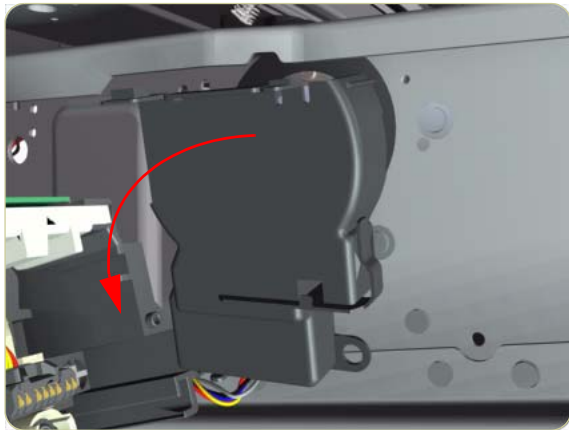


6. Release the Encoder Sensor cable from the clip located on the Electronics Module.

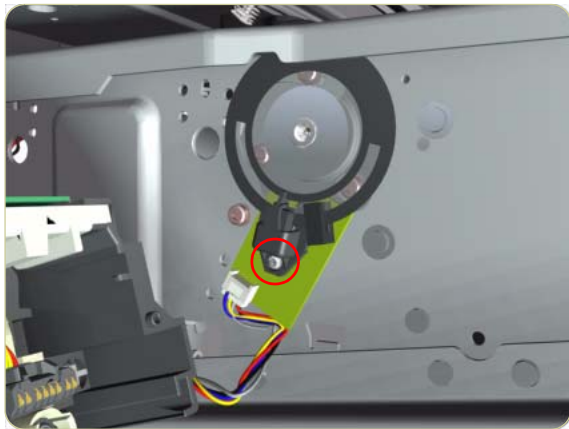




7. Release the Encoder Sensor cable from the clip located on the Encoder Disc Cover.



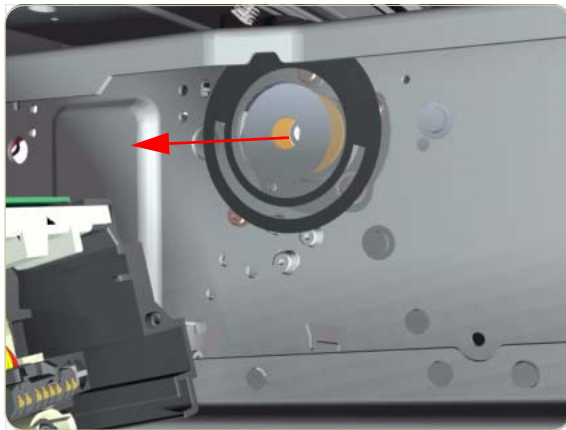
8. Unclip the Encoder Disc Cover and remove from the Printer.



9. Remove one T-8 screw (**Type D**) that secures the Encoder Sensor to the Chassis.



10. Remove the Encoder Sensor from the Printer.



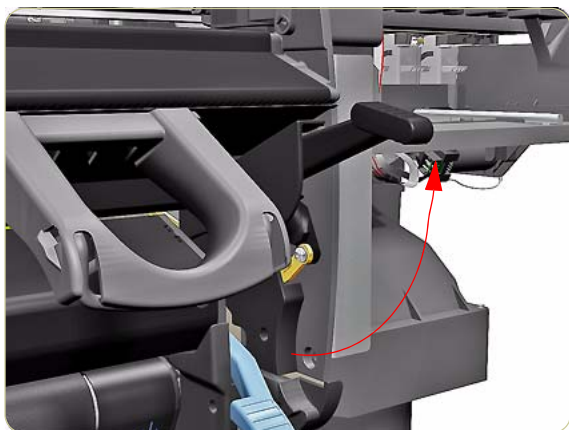
11. Carefully peel the Encoder Disc from the Drive Roller.

Drive Pinch Lever Assembly

Removal

Switch off the product and remove the power cable.

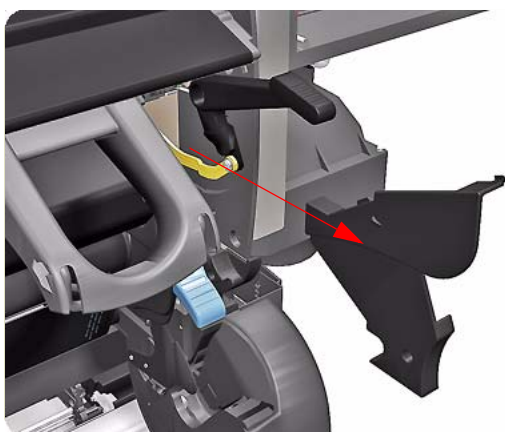
1. Remove the Right Cover ⇒ Page 8-8.
2. Remove the Rear Door ⇒ Page 8-23.
3. Move the Drive Pinch Lever Assembly to the up position.

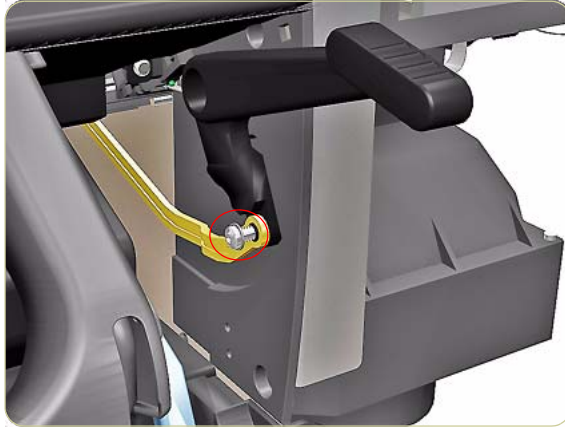


4. Remove one T-15 screw (**Type G**) that secures a bezel over the top of Drive Pinch Lever.



5. Remove the Drive Pinch Lever Bezel.





6. Remove one T-15 screw (**Type F**) that secures the Drive Pinch Lever to the Linkage.

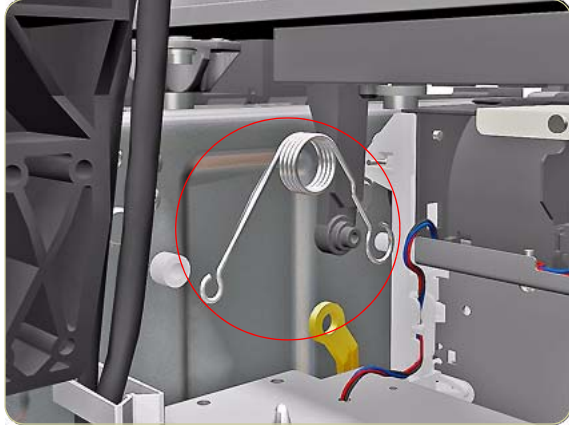


7. Remove one T-15 screw (**Type F**) that secures the Linkage to the Spring.

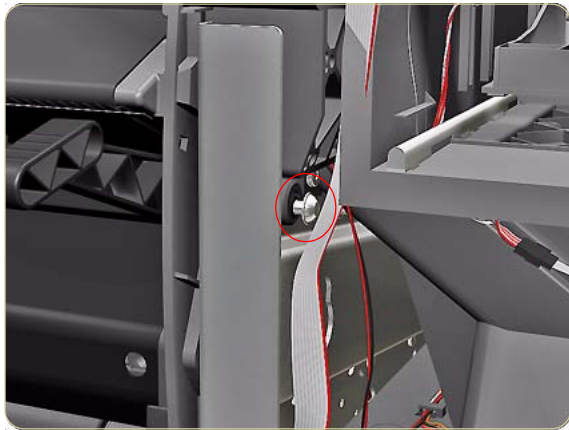


8. Remove one T-20 screw (**Type A**) and that secures the Spring to the Spacer.

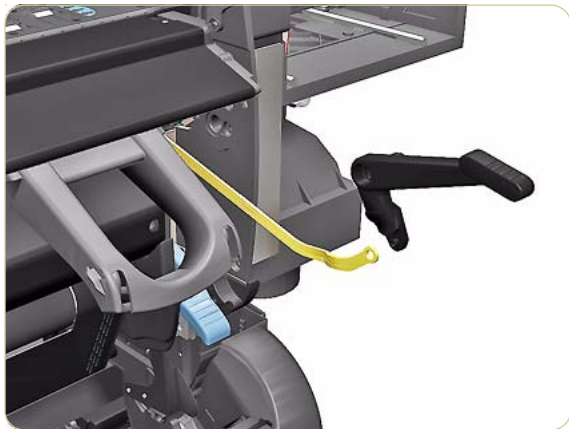
Be careful not to lose the spacer when removing the screw.



9. Remove the Drive Pinch Lever Spring.



10. Remove one T-20 screw (**Type O**) that secures the Media Lever to the Right Trim.



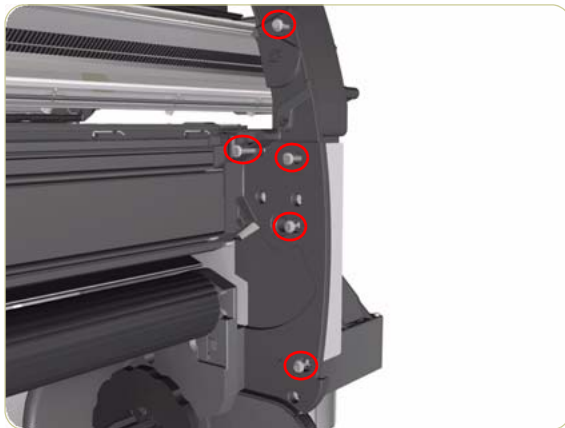
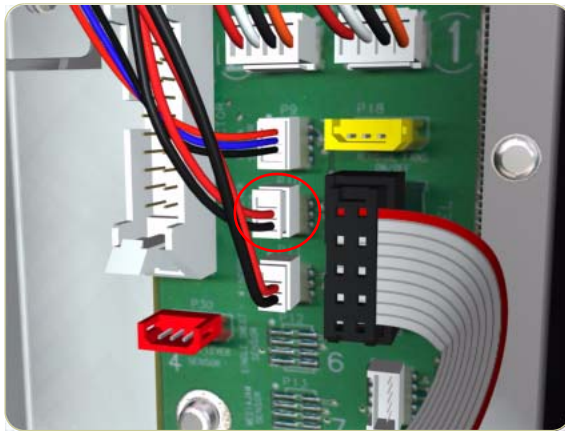
11. Remove the Media Lever Assembly from the Printer.

Drive Pinch Lever Sensor

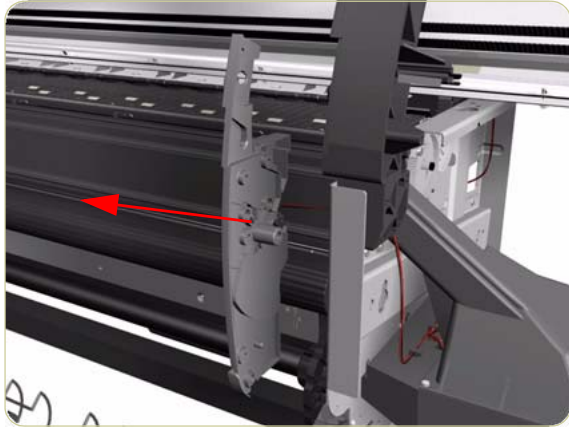
Removal

Switch off the product and remove the power cable.

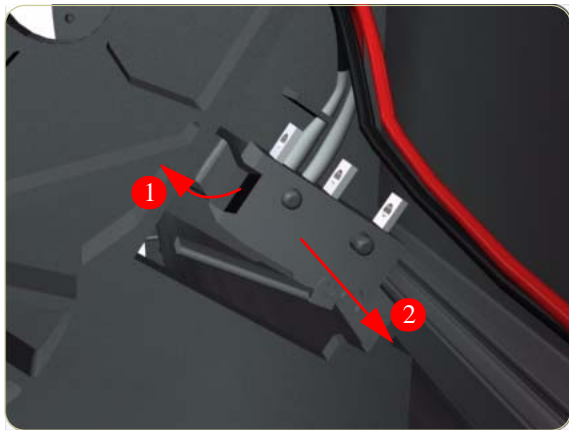
1. Remove the Right Cover ⇒ Page 8-8.
2. Remove the Rear Door ⇒ Page 8-23.
3. Remove the Right Connector Cover ⇒ Page 8-25.
4. Remove the Service Station ⇒ Page 8-30.
5. Remove the Output Platen ⇒ Page 8-137.
6. Remove the Drive Pinch Lever Assembly ⇒ Page 8-152.
7. Disconnect the Media Lever Sensor cable from the Interconnect PCA.



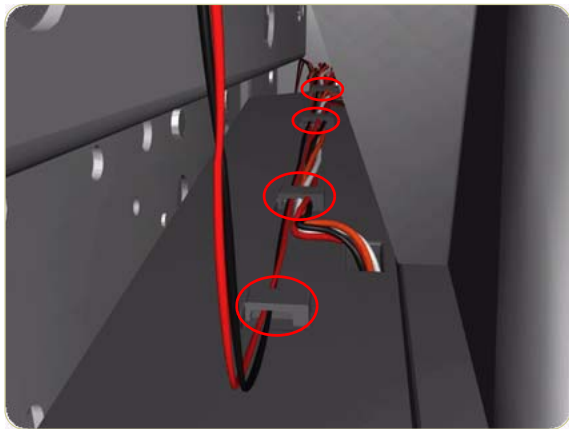
8. Remove five T-15 screws (**Type B**) that secure the Right Trim.



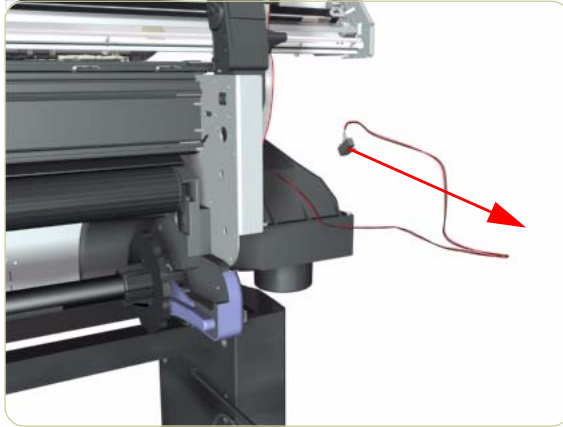
- 9.** Carefully remove the Right Trim from the Printer.



- 10.** Carefully release the clip securing the Media Lever Sensor from the Right Trim and remove from the locating pins.



- 11.** Release the Media Lever Sensor Cable from the four clips on the Vacuum Fan.



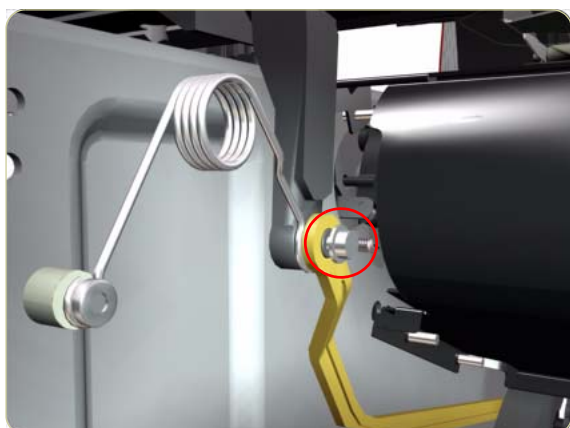
- 12.** Remove the Media Lever Sensor from the Printer.

Pinchwheel Assembly

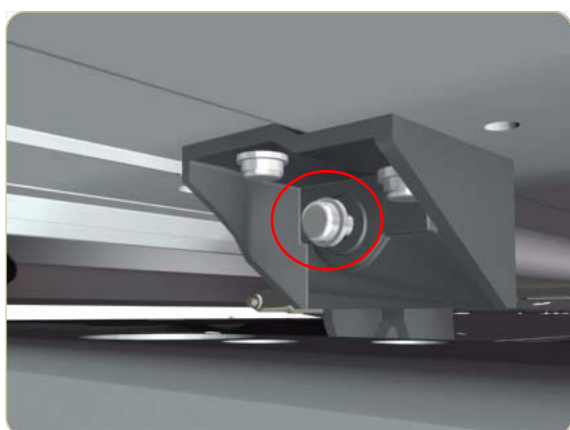
Removal

Switch off the product and remove the power cable.

1. Remove the Right Cover ⇒ Page 8-8.
2. Remove the Rear Door ⇒ Page 8-23.
3. Remove the Service Station ⇒ Page 8-30.
4. Remove one T-20 screw that secures the Linkage to the Spring.

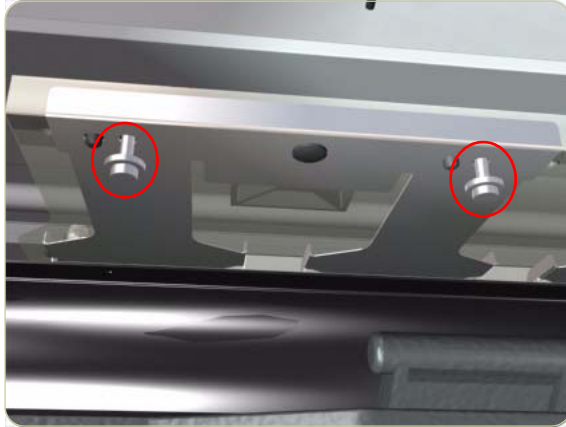


5. Remove one T-20 screw that secures the Cam to the Cam Lever.

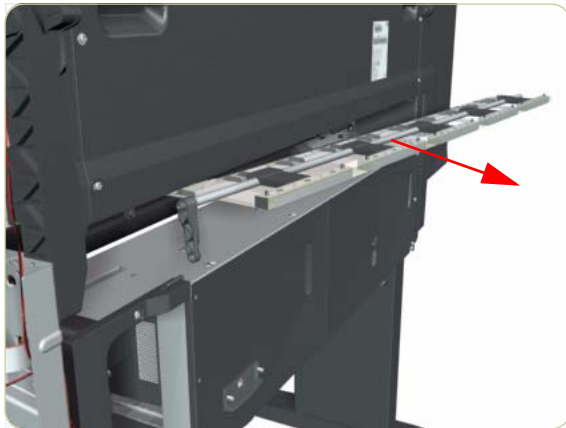


6. Insert a plastic stud in to each Pinchwheel Subassembly (the Plastic Studs can be found in the replacement Pinchwheel Assembly kit).





7. Remove two T-20 screws (**Type M**) from each Pinchwheel Subassembly (a 90 degree angle screwdriver is included with the replacement Pinchwheel Assembly).



8. Remove the complete Pinchwheel Assembly (including the Cam and Cam Lever) from the Printer.



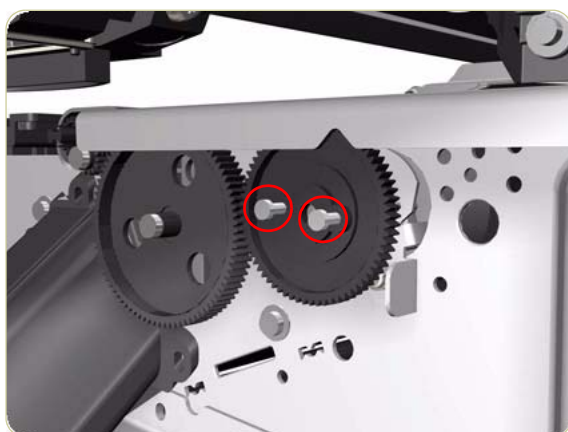
Before installing the NEW Pinchwheel Assembly, insert the plastic studs in to each Pinchwheel subassembly. This will make it easier to install the complete Pinchwheel Assembly.

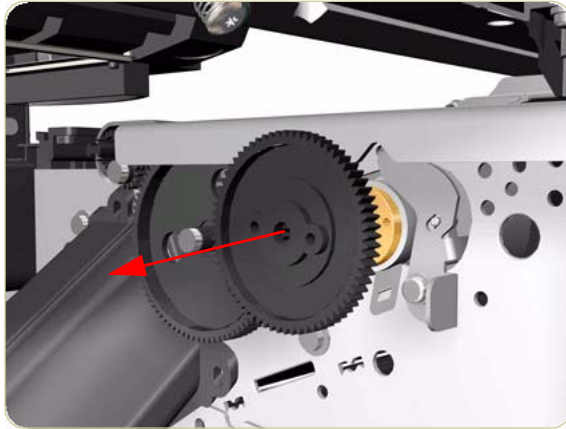
Drive Roller

Removal

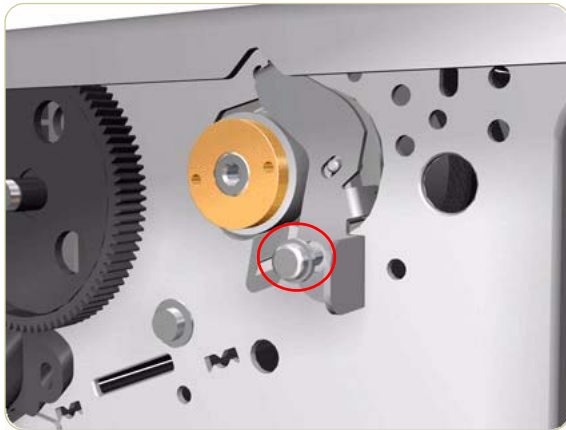
Switch off the product and remove the power cable.

1. Remove the Right Cover ⇒ Page 8-8.
2. Remove the Left Cover ⇒ Page 8-11.
3. Remove the Right Connector Cover ⇒ Page 8-25.
4. Remove the Left Connector Cover ⇒ Page 8-26.
5. Remove the Service Station ⇒ Page 8-30.
6. Remove the Ink Supply Station ⇒ Page 8-67.
7. Remove the Media-Axis Motor ⇒ Page 8-98.
8. Remove the Encoder Disc and Sensor ⇒ Page 8-149.
9. Remove the Drive Pinch Lever Assembly ⇒ Page 8-152.
10. Rear Path ⇒ Page 8-267
11. Remove two T-10 screws that secure the Drive Roller Gear.

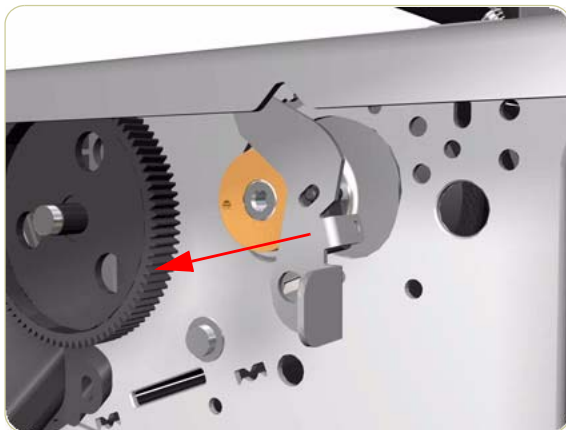




12. Remove the Drive Roller Gear from the Printer.



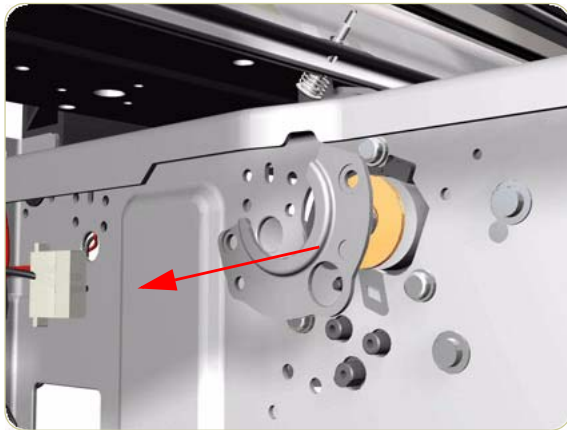
13. Remove one T-20 screw (**Type B**) that secures the cover on the right hand side of the Printer.



14. Remove the Cover.



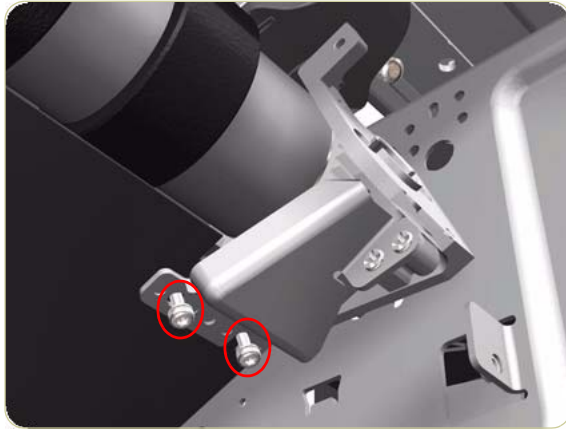
15. Remove two T-20 screws (**Type B**) that secure the cover on the left hand side of the Printer.



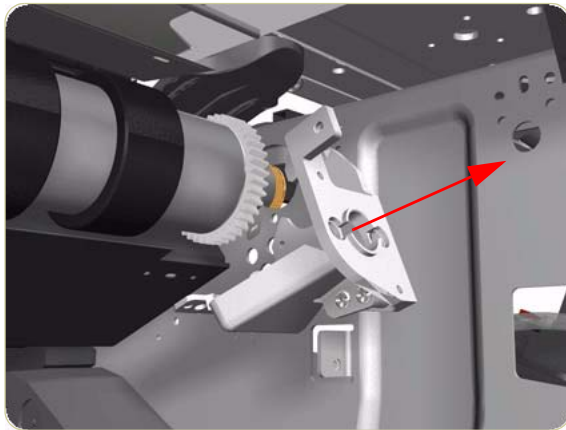
16. Remove the Cover.



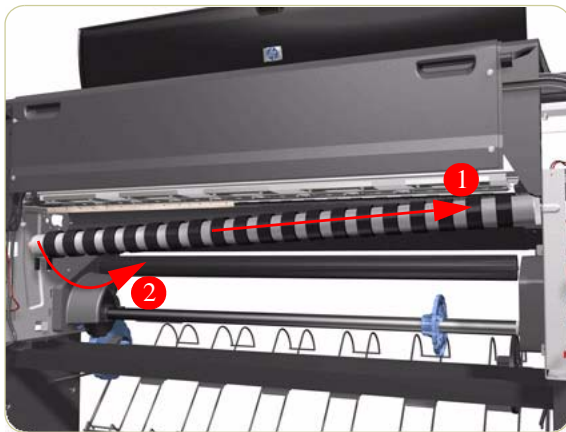
17. Remove three T-20 screws (**Type B**) that secure the Media-Axis Motor Bracket to the sideplate.



18. Remove two T-20 screws (**Type A**) that secure the Media-Axis Motor Bracket to the Chassis.



19. Remove the Media-Axis Motor Bracket from the Printer.



20. Remove the Drive Roller by sliding it to the right, then downwards and then out of the Printer.

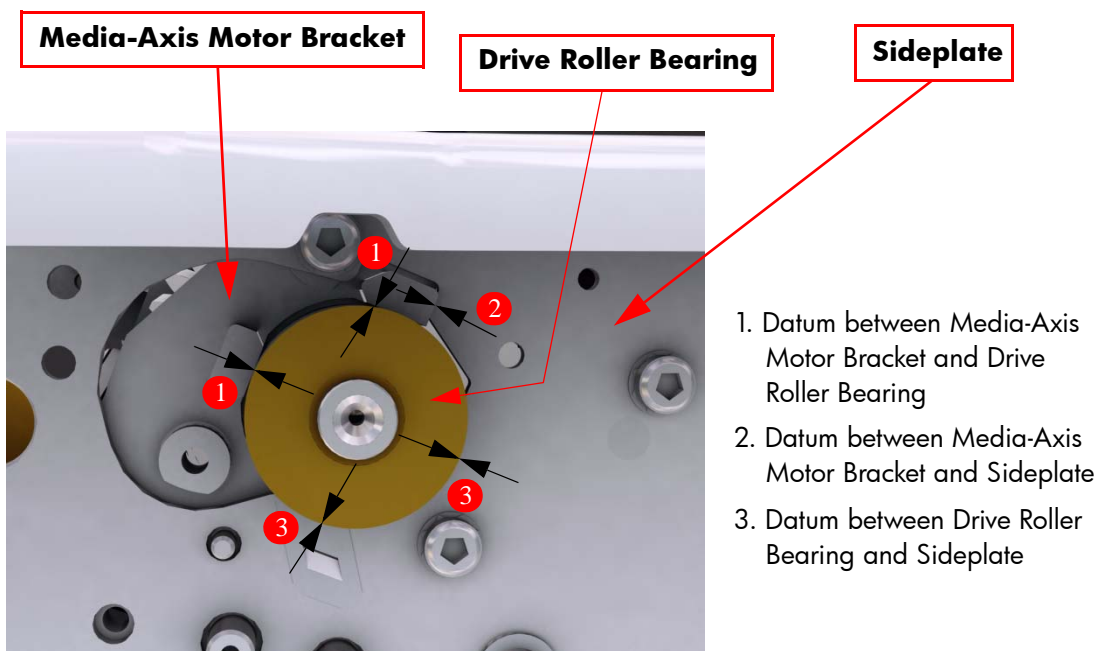
When reinstalling the parts, make sure you apply the grease (included with the support part) to the gears.

After installing the NEW Drive Roller, make sure you perform the following Service Calibration:

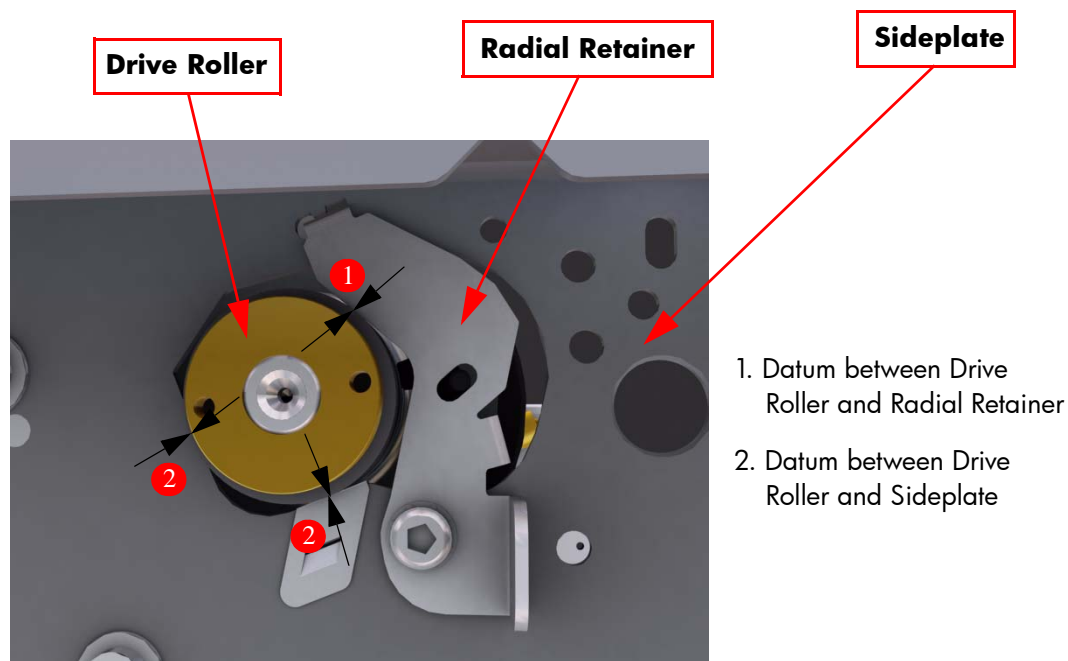
■ Paper Advance Calibration ⇒ Chapter 5.

Installation of the Drive Roller

When installing the Drive Roller, several different datums have to be met in order to ensure that the Drive Roller has no axial play. Use the following illustrations to ensure that ALL the datums are met:

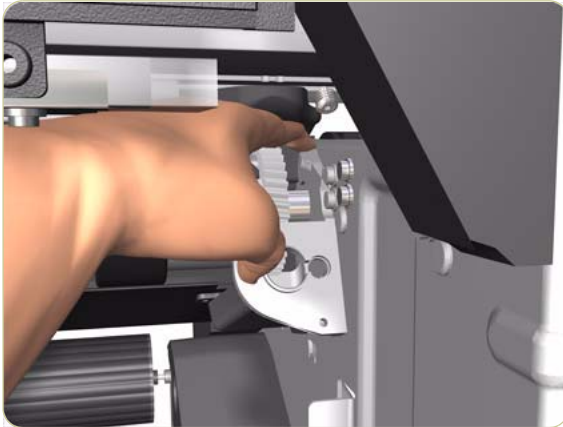


Left Hand Side of the Printer



Right Hand Side of the Printer

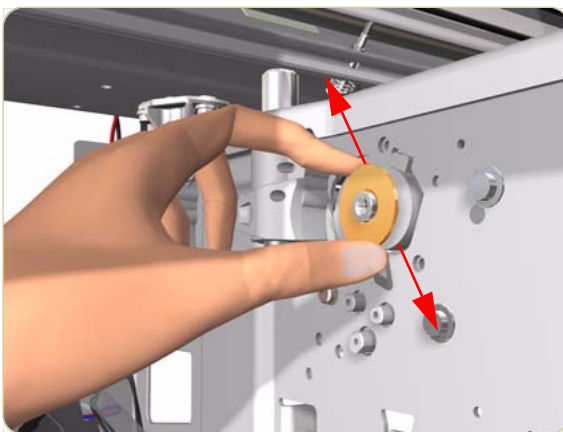
To make sure that ALL the datums are met when installing the Media-Axis Motor Bracket, make sure you follow these instructions:



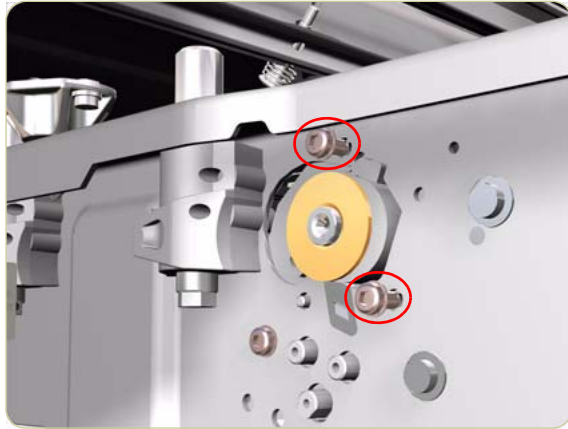
1. Place the Media-Axis Motor Bracket in the correct position on the Printer. Make sure you keep it pushed down (as shown in the illustration) until the first screw has been installed and fully tightened.



2. Install the first screw (T-15) in the position shown. Make sure you tighten the screw fully so that the Media-Axis Motor Bracket cannot be moved.



3. Check that there is no play (movement) between the Media-Axis Motor Bracket and the Drive Roller. If there is play, then check that the screw installed in the previous step is fully tightened.

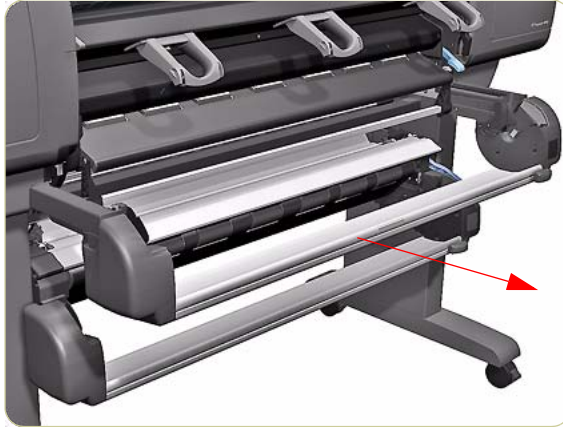


4. Install the remaining two screws (T-15) that secure the Media-Axis Motor Bracket.

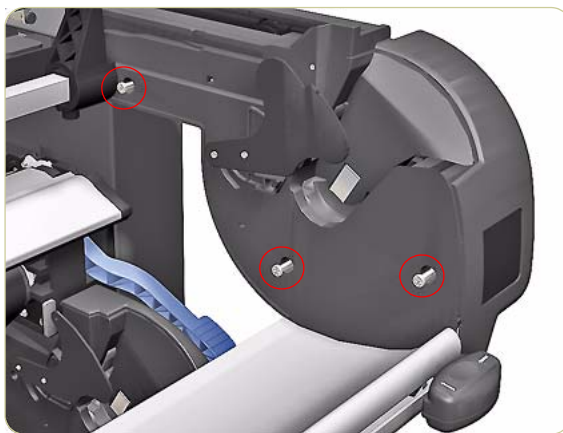
Roll 1 Right Drawer Cover

Removal

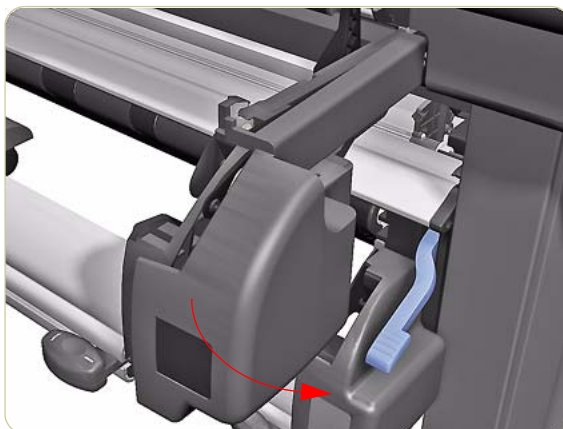
Switch off the product and remove the power cable.



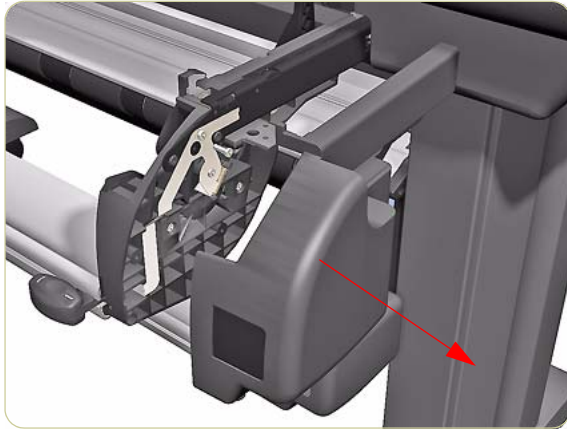
1. Pull out Roll 1 Drawer as far as it will go.



2. Remove three T15 screws (**Type G**) that secure the Right Roll 1 Cover.



3. Remove the front part of the Right Roll 1 Cover from the Spindle Support.

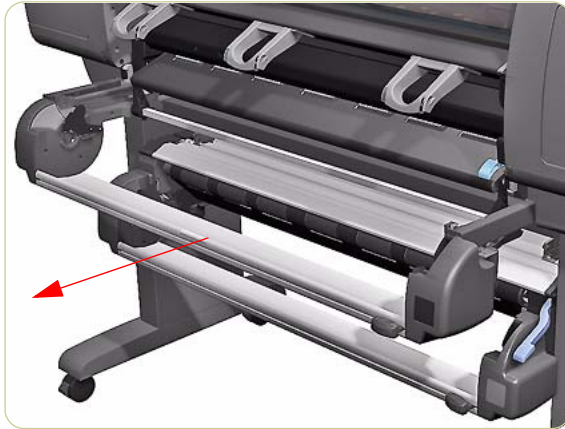


4. Remove the Right Roll 1 Cover.

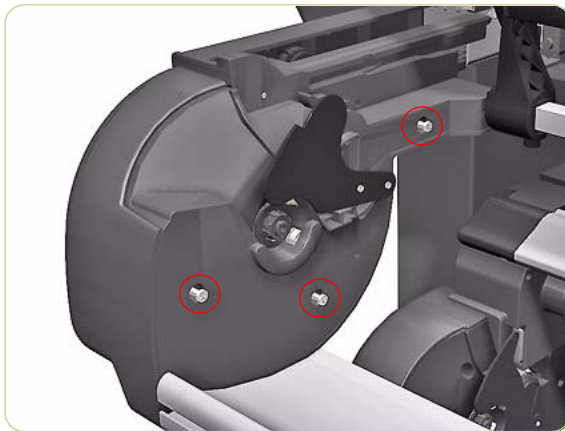
Roll 1 Left Drawer Cover

Removal

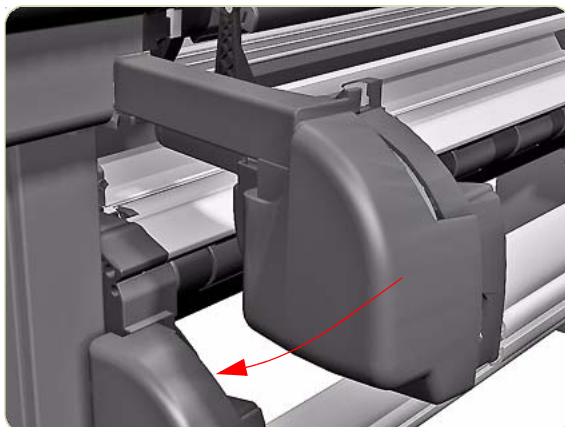
Switch off the product and remove the power cable.



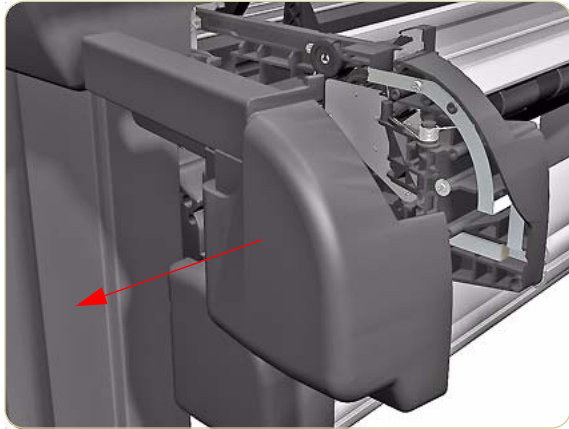
1. Pull out the Roll 1 Drawer as far as it will go.



2. Remove three T15 screws (**Type G**) that secure the Roll 1 Left Cover.



3. Remove the front part of the left Roll 1 Left Cover from the Spindle Support.



4. Remove the Roll 1 Left Cover.

Roll 1 Drawer

Removal

Switch off the product and remove the power cable.

1. Remove the Media Spindle
2. Remove the Roll 1 Right Drawer Cover ⇒ Page 8-167
3. Remove the Roll 1 Left Drawer Cover ⇒ Page 8-169
4. Pull out Roll 1 Drawer as far as it will go.



5. Remove one T15 screw (**Type G**) and washer that secures the Roll 1 Drawer Bar from the right side.





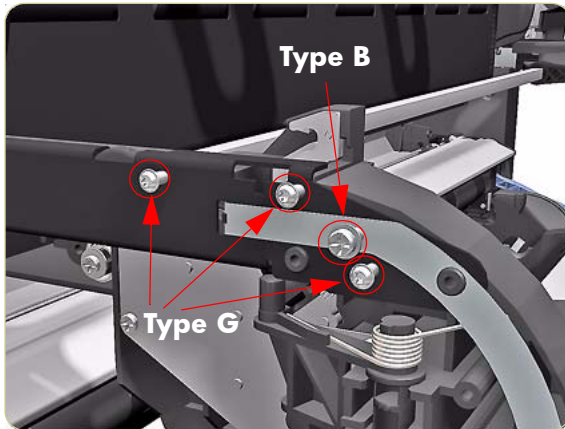
6. Remove the Roll 1 Drawer Bar from the right side.



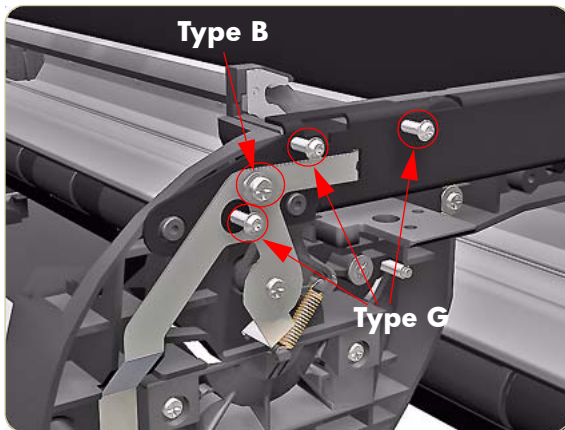
7. Remove one T15 screw (**Type G**) and washer that secures the Roll 1 Drawer Bar from the left side.



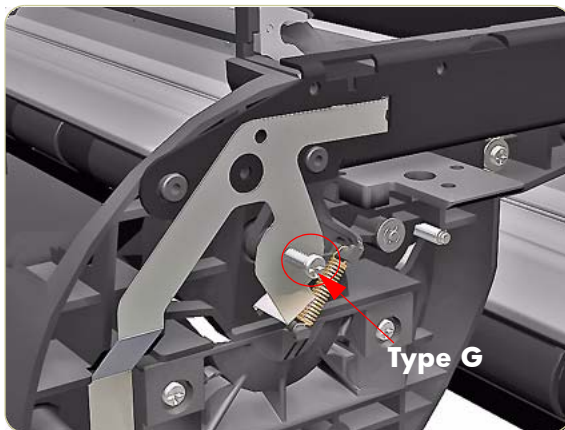
8. Remove the Roll 1 Drawer Bar from the left side.



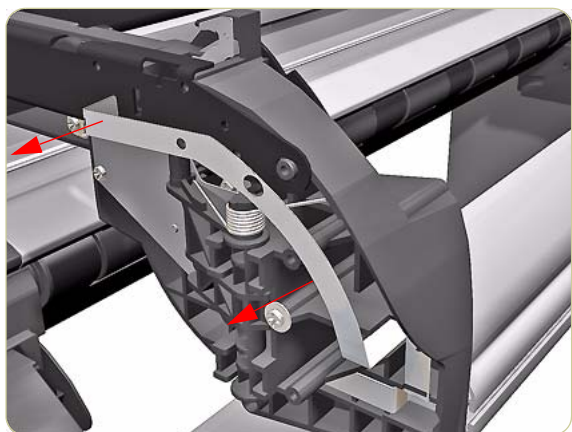
9. Remove three T-15 screws (**Type G**) and one T-20 screws (**Type B**) that secures the Left Spindle Support.



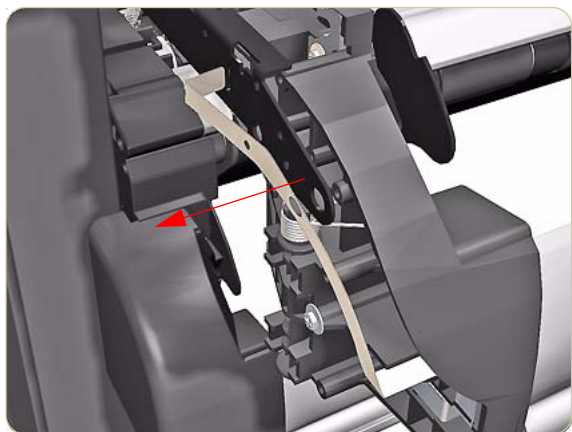
10. Remove four T15 screws (**Type G**) and two T20 screws (**Type B**) that secure the Right Spindle Support.



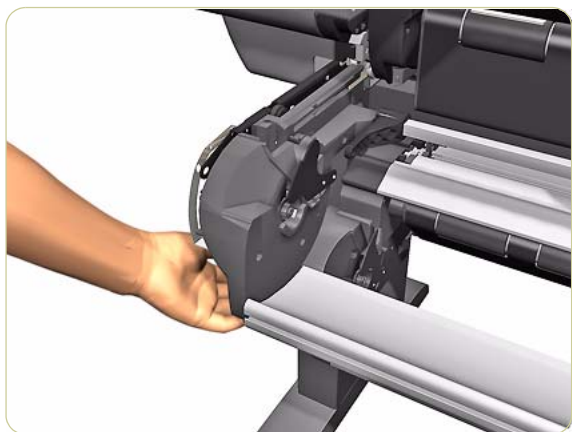
11. Loosen one T15 screws (**Type G**).



12. Release the spring bracket from the left side of the Roll 1 Drawer.

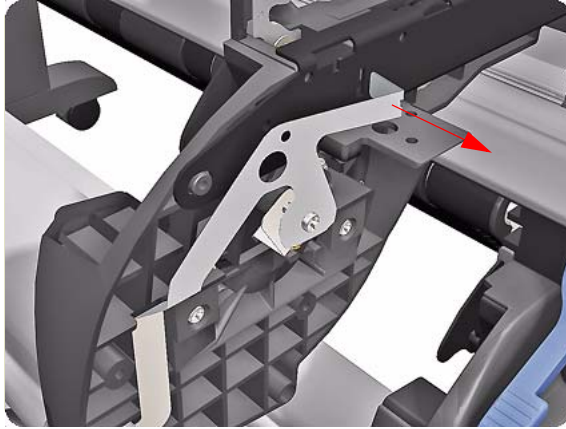


13. Release the Roll 1 Drawer from the Left Slider.

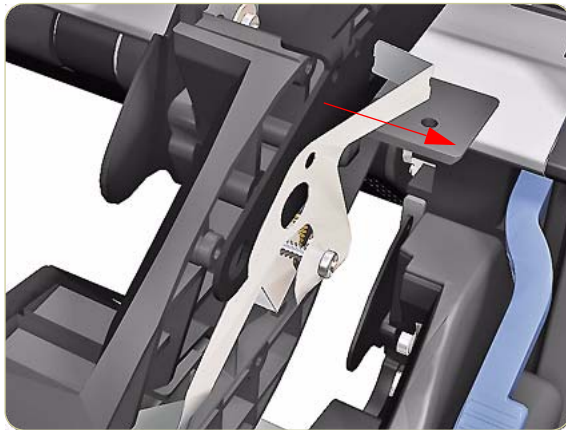


14. Remove the left side of Roll 1 Drawer

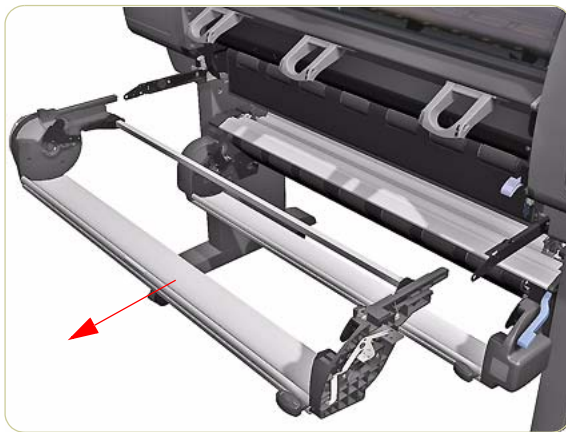
The left side of the Roll 1 Draw must be supported while the right side is removed.



15. Release the spring bracket from the right side of the Roll 1 Drawer.



16. Release the Roll 1 Drawer from the right slider.



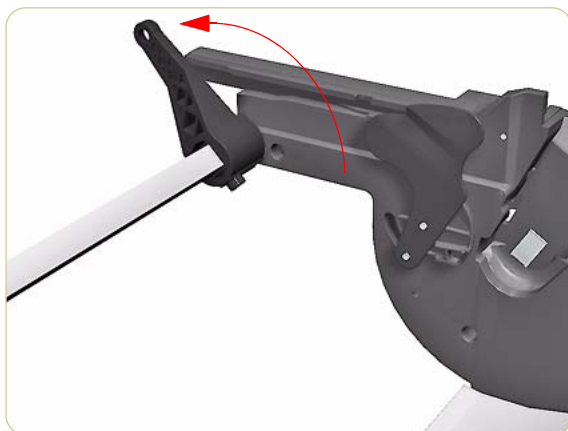
17. Remove the Roll 1 Drawer.

Roll 1 Drawer Bar

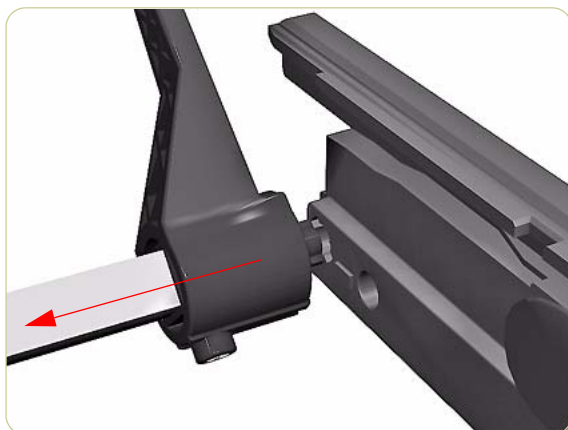
Removal

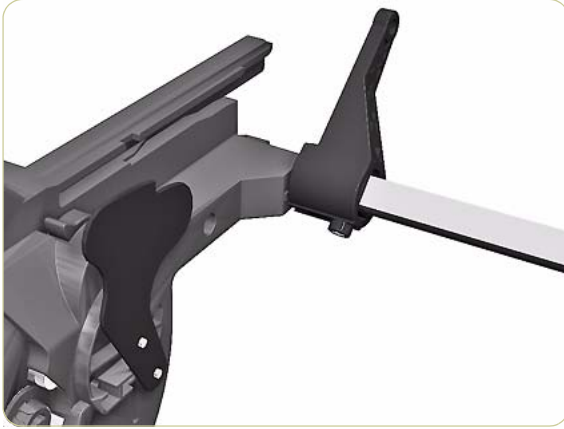
Switch off the product and remove the power cable.

1. Remove the Roll 1 Right Drawer Cover ⇒ Page 8-167
2. Remove the Roll 1 Left Drawer Cover ⇒ Page 8-169
3. Remove the Roll 1 Drawer ⇒ Page 8-171
4. Turn the Roll 1 Drawer Bar into the position shown.

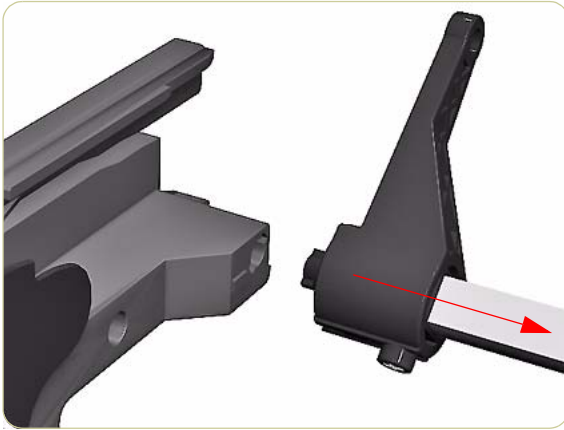


5. Remove the right side of Roll 1 Drawer Bar.

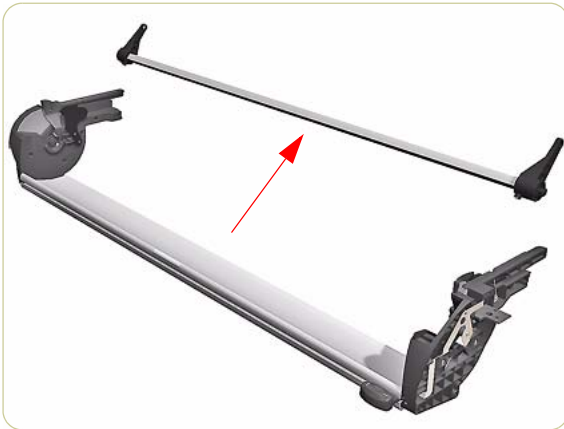




- 6.** Make the Roll 1 Drawer Bar is in the position shown.



- 7.** Remove the left side Roll 1 Drawer Bar.



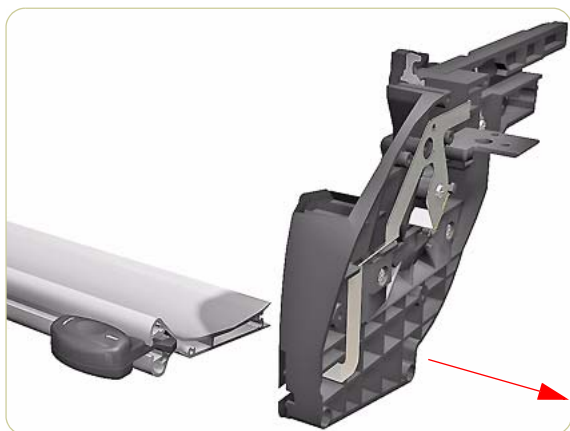
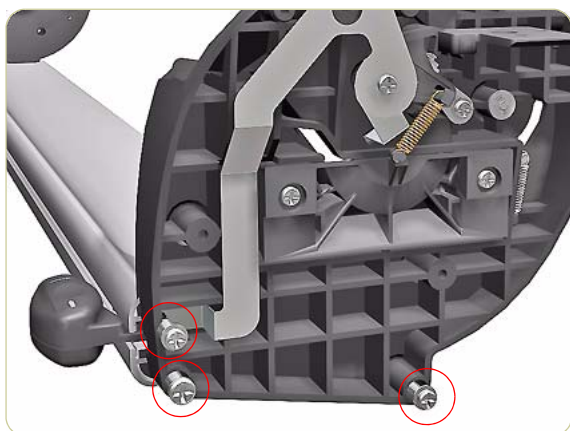
- 8.** Remove the Roll 1 Drawer Bar.

Roll 1 Right Spindle Support

Removal

Switch off the product and remove the power cable.

1. Remove the Roll 1 Right Drawer Cover ⇒ Page 8-167
2. Remove the Roll 1 Left Drawer Cover ⇒ Page 8-169
3. Remove the Roll 1 Drawer ⇒ Page 8-171.
4. Remove the Roll 1 Bar ⇒ Page 8-176.
5. Remove three T20 screws (**Type A**) that secure the Right Spindle Support from the Roll 2 Drawer.



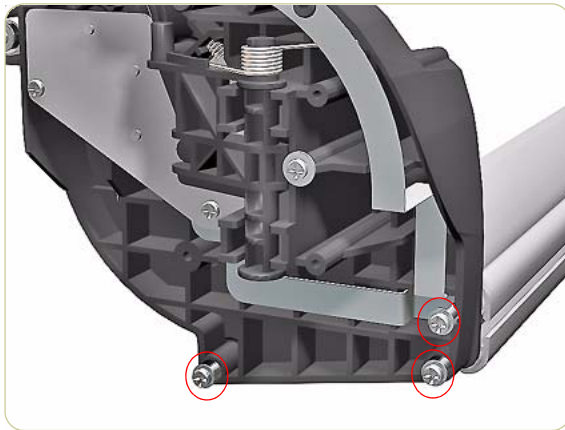
6. Remove the Right Spindle Support

Roll 1 Left Spindle Support

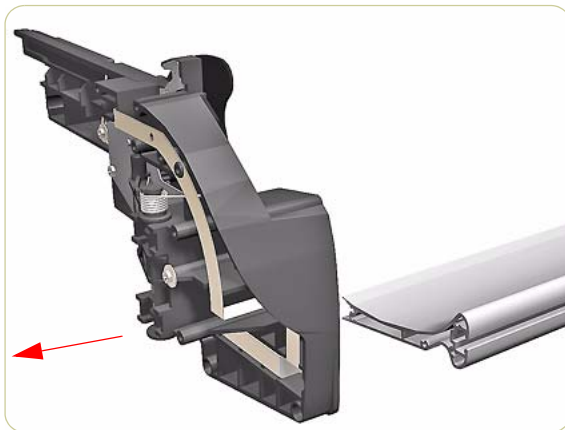
Removing the Spindle Support

Switch off the product and remove the power cable.

If the Left Spindle Support you are replacing has the old style Spindle Clamp, you must also remove and discard from the printer some components that are no longer required (see next page for details).

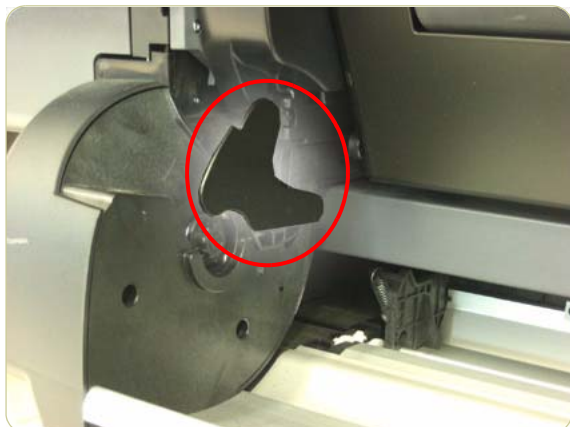


1. Remove the Roll 1 Right Drawer Cover ⇒ Page 8-167.
2. Remove the Roll 1 Left Drawer Cover ⇒ Page 8-169.
3. Remove the Roll 1 Drawer ⇒ Page 8-171.
4. Remove the Roll 1 Bar ⇒ Page 8-176.
5. Remove three T20 screws that secure the Left Spindle Support from the Roll 1 Drawer.

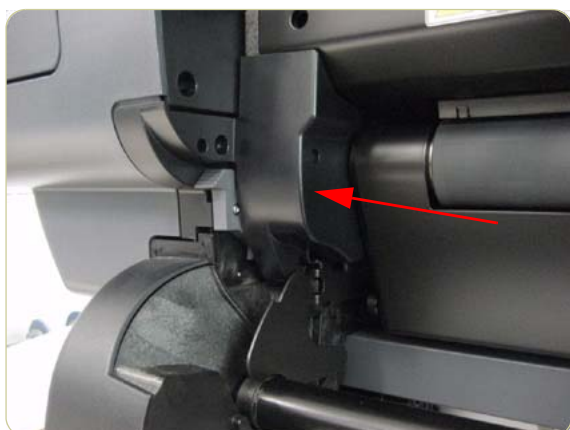


6. Remove the Left Spindle Support

Removing the obsoleted parts



1. Check to see if the Spindle Support you are replacing has the obsolete Spindle Clamp.



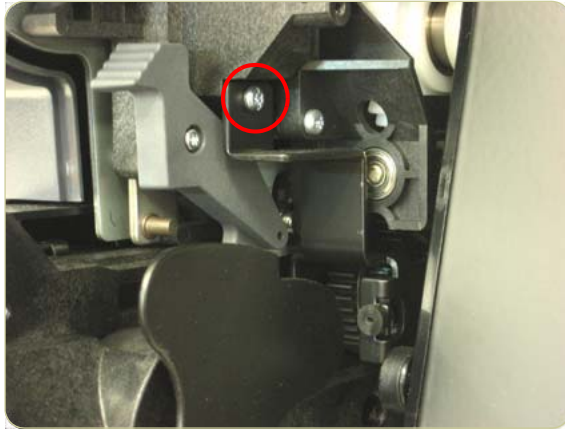
2. If the obsolete Spindle Clamp is there, you must also remove the old style Front Path Cover and the Left Spindle Clamp Actuator.

If the obsolete Spindle Clamp is not there, you only need to remove and replace the Spindle Support as described already.

If the obsolete Spindle Clamp is there go the next step ->



3. Remove two T15 screws that secure the old style Front Path Cover, remove the cover and discard.



4. Remove one T15 screw that secures the Left Spindle Clamp Actuator.

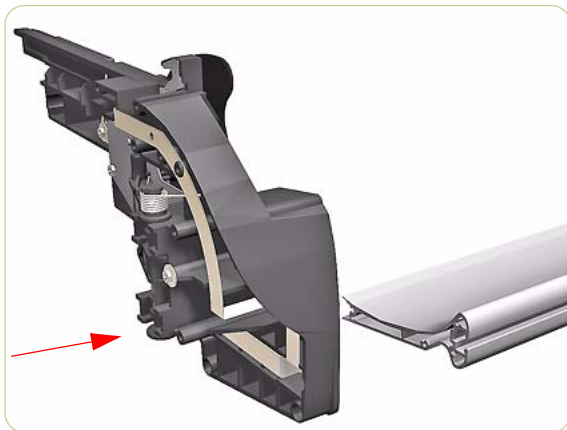


5. Remove one T15 screw that secures the Left Spindle Clamp Actuator, remove the Actuator and discard.

Installation



1. Install the new Left Front Path Cover if the old style cover was previously installed.



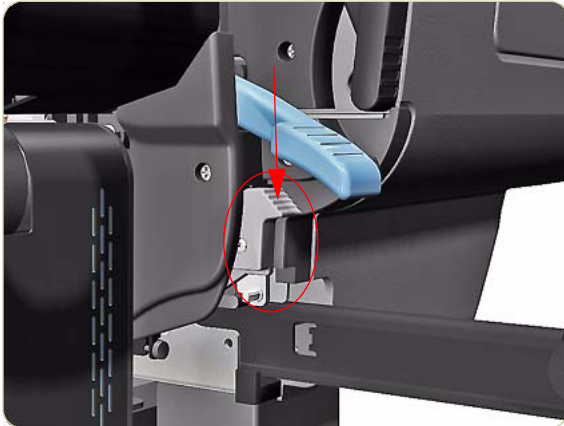
2. Remove the Left Drawer Cover from the new Left Spindle Support and install the Left Spindle Support

Roll 1 Module (Front path assembly)

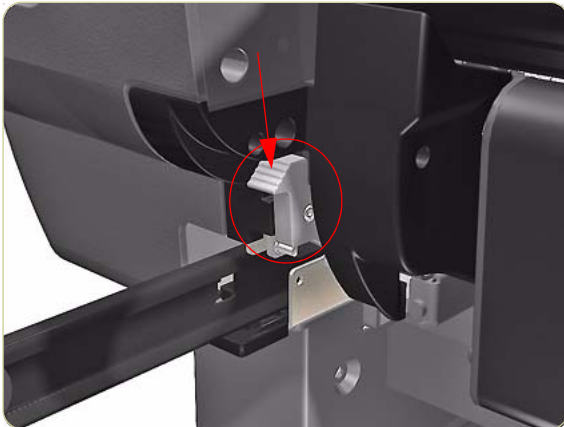
Removal

Switch off the product and remove the power cable.

1. Remove the Roll 1 Right Drawer Cover ⇒ Page 8-167
2. Remove the Roll 1 Left Drawer Cover ⇒ Page 8-169
3. Remove the Roll 1 Drawer ⇒ Page 8-171
4. Remove the Roll 1 Bar ⇒ Page 8-176
5. Press down to release the Right Roll 1 Locking Lever.



6. Press down to release the Left Roll 1 Locking Lever.

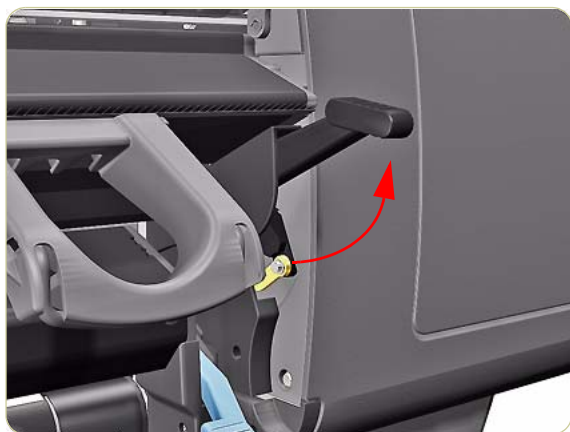




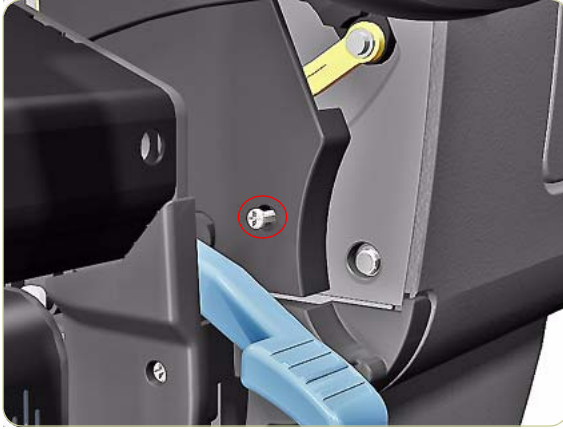
7. Remove one T15 screw (**Type J**) that secures the Left Cover.



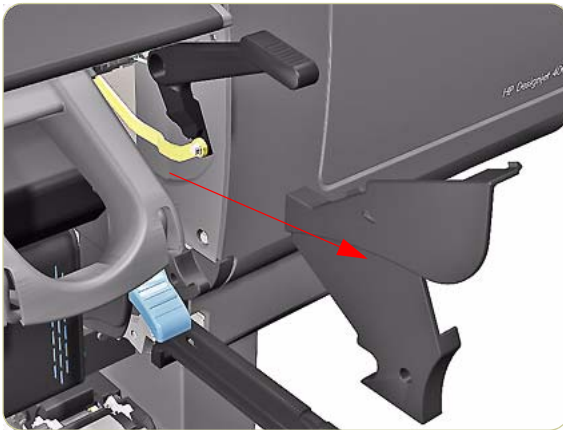
8. Remove one T15 screw (**Type J**) that secures the Right Cover.



9. Move the Drive Pinch Lever to the Up position.



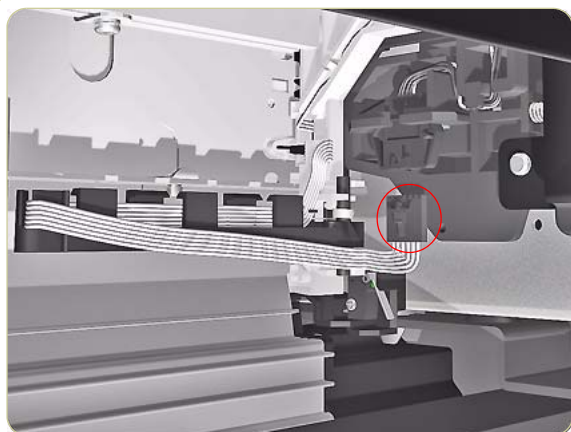
10. Remove one T15 screw (**Type G**) that secures the Drive Pinch Lever Bezel from the right side of the Roll 1 Module.



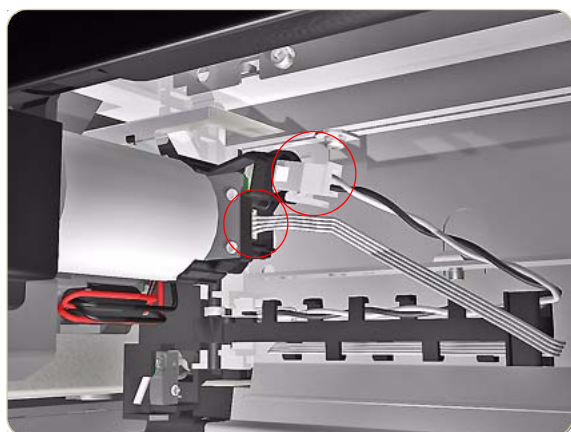
11. Remove the Drive Pinch Lever Bezel.



12. Pull the Roll 1 Module towards you a little to get access to the cables behind.



- 13.** Disconnect the Roll 1 Paper Load Lever Sensor from below the Roll 1 Module on the right side.

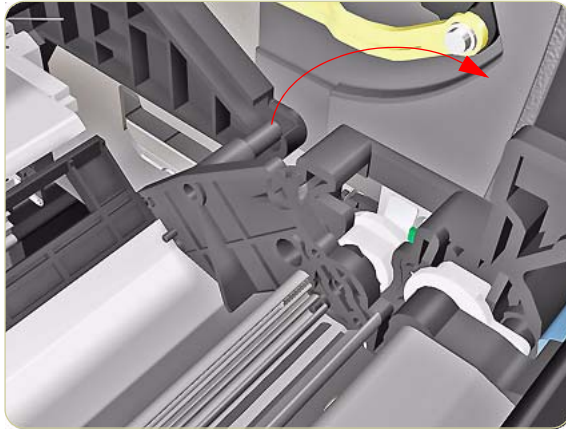


- 14.** Disconnect two cables from the Roll 1 Feed Motor from below the Roll 1 Module on the left side.

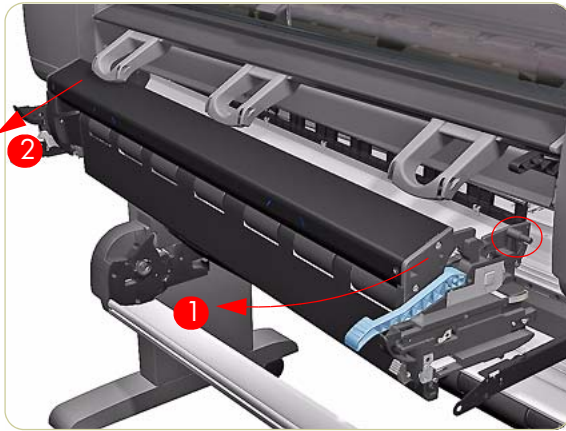


- 15.** Pull the Roll 1 Module towards you to get access to the BT Arm located at the rear of the assembly.

Be careful you do not pull the whole assembly out at this point because it will damage the BT Arm Assembly.



- 16.** While supporting the weight of the Roll 1 Module, remove the locating pin on the right side of the BT Arm Assembly from the slot at the rear.



- 17.** Remove the Roll 1 Module first from the right side (1) and then the left side (2).

Be careful you do not break the locating pins on both sides of the Roll 1 Module.



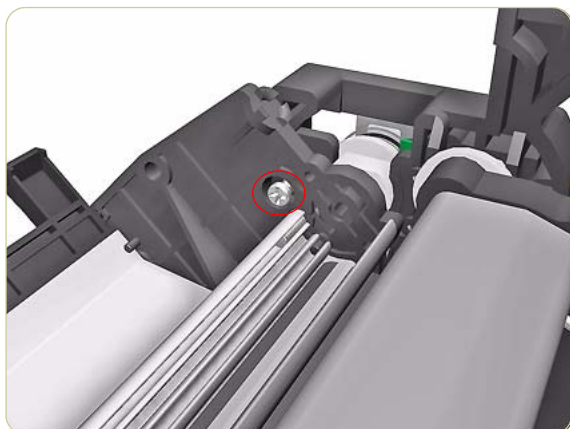
- 18.** Remove the Roll 1 Module.

Roll 1 BT Arm

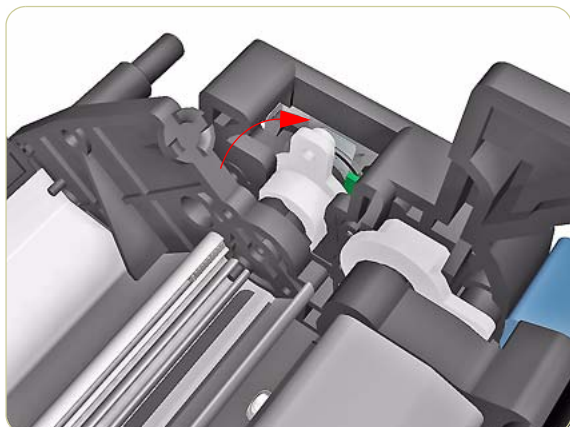
Removal

Switch off the product and remove the power cable.

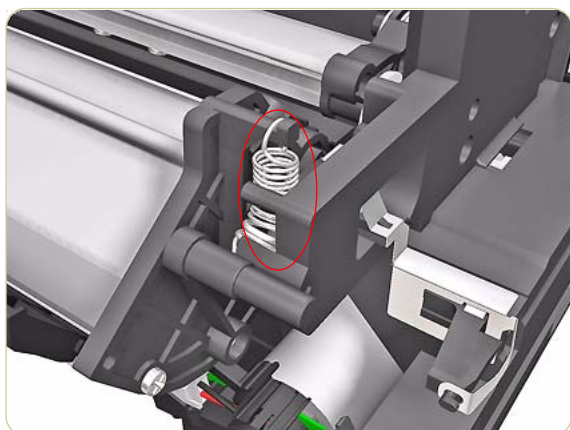
1. Remove the Roll 1 Drawer ⇒ Page 8-171
2. Remove Roll 1 Module (Front Path) ⇒ Page 8-183.
3. Remove one T-15 screw (**Type G**) that secures the right side of the BT Arm.

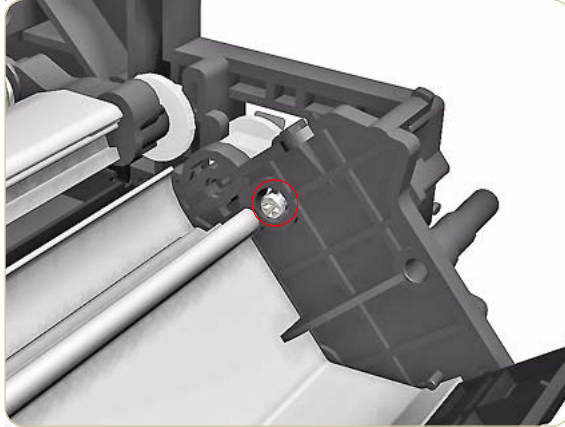


4. Rotate the white plastic bushing on the right side of the BT Arm.

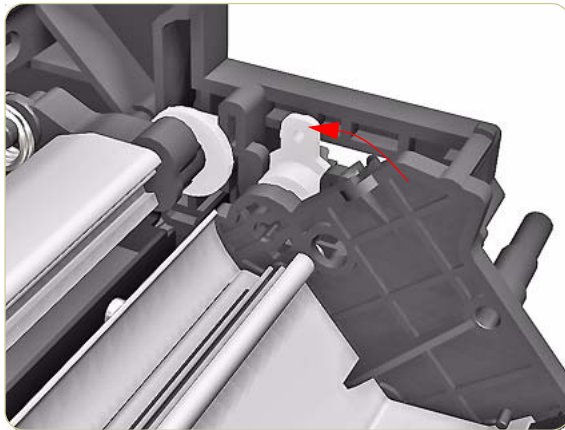


5. Remove the spring of the left side of the BT Arm.





6. Remove one T-15 screw (**Type G**) that secures the left side of the BT Arm.



7. Rotate the white plastic bushing on the left side of the BT Arm.



8. Remove the Roll 1 BT Arm Assembly.

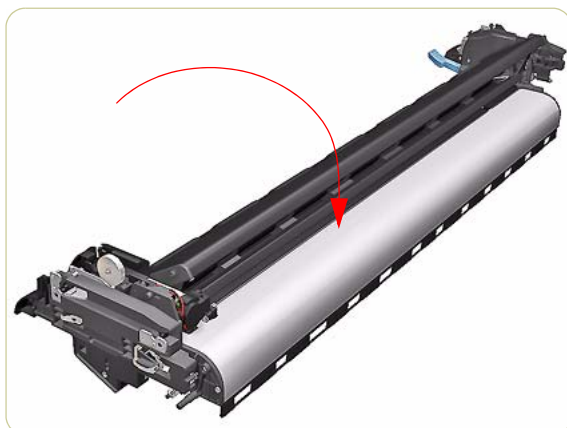
As you remove the Roll 1 BT Arm make sure you do not damage the Encoder disc on the right side.

Roll 1 Media Feed Motor

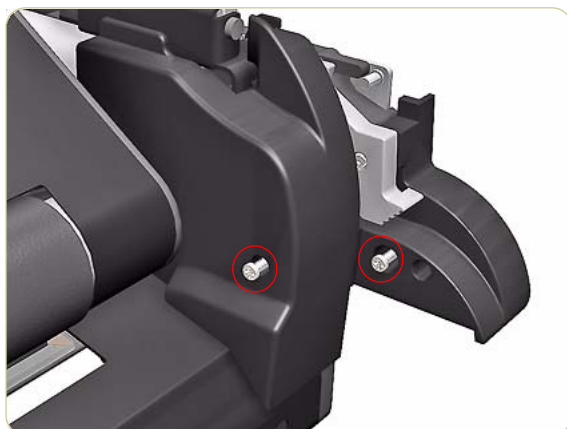
Removal

Switch off the product and remove the power cable.

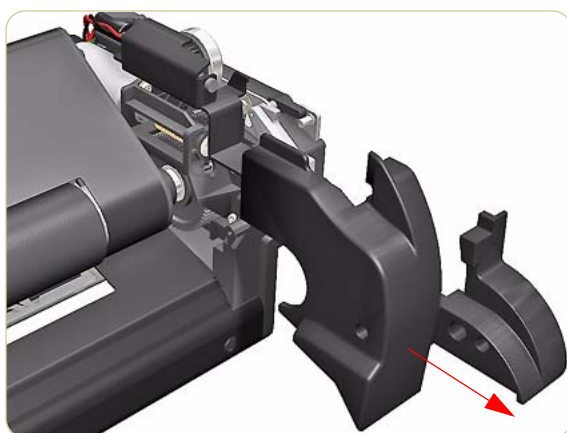
1. Remove Roll 1 Module (Front Path) ⇒ Page 8-183.
2. Turn the Roll 1 Module upside down.

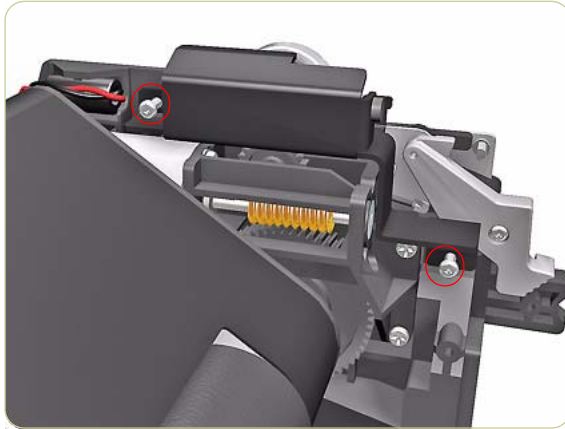


3. Remove two T15 screws (**Type F**) that secure the Front Path Cover.



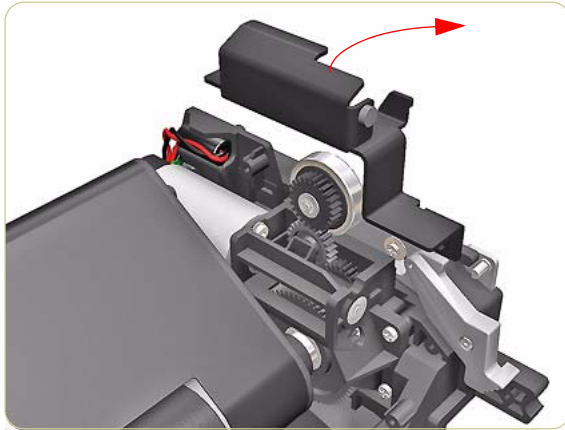
4. Remove the Front Path Cover.



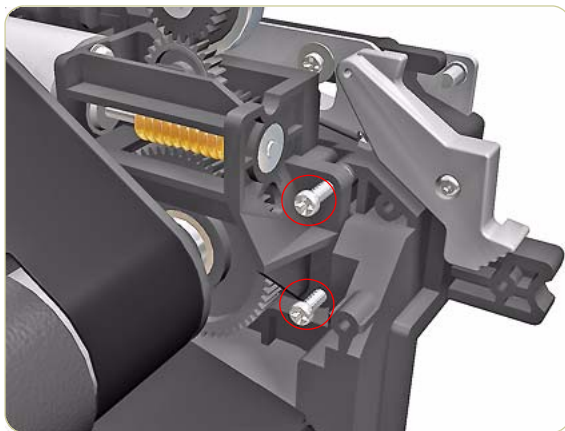


5. Remove two T15 screws (**Type G**) that secures the Spindle Clamp Actuator.

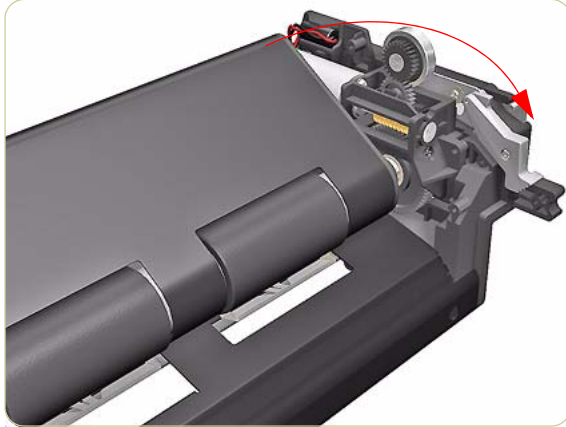
If the Spindle Clamp is not present in the printer, the actuator will not be installed



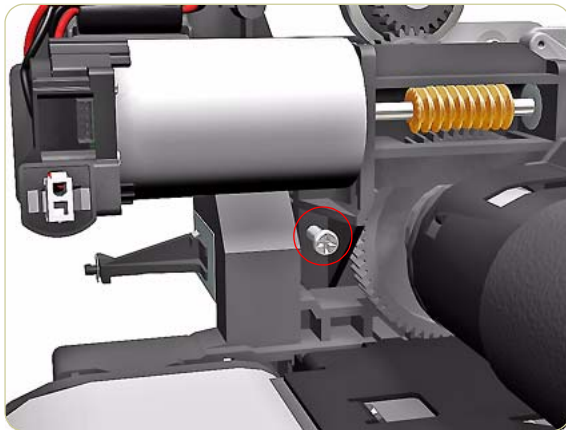
6. Remove the Spindle Clamp Actuator.



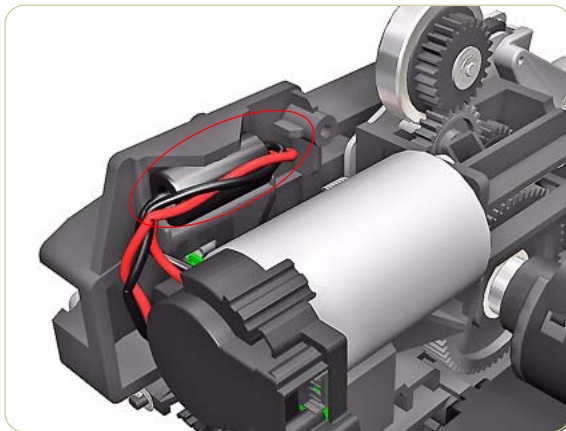
7. Remove two T15 screws (**Type F**) that secure the Roll 1 Media Feed Motor.



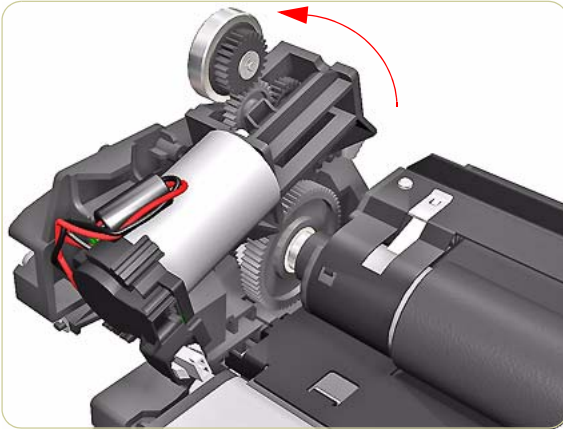
8. Move the Roll 1 Feed Roller out of the way.



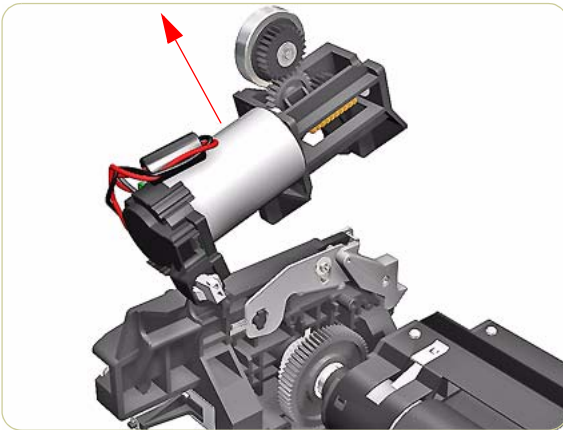
9. Remove one T15 screw (**Type F**) that secures the Roll 1 Media Feed Motor.



10. Unclip the Ferrite from its position next to the Feed Motor.



11. Lift up the top end of the Media Feed Motor



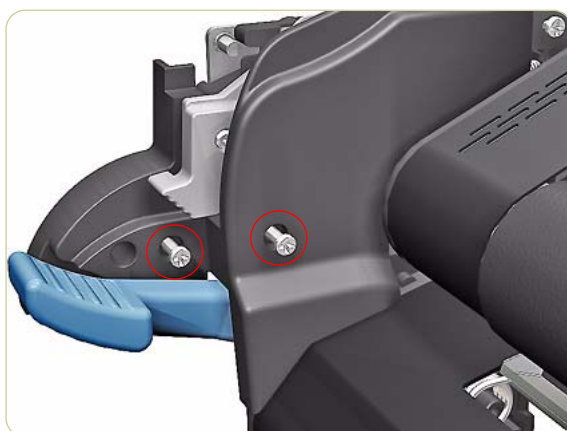
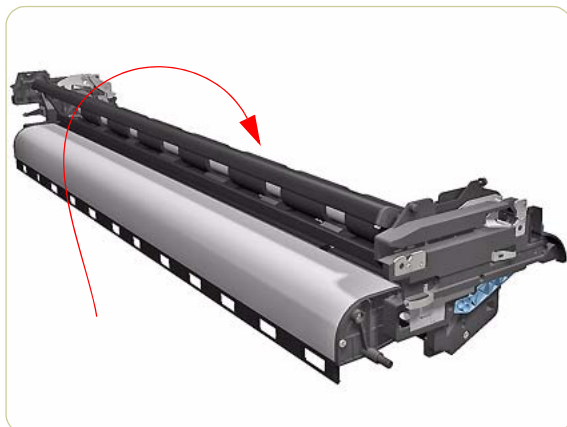
12. Remove the Roll 1 Media Feed Motor.

Roll 1 Feed Roller Assembly

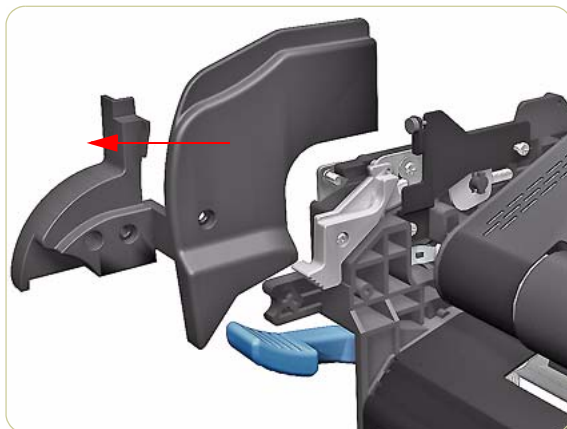
Removal

Switch off the product and remove the power cable.

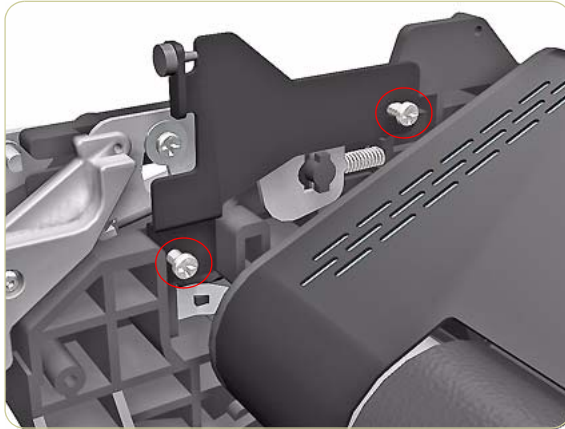
1. Remove Roll 1 Module (Front Path)⇒ Page 8-183.
2. Remove the Roll 1 Media Feed Motor⇒ Page 8-190
3. Turn the Roll 1 Module upside down.



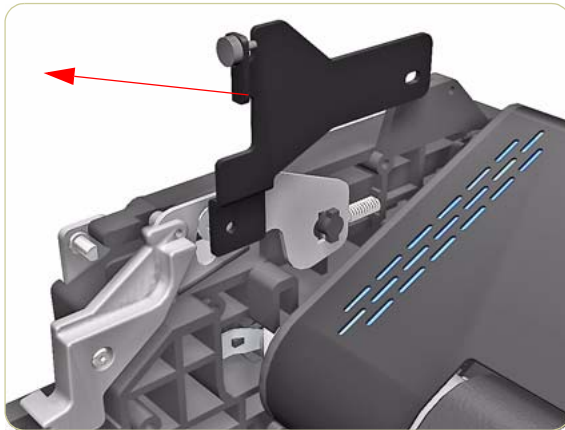
4. Remove two T15 screws (**Type G**) that secure a cover from inside the right side of the Roll 1 Module.



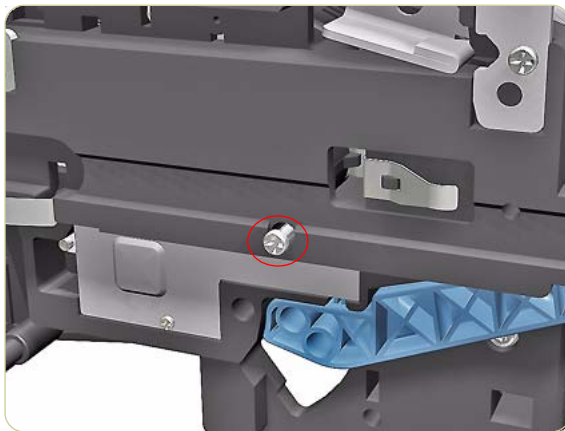
5. Remove the cover.



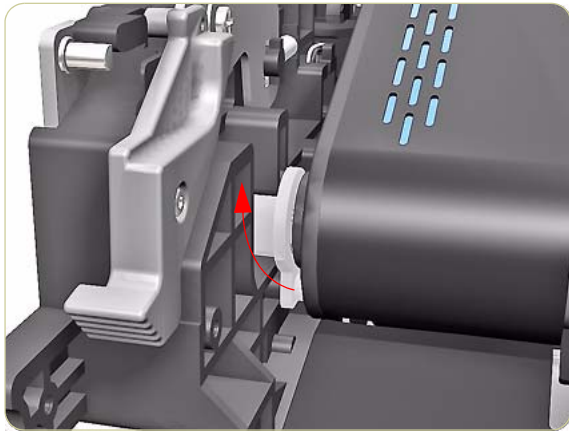
6. Remove two T-15 screws (**Type G**) that secure a bracket from the right side.



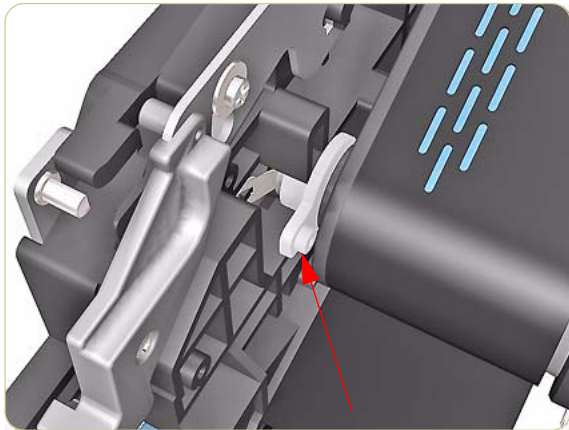
7. Remove the bracket from the right side



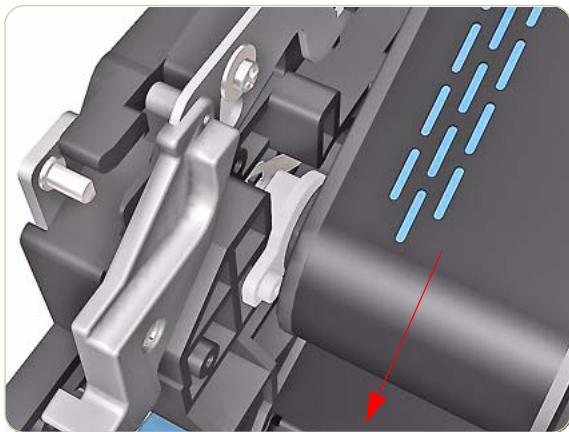
8. Remove one T-15 screw (**Type G**) that secures the Roll 1 Feed Roller from the right side.



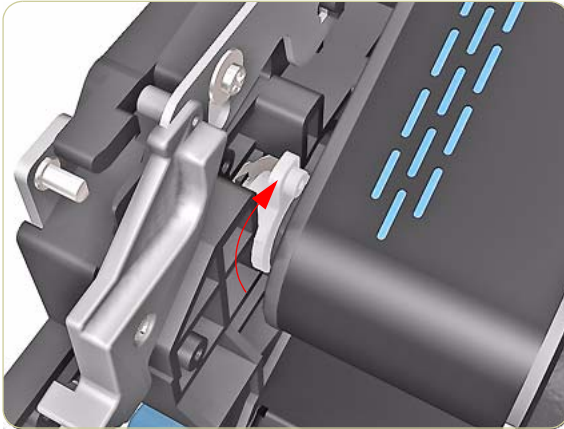
- 9.** Rotate the white plastic bushing on the right side of the Roll 1 Feed Roller.



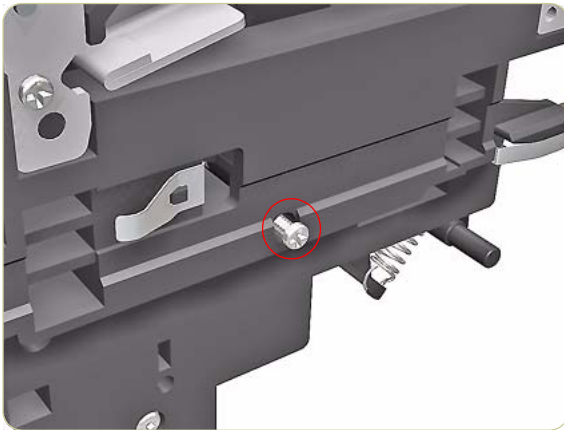
- 10.** Rotate the white plastic bushing to the position shown.



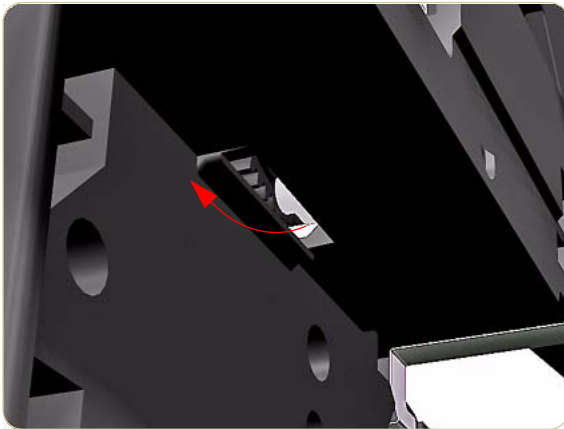
- 11.** Pull the Roll 1 Feeder Plate forwards.



- 12.** Rotate the white plastic bushing to the position shown.

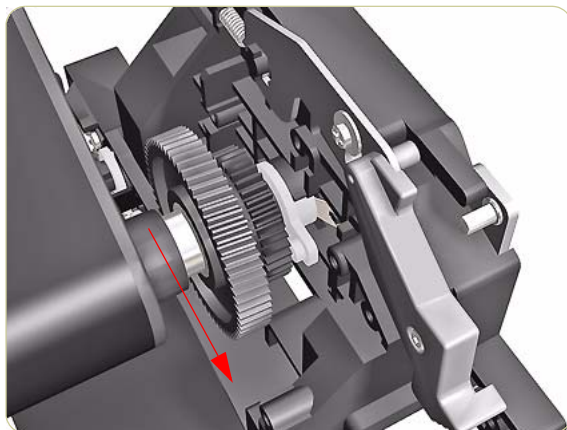


- 13.** Remove one T-15 screw (**Type G**) that secures the Roll 1 Feed Roller from the left side.

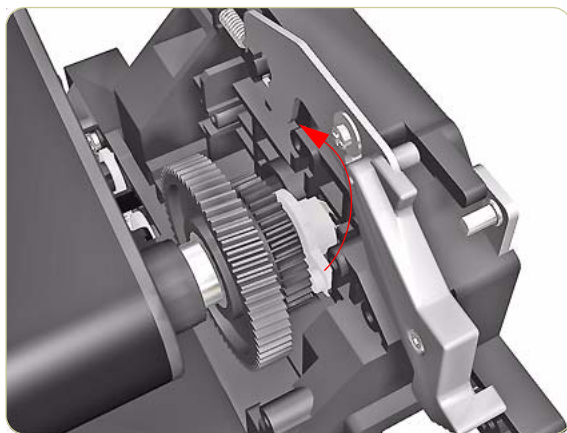


- 14.** Rotate the white plastic bushing on the left side of the Roll 1 Feed Roller.

To access the white plastic bushing on the left side of the Roll 1 Feed Roller, use a slot underneath.



15. In order to rotate the left white bushing to a position where the Roll 1 Feed Roller can be removed, slide the left end of the assembly in the direction of the arrow.



16. Rotate the white plastic bushing on the left side of the Roll 1 Feed Roller Assembly.



17. Remove the Roll 1 Feed Roller Assembly

Roll 1 BT Arm Encoder Disc

Removal

Switch off the product and remove the power cable.

1. Remove Roll 1 Module (Front Path)⇒ Page 8-183.
2. Remove the Roll 1 BT Arm⇒ Page 8-188.
3. Remove one T-8 screw (**Type L**) that secures the Roll 1 BT Arm Encoder Disc from the right side.



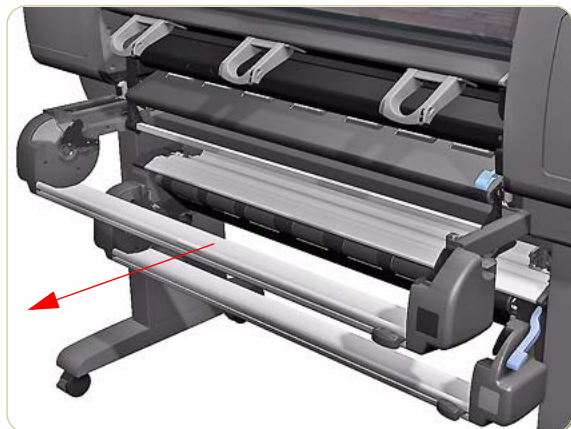
4. Remove the Roll 1 BT Arm Encoder Disc.



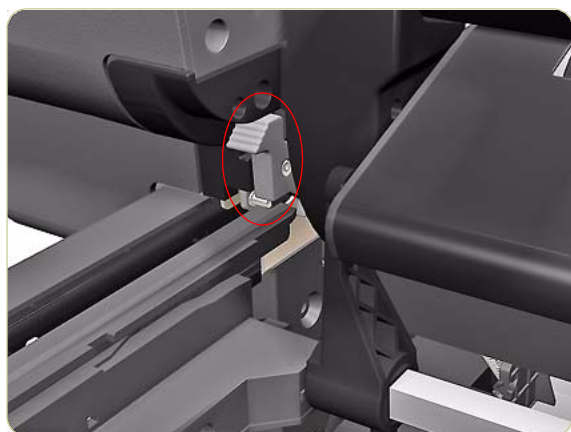
Roll 1 BT Arm Encoder PCA

Removal

Switch off the product and remove the power cable.



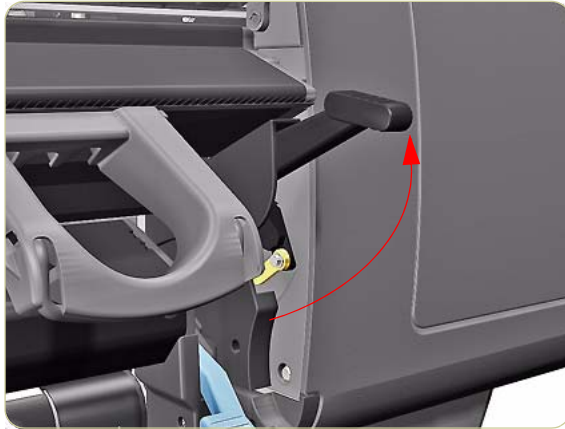
1. Pull out the Roll 1 Drawer as far as it will go.



2. Press down to release the Left Roll 1 Locking Lever.



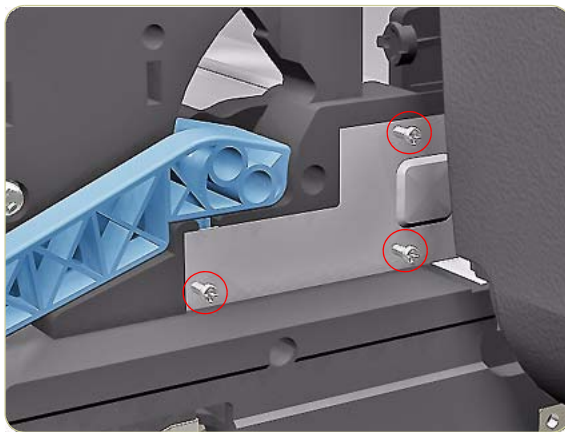
3. Press down to release the Left Roll 1 Locking Lever.



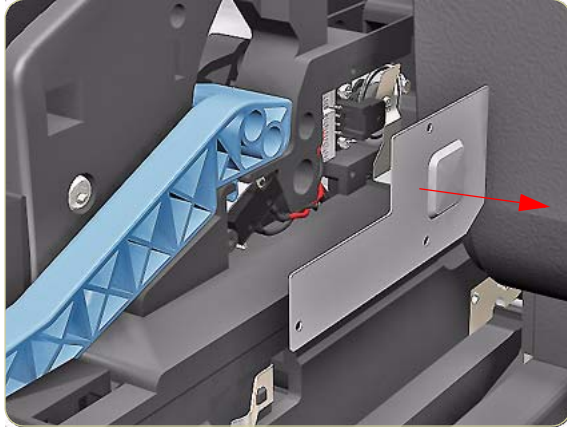
4. Move the Drive Pinch Lever to the Up position.



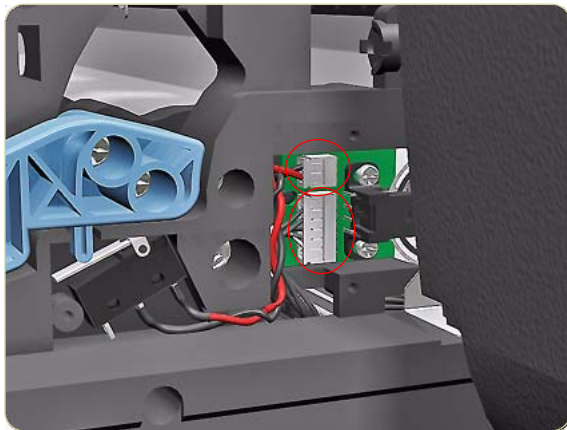
5. Pull out the Roll 1 Module as far as it will go.



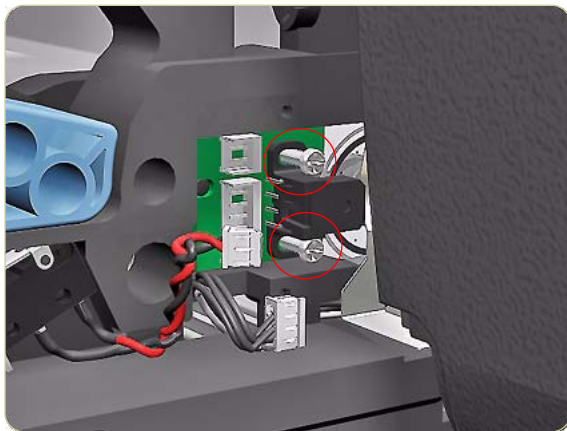
6. Remove three T-8 screws (**Type L**) that secure a metal cover on the right side of Roll 1 Module.



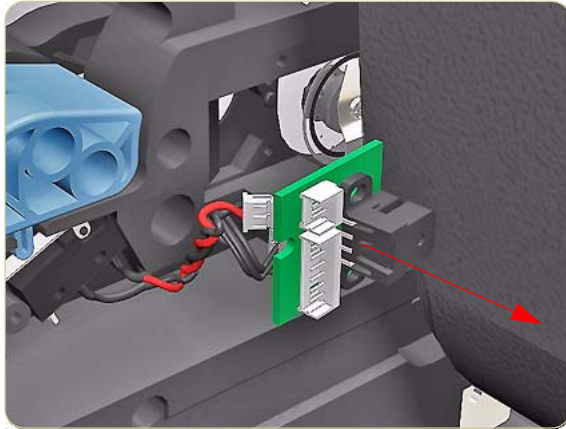
7. Remove the metal cover.



8. Disconnect two cables from the Encoder Disc PCA.



9. Remove two T-8 screws (**Type L**) that secure the Encoder Disc PCA from the right side.

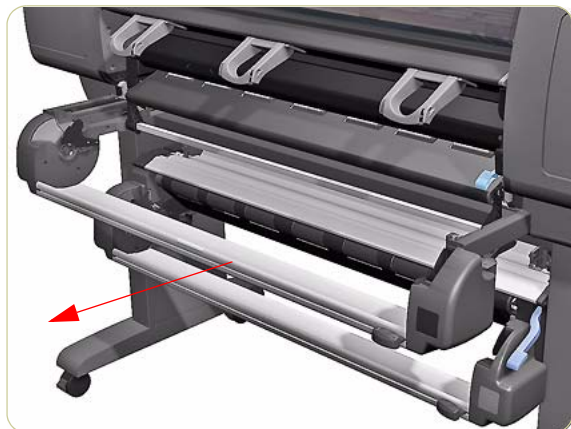


10. Remove the Encoder PCA.

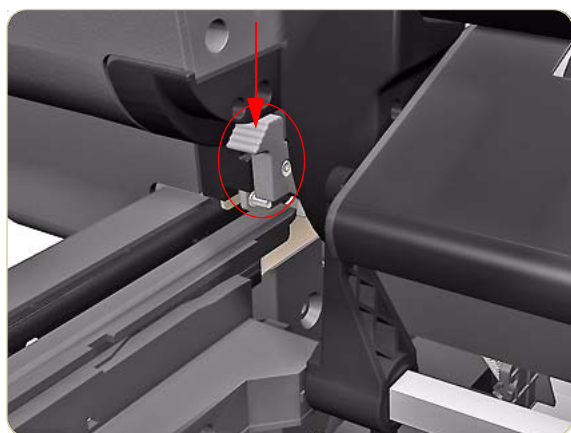
Roll 1 Paper Load Lever Sensor

Removal

Switch off the product and remove the power cable.



1. Pull out Roll 1 Drawer as far as it will go.



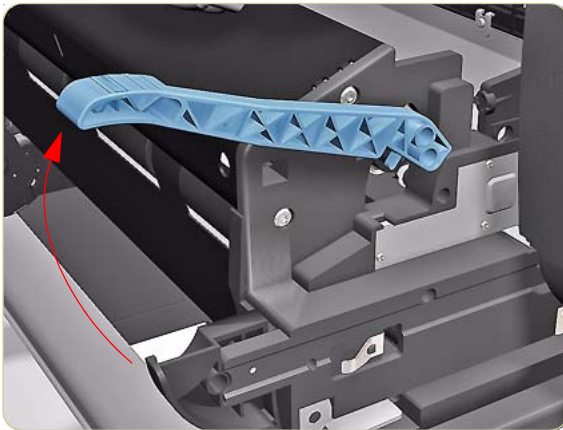
2. Press down to release the Left Roll 1 Locking Lever.



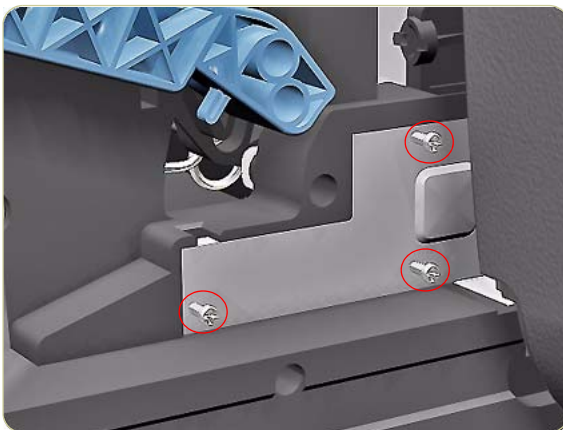
3. Press down to release the Right Roll 1 Locking Lever.



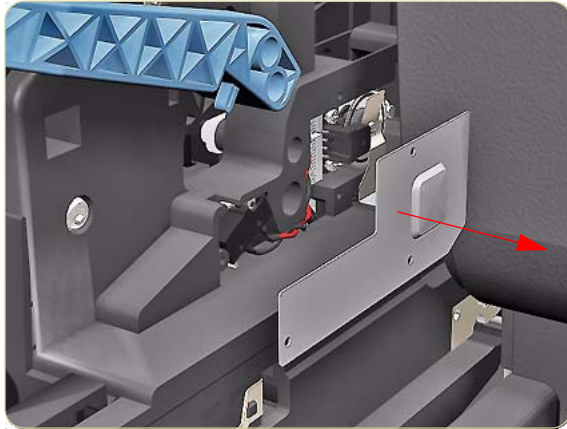
4. Pull out the Roll 1 Module as far as it will go.



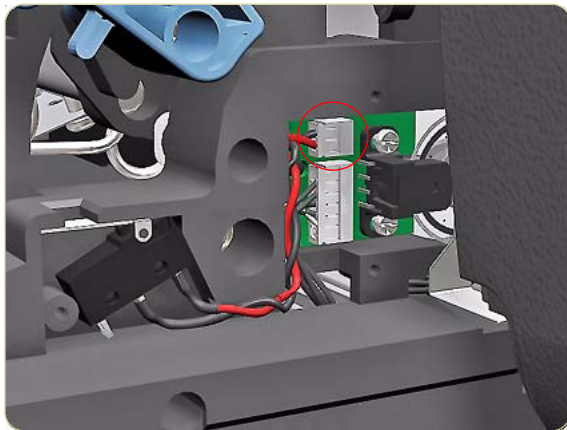
5. Move the Roll 1 Paper Load Lever to the Up position.



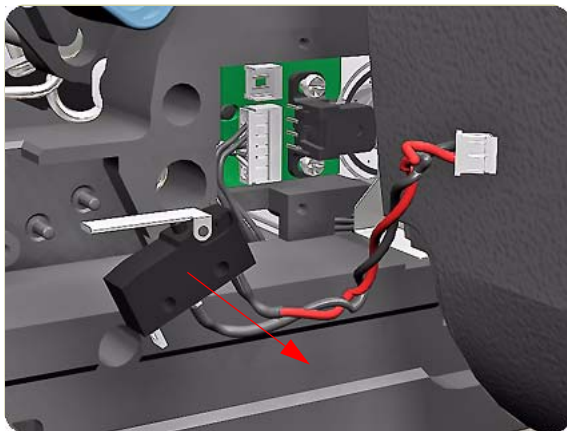
6. Remove three T-8 screws (**Type L**) that secure a metal cover on the right side of Roll 1 Module.



7. Remove the metal cover.



8. Disconnect the Paper Load Lever Sensor cable.

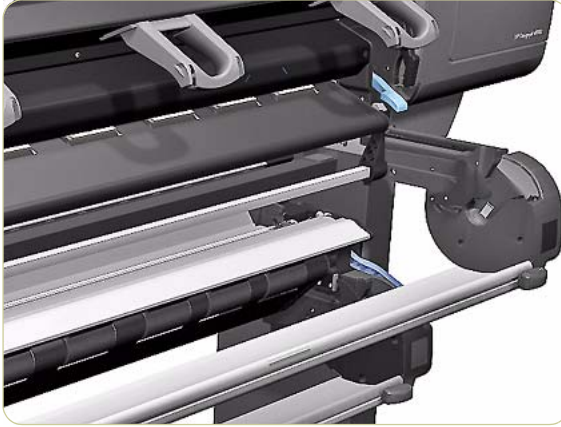


9. Remove the Paper Load Lever Sensor from two locating pins on the right of the Roll 1 Module.

Roll 1 Media Sensor

Removal

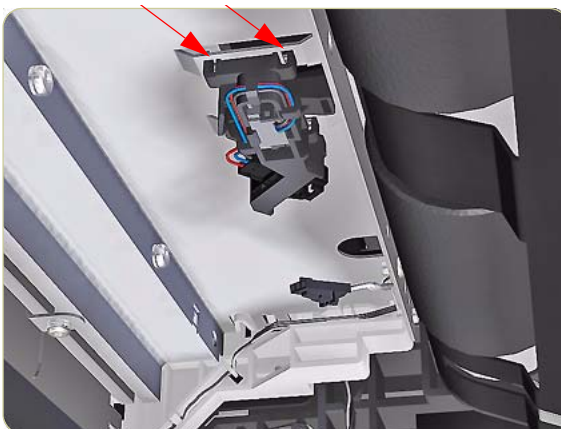
Switch off the product and remove the power cable.



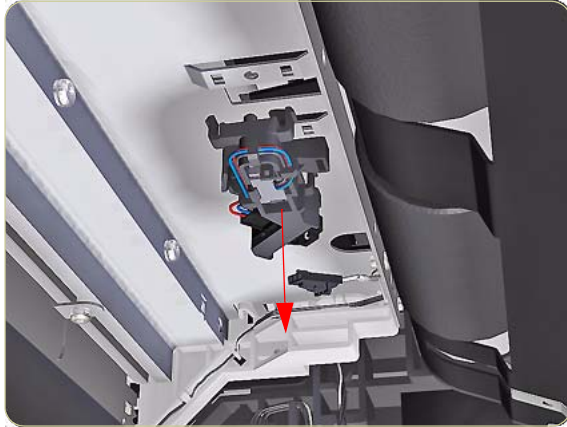
1. Open the Roll 1 Drawer.



2. Disconnect the cable (SBS) from the Roll 1 Media Sensor from the underneath the Roll 1 Module.



3. Unclip the Roll 1 Media Sensor from the metal bracket.



4. Remove the Roll 1 Media Sensor.

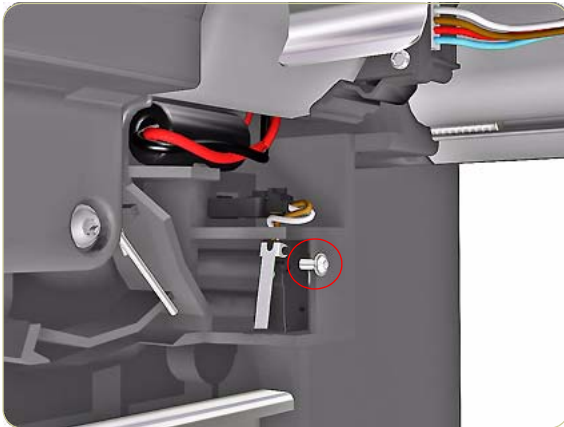
Roll 1 Drawer Sensor

Removal

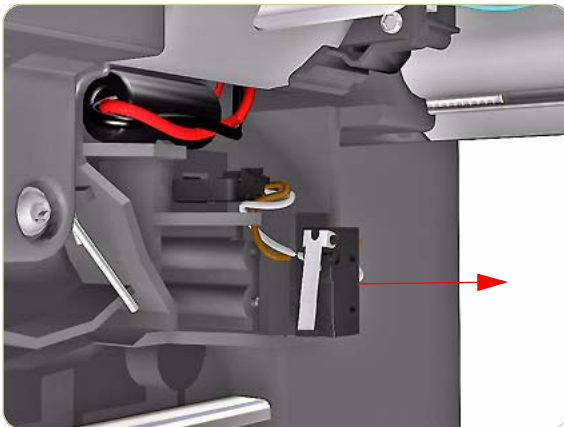
Switch off the product and remove the power cable.

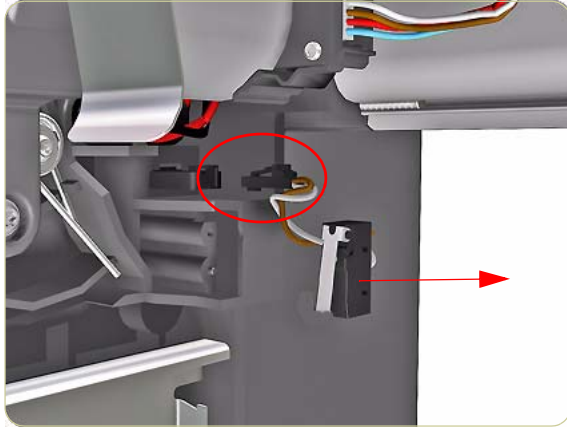
The procedure shown here is for the Right Roll 1 Drawer sensor, use the same procedure for the Left Roll 1 Drawer sensor.

1. Remove Roll 1 Module (Front Path) ⇒ Page 8-183.
2. Remove the Roll 2 Module ⇒ Page 8-222.
3. Remove one screw that secures the Roll 1 Drawer Sensor from below the Rear Path.



4. Remove the Roll 1 Drawer Sensor from locating pins.



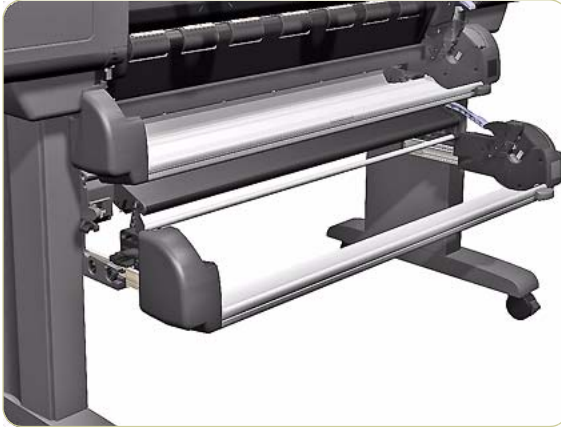


5. Disconnect the cable and remove the Roll 1 Drawer Sensor.

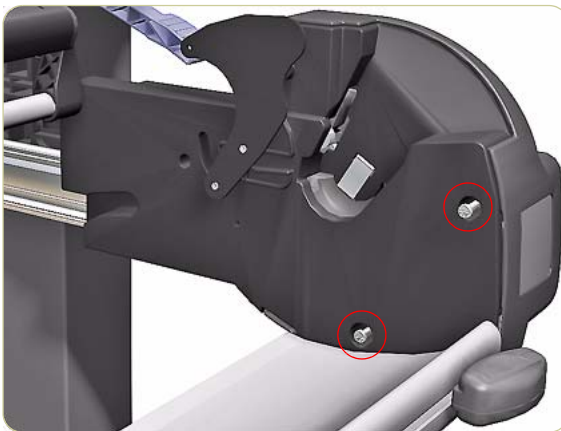
Roll 2 Right Drawer Cover

Removal

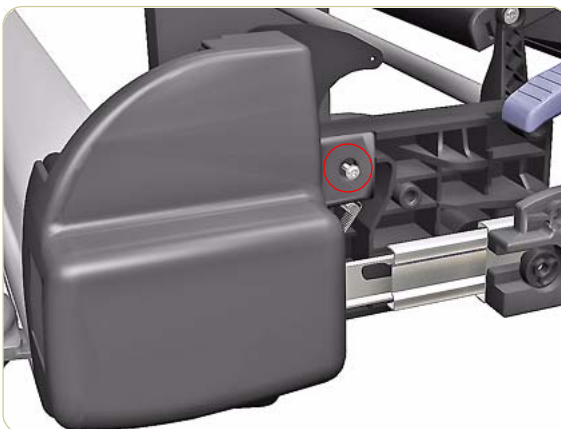
Switch off the product and remove the power cable.



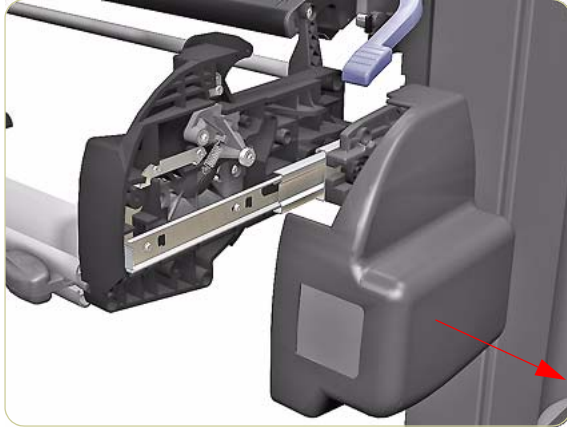
1. Pull out Roll 2 Drawer as far as it will go.



2. Remove two T15 screws (**Type S**) that secure the Right Roll 2 Cover.



3. Remove one T15 screw (**Type G**) that secures the Right Roll 2 Cover.

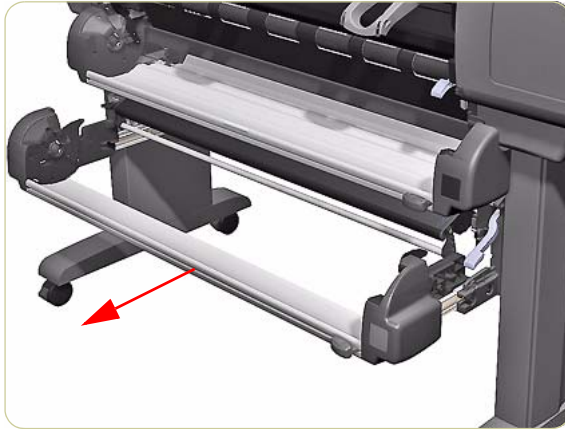


4. Remove the Right Roll 2 Cover.

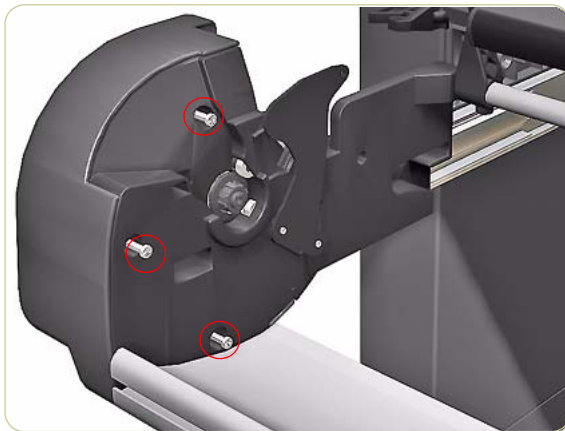
Roll 2 Left Drawer Cover

Removal

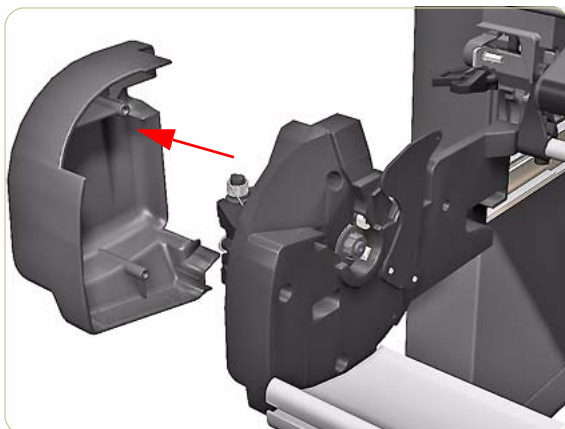
Switch off the product and remove the power cable.



1. Pull out the Roll 2 Drawer as far as it will go.



2. Remove three screws (**Type S**) that secure the Left Roll 2 Cover.

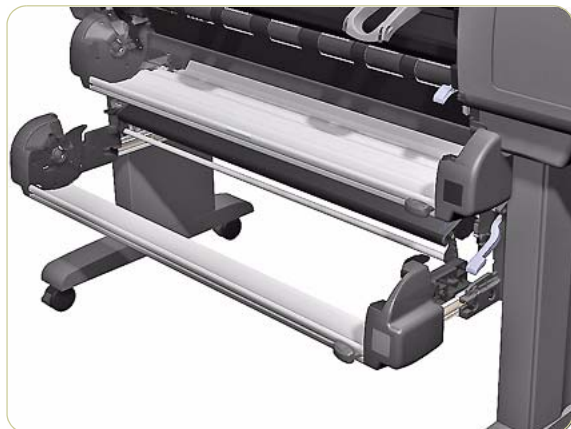


3. Remove the Left Roll 2 Cover.

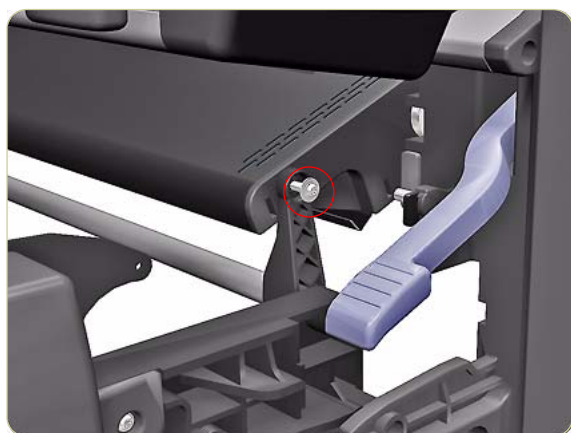
Roll 2 Drawer Bar

Removal

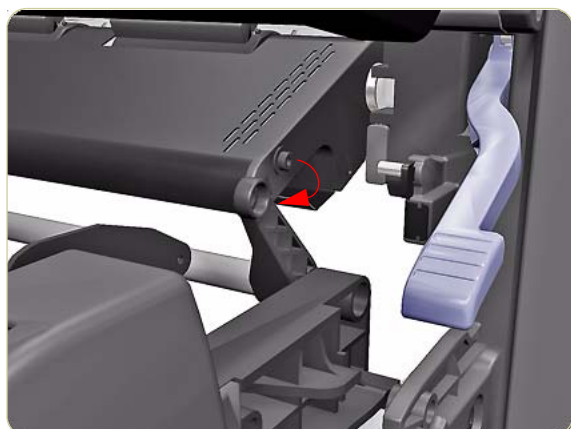
Switch off the product and remove the power cable.



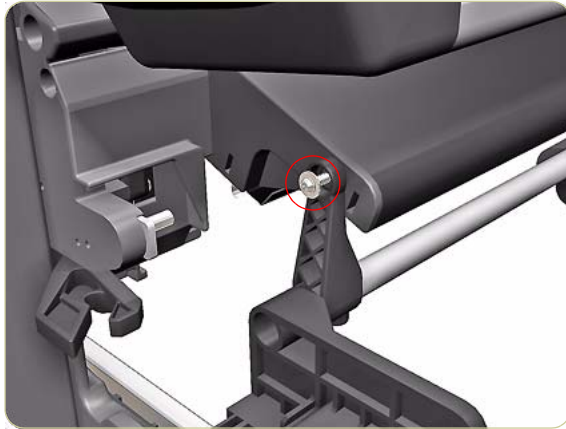
1. Pull out Roll 2 Drawer as far as it will go.



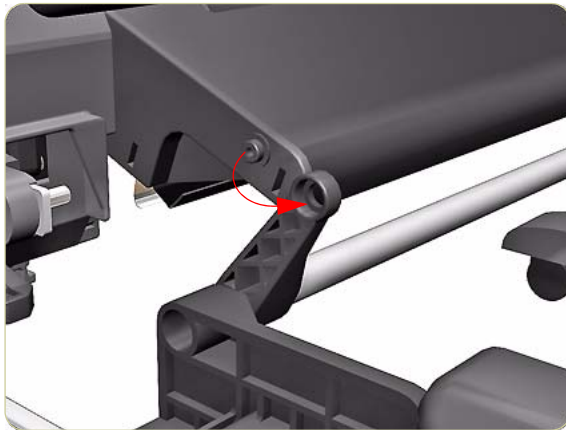
2. Remove one T-15 screw (**Type G**) and washer that secures the right side of the Roll 2 Drawer Bar.



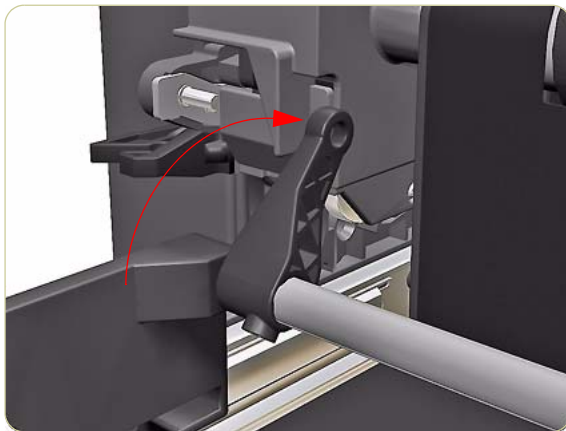
3. Pull the right side of Roll 2 Drawer Bar from the Feed Roller Assembly.



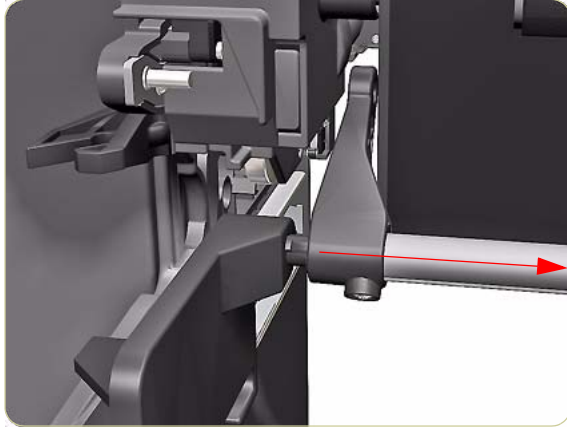
4. Remove one T-15 screw (**Type G**) and washer that secures the left side of the Roll 2 Drawer Bar.



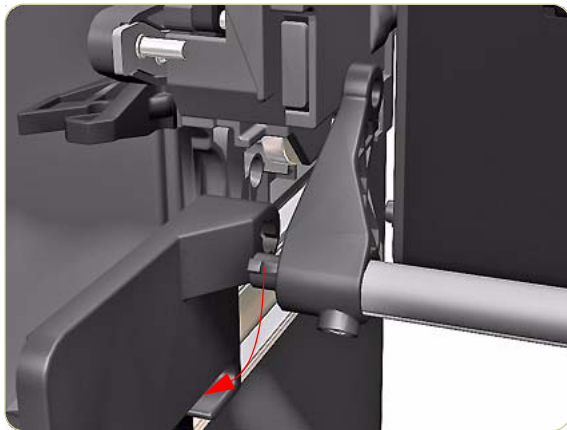
5. Remove the left side Roll 2 Drawer Bar.



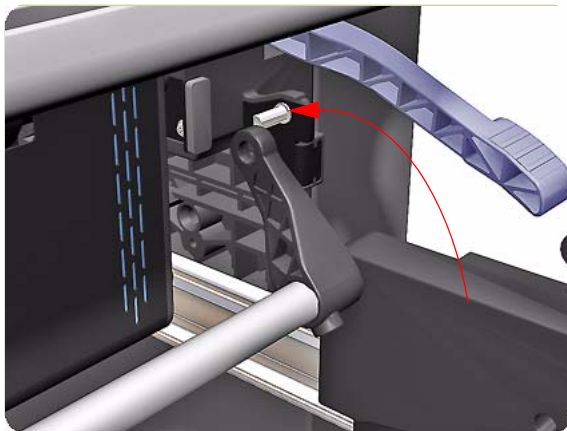
6. Rotate the Roll 2 Drawer Bar into the position shown.



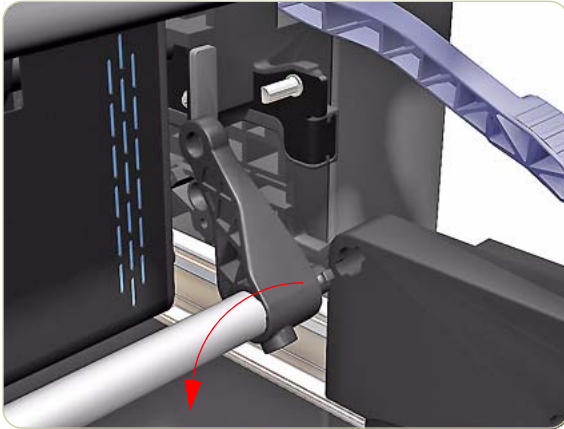
7. Pull the Roll 2 Drawer Bar from the left side.



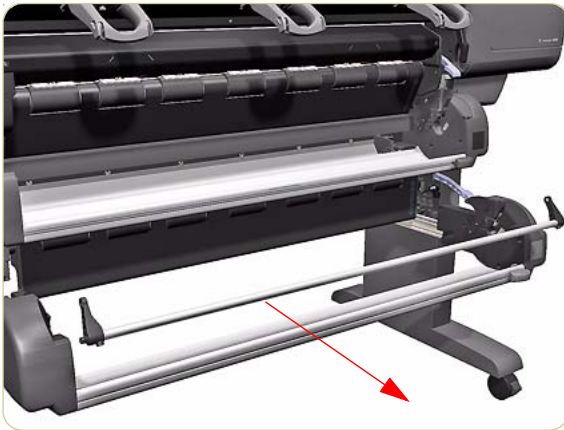
8. Remove Roll 2 Drawer Bar from the left side.



9. Make sure that the Roll 2 Drawer Bar is in the position shown.



10. Remove Roll 2 Drawer Bar from the right side.

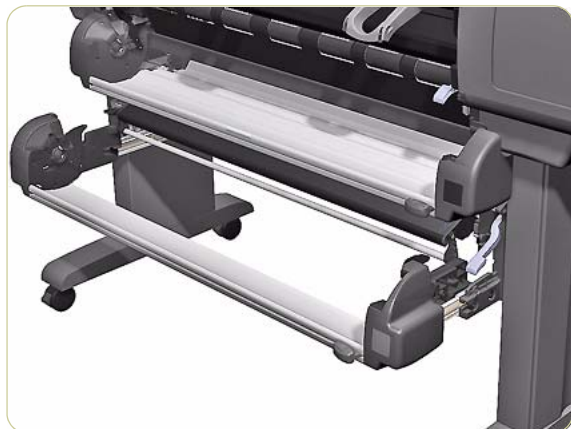


11. Remove the Roll 2 Drawer Bar

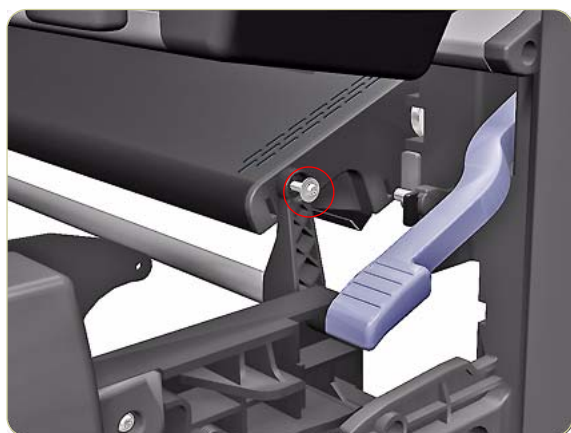
Roll 2 Drawer

Removal

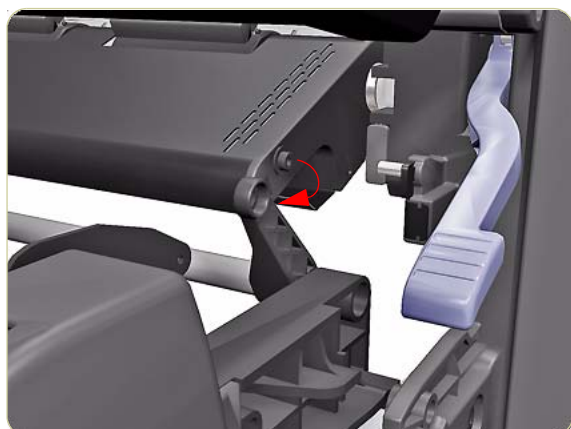
Switch off the product and remove the power cable.



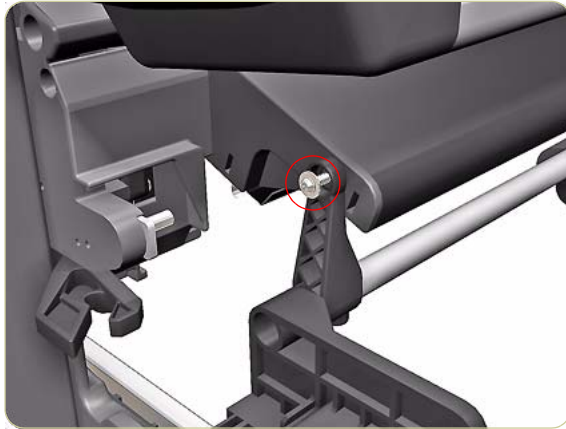
1. Pull out Roll 2 Drawer as far as it will go.



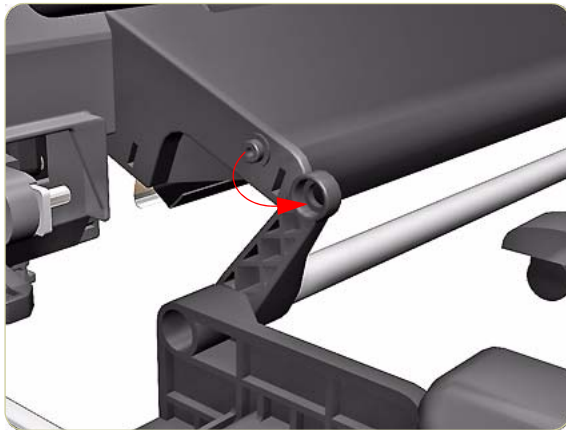
2. Remove one T-15 screw (**Type G**) and washer that secures the right side of the Roll 2 Drawer Bar.



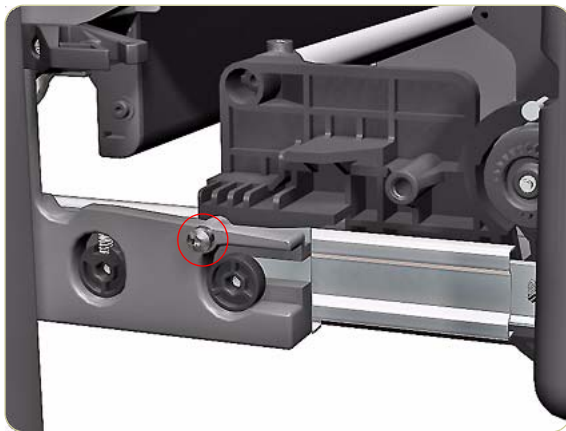
3. Pull the right side of Roll 2 Drawer Bar from the Feed Roller Assembly.



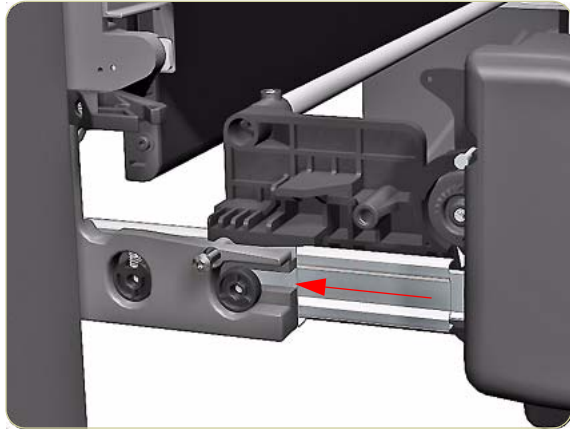
4. Remove one T-15 screw (**Type G**) and washer that secures the left side of the Roll 2 Drawer Bar.



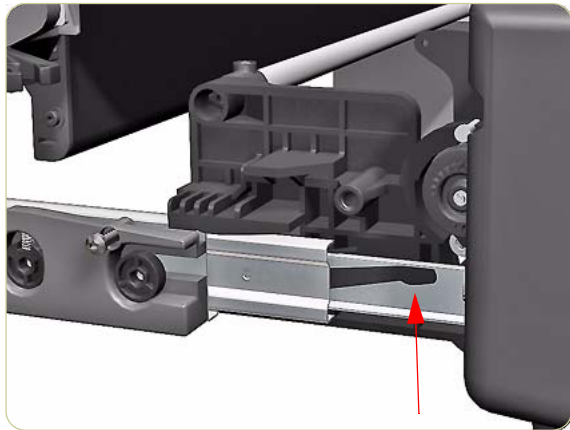
5. Remove the left side Roll 2 Drawer Bar.



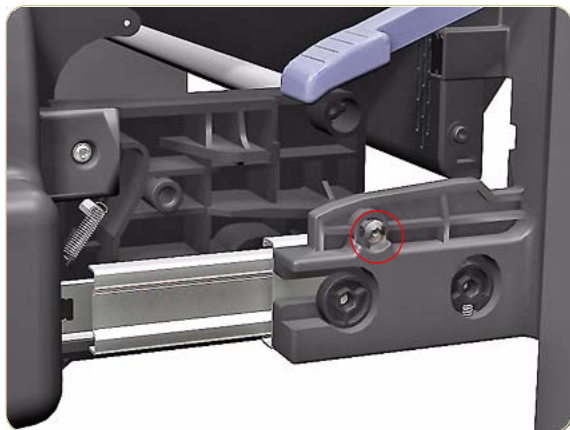
6. Loosen one T-25 screw from the left side of the Roll 2 Drawer Slider.



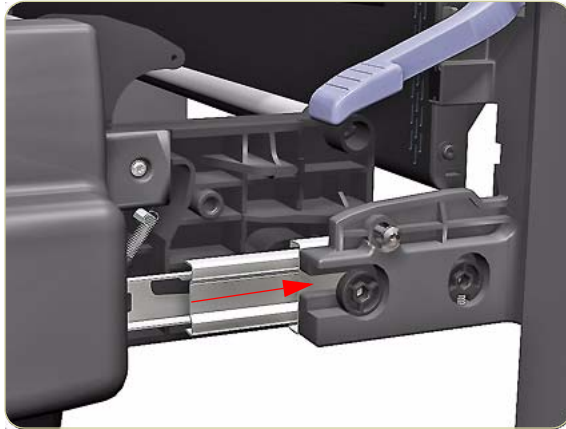
7. Pull back the Metal Slider Bracket on the left side of the Roll 2 Drawer.



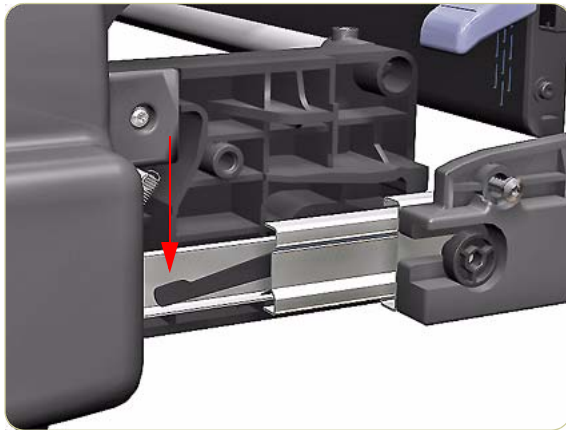
8. Push up the Roll 2 Slider Locking Device on the left Drawer Slider.



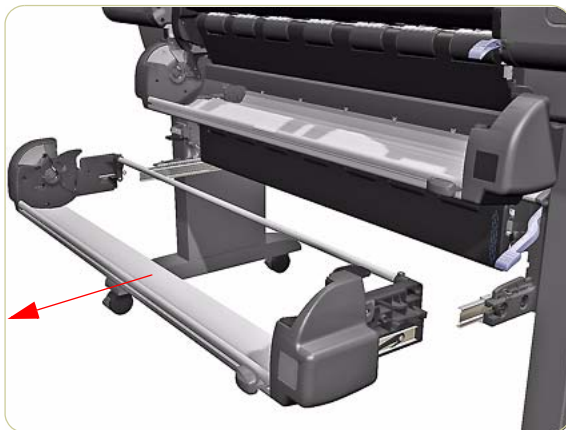
9. Loosen one T-25 screw from the right side of the Roll 2 Drawer Slider.



10. Pull back the Metal Slider Bracket on the right side of the Roll 2 Drawer.



11. Push down on the Roll 2 Slider Locking Device on the right Drawer Slider.



12. Remove the Roll 2 Drawer.

Roll 2 Module

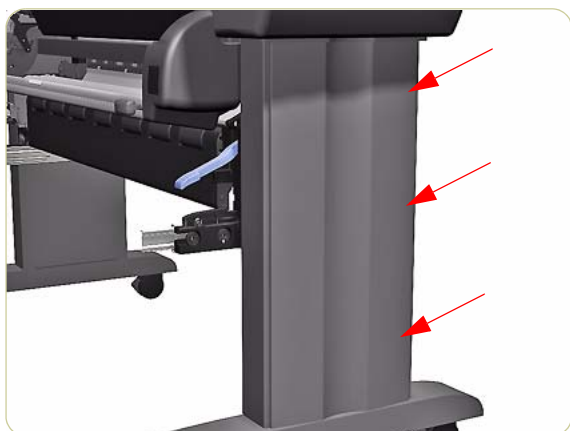
Removal

Switch off the product and remove the power cable.

This procedure must be performed by at least two people as the Roll 2 Module is heavy.



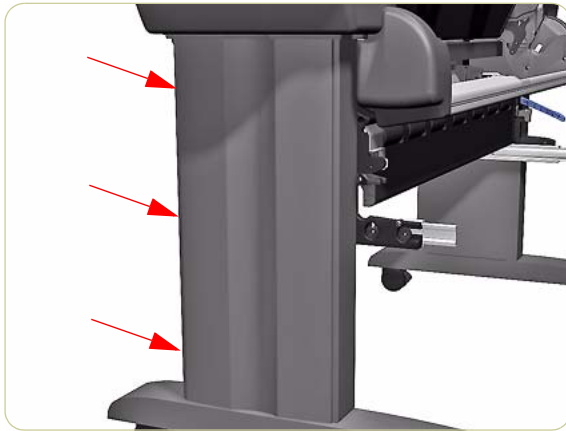
1. Disconnect the Power Cable from the rear of the Roll 2 Module.



2. Apply pressure in the places shown to unclip the Right Stand Cover.



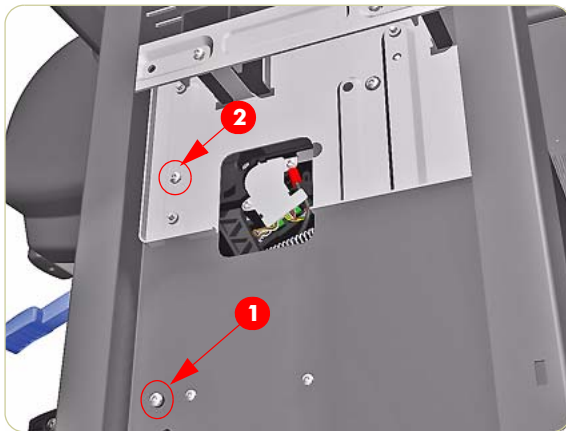
3. Remove the Right Stand Cover



4. Apply pressure in the places shown to unclip the Left Stand Cover.

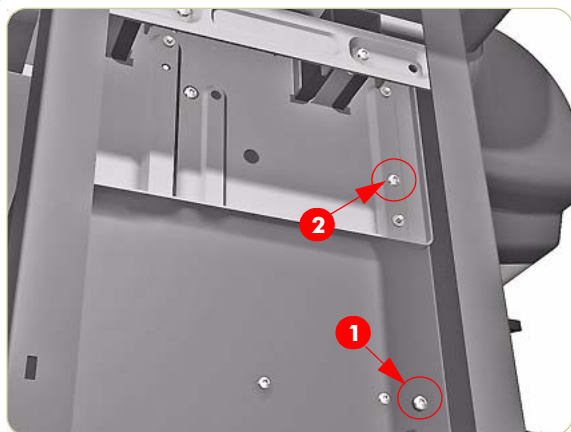


5. Remove the Left Stand Cover.



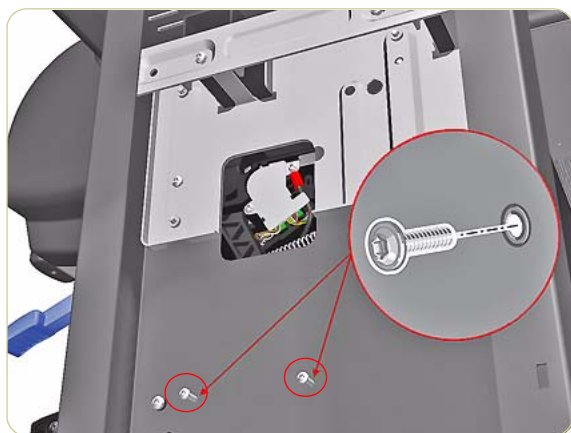
6. For safety reasons make sure that the Load Bearing Pin Screw (1) is installed in the right leg of the printer. If this screw is not installed the Roll 2 Module will crash to the floor later in this procedure.

If the Load Bearing Pin Screw (1) is not installed you can remove Pin Screw (2) shown and install it in the vacant (1) position.



7. For safety reasons make sure that the Load Bearing Pin Screw (1) is installed in the left leg of the printer. If this screw is not installed the Roll 2 Module will crash to the floor later in this procedure.

If the Load Bearing Pin Screw (1) is not installed, you can remove Pin Screw (2) shown and install it in the vacant (1) position.

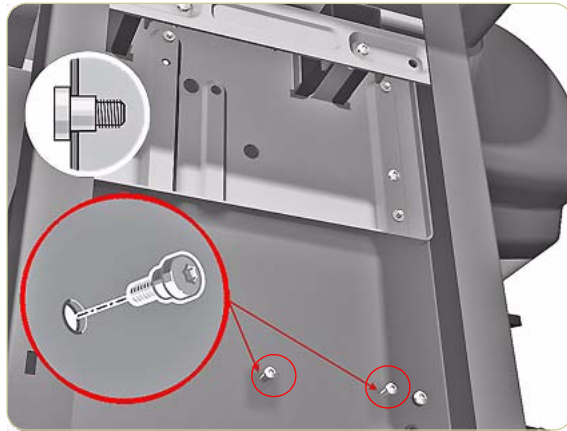


8. Remove two T20 screws that secure the right side of the Roll 2 Module to the Printer.

The screws used to secure the right side of the Roll 2 Module are different from the screws that secure the left side.



9. Remove a locking screw which locks the right side of the Roll 2 Module in place.



- 10.** Remove two T20 screws that secure the left side of the Roll 2 Module to the Printer.

The screws used to secure the left side of the Roll 2 Module are different from the screws that secure the right side.

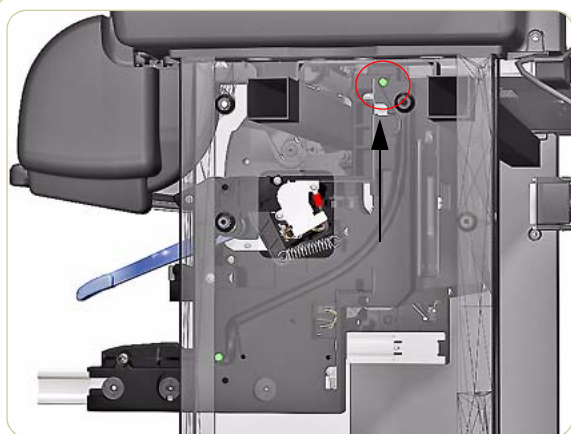


- 11.** Remove a locking screw which locks the left side of the Roll 2 Module in place.

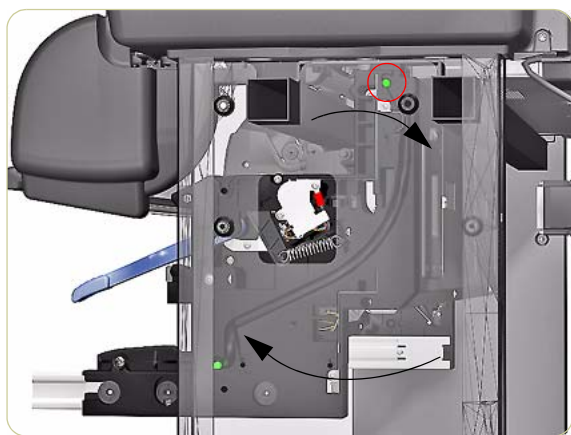


- 12.** Slightly pull out the Roll 1 Drawer.

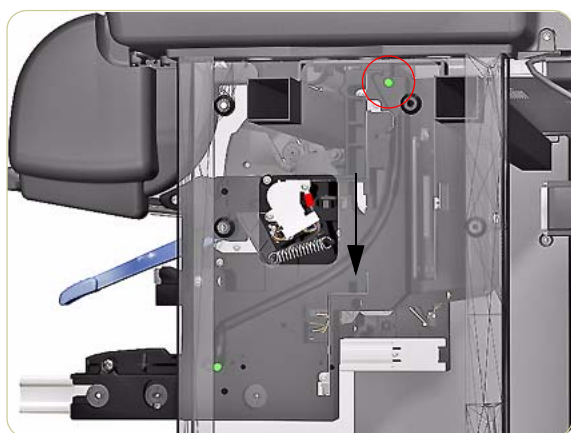
Warning: The next steps should be performed by a minimum of two people, one at the front and one at the rear. There is a risk of injury as the Roll 2 Module is very heavy.



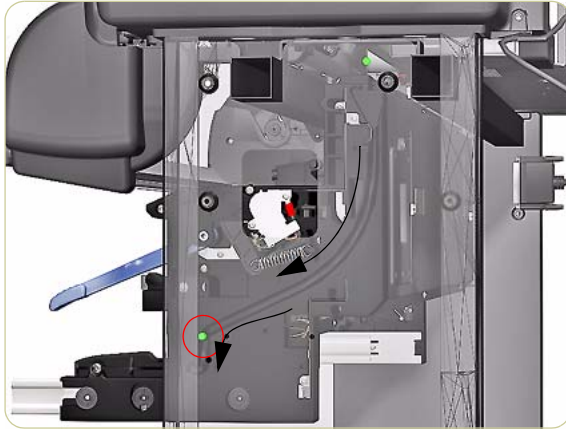
- 13.** Lift up the Roll 2 Module from below, this is to release the top of the assembly from the two Load Bearing Pin Screws located at the top of both legs at the rear.



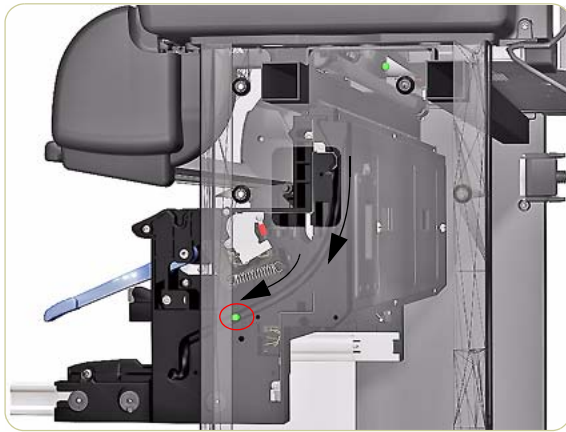
- 14.** When the Roll 2 Module has been lifted off the two Load Bearing Pin Screws, from the front of the printer, tilt the top of the assembly slightly away from you.



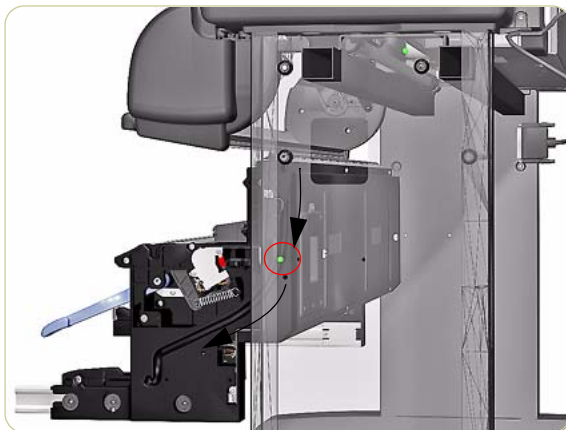
- 15.** When the Roll 2 Module is clear of the pins you will be able to move the assembly down.



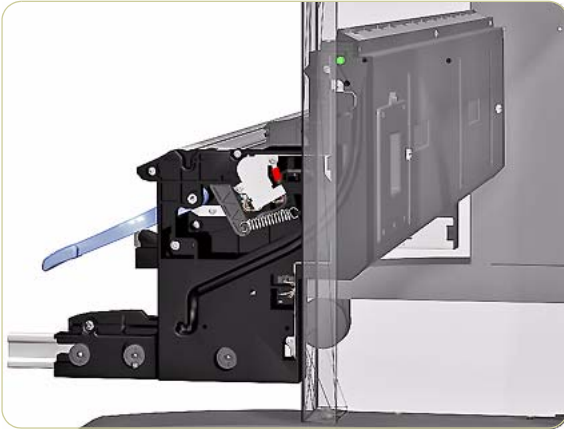
16. There are two more Load Bearing Pin Screws lower down on the legs on both sides, they fit into grooves on both sides of the Roll 2 Module, the pins and grooves help you to lower the assembly.



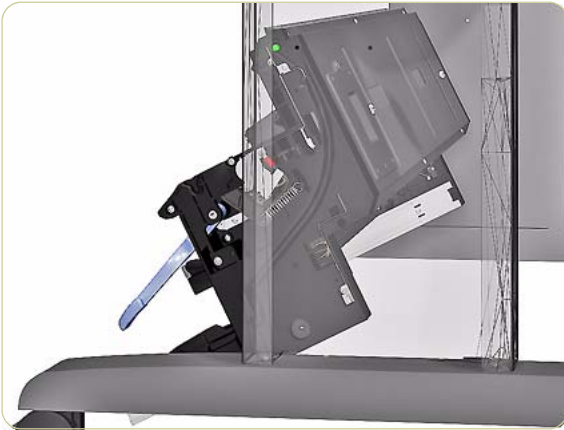
17. While moving the Roll 2 Module down, make sure that one person is at the rear helping, and one person is at the front taking the main weight of the assembly.



18. As you move the Roll 2 Module down the assembly will move slightly forwards.



19. Move the Roll 2 Module down until the top of the assembly hooks onto the two Load Bearing Pin Screws lower down.



20. You can use the Load Bearing Pin Screws to hang the Roll 2 Module.



21. Remove the Roll 2 Module from the pins and place on the floor.

Roll 2 BT Arm Assembly

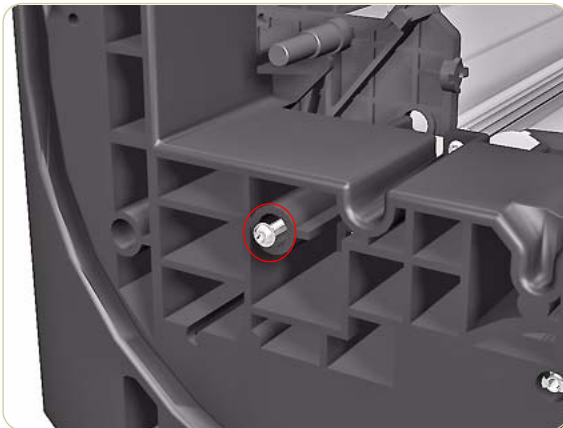
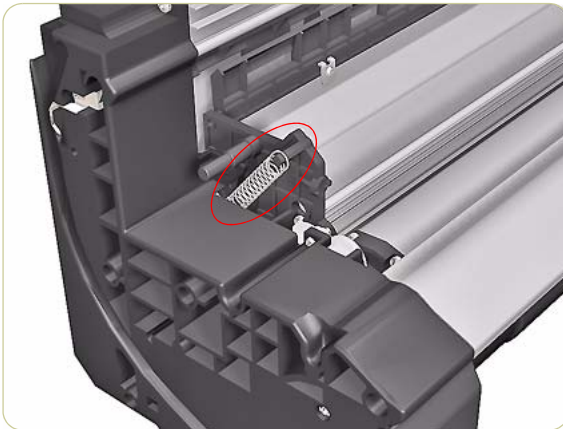
Removal

Switch off the product and remove the power cable.

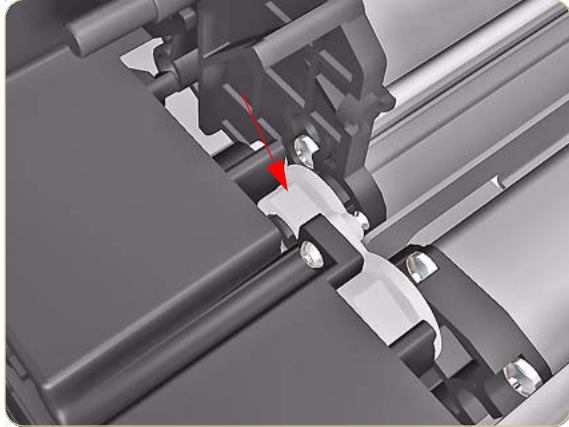
1. Remove the Roll 2 BT Arm Encoder Disc ⇒ Page 8-257.

The BT Arm Encoder Disc must be removed to avoid damaging it while removing the BT Arm Assembly.

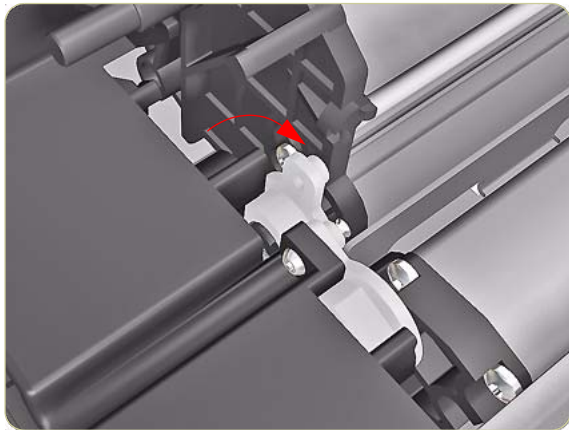
2. Remove Roll 2 Drawer ⇒ Page 8-218
3. Remove the Roll 2 Module ⇒ Page 8-222
4. Remove the Spring from the left side of the BT Arm.



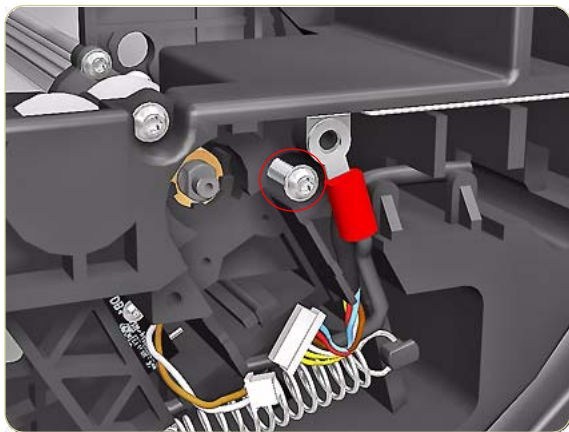
5. Remove one T-15 screw (**Type G**) that secures the left side of the BT Arm.



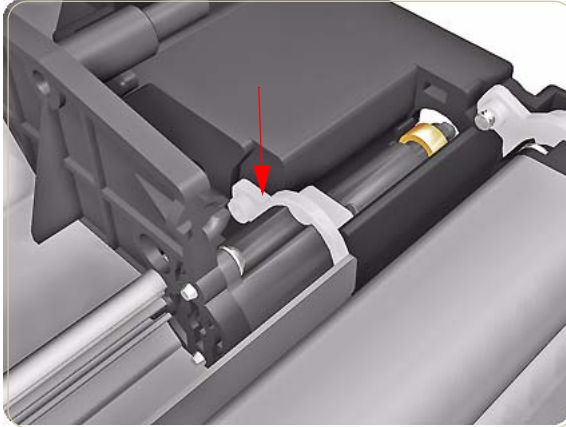
6. Rotate the white plastic bushing on the left side of the BT Arm indicated.



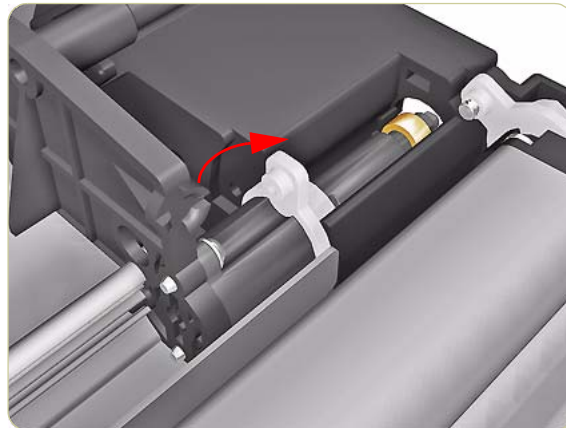
7. Rotate the white plastic bushing until it reaches the position shown.



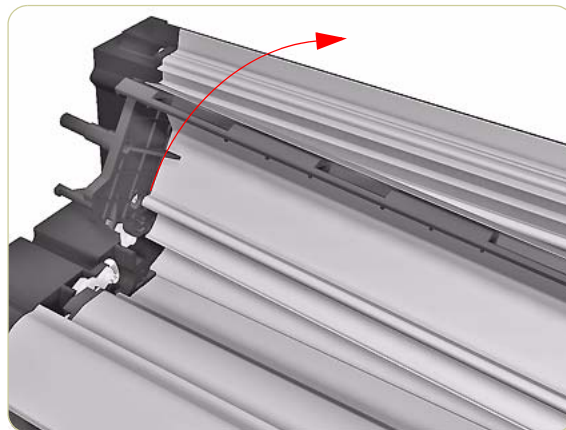
8. Remove one T-15 screw (**Type G**) that secures the right side of the BT Arm.



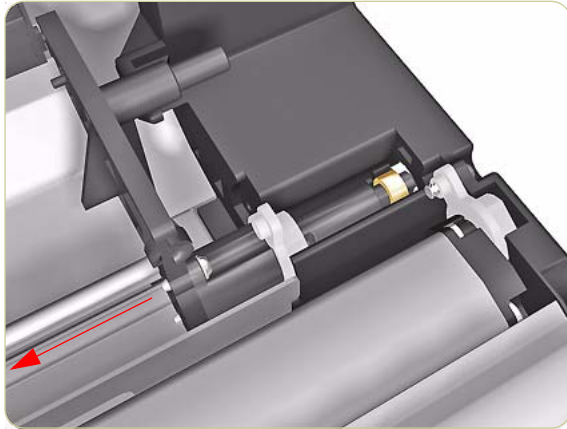
- 9.** Rotate the white plastic bushing on the right side of the BT Arm indicated.



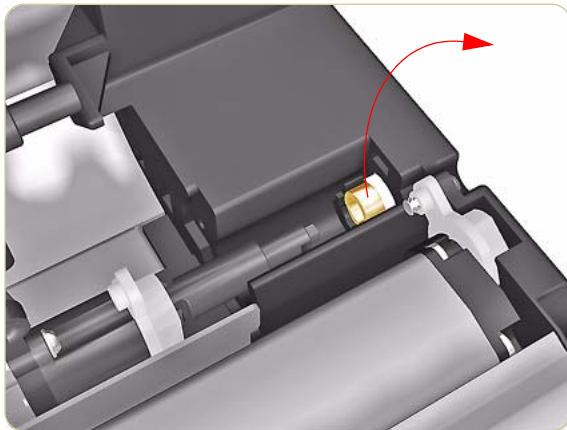
- 10.** Rotate the white plastic bushing until it reaches the position shown.



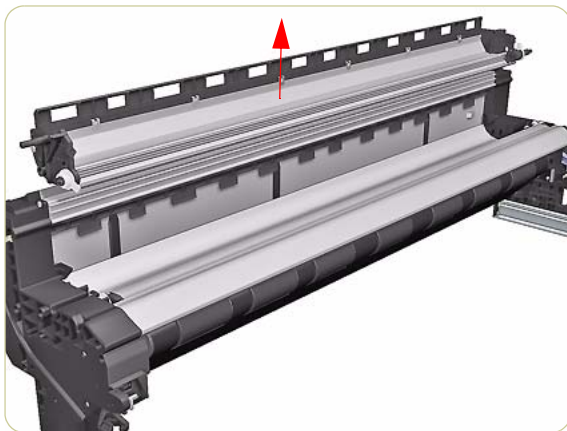
- 11.** Lift up the left side of BT Arm.



12. Slide the BT Arm Assembly to the left.



13. Remove the BT Arm bushing.

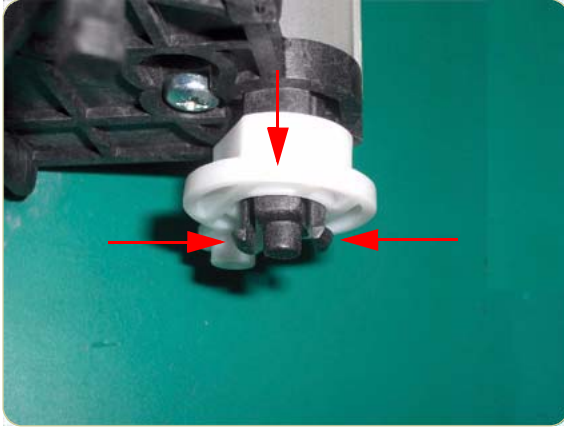


14. Remove the Roll 2 BT Arm Assembly

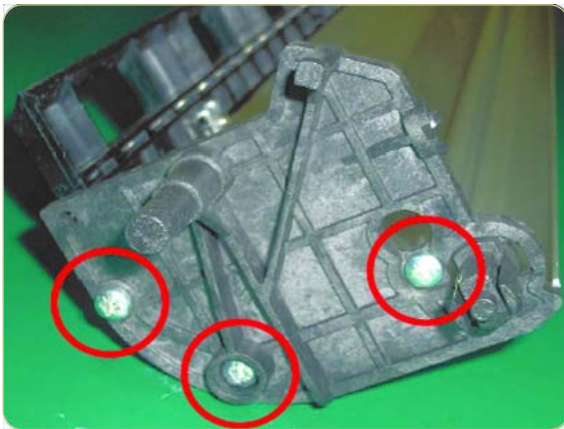
BT Arm Finger

Switch the printer OFF and disconnect it from the power source prior to performing any maintenance.

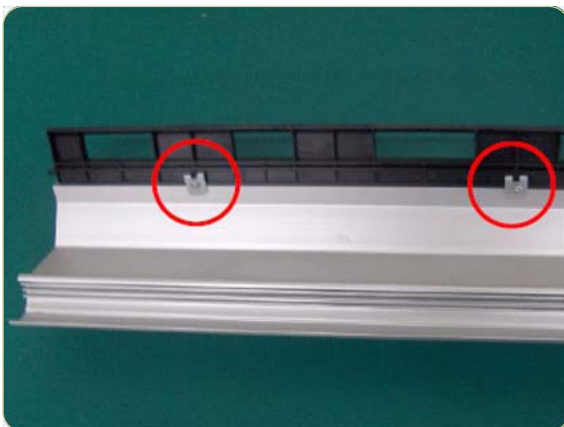
1. Remove the BT Arm Assembly ⇒Page 8-229.
2. Remove the Left Bushing from the end of the Left BT Cover by pinching together the retaining hooks.

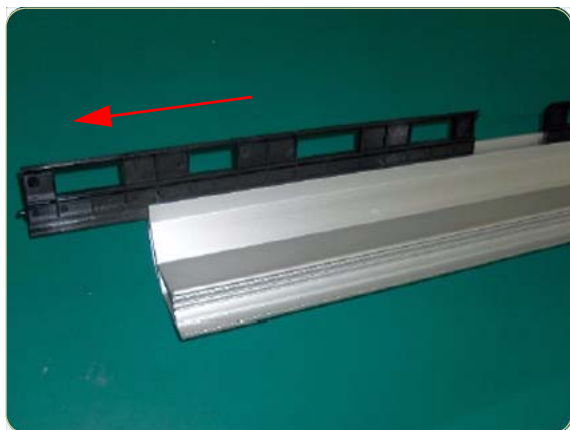


3. Remove three screws that secure the Left BT Cover.



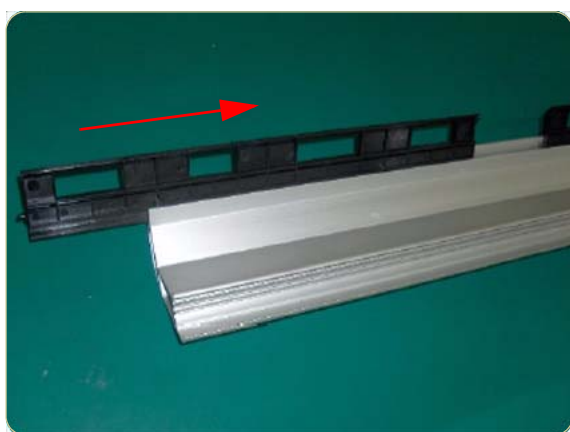
4. Remove the retainers that secure the Fingers to the BT Arm Assembly.



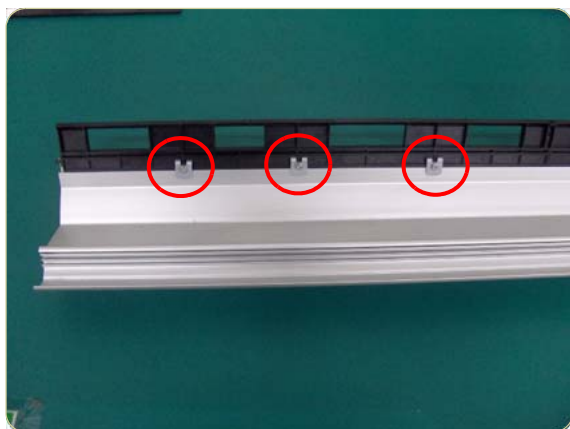


5. Remove the Finger to be replaced from the BT Arm Assembly by sliding it to the left.

Installation



1. Slide the new Finger into the BT Assembly.



2. Secure the new Finger in place with three retainers.

The new type of Left BT Finger has three holes for the retainers, one more than previously

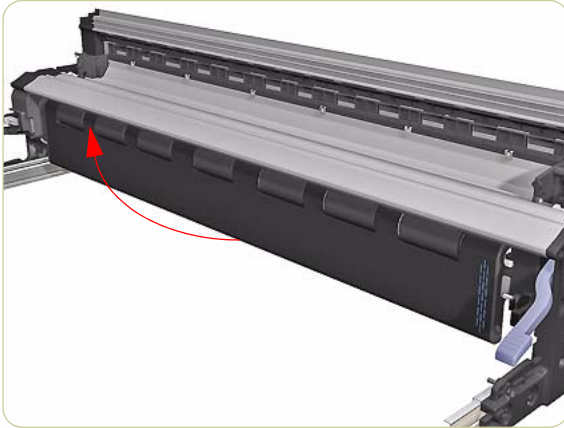
3. The rest of the installation procedure is the same as the removal procedure in reverse.

Roll 2 Pinch Rollers

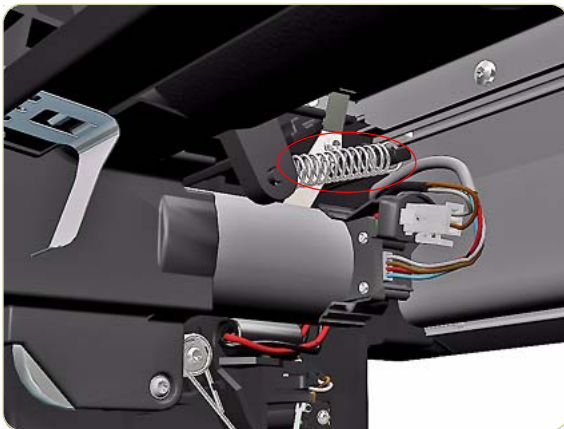
Removal

Switch off the product and remove the power cable.

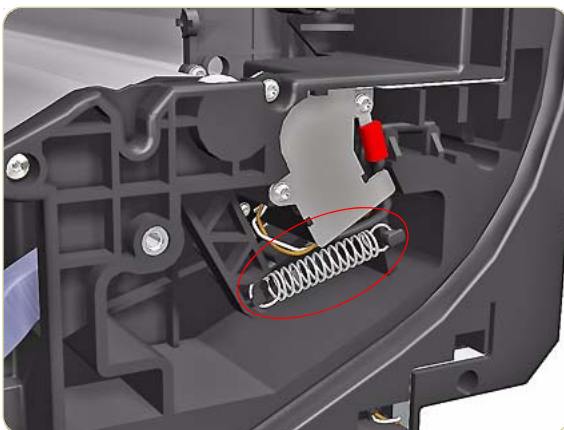
1. Remove Roll 2 Drawer ⇒ Page 8-218
2. Remove the Roll 2 Module ⇒ Page 8-222
3. Lift up the Roll 2 Paper Feeder.

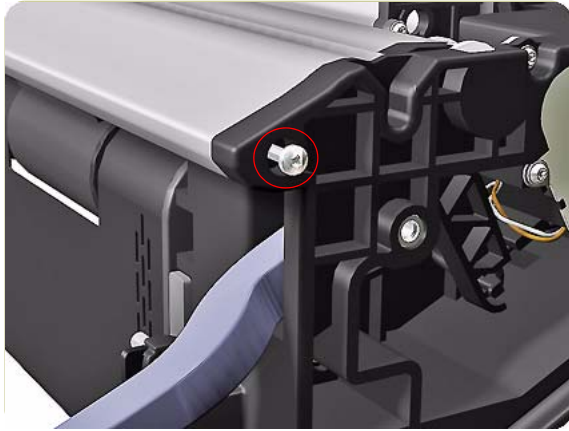


4. Remove the spring from below the left side of the Roll 2 Module.

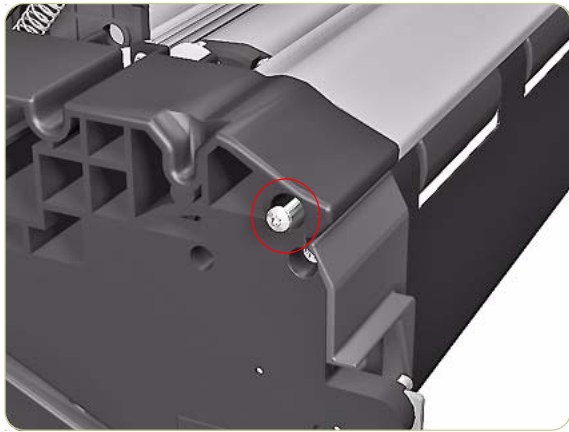


5. Remove the spring from the right side of the Roll 2 Module.

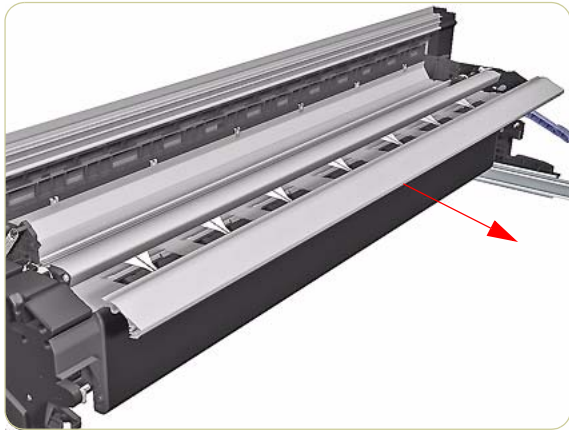




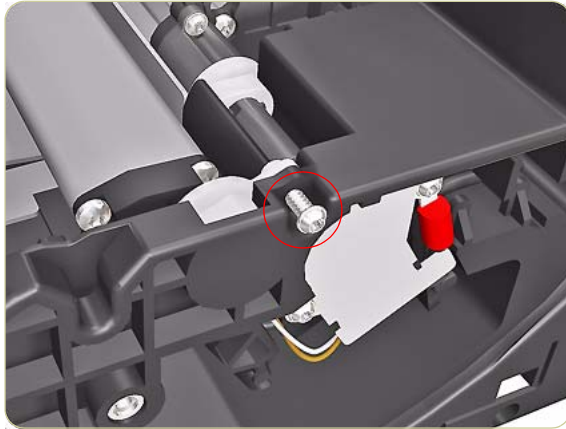
6. Remove one T-15 screw (**Type J**) that secures the Pinch Roller Arm Cover from the right side.



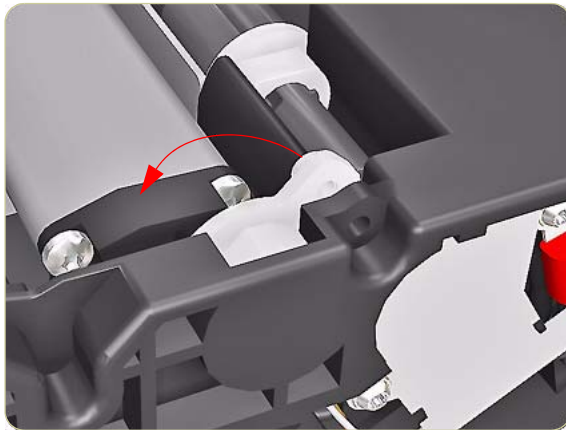
7. Remove one T-15 screw (**Type J**) that secures the Pinch Roller Arm Cover from the left side.



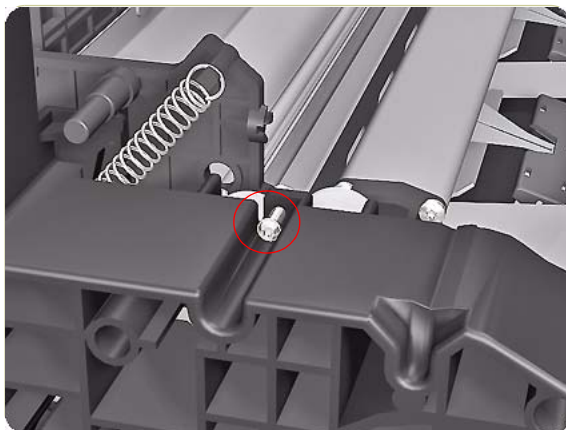
8. Remove the Pinch Roller Arm Cover.



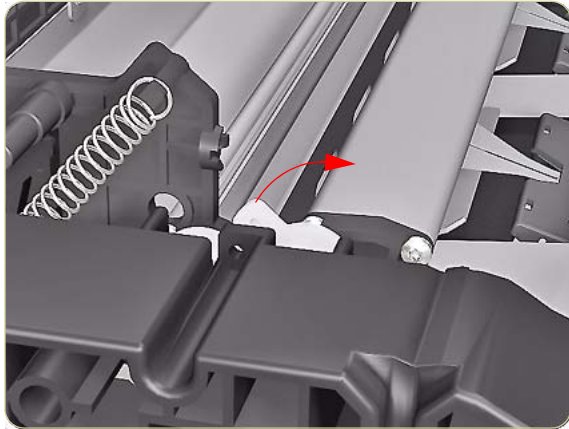
9. Remove one T-15 screw (**Type G**) that secures the Pinch Roller Arm from the right side.



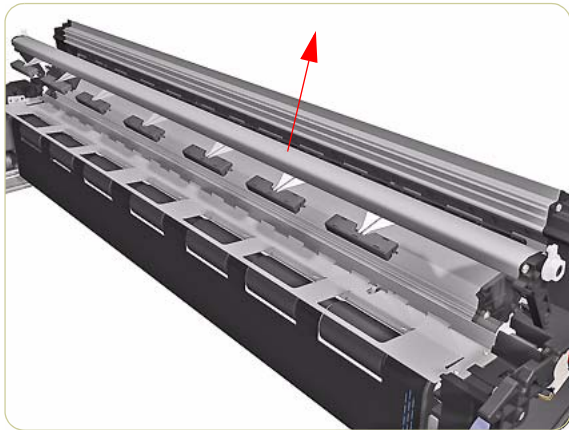
10. Rotate the white Pinch Roller Arm Bushing on the right side.



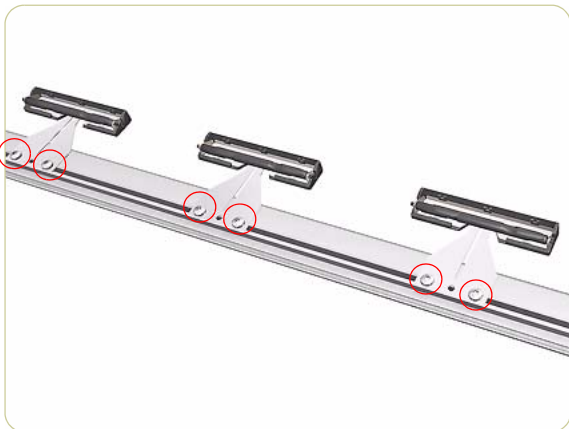
11. Remove one T-15 screw (**Type G**) that secures the Pinch Roller Arm from the left side.



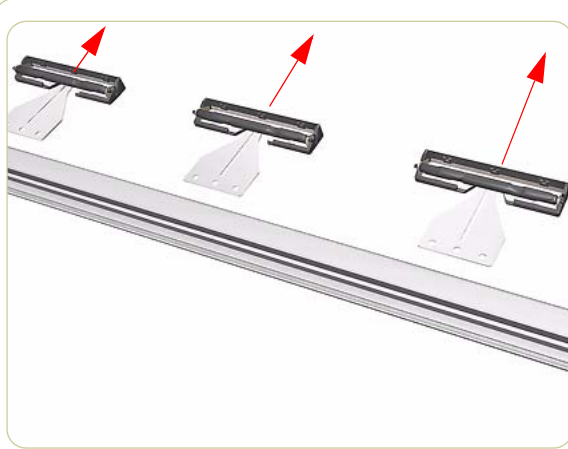
12. Rotate the white Pinch Roller Arm Bushing on the left side.



13. Remove the Pinch Roller Arm Assembly.



14. Remove two T20 screws (**Type M**) from each Pinch Roller Assembly.



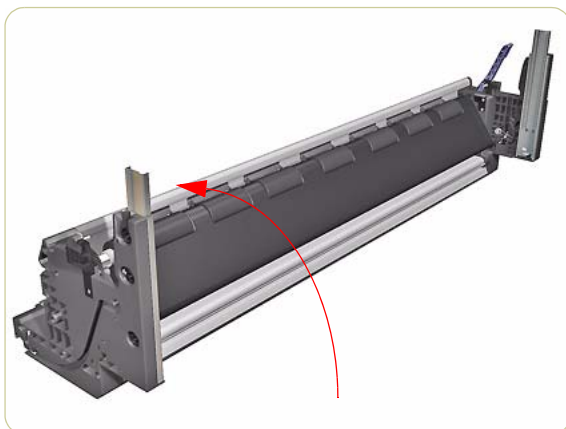
15. Remove the Pinch Roller Assemblies.

Roll 2 Feed Roller Assembly

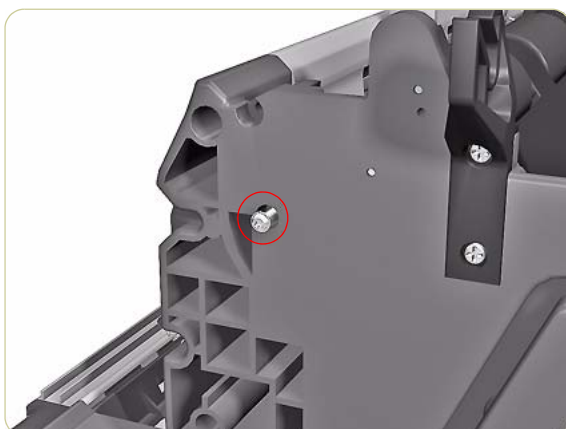
Removal

Switch off the product and remove the power cable.

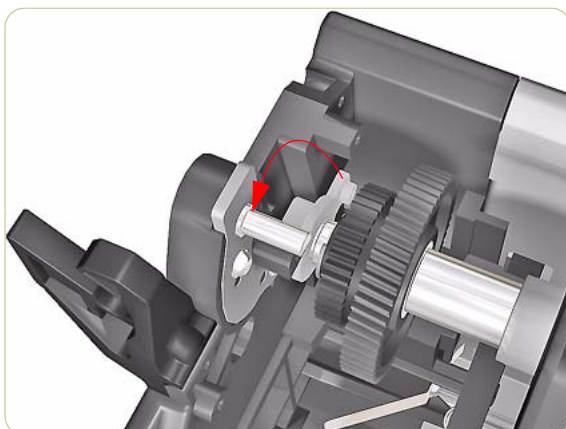
1. Remove the Roll 2 Module ⇒ Page 8-222
2. Remove the Roll 2 Feed Motor ⇒ Page 8-244.
3. Move the Roll 2 Module on to it's side.

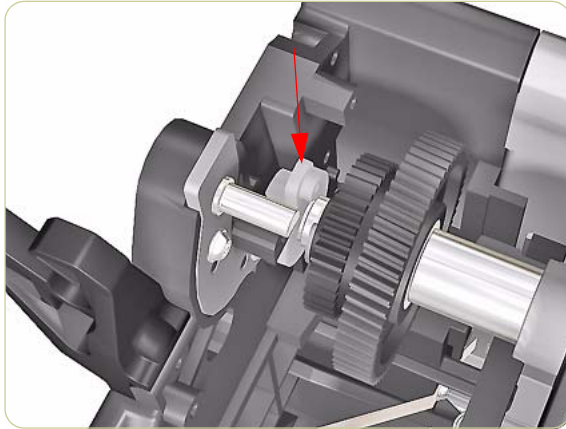


4. Remove one T-15 screw (**Type G**) that secures the white Roll 2 Feed Roller Bushing from the left side.

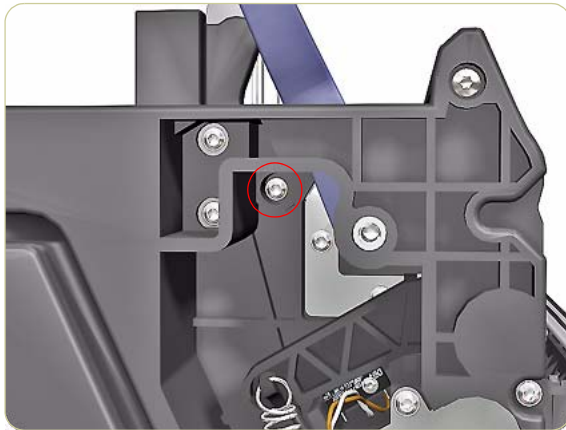


5. Rotate the white Roll 2 Feed Roller Bushing on the left side.

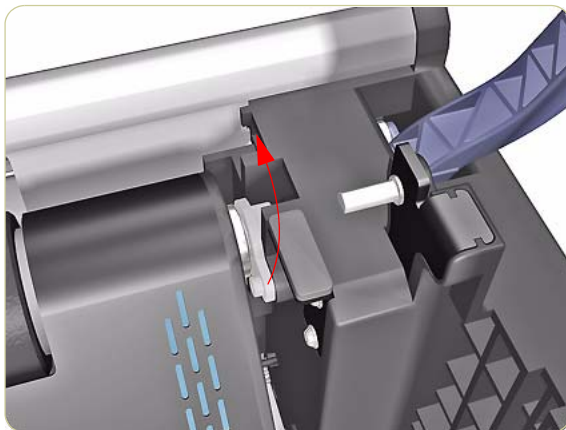




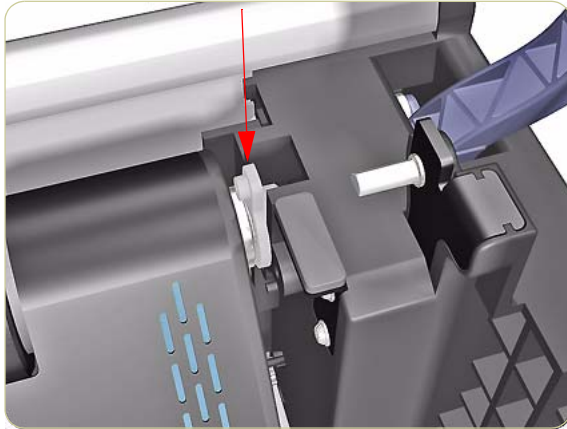
6. Rotate the white plastic bushing until it reaches the position shown



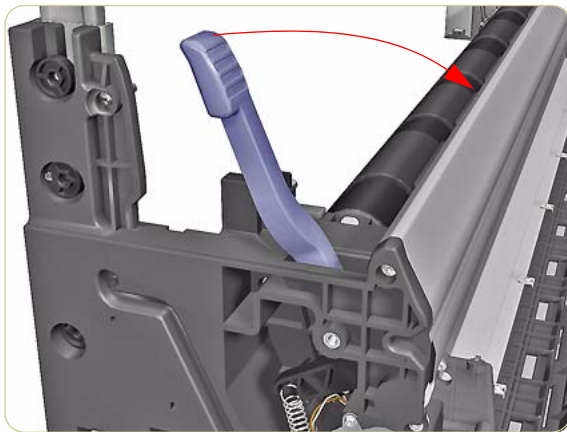
7. Remove one T-15 screw (**Type G**) that secures the white Roll 2 Feed Rollers Bushing from the right side.



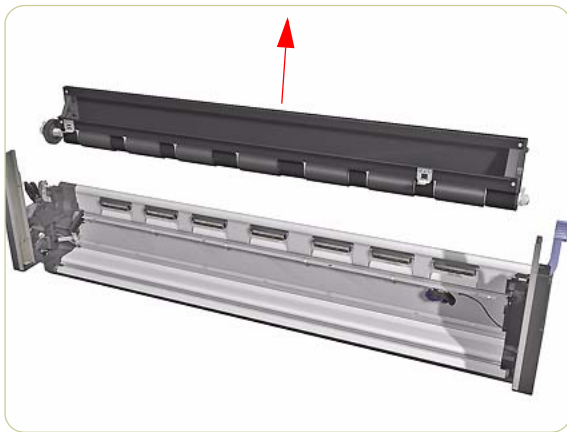
8. Rotate the white Roll 2 Feed Rollers Bushing on the right side.



- 9.** Rotate the white plastic bushing until it reaches the position shown.



- 10.** Move the Roll 2 Paper Load Lever to the Up position.



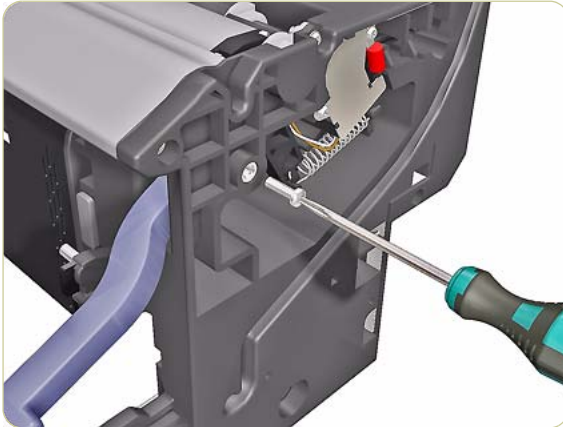
- 11.** Remove the Roll 2 Feed Roller Assembly.

Roll 2 Paper Load Lever

Removal

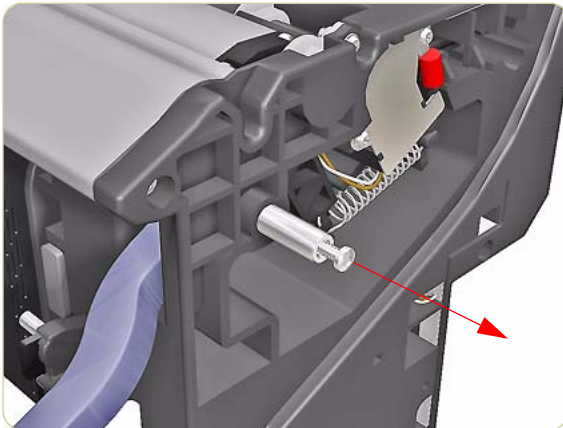
Switch off the product and remove the power cable.

1. Remove the Roll 2 Module ⇒ Page 8-222
2. Insert a T20 screw into the Load Lever Pin that secures the Roll 2 Paper Load Lever on the right side.



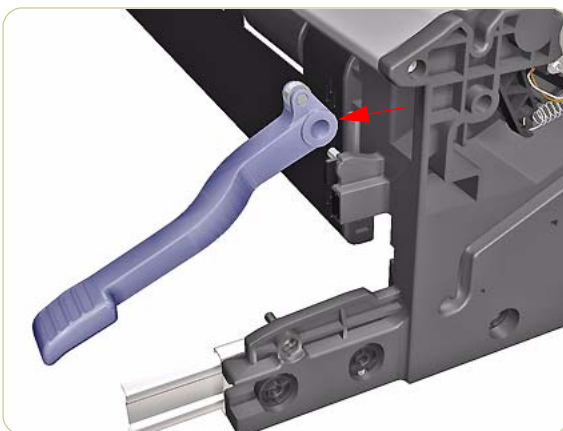
The T20 screw is included with the new Paper Load Lever.

3. Use the screw to pull out and remove the Load Lever Pin from the right side of the Roll 2 Module.



You may need to use pliers to remove the screw and pin

4. Remove the Roll 2 Paper Load Lever.



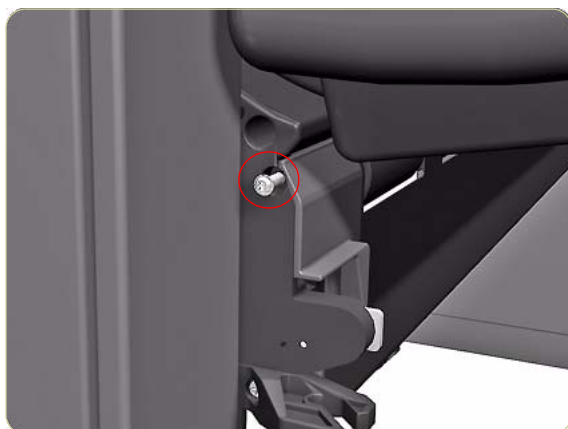
When reinstalling the Load Lever Pin, make sure it is inserted with the threaded end towards you.

Roll 2 Media Feed Motor

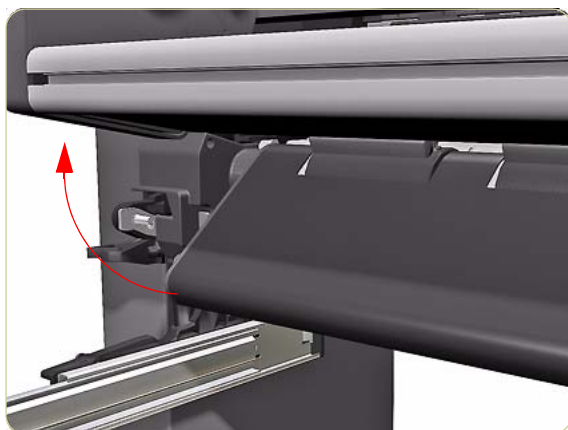
Removal

Switch off the product and remove the power cable.

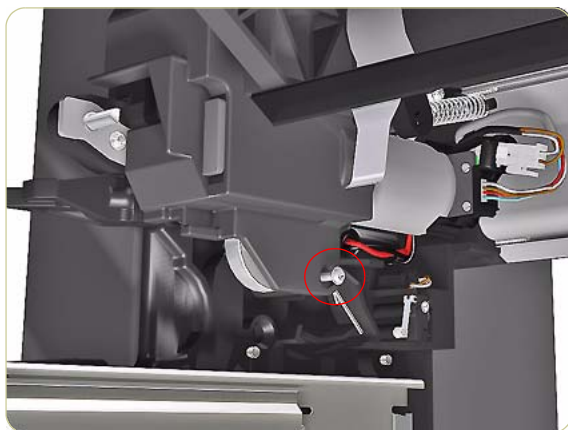
1. Remove the Roll 2 Drawer ⇒ Page 8-218
2. Remove one T15 screw (**Type F**) that secures the Roll 2 Media Feed Motor Cover from the left side.

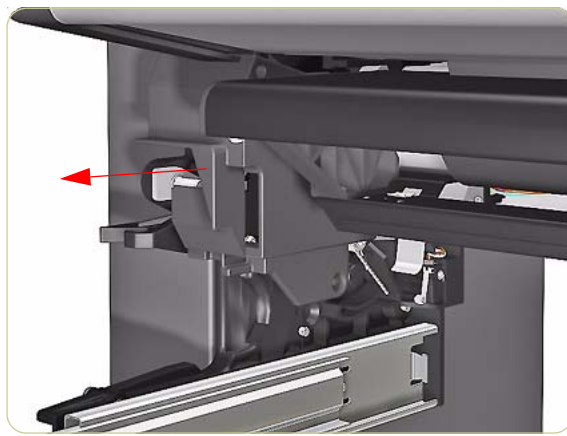


3. Push up the Roll 2 Feed Roller Plate.

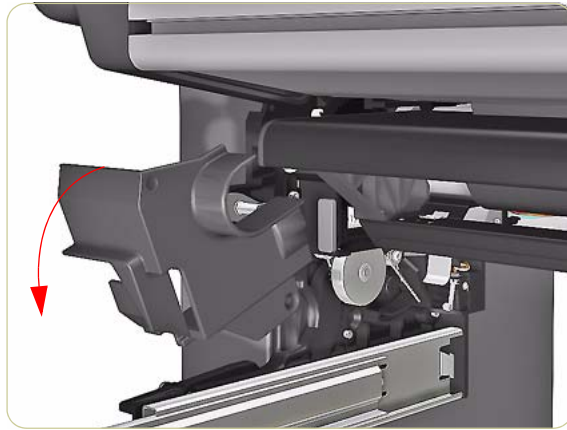


4. Remove one T15 screw (**Type F**) that secures the Roll 2 Media Feed Motor Cover from below.

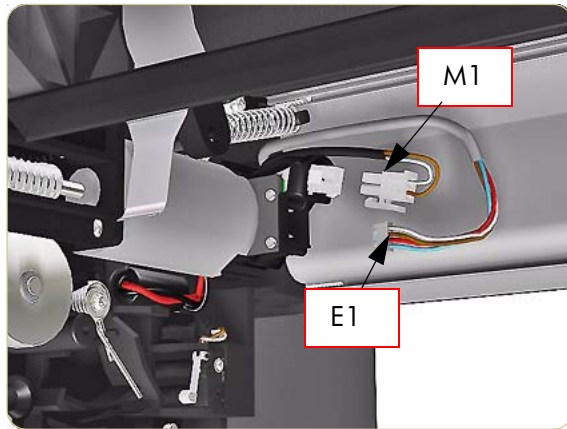




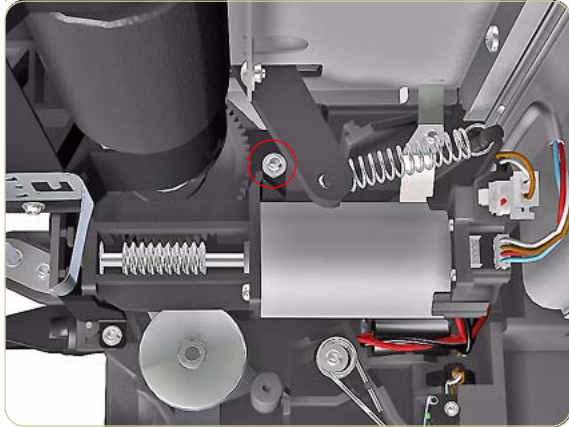
- 5.** Pull the Roll 2 Media Feed Motor Cover towards you slightly.



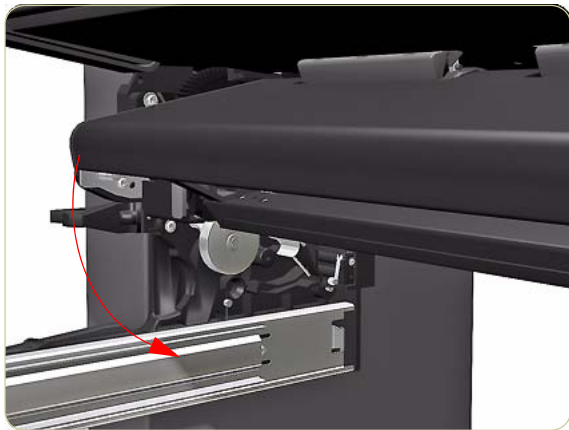
- 6.** Rotate the top of the cover downwards and remove.



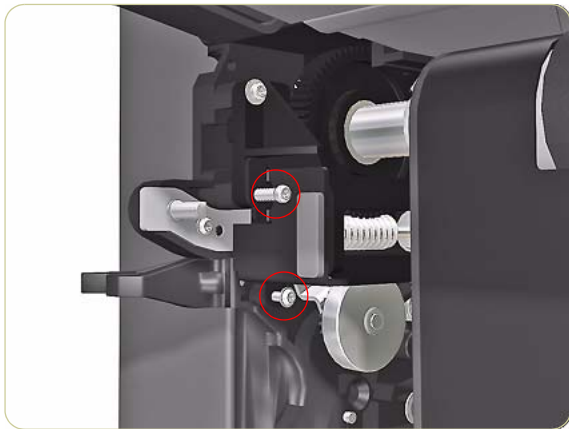
- 7.** Disconnect two cables (M1 and E1) from the Roll 2 Media Feed Motor.



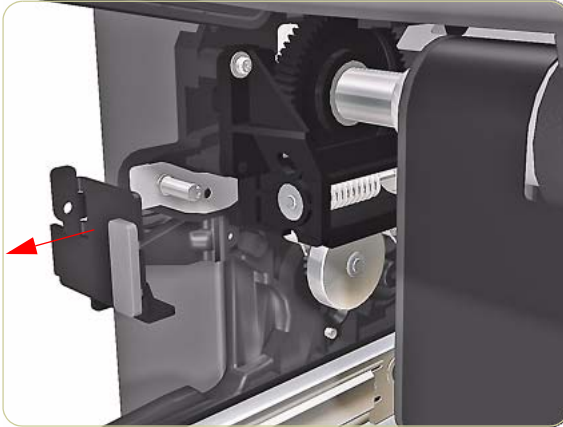
8. Remove one T15 screw (**Type F**) that secures the Roll 2 Media Feed Motor.



9. Move the Roll 2 Feed Roller Plate back down.



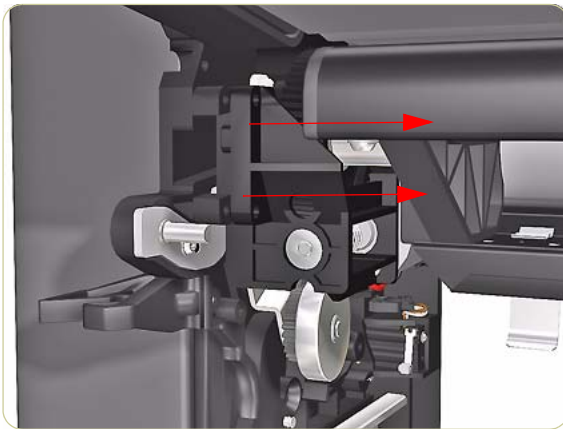
10. Remove two T15 screws (**Type F**) that secure the Lower Bracket.



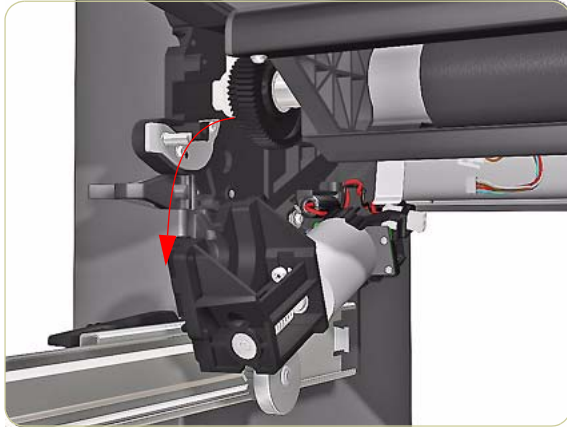
11. Remove the Lower Bracket from the Roll 2 Media Feed Motor.



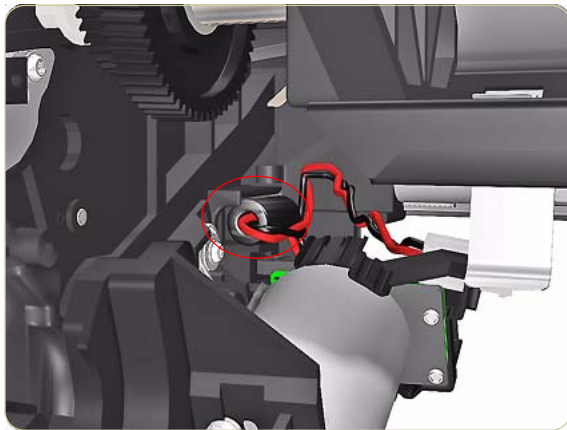
12. Remove one T15 screws (**Type F**) that secures the Roll 2 Media Feed Motor.



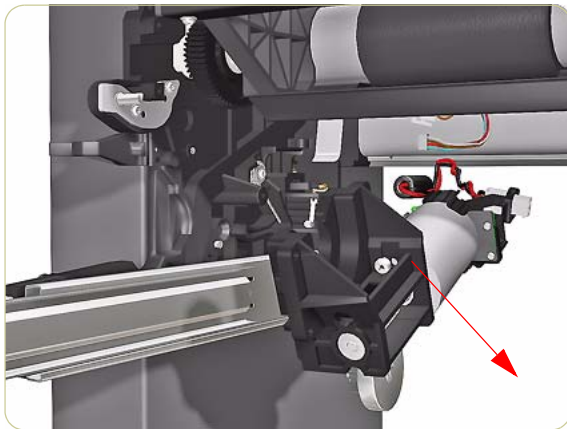
13. To release the Roll 2 Media Feed Motor move the assembly to the right.



14. Pull down the top part of the Roll 2 Media Feed Motor.



15. Unclip the ferrite and remove.

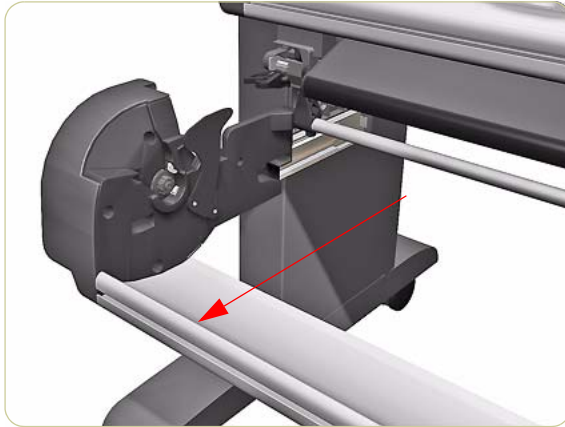


16. Remove the Roll 2 Media Feed Motor Assembly.

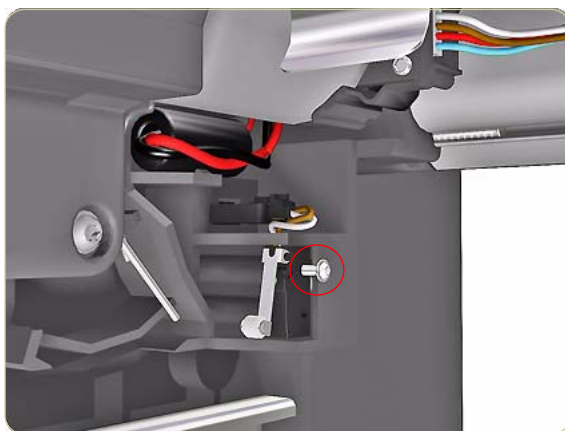
Roll 2 Left Drawer Sensor

Removal

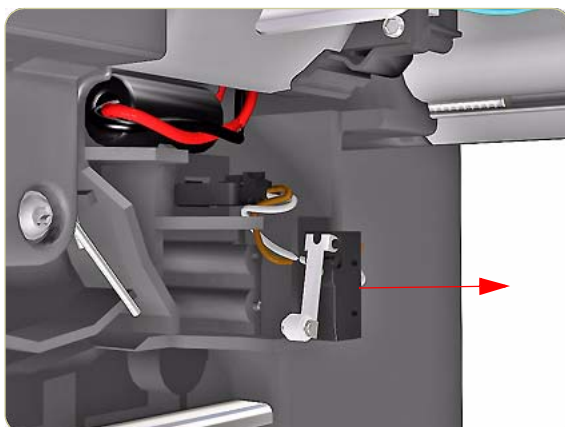
Switch off the product and remove the power cable.



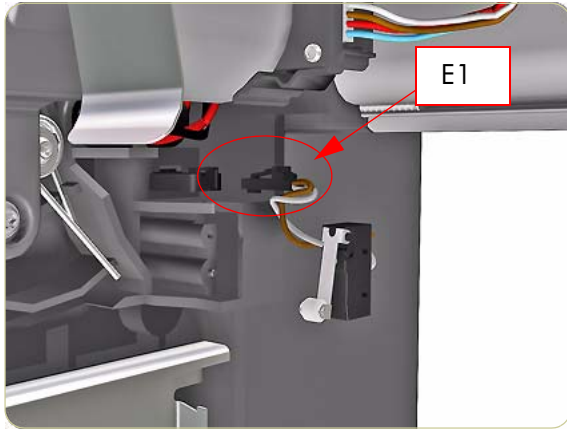
1. Pull out Roll 2 Drawer as far as it will go.



2. Remove one T-8 (**Type T**) screw that secures the Roll 2 Drawer Sensor from the rear of the Roll 2 Drawer.



3. Remove the Roll 2 Drawer Sensor from locating pins.



4. Disconnect the cable (E1) and remove the Roll 2 Drawer Sensor.

Roll 2 Right Drawer Sensor

Removal

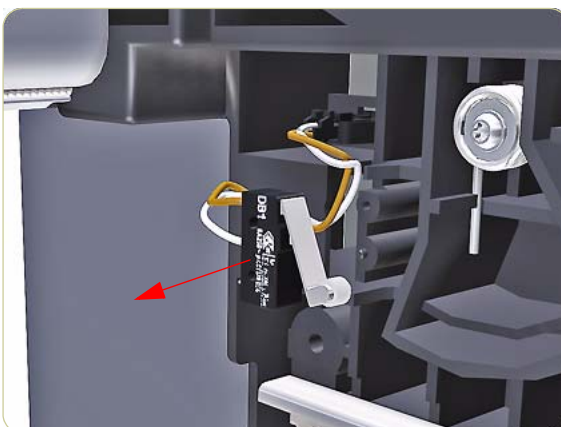
Switch off the product and remove the power cable.



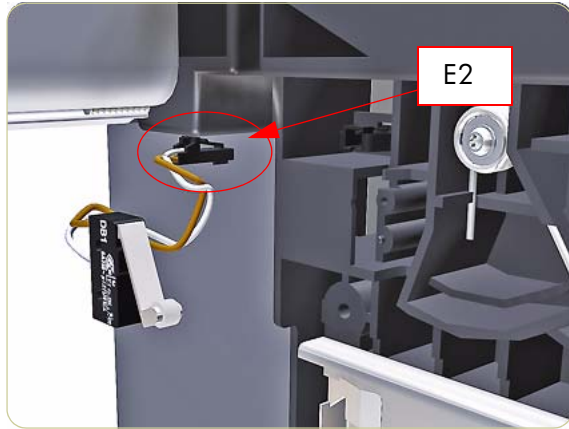
1. Pull out Roll 2 Drawer as far as it will go.



2. Remove one T-8 (**Type T**) Screw that secures the Roll 2 Right Drawer Sensor from the rear of the Roll 2 Drawer.



3. Remove the Roll 2 Drawer Sensor from locating pins.



4. Disconnect the cable (E2) and remove the Roll 2 Right Drawer Sensor.

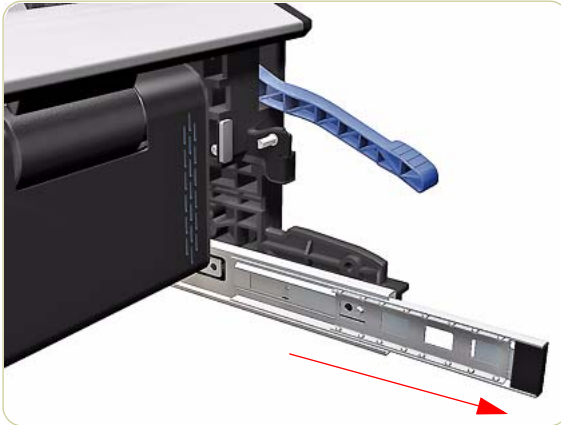
Roll 2 Drawer Sliders

Removal

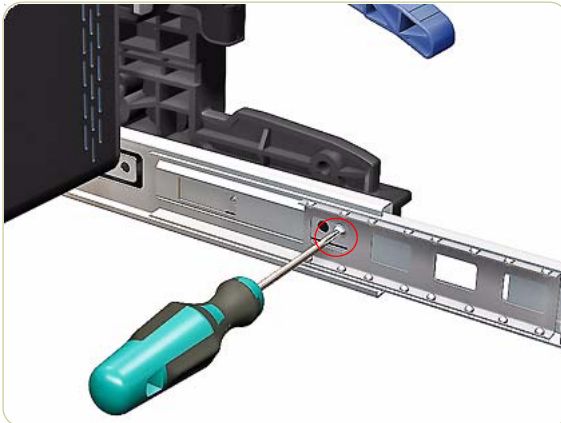
Switch off the product and remove the power cable.

This procedure describes the removal process for the Right Drawer Slider, use the same procedure for the Left Drawer Slider.

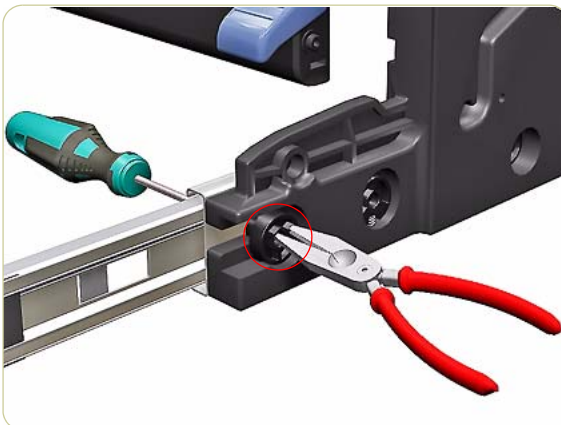
1. Remove the Roll 2 Module ⇒ Page 8-222.
2. Pull out the Slider Assembly as far as it will go.

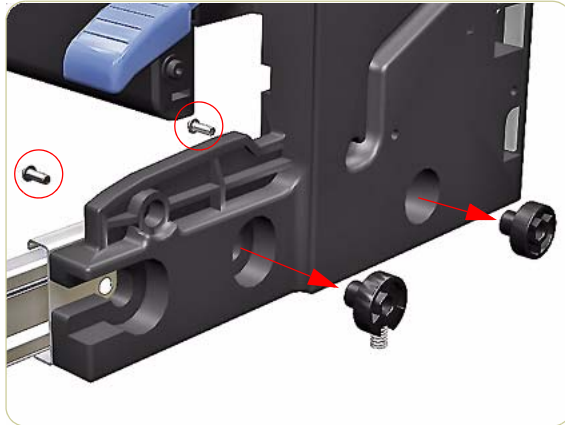


3. Remove one T15 screw (**Type G**) that secures the Right Drawer Slider.

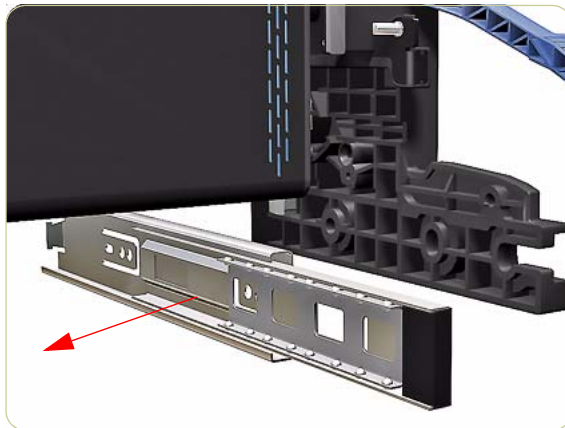


4. Hold the Plastic Stop on the other side of the screw to stop it rotating while you remove the screw.





5. Remove two more T15 screws (**Type G**) that secure the slide to the right side of the printer using the same method.



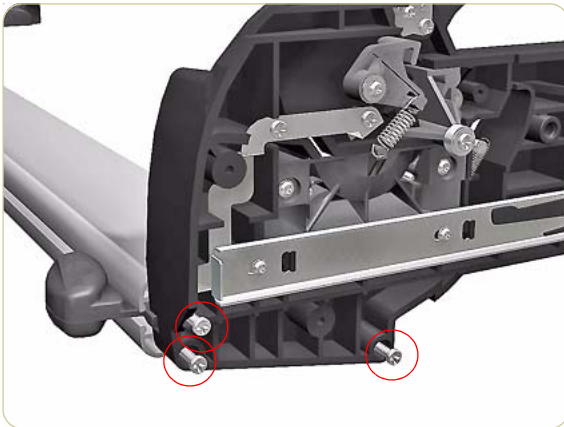
6. Remove the Slider Assembly.

Roll 2 Right Spindle Support

Removal

Switch off the product and remove the power cable.

1. Remove the Roll 2 Right Drawer Cover ⇒ Page 8-211.
2. Remove the Roll 2 Drawer Bar ⇒ Page 8-214.
3. Remove the Roll 2 Drawer ⇒ Page 8-218.
4. Remove three (**Type A**) screws that secure the Right Spindle Support from the Roll 2 Drawer.



5. Remove the Right Spindle Support

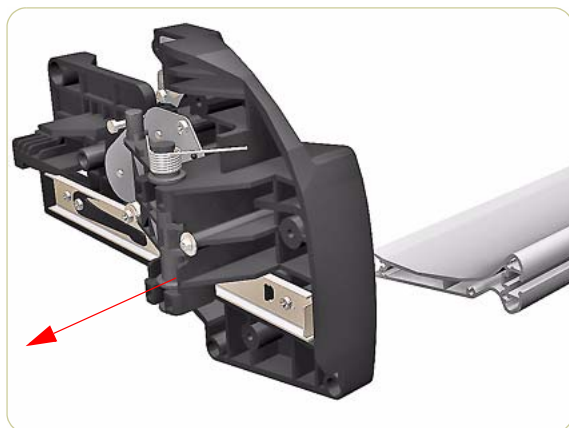
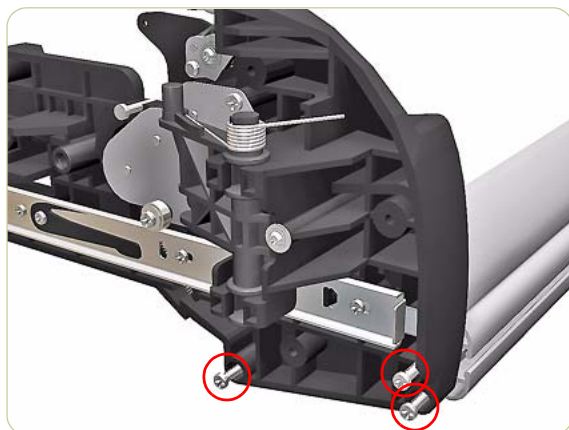


Roll 2 Left Spindle Support

Removal

Switch off the product and remove the power cable.

1. Remove the Roll 2 Left Drawer Cover ⇒ Page 8-211.
2. Remove the Roll 2 Bar ⇒ Page 8-211
3. Remove the Roll 2 Drawer ⇒ Page 8-211
4. Remove three screws (**Type A**) that secure the Left Spindle Support from the Roll 2 Drawer.

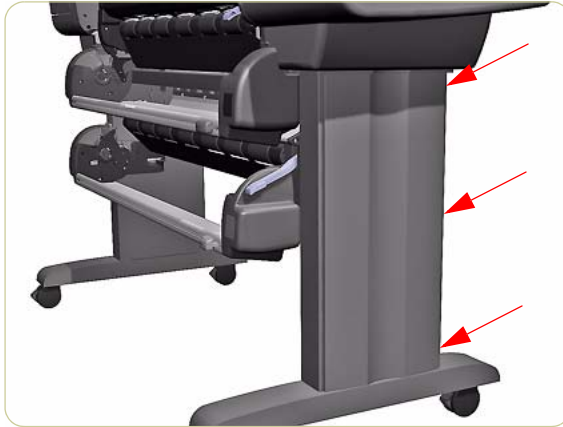


5. Remove the Left Spindle Support

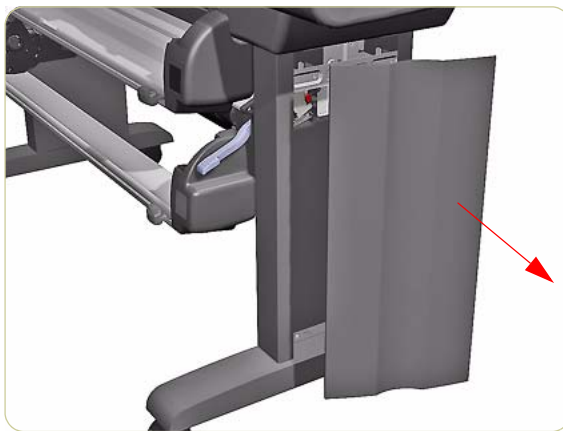
Roll 2 BT Arm Encoder Disc Assembly

Removal

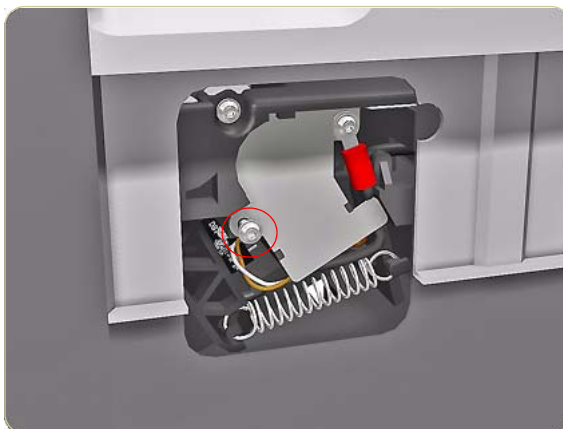
Switch off the product and remove the power cable.



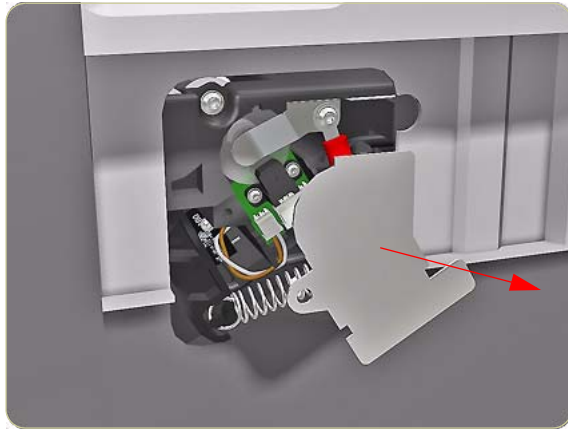
1. Apply pressure in the places shown to unclip the Right Stand Cover.



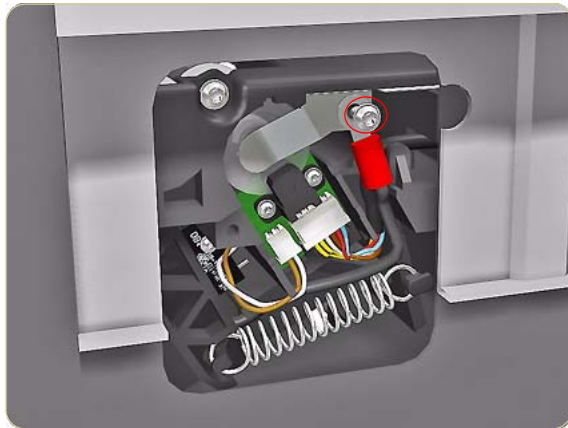
2. Remove the Right Stand Cover



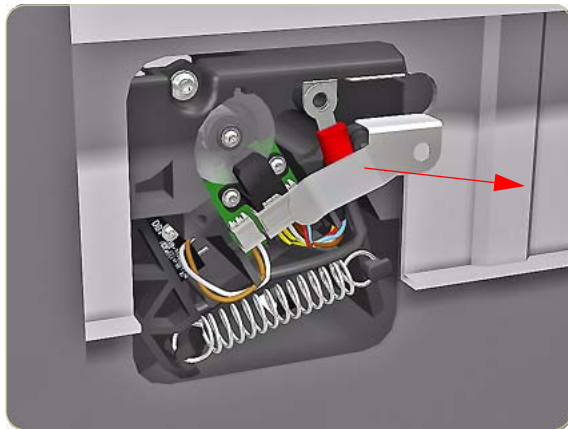
3. Remove one T-15 screw (**Type G**) that secures the BT Arm Encoder Disc Cover.



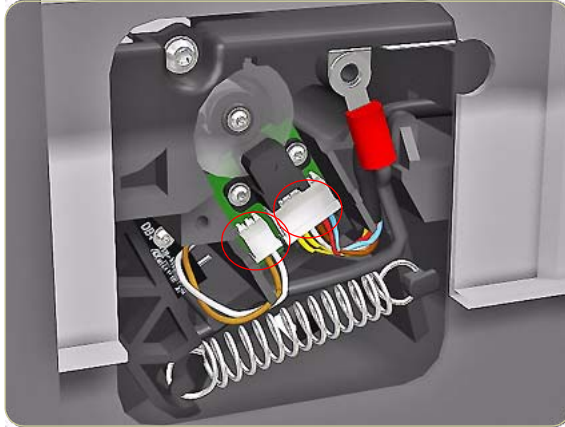
4. Remove the BT Arm Encoder Disc Cover.



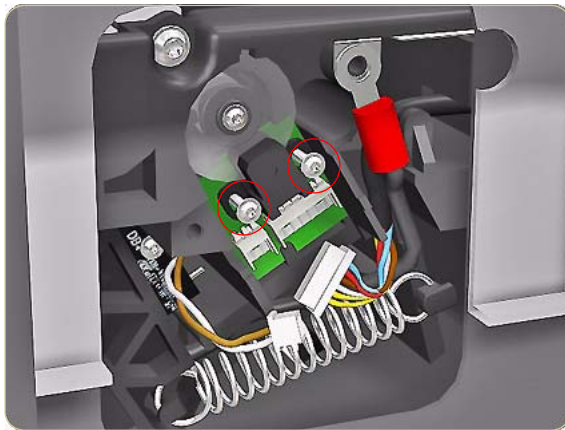
5. Remove one T-15 screw (**Type F**) that secures the encoder leaf spring and the earth wire from the right side.



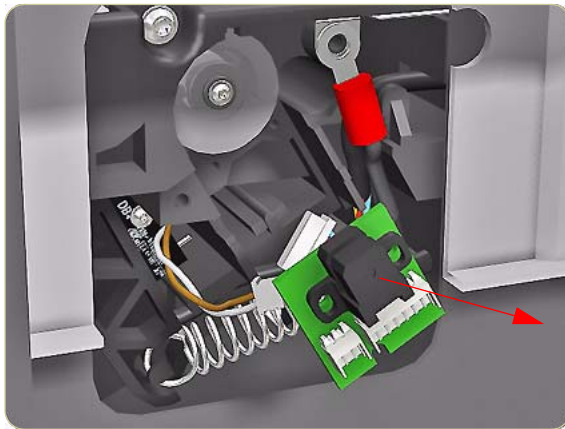
6. Remove the Encoder Leaf Spring from the right side.



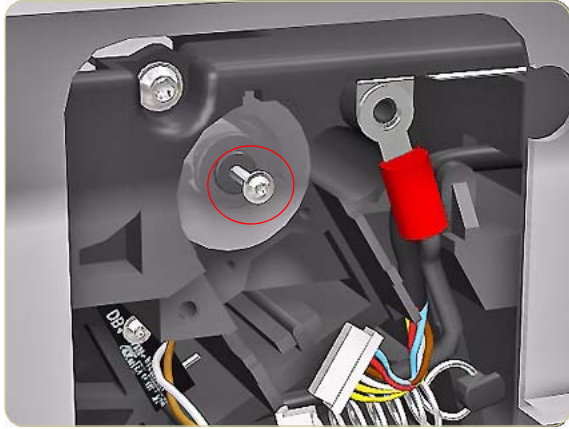
7. Disconnect two cables from the BT Arm Encoder Disc PCA.



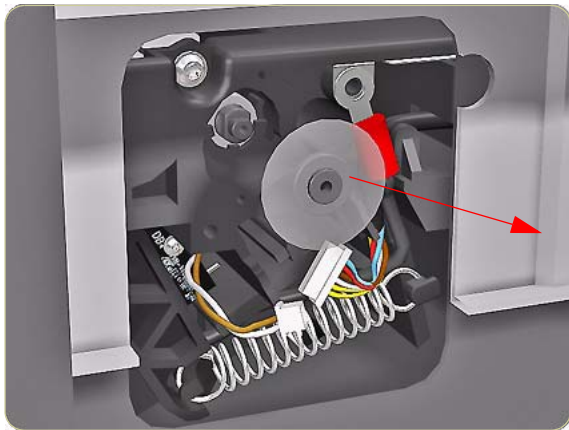
8. Remove two T-8 screws (**Type L**) that secure the BT Arm Encoder Disc PCA.



9. Remove the BT Arm Encoder Disc PCA.



- 10.** Remove one T-8 screw (**Type L**) that secures the BT Arm Encoder Disc.



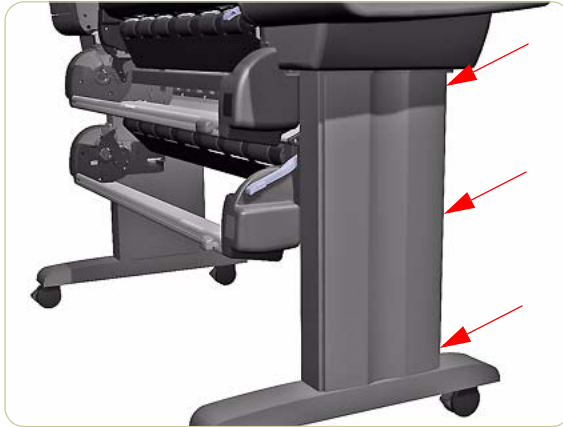
- 11.** Remove the BT Arm Encoder Disc.

Handle the BT Arm Encoder Disc with care.

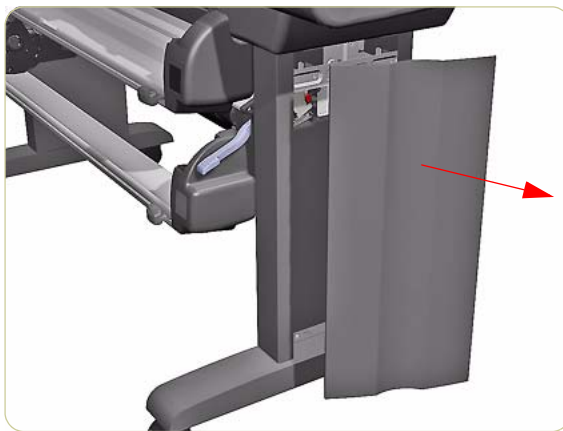
Roll 2 Paper Load Lever Sensor

Removal

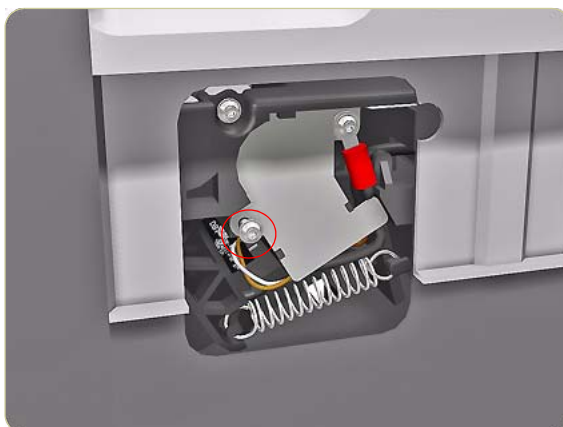
Switch off the product and remove the power cable.



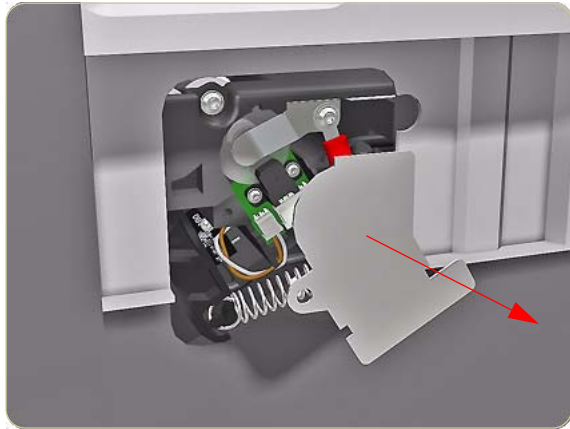
1. Apply pressure in the places shown to unclip the Right Stand Cover.



2. Remove the Right Stand Cover



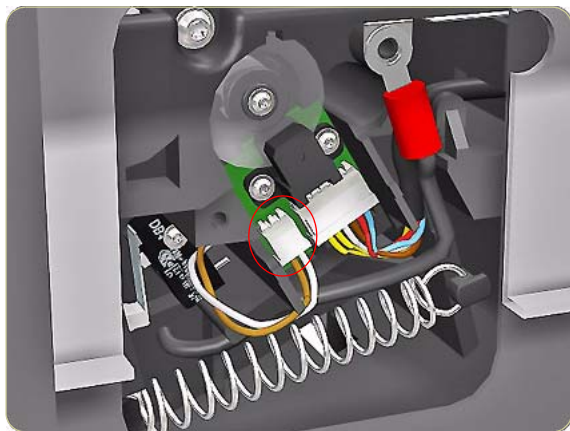
3. Remove one T-15 screw (**Type G**) that secures the BT Arm Encoder Cover.



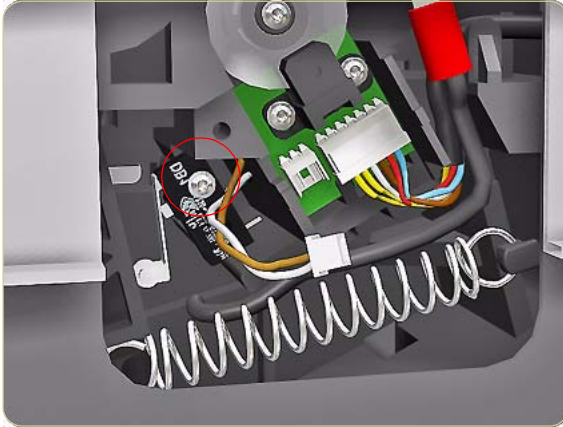
4. Remove the BT Arm Encoder Cover.



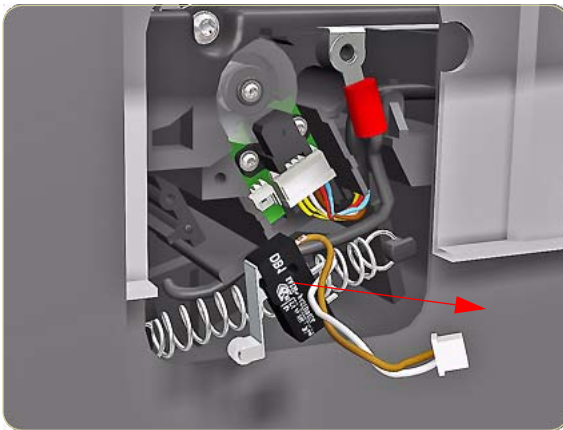
5. Move the Roll 2 Paper Load Lever to the Up Position.



6. Disconnect the Roll 2 Paper Load Lever Sensor Cable.



7. Remove one T-8 screw (**Type L**) that secures the Paper Load Lever Sensor.

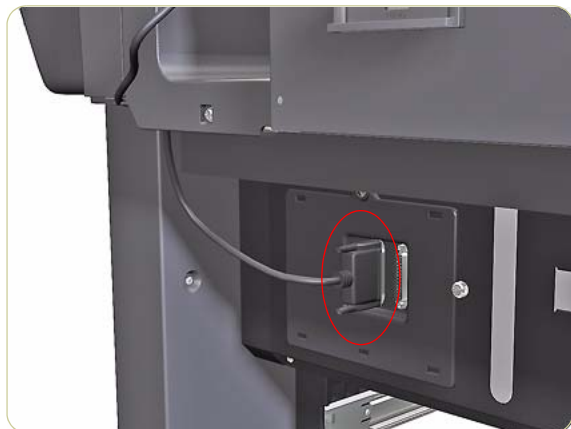


8. Remove the Paper Load Lever Sensor.

Roll 2 Interconnect PCA

Removal

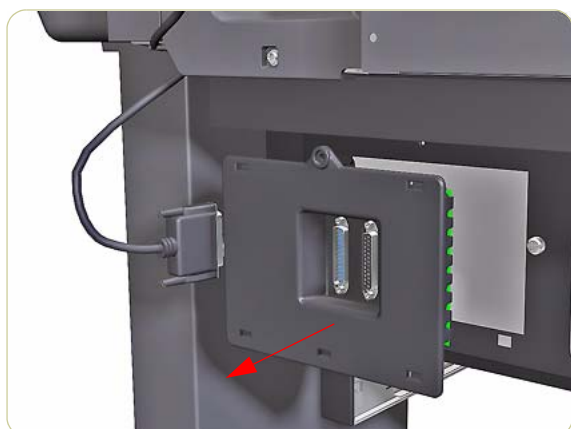
Switch off the product and remove the power cable.



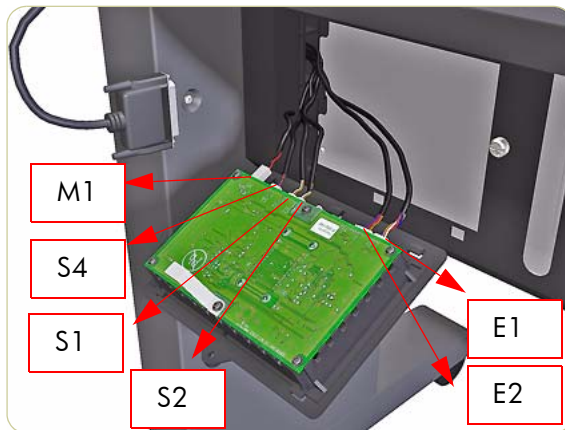
1. Disconnect the Power Cable from the rear of the Roll 2 Module.



2. Remove one T15 screw (**Type G**) that secures the Interconnect Panel at the rear of Roll 2 Module.



3. Remove the Interconnect Panel.



4. Disconnect all the cables from the Interconnect PCA.

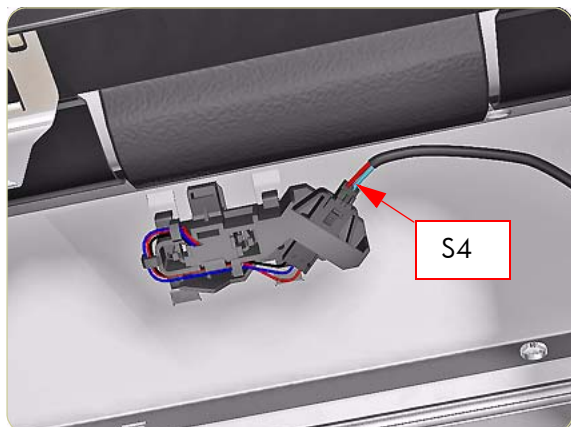


5. Remove the Interconnect PCA.

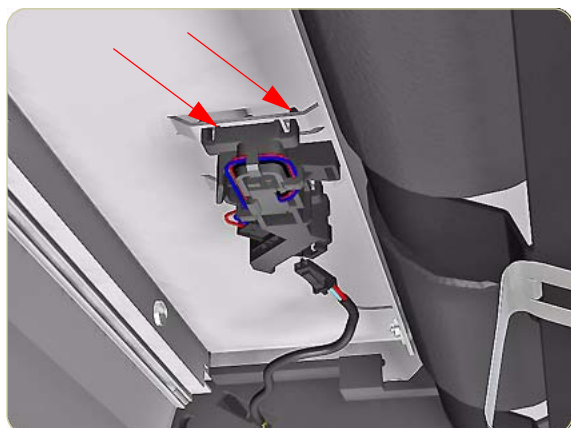
Roll 2 Media Sensor

Removal

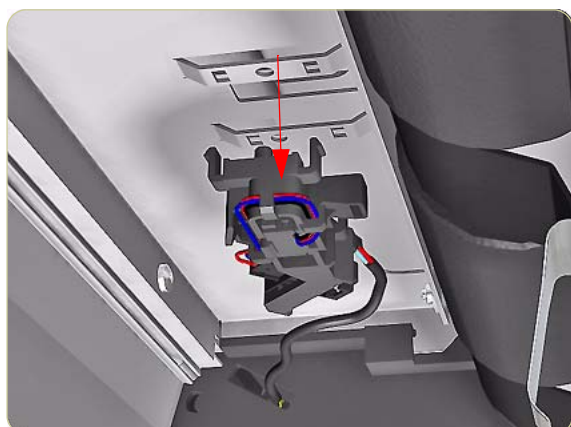
Switch off the product and remove the power cable.



1. Disconnect the cable (S4) from the Roll 2 Sensor from the below the Roll 2 Module.



2. Unclip the Sensor from the metal bracket below the Roll 2 Module.



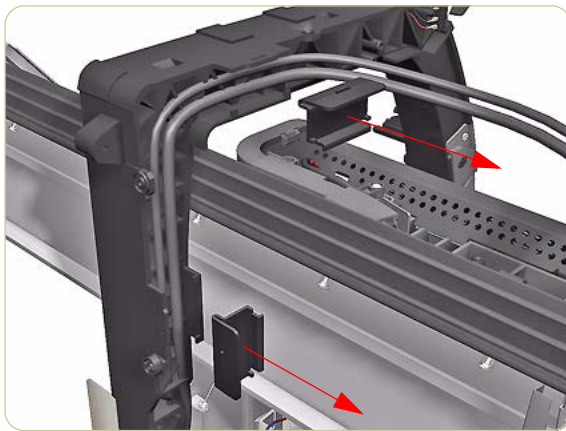
3. Remove the Roll 2 Sensor.

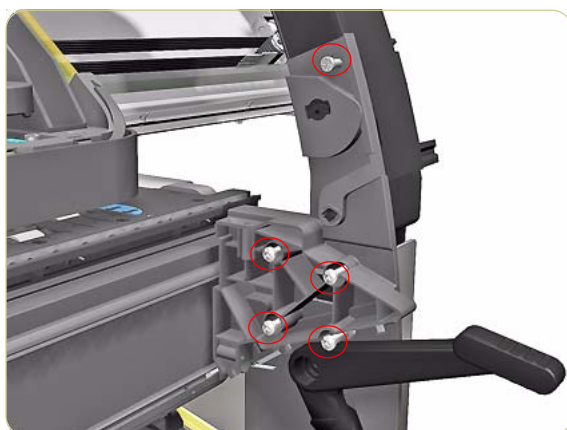
Rear Path

Removal

Switch off the product and remove the power cable.

1. Remove Right Cover ⇒ Page 8-8
2. Remove Left Cover ⇒ Page 8-11
3. Remove Top Cover ⇒ Page 8-18
4. Remove Rear Door ⇒ Page 8-23
5. Remove Right Connector Cover ⇒ Page 8-25
6. Remove Left Connector Cover ⇒ Page 8-26
7. Remove the Electronics Module ⇒ Page 8-131
8. Remove Front Panel ⇒ Page 8-27
9. Remove Service Station ⇒ Page 8-30
10. Remove Vacuum Fan ⇒ Page 8-34
11. Remove Ink Supply Station ⇒ Page 8-67
12. Remove Output Platen ⇒ Page 8-137
13. Remove Roll 1 Drawer ⇒ Page 8-171
14. Remove Roll 1 Module (Front Path) ⇒ Page 8-183
15. Remove Roll 2 Module ⇒ Page 8-222
16. Remove two plastic clips securing the Trailing Cable to the Right Arc.

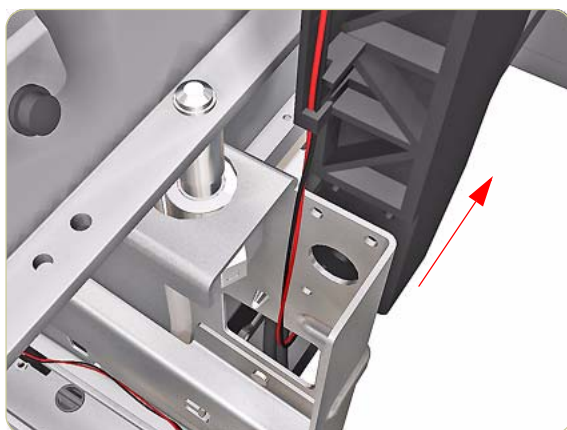




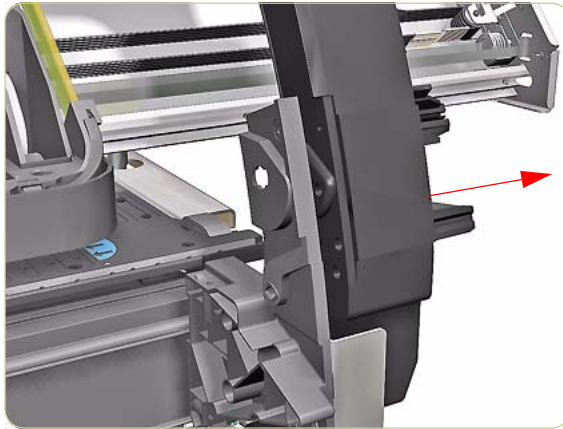
17. Remove five T15 screws (**Type A**) that secure the Right Arc to the Printer from the front.



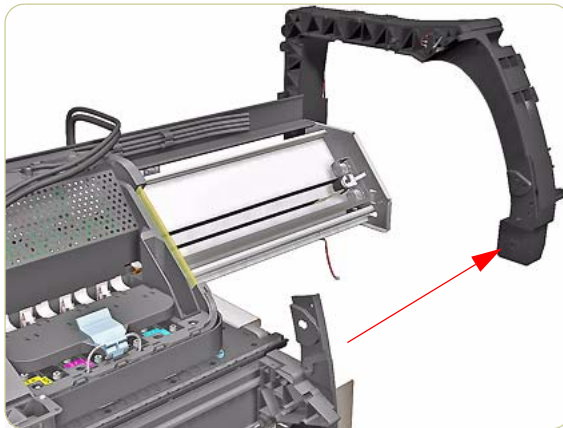
18. Remove four T15 screws (**Type A**) that secure the Right Arc to the Printer from the rear.



19. Remove the Right Arc from the rear.



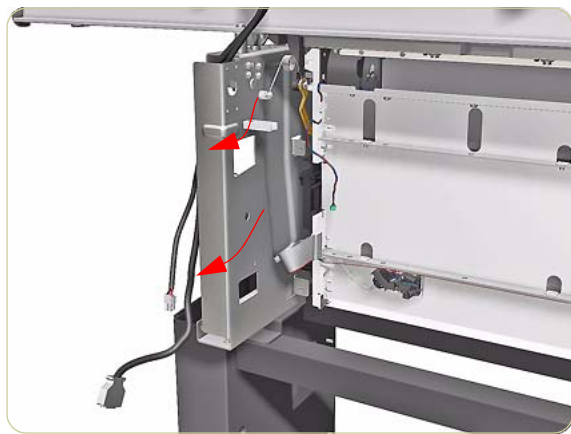
20. Remove the Right Arc from the front.



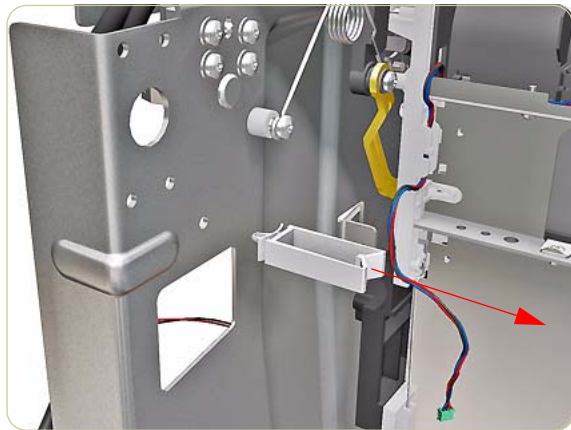
21. Remove the Right Arc from the Printer.



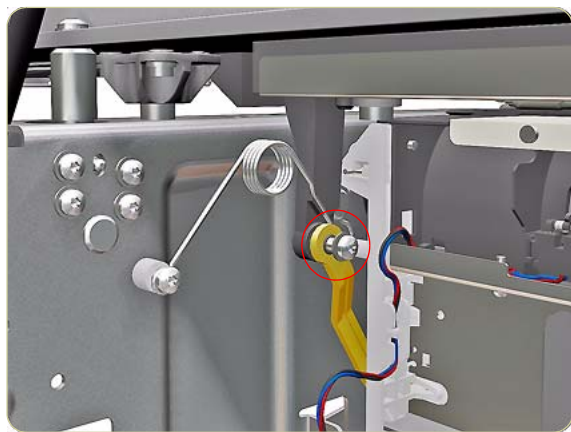
22. Remove all the cables from the cable clamp shown.



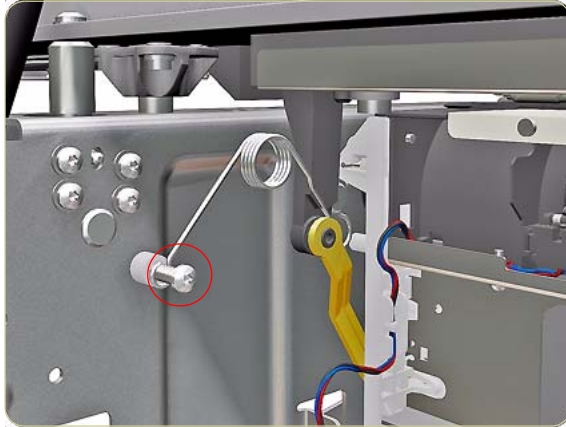
23. Move the cables away from the rear of the Printer.



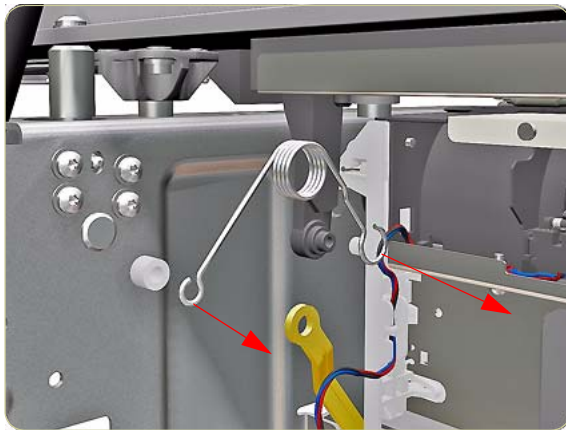
24. Remove the cable clamp from inside the rear of the Printer.



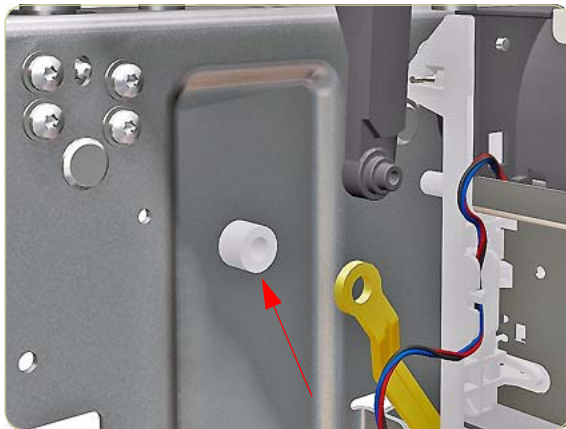
25. Remove one T-15 screw (**Type F**) that secures the Drive Pinch Lever Linkage to the Spring.



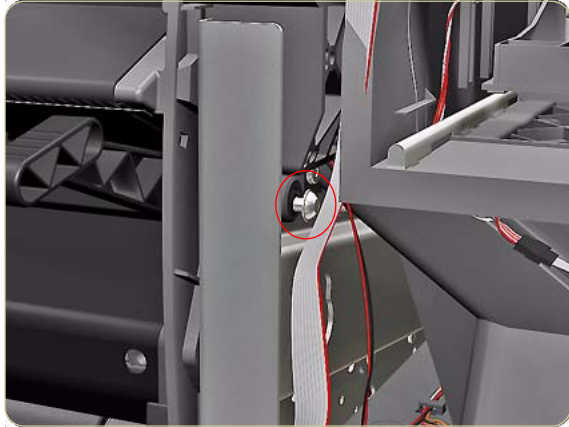
26. Remove one T-20 screw (**Type A**) that secures the Spring to the Spacer.



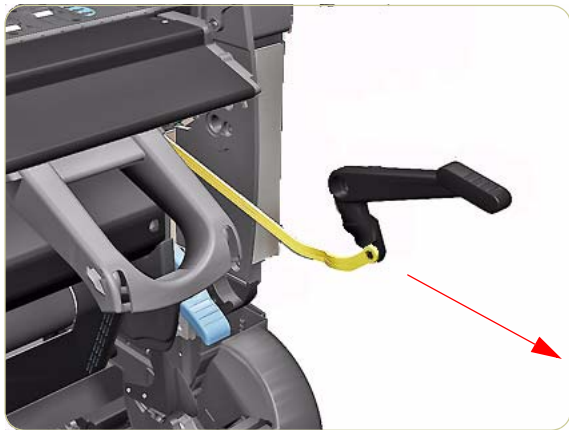
27. Remove the Drive Pinch Lever Spring.



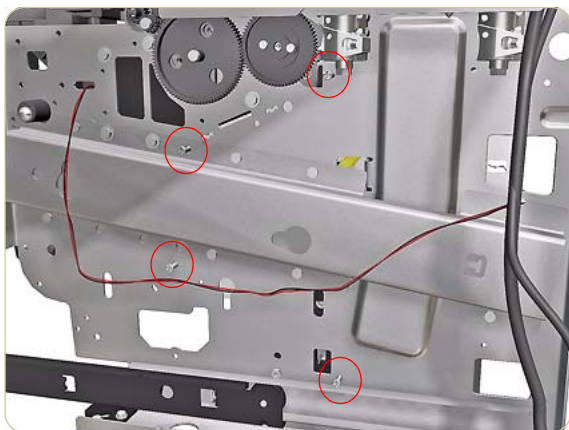
28. Be careful not to lose the spacer down the side of the Printer.



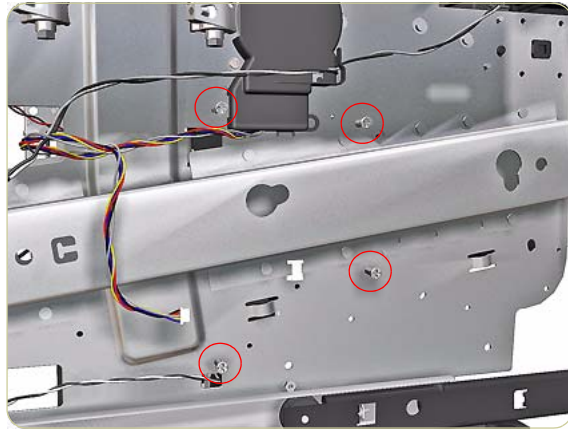
29. Remove one T-20 screw (**Type O**) that secures the Drive Pinch Lever to the Right Trim.



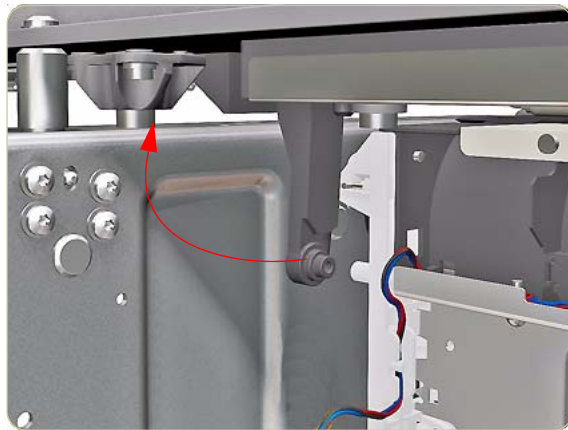
30. Remove the Drive Pinch Lever Assembly from the Printer.



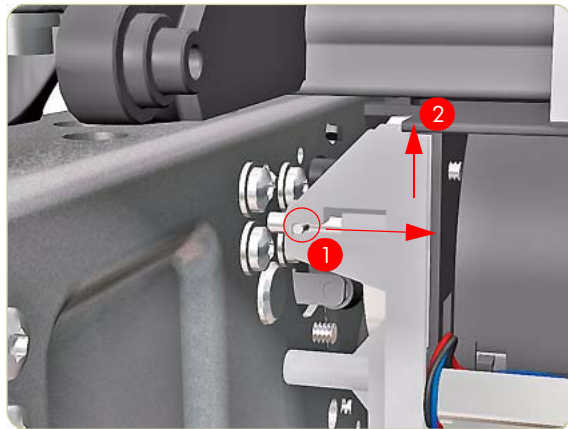
31. Remove four screws that secure the Rear Path from the right side of the Printer.



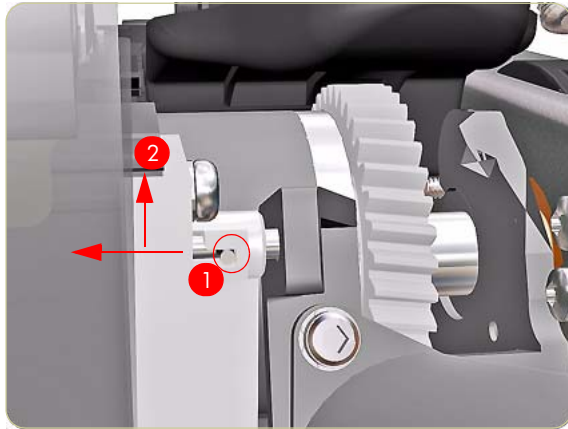
32. Remove four screws that secure the Rear Path from the left side of the Printer.



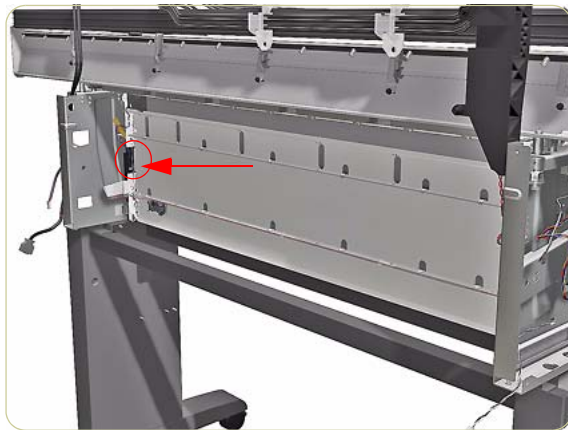
33. Move the Pinch Roller Arm to the up position.



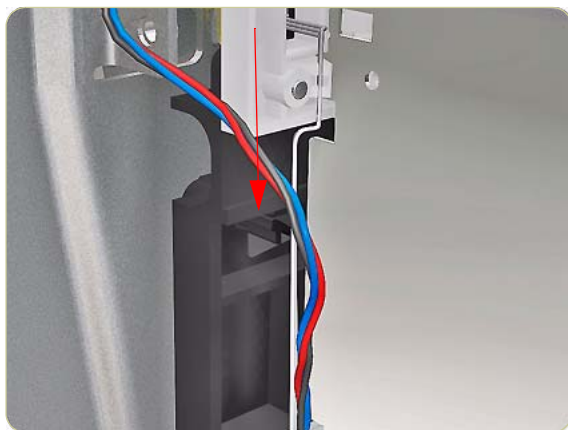
34. Slide the retaining pin on the right side of the Rear Path to the right (1) and up (2).



35. Slide the retaining pin on the left side of the Rear Path to the left (1) and (2) up.

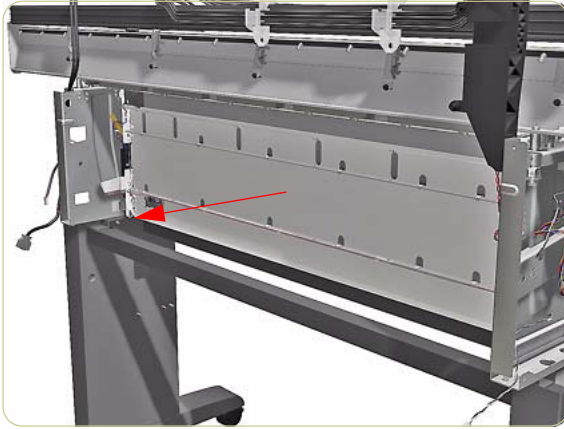


36. Look for a plastic clip on the left side of the Rear Path, it can be difficult to see.

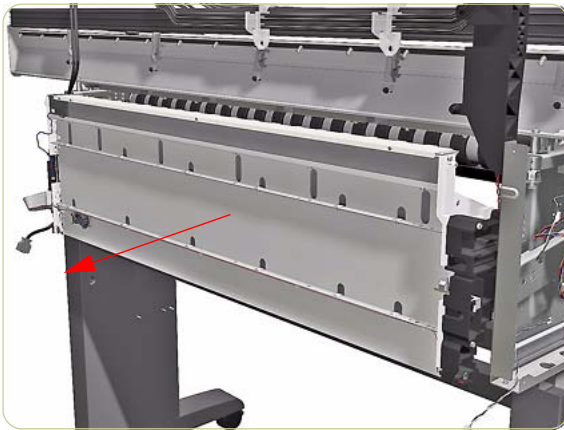


37. Push the plastic clip down to release the Rear Path.

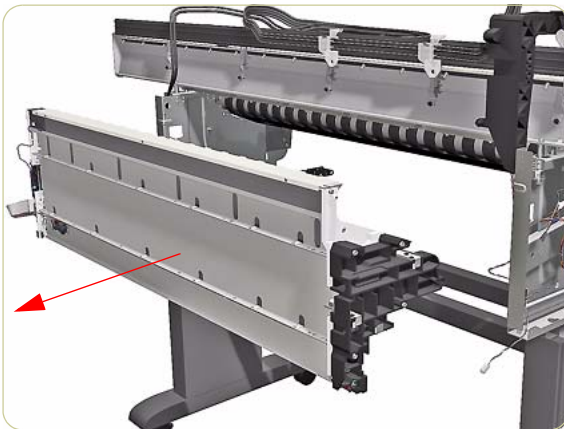
This step and the next must be performed at the same time



38. Slide the Rear Path towards you.



39. Using two people slide the Rear Path from the back of the Printer.



40. Using two people remove the Rear Path from the Printer.

Stacker

This chapter is a step by step guide to the removal and installation of the key components in the stacker.

Right Cover

Removal

Switch off the product and remove the power cable.



1. Open the Front Cover.



2. Remove one screw that secures the Right Cover.



3. Remove one screw that secures the Right Cover from the rear of the printer

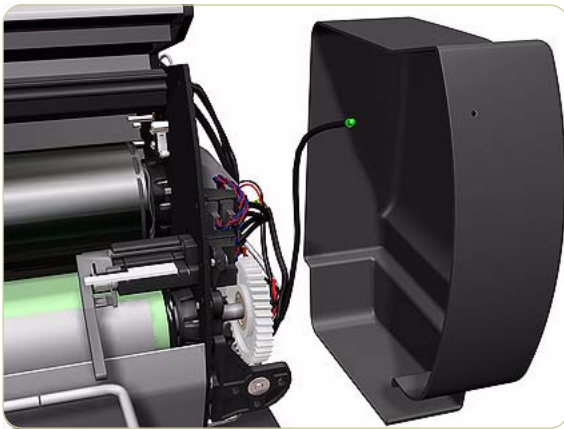


4. Remove one screw that secures the Right Cover from underneath at the rear.



5. Remove the LED from inside the Right Cover.

Use a flat-ended screw driver to prise apart the plastic holder securing the LED to the inside of the Right Cover.

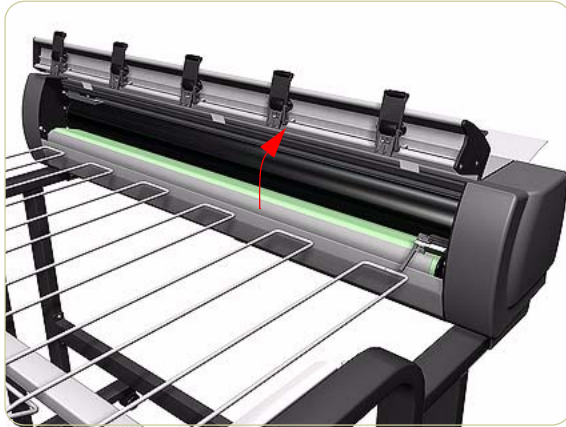


6. Remove the Right Cover

Left Cover

Removal

Switch off the product and remove the power cable.



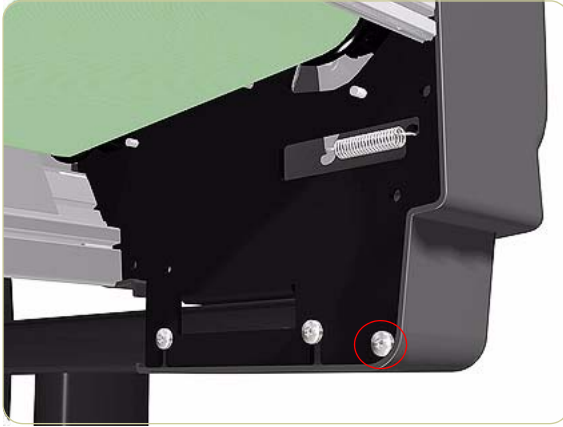
1. Open the Front Cover.



2. Remove one screw that secures the Left Cover.



3. Remove one screw that secures the Left Cover from the rear.



4. Remove one screw that secures the Left Cover from underneath at the rear.



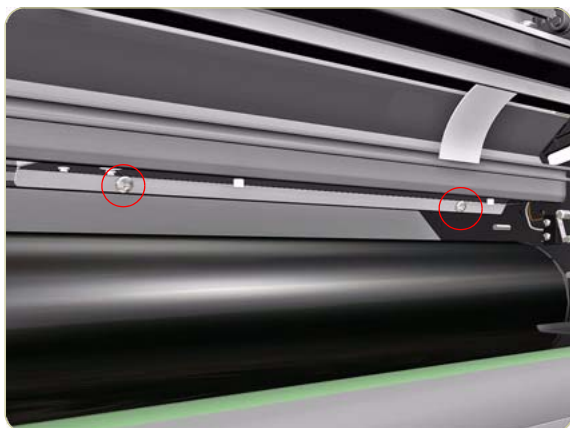
5. Remove the Left Cover.

Top Cover

Removal

Switch off the product and remove the power cable.

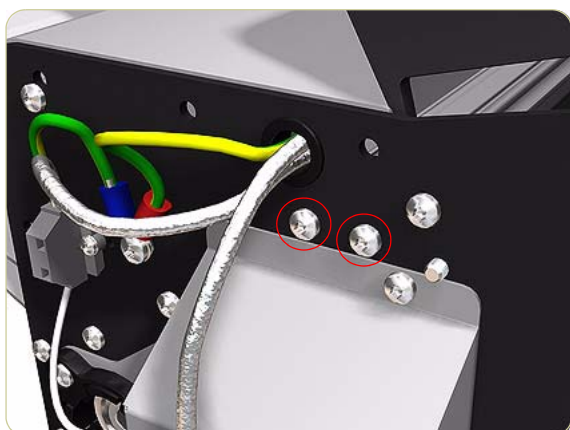
1. Remove the Right Cover ⇒ Page 8-276.
2. Remove the Left Cover ⇒ Page 8-278.
3. Remove two screws that secure the Temperature Sensor Plate.

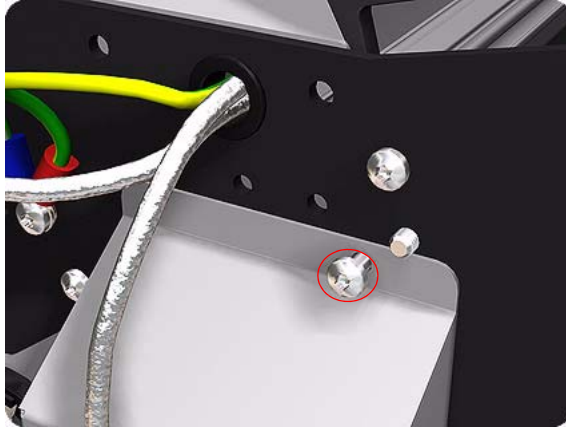


4. Pull down the Temperature Sensor Plate.

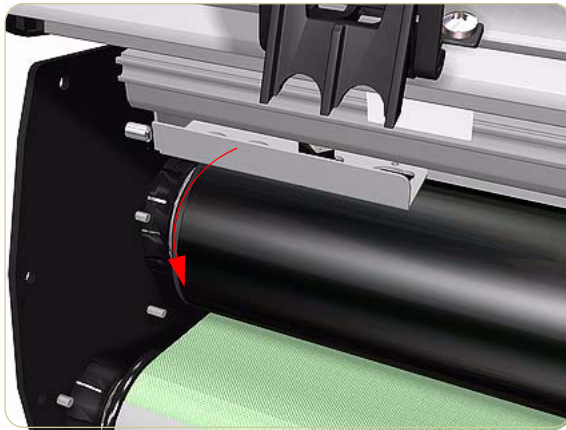


5. Remove two screws that secure the Safety Temperature Sensor Bracket from the left side of the chassis.

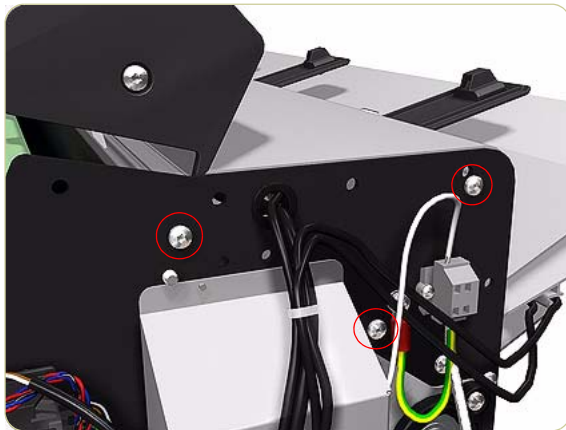




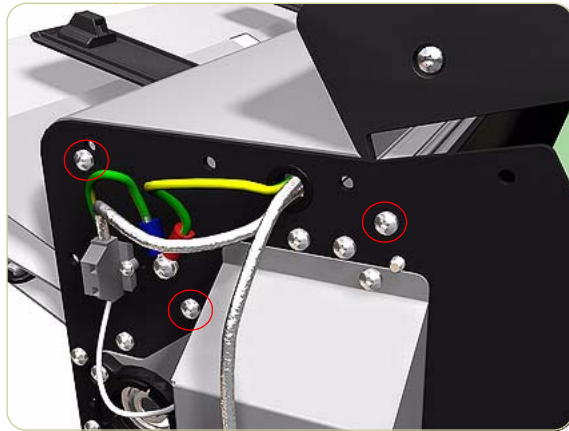
6. Loosen one screw that secures the top of the Left Heating Lamp Cover.



7. Slide down the Safety Temperature Sensor Bracket.



8. Remove three screws that secure the Top Cover from the right side.



9. Remove three screws that secure the Top Cover from the left side.



10. Remove the Top Cover with the Front Cover.

Lower Front Cover

Removal

Switch off the product and remove the power cable.

1. Remove the Right Cover ⇒ Page 8-276.
2. Remove the Left Cover ⇒ Page 8-278.
3. Remove the Drive Motor ⇒ Page 8-290.
4. Remove six screws that secure the top of the Electronics Module to the chassis.

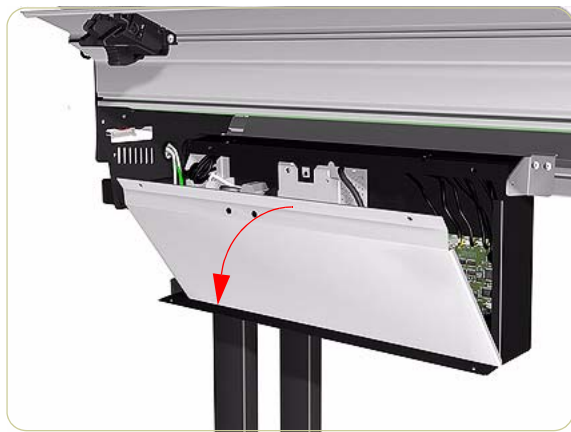


5. Pull the Electronics Module down.

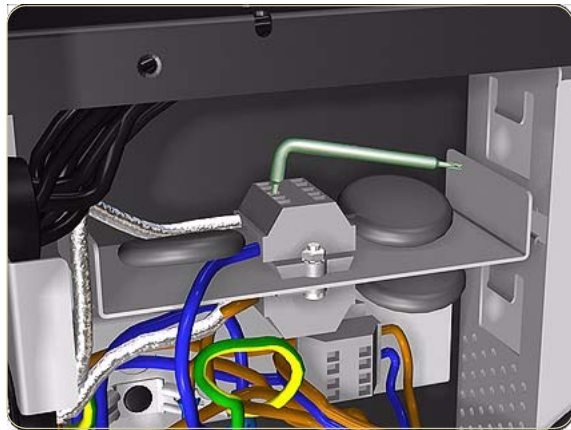


6. Remove two screws that secure the Electronics Module Cover.

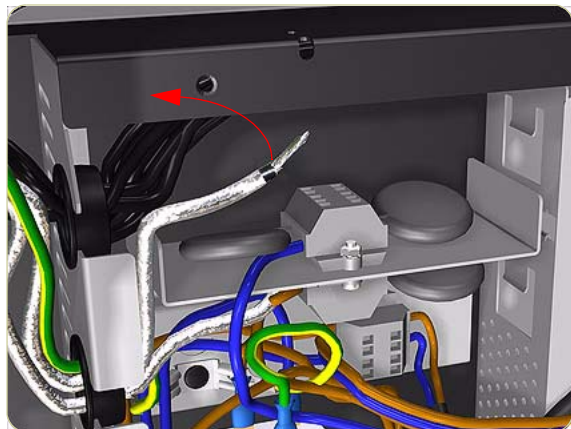




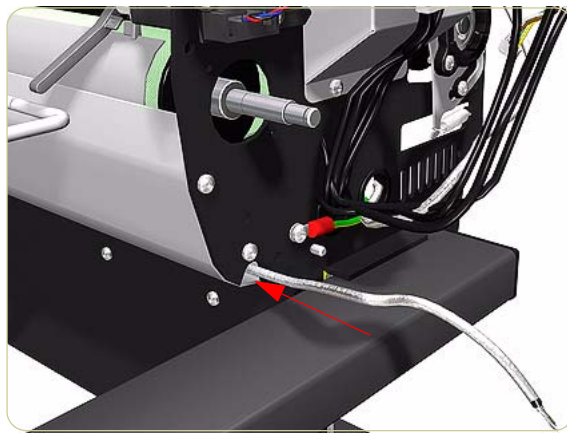
7. Remove the Electronics Module Cover.



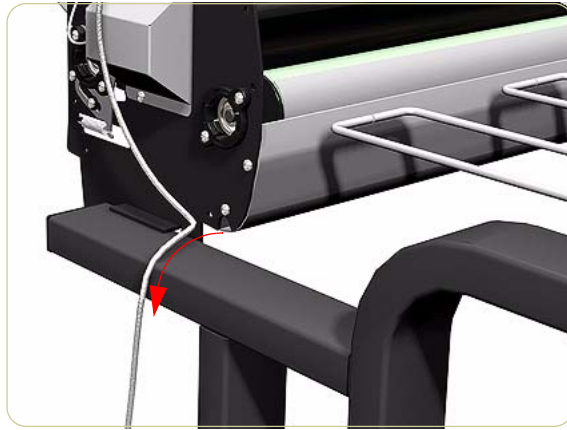
8. Disconnect the cable on the left of the Power Supply Unit by pushing down with an Allen key and releasing the cable.



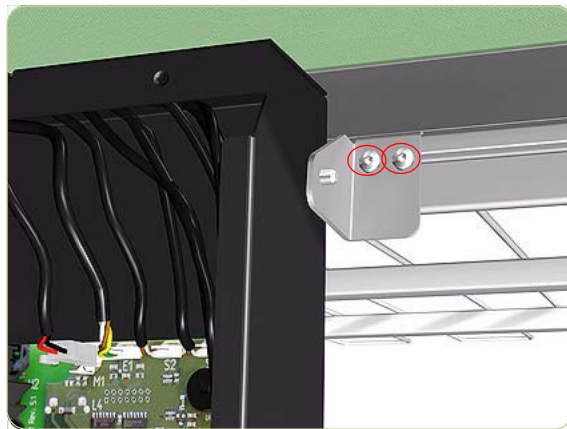
9. Remove the cable from the Electronics Module.



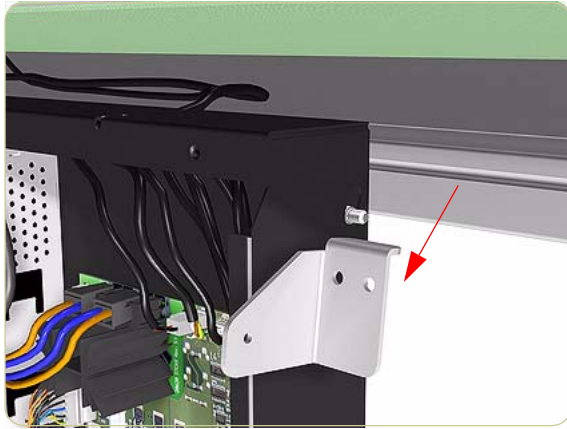
10. Push the cable back inside the Lower Front Cover.



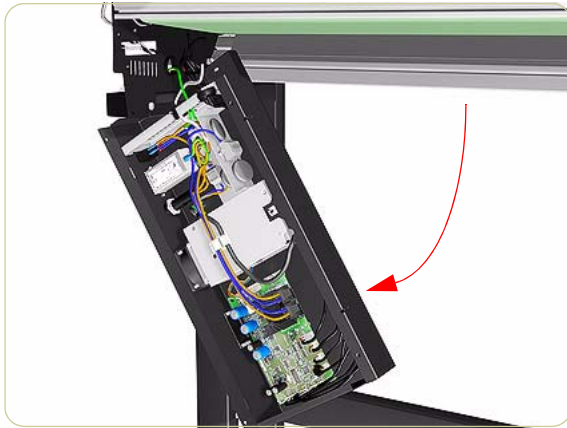
11. Pull the cable from the Lower Front Cover on the left side of the Stacker.



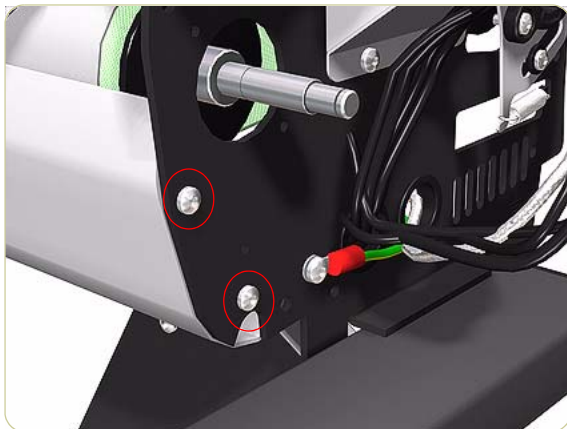
12. Remove two screws that secure the Right Hinge of the Electronics Module.



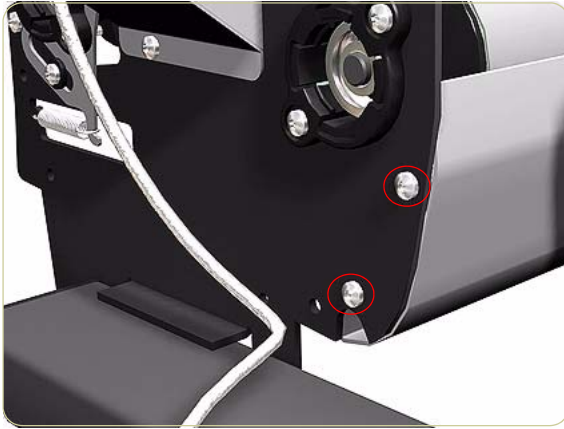
13. Remove the Right Hinge.



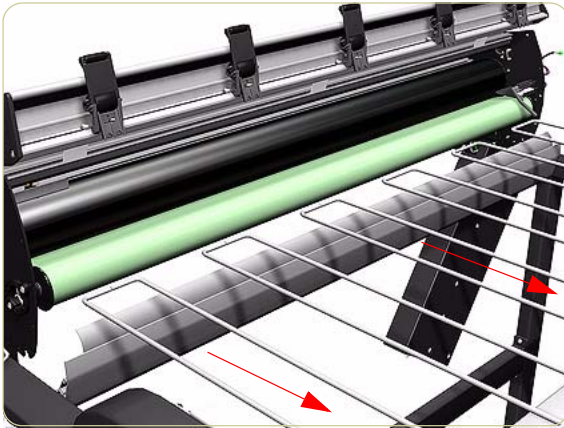
14. Slide down the right side of the Electronics Module.



15. Remove two screws that secure the Lower Front Cover from the right side of the Stacker.



- 16.** Remove two screws that secure the Lower Front Cover from the left side of the Stacker.

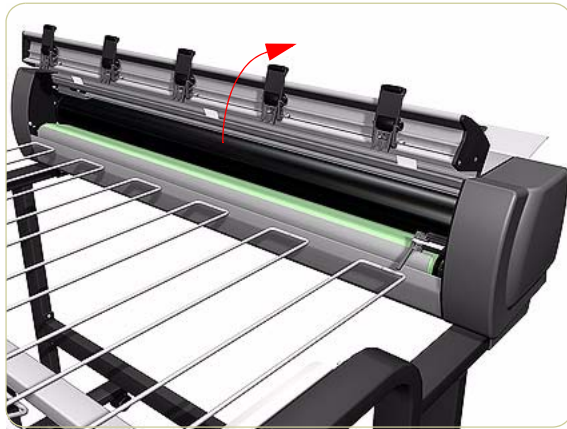


- 17.** Remove the Lower Front Cover.

Pinch Wheels

Removal

Switch off the product and remove the power cable.



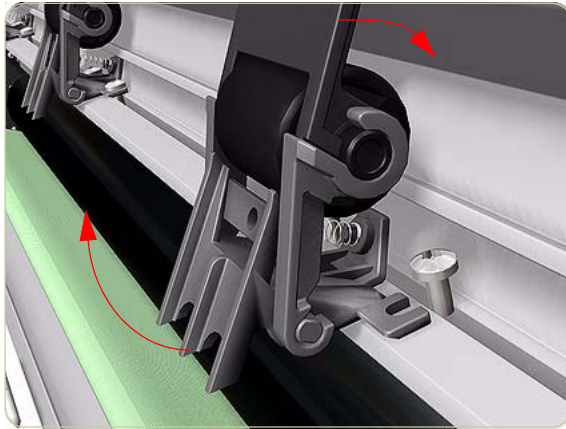
1. Open the Front Door.



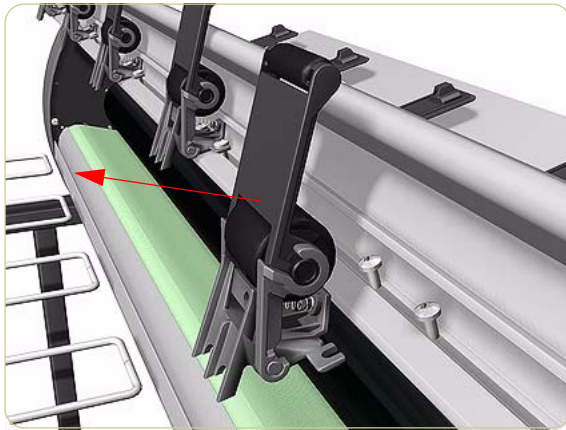
2. Loosen one screw on the left side of the Pinch Wheel.



3. Loosen one screw on the right side of the Pinch Wheel.



4. Rotate the bottom of Pinch Wheel slightly.



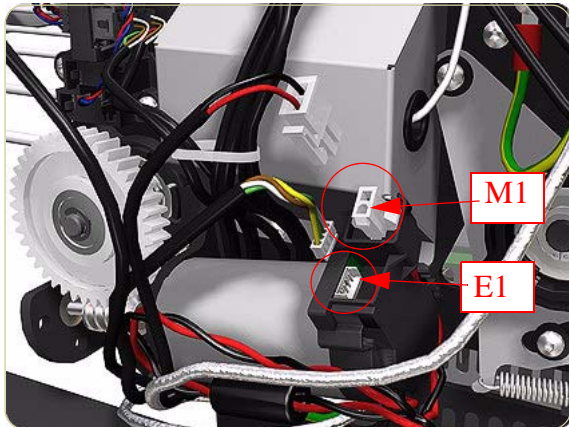
5. Remove the Pinch Wheel.

Drive Motor

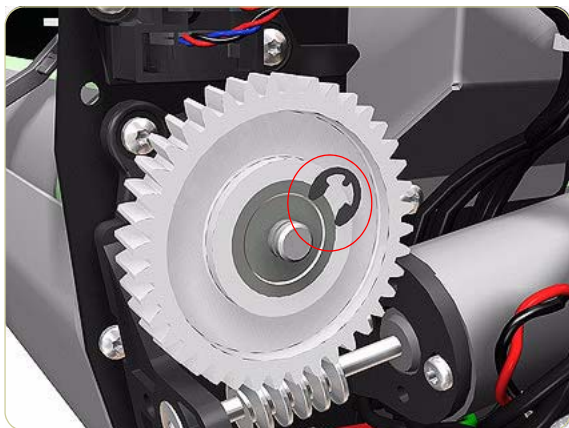
Removal

Switch off the product and remove the power cable.

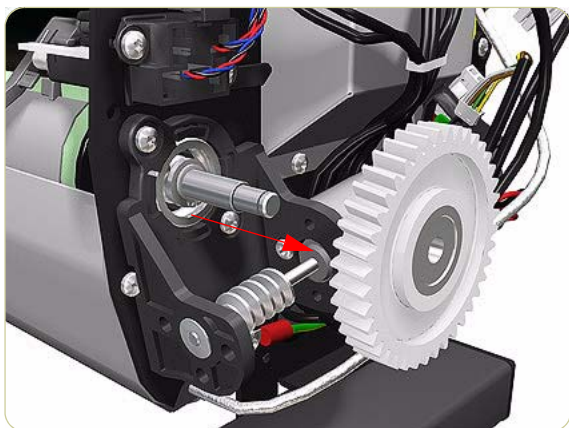
1. Remove the Right Cover ⇒ Page 8-276.
2. Disconnect two cables from the Drive Motor.

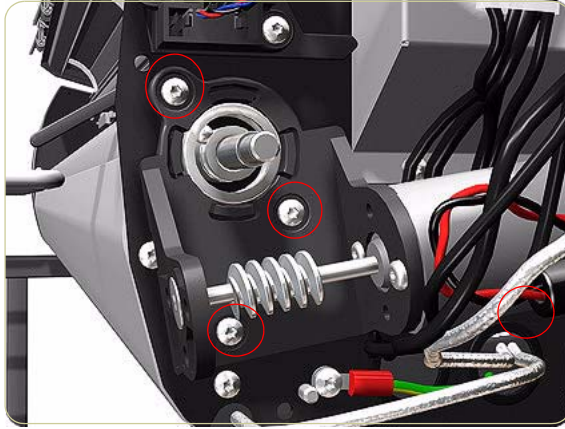


3. Remove an E-clip from the Drive Gear.



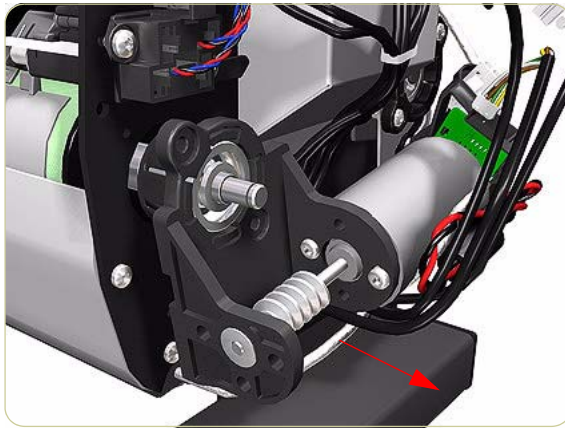
4. Remove the Drive Gear.





5. Remove four screws that secure the Driver Motor Assembly.

One screw is hidden below the Drive Motor behind cables, this screw also secures an ESD clip to the Stacker.



6. Remove the Drive Motor Assembly.

Use a flat-ended screw driver to prise the motor assembly away from the right end of the Stacker.

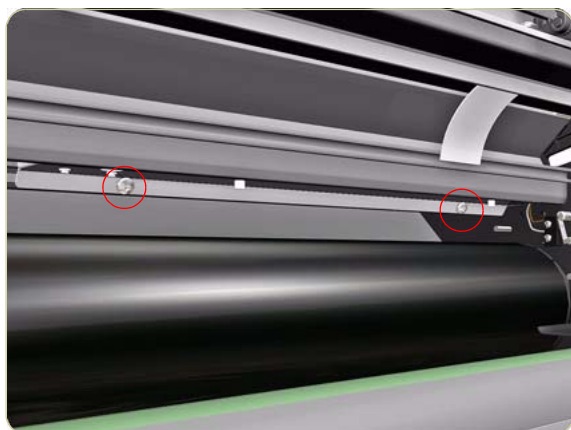
Front Cover Sensor

Removal

Switch off the product and remove the power cable.



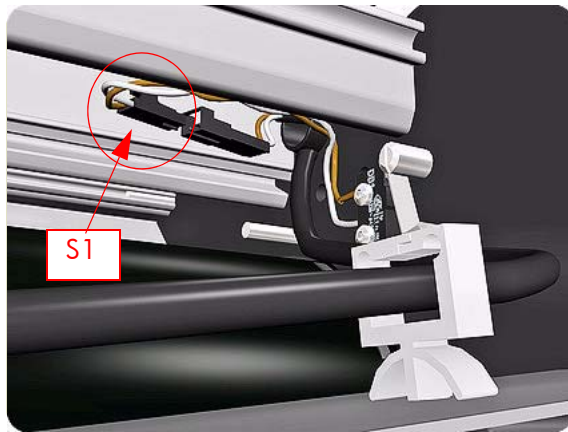
1. Open the Front Cover.



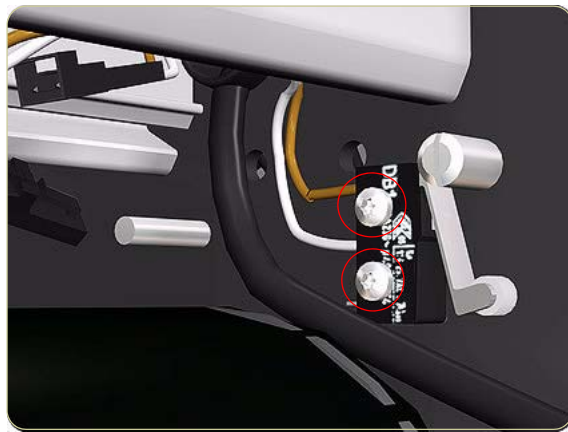
2. Remove two screws that secure the Temperature Sensor Plate.



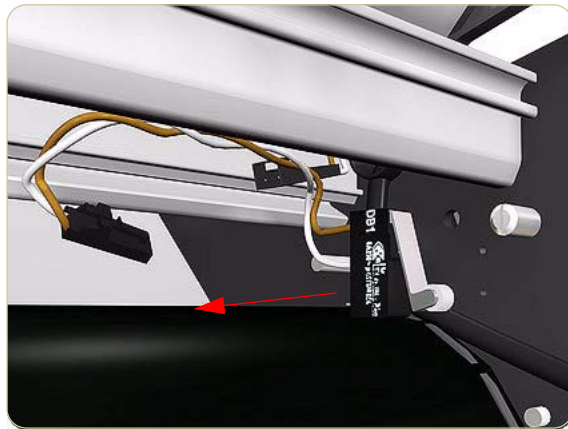
3. Slide down the Temperature Sensor Plate.



- 4.** Disconnect the cable from the Front Cover Sensor.



- 5.** Remove two screws that secure the Front Cover Sensor.

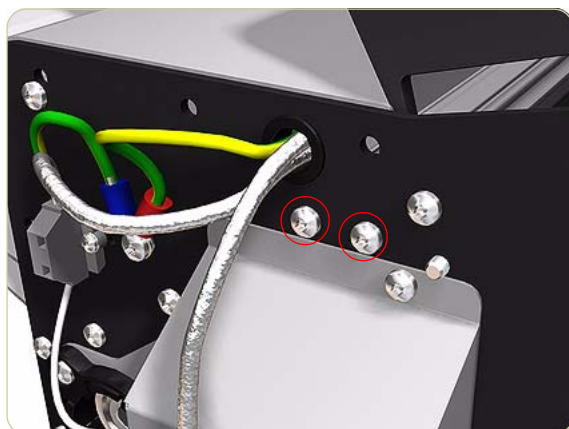


- 6.** Remove the Door Sensor.

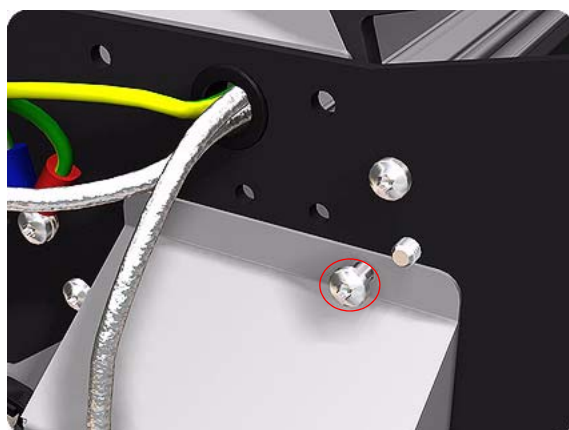
Safety Temperature Sensor

Removal

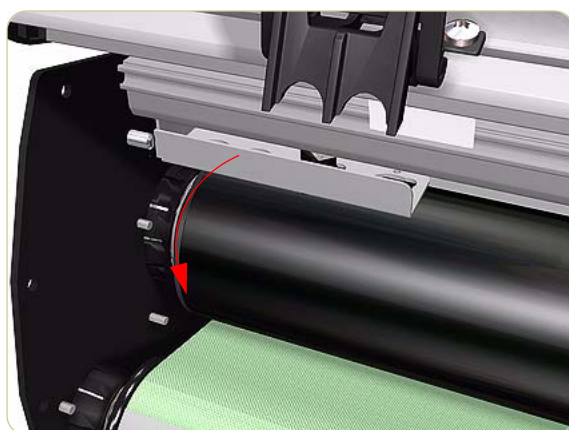
Switch off the product and remove the power cable.



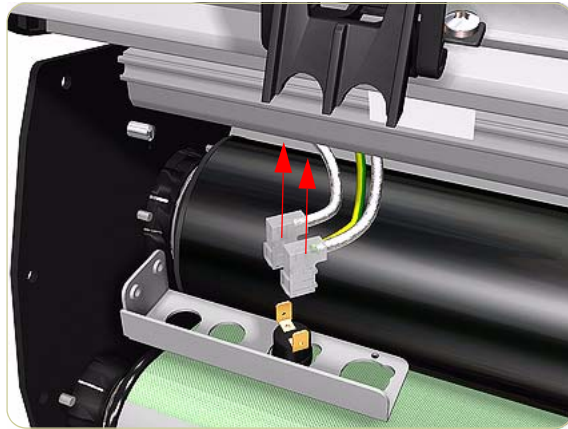
1. Remove the Left Cover ⇒ Page 8-278.
2. Remove two screws that secure the Safety Temperature Sensor Bracket from the left side of the chassis.



3. Loosen one screw that secures the top of the Left Heating Lamp Cover.



4. Slide down the Safety Temperature Sensor Bracket.



5. Disconnect the cables from the Safety Temperature Sensor.

When removing or installing the Safety Temperature Sensor take care not to damage the surface of the Heat Roller.

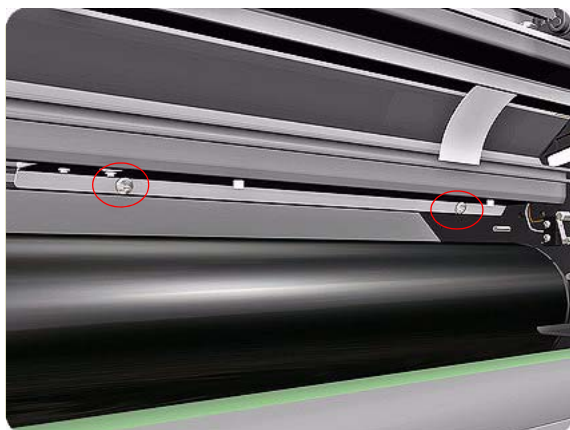
Temperature Sensor PCA

Removal

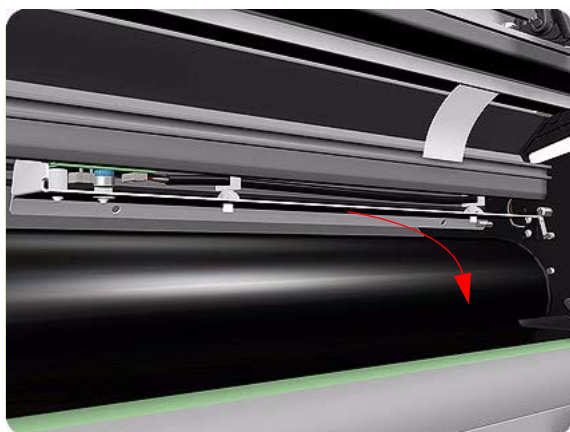
Switch off the product and remove the power cable.



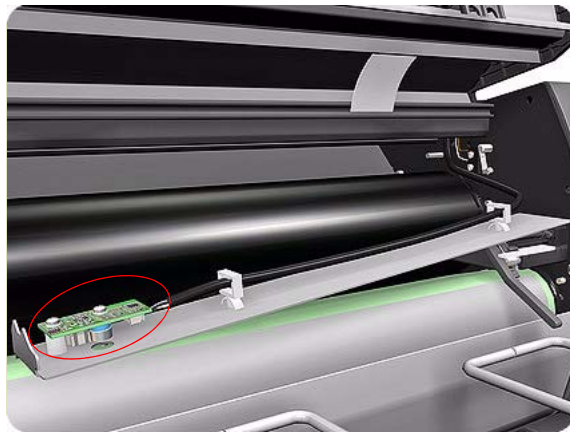
1. Open the Front Cover.



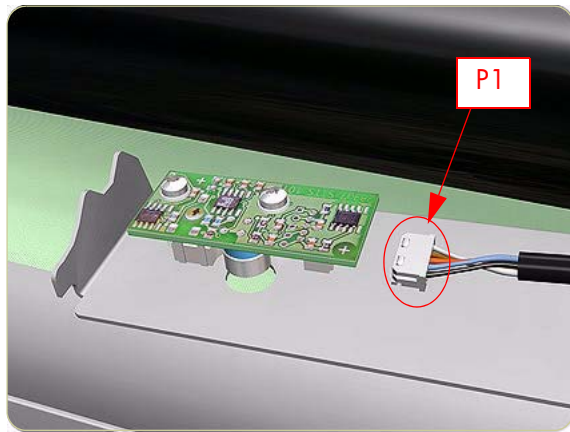
2. Remove two screws that secure the Temperature Sensor Plate.



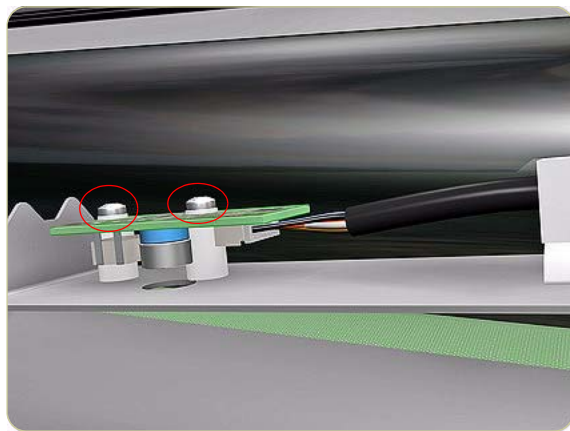
3. Slide the Temperature Sensor Plate down



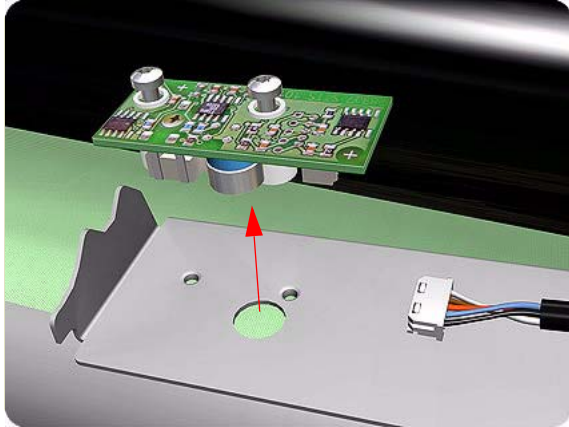
4. Turn the Temperature Sensor Plate over.



5. Disconnect the cable from the Temperature Sensor PCA.



6. Loosen two screws that secure the Temperature Sensor PCA.



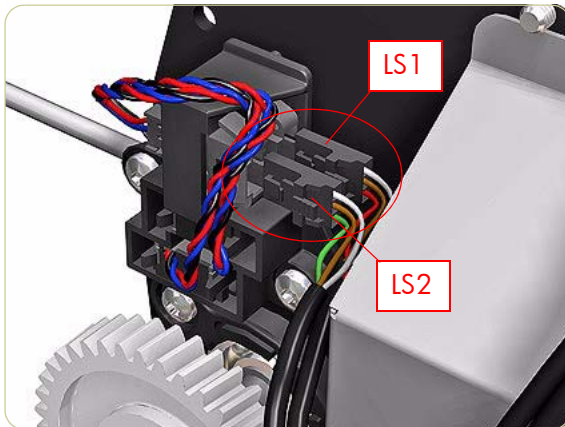
7. Remove the Temperature Sensor PCA.

Media Sensor

Removal

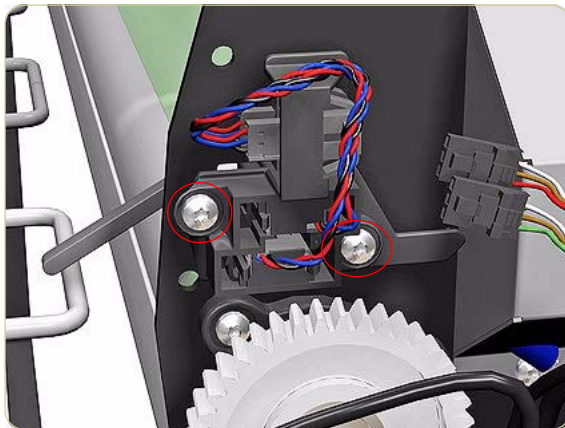
Switch off the product and remove the power cable.

1. Remove the Right Cover ⇒ Page 8-276.
2. Disconnect the cables from the Media Sensor on the right side of the stacker.

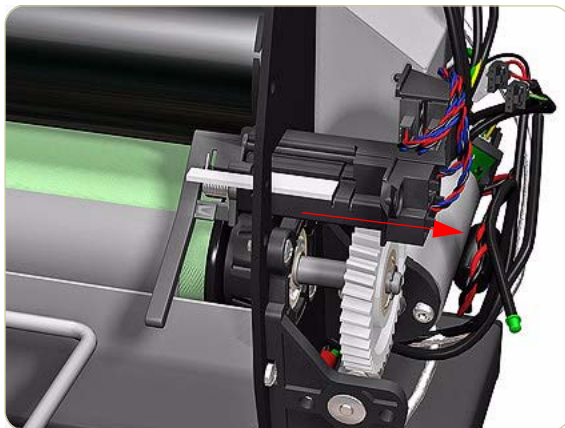


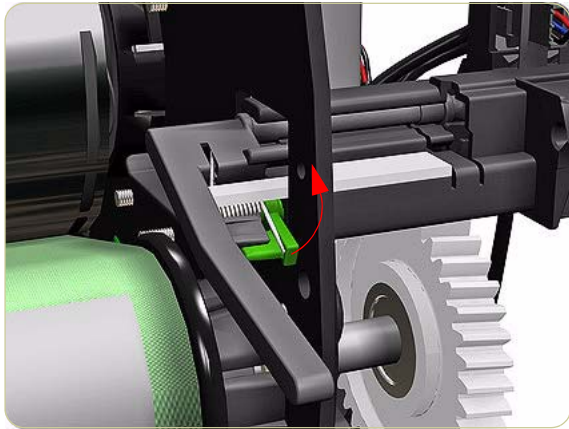
It is very important that when you reinstall the Media Sensor that you connect the cables correctly. The cable marked LS2 is closest to you, the cable marked LS1 is closest to the Stacker.

3. Remove two screws that secure the Media Sensor.

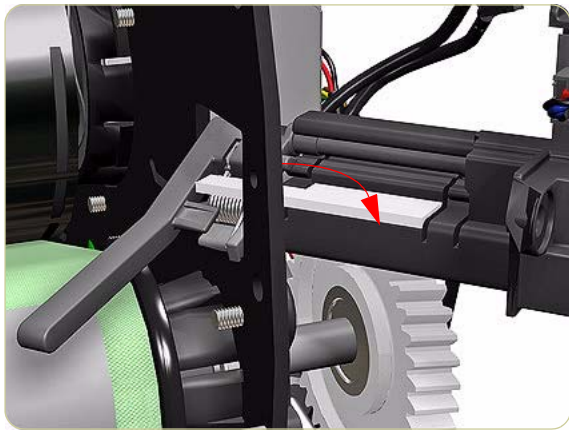


4. Slide the Media Sensor to the right.





5. To enable you to pass the Media Sensor through the hole in the chassis, you have to push up the Media Jam Lever (shown in green).



6. Carefully pass the Media Sensor out through the hole by slightly turning the sensor horizontally.



7. Remove the Media Sensor.

Extension Tray

Removal

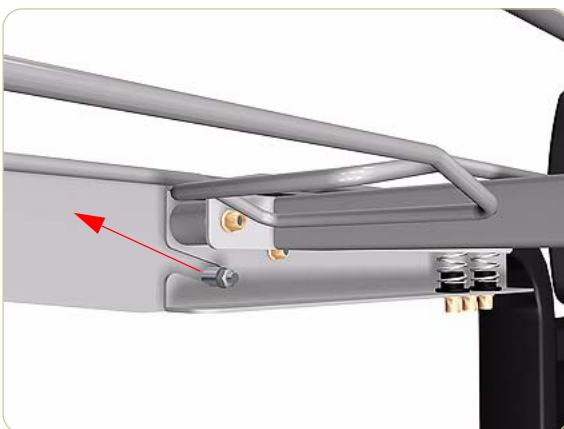
Switch off the product and remove the power cable.



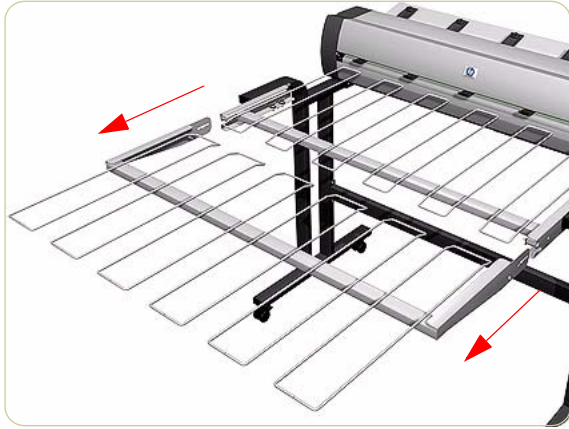
1. Make sure the Extension Tray is in the Up position.



2. Remove one wing screw from each side of the Extension Tray.



3. Pull out the Extension Tray.



4. Remove the Extension Tray.

Receiving Tray

Removal

Switch off the product and remove the power cable.

1. Remove the Extension Tray ⇒ Page 8-301.
2. Remove two screws and a bearing from each side of the Stacker

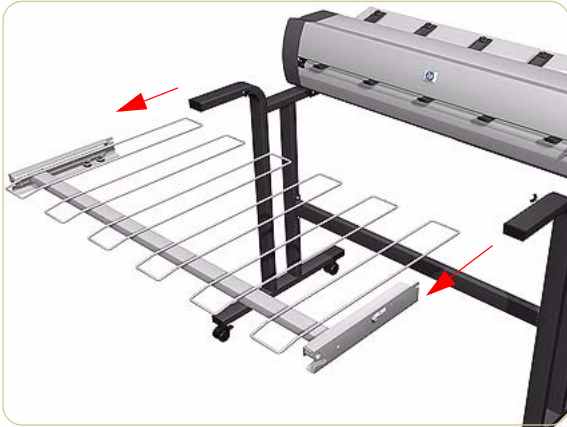


3. Loosen two wing screws each side of the Stacker.

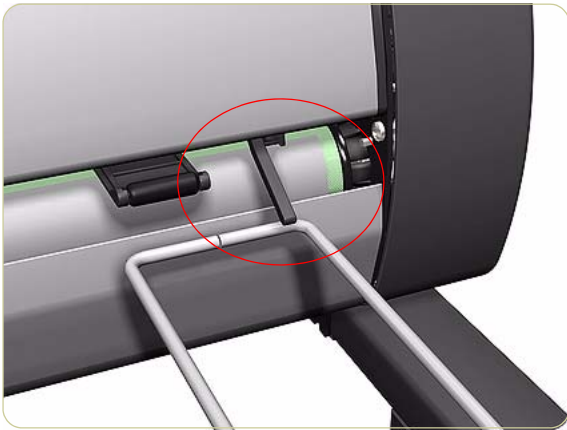


4. Pull out each side of the Receiving Tray.





5. Remove the Receiving Tray.



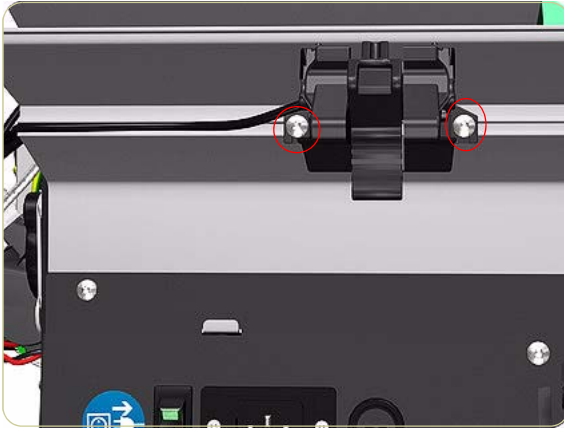
6. When removing and installing the Receiving Tray make sure you do not damage the media sensor.

Printer Interlocks

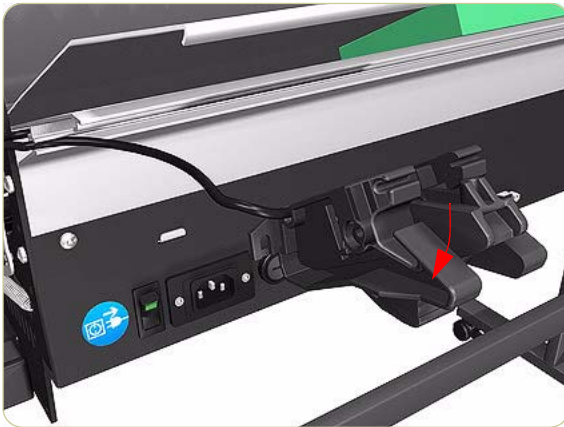
Removal

Switch off the product and remove the power cable.

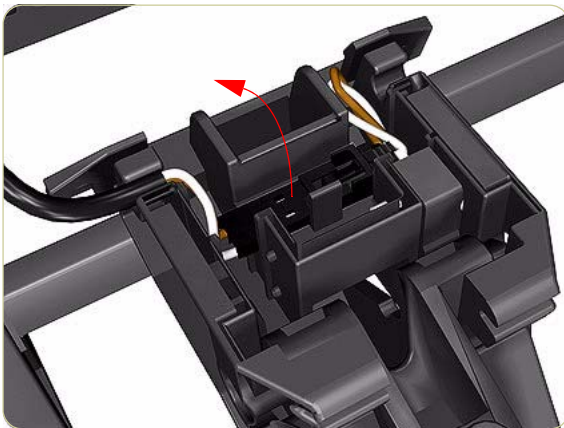
1. Remove the Right Cover ⇒ Page 8-276.
2. Remove the Left Cover ⇒ Page 8-278.
3. Remove two screws that secure each side of the two Printer Interlocks.

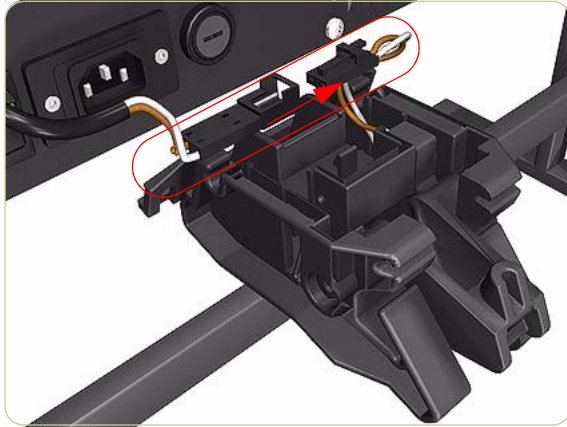


4. Remove the two Printer Interlocks.



5. Remove the Printer Interlock Sensor from the Right Printer Interlock.





6. Disconnect the cable from the Right Printer Interlock.

Only the Right Printer Interlock contains a sensor and cable.

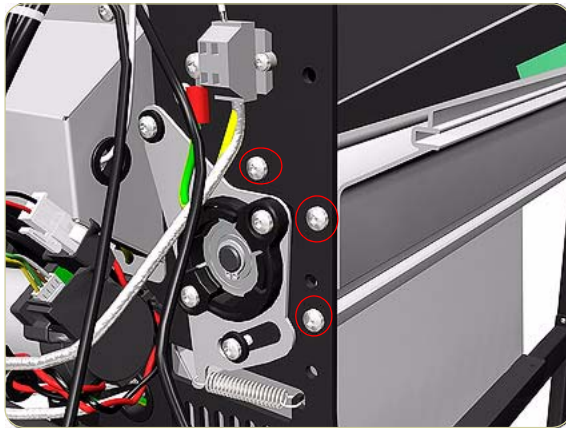
When reinstalling the Printer Interlocks make sure they are installed in the same position as when they were removed.

Paper Infeed Platen

Removal

Switch off the product and remove the power cable.

1. Remove the Right Cover ⇒ Page 8-276.
2. Remove the Left Cover ⇒ Page 8-278.
3. Remove Printer Interlocks ⇒ Page 8-278.
4. Remove three screws that secure the right side of the Paper Infeed Platen.



5. Remove three screws that secure the left side of the Paper Infeed Platen.



6. Remove the Paper Infeed Platen.



Electronics PCA

Removal

Switch off the product and remove the power cable.



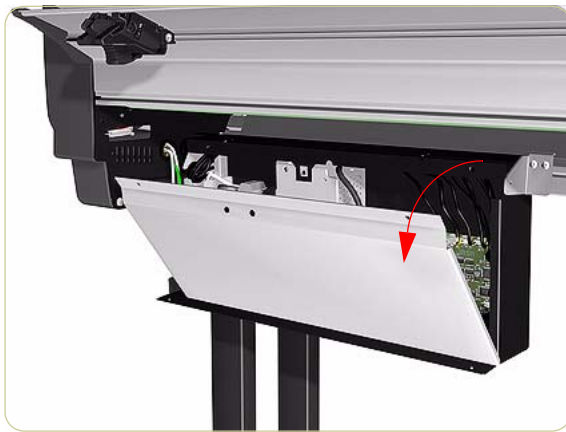
1. Remove six screws that secure the top of the Electronics Module to the chassis.



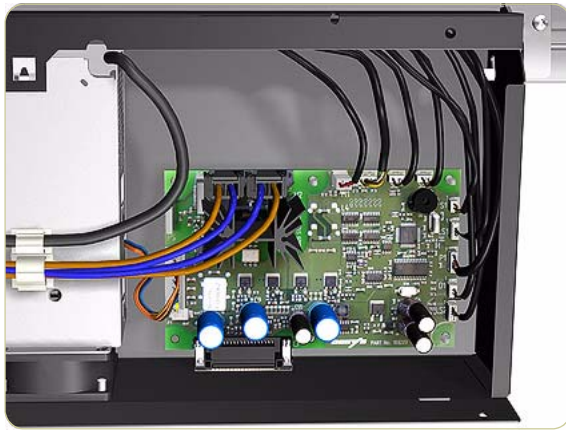
2. Pull the Electronics Module down.



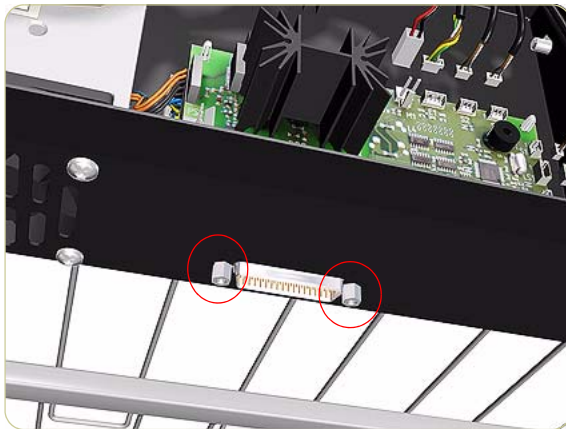
3. Remove eight screws that secure the Electronics Module Cover



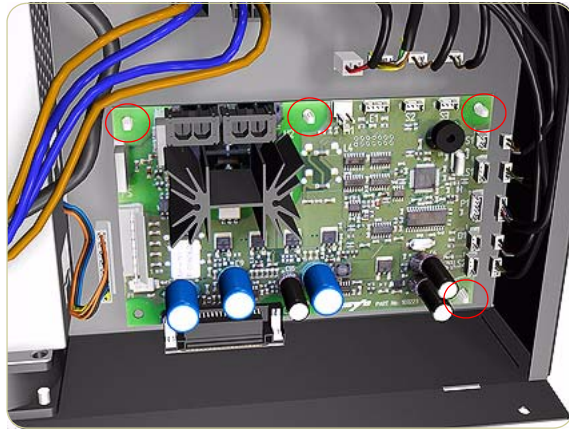
4. Remove the Electronics Module Cover.



5. Disconnect all cables from the Electronics PCA.



6. Remove two screws that secure the Electronics Module Power Connector.



7. Release the Electronics PCA from four plastic locating pins.



8. Remove the Electronics PCA.

Power Supply Unit

Removal

Switch off the product and remove the power cable.



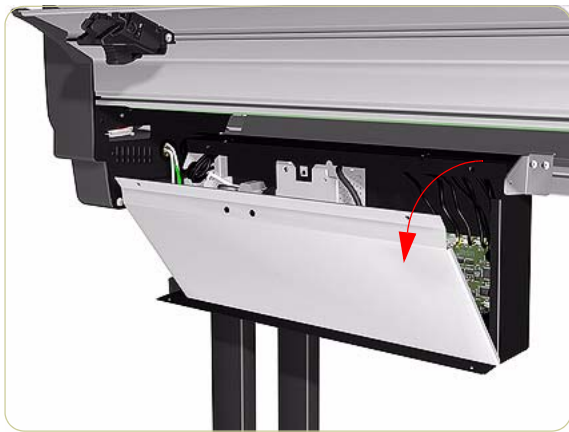
1. Remove six screws that secure the top of the Electronics Module to the chassis.



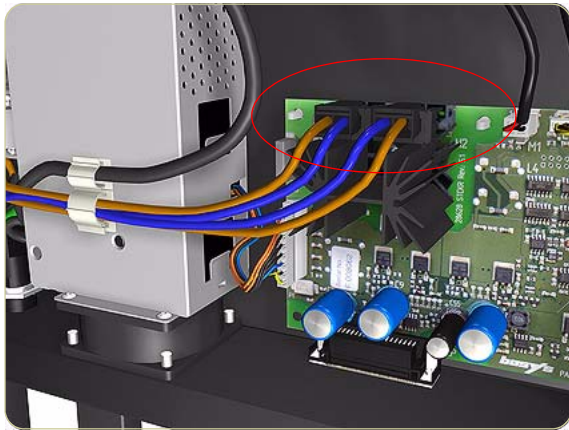
2. Pull the Electronics Module down.



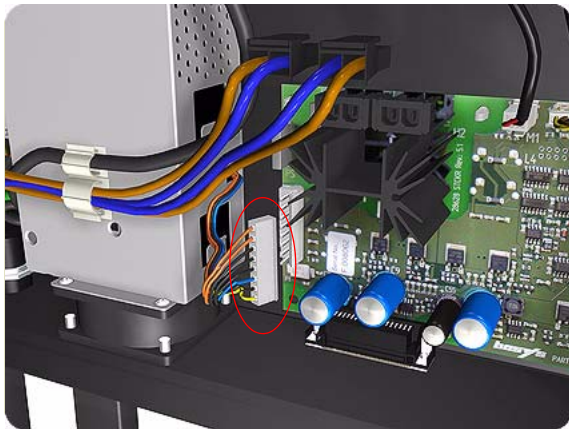
3. Remove eight screws that secure the Electronics Module Cover



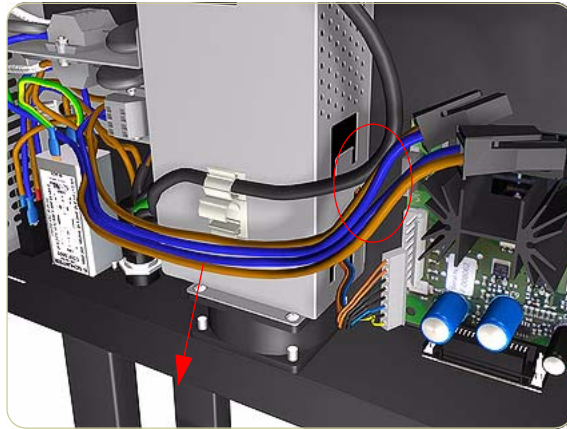
4. Remove the Electronics Module Cover.



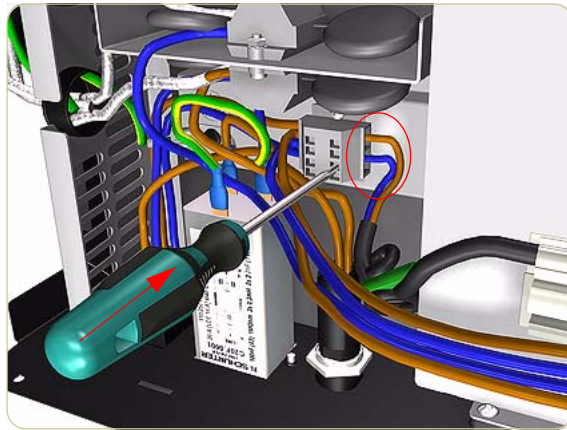
5. Disconnect brown and blue cables (H1 and H2) from the Electronics PCA.



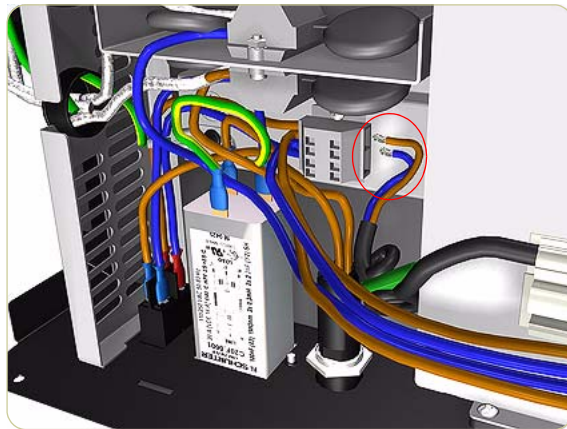
6. Disconnect the cable connecting the Power Supply Unit to the Electronics PCA



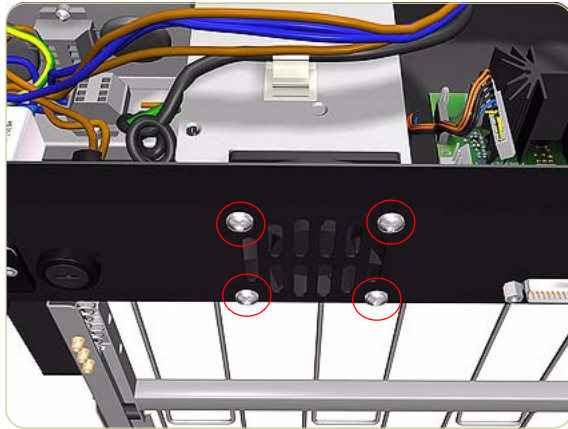
7. Remove the blue and brown cables from the cable clamp on the Power Supply Unit



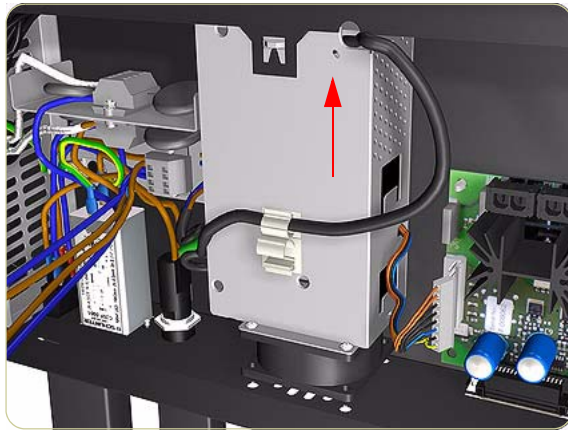
8. Disconnect two cables on the left of the Power Supply Unit by pushing in with a screw driver.



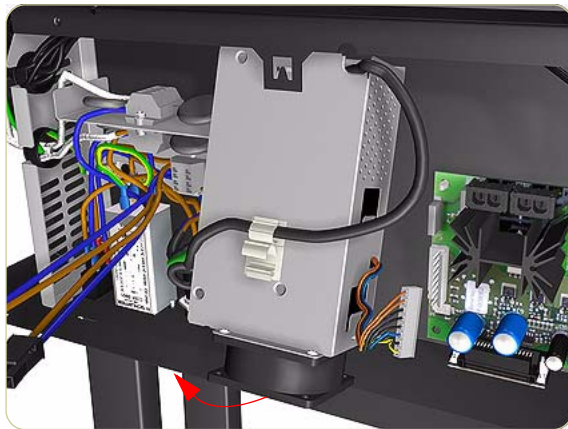
9. Remove the two cables.



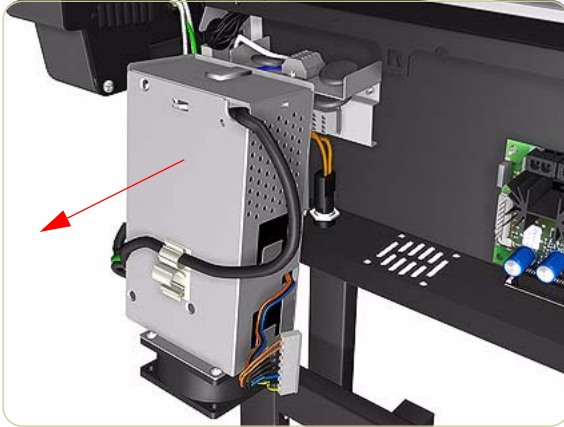
10. Remove four screws that secure the Power Supply Unit to the Electronics Module.



11. Lift up the Power Supply Unit.



12. Remove the bottom part of the Power Supply Unit.



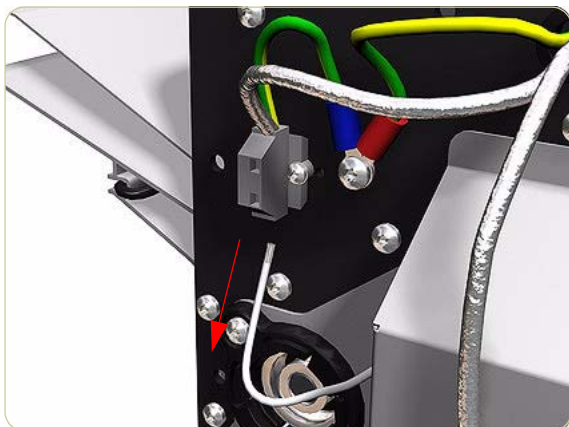
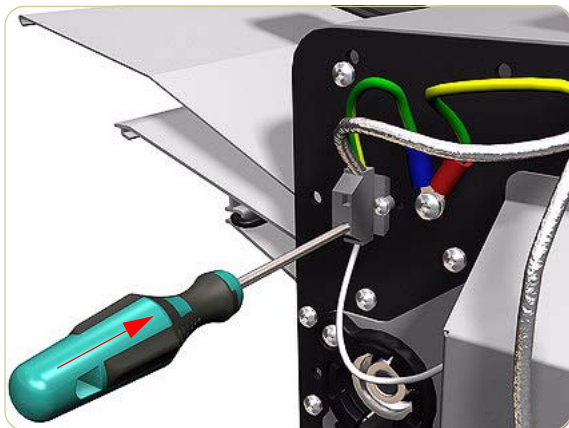
13. Remove the Power Supply Unit.

Heating Lamp

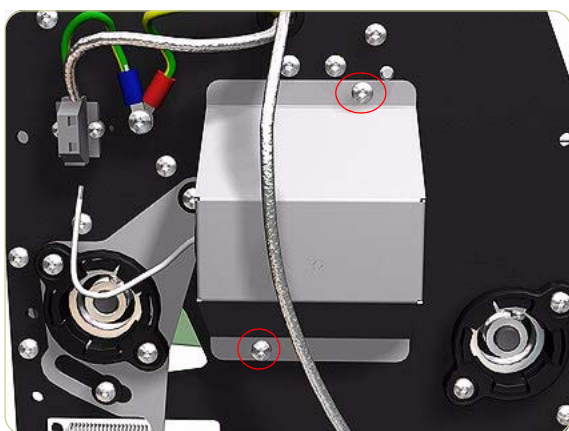
Removal

Switch off the product and remove the power cable.

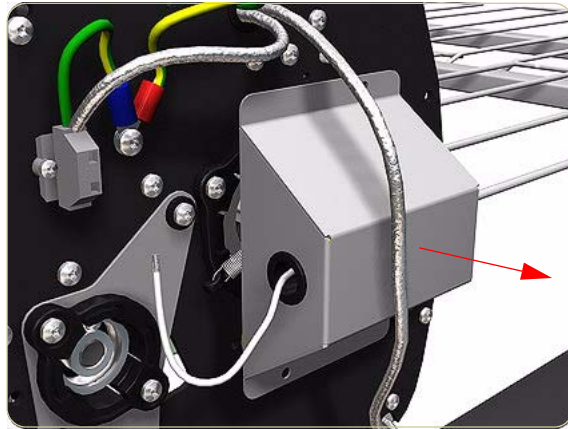
1. Remove the Right Cover ⇒ Page 8-276.
2. Remove the Left Cover ⇒ Page 8-278.
3. Disconnect the Heating Lamp Cable on the left of the chassis, push in the retaining clip with a screw driver and release the cable.



4. Remove the Heating Lamp Cable.



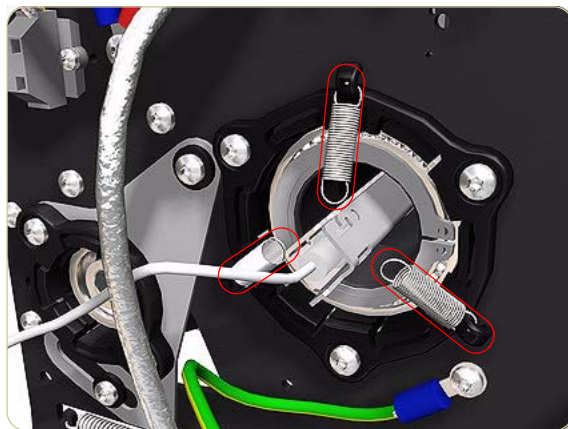
5. Remove two screws that secure the Left Heating Lamp Cover.



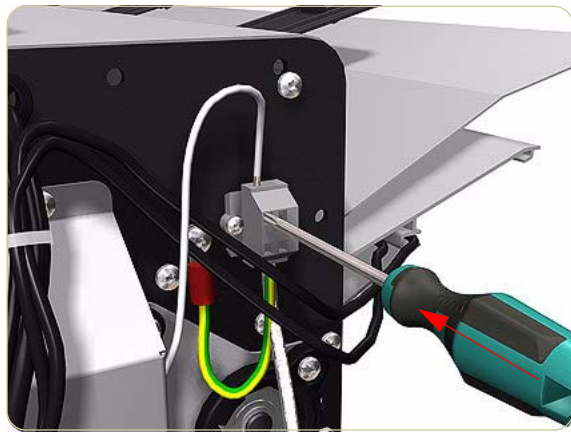
6. Remove the Left Heating Lamp Cover.



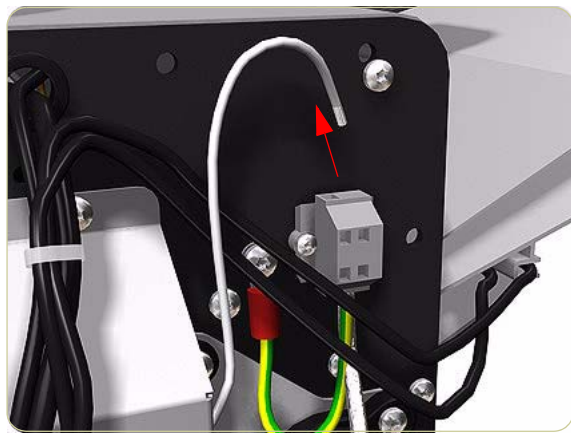
7. Disconnect the Earthing Cable from the left end of the Heating Lamp.



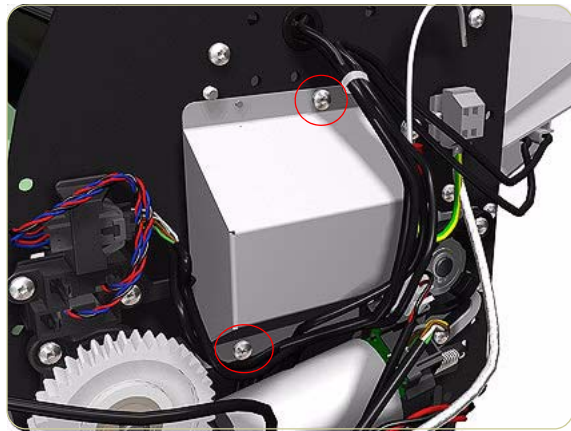
8. Remove three springs from the left end of the Heating Lamp.



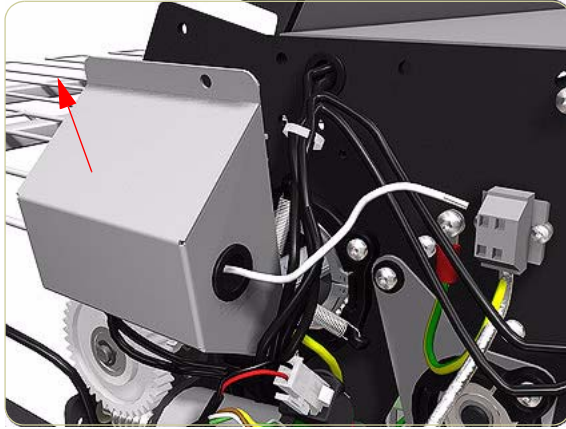
9. Disconnect the Heating Lamp Cable on the right of the chassis, push in the retaining clip with a screw driver and release the cable.



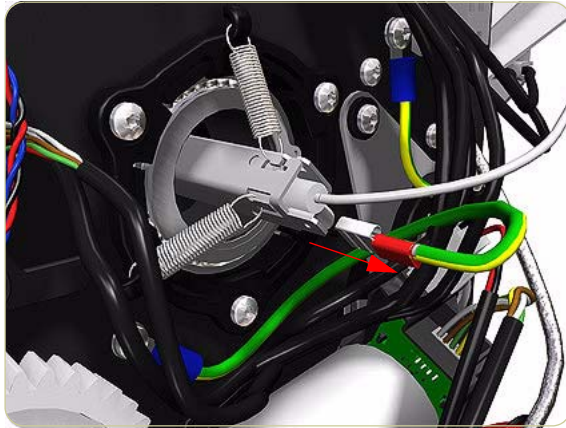
10. Remove the Heating Lamp Cable.



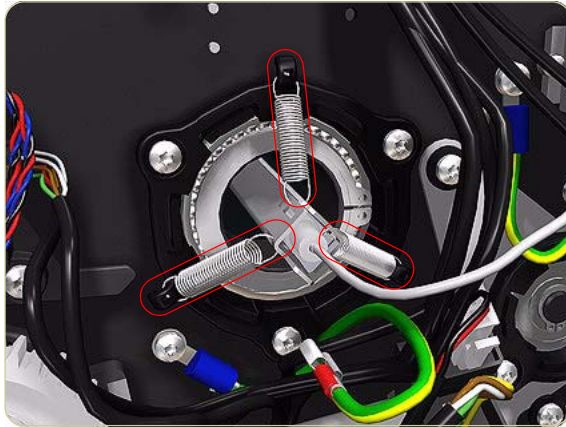
11. Remove two screws that secure the Right Heating Lamp Cover.



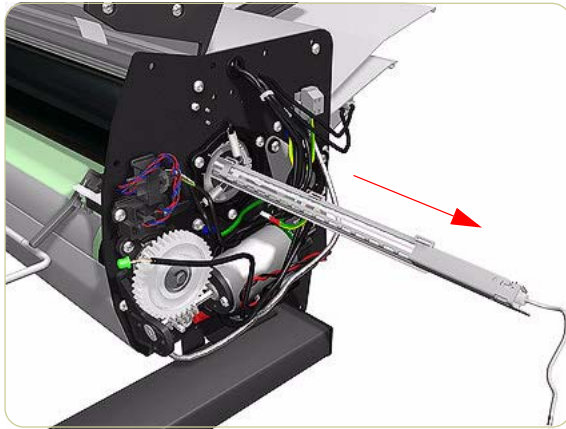
12. Remove the Right Heating Lamp Cover.



13. Disconnect the Earthing Cable from the right end of the Heating Lamp.



14. Remove three springs from the right end of the Heating Lamp.



15. Remove the Heating Lamp.

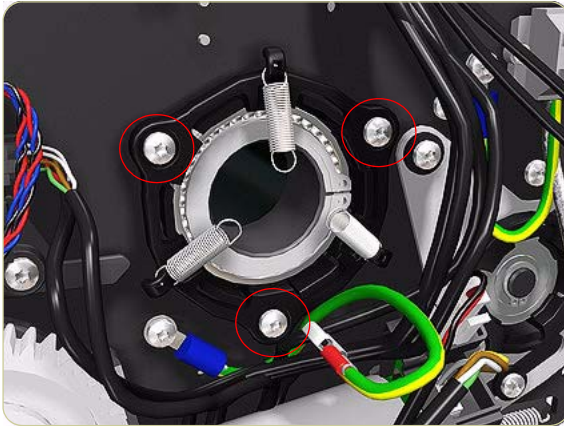
When removing and installing the heating lamp, make sure you do not damage the heating element inside.

Heat Roller

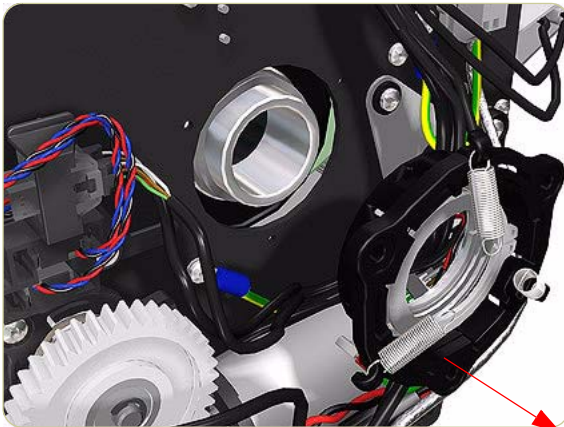
Removal

Switch off the product and remove the power cable.

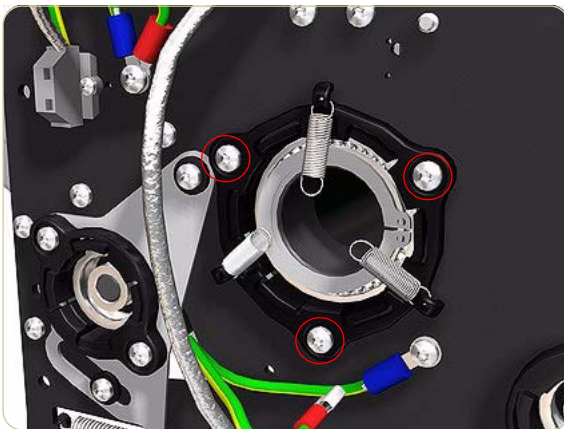
1. Remove the Right Cover ⇒ Page 8-276.
2. Remove the Left Cover ⇒ Page 8-278.
3. Remove the Heating Lamp ⇒ Page 8-316.
4. Remove three screws that secure the Right Heat Roller Bearing.



5. Remove the Right Heat Roller Bearing.

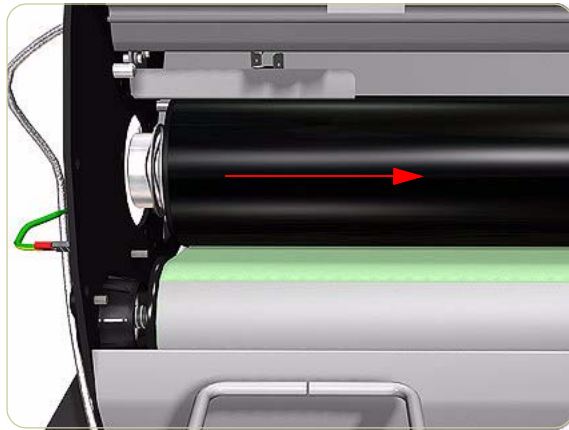


6. Remove three screws that secure the Left Heat Roller Bearing.

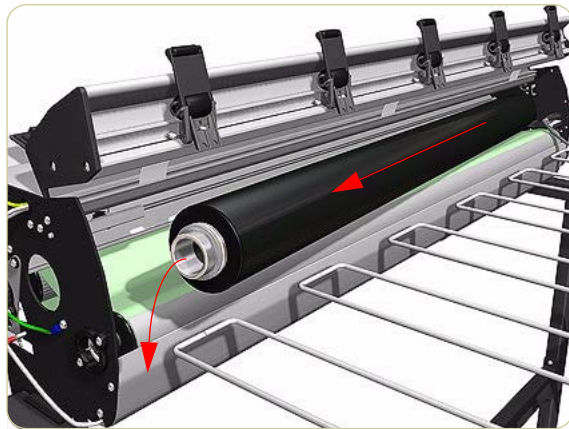




7. Remove the Left Heat Roller Bearing.



8. Slide the Heat Roller to the right.



9. Remove the Heat Roller.

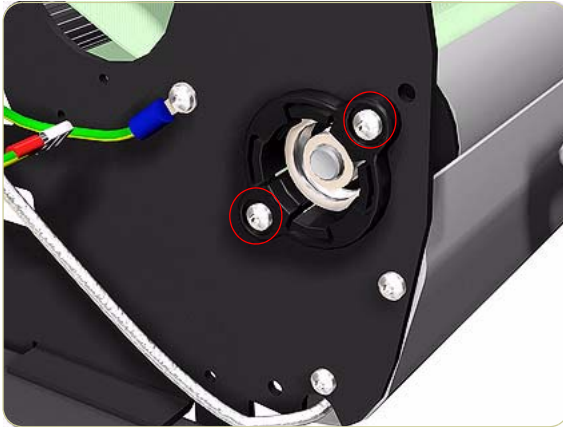
When installing the Heat Roller make sure that the two bevel washers are on the right side of the Heat Roller.

Stacker Transport Belt

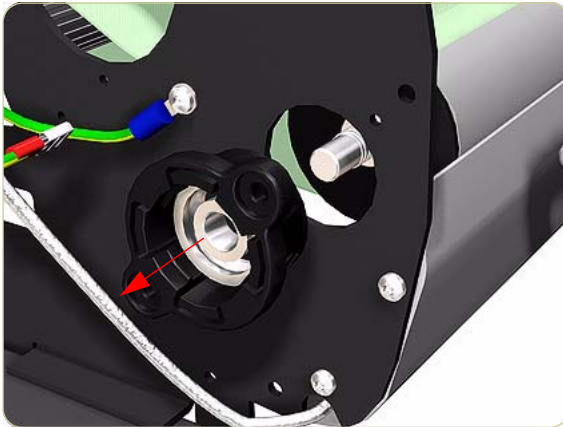
Removal

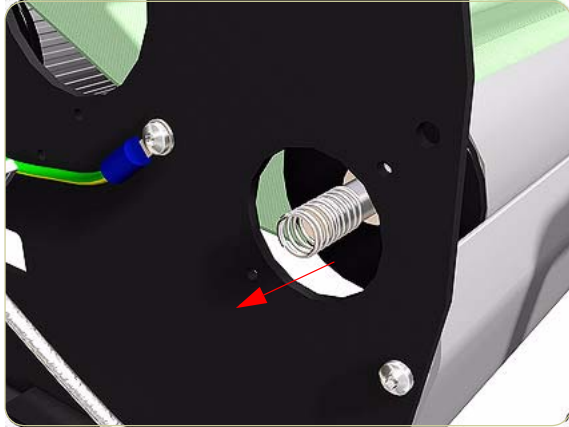
Switch off the product and remove the power cable.

1. Remove the Right Cover ⇒ Page 8-276.
2. Remove the Left Cover ⇒ Page 8-278.
3. Remove the Drive Motor ⇒ Page 8-290.
4. Remove the Heating Lamp ⇒ Page 8-316
5. Remove the Heat Roller ⇒ Page 8-321.
6. Remove two screws that secure the Left Output Roller Bearing.

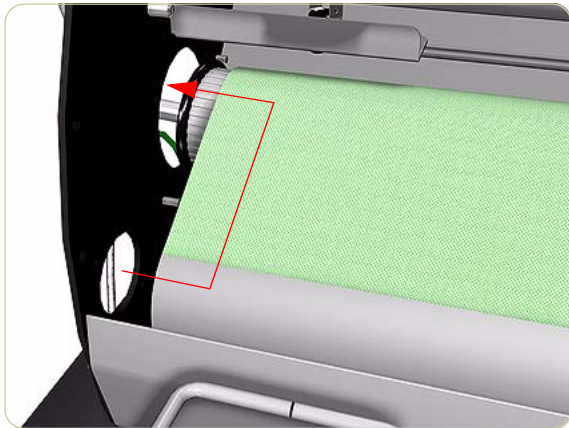


7. Remove the Left Output Roller Bearing.

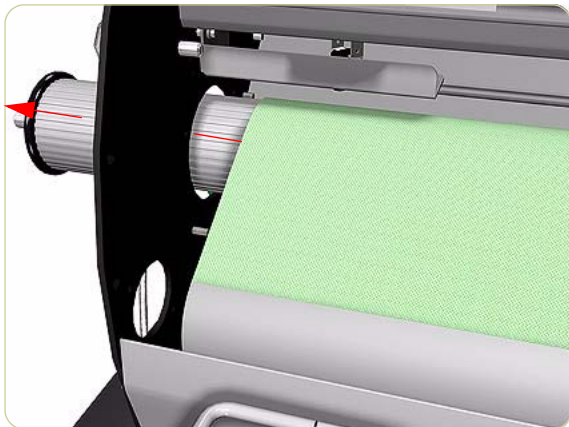




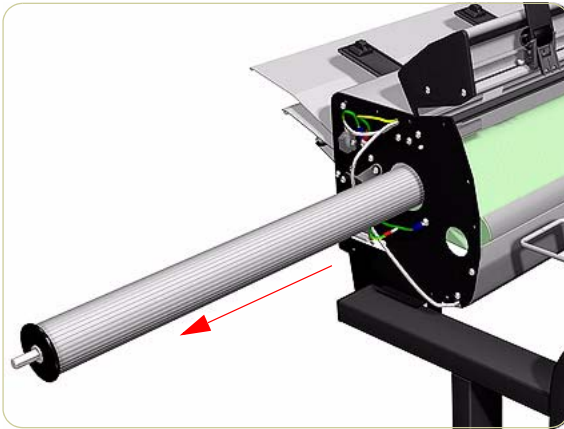
8. Remove the spring from the end of the shaft.



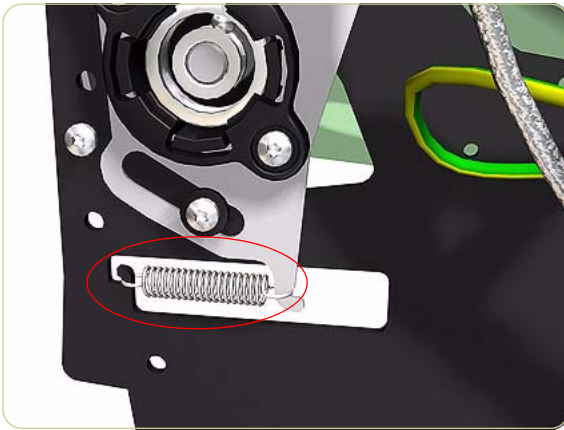
9. Slide the left end of the Output Roller back towards the hole left empty when the Heat Roller was removed.



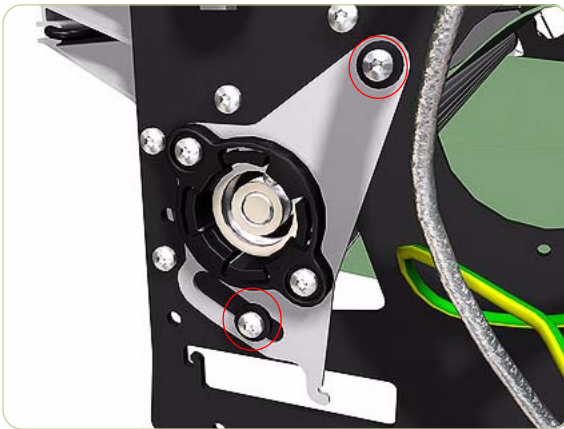
10. Pass the Output Roller through the hole.



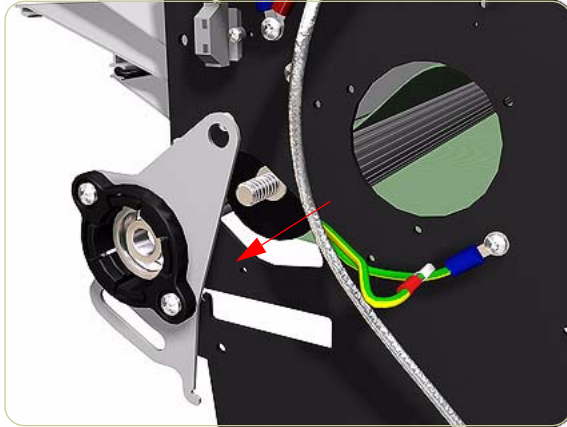
11. Remove the Output Roller.



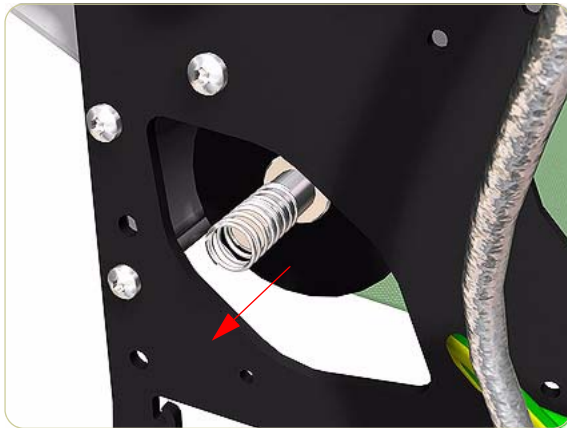
12. Remove the Spring from the left side of the stacker.



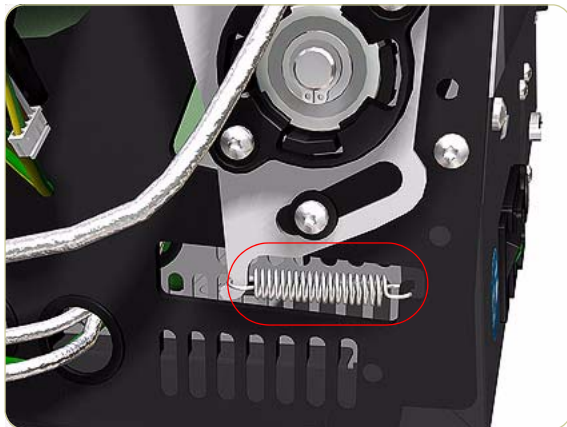
13. Remove two screws and washers that secure the Left Input Roller Bearing.



14. Remove the Left Input Roller Bearing



15. Remove the Spring from the left end of the shaft.



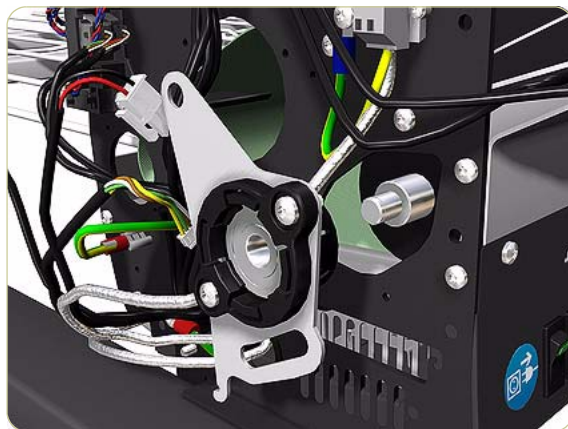
16. Remove the Spring from the right side of the stacker.



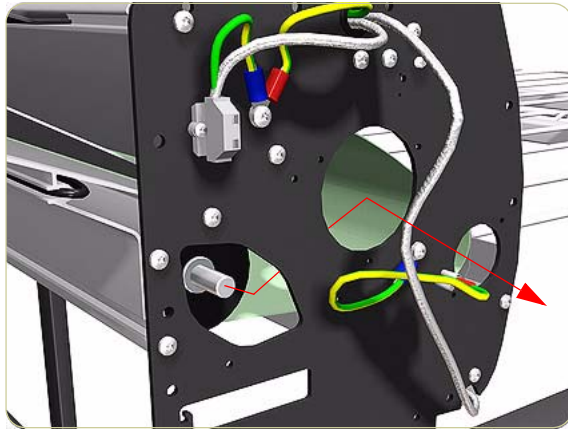
17. Remove the Circlip.



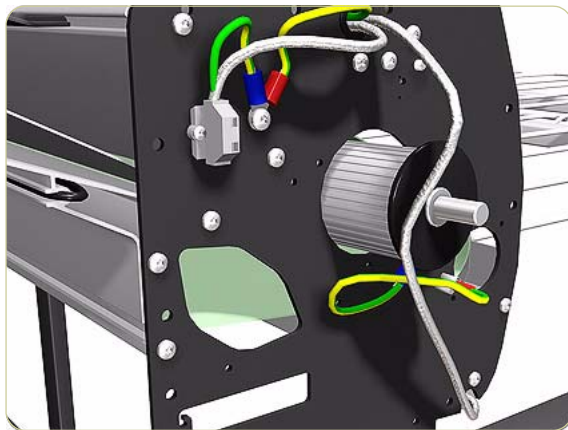
18. Remove two screws and washers that secure the Right Input Roller Bearing.



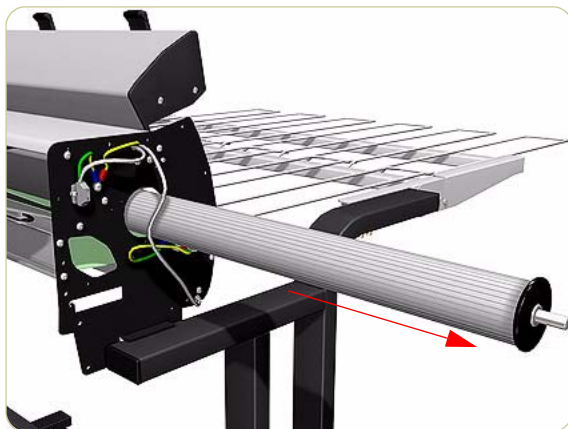
19. Remove the Right Input Roller Bearing.



20. Slide the left end of the Input Roller towards the hole left empty when you removed the Heat Roller.



21. Pass the Input Roller through the hole.



22. Remove the Input Roller.



- 23.** Remove the Stacker Transport Belt from underneath the stacker.

When reinstalling the Output Roller, the side with the longer shaft is installed on the right side of the stacker.

Preventive Maintenance

9

Moisture on the Printer 9-2
Noisy Carriage Bushing 9-2
Belt Swelling 9-2
Cleaning the Printer 9-2
General Cleaning 9-2
Cleaning the Drive Roller and Overdrive 9-3
Cleaning the Center Platen 9-3
Applying Oil to the Overdrive 9-5
Lubricating the Carriage Assembly 9-5
Scheduled Maintenance 9-6
Level of Printer Usage 9-6

Preventive Maintenance

Moisture on the Printer

Users should use the Printer in an environment between 20% and 80% relative humidity. To recover from moisture condensation, turn the Printer Off, and, using the main roller as a reference, wait until the Printer is completely dry before using it again.

Noisy Carriage Bushing

To prevent noisy movement of the carriage, remove aluminum or dust particles from the bushing at the back of the carriage, and from the slider path along which the bushing moves.

Belt Swelling

To prevent new belts from swelling incorrectly, keep them in their bags with desiccant until you need to install them.

Cleaning the Printer

To maintain the Printer in good operating condition, keep it free of dust accumulation, ink, and other contamination. Cleaning intervals are determined by the Printer environment and by the types of Printer supplies used.

General Cleaning

Proper general cleaning should include the following:

To prevent an electric shock, make sure that the Printer is switched OFF and unplugged before any cleaning is performed. Do NOT let any water get inside the Printer.

- 1 Blow away dust accumulation with compressed air if available.
- 2 Clean the outer surface of the Printer with a damp sponge or cloth. Use a mild soap and water solution if necessary. Do not use abrasive cleaners.
- 3 Wipe the Printer dry with a soft lint-free cloth.

Cleaning the Drive Roller and Overdrive

If ink is spilled on the Overdrive, remove the ink immediately. Due to the ink's reflectance, ink on the Overdrive can disrupt the Printer's edge-sensing function. To remove any ink from the Overdrive, perform the following procedure:

Prevent water or other liquids from running onto electrical components or circuits, or through openings in the Electronics Module.

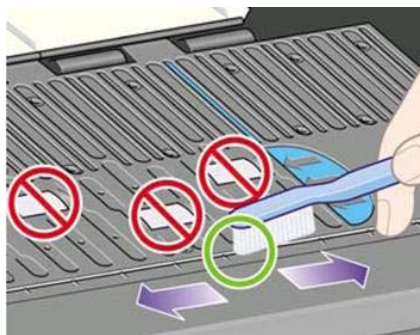
- 1 Perform the Turn Drive Roller Utility (Refer to Page 4-95).
- 2 Open the window and apply any common household cleaning solution (water based only) to a soft, lint-free rag and apply it to the Drive Roller and Overdrive surface while it is rotating. Make sure that you thoroughly clean the Drive Roller and Overdrive surface, do the same for Roll 1 and Roll 2
- 3 Press **Enter** when you have completed the cleaning procedure.
- 4 Allow the Drive Roller and Roll 1 and 2 to dry before loading media in to the Printer.

Cleaning the Center Platen

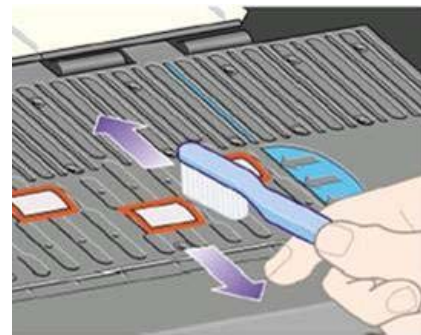
If wide paper is used to print after narrower paper is used for some time, you may find that the left hand side of the Center Platen has become dirty and will leave marks on the back of the paper if not cleaned.

It is recommended to clean the Center Platen on a regular basis (at least every few months or when required) as follows:

- 1 Unload any media loaded from the Printer.
- 2 Open the Window and with a dry brush remove ink deposits from the Cutter Groove and the Center Platen surface.



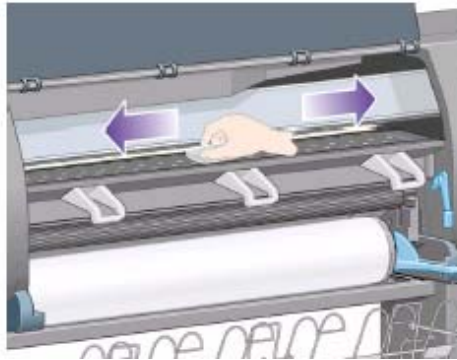
Cutter Groove



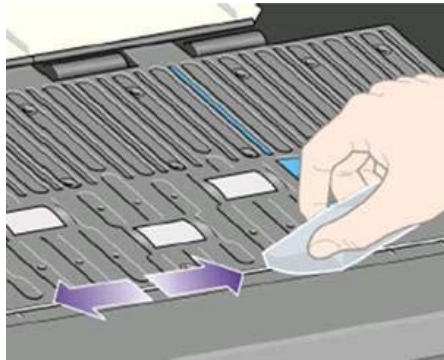
Center Platen Surface

- 3** Use a clean, absorbent lint-free cloth, dampened with Isopropyl Alcohol (not supplied in the Maintenance Kit), to wipe loosened ink deposits from the Center Platen.

- **Do NOT use commercial cleaners or abrasive cleaners.**
- **Do NOT wet the Center Platen directly because you will leave too much moisture.**
- **Do NOT wet the rubber wheels at all (not even with the cloth).**



- 4** Clean the Cutter ramp with the damp cloth.



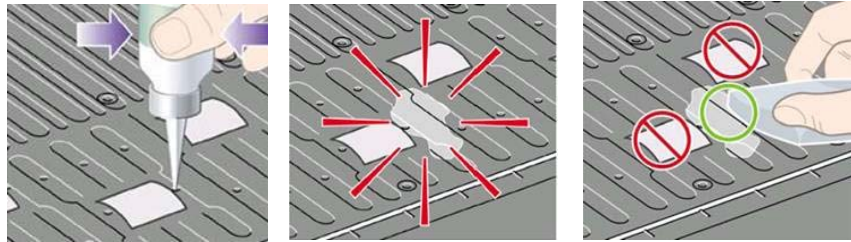
- 5** Clean the exposed part of the wheels with a dry cloth. Ideally, clean the whole circumference of these wheels (you can use Turn Drive Roller Utility on Page 4-95).



Applying Oil to the Overdrive

Occasionally, it may be necessary to oil the Overdrive in order to stop the rollers from squeaking:

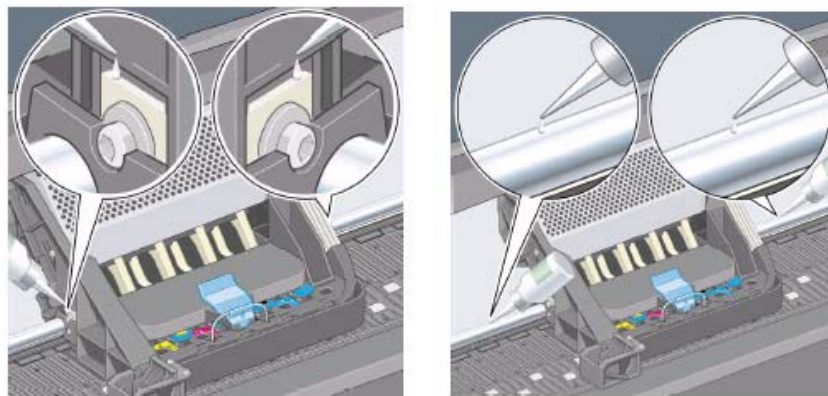
- 1 Open the Window.
- 2 There are small holes in the Center Platen beside some of the rollers.
- 3 A bottle of oil is supplied with the Maintenance Kit. Insert the pointed end of the bottle into each hole in turn, and put three drops into each.
- 4 Be very careful not to spill any oil onto the Center Platen.
- 5 If there is oil on the Center Platen, wipe it away with the cloth supplied with the Maintenance Kit.
- 6 Close the Window.



Lubricating the Carriage Assembly

The Carriage Assembly needs to be lubricated occasionally (at least once a year) so that it can slide easily along the Slider Rod.

- 1 Using the Front Panel, in the Printheads menu, select "Replace printheads now". The Carriage Assembly will move to the center of the Printer.
- 2 Open the Window and apply a few drops of oil (bottle of oil can be found in the Maintenance Kit) to the pads on either side of the Carriage Assembly.
- 3 Apply a few drops of oil directly to the Slider Rod on either side of the Carriage Assembly.



Scheduled Maintenance

In some segments of the printer market, the customer tends to print more than the maximum number of prints that the throughput allows, exceeding by far the limit of the design. When this happens the customer runs into print quality problems and continuous Printer failures.

The purpose of scheduled preventive maintenance is to avoid these failures - ensuring a good performance during all the product life.

Level of Printer Usage

Normal printer use means 6,000,000 Carriage Cycles (which corresponds to approximately 100,000 A0 prints on average). Under normal usage conditions, it will be approximately 5 years before the printer needs maintenance. If the printer is used more than the normal usage conditions, then it will need maintenance service much more frequently.

One of the EEROM counters is assigned to counting the number of carriage cycles. When certain components of the Printer exceed this amount, the front panel displays the following message:

"Maintenance #1 required"

The following message is triggered depending on the total quantity of ink spitted in each Spittoon.

"Maintenance #2 required"

Once one of the maintenance advised messages is displayed, the preventive maintenance kit must be used to replace the most worn parts of the printer. Use the Removal and Installation Chapter of this Service Manual as a guide to replace the necessary parts.

The following PM Kit covers both Maintenance advised messages:

Preventive Maintenance Kit - Part Number Q1273-60061

This Preventive Maintenance Kit contains the following components:

- Complete Carriage Assembly (⇒ Page 8-89).
- Ink Supply Tubes and Trailing Cable (⇒ Page 8-53).
- Scan-Axis Motor (⇒ Page 8-95).
- Belt Assembly (⇒ Page 8-94).
- Most Left Spittoons (⇒ Page 8-77).
- Middle Left Spittoons (⇒ Page 8-78).
- Scraper (located on the Service Station).

You must also clean the holes in the Service Station which are located under the Black Printhead Cleaners.

About this Edition

This is the 5th edition of the Service Manual January 2009
HP Designjet 4500 Printers Series Service Manual (models Q1271A/Q1272A/
Q1276A. This edition adds model CM767A, CM768A and CM769A)

1st edition - December 2005

2nd edition - May 2006

3rd edition - August 2007

4th edition - November 2008

5th edition - March 2009