

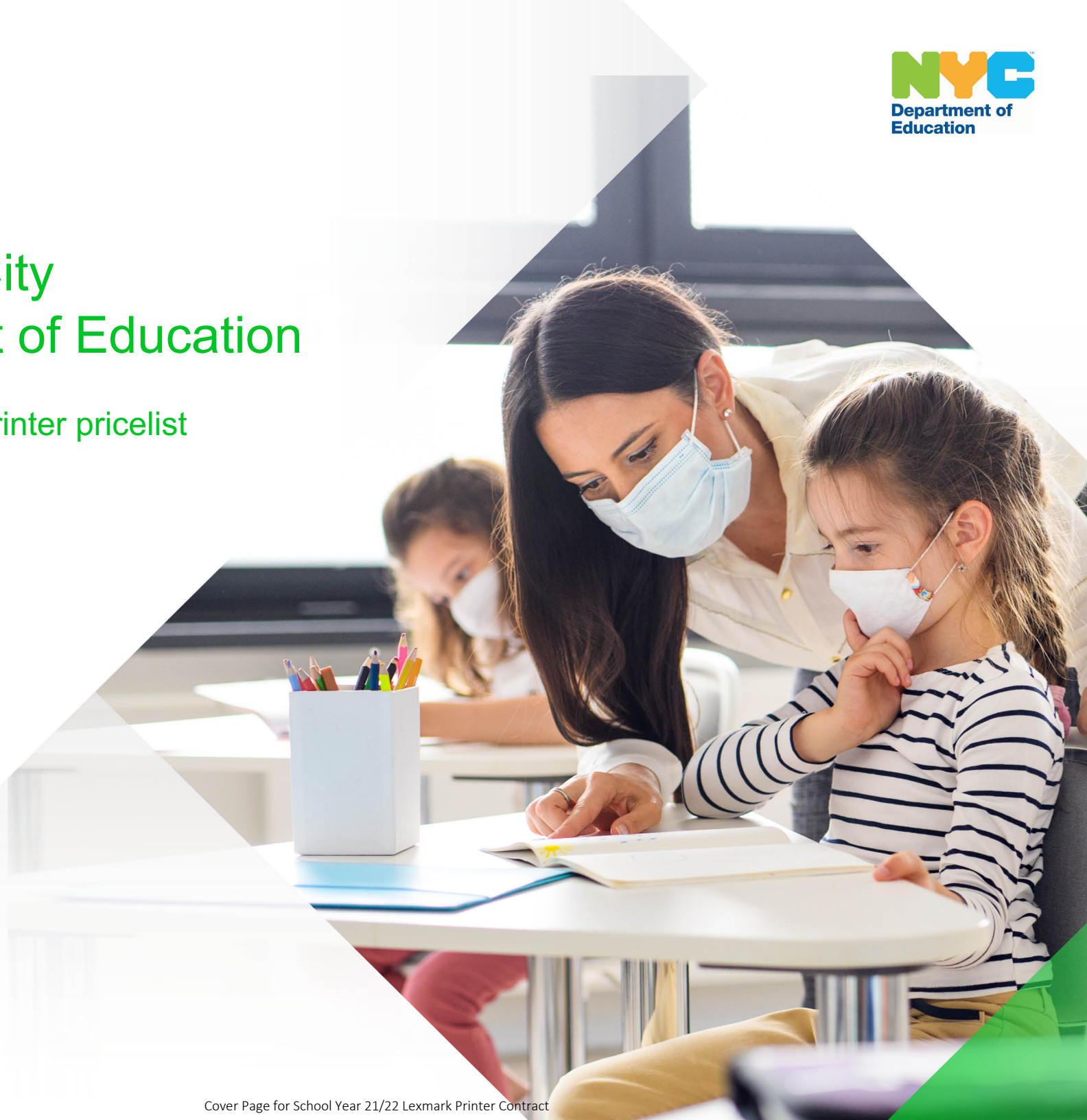


New York City Department of Education

2021-22 FAMIS printer pricelist

Mindy Maher
212-880-2837
mmaher@lexmark.com

Sales or order information
Call CDW-G
1-800-705-4239



Contact us

CDW – 800-705-4239

New York City CDW Education Team

Name	Email	DOE coverage
Andrew Magliola	andrmag@cdw.com	Staten Island
Aubrey Clark	aubrcla@cdw.com	Queens
EJ Henderson Jr	ejhende@cdw.com	Queens
Joey Misinonile	joeymis@cdwg.com	Bronx
Matt Edsall	matteds@cdw.com	Bronx
Jen Jadach	jen.jadach@cdwg.com	Brooklyn
Matthew Maglione	matthew.maglione@cdwg.com	Brooklyn
Sean Roche	seanroc@cdw.com	Manhattan/SCA

Sales Manager: John Skidmore (866) 687-3187 john.skidmore@cdwg.com
Account Manager: Jeremy Servian (929)928-0651 jeremy.servian@cdwg.com

Lexmark Team

General product inquiries	Technical support
Mindy Maher	Syed Shah
212-880-2837	(646) 573 6381
mmaher@lexmark.com	syed.shah@lexmark.com

For NYCDOE employee personal discount, managed print services reports and other training information, go to
<http://shop.lexmark.com/nycdoe>



Model Name	CS622de	CS725de	CS921de	MS622de	MS822de
Best used for	Low-end color laser Color printing, small offices, mobile carts, classrooms	High-end color laser Art classrooms, labs, libraries, offices	High-end color laser 11x17 Printing, Art classrooms, labs, libraries, offices	Low-end mono laser Classrooms, small offices, mobile carts	High-end mono laser Classrooms, ATS printing, labs, libraries, offices
Price	\$834.65	\$1,788.91	\$3,243.60	\$694.44	\$1,004.29
Print Technology	Laser	Laser	Laser	Laser	Laser
Print Speed	40 ppm	50 ppm	35 ppm	50 ppm	55 ppm
Recommended Monthly Page Volume	1,500 - 10,000 pages	2,000 - 20,000 pages	4,000 - 20,000 pages	2,000 - 20,000 pages	3,000 - 50,000 pages
Print Resolution	1200 x 1200 dpi	1200 x 1200 dpi	1200 x 1200 dpi	1200 x 1200 dpi	1200 x 1200 dpi
Memory	1024 MB	1024 MB	1024 MB	1024 MB	1024 MB
Input	250-sheet input tray, Single sheet manual feeder	550-sheet input tray, 100-sheet multipurpose feeder	1100-sheet input tray, 150-sheet multipurpose feeder	550-sheet input tray, 100-sheet multipurpose feeder	550-sheet input tray, 100-sheet multipurpose feeder
Output	125-sheet output bin	300-sheet output bin	250-sheet output bin	250-sheet output bin	550-sheet output bin
Duplex	Integrated Duplex	Integrated Duplex	Integrated Duplex	Integrated Duplex	Integrated Duplex
Footprint (W x D x H) inches	17.4 x 16.6 x 12.1 in.	18.7 x 19.65 x 16.4 in.	24.2 x 29.1 x 30.7 in.	15.7 x 14.7 x 11.9 in.	16.85 x 20.1 x 17.4 in.
Input/Output Capacity	Maximum: 1451/125	Maximum: 2300/300	Maximum: 6650/3500	Maximum: 2300/250	Maximum: 4400/2550
Warranty	5 year warranty	5 year warranty	5 year warranty	5 year warranty	5 year warranty
Options, Wireless	External Wireless	External Wireless	External Wireless	External Wireless	External Wireless



Model Name	CX625ade Low-end color laser MFP	CX725adhe High-end color laser MFP	MX521ade Low-end mono laser MFP	MX522adhe Low-end mono laser MFP	MX722adhe High-end mono laser MFP
Best used for	Color classroom, print, scan, copy, fax	High-end ATS, library, office/lab, print, scan, copy, fax	Classrooms, small offices, print, scan, copy, fax	Small School ATS Scan/Print, Library, office/lab, print, scan, copy, fax	Larger School High-end ATS, library, office/lab, print, scan, copy, fax
Price	\$1,380.75	\$2,985.58	\$804.18	\$1,237.46	\$2,005.05
Print Technology	Laser	Laser	Laser	Laser	Laser
Print Speed	40 ppm	50 ppm	46 ppm	46 ppm	70 ppm
Recommended Monthly Page Volume	1,500 - 10,000 pages	2,000 - 20,000 pages	2,000 - 15,000 pages	2,000 - 1,5000 pages	5,000 - 100,000 pages
Print Resolution	1200 x 1200 dpi	1200 x 1200 dpi	1200 x 1200 dpi	1200 x 1200 dpi	1200 x 1200 dpi
Memory	2048 MB	2048 MB	1024 MB	2048 MB	2048 MB
Input	250-sheet input tray, Single sheet manual feeder	550-sheet input tray, 100-sheet multipurpose feeder	250-sheet input tray, 100-sheet multipurpose feeder	250-sheet input tray, 100-sheet multipurpose feeder	550-sheet input tray, 100-sheet multipurpose feeder
Output	150-sheet output bin	300-sheet output bin	150-sheet output bin	150-sheet output bin	550-sheet output bin
Duplex	Integrated Duplex	Integrated Duplex	Integrated Duplex	Integrated Duplex	Integrated Duplex
Footprint (W x D x H) inches	17.4 x 23.9 x 18.2 in.	19.9 x 21 x 25.5 in.	19.3 x 16.9 x 18.8 in.	19.3 x 16.9 x 18.8 in.	22.0 x 22.8 x 29.1 in.
Input/Output Capacity	Maximum: 1451/150	Maximum: 2300/300	Maximum: 2000/150	Maximum: 2000/150	Maximum: 3300/550
Warranty	5 year warranty	5 year warranty	5 year warranty	5 year warranty	5 year warranty
Options, Wireless	External Wireless	External Wireless	External Wireless	External Wireless	External Wireless



MS622de

The Lexmark MS622de prints up to 50 pages per minute* and offers the versatility of e-Task, enhanced security and built-in durability.



- 1 Printer with 2.4-inch (6 cm) color display
11.9 x 15.7 x 14.7 inches
303 x 399 x 374 mm
- 2 Printer with 4.3-inch (10.9 cm) color touch screen
11.9 x 15.7 x 14.7 inches
303 x 399 x 374 mm
- 3 550-sheet tray
5 x 15.7 x 14.7 inches
126 x 389 x 374 mm
- 4 250-sheet tray
3.7 x 15.7 x 14.7 inches
95 x 389 x 374 mm

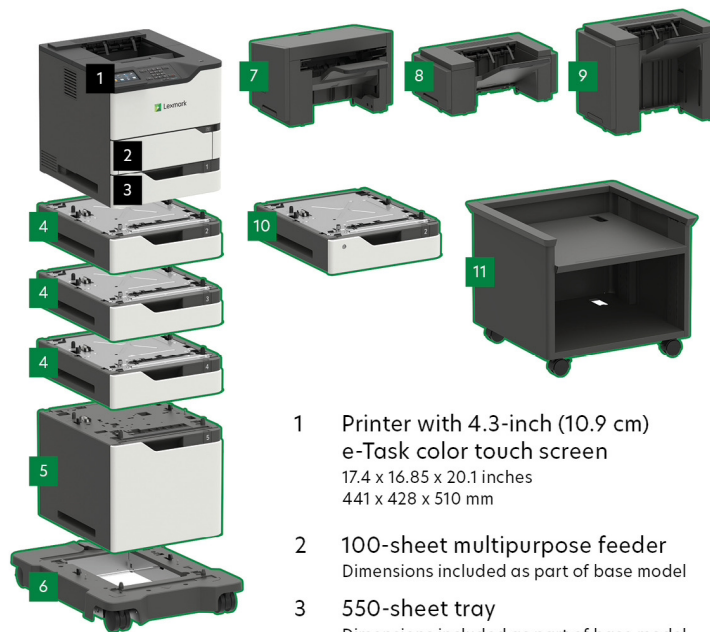
 Standard
 Optional
 Supports up to three optional trays.

35620898X	-	Lexmark MS622de Classroom Printing, Duplex, Network, Ethernet Cable and 5-Year Warranty - NYCDOE DIIT APPROVED and PCS Supported	-	\$694.44
356208996	-	Lexmark MS622de with Wireless Classroom Printing, Duplex, Network, Ethernet Cable and 5-Year Warranty - NYCDOE DIIT APPROVED and PCS Supported	-	\$ 743.44
FAMIS ID #	CDW part#	Option Description	Lexmark Part #	DOE Pricing
319074277	5268823	LEXMARK 550 SHEET TRAY	36S3110	\$153.41
319077659	2880443	LEXMARK ADJUSTABLE PRINTER STAND	35S8502	\$311.13
319077640	2880439	Swivel Cabinet	3073173	\$172.60
319074684	5268826	Wireless Option	27X6410	\$49.00
319074390	5143182	Imaging Unit - 60K	56F0Z00	\$27.36
319074404	5103951	Ultra High Yield - 25K	56F1U00	\$52.66



MS822de

Talk about a top performer. With blazing print speeds, workflow solutions, 2-sided printing and multiple finishing styles, the Lexmark MS822de is the perfect printer for ATS office, labs, libraries or classrooms.



- 1 Printer with 4.3-inch (10.9 cm) e-Task color touch screen
17.4 x 16.85 x 20.1 inches
441 x 428 x 510 mm
- 2 100-sheet multipurpose feeder
Dimensions included as part of base model
- 3 550-sheet tray
Dimensions included as part of base model

- 4 550-sheet tray
4.3 x 16.85 x 20.1 inches
110 x 428 x 510 mm
- 5 2100-sheet tray
13.8 x 16.85 x 20.1 inches
350 x 428 x 510 mm
- 6 Caster base
5 x 20.5 x 27.3 inches
126 x 521 x 693 mm
- 7 Staple finisher
9.7 x 17.1 x 16.3 inches
246 x 435 x 414 mm
- 8 Output expander
6.5 x 16.6 x 15.0 inches
165 x 421 x 380 mm
- 9 High capacity output expander
12.2 x 16.6 x 13.2 inches
310 x 421 x 335 mm
- 10 550-sheet lockable tray
4.3 x 16.85 x 20.1 inches
110 x 428 x 510 mm
- 11 Adjustable printer stand
23 x 23.5 x 23.5 inches
584.2 x 596.9 x 596.9

 Standard
 Optional

356209004	-	Lexmark MS822de Classroom/ATS Office Printing, Duplex, Touch Screen, Network, Ethernet Cable and 5-Year Warranty - NYCDOE DIIT APPROVED and PCS Supported	-	\$1,004.29
356209010	-	Lexmark MS822de Wireless Classroom/ATS Office Printing, Duplex, Touch Screen, Network, Ethernet Cable and 5-Year Warranty - NYCDOE DIIT APPROVED and PCS Supported	-	\$1,053.29
356209027	-	Lexmark MS822de Classroom/ATS Office Printing, Duplex, Touch Screen, Two Paper Trays, Network, Ethernet Cable and 5-Year Warranty - NYCDOE DIIT APPROVED and PCS Supported	-	\$1,232.69
356209033	-	Lexmark MS822de Classroom/ATS Office Printing, Duplex, Touch Screen, 2 Drawers plus Output Expander, Ethernet Cable and 5-Year Warranty - NYCDOE DIIT APPROVED and PCS Supported	-	\$1,347.97
35620904X	Free Standing	Lexmark MS822de - Floor Standing with Extra Drawers and Output - Classroom/ATS Office Printing, Duplex, Touch Screen Ethernet Cable and 5-Year Warranty - NYCDOE DIIT APPROVED and PCS Supported	-	\$2,387.15

FAMIS ID #	CDW part#	Option Description	Lexmark Part #	DOE Pricing
319074315	5268834	LEXMARK MS7/MS8/MX7 550-SHEET TRAY	50G0802	\$228.40
319074323	5268835	LEXMARK MS7/MS8/MX7 2100-SHEET TRAY	50G0804	\$384.82
319074331	5157652	LEXMARK MS7/MS8/MX7 550-SHEET TRAY	50G0822	\$230.54
31907434X	5157654	LEXMARK MS7/MS8/MX8 STAPLE FINISHER	50G0850	\$230.54
319074250	5787801	STAPLES	25A0013	\$30.55
319074358	5268836	LEXMARK MS7/MS8 OUTPUT EXPANDER	50G0851	\$115.27
319074366	5268838	LEXMARK MS7/MS8 HIGH-CAPACITY OUTPUT EXPANDER	50G0853	\$384.82
319074374	5268839	LEXMARK CASTER BASE FOR MS7/MS8	50G0855	\$269.55
319074684	5268826	Wireless Option	27X6410	\$49.00
319074420	5157666	LEXMARK HIGH YIELD TONER (15K YIELD)	58D1H00	\$34.34
319074412	5157664	LEXMARK 58D0Z00 IMAGING UNIT	58D0Z00	\$32.83



CS622de

With PANTONE® color matching, workflow solutions, 2-sided printing and super-fast speeds, the Lexmark CS622de is a workhorse winner. Perfect for color classroom printing. Add a Wireless Pod and this device is perfect for your mobile carts.



- 1 Printer with 4.3-inch/10.9-cm e-Task color touch screen
12.1 x 17.4 x 16.6 inches
308 x 442 x 421 mm
 - 2 650-sheet duo tray
5.2 x 16.7 x 16.4 inches
133 x 424 x 416 mm
 - 3 550-sheet tray
5.2 x 16.7 x 16.4 inches
133 x 424 x 416 mm
 - 4 Adjustable printer stand
20.5 x 25.7 x 24.6 inches
521 x 653 x 625 mm
- Swivel cabinet (not shown)
10.4 x 18.7 x 23.6 inches
263 x 476 x 600 mm

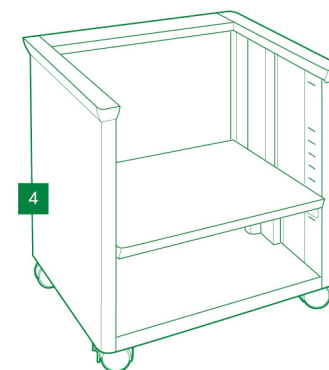
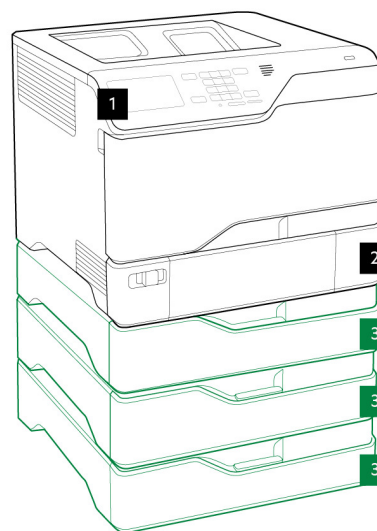
 Standard
 Optional

356209056	-	Lexmark CS622de Color Classroom Printing, Touch Screen, Duplex, Network, Ethernet Cable and 5-Year Warranty - NYCDOE DIIT APPROVED and PCS Supported	-	\$834.65
356209062	-	Lexmark CS622de Wireless Color Classroom Printing with Touch Screen, Duplex, Network, Ethernet Cable and 5-Year Warranty - NYCDOE DIIT APPROVED and PCS Supported	-	\$883.65
FAMIS ID #	CDW part#	Option Description	Lexmark Part #	DOE Pricing
319074293	5268851	LEXMARK 550-SHEET TRAY	42C7550	\$153.41
319074307	5268847	LEXMARK 650-SHEET DUO TRAY	42C7650	\$153.41
319074684	5268826	Wireless Option	27X6410	\$49.00
319077640	2880439	Swivel Cabinet	3073173	\$172.60
319077659	2880443	LEXMARK ADJUSTABLE PRINTER STAND	35S8502	\$311.13
319074609	5216923	Cyan Ultra HY Return Program	78C1UC0	\$27.59
319074617	5217265	Black Ultra HY Return Program	78C1UK0	\$18.89
319074625	5216928	Magenta Ultra HY Return Program	78C1UM0	\$27.59
319074633	5216931	Yellow Ultra HY Return Program	78C1UY0	\$27.59
319074579	5155248	Waste Toner Bottle	78COW00	\$11.37
319074595	5155250	Imaging Kit 4 Color	78COZV0	\$111.66



CS725de

Lexmark CS725de delivers high-quality color printing and reliable performance. Easy-to-use features and solutions increase efficiency. Energy-saving features make responsible printing easy. Perfect for library/office/lab printing, with touch screen, double sided printing.



- 1 4.3-in color touch screen
- 2 550-sheet input with 100-sheet multi-purpose feeder
- 3 550-sheet tray

4 Adjustable printer stand

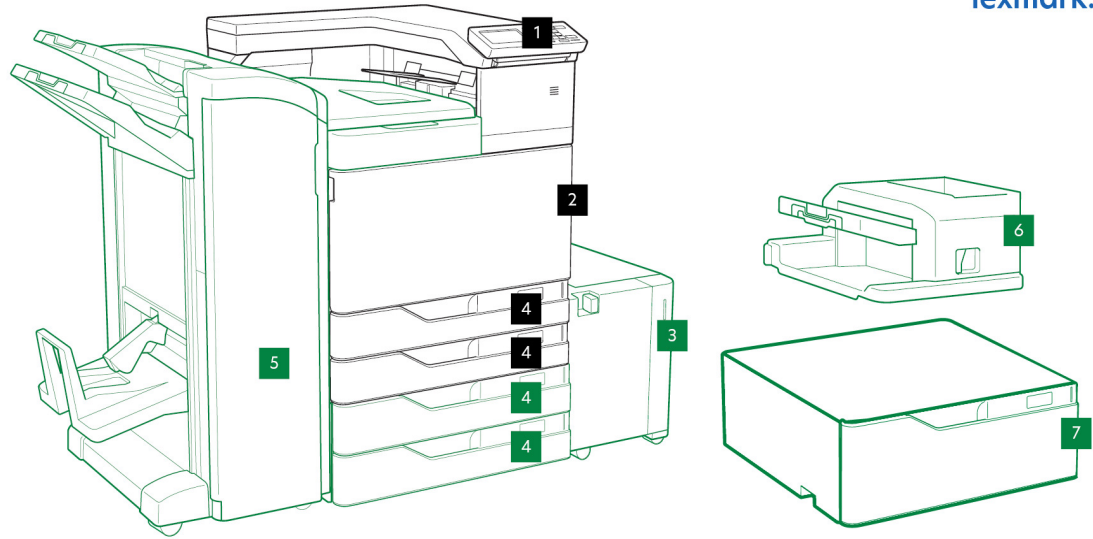
 Standard
 Optional

356209079	-	Lexmark CS725de Color Library/Office/Lab Printing, Touch Screen, Duplex, Network, Ethernet Cable and 5-Year Warranty - NYCDOE DIIT APPROVED and PCS Supported	-	\$1,788.91
FAMIS ID #	CDW part#	Option Description	Lexmark Part #	DOE Pricing
319074285	4200814	LEXMARK 550-SHEET TRAY CS720 CS/X725	40C2100	\$230.59
319074692	4200878	Adjustable Stand	40C2300	\$228.05
319074471	4119505	LEXMARK CYAN RET PROG TONER HY CS725	74C1HC0	\$38.04
31907448X	4119497	LEXMARK BLACK RETPROG TONER HY CS720	74C1HK0	\$39.71
319074498	4119512	LEXMARK MGNTA RETPROG TONER HY CS725	74C1HM0	\$38.04
319074501	4119520	LEXMARK YLLW RET PROG TONER HY CS725	74C1HY0	\$38.04
319074447	4124539	Waste Toner Bottle	74C0W00	\$9.39
319074455	4124549	LEXMARK CS725 CX725 Black IMAGING KIT	74C0ZK0	\$26.75
319074463	4124743	LEXMARK CS725 CX725 CLR IMAGING KIT	74C0ZV0	\$89.04



CS921de

The Lexmark CS921de delivers high-volume color printing at up to 35 pages per minute (A4/letter) and multi-format output up to SRA3/12x18 with optional finishing.



- 1. Color Laser
- 2. Integrated Duplex
- 3. Print Speed: Up to 35 ppm
- 4. Recommended Monthly Page Volume:
4000 - 20000 pages

- 1 4.3-in (10.9 cm) touch screen
- 2 150-sheet multipurpose feeder
- 3 3000-sheet tray
- 4 500-sheet input
- 4 500-sheet tray
- 5 Booklet finisher or staple punch finisher
- 6 Staple finisher
- 7 2500-sheet tray

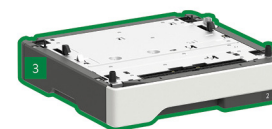
 Standard
 Optional

356209174	-	Lexmark CS921de Color Classroom, Lab, Library, Office Printing with Touch Screen, Duplex, Network, Ethernet Cable and 5-Year Warranty - NYCDOE DIIT APPROVED and PCS Supported	-	\$3,243.60
FAMIS ID #	CDW part#	Option Description	Lexmark Part #	DOE Pricing
319074242	4795536	CS92x, CX92xde 2 x 500-Sheet Tray	32C0050	\$504.40
319074226	3407454	MS921/MX92x Staple, 2/3 Hole Punch Finisher	26Z0081	\$1,638.00
319074250	5787801	STAPLE CARTRIDGES	35S8500	\$30.55
319074382	3423239	Waste Toner Bottle 50K	54G0W00	\$10.85
319074528	5067486	CS/X92x Black Toner Cartridge	76C00K0	\$31.97
31907451X	5067490	CS/X92x Cyan Toner Cartridge	76C00C0	\$33.07
319074544	5067497	CS/X92x Yellow Toner Cartridge	76C00Y0	\$33.07
319074536	5067492	CS/X92x Magenta Toner Cartridge	76C00M0	\$33.07
319074552	4868609	CS/X92x Black Photoconductor Unit	76C0PK0	\$40.06
319074560	4868606	CS/X92x CMY Photoconductor Unit	76C0PV0	\$124.63



MX521ade

Work fast and run economically with the MX521ade, the fax-equipped up-to 46 page-per-minute* multifunction product with long-life components.



- 1 Multifunction product with 4.3-inch (10.9 cm) color touch screen
18.8 x 19.3 x 16.9 inches
477 x 489 x 429.5 mm
- 2 550-sheet tray
5 x 15.7 x 14.7 inches
126 x 389 x 374 mm
- 3 250-sheet tray
3.7 x 15.7 x 14.7 inches
95 x 389 x 374 mm

 Standard
 Optional
 Supports up to three optional trays.

356209085	-	Lexmark MX521ade Classroom Printing, Scanning, Copying, Fax, Touch Screen, Network, Ethernet Cable and 5-Year Warranty - NYCDOE DIIT APPROVED and PCS Supported	-	\$804.18
FAMIS ID #	CDW part#	Option Description	Lexmark Part #	DOE Pricing
319074269	5103977	250 Sheet Drawer	36S2910	\$99.67
319074277	5268823	LEXMARK 550 SHEET TRAY	36S3110	\$153.41
319074684	5268826	Wireless Option	27X6410	\$49.00
319077640	2880439	Swivel Cabinet	3073173	\$172.60
319077659	2880443	LEXMARK ADJUSTABLE PRINTER STAND	35S8502	\$311.13
319074390	5143182	Imaging Unit - 60K	56F0Z00	\$27.36
319074404	5103951	Ultra High Yield - 25K	56F1U00	\$52.66



MX522adhe

Get performance plus the durability of long-life components with the MX522adhe, the fax-equipped up to 46 pages per minute multifunction product with standard hard drive. This printer offers 2-sided printing and fast processor, print, copy and scan speeds—all to help propel your business forward. The Lexmark MX522 offers ATS scanning/printing, schoolnet, attendance and more. Perfect for small office, classroom or ATS Print/scan.

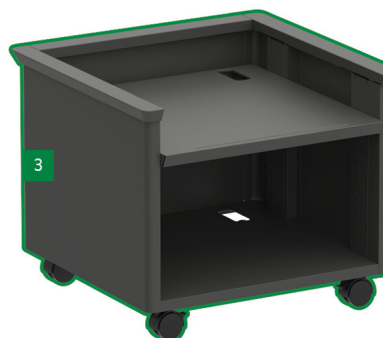
This mid-range printer is recommended for a small school with small volume scanning.



- 1 Multifunction product with 4.3-inch (10.9 cm) color touch screen
18.8 x 19.3 x 16.9 inches
477 x 489 x 429.5 mm
- 2 550-sheet tray
5 x 15.7 x 14.7 inches
126 x 389 x 374 mm
- 3 Adjustable printer stand
20.5 x 25.7 x 24.6 inches
521 x 653 x 625 mm

-  Standard
-  Optional

Supports up to three optional trays.



356209091	-	Lexmark MX522adhe Library/Office/Lab ATS Printing, Scanning, Copying, Fax, Touch Screen, Hard Drive, Duplex, Network, Ethernet Cable and 5-Year Warranty - NYCDOE DIIT APPROVED and PCS Supported	-	\$1,237.46
35620910X	-	Lexmark MX522adhe Wireless Library/Office/Lab Printing, Scanning, Copying, Fax, Touch Screen, Hard Drive, Duplex, Network, Ethernet Cable and 5-Year Warranty - NYCDOE DIIT APPROVED and PCS Supported	-	\$1,286.46
FAMIS ID #	CDW part#	Option Description	Lexmark Part #	DOE Pricing
319074277	5268823	LEXMARK 550 SHEET TRAY	36S3110	\$153.41
319074684	5268826	Wireless Option	27X6410	\$49.00
319077640	2880439	Swivel Cabinet	3073173	\$172.60
319077659	2880443	LEXMARK ADJUSTABLE PRINTER STAND	35S8502	\$311.13
319074390	5143182	Imaging Unit - 60K	56F0Z00	\$27.36
319074404	5103951	Ultra High Yield - 25K	56F1U00	\$52.66



MX722adhe

The all new MX722dhe is an enhanced version of your office MFP. The double sized automatic document feeder cuts down on your work load. Speed those scan jobs with this incredibly fast scanner. With 70 pages a minute printing and 200-page ADF, you won't believe how quickly that job gets done.

ATS scanning/printing, schoolnet, regents, attendance and more.



- 1 Multifunction product with 7-inch (17.8 cm) class e-Task color touch screen
29.1 x 22 x 22.8 inches
739.1 x 558.8 x 578.4 mm
- 2 100-sheet multipurpose feeder
Dimensions included as part of base model
- 3 550-sheet tray
Dimensions included as part of base model
- 4 550-sheet tray
4.3 x 16.85 x 20.1 inches
110 x 428 x 510 mm
- 5 2100-sheet tray
13.8 x 16.85 x 20.1 inches
350 x 428 x 510 mm
- 6 Caster base
5 x 20.5 x 27.3 inches
126 x 521 x 693 mm
- 7 550-sheet lockable tray
4.3 x 16.85 x 20.1 inches
110 x 428 x 510 mm
- 8 Adjustable printer stand
23 x 23.5 x 23.5
584.2 x 596.9 x 596.9

 Standard
 Optional

356209116	-	Lexmark MX722dhe ATS/Library/Office/Lab Printing, Scanning, Copying, Fax, Touch Screen, Hard Drive, Duplex, Network, Ethernet Cable and 5-Year Warranty - NYCDOE DIIT APPROVED and PCS Supported	-	\$2,005.05
356209122	Free Standing	Lexmark MX722dhe Library/Office/Lab Printing, Scanning, Copying, Fax, Touch Screen, Hard Drive, Duplex, Three Extra Drawers plus Caster Base, Ethernet Cable and 5-Year Warranty - NYCDOE DIIT APPROVED and PCS Supported	-	\$2,959.80
FAMIS ID #	CDW part#	Option Description	Lexmark Part #	DOE Pricing
319074315	5268834	LEXMARK MS7/MS8/MX7 550-SHEET TRAY	50G0802	\$228.40
319074323	5268835	LEXMARK MS7/MS8/MX7 2100-SHEET TRAY	50G0804	\$384.82
319074331	5157652	LEXMARK MS7/MS8/MX7 LOCKABLE 550-SHEET TRAY	50G0822	\$230.54
319074374	5268839	LEXMARK CASTER BASE FOR MS7/MS8	50G0855	\$269.55
319074412	5157664	LEXMARK 58D0Z00 RP IMAGING UNIT	58D0Z00	\$32.83
319074439	5157670	LEXMARK ULTRA HIGH YIELD TONER (55K)	58D1U00	\$70.51



CX625ade

The Lexmark CX625ade helps boost productivity with the clarity and convenience of a 7-inch [17.8-cm] e-Task screen and enhanced accessibility features.



- 1 Multifunction product with 7-inch class/
17.8-cm e-Task color touch screen
18.2 x 17.4 x 23.9 inches
462 x 442 x 608 mm
 - 2 650-sheet duo tray
5.2 x 16.7 x 16.4 inches
133 x 424 x 416 mm
 - 3 Keyboard
1 x 11 x 5.1 inches
25 x 280 x 130 mm
 - 4 550-sheet tray
5.2 x 16.7 x 16.4 inches
133 x 424 x 416 mm
- Adjustable printer stand (not shown)
20.5 x 25.7 x 24.6 inches
521 x 653 x 625 mm
- Swivel cabinet (not shown)
10.4 x 18.7 x 23.6 inches
263 x 476 x 600 mm

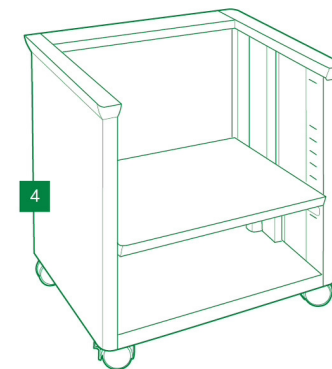
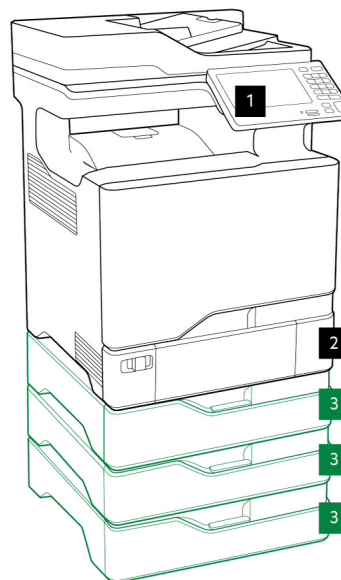
 Standard
 Optional

356209139	-	Lexmark CX625ade Color Classroom Printing, Touch Screen, Scanning, Copying, Fax, Duplex, Network, Ethernet Cable and 5-Year Warranty - NYCDOE DIIT APPROVED and PCS Supported	-	\$1,380.75
356209145	-	Lexmark CX625ade Wireless Color Classroom Touch Screen, Printing, Scanning, Copying, Fax, Duplex, Network, Ethernet Cable and 5-Year Warranty - NYCDOE DIIT APPROVED and PCS Supported	-	\$1,429.75
FAMIS ID #	CDW part#	Option Description	Lexmark Part #	DOE Pricing
319074293	5268851	LEXMARK 550-SHEET TRAY	42C7550	\$153.41
319074307	5268847	LEXMARK 650-SHEET DUO TRAY	42C7650	\$153.41
319074684	5268826	Wireless Option	27X6410	\$49.00
319074617	5217265	Black Ultra High Yield Toner Cartridge - Return Program	78C1UK0	\$18.89
319074609	5216923	Cyan Ultra High Yield Toner Cartridge - Return Program	78C1UC0	\$27.59
319074625	5216928	Magenta Ultra High Yield Toner Cartridge - Return Program	78C1UM0	\$27.59
319074633	5216931	Yellow Ultra High Yield Toner Cartridge - Return Program	78C1UY0	\$27.59
319074579	5155248	Waste Toner Bottle	78C0W00	\$11.37
319074587	5155249	Imaging Kit Black	78C0ZK0	\$84.24
319074595	5155250	Imaging Kit 4 Color	78C0ZV0	\$111.66



CX725dhe

The Lexmark CX725dhe MFP delivers high-quality color printing and reliable performance. Security controls and workflow-enhancing solutions make high-volume printing easy and secure. Perfect for library/office/lab printing, scanning, copying, fax and touch screen.



1 7-in color touch screen

2 550-sheet input with 100-sheet multi-purpose feeder

3 550-sheet tray

4 Adjustable printer stand

 Standard
 Optional

356209151	-	Lexmark CX725dhe Color Library/Office/Lab Print, Scan, Copy, Fax, Touch Screen, Hard Drive, Duplex, Network, Ethernet Cable and 5-Year Warranty - NYCDOE DIIT APPROVED and PCS Supported	-	\$2,985.58
356209168	Free Standing	Lexmark CX725dhe Color Library/Office/Lab Print, Scan, Copy, Fax, Touch Screen, Hard Drive, Duplex, Three Extra Drawers plus Caster Base, Network, Ethernet Cable and 5-Year Warranty - NYCDOE DIIT APPROVED and PCS Supported	-	\$3,905.41
FAMIS ID #	CDW part#	Option Description	Lexmark Part #	DOE Pricing
319074285	4200814	LEXMARK 550-SHEET TRAY CS720 CS/X725	40C2100	\$230.59
319074692	4200878	Adjustable Stand	40C2300	\$228.05
31907465X	4020198	LEXMARK CX725 TONER BLACK	84C1HK0	\$43.78
319074641	4011447	LEXMARK CX725 CYAN TONER	84C1HC0	\$47.47
319074668	4011453	LEXMARK CX725 MAGENTA TONER	84C1HM0	\$47.47
319074676	4011456	LEXMARK CX725 YELLOW TONER	84C1HY0	\$47.47
319074447	4124539	Waste Toner Bottle	74COW00	\$9.39
319074455	4124549	LEXMARK CS725 CX725 Black IMAGING KIT	74COZK0	\$26.75
319074463	4124743	LEXMARK CS725 CX725 CLR IMAGING KIT	74COZV0	\$89.04



New York City Department of Education

Legacy Lexmark parts, supplies and accessories

Legacy Supplies

FAMIS ID #	Lexmark Part #	Option Description	Device Type	DOE Pricing
319074757	12A7460	LEXMARK RP T630 T632 T634 TONER BLK	T630	\$103.32
319074765	12A7462	LEXMARK T63X TONER HI YLD BLK	T630	\$295.00
319074773	12A7465	LEXMARK RP T63X TONER X-HI YLD BLK	T632, T634	\$313.74
31907482X	24015SA	LEXMARK RP E240 E34X TONER BLK	E232, E332, E342	65.15
319074838	34015HA	LEXMARK RP E34X TONER HI YLD BLK	E330, E332, E340, E342	\$105.25
319075516	50F1H00	LEXMARK BLACK RET PGM TONER	MS510	\$86.25
319075524	50F1U00	LEXMARK BLACK RET PGM TONER	MS510	\$184.00
319075532	50F1X00	LEXMARK BLACK RET PGM TONER	MS510	\$172.50
319075583	52D1H00	LEXMARK 521H HIGH YIELD RET PRO	MS810	\$230.00
319075567	60F1H00	LEXMARK YIELD RET PROG TONER CART	MX410, MX511	\$138.00
319075575	60F1X00	LEXMARK 601X EXTRA HIGH YIELD RET PR	MX511	\$189.75
319075540	62D1H00	LEXMARK 621H HIGH YIELD RET PROG TON	MX711	\$201.25
319075559	62D1X00	LEXMARK 621X EXTRA HIGH YIELD RETUR	MX711	\$345.00
319074781	64015HA	LEXMARK RP T64X TONER HI YLD BLK	T640, T642, T644	\$254.67
31907479X	64015SA	LEXMARK RP T64X TONER BLK	T640, T642, T644	\$115.20
319074811	64415XA	LEXMARK RP T644 TONER X-HI YLD BLK	T644	\$278.36

FAMIS ID #	Lexmark Part #	Option Description	Device Type	DOE Pricing
319075478	70C1XC0	LEXMARK CYAN RET PGM TONER	CS510	\$92.00
319075486	70C1XK0	LEXMARK BLACK RET PGM TONER	CS510	\$86.25
319075494	70C1XM0	LEXMARK MAGENTA RET PGM TONER	CS510	\$92.00
319075508	70C1XY0	LEXMARK YELLOW RET PGM TONER	CS510	\$92.00
319075591	80C1XC0	LEXMARK 801XC CYAN EXTRA HIGH YIELD	CX510	\$92.00
319075605	80C1XK0	LEXMARK 801XK BLK EXTRA HIGH YIELD R	CX510	\$103.50
319075613	80C1XM0	LEXMARK 801XM MAG EXTRA HIGH YIELD	CX510	\$92.00
319075621	80C1XY0	LEXMARK 801XY YLW EXTRA HIGH YIELD R	CX510	\$92.00
319074846	C5240CH	LEXMARK RP C524 TONER HI YLD CYAN	C524, C532, C534	\$150.00
319074870	C5240KH	LEXMARK RP C524 TONER HI YLD BLK	C524, C532, C534	\$140.00
319074854	C5240MH	LEXMARK RP C524 TONER HI YLD MAGENTA	C524, C532, C534	\$150.00
319074862	C5240YH	LEXMARK RP C524 TONER HI YLD YELLOW	C524, C532, C534	\$150.00
319075109	C540H1CG	LEXMARK C54X X543 HI YLD TONER CYAN	C544, X544	\$57.50
319075095	C540H1KG	LEXMARK C54X X543 HI YLD TONER BLK	C544, X544	\$46.00
319075117	C540H1MG	LEXMARK C54X X543 HI YLD TONER MAG	C544, X544	\$57.50
319075125	C540H1YG	LEXMARK C54X X543 HI YLD TONER YLW	C544, X544	\$57.50

FAMIS ID #	Lexmark Part #	Option Description	Device Type	DOE Pricing
319075214	C540X71G	LEXMARK C54X BLK IMAGING KIT	c540	\$141.68
319075222	C540X74G	LEXMARK BLK/COLOR IMAGING KIT	C540	\$140.00
319075184	C544X1CG	LEXMARK C544/X544 EX HI YLD RP CYAN	C544, X544	\$103.50
319075176	C544X1KG	LEXMARK C544/X544 EXTRA HI YLD RP BK	C544, X544	\$97.75
319075192	C544X1MG	LEXMARK C544/X544 EX HI YLD RP MAG	C544, X544	\$103.50
319075206	C544X1YG	LEXMARK C544/X544 EX HI YLD RP YLW	C544, X544	\$103.50
319075338	C734A1CG	LEXMARK RET PRG TONER CART CYAN	C734, C736, X734, X736, X738	\$156.35
319075346	C734A1KG	LEXMARK RET PRG TONER CART BLACK	C734, C736, X734, X736, X738	\$126.50
31907532X	C734A1MG	LEXMARK RET PRG TONER CART MAGENTA	C734, C736, X734, X736, X738	\$156.35
319075311	C734A1YG	LEXMARK RET PRG TONER CART YELLOW	C734, C736, X734, X736, X738	\$156.35
319075303	C736H1CG	LEXMARK HI-YLD RET PRG TONER CYAN	C736, X736, X738	\$128.23
319075281	C736H1KG	LEXMARK HI-YLD RET PRG TONER BLACK	C736, X736, X738	\$103.50
319075273	C736H1MG	LEXMARK HI-YLD RET PRG TONER MAGENTA	C736, X736, X738	\$128.23
31907529X	C736H1YG	LEXMARK HI-YLD RET PRG TONER YELLOW	C736, X736, X738	\$128.23
319075397	C746H1KG	LEXMARK RP C746 C748 HY TONER BLK	C746, C748	\$88.55
319075400	C748H1CG	LEXMARK RP C748 HY TONER CYAN	C748	\$92.74
319075419	C748H1MG	LEXMARK RP C748 HY TONER MAGENTA	C748	\$92.74
319075427	C748H1YG	LEXMARK RP C748 HY TONER YLW	C748	\$ 92.74

FAMIS ID #	Lexmark Part #	Option Description	Device Type	DOE Pricing
31907501X	C780H1CG	LEXMARK RP X C78X TONER HI YLD CYAN	C780, X782, C782	\$273.62
319075001	C780H1KG	LEXMARK RP X C78X HI YLD BLK TONER	C780, X782, C782	\$145.69
319075028	C780H1MG	LEXMARK RP X C78X TONER HI YLD MAGE	C780, X782, C782	\$273.62
319075036	C780H1YG	LEXMARK RP X C78X HI YLD YLW TONER	C780, X782, C782	\$273.62
319074978	C782X1CG	LEXMARK RP X C78X XTRA HI YLD CYAN	C780, X782, C782	\$319.82
31907496X	C782X1KG	LEXMARK RP X C78X XTRA HI YLD BLK	C780, X782, C782	\$270.25
319074986	C782X1MG	LEXMARK RP X C78X HI YLD	C780, X782, C782	\$319.82
319074994	C782X1YG	LEXMARK C780N C782N XHYLD YLW CART	C780, X782, C782	\$319.82
319075052	C930H2CG	LEXMARK C935 HI YLD TONER	C935	\$378.45
319075044	C930H2KG	LEXMARK C824DN HI YLD BLK TONER	C935	\$313.31
319075060	C930H2MG	LEXMARK C935 HI YLD MAGENTA TONER	C935	\$378.45
319075079	C930H2YG	LEXMARK C935 HI YLD YELLOW TONER	C935	\$378.45
319074927	E250A11A	LEXMARK RP X25X E35X TONER BLK	E250, E350, E352	\$84.10
319075087	E260A11A	LEXMARK RP E260/E36X/346X TONER	E260, E360, E460	\$76.65
319074935	E352H11A	LEXMARK RP E35X HI YLD TONER BLK	E350, E352	\$230.00

FAMIS ID #	Lexmark Part #	Option Description	Device Type	DOE Pricing
319075133	E360H11A	LEXMARK E36X/E46X HI YLD INK CART RP	E360, E460	\$165.24
319075141	E460X11A	LEXMARK E46X EXTRA HI YLD TONER	E460	\$161.00
31907515X	T650A11A	LEXMARK T65X RETURN PROGRAM INK CART	T650, T654	\$109.22
319075168	T650H11A	LEXMARK T65X HI YLD TONER	T650, T654	\$230.00
319075265	X264H11G	LEXMARK HI-YLD RET PROG PRINT CART	X264, X363, X364	\$229.61
319074900	X340A11G	LEXMARK RP X340 X342 TONER BLK	X340, X342	\$138.00
319074919	X340H11G	LEXMARK RP X342 TONER HI YLD BLK	X342	\$140.00
319075257	X463X11G	LEXMARK EXT HI-YLD RET PROG CART	X463, X464, X466	\$161.00
319074889	X644H11A	LEXMARK RP X64X TONER HI YLD BLK	X642e, X644e, X646e	\$292.32
319074897	X644X11A	LEXMARK RP X64X TONER X HI YLD BLK	X644e, X646e	\$278.36
319075230	X651H11A	LEXMARK X65X HI YLD RP INK CART	X654, X656, X658	\$324.73
319075249	X654X11A	LEXMARK X65X EXTRA HI YLD INK CAR RP	X654, X656, X658	\$287.50
319075435	X746H1KG	LEXMARK RP X746 X748 HY TONER BLK	C746, C748	\$106.95
319075443	X748H1CG	LEXMARK RP X748 HY TONER CYAN	X748	\$115.00
319075451	X748H1MG	LEXMARK RP X748 HY TONER MAGENTA	X748	\$115.00
31907546X	X748H1YG	LEXMARK RP X748 HY TONER YLW	X748	\$115.00