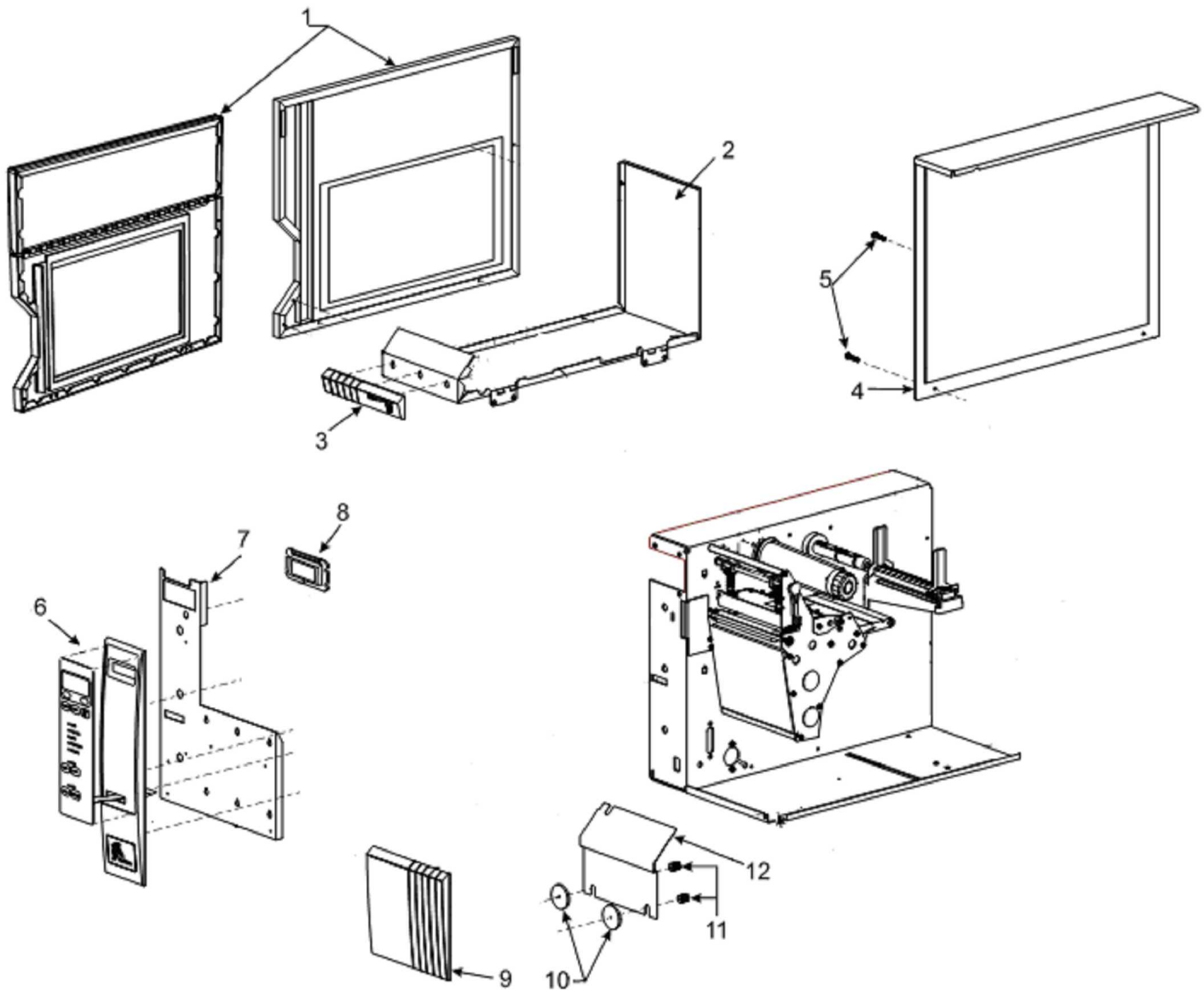


## 90Xi3Plus, 96Xi3Plus, 140Xi3Plus, 170Xi3Plus, 220Xi3Plus Parts Catalog

### Outer Casing Components



Item Number	Description	Part Number	Kit Quantity
1	090, 096, 140, 170, 220 Clear Media Door Panel	46937	1
1	090, 096, 140, 170, 220 Kit Bi-Fold Clear Media Door Panel	G47077M	1
2	090 & 096 Kit Media Cover	47721M	1
2	140 Kit Media Cover	G48721M	1
2	170 Kit Media Cover	G46721M	1
2	220 Kit Media Cover	G22721M	1
3	90XiIII Plus 300 dpi Product Name Plate	33150-1	1
3	96XiIII Plus 600 dpi Product Name Plate	33150-6	1
3	140XiIII Plus 203 dpi Product Name Plate	33310-8	1
3	170XiIII Plus 203 dpi Product Name Plate	33310-4	1



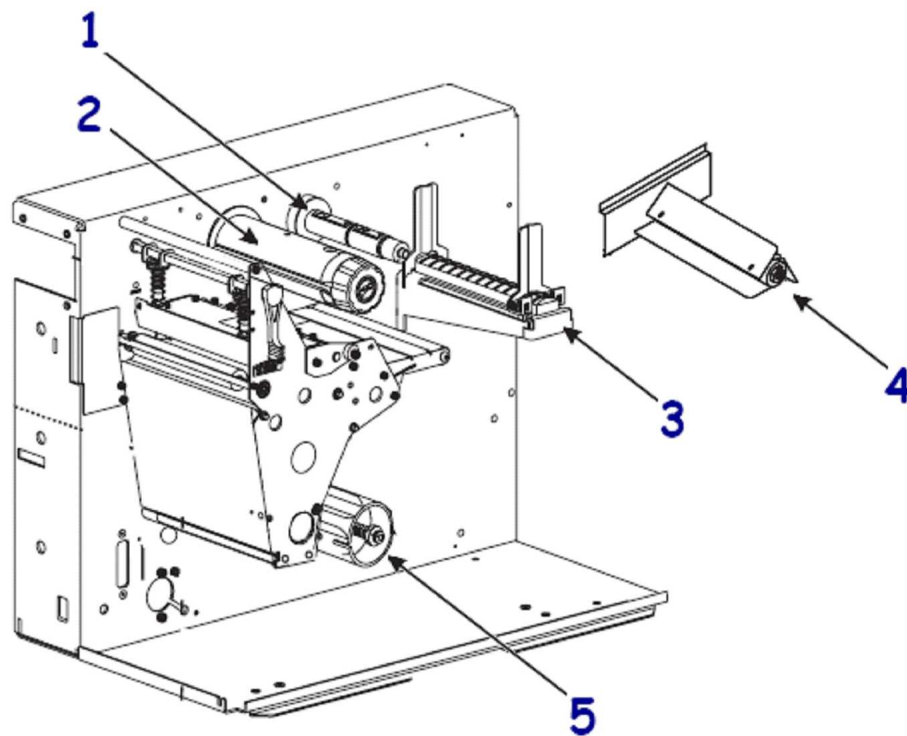
## 90Xi3Plus, 96Xi3Plus, 140Xi3Plus, 170Xi3Plus, 220Xi3Plus Parts Catalog

### Outer Casing Components

Item Number	Description	Part Number	Kit Quantity
3	170Xi3 Plus 300 dpi Product Name Plate	33310-5	1
3	220Xi3 Plus 203 dpi Product Name Plate	33310-6	1
3	220Xi3 Plus 300 dpi Product Name Plate	33310-7	1
4	090, 096, 140, 170, 220 Kit Electronics Cover	G32036M	1
5	Screw 6-32 0.37, Qty of 100	HW32413-006	100
6	090, 096, 140, 170, 220 Kit Switch Panel and Membrane	G22492M	1
7	090 & 096 Front Cover	33036-1	1
7	140 Front Cover	33036-2	1
7	170 Front Cover	33036-3	1
7	220 Front Cover	33036-4	1
8	090, 096, 140, 170, 220 Kit Maint LCD	G32043M	1
9	090 & 096 Lower Media Trim Panel	46491-3	1
9	140 Lower Media Trim Panel	46491-2	1
9	170 Lower Media Trim Panel	46491-1	1
9	220 Lower Media Trim Panel	22491	1
10	090 & 096 Spacer	46836	1
11	Thumb Nut 6-32 x .50 Brass, Qty of 25	HW01815	25
12	090 & 096 Front Cover Bracket	47342	1
12	140 Front Cover Bracket	48342	1
12	170 Cover Front Bracket	38342	1
12	220 Front Cover Bracket	22342	1
Not Shown	220Xi3 Media Door Damper Assembly	G22304M	1

## 90Xi3Plus, 96Xi3Plus, 140Xi3Plus, 170Xi3Plus, 220Xi3Plus Parts Catalog

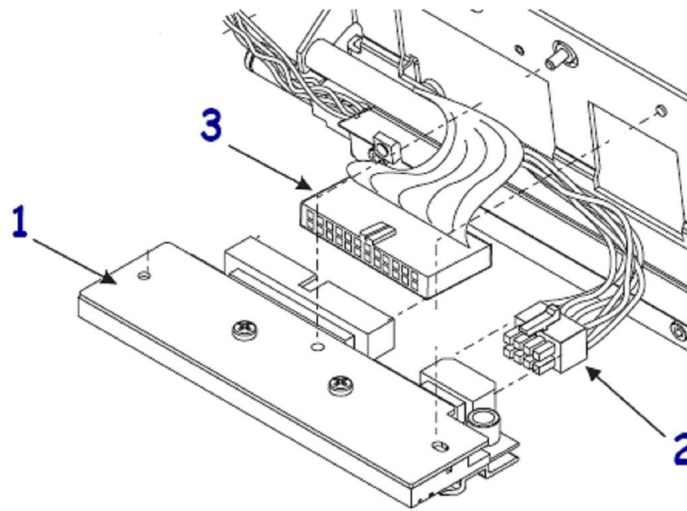
### Ribbon and Media Spindles



Item Number	Description	Part Number	Kit Quantity
1	090 & 096 Ribbon Supply Spindle Assembly	47151M	1
1	140 Ribbon Supply Spindle Assembly	G48151M	1
1	170 Ribbon Supply Spindle Assembly	G46151M	1
1	220 Ribbon Supply Spindle Assembly	G22151M	1
2	090 & 096 Kit Ribbon Take Up Spindle	47250	1
2	140 Kit Ribbon Take Up Spindle	G48250	1
2	170 Kit Ribbon Take Up Spindle	G46350	1
2	220 Kit Ribbon Take Up Spindle	G22250	1
3	090 Kit Media Supply Hanger	47153M	1
3	140 Kit Media Supply Hanger	G48153-4M	1
3	170 Kit Media Supply Hanger	G46153M	1
3	220 Kit Media Supply Hanger	G22153M	1
4	090 & 096 Media Supply Spindle 3 inch ID Media Core	47253M	1
4	090 & 096 Media Supply Spindle 40mm ID Media Core	47044M	1
4	140 Media Supply Spindle 3 inch ID Media Core	G48253M	1
4	140 Media Supply Spindle 40mm ID Media Core	G48044M	1
4	170 Media Supply Spindle 3 inch ID Media Core	G46253M	1
4	170 Media Supply Spindle 40mm ID Media Core	G46044M	1
4	220 Media Supply Spindle 3 inch ID Media Core	G22253M	1
5	090 & 096 Media Rewind Spindle Maintenance Kit	47155M	1
5	140 Media Rewind Spindle Maintenance Kit	G48155M	1
5	170 Media Rewind Spindle Maintenance Kit	G46249M	1
5	220 Media Rewind Spindle Maintenance Kit	G22155M	1

## 90Xi3Plus, 96Xi3Plus, 140Xi3Plus, 170Xi3Plus, 220Xi3Plus Parts Catalog

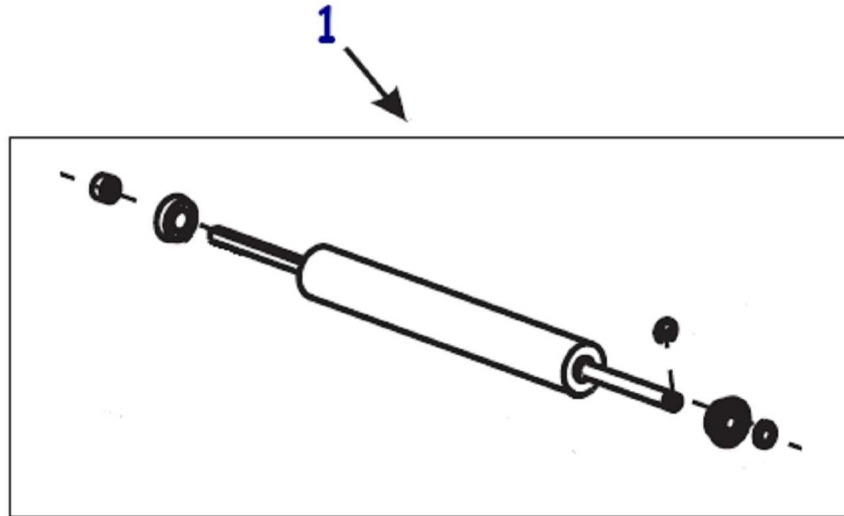
### Printhead Components



Item Number	Description	Part Number	Kit Quantity
1	090 Printhead 90XiIIIPlus 300 dpi	47000M	1
1	096 Printhead 96XiIIIPlus 600 dpi	G47500M	1
1	140 Printhead 140XiIIIPlus 203 dpi	G48000M	1
1	170 Printhead 170XiIIIPlus 203 dpi	G38000M	1
1	170 Printhead 170XiIIIPlus 300 dpi	46500-1M	1
1	220 Printhead 220XiIIIPlus 203 dpi	G22000M	1
1	220 Printhead 220XiIIIPlus 300 dpi	G47426M	1
2	090 & 096 Printhead Power Cable	37823	1
2	140 Printhead Power Cable	37852-021	1
2	170 Printhead Power Cable	37852-023	1
2	220 Printhead Power Cable (220Xi3+ printers use two different power cables...one of each type is required)	37825-020	1
2	220 Printhead Power Cable (220Xi3+ printers use two different power cables...one of each type is required)	37825-025	1
3	090 Printhead Data Cable	33027	1
3	096, 140, 170 Printhead Data Cable	37884	1
3	220 Printhead Data Cable	37826	1

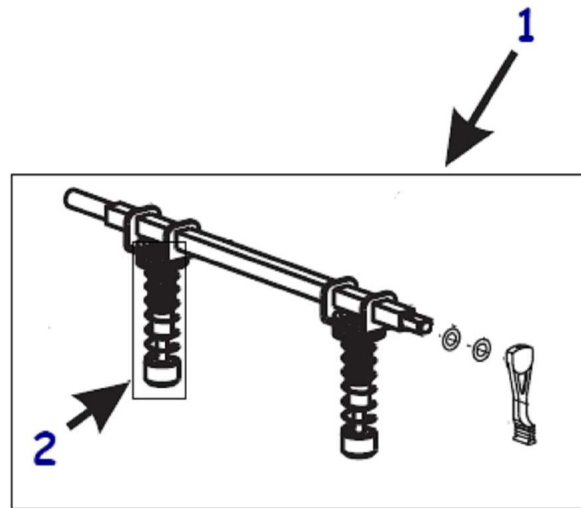
## 90Xi3Plus, 96Xi3Plus, 140Xi3Plus, 170Xi3Plus, 220Xi3Plus Parts Catalog

### Platen Rollers



Item Number	Description	Part Number	Kit Quantity
1	090, 096 Kit Platen Roller	47601M	1
1	140 Kit Platen Roller	G40038M	1
1	170 Kit Platen Roller	G46278M	1
1	220 Kit Platen Roller	G22101M	1

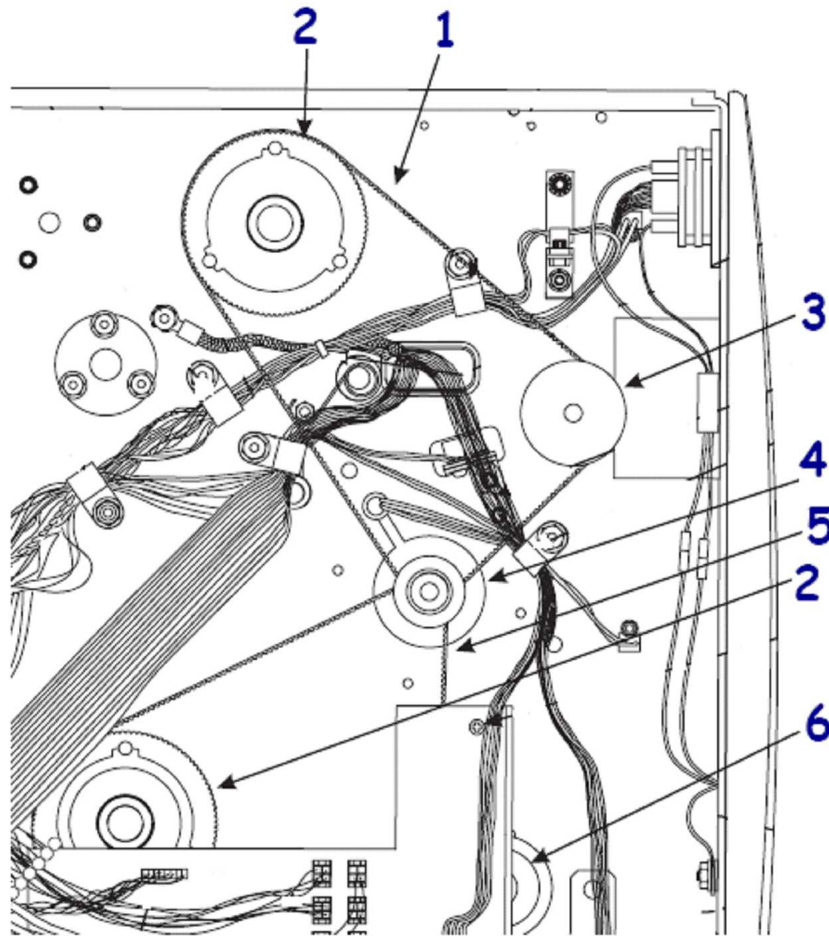
### Pivot bar



Item Number	Description	Part Number	Kit Quantity
1	090 & 096 Kit Pivot Bar (includes toggle assemblies)	47202M	1
1	140 Kit Pivot Bar (includes toggle assemblies)	G48202M	1
1	170 Kit Pivot Bar (includes toggle assemblies)	38202M	1
1	220 Kit Pivot Bar (includes toggle assemblies)	G22222M	1
2	090, 096, 140, 170, 220 Kit Toggle Assembly Only (Qty of 1)	35099M	1

## 90Xi3Plus, 96Xi3Plus, 140Xi3Plus, 170Xi3Plus, 220Xi3Plus Parts Catalog

### Drive System Components

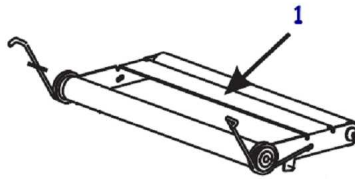


Item Number	Description	Part Number	Kit Quantity
1	090 (300 dpi), 140 (203 dpi), 170 (203 & 300 dpi), 220 (203 dpi only) Main Drive Belt	45189-5	1
1	220 300 dpi Main Drive Belt	45189-21	1
1	096 600 dpi Main Drive Belt	45189-12	1
2	090, 140, 170, 220 Kit Pulley for Ribbon Take Up and Media Take Up	31336M	1
2	096 Kit Pulley for Ribbon Take Up and Media Take Up	G33094-6M	1
3	090, 140, 170, 220 Kit Platen Pulley	40355M	1
3	096 Kit Platen Pulley	G33079-6M	1
4	140, 170 Kit DC Stepper Motor and Pulley 203 dpi	G46198M	1
4	220 Kit DC Stepper Motor and Pulley 203 dpi	31197M	1
4	090, 170 Kit DC Stepper Motor and Pulley 300 dpi	G46199M	1
4	220 Kit Stepper Motor and Pulley 300dpi	G31199M	1
4	096 Kit Stepper Motor and Pulley 600 dpi	G33084M	1
5	090, 140, 170, 220 Media Rewind Belt	45189-2	1
5	096 Media Rewind Belt 600 DPI	45189-13	1
6	090, 140, 170, 220 Kit Peel Roller Pulley	30914M	1
6	096 Kit Peel Roller Pulley	G47915M	1
Not Shown	090, 096, 140, 170 Rewind Idler Pulley	30265	1
Not Shown	090, 096, 140, 170 Shaft for Rewind Idler Pulley	30207	1
Not Shown	220 Idler Pulley for Main Drive Belt and Rewind Belt	22265	1
Not Shown	220 Shaft for Idler Pulley	22207	1



## 90Xi3Plus, 96Xi3Plus, 140Xi3Plus, 170Xi3Plus, 220Xi3Plus Parts Catalog

### Dancer

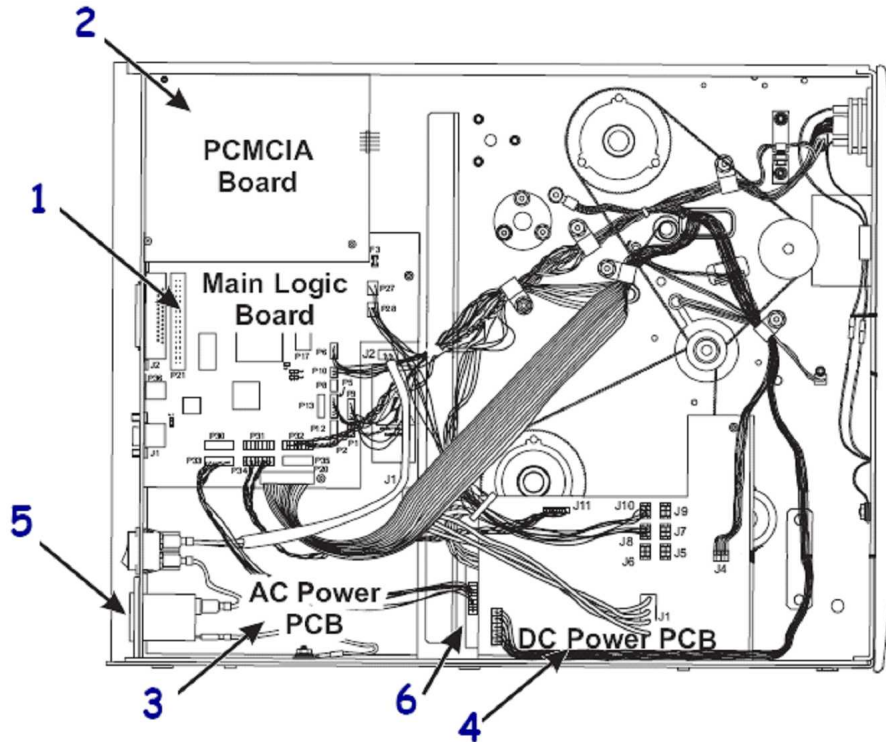


Item Number	Description	Part Number	Kit Quantity
1	090, 096 Kit Dancer Assy	46691-1M	1
1	140 Kit Dancer Assy	46691-2M	1
1	170 Kit Dancer Assy	46691-3M	1
1	220 Kit Dancer Assy	22391M	1



## 90Xi3Plus, 96Xi3Plus, 140Xi3Plus, 170Xi3Plus, 220Xi3Plus Parts Catalog

### Electronic Components

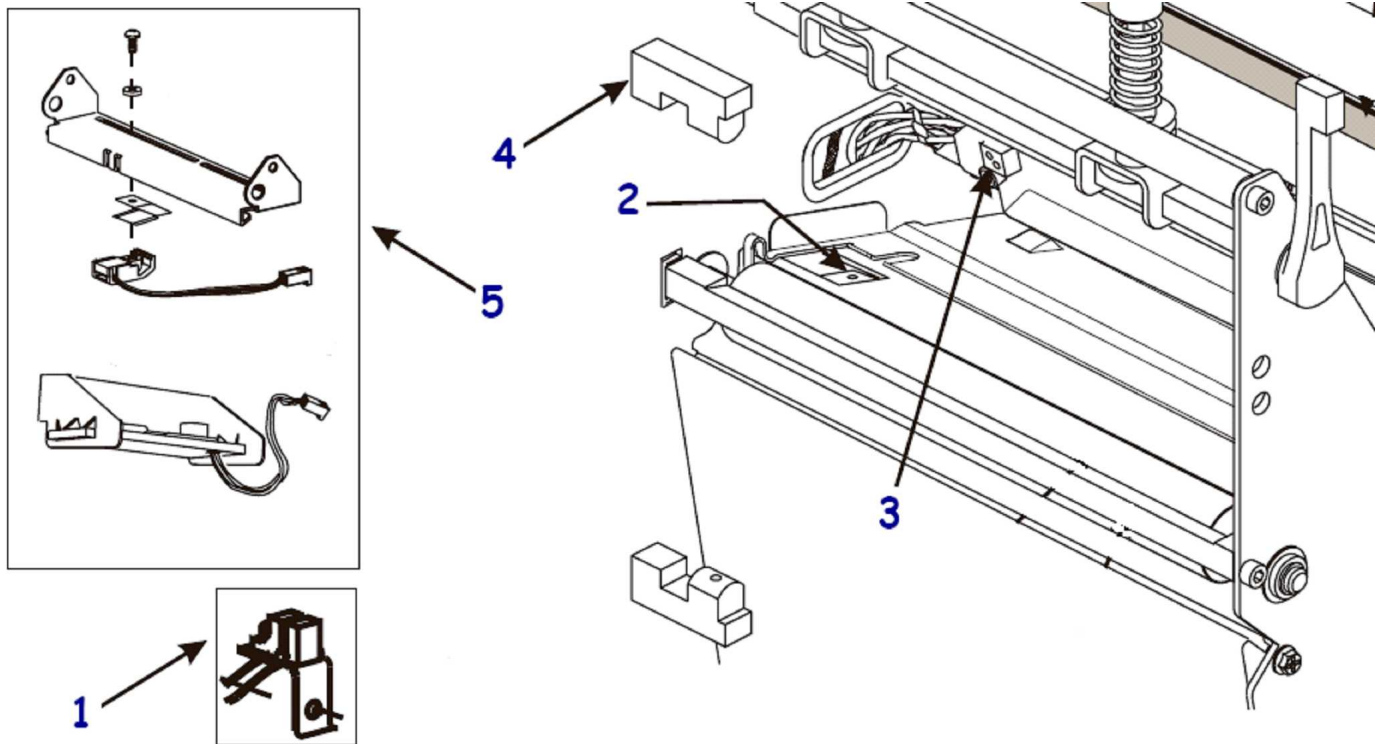


Item Number	Description	Part Number	Kit Quantity
1	090, 096, 140, 170, 220 Kit Main Logic Board XiIII Plus 4MB	34901-030M	1
1	090, 096, 140, 170, 220 Kit Main Logic Board XiIII Plus 64MB	34901-032M	1
2	090, 096, 140, 170, 220 Kit Maint PCMCIA Board Assy	G33037M	1
3	090, 096, 140, 170, 220 Kit AC Power Supply	49566M	1
4	090, 096, 140, 170, 220 Kit DC Power Supply	G49790M	1
5	090, 096, 140, 170, 220 Power Entry Module w/Fuse and Ground Wire	37866	1
6	090, 096, 140, 170, 220 Kit PCB Cutter	G49730M	1
	140, 170, 220 Kit Internal Wireless Plus 802.11 b/g Radio. For use in the U.S., Canada, EU, Australia, New Zealand	29652-002M	1
	140, 170, 220 Kit Antenna Replacement for the Internal Wireless Plus Radio	39538M	1
	140, 170, 220 Kit Internal ZebraNet Printserver 10/100 (Ethernet port)	G47480	1
	140, 170, 220 Kit Internal ZebraNet Printserver 10Base-T (Ethernet port)	G46689	1
	140, 170, 220 IBM Twinax Upgrade Kit	G48924	1
	140, 170, 220 IBM Coax Upgrade Kit	G48925	1
	140, 170, 220 Kit Wireless Plus Board. In order to achieve wireless function, a separate radio card must be purchased (not included).	29651-002M	1



## 90Xi3Plus, 96Xi3Plus, 140Xi3Plus, 170Xi3Plus, 220Xi3Plus Parts Catalog

### Sensors

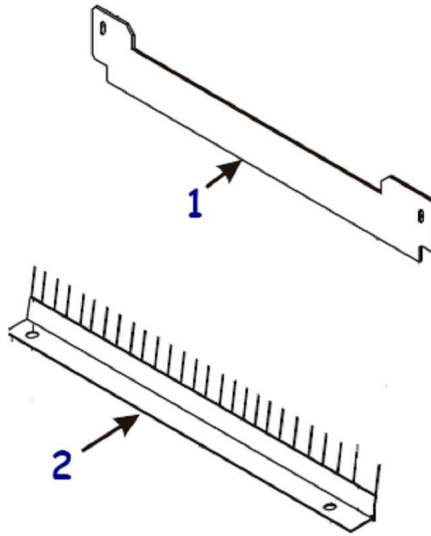


Item Number	Description	Part Number	Kit Quantity
1	090, 096, 140, 170, 220 Kit Head Open Sensor	G22613M	1
2	090, 096, 140, 170, 220 Kit Reflective Media (Black Mark) Sensor	G38226M	1
3	090, 096, 140, 170, 220 Kit Ribbon Sensor	G46665M	1
4	090, 096, 140, 170, 220 Kit Take Label Sensor (Upper and Lower)	G46609-4M	1
5	090, 096 Kit Media Sensor Assembly (Upper and Lower)	47302-4M	1
5	140 Kit Media Sensor Assembly (Upper and Lower)	G48302-4M	1
5	170 Kit Media Sensor Assembly (Upper and Lower)	G46302-4M	1
5	220 Kit Media Sensor Assembly (Upper and Lower)	G22302M	1
	090, 096, 140, 170, 220 Kit Flag for Head Open Sensor	G46352M	1
	090, 096, 140, 170, 220 Kit Cutter Sensor	G46618M	1



## 90Xi3Plus, 96Xi3Plus, 140Xi3Plus, 170Xi3Plus, 220Xi3Plus Parts Catalog

### Ribbon Strip Plates & Ribbon Static Brushes

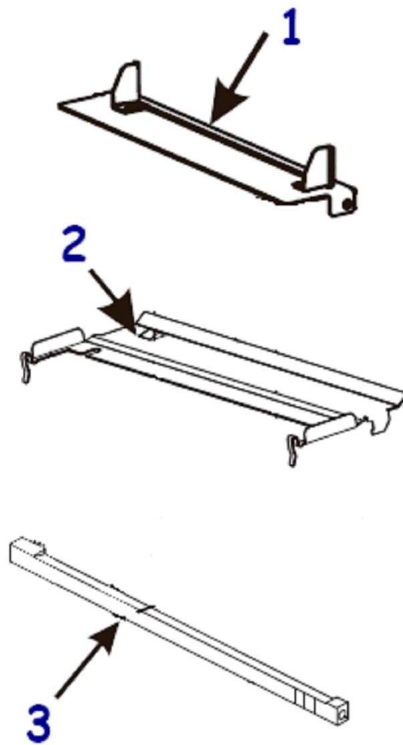


Item Number	Description	Part Number	Kit Quantity
1	090 & 096 Ribbon Strip Plate	47017	1
1	140 Ribbon Strip Plate	48017	1
1	170 Ribbon Strip Plate	46017	1
1	220 Ribbon Strip Plate	22017	1
2	090 & 096 Ribbon Static Brush	47099	1
2	140 Ribbon Static Brush	31899	1
2	170 Ribbon Static Brush	46173	1
2	220 Ribbon Static Brush	22191	1



## 90Xi3Plus, 96Xi3Plus, 140Xi3Plus, 170Xi3Plus, 220Xi3Plus Parts Catalog

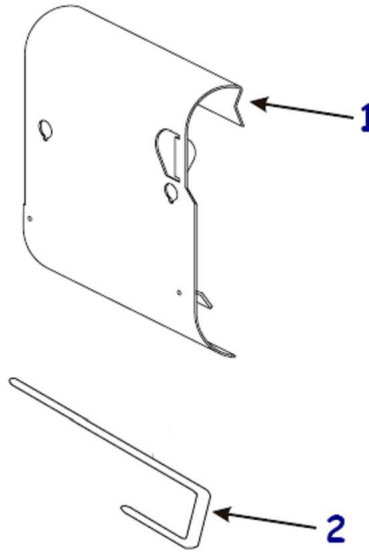
### Media Guides - Media Guide Plates -Tear Bars



Item Number	Description	Part Number	Kit Quantity
1	090 Kit Media Guide	30305M	1
1	140 Kit Media Guide	G40305RM	1
1	170 Kit Media Guide	G46305M	1
1	220 Kit Media Guide	G22305M	1
2	090 & 096 Upper Media Guide Plate	48076	1
2	170 Upper Media Guide Plate	48043-1	1
2	140 Upper Media Guide Plate	48043-2	1
2	220 Upper Media Guide Plate	48043-4	1
3	090 & 096 Peel/Tear-Off Bar	47808	1
3	140 Peel/Tear Bar	32415	1
3	170 Bar Peel / Tear Off	78225	1
3	220 Peel/Tear-Off Bar	33851	1

## 90Xi3Plus, 96Xi3Plus, 140Xi3Plus, 170Xi3Plus, 220Xi3Plus Parts Catalog

### Media Rewind Components



Item Number	Description	Part Number	Kit Quantity
	090 Media Rewind Upgrade Kit (enables rewind and peel-off option)	47355	1
	096 Media Rewind Upgrade Kit (enables rewind and peel-off option)	47355-6	1
	140 Media Rewind Upgrade Kit (enables rewind and peel-off option)	G48355	1
	170 Media Rewind Upgrade Kit (enables rewind and peel-off option)	G46355	1
	220 Media Rewind Upgrade Kit (enables rewind and peel-off option)	G22455	1
1	090, 096 Kit Media Rewind Plate	47383M	1
1	140 Kit Media Rewind Plate	G48383M	1
1	170 Kit Media Rewind Plate	G46383M	1
1	220 Kit Media Rewind Plate	G22383M	1
1	090, 096 Kit Media Rewind Plate to be used with Cutter Option	30382RM	1
1	140 Kit Media Rewind Plate to be used with Cutter Option	G40382RM	1
1	170 Kit Media Rewind Plate to be used with Cutter Option	G46382M	1
1	220 Kit Media Rewind Plate to be used with Cutter Option	G22382M	1
	090 & 096 Kit Rewind Platen Roller (same as main platen roller)	47601M	1
	140 Kit Rewind Platen Roller (same as main platen roller)	G40038M	1
	170 Kit Rewind Platen Roller (same as main platen roller)	G46278M	1
	220 Kit Rewind Platen Roller (same as main platen roller)	G22101M	1
2	090 & 096 J-Hook Media Rewind	47062-3	1
2	140 J-Hook Media Rewind	47062-2	1
2	170 J-Hook Media Rewind	47062-1	1
2	220 J-Hook Media Rewind	47062-4	1



## 90Xi3Plus, 96Xi3Plus, 140Xi3Plus, 170Xi3Plus, 220Xi3Plus Parts Catalog

### Cutter Components

Item Number	Description	Part Number	Kit Quantity
	090 Kit Cutter Option Includes Catch Tray	47353	1
	140 Kit Cutter Option Includes Catch Tray	G48353	1
	170 Kit Cutter Option Includes Catch Tray	G46353	1
	220 Kit Cutter Option Includes Catch Tray	G22453	1
	090 Kit Cutter & Rewind Option Combined includes Cutter Catch Tray	47154	1
	140 Kit Cutter & Rewind Option Combined includes Cutter Catch Tray	G48154	1
	170 Cutter & Rewind Option Combined includes Cutter Catch Tray	G46154	1
	220 Cutter & Rewind Option Combined includes Cutter Catch Tray	G22454	1
	090, 096, 140, 170, 220 Kit Cutter Motor Maintenance	G30374M	1
	090, 096, 140, 170, 220 Kit Cutter Upper Drive Arm	46280M	1
	090, 096, 140, 170, 220 Kit Cutter Main Link	G30378M	1
	090, 096, 140, 170, 220 Kit Cutter Slotted Link	G30379M	1
	090, 096, 140, 170, 220 Kit Cutter Lower Drive Arm	G40380M	1
	090, 096 Cutter Static Brush 4.50 x .50	30320	1
	140 Cutter Static Brush 6.50 x .50	40320	1
	170 Cutter Static Brush 8.50 x .50	46320	1
	220 Cutter Static Brush 10.47 x .50	22320	1
	090 Cutter Catch Tray	47459	1
	140 Cutter Catch Tray	G48459	1
	170 Cutter Catch Tray	46459	1
	220 Cutter Catch Tray	G22459	1
	090, 096, 140, 170, 220 Kit Cutter Sensor	G46618M	1
	090, 096, 140, 170, 220 Kit Maint PCB Cutter	G49730M	1

### Packing Materials for Printer Shipping

Item Number	Description	Part Number	Kit Quantity
	090 & 096 Kit Packing Material	47311PM	1
	090 & 096 Kit Packing Materials Qty of 10	47311PBM	10
	140 Kit Packing Material	G48311PM	1
	140 Kit Packing Materials Qty of 10	G48311PBM	10
	170 Kit Packing Material	46311PM	1
	170 Kit Packing Materials Qty of 10	G46311PBM	10
	220 Kit Packing Material	22311PM	1
	220 Kit Packing Materials Qty of 10	G22311PBM	10



## 90Xi3Plus, 96Xi3Plus, 140Xi3Plus, 170Xi3Plus, 220Xi3Plus Parts Catalog

### Hardware

Item Number	Description	Part Number	Kit Quantity
	Cable Clamp 0.312 dia, Qty. of 25	HW01117	25
	Cable Clamp 0.500 dia, Qty of 25	HW06222	25
	Nut 6-32, Qty of 25	HW33809	25
	Nut 4-40 R S Zn Hx Elwash, Qty of 25	HW33823	25
	Crescent Ring Ext .250 Yel, Qty of 100	HW33810	100
	Screw 4-40 x .31, Qty of 25	HW78802	25
	Screw M4 x .7 x 5 Pn Ph Blk, Qty of 25	HW33826	25
	Bearing .500 x .252 x .250, Qty of 10	HW30198	10
	Bearing .375 x .189 x .125, Qty of 25	HW30199	25
	Washer Flt .564 x .384 x .060, Qty of 10	HW33806	10
	Screw 4-40 x .25 Tr Ph S, Qty of 25	HW32332	25
	Stop Head Lift Spring, Qty of 10	HW30266	10
	Washer .32 x .119 x .062 Neo Bl, Qty of 25	HW30494	25
	Plug Hole, Qty of 25	HW30826	25
	Washer Flt .207 x .146 x .030, Qty of 10	HW30956	10
	Nut Expansion 8/10, Qty of 25	HW40462	25
	Washer .50 x .25 x .031, Qty of 25	HW43974	25
	Rubber Grommet 1.25 x .62 x .105, Qty of 10	HW46091	10
	Hole Plug, Qty of 25	HW46267	25
	Scrw 10-32 .312 Cp So H Bo, Qty of 25	HW30394-005	25
	Screw 1/4 x 20 x .38 Bu So H Bo, Qty of 25	HW30405-006	25
	Screw 4-40 x .375, Qty of 25	HW30406-006	25
	Screw 6-32 x 0.5, Qty of 25	HW30407-008	25
	Screw 6-32 0.37, Qty of 100	HW32413-006	100
	Screw 6-32 x .750, Qty of 25	HW32413-012	25
	Screw 4-40 3/16, Qty of 100	HW46882-003	100
	FUSE 5.00 SB 250V 3A, Qty of 25	HW49616-5.0	25
	Screw M4 x .7 x 10, Qty of 100	HWQ10011	100
	Ring E Ext .250, Qty of 100	HWQ10019	100
	Screw 6-32 x .37 Ex Ph H B, Qty of 25	HW32404	25
	Screw 4-40 x .25 Pn Ph S B, Qty of 25	HW01882	25
	Screw, 6-32 .125, Qty of 25	HW33828	25
	Screw, 8-32 .250, Qty of 25	HW33812-004	25
	Plate Washer, Qty of 10	HW32352	10
	Cvd Washer .344 x .172 x .006, Qty of 25	HW40194	25
	Head Open Flag, set of 50	HW46352	50