

ModuSYS™

LED Conversion Kit for General Lighting



The ModuSYS is a highly efficient LED conversion kit for general lighting—2x2 troffer applications. This fully integrated solution is available in two lumen packages with associated color temperatures and is 0-10V with a dimming range of 10-100%. The ModuSYS is easily installed through the use of four captive screws.

Application Information

Applications

- General Lighting - 2x2

Key Features & Benefits

- Fully integrated high efficacy solution offering up to 110 LPW
- 0-10Vdc dimming range of 10-100%
- Integrated driver allows direct connection to 120 - 277VAC
- Easy installation with 4 captive screws
- Long Life: up to 50,000 hours (L₇₀) minimizing maintenance frequency
- 7 year warranty*

*based on 16 hrs a day

Product Offering

Item	CCT	Lumens	LPW 120/277V	Wattage 120/277V
ModuSYS - 2x2 Kit System	3000K	4050	109/106	37.3/38.2
	3250K	4050	109/106	37.3/38.2
	3500K	4050	109/106	37.3/38.2
	4000K	4100	110/107	37.3/38.2

Specifications and Certifications



The ModuSYS LED Conversion Kit is UL1598C Classified in the US and Canada Class 2 Unit. (UL File # E350359)



Meets FCC 47 Part 15 Class A



Specification Data

Catalog #	Type
Project	
Comments	
Prepared by	

Ordering Information

Item Number	Ordering Abbreviation	Color Temperature	Lumens (lm)	Wattage 120/277V	mA	LPW 120/277V	Voltage	Case Qty.
73919	ModuSYS-2x2-KIT-830	3000K	4050	37.3/38.2	140	109/106	UNV	1
73708	ModuSYS-2x2-KIT-832	3250K	4050	37.3/38.2	140	109/106	UNV	1
73920	ModuSYS-2x2-KIT-835	3500K	4050	37.3/38.2	140	109/106	UNV	1
73921	ModuSYS-2x2-KIT-840	4000K	4100	37.3/38.2	140	110/107	UNV	1

Ordering Guide

ModuSYS	-	2x2	-	KIT	-	8	30
Family Name		Form Factor		Retrofit Kit		CRI >80	Color Temperature
							30 = 3000K
							32 = 3250K
							35 = 3500K
							40 = 4000K

Minimum and Maximum Ratings

Parameter	Values
Maximum Tc temperature	-20° to 85°C at the Tc point (on the LED Driver)
Maximum storage temperature	-30° to 85°C Storage

Note:

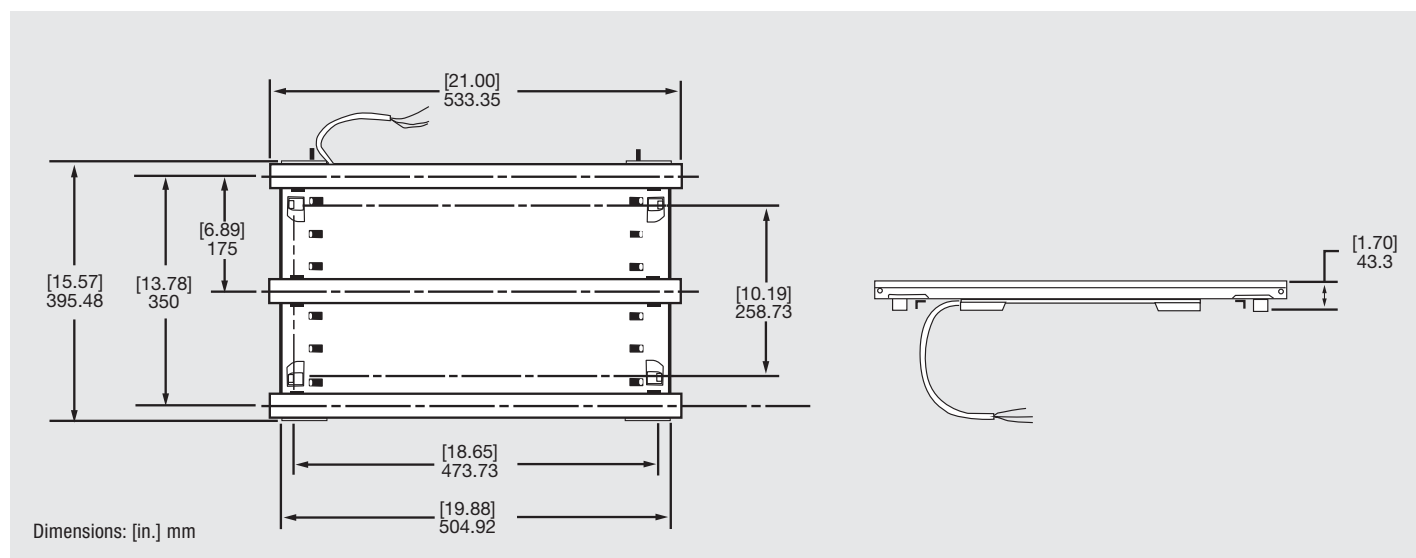
- Exceeding maximum ratings may damage the LED light engine and cause potential safety hazards
- Elevated operating temperatures can be expected to negatively impact the service life in terms of lumen output
- Incorrect wiring may damage the ModuSYS Kit

Dimmer Compatibility

Manufacturer	Part Number
OSRAM	45561 – LC-SL3W-TVWBX/UNV
ENCELIUM EMS	EN-LCM-1R10V-GB2-BK
ENCELIUM EMS	EN-LCM-1R10V-GB2-BK/DR
ENCELIUM EMS	EN-ALC-1R10V-GB2-BK
ENCELIUM EMS	EN-ALC-1R10V-GB2-BK-DR
Leviton	IP710-DLX
Lutron	DVTV-XX
Wattstopper	ADF-120277
Synergy Lighting Controls	ISD BB

Note: The absence of a dimmer from this chart does not necessarily imply incompatibility.

Assembly Diagram



Safety Information

WARNING: ONLY QUALIFIED PERSONNEL SHOULD PERFORM INSTALLATION.

TO AVOID ELECTRICAL SHOCK OR COMPONENT DAMAGE, DISCONNECT POWER BEFORE ATTEMPTING INSTALLATION OF THE POWER SUPPLIES AND/OR MODULES.

Failure to install the power supplies and/or LED modules in accordance with the National Electric Code (NEC), all applicable Federal, State and local electric codes as well as the specific Underwriter's Laboratories (UL) safety standards for the installation, location and application may cause serious personal injury, death, property damage and/or product malfunction.

1. Risk of fire or electric shock. Retrofit kit installation requires knowledge of fluorescent lighting luminaires electrical systems. If not qualified, do not attempt installation. Contact a qualified electrician.
2. Risk of fire or electric shock. Install this kit only in the luminaires that have the construction features and dimensions recommended.
3. To prevent wiring damage or abrasion, do not expose wiring to edges of sheet metal or other sharp objects.
4. Do not make or alter any open holes in an enclosure of wiring or electrical components during kit installation.

INSTALLATION OF THIS LED RETROFIT KIT ASSEMBLY REQUIRES A PERSON FAMILIAR WITH THE CONSTRUCTION AND OPERATION OF LIGHTING FIXTURES, ELECTRICAL SYSTEMS AND THE HAZARD INVOLVED. Please refer to the complete Installation Guide provided with each kit or download online at www.sylvania.com

OSRAM

Americas Headquarters

OSRAM SYLVANIA Inc.

200 Ballardvale Street

Wilmington, MA 01887 USA

Phone 1-800-LIGHTBULB (1-800-544-4828)

www.osram-americas.com

OSRAM and LED CREATING TOMORROW are registered trademarks of OSRAM GmbH.
ModuSYS is a trademark of OSRAM GmbH.
Specifications subject to change without notice.

