



# CorePro Plastic LEDbulbs

## CorePro LEDbulb ND 10.5-75W A60 E27 830

The CorePro LED bulb is the perfect bulb for your basic lighting needs. It provides beautiful light and dependable performance you expect from LED at an affordable price. CorePro LEDbulbs are compatible with existing fixtures with an E27 or B22 holder and are designed for retrofit replacement of incandescent bulbs. They deliver huge energy savings of 80% and provides excellent quality of light. By offering a lifetime of 15,000 hours it reduces maintenance costs.

### Product data

General Information		LLMF At End Of Nominal Lifetime (Nom)	
Cap-Base	E27	70 %	
Nominal lifetime	15,000 hour(s)	Operating and Electrical	
Switching Cycle	50,000	Line Frequency	50 to 60 Hz
Lighting Technology	LED	Input Frequency	50 to 60 Hz
Flux measurement reference	Sphere	Power Consumption	10.5 W
CE mark	Yes	Lamp Current (Nom)	95 mA
EU RoHS compliant	Yes	Wattage Equivalent	75 W
Light Technical		Starting Time (Nom)	0.5 s
Color Code	830 [CCT of 3000K]	Warm-up time to 60% light	0.5 s
Beam Angle (Nom)	200 degree(s)	Power Factor (Fraction)	0.5
Luminous Flux	1,055 lm	Voltage (Nom)	220-240 V
Color Designation	White (WH)	Temperature	
Correlated Color Temperature (Nom)	3000 K	T-Case Maximum (Nom)	80 °C
Luminous Efficacy (rated) (Nom)	100.00 lm/W	Controls and Dimming	
Color Consistency	<6	Dimmable	No
Color rendering index (CRI)	80		

# CorePro Plastic LEDbulbs

## Mechanical and Housing

Bulb Finish	Frosted
Bulb Shape	A60

## Approval and Application

Energy Efficiency Class	F
Energy Consumption kWh/1000 h	11 kWh
EPREL Registration Number	397619
EyeComfort	Yes

## Product Data

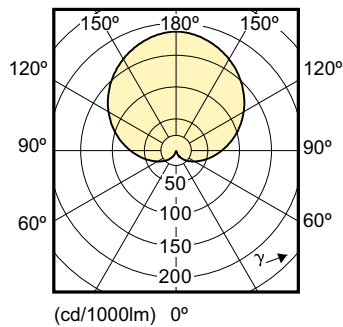
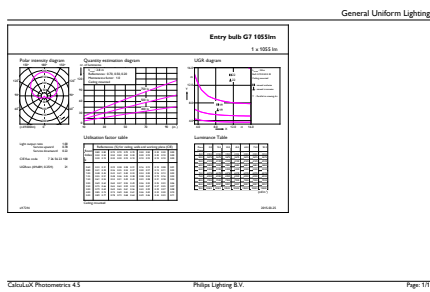
Order product name	CorePro LEDbulb ND 10.5-75W A60 E27 830
--------------------	---

Full product name	CorePro LEDbulb ND 10.5-75W A60 E27 830
Full product code	871869649752400
Order code	929001162332
Material Nr. (12NC)	929001162332
Numerator - Quantity Per Pack	1
EAN/UPC - Product/Case	8718696497524
Numerator - Packs per outer box	10
EAN/UPC - Case	8718696497531

## Dimensional drawing

Product	D	C
CorePro LEDbulb ND 10.5-75W A60 E27 830	60 mm	110 mm

## Photometric data

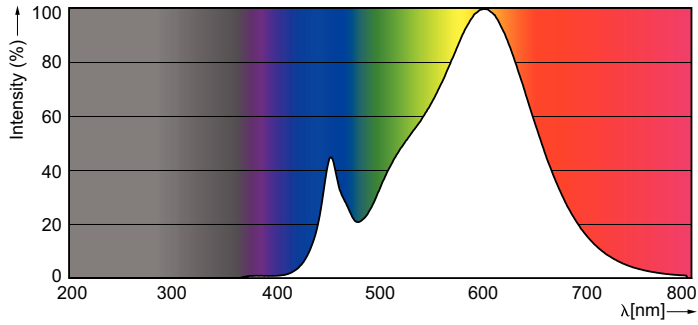


General uniform lighting - CorePro LEDbulb ND 10.5-75W A60 E27 830

Light Distribution Diagram - CorePro LEDbulb ND 10.5-75W A60 E27 830

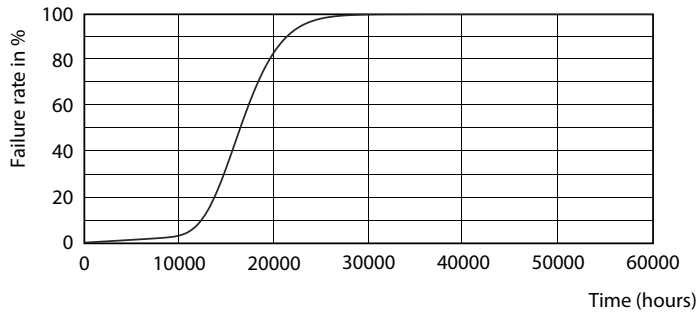
# CorePro Plastic LEDbulbs

## Photometric data

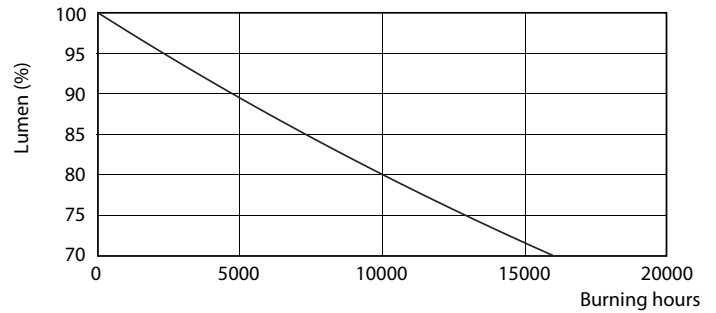


Spectral Power Distribution Colour - CorePro LEDbulb ND 10.5-75W A60 E27 830

## Lifetime



Life Expectancy Diagram - CorePro LEDbulb ND 10.5-75W A60 E27 830



Lumen Maintenance Diagram - CorePro LEDbulb ND 10.5-75W A60 E27 830

